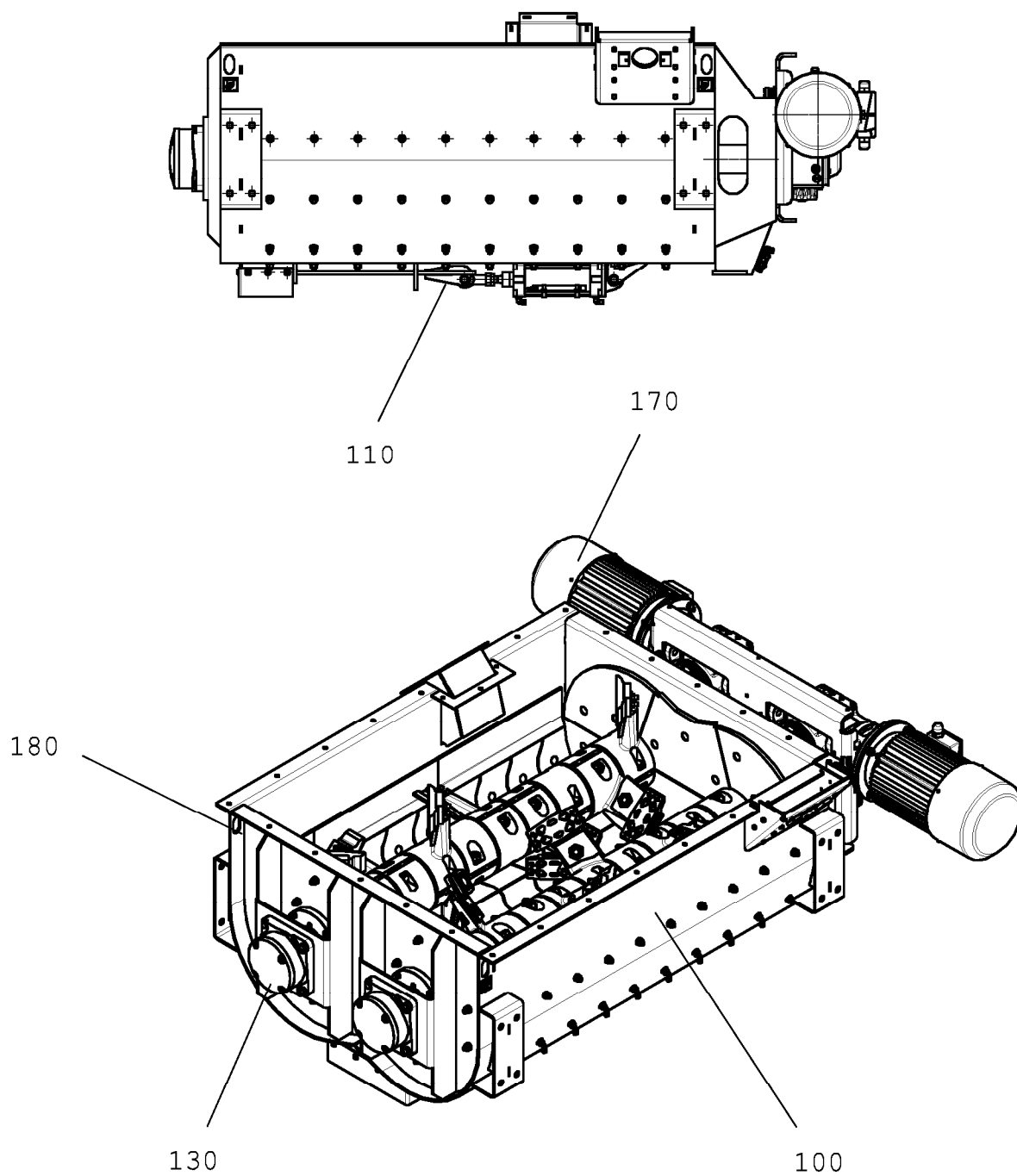


Mischer AMIX-1.125-ACR
Mixer
Malaxeur

10782760 -



AMIX-1.125-ACR

Mischer AMIX-1.125-ACR(AF-S-MX02130C-003)

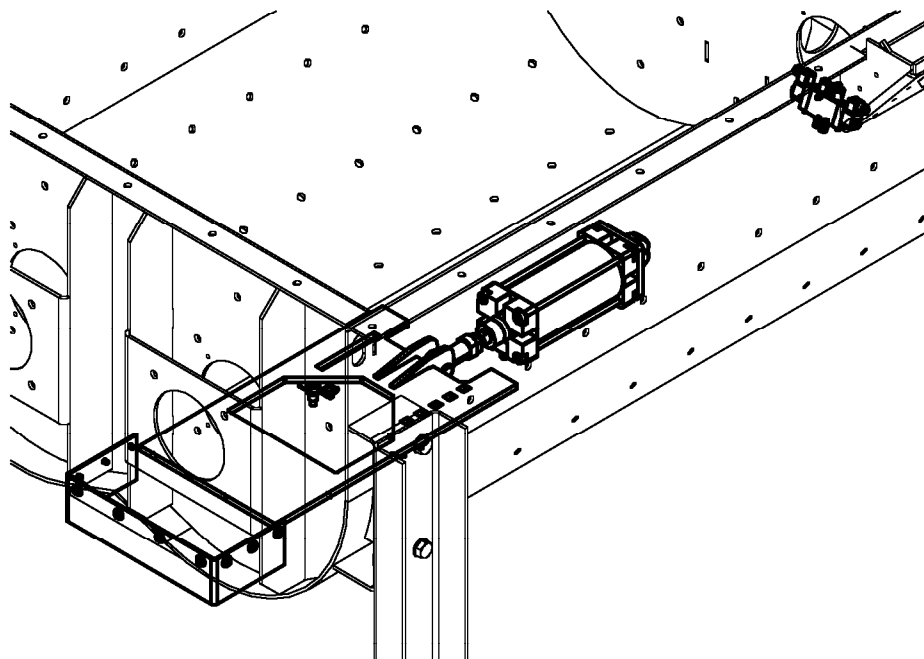
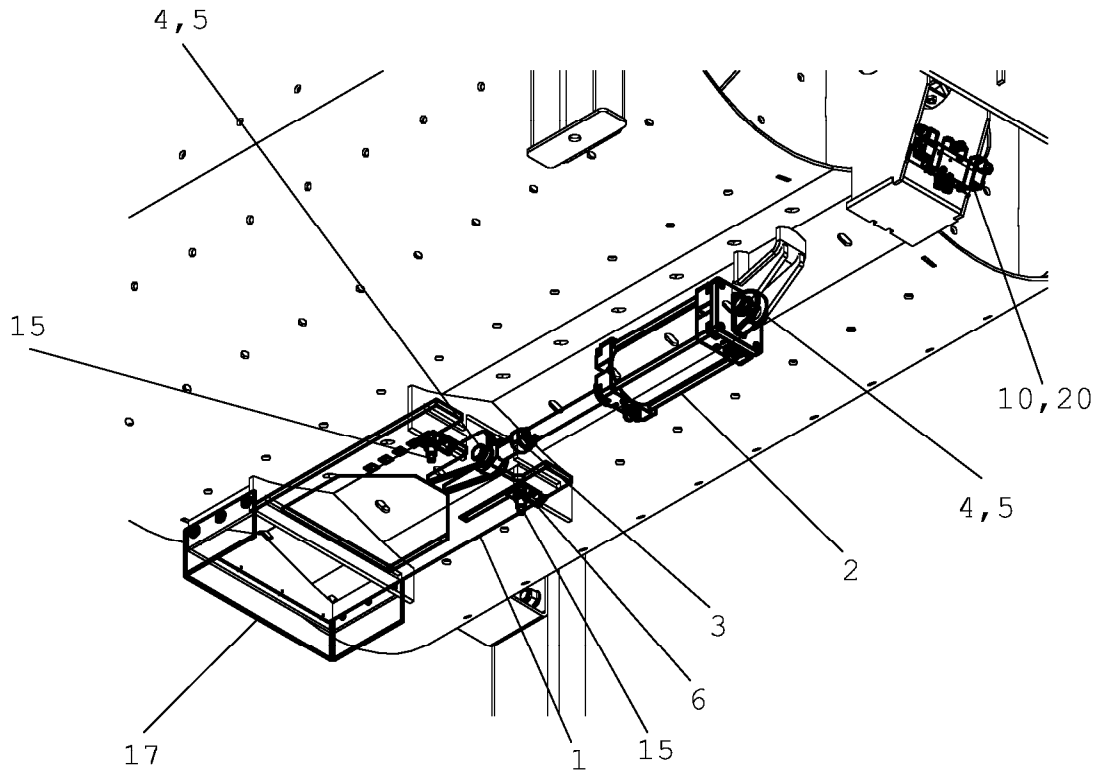
Mixer AMIX-1.125-ACR

Malaxeur AMIX-1.125-ACR

Pos	Bezeichnung	Nr.	Menge	Seite
Pos	Object	No.	Quan.	Page
0100	Mischertrog Mixer pan Cuve de malaxage	1256866	1ST	
0110	Schieber Slide valve Soupape à tiroir	1256867	1ST	3
0130	Mischerwelle Mixer shaft Arbre du malaxeur	1256888	1ST	7
0170	Antrieb Drive Entraînement	1299268	1ST	9
0180	Handschmierung Manual lubrication Graissage à main	1254856	1ST	11

Schieber AMIX1_1.25CA
Slide valve
Soupape à tiroir

10656580 -



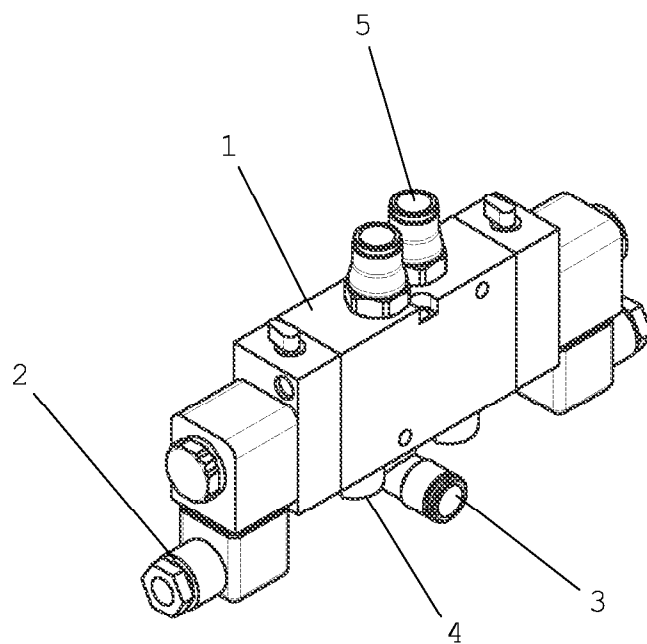
AMIX-1.125-ACR

Schieber(1256867)
Slide valve
Soupape à tiroir

Pos	Bezeichnung	Nr.	Menge	Seite
Pos	Object	No.	Quan.	Page
0001	Schieber Slide valve Soupape à tiroir	1223617	1ST	
0002	Pneumatikzylinder Pneumatic cylinder Vérin pneumatique	1232333	1ST	(i)
0003	Gelenkkopf Joint head Embout à rotule	H0141581	1ST	
0004	Bolzen mit Nuten Safety bolt Goujon de sécurité	J406810R10	2ST	
0005	Sicherungsring Circlip Circlip	J903522	4ST	
0006	Halter Holder Support de caisson	1300761	2ST	
0010	Magnetventil Solenoid valve Vanne magnétique	1223635	1ST	5
0015	Sensor Sensor Déecteur	1300714	1ST	(i)
0017	Verschleissgummi Abrasion rubber Protection d'usure en caoutchouc	1225529	1ST	
0020	Pneumatikschlauch Pneumatic hose Conduite souple pneumatique	J926213	2.20M	

Magnetventil
Solenoid
Vanne

10470021 -



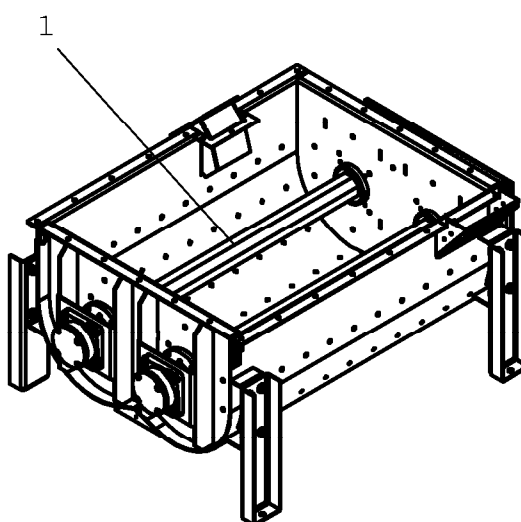
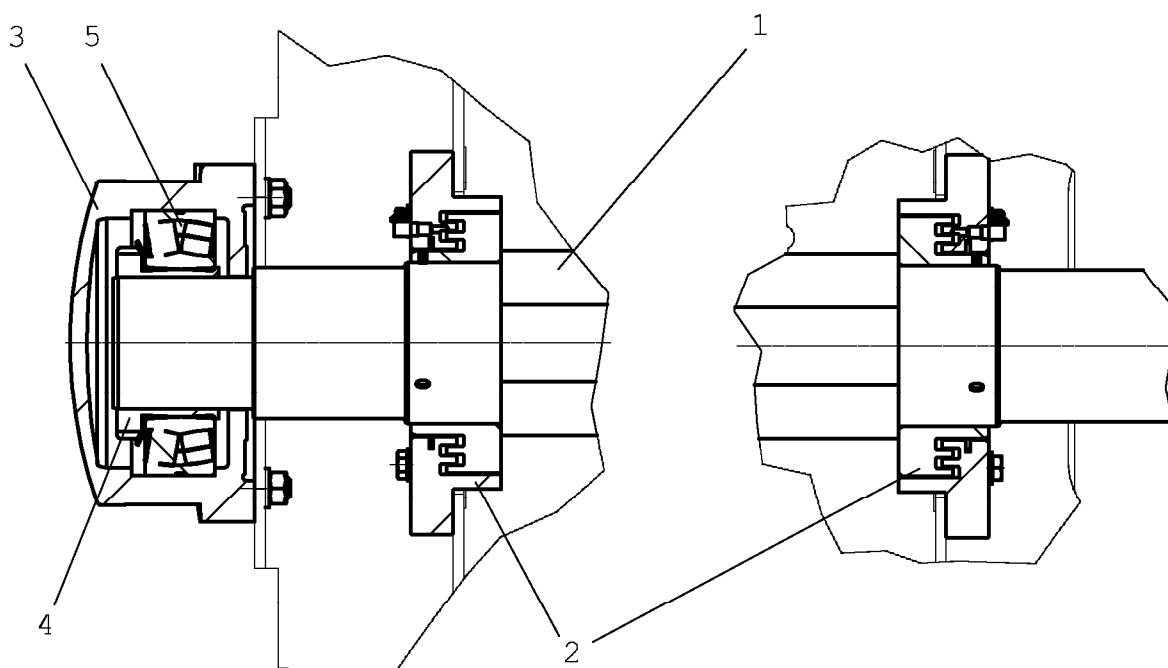
AMIX-1.125-ACR

Magnetventil(1223635)
Solenoid valve
Vanne magnétique

Pos	Bezeichnung	Nr.	Menge	Seite
Pos	Object	No.	Quan.	Page
0001	Magnetventil Solenoid valve Vanne magnétique	1182881	1ST	(i)
0002	Winkelkabeldose Angle cable box Boîte de cable angulaire	1019378	2ST	
0003	L-Steckverschraubung L male connection Raccord enfichable en L	J926456	1ST	
0004	Abluftdrossel Exhaust air throttle Restricteur d'air d'échappement	J493926	2ST	
0005	Steckverschraubung Push-on connector Raccord à enficher	J926206	2ST	

Mischerwelle Montage AMIX-1.125-AC
Mixer shaft
Arbre du malaxeur

10626383 -



AMIX-1.125-ACR

Mischerwelle(1256888)

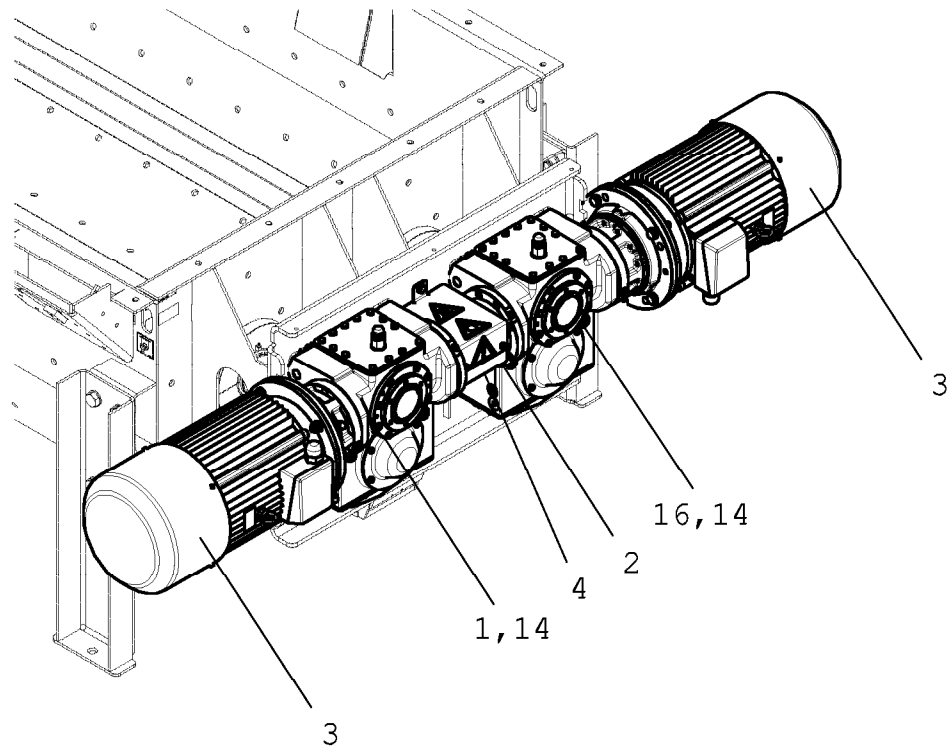
Mixer shaft

Arbre du malaxeur

Pos	Bezeichnung	Nr.	Menge	Seite
Pos	Object	No.	Quan.	Page
0001	Mischerwelle Mixer shaft Arbre du malaxeur	1392566	2ST	
0002	Dichtung Gasket Joint d'étanchéité	1222497	4ST	
0003	Flanschlagergehäuse Flange bearing housing Boîte de roulement	1222669	2ST	
0004	Spannhülse Tension sleeve Douille de serrage	H0053091	2ST	
0005	Pendelrollenlager Spherical roller bearing Roulement à rouleaux articulé	H0053085	2ST	

Antrieb AMIX-1.125-CA komplett 60Hz
Drive
Entraînement

10782851 -



AMIX-1.125-ACR

Antrieb(1299268)

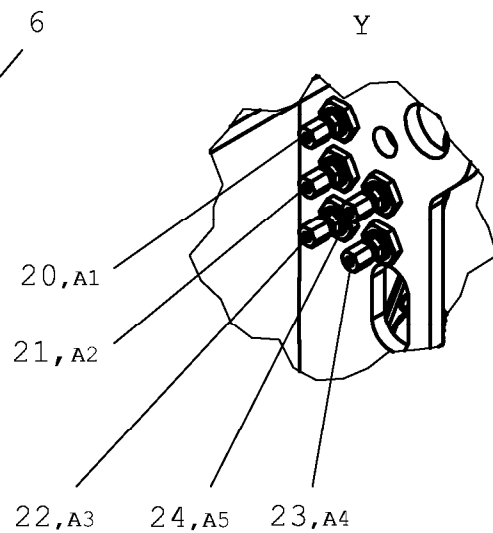
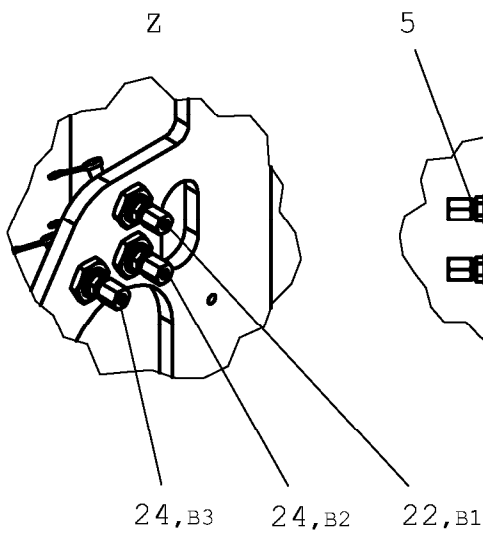
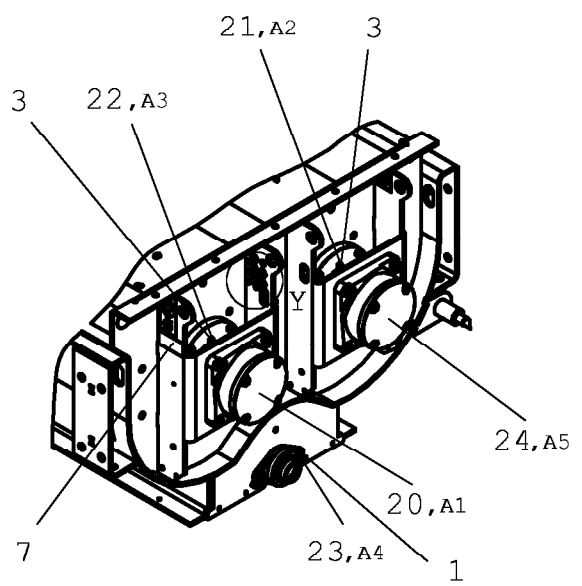
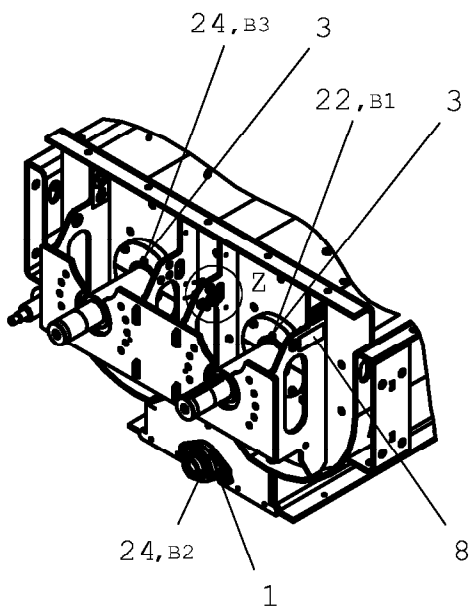
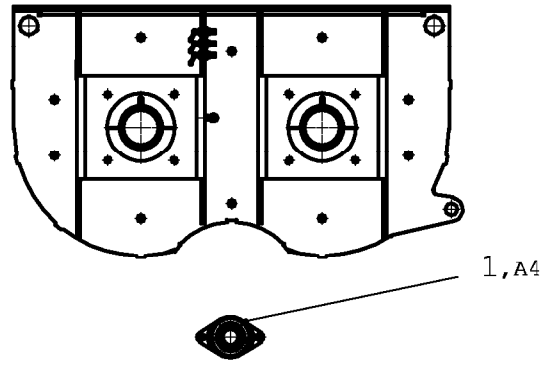
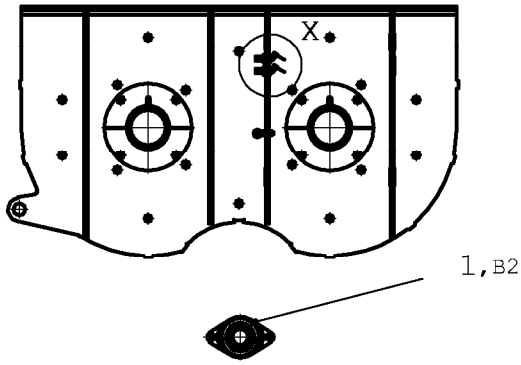
Drive

Entraînement

Pos	Bezeichnung	Nr.	Menge	Seite
Pos	Object	No.	Quan.	Page
0001	Getriebe Gear Engrenage	1391349	1ST	
0002	Kupplung Clutch Embrayage	1284403	1ST	
0003	Elektromotor Electric motor Moteur électrique	1289450	2ST	(i)
0004	Abdeckung Cover Couvercle	1392703	1ST	
0014	Getriebeöl Gear oil Huile à engrenages	1072243	3ST	
0016	Getriebe Gear Engrenage	1391352	1ST	

Handschmierung AMIX-1.XX
 Manual lubrication
 Graissage à main

10624203 -



AMIX-1.125-ACR

Handschmierung(1254856)

Manual lubrication

Graissage à main

Pos	Bezeichnung	Nr.	Menge	Seite
Pos	Object	No.	Quan.	Page
0001	Kegelschmiernippel Conical greasing nipple Graisseur conique	J906504	2ST	
0002	Kegelschmiernippel Conical greasing nipple Graisseur conique	J906510	8ST	
0003	Kegelschmiernippel Conical greasing nipple Graisseur conique	J906514	4ST	
0004	Schottverschraubung Bulkhead coupling Raccord Schott	J949092-1/4	8ST	
0005	Verschraubung Screwed connection Raccord vissé	J901683	8ST	
0006	Schutzkappe Protective cap Capot de protection	J906610	8ST	
0007	Schild Plate Enseigne	1167357	1ST	
0008	Schild Plate Enseigne	1167356	1ST	
0013	Hochtemperaturfett High-temperature grease Graisse pour températures élevées	J920265	3KG	
0020	Schlauch Hose Tuyau	1028671	1ST	
0021	Schlauch Hose Tuyau	1048411	1ST	
0022	Schlauch Hose Tuyau	1048653	2ST	

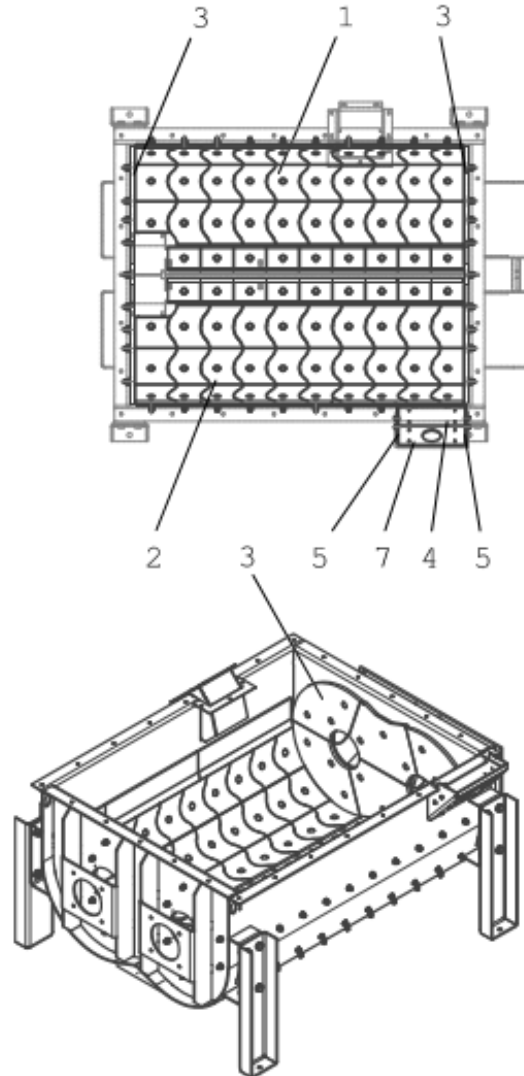
AMIX-1.125-ACR

Handschmierung(1254856)
Manual lubrication
Graissage à main

Pos	Bezeichnung	Nr.	Menge	Seite
Pos	Object	No.	Quan.	Page
0023	Schlauch Hose Tuyau	1192279	1ST	
0024	Schlauch Hose Tuyau	1048410	3ST	

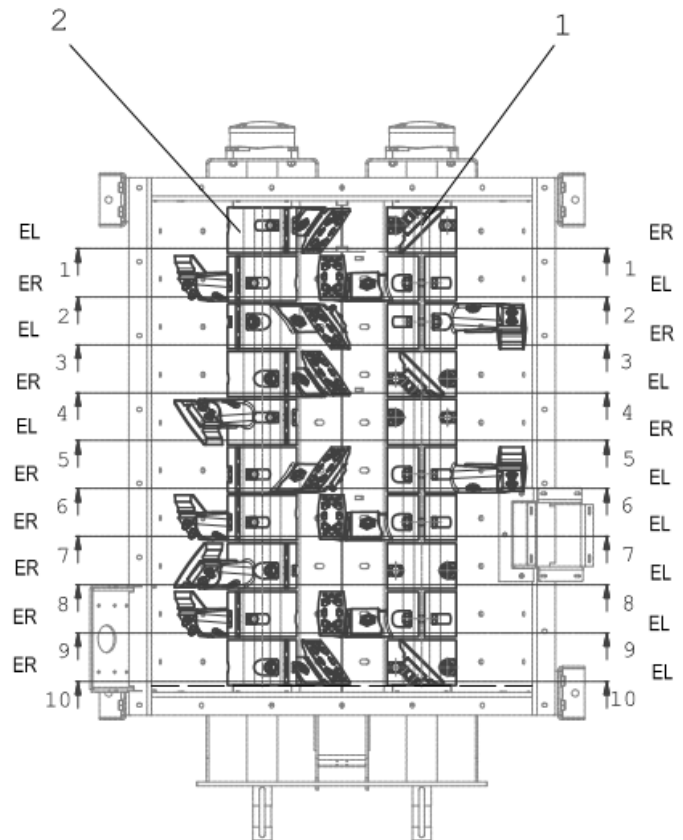
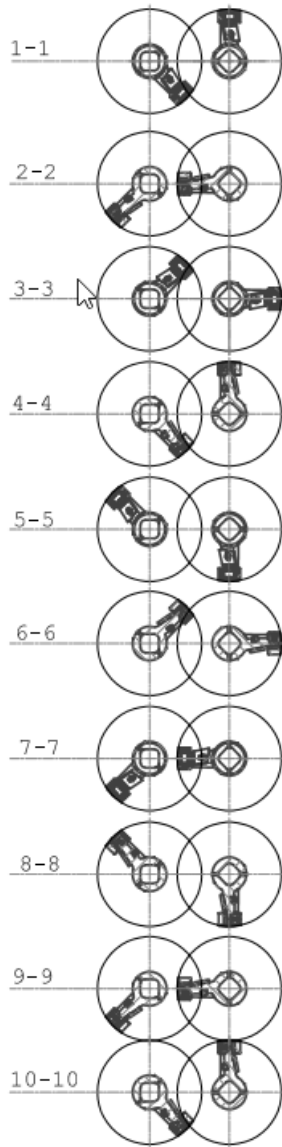
Zulieferunterlagen

1289450	Elektromotor Electric motor Moteur électrique
1182881	Magnetventil Solenoid valve Vanne magnétique
1232333	Pneumatikzylinder Pneumatic cylinder Vérin pneumatique
1300714	Sensor Sensor Déecteur



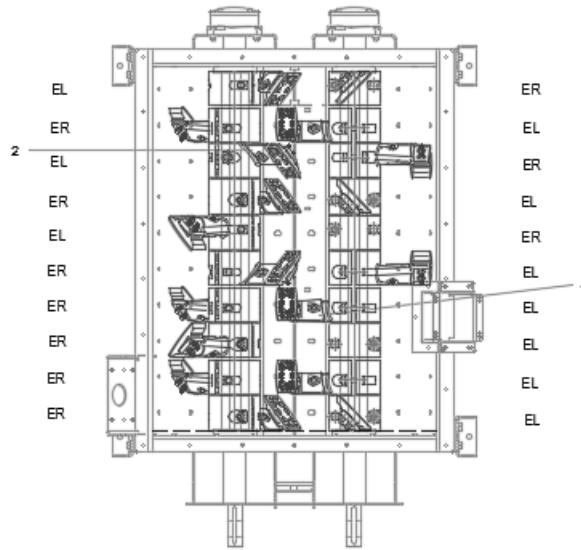
Pos	Component	Nr.	Quan.
0001	Proteção Protection	1256757	1 ST
0002	Proteção Protection	1256756	1 ST
0003	Proteção Protection	1256722	2 ST
0004	Chapa de desgaste Wearing plate	1257087	1 ST
0005	Chapa de desgaste zu Mischer	1223896	2 ST
0006	Parafuso Screw	J901772	12 ST
0007	Chapa de desgaste Wearing plate	1257088	1 ST

AMIX-1.125-ACR

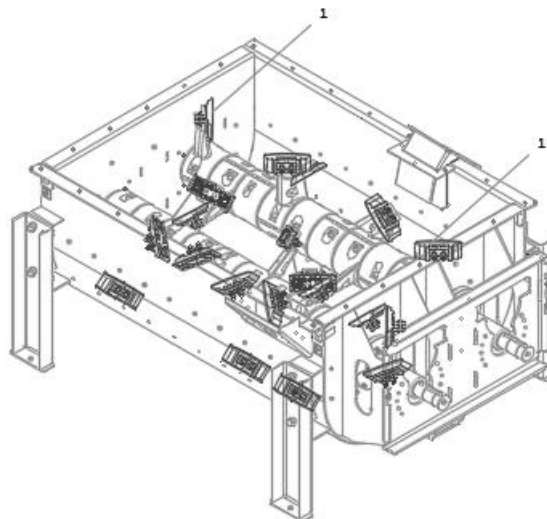


Pos	Component	Nr.	Quan.
0001	Braço Arm	1156854	10 ST
0002	Braço Arm	1156869	10 ST

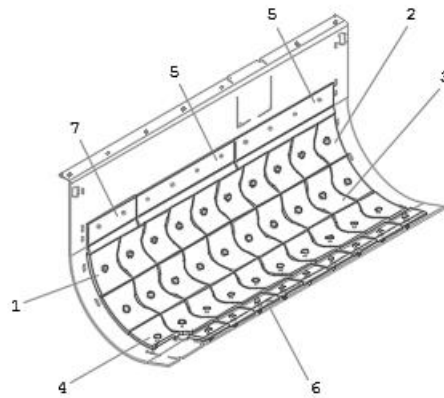
AMIX-1.125-ACR



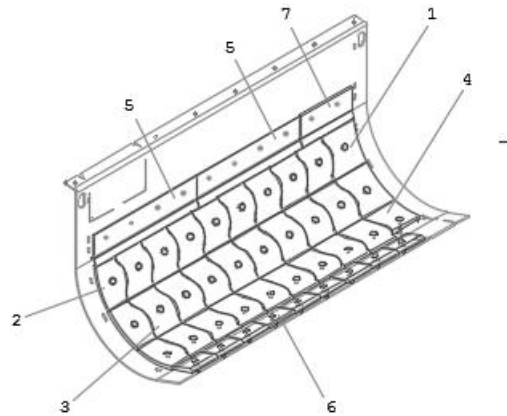
Pos	Component	Nr.	Quan.
0001	Braço Arm	1156020	10 ST
0002	Braço Arm	1156018	10 ST



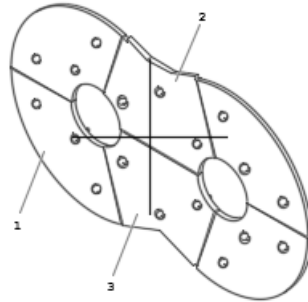
Pos	Component	Nr.	Quan.
0001	Palheta Paddle	1156793	20 ST



Pos	Component	Nr.	Quan.
0001	Proteção contra desgaste Wear protection	1155964	2 ST
0002	Proteção contra desgaste Wear protection	1155983	3 ST
0003	Proteção contra desgaste Wear protection	1155984	24 ST
0004	Proteção contra desgaste Wear protection längs	1222648	1 ST
0005	Proteção superior Wear protection	1155960	2 ST
0006	Proteção contra desgaste Wear protection	1156000	9 ST
0007	Proteção contra desgaste Wear protection	1256755	1 ST



Pos	Component	Nr.	Quan
0001	Proteção contra desgaste Wear protection	1155964	2 ST
0002	Proteção contra desgaste Wear protection	1155983	3 ST
0003	Proteção contra desgaste Wear protection	1155984	24 ST
0004	Proteção contra desgaste Wear protection	1222742	1 ST
0005	Proteção superior Wear protection	1155960	2 ST
0006	Proteção contra desgaste Wear protection	1156000	9 ST
0007	Proteção contra desgaste Wear protection	1256755	1 ST



Pos	Component	Nr.	Quan.
0001	Proteção Wear protection	1155887	4 ST
0002	Proteção Wear protection	1222746	1 ST
0003	Proteção Wear protection	1155896	1 ST