

Tablero De Instrumentos  
Instrument Panel  
Painel De Instrumentos

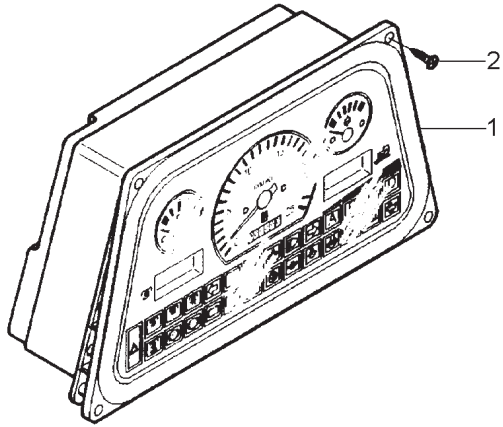
80-5

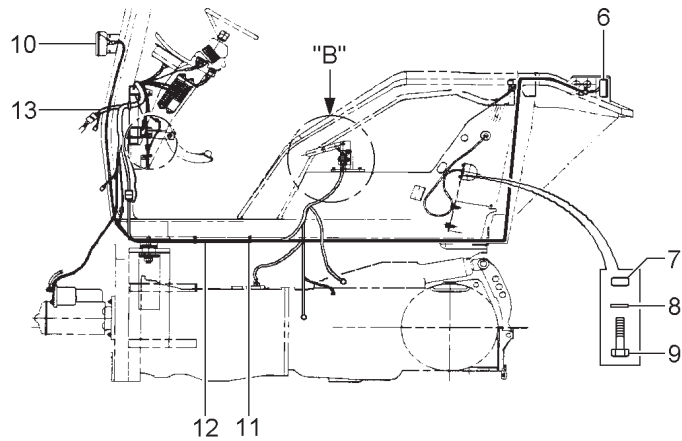
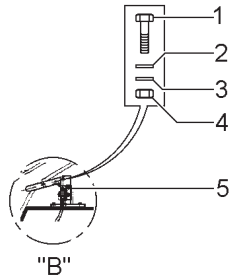
- 1 060021T1
- 2 3010791X1

- 1 PANEL
- 4 PERNO

- PANEL
- BOLT

- PAINEL
- PARAFUSO





- 1 2802251M1
- 2 353445X1
- 3 353753X1
- 4 354120X1
- 5 3760061M91
- 6 020363T1
- 6 020364T1
- 6 054626P1
- 7 3760211M1
- 8 339381X1
- 9 3007933X1
- 10 055287T1
- 11 517587M1
- 12 060203T1
- 13 060344N1

[D]

[A]

[B]

[C]

👁 80-25 No

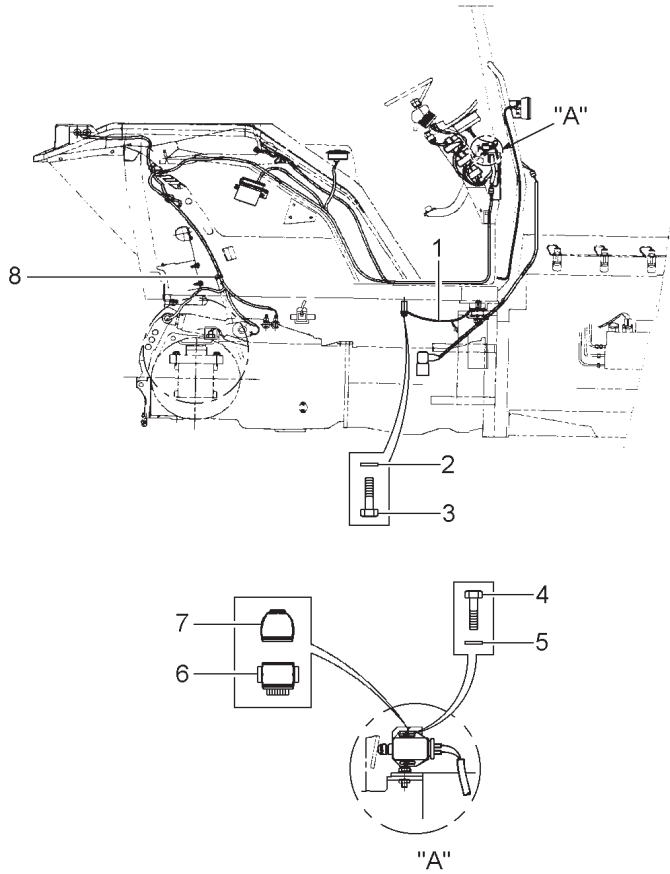
[A] PROA  
FRONT  
DIANTEIRA

[B] TRASERA  
REAR  
TRASEIRA

[C] MINI-CAPO  
MINI-HOOD  
MINI-CAPUZ

[D] FRENO  
BRAKE  
FREIO

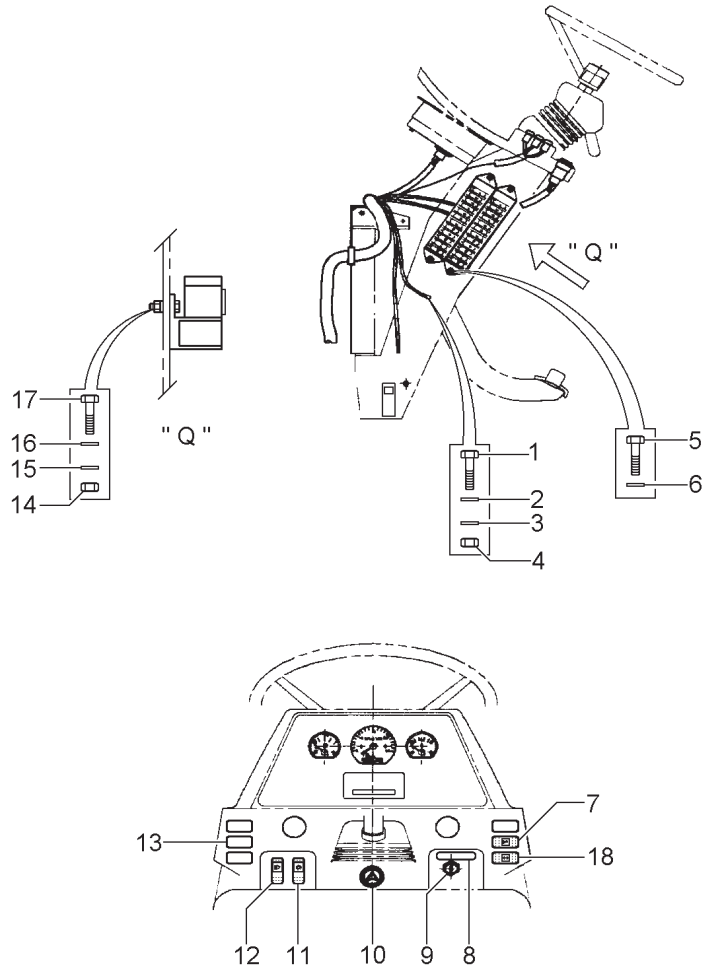
- |               |         |             |
|---------------|---------|-------------|
| 2 PERNO       | BOLT    | PARAFUSO    |
| 2 ARANDELA    | WASHER  | ARRUELA     |
| 2 ARANDELA    | WASHER  | ARRUELA     |
| 2 TUERCA      | NUT     | PORCA       |
| 2 INTERRUPTOR | SWITCH  | INTERRUPTOR |
| 1 FARO        | LAMP    | LANTERNA    |
| 1 FARO        | LAMP    | LANTERNA    |
| 4 PERNO       | BOLT    | PARAFUSO    |
| 1 PASACABLE   | GROMMET | PASSA-FIO   |
| 3 ARANDELA    | WASHER  | ARRUELA     |
| 3 PERNO       | BOLT    | PARAFUSO    |
| 2 AVISADOR    | SIGNAL  | SINALEIRA   |
| 4 ABRAZADERA  | CLAMP   | BRAÇADEIRA  |
| 1 MAZO CABLES | HARNESS | CHICOTE     |
| 1 MAZO CABLES | HARNESS | CHICOTE     |



- 1 1618920M1 (-)
- 2 339375X1
- 3 339666X1
- 4 390961X1
- 5 353441X1
- 6 046552T1
- 7 046875T1 [A]
- 8 1876229M1

[A] FRENO  
BRAKE  
FREIO

- |               |        |             |
|---------------|--------|-------------|
| 1 CABLE       | CABLE  | CABO        |
| 1 ARANDELA    | WASHER | ARRUELA     |
| 1 PERNO       | BOLT   | PARAFUSO    |
| 4 PERNO       | BOLT   | PARAFUSO    |
| 4 ARANDELA    | WASHER | ARRUELA     |
| 1 INTERRUPTOR | SWITCH | INTERRUPTOR |
| 1 PROTECCION  | BOOT   | CAPA        |
| 10 ABRAZADERA | CLAMP  | BRAÇADEIRA  |



- 1 1441268X1
- 2 339375X1
- 3 390971X1
- 4 339030X1
- 5 1441268X1
- 6 339375X1
- 7 053171T1
- 8 1694781M1
- 9 1443606X1
- 9 052437P1
- 9 1874535M3
- 9 3813361M1
- 10 3370427M91
- 11 3809150M1
- 12 053174T1
- 13 373151M1
- 14 354120X1
- 15 353753X1
- 16 353445X1
- 17 2802251M1
- 18 3812271M1

[A]

[C]

[F]

[B]

[D]

[E]

[A] BOCINA  
HORN  
BUZINA

[B] FARO  
LAMP  
LANTERNA

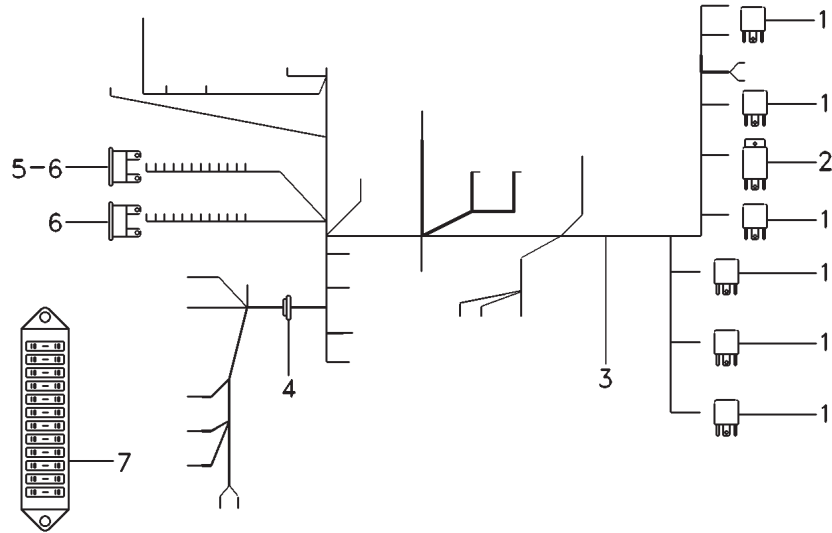
[C] IGNICION  
IGNITION  
IGNIÇÃO

[D] FARO ALTO  
HIGH LIGHT  
FAROL ALTO

[E] FRECHA DE DIRECCIÓN  
DIRECTIONAL ARROW  
SETA DIRECCIONAL

[F] INTERMITENTE  
FLASHER  
PISCA ALERTA

- |                    |            |                  |
|--------------------|------------|------------------|
| 1 PERNO            | BOLT       | PARAFUSO         |
| 1 ARANDELA         | WASHER     | ARRUELA          |
| 2 ARANDELA         | WASHER     | ARRUELA          |
| 1 TUERCA           | NUT        | PORCA            |
| 4 PERNO            | BOLT       | PARAFUSO         |
| 4 ARANDELA         | WASHER     | ARRUELA          |
| 1 PULSADOR         | BUTTON     | BOTÃO            |
| 1 CALCOMANIA       | DECAL      | DECAL            |
| 1 ARANDELA         | WASHER     | ARRUELA          |
| 1 TUERCA           | NUT        | PORCA            |
| 1 INTERRUPTOR      | SWITCH     | INTERRUPTOR      |
| 2 LLAVE INTERRUPT. | KEY SWITCH | CHAVE INTERRUPT. |
| 1 INTERRUPTOR      | SWITCH     | INTERRUPTOR      |
| 1 INTERRUPTOR      | SWITCH     | INTERRUPTOR      |
| 1 PULSADOR         | BUTTON     | BOTÃO            |
| 2 CUBIERTA         | COVER      | TAMPA            |
| 7 TUERCA           | NUT        | PORCA            |
| 7 ARANDELA         | WASHER     | ARRUELA          |
| 7 ARANDELA         | WASHER     | ARRUELA          |
| 7 PERNO            | BOLT       | PARAFUSO         |
| 1 INTERRUPTOR      | SWITCH     | INTERRUPTOR      |



- 1 059787P1
- 2 054987T1
- 3 060697R1
- 4 053345P1
- 5 052738P1
- 6 038734T1
- 6 036756T1
- 6 036757T1
- 6 046812T1
- 7 036497T1

[A]

- 5A
- 10A
- 15A
- 20A

[A] INTERMITENTE  
AUXILIAR  
PISCA

6 RELE	RELAY	RELÉ
1 RELE	RELAY	RELÉ
1 MAZO CABLES	HARNESS	CHICOTE
1 PASACABLE	GROMMET	PASSA-FIO
1 DIODO	DIODE	DIODO
4 FUSIBLE	FUSE	FUSÍVEL
15 FUSIBLE	FUSE	FUSÍVEL
2 FUSIBLE	FUSE	FUSÍVEL
2 FUSIBLE	FUSE	FUSÍVEL
1 CAJA FUSIBLES	FUSE BOX	CX. FUSÍVEIS

Sistema Electrico Delantero  
 Front Electric System  
 Sistema Eléctrico Dianteiro

80-30

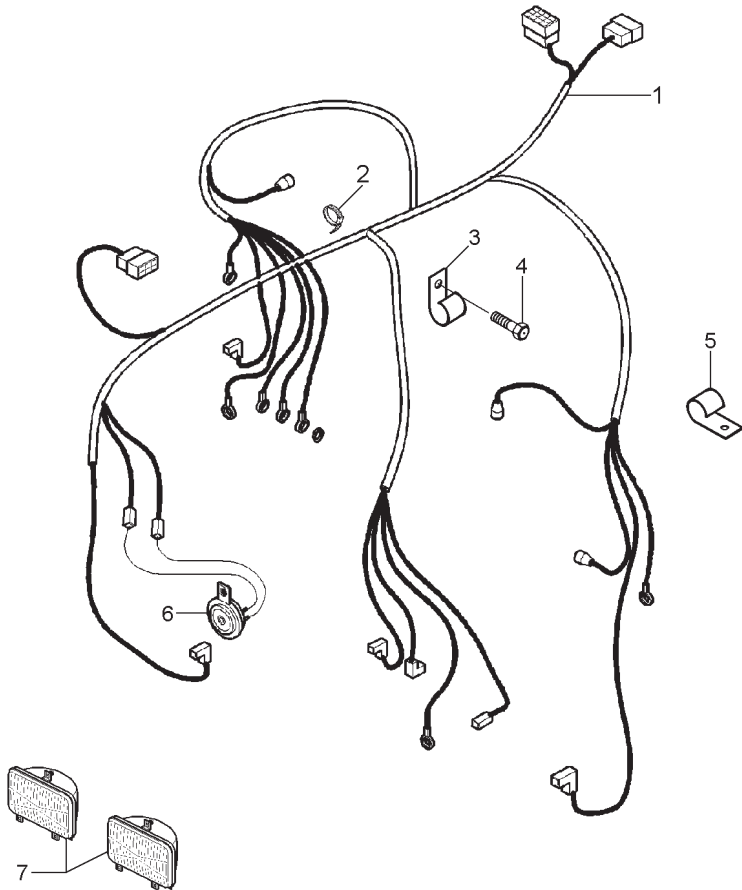
- 1 060204T1
- 2 3225356M1
- 3 371798X1
- 4 339139X1
- 5 3148223M1
- 6 1678404M1
- 7 022335N1

- 1 MAZO CABLES
- 4 ABRAZADERA
- 1 ABRAZADERA
- 1 PERNO
- 7 ABRAZADERA
- 1 BOCINA
- 1 FRONT LIGHT

- HARNESS
- CLAMP
- CLAMP
- BOLT
- CLAMP
- HORN
- FRONT LIGHT

- CHICOTE
- BRAÇADEIRA
- BRAÇADEIRA
- PARAFUSO
- BRAÇADEIRA
- BUZINA
- FAROL DIANTEIRO

80-35 No



Faro  
Headlamp  
Bloco Ótico

80-35

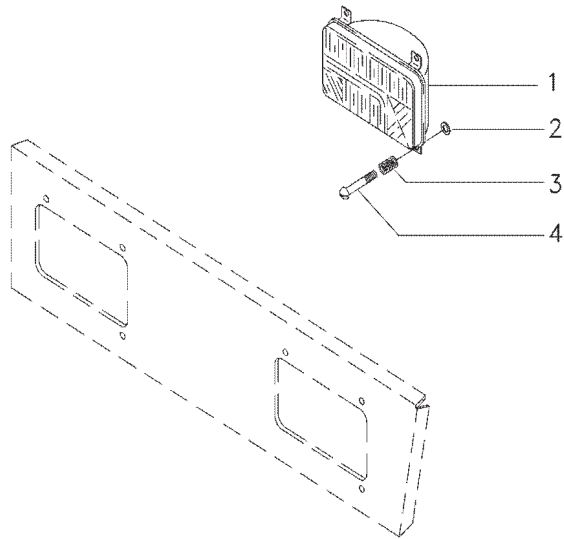
1 3410451M91  
2 963442M1  
3 963441M1  
4 2802112M1

10X32X1.3/8

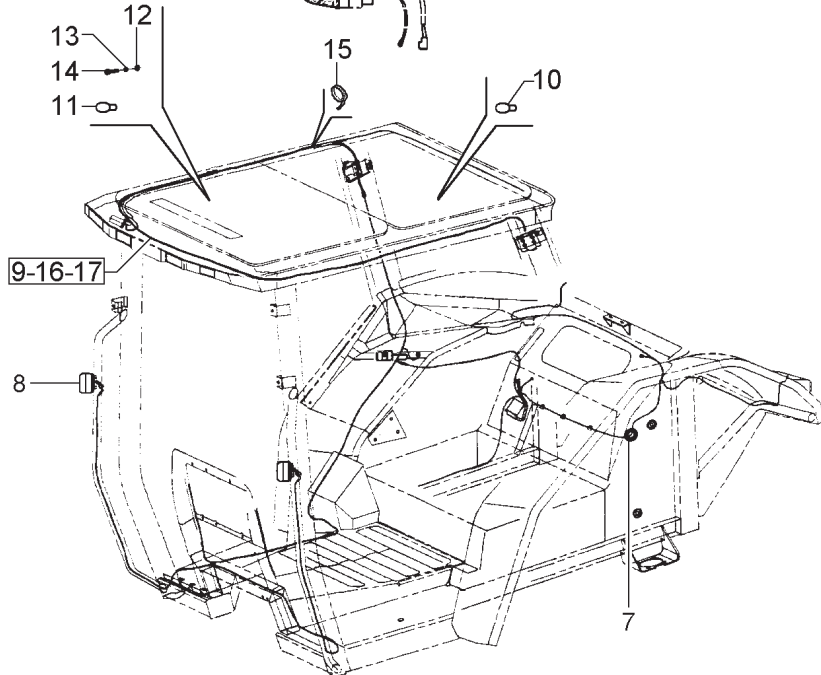
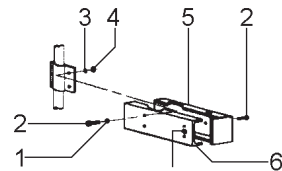
2 FRONT LIGHT  
6 CIRCULITO  
6 RESORTE  
6 PERNO

FRONT LIGHT  
CIRCLIP  
SPRING  
BOLT

FAROL DIANTEIRO  
ANEL TRAVA  
MOLA  
PARAFUSO







- 1 390469X1
- 2 3010578X1
- 3 1441100X1
- 4 390995X1
- 5 3714857M1
- 5 3714858M1
- 6 3714316M2
- 6 3714317M2
- 7 3777000M1
- 8 3714184M92
- 9 6207227M91
- 10 3780237M1
- 11 3713129M1
- 12 390333X1
- 13 3001856X1
- 14 339761X1
- 15 3225356M1
- 16 057879R1
- 17 057878R2

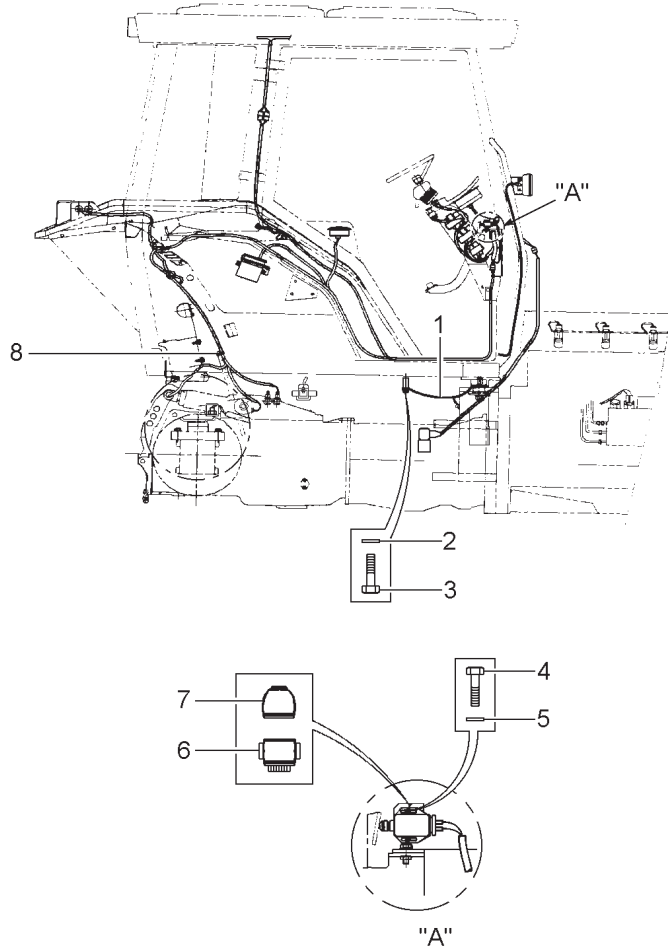


[A]  
[B]  
[C]

9 [D]  
9 [E]

- [A] PROA  
FRONT  
DIANTEIRA
- [B] PANEL  
PANEL  
CONSOLE
- [C] LUZ DE CORTESÍA  
COURTESY LIGHT  
LUZ DE CORTESIA
- [D] CABINA  
CAB  
CABINA
- [E] COLUMN  
COLUMN  
COLUNA

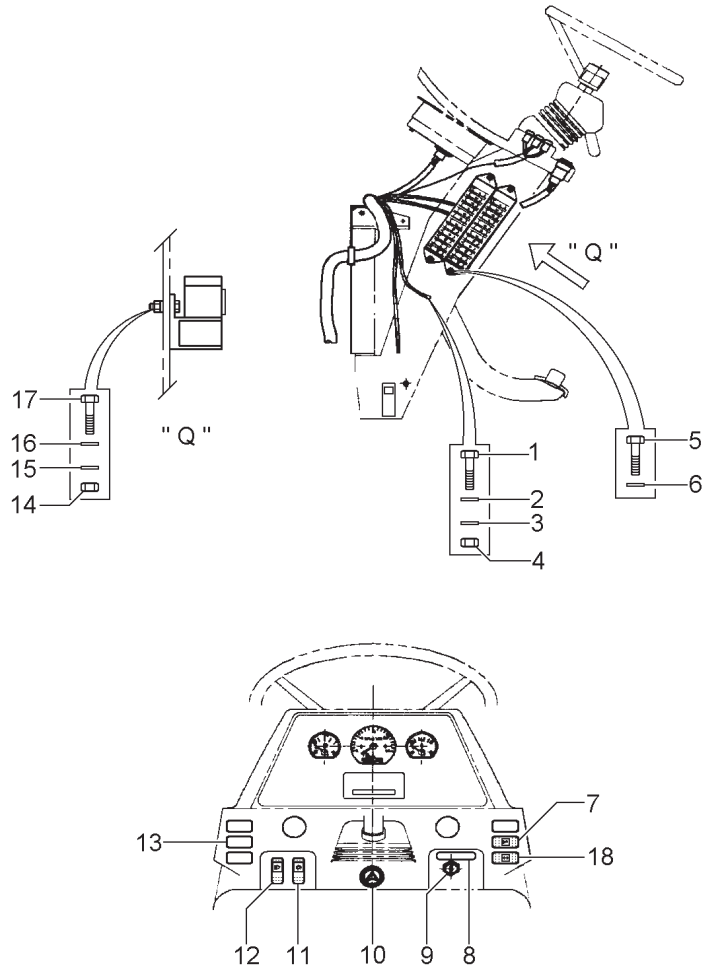
- |    |             |           |              |
|----|-------------|-----------|--------------|
| 4  | ARANDELA    | WASHER    | ARRUELA      |
| 6  | PERNO       | BOLT      | PARAFUSO     |
| 4  | ARANDELA    | WASHER    | ARRUELA      |
| 4  | TUERCA      | NUT       | PORCA        |
| 1  | CAJA        | BOX       | CAIXA        |
| 1  | CAJA        | BOX       | CAIXA        |
| 1  | EXTENSION   | EXTENSION | EXTENSÃO     |
| 1  | EXTENSION   | EXTENSION | EXTENSÃO     |
| 2  | PASACABLE   | GROMMET   | PASSA-FIO    |
| 2  | LINTERNA    | LANTERN   | CJ. LANTERNA |
| 1  | MAZO CABLES | HARNESS   | CHICOTE      |
| 1  | LAMPARA     | BULB      | LÂMPADA      |
| 1  | LAMPARA     | BULB      | LÂMPADA      |
| 1  | TUERCA      | NUT       | PORCA        |
| 1  | ARANDELA    | WASHER    | ARRUELA      |
| 1  | PERNO       | BOLT      | PARAFUSO     |
| 20 | ABRAZADERA  | CLAMP     | BRAÇADEIRA   |
| 1  | MAZO CABLES | HARNESS   | CHICOTE      |
| 1  | MAZO CABLES | HARNESS   | CHICOTE      |



- 1 1618920M1 (-)
- 2 339375X1
- 3 339666X1
- 4 390961X1
- 5 353441X1
- 6 046552T1 [A]
- 7 046875T1
- 8 1876229M1

[A] FRENO  
BRAKE  
FREIO

- |               |        |             |
|---------------|--------|-------------|
| 1 CABLE       | CABLE  | CABO        |
| 1 ARANDELA    | WASHER | ARRUELA     |
| 1 PERNO       | BOLT   | PARAFUSO    |
| 4 PERNO       | BOLT   | PARAFUSO    |
| 4 ARANDELA    | WASHER | ARRUELA     |
| 1 INTERRUPTOR | SWITCH | INTERRUPTOR |
| 1 PROTECCION  | BOOT   | CAPA        |
| 10 ABRAZADERA | CLAMP  | BRAÇADEIRA  |



- 1 1441268X1
- 2 339375X1
- 3 390971X1
- 4 339030X1
- 5 1441268X1
- 6 339375X1
- 7 053171T1
- 8 1694781M1
- 9 1443606X1
- 9 052437P1
- 9 1874535M3
- 9 3813361M1
- 10 3370427M91
- 11 3809150M1
- 12 053174T1
- 13 373151M1
- 14 354120X1
- 15 353753X1
- 16 353445X1
- 17 2802251M1
- 18 3812271M1

[A]

[C]

[F]

[B]

[D]

[E]

[A] BOCINA  
HORN  
BUZINA

[B] FARO  
LAMP  
LANTERNA

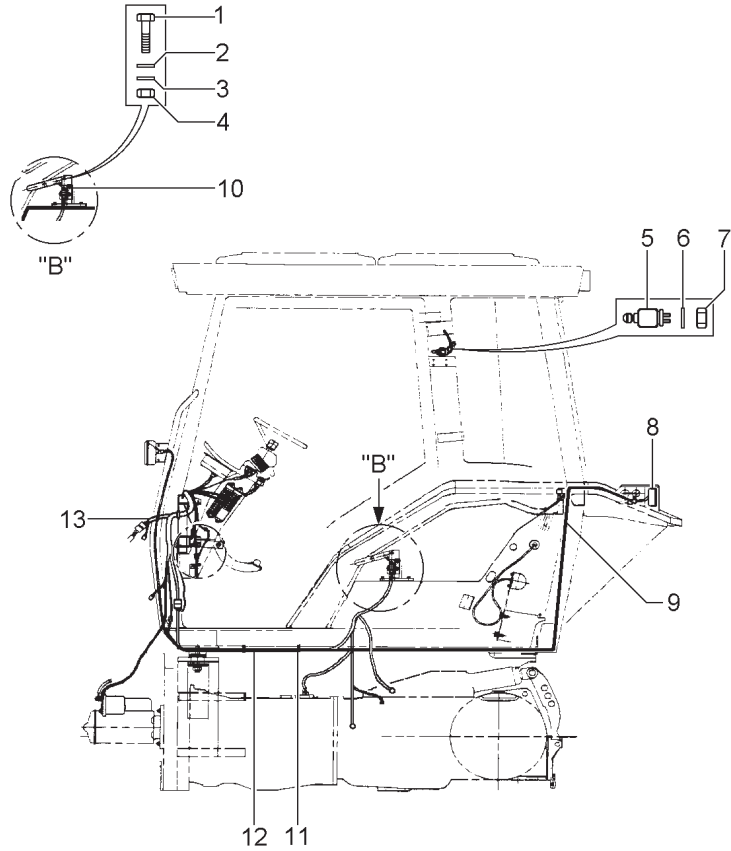
[C] IGNICION  
IGNITION  
IGNIÇÃO

[D] FARO ALTO  
HIGH LIGHT  
FAROL ALTO

[E] FRECHA DE DIRECCIÓN  
DIRECTIONAL ARROW  
SETA DIRECIONAL

[F] INTERMITENTE  
FLASHER  
PISCA ALERTA

- |                    |            |                  |
|--------------------|------------|------------------|
| 1 PERNO            | BOLT       | PARAFUSO         |
| 1 ARANDELA         | WASHER     | ARRUELA          |
| 2 ARANDELA         | WASHER     | ARRUELA          |
| 1 TUERCA           | NUT        | PORCA            |
| 4 PERNO            | BOLT       | PARAFUSO         |
| 4 ARANDELA         | WASHER     | ARRUELA          |
| 1 PULSADOR         | BUTTON     | BOTÃO            |
| 1 CALCOMANIA       | DECAL      | DECAL            |
| 1 ARANDELA         | WASHER     | ARRUELA          |
| 1 TUERCA           | NUT        | PORCA            |
| 1 INTERRUPTOR      | SWITCH     | INTERRUPTOR      |
| 2 LLAVE INTERRUPT. | KEY SWITCH | CHAVE INTERRUPT. |
| 1 INTERRUPTOR      | SWITCH     | INTERRUPTOR      |
| 1 INTERRUPTOR      | SWITCH     | INTERRUPTOR      |
| 1 PULSADOR         | BUTTON     | BOTÃO            |
| 2 CUBIERTA         | COVER      | TAMPA            |
| 7 TUERCA           | NUT        | PORCA            |
| 7 ARANDELA         | WASHER     | ARRUELA          |
| 7 ARANDELA         | WASHER     | ARRUELA          |
| 7 PERNO            | BOLT       | PARAFUSO         |
| 1 INTERRUPTOR      | SWITCH     | INTERRUPTOR      |



- 1 2802251M1
- 2 353445X1
- 3 353753X1
- 4 354120X1
- 5 3780395M2 [D]
- 6 385362X1
- 7 390333X1
- 8 020363T1
- 8 020364T1
- 8 054626P1
- 9 6207238M91 [A]
- 10 3760061M91 [E]
- 11 517587M1
- 12 060352T1 [B]
- 13 060344N1 [C]

80-25 No

[A] MAZO CABLES CABINA  
CAB HARNESS  
CHICOTE CABINA

[B] TRASERA  
REAR  
TRASEIRA

[C] MINI-CAPÓ  
MINI-HOOD  
MINI-CAPUZ

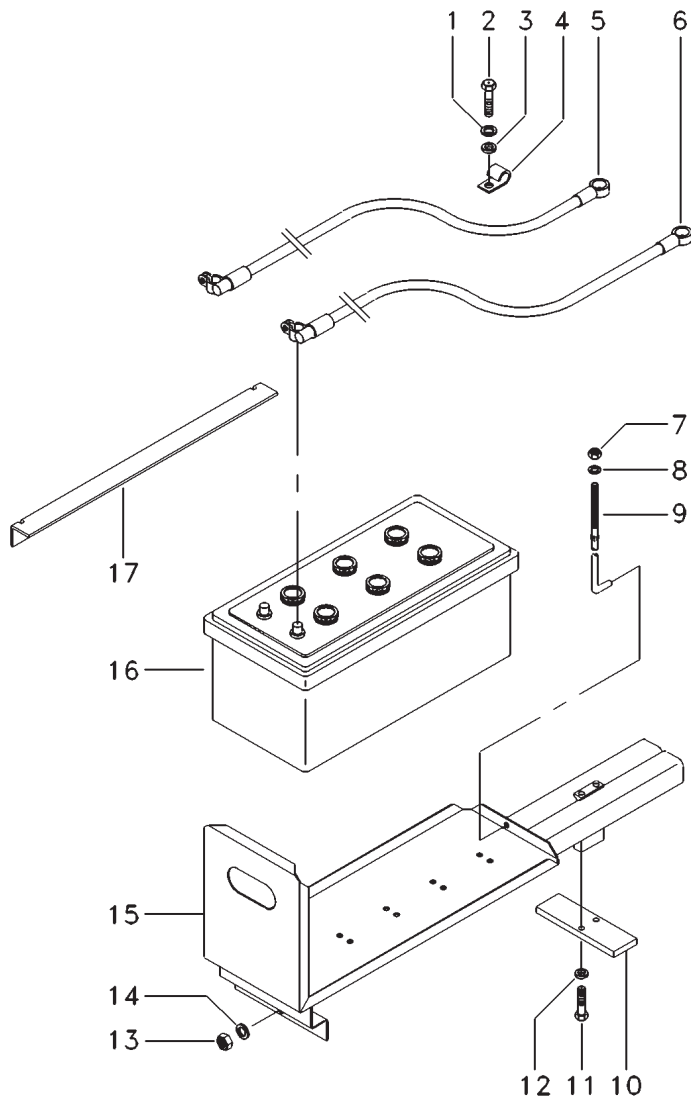
[D] PUERTA  
DOOR  
PORTA

[E] FRENO  
BRAKE  
FREIO

- |               |         |             |
|---------------|---------|-------------|
| 2 PERNO       | BOLT    | PARAFUSO    |
| 2 ARANDELA    | WASHER  | ARRUELA     |
| 2 ARANDELA    | WASHER  | ARRUELA     |
| 2 TUERCA      | NUT     | PORCA       |
| 1 INTERRUPTOR | SWITCH  | INTERRUPTOR |
| 1 ARANDELA    | WASHER  | ARRUELA     |
| 1 TUERCA      | NUT     | PORCA       |
| 1 FARO        | LAMP    | LANTERNA    |
| 1 FARO        | LAMP    | LANTERNA    |
| 4 PERNO       | BOLT    | PARAFUSO    |
| 1 MAZO CABLES | HARNESS | CHICOTE     |
| 2 INTERRUPTOR | SWITCH  | INTERRUPTOR |
| 4 ABRAZADERA  | CLAMP   | BRAÇADEIRA  |
| 1 MAZO CABLES | HARNESS | CHICOTE     |
| 1 MAZO CABLES | HARNESS | CHICOTE     |

Batterie  
Battery  
Bateria

80-60



- 1 390734X1
- 2 300949X1
- 3 339376X1
- 4 371798X1
- 5 060306T1
- 6 060307T1
- 7 826760M1
- 8 355617X1
- 9 028345P2
- 10 054894P1
- 11 339761X1
- 12 339374X1
- 13 391056X1
- 14 391380X1
- 15 054974S1
- 16 45090099
- 17 047042P1

(+)  
(-)

- |              |            |            |
|--------------|------------|------------|
| 1 ARANDELA   | WASHER     | ARRUELA    |
| 1 TORNILLO   | SCREW      | PARAFUSO   |
| 1 ARANDELA   | WASHER     | ARRUELA    |
| 1 ABRAZADERA | CLAMP      | BRAÇADEIRA |
| 1 CABLE      | CABLE      | CABO       |
| 1 CABLE      | CABLE      | CABO       |
| 2 TUERCA     | NUT        | PORCA      |
| 2 ARANDELA   | WASHER     | ARRUELA    |
| 2 VARILLA    | ROD        | TIRANTE    |
| 1 RETENEDOR  | RETAINER   | BATENTE    |
| 2 PERNO      | BOLT       | PARAFUSO   |
| 2 ARANDELA   | WASHER     | ARRUELA    |
| 1 TUERCA     | NUT        | PORCA      |
| 1 ARANDELA   | WASHER     | ARRUELA    |
| 1 BANDEJA    | TRAY       | BANDEJA    |
| 1 BATERIA    | BATTERY    | BATERIA    |
| 1 ADITAMENTO | ATTACHMENT | FIXADOR    |

Faro  
Headlamp  
Farol Auxiliar

80-65

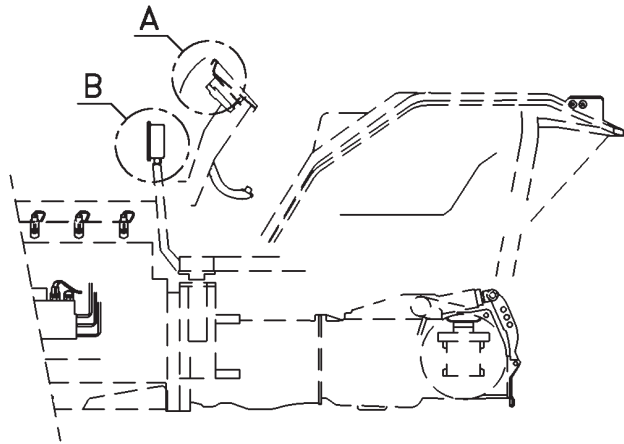
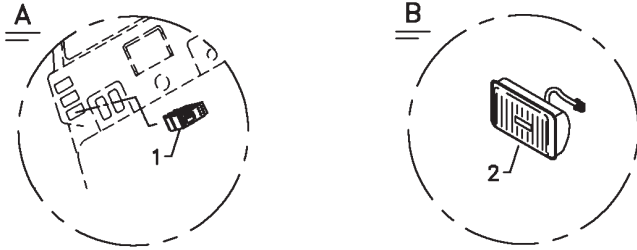
Tractores Con Plataforma Del Operador  
Tractors With Operator Platform  
Tratores Com Plataforma Do Operador

- 1 3715188M1
- 2 053649T1

- 1 INTERRUPTOR
- 2 FRONT LIGHT

SWITCH  
FRONT LIGHT

INTERRUPTOR  
FAROL DIANTEIRO



Faro  
Headlamp  
Farol De Serviço

80-70

Tractores Con Plataforma Del Operador  
Tractors With Operator Platform  
Tratores Com Plataforma Do Operador

- 1 3715189M1
- 2 339123X1
- 3 339374X1
- 4 3010597X1
- 5 058330P1
- 6 024393T1

- 1 INTERRUPTOR
- 1 PERNO
- 1 ARANDELA
- 1 ARANDELA
- 1 SOPORTE
- 1 ALUMBRADO

- SWITCH
- BOLT
- WASHER
- WASHER
- BRACKET
- LIGHT

- INTERRUPTOR
- PARAFUSO
- ARRUELA
- ARRUELA
- SUPORTE
- FAROL

