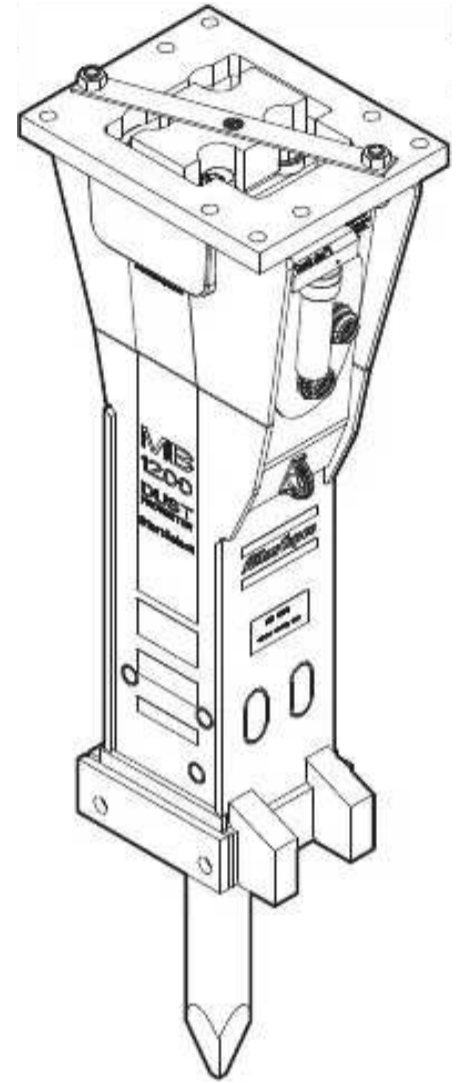


Spare parts list Hydraulic breakers

	Valid from serial number
MB 1200	1800
MB 1200 DP	1800



Contents

General note	5
Spare parts list	6
Hydraulic breaker MB 1200.....	6
Hydraulic breaker MB 1200 DustProtector.....	8
Percussion unit part 1: cylinder cover.....	10
Percussion unit part 2: cylinder.....	12
Percussion unit part 3: lower breaker part.....	14
Connecting kit for ConitLube® II.....	16
StartSelect - AutoStart or AutoStop.....	18
Optional parts.....	20
Tightening torques	21
Working tools	22
MB 1200.....	22
MB 1200 DustProtector.....	23
Accessories	24
Hydraulic hoses.....	24
Optional equipment.....	24
Kits	25
Label kit MB 1200.....	25
Label kit MB 1200 DustProtector.....	26
Seal kit.....	27
Plastic parts kit.....	27
Tensioning bolt kit.....	27
DustProtector kit.....	28
Noise protection kit.....	28
Lower breaker part kit.....	28
Lower breaker part kit DustProtector.....	29
Dimensions	30
Dimensions MB 1200.....	30
Dimensions MB 1200 DustProtector.....	31

General note

This spare parts list applies to the following:

Part number	Description
3363 0904 41	Hydraulic breaker MB 1200
3363 0904 43	Hydraulic breaker MB 1200 DustProtector

Use only authorized parts. Any damage or malfunction caused by the use of unauthorized parts is not covered by Warranty or Product Liability. Any unauthorized use or copying of the contents or any part thereof is prohibited. This applies in particular to trademarks, model denominations, part numbers, and drawings.

Instructions for use

This spare parts list contains no safety regulations and is merely intended to assist in the ordering of spare parts.

For information on operating, servicing, or repairing, the relevant Safety and operating instructions must be consulted at all costs.

Please observe the safety instructions listed in the relevant Safety and operating instructions!

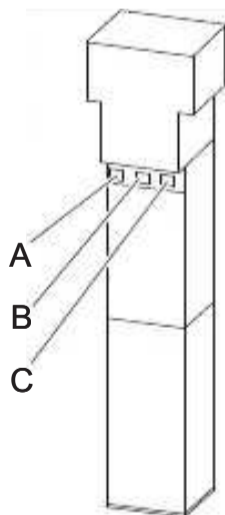
Instructions of ordering

It is essential to indicate the serial number of the hydraulic attachment when ordering spare parts!

Please note the full identification number of your hydraulic attachment. This code can be found on the cylinder.

Determine the quantity of individual parts which are required and need to be ordered. The order must indicate the following details:

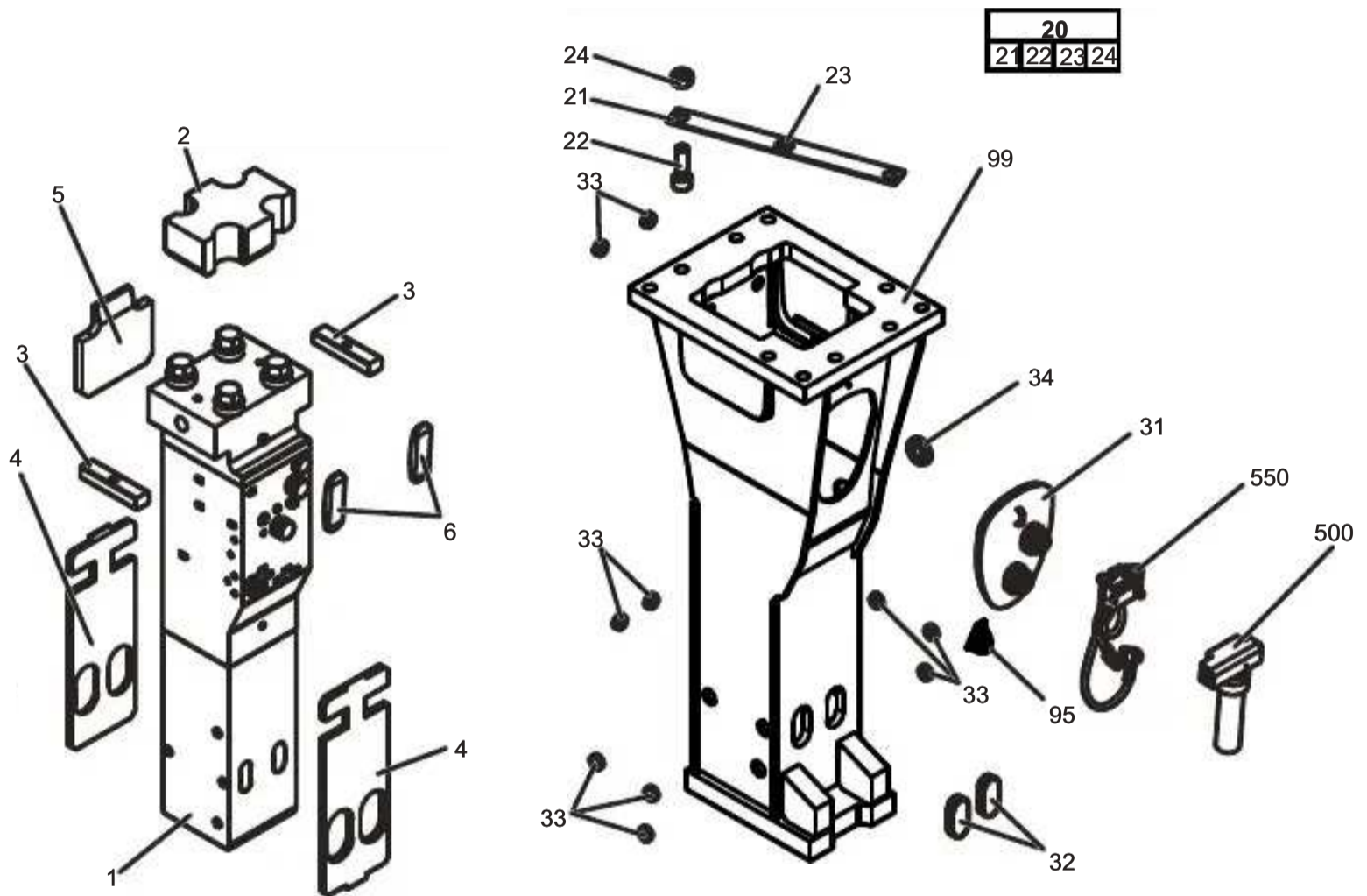
- full identification code of the hydraulic attachment
- required quantity
- part number
- description



- A. Cylinder number
- B. Type
- C. Serial number

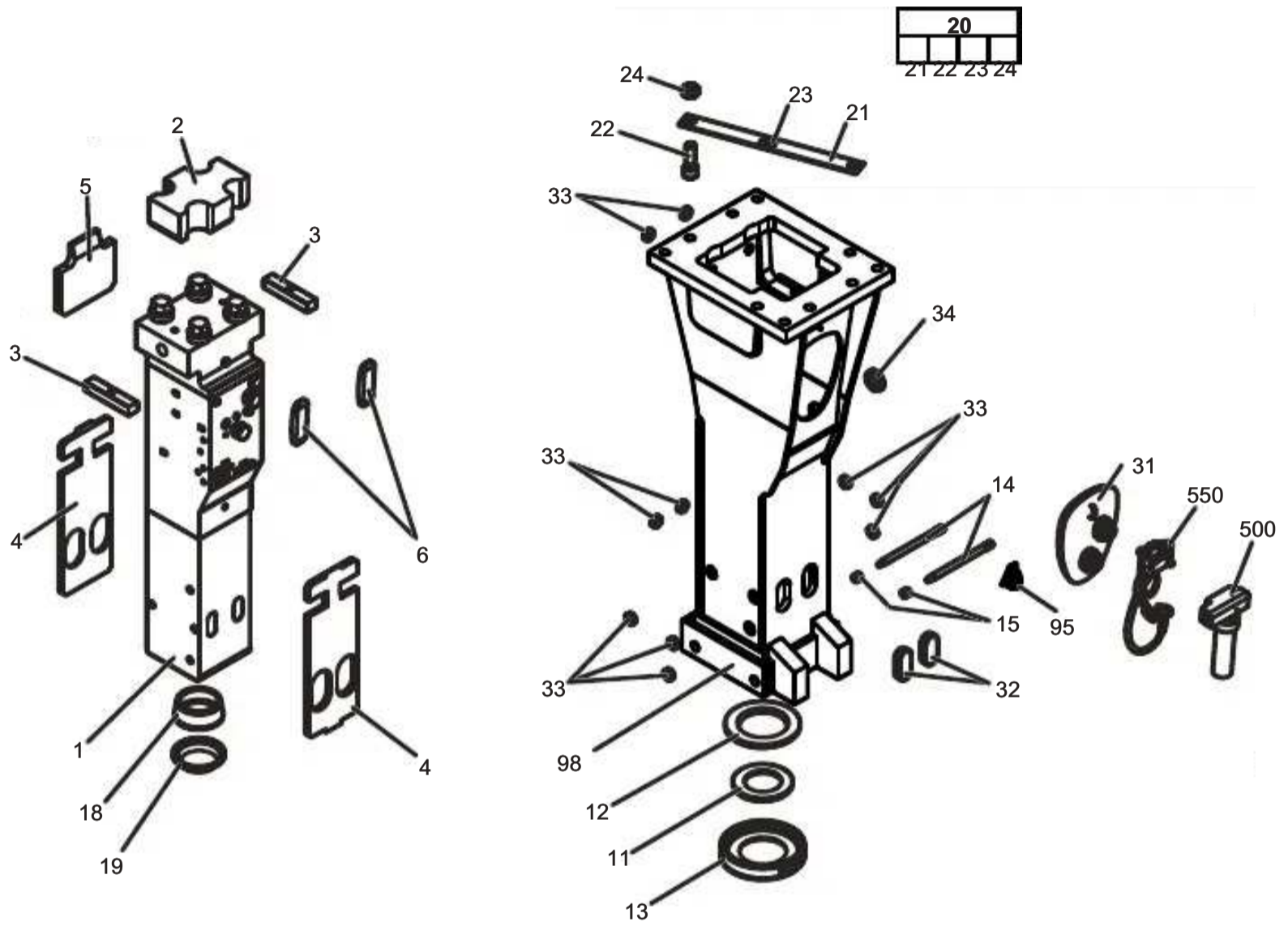
Spare parts list

Hydraulic breaker MB 1200



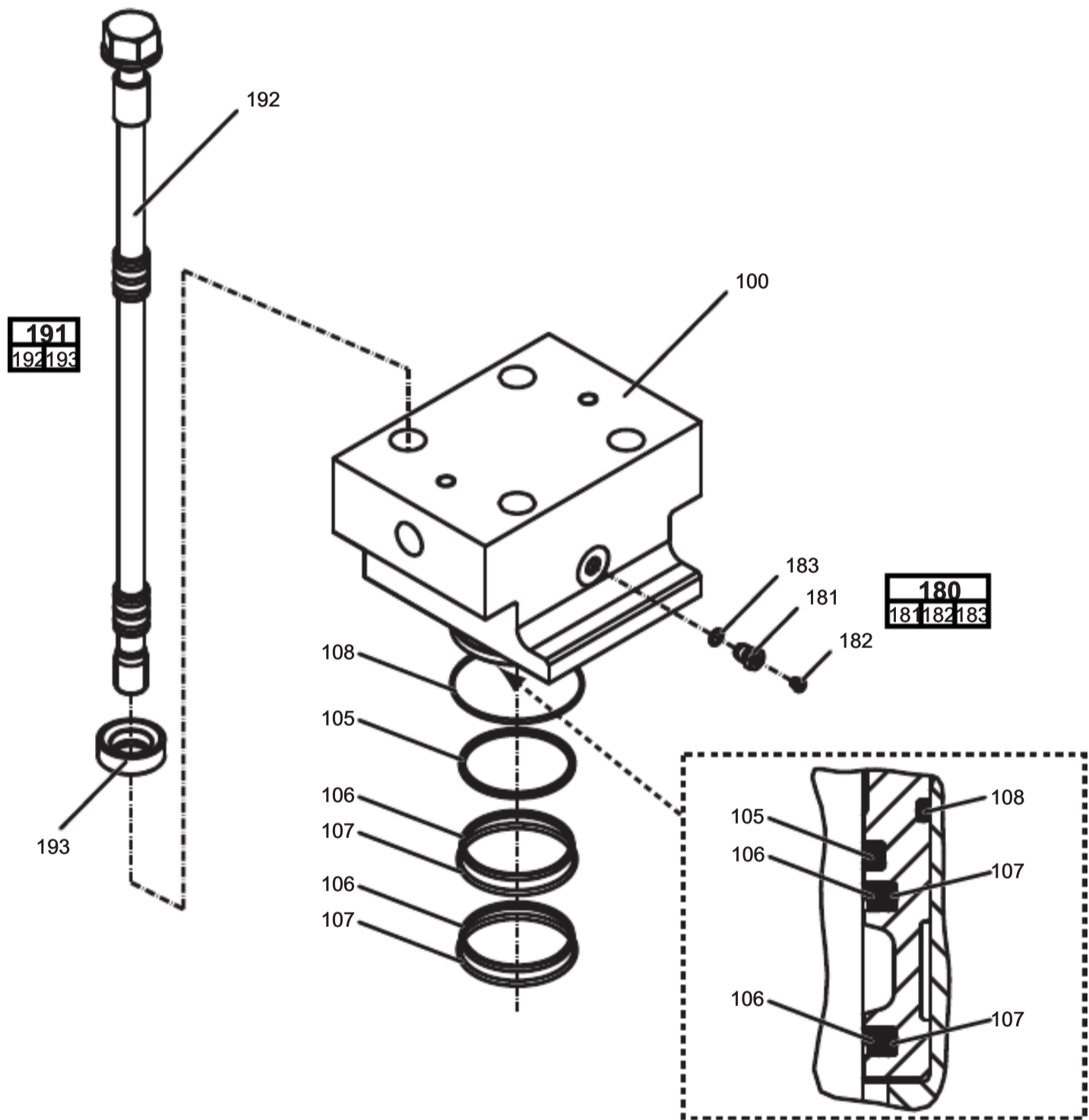
No.	Description	Remark	Quantity	Part number
1	Percussion unit	see separate chapter	1	3363 0904 39
2	Elastic pad		1	3363 0339 57
3	Shock absorber		2	3361 8476 85
4	Guide plate		2	3362 2696 31
5	Guide plate		1	3363 0679 19
6	Guide plate		2	3363 0679 21
20(21-24)	Transport safety device complete		1	3363 0834 16
21	Transport safety device		1	-
22	Allen screw		2	3360 0268 83
23	Label transport safety device		1	3363 0918 72
24	Nut		2	3360 1032 54
31	Cover		1	3363 0682 95
32	Plug		2	3363 0860 11
33	Plug		10	3362 2678 97
34	Plug		1	3362 2678 93
95	Lifting eye	professional welding process necessary	1	3363 1119 93
99	Breaker box		1	3363 0988 58
500	ContiLube® II	see separate <i>Safety and operating instructions</i>	1	3363 0671 23
550	Connecting kit for ContiLube® II	see separate chapter	1	3363 0834 11

Hydraulic breaker MB 1200 DustProtector



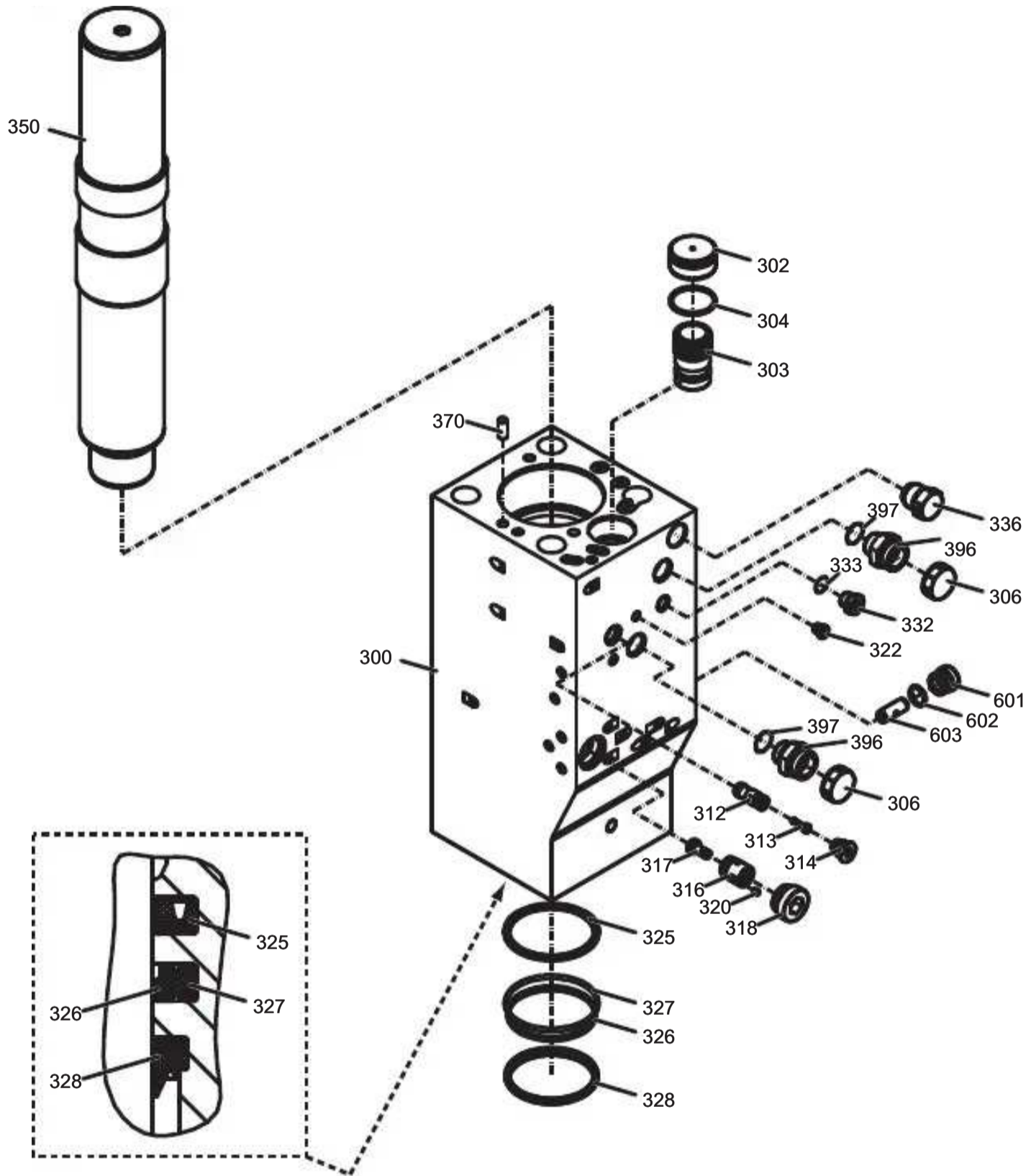
No.	Description	Remark	Quantity	Part number
1	Percussion unit	see separate chapter Note: When ordering a percussion unit for DustProtector version it is imperative to order additionally the base for wiper (no. 18) and the wiper (no. 19).	1	3363 0904 39
2	Elastic pad		1	3363 0339 57
3	Shock absorber		2	3361 8476 85
4	Guide plate		2	3362 2696 31
5	Guide plate		1	3363 0679 19
6	Guide plate		2	3363 0679 21
11	Floating ring	tribolid steel see chapter <i>Optional parts</i>	1	3363 0706 60
12	Counter ring		1	3363 0679 69
13	Guide ring		1	3363 0679 73
14	Bolt		2	3363 0697 69
15	Locking bush		2	3361 8543 63
18	Base for wiper		1	3363 0886 63
19	Wiper		1	3363 0665 69
20(21-24)	Transport safety device complete		1	3363 0834 16
21	Transport safety device		1	-
22	Allen screw		2	3360 0268 83
23	Label transport safety device		1	3363 0918 72
24	Nut		2	3360 1032 54
31	Cover		1	3363 0682 95
32	Plug		2	3363 0860 11
33	Plug		10	3362 2678 97
34	Plug		1	3362 2678 93
95	Lifting eye	professional welding process necessary	1	3363 1119 93
98	Breaker box		1	3363 0988 59
500	ContiLube® II	see separate <i>Safety and operating instructions</i>	1	3363 0671 23
550	Connecting kit for ContiLube® II	see separate chapter	1	3363 0834 11

Percussion unit part 1: cylinder cover



No.	Description	Remark	Quantity	Part number
100	Cylinder cover		1	3363 0337 53
105	Seal		1	3363 0666 54
106	Seal		2	3363 0340 29
107	O-ring		2	3363 0340 33
108	O-ring		1	3363 0666 53
180(181-183)	Filling valve complete		1	3363 0872 86
181	Filling valve		1	-
182	Threaded plug		1	3360 4784 26
183	O-ring		1	3360 1751 25
191(192-193)	Tensioning bolt complete		4	3363 0879 08
192	Tensioning bolt		1	3363 0887 03
193	Washer		1	3363 0936 47

Percussion unit part 2: cylinder



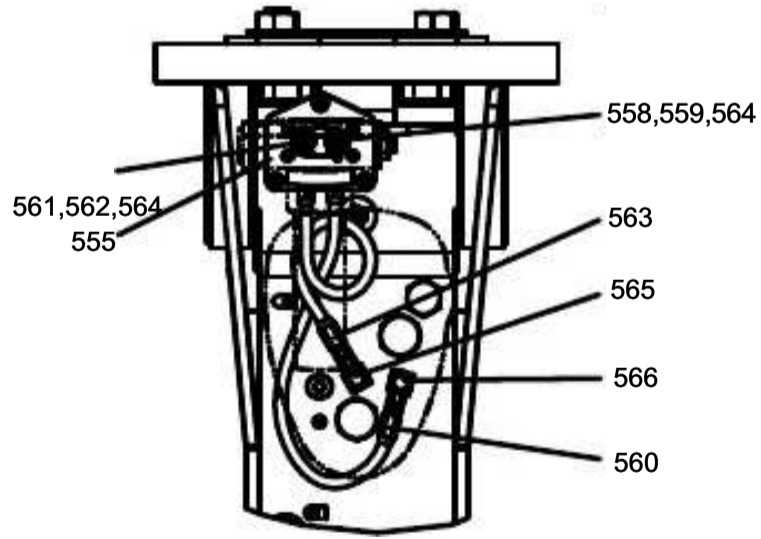
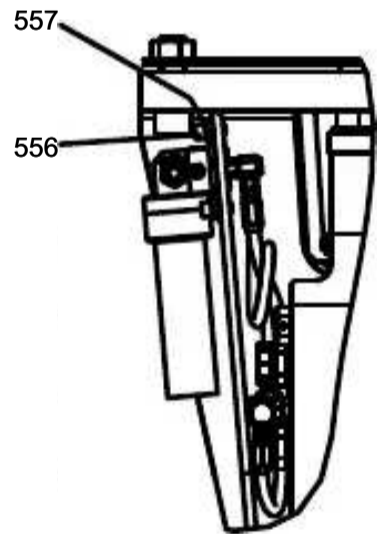
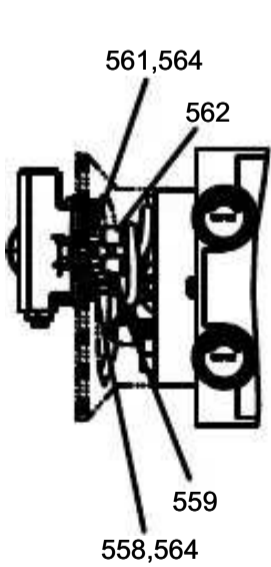
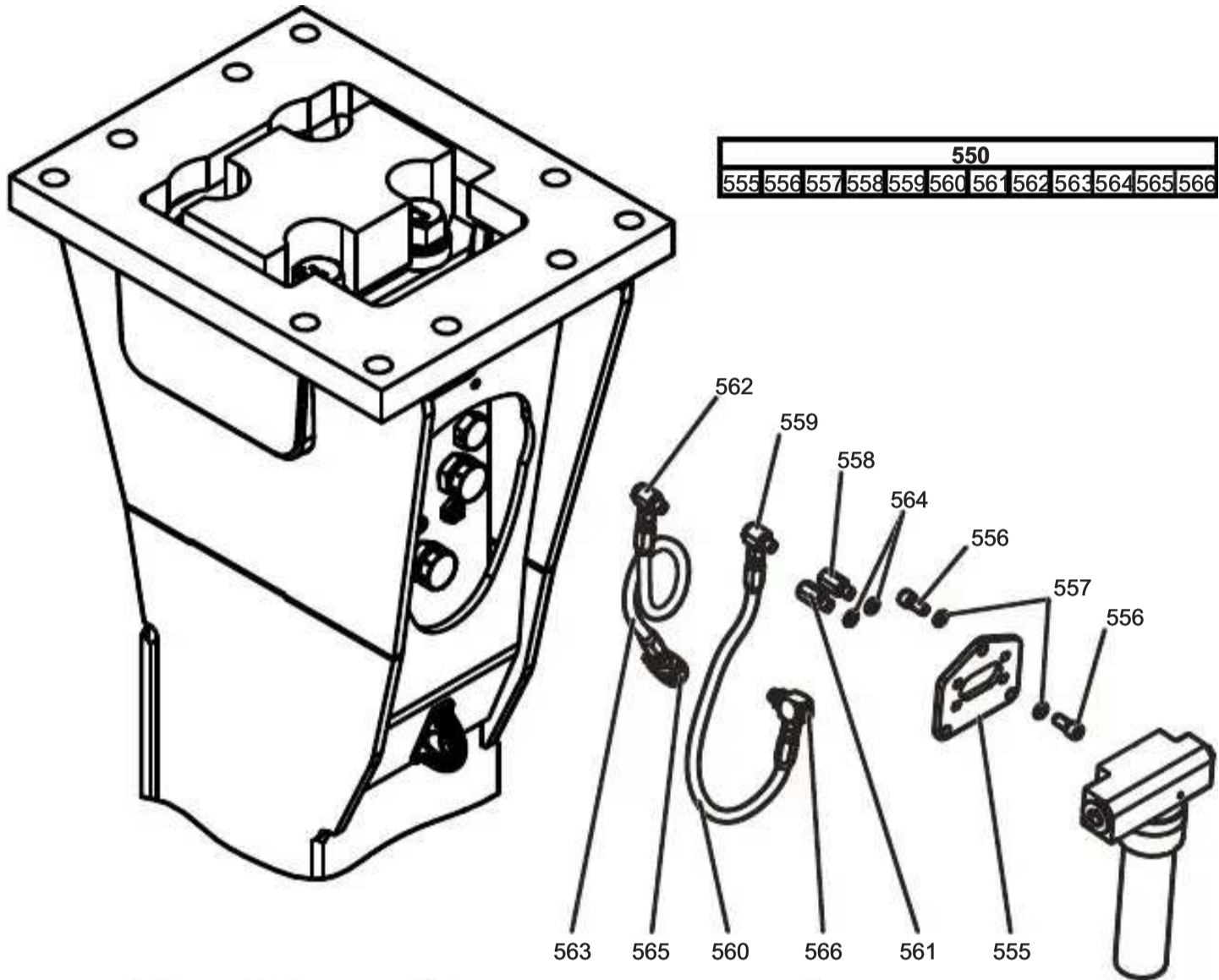
No.	Description	Remark	Quantity	Part number
300	Cylinder	with no. 601 - 603	1	3363 0857 75
302	Cover		1	3363 0333 33
303	Main control valve		1	3363 0337 51
304	O-ring		1	3363 0342 50
306	Protective cap		2	3361 3534 88
312	Valve bushing	AutoControl	1	3363 0330 59
313	Valve piston	AutoControl	1	3363 1053 05
314	Threaded plug		1	3363 0337 49
316	Valve bushing	AutoControl	1	3363 0678 03
317	Valve piston	AutoControl	1	3363 0678 05
318	Threaded plug		1	3363 0695 01
320	Pin	AutoControl	1	3363 0661 97
322	Threaded plug		1	3363 0669 63
325	Seal		1	3363 0666 55
326	Seal		1	3363 0340 30
327	O-ring		1	3360 9921 94
328	Wiper		1	3363 0666 56
332	Connecting screw		1	3361 8546 57
333	O-ring		1	3360 4781 71
336	Non-return valve		1	3361 8545 11
350	Percussion piston		1	3363 0862 79
370	Lock pin		1	3360 1067 84
396	Fitting	with no. 397	2	3360 9956 65
397	O-ring		2	3360 3145 51
601	Plug		1	3363 0825 93
602	O-ring		1	3363 0832 45
603	Valve	StartSelect	1	3363 0825 05

Percussion unit part 3: lower breaker part



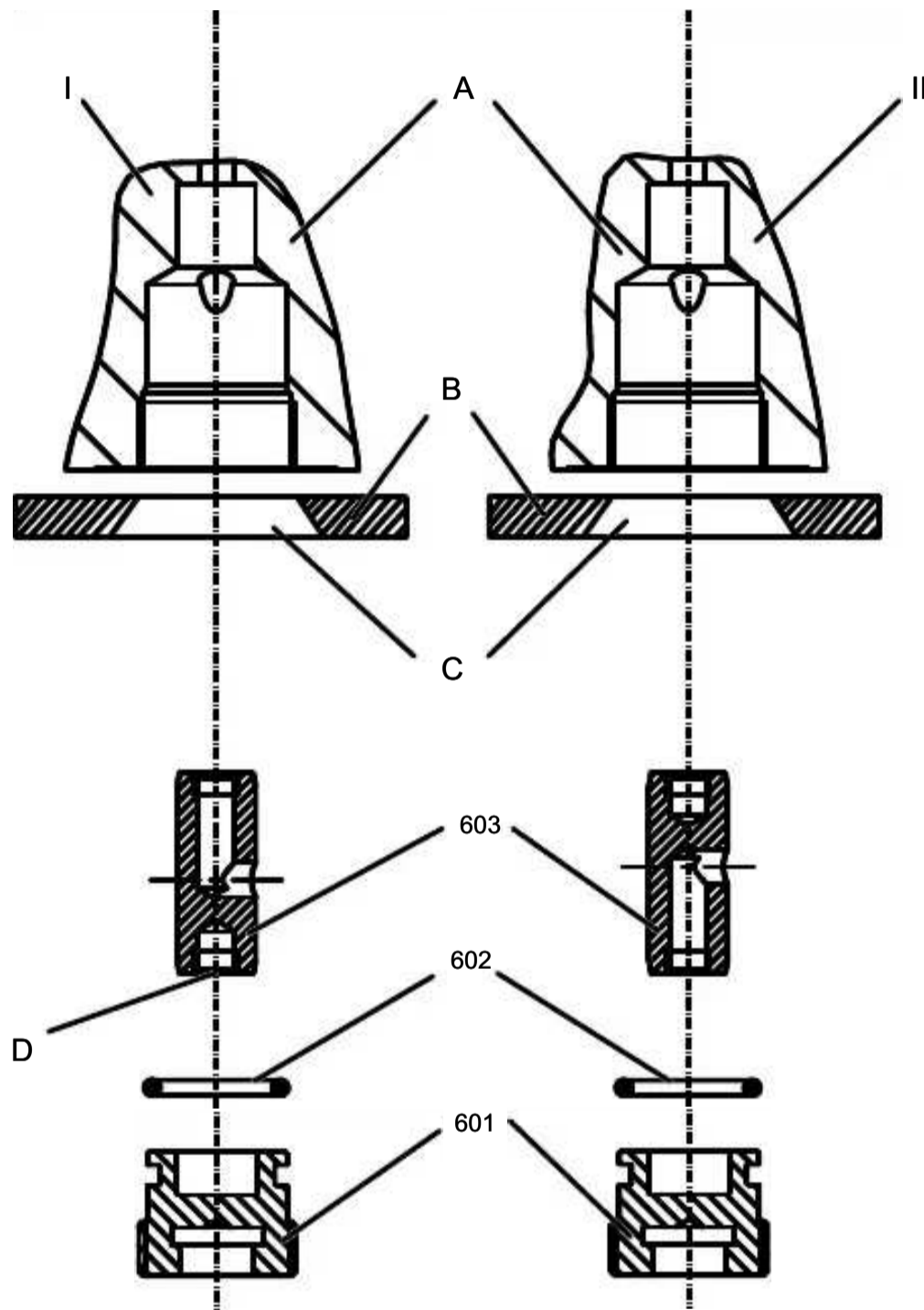
No.	Description	Remark	Quantity	Part number
370	Lock pin		1	3360 1067 84
401	Retainer bar		2	3360 9930 29
402	Bolt		2	3362 2618 50
403	Plug		4	3362 2629 25
404	Protective cap		1	3363 0317 15
480(481-487)	Lower breaker part complete	Note: When ordering a lower breaker part for DustProtector version it is imperative to order additionally the base for wiper (no. 18) and the wiper (no. 19).	1	3363 0895 05
481	Lower breaker part		1	-
482	Buffer ring		1	3363 0690 73
483	Wear bush		1	3363 0693 53
484	Wear bush	steel bronze see chapter <i>Optional parts</i>	1	3363 0886 69
485	Bolt		2	3362 2618 50
486	Locking bush		4	3361 8543 63
487	Threaded insert		4	3363 0317 74

Connecting kit for ConitLube® II



No.	Description	Remark	Quantity	Part number
550(555-566)	Connecting kit		1	3363 0834 11
555	Support		1	3363 0679 31
556	Allen screw	secure all 4 allen screws with Loctite 243 screwed in the ContiLube® II	7	3360 1037 50
557	Pair of lock washers		7	3361 8505 96
558	Adapter	secure with Loctite 243	1	3363 0668 87
559	Fitting	secure with Loctite 243	1	3363 0662 33
560	Hydraulic hose	Grease line secure with Loctite 243 Route the hydraulic hoses as shown on the drawing. It must be ensured that the hydraulic hoses can move freely and are not in contact at any point.	1	3363 0838 74
561	Adapter	secure with Loctite 243	1	3363 0687 45
562	Fitting	secure with Loctite 243	1	3363 0662 34
563	Hydraulic hose	Oil line secure with Loctite 243 Route the hydraulic hoses as shown on the drawing. It must be ensured that the hydraulic hoses can move freely and are not in contact at any point.	1	3363 0838 79
564	Seal		2	3363 0669 51
565	Fitting	secure with Loctite 243	1	3363 0871 85
566	Fitting	secure with Loctite 243	1	3363 0871 86

StartSelect - AutoStart or AutoStop



No.	Description	Remark	Quantity	Part number
601	Plug		1	3363 0825 93
602	O-ring		1	3363 0832 45
603	Valve	StartSelect	1	3363 0825 05

I = AutoStop setting

II = AutoStart setting (standard setting on delivery)

A. Port bore in cylinder

B. Wall of breaker box

C. Plug of breaker box

D. M 10 thread (both ends) for mounting

The position of the StartSelect unit is shown on the percussion unit illustrations.

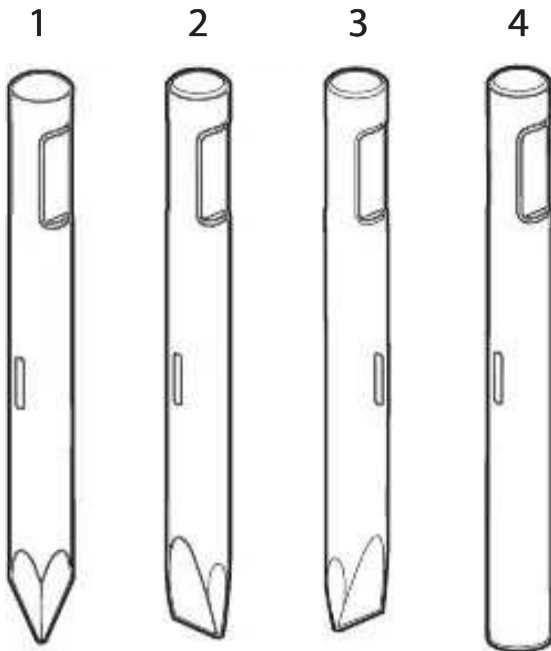
Optional parts

No.	Description	Remark	Quantity	Part number
11	Floating ring	steel	1	3363 0679 71
484	Wear bush	bronze	1	3363 0886 65

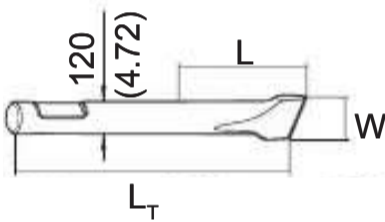
Tightening torques

No.	Description	Tightening torque	Remark
181	Filling valve	130 Nm	Socket spanner size 22
182	Threaded plug	20 Nm	Allen key size 5
192	Tensioning bolt		Torque wrench or Power wrench size 55 1. Pretighten the tensioning bolts to 500 Nm, proceeding in a crosswise fashion, 2. then tighten each tensioning bolt through 120° (2 sides of hexagonal head) in a crosswise fashion, 3. finally tighten each tensioning bolt again through 120° (2 sides of hexagonal head) in a crosswise fashion.
314	Threaded plug	100 Nm	Allen key size 12
318	Threaded plug	350 Nm	Allen key size 24
336	Non-return valve	200 Nm	Socket spanner size 41
556	Allen screw	85 Nm	Allen key size 10
558	Adapter	45 Nm	Open-ended wrench size 19
559	Fitting	45 Nm	Open-ended wrench size 17, 19, 22
560	Hydraulic hose grease line	16 Nm	Open-ended wrench size 17
561	Adapter	55 Nm	Open-ended wrench size 19
562	Fitting	55 Nm	Open-ended wrench size 19, 22
563	Hydraulic hose oil line	42 Nm	Open-ended wrench size 19
565	Fitting	60 Nm	Open-ended wrench size 19, 22, 27
566	Fitting	50 Nm	Open-ended wrench size 17, 22, 27
601	Plug	200 Nm	Allen key size 17

Working tools



MB 1200



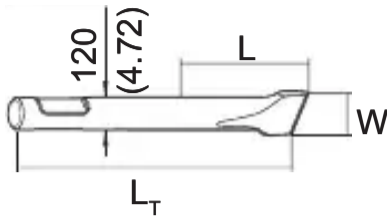
Metric

No.	Description	Remark	W (mm)	L (mm)	L _T (mm)	Wt (kg)	Part number
1	Moil point	ClassicLine		605	1150	90.0	3363 0827 87
2	Chisel (cross)	ClassicLine	120	605	1150	93.0	3363 0829 43
3	Chisel (parallel)	ClassicLine	120	605	1150	93.0	3363 0972 52
4	Blunt tool	ClassicLine		605	1150	99.0	3363 0829 45

Imperial

No.	Description	Remark	W (in.)	L (in.)	L _T (in.)	Wt (lb)	Part number
1	Moil point	ClassicLine		23.82	45.28	198.4	3363 0827 87
2	Chisel (cross)	ClassicLine	4.72	23.82	45.28	205.7	3363 0829 43
3	Chisel (parallel)	ClassicLine	4.72	23.82	45.28	205.7	3363 0972 52
4	Blunt tool	ClassicLine		23.82	45.28	217.2	3363 0829 45

MB 1200 DustProtector



Metric

No.	Description	Remark	W (mm)	L (mm)	L _T (mm)	Wt (kg)	Part number
1	Moil point	ClassicLine		580	1150	90.0	3363 0827 87
2	Chisel (cross)	ClassicLine	120	580	1150	93.0	3363 0829 43
3	Chisel (parallel)	ClassicLine	120	580	1150	93.0	3363 0972 52
4	Blunt tool	ClassicLine		580	1150	99.0	3363 0829 45

Imperial

No.	Description	Remark	W (in.)	L (in.)	L _T (in.)	Wt (lb)	Part number
1	Moil point	ClassicLine		22.83	45.28	198.4	3363 0827 87
2	Chisel (cross)	ClassicLine	4.72	22.83	45.28	205.7	3363 0829 43
3	Chisel (parallel)	ClassicLine	4.72	22.83	45.28	205.7	3363 0972 52
4	Blunt tool	ClassicLine		22.83	45.28	217.2	3363 0829 45

Accessories

Hydraulic hoses

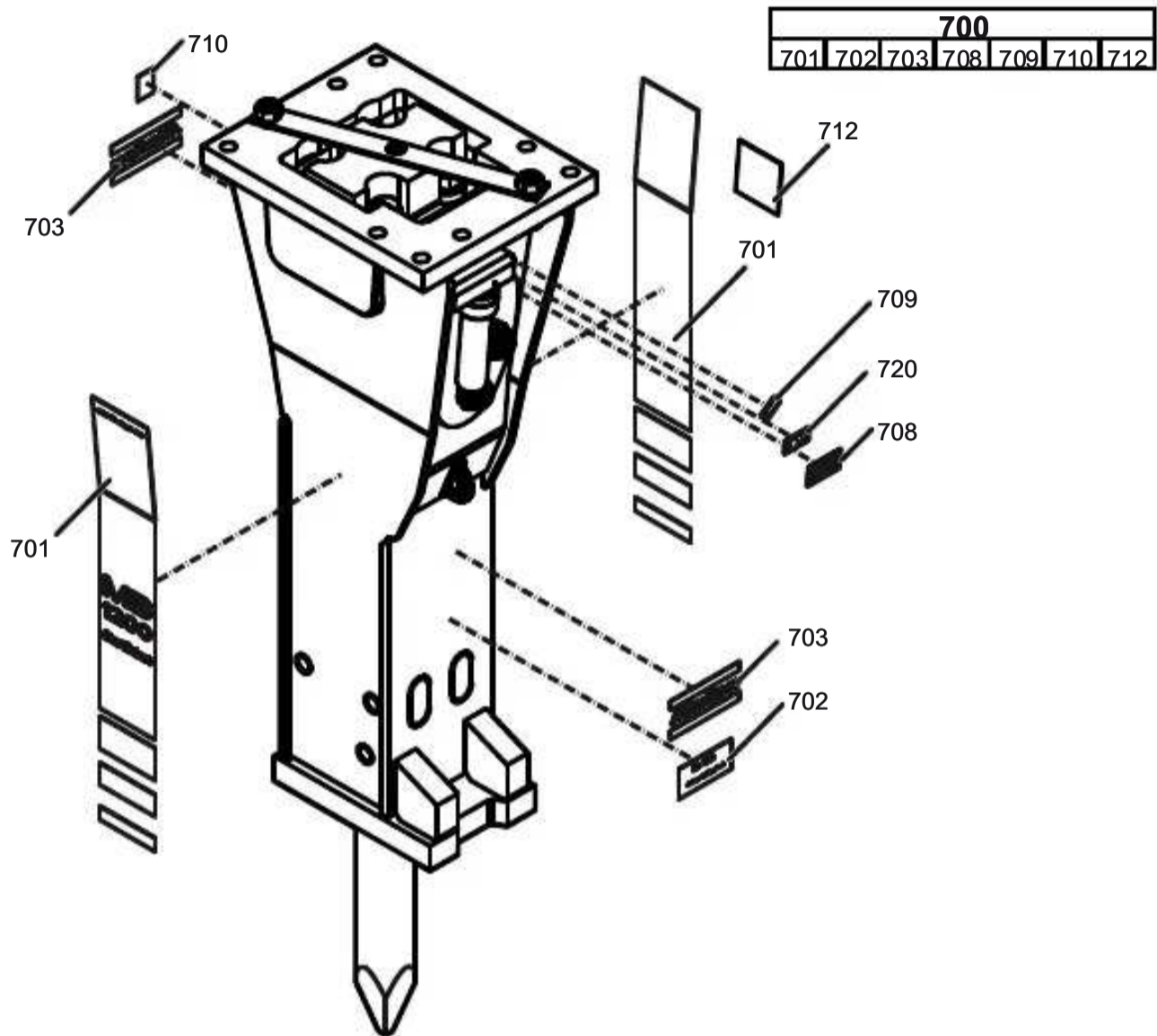
Description	Remark	Quantity	Part number
Hose	I.D. 25 (1"), both ends M 42x2 conical seal 24°, length 2300 mm (91 in.)	2	3360 9923 40
Hose	I.D. 25 (1"), both ends M 42x2 conical seal 24°, length 2800 mm (110 in.)	2	3361 8538 59

Optional equipment

Description	Remark	Quantity	Part number
Chisel paste for ContiLube® II	12 x 500 g (1.1 lbs)	1	3363 0912 00
Grease gun for cartridge ContiLube® II		1	3363 0345 67
Grease nipple		1	3360 4337 74
Service box no. I with nitrogen cylinder	2l 0.4 gal (0.53 US gal)	1	3363 0898 44
Service box no. III without nitrogen cylinder		1	3363 0949 40
Test gauge lower wear bush		1	3363 0682 55
Inside callipers upper wear bush		1	3363 0949 52
Adapter plate matching the carrier Consult the Atlas Copco Customer Center/Dealer in your area.		1	-
Base plate with threaded inserts		1	3363 0997 99
Bolt kit		1	3363 0873 03
Base plate through borings		1	3363 1006 97
Bolt kit		1	3363 0945 75
Allen key	22 mm for bolt kit	1	3360 2094 45
Adapter kit for underwater applications		1	3363 0905 31
Piston retainer		1	3363 0929 77

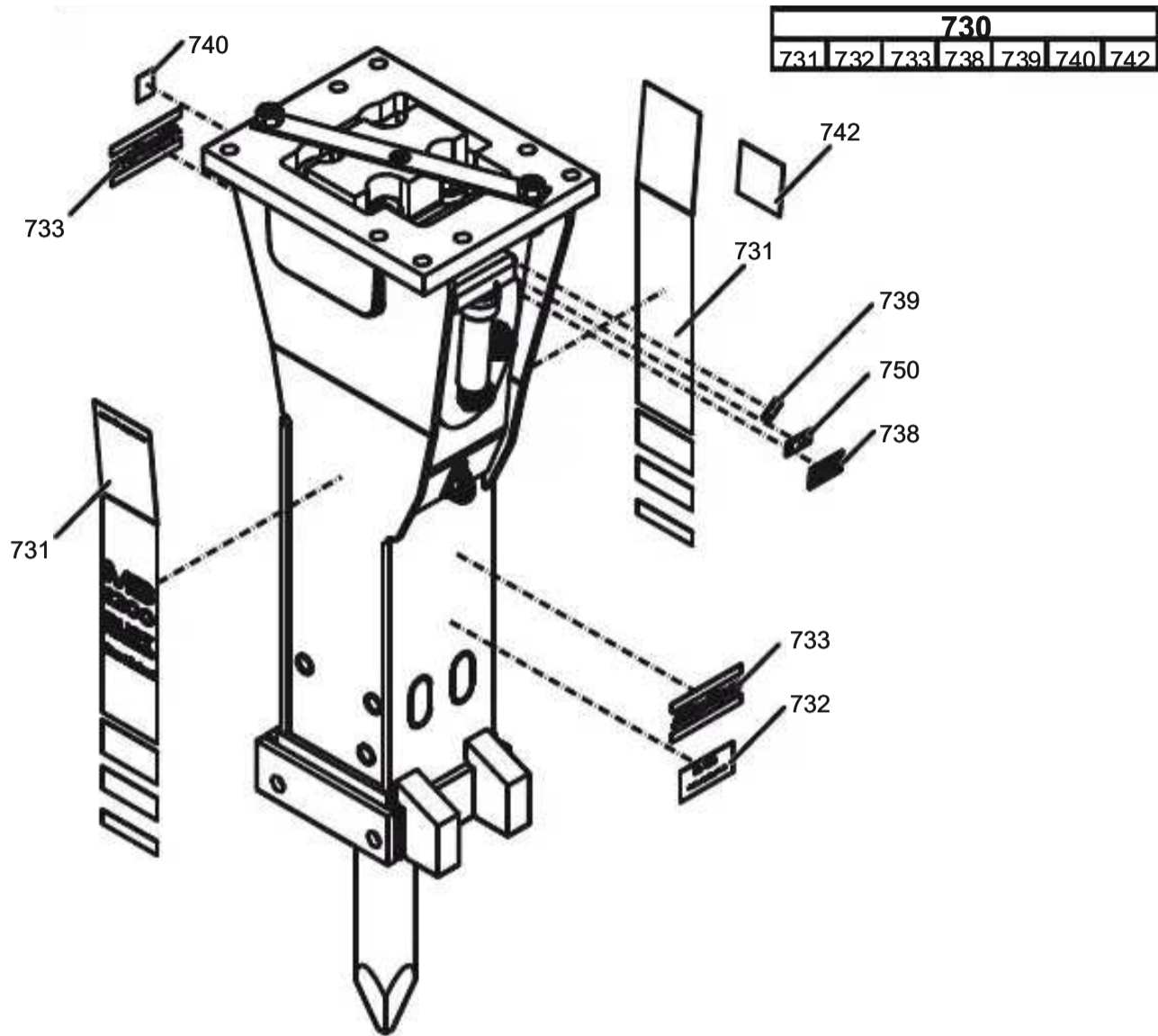
Kits

Label kit MB 1200



No.	Description	Remark	Quantity	Part number
700(701-712)	Label kit MB 1200		1	3363 0943 08
701	Label MB 1200		2	-
702	Label working tools		1	-
703	Label Atlas Copco		2	-
708	Label gas pressure		2	-
709	Lubricating symbol		1	-
710	Label noise level		1	-
712	Label AEM		1	-
720	Name plate		1	-

Label kit MB 1200 DustProtector



No.	Description	Remark	Quantity	Part number
730(731-742)	Label kit MB 1200 DustProtector		1	3363 0943 09
731	Label MB 1200 DustProtector		2	-
732	Label working tools		1	-
733	Label Atlas Copco		2	-
738	Label gas pressure		2	-
739	Lubricating symbol		1	-
740	Label noise level		1	-
742	Label AEM		1	-
750	Name plate		1	-

Seal kit

No.	Description	Remark	Quantity	Part number
	Seal kit		1	3363 0668 90
105	Seal		1	3363 0666 54
106	Seal		2	3363 0340 29
107	O-ring		2	3363 0340 33
108	O-ring		1	3363 0666 53
182	Threaded plug		1	3360 4784 26
183	O-ring		1	3360 1751 25
304	O-ring		1	3363 0342 50
325	Seal		1	3363 0666 55
326	Seal		1	3363 0340 30
327	O-ring		1	3360 9921 94
328	Wiper		1	3363 0666 56
333	O-ring		1	3360 4781 71
397	O-ring		2	3360 3145 51

Plastic parts kit

No.	Description	Remark	Quantity	Part number
	Plastic parts kit		1	3363 0701 26
2	Elastic pad		1	3363 0339 57
3	Shock absorber		2	3361 8476 85
4	Guide plate		2	3362 2696 31
5	Guide plate		1	3363 0679 19
6	Guide plate		2	3363 0679 21

Tensioning bolt kit

No.	Description	Remark	Quantity	Part number
	Tensioning bolt kit		1	3363 0943 49
192	Tensioning bolt		2	3363 0887 03
193	Washer		2	3363 0936 47
487	Threaded insert		2	3363 0317 74
	Anti Seize 120 g		1	3363 0943 00

DustProtector kit

No.	Description	Remark	Quantity	Part number
	DustProtector kit		1	3363 0943 85
11	Floating ring	tribolid	1	3363 0706 60
12	Counter ring		1	3363 0679 69
13	Guide ring		1	3363 0679 73
14	Bolt		2	3363 0697 69
15	Locking bush		2	3361 8543 63

Noise protection kit

No.	Description	Remark	Quantity	Part number
	Noise protection kit		1	3363 0980 60
31	Cover		1	3363 0682 95
32	Plug		2	3363 0860 11
33	Plug		10	3362 2678 97
34	Plug		1	3362 2678 93

Lower breaker part kit

No.	Description	Remark	Quantity	Part number
	Lower breaker part kit		1	3363 0943 69
401	Retainer bar		2	3360 9930 29
402	Bolt		2	3362 2618 50
403	Plug		4	3362 2629 25
482	Buffer ring		1	3363 0690 73
483	Wear bush		1	3363 0693 53
484	Wear bush	steel	1	3363 0886 69
485	Bolt		2	3362 2618 50
486	Locking bush		4	3361 8543 63
	Chisel paste		1	3315 0381 00
	Test gauge		1	3363 0682 55

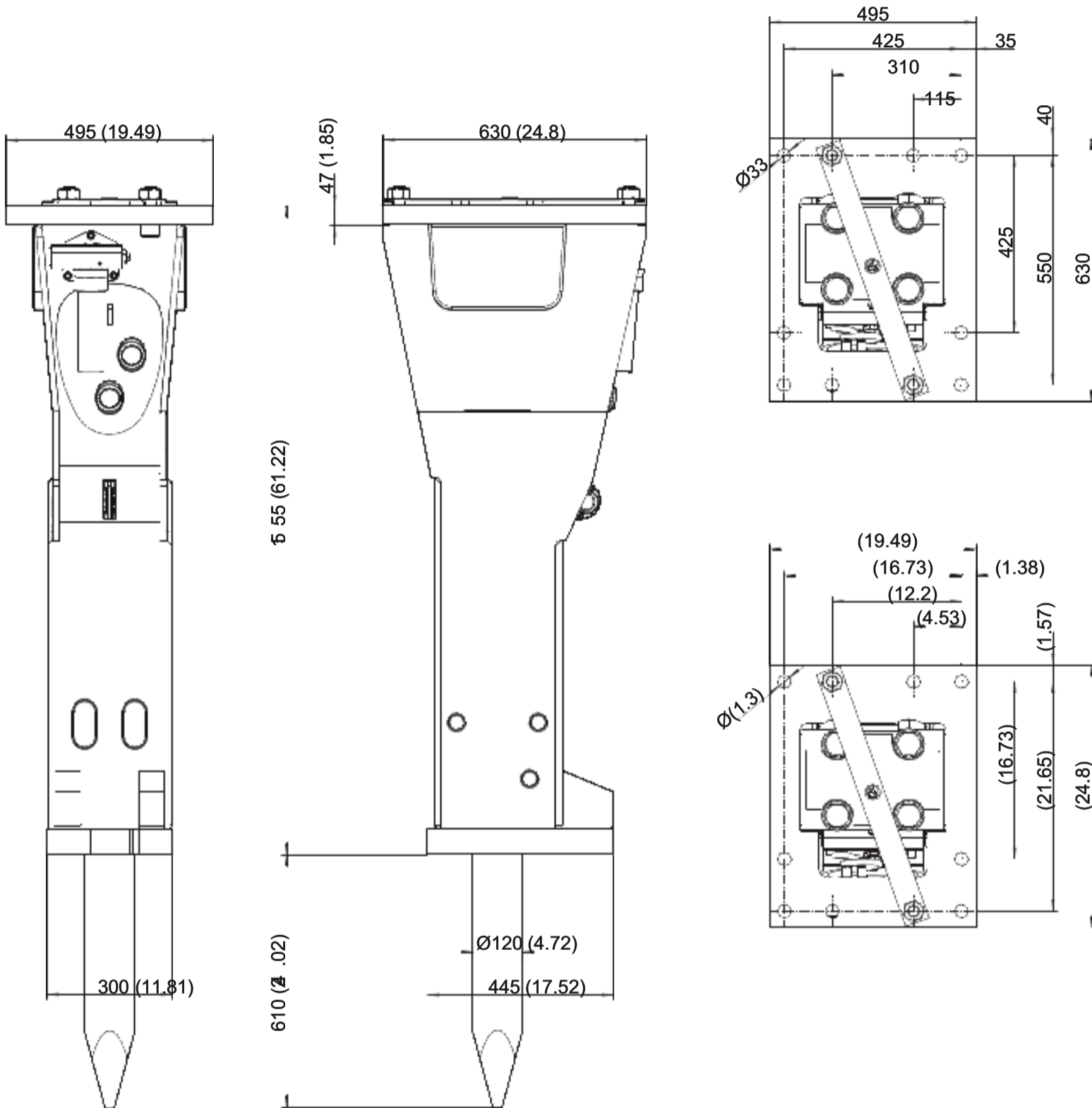
Lower breaker part kit DustProtector

No.	Description	Remark	Quantity	Part number
	Lower breaker part kit		1	3363 0943 70
18	Base for wiper		1	3363 0886 63
19	Wiper		1	3363 0665 69
401	Retainer bar		2	3360 9930 29
402	Bolt		2	3362 2618 50
403	Plug		4	3362 2629 25
482	Buffer ring		1	3363 0690 73
483	Wear bush		1	3363 0693 53
484	Wear bush	steel	1	3363 0886 69
485	Bolt		2	3362 2618 50
486	Locking bush		4	3361 8543 63
	Chisel paste		1	3315 0381 00
	Test gauge		1	3363 0682 55

Dimensions

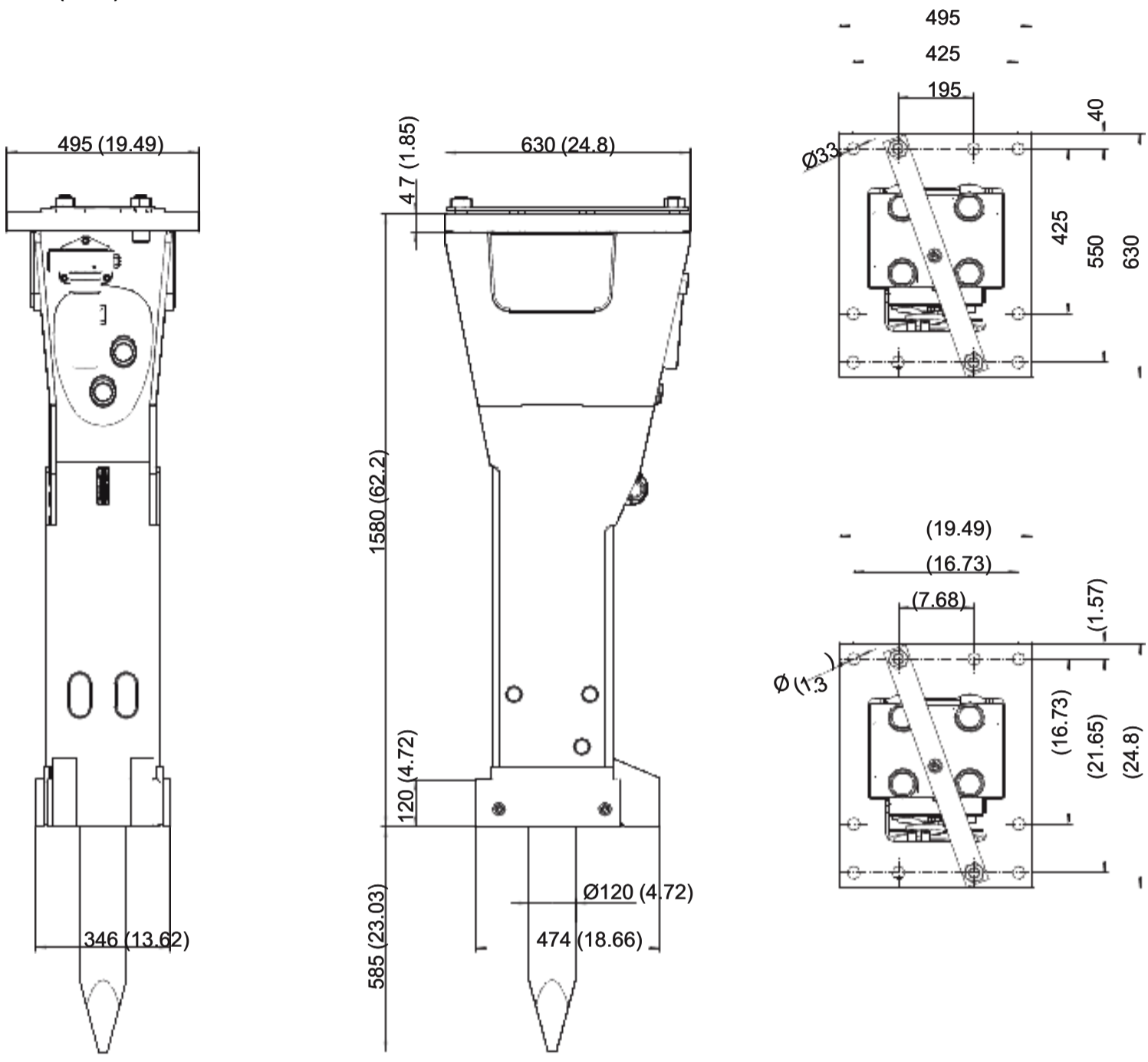
Dimensions MB 1200

mm (inch)



Dimensions MB 1200 DustProtector

mm (inch)



Any unauthorized use or copying of the contents or any part thereof is prohibited.
This applies in particular to trademarks, model denominations, part numbers, and
drawings.