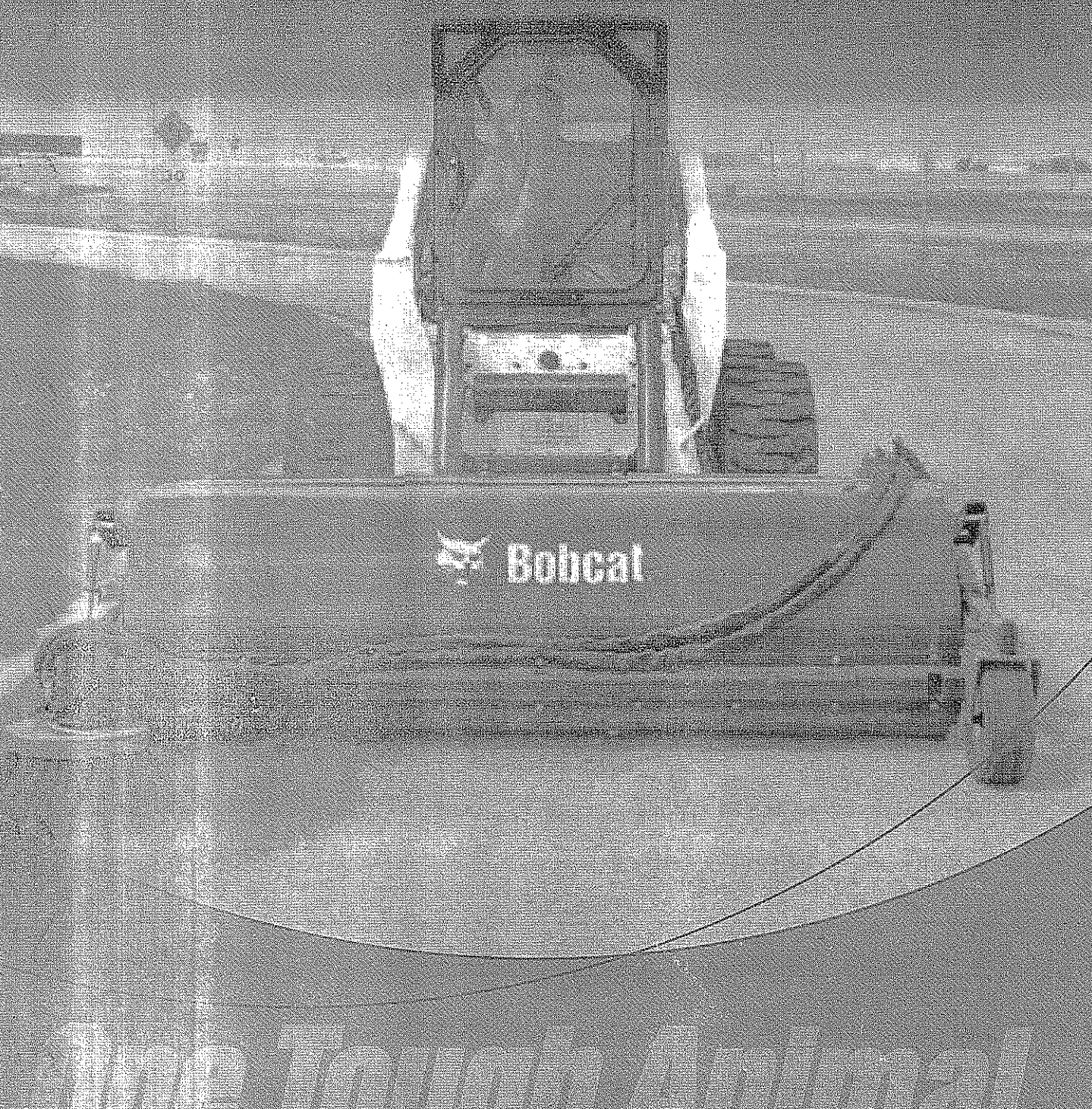




Bobcat

SWEeper ATTACHMENT



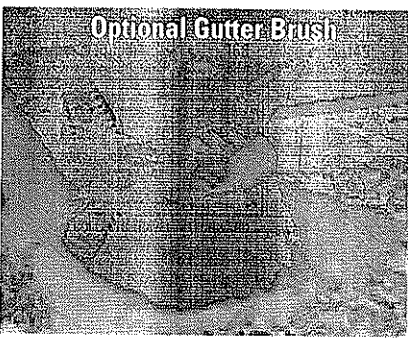
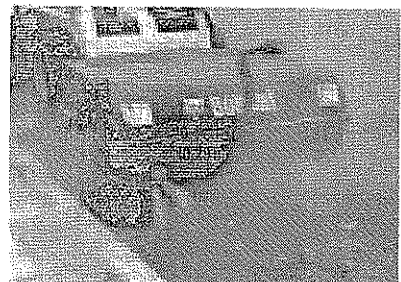
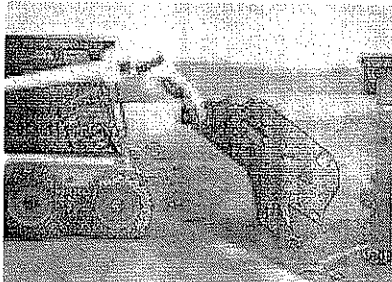
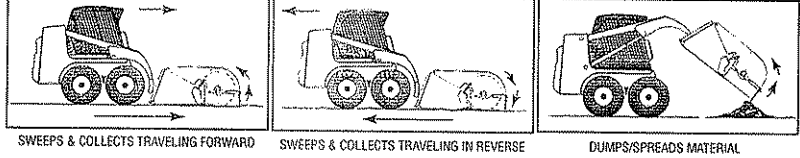
Bobcat® Sweeper Attachment Specifications

Specifications	44"	54"	60"	72"	84"
Sweep Width	44 in. (1118 mm)	54 in. (1372 mm)	60 in. (1524 mm)	72 in. (1829 mm)	84 in. (2134 mm)
Overall Attachment Width	48.8 in. (1240 mm)	60.2 in. (1529 mm)	66.2 in. (1681 mm)	78.2 in. (1986 mm)	89.9 in. (2284 mm)
Weight	573 lb. (260 kg)	696 lb. (316 kg)	758 lb. (344 kg)	845 lb. (383 kg)	975 lb. (442 kg)
Bucket Capacity, Heaped	6.1 cu. ft. (0.18 m ³)	10.8 cu. ft. (0.31 m ³)	12.0 cu. ft. (0.34 m ³)	14.4 cu. ft. (0.41 m ³)	18.5 cu. ft. (0.52 m ³)
Bucket Capacity, Swept	4.1 cu. ft. (0.12 m ³)	7.8 cu. ft. (0.22 m ³)	8.6 cu. ft. (0.24 m ³)	10.4 cu. ft. (0.29 m ³)	11.8 cu. ft. (0.33 m ³)
Broom Diameter	21.4 in. (544 mm)	21.4 in. (544 mm)	21.4 in. (544 mm)	21.4 in. (544 mm)	21.4 in. (544 mm)

Bristle Material: ← Replaceable polypropylene sections (steel sections available) →

Cutting Edge	Replaceable steel	Replaceable steel	Replaceable steel	Replaceable steel	Replaceable steel
--------------	-------------------	-------------------	-------------------	-------------------	-------------------

Broom rpm @ 10 gpm	168	145	145	145	215
--------------------	-----	-----	-----	-----	-----



Clean hard-to-reach areas — curbs, drainage depressions, alongside buildings — with the optional Bobcat gutter brush attachment. It widens the sweeper's total width by one foot, to let you cover more area per pass. Large, metal bristles produce excellent cleaning action. When not in use, the gutter brush can be raised and stored vertically. The gutter brush may be installed on either side of the sweeper.

Gutter Brush Dimensions:		54, 60, 72 in.	84 in.
Approved sweeper models:		54, 60, 72 in.	84 in.
Brush diameter:		24 in.	24 in.
Reach in front of sweeper:		26 in.	35 in.
Reach to the side of sweeper:		14 in.	7.6 in.
Height from ground in sweeping position:		22 in.	19 in.
Height from ground in storage position:		51 in.	43 in.

Only one gutter brush can be installed per sweeper.
Gutter Brush not approved for use with sweepers installed on 463 and 553 loaders.

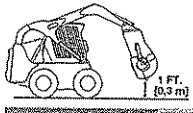
Clean Up in Forward or Reverse!

Now you can sweep, collect and dump dirt and other debris with just one attachment. Ideal for construction, industrial or municipal jobs, the Bobcat sweeper is easy to attach and simple to operate going either forward or reverse.

The hydraulically driven attachment's reversible cutting edge helps cut through caked-on mud. The sweeper's polypropylene bristles deposit dirt and other debris in the bucket, which can be dumped when full.* You can also use the sweeper to spread material evenly across a site.

The Bobcat sweeper is perfect to clean parking lots, sidewalks, docks, warehouses, and more. There are five sizes to fit a variety of Bobcat loader models.

*Lift restrictions may apply.



APPROVED AND NON-APPROVED LOADER-SWEEPER COMBINATIONS

SWEEPER MODEL	LOADER RATED OPERATING CAPACITY					
	APPROVED	LIFT RESTRICTION		NON-APPROVED		
54 in.	950 LB. (432 kg)	1000 LB. (500 kg)	1250 LB. (568 kg)	1500 LB. (680 kg)	1750 LB. (794 kg)	1900 LB. (864 kg)
60 in.						
72 in.						
84 in.						

**Lift restriction requires that loaded sweeper not be lifted more than 3 feet (1 m). Tipping can result.
* Sweeper attaches to 44 in. utility bucket.

NOTE - Where applicable, dimensions are in accordance with Society of Automotive Engineers (SAE) and ISO standards. Specifications and design are subject to change without notice. Pictures of Bobcat units may show other than standard equipment. All dimensions are given for loader equipped with standard tires. All dimensions are shown in inches. Respective metric dimensions are enclosed by parentheses. Bobcat Company complies with the requirements of ISO 9001 as registered with BSI.

The Bobcat Attachments Advantage: Bobcat attachments are engineered and manufactured to fit Bobcat loaders for optimum job performance, dependability and durability.

Bobcat Sweeper Attachment fits these carrier models:

Skid-Steer Loaders:
463
553
S130
S150
S160
S175
S185
S205
S220
S250
S300

Compact Track Loaders:
T140
T180
T190
T250
T300

All-Wheel Steer Loaders:
A220
A300



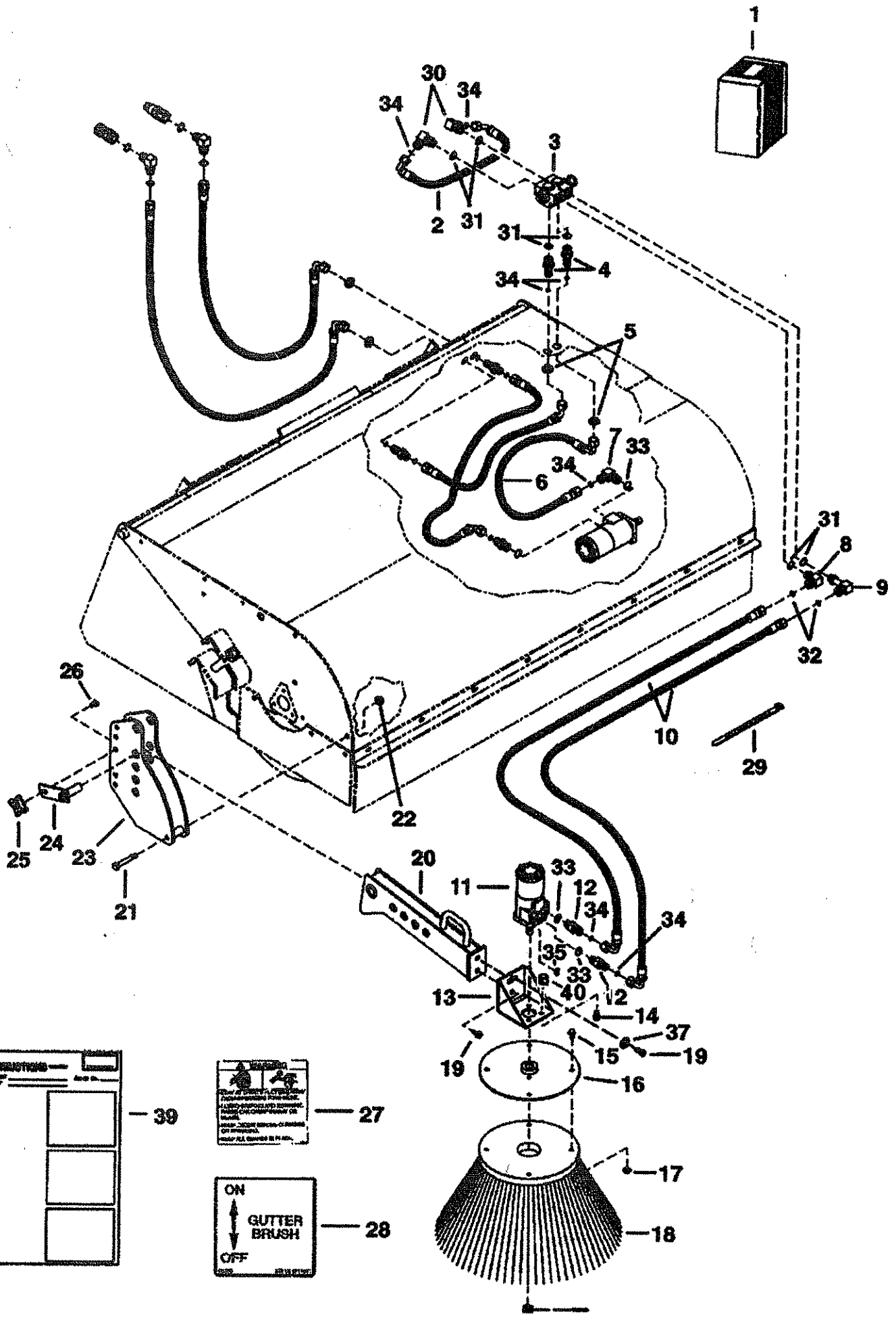
Bobcat Company
P.O. Box 6000 • West Fargo, ND 58078
www.bobcat.com



B-1578

Printed in U.S.A.

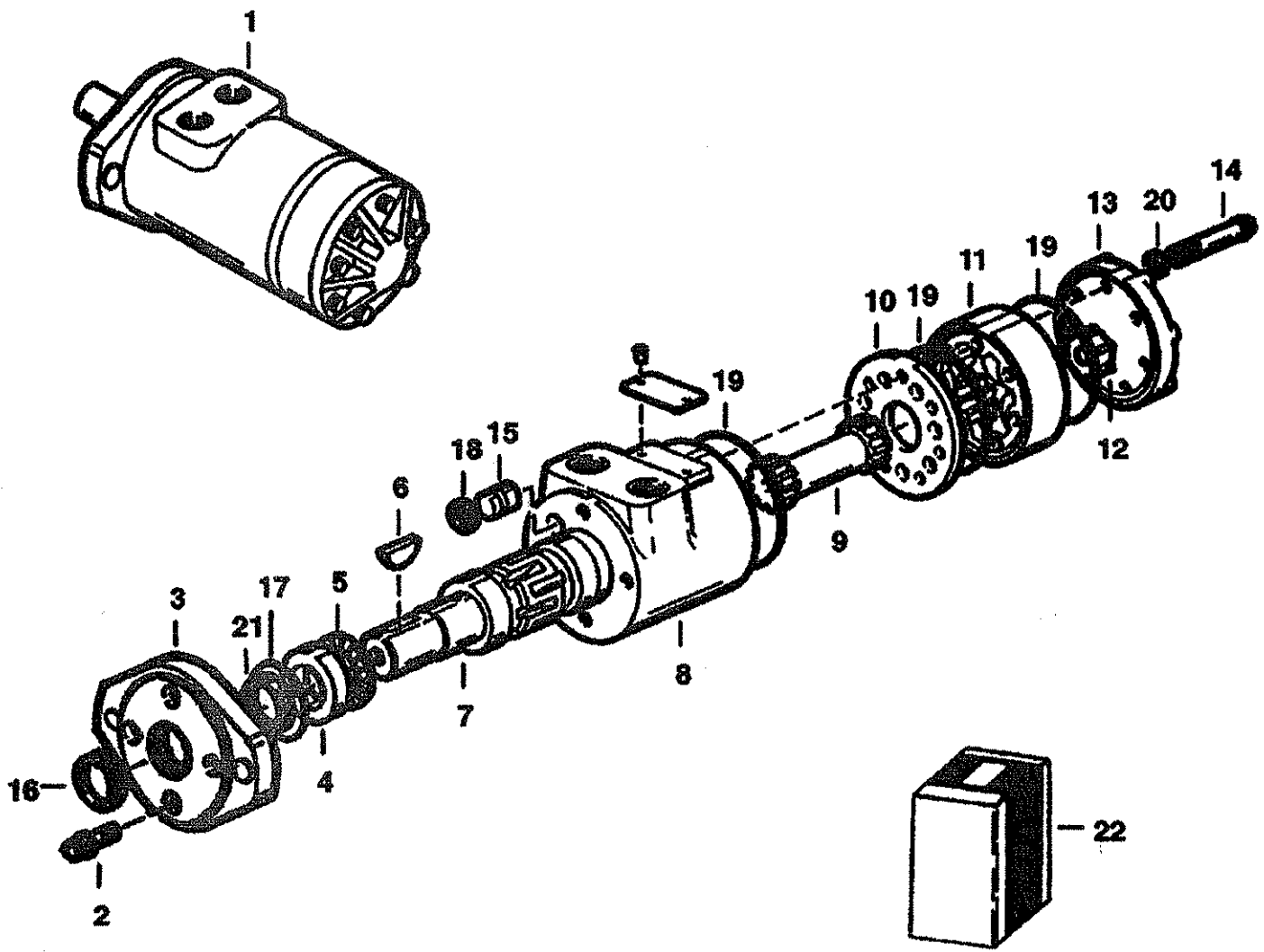
Kn-15M-706-#4660-F



INSTRUCTIONS	

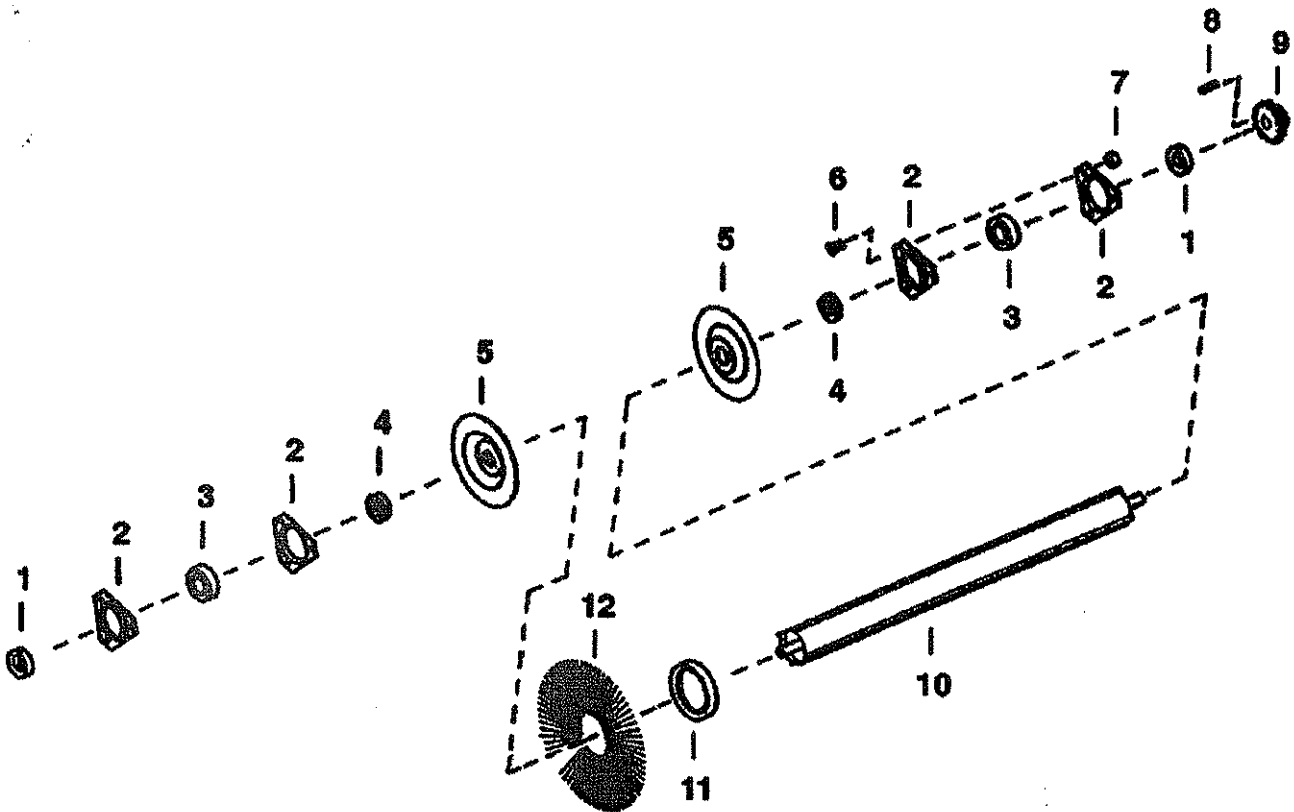
WARNING
 Do not touch the motor
 while it is running. The motor
 is hot and can burn you.
 Do not touch the brush
 while it is running. The
 brush is hot and can burn
 you. Do not touch the
 brush while it is running.
 Read ALL warnings in this
 manual.

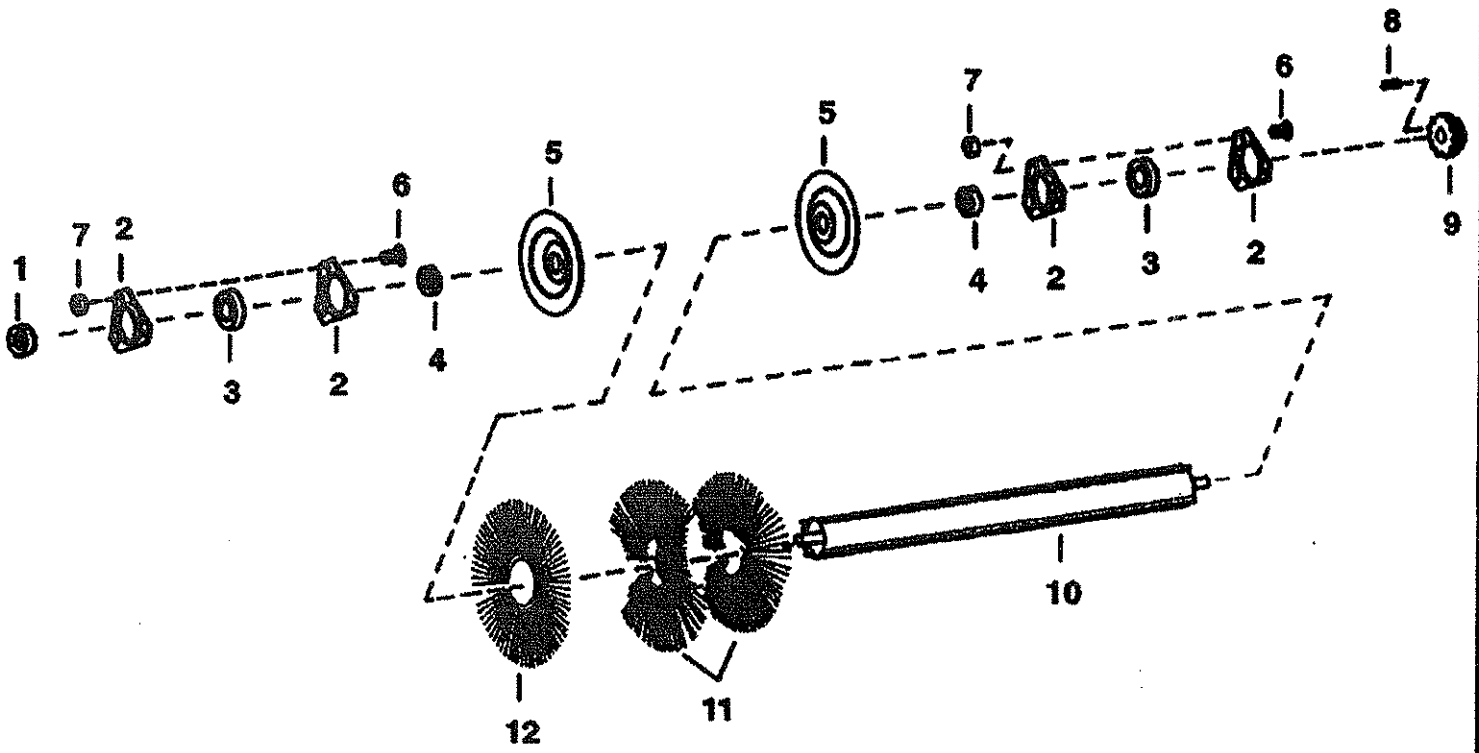
ON
 ↑
GUTTER BRUSH
 ↓
OFF



NOTE: To change from Flat Brush Sections to Zig Zag Sections, all sections must be changed. 6646703 spacers are not used with Zig Zag Sections.

NOTE: Check style of drive tube before ordering service parts.





(HYDROSTATIC MOTOR (Sweeper - 103-1037-08))

Sres. Coronas

At - Sr. Gabriel

6688412 — 2728,10 \$ + IVA

Plazo de entrega = 10/15 días de recibir
la orden de compra y \$0,92 del B-18045A

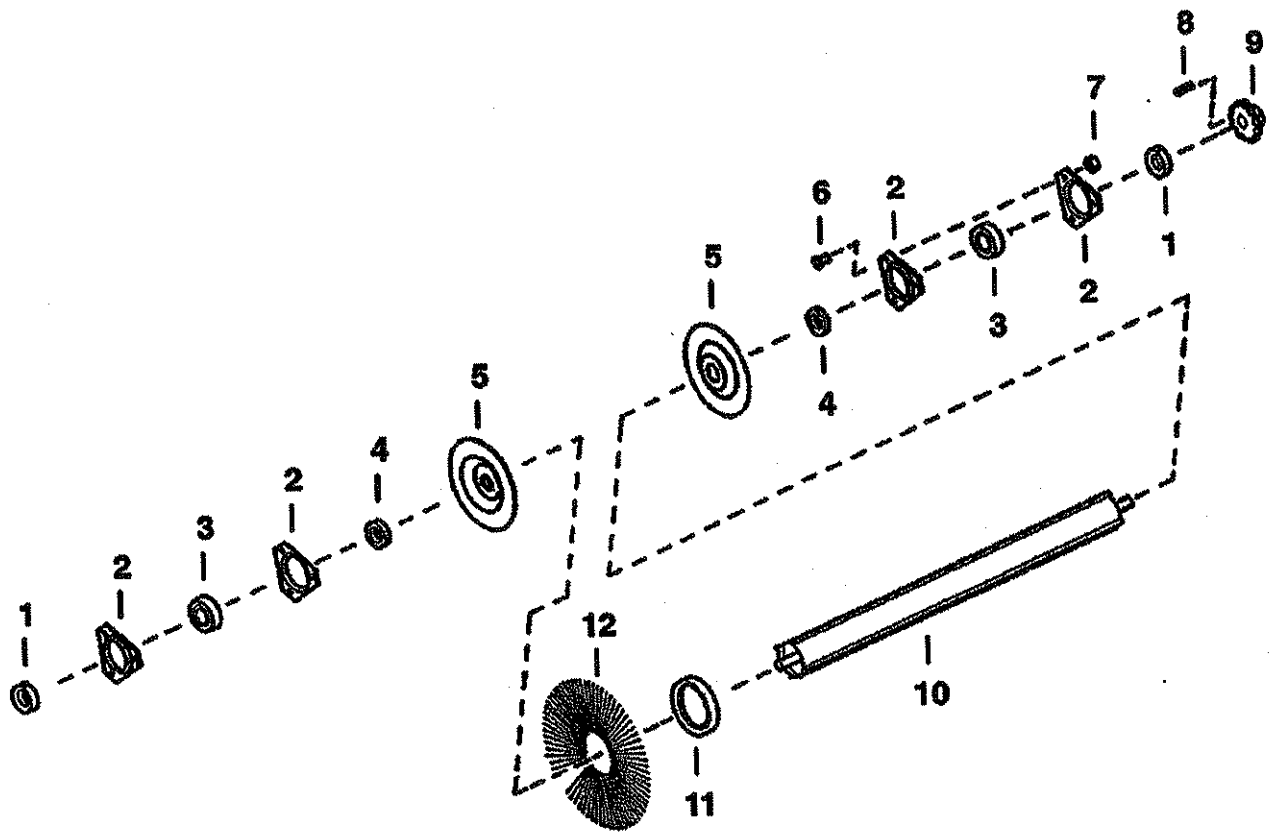
Model Number: SWEEPER
Serial Number: Loader

Valor del repuesto.

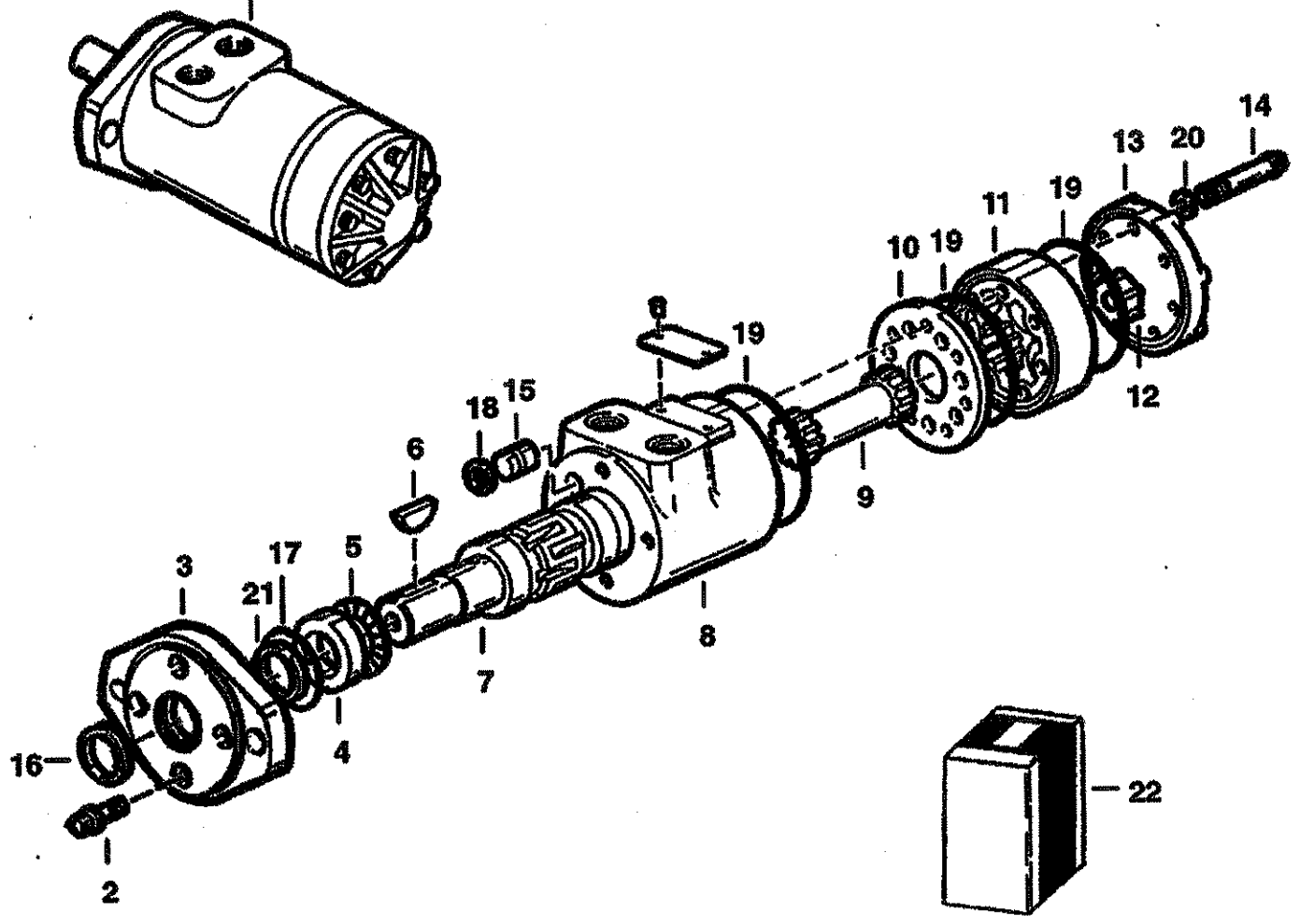
Logo
ORTOLANI
Carlos

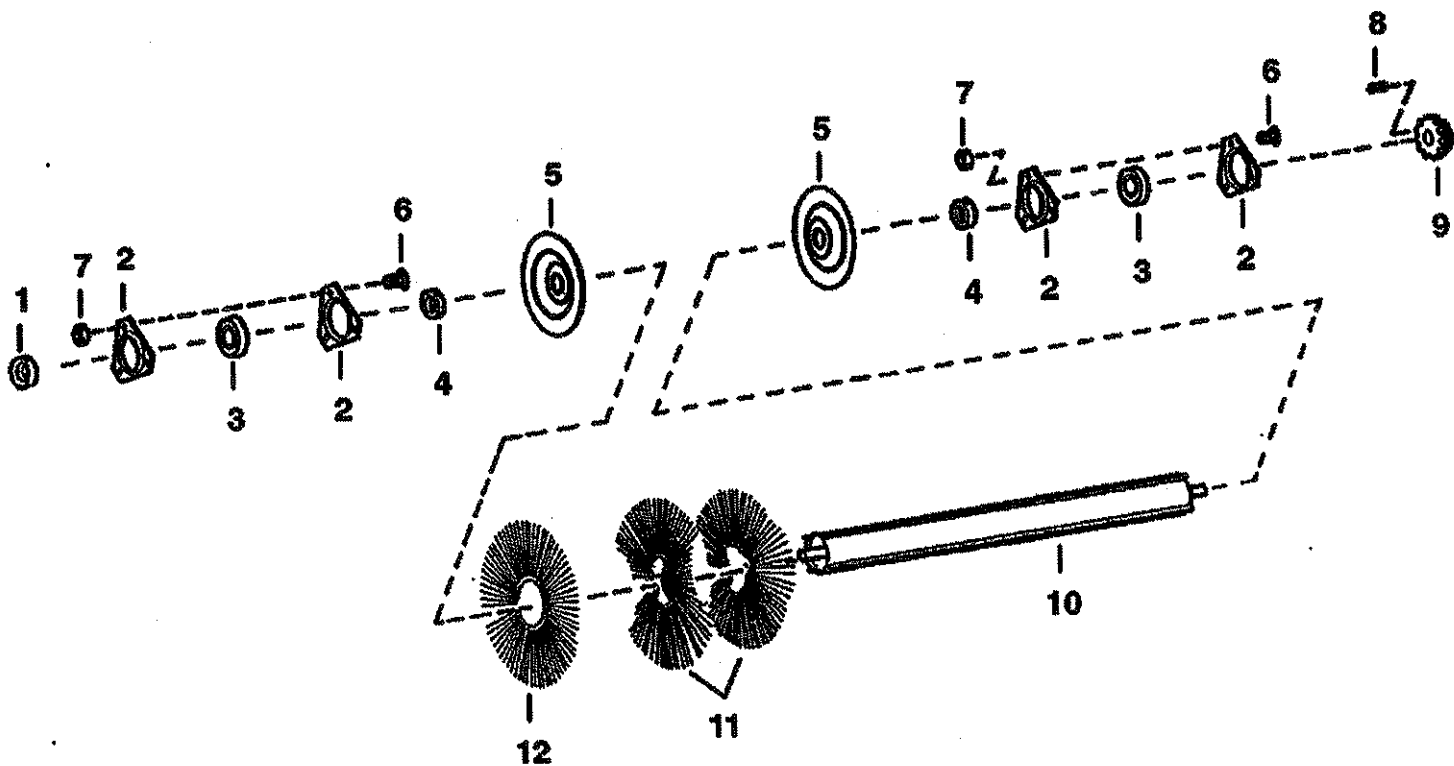
NOTE: To change from Flat Brush Sections to Zig Zag Sections all sections must be changed. 6646703 spacers are not used with Zig Zag Sections.

NOTE: Check style of drive tube before ordering service parts.



1 = B0B 66 88712

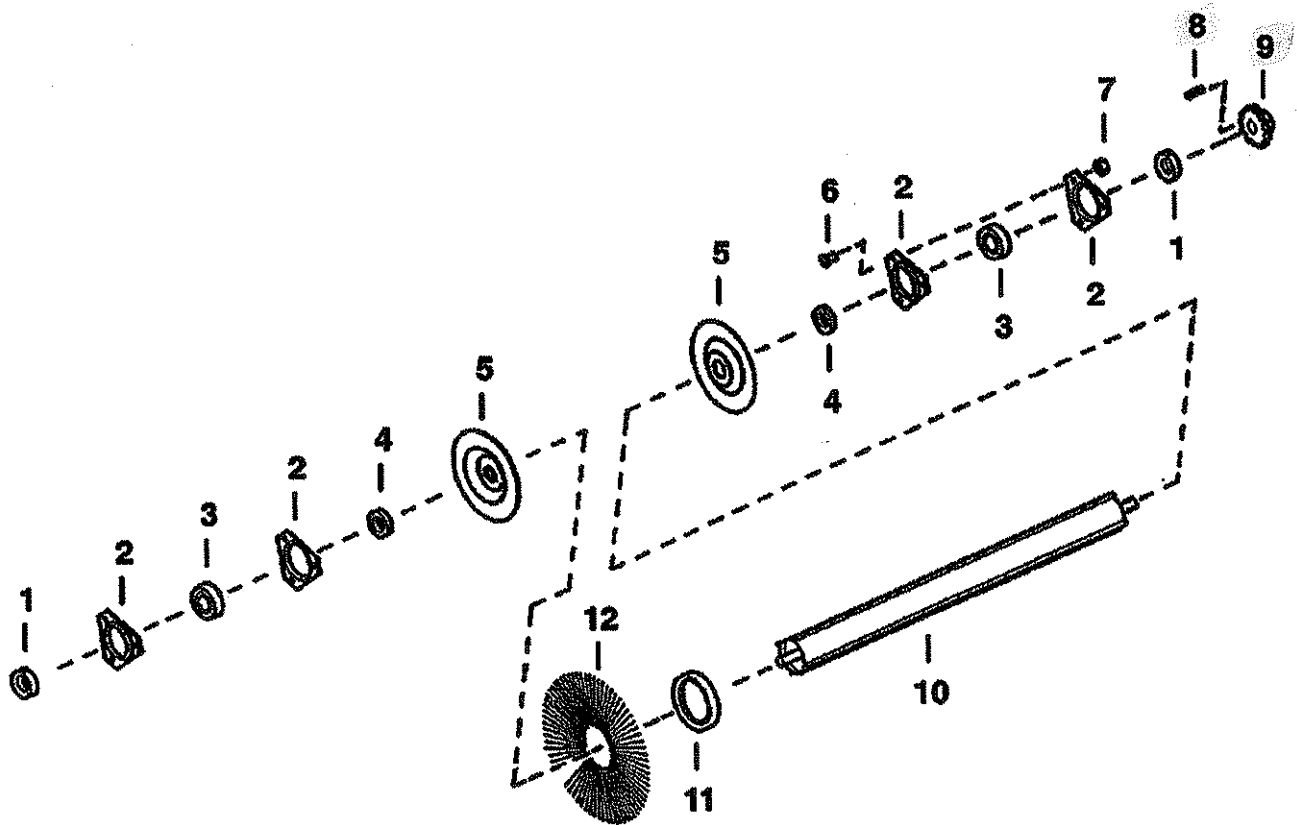


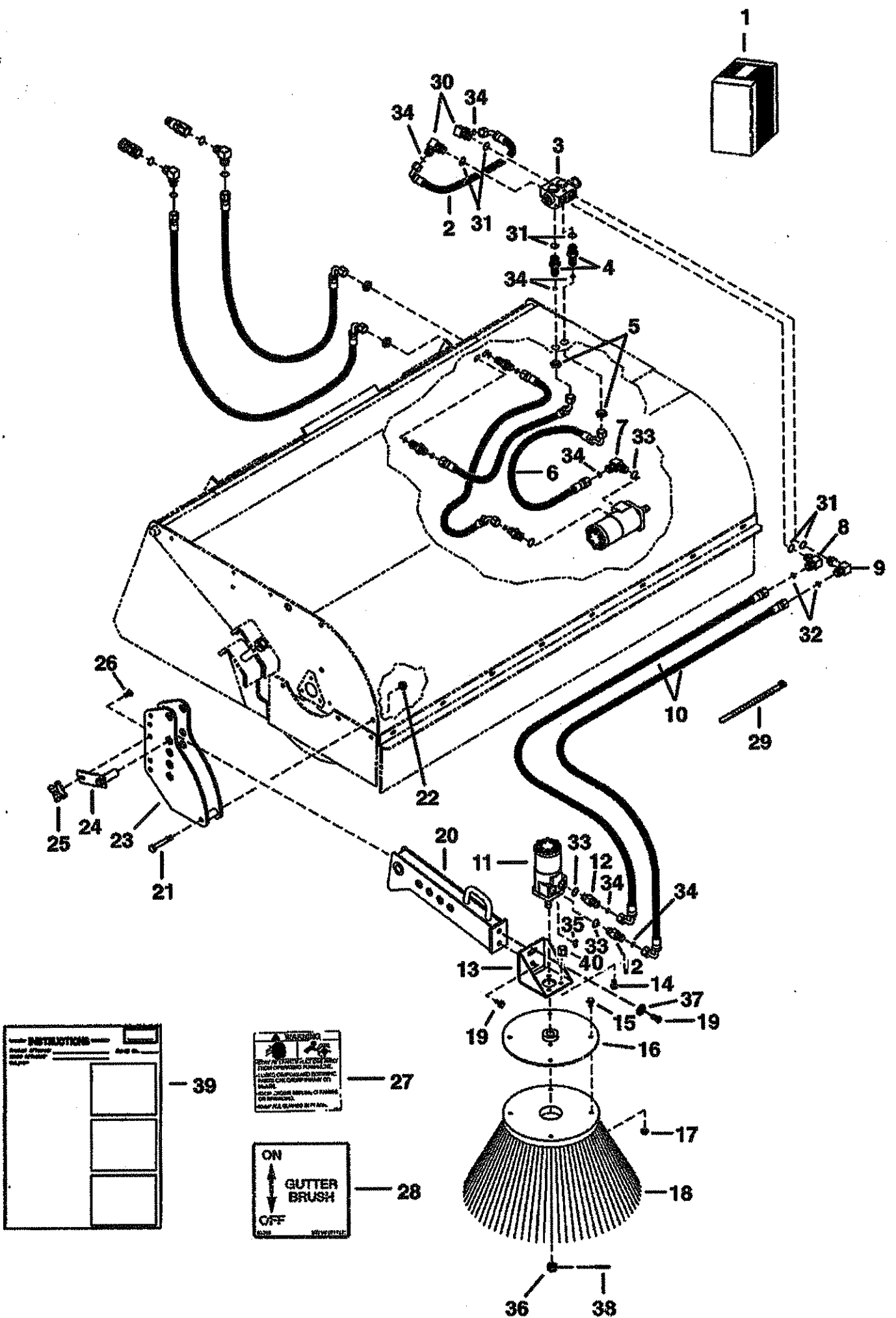


NOTE: Check style of drive tube before ordering service parts.

NOTE: To change from Flat Brush Sections to Zig Zag Sections all sections must be changed. 6646703 spacers are not used with Zig Zag Sections.

NOTE: Check style of drive tube before ordering service parts.





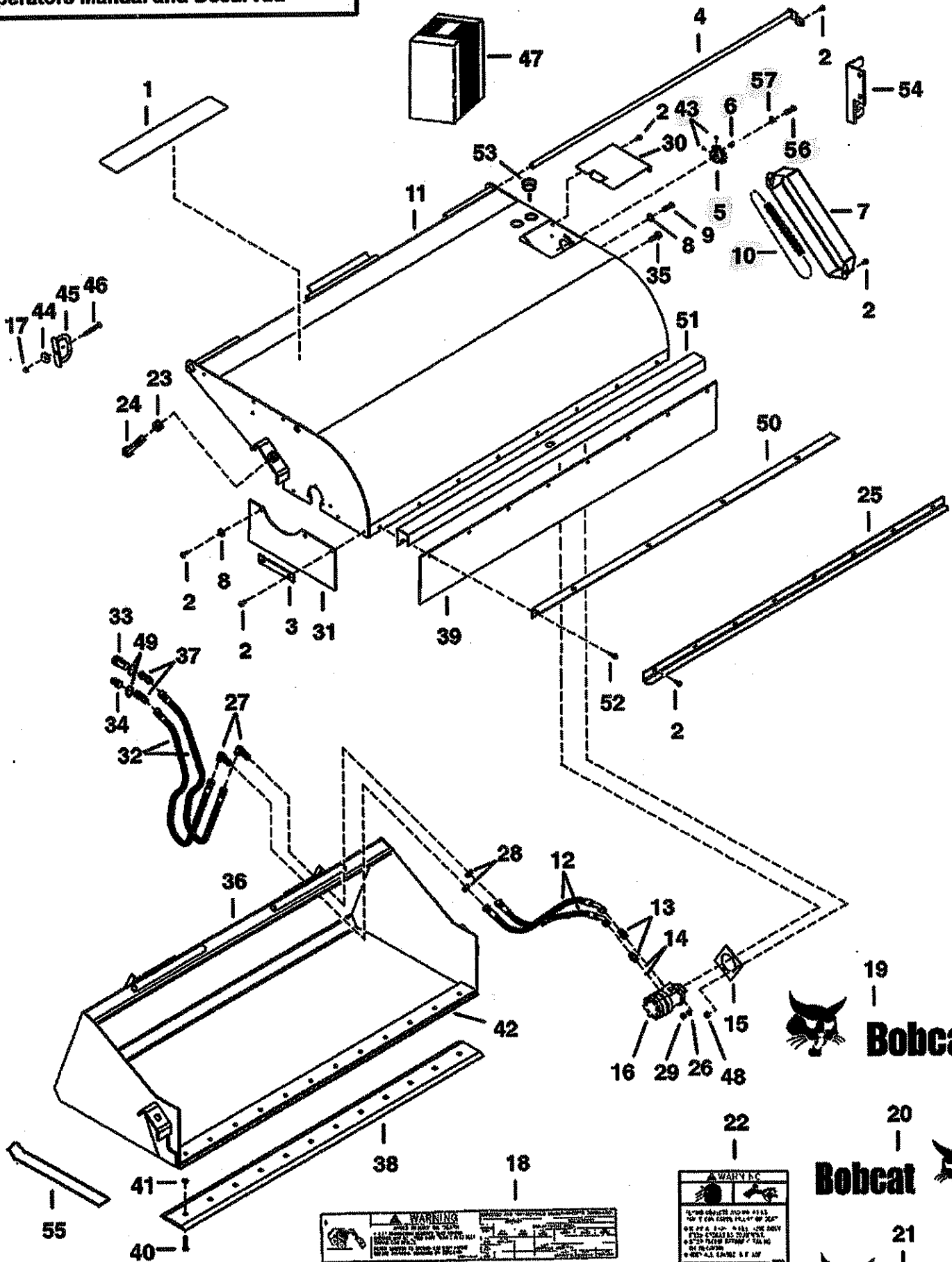
INSTRUCTIONS
 Read before use.
 1. Assemble the brush according to the instructions in this manual.
 2. Use the brush only on clean, dry gutters.
 3. Do not use the brush on painted or galvanized surfaces.
 4. Do not use the brush on gutters with a slope of less than 1/4 inch per foot.
 5. Do not use the brush on gutters that are clogged with debris.
 6. Do not use the brush on gutters that are damaged or loose.
 7. Do not use the brush on gutters that are not supported properly.
 8. Do not use the brush on gutters that are not clean and dry.
 9. Do not use the brush on gutters that are not free of debris.
 10. Do not use the brush on gutters that are not supported properly.
 11. Do not use the brush on gutters that are not clean and dry.
 12. Do not use the brush on gutters that are not free of debris.
 13. Do not use the brush on gutters that are not supported properly.
 14. Do not use the brush on gutters that are not clean and dry.
 15. Do not use the brush on gutters that are not free of debris.
 16. Do not use the brush on gutters that are not supported properly.
 17. Do not use the brush on gutters that are not clean and dry.
 18. Do not use the brush on gutters that are not free of debris.
 19. Do not use the brush on gutters that are not supported properly.
 20. Do not use the brush on gutters that are not clean and dry.
 21. Do not use the brush on gutters that are not free of debris.
 22. Do not use the brush on gutters that are not supported properly.
 23. Do not use the brush on gutters that are not clean and dry.
 24. Do not use the brush on gutters that are not free of debris.
 25. Do not use the brush on gutters that are not supported properly.
 26. Do not use the brush on gutters that are not clean and dry.
 27. Do not use the brush on gutters that are not free of debris.
 28. Do not use the brush on gutters that are not supported properly.
 29. Do not use the brush on gutters that are not clean and dry.
 30. Do not use the brush on gutters that are not free of debris.
 31. Do not use the brush on gutters that are not supported properly.
 32. Do not use the brush on gutters that are not clean and dry.
 33. Do not use the brush on gutters that are not free of debris.
 34. Do not use the brush on gutters that are not supported properly.
 35. Do not use the brush on gutters that are not clean and dry.
 36. Do not use the brush on gutters that are not free of debris.
 37. Do not use the brush on gutters that are not supported properly.
 38. Do not use the brush on gutters that are not clean and dry.
 39. Do not use the brush on gutters that are not free of debris.

WARNING
 NEVER USE THIS DEVICE ON
 STEEL OR ALUMINUM SURFACES.
 USING ON THESE SURFACES
 WILL CAUSE DAMAGE TO THE
 SURFACE AND MAY CAUSE
 PERSONAL INJURY.
 ALWAYS WEAR EYE PROTECTION.
 READ ALL INSTRUCTIONS BEFORE
 USING.

ON
 ↑
 GUTTER
 BRUSH
 ↓
 OFF

NOTE: AR = Spanish (Argentina)
 BR = Portugese (Brazil)
 JP = Japanese
 Translation Kit Includes Safety Manual,
 Operators Manual and Decal Kit.

S/N for 54" - 7826 (first 4 digits)
 S/N for 60" - 7144 (first 4 digits)
 S/N for 72" - 7837 (first 4 digits)



NOTE: HOLES IN WELD-ON EDGE MAY HAVE TO BE DRILLED TO .688" DIA. WHEN ORDERING BOLT-ON EDGE, AS THE CUTTING EDGES NOW USE A LARGER (5/8") BOLT AND NUT.