

Sweeper

54 Inch
60 Inch
72 Inch



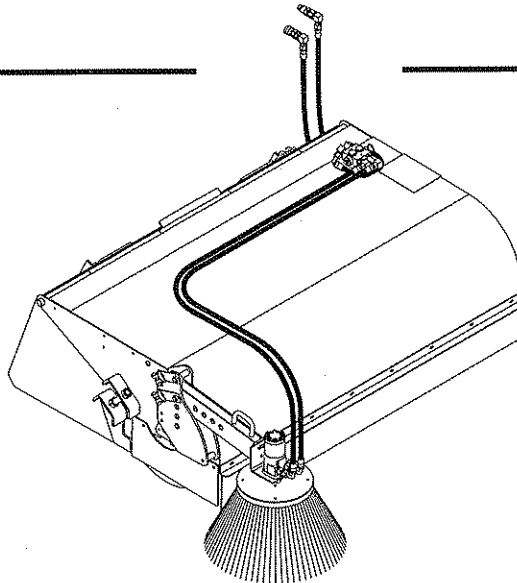
Bobcat®

Operation & Maintenance Manual

S/N 782600101 & Above

S/N 714400101 & Above

S/N 783700101 & Above





Bobcat®

This Operation & Maintenance Manual was written to give the owner/operator instructions on the safe operation and maintenance of the Sweeper. READ AND UNDERSTAND THIS OPERATION & MAINTENANCE MANUAL BEFORE OPERATING YOUR Sweeper. If you have any questions, see your Bobcat dealer.

ATTACHMENT DELIVERY REPORT VI

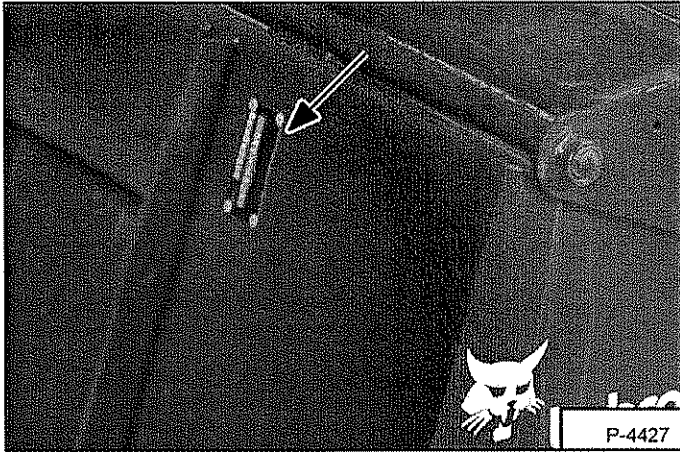
BOBCAT GUTTER BRUSH IDENTIFICATION AND MACHINE
SIGNS (DECALS) VIII

BOBCAT SWEEPER PARTS IDENTIFICATION AND MACHINE
SIGNS (DECALS) VII

SERIAL NUMBER LOCATIONS VI

SERIAL NUMBER LOCATIONS

Figure 1



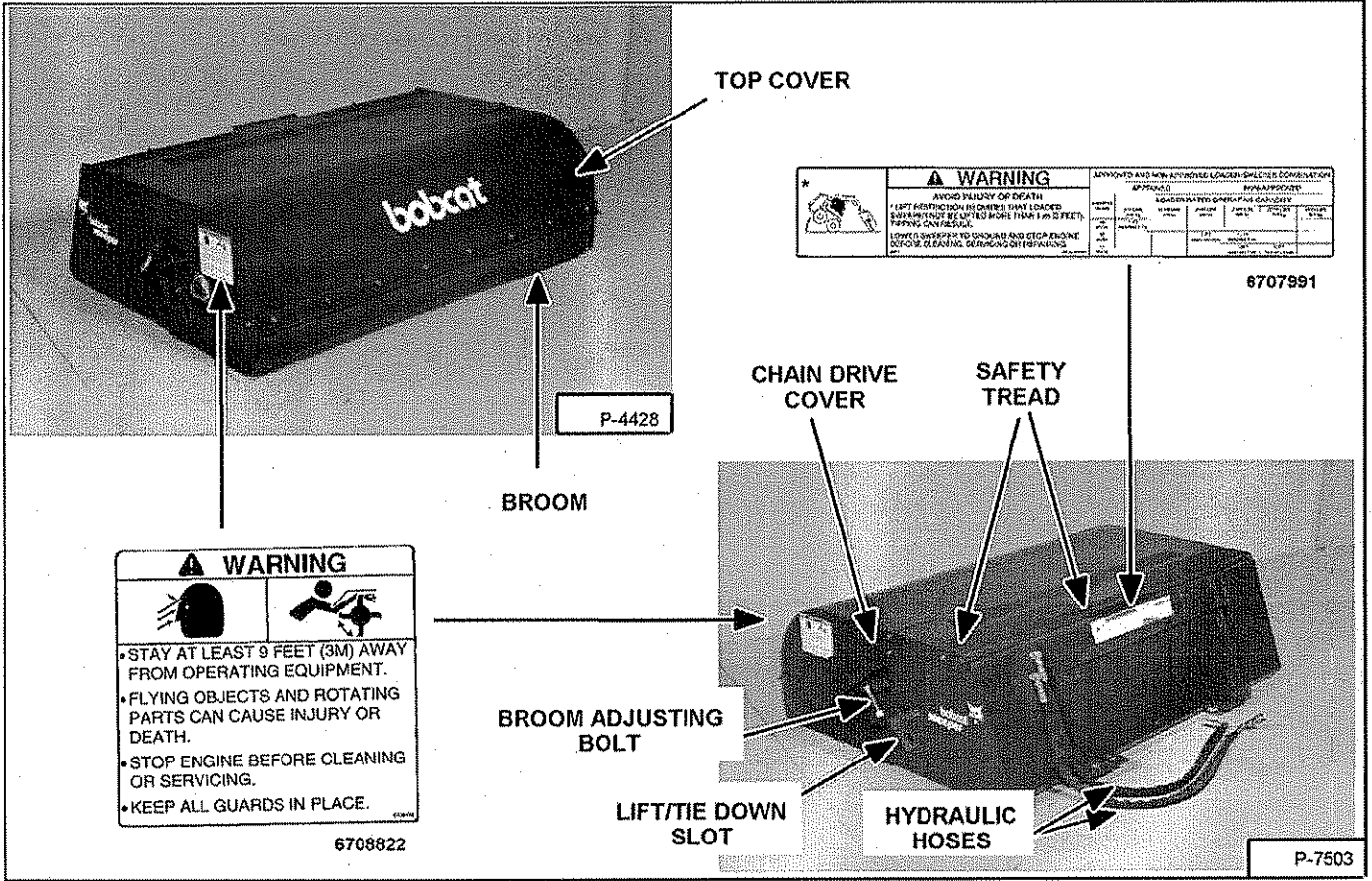
It is important to make the correct reference to the serial number of the Bobcat Sweeper when making repairs or ordering parts. Early or later models (identification made by serial number) may use different parts, or it may be necessary to use different procedures in doing a specific operation. The attachment serial number is on the right rear side of the attachment [Figure 1].

ATTACHMENT DELIVERY REPORT

Figure 2

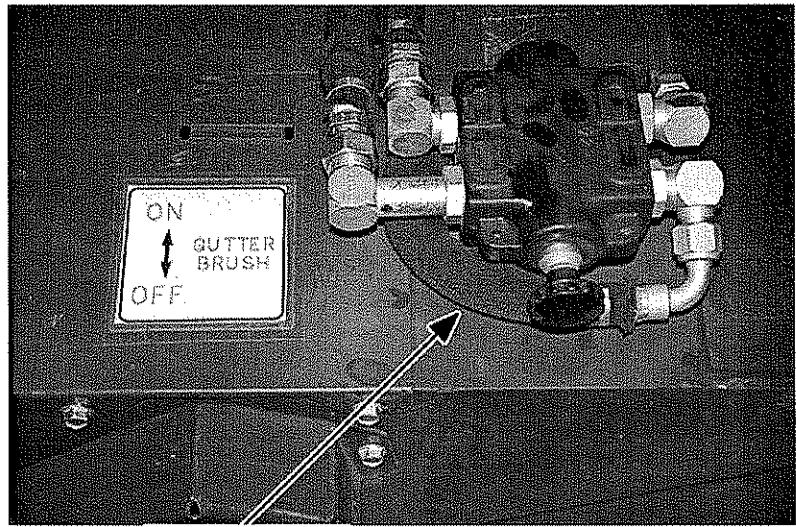
The Delivery Report must be filled out by the dealer and signed by the owner or operator when the Bobcat Sweeper is delivered. An explanation of the form must be given to the owner. Make sure it is filled out completely [Figure 2].

BOBCAT SWEEPER PARTS IDENTIFICATION AND MACHINE SIGNS (DECALS)



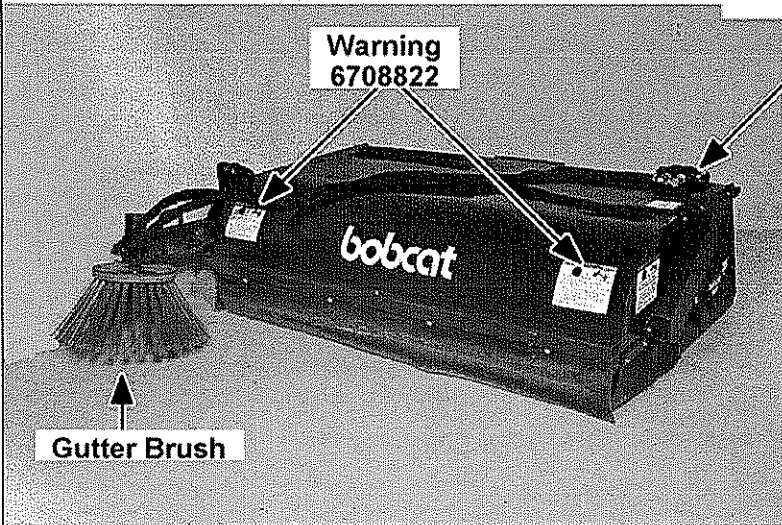
BOBCAT GUTTER BRUSH IDENTIFICATION AND MACHINE SIGNS (DECALS)

⚠ WARNING	
<ul style="list-style-type: none"> • STAY AT LEAST 9 FEET (3M) AWAY FROM OPERATING EQUIPMENT. • FLYING OBJECTS AND ROTATING PARTS CAN CAUSE INJURY OR DEATH. • STOP ENGINE BEFORE CLEANING OR SERVICING. • KEEP ALL GUARDS IN PLACE. 	



Gutter Brush ON/OFF Valve

N-17846

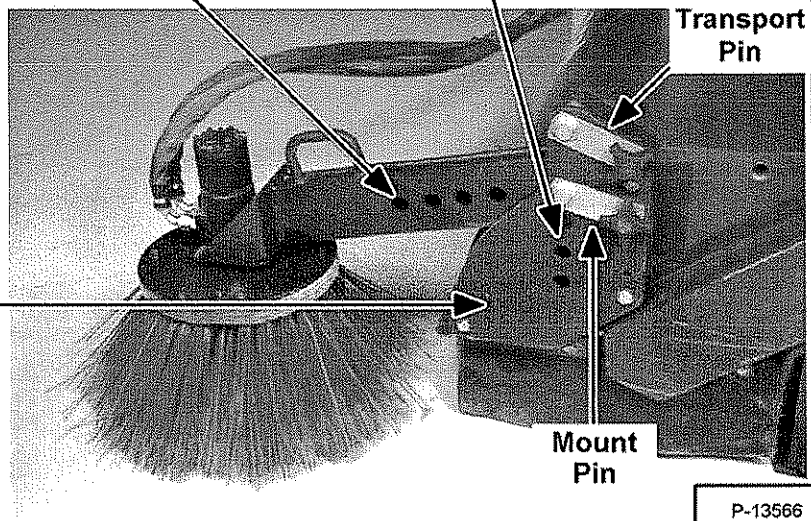


Warning 6708822

Gutter Brush

N-17843
Transport Pin Holes

Brush Bristle Wear Adjustment Holes



Transport Pin

Mounting Bracket

Mount Pin

P-13566

SAFETY

SAFETY INSTRUCTIONS	XI
Fire Prevention.....	XIII
Safe Operation Is The Operator's Responsibility.....	XI
Safe Operation Needs A Qualified Operator	XI
Use Safety Rules	XII

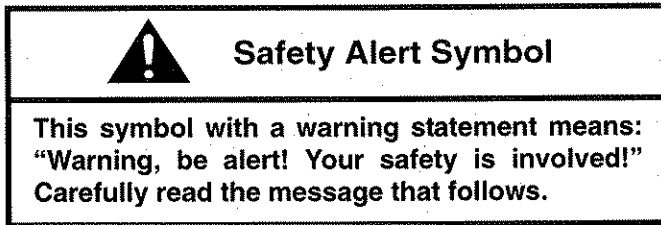
SAFETY



Bobcat®

SAFETY INSTRUCTIONS

Safe Operation Is The Operator's Responsibility



Operator must have instructions before running the machine. Untrained operators can cause injury or death.

W-2001-1285



This notice identifies procedures which must be followed to avoid damage to the machine.

I-2019-0284



Warnings on the machine and in the manuals are for your safety. Failure to obey warnings can cause injury or death.

W-2044-1285

The Bobcat machine and attachment must be in good operating condition before use.

Check all of the items on the Bobcat Service Schedule Decal under the 8-10 hour column or as shown in the Operation & Maintenance Manual.

Safe Operation Needs A Qualified Operator

For an operator to be qualified, he or she must not use drugs or alcoholic drinks which impair alertness or coordination while working. An operator who is taking prescription drugs must get medical advice to determine if he or she can safely operate a machine.

A Qualified Operator Must Do The Following:

Understand the Written Instructions, Rules and Regulations

- The written instructions from Bobcat Company include the Delivery Report, Operation & Maintenance Manual, Operator's Handbook, Safety Manual and machine signs (decals).
- Check the rules and regulations at your location. The rules may include an employer's work safety requirements. Regulations may apply to local driving requirements or use of a Slow Moving Vehicle (SMV) emblem. Regulations may identify a hazard such as a utility line.

Have Training with Actual Operation

- Operator training must consist of a demonstration and verbal instruction. This training is given by your Bobcat dealer before the product is delivered.
- The new operator must start in an area without bystanders and use all the controls until he or she can operate the machine and attachment safely under all conditions of the work area. Always fasten seat belt before operating.

Know the Work Conditions

- Know the weight of the materials being handled. Avoid exceeding the machine load capacities. Material which is very dense will be heavier than the same volume of less dense material. Reduce the size of load if handling dense material.
- The operator must know any prohibited uses or work areas, for example, he or she needs to know about excessive slopes.
- Know the location of any underground lines. Call local utilities or the TOLL FREE phone number found in the *USE SAFETY RULES* Section of this manual.
- Wear tight fitting clothing. Always wear safety glasses when doing maintenance or service. Safety glasses, hearing protection, Special Applications Kits or a Front Window Guard are required for some work. See your Bobcat dealer about Bobcat Safety equipment for your machine.

SI ATT-1203

SAFETY INSTRUCTIONS (CONT'D)

Use Safety Rules

- Read and follow instructions in the machine and the attachment's Operation & Maintenance Manual before operating.
- Check for underground lines before operating attachment (if applicable).
- In addition to the design and configuration of equipment, hazard control and accident prevention are dependent upon the awareness, concern, prudence and proper training of personnel involved in the operation, transport, maintenance and storage of equipment.
- Check that the Bob-Tach levers are in the locked position and the wedges are fully engaged into the holes of the attachment (if applicable).
- Check that the attachment is securely fastened to the machine.
- Make sure all the machine controls are in the NEUTRAL position before starting the machine.
- Operate the attachment only from the operator's position.
- When learning to operate the attachment, do it at a slow rate in an area clear of bystanders.
- DO NOT permit personnel to be in the work area when operating the machine and attachment.
- The attachment must be used ONLY on approved machines. See your Bobcat dealer for updated list of approved attachments for each machine model.
- DO NOT modify equipment or add attachments that are not approved by the manufacturer.
- DO NOT make any adjustments or repairs on the machine or attachment while the engine is running.



Call Before You Dig

1-888-258-0808

When you call, you will be directed to a location in your state/city for information about buried lines (telephone, cable TV, water, sewer, gas, etc.)

SAFETY INSTRUCTIONS (CONT'D)

Fire Prevention

The machines and some attachments have components that are at high temperatures under normal operating conditions. The primary source of high temperatures is the engine and exhaust system. The electrical system, if damaged or incorrectly maintained, can be a source of arcs or sparks.

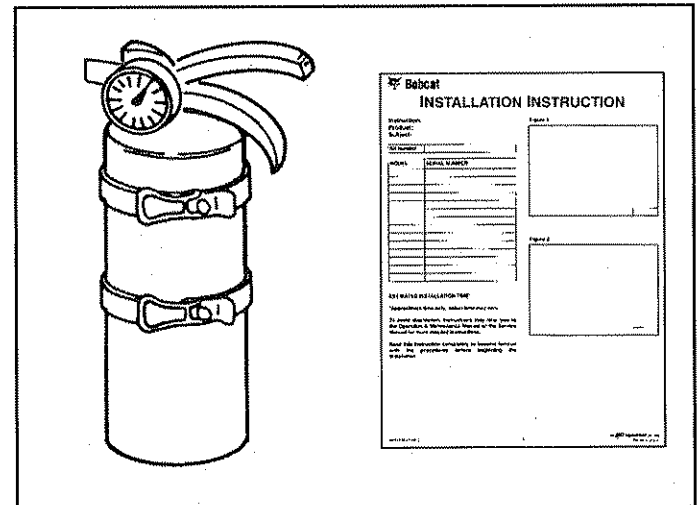
Flammable debris (leaves, straw, etc.) must be removed regularly. If flammable debris is allowed to accumulate, it can cause a fire hazard. Clean often to avoid this accumulation. Flammable debris in the engine compartment is a potential fire hazard.

The spark arrestor exhaust system (if equipped) is designed to control the emission of hot particles from the engine and exhaust system, but the muffler and the exhaust gases are still hot.

- Do not use the machine where exhaust, arcs, sparks or hot components can contact flammable material, explosive dust or gases.
- The operator cab (if equipped), engine compartment and engine cooling system must be inspected every day and cleaned if necessary to prevent fire hazards and overheating.
- Check all electrical wiring and connections for damage. Keep the battery terminals clean and tight. Repair or replace any damaged part.
- Check fuel and hydraulic tubes, hoses and fittings for damage and leakage. Never use open flame or bare skin to check for leaks. Tighten or replace any parts that show leakage. Always clean fluid spills. Do not use gasoline or diesel fuel for cleaning parts. Use commercial nonflammable solvents.
- Do not use ether or starting fluids on any engine that has glow plugs. These starting aids can cause explosion and injure you or bystanders.
- Always clean the machine, disconnect the battery, and disconnect the wiring from the controllers (if equipped) before welding. Cover rubber hoses, battery and all other flammable parts. Keep a fire extinguisher near the machine when welding. Have good ventilation when grinding or welding painted parts. Wear dust mask when grinding painted parts. Toxic dust or gas can be produced.
- Stop the engine and let it cool before adding fuel. No smoking!

- Use the procedure in the Operation & Maintenance Manual for connecting the battery and for jump starting.
- Use the procedure in the Operation & Maintenance Manual for cleaning the spark arrestor muffler (if equipped).

Figure 1



- Know where fire extinguishers and first aid kits are located and how to use them. Fire extinguishers are available from your Bobcat dealer [Figure 1].



Bobcat®

OPERATING INSTRUCTIONS

ENTERING AND EXITING THE LOADER	OI-11
HYDRAULIC CONTROLS	OI-13
Electric Auxiliary Hydraulics	OI-13
Manual Auxiliary Hydraulics	OI-15
LOADER OPTIONS	OI-4
OPERATING THE BOBCAT SWEEPER	OI-15
Dumping The Bobcat Sweeper	OI-18
Sweeping Procedure	OI-15
OPERATING THE BOBCAT SWEEPER WITH GUTTER BRUSH OPTION	OI-19
Sweeping Procedure	OI-19
QUICK-TACH WATER KITS	OI-20
SETTING UP (BEFORE FIRST OPERATION)	OI-3
SWEEPER INSTALLATION AND REMOVAL	OI-4
Electrical	OI-9
Flush Face Couplers	OI-8
Hose Routing	OI-7
Installing The Sweeper	OI-4
Relieving Hydraulic Pressure	OI-9
Removing The Sweeper	OI-10
SWEEPER NOZZLE KIT	OI-21
TRANSPORTING THE BOBCAT SWEEPER	OI-21
Fastening The Sweeper To The Transport Vehicle	OI-23
Lifting The Sweeper	OI-22
Loading The Sweeper Onto The Transport Vehicle	OI-21

**OPERATING
INSTRUCTIONS**



Bobcat®

SETTING UP (BEFORE FIRST OPERATION)

READ ALL MACHINE SIGNS (DECALS) AND INSTRUCTIONS CAREFULLY

The Bobcat Sweeper is delivered completely assembled. For safe operation check the following before operating the sweeper.

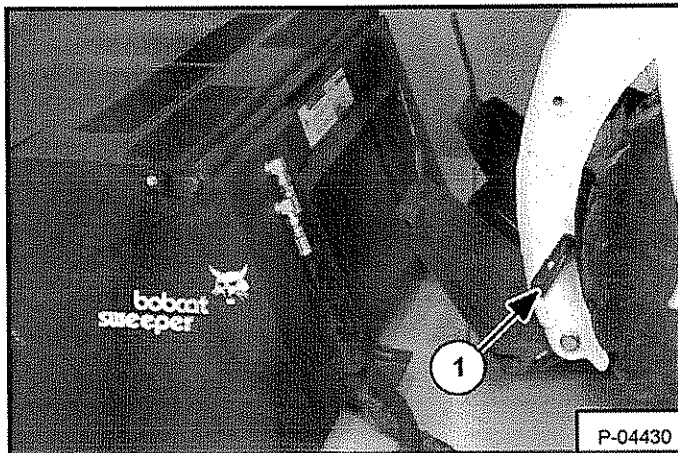
Make sure all nuts, bolts and set screws are tight.

Make sure nothing has been bent or broken during shipping. If damage does exist, do not use the sweeper until the damaged parts have been replaced or repaired.

Make sure all hydraulic hoses and fittings are tight.

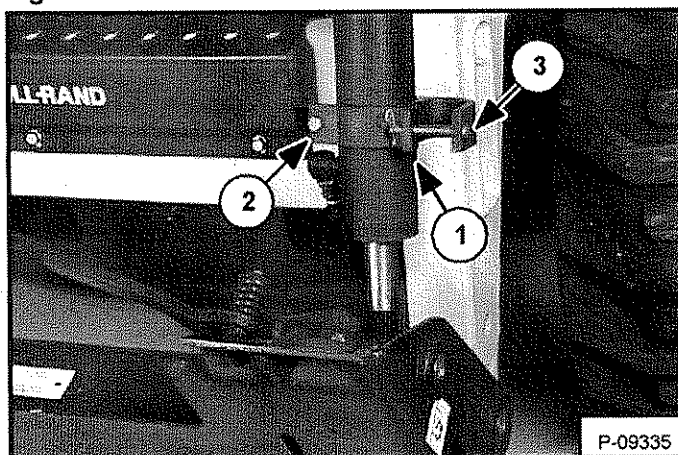
Make sure all warning signs (decals) and safety treads are on the sweeper and in their correct location. Replace any damaged signs (decals) or safety treads. (See BOBCAT SWEEPER PARTS IDENTIFICATION AND MACHINE SIGNS (DECALS) on Page-VII.)

Figure OI-1



On Models 553, 751, 753, 763, 773, 863 and 864 install hose guide (Item 1) [Figure OI-1] on left lift arm. Use the correct length bolt.

Figure OI-2

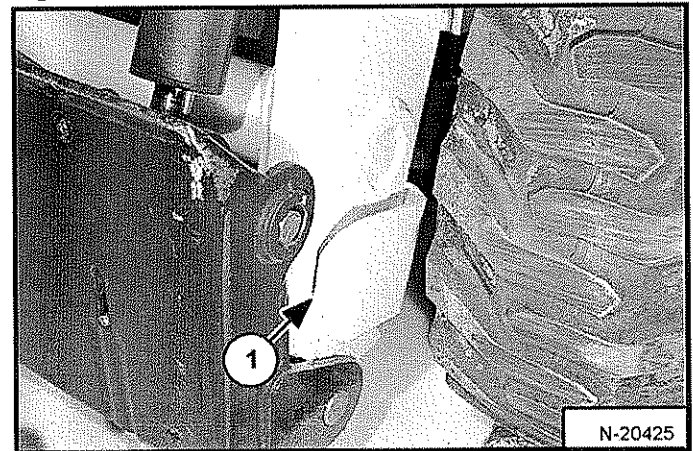


On Model 873, install the hose clamp (Item 1) [Figure OI-2] over the tilt cylinder rod and slide the clamp onto the cylinder housing.

Install the bolt (Item 2) [Figure OI-2] and nut and tighten.

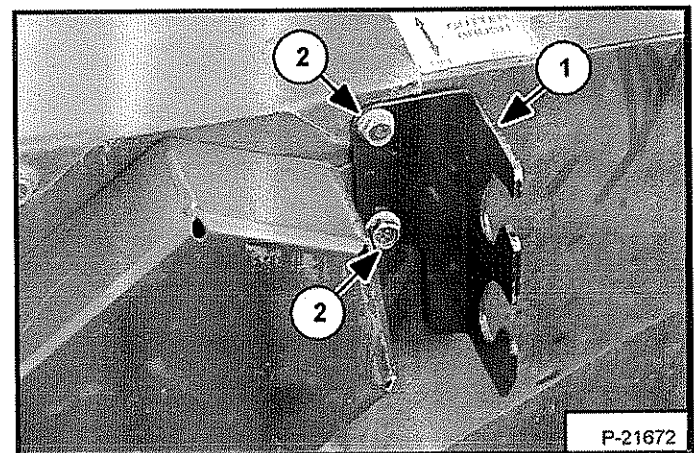
Install the clevis pin (Item 3) [Figure OI-2] and cotter pin.

Figure OI-3



On model 963, install the hose guide (Item 1) [Figure OI-3].

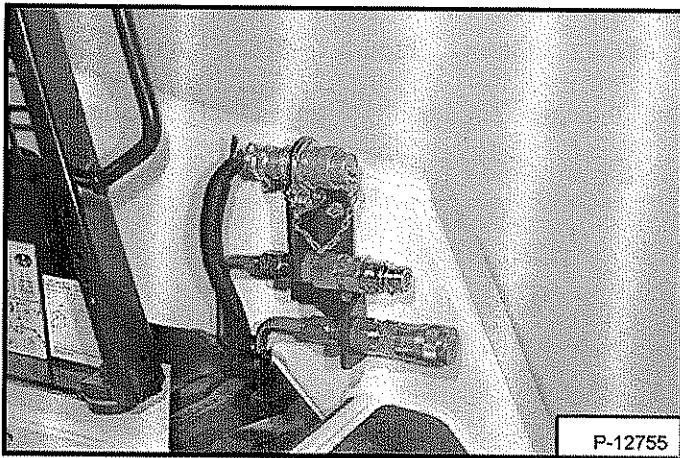
Figure OI-4



On some sweepers, the hose hanger bracket (Item 1) [Figure OI-4] is not installed. The bracket will then be included in the shipping bag. Remove the two existing bolts (Item 2) [Figure OI-4] and install the hose hanger bracket (Item 1) [Figure OI-4].

LOADER OPTIONS

Figure OI-5



The loader must be equipped with front auxiliary hydraulics [Figure OI-5].

The warranty is void if this attachment is used on a non-approved carrier. See your Bobcat dealer for an updated list of approved carriers.

The following loaders are approved for use with the Sweeper; 553, 751, 753, 763, 773, 863, 864, 873 and 963.

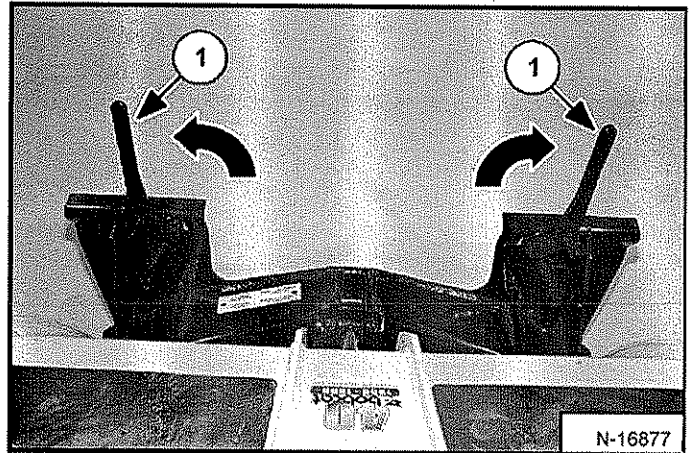
SWEeper INSTALLATION AND REMOVAL

Installing The Sweeper

Always inspect the Bob-Tach and Sweeper mount before installation. (See INSPECTION on Page PM-13.)

For loaders equipped with the Hand Lever Bob-Tach:

Figure OI-6



Pull the Bob-Tach levers (Item 1) [Figure OI-6] all the way up.

Enter the loader.

Fasten the seat belt, lower the seat bar and start the engine.

Release the parking brake.

SWEeper INSTALLATION AND REMOVAL (CONT'D)

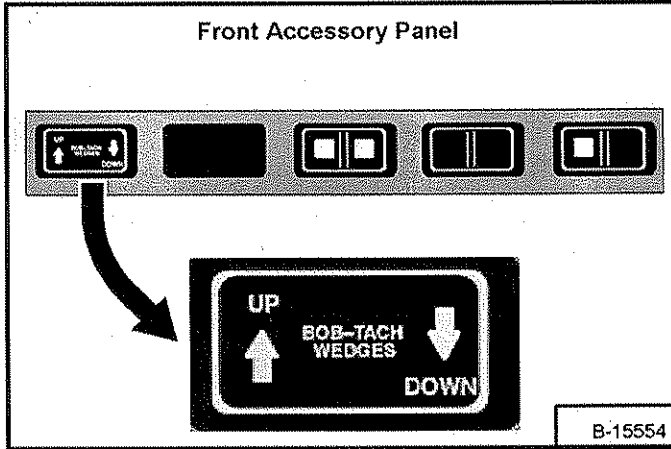
Installing The Sweeper (Cont'd)

For loaders equipped with the Power Bob-Tach:

Enter the loader.

Fasten the seat belt, lower the seat bar and start the engine. Release the parking brake.

Figure OI-7



Push and hold the BOB-TACH WEDGES UP SWITCH [Figure OI-7] (front accessory panel) until the wedges are fully raised [Figure OI-6].

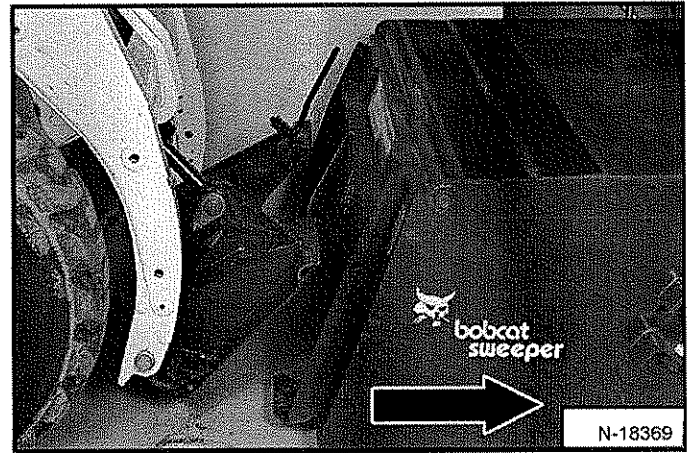


Bob-Tach levers have spring tension. Hold lever tightly and release slowly. Failure to obey warning can cause injury.

W-2054-1285

For all loaders:

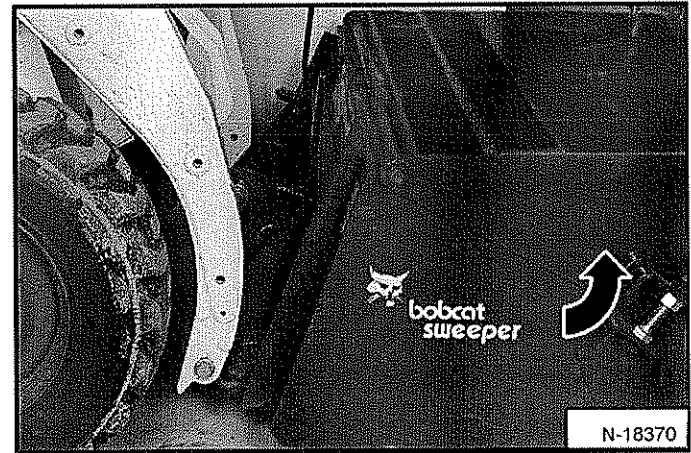
Figure OI-8



Tilt the Bob-Tach forward. Drive the loader forward until the top edge of the Bob-Tach is completely under the top flange of the Sweeper [Figure OI-8].

Be sure the Bob-Tach levers do not hit the trencher.

Figure OI-9



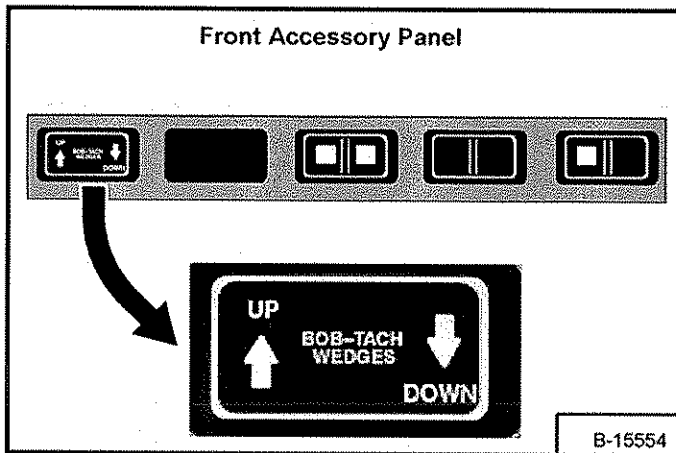
Tilt the Bob-Tach backward until the Sweeper is slightly off the ground [Figure OI-9].

SWEeper INSTALLATION AND REMOVAL (CONT'D)

Installing The Sweeper (Cont'd)

For loaders equipped with the Power Bob-Tach:

Figure OI-10



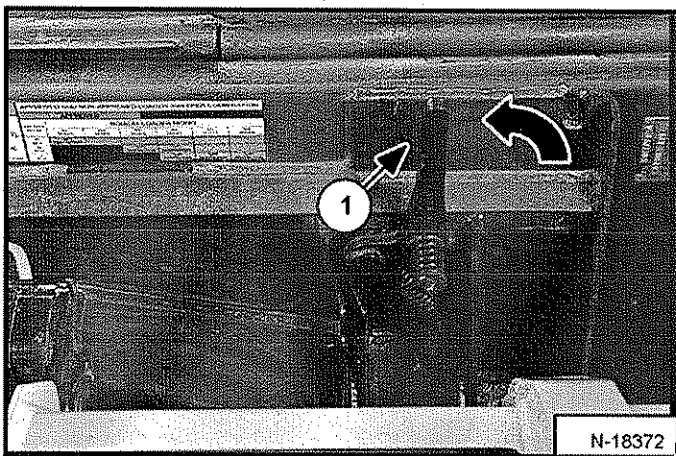
Push and hold the BOB-TACH WEDGES DOWN switch [Figure OI-10] (Front Accessory Panel) until the wedges are fully extended through the mounting frame holes (See photos [Figure OI-13] & [Figure OI-14]).

Stop the engine and exit the loader.

For loaders equipped with the Hand Lever Bob-Tach:

Stop the engine and exit the loader.

Figure OI-11



Push down on the Bob-Tach levers (Item 1) [Figure OI-11] until they are fully engaged in the locked position.

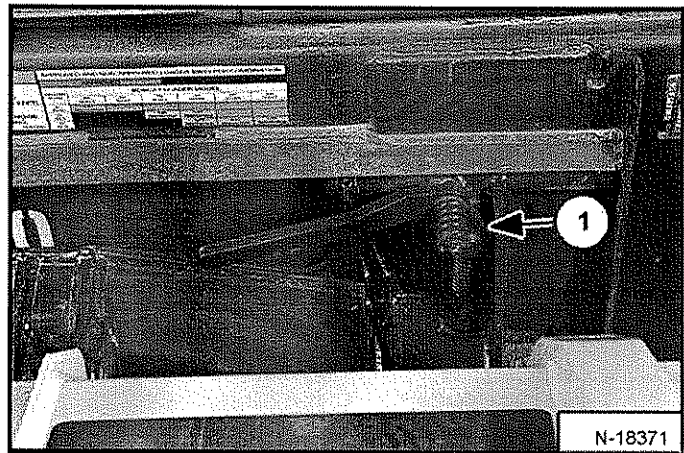
! WARNING

Before you leave the operator's seat:

- Lower the lift arms, put the attachment flat on the ground.
- Stop the engine.
- Engage the parking brake.
- Raise seat bar.
- (Foot Pedal Controls) Move pedals until both lock.
- (Mechanical Hand Controls) Move the hand controls until both lock. The seat bar system must lock the lift and tilt controls in neutral when the seat bar is up. Service the system if hand controls do not lock correctly.
- (Advanced Hand Controls) Move the hand controls to the NEUTRAL POSITION to make sure that both lift and tilt functions are deactivated. The seat bar system must deactivate the lift and tilt control functions when the seat bar is up. Service the system if hand controls do not deactivate.

W-2323-0698

Figure OI-12



The levers will contact the frame as shown (Item 1) [Figure OI-12] when locked.

If the levers do not engage in the locked position, see your Bobcat loader dealer for maintenance.

SWEEPER INSTALLATION AND REMOVAL (CONT'D)

Installing The Sweeper (Cont'd)

Figure OI-13

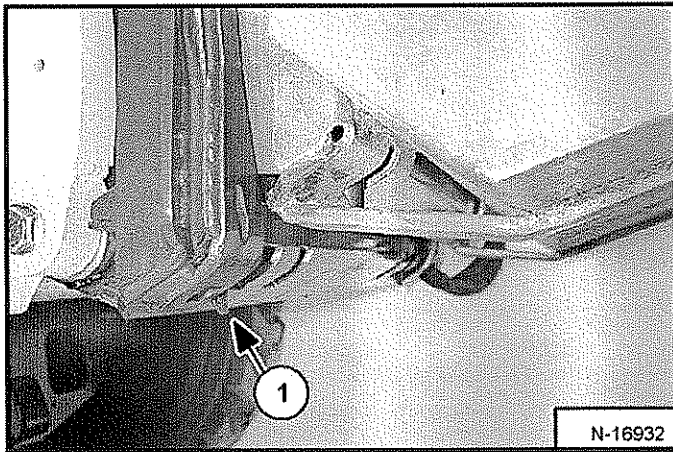
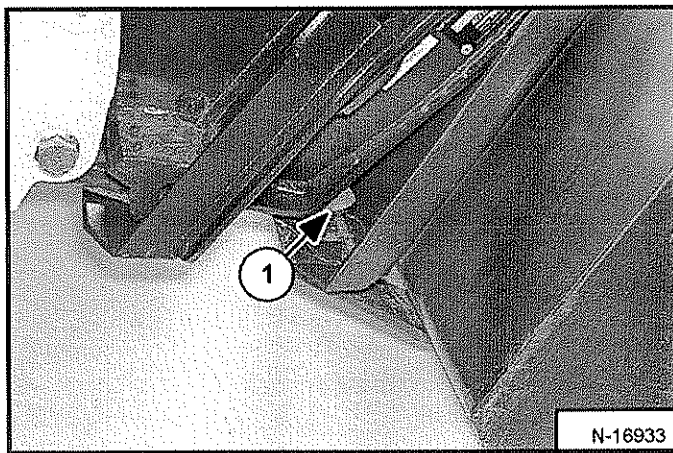


Figure OI-14



The wedges (Item 1) [Figure OI-13] must extend through the holes (Item 1) [Figure OI-14] in the mounting frame of the Sweeper, securely fastening the Sweeper to the Bob-Tach. The wedge is shown extending through the hole in the Sweeper [Figure OI-13].

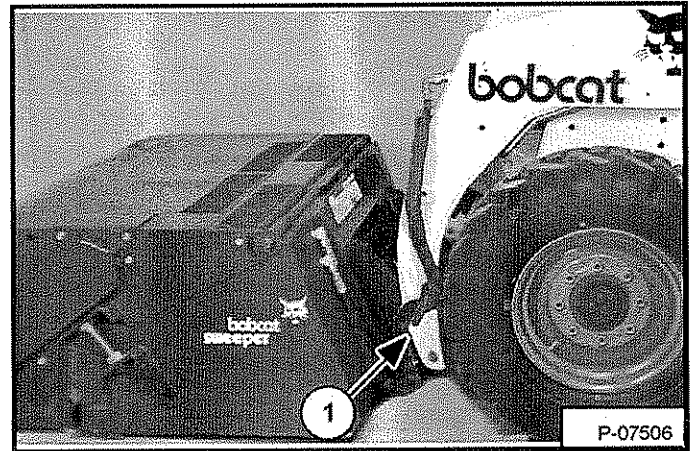
WARNING

Bob-Tach wedges must extend through the holes in attachment. Levers must be fully down and locked. Failure to secure wedges can allow attachment to come off and cause injury or death.

W-2102-0588

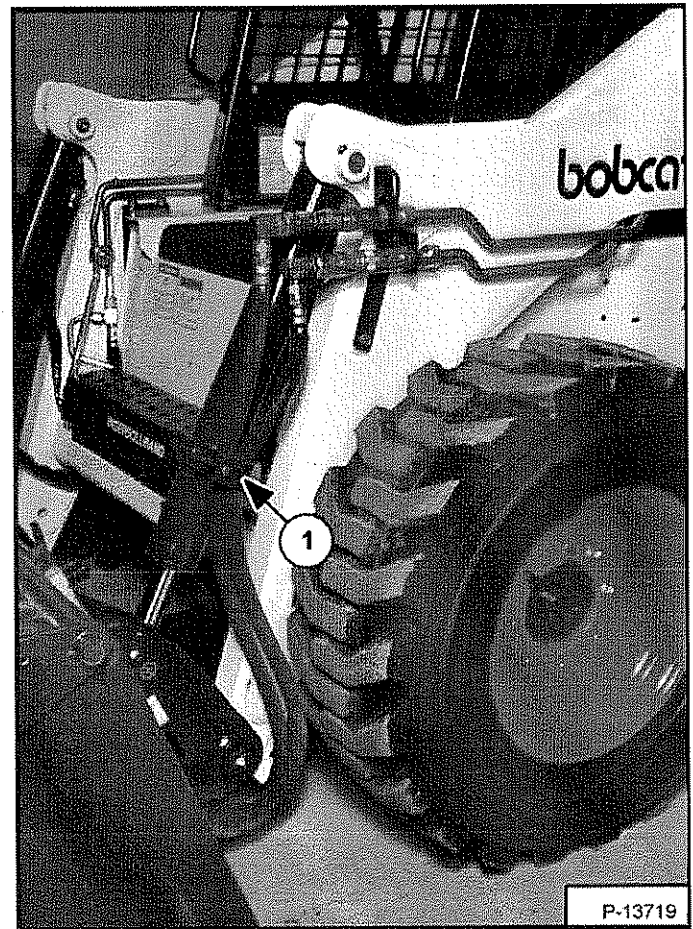
Hose Routing

Figure OI-15



On Model 553, 751, 753, 763, 773, 863 and 864 route the hydraulic hoses through the hose guide (Item 1) [Figure OI-15].

Figure OI-16



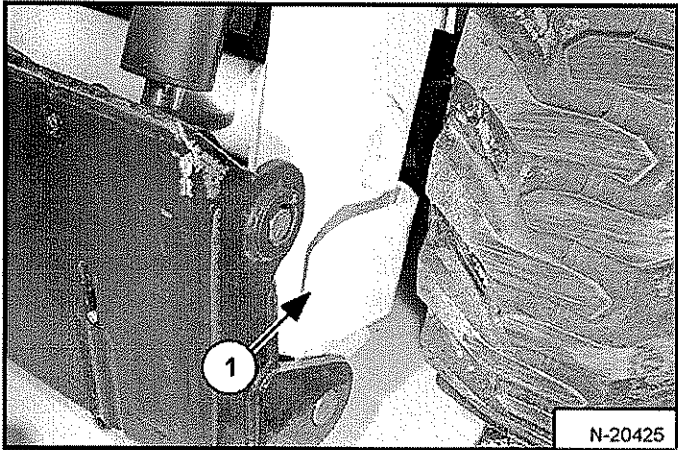
On model 873 route the hydraulic hoses through the hose guide (Item 1) [Figure OI-16].

SWEeper INSTALLATION AND REMOVAL (CONT'D)

Hose Routing (Cont'd)

NOTE: Make sure the quick couplers are fully engaged. If the quick couplers do not fully engage, check to see that the quick couplers are the same size and type. Do not force the quick coupler together.

Figure OI-17



On model 963 route the hydraulic hoses through the hose guide (Item 1) [Figure OI-17].

NOTE: If equipped with tracks, the hose guide (Item 1) [Figure OI-17] can not be used. Secure the hoses and harness so they cannot contact the tracks or get pinched between Bob-Tach and lift arms.

Flush Face Couplers

New attachments and new loaders are factory equipped with flush face couplers. If installing the Sweeper on a loader equipped with poppet style couplers, the couplers on either the loader or Sweeper will have to be changed to match the other. See your Bobcat loader and attachment dealer for parts information.

NOTE: Make sure the quick couplers are fully engaged. If the quick couplers do not fully engage, check to see that the couplers are the same size and type. (See Relieving Hydraulic Pressure on Page OI-9.)

IMPORTANT

Thoroughly clean the quick couplers before making connections. Dirt can quickly damage the system.

I-2178-0698

Figure OI-18

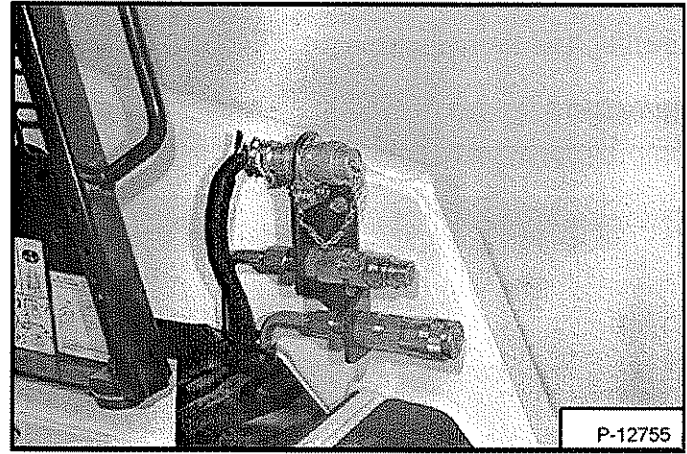
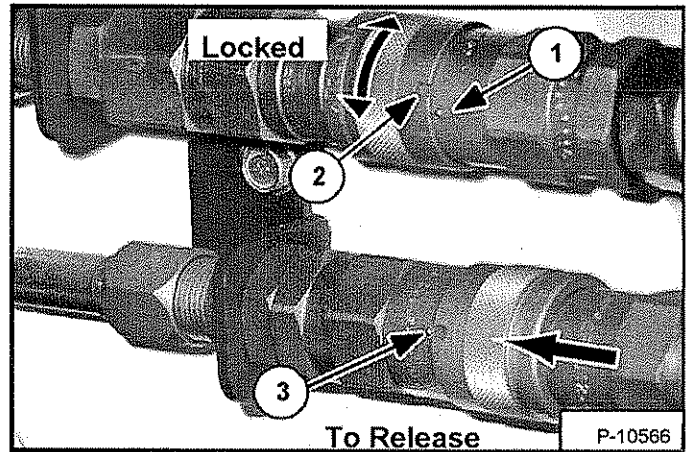


Figure OI-19



To Connect: Relieve hydraulic pressure. (See Relieving Hydraulic Pressure on Page OI-9.) Remove any dirt or debris from the surface of both the male and female couplers, and from the outside diameter of the male coupler. Visually check the couplers for corroding, cracking, damage, or excessive wear, if any of these conditions exist, the coupler(s) must be replaced [Figure OI-18].

Install the male coupler into the female coupler. Full connection is made when the ball release sleeve slides forward on the female coupler and the sleeve is rotated so that the locking pins (Item 1) [Figure OI-19] and the groove (Item 2) [Figure OI-19] do NOT align (Locked Position). This will prevent accidental disconnection.

NOTE: If the locking pins and grooves (Item 3) [Figure OI-19] are aligned, accidental disconnection is possible.

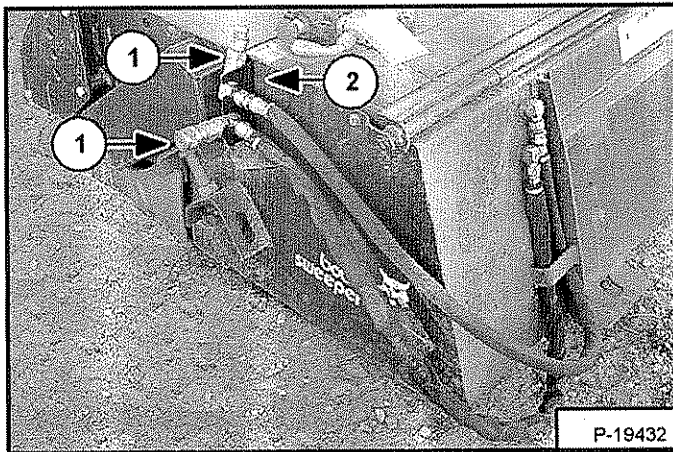
To Disconnect: Relieve hydraulic pressure. (See Relieving Hydraulic Pressure on Page OI-9.) Rotate the ball release sleeve so that the grooves are aligned with the pins (Item 3) [Figure OI-19] in the female coupler.

Hold the male coupler. Retract the sleeve on the female coupler until the couplers disconnect.

SWEEPER INSTALLATION AND REMOVAL (CONT'D)

Flush Face Couplers (Cont'd)

Figure OI-20



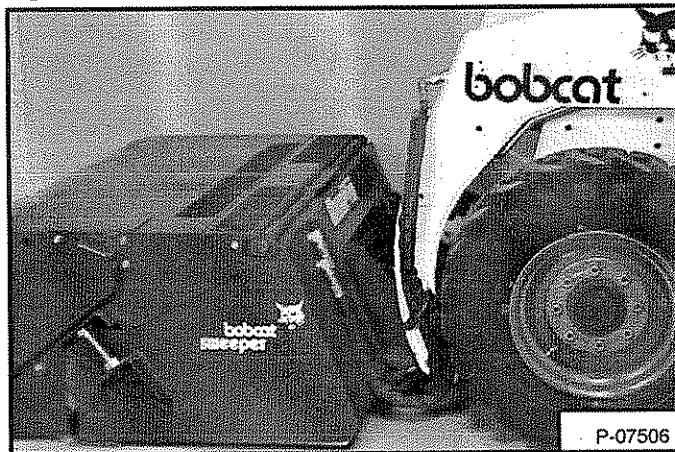
When the sweeper is not connected to the loader, install the hoses (Item 1) [Figure OI-20] into the hose hanger bracket (Item 2) [Figure OI-20].

For sweepers that are not equipped with the hose hanger bracket (Item 2) [Figure OI-20], the bracket can be ordered from your Bobcat dealer.

Relieving Hydraulic Pressure

Hydraulic pressure in the auxiliary hydraulic system can make it difficult to connect or disconnect the auxiliary hydraulic lines from the quick couplers. Use the following procedure to relieve hydraulic pressure from the auxiliary circuit.

Figure OI-21

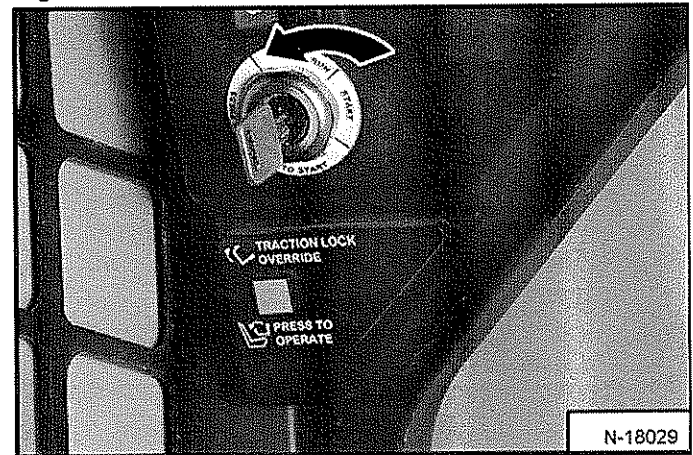


Put the Sweeper flat on the ground [Figure OI-21].

NOTE: The Sweeper will momentarily rotate when hydraulic pressure is relieved.

Electrical

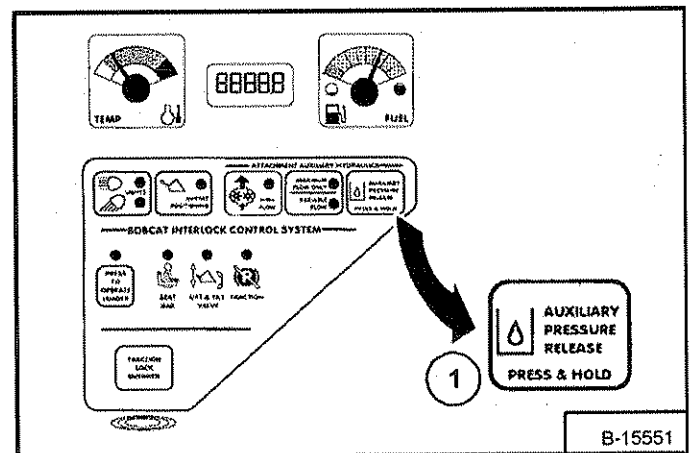
Figure OI-22



Key Activated - Early Models [Figure OI-22]:

With the engine running, turn the key switch [Figure OI-22] quickly to the left (counterclockwise) past the OFF position. Hold the key in this position for five seconds after the engine comes to a complete stop. This relieves pressure that can be trapped in the front auxiliary circuit.

Figure OI-23



Button activated - Later Models [Figure OI-23]:

Loader:

- With the engine running, press the AUXILIARY PRESSURE RELEASE Button (Item 1) [Figure OI-23]. Hold it for two seconds. The engine will stop and release hydraulic pressure.
- For models 751, 753, 763 and 773 only: Pressing the AUXILIARY HYDRAULIC RELEASE Button after pressing the RUN/ENTER Button, when the engine is stopped, will also release hydraulic pressure.

SWEEPER INSTALLATION AND REMOVAL (CONT'D)

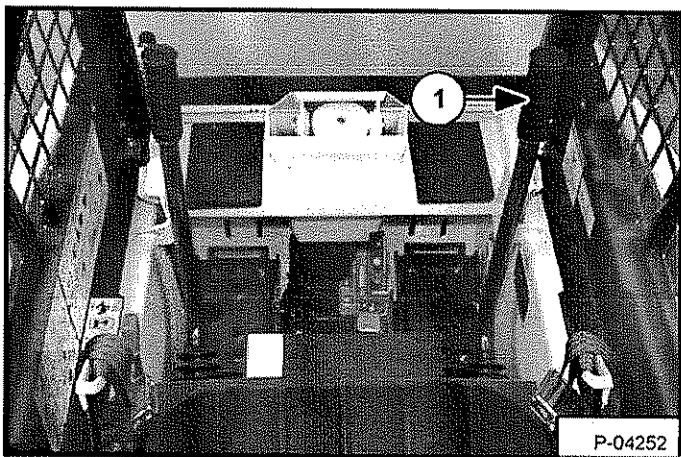
Electrical (Cont'd)

Attachments:

- Follow the procedure above to release pressure in loader.
- Connect the male coupler from the attachment to the female coupler of the loader, then repeat the above procedure. This will release pressure in the attachment.
- Connect the female coupler from the attachment to the loader.

Manual:

Figure OI-24



- With the engine stopped, move the right steering lever (Item 1) [Figure OI-24] to the right and left to relieve pressure that may be trapped in the auxiliary circuit.

Removing The Sweeper

Relieve hydraulic pressure in the auxiliary circuit. (See Relieving Hydraulic Pressure on Page OI-9.)

Disconnect the auxiliary hoses. (See Flush Face Couplers on Page OI-8.)

For loaders equipped with the Power Bob-Tach:

Enter the loader, fasten the seat belt, lower the seat bar and start the engine.

Figure OI-25

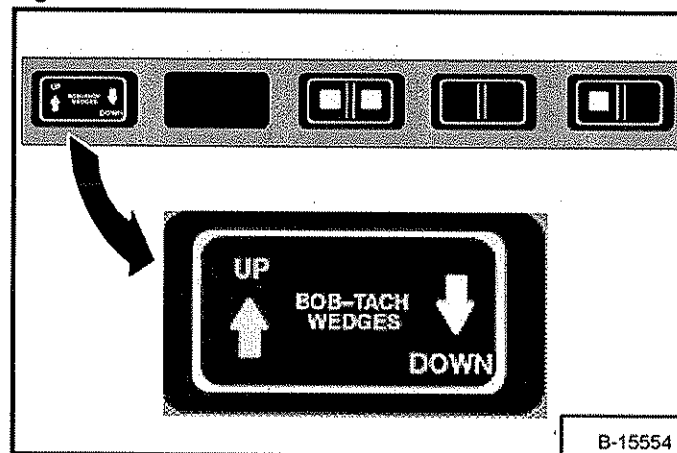
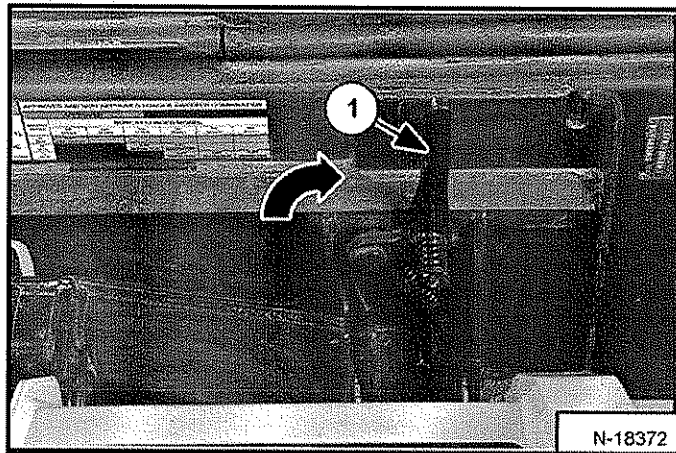


Figure OI-26



Push and hold the BOB-TACH WEDGES UP switch [Figure OI-25] (Front Accessory Panel) until the wedges are fully raised [Figure OI-26].

For loaders equipped with the Hand Lever Bob-Tach:

Pull the Bob-Tach levers (Item 1) [Figure OI-26] all the way up.

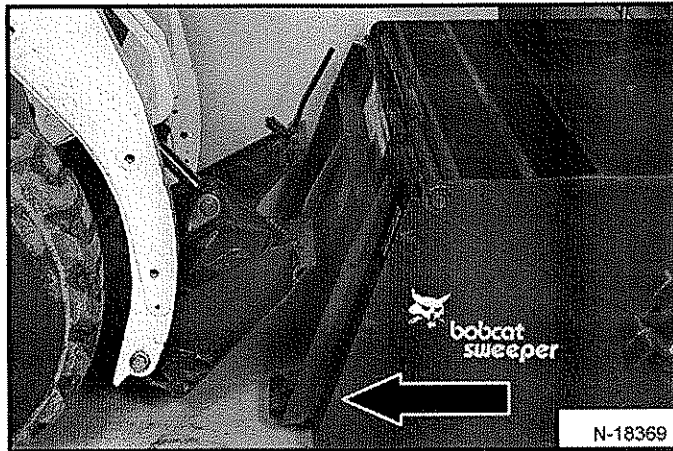
Enter the loader, fasten the seat belt, lower the seat bar and start the engine.

Release the parking brake.

Removing The Sweeper (Cont'd)

For all model loaders:

Figure OI-27



Tilt the Bob-Tach forward while backing away from the Sweeper [Figure OI-27].

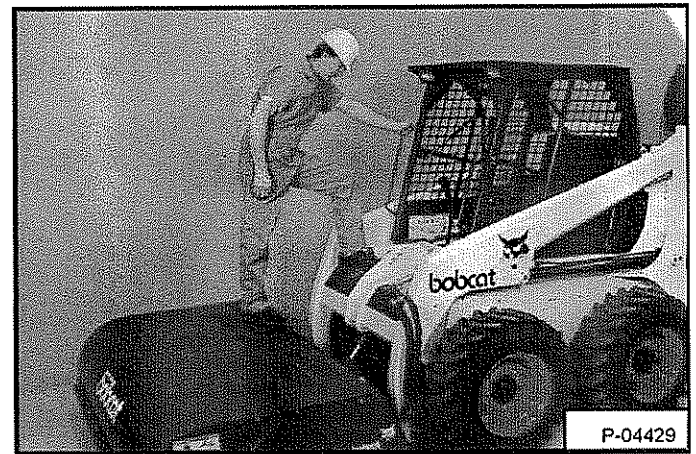


Before you leave the operator's seat:

- Lower the lift arms, put the attachment flat on the ground.
- Stop the engine.
- Engage the parking brake.
- Raise seat bar.
- (Foot Pedal Controls) Move pedals until both lock.
- (Mechanical Hand Controls) Move the hand controls until both lock. The seat bar system must lock the lift and tilt controls in neutral when the seat bar is up. Service the system if hand controls do not lock correctly.
- (Advanced Hand Controls) Move the hand controls to the NEUTRAL POSITION to make sure that both lift and tilt functions are deactivated. The seat bar system must deactivate the lift and tilt control functions when the seat bar is up. Service the system if hand controls do not deactivate.

W-2323-0698

Figure OI-28



Use the Sweeper steps, grab handles (on cab) and the safety treads (on top of the loader lift arms and frame) to enter and exit the loader [Figure OI-28].

Figure OI-29



Get in the operator seat. Fasten the seat belt and adjust it so the buckle is centered between your hips [Figure OI-29].

ENTERING AND EXITING THE LOADER (CONT'D)

Figure OI-30



Lower the seat bar [Figure OI-30].

WARNING

Before you leave the operator's seat:

- Lower the lift arms, put the attachment flat on the ground.
- Stop the engine.
- Engage the parking brake.
- Raise seat bar.
- (Foot Pedal Controls) Move pedals until both lock.
- (Mechanical Hand Controls) Move the hand controls until both lock. The seat bar system must lock the lift and tilt controls in neutral when the seat bar is up. Service the system if hand controls do not lock correctly.
- (Advanced Hand Controls) Move the hand controls to the NEUTRAL POSITION to make sure that both lift and tilt functions are deactivated. The seat bar system must deactivate the lift and tilt control functions when the seat bar is up. Service the system if hand controls do not deactivate.

W-2323-0698

HYDRAULIC CONTROLS

Electric Auxiliary Hydraulics

Sit in the seat and fasten the seat belt. Engage the parking brake. Pull the seat bar all the way down. Start the engine. Press the green *PRESS TO OPERATE* button (if equipped).



AVOID INJURY OR DEATH

- Personnel must keep at least 9 feet (3 m) away from Sweeper when operating.
- Never leave operator seat when the engine is running.

W-2221-1195

Keep bystanders away at least 9 feet (3 m) when the Bobcat Sweeper is in operation. Tilt the sweeper backward just above the ground.

Figure OI-31

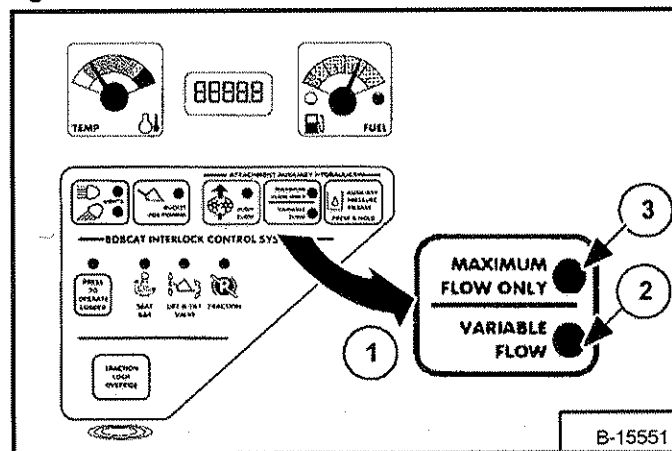
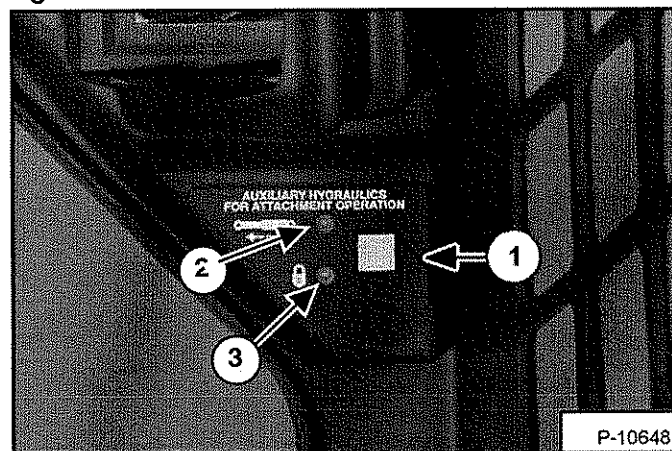


Figure OI-32

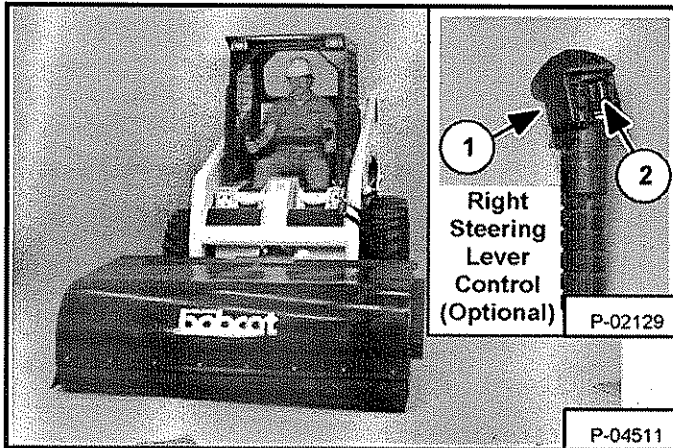


Press the auxiliary hydraulic switch (Item 1) [Figure OI-32] & [Figure OI-31] (on the instrument panel) once to engage the auxiliary hydraulics for *momentary* operation. The light (Item 2) [Figure OI-32] & [Figure OI-31] will come ON. Press the auxiliary hydraulic switch a second time for *continuous* operation. Both lights (Item 2 & 3) [Figure OI-32] & [Figure OI-31] will come ON. Pressing the auxiliary hydraulic switch a third time will disengage the auxiliary hydraulics and both lights will be OFF.

HYDRAULIC CONTROLS (CONT'D)

Electric Auxiliary Hydraulics (Cont'd)

Figure OI-33



IMPORTANT

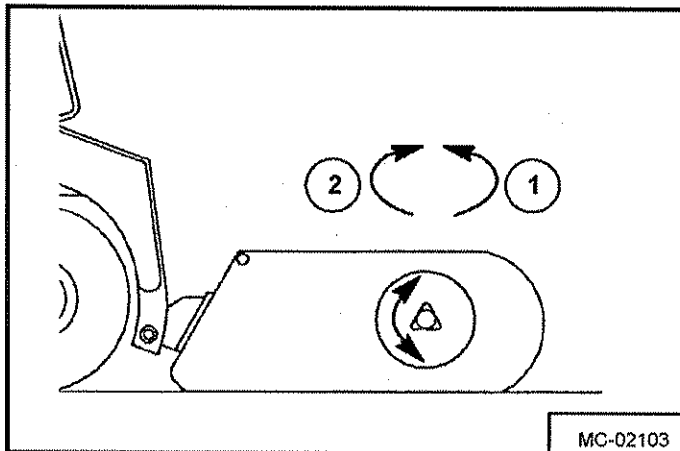
If the high horsepower switch is in the ON position, High Horsepower Hydraulics will flow through the front auxiliary quick coupler (Item 1) [Figure OI-33]. Damage to unapproved attachments can result. Leave the switch OFF when operating the sweeper.

I-2096-1195

G-Series Loaders Only: For continuous clockwise rotation of the sweeper, press and hold the switch (Item 2) [Figure OI-33] to the left and then press the switch (Item 1) [Figure OI-33]. Let go of both switches and the sweeper will continue to rotate clockwise.

The switches (Items 1 & 2) [Figure OI-33] on the right steering lever control the front auxiliary hydraulics.

Figure OI-34



Push the front switch (Item 1) [Figure OI-33] once with both lights (Items 2 & 3) [Figure OI-32] & [Figure OI-31] ON, the brush will rotate counterclockwise (Item 1) [Figure OI-34] to sweep in a forward direction. Push the front switch again to disengage the brush.

Use switch (Item 2) [Figure OI-33] to manually control the brush direction. Moving the switch right or left will rotate the brush counterclockwise or clockwise (Item 2) [Figure OI-34]. Move and hold the switch (Item 2) [Figure OI-33] to rotate the brush. Release the switch to disengage the brush.

HYDRAULIC CONTROLS (CONT'D)

Manual Auxiliary Hydraulics

Figure OI-35

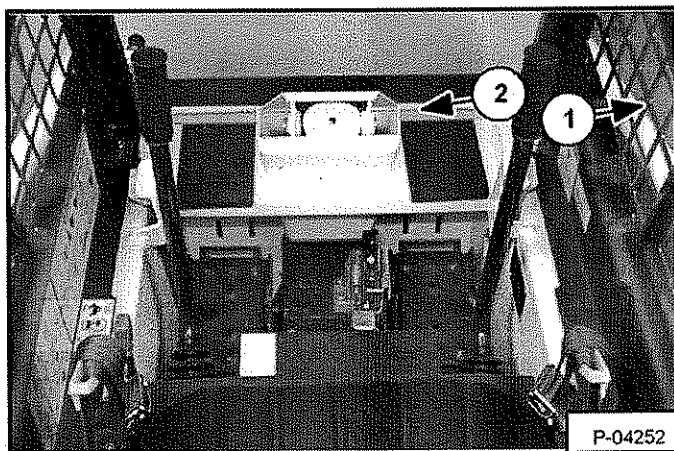
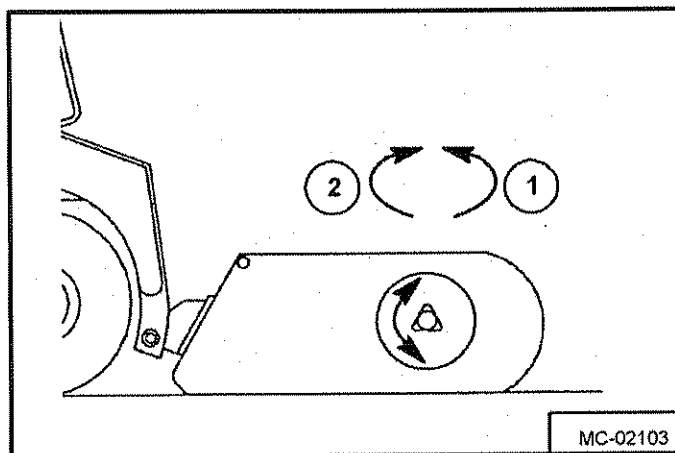


Figure OI-36



Move the auxiliary lever (right steering lever) fully to the right into locked position (Item 1) [Figure OI-35]. The brush will rotate counter clockwise to sweep in a forward direction (Item 1) [Figure OI-36].

Move the right steering lever fully left (Item 2) [Figure OI-35] to rotate the brush (Item 2) [Figure OI-36] to sweep in the reverse direction. (See additional information on travel direction versus sweeping rotation on Page OI-17.)

OPERATING THE BOBCAT SWEEPER

Sweeping Procedure

With the operator in the loader seat, seat belt fastened and seat bar lowered, start the engine. Press the green *PRESS TO OPERATE* button (if equipped).

Raise the sweeper attachment just off the ground and move to the starting point.

Figure OI-37

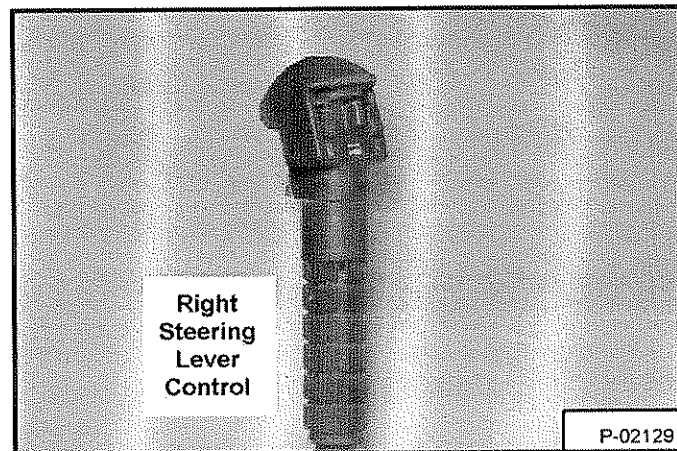
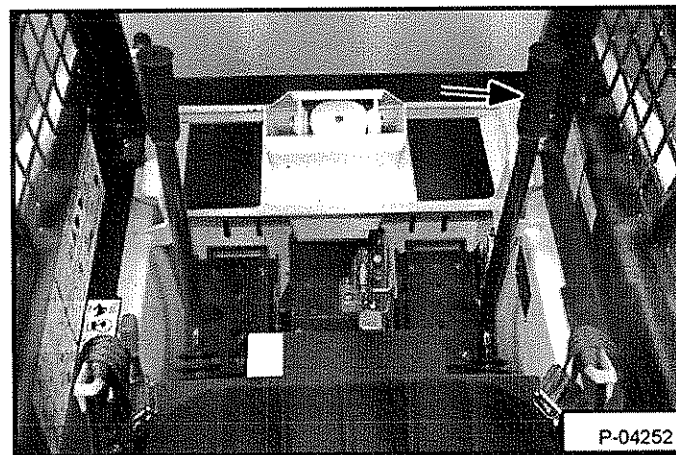


Figure OI-38

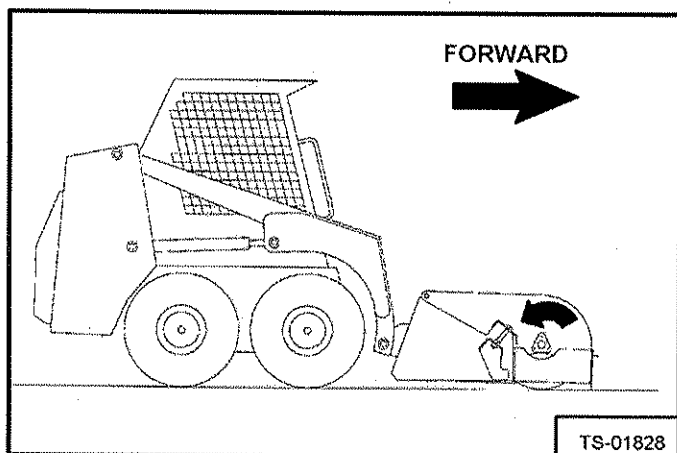


Engage the auxiliary hydraulics [Figure OI-37] or [Figure OI-38] into continuous hydraulic flow to rotate the broom counter clockwise. (See Electric Auxiliary Hydraulics on Page OI-13.) (See Manual Auxiliary Hydraulics on Page OI-15.) Start moving the loader forward and the broom will sweep debris into the bucket.

OPERATING THE BOBCAT SWEEPER (CONT'D)

Sweeping Procedure (Cont'd)

Figure OI-39



Lower the sweeper slowly to the surface. Make sure the cutting edge of the sweeper bucket is just above the surface, level with the surface and the brushes are in contact with the surface [Figure OI-39].

Put the loader lift arms in the *float* position and use the tilt function to level the sweeper. (See Loader Operation & Maintenance Manual.)

WARNING

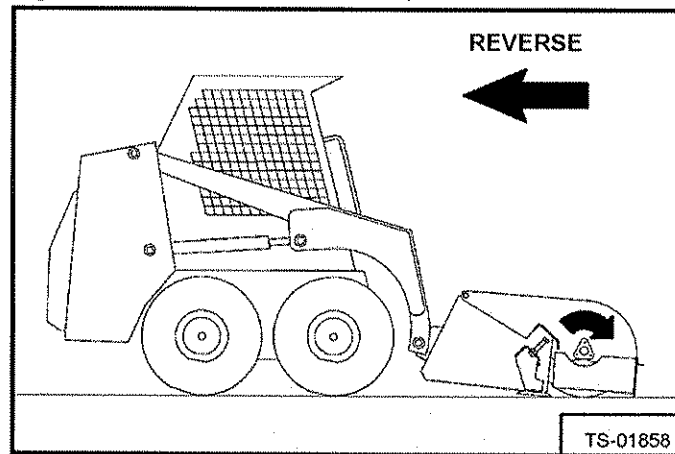
AVOID INJURY OR DEATH

- Personnel must keep at least 9 feet (3 m) away from Sweeper when operating.
- Never leave operator seat when the engine is running.

W-2221-1195

Keep bystanders away at least 9 feet (3 m) when the Bobcat Sweeper is in operation.

Figure OI-40



If the debris is packed (or stuck) on the surface and the broom will not sweep it up, reverse broom rotation. (See Sweeping Procedure on Page OI-15.) Lower the cutting edge to the surface and move the loader backward. The attachment cutting edge will scrape the surface while the broom sweeps the debris into the bucket [Figure OI-40].

WARNING

Wear safety glasses to prevent eye injury when any of the following conditions exist:

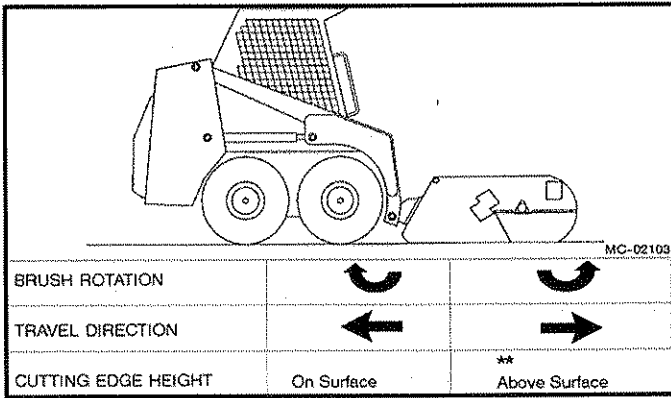
- When fluids are under pressure.
- Flying debris or loose material is present.
- Engine is running.
- Tools are being used.

W-2019-1285

OPERATING THE BOBCAT SWEEPER (CONT'D)

Sweeping Procedure (Cont'd)

Figure OI-41



** Reduces wear on cutting edge and reduces scratching of swept surface.

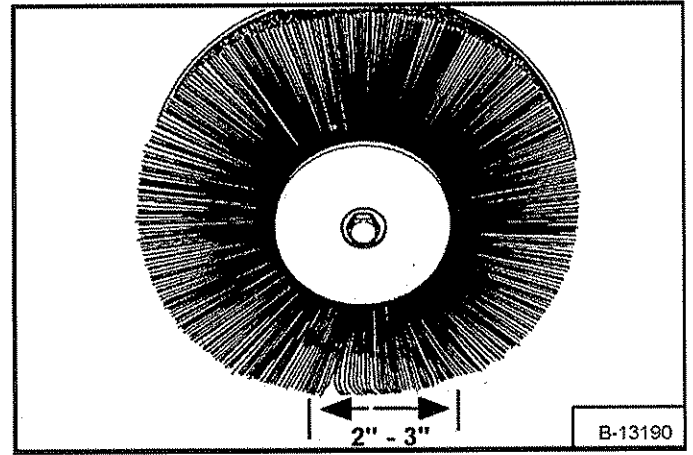


Wear safety glasses to prevent eye injury when any of the following conditions exist:

- When fluids are under pressure.
- Flying debris or loose material is present.
- Engine is running.
- Tools are being used.

W-2019-1285

Figure OI-42



A 2 - 3 inch (50-76 mm) pattern [Figure OI-42] is recommended for ground contact and allows the tips or ends of the bristles to dig and break up the debris then throw the debris off the pavement into the bucket.

Excessive down pressure can result in the following problems which reduce broom performance:

1. The **sides** of the bristles trying to dig and break up the debris and cause increased wear at the contact point.
2. The bristles are stressed and can break off in full length pieces.

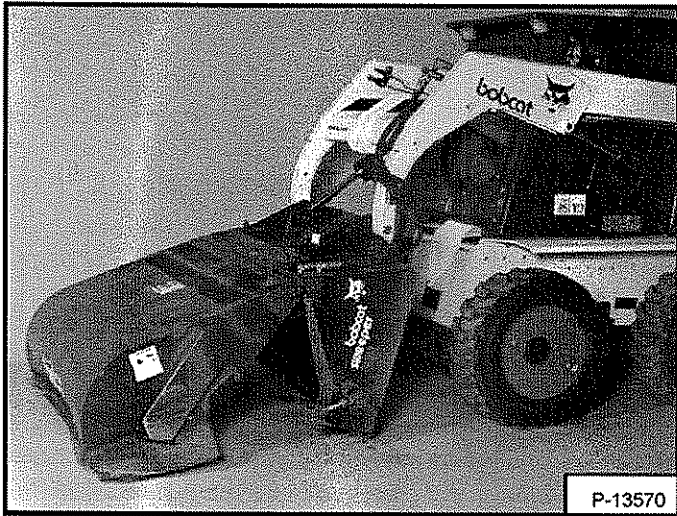
BRISTLES	
TYPE	SWEEPING CONDITIONS
High carbon wire	Aggressive conditions - mud, rocks, etc. Strongest type of cutting action.
Polypropylene	Normal conditions - light debris - dirt, sand, leaves, etc.
Combination of both	Varying conditions - Effective for dry sweeping, not as effective for aggressive sweeping.

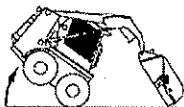

OPERATING THE BOBCAT SWEEPER (CONT'D)

Dumping The Bobcat Sweeper

Figure OI-43

Lift the attachment off the ground. Tilt the sweeper attachment forward until it is empty [Figure OI-43]. The broom can be rotated to help empty the attachment. See Lift Restriction decal, before lifting or dumping.



* 	 WARNING	APPROVED AND NON-APPROVED LOADER-SWEEPER COMBINATION					
	AVOID INJURY OR DEATH * LIFT RESTRICTION REQUIRES THAT LOADED SWEEPER NOT BE LIFTED MORE THAN 1 m (3 FEET). TIPPING CAN RESULT. LOWER SWEEPER TO GROUND AND STOP ENGINE BEFORE CLEANING, SERVICING OR REPAIRING.	APPROVED		NON-APPROVED			
		LOADER RATED OPERATING CAPACITY					
		(900 LBS) 412 kg	(1100 LBS) 500 kg	(1250 LBS) 568 kg	(1500 LBS) 680 kg	(1750 LBS) 794 kg	(1900 LBS) 864 kg
	54 INCH LIFT RESTRICTION						
	60 INCH		LIFT RESTRICTION	LIFT RESTRICTION			
	72 INCH			LIFT RESTRICTION	LIFT RESTRICTION		

OPERATING THE BOBCAT SWEEPER WITH GUTTER BRUSH OPTION

Sweeping Procedure

Figure OI-44

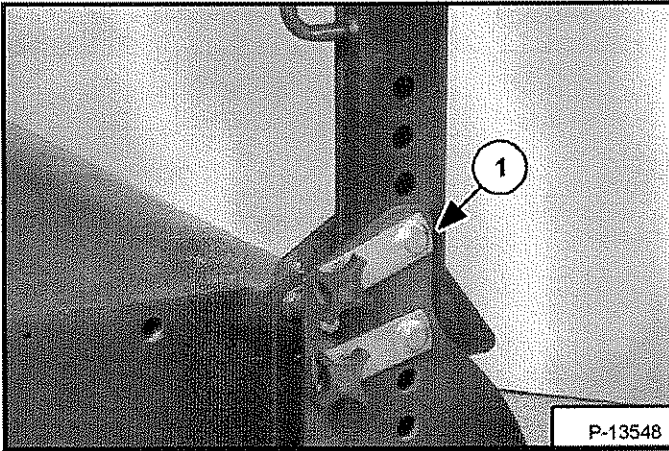
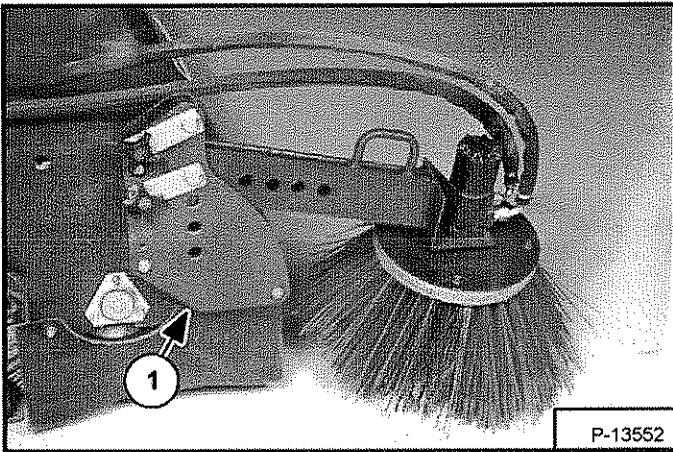
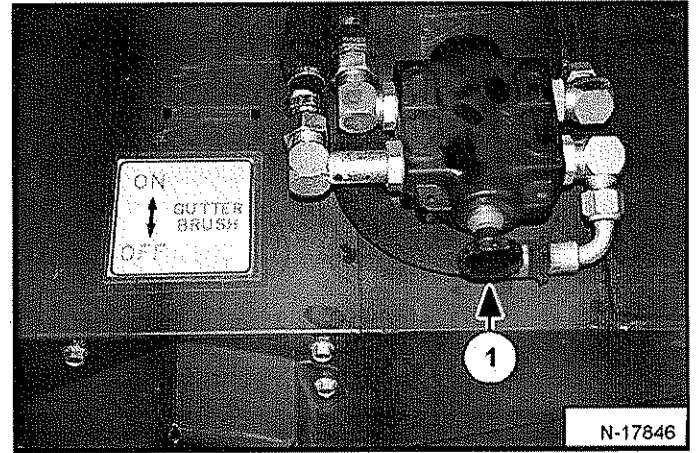


Figure OI-45



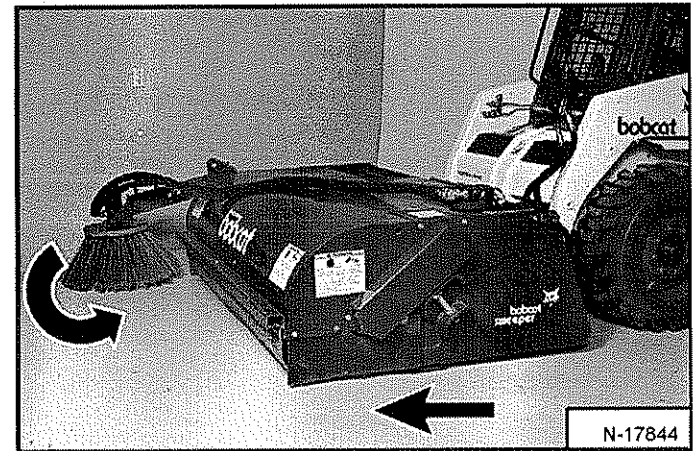
Remove the transport pin (Item 1) [Figure OI-44] and lower the gutter brush to the sweeping position [Figure OI-45].

Figure OI-46



Push the knob (Item 1) [Figure OI-46] into the ON position. The gutter brush will start to turn with the sweeper brush when the auxiliary hydraulics is engaged.

Figure OI-47



The gutter brush is designed to sweep debris from a curb or gutter out in front of the sweeper with the sweeper in a forward travel direction [Figure OI-47].

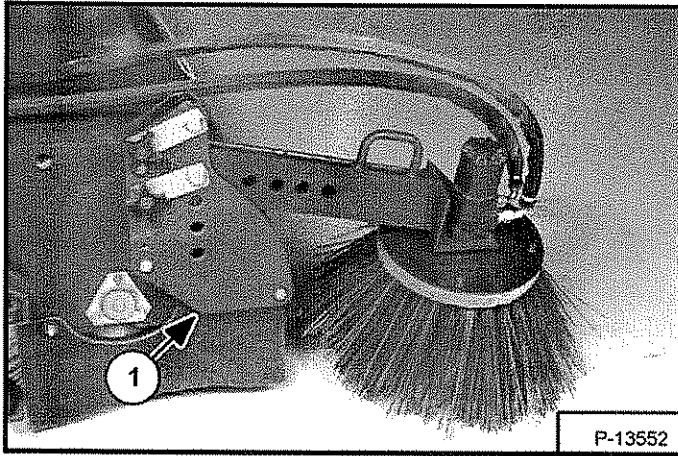
If the bucket sweeper is used in the reverse mode (scraping/sweeping) for any length of time, the gutter brush should be switched OFF and lifted to the transport position or removed from the sweeper.

The gutter brush can be mounted on either side of the sweeper.

OPERATING THE BOBCAT SWEEPER WITH GUTTER BRUSH OPTION (CONT'D)

Sweeping Procedure (Cont'd)

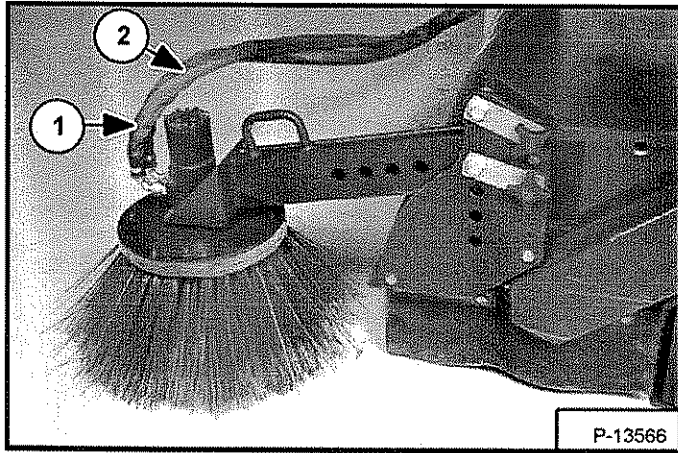
Figure OI-48



NOTE: An extra mounting bracket (Item 1) [Figure OI-48] can be ordered from Bobcat Parts.

Left Side Mount

Figure OI-49



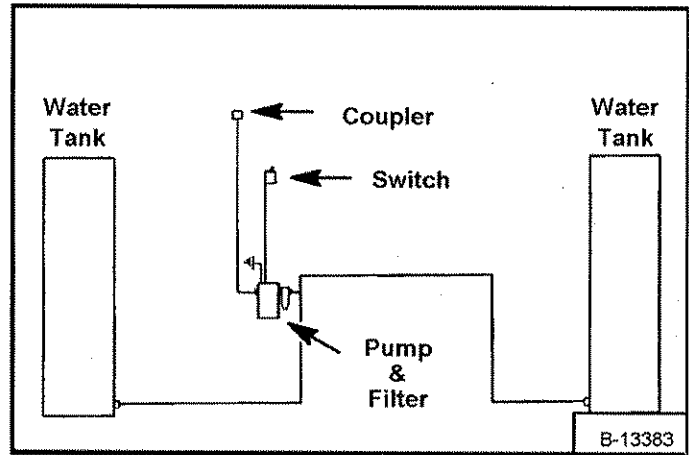
When the gutter brush is moved to the left side [Figure OI-49] of the sweeper from the right side [Figure OI-48], the hydraulic hoses (Item 1 & 2) [Figure OI-49] must be switched for correct brush rotation.

Tighten the hose connections to 60 ft.-lbs. (81 Nm) torque.

QUICK-TACH WATER KITS

Quick-Tach Water kits are available and are rear mounted on the Loaders and provide water to the Spray Nozzle kit.

Figure OI-50



The illustration shows a typical arrangement and routing of the water kits [Figure OI-50].

Order the kits from your Bobcat loader dealer.

SWEEPER NOZZLE KIT

The Spray Nozzle kit helps control dust when the Sweeper is mounted on the Loader.

Order the kit from your Bobcat loader dealer.

Use the following procedure to install the nozzles on the Sweeper:

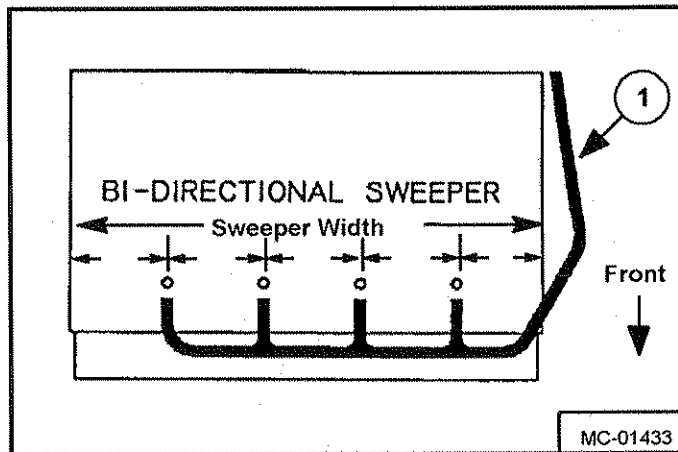


AVOID INJURY OR DEATH

Wear safety goggles to prevent eye injury when drilling or grinding.

W-2108-1186

Figure OI-51



Measure on the frame for four nozzles. Mark with a center punch and drill 11/16 inch (17 mm) holes where marked [Figure OI-51].

Remove the burrs from the holes, install the four fittings and nozzles in the holes [Figure OI-51].

NOTE: Install the nozzles so the spray is directed parallel with the brush working surface.

Cut the hose to fit between the fittings, clamp the hoses in place.

Install the remaining hose (Item 1) [Figure OI-51] on the left fitting and cut the length to reach the liftarm coupler.

Install the adapter on the hose, clamp the hose and install the coupler on the adapter.

Use the cable tie to hold the long section of the hose to prevent the hose from breaking or wearing against the attachment.

TRANSPORTING THE BOBCAT SWEEPER

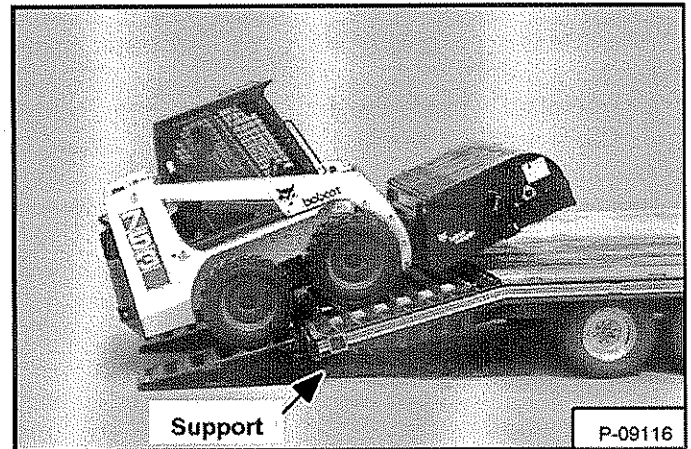
Loading The Sweeper Onto The Transport Vehicle

NOTE: Use chains that are in good condition and of adequate size to lift the attachment.

NOTE: Use chain binders to prevent the sweeper from moving during transport.

The rear of the trailer must be blocked or supported when loading or unloading the equipment.

Figure OI-52



With the sweeper attached to the loader, drive the loader onto the transport vehicle in a forward direction (sweeper first) [Figure OI-52].

Lower the sweeper to the transport vehicle. Stop the Engine. Engage the parking brake. Raise the seat bar and release the seat belt.

TRANSPORTING THE BOBCAT SWEEPER (CONT'D)

Loading The Sweeper Onto The Transport Vehicle (Cont'd)

! WARNING

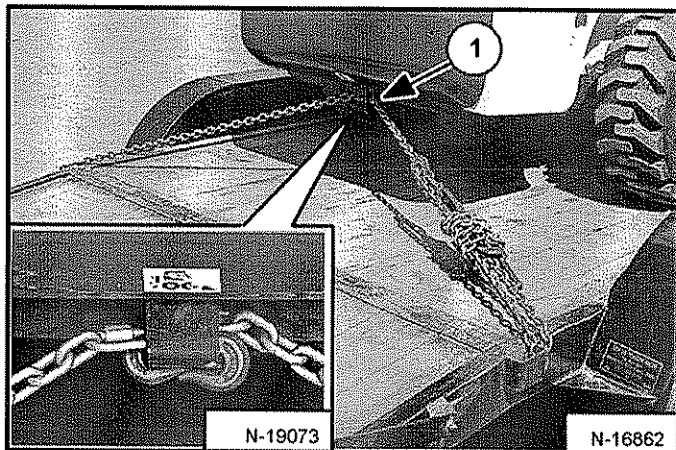
Before you leave the operator's seat:

- Lower the lift arms, put the attachment flat on the ground.
- Stop the engine.
- Engage the parking brake.
- Raise seat bar.
- (Foot Pedal Controls) Move pedals until both lock.
- (Mechanical Hand Controls) Move the hand controls until both lock. The seat bar system must lock the lift and tilt controls in neutral when the seat bar is up. Service the system if hand controls do not lock correctly.
- (Advanced Hand Controls) Move the hand controls to the NEUTRAL POSITION to make sure that both lift and tilt functions are deactivated. The seat bar system must deactivate the lift and tilt control functions when the seat bar is up. Service the system if hand controls do not deactivate.

W-2323-0698

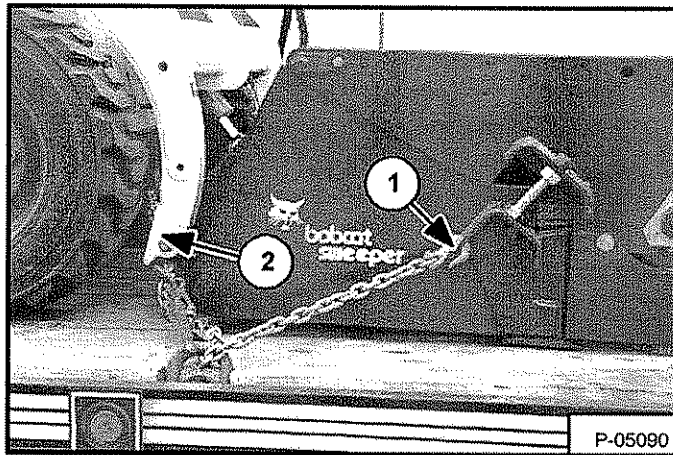
Install tie down chains and binders to prevent the loader and sweeper from moving during sudden stops or when going up or down slopes.

Figure OI-53



Install a chain through the rear tie down on the loader [Figure OI-53].

Figure OI-54

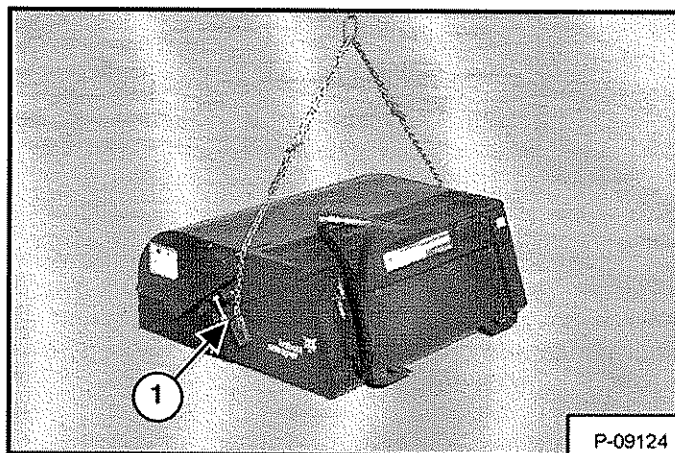


Fasten the chain to the slot in the sweeper adjustment bracket (Item 1) [Figure OI-54] and route the chain through the front loader tie down (Item 2) [Figure OI-54].

Lifting The Sweeper

NOTE: Use chains that are in good condition and of adequate size to lift the attachment.

Figure OI-55

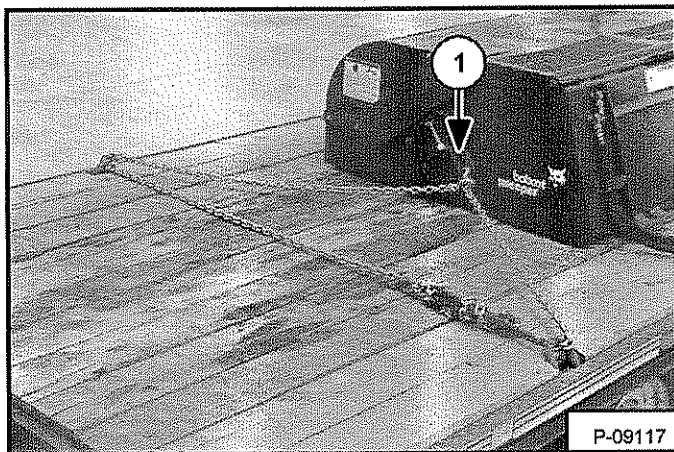


Connect chains to the slots in the sweeper adjustment brackets (Item 1) [Figure OI-55] and use a sling to lift the sweeper.

TRANSPORTING THE BOBCAT SWEEPER (CONT'D)

Fastening The Sweeper To The Transport Vehicle

Figure OI-56



Connect the chains to the slot in the sweeper adjustment brackets on each end of the frame (Item 1) [Figure OI-56].

NOTE: Use chain binders to prevent the sweeper from moving during transport.



Bobcat®

PREVENTIVE MAINTENANCE

DRIVE CHAIN	PM-10
Drive Chain Adjustment	PM-10
Drive Chain Removal And Installation	PM-10
GUTTER BRUSH	PM-11
Adjusting The Brush	PM-11
Hydraulic Drive Motor Removal And Installation	PM-12
Replacing The Brush Bristles	PM-12
INSPECTION	PM-13
Hand Lever Bob-Tach	PM-13
Power Bob-Tach	PM-14
SWEEPER (CURRENT MODELS)	PM-4
Adjusting The Stop Bolts	PM-4
Bristle Removal And Installation	PM-5
Broom Removal And Installation	PM-4
SWEEPER (OLDER MODELS)	PM-6
Adjusting The Stop Bolts	PM-6
Broom Installation	PM-8
Broom Mounting Frame Removal And Installation	PM-7
Broom Removal	PM-7
Replacing The Broom Bristles	PM-8
TROUBLESHOOTING THE SWEEPER	PM-3

**PREVENTIVE
MAINTENANCE**

Maintenance procedures which are given in the Operation & Maintenance Manual can be performed by the owner/operator without any specific technical training. Maintenance procedures which are **not** in the Operation & Maintenance Manual must be performed **ONLY BY QUALIFIED BOBCAT SERVICE PERSONNEL. Always use genuine Bobcat replacement parts.**



Bobcat®

TROUBLESHOOTING THE SWEEPER



WARNING

Instructions are necessary before operating or servicing machine. Read and understand the Operation & Maintenance Manual, Operator's Handbook and signs (decals) on machine. Follow warnings and instructions in the manuals when making repairs, adjustments or servicing. Check for correct function after adjustments, repairs or service. Untrained operators and failure to follow instructions can cause injury or death.

W-2003-0903

If the Sweeper is not working correctly, check the hydraulic system of the machine thoroughly before making any repairs on the Sweeper. Sweeper problems can be affected by a hydraulic system that is not operating to specifications. Connect a flow meter to the loader to check the hydraulic pump output, relief valve setting and tubelines to check flow and pressure. (See the loader Service Manual for the correct procedure to connect the flow meter.)

Use the following troubleshooting chart to locate and correct problems which most often occur with the Sweeper.

PROBLEM	CAUSE	CORRECTION
Sweeper will not rotate.	Auxiliary front hydraulics not engaged.	Engage the loader front auxiliary hydraulics. (See Electric Auxiliary Hydraulics on Page OI-13.)(See Manual Auxiliary Hydraulics on Page OI-15.)
	Auxiliary hydraulic switch not engaged.	Engage auxiliary hydraulic switch.
	Drive chain broken.	Repair or replace drive chain.
	Excessive hydraulic leakage.	Check hoses and hydraulic motor.
	No hydraulic flow.	Check hydraulic pump flow.
Sweeper bristles wear quickly.	Too much down pressure being applied to the broom	Use the correct amount of down pressure needed for the conditions present.
Sweeper operation not effective.	Sweeper bristles worn.	Adjust bristle to cutting edge distance. Replace sweeper bristle sections.
	Sweeper rotating in wrong direction of loader travel.	Reverse sweeper rotation or the direction of loader travel.
Gutter Brush will not rotate.	Control valve for Gutter Brush to activated.	Move the valve spool to activate Gutter Brush.
Gutter Brush operation not effective.	Gutter Brush not making contact with surface.	Lower Gutter Brush to sweeping position.
	Gutter Brush rotating in wrong direction of loader travel.	Change direction of loader travel.

! WARNING

Wear safety glasses to prevent eye injury when any of the following conditions exist:

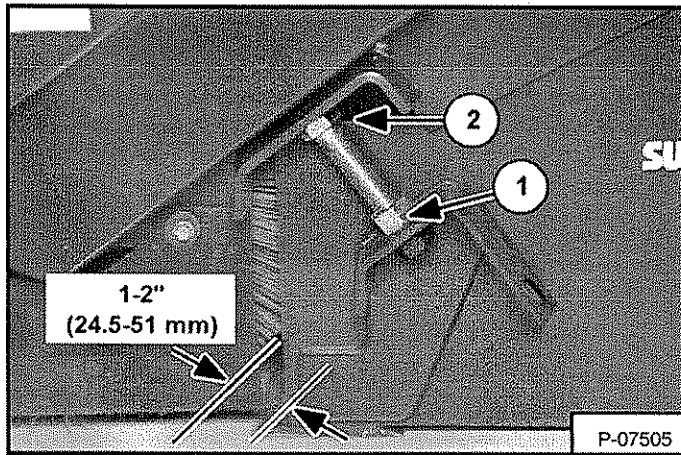
- When fluids are under pressure.
- Flying debris or loose material is present.
- Engine is running.
- Tools are being used.

W-2019-1285

Adjusting The Stop Bolts

Raise the sweeper cutting edge above the ground level.

Figure PM-1



Loosen the lock nut (Item 1) [Figure PM-1] on the adjustment bolt (Item 2) [Figure PM-1].

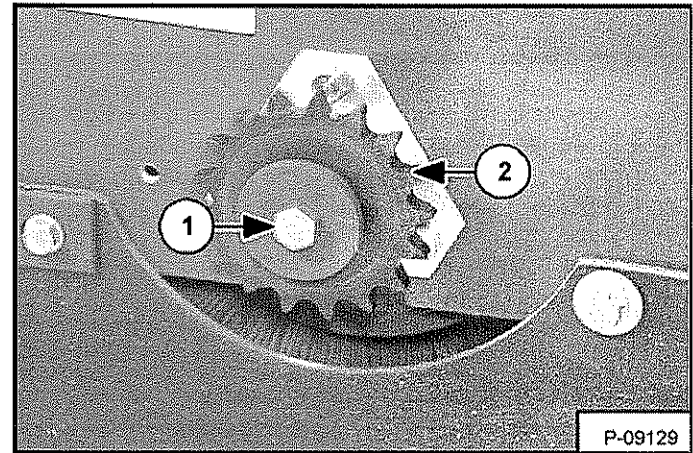
Turn the adjustment bolts (both sides) in or out until the broom bristles have a 1-2 inch distance between bristles and cutting edge [Figure PM-1].

The bristles and cutting edge will wear. Check adjustment regularly.

Broom Removal And Installation

Remove the drive chain. (See Drive Chain Removal And Installation on Page PM-10.)

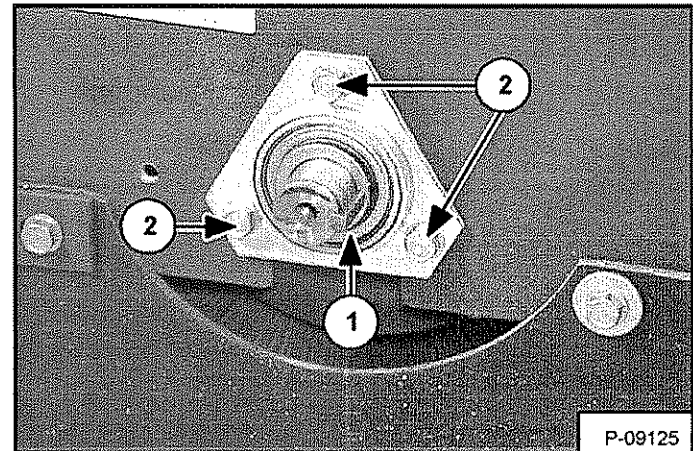
Figure PM-2



Remove the bolt (Item 1) [Figure PM-2] and washer from the end of the broom shaft.

Remove the sprocket (Item 2) [Figure PM-2].

Figure PM-3



Remove the square key (Item 1) [Figure PM-3] and the bolts (Item 2) [Figure PM-3] from the bearing mounting flange (both ends).

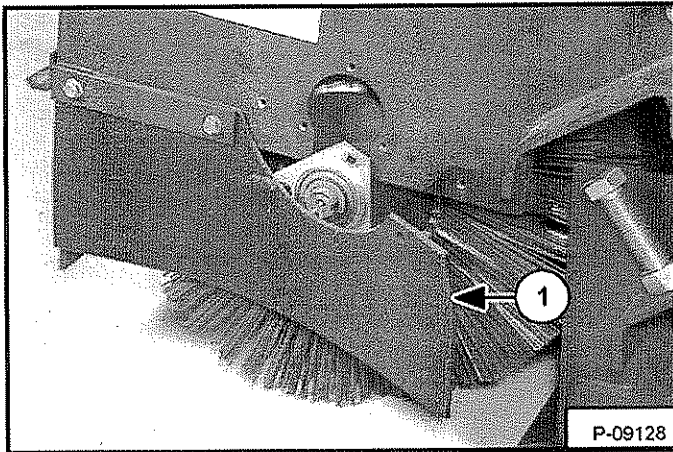
NOTE: The bearing mounting flanges will separate when the bolts are removed.

Installation: The bearing flange must face outward during installation for sprocket clearance.

SWEeper (CURRENT MODELS) (CONT'D)

Broom Removal And Installation (Cont'd)

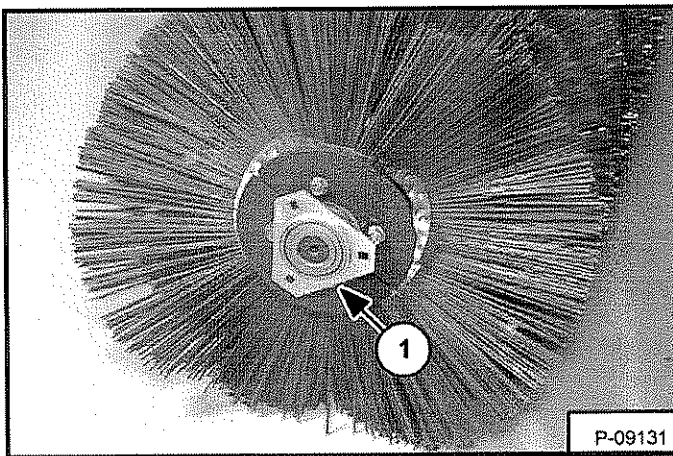
Figure PM-4



The rubber side cover (Item 1) [Figure PM-4] (both ends) can be loosened or removed if needed.

Use a chain hoist to lift the sweeper mounting frame and remove the broom.

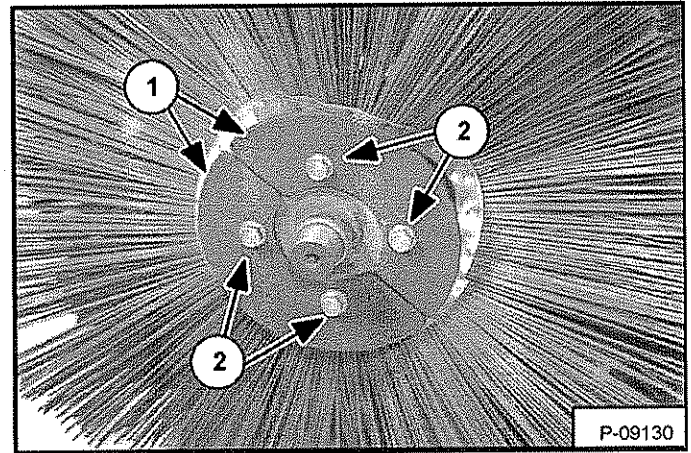
Figure PM-5



Remove the bearing and mounting flange (Item 1) [Figure PM-5] from the broom shaft (both ends).

Bristle Removal And Installation

Figure PM-6

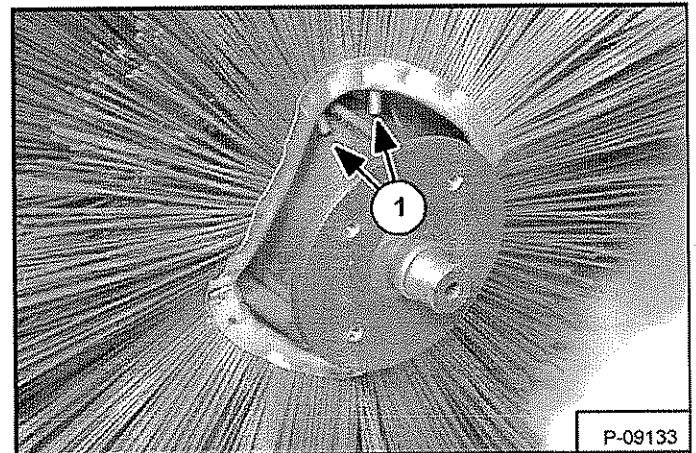


The bristle sections are held in place by two plates (Item 1) [Figure PM-6] located opposite the chain end on the roller.

Remove the bolts (Item 2) [Figure PM-6] to remove the plates.

The bristle sections can be removed from the roller.

Figure PM-7



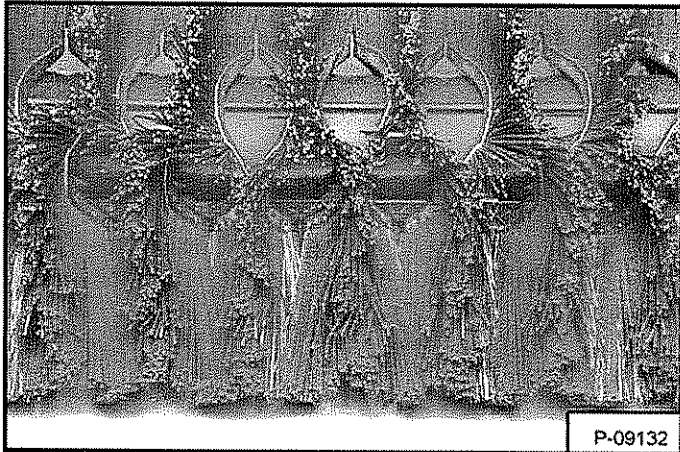
Install the bristle sections so the locking tabs (Item 1) [Figure PM-7] are located one on each side of the roller bars.

NOTE: The locking tabs (Item 1) [Figure PM-7] are angled. Each bristle section must be installed so the tabs are angled toward the end with the two plates.

SWEeper (CURRENT MODELS) (CONT'D)

Bristle Removal And Installation (Cont'd)

Figure PM-8



Install the bristle sections to form a pattern as shown [Figure PM-8].

SWEeper (OLDER MODELS)

WARNING

Wear safety glasses to prevent eye injury when any of the following conditions exist:

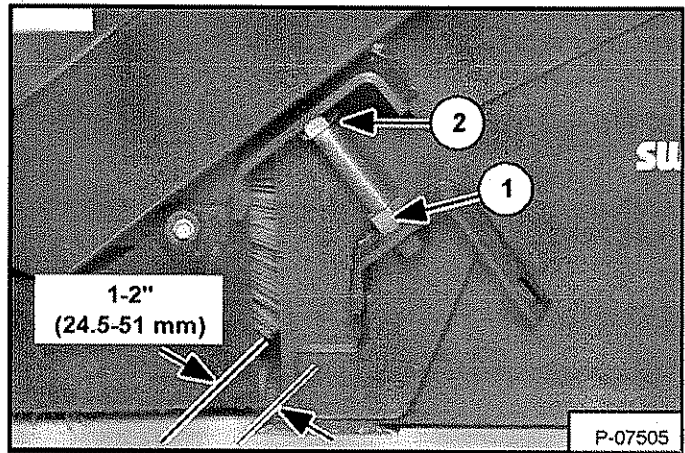
- When fluids are under pressure.
- Flying debris or loose material is present.
- Engine is running.
- Tools are being used.

W-2019-1285

Adjusting The Stop Bolts

Raise the sweeper cutting edge above the ground level.

Figure PM-9



Loosen the lock nut (Item 1) [Figure PM-9] on the adjustment bolt (Item 2) [Figure PM-9].

Turn the adjustment bolts (both sides) in or out until the broom bristles have a 1-2 inch distance between bristles and cutting edge [Figure PM-9].

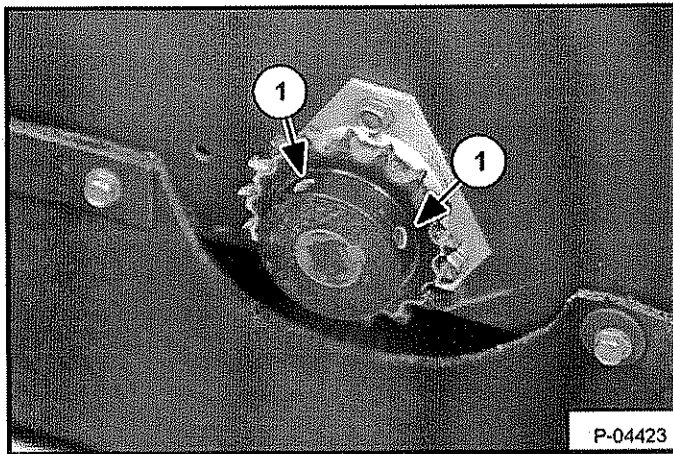
The bristles and cutting edge will wear check adjustment regularly.

SWEEPER (OLDER MODELS) (CONT'D)

Broom Removal

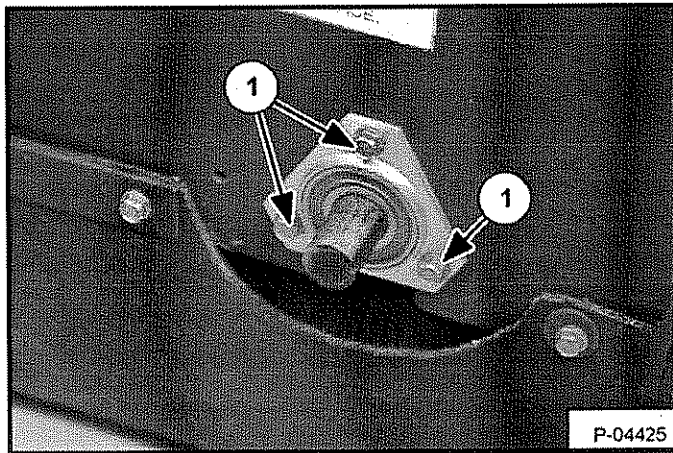
Remove the drive chain. (See Drive Chain Removal And Installation on Page PM-10.)

Figure PM-10



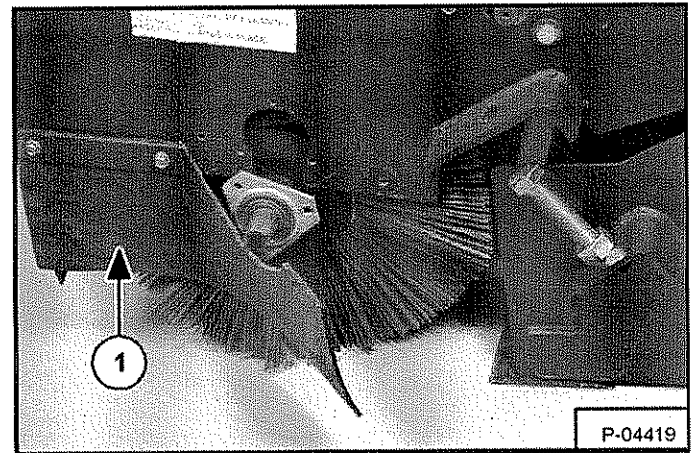
Remove the set screws (Item 1) [Figure PM-10] and remove the sprocket.

Figure PM-11



Remove the bolts (Item 1) [Figure PM-11] from the bearing mounting flange (both ends).

Figure PM-12



The rubber side cover (Item 1) [Figure PM-12] (both ends), can be loosened or removed if needed.

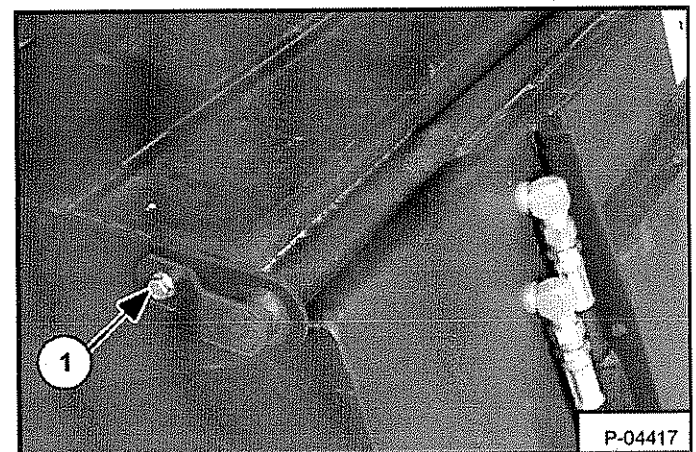
Use a chain hoist and lift the broom mounting frame [Figure PM-12].

Remove the broom.

Broom Mounting Frame Removal And Installation

To remove the broom mounting frame, remove the drive motor hoses. (See Replacing The Broom Bristles on Page PM-8.)

Figure PM-13



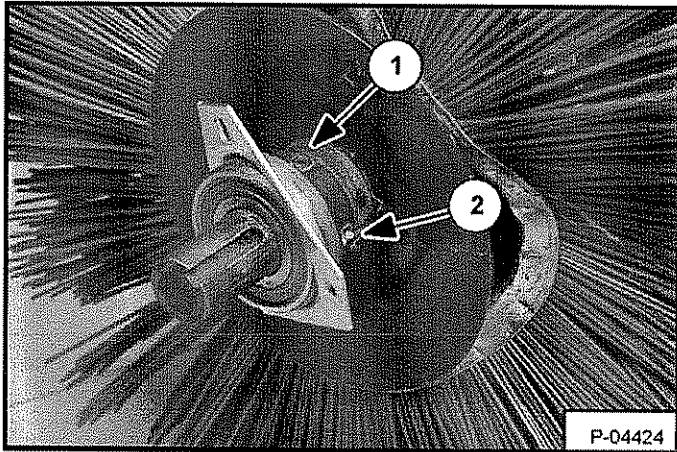
Remove the bolt (Item 1) [Figure PM-13] from the pivot pin bracket. Remove the pivot pin.

SWEeper (OLDER MODELS) (CONT'D)

Broom Installation

Any time the bearings or locking collars are removed, the broom should be centered between the mounting frame during installation.

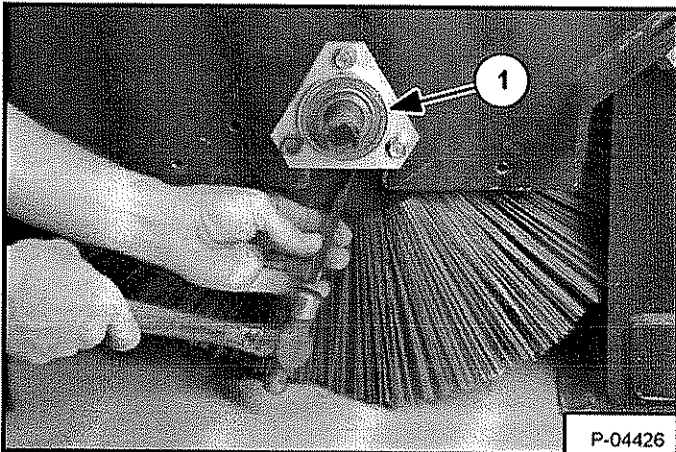
Figure PM-14



Loosen the locking collar set screws (Item 1) [Figure PM-14] at both ends of the broom.

Use a punch and hammer, tap on the hole (Item 2) [Figure PM-14] of the locking collar to loosen the collar.

Figure PM-15



Install the broom in the mounting frame. Move the bearings, if needed to install the bearing mounting flange (Item 1) [Figure PM-15].

Use a punch and hammer, tap on the hole of the locking collar to tighten the collar [Figure PM-15].

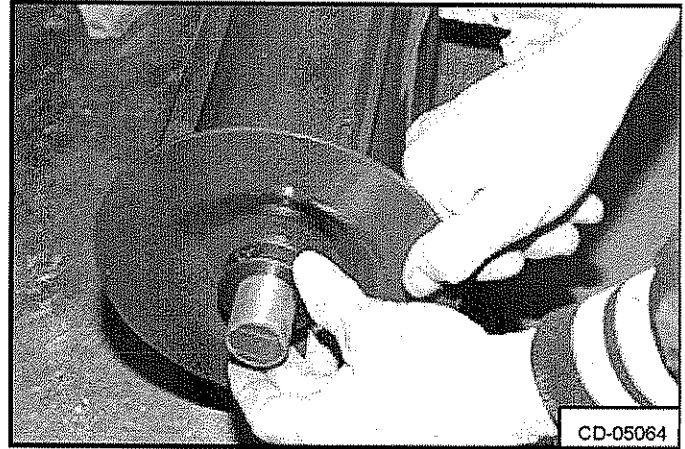
Tighten the set screw on the locking collar.

Replacing The Broom Bristles

Remove the locking ring and hub plate. Remove all the broom bristles.

Install the new broom bristles as follows:

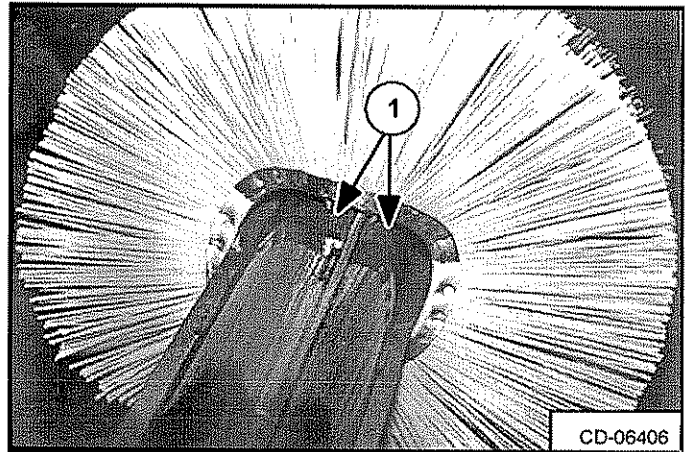
Figure PM-16



Make sure the hub plate is not damaged. Check to make sure the locking ring is tight [Figure PM-16].

Set the brush roller on end in a support.

Figure PM-17



Install a bristle section so the locking tabs (Item 1) [Figure PM-17] straddle the bars on the rollers.

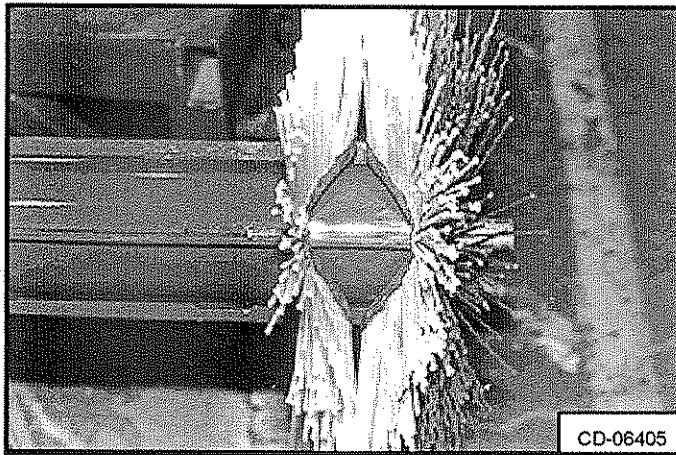
NOTE: Make sure that each time a bristle section is installed it is rotated 180° from the previous one.

NOTE: The locking tabs (Item 1) [Figure PM-17] are angled. Each bristle section must be installed so the tabs are angled toward the end with the two plates.

SWEeper (OLDER MODELS) (CONT'D)

Replacing The Broom Bristles (Cont'd)

Figure PM-18



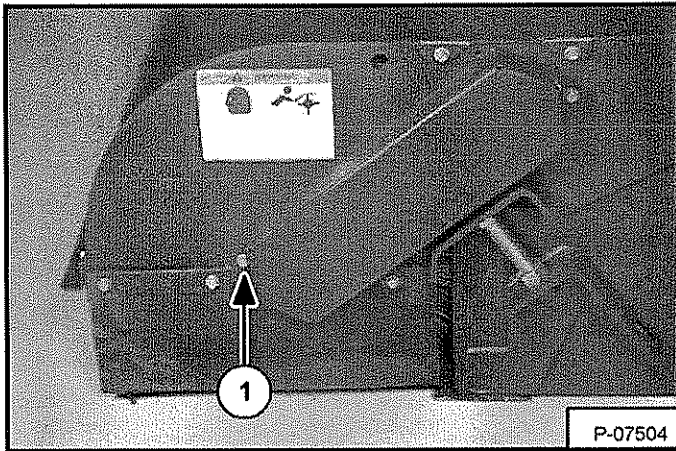
The pattern should be as shown [Figure PM-18].

Compress the bristle sections. Make sure the hub plate is tight against the inner tube and tighten the locking ring.

DRIVE CHAIN

Drive Chain Adjustment

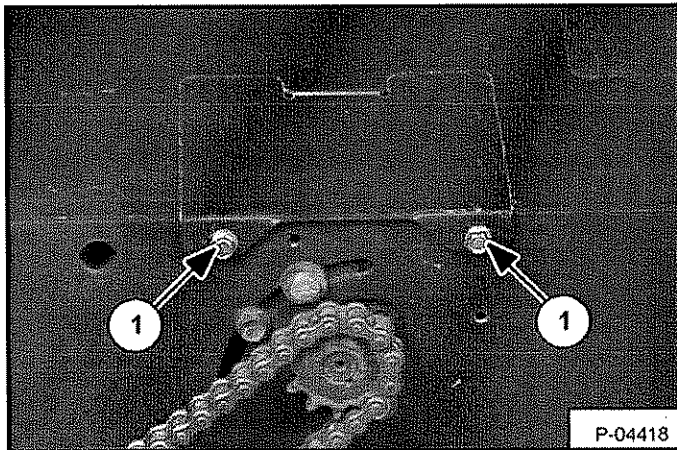
Figure PM-19



Remove the bolts (Item 1) [Figure PM-19] from the chain cover.

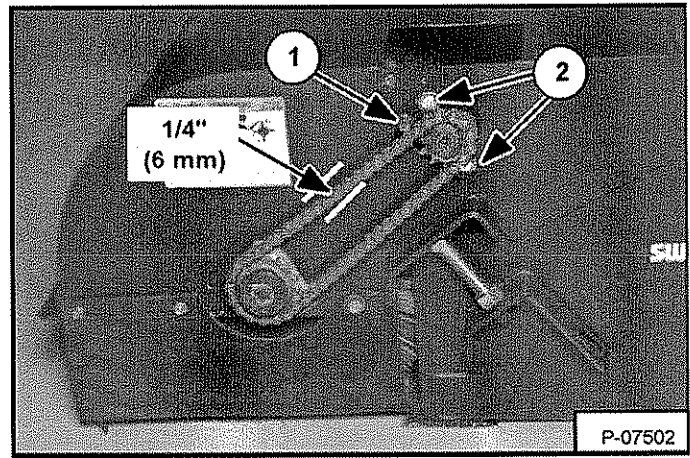
Remove the chain cover.

Figure PM-20



Remove the bolts (Item 1) [Figure PM-20] from the motor cover and remove the cover.

Figure PM-21



Loosen the motor bolts (Item 2) [Figure PM-21] and the adjustment bolt (Item 1) [Figure PM-21]

Move the hydraulic motor until the drive chain has 1/4 inch (6 mm) deflection at the middle of the chain [Figure PM-21].

Tighten motor bolts and adjustment bolt.

Install the chain cover, install the bolts and tighten.

Install the motor cover.

Drive Chain Removal And Installation

Remove the bolts (Item 1) [Figure PM-19] from the chain cover.

Remove the chain cover.

Remove the bolts from the motor cover and remove the cover [Figure PM-20].

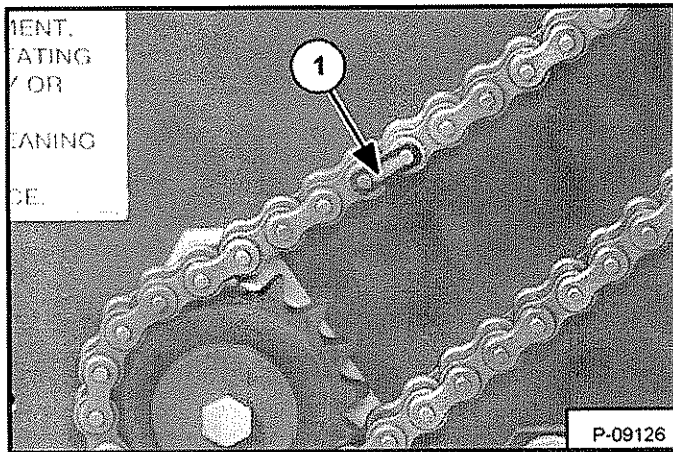
Loosen the bolts (Items 1 & 2) [Figure PM-21] on the hydraulic motor.

Move the hydraulic motor to loosen the chain.

DRIVE CHAIN (CONT'D)

Drive Chain Removal And Installation (Cont'd)

Figure PM-22



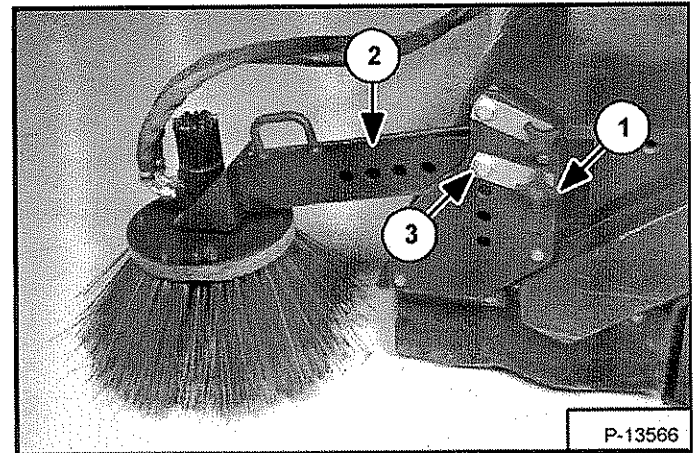
Remove the chain connector link (Item 1) [Figure PM-22] and remove the chain.

GUTTER BRUSH

Adjusting The Brush

As the brush wears, the brush will need to be lowered to keep the same angle.

Figure PM-23



Remove the nut (Item 1) [Figure PM-23].

Hold the pivot arm (Item 2) [Figure PM-23] remove the pivot pin (Item 3) [Figure PM-23].

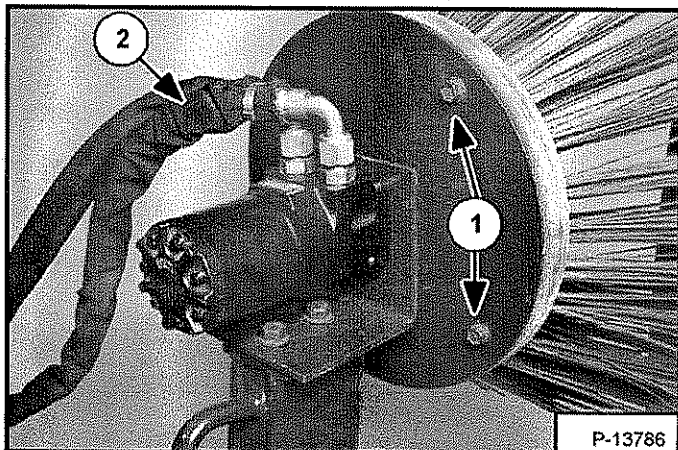
Lower the arm to the next hole.

Install the pin, nut and tighten.

GUTTER BRUSH (CONT'D)

Replacing The Brush Bristles

Figure PM-24



Remove the four mounting bolts (Item 1) [Figure PM-24] and remove the bristle assembly.

Installation: Tighten the four mounting bolts to 25-28 ft.-lbs. (34-38 Nm) torque.

Hydraulic Drive Motor Removal And Installation

Remove the hydraulic hoses (Item 2) [Figure PM-24].

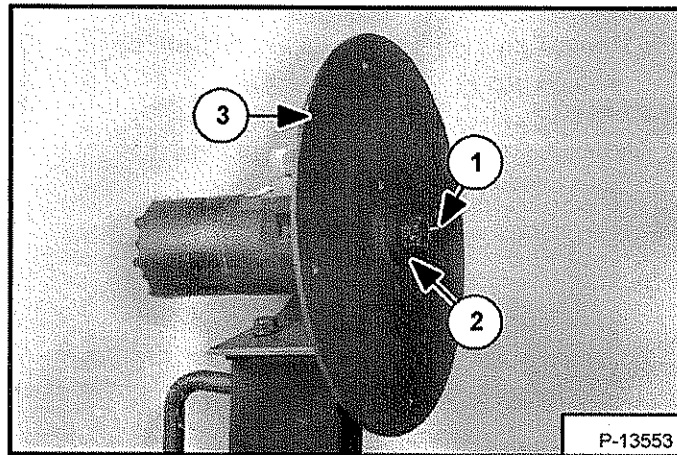
Installation: Tighten the hose fittings to 60 ft.-lbs. (81 Nm) torque.

IMPORTANT

When repairing hydrostatic and hydraulic systems, clean the work area before disassembly and keep all parts clean. Always use caps and plugs on hoses, tubelines and ports to keep dirt out. Dirt can quickly damage the system.

I-2003-0888

Figure PM-25



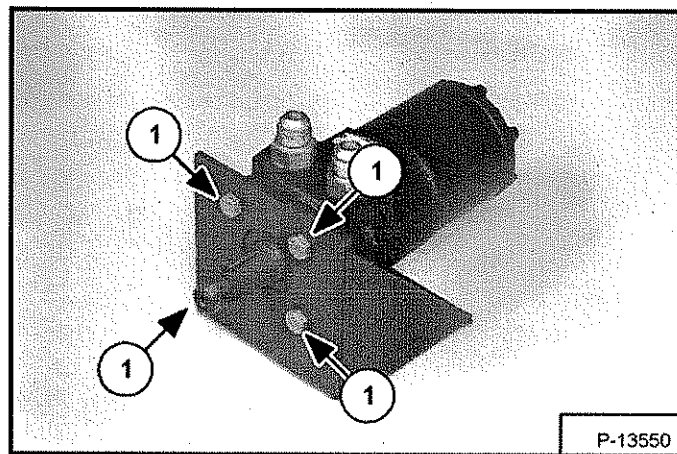
Remove the cotter pin (Item 1) [Figure PM-25].

Remove the castle nut (Item 2) [Figure PM-25] from the motor shaft.

Installation: Tighten the castle nut to 200-230 ft.-lbs. (217-312 Nm) torque.

Remove the brush mounting plate (Item 3) [Figure PM-25].

Figure PM-26



Remove the four hydraulic motor mounting bolts (Item 1) [Figure PM-26].

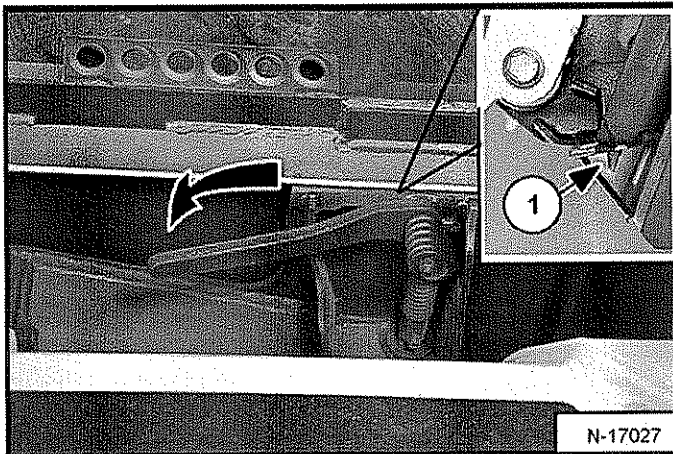
Installation: Tighten the four mounting bolts to 25-28 ft.-lbs. (34-38 Nm) torque.

NOTE: Refer to the Attachment Service Manual for the hydraulic motor disassembly, assembly and repair procedures.

INSPECTION

Hand Lever Bob-Tach

Figure PM-27



Move the Bob-Tach levers to engage the wedges [Figure PM-27]. The levers and wedges must move freely.

The wedges must extend through the holes in the attachment mounting frame (Item 1) [Figure PM-27].

WARNING

Bob-Tach wedges must extend through the holes in attachment. Levers must be fully down and locked. Failure to secure wedges can allow attachment to come off and cause injury or death.

W-2102-0588

Figure PM-28

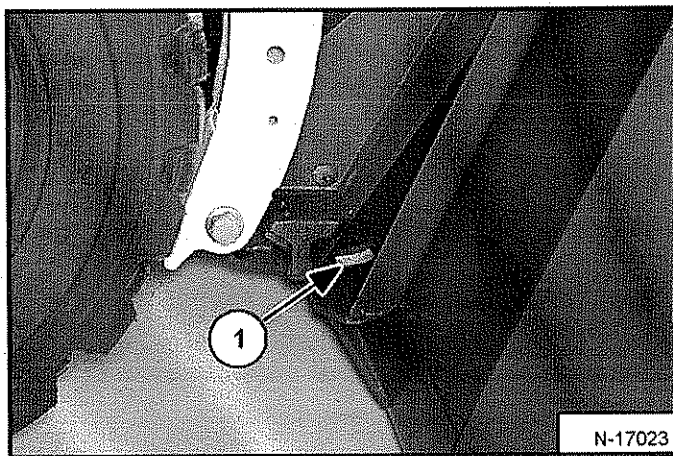
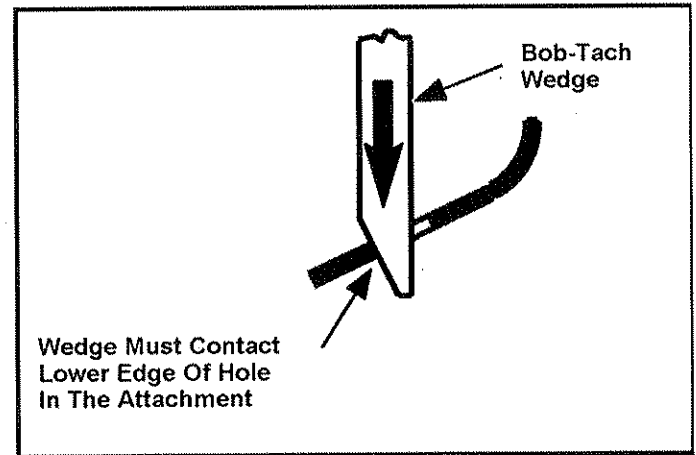


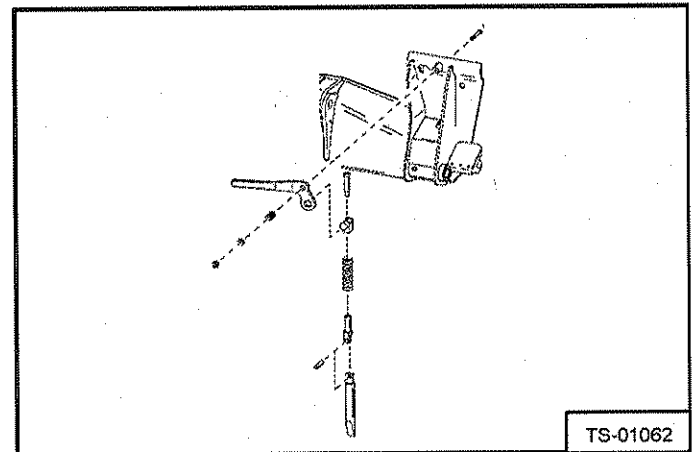
Figure PM-29



The spring loaded wedge (Item 1) [Figure PM-27] must contact the lower edge of the hole in the attachment (Item 1) [Figure PM-28] and [Figure PM-29].

If the wedge does not contact the lower edge of the hole [Figure PM-28] and [Figure PM-29], the attachment will be loose and can come off the Bob-Tach.

Figure PM-30



Inspect the mounting frame on the attachment and the Bob-Tach, linkages and wedges for excessive wear or damage [Figure PM-30]. Replace any parts that are damaged, bent, or missing. Keep all fasteners tight.

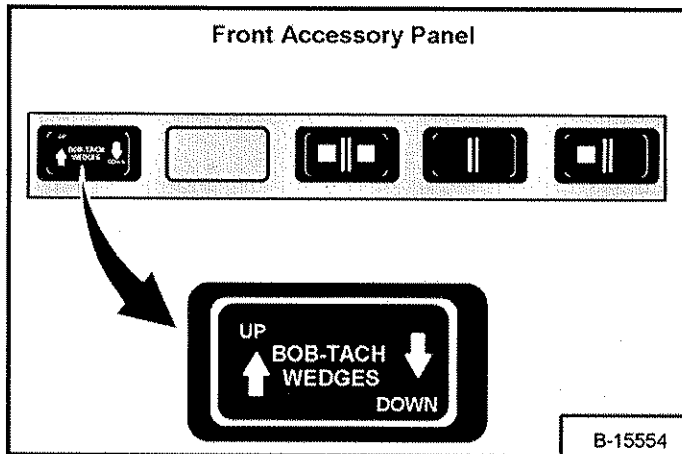
Look for cracked welds. Contact your Bobcat dealer for repair or replacement parts.

Lubricate the wedges (See the correct loader Operation and Maintenance Manual for *LUBRICATION OF THE BOBCAT LOADER*).

INSPECTION (CONT'D)

Power Bob-Tach

Figure PM-31



Push and hold The Bob-tach "wedges Up" Switch [Figure PM-31] Until Wedges Are Fully Raised. Push And Hold The Bob-tach "wedges Down" Switch [Figure PM-31] Until The Wedges Are Fully Down. The Wedges Must Move Freely.

Figure PM-32

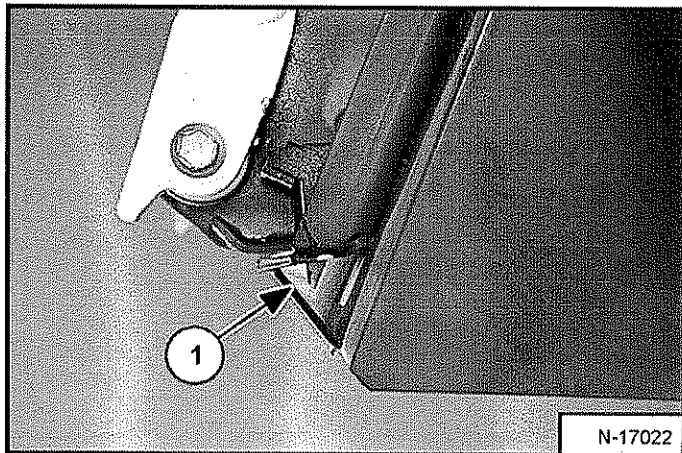
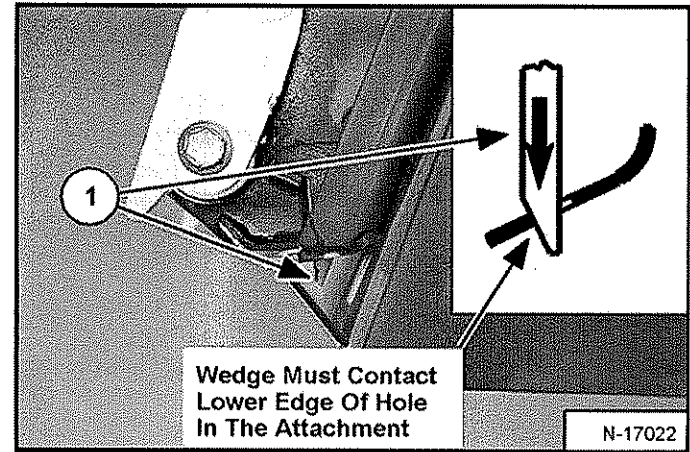


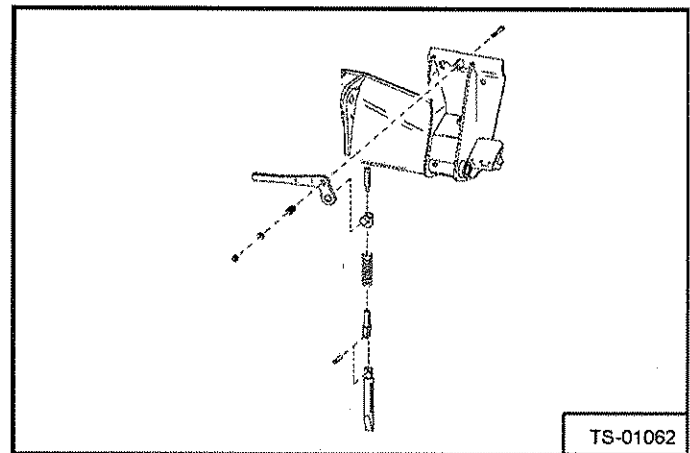
Figure PM-33



The Wedges Must Extend Through The Holes In The Attachment Mounting Frame (Item 1) [Figure PM-32] And Must Contact The Lower Edge Of The Hole In The Attachment [Figure PM-32] And (Item 1) [Figure PM-33].

If The Wedge Does Not Contact The Lower Edge Of The Hole [Figure PM-33], The Attachment Will Be Loose And Can Come Off The Bob-tach.

Figure PM-34



Inspect The Mounting Frame On The Attachment And The Bob-tach, Linkages And Wedges For Excessive Wear Or Damage [Figure PM-34]. Replace Any Parts Including Decals And Lever That Are Damaged, Bent, Or Missing. Keep All Fasteners Tight. Inspect The Hoses And Fittings For Leaks.

Look For Cracked Welds. Contact Your Bobcat Dealer For Repair Or Replacement Parts.

Lubricate The Wedges. (See the correct loader Service Manual for LUBRICATION OF THE BOBCAT LOADER.)

SPECIFICATIONS

ADDITIONAL PUBLICATIONS	SPEC-5
SWEeper SPECIFICATIONS	SPEC-3
Hydraulic Schematic	SPEC-3
SWEeper WITH OPTIONAL GUTTER BRUSH SPECIFICATIONS	SPEC-4
Hydraulic Schematic	SPEC-4

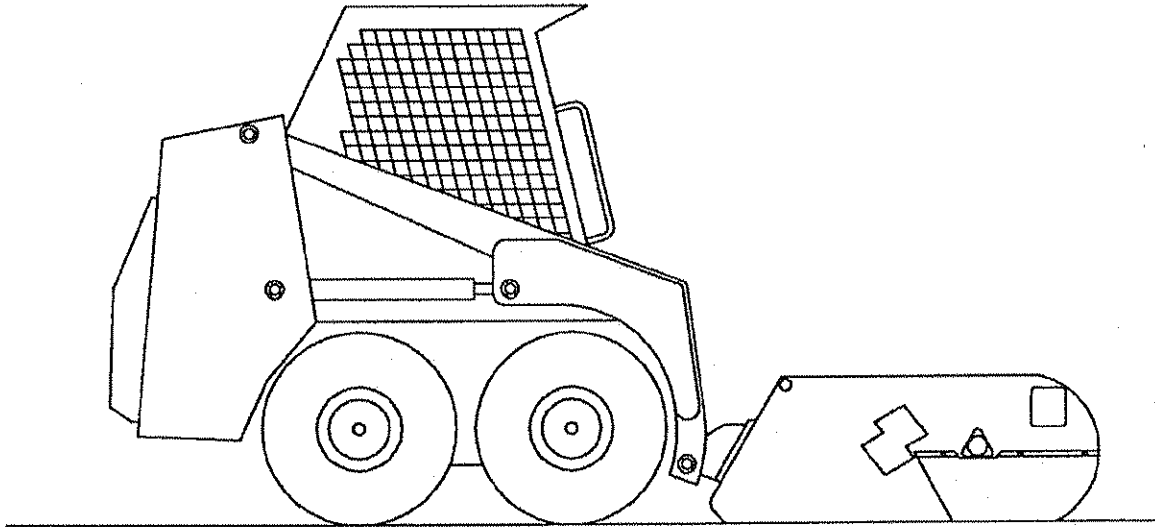




Bobcat®

SWEEPER SPECIFICATIONS

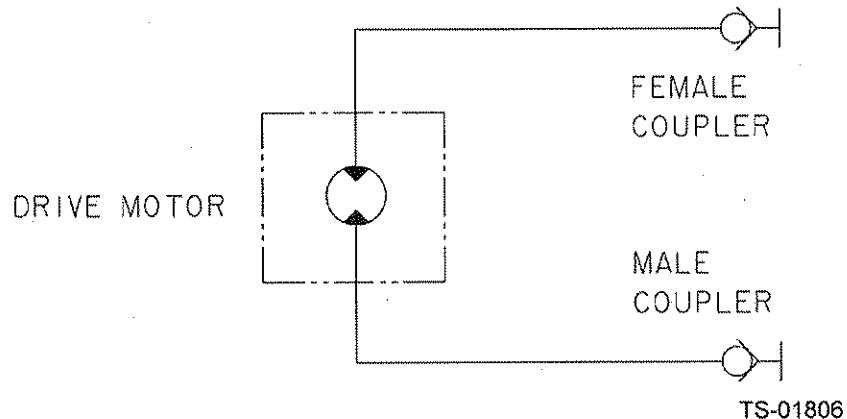
- All dimensions are shown in inches. Respective metric dimensions are given in millimeters enclosed by parentheses.
- Where applicable, specifications conform to **SAE** and **ISO** standards and are subject to change without notice.



MC-2013

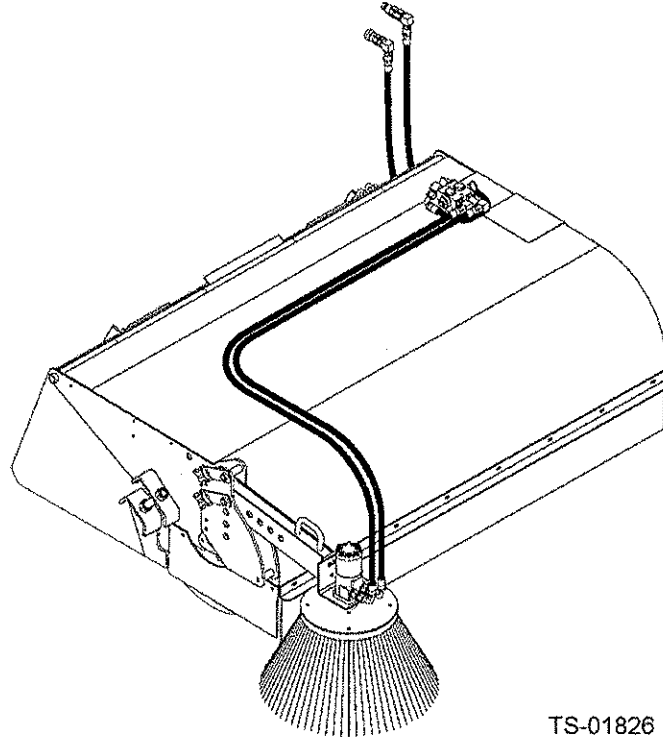
	54" SWEEPER	60" SWEEPER	72" SWEEPER
Sweeping Width	54 (1372)	60 (1524)	72 (1829)
Overall Width of Sweeper	60.14. (1528)	66.14 (1680)	78.14 (1985)
Weight	696 lbs. (316 kg)	758 lbs. (344 kg)	845 lbs. (384 kg)
Capacity	10.8 cu. ft. (0.30 m3)	12.0 cu. ft. (0.34 m3)	14.2 cu. ft. (1.15 m3)
Broom Diameter	21.38 (543)		
Bristle Material	Replaceable Polypropylene Sections		
No. of Bristle Sections Zig-Zag (Minimum)	27	30	36
Hydraulic Motor Displacement	11.2 cu. in. (183 cu. cm.)		
Chain/Sprocket Reduction	1.42		
Chain Size	#60 HS		
Broom RPM @ 10 GPM (37,9 L/min.)	145 RPM		

Hydraulic Schematic



SWEeper WITH OPTIONAL GUTTER BRUSH SPECIFICATIONS

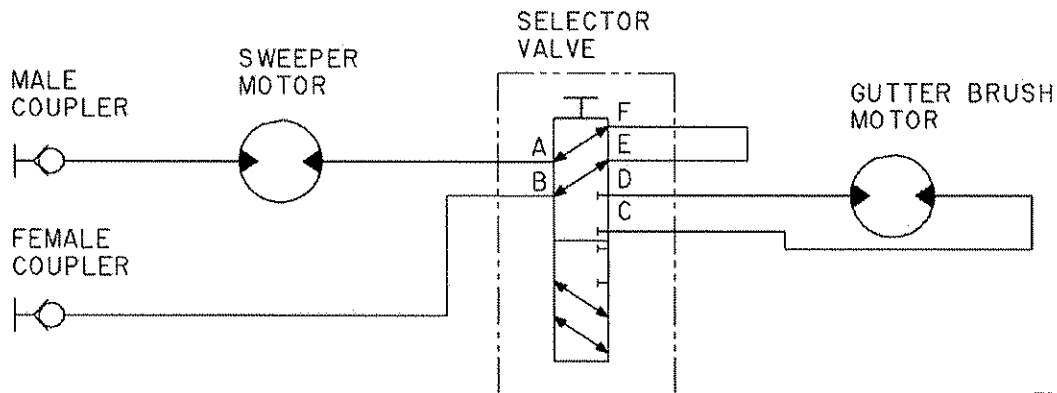
- All dimensions are shown in inches. Respective metric dimensions are given in millimeters enclosed by parentheses.
- Where applicable, specifications conform to **SAE** and **ISO** standards and are subject to change without notice.



TS-01826

	54" SWEEPER	60" SWEEPER	72" SWEEPER
Sweeping Width	54 (1372)	60 (1524)	72 (1829)
Overall Width of Sweeper	73.62 (1870)	79.62 (2022)	91.62 (2327)
Weight	821 lbs. (372 kg)	883 lbs. (400 kg)	970 lbs. (440 kg)
Capacity	10.8 cu. ft. (0.30 m3)	12.0 cu. ft. (0.34 m3)	14.2 cu. ft. (1.15 m3)
Brush Diameter	24 (609,6)		
Bristle Material	Replaceable Steel Brush		
Brush Hydraulic Motor Displacement	22.6 cu. in. (370,6 cu. cm.)		
Brush RPM @ 10 GPM (37,9 L/min.)	102 RPM		

Hydraulic Schematic

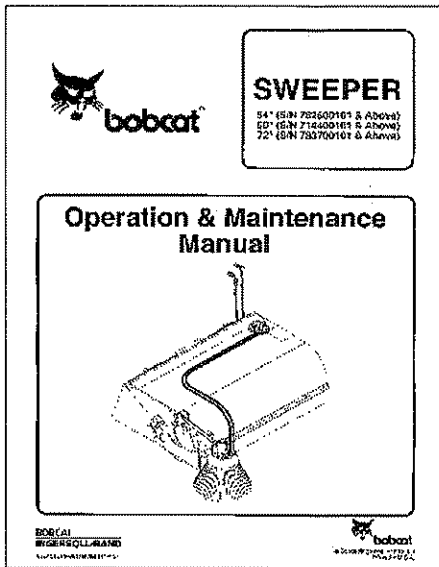


TS-01859

ADDITIONAL PUBLICATIONS

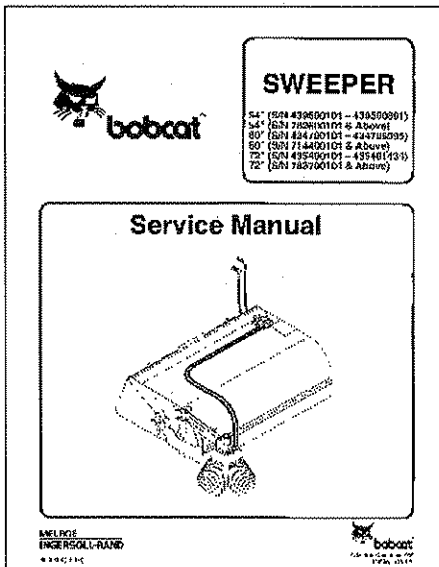
The following publications are also available for your Bobcat Sweeper Attachment. You can order them from your Bobcat dealer.

For the latest information on Bobcat products and the Bobcat, visit our website at www.bobcat.com



OPERATION & MAINTENANCE MANUAL 6724016

-complete instruction on the correct operation and the routine maintenance of the BOBCAT Sweeper.



SERVICE MANUAL 6900898

-complete instruction on the correct operation and the routine maintenance of the BOBCAT Sweeper.



Bobcat®

WARRANTY

Bobcat Attachments

Bobcat Company warrants to its authorized dealers and authorized dealers of Bobcat Equipment Ltd., who in turn warrant to the original owner, that each new Bobcat attachment will be free from proven defects in material and workmanship for twelve (12) months after delivery by the authorized Bobcat dealer to the original buyer.

During the warranty period, the authorized Bobcat dealer shall repair or replace, at Bobcat Company's option, without charge for parts and labor, any part of the Bobcat product which fails because of defects in material or workmanship. The owner shall provide the authorized Bobcat dealer with prompt written notice of the defect and allow reasonable time for replacement or repair. Bobcat Company may, at its option, require failed parts to be returned to the factory. Travel time of mechanics and transportation of the Bobcat product to the authorized Bobcat dealer for warranty work are the responsibility of the owner. The remedies provided in this warranty are exclusive.

This warranty does not cover replacement of scheduled service items and high wear items. The owner shall rely solely on the warranty, if any, of the respective manufacturers thereof. This warranty does not cover damages resulting from abuse, accidents, alterations, use of the Bobcat product as an attachment on any equipment not approved by Bobcat Company, air flow obstructions, or failure to maintain or use the Bobcat product according to the instructions applicable to it.

THIS WARRANTY IS EXCLUSIVE AND IN LIEU OF ALL OTHER WARRANTIES AND CONDITIONS, EXCEPT THE WARRANTY OF TITLE. BOBCAT COMPANY DISCLAIMS ALL OTHER WARRANTIES AND CONDITIONS, EXPRESS OR IMPLIED, INCLUDING ANY IMPLIED WARRANTIES OR CONDITIONS OF MERCHANTABILITY OR FITNESS FOR A PARTICULAR PURPOSE. IN NO EVENT SHALL BOBCAT COMPANY OR THE AUTHORIZED BOBCAT DEALER BE LIABLE FOR ANY SPECIAL, INCIDENTAL, INDIRECT OR CONSEQUENTIAL DAMAGES, WHATSOEVER, INCLUDING, BUT NOT LIMITED TO, LOSS OR INTERRUPTION OF BUSINESS, LOST PROFITS, OR LOSS OF MACHINE USE, WHETHER BASED ON CONTRACT, WARRANTY, TORT, NEGLIGENCE, STRICT LIABILITY, STATUTE OR OTHERWISE, EVEN IF BOBCAT COMPANY OR THE AUTHORIZED BOBCAT DEALER HAS BEEN ADVISED OF THE POSSIBILITY OF SUCH DAMAGES. THE TOTAL LIABILITY OF BOBCAT COMPANY AND THE AUTHORIZED BOBCAT DEALERS WITH RESPECT TO THE PRODUCT AND SERVICES FURNISHED HEREUNDER SHALL NOT EXCEED THE PURCHASE PRICE OF THE PRODUCT UPON WHICH SUCH LIABILITY IS BASED.



