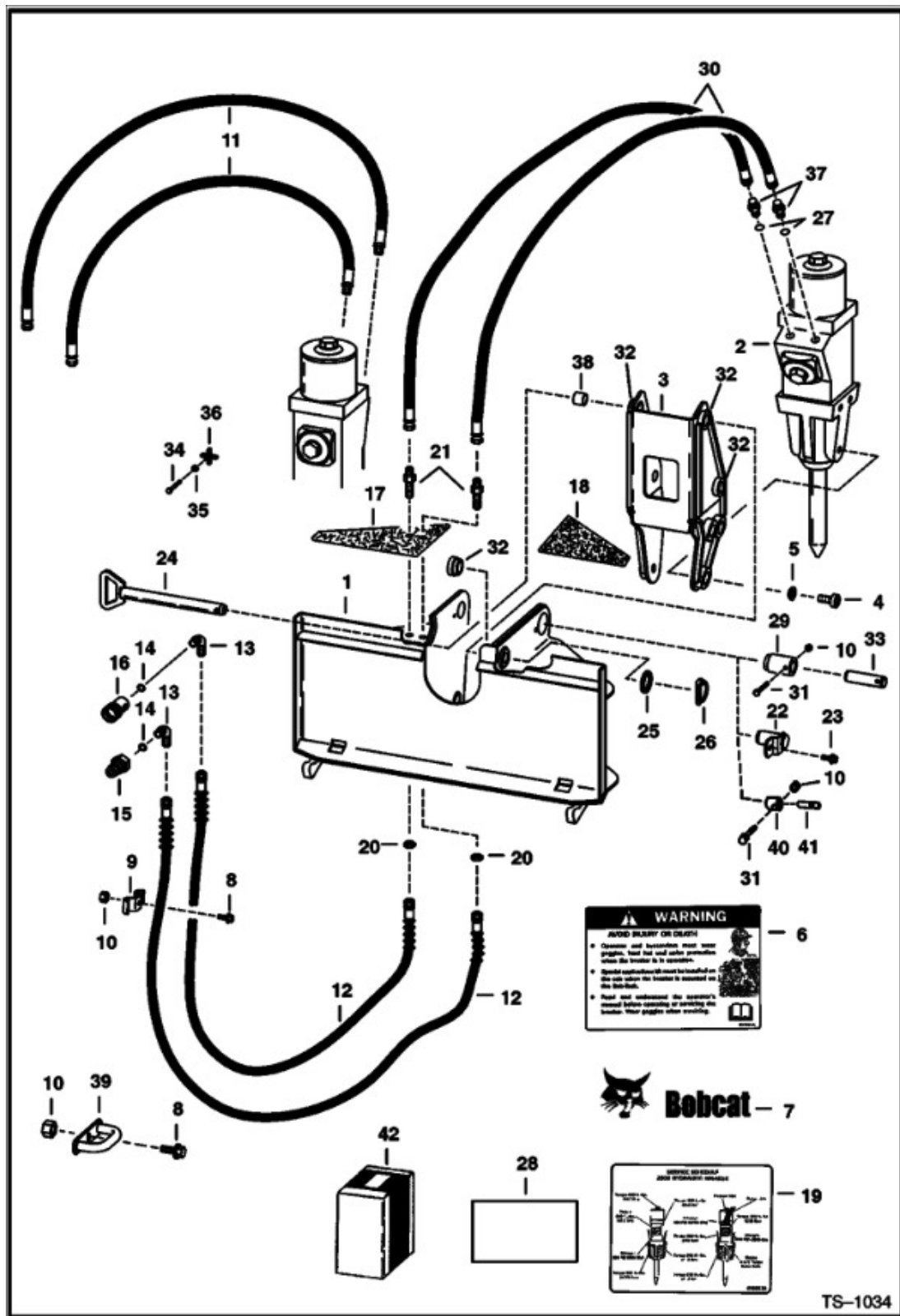


Title: Breaker (Hydraulic Breaker Bob-Tach Mtg) (Two Position) (2500) (3500)

Model Number: Breaker

Serial Number: Loader



Title: Breaker (Hydraulic Breaker Bob-Tach Mtg) (Two Position) (2500) (3500)

Model Number: Breaker

Serial Number: Loader

| Ref. | Part Number | Description | S/N | Qty |
|------|-------------|--|-----|-----|
| 1 | | FRAME, 2-POS BRKR, FRAME, 2-POS BRKR, NLA - Was 6709406, A | | 1 |
| 2 | | BREAKER, BREAKER, See Illustration | | 1 |
| 3 | 6538970 | MOUNT, Was 6575691, A | | 1 |
| 4 | | BOLT, BOLT, NLA - Order 6654810 & 6654811 - Was 73G001632B, A | | 6 |
| 4 | 6654810 | BOLT | | 6 |
| 5 | | WASHER, WASHER, NLA - Order 6654810 & 6654811 - Was 6568537, A | | 6 |
| 5 | 6654811 | WASHER | | 6 |
| 6 | 6572074 | DECAL, WARNING, warning | | 2 |
| 7 | | DECAL LOGO BOBCAT, DECAL LOGO BOBCAT, NLA - Order 7109473 - Was 6727323, A | | 1 |
| 7 | | DECAL LOGO BOBCAT, DECAL LOGO BOBCAT, NLA - Order 7109473, A | | 1 |
| 8 | 37C660 | BOLT, 7753 - Was 17C000660B, B | | 1 |
| 8 | 37C652 | BOLT | | 1 |
| 9 | 6563353 | CLAMP | | 1 |
| 10 | 85D6 | NUT PRETRQ HEX LOCK | | 3 |
| 11 | 6579996 | HOSE, 39" (990,6mm) long - Was 6578189, A | | 2 |
| 12 | 6714880 | HOSE, HYD ASSY, Was 6710460, A | | 2 |
| 13 | 17K7 | ELBOW, Use with poppet couplers | | 2 |
| 13 | 17KB1012 | FITTING, HYD ELBOW, Use with flush face couplers - Was 1302104B, A | | 2 |
| 14 | 79K10 | O-RING 10, Use with poppet couplers | | 2 |
| 14 | 79K12 | O-RING 10, Use with flush face couplers | | 2 |
| 15 | 6598757 | COUPLER, POPPET MALE, straight | | 1 |

Title: Breaker (Hydraulic Breaker Bob-Tach Mtg) (Two Position) (2500) (3500)

Model Number: Breaker

Serial Number: Loader

| Ref. | Part Number | Description | S/N | Qty |
|------|-------------|---|-----|-----|
| 15 | 7246777 | COUPLER, FF MALE, - Was 6674688, A | | 1 |
| 15 | 7246777EF | COUPLER FF CONN UNDER PRESS 1/2-3/4 SAE | | 1 |
| 15 | | SEAL, SEAL, - blue - front - 7251807 or 6679841 | | 1 |
| 16 | 6598758 | COUPLER FF FEMALE, straight | | 1 |
| 16 | 7246790 | COUPLER FF FEM 1/2, - straight - Was 6672960, A | | 1 |
| 16 | 7246797 | COUPLER, FF FEMALE, - heavy duty - Was 6680017, A | | 1 |
| 16 | 48K16 | O-RING 10, Use with poppet coupler | | 1 |
| 16 | 7246790EF | COUPLER FF FEMALE 1/2 BDY 3/4 SAE THREAD | | 1 |
| 17 | | TREAD, SAFETY, TREAD, SAFETY, NLA - Was 6575692, A | | 1 |
| 18 | 6575710 | TREAD, SAFETY | | 1 |
| 19 | 6568536 | DECAL, service | | 1 |
| 20 | 86F7 | NUT 5 | | 2 |
| 21 | 45K7 | CONNECTR | | 2 |
| 22 | 6575689 | PIN, W/Tab | | 2 |
| 23 | 84G3716 | SCREW THD ROLLING TT, Use on Mounting Frame W/O Stud | | 2 |
| 23 | 83D8 | LKNUT HEX FLG GR8, Use on Mounting Frame W/ Stud | | 2 |
| 24 | 6576880 | PIN | | 1 |
| 25 | 6584872 | WASHER 5 | | 2 |
| 26 | 6560382 | PIN, LOCK | | 1 |
| 27 | 79K12 | O-RING 10 | | 2 |
| 28 | 6650685 | DECAL, DANGER, NLA - Was 6650685 | | 1 |
| 29 | 6700550 | BUSHING, weld on - Use W/Ref. 33 | | 2 |
| 30 | | HOSE, HOSE, NLA - 43" (1092mm) long - Order 6538061 & 15K000008B - Was 6700551, A | | 2 |
| 30 | 6538061 | HOSE, 52" (1321mm)long - Use W/15K-8 Adapter | | 2 |

Title: Breaker (Hydraulic Breaker Bob-Tach Mtg) (Two Position) (2500) (3500)

Model Number: Breaker

Serial Number: Loader

| Ref. | Part Number | Description | S/N | Qty |
|------|-------------|---|-----|-----|
| 30 | 6705737 | HOSE, HYD ASSY, 52" (1321mm)long - Use W/755055B Adapter | | 2 |
| 31 | 17C648 | SCREW HEX CAP | | 2 |
| 32 | 6576328 | BUSHING, weld on - Use W/Ref. 32 | | 6 |
| 33 | 6576164 | PIN, W/Bolt Hole - 6" (152.4mm) long | | 2 |
| 34 | 17C652 | BOLT | | 1 |
| 34 | 17C680 | BOLT | | 1 |
| 35 | 872229 | WASHER, Was 25E000017B, B | | 1 |
| 36 | 6647668 | KNOB, Was 6647660, D | | 1 |
| 37 | 15K8 | FITTING, W/Ref. 27 - Use W/ 6538061 hose - 1.0625" (26,98mm) Dia. | | 2 |
| 37 | 15KB1012 | FTG HYD S CONNECTOR, W/Ref. 27 - Use W/ 6705737 hose - .875" (22,2mm) Dia. - Was 755055B, A | | 2 |
| 38 | 6560334 | BUSHING | | 2 |
| 39 | 6706160 | GUIDE, HOSE ASSY, Was 6702646, A | | 1 |
| 40 | 6707445 | BUSHING, Weld-in | | 2 |
| 41 | 6707444 | PIN, W/Bolt hole - 5"(127mm) long | | 2 |
| 42 | 6718921AR | KIT, TRANSLATION, translation | | 1 |
| 42 | 6718921BR | KIT, TRANSLATION, translation | | 1 |
| 42 | 6566850AR | OM, 750A/800A BREAKER, translated | | 1 |
| 42 | 6566850BR | OM, 750A/800A BREAKER, translated | | 1 |
| 42 | 6718930AR | KIT, TRANSLATION, translation - for Ref. 3 | | 1 |
| 42 | 6718930BR | KIT, TRANSLATION, translation - for Ref. 3 | | 1 |
| 42 | 6720758AR | INSTRUCTIONS, translated for Ref. 3 | | 1 |
| 42 | 6720758BR | INSTRUCTIONS, - translated for Ref. 3 | | 1 |