

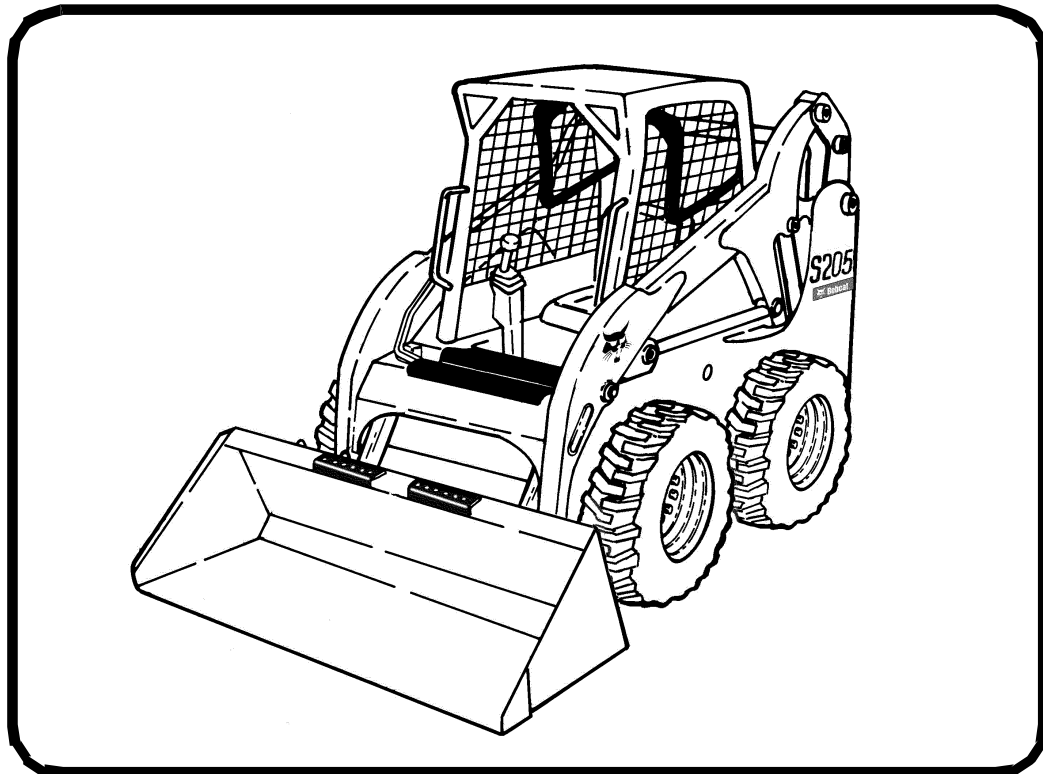


Bobcat®

Parts Manual

S205 Skid-Steer Loader

S/N A3LJ11001 & Above
S/N A3LK11001 & Above
S/N AMVU11001 & Above
S/N ANLP11001 & Above



EQUIPPED WITH
BOBCAT INTERLOCK
CONTROL SYSTEM (BICS™)



GENERAL INFORMATION

Before ordering parts, ALWAYS provide dealer with your product model number and complete serial number information. Before ordering parts, verify correct part numbers and/or serial numbers with your dealer. When using the machine serial number, use the complete number.

The number shown in the quantity column in this manual is the number of parts needed for the illustration on the page. For some parts an “x” will be shown in the quantity column. This “x” indicates that the quantity to be used is “As Needed”.

When references LH (Left Hand) and RH (Right Hand) are used in this manual, it is done from the operator’s seat in the forward operating position.

When “See Illustration....” appears in the remarks column, refer to the contents page for the illustration title to find page number location.

Some of the illustrations and information found in this parts manual were supplied to Bobcat by machine component companies.

For additional information on the Bobcat website visit www.bobcat.com

ABBREVIATIONS

ACS	= Advanced Control System	MM	= Millimeters
AHC	= Advanced Hand Controls	NAP	= Not Available as Parts
A/C	= Air Condition	NSS	= Not Serviced Separately
ASSY	= Assembly	OD	= Outside Diameter
AUX	= Auxiliary	OM	= Operation & Maint Manual
AWS	= All Wheel Steer	PM	= Parts Manual
BPV	= Bucket Positioning Valve	PWM	= Pulse Width Modulation
BTI	= Bobcat Technical Information Bulletin	QT	= Quart
CYL	= Cylinder	RH	= Right Hand
DLX	= Deluxe	SALES	= Sales Department
ELEC	= Electrical	SJC	= Selectable Joystick Controls
EMEA	= Europe/Middle East/Africa	SL	= Service Letter
ENG	= Engine	SM	= Service Manual
GAL	= Gallon	STD	= Standard
HVAC	= Heating Ventilation & Air Condition	TEMP	= Temperature
HYD	= Hydraulic	TRANS	= Transmission
ID	= Inside Diameter	W/A	= Welded Assembly
IGN	= Ignition	W/	= With
INJ	= Injection	W/O	= Without
LH	= Left Hand	“	= Inches
MFR	= Main Frame	’	= Feet

GENERAL INFORMATION (Cont'd)

TRANSLATION KITS & DECAL KITS

AR = Argentina (Spanish) BR = Brazil (Portugese) JP = Japanese
(Translation Kit includes Safety Manual, Operators Manual & Decal Kit)

DISPOSITION

(Found in the Remarks Column)

- [A] = Use Up**
- [B] = Use Up on Other Applications**
- [C] = File PDR Report with Bobcat Parts Sales**
- [D] = Part Number Error**

NOTE D'INFORMATION

Pour toute référence au numéro de série de l'engin, toujours donner le numéro complet.

Le chiffré apparaissant dans la colonne des quantités de ce manuel représentent le nombre de pièces nécessaires pour l'illustration reprise sur la page. Dans certains cas, on lira un "x" dans la colonne des quantités. Cet "x" indique que la quantité nécessaire est "selon besoin".

Pour toute référence vers la GAUCHE ou la DROITE dans ce manuel, considérer que la personne se trouve assise dans le siège de l'opérateur, en position de fonctionnement en marche avant.

Certaines illustrations et informations reprises dans ce manuel de pièces de rechange ont été fournies à Bobcat/Ingersoll-Rand par des fabricants de composants.

ABBREVIATIONS & SYMBOLES

SALES	= Commander au Service Ventes à Bruxelles
NSS	= Pas vendu séparément
NAP	= Non disponible comme pièce de rechange
*	= Chapitre, page ou numéro de pièce modifié ou supplémentaire
BTI	= Bobcat Technical Information Bulletin : voir à la fin de la microfiché du modèle concerné ou la microfiche générale reprenant l'ensemble des "BTI".
was 6535403	= était avant 6535403
adj. (adjustment)	= réglage
Assembly	= ensemble
available W/Ref.	= disponible avec réf.
bulk/sold per foot	= en vrac/vendu par pied
does not include	= ne comprend pas
included with	= compris dans
I.D.	= D.I. (diamètre intérieur)
O.D.	= D.E. (diamètre extérieur)
not in kit	= pas en kit
W/ - WO/	= inclus/ - non inclus/
Qty	= quantité requise
see page/ref.	= voir page/réf.
used with ref/	= utilisé avec réf.
0,05 inch thickness	= 0,05 pouce d'épaisseur (un pouce = 25.4 mm)
weld on	= à souder

ALLGEMEINE INFORMATIONEN

Bei Angabe der Maschinen-Seriennummer stets die komplette Nummer angeben.

Bei der in der Mengenspalte (Anzahl) in diesem Handbuch angegebenen Zahl handelt es sich um die Anzahl von Teilen, die für die Abbildung auf der betreffenden Seite benötigt werden. Bei manchen Teilen in der Mengenspalte ist ein "x" angegeben. Dieses "x" weist darauf hin, dass sich die Anzahl der verwendeten Teile auf den "Bedarf" bezieht.

Bei Verwendung der Seitenangaben links und rechts in diesem Handbuch gelten diese für die Blickrichtung vom Fahrersitz aus, und zwar in Vorwärts-Betriebsrichtung.

Einige der in diesem Ersatzteihandbuch aufgeführten Abbildungen und Informationen wurden der Bobcat/Ingersoll-Rand von den Herstellern von Maschinenbauteilen zur Verfügung gestellt.

ABKÜRZUNGEN UND SYMBOLE

SALES	= Bestellung bei der Verkaufsabteilung in Brüssel
NSS	= Nicht einzeln erhältlich
NAP	= Nicht als Ersatzteil erhältlich
*	= Geänderte oder hinzugefügte Abschnitte, Seiten oder Teilenummern
BTI	= Bobcat Technical Information Bulletin : Siehe am Ende der Mikrokarte des jeweiligen Modells oder der allgemeinen Mikrokarte der BTI.
was 6535403	= War 6535403
adj.	= Einstellung
Assembly	= Baugruppe
available W/Ref.	= erhältlich mit der Referenz
bulk/sold per foot	= Mengenabnahme / Verkauf pro Fuss
does not include	= beinhaltet nicht
included with	= enthalten in
I.D.	= Innendurchmesser
O.D.	= Aussendurchmesser
not in kit	= nicht in Bausatz
W/ - WO/	= mit/ - ohne/
Qty	= Anzahl
see page/ref.	= Siehe Seite / Referenz
used with ref.	= verwendet mit Referenz
0.05 inch thickness	= Dicke : 0.05 Zoll (ein Zoll = 25.4 mm)
weld on	= anschweißen

INFORMAZIONI GENERALI

Quando si usa il numero di serie della macchina usare il numero completo.

Il numero mostrato nella colonna della quantità di questo manuale corrisponde al numero di componenti necessari per l'illustrazione della pagina. Per alcuni componenti appare "X" nella colonna delle quantità. Questa "X" indica che la quantità da usare è "come necessario".

See in questo manuale si fa riferimento alla parte destra o sinistra, si intende dal sedile dell'operatore nella posizione in avanti di funzionamento.

Alcune delle illustrazioni e informazioni trovate in questo manuale di componenti sono state fornite alla Bobcat/Ingersoll-Rand da società di componenti di macchine.

SIMBOLI E ABBREVIAZIONI

SALES	= Ordinare al servizio vendite di Bruxelles
NSS	= Non vendute separatamente
NAP	= Non disponibile come componente
*	= Sezioni, pagine o numeri di componente cambiati o aggiunti
BTI	= (Bobcat Technical information) Ved. al termine del microfiche del modello relativo oppure microfiche generale
was 6535403	= era 6535403
adj. (adjustment)	= regol. (regolazione)
Assembly	= Complessivo
available W/Ref.	= disponibile con rif.
bulk/sold per foot	= alla rinfusa/venduto al piede
does not include	= non comprende
Included with	= compreso con
I.D.	= d. i.
O.D.	= d. e.
not in kit	= non fa parte del kit
W/ - WO/	= con - senza
Qty	= Qtà
see page/ref	= ved. pagina/rif.
used with ref.	= usato con il rif.
0,05 inch thickness	= spessore 0,05 pollici (un pollice = 25,4 mm)
weld on	= a saldare

INFORMACION GENERAL

Al utilizar el número de serie de la máquina, debe emplearse el número completo.

El número que figura en la columna de “Unidades” en este manual es el número de piezas que se necesitan para la ilustración que consta en la página. En algunas piezas aparece una “x” en la columna de “Unidades”. Esta “x” indica que las unidades a utilizar son “según sea necesario”.

Cuando se empleen las referencias izq. y dcha., éstas se entienden mirando desde el asiento del conductor, en posición de marcha adelante.

Algunas de las ilustraciones y la información que figuran en este manual de piezas han sido facilitadas a Bobcat/Ingersoll-Rand por empresas de componentes de máquinas.

ABREVIATURAS Y SIMBOLOS

VENTAS	= Pedido al Departamento de Ventas de Bruselas
NSS	= No se vende por separado
NAP	= No disponible como pieza de repuesto
*	= Secciones, páginas o referencias modificadas o añadidas
BTI	= (Bobcat Technical Information) Ver al final de la microficha del modelo afectado o en la microficha general “Boletín de Información Técnica Bobcat”.
was 6535403	= era anteriormente el 6535403
adj. (adjustment)	= ajuste
assembly	= conjunto
available W/Ref.	= disponible con la ref.
bulk/sold per foot	= a granel/vendido por pies
does not include	= no incluye
included with	= incluido en
I.D.	= diámetro interior
O.D.	= diámetro exterior
not in kit	= no en el kit
W/ - WO/	= con/ - sin
Qty	= Unidades
see page /ref.	= ver página/ref.
used with ref.	= empleado con la ref.
0,05 inch thickness	= 0,05 pulgadas de espesor (1 pulgada = 25,4 mm)
weld on	= debe ser soldado

ALGEMENE INFORMATIE

Als u het serienummer van de machine gebruikt, geef dan het gehele serienummer.

Het cijfer dat voorkomt in de kolom "Aantal", in deze handleiding, is het aantal onderdelen dat nodig is van de illustratie op de pagina. Voor sommige onderdelen staat er een "x" in de kolom "Aantal". Deze "x" betekent dat er een aantal "zoals nodig" vereist is.

Wanneer er in deze handleiding naar "links" en naar "rechts" gerefereerd wordt, moet dit verstaan worden voor een bestuurder die in de bestuurdersstoel zit in de voorwaartse bedrijfsstand.

Sommige van de illustraties en informatie in deze onderdelen-handleiding werden door firma's van machine-componenten geleverd aan Bobcat/Ingersoll-Rand.

AFKORTINGEN EN SYMBOLEN

SALES	= Bestellen bij de Verkoopafdeling te Brussel
NSS	= Niet afzonderlijk te verkrijgen
NAP	= Niet beschikbaar als onderdeel
*	= Gewijzigde of toegevoegde paragrafen, pagina's of onderdeelnummers
BTI	= Bobcat Technical Information Bulletin : Zie einde van de microfiche van het desbetreffende model of einde van de algemene microfiche die het geheel van alle "BTI" herneemt.
was 6535403	= was vroeger 6535403
adj. (adjustment)	= afstelling
Assembly	= geheel
available W/Ref.	= beschikbaar met ref.
bulk/sold per foot	= bulk/aan de meter verkocht
does not include	= bevat niet
includes with	= is bevat in
I.D.	= ϕ inw. (inwendige diameter)
O.D.	= ϕ uitw. (uitwendige diameter)
not in kit	= niet in de kit
W/ - WO/	= met/ - zonder/
Qty	= vereiste aantal
see page/ref.	= zie pagina/ref.
used with ref/	= gebruikt met ref.
0,05 inch thickness	= 0.05 inch dik (een inch = 25.4 mm)
weld on	= te lassen

CONTENTS

MAINTENANCE ITEMS	1-12
MAINTENANCE ITEMS	1-4
SCHEDULED MAINTENANCE ITEMS	5-12
MAIN FRAME	13-38
MAIN FRAME	13
OPERATOR CAB	15-20
SEAT & SEAT BAR	21
SEAT	23
PANELS	25-28
REAR DOOR	29
LIFT ARMS & BOB-TACH	31
BOB-TACH	33
FUEL SYSTEM	35-38
DRIVE TRAIN	39-54
DRIVE TRAIN	39
AXLE	41
MOTOR CARRIER	43-50
DISC BRAKE	51-54
HYDRAULIC SYSTEM	55-98
HYDRAULIC CIRCUITRY	55-62
MANUAL LIFT RELEASE SYSTEM	63
AUXILIARY HYDRAULICS	65
TILT CYLINDER	67
LIFT CYLINDER	69
CONTROL PEDALS	71
HYDRAULIC CONTROL VALVE	73-96
MANUAL LIFT RELEASE VALVE	97
HIGH FLOW HYDRAULICS	99-104
HIGH FLOW HYDRAULICS	99-104
HYDROSTATIC SYSTEM	105-172
HYDROSTATIC CIRCUITRY	105-122
HAND CONTROLS	123-126
HYDROSTATIC MOTOR	127-130
HYDROSTATIC PUMP/GEAR PUMP	131
HYDROSTATIC PUMP	133-156
GEAR PUMP	157
COOLING FAN MOTOR	159-164
HYDROSTATIC OIL FILTER	165-172
ELECTRICAL SYSTEM	173-206
CAB ELECTRICAL CIRCUITRY	173
ENGINE ELECTRICAL CIRCUITRY	175-180
CONNECTOR HARNESS ASSEMBLY	181
CONTROLS ELECTRICAL	183-202
ALTERNATOR	203
STARTER	205
POWER UNIT	207-270
COOLING SYSTEM	207-210
ENGINE & ATTACHING PARTS	211-216
ENGINE SPEED CONTROL	217-220
ENGINE & GASKET KITS	221
UPPER GASKET KIT	223
LOWER GASKET KIT	225

CONTENTS (Cont'd)

POWER UNIT

FRONT COVER	227
CRANKCASE	229
ROCKER ARM COVER	231
VALVE & ROCKER ARM	233
CYLINDER HEAD	235
OIL PAN	237
PISTON & CRANKSHAFT	239-242
CAMSHAFT	243
WATER PUMP & THERMOSTAT	245
MANIFOLDS	247
TURBOCHARGER	249
EGR VALVE	251
EGR COOLER	253
FUEL & INJECTION PUMP	255
INJECTION PUMP	257-260
GOVERNOR	261-264
INJECTION NOZZLES	265
INJECTION PIPES	267
AIR CLEANER	269

ACCESSORIES & OPTIONS 271-484

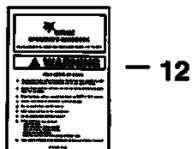
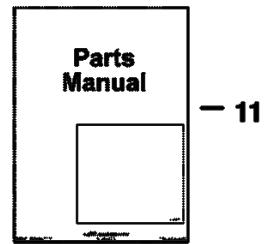
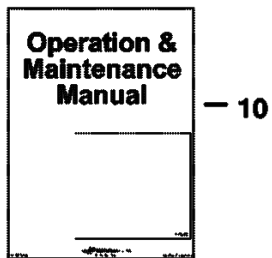
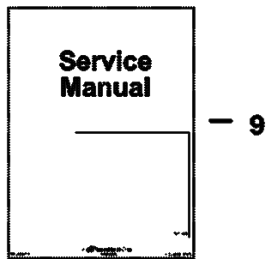
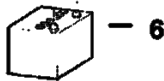
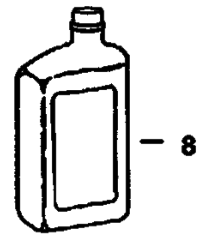
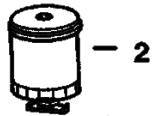
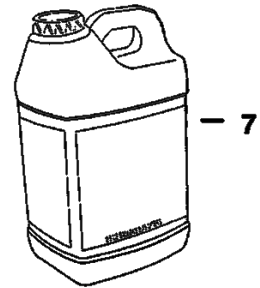
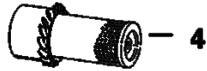
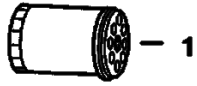
ACCESS COVER	271
ACS CONVERSION KIT	273
AXLE SEAL KIT	275
BACK-UP ALARM KIT	277-280
BEACON	281
BLOCK HEATER	283
BOB-TACH LEVERS	285
BUCKET POSITIONING VALVE KIT	287
BUCKET POSITIONING VALVE	289
CAB DOOR	291-300
CAB ENCLOSURE	301-304
CAB WINDOWS	305-312
COUNTERWEIGHT KIT	313-316
DECALS	317-320
DUAL BATTERY KIT	321
ELECTRICAL CONNECTOR KIT	323
ELECTRICAL CONTROLS KIT	325-330
ENGINE MOUNT KIT	331
EUROPEAN ACCESSORIES	333-344
EUROPEAN ACCESSORIES	335-348
FIRE EXTINGUISHER	349
F.O.P.S. KIT	351
FLASHER LIGHTS	353
FRONT AUXILIARY	355
FUEL BOWL KIT	357
GAS SPRING KIT	359
HEATER & A/C	361-396
HEATER & A/C OPTION	397-400
HORN KIT	401-404
HOSE GUIDE KIT	405
KEYLESS PANEL KIT	407

CONTENTS (Cont'd)

ACCESSORIES & OPTIONS

LIFT KIT	409-416
LIGHT KIT	417
MUFFLER/PURIFIER KIT	419
PEDAL EXTENDERS	421
POWER BOB-TACH	423-432
RADIATOR SCREEN KIT	433
REAR AUXILIARY	435
REAR AUXILIARY VALVE	437
REAR DOOR LOCK	439
REAR WIPER	441
REMOTE CONTROL KIT	443
SEAL ENCLOSURE KIT	445
SEAT	447-460
SEAT BELT	451-456
SEAT KIT	457
SOUND/NOISE REDUCTION KIT	461-464
SOUND/NOISE REDUCTION OPTION	465-470
SOUND REDUCTION HARDHAT	471
STROBE LIGHT	473
TIRES & RIMS	475-478
WHITE DECAL KIT	479
BULK ITEMS	481-484
NUMERICAL INDEX	486-544

MAINTENANCE ITEMS

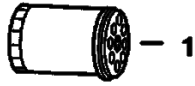


B-22668

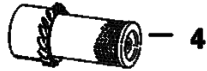
MAINTENANCE ITEMS (Cont'd)

Ref No	Part Number	Description	Remarks	Serial Number	Qty
1	6675517	FILTER, OIL ENG			x
2	6667352	FILTER, FUEL W/SEPERATOR 12			x
3	6698058	FILTER, AIR INNER	See Illustration AIR CLEANER/ PE3523		x
4	6698057	FILTER, AIR OUTER	See Illustration AIR CLEANER/ PE3523 - Was 6598492 [B,D]		x
5	6661248	FILTER, OIL HYD 12	See Illustration HYDROSTATIC OIL FILTER/ NA1844 - #3 media - 152,4 mm (6") long		x
5	6686926	FILTER, OIL HYD	See Illustration HYDROSTATIC OIL FILTER/ C2818 See Illustration HYDROSTATIC OIL FILTER/ B16487A See Illustration HYDROSTATIC CIRCUITRY/ PE2735 See Illustration HYDROSTATIC CIRCUITRY/ PE2743 - 113,5 mm (4.5") long		x
5	6661022	FILTER, OIL HYD IN-LINE	See Illustration HYDROSTATIC OIL FILTER/ B13527		x
6	6674687	BATTERY, DRY 600 AMP			x
7	6903117	FLUID, OIL HYD 2.5 GAL 2	See Illustration BULK ITEMS/ B16415		x
7	6903118	FLUID, OIL HYD 5 GAL	See Illustration BULK ITEMS/ B16415		x
7	6903119	FLUID, OIL HYD 55 GAL	See Illustration BULK ITEMS/ B16415		x
8	6903107	OIL, 10W30 QT. 12	See Illustration BULK ITEMS/ B16415		x
8	6903108	OIL, 10W30 GAL. 6	See Illustration BULK ITEMS/ B16415		x
8	6903112	OIL, 10W30 2.5 GAL 2	See Illustration BULK ITEMS/ B16415		x
8	6903105	OIL, 15W40 QT. 12	See Illustration BULK ITEMS/ B16415		x
8	6903106	OIL, 15W40 GAL. 6	See Illustration BULK ITEMS/ B16415		x
8	6903113	OIL, 15W40 2.5 GAL. 2	See Illustration BULK ITEMS/ B16415		x
8	6903109	OIL 30W QT. 12	See Illustration BULK ITEMS/ B16415		x
8	6903110	OIL, 30W GAL. 6	See Illustration BULK ITEMS/ B16415		x
8	6903111	OIL 30W 2.5 GAL 2	See Illustration BULK ITEMS/ B16415		x
9	6987050	MANUAL SERVICE S205 LOADER	printed		1
9	6987050-CD	MANUAL SERVICE S205 LOADER CD			1
10	6987013	MANUAL OPERATION S205 LOADER	printed		1
10	6987013-CD	MANUAL OPERATION S205 LOADER CD			1
11	6986839	MANUAL PARTS S205 LOADER	printed		1
11	6986839-CD	MANUAL PARTS			1

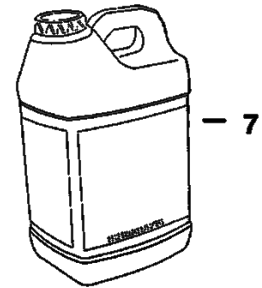
MAINTENANCE ITEMS (Cont'd)



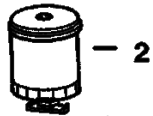
1



4



7



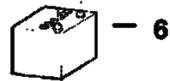
2



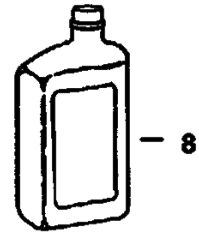
5



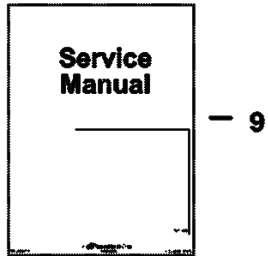
3



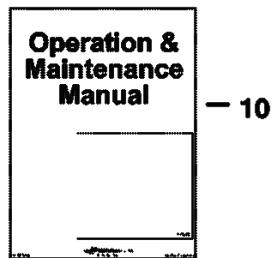
6



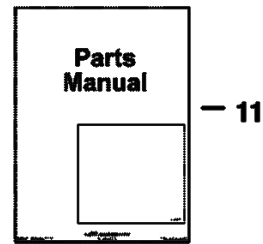
8



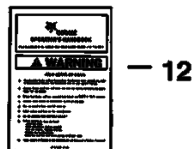
9



10



11



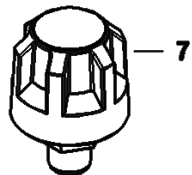
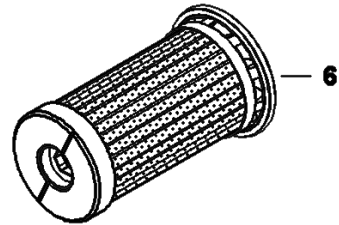
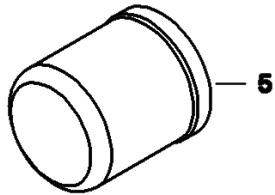
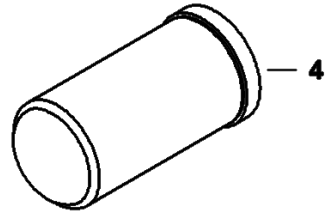
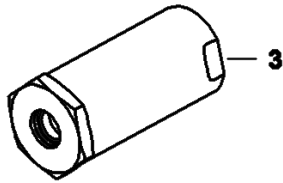
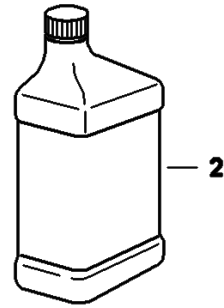
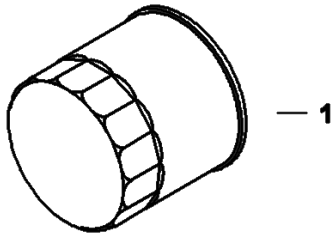
12

B-22668

MAINTENANCE ITEMS (Cont'd)

Ref No	Part Number	Description	Remarks	Serial Number	Qty
		S205 LOADER- CD			
12	6986651	HANDBOOK, OPERATORS	See Illustration DECALS/ B27313 - W/wire rope - Was 6902600 [B,D]		1

SCHEDULED MAINTENANCE ITEMS (50 HOUR)

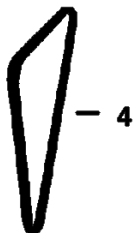
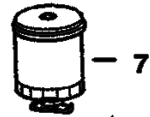
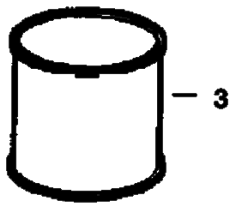
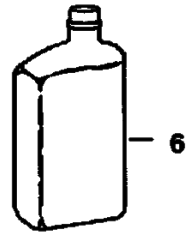
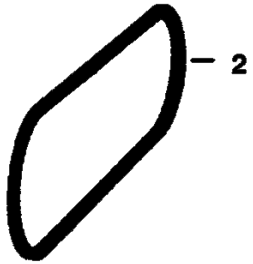
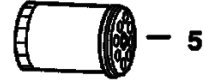
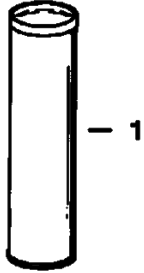


NA2244

**SCHEDULED MAINTENANCE ITEMS (Cont'd)
(50 HOUR)**

Ref No	Part Number	Description	Remarks	Serial Number	Qty
1	6675517	FILTER, OIL ENG	See Illustration EGR COOLER/ B27273		x
2	6903107	OIL, 10W30 QT. 12	See Illustration BULK ITEMS/ B16415		x
2	6903108	OIL, 10W30 GAL. 6	See Illustration BULK ITEMS/ B16415		x
2	6903112	OIL, 10W30 2.5 GAL 2	See Illustration BULK ITEMS/ B16415		x
2	6903105	OIL, 15W40 QT. 12	See Illustration BULK ITEMS/ B16415		x
2	6903106	OIL, 15W40 GAL. 6	See Illustration BULK ITEMS/ B16415		x
2	6903113	OIL, 15W40 2.5 GAL. 2	See Illustration BULK ITEMS/ B16415		x
2	6903109	OIL 30W QT. 12	See Illustration BULK ITEMS/ B16415		x
2	6903110	OIL, 30W GAL. 6	See Illustration BULK ITEMS/ B16415		x
2	6903111	OIL 30W 2.5 GAL 2	See Illustration BULK ITEMS/ B16415		x
3	6661022	FILTER, OIL HYD IN-LINE	See Illustration HYDROSTATIC OIL FILTER/ B13527		2
4	6661248	FILTER, OIL HYD 12	See Illustration HYDROSTATIC OIL FILTER/ NA1844 - #3 media - 152,4 mm (6") long		1
5	6686926	FILTER, OIL HYD	See Illustration HYDROSTATIC OIL FILTER/ C2818 - 113,5 mm (4.5") long - charge		1
6	6692337	FILTER, HYD CARTRIDGE	See Illustration COOLING FAN MOTOR/ MS2514		1
7	6684923	BREATHER	See Illustration HYDROSTATIC CIRCUITRY/ PE3100		1

SCHEDULED MAINTENANCE ITEMS
(250 HOUR)



B-22775

**SCHEDULED MAINTENANCE ITEMS (Cont'd)
(250 HOUR)**

Ref No	Part Number	Description	Remarks	Serial Number	Qty
1	6903122	GREASE, MULTI PURPOSE #2 - 10	See Illustration BULK ITEMS/ B16415		x
2	6667322	BELT	eng/hydrostatic drive - Was 6736775 [B,D]		x
3	6903121	LUBE, GEAR 12	See Illustration BULK ITEMS/ B16415		x
4	7143498	BELT	alternator - Was 7100104 [B,D]		x
5	6675517	FILTER, OIL ENG			x
6	6903107	OIL, 10W30 QT. 12	See Illustration BULK ITEMS/ B16415		x
6	6903108	OIL, 10W30 GAL. 6	See Illustration BULK ITEMS/ B16415		x
6	6903112	OIL, 10W30 2.5 GAL 2	See Illustration BULK ITEMS/ B16415		x
6	6903105	OIL, 15W40 QT. 12	See Illustration BULK ITEMS/ B16415		x
6	6903106	OIL, 15W40 GAL. 6	See Illustration BULK ITEMS/ B16415		x
6	6903113	OIL, 15W40 2.5 GAL. 2	See Illustration BULK ITEMS/ B16415		x
6	6903109	OIL 30W QT. 12	See Illustration BULK ITEMS/ B16415		x
6	6903110	OIL, 30W GAL. 6	See Illustration BULK ITEMS/ B16415		x
6	6903111	OIL 30W 2.5 GAL 2	See Illustration BULK ITEMS/ B16415		x
7	6667352	FILTER, FUEL W/SEPERATOR 12	See Illustration BULK ITEMS/ B16415		x

**SCHEDULED MAINTENANCE ITEMS
(500 HOUR)**

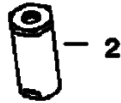
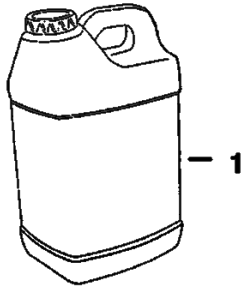


B-22776

**SCHEDULED MAINTENANCE ITEMS (Cont'd)
(500 HOUR)**

Ref No	Part Number	Description	Remarks	Serial Number	Qty
1	6648944	BREATHER	HYD. RESERVOIR BREATHER		x
2	6661248	FILTER, OIL HYD 12	See Illustration HYDROSTATIC OIL FILTER/ NA1844 - #3 media - 152,4 mm (6") long		x
2	6686926	FILTER, OIL HYD	See Illustration HYDROSTATIC OIL FILTER/ B16487A See Illustration HYDROSTATIC CIRCUITRY/ PE2743 See Illustration HYDROSTATIC CIRCUITRY/ PE2735 - 113,5 mm (4.5") long		1

**SCHEDULED MAINTENANCE ITEMS
(1000 HOUR)**

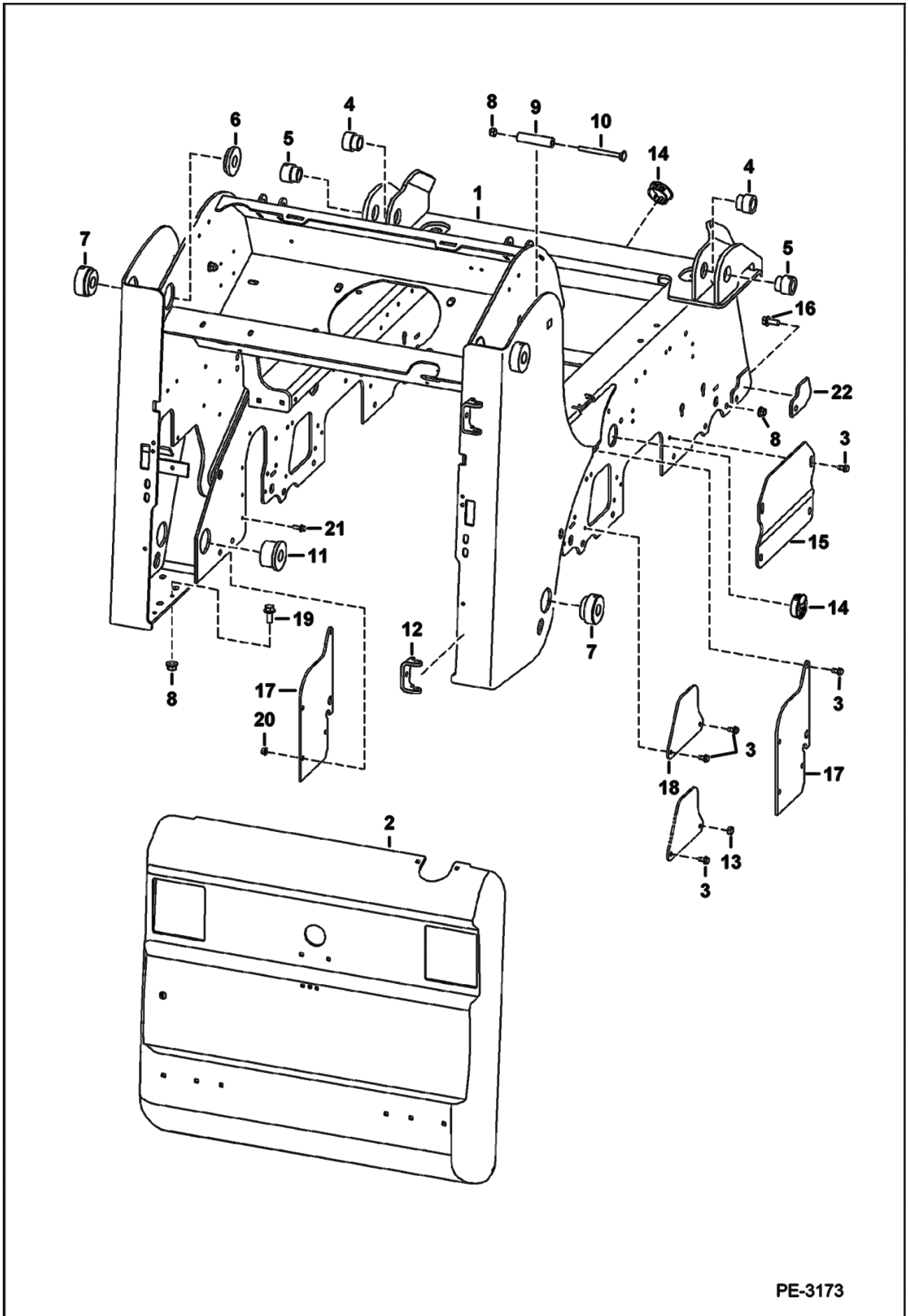


B-22777

**SCHEDULED MAINTENANCE ITEMS (Cont'd)
(1000 HOUR)**

Ref No	Part Number	Description	Remarks	Serial Number	Qty
1	6903117	FLUID, OIL HYD 2.5 GAL 2	See Illustration BULK ITEMS/ B16415		x
1	6903118	FLUID, OIL HYD 5 GAL	See Illustration BULK ITEMS/ B16415		x
1	6903119	FLUID, OIL HYD 55 GAL	See Illustration BULK ITEMS/ B16415		x
2	6661022	FILTER, OIL HYD IN-LINE	See Illustration HYDROSTATIC OIL FILTER/ B13527 - 90 micron		x

MAIN FRAME

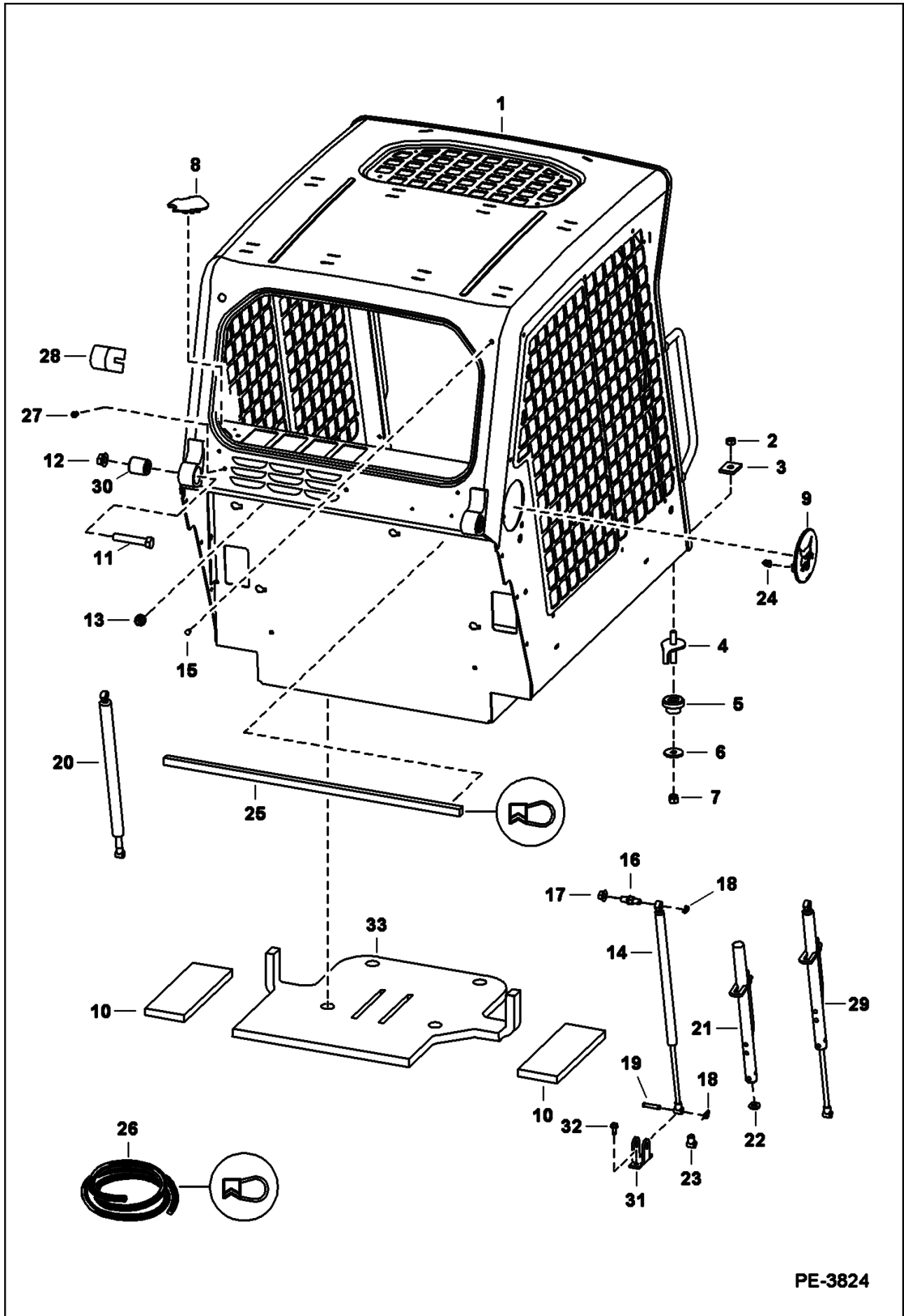


PE-3173

MAIN FRAME (Cont'd)

Ref No	Part Number	Description	Remarks	Serial Number	Qty
1	7141836	MAINFRAME			1
2	6729991	REAR DOOR	See Illustration REAR DOOR/ PE2252		1
3	84G3712	BOLT			23
4	6717278	BUSHING, WELD-ON	weld on		2
5	6717277	BUSHING, WELD-ON	weld on		2
6	6717356	BUSHING, WELD-ON	weld on		2
7	6731578	BUSHING, WELD ON			4
8	83D8	NUT 5			28
9	6732225	SPACER	tube		2
10	10C888	BOLT	Was 37C888 [D]		2
11	6717358	BUSHING WELD-ON	weld on		2
12	6708987	HINGE, WELD-ON			2
13	61D6	NUT 5			1
14	6718796	PLUG			3
15	6719201	COVER			2
16	31C820	BOLT			16
17	7152006	SHIELD			2
18	7136696	COVER			2
19	31C828	BOLT			10
20	83D6	NUT 5			1
21	84G3720	BOLT			1
22	7141656	PLATE, WELD-ON	weld-on		2

OPERATOR CAB

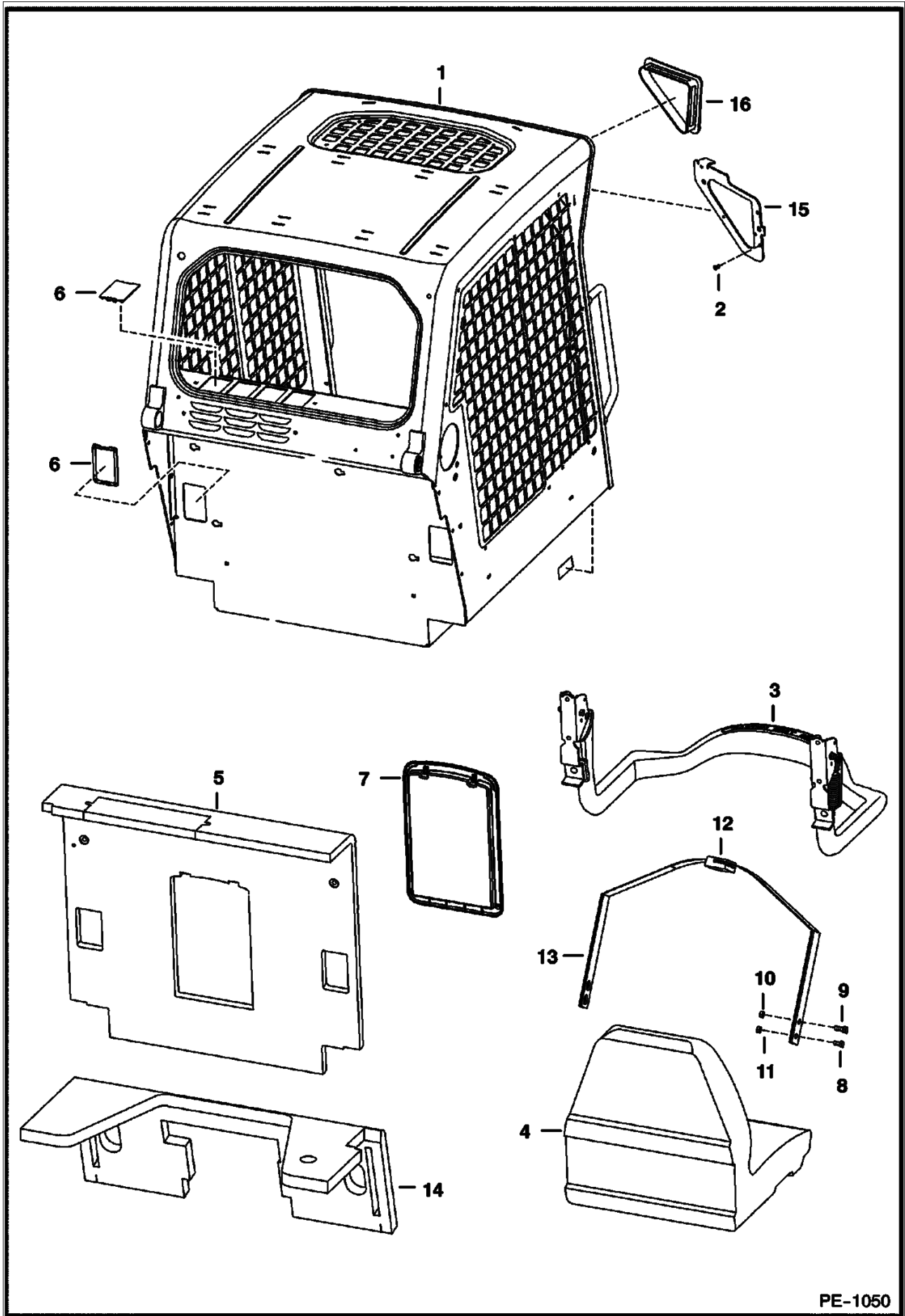


PE-3824

OPERATOR CAB (Cont'd)

Ref No	Part Number	Description	Remarks	Serial Number	Qty
1		OPERATOR CAB	Does not include cab decals - Order 6719672 cab & Ref. 8		1
2	59D8	NUT 5			2
3	6553709	WASHER	rectangular		2
4	6702971	BOLT			2
5	6560633	DAMPENER			2
6	6515817	WASHER			2
7	85D8	NUT, 5			2
8	7129949	COVER	snap		1
9	6733107	PLUG ASSY	W/Bobcat head & Ref. 24		2
10	7156723	INSULATION, FLOOR	seat pan - Was 6729012 [B,D]		2
11	17C1056	BOLT			2
12	53D10	NUT			2
13	53D6	NUT			4
14	7157892	GAS SPRING	RH - Was 7100506 [A]		1
15	5289686	PLUG	black - 0.38" dia hole		1
16	6719064	MOUNT			2
17	97D8	NUT			2
18	6631418	PIN			4
19	6567743	PIN			2
20	7157891	GAS SPRING	LH - Was 7100508 [A]		1
20	6675136	GAS SPRING	LH - heavy duty		1
21	6708189	TUBE	stop - RH		1
22	6701174	WASHER			1
23	6675257	CLEVIS			1
24	6679990	CLIP			2
25		SEAL	NAP - 812,8 mm (32") long - Order Ref. 26		1
26	6679994	SEAL	bulk - sold per foot		x
27	6675033	INSERT	filter cover		2
28	6579613	STOP			2
29		GAS SPRING	NSS - R.H. - W/latch - Order Ref. 14 & 21-23		1
30	6562602	BUSHING			2
31	6706349	MOUNT	gas spring		2
32	84G3112	BOLT 5			4
33	7155151	INSULATION, PAN SEAT	seat pan		1

OPERATOR CAB

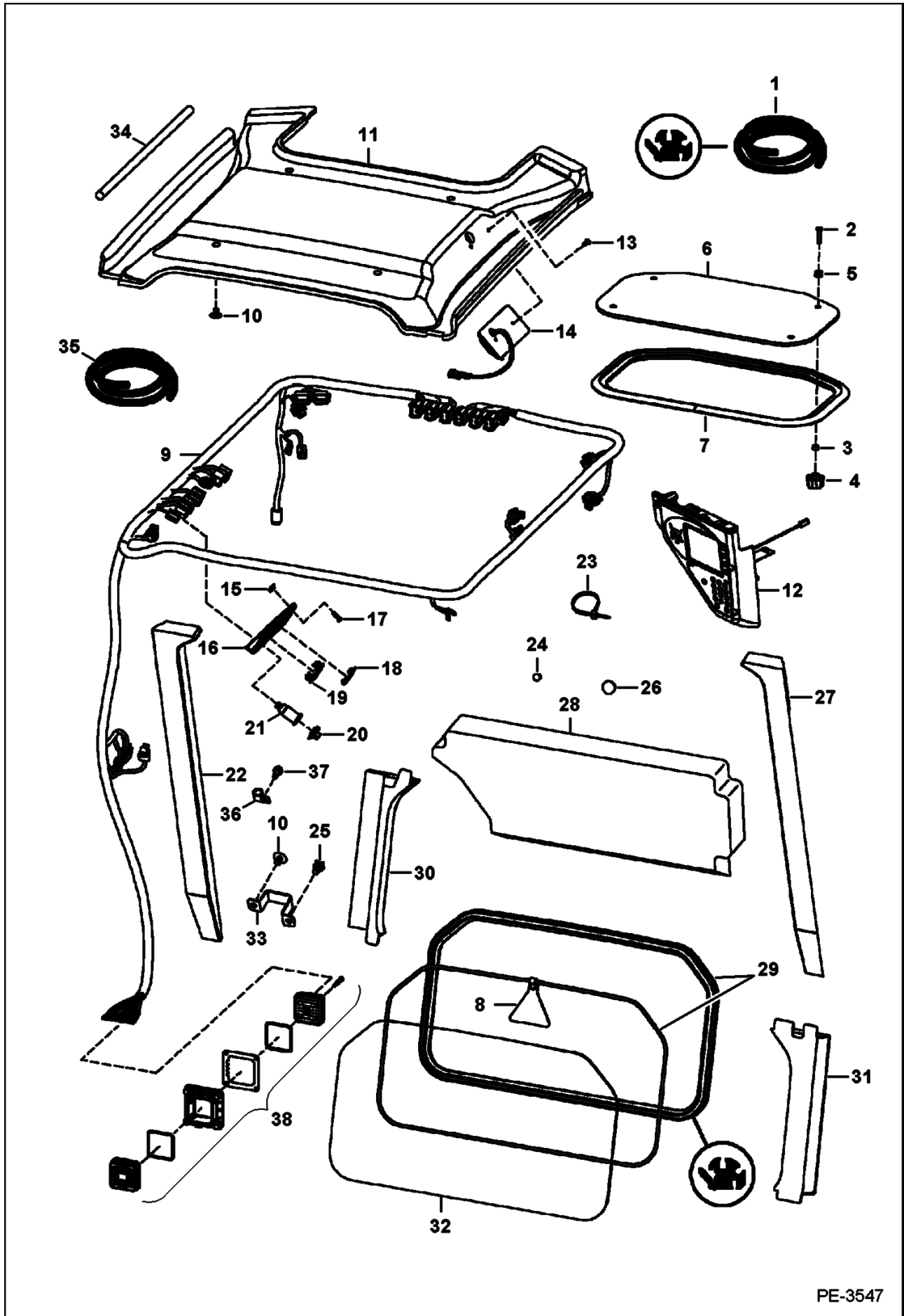


PE-1050

OPERATOR CAB (Cont'd)

Ref No	Part Number	Description	Remarks	Serial Number	Qty
1		OPERATOR CAB	See Illustration OPERATOR CAB/ PE2862 Does not include cab decals		1
2	6675033	INSERT			6
3		SEAT BAR	See Illustration SEAT & SEAT BAR/ PE2950		1
4		SEAT	See Illustration SEAT/ B25136 See Illustration SEAT/ B26226		1
5	6719504	INSULATION	W/Ref. 7		1
6	6718101	COVER			6
7		CONTAINER	NAP - manuals - Order 6725301 container & 6725303 cover		1
7	6675524	CLIP			2
7	6725301	OP MANUAL COVER			1
7	6725303	OP MANUAL PAN			1
8	17C612	BOLT 5			2
9	17C716	BOLT			4
10	85D7	NUT			4
11	85D6	LOCK NUT			2
12	6675074	SEAT BELT	W/O spring plates		1
13	6725373	SPRING PLATE			2
14	7139184	INSULATION	steering panel		1
15		PLATE	NSS - RH - weld on		1
15		PLATE	NSS - LH - weld on		1
16	6674403	COVER	no lights		2

OPERATOR CAB
(Deluxe)

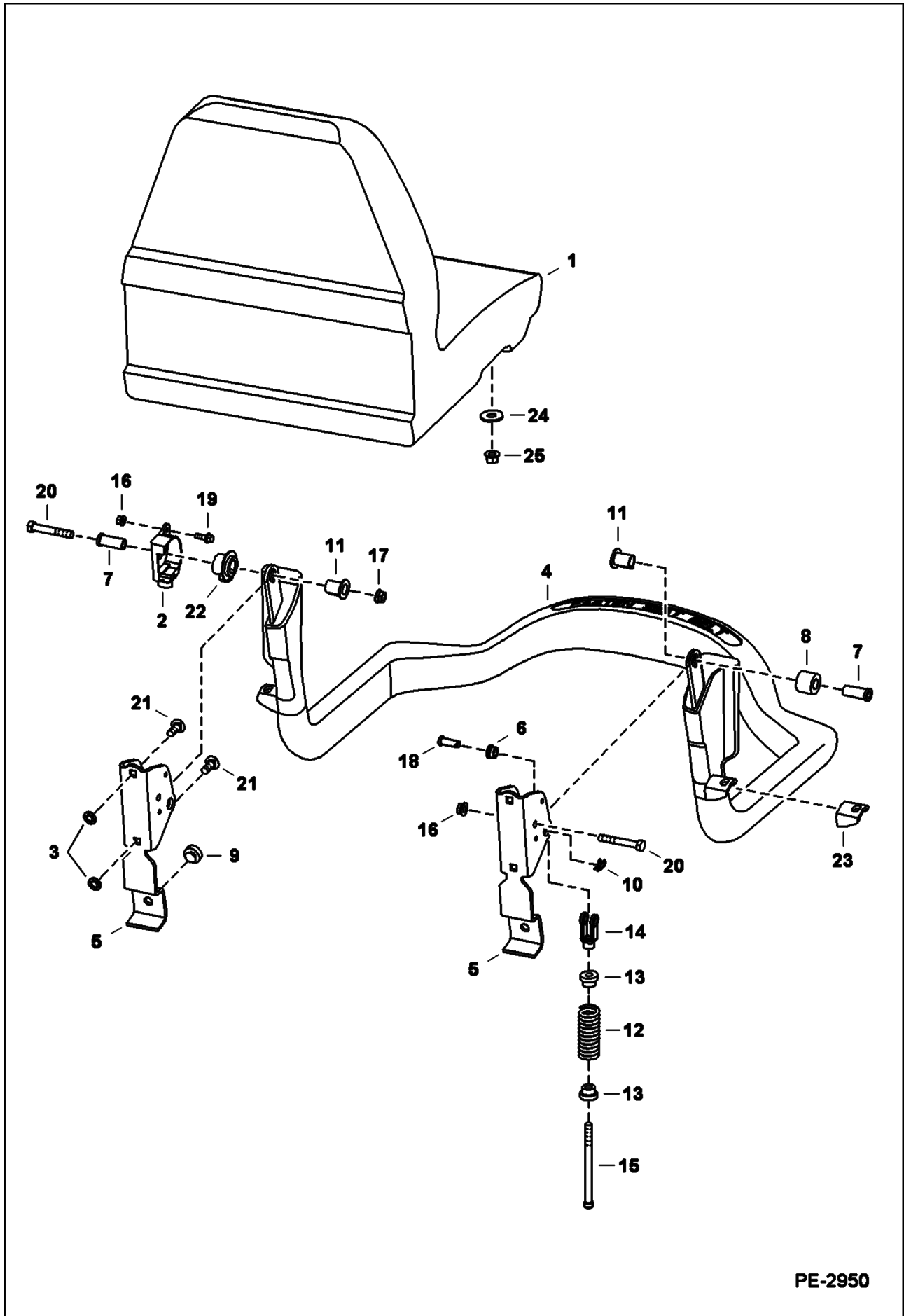


PE-3547

**OPERATOR CAB (Cont'd)
(Deluxe)**

Ref No	Part Number	Description	Remarks	Serial Number	Qty
1	6675387	EXTRUSION	bulk - sold per foot		x
1	6554149	CORD	bulk - sold per foot		x
2	91G420	SCREW			4
3	6664085	BUSHING	nylon		4
4	6681614	KNOB	0.69" deep thread		4
5	6675545	GROMMET			4
6	7105034	WINDOW TOP	Was 7105035 [A]		1
7	7165265	SEAL, WINDOW			1
8	6731478	EXIT TAG			1
9		HARNESS, CAB	See Illustration CAB ELECTRICAL CIRCUITRY/ PE3548		1
10	6674895	RETAINER	snap in		5
11	7148195	INSULATION HEADLINER	headliner		1
12	6692935	PANEL, INSTRUMENTATI ON DELUXE	RH - keyless		1
13	6664221	RETAINER	snap in		2
14	6680326	LIGHT	dome		1
14	6665367	BULB			1
15	6669091	CLIP			4
16	6718580	PANEL			1
17	6669224	BOLT			4
18	6665314	PLUG	switch		5
19	6668742	SWITCH	travel control - export		1
20	6664224	CAP			1
21	6664223	OUTLET			1
22	7148199	INSULATION			1
23	6624289	STRAP, TIE	Was 6610510 [B]		3
24	5289686	PLUG	black - 0.38" dia hole		1
25	7015668	MOUNT FIR TREE	push in - Use W/tie strap - Was 6678666 [B]		1
26	6657719	PLUG	0.75" dia hole		1
27	7148200	INSULATION			1
28	6727299	INSULATION	See Illustration CAB WINDOWS/ MS2704 - cab back		1
29		EXTRUSION	NAP - 75.75" (1924mm) long - Order Ref. 1		x
29		CORD	NAP - 75.75" (1924mm) long - Order Ref. 1 - Also Order Ref. 8 (6731478 exit tag)		x
30	7148197	INSULATION			1
31	7148198	INSULATION			1
32	6717874	WINDOW	rear		1
33	7138645	GUIDE			1
34		FOAM	NAP - 7" (177,8 mm) long - Order Ref. 35 - W/O heat or HVAC		2
34		FOAM	NAP - 12" (304,8 mm) long - Order Ref. 35 - W/ heat or HVAC		2
35	6511855	SEAL	self adhesive - bulk - sold per foot		x
36	30H75	CLAMP			1
37	84G3712	BOLT			1
38		CONNECTOR ASSEMBLY	See Illustration CONNECTOR HARNESS ASSEMBLY/ PE3684 - NSS		1

SEAT & SEAT BAR

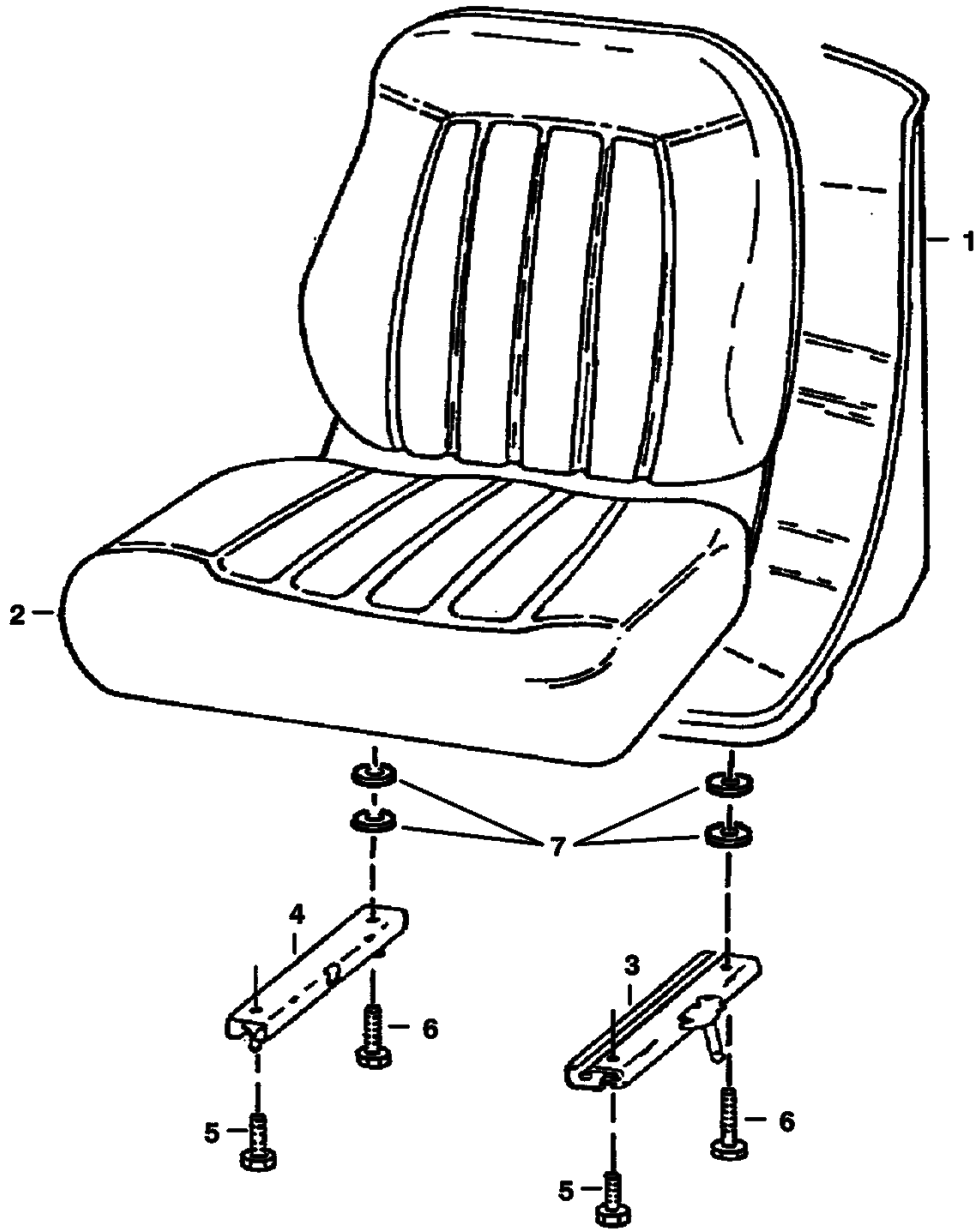


PE-2950

SEAT & SEAT BAR (Cont'd)

Ref No	Part Number	Description	Remarks	Serial Number	Qty
1		SEAT	See Illustration SEAT/ B26226 See Illustration SEAT/ B25136		1
2	6691714	SENSOR, SEATBAR BICS			1
3	6674894	NUT			4
4	6715860	SEAT BAR			1
5	6715863	BRACKET			1
6	6715864	BUSHING			2
7	6715865	BUSHING			2
8	6715866	BUSHING			1
9	6519178	BUMPER			2
10	6631418	PIN			2
11	6680441	BUSHING	keyed		2
12	6701535	SPRING			2
13	6710659	BUSHING			2
14	6713589	CLEVIS			2
15	6713887	BOLT			2
16	83D4	NUT 10			1
17	97D6	NUT 10			2
18	4F6106	PIN			2
19	35C412	BOLT			1
20	17C640	BOLT 5			2
21	10C616	BOLT 10			4
22	6680443	BUSHING, MAGNET			1
23		MOUNT	NAP - Order Ref. 4		2
24	619021	WASHER, 5			6
25	59D5	NUT 5			4

SEAT
(Michigan)

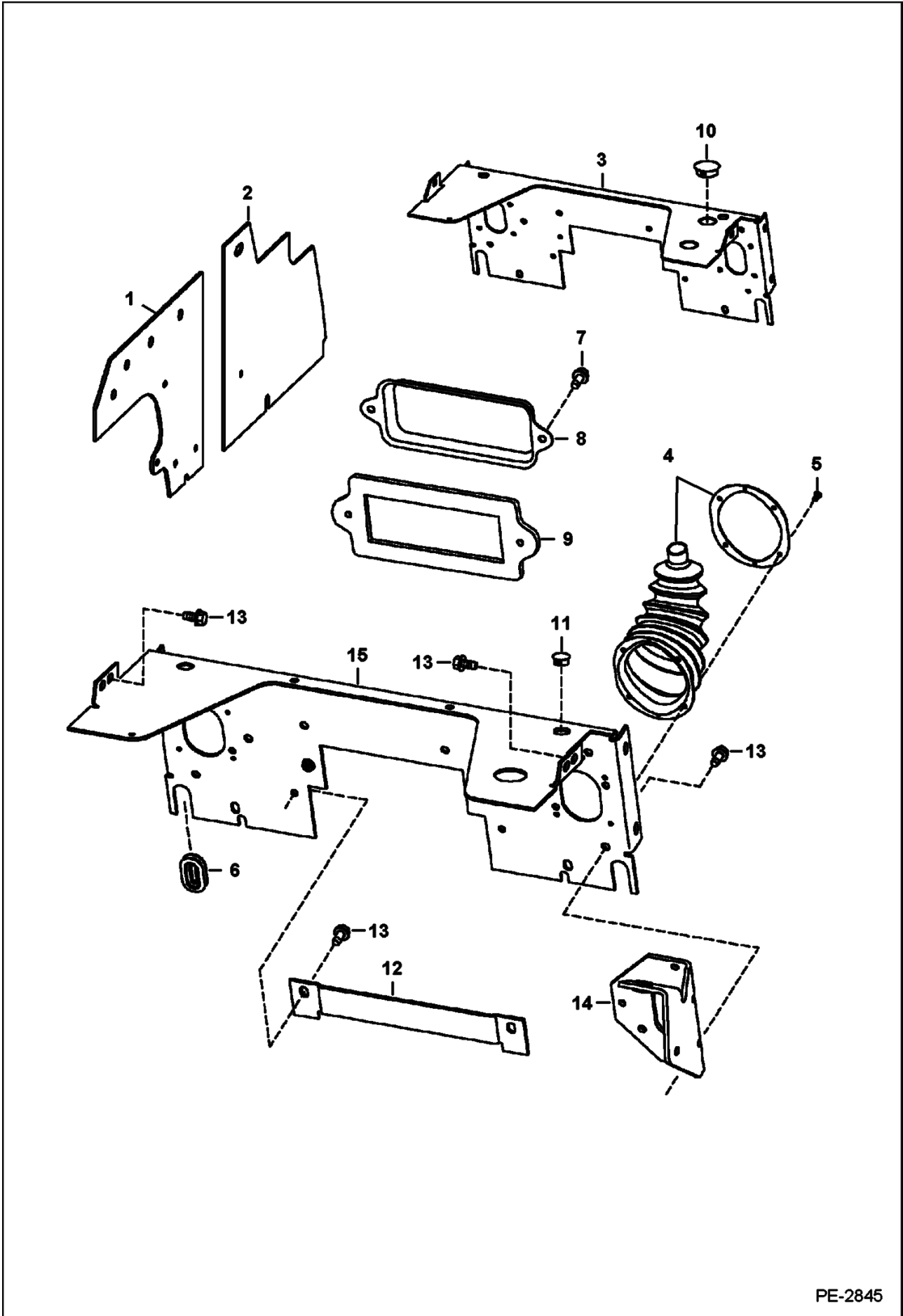


B-26226

**SEAT (Cont'd)
(Michigan)**

Ref No	Part Number	Description	Remarks	Serial Number	Qty
1	6669135	SEAT	W/Ref. 2-7		1
2	6670160	CUSHION	W/edging, clip & (2) grommets		1
2		EDGING	NSS		1
2		CLIP	NSS		1
3	6674013	TRACK	LH - W/ 8" (203,2 mm) latch		1
4	6669089	TRACK	RH - W/O latch		1
5	25G512	SCREW			2
6	25G520	SCREW			2
7	6672715	SPACER			4

PANELS
(Manual Controls)

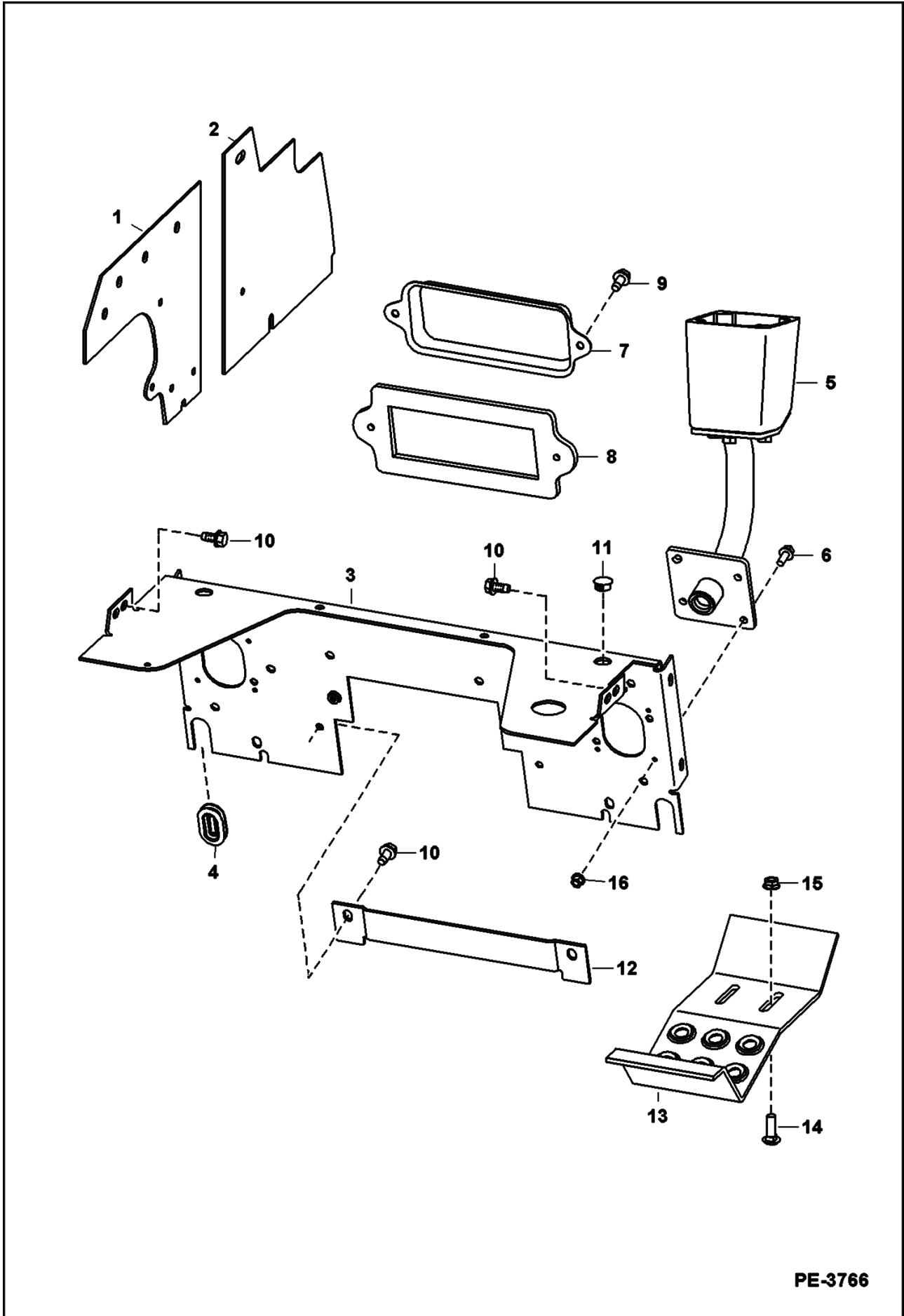


PE-2845

**PANELS (Cont'd)
(Manual Controls)**

Ref No	Part Number	Description	Remarks	Serial Number	Qty
1	7117232	PANEL	side rear		1
1	7141968	PANEL, RH	side rear		1
2	7117123	PANEL	side front		2
3		SHIELD	NAP - Order Ref. 15		1
4	6532127	BOOT	W/mounting ring		2
4		RING	NSS - mounting ring		2
5	6630207	RIVET			12
6	6577961	GROMMET			2
7	84G3112	BOLT 5			2
8	6716621	COVER	Was 7176546 [A]		1
9	6725302	GASKET			1
10	6681469	PLUG	35 mm (1.38") dia hole		1
11	6648348	PLUG	0.81" dia hole		2
12	6717890	COVER			1
13	84G3712	BOLT			26
14		BRACKET	See Illustration HAND CONTROLS/ PE2366 - RH		1
14		BRACKET	See Illustration HAND CONTROLS/ PE2366 - LH		1
15	7139183	SHIELD			1

PANELS
(Selectable Joystick Controls)

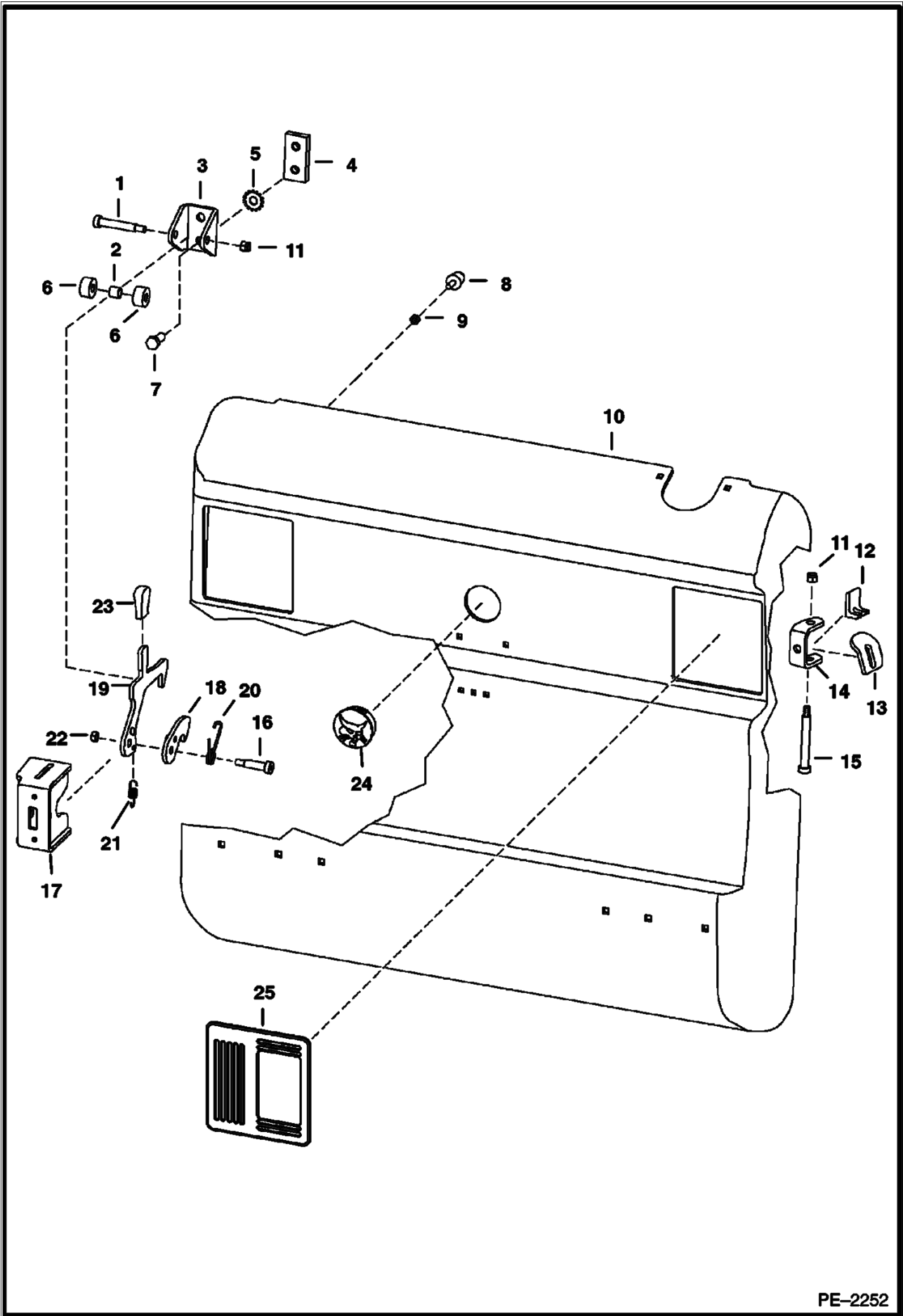


PE-3766

PANELS (Cont'd)
(Selectable Joystick Controls)

Ref No	Part Number	Description	Remarks	Serial Number	Qty
1	7117232	PANEL	side rear		1
1	7141968	PANEL, RH	side rear		1
2	7117123	PANEL	side front		2
3	7139183	SHIELD			1
4	6714726	GROMMET			2
5		HANDLE	See Illustration PANELS/ PE3766 See Illustration CONTROLS ELECTRICAL/ PE3376		1
6	35C512	BOLT			8
7	6716621	COVER	Was 7176546 [A]		1
8	6725302	GASKET			1
9	84G3112	BOLT 5			2
10	84G3712	BOLT			26
11	6648348	PLUG	0.81" dia hole		2
12	6717890	COVER			1
13	6712365	STEP			2
14	37C620	BOLT			4
15	57D6	NUT 5			4
16	89D5	NUT			8

REAR DOOR

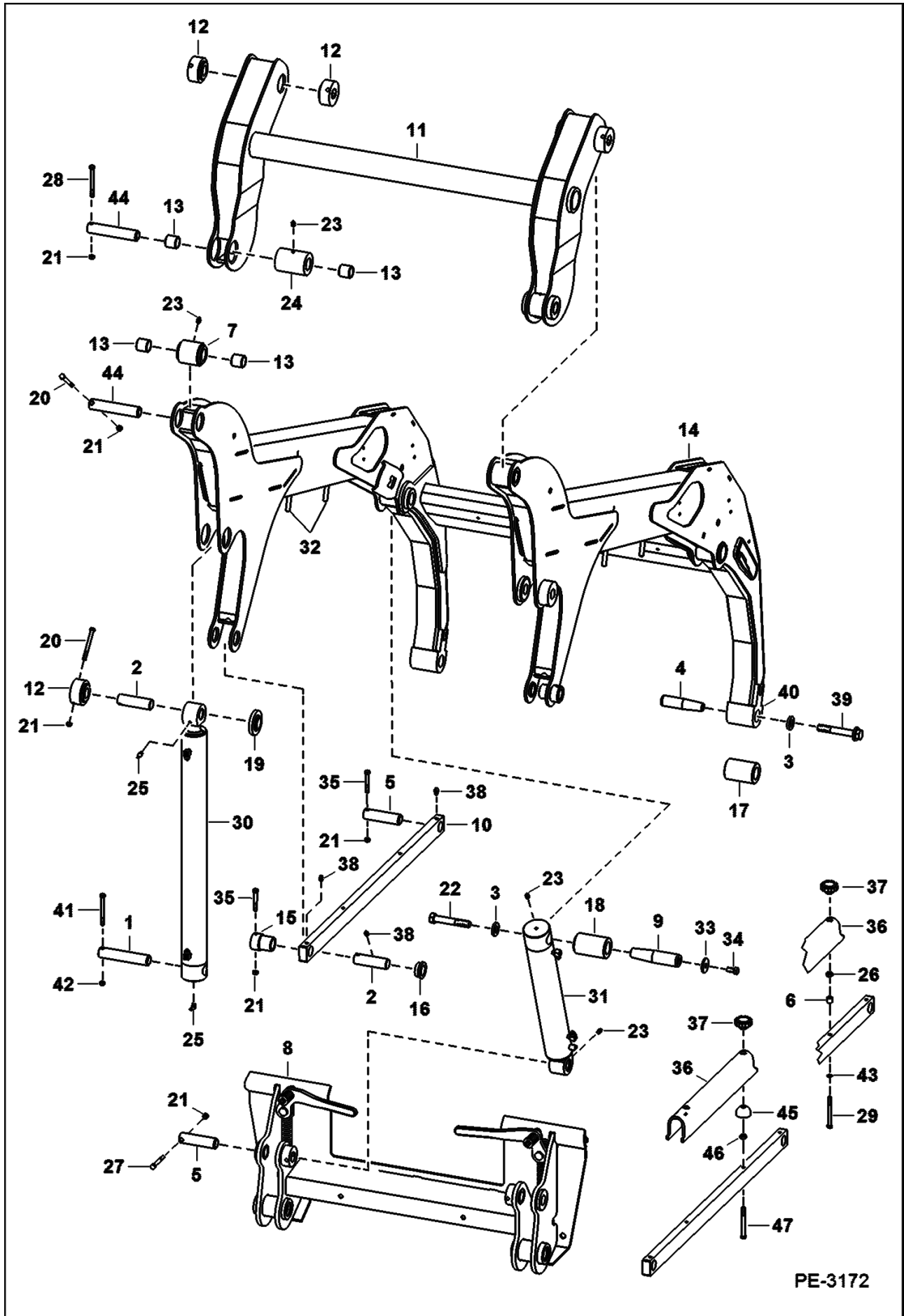


PE-2252

REAR DOOR (Cont'd)

Ref No	Part Number	Description	Remarks	Serial Number	Qty
1	38C840	BOLT	carriage		1
2	6809734	BUSHING			1
3	6809727	CHANNEL			1
4	6719525	BAR	threaded striker		1
5	6675273	WASHER	lock		2
6	6809726	ROLLER			2
7	17C820	BOLT			2
8	6733616	BUMPER	tapered		2
9	61D5	NUT			2
10	6729991	REAR DOOR			1
11	59D6	NUT			3
12	6719766	STOP			1
13	6714126	DOOR STOP			1
14	6733575	HINGE, REAR DOOR	weld on		2
15	6809845	BOLT			2
16	38C824	SCREW			1
17	6729939	LATCH PLATE	weld on		1
18	6733667	LATCH, REAR DOOR			1
19	6732715	LATCH			1
20	6810132	SPRING			1
21	6810141	SPRING			1
22	85D6	LOCK NUT			1
23	6564452	GRIP			1
24	6718796	PLUG			1
25	6670287	COVER			2

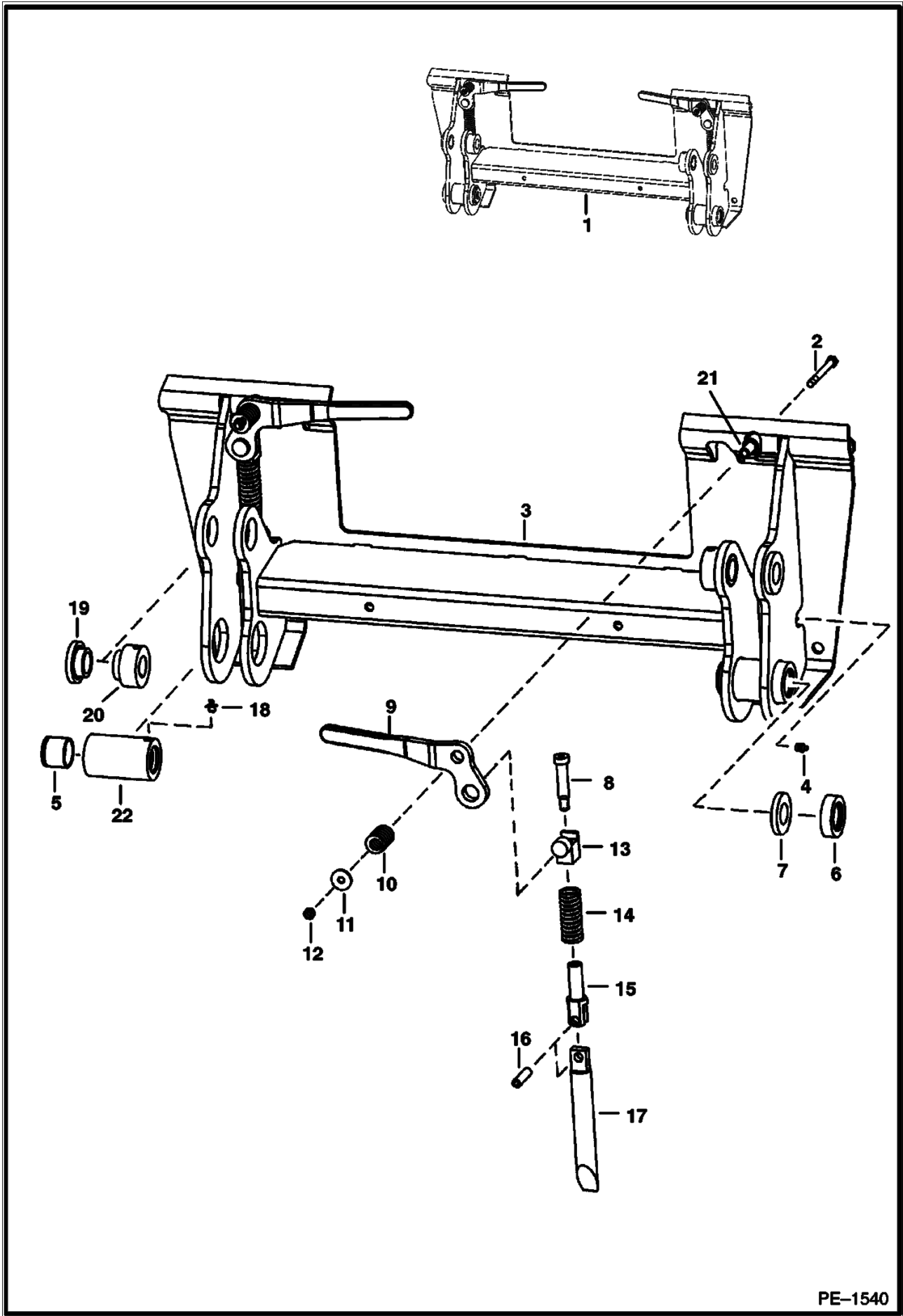
LIFT ARMS & BOB-TACH



LIFT ARMS & BOB-TACH (Cont'd)

Ref No	Part Number	Description	Remarks	Serial Number	Qty
1	6717560	PIN	1.25" x 6.46" (31,8 mm x 164,0 mm)		2
2	6718789	PIN	1.25" x 4.40" (31,8 mm x 111,8 mm)		4
3	27E10	WASHER			4
4	7101078	PIN, PIVOT TAPERED	tapered - 38 x 103 mm (1.5 x 4.05")		2
5	6577954	PIN	1.25" x 4.65" (31,7 mm x 118 mm)		4
6	6532347	SPACER			2
7	6717039	BUSHING	weld on		2
8		BOB-TACH	See Illustration BOB-TACH/ PE1540		2
9	6734662	PIN, PIVOT TAPERED	tapered - 1.5" x 5.7" (38,1 mm x 144,8 mm)		2
10	6727863	ROD LINK	LH		1
10	6727863	ROD LINK	RH - Also Order (2) each of Ref. 45-47 for mounting Ref. 36 lift arm stop		1
11	6732264	FRAME LINK			1
12	6717246	BUSHING	weld on		6
13	6717562	BUSHING	wear		8
14	7114257	LIFT ARM			1
15	6717026	BUSHING	weld on		2
16	6717025	BUSHING	weld on		2
17	7160425	BUSHING, TAPERED	weld on - service only - 3.50" (87,6 mm) long - W/tapered hole for 1.5" (38,1 mm) dia pin		2
18	6734660	BUSHING	weld on		2
19	6717041	BUSHING	weld on		2
20	17C656	BOLT			4
21	85D6	LOCK NUT			12
22	17C1080	SCREW			2
23	10H25	FITTING, GREASE 5			4
24	6732265	BUSHING	weld on		2
25	11H15	GREASE FITTING			4
26	6718942	NUT			2
27	17C648	BOLT 5			2
28	17C660	BOLT			2
29	6730290	BOLT	stainless steel		2
30		CYLINDER	See Illustration LIFT CYLINDER/ PE2748 LIFT		2
31		CYLINDER	See Illustration TILT CYLINDER/ PE2870 TILT		2
32	1313995	STUD	weld on		4
33	6731160	WASHER			2
34	17C1016	SCREW			2
35	17C640	BOLT 5			4
36	6718312	STOP	lift arm		1
37	6684932	KNOB			2
38	12H15	GREASE ZERK			4
39	47C1088	BOLT	W/pre-applied thread lock		2
40		ARM	NSS - lower - weld on		2
41	7129700	SCREW			2
42	53DM10	NUT			2
43	6E6	WASHER			2
44	7170357	PIN, PIVOT	32 x 159 mm (1.25 x 6.26") - Was 6717560 [B]		4
45	7202444	DAMPER			2
46	7D6	NUT			2
47	7197120	BOLT			2

BOB-TACH

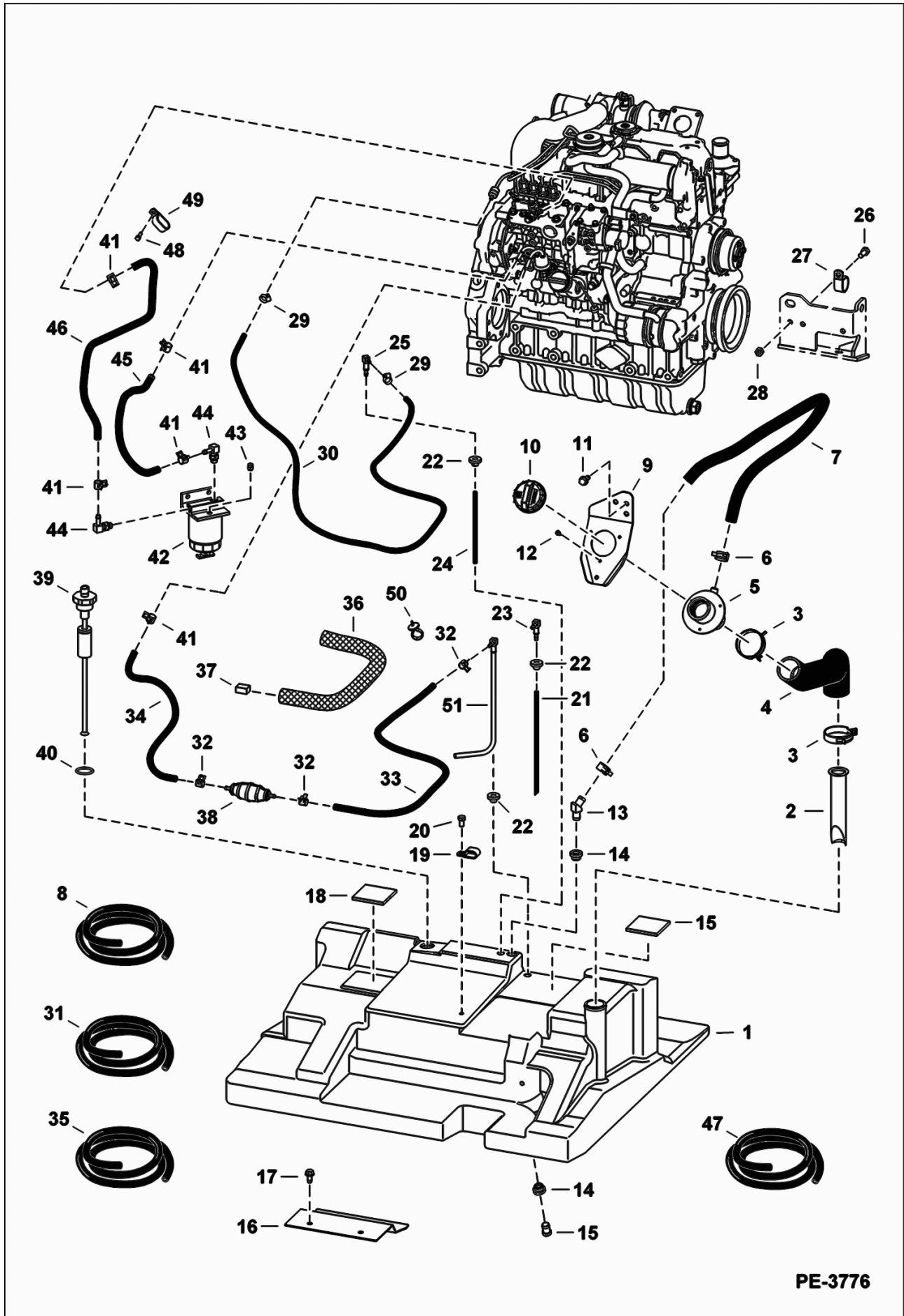


PE-1540

BOB-TACH (Cont'd)

Ref No	Part Number	Description	Remarks	Serial Number	Qty
1	7143508	BOB-TACH	See Illustration DECALS/ B27331 Also Order 6561383 decal		1
1		KIT, POWER BOB-TACH	See Illustration POWER BOB-TACH/ PE2868		1
2	17C660	BOLT			2
3		FRAME	NAP		1
4	10H35	GREASE ZERK			2
5	6730997	BUSHING	press fit		2
6	6732443	CUP	seal		2
7	6651709	SEAL			2
8	6728473	BOLT, SHOULDER	pre-applied thread locker		2
9	6702904	LEVER, BOB-TACH RH			1
9	6702903	LEVER, BOB-TACH LH			1
10	6713040	SPRING			2
11	619021	WASHER, 5			2
12	85D6	LOCK NUT			2
13	6731119	PIVOT, WEDGE			2
14	6578253	SPRING, COMPRESSION			2
15	6704248	PIVOT	wedge		2
16	14J5032	PIN, STRAIGHT			2
17	6737191	WEDGE			2
18	743332	GREASE ZERK 5			2
19	6717259	BUSHING	weld on		2
20	6717260	BUSHING	weld on		2
21	6702958	BUSHING, WELD-ON			2
22	6731979	BUSHING	weld on - Also Order Ref. 5 & 18		2

FUEL SYSTEM

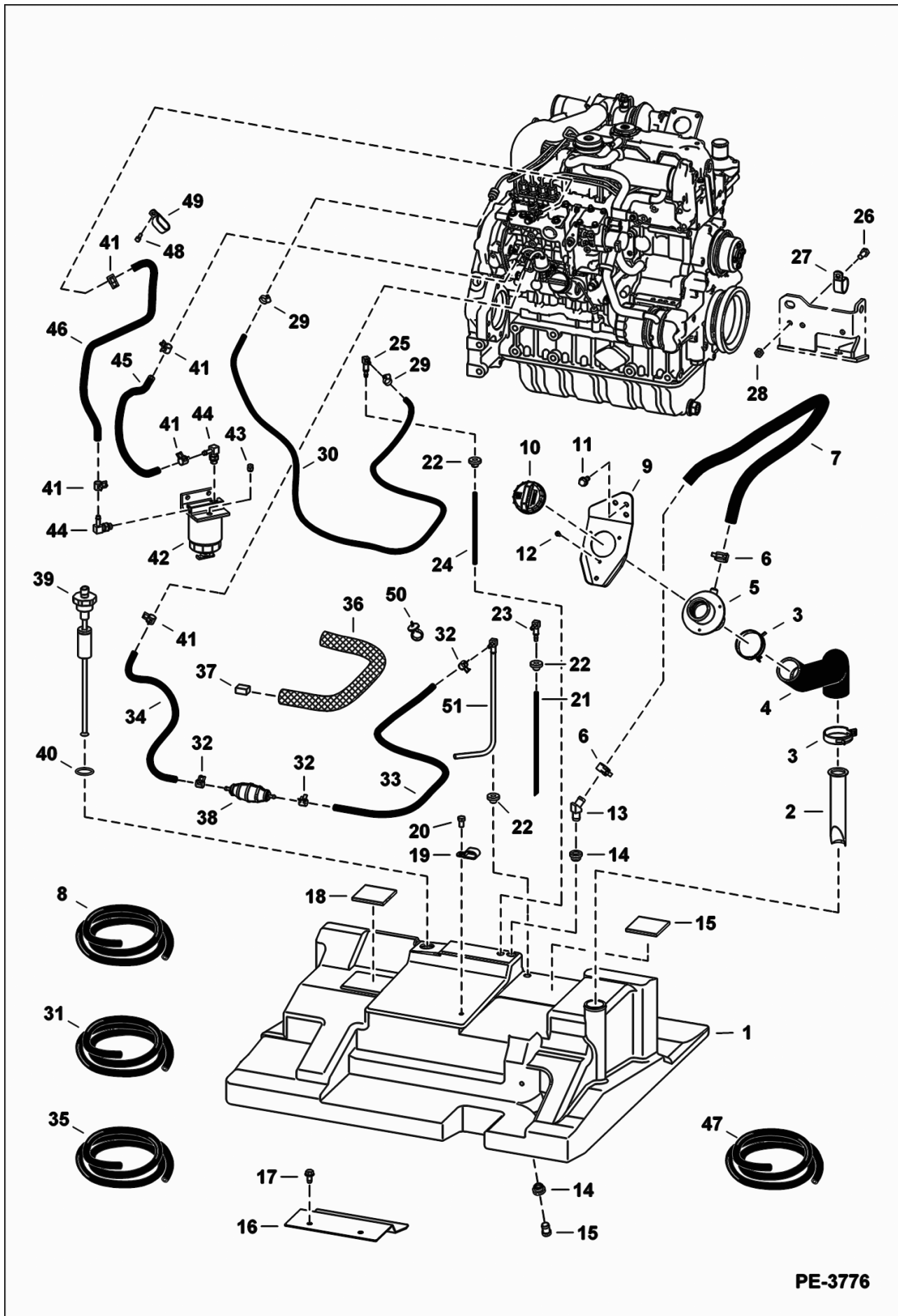


PE-3776

FUEL SYSTEM (Cont'd)

Ref No	Part Number	Description	Remarks	Serial Number	Qty
1	7136378	TANK, FUEL			1
2	7120881	SCREEN, FILLER	Was 6569219 [A]		1
3	5HM58	CLAMP	constant tension		2
4	7142832	HOSE, FUEL FORMED			1
5	6701449	FILLER TUBE			1
6	5HM24	CLAMP	constant tension		2
7		HOSE	NAP - 50" (1270 mm) long - Order Ref. 8		1
8	6578172	HOSE	bulk - sold per foot		x
9	6731059	INLET			1
10	6661114	CAP. DIESEL	green		1
10	6661696	CAP, FUEL LOCKING	locking - W/key - Code PK510		1
10	6587458	KEY	Code PK510		1
10	7113340	CAP. DIESEL	non-locking - European		1
10	7121223	CAP. DIESEL LOCKING	locking - European		1
10		KEY	NSS - European - Order 7121223 cap		1
11	84G3716	SCREW 5			2
12	7106279	BOLT			3
13	7122519	ELBOW			1
14	6717402	BUSHING	0.54" ID		2
15	6717401	PLUG	fuel drain		1
16	6737368	BRACKET			1
17	84G3712	BOLT			2
18	6578278	PAD	self adhesive one side		2
19	31H27	CLIP			1
20	17C610	BOLT			1
21		TUBE	NAP - 12.5" (317,5 mm) long - Order Ref. 51 - Was 6729854 [B]		1
22	6553411	BUSHING	0.38" ID		2
23		ELBOW	NAP - Order Ref. 51 - Was 6598908 [B]		1
24	6730767	HOSE	10.6" (269,2 mm) long		1
25	7101291	ELBOW	3 barb on outlet end		1
26	17C512	BOLT 5			1
27	30H75	CLAMP			1
28	61D5	NUT			1
29	42HS04	COLLAR			2
30		HOSE	NAP - 62" (1574,8 mm) long - Order Ref. 29		1
31	6578169	HOSE	bulk - sold per foot - .1875" ID		x
32	5HM13	CLAMP			3
33		HOSE	NAP - 37" (938,8 mm) long - Order Ref. 35		1
34		HOSE	NAP - 17" (432 mm) long - Order Ref. 35		1
35	6577821	HOSE	bulk - sold per foot - .25" ID		x
36	7124294	GUARD	18" (457,2 mm) long		1
37	7124326	RETAINER	foam 3" (76,2 mm) long		1
38	6657734	PUMP, PRIMER HAND	124 mm (4.88") long		1
39	6680436	SENSOR			1
40	6717579	GASKET			1
41	5HM14	CLAMP			5
42	6667353	FILTER ASSY	W/Ref. 43		1
42	6667352	FILTER, FUEL W/SEPERATOR 12			1
42	72F1	FITTING	drain		1
43	6658180	PLUG, BLEED	bleed		1

FUEL SYSTEM (Cont'd)

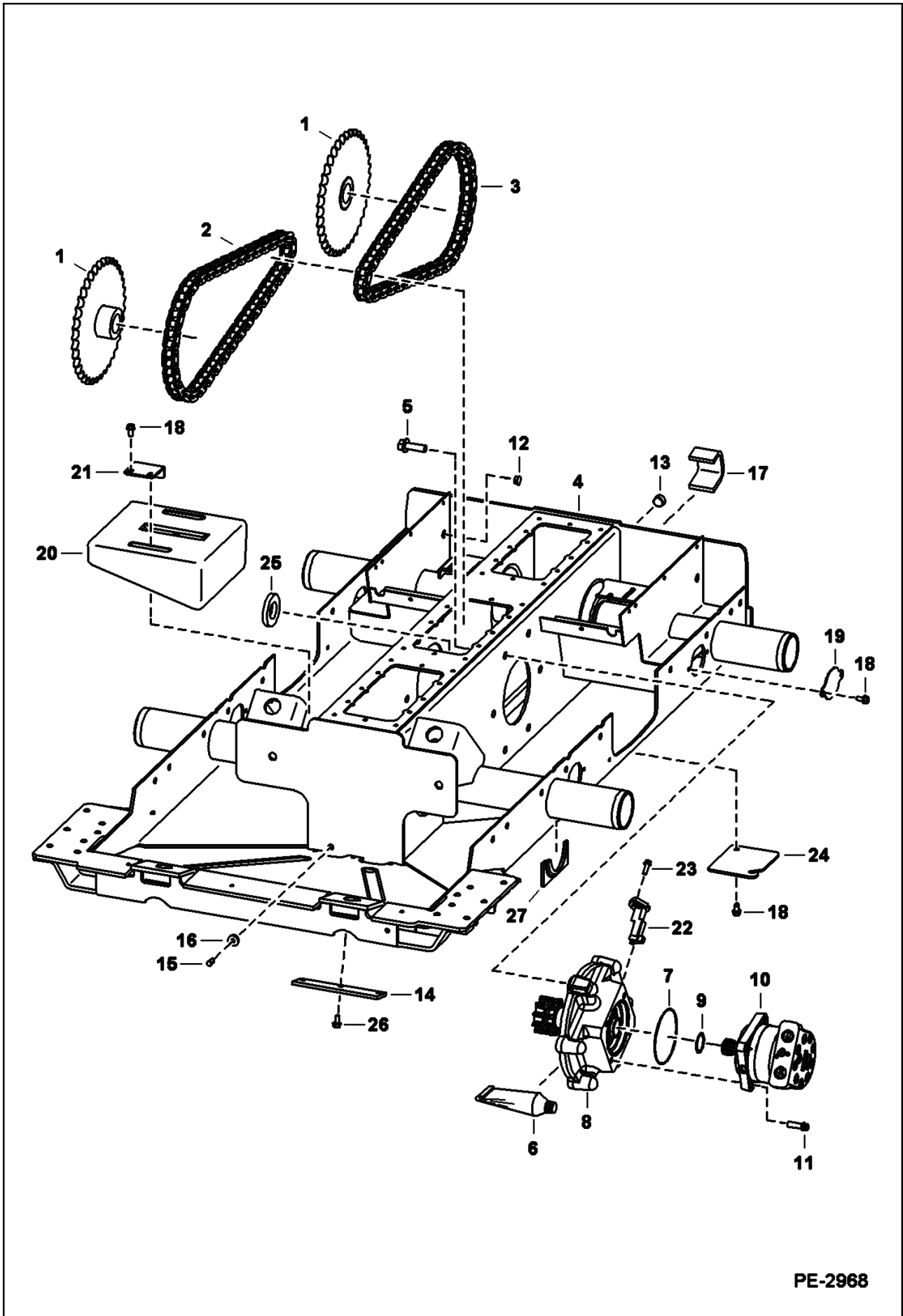


PE-3776

FUEL SYSTEM (Cont'd)

Ref No	Part Number	Description	Remarks	Serial Number	Qty
44	6715183	ELBOW			2
45		HOSE	NAP - 14" (355,6 mm) long - Order Ref. 47		1
46		HOSE	NAP - 18.25" (463,5 mm) long - Order Ref. 47		1
47	6577822	HOSE	bulk - sold per foot - .3125" ID		x
48	1CM616	SCREW			1
49	31H37	CLIP			1
50	6675734	STRAP			1
51	7181144	FUEL, TUBE			1

DRIVE TRAIN

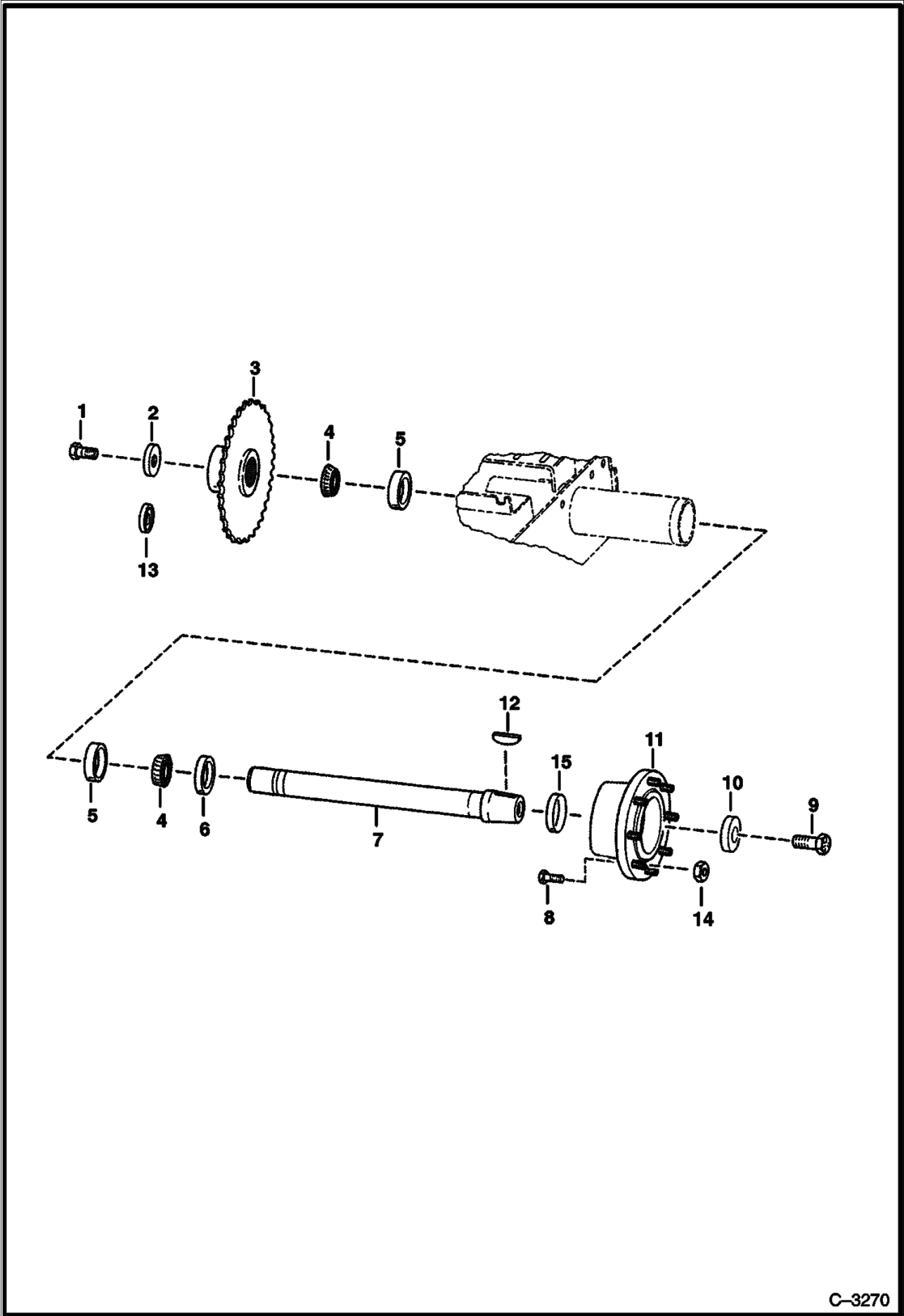


PE-2968

DRIVE TRAIN (Cont'd)

Ref No	Part Number	Description	Remarks	Serial Number	Qty
1	7134137	SPROCKET	Was 6577204 [A]		4
2	6689652	CHAIN, DRIVE	68 pitch - hour glass shape link - Tsubaki		2
2	6690709	LINK	conn. - hour glass shape - Tsubaki		x
3	6689651	CHAIN, DRIVE	62 pitch - hour glass shape link - Tsubaki		2
3	6690709	LINK	conn. - hour glass shape - Tsubaki		x
4	7122291	CHAINCASE	single speed motor		1
4	7130074	CHAINCASE	2-speed motor		1
5	35C1032	BOLT			12
6	6685372	SEALANT, GASKET LIQUID	tube - 20 oz		x
7	25K30508	O-RING, 10			2
8		MOUNT ASSY.	See Illustration MOTOR CARRIER/ PE3454 single speed motor - manual controls		2
8		MOUNT ASSY	See Illustration MOTOR CARRIER/ PE1818 single speed motor - selectable joystick controls		2
8		MOUNT ASSY.	See Illustration MOTOR CARRIER/ PE3455 2-speed motor - manual controls		2
8		MOUNT ASSY	See Illustration MOTOR CARRIER/ PE3118 2-speed motor - selectable joystick controls		2
9	6664815	SEAL, OIL	supplied W/motor		2
10		MOTOR	See Illustration HYDROSTATIC MOTOR/ PE2620 W/Ref. 9 - single speed		2
10		MOTOR	2-speed		2
11	93G824	BOLT	single speed motor		8
11	93G1032	BOLT	2-speed motor		6
12	6657719	PLUG	0.75" dia hole		2
13	6731121	PLUG	chaincase fill		1
14	6700182	COVER, DRAIN			1
15	6599645	PLUG, STEEL	chaincase drain		1
16	6553411	BUSHING			2
17	6706485	HOOK	tie down - weld-on		1
18	84G3712	BOLT	single speed motor		12
18	84G3712	BOLT	2-speed motor		16
19	6730078	COVER			4
20	7102077	COUNTERWEIGHT			2
21	7102823	STOP			2
22	6677181	SENSOR, SPEED TRAVEL	wheel speed - selectable joystick controls		2
23	35C412	BOLT	selectable joystick controls		4
24	6716010	COVER	2-speed motor		2
25	6680055	MAGNET	selectable joystick controls		2
26	84G3712	BOLT			3
26	84G3716	SCREW 5			3
27	7191233	BRACE, AXLE	weld-on		4

AXLE

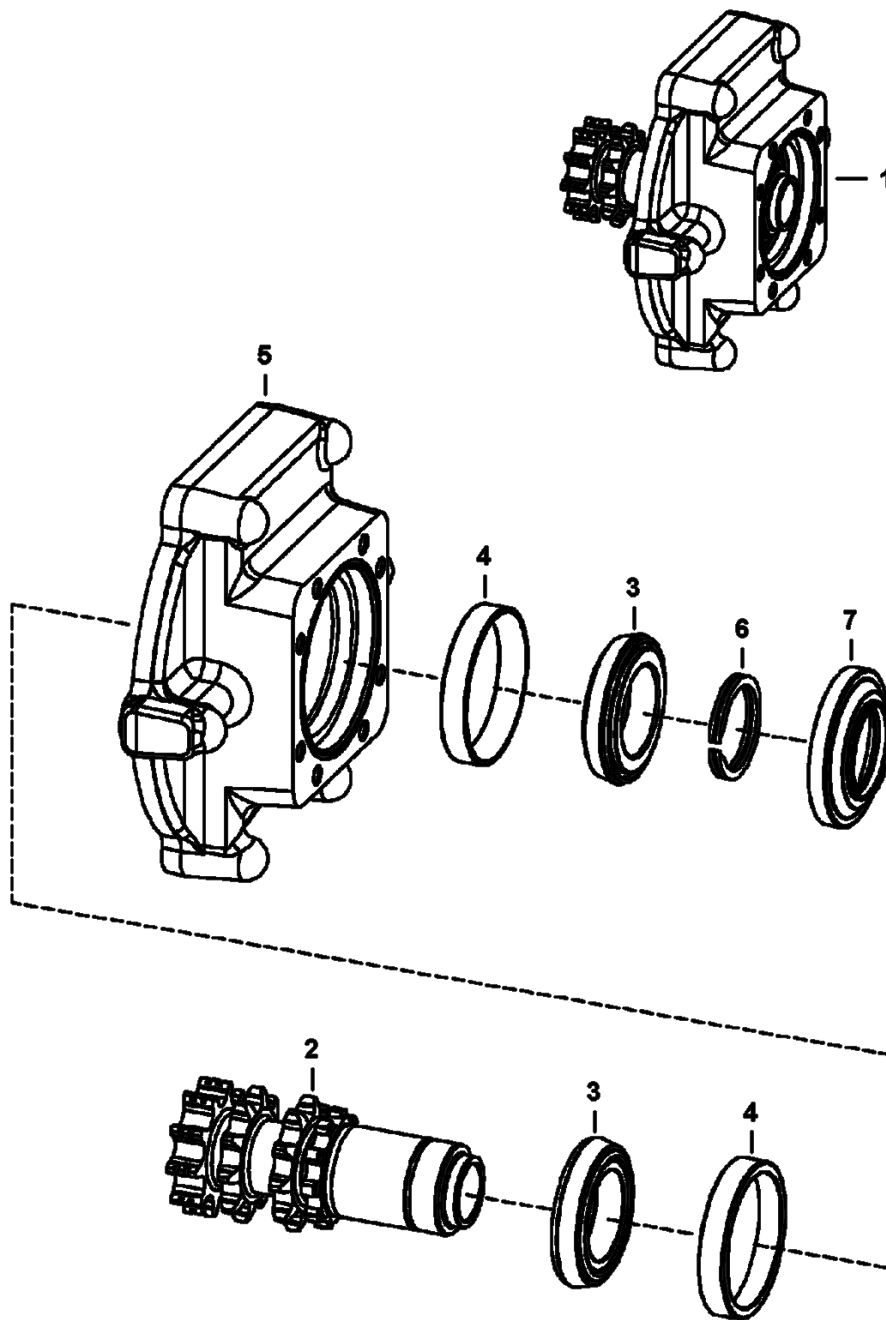


C-3270

AXLE (Cont'd)

Ref No	Part Number	Description	Remarks	Serial Number	Qty
1	48C1228	BOLT	plated - W/pre-applied threadlocker - 44,5 mm (1.75") long - Was 6679247 [B]		1
2	6552871	WASHER			1
3	7134137	SPROCKET	Was 6577204 [A]		1
4	6689775	BEARING, AXLE			2
5	6689638	CUP, BEARING			2
6	6658228	SEAL, OIL			1
7	6706427	AXLE			1
8	6709170	STUD	wheel		8
9	18C1636	BOLT	2.25" (57,2 mm) long		1
10	6716843	WASHER	recessed		1
11	6578689	HUB	W/Ref. 8		1
12	6J1664	KEY			1
13	6563606	WASHER	recessed - Used to take up .005 or .010 end play on axle		1
14	6564669	NUT	wheel		8
15	6662306	RING	wear - service part only		1
15	6722907	KIT	See Illustration AXLE SEAL KIT/ B4041 - axle seal & wear sleeve		4

MOTOR CARRIER
(Drive Motor Mount Assy.) (Single Speed Motor) (Manual Controls)

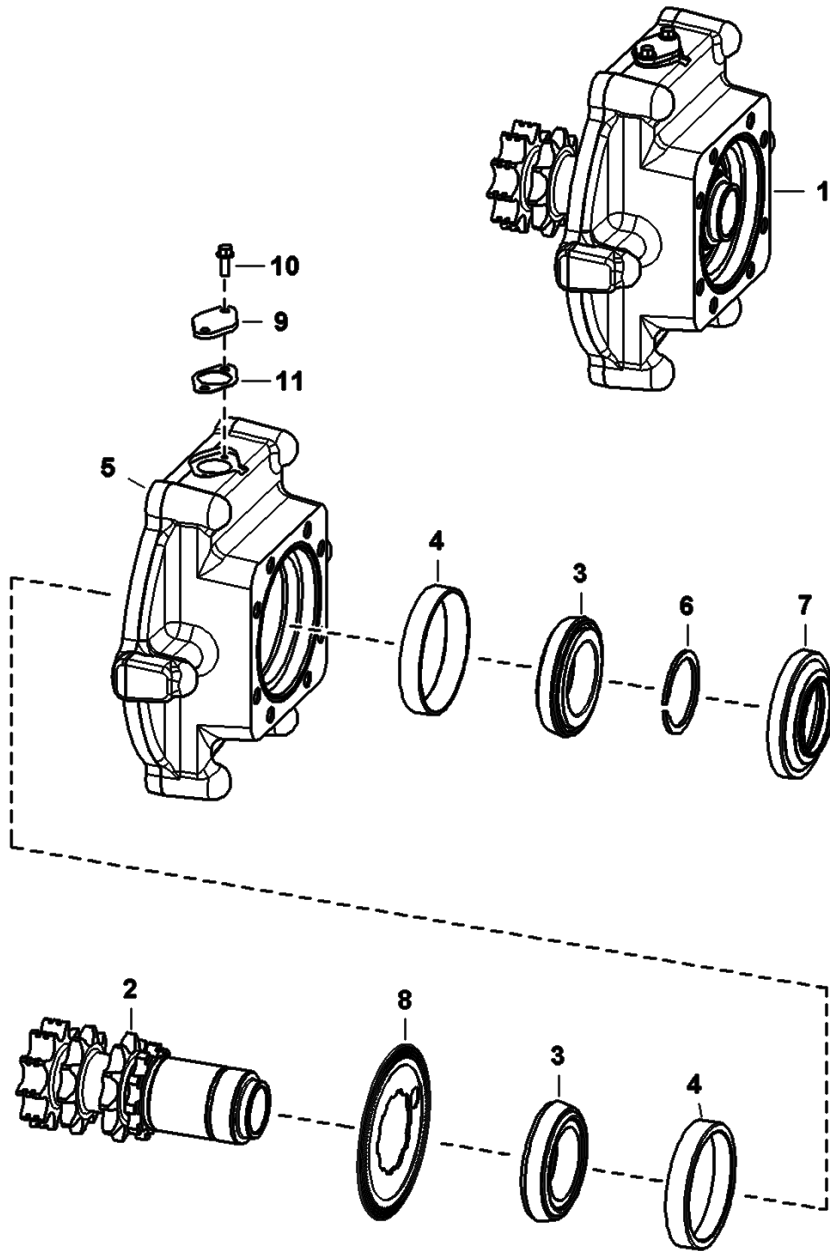


PE-3454

**MOTOR CARRIER (Cont'd)
(Drive Motor Mount Assy.) (Single Speed Motor) (Manual Controls)**

Ref No	Part Number	Description	Remarks	Serial Number	Qty
1		MOUNT ASSY.	See Illustration MOTOR CARRIER/ PE1818 NAP - drive motor - Ref. 2-7 - Order 6733617 mount assy		1
2	7161187	SHAFT, TRANS	double snap ring groove - Was 6733621 [A]		1
3	6632218	CONE, BEARING			2
4	6632541	RACE			1
5		HOUSING	See Illustration MOTOR CARRIER/ PE1818 NAP - Order 7133921 housing, 6730013 cover, 7110287 gasket & (2) of 35C412 bolt		1
6	6571851	SNAP RING	0.118" thickness		1
6	6571852	SNAP RING	0.125" thickness		1
7	6705847	SEAL, OIL			1

MOTOR CARRIER
(Drive Motor Mount Assy) (Single Speed Motor)
(Selectable Jovystick Controls)

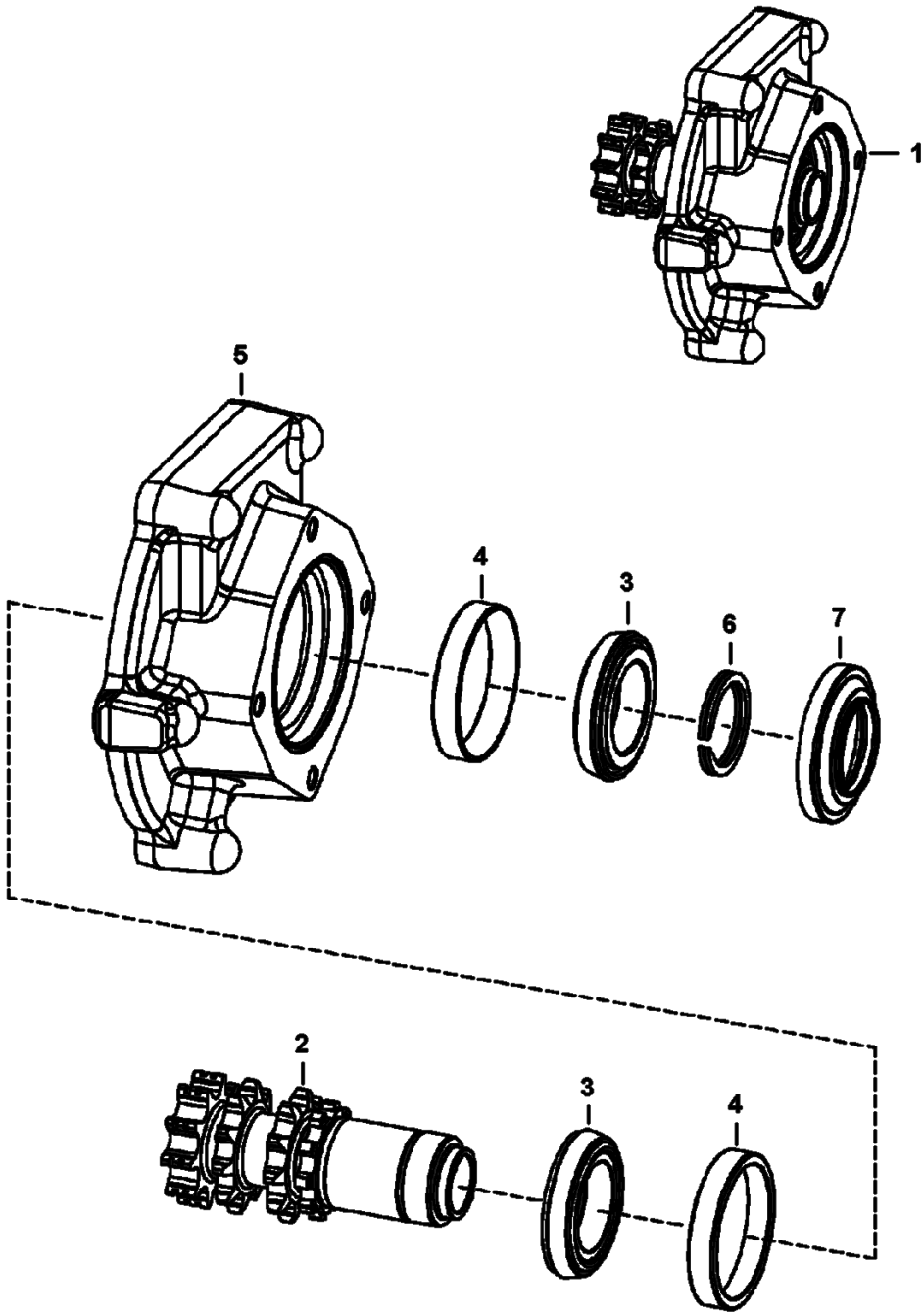


PE-1818

MOTOR CARRIER (Cont'd)
(Drive Motor Mount Assy) (Single Speed Motor)
(Selectable Jovstick Controls)

Ref No	Part Number	Description	Remarks	Serial Number	Qty
1	6733617	MOUNT, DRIVE	drive motor - Ref. 2-11		1
2	7161187	SHAFT, TRANS	double snap ring groove - Was 6733621 [A]		1
3	6632218	CONE, BEARING			2
4	6632541	RACE			1
5	7133921	HOUSING			1
6	6571851	SNAP RING	0.118" thickness		1
6	6571852	SNAP RING	0.125" thickness		1
7	6705847	SEAL, OIL			1
8	6690561	MAGNET	speed sensor		1
9	6730013	COVER			1
10	35C412	BOLT			2
11	7110287	GASKET			1

MOTOR CARRIER
(Drive Motor Mount Assy.) (2-Speed Motor) (Manual Controls)

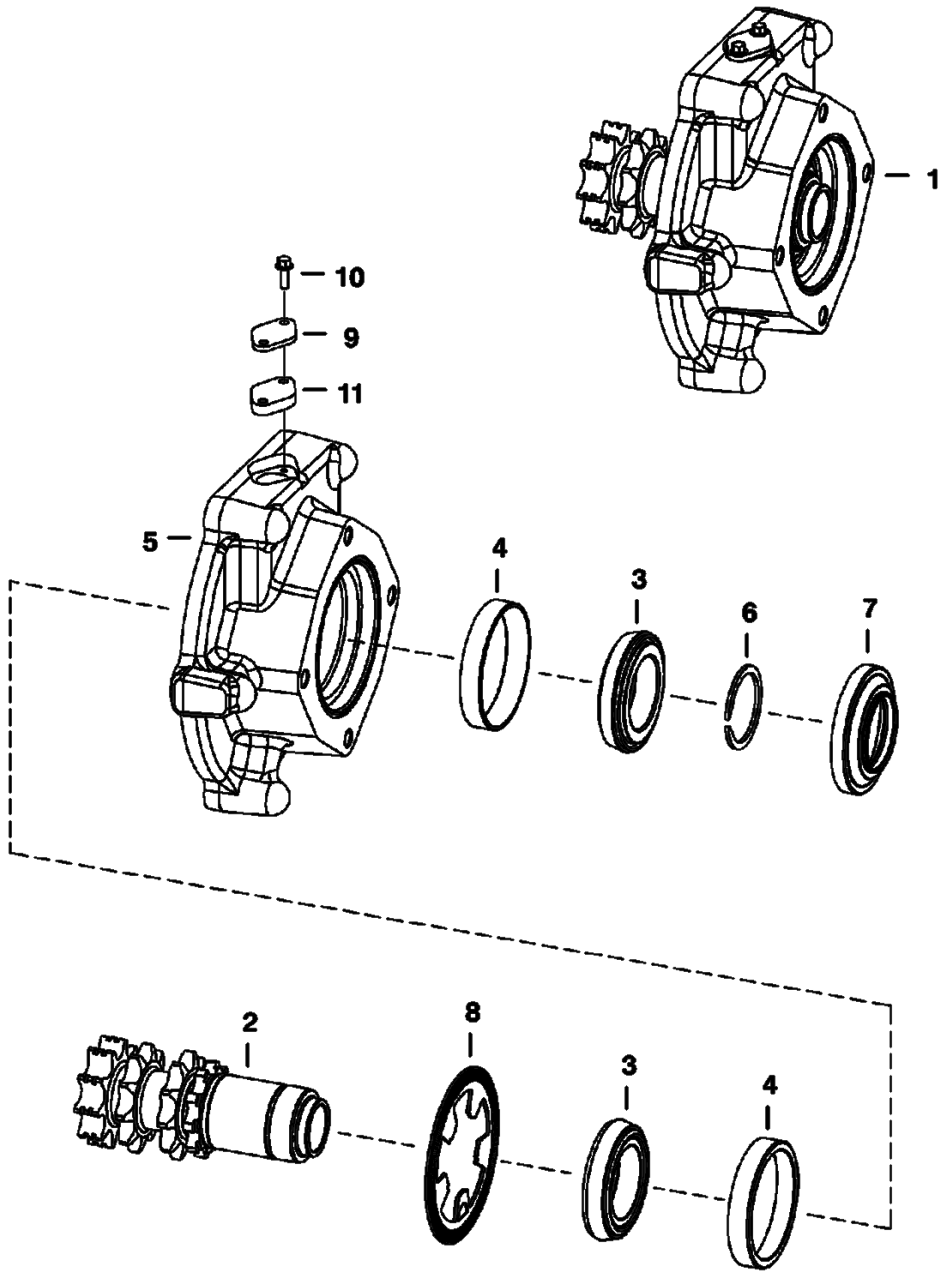


PE-3455

**MOTOR CARRIER (Cont'd)
(Drive Motor Mount Assy.) (2-Speed Motor) (Manual Controls)**

Ref No	Part Number	Description	Remarks	Serial Number	Qty
1		MOUNT ASSY	See Illustration MOTOR CARRIER/ PE3118 NAP - drive motor - Ref. 2-7 - Order 7126159 mount assy		1
2	7120109	SHAFT	double snap ring groove		1
3	6632218	CONE, BEARING			2
4	6632541	RACE			2
5		HOUSING	See Illustration MOTOR CARRIER/ PE3118 NAP - Order 7135506 housing, 6730013 cover, 7110287 gasket & (2) of 35C412 bolt		1
6	6571851	SNAP RING	0.118" thickness		1
6	6571852	SNAP RING	0.125" thickness		1
7	6705847	SEAL, OIL			1

MOTOR CARRIER
(Drive Motor Mount Assy.) (2-Speed Motor)
(Selectable Jovystick Controls)

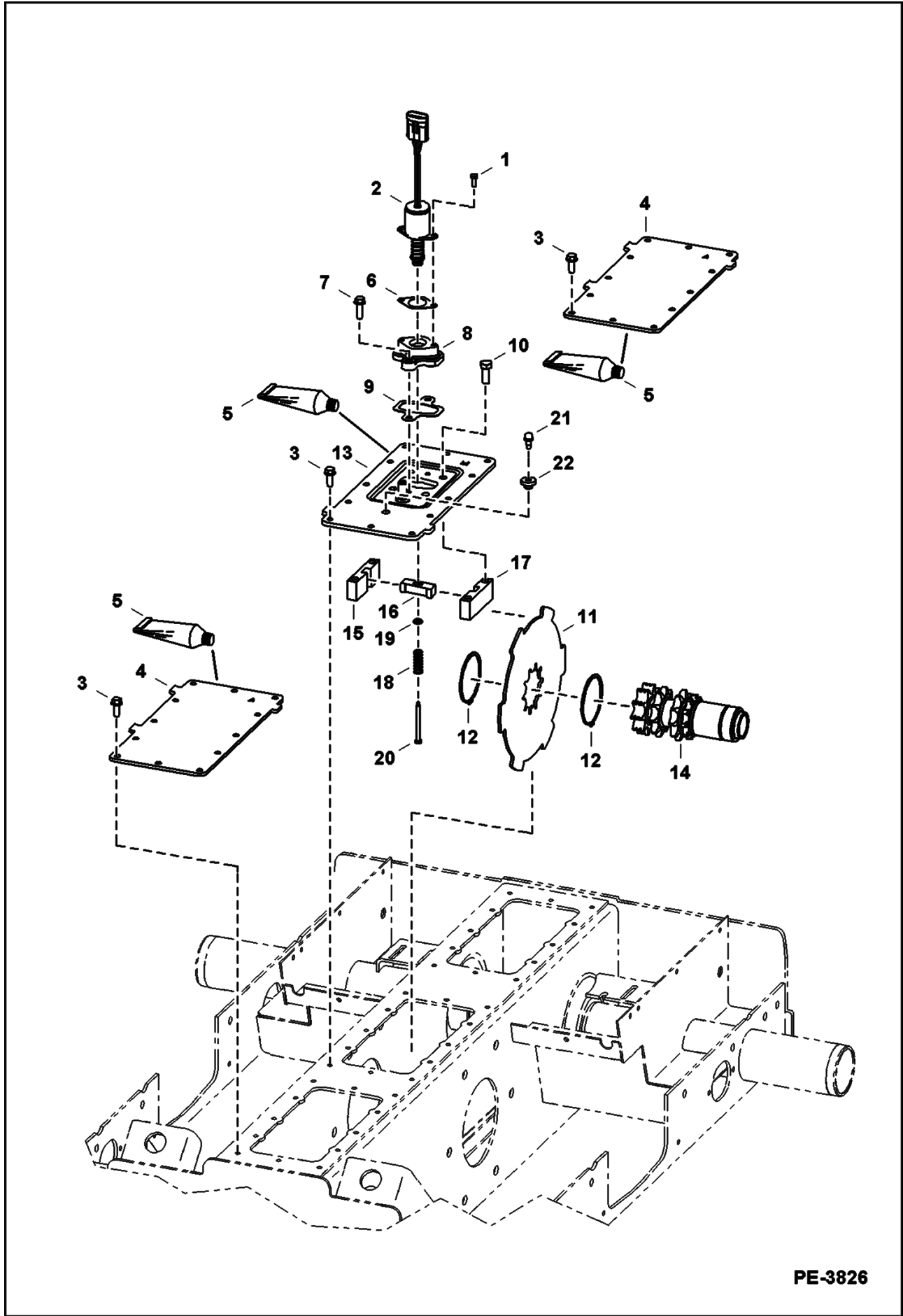


PE-3118

MOTOR CARRIER (Cont'd)
(Drive Motor Mount Assy.) (2-Speed Motor)
(Selectable Jovstick Controls)

Ref No	Part Number	Description	Remarks	Serial Number	Qty
1	7126159	MOUNT ASSY	drive motor - Ref. 2-11		1
2	7120109	SHAFT	double snap ring groove		1
3	6632218	CONE, BEARING			2
4	6632541	RACE			1
5	7135506	HOUSING			1
6	6571851	SNAP RING	0.118" thickness		1
6	6571852	SNAP RING	0.125" thickness		1
7	6705847	SEAL, OIL			1
8	6690561	MAGNET	speed sensor		1
9	6730013	COVER			1
10	35C412	BOLT			2
11	7110287	GASKET			1

DISC BRAKE (Single Speed Motor)

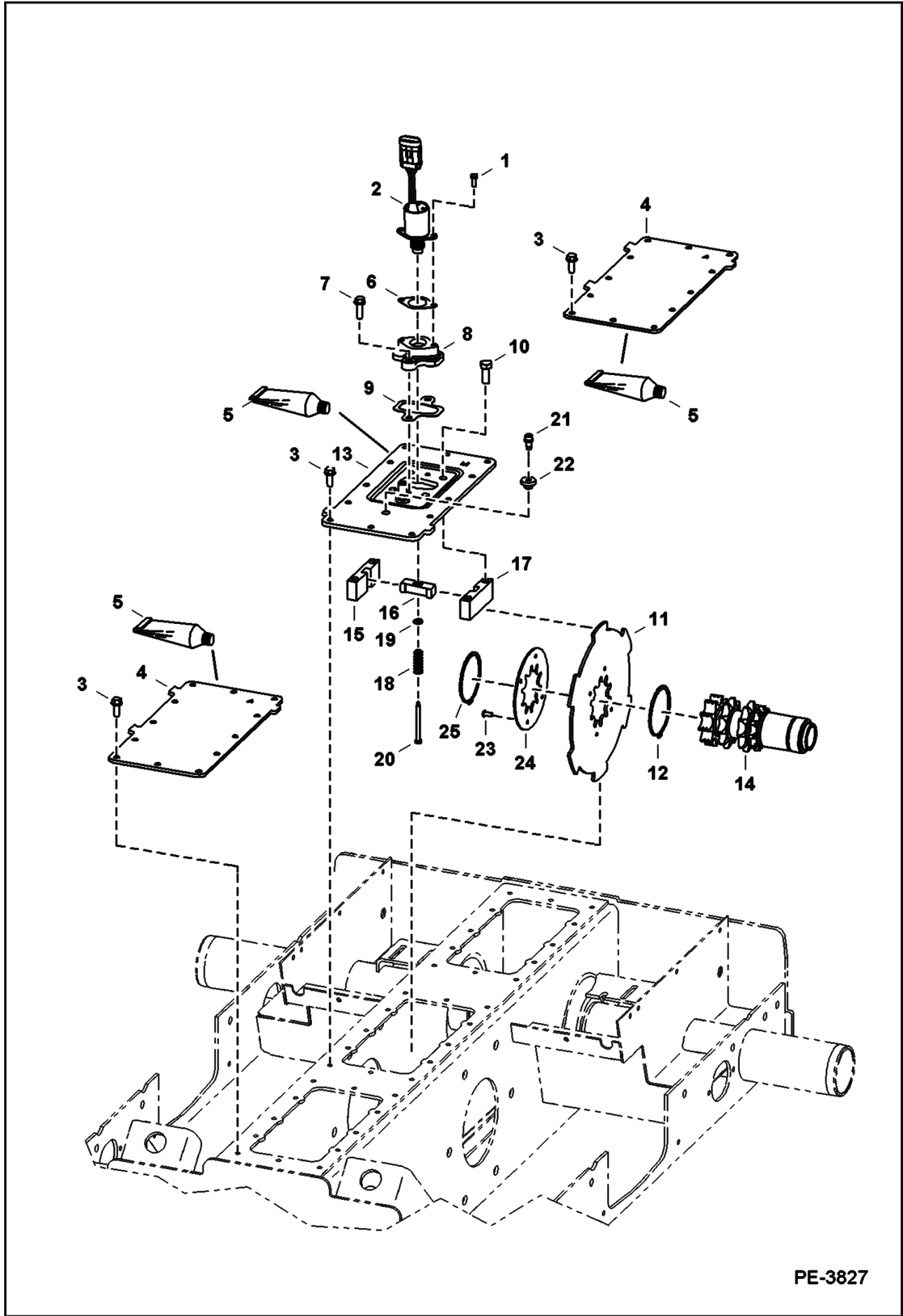


PE-3826

**DISC BRAKE (Cont'd)
(Single Speed Motor)**

Ref No	Part Number	Description	Remarks	Serial Number	Qty
1	17C412	BOLT 5			2
2	6681512	SOLENOID			1
3	84G3716	SCREW 5			36
4	7129987	COVER			2
5	6685372	SEALANT, GASKET LIQUID	tube - 20 oz		x
6	6706737	GASKET			1
7	84G3720	BOLT			2
8	6706718	MOUNT			1
9	6708016	GASKET			1
10	47C820	BOLT			4
11	7120111	BRAKE, DISC	disc		2
12	6658672	SNAP RING			4
13	7156265	COVER	M stamped		1
14	7161187	SHAFT, TRANS	See Illustration MOTOR CARRIER/ PE1818 - double snap ring groove - Was 6733621 [A]		2
15	6719056	BLOCK	guide - LH		1
16	6714278	WEDGE, LOCK TRACTION			1
17	6719057	BLOCK	guide - RH		1
18	6708018	SPRING			1
19	25E13	WASHER 5			1
20	6708267	BOLT			1
21	6680970	BREATHER			1
22	6553411	BUSHING			1

DISC BRAKE (2-Speed Motor)

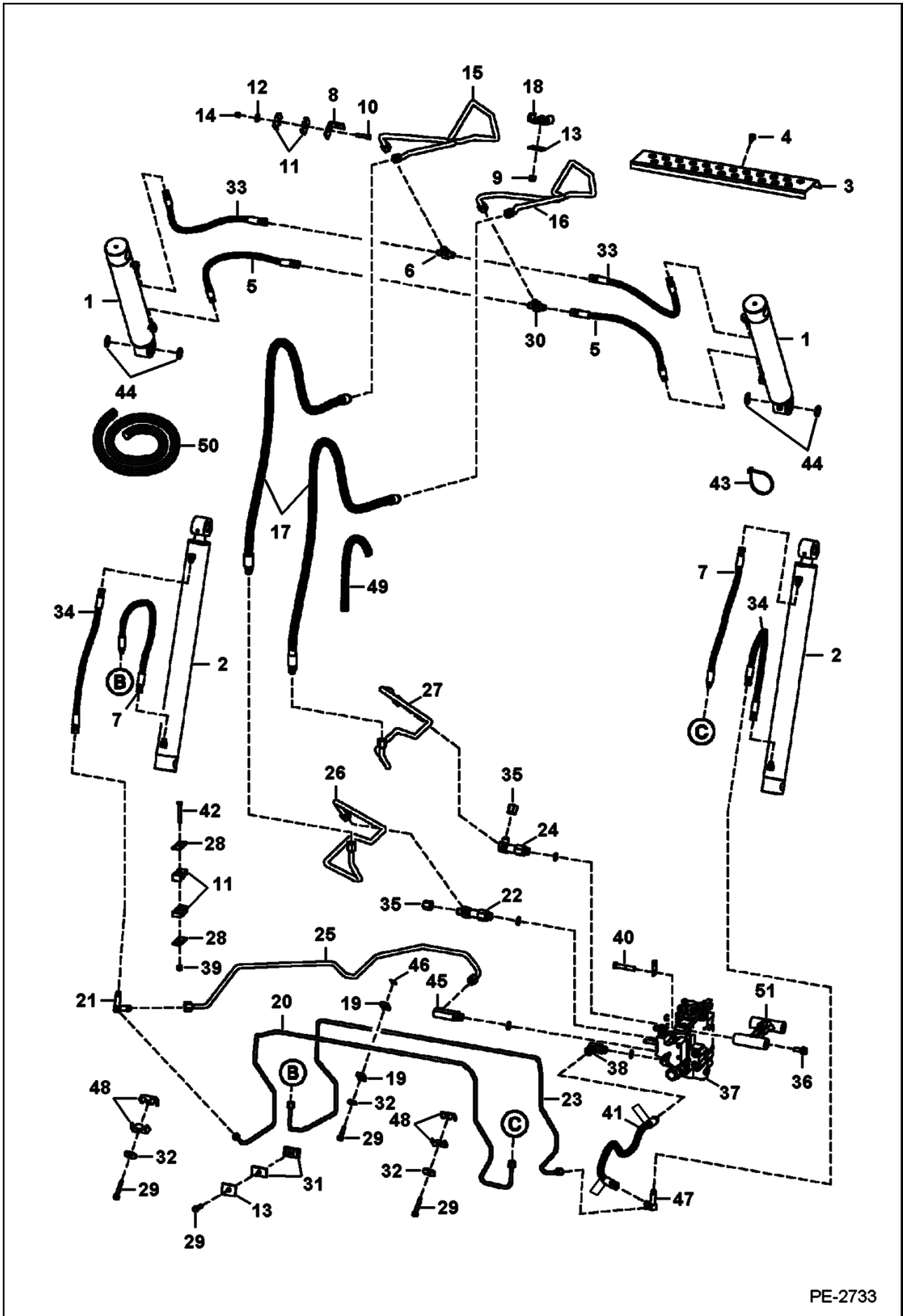


PE-3827

**DISC BRAKE (Cont'd)
(2-Speed Motor)**

Ref No	Part Number	Description	Remarks	Serial Number	Qty
1	17C412	BOLT 5			2
2	6681512	SOLENOID			1
3	84G3716	SCREW 5			36
4	7129987	COVER			2
5	6685372	SEALANT, GASKET LIQUID	tube - 20 oz		x
6	6706737	GASKET			1
7	84G3720	BOLT			2
8	6706718	MOUNT			1
9	6708016	GASKET			1
10	47C820	BOLT			4
11	7120107	BRAKE	disc		2
12	6658672	SNAP RING			2
13	7156265	COVER	M stamped		1
14	7120109	SHAFT	double snap ring groove		2
15	6719056	BLOCK	guide - LH		1
16	6714278	WEDGE, LOCK TRACTION			1
17	6719057	BLOCK	guide - RH		1
18	6708018	SPRING			1
19	25E13	WASHER 5			1
20	6708267	BOLT			1
21	6680970	BREATHER			1
22	6553411	BUSHING			1
23	6668955	POP RIVET			8
24	7120108	DISC	isolator		2
25	6691500	SNAP RING			2

HYDRAULIC CIRCUITRY (W/O Bucket Positioning Valve)

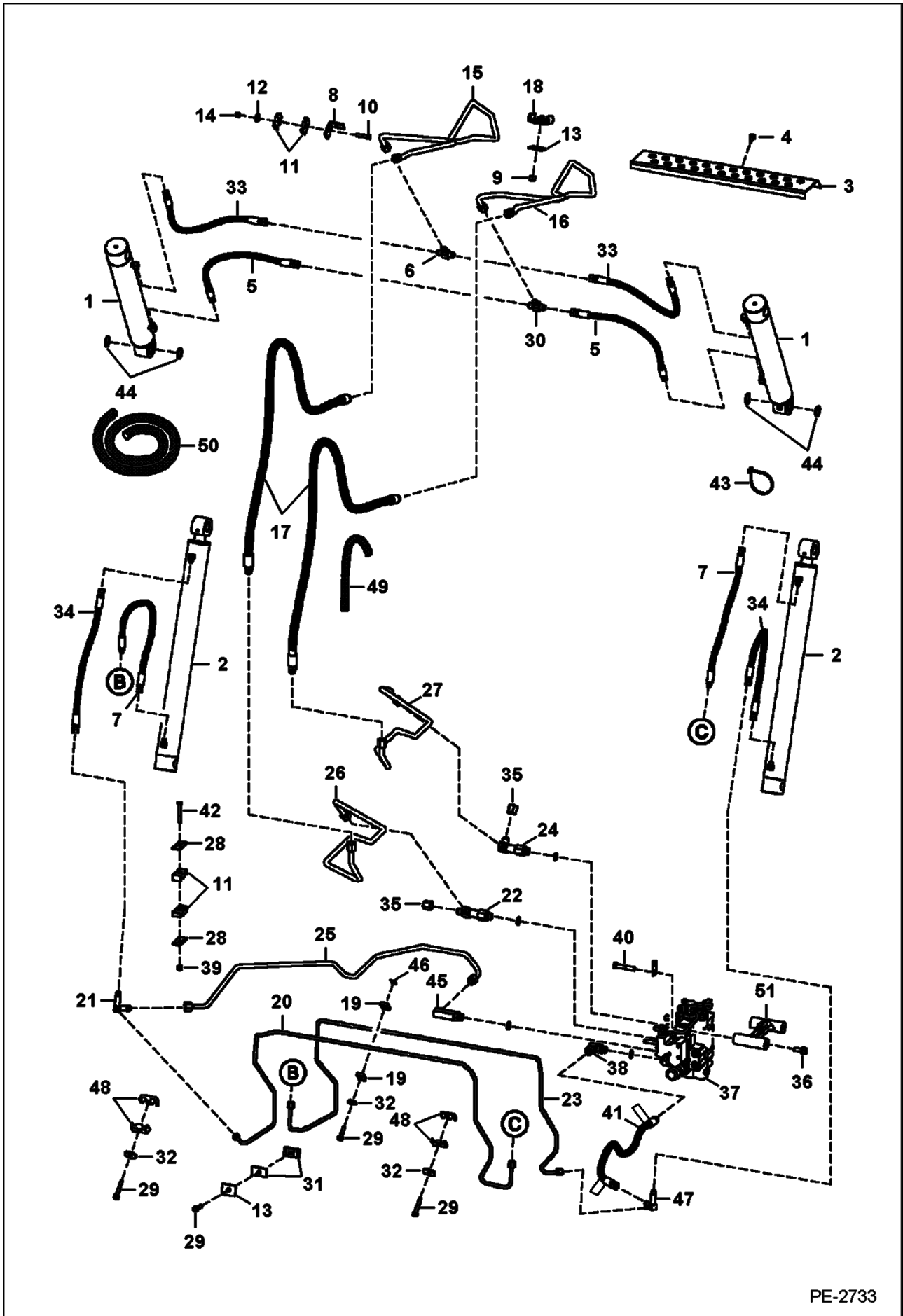


PE-2733

**HYDRAULIC CIRCUITRY (Cont'd)
(W/O Bucket Positioning Valve)**

Ref No	Part Number	Description	Remarks	Serial Number	Qty
1		CYLINDER	See Illustration TILT CYLINDER/ PE2870 TILT		2
2		CYLINDER	See Illustration LIFT CYLINDER/ PE2748 LIFT		2
3	6735669	BOOM STEP			1
4	84G3712	BOLT			4
5	6718066	HOSE	.5625" thread & .75" thread female ends - Use (1) per tilt cylinder W/.75" thread base end fitting		2
5	7114050	HOSE	.5625" thread female ends (2) - Use (1) per tilt cylinder W/.75" thread base end fitting		2
6	6716061	TEE	.75" thread (2) & .875" thread - Use W/Ref. 5 (7114050 hose)		1
7	7116564	HOSE			2
8	6718238	BRACKET			1
9	59D8	NUT 5			2
10	17C628	BOLT			1
11	6701893	CLAMP			2
12	27E6	WASHER 5			1
13	6553709	WASHER			2
14	59D6	NUT			1
15	6718030	TUBE			1
16	6725337	TUBE			1
17	6719439	HOSE			2
18	6717933	CLAMP			2
19	6726277	CLAMP			4
20	7114710	TUBE			1
21	7101648	TEE			1
22	7112910	ELBOW			1
22	79K10	O RING 10			1
23	7114711	TUBE			1
24	6733190	TEE			1
24	79K10	O RING 10			1
25	7101646	TUBE			1
26	7112911	TUBE			1
27	7110262	TUBE			1
28	872229	WASHER			2
29	84G3728	BOLT			3
30	7114053	TEE	.5625" thread (2) & .875" thread - Use W/Ref. 5 (6718066 hose)		1
31	6727708	CLAMP			2
32	619021	WASHER, 5			4
33	7114236	HOSE	.75" thread female ends - Use (1) per tilt cylinder W/.75" thread base end fitting		2
34	7116565	HOSE			2
35	36K7	FITTING			1
36	31C820	BOLT			2
37		VALVE			1
38	79K10	O RING 10			1
38	6814531	ELBOW			1
39	59D6	NUT			1
40	17C844	BOLT			2
41	6727705	HOSE	available only as an assembly W/two danger decals installed		1
41	6809511	DECAL, DANGER			2
41	79K8	O RING 10			1
42	17C632	BOLT 5			1
43	6624289	STRAP, TIE			2
44	225855	SEAL, OIL 10			4
45	6733191	ELBOW			1

HYDRAULIC CIRCUITRY (Cont'd)
(W/O Bucket Positioning Valve)

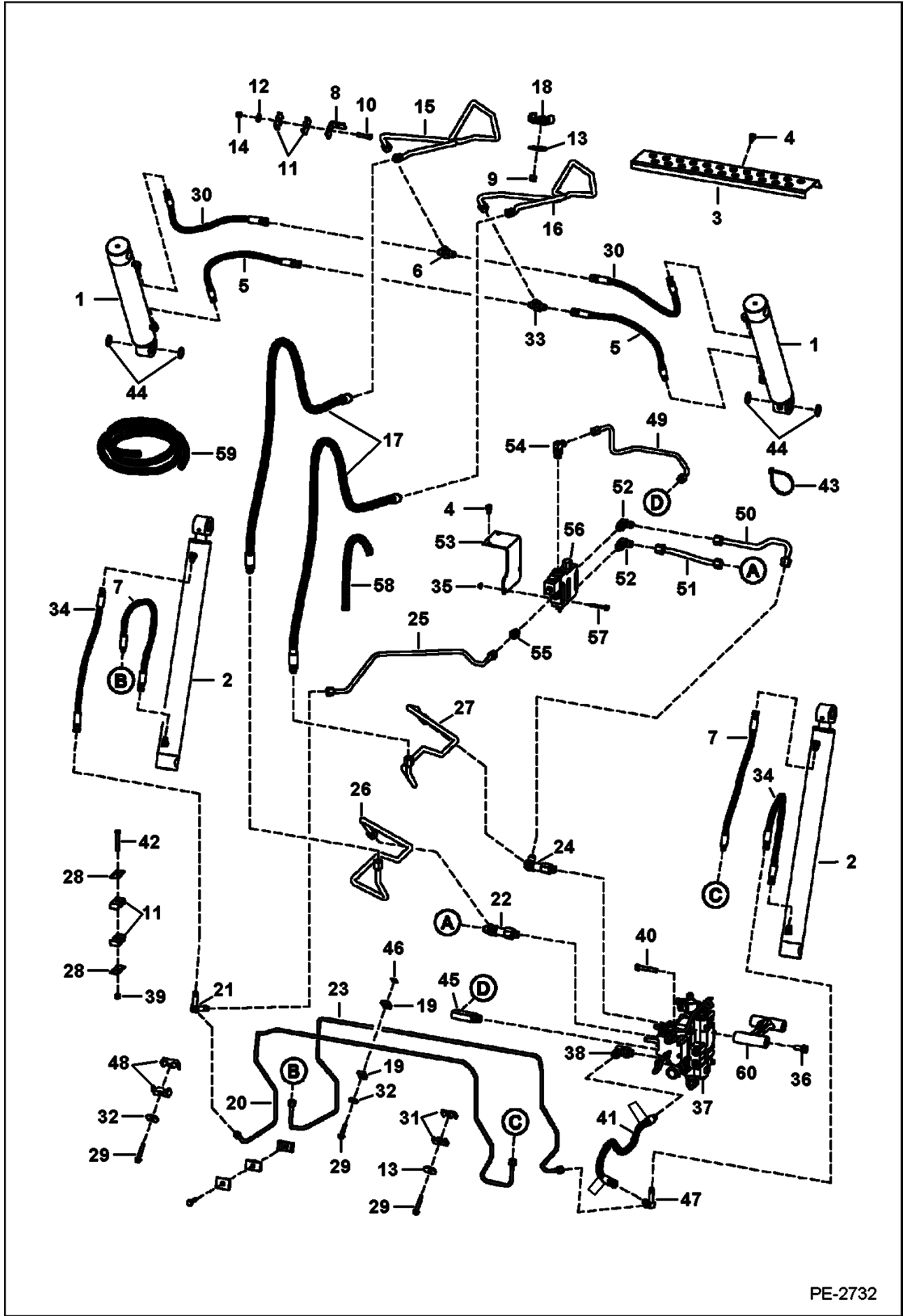


PE-2733

**HYDRAULIC CIRCUITRY (Cont'd)
(W/O Bucket Positioning Valve)**

Ref No	Part Number	Description	Remarks	Serial Number	Qty
45	79K10	O RING 10			1
46	6684033	NUT			1
47	6727638	TEE			1
48	6592506	CLAMP			2
49		CONDUIT	NAP - 30" (762 mm) long - Order Ref. 50		2
50	6643249	CONDUIT	bulk - sold per foot		x
51	7109934	MOUNT, VALVE			1

HYDRAULIC CIRCUITRY (W/Bucket Positioning Valve)

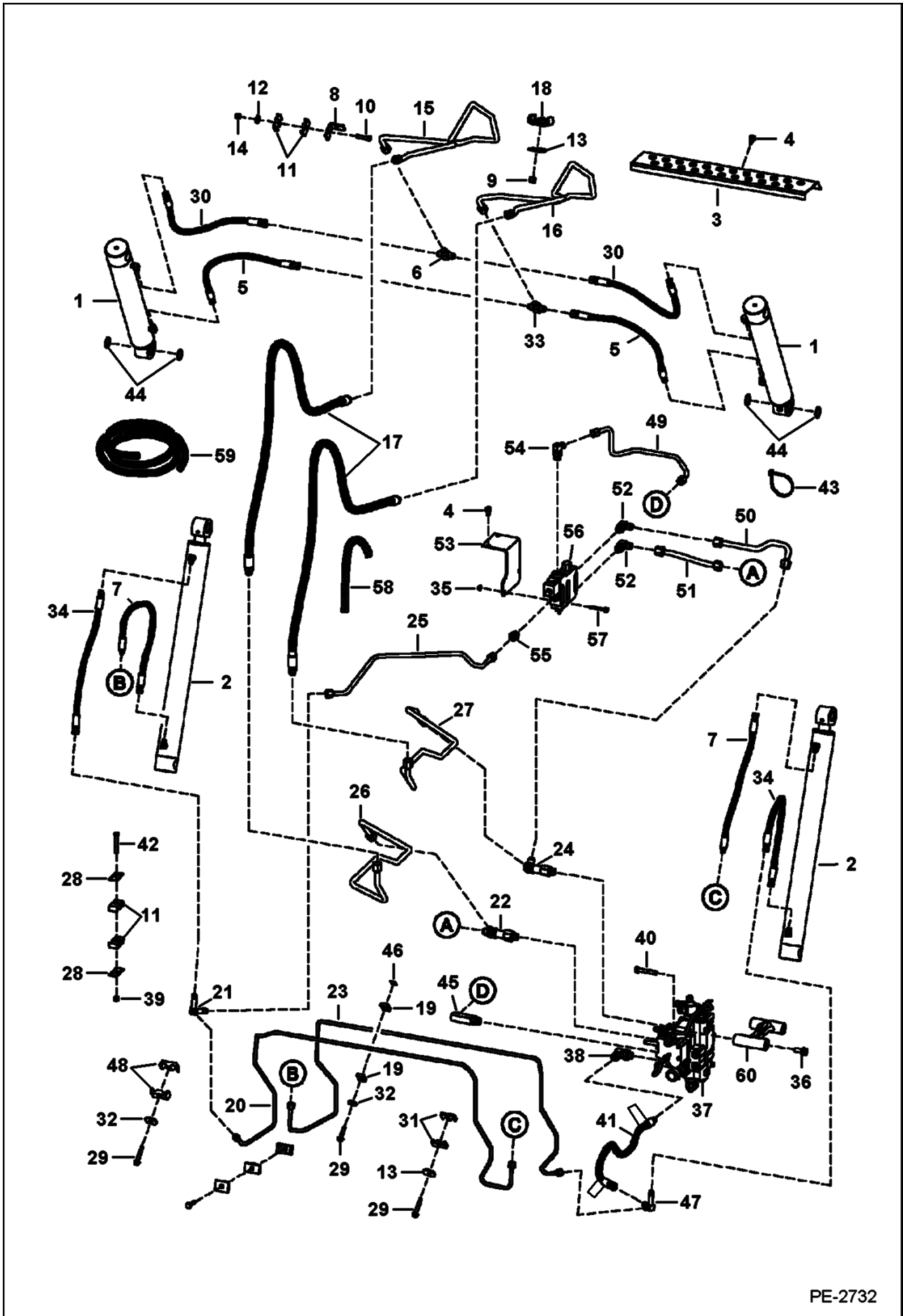


PE-2732

**HYDRAULIC CIRCUITRY (Cont'd)
(W/Bucket Positioning Valve)**

Ref No	Part Number	Description	Remarks	Serial Number	Qty
1		CYLINDER	See Illustration TILT CYLINDER/ PE2870 TILT		2
2		CYLINDER	See Illustration LIFT CYLINDER/ PE2748 LIFT		2
3	6735669	BOOM STEP			1
4	84G3712	BOLT			6
5	6718066	HOSE	.5625" thread & .75" thread female ends - Use (1) per tilt cylinder W/.75" thread base end fitting		2
5	7114050	HOSE	.5625" thread female ends (2) - Use (1) per tilt cylinder W/.75" thread base end fitting		2
6	6716061	TEE	.75" thread (2) & .875" thread		1
7	7116564	HOSE			2
8	6718238	BRACKET			1
9	59D8	NUT 5			2
10	17C628	BOLT			1
11	6701893	CLAMP			2
12	27E6	WASHER 5			1
13	6553709	WASHER			2
14	59D6	NUT			1
15	6718030	TUBE			1
16	6725337	TUBE			1
17	6719439	HOSE	W/Ref. 58		2
18	6717933	CLAMP			2
19	6726277	CLAMP			4
20	7114710	TUBE			1
21	7101648	TEE			1
22	7112910	ELBOW			1
22	79K10	O RING 10			1
23	7114711	TUBE			1
24	6733190	TEE			1
25	7101647	TUBE			1
26	7112911	TUBE			1
27	7110262	TUBE			1
28	872229	WASHER			2
29	84G3728	BOLT			1
30	7114236	HOSE	.75" thread female ends - Use (1) per tilt cylinder W/.75" thread base end fitting		2
31	6727708	CLAMP			2
32	619021	WASHER, 5			4
33	7114053	TEE	.5625" thread (2) & .875" thread - Use W/Ref. 5 (6718066 hose)		1
34	7116565	HOSE			2
35	57D5	NUT			2
36	31C820	BOLT			2
37		VALVE			1
38	6814531	ELBOW			1
38	79K10	O RING 10			1
39	59D6	NUT			1
40	17C844	BOLT			2
41	6727705	HOSE	available only as an assembly W/two danger decals installed		1
41	6809511	DECAL, DANGER			2
41	79K8	O RING 10			1
42	17C632	BOLT 5			1
43	6624289	STRAP, TIE			2
44	225855	SEAL, OIL 10			4
45	6733191	ELBOW			2
45	79K10	O RING 10			2
46	6684033	NUT			2

HYDRAULIC CIRCUITRY (Cont'd) (W/Bucket Positioning Valve)

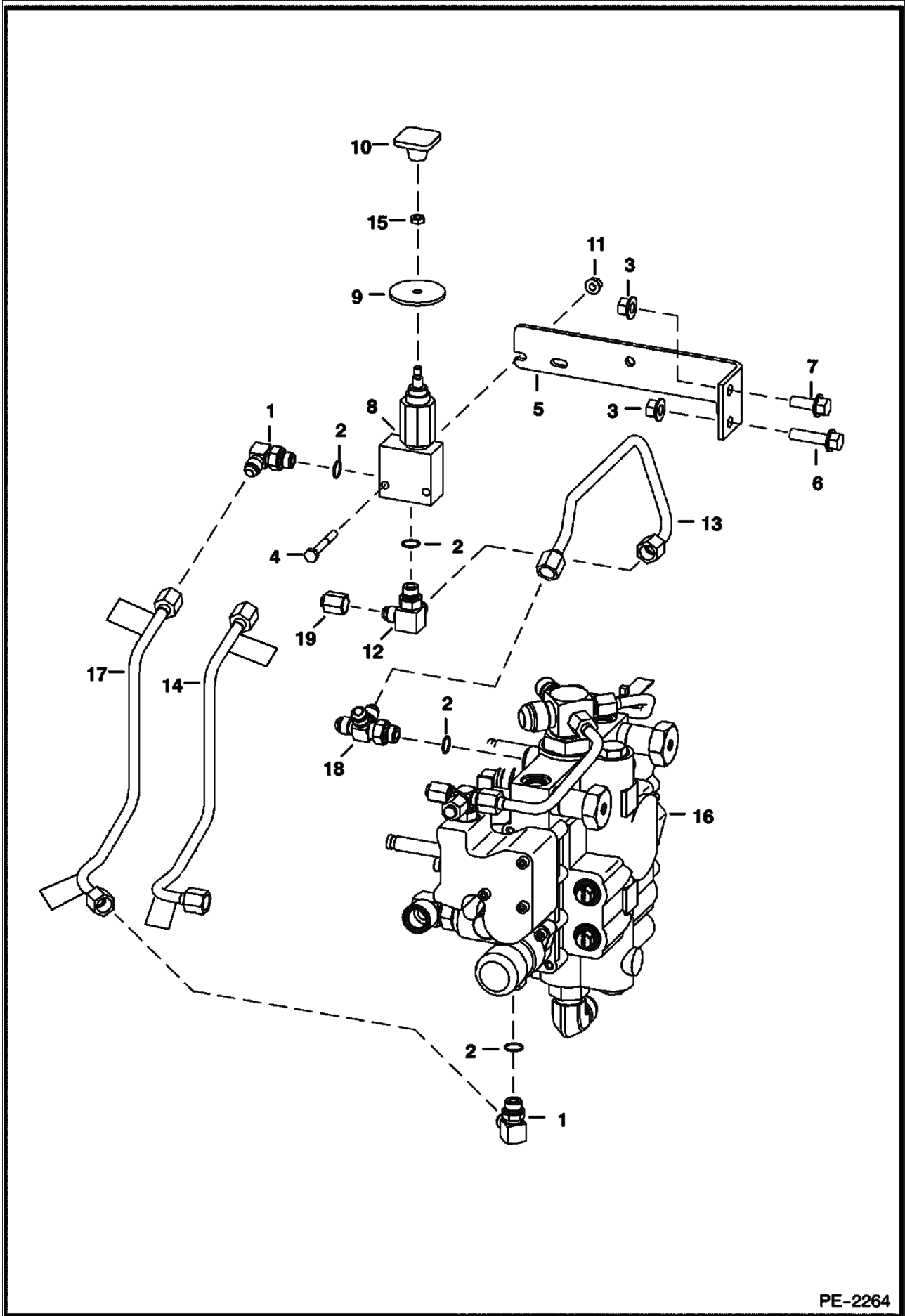


PE-2732

**HYDRAULIC CIRCUITRY (Cont'd)
(W/Bucket Positioning Valve)**

Ref No	Part Number	Description	Remarks	Serial Number	Qty
47	6727638	TEE			1
48	6592506	CLAMP			2
49	6734192	TUBE			1
50	6733196	TUBE			1
51	7112912	TUBE			1
52	17KB1010	FITTING, HYD ELBOW			2
52	79K10	O RING 10			2
53	6727646	BRACKET			1
54	17KB0810	FITTING, HYD ELBOW			1
54	79K10	O RING 10			1
55	15KB0810	FITTING, HYD CONNECTOR			1
55	79K10	O RING 10			1
56		VALVE	See Illustration BUCKET POSITIONING VALVE/ MS1943 NAP - Order 6673959 valve		1
57	35C536	BOLT			2
58		CONDUIT	NAP - 30" (762 mm) long - Order Ref. 59		2
59	6643249	CONDUIT	bulk - sold per foot		x
60	7109934	MOUNT, VALVE			1

MANUAL LIFT RELEASE SYSTEM

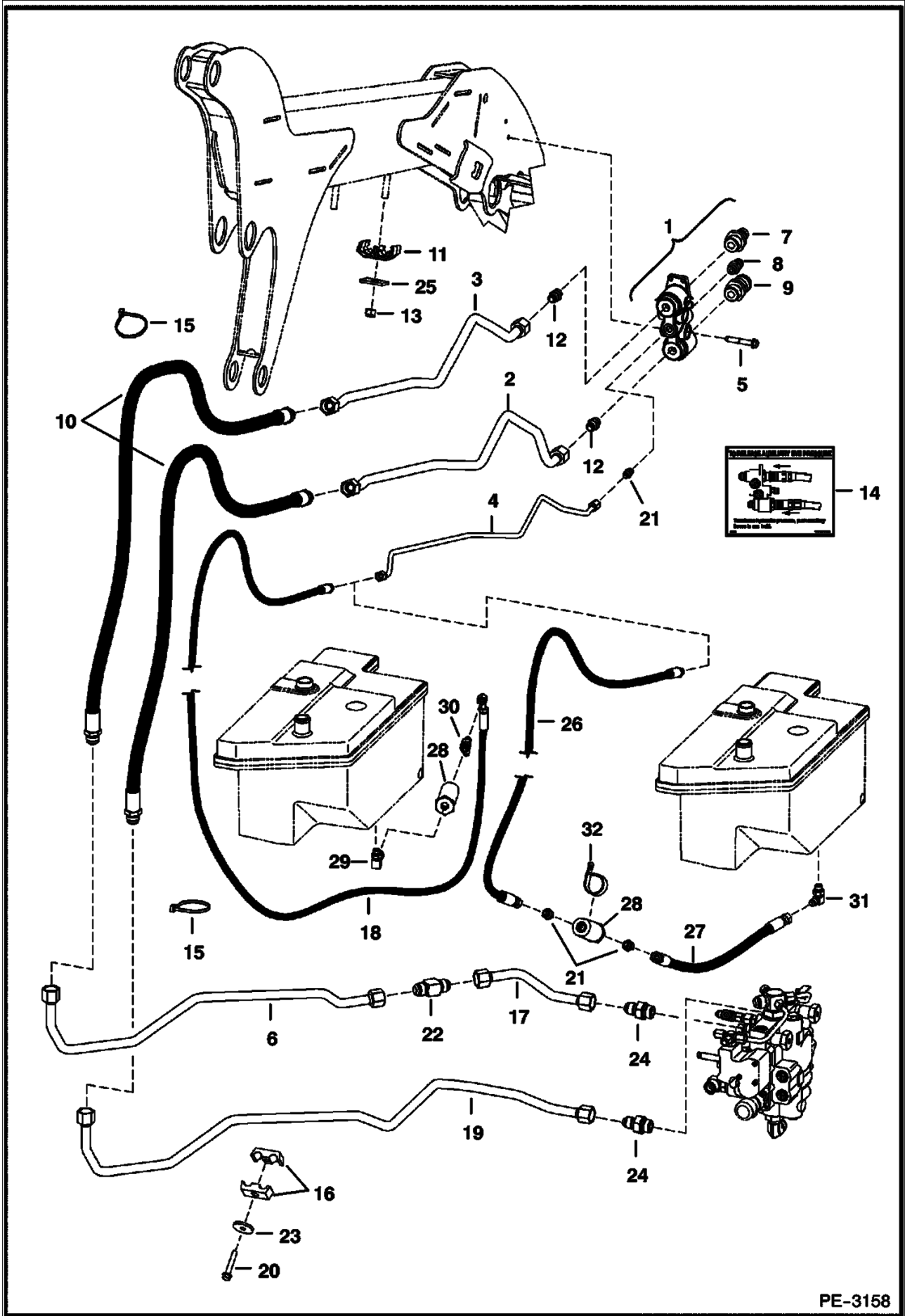


PE-2264

MANUAL LIFT RELEASE SYSTEM (Cont'd)

Ref No	Part Number	Description	Remarks	Serial Number	Qty
1	17KB0606	FITTING	W/Ref. 2		2
2	79K6	O RING 10			x
3	83D6	NUT 5			2
4	17C432	BOLT			2
5	6717151	MOUNT			1
6	35C616	BOLT 5			1
7	35C616	BOLT 5			1
8	6667844	VALVE, LIFT MANUAL	See Illustration MANUAL LIFT RELEASE VALVE/ PE1547 - manual lift release		1
9	6707101	SEAL	neoprene		1
10	6737524	KNOB	red square		1
11	83D4	NUT 10			2
12	6725182	TEE	W/Ref. 2		2
13	7117380	TUBE		A3LJ 34999 & Bel	1
13	7117380	TUBE		A3JK 34999 & Bel	1
13	7171060	TUBELINE, HYD		S/N & Abv	1
14		TUBE	NAP - Wdecals - Order Ref. 17 and adjust Ref. 1 to fit		1
14	6809511	DECAL, DANGER			2
15	7D4	NUT			1
16		VALVE	See Illustration HYDRAULIC CONTROL VALVE/ PE2734 - control		1
17	6734206	TUBE	available only as an assembly W/two danger decals installed		1
18	6718031	TEE			1
18	79K6	O RING 10			1
19	36K5	CAP	2-speed motor		2

AUXILIARY HYDRAULICS
(W/Pressure Relief Coupler Block)

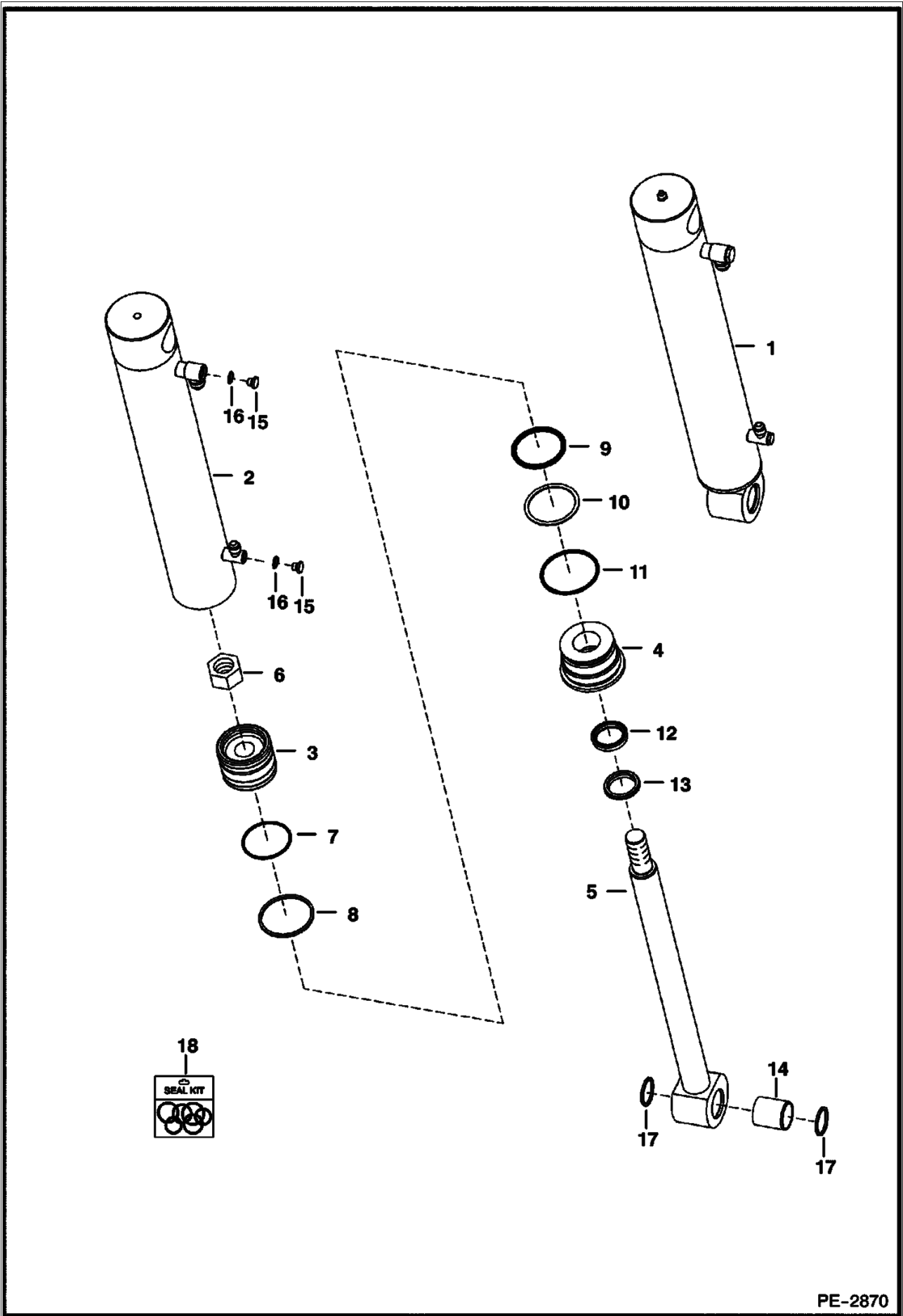


PE-3158

**AUXILIARY HYDRAULICS (Cont'd)
(W/Pressure Relief Coupler Block)**

Ref No	Part Number	Description	Remarks	Serial Number	Qty
1	6678076	BLOCK	coupler - Ref. 7-9 & (2) of Ref. 12		1
2	6731230	TUBE			1
3	6731229	TUBE			1
4	6731231	TUBE			1
5	84G3740	BOLT			2
6	7115413	TUBE			1
7	6679837	COUPLER	coupler - male - FF		1
7	6679841	SEAL	blue		1
7	6680020	SEAL KIT	(3) O-rings & (3) back-up washers		1
8	6679838	KIT, COUPLER	male casedrain - W/valve, spring, seal & O-ring		1
8	6679840	SEAL	blue		1
9	6680018	COUPLER, KIT	female - Use W/hydraulic breaker		1
9	6680020	SEAL KIT	(3) O-rings & (3) back-up washers		1
10	6727657	HOSE	W/cover		2
11	6717951	CLAMP			2
12	6679836	ADAPTER	W/spring		2
12	79K12	O RING 10			2
13	59D8	NUT 5			2
14	6731757	DECAL, OPERATION	to release auxiliary hyd. pressure - not in kit		1
15	6624289	STRAP, TIE			2
16	6592506	CLAMP			2
17	7115412	TUBE			1
18	7114121	HOSE	single speed motor		1
19	7110264	TUBE			1
20	84G3740	BOLT			1
21	15KB0606	FITTING, HYD CONNECTOR			3
21	79K6	O RING 10			3
22	7114294	ADAPTER			1
23	872229	WASHER			1
24	15KB1216	FITTING, HYD CONNECTOR			2
24	79K6	O RING 10			1
25	6553709	WASHER			2
26	7126168	HOSE	2-speed motor		1
27	7126166	HOSE	2-speed motor		1
28	6661022	FILTER, OIL HYD IN-LINE	See Illustration HYDROSTATIC OIL FILTER/ B13527 - 90 micron		2
29	6715190	ELBOW			1
29	79K6	O RING 10			1
30	21KB0606	FTG HYD STRAIGHT TEE			1
30	79K6	O RING 10			1
31	17KB0606	FITTING			1
31	79K6	O RING 10			1
32	30H79	CLAMP			1

TILT CYLINDER

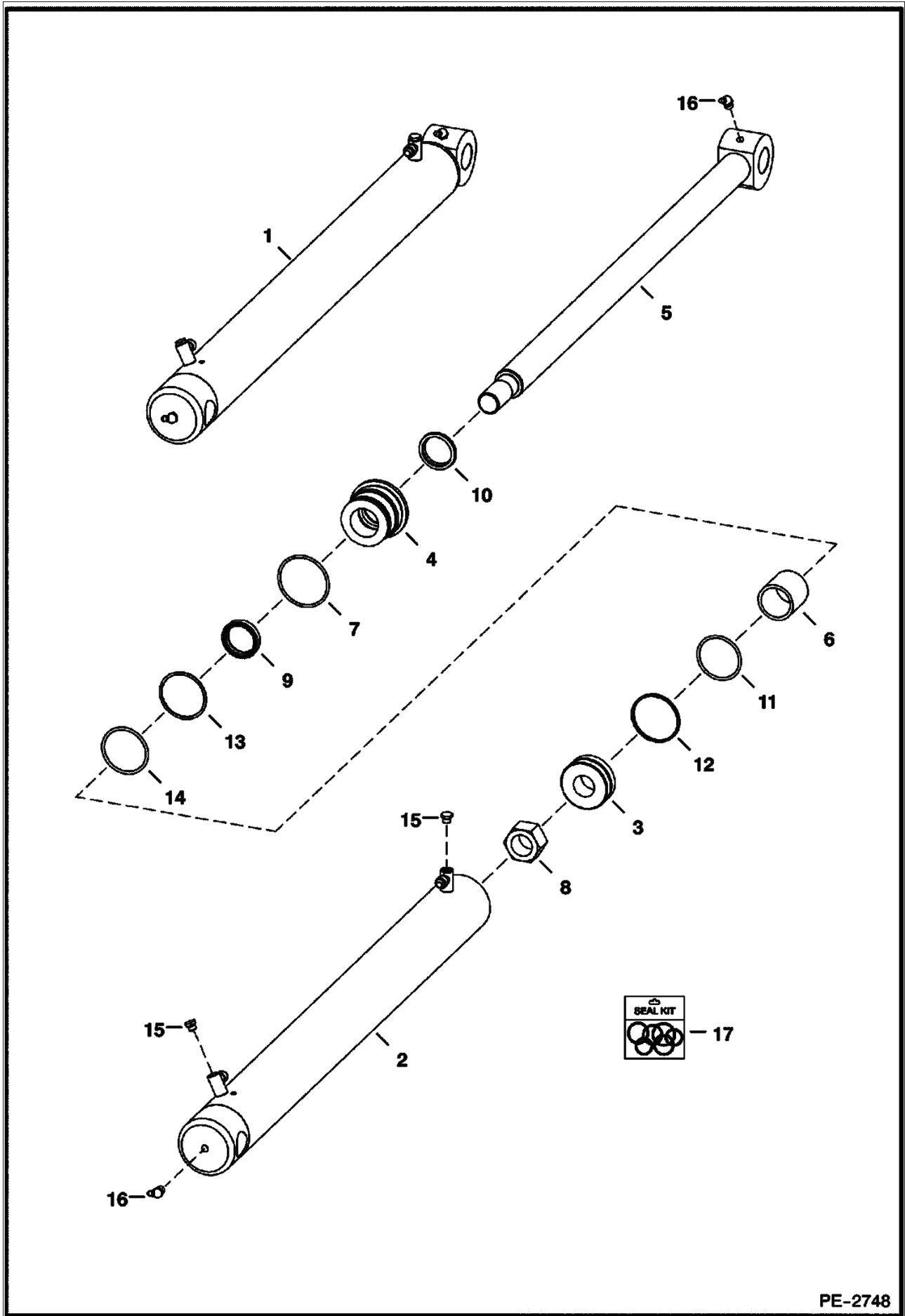


PE-2870

TILT CYLINDER (Cont'd)

Ref No	Part Number	Description	Remarks	Serial Number	Qty
1	7117174	CYLINDER, TILT	tilt - Ref. 2-16 - .75" thread base end fitting		2
2	7117175	TUBE, CASE CYL TILT	2.75" (69,9 mm) ID - .75" base end fitting		1
3	6806315	PISTON			1
4	6536968	HEAD			1
5	6809903	SHAFT, ROD CYL TILT	1.375" (34,9 mm) - W/Ref. 14		1
6	92D16	NUT			1
7	25K30210	O-RING			1
8	6516229	PISTON SEAL			1
9	25K60212	O RING 10			1
10	80K332	WASHER	back-up		1
11	25K40224	O RING 10			1
12	6667325	SEAL	rod		1
13	6666543	SEAL	wiper		1
14	6805453	BUSHING	wear		1
15	6812170	PLUG	W/Ref. 16		2
16	75K3	O-RING			2
17	225855	SEAL, OIL 10			2
18	6806330	KIT, SEAL	Ref. 6-13		1

LIFT CYLINDER

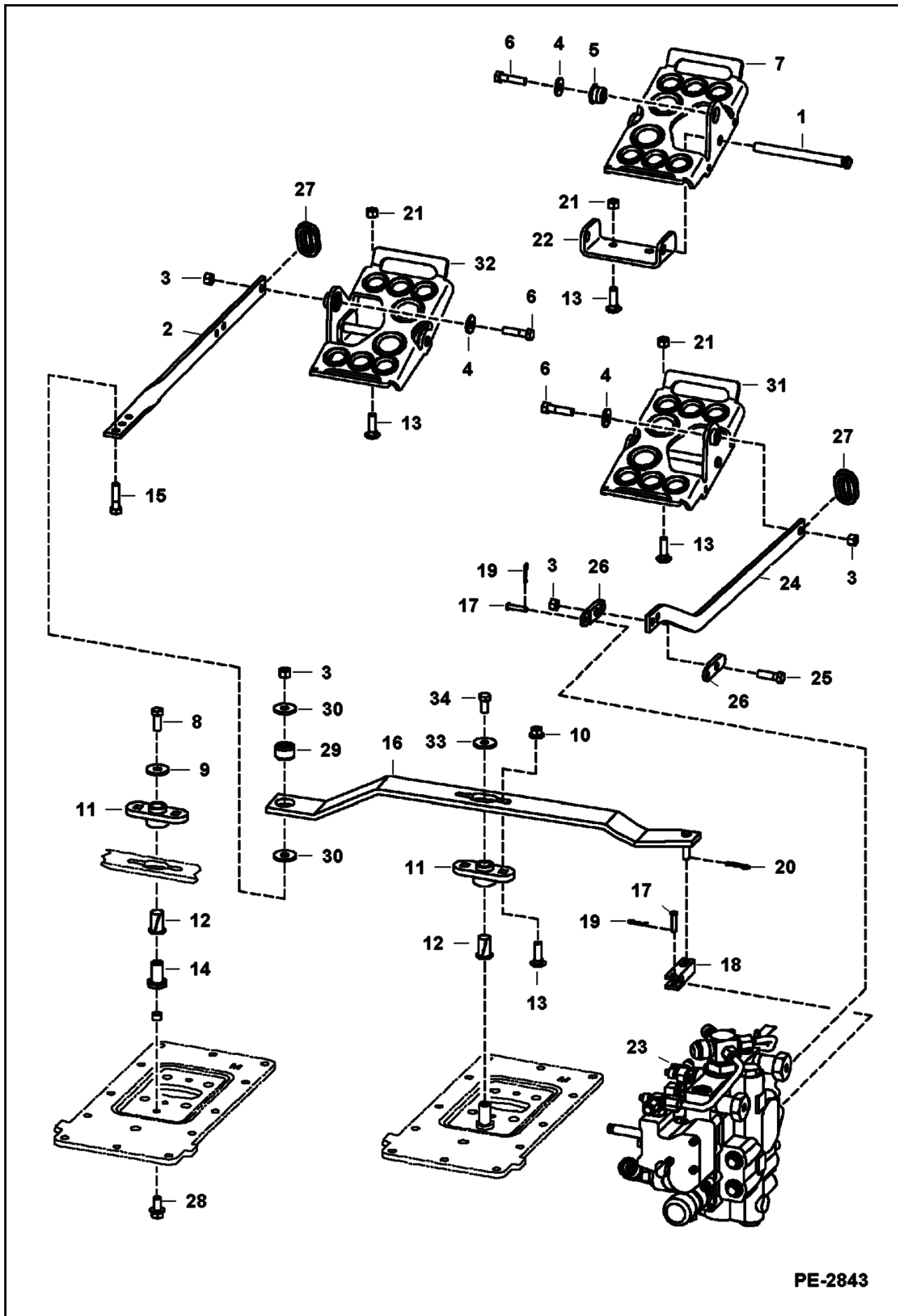


PE-2748

LIFT CYLINDER (Cont'd)

Ref No	Part Number	Description	Remarks	Serial Number	Qty
1	7117667	CYLINDER, LIFT	Ref. 2 - 16		2
2	7117668	TUBE, CASE CYL LIFT			1
3	6678931	PISTON	W/Ref. 9 & 10 - Also has Non-Replaceable wear sleeves		1
4	6806124	HEAD			1
5	7107896	ROD	32.29" (820,2mm) long		1
6	6809593	SPACER			1
7	82K230	SEAL			1
8	6810539	NUT			1
9	1522534	SEAL			1
10	25K30202	O RING 10			1
11	25K40208	O RING 10			1
12	73K228	BACK-UP RING	back-up		1
13	6667326	SEAL	rod		1
14	6690707	SEAL	wiper		1
15	6812170	PLUG			2
15	75K3	O-RING			2
16	11H15	GREASE FITTING			2
17	7135559	SEAL KIT	Ref. 7-14		1

CONTROL PEDALS

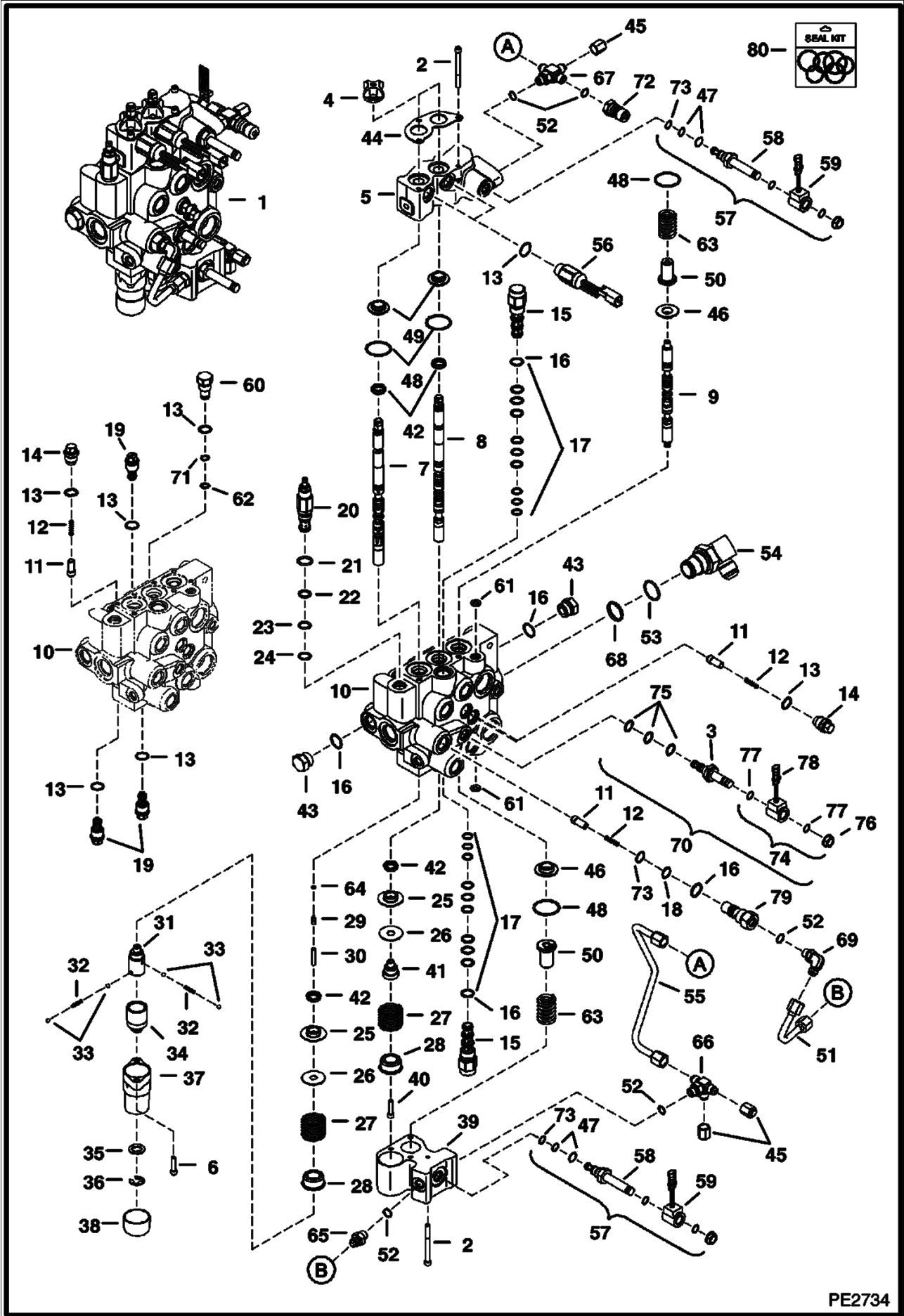


PE-2843

CONTROL PEDALS (Cont'd)

Ref No	Part Number	Description	Remarks	Serial Number	Qty
1	6564657	PIN			2
2	6576302	BAR			1
3	95D6	NUT			4
4	6563914	WASHER			2
5	6665701	BUSHING, PRESS FIT			2
6	17C624	BOLT 5			2
7	7115219	PEDAL			2
8	17C616	BOLT 5			1
9	619021	WASHER, 5	0.125" thick - 32 mm (1.25") OD		1
10	53D6	NUT	flanged head - pre-applied loctite		2
11	6708043	BUSHING	flange		1
12	6512026	BUSHING			1
13	37C620	BOLT			6
14	6706104	RETAINING NUT			1
15	49C628	BOLT			1
16	7108408	LEVER			1
17	6564654	PIN			2
18	6706105	YOKE			1
19	6513495	COTTER PIN			2
20	1306637	CLIP			1
21	57D6	NUT 5			4
22	7115220	MOUNT			2
23		VALVE			1
24	6717820	BAR			1
25	17C620	BOLT			1
26	6708009	LINK	2.69" (68,3 mm) long		2
27	6577961	GROMMET			2
28	43C612	BOLT			1
29	6685060	BUSHING, TORSION	torsion - 26,8 mm (1.055") OD		1
30	6737388	WASHER			2
31	7123942	PEDAL ASSEMBLY	RH - W/Ref. 1, 5, 7 & 22		1
32	7123941	PEDAL ASSEMBLY	LH - W/Ref. 1, 5, 7 & 22		1
33	17C612	BOLT 5			1
34	6557831	WASHER	0.15" thick - 0.88" OD		1

**HYDRAULIC CONTROL VALVE
(Manual Controls)
(S/N A3LJ11001 - 34999, A3LK11001 - 34999)**

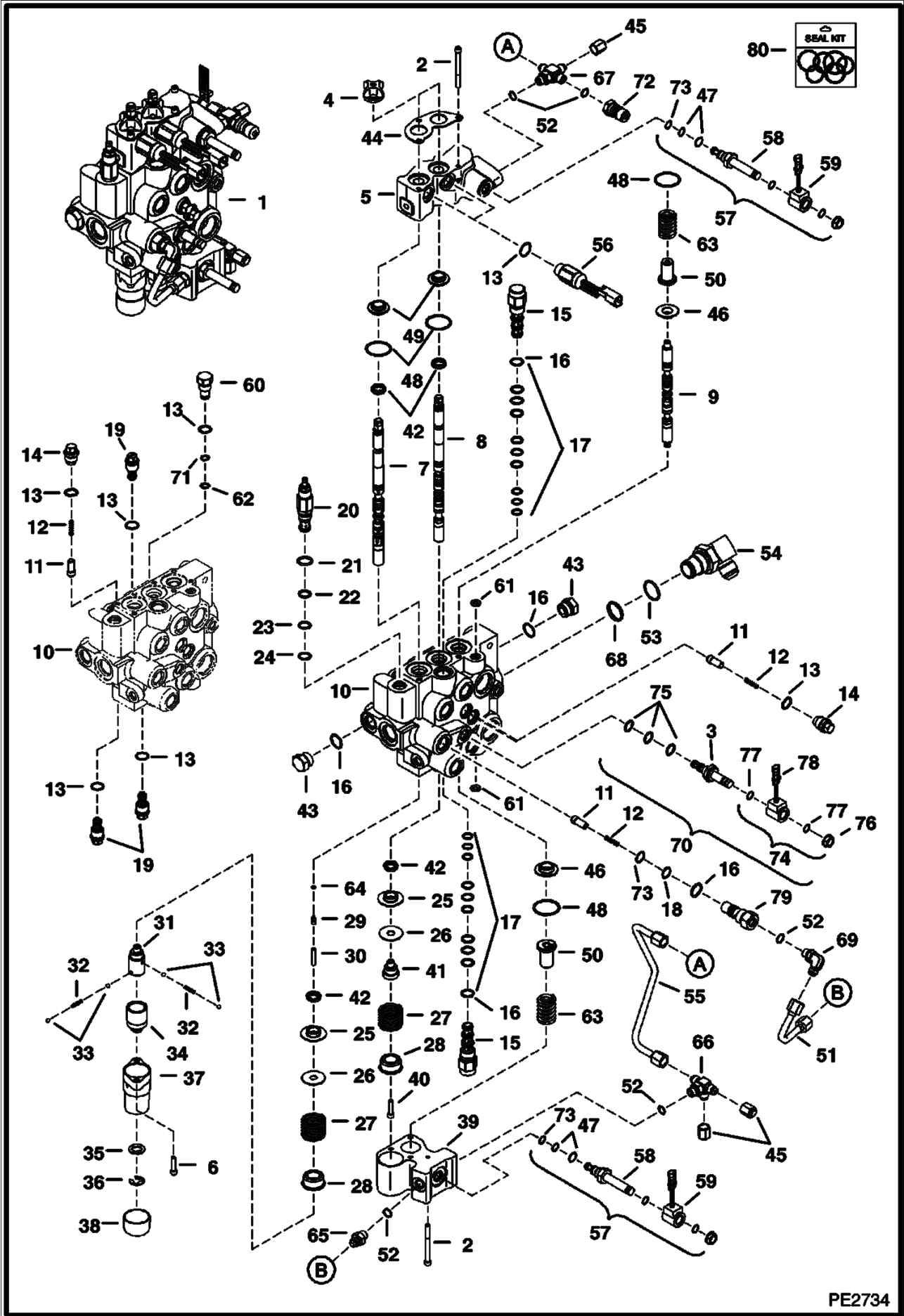


PE2734

HYDRAULIC CONTROL VALVE (Cont'd)
(Manual Controls)
(S/N A3LJ11001 - 34999. A3LK11001 - 34999)

Ref No	Part Number	Description	Remarks	Serial Number	Qty
1		VALVE, CONTROL	See BTI363 - NAP - W/fittings - Was 7160957 [A]		1
2	29G444	BOLT			7
3	6667687	STEM			1
4	6587763	BOOT			2
5	6817003	BODY			1
6	29G416	BOLT			2
7	7108781	SPOOL	lift		1
8	6815152	SPOOL	tilt		1
9	7112383	AUX SPOOL	auxiliary		1
10		BODY	NSS		1
11	7166047	SEAT, CHECK VALVE	load check - Was 7106712 [A]		4
12	6592117	SPRING			4
13	79K8	O RING 10			3
14	7134520	PLUG	load check - W/Ref. 13		3
15	6689739	VALVE	pilot operated - W/Ref. 16-18		2
16	79K10	O RING 10			5
17	6690431	KIT, SEAL	W/Ref. 16		2
18	73K016	RING, BACK-UP			1
19	6684645	VALVE, ANTI CAV	anti-cav - W/Ref. 13		3
20	6686360	VALVE	main relief - W/Ref. 21-24 - pressure to be set in field		1
21	58K17	O RING 10			1
22	6665569	WASHER	back-up		1
23	25K20016	O RING 10			1
24	6665570	RING	glide		1
25	6595663	BUSHING			2
26	6587523	WASHER			2
27	6587580	SPRING			2
28	6592100	COLLAR			2
29	6596807	PLUG	plastic - 0.46" long		1
30	6586918	SCREW			1
31	6587575	ADAPTER			1
32	6592107	SPRING			2
33	6592105	BALL			4
34	6531270	SLEEVE, DETENT			1
35	6592098	WASHER			1
36	799119	RING			1
37	6589226	BONNET	0.63" flange		1
38	6660644	CAP			1
39	6814279	BLOCK			1
40	30G416	BOLT			1
41	6592109	ADAPTER			1
42	6683274	SEAL, SPOOL 10			4
43	24K7	PLUG	W/Ref. 16		2
44	6813153	PLATE			1
45	36K5	CAP			1
46	7138376	BUSHING			2
47	6685603	KIT, SEAL	solenoid valve		2
48	1K127	O-RING 10			4
49	7202038	BUSHING, ALIGNMENT	Also Order 82K019 alignment O-ring - Was 6805102 [A]		2
50	6814694	RETAINER	spring		2
51	7116995	TUBELINE			1
52	79K6	O RING 10			x

HYDRAULIC CONTROL VALVE (Cont'd)
 (Manual Controls)
 (S/N A3LJ11001 - 34999, A3LK11001 - 34999)

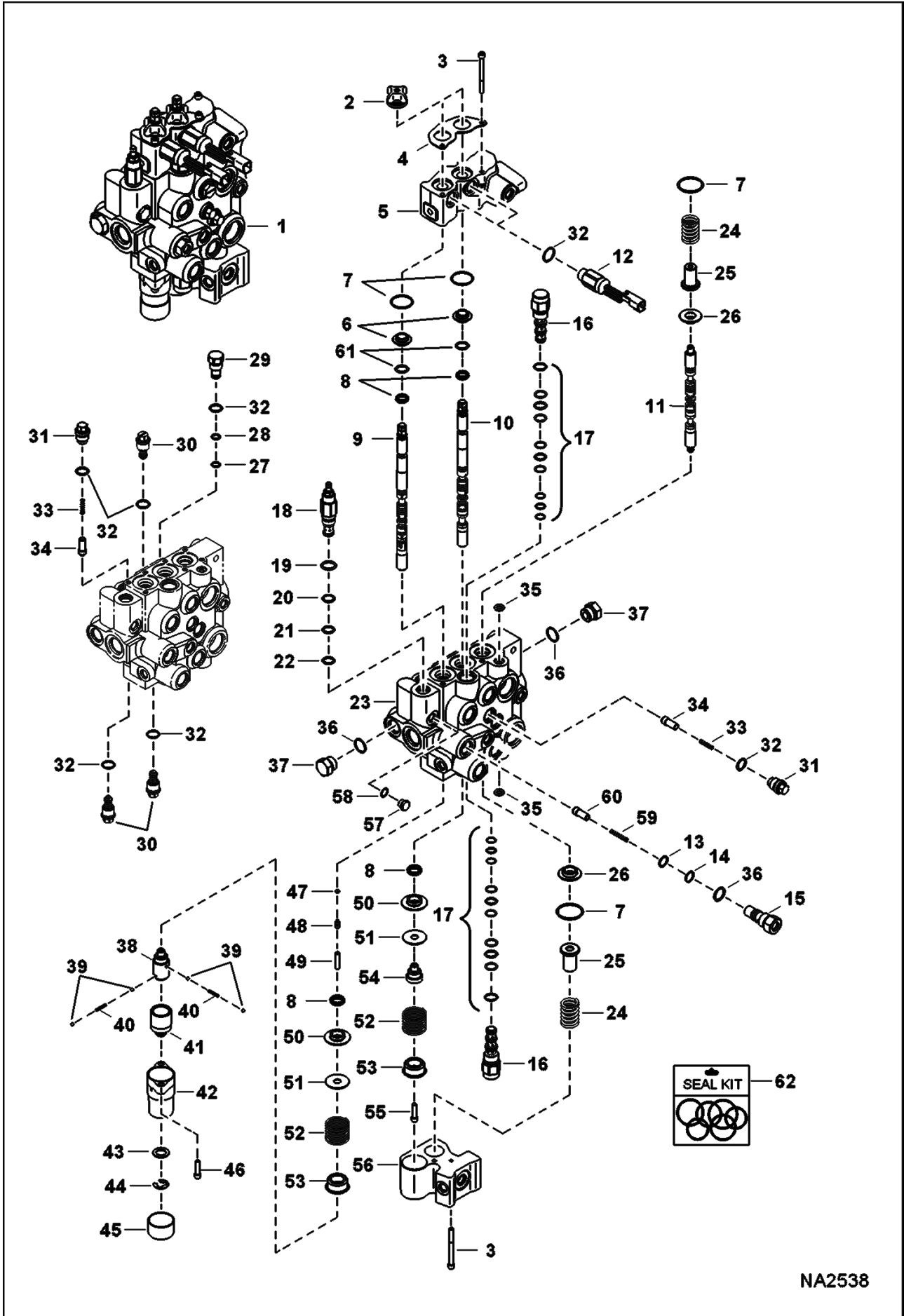


PE2734

HYDRAULIC CONTROL VALVE (Cont'd)
(Manual Controls)
(S/N A3LJ11001 - 34999. A3LK11001 - 34999)

Ref No	Part Number	Description	Remarks	Serial Number	Qty
53	79K16	O RING 10			x
54	7101371	ELBOW	W/Ref. 53 & 68		1
55	7110914	TUBELINE			1
56	6677383	SOLENOID, LOCK SPOOL	2-pin conector - 127 mm (5") wire		2
57	6686868	SOLENOID	W/Ref. 47, 58, 59, 69 & 73		2
58	6688743	STEM, VALVE CONTROL	W/Ref. 47, 69, & 73		2
59	6678891	COIL	10 volt - W/nut		2
59	6691022	NUT			2
60	6816549	PLUG ASSY PORT RLF	W/Ref. 13, 62 & 71		1
61	55K204	O RING 10			2
62	80K13	WASHER	back-up		4
63	7121399	SPRING			2
64	58K4	O-RING			1
65	6688845	VALVE	check - W/screen & Ref. 52		1
66	7102019	CROSS	W/Ref. 52		1
67	7102066	CROSS	W/Ref. 52		1
68	58K022	O-RING 10			1
69	17KB0606	FITTING	W/Ref. 52		1
70		SOLENOID	Ref. 3 & 75-78		1
71	58K013	O-RING			1
72	6684125	COUPLER			1
73	58K016	O-RING 10			x
74	6675559	COIL	assy - Ref. 76-78		1
75	6669732	KIT, SEAL			1
76	6668820	NUT			1
77	54K20028	O RING 10			4
78	6671025	COIL	8 volt		2
79	7134522	PLUG			1
80	7123964	KIT, SEAL COMPLETE	includes 7123963, 7123965, 6632279, 6669732 & (2) each of 6685603 & 6690431		x
80	7123963	SEAL KIT, EXTERNAL FITTING	3 spool - Ref. 4, 29, 42, 48, 61 & 62		x
80	6685603	KIT, SEAL	solenoid valve - Ref. 47		x
80	6632279	KIT, SEAL	main relief - Ref. 21-24		x
80	7123965	SEAL KIT, EXTERNAL FITTING	external fitting - Ref. 13, 16, 18, 52, 53, 62, 68, 71, 73, & 77		x
80	6669732	KIT, SEAL	solenoid valve - Ref. 75		x
80	6690431	KIT, SEAL	pilot valve - Ref. 17		x

HYDRAULIC CONTROL VALVE (Spool Lock) (Service Valve)

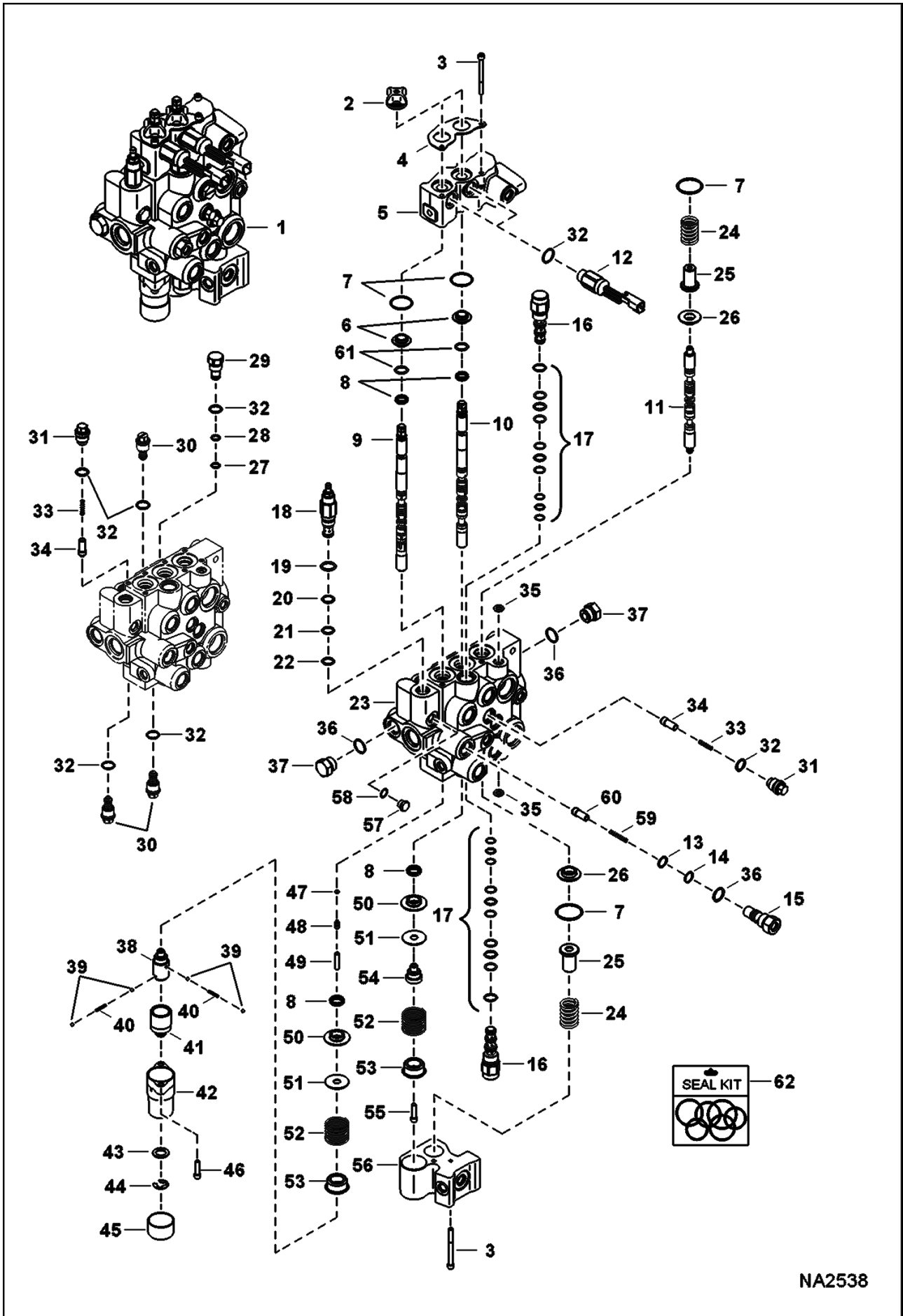


NA2538

**HYDRAULIC CONTROL VALVE (Cont'd)
(Spool Lock) (Service Valve)**

Ref No	Part Number	Description	Remarks	Serial Number	Qty
1	7184231	VALVE, CONTROL SERVICE			1
2	6587763	BOOT			2
3	29G444	BOLT			7
4	6813153	PLATE	retainer		1
5	6817003	BODY			1
6	7202038	BUSHING, ALIGNMENT	Also Order 82K019 alignment O-ring - Was 6805102 [A]		2
7	1K127	O-RING 10			x
8	6683274	SEAL, SPOOL 10			4
9	7108781	SPOOL	lift		1
10	6815152	SPOOL			1
11	7112383	AUX SPOOL			1
12	6676029	SOLENOID, LOCK SPOOL	W/Ref. 32		2
13	73K016	RING, BACK-UP			x
14	58K016	O-RING 10			x
15	7134522	PLUG	W/Ref. 33, 34 & 36		1
16	6689739	VALVE	pilot operated - W/Ref. 21		2
17	6690431	KIT, SEAL	W/Ref. 32		2
18	6686360	VALVE	main relief - W/Ref. 19-22 - pressure to be set in field		1
19	58K17	O RING 10			x
20	6665569	WASHER	back-up		x
21	25K20016	O RING 10			x
22	6665570	RING	guide		x
23		VALVE BODY	NSS		1
24	7121399	SPRING			2
25	6814694	RETAINER			2
26	7138376	BUSHING			2
27	73K013	RING, BACK-UP			x
28	58K013	O-RING			x
29	6816549	PLUG ASSY PORT RLF	W/Ref. 27, 28 & 32		1
30	6684645	VALVE, ANTI CAV	anti-cav - 3500 psi - W/Ref. 32		3
31	7134520	PLUG	check valve - W/Ref. 32		3
32	79K8	O RING 10			x
33	6592117	SPRING			3
34	7166047	SEAT, CHECK VALVE			3
35	55K204	O RING 10			x
36	79K10	O RING 10			x
37	24K7	PLUG	W/Ref. 36		2
38	6587575	ADAPTER			1
39	6592105	BALL			4
40	6592107	SPRING			2
41	6531270	SLEEVE, DETENT			1
42	6589226	BONNET	0.63" flange		1
43	6592098	WASHER			1
44	799119	RING			1
45	6660644	CAP			1
46	29G416	BOLT			2
47	58K4	O-RING			1
48	6596807	PLUG	plastic - 0.46" long		1
49	6586918	SCREW			1

HYDRAULIC CONTROL VALVE (Cont'd) (Spool Lock) (Service Valve)

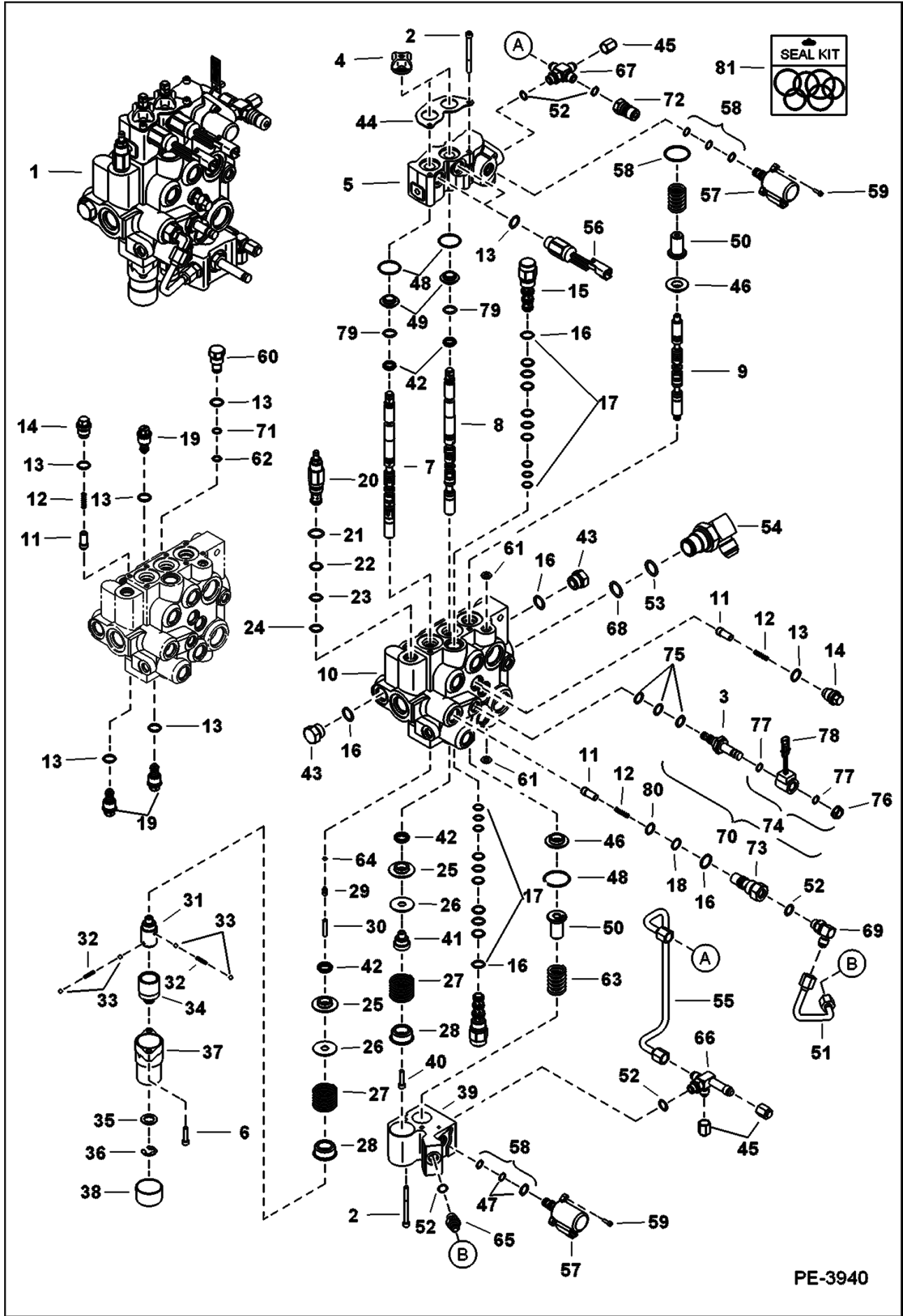


NA2538

**HYDRAULIC CONTROL VALVE (Cont'd)
(Spool Lock) (Service Valve)**

Ref No	Part Number	Description	Remarks	Serial Number	Qty
50	6595663	BUSHING			2
51	6587523	WASHER			2
52	6587580	SPRING			2
53	6592100	COLLAR			2
54	6592109	ADAPTER			1
55	7102652	SCREW			1
56	6814279	BLOCK			1
57	6812171	PLUG	W/Ref. 58		1
58	75K6	O-RING			1
59	7166339	SPRING, LOAD CHECK			1
60	7166047	SEAT, CHECK VALVE			1
61	82K019	O-RING	alignment		2
62	7123964	KIT, SEAL COMPLETE	includes 7123963, 7123965, 6632279, 6669732 & (2) each of 6685603 & 6690431		x
62	7123963	SEAL KIT, EXTERNAL FITTING	3 spool - Ref. 2, 7, 8, 35, 47, & 48		x
62	7123965	SEAL KIT, EXTERNAL FITTING	external fitting		x
62	6685603	KIT, SEAL	solenoid valve		x
62	6632279	KIT, SEAL	main relief - Ref. 19-22		x
62	6669732	KIT, SEAL	solenoid valve		x
62	6690431	KIT, SEAL	pilot valve - Ref. 21		x

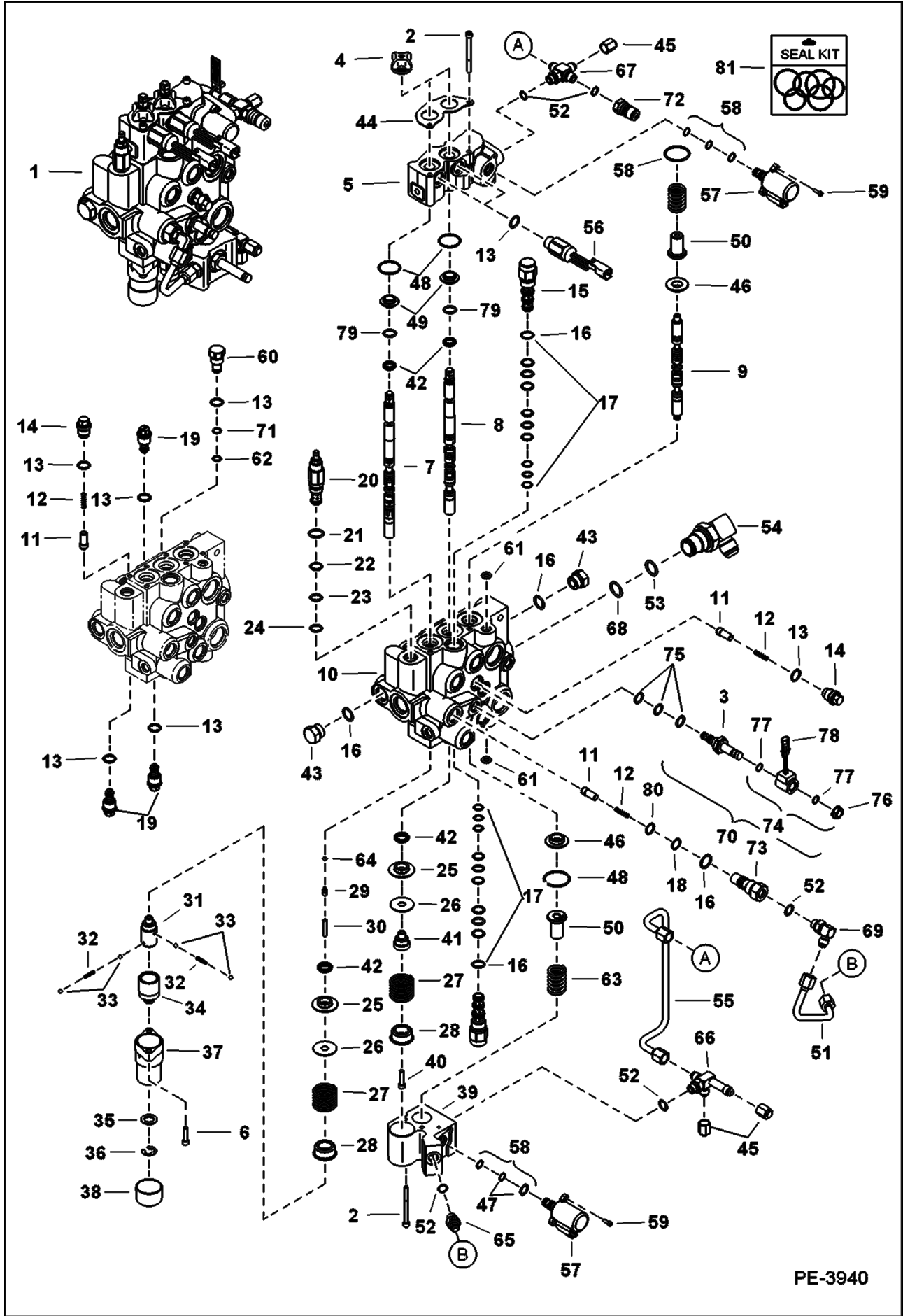
**HYDRAULIC CONTROL VALVE
(Manual Controls)
(S/N A3LJ35001 & Above. A3LK35001 & Above)**



HYDRAULIC CONTROL VALVE (Cont'd)
(Manual Controls)
(S/N A3LJ35001 & Above. A3LK35001 & Above)

Ref No	Part Number	Description	Remarks	Serial Number	Qty
1	7161692	VALVE, CONTROL	W/fittings		1
2	29G444	BOLT			7
3	6667687	STEM			1
4	6587763	BOOT			2
5	7157286	BODY			1
6	29G416	BOLT			2
7	7108781	SPOOL	lift		1
8	6815152	SPOOL	tilt		1
9	7112383	AUX SPOOL	auxiliary		1
10		BODY	NSS		1
11	7166047	SEAT, CHECK VALVE	load check - Was 7106712 [B]		4
12	7166339	SPRING, LOAD CHECK	Was 6592117 [B]		4
13	79K8	O RING 10			3
14	7134520	PLUG	load check - W/Ref. 13		3
15	6689739	VALVE	pilot operated - W/Ref. 16-18		2
16	79K10	O RING 10			5
17	6690431	KIT, SEAL	W/Ref. 16		2
18	73K016	RING, BACK-UP			1
19	6684646	VALVE	anti-cav - W/Ref. 13		3
20	6686360	VALVE	main relief - W/Ref. 21-24 - pressure to be set in field		1
21	58K17	O RING 10			1
22	6665569	WASHER	back-up		1
23	25K20016	O RING 10			1
24	6665570	RING	glide		1
25	6595663	BUSHING			2
26	6587523	WASHER			2
27	6587580	SPRING			2
28	6592100	COLLAR			2
29	6596807	PLUG	plastic - 0.46" long		1
30	6586918	SCREW			1
31	6587575	ADAPTER			1
32	6592107	SPRING			2
33	6592105	BALL			4
34	6531270	SLEEVE, DETENT			1
35	6592098	WASHER			1
36	799119	RING			1
37	6589226	BONNET	0.63" flange		1
38	6660644	CAP			1
39	7157289	BLOCK			1
40	30G416	BOLT			1
41	6592109	ADAPTER			1
42	6683274	SEAL, SPOOL 10			4
43	24K7	PLUG	W/Ref. 16		2
44	6813153	PLATE			1
45	36K5	CAP			1
46	7138376	BUSHING			2
47	6685603	KIT, SEAL	solenoid valve		2
48	1K127	O-RING 10			4
49	7202038	BUSHING, ALIGNMENT	Also Order 82K019 alignment O-ring - Was 6805102 [A]		2
50	6814694	RETAINER	spring		2
51	7157290	TUBELINE			1
52	79K6	O RING 10			x

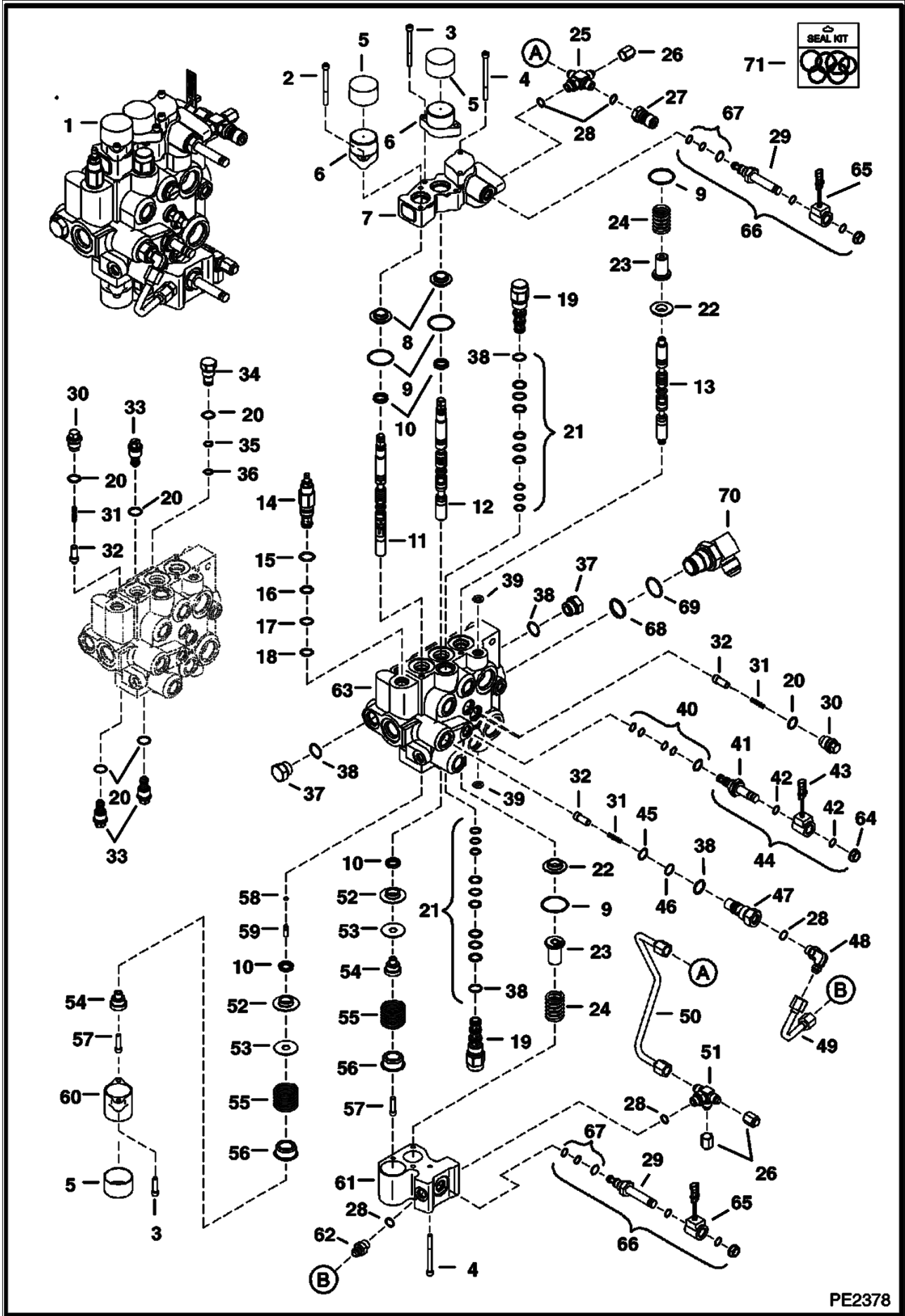
HYDRAULIC CONTROL VALVE (Cont'd)
(Manual Controls)
 (S/N A3LJ35001 & Above. A3LK35001 & Above)



HYDRAULIC CONTROL VALVE (Cont'd)
(Manual Controls)
(S/N A3LJ35001 & Above. A3LK35001 & Above)

Ref No	Part Number	Description	Remarks	Serial Number	Qty
53	79K16	O RING 10			x
54	7101371	ELBOW	W/Ref. 53 & 68		1
55	7157291	TUBELINE			1
56	6676029	SOLENOID, LOCK SPOOL	127 mm (5") wire		2
57	6698434	VALVE, PROPORTIONAL			2
58	7008771	KIT, SEAL	Use for Ref. 57		2
59	7002716	SCREW			4
60	6816549	PLUG ASSY PORT RLF	W/Ref. 13, 62 & 71		1
61	55K204	O RING 10			2
62	80K13	WASHER	back-up		4
63	7121399	SPRING			2
64	58K4	O-RING			1
65	6688845	VALVE	check - W/screen & Ref. 52		1
66	7170376	TEE	W/Ref. 52		1
67	7102066	CROSS	W/Ref. 52		1
68	58K022	O-RING 10			1
69	17KB0606	FITTING	W/Ref. 52		1
70		SOLENOID	NAP - Ref. 3 & 75-78		1
71	58K013	O-RING			1
72	6684125	COUPLER			1
73	7134522	PLUG			1
74	6675559	COIL	assy - Ref. 76-78		1
75	6669732	KIT, SEAL			1
76	6668820	NUT			1
77	54K20028	O RING 10			4
78	6671025	COIL	8 volt		2
79	82K019	O-RING	alignment		2
80	58K016	O-RING 10			1
81	7123964	KIT, SEAL COMPLETE	includes 7123963, 7123965, 6632279, 6669732 & (2) each of 6685603 & 6690431		x
81	7123963	SEAL KIT, EXTERNAL FITTING	3 spool - Ref. 4, 29, 42, 48, 61 & 62		x
81	6685603	KIT, SEAL	solenoid valve - Ref. 47		x
81	6632279	KIT, SEAL	main relief - Ref. 21-24		x
81	7123965	SEAL KIT, EXTERNAL FITTING	external fitting - Ref. 13, 16, 18, 52, 53, 62, 68, 71, 73, & 77		x
81	6669732	KIT, SEAL	solenoid valve - Ref. 75		x
81	6690431	KIT, SEAL	pilot valve - Ref. 17		x

HYDRAULIC CONTROL VALVE
(AHC/ACS/SJC)
(S/N A3LJ11001 - 34999, A3LK11001 - 34999)

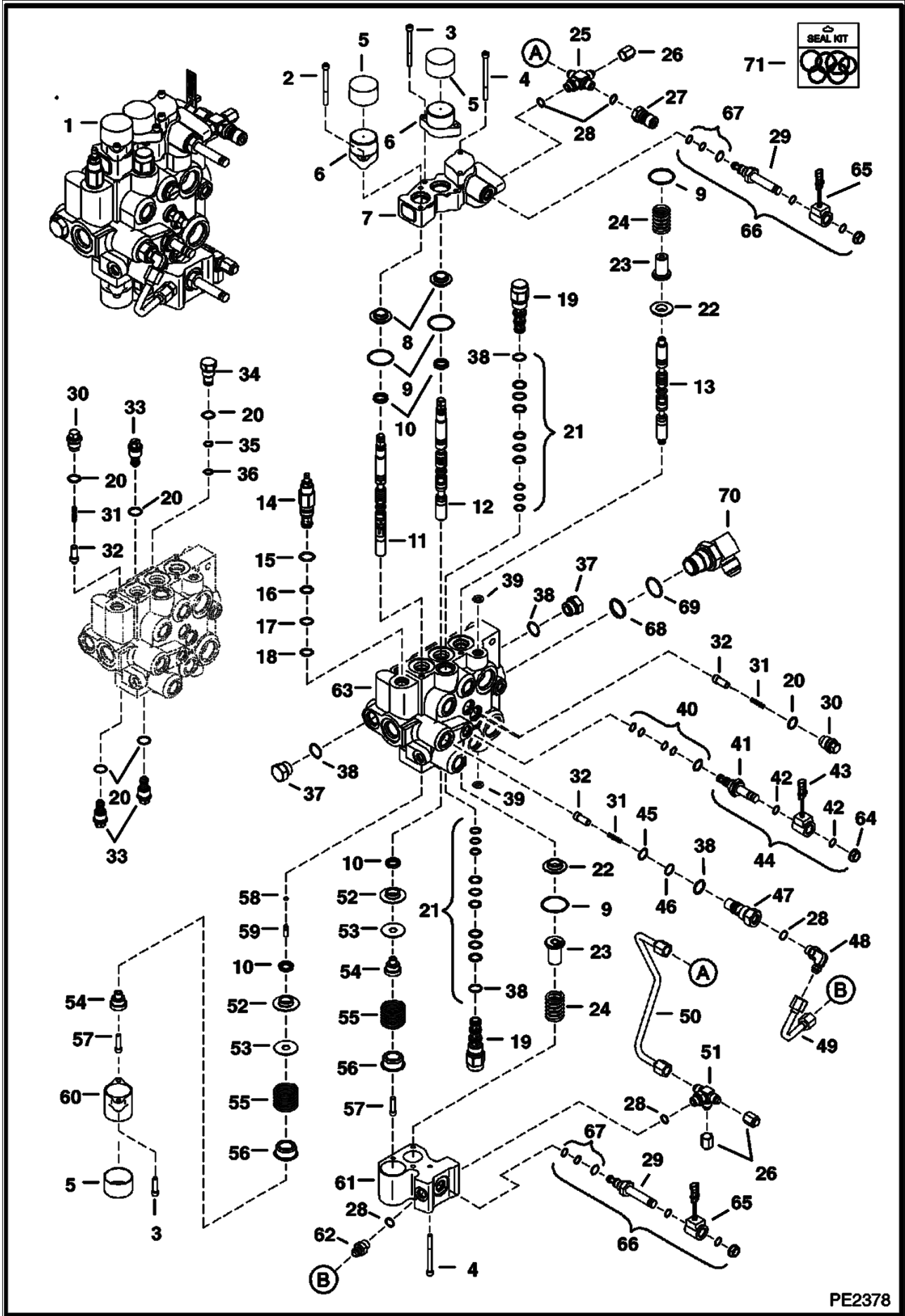


PE2378

HYDRAULIC CONTROL VALVE (Cont'd)
(AHC/ACS/SJC)
(S/N A3LJ11001 - 34999, A3LK11001 - 34999)

Ref No	Part Number	Description	Remarks	Serial Number	Qty
1		VALVE, CONTROL	See BTI363 - NAP - W/fittings - Was 7101354		1
2	69G436	BOLT			2
3	29G416	BOLT			4
4	29G444	BOLT			5
5	6662848	CAP			3
6	7101345	BONNET, DETENT HYD VALVE			2
7	6817004	BODY			1
8	7202038	BUSHING, ALIGNMENT	Also Order 82K019 alignment O-ring - Was 6805102 [A]		2
9	1K127	O-RING 10			4
10	6683274	SEAL, SPOOL 10			4
11	7108241	LIFT SPOOL	lift		1
12	7108242	TILT SPOOL	tilt		1
13	7112383	AUX SPOOL			1
14	6686360	VALVE	main relief - W/Ref. 15-18 - pressure to be set in field		1
15	58K17	O RING 10			x
16	6665569	WASHER	back-up		x
17	25K20016	O RING 10			x
18	6665570	RING	guide		x
19	6689739	VALVE	pilot operated - W/Ref. 21		2
20	79K8	O RING 10			x
21	6690431	KIT, SEAL	W/Ref. 38		2
22	7138376	BUSHING			2
23	6814694	RETAINER			2
24	7121399	SPRING			2
25	7102066	CROSS	W/Ref. 28		1
26	36K5	CAP			2
27	6684125	COUPLER	male		1
28	79K6	O RING 10			x
29	6688743	STEM, VALVE CONTROL			2
30	7134520	PLUG	check valve - W/Ref. 20		3
31	6592117	SPRING			4
32	7166047	SEAT, CHECK VALVE	Was 7106712 [A]		4
33	6684645	VALVE, ANTI CAV	anti-cav - W/Ref. 20		3
34	6816549	PLUG ASSY PORT RLF	W/Ref. 20, 35 & 36		1
35	58K013	O-RING			x
36	73K013	RING, BACK-UP			x
37	24K7	PLUG	W/Ref. 38		2
38	79K10	O RING 10			x
39	55K204	O RING 10			x
40	6669732	KIT, SEAL			1
41	6667687	STEM			1
42	54K20028	O RING 10			x
43	6671025	COIL			1
44	6672471	VALVE	solenoid - W/Ref. 40-43 & 64		1
45	58K016	O-RING 10			x
46	73K016	RING, BACK-UP			x
47	7134522	PLUG	W/Ref. 38, 45 & 46		1
48	17KB0606	FITTING	W/Ref. 28		1
49	7116995	TUBELINE			1

HYDRAULIC CONTROL VALVE (Cont'd)
 (AHC/ACS/SJC)
 (S/N A3LJ11001 - 34999, A3LK11001 - 34999)

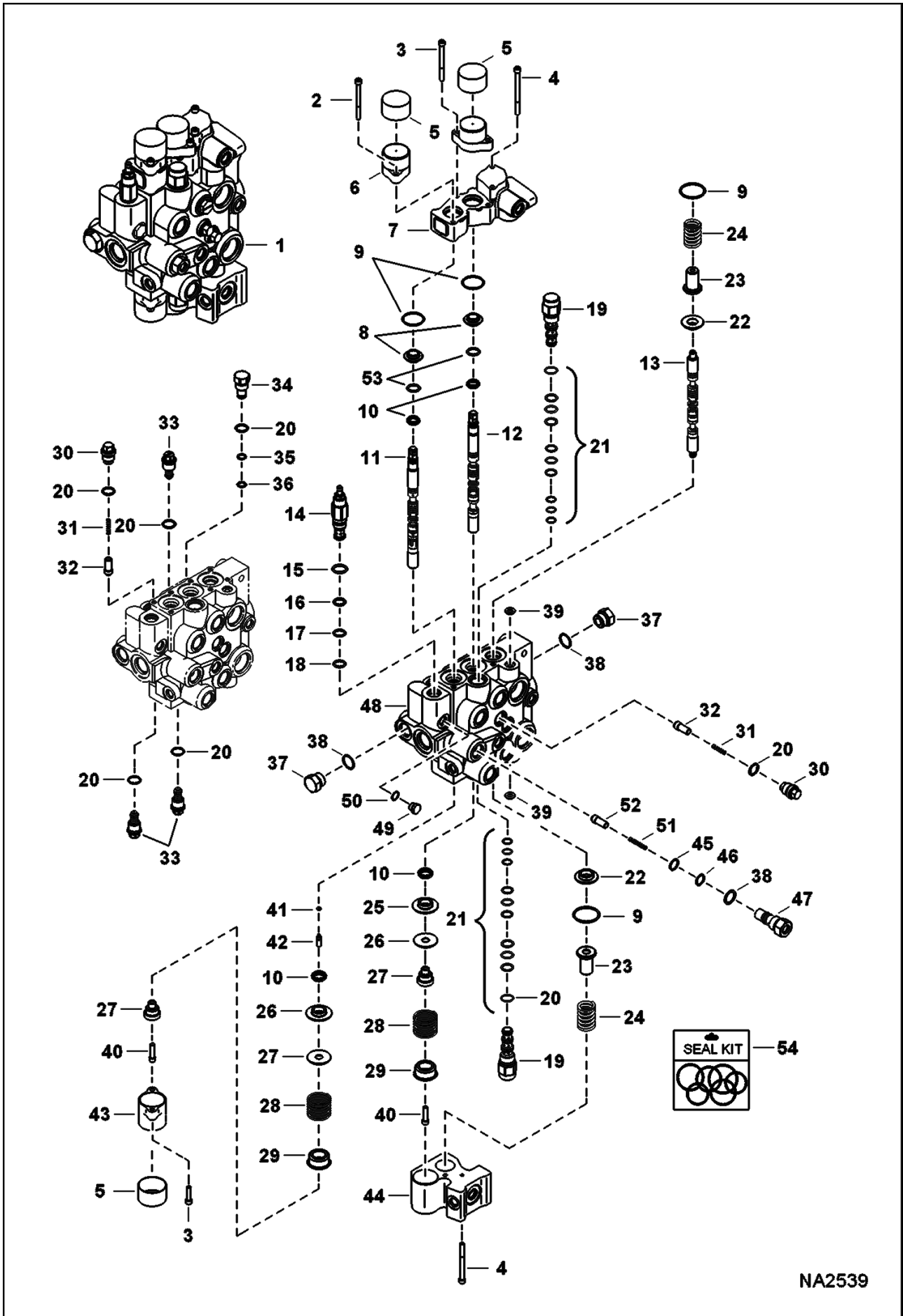


PE2378

HYDRAULIC CONTROL VALVE (Cont'd)
(AHC/ACS/SJC)
(S/N A3LJ11001 - 34999, A3LK11001 - 34999)

Ref No	Part Number	Description	Remarks	Serial Number	Qty
50	7110914	TUBELINE			1
51	7102018	TEE	W/Ref. 28		1
52	6595663	BUSHING			2
53	6587523	WASHER			2
54	6592109	ADAPTER			2
55	6587580	SPRING			2
56	6592100	COLLAR			2
57	7102652	SCREW			2
58	58K4	O-RING			1
59	6801167	PLUG	plastic - 0.69" long		1
60	6803092	BONNET			1
61	6814279	BLOCK			1
62	6688845	VALVE	check - W/Ref. 28		1
63		BODY	NSS		1
64	6668820	NUT			1
65	6678891	COIL	10 volt - W/nut		2
65	6691022	NUT			2
66	6690991	VALVE, SOLENOID	W/Ref. 29 & 65		2
67	6685603	KIT, SEAL	solenoid valve		1
68	58K022	O-RING 10			1
69	79K16	O RING 10			1
70	7101371	ELBOW	W/Ref. 68 & 69		1
71	7123964	KIT, SEAL COMPLETE	includes 7123963, 7123965, 6632279, 6669732 & (2) each of 6685603 & 6690431		x
71	7123963	SEAL KIT, EXTERNAL FITTING	3 spool - Ref. 9, 10, 39, 58, & 59		x
71	7123965	SEAL KIT, EXTERNAL FITTING	external fitting - Ref. 20, 28, 35, 36, 38, 42, 45, 46, 68, & 69		x
71	6685603	KIT, SEAL	solenoid valve -Ref. 67		x
71	6632279	KIT, SEAL	main relief - Ref. 15-18		x
71	6669732	KIT, SEAL	solenoid valve - Ref. 40		x
71	6690431	KIT, SEAL	pilot valve - Ref. 21		x

HYDRAULIC CONTROL VALVE (ACS/AHC/SJC) (Service Valve)

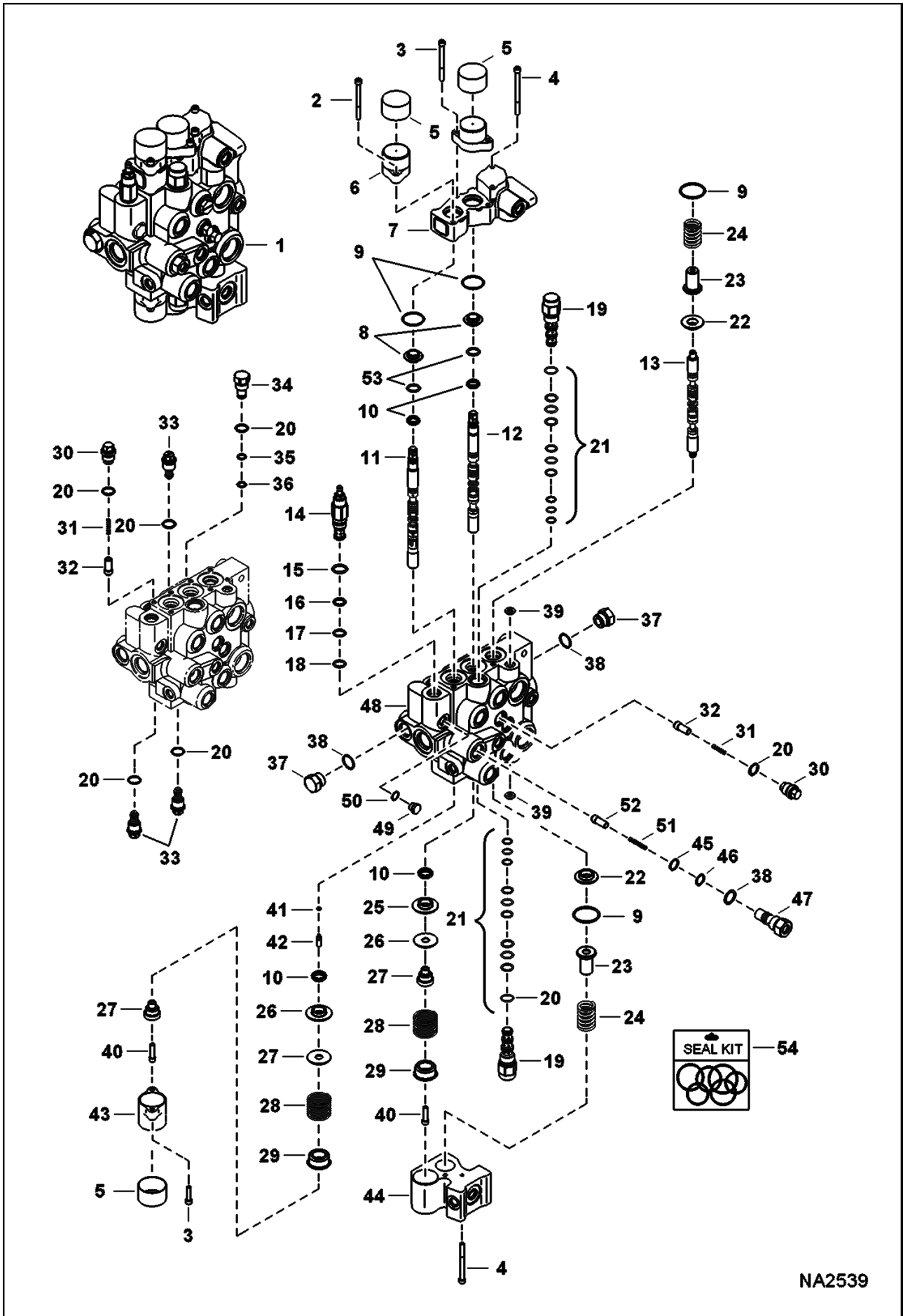


NA2539

**HYDRAULIC CONTROL VALVE (Cont'd)
(ACS/AHC/SJC) (Service Valve)**

Ref No	Part Number	Description	Remarks	Serial Number	Qty
1	7184230	VALVE, CONTROL SERVICE			1
2	69G436	BOLT			2
3	29G416	BOLT			4
4	29G444	BOLT			5
5	6662848	CAP			3
6	7101345	BONNET, DETENT HYD VALVE			2
7	6817004	BODY			1
8	7202038	BUSHING, ALIGNMENT	Also Order 82K019 alignment O-ring - Was 6805102 [A]		2
9	1K127	O-RING 10			4
10	6683274	SEAL, SPOOL 10			4
11	7108241	LIFT SPOOL	lift		1
12	7108242	TILT SPOOL	tilt		1
13	7112383	AUX SPOOL			1
14	6686360	VALVE	main relief - W/Ref. 15-18 - pressure to be set in field		1
15	58K17	O RING 10			x
16	6665569	WASHER	back-up		x
17	25K20016	O RING 10			x
18	6665570	RING	guide		x
19	6689739	VALVE	pilot operated - W/Ref. 21		2
20	79K8	O RING 10			x
21	6690431	KIT, SEAL	W/Ref. 20		2
22	7138376	BUSHING			2
23	6814694	RETAINER			2
24	7121399	SPRING			2
25	6595663	BUSHING			2
26	6587523	WASHER			2
27	6592109	ADAPTER			2
28	6587580	SPRING			2
29	6592100	COLLAR			2
30	7134520	PLUG	check valve - W/Ref. 20		3
31	7166339	SPRING, LOAD CHECK			4
32	7166047	SEAT, CHECK VALVE			4
33	6684645	VALVE, ANTI CAV	anti-cav - 3500psi - W/Ref. 20		3
34	6816549	PLUG ASSY PORT RLF	W/Ref. 20, 35 & 36		1
35	58K013	O-RING			x
36	73K013	RING, BACK-UP			x
37	24K7	PLUG	W/Ref. 38		2
38	79K10	O RING 10			x
39	55K204	O RING 10			x
40	7102652	SCREW			2
41	58K4	O-RING			1
42	6801167	PLUG	plastic - 0.69" long		1
43	6803092	BONNET			1
44	6814279	BLOCK			1
45	73K016	RING, BACK-UP			x
46	58K016	O-RING 10			x
47	7134522	PLUG	W/Ref. 38, 45 & 46		1
48		BODY	NSS		1

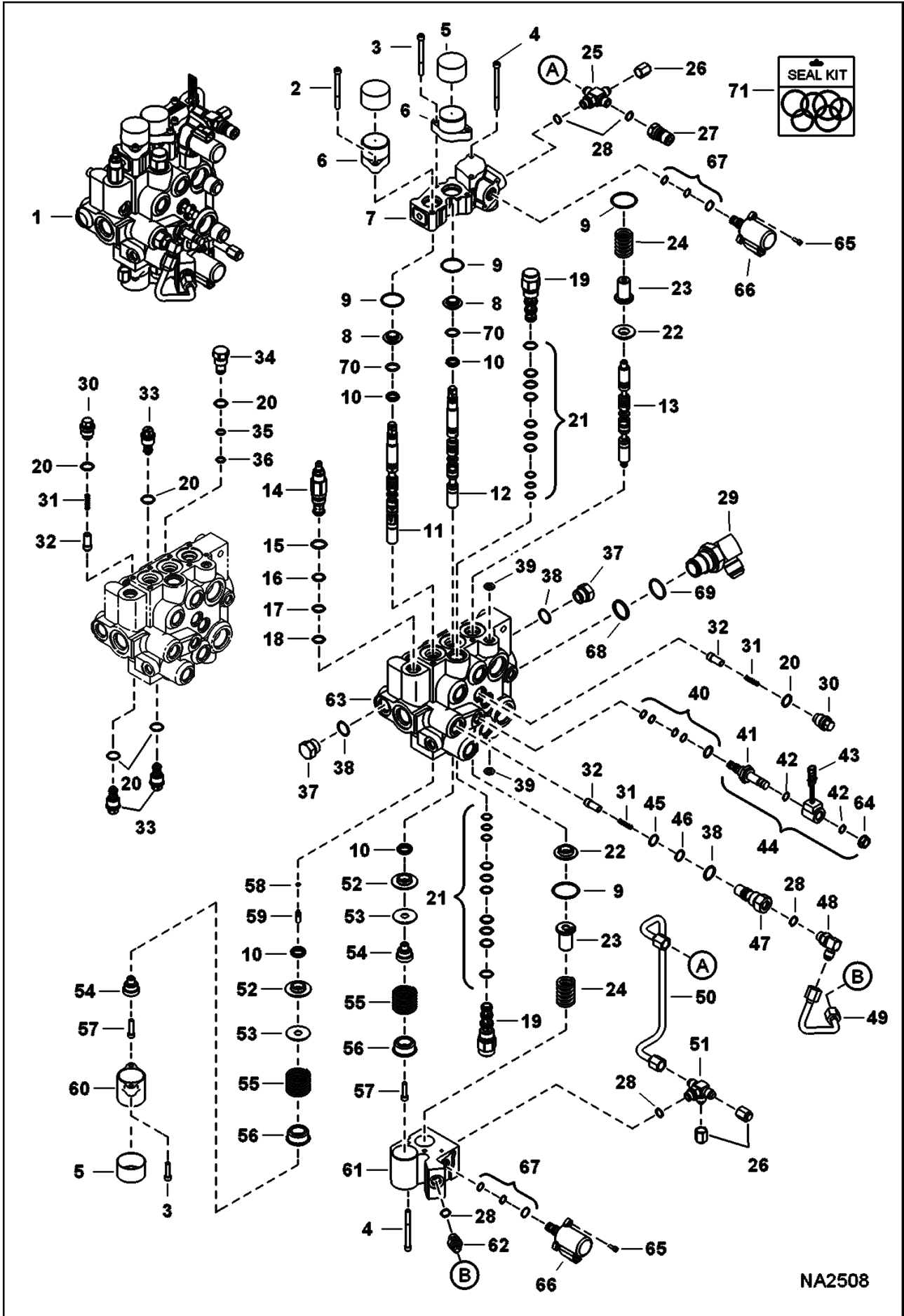
HYDRAULIC CONTROL VALVE (Cont'd)
 (ACS/AHC/SJC) (Service Valve)



**HYDRAULIC CONTROL VALVE (Cont'd)
(ACS/AHC/SJC) (Service Valve)**

Ref No	Part Number	Description	Remarks	Serial Number	Qty
49	6812171	PLUG	W/Ref. 50		1
50	75K6	O-RING			1
51	7166047	SEAT, CHECK VALVE			1
52	7166339	SPRING, LOAD CHECK			1
53	82K019	O-RING	alignment		2
54	7123964	KIT, SEAL COMPLETE	includes 7123963, 7123965, 6632279, 6669732 & (2) each of 6685603 & 6690431		x
54	7123963	SEAL KIT, EXTERNAL FITTING	3 spool - Ref. 9, 10, 39, 41 & 42		x
54	7123965	SEAL KIT, EXTERNAL FITTING	external fitting		x
54	6685603	KIT, SEAL	solenoid valve		x
54	6632279	KIT, SEAL	main relief - Ref. 15-18		x
54	6669732	KIT, SEAL	solenoid valve		x
54	6690431	KIT, SEAL	pilot valve - Ref. 21		x

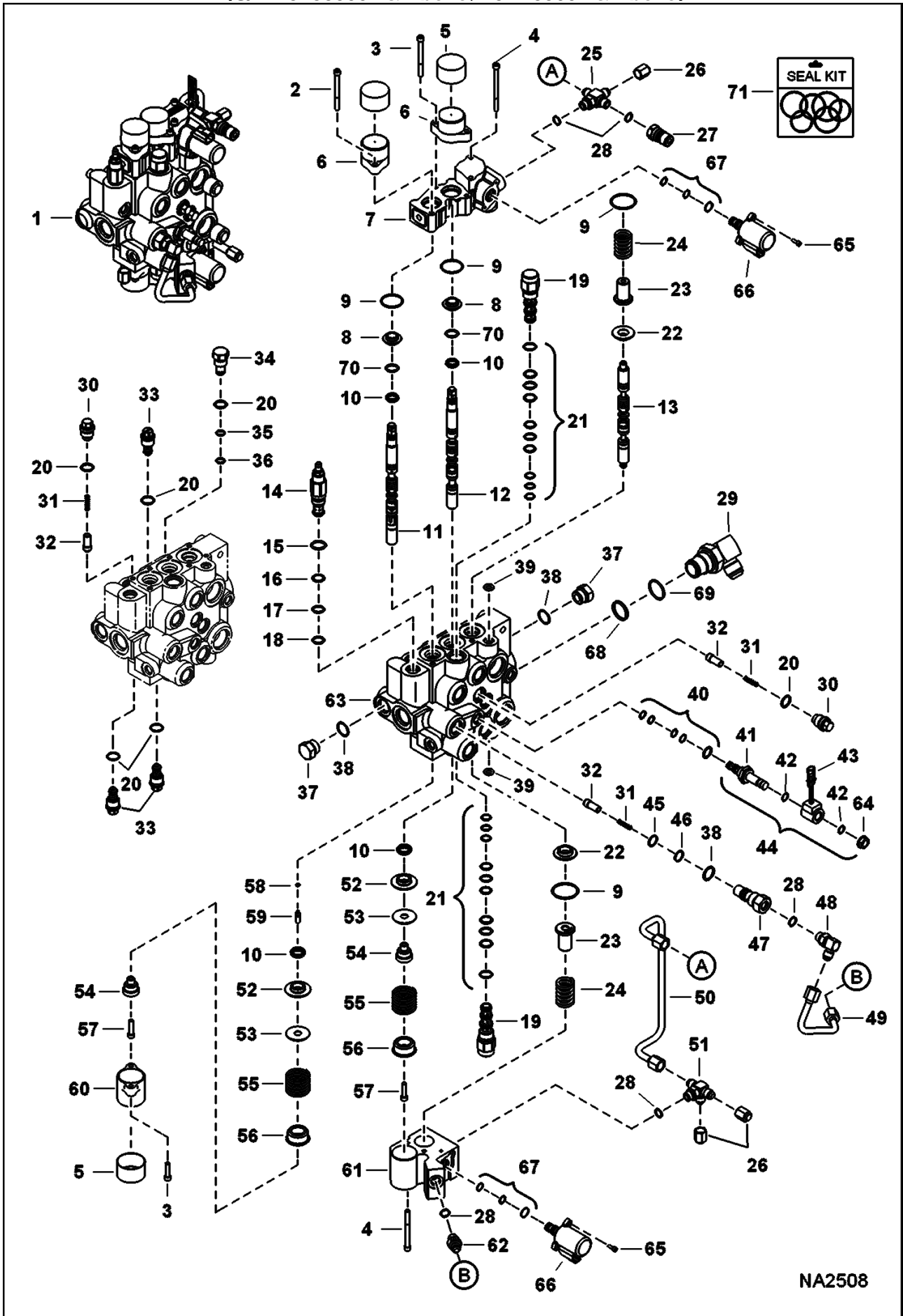
**HYDRAULIC CONTROL VALVE
(AHC/ACS/SJC)
(S/N A3LJ35001 & Above, A3LK35001 & Above)**



HYDRAULIC CONTROL VALVE (Cont'd)
(AHC/ACS/SJC)
(S/N A3LJ35001 & Above. A3LK35001 & Above)

Ref No	Part Number	Description	Remarks	Serial Number	Qty
1	7161695	VALVE, CONTROL			1
2	69G436	BOLT			2
3	29G416	BOLT			4
4	29G444	BOLT			5
5	6662848	CAP			3
6	7101345	BONNET, DETENT HYD VALVE			2
7	7157293	BODY			1
8	7202038	BUSHING, ALIGNMENT	Also Order 82K019 alignment O-ring - Was 6805102 [A]		2
9	1K127	O-RING 10	Was 93K127		4
10	6683274	SEAL, SPOOL 10	See BTI374		4
11	7108241	LIFT SPOOL	lift		1
12	7108242	TILT SPOOL	tilt		1
13	7112383	AUX SPOOL			1
14	6686360	VALVE	main relief - W/Ref. 15-18 - pressure to be set in field		1
15	58K17	O RING 10			x
16	6665569	WASHER	back-up		x
17	25K20016	O RING 10			x
18	6665570	RING	guide		x
19	6689739	VALVE	pilot operated - W/Ref. 21		2
20	79K8	O RING 10			x
21	6690431	KIT, SEAL	W/Ref. 38		2
22	7138376	BUSHING			2
23	6814694	RETAINER			2
24	7121399	SPRING			2
25	7102066	CROSS	W/Ref. 28		1
26	36K5	CAP			2
27	6684125	COUPLER	male		1
28	79K6	O RING 10			x
29	6813964	ELBOW	W/Ref. 68 & 69		1
30	7134520	PLUG	check valve - W/Ref. 20 - Was 6817707 [A]		3
31	7166339	SPRING, LOAD CHECK	Was 6592117 [B]		4
32	7166047	SEAT, CHECK VALVE	Was 7106712 [B]		4
33	6684645	VALVE, ANTI CAV	anti-cav - W/Ref. 20		3
34	6816549	PLUG ASSY PORT RLF	W/Ref. 20, 35 & 36		1
35	58K013	O-RING			x
36	73K013	RING, BACK-UP			x
37	24K7	PLUG	W/Ref. 38		2
38	79K10	O RING 10			x
39	55K204	O RING 10			x
40	6669732	KIT, SEAL			1
41	6667687	STEM			1
42	54K20028	O RING 10			x
43	6671025	COIL			1
44	6672471	VALVE	solenoid - W/Ref. 40-43 & 64		1
45	58K016	O-RING 10			x
46	73K016	RING, BACK-UP			x
47	7134522	PLUG	W/Ref. 38, 45 & 46		1
48	17KB0606	FITTING	W/Ref. 28		1
49	7157290	TUBELINE			1

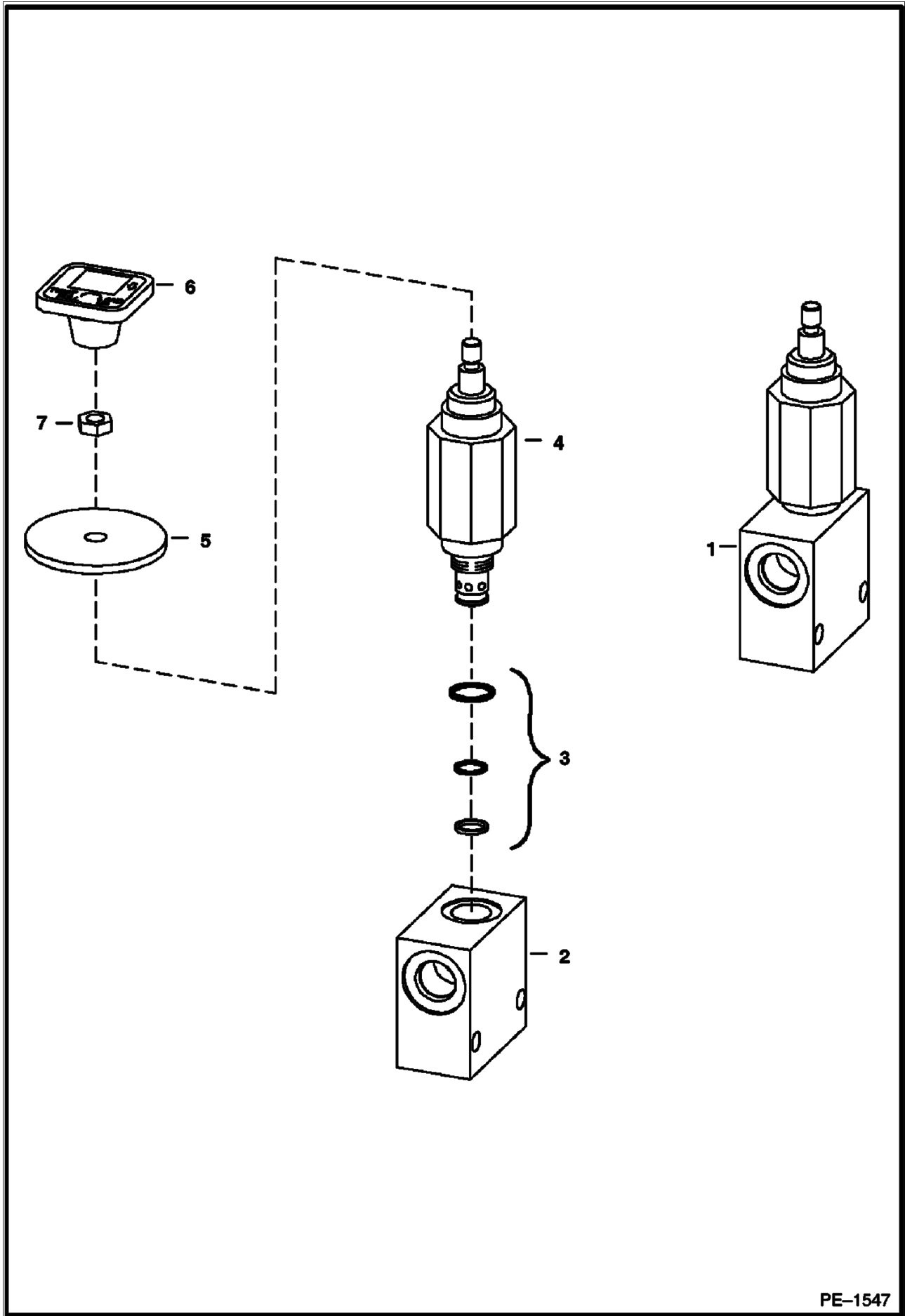
HYDRAULIC CONTROL VALVE (Cont'd)
(AHC/ACS/SJC)
(S/N A3LJ35001 & Above, A3LK35001 & Above)



HYDRAULIC CONTROL VALVE (Cont'd)
(AHC/ACS/SJC)
(S/N A3LJ35001 & Above. A3LK35001 & Above)

Ref No	Part Number	Description	Remarks	Serial Number	Qty
50	7157291	TUBELINE			1
51	7102019	CROSS	W/Ref. 28		1
52	6595663	BUSHING			2
53	6587523	WASHER			2
54	6592109	ADAPTER			2
55	6587580	SPRING			2
56	6592100	COLLAR			2
57	7102652	SCREW			2
58	58K4	O-RING			1
59	6801167	PLUG	plastic - 0.69" long		1
60	6803092	BONNET			1
61	7157289	BLOCK			1
62	6688845	VALVE	check - W/Ref. 28		1
63		BODY	NSS		1
64	6668820	NUT			1
65	7002716	SCREW			4
66	6698434	VALVE, PROPORTIONAL			2
67	7008771	KIT, SEAL	Use for Ref. 66		2
68	58K022	O-RING 10			1
69	79K16	O RING 10			1
70	82K019	O-RING	alignment		2
71	7123964	KIT, SEAL COMPLETE	includes 7123963, 7123965, 6632279, 6669732 & (2) each of 6685603 & 6690431		x
71	7123963	SEAL KIT, EXTERNAL FITTING	3 spool - Ref. 9, 10, 39, 58, & 59		x
71	7123965	SEAL KIT, EXTERNAL FITTING	external fitting - Ref. 20, 28, 35, 36, 38, 42, 45, 46, 68, & 69		x
71	6685603	KIT, SEAL	solenoid valve -Ref. 67		x
71	6632279	KIT, SEAL	main relief - Ref. 15-18		x
71	6669732	KIT, SEAL	solenoid valve - Ref. 40		x
71	6690431	KIT, SEAL	pilot valve - Ref. 21		x

MANUAL LIFT RELEASE VALVE

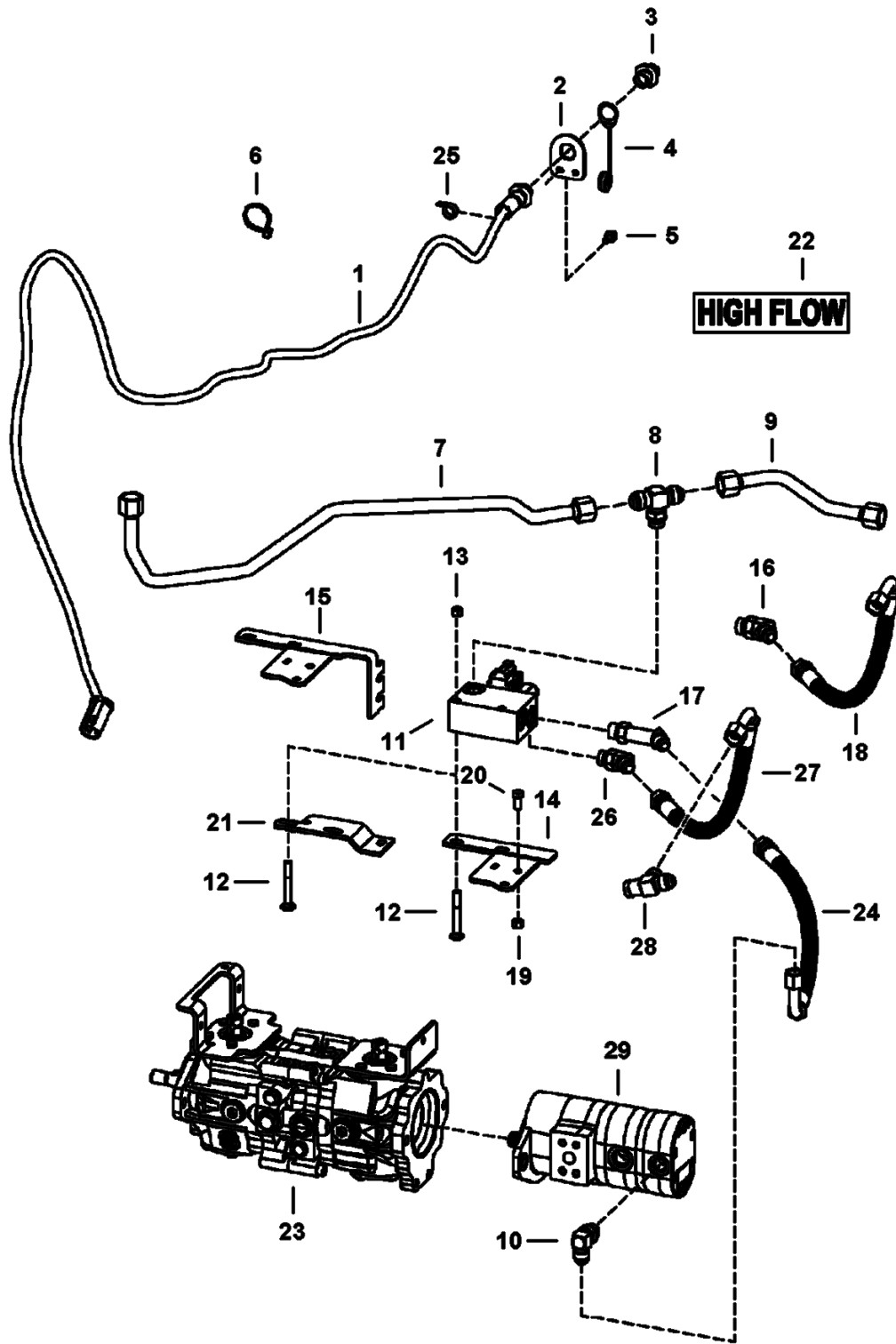


PE-1547

MANUAL LIFT RELEASE VALVE (Cont'd)

Ref No	Part Number	Description	Remarks	Serial Number	Qty
1	6667844	VALVE, LIFT MANUAL	Ref. 2-4		1
2		BLOCK	NSS		1
3	6669087	SEAL KIT			1
4		VALVE	NSS - Order Ref. 1		1
5	6707101	SEAL	neoprene		1
6	6737524	KNOB	red square		1
7	7D4	NUT			1

HIGH FLOW HYDRAULICS (Manual Controls & ACS)

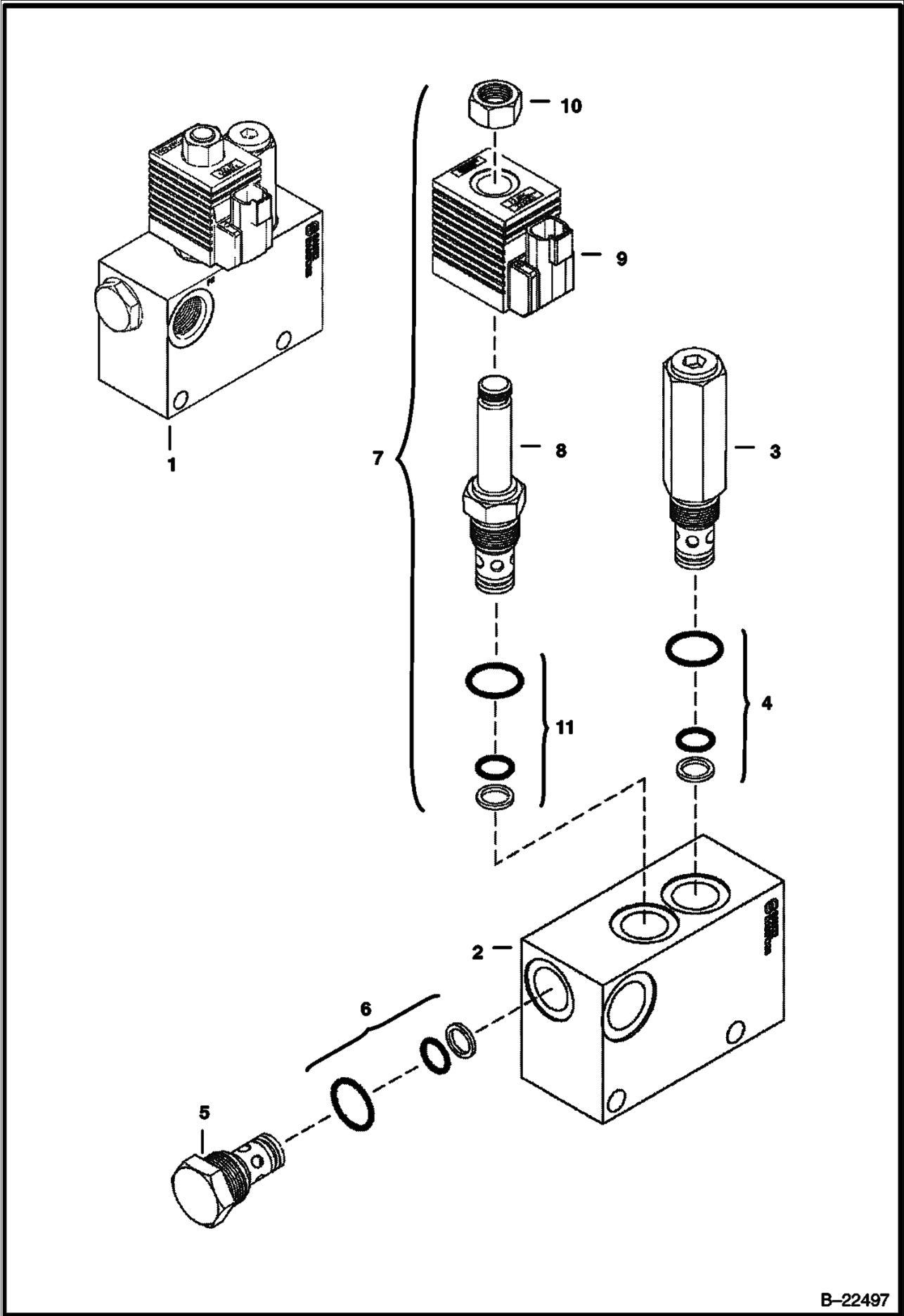


PE-2737

HIGH FLOW HYDRAULICS (Cont'd) (Manual Controls & ACS)

Ref No	Part Number	Description	Remarks	Serial Number	Qty
1	6718426	HARNESS, LIFT ARM	W/Ref. 2 & 4		1
1	6667533	COVER			1
1	6674799	ADAPTER	heat shrink		1
2	6718750	MOUNT			1
3	6674802	CONNECTOR	7-pin does not include sockets		1
3	6669549	SOCKET	18 ga - not in kit		4
3	6677136	SOCKET	12 ga - not in kit		3
4	6675026	CAP			1
5	84G3112	BOLT 5			2
6	6624289	STRAP, TIE			7
7	6736685	TUBE			1
8	79K10	O RING 10			1
8	19KB1210	FITTING, HYD TEE			1
9	7113360	TUBE			1
10	17KB1010	FITTING, HYD ELBOW			1
10	79K10	O RING 10			1
11	6683819	VALVE	See Illustration HIGH FLOW HYDRAULICS/ B22497		1
12	37C648	BOLT			2
13	61D6	NUT 5			2
14	7110927	BRACKET	for models T180 & T190		1
15	7136650	BRACKET	for models T180 & T190		1
16	18KB1010	FITTING, HYD ELBOW			1
16	79K10	O RING 10			1
17	6718080	ELBOW			1
17	79K10	O RING 10			1
18		HOSE	NAP - .875" threaded ends - Order Ref. 26 & 27		1
19	95D6	NUT	for models T180 & T190		2
20	17C614	BOLT	for models T180 & T190		2
21	6736810	BRACKET	for models S160, S175, S185 & S205		1
22	7120693	DECAL	high flow		1
23		PUMP	See Illustration HYDROSTATIC PUMP/ MS2184		1
24	6736647	HOSE			1
25	30H35	CLAMP 10			1
26	18KB0810	Fitting Hydraulic Elbow 45			1
26	79K10	O RING 10			1
27	7122520	HOSE	.75" threaded end & .875" threaded end		1
28		TEE	See Illustration HYDROSTATIC CIRCUITRY/ PE3729 Was 7106004 [A]		1
29		GEAR PUMP	See Illustration HIGH FLOW HYDRAULICS/ MS1459 - triple		1

HIGH FLOW HYDRAULICS

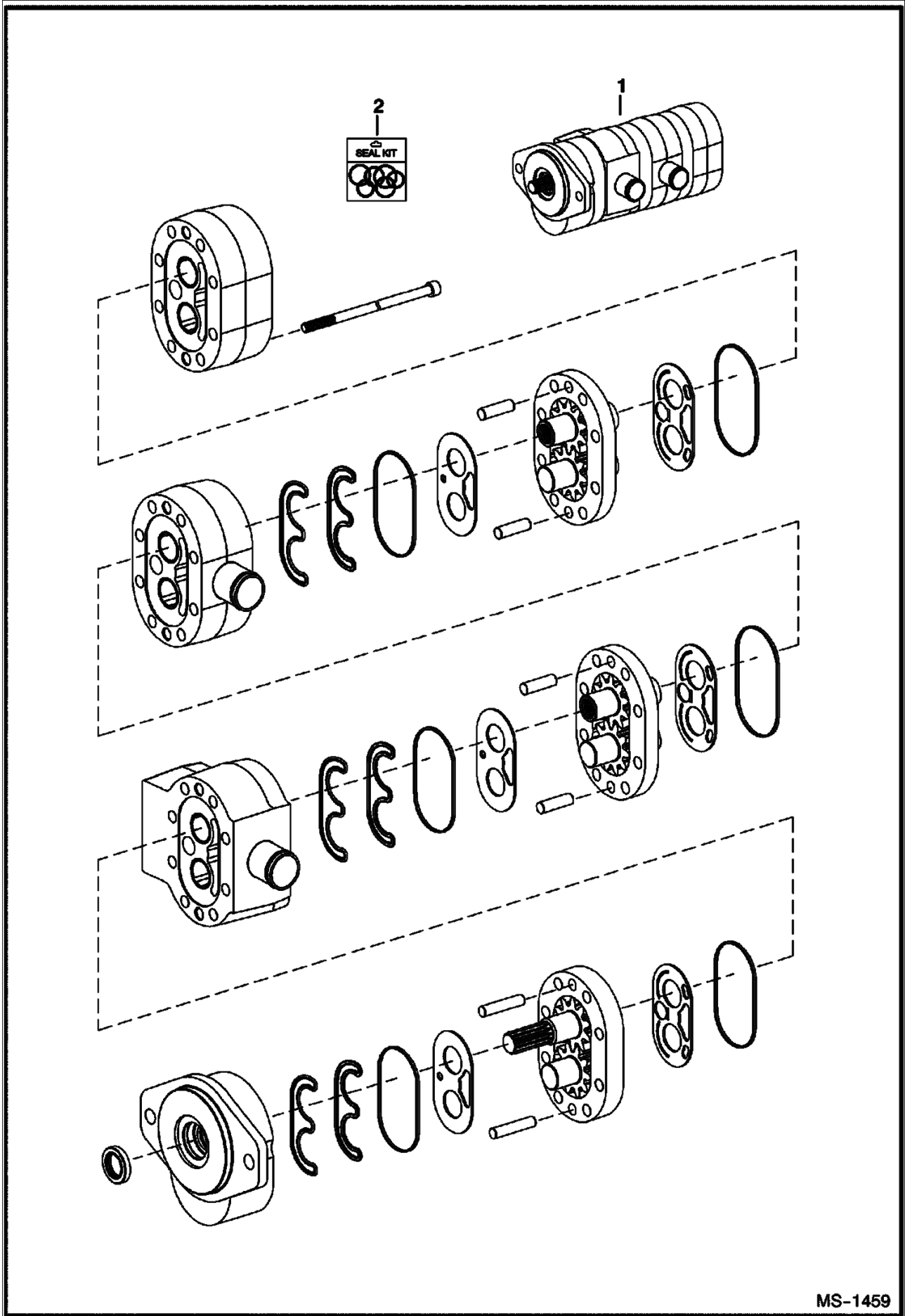


B-22497

HIGH FLOW HYDRAULICS (Cont'd)

Ref No	Part Number	Description	Remarks	Serial Number	Qty
1	6683819	VALVE			1
2		BLOCK	NSS		1
3	6685185	RELIEF VALVE	W/Ref. 4		1
4	6685184	SEAL KIT			1
5	6685186	CHECK VALVE	W/Ref. 6		2
6	6672515	KIT, SEAL			1
7	6685183	SOLENOID	W/Ref. 8-11		1
8		STEM	NSS		1
9	6684058	COIL	W/connector		2
10	6681492	NUT			1
11	6685184	SEAL KIT			1

HIGH FLOW HYDRAULICS (Triple Gear Pump)

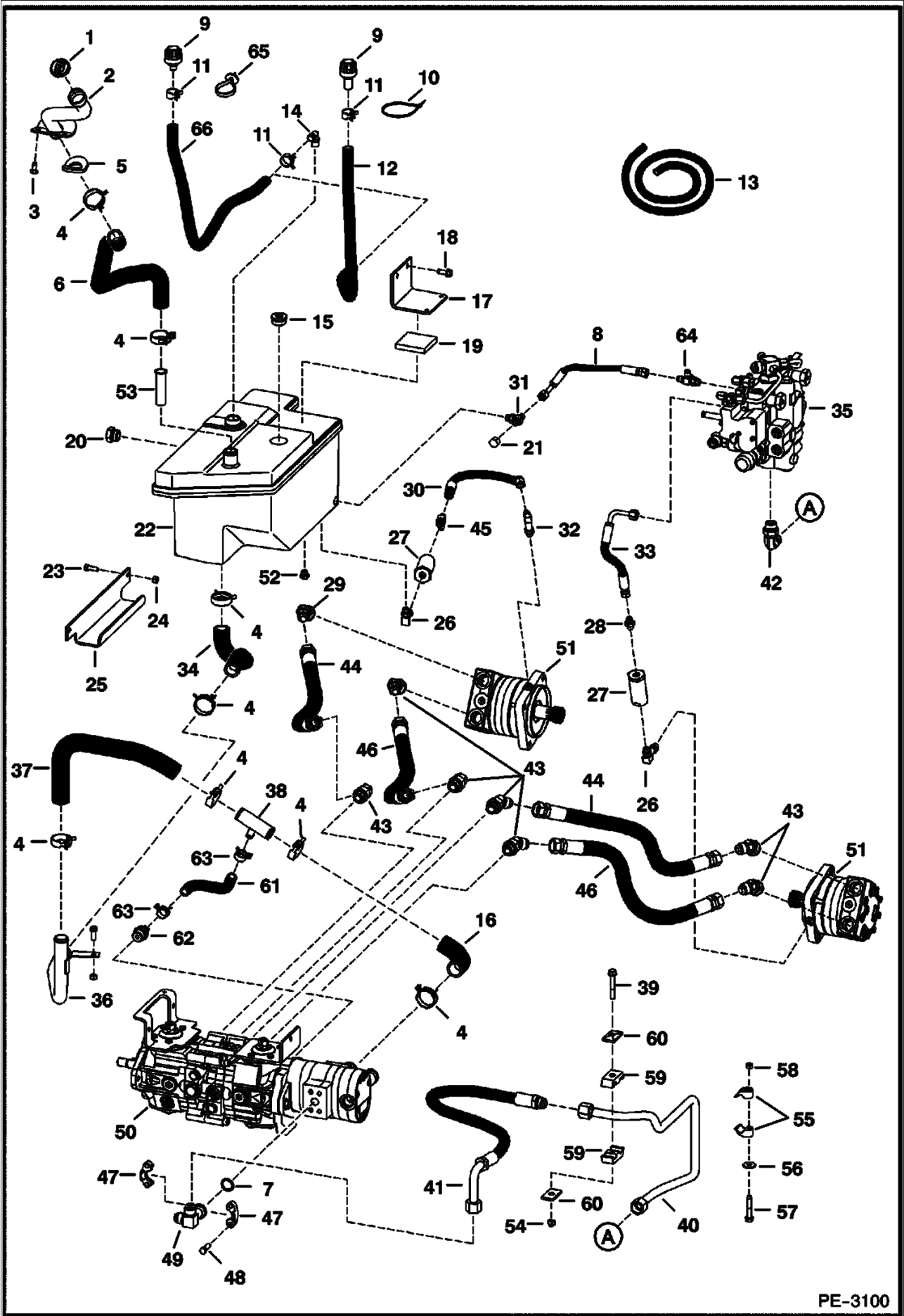


MS-1459

HIGH FLOW HYDRAULICS (Cont'd)
(Triple Gear Pump)

Ref No	Part Number	Description	Remarks	Serial Number	Qty
1	6687865	GEAR PUMP	Model 163D72007		1
2	6688322	KIT, SEAL			1

HYDROSTATIC CIRCUITRY (Manual Controls)

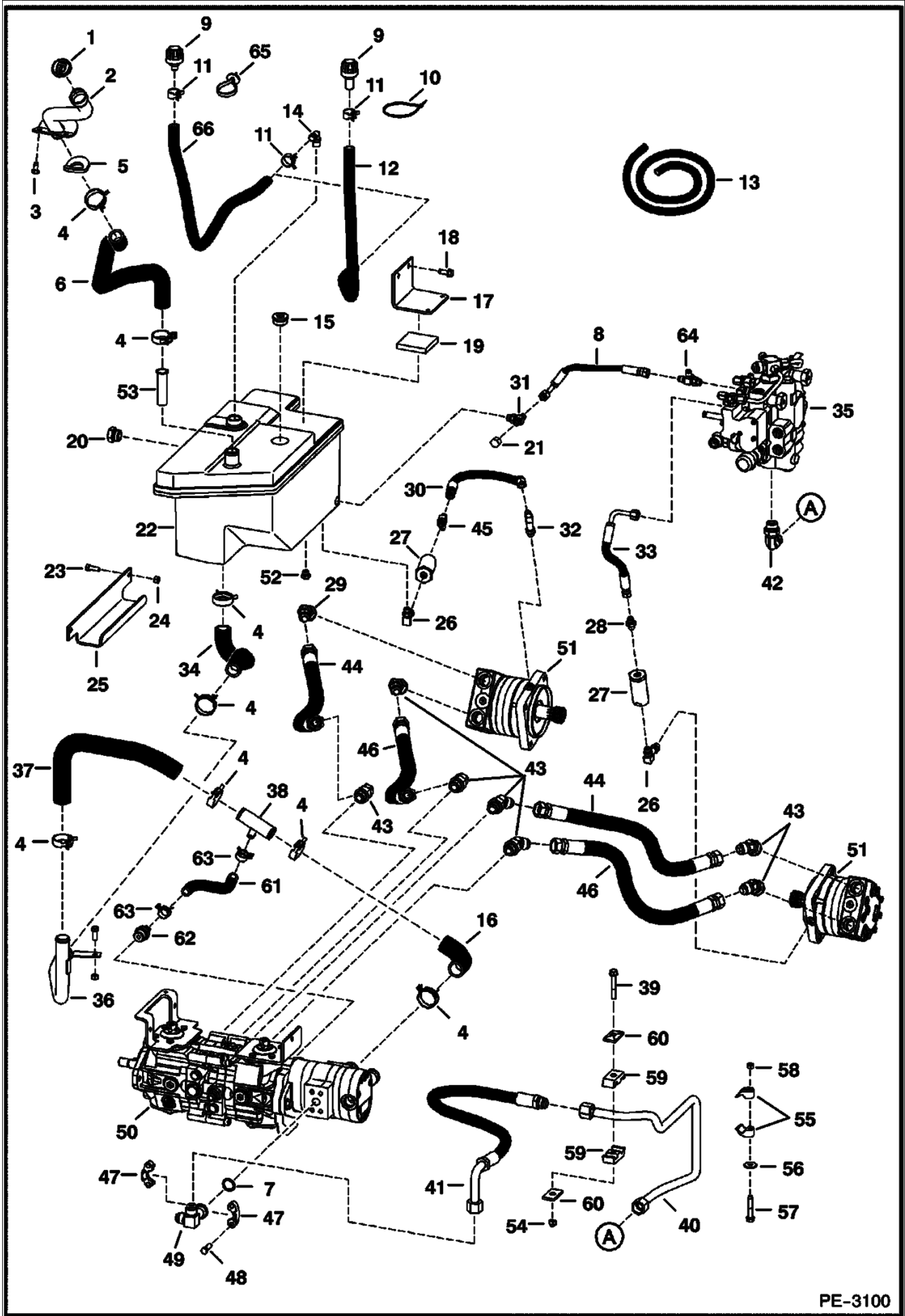


PE-3100

HYDROSTATIC CIRCUITRY (Cont'd)
(Manual Controls)

Ref No	Part Number	Description	Remarks	Serial Number	Qty
1	6717827	CAP			1
2	6717830	TUBE			1
3	84G3710	SCREW			2
4	5HM42	HOSECLAMP			6
5	6718772	GASKET			1
6	6718020	HOSE			1
7	55K214	O-RING			1
8	7108406	HOSE			1
9	6684923	BREATHER	breather		1
10	6610510	TIE			2
11	5HM24	CLAMP			2
12		HOSE	NAP - 21.5" (546,1 mm) long - Order 3 ft. of Ref. 13 & Ref. 65		1
13	6578172	HOSE	bulk - sold per foot		x
14	6727637	ELBOW	barbed		1
15	47K10	PLUG			1
15	79K16	O RING 10			1
16	7124128	HOSE			1
17	6726254	BRACKET			1
18	84G3716	SCREW 5			2
19	6726255	PAD	bumper		1
20	6665915	GAUGE			1
20	79K12	O RING 10			1
20	6734563	WASHER KIT			1
20	6734561	WASHER			1
20	25K30118	O RING 10			1
21	36K5	CAP			1
22	6728673	TANK			1
23	17C616	BOLT 5			2
24	61D6	NUT 5			2
25	6726162	BRACKET			1
26	6715190	ELBOW			2
26	79K6	O RING 10			x
27	6661022	FILTER, OIL HYD IN-LINE	See Illustration HYDROSTATIC OIL FILTER/ B13527 - 90 micron		2
28	15KB0606	FITTING, HYD CONNECTOR			1
28	79K6	O RING 10			x
29	6734623	ELBOW			1
29	79K12	O RING 10			x
30	7106205	HOSE			1
31	19KB0606	TEE			1
31	79K6	O RING 10			x
32	6812815	FITTING			1
33	6542521	HOSE			1
34	6733652	HOSE			1
35		VALVE	See Illustration HYDRAULIC CONTROL VALVE/ PE2734		1
36	6735922	TUBE			1
37	7124129	HOSE			1
38	7124127	TEE			1
38	79K16	O RING 10			x
39	17C644	BOLT			1
40	7109922	TUBE	single speed motor		1
40	7122185	TUBE	2-speed motor		1
41	6733197	HOSE			1
42	7101797	ELBOW			1

HYDROSTATIC CIRCUITRY (Cont'd) (Manual Controls)

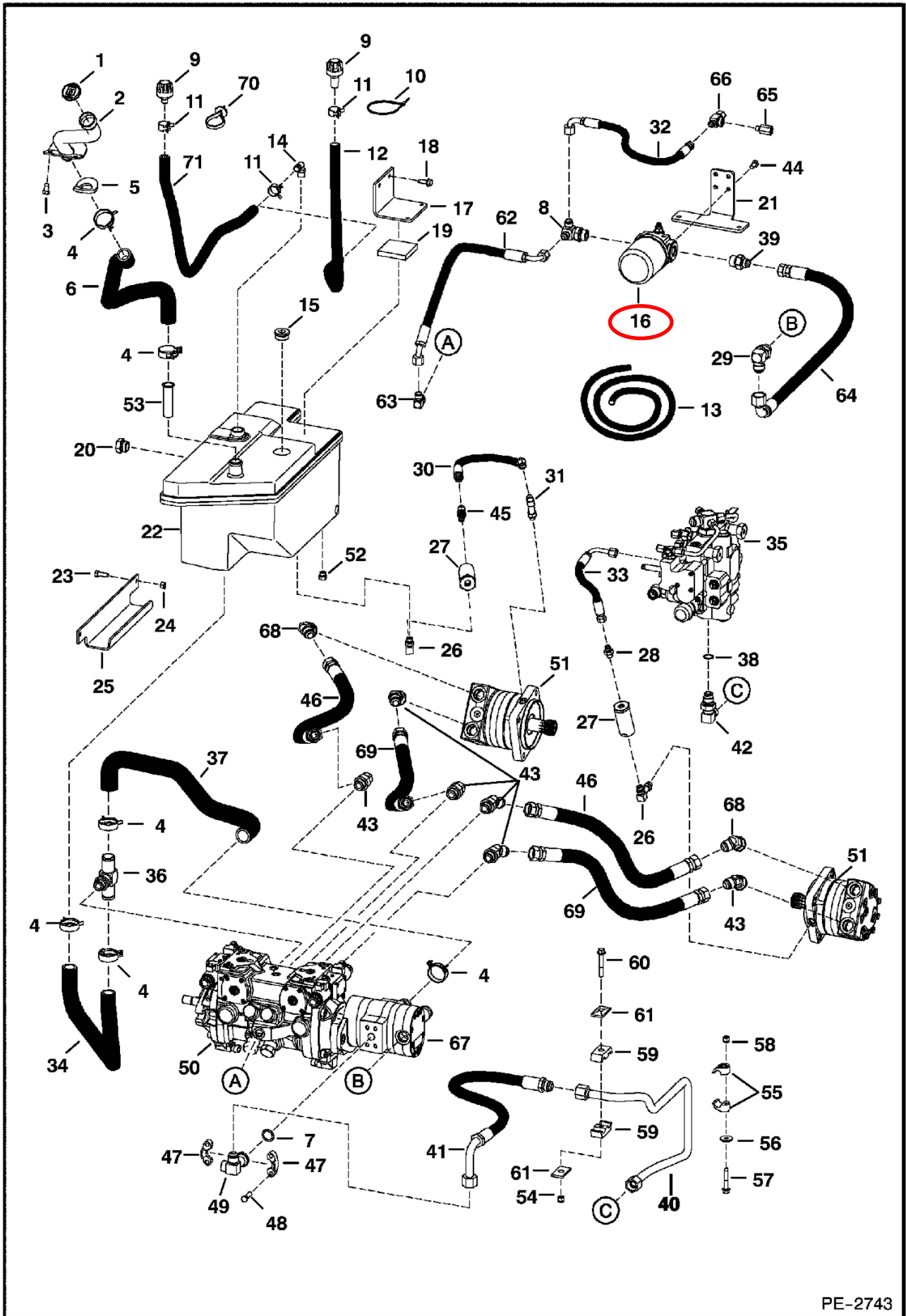


PE-3100

**HYDROSTATIC CIRCUITRY (Cont'd)
(Manual Controls)**

Ref No	Part Number	Description	Remarks	Serial Number	Qty
42	79K12	O RING 10			x
43	6737453	ELBOW			7
43	79K12	O RING 10			9
44	6688938	HOSE	mega seal		2
45	21KB0606	FTG HYD STRAIGHT TEE	See Illustration AUXILIARY HYDRAULICS/ PE3158		1
45	79K6	O RING 10			x
46	6688937	HOSE	mega seal		2
47	19J12	CLAMP			2
48	17C620	BOLT			4
49	7106040	ELBOW	split flange - one leg		1
49	7113262	ELBOW	split flange - two leg - Use W/hydraulic muffler hose		1
50		PUMP	See Illustration HYDROSTATIC PUMP/ MS2184		1
51		MOTOR	See Illustration HYDROSTATIC MOTOR/ PE2620		1
52	24K5	PLUG			1
52	79K6	O RING 10			x
52	17KB0606	FITTING	rear aux		1
52	79K6	O RING 10			x
52	21KB0606	FTG HYD STRAIGHT TEE	high flow hydraulics		1
52	79K6	O RING 10			x
53	6732215	FILTER			1
54	59D6	NUT			1
55	7100462	CLAMP			2
56	619021	WASHER, 5			1
57	84G3732	BOLT			1
58	83D6	NUT 5			1
59	6592506	CLAMP			2
60	6592507	PLATE			2
61	7124130	HOSE			1
62	7124133	ADAPTER			1
62	79K12	O RING 10			1
63	5HM23	CLAMP			2
64	6718031	TEE			1
64	79K6	O RING 10			1
65	6675734	STRAP	button head		2
66			NAP - 28" (711,2 mm) long - Order Ref.13		1

HYDROSTATIC CIRCUITRY (Selectable Joystick Controls)

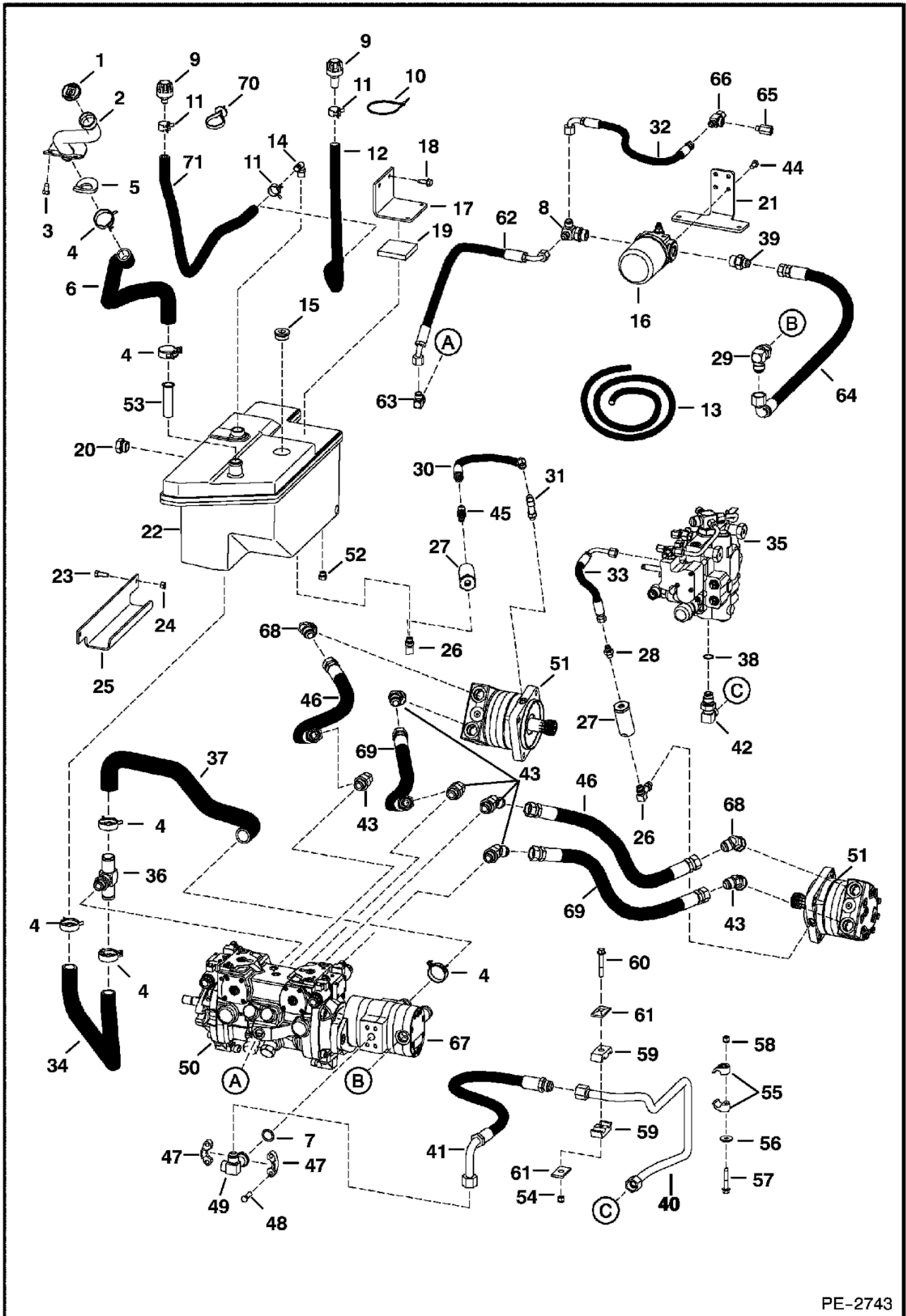


PE-2743

HYDROSTATIC CIRCUITRY (Cont'd)
(Selectable Joystick Controls)

Ref No	Part Number	Description	Remarks	Serial Number	Qty
1	6717827	CAP			1
2	6717830	TUBE			1
3	84G3710	SCREW			2
4	5HM42	HOSECLAMP			6
5	6718772	GASKET			1
6	6718020	HOSE			1
7	55K214	O-RING			1
8	7108846	TEE			1
8	79K12	O RING 10			x
9	6684923	BREATHER	breather		1
10	6610510	TIE			1
11	5HM24	CLAMP			2
12		HOSE	NAP - 21.5" (546,1 mm) long - Order 3 ft. of Ref. 13 & Ref. 70		1
13	6578172	HOSE	bulk - sold per foot		x
14	6727637	ELBOW	barbed		1
15	47K10	PLUG			1
15	79K16	O RING 10			1
16	6686922	FILTER ASMBLY 12	See Illustration HYDROSTATIC OIL FILTER/ B16487A		1
16	6686926	FILTER, OIL HYD	113,5 mm (4.5") long		1
16	6687834	SENSOR			1
17	6726254	BRACKET			1
18	84G3716	SCREW 5			2
19	6726255	PAD	bumper		1
20	6665915	GAUGE			1
20	79K12	O RING 10			x
20	6734563	WASHER KIT			1
20	6734561	WASHER			1
20	25K30118	O RING 10			1
21	7108398	BRACKET, FILTER			1
22	6728673	TANK			1
23	17C616	BOLT 5			2
24	61D6	NUT 5			2
25	6726162	BRACKET			1
26	6715190	ELBOW			2
26	79K6	O RING 10			x
27	6661022	FILTER, OIL HYD IN-LINE	See Illustration HYDROSTATIC OIL FILTER/ B13527 - 90 micron		2
28	15KB0606	FITTING, HYD CONNECTOR			1
28	79K6	O RING 10			x
29	17KB1212	FITTING, HYD ELBOW			1
29	79K12	O RING 10			x
30	7106205	HOSE			1
31	6812815	FITTING			1
31	79K6	O RING 10			x
32	7108845	HOSE			1
33	6542521	HOSE			1
34	7103861	HOSE			1
35		VALVE	See Illustration HYDRAULIC CONTROL VALVE/ PE2378		1
36	7103648	TEE			1
36	79K12	O RING 10			x
37	7107562	HOSE			1

HYDROSTATIC CIRCUITRY (Cont'd) (Selectable Joystick Controls)

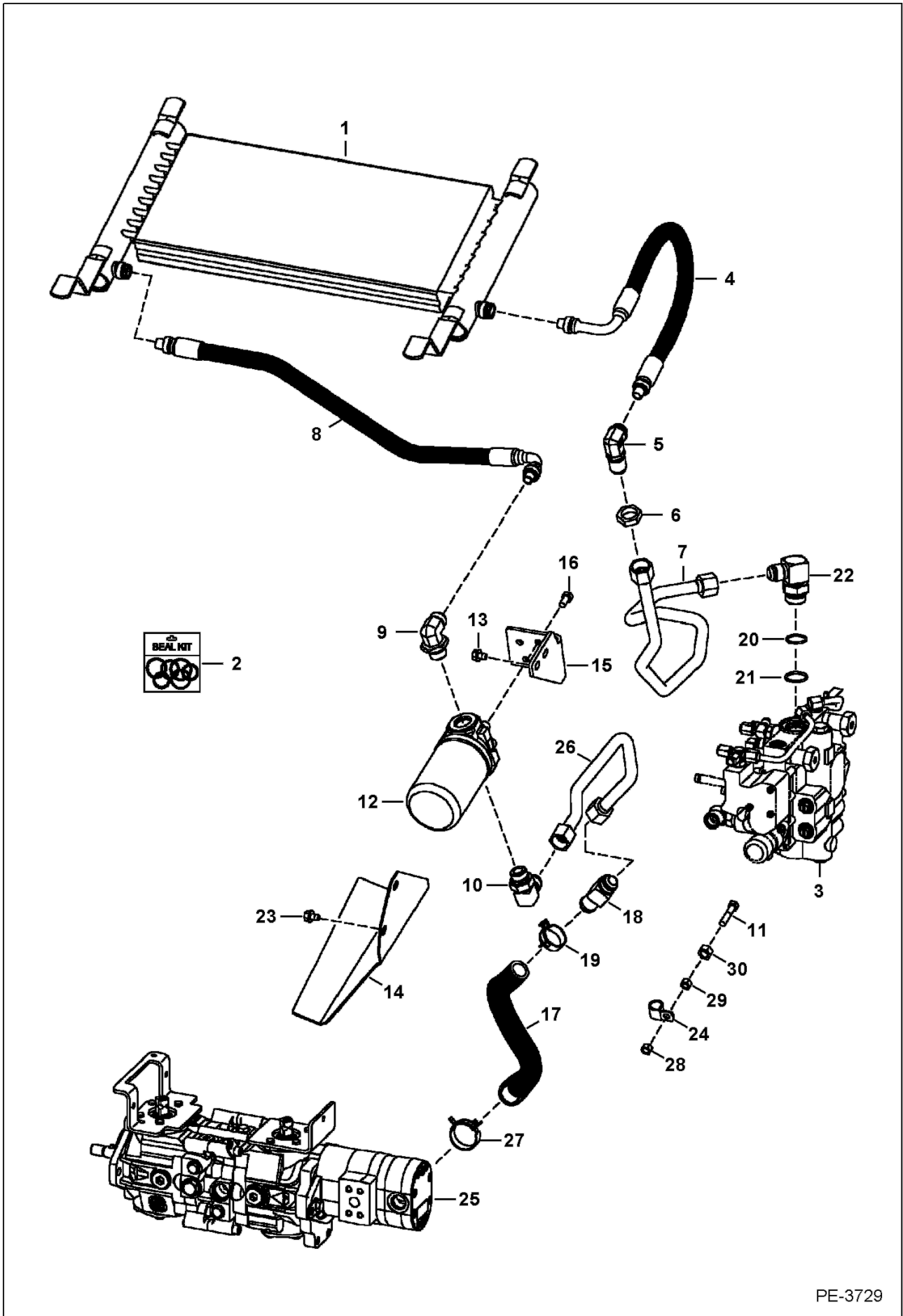


PE-2743

HYDROSTATIC CIRCUITRY (Cont'd)
(Selectable Joystick Controls)

Ref No	Part Number	Description	Remarks	Serial Number	Qty
38	58K022	O-RING 10			1
39	15KB1012	FITTING, HYD CONNECTOR			1
39	79K12	O RING 10			x
40	7109922	TUBE	single speed motor		1
40	7122185	TUBE	2-speed motor		1
41	6733197	HOSE			1
42	7101371	ELBOW	W/Ref. 38		1
42	79K12	O RING 10			x
43	6737453	ELBOW			6
43	79K12	O RING 10			x
44	17C612	BOLT 5			4
45	21KB0606	FTG HYD STRAIGHT TEE			1
45	79K6	O RING 10			x
46	6688938	HOSE	mega seal		2
47	19J12	CLAMP			2
48	17C620	BOLT			4
49	7106040	ELBOW	split flange - one leg		1
49	7113262	ELBOW	split flange - two leg - Use W/hydraulic muffler hose		1
50		PUMP	See Illustration HYDROSTATIC PUMP/ B25010		1
51		MOTOR	See Illustration HYDROSTATIC MOTOR/ PE2620		1
52	24K5	PLUG			1
52	79K6	O RING 10			x
52	17KB0606	FITTING	rear aux		1
52	79K6	O RING 10			x
52	21KB0606	FTG HYD STRAIGHT TEE	high flow hydraulics		1
52	79K6	O RING 10			x
53	6732215	FILTER			1
54	59D6	NUT			1
55	7100462	CLAMP			2
56	619021	WASHER, 5			2
57	84G3732	BOLT			1
58	83D6	NUT 5			1
59	6592506	CLAMP			2
60	84G3720	BOLT			1
61	6592507	PLATE			1
62	7108844	HOSE			1
63	17KB0808	FITTING, HYD ELBOW			2
63	79K8	O RING 10			x
64	7108843	HOSE			1
65	6718948	SNUBBER			1
66	6718660	TEE			1
67		PUMP	See Illustration GEAR PUMP/ MS2185 gear		1
68	6734623	ELBOW			2
68	79K12	O RING 10			x
69	6688937	HOSE	mega seal		2
70	6675734	STRAP	button head		1
71		HOSE	NAP - 28" (711,2 mm) long - Order Ref. 13		1

HYDROSTATIC CIRCUITRY

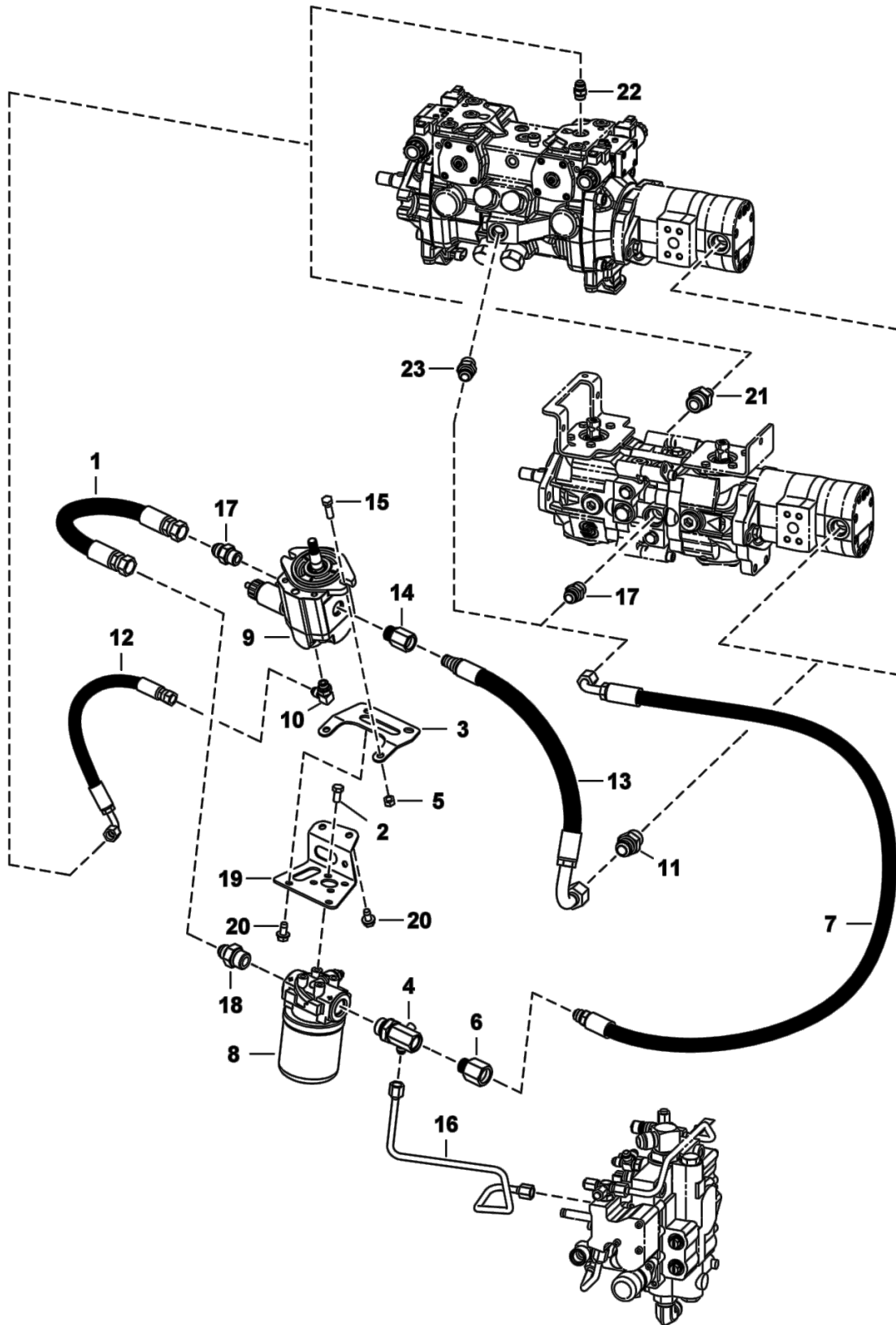


PE-3729

HYDROSTATIC CIRCUITRY (Cont'd)

Ref No	Part Number	Description	Remarks	Serial Number	Qty
1	7109582	OIL COOLER	W/(2) of Ref. 2 (6674798 kit) - Also Order Ref. 2 (7192812 kit) for Ref. 4		1
2	6674798	REPAIR KIT	For Ref. 1, 5 or 9 - includes internal retaining ring (1), O-ring (1) & back-up ring (1)		x
2	7192812	KIT, INSERT STC	Use Between Ref. 1 & 4		x
2	6989729	INSTRUCTIONS			1
3		VALVE	See Illustration HYDRAULIC CONTROL VALVE/ PE2378		1
4	6673828	HOSE, HYD ASSY	Also Order Ref. 2 (7192812 kit) for use at the oil cooler		1
5	6670831	ELBOW	STC - Also Order Ref. 2 (6674798 kit) to reseal to hose		1
6	86F8	NUT 5			1
7	7109923	TUBE			1
8	7132554	HOSE			1
9	6681945	ELBOW	STC - Also Order Ref. 2 (6674798 kit) to reseal to hose		1
9	6690949	O-RING			1
10	17KB1212	FITTING, HYD ELBOW	W/Ref. 11		1
11	17C628	BOLT			1
12		FILTER ASSY	See Illustration HYDROSTATIC OIL FILTER/ NA1844		1
12	6661248	FILTER, OIL HYD 12	#3 media - 152,4 mm (6") long		1
13	84G3710	SCREW			2
14	7141653	PLATE			1
15	7136052	MOUNT			1
16	17C612	BOLT 5			4
17	7106024	HOSE			1
18		TEE	Was 7106004 [A]		1
19	5HM35	HOSECLAMP			1
20	79K16	O RING 10			x
21	58K022	O-RING 10			1
22	7101371	ELBOW			1
23	84G3708	SCREW			2
24	30H65	CLIP			1
25		PUMP	See Illustration HYDROSTATIC PUMP/ MS2184		1
26	7132542	TUBELINE			1
27	5HM42	HOSECLAMP			1
28	95D6	NUT			1
29	61D6	NUT 5			1
30	61D8	NUT 5			1

**HYDROSTATIC CIRCUITRY
(Cooling Fan)
(S/N A3LJ11001 - 29999, A3LK11001 - 29999)**

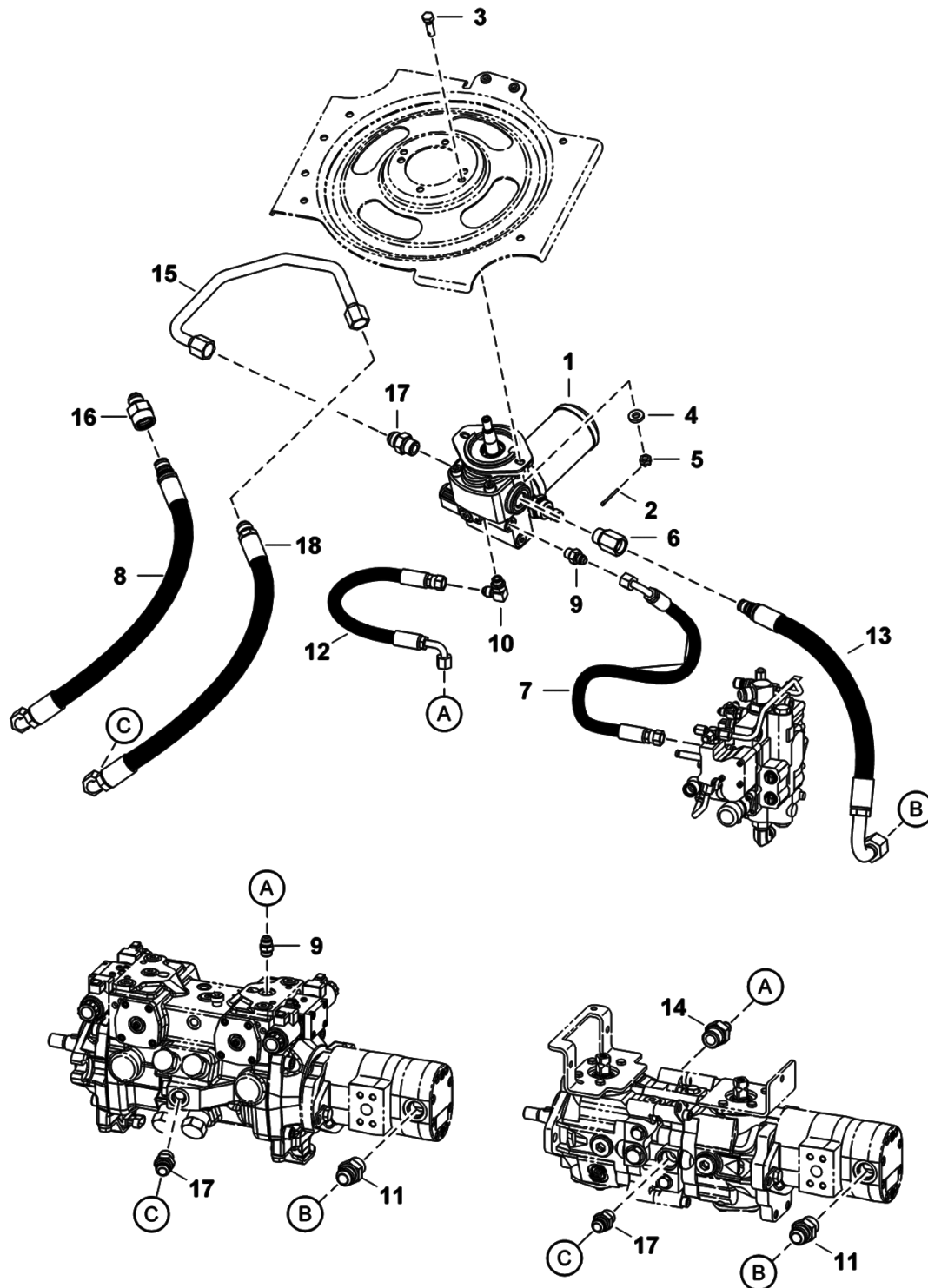


PE-2735

HYDROSTATIC CIRCUITRY (Cont'd)
(Cooling Fan)
(S/N A3LJ11001 - 29999. A3LK11001 - 29999)

Ref No	Part Number	Description	Remarks	Serial Number	Qty
1	7110809	HOSE			1
2	17C612	BOLT 5			4
3	7110243	BRACKET			1
4	7108685	TEE			1
4	79K12	O RING 10			1
5	95D6	NUT			2
6	15HB1210	ADAPTER, COUPLER	quick lock		1
6	79K10	O RING 10			x
7	6689690	HOSE	27" (685,0 mm) long - Also Order Ref. 6		1
8	6687266	FILTER ASSY			1
8	6686926	FILTER, OIL HYD	113,5 mm (4.5") long		1
8	6660260	SWITCH			1
9		MOTOR, HYD COOLING FAN	See Illustration COOLING FAN MOTOR/ PE2811 See BTI384 - NAP - aluminum - W/proportional valve - Was 6687142 [A]		1
10	17KB0606	FITTING			1
10	79K6	O RING 10			1
11	15KB1212	FITTING, HYD CONNECTOR			1
11	79K12	O RING 10			1
12	7107179	HOSE			1
13	6691636	HOSE *SEE NOTES*	20.25" (514,35 mm) long - Also Order Ref. 14		1
14	15HB1010	ADAPTER, COUPLER	quick lock - Also Order Ref. 13		1
14	79K10	O RING 10			1
15	17C620	BOLT			2
16	7108980	TUBE			1
17	15KB1010	FITTING, HYD CONNECTOR			2
17	79K10	O RING 10			2
18	15KB1012	FITTING, HYD CONNECTOR			1
18	79K12	O RING 10			1
19	7110244	BRACKET			1
20	84G3712	BOLT			4
21	15KB0612	FITTING, HYD CONNECTOR	manual controls		1
21	79K12	O RING 10			1
22	15KB0606	FITTING, HYD CONNECTOR	See Illustration HYDROSTATIC CIRCUITRY/ PE2743 - selectable joystick controls		1
22	79K6	O RING 10			1
23	15KB1008	FITTING, HYD CONNECTOR			1
23	79K8	O RING 10			1

**HYDROSTATIC CIRCUITRY
(Cooling Fan)
(S/N A3LJ30001 & Above, A3LK30001 & Above)**

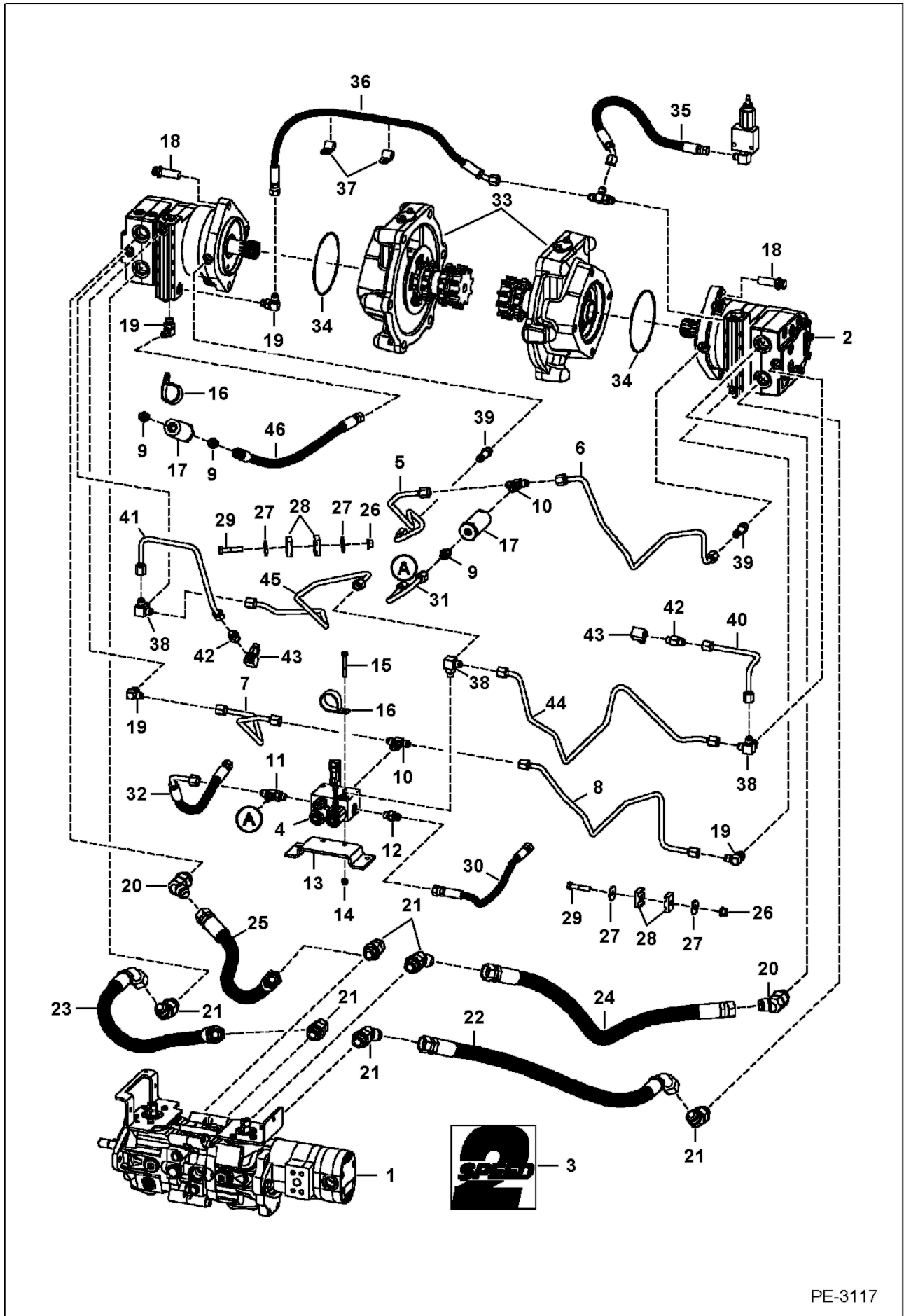


PE-3528

HYDROSTATIC CIRCUITRY (Cont'd)
(Cooling Fan)
(S/N A3LJ30001 & Above. A3LK30001 & Above)

Ref No	Part Number	Description	Remarks	Serial Number	Qty
1	7164320	MOTOR, HYD COOLING FAN	See Illustration COOLING FAN MOTOR/ MS2514 - cast iron - Also Order (2) of Ref. 2 - Was 7132033 [D]		1
2	1F316	PIN			2
3	7147826	BOLT, CROSS DRILLED			2
4	6557831	WASHER			2
5	3D6	NUT			2
6	15HB1010	ADAPTER, COUPLER	quick lock - Also Order Ref. 13		1
6	79K10	O RING 10			1
7	7147678	HOSE, HYD			1
8		HOSE	NAP - 27" (685,0 mm) long - Order Ref. 18 - Was 6689690 [B]		1
9	15KB0606	FITTING, HYD CONNECTOR			2
9	79K6	O RING 10			2
10	17KB0606	FITTING			1
10	79K6	O RING 10			1
11	15KB1212	FITTING, HYD CONNECTOR			1
11	79K12	O RING 10			1
12	7107179	HOSE			1
13	6691636	HOSE *SEE NOTES*	Also Order Ref. 6		1
14	15KB0612	FITTING, HYD CONNECTOR			1
14	79K12	O RING 10			1
15	7149947	TUBELINE, HYD			1
16		ADAPTER, UNION	NAP - Order Ref. 18 - Was 7154342 [A]		2
16	79K10	O RING 10			2
17	15KB1008	FITTING, HYD CONNECTOR			1
17	79K8	O RING 10			1
18	7185463	HOSE, HYD	711,2 mm (28") long - routed at a 40 degree angle from pump center		1
18	7201240	HOSE, HYD	812,8 mm (32") long - routed at a 20 degree angle from pump center		1

HYDROSTATIC CIRCUITRY (2-Speed Motor)

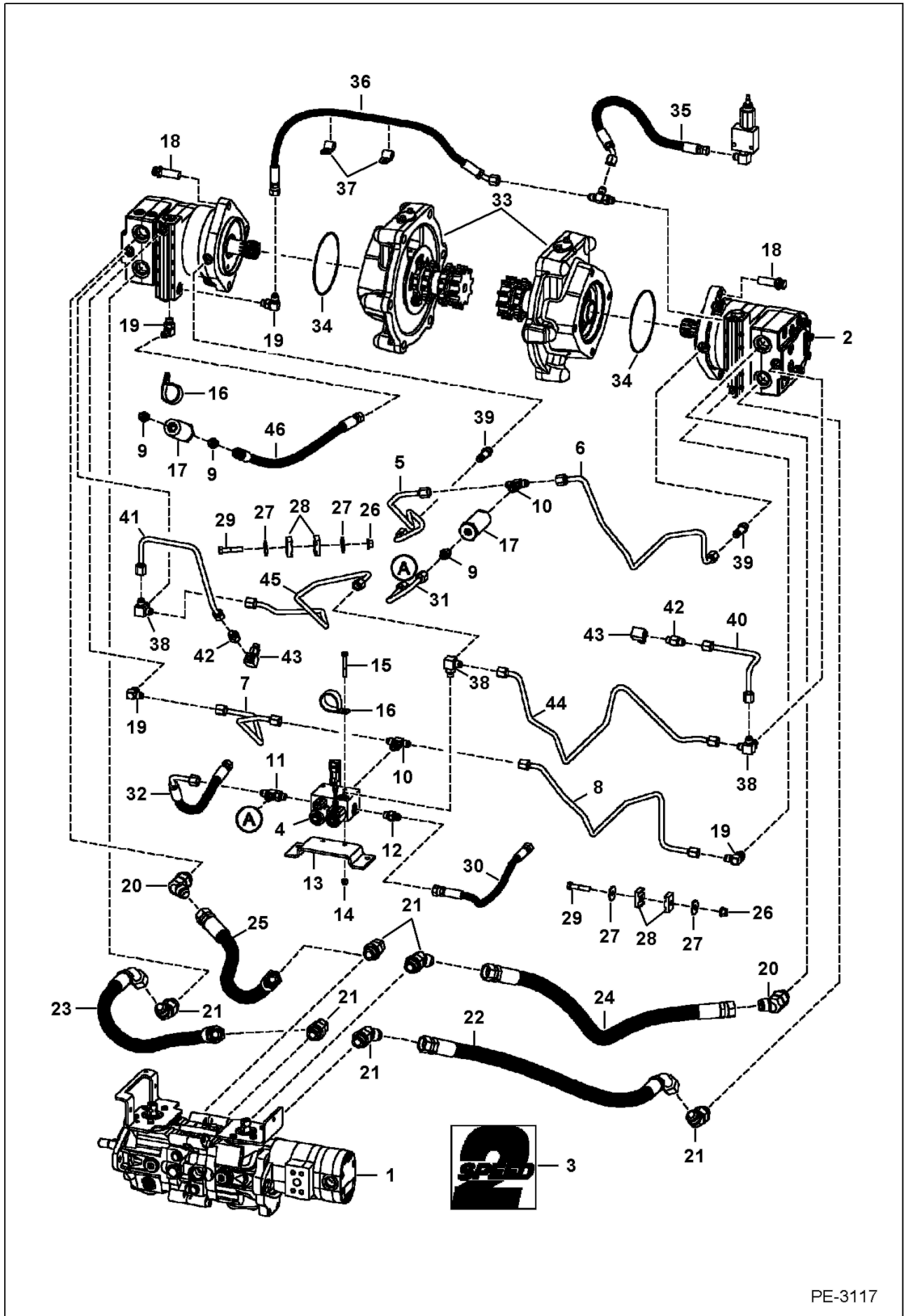


PE-3117

**HYDROSTATIC CIRCUITRY (Cont'd)
(2-Speed Motor)**

Ref No	Part Number	Description	Remarks	Serial Number	Qty
1		PUMP	See Illustration HYDROSTATIC PUMP/ B25010 See Illustration HYDROSTATIC PUMP/ MS2184		1
2		MOTOR	See Illustration HYDROSTATIC MOTOR/ MS2315		2
3	6729078	DECAL	2-speed		2
4	6692925	VALVE			1
4	6691066	SEAL KIT			1
4	6691067	COIL	W/molded connector - 2 speed		1
4	6676243	COIL	W/pigtail connector - warming coil		1
5	7140865	TUBE			1
6	7140866	TUBE			1
7	7144131	TUBE			1
8	7144132	TUBE			1
9	15KB0606	FITTING, HYD CONNECTOR			2
9	79K6	O RING 10			2
10	19KB0606	TEE			2
10	79K6	O RING 10			2
11	21KB0606	FTG HYD STRAIGHT TEE			2
11	79K6	O RING 10			2
12	6669676	CHECK VALVE	inline		1
12	79K6	O RING 10			1
13	7125072	MOUNT			1
14	59D4	NUT 5			2
15	17C444	SCREW			2
16	30H79	CLAMP			2
17	6661022	FILTER, OIL HYD IN-LINE	See Illustration HYDROSTATIC OIL FILTER/ B13527 - 90 micron		1
18	73G1028	BOLT			6
19	17KB0606	FITTING			4
19	79K6	O RING 10			4
20	6734623	ELBOW			2
20	79K12	O RING 10			2
21	6737453	ELBOW			6
21	79K12	O RING 10			6
22	6690239	HOSE			1
23	6690240	HOSE			1
24	6690242	HOSE			1
25	6690241	HOSE			1
26	83D6	NUT 5			2
27	619021	WASHER, 5			8
28	6726277	CLAMP			8
29	17C628	BOLT			4
30	6803157	HOSE ASSY			1
31	7144130	TUBE			1
32	7125070	HOSE			1
33	7126159	MOUNT ASSY	See Illustration MOTOR CARRIER/ PE3118 drive motor		2
34	25K30508	O-RING, 10			2
35	7138452	HOSE			1
36	7138454	HOSE			1
37	30H31	CLAMP 10			2
38	6725182	TEE			3
39	7122214	ADAPTER			2
40	7140589	TUBE			1
41	7140590	TUBE			1
42	7140928	VALVE	relief		2

HYDROSTATIC CIRCUITRY (Cont'd) (2-Speed Motor)

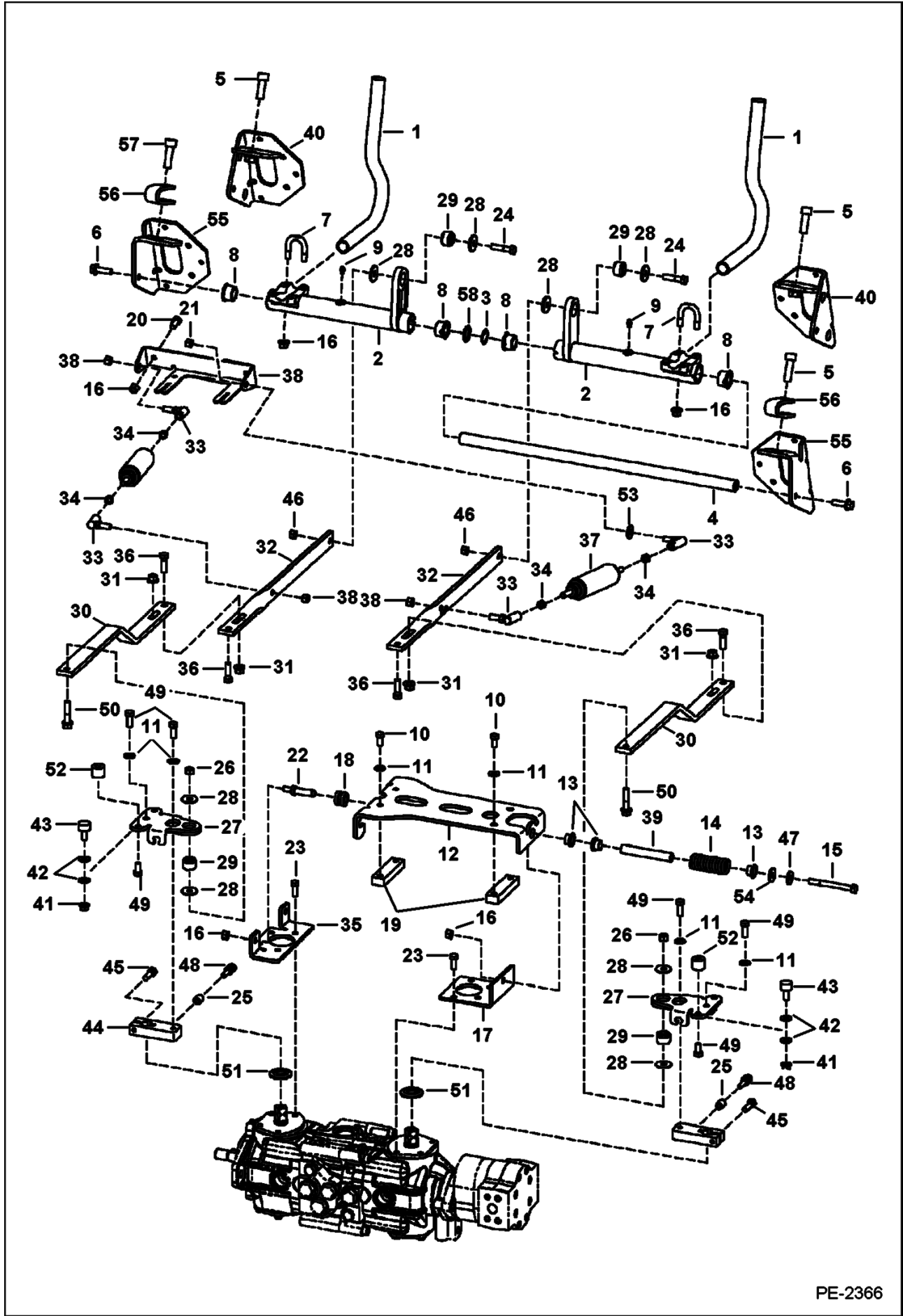


PE-3117

HYDROSTATIC CIRCUITRY (Cont'd)
(2-Speed Motor)

Ref No	Part Number	Description	Remarks	Serial Number	Qty
43	7141805	ELBOW			2
43	79K6	O RING 10			2
44	7143188	TUBE			1
45	7143189	TUBE			1
46	7126166	HOSE			1

HAND CONTROLS

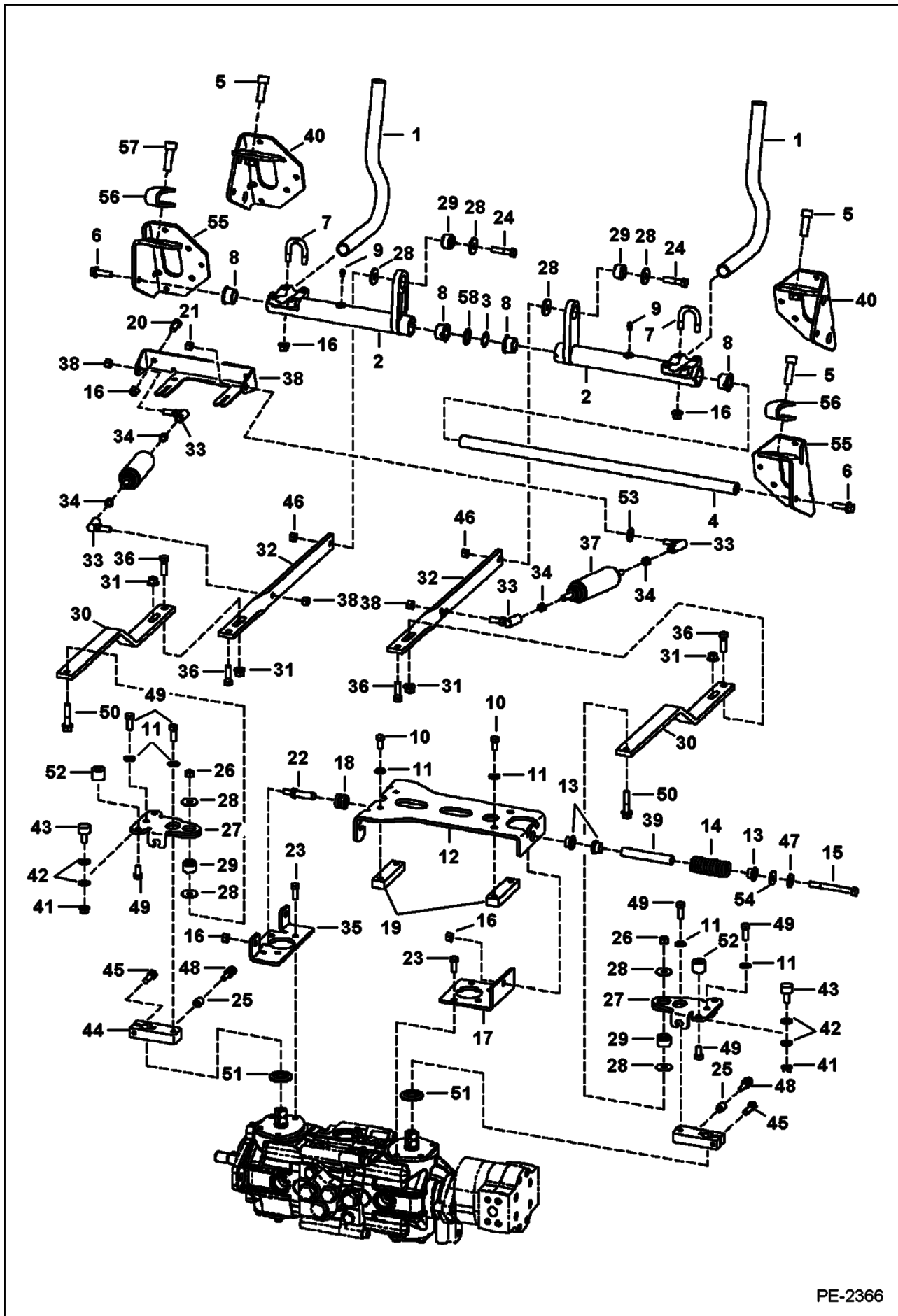


PE-2366

HAND CONTROLS (Cont'd)

Ref No	Part Number	Description	Remarks	Serial Number	Qty
1	6702543	LEVER, STEERING			2
2	7110571	BELLCRANK, STEERING			2
3	6599741	WASHER	wave - Use W/Ref. 58		1
3	7154546	WASHER, WAVE			1
4	6716545	ROD			1
5	93G824	BOLT			2
6	45C620	BOLT			2
7	6732997	U-BOLT			4
8	6703879	BUSHING, PLASTIC	W/tab		4
8	6673710	BEARING, NEEDLE	See Illustration CONTROLS ELECTRICAL/ PE2723 needle - AHC		2
9	10H35	GREASE ZERK			2
10	7105192	BOLT			8
11	7103217	WASHER			8
12	6734298	MOUNT			1
13	6715163	BUSHING, PRESS FIT			3
14	6701535	SPRING			1
15	17C680	BOLT			1
16	95D6	NUT			13
17	7109904	BRACKET			1
18	6706098	GUIDE			2
19	6702716	BLOCK			2
20	17C612	BOLT 5			2
21	7147580	MOUNT	damper - W/mount for back-up alarm switch		1
22	6577058	PIN			2
23	1CM820	BOLT			8
24	17C628	BOLT			2
25	7105223	SPACER			2
26	63D6	NUT			2
27	7110365	ARM, PINTLE			2
28	6737388	WASHER			8
29	6685060	BUSHING, TORSION			4
30	7139421	LINK	16" (406,4 mm) long		2
31	83D6	NUT 5			4
32	7139420	LINK	586 mm (23.07") long		2
33	6599744	BALL JOINT			4
34	8D6	NUT 5			4
35	7109905	BRACKET			1
36	17C620	BOLT			4
37	6649551	GAS SPRING			2
38	62D6	NUT 5			8
39	6715164	SLEEVE, SPRING			1
40		BRACKET	RH - Order Ref. 55-57		1
40		BRACKET	LH - Order Ref. 55-57		1
41	98D6	NUT	See Illustration CONTROLS ELECTRICAL/ PE2723 AHC		4
42	7100699	WASHER	See Illustration CONTROLS ELECTRICAL/ PE2723 AHC		4
43	6673789	BEARING	See Illustration CONTROLS ELECTRICAL/ PE2723 ROLLER - AHC		4
44	7103708	BRACKET	centering		2
45	73G624	BOLT			2

HAND CONTROLS (Cont'd)

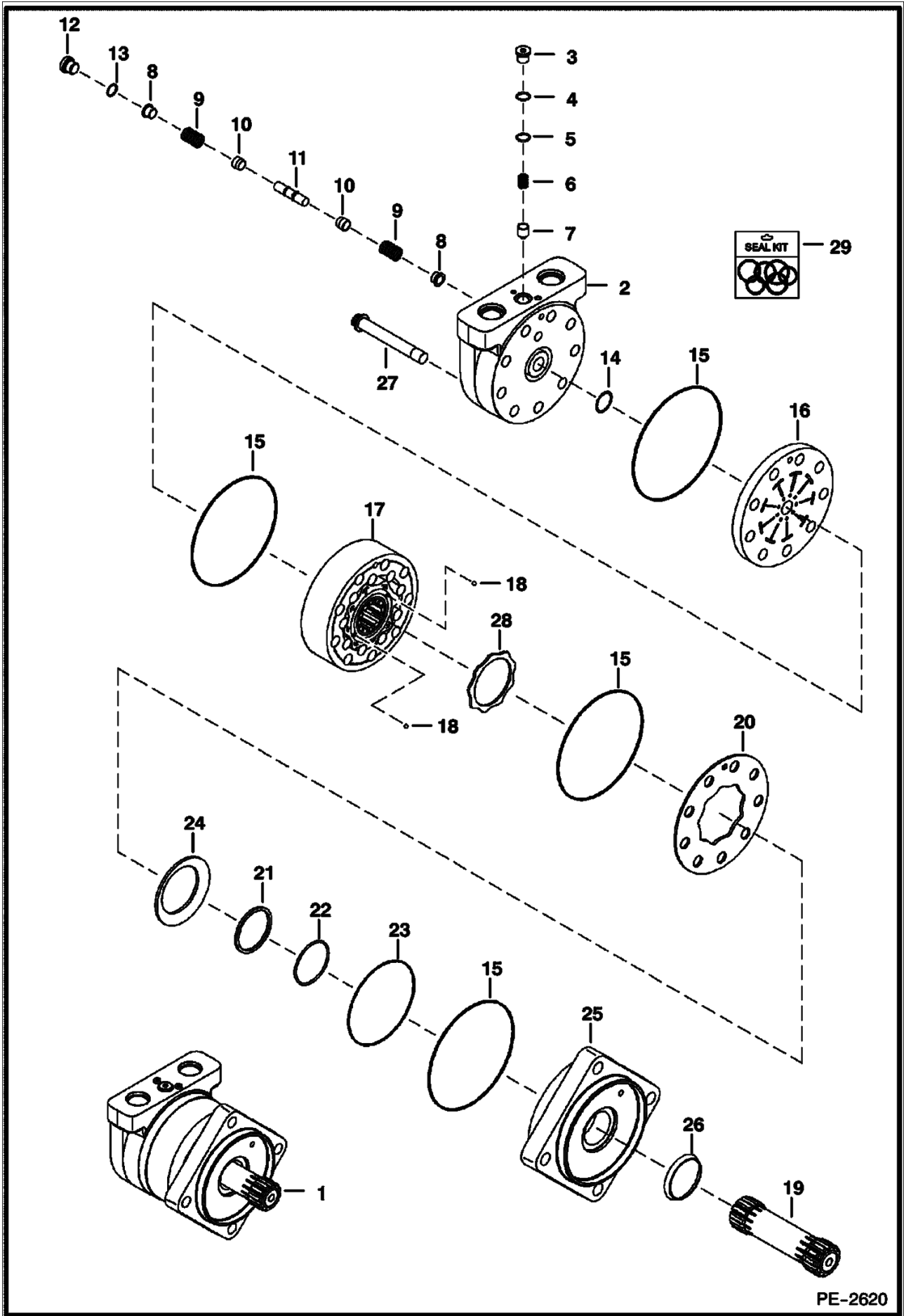


PE-2366

HAND CONTROLS (Cont'd)

Ref No	Part Number	Description	Remarks	Serial Number	Qty
46	53D6	NUT			2
47	6563914	WASHER			1
48	7103711	BOLT			2
49	47C620	BOLT			4
50	49C628	BOLT			2
51	6687913	SEAL	dust		2
52	6711643	CAM			4
53		SPACER	NAP - Order Ref. 34		1
54	25E24	WASHER	AHC		1
55	7128600	BRACKET	RH		1
55	7128601	BRACKET	LH		1
56	7121779	PAD			2
57	73G828	BOLT			2
58	6716916	WASHER	plastic - Use W/Ref. 3 (6599741 washer)		1

HYDROSTATIC MOTOR (Single Speed)

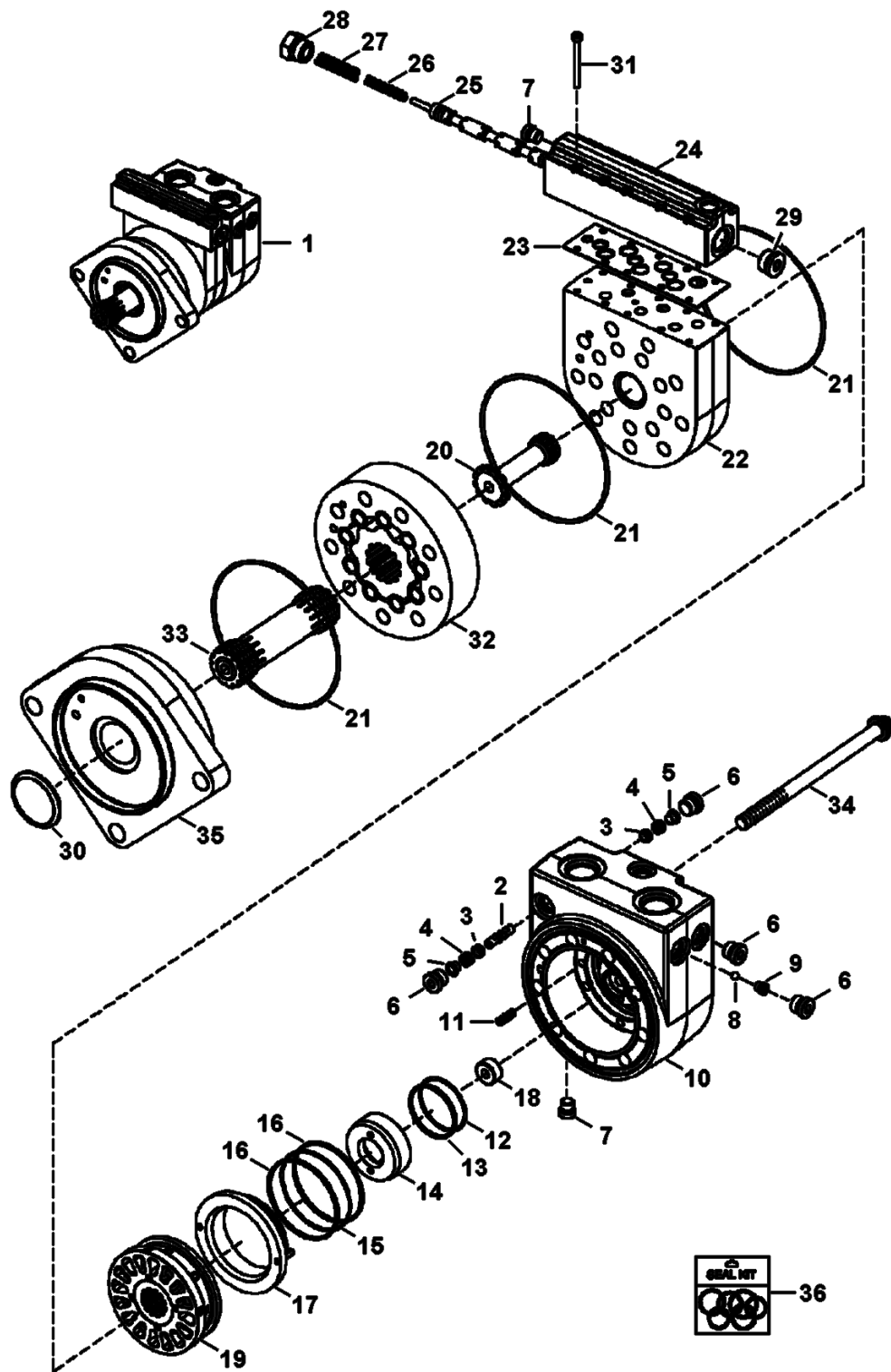


PE-2620

HYDROSTATIC MOTOR (Cont'd)
(Single Speed)

Ref No	Part Number	Description	Remarks	Serial Number	Qty
1	6682034	MOTOR	Ref. 2-27		1
2	6689697	HOUSING	W/Ref. 3-7		1
3	6668079	PLUG	W/Ref. 4		1
4	79K5	O RING 10			1
5	6668080	SHIM			x
6	6688521	SPRING			1
7	6668082	POPPET			1
8	6685065	SHUTTLE			2
9	6513533	SPRING			2
10	6513532	POPPET			2
11	6668088	PISTON	shuttle - W/flat - fast acting		1
12	6668089	PLUG	W/Ref. 13		1
13	79K6	O RING 10			1
14	6669452	O-RING			1
15	6678000	SEAL			4
16	6689698	PLATE	valve		1
17	6691343	GEROLER			1
18	6651542	BALL			2
19	6682862	SHAFT, DRIVE			1
20	6689700	PLATE	balance - outer		1
21	6678006	BACK-UP RING	backup		1
22	6682860	O-RING			1
23	6682897	SEAL			1
24	6685069	RING, BACK-UP	backup		1
25	6685068	FLANGE	mounting		1
26	6664815	SEAL, OIL			1
27	6682863	BOLT			9
28	6678004	PLATE	balance - inner		1
29	6685070	KIT, SEAL COMPLETE	W/Ref. 4, 13-15, 21-23 & 26		1

HYDROSTATIC MOTOR (2-Speed)

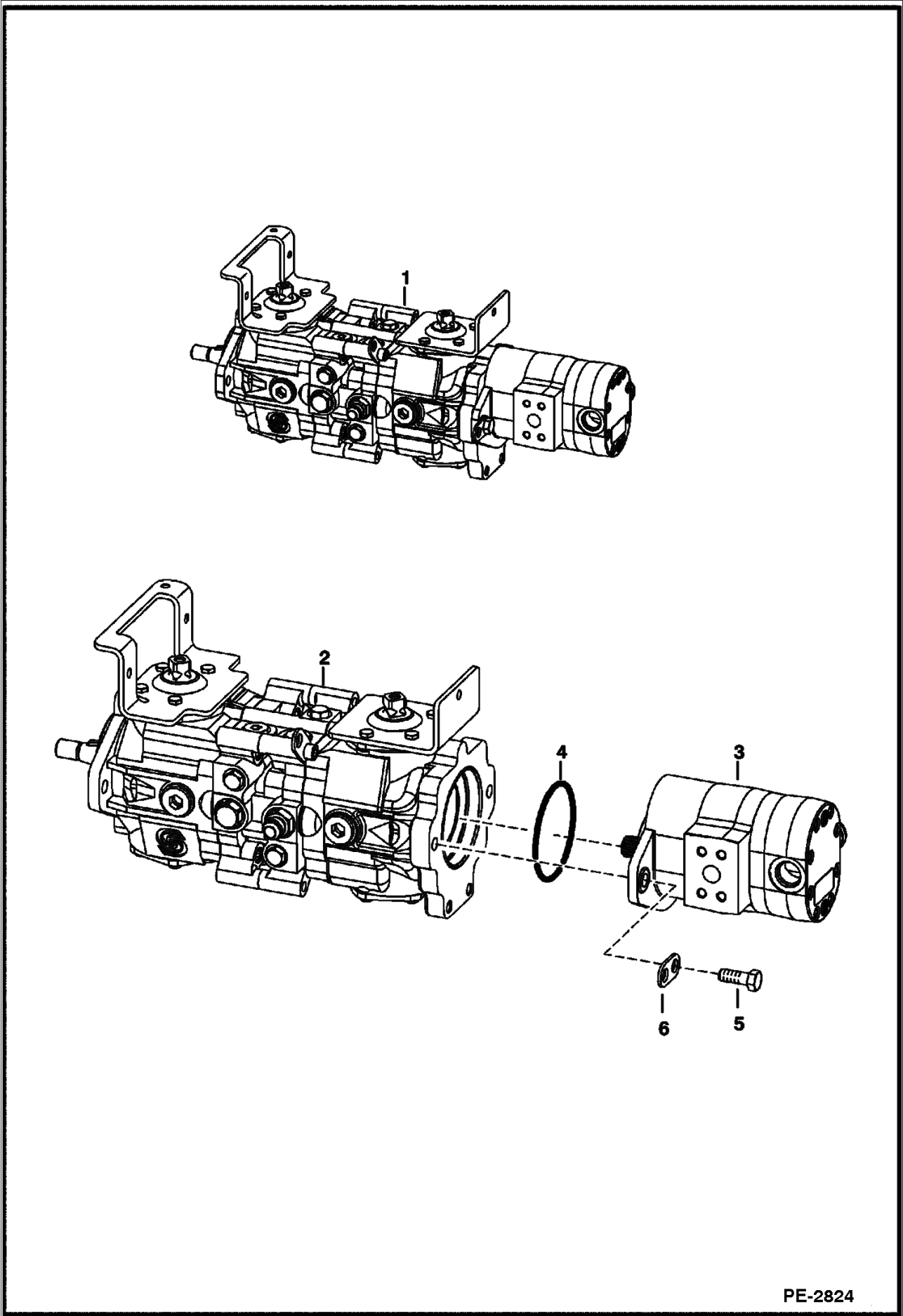


MS-2315

HYDROSTATIC MOTOR (Cont'd)
(2-Speed)

Ref No	Part Number	Description	Remarks	Serial Number	Qty
1	6688565	MOTOR			1
2	6668088	PISTON			1
3	6513532	POPPET			2
4	6513533	SPRING			2
5	6685065	SHUTTLE			2
6	6668089	PLUG			4
7	6691541	PLUG			2
8	10J8	BALL			1
9	6691542	SEAT	ball		1
10	6691566	HOUSING			1
11	6190121	SPRING			10
12	6691543	O-RING			1
13	6691544	RING	back-up		1
14	6691545	RING			1
15	6691546	O-RING			1
16	6691547	RING	back-up		2
17	6691548	RING	balance		1
18	6691549	PIN	dowel		1
19	6691550	VALVE			1
20	6691551	SHAFT			1
21	6691552	O-RING			3
22	6691553	PLATE			1
23	6691554	GASKET			1
24	6691555	HOUSING			1
25	6691556	SPOOL			1
26	6691557	SPRING	compression		1
27	6691558	SPRING	compression		1
28	6651974	PLUG			1
29	6599910	PLUG ASSY.			1
30	6664815	SEAL, OIL			1
31	6691559	BOLT			10
32	6691560	GEROLER			1
33	6691561	SHAFT			1
34	6691562	BOLT			9
35	6691563	FLANGE			1
36	6691565	SEAL KIT	Ref. 6, 7, 9, 12, 13, 15, 16, 21, 23 & 28-30		1

HYDROSTATIC PUMP/GEAR PUMP (Identification)

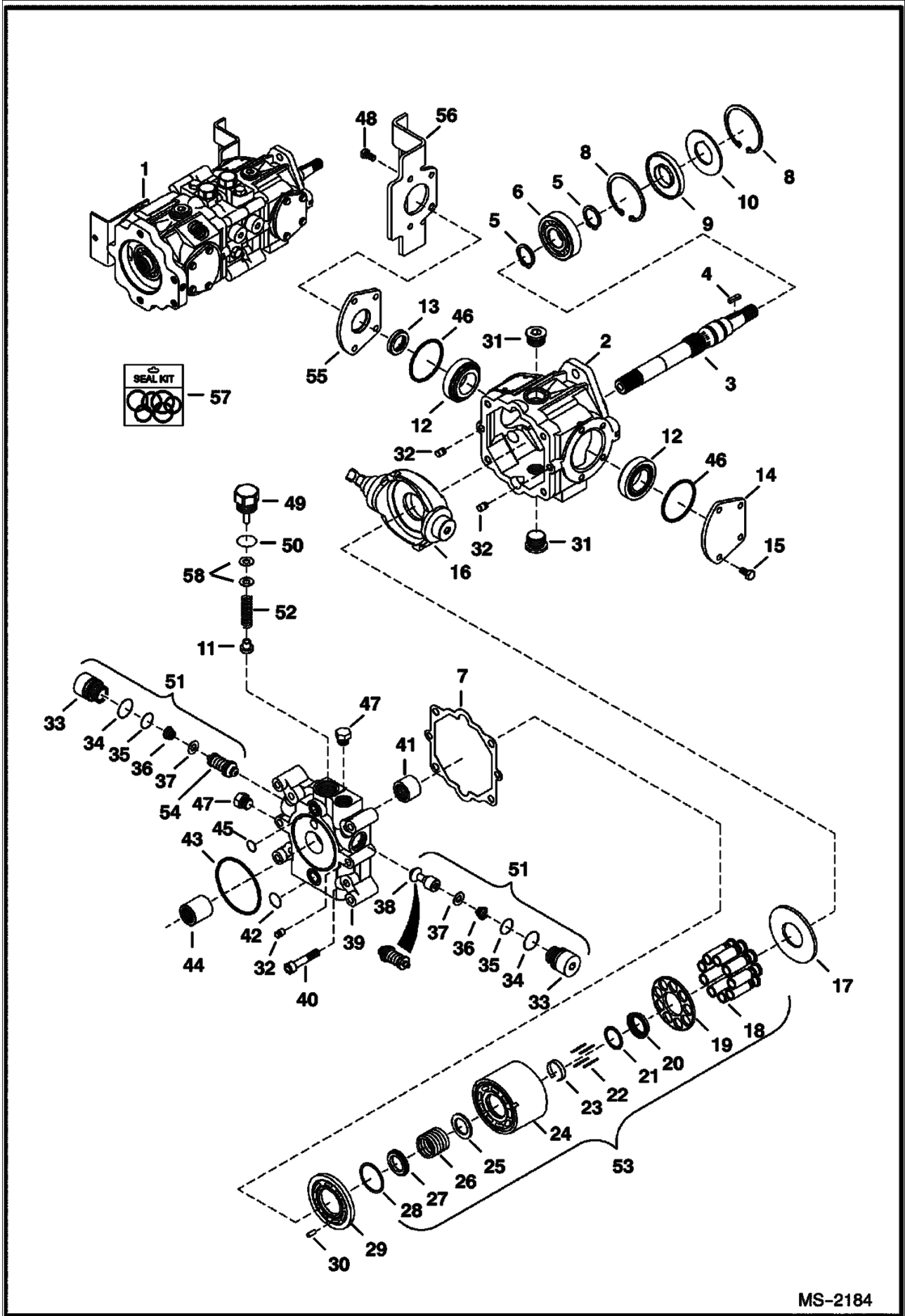


PE-2824

**HYDROSTATIC PUMP/GEAR PUMP (Cont'd)
(Identification)**

Ref No	Part Number	Description	Remarks	Serial Number	Qty
1		PUMP ASSY	NAP - Order Ref. 2-6		1
2		HYDROSTATIC PUMP	See Illustration HYDROSTATIC PUMP/ MS2184 - manual controls		1
2		HYDROSTATIC PUMP	See Illustration HYDROSTATIC PUMP/ B25010 - selectable joystick controls		1
3		GEAR PUMP	See Illustration GEAR PUMP/ MS2185 - manual controls or selectable joystick controls		1
3		GEAR PUMP	See Illustration HIGH FLOW HYDRAULICS/ MS1459 - high flow - manual controls or selectable joystick controls		1
4	6671520	O-RING	manual controls		1
4	6682949	O-RING	selectable joystick controls		1
5	45C820	BOLT	manual controls		2
5	59CM1240	BOLT	selectable joystick controls		2
6	6662126	BRACKET			2

HYDROSTATIC PUMP (Manual Controls & ACS)

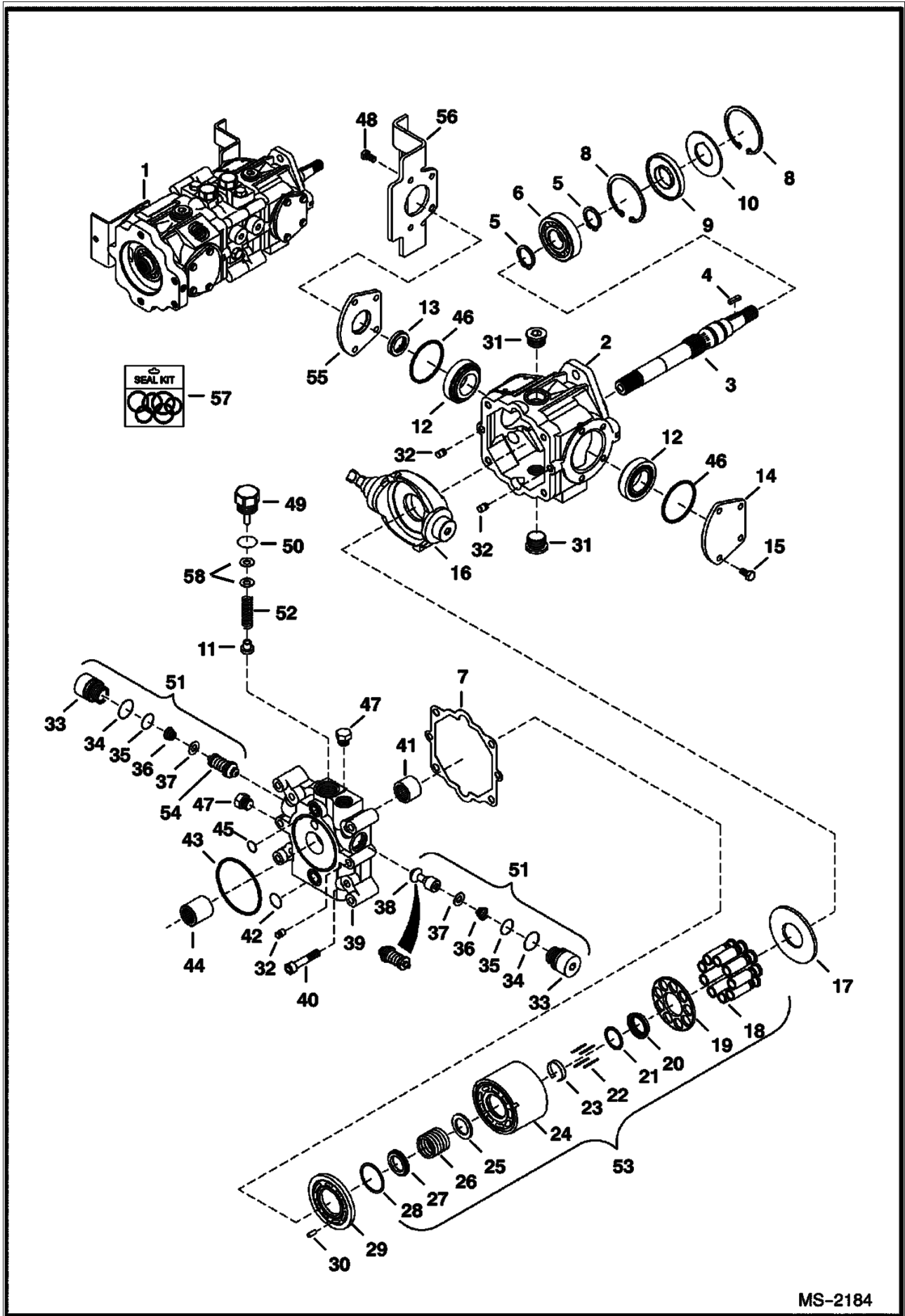


MS-2184

**HYDROSTATIC PUMP (Cont'd)
(Manual Controls & ACS)**

Ref No	Part Number	Description	Remarks	Serial Number	Qty
1	6687863	PUMP, HYD TANDEM W/O GEAR PUMP	Model 4445203		1
1	6687863REM	PUMP, HYD TANDEM, W/O GEAR PUMP			1
2	6669402	HOUSING			1
3	6682260	SHAFT	W/square key		1
4	6682261	KEY			1
5	658128	RING, SNAP			2
6	654299	BEARING			1
7	6650634	GASKET			1
8	669863	RING, SNAP			2
9	6687191	SEAL, OIL			1
10	6669409	WASHER			1
11	6650652	POPPET	charge relief		1
12	6669411	BEARING			2
13	6678226	SEAL, OIL			1
14	6657068	COVER			2
15	6650668	BOLT			4
16	6685344	SWASHPLATE	W/threaded shaft hole		1
17	6650627	PLATE			1
18		PISTON ASSY	NAP - Order Ref. 53		1
19		RETAINER	NAP - Order Ref. 53		1
20		RETAINER	NAP - guide - Order Ref. 53		1
21	6666338	WASHER			1
22	6650629	PIN			4
23	6650630	RETAINER			1
24		BLOCK	NAP - Order Ref. 53		1
25		WASHER	NAP - Order Ref. 53		1
26		SPRING	NAP - Order Ref. 53		1
27		WASHER	NAP - Order Ref. 53		1
28		WASHER	NAP - Order Ref. 53		1
29	6687774	PLATE, PUMP HYD			1
30	6650636	PIN			1
31	47K8	PLUG			2
31	6645083	O-RING			2
32	6675342	PIN			4
33		PLUG	NAP - Order Ref. 51		2
34	6657028	O-RING			2
35	79K8	O RING 10			2
36		SPRING	NAP - Order Ref. 51		2
37		RETAINER	NAP - Order Ref. 51		2
38		CHECK VALVE	NAP - poppet - Order Ref. 51		1
39	6669406	END PLATE			1
40	6650637	BOLT			4
41	6650635	BEARING			1
42	6650647	O-RING			1
43	6645081	O-RING	Was 6673884 [B,D]		1
44	6650675	COUPLER			1
45	6650646	O-RING			1
46	6660814	O-RING	Was 6678226 [D]		2
47	6645086	PLUG			2
47	6661481	O-RING			1
48	6671518	BOLT			4
49	6650648	PLUG	charge relief - W/Ref. 50		1

HYDROSTATIC PUMP (Cont'd) (Manual Controls & ACS)

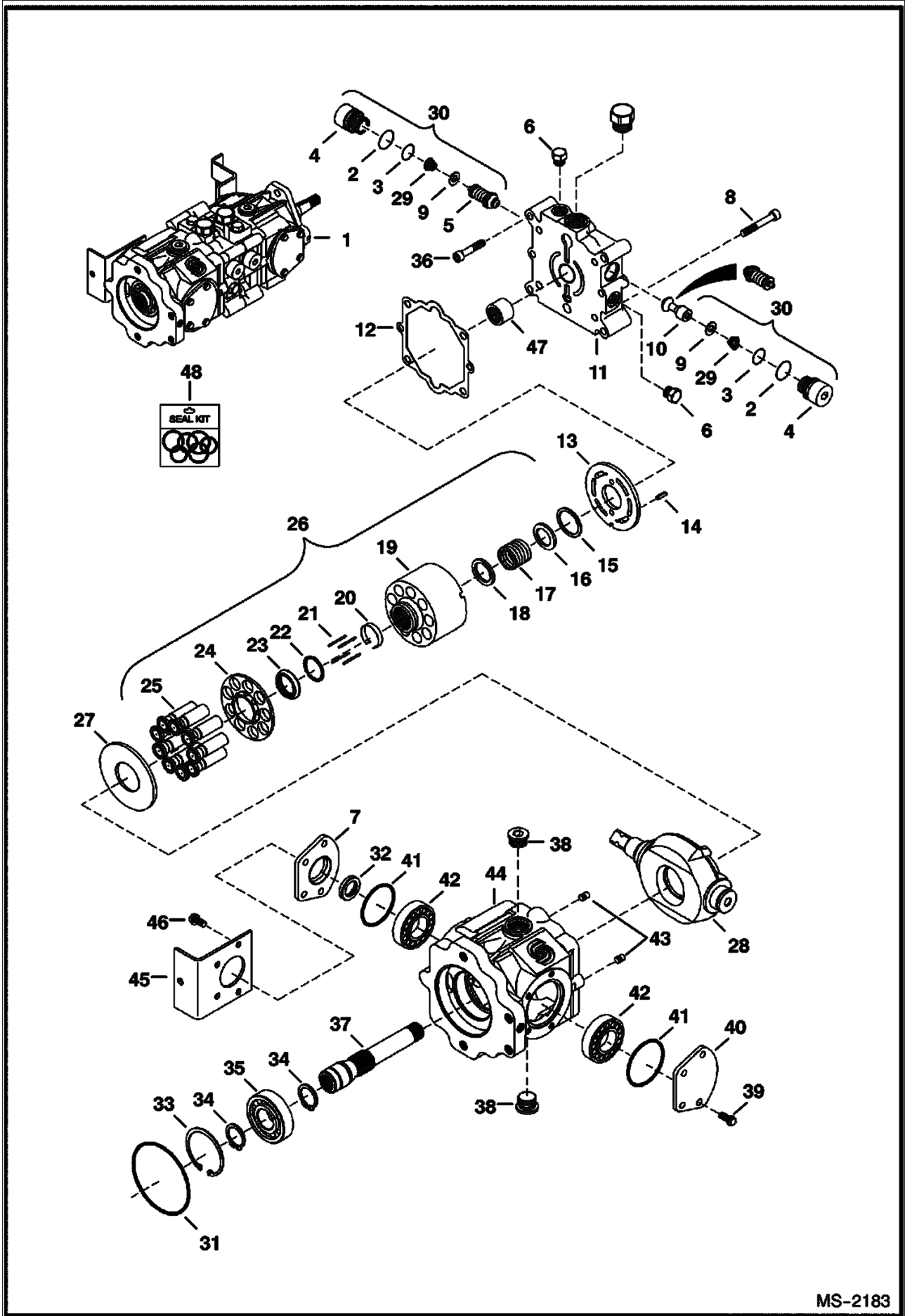


MS-2184

**HYDROSTATIC PUMP (Cont'd)
(Manual Controls & ACS)**

Ref No	Part Number	Description	Remarks	Serial Number	Qty
50	79K10	O RING 10			1
51	6670685	RELIEF VALVE	Ref. 33-37 & 54		1
52	6673882	SPRING			1
53	6671512	GROUP, ROTARY			1
54		RELIEF VALVE	NAP - 5000 PSI (345 bar)- Order Ref. 51		1
55	6657067	COVER	W/Ref. 46		1
56	7109905	BRACKET			1
57	6671516	KIT, SEAL	Ref. 7, 9, 13, 34, 35, 42, 43, 45, 46 & 50 - Also includes Ref. 2, 3, 12, 31 & 41 on next page		1
58	6669410	KIT, SHIM	for Ref. 49 - (2) each of .010, .020 and .050 thick		1

HYDROSTATIC PUMP (Manual Controls & ACS)

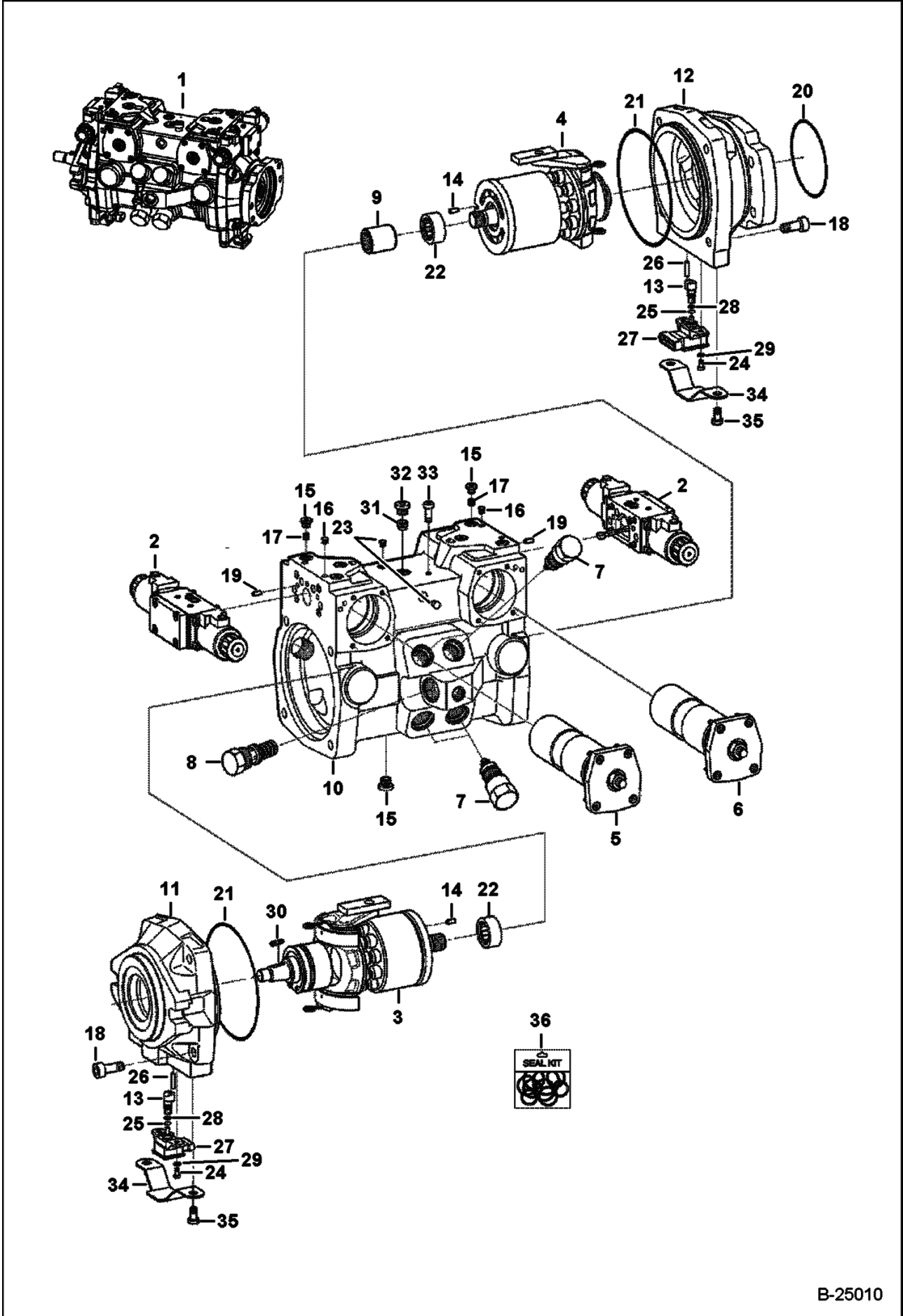


MS-2183

**HYDROSTATIC PUMP (Cont'd)
(Manual Controls & ACS)**

Ref No	Part Number	Description	Remarks	Serial Number	Qty
1	6687863	PUMP, HYD TANDEM W/O GEAR PUMP	Model 4445203		1
1	6687863REM	PUMP, HYD TANDEM, W/O GEAR PUMP			1
2	6657028	O-RING			2
3	79K8	O RING 10			2
4		PLUG	NAP - Order Ref. 30		2
5		RELIEF VALVE	NAP - 5000 PSI (345 bar)- Order Ref. 30		2
6	6645086	PLUG			4
7	6657067	COVER	W/Ref. 32		1
8	6650637	BOLT			2
9		RETAINER	NAP - Order Ref. 30		4
10		CHECK VALVE	NAP - poppet - Order Ref. 30		1
11	6669405	END CAP			1
12	6650634	GASKET			1
13	6687773	PLATE, PUMP HYD			1
14	6650636	PIN			2
15		RETAINER	NAP - Order Ref. 26		1
16		WASHER	NAP - Order Ref. 26		1
17		SPRING	NAP - Order Ref. 26		1
18		WASHER	NAP - Order Ref. 26		1
19		BLOCK	NAP - Order Ref. 26		1
20	6650630	RETAINER			1
21	6650629	PIN			4
22	6666338	WASHER			1
23		RETAINER	NAP - Order Ref. 26		1
24		RETAINER	NAP - Order Ref. 26		1
25		PISTON ASSY	NAP - Order Ref. 26		1
26	6671512	GROUP, ROTARY			1
27	6650627	PLATE			1
28	6685344	SWASHPLATE	W/threaded shaft hole		1
29		SPRING	NAP - Order Ref. 30		2
30	6670685	RELIEF VALVE	Ref. 2-5, 9, 10 & 29		2
31	6671520	O-RING			1
32	6678226	SEAL, OIL			1
33	669863	RING, SNAP			1
34	658128	RING, SNAP			2
35	654299	BEARING			1
36	6652018	BOLT			4
37	6682264	SHAFT			1
38	47K8	PLUG			1
38	79K12	O RING 10			2
39	6650668	BOLT			4
40	6657068	COVER			1
41	6660814	O-RING			2
42	6669411	BEARING			2
43	6675342	PIN			2
44	6682262	HOUSING			1
45	7109904	BRACKET			1
46	6650668	BOLT			4
47	6650635	BEARING			1
48	6671516	KIT, SEAL	Ref. 2, 3, 12, 31 & 41 - Also includes Ref. 7, 9, 13, 34, 35, 42, 43, 45, 46 & 50 on previous page		1

HYDROSTATIC PUMP
(Selectable Joystick Controls)
(S/N A3LJ11001 - 35143)

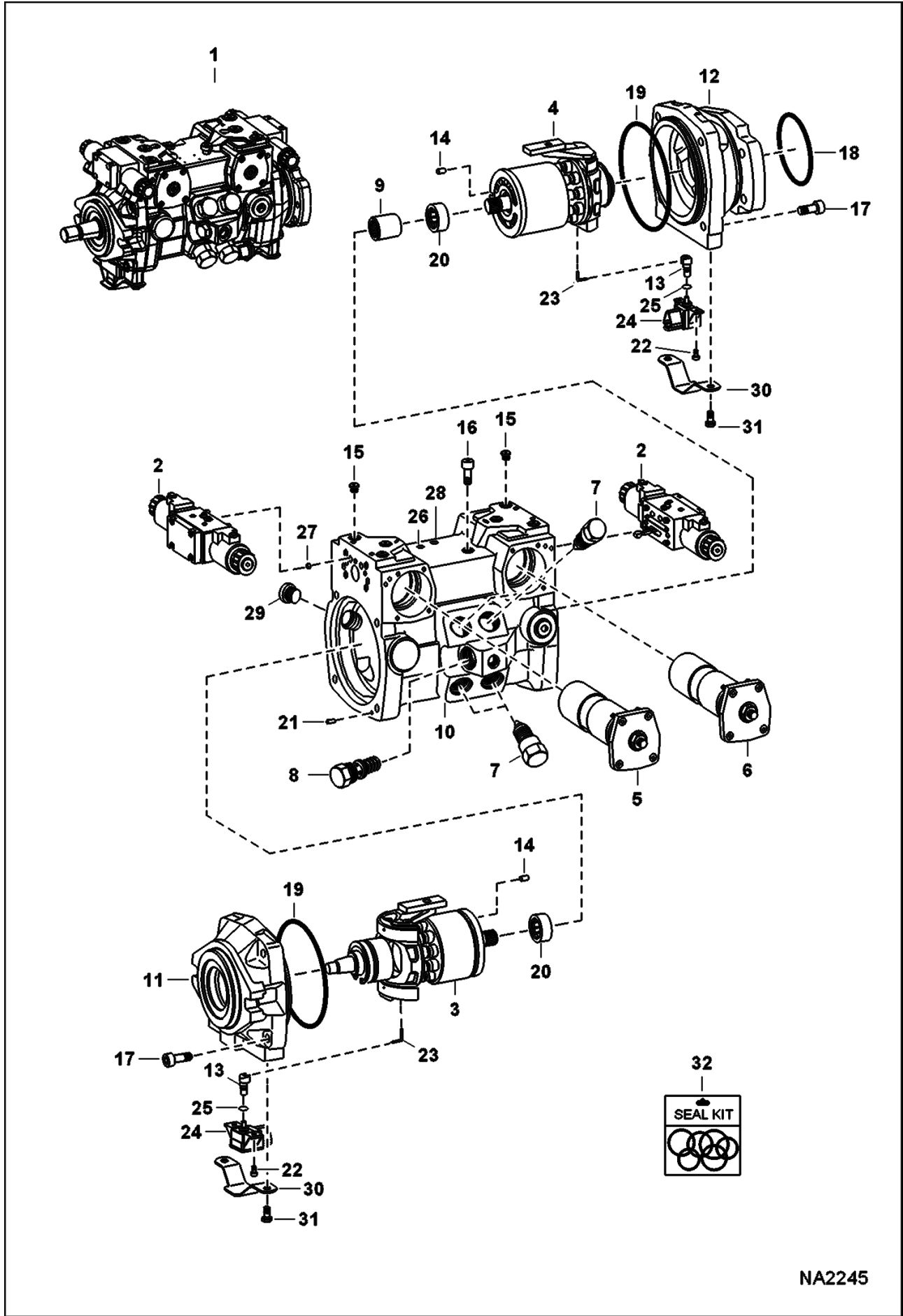


B-25010

HYDROSTATIC PUMP (Cont'd)
(Selectable Joystick Controls)
(S/N A3LJ11001 - 35143)

Ref No	Part Number	Description	Remarks	Serial Number	Qty
1		PUMP, HYD TANDEM	NAP - Model R902095064 - Order 7170197 pump and 7169309 harness - Was 6686267 [A]	A3LJ 35143 & Bel	1
1	7170197	PUMP, HYD TANDEM	See Illustration HYDROSTATIC PUMP/ NA2245 Model R902136745	A3LJ 35144 & Abv	1
2	6687970	MODULATOR	See Illustration HYDROSTATIC PUMP/ B25016 - Model R902095064		2
3	6687957	GROUP, ROTATING	See Illustration HYDROSTATIC PUMP/ B25011 - LH rotation - Modle R902095064		1
4	6687958	GROUP	See Illustration HYDROSTATIC PUMP/ B25012 - RH rotation - Model R902095064		1
5	6687960	CONTROL	See Illustration HYDROSTATIC PUMP/ B25013 Model R902095064		1
6	6687961	CONTROL	See Illustration HYDROSTATIC PUMP/ B25013A Model R902095064		1
6	7008108	CONTROL	See Illustration HYDROSTATIC PUMP/ B25013A Model R902136745		1
7	6692332	VALVE,RELIEF	See Illustration HYDROSTATIC PUMP/ B25014 - preset at 350 bar - Model R902095064		4
8	6687938	VALVE	See Illustration HYDROSTATIC PUMP/ B25015		1
9	6687941	COUPLER			1
10	6687964	HOUSING	Model R902095064		1
11	6687973	FLANGE	Model R902095064		1
12	6687974	FLANGE	Model R902095064		1
13	6687965	SHAFT	Model R902095064		2
14	6688011	PIN			2
15	6682875	PLUG			11
15	6698343	ORING			11
16	6682879	PIN			3
17	6967419	ORIFICE			4
18	6688008	SCREW			8
19	6682919	PIN			2
20	6682949	O-RING			1
21	6688009	SEAL			2
22	6688040	BEARING			2
23	6687932	PIN			2
24	6687994	SCREW	Model R902095064		4
25	6687990	RING			2
26	6688014	PIN			2
27	6687984	SENSOR, PUMP HYD POSITION	Model R902095064 - Use W/ 7139761 harness	A3LJ 35143 & Bel	2
27	7008115	SENSOR	Model R902136745 - Use W/ 7169309 harness	A3LJ 35144 & Abv	2
28	6688007	SEAL			2
29	6687998	SHIM			4
30	6J807	KEY, WOODRUFF	Was 6687991 [A]		1
31	6687988	FILTER			1
32	6682877	PLUG			1
33	6687992	SCREW			1
34	7131322	COVER			2
35	6688003	SCREW			4
36	6689021	SEAL KIT	complete		1

**HYDROSTATIC PUMP
(Selectable Joystick Controls)
(S/N A3LJ35144 & Above)**

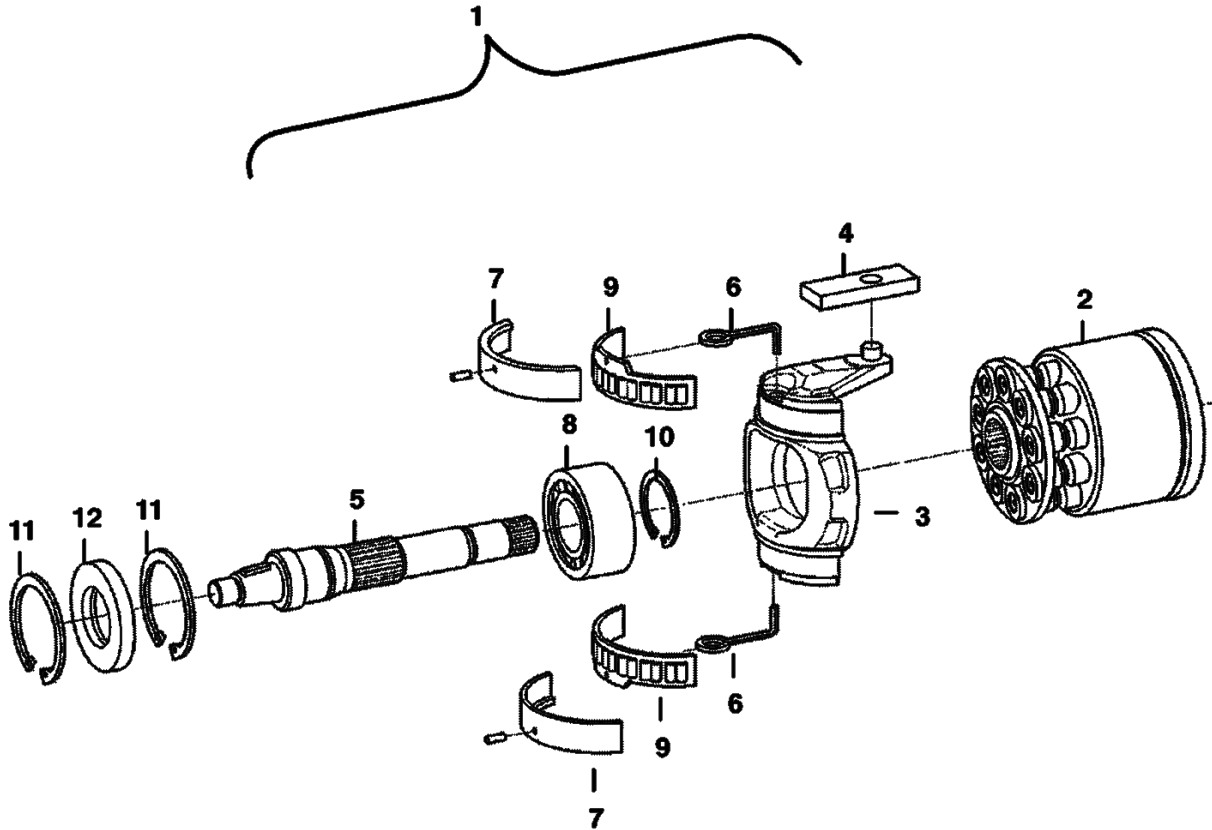


NA2245

HYDROSTATIC PUMP (Cont'd)
(Selectable Joystick Controls)
(S/N A3LJ35144 & Above)

Ref No	Part Number	Description	Remarks	Serial Number	Qty
1	7170197	PUMP, HYD TANDEM	Model R902136745		1
2	7008109	MODULE, CONTROL	See Illustration HYDROSTATIC PUMP/ B25016		2
3	7008807	GROUP, ROTATING	See Illustration HYDROSTATIC PUMP/ B25011 LH rotation		1
4	7008106	GROUP ROTATING RH	See Illustration HYDROSTATIC PUMP/ B25012 RH rotation		1
5	7008107	CONTROL	See Illustration HYDROSTATIC PUMP/ B25013		1
6	7008108	CONTROL	See Illustration HYDROSTATIC PUMP/ B25013A		1
7	7008124	VALVE, RELIEF	See Illustration HYDROSTATIC PUMP/ B25014 preset at 350 bar - Model R902136745		4
8	6687938	VALVE	pressure relief 15-30 bar		1
9	6687941	COUPLER			1
10	7008110	HOUSING	W/Ref16		1
11	7008111	FLANGE, LH			1
12	7008112	FLANGE, RH			1
13	7008113	SHAFT			2
14	6688011	PIN			2
15	6688016	SCREW			11
16	6682879	PIN	- Was 6688039 [A]		3
17	6688008	SCREW			8
18	6688019	O-RING			1
19	6688009	SEAL			2
20	6688040	BEARING			2
21	6686934	PIN			2
22	7008114	SCREW			4
23	6688014	PIN			2
24	7008115	SENSOR			2
25	54K20022	O'RING			2
26	6687932	PIN			2
27	7008116	FILTER			6
28	6688015	SCREW			1
29	6687992	SCREW			1
30	7010227	COVER			2
31	6688003	SCREW			4
32	6689021	SEAL KIT			1

HYDROSTATIC PUMP
(Rotary Group - LH)
(Selectable Jovstick Controls)

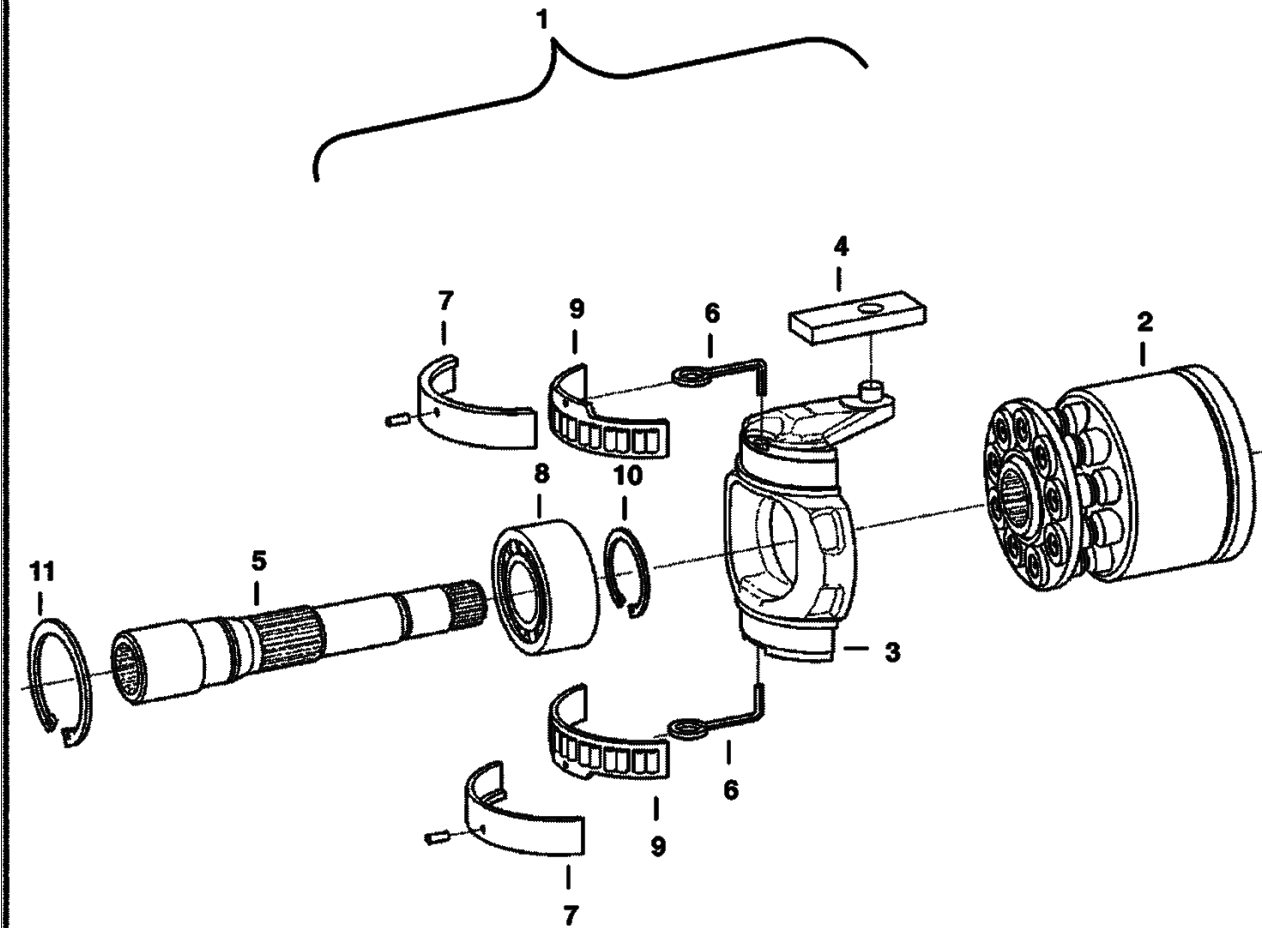


B-25011

HYDROSTATIC PUMP (Cont'd)
(Rotary Group - LH)
(Selectable Jovstick Controls)

Ref No	Part Number	Description	Remarks	Serial Number	Qty
1	6687957	GROUP, ROTATING	LH rotation - Model R902095064	A3LJ 35143 & Bel	1
1	7008807	GROUP, ROTATING	LH rotation - Model R902136745	A3LJ 35144 & Abv	1
2	6687977	GROUP, ROTARY	Model R902095064	A3LJ 35143 & Bel	1
2	6687979	GROUP, ROTARY			1
2	6687976	PLATE			1
2	6693869	ROTARY GRP	Model R902136745	A3LJ 35144 & Abv	1
3	6687951	SWASHPLATE	Model R902095064	A3LJ 35143 & Bel	1
3	7008117	SWASHPLATE	Model R902136745	A3LJ 35144 & Abv	1
4	6687940	PLATE			1
5	6687959	SHAFT			1
6	6687930	WIRE			2
7	6687956	BEARING			1
8	6688018	BEARING			1
9	6687987	BEARING	Model R902095064	A3LJ 35143 & Bel	1
9	7008118	BEARING	Model R902136745	A3LJ 35144 & Abv	1
10	6687999	RING, SNAP			1
11	6671741	SNAP RING			2
12	6671742	SEAL	Model R902095064	A3LJ 35143 & Bel	1
12	6693876	SEAL, SHAFT	Model R902136745	A3LJ 35144 & Abv	1

HYDROSTATIC PUMP
(Rotary Group - RH)
(Selectable Jovystick Controls)

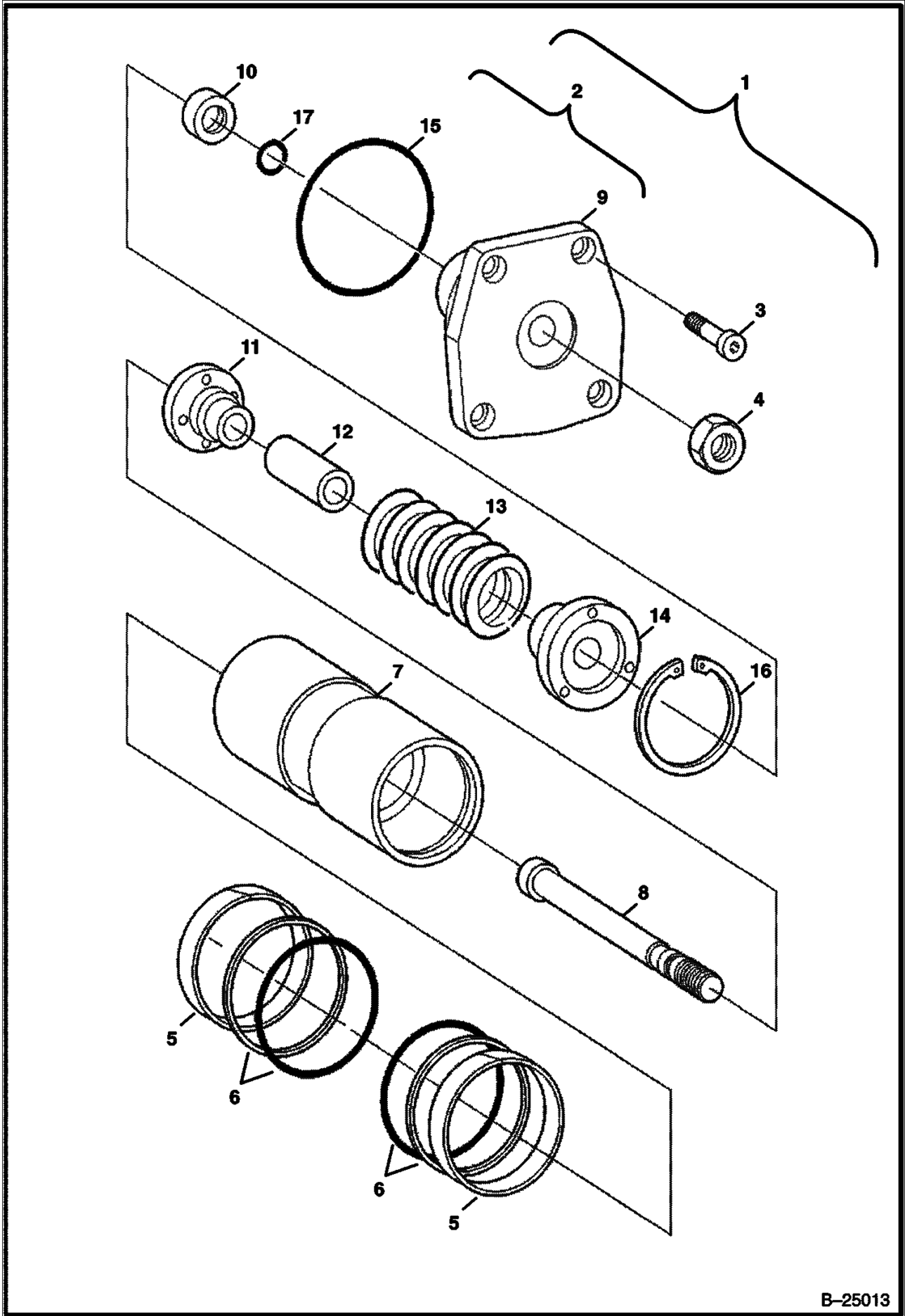


B-25012

HYDROSTATIC PUMP (Cont'd)
(Rotary Group - RH)
(Selectable Jovstick Controls)

Ref No	Part Number	Description	Remarks	Serial Number	Qty
1	6687958	GROUP	RH rotation - Model R902095064	A3LJ 35143 & Bel	1
1	7008106	GROUP ROTATING RH	RH rotation - Model R902136745	A3LJ 35144 & Abv	1
2	6687978	GROUP	Model R902095064	A3LJ 35143 & Bel	1
2	6687979	GROUP, ROTARY			1
2	6687975	PLATE			1
2	6693869	ROTARY GRP	Model R902136745	A3LJ 35144 & Abv	1
3	6687951	SWASHPLATE	Model R902095064	A3LJ 35143 & Bel	1
3	7008117	SWASHPLATE	Model R902136745	A3LJ 35144 & Abv	1
4	6687940	PLATE			1
5	6687943	SHAFT			1
6	6687930	WIRE			2
7	6687956	BEARING			1
8	6688018	BEARING			1
9	6687987	BEARING	Model R902095064	A3LJ 35143 & Bel	1
9	7008118	BEARING	Model R902136745	A3LJ 35144 & Abv	1
10	6687999	RING, SNAP			1
11	6671741	SNAP RING			2

HYDROSTATIC PUMP
(Control)
(Selectable Jovstick Controls)

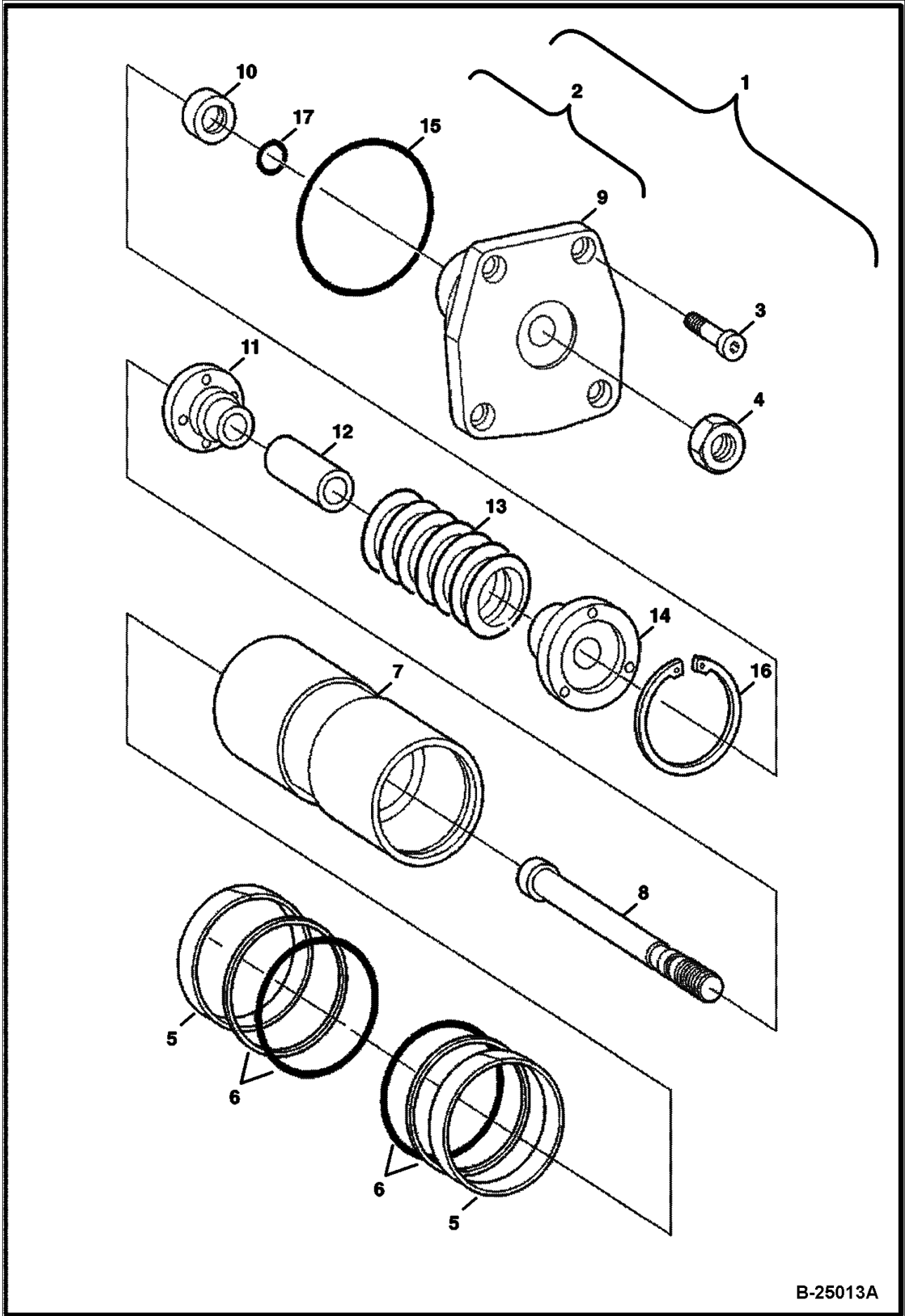


B-25013

HYDROSTATIC PUMP (Cont'd)
(Control)
(Selectable Jovstick Controls)

Ref No	Part Number	Description	Remarks	Serial Number	Qty
1	6687960	CONTROL	Model R902095064	A3LJ 35143 & Bel	1
1	7008107	CONTROL	Model R902136745	A3LJ 35144 & Abv	1
2	6687962	PISTON			1
3	6682968	SCREW			4
4	6674907	NUT			1
5	6687985	RING	Model R902095064	A3LJ 35143 & Bel	2
5	7008119	RING	Model R902136745	A3LJ 35144 & Abv	2
6	6687986	KIT			2
7		PISTON	NAP - Order 6687961 - Was 6687953 [A]		1
8	6688031	ROD			1
9	6671760	COVER			1
10	6688037	RING	6,70 mm		1
10	6682902	RING	6,75 mm		1
10	6682901	RING	6,80 mm		1
10	6688025	RING	6,85 mm		1
10	6688026	RING	6,90 mm		1
10	6688027	RING	6,95 mm		1
10	6688028	RING	7,00 mm		1
10	6671803	RING	7,05 mm		1
10	6688030	RING	7,10 mm		1
11	6687926	COLLAR			1
12	6688033	SPACER	54,60 cm		1
12	6687942	SPACER	54,65 cm		1
12	6688032	SPACER	54,70 cm		1
12	6687948	SPACER	54,75 cm		1
12	6687949	SPACER	54,80 cm		1
13	6687928	SPRING			1
14	6674215	COLLAR			1
15	6688005	SEAL			1
16	6688002	RING			1
17	6682913	O-RING			1

HYDROSTATIC PUMP
(Control)
(Selectable Jovstick Controls)

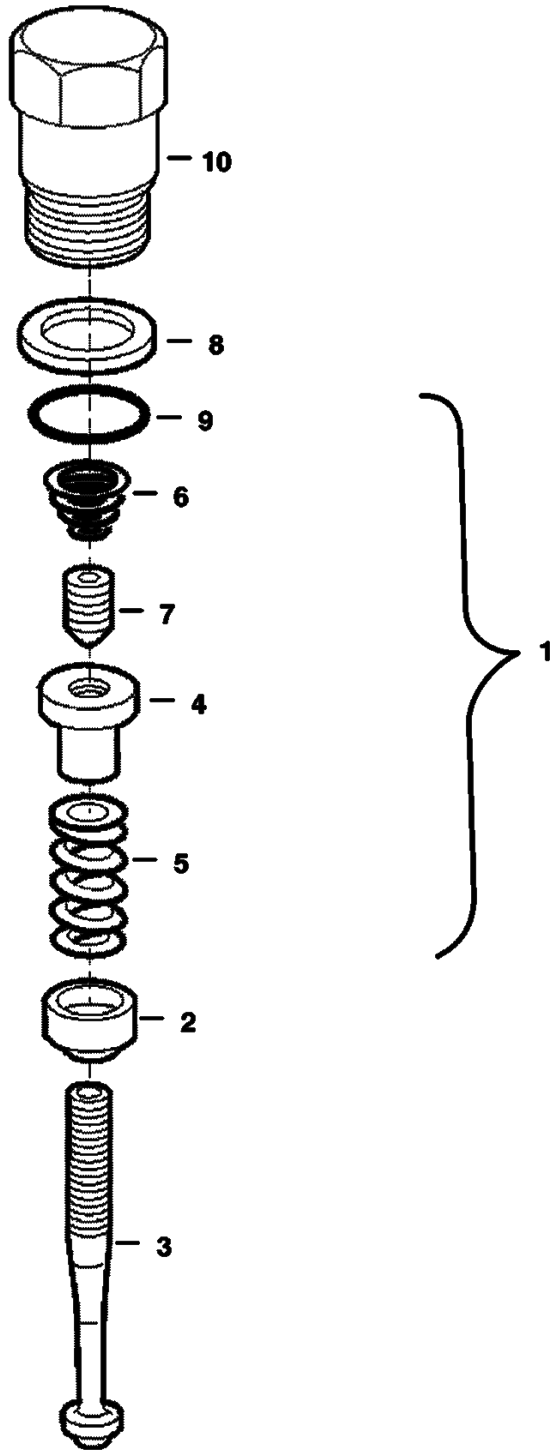


B-25013A

HYDROSTATIC PUMP (Cont'd)
(Control)
(Selectable Jovstick Controls)

Ref No	Part Number	Description	Remarks	Serial Number	Qty
1	6687961	CONTROL	Model R902095064	A3LJ 35143 & Bel	1
1	7008108	CONTROL	Model R902136745	A3LJ 35144 & Abv	1
2	6687963	PISTON			1
3	6682968	SCREW			4
4	6674907	NUT			1
5	6687985	RING	Model R902095064	A3LJ 35143 & Bel	1
5	7008119	RING	Model R902136745	A3LJ 35144 & Abv	1
6	6687986	KIT			2
7	6687953	PISTON	Model R902095064	A3LJ 35143 & Bel	1
7		PISTON	NAP - Order 7008108 - model R902136745 - Was 6687952 [A]	A3LJ 35144 & Abv	1
8	6688031	ROD			1
9	6671760	COVER			1
10	6688037	RING	6,70 mm		1
10	6682902	RING	6,75 mm		1
10	6682901	RING	6,80 mm		1
10	6688025	RING	6,85 mm		1
10	6688026	RING	6,90 mm		1
10	6688027	RING	6,95 mm		1
10	6688028	RING	7,00 mm		1
10	6671803	RING	7,05 mm		1
10	6688030	RING	7,10 mm		1
11	6687926	COLLAR			1
12	6688033	SPACER	54,60 cm		1
12	6687942	SPACER	54,65 cm		1
12	6688032	SPACER	54,70 cm		1
12	6687948	SPACER	54,75 cm		1
12	6687949	SPACER	54,80 cm		1
13	6687928	SPRING			1
14	6674215	COLLAR			1
15	6688005	SEAL			1
16	6688002	RING			1
17	6682913	O-RING			1

**HYDROSTATIC PUMP
(High Pressure Relief Valve)
(Selectable Jovstick Controls)**

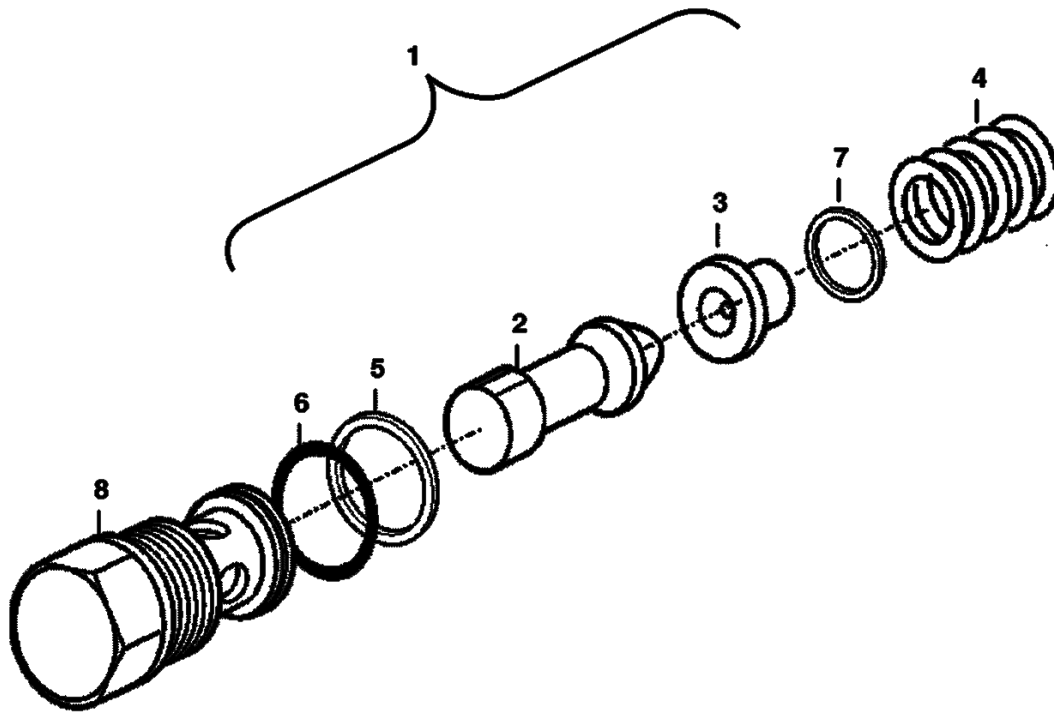


B-25014

**HYDROSTATIC PUMP (Cont'd)
 (High Pressure Relief Valve)
 (Selectable Jovstick Controls)**

Ref No	Part Number	Description	Remarks	Serial Number	Qty
1	6692332	VALVE,RELIEF	preset at 350 bar - Model R902095064	A3LJ 35143 & Bel	1
1	7008124	VALVE, RELIEF	preset at 350 bar - Model R902136745	A3LJ 35144 & Abv	1
2	6687921	COLLAR			1
3	6967523	SPINDLE			1
4		NUT	NAP		1
5	6967525	SPRING			1
6	6967526	SPRING			1
7	6967527	PIN			1
8	6682930	O-RING			1
9	6682929	O-RING			1
10	6688034	SCREW			1

HYDROSTATIC PUMP
(Charge Pressure Relief Valve)
(Selectable Jovstick Controls)

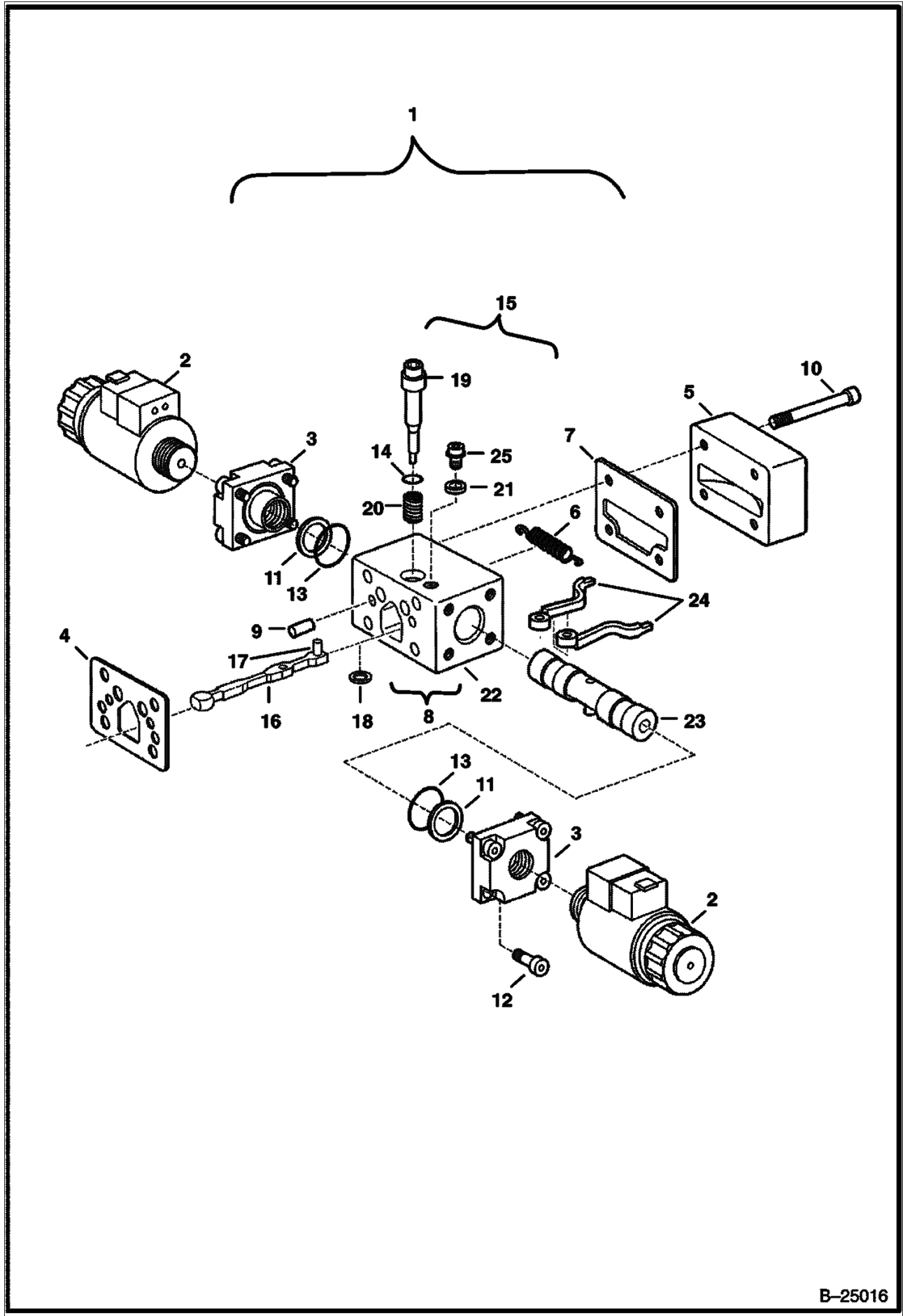


B-25015

**HYDROSTATIC PUMP (Cont'd)
 (Charge Pressure Relief Valve)
 (Selectable Jovstick Controls)**

Ref No	Part Number	Description	Remarks	Serial Number	Qty
1	6687938	VALVE			1
2	6967534	PISTON			1
3	6967535	COLLAR			1
4	6967536	SPRING			1
5		RING	NAP		1
6	6682936	O-RING			1
7	6688017	SHIM	0,3 mm		1
7	7008766	SHIM	0.5 mm		1
7	7008767	SHIM	1.0 mm		1
8	6687939	SCREW			1

HYDROSTATIC PUMP
(Control Module)
(Selectable Joystick Controls)

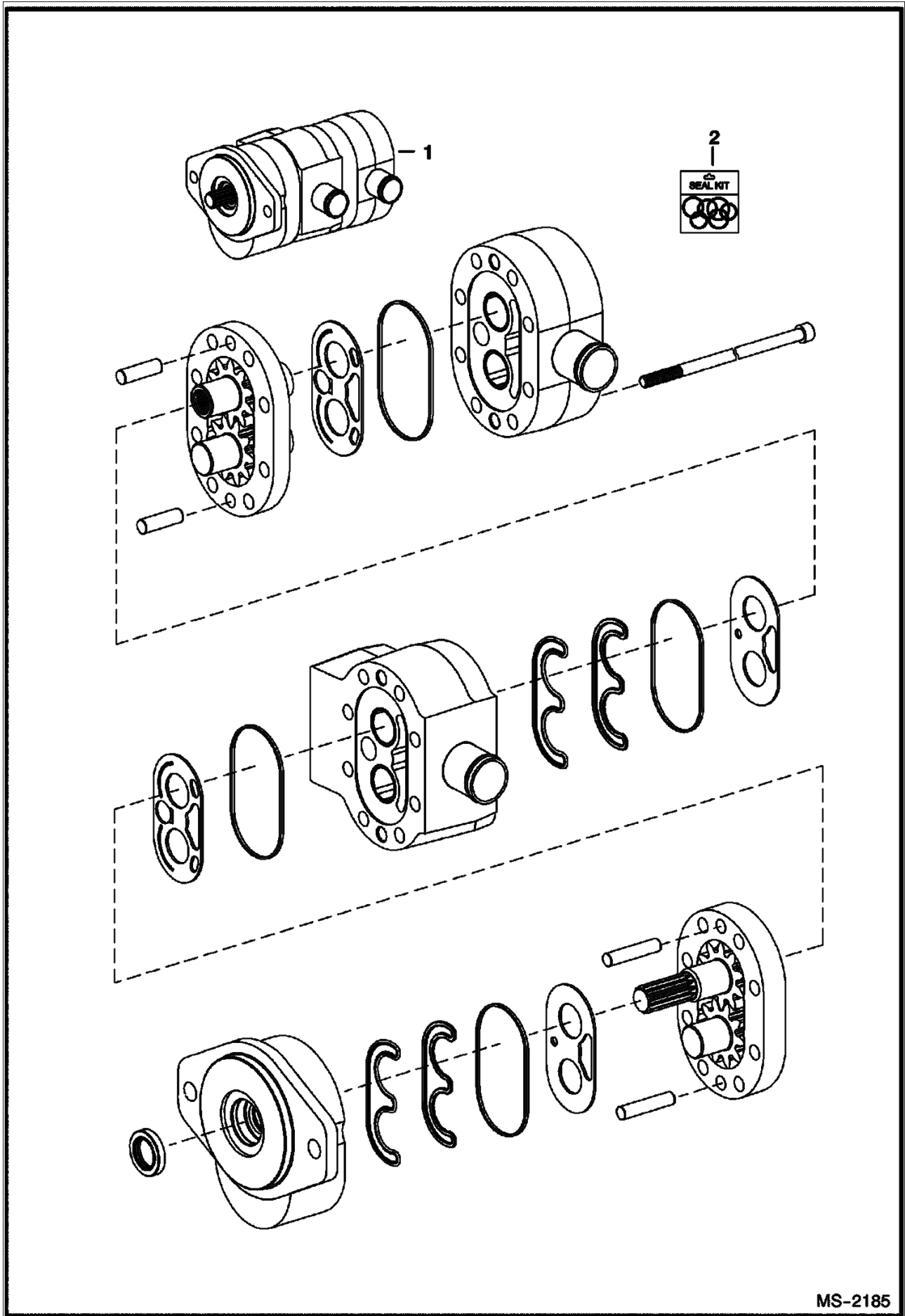


B-25016

HYDROSTATIC PUMP (Cont'd)
(Control Module)
(Selectable Jovstick Controls)

Ref No	Part Number	Description	Remarks	Serial Number	Qty
1	6687970	MODULATOR	Ref. 2-25 - Model R902095064	A3LJ 35143 & Bel	2
1	7008109	MODULE, CONTROL	Ref. 2-25 - Model R902136745	A3LJ 35144 & Abv	2
2	6687989	SOLENOID	Model R902095064	A3LJ 35143 & Bel	2
2	6697960	SOLENOID	Model R902136745	A3LJ 35144 & Abv	2
3	6687931	BUSHING			2
4	6687954	GASKET	Model R902095064	A3LJ 35143 & Bel	1
4	7008806	GASKET	model R902136745 - Was 7008121 [A]	A3LJ 35144 & Abv	1
5	6687969	COVER	Model R902095064	A3LJ 35143 & Bel	1
5	7008122	COVER	Model R902136745	A3LJ 35144 & Abv	1
6	6687967	SPRING			1
7	6687950	GASKET	Model R902095064	A3LJ 35143 & Bel	1
7	7008123	GASKET	Model R902136745	A3LJ 35144 & Abv	1
8		MODULE	NAP - Order components - Ref. 15-18 - Model R902095064 - Was 6687972 [A]	A3LJ 35143 & Bel	1
8		MODULE	NAP - Model R902136745 - Ref. 15-18 - Order components - Was 7008120 [A]	A3LJ 35144 & Abv	1
9	6688010	PIN			2
10	6687996	SCREW			4
11	6687982	SPRING			2
12	6687997	SCREW			8
13	6688001	SEAL			2
14	6688004	SEAL			1
15		ROLLER	NAP - Ref. 14 & 19-25 - Order components - Was 6687971 [A]		1
16	6687929	LEVER			1
17	6688012	ROLLER			1
18	6687944	SHIM	0,60 mm		1
18	6687933	SHIM	0,80 mm		1
18	6687934	SHIM	1,00 mm		1
18	6687935	SHIM	1,20 mm		1
18	6687936	SHIM	1,40 mm		1
18	6687937	SHIM	1,60 mm		1
19	6687947	PIN	Model R902095064	A3LJ 35143 & Bel	1
19		PIN	NAP - Order 7008109 - model R902136745 - Was 7008805 [A]	A3LJ 35144 & Abv	1
20	6687946	SPRING			1
21	6687945	PLATE			1
22	6687955	HOUSING	Model R902095064	A3LJ 35143 & Bel	1
22		HOUSING	Model R902136745 NAP - Order assembly - model - R902136745 - Was 7008803 [A]	A3LJ 35144 & Abv	1
23	6687966	PISTON	Model R902095064	A3LJ 35143 & Bel	1
23		PISTON	NAP - Order 7008109 - W/Ref. 19 (7008805 pin) model R902136745 - Was 7008804 [A]	A3LJ 35144 & Abv	1
24	6687968	LEVER			2
25	6687981	SCREW			1

GEAR PUMP

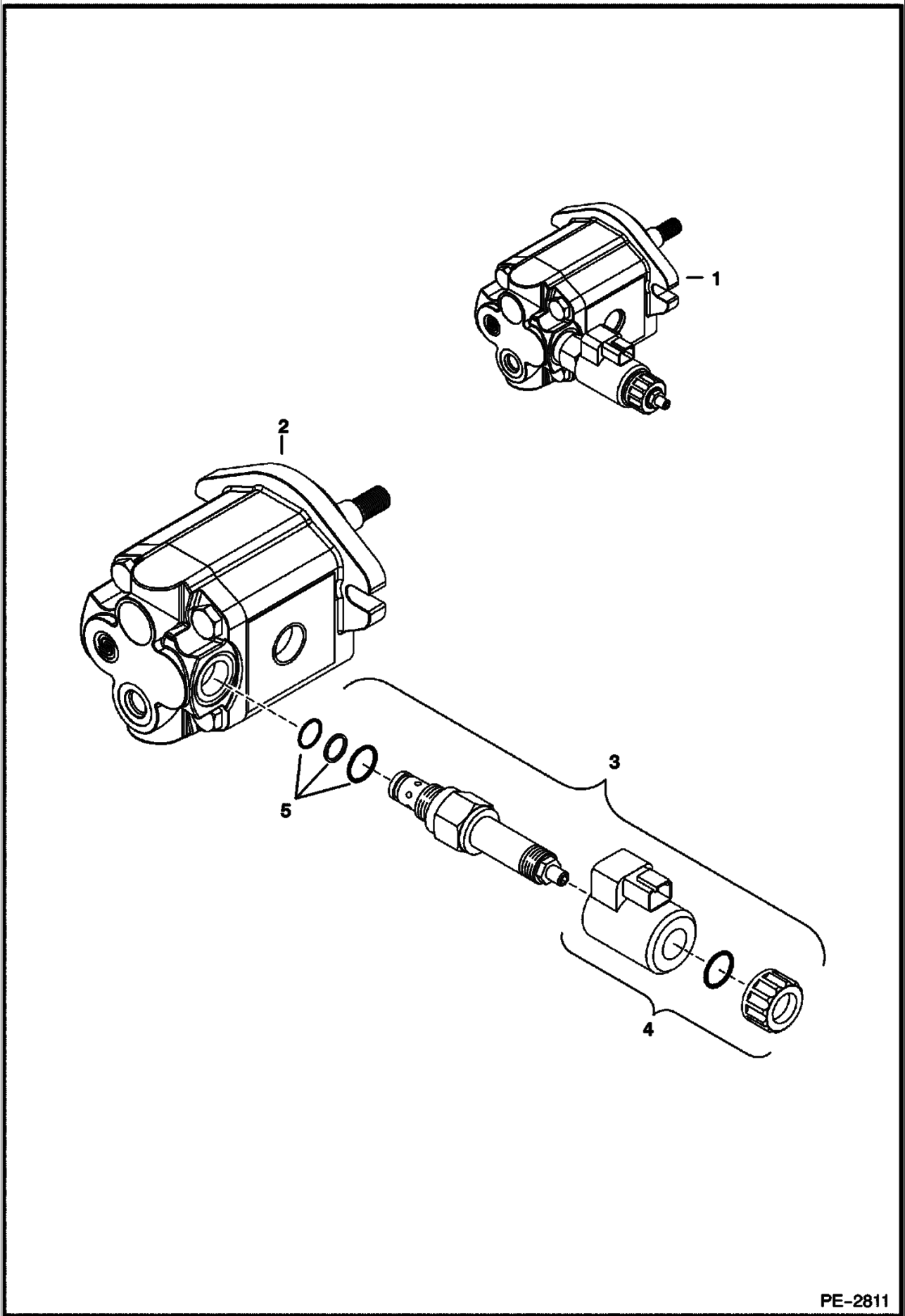


MS-2185

GEAR PUMP (Cont'd)

Ref No	Part Number	Description	Remarks	Serial Number	Qty
1	6687864	GEAR PUMP	Model 163D71019 - for 6687863 (4445203) pump		1
2	6687866	KIT, SEAL			1

COOLING FAN MOTOR
(Aluminum)
(S/N A3LJ29999 & Below. A3LK29999 & Below)

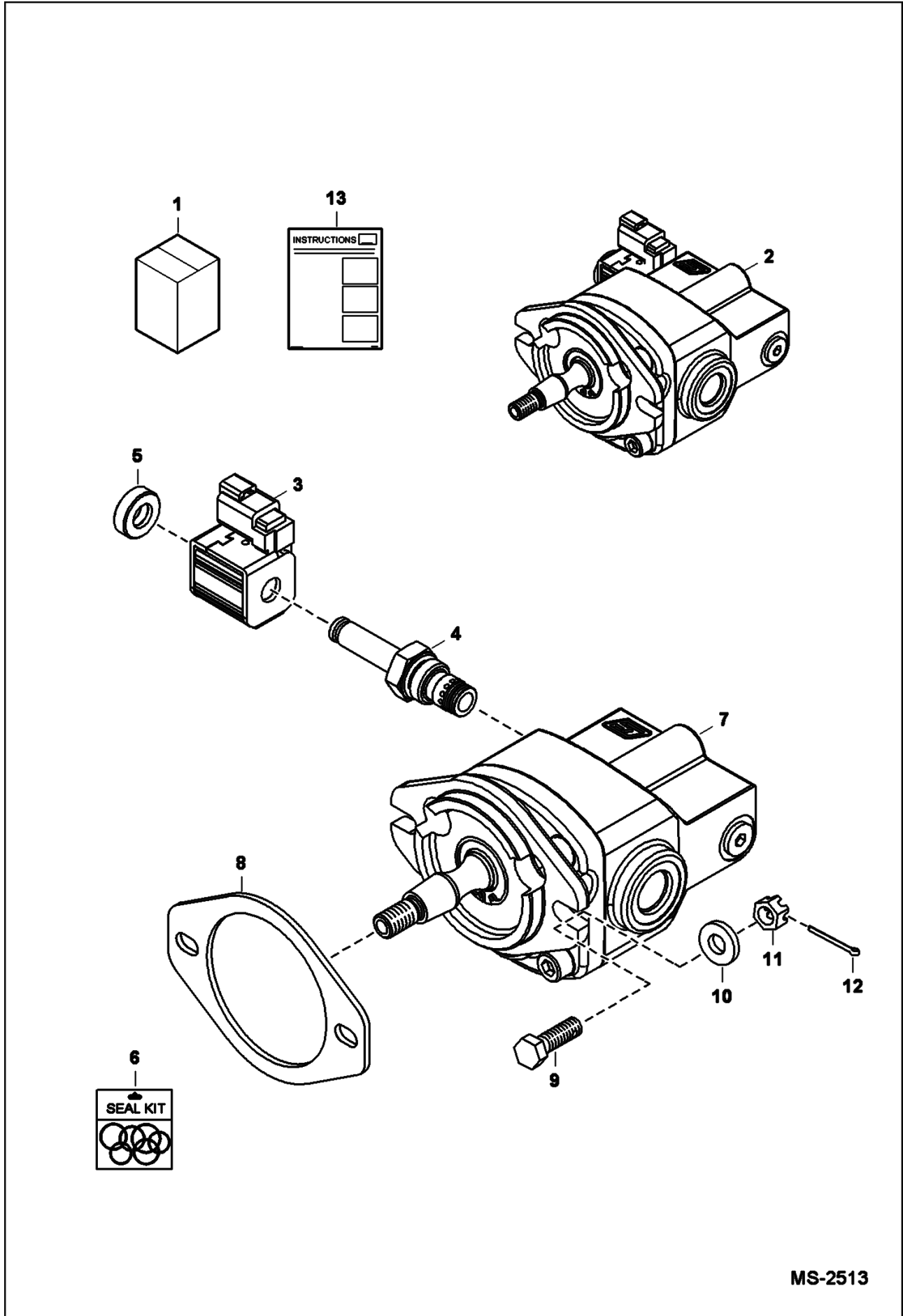


PE-2811

COOLING FAN MOTOR (Cont'd)
(Aluminum)
(S/N A3LJ29999 & Below. A3LK29999 & Below)

Ref No	Part Number	Description	Remarks	Serial Number	Qty
1		MOTOR, HYD COOLING FAN	See BTI384 - NAP - aluminum - W/proportional valve - Was 6687142 [A]		1
1	7010427	KIT, SEAL			1
2		MOTOR, HYD COOLING FAN	- NAP - Order Ref. 1 - W/O proportional valve - Was 6689058		1
3		VALVE, RELIEF	See BTI384		1
4		COIL ASSY	See BTI384 - round		1
5	6683206	SEAL KIT			1

COOLING FAN MOTOR
(Cast Iron)
(S/N A3LJ29999 & Below. A3LK29999 & Below)

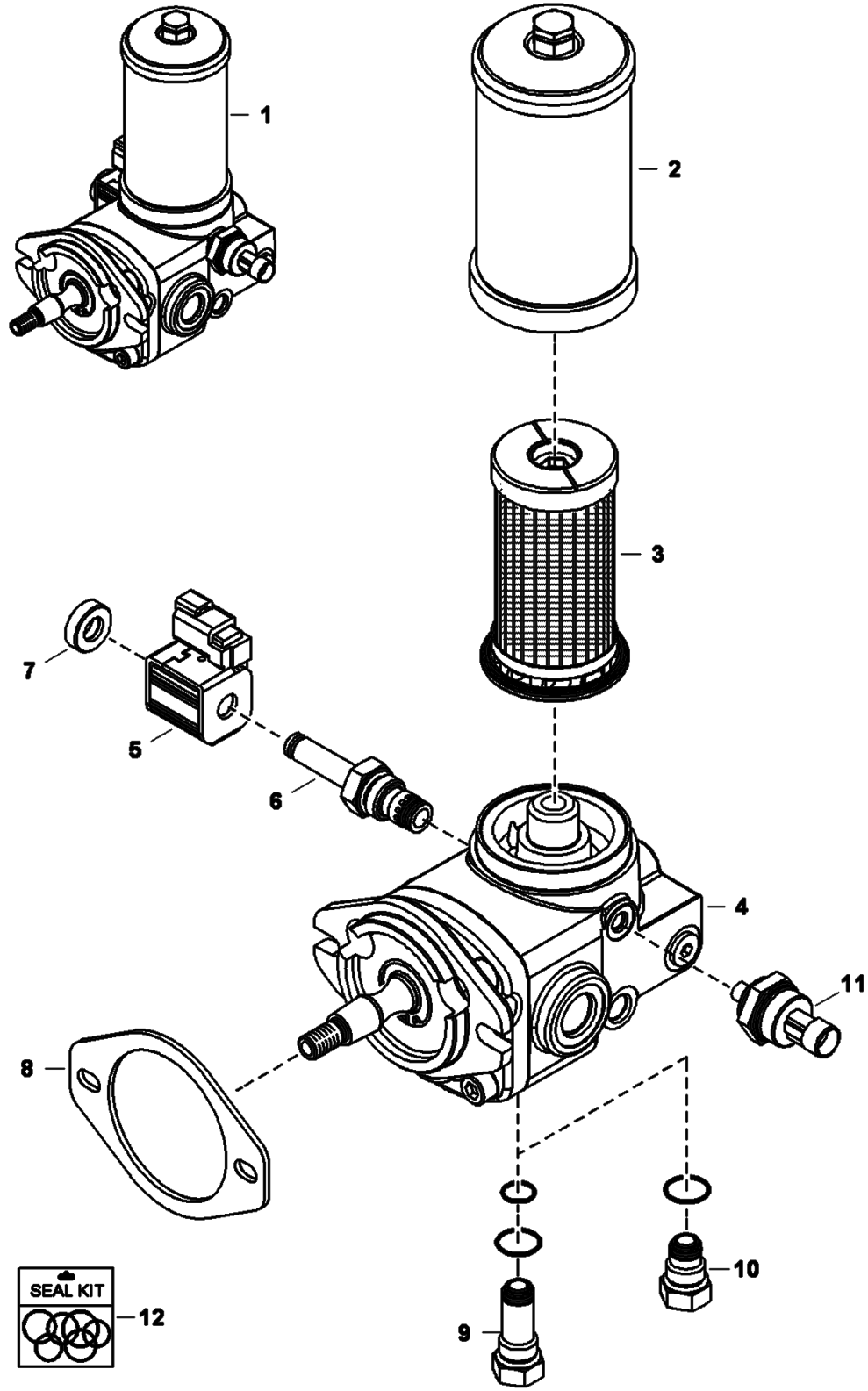


MS-2513

COOLING FAN MOTOR (Cont'd)
(Cast Iron)
(S/N A3LJ29999 & Below. A3LK29999 & Below)

Ref No	Part Number	Description	Remarks	Serial Number	Qty
1		KIT, MOTOR FAN	See BTI384		1
2		MOTOR, HYD COOLING FAN	See BTI384 - cast iron - Ref. 2-8		1
3		COIL	See BTI384 - W/metal cover		1
4		VALVE	See BTI384 - stem - W/Ref. 5		1
5		NUT	W/pre-applied thread locker		1
6		KIT, SEAL	NSS - Order Ref. 1		1
7		MOTOR, HYD COOLING FAN	NSS - Order Ref. 1		1
8	6698062	GASKET, MOTOR			1
9	7147826	BOLT, CROSS DRILLED			2
10	25E17	WASHER 5	.05" thick		2
10	6557831	WASHER	0.15" thick - 0.88" OD		2
11	3D6	NUT			2
12	1F316	PIN			2
13	6986799	INSTRUCTIONS			1

COOLING FAN MOTOR
(Cast Iron)
(S/N A3LJ30001 & Above, A3LK30001 & Above)

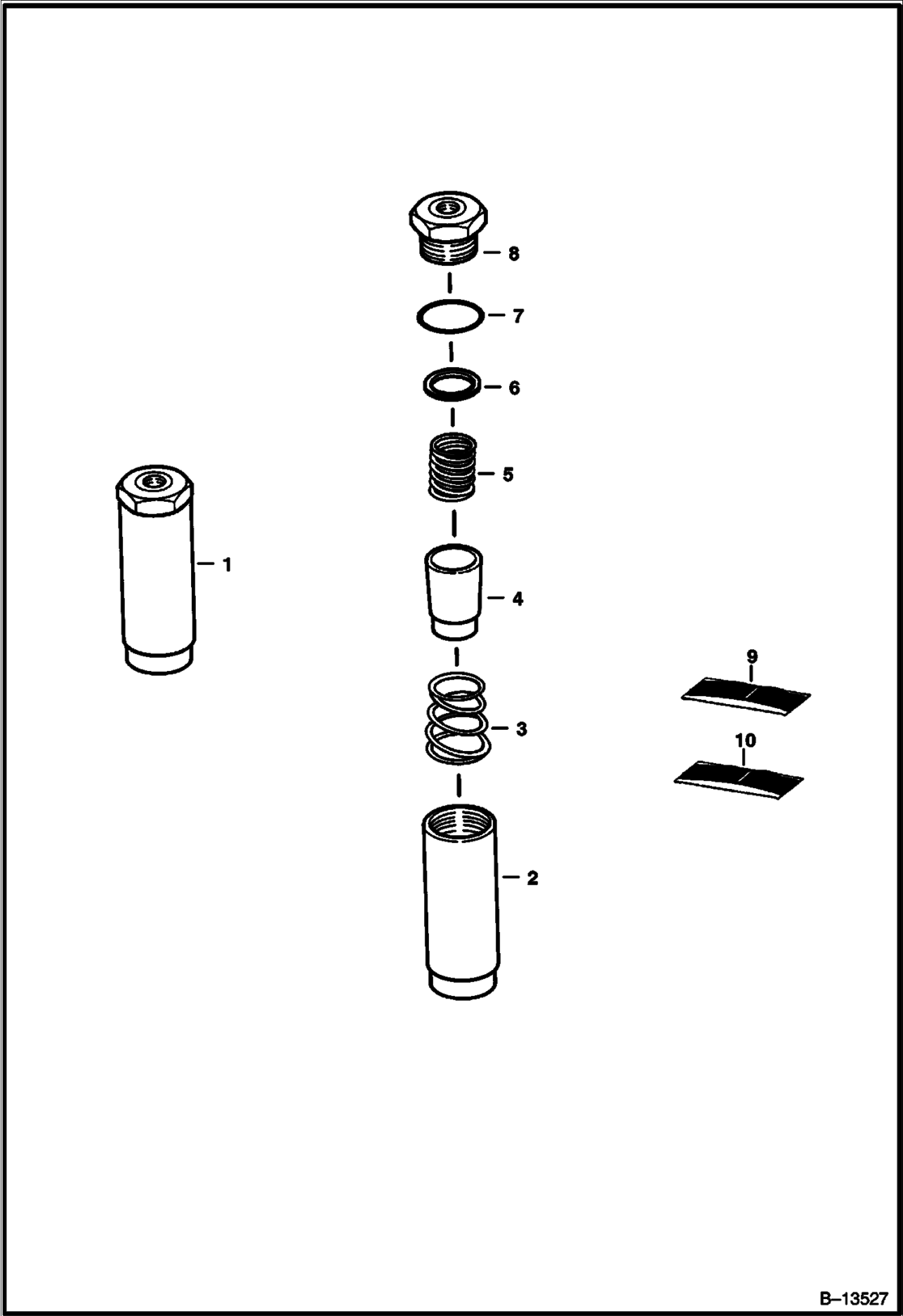


MS-2514

COOLING FAN MOTOR (Cont'd)
(Cast Iron)
(S/N A3LJ30001 & Above. A3LK30001 & Above)

Ref No	Part Number	Description	Remarks	Serial Number	Qty
1	7164320	MOTOR, HYD COOLING FAN	cast iron - Ref. 2-10 - W/Ref. 8 - Also Order (2) of 1F316 cotter pin - Was 7132033 [D]		1
2	6698066	HOUSING, FILTER CARTRIDGE			1
3	6692337	FILTER, HYD CARTRIDGE			1
4		MOTOR	NSS - Order Ref. 1		1
5	6698065	COIL, CPP012H			1
6	7010979	VALVE, CHECK	variable fan speed - W/Ref. 7 - Was 6698064 [A]		1
6	6698591	KIT, SEAL			1
7		NUT, COIL SOLENOID	NAP - Was 6698352 [A]		1
8	6698062	GASKET, MOTOR			1
9	7000973	PLUG, MOTOR			1
10	7000974	PLUG, MOTOR			1
11	6674316	SWITCH, PRESS OIL HYD	3-pin molded connector		1
12		KIT, SEAL	NSS - Order Ref. 1		1

HYDROSTATIC OIL FILTER
(In-Line)

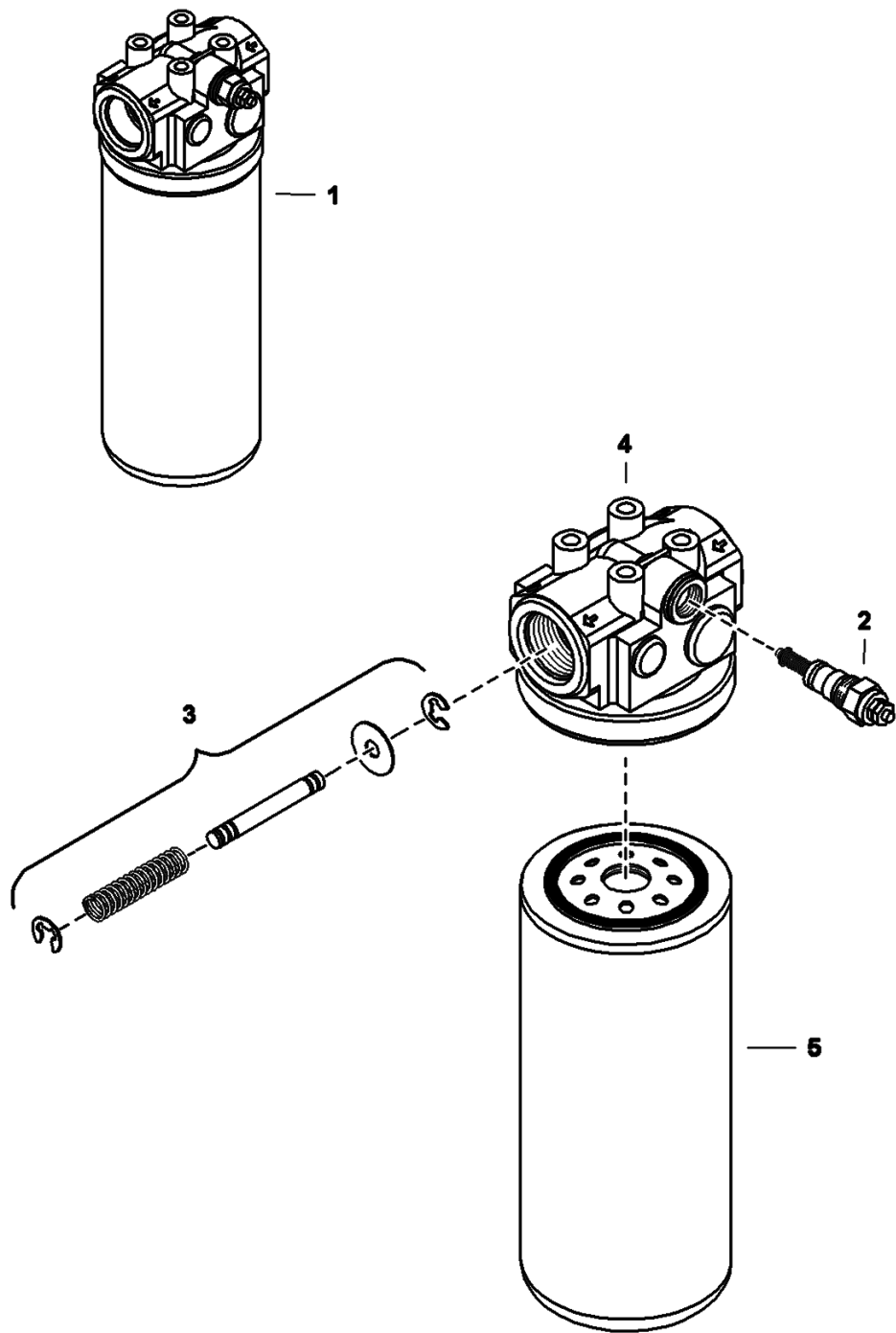


B-13527

HYDROSTATIC OIL FILTER (Cont'd)
(In-Line)

Ref No	Part Number	Description	Remarks	Serial Number	Qty
1	6661022	FILTER, OIL HYD IN-LINE	Ref. 2-8		1
2		HOUSING	NSS		1
3		SPRING	NSS		1
4		ELEMENT	NSS		1
5		SPRING	NSS		1
6		GASKET	NSS		1
7		O-RING	NSS		1
8		PLUG	NSS		1
9	6661807	FILTER, OIL HYD	element - Ref. 4, 6 & 7		1
10	6661808	KIT	spring - Ref. 3 & 5		1

HYDROSTATIC OIL FILTER

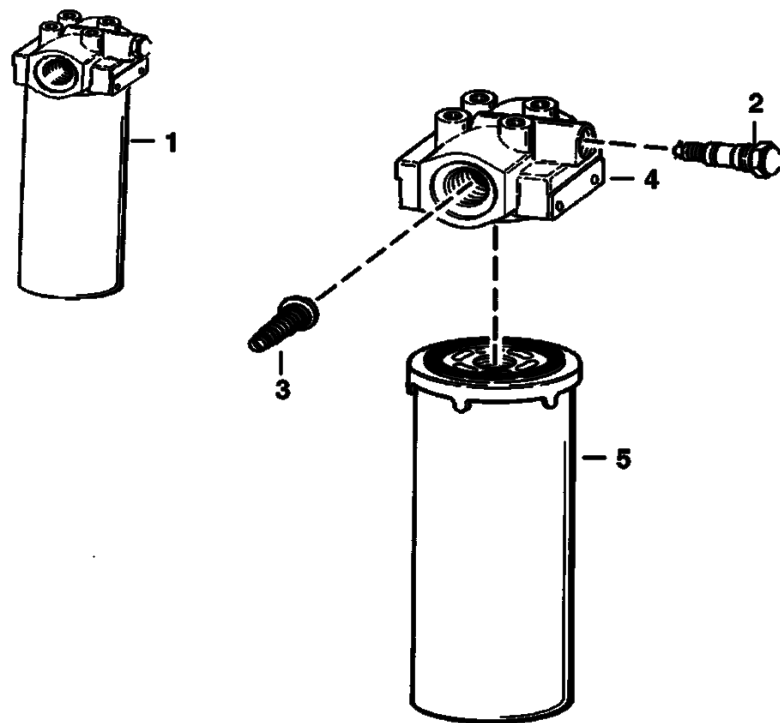


NA1844

HYDROSTATIC OIL FILTER (Cont'd)

Ref No	Part Number	Description	Remarks	Serial Number	Qty
1	6688385	HYD FILTER ASSY	W/Ref. 2-5 - 50 psi by-pass & switch		1
2	6660260	SWITCH	pressure - normally closed		1
2	6599365	KIT	nut, washer & O-rings for 6660260 switch		1
3		VALVE	NAP - by-pass (50 PSI) - Order Ref. 1		1
4		HEAD	NSS - Order Ref. 1		1
5	6661248	FILTER, OIL HYD 12	#3 media - 152,4 mm (6") long		1

**HYDROSTATIC OIL FILTER
(Selectable Joystick Controls)**

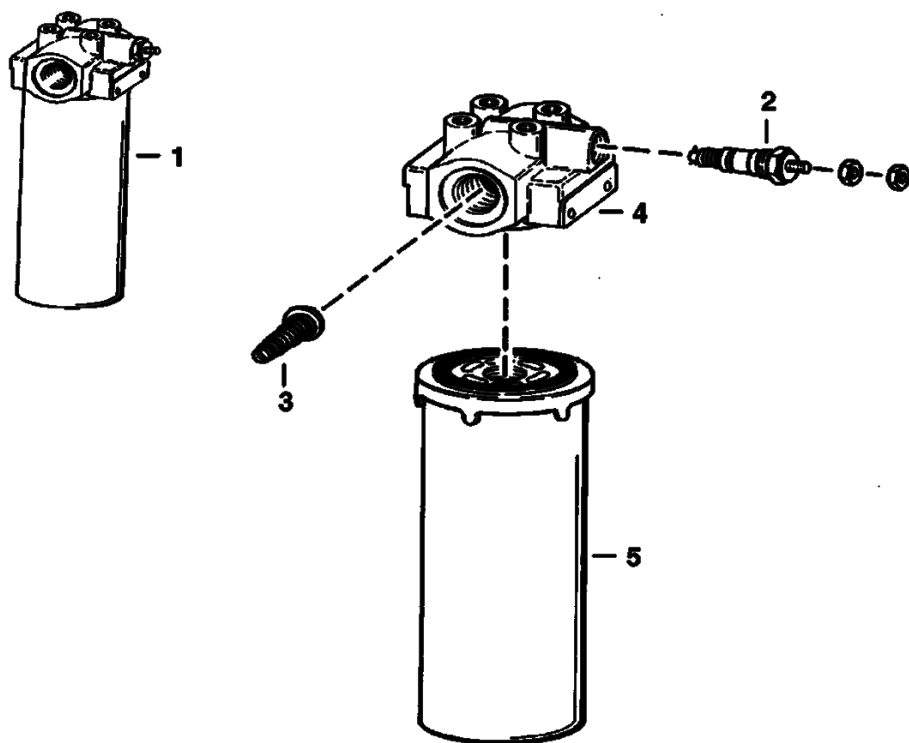


B-16487A

HYDROSTATIC OIL FILTER (Cont'd)
(Selectable Joystick Controls)

Ref No	Part Number	Description	Remarks	Serial Number	Qty
1	6686922	FILTER ASMBLY 12	W/Ref. 2-5		1
2	6687834	SENSOR	pressure - normally open		1
3		VALVE	NAP - by-pass		1
4		HEAD	NSS - Order Ref. 1		1
5	6686926	FILTER, OIL HYD	113,5 mm (4.5") long		1

HYDROSTATIC OIL FILTER

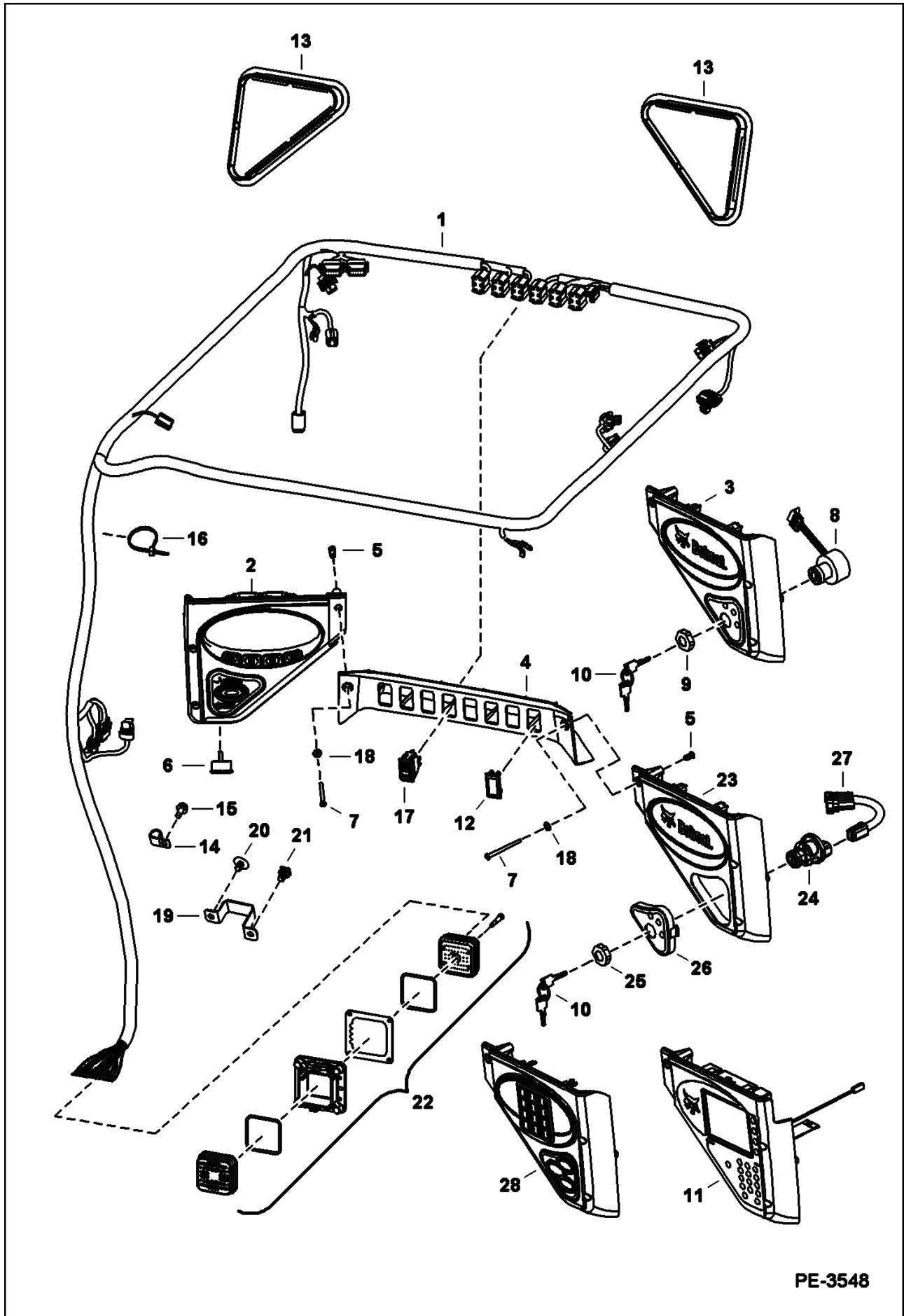


C-2818

HYDROSTATIC OIL FILTER (Cont'd)

Ref No	Part Number	Description	Remarks	Serial Number	Qty
1	6687266	FILTER ASSY	W/Ref. 2-5 - 50 PSI by-pass & switch - charge		1
2	6660260	SWITCH	pressure - normally closed		1
2	6599365	KIT	nut, washer & O-rings for switch		1
3		VALVE	NAP - by-pass - 50 PSI - Order Ref. 1		1
4		HEAD	NSS - Order Ref. 1 filter assy		1
5	6686926	FILTER, OIL HYD	113,5 mm (4.5") long - charge		1

CAB ELECTRICAL CIRCUITRY

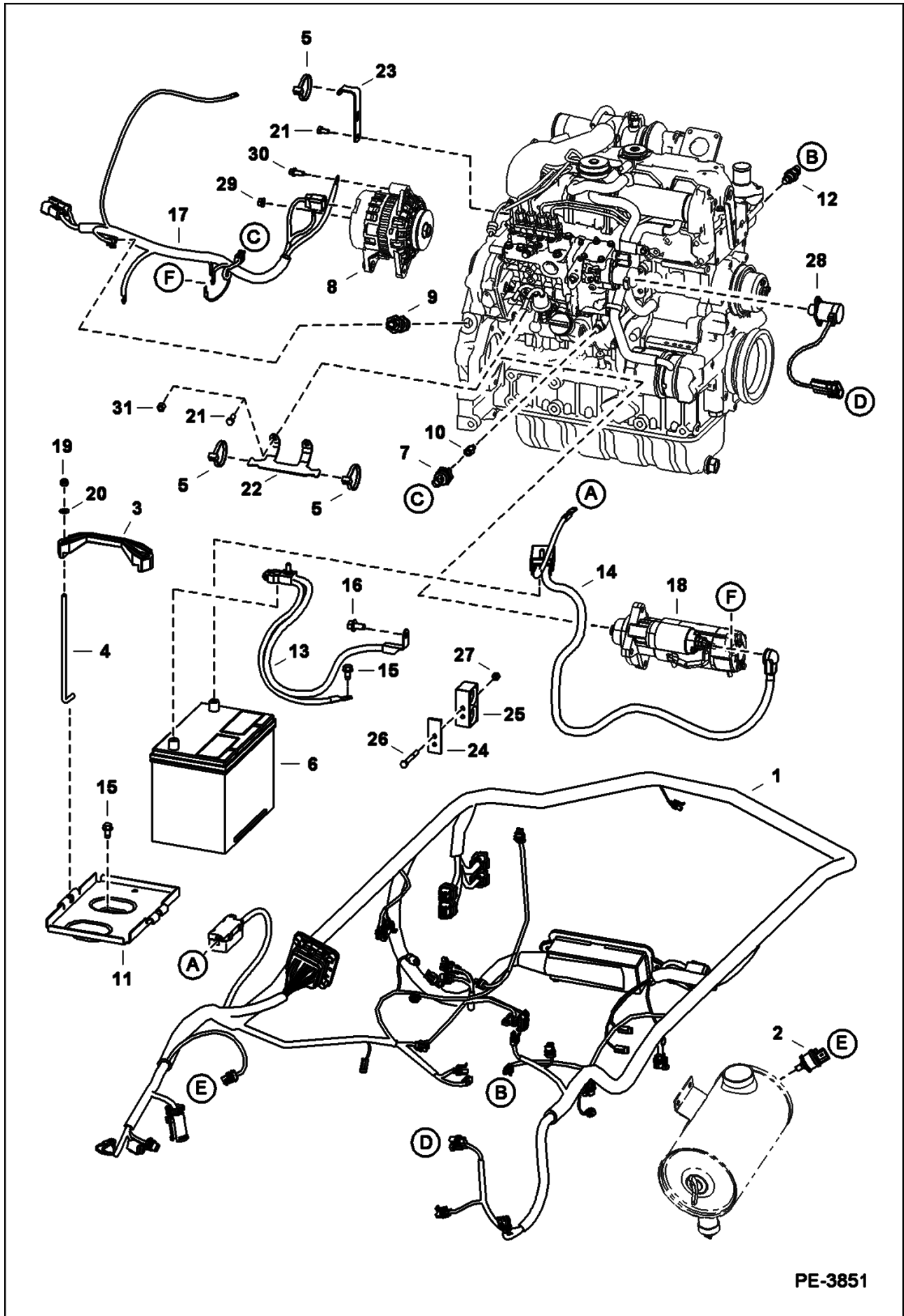


PE-3548

CAB ELECTRICAL CIRCUITRY (Cont'd)

Ref No	Part Number	Description	Remarks	Serial Number	Qty
1	7149336	HARNESS, CAB	standard - W/Ref. 22		1
1	7139311	HARNESS, CAB DLX	deluxe - W/Ref. 22 - required to operate beacon, 4-way flashers, power bob-tach, heater, A/C & strobe lights		1
2	6693886	PANEL, LH	lit gauges - W/Ref. 6		1
2	6692545	SWITCH	press to operate		1
3		PANEL, KEY STANDARD	NAP - RH W/Ref. 8 & 9 - Order Ref. 23 & 27 - Was 6693887 [A]		1
4	6679845	CROSSMEMBER			1
5	6675033	INSERT	threaded		6
6	6692489	ALARM, BUZZER			1
7	7105983	BOLT			6
8		SWITCH	NAP - Order Ref. 24, 26 & 27 - Was 6693246 [A]		1
9	6674202	NUT			1
10	6693241	KEY 10	single key W/O ring		x
11	6692935	PANEL, INSTRUMENTATION DELUXE	RH - keyless		1
12	6665314	PLUG	cover		x
13	6674403	COVER			2
14	30H75	CLAMP			1
15	84G3712	BOLT			1
16	6624289	STRAP, TIE	Was 6610510 [B]		3
17	6690948	SWITCH PARK BRAKE			1
18	25E10	WASHER			2
19	7138645	GUIDE			1
20	6674895	RETAINER			1
21	7015668	MOUNT FIRE TREE	push in - Use W/tie strap - Was 6678666 [B]		1
22		CONNECTOR	See Illustration CONNECTOR HARNESS ASSEMBLY/ PE3684 - NSS - engine & cab - Order components		1
23	7001039	PANEL, START KEYED	W/Ref. 24-26		1
24	6693245	SWITCH, IGN	W/Ref. 25		1
25	7009081	NUT			1
26	7000443	INSERT, SWITCH IGN			1
27	7169538	HARNESS, SWITCH IGN	Use W/Ref. 24 only		1
28		KIT, PANEL START KEYLESS	See Illustration KEYLESS PANEL KIT/ NA2100		1

ENGINE ELECTRICAL CIRCUITRY

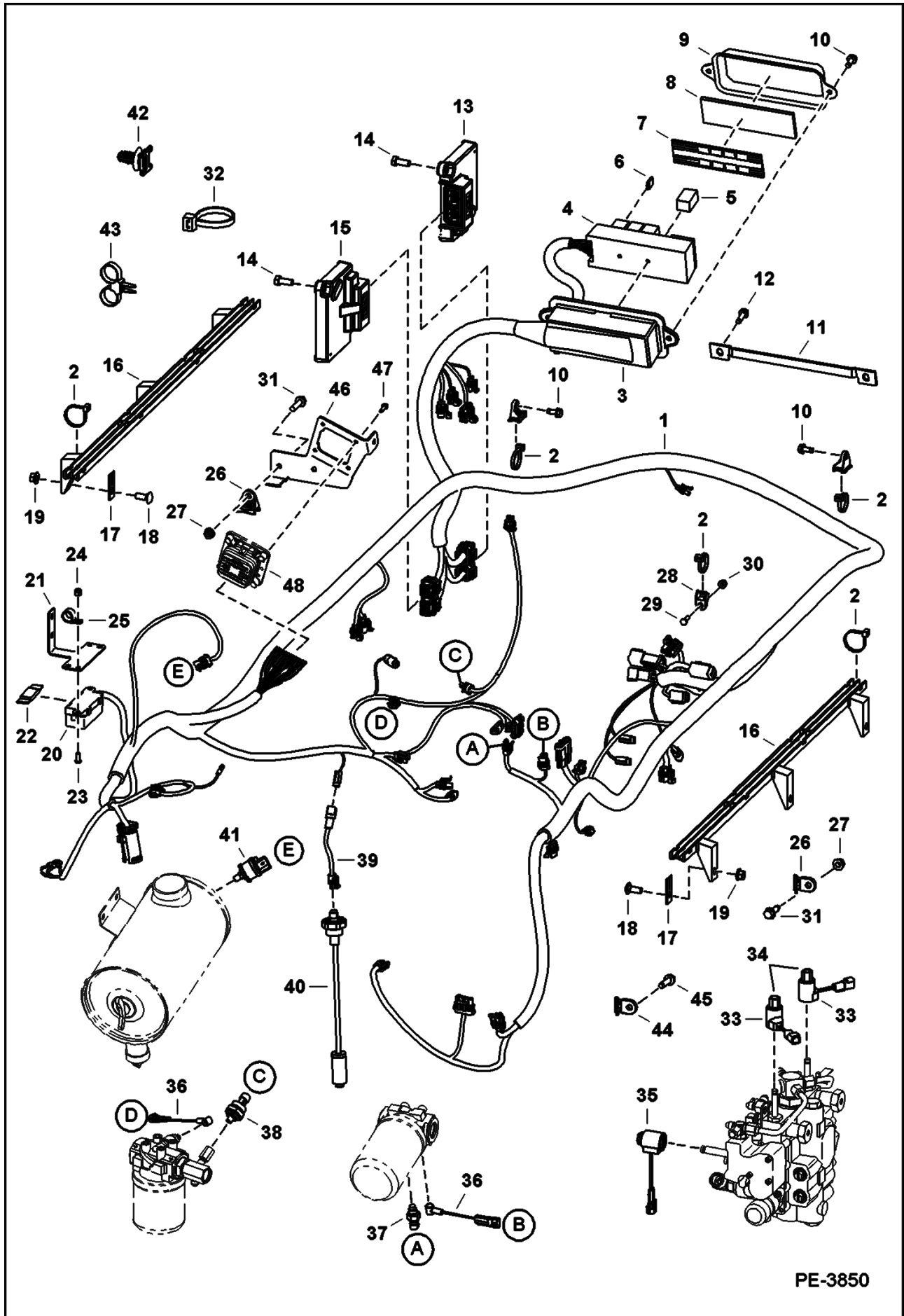


PE-3851

ENGINE ELECTRICAL CIRCUITRY (Cont'd)

Ref No	Part Number	Description	Remarks	Serial Number	Qty
1	7139414	HARNESS, MFR	loader	A3LK 34999 & Bel	1
1	7139414	HARNESS, MFR	loader	A3LJ 34999 & Bel	1
1	7169389	HARNESS	loader	A3LJ 35001 & Abv	1
1	7169389	HARNESS	loader	A3LK 35001 & Abv	1
2	6665371	SWITCH	condition indicator		1
3	6569203	CLAMP			1
4	6576280	BOLT			2
5	6624289	STRAP, TIE			7
6	6674687	BATTERY, DRY 600 AMP			1
7	6697920	SENSOR, PRESS OIL ENG			1
8		ALTERNATOR	See Illustration ALTERNATOR/ C3529		1
9	6693921	SENSOR, RPM	rpm		1
10	7102451	FITTING			1
11	6718260	BATTERY PAN			1
12	6718414	SENDER, TEMP ENG			1
13	7160652	CABLE, NEGATIVE			1
14	6719141	CABLE POSITIVE			1
15	84G3712	BOLT			3
16	35C612	BOLT			1
17	7141854	HARNESS, ENG			1
18		STARTER	See Illustration STARTER/ B16488R		1
19	59D5	NUT 5			2
20	25E15	WASHER			2
21	1CM816	BOLT			3
22	7160280	BRACKET, HARNESS			1
23	7161098	BRACKET			1
24	6715132	RETAINER			1
25	6715197	CLAMP			1
26	17C540	BOLT			2
27	95D5	NUT			1
28	7000769	SOLENOID, SHUTOFF FUEL	W/ 240 mm (9.45") lead		1
29	43DM8	NUT			1
30	29CM820	SCREW			1
31	51DM8	NUT	for Use W/stud		2
31		STUD	See Illustration INJECTION PUMP/ B27285 - for harness bracket		2

ENGINE ELECTRICAL CIRCUITRY

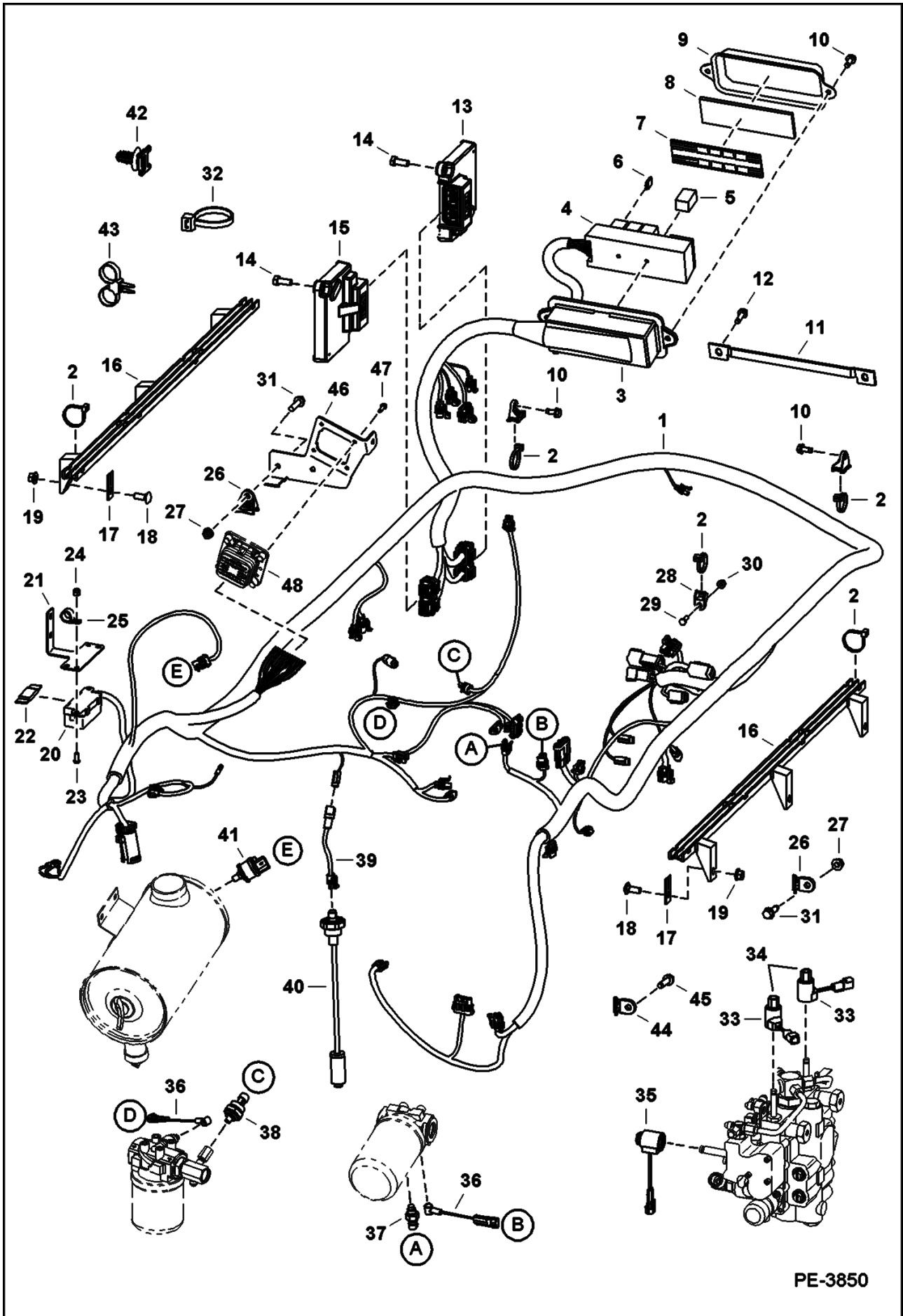


PE-3850

ENGINE ELECTRICAL CIRCUITRY (Cont'd)

Ref No	Part Number	Description	Remarks	Serial Number	Qty
1	7139414	HARNESS, MFR		A3LJ 34999 & Bel	1
1	7139414	HARNESS, MFR		A3LK 34999 & Bel	1
1	7169389	HARNESS	loader	A3LJ 35001 & Abv	1
1	7169389	HARNESS	loader	A3LK 35001 & Abv	1
2	6624289	STRAP, TIE			18
3	6718659	HOUSING			1
4	6673200	FUSE BLOCK			1
5	6679820	RELAY			8
6	6663289	FUSE, 5A	5 amp		1
6	6654806	FUSE, 15A			3
6	6702444	FUSE 25A 5			6
6	6718034	FUSE, 30A			2
7	7159779	DECAL	fuse relay - 51 x 178 mm (2 x 7")		1
8	6731275	INSULATION			1
9	6716621	COVER	Was 7176546 [A]		1
10	84G3116	SCREW			4
11	6717890	COVER	shield		1
12	84G3712	BOLT			2
13	6693353	CONTROLLER, GATEWAY	Bobcat		1
14	7157217	BOLT			4
15	6691288	CONTROLLER, AUX CONTROL			1
16	7131254	BRACKET, MOLDED SKI			2
17		PLATE, REINFORCEMENT	NAP - Was 6698084 [A]		6
18	37C620	BOLT			6
19	97D6	NUT 10			7
20	6675154	HOLDER	high amp fuse		1
21	6728621	BRACKET	mega fuse		1
22	6675155	FUSE	100 amp		1
23	25G410	CAPSCREW	mega fuse		2
24	59D4	NUT 5	mega fuse		2
25	30H55	CLIP	mega fuse		2
26	6678818	MOUNT			4
27	97D5	NUT			3
28	6678667	MOUNT			2
29	17C412	BOLT 5			1
30	83D4	NUT 10			1
31	35C520	BOLT			3
32	6689641	CABLE TIE			1
33	6678891	COIL	10 volt - W/nut		2
34	6691022	NUT			2
35	6675559	COIL			1
36	6728626	HARNESS			2
37	6727869	SENDER, HYD TEMP			1
38	6674316	SWITCH, PRESS OIL HYD	3-pin molded connector		1
39	7117788	HARNESS	fuel sender		1
40	6680436	SENSOR	fuel - W/gasket		1
40	6717579	GASKET			1
41	6665371	SWITCH	vacuum		1
42	7015668	MOUNT FIR	push in - Use W/tie strap - Was 6678666 [B]		6

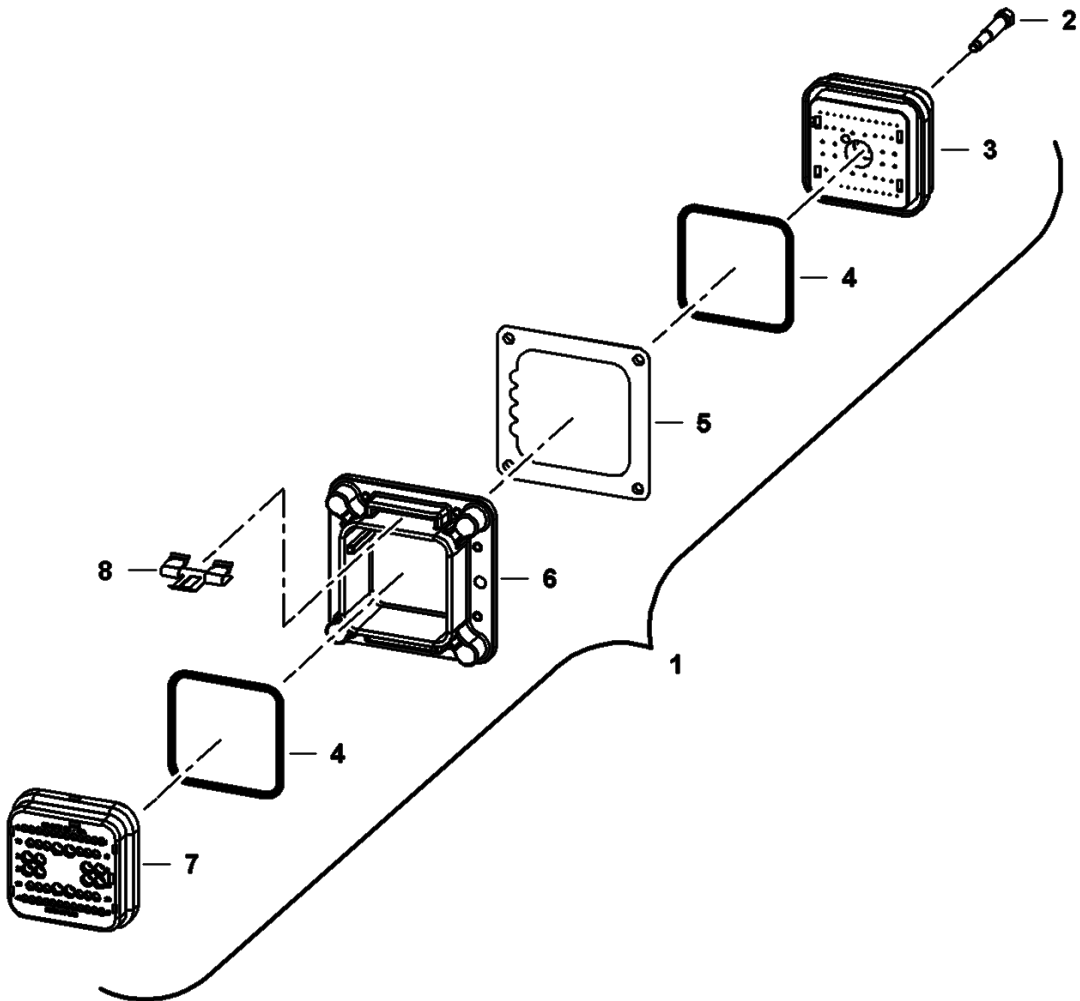
ENGINE ELECTRICAL CIRCUITRY (Cont'd)



ENGINE ELECTRICAL CIRCUITRY (Cont'd)

Ref No	Part Number	Description	Remarks	Serial Number	Qty
		TREE			
43	6678668	STRAP, DUAL TIE			2
44	6679034	MOUNT			1
45	84G3724	BOLT			1
46	7113162	BRACKET	connector		1
47	6688980	BOLT	connector		4
48		CONNECTOR	See Illustration CONNECTOR HARNESS ASSEMBLY/ PE3684		1

CONNECTOR HARNESS ASSEMBLY

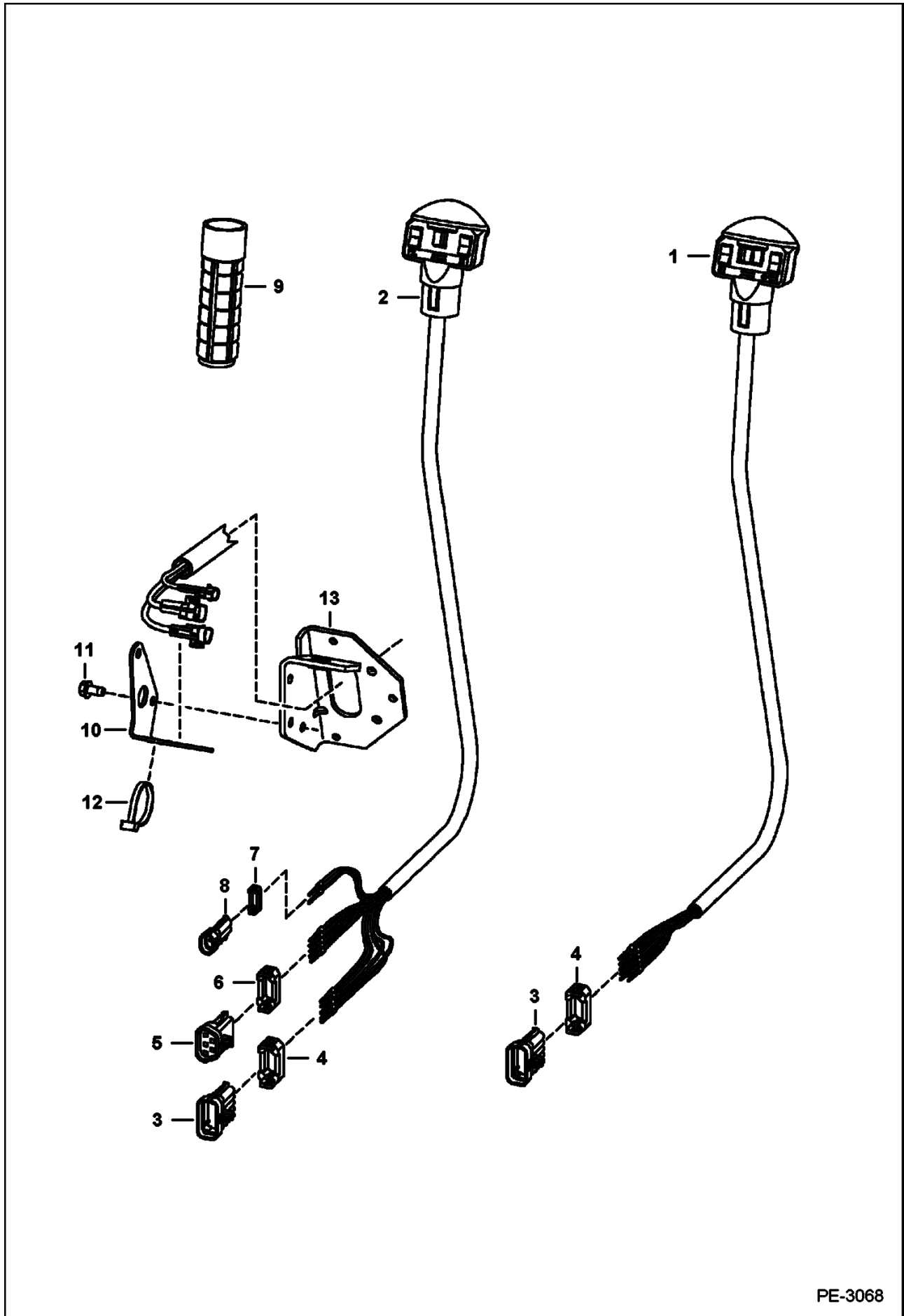


PE-3684

CONNECTOR HARNESS ASSEMBLY (Cont'd)

Ref No	Part Number	Description	Remarks	Serial Number	Qty
1		CONNECTOR	NSS - Order components		1
2		BOLT	NSS - Order Ref. 3		1
3	6688834	CONNECTOR	cab - W/Ref. 2 & 4		1
4		SEAL	NSS - Order Ref. 3 or 7 - Was 6697794 [A]		1
5		SEAL	NSS - Order Ref. 6 - Was 6697793 [A]		1
6	6688836	FLANGE	W/Ref. 5 & 8		1
7	6688833	CONNECTOR	engine - W/Ref. 4		1
8		CLIP	NSS - metal - Order Ref. 6		2

CONTROLS ELECTRICAL (Manual Controls)

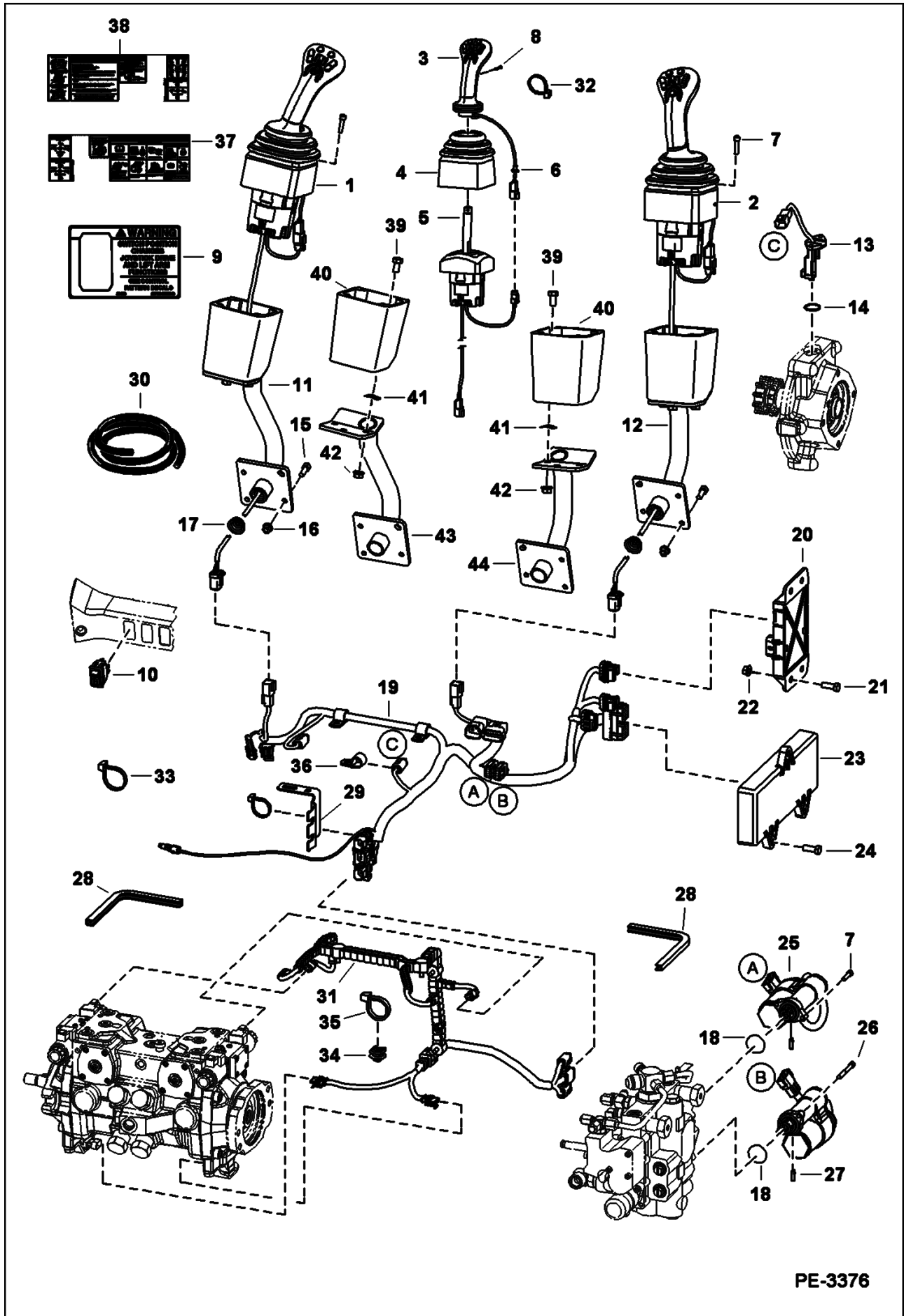


PE-3068

CONTROLS ELECTRICAL (Cont'd)
(Manual Controls)

Ref No	Part Number	Description	Remarks	Serial Number	Qty
1	6680418	HANDLE ASSY.	RH - Also Order Ref. 3 & 4		1
1	6640690	PIN			9
1	6641176	SEAL			9
2	6680419	HANDLE ASSY.	LH - Also Order Ref. 3-8		1
2	6640690	PIN			10
2	6641176	SEAL			10
2	6680447	DECAL			1
3	6640692	CONNECTOR	10-pin		2
4	6640694	LOCK	Use W/ 10-pin connector		2
5	6667144	CONNECTOR	5-pin		1
6	6667145	LOCK	Use W/ 5-pin connector		1
7	6641180	LOCK	Use W/ 2-pin connector		1
8	6641179	CONNECTOR	2-pin		2
9	6702621	GRIP			2
10	7144550	BRACKET, TIE-DOWN			1
11	84G3712	BOLT			2
12	6624289	STRAP, TIE			2
13	7128601	BRACKET	See Illustration HAND CONTROLS/ PE2366 - LH		1

CONTROLS ELECTRICAL (Selectable Joystick Controls)

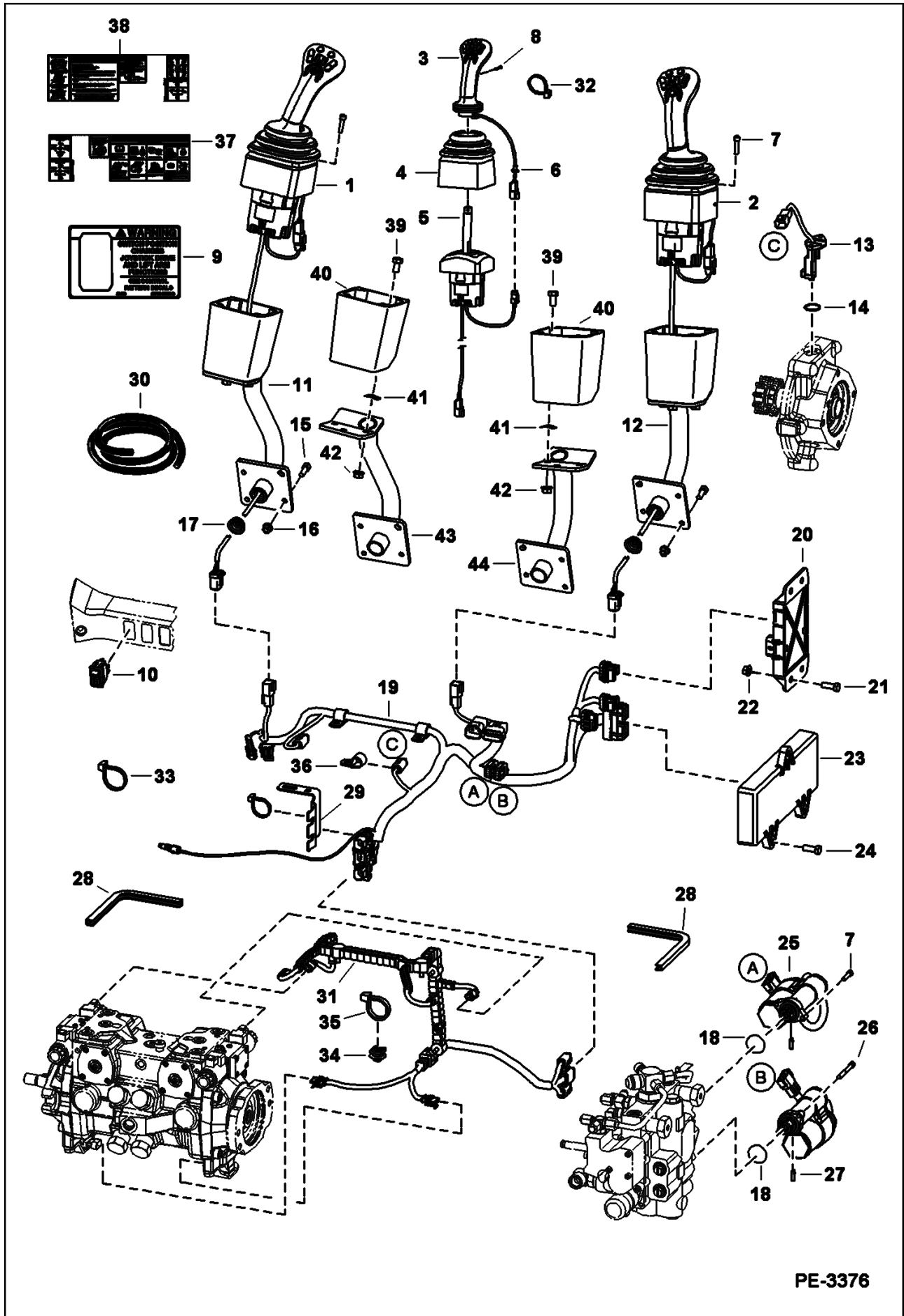


PE-3376

CONTROLS ELECTRICAL (Cont'd)
(Selectable Joystick Controls)

Ref No	Part Number	Description	Remarks	Serial Number	Qty
1	6697904	JOYSTICK, LH	Ref. 3-6 & 8		1
2	6697905	JOYSTICK, RH	Ref. 3-6 & 8		1
3	6689922	HANDLE	LH - W/Ref. 6		1
3	6689923	HANDLE	RH - W/Ref. 6		1
4	6689926	BOOT			2
5	6697939	BASE, JOYSTICK	RH		1
5	6697938	BASE, JOYSTICK	LH		1
6		HARNESS	NSS - Order Ref. 3		2
7	29G416	BOLT			10
8	6689927	BOLT			2
9	6737248	DECAL, WARNING	selectable joystick control		1
10	6683812	SWITCH	H/ISO		1
11		HANDLE	NAP - LH - Order Ref. 17 & 39-43		1
12		HANDLE	NAP - RH - Order Ref. 17, 39-42 & 44		1
13	6677181	SENSOR, SPEED TRAVEL	W/Ref. 14		2
14	25K20100	O RING 10			2
15	35C512	BOLT			4
16	89D5	NUT			4
17	6684294	GROMMET			2
18	58K120	O-RING	Use W/Ref. 25 - Was 6686220 [B,D]		2
19	7159452	HARNESS	SJC		1
20	6680410	CONTROLLER	plastic - W/ 3-connector plug		1
21	17C616	BOLT 5			2
22	97D6	NUT 10			2
23	6679485	CONTROLLER SJC	drive - W/single 50-pin connector		1
24	43C616	BOLT			3
25	7101672	ACTUATOR	W/Ref. 18		2
26	69G436	BOLT			2
27	7108236	PIN			2
28		MOULDING	NAP - 10.5" (267 mm) long - Order Ref. 30		2
29	7122359	BRACKET			1
30	6654139	MOULDING	bulk - sold per foot		x
31	7198706	HARNESS, PUMP	Use W/hydrostatic pump Model R902095064 - W/ 3-pin oval connectors - Was 7139761 [A]	A3LJ 35143 & Bel	1
31	7188448	HARNESS, PUMP	Use W/hydrostatic pump Model R902136745 - W/ 3-pin triangle connectors - Was 7169309 [A]	A3LJ 35144 & Abv	1
31	6664969	CONNECTOR	8-pin		x
31	6664185	CONNECTOR	2-pin		x
31	6687268	FEMALE CONNECTOR	3-pin oval - Use W/Ref. 31 (7198706 harness)		x
31	6664801	CONNECTOR	3-pin triangle - Use W/Ref. 31 (7188448 harness)		x
31	6691421	FEMALE CONNECTOR	grey - 4-pin rectangular		x
31	6662248	4 PIN PLUG	black		x
32	6691589	100 TIE	packaged as 100 pieces		x
33	6624289	STRAP, TIE			7
34	6690688	TREE MOUNT			4
35	6690690	STRAP, TIE			10
36	30H42	CLAMP			2
37	7131518	DECAL			1
38	7131519	DECAL			1
39	17C612	BOLT 5			6
40	7124929	BASE			2
41	6684033	NUT	retaining		6

CONTROLS ELECTRICAL (Cont'd)
 (Selectable Joystick Controls)

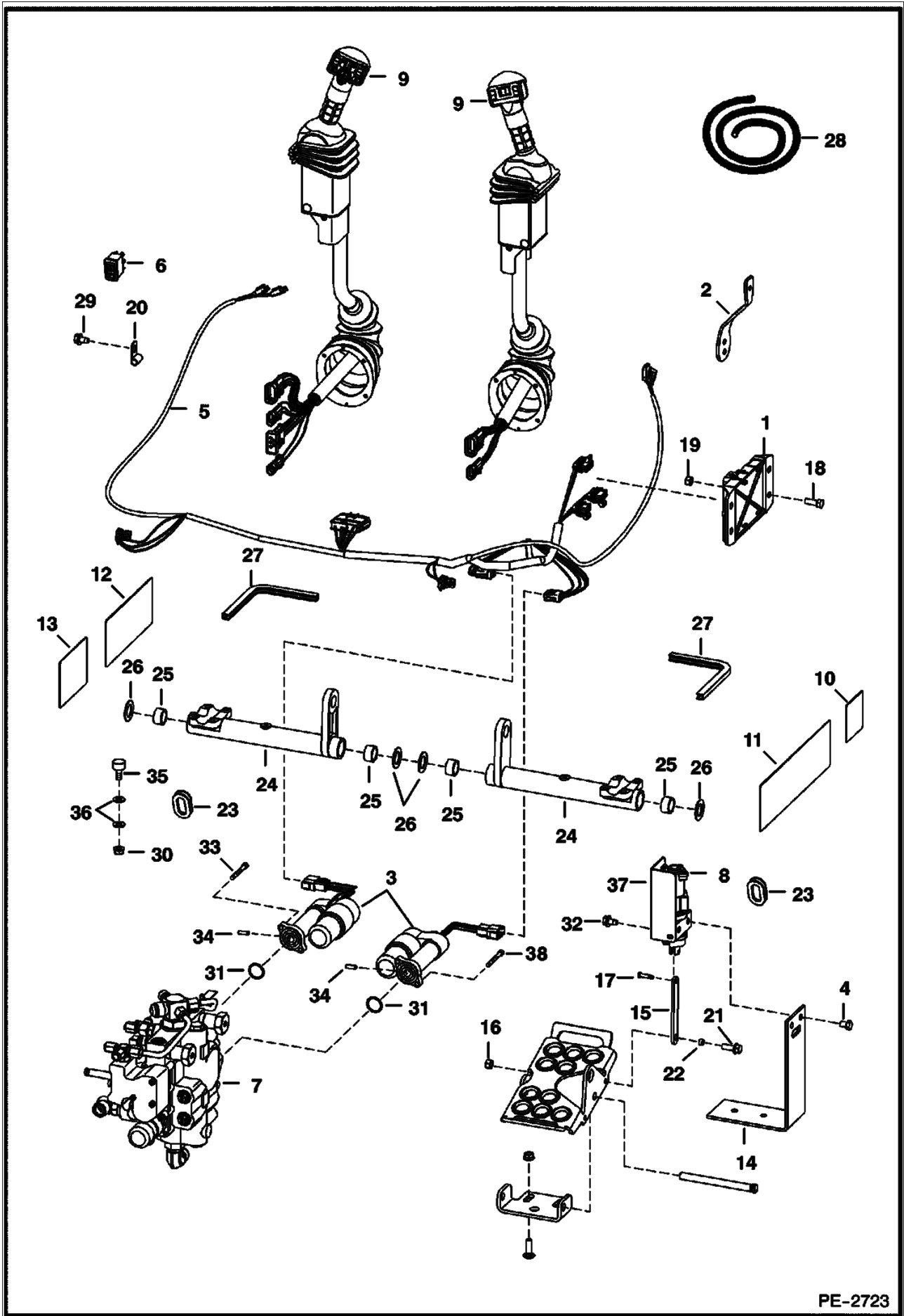


PE-3376

CONTROLS ELECTRICAL (Cont'd)
(Selectable Joystick Controls)

Ref No	Part Number	Description	Remarks	Serial Number	Qty
42	97D6	NUT 10			6
43	7123817	MOUNT LH			1
44	7123816	MOUNT RH			1

CONTROLS ELECTRICAL (ACS)

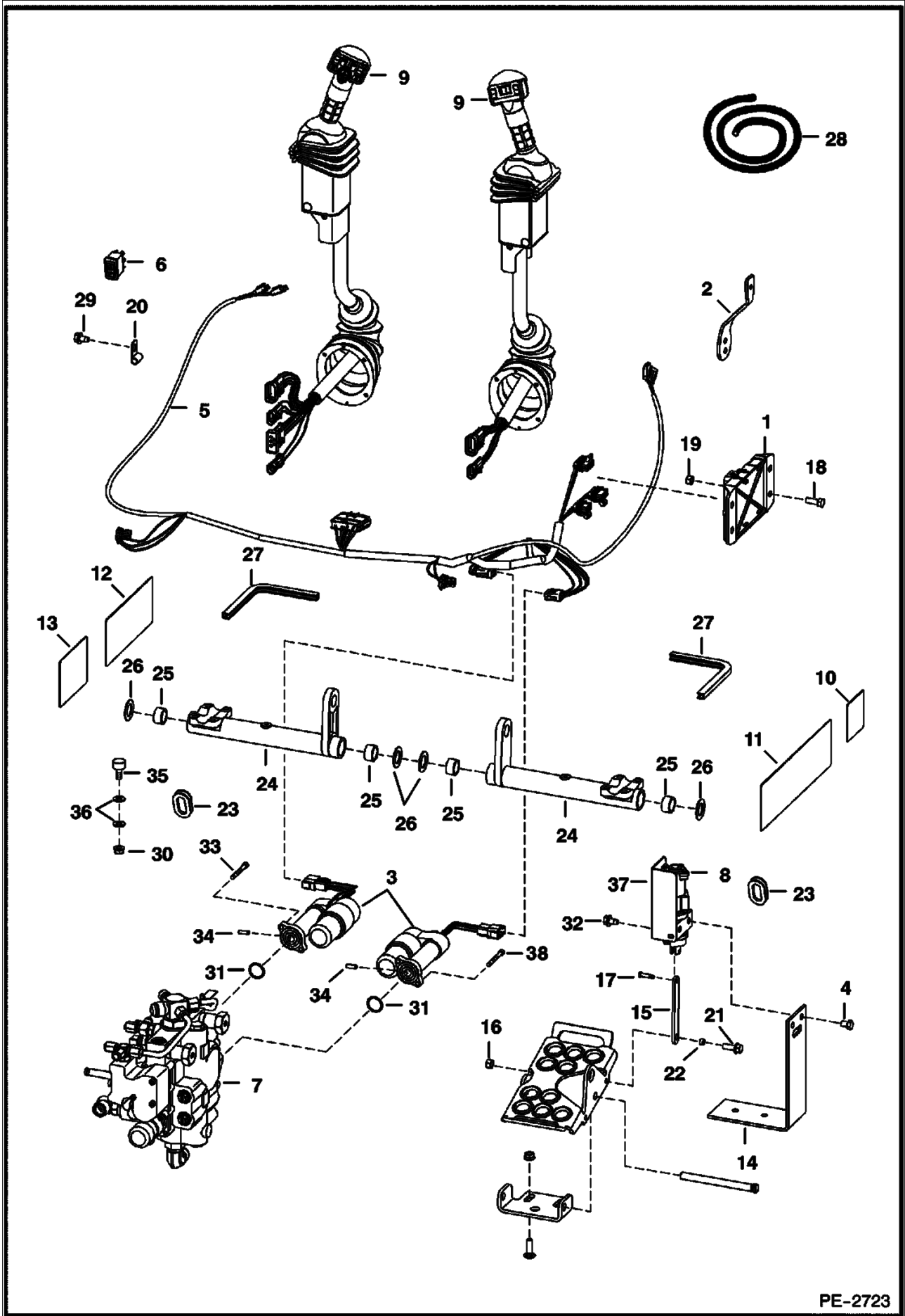


PE-2723

**CONTROLS ELECTRICAL (Cont'd)
(ACS)**

Ref No	Part Number	Description	Remarks	Serial Number	Qty
1	6680410	CONTROLLER	plastic - W/ 3-connector plug		1
2	6717393	LEVER	throttle		1
3	7101672	ACTUATOR	W/Ref. 31		2
4	17C612	BOLT 5			4
5	7159447	HARNESS	ACS		1
5	7138770	HARNESS	AHC - Europe only		1
6	6665314	PLUG	AHC		2
6	6665314	PLUG	ACS		1
6	6676537	SWITCH	ACS		1
7		VALVE	See Illustration HYDRAULIC CONTROL VALVE/ PE2378		1
8	6684912	SENSOR, FOOT RH	See Illustration CONTROLS ELECTRICAL/ PE1553		1
8	6676029	SOLENOID, LOCK SPOOL			1
8	6684911	SENSOR, FOOT LH	See Illustration CONTROLS ELECTRICAL/ PE1553		1
8	6676029	SOLENOID, LOCK SPOOL			1
9	6684913	LEVER	tilt - RH - AHC		1
9	6684914	LEVER	lift - LH - AHC		1
9	6684915	LEVER, ACS RH	See Illustration CONTROLS ELECTRICAL/ PE1365 - tilt - RH - ACS		1
9	6684916	LEVER, ACS LH	See Illustration CONTROLS ELECTRICAL/ PE1365 - lift - LH - ACS		1
10	6718706	DECAL, WARNING	raising cab		1
11	6728539	DECAL			1
11	6734646	DECAL, WARNING	selectable joystick controls		1
12	6727926	DECAL, OPERATION	hand & foot controls		1
13	6727926	DECAL, OPERATION	hand & foot controls		1
14	7126869	BRACKET			2
15	6726681	LINK			2
16	95D5	NUT			2
17	6727496	PIN			2
18	17C616	BOLT 5			2
19	95D6	NUT			6
20	30H62	CLIP			2
21	17C514	BOLT			2
22	6729467	SPACER			2
23	6714726	GROMMET			2
24		BELLCRANK	See Illustration HAND CONTROLS/ PE2366		2
25		BEARING	See Illustration HAND CONTROLS/ PE2366		4
26	6716916	WASHER	plastic		4
27		MOULDING	NAP - 10.5" (266,7 mm) long - Order Ref. 28		1
28	6654139	MOULDING	bulk - sold per foot		x
29	84G3710	SCREW			2
30	98D6	NUT	See Illustration HAND CONTROLS/ PE2366		2
31	58K120	O-RING	Use W/Ref. 3 - Was 6686220 [B,D]		2
32	43C408	BOLT			4
33	69G436	BOLT			2
34	7108236	PIN			2
35	6673789	BEARING	See Illustration HAND CONTROLS/ PE2366		4
36	7100699	WASHER	See Illustration HAND CONTROLS/ PE2366		8

CONTROLS ELECTRICAL (Cont'd)
(ACS)

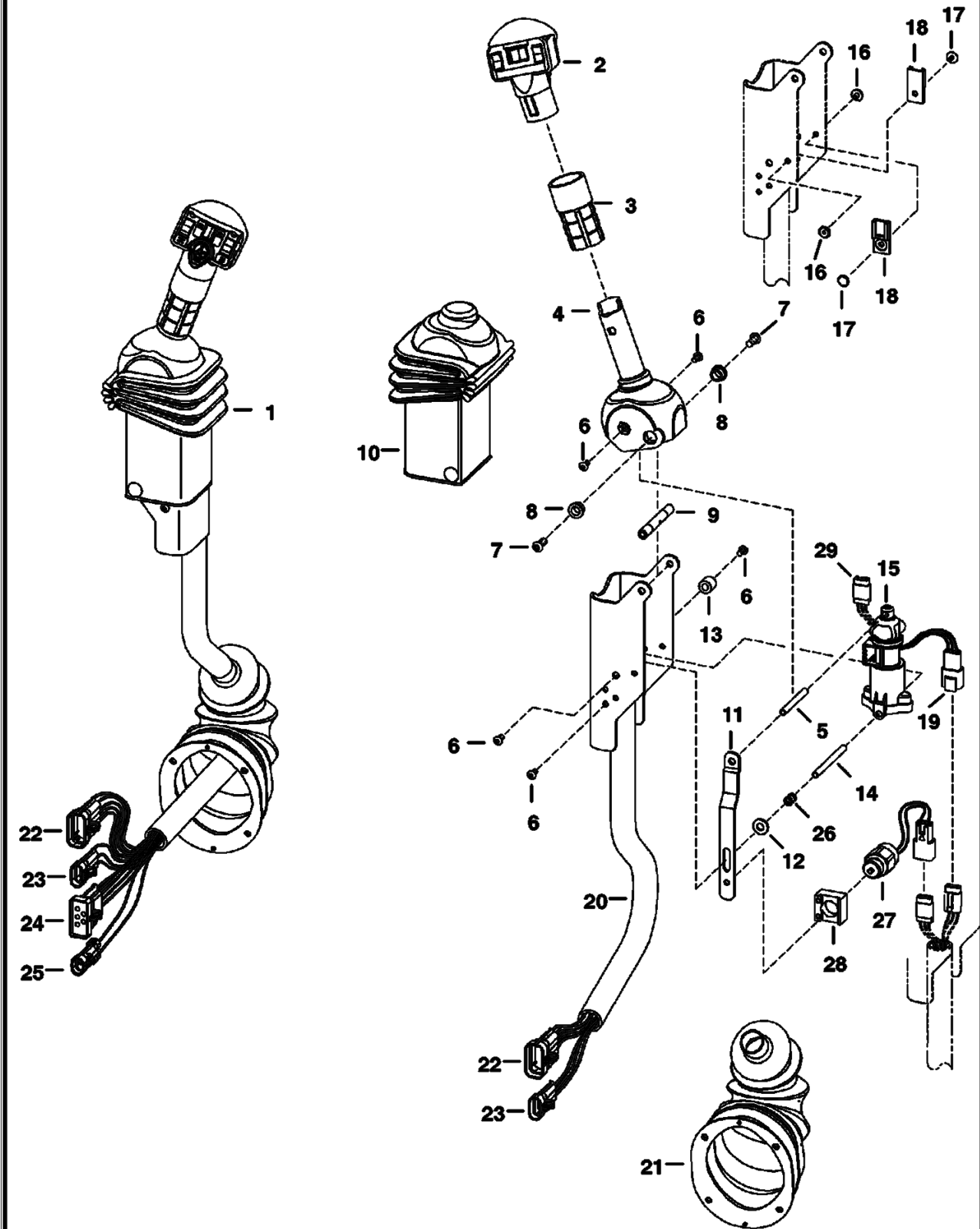


PE-2723

CONTROLS ELECTRICAL (Cont'd)
(ACS)

Ref No	Part Number	Description	Remarks	Serial Number	Qty
37	6680478	SHIELD	RH		1
37	6680479	SHIELD	LH		1
38	29G416	BOLT			2

CONTROLS ELECTRICAL (ACS) (Handle Assembly)

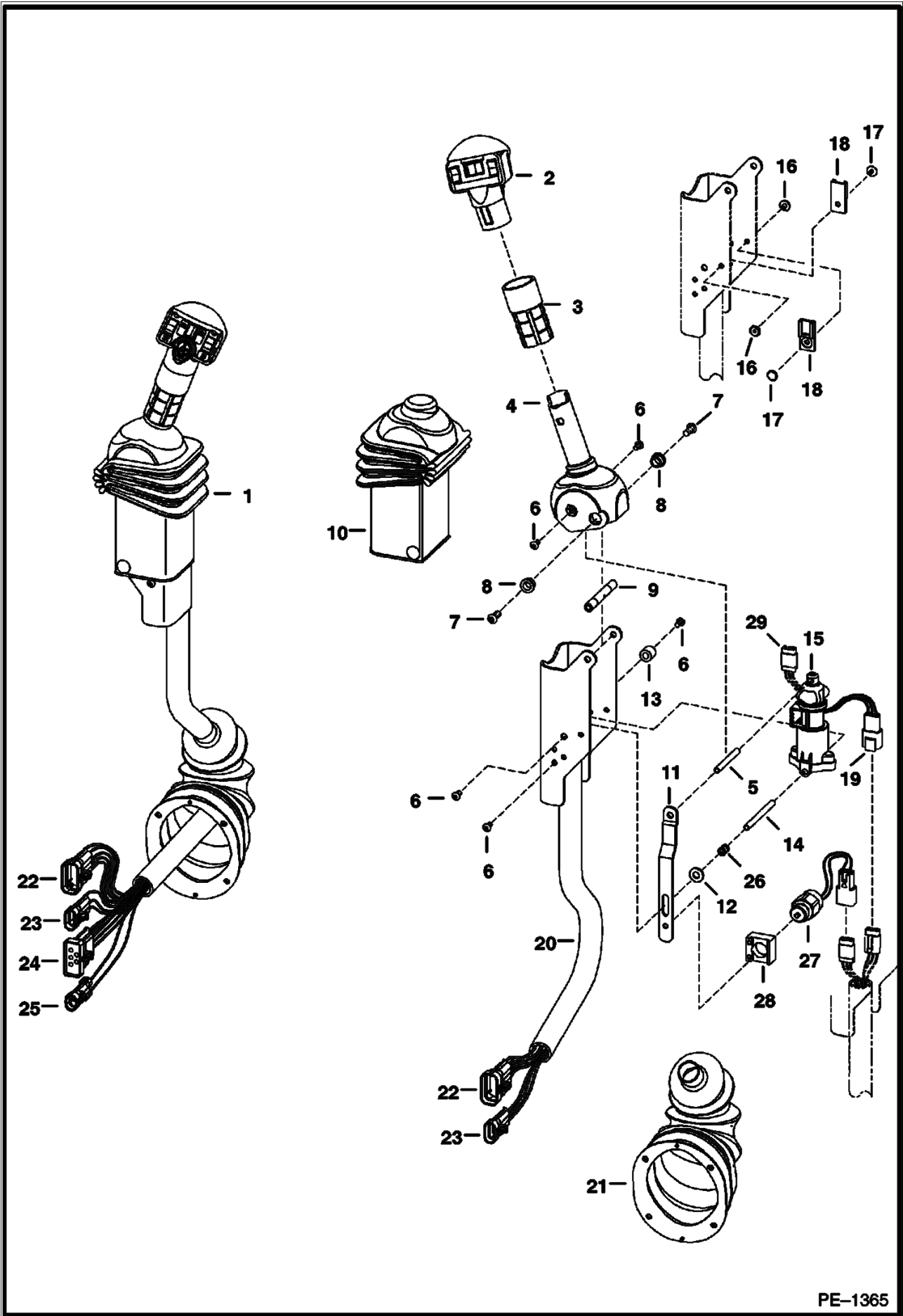


PE-1365

**CONTROLS ELECTRICAL (Cont'd)
(ACS) (Handle Assembly)**

Ref No	Part Number	Description	Remarks	Serial Number	Qty
1	6684915	LEVER, ACS RH	tilt - RH		1
1	6684916	LEVER, ACS LH	lift - LH		1
2	6680462	HANDLE, ACS RH	tilt - RH		1
2	6680417	HANDLE	lift - LH		1
3		GRIP	NAP - Order 6702621 Grip & cut to 2.8" long		2
4	6729594	HANDLE	RH		1
4	6729595	HANDLE	LH		1
5	6680469	SPACER	threaded		1
6	6727065	BOLT			6
7	25GT410	SCREW			8
8	6702990	BUSHING			4
9	6713043	SPACER			4
10	6680471	COVER			2
11	6680477	STRAP	stop		1
12	25E13	WASHER 5			1
13	6719835	SLEEVE			4
14	6719834	SPACER	threaded		2
15	6684910	SENSOR, ELEC AHC			2
15	6670706	CONNECTOR			1
15	6670715	PIN			3
15	6670710	LOCK			1
16	6665322	RIVET	female		2
17	6665321	RIVET	male		2
18	6665000	CLIP			2
19	6670707	CONNECTOR			1
19	6670715	PIN			3
19	6670711	LOCK			1
20	6680481	CHANNEL	RH		1
20	6680480	CHANNEL	LH		1
21	6532127	BOOT			2
22	6640692	CONNECTOR	10-pin		1
22	6640690	PIN			8
22	6640694	LOCK	Use W/ 10-pin connector		1
22	6641176	SEAL			8
22	6646582	PLUG	cavity		1
23	6640699	CONNECTOR	3-pin		2
23	6640690	PIN			3
23	6641176	SEAL			3
23	6640700	LOCK			3
24	6667144	CONNECTOR	5-pin		2
24	6640690	PIN			3
24	6641176	SEAL			3
24	6646582	PLUG	cavity		1
24	6641180	LOCK	Use W/ 2-pin connector		1
25	6641179	CONNECTOR	2-pin		1
25	6640690	PIN			2
25	6641176	SEAL			2
25	6641180	LOCK	Use W/ 2-pin connector		1
26	6680470	SPRING			1
27	6676029	SOLENOID, LOCK SPOOL			1
28	6680468	MOUNT			1
29	6676870	CONNECTOR	3-pin		1
29	6670711	LOCK			1
29	6670715	PIN			1

CONTROLS ELECTRICAL (Cont'd)
(ACS) (Handle Assembly)

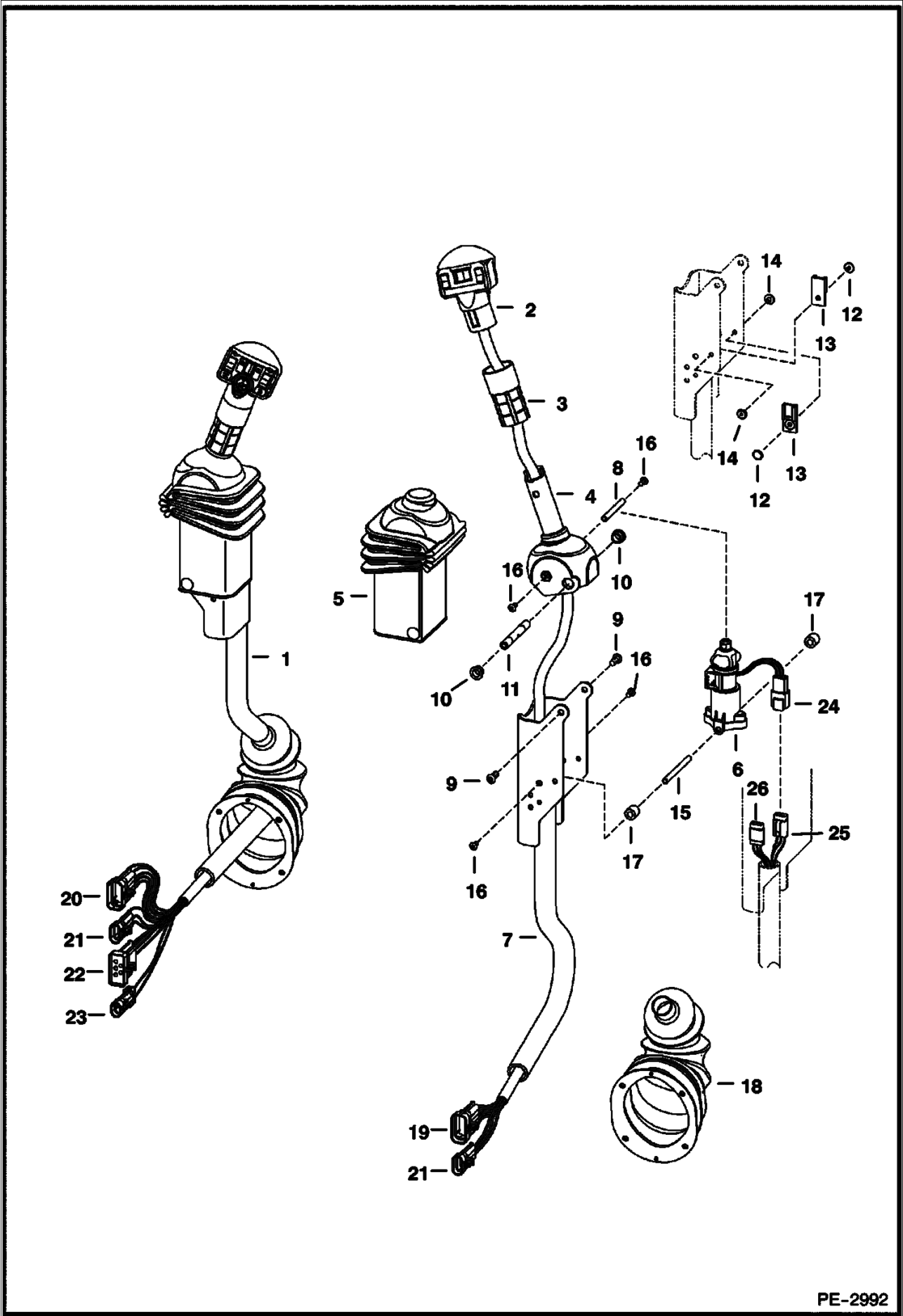


PE-1365

CONTROLS ELECTRICAL (Cont'd)
(ACS) (Handle Assembly)

Ref No	Part Number	Description	Remarks	Serial Number	Qty
29	6676640	SEAL			5

CONTROLS ELECTRICAL
(AHC) (Handle Assembly)

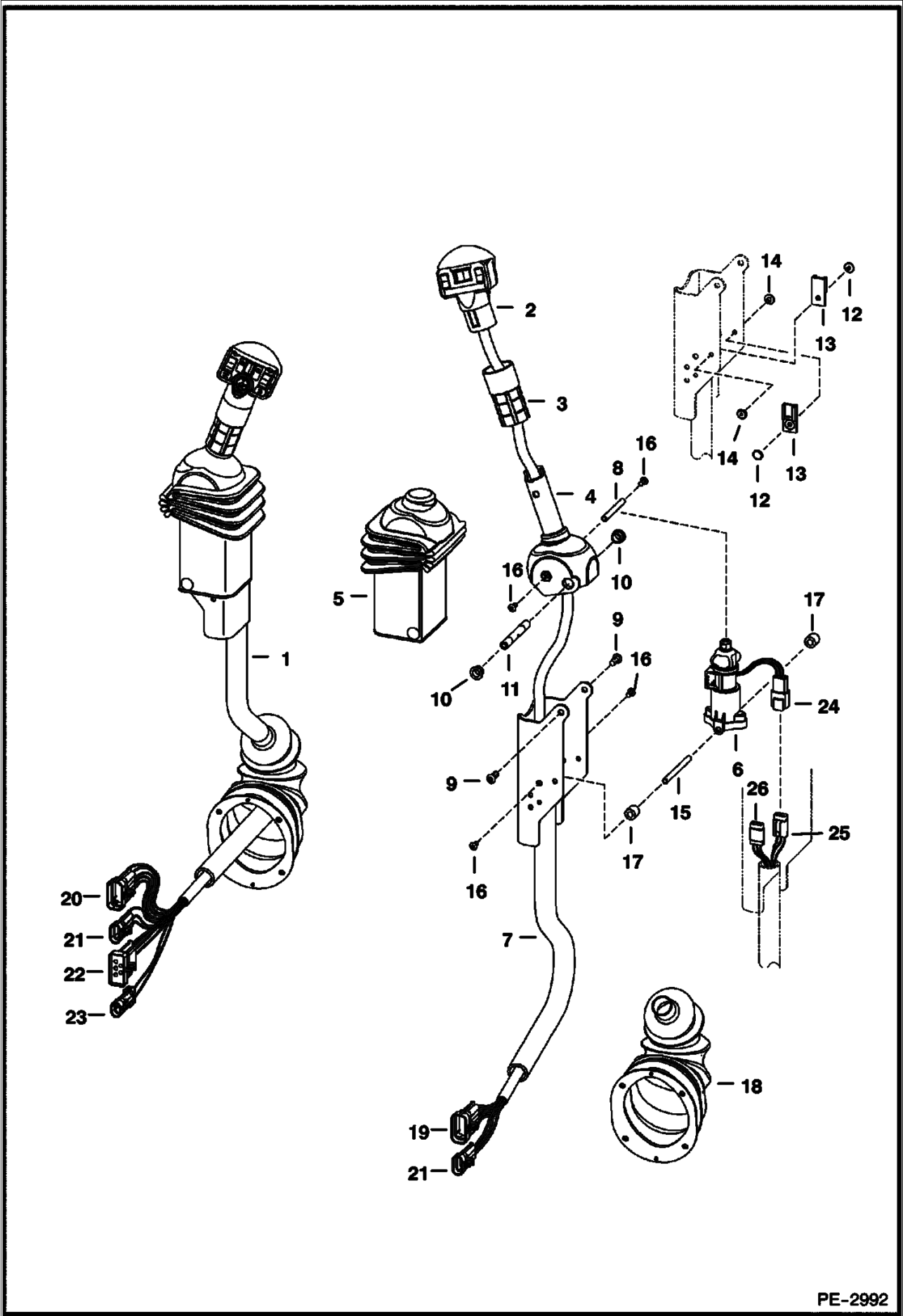


PE-2992

**CONTROLS ELECTRICAL (Cont'd)
(AHC) (Handle Assembly)**

Ref No	Part Number	Description	Remarks	Serial Number	Qty
1	6684913	LEVER	tilt - RH		1
1	6684914	LEVER	lift - LH		1
2	6680462	HANDLE, ACS RH	tilt - RH		1
2	6680417	HANDLE	lift - LH		1
3	6702621	GRIP			2
4	6729594	HANDLE	RH		1
4	6729595	HANDLE	LH		1
5	6680471	COVER			2
6	6684910	SENSOR, ELEC AHC			2
6	6670706	CONNECTOR	3-pin		1
6	6670714	PIN			3
6	6670710	LOCK			1
7	6680481	CHANNEL	RH		1
7	6680480	CHANNEL	LH		1
8	6680469	SPACER			1
9	25GT410	SCREW			4
10	6702990	BUSHING			4
11	6713043	SPACER			2
12	6665321	RIVET	male		4
13	6665000	CLIP			4
14	6665322	RIVET	female		4
15	6719834	SPACER	threaded		2
16	6727065	BOLT			8
17	6719835	SLEEVE			4
18	6532127	BOOT			2
19	6640692	CONNECTOR	10-pin		1
19	6640690	PIN			8
19	6640694	LOCK	Use W/ 10-pin connector		1
19	6641176	SEAL			8
19	6646582	PLUG	cavity		2
20	6640692	CONNECTOR	10-pin		1
20	6640690	PIN			6
20	6640694	LOCK	Use W/ 10-pin connector		1
20	6641176	SEAL			6
20	6646582	PLUG	cavity		4
21	6640699	CONNECTOR	3-pin - RH & LH		2
21	6640690	PIN			3
21	6641176	SEAL			3
21	6640700	LOCK			1
22	6667144	CONNECTOR	5-pin		1
22	6640690	PIN			3
22	6641176	SEAL			3
22	6646582	PLUG	cavity		1
22	6667145	LOCK	Use W/ 5-pin connector		1
23	6641179	CONNECTOR	2-pin		1
23	6640690	PIN			2
23	6641176	SEAL			2
23	6641180	LOCK	Use W/ 2-pin connector		1
24	6670707	CONNECTOR	3-pin		1
24	6670715	PIN			3
24	6670711	LOCK			1
25	6676870	CONNECTOR	3 - pin		1
25	6670711	LOCK			1
25	6670715	PIN			3

CONTROLS ELECTRICAL (Cont'd)
(AHC) (Handle Assembly)

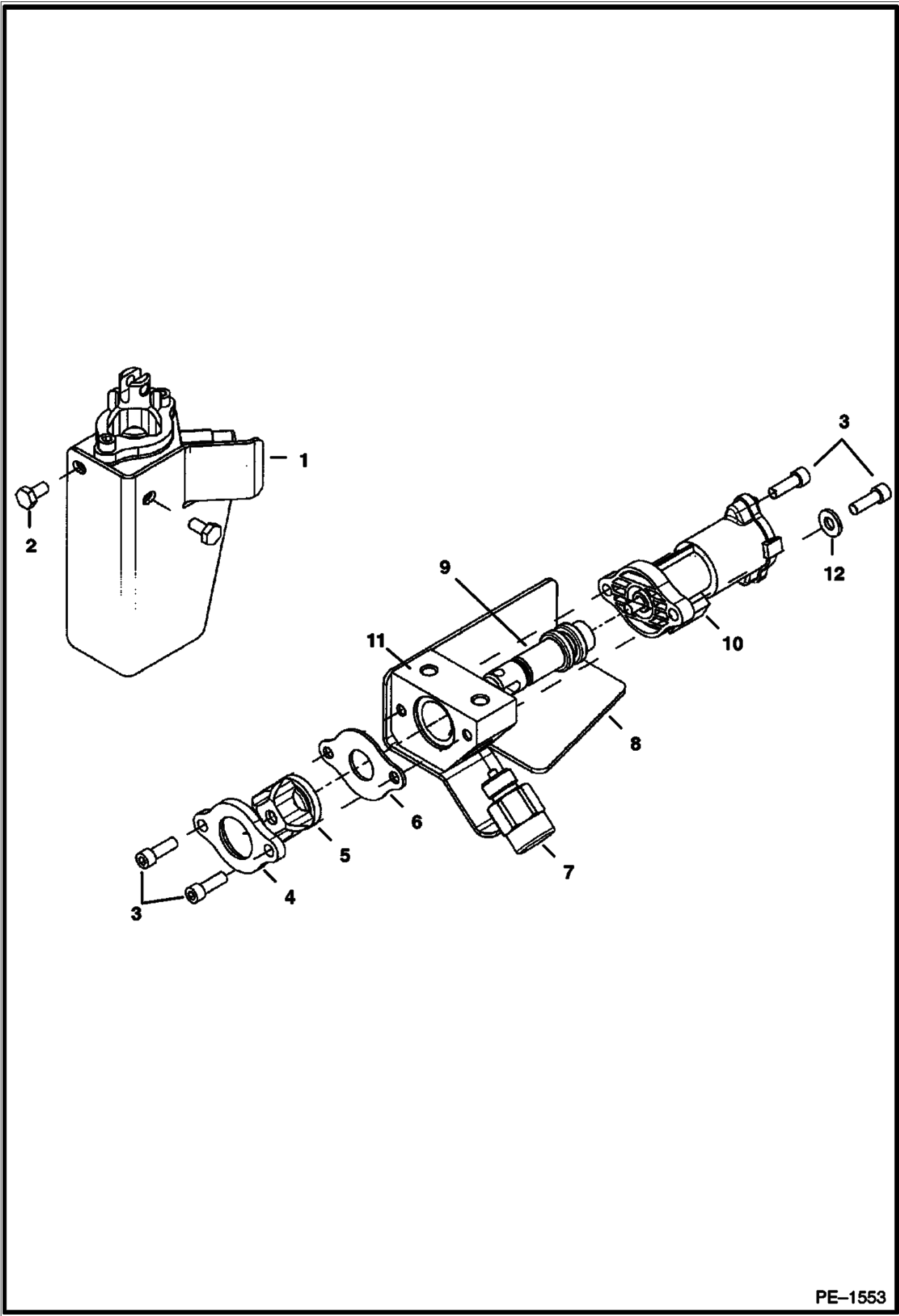


PE-2992

CONTROLS ELECTRICAL (Cont'd)
(AHC) (Handle Assembly)

Ref No	Part Number	Description	Remarks	Serial Number	Qty
25	6676640	SEAL	plug		1
26	6677364	CONNECTOR	3-pin - RH & LH		1
26	6676640	SEAL	plug		3
26	6670715	PIN			2

**CONTROLS ELECTRICAL
(ACS) (Foot Pedal Assembly)**

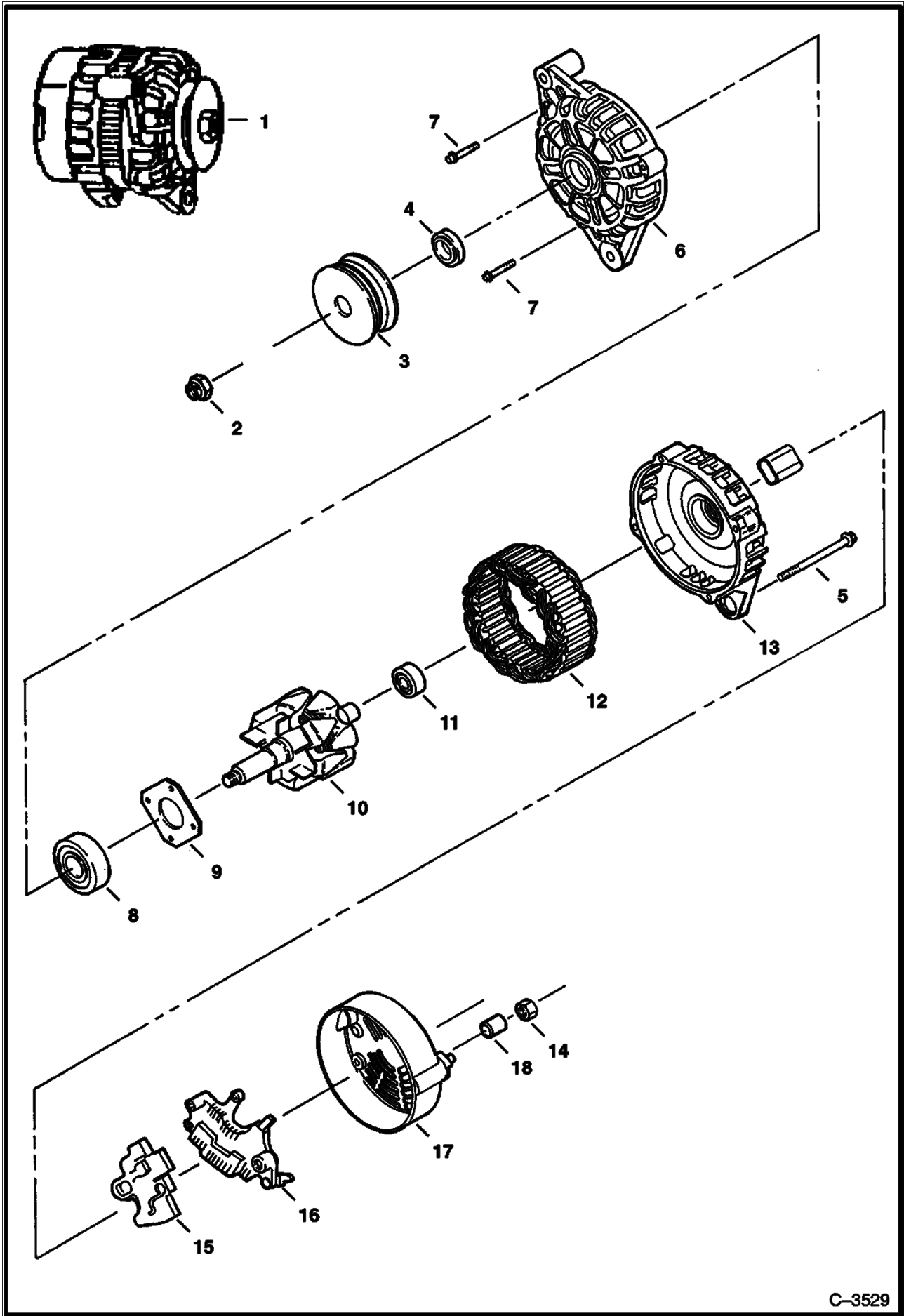


PE-1553

**CONTROLS ELECTRICAL (Cont'd)
(ACS) (Foot Pedal Assembly)**

Ref No	Part Number	Description	Remarks	Serial Number	Qty
1	6684912	SENSOR, FOOT RH			1
1	6684911	SENSOR, FOOT LH			1
2	43C408	BOLT			2
3	98G412	BOLT			4
4		RETAINER	NAP - boot		1
5	6587763	BOOT			1
6		STOP PLATE	NAP		1
7	6676029	SOLENOID, LOCK SPOOL			1
8	6680478	SHIELD	RH		1
8	6680479	SHIELD	LH		1
9		SPOOL	NSS		1
10		SENSOR	NSS		1
11		BLOCK	NSS		1
12	25E13	WASHER 5			2

ALTERNATOR

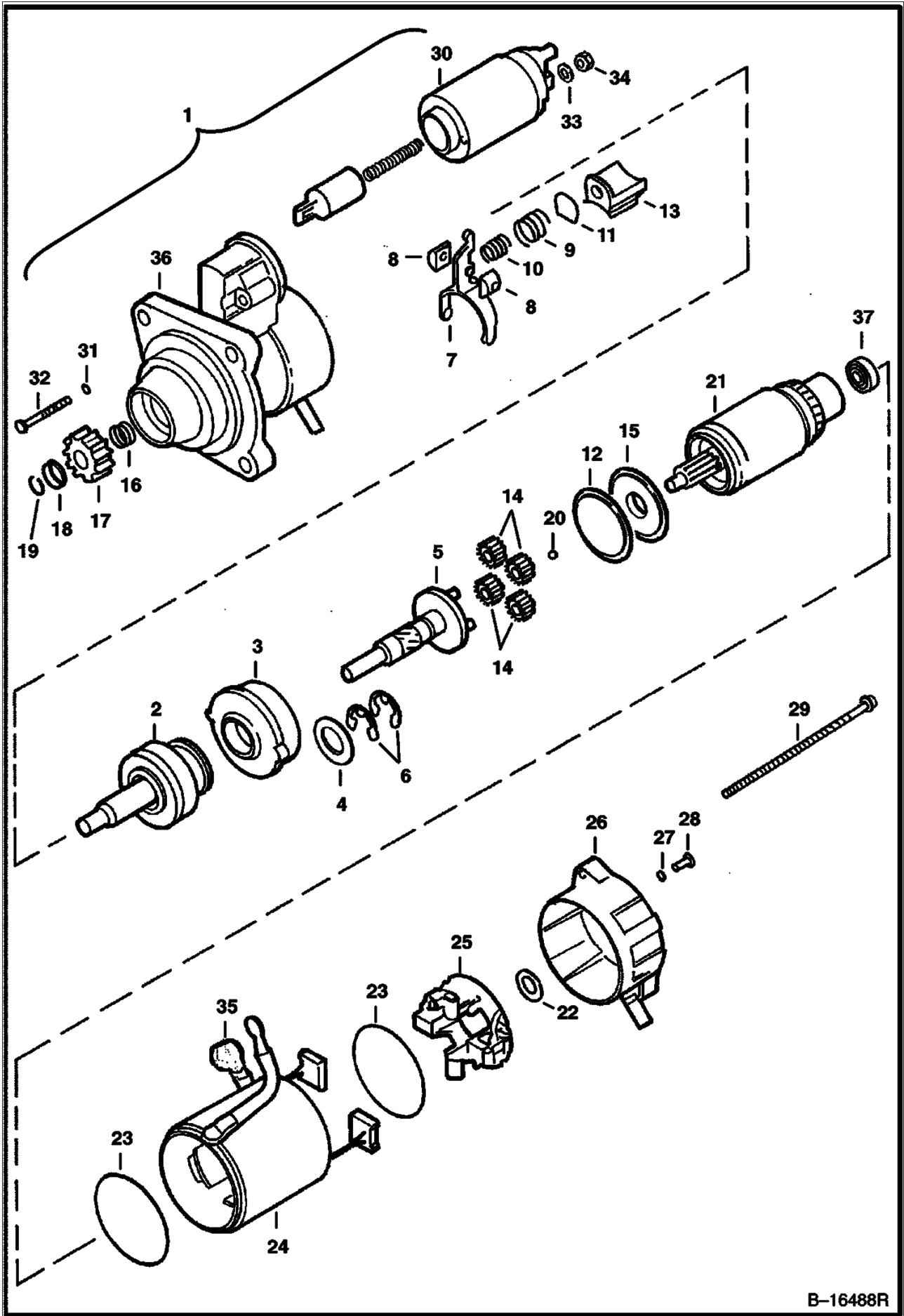


C-3529

ALTERNATOR (Cont'd)

Ref No	Part Number	Description	Remarks	Serial Number	Qty
1	6678205	ALTERNATOR, 90 AMP	90 amp		1
1	6678205REM	ALTERNATOR, 90 AMP	90 amp - Ref. 2-18		1
2	6677497	NUT			1
3	6677496	PULLEY			1
4	6677495	SPACER	front		1
5	6677494	BOLT			4
6	6677491	BRACKET	rear		1
7	6677817	BOLT			4
8	6677818	BEARING			1
9	6677819	RETAINER			1
10	6677492	ROTOR			1
11	6677820	BEARING			1
12	6677493	STATOR			1
13	6677490	BRACKET			1
14	6677486	NUT			1
15	6677489	REGULATOR ASSY			1
16	6677488	RECTIFIER			1
17	6677487	COVER			1
18	6677485	SPACER	rear		1

STARTER
(Valeo)

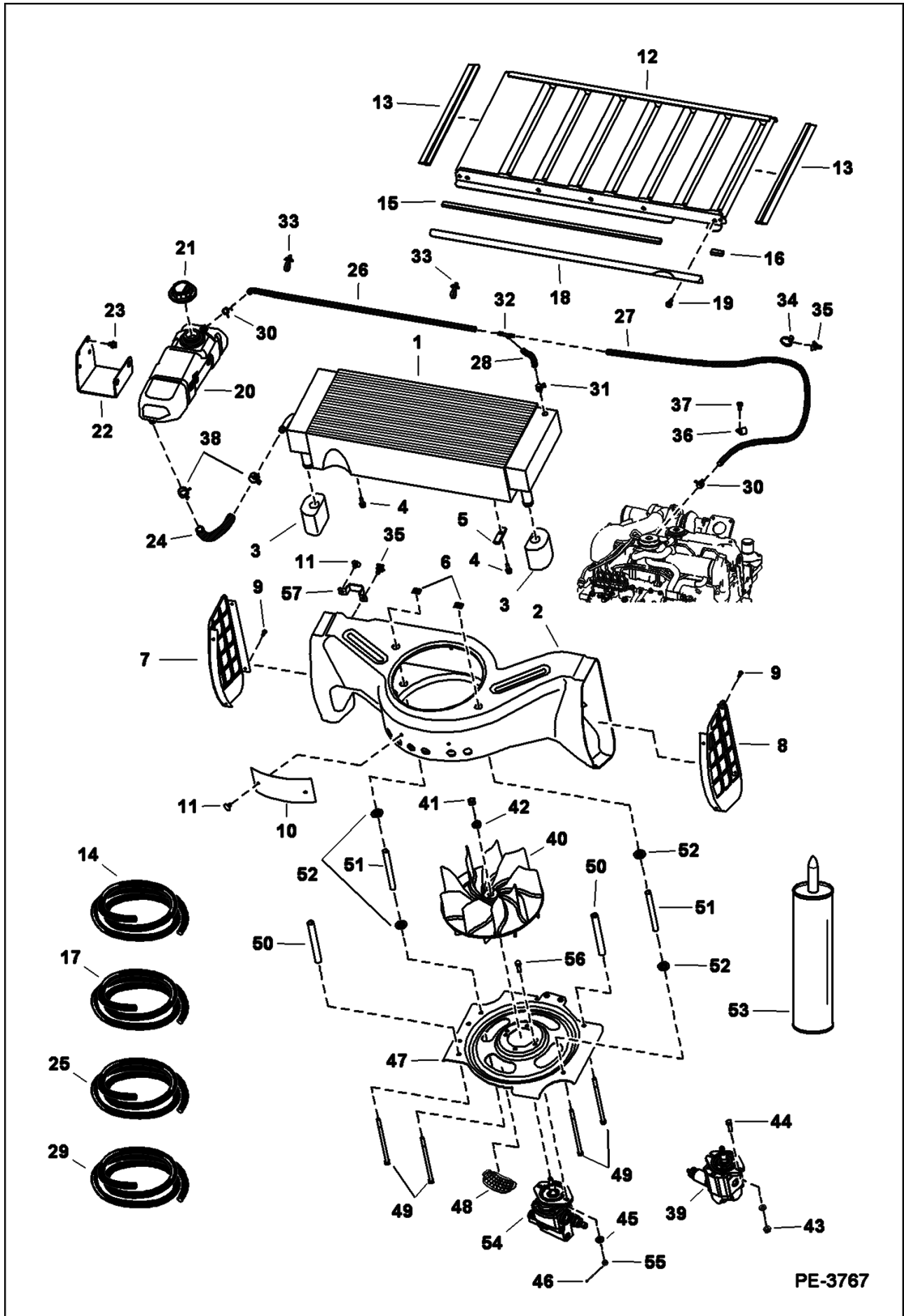


B-16488R

STARTER (Cont'd)
(Valeo)

Ref No	Part Number	Description	Remarks	Serial Number	Qty
1	6685190	STARTER			1
1	6685190REM	STARTER			1
2	6680375	SHAFT	ORC assy		1
3	6680367	GEAR			1
4	6680378	WASHER			1
5	6680365	SHAFT			1
6	6680368	STOP RING			2
7	6680364	LEVER			1
8	6680357	HOLDER			2
9	6680381	SPRING			1
10	6680382	SPRING			1
11	6680370	PLATE			1
12	6680369	SEAL			1
13	6680371	LEVER			1
14	6680366	GEAR			4
15	6680372	BRACKET			1
16	6680361	SPRING			1
17	6680390	GEAR			1
18	6680360	STOP			1
19	6680359	STOP RING			1
20	6680362	BALL			1
21	6680374	ARMATURE	W/Ref. 37		1
22	6680363	WASHER			1
23	6680380	SEAL			2
24	6680373	YOKE			1
25	6680377	HOLDER			1
26	6680389	BRACKET			1
27	6680358	RING	rubber		2
28	6680384	BOLT			2
29	6680356	BOLT			2
30	6680376	SWITCH			1
31	6680379	SEAL			2
32	6680383	BOLT			2
33	6EM80	WASHER, SPRING			1
34	4DM8	NUT			1
35	6680355	BOOT			1
36	6680388	BRACKET	includes ball bearing, drain tube, front bracket & oil seal		1
37		BEARING	NAP - Order Ref. 21		1

COOLING SYSTEM

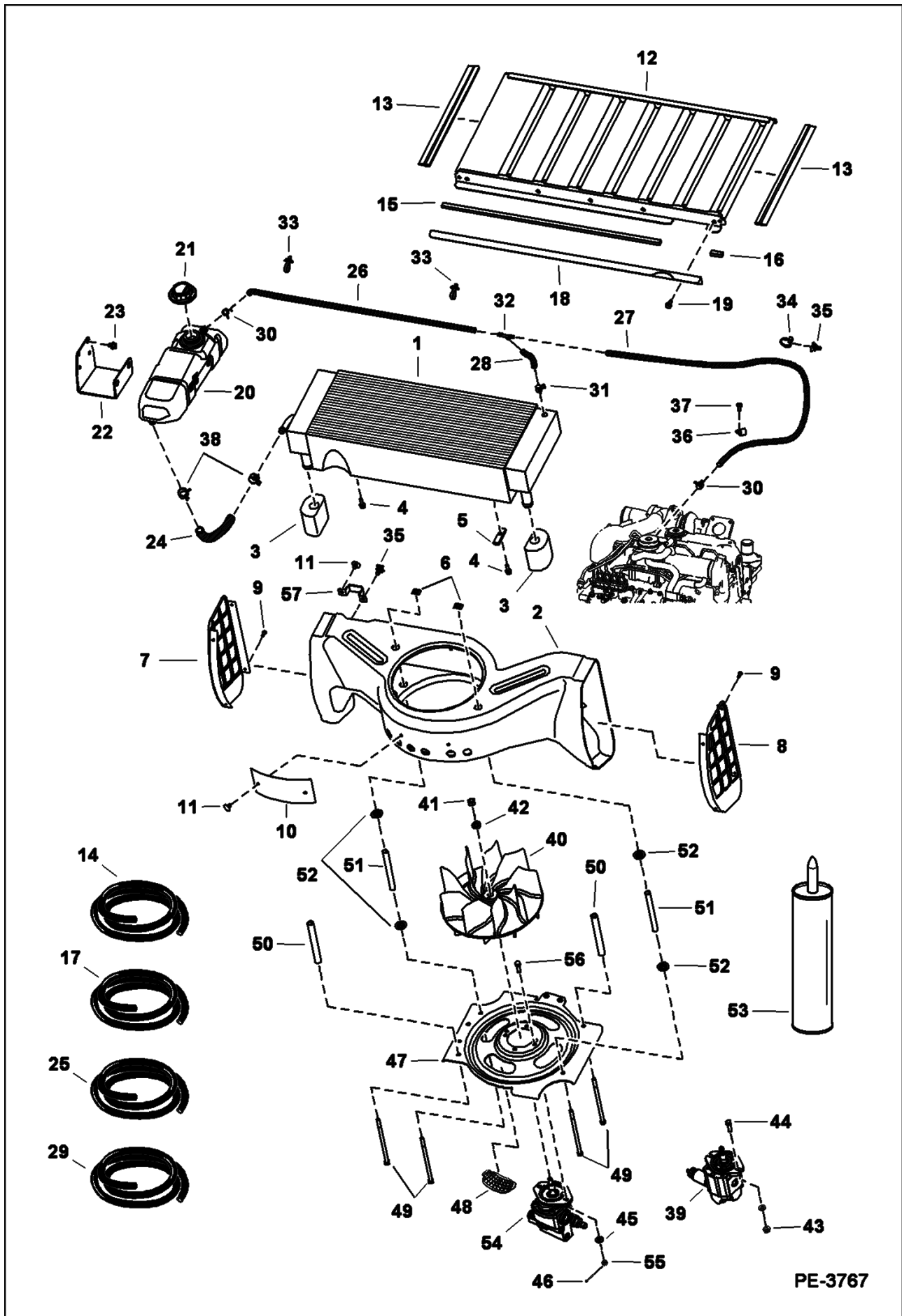


PE-3767

COOLING SYSTEM (Cont'd)

Ref No	Part Number	Description	Remarks	Serial Number	Qty
1	7152356	EXCHANGER, WATER RADIATOR			1
2	7153544	HOUSING	Was 7104117 [A]		1
3	6726433	SPACER			2
4	35C516	BOLT 10			2
5	6679991	SEAL	washer		1
6	6684033	NUT			4
7	6716571	LOUVER, PLASTIC LH			1
8	6716573	LOUVER, PLASTIC RH			1
9	6706517	SCREW	plastic louvers		8
10	6715819	INSULATOR			1
11	6674895	RETAINER			3
12	6733804	GRILL			1
13		MOULDING	NAP - 16.8" (426,7 mm) long - Order Ref. 10		2
14	6646705	SEAL	bulk - sold per foot - Was 7167241 [A]		x
15		FOAM STRIP	NAP - 28.5" (876,3 mm) long - Order Ref. 17		1
16		FOAM STRIP	NAP - 1.5" (38,1 mm) long - Order Ref. 17		1
17	6511855	SEAL	self adhesive - bulk - sold per foot		x
18	6703471	BRACKET			1
19	84G3112	BOLT 5			3
20	6732375	TANK	expansion		1
21	6733429	CAP			1
21	6733996	DECAL, WARNING	engine coolant - 14 psi		1
22	7162194	MOUNT, TANK COOLANT	W/slotted mounting holes - Was 6732870 [A]		1
23	84G3708	SCREW			2
24		HOSE	NAP - 8.25" (209,6 mm) long - Order Ref. 25		1
25	6577822	HOSE	bulk - sold per foot		x
26		HOSE	NAP - 30.5" (774,7 mm) long - Order Ref. 29		1
27		HOSE	NAP - 39.5" (1003,3 mm) long - Order Ref. 29		1
28		HOSE	NAP - 5.5" (139,7 mm) long - Order Ref. 29		1
29	6578172	HOSE	bulk - sold per foot		1
30	5HM14	CLAMP			2
31	6734236	ADAPTER			1
32	7140157	TEE			1
33	6675734	STRAP	button head		2
34	6624289	STRAP, TIE			1
35	7015668	MOUNT FIR TREE	push in - Use W/tie strap - Was 6678666 [B]		2
36	30H31	CLAMP 10			1
37	1CM816	BOLT			1
38	5HM24	CLAMP			2
39		MOTOR, HYD COOLING FAN	See Illustration COOLING FAN MOTOR/ PE2811 See Illustration HYDROSTATIC CIRCUITRY/ PE2735 See BTI384	A3LJ 29999 & Bel	1
39		MOTOR, HYD COOLING FAN	See Illustration COOLING FAN MOTOR/ PE2811 See Illustration HYDROSTATIC CIRCUITRY/ PE2735 See BTI384	A3LK 29999 & Bel	1
40	6715142	FAN			1
41	96D8	NUT			1
42	6701097	WASHER			1
43	95D6	NUT	Use W/Ref. 39	A3LJ 29999 & Bel	2
43	95D6	NUT	Use W/Ref. 39	A3LK 29999 & Bel	2

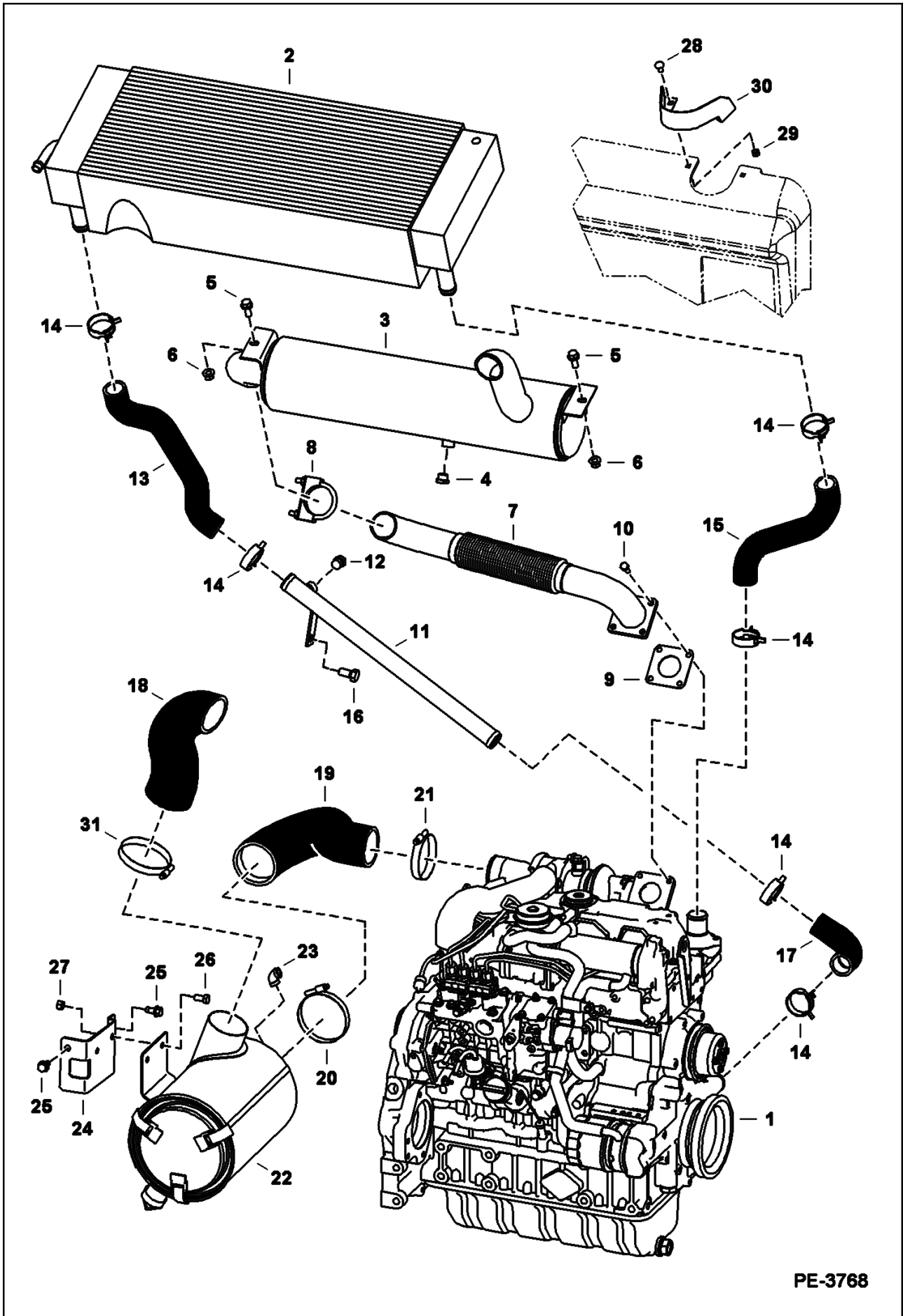
COOLING SYSTEM (Cont'd)



COOLING SYSTEM (Cont'd)

Ref No	Part Number	Description	Remarks	Serial Number	Qty
44	17C620	BOLT	Use W/Ref. 39	A3LJ 29999 & Bel	2
44	17C620	BOLT	Use W/Ref. 39	A3LK 29999 & Bel	2
45	6557831	WASHER	Use W/Ref. 54	A3LJ 30001 & Abv	2
45	6557831	WASHER	Use W/Ref. 54	A3LK 30001 & Abv	2
46	1F316	PIN	Use W/Ref. 54	A3LJ 30001 & Abv	2
46	1F316	PIN	Use W/Ref. 54	A3LK 30001 & Abv	2
47	7107175	INLET	4-slot		1
48	6684474	INSERT FAN INLET			4
49	17C6116	BOLT			4
50	6577382	SPACER	.75" (19,05 mm) OD		2
51	7131872	SPACER	.625" (15,875 mm) OD - Use W/Ref. 52		2
52	7131873	WASHER	step - 1.38" (35,05 mm) OD - Use W/Ref. 51		2
53	6633583	SEALANT	oil cooler grill		x
54	7164320	MOTOR, HYD COOLING FAN	See Illustration COOLING FAN MOTOR/ MS2514 See Illustration HYDROSTATIC CIRCUITRY/ PE3528 - Also Order (2) of Ref. 46 - Was 7132033 [D]	A3LJ 30001 & Abv	1
54	7164320	MOTOR, HYD COOLING FAN	See Illustration COOLING FAN MOTOR/ MS2514 See Illustration HYDROSTATIC CIRCUITRY/ PE3528 - Also Order (2) of Ref. 46 - Was 7132033 [D]	A3LK 30001 & Abv	1
55	3D6	NUT	Use W/Ref. 54	A3LJ 30001 & Abv	2
55	3D6	NUT	Use W/Ref. 54	A3LK 30001 & Abv	2
56	7147826	BOLT, CROSS DRILLED	Use W/Ref. 54	A3LK 30001 & Abv	2
56	7147826	BOLT, CROSS DRILLED	Use W/Ref. 54	A3LK 30001 & Abv	2
57	7138645	GUIDE			1

ENGINE & ATTACHING PARTS (Air Cleaner, Muffler)

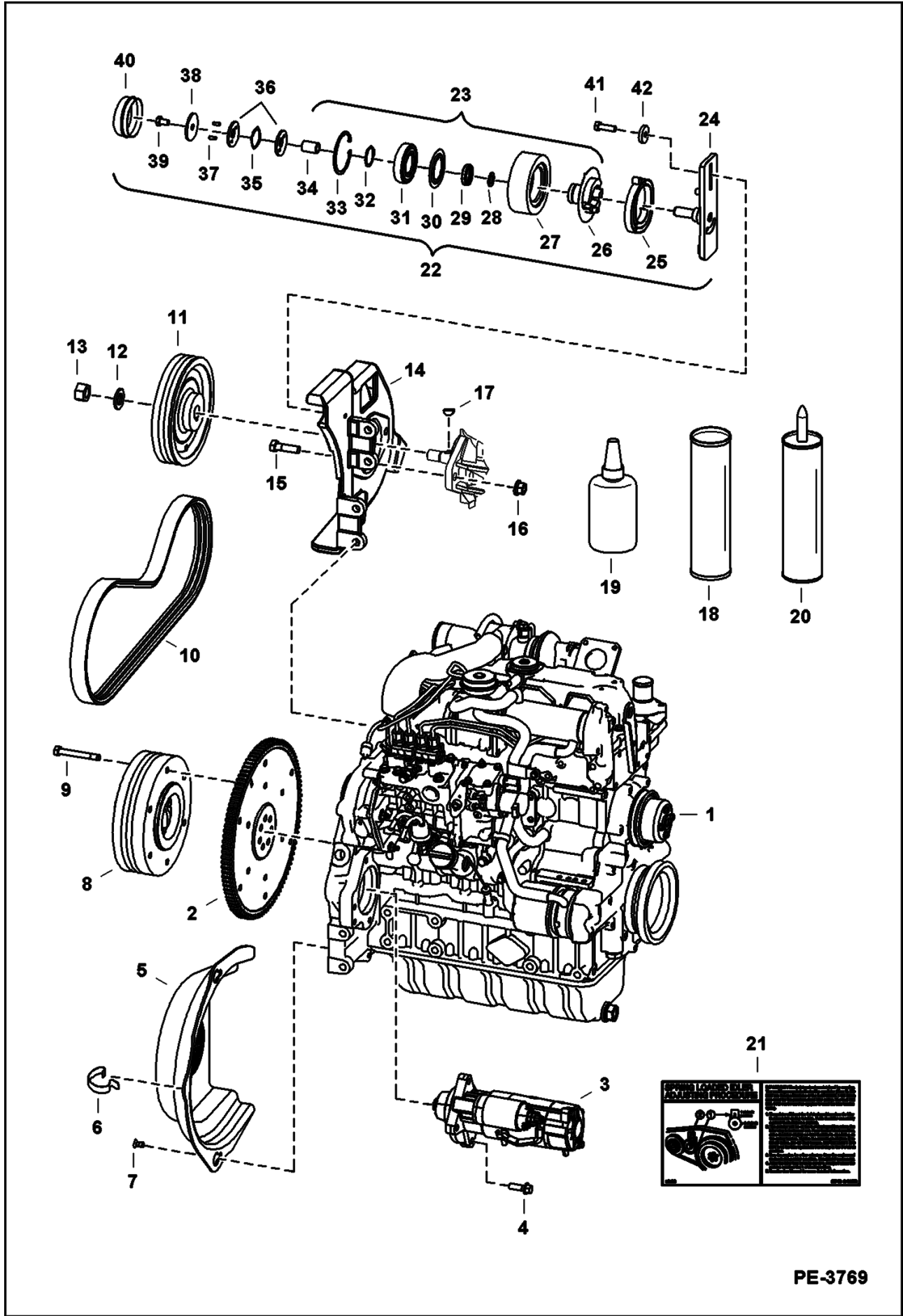


PE-3768

ENGINE & ATTACHING PARTS (Cont'd)
(Air Cleaner, Muffler)

Ref No	Part Number	Description	Remarks	Serial Number	Qty
1		ENGINE, V2607-DI-T3-E3B-BC-2	See Illustration ENGINE & GASKET KITS/ NA2410		1
2	7152356	EXCHANGER, WATER RADIATOR			1
3	7130724	MUFFLER, EXHAUST			1
4	6661062	PLUG	brass - 0.38"		1
5	35C616	BOLT 5			2
6	83D6	NUT 5			2
7	7130725	TUBE, EXHAUST			1
8	7101708	CLAMP			1
9	6727753	GASKET			1
10	6701123	SCREW			4
11	6730999	TUBE ASSY			1
12	40K6	PLUG			1
13	7132593	HOSE			1
14	5HM42	HOSECLAMP			6
15	7132594	HOSE			1
16	6719827	BOLT			1
17	7100024	HOSE			1
18	7149976	HOSE, AIR FORMED			1
19	7149975	HOSE, AIR FORMED			1
20	42HC325	CLAMP			1
21	42HC375	CLAMP			1
22	7133215	FILTER ASSY, AIR	See Illustration AIR CLEANER/ PE3523		1
23	24F1	ELBOW			1
24	7154006	BRACKET, ANGLE			1
25	84G3712	BOLT			1
26	17C612	BOLT 5			2
27	95D6	NUT			2
28	37C512	BOLT			2
29	61D5	NUT			2
30	6714624	SHIELD	Europe only		1
31	42H52	CLAMP			1

ENGINE & ATTACHING PARTS (Belt Drive System)

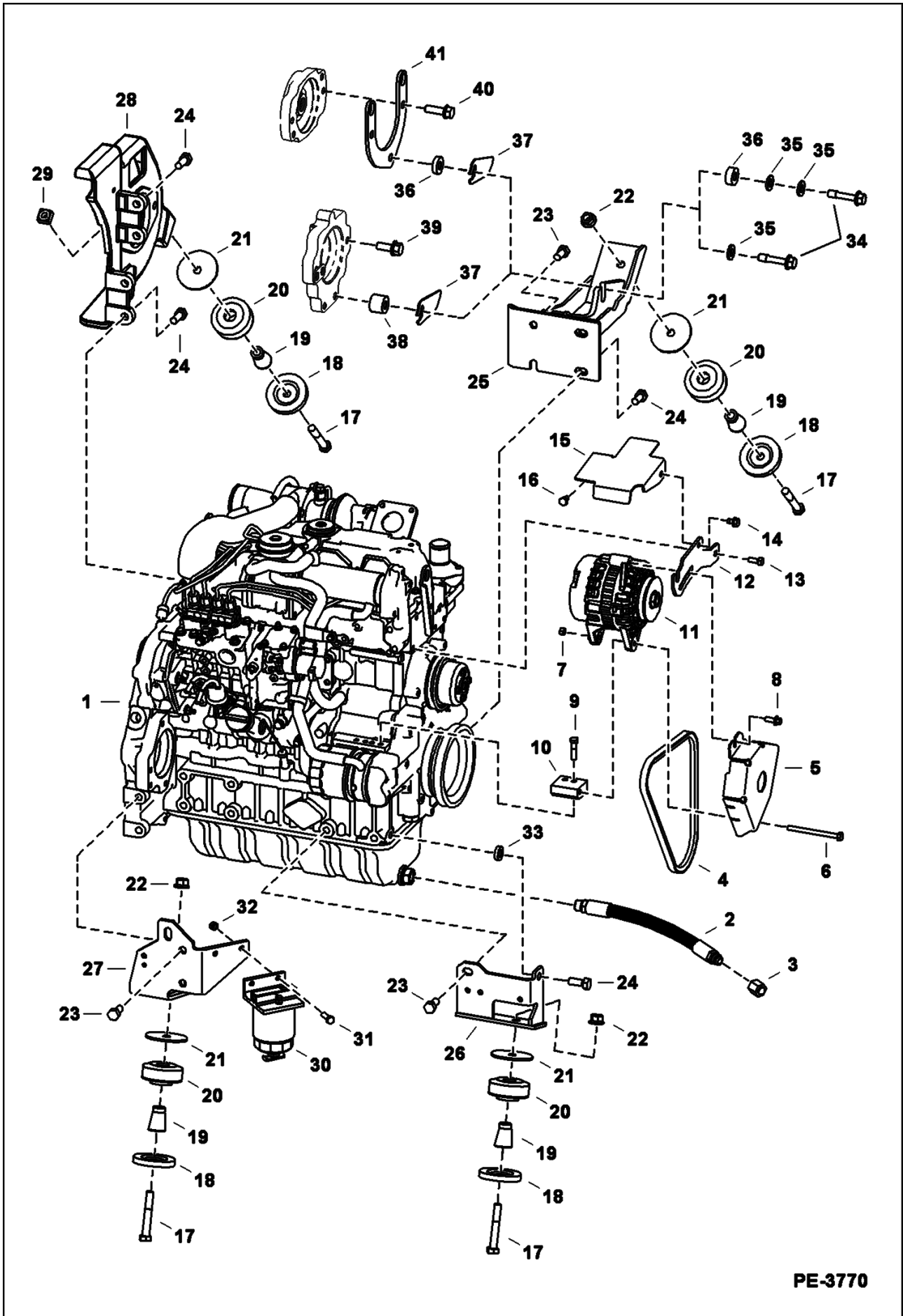


PE-3769

**ENGINE & ATTACHING PARTS (Cont'd)
(Belt Drive System)**

Ref No	Part Number	Description	Remarks	Serial Number	Qty
1		ENGINE, V2607-DI-T3-E3B-BC-2	See Illustration ENGINE & GASKET KITS/ NA2410		1
2		FLYWHEEL, ENG ASSY	See Illustration CRANKCASE/ B27278 W/ring gear		1
3		STARTER	See Illustration STARTER/ B16488R		1
4	35C620	BOLT 5			3
5	7136572	COVER, FLYWHEEL			1
6	6703022	CLIP			1
7	7155238	BOLT			2
8	7130942	PULLEY, ENG			1
9	7152869	BOLT			6
10	6667322	BELT	pump drive		1
11	7113635	PULLEY	hyd pump - 3-groove - 202 mm (7.95") dia		1
12	6576033	WASHER			1
13	92D12	NUT			1
14	7139767	MOUNT, PUMP			1
15	17C828	BOLT	hyd pump mount		2
16	83D8	NUT 5			2
17	6J807	KEY, WOODRUFF	SJC		1
17	6682261	KEY	manual controls		1
18	6903122	GREASE, MULTI PURPOSE #2 - 10	Use W/Ref. 23		x
19	6649654	ADHESIVE			1
20	6633583	SEALANT	tube - 300 ml		x
21	6709030	DECAL	belt tension - spring loaded idler		1
22	6735884	IDLER ASSY.	spring loaded - Ref. 24-40		1
23	6714212	PULLEY ASSY.	Ref. 26-34		1
24	6735883	BRACKET			1
25	6705491	SPRING	torsion		1
26	6711699	HUB ASSY.			1
27	6704391	PULLEY	idler		1
28	6685735	SEAL			1
29	6703168	BEARING	thrust		1
30	6664209	SEAL			1
31	6668114	BEARING	ball		1
32	6658536	RING			1
33	6658847	RING			1
34	6682442	SLEEVE	bronze sleeve		1
35	6710585	WASHER	wave spring		1
36	6705231	WASHER			2
37	6713370	PIN			2
38	6705232	WASHER			1
39	43C610	BOLT	pre-applied thread locker - Was 17C610 [B]		1
40	6708770	CAP	dust		1
41	17C620	BOLT			1
42	6704484	WASHER			1

ENGINE & ATTACHING PARTS (Engine Mounts)

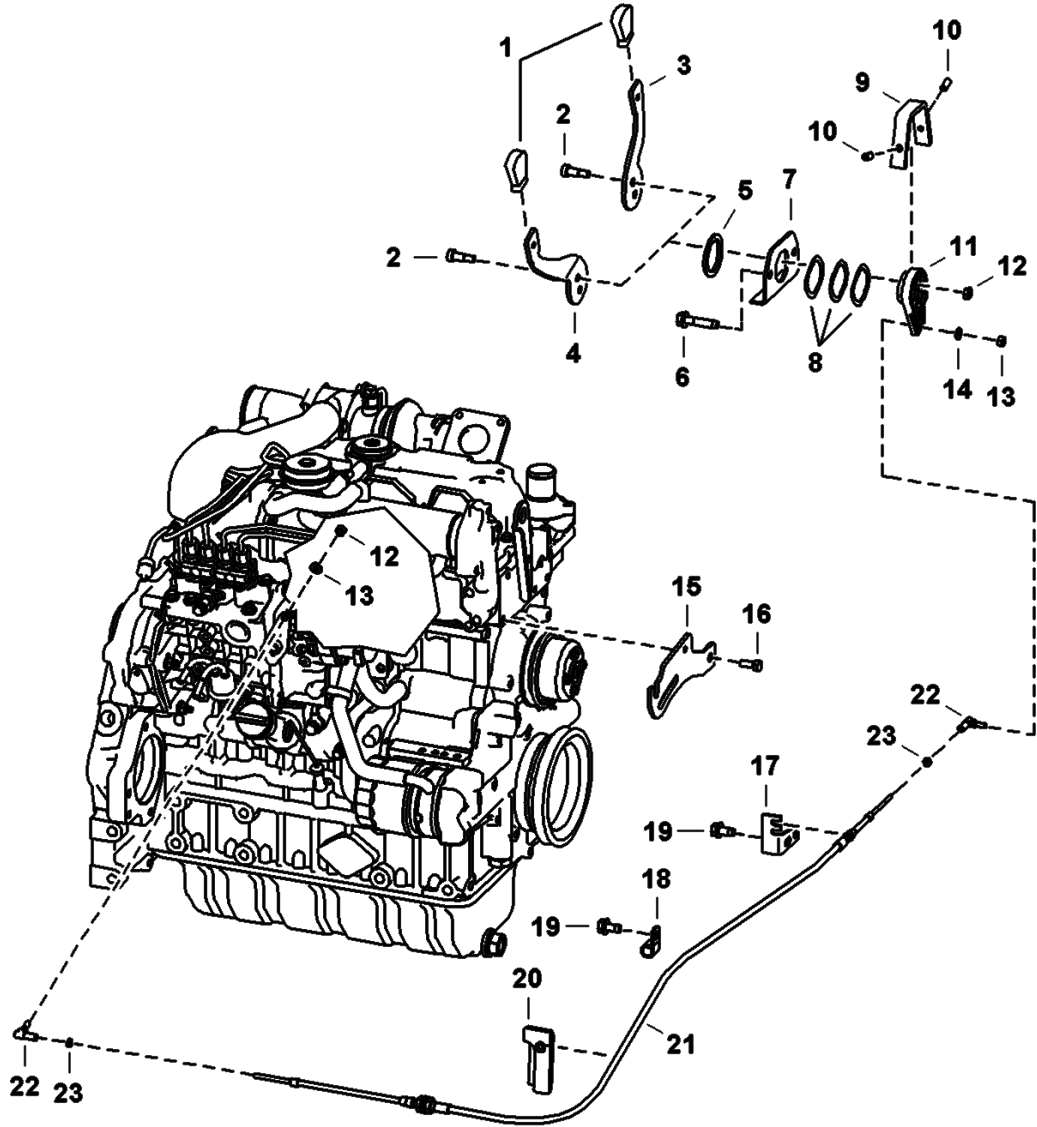


PE-3770

ENGINE & ATTACHING PARTS (Cont'd)
(Engine Mounts)

Ref No	Part Number	Description	Remarks	Serial Number	Qty
1		ENGINE, V2607-DI-T3-E3B-BC-1	See Illustration ENGINE & GASKET KITS/ NA2410		1
2	6563445	HOSE			1
3	36K6	CAP			1
4	7143498	BELT	alternator		1
5	7141045	SHIELD, ALT			1
6	1CM8100	SCREW			1
7	53DM8	NUT			1
8	29CM820	SCREW			1
9	7135598	MOUNT, ALT			1
10	1CM835	BOLT			2
11		ALTERNATOR	See Illustration ALTERNATOR/ C3529		1
12	7139335	BRACKET, ALT			1
13	5CM1020	SCREW			1
14	84G3108	BOLT			1
15	7151601	SHIELD, BELT			1
16	1CM812	BOLT			1
17	43C852	BOLT			4
18	6661787	WASHER			4
19	7110276	SPACER, TAPERED			4
20	6661785	MOUNT, ENG			4
21	6705106	WASHER			1
22	83D8	NUT 5			3
23	6719827	BOLT			6
24	6719828	BOLT			7
25	7139409	MOUNT, ENG/PUMP			1
26	7135920	MOUNT, ENG			1
27	7130443	MOUNT, ENG			1
28	7139767	MOUNT, PUMP			1
29	6652918	NUT			1
30	6667353	FILTER ASSY			1
30	6658180	PLUG, BLEED	bleed		1
31	17C516	BOLT			2
32	95D5	NUT			2
33	6701097	WASHER			1
34	6675221	BOLT			1
35	25E21	WASHER 5	for manual controls		1
35	25E21	WASHER 5	for selectable joystick controls		2
36	6716408	SPACER	10 x 32 mm (0.40 x 1.25") OD - selectable joystick controls - Was 7104608 [B,D]		2
37	7114739	SPACER			1
38	7113010	SPACER	25,4 x 32 mm (1 x 1.25") OD - manual controls		1
39	45C820	BOLT			2
40	7131273	SCREW			2
41	7107849	MOUNT	pump		1

ENGINE SPEED CONTROL (Manual Controls)

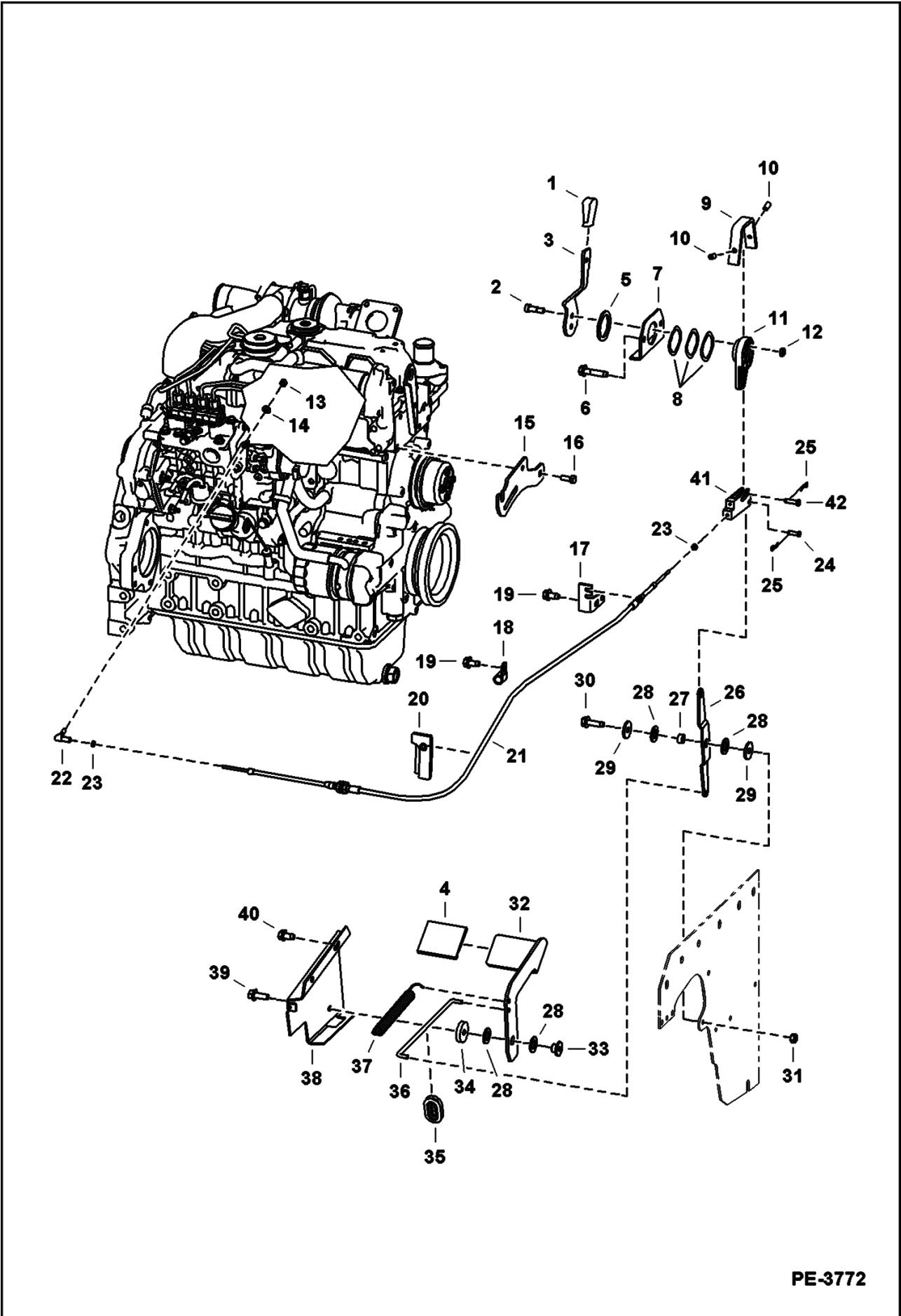


PE-3771

**ENGINE SPEED CONTROL (Cont'd)
(Manual Controls)**

Ref No	Part Number	Description	Remarks	Serial Number	Qty
1	6564452	GRIP			1
2	38C610	BOLT			2
3	6705452	LEVER	for manual controls		1
4	6717393	LEVER	for ACS & AHC controls		1
5	6567962	WASHER	friction		1
6	84G3728	BOLT			2
7	6576262	MOUNT	throttle		1
8	6630945	WASHER	wave spring		3
9	6576261	COVER	throttle		1
10	6706572	SET SCREW			2
11	6734416	LEVER	throttle		1
12	85D5	NUT 5			2
13	62D4	NUT			1
14	25E11	WASHER			1
15	7139335	BRACKET, ALT			1
16	5CM1020	SCREW			1
17	6732450	BRACKET	cable		1
18	30H31	CLAMP 10			1
19	84G3712	BOLT			3
20	7157716	GROMMET			1
21	6692662	CABLE, THROTTLE			1
22	6644965	BALL JOINT			2
23	14D10	NUT			2

ENGINE SPEED CONTROL (Selectable Joystick Control)

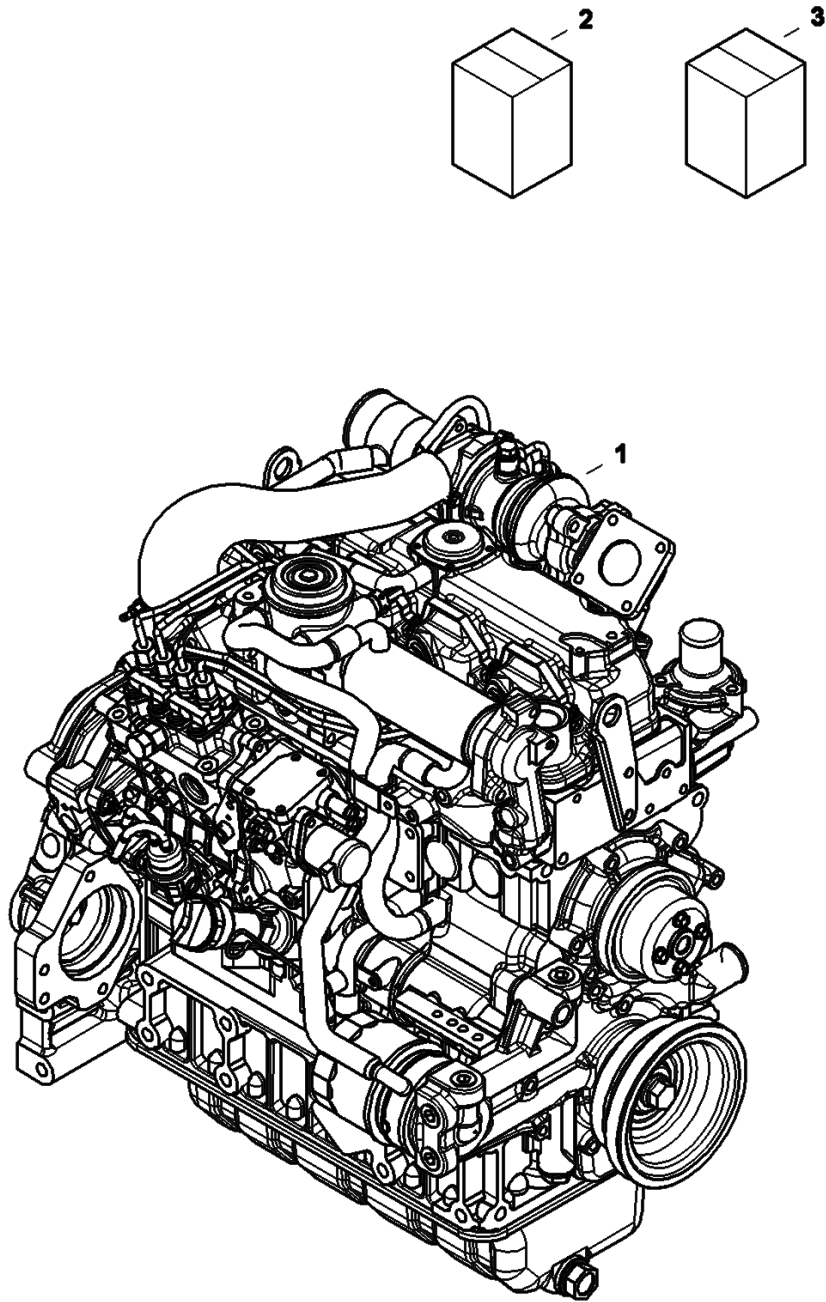


PE-3772

ENGINE SPEED CONTROL (Cont'd)
(Selectable Joystick Control)

Ref No	Part Number	Description	Remarks	Serial Number	Qty
1	6564452	GRIP			1
2	38C610	BOLT			2
3	6730270	LEVER			1
4	6554100	TREAD	76,2 x 152,4 mm (3 x 6")		1
5	6567962	WASHER	friction		1
6	84G3728	BOLT			2
7	6576262	MOUNT	throttle		1
8	6630945	WASHER	wave spring		3
9	6576261	COVER	throttle		1
10	6706572	SET SCREW			2
11	6734416	LEVER	throttle		1
12	85D5	NUT 5			2
13	62D4	NUT			1
14	25E11	WASHER			1
15	7139335	BRACKET, ALT			1
16	5CM1020	SCREW			1
17	6732450	BRACKET	cable		1
18	30H31	CLAMP 10			1
19	84G3712	BOLT			3
20	7157716	GROMMET			1
21	6692662	CABLE, THROTTLE			1
22	6644965	BALL JOINT			2
23	14D10	NUT			2
24	2F4051	PIN			1
25	6513495	COTTER PIN			2
26	6734417	LEVER			1
27	6564343	SPACER			1
28	6700170	WASHER			4
29	619021	WASHER, 5			2
30	84G3720	BOLT			1
31	85D6	LOCK NUT			1
32	6735680	FOOT PEDAL			1
33	6559479	NUT			1
34	6732322	SPACER			1
35	6577961	GROMMET			1
36	6731900	ROD			1
37	6700743	SPRING			1
38	6732323	BRACKET			1
39	45C616	BOLT			1
40	84G3712	BOLT			2
41	6734503	CLEVIS			1
42	1304227	PIN			1

ENGINE & GASKET KITS

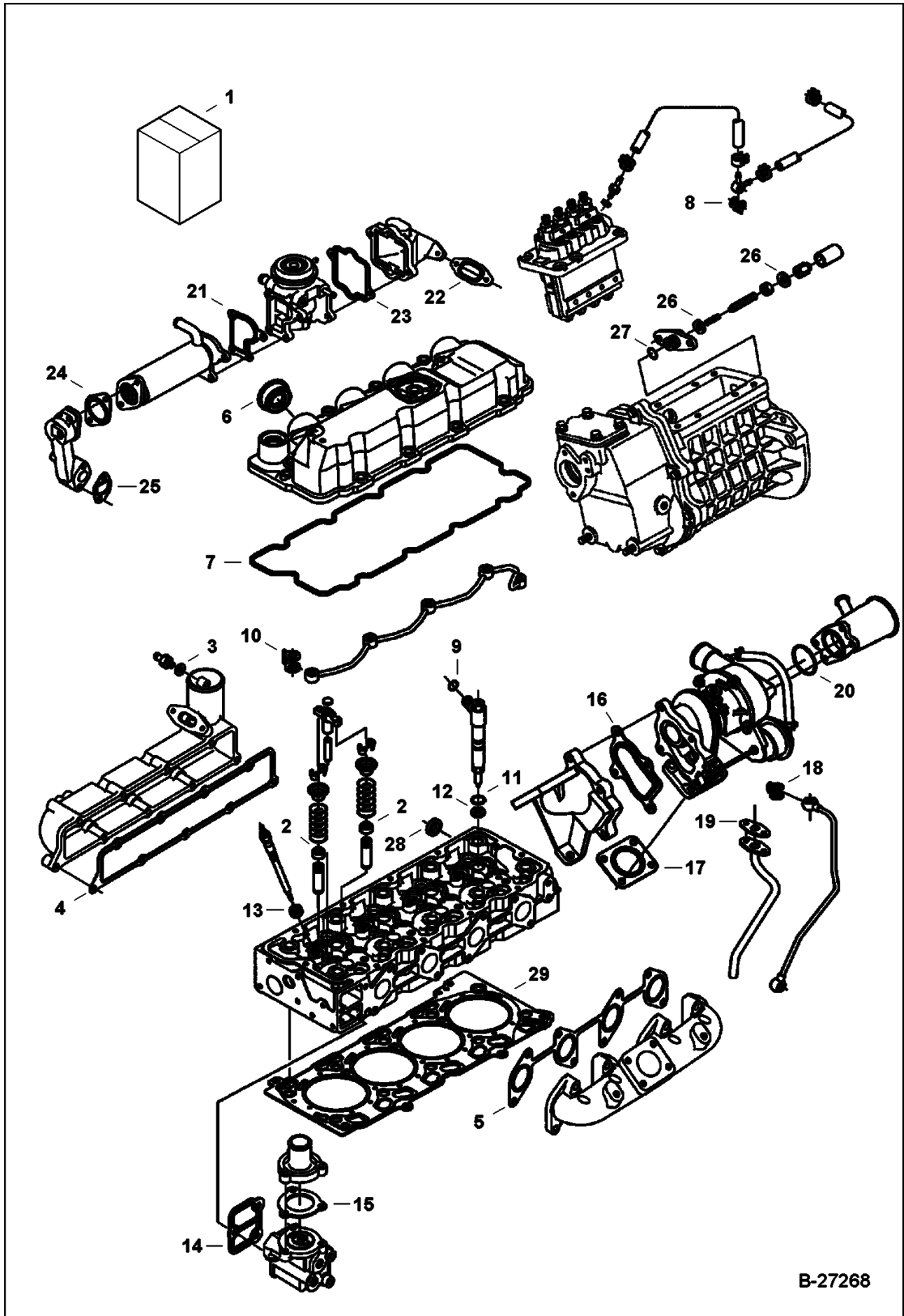


NA2410

ENGINE & GASKET KITS (Cont'd)

Ref No	Part Number	Description	Remarks	Serial Number	Qty
1	7139011	ENGINE, V2607-DI-TE3B-BC-1			1
2	7000587	KIT, GASKET ENG UPPER	See Illustration UPPER GASKET KIT/ B27268		1
3	7000588	KIT, GASKET ENG LOWER	See Illustration LOWER GASKET KIT/ B27269		1

UPPER GASKET KIT

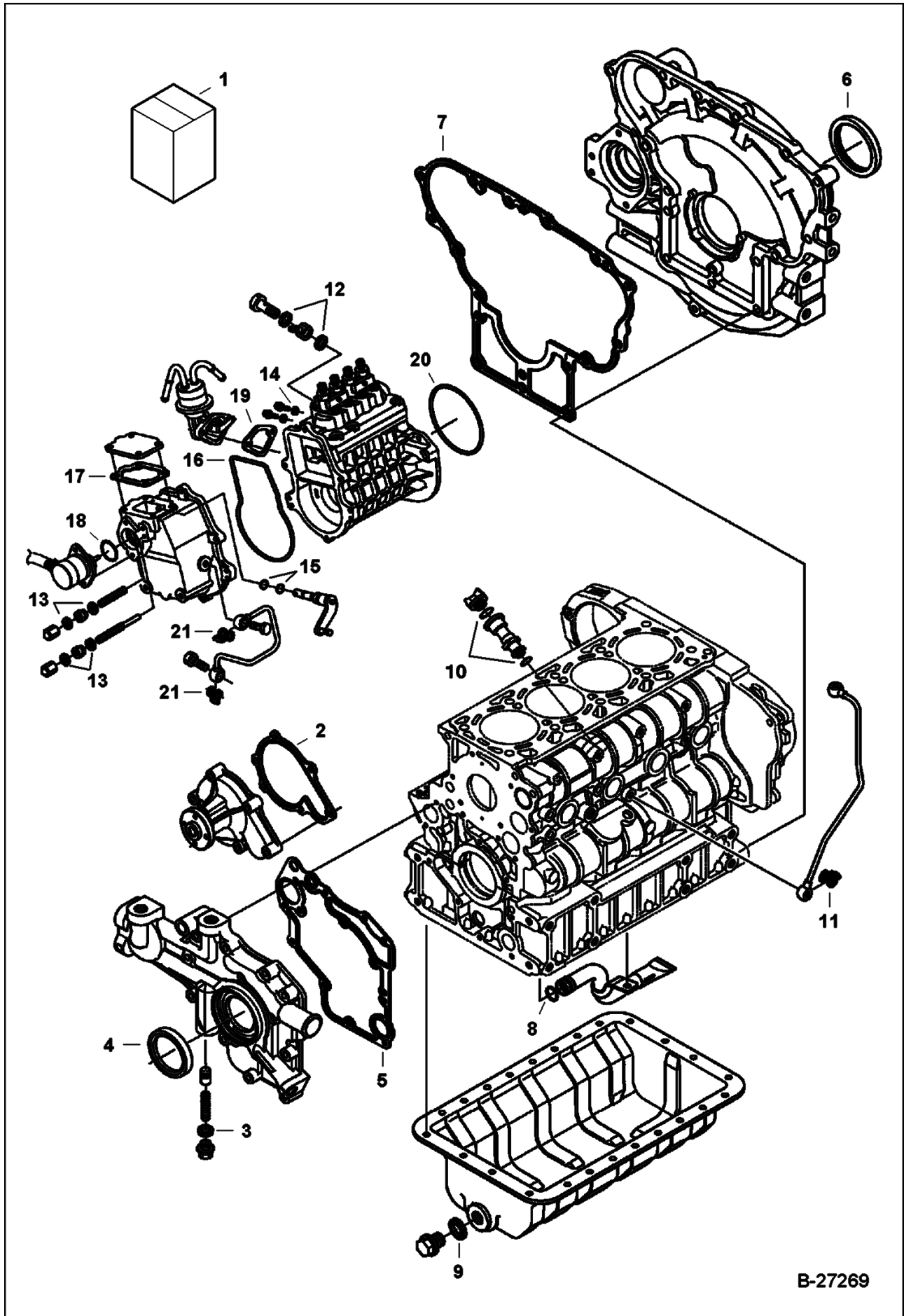


B-27268

UPPER GASKET KIT (Cont'd)

Ref No	Part Number	Description	Remarks	Serial Number	Qty
1	7000587	KIT, GASKET ENG UPPER	Ref. 2-28		1
2	6670517	SEAL	See Illustration VALVE & ROCKER ARM/ B27276 - valve stem		16
3	3974972	GASKET	See Illustration MANIFOLDS/ B27270		1
4	7000658	GASKET, MANIFOLD INTAKE	See Illustration MANIFOLDS/ B27270		1
5	7000659	GASKET, MANIFOLD EXHAUST	See Illustration MANIFOLDS/ B27270		1
6	6680695	SEAL	See Illustration ROCKER ARM COVER/ B27274		4
7	7000673	GASKET, COVER VALVE	See Illustration ROCKER ARM COVER/ B27274		1
8	6698528	WASHER, SEALING	See Illustration FUEL & INJECTION PUMP/ B27284		1
9	6680778	O-RING	See Illustration INJECTION NOZZLES/ B27283		4
10	6685498	GASKET	See Illustration INJECTION NOZZLES/ B27283		5
11	7000619	ORING	See Illustration INJECTION NOZZLES/ B27283		4
12	6969824	GASKET, NOZZLE INJ	See Illustration INJECTION NOZZLES/ B27283		4
13	7000626	SEAL	See Illustration INJECTION NOZZLES/ B27283 - glow plug		4
14	7000741	GASKET, FLANGE WATER	See Illustration WATER PUMP & THERMOSTAT/ B27282		1
15	6680844	GASKET	See Illustration WATER PUMP & THERMOSTAT/ B27282		1
16	7000678	GASKET, TURBOCHARGE R	See Illustration TURBOCHARGER/ B27271		1
17	7000679	GASKET, FLANGE MUFFLER	See Illustration TURBOCHARGER/ B27271		1
18	7000642	GASKET	See Illustration TURBOCHARGER/ B27271		1
19	6680570	GASKET	See Illustration TURBOCHARGER/ B27271		1
20	7000598	O-RING	See Illustration TURBOCHARGER/ B27271		1
21	7000633	GASKET, EGR VALVE	See Illustration EGR VALVE/ B27272		1
22	7000632	GASKET EGR INLET	See Illustration EGR VALVE/ B27272		1
23	7000634	GASKET, EGR VALVE	See Illustration EGR VALVE/ B27272		1
24	7000635	GASKET, EGR COOLER	See Illustration EGR COOLER/ B27273		1
25	7000636	GASKET, EGR BASE	See Illustration EGR COOLER/ B27273		1
26	3974095	MET-GASK	See Illustration INJECTION PUMP/ B27288		3
27	7000731	O-RING	See Illustration INJECTION PUMP/ B27288		1
28	6698120	GASKET	See Illustration CYLINDER HEAD/ B27275		1
29		GASKET, HEAD CYL	See Illustration CYLINDER HEAD/ B27275 - not in kit - Order seperately		1

LOWER GASKET KIT

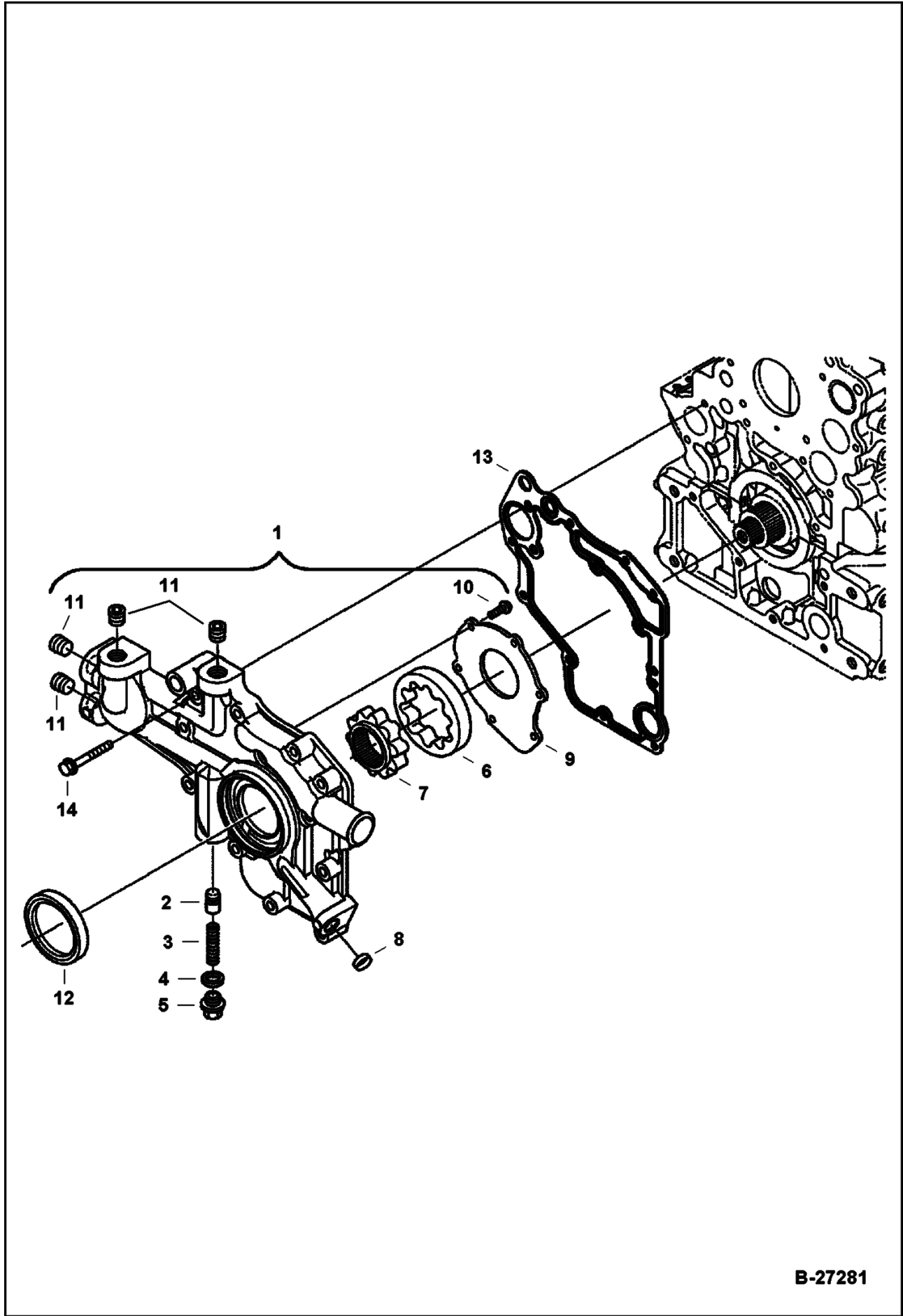


B-27269

LOWER GASKET KIT (Cont'd)

Ref No	Part Number	Description	Remarks	Serial Number	Qty
1	7000588	KIT, GASKET ENG LOWER	Ref. 2-21		1
2	7000746	GASKET, PUMP WATER	See Illustration WATER PUMP & THERMOSTAT/ B27282		1
3	6670347	GASKET	See Illustration FRONT COVER/ B27281		1
4	6680680	SEAL	See Illustration FRONT COVER/ B27281		1
5	7000650	GASKET, COVER CASE	See Illustration FRONT COVER/ B27281		1
6	7000651	SEAL, OIL	See Illustration CRANKCASE/ B27278		1
7	7000653	GASKET, HOUSING	See Illustration CRANKCASE/ B27278		1
8	7000597	O-RING	See Illustration OIL PAN/ B27277		1
9	6631046	SEAL	See Illustration OIL PAN/ B27277		1
10	6683009	O-RING	See Illustration OIL PAN/ B27277		2
11	6689331	GASKET	See Illustration TURBOCHARGER/ B27271		1
12	6698120	GASKET	See Illustration INJECTION PUMP/ B27285		2
13	3974972	GASKET	See Illustration INJECTION PUMP/ B27288		4
14	3974095	MET-GASK	See Illustration INJECTION PUMP/ B27288		2
15	6683023	O-RING	See Illustration GOVERNOR/ B27286		2
16	6680829	GASKET	See Illustration GOVERNOR/ B27286		1
17	6684841	GASKET	See Illustration GOVERNOR/ B27286		1
18	6685465	O-RING	See Illustration GOVERNOR/ B27286 - stop solenoid		1
19	6670782	GASKET	See Illustration FUEL & INJECTION PUMP/ B27284		1
20	7000618	GASKET, PUMP INJ	See Illustration FUEL & INJECTION PUMP/ B27284		1
21	6685962	GASKET	See Illustration FUEL & INJECTION PUMP/ B27284		2

FRONT COVER

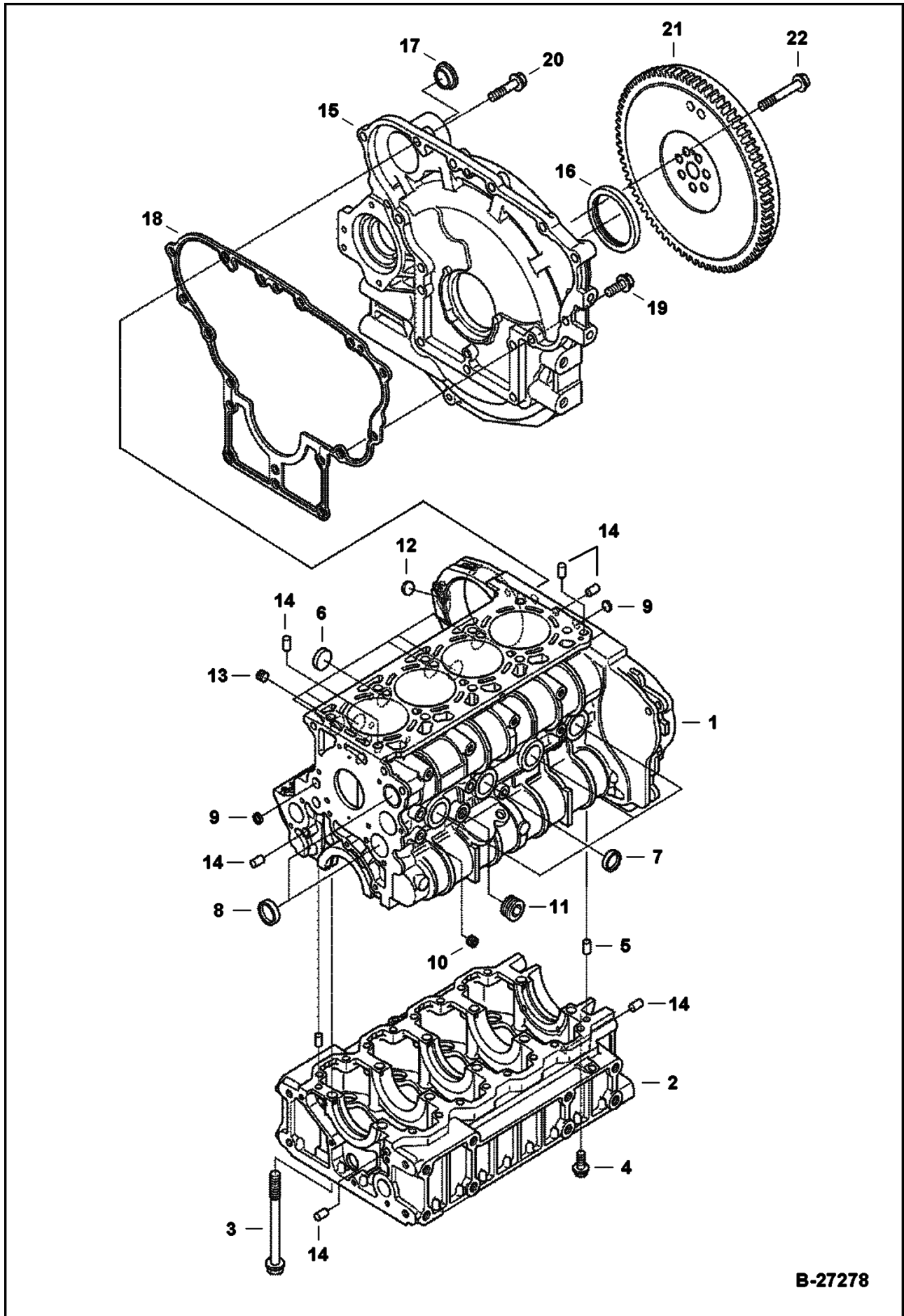


B-27281

FRONT COVER (Cont'd)

Ref No	Part Number	Description	Remarks	Serial Number	Qty
1	7000649	COVER, FRONT	W/Ref. 2-10		1
2	6685929	RELIEF VALVE			1
3	7000715	SPRING, RELIEF			1
4	6670347	GASKET			1
5	6691294	PLUG			1
6	7003017	ROTOR, PUMP OIL	outer		1
7	7003018	ROTOR, PUMP OIL	inner		1
8	6670338	PLUG			1
9	7000713	COVER, PUMP OIL ENG			1
10	7000595	SCREW			6
11	6680679	PLUG			4
12	6680680	SEAL			1
13	7000650	GASKET, COVER CASE			1
14	6689192	BOLT, FLANGE			12

CRANKCASE

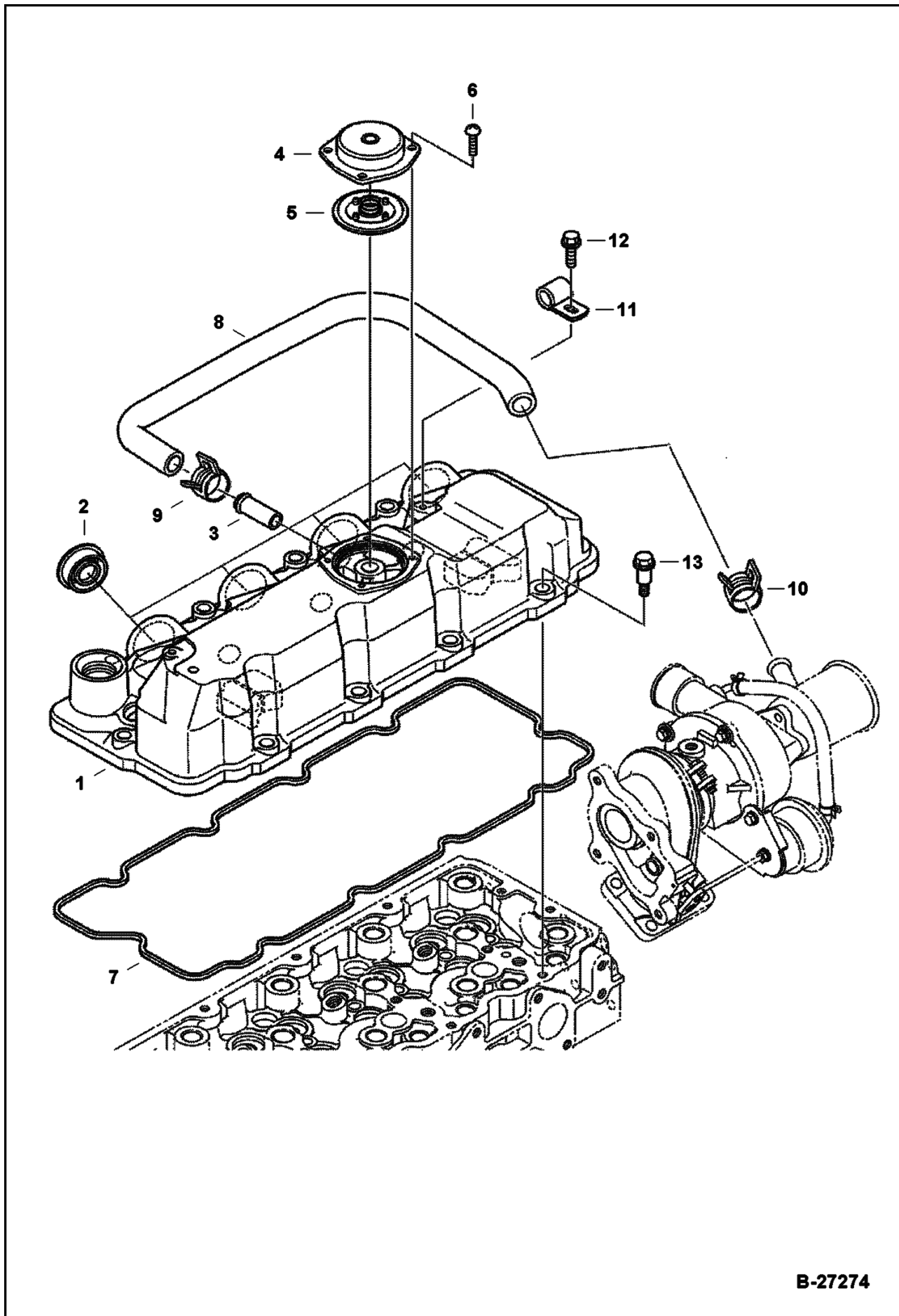


B-27278

CRANKCASE (Cont'd)

Ref No	Part Number	Description	Remarks	Serial Number	Qty
1	7000750	BLOCK, ENG			1
2		BLOCK, ENG LOWER	NSS - Order Ref. 1		1
3	7000652	BOLT			10
4	7000593	BOLT			16
5	6685918	PIN			2
6	6687663	PLUG			6
7	3974033	CAP			4
8	3974433	PLUG			2
9	6680694	PLUG			2
10	6652574	PLUG			1
11	7000608	PLUG			1
12	7000600	CAP, SEALING			1
13	6655869	PLUG			1
14	6685918	PIN			6
15	7000752	HOUSING, FLYWHEEL		E/ 8MZ999 & Bel	1
15	7010590	HOUSING, FLYWHEEL		E/ 8N0001 & Abv	1
16	7000651	SEAL, OIL			1
17	7000586	PLUG			1
18	7000653	GASKET, HOUSING			1
19	7000591	BOLT			8
20	7000592	BOLT			7
21	7000762	FLYWHEEL, ENG ASSY			1
21	7000583	GEAR, RING STARTER			1
22	7000615	BOLT, FLYWHEEL			7

ROCKER ARM COVER

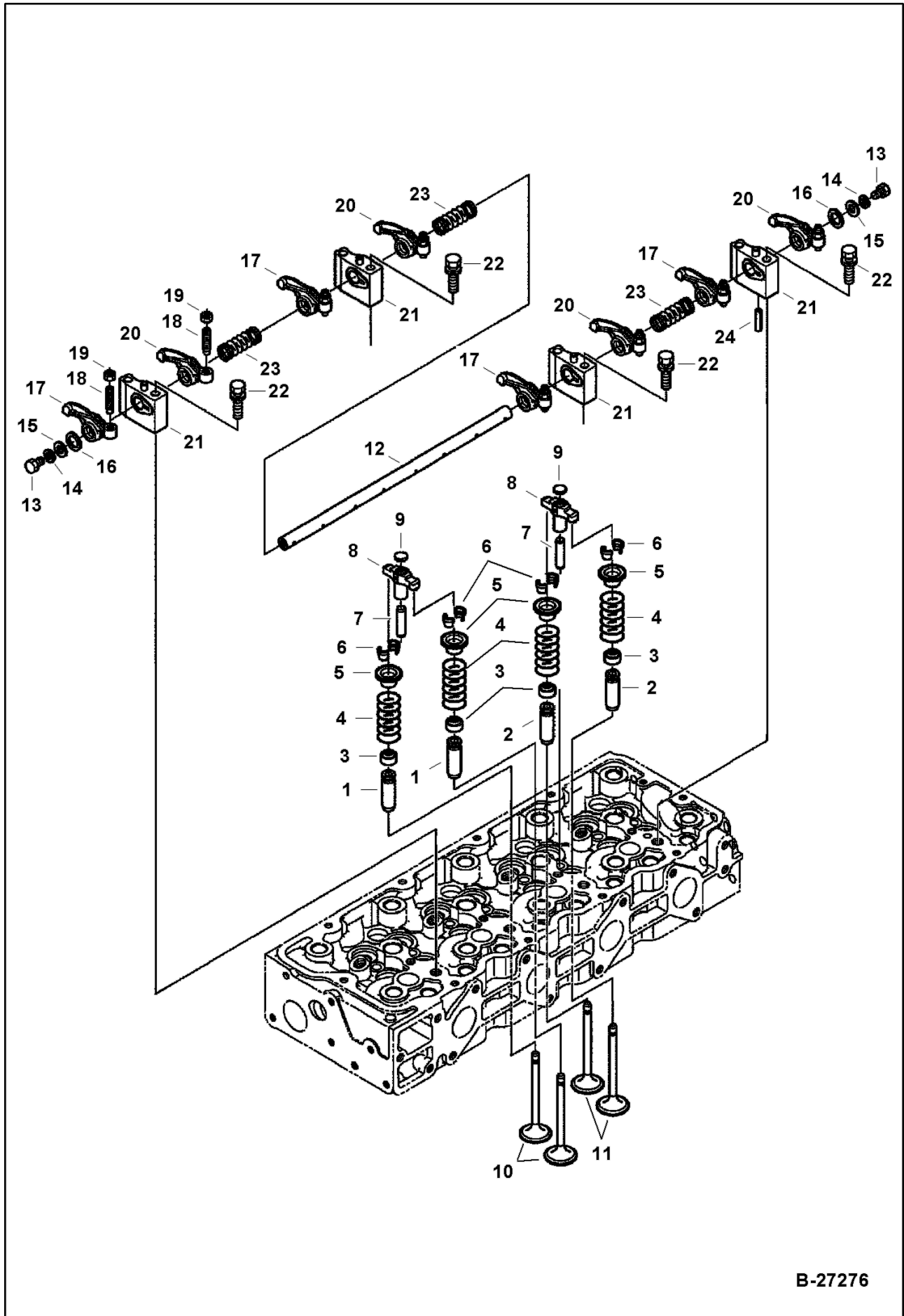


B-27274

ROCKER ARM COVER (Cont'd)

Ref No	Part Number	Description	Remarks	Serial Number	Qty
1	7000756	COVER, HEAD CYL ENG	W/Ref. 2-6		1
1	6657491	ELEMENT			3
2	6680695	SEAL			4
3	6655880	PIPE			1
4	6969803	COVER, BREATHER			1
5	6685087	VALVE			1
6	6686168	BOLT			4
7	7000673	GASKET, COVER VALVE			1
8	7000654	HOSE, AIR FORMED			1
9	6969996	CLAMP, HOSE			1
10	6680698	CLAMP			1
11	7000655	CLAMP, HOSE			1
12	7001135	BOLT, FLANGE			1
13	6684781	BOLT			10

VALVE & ROCKER ARM

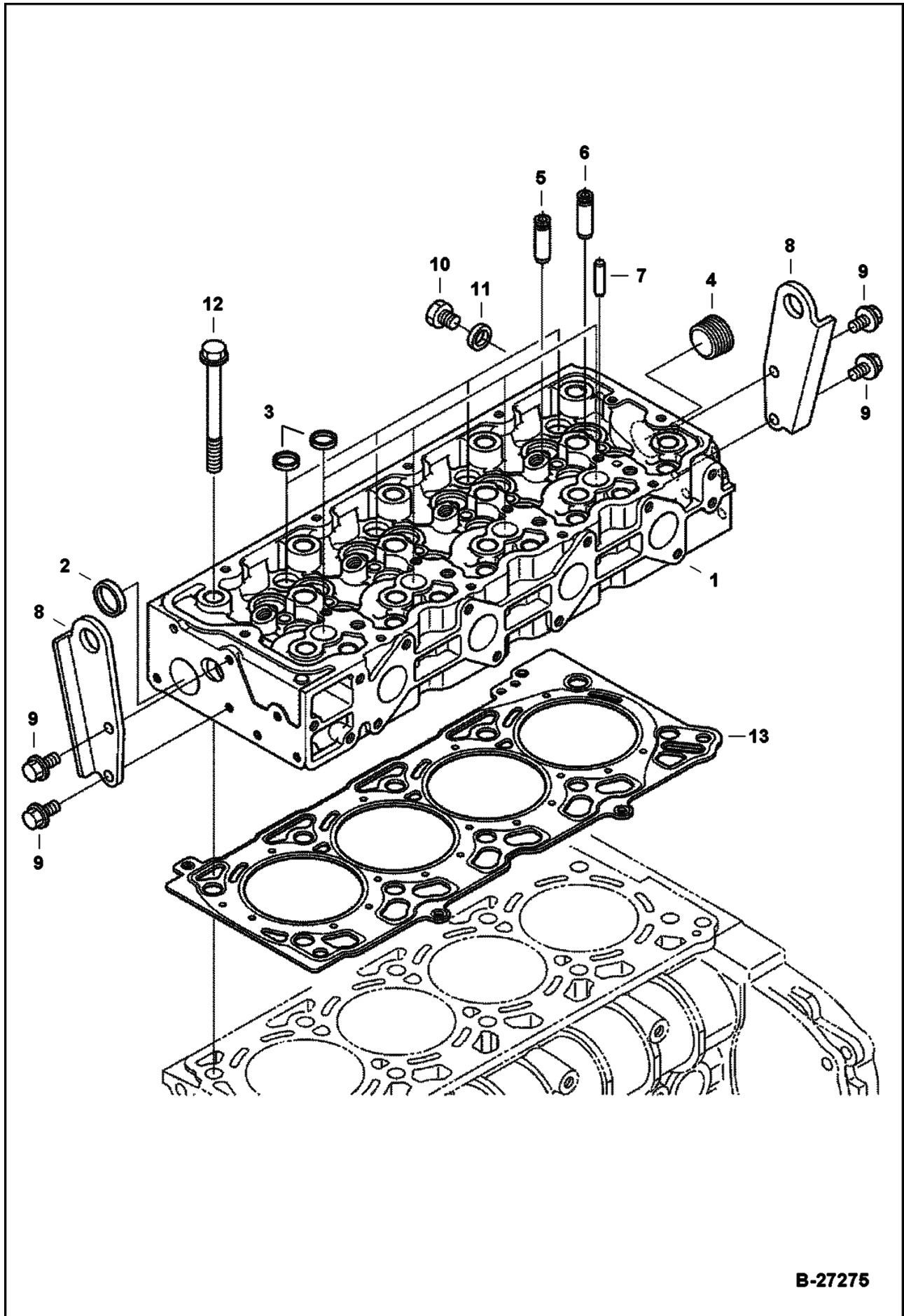


B-27276

VALVE & ROCKER ARM (Cont'd)

Ref No	Part Number	Description	Remarks	Serial Number	Qty
1	7000666	GUIDE, VALVE	intake		8
2	7000667	GUIDE, VALVE	exhaust		8
3	6670517	SEAL	valve stem		16
4	7000662	SPRING, VALVE			16
5	6670514	RETAINER			16
6	6670515	COLLET	set of (2)		16
7	7000664	SHAFT, VALVE BRIDGE			8
8	7000663	ARM, VALVE BRIDGE			8
9	7000665	PAD, WEAR			8
10	7000660	VALVE, INLET			8
11	7000661	VALVE, EXHAUST			8
12	7000670	SHAFT, ROCKER ARM			1
13	5CM812	BOLT			2
14	6667422	WASHER			2
15	6667451	WASHER	plain		2
16	3974524	WASHER			2
17	7000668	ARM, ROCKER			4
18	3974920	SCREW			8
19	2DM8	NUT			8
20	7000669	ARM, ROCKER			4
21	7000672	BRACKET, ROCKER ARM			4
22	6680685	BOLT			4
23	7000671	SPRING, ROCKER ARM			3
24	7000599	PIN			1

CYLINDER HEAD

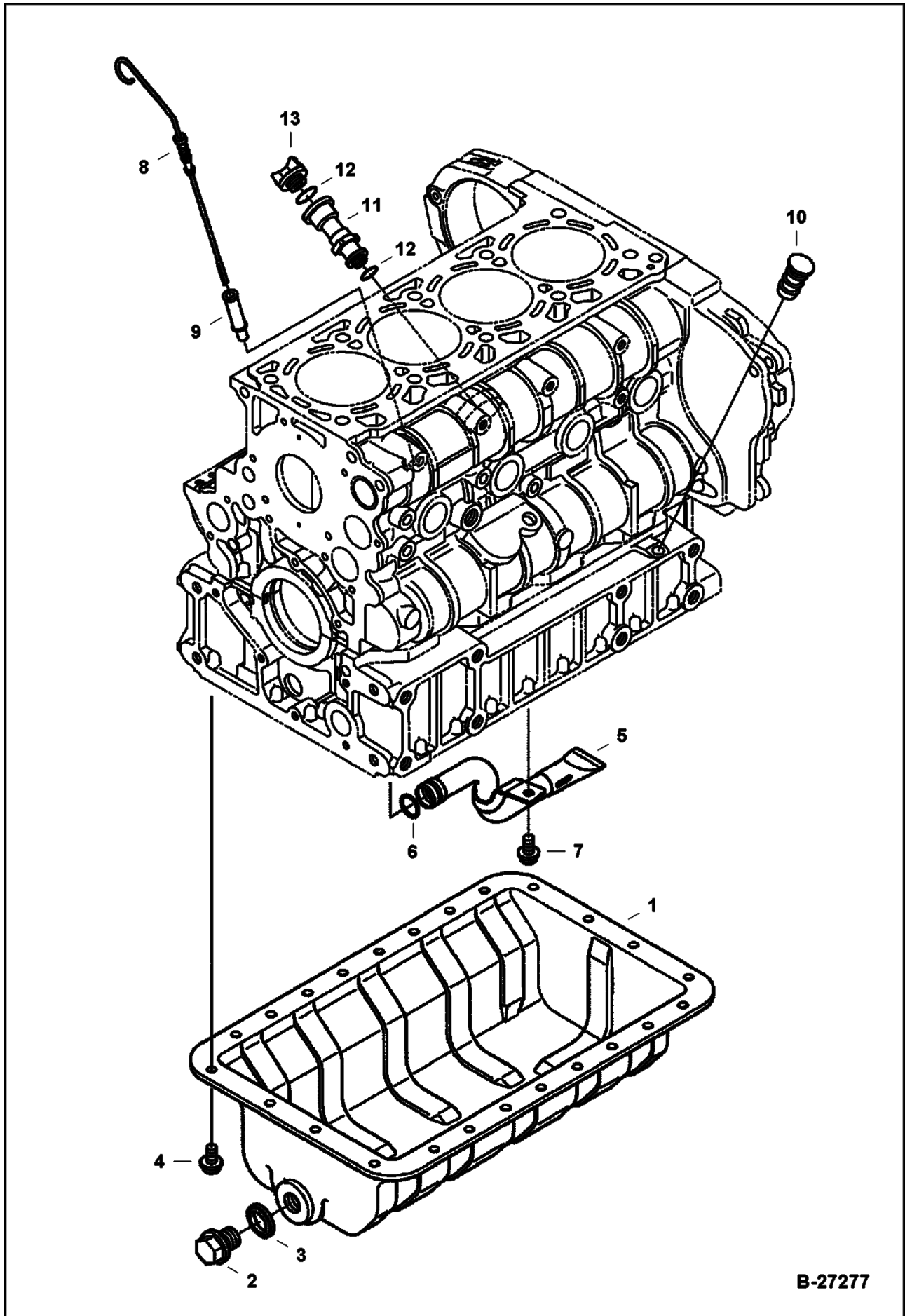


B-27275

CYLINDER HEAD (Cont'd)

Ref No	Part Number	Description	Remarks	Serial Number	Qty
1	7000644	HEAD, CYL ENG	W/Ref. 2-9		1
2	3974033	CAP			1
3	6670338	PLUG			8
4	6672354	PLUG			1
5	7000666	GUIDE, VALVE	intake		8
6	7000667	GUIDE, VALVE	exhaust		8
7	7000664	SHAFT, VALVE BRIDGE			8
8	7000643	HOOK, LIFT ENG			2
9	7001138	BOLT, FLANGE			4
10	7000607	PLUG			1
11	6698120	GASKET			1
12	7000648	BOLT			10
13	7000645	GASKET, HEAD CYL	no dimple		1
13	7000646	GASKET, HEAD CYL	1 dimple		1
13	7000647	GASKET, HEAD CYL	2 dimples		1

OIL PAN

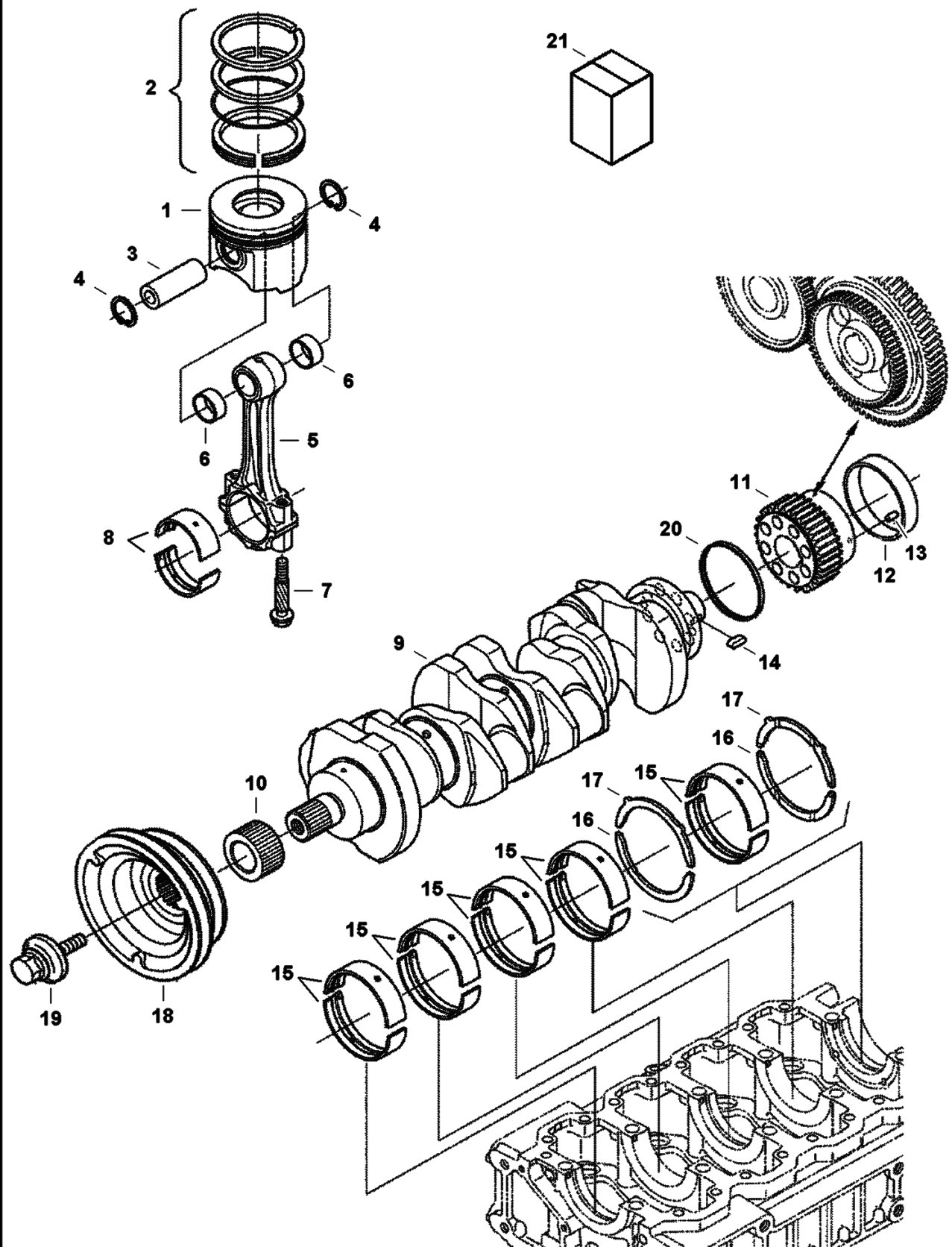


B-27277

OIL PAN (Cont'd)

Ref No	Part Number	Description	Remarks	Serial Number	Qty
1	7000751	PAN, OIL			1
2	6680657	PLUG			1
3	6631046	SEAL			1
4	7001138	BOLT, FLANGE			24
5	7000763	SCREEN, OIL ENG			1
6	7000597	O-RING			1
7	7001138	BOLT, FLANGE			1
8	7000714	DIPSTICK, OIL ENG			1
9	6687904	GUIDE			1
10	6969804	PLUG, OIL GAUGE			1
11	6655507	FLANGE			1
12	6683009	O-RING			2
13	6685924	CAP			1

PISTON & CRANKSHAFT

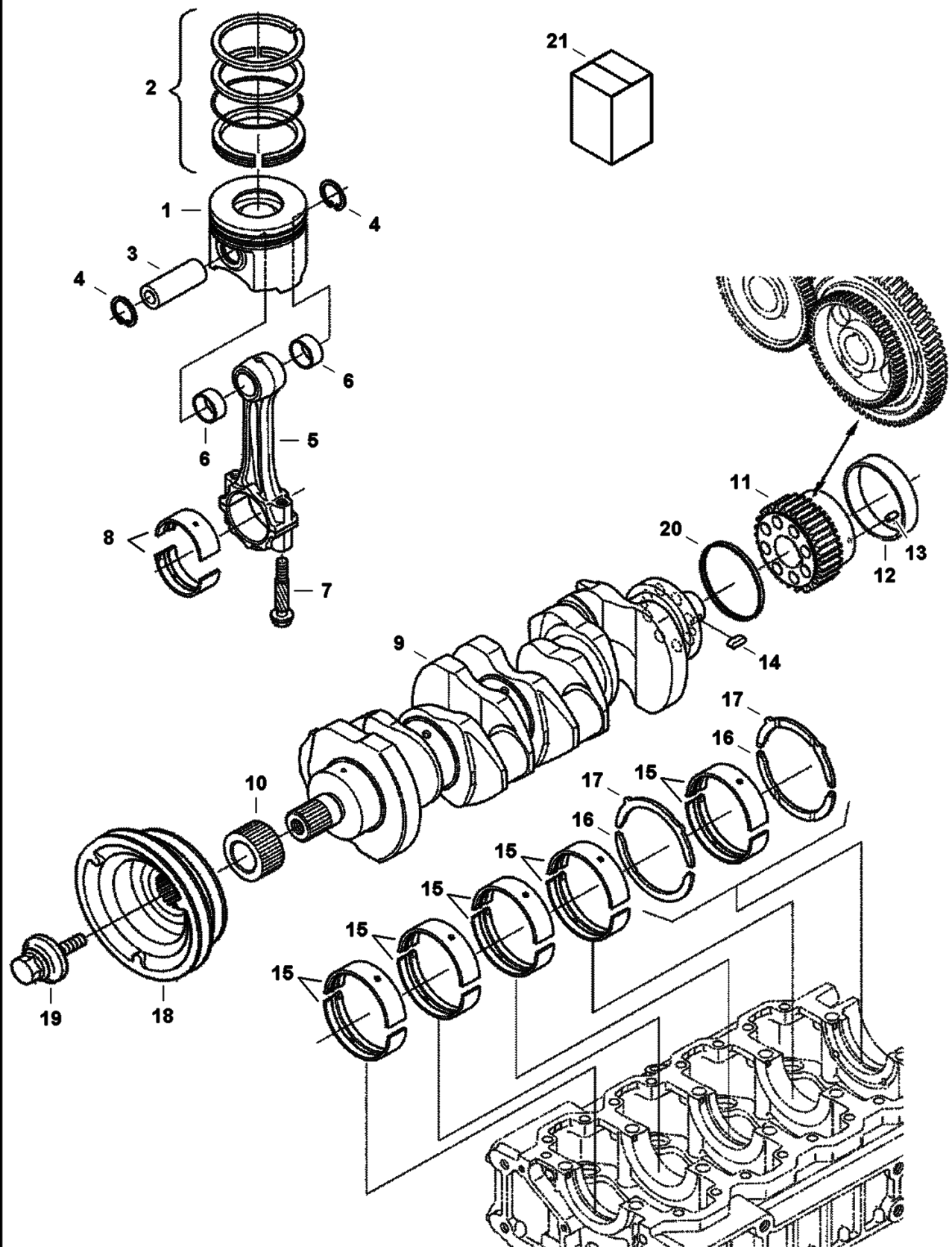


B-27279

PISTON & CRANKSHAFT (Cont'd)

Ref No	Part Number	Description	Remarks	Serial Number	Qty
1	7000682	PISTON, ENG	(05) std (1J700-2111)		4
1	7000683	PISTON, ENG	(00) std (1J700-2112)		4
1	7000684	PISTON, ENG	(10) std (1J700-2113)		4
1	7000686	PISTON, ENG OS	+0,25 mm (05) (1J700-2111 OS25)		4
1	7000687	PISTON, ENG OS	+0,25 mm (00) (1J700-2112 OS25)		4
1	7000688	PISTON, ENG OS	(10) +0,25 mm (1J700-2113)		4
2	7000680	RING, PISTON	std		4
2	7000681	RING, PISTON	+0,25 mm		4
3	7000685	PIN, PISTON ENG			4
4	7000596	CIRCLIP			8
5	7020997	ROD, CONNECTING	Was 7000690 [A]		4
6	7000689	BUSHING, PIN PISTON			8
7	6655498	BOLT			8
8	7000691	BEARING, ENG ROD CONNECTING	std blue set		4
8	7000692	BEARING, ENG ROD CONNECTING	std set		4
8	7000693	BEARING, ENG ROD CONNECTING	-0,20 mm set		4
8	7000694	BEARING, ENG ROD CONNECTING	-0,40 mm set		4
9	7000695	CRANKSHAFT, ENG			1
10	7000616	GEAR, DRIVE			1
11	7000759	GEAR, CRANKSHAFT			1
12	7000696	SLEEVE, WEAR			1
13	3974395	PIN			1
14	7000749	KEY, SHAFT			1
15	7000697	BEARING, ENG CRANKSHAFT	std set		5
15	7000703	BEARING, ENG CRANKSHAFT	-0,20 mm set		5
15	7000704	BEARING, ENG CRANKSHAFT	-0,40 mm set		5
16	7000698	WASHER, THRUST	std		2
16	7000705	WASHER, THRUST	+0,20 mm		2
16	7000706	WASHER, THRUST	+0,40 mm		2
17	7000699	WASHER, THRUST	std		2
17	7000707	WASHER, THRUST	+0,20 mm		2
17	7000708	WASHER, THRUST	+0,40 mm		2
18	7000585	PULLEY, DRIVE			1
19	7000748	BOLT			1
20	7002989	SEAL, OIL			1
21	7000700	KIT, BEARING	std		1

PISTON & CRANKSHAFT (Cont'd)

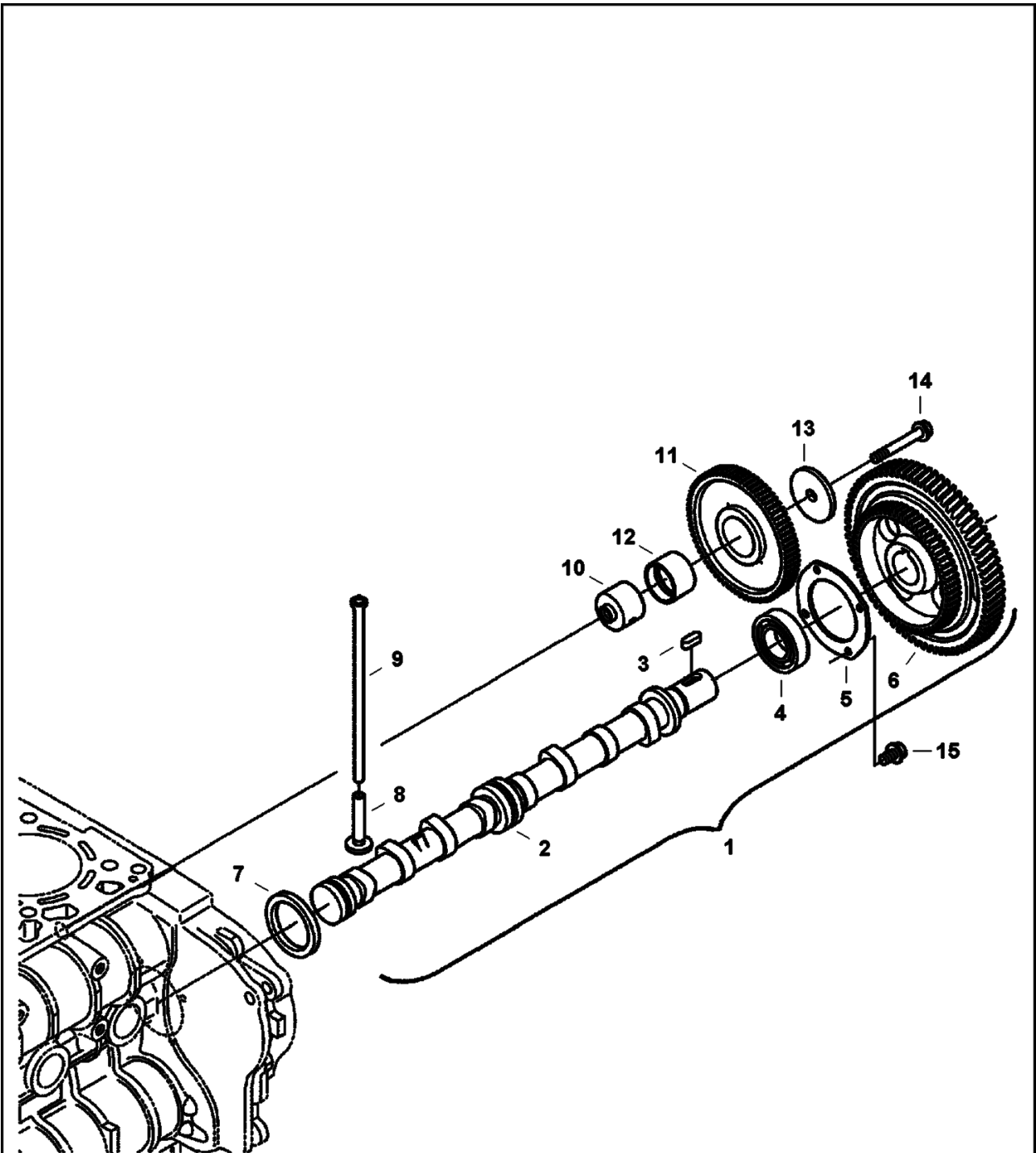


B-27279

PISTON & CRANKSHAFT (Cont'd)

Ref No	Part Number	Description	Remarks	Serial Number	Qty
		ENG			
21	7000701	KIT, BEARING ENG	-0,20 mm/+0,20 mm		1
21	7000702	KIT, BEARING ENG	-0,40 mm/+0,40 mm		1

CAMSHAFT

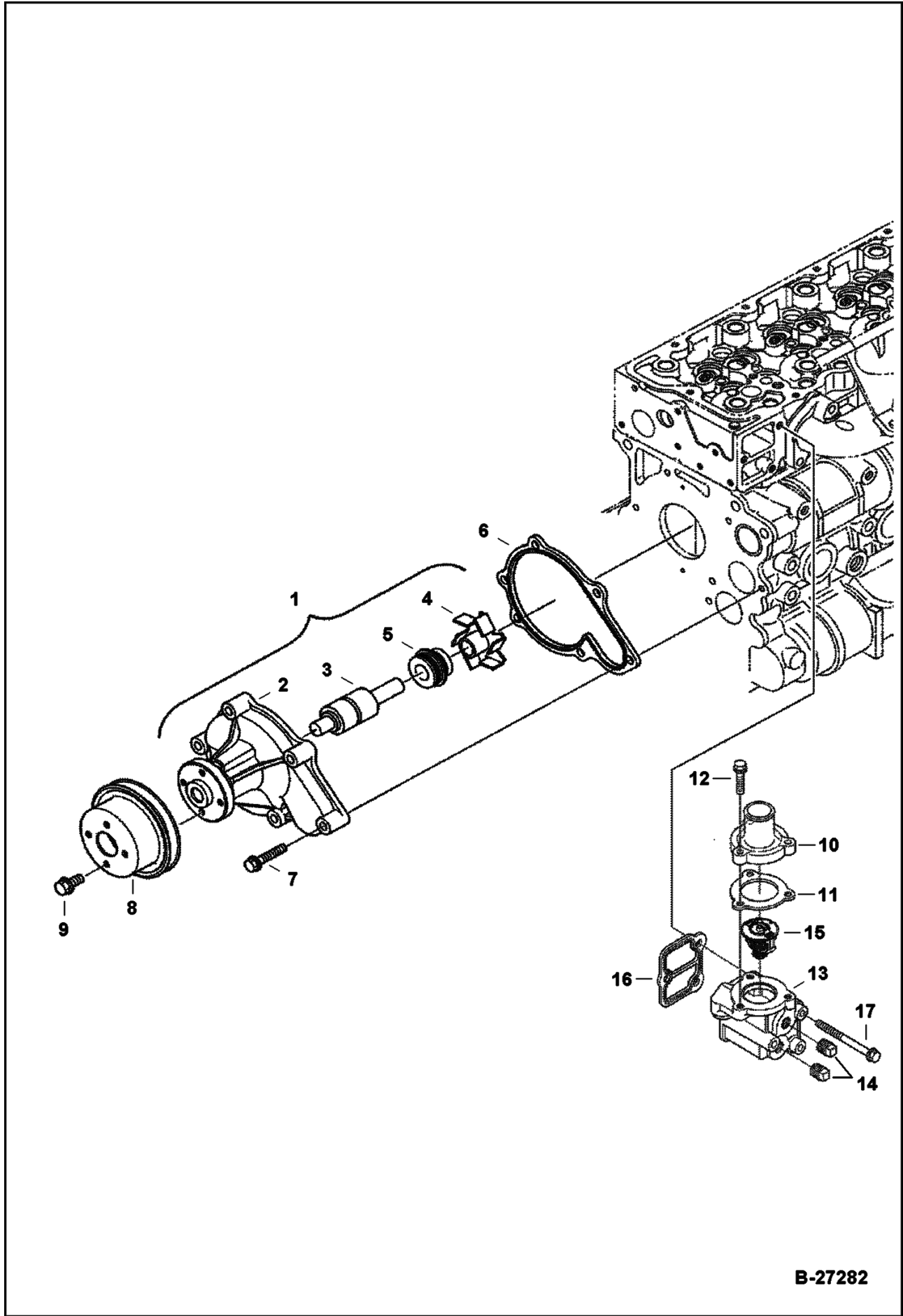


B-27280

CAMSHAFT (Cont'd)

Ref No	Part Number	Description	Remarks	Serial Number	Qty
1	7000757	CAMSHAFT, VALVE	Ref. 2-7		1
2		CAMSHAFT	NSS - Order Ref. 1		1
3	3974546	KEY			1
4	7000603	BEARING, BALL			1
5	7000675	RETAINER, BEARING			1
6	7000758	GEAR, CAMSHAFT			1
7	7000676	CAP, SEALING			1
8	7000612	TAPPET			8
9	7000674	ROD PUSH			8
10	7000760	SHAFT, GEAR IDLER			1
11	7000709	GEAR, IDLER			1
12	7000710	BUSHING, GEAR IDLE			1
13	7000761	COLLAR, GEAR IDLER			1
14	7000590	BOLT			1
15	7001136	BOLT,FLANGE			4

WATER PUMP & THERMOSTAT

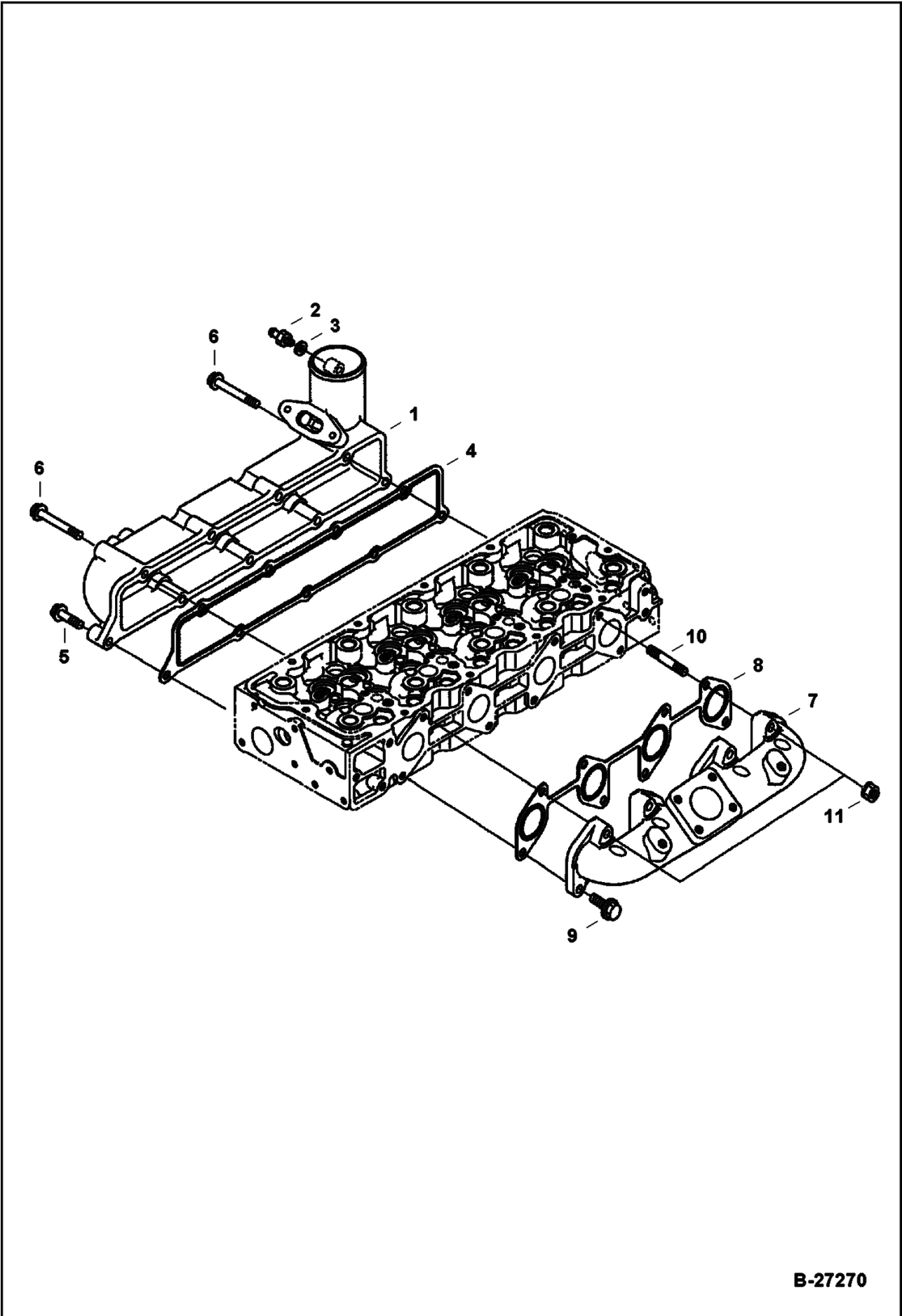


B-27282

WATER PUMP & THERMOSTAT (Cont'd)

Ref No	Part Number	Description	Remarks	Serial Number	Qty
1	7000743	PUMP, WATER	Ref. 2-5		1
2		FLANGE	NSS - Order Ref. 1		1
3		SHAFT	NSS - Order Ref. 2		1
4		IMPELLAR	NSS - Order Ref. 3		1
5	6680280	SEAL			1
6	7000746	GASKET, PUMP WATER			1
7	6689192	BOLT, FLANGE			6
8	6674169	PULLEY			1
9	29CM612	BOLT	Was 7001136 [B]		4
10	7000745	COVER, THERMOSTAT			1
11	6680844	GASKET			1
12	7001139	BOLT, FLANGE			3
13	7000584	FLANGE, WATER	W/Ref. 14		1
14	6684857	PLUG			2
15	7000742	THERMOSTAT			1
16	7000741	GASKET, FLANGE WATER			1
17	7000582	BOLT			3

MANIFOLDS

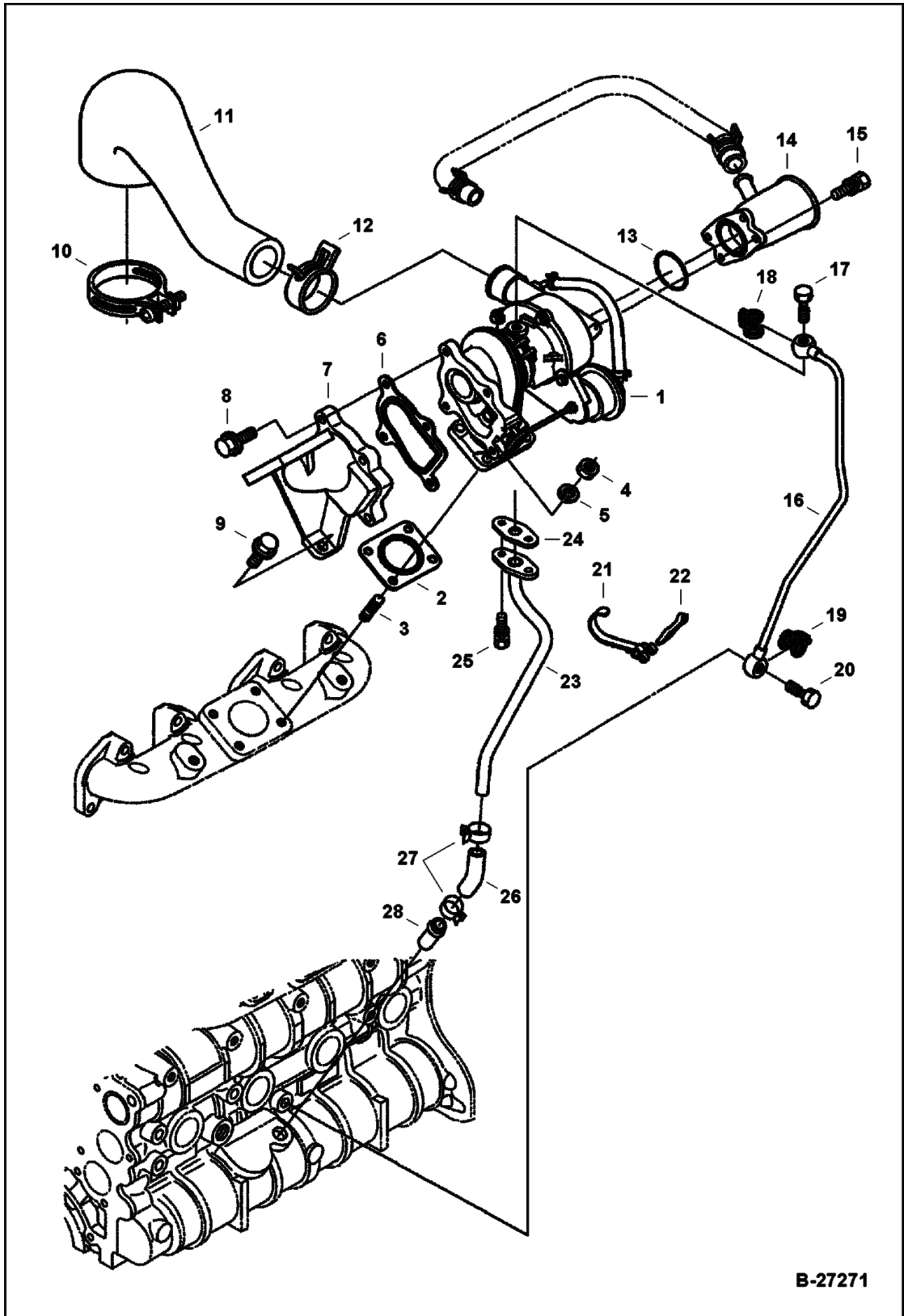


B-27270

MANIFOLDS (Cont'd)

Ref No	Part Number	Description	Remarks	Serial Number	Qty
1	7000753	MANIFOLD, INTAKE	W/Ref. 2-3		1
2	6657446	SCREW			1
3	3974972	GASKET			1
4	7000658	GASKET, MANIFOLD INTAKE			1
5	6680706	BOLT			7
6	6680687	BOLT			2
7	7000754	MANIFOLD, EXHAUST			1
8	7000659	GASKET, MANIFOLD EXHAUST			1
9	7001140	BOLT,FLANGE			6
10	6685919	STUD			2
11	6682532	NUT			2

TURBOCHARGER

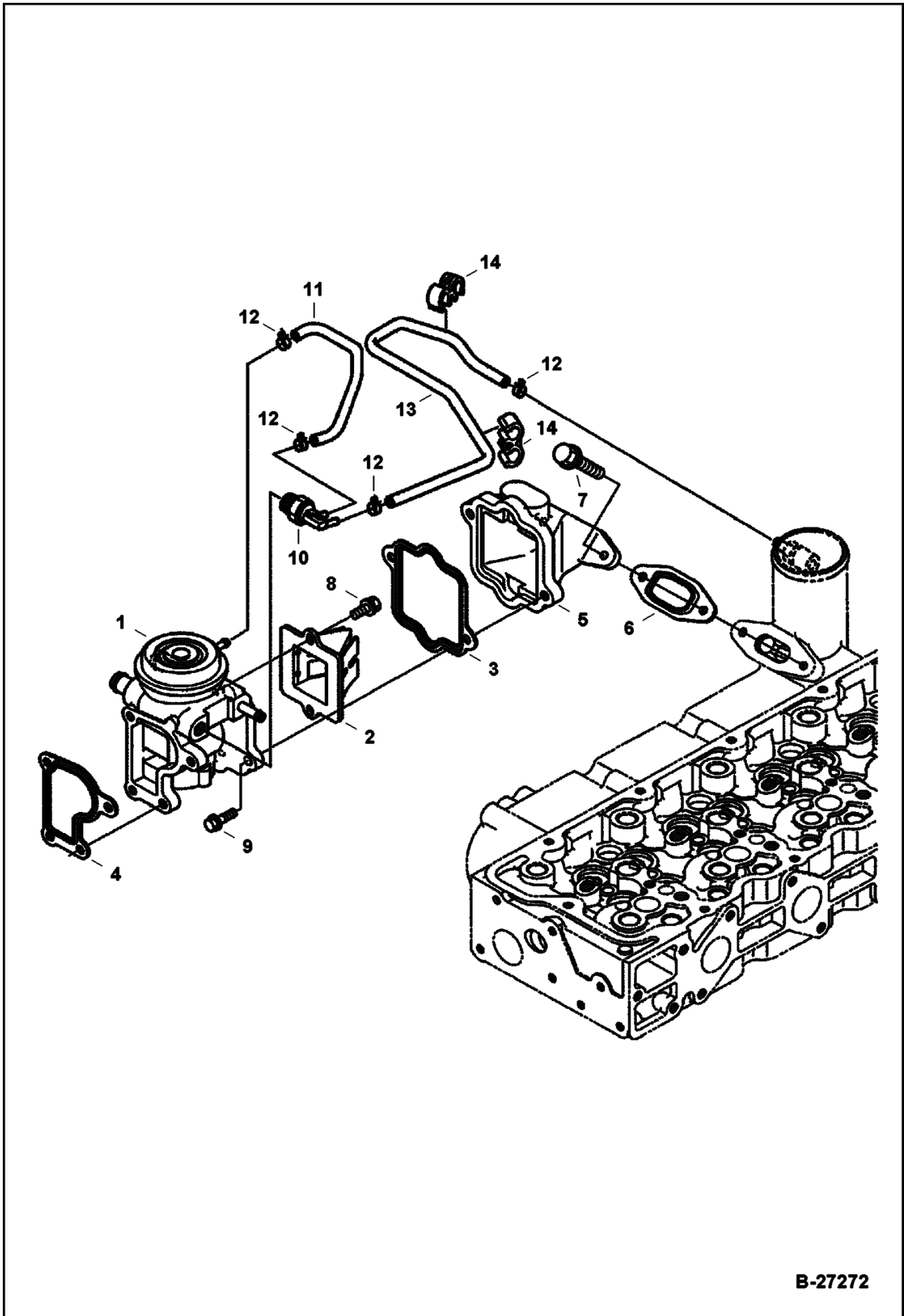


B-27271

TURBOCHARGER (Cont'd)

Ref No	Part Number	Description	Remarks	Serial Number	Qty
1	7020831	TURBOCHARGE R	Was 7000677		1
2	7000678	GASKET, TURBOCHARGE R			1
3	6680564	STUD			4
4	6652792	NUT			4
5	6667422	WASHER			4
6	7000679	GASKET, FLANGE MUFFLER			1
7	7000755	FLANGE, MUFFLER			1
8	6969938	BOLT			4
9	6686043	BOLT			1
10	6655143	BAND	bolt type		1
10	7012017	CLAMP, HOSE	screw type		1
11	7000657	HOSE, AIR FORMED			1
12	6686046	CLAMP			1
13	7000598	O-RING			1
14	7000656	FLANGE, INTAKE			1
15	6653584	BOLT			2
16	7000764	PIPE, OIL			1
17	6685598	BOLT			1
18	7000642	GASKET			1
19	6689331	GASKET			1
20	6680791	BOLT			1
21	6685601	CLAMP			1
22	6680576	PIN			1
23	7000765	PIPE, OIL			1
24	6680570	GASKET			1
25	4CM614	BOLT			2
26	6685600	TUBE			1
27	6675618	CLAMP			2
28	6655880	PIPE			1

EGR VALVE

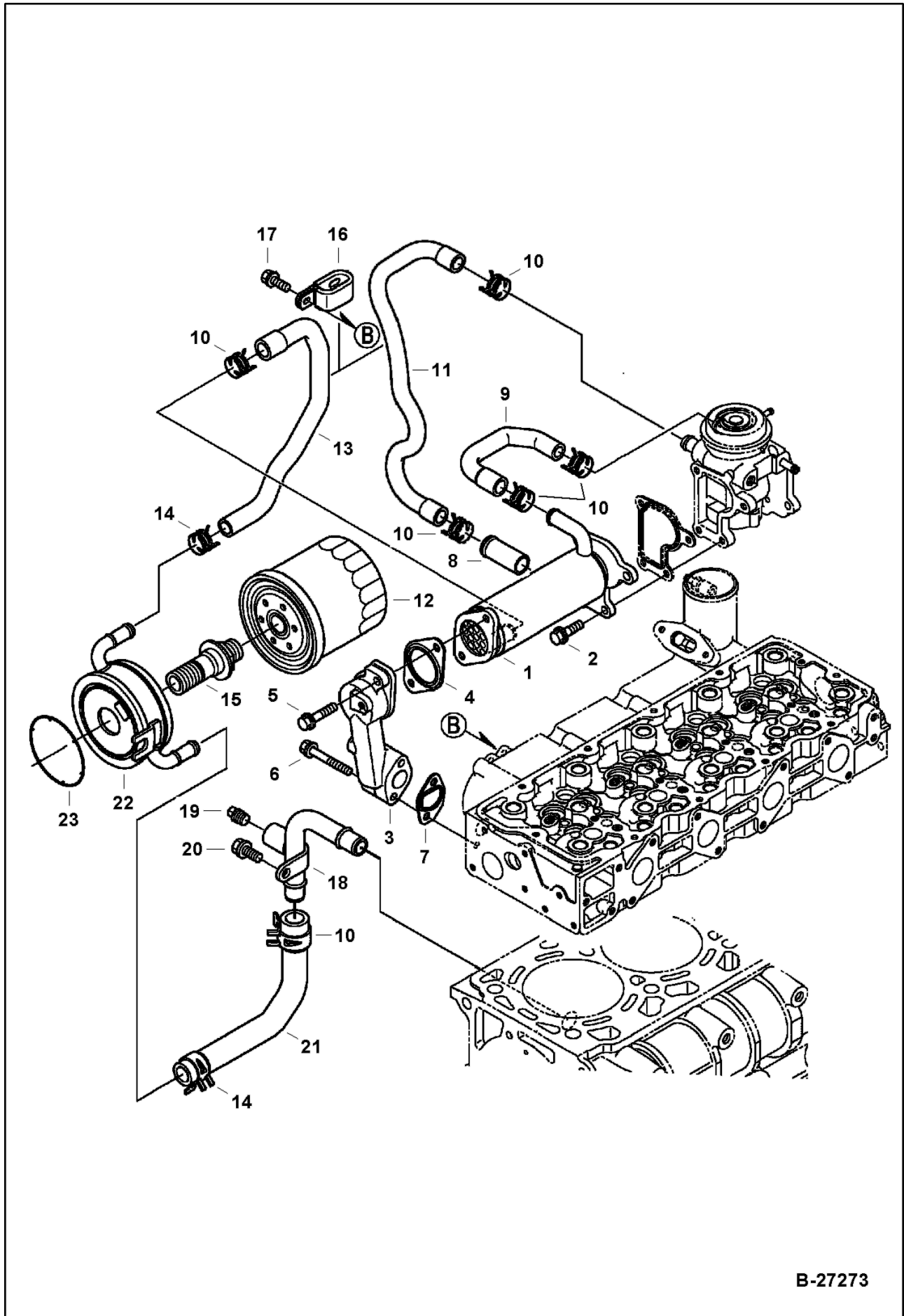


B-27272

EGR VALVE (Cont'd)

Ref No	Part Number	Description	Remarks	Serial Number	Qty
1	7000770	VALVE, EGR			1
2	6698580	VALVE, LEAD			1
3	7000634	GASKET, EGR VALVE			1
4	7000633	GASKET, EGR VALVE			1
5	7000631	FLANGE, EGR			1
6	7000632	GASKET EGR INLET			1
7	7001139	BOLT, FLANGE			2
8	6680803	BOLT	Was 7001137 [B]		2
9	6680755	BOLT			2
10	6698585	VALVE, THERMOSTATIC			1
11	7000641	HOSE, VACUUM			1
12	6657556	BAND			4
13	7000747	HOSE, VACUUM			1
14	7000611	CLIP, HOSE		E/ 8ZZ999 & Below	2
14	7012013	CLAMP, HOSE		E/ 9A0001 & Above	2

EGR COOLER

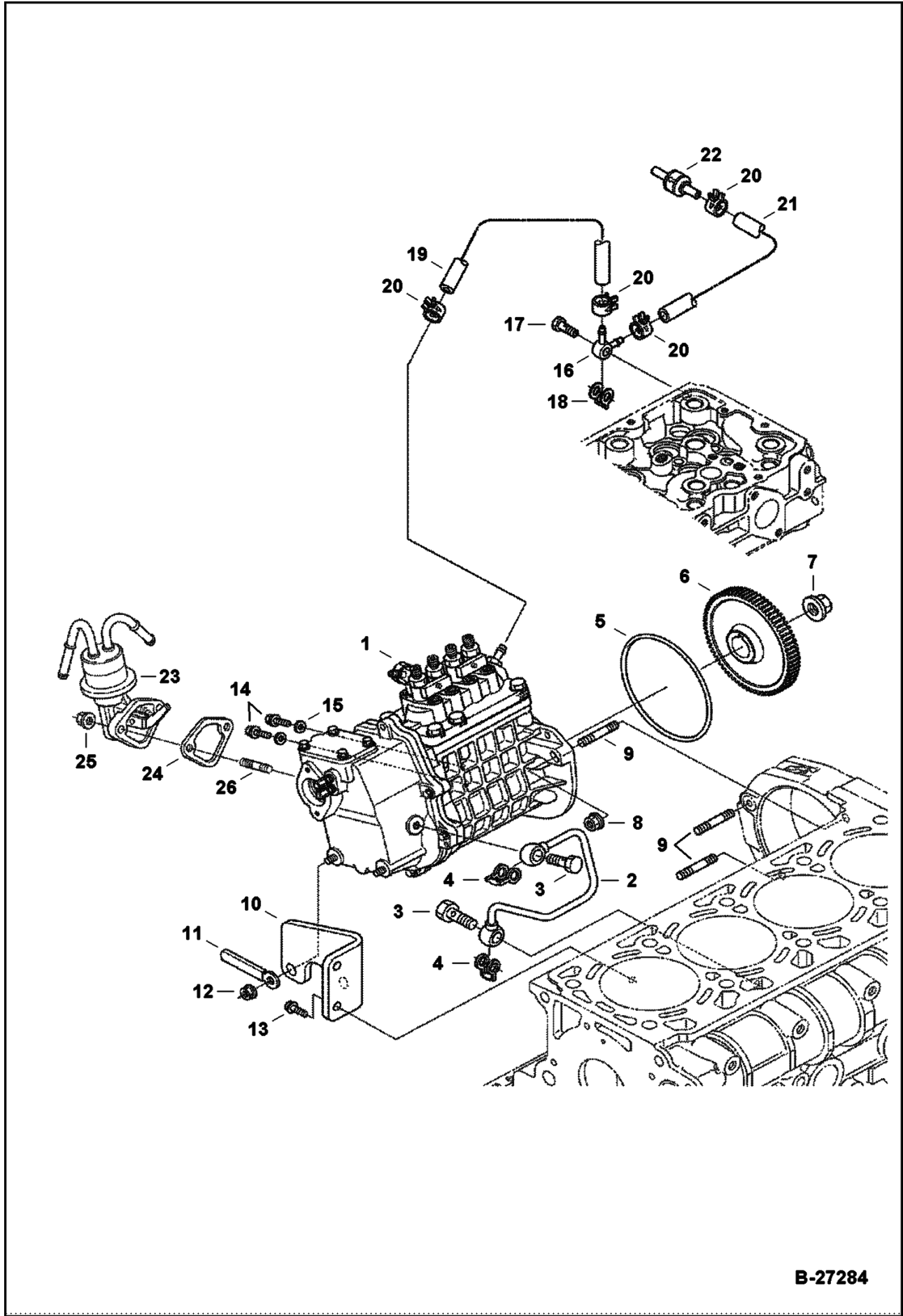


B-27273

EGR COOLER (Cont'd)

Ref No	Part Number	Description	Remarks	Serial Number	Qty
1	7000736	EXCHANGER, EGR			1
2	6680801	BOLT			4
3	7008809	BASE, COOLER EGR	Was 7000630 [A]		1
4	7000635	GASKET, EGR COOLER			1
5	6680755	BOLT			2
6	7001141	BOLT,FLANGE			2
7	7000636	GASKET, EGR BASE			1
8	6680689	ADAPTER			1
9	7000738	HOSE, HEATER FORMED			1
10	6675618	CLAMP			6
11	7000739	HOSE, HEATER FORMED			1
12	6675517	FILTER, OIL ENG			1
13	7000737	HOSE, HEATER FORMED			1
14	6684889	CLAMP			2
15	7000717	CONNECTOR			1
16	7000740	CLAMP, HOSE			1
17	7001135	BOLT,FLANGE			1
18	7000744	PIPE, WATER			1
19	16F4	PLUG	Was 7000601 [A]		1
19	7008393	PLUG			1
20	7001135	BOLT,FLANGE			1
21	7000718	PIPE, OIL			1
22	7000716	EXCHANGER, OIL COOLER	W/Ref. 23		1
23	6698244	ORING	Was NAP		1

FUEL & INJECTION PUMP

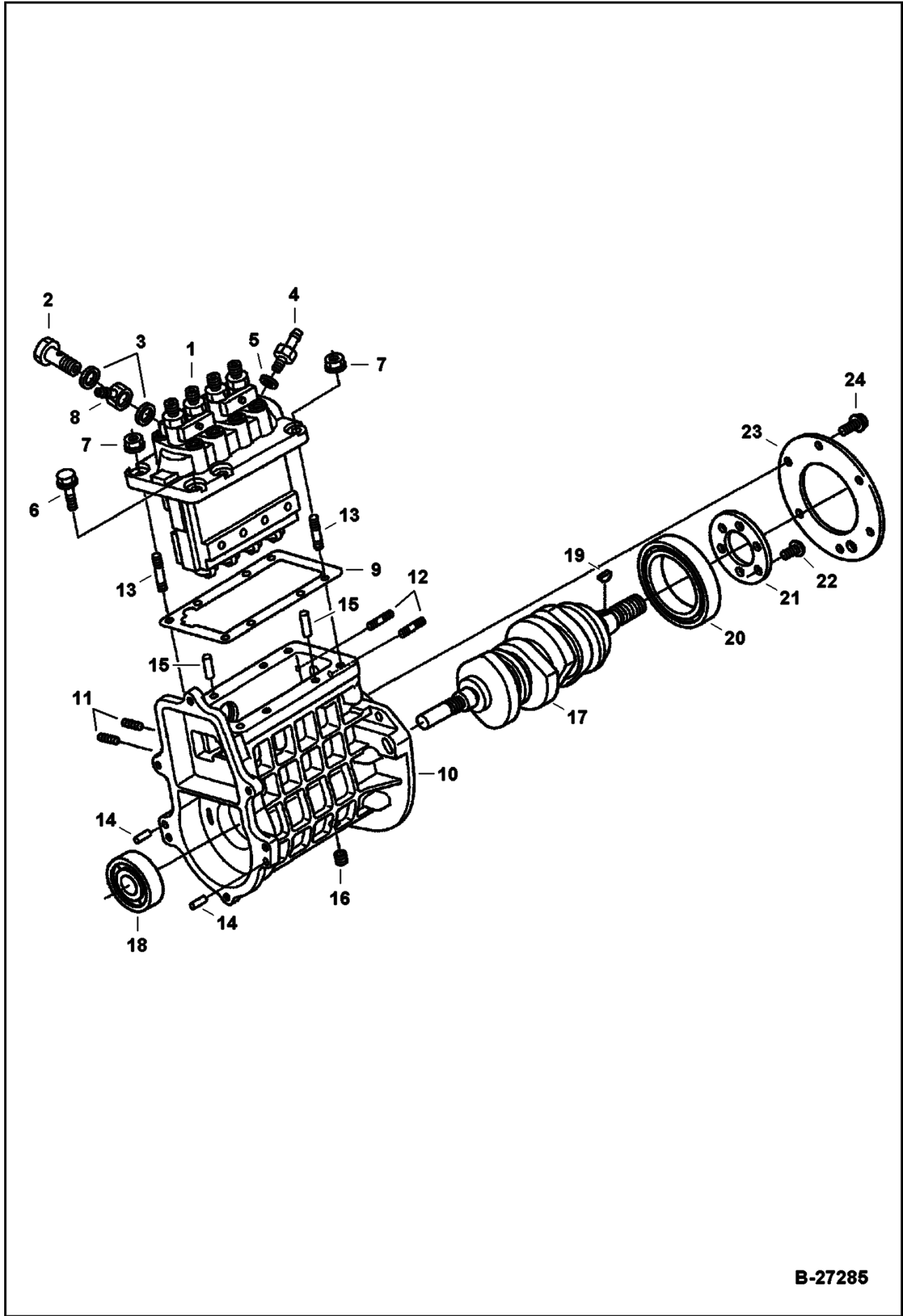


B-27284

FUEL & INJECTION PUMP (Cont'd)

Ref No	Part Number	Description	Remarks	Serial Number	Qty
1	7000484	PUMP, FUEL INJ W/GOVERNOR		E/ 8VZ999 & Below	1
1	7012016	PUMP, INJ FUEL UNIT		E/ 8W0001 & Above	1
2	7000711	PIPE, OIL			1
3	6680900	BOLT			2
4	6685962	GASKET			2
5	7000618	GASKET, PUMP INJ			1
6	7000722	GEAR, PUMP INJ			1
7	7000613	NUT			1
8	6969819	NUT, FLANGE			3
9	6685919	STUD			3
10	7000723	BRACKET, PUMP INJ			1
11	6653891	CLAMP			1
12	6969819	NUT, FLANGE			2
13	6680662	BOLT			2
14	6680662	BOLT			2
14	6680815	SET SCREW	for locking pump when removing for service		2
15	3974095	MET-GASK			2
16	7000627	FITTING, BANJO		E/ 8MZ999 & Bel	1
16	7008517	FITTING, BANJO		E/ 8N0001 & Abv	1
17	6680791	BOLT			1
18	6698528	WASHER, SEALING			1
19	7000605	TUBE, FUEL LINE ASSY			1
20	6654718	CLAMP			4
21	7000604	TUBE, FUEL LINE ASSY			1
22	6680796	VALVE			1
23	7000767	PUMP, FUEL			1
24	6670782	GASKET			1
25	6670533	NUT			2
26	6680264	STUD			2

INJECTION PUMP (Fuel Camshaft)

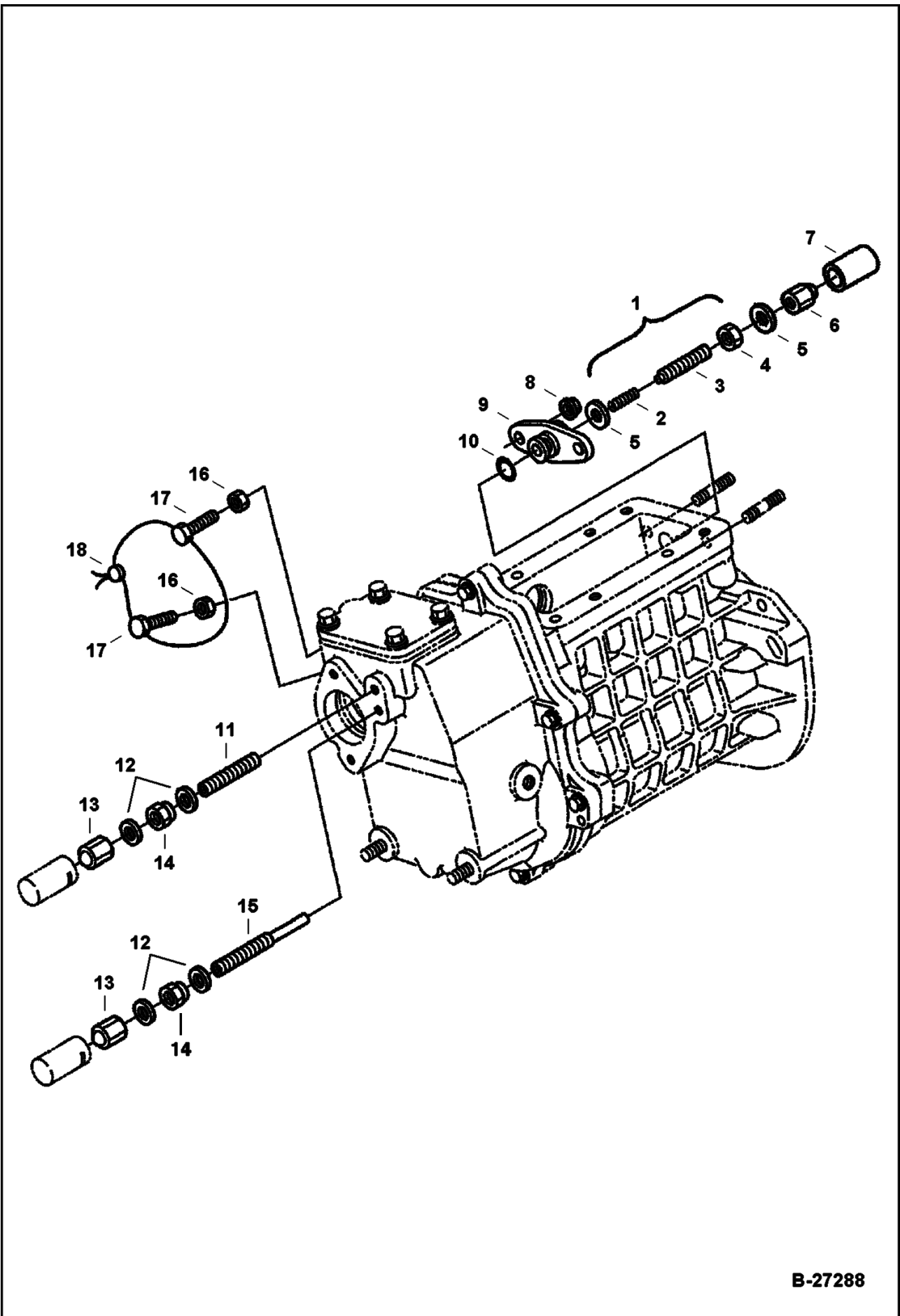


B-27285

**INJECTION PUMP (Cont'd)
(Fuel Camshaft)**

Ref No	Part Number	Description	Remarks	Serial Number	Qty
1	7000721	PUMP, INJ FUEL			1
2	7001499	BOLT, EYE			1
3	6698120	GASKET			2
4	7000609	SCREW, AIR BLEEDER			1
5	3974095	MET-GASK			1
6	6680755	BOLT			4
7	6969819	NUT, FLANGE			2
8	6513707	JOINT	eye		1
9	6684829	SHIM	0,35 mm		1
10	7000720	HOUSING, PUMP INJ	W/Ref. 11-16	E/ 8VZ999 & Bel	1
10	7010591	HOUSING, PUMP INJ	W/Ref. 11 & 13-15	E/ 8W0001 & Abv	1
11	6598156	STUD	for harness bracket - Was 6680264 [B,D]		2
12	7000606	STUD		E/ 8VZ999 & Bel	2
13	6652670	STUD			2
14	6680809	PIN			2
15	3974394	PIN			2
16	6680667	PLUG		E/ 8VZ999 & Bel	1
17	7000628	CAMSHAFT, FUEL			1
18	7000637	BEARING, BALL			1
19	6680813	KEY			1
20	7000617	BEARING, BALL			1
21	7000614	RETAINER, BEARING			1
22	7000594	SCREW			6
23	7000629	RETAINER, BEARING		E/ 8VZ999 & Bel	1
23	7010592	RETAINER, BEARING	W/6 holes and 1 notch	E/ 8W0001 & Abv	1
24	29CM612	BOLT			6

INJECTION PUMP (Adjustment Bolts)

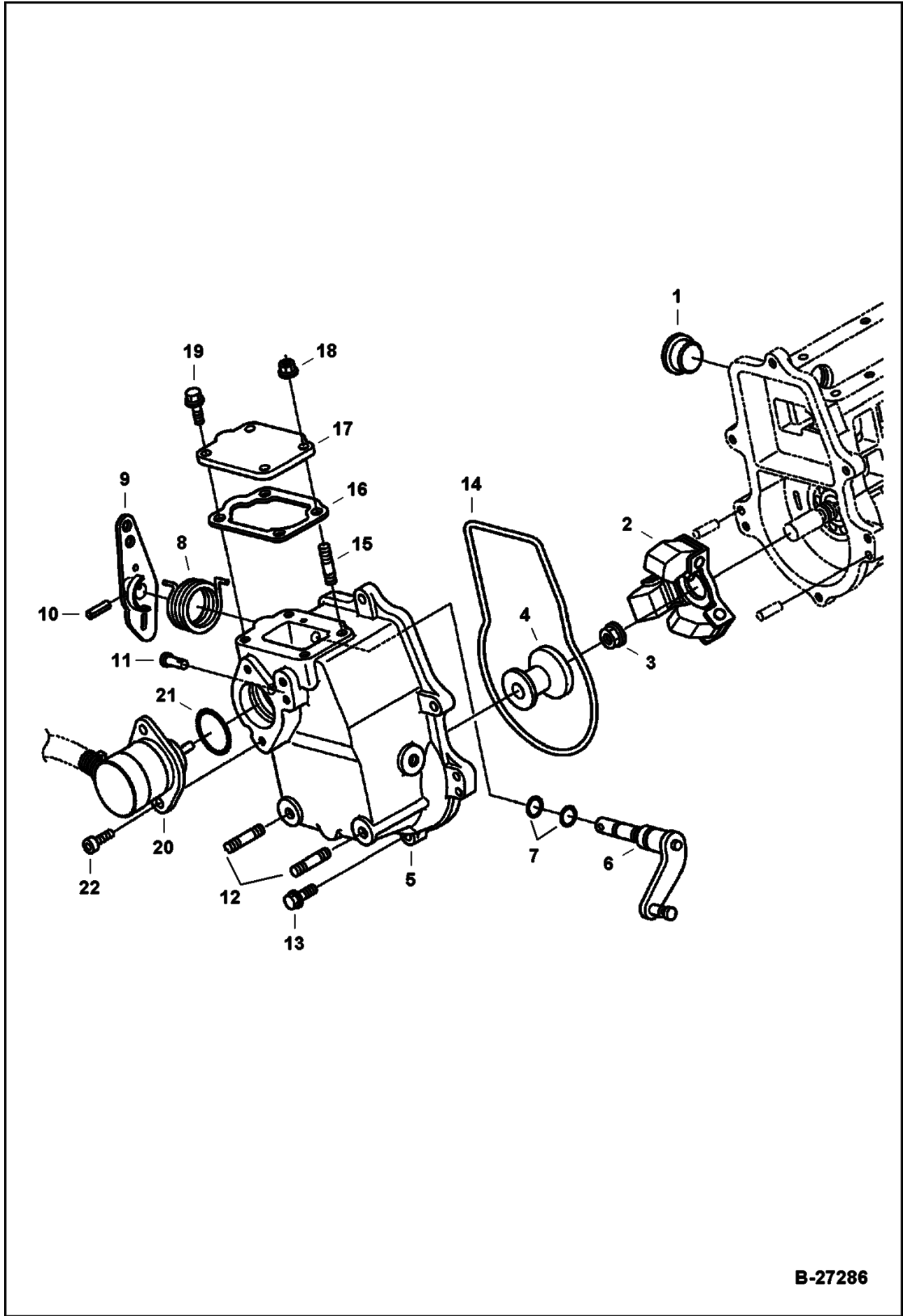


B-27288

**INJECTION PUMP (Cont'd)
(Adjustment Bolts)**

Ref No	Part Number	Description	Remarks	Serial Number	Qty
1	7000730	BOLT, ADJUSTMENT ASSY	Ref. 2-4	E/ 8TZ999 & Below	1
1	7012050	BOLT, ADJUSTMENT ASSY	Ref. 2-4	E/ 8U0001 & Above	1
2		SPRING	NAP - Order Ref. 1		1
3		BOLT, ADJUSTING	NAP - Order Ref. 1		1
4	3974425	NUT			1
5	3974095	MET-GASK			2
6	3974978	NUT			1
7	3974979	CAP			1
8	6670533	NUT		E/ 8VZ999 & Bel	2
9	7000621	BRACKET, BOLT ADJUSTING		E/ 8VZ999 & Bel	1
10	7000731	O-RING		E/ 8VZ999 & Bel	1
11	7000589	BOLT, ADJUSTING			1
12	3974972	GASKET			4
13	6655223	NUT	Was 6657470 [B]		2
14	6680272	NUT			2
15	7000620	BOLT, ADJUSTING			1
16	1DM6	NUT	Was 6680272 [D]		2
17		BOLT	NAP		2
18		WIRE, SECURITY	NAP		1

GOVERNOR

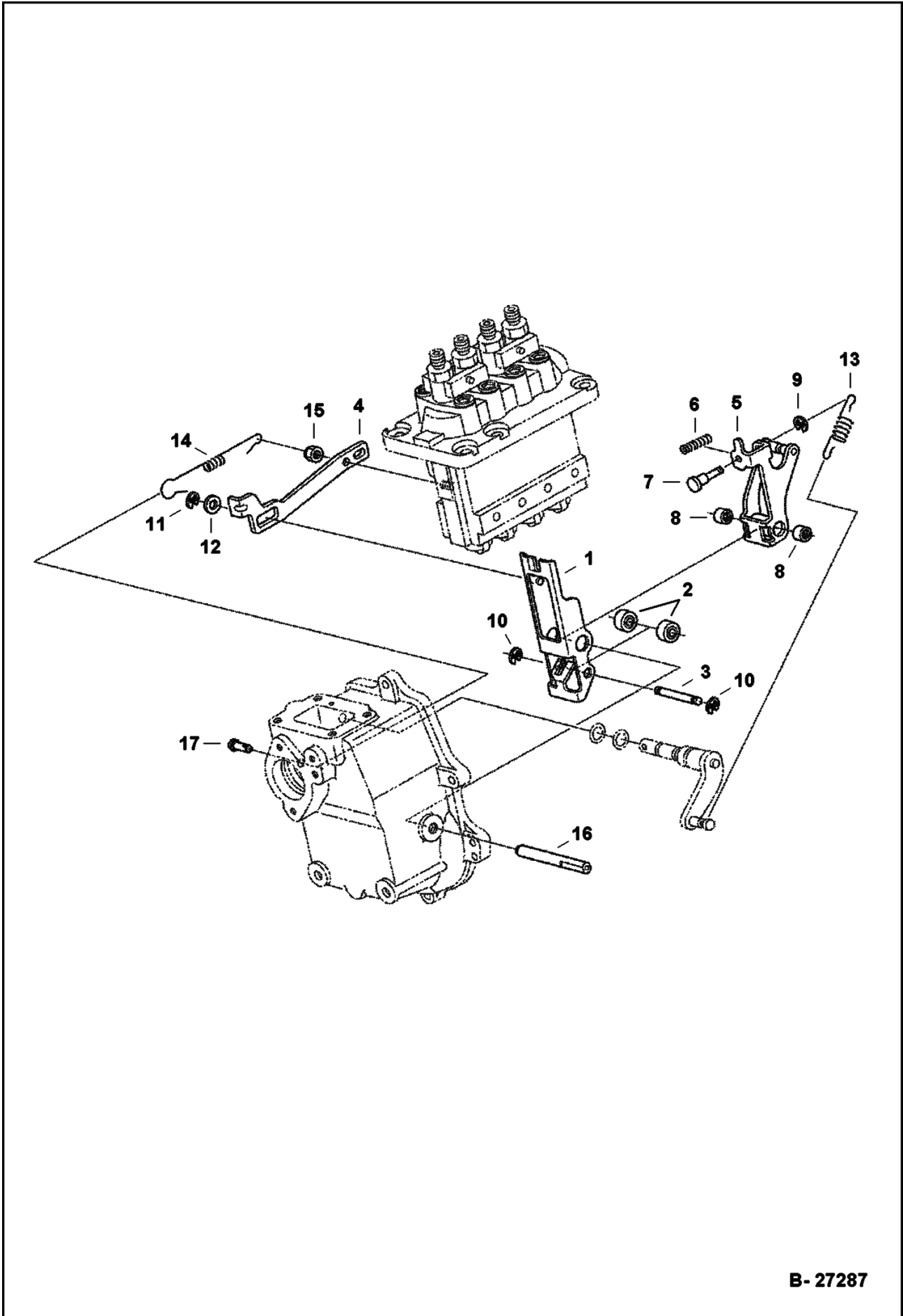


B-27286

GOVERNOR (Cont'd)

Ref No	Part Number	Description	Remarks	Serial Number	Qty
1	6680757	COVER			1
2	7000638	WEIGHT, GOVERNOR			1
3	6680759	NUT			1
4	7000622	SLEEVE, GOVERNOR			1
5	7000768	HOUSING, GOVERNOR			1
6	7000623	LEVER, GOVERNOR			1
7	6683023	O-RING			2
8	7000625	SPRING, SPEED CONTROL			1
9	7000640	LEVER, SPEED			1
10	6680769	PIN			1
11	6652592	PIN			1
12	6680828	STUD			2
13	6680830	BOLT			6
14	6680829	GASKET			1
15	6683087	STUD			1
16	6684841	GASKET			1
17	6685500	COVER			1
19	29CM612	BOLT			3
20	7000769	SOLENOID, SHUTOFF FUEL	W/ 240 mm (9.45") lead		1
21	6685465	O-RING			1
22	6680533	BOLT			2

GOVERNOR (Fork Lever)

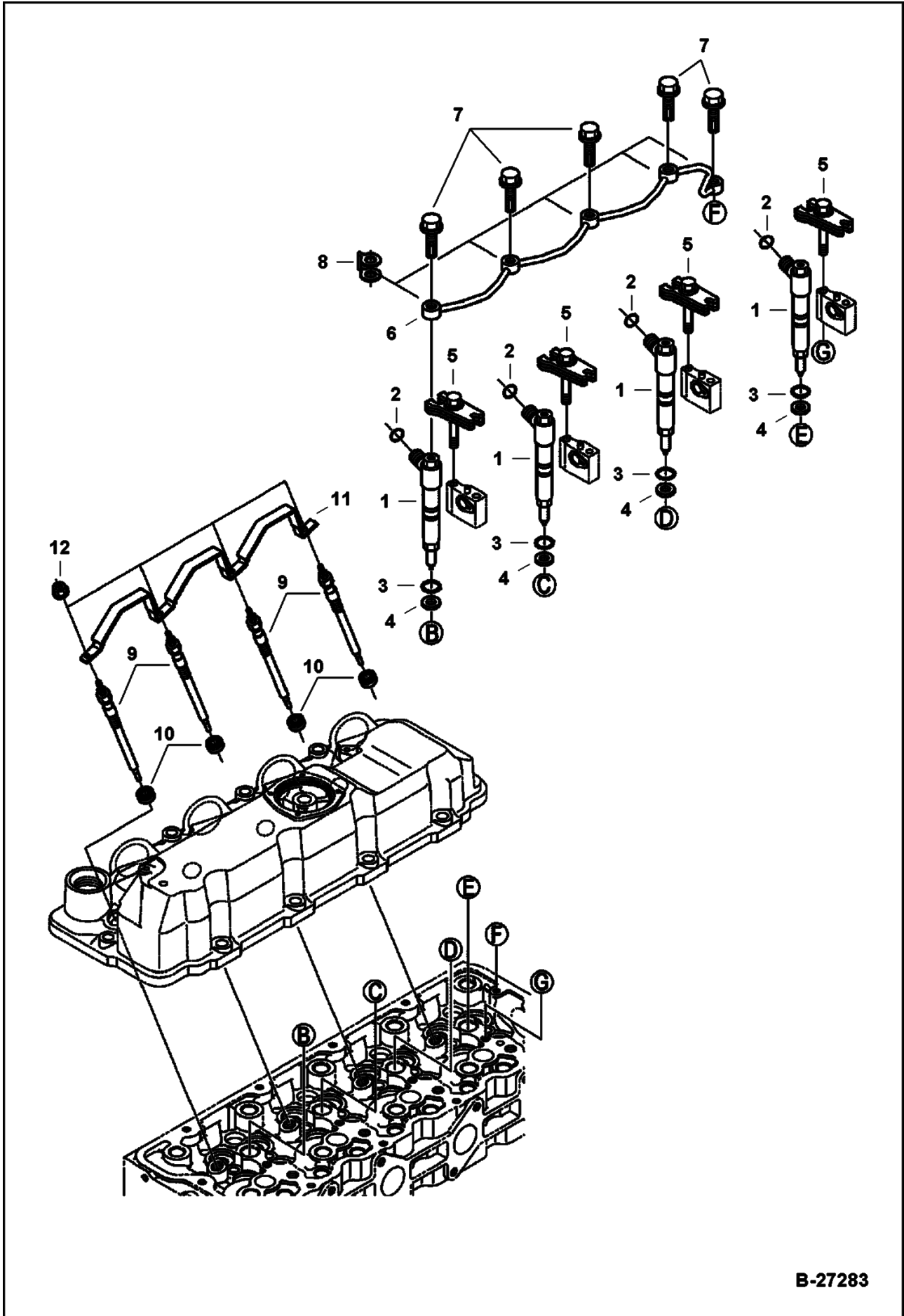


B- 27287

**GOVERNOR (Cont'd)
(Fork Lever)**

Ref No	Part Number	Description	Remarks	Serial Number	Qty
1	7000639	LEVER, FORK	W/Ref. 2-12		1
2		BEARING	NSS - Order Ref. 1		2
3		SHAFT	NSS - Order Ref. 1		1
4		BRACKET	NSS - Order Ref. 1		1
5		LEVER	NSS - Order Ref. 1		1
6		SPRING	NSS - Order Ref. 1		1
7		PIN	NSS - Order Ref. 1		1
8		BUSHING	NSS - Order Ref. 1		2
9	6680823	SNAP RING			1
10	6680822	SNAP RING	Was 7000596 [B,D]		2
11	6680821	SNAP RING			1
12	6680820	WASHER			1
13	7000732	SPRING, GOVERNOR			1
14	7000733	SPRING, START			1
15	6685952	NUT			1
16	7000624	SHAFT, FORK LEVER			1
17	6652592	PIN			1

INJECTION NOZZLES

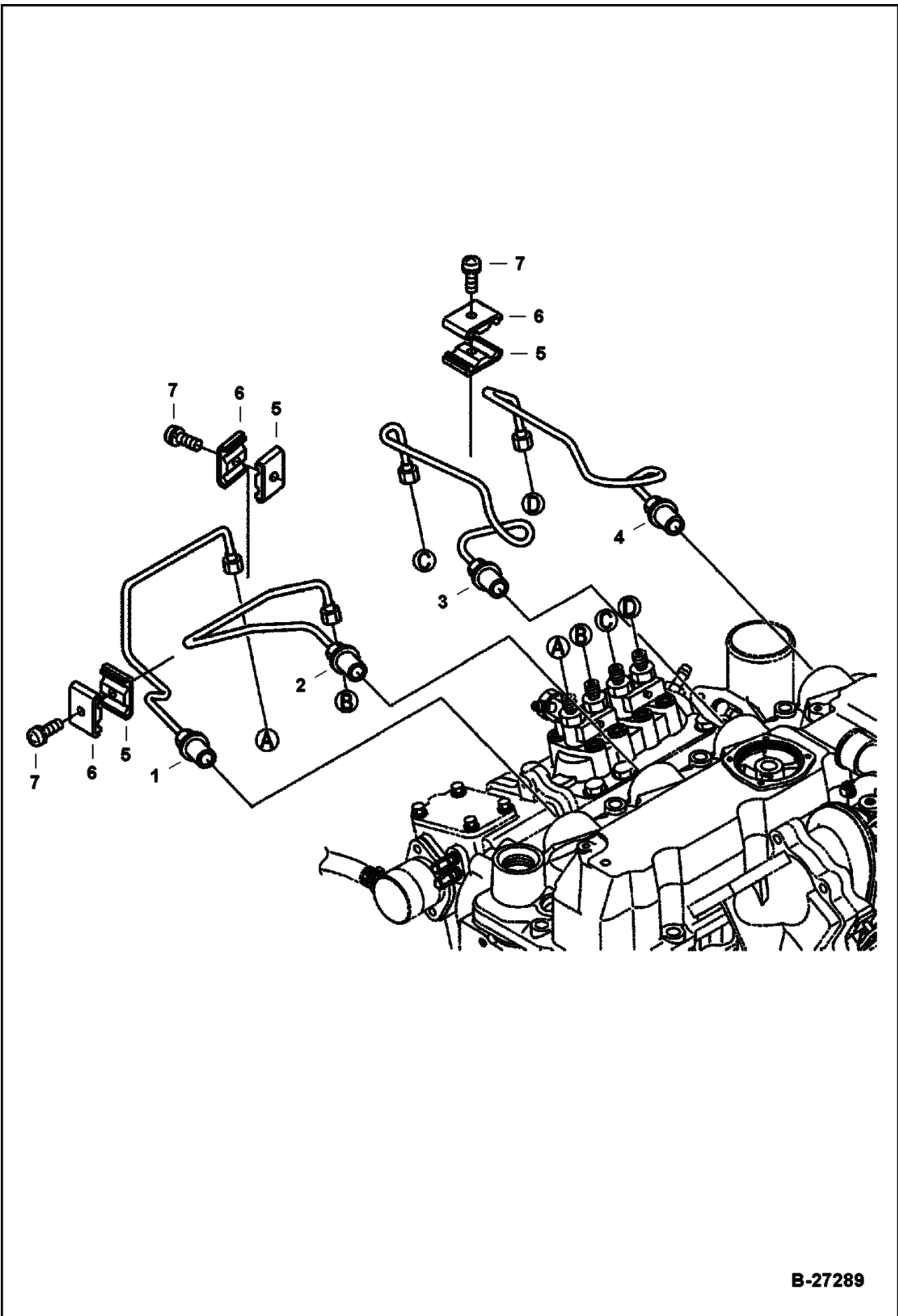


B-27283

INJECTION NOZZLES (Cont'd)

Ref No	Part Number	Description	Remarks	Serial Number	Qty
1		HOLDER, NOZZLE	NAP - Order 7020613 & 6680788 - Was 7000724 [A]		4
2	6680778	O-RING			4
3	7000619	ORING			4
4	6969824	GASKET, NOZZLE INJ			4
5	7000725	CLAMP, INJECTION			4
6	7000719	PIPE, RETURN FUEL			1
7	6680788	BOLT			5
8	6685498	GASKET			5
9	7000734	GLOW PLUG			4
10	7000626	SEAL	glow plug		4
11	7000735	CORD, GLOW PLUG			1
12	6670472	NUT			4

INJECTION PIPES

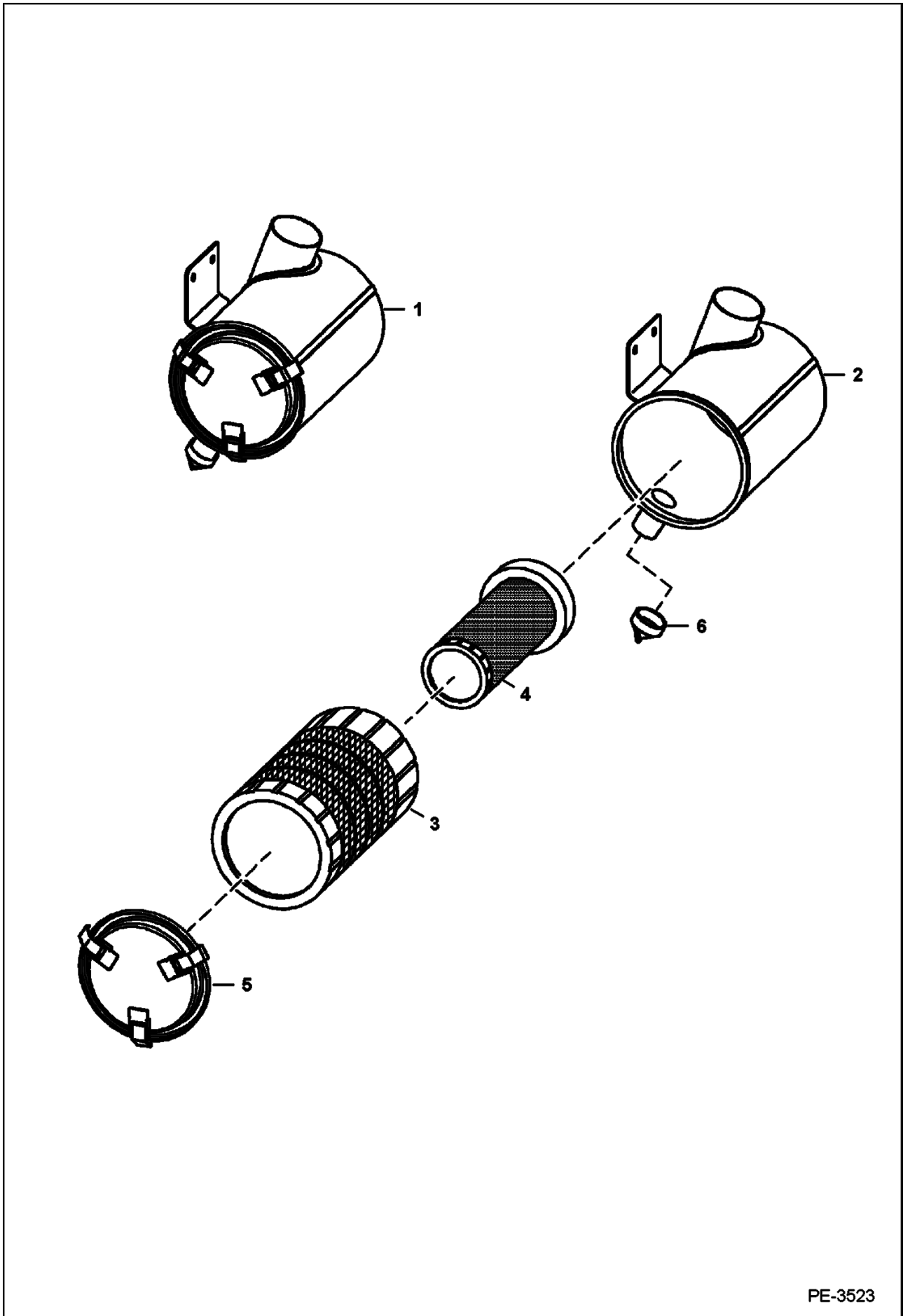


B-27289

INJECTION PIPES (Cont'd)

Ref No	Part Number	Description	Remarks	Serial Number	Qty
1	7000726	PIPE, INJECTION			1
2	7000727	PIPE, INJECTION			1
3	7000728	PIPE, INJECTION			1
4	7000729	PIPE, INJECTION			1
5	6652688	CLAMP			3
6	6652689	CLAMP			3
7	3974260	SCREW			3

AIR CLEANER

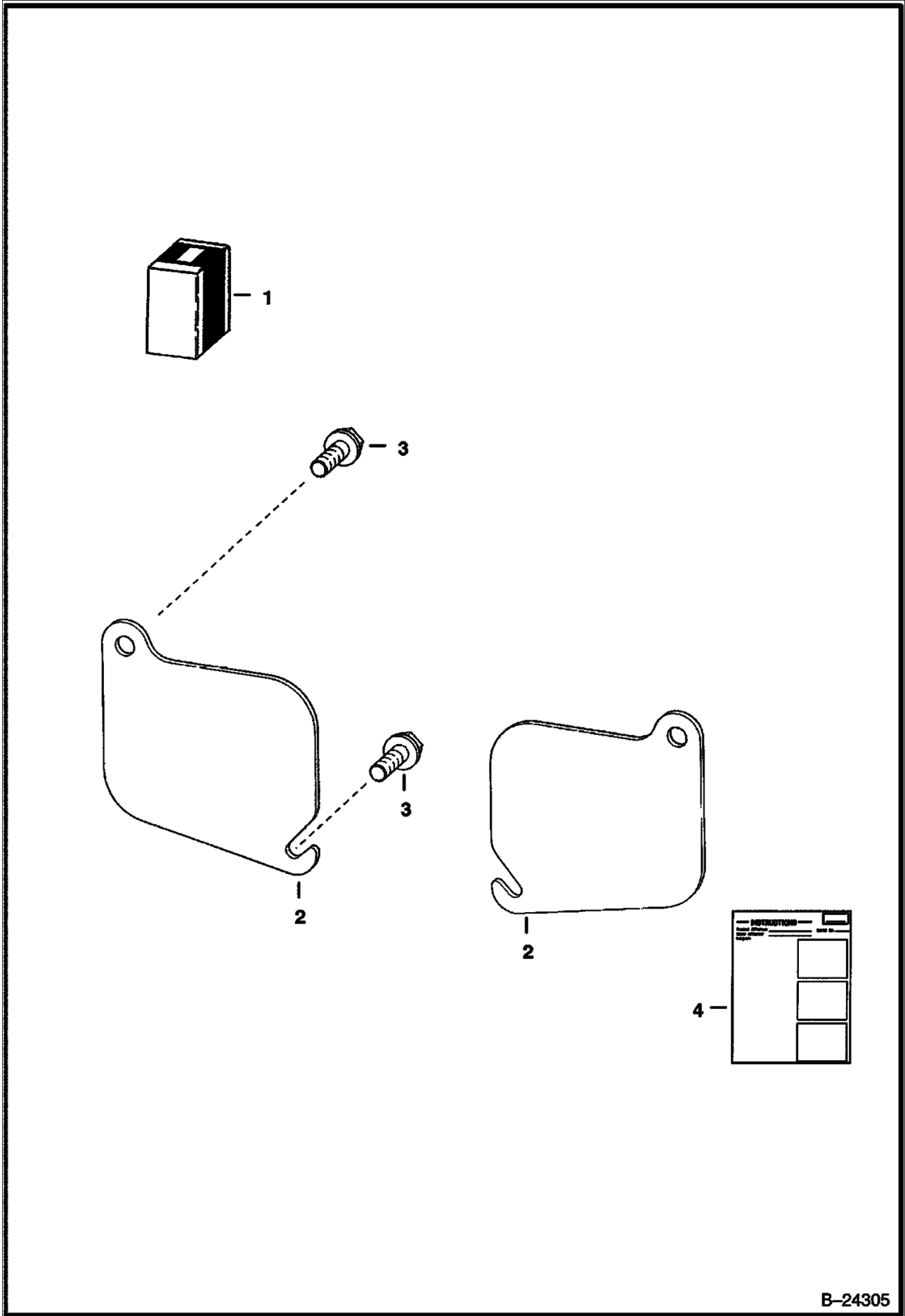


PE-3523

AIR CLEANER (Cont'd)

Ref No	Part Number	Description	Remarks	Serial Number	Qty
1	7133215	FILTER ASSY, AIR			1
2		TANK	NSS - Order Ref. 1		1
3	6698057	FILTER, AIR OUTER			1
4	6698058	FILTER, AIR INNER			1
5	7001920	COVER, FRONT			1
6	6655938	VALVE, EVACUATOR	38 mm (1.5") ID		1

ACCESS COVER
(Cleanout - Lower Front of Chaincase)

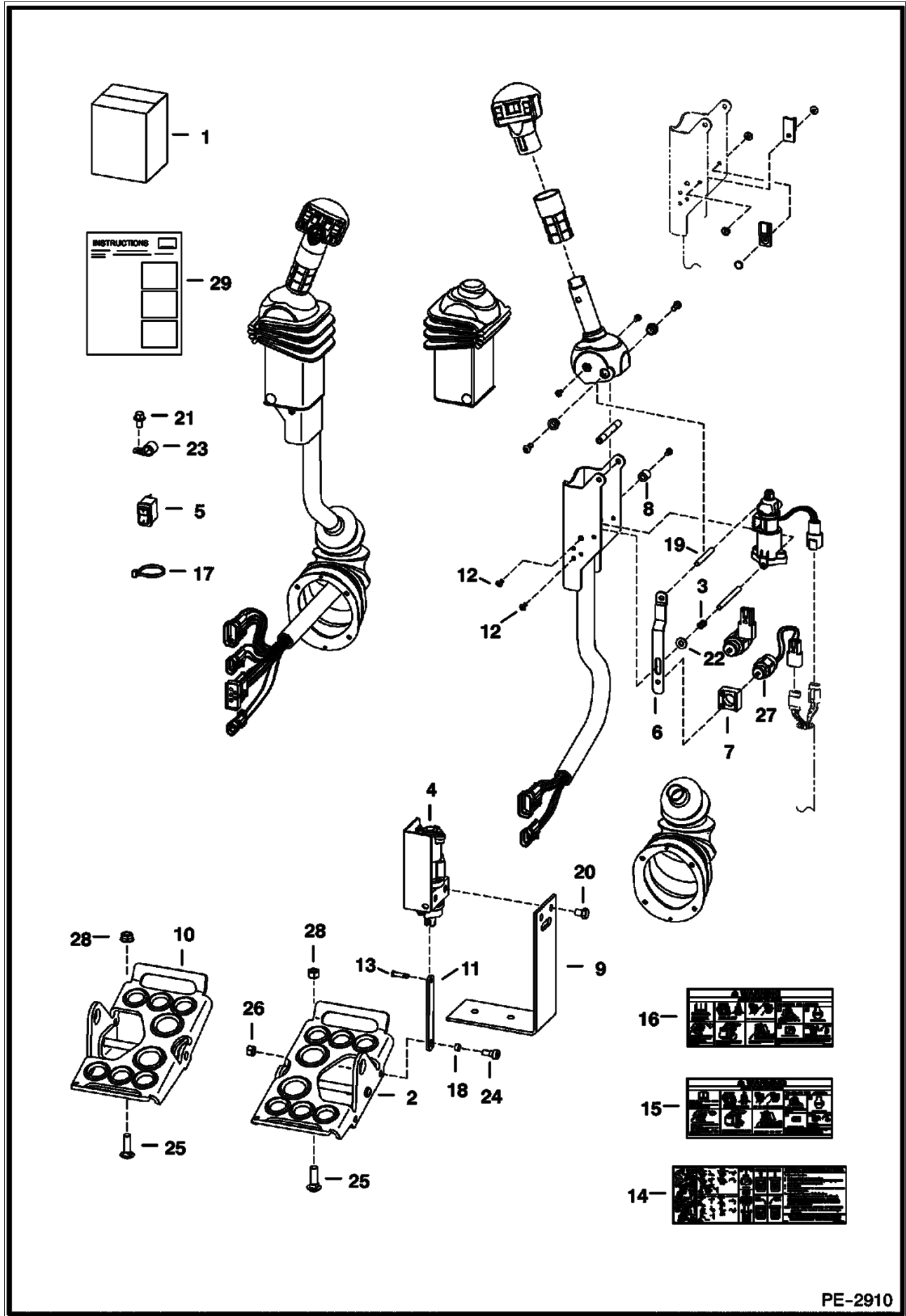


B-24305

ACCESS COVER (Cont'd)
(Cleanout - Lower Front of Chaincase)

Ref No	Part Number	Description	Remarks	Serial Number	Qty
1	6577880	KIT	Ref. 2-4		1
2	6737088	COVER, FRONT ACCESS			2
3	84G3720	BOLT			4
4	6570931	INSTRUCTIONS			1

ACS CONVERSION KIT

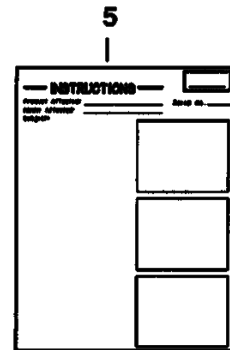
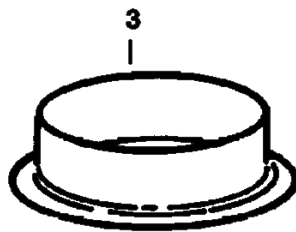
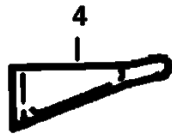
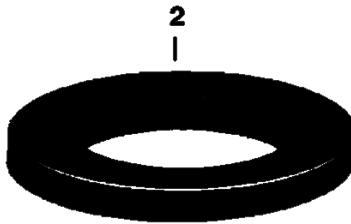
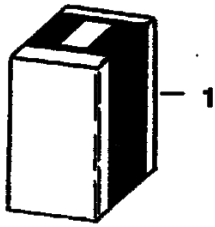


PE-2910

ACS CONVERSION KIT (Cont'd)

Ref No	Part Number	Description	Remarks	Serial Number	Qty
1	6731151	KIT	foot control - Ref. 2-29 - loader must be equipped W/advanced hand control option		1
2	7123942	PEDAL ASSEMBLY			1
3	6680470	SPRING			2
4		SENSOR, FOOT	See Illustration CONTROLS ELECTRICAL/ PE1553		1
5	6676537	SWITCH			1
6	6680477	STRAP			2
7	6680468	MOUNT	solenoid		2
8	6719834	SPACER			2
9	7126869	BRACKET			2
10	7123941	PEDAL ASSEMBLY			1
11	6726681	LINK			2
12	6727065	BOLT			12
13	6727496	PIN			2
14	6727926	DECAL, OPERATION	hand & foot controls		1
15	6728540	DECAL, WARNING			1
16	6728539	DECAL			1
17	6624289	STRAP, TIE			2
18	6729467	SPACER			2
19	6680469	SPACER	threaded		2
20	17C608	BOLT			4
21	84G3710	SCREW			2
22	25E13	WASHER 5			2
23	30H62	CLIP			2
24	35C514	BOLT			2
25	37C620	BOLT			4
26	95D5	NUT			2
27	6676029	SOLENOID, LOCK SPOOL			2
28	61D6	NUT 5			4
29	6901492	INSTRUCTIONS			1

AXLE SEAL KIT

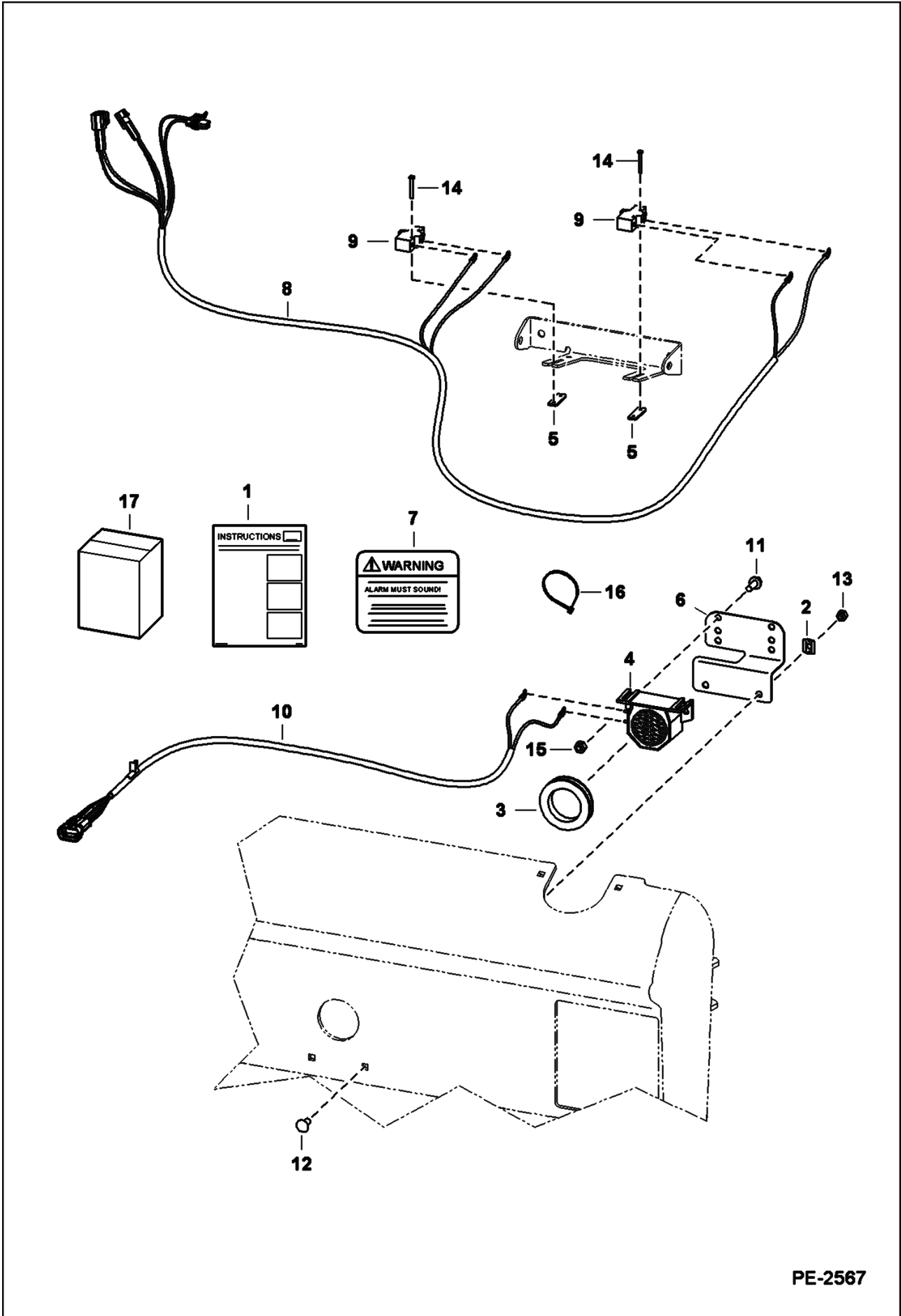


B-4041

AXLE SEAL KIT (Cont'd)

Ref No	Part Number	Description	Remarks	Serial Number	Qty
1	6722907	KIT	Ref. 2-5		1
2	6658228	SEAL, OIL			1
3	6662306	RING			1
4	6987915	THREADLOCKER 271 - HEAVY DUTY RED - 0.5ML AMPULE N	Was 6598485 [A]		1
5	6722908	INSTRUCTIONS			1

BACK-UP ALARM KIT (Manual Controls, AHC & ACS)

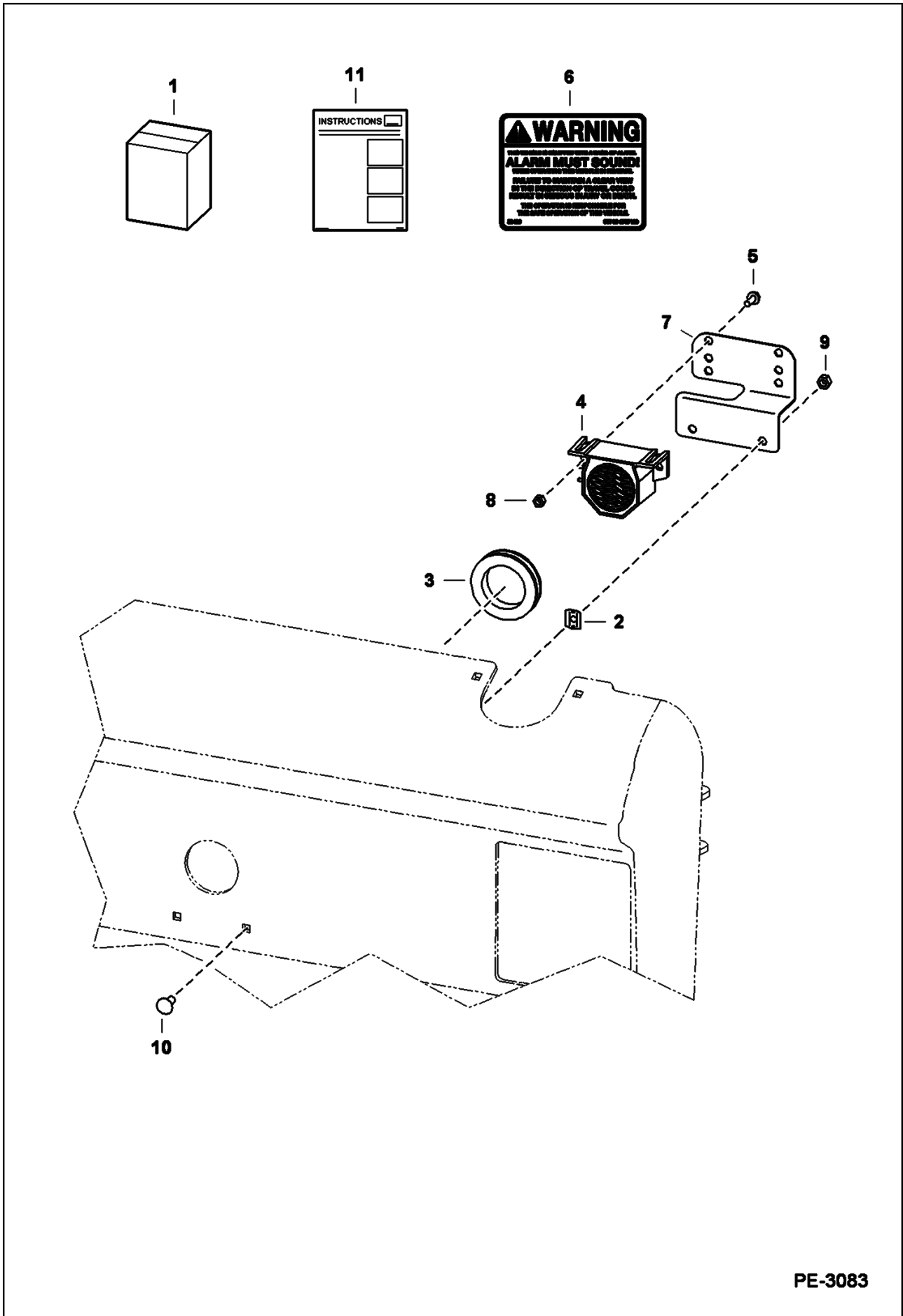


PE-2567

**BACK-UP ALARM KIT (Cont'd)
(Manual Controls, AHC & ACS)**

Ref No	Part Number	Description	Remarks	Serial Number	Qty
1	7107829	KIT, BACK-UP ALARM	Ref. 2-17		1
2	774220	NUT			2
3	6577545	GROMMET			1
4	6599931	ALARM			1
5	6702593	SPACER			2
6	6733970	MOUNT			1
7	6737189	DECAL, WARNING	backup alarm		1
8	7107544	HARNESS			1
9	6646781	SWITCH			2
10	6715659	HARNESS			1
11	35C410	BOLT 5			2
12	10C512	BOLT			2
13	57D5	NUT			2
14	84G1320	BOLT			4
15	97D4	NUT			2
16	6624289	STRAP, TIE			2
17	6903293	INSTRUCTIONS			1

**BACK-UP ALARM KIT
(Selectable Joystick Controls)**

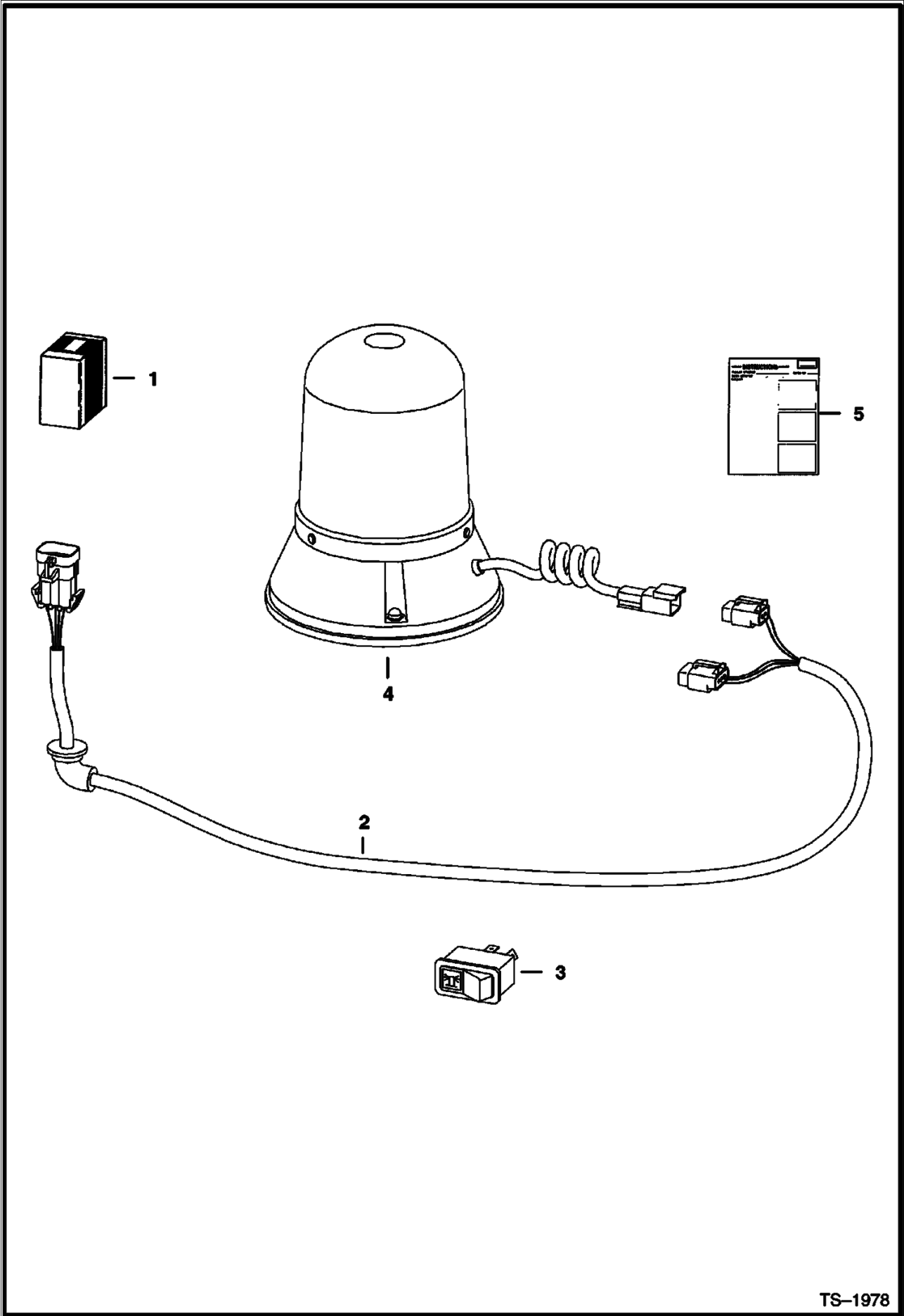


PE-3083

**BACK-UP ALARM KIT (Cont'd)
(Selectable Joystick Controls)**

Ref No	Part Number	Description	Remarks	Serial Number	Qty
1	6732235	KIT	Ref. 2-11		1
2	774220	NUT	spring		2
3	6577545	GROMMET			1
4	6599931	ALARM			1
5	35C410	BOLT 5			2
6	6737189	DECAL, WARNING	backup alarm		1
7	6733970	MOUNT			1
8	97D4	NUT			2
9	61D5	NUT			2
10	37C516	BOLT			2
11	6901690	INSTRUCTIONS			1

BEACON

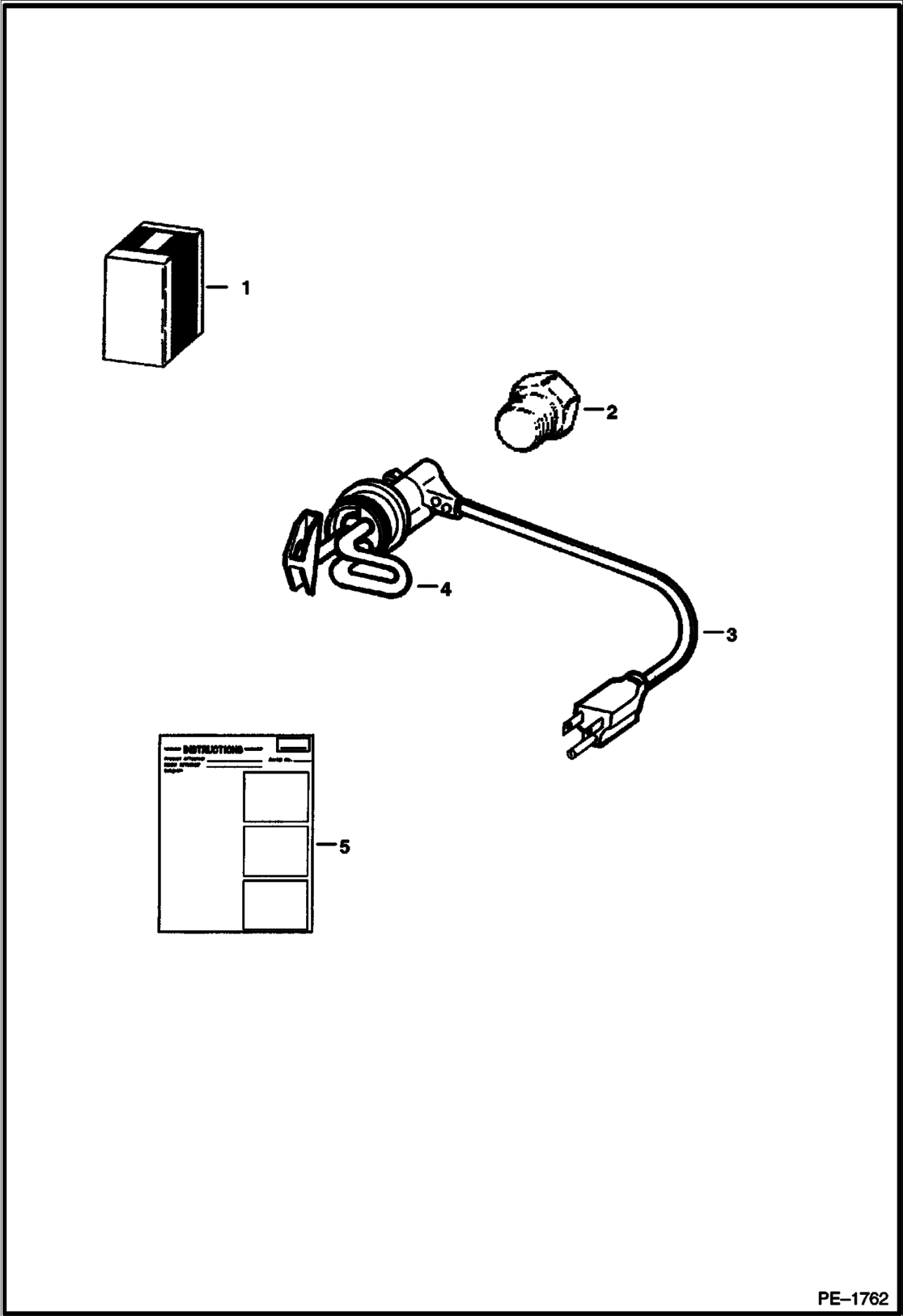


TS-1978

BEACON (Cont'd)

Ref No	Part Number	Description	Remarks	Serial Number	Qty
1	6719854	KIT, BEACON LIGHT	rotating beacon - if loader is not equipped W/deluxe cab accessories harness, heater, A/C, SJC, ACS, power Bob-Tach, cab enclosure door kit, rear wiper or any of the following cab harness connected rotating beacon, 4-way flasher or strobe light, Also Order 7139311 deluxe cab accessories harness		1
2	6718872	HARNESS			1
3	6668816	SWITCH	vertical		1
4	6675523	BEACON			1
4	6666571	BULB			1
5	6900991	INSTRUCTIONS			1

BLOCK HEATER (Engine)

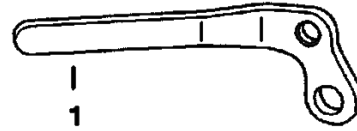
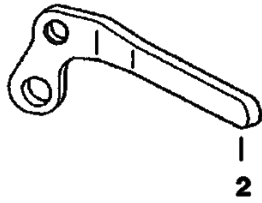


PE-1762

BLOCK HEATER (Cont'd)
(Engine)

Ref No	Part Number	Description	Remarks	Serial Number	Qty
1	6720808	KIT, ENGINE BLOCK HEATER	W/Ref. 2, 4 & 5		1
2	19F12	BUSHING			1
3	6685850	CORD			1
4	6659369	HEATER	W/Ref. 3		1
5	6720038	INSTRUCTIONS			1

BOB-TACH LEVERS
(For Use W/Industrial Grapple Fork)

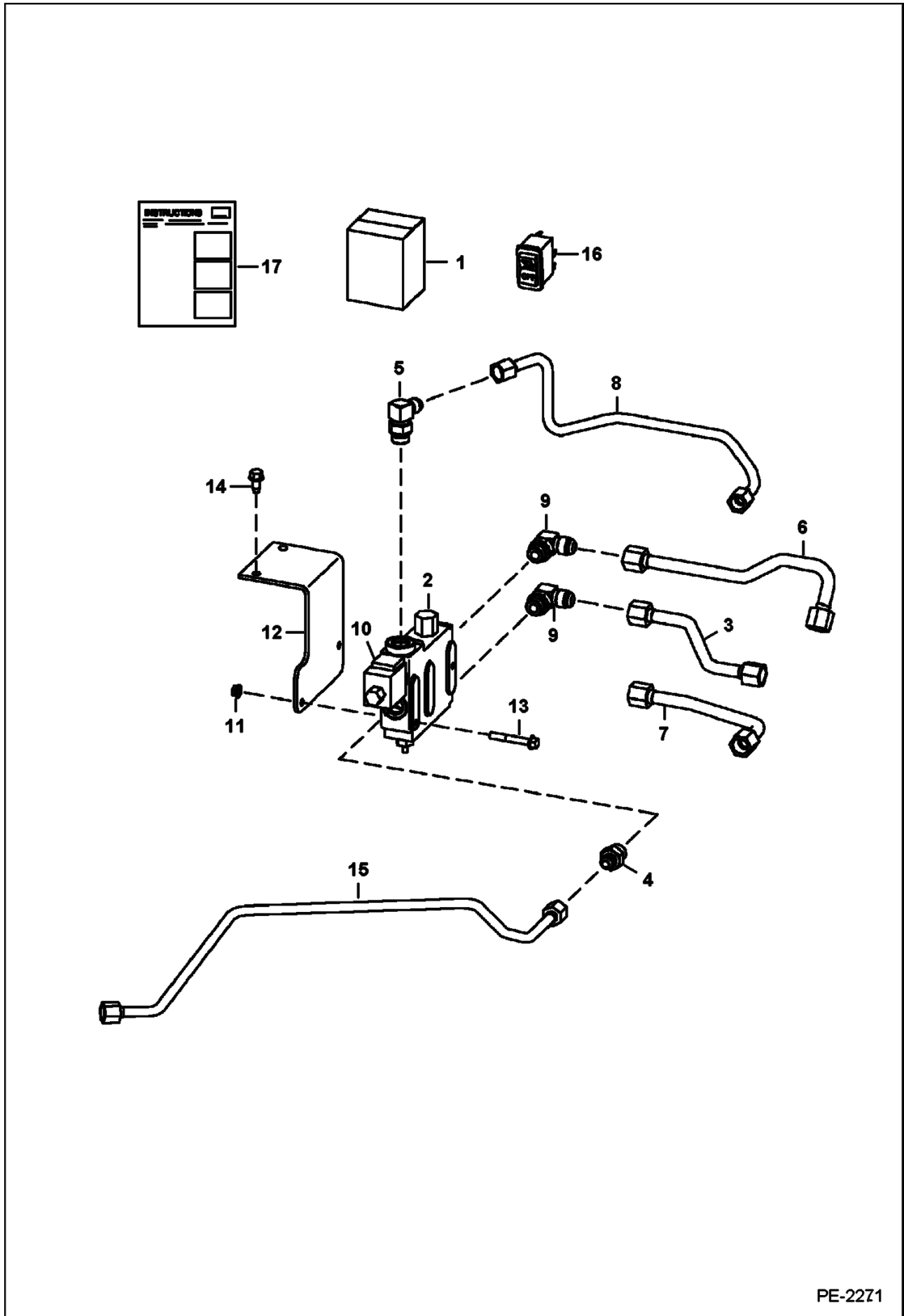


TS-1019

BOB-TACH LEVERS (Cont'd)
(For Use W/Industrial Grapple Fork)

Ref No	Part Number	Description	Remarks	Serial Number	Qty
1	6578139	LEVER	RH		1
2	6578140	LEVER	LH		1

BUCKET POSITIONING VALVE KIT

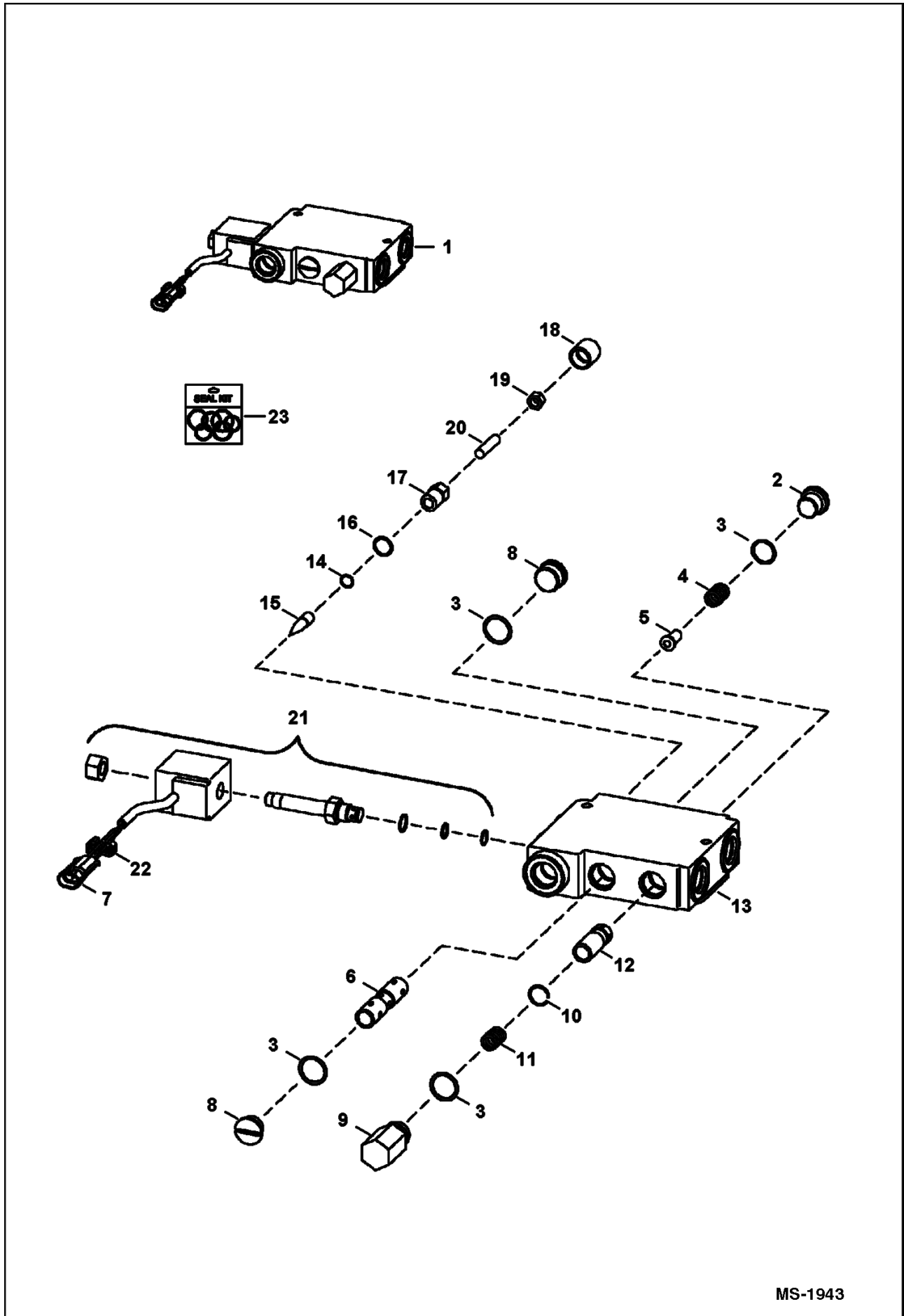


PE-2271

BUCKET POSITIONING VALVE KIT (Cont'd)

Ref No	Part Number	Description	Remarks	Serial Number	Qty
1	7102869	KIT	Ref. 2-17		1
2	6673959	VALVE, BPV	See Illustration BUCKET POSITIONING VALVE/ MS1943 W/Ref. 10		1
3	7112912	TUBE			1
4	15KB0810	FITTING, HYD CONNECTOR			1
4	79K10	O RING 10			x
5	17KB0810	FITTING, HYD ELBOW			1
5	79K10	O RING 10			x
6	6733196	TUBE			1
7	6733195	TUBE			1
8	6734192	TUBE			1
9	17KB1010	FITTING, HYD ELBOW			2
9	79K10	O RING 10			x
10	6672863	VALVE, SOLENOID			1
10		CARTRIDGE	W/nut		1
10		COIL			1
10	6671527	NUT			1
10	6670634	SEAL KIT			1
11	83D5	NUT 5	Was 57D5 [B]		2
12	6727646	BRACKET			1
13	35C536	BOLT			2
14	84G3710	SCREW	Was 84G3712 [B]		2
15	7101647	TUBE			1
16	6690947	SWITCH, BPV			1
17	6902833	INSTRUCTIONS			1

BUCKET POSITIONING VALVE

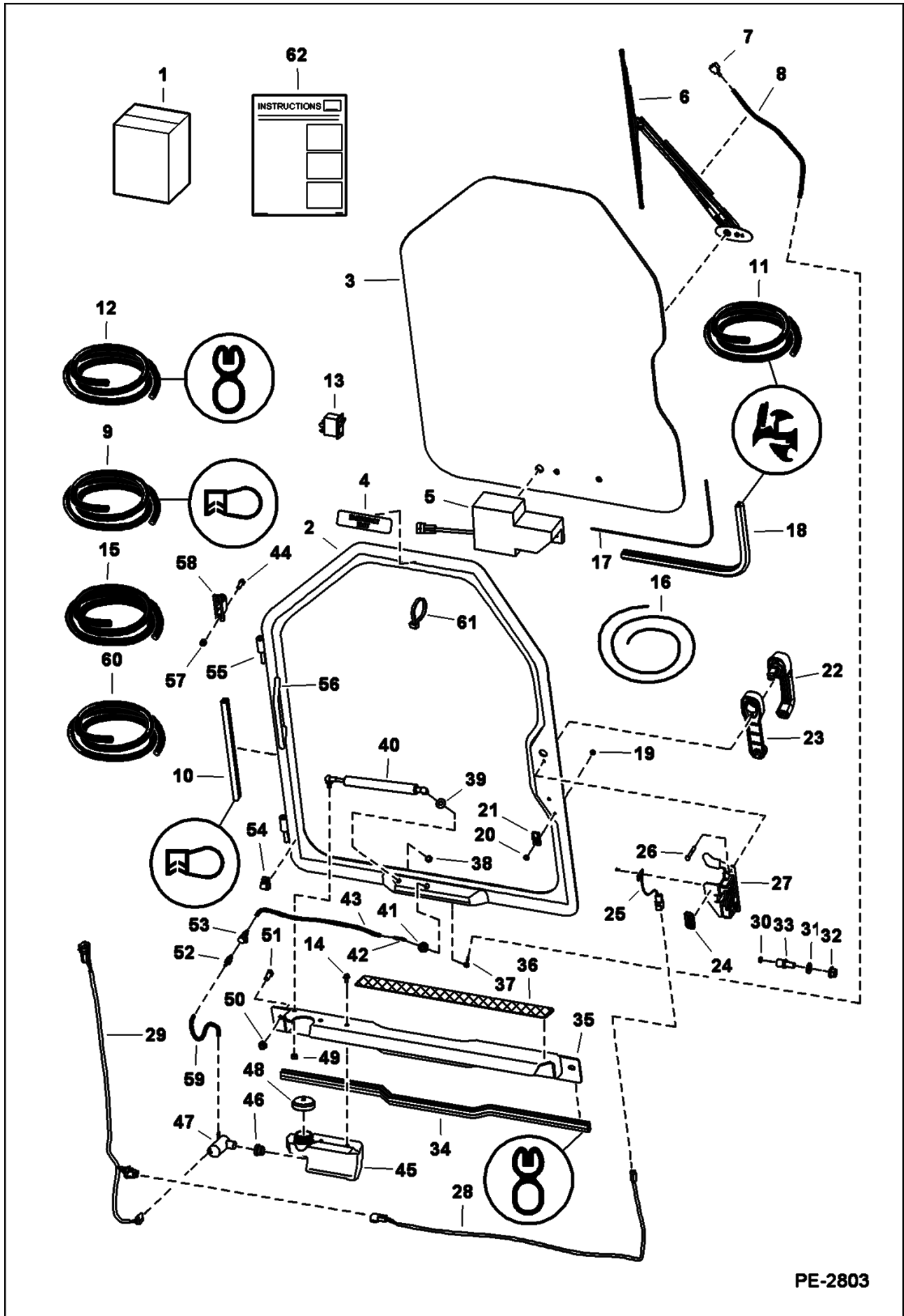


MS-1943

BUCKET POSITIONING VALVE (Cont'd)

Ref No	Part Number	Description	Remarks	Serial Number	Qty
1	6673959	VALVE, BPV	white - W/solenoid - Ref. 2-23		1
2	6647784	PLUG	W/Ref. 3		1
3	79K10	O RING 10			4
4	6647785	SPRING			2
5	6647783	LOAD CHECK			2
6		SPOOL	NSS		1
7	6641179	CONNECTOR	2-pin		1
8	6676543	PLUG	W/Ref. 3		2
9	6667176	PLUG	W/Ref. 3		1
10	6667680	SNAP RING			1
11	6648294	SPRING			1
12		SPOOL	NSS		1
13		BODY	NSS		1
14	6667677	O-RING			1
15	6647777	PIN			1
16	79K6	O RING 10			1
17	6647778	CAP			1
18	6667676	COVER			1
19	8D4	NUT			1
20	6648293	SCREW			1
21	6672863	VALVE, SOLENOID			1
21	6671527	NUT			1
21	6670634	SEAL KIT			1
21	6675781	COIL	W/Ref. 7 & 22		1
21	6675780	CARTRIDGE			1
22	6641180	LOCK	Use W/ 2-pin connector		1
23	6647786	SEAL KIT	Ref. 3, 14, 16, & 18		1

CAB DOOR

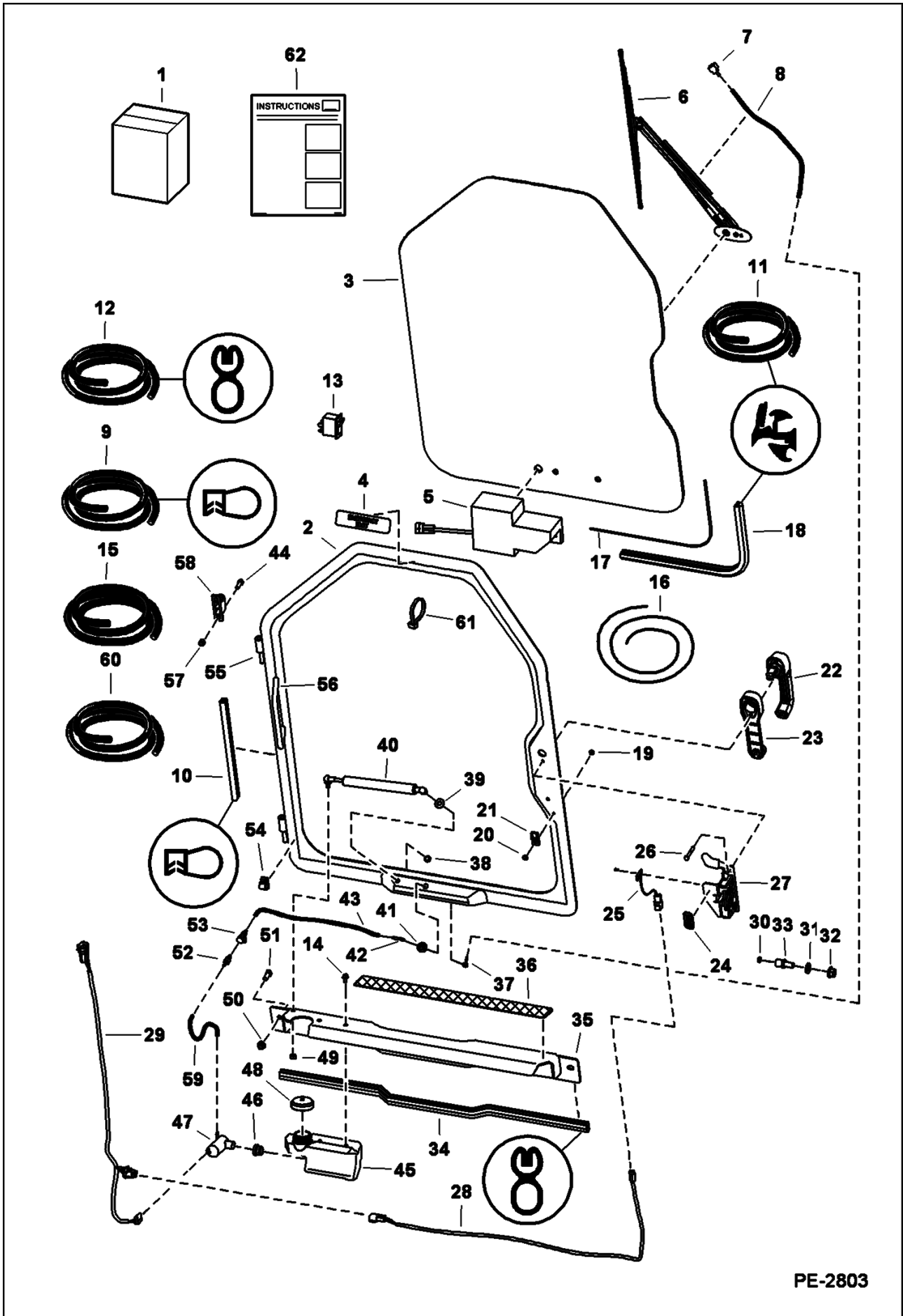


PE-2803

CAB DOOR (Cont'd)

Ref No	Part Number	Description	Remarks	Serial Number	Qty
1	6730822	KIT	door - Ref. 2-62 & Ref. 1-21 on ILL. MS1355		1
2	7109665	FRAME, DOOR CAB	W/Ref. 55 & 56 - Also Order Ref. 4		1
3		WINDOW	See Illustration CAB DOOR/ MS1355 - .25" thick glass		1
4	6707852	DECAL, EXIT	emergency		1
5		MOTOR	See Illustration CAB DOOR/ MS1355 - wiper		1
6		ARM ASSY	See Illustration CAB DOOR/ MS1355 - wiper		1
7		NOZZLE	See Illustration CAB DOOR/ MS1355 - wiper arm mounted		1
8		HOSE	See Illustration CAB DOOR/ MS1355		1
9	7011039	SEAL, BULK/FT 34	sold per foot - Was 6675558 [A]		x
10		SEAL	NAP - 127.3" (3233 mm) - Order Ref. 9		1
11	6665568	EXTRUSION	bulk - sold per foot		x
12	6513152	SEAL	bulk - sold per foot		x
13	6665707	SWITCH	front wiper		1
14	35C408	BOLT			2
15	6676003	HOSE,BULK	black - 0.109" ID - sold per foot		x
16	6554149	CORD	bulk - sold per foot		x
17		CORD	NAP - window - 113" (2878 mm) long - Order Ref. 16 - Also Order Ref. 61		1
18		SEAL	NAP - window - 113" (2878 mm) - Order Ref. 11		1
19	6665321	RIVET	male - plastic		1
20	6665322	RIVET	female - plastic		1
21	6665000	CLIP			1
22	7109662	HANDLE, LATCH DOOR			1
22	6693241	KEY 10	single key W/O ring		x
23	7109663	SPACER			1
24	7110316	DECAL, SAFETY	door sensor		1
25	6728459	DOOR SENSOR			1
25	6677193	RIVET	plastic		2
26	1CM640	SCREW			2
27	7109661	LATCH, DOOR W/SENSOR	W/Ref. 25		1
28	7104465	DOOR SWITCH HARNESS			1
29	7117322	HARNESS, WIPER	wiper		1
30	6677192	MAGNET			1
31	18EM1224	WASHER			1
32	51DM12	NUT	12 mm thread		1
33	7109664	BOLT	striker - 12 mm thread		1
34		SEAL	NAP - threshold - 36" (914 mm) - Order Ref. 12		1
35	6730816	SHIELD			1
36	6542731	SAFETY TREAD			1
37	6676500	ELBOW			1
38	46D5	NUT	acorn		1
39	25E16	WSHR			1
40	7157893	GAS SPRING	Was 6682586 [A]		1
40	6678548	SOCKET	ball		2
40	6649244	STUD			2
40	6649245	RETAINER	spring		2
41	6676499	GROMMET	wiper		1
42	6676917	ELBOW			1
43		HOSE	NAP - 20.25" (514.4 mm) - Order Ref. 15		1

CAB DOOR (Cont'd)

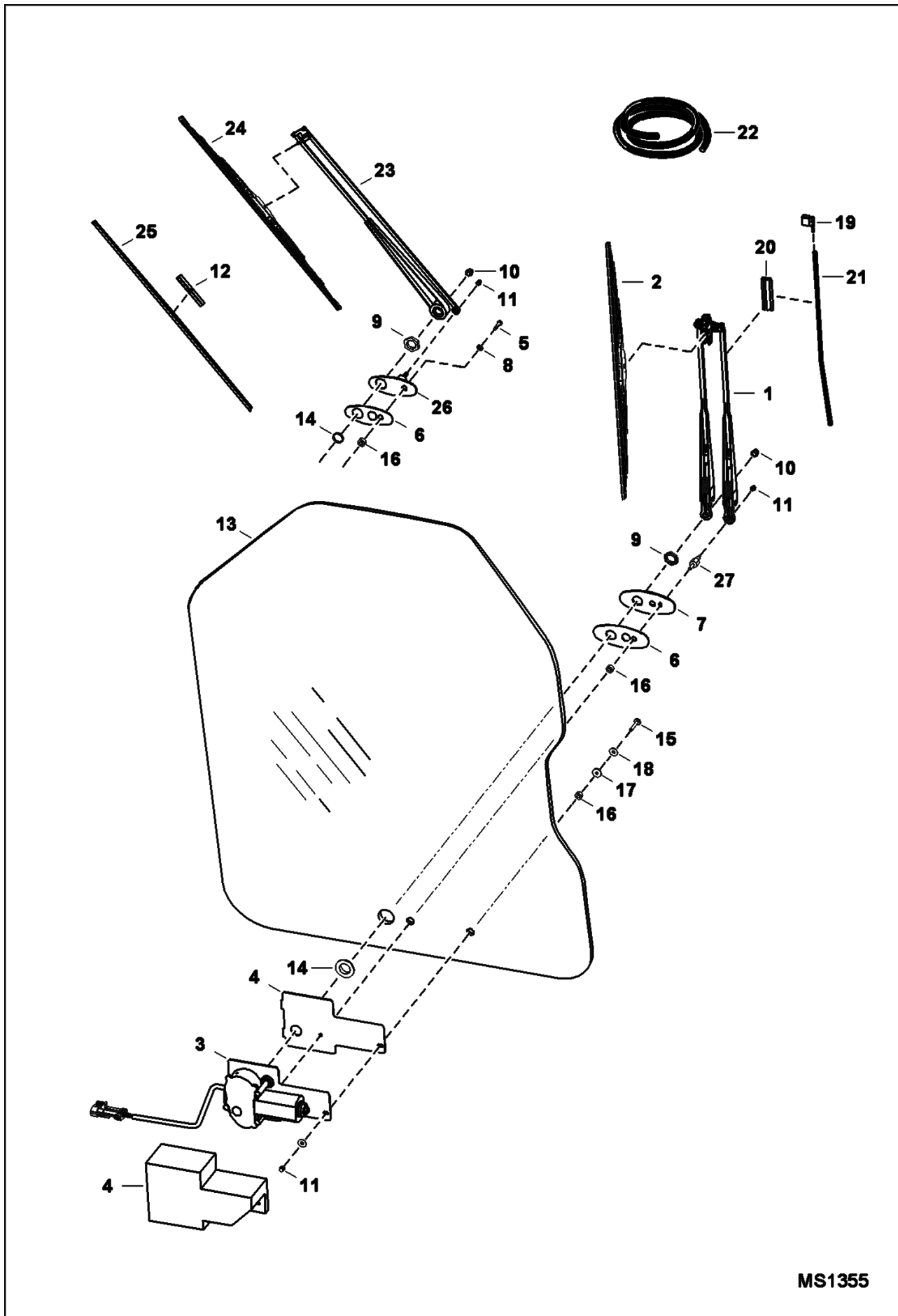


PE-2803

CAB DOOR (Cont'd)

Ref No	Part Number	Description	Remarks	Serial Number	Qty
44	17C512	BOLT 5			4
45	7133211	TANK, WASHER			1
46	6666766	GROMMET			1
47	6664554	PUMP, WIPER WASHER			1
48	6674993	CAP	vented		1
49	61D5	NUT			1
50	61D6	NUT 5			2
51	17C612	BOLT 5			2
52	6675299	COUPLER	insert		1
53	6675298	COUPLER, BODY	body		1
54	6675378	CLIP	wire - W/adhesive back - Use W/doors W/O welded-on retainers		3
55	6718376	HINGE	door		2
56	7138347	HANDLE	grab		1
57	59D5	NUT 5			4
58	6717593	HINGE	base		2
59		HOSE	NAP - 4.25" (108 mm) long - Order Ref. 60		1
60	6708310	HOSE, BULK 100	clear - 0.154" ID - sold per foot		x
61	6610510	TIE	cord removal		1
61	6624289	STRAP, TIE	Use W/doors W/welded-on retainers		3
62	6900854	INSTRUCTIONS			1

CAB DOOR (Window & Wiper)

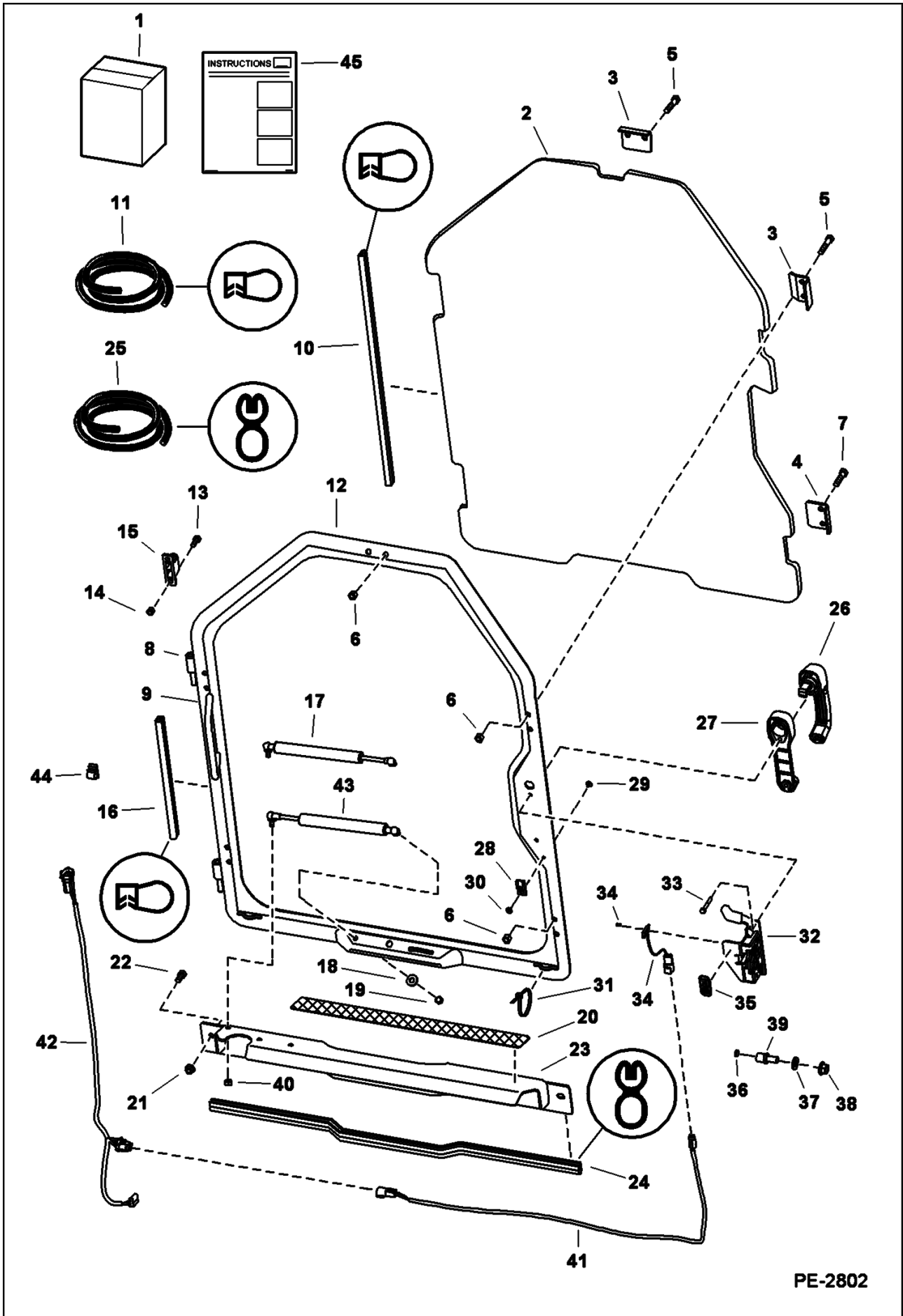


MS1355

**CAB DOOR (Cont'd)
(Window & Wiper)**

Ref No	Part Number	Description	Remarks	Serial Number	Qty
1	7188371	ARM, WIPER			1
2	7188372	BLADE, WIPER WINDOW			1
3	6679476	MOTOR, WIPER	W/threaded shaft end & built in fuse		1
3	6640699	CONNECTOR	electrical connector		1
4	6677836	COVER			1
5	6677837	BOLT			1
6	6677839	GASKET			1
7	7009047	PLATE			1
8	6677841	WASHER	tooth lock		1
9	6677842	NUT			1
10	6677843	NUT			1
11	6677844	NUT			2
12	6677845	ADAPTER	wiper blade - Use W/Ref. 2 (6677834 blade)		1
13	6729776	WINDOW, DOOR CURVED CAB	0.25" thick glass - W/ 25,4 mm (1") dia wiper motor shaft hole		1
14	6677847	GROMMET	rubber		1
15	6678198	BOLT			1
16	6664085	BUSHING	nylon		2
17	6801059	WASHER	neoprene		1
18	6678739	WASHER	steel		2
19	7020353	NOZZLE, WIPER	Was 6678920 [A]		1
20	6678921	GUIDE	hose		1
21		HOSE	NAP - 18" (457,2 mm) long - Order Ref. 22		x
22	6676003	HOSE,BULK	black - 0.109" ID - sold per foot		x
23		ARM, WIPER	NAP - W/Ref. 19-21 - Order Ref. 1, 2, 7 & 27 - Was 6677833 [A]		1
24	7147359	BLADE, WIPER WINDOW	one piece blade		1
25	6677834	BLADE, WIPER WINDOW	Also Order Ref. 12		2
26	6677840	SWIVEL, PLATE ASSY			1
27	7188373	SWIVEL, PLATE ASSY			1

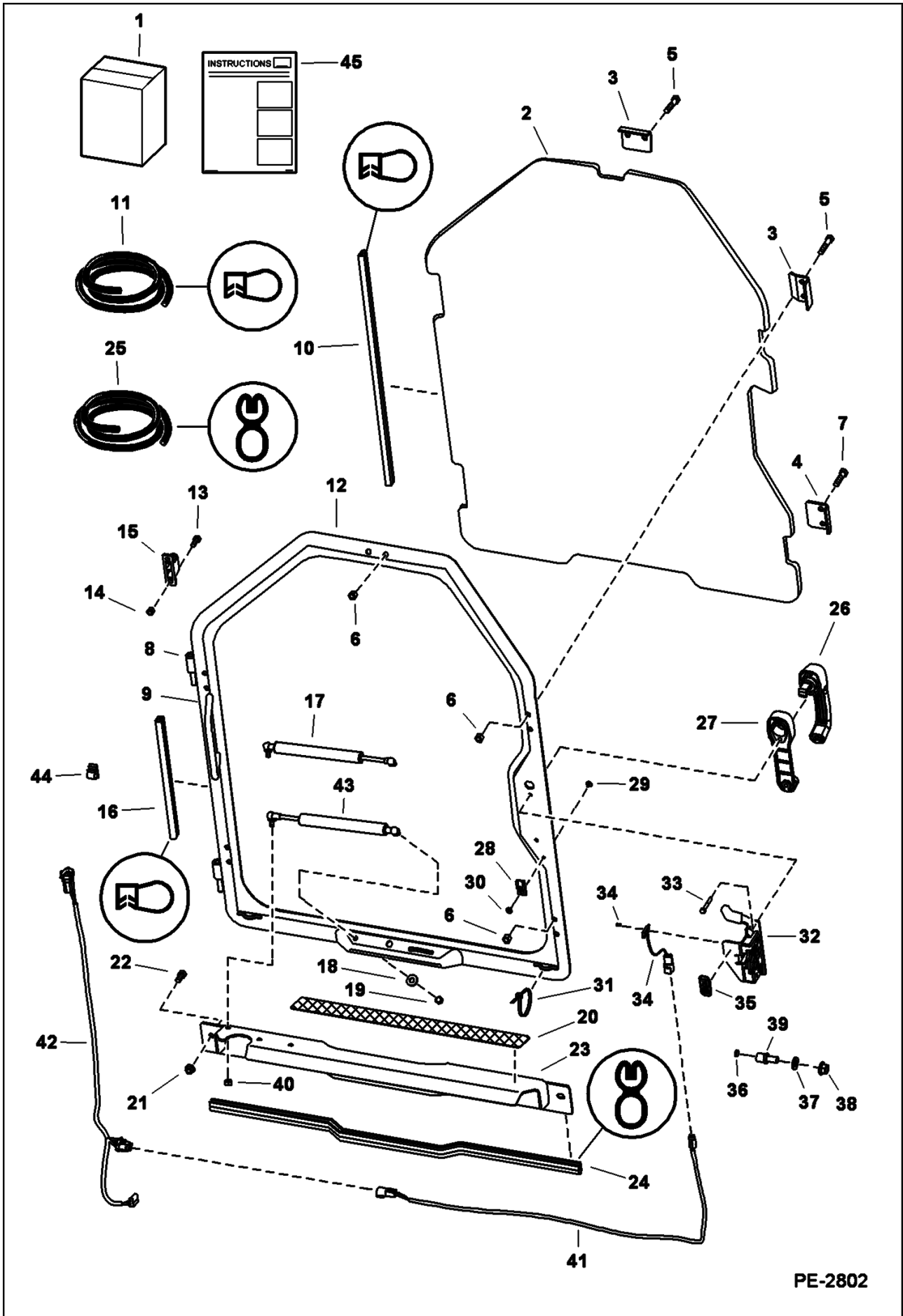
CAB DOOR (Special Applications)



**CAB DOOR (Cont'd)
(Special Applications)**

Ref No	Part Number	Description	Remarks	Serial Number	Qty
1	6730823	KIT	door - Ref. 2-43 - wiper is not included because it may scratch special applications window		1
2	6732351	WINDOW	0.5" thick polycarbonate - W/top notch		1
3	6725938	CLAMP			3
4	6725937	CLAMP			2
5	17C628	BOLT			6
6	95D6	NUT			10
7	17C624	BOLT 5			4
8	6718376	HINGE	door		2
9	7138347	HANDLE	grab - Was 6718521 [B]		1
10		SEAL	NAP - 115" (2921 mm) long - Order Ref. 11		1
11	7011039	SEAL, BULK/FT 34	sold per foot - Was 6675558 [A]		x
12	7110430	SPECIAL APPS DOOR	W/Ref. 8 & 9		1
13	59D5	NUT 5			4
14	17C512	BOLT 5			4
15	6717593	HINGE	base		2
16		SEAL	NAP - 127.3" (3233,4 mm) long - Order Ref. 11		1
17		GAS SPRING	NAP - Order Ref. 43 - Was 6682586 [A]		1
17	6678548	SOCKET	ball		2
17	6649244	STUD	ball		2
17	6649245	RETAINER	spring		2
18	25E16	WSHR			1
19	46D5	NUT	acorn		1
20	6542731	SAFETY TREAD			1
21	55D6	NUT			2
22	17C612	BOLT 5			2
23	6730816	SHIELD			1
24		SEAL	NAP - 36" (914,4 mm) long - Order Ref 25		1
25	6513152	SEAL	bulk - sold per foot		x
26	7109662	HANDLE, LATCH DOOR			1
26	6693241	KEY 10	single key W/O ring		x
27	7109663	SPACER			1
28	6665000	CLIP			1
29	6665321	RIVET	male - plastic		1
30	6665322	RIVET	female - plastic		1
31	6624289	STRAP, TIE	Use W/doors W/welded-on retainers		3
32	7109661	LATCH, DOOR W/SENSOR	W/Ref. 34		1
33	1CM640	SCREW			2
34	6728459	DOOR SENSOR			1
34	6677193	RIVET	plastic		2
35	7110316	DECAL, SAFETY	door sensor		1
36	6677192	MAGNET			1
37	18EM1224	WASHER			1
38	51DM12	NUT	12 mm thread		1
39	7109664	BOLT	striker - 12 mm thread		1
40	61D5	NUT			1
41	7104465	DOOR SWITCH HARNESS	door sensor		1
42	7117322	HARNESS, WIPER	wiper		1
43	7157893	GAS SPRING			1
44	6675378	CLIP	wire - W/adhesive back - Use W/doors W/O welded-on retainers		3

CAB DOOR (Cont'd) (Special Applications)

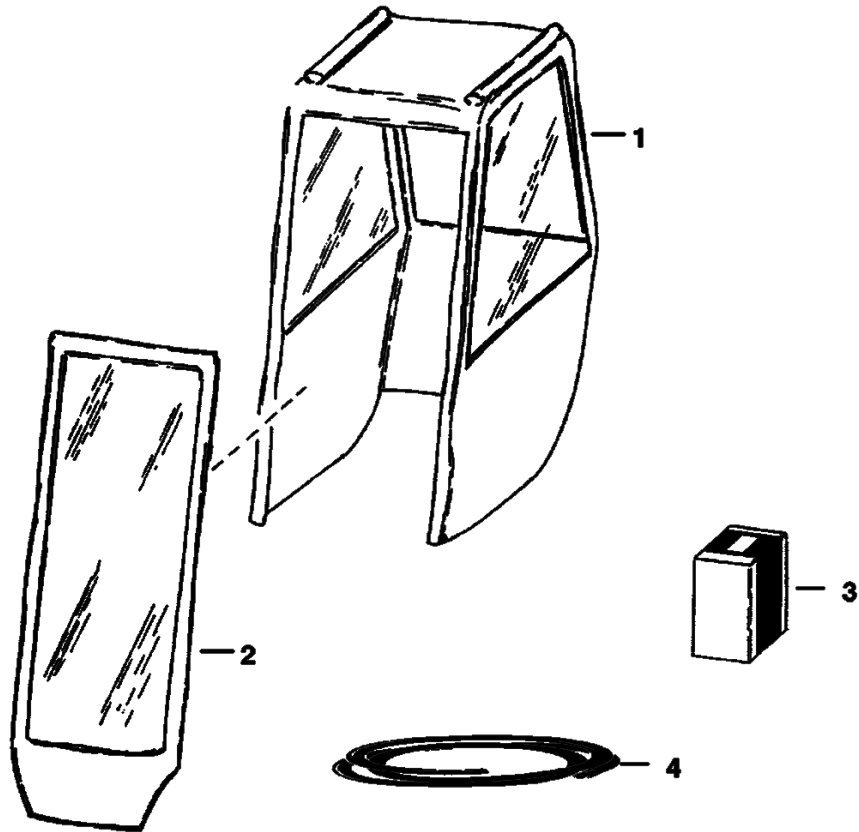


PE-2802

**CAB DOOR (Cont'd)
(Special Applications)**

Ref No	Part Number	Description	Remarks	Serial Number	Qty
45	6901013	INSTRUCTIONS			1

CAB ENCLOSURE
(Envelope)

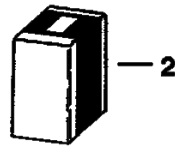
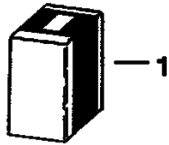


B-1413

CAB ENCLOSURE (Cont'd)
(Envelope)

Ref No	Part Number	Description	Remarks	Serial Number	Qty
1	6675544	CANVAS CAB	W/Ref. 2-4 - fits over cab		1
2	6675590	DOOR	vinyl		1
3	6675591	HINGE KIT			1
4	6722597	VELCRO	27 feet (8,2 m)		1

**CAB ENCLOSURE
(Cab Enclosure Kit) (Special Applications Kit)**



NOTE:

Ref. 1 - Cab Enclosure Kit

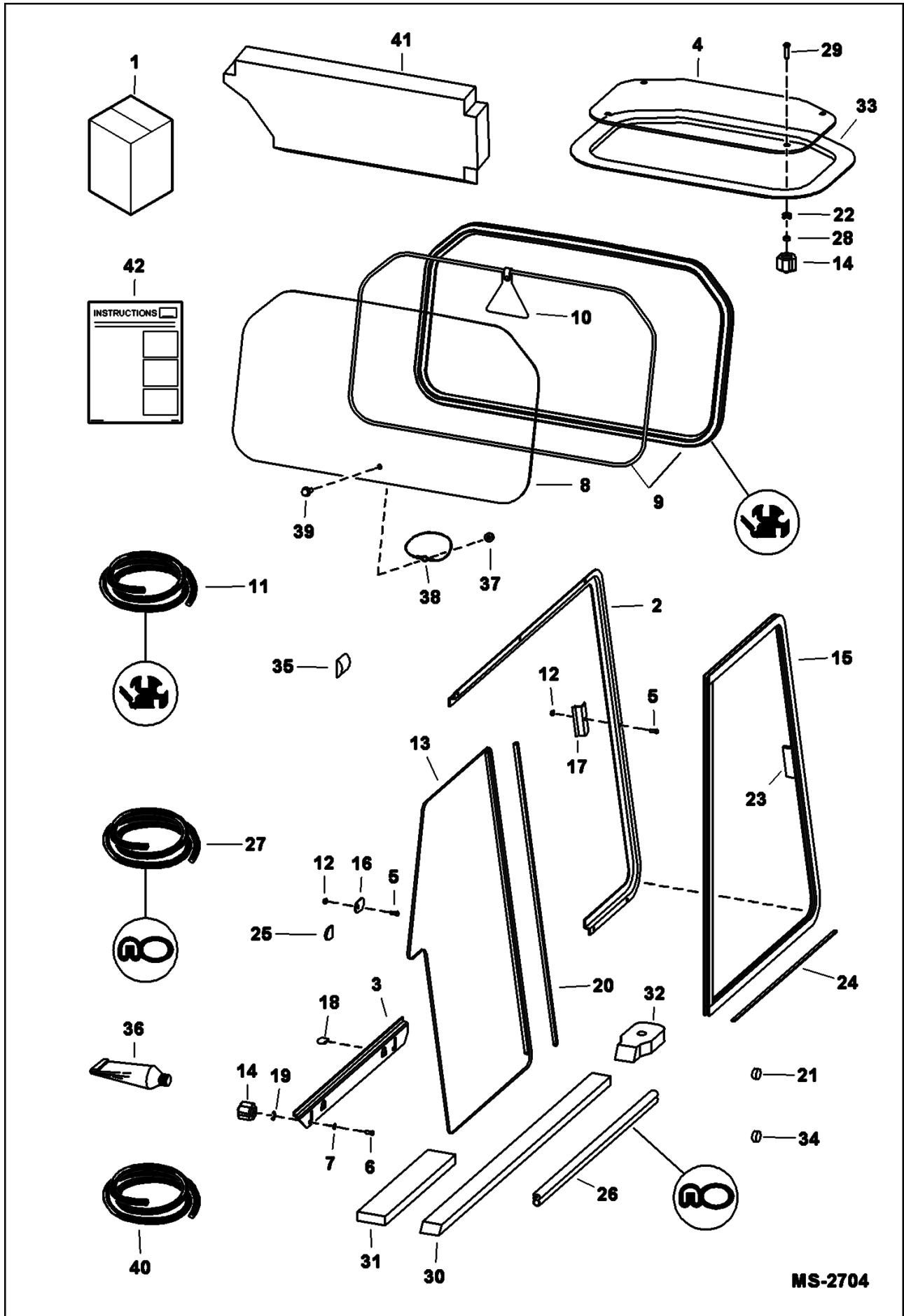
Ref. 2 - Special Applications Kit - To complete the Cab Enclosure Also Order Side Windows Kit, 3rd Gas Spring Kit & Access Cover Kit.

B-17100

**CAB ENCLOSURE (Cont'd)
(Cab Enclosure Kit) (Special Applications Kit)**

Ref No	Part Number	Description	Remarks	Serial Number	Qty
1		KIT	SALES #6731938 - includes access cover kit, dual tilt door kit, 3rd gas spring kit & side window kit - if loader is not equipped W/deluxe cab accessories harness, heater, A/C, SJC, ACS, power Bob-Tach, cab enclosure door kit, rear wiper or any of the following cab harness connected rotating beacon, 4-way flasher or strobe light, Also Order 7139311 deluxe cab accessories harness - SEE NOTE		1
2		KIT	SALES #6731937 - special applications kit - includes dual door kit, lexan top window kit & lexan rear window kit - if loader is not equipped W/deluxe cab accessories harness, heater, A/C, SJC, ACS, power Bob-Tach, cab enclosure door kit, rear wiper or any of the following cab harness connected rotating beacon, 4-way flasher or strobe light, Also Order 7139311 deluxe cab accessories harness - SEE NOTE		1

CAB WINDOWS (Top, Rear & Side)

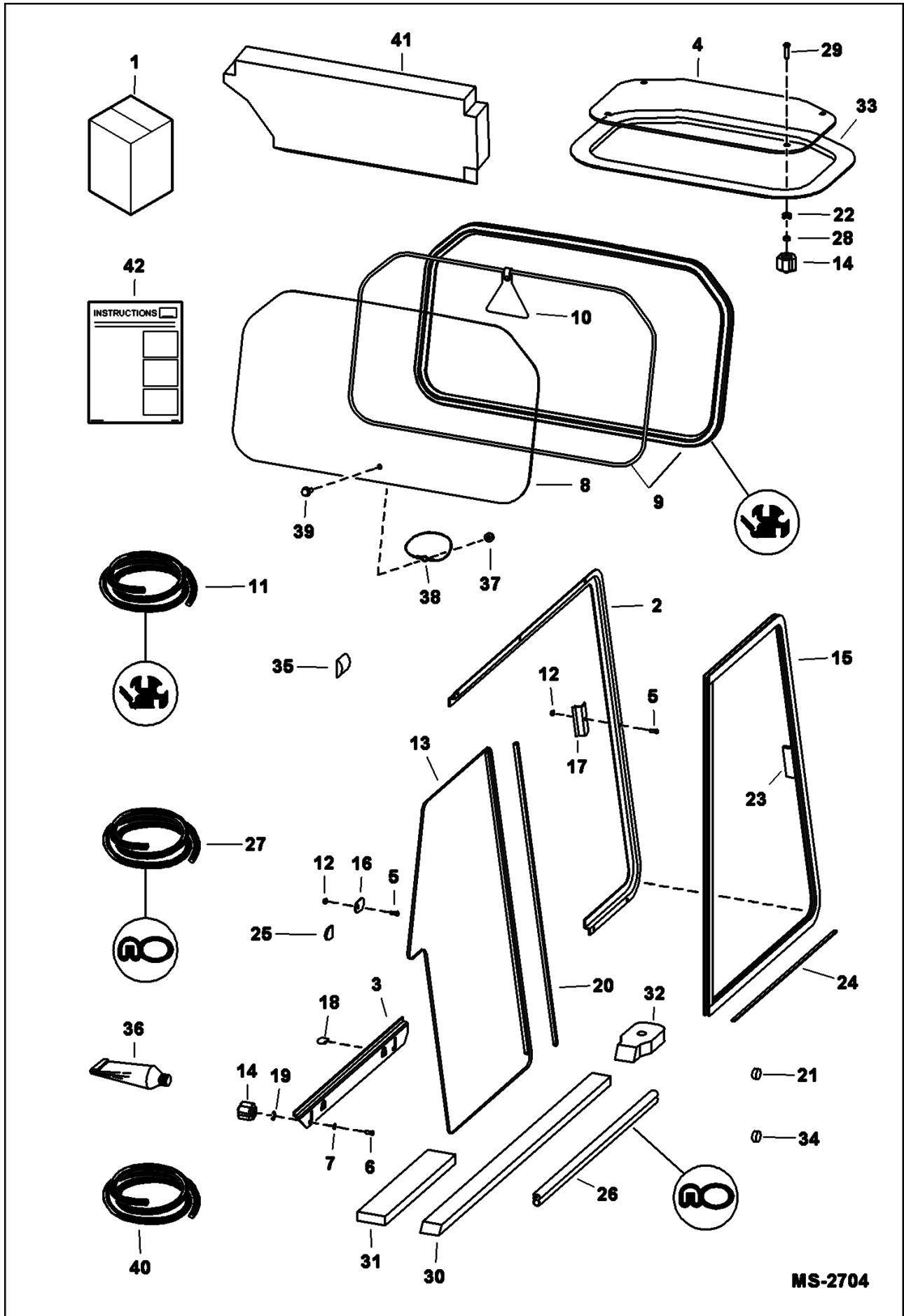


MS-2704

CAB WINDOWS (Cont'd)
(Top, Rear & Side)

Ref No	Part Number	Description	Remarks	Serial Number	Qty
1	6718805	KIT, WINDOW REAR & TOP	Ref. 8-10, 14, 33 & 41 - Was SALES [A]		1
1	7131580	KIT, WINDOW SIDE	Ref. 2-7, 12-19, 21, 25, 30, 32, 35 & 40-42 - Order SALES #7131580 [A]		1
2	6717870	FRAME	LH side		1
2	6717872	FRAME	RH side		1
3	6717871	FRAME	LH bottom		1
3	6717873	FRAME	RH bottom		1
4	7105034	WINDOW TOP	Was 7105035 [A]		1
5	10C410	BOLT	carriage		14
6	10C412	BOLT	carriage		8
7	25E14	WSHR			4
8	6717874	WINDOW	rear - .1875" thick		1
8	6719413	WINDOW	rear - polycarbonate		1
9		EXTRUSION	NAP - one piece - Order Ref. 11		1
9		EXTRUSION	NAP - 1924 mm (75.75") long - Order Ref. 11		1
9		CORD	NAP - 1924 mm (75.75") long - Order Ref. 11		1
10	6731478	EXIT TAG			1
11	6675387	EXTRUSION	bulk - sold per foot		x
11	6554149	CORD	bulk - sold per foot		x
12	59D4	NUT 5			18
13	6691001	WINDOW	rear - LH - W/Ref. 20		1
13	6691003	WINDOW	rear - RH - W/Ref. 20		1
14	6681614	KNOB			8
15	7003481	WINDOW, LEFT ASSY	sliding - W/Ref. 23 - Was 6691000		1
15	7003482	WINDOW, RIGHT ASSY	sliding - W/Ref. 23 - Was 6691002		1
16	6719063	STOP	window		2
17	6719037	STRIKER			2
18	6719065	COVER TAB			4
19	6675212	RETAINER	tab bolt		4
20	6675833	SEAL	rear window - dual wiper W/tape		2
21	6657719	PLUG	0.75" dia hole		2
22	6675545	GROMMET			4
23	6678283	HANDLE, WINDOW SIDE	W/self adhesive strip		2
24		FELT STRIP	NAP - 517,7 mm (20.38") long - Order Ref. 40		2
25	6677198	TAB	cab		2
26		SEAL	NAP - 609,6 mm (24") long - Order Ref. 27		2
27	6555351	SEAL	bulk - sold per foot		x
28	6664085	BUSHING	nylon		4
29	91G420	SCREW			4
30	7156758	INSULATION, STRIP			2
31	7156723	INSULATION, FLOOR			2
32	6729011	SEAL	cab mount		2
33	7165265	SEAL, WINDOW			1
34	6677973	PLUG	.22" dia hole		2
35	7103075	SEAL			2
36		ADHESIVE	NAP - 1 oz - top window seal		1
37	83D5	NUT 5			1
38	6555331	WIRE ROPE			1
39	35C516	BOLT 10			1
40	6676927	FELT STRIP	bulk - sold per foot		x
41	6727299	INSULATION	See Illustration OPERATOR CAB/ PE3547 - cab back		1

CAB WINDOWS (Cont'd)
(Top, Rear & Side)

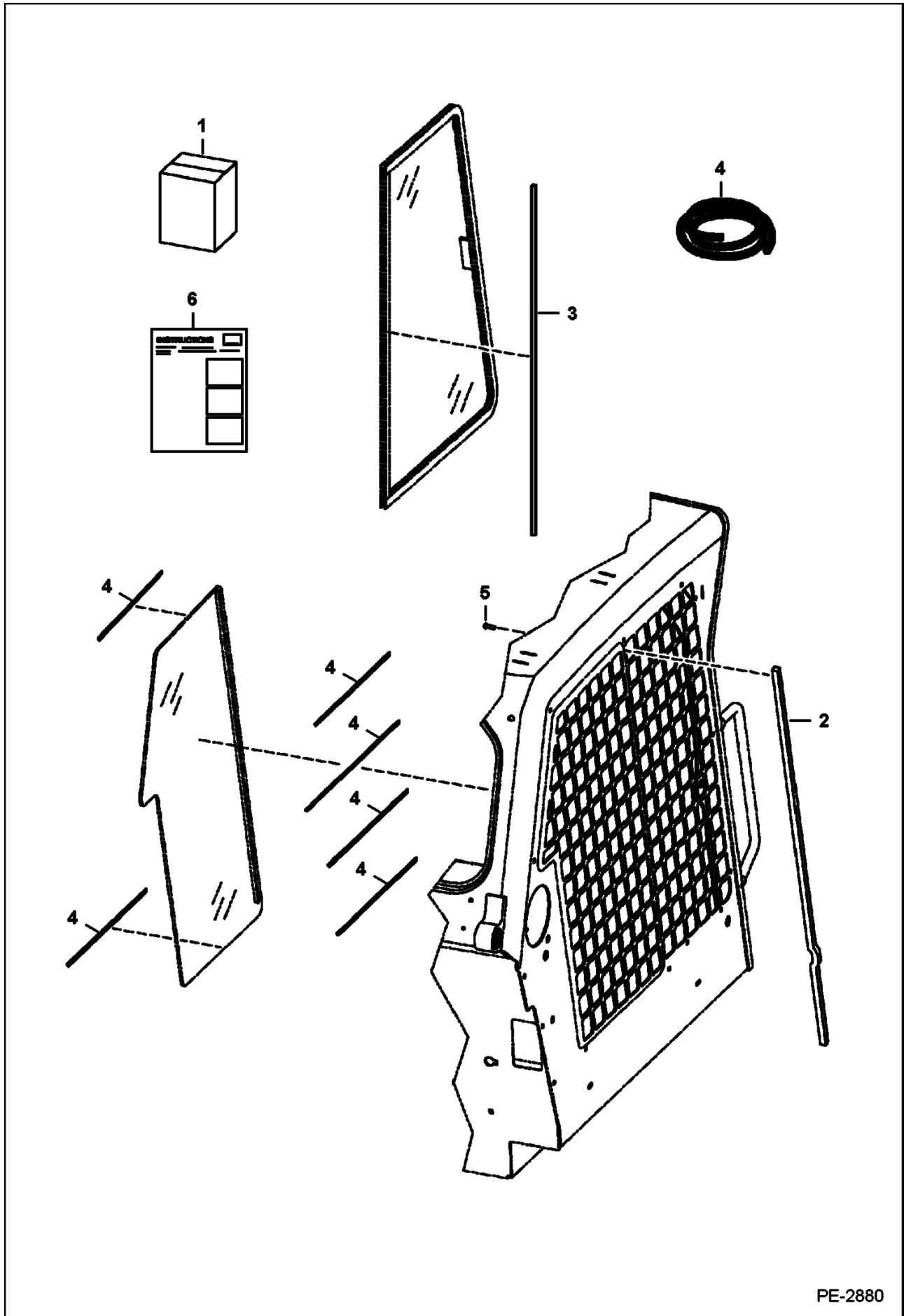


MS-2704

CAB WINDOWS (Cont'd)
(Top, Rear & Side)

Ref No	Part Number	Description	Remarks	Serial Number	Qty
42	6900853	INSTRUCTIONS	INSTRUCTIONS - side windows		1
42	6900852	INSTRUCTIONS	INSTRUCTIONS - top & rear window		1

CAB WINDOWS (Window Rib Kit)

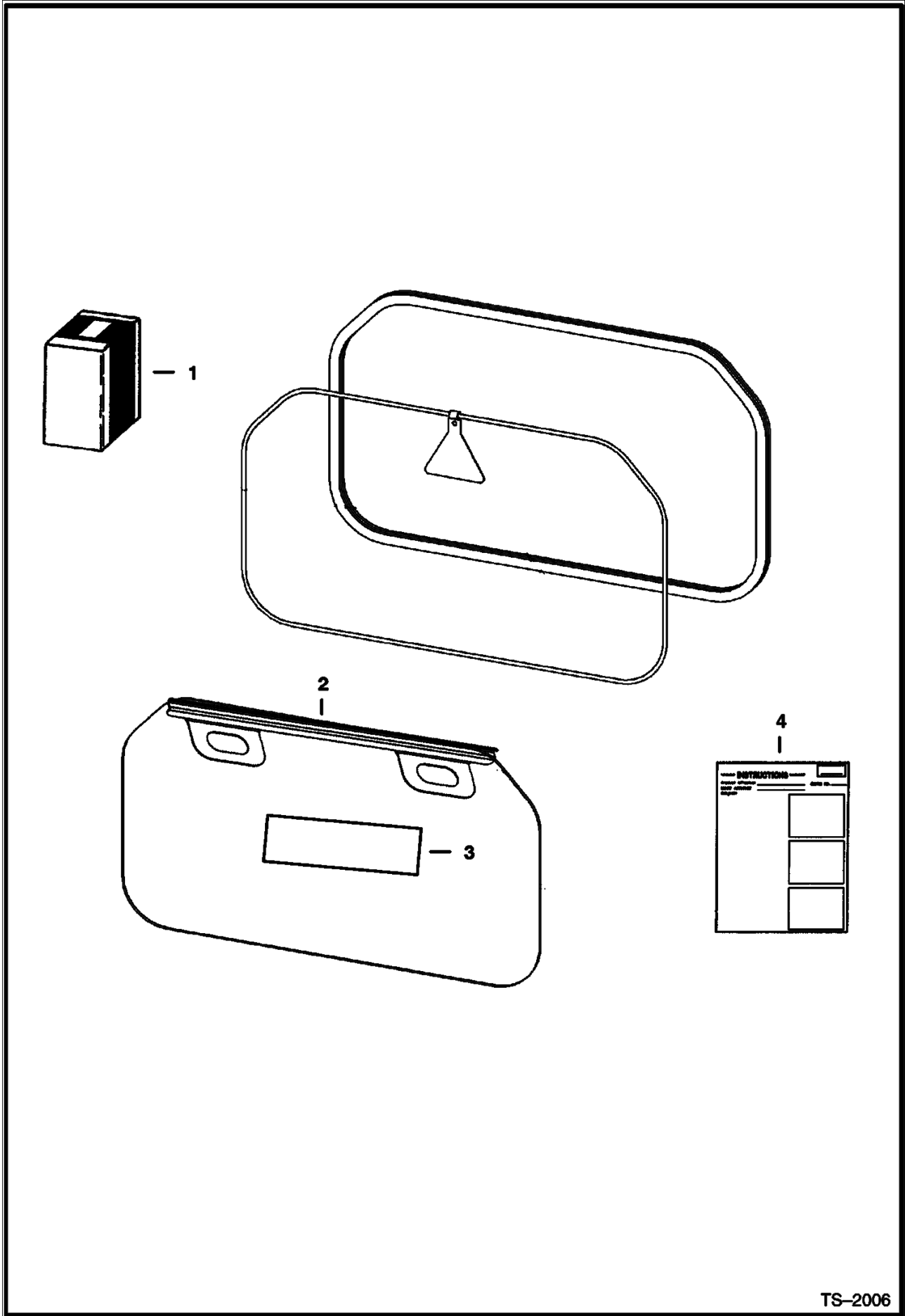


PE-2880

**CAB WINDOWS (Cont'd)
(Window Rib Kit)**

Ref No	Part Number	Description	Remarks	Serial Number	Qty
1	7122462	KIT, RIB WINDOW	Ref. 2-6 - can NOT Use W/single point lift kits - Ref. 2 & 5 may already be installed		1
2	7153099	BRACE, CAB			2
3	7122487	2 SEAL, WIPER			2
4	7122488	SEAL, BULB	180" (4572 mm) long - cut to fit		1
5	7142024	SCREW	Was 25GT410 [B]		8
6	6904744	INSTRUCTIONS			1

CAB WINDOWS (Rear Window Removal Kit)

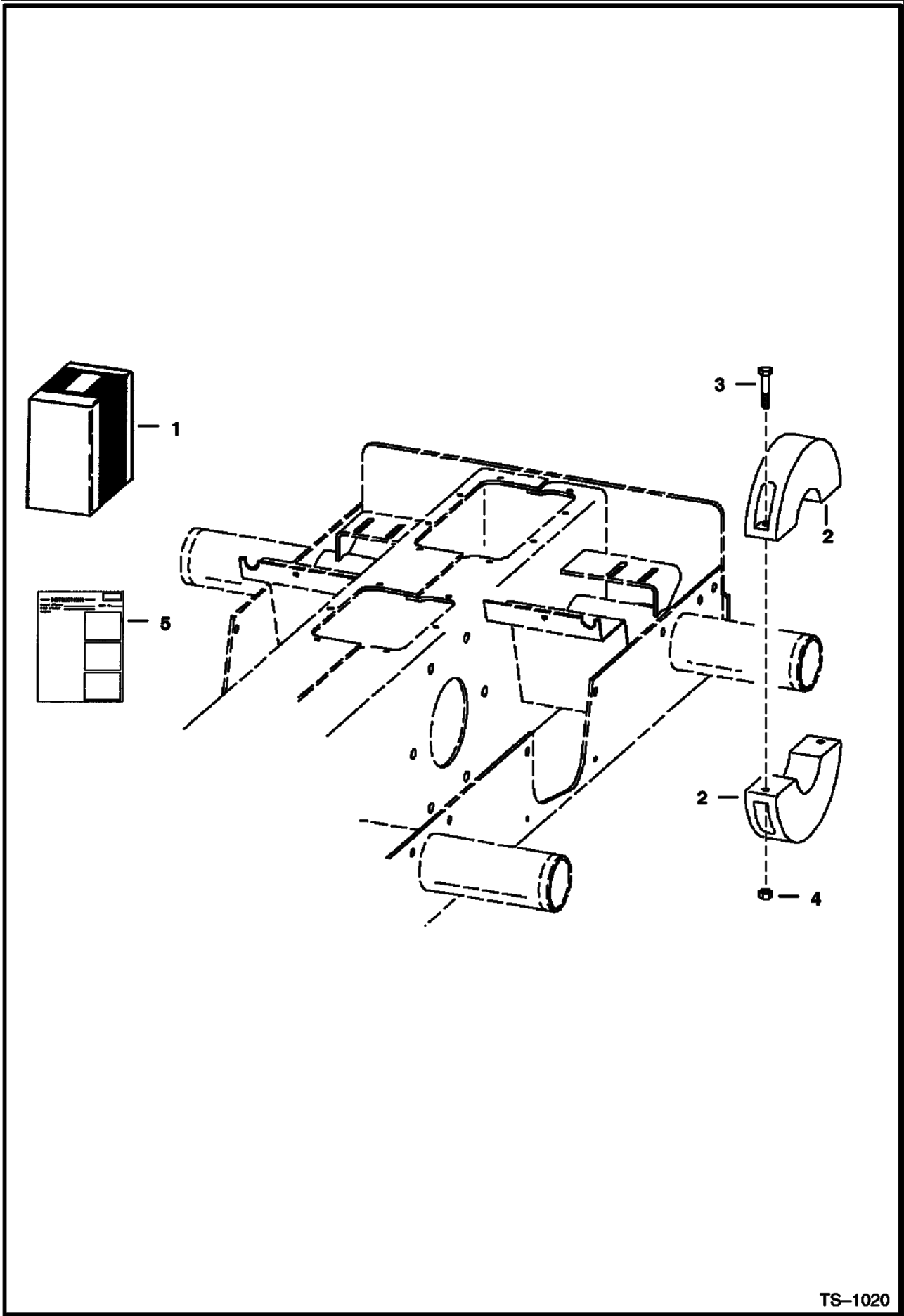


TS-2006

CAB WINDOWS (Cont'd)
(Rear Window Removal Kit)

Ref No	Part Number	Description	Remarks	Serial Number	Qty
1	6725946	KIT	Ref. 2-4		1
2	6725421	HANDLE			1
3	6726303	DECAL, OPERATION	removeable rear window		1
4	6901029	INSTRUCTIONS			1

COUNTERWEIGHT KIT (Front Axle)

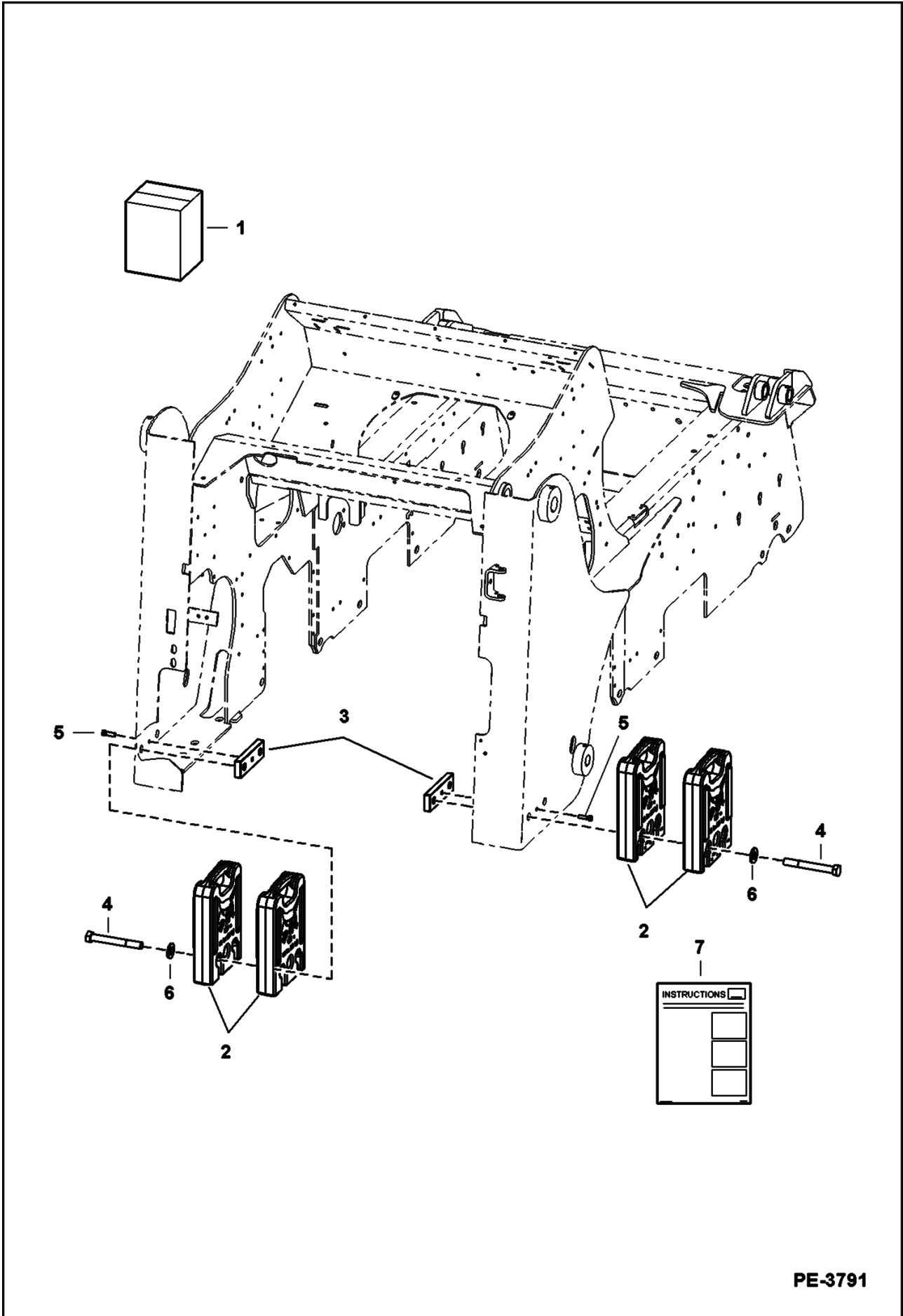


TS-1020

COUNTERWEIGHT KIT (Cont'd)
(Front Axle)

Ref No	Part Number	Description	Remarks	Serial Number	Qty
1	6704284	KIT, COUNTERWEIGHT	counterweight		1
2	6714361	COUNTERWEIGHT, AXLE FRONT	71,6 kg (38.7 lb) - 114,3 mm (4.5") wide		4
3	17C640	BOLT 5			8
4	61D6	NUT 5			8
5	6900366	INSTRUCTIONS			1

COUNTERWEIGHT KIT
(200 lb) (91 kg)



PE-3791

COUNTERWEIGHT KIT (Cont'd)
(200 lb) (91 kg)

Ref No	Part Number	Description	Remarks	Serial Number	Qty
1	7129250	KIT, COUNTERWEIGHT	Ref. 2-7 - 91 kg (200 lb)		1
2	7129173	COUNTERWEIGHT	23 kg (50 lb)		4
3	7155158	PLATE, THREADED			2
4	1C1296	BOLT			4
5	35C620	BOLT 5	Was 17C620 [B]		2
6	27E12	WASHER			4
7	6987128	INSTRUCTIONS			1

DECALS (Inside)

16 **WARNING**
AVOID SLIPS
• Sit on seat. Do not touch...
• Always use before working.

17 **LOW SULFUR OR ULTRA LOW SULFUR DIESEL FUEL ONLY**
SOLO COMBUSTÍVEL DIESEL CON BAJO O ULTRA BAJO CONTENIDO DE SULFURO

1 [Empty box]

8 **DANGER**
AVOID DEATH
• Disconnecting or loosening any hydraulic...
• Keep out of this area when lift arms are raised unless supported by an approved lift arm support. Because it is dangerous.

4 [Empty box]

11 [Empty box]

6 **RATED OPERATING CAPACITY**
900 kg 2000 lbs.

9 **WARNING**
AVOID INJURY OR DEATH
TO LEAVE THE LOADER:

7 [Vertical arrow decal with number 7]

10 **WARNING**
AVOID INJURY OR DEATH
OPERATION INSTRUCTIONS FOR OPERATOR CONTROLS
TO OPERATE LOADER:
1. Pull seat belt across seat.
2. Adjust seat backrest.
3. Adjust gear "P" TO OPERATE LOADER" before information panel.
4. Push work mode (M) or (H) pedal on center instrument panel.
5. Add or "Reset" Work Mode on right instrument panel (if available).
6. Push or pull levers to set speed, stop, or reverse.
7. Push "P" TO OPERATE LOADER" button again if seat bar is raised and lowered or key is "Reset".
See Operator & Maintenance Manual and Handbook for more instructions.

15 [Vertical arrow decal with number 15]

3 **WARNING**
AVOID INJURY OR DEATH
TO OPERATE LOADER:
1. Pull seat belt across seat bar.
2. Engage seat belt. Push "P" TO OPERATE LOADER" button.
3. Push "P" TO OPERATE LOADER" button.
4. Push "P" TO OPERATE LOADER" button again if seat bar is raised and lowered or key is "Reset".
See Operator & Maintenance Manual and Handbook for more instructions.

2 [Bobcat logo decal]

13 **Service With Care**
Bobcat
Replacement Parts
Be Sure to Order the Correct Model or Check on Additional Models.

5 **WARNING**
AVOID INJURY OR DEATH
TO LEAVE THE LOADER:

12 **WARNING**
GENERAL OPERATING AND SERVICE
GENERAL MAINTENANCE WARNINGS

14 **SPRING LOADED IDLER ADJUSTING PROCEDURE**

B-27313

DECALS (Cont'd)
(Inside)

Ref No	Part Number	Description	Remarks	Serial Number	Qty
1	6904998	DECAL KIT	decal		1
1	7164408AR	KIT, DECAL	decal		1
1	7164408BR	KIT, DECAL	decal		1
1	7164408JP	KIT, DECAL	decal		1
1	7164409AR	KIT, TRANSLATION	translation		1
1	7164409BR	KIT, TRANSLATION	translation		1
2	6986651	HANDBOOK, OPERATORS	W/wire rope - not in kit - Was 6902600 [B,D]		1
2	6558309	WIRE ROPE	bulk - sold per foot - Also Order (2) of 6558310 sleeve		x
2	6558310	SLEEVE	wire rope		2
2	17C512	BOLT 5			1
2	61D5	NUT			1
2	84G3112	BOLT 5			1
3	6727926	DECAL, OPERATION	hand & foot controls - not in kit		1
4	6554100	TREAD	76,2 x 152,4 mm (3 x 6")		3
5	6728539	DECAL			1
5	6734646	DECAL, WARNING	selectable joystick controls - not in kit		1
6	7184780	DECAL, CAPACITY LIFT	Was 6734179 [A]		1
7	6735140	DECAL, THROTTLE			1
8	6717343	DECAL, DANGER			2
9	6734646	DECAL, WARNING	selectable joystick controls - not in kit		1
10	6734647	DECAL, OPERATION	selectable joystick controls - not in kit		1
11	6553976	SAFETY TREAD	127 x 203 mm (5 x 8")		1
12	6734534	DECAL, SERVICE	service checklist & schedule		1
13	6565200	DECAL, FILTER	not in kit		1
14	6709030	DECAL	belt tension - spring loaded idler		1
15	6708929	DECAL, COOLANT	propylene glycol		1
16	7160879	DECAL	warning		1
17	7152748	DECAL, FUEL DIESEL	low sulfer		1

DECALS
(Outside)

19

18

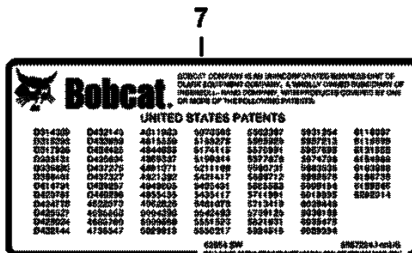
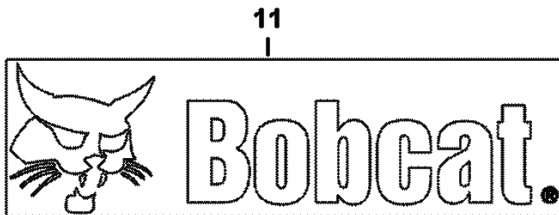
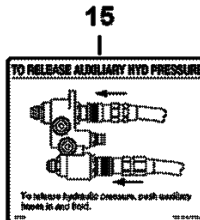
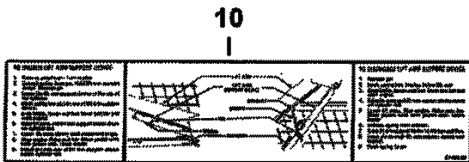
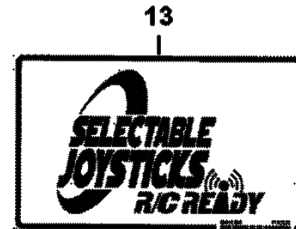
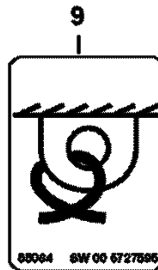
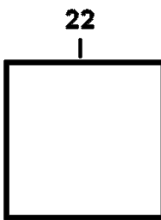
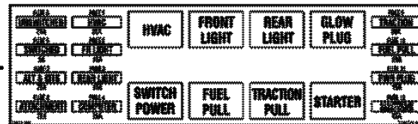
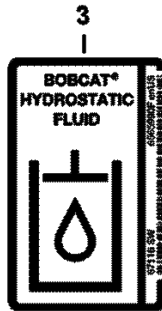
20

16

17

21

2

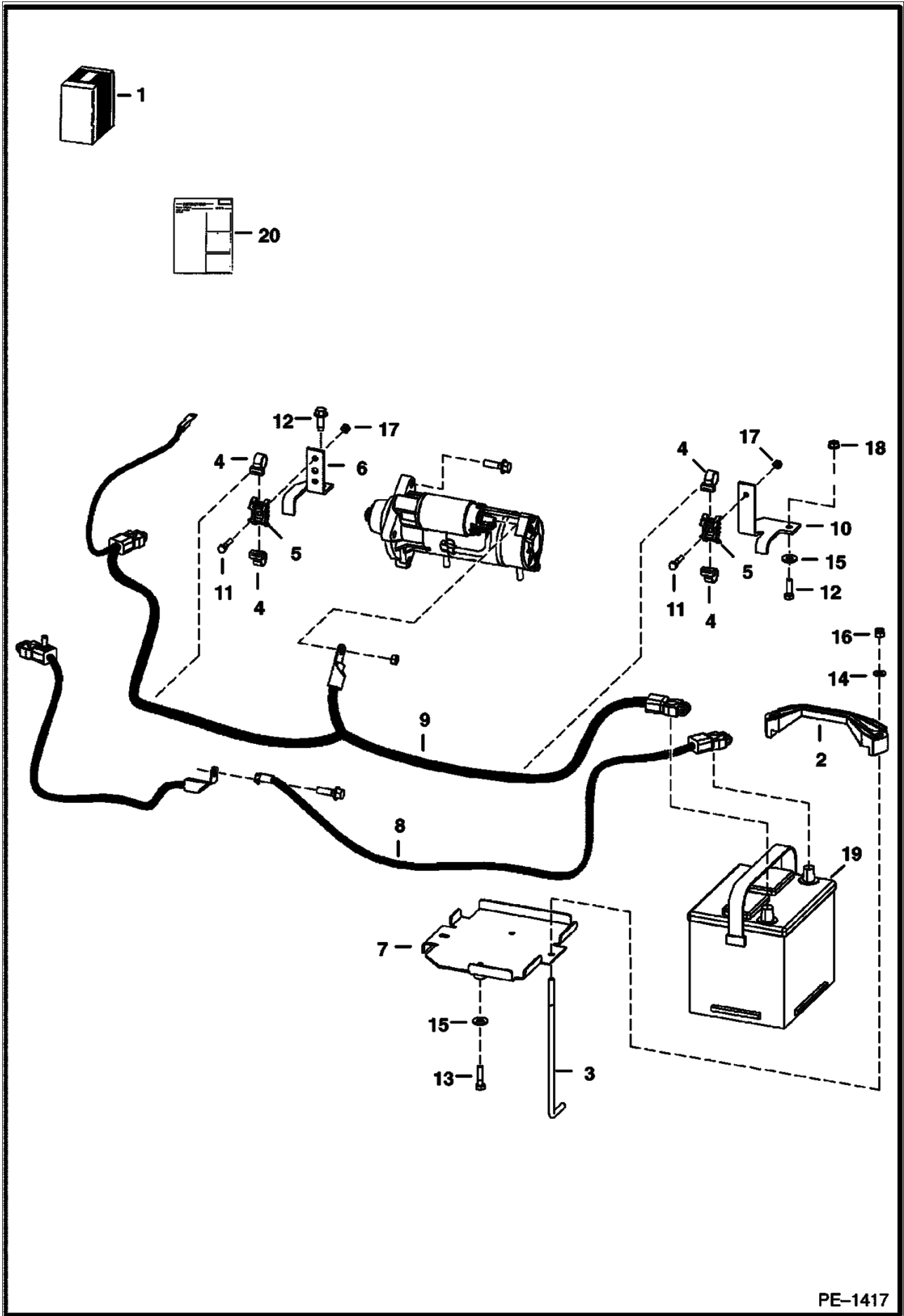


B-27331

DECALS (Cont'd)
(Outside)

Ref No	Part Number	Description	Remarks	Serial Number	Qty
1	6904998	DECAL KIT	decal		1
1	7164408AR	KIT, DECAL	decal		1
1	7164408BR	KIT, DECAL	decal		1
1	7164408JP	KIT, DECAL	decal		1
1	7164409AR	KIT, TRANSLATION	translation		1
1	7164409BR	KIT, TRANSLATION	translation		1
2	6560573	DECAL	spark arrestor		1
3	6565990	DECAL, OIL HYD	hydrostatic fluid fill		1
4	6577754	DECAL, WARNING	gas spring		3
5	6578368	DECAL, OPERATION	push to release stop		1
6	6735862	DECAL	gold package - not in kit		1
7		DECAL	NAP - patent - Was 6557224 [C]		1
8	7116870	DECAL, LOGO BOBCAT HEAD			1
9	6727595	DECAL, TIE- DOWN			2
10	6719018	DECAL	boom stop		1
11	6735901	DECAL, LOGO BOBCAT HEAD	white		1
12	7120804	DECAL	model		1
13	7145528	DECAL	selectable joystick controls - not in kit		1
14	6705340	DECAL, LUBRICANT	EMEA - not in kit		2
15	6731757	DECAL, OPERATION	to release auxiliary hyd. pressure - not in kit		1
16	6561383	DECAL, OPERATION	Bob-Tach locking levers		1
17	6579528	DECAL, WARNING	carry load low		1
18	6713507	DECAL	stay clear - European - not in kit		2
19	6702301	DECAL, DANGER			1
20	6702302	DECAL, DANGER			1
21	6710358	DECAL	warning		1
22	7108222	SAFETY TREAD	22.5" (571,5 mm) wide irregular shape		1
23	7120693	DECAL	high flow - (1) each side frame - not in kit	& Bel	2
23	7120693	DECAL	high flow - not in kit	& Abv	1
24	7159779	DECAL	fuse relay - 51 x 178 mm (2 x 7")		1
25	6729078	DECAL	2-speed		2
26	7204037	DECAL	iT4 compliant - not in kit		1

DUAL BATTERY KIT (W/O Starter)

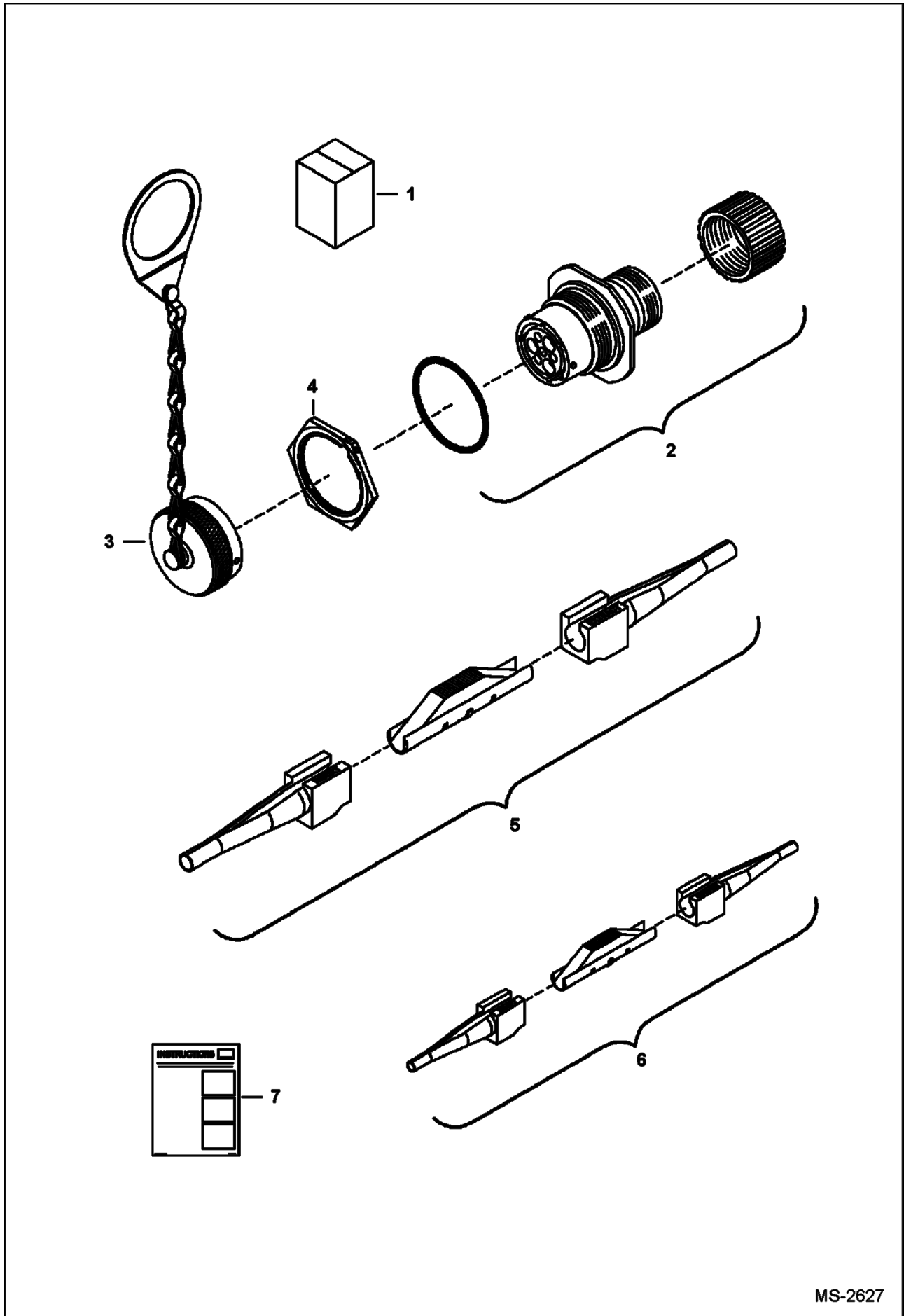


PE-1417

**DUAL BATTERY KIT (Cont'd)
(W/O Starter)**

Ref No	Part Number	Description	Remarks	Serial Number	Qty
1	6731694	KIT, BATTERY DUAL	Ref. 2-18 & 20		1
2	6569203	CLAMP			1
3	6576280	BOLT			2
4	6678669	STRAP			4
5	6678974	MOUNT			2
6	6715131	BRACKET			1
7	6731617	PAN	battery		1
8	6731665	CABLE	negative		1
9	6731666	CABLE	positive		1
10	6731746	BRACKET			1
11	17C420	CAPSCREW			2
12	17C516	BOLT			3
13	17C520	BOLT 5			2
14	25E15	WASHER			2
15	25E16	WSHR			3
16	59D5	NUT 5			2
17	61D4	NUT 5			2
18	97D5	NUT			1
19	6670251	BATTERY, DRY 530 AMP	not in kit		1
20	6901602	INSTRUCTIONS			1

ELECTRICAL CONNECTOR KIT (7-Pin)

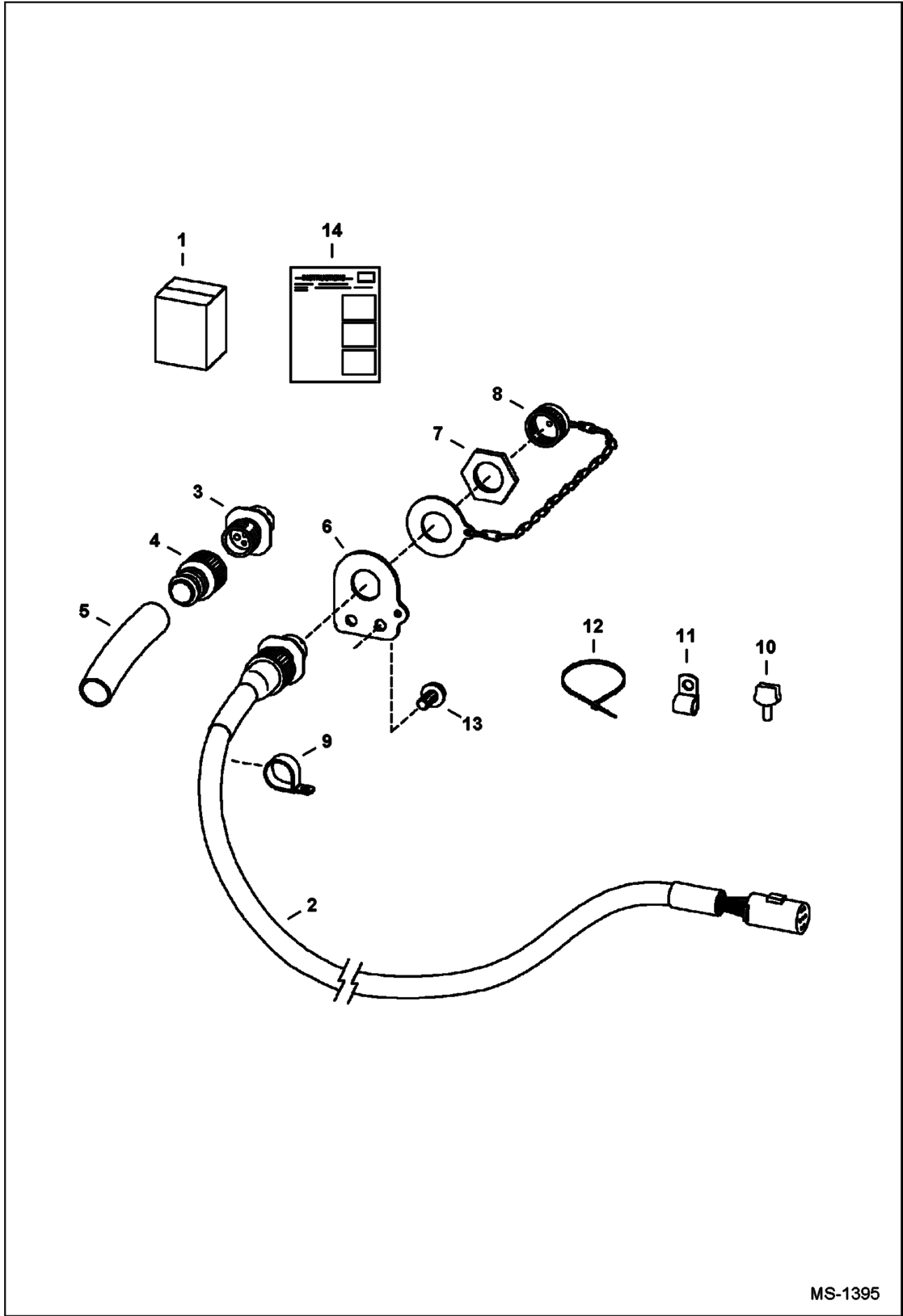


MS-2627

**ELECTRICAL CONNECTOR KIT (Cont'd)
(7-Pin)**

Ref No	Part Number	Description	Remarks	Serial Number	Qty
1	6727176	KIT	Ref. 2-4 & 7 - Order sockets as needed		1
2	6674802	CONNECTOR	7-pin does not include sockets		1
2	6669549	SOCKET	18 ga - not in kit		4
2	6677136	SOCKET	12 ga - not in kit		3
3	6675026	CAP			1
4	6688338	NUT			1
5	7000461	TOOL, DISCONNECT TERMINAL	yellow/white - Use W/Ref. 2 (6677136 socket)		1
6	7000460	TOOL, DISCONNECT TERMINAL	blue/white - Use W/Ref. 2 (6669549 socket)		1
7	6901076	INSTRUCTIONS			1

ELECTRICAL CONTROLS KIT (7-Pin Attachments)

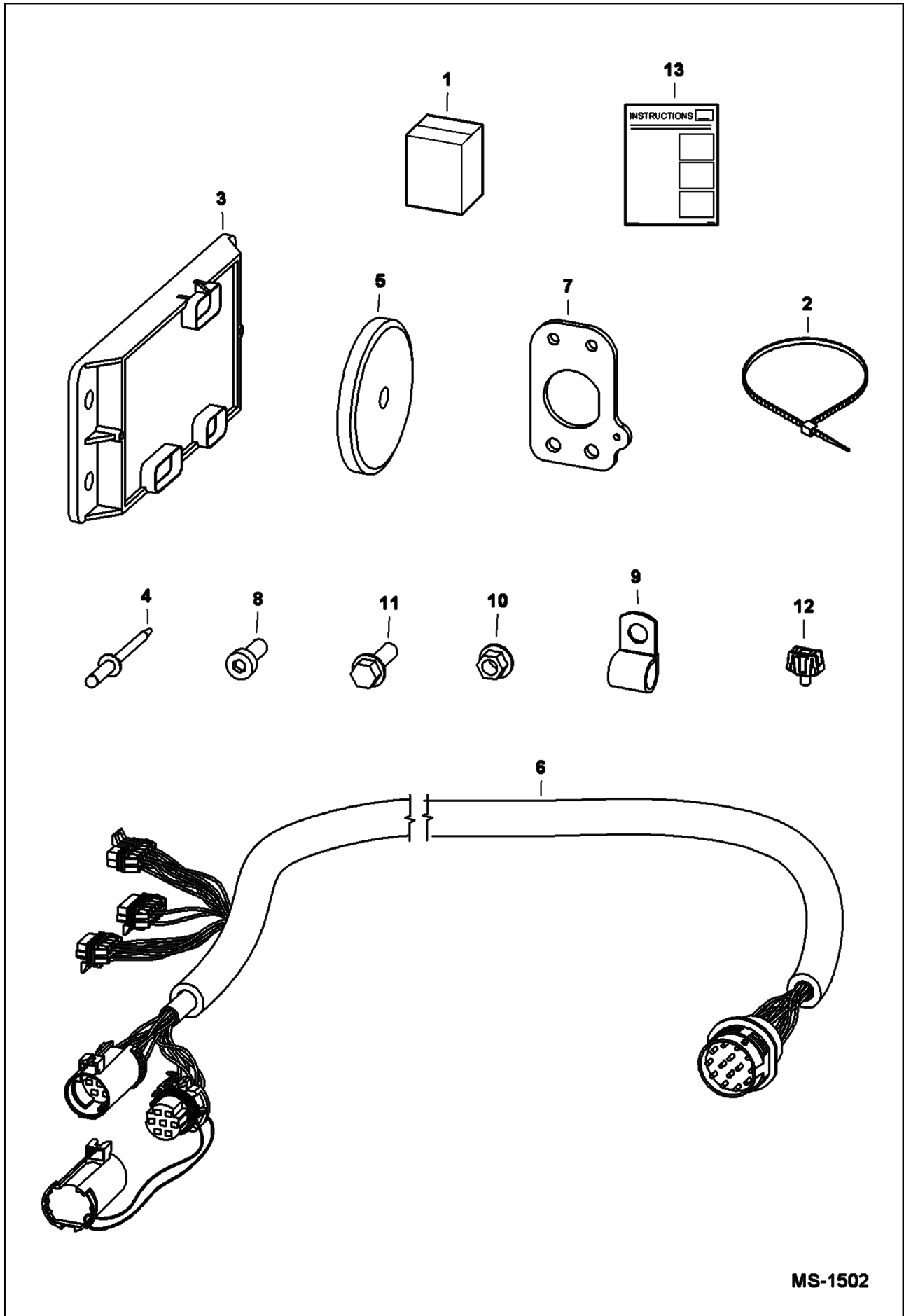


MS-1395

ELECTRICAL CONTROLS KIT (Cont'd)
(7-Pin Attachments)

Ref No	Part Number	Description	Remarks	Serial Number	Qty
1	6733142	KIT	Ref. 2-14		1
2	6718426	HARNESS, LIFT ARM	W/Ref. 3-8		1
3	6674802	CONNECTOR	See Illustration ELECTRICAL CONNECTOR KIT/ MS2627 - 7-pin - W/Ref. 7 does not include sockets		1
3	6669549	SOCKET	18 ga - not in kit		4
3	6677136	SOCKET	12 ga - not in kit		3
4	6674799	ADAPTER	heat shrink		1
5		HEAT SHRINK	NSS - purchase locally		1
6	6718750	MOUNT			1
7	6688338	NUT	jam		1
8	6675026	CAP			1
9	30H35	CLAMP 10			1
10	6675281	MOUNT			1
11	30H27	CLAMP			6
12	6624289	STRAP, TIE			7
13	84G3112	BOLT 5			8
14	6901871	INSTRUCTIONS			1

**ELECTRICAL CONTROLS KIT
(14 Pin Attachments)**

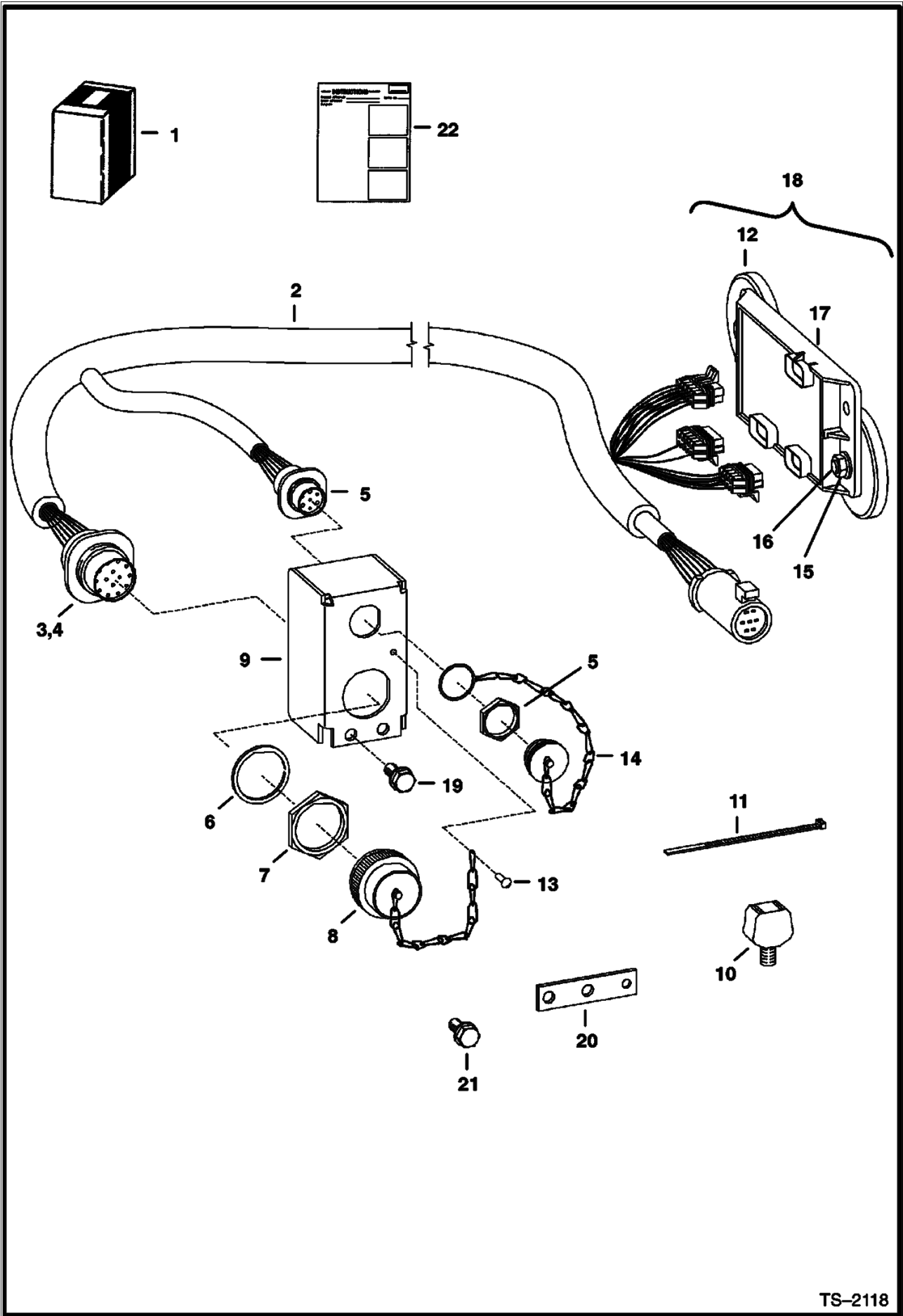


MS-1502

**ELECTRICAL CONTROLS KIT (Cont'd)
(14 Pin Attachments)**

Ref No	Part Number	Description	Remarks	Serial Number	Qty
1	6733136	KIT, ATTACHMENT 14-PIN			1
2	6624289	STRAP, TIE			9
3	6678675	CONTROLLER, ACD			1
4	6704892	RIVET			1
5	6719448	MAGNET, CONTROL ATTACH	45 kg (100 lb) force		2
6	6732730	HARNESS			1
7	6733144	MOUNT			1
8	25G612	SCREW			2
9	30H50	CLIP			6
10	83D6	NUT 5			2
11	84G3112	BOLT 5			8
12	6675281	MOUNT			1
13	6901872	INSTRUCTIONS			1

ELECTRICAL CONTROLS KIT
(To Run G-Series Attachments & Old Attachments) (W/O Toggle Switch)

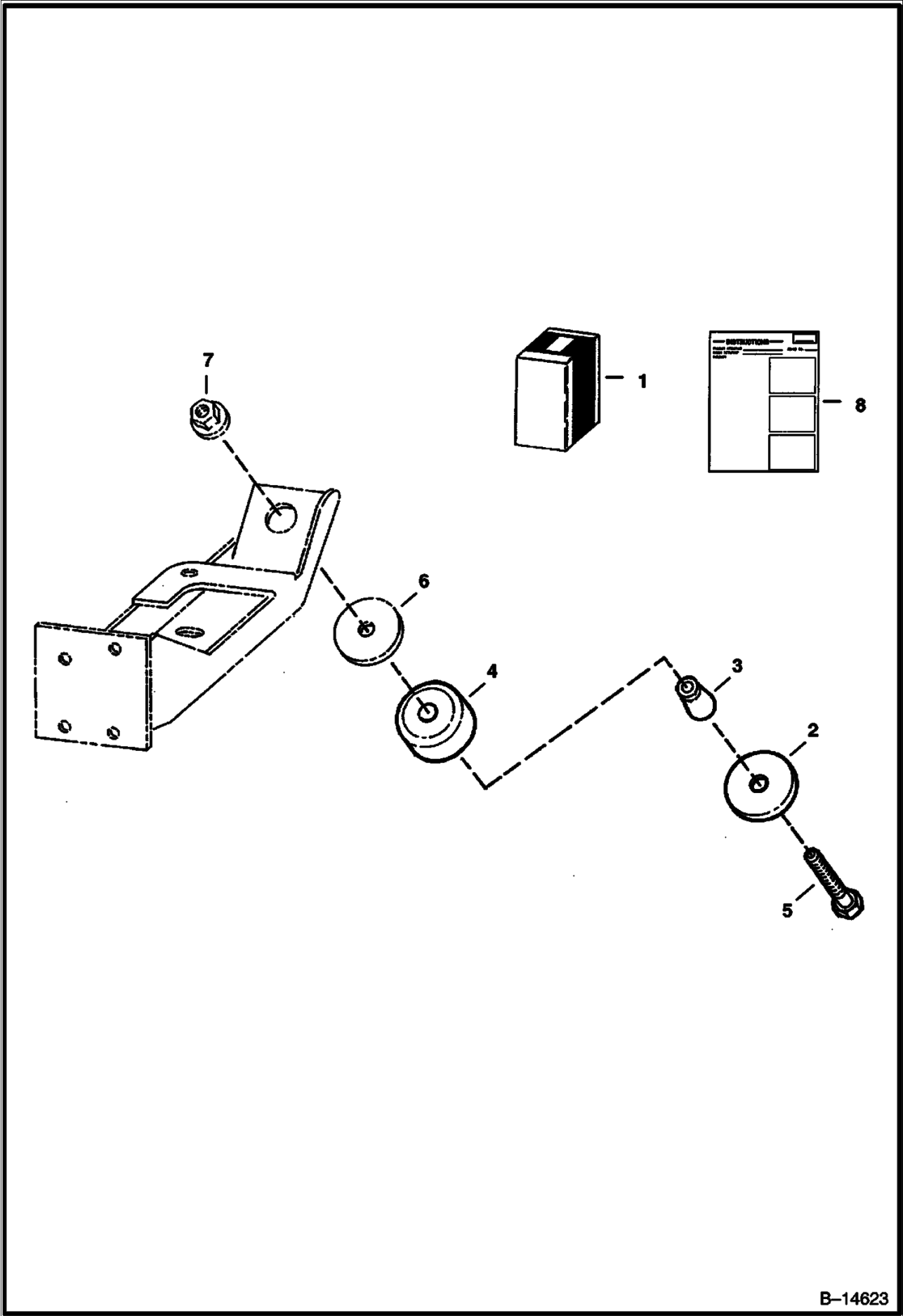


TS-2118

ELECTRICAL CONTROLS KIT (Cont'd)
(To Run G-Series Attachments & Old Attachments) (W/O Toggle Switch)

Ref No	Part Number	Description	Remarks	Serial Number	Qty
1	6727739	KIT			1
2	6729380	HARNESS, CONTROL ATTACH DLX	W/Ref. 3-8 & 14		1
3	6667569	CONNECTOR, RECEPTICAL	Also Order (14) of Ref. 4		1
4	6664040	PIN	male		x
5	6674802	CONNECTOR	See Illustration ELECTRICAL CONNECTOR KIT/ MS2627 - 7-pin - W/Ref. 7 does not include sockets		1
5	6669549	SOCKET	18 ga - not in kit		4
5	6677136	SOCKET	12 ga - not in kit		3
6	6664037	WASHER			2
7	6664036	NUT			2
8	6664035	CAP			1
9	6726945	MOUNT			1
10	6675281	MOUNT	models S175, S185 & 773G		1
11	6624289	STRAP, TIE			8
12	6719448	MAGNET, CONTROL ATTACH	45 kg (100 lb) force		4
13	6704892	RIVET			1
14	6675026	CAP			2
15	83D6	NUT 5			2
16	25G612	SCREW			2
17	6678675	CONTROLLER, ACD			1
18		CONTROLLER	NAP - assy - Ref. 12 & 15-17 - Order Ref. 17 & (2) each of Ref. 12, 15 & 16		1
19	84G3112	BOLT 5			2
20	6730291	BRACKET	models 873G - 883		1
21	35C512	BOLT			2
22	6901116	INSTRUCTIONS			1

ENGINE MOUNT KIT (For Rough Application)

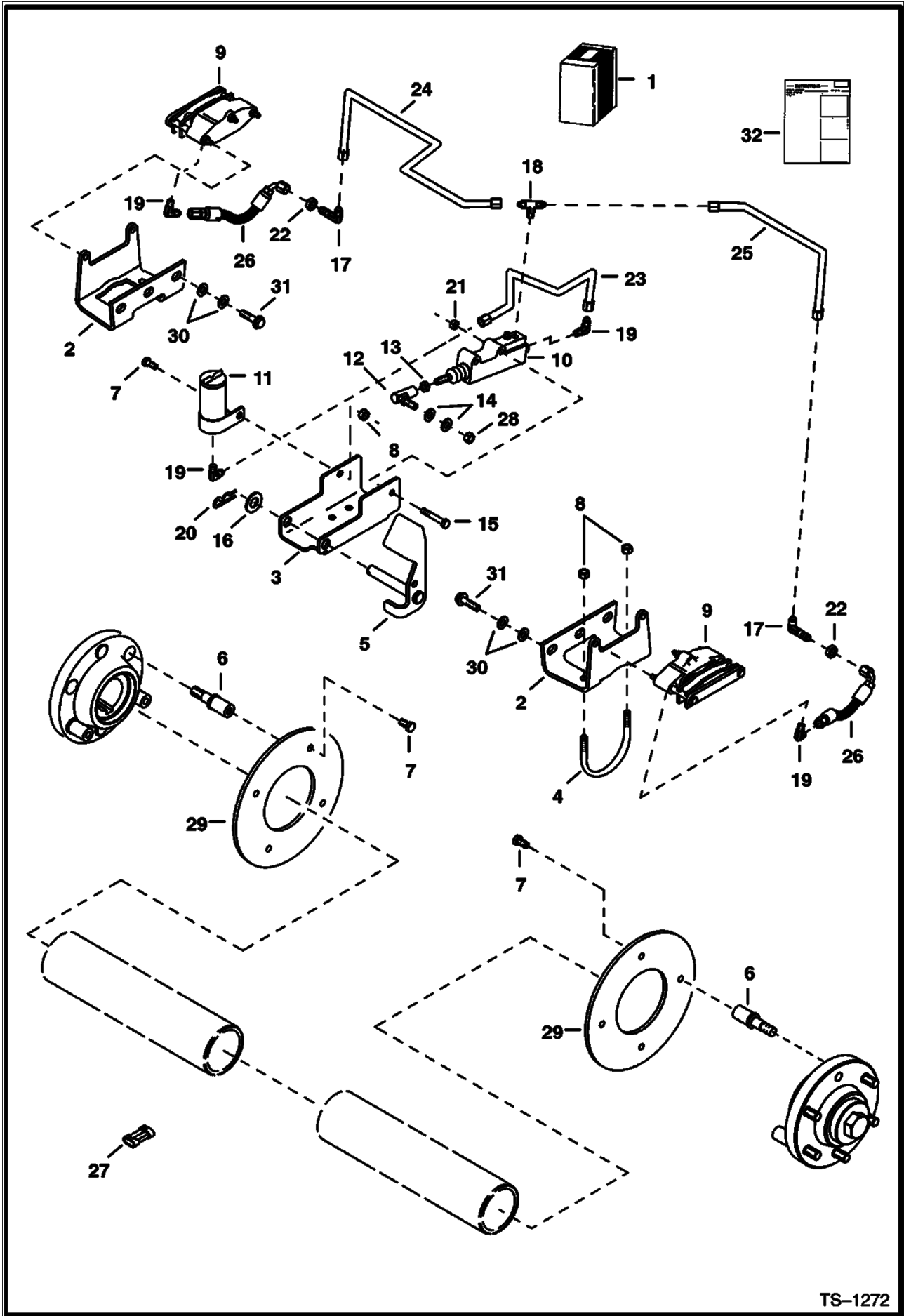


B-14623

ENGINE MOUNT KIT (Cont'd)
(For Rough Application)

Ref No	Part Number	Description	Remarks	Serial Number	Qty
1	6711632	MOUNTING KIT	Ref. 2-8		1
2	6661787	WASHER			4
3	7110276	SPACER, TAPERED	tapered		4
4	6668104	MOUNT, ENG			4
5	43C852	BOLT			4
6	6705106	WASHER			4
7	6652918	NUT			4
8	6724482	INSTRUCTIONS			1

EUROPEAN ACCESSORIES (Caliper Brake Kit)

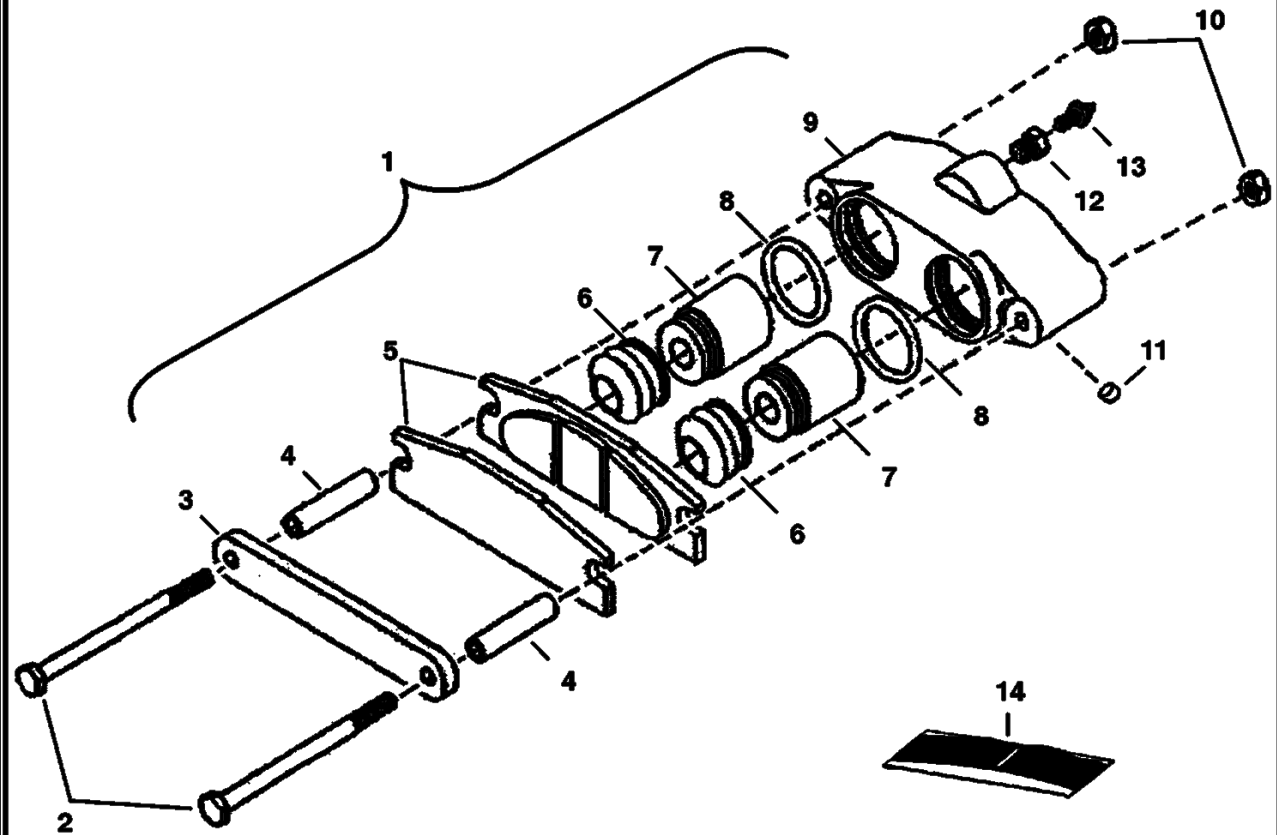


TS-1272

EUROPEAN ACCESSORIES (Cont'd)
(Caliper Brake Kit)

Ref No	Part Number	Description	Remarks	Serial Number	Qty
1	6719150	KIT	Ref. 2-32		1
2	6718728	MOUNT ASSY.	caliper		2
3	6709236	MOUNT	pedal		1
4	6709237	CLAMP			2
5	6709239	PEDAL ASSY.	brake		1
6	6709229	BOLT	wheel		8
7	17C612	BOLT 5			9
8	95D6	NUT			5
9	6666932	BRAKE	See Illustration EUROPEAN ACCESSORIES/ B14851		2
10	6666933	CYLINDER	See Illustration EUROPEAN ACCESSORIES/ B14851		1
11	6661117	TANK			1
12	6599744	BALL JOINT			1
13	8D6	NUT 5			1
14	25E17	WASHER 5			2
15	17C532	BOLT 5			2
16	25E25	WASHER 10			1
17	45K3	FITTING			2
18		TEE	NAP		1
19	83F3	ELBOW 5			4
20	1318565	COTTER PIN			1
21	91D5	NUT 5			2
22	86F3	LOCKNUT			2
23	6709400	TUBE			1
24	6718205	TUBE			1
25	6718206	TUBE			1
26	6709547	HOSE			2
27	6667139	CAP			1
28	62D6	NUT 5			1
29	6709234	DISC	brake		2
30	25E11	WASHER			8
31	31C824	BOLT 10			4
32	6900934	INSTRUCTIONS			1

EUROPEAN ACCESSORIES
(Caliper Brake)

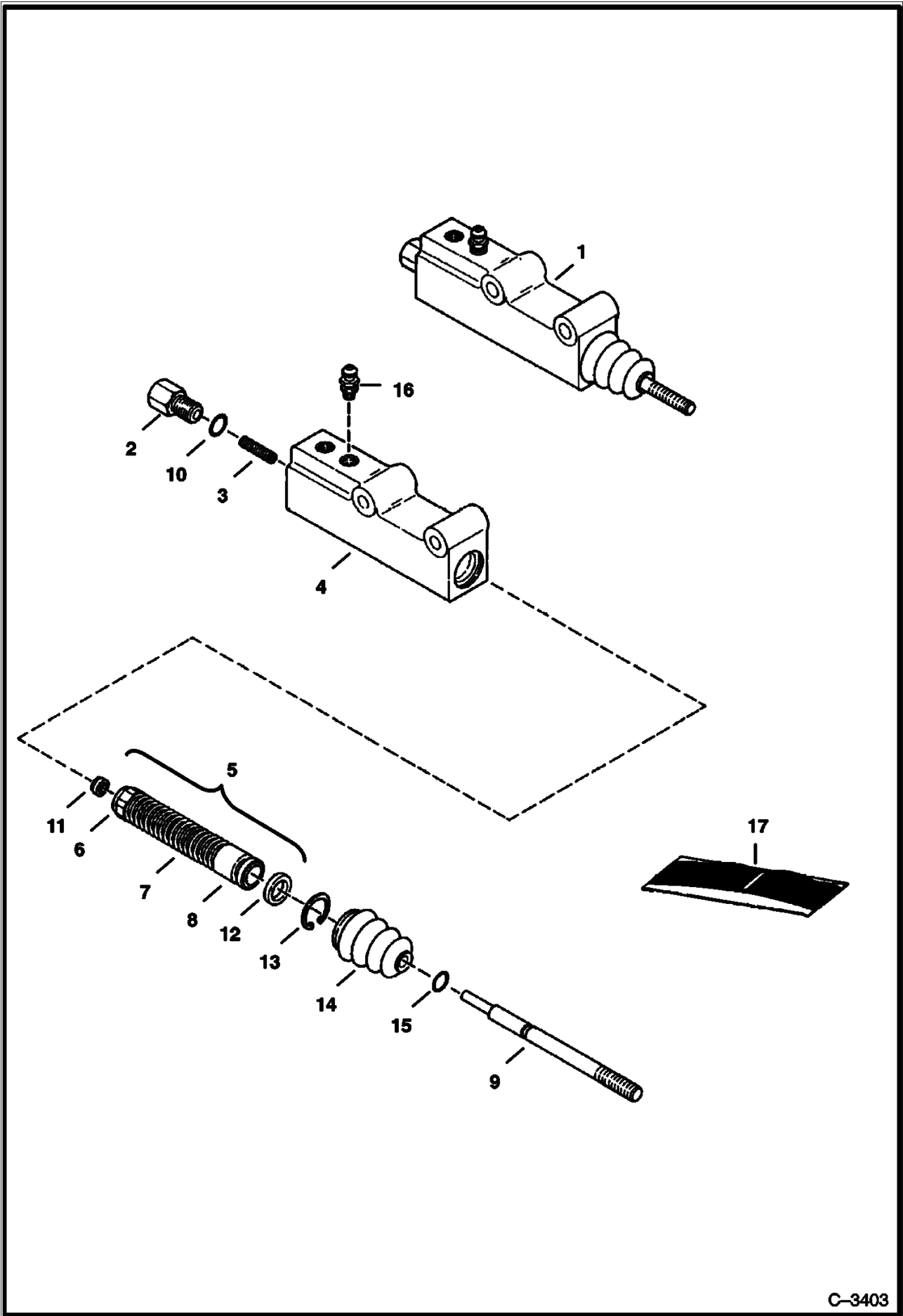


B-14851

EUROPEAN ACCESSORIES (Cont'd)
(Caliper Brake)

Ref No	Part Number	Description	Remarks	Serial Number	Qty
1	6666932	BRAKE	W/Ref. 2-12		1
2	6669154	BOLT			2
3	6669155	PLATE			1
4	6669156	SPACER			2
5	6669184	STATOR ASSY.			1
6		BOOT	NSS - Order Ref. 14		2
7	6669159	PISTON			2
8		O-RING	NSS - Order Ref. 14		2
9		HOUSING	NSS - Order Ref. 1		1
10	6669162	NUT			2
11	6669163	PLUG			1
12	6669164	ADAPTER			1
13	6669165	SCREW	bleeder		1
14	6669185	SEAL KIT	W/Ref. 6 & 8		1

EUROPEAN ACCESSORIES
(Caliper Brakes - Master Cylinder)

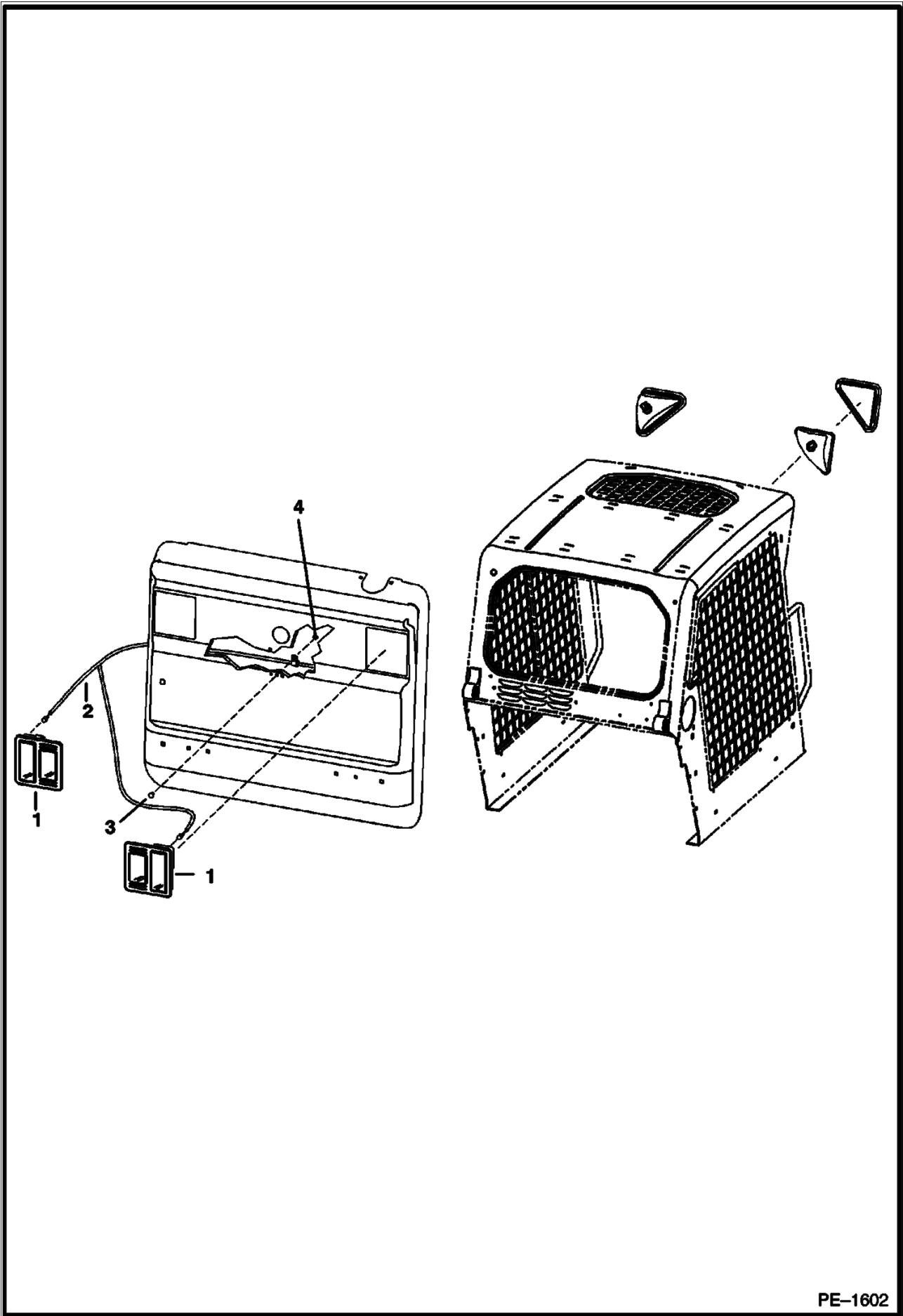


C-3403

EUROPEAN ACCESSORIES (Cont'd)
(Caliper Brakes - Master Cylinder)

Ref No	Part Number	Description	Remarks	Serial Number	Qty
1	6666933	CYLINDER	master brake - Ref. 2-16		1
2		ADAPTER	NSS		1
3		SPRING	NSS		1
4		BODY	NSS		1
5		SPRING ASSY.	NSS - Ref. 6 - 8 & 11		1
6		RETAINER	NSS		1
7		SPRING	NSS		1
8		PISTON	NSS		1
9		PUSH ROD	NSS		1
10		O-RING	NSS		1
11		SEAT	NSS		1
12		CUP	NSS		1
13		SNAP RING	NSS		1
14		BOOT	NSS		1
15		O-RING	NSS		1
16	6668097	SCREW	bleeder		1
17	6661608	SEAL KIT	Ref. 10-15		1

EUROPEAN ACCESSORIES
(Rear Door Lights)

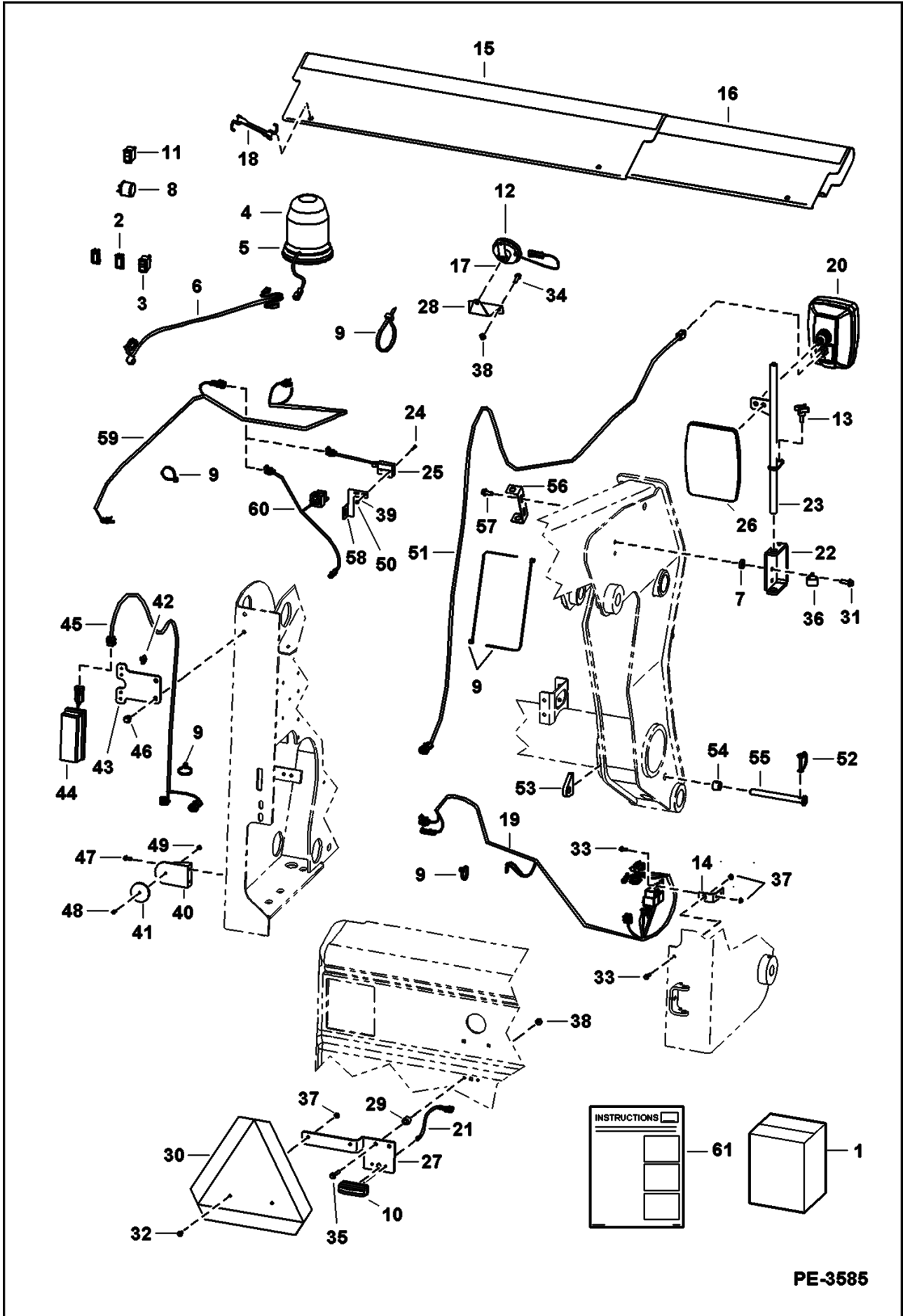


PE-1602

EUROPEAN ACCESSORIES (Cont'd)
(Rear Door Lights)

Ref No	Part Number	Description	Remarks	Serial Number	Qty
1	7101384	LIGHT	rear		2
1	6686097	BULB	turn		1
1	6686096	LENS	amber - turn		1
1	6686098	BULB	stop		1
1	6686099	LENS	red - stop		1
1	6686100	SCREW			2
2	6718198	HARNESS	deluxe		1
3	37C512	BOLT			1
4	4DM5	NUT			4

EUROPEAN ACCESSORIES (Road Kit)

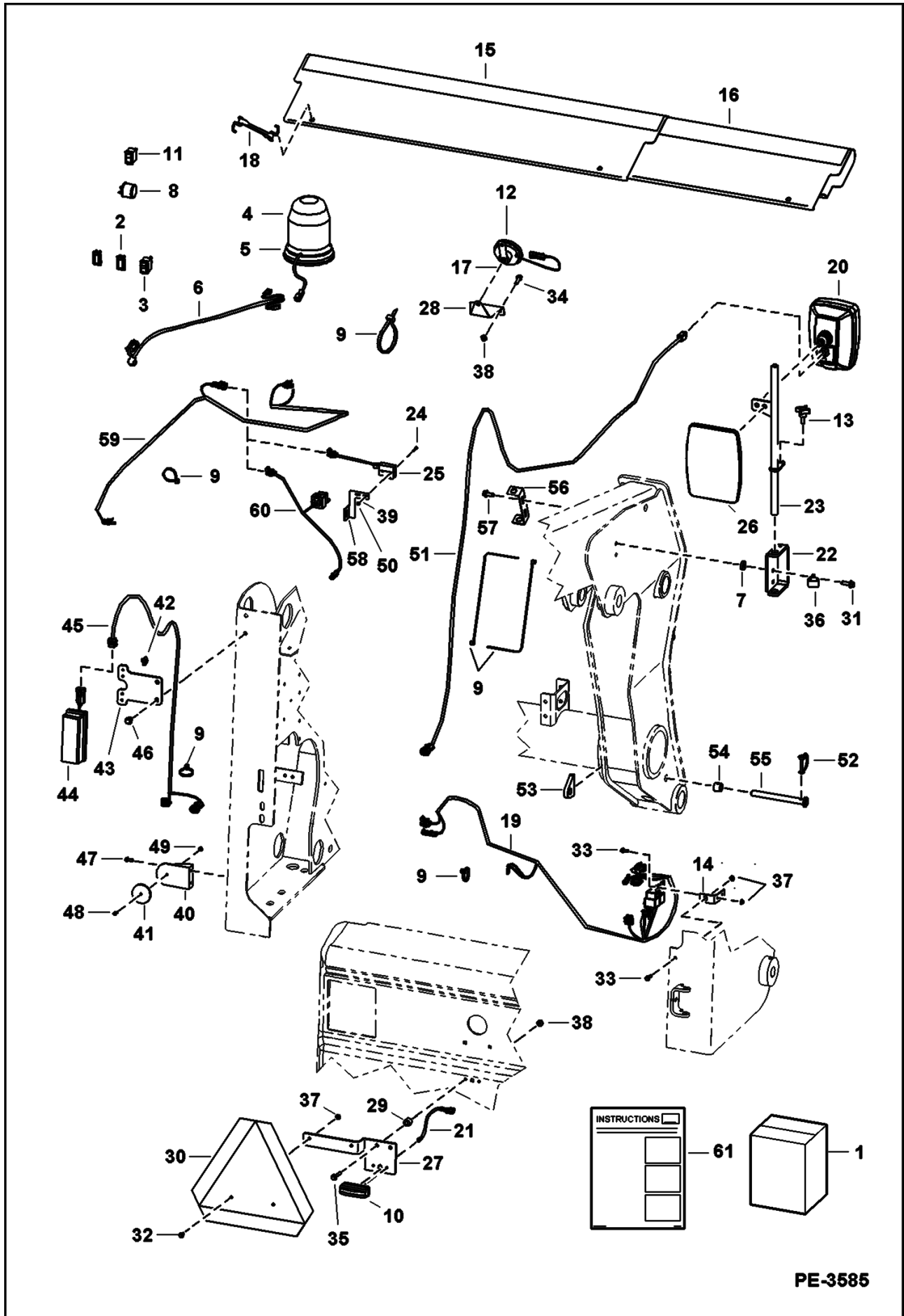


PE-3585

EUROPEAN ACCESSORIES (Cont'd)
(Road Kit)

Ref No	Part Number	Description	Remarks	Serial Number	Qty
1		KIT	SALES - for Europe only - Sales #7163554		1
2	6665314	PLUG			2
3	6668816	SWITCH			1
4	6675522	STROBE			1
5	6675523	BEACON			1
6	6718872	HARNESS			1
7	616783	WASHER			4
8	6557904	FLASHER			1
9	6624289	STRAP, TIE			47
10	6665729	LIGHT			1
11	6668815	SWITCH			1
12	6671106	HORN			1
13	6678755	KNOB			2
14	6702650	MOUNT	fuse		1
15	6713841	SHIELD			1
16	6713842	SHIELD			1
17	6713994	HARNESS			1
18	6731819	STRAP			4
19	7141369	HARNESS, KIT ROAD			1
20	7153089	LIGHT, FRONT ASSY			2
21	7153090	HARNESS, LIGHT LICENSE			1
22	7153518	BRACKET	RH		1
22	7153520	BRACKET	LH		1
23	7153519	SHAFT, SPINDLE	RH		1
23	7153521	SHAFT, SPINDLE	LH		1
24	85G616	SCREW 10			2
25	6661150	SWITCH, ROLLER MICRO	manual controls only		1
26	7153522	MIRROR, SIDE HEAD			2
27	7156220	BRACKET			1
28	7156351	BRACKET			1
29	7157740	SPACER			2
30	7157745	SLOW MOVING PLATE - 12			1
31	26GM10030	BOLT			4
32	29CM616	BOLT			4
33	29CM625	BOLT			1
34	29CM825	BOLT			2
35	29CM845	BOLT			2
36	43DM8	NUT			4
37	43DM6	NUT			5
38	43DM8	NUT			4
39	12E6	WASHER			2
40	6670620	MOUNT			2
41	6670621	LENS			2
42	6688637	MOUNT			2
43	7101104	MOUNT			2
44	7101384	LIGHT			2
45	7152344	HARNESS, DOOR REAR			2
46	26GM10020	BOLT			4
47	26GM6020	SCREW			4
48	3GM516	SCREW			2

EUROPEAN ACCESSORIES (Cont'd)
(Road Kit)

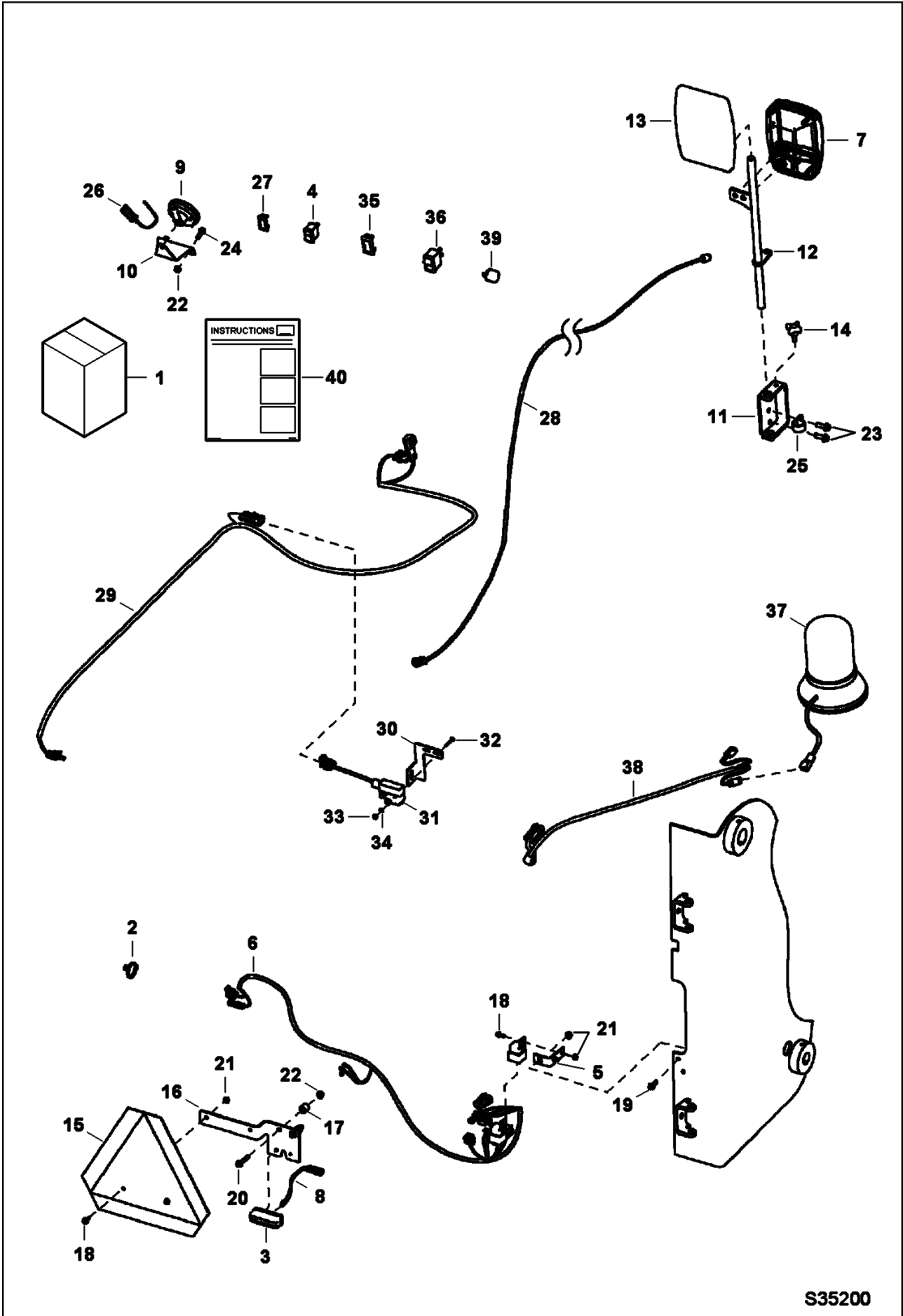


PE-3585

EUROPEAN ACCESSORIES (Cont'd)
(Road Kit)

Ref No	Part Number	Description	Remarks	Serial Number	Qty
49	43DM5	NUT			2
50	12D6	NUT 10			2
51	7152108	HARNESS, LIFT ARM			2
52	6656009	PIN			1
53	7157452	HOOK, BOBTACH			1
54	7157453	MOUNT			1
55	7157454	PIN			1
56	7157456	MOUNT, ATTACH			1
57	26GM10025	SCREW			2
58	7155044	BRACKET	manual controls only		1
59	7151691	HARNESS, BRAKE LIGHTS			1
60	7151696	HARNESS, STOP LIGHTS			1
61		INSTRUCTIONS	NAP		1

EUROPEAN ACCESSORIES
(Road Kit) (Manual Controls)

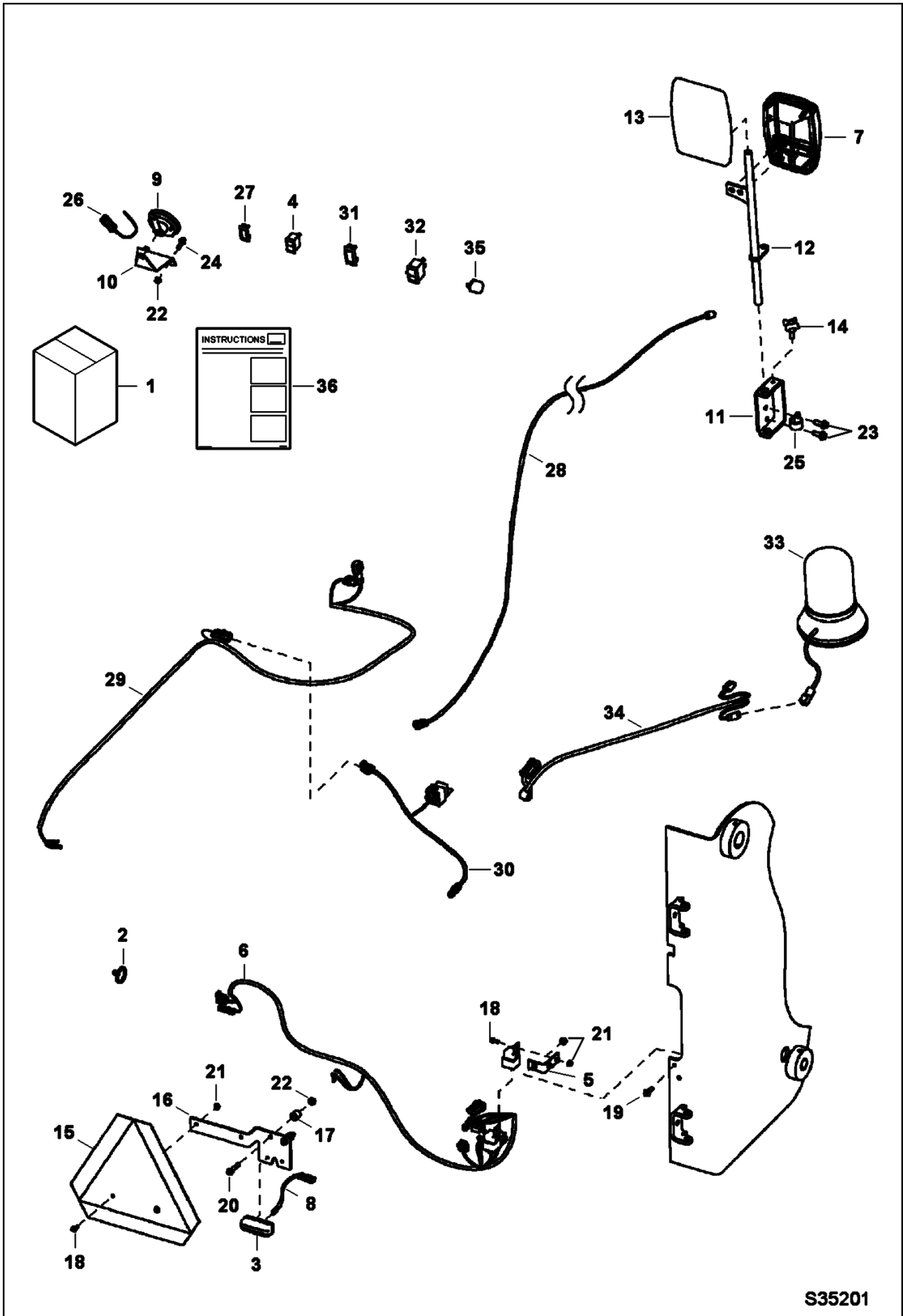


S35200

**EUROPEAN ACCESSORIES (Cont'd)
(Road Kit) (Manual Controls)**

Ref No	Part Number	Description	Remarks	Serial Number	Qty
1		KIT, ROAD	SALES #7182369 - Europe only		1
2	6624289	STRAP, TIE			33
3	6665729	LIGHT	license plate		1
4	6668815	SWITCH	hazard		1
5	6702650	MOUNT			1
6	7141369	HARNESS, KIT ROAD			1
7	7153089	LIGHT, FRONT ASSY			2
8	7153090	HARNESS, LIGHT LICENSE			1
9	6671106	HORN			1
10	7156351	BRACKET	horn		1
11	7153518	BRACKET	front light - RH		1
11	7153520	BRACKET	fonrt light - LH		1
12	7153519	SHAFT, SPINDLE	RH		1
12	7153521	SHAFT, SPINDLE	LH		1
13	7153522	MIRROR, SIDE HEAD			2
14	6678755	KNOB			2
15	7157745	SLOW MOVING PLATE - 12			1
16	7156220	BRACKET			1
17	7157740	SPACER			2
18	29CM616	BOLT			4
19	29CM625	BOLT			1
20	29CM845	BOLT			2
21	43DM6	NUT			5
22	42DM8	NUT			4
23	26GM10020	BOLT			4
24	29CM825	BOLT			2
25	30H73	CLAMP			2
26	6713994	HARNESS	headlight adapter		1
27	6665314	PLUG			1
28	7152108	HARNESS, LIFT ARM	lift arm		1
29	7151691	HARNESS, BRAKE LIGHTS			1
30	7155044	BRACKET	sensor		1
31	6661150	SWITCH, ROLLER MICRO			1
32	85G616	SCREW 10			2
33	12D6	NUT 10			2
34	12E6	WASHER			2
35	6665314	PLUG			1
36	6668816	SWITCH	beacon		1
37	6675523	BEACON			1
38	6718872	HARNESS	exterior cab		1
39	6557904	FLASHER			1
40	6987361	INSTRUCTIONS			1

EUROPEAN ACCESSORIES
(Road Kit) (SJC)

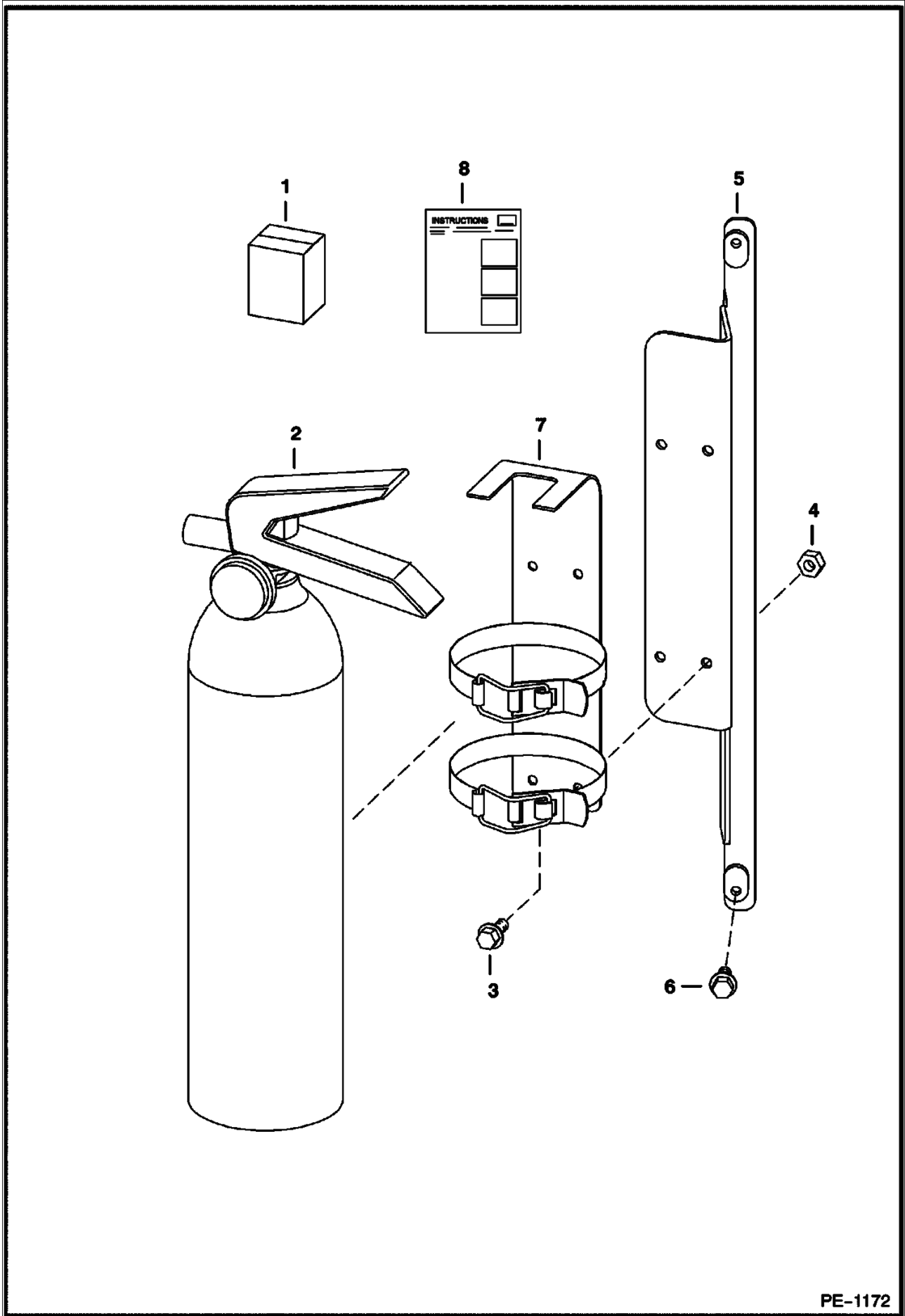


S35201

EUROPEAN ACCESSORIES (Cont'd)
(Road Kit) (SJC)

Ref No	Part Number	Description	Remarks	Serial Number	Qty
1		KIT, ROAD	SALES #7182370 - Europe only		1
2	6624289	STRAP, TIE			36
3	6665729	LIGHT	license plate		1
4	6668815	SWITCH	hazard		1
5	6702650	MOUNT			1
6	7141369	HARNESS, KIT ROAD			1
7	7153089	LIGHT, FRONT ASSY			2
8	7153090	HARNESS, LIGHT LICENSE			1
9	6671106	HORN			1
10	7156351	BRACKET	horn		1
11	7153518	BRACKET	front light - RH		1
11	7153520	BRACKET	fonrt light - LH		1
12	7153519	SHAFT, SPINDLE	RH		1
12	7153521	SHAFT, SPINDLE	LH		1
13	7153522	MIRROR, SIDE HEAD			2
14	6678755	KNOB			2
15	7157745	SLOW MOVING PLATE - 12			1
16	7156220	BRACKET			1
17	7157740	SPACER			2
18	29CM616	BOLT			4
19	29CM625	BOLT			1
20	29CM845	BOLT			2
21	43DM6	NUT			5
22	42DM8	NUT			4
23	26GM10020	BOLT			4
24	29CM825	BOLT			2
25	30H73	CLAMP			2
26	6713994	HARNESS	headlight adapter		1
27	6665314	PLUG			1
28	7152108	HARNESS, LIFT ARM	lift arm		1
29	7151691	HARNESS, BRAKE LIGHTS			1
30	7151696	HARNESS, STOP LIGHTS	sensor		1
31	6665314	PLUG			1
32	6668816	SWITCH	beacon		1
33	6675523	BEACON			1
34	6718872	HARNESS	exterior cab		1
35					1
36	6987361	INSTRUCTIONS			1

FIRE EXTINGUISHER

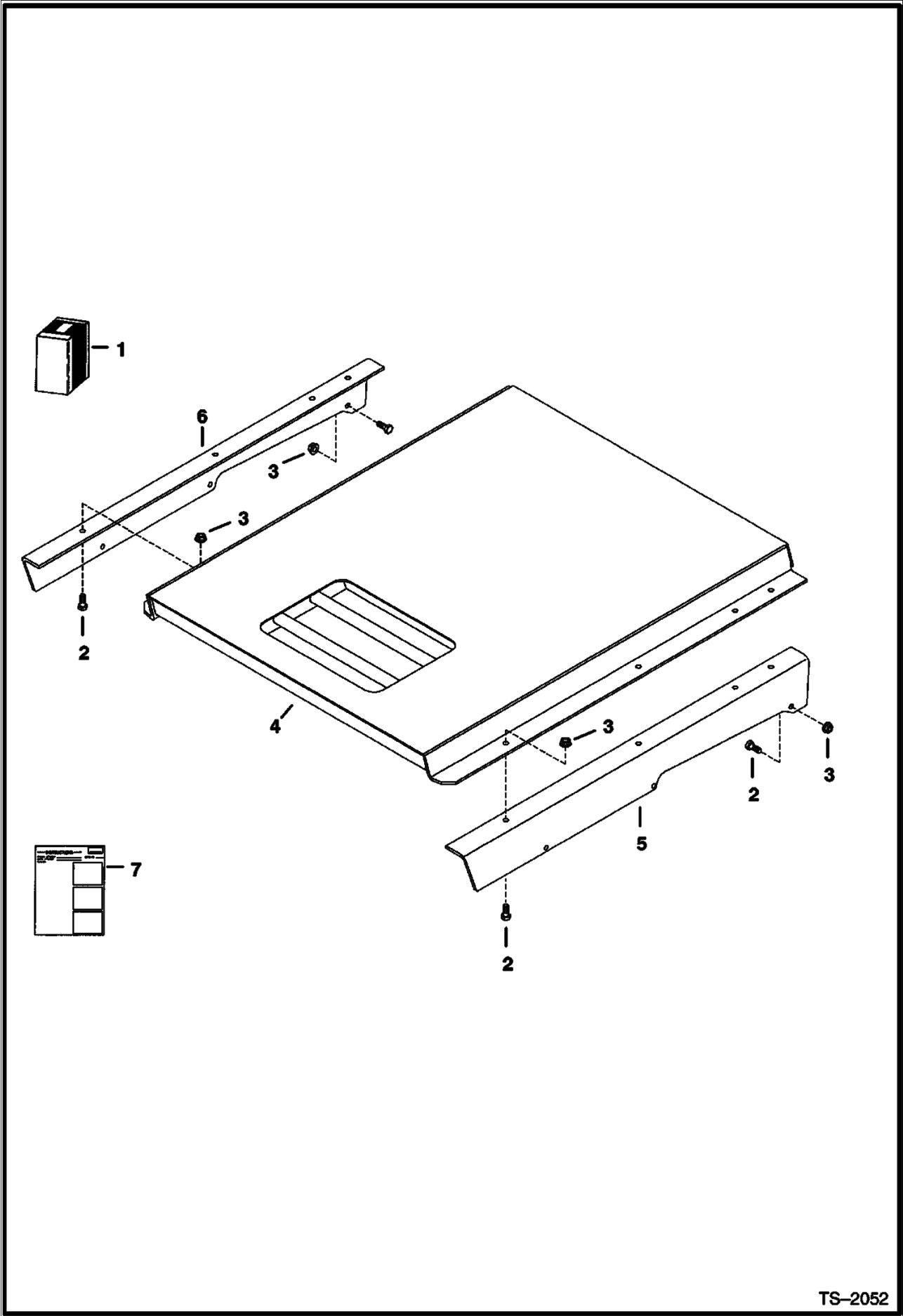


PE-1172

FIRE EXTINGUISHER (Cont'd)

Ref No	Part Number	Description	Remarks	Serial Number	Qty
1	6725898	KIT	fire extinguisher - Ref. 2-8		1
2	7168164	EXTINGUISHER, FIRE	Was 6675581 [A]		1
3	45G1006	BOLT			4
4	12D10	NUT			4
5	6725906	BRACKET			1
6	31C410	BOLT			2
7	6691173	BRACKET			1
8	6901025	INSTRUCTIONS			1

F.O.P.S. KIT

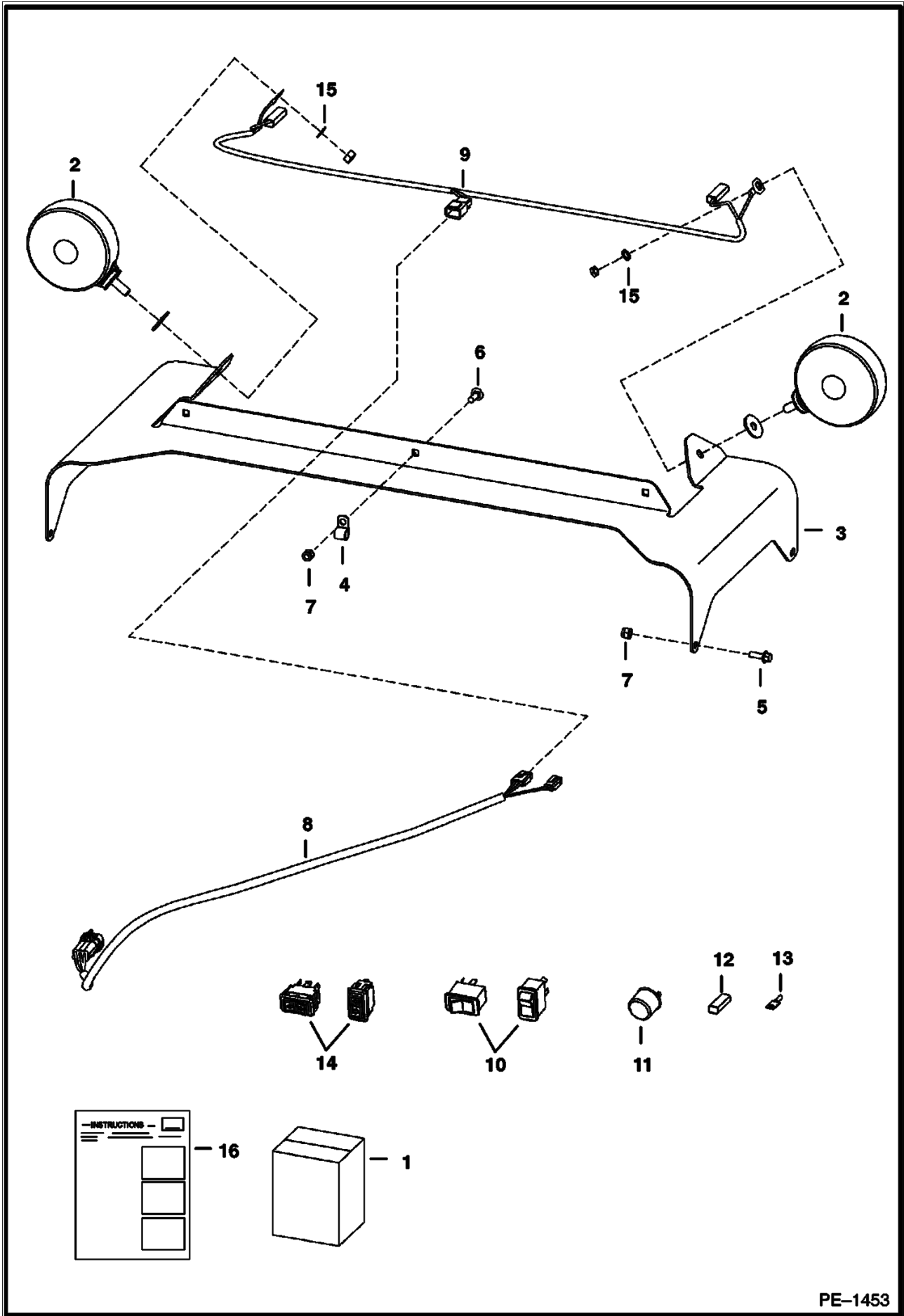


TS-2052

F.O.P.S. KIT (Cont'd)

Ref No	Part Number	Description	Remarks	Serial Number	Qty
1	6718924	KIT	Ref. 2-7		1
2	17C616	BOLT 5			14
3	83D6	NUT 5			14
4	6702402	SHIELD			1
5	6718833	BRACKET	LH		1
6	6718834	BRACKET	RH		1
7	6720592	INSTRUCTIONS			1

FLASHER LIGHTS (4-Way) (Turn Indicators)



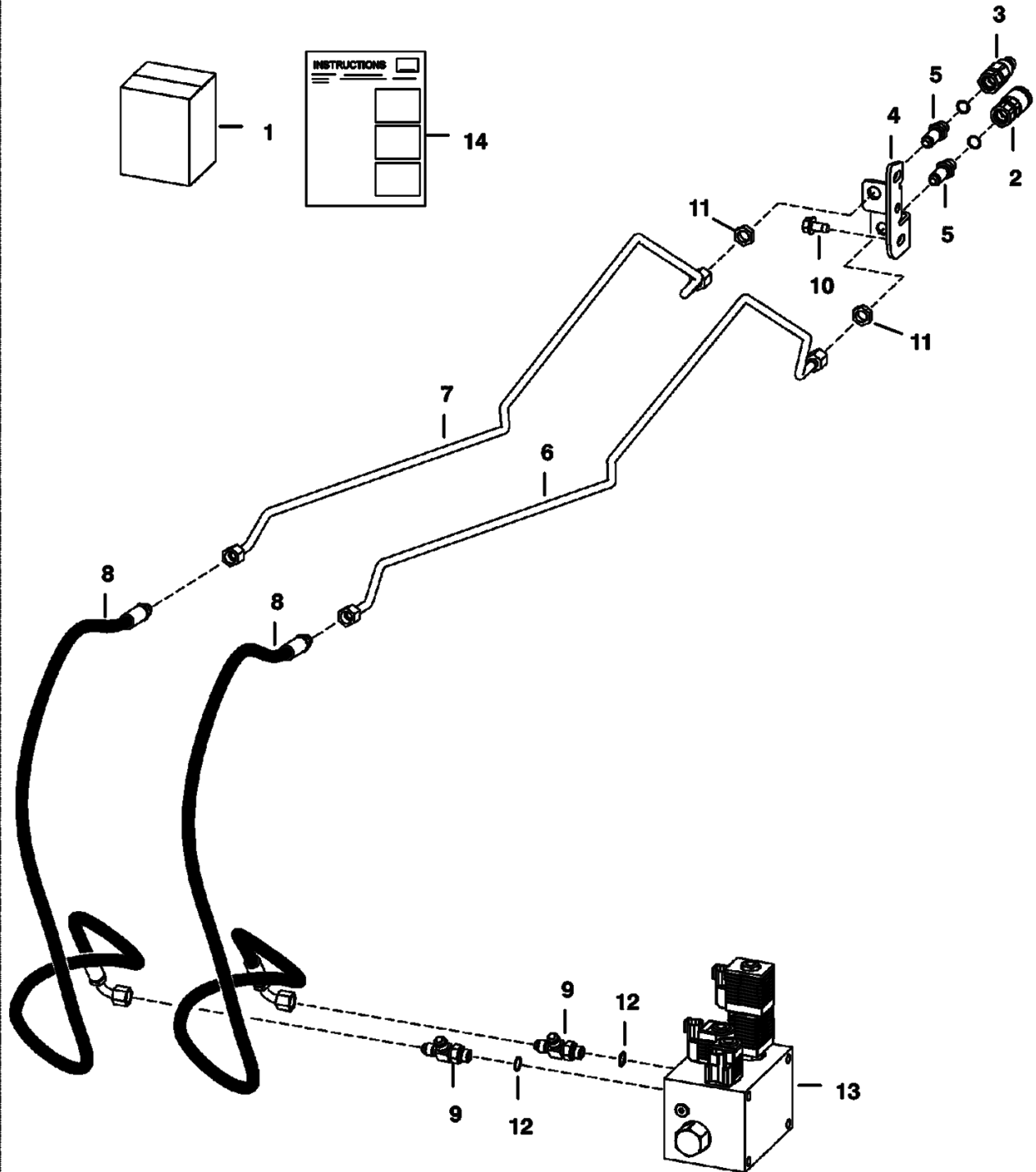
PE-1453

**FLASHER LIGHTS (Cont'd)
(4-Way) (Turn Indicators)**

Ref No	Part Number	Description	Remarks	Serial Number	Qty
1	6718411	KIT	flasher lights - Ref. 2-16 - if loader is not equipped W/deluxe cab accessories harness, heater, A/C, SJC, ACS, power Bob-Tach, cab enclosure door kit, rear wiper or any of the following cab harness connected rotating beacon, 4-way flasher or strobe light, Also Order 7139311 deluxe cab accessories harness - if equipped W/SJC, Also Order 6726662 harness		1
2	6517516	LIGHT			2
3	6718326	MOUNT			1
4	30H21	CLAMP 10			3
5	35C412	BOLT			4
6	37C412	BOLT			3
7	59D4	NUT 5			7
8	6718872	HARNESS	cab exterior		1
9	6718873	HARNESS	4-way flasher		1
10	6665316	SWITCH	horizontal		1
10	6668815	SWITCH	vertical		1
11	6557904	FLASHER			1
12	614142	SLEEVE 10			2
13	6515131	TERMINAL			2
14	6675835	TURN SIGNAL	horizontal		1
14	6676872	TURN SIGNAL	vertical		1
15	6E5	WASHER	lock		2
16	6900848	INSTRUCTIONS			1

FRONT AUXILIARY (RH Kit)

NOTE: This front aux kit requires the rear aux kit or factory installed option in order to operate.

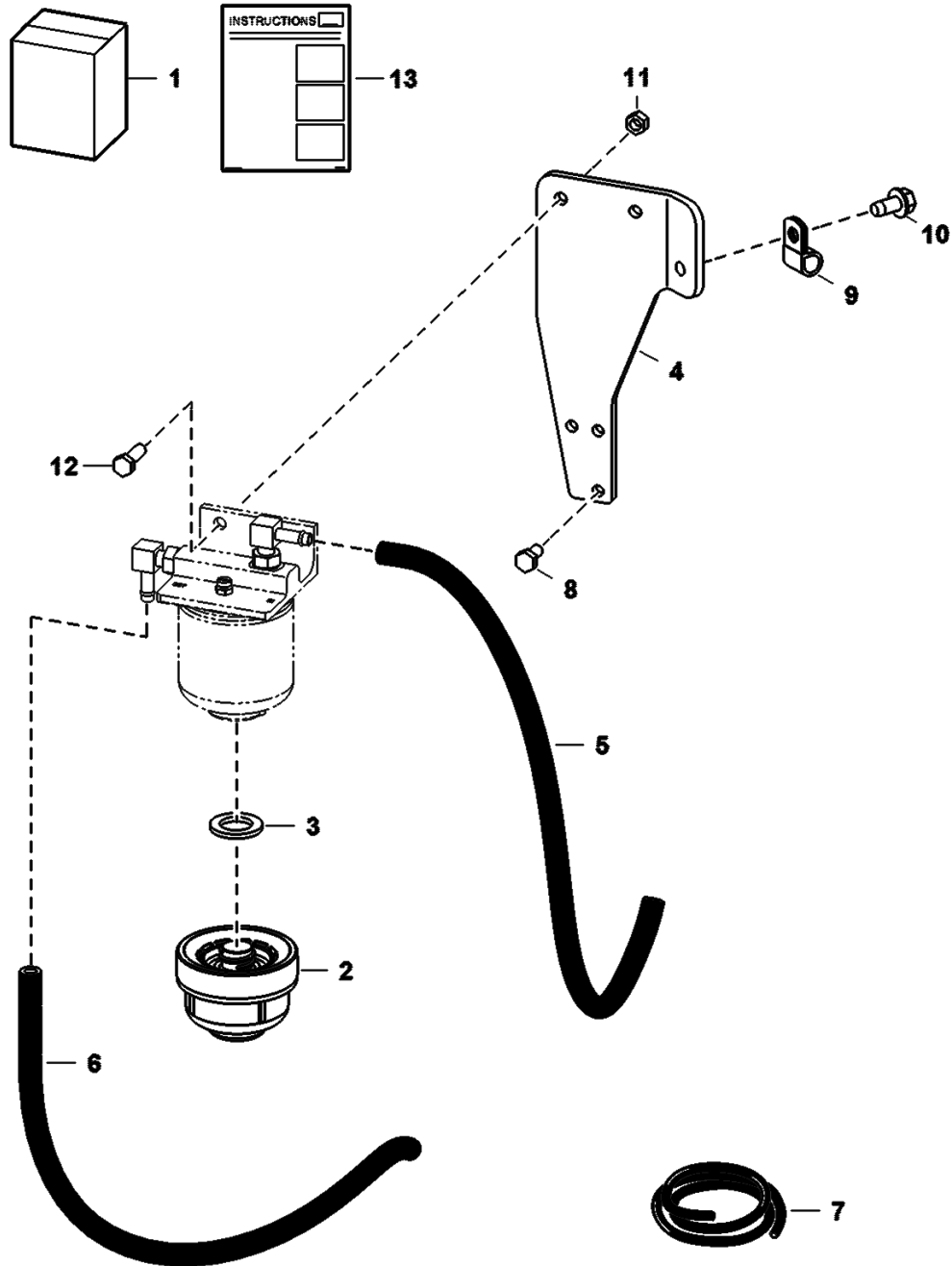


PE-1964

**FRONT AUXILIARY (Cont'd)
(RH Kit)**

Ref No	Part Number	Description	Remarks	Serial Number	Qty
1	6731524	KIT	requires rear auxiliaries		1
2	6667803	COUPLER	female		1
3	6667804	COUPLER	male		1
3	6669657	SEAL KIT			1
4	6711674	MOUNT			1
5	6716089	CONNECTOR	W/ O-rings		2
6	6718244	TUBE			1
7	6718245	TUBE			1
8	6718454	HOSE			2
9	21KB0606	FTG HYD STRAIGHT TEE	W/Ref. 12		2
10	84G3712	BOLT			2
11	86F5	NUT			3
12	79K6	O RING 10			x
13		VALVE	select - not in kit		1
14	6901515	INSTRUCTIONS			1

FUEL BOWL KIT

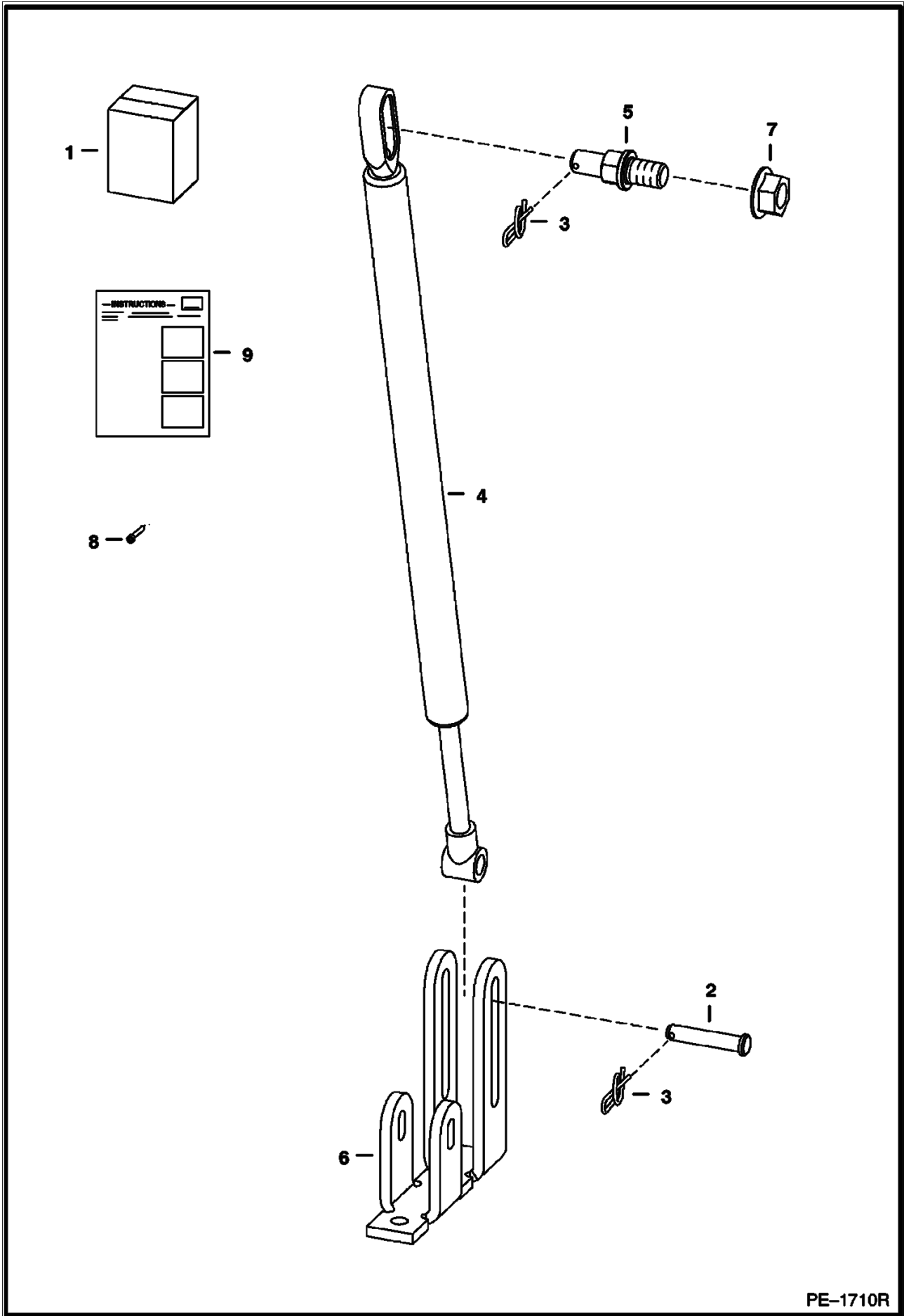


NA6090

FUEL BOWL KIT (Cont'd)

Ref No	Part Number	Description	Remarks	Serial Number	Qty
1	7192996	KIT, BOWL FUEL	Ref. 2-13		1
2	7167163	BOWL, FUEL	W/Ref. 3		1
3	7177212	GASKET			1
4	7168160	MOUNT, FILTER FUEL			1
5		HOSE, FUEL	NAP - 558,8 mm (22") long - Order Ref. 7		1
6		HOSE, FUEL	NAP - 463,6 mm (18.25") long - Order Ref. 7		1
7	6577822	HOSE	bulk - sold per foot		x
8	1CM816	BOLT			3
9	30H31	CLAMP 10			1
10	84G3712	BOLT			1
11	95D5	NUT			2
12	17C516	BOLT			2
13	6987336	INSTRUCTIONS			1

GAS SPRING KIT

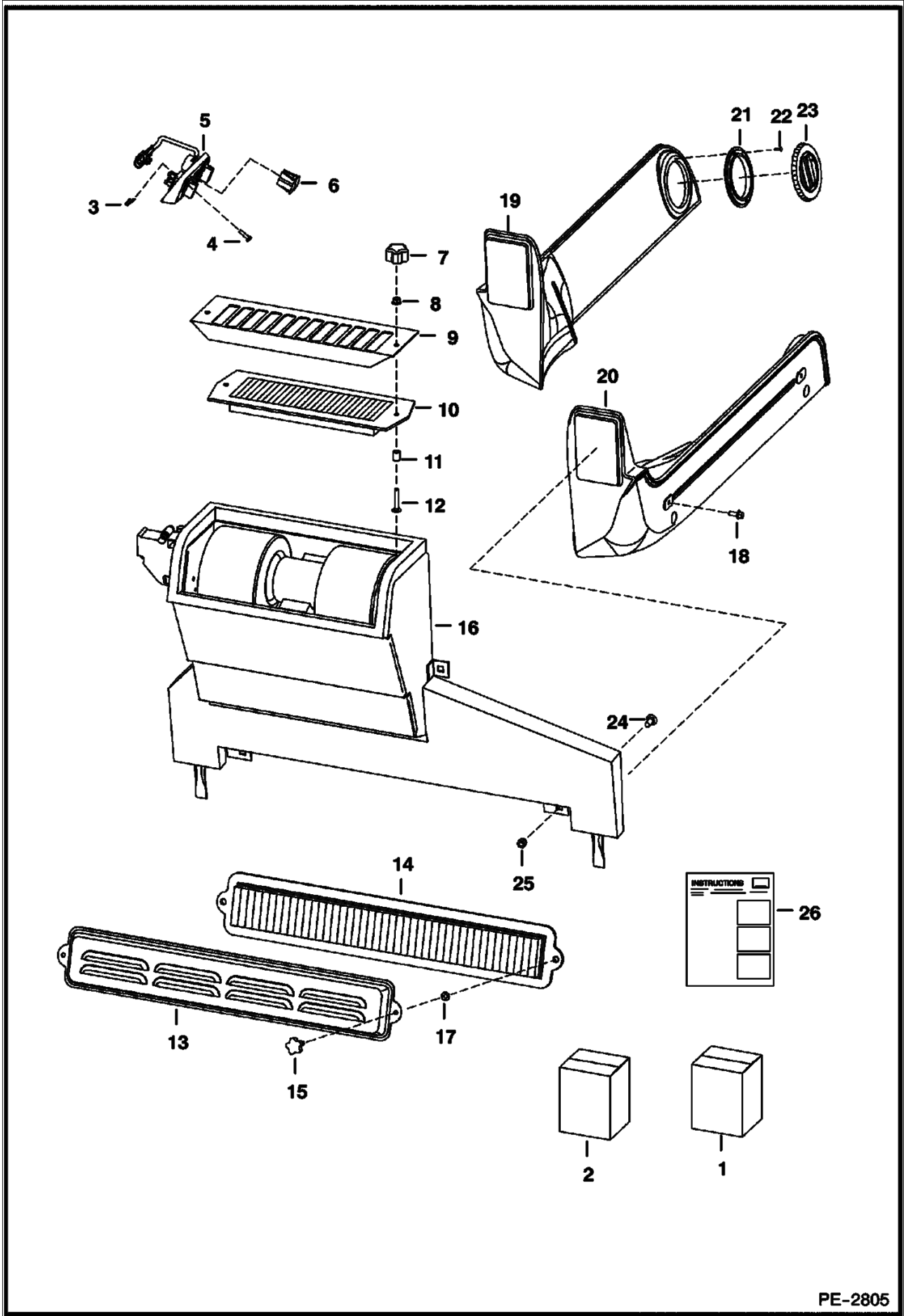


PE-1710R

GAS SPRING KIT (Cont'd)

Ref No	Part Number	Description	Remarks	Serial Number	Qty
1	6732928	KIT			1
2	6567743	PIN			1
3	6631418	PIN			2
4	7157890	GAS SPRING	Was 6678292 [A]		1
5	6719064	MOUNT			1
6	6729141	MOUNT			1
7	97D8	NUT			1
8	21G804	BOLT			1
9	6901816	INSTRUCTIONS			1

HEATER & A/C
(Heater Kit) (Metal Housing)

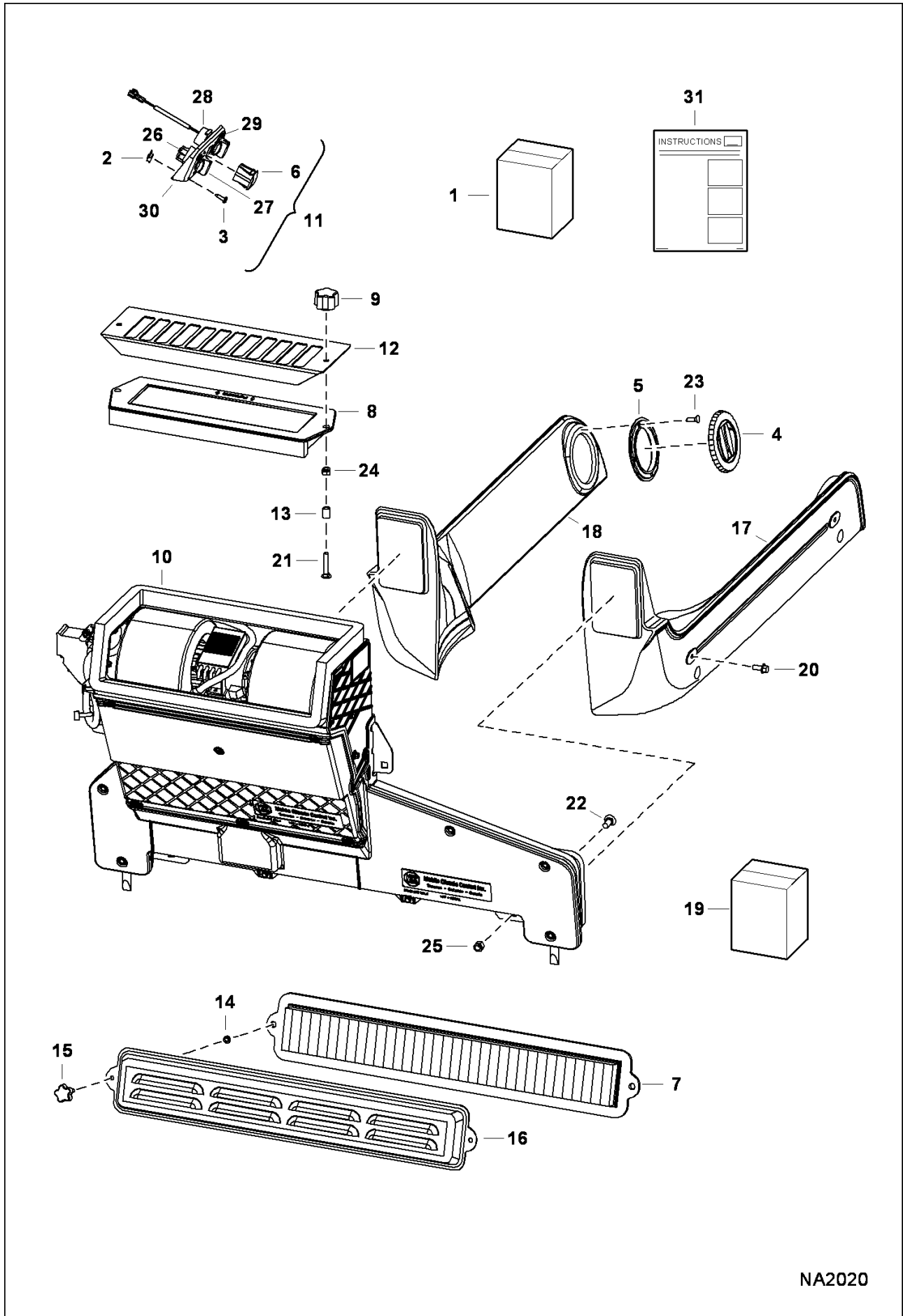


PE-2805

**HEATER & A/C (Cont'd)
(Heater Kit) (Metal Housing)**

Ref No	Part Number	Description	Remarks	Serial Number	Qty
1		KIT, HEATER CAB	See Illustration HEATER & A/C/ NA2020 - NAP - Order 7166137 kit - if loader is not equipped W/deluxe cab accessories harness, heater, A/C, SJC, ACS, cab enclosure door kit, rear wiper or any of the following cab harness connected rotating beacon, 4-way flasher or strobe light, Also Order 7139311 deluxe cab accessories harness - Was 7116899 [A]		1
2	7121572	DECAL PACKAGE	decal		1
3	6669091	CLIP	retainer		3
4	6669224	BOLT			3
5	6674228	PANEL	control		1
5	6640699	CONNECTOR			1
5	6718579	DECAL			1
5	6718887	PANEL			1
5	6675176	SWITCH	blower		1
5	6675177	KNOB			2
5	6675846	POTENTIOMETE R			1
6	6675181	PLUG			1
7	6681614	KNOB			2
8	59D4	NUT 5			2
9	6718175	SCREEN	filter		1
10	6678207	FILTER	recirculation		1
11	6718837	SPACER			2
12	37C424	BOLT			2
13	6727847	COVER	W/Ref. 15 & 17		1
14	6677983	FILTER, AIR HEATER CAB			1
15	6726386	KNOB			2
16	6688543	HEATER	See Illustration HEATER & A/C/ PE3077		1
17	6676516	NUT	push		2
18	35C410	BOLT 5			4
19	6735246	DUCT	LH		1
20	6735245	DUCT	RH		1
21	6675179	FLANGE	round		4
22	57G608	SCREW			16
23	6674231	VENT, HEATER CAB ROUND	round		4
24	37C512	BOLT			4
25	59D5	NUT 5			4
26	6904255	INSTRUCTIONS			1

HEATER & A/C (Heater Kit) (Plastic Housing)

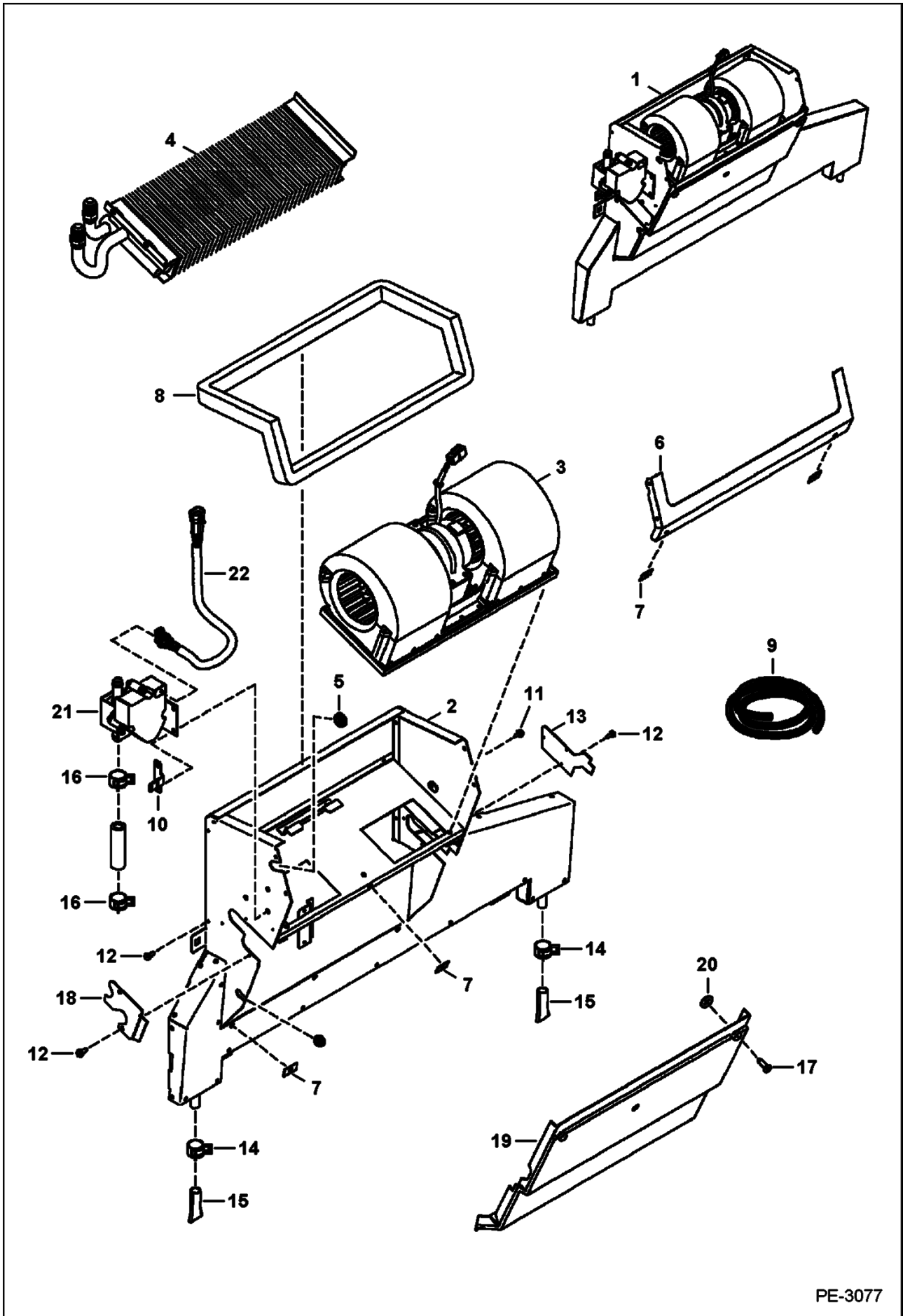


NA2020

**HEATER & A/C (Cont'd)
(Heater Kit) (Plastic Housing)**

Ref No	Part Number	Description	Remarks	Serial Number	Qty
1	7166137	KIT HEATER	if loader is not equipped W/deluxe cab accessories harness, heater, A/C, SJC, ACS, cab enclosure door kit, rear wiper or any of the following cab harness connected rotating beacon, 4-way flasher or strobe light, Also Order 7139311 deluxe cab accessories harness		1
2	6669091	CLIP			3
3	6669224	BOLT			3
4	6674231	VENT, HEATER CAB ROUND			4
5	6675179	FLANGE			4
6	6675181	PLUG			1
7	6677983	FILTER, AIR HEATER CAB			1
8	6678207	FILTER			1
9	6681614	KNOB			2
10	7175394	HEATER CAB	See Illustration HEATER & A/C/ MS2753 Was 6691439 [A]		1
11	6697906	PANEL, CONTROL	Ref. 26-30		1
12	6718175	SCREEN			1
13	6718837	SPACER			2
14	6676516	NUT			2
15	6726386	KNOB			2
16	6727847	COVER			1
17	6735245	DUCT	RH		1
18	6735246	DUCT	LH		1
19	7121572	DECAL PACKAGE			1
20	35C410	BOLT 5			4
21	37C424	BOLT			2
22	37C512	BOLT			4
23	57G608	SCREW			16
24	59D4	NUT 5			2
25	59D5	NUT 5			4
26	6675176	SWITCH	blower - not in kit		1
27	6675177	KNOB	not in kit		2
28	6693148	RESISTOR	temp control - not in kit		1
29	6718579	DECAL	not in kit		1
30	6718887	PANEL	not in kit		1
31	6987152	INSTRUCTIONS			1

HEATER & A/C (Heater Assembly) (Metal Housing)

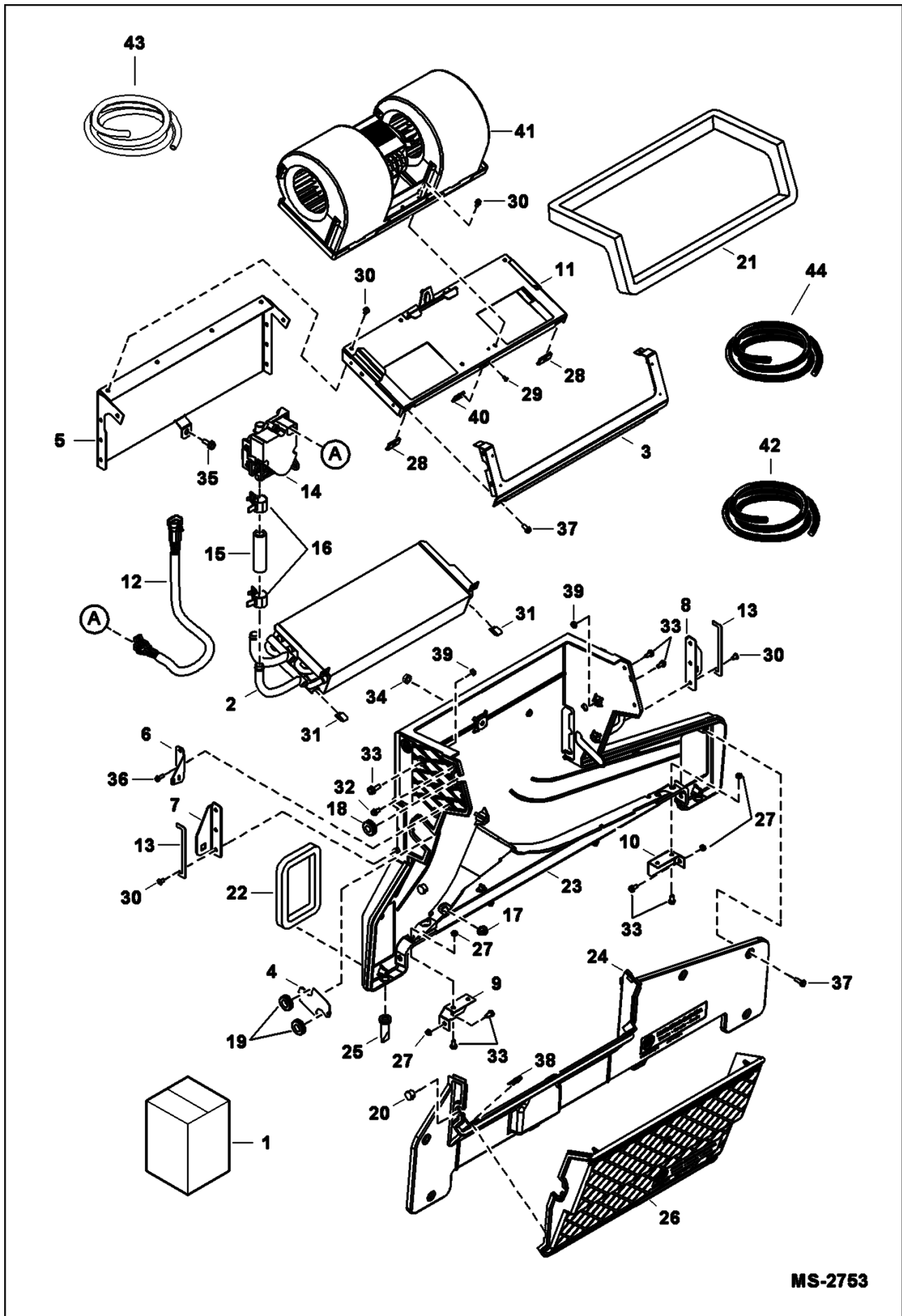


PE-3077

**HEATER & A/C (Cont'd)
(Heater Assembly) (Metal Housing)**

Ref No	Part Number	Description	Remarks	Serial Number	Qty
1	6688543	HEATER	Ref. 2-22		1
2	6690478	HOUSING			1
3		BLOWER	See Illustration HEATER & A/C/ B26156 - NAP - assy - Was 6689762 [A]		1
4		COIL	See Illustration HEATER & A/C/ PE1228 - NAP - Order 6689770 heater coil kit		1
5	6690482	GROMMET			1
6	6678152	SEAL FLANGE			1
7	6677115	RECEPTACLE			6
8		SEAL	NAP - 48.75" (1238,25 mm) long - Order Ref. 9		1
9	6677111	SEAL	bulk - sold per foot		x
10	6690481	BRACKET	harness		1
11	6677119	SCREW	sheetmetal		7
12	6677118	SCREW	W/washer		4
13	6690487	COVER			1
14	6675510	CLAMP	drain hose		2
15	6675511	DRAIN VALVE			2
16	6675512	CLAMP	hose		2
17	6677117	SCREW	captive		1
18	6690479	COVER			1
19	6690476	COVER			1
20	6677116	RETAINER			6
21	6689696	VALVE, HEATER CAB			1
22	6698501	HARNESS, HEATER			1

HEATER & A/C (Heater Assembly) (Plastic Housing) (Two Piece Blower Mount)

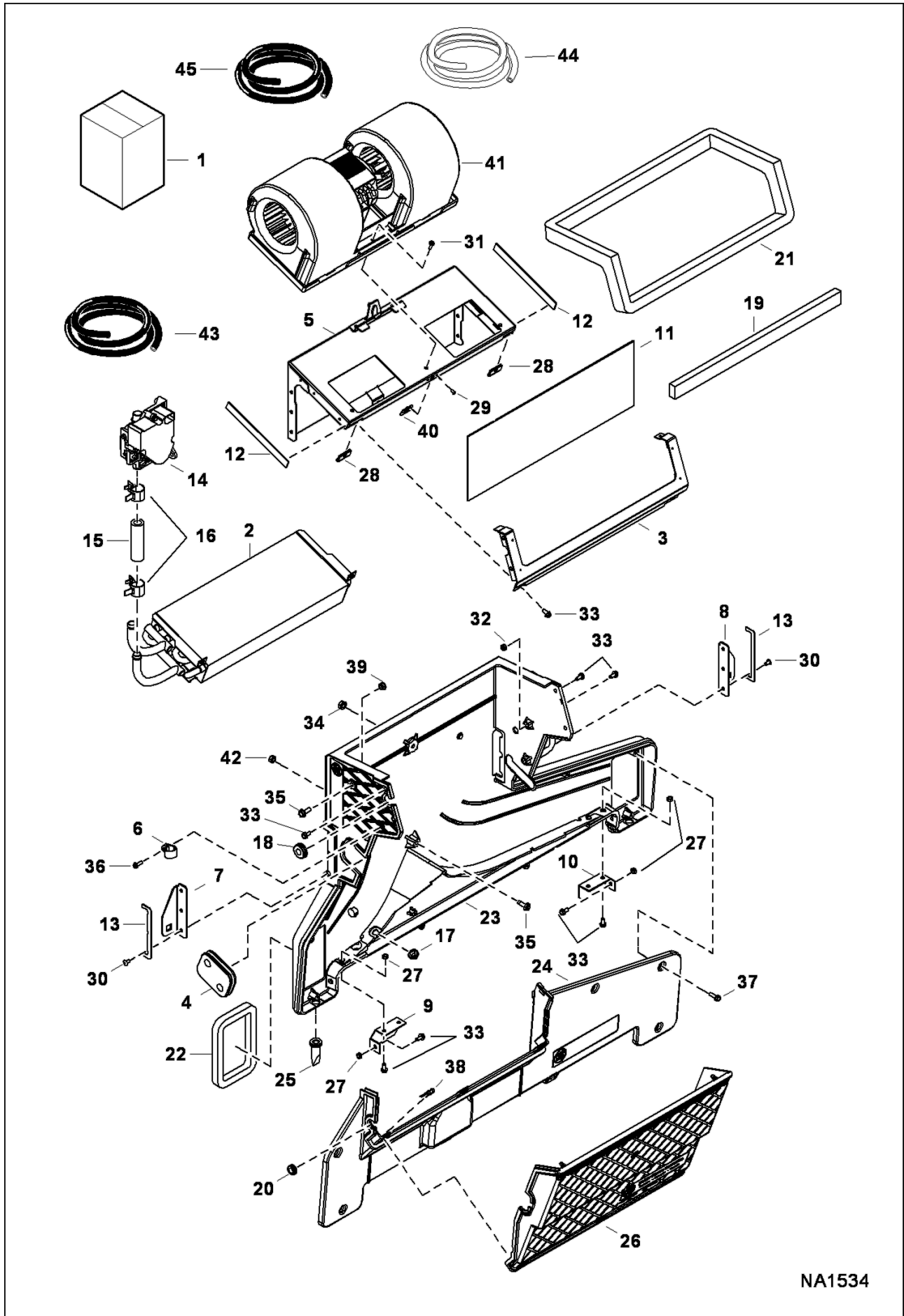


MS-2753

**HEATER & A/C (Cont'd)
(Heater Assembly) (Plastic Housing) (Two Piece Blower Mount)**

Ref No	Part Number	Description	Remarks	Serial Number	Qty
1		HEATER, CAB	See Illustration HEATER & A/C/ NA1534 NAP - Order 7175394 heater assy - Was 6691439 [A]		1
2	7003446	COIL, HEATER			1
3	7003447	FLANGE, SEAL			1
4	7003448	PLATE			1
5	7003449	PAN, COIL			1
6	7003450	BRACKET, HARNESS			1
7	7003451	BRACKET			1
8	7003452	BRACKET			1
9	7003453	BRACKET			1
10	7003454	BRACKET			1
11	7003455	PLATE			1
12	6698501	HARNESS, HEATER			1
13	6676538	INSULATION	bulk - sold per foot		x
14	7003456	VALVE, MOTORIZED ASSY			1
15		HOSE, HEATER	NAP - 2.75" (69,85 mm) long - Order Ref. 43		2
16	7003458	CLAMP, HOSE			2
17	6675513	GROMMET			2
18	6690482	GROMMET			1
19	7003459	GROMMET			2
20	7003511	PLUG			1
21		SEAL	NAP - 48.75" (1,238.25 mm) long - Order Ref. 42		1
22		SEAL, FOAM	NAP - 15.4" (391,6 mm) long - Order Ref. 44		2
23	7003461	HOUSING, BASE			1
24	7003462	HOUSING, COVER DUST			1
25	7003463	VALVE, DRAIN			2
26	7003464	COVER, ASSY			1
27	7003465	NUT			8
28	6677115	RECEPTACLE			2
29	7003466	RIVET, POP			2
30	7003467	RIVET, POP			13
31	6676539	CLIP			2
32	6677580	SCREW			2
33	6693228	BOLT			14
34	7003468	NUT			1
35	7003469	SCREW			3
36	7003470	SCREW			4
37	7003471	SCREW			7
38	7003472	CLIP, RECEPTACLE			3
39	7003473	NUT			3
40	7003474	CLIP, RECEPTACLE			1
41		BLOWER, HEATER & A/C			1
42	6677111	SEAL	bulk - sold per foot		x
43	7003457	HOSE, HEATER	bulk - sold per foot		x
44	7003460	SEAL, FOAM	bulk - sold per foot		x

HEATER & A/C (Heater Assembly) (Plastic Housing) (Blower Mount W/Coil Pan)

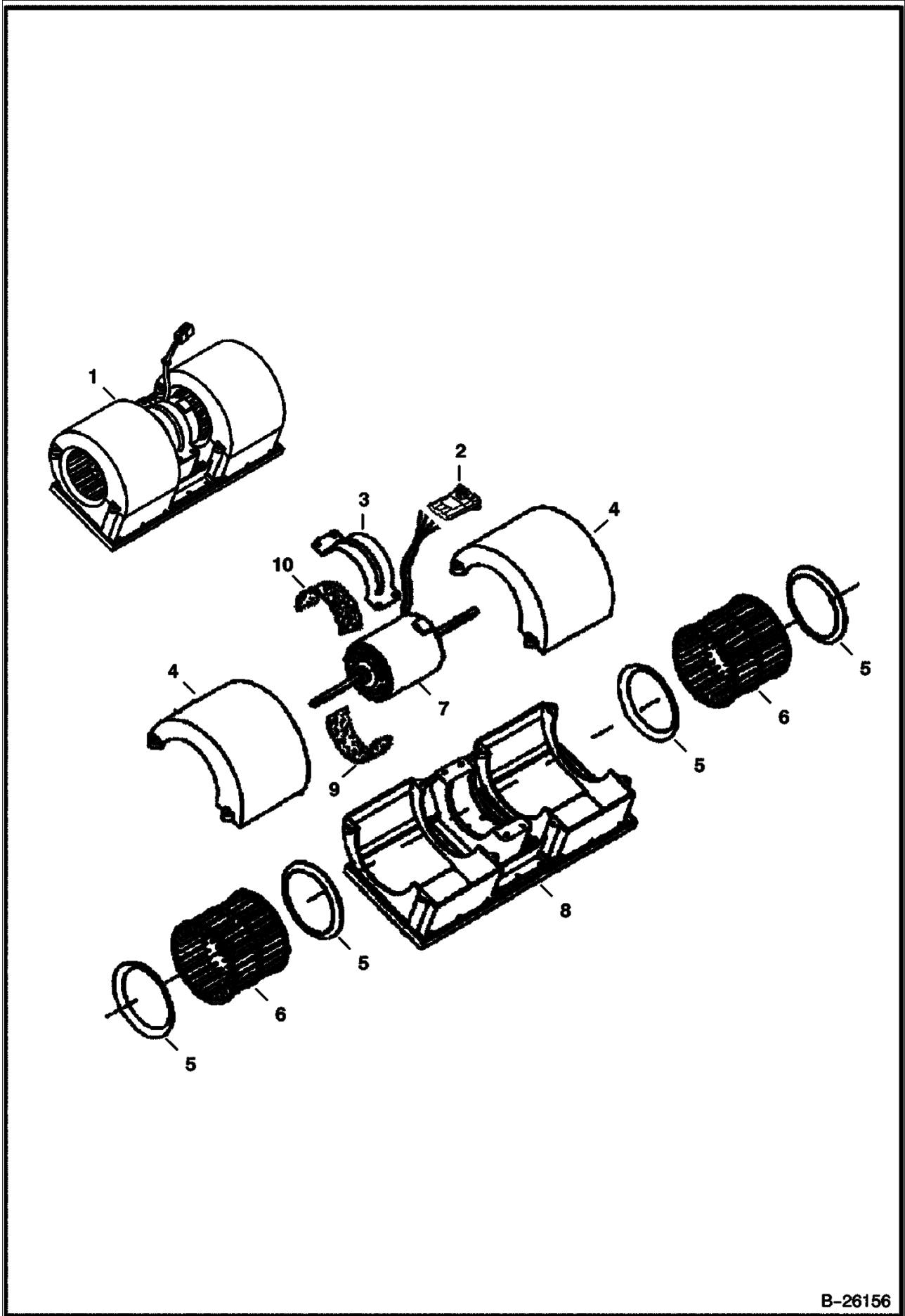


NA1534

**HEATER & A/C (Cont'd)
(Heater Assembly) (Plastic Housing) (Blower Mount W/Coil Pan)**

Ref No	Part Number	Description	Remarks	Serial Number	Qty
1	7175394	HEATER CAB			1
2	7003446	COIL, HEATER			1
3	7003447	FLANGE, SEAL			1
4	7175397	GROMMET			1
5	7010269	PAN, COIL			1
6	7010268	CLAMP			1
7	7003451	BRACKET			1
8	7003452	BRACKET			1
9	7003453	BRACKET			1
10	7003454	BRACKET			1
11	7010263	SHIELD, ISOLATOR BULK/FT			1
12	6693236	FOAM			2
13	6676538	INSULATION	bulk - sold per foot		x
14	7003456	VALVE, MOTORIZED ASSY			1
14	6698501	HARNESS, HEATER			1
15		HOSE, HEATER	NAP - 2.75" (69,85 mm) long - Order Ref. 44		2
16	7003458	CLAMP, HOSE			2
17	6675513	GROMMET			2
18	6690482	GROMMET			1
19	7010264	FOAM			1
20	7003511	PLUG			1
21		SEAL	NAP - 48.75" (1,238.25 mm) long - Order Ref. 43		1
22		SEAL, FOAM	NAP - 15.4" (391,6 mm) long - Order Ref. 44		2
23	7003461	HOUSING, BASE			1
24	7003462	HOUSING, COVER DUST			1
25	7003463	VALVE, DRAIN			2
26	7003464	COVER, ASSY			1
27	7003465	NUT			8
28	6677115	RECEPTACLE			2
29	7003466	RIVET, POP			2
30	7010266	RIVET, POP			6
31	7010265	BOLT			5
32	7010267	NUT, LOCK			2
33	6677118	SCREW			14
34	7003468	NUT			1
35	7003469	SCREW			3
36	7003470	SCREW			4
37	7003471	SCREW			7
38	7003472	CLIP, RECEPTACLE			3
39	7003473	NUT			3
40	7003474	CLIP, RECEPTACLE			1
41		BLOWER, HEATER & A/C	See Illustration HEATER & A/C/ NA2155		1
42	6693226	NUT			1
43	6677111	SEAL	bulk - sold per foot		x
44	7003457	HOSE, HEATER	bulk - sold per foot		x
45	7003460	SEAL, FOAM	bulk - sold per foot		x

HEATER & A/C
(Blower Assembly) (Used on Heaters W/Metal Housing)

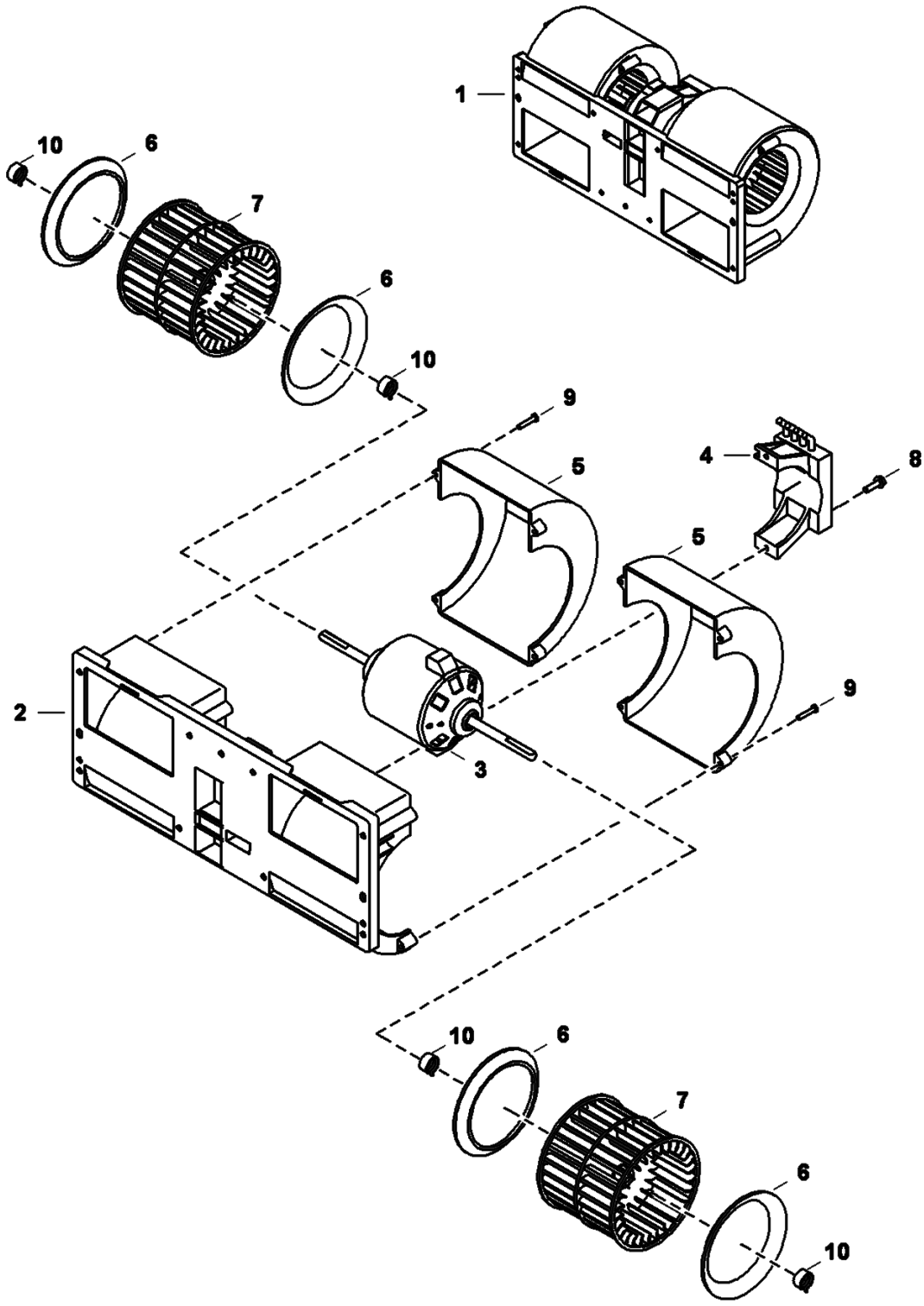


B-26156

HEATER & A/C (Cont'd)
(Blower Assembly) (Used on Heaters W/Metal Housing)

Ref No	Part Number	Description	Remarks	Serial Number	Qty
1		BLOWER	- NAP - Ref. 2-10 - Order 7003445 blower - Was 6689762 [A]		1
2	6665017	CONNECTOR	4-pin		1
2	6665018	LOCK	4-pin		1
2	6648312	TERMINAL			4
2	6648320	SEAL			4
2	6650107	SEAL			4
3	6675506	MOUNT			1
4	6675507	COVER			2
5	6675504	RING			4
6	6675505	BLOWER WHEEL			2
6	6676618	CLIP			2
7	6689766	MOTOR	W/Ref. 2		1
8	6675503	HOUSING			1
9	6689765	PAD	bottom		1
10	6689764	PAD	top		1

HEATER & A/C
(Blower Assembly) (Used on Heaters W/Plastic Housing)

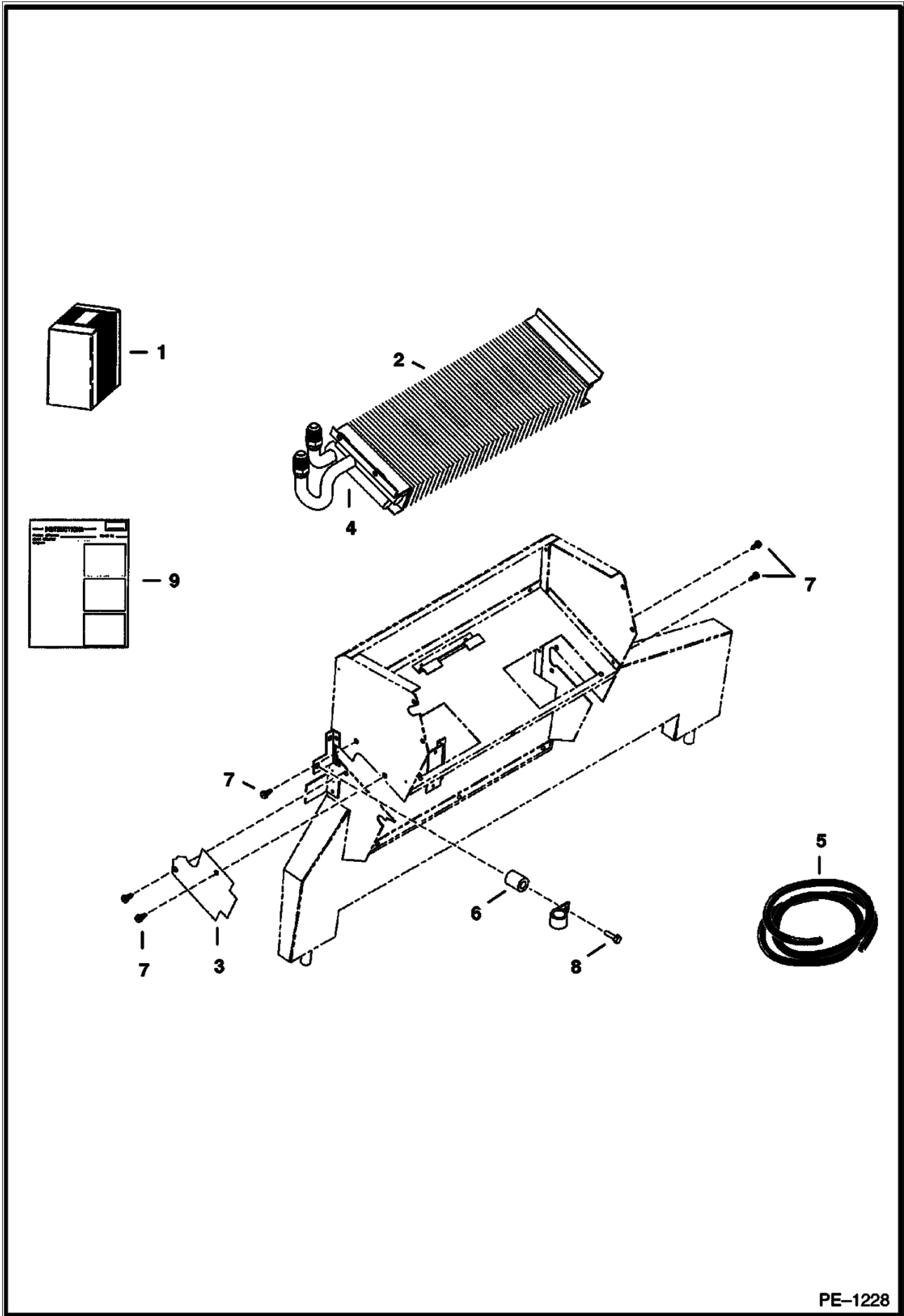


NA2155

HEATER & A/C (Cont'd)
(Blower Assembly) (Used on Heaters W/Plastic Housing)

Ref No	Part Number	Description	Remarks	Serial Number	Qty
1	7003445	BLOWER, HEATER & A/C			1
2	7010162	HOUSING, BLOWER			1
3	7010163	MOTOR, FAN			1
4	7010164	RESISTOR			1
5	7010165	COVER			2
6	7010166	RING, INNER			4
7	7010167	BLOWER, WHEEL			2
8	7003471	SCREW			2
9	7010168	SCREW			8
10	7010169	CLAMP, HOSE			4

HEATER & A/C (Heater Coil Kit)

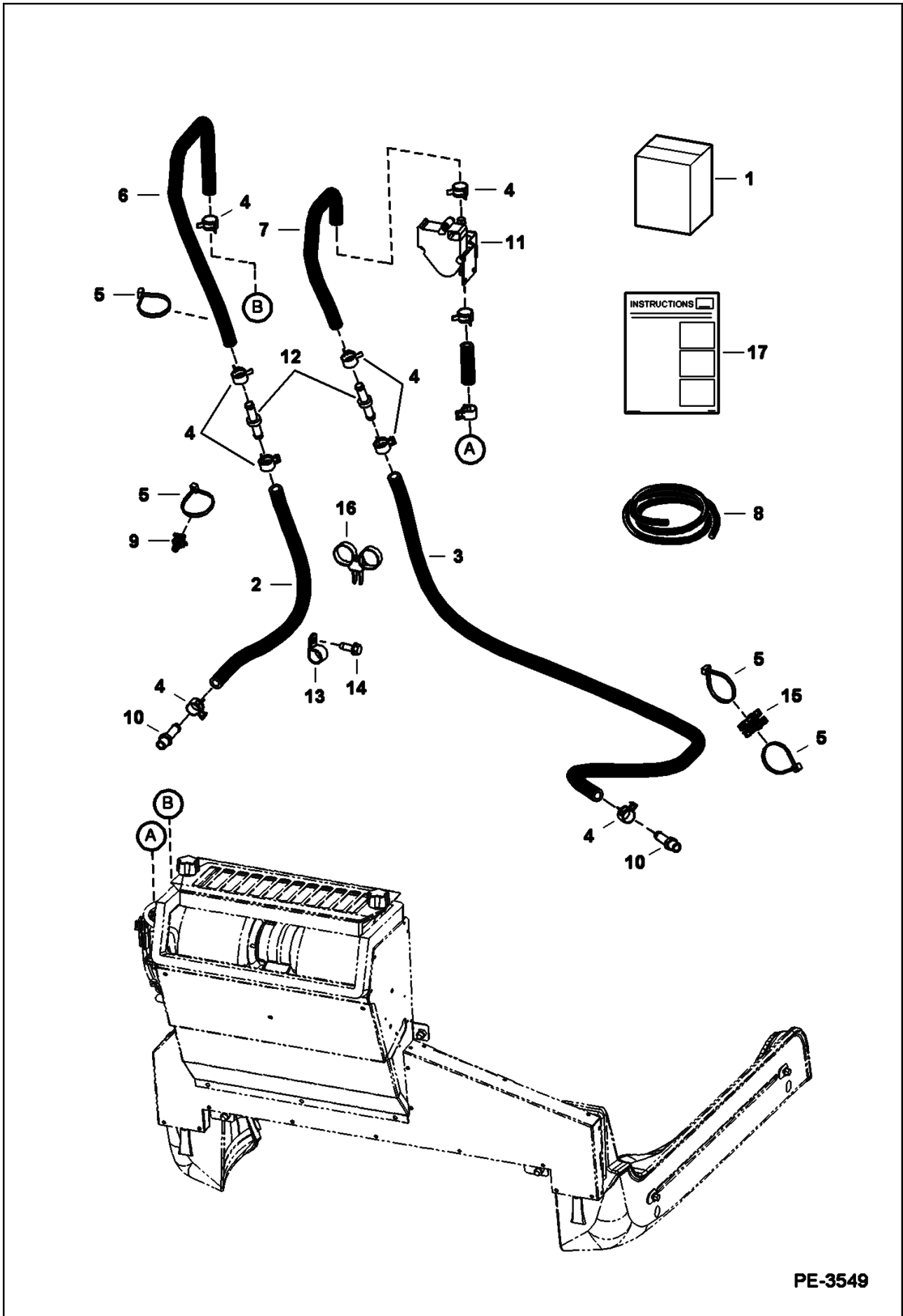


PE-1228

**HEATER & A/C (Cont'd)
(Heater Coil Kit)**

Ref No	Part Number	Description	Remarks	Serial Number	Qty
1	7129922	HEATER COIL KIT	heater coil - barbed hose connectors - Ref. 2, 4 & 9		1
2		HEATER COIL	NSS - barbed hose connectors - Order Ref. 1		1
3	6677504	COVER	0.28" thick		1
4		INSULATION	NAP - 6" (152,4 mm) long - Order Ref. 5		1
5	6676538	INSULATION	bulk - sold per foot		x
6	6676606	SPACER			1
7	6726621	SCREW			2
8	6676653	SCREW			1
9	6901120	INSTRUCTIONS			1

HEATER & A/C (Heater Plumbing Kit)

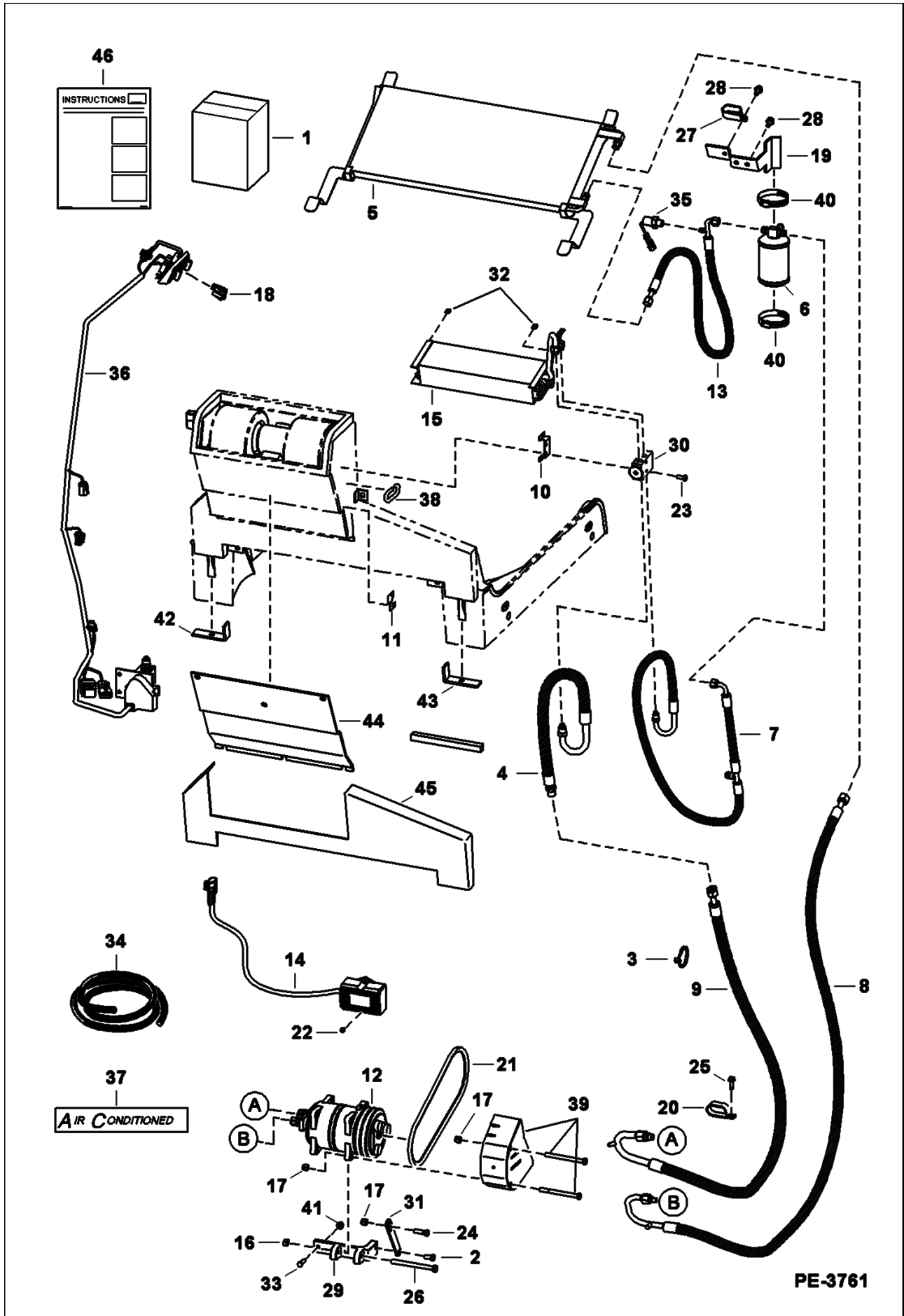


PE-3549

**HEATER & A/C (Cont'd)
(Heater Plumbing Kit)**

Ref No	Part Number	Description	Remarks	Serial Number	Qty
1	7116901	HTR PLUMBING KIT	See Illustration HEATER & A/C/ PE2805 - Ref. 2-10 & 12-15		1
2		HOSE	NAP - 25" (635 mm) long - Order Ref. 8		1
3		HOSE	NAP - 54" (1371,6 mm) long - Order Ref. 8		1
4	5HM20	CLAMP			8
5	6624289	STRAP, TIE			5
6	7125557	HOSE, HEATER FORMED			1
7	7113209	HOSE			1
8	6565977	HOSE	bulk - sold per foot		x
9	7015668	MOUNT FIR TREE	push in - Use W/tie strap - Was 6678666 [B]		2
10	6731084	ADAPTER			2
11		VALVE	See Illustration HEATER & A/C/ PE2805 - not in kit		1
12	6732023	CONNECTOR			2
13	30H46	CLIP			1
14	84G3716	SCREW 5			1
15	6686385	MOUNT, SADDLE SWIVEL			1
16	6678668	STRAP, DUAL TIE			1
17	6904255	INSTRUCTIONS	INSTRUCTIONS - not in kit - part of heater kit		1

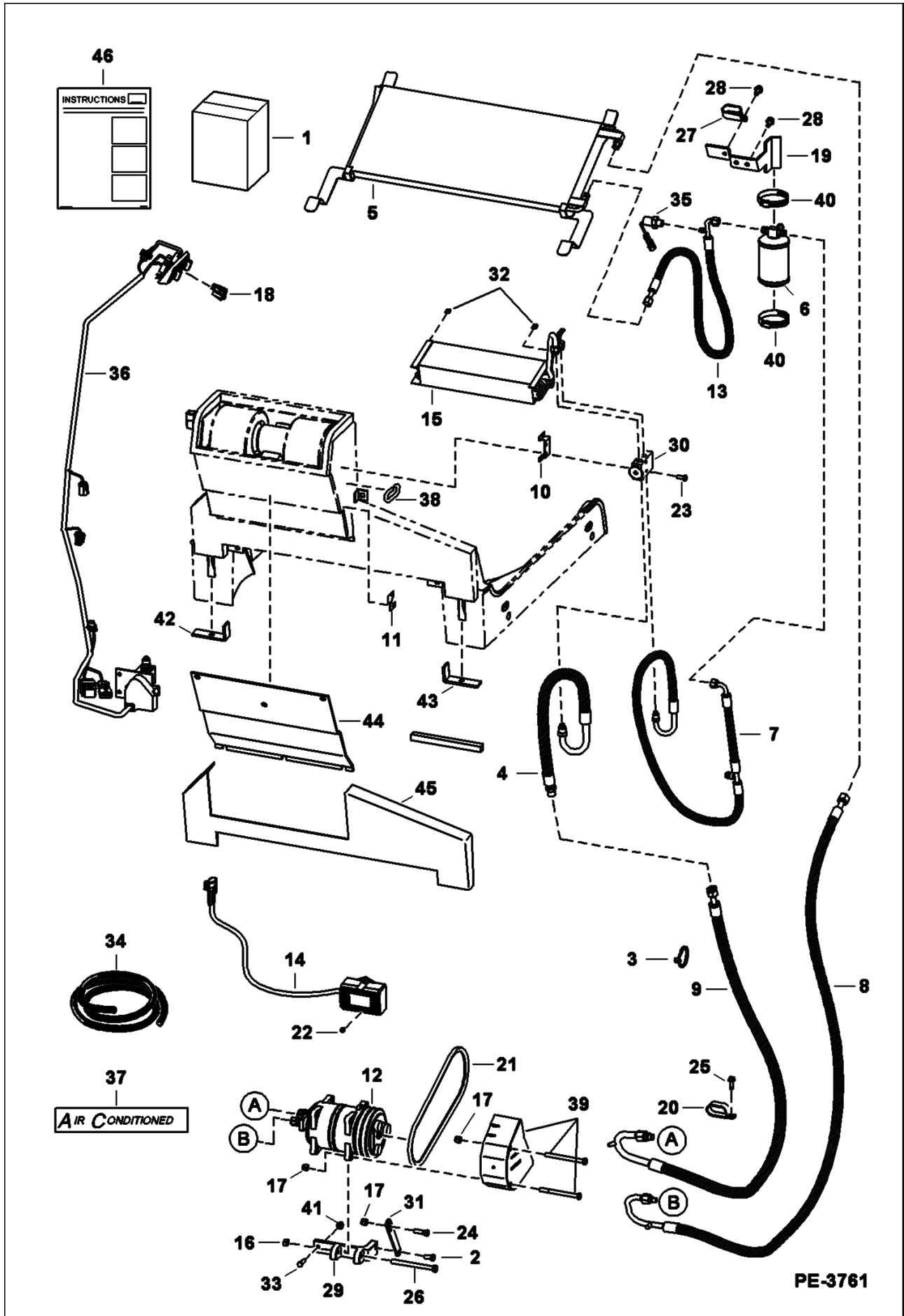
HEATER & A/C (A/C Kit) (Used on Heaters W/Metal Housing)



**HEATER & A/C (Cont'd)
(A/C Kit) (Used on Heaters W/Metal Housing)**

Ref No	Part Number	Description	Remarks	Serial Number	Qty
1	7160945	KIT, A/C	Ref. 2-49		1
2	43C612	BOLT			1
3	6624289	STRAP, TIE			3
4	6726623	HOSE			1
4	7009978	O-RING	#10 - Was 6675825 [A]		x
5	6733001	CONDENSER	A/C		1
6	6674235	RECEIVER DRIER			1
6	6676062	VALVE	relief		1
7	6698442	HOSE	Was 6675075 [A]		1
7	6677122	CAP			1
7	7009976	O-RING	#6 - Was 6675824 [A]		x
8	7136180	HOSE, A/C ASSY			1
8	6685199	CAP			1
8	7009978	O-RING	#10 - Was 6675825 [A]		x
9	7136178	HOSE, A/C ASSY			1
9	7009977	O-RING	#8 - Was 6675538 [A]		x
10	6676984	MOUNT	valve		1
11	6692416	COVER	Use W/Ref. (7116904 kit & 7166104 kit)		1
12	7136676	COMPRESSOR, A/C	W/Ref. 37		1
13	6727414	HOSE	W/Ref. 35		1
13	7009976	O-RING	#6 - Was 6675824 [A]		x
14	6683004	THERMOSTAT			1
15	6690477	EVAPORATOR			1
15	7009977	O-RING	#8 - Was 6675538 [A]		x
16	53DM10	NUT			1
17	59D6	NUT			3
18	7169112	SWITCH, ROCKER A/C	blue LED light replaces green LED light - Was 6719176 [B]		1
19	6726620	BRACKET	receiver drier		1
20	31H49	CLAMP			1
21	7143498	BELT	compressor		1
22	6726621	SCREW			2
23	1CM635	BOLT			2
24	17C620	BOLT			1
25	84G3116	SCREW			1
26	1CM10120	BOLT			1
27	31H46	CLAMP			1
28	84G3710	SCREW			3
29	7138651	MOUNT, COMPRESSOR A/C			1
30	6675534	BLOCK, A/C VALVE	expansion valve		1
30	7009977	O-RING	#8 - Was 6675538 [A]		x
31	7152731	BRACKET, COMPRESSOR A/C	swing		1
32	6676539	CLIP			2
33	17C516	BOLT			2
34	6676538	INSULATION	bulk - sold per foot		x
35	6675779	SWITCH, PRESS	pressure		1
36	7143071	HARNESS	not in kit		1
37	6729077	DECAL	air conditioned		2
38		INSULATION	NAP - 6" (152,4 mm) long - Order Ref. 34		1
39	7143611	GUARD,	belt		1

HEATER & A/C (Cont'd) (A/C Kit) (Used on Heaters W/Metal Housing)

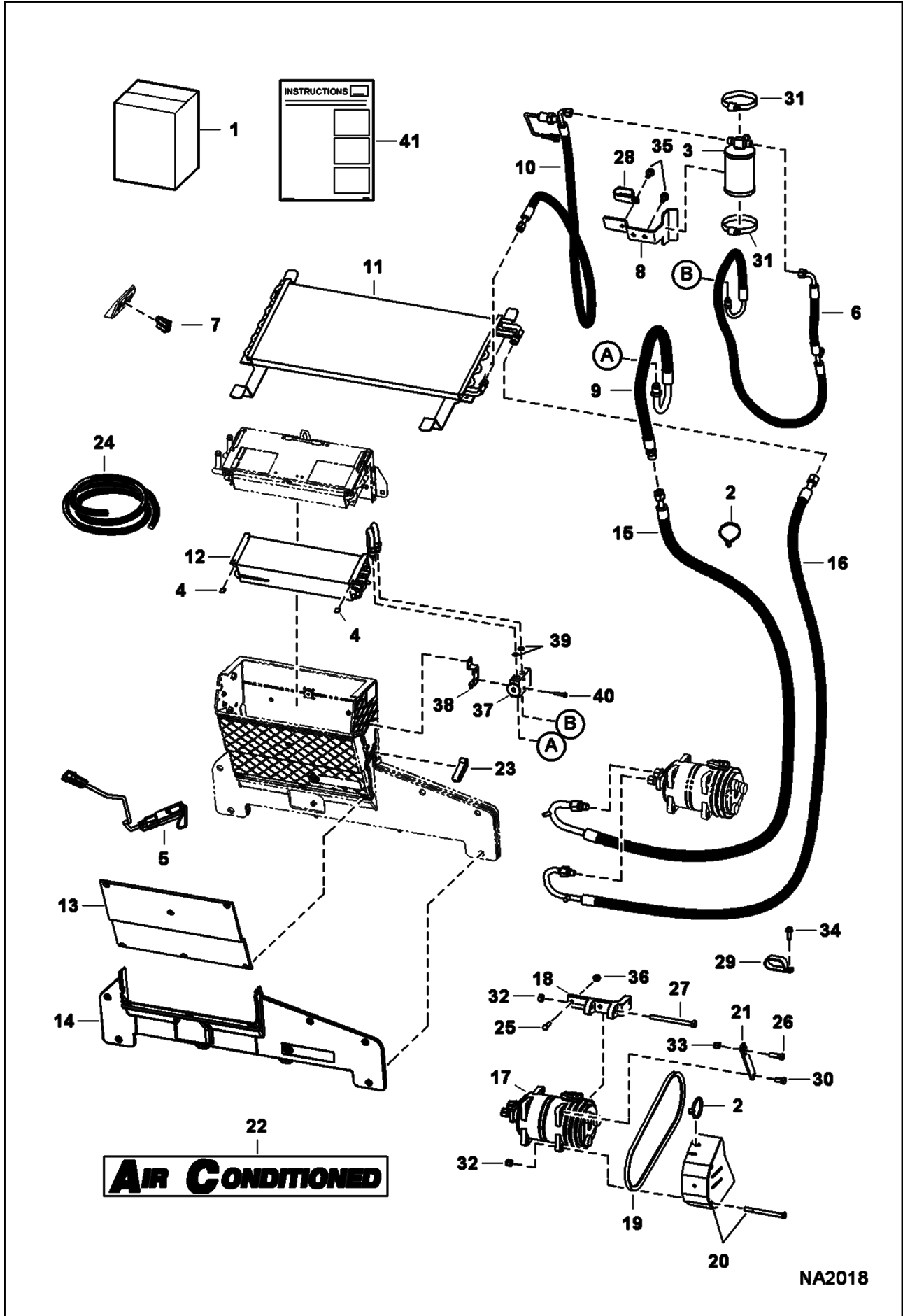


PE-3761

HEATER & A/C (Cont'd)
(A/C Kit) (Used on Heaters W/Metal Housing)

Ref No	Part Number	Description	Remarks	Serial Number	Qty
		COMPRESSOR A/C			
40	44H48	CLAMP			2
41	83D5	NUT 5			2
42	6675608	INSULATION			1
43	6675609	INSULATION			1
44	6689179	INSULATION			1
45	6689180	INSULATION			1
46	6987091	INSTRUCTIONS			1

HEATER & A/C (A/C Kit) (Used on Heaters W/Plastic Housing)

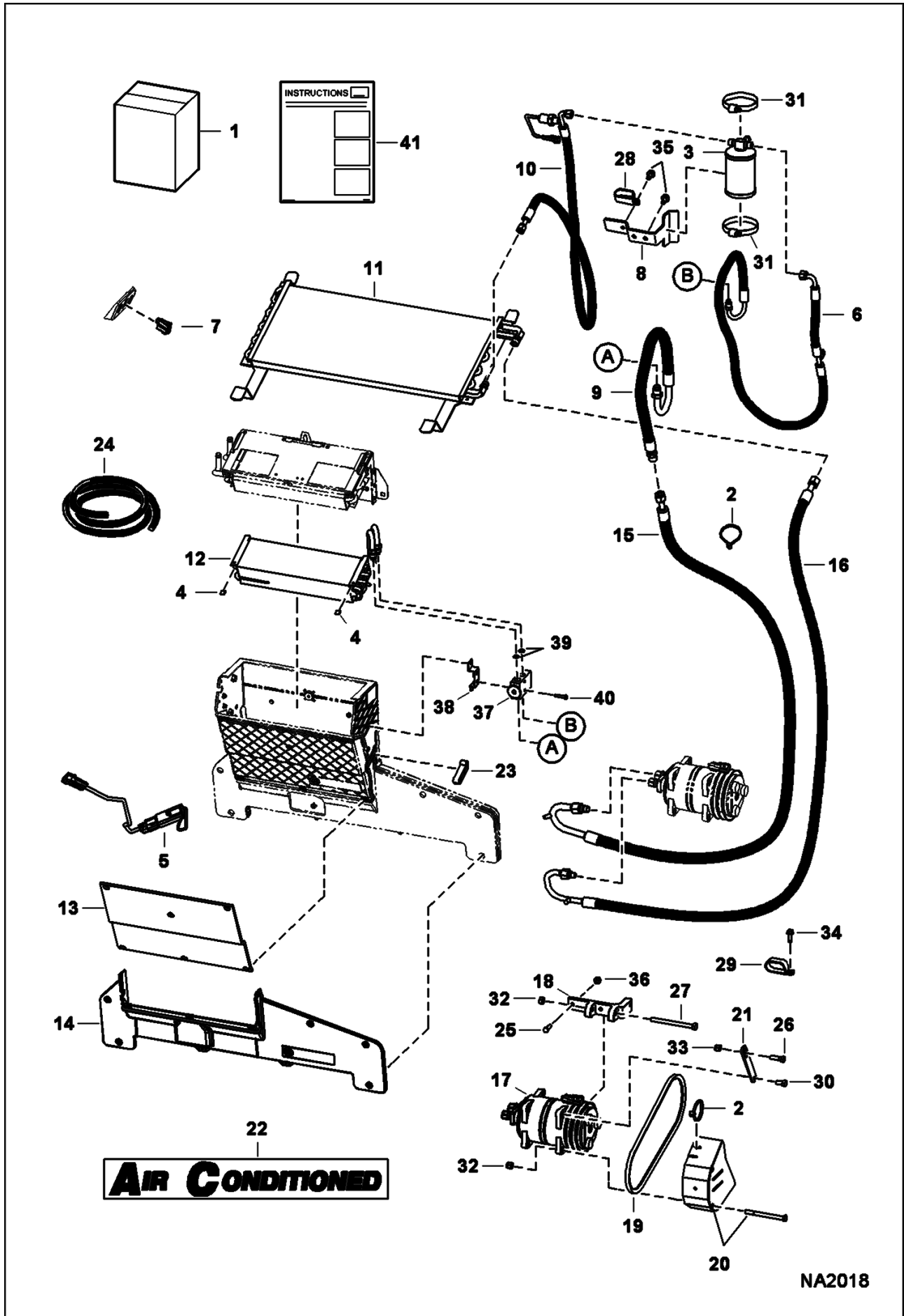


NA2018

HEATER & A/C (Cont'd)
(A/C Kit) (Used on Heaters W/Plastic Housing)

Ref No	Part Number	Description	Remarks	Serial Number	Qty
1	7166138	KIT A/C			1
2	6624289	STRAP, TIE			3
3	6674235	RECEIVER DRIER			1
4	6676539	CLIP			2
5	7008040	MODULE, DE- ICER ELECTRONIC	Was 6683004 [A]		1
6	6698442	HOSE			1
6	6677122	CAP			1
6	7009976	O-RING	#6 - Was 6675824 [A]		x
7	7169112	SWITCH, ROCKER A/C	blue LED light replaces green LED light - Was 6719176 [B]		1
8	6726620	BRACKET			1
9	6726623	HOSE			1
9	7009978	O-RING	#10 - Was 6675825 [A]		x
10	6727414	HOSE			1
10	7009976	O-RING	#6 - Was 6675824 [A]		x
11	6733001	CONDENSER			1
12	7002707	EVAPORATOR			1
12	7009977	O-RING	#8 - Was 6675538 [A]		x
13	7001670	INSULATION			1
14	7001671	INSULATION			1
15	7136178	HOSE, A/C ASSY			1
15	7009978	O-RING	#10 - Was 6675825 [A]		x
16	7136180	HOSE, A/C ASSY			1
16	7009977	O-RING	#8 - Was 6675538 [A]		x
17	7136676	COMPRESSOR, A/C			1
18	7138651	MOUNT, COMPRESSOR A/C			1
19	7143498	BELT			1
20	7143611	GUARD, COMPRESSOR A/C			1
21	7152731	BRACKET, COMPRESSOR A/C			1
22	7166916	DECAL, A/C			2
23		SEAL	NAP - 7.87" (199.9 mm) long - Order Ref. 24		1
24	6677111	SEAL	bulk - sold per foot		1
25	17C516	BOLT			2
26	17C620	BOLT			1
27	1CM10120	BOLT			1
28	31H46	CLAMP			1
29	31H49	CLAMP			1
30	43C612	BOLT			1
31	44H48	CLAMP			2
32	53DM10	NUT			1
33	59D6	NUT			3
34	84G3116	SCREW			1
35	84G3710	SCREW			3
36	89D5	NUT			2
37	6675534	BLOCK, A/C VALVE			1
38	7001669	BRACKET			1

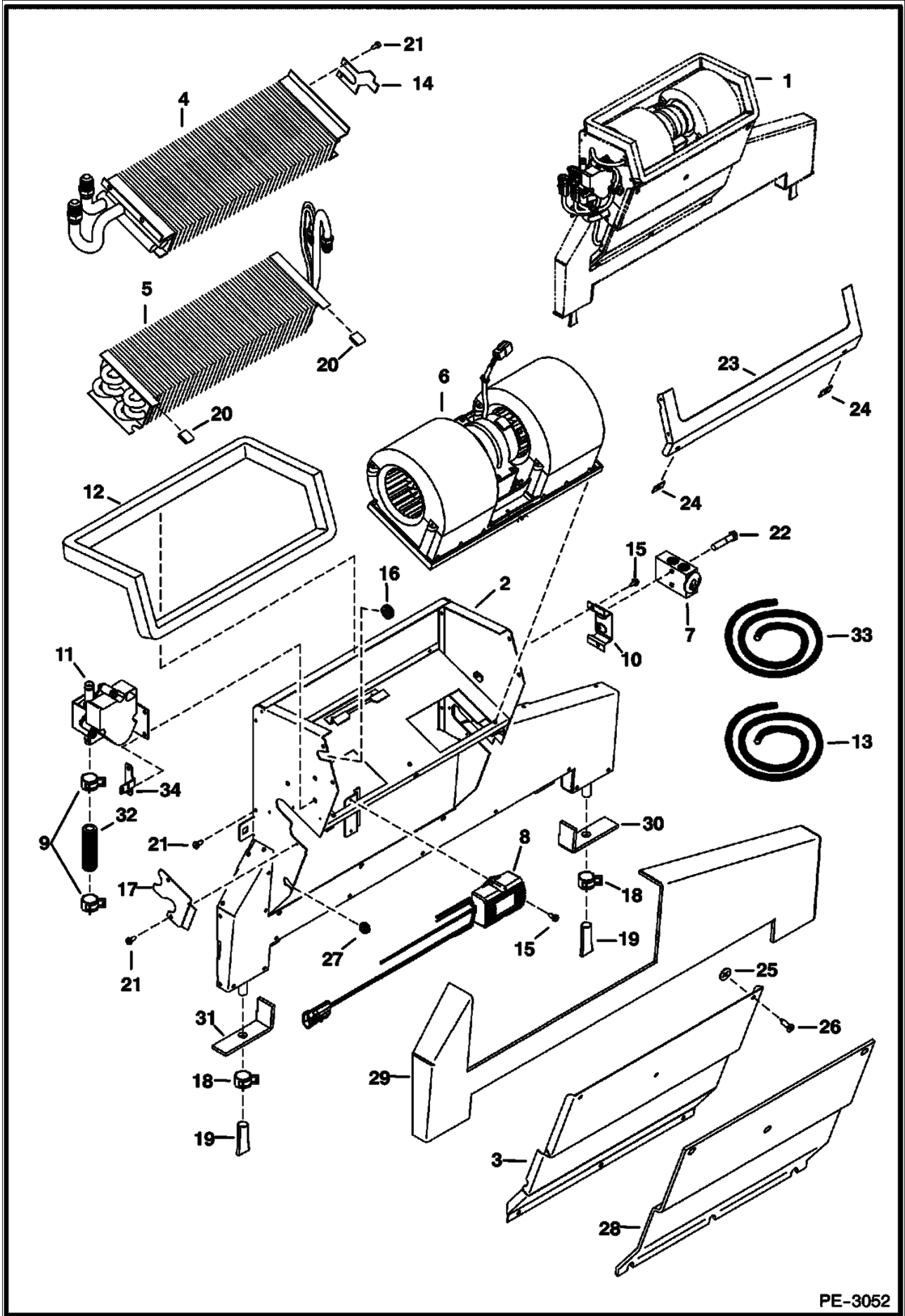
HEATER & A/C (Cont'd)
 (A/C Kit) (Used on Heaters W/Plastic Housing)



HEATER & A/C (Cont'd)
(A/C Kit) (Used on Heaters W/Plastic Housing)

Ref No	Part Number	Description	Remarks	Serial Number	Qty
39	7009977	O-RING	#8 - Was 6675538 [A]		2
40	6691534	SCREW			2
41	6987151	INSTRUCTIONS			1

HEATER & A/C
(HVAC Assembly) (Metal Housing)

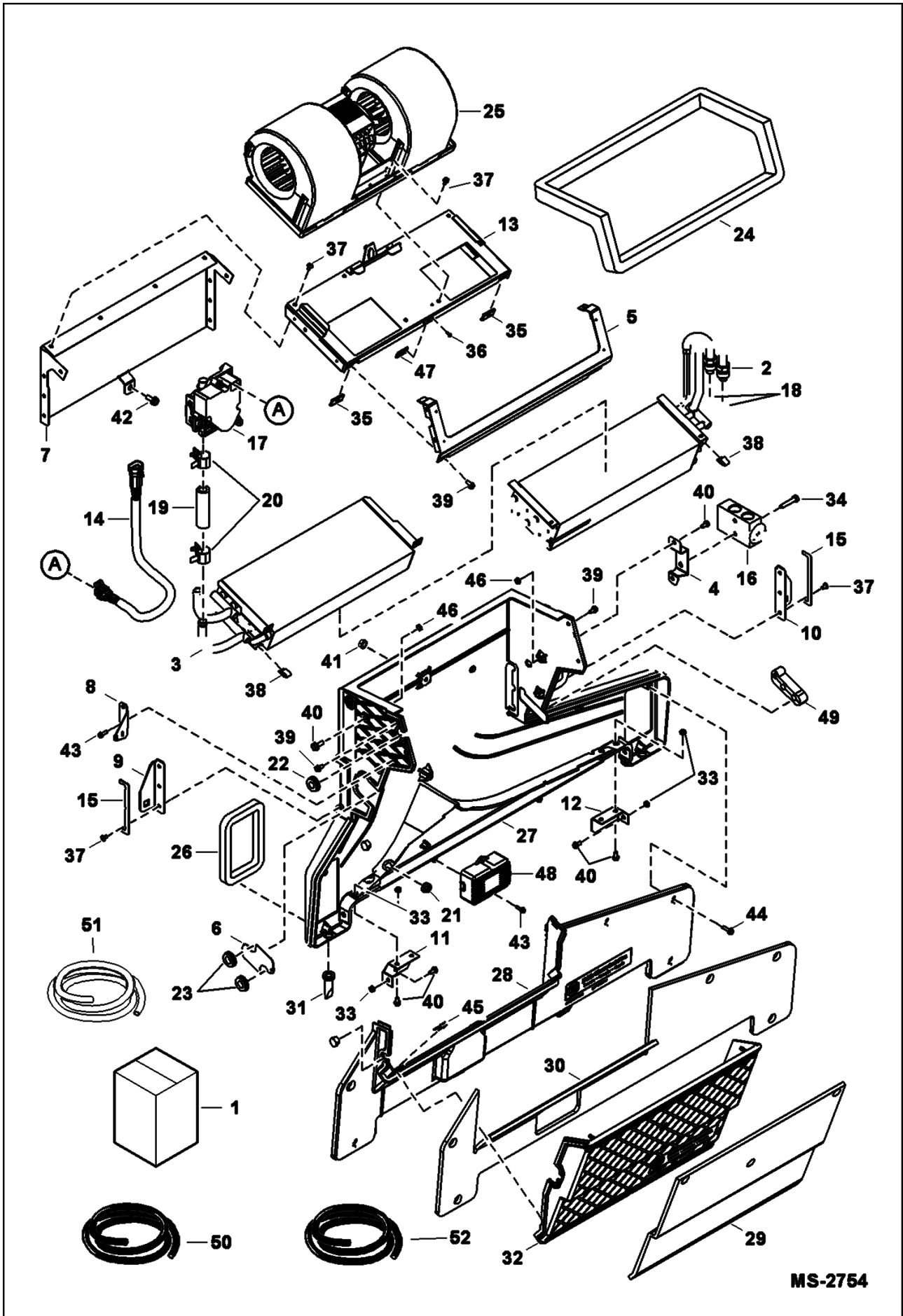


PE-3052

**HEATER & A/C (Cont'd)
(HVAC Assembly) (Metal Housing)**

Ref No	Part Number	Description	Remarks	Serial Number	Qty
1	6688542	HVAC HEATER	assy - Ref. 2-34		1
2	6690478	HOUSING			1
3	6690476	COVER			1
4		COIL	NSS - heater - Order 6689770 heater coil kit		1
5	6690477	EVAPORATOR			1
5	7009977	O-RING	#8 - Was 6675538 [A]		x
6	6689762	BLOWER	assy		1
7	6675534	BLOCK, A/C VALVE			1
8	6683004	THERMOSTAT			1
9	6675512	CLAMP	hose		2
10	6676984	MOUNT	valve		1
11	6689696	VALVE, HEATER CAB			1
12		SEAL	NAP - 48.75" (1238,25 mm) - Order Ref. 13		1
13	6677111	SEAL	bulk - sold per foot		x
14	6690480	COVER			1
15	6677118	SCREW	W/washer		3
16	6690482	GROMMET			1
17	6690479	COVER			1
18	6675510	CLAMP	drain hose		2
19	6675511	DRAIN VALVE			2
20	6676539	CLIP			2
21	6726621	SCREW	sheet metal		7
22	1CM635	BOLT			2
23	6678152	SEAL FLANGE			1
24	6677115	RECEPTACLE			6
25	6677116	RETAINER			6
26	6677117	SCREW	captive		6
27	6684947	GROMMET			1
28	6689179	INSULATION			1
29	6689180	INSULATION			1
30	6675609	INSULATION			1
31	6675608	INSULATION			1
32		HOSE	NAP - 1/2" heater hose 2.75" (69,85 mm) - Order Ref. 33		1
33	6565977	HOSE	bulk - sold per foot		x
34	6690481	BRACKET	harness		1

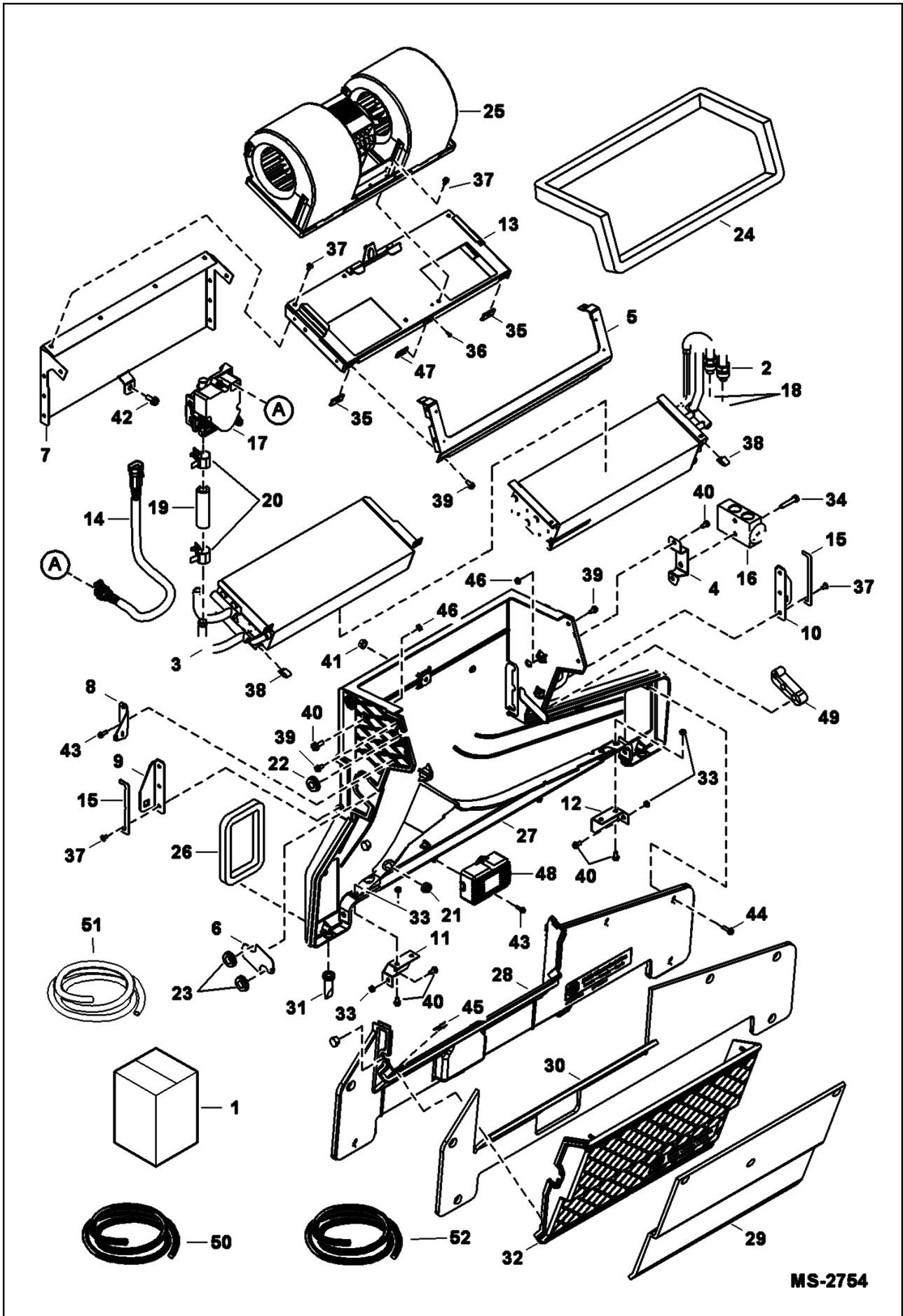
HEATER & A/C
(HVAC Assembly) (Plastic Housing) (Two Piece Blower Mount)



**HEATER & A/C (Cont'd)
(HVAC Assembly) (Plastic Housing) (Two Piece Blower Mount)**

Ref No	Part Number	Description	Remarks	Serial Number	Qty
1		HVAC ASSY	See Illustration HEATER & A/C/ NA1535 NAP - Order 7175395 HVAC assy - Was 6691438 [A]		1
2	7002707	EVAPORATOR			1
3	7003446	COIL, HEATER			1
4	7001669	BRACKET			1
5	7003447	FLANGE, SEAL			1
6	7003448	PLATE			1
7	7003449	PAN, COIL			1
8	7003450	BRACKET, HARNESS			1
9	7003451	BRACKET			1
10	7003452	BRACKET			1
11	7003453	BRACKET			1
12	7003454	BRACKET			1
13	7003455	PLATE			1
14	6698501	HARNESS, HEATER			1
15	6676538	INSULATION	bulk - sold per foot		x
16	6675534	BLOCK, A/C VALVE			1
17	7003456	VALVE, MOTORIZED ASSY			1
18	7009977	O-RING	#8 - Was 6675538 [A]		2
19		HOSE, HEATER	NAP - 2.75" (69,85 mm) long - Order Ref. 51		1
20	7003458	CLAMP, HOSE			2
21	6675513	GROMMET			2
22	6690482	GROMMET			1
23	7003459	GROMMET			2
24		SEAL	NAP - 48.75" (1,238.25 mm) long - Order Ref. 50		1
25		BLOWER, HEATER & A/C			1
26		SEAL, FOAM	NAP - 15.4" (391,6 mm) long - Order Ref. 52		2
27	7003461	HOUSING, BASE			1
28	7003462	HOUSING, COVER DUST			1
29	7001670	INSULATION			1
30	7001671	INSULATION			1
31	7003463	VALVE, DRAIN			2
32	7003464	COVER, ASSY			1
33	7003465	NUT			8
34	6691534	SCREW			2
35	6677115	RECEPTACLE			2
36	7003466	RIVET, POP			2
37	7003467	RIVET, POP			13
38	6676539	CLIP			2
39	6677580	SCREW			2
40	6677118	SCREW			14
41	7003468	NUT			1
42	7003469	SCREW			3
43	7003470	SCREW			4
44	7003471	SCREW			7
45	7003472	CLIP, RECEPTACLE			3
46	7003473	NUT			3
47	7003474	CLIP, RECEPTACLE			1

HEATER & A/C (Cont'd)
(HVAC Assembly) (Plastic Housing) (Two Piece Blower Mount)

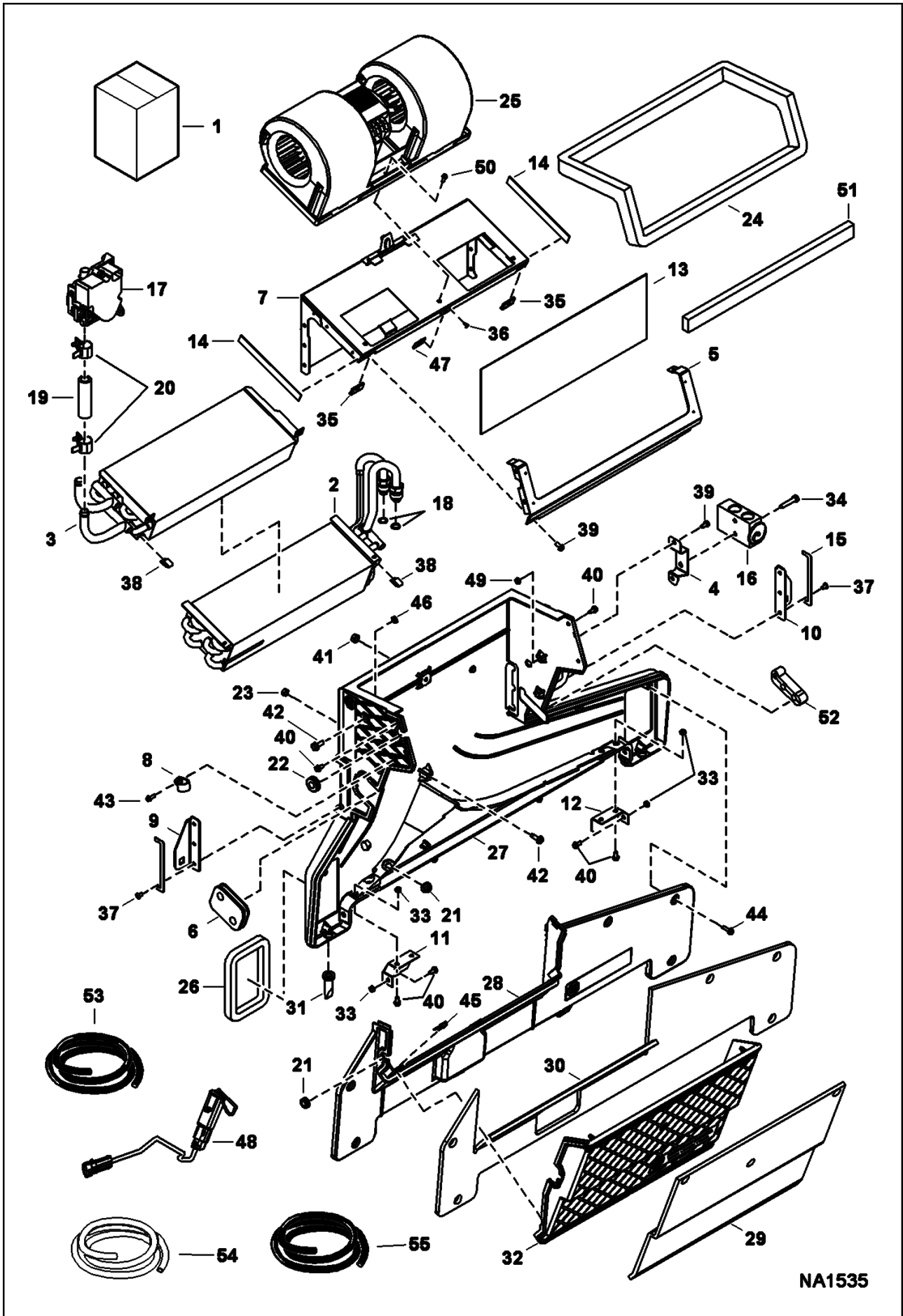


MS-2754

HEATER & A/C (Cont'd)
(HVAC Assembly) (Plastic Housing) (Two Piece Blower Mount)

Ref No	Part Number	Description	Remarks	Serial Number	Qty
48	6683004	THERMOSTAT			1
49		SEAL	NAP - 8" (203.2 mm) long - Order Ref. 50		1
50	6677111	SEAL	bulk - sold per foot		x
51	7003457	HOSE, HEATER	bulk - sold per foot		x
52	7003460	SEAL, FOAM	bulk - sold per foot		x

HEATER & A/C
(HVAC Assembly) (Plastic Housing) (One Piece Blower Mount)

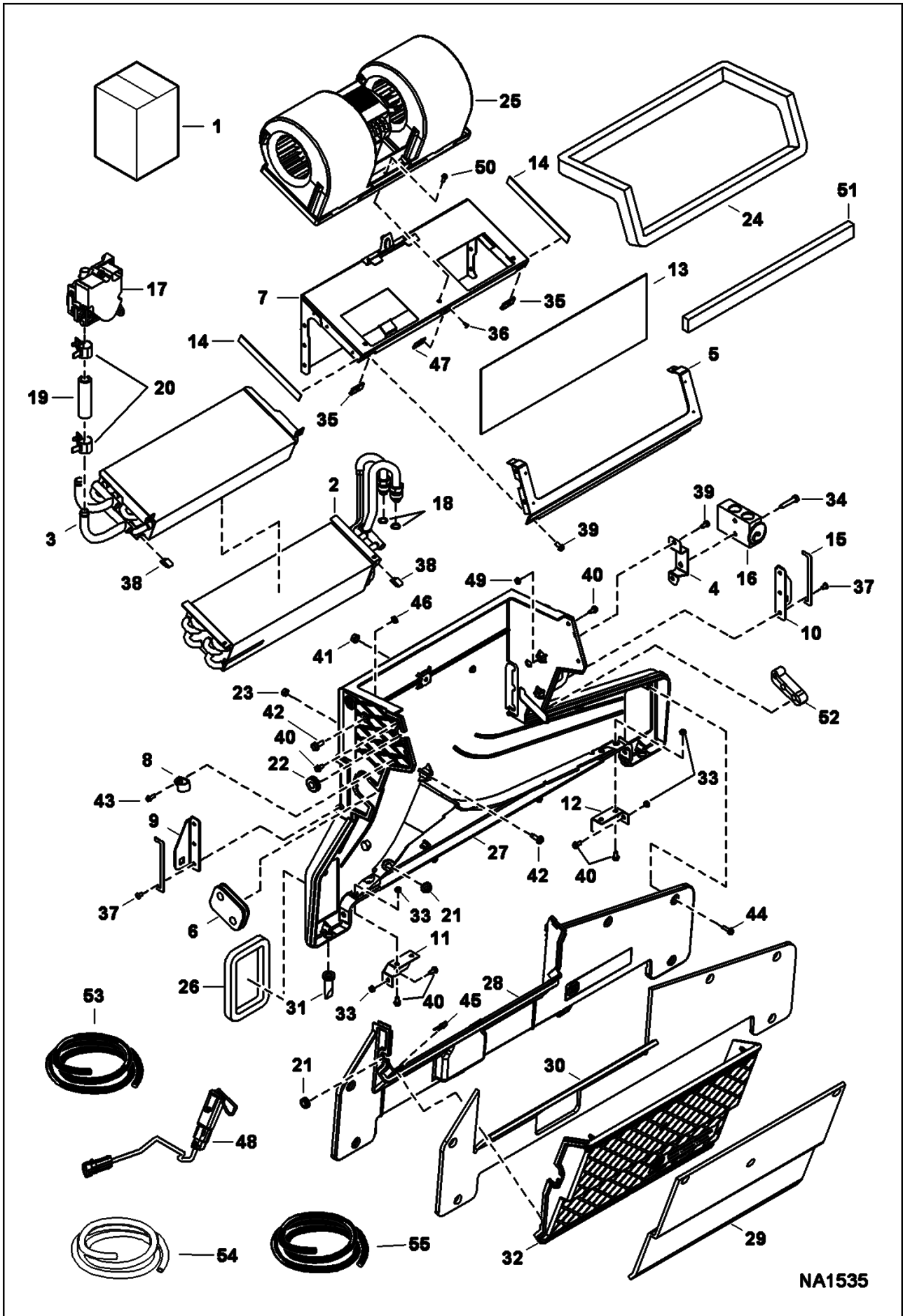


NA1535

**HEATER & A/C (Cont'd)
(HVAC Assembly) (Plastic Housing) (One Piece Blower Mount)**

Ref No	Part Number	Description	Remarks	Serial Number	Qty
1	7175395	HVAC ASSY			1
2	7002707	EVAPORATOR			1
3	7003446	COIL, HEATER			1
4	7001669	BRACKET			1
5	7003447	FLANGE, SEAL			1
6	7175397	GROMMET			1
7	7010269	PAN, COIL			1
8	7010268	CLAMP			1
9	7003451	BRACKET			1
10	7003452	BRACKET			1
11	7003453	BRACKET			1
12	7003454	BRACKET			1
13	7010263	SHIELD, ISOLATOR BULK/FT			1
14	6693236	FOAM			2
15	6676538	INSULATION	bulk - sold per foot		x
16	6675534	BLOCK, A/C VALVE			1
17	7003456	VALVE, MOTORIZED ASSY			1
18	7009977	O-RING	#8 - Was 6675538 [A]		2
19		HOSE, HEATER	NAP - 2.75" (69,85 mm) long - Order Ref. 54		1
20	7003458	CLAMP, HOSE			2
21	6675513	GROMMET			2
22	6690482	GROMMET			1
23	6693226	NUT			1
24		SEAL	NAP - 48.75" (1,238.25 mm) long - Order Ref. 53		1
25		BLOWER, HEATER & A/C	See Illustration HEATER & A/C/ NA2155		1
26		SEAL, FOAM	NAP - 15.4" (391,6 mm) long - Order Ref. 55		2
27	7003461	HOUSING, BASE			1
28	7003462	HOUSING, COVER DUST			1
29	7001670	INSULATION			1
30	7001671	INSULATION			1
31	7003463	VALVE, DRAIN			2
32	7003464	COVER, ASSY			1
33	7003465	NUT			8
34	6691534	SCREW			2
35	6677115	RECEPTACLE			2
36	7003466	RIVET, POP			2
37	7010266	RIVET, POP			6
38	6676539	CLIP			2
39	6693228	BOLT			2
40	6693228	BOLT			12
41	7003468	NUT			1
42	7003469	SCREW			3
43	7003470	SCREW			4
44	7003471	SCREW			7
45	7003472	CLIP, RECEPTACLE			3
46	7003473	NUT			3
47	7003474	CLIP, RECEPTACLE			1
48	7008040	MODULE, DE-			1

HEATER & A/C (Cont'd)
(HVAC Assembly) (Plastic Housing) (One Piece Blower Mount)

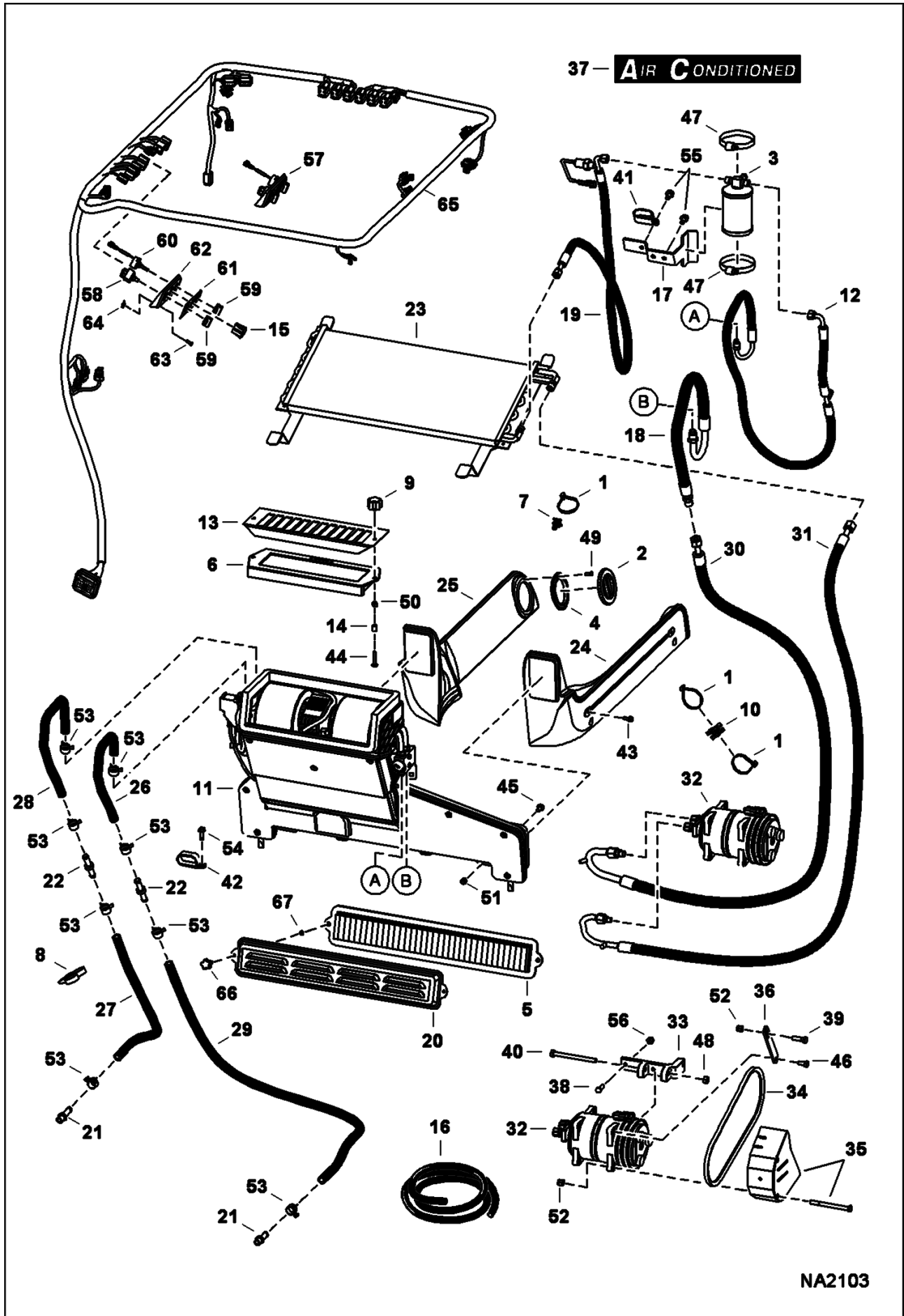


NA1535

**HEATER & A/C (Cont'd)
(HVAC Assembly) (Plastic Housing) (One Piece Blower Mount)**

Ref No	Part Number	Description	Remarks	Serial Number	Qty
		ICER ELECTRONIC			
48	6698501	HARNESS, HEATER			1
49	7010267	NUT, LOCK			2
50	7010265	BOLT			3
51	7010264	FOAM			1
52		SEAL	NAP - 8" (203,2 mm) long - Order Ref. 53		1
53	6677111	SEAL	bulk - sold per foot		x
54	7003457	HOSE, HEATER	bulk - sold per foot		x
55	7003460	SEAL, FOAM	bulk - sold per foot		x

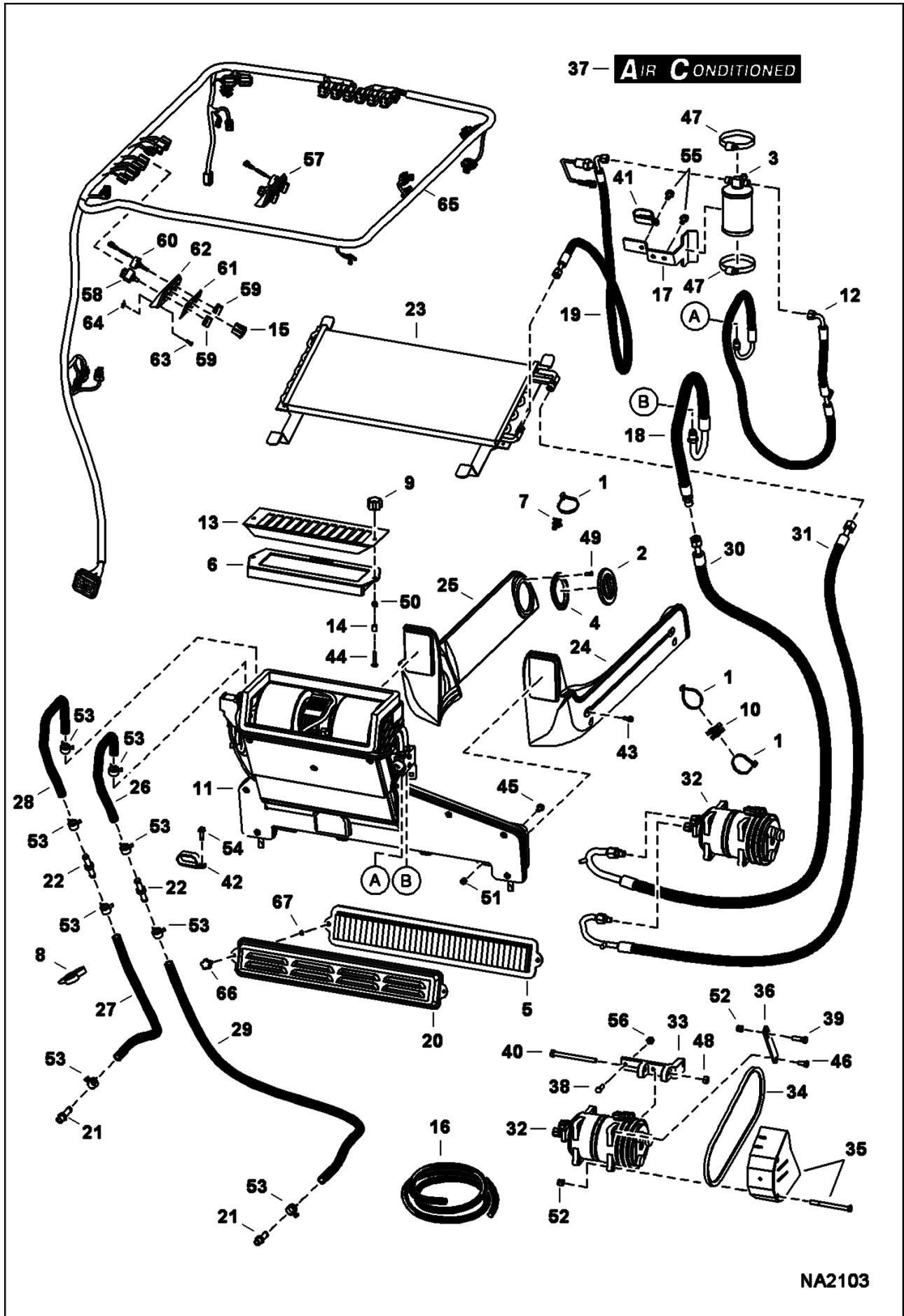
HEATER & A/C OPTION
(Plastic Housing)



**HEATER & A/C OPTION (Cont'd)
(Plastic Housing)**

Ref No	Part Number	Description	Remarks	Serial Number	Qty
1	6624289	STRAP, TIE			6
2	6674231	VENT, HEATER CAB ROUND			4
3	6674235	RECEIVER DRIER			1
4	6675179	FLANGE			4
5	6677983	FILTER, AIR HEATER CAB			1
6	6678207	FILTER			1
7	7015668	MOUNT FIR TREE	push in - Use W/tie strap - Was 6678666 [B]		1
8	6678668	STRAP, DUAL TIE			1
9	6681614	KNOB			2
10	6686385	MOUNT, SADDLE SWIVEL			1
11	7175394	HEATER CAB	Was 6691438 [A]		1
12	6698442	HOSE			1
13	6718175	SCREEN			1
14	6718837	SPACER			2
15	7169112	SWITCH, ROCKER A/C	blue LED light replaces green LED light - Was 6719176 [B]		1
16	6565977	HOSE	bulk - sold per foot		x
17	6726620	BRACKET			1
18	6726623	HOSE			1
19	6727414	HOSE			1
20	6727847	COVER			1
21	6731084	ADAPTER			2
22	6732023	CONNECTOR			2
23	6733001	CONDENSER			1
24	6735245	DUCT			1
25	6735246	DUCT			1
26	7113209	HOSE			1
27		HOSE, HEATER	NAP - 25" (635 mm) long - order Ref. 16		1
28	7125557	HOSE, HEATER FORMED			1
29		HOSE, HEATER	NAP - 54" (1371,6 mm) long - order Ref. 16		1
30	7136178	HOSE, A/C ASSY			1
31	7136180	HOSE, A/C ASSY			1
32	7136676	COMPRESSOR, A/C			1
33	7138651	MOUNT, COMPRESSOR A/C			1
34	7143498	BELT			1
35	7143611	GUARD, COMPRESSOR A/C			1
36	7152731	BRACKET, COMPRESSOR A/C			1
37	7166916	DECAL, A/C			2
38	17C516	BOLT			2
39	17C620	BOLT			1
40	1CM10120	BOLT			1
41	31H46	CLAMP			1
42	31H49	CLAMP			1

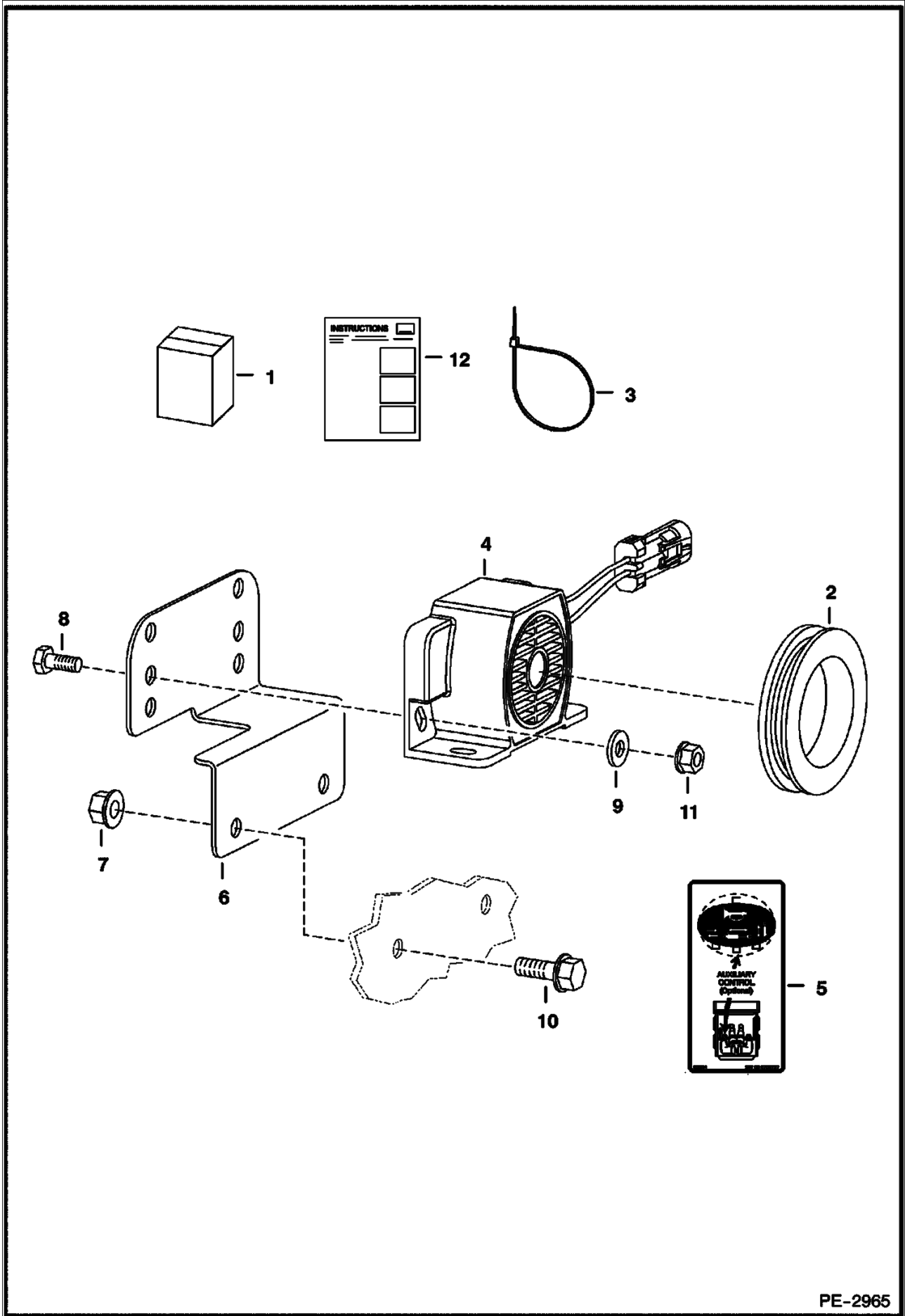
HEATER & A/C OPTION (Cont'd)
(Plastic Housing)



**HEATER & A/C OPTION (Cont'd)
(Plastic Housing)**

Ref No	Part Number	Description	Remarks	Serial Number	Qty
43	35C410	BOLT 5			4
44	37C424	BOLT			2
45	37C512	BOLT			4
46	43C612	BOLT			1
47	44H48	CLAMP			2
48	53DM10	NUT			1
49	57G608	SCREW			16
50	59D4	NUT 5			2
51	59D5	NUT 5			4
52	59D6	NUT			3
53	5HM20	CLAMP			8
54	84G3116	SCREW			1
55	84G3710	SCREW			3
56	89D5	NUT			2
57	6697906	PANEL, CONTROL	W/Ref. 58-61		1
58	6675176	SWITCH	blower		1
59	6675177	KNOB			2
60	6693148	RESISTOR	temp control		1
61	6718579	DECAL			1
62	6718887	PANEL			1
63	6669224	BOLT			3
64	6669091	CLIP			3
65	7139311	HARNESS, CAB DLX			1
66	6726386	KNOB			2
67	6676516	NUT			2

HORN KIT (Manual Controls, AHC & ACS)

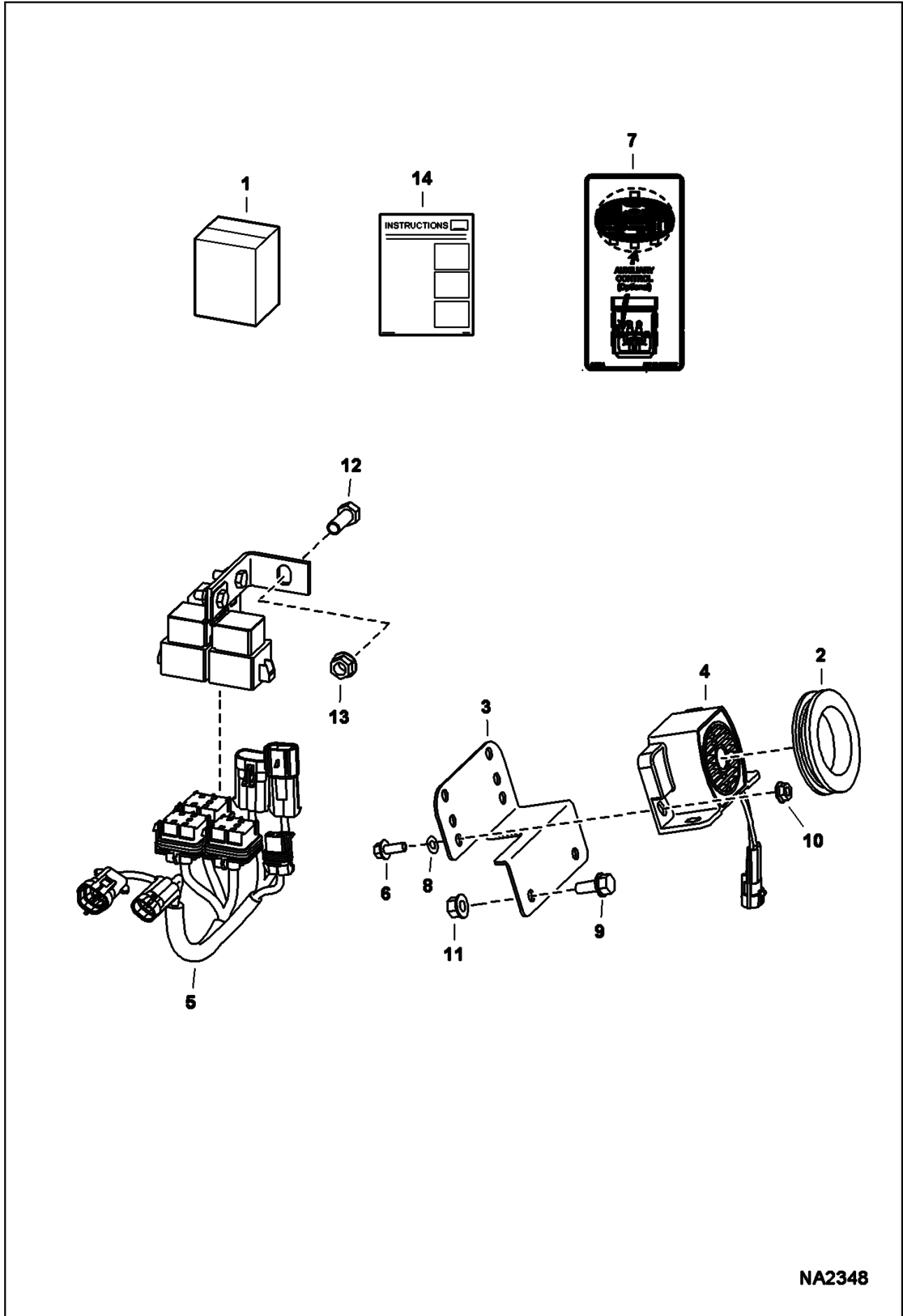


PE-2965

HORN KIT (Cont'd)
(Manual Controls, AHC & ACS)

Ref No	Part Number	Description	Remarks	Serial Number	Qty
1	7122028	KIT, HORN	horn - Ref. 2-12		1
2	6577545	GROMMET			1
3	6610510	TIE			3
4	7001044	HORN, ALARM			1
5	6703727	DECAL	not in kit		1
6	6733970	MOUNT			1
7	83D5	NUT 5			2
8	17C410	BOLT 10			2
9	25E13	WASHER 5			2
10	35C512	BOLT			2
11	83D4	NUT 10			2
12	6904732	INSTRUCTIONS			1

HORN KIT (SJC)

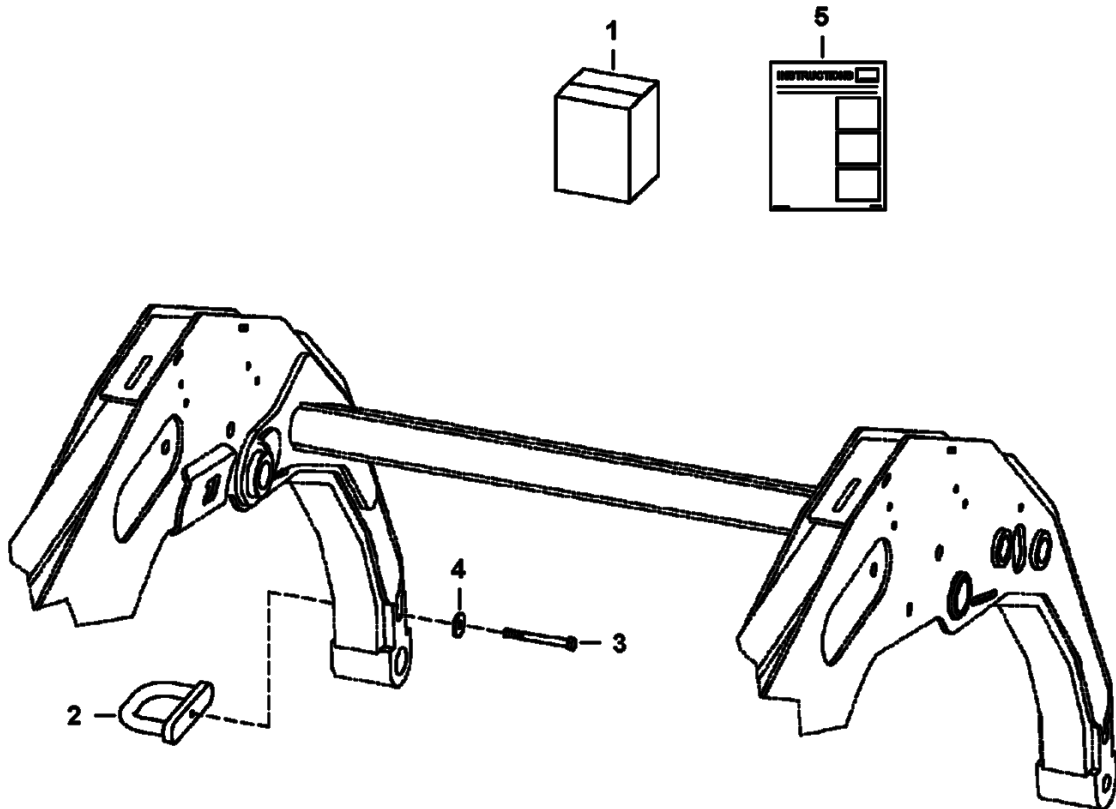


NA2348

**HORN KIT (Cont'd)
(SJC)**

Ref No	Part Number	Description	Remarks	Serial Number	Qty
1	7174209	KIT, HORN W/JOYSTICK	Ref. 2-14		1
2	6577545	GROMMET			1
3	6733970	MOUNT			1
4	7001044	HORN, ALARM			1
5	7151940	HARNESS, HORN			1
6	17C410	BOLT 10			2
7	6703727	DECAL			1
8	25E13	WASHER 5			2
9	35C512	BOLT			2
10	83D4	NUT 10			2
11	83D5	NUT 5			2
12	17C616	BOLT 5			1
13	97D6	NUT 10			1
14	6987352	INSTRUCTIONS			1

HOSE GUIDE KIT

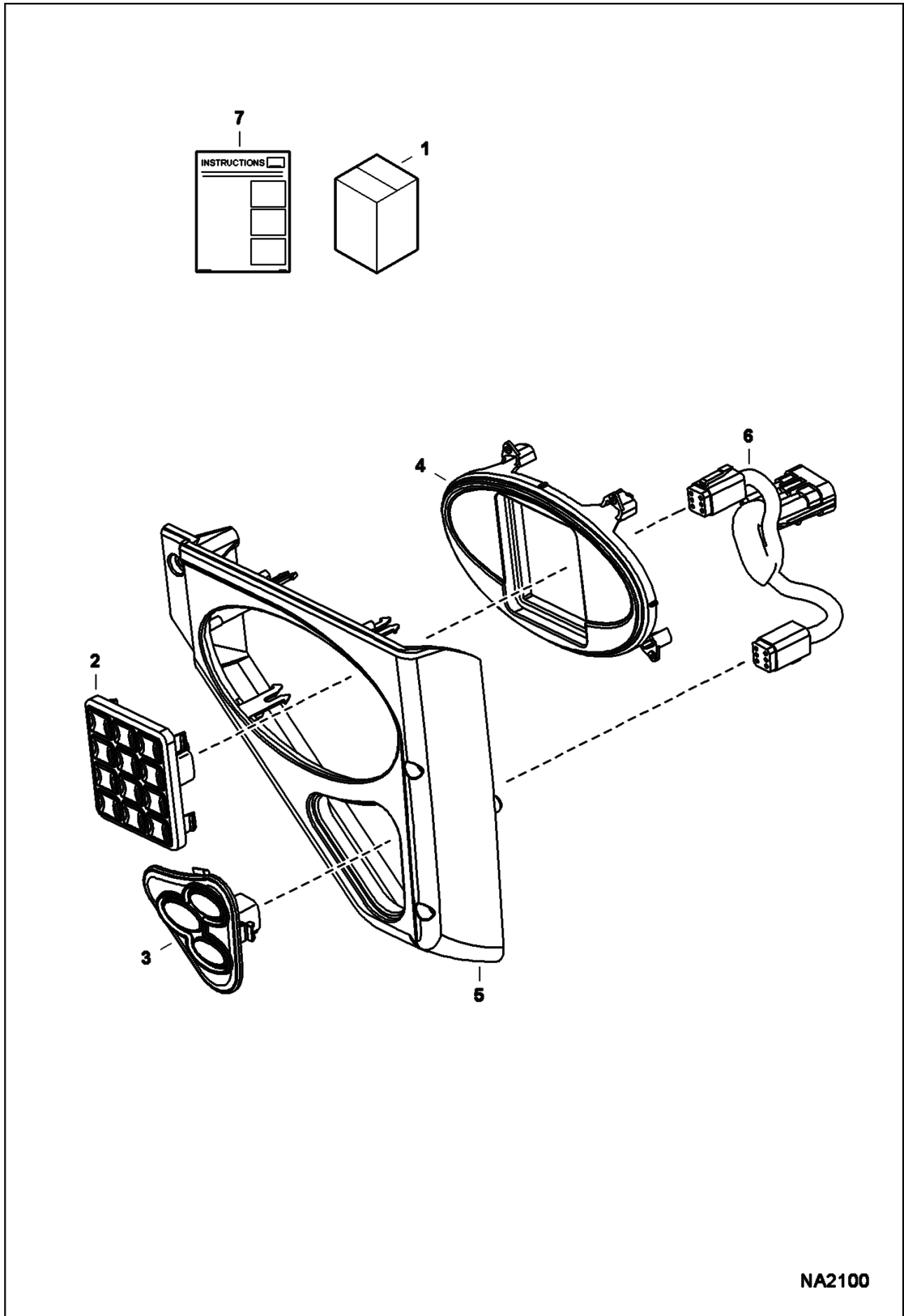


PE-3443

HOSE GUIDE KIT (Cont'd)

Ref No	Part Number	Description	Remarks	Serial Number	Qty
1	7141766	KIT	Ref. 2-5		1
2	7117875	MOUNT			1
3	17C652	SCREW			1
3	17C660	BOLT			1
3	17C668	BOLT			1
4	619021	WASHER, 5			1
5	6986563	INSTRUCTIONS			1

KEYLESS PANEL KIT

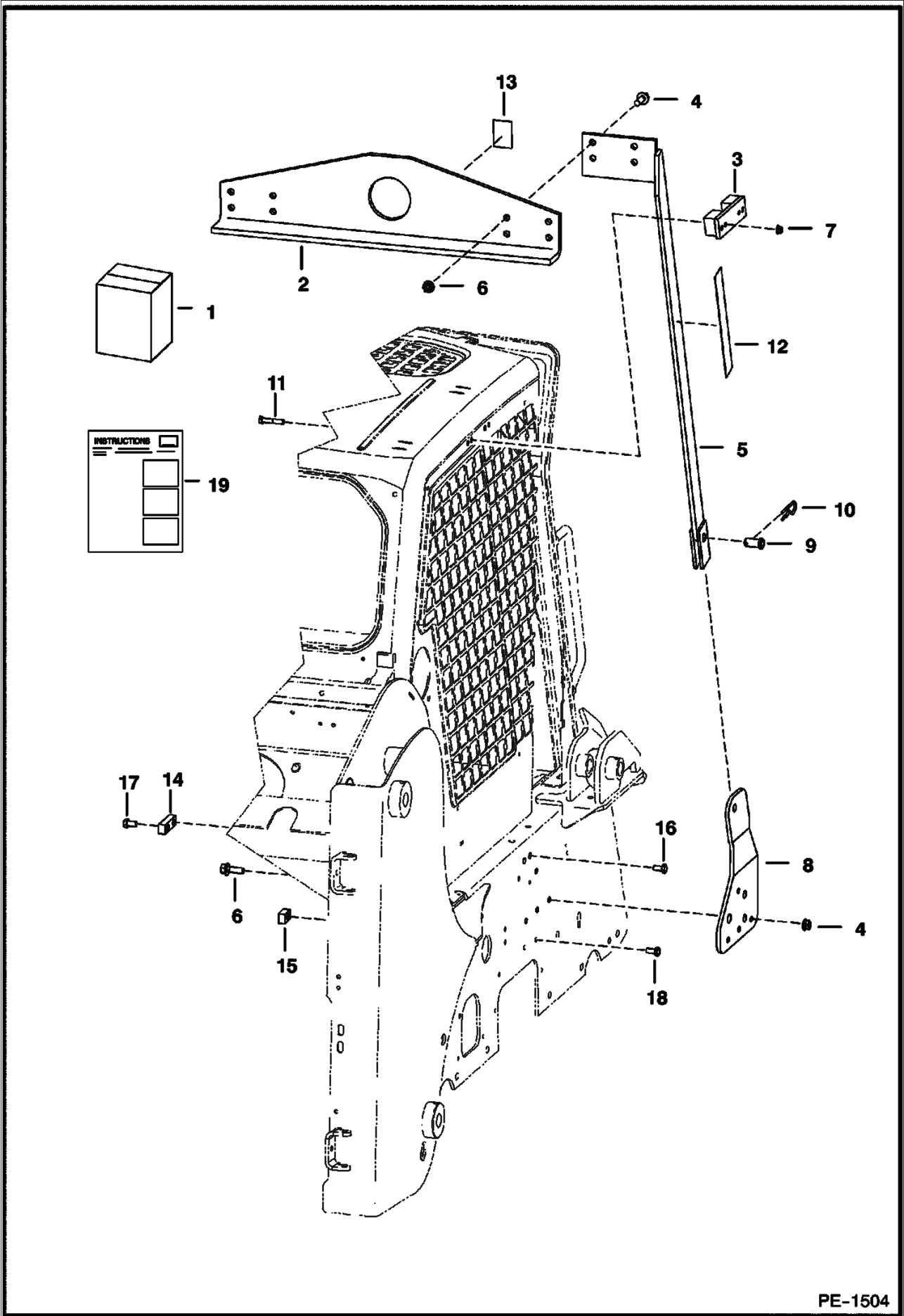


NA2100

KEYLESS PANEL KIT (Cont'd)

Ref No	Part Number	Description	Remarks	Serial Number	Qty
1	7170753	KIT, PANEL KEYLESS	Ref. 2-7 - Was NAP [D]		1
2	6693712	KEYPAD, PANEL			1
3	6693714	MODULE, SWITCH IGN			1
4	6693716	INSERT, KEYPAD			1
5	7008362	PANEL, RH			1
6	7170779	HARNESS, SWITCH IGN			1
7	6987283	INSTRUCTIONS			1

LIFT KIT
(Single Point)
(For Use W/O Window Rib Kit)

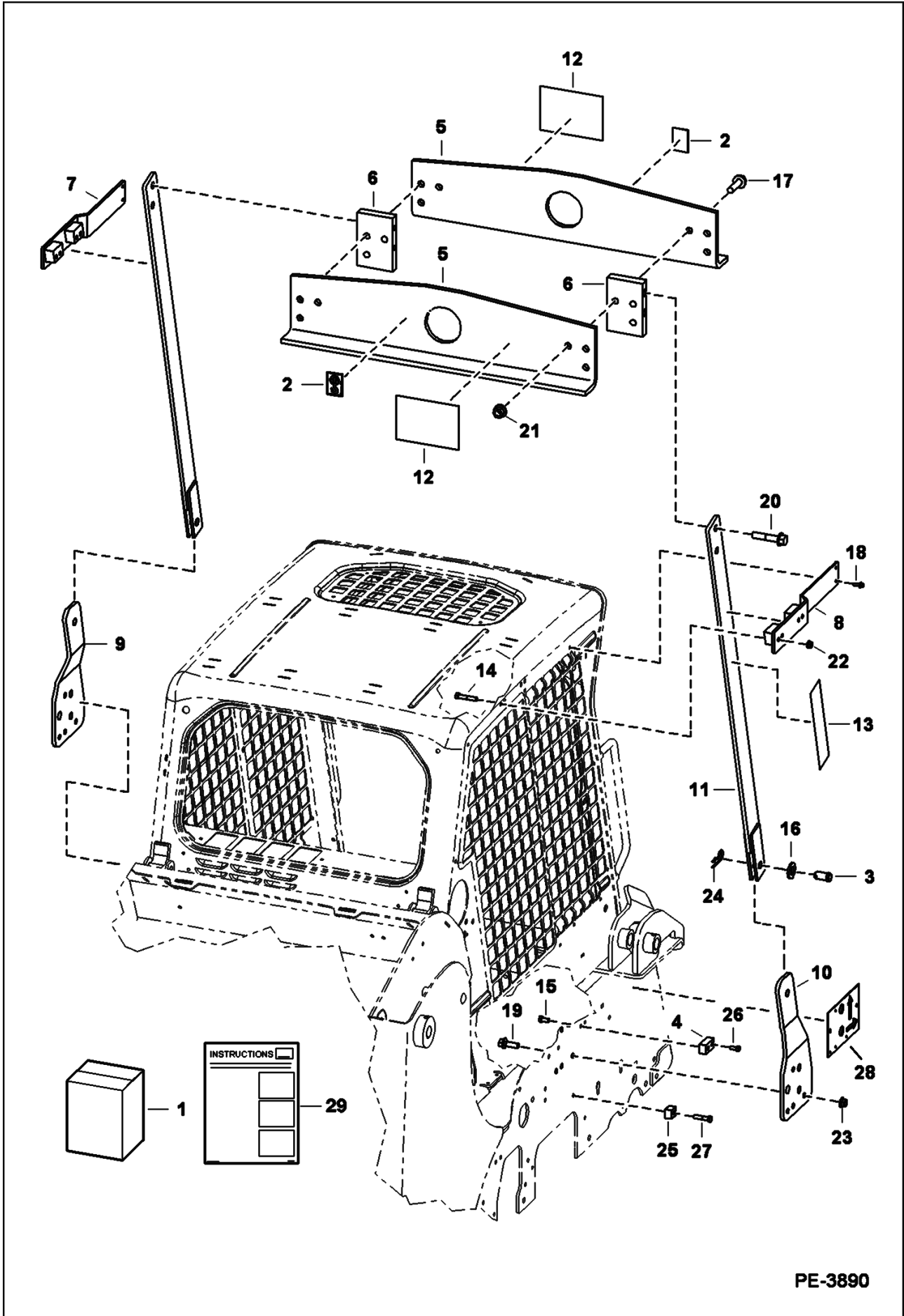


PE-1504

LIFT KIT (Cont'd)
(Single Point)
(For Use W/O Window Rib Kit)

Ref No	Part Number	Description	Remarks	Serial Number	Qty
1	6719264	KIT	Ref. 2-19 - NOT compatable W/ 7122462 window rib kit		1
2	6567827	ANGLE			1
3	6719184	MOUNT	LH		1
3	6719185	MOUNT	RH		1
4	31C824	BOLT 10			16
5	6704146	BRACKET	RH		1
5	6704147	BRACKET	LH		1
6	57D8	NUT 10			16
7	57D6	NUT 5			8
8	6731658	BRACKET	RH		1
8	6731657	BRACKET	LH		1
9	6567838	PIN			2
10	1320075	COTTER PIN			2
11	17C632	BOLT 5			8
12	6704786	DECAL, WARNING	check before lifting		2
13	6533898	DECAL	hook		1
14	7124571	SPACER			1
15	7124572	SPACER			1
16	17C512	BOLT 5			1
17	17C612	BOLT 5			1
18	17C628	BOLT			1
19	6900888	INSTRUCTIONS			1

LIFT KIT
(Single Point)
(For Use W/Window Rib Kit)

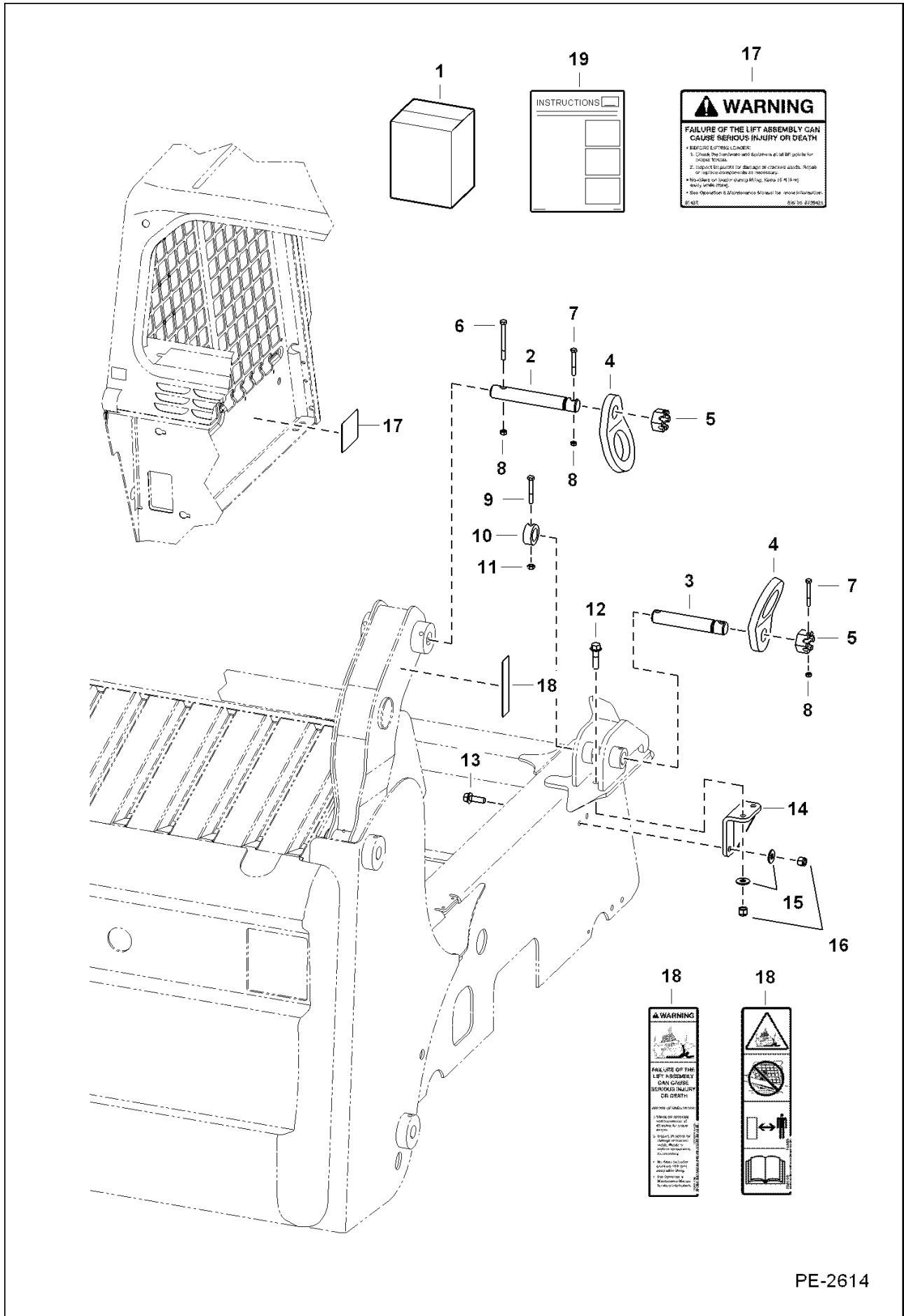


PE-3890

LIFT KIT (Cont'd)
(Single Point)
(For Use W/Window Rib Kit)

Ref No	Part Number	Description	Remarks	Serial Number	Qty
1	7142392	KIT, LIFT SINGLE POINT			1
2	6533898	DECAL			2
3	6567838	PIN			2
4	7124571	SPACER	selectable joystick controls		1
5	7126679	PLATE			2
6	7126682	BLOCK			2
7	7126685	MOUNT	LH		1
8	7126686	MOUNT	RH		1
9	7142386	MOUNT, LIFT KIT	LH		1
10	7142387	MOUNT, LIFT KIT	RH		1
11	7126700	ARM			2
12	7142139	DECAL	service		2
12	7142140	DECAL	service - no text		2
13	7142141	DECAL	warning		2
13	7142142	DECAL	warning - no text		2
14	17C632	BOLT 5			8
15	25G824	BOLT			1
16	27E12	WASHER			2
17	31C1044	BOLT			6
18	31C412	BOLT			2
19	31C824	BOLT 10			6
20	49C1048	BOLT			4
21	53D10	NUT			6
22	53D6	NUT			8
23	83D8	NUT 5			8
24	1320075	COTTER PIN			2
25	7124572	SPACER	selectable joystick controls		1
26	17C612	BOLT 5			1
27	17C628	BOLT			1
28	7168274	TEMPLATE, INSTRUCTIONS			1
29	6987215	INSTRUCTIONS			1

LIFT KIT (Four Point - .75" Thick Lift Eye)

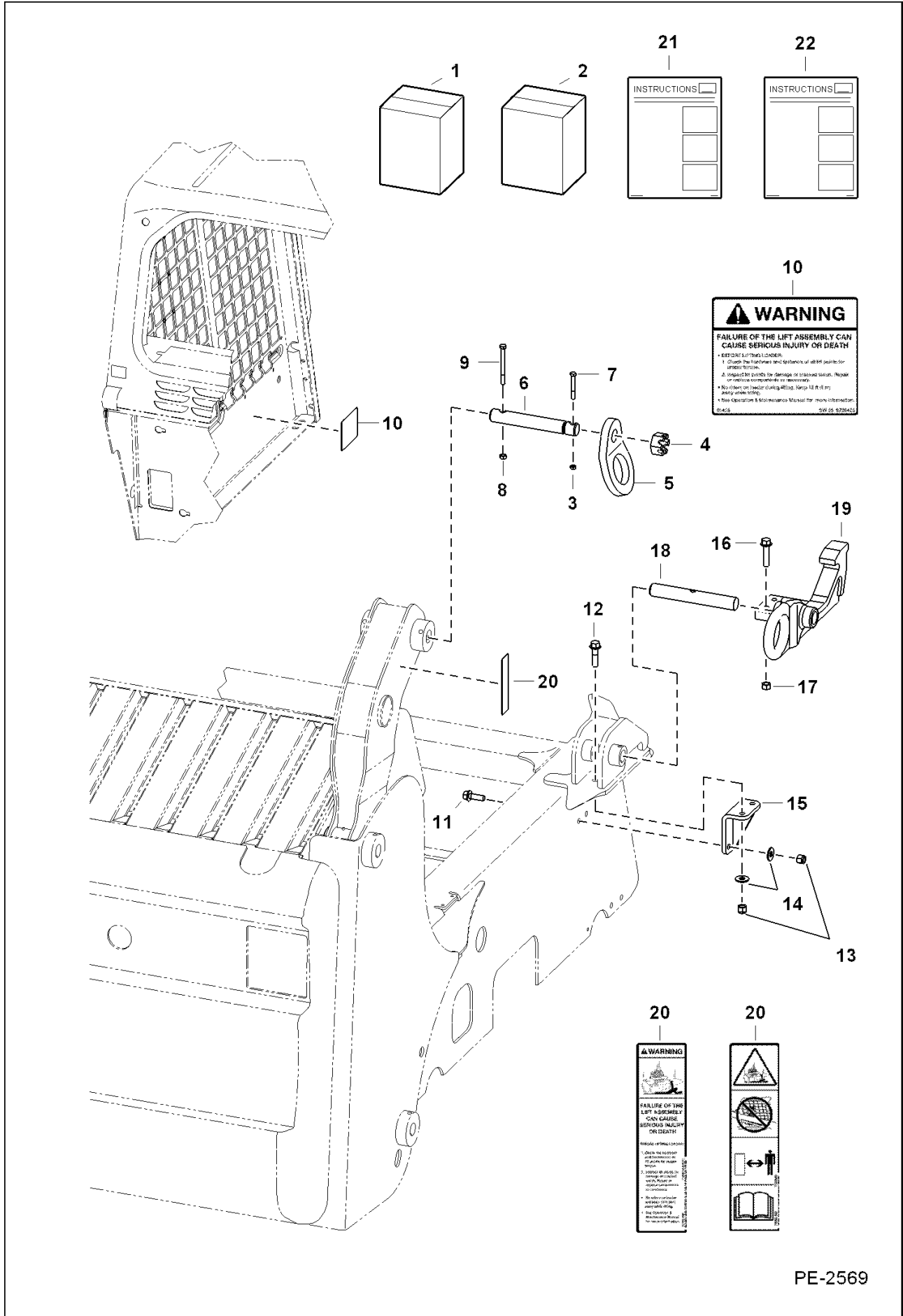


PE-2614

LIFT KIT (Cont'd)
(Four Point - .75" Thick Lift Eye)

Ref No	Part Number	Description	Remarks	Serial Number	Qty
1	7112346	KIT, LIFT 4-POINT	Ref. 2-5, 7-16, 18 & 19		1
2	6706807	PIN			2
3	7100444	PIN			2
4	6706825	LIFT EYE			4
5	4D20	NUT			4
6	17C656	BOLT	not in kit		2
7	17C540	BOLT			4
8	87D5	NUT			4
9	17C640	BOLT 5			2
10	7100445	SPACER			2
11	85D6	LOCK NUT			2
12	31C832	BOLT			4
13	31C824	BOLT 10			4
14	7107353	GUSSET			2
15	27E8	WASHER 10			8
16	59D8	NUT 5			8
17	6726423	DECAL, WARNING	check before lifting - not in kit		2
18	7168019	DECAL, WARNING			2
18	7168020	DECAL, WARNING	no text		2
19	6904113	INSTRUCTIONS			1

LIFT KIT (Four Point - .75" Thick Lift Eye)



WARNING

FAILURE OF THE LIFT ASSEMBLY CAN CAUSE SERIOUS INJURY OR DEATH

EXCEEDS RATED LOADS:

- Check the hardware and fasteners of all lift points for correct fit/size.
- Inspect lift points for damage or cracked metal. Repair or replace components as necessary.
- Do not use the backhoe lifting effort (capacity) if it is not fully rated.
- See Operator's & Maintenance Manual for more information.

900 05 928643

WARNING

FAILURE OF THE LIFT ASSEMBLY CAN CAUSE SERIOUS INJURY OR DEATH

EXCEEDS RATED LOADS:

- Check the hardware and fasteners of all lift points for correct fit/size.
- Inspect lift points for damage or cracked metal. Repair or replace components as necessary.
- Do not use the backhoe lifting effort (capacity) if it is not fully rated.
- See Operator's & Maintenance Manual for more information.

900 05 928643

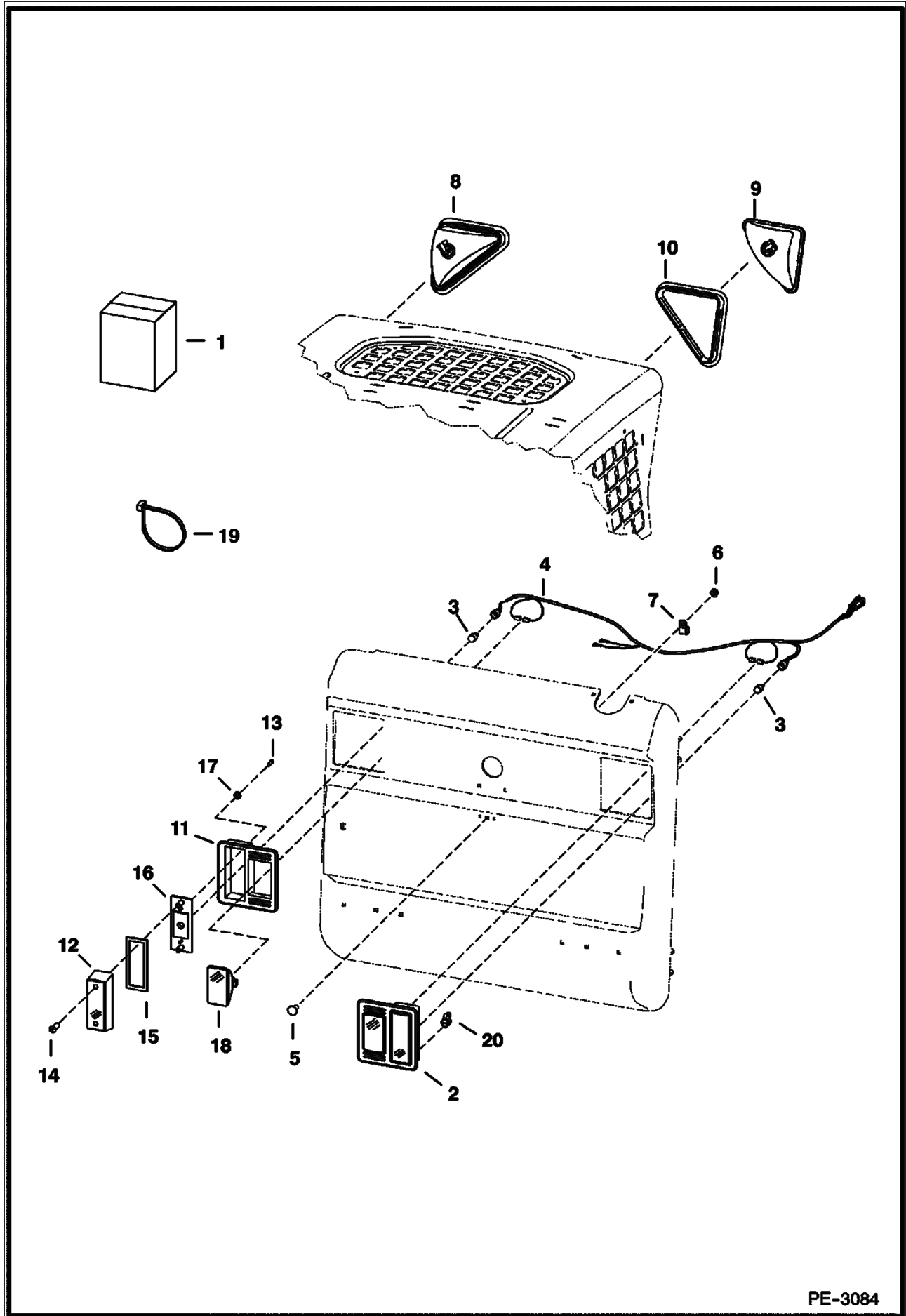


PE-2569

LIFT KIT (Cont'd)
(Four Point - .75" Thick Lift Eye)

Ref No	Part Number	Description	Remarks	Serial Number	Qty
1	7108393	KIT,LIFT KIT	Ref. 3-7, 11-15, 20 & 22		1
2		KIT	SALES #6718155 - backhoe mounting - Ref. 16-19		1
3	87D5	NUT			2
4	4D20	NUT			2
5	6706825	LIFT EYE	rear		2
6	6706807	PIN			2
7	17C540	BOLT			2
8	85D6	LOCK NUT	not in kit		2
9	17C656	BOLT	not in kit		2
10	6726423	DECAL, WARNING	check before lifting - not in kit		2
11	31C824	BOLT 10			4
12	31C832	BOLT			4
13	59D8	NUT 5			8
14	27E8	WASHER 10			8
15	7107353	GUSSET			2
16	31C836	BOLT			4
17	63D8	NUT			4
18	6717707	PIN			2
19	6718122	MOUNT	LH		1
19	6717293	MOUNT	RH		1
20	7168019	DECAL, WARNING			2
20	7168020	DECAL, WARNING	no text		2
21	6900827	INSTRUCTIONS	INSTRUCTIONS For Ref. 2		1
22	6903359	INSTRUCTIONS	INSTRUCTIONS For Ref. 1		1

LIGHT KIT

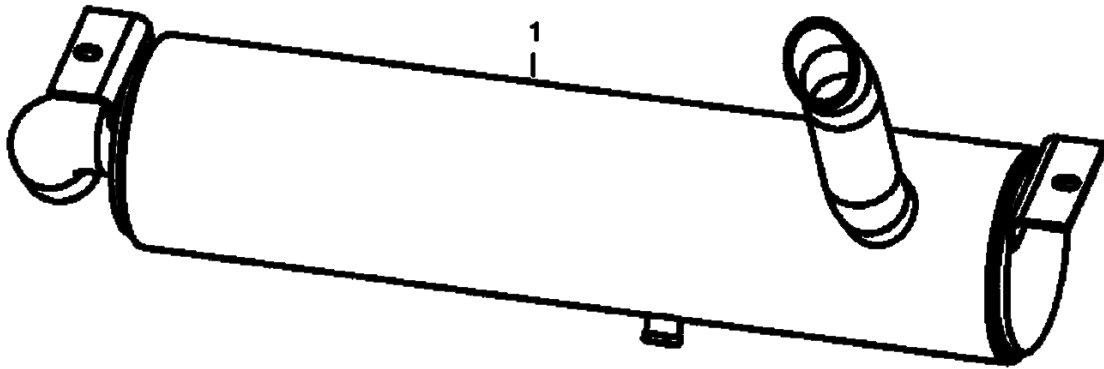


PE-3084

LIGHT KIT (Cont'd)

Ref No	Part Number	Description	Remarks	Serial Number	Qty
1		KIT	NAP - Order components		1
2	6670284	LIGHT ASSY	rear		2
2	7104670	LIGHT	rear - RH - EMEA		1
2	7104671	LIGHT	rear - LH - EMEA		1
3	6649481	LIGHT, WEDGE BASE			2
4	7109403	HARNESS			1
4	7139785	HARNESS, DOOR REAR	deluxe/European		1
5	37C512	BOLT			4
6	95D5	NUT			4
7	30H42	CLAMP			1
8		LIGHT ASSY	NAP - RH - Ref. 9 & 10		1
8		LIGHT ASSY	NAP - LH - Ref. 9 & 10		1
9	6674401	HOUSING	RH		1
9	6675336	LIGHT, BULB 50W			1
9	6674400	HOUSING	LH		1
9	6675336	LIGHT, BULB 50W			1
10	6674402	MOUNT, LIGHT			2
11	6672279	MOUNT, LIGHT RUBBER	rubber		2
12	6672276	LENS, LIGHT RED	red		2
13	6672273	SCREW			4
14	6672274	SCREW			4
15	6672275	GASKET			2
16	6672277	BRACKET			2
17	6672272	WASHER			4
18	6661353	LIGHT ASSY	W/bulb - white work		2
18	898731	1156 BULB			2
19	6624289	STRAP, TIE			1
20	6688637	MOUNT	mounts European rear light assys		2

MUFFLER/PURIFIER KIT

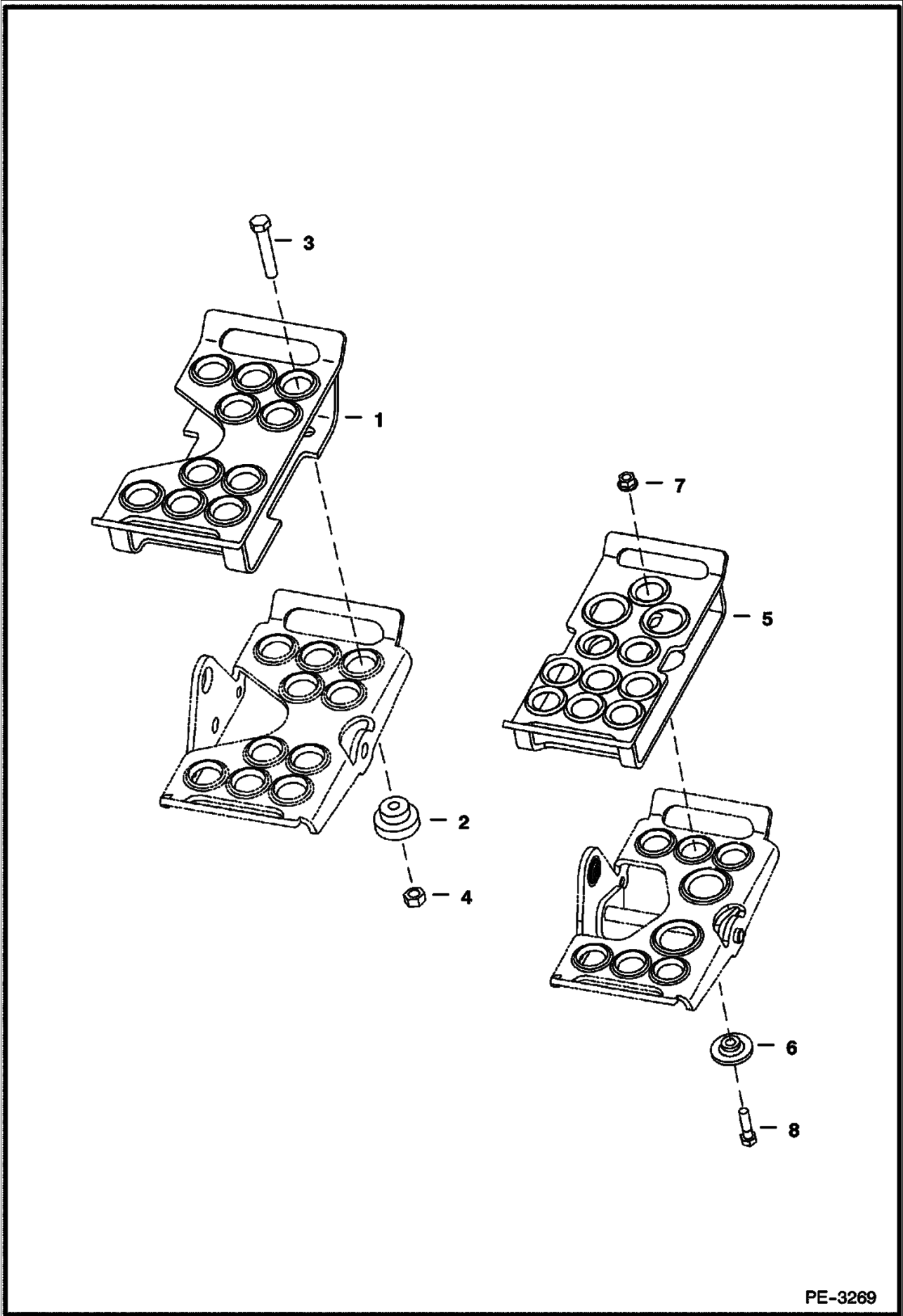


B-17107

MUFFLER/PURIFIER KIT (Cont'd)

Ref No	Part Number	Description	Remarks	Serial Number	Qty
1	7160576	MUFFLER, PURIFIER			1

PEDAL EXTENDERS

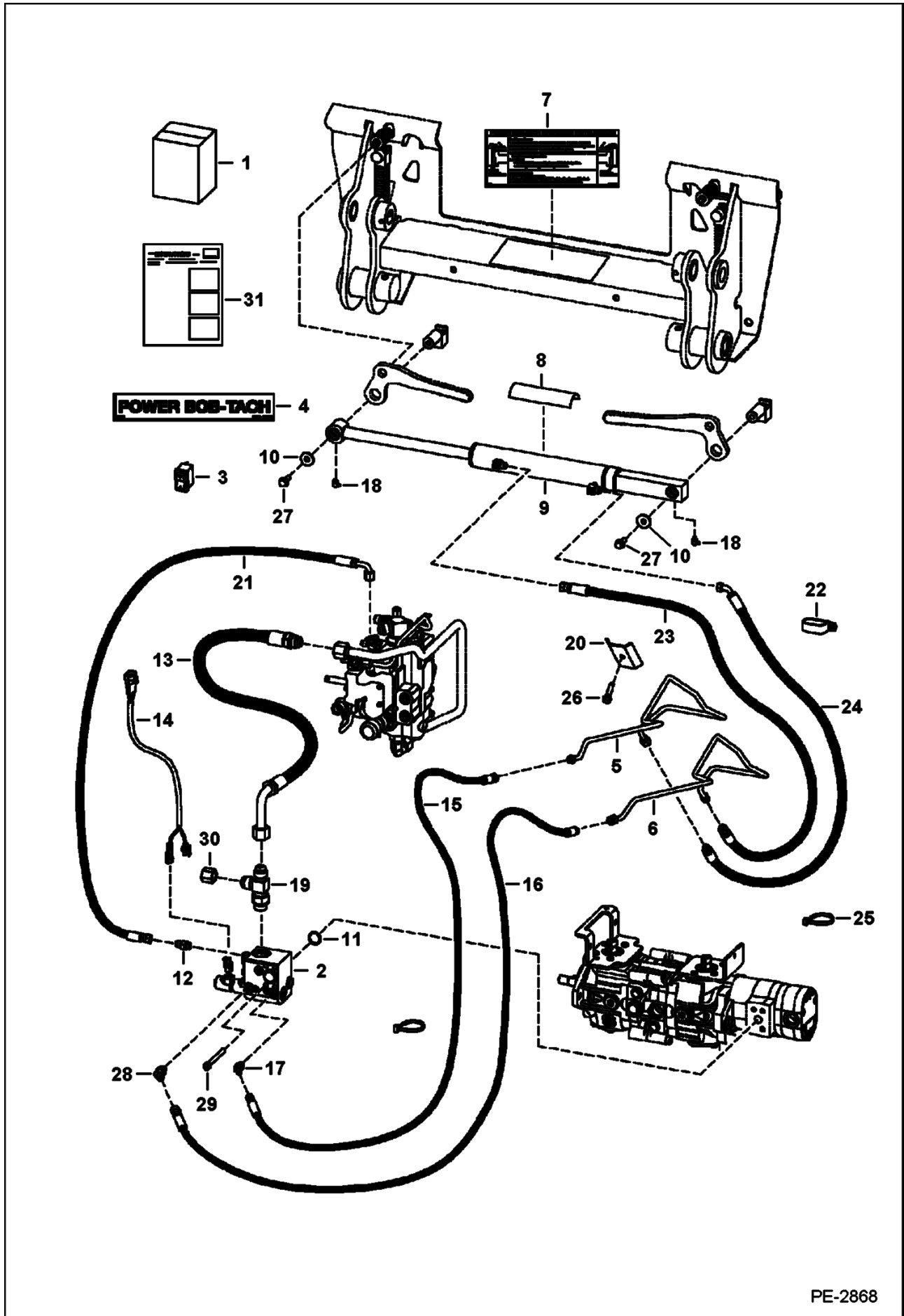


PE-3269

PEDAL EXTENDERS (Cont'd)

Ref No	Part Number	Description	Remarks	Serial Number	Qty
1		PEDAL	NAP - extender - Order Ref. 5 & (3) each of Ref. 6-8		2
2	6713116	BUSHING			8
3	17C516	BOLT			8
4	85D5	NUT 5			8
5	7131233	PEDAL			2
6	7131236	BUSHING			6
7	89D5	NUT			6
8	17C520	BOLT 5			6

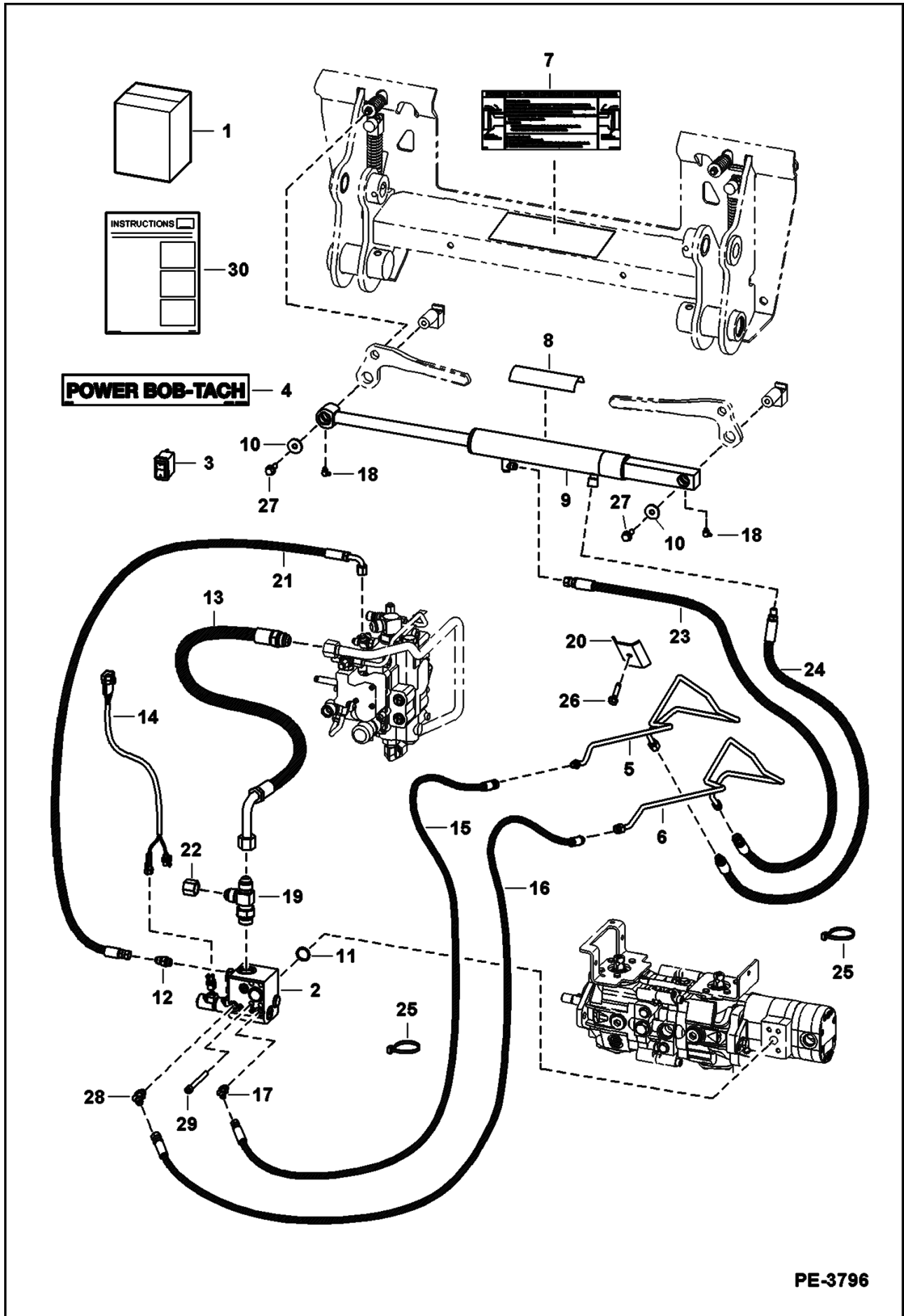
POWER BOB-TACH
(Kit) (Rear Mounted Cylinder Ports)



**POWER BOB-TACH (Cont'd)
(Kit) (Rear Mounted Cylinder Ports)**

Ref No	Part Number	Description	Remarks	Serial Number	Qty
1		KIT, POWER BOB-TACH	See Illustration POWER BOB-TACH/ PE3796 - NAP - Order 7120898 kit - If loader is not equipped W/deluxe cab accessories harness, heater, A/C, SJC, ACS, cab enclosure kit, rear wiper kit or any of the following cab harness connected rotating beacon, 4-way flasher or strobe light, Also Order 7139311 deluxe cab accessories harness - Was 7120898 [B]		1
2		VALVE	See Illustration POWER BOB-TACH/ MS2724		1
3	6676732	SWITCH	vertical		1
4	6719888	DECAL			1
5	6725552	TUBE			1
6	6725553	TUBE			1
7	6725907	DECAL, OPERATION	power Bob-Tach		1
8	6555341	SAFETY TREAD			1
9		CYLINDER	See Illustration POWER BOB-TACH/ PE1064		1
10	619021	WASHER, 5			2
11	55K214	O-RING			1
12	15KB0404	FTG HYD S Connector			1
13	7115185	HOSE			1
14	7165185	HARNESS	Was 7112290 [A]		1
15	6718358	HOSE			1
16	6719451	HOSE			1
17	18KB0404	FTG HYD ELBOW 45			1
18	12H25	FITTING	90 degree		2
19	21KB1212	FITTING, HYD TEE			1
20	6719884	BRACKET			1
21	7110367	HOSE	1143 mm (45") long - SJC		1
22	31H49	CLAMP			1
23	6729202	HOSE			1
24	6729203	HOSE			1
25	6624289	STRAP, TIE			4
26	84G3728	BOLT	Was 84G3724 [A]		1
27	35C616	BOLT 5			2
28	18KB0606	FTG HYD Elbow 45	45 degree		1
28	17KB0606	FITTING	90 degree		1
29	73G656	SCREW			4
30	36K8	CAP			1
30		HOSE	See Illustration SOUND/NOISE REDUCTION OPTION/ PE2840		1
31	6904714	INSTRUCTIONS			1

POWER BOB-TACH (Kit) (Bottom Mounted Cylinder Ports)

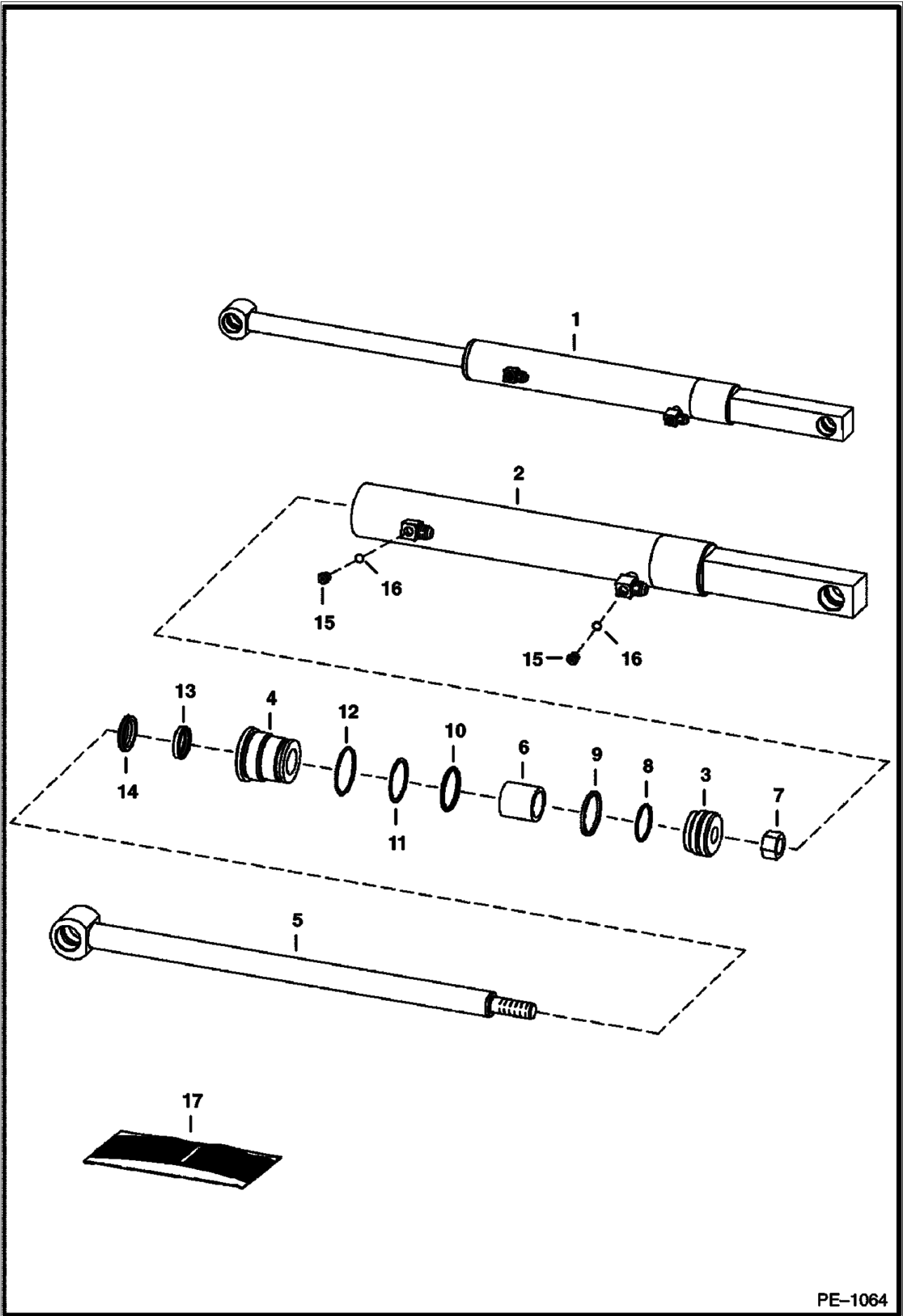


PE-3796

POWER BOB-TACH (Cont'd)
(Kit) (Bottom Mounted Cylinder Ports)

Ref No	Part Number	Description	Remarks	Serial Number	Qty
1	7120898	KIT, POWER BOB-TACH	If loader is not equipped W/deluxe cab accessories harness, cab enclosure kit, heater, A/C, SJC, ACS, rear wiper kit, rotating beacon, strobe lights (non power port plug-in) and/or 4-way flashers (non power port plug-in), Also Order 7143071 deluxe cab harness		1
2		VALVE	See Illustration POWER BOB-TACH/ MS2724		1
3	6676732	SWITCH	vertical		1
4	6719888	DECAL			1
5	6725552	TUBE			1
6	6725553	TUBE			1
7	6725907	DECAL, OPERATION	power Bob-Tach		1
8	6555341	SAFETY TREAD			1
9	7160395	CYLINDER, POWER BOB-TACH	See Illustration POWER BOB-TACH/ PE3799 - W/bottom mounted ports		1
10	619021	WASHER, 5			2
11	55K214	O-RING			1
12	15KB0404	FTG HYD S Connector			1
13	7115185	HOSE			1
14	7165185	HARNESS	Was 7112290 [A]		1
15	6718358	HOSE			1
16	6719451	HOSE			1
17	18KB0404	FTG HYD ELBOW 45			1
18	12H25	FITTING	90 degree		2
19	21KB1212	FITTING, HYD TEE			1
20	6719884	BRACKET			1
21	7110367	HOSE	1143 mm (45") long - SJC		1
22	36K8	CAP			1
22		HOSE	See Illustration SOUND/NOISE REDUCTION OPTION/ PE2840		1
23	7161046	HOSE, HYD	40.5" (1028,7 mm) long		1
24	7161047	HOSE, HYD	35.5" (901,7 mm) long		1
25	6624289	STRAP, TIE			4
26	84G3728	BOLT	Was 84G3724 [A]		1
27	35C616	BOLT 5			2
28	18KB0606	FTG HYD Elbow 45	45 degree		1
28	17KB0606	FITTING	90 degree		1
29	73G656	SCREW			4
30	6904714	INSTRUCTIONS			1

POWER BOB-TACH
(Cylinder) (Rear Mounted Ports)

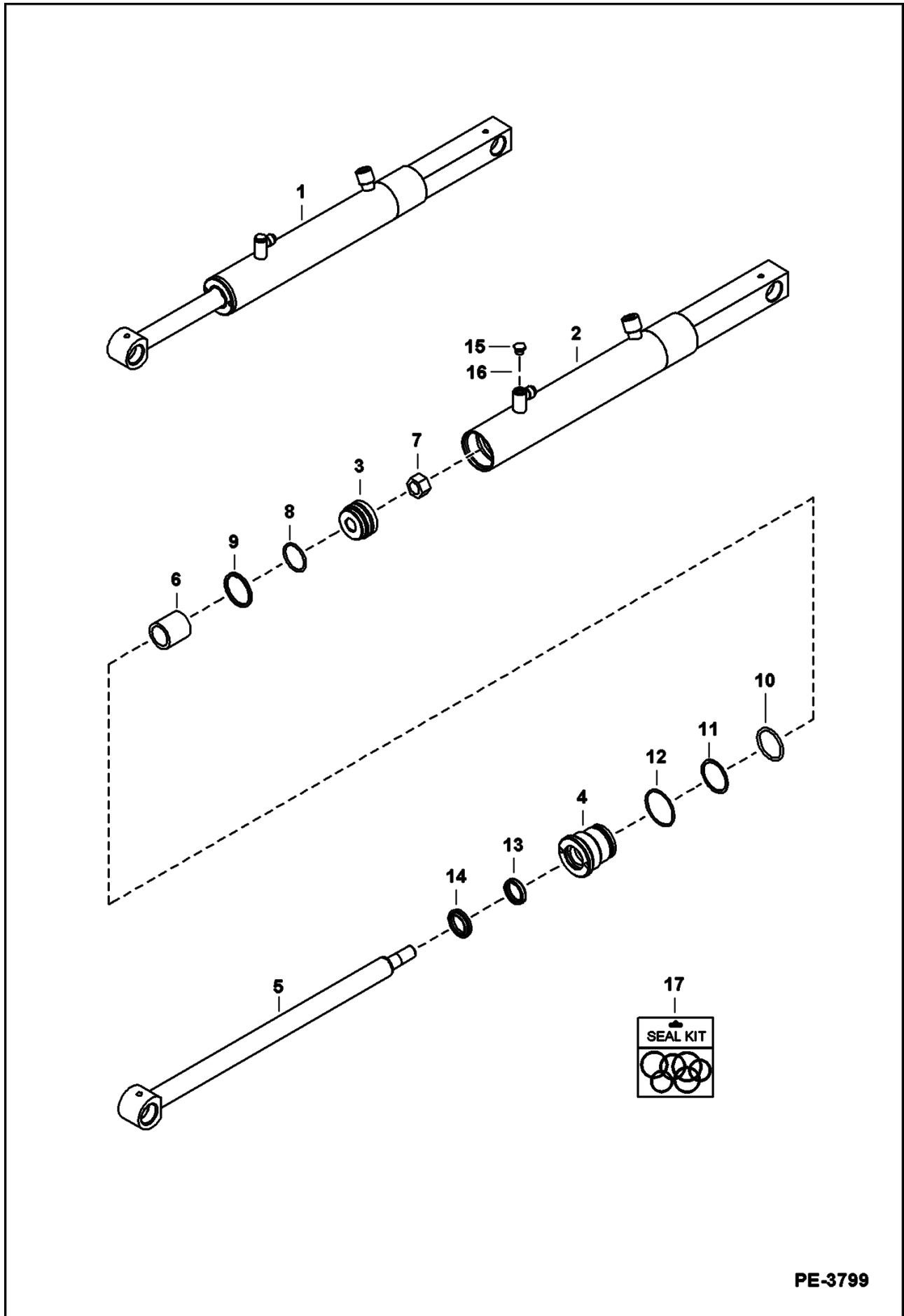


PE-1064

**POWER BOB-TACH (Cont'd)
(Cylinder) (Rear Mounted Ports)**

Ref No	Part Number	Description	Remarks	Serial Number	Qty
1	6810611	CYLINDER, POWER BOB- TACH	Ref. 2-16		1
2	6810562	TUBE, CASE CYL POWER BOB- TACH	Was 6810349 [A]		1
3	6586543	PISTON			1
4	6586542	HEAD			1
5	6810612	SHAFT, ROD CYL POWER BOB- TACH	25,4 mm (1") OD - 472 mm (18.6") long - W/ 0.25" grease fitting hole		1
6	6810356	SPACER			1
7	92D10	NUT			1
8	25K30110	O RING 10			1
9	6532453	RING			1
10	58K222	O-RING	Was 54K40116 [B]		1
11	73K222	RING	back-up		1
12	82K132	O-RING HYDRAULIC	Was 58K132 [B]		1
13	6667323	SEAL	rod		1
14	6666542	SEAL	wiper		1
15	6812170	PLUG	W/Ref. 16		2
16	75K3	O-RING			2
17	7138014	SEAL KIT	Ref. 7-14		1

POWER BOB-TACH (Cylinder) (Bottom Mounted Ports)

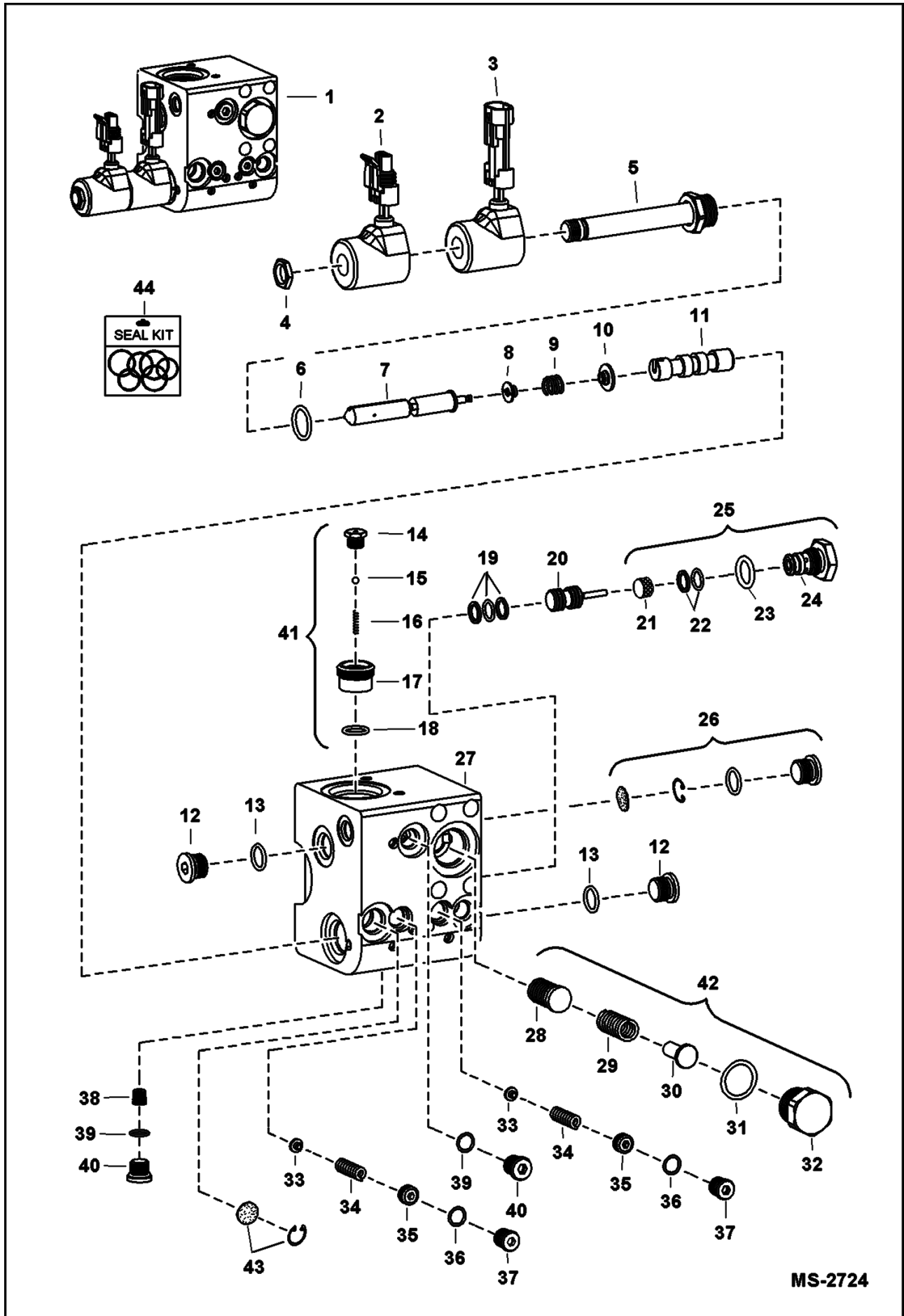


PE-3799

**POWER BOB-TACH (Cont'd)
(Cylinder) (Bottom Mounted Ports)**

Ref No	Part Number	Description	Remarks	Serial Number	Qty
1	7160395	CYLINDER, POWER BOB- TACH	Ref. 2-16		1
2	7160396	CASE	1.75" (44,45 mm) ID		1
3	6586543	PISTON			1
4	6586542	HEAD			1
5	6810612	SHAFT, ROD CYL POWER BOB- TACH	25,4 mm (1") OD - 472 mm (18.6") long - W/ 0.25" grease fitting hole		1
6	6810356	SPACER			1
7	92D10	NUT			1
8	25K30110	O RING 10	Was 54K30110 [A]		1
9	6532453	RING			1
10	58K222	O-RING	Was 54K40116 [B]		1
11	73K222	RING	back-up		1
12	82K132	O-RING HYDRAULIC	Was 58K132 [B]		1
13	6667323	SEAL	rod		1
14	6666542	SEAL	wiper		1
15	6812170	PLUG	W/Ref. 16 - flat boss face - hex head		1
16	75K3	O-RING	flat boss face		1
17	7138014	SEAL KIT	Ref. 7-14		1

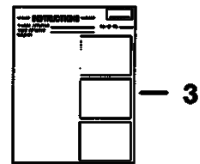
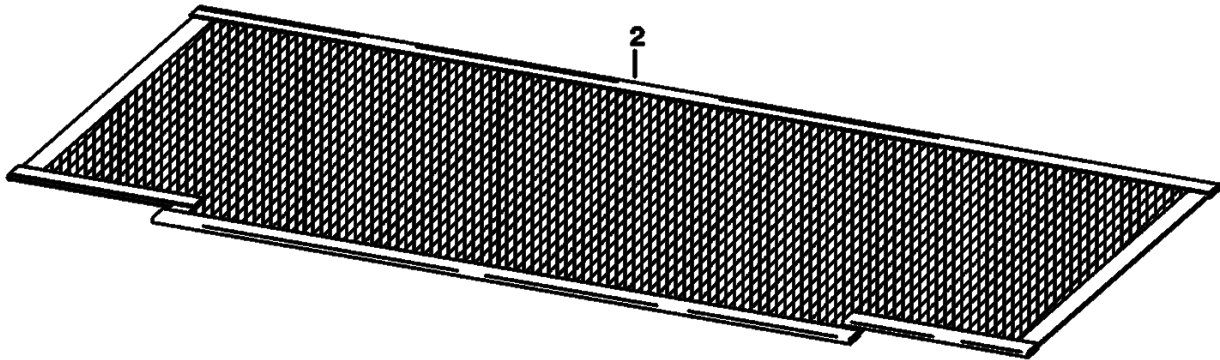
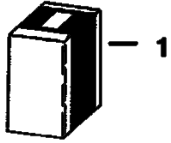
POWER BOB-TACH (Valve)



**POWER BOB-TACH (Cont'd)
(Valve)**

Ref No	Part Number	Description	Remarks	Serial Number	Qty
1	7161786	VALVE, POWER BOB-TACH	valve has (2) drain ports labeled DR - use which ever port best fits plumbing application		1
2	6684743	SOLENOID	W/male connector		1
3	6684744	SOLENOID	W/female connector		1
4	6684742	NUT			1
5		STEM	NSS		x
6	79K8	O RING 10			x
7		STEM	NSS		x
8		RETAINER	NSS		x
9		SPRING	NSS		x
10		WASHER	NSS		x
11		PISTON	NAP		x
12	6685545	PLUG	W/Ref. 13		x
13		ORING	NSS		x
14		PLUG	NSS		x
15		BALL	NSS		x
16		SPRING	NSS		x
17		VALVE	NSS		x
18	6685542	O-RING			x
19		RINGS	NSS		x
20	6684745	PISTON	W/Ref. 19		1
21		STEM	NSS		1
22		RINGS	NSS		x
23	79K7	O RING 10			x
24	6684746	CHECK VALVE	W/Ref. 23		1
25	7001678	VALVE, CHECK	W/Ref. 21-24		1
26	7001673	KIT, SCREEN FILTER			1
27		BLOCK	NSS		x
28			NSS		x
29		SPRING	NSS		x
30		POPPET	NSS		x
31	79K10	O RING 10			x
32		PLUG	NSS		1
33		POPPET	NSS		x
34		SPRING	NSS		x
35		PLUG	NSS		x
36	79K4	O RING 10			x
37	24K3	PLUG	W/Ref. 36		x
38	6685541	POPPET			1
39		O-RING	NSS - Was 6685542 [B,D]		x
40	6685546	PLUG	W/Ref. 39		2
41	6685543	CHECK VALVE	W/Ref. 14-18		1
42	6685544	COMPENSATOR	W/Ref. 26-30		1
43	6689983	FILTER KIT			1
44	6684747	SEAL KIT	Ref. 6, 22, 23, 31 & 39 - consists of (5) O-rings & (1) back-up washer		1

RADIATOR SCREEN KIT

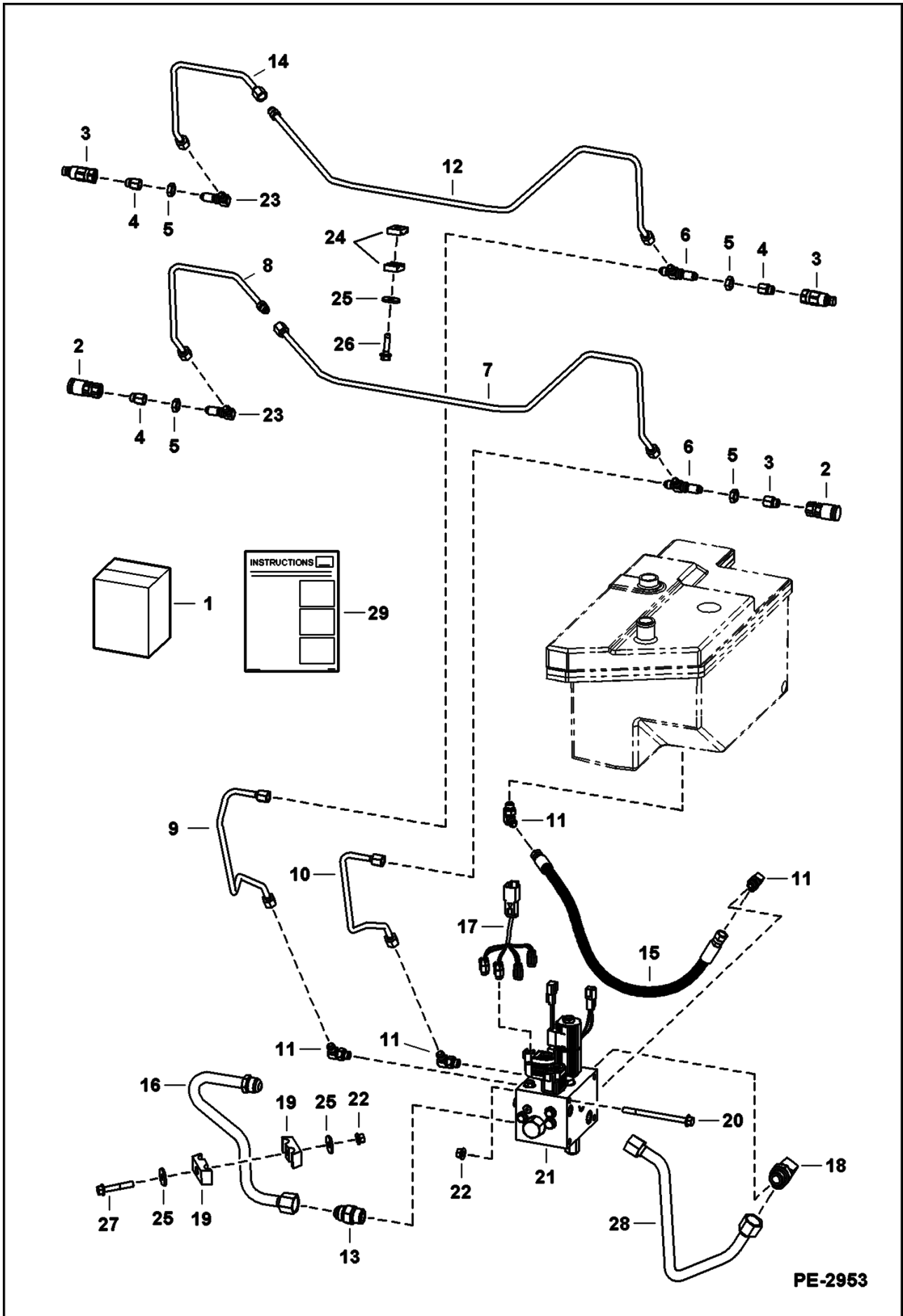


TS-1188

RADIATOR SCREEN KIT (Cont'd)

Ref No	Part Number	Description	Remarks	Serial Number	Qty
1	6706939	KIT	Ref. 2 & 3		1
2	6706285	SCREEN			1
3	6722861	INSTRUCTIONS			1

REAR AUXILIARY (Kit)

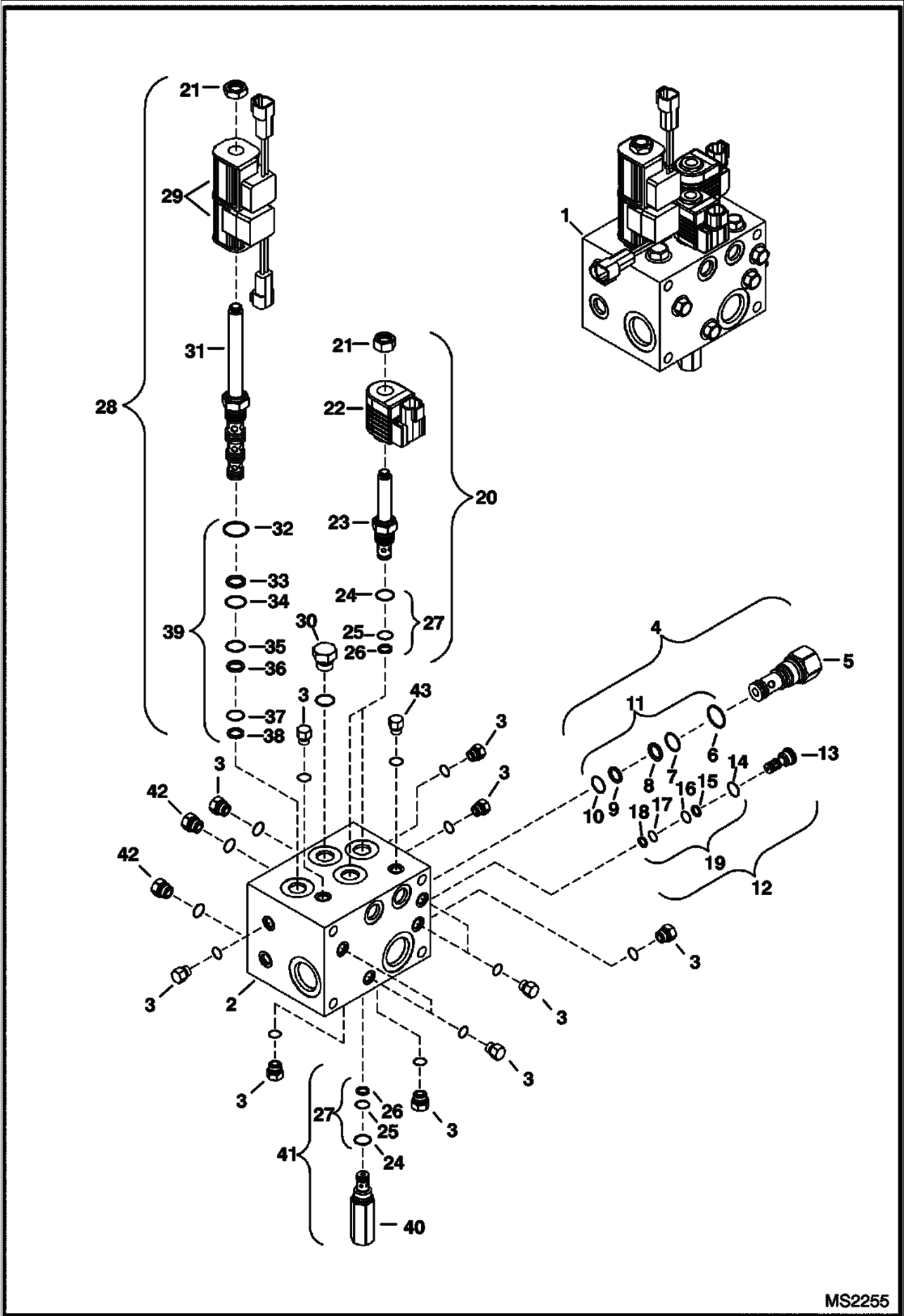


PE-2953

**REAR AUXILIARY (Cont'd)
(Kit)**

Ref No	Part Number	Description	Remarks	Serial Number	Qty
1	7154350	KIT, AUX REAR			1
2	6667803	COUPLER	female		2
3	6667804	COUPLER	male		2
3	6669657	SEAL KIT			x
4	6706633	ADAPTER			4
5	86F5	NUT			4
6	91K5	TEE			2
7	7124259	TUBE			1
8	7124260	TUBE			1
9	7121693	TUBE			1
10	7121694	TUBE			1
11	17KB0606	FITTING			4
11	79K6	O RING 10			4
12	7124261	TUBE			1
13	15KB1212	FITTING, HYD CONNECTOR			1
13	79K12	O RING 10			1
14	7124262	TUBE			1
15	6700282	HOSE			1
16	7109927	TUBE			1
17	7149221	HARNESS, AUX REAR	jumper - W/ 8-pin connector		1
18	17KB1212	FITTING, HYD ELBOW			1
18	79K12	O RING 10			1
19	6592506	CLAMP			2
20	17C680	BOLT			2
21		VALVE	See Illustration REAR AUXILIARY VALVE/ MS2255		1
22	83D6	NUT 5			3
23	88F5	ELBOW			3
24	6726277	CLAMP			2
25	619021	WASHER, 5			3
26	84G3724	BOLT			1
27	35C636	BOLT			1
28	6733192	TUBE			1
29	6986795	INSTRUCTIONS			1

REAR AUXILIARY VALVE

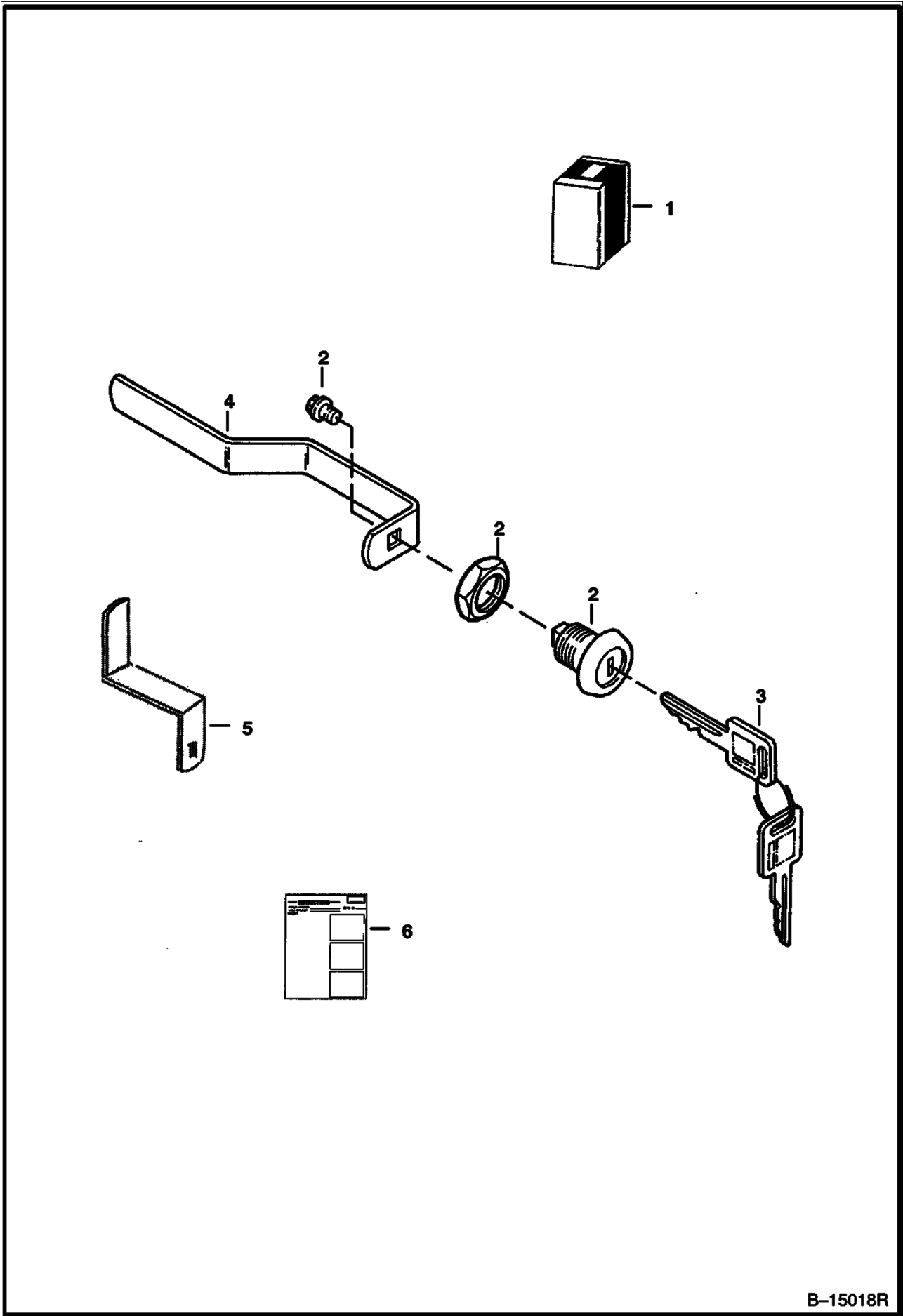


MS2255

REAR AUXILIARY VALVE (Cont'd)

Ref No	Part Number	Description	Remarks	Serial Number	Qty
1	6685624	VALVE, AUX REAR	CP12646		1
2		BLOCK	NSS		1
3		PLUG	NSS - #4 SAE W/ O-ring		11
4	6684044	VALVE	differential sensing - Ref. 5-10		1
5		VALVE	NSS - Order Ref. 4		1
6	6684046	O-RING			1
7	6684048	O-RING			1
8	6684047	BACK-UP RING			1
9	6684050	BACK-UP RING			1
10	6684049	O-RING			1
11	6684045	SEAL KIT	Ref. 6-10		1
12	6684061	VALVE	shuttle - Ref. 13-18		1
13		VALVE	NSS - Order Ref. 12		1
14	6684063	O-RING			1
15	6684064	BACK-UP RING			1
16	6684065	O-RING			1
17	6684066	O-RING			1
18		BACK-UP RING	NAP - Was 6684067 [A]		1
19	6684062	SEAL KIT	Ref. 14-18		1
20		VALVE	NAP - Ref. 21-26 - .5" dia x 45 mm (1.78") long stem - Order 7021365 solenoid valve - Was 6685061 [A]		2
20	7021365	VALVE, SOLENOID	Ref. 21-26 - 13 mm dia x 38 mm (1.53") long stem		2
21	6684060	NUT	0.5" thread - Use W/Ref. 22 (6684073 coil)		2
21	7021367	NUT	13 mm thread - Use W/Ref. 22 (7021366 coil)		2
22	6684073	COIL, SOLENOID	12 volt - Use W/ 0.5" dia x 45 mm (1.78") long stem		2
22	7021366	COIL, SOLENOID	12 volt - Use W/ 13 mm dia x 38 mm (1.53") long stem		2
23		STEM	NSS - Order Ref. 20		2
24	6684070	O-RING			3
25	6684071	O-RING			3
26	6684072	BACK-UP RING			3
27	6684069	SEAL KIT	Ref. 24-26		3
28	6688933	VALVE ASSY	solenoid W/coils - Ref. 21, 29 & 31-38		1
29	6688934	COIL			2
30		PLUG	NSS - #8 SAE W/ O-ring		1
31		VALVE	NSS - Order Ref. 28		1
32		O-RING	NAP - Order Ref. 39		1
33	6684053	BACK-UP RING			1
34	6684054	O-RING			1
35	6684056	O-RING			1
36		BACK-UP RING	NAP - Was 6684055 [A]		1
37		O-RING	NAP - Order Ref. 39		1
38		BACK-UP RING	NAP - Was 6684057 [A]		1
39	6684052	SEAL KIT	Ref. 32-38		1
40		VALVE	NSS - Order Ref. 41		x
41	6685328	RELIEF VALVE	W/Ref. 24-26		1
42		PLUG	NSS - #6 SAE W/ O-ring		4
43		PLUG	NSS - metric		1

REAR DOOR LOCK

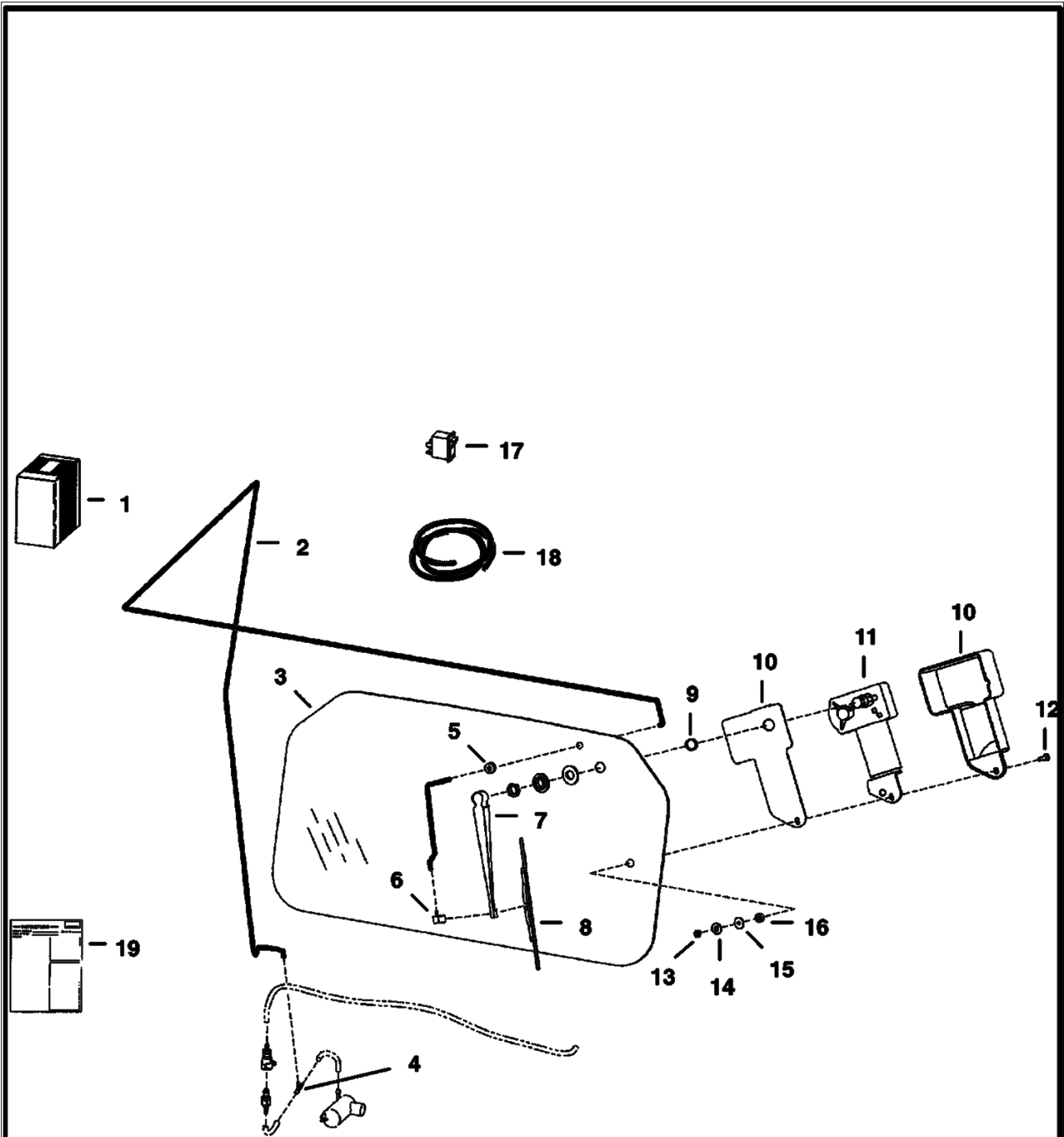


B-15018R

REAR DOOR LOCK (Cont'd)

Ref No	Part Number	Description	Remarks	Serial Number	Qty
1	6732001	KIT	lock - Ref. 2-6		1
2	6670726	CYLINDER. LOCK			1
3	6693241	KEY 10	single key W/O ring		x
4	6714037	LATCH	Use W/ 6711524 rear door		1
5	6729688	LATCH	Use W/ 6729991 rear door		1
6	6901656	INSTRUCTIONS			1

REAR WIPER

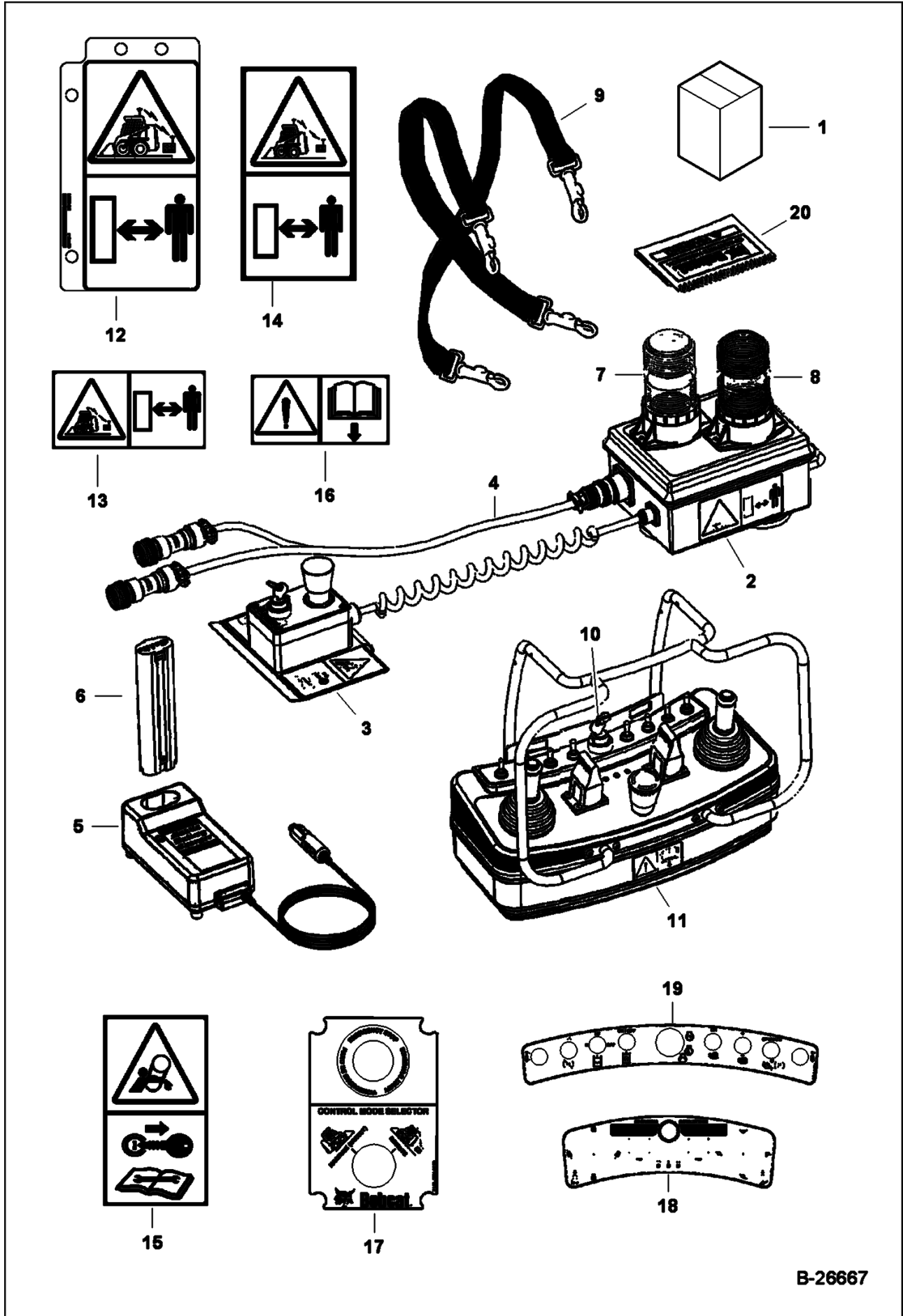


MS-1043

REAR WIPER (Cont'd)

Ref No	Part Number	Description	Remarks	Serial Number	Qty
1	6726655	KIT	rear wiper		1
2		HOSE	NAP - 96" (2438,4 mm) long - Order Ref. 18		1
3	6719317	WINDOW			1
4	6676000	TEE			1
5	6557493	GROMMET			1
6	6676028	NOZZLE			1
7	6676001	ARM			1
8	6676002	BLADE			1
9	6667201	SPACER	nylon		1
10	6664097	COVER	wiper		1
11	6665602	MOTOR			1
12	6664566	BOLT			1
13	6664103	NUT			1
14	6664065	WASHER	nylon		1
15	6801059	WASHER	neoprene		1
16	6664085	BUSHING	nylon		1
17	6675999	SWITCH			1
18	6676003	HOSE,BULK	black - 0.109" ID - sold per foot		x
19	6901061	INSTRUCTIONS			1

REMOTE CONTROL KIT (Selectable Joystick Controls)

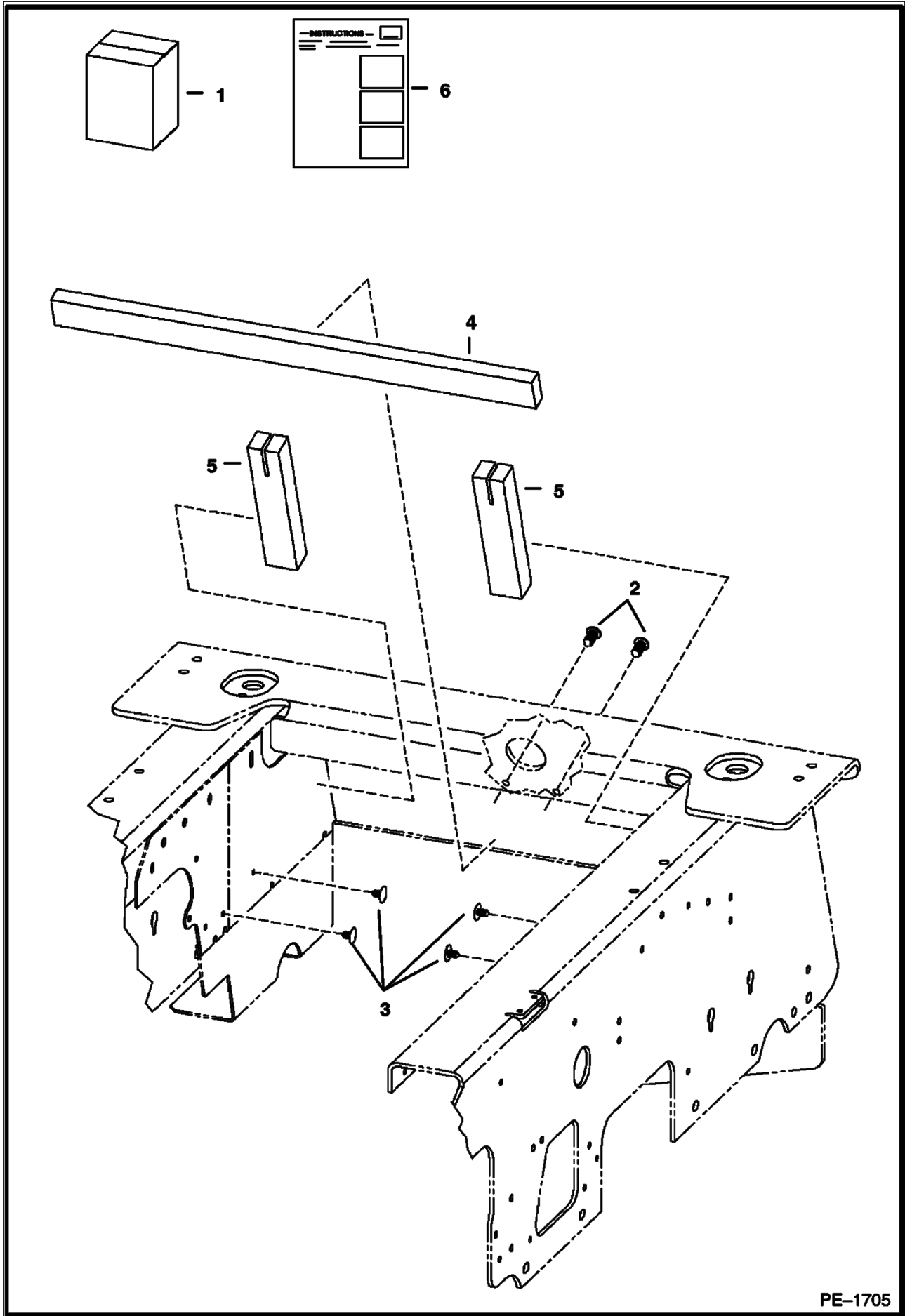


B-26667

**REMOTE CONTROL KIT (Cont'd)
(Selectable Joystick Controls)**

Ref No	Part Number	Description	Remarks	Serial Number	Qty
1	7185234	KIT, REMOTE CONTROL	radio remote control - Was 7141291 [A]		1
2		RECEIVER, 2.4GHZ	See BTI392 - Was 6692756 [B]		1
3	7011071	CONTROL, MODE SELECTOR	mode selector/E-stop box - W/Ref. 17 - Was 6692766 [A]		1
4	7011070	HARNESS, RECEIVER	Was 6692764 [A]		1
5	6692769	CHARGER, MAKITA DC1422, 12-24VDC	W/Ref. 6		1
6	6692770	BATTERY, NICD, 9.6V, 1.3AH, MAKITA 9000			1
7	6693411	LENS	green		1
7	6693409	BULB, STROBE			1
8	6693410	LENS	amber		1
8	6693409	BULB, STROBE			1
9	6692771	SHOULDER HARNESS			1
10	6692762	KEYS, SET OF 2	set of (2)		x
11		2.4GHZ TRANSMITTER	See BTI392 - transmitter - W/Ref. 18 & 19 - Was 6692761 [B]		1
12	7135569	DECAL	remote ready identification tag		1
13	6692757	DECAL, "REMOTE CONTROL OPERATION", LARGE	operation		1
14	6692768	DECAL, "REMOTE CONTROL OPERATION", SMALL	operation		1
15	6692767	DECAL, "ROTATING PARTS"	rotating parts		1
16	6692763	DECAL WARNING, "READ THE MANUAL"	operating instructions		1
17		DECAL	NAP - Order Ref. 3		1
18		DECAL	NAP - Order Ref. 11		1
19		DECAL	NAP - Order Ref. 11		1
20	6904709	MANUAL	operation, maintenance and parts		1

SEAL ENCLOSURE KIT

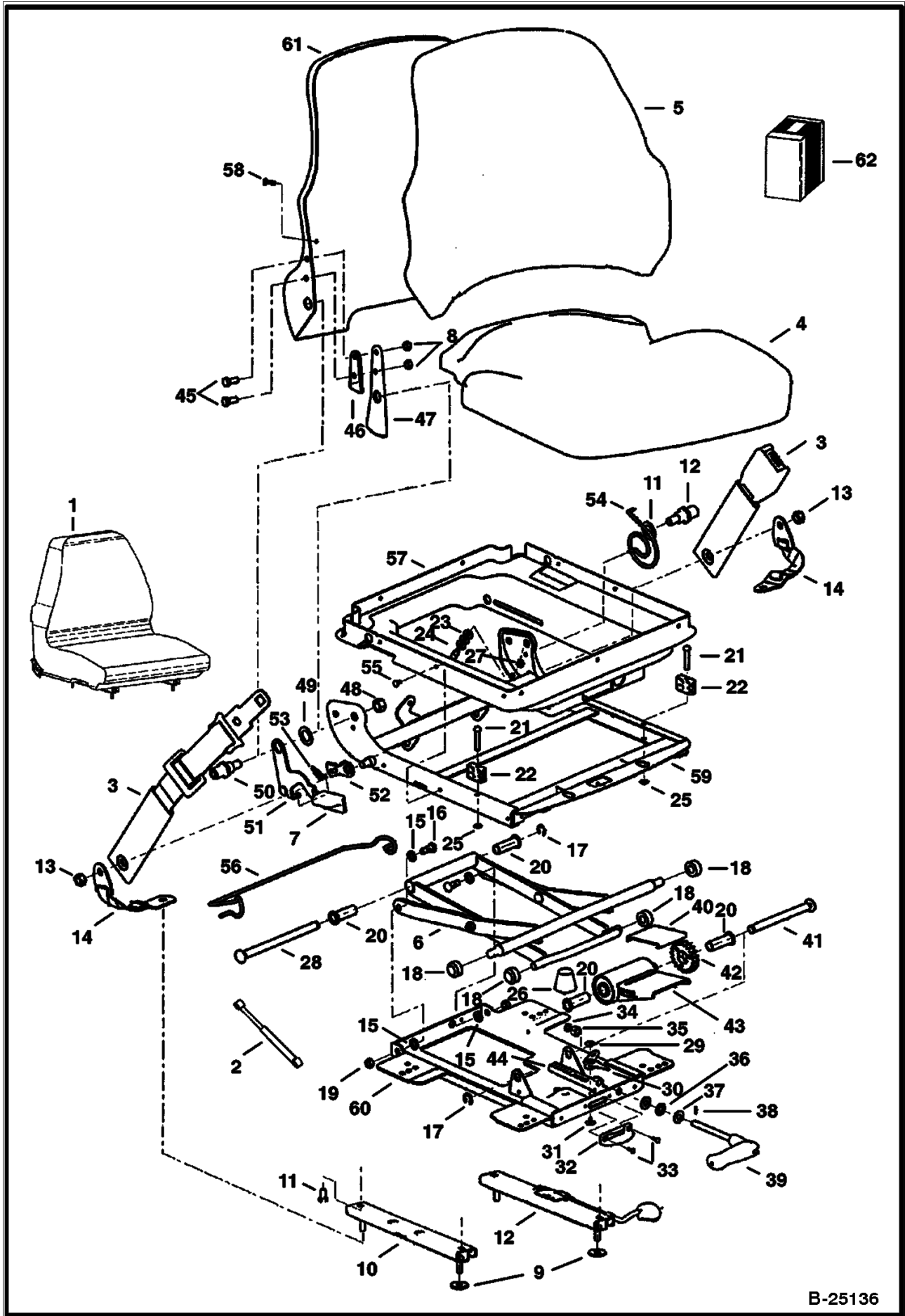


PE-1705

SEAL ENCLOSURE KIT (Cont'd)

Ref No	Part Number	Description	Remarks	Serial Number	Qty
1	6732718	KIT	enclosure		1
2	6669308	RETAINER			2
3	6674895	RETAINER			4
4	6731108	SEAL	retainer		1
5	6732619	SEAL	panel		2
6	6901774	INSTRUCTIONS			1

SEAT (Suspension - Sears)

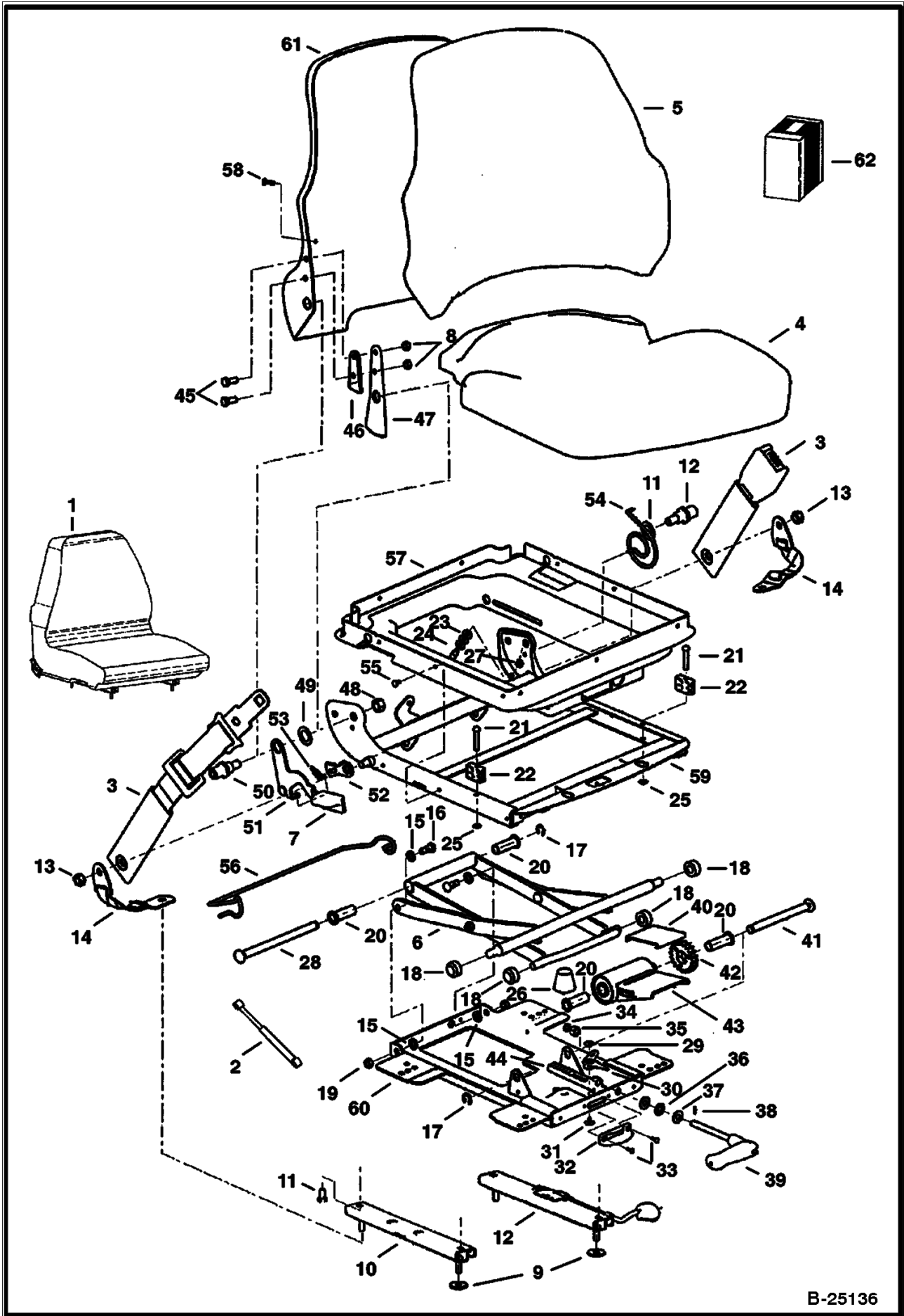


B-25136

SEAT (Cont'd)
(Suspension - Sears)

Ref No	Part Number	Description	Remarks	Serial Number	Qty
1	6675595	SEAT	vinyl - LH recliner lever		1
1	6675596	SEAT	fabric - LH recliner lever		1
2	6676338	GAS SPRING			1
3	6675170	SEAT BELT	lap		1
4	6675320	SEAT	fabric		1
4	6675322	SEAT	vinyl		1
5	6675319	SEAT	backrest - fabric - W/Ref. 58		1
5	6675321	SEAT	backrest - vinyl - W/Ref. 58		1
6	6675317	SCISSORS			1
7	6675323	KNOB	recliner		1
8		NUT	NSS		6
9	619021	WASHER, 5			4
10		SLIDE	NSS - slave		1
11		BOLT	NSS		4
12		SLIDE	NSS - locking		1
13		NUT	NSS		2
14		BELT	NSS - tether		2
15		WASHER	NSS - cross pivot		4
16		BOLT	NSS - pivot		2
17		RING	NSS - retaining		2
18		ROLLER	NSS		4
19		NUT	NSS		2
20		BUSHING	NSS - wt adjustment		4
21		RIVET	NSS		2
22		BLOCK	NSS - up stop		2
23		WASHER	NSS		3
24		STOP	NSS - armrest		1
25		PUSHNUT	NSS		2
26		BUMPER	NSS		1
27		NUT	NSS		1
28		SHAFT	NSS - bearing		1
29		RIVET	NSS - female snap		1
30		INDICATOR	NSS - weight		1
31		RIVET	NSS - male snap		1
32		DIAL	NSS - weight indicator		1
33		POP RIVET	NSS		2
34		SPACER	NSS		1
35		NUT	NSS		1
36		BEARING	NSS - thrust		1
37		RACE	NSS - thrust		2
38		SHEAR PIN	NSS		1
39		HANDLE	NSS - weight adjustment		1
40		PLATE	NSS - wear		1
41		SHAFT	NSS - torsion		1
42		DRIVE GEAR	NSS		1
43		BUSHING	NSS - torsion		1
44		RACK	NSS - wt adjustment		1
45		BOLT	NSS		2
46		SPACER	NSS - recliner		1
47		BRACKET	NSS - back tilt		1
48		NUT	NSS		2
49		WASHER	NSS - plastic		2
50		BOSS	NSS - back pan pivot		2
51		HANDLE	NSS - recliner (RH)		1

SEAT (Cont'd)
(Suspension - Sears)

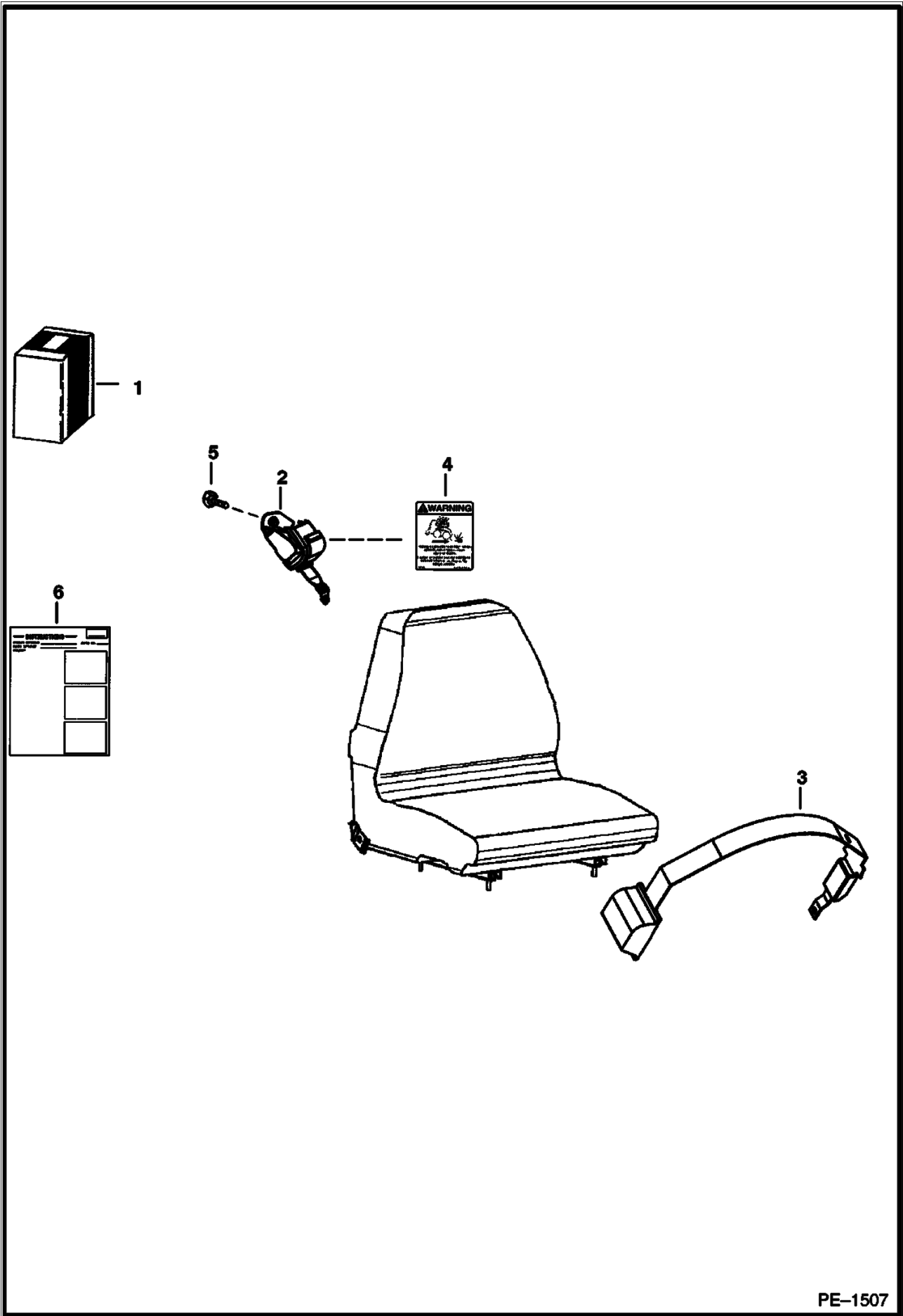


B-25136

SEAT (Cont'd)
(Suspension - Sears)

Ref No	Part Number	Description	Remarks	Serial Number	Qty
52		LATCH	NSS - recliner		1
53		SPRING	NSS - extension		1
54		SPRING	NSS - tilt latch		1
55		CLIP	NSS		6
56		WIRE	NSS - boot support		1
57		SUSPENSION	NSS - boot		1
58		SCREW	NSS		2
59		HOUSING	NSS - upper		1
60		HOUSING	NSS - lower		1
61		BACK PAN	NSS		1
62	6675309	KIT	slides - Ref. 8-12		1
62	6675310	KIT	tether belt - Ref. 9, 13 & 14		1
62	6675311	KIT	suspension rollers & bearing - Ref. 15-20		1
62	6675312	KIT	suspension bumpers & stops - Ref. 21-27		1
62	6675313	KIT	rear tube - Ref. 17, 20 & 28		1
62	6675314	KIT	weight adjustment indicator - Ref. 29-33		1
62	6675315	KIT	weight adjustment handle - Ref. 34-39		1
62	6675316	KIT	weight adjustment - Ref. 17, 20 & 40-44		1
62	6675318	KIT	RH recliner - Ref. 7, 8 & 45-54		1
62	6676034	KIT	LH recliner - Ref. 7, 8 & 45-54		1
62	6675308	KIT	suspension boot - Ref. 55-57		1

SEAT BELT (Three Point Retractable)

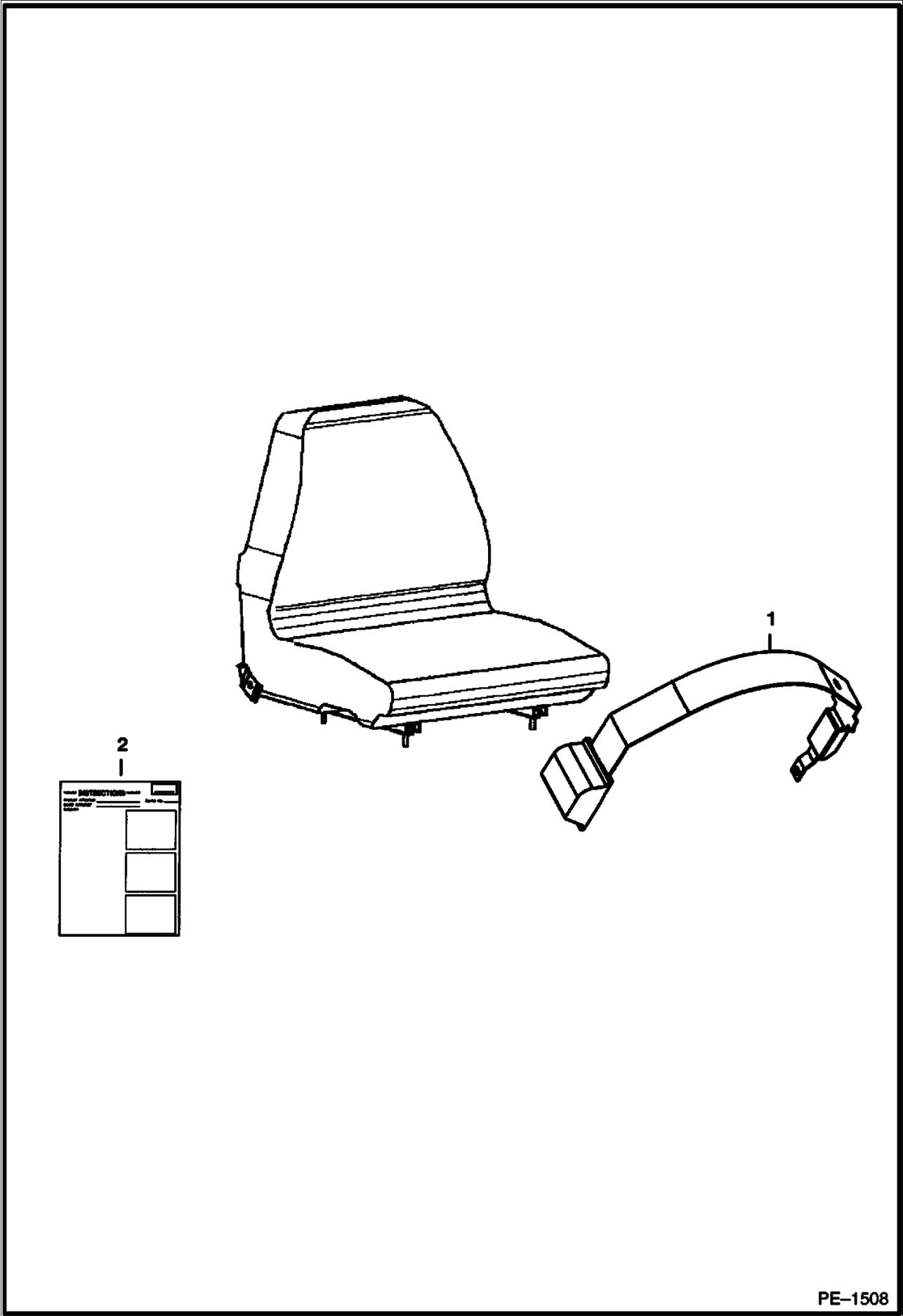


PE-1507

**SEAT BELT (Cont'd)
(Three Point Retractable)**

Ref No	Part Number	Description	Remarks	Serial Number	Qty
1	6732219	KIT	three point retractable seat belt - Use W/Sears brand suspension seat W/LH recliner lever		1
2	6674407	SHOULDER BELT			1
3	6679308	SEAT BELT			1
4	6725370	DECAL			1
5	53C612	BOLT	Was 35C612 [B]		1
6	6901010	INSTRUCTIONS			1

SEAT BELT (3" Wide Retractable)

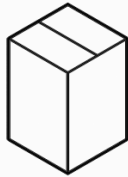


PE-1508

SEAT BELT (Cont'd)
(3" Wide Retractable)

Ref No	Part Number	Description	Remarks	Serial Number	Qty
1	6675562	SEAT BELT	3" wide retractable - Use W/Sears brand suspension seats W/LH recliner lever		1
2	6901011	INSTRUCTIONS			1

SEAT BELT (3" Wide)



1



7

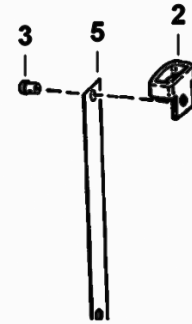
6

NOTICE TO OPERATOR

This 2040 Steer loader is factory equipped with a 51 mm (2") wide seat belt for operator restraint. 2040 Steer loader equipped with 51 mm (2") wide seat belts may be used on sites that are covered or where initial grading and site preparation is complete.

The Worker's Compensation Board of British Columbia (Behavioral Health and Safety Regulations 2075 (1916)) require that, if this machine is used in planning work or on rough and/or sloping terrain with slopes greater than 20 percent, it must be equipped with seat belts with a minimum width of 76 mm (3").

Contact your dealer for availability of the 76 mm (3") minimum width Seat Belt Kit (P/N 6302042) for this machine. JWS/KCM/MS/000

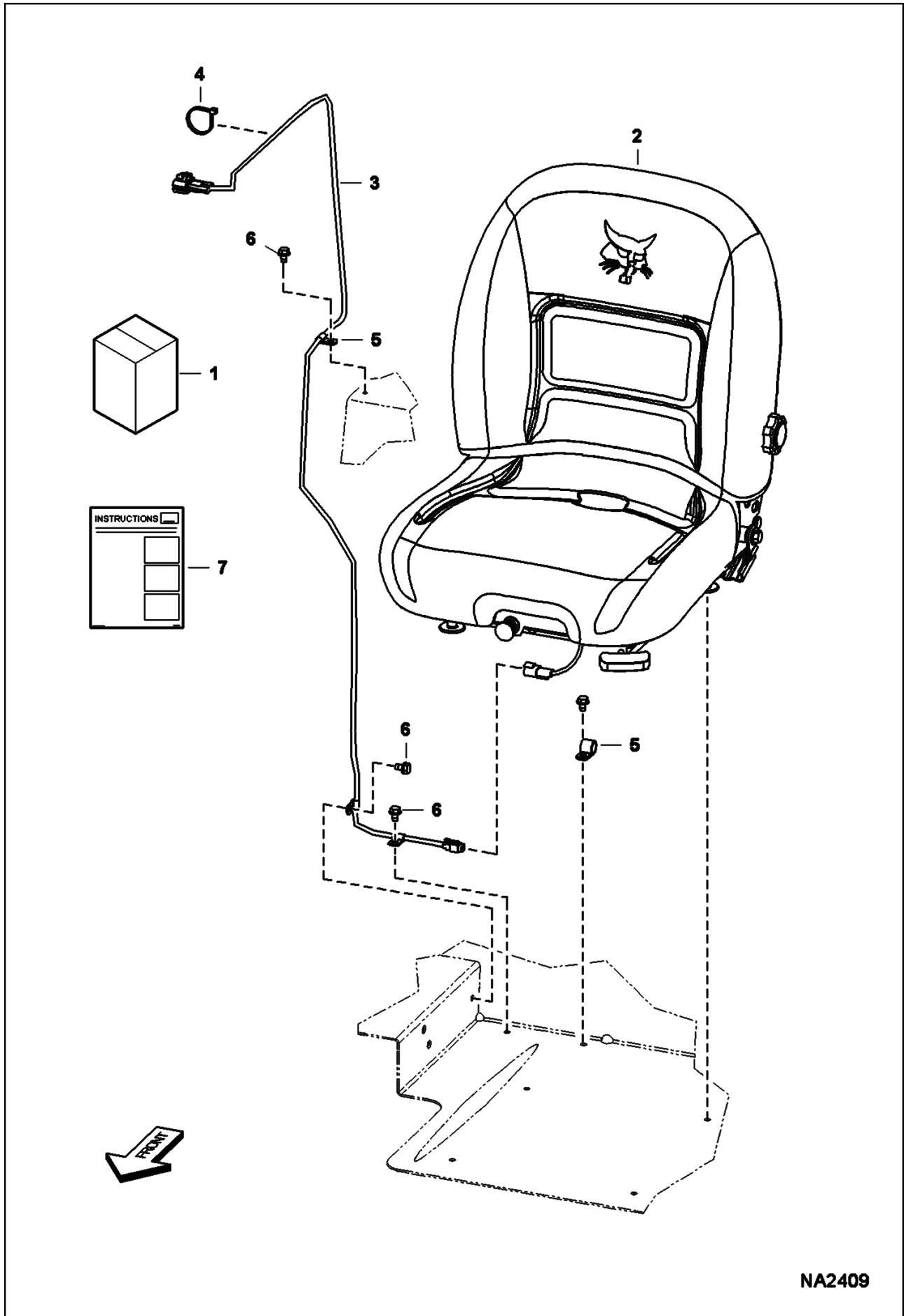


B-13601

SEAT BELT (Cont'd)
(3" Wide)

Ref No	Part Number	Description	Remarks	Serial Number	Qty
1	6703640	KIT	W/Ref. 2-5 & 7		1
2	6703703	GUIDE			2
3	6630207	RIVET			4
4	6659999	BELT, SEAT			1
5	6711908	SPRING PLATE			2
6	6703641	DECAL	not in kit		1
7	6989663	INSTRUCTIONS			1

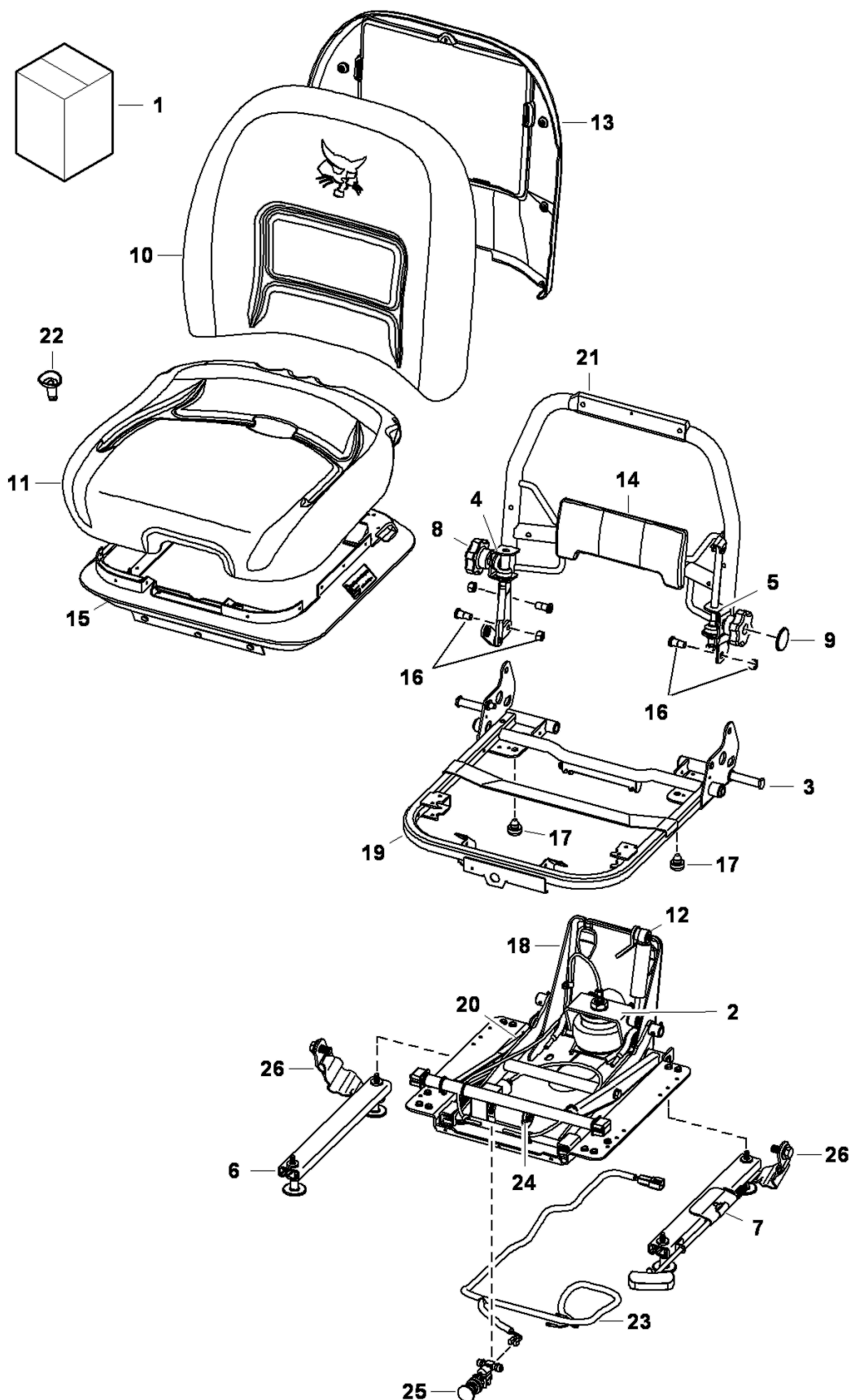
SEAT KIT (Suspension - Air)



**SEAT KIT (Cont'd)
(Suspension - Air)**

Ref No	Part Number	Description	Remarks	Serial Number	Qty
1	7170270	KIT, SUSPENSION SEAT AIR	Ref. 2-7		1
2	7167920	SEAT, OPERATOR SUSPENSION AIR	See Illustration SEAT/ NA2367		1
3	7169342	HARNESS, CAB			1
4	6682345	STRAP, TIE 8			2
5	30H27	CLAMP			1
6	84G3108	BOLT			4
7	6989415	INSTRUCTIONS			1

SEAT (Suspension - Air)

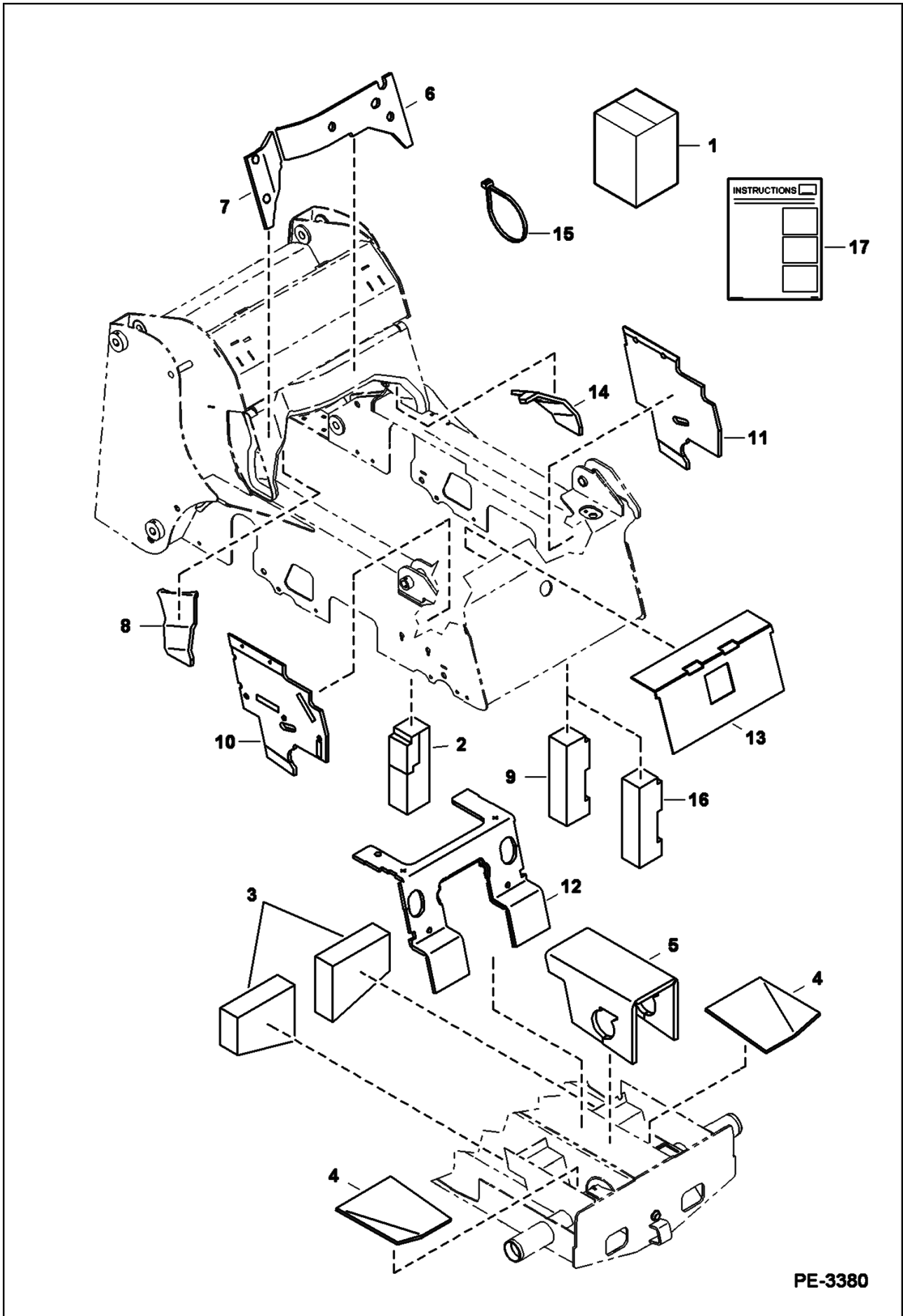


NA2367

SEAT (Cont'd)
(Suspension - Air)

Ref No	Part Number	Description	Remarks	Serial Number	Qty
1	7167920	SEAT, OPERATOR SUSPENSION AIR	Ref. 2-26		1
2	7010763	KIT, SPRING			1
3	7010771	KIT, SHAFT BEARING			1
4	7010772	KIT, GEAR SEAT			1
5	7010773	KIT, GEAR SEAT			1
6	7010764	KIT, RAIL SLIDE SEAT			1
7	7010765	KIT, KNOB KIT			1
8		KNOB KIT	NAP		1
9		LABEL KIT	NAP		1
10	7010774	KIT, CUSHION SEAT VINYL			1
11	7010775	KIT, CUSHION SEAT VINYL			1
12	7010766	KIT, GAS SPRING			1
13	7010776	KIT, MOULDING SEAT			1
14	7010777	KIT, LUMBAR			1
15	7010778	KIT, BOOT SEAT			1
16	7010779	KIT, BOLT			1
17	7010780	KIT, BUMPER			1
18	7010781	FRAME, SEAT SUSPENSION			1
19	7010782	FRAME, SEAT SUSPENSION			1
20	7010783	KIT, LINKAGE			1
21	7010784	FRAME, SEAT SUSPENSION			1
22	7010785	DRAIN, WATER SEAT			1
23	7010786	HARNESS, ACCESSORY			1
24	7010767	KIT, COMPRESSOR AIR			1
25	7010768	KIT, VALVE			1
26	7010769	KIT, TETHER			1

SOUND/NOISE REDUCTION KIT (Manual Controls)

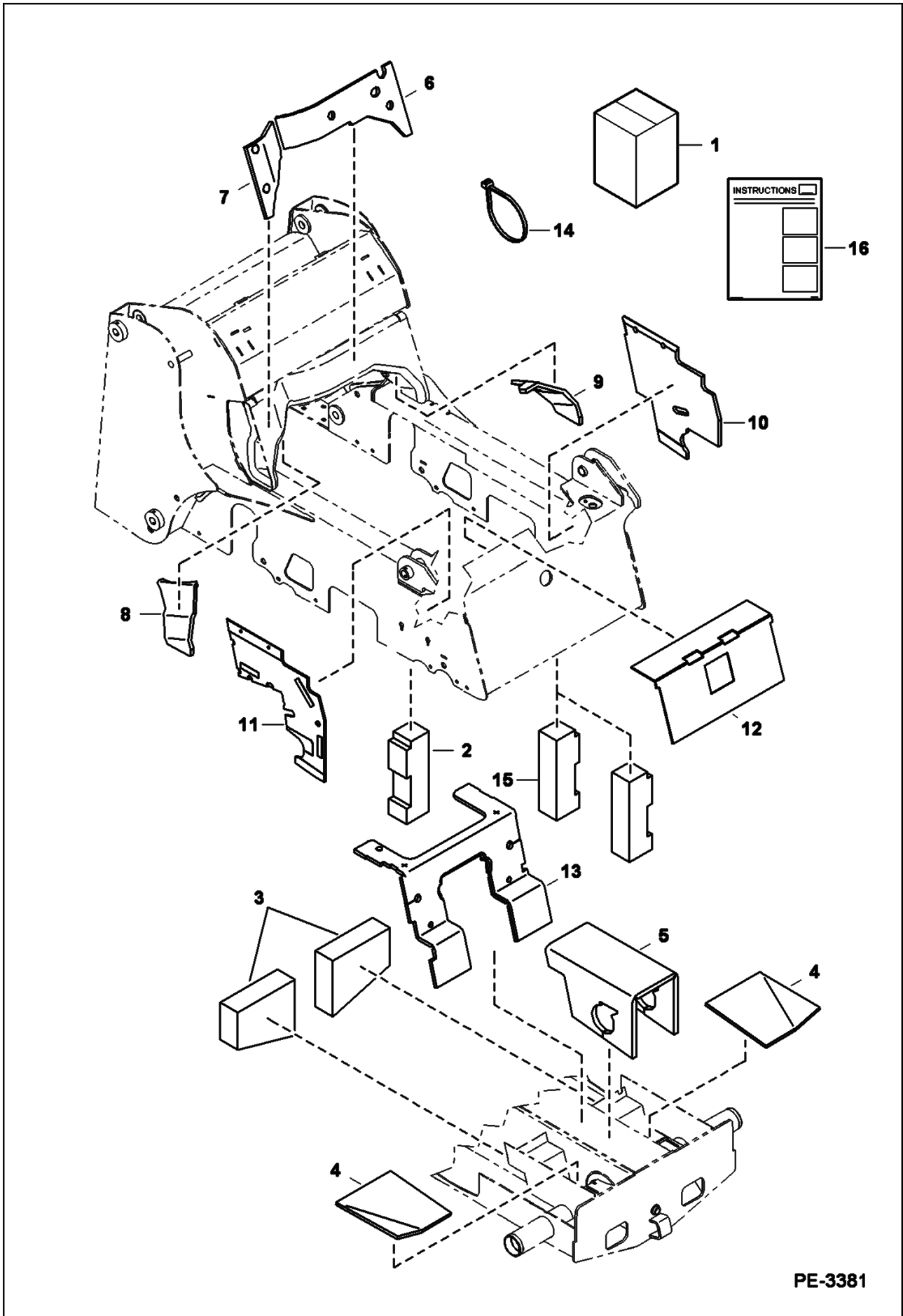


PE-3380

**SOUND/NOISE REDUCTION KIT (Cont'd)
(Manual Controls)**

Ref No	Part Number	Description	Remarks	Serial Number	Qty
1	7140056	SOUND KIT			1
2	6719328	INSULATION			1
3	6703968	INSULATION	side transmission		2
4	6719330	INSULATION			2
5	7101527	INSULATION	transmission		1
6	6719332	INSULATION	blower housing		1
7	6719333	INSULATION			1
8	6719334	INSULATION			1
9	6719327	INSULATION			1
10	7122095	INSULATION	RH panel		1
11	7122096	INSULATION	LH panel		1
12	7101529	INSULATION	steering column		1
13	7101543	INSULATION	crossmember		1
14	6704769	INSULATION	blower housing		1
15	6624289	STRAP, TIE			8
16	7152163	INSULATION, STRIP			1
17	6986545	INSTRUCTIONS			1

SOUND/NOISE REDUCTION KIT (Selectable Joystick Controls)

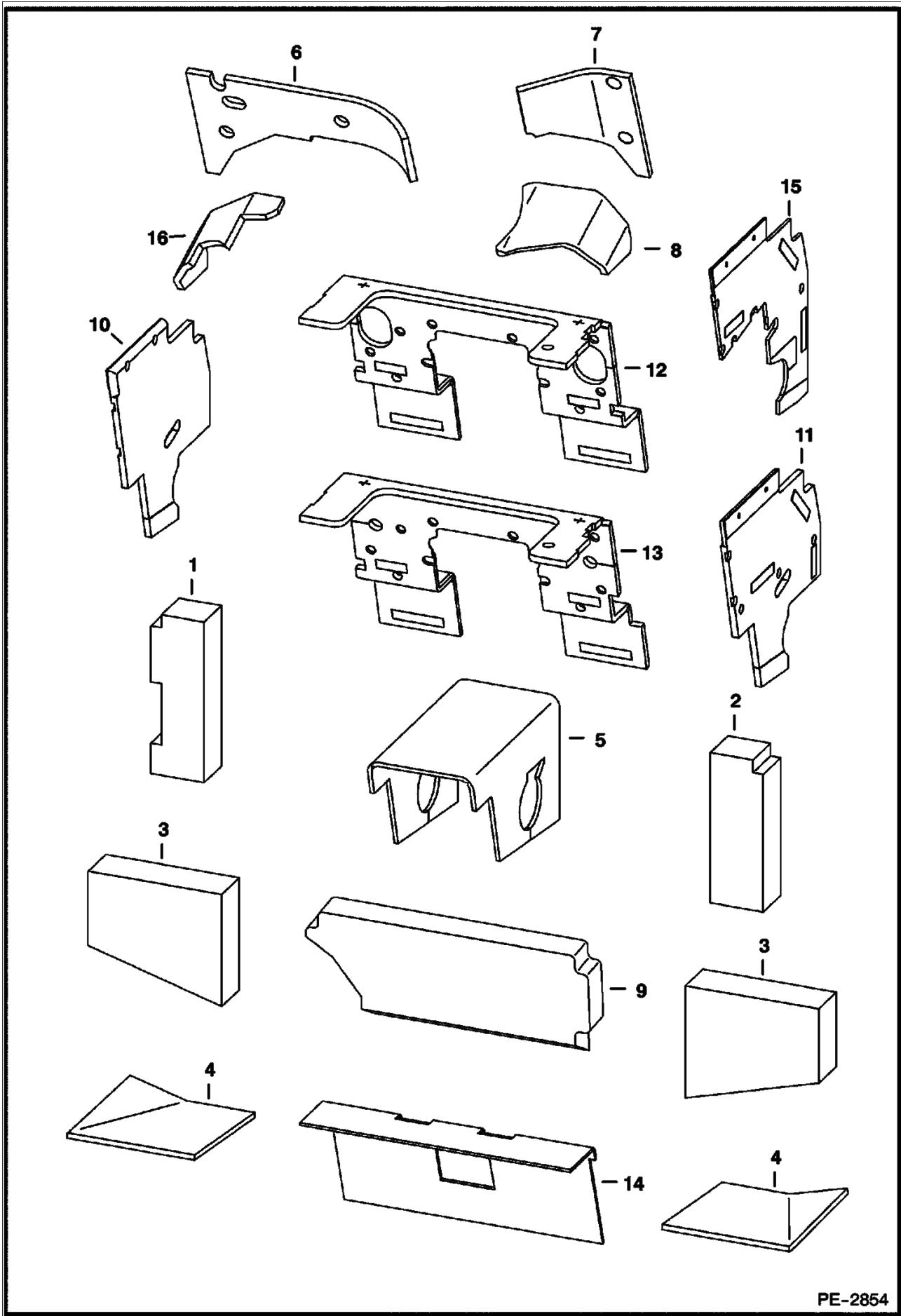


PE-3381

SOUND/NOISE REDUCTION KIT (Cont'd)
(Selectable Joystick Controls)

Ref No	Part Number	Description	Remarks	Serial Number	Qty
1	7140057	SOUND KIT			1
2	6719327	INSULATION			1
3	6703968	INSULATION	side transmission		2
4	6719330	INSULATION			2
5	7101527	INSULATION	transmission		1
6	6719332	INSULATION	blower housing		1
7	6719333	INSULATION			1
8	6719334	INSULATION			1
9	6704769	INSULATION	blower housing		1
10	7122096	INSULATION	LH panel		1
11	7109125	INSULATION	right panel		1
12	7101543	INSULATION	crossmember		1
13	7101528	INSULATION	steering column		1
14	6624289	STRAP, TIE			8
15	7152163	INSULATION, STRIP			1
16	6986547	INSTRUCTIONS			1

SOUND/NOISE REDUCTION OPTION
(Manual Controls & SJC)

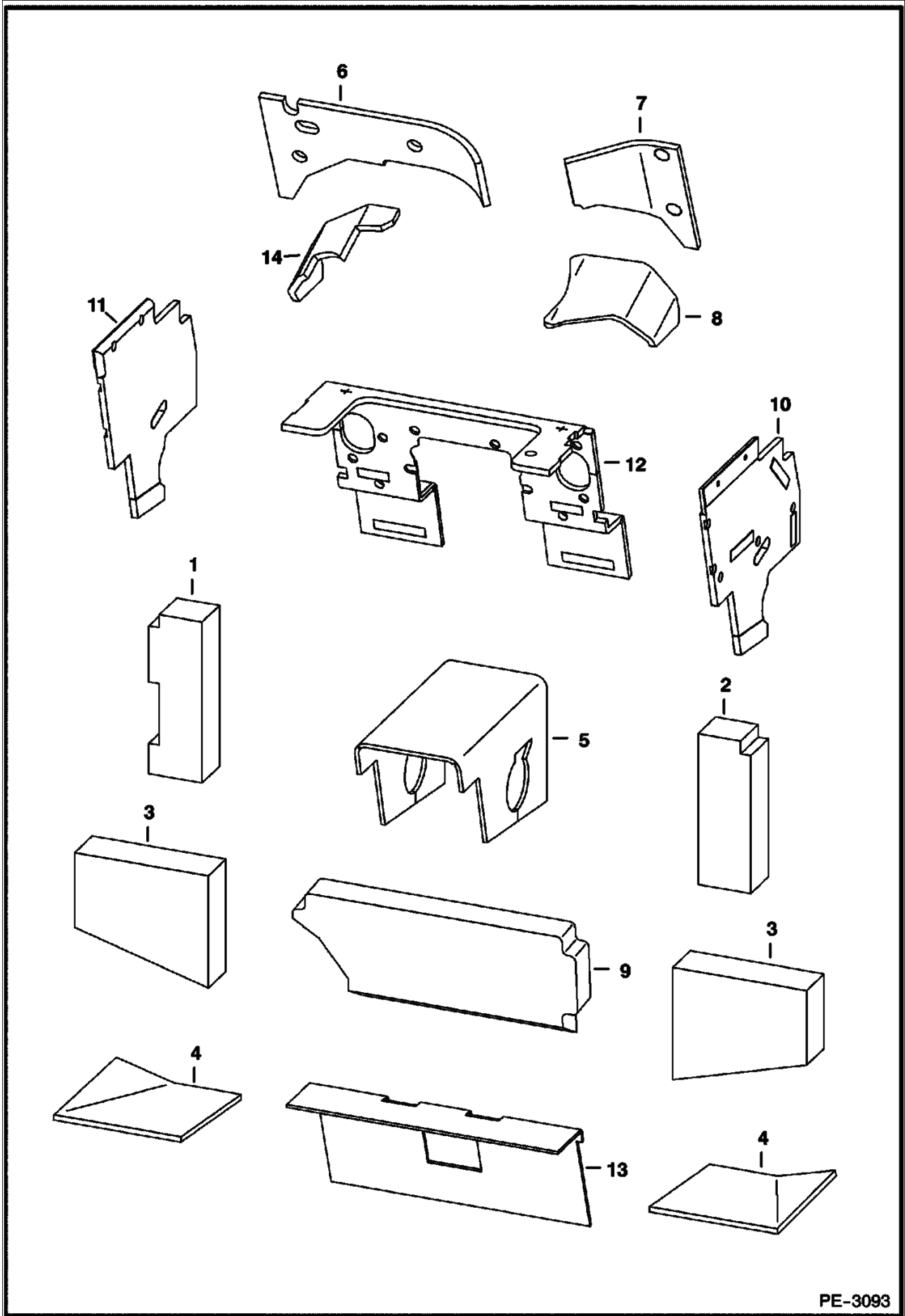


PE-2854

**SOUND/NOISE REDUCTION OPTION (Cont'd)
(Manual Controls & SJC)**

Ref No	Part Number	Description	Remarks	Serial Number	Qty
1	6719327	INSULATION			1
2	6719328	INSULATION			1
3	6703968	INSULATION	side transmission		2
4	6719330	INSULATION			2
5	7101527	INSULATION	transmission		1
6	6719332	INSULATION	blower housing		1
7	6719333	INSULATION			1
8	6719334	INSULATION			1
9	6727299	INSULATION			1
10	7122096	INSULATION	LH panel - manual controls & selectable joystick controls		1
11	7122095	INSULATION	RH panel - manual controls		1
12	7101529	INSULATION	steering column - standard hand controls		1
13	7101528	INSULATION	steering column - selectable joystick controls		1
14	7101543	INSULATION	crossmember		1
15	7109125	INSULATION	right panel - selectable joystick controls		1
16	6704769	INSULATION	blwr hsg		1

SOUND/NOISE REDUCTION OPTION
(W/ACS)

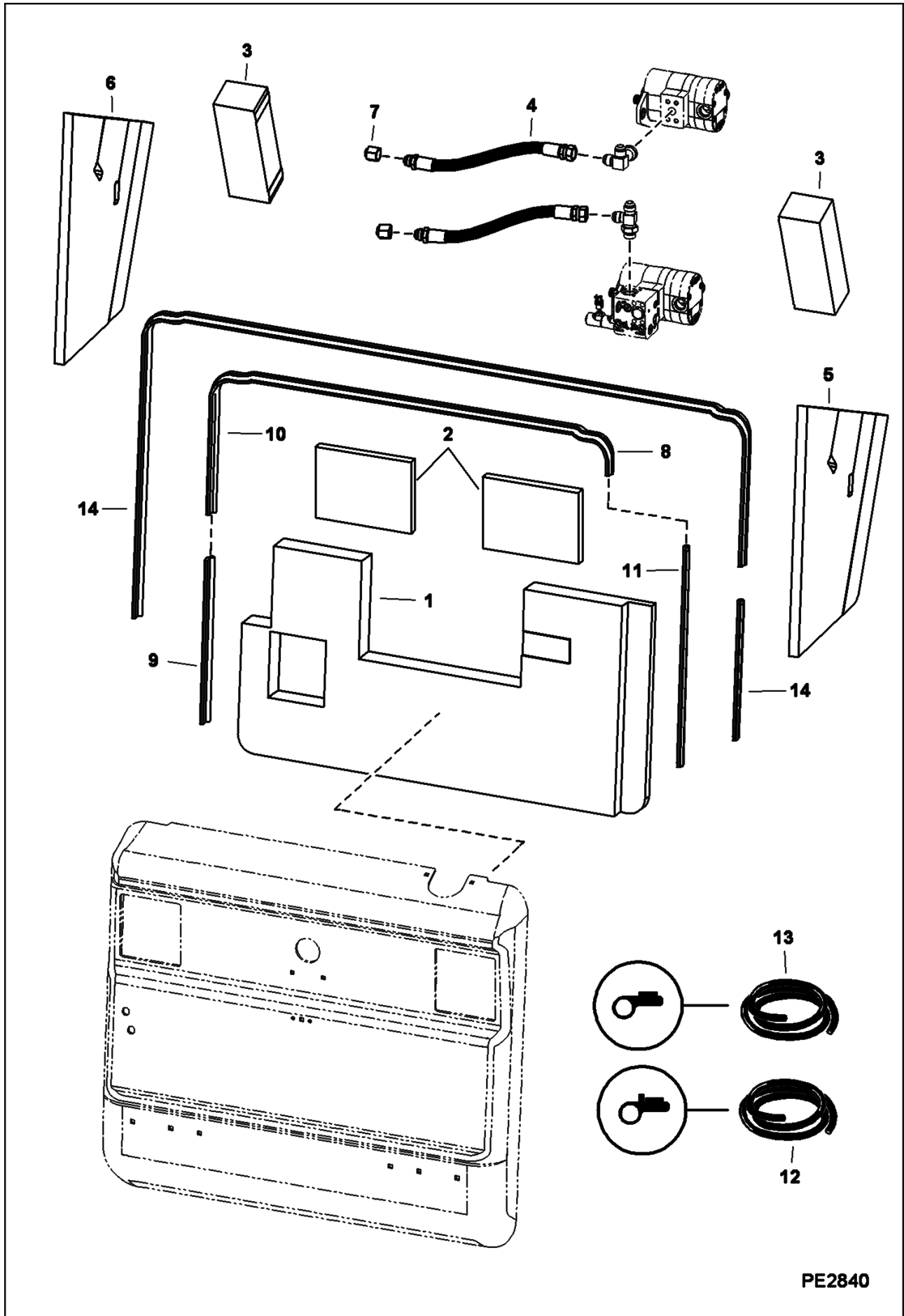


PE-3093

**SOUND/NOISE REDUCTION OPTION (Cont'd)
(W/ACS)**

Ref No	Part Number	Description	Remarks	Serial Number	Qty
1	6719327	INSULATION			1
2	6719328	INSULATION			1
3	6703968	INSULATION	side transmission		2
4	6719330	INSULATION			2
5	7101527	INSULATION	transmission		1
6	6719332	INSULATION	blower housing		1
7	6719333	INSULATION			1
8	6719334	INSULATION			1
9	6727299	INSULATION			1
10	7122503	INSULATION	left panel - ACS		1
11	7122502	INSULATION	right panel - ACS		1
12	7101529	INSULATION	steering column - standard hand controls		1
13	7101543	INSULATION	crossmember		1
14	6704769	INSULATION	blwr hsg		1

SOUND/NOISE REDUCTION OPTION (Bystander)



PE2840

**SOUND/NOISE REDUCTION OPTION (Cont'd)
(Bystander)**

Ref No	Part Number	Description	Remarks	Serial Number	Qty
1	7166676	INSULATOR	tailgate - Was 7109317 [A]		1
2	7109318	INSULATOR	upper tailgate		2
3	7110410	INSULATION	upright		2
4	7112651	HOSE			1
5	7116699	INSULATION	upright		1
6	7116700	INSULATION	upright		1
7	36K8	CAP			1
8		SEAL	NAP - 8.65" (219,71 mm) long - Order Ref. 14		1
9		SEAL	NAP - 16.75" (425,45 mm) long - Order Ref. 14		1
10		SEAL	NAP - 45.25" (1149,35 mm) long - Order Ref. 14		1
11		SEAL	NAP - 21.25" (539,75 mm) long - Order Ref. 14		1
12		SEAL - BULK/FT	NAP - bulk - sold per foot - Order Ref. 14 - Was 7108677 [A]		x
13		SEAL, BULK	NAP - bulk - sold per foot - Order Ref. 14 - Was 7108716		x
14	7160443	SEAL	includes 3 seals custom cut to seal complete door		1

SOUND REDUCTION HARDHAT

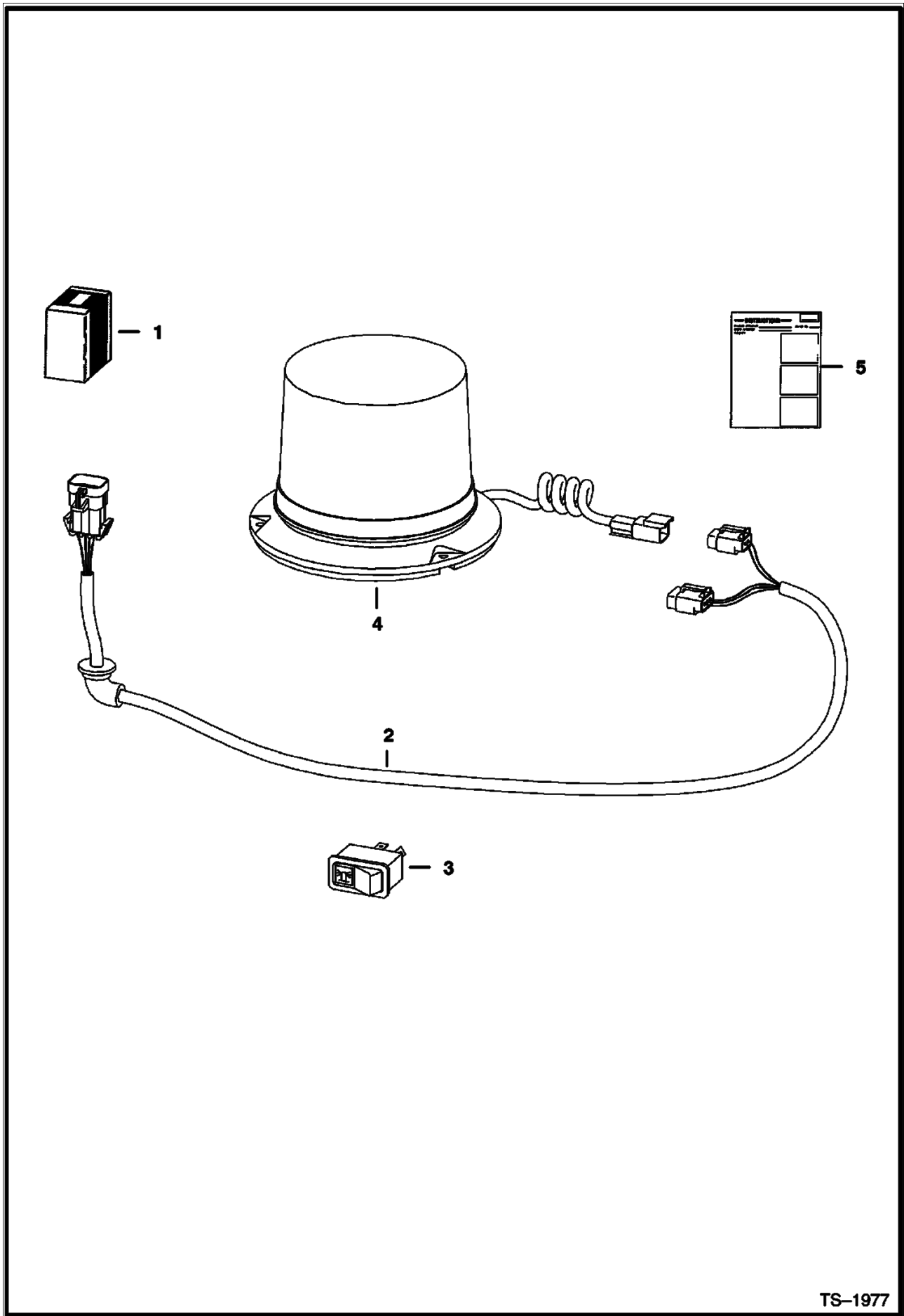


B-3111

SOUND REDUCTION HARDHAT (Cont'd)

Ref No	Part Number	Description	Remarks	Serial Number	Qty
1	6902390	HARD HAT WHITE			1
2	6559775	EARMUFFS			1

STROBE LIGHT

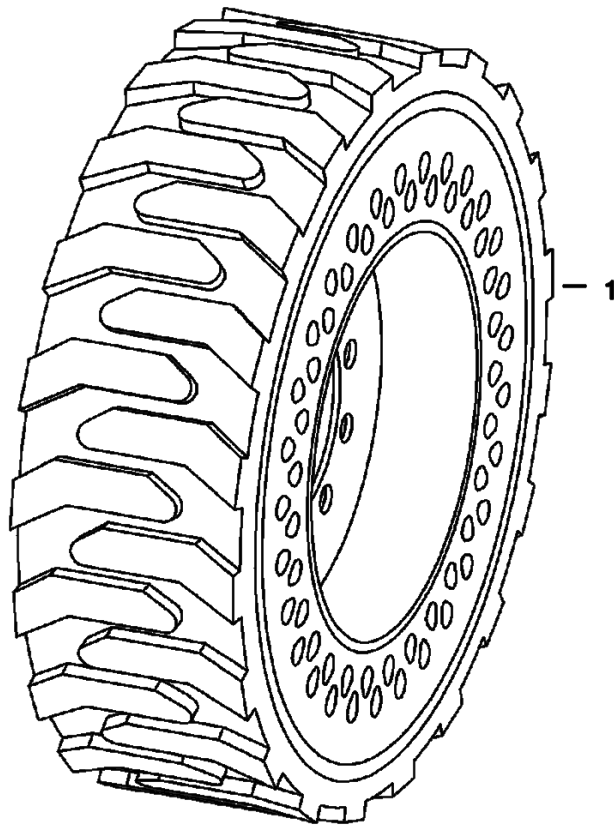


TS-1977

STROBE LIGHT (Cont'd)

Ref No	Part Number	Description	Remarks	Serial Number	Qty
1	6719857	KIT	strobe light - if loader is not equipped W/deluxe cab accessories harness, heater, A/C, SJC, ACS, power Bob-Tach, cab enclosure door kit, rear wiper or any of the following cab harness connected rotating beacon, 4-way flasher or strobe light, Also Order 7139311 deluxe cab accessories harness		1
2	6718872	HARNESS			1
3	6668816	SWITCH	vertical		1
4	6675522	STROBE	4200 series light - Was 6697800		1
4	6697796	FLASHTUBE	3-pin rectangular base bulb		1
4	6697797	AMBER LENS			1
5	6900992	INSTRUCTIONS			1

**TIRES & RIMS
(Solid Tires)**

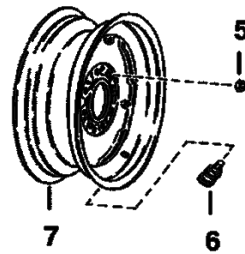
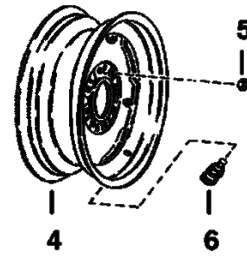
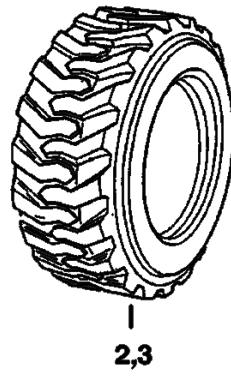
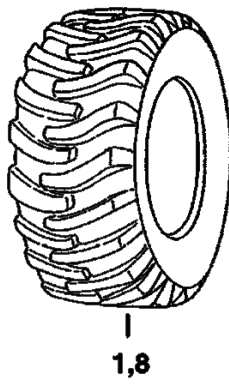


MS-2192

TIRES & RIMS (Cont'd)
(Solid Tires)

Ref No	Part Number	Description	Remarks	Serial Number	Qty
1	6903766	TIRE, SOLID FLEX 31X6X10 LH			2
1	6903767	TIRE, SOLID FLEX 31X6X10 RH			2

TIRES & RIMS

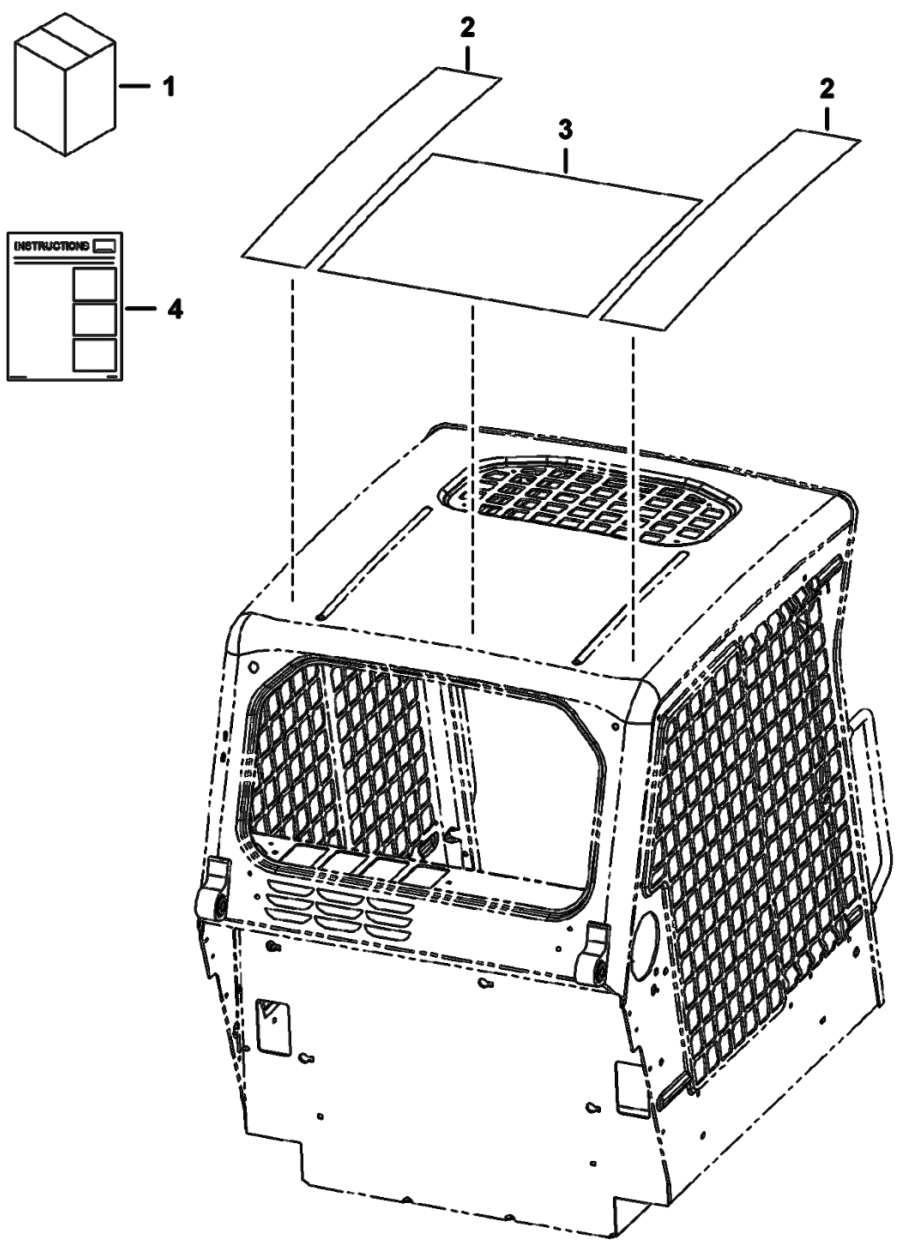


B-17101R

TIRES & RIMS (Cont'd)

Ref No	Part Number	Description	Remarks	Serial Number	Qty
1	6550826	TIRE	10.00-16.5, 6 Ply Rating - General		4
2	6730106	TIRE	10.00 - 16.5 - 10 ply - Bobcat - severe duty		4
3	7101734	TIRE, STANDARD DUTY - 10X16.5 - 8 PLY	Bobcat brand		4
3	6729900	TIRE	Bobcat 10 x 16.5, 10 ply rating - heavy duty		4
3	7101735	TIRE, HEAVY DUTY - 10.00X16.5 - 10 PLY	Bobcat brand		1
4	6730771	RIM	See BTI197ldr - Use W/Ref. 1, 2 & 3		4
4	6730772	RIM	See BTI197ldr - Use W/Ref. 8		4
5	6564669	NUT	wheel		32
6	1614765	STEM	tubeless tire		4
7	6730775	RIM	See BTI197ldr - inverted - Use W/Ref. 3 for 1524 mm (60") width		4
8	7105756	TIRE - SUPER FLOAT 0 30,5X12X16.5 - 10 PLY			4

WHITE DECAL KIT

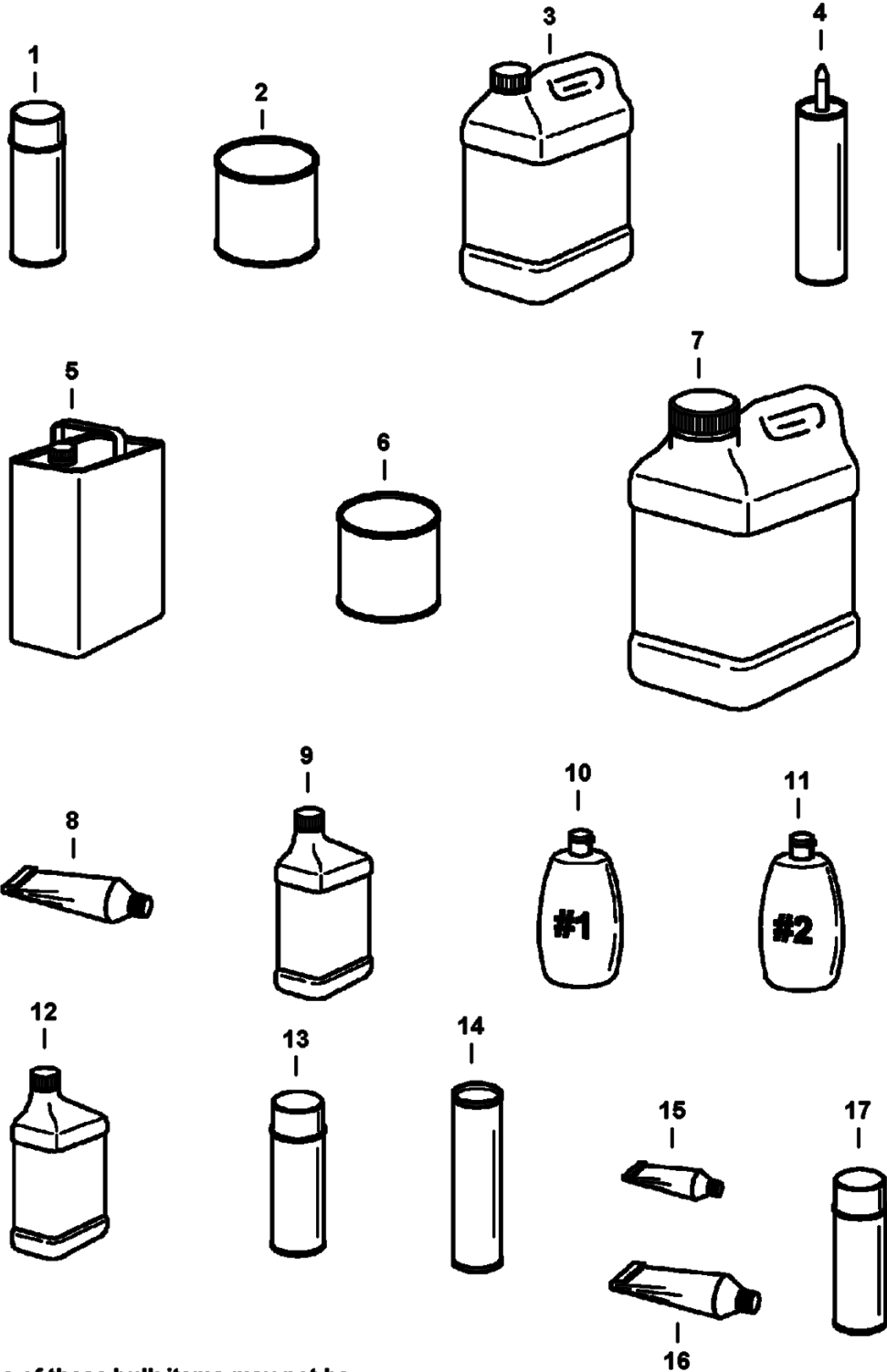


PE-3373

WHITE DECAL KIT (Cont'd)

Ref No	Part Number	Description	Remarks	Serial Number	Qty
1	7140768	KIT	white decal - Ref. 2-4		1
2	7136678	DECAL	top side		2
3	7136679	DECAL	middle top		1
4	6986573	INSTRUCTIONS			1

**BULK ITEMS
(SEE NOTE)**



NOTE: Some of these bulk items may not be used on this particular model Bobcat.

NOTE: See Merchandising catalog for more products & information.

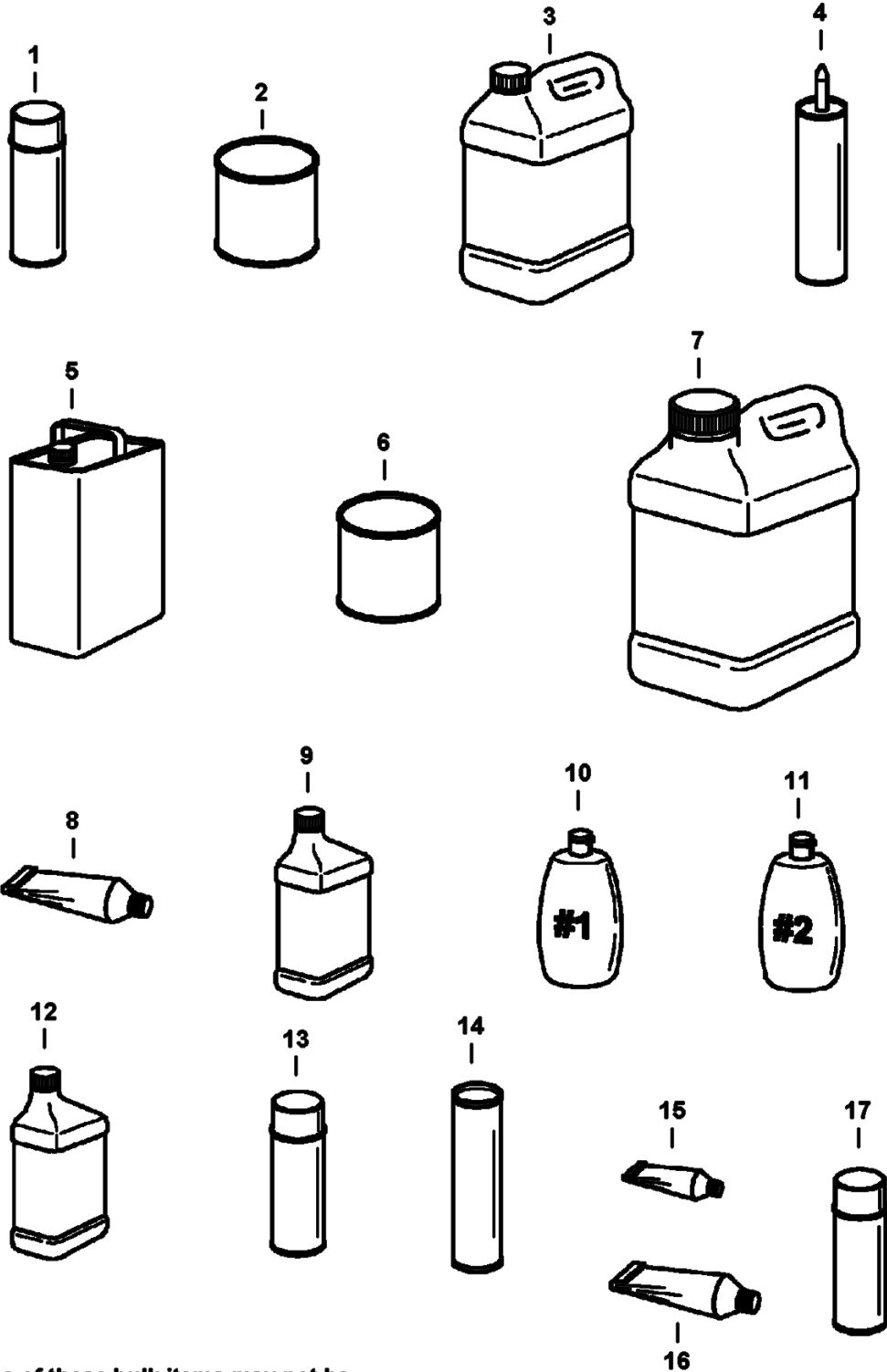
NOTE: Paint spray cans are packaged 6 per box.
Motor oil quarts are packaged 12 per box.
Motor oil 1 gal. jugs are packaged 6 per box.
Motor oil 2.5 gal. jugs are packaged 2 per box.

B-16415

BULK ITEMS (Cont'd)
(SEE NOTE)

Ref No	Part Number	Description	Remarks	Serial Number	Qty
1	6902228	PAINT, ORANGE SPRAY CAN 6			x
1	6902229	PAINT, CHARCOAL SPRAY CAN 6			x
1	6902230	PAINT, WHITE SPRAY CAN 6			x
2	6902233	PAINT, ORANGE QT 6			x
2	6902234	PAINT, CHARCOAL QT 6			x
2	6902235	PAINT, WHITE QT 6			x
3	6983128	ANTI-FREEZE PG 53/47 PREMIX GAL 6			x
3	6983129	ANTI-FREEZE PG CONCENTRATE 6			x
4	6633583	SEALANT	tube - 300 ml		x
5		REDUCER	NAP - Gal.		x
6		PRIMER	NAP - Gal.		X
6	6902232	PRIMER	spray can - 16 oz		x
7	6903117	FLUID, OIL HYD 2.5 GAL 2			x
7	6903118	FLUID, OIL HYD 5 GAL			x
7	6903119	FLUID, OIL HYD 55 GAL			x
8	6599360	SEALANT	electrical - tube - 3 oz		x
8	6685372	SEALANT, GASKET LIQUID	tube - 20 oz		x
9	6903121	LUBE, GEAR 12			x
10	6630188	POLISH	window - #1 - 8 oz		x
10		POLISH	NAP - window-1 (64 oz.) -Order 6630188 Polish		x
11	6630189	POLISH	window - scratch remover - #2 - 8 oz		x
11		POLISH	NAP - window-2 (64 oz.) - scratch remover - Order 6630189 Polish		x
12	6903109	OIL 30W QT. 12			x
12	6903110	OIL, 30W GAL. 6			x
12	6903111	OIL 30W 2.5 GAL 2			x
12	6903107	OIL, 10W30 QT. 12			x
12	6903108	OIL, 10W30 GAL. 6			x
12	6903113	OIL, 15W40 2.5 GAL. 2			x
12	6903105	OIL, 15W40 QT. 12			x
12	6903106	OIL, 15W40 GAL. 6			x
12	6903113	OIL, 15W40 2.5 GAL. 2			x
13	6675380	ADHESIVE	insulation - spray can		x
14	6903122	GREASE, MULTI PURPOSE #2 - 10			x

BULK ITEMS (Cont'd)
(SEE NOTE)



NOTE: Some of these bulk items may not be used on this particular model Bobcat.

NOTE: See Merchandising catalog for more products & information.

NOTE: Paint spray cans are packaged 6 per box.
Motor oil quarts are packaged 12 per box.
Motor oil 1 gal. jugs are packaged 6 per box.
Motor oil 2.5 gal. jugs are packaged 2 per box.

B-16415

BULK ITEMS (Cont'd)
(SEE NOTE)

Ref No	Part Number	Description	Remarks	Serial Number	Qty
15	6650407	ADHESIVE	tube - 1 oz		x
16	6650388	SEALANT	flange		x
17	6736644	PAINT	orange - spray can - .5 oz		x
17	6736641	PAINT	charcoal - spray can - .5 oz		x
17	6736642	PAINT	white - spray can - .5 oz		x
17	6736645	PAINT	red - spray can - .5 oz		x

NUMERICAL INDEX

Part No.	Description	Was	Code	Page
10C410	BOLT			306
10C412	BOLT			306
10C512	BOLT			278
10C616	BOLT 10			22
10C888	BOLT	37C888	D	14
10H25	FITTING, GREASE 5			32
10H35	GREASE ZERK			34, 124
10J8	BALL			130
11H15	GREASE FITTING			32, 70
12D10	NUT			350
12D6	NUT 10			344, 346
12E6	WASHER			342, 346
12H15	GREASE ZERK			32
12H25	FITTING			424, 426
1304227	PIN			220
1306637	CLIP			72
1313995	STUD			32
1318565	COTTER PIN			334
1320075	COTTER PIN			410, 412
14D10	NUT			218, 220
14J5032	PIN, STRAIGHT			34
1522534	SEAL			70
15HB1010	ADAPTER, COUPLER			116, 118
15HB1210	ADAPTER, COUPLER			116
15KB0404	FTG HYD S Connector			424, 426
15KB0606	FITTING, HYD CONNECTOR			66, 106, 110, 116, 118, 120
15KB0612	FITTING, HYD CONNECTOR			116, 118
15KB0810	FITTING, HYD CONNECTOR			62, 288
15KB1008	FITTING, HYD CONNECTOR			116, 118
15KB1010	FITTING, HYD CONNECTOR			116
15KB1012	FITTING, HYD CONNECTOR			112, 116
15KB1212	FITTING, HYD CONNECTOR			116, 118, 436
15KB1216	FITTING, HYD CONNECTOR			66
1614765	STEM			478
16F4	PLUG	7000601	A	254
17C1016	SCREW			32
17C1056	BOLT			16
17C1080	SCREW			32
17C410	BOLT 10			402, 404
17C412	BOLT 5			51, 52, 53, 54, 178
17C420	CAPSCREW			322
17C432	BOLT			64
17C444	SCREW			120
17C512	BOLT 5			36, 292, 293, 294, 298, 318, 410

Code for disposition of old part number

A -- Use up

B -- Use on other application (See PNI)

C -- File PDR Report with Bobcat Parts Sales

D -- Part Number Error

NUMERICAL INDEX (Cont'd)

Part No.	Description	Was	Code	Page
17C514	BOLT			190
17C516	BOLT			216, 322, 358, 380, 384, 398, 422
17C520	BOLT 5			322, 422
17C532	BOLT 5			334
17C540	BOLT			176, 414, 416
17C608	BOLT			274
17C610	BOLT			36
17C6116	BOLT			210
17C612	BOLT 5			18, 72, 112, 114, 116, 124, 186, 190, 212, 294, 298, 334, 410, 412
17C614	BOLT			100
17C616	BOLT 5			72, 106, 110, 186, 190, 352, 404
17C620	BOLT			72, 108, 112, 116, 124, 208, 209, 210, 214, 380, 384, 398
17C624	BOLT 5			72, 298
17C628	BOLT			56, 60, 114, 120, 124, 298, 410, 412
17C632	BOLT 5			56, 60, 410, 412
17C640	BOLT 5			22, 32, 314, 414
17C644	BOLT			106
17C648	BOLT 5			32
17C652	SCREW			406
17C656	BOLT			32, 414, 416
17C660	BOLT			32, 34, 406
17C668	BOLT			406
17C680	BOLT			124, 436
17C716	BOLT			18
17C820	BOLT			30
17C828	BOLT			214
17C844	BOLT			56, 60
17KB0606	FITTING			63, 64, 66, 76, 84, 86, 94, 108, 112, 116, 118, 120, 424, 426, 436
17KB0808	FITTING, HYD ELBOW			112
17KB0810	FITTING, HYD ELBOW			62, 288
17KB1010	FITTING, HYD ELBOW			62, 100, 288
17KB1212	FITTING, HYD ELBOW			110, 114, 436
18C1636	BOLT			42
18EM1224	WASHER			292, 298
18KB0404	FTG HYD ELBOW 45			424, 426
18KB0606	FTG HYD Elbow 45			424, 426
18KB0810	Fitting Hydraulic Elbow 45			100
18KB1010	FITTING, HYD ELBOW			100
19F12	BUSHING			284
19J12	CLAMP			108, 112
19KB0606	TEE			106, 120
19KB1210	FITTING, HYD TEE			100
1C1296	BOLT			316
1CM10120	BOLT			380, 384, 398
1CM616	SCREW			38
1CM635	BOLT			380, 388

Code for disposition of old part number

A -- Use up

B -- Use on other application (See PNI)

C -- File PDR Report with Bobcat Parts Sales

D -- Part Number Error

NUMERICAL INDEX (Cont'd)

Part No.	Description	Was	Code	Page
1CM640	SCREW			292, 298
1CM8100	SCREW			216
1CM812	BOLT			216
1CM816	BOLT			176, 208, 358
1CM820	BOLT			124
1CM835	BOLT			216
1DM6	NUT	6680272	D	260
1F316	PIN			118, 162, 210
1K127	O-RING 10			74, 78, 82, 86, 90, 94
1K127	O-RING 10	93K127		74, 78, 82, 86, 90, 94
21G804	BOLT			360
21KB0606	FTG HYD STRAIGHT TEE			66, 108, 112, 120, 356
21KB1212	FITTING, HYD TEE			424, 426
225855	SEAL, OIL 10			56, 60, 68
24F1	ELBOW			212
24K3	PLUG			432
24K5	PLUG			108, 112
24K7	PLUG			74, 78, 82, 86, 90, 94
25E10	WASHER			174
25E11	WASHER			218, 220, 334
25E13	WASHER 5			52, 54, 194, 202, 274, 402, 404
25E14	WSHR			306
25E15	WASHER			176, 322
25E16	WSHR			292, 298, 322
25E17	WASHER 5			162, 334
25E21	WASHER 5			216
25E24	WASHER			126
25E25	WASHER 10			334
25G410	CAPSCREW			178
25G512	SCREW			24
25G520	SCREW			24
25G612	SCREW			328, 330
25G824	BOLT			412
25GT410	SCREW			194, 198
25K20016	O RING 10			74, 78, 82, 86, 90, 94
25K20100	O RING 10			186
25K30110	O RING 10	54K30110	A	428, 430
25K30110	O RING 10			428, 430
25K30118	O RING 10			106, 110
25K30202	O RING 10			70
25K30210	O-RING			68
25K30508	O-RING, 10			40, 120
25K40208	O RING 10			70
25K40224	O RING 10			68
25K60212	O RING 10			68
26GM10020	BOLT			342, 346, 348
26GM10025	SCREW			344
26GM10030	BOLT			342
26GM6020	SCREW			342
27E10	WASHER			32
27E12	WASHER			316, 412
27E6	WASHER 5			56, 60
27E8	WASHER 10			414, 416
29CM612	BOLT	7001136	B	246, 258, 262

Code for disposition of old part number

A -- Use up

B -- Use on other application (See PNI)

C -- File PDR Report with Bobcat Parts Sales

D -- Part Number Error

NUMERICAL INDEX (Cont'd)

Part No.	Description	Was	Code	Page
29CM612	BOLT			246, 258, 262
29CM616	BOLT			342, 346, 348
29CM625	BOLT			342, 346, 348
29CM820	SCREW			176, 216
29CM825	BOLT			342, 346, 348
29CM845	BOLT			342, 346, 348
29G416	BOLT			74, 78, 82, 86, 90, 94, 186, 192
29G444	BOLT			74, 78, 82, 86, 90, 94
2DM8	NUT			234
2F4051	PIN			220
30G416	BOLT			74, 82
30H21	CLAMP 10			354
30H27	CLAMP			326, 458
30H31	CLAMP 10			120, 208, 218, 220, 358
30H35	CLAMP 10			100, 326
30H42	CLAMP			186, 418
30H46	CLIP			378
30H50	CLIP			328
30H55	CLIP			178
30H62	CLIP			190, 274
30H65	CLIP			114
30H73	CLAMP			346, 348
30H75	CLAMP			20, 36, 174
30H79	CLAMP			66, 120
31C1044	BOLT			412
31C410	BOLT			350
31C412	BOLT			412
31C820	BOLT			14, 56, 60
31C824	BOLT 10			334, 410, 412, 414, 416
31C828	BOLT			14
31C832	BOLT			414, 416
31C836	BOLT			416
31H27	CLIP			36
31H37	CLIP			38
31H46	CLAMP			380, 384, 398
31H49	CLAMP			380, 384, 398, 424
35C1032	BOLT			40
35C408	BOLT			292
35C410	BOLT 5			278, 280, 362, 364, 398, 399, 400
35C412	BOLT			22, 40, 46, 50, 354
35C512	BOLT			28, 186, 330, 402, 404
35C514	BOLT			274
35C516	BOLT 10			208, 306
35C520	BOLT			178
35C536	BOLT			62, 288
35C612	BOLT			176
35C616	BOLT 5			64, 212, 424, 426
35C620	BOLT 5			214, 316
35C620	BOLT 5	17C620	B	214, 316
35C636	BOLT			436
36K5	CAP			64, 74, 82, 86, 94, 106
36K6	CAP			216
36K7	FITTING			56
36K8	CAP			424, 426, 470

Code for disposition of old part number

A -- Use up

B -- Use on other application (See PNI)

C -- File PDR Report with Bobcat Parts Sales

D -- Part Number Error

NUMERICAL INDEX (Cont'd)

Part No.	Description	Was	Code	Page
37C412	BOLT			354
37C424	BOLT			362, 364, 400
37C512	BOLT			212, 340, 362, 364, 400, 418
37C516	BOLT			280
37C620	BOLT			28, 72, 178, 274
37C648	BOLT			100
38C610	BOLT			218, 220
38C824	SCREW			30
38C840	BOLT			29, 30
3974033	CAP			230, 236
3974095	MET-GASK			224, 226, 256, 258, 260
3974260	SCREW			268
3974394	PIN			258
3974395	PIN			240
3974425	NUT			260
3974433	PLUG			230
3974524	WASHER			234
3974546	KEY			244
3974920	SCREW			234
3974972	GASKET			224, 226, 248, 260
3974978	NUT			260
3974979	CAP			260
3D6	NUT			118, 162, 210
3GM516	SCREW			342
40K6	PLUG			212
42DM8	NUT			346, 348
42H52	CLAMP			212
42HC325	CLAMP			212
42HC375	CLAMP			212
42HS04	COLLAR			36
43C408	BOLT			190, 202
43C610	BOLT	17C610	B	214
43C612	BOLT			72, 380, 384, 400
43C616	BOLT			186
43C852	BOLT			216, 332
43DM5	NUT			342, 343, 344
43DM6	NUT			342, 346, 348
43DM8	NUT			176, 342
44H48	CLAMP			382, 384, 400
45C616	BOLT			220
45C620	BOLT			124
45C820	BOLT			132, 216
45G1006	BOLT			350
45K3	FITTING			334
46D5	NUT			292, 298
47C1088	BOLT			32
47C620	BOLT			126
47C820	BOLT			52, 54
47K10	PLUG			106, 110
47K8	PLUG			134, 138
48C1228	BOLT	6679247	B	41, 42
49C1048	BOLT			412
49C628	BOLT			72, 126
4CM614	BOLT			250

Code for disposition of old part number

A -- Use up

B -- Use on other application (See PNI)

C -- File PDR Report with Bobcat Parts Sales

D -- Part Number Error

NUMERICAL INDEX (Cont'd)

Part No.	Description	Was	Code	Page
4D20	NUT			414, 416
4DM5	NUT			340
4DM8	NUT			206
4F6106	PIN			22
51DM12	NUT			292, 298
51DM8	NUT			176
5289686	PLUG			16, 20
53C612	BOLT	35C612	B	452
53D10	NUT			16, 412
53D6	NUT			16, 72, 124, 125, 126, 412
53DM10	NUT			32, 380, 384, 400
53DM8	NUT			216
54K20022	O'RING			142
54K20028	O RING 10			76, 84, 86, 94
55D6	NUT			298
55K204	O RING 10			76, 78, 84, 86, 90, 94
55K214	O-RING			106, 110, 424, 426
57D5	NUT			60, 278
57D6	NUT 5			28, 72, 410
57D8	NUT 10			410
57G608	SCREW			362, 364, 400
58K013	O-RING			76, 78, 84, 86, 90, 94
58K016	O-RING 10			76, 78, 84, 86, 90, 94
58K022	O-RING 10			76, 84, 88, 96, 110, 111, 112, 114
58K120	O-RING	6686220	B,D	186, 190
58K17	O RING 10			74, 78, 82, 86, 90, 94
58K222	O-RING	54K40116	B	428, 430
58K4	O-RING			76, 78, 84, 88, 90, 96
59CM1240	BOLT			132
59D4	NUT 5			120, 178, 306, 354, 362, 364, 400
59D5	NUT 5			22, 176, 294, 298, 322, 362, 364, 400
59D6	NUT			30, 56, 60, 108, 112, 380, 384, 400
59D8	NUT 5			16, 56, 60, 66, 414, 416
5CM1020	SCREW			216, 218, 220
5CM812	BOLT			234
5HM13	CLAMP			36
5HM14	CLAMP			36, 208
5HM20	CLAMP			378, 400
5HM23	CLAMP			108
5HM24	CLAMP			36, 106, 110, 208
5HM35	HOSECLAMP			114
5HM42	HOSECLAMP			106, 110, 114, 212
5HM58	CLAMP			36
614142	SLEEVE 10			354
616783	WASHER			342
6190121	SPRING			130
619021	WASHER, 5			22, 34, 56, 60, 72, 108, 112, 120, 220, 406, 424, 426, 436, 448
61D4	NUT 5			322
61D5	NUT			30, 36, 212, 280, 294, 298, 318
61D6	NUT 5			14, 100, 106, 110, 114, 274, 294, 314
61D8	NUT 5			114
62D4	NUT			218, 220
62D6	NUT 5			124, 334
63D6	NUT			124

Code for disposition of old part number

A -- Use up

B -- Use on other application (See PNI)

C -- File PDR Report with Bobcat Parts Sales

D -- Part Number Error

NUMERICAL INDEX (Cont'd)

Part No.	Description	Was	Code	Page
63D8	NUT			416
6511855	SEAL			20, 208
6512026	BUSHING			72
6513152	SEAL			292, 298
6513495	COTTER PIN			72, 220
6513532	POPPET			128, 130
6513533	SPRING			128, 130
6513707	JOINT			258
6515131	TERMINAL			354
6515817	WASHER			16
6516229	PISTON SEAL			68
6517516	LIGHT			354
6519178	BUMPER			22
6531270	SLEEVE, DETENT			74, 78, 82
6532127	BOOT			26, 194, 198
6532347	SPACER			32
6532453	RING			428, 430
6533898	DECAL			410, 412
6536968	HEAD			68
6542521	HOSE			106, 110
6542731	SAFETY TREAD			292, 298
654299	BEARING			134, 138
6550826	TIRE			477, 478
6552871	WASHER			42
6553411	BUSHING			36, 40, 52, 54
6553709	WASHER			16, 56, 60, 66
6553976	SAFETY TREAD			318
6554100	TREAD			220, 318
6554149	CORD			20, 292, 306
6555331	WIRE ROPE			306
6555341	SAFETY TREAD			424, 426
6555351	SEAL			306
6557493	GROMMET			442
6557831	WASHER			72, 118, 162, 210
6557904	FLASHER			342, 346, 354
6558309	WIRE ROPE			318
6558310	SLEEVE			318
6559479	NUT			220
6559775	EARMUFFS			472
6560573	DECAL			320
6560633	DAMPENER			16
6561383	DECAL, OPERATION			320
6562602	BUSHING			16
6563445	HOSE			216
6563606	WASHER			42
6563914	WASHER			72, 126
6564343	SPACER			220
6564452	GRIP			30, 217, 218, 219, 220
6564654	PIN			72
6564657	PIN			71, 72
6564669	NUT			42, 478
6565200	DECAL, FILTER			318
6565977	HOSE			378, 388, 398
6565990	DECAL, OIL HYD			320

Code for disposition of old part number

A -- Use up

B -- Use on other application (See PNI)

C -- File PDR Report with Bobcat Parts Sales

D -- Part Number Error

NUMERICAL INDEX (Cont'd)

Part No.	Description	Was	Code	Page
6567743	PIN			16, 360
6567827	ANGLE			410
6567838	PIN			410, 412
6567962	WASHER			218, 220
6569203	CLAMP			176, 322
6570931	INSTRUCTIONS			272
6571851	SNAP RING			44, 46, 48, 50
6571852	SNAP RING			44, 46, 48, 50
6576033	WASHER			214
6576261	COVER			218, 220
6576262	MOUNT			218, 220
6576280	BOLT			176, 322
6576302	BAR			72
6577058	PIN			124
6577382	SPACER			210
6577545	GROMMET			278, 280, 402, 404
6577754	DECAL, WARNING			320
6577821	HOSE			36
6577822	HOSE			38, 208, 358
6577880	KIT			271, 272
6577954	PIN			32
6577961	GROMMET			26, 72, 220
6578139	LEVER			285, 286
6578140	LEVER			286
6578169	HOSE			36
6578172	HOSE			36, 106, 110, 208
6578253	SPRING, COMPRESSION			34
6578278	PAD			36
6578368	DECAL, OPERATION			320
6578689	HUB			42
6579528	DECAL, WARNING			320
6579613	STOP			16
658128	RING, SNAP			134, 138
6586542	HEAD			428, 430
6586543	PISTON			428, 430
6586918	SCREW			74, 78, 82
6587458	KEY			36
6587523	WASHER			74, 80, 82, 88, 90, 96
6587575	ADAPTER			74, 78, 82
6587580	SPRING			74, 80, 82, 88, 90, 96
6587763	BOOT			74, 78, 82, 202
6589226	BONNET			74, 78, 82
6592098	WASHER			74, 78, 82
6592100	COLLAR			74, 80, 82, 88, 90, 96
6592105	BALL			74, 78, 82
6592107	SPRING			74, 78, 82
6592109	ADAPTER			74, 80, 82, 88, 90, 96
6592117	SPRING			74, 78, 86
6592506	CLAMP			58, 62, 66, 108, 112, 436
6592507	PLATE			108, 112
6595663	BUSHING			74, 78, 79, 80, 82, 88, 90, 96
6596807	PLUG			74, 78, 82
6598156	STUD	6680264	B,D	258
6599360	SEALANT			482

Code for disposition of old part number

A -- Use up

B -- Use on other application (See PNI)

C -- File PDR Report with Bobcat Parts Sales

D -- Part Number Error

NUMERICAL INDEX (Cont'd)

Part No.	Description	Was	Code	Page
6599365	KIT			168, 172
6599645	PLUG, STEEL			40
6599741	WASHER			124
6599744	BALL JOINT			124, 334
6599910	PLUG ASSY.			130
6599931	ALARM			278, 280
6610510	TIE			106, 110, 294, 402
6624289	STRAP, TIE	6610510	B	20, 56, 60, 66, 100, 174, 176, 178, 184, 186, 208, 274, 278, 294, 298, 326, 328, 330, 342, 346, 348, 378, 380, 384, 397, 398, 418, 424, 426, 462, 464
6624289	STRAP, TIE			20, 56, 60, 66, 100, 174, 176, 178, 184, 186, 208, 274, 278, 294, 298, 326, 328, 330, 342, 346, 348, 378, 380, 384, 397, 398, 418, 424, 426, 462, 464
6630188	POLISH			482
6630189	POLISH			482
6630207	RIVET			26, 456
6630945	WASHER			218, 220
6631046	SEAL			226, 238
6631418	PIN			16, 22, 360
6632218	CONE, BEARING			44, 46, 48, 50
6632279	KIT, SEAL			76, 80, 84, 88, 92, 96
6632541	RACE			44, 46, 48, 50
6633583	SEALANT			210, 214, 482
6640690	PIN			184, 194, 198
6640692	CONNECTOR			184, 194, 198
6640694	LOCK			184, 194, 198
6640699	CONNECTOR			194, 198, 296, 362
6640700	LOCK			194, 198
6641176	SEAL			184, 194, 198
6641179	CONNECTOR			184, 194, 198, 290
6641180	LOCK			184, 194, 198, 290
6643249	CONDUIT			58, 62
6644965	BALL JOINT			218, 220
6645081	O-RING	6673884	B,D	134
6645083	O-RING			134
6645086	PLUG			134, 138
6646582	PLUG			194, 198
6646705	SEAL	7167241	A	208
6646781	SWITCH			278
6647777	PIN			290
6647778	CAP			290
6647783	LOAD CHECK			290
6647784	PLUG			290
6647785	SPRING			290
6647786	SEAL KIT			290
6648293	SCREW			290
6648294	SPRING			290
6648312	TERMINAL			372
6648320	SEAL			372
6648348	PLUG			26, 28
6648944	BREATHER			9, 10
6649244	STUD			292, 298
6649245	RETAINER			292, 298

Code for disposition of old part number

A -- Use up

B -- Use on other application (See PNI)

C -- File PDR Report with Bobcat Parts Sales

D -- Part Number Error

NUMERICAL INDEX (Cont'd)

Part No.	Description	Was	Code	Page
6649481	LIGHT, WEDGE BASE			418
6649551	GAS SPRING			124
6649654	ADHESIVE			214
6650107	SEAL			372
6650388	SEALANT			484
6650407	ADHESIVE			482, 483, 484
6650627	PLATE			134, 138
6650629	PIN			134, 138
6650630	RETAINER			134, 138
6650634	GASKET			134, 138
6650635	BEARING			134, 138
6650636	PIN			134, 138
6650637	BOLT			134, 138
6650646	O-RING			134
6650647	O-RING			134
6650648	PLUG			134
6650652	POPPET			134
6650668	BOLT			134, 138
6650675	COUPLER			134
6651542	BALL			128
6651709	SEAL			34
6651974	PLUG			130
6652018	BOLT			138
6652574	PLUG			230
6652592	PIN			262, 264
6652670	STUD			258
6652688	CLAMP			268
6652689	CLAMP			268
6652792	NUT			250
6652918	NUT			216, 332
6653584	BOLT			250
6653891	CLAMP			256
6654139	MOULDING			186, 190
6654718	CLAMP			256
6654806	FUSE, 15A			178
6655143	BAND			250
6655223	NUT	6657470	B	260
6655498	BOLT			240
6655507	FLANGE			238
6655869	PLUG			230
6655880	PIPE			232, 250
6655938	VALVE, EVACUATOR			270
6656009	PIN			344
6657028	O-RING			134, 138
6657067	COVER			136, 138
6657068	COVER			134, 138
6657446	SCREW			248
6657491	ELEMENT			232
6657556	BAND			252
6657719	PLUG			20, 40, 306
6657734	PUMP, PRIMER HAND			36
6658180	PLUG, BLEED			36, 216

Code for disposition of old part number

A -- Use up

B -- Use on other application (See PNI)

C -- File PDR Report with Bobcat Parts Sales

D -- Part Number Error

NUMERICAL INDEX (Cont'd)

Part No.	Description	Was	Code	Page
6658228	SEAL, OIL			42, 276
6658536	RING			214
6658672	SNAP RING			52, 54
6658847	RING			214
6659369	HEATER			284
6659999	BELT, SEAT			456
6660260	SWITCH			116, 168, 172
6660644	CAP			74, 78, 82
6660814	O-RING			134, 138
6660814	O-RING	6678226	D	134, 138
6661022	FILTER, OIL HYD IN-LINE			2, 6, 12, 66, 106, 110, 120, 165, 166
6661062	PLUG			212
6661114	CAP. DIESEL			36
6661117	TANK			334
6661150	SWITCH, ROLLER MICRO			342, 346
6661248	FILTER, OIL HYD 12			2, 6, 10, 114, 168
6661353	LIGHT ASSY			418
6661481	O-RING			134
6661608	SEAL KIT			338
6661696	CAP, FUEL LOCKING			36
6661785	MOUNT, ENG			216
6661787	WASHER			216, 332
6661807	FILTER, OIL HYD			166
6661808	KIT			166
6662126	BRACKET			132
6662248	4 PIN PLUG			186
6662306	RING			42, 276
6662848	CAP			86, 90, 94
6663289	FUSE, 5A			178
6664035	CAP			330
6664036	NUT			330
6664037	WASHER			330
6664040	PIN			330
6664065	WASHER			442
6664085	BUSHING			20, 296, 306, 442
6664097	COVER			442
6664103	NUT			442
6664185	CONNECTOR			186
6664209	SEAL			214
6664221	RETAINER			20
6664223	OUTLET			20
6664224	CAP			20
6664554	PUMP, WIPER WASHER			294
6664566	BOLT			442
6664801	CONNECTOR			186
6664815	SEAL, OIL			40, 128, 130
6664969	CONNECTOR			186
6665000	CLIP			194, 198, 292, 298
6665017	CONNECTOR			372
6665018	LOCK			372
6665314	PLUG			20, 174, 190, 342, 346, 348

Code for disposition of old part number

A -- Use up

B -- Use on other application (See PNI)

C -- File PDR Report with Bobcat Parts Sales

D -- Part Number Error

NUMERICAL INDEX (Cont'd)

Part No.	Description	Was	Code	Page
6665316	SWITCH			354
6665321	RIVET			194, 198, 292, 298
6665322	RIVET			194, 198, 292, 298
6665367	BULB			20
6665371	SWITCH			176, 178
6665568	EXTRUSION			292
6665569	WASHER			74, 78, 82, 86, 90, 94
6665570	RING			74, 78, 82, 86, 90, 94
6665602	MOTOR			442
6665701	BUSHING, PRESS FIT			72
6665707	SWITCH			292
6665729	LIGHT			342, 346, 348
6665915	GAUGE			106, 110
6666338	WASHER			134, 138
6666542	SEAL			428, 430
6666543	SEAL			68
6666571	BULB			282
6666766	GROMMET			294
6666932	BRAKE			334, 335, 336
6666933	CYLINDER			334, 337, 338
6667139	CAP			334
6667144	CONNECTOR			184, 194, 198
6667145	LOCK			184, 198
6667176	PLUG			290
6667201	SPACER			442
6667322	BELT			8, 214
6667322	BELT	6736775	B,D	8, 214
6667323	SEAL			428, 430
6667325	SEAL			68
6667326	SEAL			70
6667352	FILTER, FUEL W/SEPERATOR 12			2, 8, 36
6667353	FILTER ASSY			36, 216
6667422	WASHER			234, 250
6667451	WASHER			234
6667533	COVER			100
6667569	CONNECTOR, RECEPTICAL			330
6667676	COVER			290
6667677	O-RING			290
6667680	SNAP RING			290
6667687	STEM			74, 82, 86, 94
6667803	COUPLER			356, 436
6667804	COUPLER			356, 436
6667844	VALVE, LIFT MANUAL			64, 97, 98
6668079	PLUG			128
6668080	SHIM			128
6668082	POPPET			128
6668088	PISTON			128, 130
6668089	PLUG			128, 130
6668097	SCREW			338
6668104	MOUNT, ENG			332
6668114	BEARING			214

Code for disposition of old part number

A -- Use up

B -- Use on other application (See PNI)

C -- File PDR Report with Bobcat Parts Sales

D -- Part Number Error

NUMERICAL INDEX (Cont'd)

Part No.	Description	Was	Code	Page
6668742	SWITCH			20
6668815	SWITCH			342, 346, 348, 354
6668816	SWITCH			282, 342, 346, 348, 474
6668820	NUT			76, 84, 88, 96
6668955	POP RIVET			54
6669087	SEAL KIT			98
6669089	TRACK			24
6669091	CLIP			20, 362, 364, 400
6669135	SEAT			23, 24
6669154	BOLT			336
6669155	PLATE			336
6669156	SPACER			336
6669159	PISTON			336
6669162	NUT			336
6669163	PLUG			336
6669164	ADAPTER			336
6669165	SCREW			336
6669184	STATOR ASSY.			336
6669185	SEAL KIT			336
6669224	BOLT			20, 362, 364, 400
6669308	RETAINER			446
6669402	HOUSING			134
6669405	END CAP			138
6669406	END PLATE			134
6669409	WASHER			134
6669410	KIT, SHIM			136
6669411	BEARING			134, 138
6669452	O-RING			128
6669549	SOCKET			100, 324, 326, 330
6669657	SEAL KIT			356, 436
6669676	CHECK VALVE			120
6669732	KIT, SEAL			76, 80, 84, 86, 88, 92, 94, 96
6670160	CUSHION			24
6670251	BATTERY, DRY 530 AMP			322
6670284	LIGHT ASSY			418
6670287	COVER			30
6670338	PLUG			228, 236
6670347	GASKET			226, 228
6670472	NUT			266
6670514	RETAINER			234
6670515	COLLET			234
6670517	SEAL			224, 234
6670533	NUT			256, 260
6670620	MOUNT			342
6670621	LENS			342
6670634	SEAL KIT			288, 290
6670685	RELIEF VALVE			136, 138
6670706	CONNECTOR			194, 198
6670707	CONNECTOR			194, 198
6670710	LOCK			194, 198
6670711	LOCK			194, 198
6670714	PIN			198
6670715	PIN			194, 198, 200
6670726	CYLINDER. LOCK			440

Code for disposition of old part number

A -- Use up

B -- Use on other application (See PNI)

C -- File PDR Report with Bobcat Parts Sales

D -- Part Number Error

NUMERICAL INDEX (Cont'd)

Part No.	Description	Was	Code	Page
6670782	GASKET			226, 256
6670831	ELBOW			114
6671025	COIL			76, 84, 86, 94
6671106	HORN			342, 346, 348
6671512	GROUP, ROTARY			136, 138
6671516	KIT, SEAL			136, 138
6671518	BOLT			134
6671520	O-RING			132, 138
6671527	NUT			288, 290
6671741	SNAP RING			144, 146
6671742	SEAL			144
6671760	COVER			148, 150
6671803	RING			148, 150
6672272	WASHER			418
6672273	SCREW			418
6672274	SCREW			418
6672275	GASKET			418
6672276	LENS, LIGHT RED			418
6672277	BRACKET			418
6672279	MOUNT, LIGHT RUBBER			418
6672354	PLUG			236
6672471	VALVE			86, 94
6672515	KIT, SEAL			102
6672715	SPACER			24
6672863	VALVE, SOLENOID			288, 290
6673200	FUSE BLOCK			178
6673710	BEARING, NEEDLE			124
6673789	BEARING			124, 190
6673828	HOSE, HYD ASSY			114
6673882	SPRING			136
6673959	VALVE, BPV			288, 289, 290
6674013	TRACK			24
6674169	PULLEY			246
6674202	NUT			174
6674215	COLLAR			148, 150
6674228	PANEL			362
6674231	VENT, HEATER CAB ROUND			362, 364, 398
6674235	RECEIVER DRIER			380, 384, 398
6674316	SWITCH, PRESS OIL HYD			164, 178
6674400	HOUSING			418
6674401	HOUSING			418
6674402	MOUNT, LIGHT			418
6674403	COVER			18, 174
6674407	SHOULDER BELT			452
6674687	BATTERY, DRY 600 AMP			2, 176
6674798	REPAIR KIT			114
6674799	ADAPTER			100, 326
6674802	CONNECTOR			100, 324, 326, 330
6674894	NUT			22
6674895	RETAINER			20, 174, 208, 446
6674907	NUT			148, 150

Code for disposition of old part number

A -- Use up

B -- Use on other application (See PNI)

C -- File PDR Report with Bobcat Parts Sales

D -- Part Number Error

NUMERICAL INDEX (Cont'd)

Part No.	Description	Was	Code	Page
6674993	CAP			294
6675026	CAP			100, 324, 326, 330
6675033	INSERT			16, 18, 174
6675074	SEAT BELT			18
6675136	GAS SPRING			16
6675154	HOLDER			178
6675155	FUSE			178
6675170	SEAT BELT			448
6675176	SWITCH			362, 364, 400
6675177	KNOB			362, 364, 400
6675179	FLANGE			362, 364, 398
6675181	PLUG			362, 364
6675212	RETAINER			306
6675221	BOLT			216
6675257	CLEVIS			16
6675273	WASHER			30
6675281	MOUNT			326, 328, 330
6675298	COUPLER, BODY			294
6675299	COUPLER			294
6675308	KIT			450
6675309	KIT			450
6675310	KIT			450
6675311	KIT			450
6675312	KIT			450
6675313	KIT			450
6675314	KIT			450
6675315	KIT			450
6675316	KIT			450
6675317	SCISSORS			448
6675318	KIT			450
6675319	SEAT			448
6675320	SEAT			448
6675321	SEAT			448
6675322	SEAT			448
6675323	KNOB			448
6675336	LIGHT, BULB 50W			418
6675342	PIN			134, 138
6675378	CLIP			294, 298
6675380	ADHESIVE			482
6675387	EXTRUSION			19, 20, 306
6675503	HOUSING			372
6675504	RING			372
6675505	BLOWER WHEEL			372
6675506	MOUNT			372
6675507	COVER			372
6675510	CLAMP			366, 388
6675511	DRAIN VALVE			366, 388
6675512	CLAMP			366, 388
6675513	GROMMET			368, 370, 390, 394
6675517	FILTER, OIL ENG			1, 2, 5, 6, 8, 254
6675522	STROBE	6697800		342, 474
6675522	STROBE			342, 474
6675523	BEACON			282, 342, 346, 348
6675524	CLIP			18

Code for disposition of old part number

A -- Use up

B -- Use on other application (See PNI)

C -- File PDR Report with Bobcat Parts Sales

D -- Part Number Error

NUMERICAL INDEX (Cont'd)

Part No.	Description	Was	Code	Page
6675534	BLOCK, A/C VALVE			380, 384, 388, 390, 394
6675544	CANVAS CAB			301, 302
6675545	GROMMET			20, 306
6675559	COIL			76, 84, 178
6675562	SEAT BELT			453, 454
6675590	DOOR			302
6675591	HINGE KIT			302
6675595	SEAT			447, 448
6675596	SEAT			448
6675608	INSULATION			382, 388
6675609	INSULATION			382, 388
6675618	CLAMP			250, 254
6675734	STRAP			38, 108, 112, 208
6675779	SWITCH, PRESS			380
6675780	CARTRIDGE			290
6675781	COIL			290
6675833	SEAL			306
6675835	TURN SIGNAL			354
6675846	POTENTIOMETER			362
6675999	SWITCH			442
6676000	TEE			442
6676001	ARM			442
6676002	BLADE			442
6676003	HOSE,BULK			292, 296, 442
6676028	NOZZLE			442
6676029	SOLENOID, LOCK SPOOL			78, 84, 190, 194, 202, 274
6676034	KIT			450
6676062	VALVE			380
6676243	COIL			120
6676338	GAS SPRING			448
6676499	GROMMET			292
6676500	ELBOW			292
6676516	NUT			362, 364, 400
6676537	SWITCH			190, 274
6676538	INSULATION			368, 370, 376, 380, 390, 394
6676539	CLIP			368, 380, 384, 388, 390, 394
6676543	PLUG			290
6676606	SPACER			376
6676618	CLIP			372
6676640	SEAL			195, 196, 199, 200
6676653	SCREW			376
6676732	SWITCH			424, 426
6676870	CONNECTOR			194, 198
6676872	TURN SIGNAL			354
6676917	ELBOW			292
6676927	FELT STRIP			306
6676984	MOUNT			380, 388
6677111	SEAL			366, 368, 370, 384, 388, 392, 396
6677115	RECEPTACLE			366, 368, 370, 388, 390, 394
6677116	RETAINER			366, 388
6677117	SCREW			366, 388
6677118	SCREW			366, 370, 388, 390
6677119	SCREW			366
6677122	CAP			380, 384

Code for disposition of old part number

A -- Use up

B -- Use on other application (See PNI)

C -- File PDR Report with Bobcat Parts Sales

D -- Part Number Error

NUMERICAL INDEX (Cont'd)

Part No.	Description	Was	Code	Page
6677136	SOCKET			100, 324, 326, 330
6677181	SENSOR, SPEED TRAVEL			40, 186
6677192	MAGNET			292, 298
6677193	RIVET			292, 298
6677198	TAB			306
6677364	CONNECTOR			200
6677383	SOLENOID, LOCK SPOOL			76
6677485	SPACER			204
6677486	NUT			204
6677487	COVER			204
6677488	RECTIFIER			204
6677489	REGULATOR ASSY			204
6677490	BRACKET			204
6677491	BRACKET			204
6677492	ROTOR			204
6677493	STATOR			204
6677494	BOLT			204
6677495	SPACER			204
6677496	PULLEY			204
6677497	NUT			204
6677504	COVER			376
6677580	SCREW			368, 390
6677817	BOLT			204
6677818	BEARING			204
6677819	RETAINER			204
6677820	BEARING			204
6677834	BLADE, WIPER WINDOW			296
6677836	COVER			296
6677837	BOLT			296
6677839	GASKET			296
6677840	SWIVEL, PLATE ASSY			296
6677841	WASHER			296
6677842	NUT			296
6677843	NUT			296
6677844	NUT			296
6677845	ADAPTER			296
6677847	GROMMET			296
6677973	PLUG			306
6677983	FILTER, AIR HEATER CAB			362, 364, 398
6678000	SEAL			128
6678004	PLATE			128
6678006	BACK-UP RING			128
6678076	BLOCK			65, 66
6678152	SEAL FLANGE			366, 388
6678198	BOLT			296
6678205	ALTERNATOR, 90 AMP			203, 204
6678205REM	ALTERNATOR, 90 AMP			204
6678207	FILTER			362, 364, 398

Code for disposition of old part number

A -- Use up

B -- Use on other application (See PNI)

C -- File PDR Report with Bobcat Parts Sales

D -- Part Number Error

NUMERICAL INDEX (Cont'd)

Part No.	Description	Was	Code	Page
6678226	SEAL, OIL			134, 138
6678283	HANDLE, WINDOW SIDE			306
6678548	SOCKET			292, 298
6678667	MOUNT			178
6678668	STRAP, DUAL TIE			180, 378, 398
6678669	STRAP			322
6678675	CONTROLLER, ACD			328, 330
6678739	WASHER			296
6678755	KNOB			342, 346, 348
6678818	MOUNT			178
6678891	COIL			76, 88, 178
6678921	GUIDE			296
6678931	PISTON			70
6678974	MOUNT			322
6679034	MOUNT			180
6679308	SEAT BELT			452
6679476	MOTOR, WIPER			296
6679485	CONTROLLER SJC			186
6679820	RELAY			178
6679836	ADAPTER			66
6679837	COUPLER			66
6679838	KIT, COUPLER			66
6679840	SEAL			66
6679841	SEAL			66
6679845	CROSSMEMBER			174
6679990	CLIP			16
6679991	SEAL			208
6679994	SEAL			16
6680018	COUPLER, KIT			66
6680020	SEAL KIT			66
6680055	MAGNET			40
6680264	STUD			256
6680272	NUT			260
6680280	SEAL			246
6680326	LIGHT			20
6680355	BOOT			206
6680356	BOLT			206
6680357	HOLDER			206
6680358	RING			206
6680359	STOP RING			206
6680360	STOP			206
6680361	SPRING			206
6680362	BALL			206
6680363	WASHER			206
6680364	LEVER			206
6680365	SHAFT			206
6680366	GEAR			206
6680367	GEAR			206
6680368	STOP RING			206
6680369	SEAL			206
6680370	PLATE			206
6680371	LEVER			206
6680372	BRACKET			206
6680373	YOKE			206

Code for disposition of old part number

A -- Use up

B -- Use on other application (See PNI)

C -- File PDR Report with Bobcat Parts Sales

D -- Part Number Error

NUMERICAL INDEX (Cont'd)

Part No.	Description	Was	Code	Page
6680374	ARMATURE			206
6680375	SHAFT			206
6680376	SWITCH			206
6680377	HOLDER			206
6680378	WASHER			206
6680379	SEAL			206
6680380	SEAL			206
6680381	SPRING			206
6680382	SPRING			206
6680383	BOLT			206
6680384	BOLT			206
6680388	BRACKET			206
6680389	BRACKET			206
6680390	GEAR			206
6680410	CONTROLLER			186, 189, 190
6680417	HANDLE			194, 198
6680418	HANDLE ASSY.			183, 184
6680419	HANDLE ASSY.			184
6680436	SENSOR			36, 178
6680441	BUSHING			22
6680443	BUSHING, MAGNET			22
6680447	DECAL			184
6680462	HANDLE, ACS RH			194, 198
6680468	MOUNT			194, 274
6680469	SPACER			194, 198, 274
6680470	SPRING			194, 274
6680471	COVER			194, 198
6680477	STRAP			194, 274
6680478	SHIELD			190, 191, 192, 202
6680479	SHIELD			192, 202
6680480	CHANNEL			194, 198
6680481	CHANNEL			194, 198
6680533	BOLT			262
6680564	STUD			250
6680570	GASKET			224, 250
6680576	PIN			250
6680657	PLUG			238
6680662	BOLT			256
6680667	PLUG			258
6680679	PLUG			228
6680680	SEAL			226, 228
6680685	BOLT			234
6680687	BOLT			248
6680689	ADAPTER			254
6680694	PLUG			230
6680695	SEAL			224, 232
6680698	CLAMP			232
6680706	BOLT			248
6680755	BOLT			252, 254, 258
6680757	COVER			261, 262
6680759	NUT			262
6680769	PIN			262
6680778	O-RING			224, 266
6680788	BOLT			266

Code for disposition of old part number

A -- Use up

B -- Use on other application (See PNI)

C -- File PDR Report with Bobcat Parts Sales

D -- Part Number Error

NUMERICAL INDEX (Cont'd)

Part No.	Description	Was	Code	Page
6680791	BOLT			250, 256
6680796	VALVE			256
6680801	BOLT			254
6680803	BOLT	7001137	B	252
6680809	PIN			258
6680813	KEY			258
6680815	SET SCREW			256
6680820	WASHER			264
6680821	SNAP RING			264
6680822	SNAP RING	7000596	B,D	264
6680823	SNAP RING			264
6680828	STUD			262
6680829	GASKET			226, 262
6680830	BOLT			262
6680844	GASKET			224, 246
6680900	BOLT			256
6680970	BREATHER			52, 54
6681469	PLUG			26
6681492	NUT			102
6681512	SOLENOID			52, 54
6681614	KNOB			20, 306, 362, 364, 398
6681945	ELBOW			114
6682034	MOTOR			127, 128
6682260	SHAFT			134
6682261	KEY			134, 214
6682262	HOUSING			138
6682264	SHAFT			138
6682345	STRAP, TIE 8			458
6682442	SLEEVE			214
6682532	NUT			248
6682860	O-RING			128
6682862	SHAFT, DRIVE			128
6682863	BOLT			128
6682875	PLUG			140
6682877	PLUG			140
6682879	PIN			140, 142
6682879	PIN	6688039	A	140, 142
6682897	SEAL			128
6682901	RING			148, 150
6682902	RING			148, 150
6682913	O-RING			148, 150
6682919	PIN			140
6682929	O-RING			152
6682930	O-RING			152
6682936	O-RING			154
6682949	O-RING			132, 140
6682968	SCREW			148, 150
6683004	THERMOSTAT			380, 388, 390, 391, 392
6683009	O-RING			226, 238
6683023	O-RING			226, 262
6683087	STUD			262
6683206	SEAL KIT			160
6683274	SEAL, SPOOL 10			74, 78, 82, 86, 90, 94
6683812	SWITCH			186

Code for disposition of old part number

A -- Use up

B -- Use on other application (See PNI)

C -- File PDR Report with Bobcat Parts Sales

D -- Part Number Error

NUMERICAL INDEX (Cont'd)

Part No.	Description	Was	Code	Page
6683819	VALVE			100, 101, 102
6684033	NUT			58, 60, 186, 208
6684044	VALVE			438
6684045	SEAL KIT			438
6684046	O-RING			438
6684047	BACK-UP RING			438
6684048	O-RING			438
6684049	O-RING			438
6684050	BACK-UP RING			438
6684052	SEAL KIT			438
6684053	BACK-UP RING			438
6684054	O-RING			438
6684056	O-RING			438
6684058	COIL			102
6684060	NUT			438
6684061	VALVE			438
6684062	SEAL KIT			438
6684063	O-RING			438
6684064	BACK-UP RING			438
6684065	O-RING			438
6684066	O-RING			438
6684069	SEAL KIT			438
6684070	O-RING			438
6684071	O-RING			438
6684072	BACK-UP RING			438
6684073	COIL, SOLENOID			438
6684125	COUPLER			76, 84, 86, 94
6684294	GROMMET			186
6684474	INSERT FAN INLET			210
6684645	VALVE, ANTI CAV			74, 78, 86, 90, 94
6684646	VALVE			82
6684742	NUT			432
6684743	SOLENOID			432
6684744	SOLENOID			432
6684745	PISTON			432
6684746	CHECK VALVE			432
6684747	SEAL KIT			432
6684781	BOLT			232
6684829	SHIM			258
6684841	GASKET			226, 262
6684857	PLUG			246
6684889	CLAMP			254
6684910	SENSOR, ELEC AHC			194, 198
6684911	SENSOR, FOOT LH			190, 202
6684912	SENSOR, FOOT RH			190, 201, 202
6684913	LEVER			190, 197, 198
6684914	LEVER			190, 198
6684915	LEVER, ACS RH			190, 193, 194
6684916	LEVER, ACS LH			190, 194
6684923	BREATHER			6, 106, 110
6684932	KNOB			32
6684947	GROMMET			388
6685060	BUSHING, TORSION			72, 124
6685065	SHUTTLE			128, 130

Code for disposition of old part number

A -- Use up

B -- Use on other application (See PNI)

C -- File PDR Report with Bobcat Parts Sales

D -- Part Number Error

NUMERICAL INDEX (Cont'd)

Part No.	Description	Was	Code	Page
6685068	FLANGE			128
6685069	RING, BACK-UP			128
6685070	KIT, SEAL COMPLETE			128
6685087	VALVE			232
6685183	SOLENOID			102
6685184	SEAL KIT			102
6685185	RELIEF VALVE			102
6685186	CHECK VALVE			102
6685190	STARTER			205, 206
6685190REM	STARTER			206
6685199	CAP			380
6685328	RELIEF VALVE			438
6685344	SWASHPLATE			134, 138
6685372	SEALANT, GASKET LIQUID			40, 52, 54, 482
6685465	O-RING			226, 262
6685498	GASKET			224, 266
6685500	COVER			262
6685541	POPPET			432
6685542	O-RING			432
6685543	CHECK VALVE			432
6685544	COMPENSATOR			432
6685545	PLUG			432
6685546	PLUG			432
6685598	BOLT			250
6685600	TUBE			250
6685601	CLAMP			250
6685603	KIT, SEAL			74, 76, 80, 82, 84, 88, 92, 96
6685624	VALVE, AUX REAR			437, 438
6685735	SEAL			214
6685850	CORD			284
6685918	PIN			230
6685919	STUD			248, 256
6685924	CAP			238
6685929	RELIEF VALVE			228
6685952	NUT			264
6685962	GASKET			226, 256
6686043	BOLT			250
6686046	CLAMP			250
6686096	LENS			340
6686097	BULB			340
6686098	BULB			340
6686099	LENS			340
6686100	SCREW			340
6686168	BOLT			232
6686360	VALVE			74, 78, 82, 86, 90, 94
6686385	MOUNT, SADDLE SWIVEL			378, 398
6686868	SOLENOID			76
6686922	FILTER ASMBLY 12			110, 169, 170
6686926	FILTER, OIL HYD			2, 6, 10, 110, 116, 170, 172
6686934	PIN			142
6687191	SEAL, OIL			134
6687266	FILTER ASSY			116, 171, 172

Code for disposition of old part number

A -- Use up

B -- Use on other application (See PNI)

C -- File PDR Report with Bobcat Parts Sales

D -- Part Number Error

NUMERICAL INDEX (Cont'd)

Part No.	Description	Was	Code	Page
6687268	FEMALE CONNECTOR			186
6687663	PLUG			230
6687773	PLATE, PUMP HYD			138
6687774	PLATE, PUMP HYD			134
6687834	SENSOR			110, 170
6687863	PUMP, HYD TANDEM W/O GEAR PUMP			133, 134, 137, 138
6687863REM	PUMP, HYD TANDEM, W/O GEAR PUMP			134, 138
6687864	GEAR PUMP			157, 158
6687865	GEAR PUMP			103, 104
6687866	KIT, SEAL			158
6687904	GUIDE			238
6687913	SEAL			126
6687921	COLLAR			152
6687926	COLLAR			148, 150
6687928	SPRING			148, 150
6687929	LEVER			156
6687930	WIRE			144, 146
6687931	BUSHING			156
6687932	PIN			140, 142
6687933	SHIM			156
6687934	SHIM			156
6687935	SHIM			156
6687936	SHIM			156
6687937	SHIM			156
6687938	VALVE			140, 142, 153, 154
6687939	SCREW			154
6687940	PLATE			144, 146
6687941	COUPLER			140, 142
6687942	SPACER			148, 150
6687943	SHAFT			146
6687944	SHIM			156
6687945	PLATE			156
6687946	SPRING			156
6687947	PIN			156
6687948	SPACER			148, 150
6687949	SPACER			148, 150
6687950	GASKET			156
6687951	SWASHPLATE			144, 146
6687953	PISTON			150
6687954	GASKET			156
6687955	HOUSING			156
6687956	BEARING			144, 146
6687957	GROUP, ROTATING			140, 143, 144
6687958	GROUP			140, 145, 146
6687959	SHAFT			144
6687960	CONTROL			140, 147, 148
6687961	CONTROL			140, 149, 150
6687962	PISTON			148
6687963	PISTON			150
6687964	HOUSING			140

Code for disposition of old part number

A -- Use up

B -- Use on other application (See PNI)

C -- File PDR Report with Bobcat Parts Sales

D -- Part Number Error

NUMERICAL INDEX (Cont'd)

Part No.	Description	Was	Code	Page
6687965	SHAFT			140
6687966	PISTON			156
6687967	SPRING			156
6687968	LEVER			156
6687969	COVER			156
6687970	MODULATOR			140, 155, 156
6687973	FLANGE			140
6687974	FLANGE			140
6687975	PLATE			146
6687976	PLATE			144
6687977	GROUP, ROTARY			144
6687978	GROUP			146
6687979	GROUP, ROTARY			144, 146
6687981	SCREW			156
6687982	SPRING			156
6687984	SENSOR, PUMP HYD POSITION			140
6687985	RING			148, 150
6687986	KIT			148, 150
6687987	BEARING			144, 146
6687988	FILTER			140
6687989	SOLENOID			156
6687990	RING			140
6687992	SCREW			140, 142
6687994	SCREW			140
6687996	SCREW			156
6687997	SCREW			156
6687998	SHIM			140
6687999	RING, SNAP			144, 146
6688001	SEAL			156
6688002	RING			148, 150
6688003	SCREW			140, 142
6688004	SEAL			156
6688005	SEAL			148, 150
6688007	SEAL			140
6688008	SCREW			140, 142
6688009	SEAL			140, 142
6688010	PIN			156
6688011	PIN			140, 142
6688012	ROLLER			156
6688014	PIN			140, 142
6688015	SCREW			142
6688016	SCREW			142
6688017	SHIM			154
6688018	BEARING			144, 146
6688019	O-RING			142
6688025	RING			148, 150
6688026	RING			148, 150
6688027	RING			148, 150
6688028	RING			148, 150
6688030	RING			148, 150
6688031	ROD			148, 150
6688032	SPACER			148, 150
6688033	SPACER			148, 150
6688034	SCREW			152

Code for disposition of old part number

A -- Use up

B -- Use on other application (See PNI)

C -- File PDR Report with Bobcat Parts Sales

D -- Part Number Error

NUMERICAL INDEX (Cont'd)

Part No.	Description	Was	Code	Page
6688037	RING			148, 150
6688040	BEARING			140, 142
6688322	KIT, SEAL			104
6688338	NUT			324, 326
6688385	HYD FILTER ASSY			167, 168
6688521	SPRING			128
6688542	HVAC HEATER			387, 388
6688543	HEATER			362, 365, 366
6688565	MOTOR			129, 130
6688637	MOUNT			342, 418
6688743	STEM, VALVE CONTROL			76, 86
6688833	CONNECTOR			182
6688834	CONNECTOR			182
6688836	FLANGE			182
6688845	VALVE			76, 84, 88, 96
6688933	VALVE ASSY			438
6688934	COIL			438
6688937	HOSE			108, 112
6688938	HOSE			108, 112
6688980	BOLT			180
6689021	SEAL KIT			140, 142
6689179	INSULATION			382, 388
6689180	INSULATION			382, 388
6689192	BOLT, FLANGE			228, 246
6689331	GASKET			226, 250
6689638	CUP, BEARING			42
6689641	CABLE TIE			178
6689651	CHAIN, DRIVE			40
6689652	CHAIN, DRIVE			40
6689690	HOSE			116
6689696	VALVE, HEATER CAB			366, 388
6689697	HOUSING			128
6689698	PLATE			128
6689700	PLATE			128
6689739	VALVE			74, 78, 82, 86, 90, 94
6689762	BLOWER			388
6689764	PAD			372
6689765	PAD			372
6689766	MOTOR			372
6689775	BEARING, AXLE			42
6689922	HANDLE			186
6689923	HANDLE			186
6689926	BOOT			186
6689927	BOLT			186
6689983	FILTER KIT			432
6690239	HOSE			120
6690240	HOSE			120
6690241	HOSE			120
6690242	HOSE			120
6690431	KIT, SEAL			74, 76, 78, 80, 82, 84, 86, 88, 90, 92, 94, 96
6690476	COVER			366, 388
6690477	EVAPORATOR			380, 388
6690478	HOUSING			366, 388

Code for disposition of old part number

A -- Use up

B -- Use on other application (See PNI)

C -- File PDR Report with Bobcat Parts Sales

D -- Part Number Error

NUMERICAL INDEX (Cont'd)

Part No.	Description	Was	Code	Page
6690479	COVER			366, 388
6690480	COVER			388
6690481	BRACKET			366, 388
6690482	GROMMET			366, 368, 370, 388, 390, 394
6690487	COVER			366
6690561	MAGNET			46, 50
6690688	TREE MOUNT			186
6690690	STRAP, TIE			186
6690707	SEAL			70
6690709	LINK			40
6690947	SWITCH, BPV			288
6690948	SWITCH PARK BRAKE			174
6690949	O-RING			114
6690991	VALVE, SOLENOID			88
6691001	WINDOW			306
6691003	WINDOW			306
6691022	NUT			76, 88, 178
6691066	SEAL KIT			120
6691067	COIL			120
6691173	BRACKET			350
6691288	CONTROLLER, AUX CONTROL			178
6691294	PLUG			228
6691343	GEROLER			128
6691421	FEMALE CONNECTOR			186
6691500	SNAP RING			54
6691534	SCREW			386, 390, 394
6691541	PLUG			130
6691542	SEAT			130
6691543	O-RING			130
6691544	RING			130
6691545	RING			130
6691546	O-RING			130
6691547	RING			130
6691548	RING			130
6691549	PIN			130
6691550	VALVE			130
6691551	SHAFT			130
6691552	O-RING			130
6691553	PLATE			130
6691554	GASKET			130
6691555	HOUSING			130
6691556	SPOOL			130
6691557	SPRING			130
6691558	SPRING			130
6691559	BOLT			130
6691560	GEROLER			130
6691561	SHAFT			130
6691562	BOLT			130
6691563	FLANGE			130
6691565	SEAL KIT			130
6691566	HOUSING			130
6691589	100 TIE			186

Code for disposition of old part number

A -- Use up

B -- Use on other application (See PNI)

C -- File PDR Report with Bobcat Parts Sales

D -- Part Number Error

NUMERICAL INDEX (Cont'd)

Part No.	Description	Was	Code	Page
6691636	HOSE *SEE NOTES*			116, 118
6691714	SENSOR, SEATBAR BICS			22
6692332	VALVE,RELIEF			140, 151, 152
6692337	FILTER, HYD CARTRIDGE			6, 164
6692416	COVER			380
6692489	ALARM, BUZZER			174
6692545	SWITCH			174
6692662	CABLE, THROTTLE			218, 220
6692757	DECAL, "REMOTE CONTROL OPERATION", LARGE			444
6692762	KEYS, SET OF 2			444
6692763	DECAL WARNING, "READ THE MANUAL"			444
6692767	DECAL, "ROTATING PARTS"			444
6692768	DECAL, "REMOTE CONTROL OPERATION", SMALL			444
6692769	CHARGER, MAKITA DC1422, 12-24VDC			444
6692770	BATTERY, NICD, 9.6V, 1.3AH, MAKITA 9000			444
6692771	SHOULDER HARNESS			444
6692925	VALVE			120
6692935	PANEL, INSTRUMENTATION DELUXE			20, 174
6693148	RESISTOR			364, 400
6693226	NUT			370, 394
6693228	BOLT			368, 394
6693236	FOAM			370, 394
6693241	KEY 10			174, 292, 298, 440
6693245	SWITCH, IGN			174
6693353	CONTROLLER, GATEWAY			178
6693409	BULB, STROBE			444
6693410	LENS			444
6693411	LENS			444
6693712	KEYPAD, PANEL			408
6693714	MODULE, SWITCH IGN			408
6693716	INSERT, KEYPAD			408
6693869	ROTARY GRP			144, 146
6693876	SEAL, SHAFT			144
6693886	PANEL, LH			174
6693921	SENSOR, RPM			176
6697796	FLASHTUBE			474

Code for disposition of old part number

A -- Use up

B -- Use on other application (See PNI)

C -- File PDR Report with Bobcat Parts Sales

D -- Part Number Error

NUMERICAL INDEX (Cont'd)

Part No.	Description	Was	Code	Page
6697797	AMBER LENS			474
6697904	JOYSTICK, LH			185, 186
6697905	JOYSTICK, RH			186
6697906	PANEL, CONTROL			364, 400
6697920	SENSOR, PRESS OIL ENG			176
6697938	BASE, JOYSTICK			186
6697939	BASE, JOYSTICK			186
6697960	SOLENOID			156
6698057	FILTER, AIR OUTER	6598492	B,D	2, 270
6698057	FILTER, AIR OUTER			2, 270
6698058	FILTER, AIR INNER			2, 270
6698062	GASKET, MOTOR			162, 164
6698065	COIL, CPP012H			164
6698066	HOUSING, FILTER CARTRIDGE			164
6698120	GASKET			224, 226, 236, 258
6698244	ORING	NAP		254
6698343	ORING			140
6698434	VALVE, PROPORTIONAL			84, 96
6698442	HOSE			380, 384, 398
6698442	HOSE	6675075	A	380, 384, 398
6698501	HARNESS, HEATER			366, 368, 370, 390, 396
6698528	WASHER, SEALING			224, 256
6698580	VALVE, LEAD			252
6698585	VALVE, THERMOSTATIC			252
6698591	KIT, SEAL			164
669863	RING, SNAP			134, 138
6700170	WASHER			220
6700182	COVER, DRAIN			40
6700282	HOSE			436
6700743	SPRING			220
6701097	WASHER			208, 216
6701123	SCREW			212
6701174	WASHER			16
6701449	FILLER TUBE			36
6701535	SPRING			22, 124
6701893	CLAMP			56, 60
6702301	DECAL, DANGER			320
6702302	DECAL, DANGER			320
6702402	SHIELD			352
6702444	FUSE 25A 5			178
6702543	LEVER, STEERING			123, 124
6702593	SPACER			278
6702621	GRIP			184, 198
6702650	MOUNT			342, 346, 348
6702716	BLOCK			124
6702903	LEVER, BOB-TACH LH			34
6702904	LEVER, BOB-TACH RH			34
6702958	BUSHING, WELD-ON			34
6702971	BOLT			16

Code for disposition of old part number

A -- Use up

B -- Use on other application (See PNI)

C -- File PDR Report with Bobcat Parts Sales

D -- Part Number Error

NUMERICAL INDEX (Cont'd)

Part No.	Description	Was	Code	Page
6702990	BUSHING			194, 198
6703022	CLIP			214
6703168	BEARING			214
6703471	BRACKET			208
6703640	KIT			455, 456
6703641	DECAL			456
6703703	GUIDE			456
6703727	DECAL			402, 404
6703879	BUSHING, PLASTIC			124
6703968	INSULATION			462, 464, 466, 468
6704146	BRACKET			410
6704147	BRACKET			410
6704248	PIVOT			34
6704284	KIT, COUNTERWEIGHT			313, 314
6704391	PULLEY			214
6704484	WASHER			214
6704769	INSULATION			462, 464, 466, 468
6704786	DECAL, WARNING			410
6704892	RIVET			328, 330
6705106	WASHER			216, 332
6705231	WASHER			214
6705232	WASHER			214
6705340	DECAL, LUBRICANT			320
6705452	LEVER			218
6705491	SPRING			214
6705847	SEAL, OIL			44, 46, 48, 50
6706098	GUIDE			124
6706104	RETAINING NUT			72
6706105	YOKE			72
6706285	SCREEN			434
6706349	MOUNT			16
6706427	AXLE			42
6706485	HOOK			40
6706517	SCREW			208
6706572	SET SCREW			218, 220
6706633	ADAPTER			436
6706718	MOUNT			52, 54
6706737	GASKET			52, 54
6706807	PIN			414, 416
6706825	LIFT EYE			414, 416
6706939	KIT			433, 434
6707101	SEAL			64, 98
6707852	DECAL, EXIT			292
6708009	LINK			72
6708016	GASKET			52, 54
6708018	SPRING			52, 54
6708043	BUSHING			72
6708189	TUBE			16
6708267	BOLT			52, 54
6708310	HOSE, BULK 100			294
6708770	CAP			214
6708929	DECAL, COOLANT			318
6708987	HINGE, WELD-ON			14
6709030	DECAL			214, 318

Code for disposition of old part number

A -- Use up

B -- Use on other application (See PNI)

C -- File PDR Report with Bobcat Parts Sales

D -- Part Number Error

NUMERICAL INDEX (Cont'd)

Part No.	Description	Was	Code	Page
6709170	STUD			42
6709229	BOLT			334
6709234	DISC			334
6709236	MOUNT			334
6709237	CLAMP			334
6709239	PEDAL ASSY.			334
6709400	TUBE			334
6709547	HOSE			334
6710358	DECAL			320
6710585	WASHER			214
6710659	BUSHING			22
6711632	MOUNTING KIT			331, 332
6711643	CAM			126
6711674	MOUNT			356
6711699	HUB ASSY.			214
6711908	SPRING PLATE			456
6712365	STEP			28
6713040	SPRING			34
6713043	SPACER			194, 198
6713116	BUSHING			422
6713370	PIN			214
6713507	DECAL			320
6713589	CLEVIS			22
6713841	SHIELD			342
6713842	SHIELD			342
6713887	BOLT			22
6713994	HARNESS			342, 346, 348
6714037	LATCH			440
6714126	DOOR STOP			30
6714212	PULLEY ASSY.			214
6714278	WEDGE, LOCK TRACTION			52, 54
6714361	COUNTERWEIGHT, AXLE FRONT			314
6714624	SHIELD			212
6714726	GROMMET			28, 190
6715131	BRACKET			322
6715132	RETAINER			176
6715142	FAN			208
6715163	BUSHING, PRESS FIT			124
6715164	SLEEVE, SPRING			124
6715183	ELBOW			36, 37, 38
6715190	ELBOW			66, 106, 110
6715197	CLAMP			176
6715659	HARNESS			278
6715819	INSULATOR			208
6715860	SEAT BAR			22
6715863	BRACKET			22
6715864	BUSHING			22
6715865	BUSHING			22
6715866	BUSHING			22
6716010	COVER			40
6716061	TEE			56, 60
6716089	CONNECTOR			356

Code for disposition of old part number

A -- Use up

B -- Use on other application (See PNI)

C -- File PDR Report with Bobcat Parts Sales

D -- Part Number Error

NUMERICAL INDEX (Cont'd)

Part No.	Description	Was	Code	Page
6716408	SPACER	7104608	B,D	216
6716545	ROD			124
6716571	LOUVER, PLASTIC LH			208
6716573	LOUVER, PLASTIC RH			208
6716621	COVER	7176546	A	26, 28, 178
6716843	WASHER			42
6716916	WASHER			126, 190
6717025	BUSHING			32
6717026	BUSHING			32
6717039	BUSHING			32
6717041	BUSHING			32
6717151	MOUNT			64
6717246	BUSHING			32
6717259	BUSHING			34
6717260	BUSHING			34
6717277	BUSHING, WELD-ON			14
6717278	BUSHING, WELD-ON			14
6717293	MOUNT			416
6717343	DECAL, DANGER			318
6717356	BUSHING, WELD-ON			14
6717358	BUSHING WELD-ON			14
6717393	LEVER			190, 218
6717401	PLUG			36
6717402	BUSHING			36
6717560	PIN			31, 32
6717562	BUSHING			32
6717579	GASKET			36, 178
6717593	HINGE			294, 298
6717707	PIN			416
6717820	BAR			72
6717827	CAP			105, 106, 109, 110
6717830	TUBE			106, 110
6717870	FRAME			306
6717871	FRAME			306
6717872	FRAME			306
6717873	FRAME			306
6717874	WINDOW			20, 306
6717890	COVER			26, 28, 178
6717933	CLAMP			56, 60
6717951	CLAMP			66
6718020	HOSE			106, 110
6718030	TUBE			56, 60
6718031	TEE			64, 108
6718034	FUSE, 30A			178
6718066	HOSE			56, 60
6718080	ELBOW			100
6718101	COVER			18
6718122	MOUNT			416
6718175	SCREEN			362, 364, 398
6718198	HARNESS			340
6718205	TUBE			334
6718206	TUBE			334
6718238	BRACKET			56, 60

Code for disposition of old part number

A -- Use up

B -- Use on other application (See PNI)

C -- File PDR Report with Bobcat Parts Sales

D -- Part Number Error

NUMERICAL INDEX (Cont'd)

Part No.	Description	Was	Code	Page
6718244	TUBE			356
6718245	TUBE			356
6718260	BATTERY PAN			176
6718312	STOP			32
6718326	MOUNT			354
6718358	HOSE			424, 426
6718376	HINGE			294, 298
6718411	KIT			353, 354
6718414	SENDER, TEMP ENG			176
6718426	HARNESS, LIFT ARM			99, 100, 326
6718454	HOSE			356
6718579	DECAL			362, 364, 400
6718580	PANEL			20
6718659	HOUSING			178
6718660	TEE			112
6718706	DECAL, WARNING			190
6718728	MOUNT ASSY.			334
6718750	MOUNT			100, 326
6718772	GASKET			106, 110
6718789	PIN			32
6718796	PLUG			14, 30
6718805	KIT, WINDOW REAR & TOP	SALES	A	305, 306
6718833	BRACKET			352
6718834	BRACKET			352
6718837	SPACER			362, 364, 398
6718872	HARNESS			282, 342, 346, 348, 354, 474
6718873	HARNESS			354
6718887	PANEL			362, 364, 400
6718924	KIT			351, 352
6718942	NUT			32
6718948	SNUBBER			112
6719018	DECAL			320
6719037	STRIKER			306
6719056	BLOCK			52, 54
6719057	BLOCK			52, 54
6719063	STOP			306
6719064	MOUNT			16, 360
6719065	COVER TAB			306
6719141	CABLE POSITIVE			176
6719150	KIT			333, 334
6719184	MOUNT			410
6719185	MOUNT			410
6719201	COVER			14
6719264	KIT			409, 410
6719317	WINDOW			442
6719327	INSULATION			462, 464, 465, 466, 467, 468
6719328	INSULATION			462, 466, 468
6719330	INSULATION			462, 464, 466, 468
6719332	INSULATION			462, 464, 466, 468
6719333	INSULATION			462, 464, 466, 468
6719334	INSULATION			462, 464, 466, 468
6719413	WINDOW			306
6719439	HOSE			56, 60

Code for disposition of old part number

A -- Use up

B -- Use on other application (See PNI)

C -- File PDR Report with Bobcat Parts Sales

D -- Part Number Error

NUMERICAL INDEX (Cont'd)

Part No.	Description	Was	Code	Page
6719448	MAGNET, CONTROL ATTACH			328, 330
6719451	HOSE			424, 426
6719504	INSULATION			18
6719525	BAR			30
6719766	STOP			30
6719827	BOLT			212, 216
6719828	BOLT			216
6719834	SPACER			194, 198, 274
6719835	SLEEVE			194, 198
6719854	KIT, BEACON LIGHT			281, 282
6719857	KIT			473, 474
6719884	BRACKET			424, 426
6719888	DECAL			424, 426
6720038	INSTRUCTIONS			284
6720592	INSTRUCTIONS			352
6720808	KIT, ENGINE BLOCK HEATER			283, 284
6722597	VELCRO			302
6722861	INSTRUCTIONS			434
6722907	KIT			42, 275, 276
6722908	INSTRUCTIONS			276
6724482	INSTRUCTIONS			332
6725182	TEE			64, 120
6725301	OP MANUAL COVER			18
6725302	GASKET			26, 28
6725303	OP MANUAL PAN			18
6725337	TUBE			56, 60
6725370	DECAL			452
6725373	SPRING PLATE			18
6725421	HANDLE			312
6725552	TUBE			424, 426
6725553	TUBE			424, 426
6725898	KIT			349, 350
6725906	BRACKET			350
6725907	DECAL, OPERATION			424, 426
6725937	CLAMP			298
6725938	CLAMP			298
6725946	KIT			311, 312
6726162	BRACKET			106, 110
6726254	BRACKET			106, 110
6726255	PAD			106, 110
6726277	CLAMP			56, 60, 120, 436
6726303	DECAL, OPERATION			312
6726386	KNOB			362, 364, 400
6726423	DECAL, WARNING			414, 416
6726433	SPACER			208
6726620	BRACKET			380, 384, 398
6726621	SCREW			376, 380, 388
6726623	HOSE			380, 384, 398
6726655	KIT			441, 442
6726681	LINK			190, 274
6726945	MOUNT			330
6727065	BOLT			194, 198, 274
6727176	KIT			323, 324

Code for disposition of old part number

A -- Use up

B -- Use on other application (See PNI)

C -- File PDR Report with Bobcat Parts Sales

D -- Part Number Error

NUMERICAL INDEX (Cont'd)

Part No.	Description	Was	Code	Page
6727299	INSULATION			20, 306, 466, 468
6727414	HOSE			380, 384, 398
6727496	PIN			190, 274
6727595	DECAL, TIE-DOWN			320
6727637	ELBOW			106, 110
6727638	TEE			58, 60, 61, 62
6727646	BRACKET			62, 288
6727657	HOSE			66
6727705	HOSE			56, 60
6727708	CLAMP			56, 60
6727739	KIT			329, 330
6727753	GASKET			212
6727847	COVER			362, 364, 398
6727863	ROD LINK			32
6727869	SENDER, HYD TEMP			178
6727926	DECAL, OPERATION			190, 274, 318
6728459	DOOR SENSOR			292, 298
6728473	BOLT, SHOULDER			34
6728539	DECAL			190, 274, 318
6728540	DECAL, WARNING			274
6728621	BRACKET			178
6728626	HARNESS			178
6728673	TANK			106, 110
6729011	SEAL			306
6729077	DECAL			380
6729078	DECAL			120, 320
6729141	MOUNT			360
6729202	HOSE			424
6729203	HOSE			424
6729380	HARNESS, CONTROL ATTACH DLX			330
6729467	SPACER			190, 274
6729594	HANDLE			194, 198
6729595	HANDLE			194, 198
6729688	LATCH			440
6729776	WINDOW, DOOR CURVED CAB			296
6729900	TIRE			478
6729939	LATCH PLATE			30
6729991	REAR DOOR			14, 30
6730013	COVER			46, 50
6730078	COVER			40
6730106	TIRE			478
6730270	LEVER			220
6730290	BOLT			32
6730291	BRACKET			330
6730767	HOSE			36
6730771	RIM			478
6730772	RIM			478
6730775	RIM			478
6730816	SHIELD			292, 298
6730822	KIT			291, 292
6730823	KIT			297, 298
6730997	BUSHING			34

Code for disposition of old part number

A -- Use up

B -- Use on other application (See PNI)

C -- File PDR Report with Bobcat Parts Sales

D -- Part Number Error

NUMERICAL INDEX (Cont'd)

Part No.	Description	Was	Code	Page
6730999	TUBE ASSY			212
6731059	INLET			36
6731084	ADAPTER			378, 398
6731108	SEAL			446
6731119	PIVOT, WEDGE			34
6731121	PLUG			40
6731151	KIT			273, 274
6731160	WASHER			32
6731229	TUBE			66
6731230	TUBE			66
6731231	TUBE			66
6731275	INSULATION			178
6731478	EXIT TAG			20, 306
6731524	KIT			355, 356
6731578	BUSHING, WELD ON			14
6731617	PAN			322
6731657	BRACKET			410
6731658	BRACKET			410
6731665	CABLE			322
6731666	CABLE			322
6731694	KIT, BATTERY DUAL			321, 322
6731746	BRACKET			322
6731757	DECAL, OPERATION			66, 320
6731819	STRAP			342
6731900	ROD			220
6731979	BUSHING			34
6732001	KIT			439, 440
6732023	CONNECTOR			378, 398
6732215	FILTER			108, 112
6732219	KIT			451, 452
6732225	SPACER			14
6732235	KIT			279, 280
6732264	FRAME LINK			32
6732265	BUSHING			32
6732322	SPACER			220
6732323	BRACKET			220
6732351	WINDOW			298
6732375	TANK			208
6732443	CUP			34
6732450	BRACKET			218, 220
6732619	SEAL			446
6732715	LATCH			30
6732718	KIT			445, 446
6732730	HARNESS			328
6732928	KIT			359, 360
6732997	U-BOLT			124
6733001	CONDENSER			380, 384, 398
6733107	PLUG ASSY			16
6733136	KIT, ATTACHMENT 14-PIN			327, 328
6733142	KIT			325, 326
6733144	MOUNT			328
6733190	TEE			56, 60
6733191	ELBOW			56, 60
6733192	TUBE			436

Code for disposition of old part number

A -- Use up

B -- Use on other application (See PNI)

C -- File PDR Report with Bobcat Parts Sales

D -- Part Number Error

NUMERICAL INDEX (Cont'd)

Part No.	Description	Was	Code	Page
6733195	TUBE			288
6733196	TUBE			62, 288
6733197	HOSE			106, 112
6733429	CAP			208
6733575	HINGE, REAR DOOR			30
6733616	BUMPER			30
6733617	MOUNT, DRIVE			45, 46
6733652	HOSE			106
6733667	LATCH, REAR DOOR			30
6733804	GRILL			208
6733970	MOUNT			278, 280, 402, 404
6733996	DECAL, WARNING			208
6734192	TUBE			62, 288
6734206	TUBE			64
6734236	ADAPTER			208
6734298	MOUNT			124
6734416	LEVER			218, 220
6734417	LEVER			220
6734503	CLEVIS			220
6734534	DECAL, SERVICE			318
6734561	WASHER			106, 110
6734563	WASHER KIT			106, 110
6734623	ELBOW			106, 112, 120
6734646	DECAL, WARNING			190, 318
6734647	DECAL, OPERATION			318
6734660	BUSHING			32
6734662	PIN, PIVOT TAPERED			32
6735140	DECAL, THROTTLE			318
6735245	DUCT			362, 364, 398
6735246	DUCT			362, 364, 398
6735669	BOOM STEP			56, 60
6735680	FOOT PEDAL			220
6735862	DECAL			320
6735883	BRACKET			214
6735884	IDLER ASSY.			214
6735901	DECAL, LOGO BOBCAT HEAD			320
6735922	TUBE			106
6736641	PAINT			484
6736642	PAINT			484
6736644	PAINT			484
6736645	PAINT			484
6736647	HOSE			100
6736685	TUBE			100
6736810	BRACKET			100
6737088	COVER, FRONT ACCESS			272
6737189	DECAL, WARNING			278, 280
6737191	WEDGE			34
6737248	DECAL, WARNING			186
6737368	BRACKET			36
6737388	WASHER			72, 124
6737453	ELBOW			108, 112, 120

Code for disposition of old part number

A -- Use up

B -- Use on other application (See PNI)

C -- File PDR Report with Bobcat Parts Sales

D -- Part Number Error

NUMERICAL INDEX (Cont'd)

Part No.	Description	Was	Code	Page
6737524	KNOB			64, 98
6801059	WASHER			296, 442
6801167	PLUG			88, 90, 96
6803092	BONNET			88, 90, 96
6803157	HOSE ASSY			120
6805453	BUSHING			68
6806124	HEAD			70
6806315	PISTON			68
6806330	KIT, SEAL			68
6809511	DECAL, DANGER			56, 60, 64
6809593	SPACER			70
6809726	ROLLER			30
6809727	CHANNEL			30
6809734	BUSHING			30
6809845	BOLT			30
6809903	SHAFT, ROD CYL TILT			68
6810132	SPRING			30
6810141	SPRING			30
6810356	SPACER			428, 430
6810539	NUT			70
6810562	TUBE, CASE CYL POWER BOB-TACH	6810349	A	428
6810611	CYLINDER, POWER BOB-TACH			427, 428
6810612	SHAFT, ROD CYL POWER BOB-TACH			428, 430
6812170	PLUG			68, 70, 428, 430
6812171	PLUG			80, 90, 91, 92
6812815	FITTING			106, 110
6813153	PLATE			74, 78, 82
6813964	ELBOW			94
6814279	BLOCK			74, 80, 88, 90
6814531	ELBOW			56, 60
6814694	RETAINER			74, 78, 82, 86, 90, 94
6815152	SPOOL			74, 78, 82
6816549	PLUG ASSY PORT RLF			76, 78, 84, 86, 90, 94
6817003	BODY			74, 78
6817004	BODY			86, 90
6900366	INSTRUCTIONS			314
6900827	INSTRUCTIONS			416
6900848	INSTRUCTIONS			354
6900852	INSTRUCTIONS			308
6900853	INSTRUCTIONS			306, 307, 308
6900854	INSTRUCTIONS			294
6900888	INSTRUCTIONS			410
6900934	INSTRUCTIONS			334
6900991	INSTRUCTIONS			282
6900992	INSTRUCTIONS			474
6901010	INSTRUCTIONS			452
6901011	INSTRUCTIONS			454
6901013	INSTRUCTIONS			298, 299, 300
6901025	INSTRUCTIONS			350
6901029	INSTRUCTIONS			312

Code for disposition of old part number

A -- Use up

B -- Use on other application (See PNI)

C -- File PDR Report with Bobcat Parts Sales

D -- Part Number Error

NUMERICAL INDEX (Cont'd)

Part No.	Description	Was	Code	Page
6901061	INSTRUCTIONS			442
6901076	INSTRUCTIONS			324
6901116	INSTRUCTIONS			330
6901120	INSTRUCTIONS			376
6901492	INSTRUCTIONS			274
6901515	INSTRUCTIONS			356
6901602	INSTRUCTIONS			322
6901656	INSTRUCTIONS			440
6901690	INSTRUCTIONS			280
6901774	INSTRUCTIONS			446
6901816	INSTRUCTIONS			360
6901871	INSTRUCTIONS			326
6901872	INSTRUCTIONS			328
6902228	PAINT, ORANGE SPRAY CAN 6			481, 482
6902229	PAINT, CHARCOAL SPRAY CAN 6			482
6902230	PAINT, WHITE SPRAY CAN 6			482
6902232	PRIMER			482
6902233	PAINT, ORANGE QT 6			482
6902234	PAINT, CHARCOAL QT 6			482
6902235	PAINT, WHITE QT 6			482
6902390	HARD HAT WHITE			471, 472
6902833	INSTRUCTIONS			288
6903105	OIL, 15W40 QT. 12			2, 6, 8, 482
6903106	OIL, 15W40 GAL. 6			2, 6, 8, 482
6903107	OIL, 10W30 QT. 12			2, 6, 8, 482
6903108	OIL, 10W30 GAL. 6			2, 6, 8, 482
6903109	OIL 30W QT. 12			2, 6, 8, 482
6903110	OIL, 30W GAL. 6			2, 6, 8, 482
6903111	OIL 30W 2.5 GAL 2			2, 6, 8, 482
6903112	OIL, 10W30 2.5 GAL 2			2, 6, 8
6903113	OIL, 15W40 2.5 GAL. 2			2, 6, 8, 482
6903117	FLUID, OIL HYD 2.5 GAL 2			2, 11, 12, 482
6903118	FLUID, OIL HYD 5 GAL			2, 12, 482
6903119	FLUID, OIL HYD 55 GAL			2, 12, 482
6903121	LUBE, GEAR 12			8, 482
6903122	GREASE, MULTI PURPOSE #2 - 10			7, 8, 214, 482
6903293	INSTRUCTIONS			278
6903359	INSTRUCTIONS			416
6903766	TIRE, SOLID FLEX 31X6X10 LH			475, 476
6903767	TIRE, SOLID FLEX 31X6X10 RH			476
6904113	INSTRUCTIONS			414
6904255	INSTRUCTIONS			362, 378

Code for disposition of old part number

A -- Use up

B -- Use on other application (See PNI)

C -- File PDR Report with Bobcat Parts Sales

D -- Part Number Error

NUMERICAL INDEX (Cont'd)

Part No.	Description	Was	Code	Page
6904709	MANUAL			444
6904714	INSTRUCTIONS			424, 426
6904732	INSTRUCTIONS			402
6904744	INSTRUCTIONS			310
6904998	DECAL KIT			317, 318, 319, 320
6967419	ORIFICE			140
6967523	SPINDLE			152
6967525	SPRING			152
6967526	SPRING			152
6967527	PIN			152
6967534	PISTON			154
6967535	COLLAR			154
6967536	SPRING			154
6969803	COVER, BREATHER			232
6969804	PLUG,OIL GAUGE			238
6969819	NUT, FLANGE			256, 258
6969824	GASKET, NOZZLE INJ			224, 266
6969938	BOLT			250
6969996	CLAMP, HOSE			232
6983128	ANTI-FREEZE PG 53/47 PREMIX GAL 6			482
6983129	ANTI-FREEZE PG CONCENTRATE 6			482
6986545	INSTRUCTIONS			462
6986547	INSTRUCTIONS			464
6986563	INSTRUCTIONS			406
6986573	INSTRUCTIONS			480
6986651	HANDBOOK, OPERATORS	6902600	B,D	4, 318
6986795	INSTRUCTIONS			436
6986799	INSTRUCTIONS			162
6986839	MANUAL PARTS S205 LOADER			2
6986839-CD	MANUAL PARTS S205 LOADER-CD			2, 3, 4
6987013	MANUAL OPERATION S205 LOADER			2
6987013-CD	MANUAL OPERATION S205 LOADER CD			2
6987050	MANUAL SERVICE S205 LOADER			2
6987050-CD	MANUAL SERVICE S205 LOADER CD			2
6987091	INSTRUCTIONS			382
6987128	INSTRUCTIONS			316
6987151	INSTRUCTIONS			386
6987152	INSTRUCTIONS			364
6987215	INSTRUCTIONS			412
6987283	INSTRUCTIONS			408
6987336	INSTRUCTIONS			358
6987352	INSTRUCTIONS			404
6987361	INSTRUCTIONS			346, 348

Code for disposition of old part number

A -- Use up

B -- Use on other application (See PNI)

C -- File PDR Report with Bobcat Parts Sales

D -- Part Number Error

NUMERICAL INDEX (Cont'd)

Part No.	Description	Was	Code	Page
6987915	THREADLOCKER 271 - HEAVY DUTY RED - 0.5ML AMPULE N	6598485	A	276
6989415	INSTRUCTIONS			458
6989663	INSTRUCTIONS			456
6989729	INSTRUCTIONS			114
69G436	BOLT			86, 90, 94, 186, 190
6E5	WASHER			354
6E6	WASHER			32
6EM80	WASHER, SPRING			206
6J1664	KEY			42
6J807	KEY, WOODRUFF			140, 214
6J807	KEY, WOODRUFF	6687991	A	140, 214
7000443	INSERT, SWITCH IGN			174
7000460	TOOL, DISCONNECT TERMINAL			324
7000461	TOOL, DISCONNECT TERMINAL			324
7000484	PUMP, FUEL INJ W/GOVERNOR			255, 256
7000582	BOLT			246
7000583	GEAR, RING STARTER			230
7000584	FLANGE, WATER			246
7000585	PULLEY, DRIVE			240
7000586	PLUG			230
7000587	KIT, GASKET ENG UPPER			222, 223, 224
7000588	KIT, GASKET ENG LOWER			222, 225, 226
7000589	BOLT, ADJUSTING			260
7000590	BOLT			244
7000591	BOLT			230
7000592	BOLT			230
7000593	BOLT			230
7000594	SCREW			258
7000595	SCREW			228
7000596	CIRCLIP			240
7000597	O-RING			226, 238
7000598	O-RING			224, 250
7000599	PIN			234
7000600	CAP, SEALING			230
7000603	BEARING, BALL			244
7000604	TUBE, FUEL LINE ASSY			256
7000605	TUBE, FUEL LINE ASSY			256
7000606	STUD			258
7000607	PLUG			236
7000608	PLUG			230
7000609	SCREW, AIR BLEEDER			258
7000611	CLIP, HOSE			252

Code for disposition of old part number

A -- Use up

B -- Use on other application (See PNI)

C -- File PDR Report with Bobcat Parts Sales

D -- Part Number Error

NUMERICAL INDEX (Cont'd)

Part No.	Description	Was	Code	Page
7000612	TAPPET			244
7000613	NUT			256
7000614	RETAINER, BEARING			258
7000615	BOLT, FLYWHEEL			230
7000616	GEAR, DRIVE			240
7000617	BEARING, BALL			258
7000618	GASKET, PUMP INJ			226, 256
7000619	ORING			224, 266
7000620	BOLT, ADJUSTING			260
7000621	BRACKET, BOLT ADJUSTING			260
7000622	SLEEVE, GOVERNOR			262
7000623	LEVER, GOVERNOR			262
7000624	SHAFT, FORK LEVER			264
7000625	SPRING, SPEED CONTROL			262
7000626	SEAL			224, 266
7000627	FITTING, BANJO			256
7000628	CAMSHAFT, FUEL			258
7000629	RETAINER, BEARING			258
7000631	FLANGE, EGR			252
7000632	GASKET EGR INLET			224, 252
7000633	GASKET, EGR VALVE			224, 252
7000634	GASKET, EGR VALVE			224, 252
7000635	GASKET, EGR COOLER			224, 254
7000636	GASKET, EGR BASE			224, 254
7000637	BEARING, BALL			258
7000638	WEIGHT, GOVERNOR			262
7000639	LEVER, FORK			263, 264
7000640	LEVER, SPEED			262
7000641	HOSE, VACUUM			252
7000642	GASKET			224, 250
7000643	HOOK, LIFT ENG			236
7000644	HEAD, CYL ENG			235, 236
7000645	GASKET, HEAD CYL			236
7000646	GASKET, HEAD CYL			236
7000647	GASKET, HEAD CYL			236
7000648	BOLT			236
7000649	COVER, FRONT			227, 228
7000650	GASKET, COVER CASE			226, 228
7000651	SEAL, OIL			226, 230
7000652	BOLT			230
7000653	GASKET, HOUSING			226, 230
7000654	HOSE, AIR FORMED			232
7000655	CLAMP, HOSE			232
7000656	FLANGE, INTAKE			250

Code for disposition of old part number

A -- Use up

B -- Use on other application (See PNI)

C -- File PDR Report with Bobcat Parts Sales

D -- Part Number Error

NUMERICAL INDEX (Cont'd)

Part No.	Description	Was	Code	Page
7000657	HOSE, AIR FORMED			250
7000658	GASKET, MANIFOLD INTAKE			224, 248
7000659	GASKET, MANIFOLD EXHAUST			224, 248
7000660	VALVE, INLET			234
7000661	VALVE, EXHAUST			234
7000662	SPRING, VALVE			234
7000663	ARM, VALVE BRIDGE			234
7000664	SHAFT, VALVE BRIDGE			234, 236
7000665	PAD, WEAR			234
7000666	GUIDE, VALVE			233, 234, 236
7000667	GUIDE, VALVE			234, 236
7000668	ARM, ROCKER			234
7000669	ARM, ROCKER			234
7000670	SHAFT, ROCKER ARM			234
7000671	SPRING, ROCKER ARM			234
7000672	BRACKET, ROCKER ARM			234
7000673	GASKET, COVER VALVE			224, 232
7000674	ROD PUSH			244
7000675	RETAINER, BEARING			244
7000676	CAP, SEALING			244
7000678	GASKET, TURBOCHARGER			224, 250
7000679	GASKET, FLANGE MUFFLER			224, 250
7000680	RING, PISTON			240
7000681	RING, PISTON			240
7000682	PISTON, ENG			239, 240
7000683	PISTON, ENG			240
7000684	PISTON, ENG			240
7000685	PIN, PISTON ENG			240
7000686	PISTON, ENG OS			240
7000687	PISTON, ENG OS			240
7000688	PISTON, ENG OS			240
7000689	BUSHING, PIN PISTON			240
7000691	BEARING, ENG ROD CONNECTING			240
7000692	BEARING, ENG ROD CONNECTING			240
7000693	BEARING, ENG ROD CONNECTING			240
7000694	BEARING, ENG ROD CONNECTING			240
7000695	CRANKSHAFT, ENG			240
7000696	SLEEVE, WEAR			240

Code for disposition of old part number

A -- Use up

B -- Use on other application (See PNI)

C -- File PDR Report with Bobcat Parts Sales

D -- Part Number Error

NUMERICAL INDEX (Cont'd)

Part No.	Description	Was	Code	Page
7000697	BEARING, ENG CRANKSHAFT			240
7000698	WASHER, THRUST			240
7000699	WASHER, THRUST			240
7000700	KIT, BEARING ENG			240, 241, 242
7000701	KIT, BEARING ENG			242
7000702	KIT, BEARING ENG			242
7000703	BEARING, ENG CRANKSHAFT			240
7000704	BEARING, ENG CRANKSHAFT			240
7000705	WASHER, THRUST			240
7000706	WASHER, THRUST			240
7000707	WASHER, THRUST			240
7000708	WASHER, THRUST			240
7000709	GEAR, IDLER			244
7000710	BUSHING, GEAR IDLE			244
7000711	PIPE, OIL			256
7000713	COVER, PUMP OIL ENG			228
7000714	DIPSTICK, OIL ENG			238
7000715	SPRING, RELIEF			228
7000716	EXCHANGER, OIL COOLER			254
7000717	CONNECTOR			254
7000718	PIPE, OIL			254
7000719	PIPE, RETURN FUEL			266
7000720	HOUSING, PUMP INJ			258
7000721	PUMP, INJ FUEL			257, 258
7000722	GEAR, PUMP INJ			256
7000723	BRACKET, PUMP INJ			256
7000725	CLAMP, INJECTION			266
7000726	PIPE, INJECTION			267, 268
7000727	PIPE, INJECTION			268
7000728	PIPE, INJECTION			268
7000729	PIPE, INJECTION			268
7000730	BOLT, ADJUSMENT ASSY			259, 260
7000731	O-RING			224, 260
7000732	SPRING, GOVERNOR			264
7000733	SPRING, START			264
7000734	GLOW PLUG			266
7000735	CORD, GLOW PLUG			266
7000736	EXCHANGER, EGR			253, 254
7000737	HOSE, HEATER FORMED			254
7000738	HOSE, HEATER FORMED			254
7000739	HOSE, HEATER FORMED			254
7000740	CLAMP, HOSE			254

Code for disposition of old part number

A -- Use up

B -- Use on other application (See PNI)

C -- File PDR Report with Bobcat Parts Sales

D -- Part Number Error

NUMERICAL INDEX (Cont'd)

Part No.	Description	Was	Code	Page
7000741	GASKET, FLANGE WATER			224, 246
7000742	THERMOSTAT			246
7000743	PUMP, WATER			245, 246
7000744	PIPE, WATER			254
7000745	COVER, THERMOSTAT			246
7000746	GASKET, PUMP WATER			226, 246
7000747	HOSE, VACUUM			252
7000748	BOLT			240
7000749	KEY, SHAFT			240
7000750	BLOCK, ENG			229, 230
7000751	PAN, OIL			237, 238
7000752	HOUSING, FLYWHEEL			230
7000753	MANIFOLD, INTAKE			247, 248
7000754	MANIFOLD, EXHAUST			248
7000755	FLANGE, MUFFLER			250
7000756	COVER, HEAD CYL ENG			231, 232
7000757	CAMSHAFT, VALVE			243, 244
7000758	GEAR, CAMSHAFT			244
7000759	GEAR, CRANKSHAFT			240
7000760	SHAFT, GEAR IDLER			244
7000761	COLLAR, GEAR IDLER			244
7000762	FLYWHEEL, ENG ASSY			230
7000763	SCREEN, OIL ENG			238
7000764	PIPE, OIL			250
7000765	PIPE, OIL			250
7000767	PUMP, FUEL			256
7000768	HOUSING, GOVERNOR			262
7000769	SOLENOID, SHUTOFF FUEL			176, 262
7000770	VALVE, EGR			251, 252
7000973	PLUG, MOTOR			164
7000974	PLUG, MOTOR			164
7001039	PANEL, START KEYED			174
7001044	HORN, ALARM			402, 404
7001135	BOLT, FLANGE			232, 254
7001136	BOLT, FLANGE			244
7001138	BOLT, FLANGE			236, 238
7001139	BOLT, FLANGE			246, 252
7001140	BOLT, FLANGE			248
7001141	BOLT, FLANGE			254
7001499	BOLT, EYE			258
7001669	BRACKET			384, 390, 394
7001670	INSULATION			384, 390, 394
7001671	INSULATION			384, 390, 394

Code for disposition of old part number

A -- Use up

B -- Use on other application (See PNI)

C -- File PDR Report with Bobcat Parts Sales

D -- Part Number Error

NUMERICAL INDEX (Cont'd)

Part No.	Description	Was	Code	Page
7001673	KIT, SCREEN FILTER			432
7001678	VALVE, CHECK			432
7001920	COVER, FRONT			270
7002707	EVAPORATOR			384, 390, 394
7002716	SCREW			84, 96
7002989	SEAL, OIL			240
7003017	ROTOR, PUMP OIL			228
7003018	ROTOR, PUMP OIL			228
7003445	BLOWER, HEATER & A/C			373, 374
7003446	COIL, HEATER			368, 370, 390, 394
7003447	FLANGE, SEAL			368, 370, 390, 394
7003448	PLATE			368, 390
7003449	PAN, COIL			368, 390
7003450	BRACKET, HARNESS			368, 390
7003451	BRACKET			368, 370, 390, 394
7003452	BRACKET			368, 370, 390, 394
7003453	BRACKET			368, 370, 390, 394
7003454	BRACKET			368, 370, 390, 394
7003455	PLATE			368, 390
7003456	VALVE, MOTORIZED ASSY			368, 370, 390, 394
7003457	HOSE, HEATER			368, 370, 392, 396
7003458	CLAMP, HOSE			368, 370, 390, 394
7003459	GROMMET			368, 390
7003460	SEAL, FOAM			368, 370, 392, 396
7003461	HOUSING, BASE			368, 370, 390, 394
7003462	HOUSING, COVER DUST			368, 370, 390, 394
7003463	VALVE, DRAIN			368, 370, 390, 394
7003464	COVER, ASSY			368, 370, 390, 394
7003465	NUT			368, 370, 390, 394
7003466	RIVET, POP			368, 370, 390, 394
7003467	RIVET, POP			368, 390
7003468	NUT			368, 370, 390, 394
7003469	SCREW			368, 370, 390, 394
7003470	SCREW			368, 370, 390, 394
7003471	SCREW			368, 370, 374, 390, 394
7003472	CLIP, RECEPTACLE			368, 370, 390, 394
7003473	NUT			368, 370, 390, 394
7003474	CLIP, RECEPTACLE			368, 370, 390, 394
7003481	WINDOW, LEFT ASSY	6691000		306
7003482	WINDOW, RIGHT ASSY	6691002		306
7003511	PLUG			368, 370
7008040	MODULE, DE-ICER ELECTRONIC			384, 394, 395, 396
7008040	MODULE, DE-ICER ELECTRONIC	6683004	A	384, 394, 395, 396
7008106	GROUP ROTATING RH			142, 146
7008107	CONTROL			142, 148

Code for disposition of old part number

A -- Use up

B -- Use on other application (See PNI)

C -- File PDR Report with Bobcat Parts Sales

D -- Part Number Error

NUMERICAL INDEX (Cont'd)

Part No.	Description	Was	Code	Page
7008108	CONTROL			140, 142, 150
7008109	MODULE, CONTROL			142, 156
7008110	HOUSING			142
7008111	FLANGE, LH			142
7008112	FLANGE, RH			142
7008113	SHAFT			142
7008114	SCREW			142
7008115	SENSOR			140, 142
7008116	FILTER			142
7008117	SWASHPLATE			144, 146
7008118	BEARING			144, 146
7008119	RING			148, 150
7008122	COVER			156
7008123	GASKET			156
7008124	VALVE, RELIEF			142, 152
7008362	PANEL, RH			408
7008393	PLUG			254
7008517	FITTING, BANJO			256
7008766	SHIM			154
7008767	SHIM			154
7008771	KIT, SEAL			84, 96
7008806	GASKET	7008121	A	156
7008807	GROUP, ROTATING			142, 144
7008809	BASE, COOLER EGR	7000630	A	254
7009047	PLATE			296
7009081	NUT			174
7009976	O-RING	6675824	A	380, 384
7009977	O-RING	6675538	A	380, 384, 385, 386, 388, 390, 394
7009978	O-RING	6675825	A	380, 384
7010162	HOUSING, BLOWER			374
7010163	MOTOR, FAN			374
7010164	RESISTOR			374
7010165	COVER			374
7010166	RING, INNER			374
7010167	BLOWER, WHEEL			374
7010168	SCREW			374
7010169	CLAMP, HOSE			374
7010227	COVER			142
7010263	SHIELD, ISOLATOR BULK/FT			370, 394
7010264	FOAM			370, 396
7010265	BOLT			370, 396
7010266	RIVET, POP			370, 394
7010267	NUT, LOCK			370, 396
7010268	CLAMP			370, 394
7010269	PAN, COIL			370, 394
7010427	KIT, SEAL			160
7010590	HOUSING, FLYWHEEL			230
7010591	HOUSING, PUMP INJ			258
7010592	RETAINER, BEARING			258
7010763	KIT, SPRING			460

Code for disposition of old part number

A -- Use up

B -- Use on other application (See PNI)

C -- File PDR Report with Bobcat Parts Sales

D -- Part Number Error

NUMERICAL INDEX (Cont'd)

Part No.	Description	Was	Code	Page
7010764	KIT, RAIL SLIDE SEAT			460
7010765	KIT, KNOB KIT			460
7010766	KIT, GAS SPRING			460
7010767	KIT, COMPRESSOR AIR			460
7010768	KIT, VALVE			460
7010769	KIT, TETHER			460
7010771	KIT, SHAFT BEARING			460
7010772	KIT, GEAR SEAT			460
7010773	KIT, GEAR SEAT			460
7010774	KIT, CUSHION SEAT VINYL			460
7010775	KIT, CUSHION SEAT VINYL			460
7010776	KIT, MOULDING SEAT			460
7010777	KIT, LUMBAR			460
7010778	KIT, BOOT SEAT			460
7010779	KIT, BOLT			460
7010780	KIT, BUMPER			460
7010781	FRAME, SEAT SUSPENSION			460
7010782	FRAME, SEAT SUSPENSION			460
7010783	KIT, LINKAGE			460
7010784	FRAME, SEAT SUSPENSION			460
7010785	DRAIN, WATER SEAT			460
7010786	HARNESS, ACCESSORY			460
7010979	VALVE, CHECK	6698064	A	164
7011039	SEAL, BULK/FT 34	6675558	A	292, 298
7011070	HARNESS, RECEIVER	6692764	A	444
7011071	CONTROL, MODE SELECTOR	6692766	A	444
7012013	CLAMP, HOSE			252
7012016	PUMP, INJ FUEL UNIT			256
7012017	CLAMP, HOSE			250
7012050	BOLT, ADJUSTMENT ASSY			260
7015668	MOUNT FIR TREE	6678666	B	20, 174, 178, 179, 180, 208, 378, 398
7020353	NOZZLE, WIPER	6678920	A	296
7020831	TURBOCHARGER	7000677		249, 250
7020997	ROD, CONNECTING	7000690	A	240
7021365	VALVE, SOLENOID			438
7021366	COIL, SOLENOID			438
7021367	NUT			438
7100024	HOSE			212
7100444	PIN			414
7100445	SPACER			414

Code for disposition of old part number

A -- Use up

B -- Use on other application (See PNI)

C -- File PDR Report with Bobcat Parts Sales

D -- Part Number Error

NUMERICAL INDEX (Cont'd)

Part No.	Description	Was	Code	Page
7100462	CLAMP			108, 112
7100699	WASHER			124, 190
7101078	PIN, PIVOT TAPERED			32
7101104	MOUNT			342
7101291	ELBOW			36
7101345	BONNET, DETENT HYD VALVE			86, 90, 94
7101371	ELBOW			76, 84, 88, 112, 114
7101384	LIGHT			339, 340, 342
7101527	INSULATION			462, 464, 466, 468
7101528	INSULATION			464, 466
7101529	INSULATION			462, 466, 468
7101543	INSULATION			462, 464, 466, 468
7101646	TUBE			56
7101647	TUBE			60, 288
7101648	TEE			56, 60
7101672	ACTUATOR			186, 190
7101708	CLAMP			212
7101734	TIRE, STANDARD DUTY - 10X16.5 - 8 PLY			478
7101735	TIRE, HEAVY DUTY - 10.00X16.5 - 10 PLY			478
7101797	ELBOW			106
7102018	TEE			88
7102019	CROSS			76, 96
7102066	CROSS			76, 84, 86, 94
7102077	COUNTERWEIGHT			40
7102451	FITTING			176
7102652	SCREW			80, 88, 90, 96
7102823	STOP			40
7102869	KIT			287, 288
7103075	SEAL			306
7103217	WASHER			124
7103648	TEE			110
7103708	BRACKET			124
7103711	BOLT			126
7103861	HOSE			110
7104465	DOOR SWITCH HARNES			292, 298
7104670	LIGHT			418
7104671	LIGHT			418
7105034	WINDOW TOP	7105035	A	20, 306
7105192	BOLT			124
7105223	SPACER			124
7105756	TIRE - SUPER FLOAT 0 30,5X12X16.5 - 10 PLY			478
7105983	BOLT			174
7106024	HOSE			114
7106040	ELBOW			108, 112
7106205	HOSE			106, 110
7106279	BOLT			36

Code for disposition of old part number

A -- Use up

B -- Use on other application (See PNI)

C -- File PDR Report with Bobcat Parts Sales

D -- Part Number Error

NUMERICAL INDEX (Cont'd)

Part No.	Description	Was	Code	Page
7107175	INLET			210
7107179	HOSE			116, 118
7107353	GUSSET			414, 416
7107544	HARNESS			278
7107562	HOSE			110
7107829	KIT, BACK-UP ALARM			277, 278
7107849	MOUNT			216
7107896	ROD			70
7108222	SAFETY TREAD			320
7108236	PIN			186, 190
7108241	LIFT SPOOL			86, 90, 94
7108242	TILT SPOOL			86, 90, 94
7108393	KIT, LIFT KIT			415, 416
7108398	BRACKET, FILTER			110
7108406	HOSE			106
7108408	LEVER			72
7108685	TEE			116
7108781	SPOOL			74, 78, 82
7108843	HOSE			112
7108844	HOSE			112
7108845	HOSE			110
7108846	TEE			110
7108980	TUBE			116
7109125	INSULATION			464, 466
7109318	INSULATOR			470
7109403	HARNESS			418
7109582	OIL COOLER			113, 114
7109661	LATCH, DOOR W/SENSOR			292, 298
7109662	HANDLE, LATCH DOOR			292, 298
7109663	SPACER			292, 298
7109664	BOLT			292, 298
7109665	FRAME, DOOR CAB			292
7109904	BRACKET			124, 138
7109905	BRACKET			124, 136
7109922	TUBE			106, 112
7109923	TUBE			114
7109927	TUBE			436
7109934	MOUNT, VALVE			58, 62
7110243	BRACKET			116
7110244	BRACKET			116
7110262	TUBE			56, 60
7110264	TUBE			66
7110276	SPACER, TAPERED			216, 332
7110287	GASKET			46, 50
7110316	DECAL, SAFETY			292, 298
7110365	ARM, PINTLE			124
7110367	HOSE			424, 426
7110410	INSULATION			470
7110430	SPECIAL APPS DOOR			298
7110571	BELLCRANK, STEERING			124

Code for disposition of old part number

A -- Use up

B -- Use on other application (See PNI)

C -- File PDR Report with Bobcat Parts Sales

D -- Part Number Error

NUMERICAL INDEX (Cont'd)

Part No.	Description	Was	Code	Page
7110809	HOSE			115, 116
7110914	TUBELINE			76, 86, 87, 88
7110927	BRACKET			100
7112346	KIT, LIFT 4-POINT			413, 414
7112383	AUX SPOOL			74, 78, 82, 86, 90, 94
7112651	HOSE			470
7112910	ELBOW			56, 60
7112911	TUBE			56, 60
7112912	TUBE			62, 288
7113010	SPACER			216
7113162	BRACKET			180
7113209	HOSE			378, 398
7113262	ELBOW			108, 112
7113340	CAP. DIESEL			36
7113360	TUBE			100
7113635	PULLEY			214
7114050	HOSE			56, 60
7114053	TEE			56, 60
7114121	HOSE			66
7114236	HOSE			56, 60
7114257	LIFT ARM			32
7114294	ADAPTER			66
7114710	TUBE			56, 60
7114711	TUBE			56, 60
7114739	SPACER			216
7115185	HOSE			424, 426
7115219	PEDAL			72
7115220	MOUNT			72
7115412	TUBE			66
7115413	TUBE			66
7116564	HOSE			56, 60
7116565	HOSE			56, 60
7116699	INSULATION			470
7116700	INSULATION			470
7116870	DECAL, LOGO BOBCAT HEAD			320
7116901	HTR PLUMBING KIT			377, 378
7116995	TUBELINE			74, 86
7117123	PANEL			26, 28
7117174	CYLINDER, TILT			67, 68
7117175	TUBE, CASE CYL TILT			68
7117232	PANEL			25, 26, 27, 28
7117322	HARNESS, WIPER			292, 298
7117380	TUBE			64
7117667	CYLINDER, LIFT			69, 70
7117668	TUBE, CASE CYL LIFT			70
7117788	HARNESS			178
7117875	MOUNT			406
7120107	BRAKE			54
7120108	DISC			54
7120109	SHAFT			48, 50, 54
7120111	BRAKE, DISC			52
7120693	DECAL			100, 320

Code for disposition of old part number

A -- Use up

B -- Use on other application (See PNI)

C -- File PDR Report with Bobcat Parts Sales

D -- Part Number Error

NUMERICAL INDEX (Cont'd)

Part No.	Description	Was	Code	Page
7120804	DECAL			320
7120881	SCREEN, FILLER	6569219	A	36
7120898	KIT, POWER BOB-TACH			425, 426
7121223	CAP. DIESEL LOCKING			36
7121399	SPRING			76, 78, 84, 86, 90, 94
7121572	DECAL PACKAGE			362, 364
7121693	TUBE			436
7121694	TUBE			436
7121779	PAD			126
7122028	KIT, HORN			401, 402
7122095	INSULATION			462, 466
7122096	INSULATION			462, 464, 466
7122185	TUBE			106, 112
7122214	ADAPTER			120
7122291	CHAINCASE			40
7122359	BRACKET			186
7122462	KIT, RIB WINDOW			309, 310
7122487	2 SEAL, WIPER			310
7122488	SEAL, BULB			310
7122502	INSULATION			468
7122503	INSULATION			468
7122519	ELBOW			36
7122520	HOSE			100
7123816	MOUNT RH			188
7123817	MOUNT LH			188
7123941	PEDAL ASSEMBLY			72, 274
7123942	PEDAL ASSEMBLY			72, 274
7123963	SEAL KIT, EXTERNAL FITTING			76, 80, 84, 88, 92, 96
7123964	KIT, SEAL COMPLETE			76, 80, 84, 88, 92, 96
7123965	SEAL KIT, EXTERNAL FITTING			76, 80, 84, 88, 92, 96
7124127	TEE			106
7124128	HOSE			106
7124129	HOSE			106
7124130	HOSE			108
7124133	ADAPTER			108
7124259	TUBE			436
7124260	TUBE			436
7124261	TUBE			436
7124262	TUBE			436
7124294	GUARD			36
7124326	RETAINER			36
7124571	SPACER			410, 412
7124572	SPACER			410, 412
7124929	BASE			186
7125070	HOSE			120
7125072	MOUNT			120
7125557	HOSE, HEATER FORMED			378, 398
7126159	MOUNT ASSY			49, 50, 120
7126166	HOSE			66, 122

Code for disposition of old part number

A -- Use up

B -- Use on other application (See PNI)

C -- File PDR Report with Bobcat Parts Sales

D -- Part Number Error

NUMERICAL INDEX (Cont'd)

Part No.	Description	Was	Code	Page
7126168	HOSE			66
7126679	PLATE			412
7126682	BLOCK			412
7126685	MOUNT			412
7126686	MOUNT			412
7126700	ARM			412
7126869	BRACKET			190, 274
7128600	BRACKET			126
7128601	BRACKET			126, 184
7129173	COUNTERWEIGHT			316
7129250	KIT, COUNTERWEIGHT			315, 316
7129700	SCREW			32
7129922	HEATER COIL KIT			375, 376
7129949	COVER			16
7129987	COVER			52, 54
7130074	CHAINCASE			40
7130443	MOUNT, ENG			216
7130724	MUFFLER, EXHAUST			212
7130725	TUBE, EXHAUST			212
7130942	PULLEY, ENG			214
7131233	PEDAL			422
7131236	BUSHING			422
7131254	BRACKET, MOLDED SKI			178
7131273	SCREW			216
7131322	COVER			140
7131518	DECAL			186
7131519	DECAL			186
7131580	KIT, WINDOW SIDE		A	306
7131872	SPACER			210
7131873	WASHER			210
7132542	TUBELINE			114
7132554	HOSE			114
7132593	HOSE			212
7132594	HOSE			212
7133211	TANK, WASHER			294
7133215	FILTER ASSY, AIR			212, 269, 270
7133921	HOUSING			46
7134137	SPROCKET	6577204	A	39, 40, 42
7134520	PLUG	6817707	A	74, 78, 82, 86, 90, 94
7134520	PLUG			74, 78, 82, 86, 90, 94
7134522	PLUG			76, 78, 84, 86, 90, 94
7135506	HOUSING			50
7135559	SEAL KIT			70
7135569	DECAL			444
7135598	MOUNT, ALT			216
7135920	MOUNT, ENG			216
7136052	MOUNT			114
7136178	HOSE, A/C ASSY			380, 384, 398
7136180	HOSE, A/C ASSY			380, 384, 398
7136378	TANK, FUEL			35, 36
7136572	COVER, FLYWHEEL			214
7136650	BRACKET			100

Code for disposition of old part number

A -- Use up

B -- Use on other application (See PNI)

C -- File PDR Report with Bobcat Parts Sales

D -- Part Number Error

NUMERICAL INDEX (Cont'd)

Part No.	Description	Was	Code	Page
7136676	COMPRESSOR, A/C			380, 384, 398
7136678	DECAL			480
7136679	DECAL			480
7136696	COVER			14
7138014	SEAL KIT			428, 430
7138347	HANDLE	6718521	B	294, 298
7138347	HANDLE			294, 298
7138376	BUSHING			74, 78, 82, 86, 90, 94
7138452	HOSE			120
7138454	HOSE			120
7138645	GUIDE			20, 174, 210
7138651	MOUNT, COMPRESSOR A/C			380, 384, 398
7138770	HARNESS			190
7139011	ENGINE, V2607-DI- TE3B-BC-1			221, 222
7139183	SHIELD			26, 28
7139184	INSULATION			18
7139311	HARNESS, CAB DLX			174, 400
7139335	BRACKET, ALT			216, 218, 220
7139409	MOUNT, ENG/PUMP			216
7139414	HARNESS, MFR			175, 176, 177, 178
7139420	LINK			124
7139421	LINK			124
7139767	MOUNT, PUMP			214, 216
7139785	HARNESS, DOOR REAR			418
7140056	SOUND KIT			461, 462
7140057	SOUND KIT			463, 464
7140157	TEE			208
7140589	TUBE			120
7140590	TUBE			120
7140768	KIT			479, 480
7140865	TUBE			120
7140866	TUBE			120
7140928	VALVE			120
7141045	SHIELD, ALT			216
7141369	HARNESS, KIT ROAD			342, 346, 348
7141653	PLATE			114
7141656	PLATE, WELD-ON			14
7141766	KIT			405, 406
7141805	ELBOW			120, 121, 122
7141836	MAINFRAME			13, 14
7141854	HARNESS, ENG			176
7141968	PANEL, RH			26, 28
7142024	SCREW	25GT410	B	310
7142139	DECAL			412
7142140	DECAL			412
7142141	DECAL			412
7142142	DECAL			412
7142386	MOUNT, LIFT KIT			412
7142387	MOUNT, LIFT KIT			412
7142392	KIT, LIFT SINGLE POINT			411, 412

Code for disposition of old part number

A -- Use up

B -- Use on other application (See PNI)

C -- File PDR Report with Bobcat Parts Sales

D -- Part Number Error

NUMERICAL INDEX (Cont'd)

Part No.	Description	Was	Code	Page
7142832	HOSE, FUEL FORMED			36
7143071	HARNESS			380
7143188	TUBE			122
7143189	TUBE			122
7143498	BELT	7100104	B,D	8, 216, 380, 384, 398
7143498	BELT			8, 216, 380, 384, 398
7143508	BOB-TACH			33, 34
7143611	GUARD, COMPRESSOR A/C			380, 381, 382, 384, 398
7144130	TUBE			120
7144131	TUBE			120
7144132	TUBE			120
7144550	BRACKET, TIE-DOWN			184
7145528	DECAL			320
7147359	BLADE, WIPER WINDOW			296
7147580	MOUNT			124
7147678	HOSE, HYD			118
7147826	BOLT, CROSS DRILLED			118, 162, 210
7148195	INSULATION HEADLINER			20
7148197	INSULATION			20
7148198	INSULATION			20
7148199	INSULATION			20
7148200	INSULATION			20
7149221	HARNESS, AUX REAR			436
7149336	HARNESS, CAB			173, 174
7149947	TUBELINE, HYD			118
7149975	HOSE, AIR FORMED			212
7149976	HOSE, AIR FORMED			212
7151601	SHIELD, BELT			216
7151691	HARNESS, BRAKE LIGHTS			344, 346, 348
7151696	HARNESS, STOP LIGHTS			344, 348
7151940	HARNESS, HORN			404
7152006	SHIELD			14
7152108	HARNESS, LIFT ARM			344, 346, 348
7152163	INSULATION, STRIP			462, 464
7152344	HARNESS, DOOR REAR			342
7152356	EXCHANGER, WATER RADIATOR			207, 208, 212
7152731	BRACKET, COMPRESSOR A/C			380, 384, 398
7152748	DECAL, FUEL DIESEL			318
7152869	BOLT			214
7153089	LIGHT, FRONT ASSY			342, 346, 348

Code for disposition of old part number

A -- Use up

B -- Use on other application (See PNI)

C -- File PDR Report with Bobcat Parts Sales

D -- Part Number Error

NUMERICAL INDEX (Cont'd)

Part No.	Description	Was	Code	Page
7153090	HARNESS, LIGHT LICENSE			342, 346, 348
7153099	BRACE, CAB			310
7153518	BRACKET			342, 346, 348
7153519	SHAFT, SPINDLE			342, 346, 348
7153520	BRACKET			342, 346, 348
7153521	SHAFT, SPINDLE			342, 346, 348
7153522	MIRROR, SIDE HEAD			342, 346, 348
7153544	HOUSING	7104117	A	208
7154006	BRACKET, ANGLE			212
7154350	KIT, AUX REAR			435, 436
7154546	WASHER, WAVE			124
7155044	BRACKET			344, 346
7155151	INSULATION, PAN SEAT			16
7155158	PLATE, THREADED			316
7155238	BOLT			214
7156220	BRACKET			342, 346, 348
7156265	COVER			52, 54
7156351	BRACKET			342, 346, 348
7156723	INSULATION, FLOOR			16, 306
7156723	INSULATION, FLOOR	6729012	B,D	16, 306
7156758	INSULATION, STRIP			306
7157217	BOLT			178
7157286	BODY			82
7157289	BLOCK			82, 96
7157290	TUBELINE			82, 94
7157291	TUBELINE			84, 94, 95, 96
7157293	BODY			94
7157452	HOOK, BOBTACH			344
7157453	MOUNT			344
7157454	PIN			344
7157456	MOUNT, ATTACH			344
7157716	GROMMET			218, 220
7157740	SPACER			342, 346, 348
7157745	SLOW MOVING PLATE - 12			342, 346, 348
7157890	GAS SPRING	6678292	A	360
7157891	GAS SPRING	7100508	A	16
7157892	GAS SPRING	7100506	A	16
7157893	GAS SPRING			292, 298
7157893	GAS SPRING	6682586	A	292, 298
7159447	HARNESS			190
7159452	HARNESS			186
7159779	DECAL			178, 320
7160280	BRACKET, HARNESS			176
7160395	CYLINDER, POWER BOB-TACH			426, 429, 430
7160396	CASE			430
7160425	BUSHING, TAPERED			32
7160443	SEAL			470

Code for disposition of old part number

A -- Use up

B -- Use on other application (See PNI)

C -- File PDR Report with Bobcat Parts Sales

D -- Part Number Error

NUMERICAL INDEX (Cont'd)

Part No.	Description	Was	Code	Page
7160576	MUFFLER, PURIFIER			419, 420
7160652	CABLE, NEGATIVE			176
7160879	DECAL			318
7160945	KIT, A/C			379, 380
7161046	HOSE, HYD			426
7161047	HOSE, HYD			426
7161098	BRACKET			176
7161187	SHAFT, TRANS	6733621	A	44, 46, 52
7161692	VALVE, CONTROL			81, 82
7161695	VALVE, CONTROL			93, 94
7161786	VALVE, POWER BOB-TACH			431, 432
7162194	MOUNT, TANK COOLANT	6732870	A	208
7164320	MOTOR, HYD COOLING FAN	7132033	D	117, 118, 163, 164, 210
7164408AR	KIT, DECAL			318, 320
7164408BR	KIT, DECAL			318, 320
7164408JP	KIT, DECAL			318, 320
7164409AR	KIT, TRANSLATION			318, 320
7164409BR	KIT, TRANSLATION			318, 320
7165185	HARNESS	7112290	A	424, 426
7165265	SEAL, WINDOW			20, 306
7166047	SEAT, CHECK VALVE			74, 78, 80, 82, 86, 90, 92, 94
7166047	SEAT, CHECK VALVE	7106712	B	74, 78, 80, 82, 86, 90, 92, 94
7166047	SEAT, CHECK VALVE	7106712	A	74, 78, 80, 82, 86, 90, 92, 94
7166137	KIT HEATER			363, 364
7166138	KIT A/C			383, 384
7166339	SPRING, LOAD CHECK			80, 82, 90, 92, 94
7166339	SPRING, LOAD CHECK	6592117	B	80, 82, 90, 92, 94
7166676	INSULATOR	7109317	A	469, 470
7166916	DECAL, A/C			384, 398
7167163	BOWL, FUEL			358
7167920	SEAT, OPERATOR SUSPENSION AIR			458, 459, 460
7168019	DECAL, WARNING			414, 416
7168020	DECAL, WARNING			414, 416
7168160	MOUNT, FILTER FUEL			358
7168164	EXTINGUISHER, FIR E	6675581	A	350
7168274	TEMPLATE, INSTRUCTIONS			412
7169112	SWITCH, ROCKER A/C	6719176	B	380, 384, 398
7169342	HARNESS, CAB			458
7169389	HARNESS			176, 178
7169538	HARNESS, SWITCH IGN			174

Code for disposition of old part number

A -- Use up

B -- Use on other application (See PNI)

C -- File PDR Report with Bobcat Parts Sales

D -- Part Number Error

NUMERICAL INDEX (Cont'd)

Part No.	Description	Was	Code	Page
7170197	PUMP, HYD TANDEM			140, 141, 142
7170270	KIT, SUSPENSION SEAT AIR			457, 458
7170357	PIN, PIVOT	6717560	B	32
7170376	TEE			84
7170753	KIT, PANEL KEYLESS	NAP	D	407, 408
7170779	HARNESS, SWITCH IGN			408
7171060	TUBELINE, HYD			64
7174209	KIT, HORN W/JOYSTICK			403, 404
7175394	HEATER CAB	6691438	A	364, 369, 370, 398
7175394	HEATER CAB	6691439	A	364, 369, 370, 398
7175394	HEATER CAB			364, 369, 370, 398
7175395	HVAC ASSY			393, 394
7175397	GROMMET			370, 394
7177212	GASKET			358
7181144	FUEL, TUBE			38
7184230	VALVE, CONTROL SERVICE			89, 90
7184231	VALVE, CONTROL SERVICE			77, 78
7184780	DECAL, CAPACITY LIFT	6734179	A	318
7185234	KIT, REMOTE CONTROL	7141291	A	443, 444
7185463	HOSE, HYD			118
7188371	ARM, WIPER			295, 296
7188372	BLADE, WIPER WINDOW			296
7188373	SWIVEL, PLATE ASSY			296
7188448	HARNESS, PUMP	7169309	A	186
7191233	BRACE, AXLE			40
7192812	KIT, INSERT STC			114
7192996	KIT, BOWL FUEL			357, 358
7197120	BOLT			32
7198706	HARNESS, PUMP	7139761	A	186
7201240	HOSE, HYD			118
7202038	BUSHING, ALIGNMENT	6805102	A	74, 78, 82, 86, 90, 94
7202444	DAMPER			32
7204037	DECAL			320
72F1	FITTING			36
73G1028	BOLT			120
73G624	BOLT			124
73G656	SCREW			424, 426
73G828	BOLT			126
73K013	RING, BACK-UP			78, 86, 90, 94
73K016	RING, BACK-UP			74, 78, 82, 86, 90, 94
73K222	RING			428, 430
73K228	BACK-UP RING			70
743332	GREASE ZERK 5			34

Code for disposition of old part number

A -- Use up

B -- Use on other application (See PNI)

C -- File PDR Report with Bobcat Parts Sales

D -- Part Number Error

NUMERICAL INDEX (Cont'd)

Part No.	Description	Was	Code	Page
75K3	O-RING			68, 70, 428, 430
75K6	O-RING			80, 92
774220	NUT			278, 280
799119	RING			74, 78, 82
79K10	O RING 10			56, 57, 58, 60, 62, 74, 78, 82, 86, 90, 94, 100, 116, 118, 134, 135, 136, 288, 290, 432
79K12	O RING 10			66, 106, 107, 108, 110, 112, 116, 118, 120, 138, 436
79K16	O RING 10			74, 75, 76, 82, 83, 84, 88, 96, 106, 110, 114
79K4	O RING 10			432
79K5	O RING 10			128
79K6	O RING 10			64, 66, 74, 82, 86, 94, 106, 108, 110, 112, 116, 118, 120, 122, 128, 290, 356, 436
79K7	O RING 10			432
79K8	O RING 10			56, 60, 74, 78, 82, 86, 90, 94, 112, 116, 118, 134, 138, 432
7D4	NUT			64, 98
7D6	NUT			32
80K13	WASHER			76, 84
80K332	WASHER			68
82K019	O-RING			80, 84, 92, 96
82K132	O-RING HYDRAULIC	58K132	B	428, 430
82K230	SEAL			70
83D4	NUT 10			22, 64, 178, 402, 404
83D5	NUT 5	57D5	B	288, 306, 382, 402, 404
83D5	NUT 5			288, 306, 382, 402, 404
83D6	NUT 5			14, 64, 108, 112, 120, 124, 212, 328, 330, 352, 436
83D8	NUT 5			14, 214, 216, 412
83F3	ELBOW 5			334
84G1320	BOLT			278
84G3108	BOLT			216, 458
84G3112	BOLT 5			16, 26, 28, 100, 208, 318, 326, 328, 330
84G3116	SCREW			178, 380, 384, 400
84G3708	SCREW			114, 208
84G3710	SCREW	84G3712	B	106, 110, 114, 190, 274, 288, 380, 384, 400
84G3710	SCREW			106, 110, 114, 190, 274, 288, 380, 384, 400
84G3712	BOLT			14, 20, 26, 28, 36, 40, 56, 60, 116, 174, 176, 178, 184, 212, 218, 220, 356, 358
84G3716	SCREW 5			36, 40, 52, 54, 106, 110, 378
84G3720	BOLT			14, 52, 54, 112, 220, 272
84G3724	BOLT			180, 436
84G3728	BOLT			56, 60, 218, 220, 424, 426
84G3728	BOLT	84G3724	A	56, 60, 218, 220, 424, 426
84G3732	BOLT			108, 112
84G3740	BOLT			66
85D5	NUT 5			218, 220, 422
85D6	LOCK NUT			18, 30, 32, 34, 220, 414, 416
85D7	NUT			18
85D8	NUT, 5			16
85G616	SCREW 10			342, 346
86F3	LOCKNUT			334
86F5	NUT			356, 436
86F8	NUT 5			114
872229	WASHER			56, 60, 66

Code for disposition of old part number

A -- Use up

B -- Use on other application (See PNI)

C -- File PDR Report with Bobcat Parts Sales

D -- Part Number Error

NUMERICAL INDEX (Cont'd)

Part No.	Description	Was	Code	Page
87D5	NUT			414, 416
88F5	ELBOW			436
898731	1156 BULB			418
89D5	NUT			28, 186, 384, 400, 422
8D4	NUT			290
8D6	NUT 5			124, 334
91D5	NUT 5			334
91G420	SCREW			20, 306
91K5	TEE			436
92D10	NUT			428, 430
92D12	NUT			214
92D16	NUT			68
93G1032	BOLT			40
93G824	BOLT			40, 124
95D5	NUT			176, 190, 216, 274, 358, 418
95D6	NUT			72, 100, 114, 116, 124, 190, 208, 212, 298, 334
96D8	NUT			208
97D4	NUT			278, 280
97D5	NUT			178, 322
97D6	NUT 10			22, 178, 186, 187, 188, 404
97D8	NUT			16, 360
98D6	NUT			124, 190
98G412	BOLT			202

Code for disposition of old part number

A -- Use up

B -- Use on other application (See PNI)

C -- File PDR Report with Bobcat Parts Sales

D -- Part Number Error