

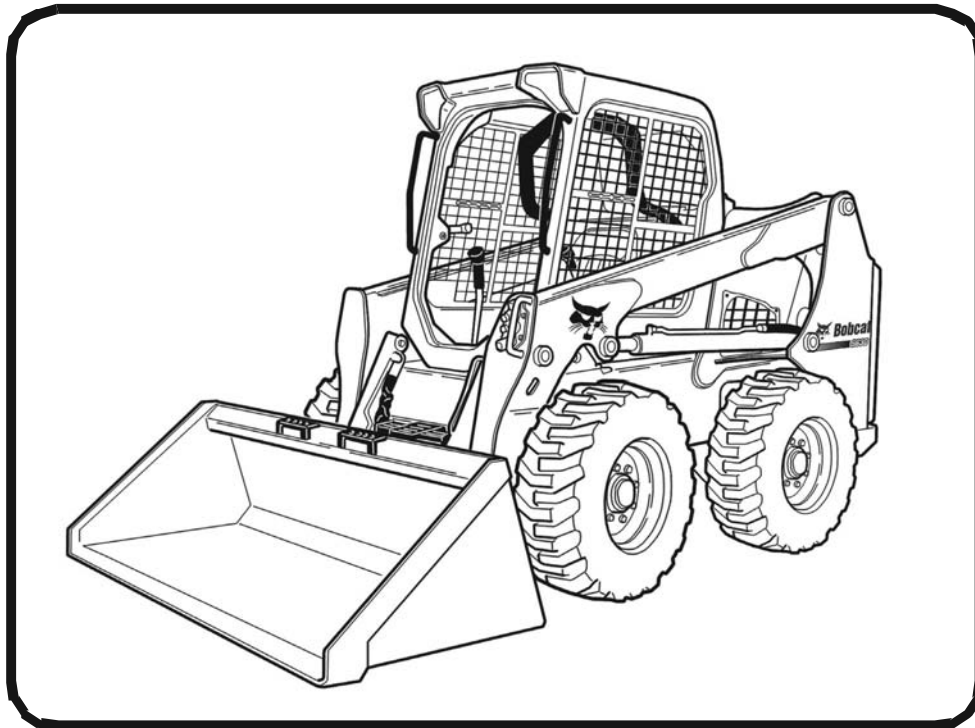


Bobcat®

Parts Manual

S630 Skid-Steer Loader

S/N A3NT11001 & Above
S/N A3NU11001 & Above



EQUIPPED WITH
BOBCAT INTERLOCK
CONTROL SYSTEM (BICS™)



GENERAL INFORMATION

Before ordering parts, ALWAYS provide dealer with your product model number and complete serial number information. Before ordering parts, verify correct part numbers and/or serial numbers with your dealer. When using the machine serial number, use the complete number.

The number shown in the quantity column in this manual is the number of parts needed for the illustration on the page. For some parts an “x” will be shown in the quantity column. This “x” indicates that the quantity to be used is “As Needed”.

When references LH (Left Hand) and RH (Right Hand) are used in this manual, it is done from the operator’s seat in the forward operating position.

When “See Illustration....” appears in the remarks column, refer to the contents page for the illustration title to find page number location.

Some of the illustrations and information found in this parts manual were supplied to Bobcat by machine component companies.

For additional information on the Bobcat website visit www.bobcat.com

ABBREVIATIONS

ACS	= Advanced Control System	MM	= Millimeters
AHC	= Advanced Hand Controls	NAP	= Not Available as Parts
A/C	= Air Condition	NSS	= Not Serviced Separately
ASSY	= Assembly	OD	= Outside Diameter
AUX	= Auxiliary	OM	= Operation & Maint Manual
AWS	= All Wheel Steer	PM	= Parts Manual
BPV	= Bucket Positioning Valve	PWM	= Pulse Width Modulation
BTI	= Bobcat Technical Information Bulletin	QT	= Quart
CYL	= Cylinder	RH	= Right Hand
DLX	= Deluxe	SALES	= Sales Department
ELEC	= Electrical	SJC	= Selectable Joystick Controls
EMEA	= Europe/Middle East/Africa	SL	= Service Letter
ENG	= Engine	SM	= Service Manual
GAL	= Gallon	STD	= Standard
HVAC	= Heating Ventilation & Air Condition	TEMP	= Temperature
HYD	= Hydraulic	TRANS	= Transmission
ID	= Inside Diameter	W/A	= Welded Assembly
IGN	= Ignition	W/	= With
INJ	= Injection	W/O	= Without
LH	= Left Hand	“	= Inches
MFR	= Main Frame	‘	= Feet

GENERAL INFORMATION (Cont'd)

TRANSLATION KITS & DECAL KITS

AR = Argentina (Spanish) BR = Brazil (Portugese) JP = Japanese
(Translation Kit includes Safety Manual, Operators Manual & Decal Kit)

DISPOSITION

(Found in the Remarks Column)

- [A] = Use Up
- [B] = Use Up on Other Applications
- [C] = File PDR Report with Bobcat Parts Sales
- [D] = Part Number Error

NOTE D'INFORMATION

Pour toute référence au numéro de série de l'engin, toujours donner le numéro complet.

Le chiffré apparaissant dans la colonne des quantités de ce manuel représentent le nombre de pièces nécessaires pour l'illustration reprise sur la page. Dans certains cas, on lira un "x" dans la colonne des quantités. Cet "x" indique que la quantité nécessaire est "selon besoin".

Pour toute référence vers la GAUCHE ou la DROITE dans ce manuel, considérer que la personne se trouve assise dans le siège de l'opérateur, en position de fonctionnement en marche avant.

Certaines illustrations et informations reprises dans ce manuel de pièces de rechange ont été fournies à Bobcat/Ingersoll-Rand par des fabricants de composants.

ABREVIATIONS & SYMBOLES

SALES	= Commander au Service Ventes à Bruxelles
NSS	= Pas vendu séparément
NAP	= Non disponible comme pièce de rechange
*	= Chapitre, page ou numéro de pièce modifié ou supplémentaire
BTI	= Bobcat Technical Information Bulletin : voir à la fin de la microfiche du modèle concerné ou la microfiche générale reprenant l'ensemble des "BTI".
was 6535403	= était avant 6535403
adj. (adjustment)	= réglage
Assembly	= ensemble
available W/Ref.	= disponible avec réf.
bulk/sold per foot	= en vrac/vendu par pied
does not include	= ne comprend pas
included with	= compris dans
I.D.	= D.I. (diamètre intérieur)
O.D.	= D.E. (diamètre extérieur)
not in kit	= pas en kit
W/ - WO/	= inclus/ - non inclus/
Qty	= quantité requise
see page/ref.	= voir page/réf.
used with ref/	= utilisé avec réf.
0,05 inch thickness	= 0,05 pouce d'épaisseur (un pouce = 25.4 mm)
weld on	= à souder

ALLGEMEINE INFORMATIONEN

Bei Angabe der Maschinen-Seriennummer stets die komplette Nummer angeben.

Bei der in der Mengenspalte (Anzahl) in diesem Handbuch angegebenen Zahl handelt es sich um die Anzahl von Teilen, die für die Abbildung auf der betreffenden Seite benötigt werden. Bei manchen Teilen in der Mengenspalte ist ein "x" angegeben. Dieses "x" weist darauf hin, dass sich die Anzahl der verwendeten Teile auf den "Bedarf" bezieht.

Bei Verwendung der Seitenangaben links und rechts in diesem Handbuch gelten diese für die Blickrichtung vom Fahrersitz aus, und zwar in Vorwärts-Betriebsrichtung.

Einige der in diesem Ersatzteihandbuch aufgeführten Abbildungen und Informationen wurden der Bobcat/Ingersoll-Rand von den Herstellern von Maschinenbauteilen zur Verfügung gestellt.

ABKÜRZUNGEN UND SYMBOLE

SALES	= Bestellung bei der Verkaufsabteilung in Brüssel
NSS	= Nicht einzeln erhältlich
NAP	= Nicht als Ersatzteil erhältlich
*	= Geänderte oder hinzugefügte Abschnitte, Seiten oder Teilenummern
BTI	= Bobcat Technical Information Bulletin : Siehe am Ende der Mikrokarte des jeweiligen Modells oder der allgemeinen Mikrokarte der BTI.
was 6535403	= War 6535403
adj.	= Einstellung
Assembly	= Baugruppe
available W/Ref.	= erhältlich mit der Referenz
bulk/sold per foot	= Mengenabnahme / Verkauf pro Fuss
does not include	= beinhaltet nicht
included with	= enthalten in
I.D.	= Innendurchmesser
O.D.	= Aussendurchmesser
not in kit	= nicht in Bausatz
W/ - WO/	= mit/ - ohne/
Qty	= Anzahl
see page/ref.	= Siehe Seite / Referenz
used with ref.	= verwendet mit Referenz
0.05 inch thickness	= Dicke : 0.05 Zoll (ein Zoll = 25.4 mm)
weld on	= anschweißen

INFORMAZIONI GENERALI

Quando si usa il numero di serie della macchina usare il numero completo.

Il numero mostrato nella colonna della quantità di questo manuale corrisponde al numero di componenti necessari per l'illustrazione della pagina. Per alcuni componenti appare "X" nella colonna delle quantità. Questa "X" indica che la quantità da usare è "come necessario".

See in questo manuale si fa riferimento alla parte destra o sinistra, si intende dal sedile dell'operatore nella posizione in avanti di funzionamento.

Alcune delle illustrazioni e informazioni trovate in questo manuale di componenti sono state fornite alla Bobcat/Ingersoll-Rand da società di componenti di macchine.

SIMBOLI E ABBREVIAZIONI

SALES	= Ordinare al servizio vendite di Bruxelles
NSS	= Non vendute separatamente
NAP	= Non disponibile come componente
*	= Sezioni, pagine o numeri di componente cambiati o aggiunti
BTI	= (Bobcat Technical information) Ved. al termine del microfiche del modello relativo oppure microfiche generale
was 6535403	= era 6535403
adj. (adjustment)	= regol. (regolazione)
Assembly	= Complessivo
available W/Ref.	= disponibile con rif.
bulk/sold per foot	= alla rinfusa/venduto al piede
does not include	= non comprende
Included with	= compreso con
I.D.	= d. i.
O.D.	= d. e.
not in kit	= non fa parte del kit
W/ - WO/	= con - senza
Qty	= Qtà
see page/ref	= ved. pagina/rif.
used with ref.	= usato con il rif.
0,05 inch thickness	= spessore 0,05 pollici (un pollice = 25,4 mm)
weld on	= a saldare

INFORMACION GENERAL

Al utilizar el número de serie de la máquina, debe emplearse el número completo.

El número que figura en la columna de “Unidades” en este manual es el número de piezas que se necesitan para la ilustración que consta en la página. En algunas piezas aparece una “x” en la columna de “Unidades”. Esta “x” indica que las unidades a utilizar son “según sea necesario”.

Cuando se empleen las referencias izq. y dcha., éstas se entienden mirando desde el asiento del conductor, en posición de marcha adelante.

Algunas de las ilustraciones y la información que figuran en este manual de piezas han sido facilitadas a Bobcat/Ingersoll-Rand por empresas de componentes de máquinas.

ABREVIATURAS Y SIMBOLOS

VENTAS	= Pedido al Departamento de Ventas de Bruselas
NSS	= No se vende por separado
NAP	= No disponible como pieza de repuesto
*	= Secciones, páginas o referencias modificadas o añadidas
BTI	= (Bobcat Technical Information) Ver al final de la microficha del modelo afectado o en la microficha general “Boletín de Información Técnica Bobcat”.
was 6535403	= era anteriormente el 6535403
adj. (adjustment)	= ajuste
assembly	= conjunto
available W/Ref.	= disponible con la ref.
bulk/sold per foot	= a granel/vendido por pies
does not include	= no incluye
included with	= incluido en
I.D.	= diámetro interior
O.D.	= diámetro exterior
not in kit	= no en el kit
W/ - WO/	= con/ - sin
Qty	= Unidades
see page /ref.	= ver página/ref.
used with ref.	= empleado con la ref.
0,05 inch thickness	= 0,05 pulgadas de espesor (1 pulgada = 25,4 mm)
weld on	= debe ser soldado

ALGEMENE INFORMATIE

Als u het serienummer van de machine gebruikt, geef dan het gehele serienummer.

Het cijfer dat voorkomt in de kolom "Aantal", in deze handleiding, is het aantal onderdelen dat nodig is van de illustratie op de pagina. Voor sommige onderdelen staat er een "x" in de kolom "Aantal". Deze "x" betekent dat er een aantal "zoals nodig" vereist is.

Wanneer er in deze handleiding naar "links" en naar "rechts" gerefereerd wordt, moet dit verstaan worden voor een bestuurder die in de bestuurdersstoel zit in de voorwaartse bedrijfsstand.

Sommige van de illustraties en informatie in deze onderdelen-handleiding werden door firma's van machine-componenten geleverd aan Bobcat/Ingersoll-Rand.

AFKORTINGEN EN SYMBOLEN

SALES	= Bestellen bij de Verkoopafdeling te Brussel
NSS	= Niet afzonderlijk te verkrijgen
NAP	= Niet beschikbaar als onderdeel
*	= Gewijzigde of toegevoegde paragrafen, pagina's of onderdeelnummers
BTI	= Bobcat Technical Information Bulletin : Zie einde van de microfiche van het desbetreffende model of einde van de algemene microfiche die het geheel van alle "BTI" herneemt.
was 6535403	= was vroeger 6535403
adj. (adjustment)	= afstelling
Assembly	= geheel
available W/Ref.	= beschikbaar met ref.
bulk/sold per foot	= bulk/aan de meter verkocht
does not include	= bevat niet
includes with	= is bevat in
I.D.	= ϕ inw. (inwendige diameter)
O.D.	= ϕ uitw. (uitwendige diameter)
not in kit	= niet in de kit
W/ - WO/	= met/ - zonder/
Qty	= vereiste aantal
see page/ref.	= zie pagina/ref.
used with ref/	= gebruikt met ref.
0,05 inch thickness	= 0.05 inch dik (een inch = 25.4 mm)
weld on	= te lassen

CONTENTS

MAINTENANCE ITEMS	1-12
MAINTENANCE ITEMS	1-4
SCHEDULED MAINTENANCE ITEMS	5-12
MAIN FRAME	13-44
MAIN FRAME	13
OPERATORS CAB	15
OPERATOR CAB	17-24
SEAT BAR	25-28
SEAT & SEAT BELT	29
PANELS	31-38
REAR DOOR	39
LIFT ARM & BOB-TACH	41
BOB-TACH	43
DRIVE TRAIN	45-56
DRIVE TRAIN	45
AXLE	47
MOTOR CARRIER	49-52
DISC BRAKE	53
TRANSMISSION COVERS	55
HYDRAULIC SYSTEM	57-94
HYDRAULIC CIRCUITRY	57-68
MANUAL LIFT RELEASE SYSTEM	69
AUXILIARY HYDRAULICS	71
TILT CYLINDER	73-80
LIFT CYLINDER	81
CONTROL PEDALS	83
CONTROL VALVE	85-92
MANUAL LIFT RELEASE VALVE	93
HIGH FLOW HYDRAULICS	95-98
HIGH FLOW HYDRAULICS	95-98
HYDROSTATIC SYSTEM	99-158
RADIATOR/COOLER ASSEMBLY	117
HAND CONTROLS	119-122
HYDROSTATIC MOTOR	123
HYDROSTATIC MOTOR & BRAKE	125-128
HYDROSTATIC PUMP/GEAR PUMP	129
HYDROSTATIC PUMP	131-152
GEAR PUMP	153
COOLING FAN MOTOR	155
2-SPEED VALVE	157
HYDROSTATIC CIRCUITRY	99-116
ELECTRICAL SYSTEM	159-204
CAB ELECTRICAL CIRCUITRY	159-164
ENGINE ELECTRICAL CIRCUITRY	165-176
CONNECTOR HARNESS ASSEMBLY	177
CONTROLS ELECTRICAL	179-200
ALTERNATOR	201
STARTER	203
POWER UNIT	205-280
COOLING SYSTEM	205-208
ENGINE & ATTACHING PARTS	209-220
ENGINE SPEED CONTROL	221-230

CONTENTS (Cont'd)

POWER UNIT

ENGINE & GASKET KITS	231
ENGINE UPPER GASKET KIT	233
ENGINE LOWER GASKET KIT	235
FRONT COVER	237
CRANKCASE	239
ROCKER ARM COVER	241
VALVE & ROCKER ARM	243
CYLINDER HEAD	245
OIL PAN	247
PISTON AND CRANKSHAFT	249-252
CAMSHAFT AND IDLE GEAR SHAFT	253
WATER PUMP & THERMOSTAT	255
MANIFOLDS	257
TURBOCHARGER	259
EGR VALVE	261
EGR COOLER	263
FUEL & INJECTION PUMP	265
INJECTION PUMP	267-270
GOVERNOR	271-274
INJECTION NOZZLES	275
INJECTION PIPE	277
AIR CLEANER	279

ACCESSORIES & OPTIONS 281-506

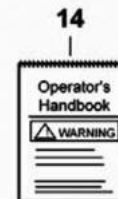
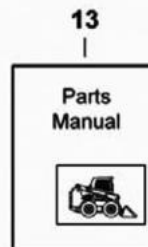
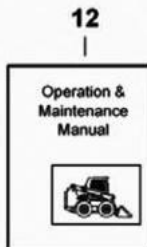
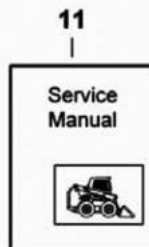
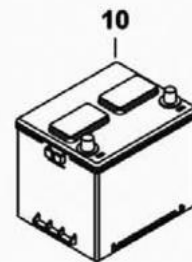
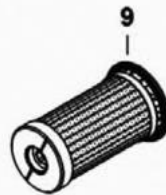
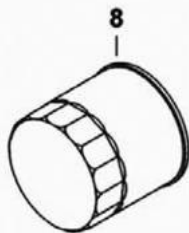
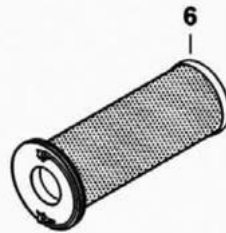
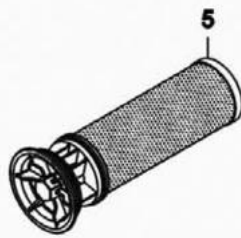
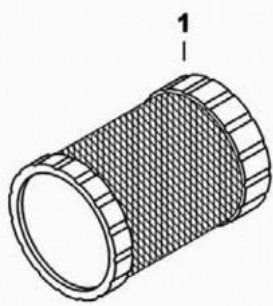
ACCESSORIES HARNESS KIT	281
ACS CONVERSION KIT	283
ASPIRATION HOSE KIT	285
BACK-UP ALARM KIT	287-290
BEACON	291
BLOCK HEATER	293
BUCKET POSITION VALVE KIT	295
BUCKET POSITION VALVE	297-300
BUMPER KIT	301
CAB DOOR	303-310
CAB SEAL KIT	311
CAB WINDOWS	313-316
COUNTERWEIGHT KIT	317-320
COUPLER GUARD KIT	321
CUP HOLDER KIT	323
DECALS	325-330
DELUXE HEADLINER KIT	331
DELUXE INTERIOR KIT	333
DELUXE PANEL KIT	335
ELECTRICAL CONTROLS KIT	337-340
EUROPEAN ACCESSORIES	341-348
FIRE EXTINGUISHER	349
FLASHER LIGHTS	351
F.O.P.S KIT	353
F.O.P.S WINDOW KIT	355
FUEL BOWL KIT	357
GAS SPRING KIT	359
HEATER & A/C	361-390

CONTENTS (Cont'd)

ACCESSORIES & OPTIONS

HORN KIT	391-394
HOSE GUIDE ASSY	395
HOSE GUIDE POST KIT	397
ISOLATOR MOUNT KIT	399
KEYLESS PANEL KIT	401
LIFT KIT	403-406
LIGHT GUARD KIT	407-410
MAINTENANCE PLATFORM KIT	411
MUFFLER/PURIFIER	413
MUFFLER GUARD KIT	415
PEDAL EXTENDERS	417
POWER BOB-TACH	419-434
RADIO KIT	435
REAR AUXILIARY	437-440
REAR AUXILIARY VALVE	441
REAR DOOR LOCK	443
REAR WIPER KIT	445
REMOTE CONTROL KIT	447
RESEALING KIT	449
SEAT BELT - 2"	451-454
SEAT BELT - 3"	455-458
SEAT BELT KIT - 3"	459
SEAT KIT	461
SEAT KIT - 80 mm	463
SEAT - 80 mm	465-468
SEAT	469-472
SOUND/NOISE REDUCTION KIT	473-484
SOUND/NOISE REDUCTION OPTION	485-488
SPRING DAMPER KIT	489
STEERING DAMPENER KIT	491
STROBE LIGHT	493
TIRES & RIMS	495-500
WEIGHT KIT	497
WHITE DECAL KIT	501
BULK ITEMS	503-506
NUMERICAL INDEX	508-566

MAINTENANCE ITEMS

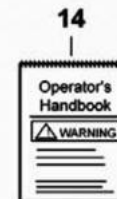
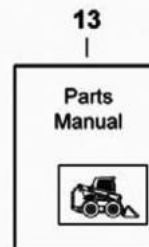
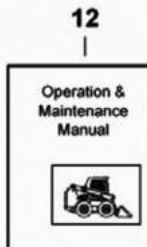
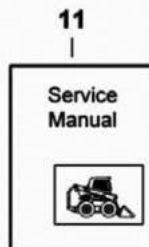
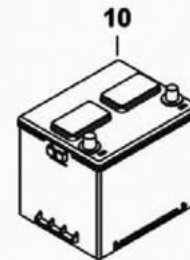
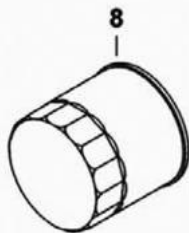
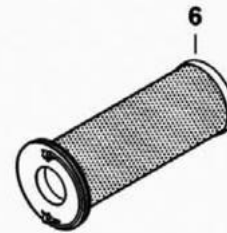
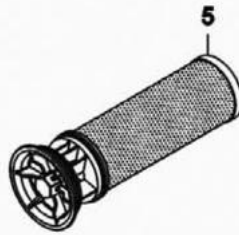
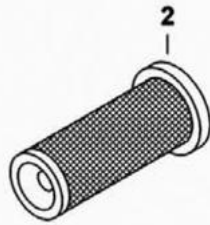
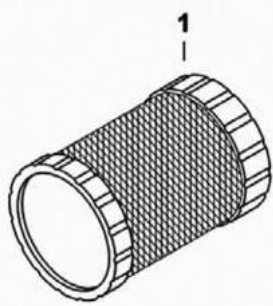


NA1265

MAINTENANCE ITEMS (Cont'd)

Ref No	Part Number	Description	Remarks	Serial Number	Qty
1	7008043	FILTER, AIR OUTER	See Illustration AIR CLEANER/ NA2170		1
2	7008044	FILTER, AIR INNER	See Illustration AIR CLEANER/ NA2170		1
3	6903117	FLUID, OIL HYD 2.5 GAL 2			x
3	6903118	FLUID, OIL HYD 5 GAL			x
3	6903119	FLUID, OIL HYD 55 GAL			x
4	6667352	FILTER, FUEL W/SEPERATOR 12	See Illustration ENGINE & ATTACHING PARTS/ NA1262		1
5	7002734	FILTER, OIL HYD TANK	See Illustration HYDROSTATIC CIRCUITRY/ NA1224		1
6	7012314	FILTER, OIL HYD ASSY	See Illustration HYDROSTATIC CIRCUITRY/ NA2653 - Also Order 7015308 seal		1
7	6903107	OIL, 10W30 QT. 12			x
7	6903105	OIL, 15W40 QT. 12			x
7	6903109	OIL 30W QT. 12			x
7	6903106	OIL, 15W40 GAL. 6			x
7	6903108	OIL, 10W30 GAL. 6			x
7	6903110	OIL, 30W GAL. 6			x
7	6903112	OIL, 10W30 2.5 GAL 2			x
7	6903113	OIL, 15W40 2.5 GAL. 2			x
7	6903111	OIL 30W 2.5 GAL 2			x
8	6678233	FILTER, OIL ENG 12	See Illustration EGR COOLER/ B27843		x
9	6692337	FILTER, HYD CARTRIDGE	See Illustration COOLING FAN MOTOR/ MS2514		x
10	6674687	BATTERY, DRY 600 AMP	See Illustration ENGINE ELECTRICAL CIRCUITRY/ NA2163		1
10	6665427	BATTERY, DRY 950 AMP	See Illustration ENGINE ELECTRICAL CIRCUITRY/ NA2163		x
11	6987160	MANUAL SERVICE S630 LOADER	printed		1
11	6987160-CD	MANUAL SERVICE S630 LOADER CD			1
12	6987159	MANUAL OPERATION S630 LOADER	printed		1
12	6987159-CD	MANUAL OPERATION S630 LOADER CD			1
13	6987161	MANUAL PARTS S630 LOADER	printed		1
13	6987161-CD	MANUAL PARTS			1

MAINTENANCE ITEMS (Cont'd)

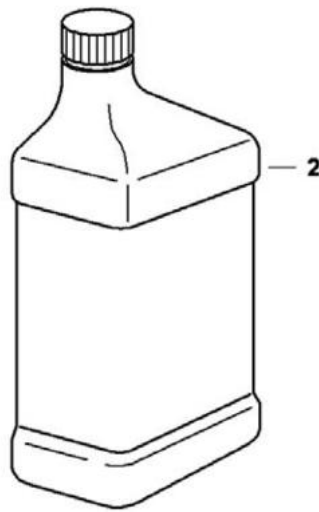
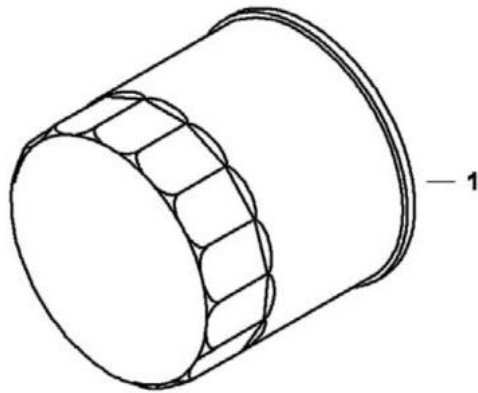


NA1265

MAINTENANCE ITEMS (Cont'd)

Ref No	Part Number	Description	Remarks	Serial Number	Qty
		S630 LOADER- CD			
14	6987174	HANDBOOK, OPERATOR'S	W/wire rope		1

**SCHEDULED MAINTENANCE ITEMS
(50 Hour)**

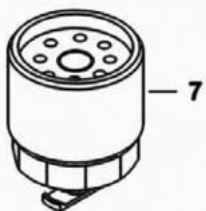
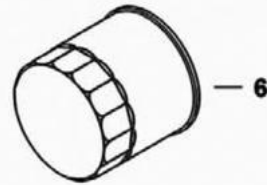
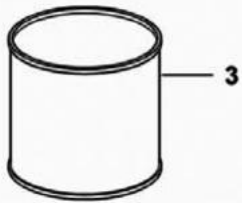
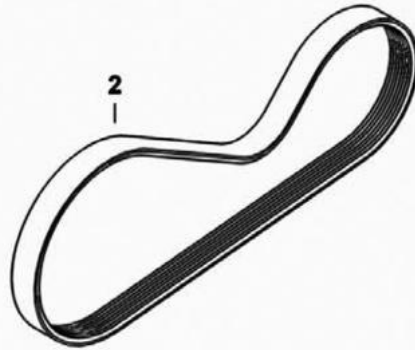
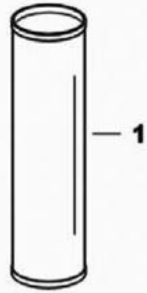


NA1341

**SCHEDULED MAINTENANCE ITEMS (Cont'd)
(50 Hour)**

Ref No	Part Number	Description	Remarks	Serial Number	Qty
1	6678233	FILTER, OIL ENG 12	See Illustration EGR COOLER/ B27843		1
2	6903107	OIL, 10W30 QT. 12			x
2	6903105	OIL, 15W40 QT. 12			x
2	6903109	OIL 30W QT. 12			x
2	6903106	OIL, 15W40 GAL. 6			x
2	6903108	OIL, 10W30 GAL. 6			x
2	6903110	OIL, 30W GAL. 6			x
2	6903112	OIL, 10W30 2.5 GAL 2			x
2	6903111	OIL 30W 2.5 GAL 2			x
2	6903113	OIL, 15W40 2.5 GAL. 2			x

SCHEDULED MAINTENANCE ITEMS (250 Hours)

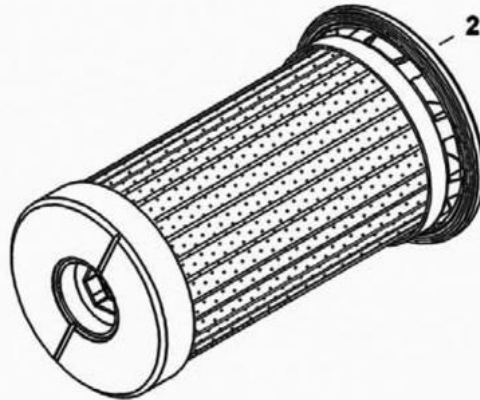


NA1342

SCHEDULED MAINTENANCE ITEMS (Cont'd)
(250 Hours)

Ref No	Part Number	Description	Remarks	Serial Number	Qty
1	6903122	GREASE, MULTI PURPOSE #2 - 10			x
2	7188792	BELT, DRIVE	See Illustration ENGINE & ATTACHING PARTS/ NA1278 eng/hydrostatic - Was 7147859 [A]		x
3	6903121	LUBE, GEAR 12			x
4	7142000	BELT, ALT	See Illustration ENGINE & ATTACHING PARTS/ NA1279		x
5	6903107	OIL, 10W30 QT. 12			x
5	6903105	OIL, 15W40 QT. 12			x
5	6903109	OIL 30W QT. 12			x
5	6903106	OIL, 15W40 GAL. 6			x
5	6903108	OIL, 10W30 GAL. 6			x
5	6903110	OIL, 30W GAL. 6			x
5	6903112	OIL, 10W30 2.5 GAL 2			x
5	6903113	OIL, 15W40 2.5 GAL. 2			x
5	6903111	OIL 30W 2.5 GAL 2			x
6	6678233	FILTER, OIL ENG 12	See Illustration EGR COOLER/ B27843		x
7	6667352	FILTER, FUEL W/SEPERATOR 12	See Illustration ENGINE & ATTACHING PARTS/ NA1262		1

SCHEDULED MAINTENANCE ITEMS (500 Hours)

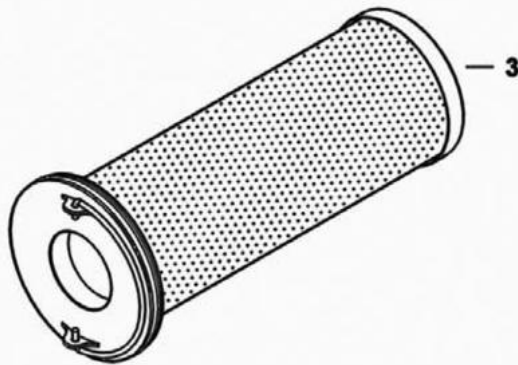
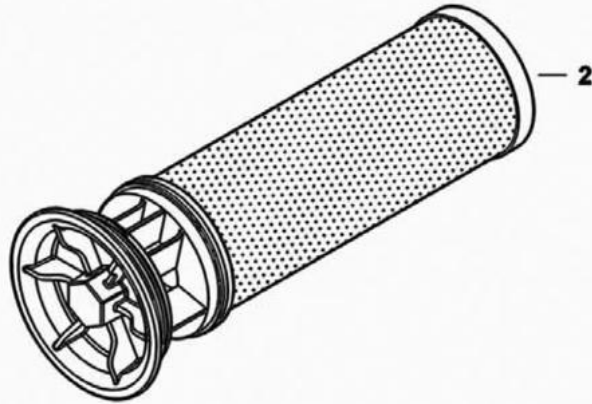
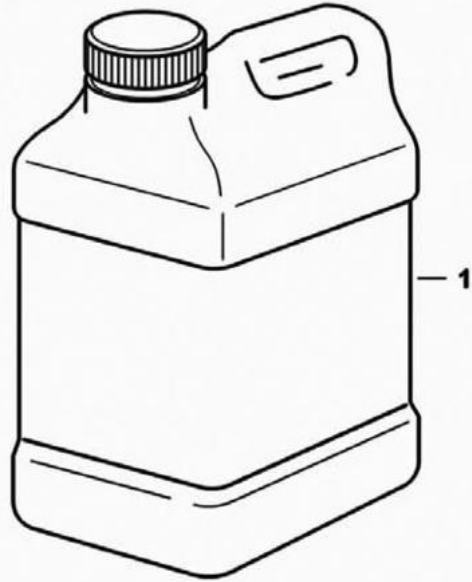


NA1343

SCHEDULED MAINTENANCE ITEMS (Cont'd)
(500 Hours)

Ref No	Part Number	Description	Remarks	Serial Number	Qty
1	6727475	CAP, OIL HYD	See Illustration HYDROSTATIC CIRCUITRY/ NA1224		1
2	6692337	FILTER, HYD CARTRIDGE	See Illustration COOLING FAN MOTOR/ MS2514 - charge		1

SCHEDULED MAINTENANCE ITEMS (1000 Hour)

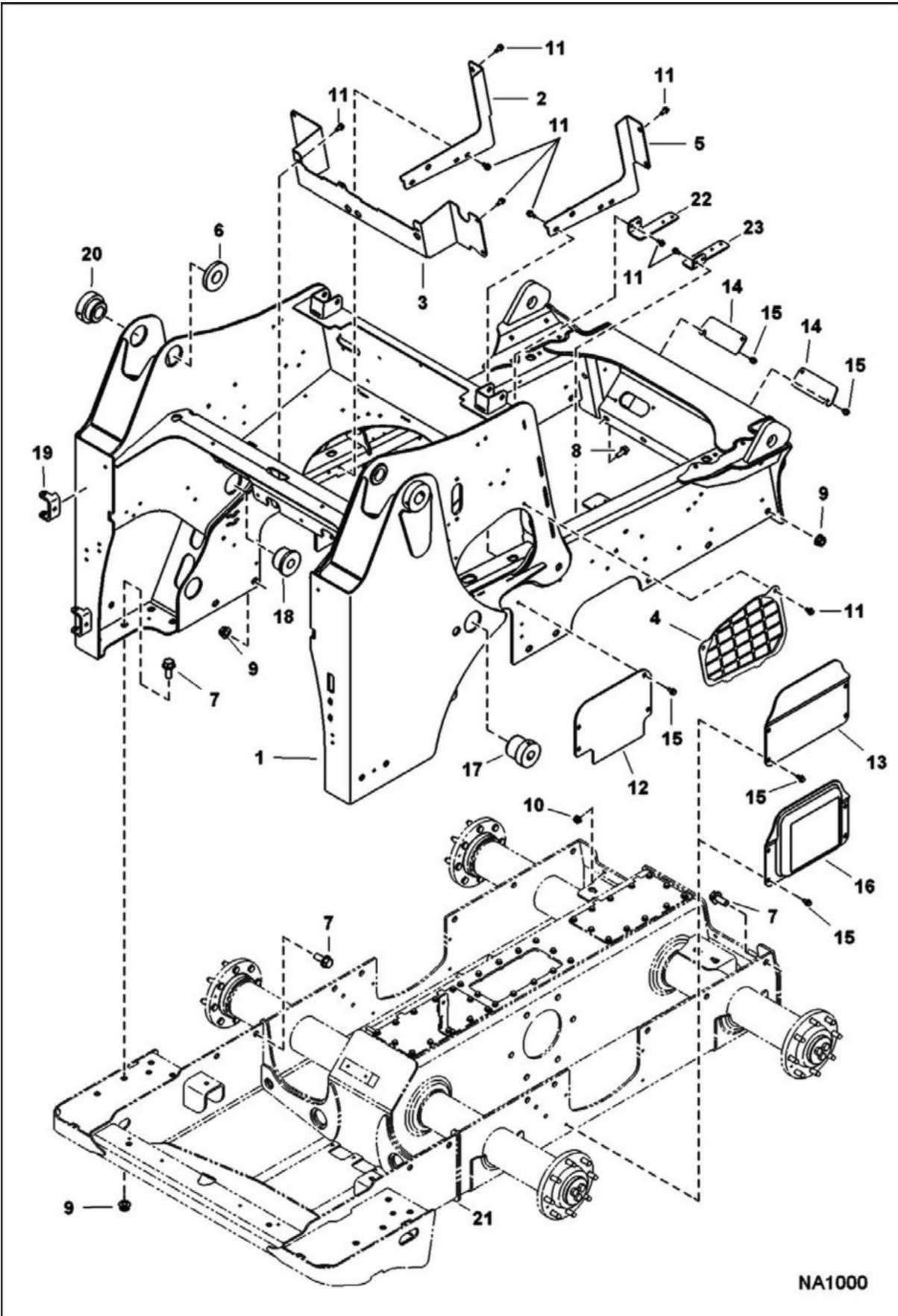


NA1344

SCHEDULED MAINTENANCE ITEMS (Cont'd)
(1000 Hour)

Ref No	Part Number	Description	Remarks	Serial Number	Qty
1	6903117	FLUID, OIL HYD 2.5 GAL 2			x
1	6903118	FLUID, OIL HYD 5 GAL			x
1	6903119	FLUID, OIL HYD 55 GAL			x
2	7002734	FILTER, OIL HYD TANK	See Illustration HYDROSTATIC CIRCUITRY/ NA1224		1
3	7012314	FILTER, OIL HYD ASSY	See Illustration HYDROSTATIC CIRCUITRY/ NA2653 - Also Order 7015308 seal		1

MAIN FRAME

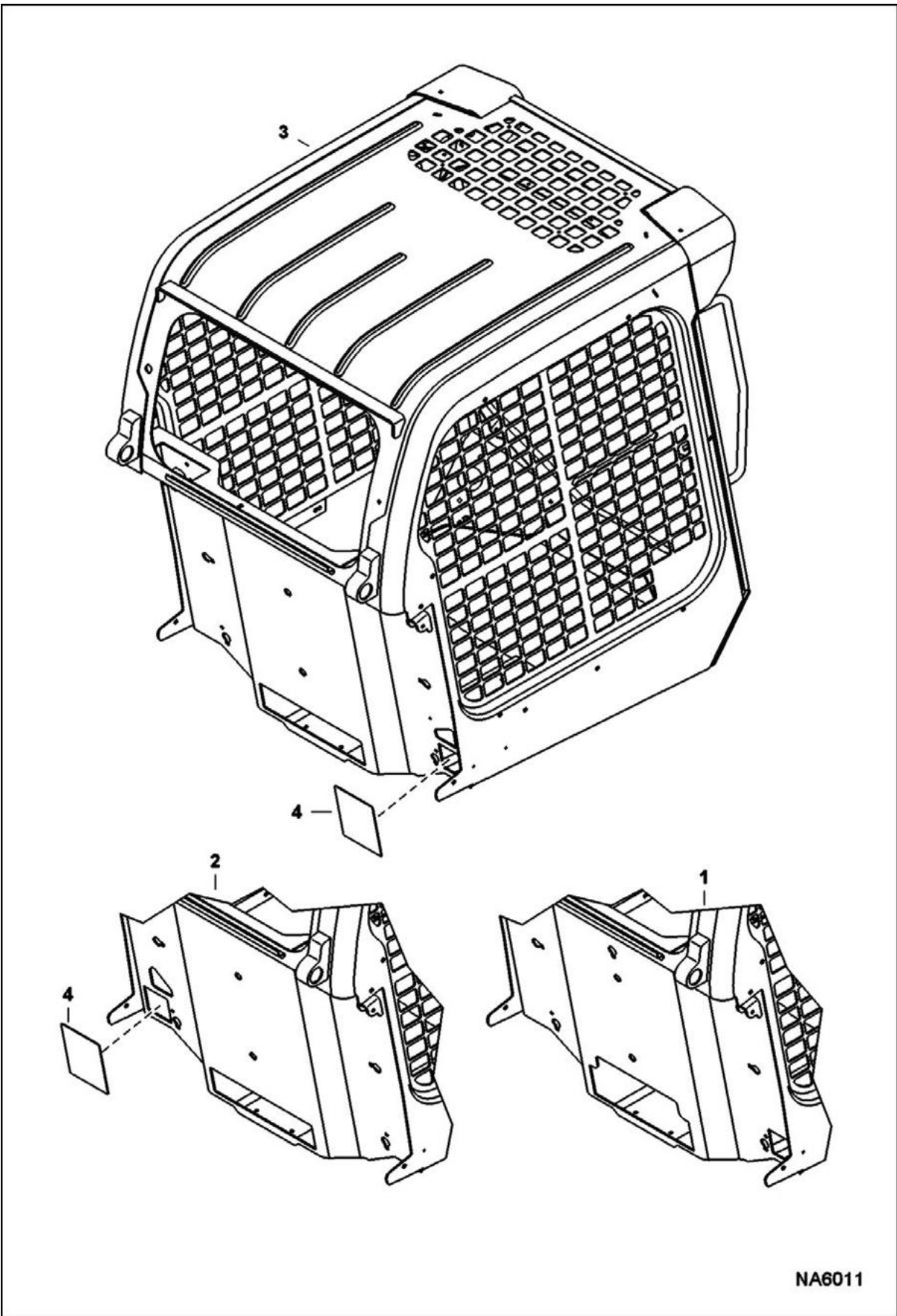


NA1000

MAIN FRAME (Cont'd)

Ref No	Part Number	Description	Remarks	Serial Number	Qty
1	7133450	MAIN FRAME		A3NT11001 - 11547	1
1	7133450	MAIN FRAME		A3NU11001 - 11003	1
1	7190082	MAIN FRAME		A3NT11548 & Above	1
1	7190082	MAIN FRAME		A3NU11104 & Above	1
2	7147354	PANEL			1
3	7151540	PANEL, CROSSMEMBER			1
4	7174997	LOUVER, RH			1
4	7174998	LOUVER, LH			1
5	7161793	PANEL			1
6	7134831	BUSHING	inside upright weld-on		2
7	31C1228	BOLT			22
8	31C820	BOLT			4
9	53D12	NUT			20
10	83D8	NUT 5			4
11	84G3712	BOLT			20
12	7174054	COVER	single speed - Was 7136971 [B]		2
13	7136973	COVER			2
14	7159532	COVER			2
15	84G3712	BOLT			23
16	7139459	COVER	2-speed		2
17	7134832	BUSHING	outside upright		2
18	6730785	BUSHING	inside upright		2
19	6708987	HINGE, WELD-ON			2
20	7134830	BUSHING	outside upright		2
21		CHAINCASE	See Illustration DRIVE TRAIN/ NA1008		1
22	7202799	BRACKET, SUPPORT			1
23	7202800	BRACKET, SUPPORT			1

OPERATORS CAB (Cab Replacement)

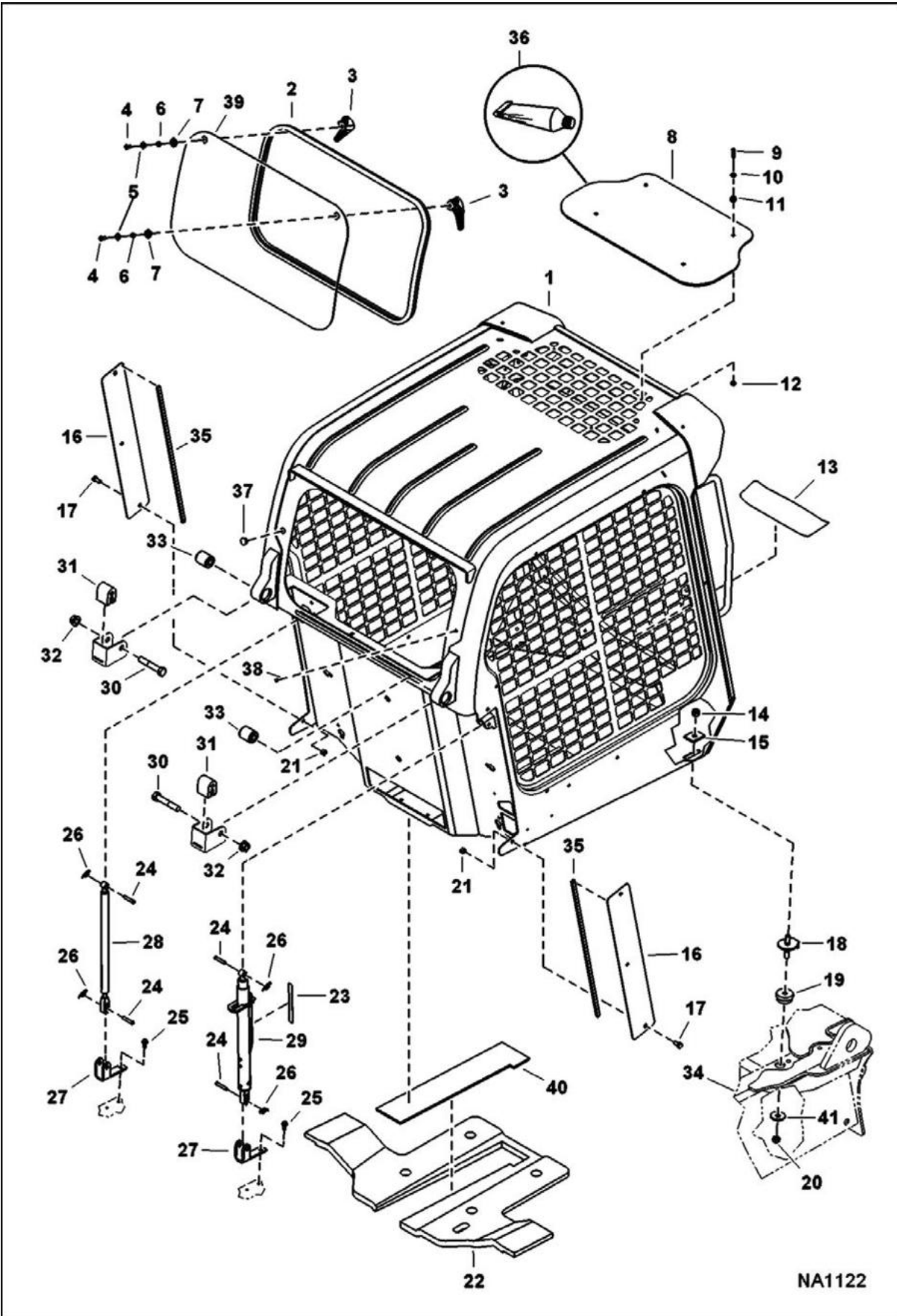


NA6011

OPERATORS CAB (Cont'd)
(Cab Replacement)

Ref No	Part Number	Description	Remarks	Serial Number	Qty
1		CAB, ASSY	NAP - does not include cab decals - Order Ref. 3 - If loader is equipped W/metal housing heater Also Order 7128484 heater kit, 7203233 jumper & 7203234 jumper - Was 7116111 [A]	A3NT11001 - 12369	1
1		CAB, ASSY	NAP - does not include cab decals - Order Ref. 3 - If loader is equipped W/metal housing heater Also Order 7128484 heater kit, 7203233 jumper & 7203234 jumper - Was 7116111 [A]	A3NU11001 - 11111	1
2		CAB, ASSY	NAP - does not include cab decals - Order Ref. 3 - Was 7116111 [A]	A3NT12370 - 12375	1
2		CAB, ASSY	NAP - does not include cab decals - Order Ref. 3 - Was 7116111 [A]	A3NU 11112	1
3	7116111	CAB, ASSY	does not include cab decals	A3NU11113 & Above	1
3	7116111	CAB, ASSY	does not include cab decals	A3NT12376 & Above	1
4	7197972	COVER			1

OPERATOR CAB (Gas Spring)

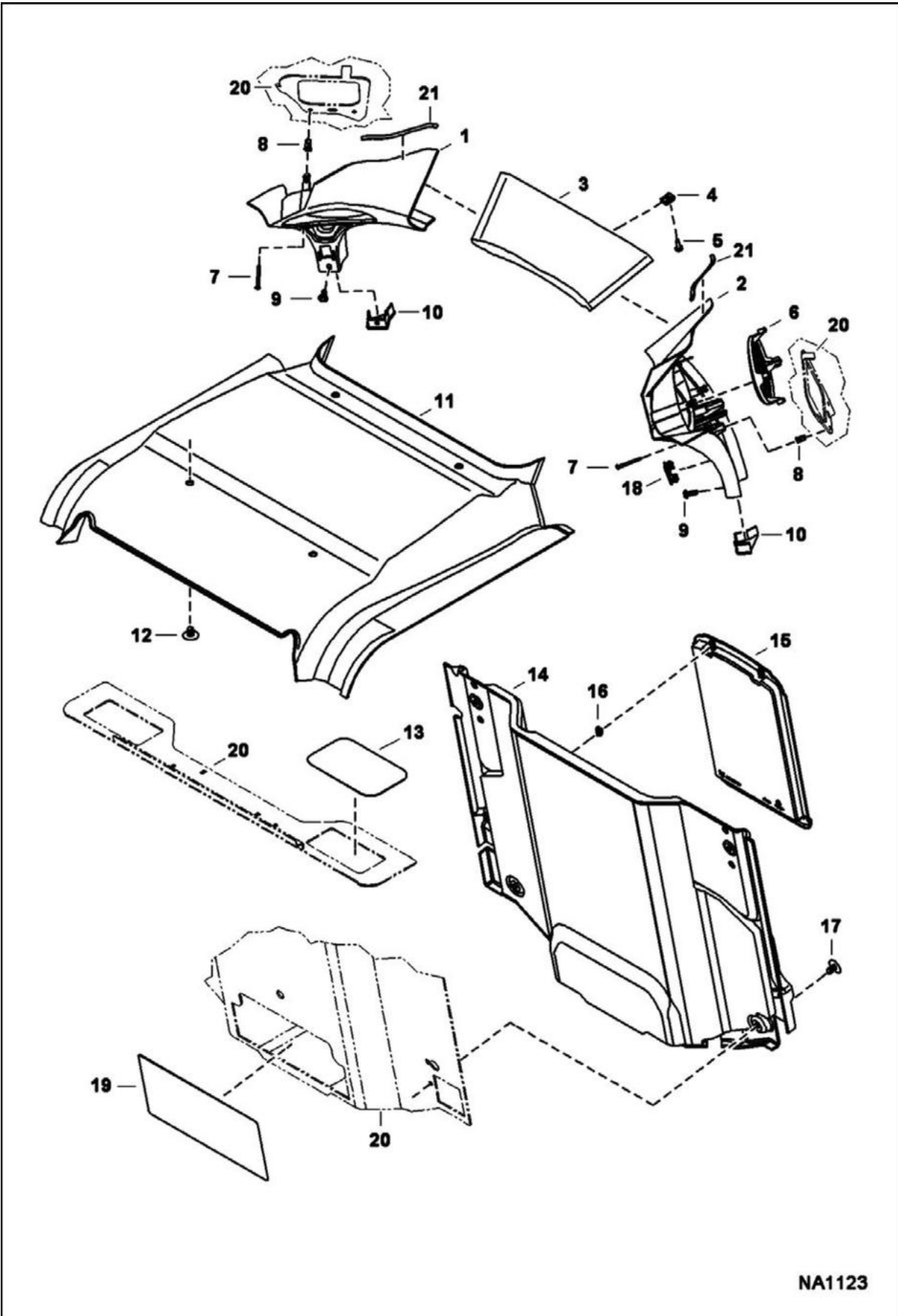


NA1122

OPERATOR CAB (Cont'd)
(Gas Spring)

Ref No	Part Number	Description	Remarks	Serial Number	Qty
1		CAB, ASSY	See Illustration OPERATORS CAB/ NA6011		1
2	7163988	SEAL, WINDOW REAR			1
3	7150152	LATCH, WINDOW RIGHT			1
3	7150151	LATCH, WINDOW LEFT			1
4	53C512	SCREW			2
5	25E14	WSHR			2
6	6802539	SPACER			2
7	7121425	BUSHING			2
8	7120411	WINDOW			1
9	53C416	SCREW			4
10	25E13	WASHER 5			4
11	6675545	GROMMET			4
12	55D4	NUT			4
13	7169747	TREAD, SAFETY			1
14	59D8	NUT 5			2
15	6553709	WASHER	rectangular		2
16	7166544	COVER, HVAC			2
17	17C612	BOLT 5	Was 31C612 [B]		4
18	6702971	BOLT			2
19	6560633	DAMPENER			2
20	85D8	NUT, 5			2
21	61D6	NUT 5			4
22	7176603	INSULATION, PANEL SEAT			1
23	7169877	DECAL	push		1
24	6567743	PIN			4
25	84G3712	BOLT			4
26	6631418	PIN			4
27	7144859	MOUNT, GAS SPRING			2
28	7167437	SPRING, GAS STD	LH - Also Order 7169291 decal		1
29	7144862	SPRING	RH - W/lock		1
30	17C1056	BOLT			2
31	6579613	STOP			2
32	53D10	NUT			2
33	6562602	BUSHING			2
34		MAIN FRAME	See Illustration MAIN FRAME/ NA1000		1
35	7182796	SEAL, FOAM			2
36	7171167	SEALANT, GASKET LIQUID	apply .39" bead of sealant to top window .50" from the edge of top window		1
37	6657719	PLUG	0.75" dia hole		1
38	7188745	PLUG	radio - Was 7174012 [A]		1
39	7138973	WINDOW, REAR			1
40	7174787	INSULATION, PAN SEAT			1
41	6515817	WASHER			2

OPERATOR CAB (Cab Interior) (Standard)

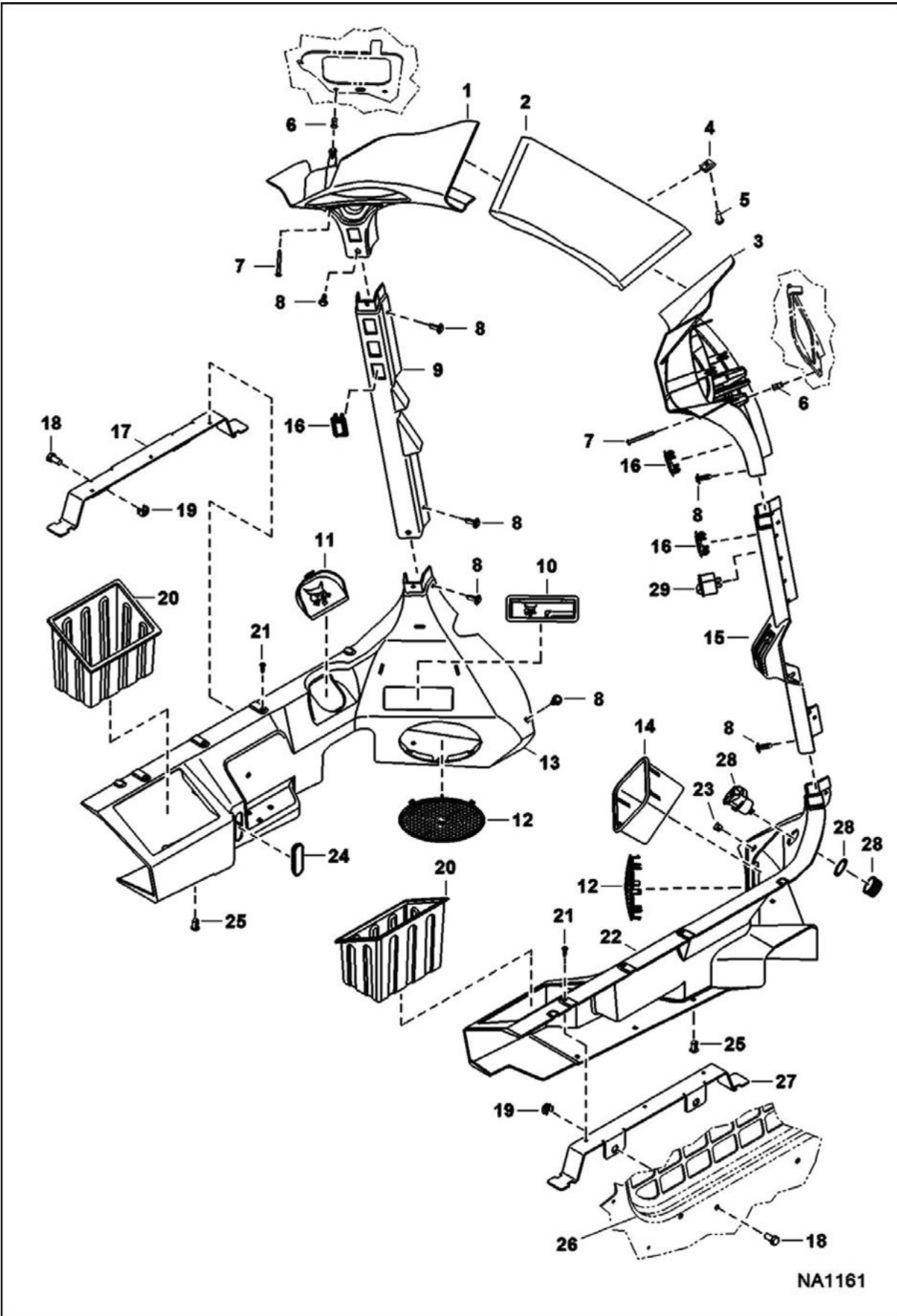


NA1123

**OPERATOR CAB (Cont'd)
(Cab Interior) (Standard)**

Ref No	Part Number	Description	Remarks	Serial Number	Qty
1	7155792	PANEL, LH			1
2	7155791	PANEL, RH			1
3	7155788	PANEL, CENTER			1
4	7142762	CLIP			2
5	6669224	BOLT			2
6	7002985	INSERT, BLANK	W/Bobcat head - if loader is equipped W/SJC & text decals, Also Order Ref. 2 & 7168114 decal - if loader is equipped W/SJC & no text decals, Also Order Ref. 2 & 7177707 decal		1
7	7165799	SCREW			4
8	6675033	INSERT			4
9	7160382	RIVET, BIRD CAGE			2
10	7165037	CAP, INST PANEL RH			1
10	7165038	CAP, INST PANEL LH			1
11	7155786	HEADLINER,STD			1
12	6674895	RETAINER			4
13	7168610	COVER			1
14	7176134	PANEL, CAB INTERIOR			1
15	6725301	OP MANUAL COVER			1
16	6675524	CLIP			2
17	6674895	RETAINER			4
18	6665314	PLUG			1
19	7178954	COVER, HVAC			1
20		CAB ASSY	See Illustration OPERATOR CAB/ NA1122		1
21	7187104	SEAL			2

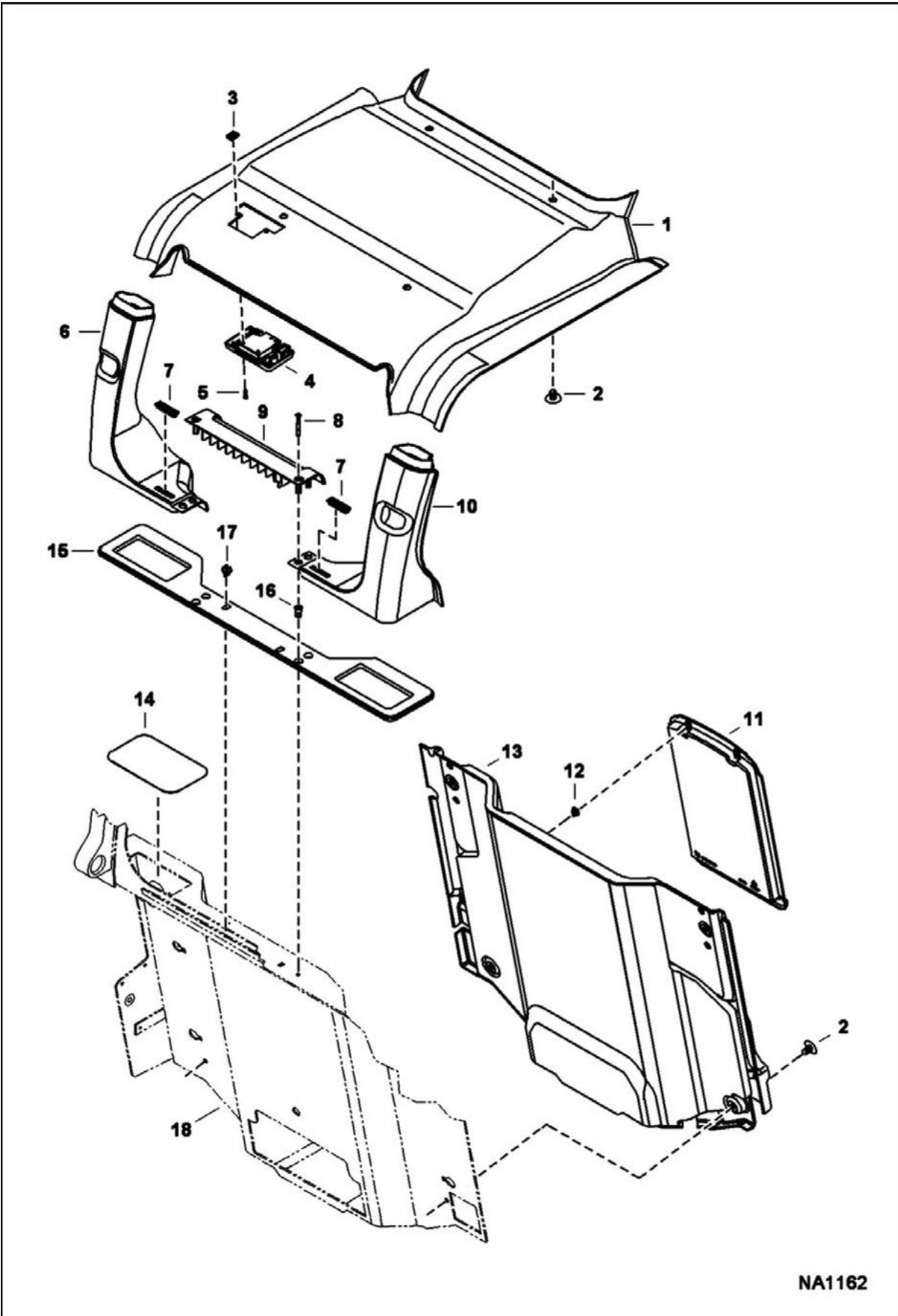
OPERATOR CAB (Cab Interior) (Deluxe)



OPERATOR CAB (Cont'd)
(Cab Interior) (Deluxe)

Ref No	Part Number	Description	Remarks	Serial Number	Qty
1	7155792	PANEL, LH			1
2	7155788	PANEL, CENTER			1
3	7155791	PANEL, RH			1
4	7142762	CLIP			6
5	6669224	BOLT			6
6	6675033	INSERT			4
7	7165799	SCREW			4
8	7160382	RIVET, BIRD CAGE			8
9	7164348	COLUMN, FRONT LEFT			1
10	7165344	STORAGE			1
11	7165345	DOOR, COVER			1
12	7161939	GRILL			2
13	7155643	FENDER, PANEL L.H.			1
14	7154285	BOX, STORAGE			1
15	7164347	COLUMN, FRONT RIGHT			1
16	6665314	PLUG			6
17	7116118	BRACKET			1
18	17C612	BOLT 5			4
19	7149204	NUT			4
20	7145268	CONTAINER, STORAGE			2
21	7160381	RIVET, BIRD CAGE			6
22	7155642	FENDER, PANEL RH			1
23	7182942	PLUG	Was 7162771 [A]		1
24	7165346	DOOR, COVER			1
25	7160383	RIVET, BIRD CAGE			10
26		CAB ASSY	See Illustration OPERATOR CAB/ NA1122		1
27	7127976	BRACKET			1
28	7001664	PLUG, POWER			1
28		WASHER	NSS		1
28		NUT	plastic - NSS		1
29	6668742	SWITCH	EMEA		1

OPERATOR CAB (Cab Interior) (Deluxe) (Headliner)

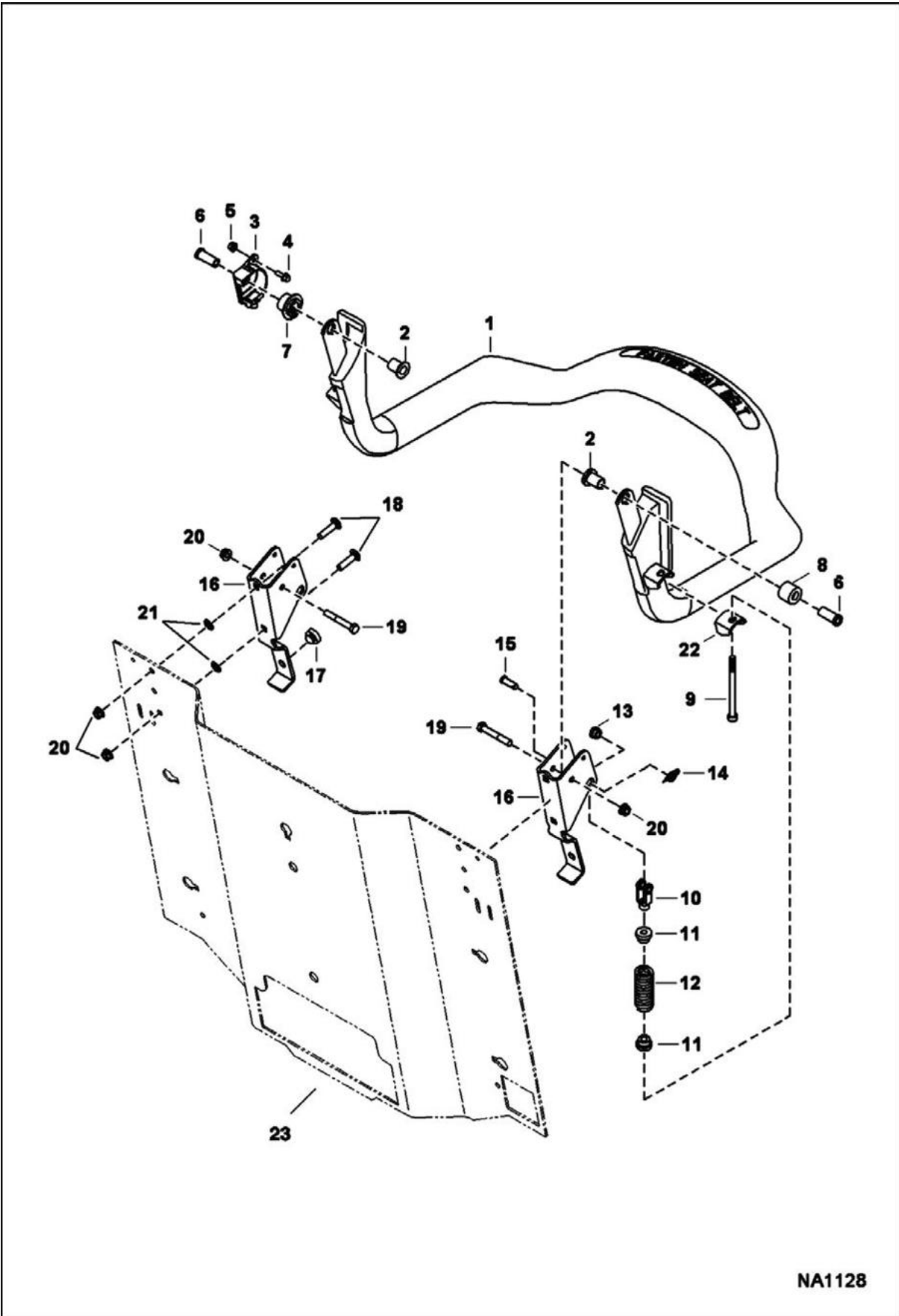


NA1162

OPERATOR CAB (Cont'd)
(Cab Interior) (Deluxe) (Headliner)

Ref No	Part Number	Description	Remarks	Serial Number	Qty
1	7155798	HEADLINER, DLX			1
2	6674895	RETAINER			8
3	7142762	CLIP			2
4	7155797	LIGHT			1
5	7170114	SCREW			2
6	100334SUB	DUCT, AIR	LH - W/Ref. 7 - Was 7165331 [A]		1
7	7145885	VENT, DEFROST			2
8	7165799	SCREW			2
9	7165332	SHELF, REAR			1
10	100333SUB	DUCT, AIR	RH - W/Ref. 7 - Was 7165330 [A]		1
11	6725301	OP MANUAL COVER			1
12	6675524	CLIP			2
13	7176133	PANEL, CAB INTERIOR			1
14	7168610	COVER			2
15	7153832	SEAL, SHELF REAR			1
16	6675033	INSERT			2
17	7165333	CLIP			2
18		CAB ASSY	See Illustration OPERATOR CAB/ NA1122		1

SEAT BAR (Manual Controls)

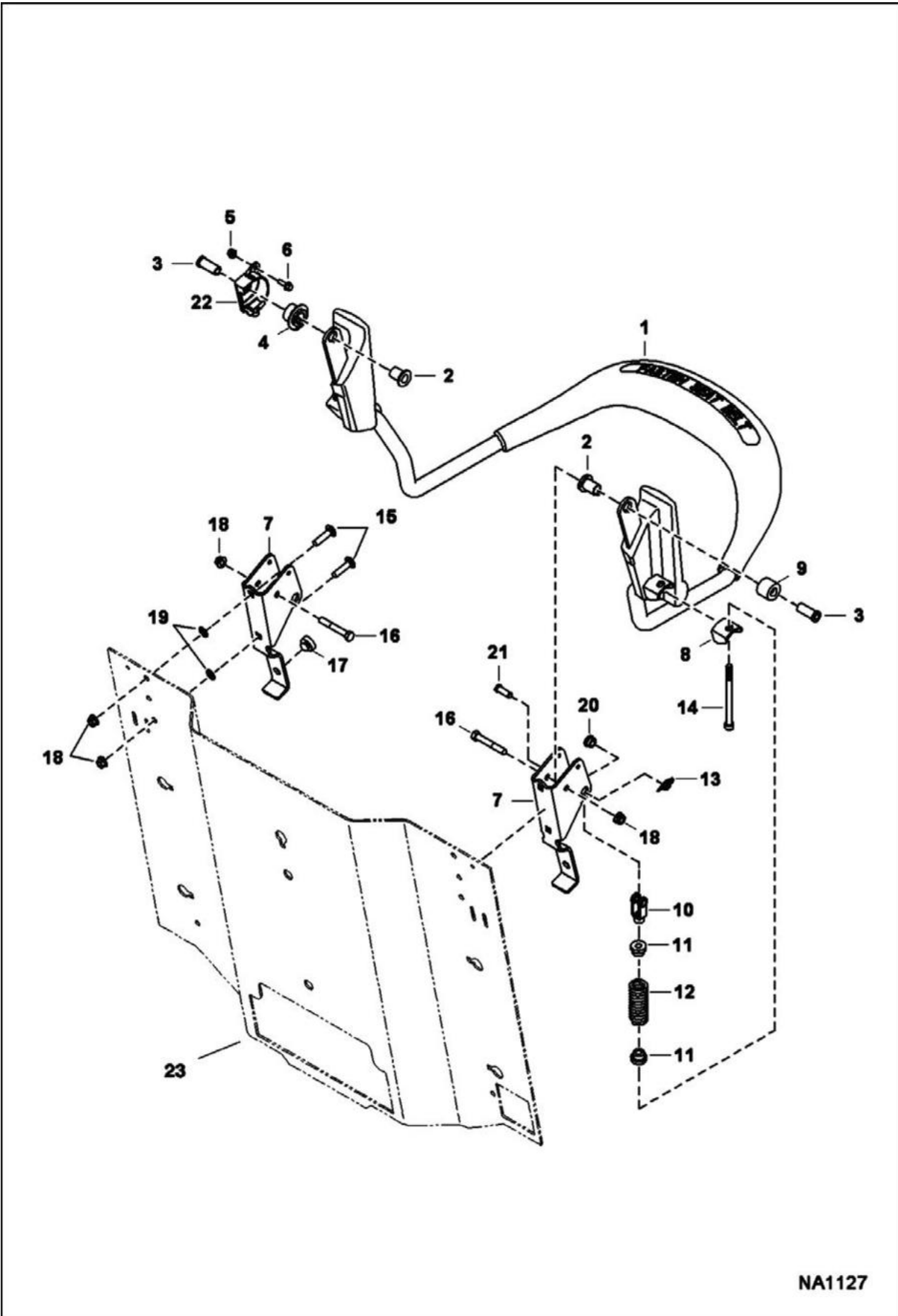


NA1128

**SEAT BAR (Cont'd)
(Manual Controls)**

Ref No	Part Number	Description	Remarks	Serial Number	Qty
1	7143971	SEATBAR			1
2	6680441	BUSHING			2
3	6691714	SENSOR, SEATBAR BICS			1
4	35C412	BOLT			1
5	83D4	NUT 10			1
6	6715865	BUSHING			2
7	6680443	BUSHING, MAGNET			1
8	6715866	BUSHING			1
9	6713887	BOLT			2
10	6713589	CLEVIS			2
11	6710659	BUSHING			4
12	6701535	SPRING			2
13	6715864	BUSHING			2
14	6631418	PIN			2
15	4F6106	PIN			2
16	7157719	BRACKET			2
17	6519178	BUMPER			2
18	10C624	BOLT			4
19	17C640	BOLT 5			2
20	53D6	NUT			6
21	6674894	NUT			4
22		MOUNT	NAP - Order Ref. 1		1

SEAT BAR (Selectable Joystick Controls)

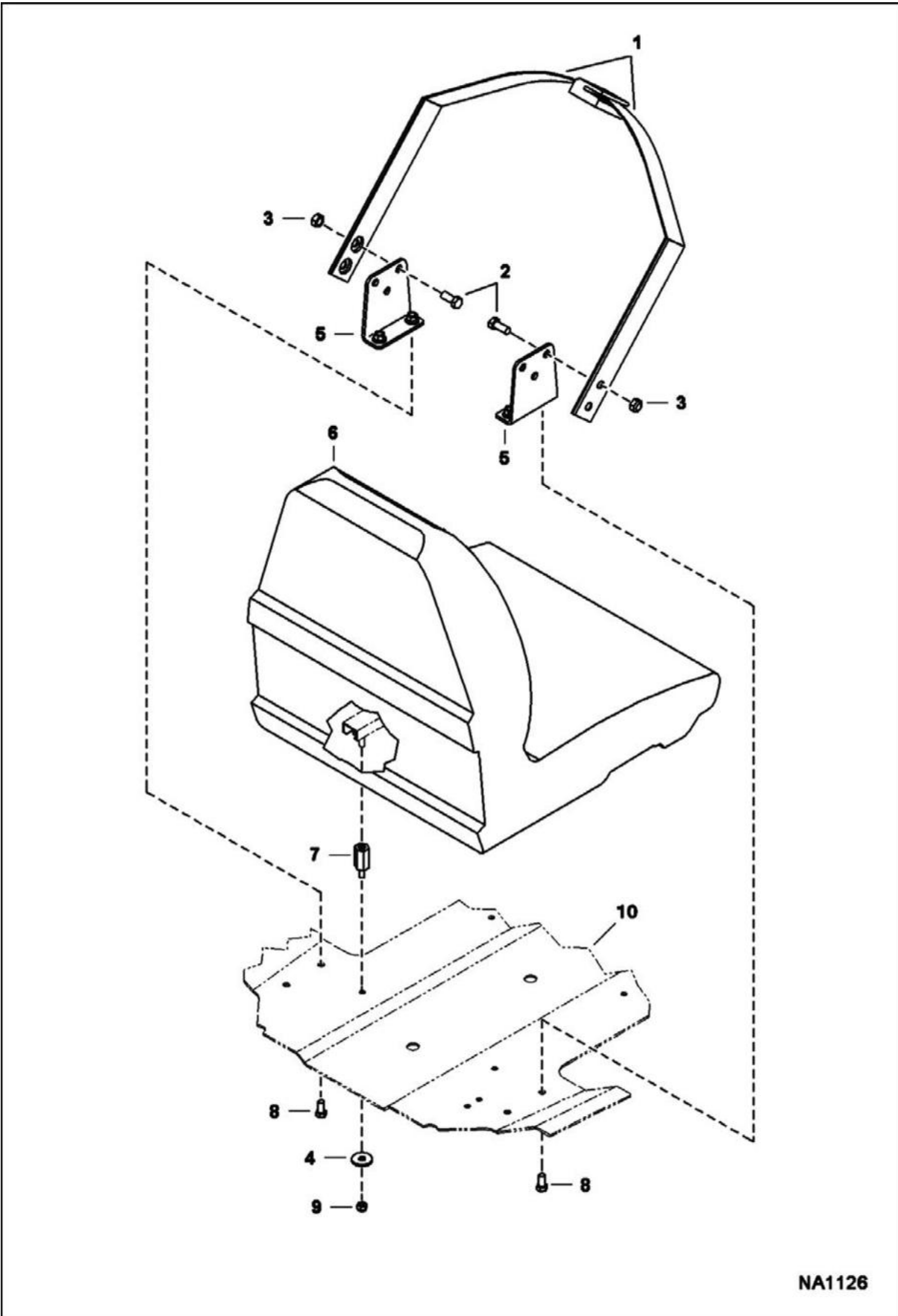


NA1127

SEAT BAR (Cont'd)
(Selectable Joystick Controls)

Ref No	Part Number	Description	Remarks	Serial Number	Qty
1	7203389	SEAT BAR	SJC - Was 7153408 [A]		1
2	6680441	BUSHING			2
3	6715865	BUSHING			2
4	6680443	BUSHING, MAGNET			1
5	35C412	BOLT			1
6	83D4	NUT 10			1
7	7157719	BRACKET			2
8		MOUNT	NAP - Order Ref. 1		1
9	6715866	BUSHING			1
10	6713589	CLEVIS			2
11	6710659	BUSHING			4
12	6701535	SPRING			2
13	6631418	PIN			2
14	6713887	BOLT			2
15	10C624	BOLT			4
16	17C640	BOLT 5			2
17	6519178	BUMPER			2
18	53D6	NUT			6
19	6674894	NUT			4
20	6715864	BUSHING			2
21	4F6106	PIN			2
22	6691714	SENSOR, SEATBAR BICS			1
23		CAB ASSY	See Illustration OPERATOR CAB/ NA1122		1

SEAT & SEAT BELT

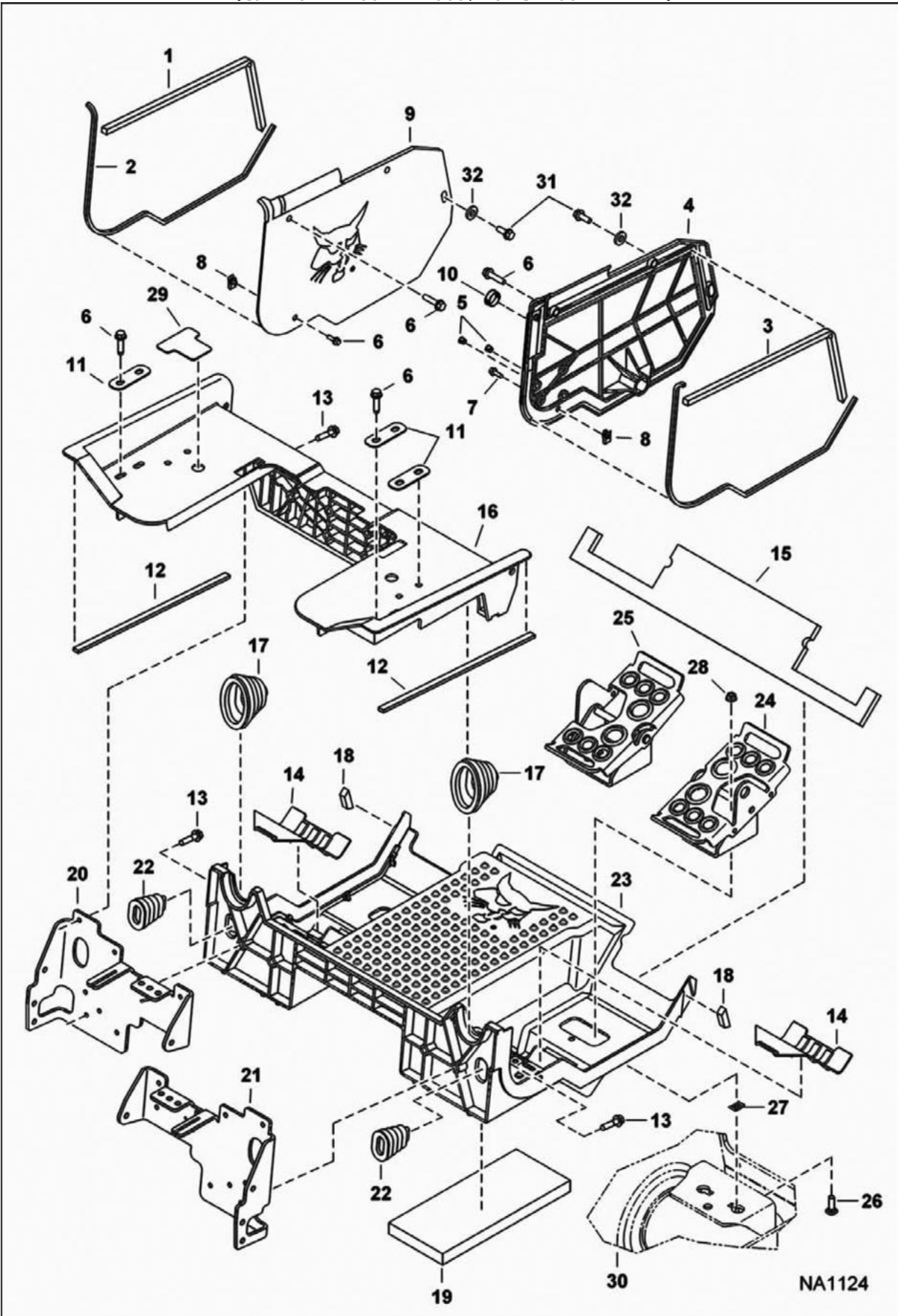


NA1126

SEAT & SEAT BELT (Cont'd)

Ref No	Part Number	Description	Remarks	Serial Number	Qty
1	6725403	SEAT BELT	lap		1
2	1C716	SCREW HEX CAP			2
3	85D7	NUT			4
4	619021	WASHER, 5			4
5	7173159	BRACKET, BELT SEAT			2
6	6669135	SEAT, OPERATOR VINYL			1
7	7170337	STAND, SEAT			4
8	43C612	BOLT			4
9	59D5	NUT 5			4
10		CAB ASSY	See Illustration OPERATOR CAB/ NA1122		1

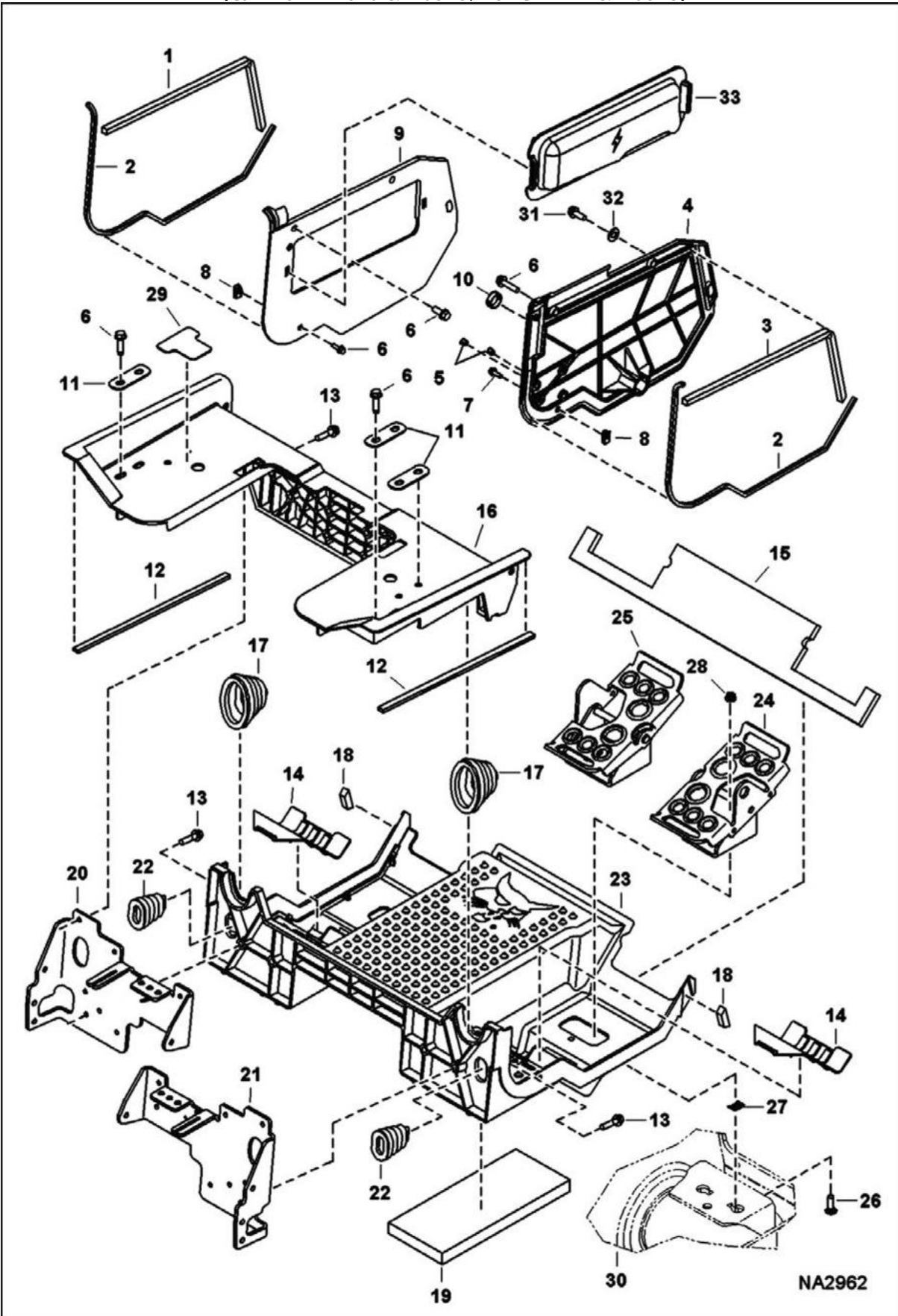
PANELS
(Floor Pan) (Manual Controls, AHC & ACS)
(S/N A3NT11001 - 12369, A3NU11001 - 11111)



PANELS (Cont'd)
(Floor Pan) (Manual Controls, AHC & ACS)
(S/N A3NT11001 - 12369. A3NU11001 - 11111)

Ref No	Part Number	Description	Remarks	Serial Number	Qty
1	7166197	FOAM, PANEL	LH		1
2	7166199	FOAM, EDGE			2
3	7166198	FOAM, PANEL	RH		1
4	7180032	PANEL, RH	Was 7156919 [A]		1
5	5289686	PLUG	black - 0.38" dia hole		2
6	84G3716	SCREW 5			8
7	35C412	BOLT			2
8	7160765	NUT			2
9	7180031	PANEL, LH	Was 7156920 [A]		1
10	7166315	PLUG			1
11	7167118	PLATE, WASHER			3
12	7166196	FOAM, PANEL			2
13	84G3724	BOLT			4
14	7164345	COVER, PAN FLOOR			2
15	7163132	FOAM, FRONT			1
16		PANEL, STEERING	NAP - Order 7185169 panel steering & Ref. 29 - Was 7180037 [A]		1
16	7185169	PANEL, STEERING			1
17	7147815	BOOT			2
18	7166200	FOAM, PAN FLOOR			2
19	7166195	PAD, PAN FLOOR			1
20	7176118	MOUNT			1
21	7176117	MOUNT			1
22	7153503	BOOT			2
23	7156916	PAN, FLOOR			1
24		PEDAL ASSEMBLY	See Illustration CONTROL PEDALS/ NA1261 RH		1
25		PEDAL ASSEMBLY	See Illustration CONTROL PEDALS/ NA1261 LH		1
26	37C620	BOLT			4
27	6684033	NUT			4
28	57D6	NUT 5			4
29	7185170	COVER	Use W/Ref. 16 (7185169 panel)		1
30		CHAINCASE	See Illustration DRIVE TRAIN/ NA1008		1
31	84G3720	BOLT			2
32	25E18	WASHER			2

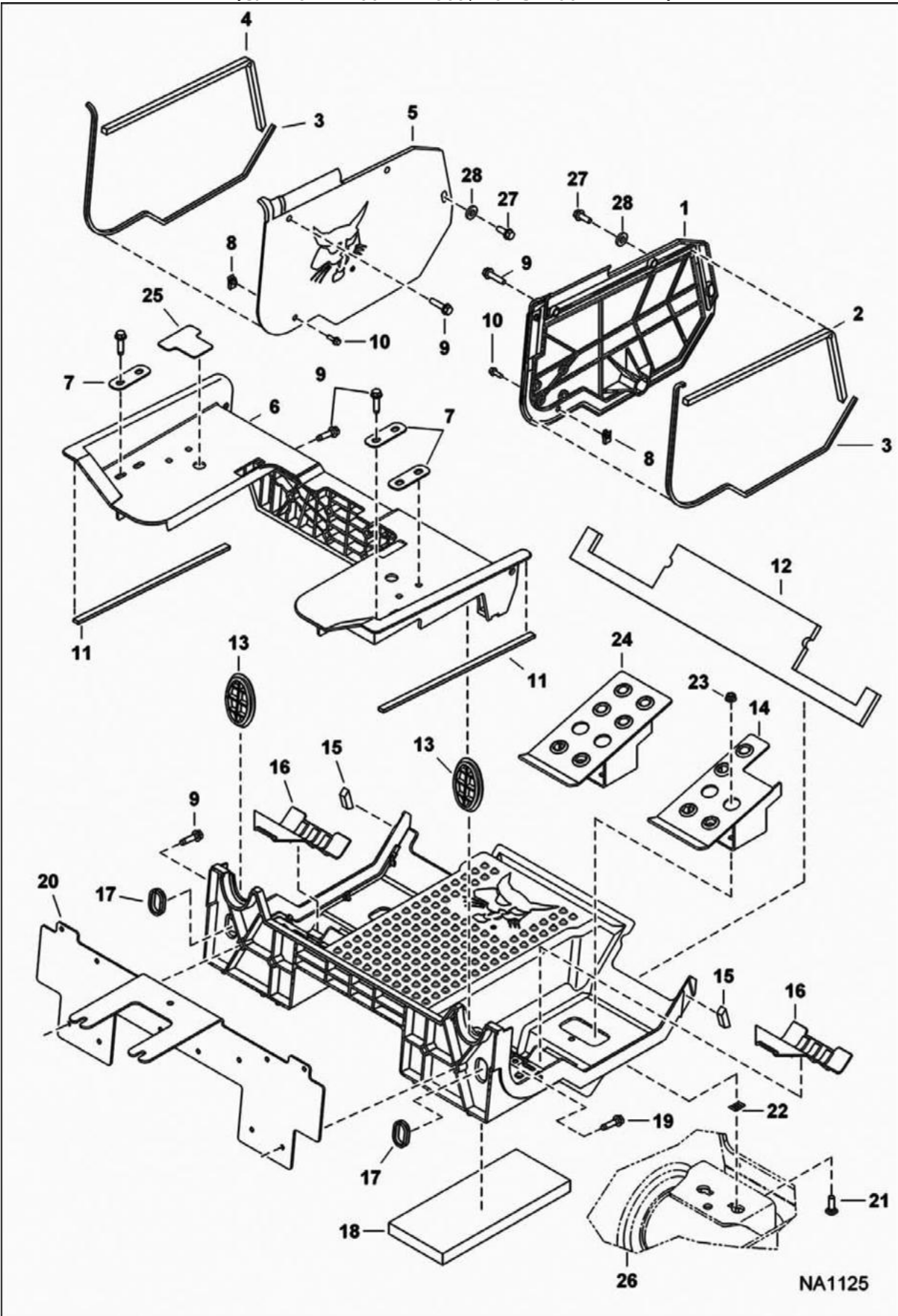
PANELS
(Floor Pan) (Manual Controls, AHC & ACS)
(S/N A3NT12370 & Above. A3NU11112 & Above)



PANELS (Cont'd)
(Floor Pan) (Manual Controls, AHC & ACS)
(S/N A3NT12370 & Above. A3NU11112 & Above)

Ref No	Part Number	Description	Remarks	Serial Number	Qty
1	7166197	FOAM, PANEL	LH		1
2	7166199	FOAM, EDGE			2
3	7166198	FOAM, PANEL	RH		1
4	7180032	PANEL, RH			1
5	5289686	PLUG	black - 0.38" dia hole		2
6	84G3716	SCREW 5			8
7	35C412	BOLT			2
8	7160765	NUT			2
9	7196671	PANEL, LH			1
10	7166315	PLUG			1
11	7167118	PLATE, WASHER			3
12	7166196	FOAM, PANEL			2
13	84G3724	BOLT			4
14	7164345	COVER, PAN FLOOR			2
15	7163132	FOAM, FRONT			1
16	7185169	PANEL, STEERING			1
17	7147815	BOOT			2
18	7166200	FOAM, PAN FLOOR			2
19	7166195	PAD, PAN FLOOR			1
20	7176118	MOUNT			1
21	7176117	MOUNT			1
22	7153503	BOOT			2
23	7156916	PAN, FLOOR			1
24		PEDAL ASSEMBLY	See Illustration CONTROL PEDALS/ NA1261 - RH		1
25		PEDAL ASSEMBLY	See Illustration CONTROL PEDALS/ NA1261 - LH		1
26	37C620	BOLT			4
27	6684033	NUT			4
28	57D6	NUT 5			4
29	7185170	COVER	Use W/Ref. 16		1
30		CHAINCASE	See Illustration DRIVE TRAIN/ NA1008		1
31	84G3720	BOLT			2
32	25E18	WASHER			2
33	7197082	COVER	W/Ref. 34 & 35		1
34	7205329	SEAL, COVER			1
35	7165333	CLIP			2

PANELS
(Floor Pan) (Selectable Joystick Controls)
(S/N A3NT11001 - 12369, A3NU11001 - 11111)

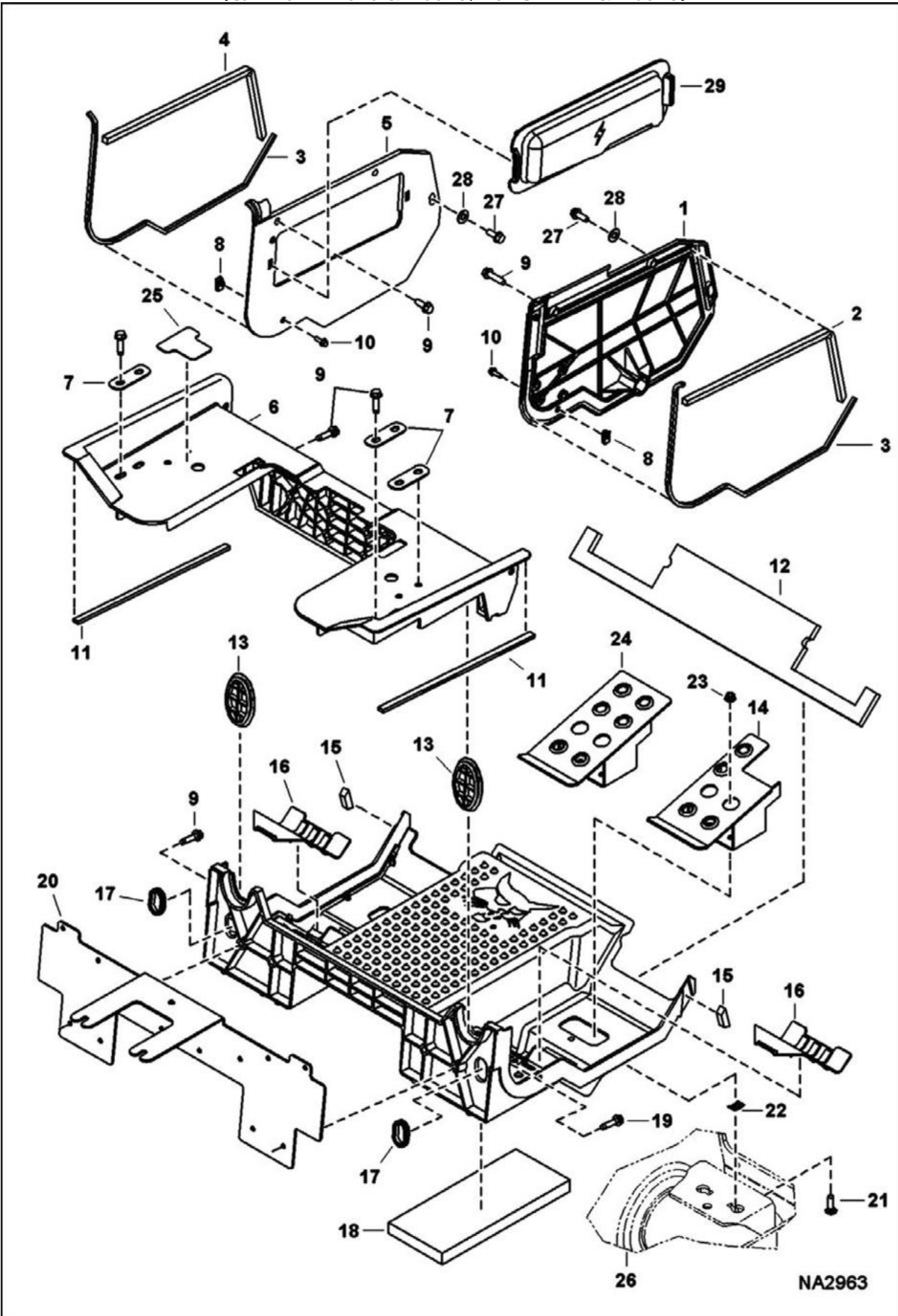


NA1125

PANELS (Cont'd)
(Floor Pan) (Selectable Joystick Controls)
(S/N A3NT11001 - 12369. A3NU11001 - 11111)

Ref No	Part Number	Description	Remarks	Serial Number	Qty
1	7180032	PANEL, RH	Was 7156919 [A]		1
2	7166198	FOAM, PANEL			1
3	7166199	FOAM, EDGE			2
4	7166197	FOAM, PANEL			1
5	7180031	PANEL, LH	Was 7156920 [A]		1
6		PANEL, STEERING	NAP - Order 7185169 panel steering & Ref. 25 - Was 7180037 [A]		1
6	7185169	PANEL, STEERING			1
7	7167118	PLATE, WASHER			3
8	7160765	NUT			2
9	84G3716	SCREW 5			22
10	35C412	BOLT			2
11	7166196	FOAM, PANEL			2
12	7163132	FOAM, FRONT			1
13	7161131	COVER, LEVER			2
14	7157725	PEDAL ASSY	RH		1
15	7166200	FOAM, PAN FLOOR			2
16	7164345	COVER, PAN FLOOR			2
17	7161130	COVER			2
18	7166195	PAD, PAN FLOOR			1
19	7156916	PAN, FLOOR			1
20	7191409	PANEL, MOUNTING	Was 7159224 [A]		1
21	37C620	BOLT			4
22	6684033	NUT			4
23	57D6	NUT 5			4
24	7158574	PEDAL ASSY	LH		1
25	7185170	COVER	Use W/Ref. 6 (7185169 panel)		1
26		CHAINCASE	See Illustration DRIVE TRAIN/ NA1008		1
27	84G3720	BOLT			2
28	25E18	WASHER			2

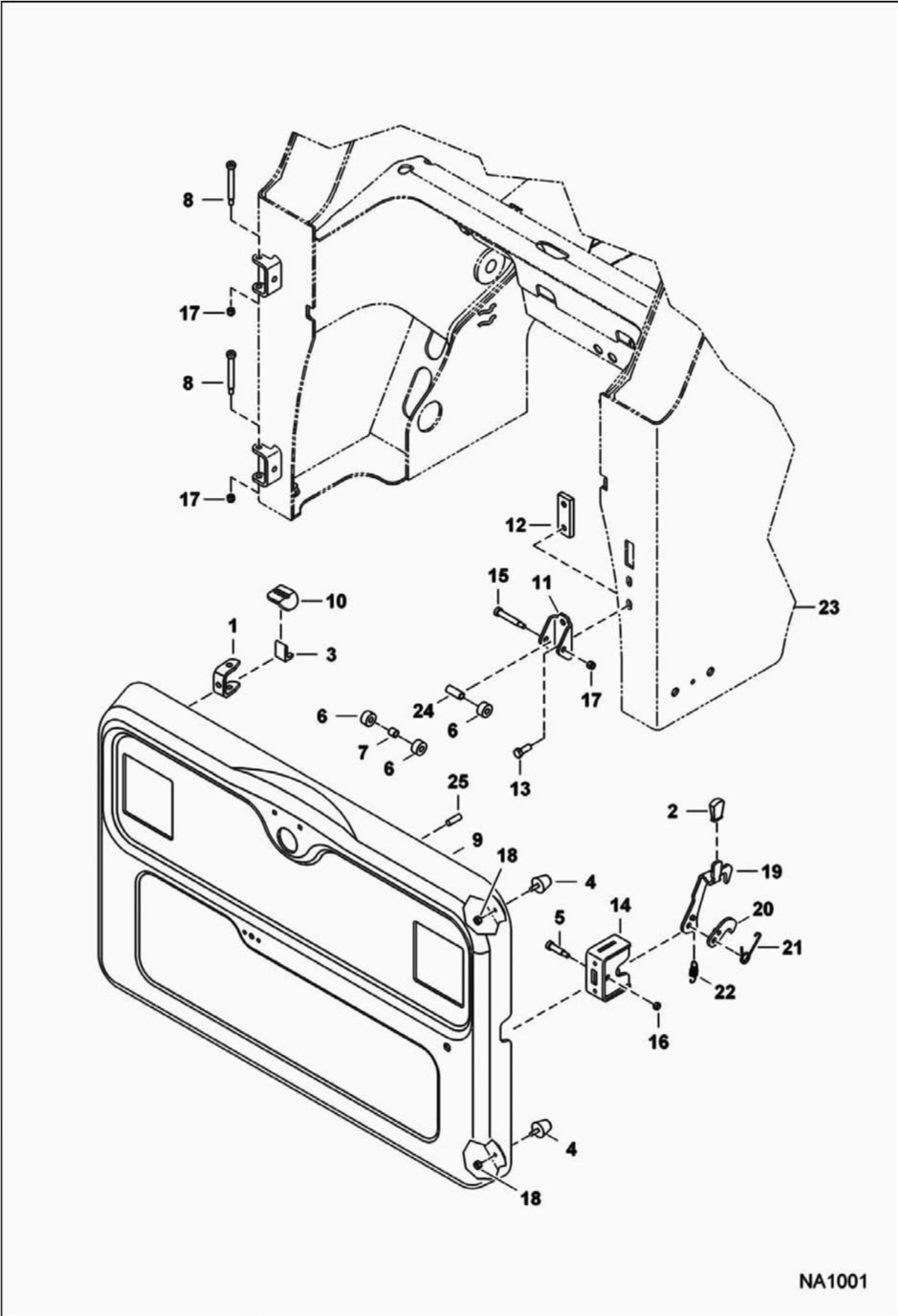
PANELS
(Floor Pan) (Selectable Joystick Controls)
(S/N A3NT12370 & Above, A3NU11112 & Above)



PANELS (Cont'd)
(Floor Pan) (Selectable Joystick Controls)
(S/N A3NT12370 & Above. A3NU11112 & Above)

Ref No	Part Number	Description	Remarks	Serial Number	Qty
1	7180032	PANEL, RH			1
2	7166198	FOAM, PANEL			1
3	7166199	FOAM, EDGE			2
4	7166197	FOAM, PANEL			1
5	7196671	PANEL, LH			1
6	7185169	PANEL, STEERING			1
7	7167118	PLATE, WASHER			3
8	7160765	NUT			2
9	84G3716	SCREW 5			22
10	35C412	BOLT			2
11	7166196	FOAM, PANEL			2
12	7163132	FOAM, FRONT			1
13	7161131	COVER, LEVER			2
14	7157725	PEDAL ASSY	RH		1
15	7166200	FOAM, PAN FLOOR			2
16	7164345	COVER, PAN FLOOR			2
17	7161130	COVER			2
18	7166195	PAD, PAN FLOOR			1
19	7156916	PAN, FLOOR			1
20	7191409	PANEL, MOUNTING			1
21	37C620	BOLT			4
22	6684033	NUT			4
23	57D6	NUT 5			4
24	7158574	PEDAL ASSY	LH		1
25	7185170	COVER	Use W/Ref. 6 (7185169 panel)		1
26		CHAINCASE	See Illustration DRIVE TRAIN/ NA1008		1
27	84G3720	BOLT			2
28	25E18	WASHER			2
29	7197082	COVER	W/Ref. 30 & 31		1
30	7205329	SEAL, COVER			1
31	7165333	CLIP			2

REAR DOOR

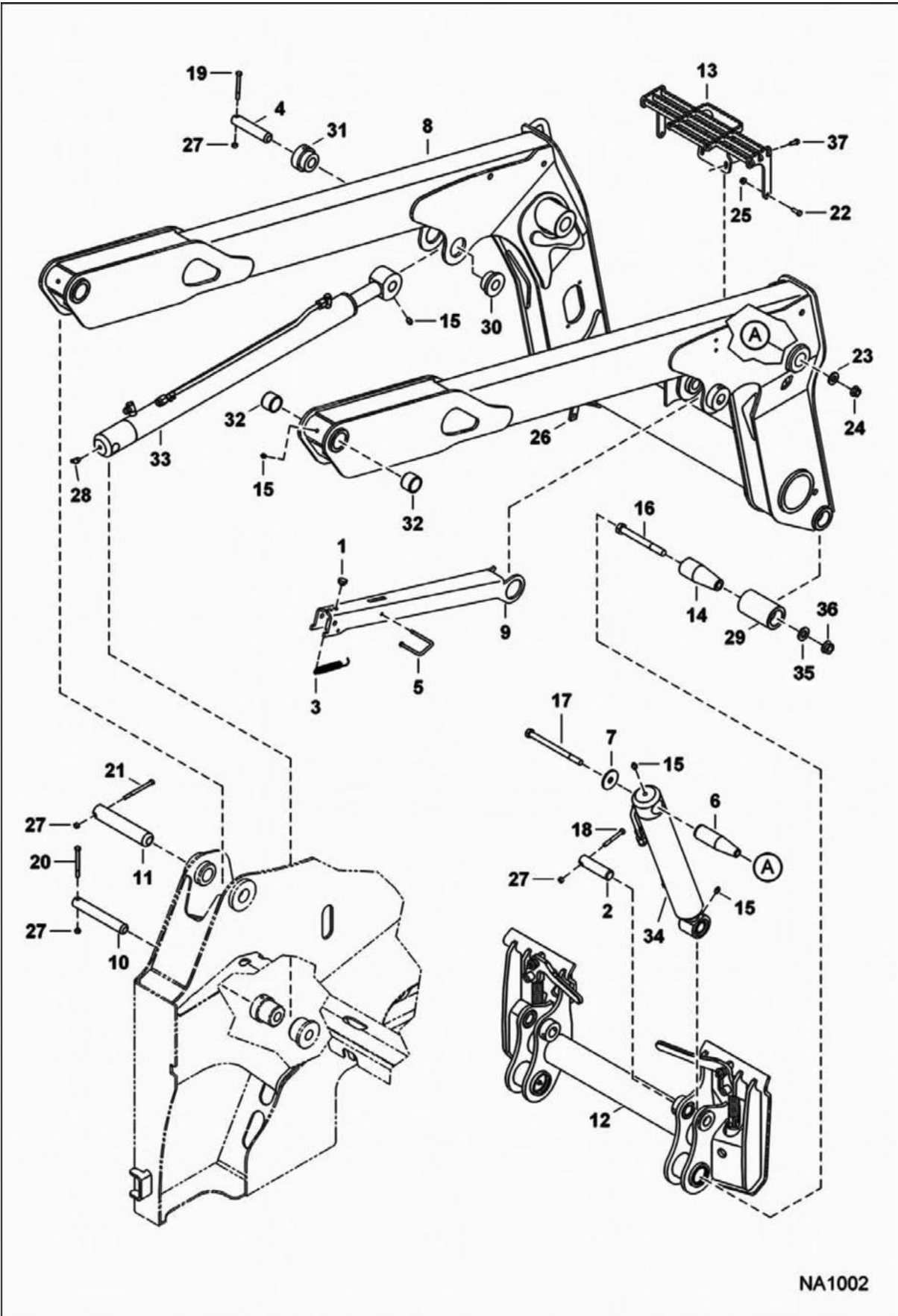


NA1001

REAR DOOR (Cont'd)

Ref No	Part Number	Description	Remarks	Serial Number	Qty
1	6733575	HINGE, REAR DOOR	weld-on		2
2	6564452	GRIP			1
3	6719766	STOP			1
4	6733616	BUMPER			2
5	38C824	SCREW			1
6	6809726	ROLLER			2
7	6809734	BUSHING	striker - .62" (15,75 mm)		1
8	6809845	BOLT			2
9	7144158	REAR DOOR			1
10	7160704	STOP			1
11	7160705	CHANNEL			1
12	7160706	BAR	threaded striker		1
13	17C820	BOLT			2
14	7160698	LATCH	weld-on		1
15	38C840	BOLT	carriage		1
16	85D6	LOCK NUT			1
17	59D6	NUT			3
18	61D5	NUT			2
19	7160703	HANDLE			1
20	7160701	LATCH			1
21	6810132	SPRING			1
22	6810141	SPRING			1
23		MAIN FRAME	See Illustration MAIN FRAME/ NA1000		1
24	7184677	BUSHING	striker - 1.28" (32,5 mm)		1
25	56G412	STUD	weld-on		6

LIFT ARM & BOB-TACH

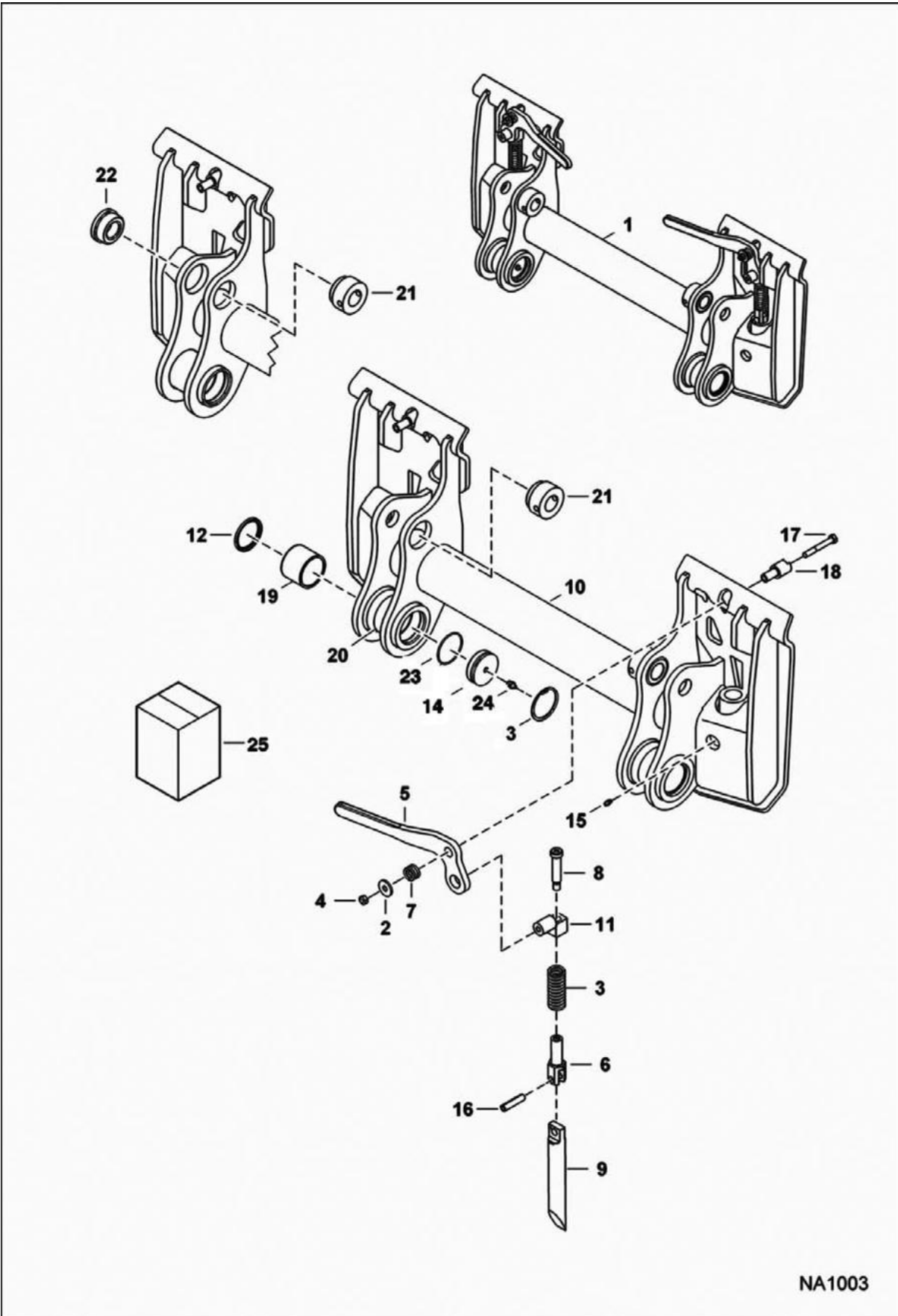


NA1002

LIFT ARM & BOB-TACH (Cont'd)

Ref No	Part Number	Description	Remarks	Serial Number	Qty
1	6519178	BUMPER			1
2	6577954	PIN	rod end - tilt cylinder		2
3	6700743	SPRING			1
4	6702935	PIN, PIVOT	rod end - lift cylinder		2
5	6714810	PIN	retainer		1
6	6728971	PIN, PIVOT TAPERED	tilt cylinder - base end		2
7	6731160	WASHER			2
8	7132914	LIFTARM			1
9	7136616	SUPPORT			1
10	7147803	PIN	lift cylinder - base end		2
11	7147804	PIN	boom to upright		2
12		BOB-TACH	See Illustration BOB-TACH/ NA1003		1
13	7159749	STEP			1
14	7170609	PIN, PIVOT TAPERED	lift arm to bobtach		2
15	10H25	FITTING, GREASE 5			8
16	17C12112	BOLT	Was 17C10112 [D]		2
17	17C10136	BOLT			2
18	17C648	BOLT 5			2
19	17C656	BOLT			2
20	17C664	BOLT			2
21	17C672	BOLT			2
22	17C616	BOLT 5			2
23	27E10	WASHER			2
24	53D10	NUT			2
25	53D6	NUT			2
26	7135693	MOUNT	weld-on		1
27	85D6	LOCK NUT			8
28	11H15	GREASE FITTING			2
29	7170608	BUSHING, WELD-ON	weld-on		2
30	7132935	BUSHING	weld-on		2
31	7132937	BUSHING, WELD-ON	weld-on		2
32	6730995	BUSHING, WEAR			4
33		CYLINDER, LIFT	See Illustration LIFT CYLINDER/ NA1211		2
34		CYLINDER, TILT	See Illustration TILT CYLINDER/ NA1210 - LH		1
34		CYLINDER, TILT	See Illustration TILT CYLINDER/ NA1209 - RH		1
35	27E12	WASHER			2
36	53D12	NUT			2
37	84G3716	SCREW 5			1

BOB-TACH

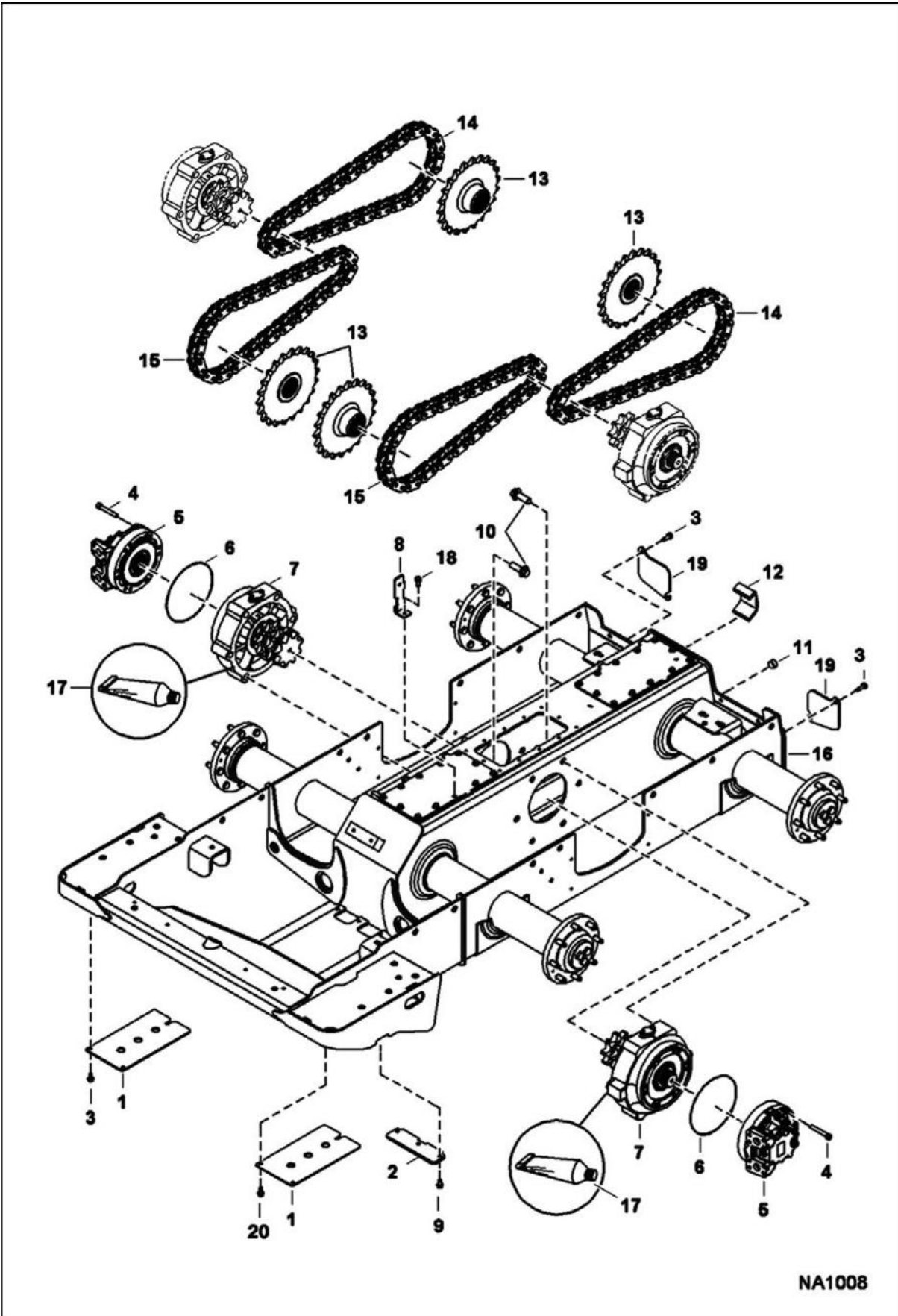


NA1003

BOB-TACH (Cont'd)

Ref No	Part Number	Description	Remarks	Serial Number	Qty
1	7128962	BOB-TACH	Ref. 2-24		1
2	619021	WASHER, 5			2
3	6578253	SPRING, COMPRESSION			2
4	85D6	LOCK NUT			2
5	6702904	LEVER, BOB- TACH RH			1
5	6702903	LEVER, BOB- TACH LH			1
6	6704248	PIVOT			2
7	6704453	SPRING			2
8	6728473	BOLT, SHOULDER	pre-applied thread locker		2
9	6737191	WEDGE			2
10	7136460	BOBTACH			1
11	7146538	PIVOT, BOBTACH			2
12	7170611	SEAL	install flush to Ref. 19		2
13	7170614	SNAP RING			2
14	7170613	PLUG			1
15	10H35	GREASE ZERK			2
16	14J5032	PIN, STRAIGHT			2
17	17C644	BOLT			2
18	6702958	BUSHING, WELD-ON			2
19	7170615	BUSHING, WEAR			2
20	7170610	BUSHING, WELD-ON			2
21	7136465	BUSHING, WELD-ON			2
22	7136464	BUSHING, WELD-ON			2
23	25K30210	O-RING			1
24	10H25	FITTING, GREASE 5			1
25		KIT, LEVER	NAP		1

DRIVE TRAIN

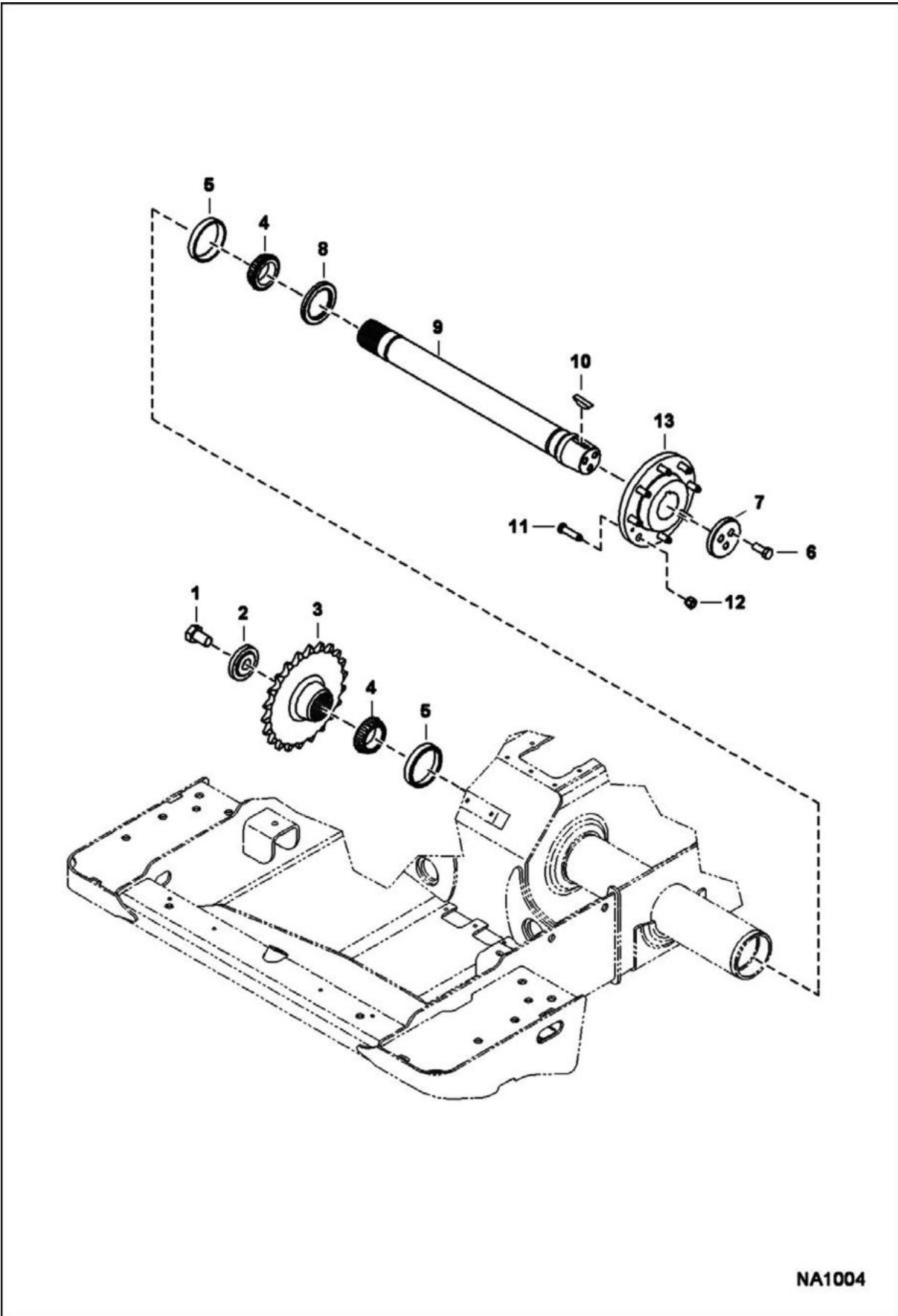


NA1008

DRIVE TRAIN (Cont'd)

Ref No	Part Number	Description	Remarks	Serial Number	Qty
1	7145347	COVER			2
2	7159094	COVER, DRAIN			1
3	84G3712	BOLT			5
4	6717806	BOLT			20
5		MOTOR	See Illustration HYDROSTATIC MOTOR/ MS2199 - single speed - manual controls & ACS		2
5		MOTOR	See Illustration HYDROSTATIC MOTOR & BRAKE/ MS1467 - 2-speed		2
6	25K30812	O-RING, 10			2
7		CARRIER, MOTOR	See Illustration MOTOR CARRIER/ NA2154 - manual controls, AHC & ACS		2
7		CARRIER, MOTOR	See Illustration MOTOR CARRIER/ NA1007 - SJC controls		2
8	7151466	BRACKET			1
9	84G3716	SCREW 5			3
10	6678971	BOLT			12
11	6731121	PLUG	chaincase fill		1
12	7134445	BRACKET, TIE-DOWN	tie-down - weld-on		2
13		SPROCKET	See Illustration AXLE/ NA1004		4
14	7106862	CHAIN, DRIVE	endless - 48 pitch		2
14	6690988	CHAIN, DRIVE	service - 48 pitch		x
14	6691078	LINK	connecting		x
15	7130811	CHAIN, DRIVE	endless - 44 pitch		2
15	7181282	CHAIN, DRIVE	service - 44 pitch		x
15	6691078	LINK	connecting		x
16	7130785	CHAINCASE			1
17	6685372	SEALANT, GASKET LIQUID	tube - 20 oz		x
18	84G3732	BOLT			1
19	6737088	COVER, FRONT ACCESS			2
20	35C612	BOLT			3

AXLE

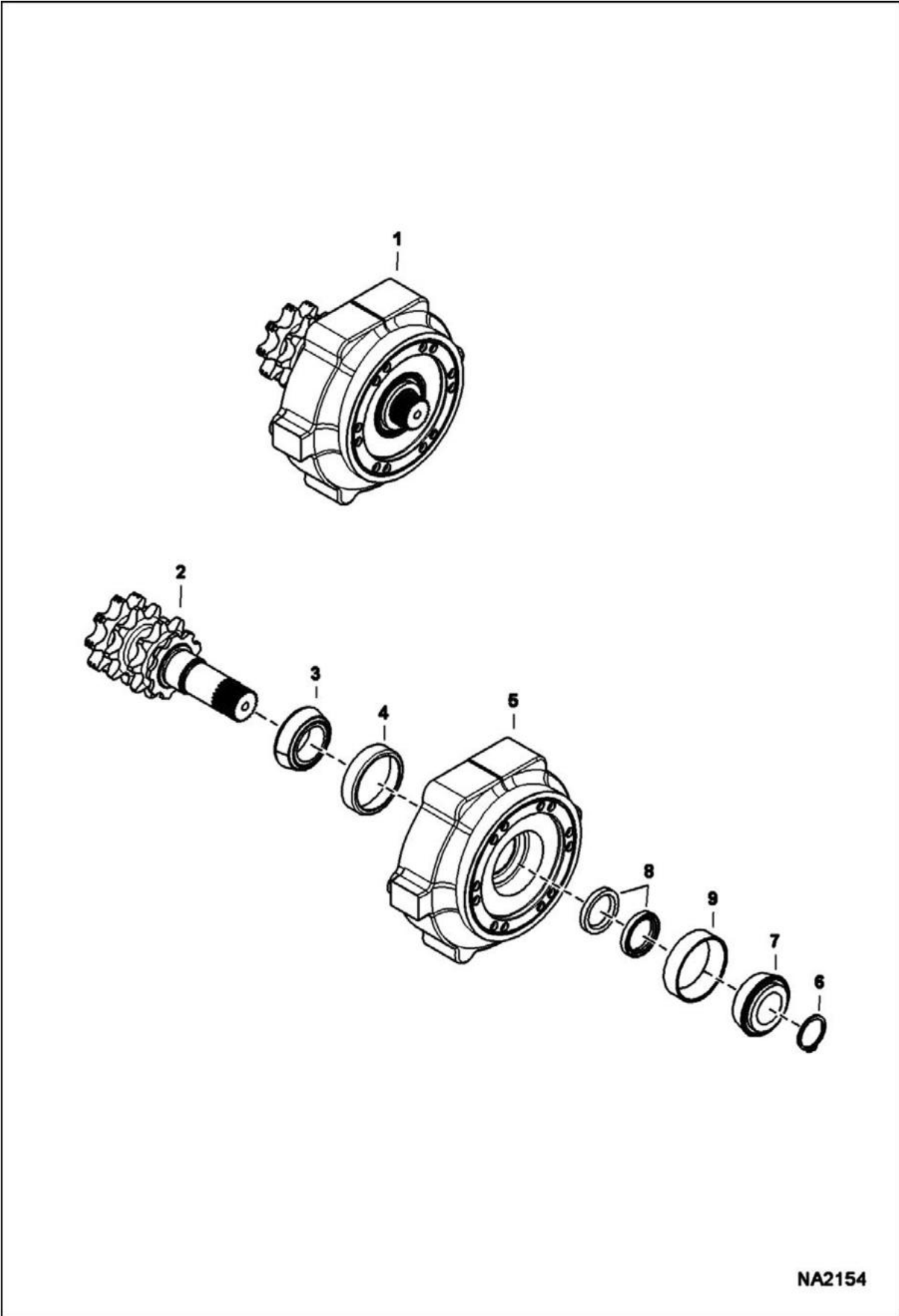


NA1004

AXLE (Cont'd)

Ref No	Part Number	Description	Remarks	Serial Number	Qty
1	2C1626	BOLT			4
2	7107271	WASHER			4
3	7134153	SPROCKET			4
4	1321608	BEARING, CONE			8
5	1321607	CUP, BEARING			8
6	17C1024	BOLT			12
7	6565947	WASHER			4
8	6671138	SEAL, OIL			4
9	6709757	SHAFT, AXLE			4
10	6J1664	KEY			4
11	6709170	STUD	Was 7130936 [B,D]		32
12	6564669	NUT	Was 7131115 [B,D]		32
13	6578857	HUB, WHEEL			4

MOTOR CARRIER (Drive Motor Mount Assy) (Manual Controls, AHC & ACS)

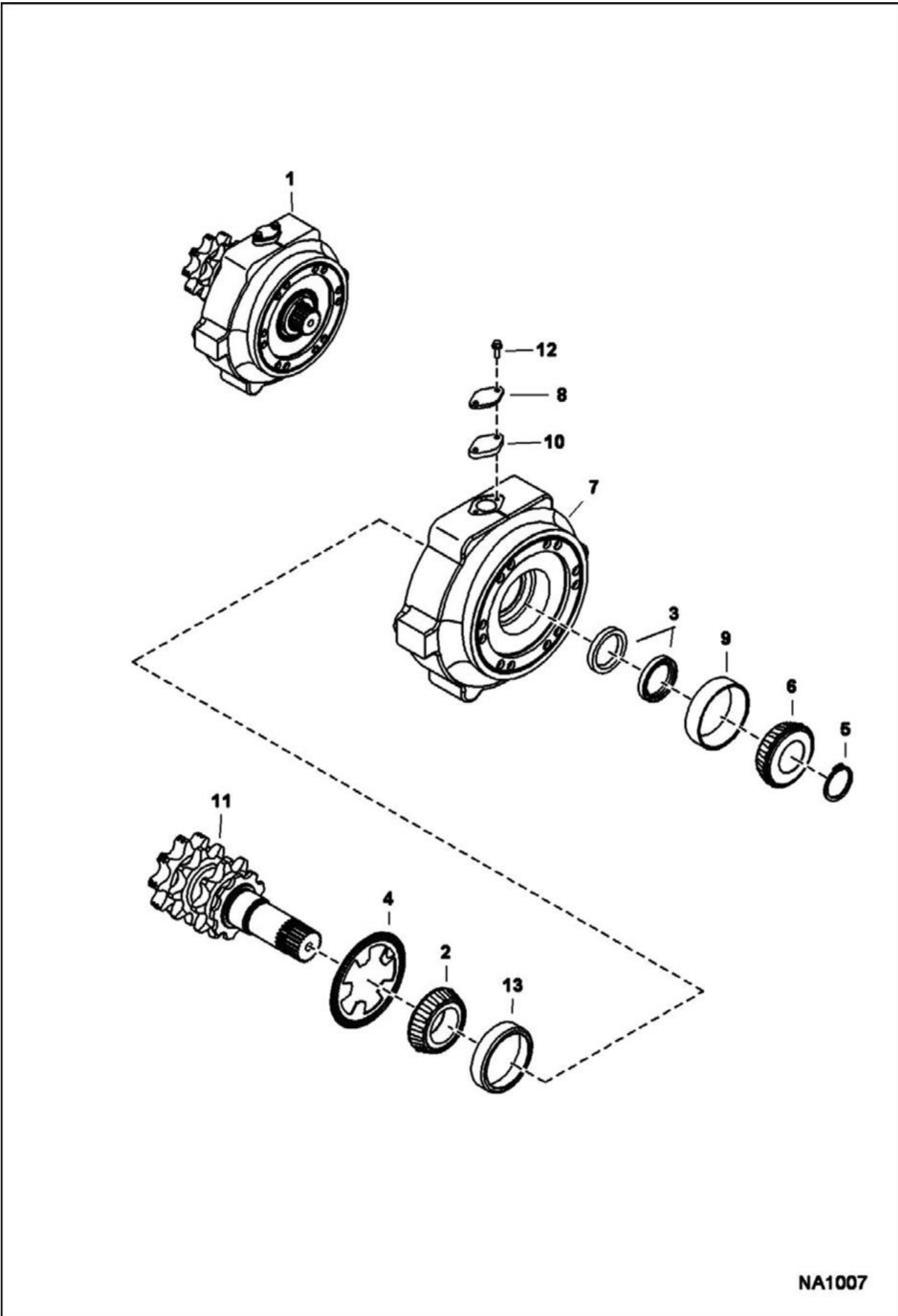


NA2154

MOTOR CARRIER (Cont'd)
(Drive Motor Mount Assy) (Manual Controls, AHC & ACS)

Ref No	Part Number	Description	Remarks	Serial Number	Qty
1	7126215	CARRIER, MOTOR	Ref. 2-9		1
2	7147579	SHAFT TRANS			1
3	6664845	CONE, BEARING			1
4	6650120	RACE			1
5	6717242	HOUSING			1
6	6693415	RING			1
7	6693525	BEARING			1
8	6665755	SEAL, OIL			2
9	7100240	RACE			1

MOTOR CARRIER (Drive Motor Mount Assy) (SJC)

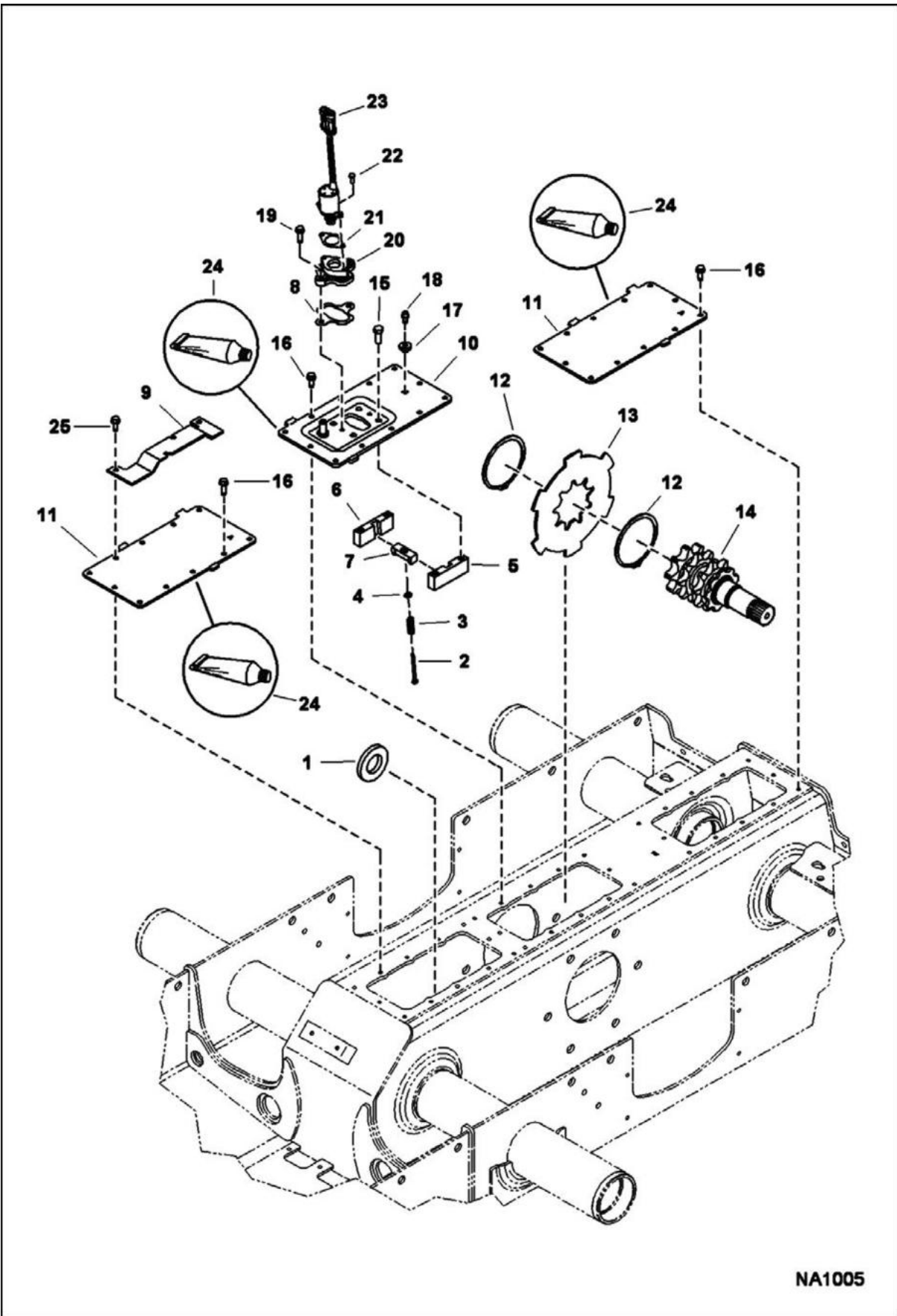


NA1007

**MOTOR CARRIER (Cont'd)
(Drive Motor Mount Assy) (SJC)**

Ref No	Part Number	Description	Remarks	Serial Number	Qty
1	7136291	CARRIER, MOTOR	Ref. 2-13		1
2	6664845	CONE, BEARING			1
3	6665755	SEAL, OIL			2
4	6690561	MAGNET			1
5	6693415	RING			1
6	6693525	BEARING			1
7	6729663	HOUSING			1
8	6730013	COVER			1
9	7100240	RACE			1
10	7110287	GASKET			1
11	7147579	SHAFT TRANS			1
12	35C412	BOLT			2
13	6650120	RACE			1

DISC BRAKE (Single Speed Motor)

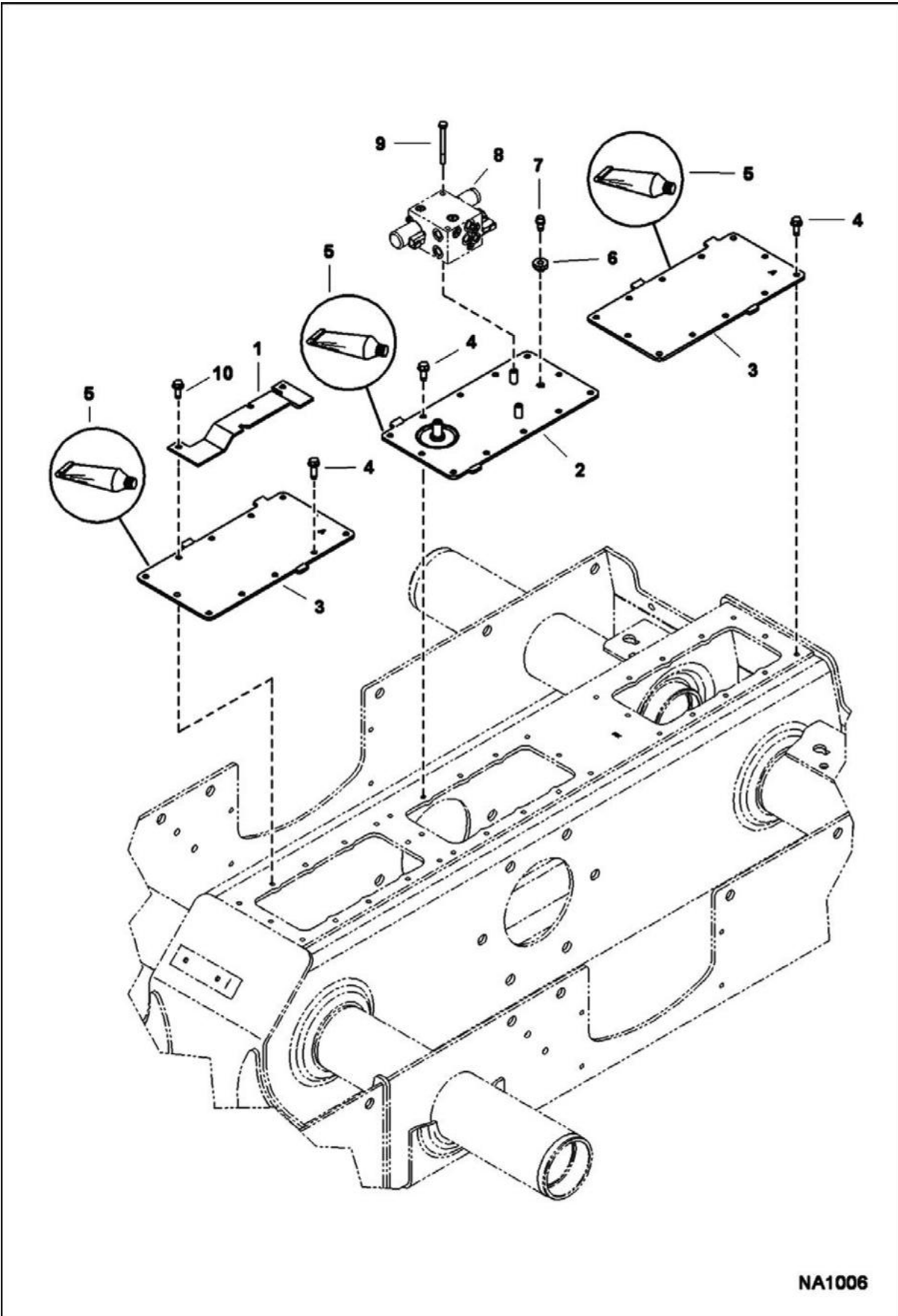


NA1005

**DISC BRAKE (Cont'd)
(Single Speed Motor)**

Ref No	Part Number	Description	Remarks	Serial Number	Qty
1	6680055	MAGNET	for SJC		2
2	6708267	BOLT			1
3	6708018	SPRING			1
4	25E13	WASHER 5			1
5	6719057	BLOCK	guide - RH		1
6	6719056	BLOCK	guide - LH		1
7	6714278	WEDGE, LOCK TRACTION	disc brake		1
8	6708016	GASKET			1
9	7157080	MOUNT			1
10	7161527	COVER, BRAKE ASSY			1
11	7129987	COVER			2
12	6690163	RING			4
13	7126213	DISC			2
14		SHAFT	See Illustration MOTOR CARRIER/ NA2154		2
14		SHAFT	See Illustration MOTOR CARRIER/ NA1007		2
15	47C820	BOLT			4
16	84G3716	SCREW 5			35
17	6553411	BUSHING			1
18	6680970	BREATHER			1
19	84G3720	BOLT			2
20	6706718	MOUNT			4
21	6706737	GASKET			1
22	17C412	BOLT 5			2
23	7136559	SOLENOID ASMBLY			1
24	6685372	SEALANT, GASKET LIQUID	tube - 20 oz		x
25	84G3732	BOLT			1

TRANSMISSION COVERS (2-Speed Motor)

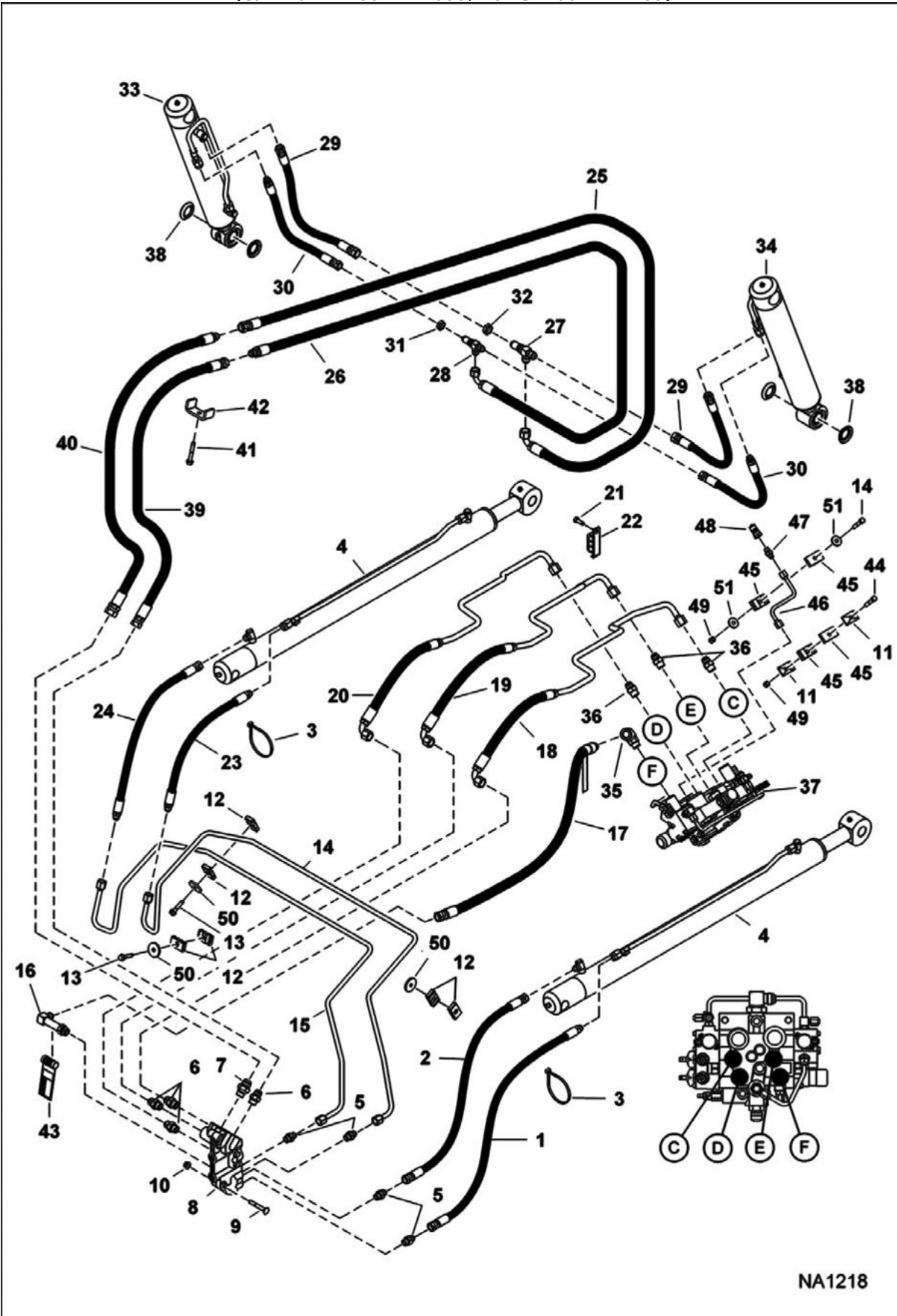


NA1006

**TRANSMISSION COVERS (Cont'd)
(2-Speed Motor)**

Ref No	Part Number	Description	Remarks	Serial Number	Qty
1	7157080	MOUNT			1
2	7153655	COVER, BRAKE ASSY			1
3	7129987	COVER			2
4	84G3716	SCREW 5			35
5	6685372	SEALANT, GASKET LIQUID	tube - 20 oz		x
6	6553411	BUSHING			1
7	6680970	BREATHER			1
8		VALVE, 2 SPEED	See Illustration 2-SPEED VALVE/ NA2164		1
9	17C552	BOLT			2
10	84G3732	BOLT			1

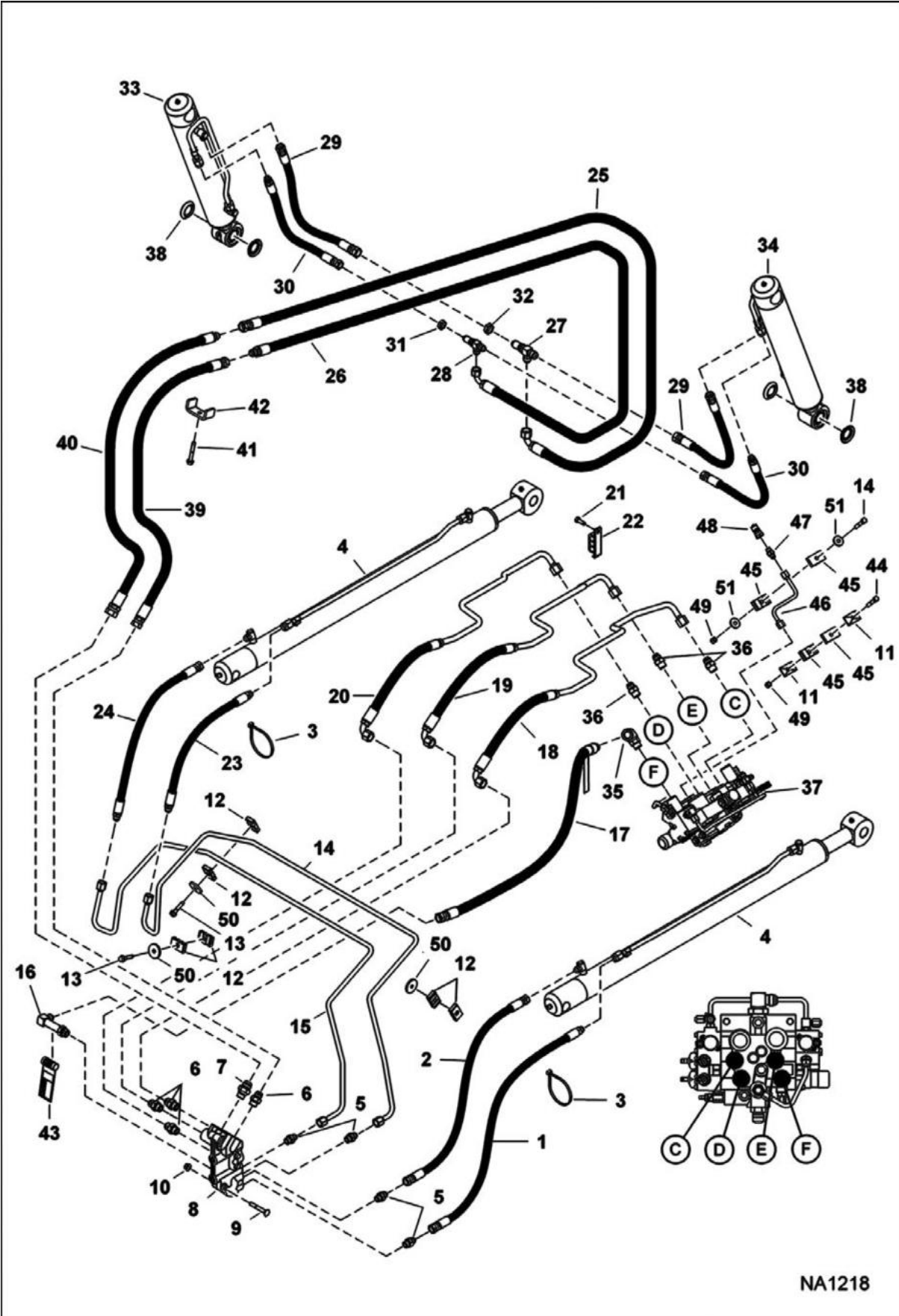
HYDRAULIC CIRCUITRY (W/BPV Junction Block) (S/N A3NT11001 - 12656, A3NU11001 - 11159)



HYDRAULIC CIRCUITRY (Cont'd)
(W/BPV Junction Block)
(S/N A3NT11001 - 12656, A3NU11001 - 11159)

Ref No	Part Number	Description	Remarks	Serial Number	Qty
1	7154306	HOSE			1
2	7154305	HOSE			1
3	6624289	STRAP, TIE			3
4		CYLINDER, LIFT	See Illustration LIFT CYLINDER/ NA1211		2
5	15KB0808	FITTING, HYD CONNECTOR			4
5	79K8	O RING 10			x
6	15KB1010	FITTING, HYD CONNECTOR			4
6	79K10	O RING 10			x
7	15KB1210	FITTING, HYD CONNECTOR			1
7	79K10	O RING 10			1
8	7001921	BLOCK, JUNCTION			1
9	37C644	BOLT			2
10	83D6	NUT 5			2
11	6652521	PLATE		A7PU11001 - 11344	1
12	6701892	CLAMP			6
13	84G3728	BOLT			2
14	7138172	TUBELINE	lift	A7PU11001 - 11344	1
14	7187115	TUBELINE, HYD	lift	A7PU11345 & Above	1
15	7138173	TUBELINE	lift	A7PU11001 - 11344	1
15	7187114	TUBELINE, HYD	lift	A7PU11345 & Above	1
16	7154528	ELBOW	Also Order Ref. 43 - this elbow must always display the danger decal		1
17	7168336	HOSE, HYD	available only as an assembly W/one danger decal installed near the male threaded end of the hose		1
17	7170355	DECAL, DANGER			1
18	7152005	HOSE, HYD			1
19	7152004	HOSE, HYD			1
20	7152003	HOSE, HYD			1
21	84G3716	SCREW 5	Was 17C616 [B,D]		1
22	7157358	CLAMP			1
23	7154308	HOSE	603,3 mm (23.75") long		1
24	7154307	HOSE	450,8 mm (17.75") long		1
25	7171054	HOSE			1
26	7171056	HOSE			1
27	91K7	FITTING			1
28	91K6	TEE			1
29	7153006	HOSE, HYD			2
30	7153008	HOSE, HYD			2
31	86F6	NUT			1
32	86F7	LOCK NUT			1
33		CYLINDER, TILT	See Illustration TILT CYLINDER/ NA1209 - LH		1
34		CYLINDER, TILT	See Illustration TILT CYLINDER/ NA1210 - RH		1
35	7109623	ELBOW			1
36	15KB1010	FITTING, HYD CONNECTOR			3
36	79K10	O RING 10			x
37		VALVE, CONTROL	See Illustration CONTROL VALVE/ NA1216 - manual controls		1

HYDRAULIC CIRCUITRY (Cont'd)
(W/BPV Junction Block)
(S/N A3NT11001 - 12656, A3NU11001 - 11159)



HYDRAULIC CIRCUITRY (Cont'd)
(W/BPV Junction Block)
(S/N A3NT11001 - 12656, A3NU11001 - 11159)

Ref No	Part Number	Description	Remarks	Serial Number	Qty
37		VALVE, CONTROL	See Illustration CONTROL VALVE/ NA1217 - ACS, AHC & SJC		1
38	6689112	SEAL			4
39	7171057	HOSE			1
40	7171055	HOSE			1
41	84G3732	BOLT	Was 84G3740 [B]		1
42	6735796	CLAMP			1
43	7170355	DECAL, DANGER			1
44	17C632	BOLT 5			1
45	7183298	CLAMP			2
46	7182882	TUBELINE, HYD			1
47	15KB0606	FITTING, HYD CONNECTOR			1
47	79K6	O RING 10			x
48	6684125	COUPLER			1
49	85D6	LOCK NUT			1
50	872229	WASHER	0.19" thick - 44.5 mm (1.75") OD	A7PU11345 & Above	3
51	619021	WASHER, 5	0.13" thick - 32 mm (1.25") OD	A7PU11345 & Above	2

**HYDRAULIC CIRCUITRY
(W/BPV Junction Block)
(S/N A3NT12657 & Above. A3NU11160 & Above)**

NO DRAWING AVAILABLE AT TIME OF PRINT

NA6135

HYDRAULIC CIRCUITRY (Cont'd)
(W/BPV Junction Block)
(S/N A3NT12657 & Above. A3NU11160 & Above)

Ref No	Part Number	Description	Remarks	Serial Number	Qty
1	7154306	HOSE			1
2	7154305	HOSE			1
3	6624289	STRAP, TIE			3
4		CYLINDER, LIFT	See Illustration LIFT CYLINDER/ NA1211		2
5	15KB0808	FITTING, HYD CONNECTOR			4
5	79K8	O RING 10			x
6	15KB1010	FITTING, HYD CONNECTOR			4
6	79K10	O RING 10			x
7	15KB1210	FITTING, HYD CONNECTOR			1
7	79K10	O RING 10			1
8	7001921	BLOCK, JUNCTION			1
9	37C644	BOLT			2
10	83D6	NUT 5			2
11	619021	WASHER, 5	0.13" thick - 32 mm (1.25") OD		2
12	6701892	CLAMP			6
13	84G3728	BOLT			2
14	7198225	TUBELINE, HYD	lift		1
15	7198226	TUBELINE, HYD	lift		1
16	7154528	ELBOW	Also Order Ref. 43 - this elbow must always display the danger decal		1
17	7168336	HOSE, HYD	available only as an assembly W/one danger decal installed near the male threaded end of the hose		1
17	7170355	DECAL, DANGER			1
18	7152005	HOSE, HYD			1
19	7152004	HOSE, HYD			1
20	7152003	HOSE, HYD			1
21	84G3716	SCREW 5			1
22	7157358	CLAMP			1
23	7198317	HOSE, HYD	692,2 mm (27.25") long		1
24	7198281	HOSE, HYD	831,9 mm (32.75") long		1
25	7171054	HOSE			1
26	7171056	HOSE			1
27	91K7	FITTING			1
28	91K6	TEE			1
29	7153006	HOSE, HYD			2
30	7153008	HOSE, HYD			2
31	86F6	NUT			1
32	86F7	LOCK NUT			1
33		CYLINDER, TILT	See Illustration TILT CYLINDER/ NA6007 - LH		1
34		CYLINDER, TILT	See Illustration TILT CYLINDER/ NA6008 - RH		1
35	7109623	ELBOW			1
36	15KB1010	FITTING, HYD CONNECTOR			3
36	79K10	O RING 10			x
37		VALVE, CONTROL	See Illustration CONTROL VALVE/ NA1216 - manual controls		1
37		VALVE, CONTROL	See Illustration CONTROL VALVE/ NA1217 - ACS, AHC & SJC		1
38	6689112	SEAL			4
39	7171057	HOSE			1
40	7171055	HOSE			1
41	84G3732	BOLT			1
42	6735796	CLAMP			1

HYDRAULIC CIRCUITRY (Cont'd)
(W/BPV Junction Block)
(S/N A3NT12657 & Above. A3NU11160 & Above)

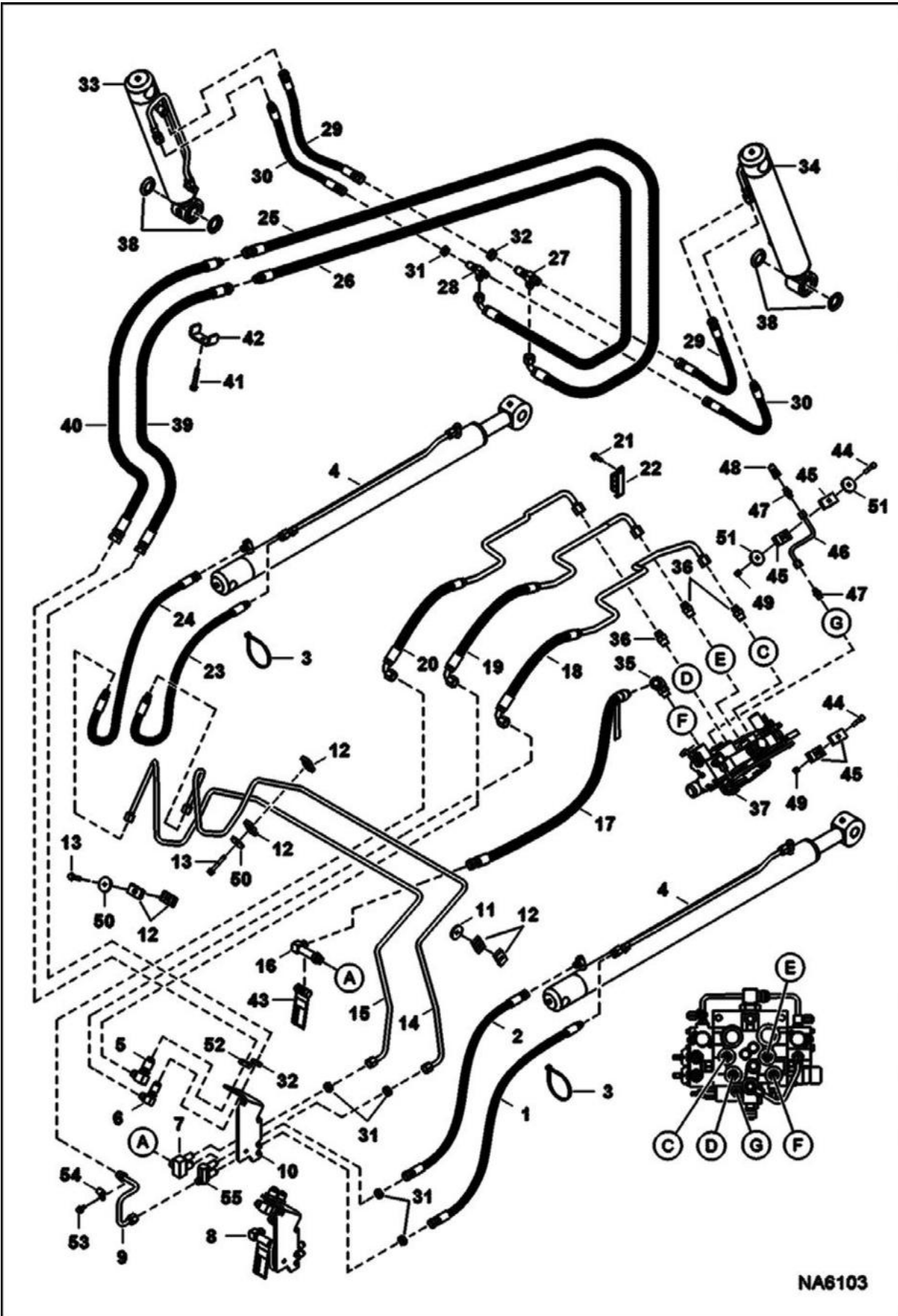
NO DRAWING AVAILABLE AT TIME OF PRINT

NA6135

HYDRAULIC CIRCUITRY (Cont'd)
(W/BPV Junction Block)
(S/N A3NT12657 & Above. A3NU11160 & Above)

Ref No	Part Number	Description	Remarks	Serial Number	Qty
43	7170355	DECAL, DANGER			1
44	17C632	BOLT 5			1
45	7183298	CLAMP			2
46	7182882	TUBELINE, HYD			1
47	15KB0606	FITTING, HYD CONNECTOR			2
47	79K6	O RING 10			x
48	6684125	COUPLER			1
49	85D6	LOCK NUT			1
50	872229	WASHER	0.19" thick - 44.5 mm (1.75") OD		3

HYDRAULIC CIRCUITRY (W/O BPV Junction Block)

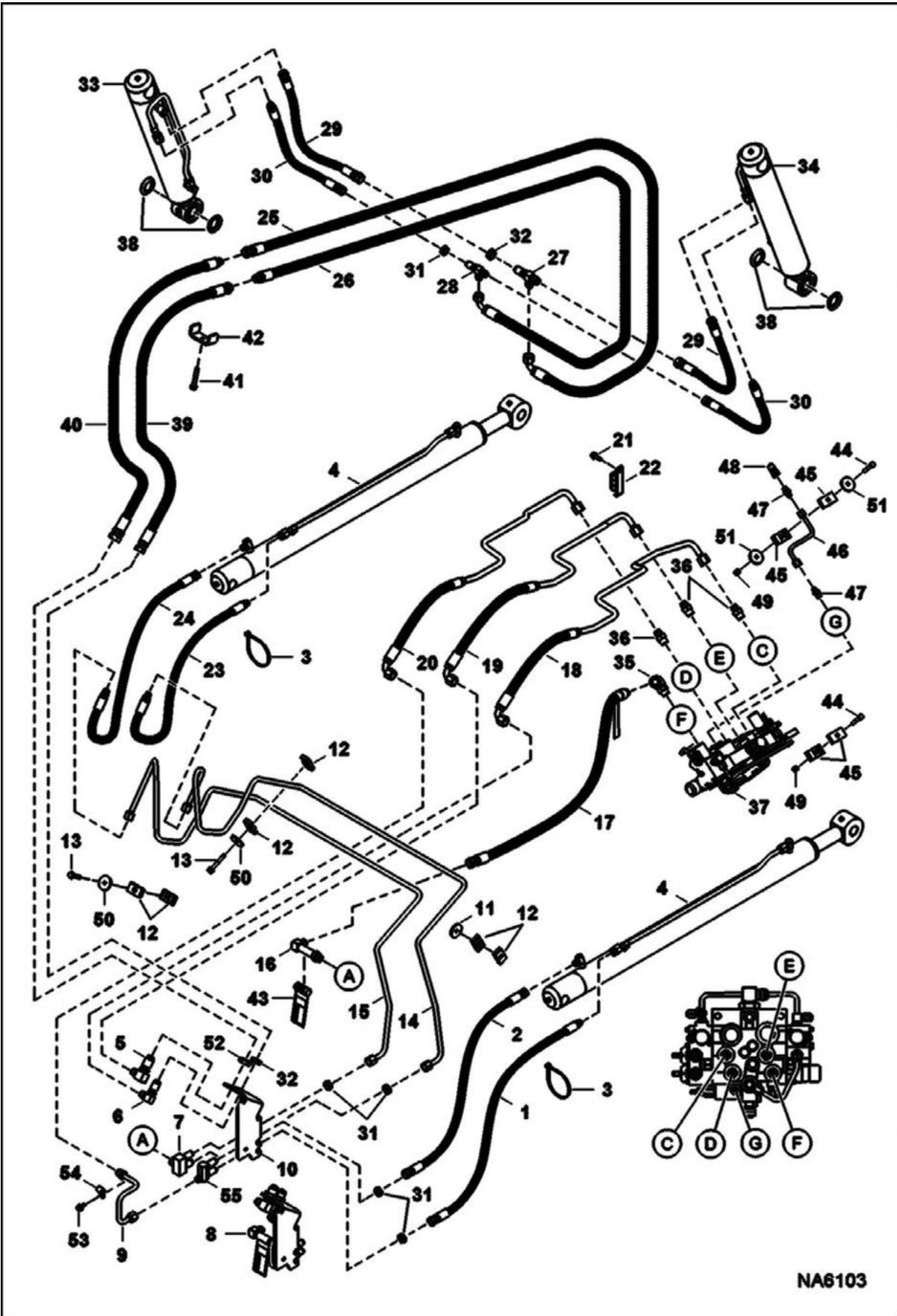


NA6103

HYDRAULIC CIRCUITRY (Cont'd) (W/O BPV Junction Block)

Ref No	Part Number	Description	Remarks	Serial Number	Qty
1	7154306	HOSE			1
2	7154305	HOSE			1
3	6624289	STRAP, TIE			3
4		CYLINDER, LIFT	See Illustration LIFT CYLINDER/ NA1211		2
5	7193758	FITTING, HYD ELBOW			4
6	88F7	ELBOW			4
7	7203490	FITTING, HYD CONNECTOR			1
7	79K10	O RING 10			x
8	7204131	VALVE, LEVEL SELF NO	Ref. 5-7, 16, 31, 32 & 52-57		1
9	7203506	TUBELINE, HYD			1
10	7203491	BRACKET, JUNCTION			1
11	6652521	PLATE			3
12	6701892	CLAMP			6
13	84G3728	BOLT			2
14	7198225	TUBELINE, HYD	lift		1
15	7198226	TUBELINE, HYD	lift		1
16	7183605	KIT, FITTING W/DECAL	W/Ref. 43 - this elbow must always display the danger decal		1
16	79K8	O RING 10			x
17	7168336	HOSE, HYD	available only as an assembly W/one danger decal installed near the male threaded end of the hose		1
17	7170355	DECAL, DANGER			1
18	7152005	HOSE, HYD			1
19	7152004	HOSE, HYD			1
20	7152003	HOSE, HYD			1
21	84G3716	SCREW 5			1
22	7157358	CLAMP			1
23	7154308	HOSE			1
24	7154307	HOSE			1
25	7171054	HOSE			1
26	7171056	HOSE			1
27	91K7	FITTING			1
28	91K6	TEE			1
29	7153006	HOSE, HYD			2
30	7153008	HOSE, HYD			2
31	86F6	NUT			5
32	86F7	LOCK NUT			2
33		CYLINDER, TILT	See Illustration TILT CYLINDER/ NA6007 - LH		1
34		CYLINDER, TILT	See Illustration TILT CYLINDER/ NA6008 - RH		1
35	7109623	ELBOW			1
35	79K8	O RING 10			x
36	15KB1010	FITTING, HYD CONNECTOR			3
36	79K10	O RING 10			x
37		VALVE, CONTROL	See Illustration CONTROL VALVE/ NA1216 - manual controls		1
37		VALVE, CONTROL	See Illustration CONTROL VALVE/ NA1217 - ACS, SJC		1
38	6689112	SEAL			4
39	7171057	HOSE			1
40	7171055	HOSE			1
41	84G3732	BOLT			1
42	6735796	CLAMP			1

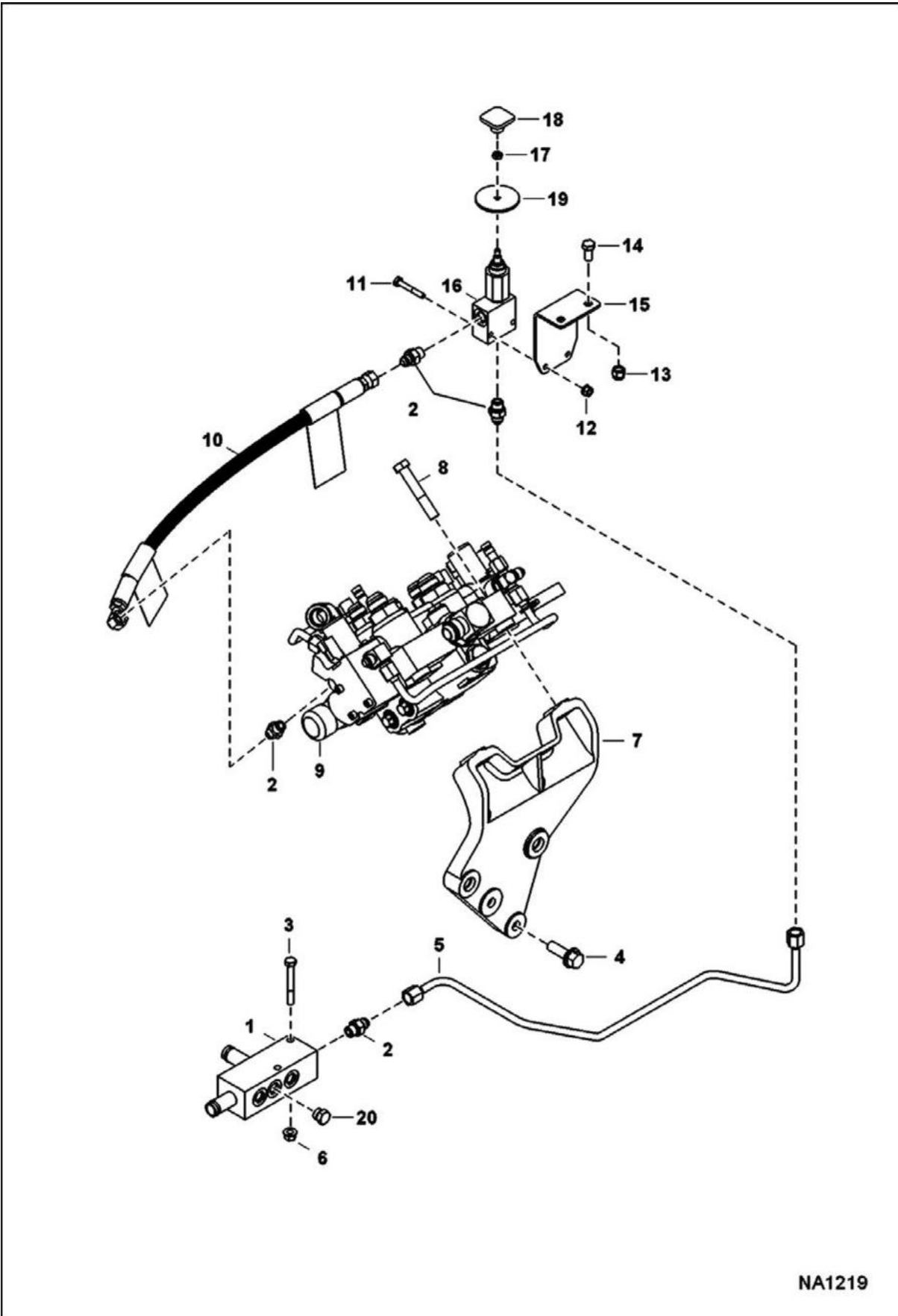
HYDRAULIC CIRCUITRY (Cont'd) (W/O BPV Junction Block)



HYDRAULIC CIRCUITRY (Cont'd)
(W/O BPV Junction Block)

Ref No	Part Number	Description	Remarks	Serial Number	Qty
43	7170355	DECAL, DANGER			1
44	17C632	BOLT 5			1
45	7183298	CLAMP			2
46	7182882	TUBELINE, HYD			1
47	15KB0606	FITTING, HYD CONNECTOR			2
48	6684125	COUPLER			1
49	85D6	LOCK NUT			1
50	872229	WASHER	0.19" thick - 44.5 mm (1.75") OD		3
51	619021	WASHER, 5	0.13" thick - 32 mm (1.25") OD		2
52	86F8	NUT 5			1
53	84G3712	BOLT			1
54	30H31	CLAMP 10			1
55	7203489	FITTING, HYD CONNECTOR			1

MANUAL LIFT RELEASE SYSTEM

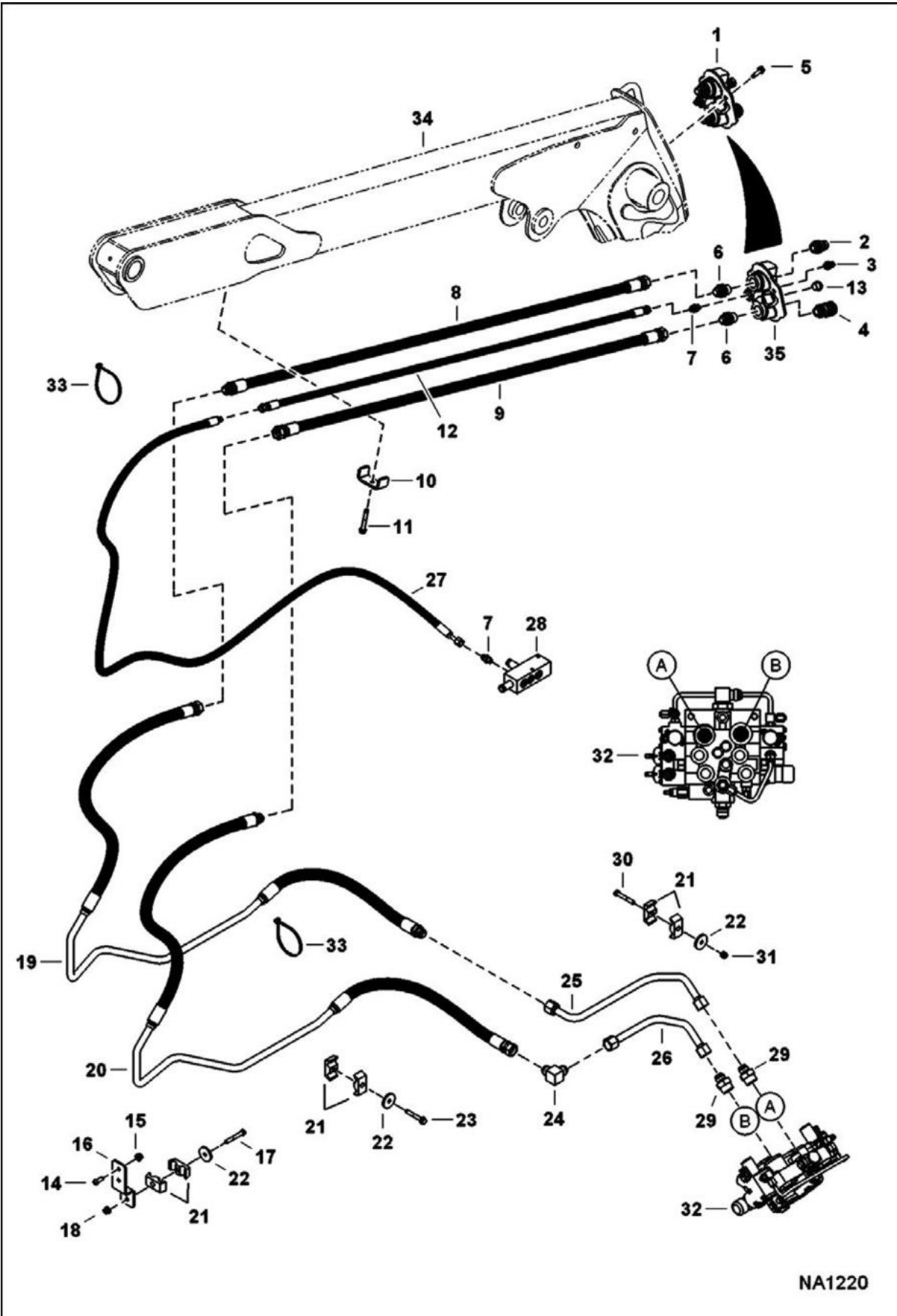


NA1219

MANUAL LIFT RELEASE SYSTEM (Cont'd)

Ref No	Part Number	Description	Remarks	Serial Number	Qty
1	7201981	MANIFOLD, DRAIN CASE	Was 7178129 [A]		1
2	15KB0606	FITTING, HYD CONNECTOR			4
2	79K6	O RING 10			x
3	17C540	BOLT			2
4	31C824	BOLT 10			2
5	7176927	TUBELINE, HYD			1
6	83D5	NUT 5			2
7	7156150	MOUNT			1
8	17C844	BOLT			2
9		VALVE, CONTROL	See Illustration CONTROL VALVE/ NA1216 - manual controls		1
9		VALVE, CONTROL	See Illustration CONTROL VALVE/ NA1217 - ACS & SJC		1
10	7168337	HOSE, HYD	available only as an assembly W/two danger decals installed		1
10	7170355	DECAL, DANGER			2
11	17C428	BOLT			2
12	83D4	NUT 10			2
13	59D6	NUT			2
14	35C616	BOLT 5			2
15	7149166	MOUNT, BOOM DOWN			1
16		VALVE ASSY	See Illustration MANUAL LIFT RELEASE VALVE/ PE1547 - manual lift release		1
17	7D4	NUT			1
18	6737524	KNOB			1
19	6707101	SEAL	neoprene		1
20	24K5	PLUG			1
20		FITTING, HYD CONNECTOR	See Illustration POWER BOB-TACH/ NA2048		1

AUXILIARY HYDRAULICS

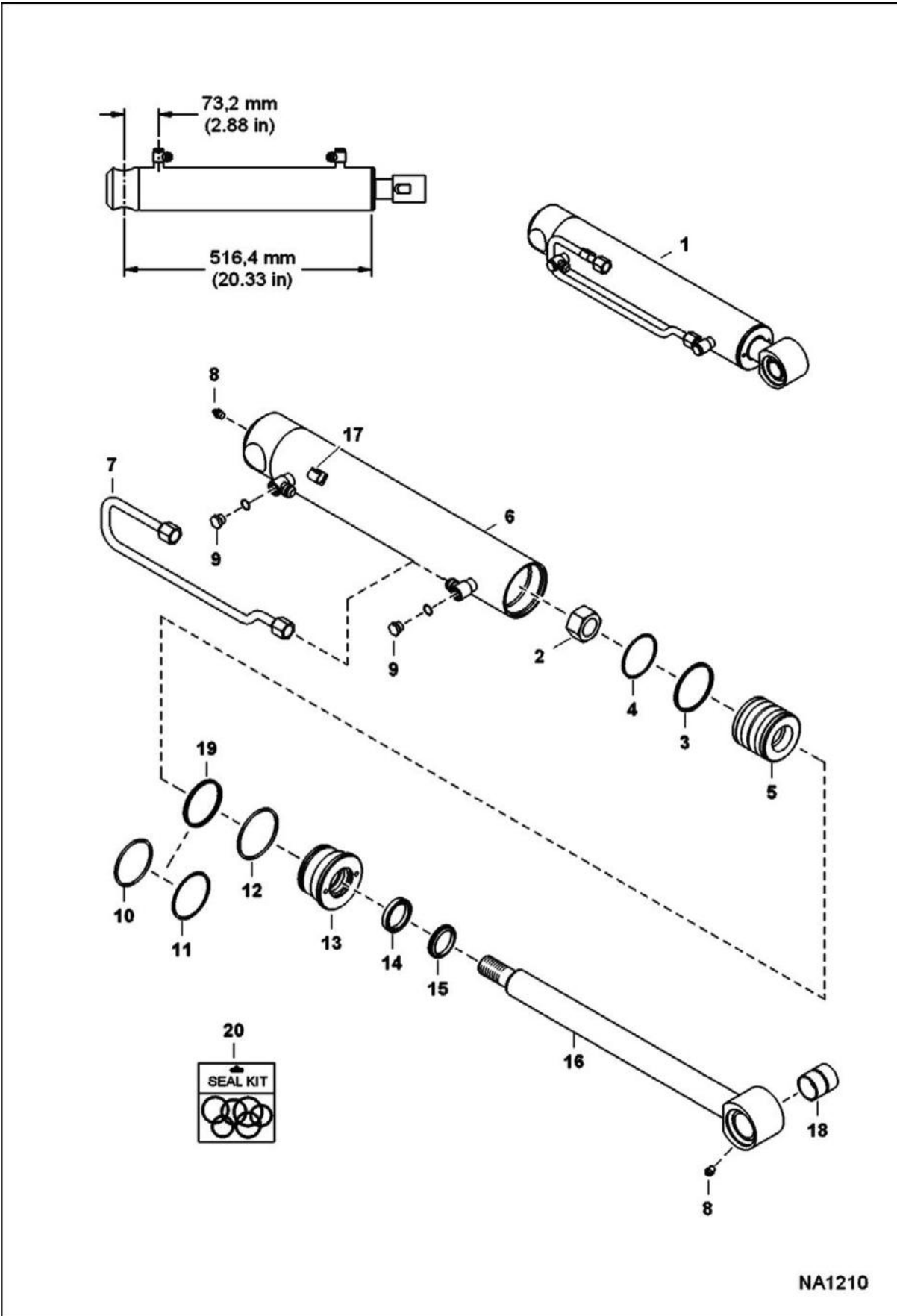


NA1220

AUXILIARY HYDRAULICS (Cont'd)

Ref No	Part Number	Description	Remarks	Serial Number	Qty
1	7141939	BLOCK, COUPLER	assy - Ref. 2-4, 6, 7 & 35		1
2	6679837	COUPLER	male		1
2	6679841	SEAL	blue - front		1
2	6680020	SEAL KIT	(3) O-rings & (3) back-up washers		1
3	6679838	KIT, COUPLER	male casedrain - W/valve, spring, seal & O-ring		1
3	6679840	SEAL	blue - front		1
4	6680018	COUPLER, KIT	female		1
4	6680020	SEAL KIT	(3) O-rings & (3) back-up washers		1
5	84G3716	SCREW 5	Was 84G3720 [B]		2
6	6679836	ADAPTER	W/spring		2
6	79K12	O RING 10			x
7	15KB0606	FITTING, HYD CONNECTOR			1
7	79K6	O RING 10			x
8	7171077	HOSE			1
9	7171003	HOSE			1
10	7157545	CLAMP			2
11	84G3732	BOLT	Was 84G3740 [B]		3
12	7171045	HOSE			1
13	6697942	PLUG, NYLON			1
14	10C616	BOLT 10	Was 53C616 [A]		2
15	83D6	NUT 5			2
16	7175549	MOUNT, HOSE			1
17	17C644	BOLT	Was 17C640 [B]		1
18	83D6	NUT 5	Was 86D6 [D]		1
19	7177816	HOSE, HYD			1
20	7177817	HOSE, HYD			1
21	6592506	CLAMP			6
22	872229	WASHER			3
23	84G3740	BOLT			1
24	77F8	ELBOW			1
25	7154522	TUBELINE			1
26	7154523	TUBELINE			1
27	7175556	HOSE, HYD			1
28		MANIFOLD, CASE DRAIN	See Illustration HYDROSTATIC CIRCUITRY/ NA1225		1
29	15KB1216	FITTING, HYD CONNECTOR			2
29	79K16	O RING 10			x
30	31C640	BOLT			1
31	59D6	NUT			3
32		VALVE	See Illustration CONTROL VALVE/ NA1217 - ACS, SJC		1
32		VALVE	See Illustration CONTROL VALVE/ NA1216 - manual controls		1
33	6624289	STRAP, TIE			3
34		ARM, LIFT ASSY	See Illustration LIFT ARM & BOB-TACH/ NA1002		1
35		BLOCK	NSS - Order Ref. 1		1

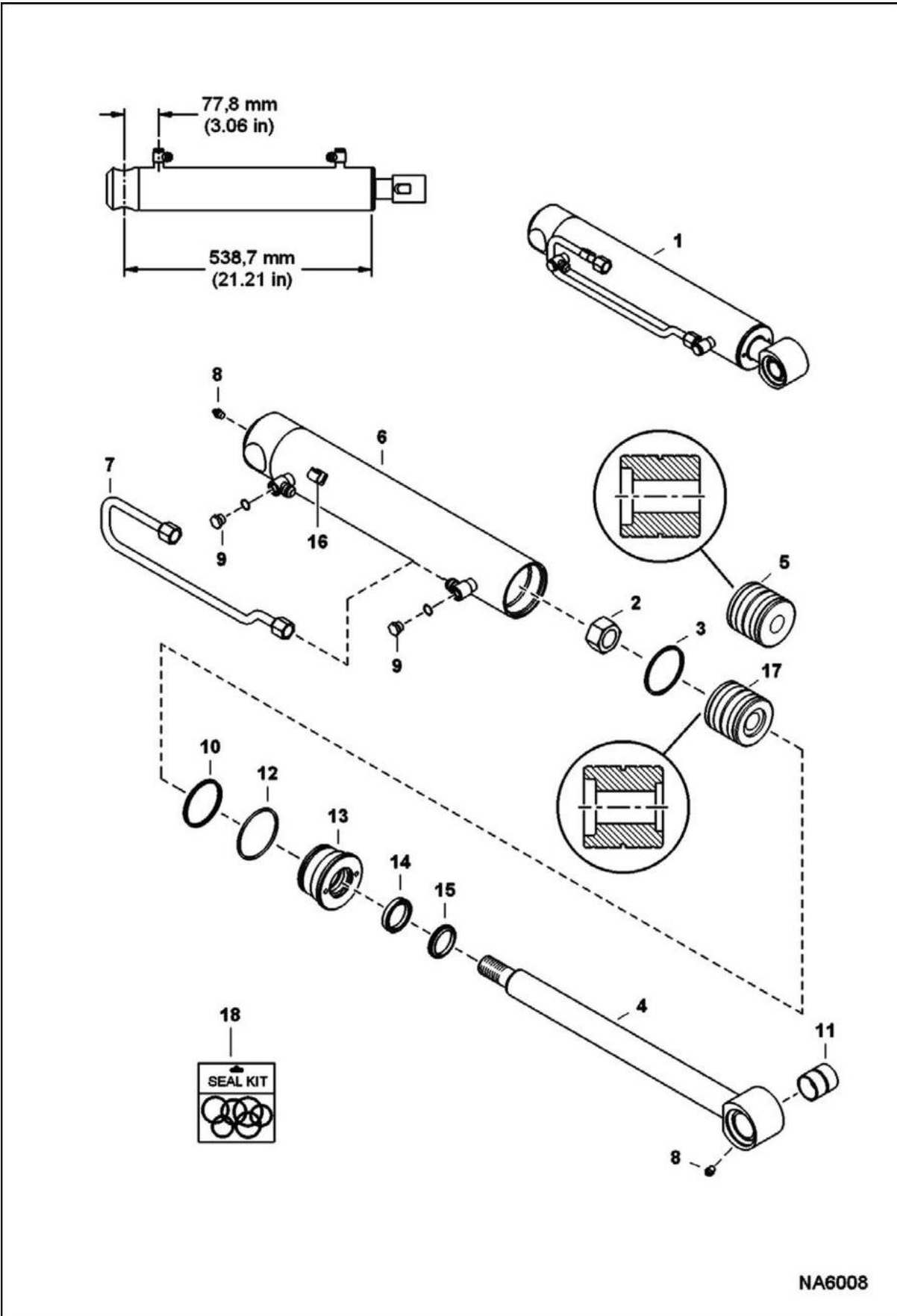
TILT CYLINDER (RH) (516,4 mm - 20.33")



TILT CYLINDER (Cont'd)
(RH) (516,4 mm - 20.33")

Ref No	Part Number	Description	Remarks	Serial Number	Qty
1		CYLINDER, TILT	See Illustration TILT CYLINDER/ NA6008 NAP - Ref. 2-19 - Order 7202031 tilt cylinder - before ordering repair parts, make sure that this is the correct style cylinder - note the length shown on the drawing page - Was 7154161 [A]		1
2	6810539	NUT			1
3	947088	RING, BACK-UP			1
4	54K30218	O-RING			1
5		PISTON, CYL TILT	See Illustration TILT CYLINDER/ NA6008 NAP - Order 7202031 tilt cylinder - Was 7152338 [A]		1
6		TUBE, CASE CYL	See Illustration TILT CYLINDER/ NA6008 NAP - Order 7202031 tilt cylinder - Was 7154162 [A]		1
7	7154163	TUBELINE, HYD			1
8	10H25	FITTING, GREASE 5			2
9	6812171	PLUG			2
10	54K40224	O-RING			1
11	73K232	RING, BACK-UP	back-up		1
12	54K40300	O-RING			1
13		HEAD, CYL LIFT	See Illustration TILT CYLINDER/ NA6008 NAP - Order 7202031 tilt cylinder - Was 6804427 [A]		1
14	6669267	SEAL			1
15	6687000	WIPER ROD			1
16		SHAFT	See Illustration TILT CYLINDER/ NA6008 NAP - Order 7202031 tilt cylinder - Was 7150359 [A]		1
17	6690911	CLAMP			1
18	7150182	BUSHING	wear		1
19	7008355	SEAL, QUAD			1
20	7137939	KIT, SEAL	Ref. 2-4, 12, 14, 15 & 19		1

TILT CYLINDER (RH) (538,7 mm - 21.21")

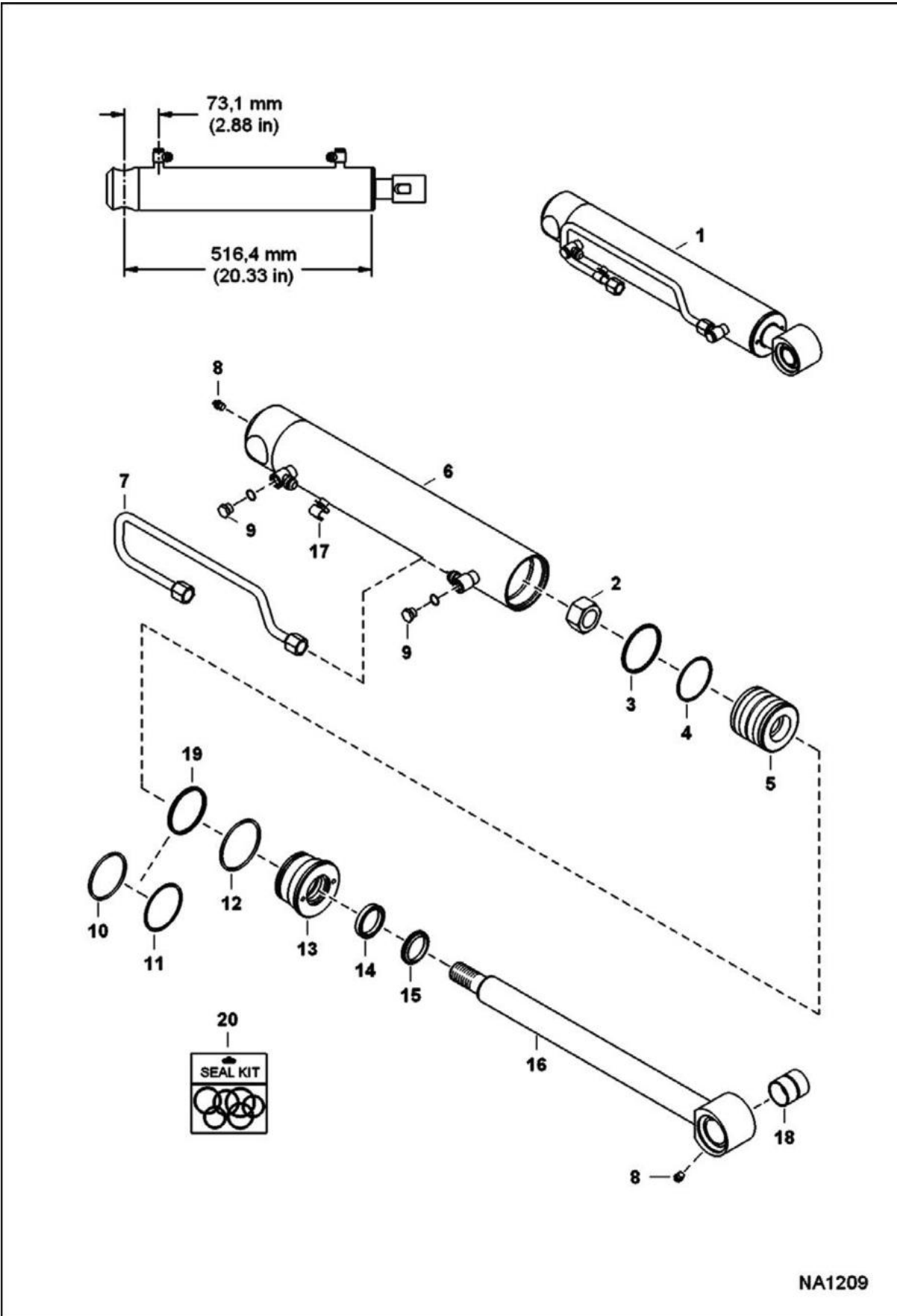


NA6008

TILT CYLINDER (Cont'd)
(RH) (538,7 mm - 21.21")

Ref No	Part Number	Description	Remarks	Serial Number	Qty
1		CYLINDER, TILT	NAP - Ref. 2-16 - before ordering repair parts, make sure that this is the correct style cylinder - note the length shown on the drawing page - extended shaft length 950,7 mm (37.43") - Order 7205267 cylinder - Was 7202031 [A]		1
1	7205267	CYLINDER, TILT	Ref. 2-4 & 6-17 - before ordering repair parts, make sure that this is the correct style cylinder - note the length shown on the drawing page - extended shaft length 947,9 mm (37.32")		1
2	6810539	NUT			1
3	947088	RING, BACK-UP			1
4	7202032	SHAFT, ROD CYL			1
5		PISTON, CYL TILT	NAP - Order Ref. 17 - W/O shaft inset - Was 7202085 [A]		1
6	7202033	TUBE, CASE CYL			1
7	7154163	TUBELINE, HYD			1
8	10H25	FITTING, GREASE 5			2
9	6812171	PLUG			2
10	7008355	SEAL, QUAD			1
11	7150182	BUSHING	wear		1
12	54K40300	O-RING			1
13	7202036	HEAD, CYL TILT			1
14	6669267	SEAL			1
15	6687000	WIPER ROD			1
16	6690911	CLAMP			1
17	7205268	PISTON, CYL TILT	W/shaft inset		1
18	7202518	KIT, SEAL	Ref. 2, 3, 10, 12, 14 & 15		1

TILT CYLINDER (LH) (516,4 mm - 20.33")

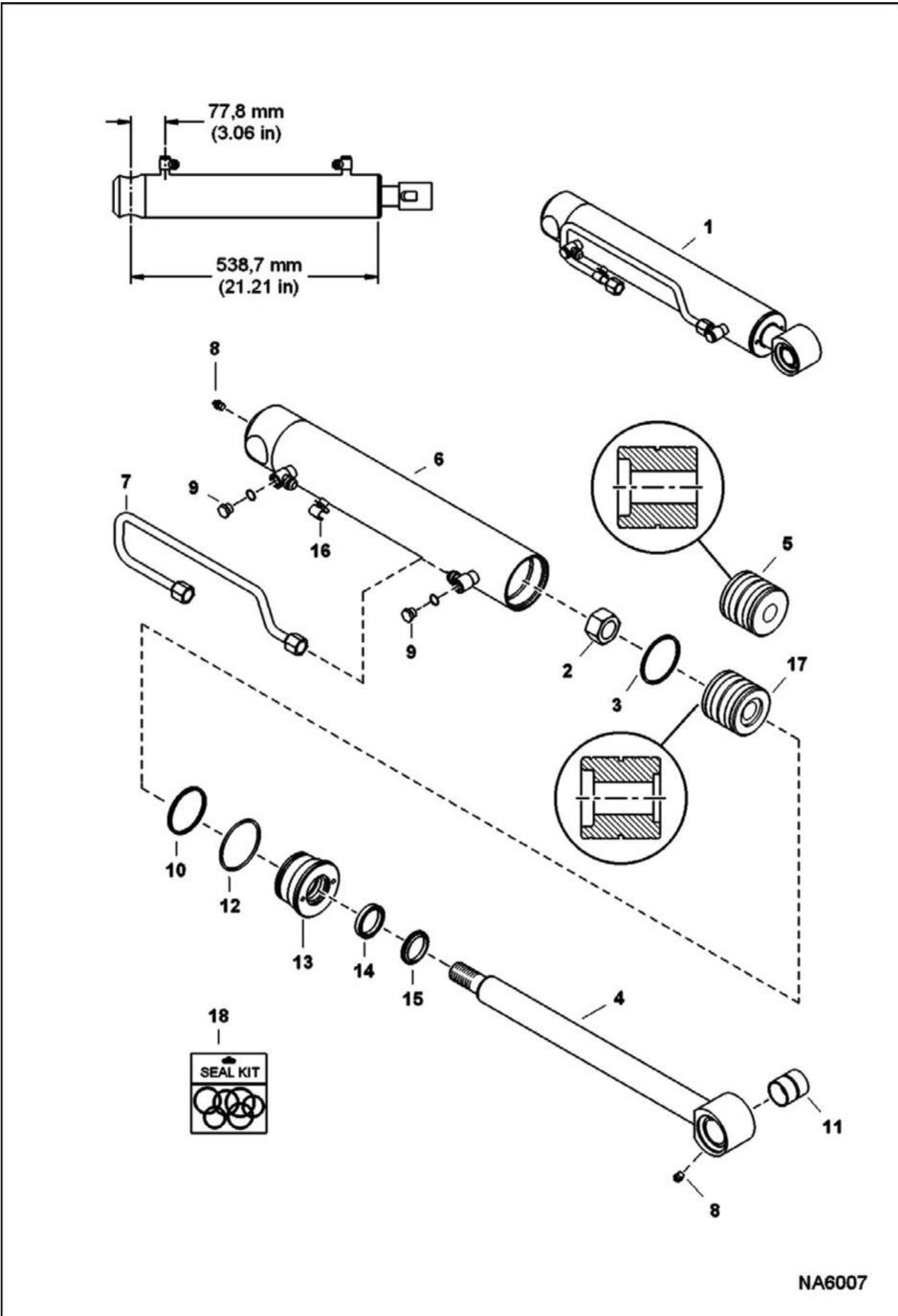


NA1209

TILT CYLINDER (Cont'd)
(LH) (516,4 mm - 20.33")

Ref No	Part Number	Description	Remarks	Serial Number	Qty
1		CYLINDER, TILT	See Illustration TILT CYLINDER/ NA6007 NAP - Ref. 2-19 - Order 7201527 tilt cylinder - before ordering repair parts, make sure that this is the correct style cylinder - note the length shown on the drawing page - Was 7150357 [A]		1
2	6810539	NUT			1
3	947088	RING, BACK-UP			1
4	54K30218	O-RING			1
5		PISTON, CYL TILT	See Illustration TILT CYLINDER/ NA6007 NAP - Order 7201527 tilt cylinder - Was 7152338 [A]		1
6		TUBE, CASE CYL	See Illustration TILT CYLINDER/ NA6007 NAP - Order 7201527 tilt cylinder - Was 7150358 [A]		1
7	7150467	TUBELINE, HYD			1
8	10H25	FITTING, GREASE 5			2
9	6812171	PLUG			2
10	54K40224	O-RING			1
11	73K232	RING, BACK-UP	back-up		1
12	54K40300	O-RING			1
13		HEAD, CYL LIFT	See Illustration TILT CYLINDER/ NA6007 NAP - Order 7201527 tilt cylinder - Was 6804427 [A]		1
14	6669267	SEAL			1
15	6687000	WIPER ROD			1
16		SHAFT	See Illustration TILT CYLINDER/ NA6007 NAP - Order 7201527 tilt cylinder - Was 7150539 [A]		1
17	6690911	CLAMP			1
18	7150182	BUSHING	wear		1
19	7008355	SEAL, QUAD			1
20	7137939	KIT, SEAL	Ref. 2-4, 12, 14, 15 & 19		1

TILT CYLINDER (LH) (538,7 mm - 21.21")

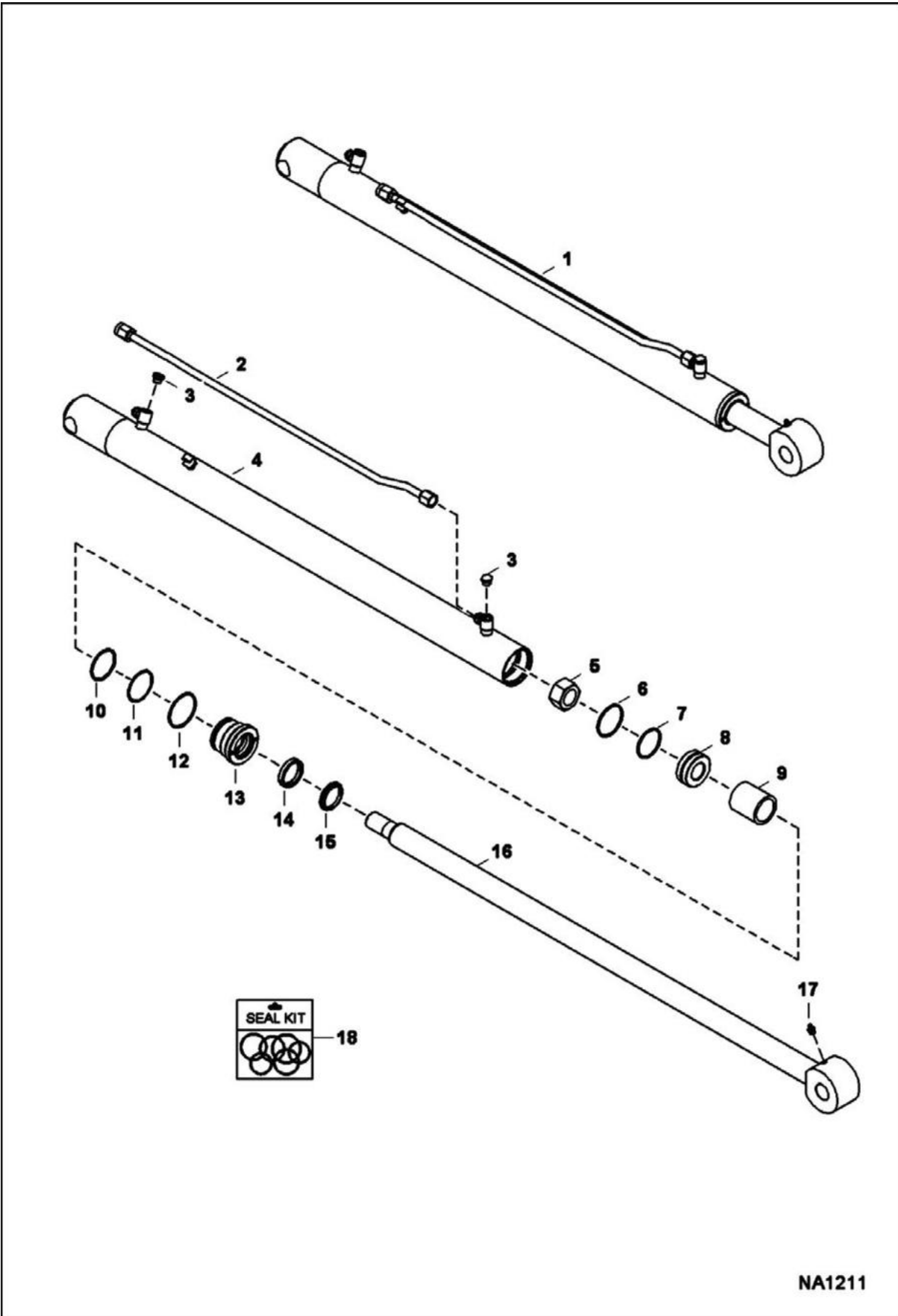


NA6007

TILT CYLINDER (Cont'd)
(LH) (538,7 mm - 21.21")

Ref No	Part Number	Description	Remarks	Serial Number	Qty
1		CYLINDER, TILT	NAP - Ref. 2-16 - before ordering repair parts, make sure that this is the correct style cylinder - note the length shown on the drawing page - extended shaft length 950,7 mm (37.43") - Order 7205266 cylinder - Was 7201527 [A]		1
1	7205266	CYLINDER, TILT	Ref. 2-4 & 6-17 - before ordering repair parts, make sure that this is the correct style cylinder - note the length shown on the drawing page - extended shaft length 947,9 mm (37.32")		1
2	6810539	NUT			1
3	6692325	SEAL, PISTON			1
4	7202032	SHAFT, ROD CYL			1
5		PISTON, CYL TILT	NAP - Order Ref. 17 - W/O shaft inset - Was 7202085 [A]		1
6	7202033	TUBE, CASE CYL			1
7	7150467	TUBELINE, HYD			1
8	10H25	FITTING, GREASE 5			2
9	6812171	PLUG			2
10	7008355	SEAL, QUAD			1
11	7150182	BUSHING	wear		1
12	54K40300	O-RING			1
13	7202036	HEAD, CYL TILT			1
14	6669267	SEAL			1
15	6687000	WIPER ROD			1
16	6690911	CLAMP			1
17	7205268	PISTON, CYL TILT	W/shaft inset		1
18	7202518	KIT, SEAL	Ref. 2, 3, 10, 12, 14 & 15		1

LIFT CYLINDER

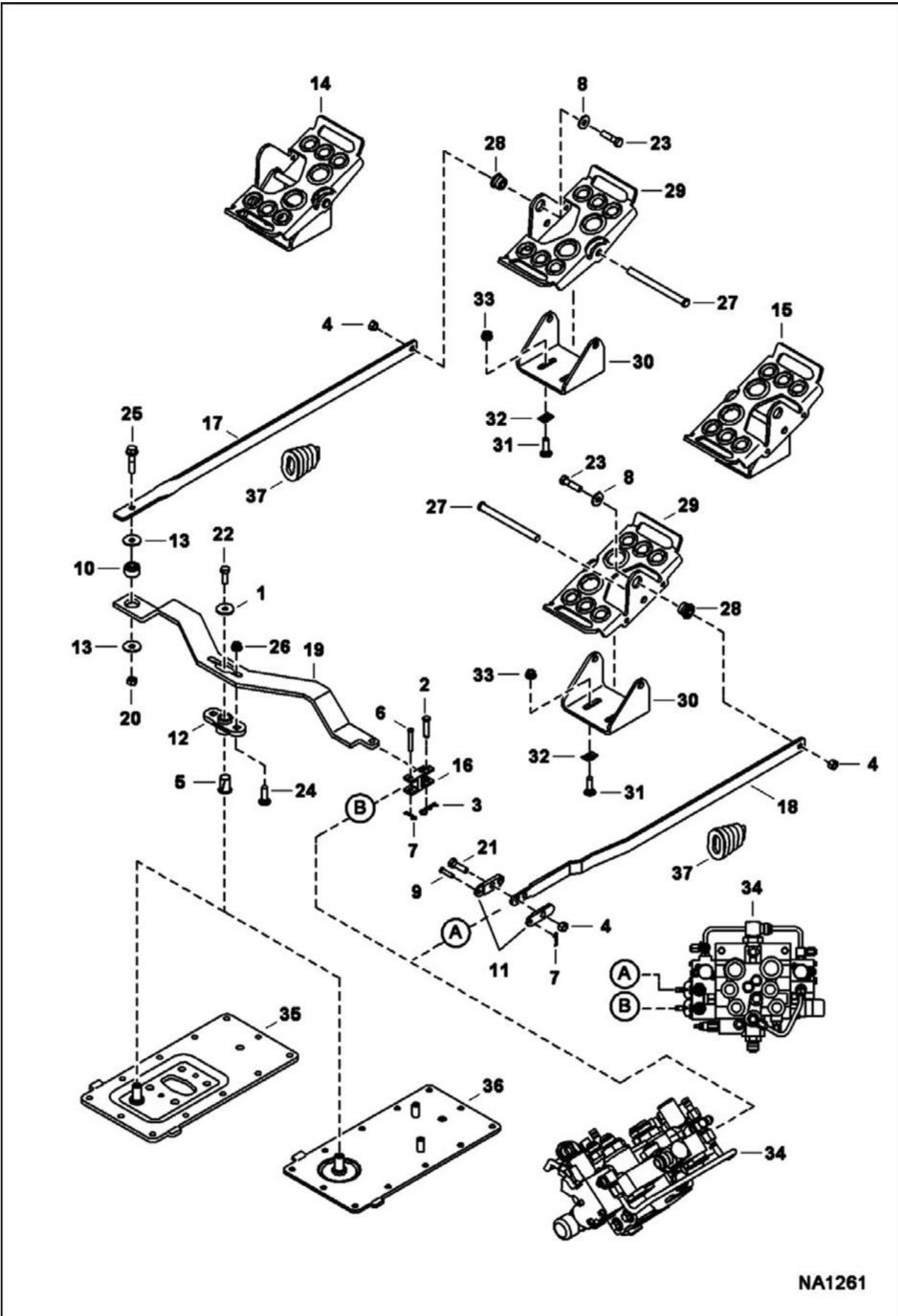


NA1211

LIFT CYLINDER (Cont'd)

Ref No	Part Number	Description	Remarks	Serial Number	Qty
1	7171120	CYLINDER, LIFT	Ref. 2-17		1
2	7136037	TUBELINE			1
3	6812171	PLUG			2
4	7203838	TUBE, CASE CYL	Was 7136058 [A]		1
5	6810540	NUT			1
6	1522534	SEAL			1
7	25K30202	O RING 10			1
8	6697792	PISTON, ASSY	W/Ref. 6 & 7		1
9	7136036	SPACER			1
10	54K40208	O-RING			1
11	73K228	BACK-UP RING			1
12	82K230	SEAL			1
13	6597009	HEAD			1
14	6667327	SEAL	back-up		1
15	6686999	SEAL	wiper		1
16	7136033	SHAFT			1
17	10H25	FITTING, GREASE 5			1
18	7137869	KIT, SEAL	Ref. 6, 7, 10-12, 14 & 15		1

CONTROL PEDALS

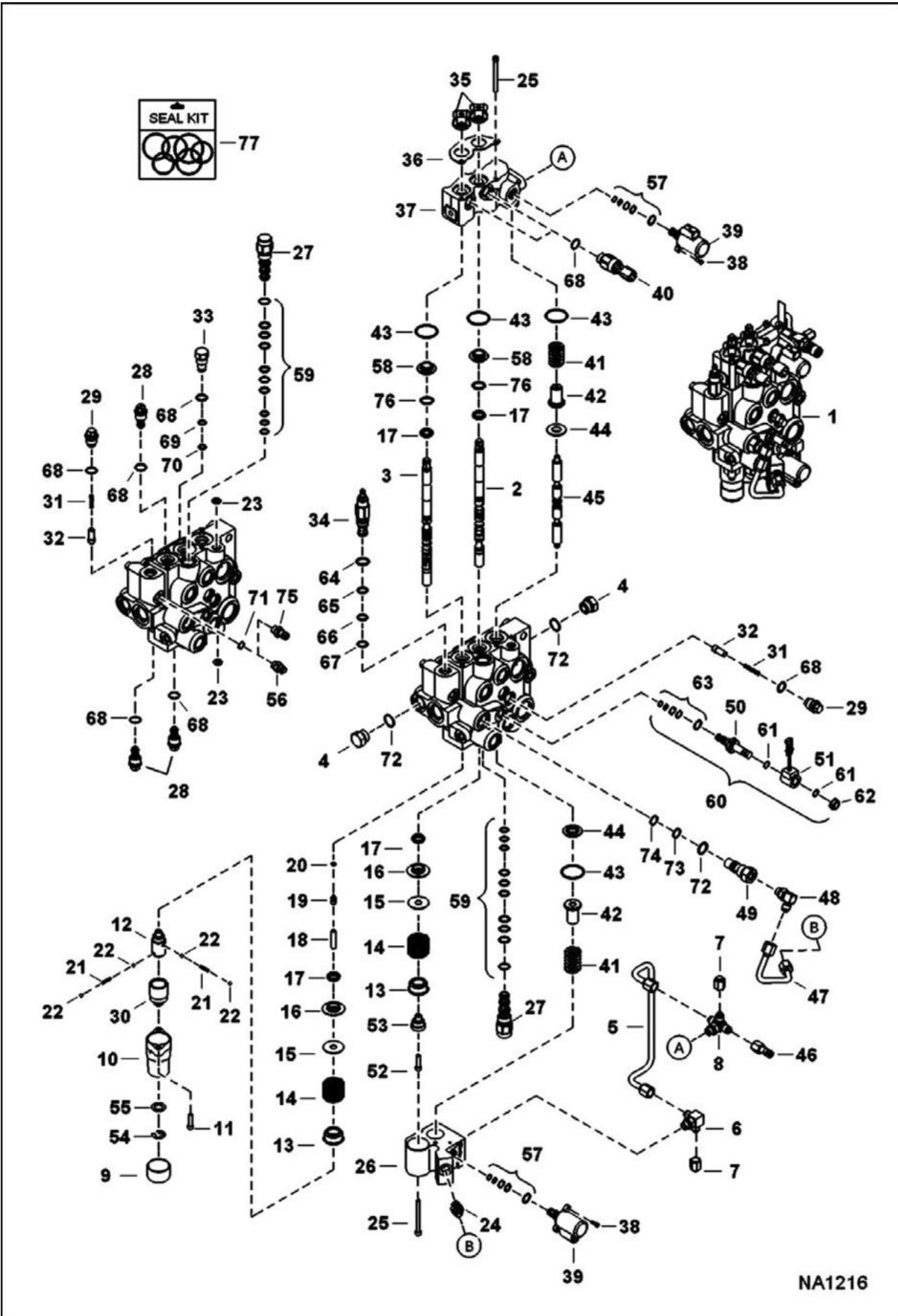


NA1261

CONTROL PEDALS (Cont'd)

Ref No	Part Number	Description	Remarks	Serial Number	Qty
1	6557831	WASHER			1
2	7191333	PIN, CLEVIS	Was 7179279 [B]		1
3	1306637	CLIP			1
4	95D6	NUT			3
5	6512026	BUSHING			1
6	7191334	PIN, CLEVIS	Was 7178508 [B]		1
7	6513495	COTTER PIN			2
8	6563914	WASHER			2
9	6564654	PIN			1
10	6685060	BUSHING, TORSION			1
11	6708009	LINK			2
12	6708043	BUSHING			1
13	6737388	WASHER			2
14	7151868	PEDAL ASSY	LH - Ref. 27-30		1
15	7151871	PEDAL ASSY	RH - Ref. 27-30		1
16	7191332	YOKE	Was 7152501 [B]		1
17	7153048	LINK, PEDAL			1
18	7153049	LINK, PEDAL			1
19	7153058	LINK, BELLCRANK			1
20	63D6	NUT			1
21	17C620	BOLT			1
22	17C616	BOLT 5			1
23	17C624	BOLT 5			2
24	37C620	BOLT			2
25	49C628	BOLT			1
26	53D6	NUT			2
27		PIN	NAP - Order Ref. 14 or Ref. 15		2
28	6665701	BUSHING, PRESS FIT			2
29		PEDAL	NAP - Order Ref. 14 or Ref. 15		2
30	7157611	MOUNT			2
31	37C620	BOLT			4
32	6684033	NUT			4
33	57D6	NUT 5			4
34		VALVE	See Illustration CONTROL VALVE/ NA1217 - ACS, SJC		1
34		VALVE	See Illustration CONTROL VALVE/ NA1216 - manual controls		1
35		COVER	See Illustration DISC BRAKE/ NA1005		1
36		COVER	See Illustration TRANSMISSION COVERS/ NA1006		1
37	7153503	BOOT			2

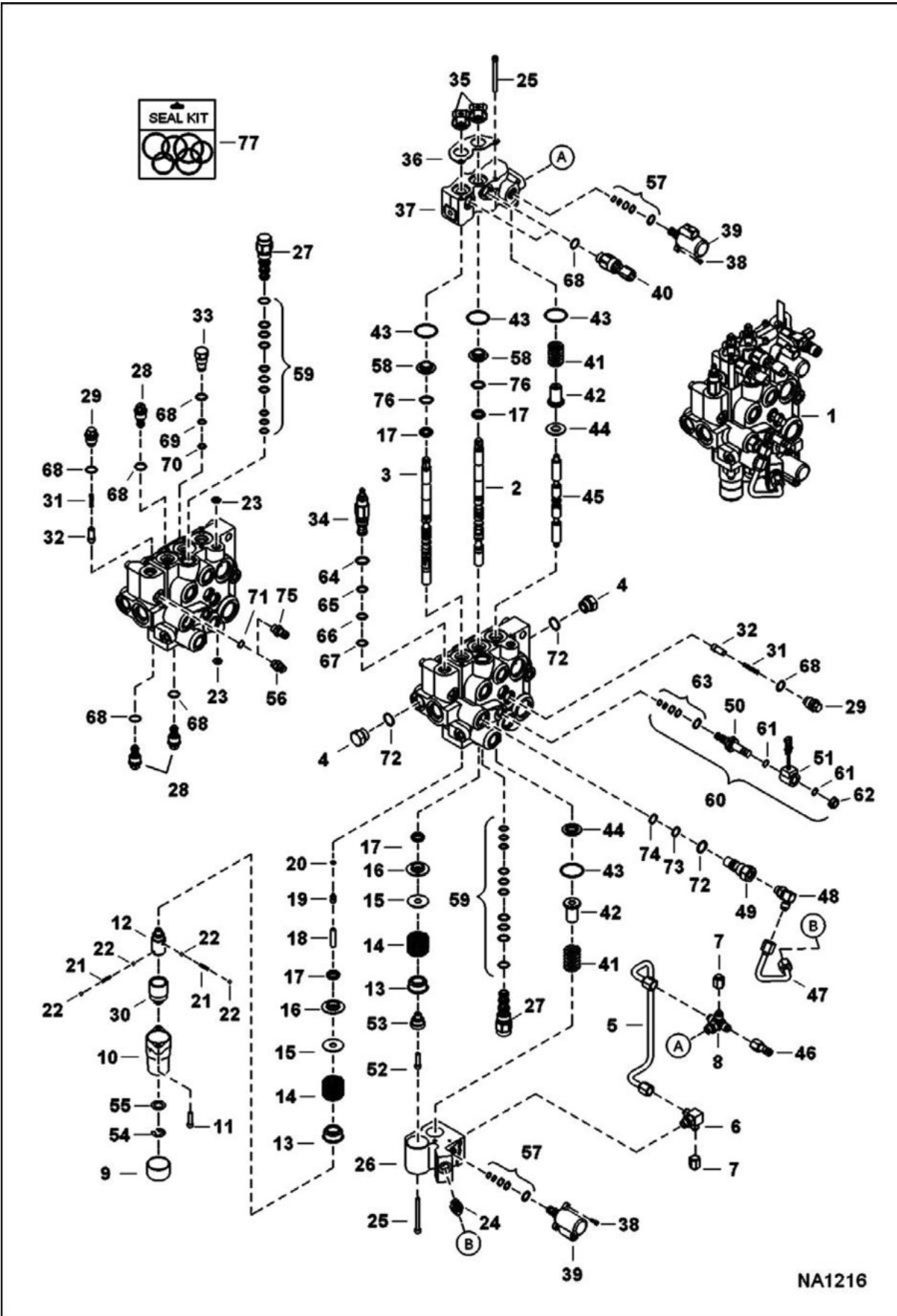
CONTROL VALVE (Manual Controls)



CONTROL VALVE (Cont'd)
(Manual Controls)

Ref No	Part Number	Description	Remarks	Serial Number	Qty
1	7166046	VALVE, CONTROL			1
2	6815152	SPOOL	tilt		1
3	7170321	SPOOL, LIFT LOCK	lift		1
4	24K7	PLUG			2
5	7157291	TUBELINE			1
6	7166338	TEE, BOSS			1
7	36K5	CAP			2
8	7180987	FITTING, CROSS			1
8	79K6	O RING 10			2
9	6660644	CAP			1
10	6589226	BONNET	0.63" flange		1
11	29G416	BOLT			2
12	6587575	ADAPTER			1
13	6592100	COLLAR			2
14	6587580	SPRING			2
15	6587523	WASHER			2
16	6595663	BUSHING			2
17	6683274	SEAL, SPOOL 10			4
18	6586918	SCREW			1
19	6596807	PLUG	plastic - 0.46" long		1
20	58K004	O-RING			1
21	6592107	SPRING			2
22	6592105	BALL			4
23	55K204	O RING 10			2
24	6688845	VALVE	check		1
24	79K6	O RING 10			x
25	6814022	SCREW HEX SKT HD W/T			7
26	7157289	BLOCK			1
27	6689739	VALVE	W/Ref. 56		2
28	6684646	VALVE	anti-cav		3
29	7134520	PLUG	check valve		3
30	7170051	SLEEVE			1
31	7166339	SPRING, LOAD CHECK			4
32	7166047	SEAT, CHECK VALVE			4
33	6816549	PLUG ASSY PORT RLF			1
34	6686360	VALVE	main relief - W/Ref. 64-67 - pressure to be set in field		1
35	6587763	BOOT			2
36	6813153	PLATE	retainer		1
37	7157286	BODY			1
38	7002716	SCREW			4
39	6698434	VALVE, PROPORTIONAL			2
40	6676029	SOLENOID, LOCK SPOOL			2
41	7121399	SPRING			2
42	6814694	RETAINER			2
43	1K127	O-RING 10			4
44	7138376	BUSHING			2
45	7112383	AUX SPOOL			1
46	6684125	COUPLER			1
47	7157290	TUBELINE			1

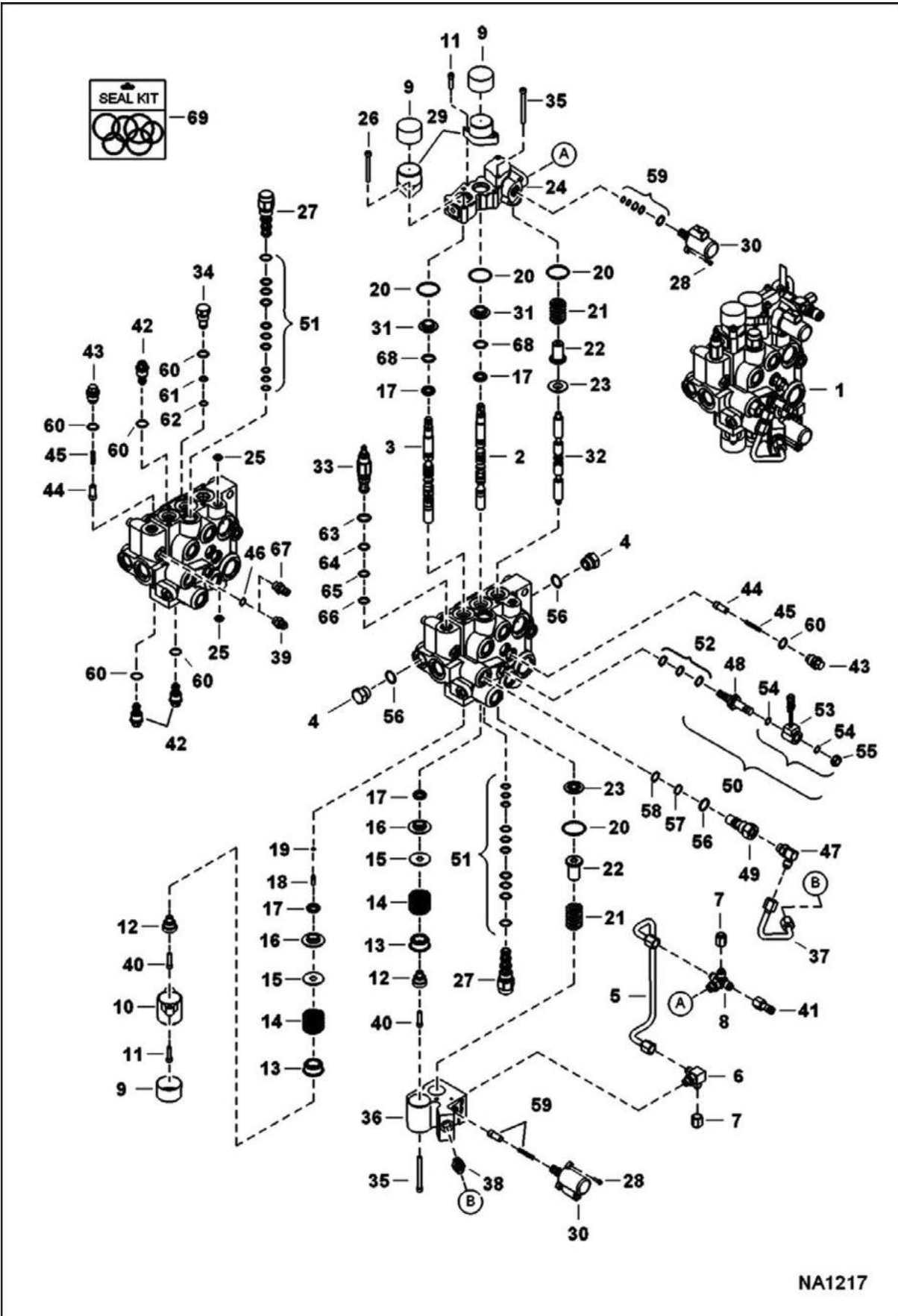
CONTROL VALVE (Cont'd) (Manual Controls)



CONTROL VALVE (Cont'd)
(Manual Controls)

Ref No	Part Number	Description	Remarks	Serial Number	Qty
48	17KB0606	FITTING			1
48	79K6	O RING 10			x
49	7134522	PLUG			1
50	6667687	STEM			1
51	6671025	COIL			1
51	6675559	COIL	W/Ref. 61 & 62		1
52	7102652	SCREW			1
53	6592109	ADAPTER			1
54	799119	RING			1
55	6592098	WASHER			1
56	6630168	COUPLER			1
57	7008771	KIT, SEAL	Use for Ref. 39		2
58	7202038	BUSHING, ALIGNMENT	Also Order 82K019 alignment O-ring - Was 6805102 [A]		2
59	6669734	KIT, SEAL			x
60	6672471	VALVE	solenoid		1
61	54K20028	O RING 10			2
62	6691022	NUT			1
63	6669732	KIT, SEAL			1
64	58K17	O RING 10			1
65	6665569	WASHER			1
66	25K20016	O RING 10			1
67	6665570	RING			1
68	79K8	O RING 10			x
69	58K013	O-RING			1
70	73K013	RING, BACK-UP			1
71	79K6	O RING 10			x
72	79K10	O RING 10			x
73	73K016	RING, BACK-UP			1
74	58K016	O-RING 10			1
75	15KB0606	FITTING, HYD CONNECTOR			1
75	79K6	O RING 10			x
76	82K019	O-RING	alignment		2
77	7123964	KIT, SEAL COMPLETE			1
77	6632279	KIT, SEAL	main relief - Ref. 64-67		x
77	6669732	KIT, SEAL	solenoid valve - Ref. 63		x
77	6669734	KIT, SEAL	pilot valve - Ref. 59		x
77	7008771	KIT, SEAL	proportional valve - Ref. 57		x

CONTROL VALVE (AHC, ACS & SJC)

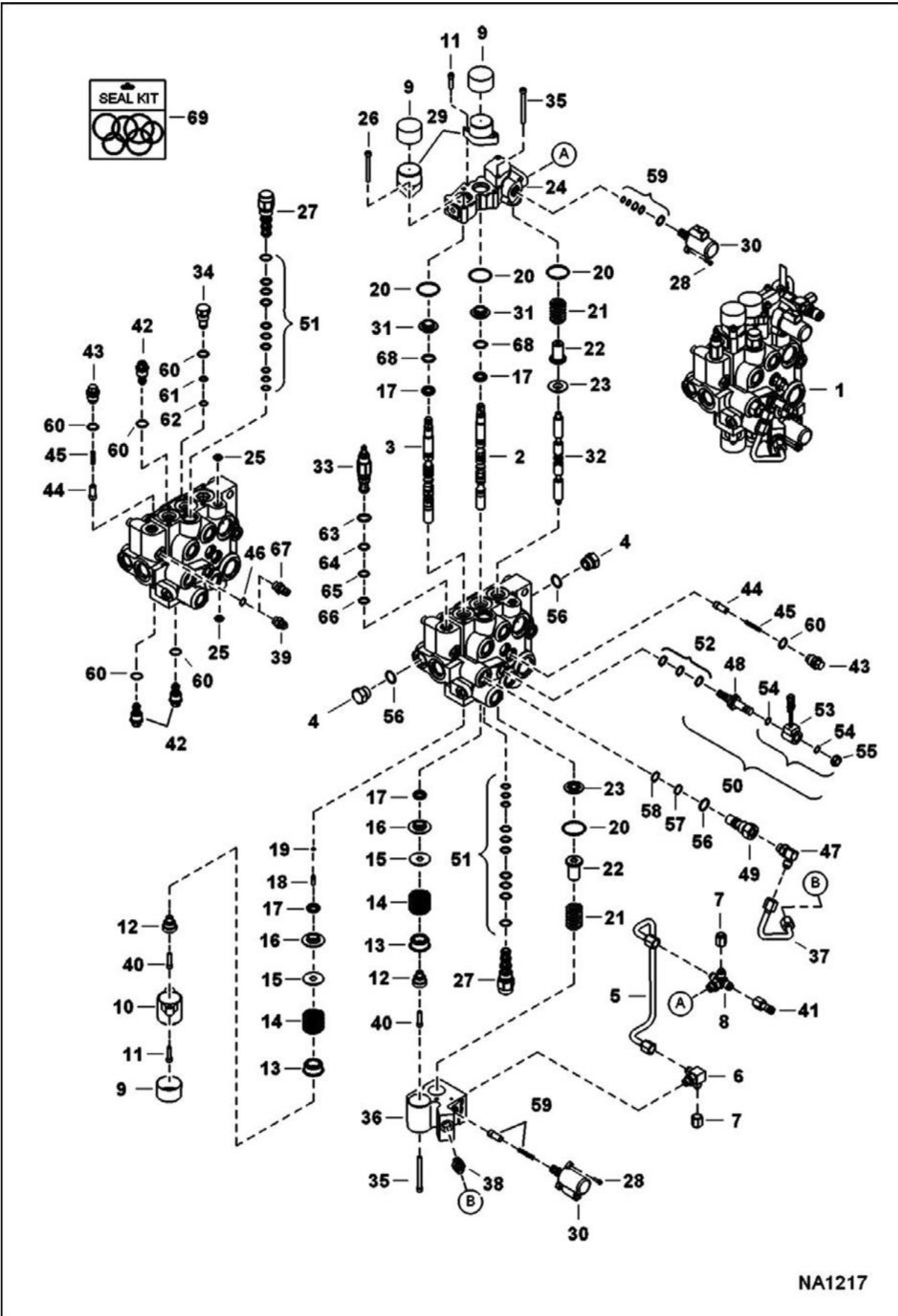


NA1217

CONTROL VALVE (Cont'd)
(AHC, ACS & SJC)

Ref No	Part Number	Description	Remarks	Serial Number	Qty
1	7166283	VALVE, CONTROL			1
2	7108242	TILT SPOOL			1
3	7170011	SPOOL, LIFT			1
4	24K7	PLUG			2
5	7157291	TUBELINE			1
6	7166338	TEE, BOSS			1
7	36K5	CAP			2
8	7180987	FITTING, CROSS			1
9	6662848	CAP			3
10	6803092	BONNET			1
11	29G416	BOLT			4
12	6592109	ADAPTER			2
13	6592100	COLLAR			2
14	6587580	SPRING			2
15	6587523	WASHER			2
16	6595663	BUSHING			2
17	6683274	SEAL, SPOOL 10			4
18	6801167	PLUG			1
19	58K004	O-RING			1
20	1K127	O-RING 10			4
21	7121399	SPRING			2
22	6814694	RETAINER			2
23	7138376	BUSHING			2
24	7157293	BODY			1
25	55K204	O RING 10			2
26	69G436	BOLT			2
27	6689739	VALVE	pilot operated		2
28	7002716	SCREW			4
29	7101345	BONNET, DETENT HYD VALVE			2
30	6698434	VALVE, PROPORTIONAL			2
31	7202038	BUSHING, ALIGNMENT	Also Order 82K019 alignment O-ring - Was 6805102 [A]		2
32	7112383	AUX SPOOL			1
33	6686360	VALVE	main relief - W/Ref. 63-66 - pressure to be set in field - Was 6686359 [D]		1
34	6816549	PLUG ASSY PORT RLF			1
35	6814022	SCREW HEX SKT HD W/T			5
36	7157289	BLOCK			1
37	7157290	TUBELINE			1
38	6688845	VALVE			1
38	79K6	O RING 10			x
39	6630168	COUPLER			1
39	36K5	CAP			1
39	79K6	O RING 10			x
40	7102652	SCREW			2
41	6684125	COUPLER			1
42	6684646	VALVE	anti-cav		3
43	7134520	PLUG	check valve		3
44	7166047	SEAT, CHECK VALVE			4
45	7166339	SPRING, LOAD			4

CONTROL VALVE (Cont'd) (AHC, ACS & SJC)

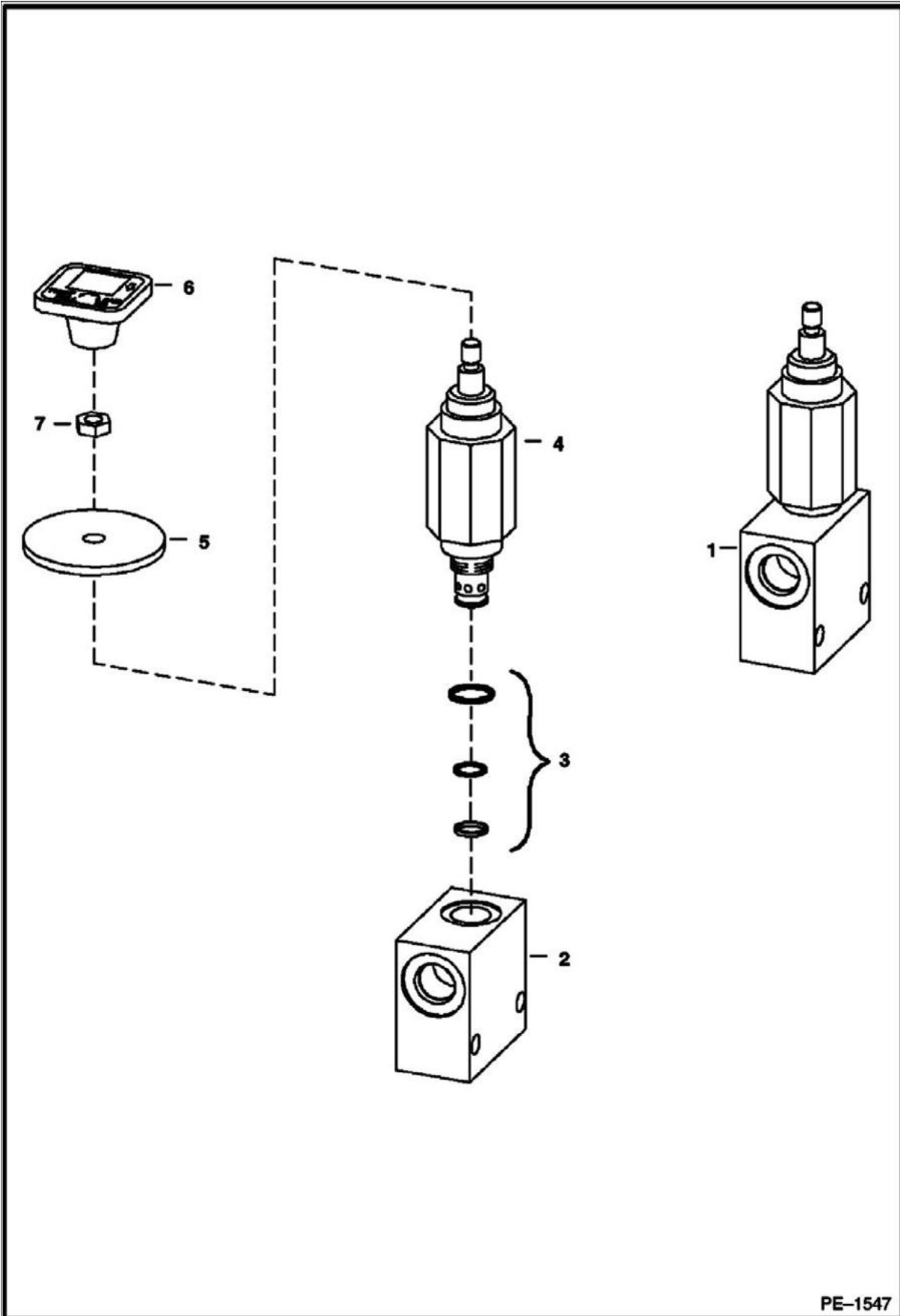


NA1217

CONTROL VALVE (Cont'd)
(AHC, ACS & SJC)

Ref No	Part Number	Description	Remarks	Serial Number	Qty
		CHECK			
46	79K6	O RING 10			x
47	17KB0606	FITTING			1
47	79K6	O RING 10			x
48	6667687	STEM			1
49	7134522	PLUG			1
50	6672471	VALVE	solenoid		1
51	6669734	KIT, SEAL			X
52	6669732	KIT, SEAL			1
53	6671025	COIL			1
53	6675559	COIL	W/Ref. 54 & 55		1
54	54K20028	O RING 10			2
55	6691022	NUT			1
56	79K10	O RING 10			x
57	73K016	RING, BACK-UP			1
58	58K016	O-RING 10			1
59	7008771	KIT, SEAL	Use for Ref. 30		2
60	79K8	O RING 10			x
61	58K013	O-RING			1
62	73K013	RING, BACK-UP			1
63	58K17	O RING 10			1
64	6665569	WASHER			1
65	25K20016	O RING 10			1
66	6665570	RING			1
67	15KB0606	FITTING, HYD CONNECTOR			1
67	79K6	O RING 10			x
68	82K019	O-RING	alignment		2
69	7123964	KIT, SEAL COMPLETE			x
69	6632279	KIT, SEAL	main relief - Ref. 63-66		x
69	6669732	KIT, SEAL	solenoid valve - Ref. 52		x
69	6669734	KIT, SEAL	pilot valve - Ref. 51		x
69	7008771	KIT, SEAL	proportional valve - Ref. 59		x

MANUAL LIFT RELEASE VALVE

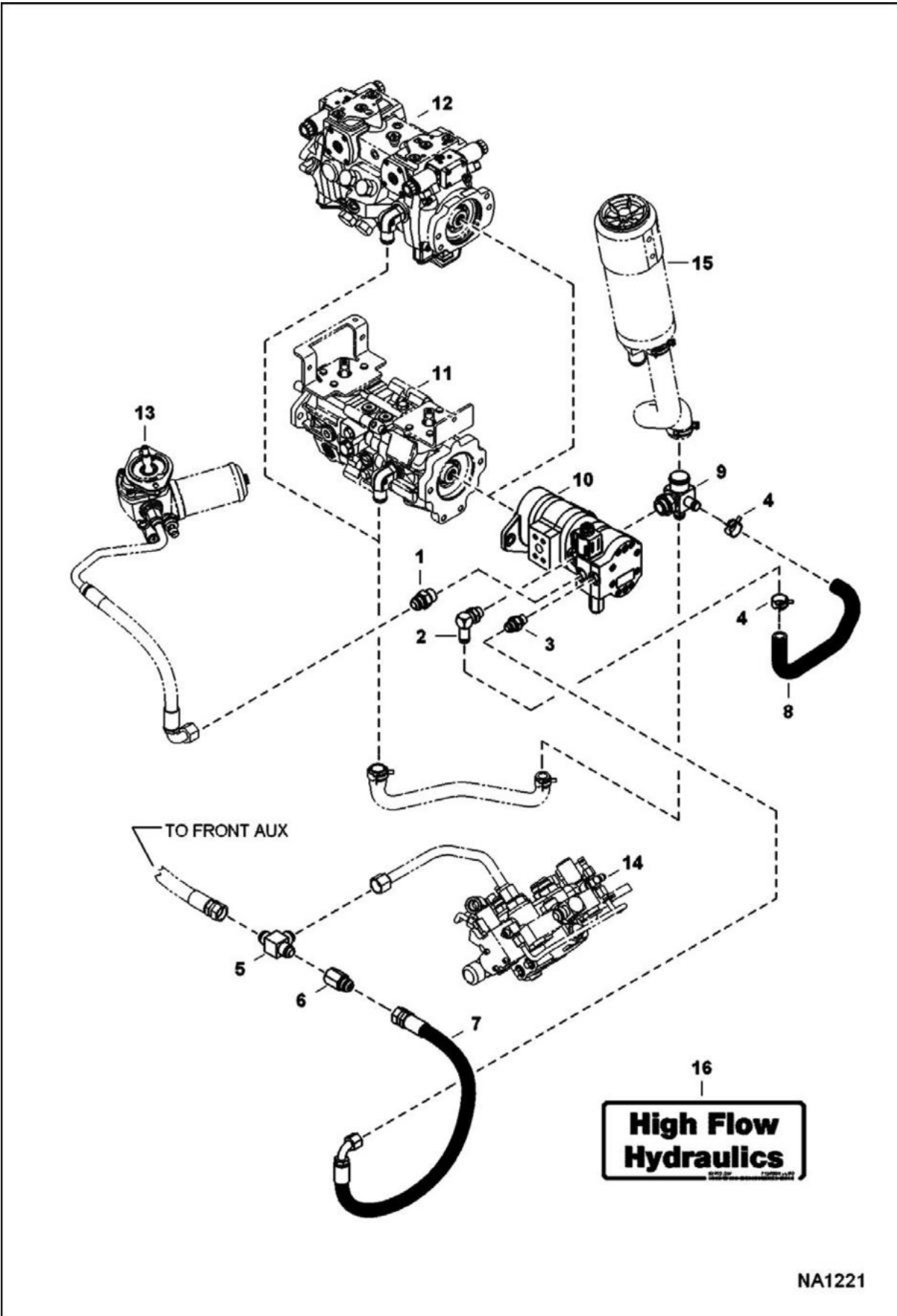


PE-1547

MANUAL LIFT RELEASE VALVE (Cont'd)

Ref No	Part Number	Description	Remarks	Serial Number	Qty
1	6667844	VALVE, LIFT MANUAL	Ref. 2-4		1
2		BLOCK	NSS		1
3	6669087	SEAL KIT			1
4		VALVE	NSS - Order Ref. 1		1
5	6707101	SEAL	neoprene		1
6	6737524	KNOB	red square		1
7	7D4	NUT			1

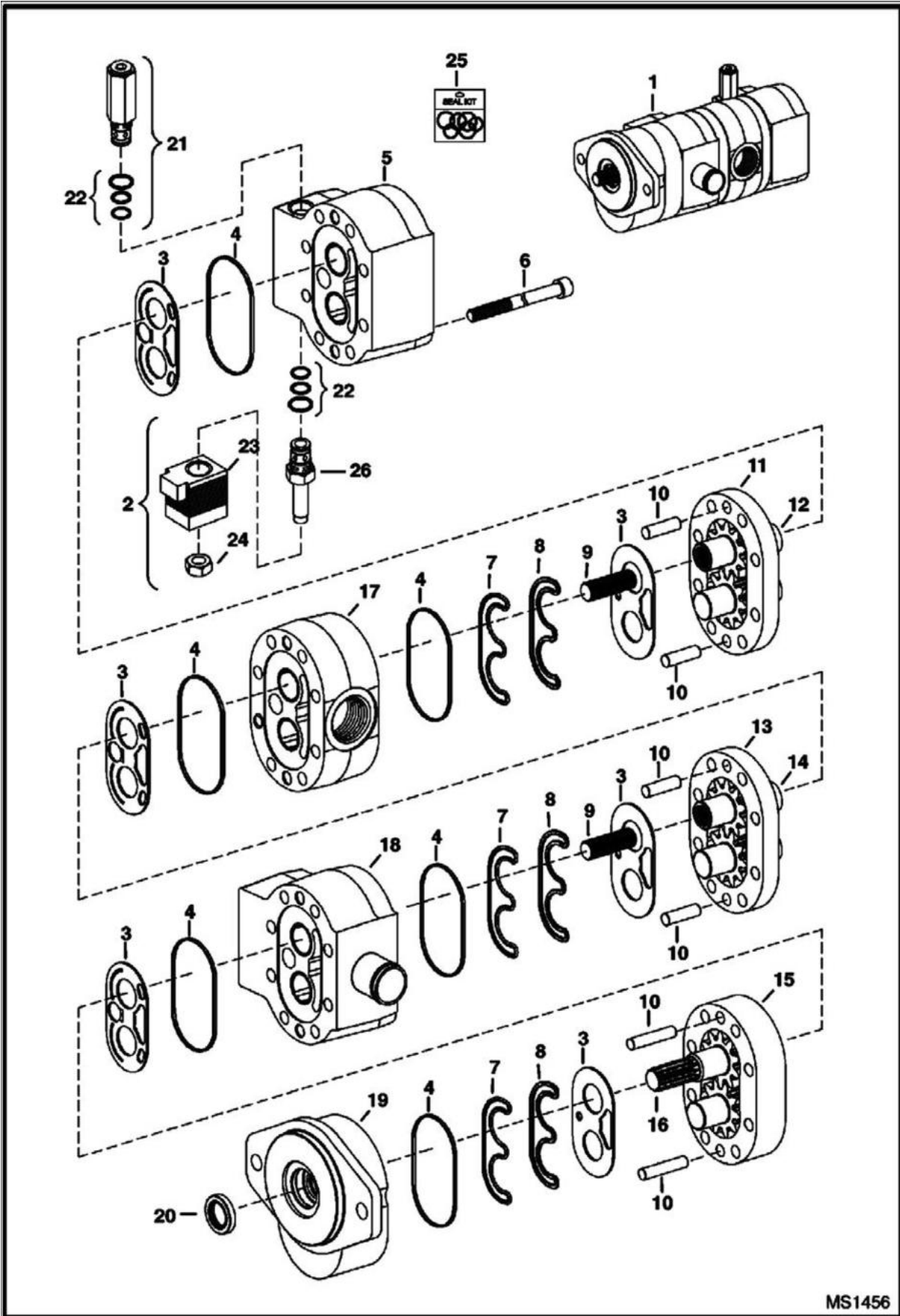
HIGH FLOW HYDRAULICS



HIGH FLOW HYDRAULICS (Cont'd)

Ref No	Part Number	Description	Remarks	Serial Number	Qty
1	15KB1212	FITTING, HYD CONNECTOR			1
1	79K12	O RING 10			x
2	6717885	ELBOW			1
2	79K8	O RING 10			x
3	15KB1008	FITTING, HYD CONNECTOR			1
3	79K8	O RING 10			x
4	5HM29	HOSECLAMP			2
5	10K8	TEE			1
6	7010242	VALVE, CHECK	in-line - Was 7113552 [A]		1
7	7154521	HOSE			1
8	7155661	HOSE			1
9	7155660	FITTING			1
9	79K12	O RING 10			x
10		PUMP, GEAR TRIPLE	See Illustration HIGH FLOW HYDRAULICS/ MS1456		1
11		PUMP, HYD	See Illustration HYDROSTATIC PUMP/GEAR PUMP/ NA1309 - manual controls, AHC & ACS		1
12		PUMP, HYD	See Illustration HYDROSTATIC PUMP/GEAR PUMP/ NA1309 - SJC		1
13		MOTOR, HYD FAN COOLING	See Illustration COOLING FAN MOTOR/ MS2514		1
14		VALVE, CONTROL	See Illustration CONTROL VALVE/ NA1216 - manual controls		1
14		VALVE, CONTROL	See Illustration CONTROL VALVE/ NA1217 - ACS, AHC & SJC		1
15		FILTER, HYDRO ASSY	See Illustration HYDROSTATIC CIRCUITRY/ NA1224	A3NT11001 - 11547	1
15		FILTER, HYDRO ASSY	See Illustration HYDROSTATIC CIRCUITRY/ NA1224	A3NU11001 - 11099	1
15		FILTER, HYDRO ASSY	See Illustration HYDROSTATIC CIRCUITRY/ NA2653	A3NT11548 & Above	1
15		FILTER, HYDRO ASSY	See Illustration HYDROSTATIC CIRCUITRY/ NA2653	A3NU11101 & Above	1
16	7120693	DECAL	high flow		1

HIGH FLOW HYDRAULICS (Gear Pump)

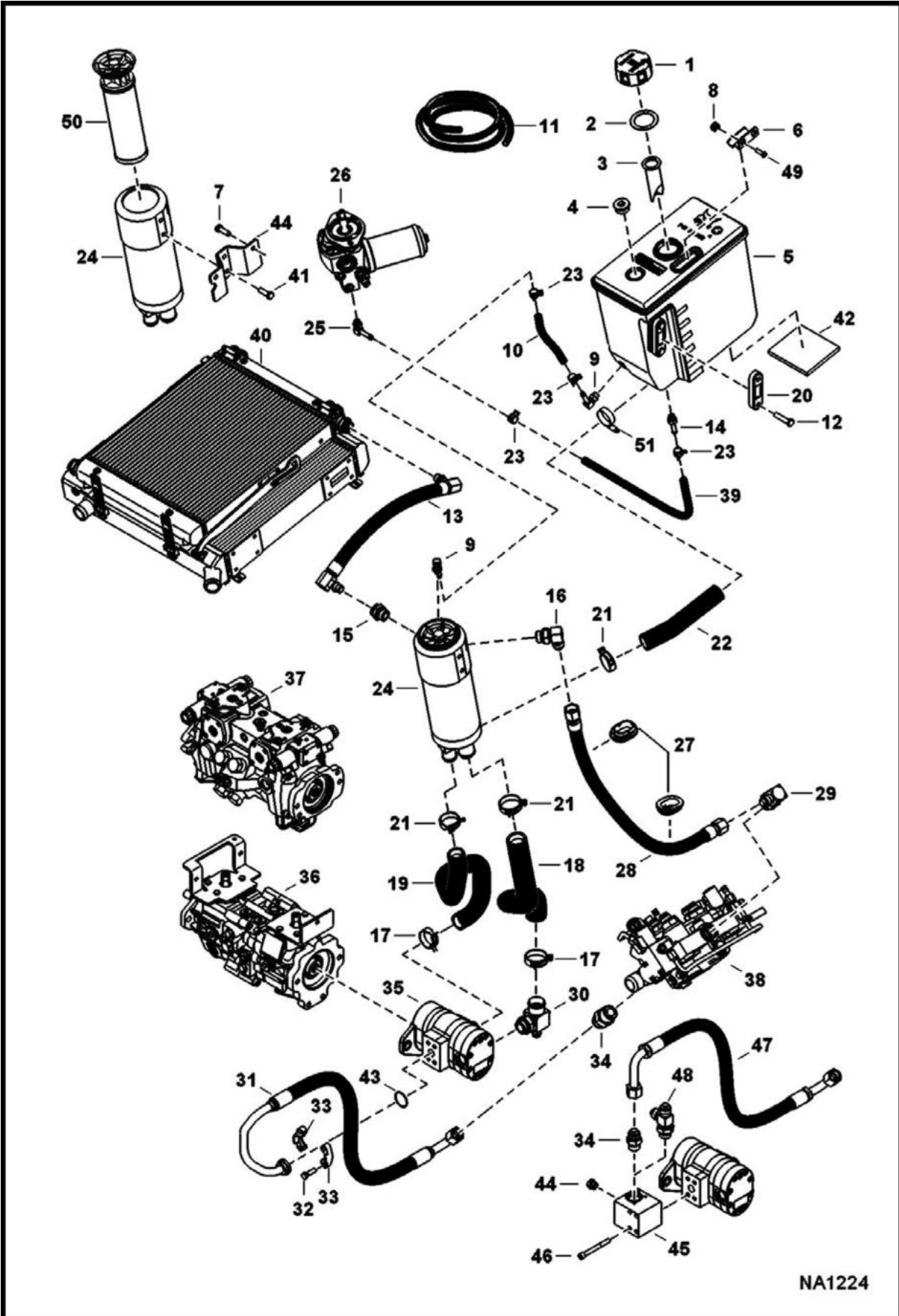


MS1456

HIGH FLOW HYDRAULICS (Cont'd) (Gear Pump)

Ref No	Part Number	Description	Remarks	Serial Number	Qty
1		PUMP, GEAR TRIPLE	NAP - Model 83001569 - Order 7010330 gear pump - Was 7001045 [A]		1
1	7010330	PUMP, GEAR TRIPLE	Model 83006231		1
2	6685027	VALVE	W/Ref. 22-24 & 26 - Use W/Ref. 1 (NAP/7001045 pump)		1
2	7008832	VALVE, SOLENOID	Ref. 22-24 & 26 - Use W/Ref. 1 (7010330 pump)		1
3		PLATE, WEAR	NSS		6
4		SEAL, SECTION	NSS		6
5		HOUSING, REAR	NSS		1
6		BOLT	NSS		8
7		SEAL, PRE-LOAD	NSS		6
8		SEAL, LOAD	NSS		6
9		CONNECTOR, SPLINE	NSS		2
10		PIN	NSS		6
11		HOUSING, GEAR	NSS - #3		1
12		GEAR SET	NSS - #3		1
13		HOUSING, GEAR	NSS - #2		1
14		GEAR SET	NSS - #2		1
15		HOUSING, GEAR	NSS - #1		1
16		GEAR SET	NSS - drive		1
17		HOUSING, CENTER	NSS		1
18		HOUSING, CENTER	NSS		1
19		HOUSING, FRONT	NSS		1
20	7020643	SEAL, SHAFT			1
21	6693414	VALVE, SOLENOID	W/Ref. 22 - Use W/Ref. 1 (NAP/ 7001045 pump)		1
21	7008832	VALVE, SOLENOID	Ref. 22-24 & 26 - Use W/Ref. 1 (7010330 pump)		1
22		KIT, SEAL	NSS		2
23		COIL	NAP - Order Ref. 2		1
24		NUT	NAP - Order Ref. 2		1
25	6688322	KIT, SEAL	Use W/Ref. 1 (NAP/ 7001045 pump)		1
25	6688320	SEAL KIT	Use W/Ref. 1 (7010330 pump)		1
26		STEM	NSS - Order Ref. 2		1

HYDROSTATIC CIRCUITRY (Tank & Filter) (S/N A3NT11001 - 11547, A3NU11001 - 11003)

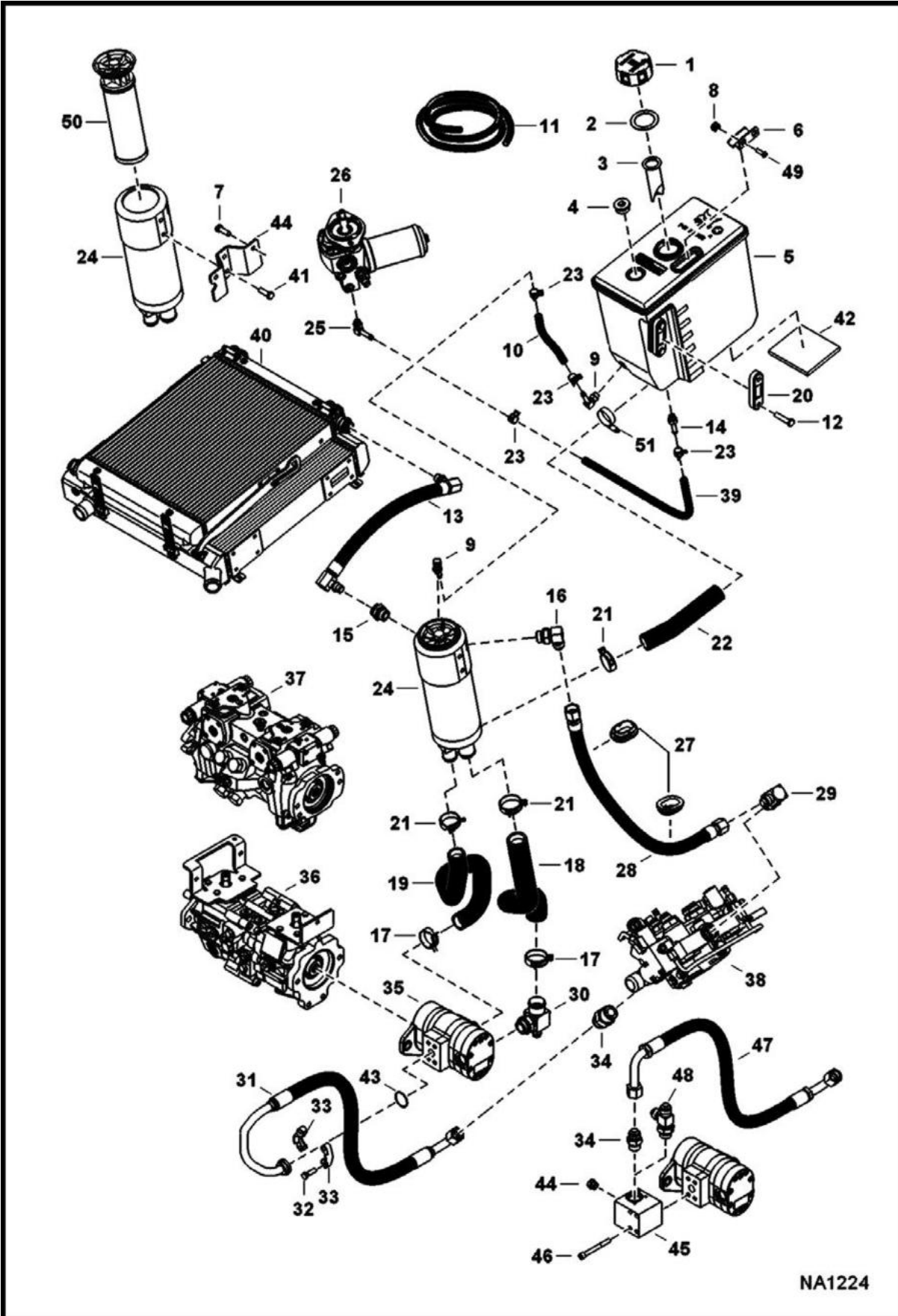


NA1224

HYDROSTATIC CIRCUITRY (Cont'd)
(Tank & Filter)
(S/N A3NT11001 - 11547, A3NU11001 - 11003)

Ref No	Part Number	Description	Remarks	Serial Number	Qty
1	6727475	CAP, OIL HYD			1
2	6700631	GASKET			1
3	7003487	SCREEN			1
4	47K10	PLUG			1
4	79K16	O RING 10			x
5	7163919	TANK, HYDRAULIC			1
6	7165806	BRACKET			1
7	17C610	BOLT			2
8	57D5	NUT			2
9	42HC175	CLAMP			1
10		HOSE	NAP - 7.5" (190,5 mm) - Order Ref. 11		1
11	6586251	HOSE	bulk - sold per foot		x
12		BOLT	NSS - Order Ref. 20		2
13	7164589	HOSE, HYD			1
14	7158632	CONNECTOR			1
15	10L1212	ADAPTER			1
15	79K12	O RING 10			x
16	17KB1212	FITTING, HYD ELBOW			1
16	79K12	O RING 10			x
17	5HM47	CLAMP			2
18	7167757	HOSE, HYD FORMED			1
19	7166382	HOSE, HYD FORMED			1
20	7001421	GUAGE, SIGHT			1
21	5HM42	HOSECLAMP			3
22	7162931	HOSE, HYD FORMED			1
23	5HM16	CLAMP			4
24	7166410	TANK, HYD FILTERED	filter not included		1
24		TANK, HYD FILTERED	See BTI401 - NAP - filter not included - Was 7166410 [A]		1
25	6727313	ELBOW			3
25	79K6	O RING 10			x
26		MOTOR, HYD COOLING FAN	See Illustration COOLING FAN MOTOR/ MS2514		1
27	7002740	GROMMET			2
28	7171394	HOSE			1
29	7101371	ELBOW			1
29	79K16	O RING 10			x
30	7158921	FITTING	See Illustration HYDROSTATIC CIRCUITRY/ NA1225		1
30	79K12	O RING 10			x
31	7159044	HOSE ASSY			1
32	17C620	BOLT			4
33	19J12	CLAMP			2
34	15KB1212	FITTING, HYD CONNECTOR	See Illustration POWER BOB-TACH/ NA2048		2
34	79K12	O RING 10			x
35		PUMP, GEAR	See Illustration HYDROSTATIC PUMP/GEAR PUMP/ NA1309 - standard flow hydraulics		1
35		PUMP, GEAR	See Illustration HIGH FLOW HYDRAULICS/ MS1456 - high flow hydraulics		1
36		PUMP, HYD	See Illustration HYDROSTATIC PUMP/GEAR PUMP/ NA1309 - manual, AHC, ACS		1

HYDROSTATIC CIRCUITRY (Cont'd)
(Tank & Filter)
(S/N A3NT11001 - 11547, A3NU11001 - 11003)

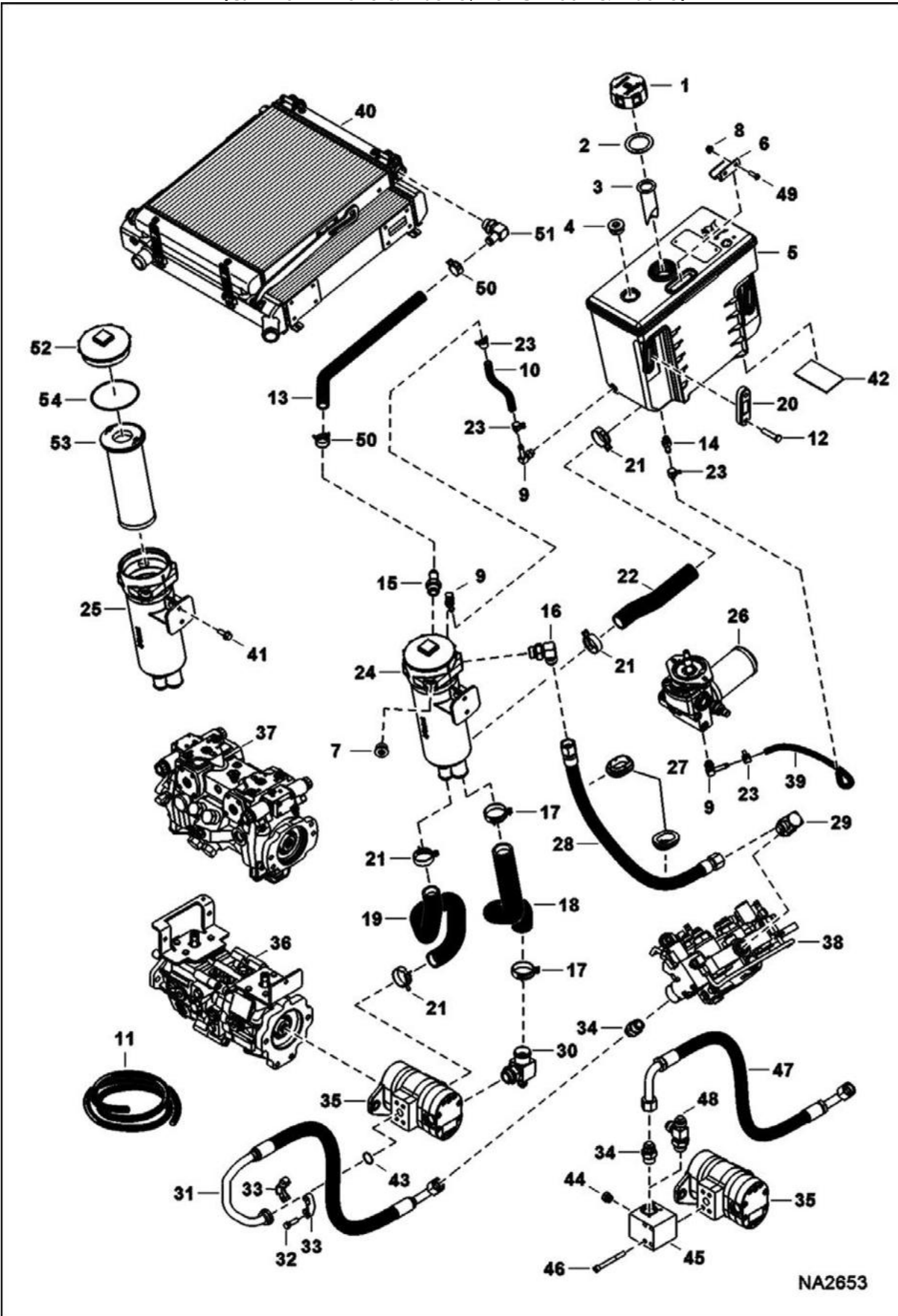


NA1224

HYDROSTATIC CIRCUITRY (Cont'd)
(Tank & Filter)
(S/N A3NT11001 - 11547, A3NU11001 - 11003)

Ref No	Part Number	Description	Remarks	Serial Number	Qty
37		PUMP, HYD	See Illustration HYDROSTATIC PUMP/GEAR PUMP/ NA1309 - SJC		1
38		VALVE, CONTROL	See Illustration CONTROL VALVE/ NA1216 - manual controls		1
38		VALVE, CONTROL	See Illustration CONTROL VALVE/ NA1217 - ACS, AHC & SJC		1
39		HOSE	NAP - 21" (533.4 mm) - Order Ref. 11		1
40		EXCHANGER, OIL WATER	See Illustration RADIATOR/COOLER ASSEMBLY/ NA1395		1
41	17C610	BOLT			2
42	7181309	PAD, WEAR			2
43	55K214	O-RING			1
44	7179382	BRACKET			1
45	7171996	MANIFOLD, HYD ASSY			1
45		VALVE, POWER BOB-TACH	See Illustration POWER BOB-TACH/ MS2724		1
46	17C644	BOLT			4
47	7172234	HOSE, HYD ASSY			1
48	21KB1212	FITTING, HYD TEE	See Illustration SOUND/NOISE REDUCTION OPTION/ NA2313		1
48	79K12	O RING 10			x
49	53C516	BOLT			2
50	7002734	FILTER, OIL HYD TANK			1
50	7015488	O-RING, FILTER TOP			1
50	7015489	O-RING, FILTER BOTTOM			1

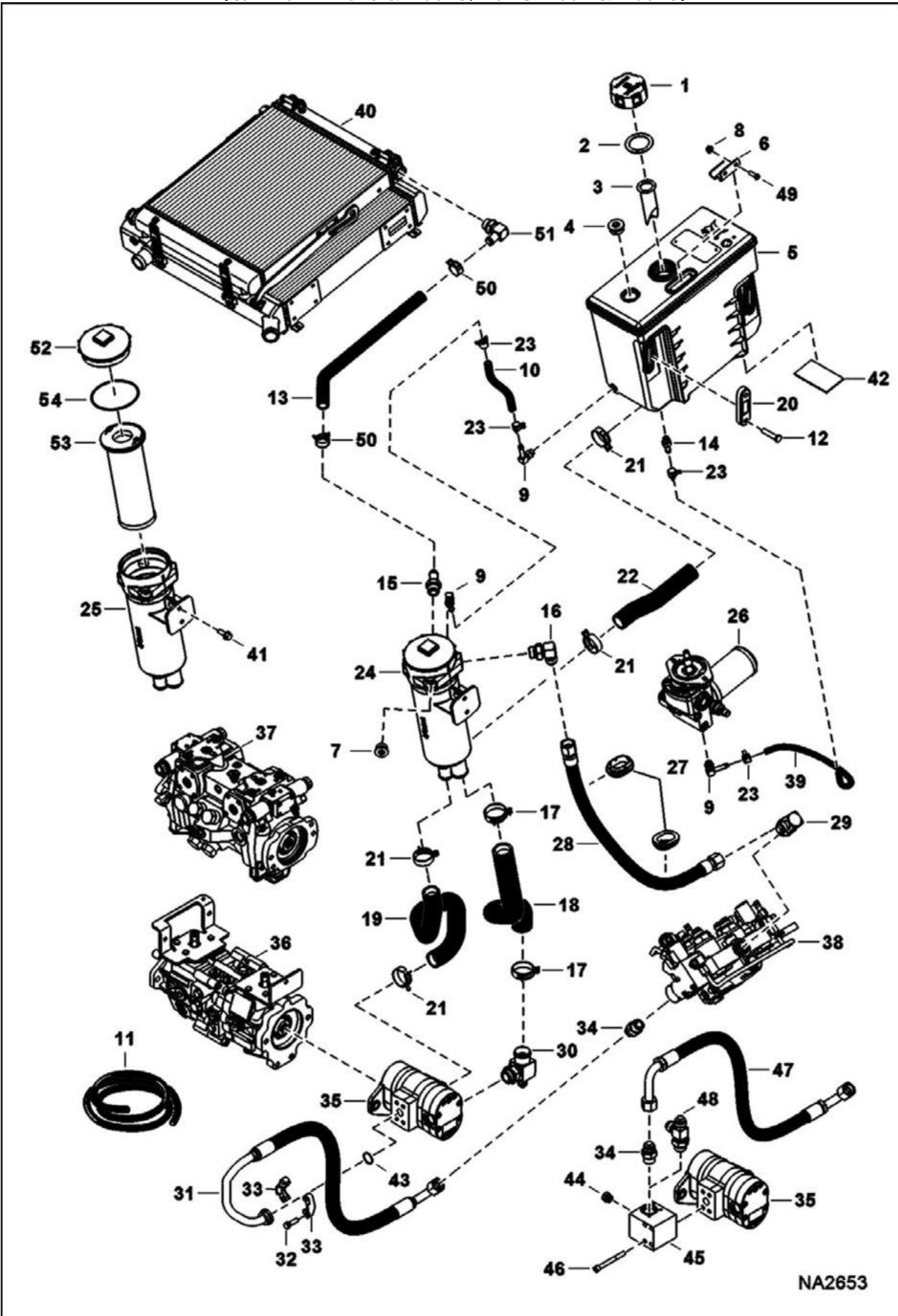
HYDROSTATIC CIRCUITRY (Tank & Filter) (S/N A3NT11548 & Above, A3NU11004 & Above)



HYDROSTATIC CIRCUITRY (Cont'd)
(Tank & Filter)
(S/N A3NT11548 & Above. A3NU11004 & Above)

Ref No	Part Number	Description	Remarks	Serial Number	Qty
1	6727475	CAP, OIL HYD			1
2	6700631	GASKET			1
3	7003487	SCREEN			1
4	47K10	PLUG			1
4	79K16	O RING 10			x
5	7163919	TANK, HYDRAULIC			1
6	7165806	BRACKET			1
7	47K8	PLUG			1
7	79K12	O RING 10			x
8	57D5	NUT			2
9	6727313	ELBOW			3
9	79K6	O RING 10			x
10		HOSE	NAP - 7.5" (190,5 mm) - Order Ref. 11		1
11	6586251	HOSE	bulk - sold per foot		x
12		BOLT	NSS - Order Ref. 20		2
13	7189370	HOSE, HYD FORMED			1
14	7158632	CONNECTOR			1
15	6812865	FITTING			1
15	79K10	O RING 10			x
16	17KB1212	FITTING, HYD ELBOW			1
16	79K12	O RING 10			x
17	5HM47	CLAMP			2
18	7188778	HOSE, HYD FORMED			1
19	7188779	HOSE, HYD FORMED			1
20	7001421	GUAGE, SIGHT			1
21	5HM42	HOSECLAMP			4
22	7189371	HOSE, HYD FORMED			1
23	5HM16	CLAMP			4
24	7012312	FILTER, OIL HYD TANK ASSY	Ref. 9 & 52-54 - Was 7012313 [D]		1
25		TANK, HYD FILTERED	NAP - Order Ref. 24		1
26		MOTOR, HYD COOLING FAN	See Illustration COOLING FAN MOTOR/ MS2514		1
27	7002740	GROMMET			2
28	7171394	HOSE			1
29	7101371	ELBOW			1
29	79K16	O RING 10			x
30	7158921	FITTING	See Illustration HYDROSTATIC CIRCUITRY/ NA1225		1
30	79K12	O RING 10			x
31	7159044	HOSE ASSY			1
32	17C620	BOLT			4
33	19J12	CLAMP			2
34	15KB1212	FITTING, HYD CONNECTOR			2
34	79K12	O RING 10			x
35		PUMP, GEAR	See Illustration GEAR PUMP/ MS1454 - standard flow hydraulics		1
35		PUMP, GEAR	See Illustration HIGH FLOW HYDRAULICS/ MS1456 - high flow hydraulics		1
36		PUMP, HYD	See Illustration HYDROSTATIC PUMP/GEAR PUMP/		1

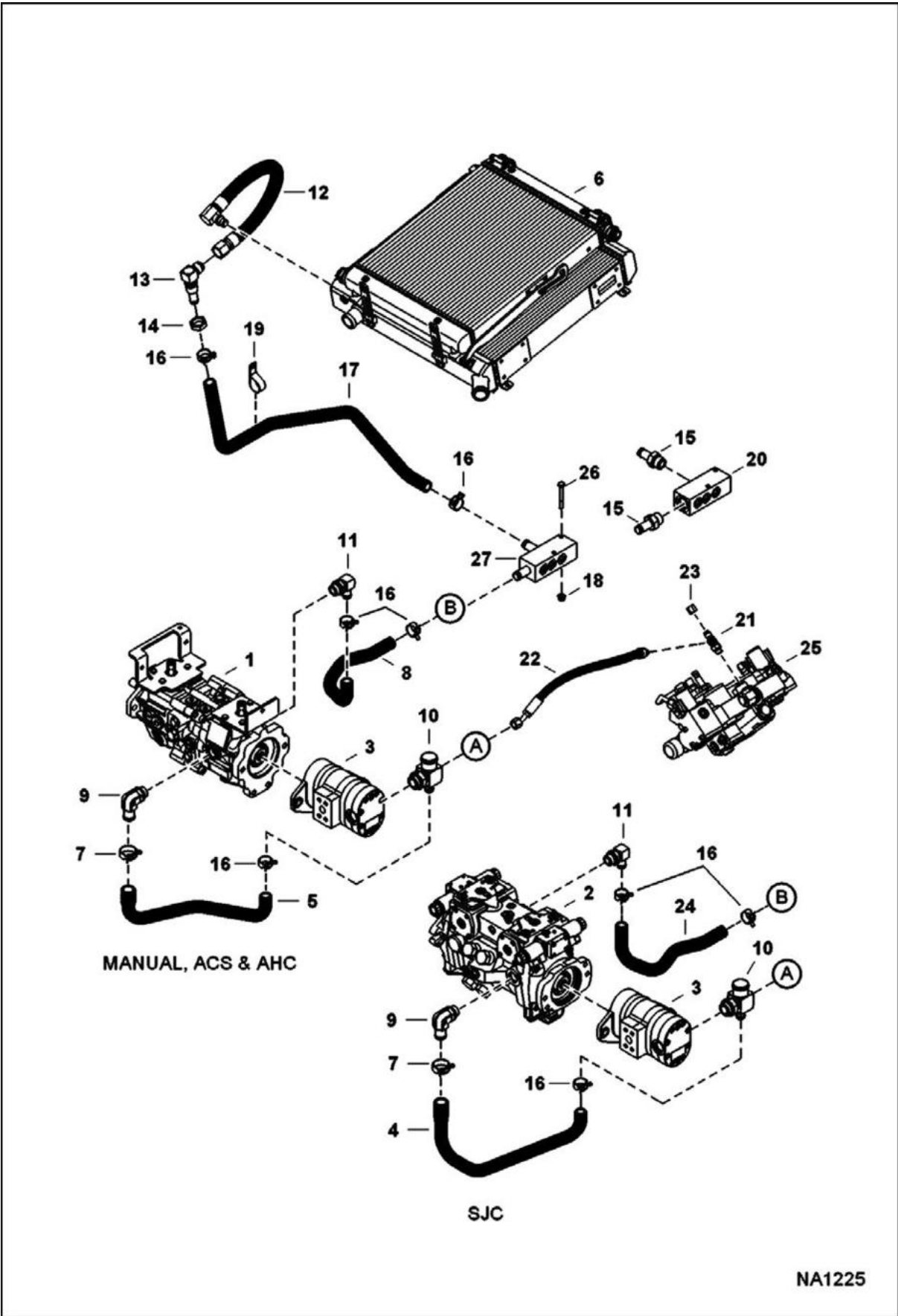
HYDROSTATIC CIRCUITRY (Cont'd)
(Tank & Filter)
(S/N A3NT11548 & Above, A3NU11004 & Above)



HYDROSTATIC CIRCUITRY (Cont'd)
(Tank & Filter)
(S/N A3NT11548 & Above. A3NU11004 & Above)

Ref No	Part Number	Description	Remarks	Serial Number	Qty
			NA1309 - manual, AHC, ACS		
37		PUMP, HYD	See Illustration HYDROSTATIC PUMP/GEAR PUMP/ NA1309 - SJC		1
38		VALVE, CONTROL	See Illustration CONTROL VALVE/ NA1216 - manual controls		1
38		VALVE, CONTROL	See Illustration CONTROL VALVE/ NA1217 - ACS, AHC & SJC		1
39		HOSE	NAP - 21" (533.4 mm) - Order Ref. 11		1
40		EXCHANGER, OIL WATER	See Illustration RADIATOR/COOLER ASSEMBLY/ NA1395		1
41	35C616	BOLT 5			2
42	7181309	PAD, WEAR			2
43	55K214	O-RING			1
44	24K5	PLUG			1
45	7171996	MANIFOLD, HYD ASSY			1
45		VALVE, POWER BOB-TACH	See Illustration POWER BOB-TACH/ MS2724		1
46	17C644	BOLT			4
47	7172234	HOSE, HYD ASSY			1
48	21KB1212	FITTING, HYD TEE	See Illustration SOUND/NOISE REDUCTION OPTION/ NA2313		1
48	79K12	O RING 10			x
49	53C516	BOLT			2
50	5HM27	CLAMP			2
51	7022635	FITTING, ELBOW	Was 7113631 [B,D]		1
52	7012315	CAP, FILTER	W/Ref. 54		1
53	7012314	FILTER, OIL HYD ASSY	Also Order Ref. 54		1
54	7015308	SEAL			1

HYDROSTATIC CIRCUITRY (Cooler)

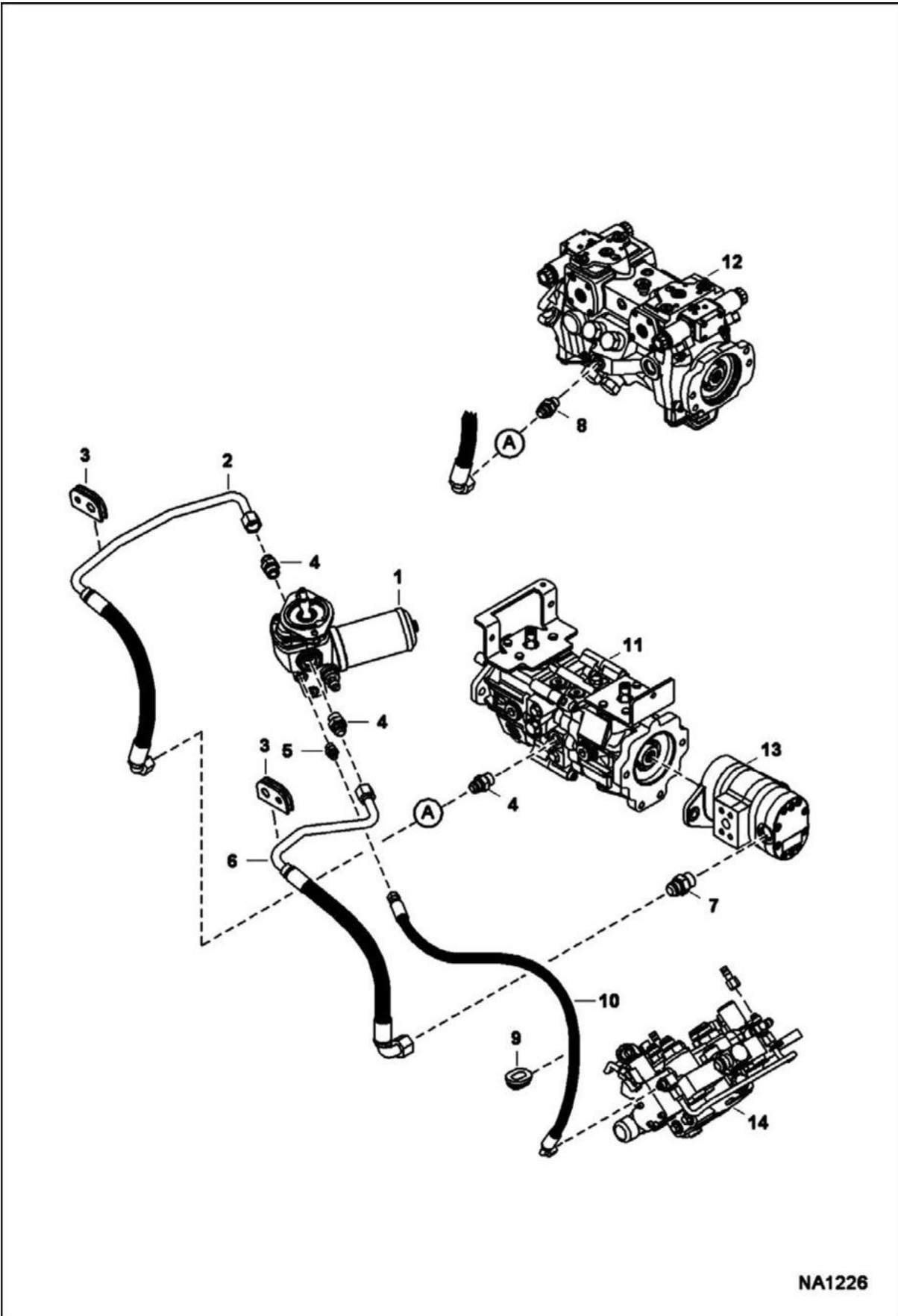


NA1225

HYDROSTATIC CIRCUITRY (Cont'd) (Cooler)

Ref No	Part Number	Description	Remarks	Serial Number	Qty
1		PUMP, HYD	See Illustration HYDROSTATIC PUMP/GEAR PUMP/ NA1309 - manual controls, AHC, ACS		1
2		PUMP, HYD	See Illustration HYDROSTATIC PUMP/ NA2245 - SJC		1
3		PUMP, GEAR	See Illustration GEAR PUMP/ MS1454 - standard flow hydraulics		1
3		PUMP, GEAR	See Illustration HIGH FLOW HYDRAULICS/ MS1456 - high flow hydraulics		1
4	7165206	HOSE, HYD FORMED			1
5	7165205	HOSE, HYD FORMED			1
6		EXCHANGER, OIL WATER	See Illustration RADIATOR/COOLER ASSEMBLY/ NA1395		1
7	5HM35	HOSECLAMP			1
8	7155668	HOSE, HYD FORMED			1
9	7015518	VALVE, CHECK	Was 7001538 [A]		1
10	7158921	FITTING	See Illustration HYDROSTATIC CIRCUITRY/ NA2653		1
10	79K12	O RING 10			x
11	7113631	ELBOW			1
11	79K12	O RING 10			x
12	7157073	HOSE, HYD			1
13	7162930	ELBOW			1
14	86F8	NUT 5			1
15	6812865	FITTING			2
15	79K12	O RING 10			x
16	5HM27	CLAMP			5
17	7164698	HOSE, HYD FORMED			1
18	83D5	NUT 5			2
19	30HJ620	CLAMP			1
20		MANIFOLD, CASE DRAIN	NAP - Order Ref. 27 - Was 7178129 [A]		1
21	21KB0606	FTG HYD STRAIGHT TEE	See Illustration HYDROSTATIC CIRCUITRY/ NA1223 See Illustration HYDROSTATIC CIRCUITRY/ NA1222		1
21	79K6	O RING 10			x
22	7181582	HOSE, HYD ASSY	Was 7159735 [B]		1
23	36K5	CAP			1
24	7156859	HOSE, HYD FORMED			1
25		VALVE, CONTROL	See Illustration CONTROL VALVE/ NA1216 - manual controls		1
25		VALVE, CONTROL	See Illustration CONTROL VALVE/ NA1217 - ACS, AHC & SJC		1
26	17C540	BOLT			2

HYDROSTATIC CIRCUITRY (Cooling Fan)

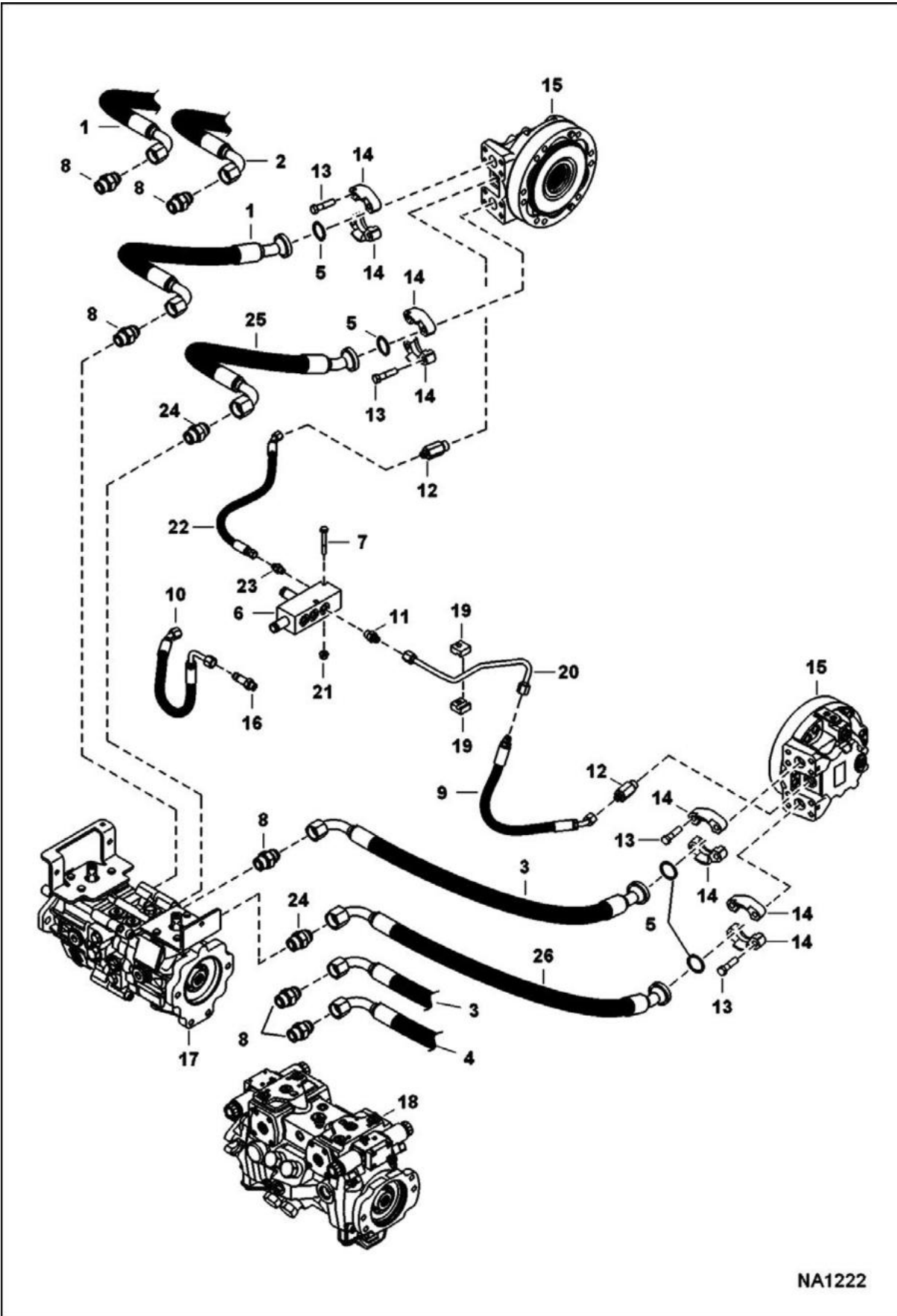


NA1226

HYDROSTATIC CIRCUITRY (Cont'd) (Cooling Fan)

Ref No	Part Number	Description	Remarks	Serial Number	Qty
1		MOTOR, HYD COOLING FAN	See Illustration COOLING FAN MOTOR/ MS2514		1
2	7167583	HOSE, HYD			1
3	7155070	GROMMET			2
4	15KB1010	FITTING, HYD CONNECTOR			3
4	79K10	O RING 10			x
5	15KB0606	FITTING, HYD CONNECTOR			1
5	79K6	O RING 10			x
6	7167582	HOSE, HYD			1
7	15KB1212	FITTING, HYD CONNECTOR			1
7	79K12	O RING 10			x
8	15KB1008	FITTING, HYD CONNECTOR			1
8	79K8	O RING 10			x
9	7002739	GROMMET			1
10	7164413	HOSE, HYD			1
11		PUMP, HYD	See Illustration HYDROSTATIC PUMP/GEAR PUMP/ NA1309 - manual controls, AHC, ACS		1
12		PUMP, HYD	See Illustration HYDROSTATIC PUMP/ NA2245 - SJC		1
13		PUMP, GEAR	See Illustration GEAR PUMP/ MS1454 - standard flow hydraulics		1
13		PUMP, GEAR	See Illustration HIGH FLOW HYDRAULICS/ MS1456 - high flow hydraulics		1
14		VALVE, CONTROL	See Illustration CONTROL VALVE/ NA1217 - ACS, AHC & SJC		1
14		VALVE, CONTROL	See Illustration CONTROL VALVE/ NA1216 - manual controls		1

HYDROSTATIC CIRCUITRY (Single Speed Motor)

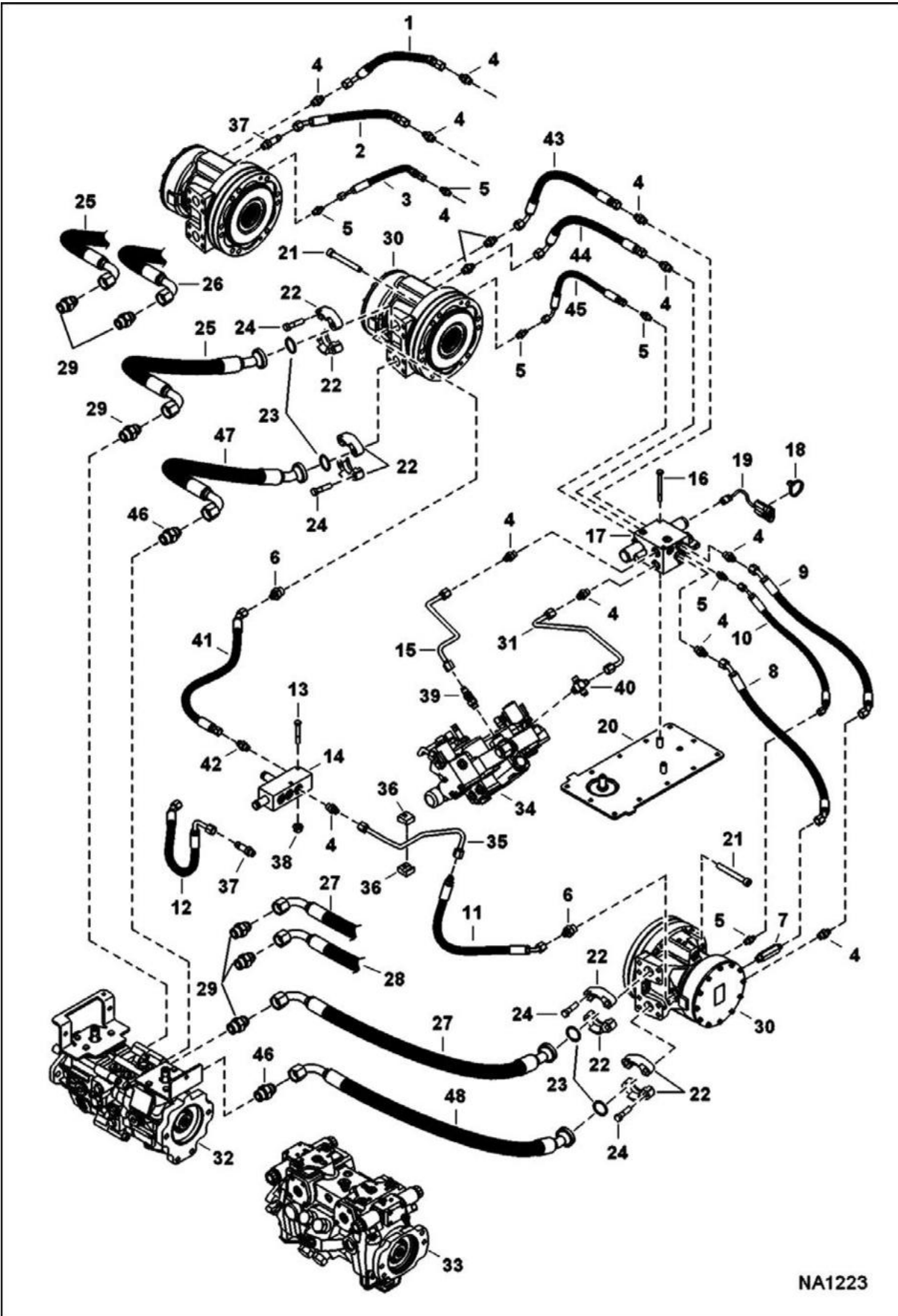


NA1222

HYDROSTATIC CIRCUITRY (Cont'd)
(Single Speed Motor)

Ref No	Part Number	Description	Remarks	Serial Number	Qty
1	6692926	HOSE, HYD			1
2		HOSE, HYD	NAP - Order Ref. 24 & 25 - Was 6692927 [A]		1
3	6692928	HOSE, HYD			1
4		HOSE, HYD	NAP - Order Ref. 24 & 26 - Was 6692929 [A]		1
5	55K219	O'RING			4
6	7201981	MANIFOLD, DRAIN CASE	Was 7178129 [A]		1
7	17C540	BOLT			2
8	15KB1212	FITTING, HYD CONNECTOR			2
8	79K12	O RING 10			x
9	7176928	HOSE, HYD			1
10		HOSE, HYD	NAP - Order Ref. 22 & 23 - Was 7176926 [A]		1
11	15KB0606	FITTING, HYD CONNECTOR			1
11	79K6	O RING 10			x
12	7168927	ADAPTER			2
13	17C728	BOLT			16
14	20J16	FLANGE			8
15		CARRIER, MOTOR	See Illustration MOTOR CARRIER/ NA2154 - manual controls, AHC & ACS		2
15		CARRIER, MOTOR	See Illustration MOTOR CARRIER/ NA1007 - SJC		2
16	16KB0606	FTG HYD L CONNECTOR	Use W/Ref. 10 hose - Was 16KB608 [B,D]		1
16	79K6	O RING 10			x
17		PUMP, HYD	See Illustration HYDROSTATIC PUMP/GEAR PUMP/ NA1309 - manual controls, AHC & ACS		1
18		PUMP, HYD	See Illustration HYDROSTATIC PUMP/ NA2245 - SJC		1
19	6727707	CLAMP			2
20	7176929	TUBELINE, HYD			1
21	83D5	NUT 5			2
22	7159735	HOSE, HYD	Was 7186609 [C]		1
23	15KB0606	FITTING, HYD CONNECTOR	Use W/Ref. 22 hose		1
23	79K6	O RING 10			x
24	15KB1612	FITTING, HYD CONNECTOR			2
24	79K12	O RING 10			x
25	7193006	HOSE, HYD			1
26	7193007	HOSE, HYD			1

HYDROSTATIC CIRCUITRY (2-Speed Motor)

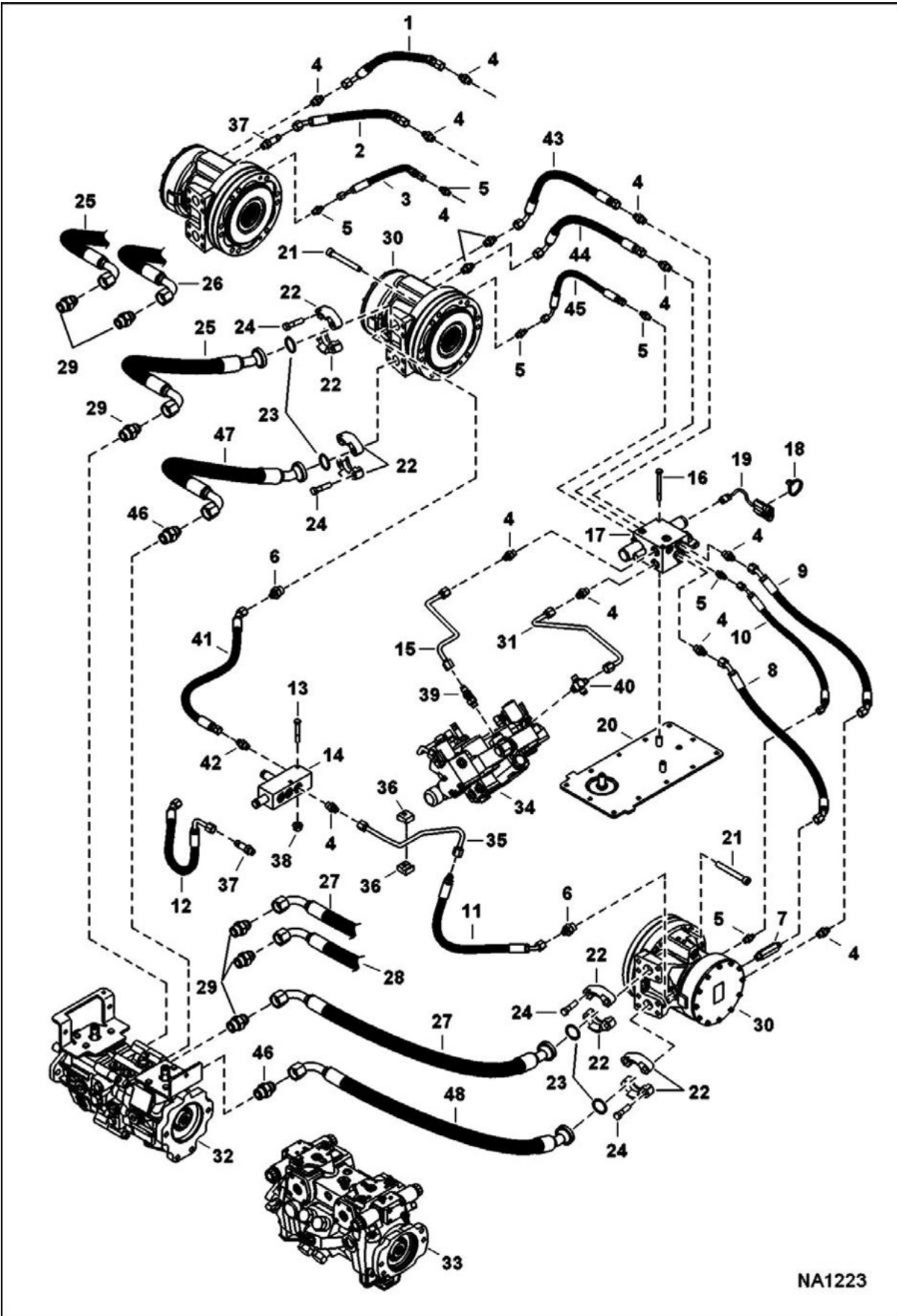


NA1223

HYDROSTATIC CIRCUITRY (Cont'd) (2-Speed Motor)

Ref No	Part Number	Description	Remarks	Serial Number	Qty
1		HOSE, HYD	NAP - Order Ref. 43 - Was 7176931 [A]		1
2		HOSE, HYD	NAP - Order Ref. 4 & 44 - Was 7176932 [A]		1
3		HOSE, HYD	NAP - Order Ref. 45 - Was 7176933 [A]		1
4	15KB0606	FITTING, HYD CONNECTOR			10
4	79K6	O RING 10			x
5	15KB0404	FTG HYD S Connector			4
5	79K4	O RING 10			x
6	15KB0608	FITTING, HYD CONNECTOR			2
6	79K8	O RING 10			x
7	7169116	ADAPTER			1
7	79K6	O RING 10			x
8	7176935	HOSE, HYD			1
9	7176934	HOSE, HYD			1
10	7196362	HOSE, HYD	Was 7176936 [A]		1
11	7176928	HOSE, HYD			1
12		HOSE, HYD	NAP - Order Ref. 41 & 42 - Was 7176926 [A]		1
13	17C540	BOLT			2
14	7201981	MANIFOLD, DRAIN CASE	Was 7178129 [A]		1
15	7182505	TUBELINE, HYD			1
16	17C552	BOLT			2
17		VALVE, 2 SPEED	See Illustration 2-SPEED VALVE/ NA2164		1
18	6624289	STRAP, TIE			1
19	7159366	HARNESS, 2 SPEED RETURN			1
20	7153655	COVER, BRAKE ASSY			1
21	6717806	BOLT			20
22	20J16	FLANGE			8
23	55K219	O'RING			4
24	17C728	BOLT			16
25	6692926	HOSE, HYD	mega seal		1
26		HOSE, HYD	NAP - mega seal - Order Ref. 46 & 47 - Was 6692927 [A]		1
27	6692928	HOSE, HYD	mega seal		1
28		HOSE, HYD	NAP - mega seal - Order Ref. 46 & 48 - Was 6692929 [A]		1
29	15KB1212	FITTING, HYD CONNECTOR			4
29	79K12	O RING 10			x
30		MOTOR, DRIVE HYD	See Illustration HYDROSTATIC MOTOR & BRAKE/ MS1467		2
31	7182504	TUBELINE, HYD			1
32		PUMP, HYD	See Illustration HYDROSTATIC PUMP/GEAR PUMP/ NA1309 - manual controls, AHC & ACS		1
33		PUMP, HYD	See Illustration HYDROSTATIC PUMP/GEAR PUMP/ NA1309 - SJC		1
34		VALVE, CONTROL	See Illustration CONTROL VALVE/ NA1216 - manual controls		1
34		VALVE, CONTROL	See Illustration CONTROL VALVE/ NA1217 - ACS, AHC & SJC		1
35	7176929	TUBELINE, HYD			1
36	6727707	CLAMP			2
37	16KB0606	FTG HYD L			2

HYDROSTATIC CIRCUITRY (Cont'd) (2-Speed Motor)

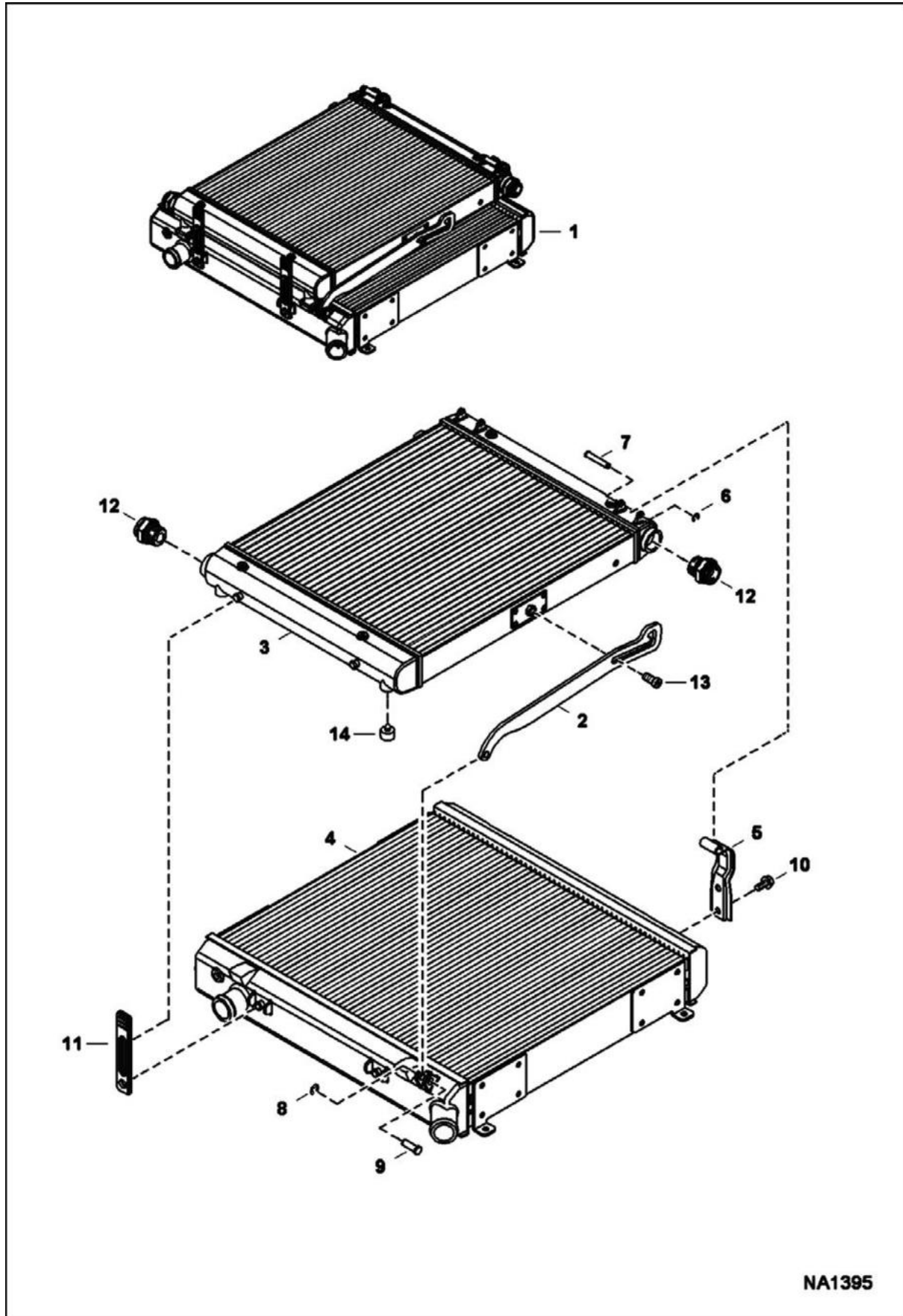


NA1223

HYDROSTATIC CIRCUITRY (Cont'd)
(2-Speed Motor)

Ref No	Part Number	Description	Remarks	Serial Number	Qty
		CONNECTOR			
37	79K6	O RING 10			x
38	83D5	NUT 5			2
39	21KB0606	FTG HYD STRAIGHT TEE			1
39	79K6	O RING 10			x
40	7180987	FITTING, CROSS			1
40	79K6	O RING 10			x
41	7159735	HOSE, HYD	Was 7186609 [C]		1
42	15KB0606	FITTING, HYD CONNECTOR	Use W/Ref. 41 hose		1
42	79K6	O RING 10			x
43	6578327	HOSE			1
44	7187472	HOSE			1
45	7196361	HOSE, HYD	Was 7188370 [A]		1
46	15KB1612	FITTING, HYD CONNECTOR			2
46	79K12	O RING 10			x
47	7193006	HOSE, HYD			1
48	7193007	HOSE, HYD			1

RADIATOR/COOLER ASSEMBLY

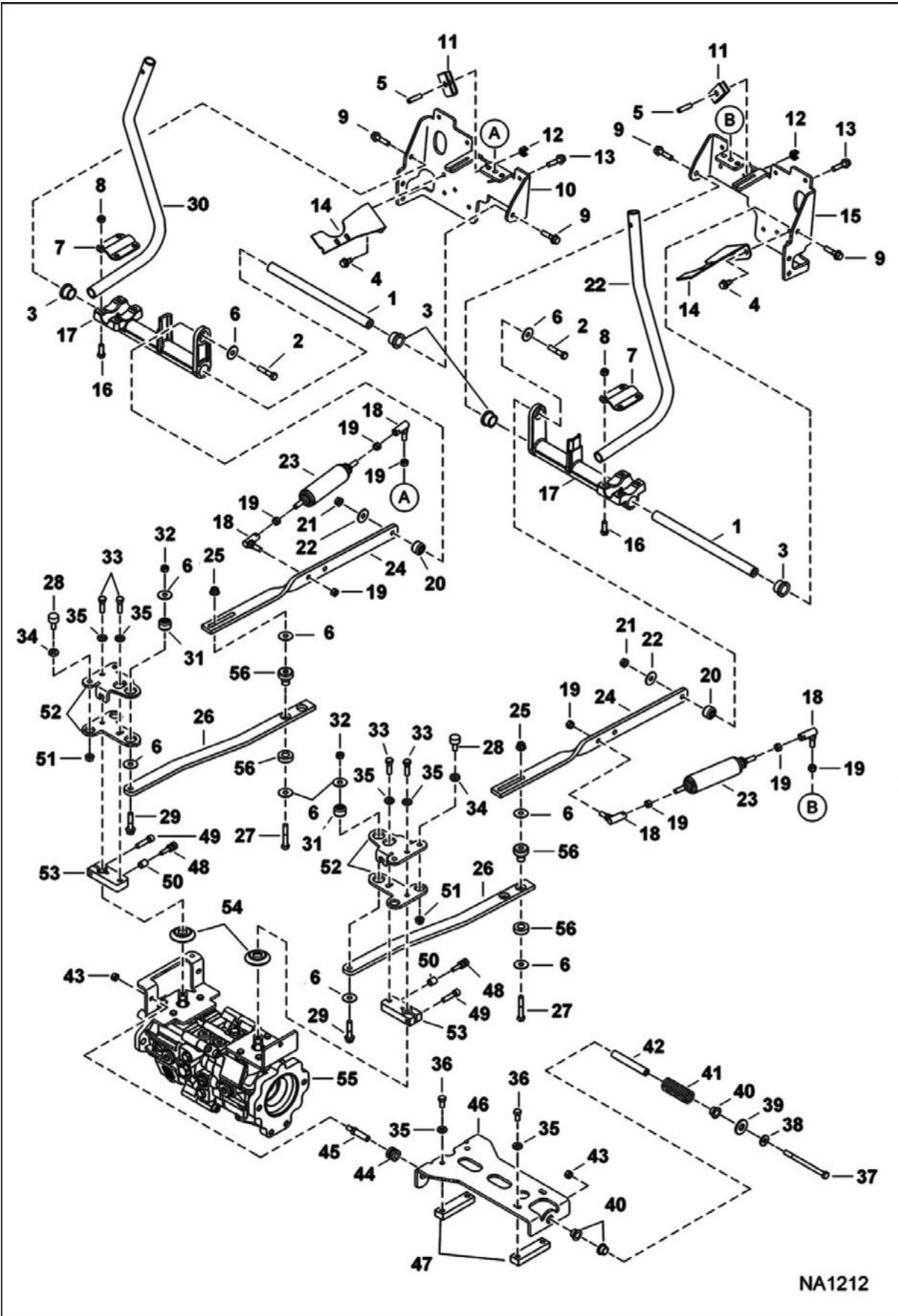


NA1395

RADIATOR/COOLER ASSEMBLY (Cont'd)

Ref No	Part Number	Description	Remarks	Serial Number	Qty
1	7146471	EXCHANGER, OIL WATER	Ref. 2-14		1
2	7009262	ROD, PROP UP			2
3	7009254	EXCHANGER, OIL COOLER			1
4	7009255	EXCHANGER, WATER RADIATOR			1
5	7009263	BRACKET, HINGE FORMED			2
6	7009258	RING, RETAINER			2
7	7009259	PIN			2
8	7009261	RING, RETAINER			1
9	7009260	PIN			1
10	7009256	BOLT, FLANGE			4
11	7009257	STRAP, HOLD DOWN			2
12	7010125	CONNECTOR			2
13	7010126	BOLT			1
14	7010127	BUMPER, RUBBER			2

HAND CONTROLS

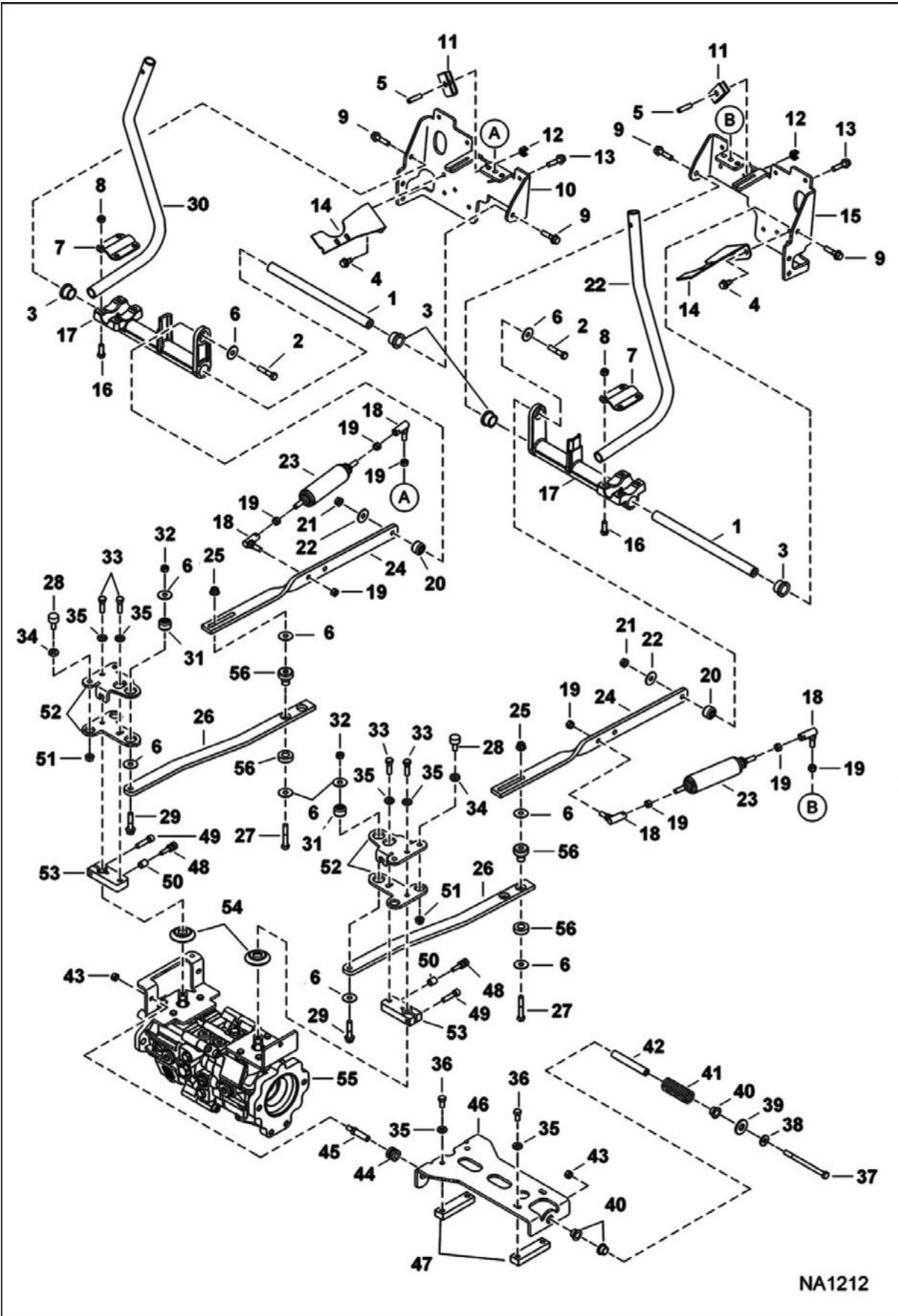


NA1212

HAND CONTROLS (Cont'd)

Ref No	Part Number	Description	Remarks	Serial Number	Qty
1	7145149	SHAFT, STEERING			2
2	17C628	BOLT			2
3	7159624	BUSHING			4
4	84G3712	BOLT			4
5	15G628	SCREW	Was 15G624 [B]		2
6	6737388	WASHER			12
7	7156761	PLATE			2
8	95D6	NUT			8
9	49C624	SCREW			4
10	7176118	MOUNT			1
11	7121779	PAD			2
12	6685663	RETAINER			2
13	84G3724	BOLT			12
14	7163216	BRACKET			2
15	7176117	MOUNT			1
16	17C616	BOLT 5			8
17	7151889	BELLCRANK			2
18	6599744	BALL JOINT			4
19	62D6	NUT 5			8
20	6685060	BUSHING, TORSION			2
21	53D6	NUT			2
22	7145147	LEVER, STEERING	RH		1
23	6649551	GAS SPRING			2
24	7183799	LINK, STEERING	Was 7153662 [A]		2
25	83D6	NUT 5			4
26	7183957	LINK, CENTER	Was 7152660 [A]		2
27	17C636	BOLT	Was 17C620 [B]		4
28	6673789	BEARING			4
29	49C628	BOLT			2
30	7153379	LEVER, STEERING	LH		1
31	6685060	BUSHING, TORSION			2
32	63D6	NUT			2
33	47C620	BOLT			4
34	7100699	WASHER			4
35	7103217	WASHER			8
36	7105192	BOLT			4
37	17C680	BOLT			1
38	6563914	WASHER			1
39	25E24	WASHER	AHC & ACS		1
40	6715163	BUSHING, PRESS FIT			3
41	6701535	SPRING			1
42	6715164	SLEEVE, SPRING			1
43	95D6	NUT			3
44	6706098	GUIDE			2
45	6577058	PIN			2
46	6734298	MOUNT			1
47	6702716	BLOCK			2
48	7103711	BOLT			2
49	73G624	BOLT			2
50	7105223	SPACER			2
51	98D6	NUT			4

HAND CONTROLS (Cont'd)

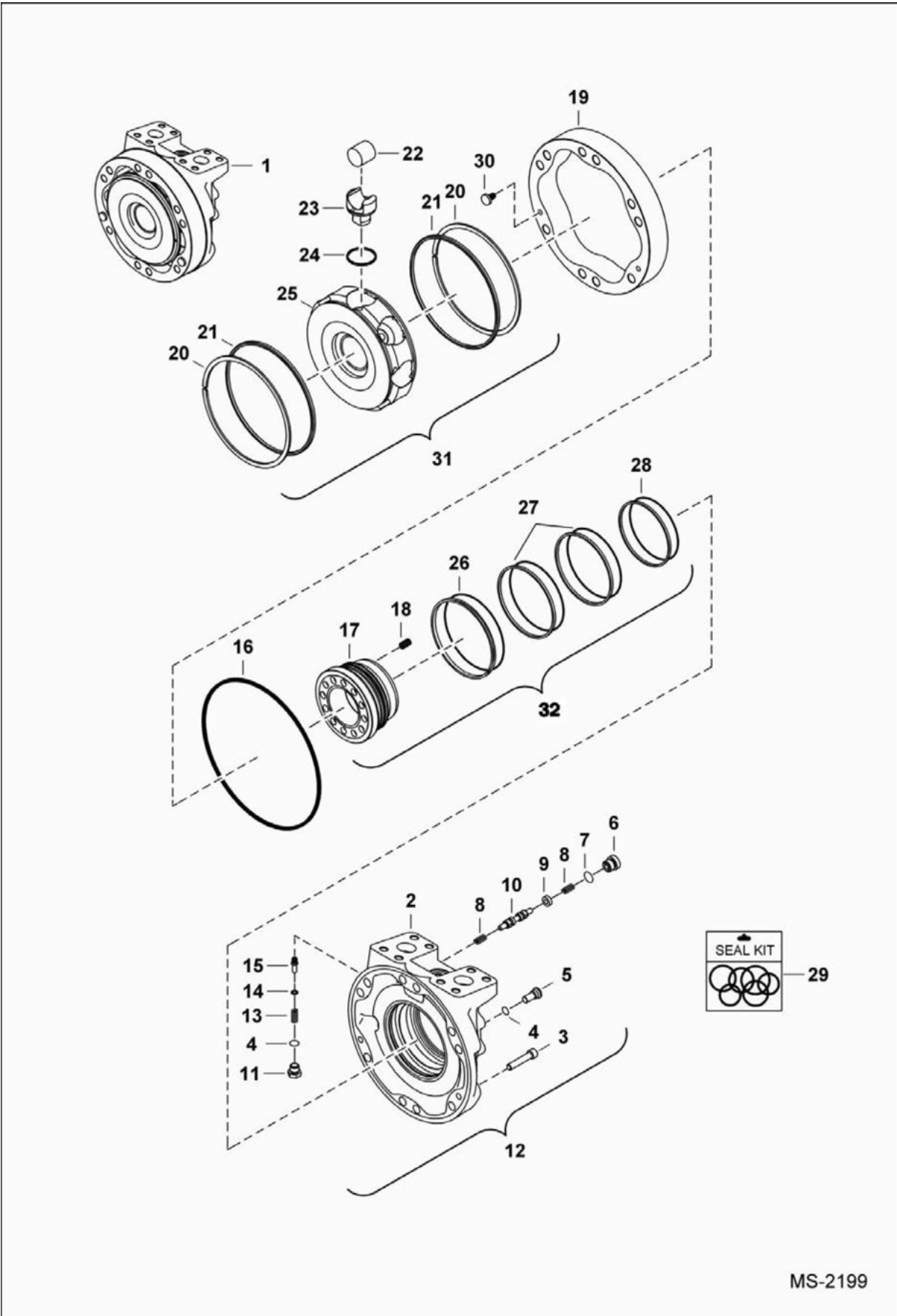


NA1212

HAND CONTROLS (Cont'd)

Ref No	Part Number	Description	Remarks	Serial Number	Qty
52	7110365	ARM, PINTLE			2
53	7103708	BRACKET	pintle arm		2
54	6687913	SEAL			2
55		PUMP, HYD	See Illustration HYDROSTATIC PUMP/GEAR PUMP/ NA1309 - manual controls, AHC & ACS		1
56	7169932	MOUNT			4

HYDROSTATIC MOTOR (Single Speed) (Manual Controls & ACS)

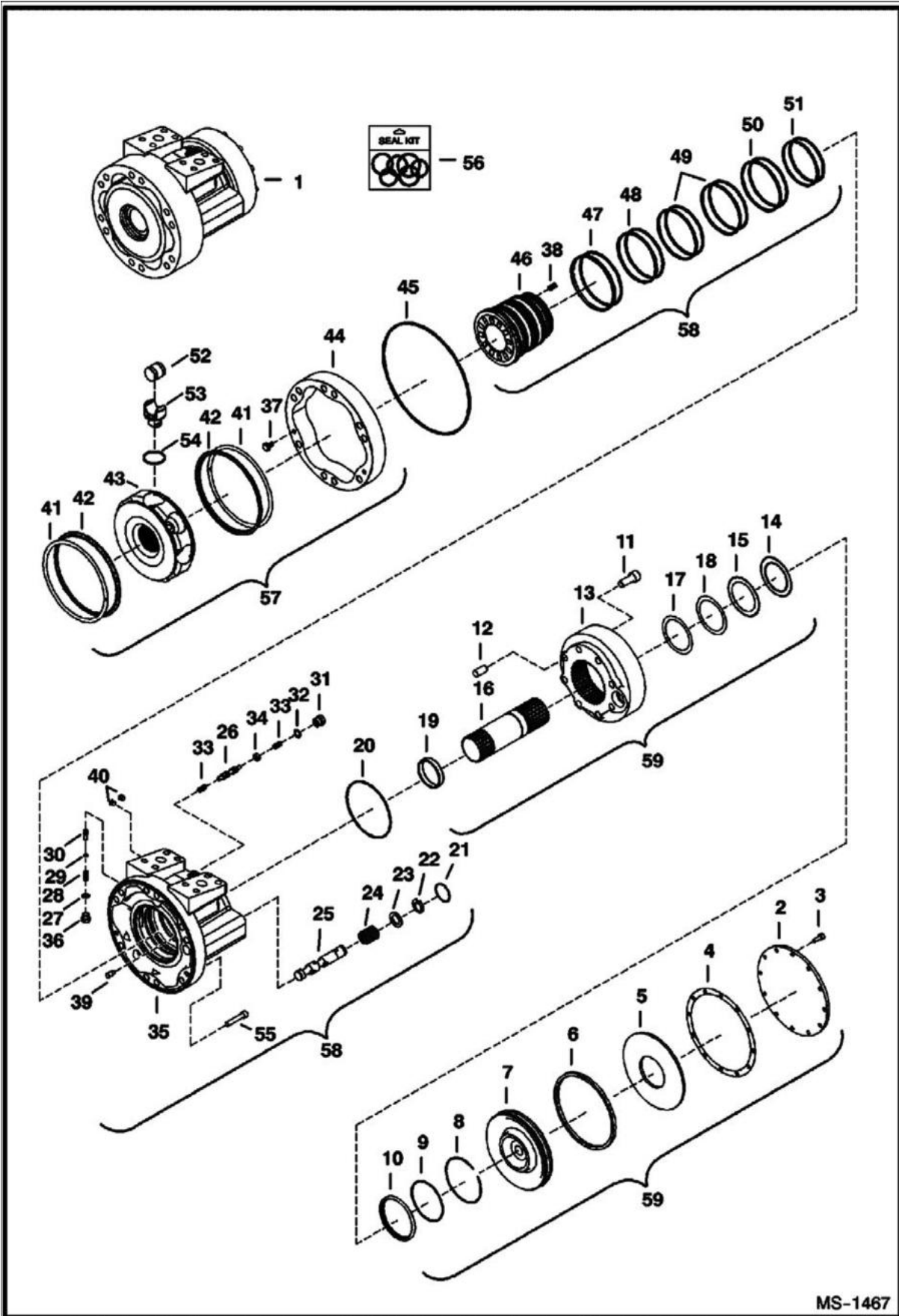


MS-2199

HYDROSTATIC MOTOR (Cont'd)
(Single Speed) (Manual Controls & ACS)

Ref No	Part Number	Description	Remarks	Serial Number	Qty
1	7001046	MOTOR, DRIVE HYD	Model R921810442		1
2	6674341	HOUSING			1
3	6690039	SCREW			2
4	6676038	O-RING			2
5	6674340	PIN			1
6	6691227	PLUG			1
7	6689133	O-RING			1
8	6674841	SPRING			2
9	6675867	WASHER			1
10	6675866	SPOOL			1
11	6674345	PLUG			1
12		HOUSING, REAR ASSY.	NSS - Order individual parts or Ref. 1		1
13	6674344	SPRING			1
14	6674343	SHIM			1
15	6675868	POPPET			1
16	6675864	QUAD RING			1
17	6674184	RING			1
18	6674037	SPRING			9
19	6690025	CAM			1
20	6674035	SNAP RING			2
21	6674036	RING			2
22	6690022	ROLLER			8
23	6689126	PISTON			8
24	6690048	RING			8
25	6690021	BLOCK			1
26	6674040	SEAL	W/ O-ring - 87,15 mm ID		1
27	6675228	SEAL			2
28	6674038	SEAL			1
29	6676021	KIT, SEAL			1
30	6688449	LOCATING PIN			2
31	6690158	ROTOR GROUP	Ref. 21-25		1
32		KIT, RING & SEAL	NSS - Order individual parts or Ref. 1		1

HYDROSTATIC MOTOR & BRAKE (2-Speed) (SJC)

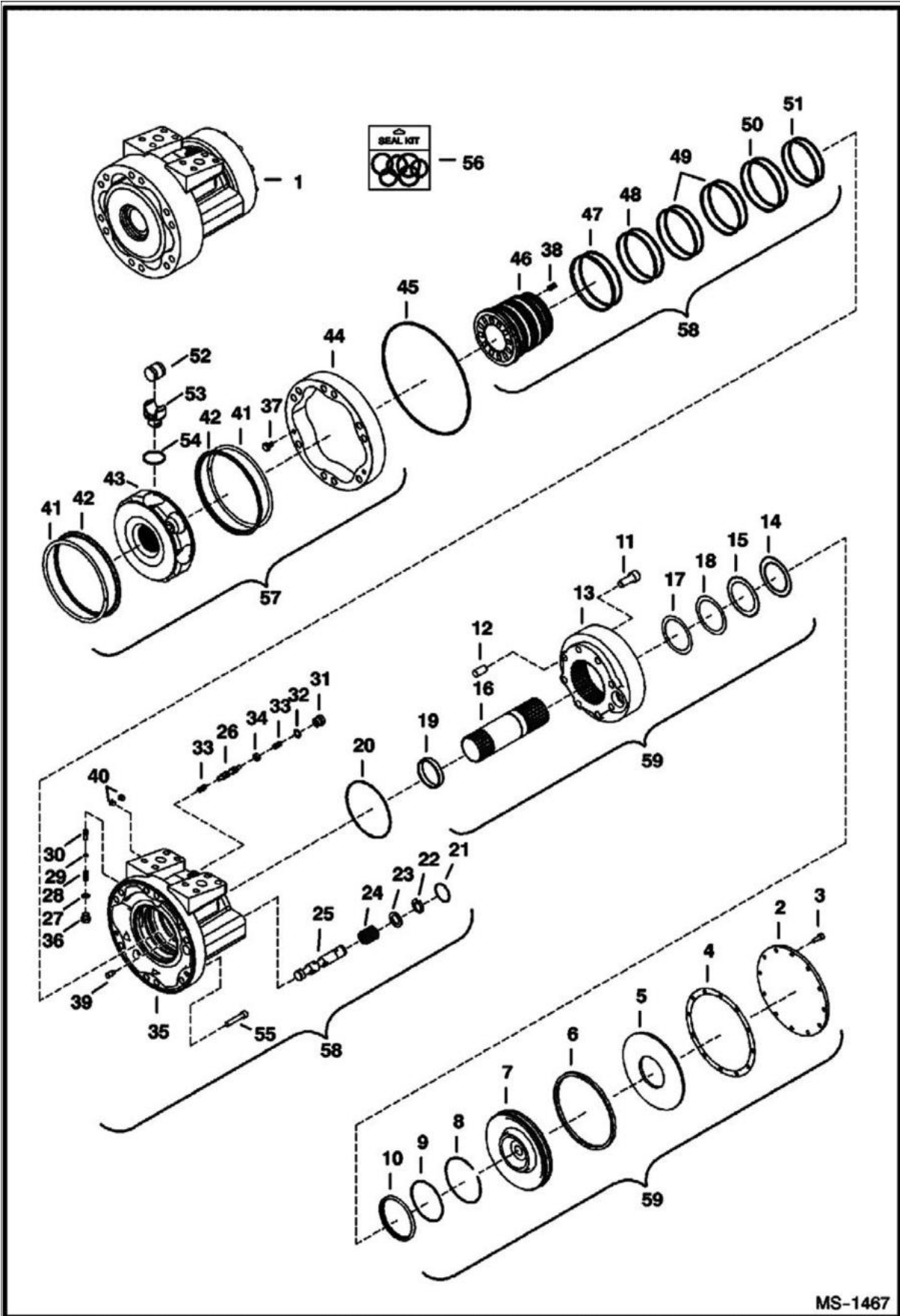


MS-1467

HYDROSTATIC MOTOR & BRAKE (Cont'd) (2-Speed) (SJC)

Ref No	Part Number	Description	Remarks	Serial Number	Qty
1	6688363	MOTOR, DRIVE HYD 2-SPD	Model R921810402 - Ref. 2-55		1
2	6675890	COVER			1
3	6690095	SCREW			12
4	6675892	GASKET			1
5	6675897	WASHER			1
6	6675893	O-RING			1
7	6675889	PISTON			1
8	6690094	CLAMP			1
9	6689089	O-RING	Was 6690097 [D]		1
10	6689088	QUAD RING			1
11	6690096	SCREW			5
12	6691100	PIN	Was 6687193 [D]		3
13	6690082	HOUSING			1
14	6674193	BRAKE DISC			14
15	6674192	BRAKE DISC	Was 6690087 [D]		16
16	6690084	SHAFT			1
17	6690089	SHIM	0,1 mm		1
18	6674191	SHIM	0,3 mm - Was 6690090 [D]		1
19	6675898	BUSHING			1
20	6675863	QUAD RING			1
21	6689090	O-RING	Was 6690077 [D]		1
22	6675885	SNAP RING			1
23	6690105	WASHER			1
24	6675883	KIT, WASHER	W/Ref. 23		1
25		SPOOL	Order Ref. 58		1
26	6675866	SPOOL			1
27	6676038	O-RING			1
28	6674344	SPRING			1
29	6674343	SHIM			1
30	6675868	POPPET			1
31	6691227	PLUG	W/Ref. 32		1
32	6689133	O-RING			1
33	6674841	SPRING			2
34	6675867	WASHER			1
35		HOUSING	Order Ref. 59		1
36	6674345	PLUG			1
37	6688449	LOCATING PIN			2
38	6674037	SPRING			15
39	6690068	PIN			1
40		PLUG	NAP		1
41	6674035	SNAP RING			2
42	6674036	RING			2
43		BLOCK	NAP - Order Ref. 57		1
44	6690025	CAM			1
45	6675864	QUAD RING			1
46	6690067	RING			1
47	6675877	SEAL			1
48	6675878	SEAL			1
49	6675879	SEAL			2
50	6675880	SEAL			1
51	6675881	SEAL			1
52	6690022	ROLLER			8
53	6689126	PISTON			8
54	6690048	RING			8

HYDROSTATIC MOTOR & BRAKE (Cont'd)
(2-Speed) (SJC)

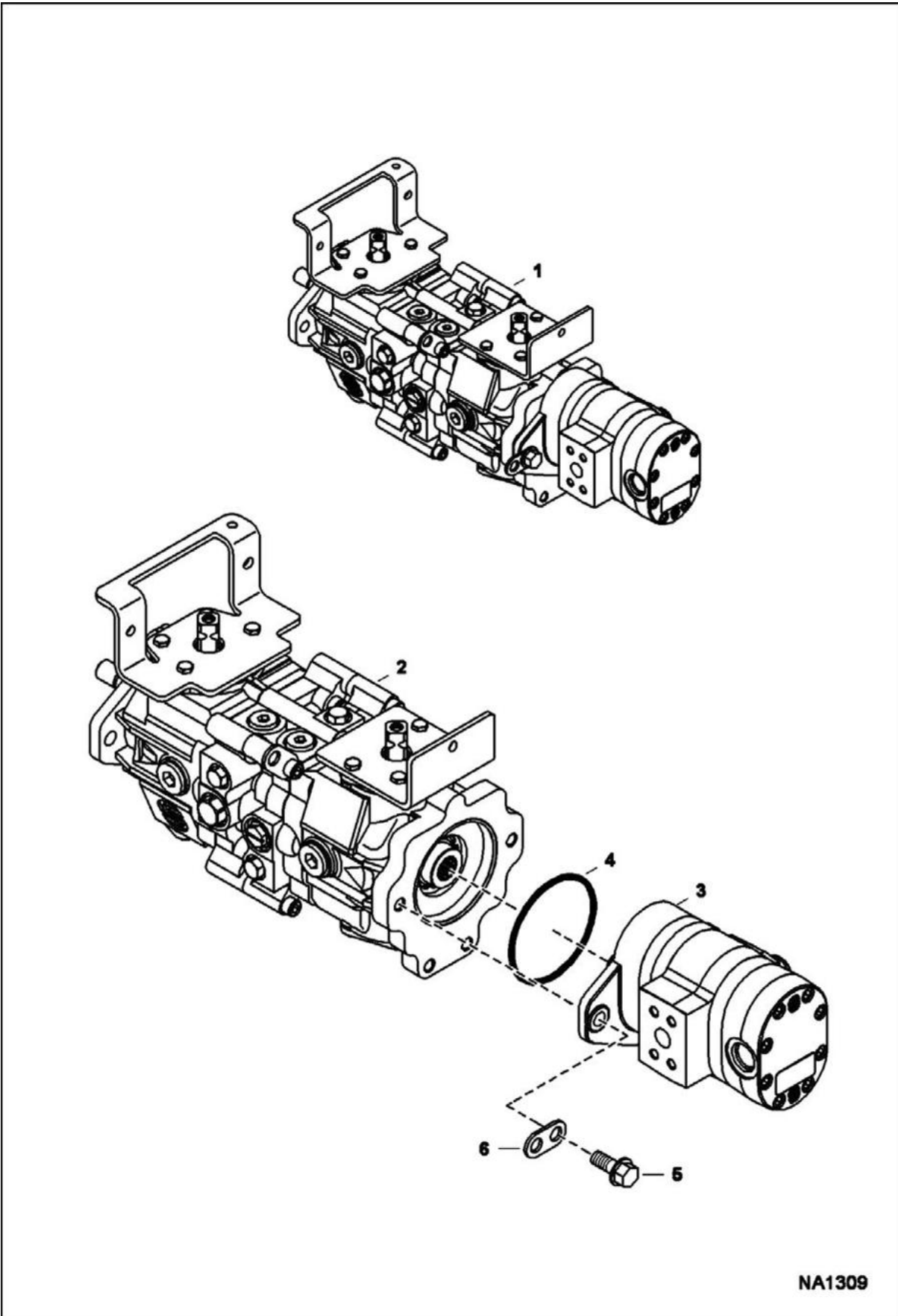


MS-1467

**HYDROSTATIC MOTOR & BRAKE (Cont'd)
(2-Speed) (SJC)**

Ref No	Part Number	Description	Remarks	Serial Number	Qty
55	6690039	SCREW			1
56	6690005	KIT, SEAL	Ref. 4, 6, 9, 10, 20, 21, 27, 45 & 47-51		1
57		ROTOR GROUP	NAP - Order Ref. 1 - W/Ref. 37, 41-44 & 52-54 - Was 6690157 [A]		1
58	6691176	REAR CASE ASSY.	Ref. 21-36, 38-40 & 46-51		1
59	6691177	BRAKE ASSY.	Ref. 2-19		1

HYDROSTATIC PUMP/GEAR PUMP (Identification)

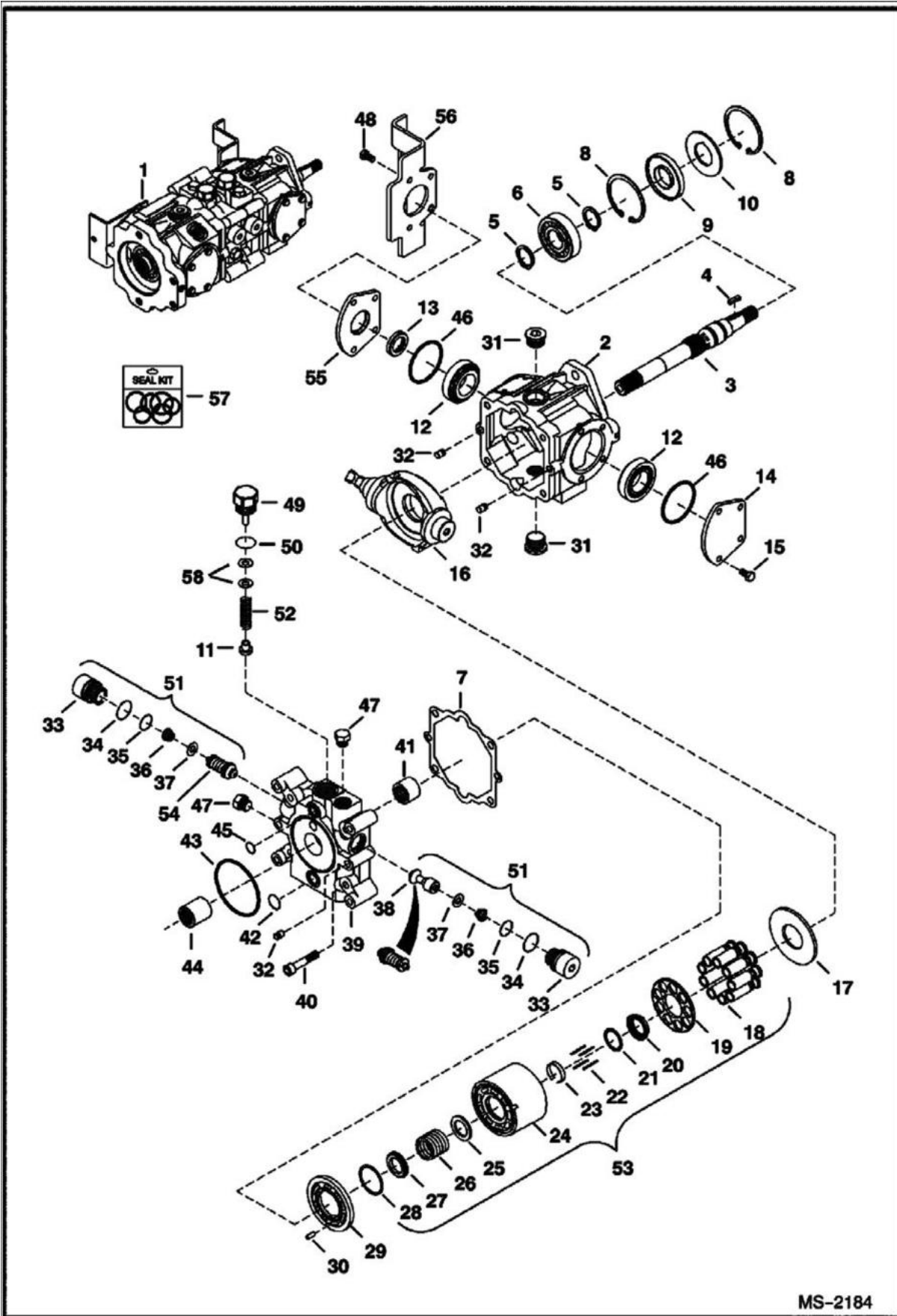


NA1309

HYDROSTATIC PUMP/GEAR PUMP (Cont'd)
(Identification)

Ref No	Part Number	Description	Remarks	Serial Number	Qty
1		PUMP, HYD ASSY	NAP - Order Ref. 2-6		1
2		PUMP, HYD	See Illustration HYDROSTATIC PUMP/ MS2184 See Illustration HYDROSTATIC PUMP/ MS2183 - manual controls, AHC & ACS		1
3		PUMP, GEAR DOUBLE	See Illustration GEAR PUMP/ MS1454 - standard flow hydraulics		1
3		PUMP, GEAR TRIPLE	See Illustration HIGH FLOW HYDRAULICS/ MS1456 - high flow hydraulics		1
4	6671520	O-RING	manual controls, AHC & ACS		1
4	6682949	O-RING	SJC		1
5	45C824	BOLT	manual controls, AHC & ACS		2
5	59CM1240	BOLT	SJC		2
6	6662126	BRACKET			2

HYDROSTATIC PUMP (Manual Controls, AHC & ACS) (Left Half)

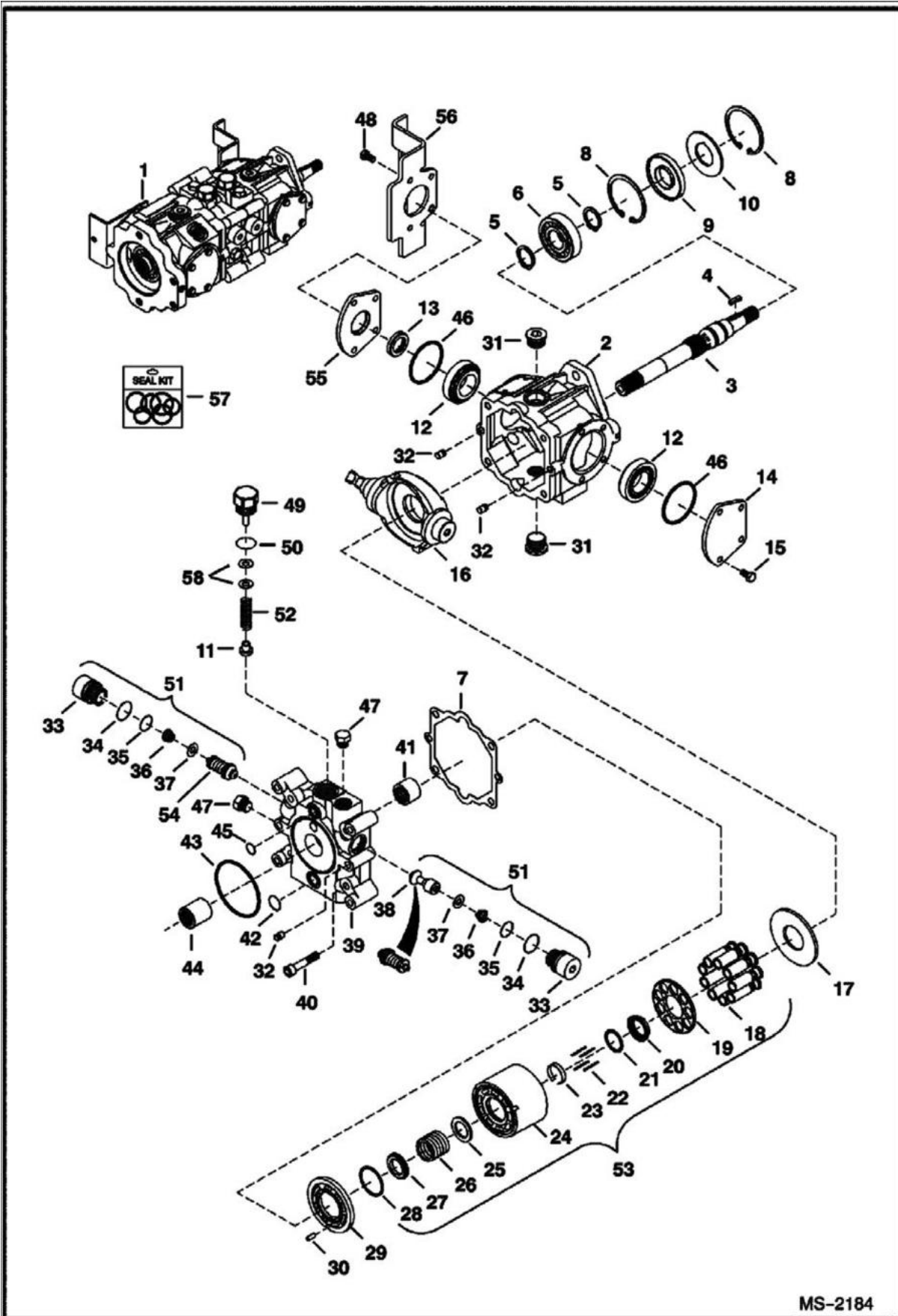


MS-2184

HYDROSTATIC PUMP (Cont'd)
(Manual Controls, AHC & ACS) (Left Half)

Ref No	Part Number	Description	Remarks	Serial Number	Qty
1	7001016	PUMP	Model 83002049		1
2	6669402	HOUSING			1
3	6682260	SHAFT	W/square key		1
4	6682261	KEY			1
5	658128	RING, SNAP			2
6	654299	BEARING			1
7	6650634	GASKET			1
8	669863	RING, SNAP			2
9	6687191	SEAL, OIL			1
10	6669409	WASHER			1
11	6650652	POPPET	charge relief		1
12	6669411	BEARING			2
13	6678226	SEAL, OIL			2
14	6657068	COVER			2
15	6650668	BOLT			4
16	6685344	SWASHPLATE	W/threaded shaft hole		1
17	6650627	PLATE			1
18	6683168	PISTON ASSEMBLY			9
19		RETAINER	NAP - Order Ref. 53		1
20		RETAINER	NAP - Order Ref. 53		1
21	6666338	WASHER			1
22	6650629	PIN			4
23	6650630	RETAINER			1
24	6683167	CYLINDER BLOCK			1
25		WASHER	NAP - Order Ref. 53		1
26		SPRING	NAP - Order Ref. 53		1
27		WASHER	NAP - Order Ref. 53		1
28		RETAINER	NAP - Order Ref. 53		1
29	6676147	PLATE, VALVE			1
30	6650636	PIN			1
31	47K8	PLUG			2
31	79K12	O RING 10			2
32	6675342	PIN			4
33		PLUG	NAP - Order Ref. 51		2
34	6657028	O-RING			2
35	79K8	O RING 10			2
36		SPRING	NAP - Order Ref. 51		2
37		RETAINER	NAP - Order Ref. 51		2
38		CHECK VALVE	NAP - poppet - Order Ref. 51		1
39	6669406	END PLATE			1
40	6650637	BOLT			4
41	6650635	BEARING			1
42	6650647	O-RING			1
43	6645081	O-RING			1
44	6650675	COUPLER			1
45	6650646	O-RING			1
46	6660814	O-RING			2
47	6645086	PLUG			2
47	6661481	O-RING			1
48	6671518	BOLT			4
49	6650648	PLUG	charge relief - W/Ref. 50		1
50	79K10	O RING 10			1
51	6684565	VALVE, RELIEF	Ref. 33-37 & 54 - Was 7008822 [A]		1
52	6673882	SPRING	Was 7008823 [A]		1

HYDROSTATIC PUMP (Cont'd) (Manual Controls, AHC & ACS) (Left Half)

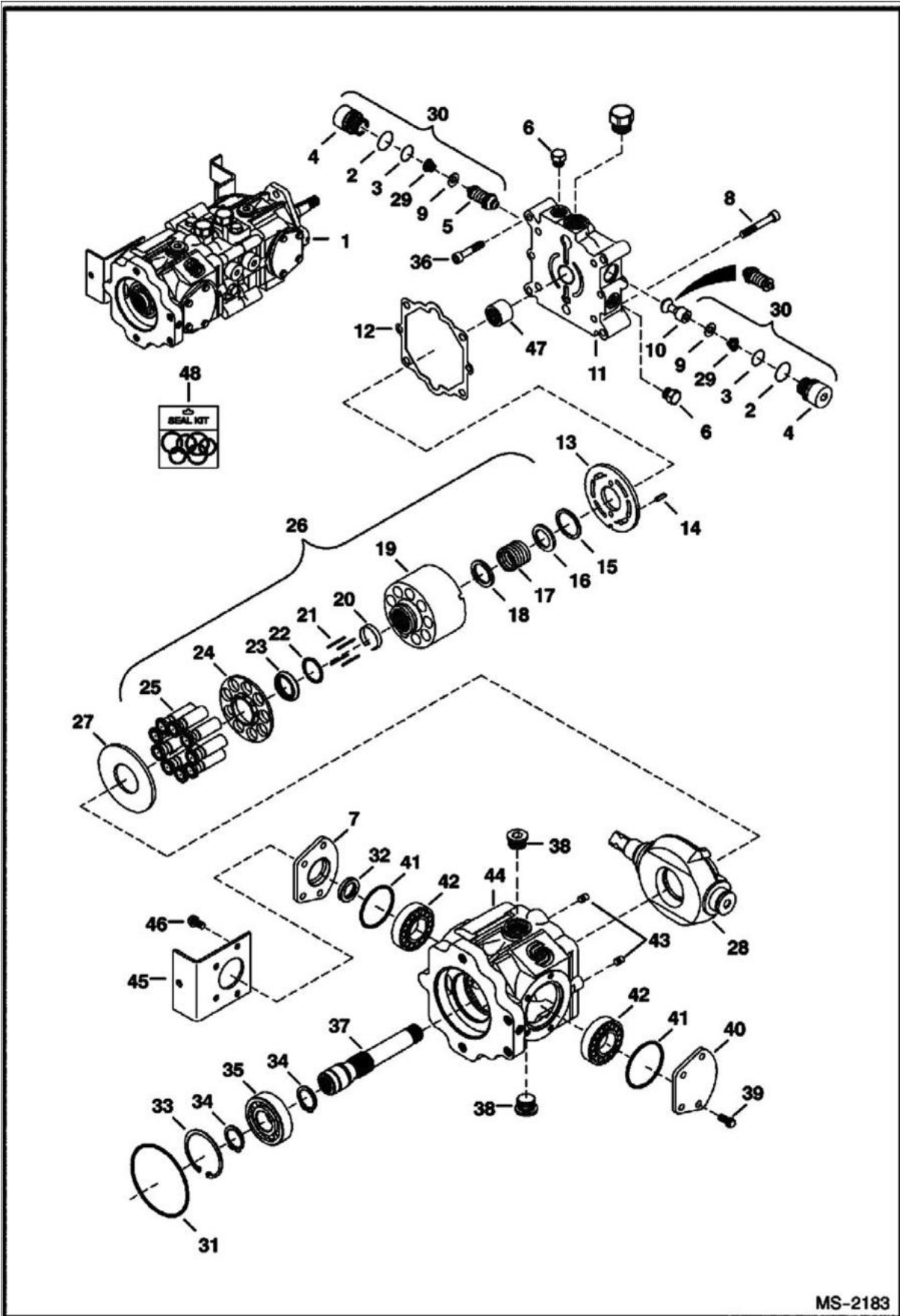


MS-2184

**HYDROSTATIC PUMP (Cont'd)
(Manual Controls, AHC & ACS) (Left Half)**

Ref No	Part Number	Description	Remarks	Serial Number	Qty
53	6675341	GROUP, ROTARY			1
54		VALVE, RELIEF	NAP - 5000 PSI (345 bar) - Order Ref. 51		1
55	6657067	COVER	W/Ref. 46		1
56	7109905	BRACKET			1
57	6671516	KIT, SEAL	Ref. 7, 9, 13, 34, 35, 42, 43, 45, 46 & 50 - Also includes Ref. 2, 3, 12, 31 & 41 on next page		1
58	6669410	KIT, SHIM	for Ref. 49 - (2) each of .010, .020 and .050 thick		1

HYDROSTATIC PUMP (Manual Controls & ACS) (Right Half)

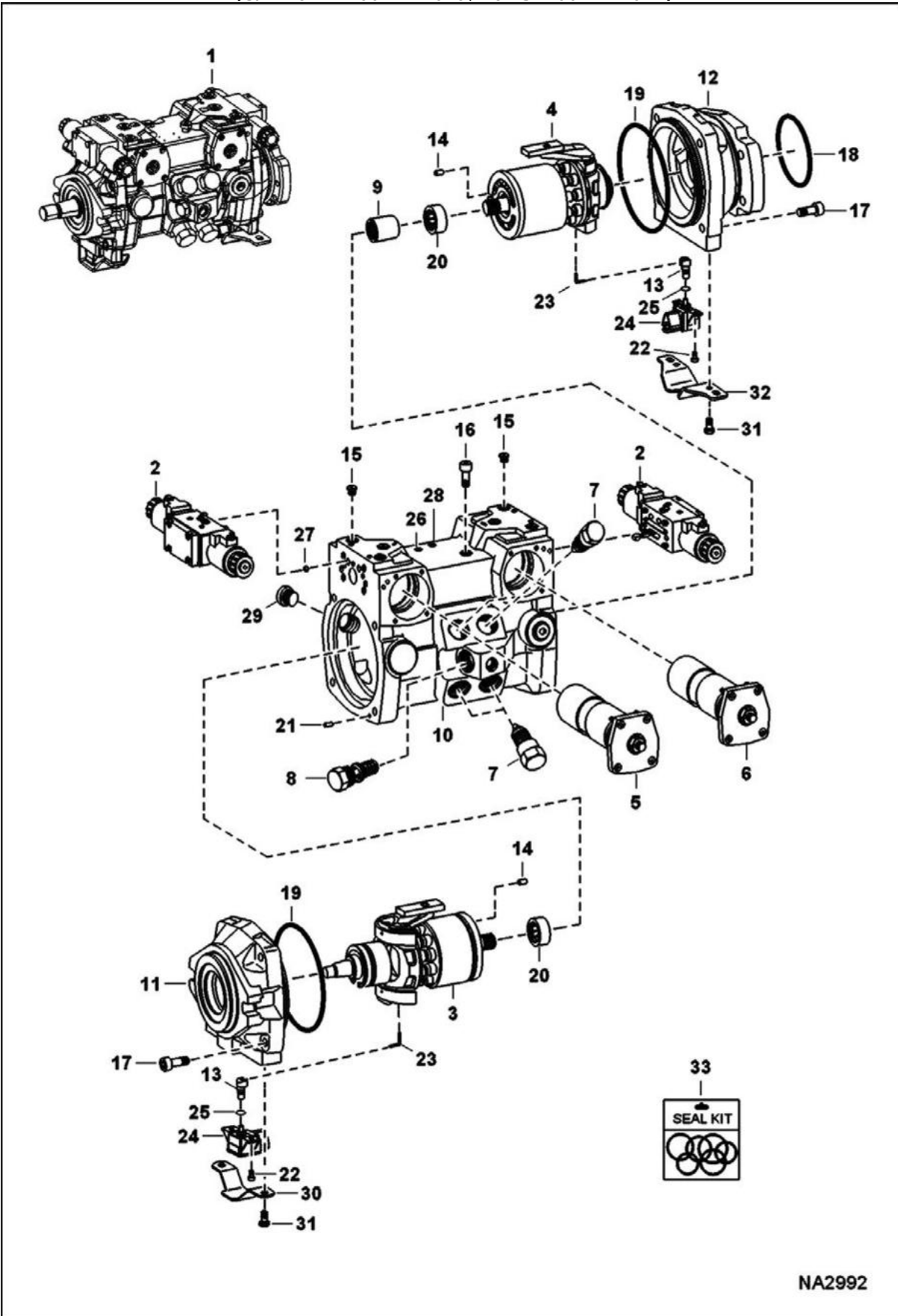


MS-2183

HYDROSTATIC PUMP (Cont'd)
(Manual Controls & ACS) (Right Half)

Ref No	Part Number	Description	Remarks	Serial Number	Qty
1	7001016	PUMP	Model 83002049		1
2	6657028	O-RING			2
3	79K8	O RING 10			2
4		PLUG	NAP - Order Ref. 30		2
5		VALVE, RELIEF	NAP - 5000 PSI (345 bar) - Order Ref. 30		2
6	6645086	PLUG			4
7	6657067	COVER	W/Ref. 32		1
8	6650637	BOLT			2
9		RETAINER	NAP - Order Ref. 30		4
10		VALVE, CHECK	NAP - poppet - Order Ref. 30		1
11	6669405	END CAP			1
12	6650634	GASKET			1
13	6676148	PLATE, VALVE			1
14	6650636	PIN			2
15		RETAINER	NAP - Order Ref. 26		1
16		WASHER	NAP - Order Ref. 26		1
17		SPRING	NAP - Order Ref. 26		1
18		WASHER	NAP - Order Ref. 26		1
19	6683167	CYLINDER BLOCK			1
20	6650630	RETAINER			1
21	6650629	PIN			4
22	6666338	WASHER			1
23		RETAINER	NAP - Order Ref. 26		1
24		RETAINER	NAP - Order Ref. 26		1
25	6683168	PISTON ASSEMBLY			9
26	6675341	GROUP, ROTARY	W/Ref. 15-25		1
27	6650627	PLATE			1
28	6685344	SWASHPLATE	W/threaded shaft hole		1
29		SPRING	NAP - Order Ref. 30		2
30	6684565	VALVE, RELIEF	Ref. 2-5, 9, 10 & 29 - Was 7008822 [A]		2
31	6671520	O-RING			1
32	6678226	SEAL, OIL			1
33	669863	RING, SNAP			1
34	658128	RING, SNAP			2
35	654299	BEARING			1
36	6652018	BOLT			4
37	6682264	SHAFT			1
38	47K8	PLUG			1
38	79K12	O RING 10			2
39	6650668	BOLT			4
40	6657068	COVER			1
41	6660814	O-RING			2
42	6669411	BEARING			2
43	6675342	PIN			2
44	6693867	HOUSING			1
45	7109904	BRACKET			1
46	6671518	BOLT			4
47	6650635	BEARING			1
48	6671516	KIT, SEAL	Ref. 2, 3, 12, 31 & 41 - Also includes Ref. 7, 9, 13, 34, 35, 42, 43, 45, 46 & 50 on previous page		1

HYDROSTATIC PUMP
(Selectable Joystick Controls)
(S/N A3NT11001 - 12029, A3NU11001 - 11044)

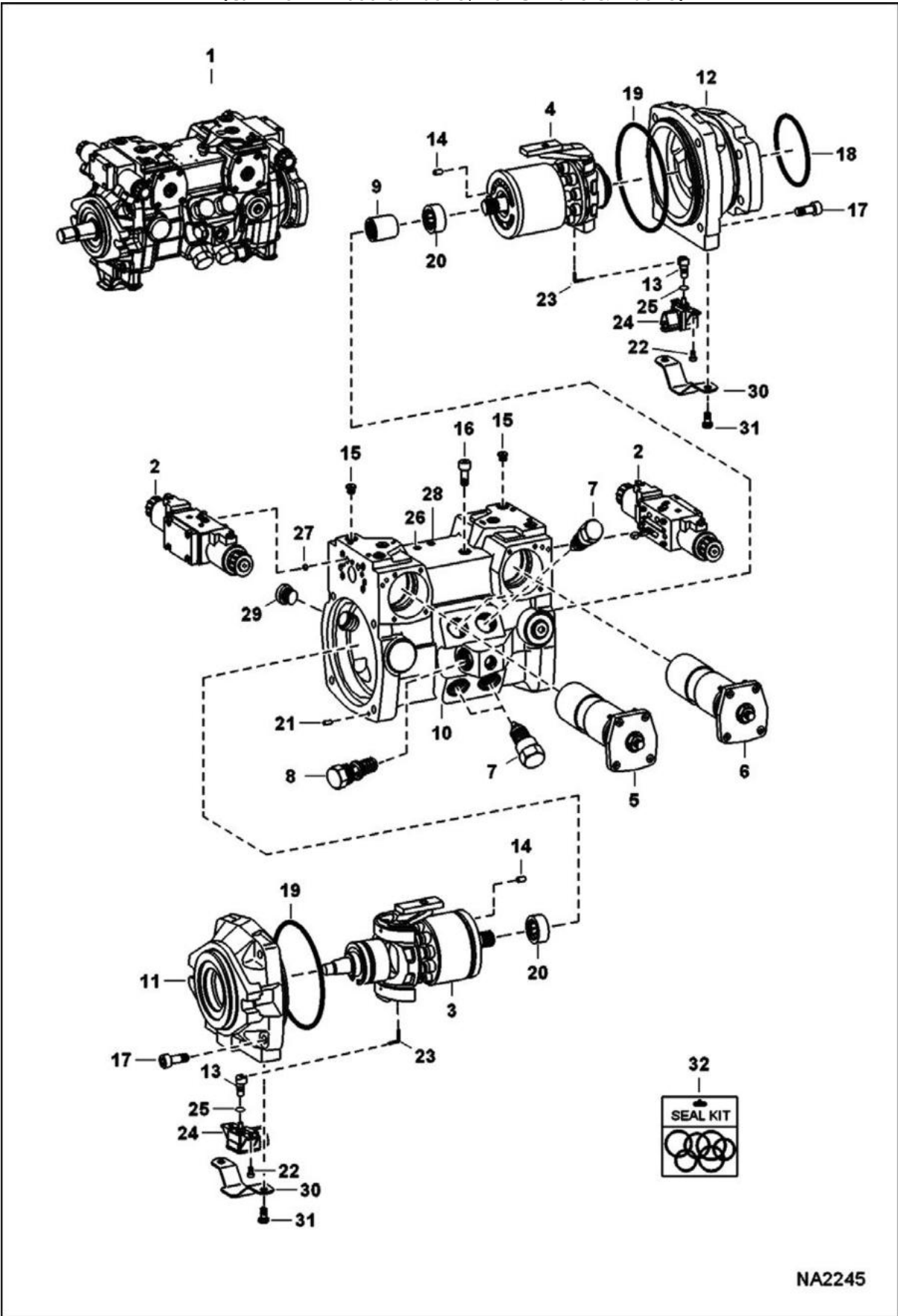


NA2992

HYDROSTATIC PUMP (Cont'd)
(Selectable Joystick Controls)
(S/N A3NT11001 - 12029, A3NU11001 - 11044)

Ref No	Part Number	Description	Remarks	Serial Number	Qty
1	6698594	PUMP, TANDEM	Model R902103468 - Ref. 2-32		1
2		MODULE, CONTROL	See Illustration HYDROSTATIC PUMP/ B25016		2
3		GROUP, ROTATING LH	See Illustration HYDROSTATIC PUMP/ B25011 - LH rotation		1
4		GROUP ROTATING RH	See Illustration HYDROSTATIC PUMP/ B25012 - RH rotation		1
5		CONTROL	See Illustration HYDROSTATIC PUMP/ B25013 - LH - assy		1
6		CONTROL	See Illustration HYDROSTATIC PUMP/ B25013A - RH - assy		1
7	7008124	VALVE, RELIEF	preset at 350 bar		4
8		VALVE	See Illustration HYDROSTATIC PUMP/ B25015A - charge pressure relief 15-30 bar		1
9	6687941	COUPLER			1
10	7008110	HOUSING	W/Ref 16		1
11	7008111	FLANGE, LH			1
12	7008112	FLANGE, RH			1
13	7008113	SHAFT			2
14	6688011	PIN			2
15	6688016	SCREW			11
16	6687992	SCREW	Was 6688039 [D]		3
17	6688008	SCREW			8
18	6671520	O-RING			1
19	6688009	SEAL			2
20	6688040	BEARING			2
21	6686934	PIN			2
22	7008114	SCREW			4
23	6688014	PIN			2
24	7008115	SENSOR			2
25	54K20022	O-RING			2
26	6687932	PIN			2
27	7008116	FILTER			6
28	6688015	SCREW			1
29	6685390	SCREW			1
30	7010227	COVER			1
31	6688003	SCREW			4
32	7194123	SHIELD, SENSOR			1
33	6689021	SEAL KIT			1

HYDROSTATIC PUMP
(Selectable Joystick Controls)
(S/N A3NT12030 & Above, A3NU11045 & Above)

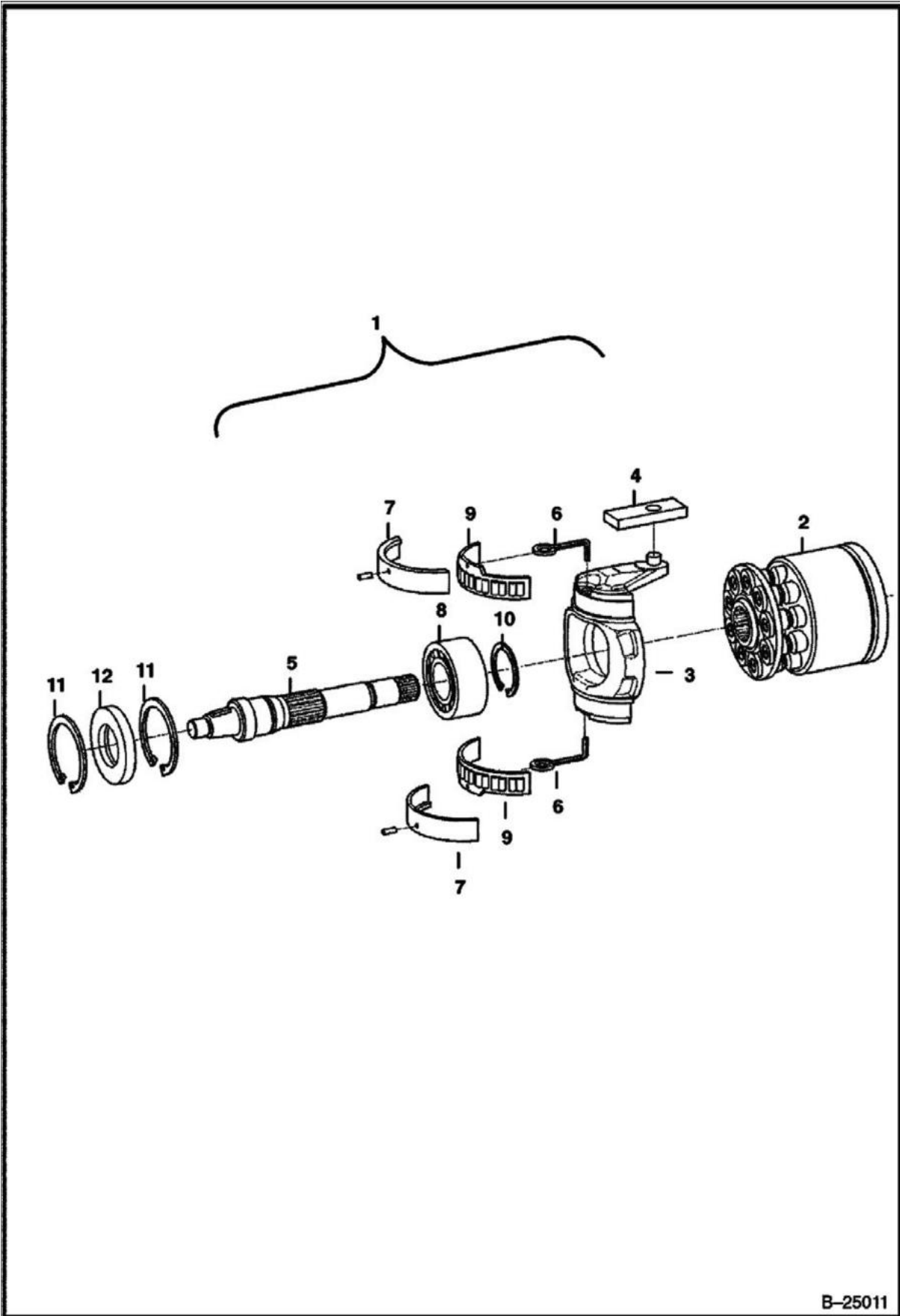


NA2245

HYDROSTATIC PUMP (Cont'd)
(Selectable Joystick Controls)
(S/N A3NT12030 & Above. A3NU11045 & Above)

Ref No	Part Number	Description	Remarks	Serial Number	Qty
1	7013178	PUMP, HYD	Ref. 2-31 - Model R902148155		1
2	7008109	MODULE, CONTROL			2
3		GROUP, ROTATING LH	See Illustration HYDROSTATIC PUMP/ B25011 - LH rotation		1
4		GROUP ROTATING RH	See Illustration HYDROSTATIC PUMP/ B25012 - RH rotation		1
5		CONTROL	See Illustration HYDROSTATIC PUMP/ B25013 - LH		1
6		CONTROL	See Illustration HYDROSTATIC PUMP/ B25013A - RH		1
7	7008124	VALVE, RELIEF	preset at 350 bar		4
8		VALVE	See Illustration HYDROSTATIC PUMP/ B25015A - charge pressure relief 15-30 bar		1
9	6687941	COUPLER			1
10	7008110	HOUSING	W/Ref. 16		1
11	7008111	FLANGE, LH			1
12	7008112	FLANGE, RH			1
13	7008113	SHAFT			2
14	6688011	PIN			2
15	6688016	SCREW			11
16	6687992	SCREW	Was 6688039 [D]		3
17	6688008	SCREW			8
18	6671520	O-RING			1
19	6688009	SEAL			2
20	6688040	BEARING			2
21	6686934	PIN			2
22	7008114	SCREW			4
23	6688014	PIN			2
24	7008115	SENSOR			2
25	54K20022	O'RING			2
26	6687932	PIN			2
27	7008116	FILTER			6
28	6688015	SCREW			1
29	6685390	SCREW	Was 6687992 [D]		1
30	7010227	COVER			2
31	6688003	SCREW			4
32	6689021	SEAL KIT			1

HYDROSTATIC PUMP
(Rotary Group) (LH)
(SJC)

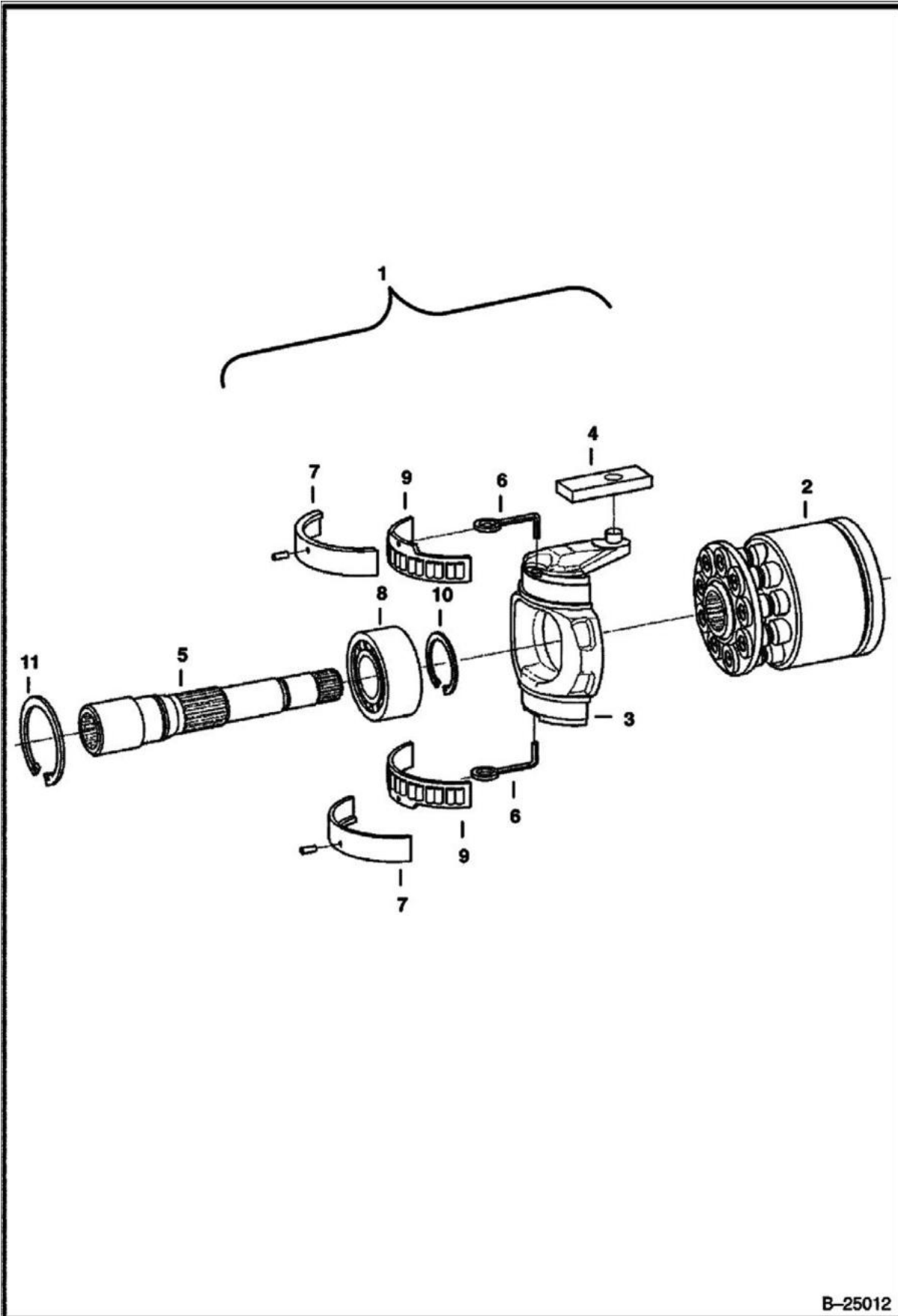


B-25011

**HYDROSTATIC PUMP (Cont'd)
(Rotary Group) (LH)
(SJC)**

Ref No	Part Number	Description	Remarks	Serial Number	Qty
1	7008105	GROUP, ROTATING LH	Ref. 2-12 - LH rotation		1
2	6693873	GROUP, ROTARY			1
3	7008117	SWASHPLATE			1
4	6687940	PLATE			1
5	7001120	SHAFT, DRIVE			1
6	6687930	WIRE			2
7	6687956	BEARING			1
8	6688018	BEARING			1
9	7008118	BEARING			1
10	6687999	RING, SNAP			1
11	6688042	RING, SNAP			2
12	6693876	SEAL, SHAFT			1

HYDROSTATIC PUMP
(Rotary Group) (RH)
(SJC)

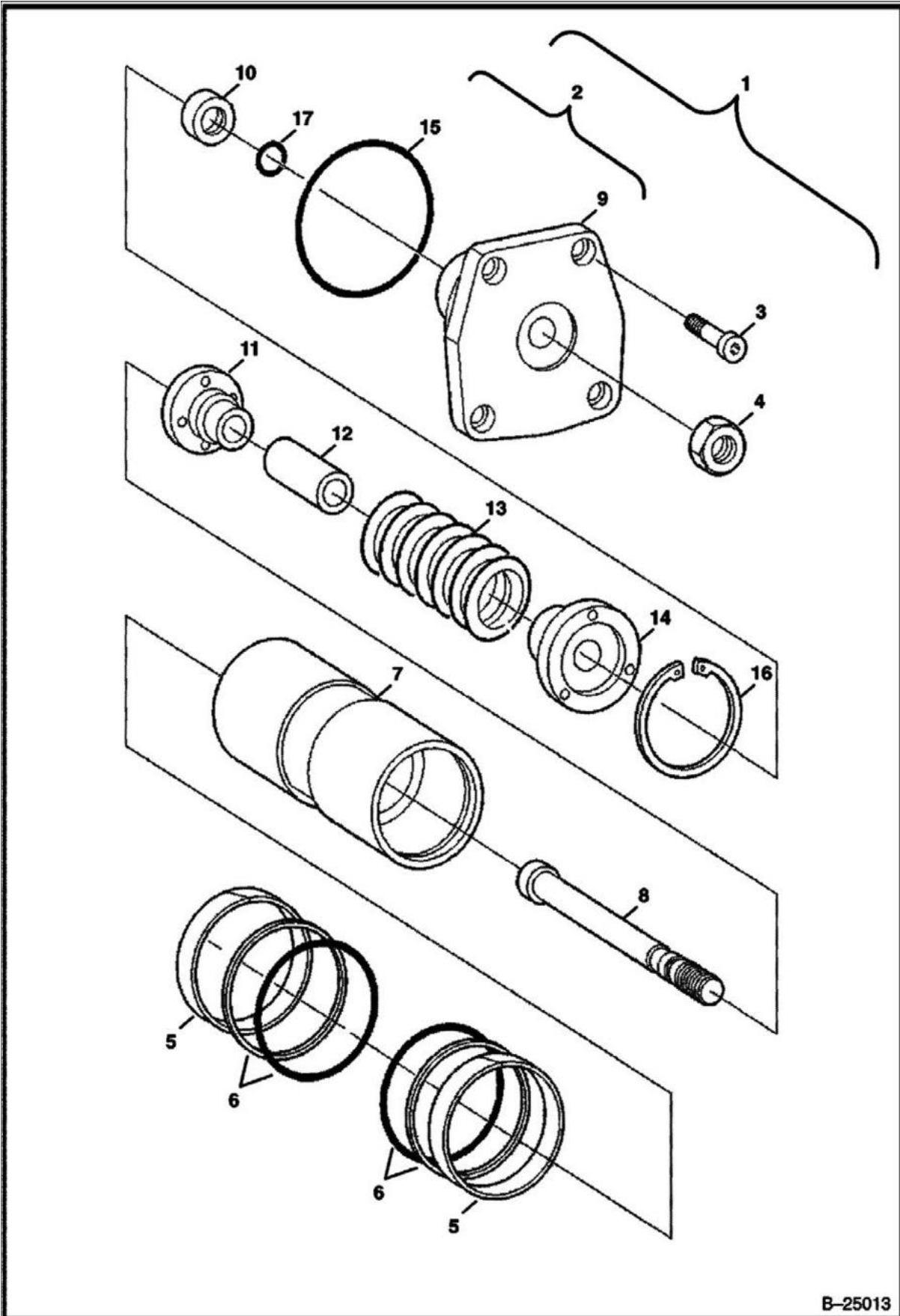


B-25012

HYDROSTATIC PUMP (Cont'd)
(Rotary Group) (RH)
(SJC)

Ref No	Part Number	Description	Remarks	Serial Number	Qty
1	7008106	GROUP ROTATING RH	Ref. 2-11 - RH rotation		1
2	6693874	GROUP, ROTARY			1
3	7008117	SWASHPLATE			1
4	6687940	PLATE			1
5	6687943	SHAFT			1
6	6687930	WIRE			2
7	6687956	BEARING			1
8	6688018	BEARING			1
9	6687987	BEARING			1
10	6687999	RING, SNAP			1
11	6671741	SNAP RING			2

HYDROSTATIC PUMP
(Control) (LH)
(SJC)

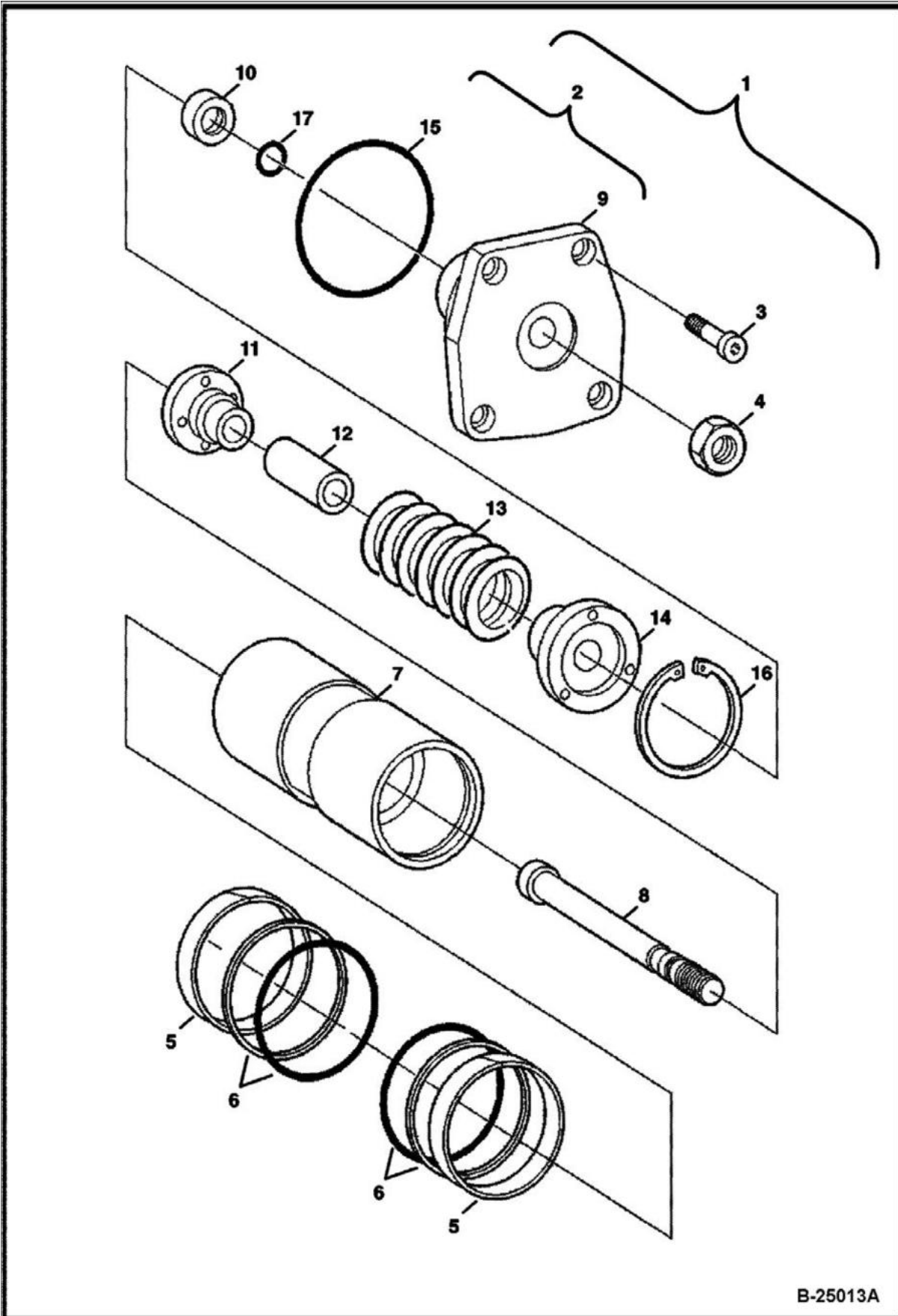


B-25013

HYDROSTATIC PUMP (Cont'd)
(Control) (LH)
(SJC)

Ref No	Part Number	Description	Remarks	Serial Number	Qty
1	7008107	CONTROL	Model R902124951 - Ref. 2-17		1
2	6671760	COVER			1
3	6687995	SCREW			1
4	6687925	NUT			1
5	7008119	RING			2
6	6687986	KIT			1
7	6687962	PISTON			1
8		ROD	NSS		1
9	6671760	COVER			1
10		RING	NSS		1
11		COLLAR	NSS		1
12		SPACER	NSS		1
13		SPRING	NSS		1
14		COLLAR	NSS		1
15	6688005	SEAL			1
16		RING	NSS		1
17	6688006	SEAL			1

HYDROSTATIC PUMP
(Control) (RH)
(SJC)

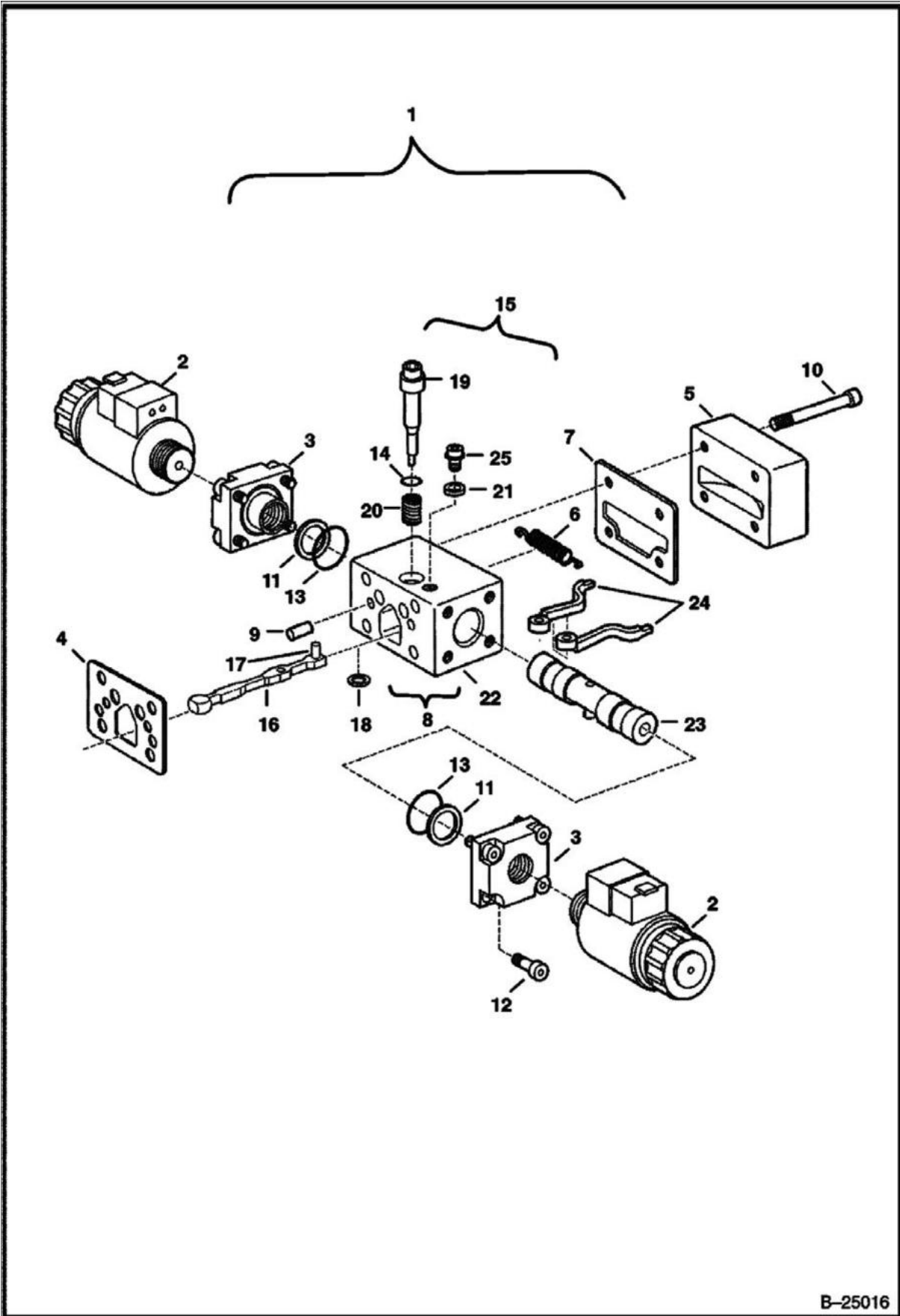


B-25013A

HYDROSTATIC PUMP (Cont'd)
(Control) (RH)
(SJC)

Ref No	Part Number	Description	Remarks	Serial Number	Qty
1	7008108	CONTROL	Model R902124952 - Ref. 2-17		1
2	6671760	COVER			1
3	6687995	SCREW			1
4	6687925	NUT			1
5	7008119	RING			2
6	6687986	KIT			1
7	6687962	PISTON			1
8		ROD	NSS		1
9	6671760	COVER			1
10		RING	NSS		1
11		COLLAR	NSS		1
12		SPACER	NSS		1
13		SPRING	NSS		1
14		COLLAR	NSS		1
15	6688005	SEAL			1
16		RING	NSS		1
17	6688006	SEAL			1

HYDROSTATIC PUMP (Control Module) (SJC)

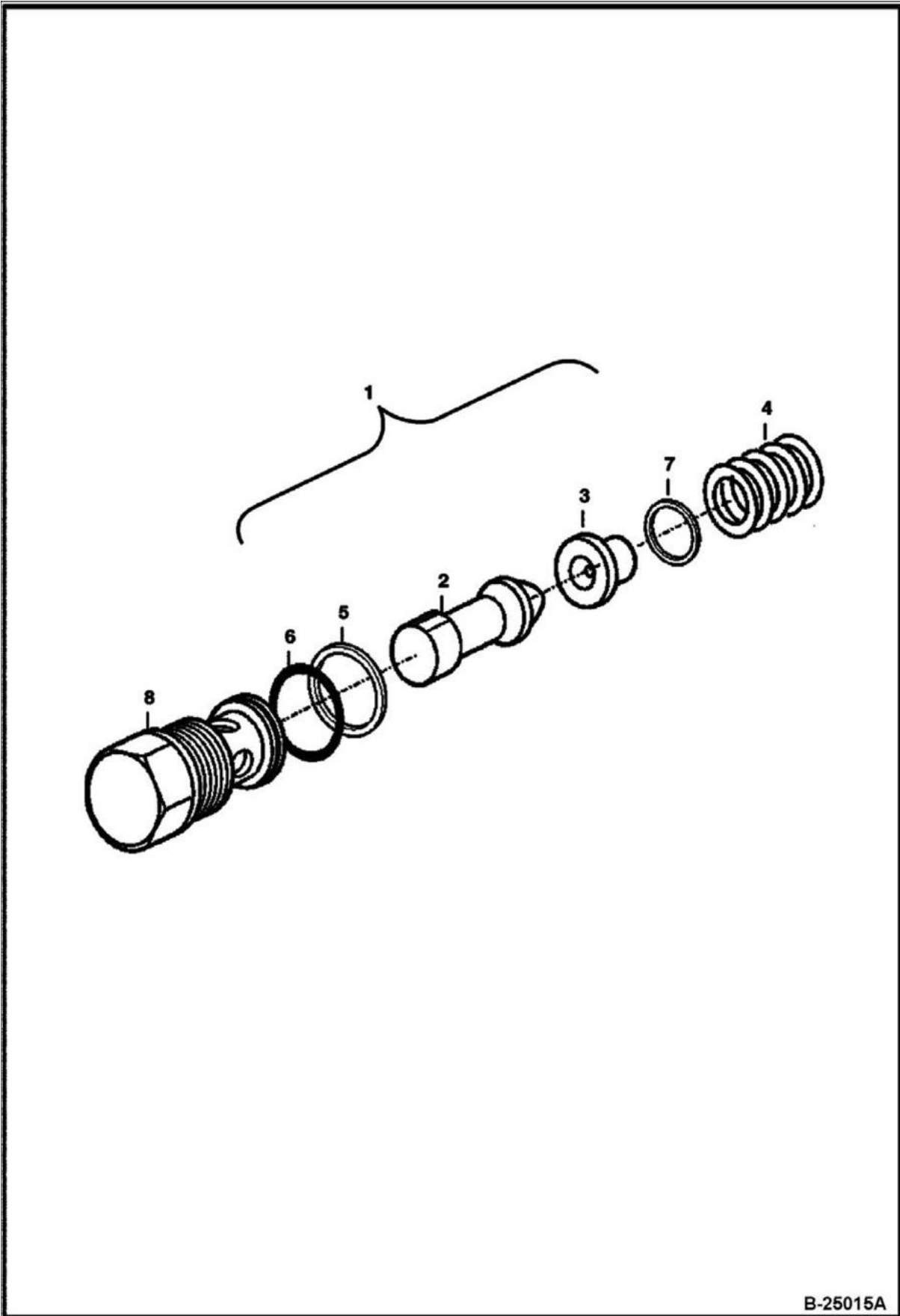


B-25016

HYDROSTATIC PUMP (Cont'd)
(Control Module)
(SJC)

Ref No	Part Number	Description	Remarks	Serial Number	Qty
1	7008109	MODULE, CONTROL	Ref. 2-25 - Model R902105250		2
2	6697960	SOLENOID	W/ O-Ring		2
3		BUSHING	NSS		2
4	7008121	GASKET			1
5	7008122	COVER			1
6	6687967	SPRING			1
7	7008123	GASKET			1
8	7008120	MODULE			1
9	6688010	PIN			2
10	6687996	SCREW			4
11		SPRING	NSS		2
12	6687997	SCREW			8
13		SEAL KIT	NSS		2
14		SEAL	NSS - Order Ref. 8		1
15		ROLLER	NSS		1
16		LEVER	NSS		1
17		ROLLER	NSS		1
18		SHIM	NSS		1
19		PIN	NSS - Order Ref. 8		1
20		SPRING	NSS - Order Ref. 8		1
21		PLATE	NSS - Order Ref. 8		1
22		HOUSING	NSS - Order Ref. 8		1
23		SPOOL	NSS - Order Ref. 8		1
24		LEVER	NSS		2
25		SCREW	NSS - Order Ref. 8		1

HYDROSTATIC PUMP (Charge Pressure Relief Valve)

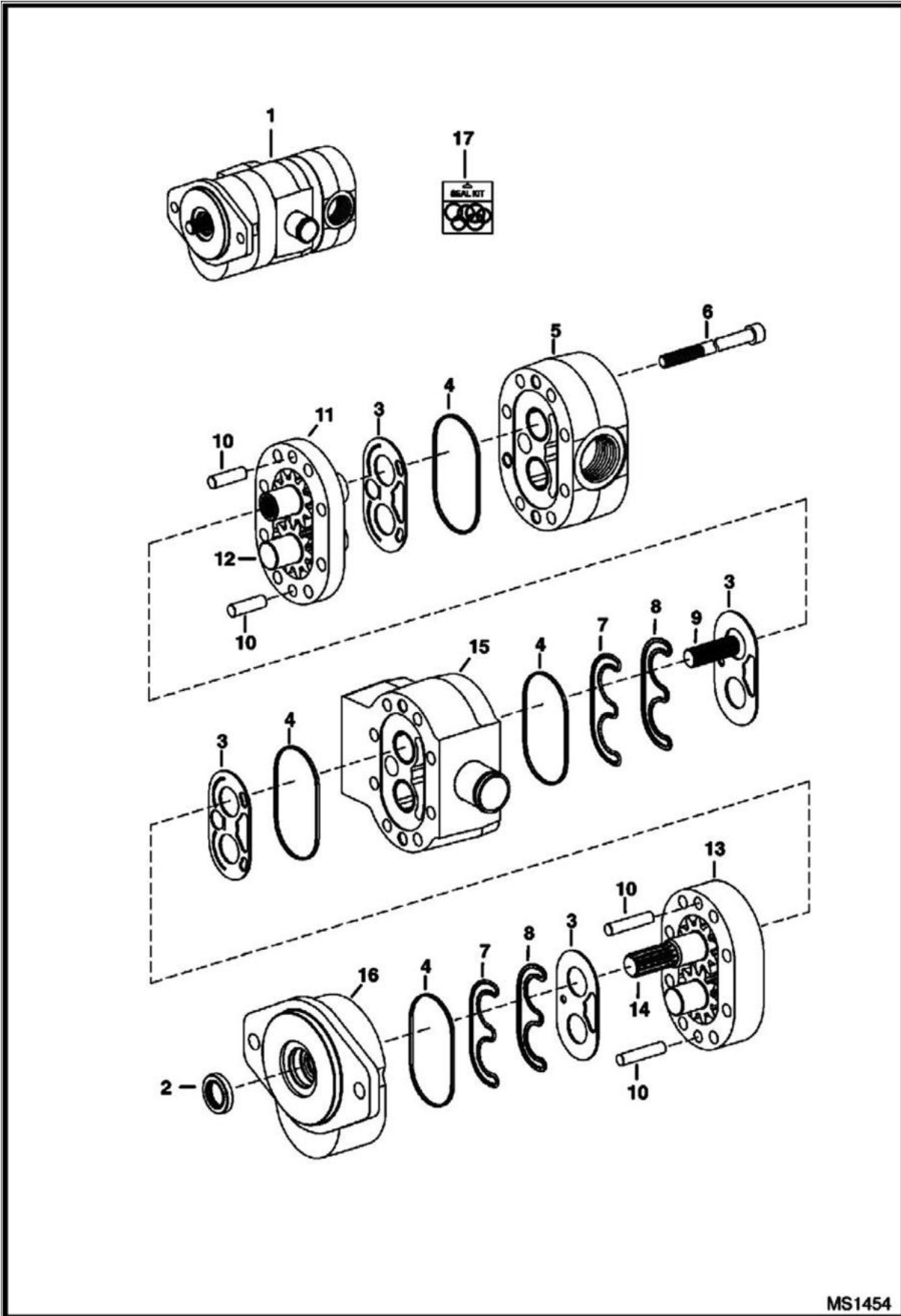


B-25015A

HYDROSTATIC PUMP (Cont'd)
(Charge Pressure Relief Valve)

Ref No	Part Number	Description	Remarks	Serial Number	Qty
1	6687938	VALVE			1
2	6967534	PISTON			1
3	6967535	COLLAR			1
4	6967536	SPRING			1
5		RING	NAP		1
6	6682936	O-RING			1
7	6688017	SHIM	0,3 mm		1
7	7008766	SHIM	0.5 mm		1
7	7008767	SHIM	1.0 mm		1
8	6687939	SCREW			1

GEAR PUMP (Double)

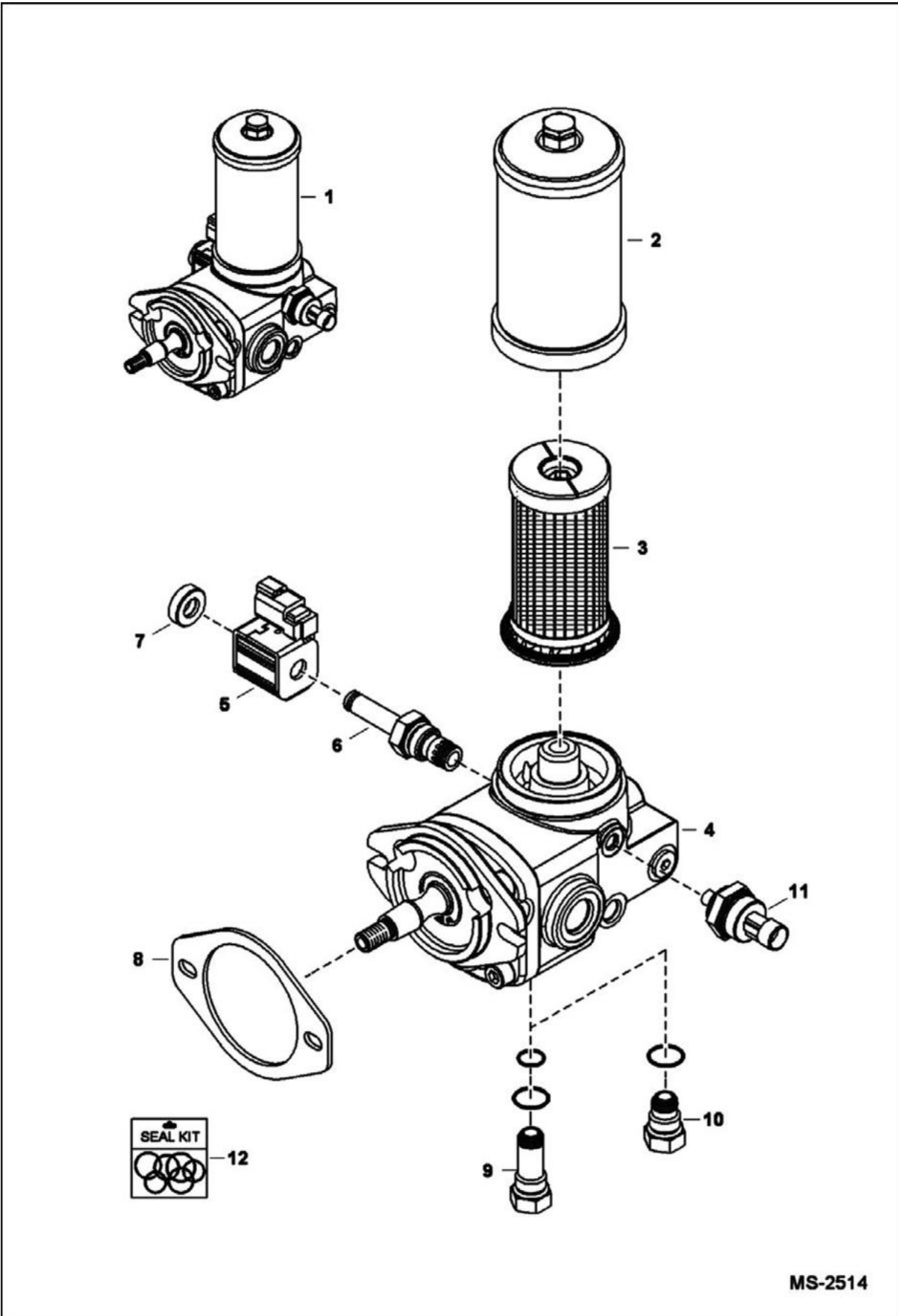


MS1454

GEAR PUMP (Cont'd) (Double)

Ref No	Part Number	Description	Remarks	Serial Number	Qty
1		PUMP, GEAR DOUBLE	NAP - Ref. 2-16 - Model 83001779 - Order 7010172 pump - Was 7001435 [A]		1
1	7010172	PUMP, GEAR DOUBLE	Model 83005638		1
2		SEAL, SHAFT	NSS		1
3		WEAR PLATE	NSS		6
4		SEAL, SECTION	NSS		6
5		HOUSING, REAR	NSS		1
6		BOLT	NSS		8
7		SEAL, PRE-LOAD	NSS		6
8		SEAL, LOAD	NSS		6
9		CONNECTOR, SPLINE	NSS		2
10		PIN	NSS		6
11		HOUSING, GEAR	NSS - #2		1
12		GEAR SET	NSS - #2		1
13		HOUSING, GEAR	NSS - #1		1
14		GEAR SET	NSS - drive		1
15		HOUSING, CENTER	NSS		1
16		HOUSING, FRONT	NSS		1
17	6687866	KIT, SEAL			1

COOLING FAN MOTOR (Cast Iron)

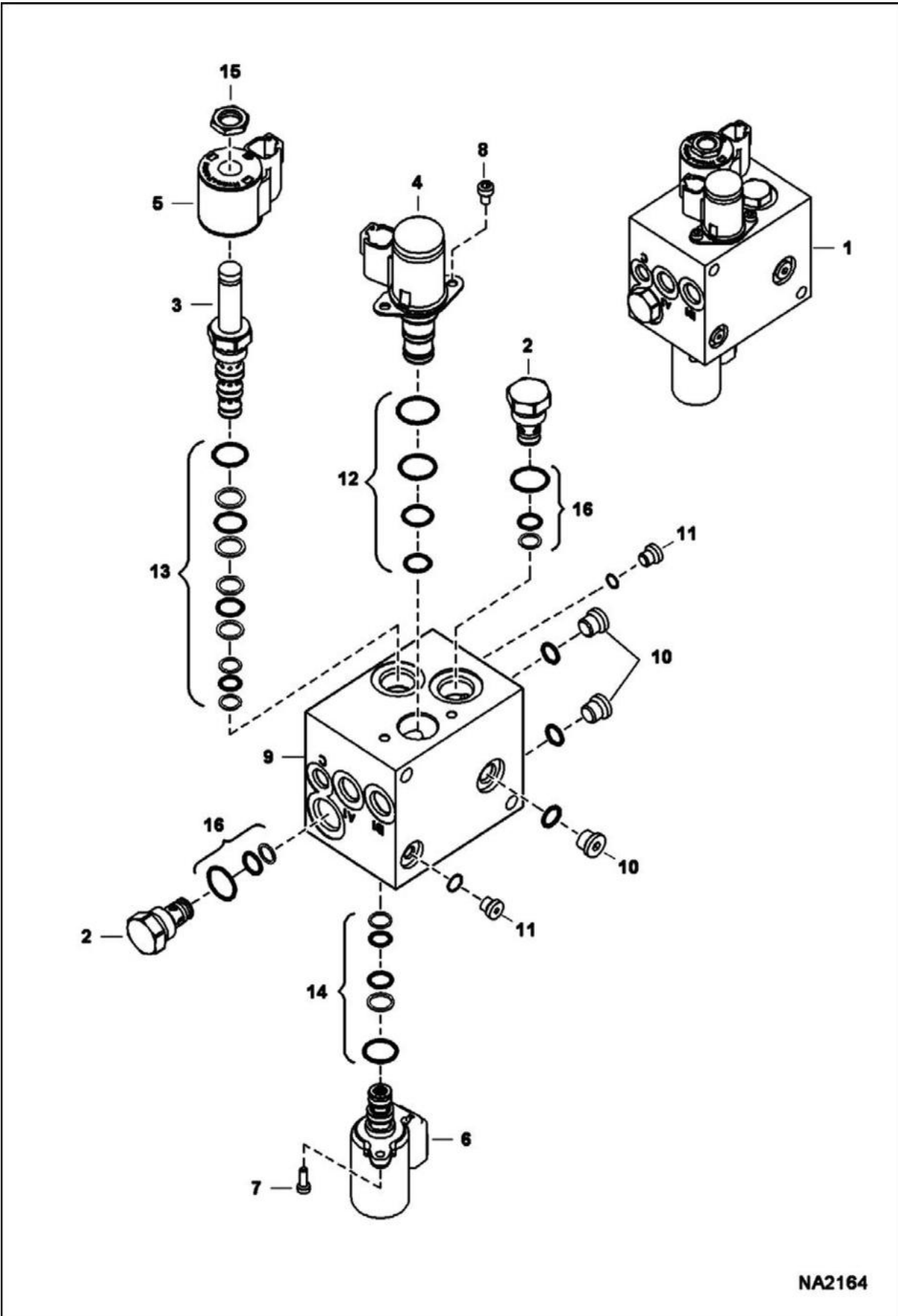


MS-2514

COOLING FAN MOTOR (Cont'd)
(Cast Iron)

Ref No	Part Number	Description	Remarks	Serial Number	Qty
1	7010793	MOTOR, FAN	cast iron - Ref. 2-10 - Also Order (2) of 1F316 cotter pin - Was 7164320 [B,D]		1
2	6698066	HOUSING, FILTER CARTRIDGE			1
3	6692337	FILTER, HYD CARTRIDGE			1
4		MOTOR	NSS - Order Ref. 1		1
5	6698065	COIL, CPP012H			1
6	7008810	VALVE	cartridge - W/Ref. 7 - Was 7010979 [B,D]		1
6	6698591	KIT, SEAL			1
7		NUT, COIL SOLENOID	NAP - Was 6698352 [A]		1
8	6698062	GASKET, MOTOR			1
9	7000973	PLUG, MOTOR			1
10	7000974	PLUG, MOTOR			1
11	6674316	SWITCH, PRESS OIL HYD	3-pin molded connector		1
12		KIT, SEAL	NSS - Order Ref. 1		1

2-SPEED VALVE

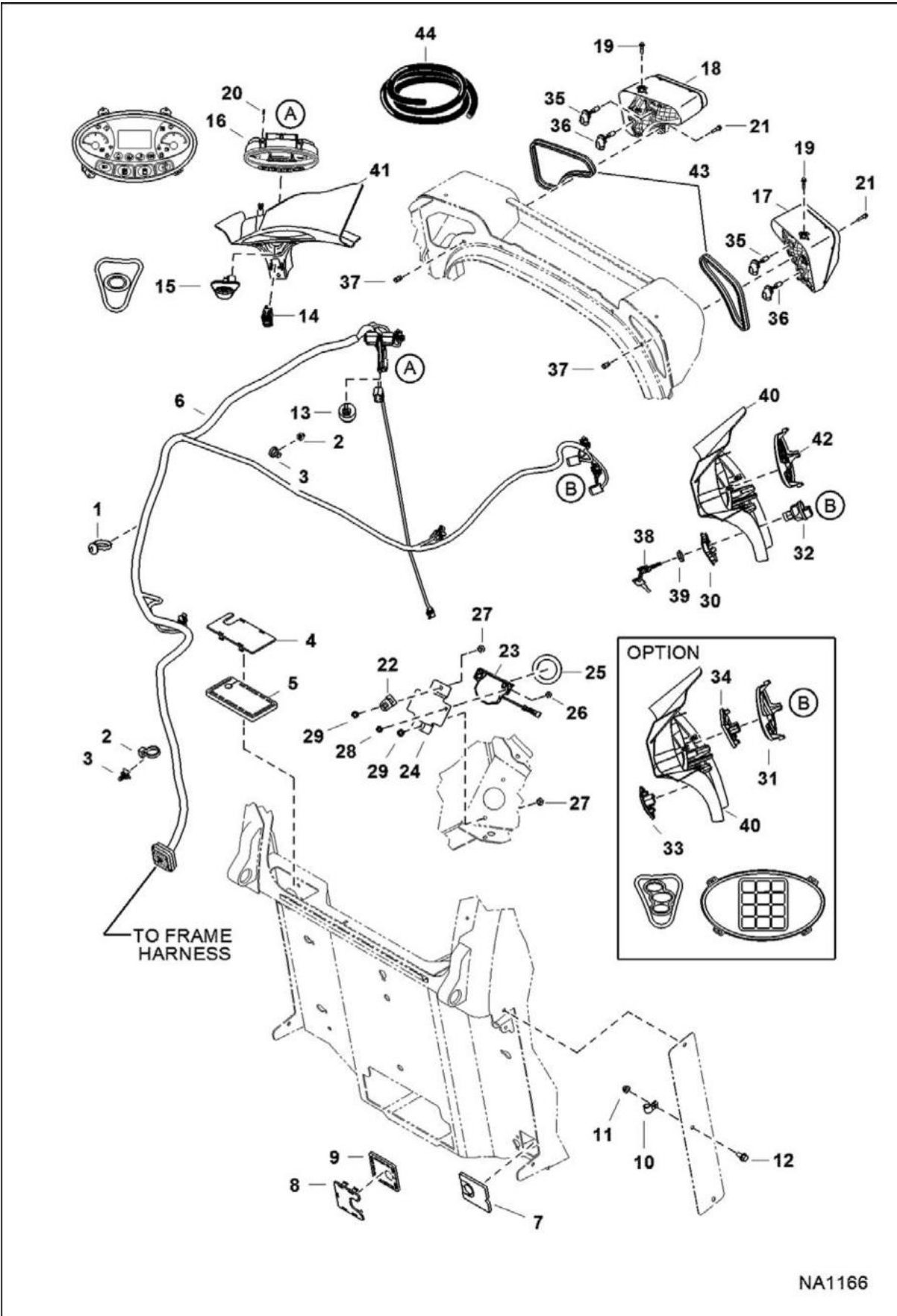


NA2164

2-SPEED VALVE (Cont'd)

Ref No	Part Number	Description	Remarks	Serial Number	Qty
1	6697971	VALVE, 2 SPEED	Ref. 2-16		1
2	7010003	VALVE, CHECK			2
3	7010004	CARTRIDGE			1
4	7010005	CARTRIDGE			1
5	7010006	COIL			1
6	7010007	FILTER. VALVE			1
7	7010008	BOLT			2
8	7010009	BOLT			2
9	7010010	BLOCK, PORT			1
10	6672762	PLUG			3
11	6677177	PLUG			2
12	7008771	KIT, SEAL			1
13	6672756	KIT, SEAL			1
14	7010029	KIT, SEAL			1
15	6676246	NUT			1
16	6672515	KIT, SEAL			2

CAB ELECTRICAL CIRCUITRY (Standard)

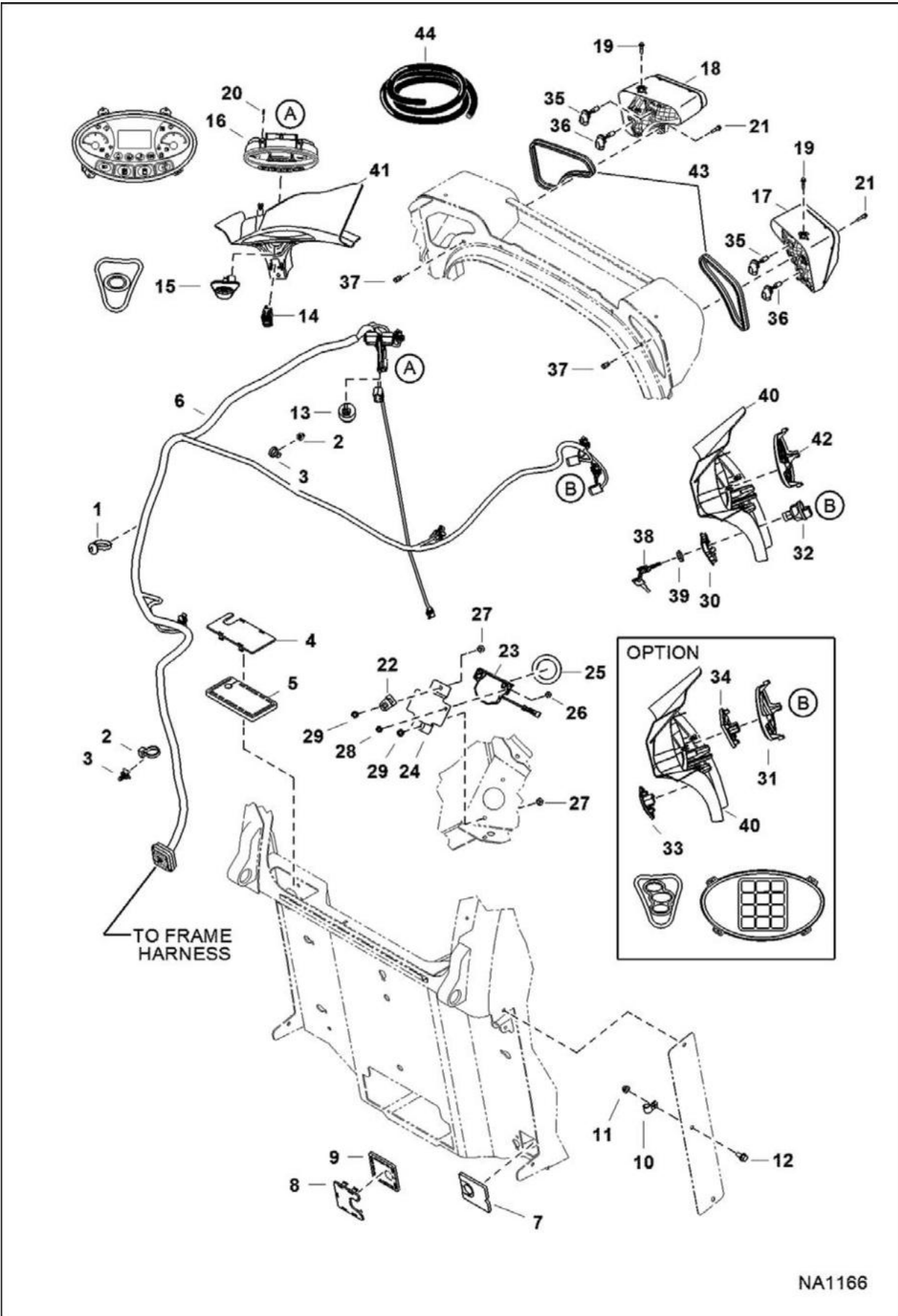


NA1166

CAB ELECTRICAL CIRCUITRY (Cont'd)
(Standard)

Ref No	Part Number	Description	Remarks	Serial Number	Qty
1	6675734	STRAP			1
2	6624289	STRAP, TIE			5
3	7015668	MOUNT FIR TREE	push in - Use W/tie strap - Was 6678666 [B]		1
4	7179136	PLUG, HARNESS CAB STD			1
5	7179137	FOAM			1
6	7165991	HARNESS, CAB STD			1
7	7185150	PLUG, HARNESS CAB	replaces both Ref. 8 & 9		1
8		PLUG, HARNESS CAB DLX	NAP - Order Ref. 7 - Was 7179115 [A]		1
9		FOAM	NAP - Order Ref. 7 - Was 7179116 [A]		1
10	30H20	CLIP			1
11	57D6	NUT 5			1
12	31C612	BOLT			1
13	6692489	ALARM, BUZZER			1
14	6690948	SWITCH PARK BRAKE			1
15	7003032	SWITCH, OVERRIDE TRACTION			1
16	7003034	DISPLAY, GAUGE			1
17	7138040	LIGHT, RH ASSY			1
18	7138041	LIGHT, LH ASSY			1
19	35C410	BOLT 5	Was 53C410 [B]		2
20	7179008	SCREW, PLASTIC			3
21	31C420	BOLT 5	Was 53C416 [B]		2
22	6684641	MOUNT			1
23	7001044	HORN, ALARM			1
24	7171081	BRACKET, HORN			1
25	7171088	GROMMET			1
26	35C410	BOLT 5			2
27	35C516	BOLT 10			2
28	55D4	NUT			2
29	55D5	NUT			2
30	7163589	INSERT, SWITCH			1
31	7003027	INSERT, KEYPAD	See Illustration KEYLESS PANEL KIT/ NA2071 if loader is equipped W/SJC & text decals, Also Order Ref. 40 & 7168114 decal - if loader is equipped W/SJC & no text decals, Also Order Ref. 40 & 7177707 decal		1
32	6693245	SWITCH, IGN	W/Ref. 8		1
33	7003033	SWITCH, IGN	See Illustration KEYLESS PANEL KIT/ NA2071		1
34	6693712	KEYPAD, PANEL			1
35	7008814	BULB, 5W			2
36	6675336	LIGHT, BULB 50W			2
37	7154910	INSERT, THREADED			2
38	6693241	KEY 10	ignition - single key W/O ring		1
39	7009081	NUT			1
40	7155791	PANEL, RH			1
41	7155792	PANEL, LH			1

CAB ELECTRICAL CIRCUITRY (Cont'd) (Standard)

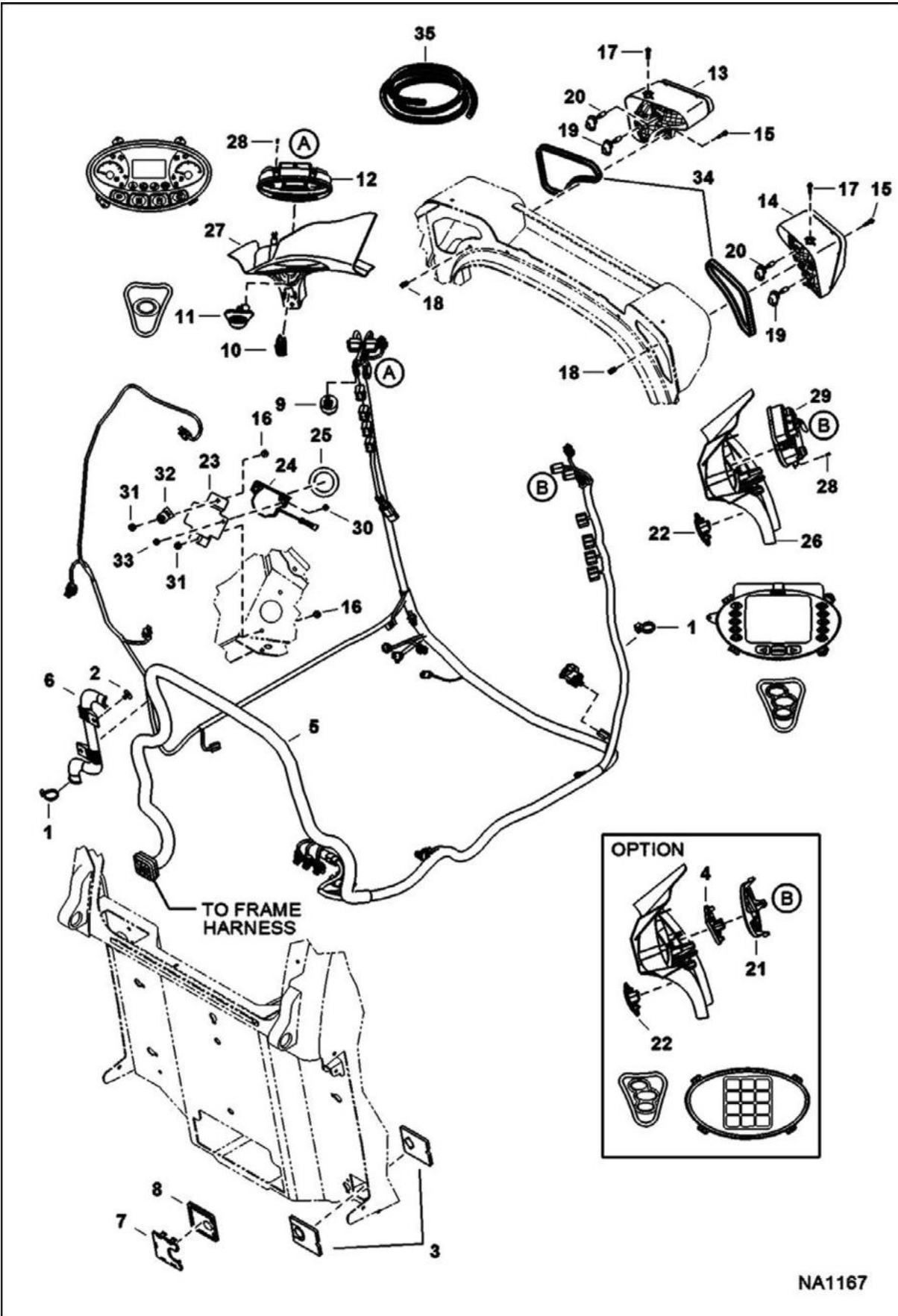


NA1166

CAB ELECTRICAL CIRCUITRY (Cont'd)
(Standard)

Ref No	Part Number	Description	Remarks	Serial Number	Qty
42	7002985	INSERT, BLANK	W/Bobcat head - if loader is equipped W/SJC & text decals, Also Order Ref. 40 & 7168114 decal - if loader is equipped W/SJC & no text decals, Also Order Ref. 40 & 7177707 decal		1
43		SEAL	NAP - 609,6 mm (24") long - Order Ref. 44		2
44	7202956	SEAL, BULK	bulk - sold per foot		x

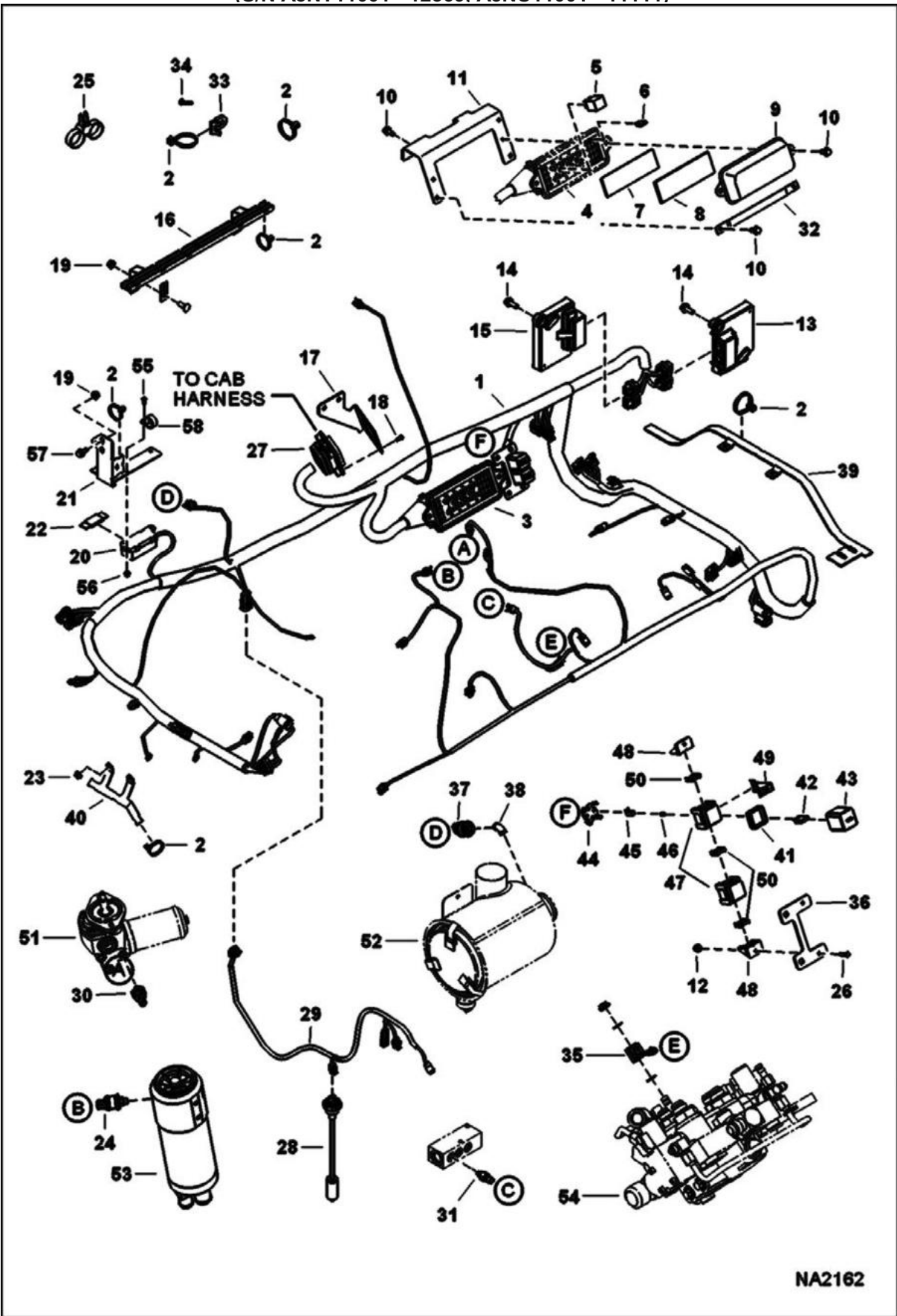
CAB ELECTRICAL CIRCUITRY (Deluxe)



CAB ELECTRICAL CIRCUITRY (Cont'd)
(Deluxe)

Ref No	Part Number	Description	Remarks	Serial Number	Qty
1	6624289	STRAP, TIE			15
2	6674895	RETAINER			2
3	7185150	PLUG, HARNESS CAB	replaces both Ref. 7 & 8		2
4	6693712	KEYPAD, PANEL	See Illustration KEYLESS PANEL KIT/ NA2071		1
5	7176098	HARNESS, CAB DELUXE		A3NU11001 - 11111	1
5	7176098	HARNESS, CAB DELUXE		A3NT11001 - 12369	1
5	7196753	HARNESS, CAB DLX		A3NT12370 & Above	1
5	7196753	HARNESS, CAB DLX		A3NU11112 & Above	1
6	7164073	GUIDE			1
7		PLUG, HARNESS CAB DLX	NAP - Order Ref. 3 - Was 7179115		1
8		FOAM	NAP - Order Ref. 3 - Was 7179116		1
9	6692489	ALARM, BUZZER			1
10	6690948	SWITCH PARK BRAKE			1
11	7003032	SWITCH, OVERRIDE TRACTION			1
12	7003034	DISPLAY, GAUGE			1
13	7138041	LIGHT, LH ASSY			1
14	7138040	LIGHT, RH ASSY			1
15	31C420	BOLT 5	Was 53C420 [B]		2
16	35C516	BOLT 10			2
17	35C410	BOLT 5	Was 53C410 [B]		2
18	7154910	INSERT, THREADED			2
19	6675336	LIGHT, BULB 50W			2
20	7008814	BULB, 5W			2
21	7003027	INSERT, KEYPAD	See Illustration KEYLESS PANEL KIT/ NA2071 if loader is equipped W/SJC & text decals, Also Order Ref. 26 & 7168114 decal - if loader is equipped W/SJC & no text decals, Also Order Ref. 26 & 7177707 decal		1
22	7003033	SWITCH, IGN	See Illustration KEYLESS PANEL KIT/ NA2071		1
23	7171081	BRACKET, HORN			1
24	7001044	HORN, ALARM			1
25	7171088	GROMMET			1
26	7155791	PANEL, RH			1
27	7155792	PANEL, LH			1
28	7179008	SCREW, PLASTIC			6
29	6693413	DISPLAY, DLX			1
30	35C410	BOLT 5			2
31	55D5	NUT			2
32	6684641	MOUNT			1
33	55D4	NUT			2
34		SEAL	NAP - 609,6 mm (24") long - Order Ref. 35		2
35	7202956	SEAL, BULK	bulk - sold per foot		x

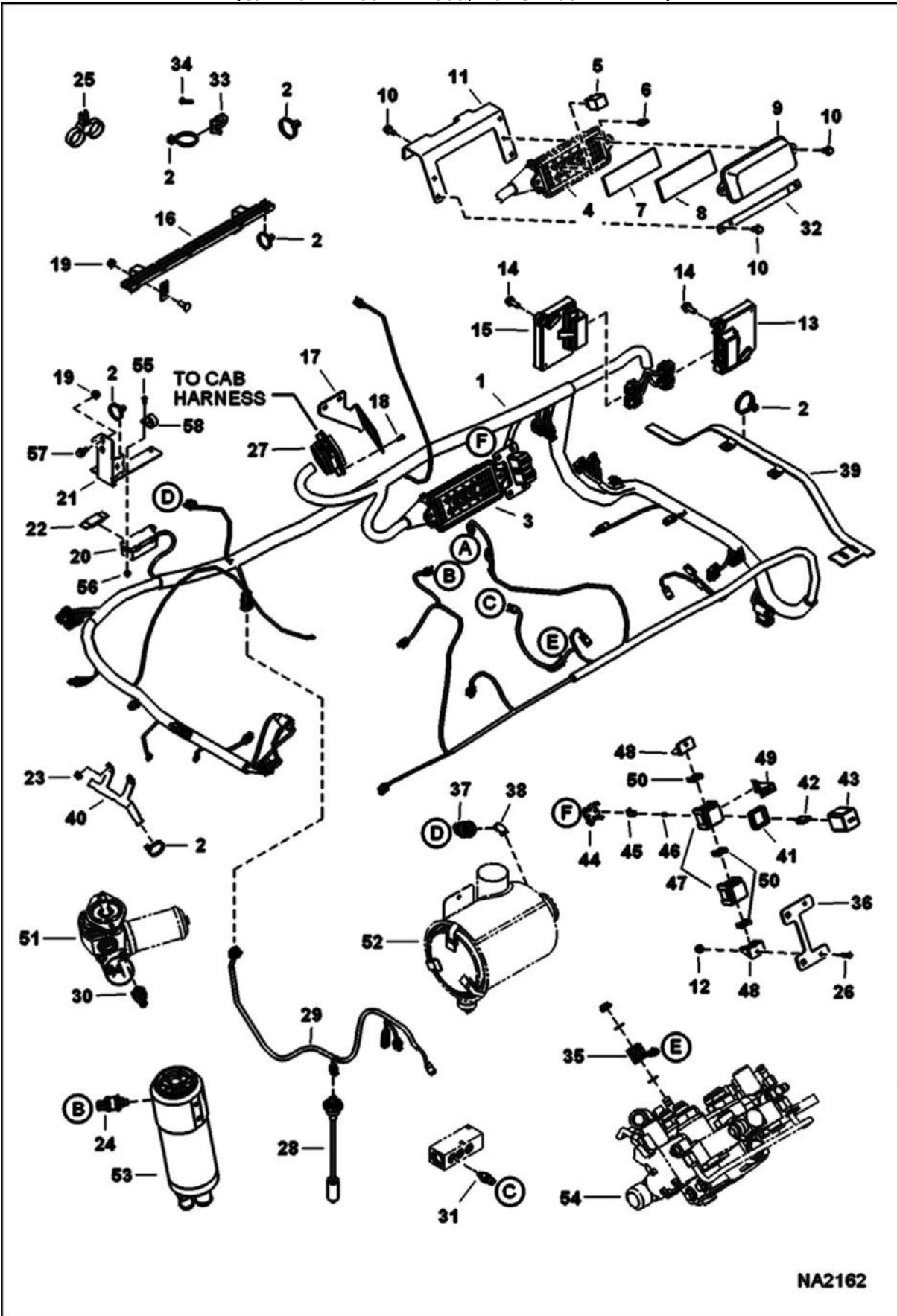
ENGINE ELECTRICAL CIRCUITRY (Frame Harness & Filter Sensors) (S/N A3NT11001 - 12369, A3NU11001 - 11111)



ENGINE ELECTRICAL CIRCUITRY (Cont'd)
(Frame Harness & Filter Sensors)
(S/N A3NT11001 - 12369. A3NU11001 - 11111)

Ref No	Part Number	Description	Remarks	Serial Number	Qty
1	7174782	HARNESS, MFR	See Illustration ENGINE ELECTRICAL CIRCUITRY/ NA2163 - manual controls		1
1	7175625	HARNESS, MFR	See Illustration ENGINE ELECTRICAL CIRCUITRY/ NA2163 - SJC, AHC & ACS		1
2	6624289	STRAP, TIE			27
3	7155390	HOUSING, FUSE RELAY			1
4	6673200	FUSE BLOCK			1
5	6679820	RELAY			8
6	6663289	FUSE, 5A			1
6	6654806	FUSE, 15A			3
6	6707621	FUSE, 15A MINI 5			1
6	6625575	FUSE, 20A			1
6	6702444	FUSE 25A 5			5
6	6707623	FUSE, 25A MINI 5			6
6	6718034	FUSE, 30A			2
7	7167945	DECAL, FUSE RELAY			1
8	6731275	INSULATION			1
9	6716621	COVER	Was 7176546 [A]		1
10	84G3712	BOLT			7
11	7171222	BRACKET FRC			1
12	51DM8	NUT			2
13	6693353	CONTROLLER, GATEWAY	Bobcat		1
14	7168429	BOLT, CONTROLLER	flanged head - M10 x 25 mm		4
15	6691288	CONTROLLER, AUX CONTROL			1
16	7164175	BRACKET, SHORT SKI			2
17	7166489	BRACKET, CAB			1
18	6688980	BOLT	connector		4
19	97D6	NUT 10			6
20	6675154	HOLDER	high amp fuse		1
21	7177235	BRACKET, HARNESS	mega fuse - Was 7159879 [A]		1
22	6675155	FUSE	100 amp		1
23	29CM820	SCREW			1
24	7002980	SWITCH, PRESSURE			1
25	6678668	STRAP, DUAL TIE			2
26	45G1212	BOLT			2
27		CONNECTOR	See Illustration CONNECTOR HARNESS ASSEMBLY/ PE3684		1
28	6680438	SENSOR, FUEL	W/gasket		1
28	6717579	GASKET			1
29	7149219	HARNESS	fuel sender - std		1
29	7175293	HARNESS, FUEL	sender - dlx		1
30	6674316	SWITCH, PRESS OIL HYD	3-pin molded connector		1
31	6727869	SENDER, HYD TEMP			1
31	79K6	O RING 10			x
32	7168173	BRACKET, COVER			1

ENGINE ELECTRICAL CIRCUITRY (Cont'd)
(Frame Harness & Filter Sensors)
(S/N A3NT11001 - 12369, A3NU11001 - 11111)

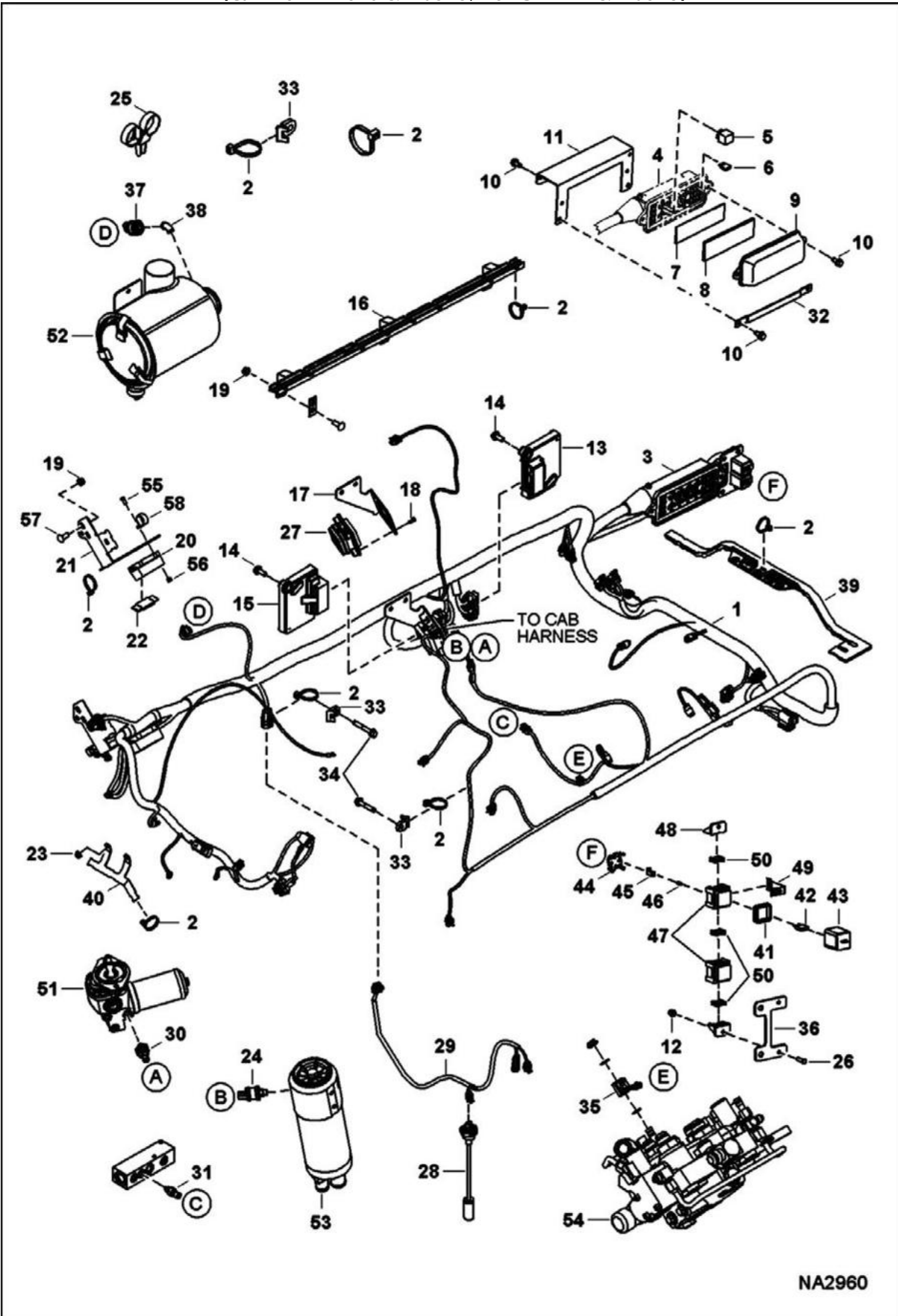


NA2162

ENGINE ELECTRICAL CIRCUITRY (Cont'd)
(Frame Harness & Filter Sensors)
(S/N A3NT11001 - 12369, A3NU11001 - 11111)

Ref No	Part Number	Description	Remarks	Serial Number	Qty
33	6679034	MOUNT			1
34	84G3732	BOLT			1
35	6675559	COIL			1
36	7166445	BRACKET, BLOCK DILL			1
37	6665371	SWITCH			1
38	24F1	ELBOW			1
39		BRACKET, FRONT SKI	NAP - steel - Order 7171188 bracket - Was 7159886 [A]		1
39	7171188	BRACKET	plastic		1
40	7189581	BRACKET, HARNESS	Was 7163597 [A]		1
41	6671528	SEAL	green square		2
42	6707620	FUSE, 10A MINI 5			x
42	6707621	FUSE, 15A MINI 5			x
42	6707623	FUSE, 25A MINI 5			x
42	6674099	BREAKER, 25A			x
43	6665358	COVER, FUSE			2
44	6665357	LOCK	yellow		2
45		PIN	NAP - female - Order 6668719 pin for 16 guage wire - Order 6668720 pin for 14 guage wire		16
46	6650107	SEAL			16
47	6665356	BLOCK	fuse - W/Ref. 41		2
48	6665909	MOUNT			2
49	6708437	CLIP			2
50	6665411	WEDGE	red		3
51		MOTOR, HYD COOLING FAN	See Illustration COOLING FAN MOTOR/ MS2514		1
52		FILTER, AIR CLEANER ASSY	See Illustration AIR CLEANER/ NA2170		1
53		FILTER, HYD ASSY	See Illustration HYDROSTATIC CIRCUITRY/ NA1224	A3NT11001 - 11547	1
53		FILTER, HYD ASSY	See Illustration HYDROSTATIC CIRCUITRY/ NA1224	A3NU11001 - 11099	1
53		FILTER, HYD ASSY	See Illustration HYDROSTATIC CIRCUITRY/ NA2653	A3NT11548 & Above	1
53		FILTER, HYD ASSY	See Illustration HYDROSTATIC CIRCUITRY/ NA2653	A3NU11101 & Above	1
54		VALVE, CONTROL	See Illustration CONTROL VALVE/ NA1216 - manual controls		1
54		VALVE, CONTROL	See Illustration CONTROL VALVE/ NA1217 - ACS, AHC & SJC		1
55	25G410	CAPSCREW			2
56	59D4	NUT 5			2
57	35C612	BOLT			2
58	30H50	CLIP			1

ENGINE ELECTRICAL CIRCUITRY (Frame Harness & Filter Sensors) (S/N A3NT12370 & Above, A3NU11112 & Above)

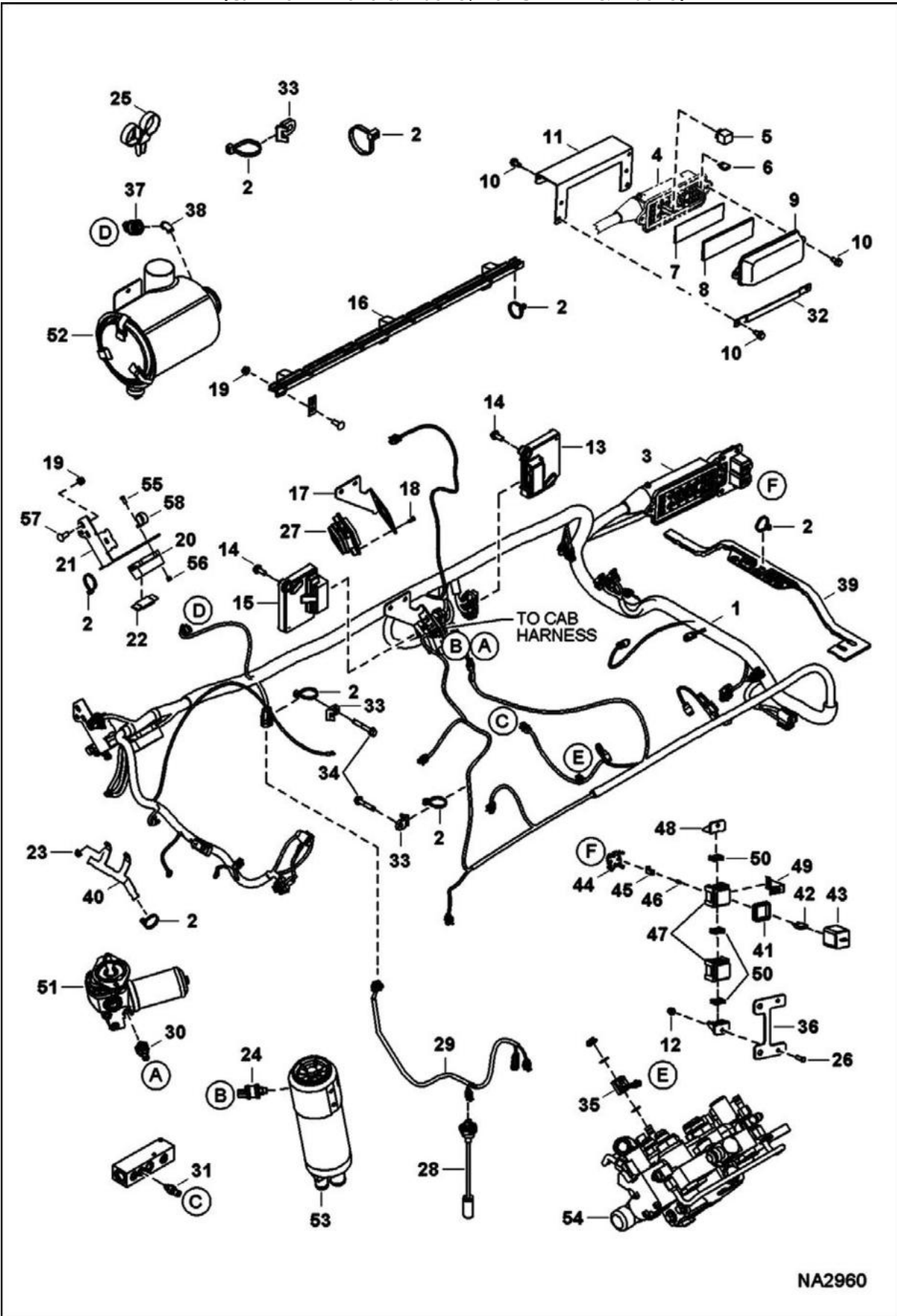


NA2960

ENGINE ELECTRICAL CIRCUITRY (Cont'd)
(Frame Harness & Filter Sensors)
(S/N A3NT12370 & Above. A3NU11112 & Above)

Ref No	Part Number	Description	Remarks	Serial Number	Qty
1	7199263	HARNESS, MFR	See Illustration ENGINE ELECTRICAL CIRCUITRY/ NA2163 manual controls		1
1	7199264	HARNESS, MFR	See Illustration ENGINE ELECTRICAL CIRCUITRY/ NA2163 SJC, AHC & ACS		1
2	6624289	STRAP, TIE			32
3	7155390	HOUSING, FUSE RELAY			1
4	6673200	FUSE BLOCK			1
5	6679820	RELAY			8
6	6663289	FUSE, 5A			1
6	6654806	FUSE, 15A			3
6	6707621	FUSE, 15A MINI 5			1
6	6625575	FUSE, 20A			1
6	6702444	FUSE 25A 5			5
6	6707623	FUSE, 25A MINI 5			6
6	6718034	FUSE, 30A			2
7	7167945	DECAL, FUSE RELAY			1
8	6731275	INSULATION			1
9	6716621	COVER	Was 7176546 [A]		1
10	84G3712	BOLT			7
11	7196673	BRACKET			1
12	51DM8	NUT			2
13	6693353	CONTROLLER, GATEWAY	Bobcat		1
14	7168429	BOLT, CONTROLLER	flanged head - M10 x 25 mm		4
15	6691288	CONTROLLER, AUX CONTROL			1
16	7164175	BRACKET, SHORT SKI			2
17	7166489	BRACKET, CAB			1
18	6688980	BOLT	connector		4
19	97D6	NUT 10			6
20	6675154	HOLDER	high amp fuse		1
21	7177235	BRACKET, HARNESS	mega fuse - Was 7159879 [A]		1
22	6675155	FUSE	100 amp		1
23	29CM820	SCREW			1
24	7002980	SWITCH, PRESSURE			1
25	6678668	STRAP, DUAL TIE			2
26	45G1212	BOLT			2
27		CONNECTOR	See Illustration CONNECTOR HARNESS ASSEMBLY/ PE3684		1
28	6680438	SENSOR, FUEL	W/gasket		1
28	6717579	GASKET			1
29	7149219	HARNESS	fuel sender - std		1
29	7175293	HARNESS, FUEL	sender - dlx		1
30	6674316	SWITCH, PRESS OIL HYD	3-pin molded connector		1
31	6727869	SENDER, HYD TEMP			1
31	79K6	O RING 10			x
32	7168173	BRACKET, COVER			1

ENGINE ELECTRICAL CIRCUITRY (Cont'd)
(Frame Harness & Filter Sensors)
(S/N A3NT12370 & Above, A3NU11112 & Above)



NA2960

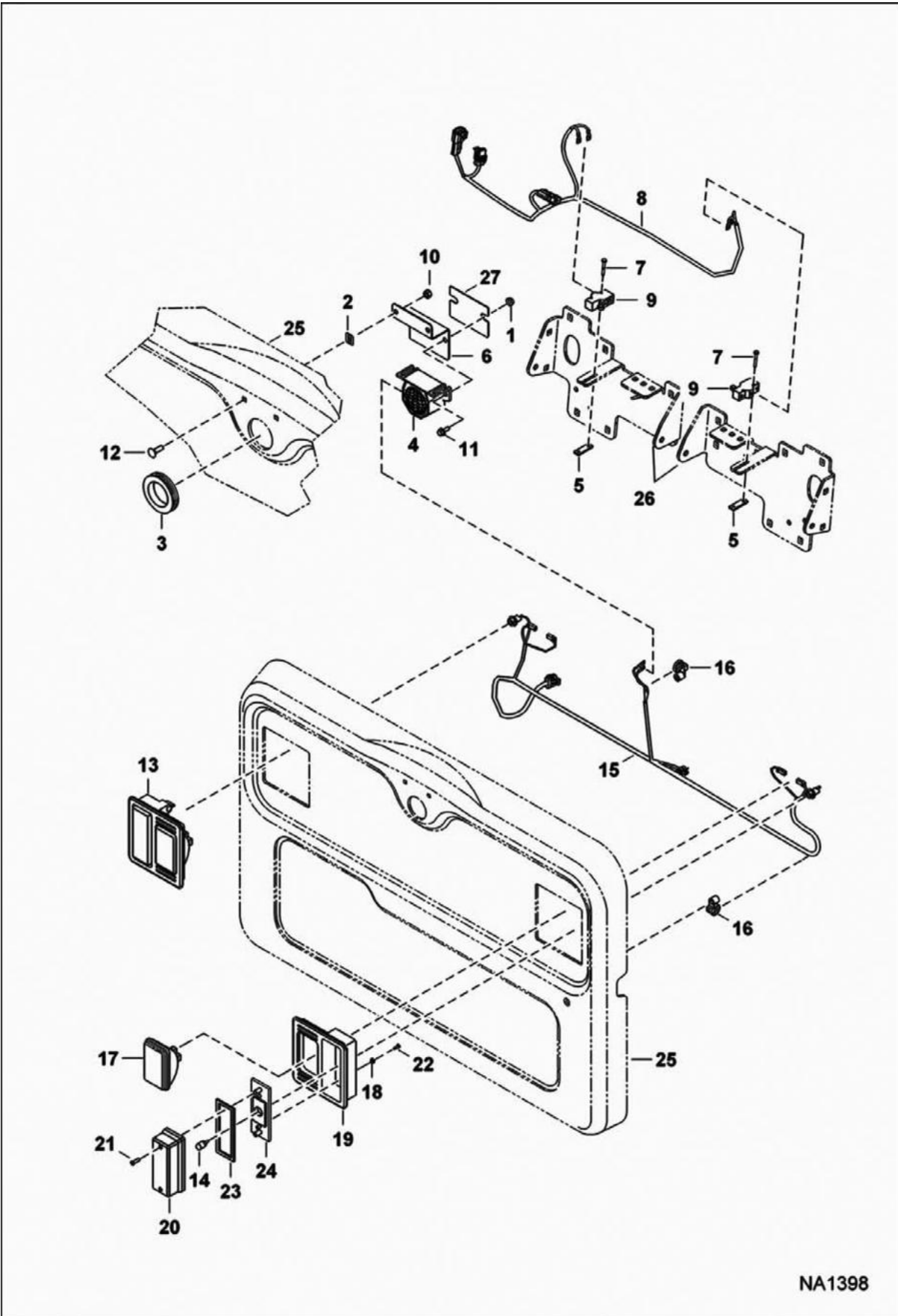
ENGINE ELECTRICAL CIRCUITRY (Cont'd)
(Frame Harness & Filter Sensors)
(S/N A3NT12370 & Above. A3NU11112 & Above)

Ref No	Part Number	Description	Remarks	Serial Number	Qty
33	6679034	MOUNT			2
34	84G3732	BOLT			1
35	6675559	COIL			1
36	7166445	BRACKET, BLOCK DILL			1
37	6665371	SWITCH			1
38	24F1	ELBOW			1
39		BRACKET, FRONT SKI	NAP - steel - Order 7171188 bracket - Was 7159886 [A]		1
39	7171188	BRACKET	plastic		1
40	7189581	BRACKET, HARNESS	Was 7163597 [A]		1
41	6671528	SEAL	green square		2
42	6707620	FUSE, 10A MINI 5			x
42	6707621	FUSE, 15A MINI 5			x
42	6707623	FUSE, 25A MINI 5			x
42	6674099	BREAKER, 25A			x
43	6665358	COVER , FUSE			2
44	6665357	LOCK	yellow		2
45		PIN	NAP - female - Order 6668719 pin for 16 guage wire - Order 6668720 pin for 14 guage wire		16
46	6650107	SEAL			16
47	6665356	BLOCK	fuse - W/Ref. 41		2
48	6665909	MOUNT			2
49	6708437	CLIP			2
50	6665411	WEDGE	red		3
51		MOTOR, HYD COOLING FAN			1
52		FILTER, AIR CLEANER ASSY			1
53		FILTER, HYD ASSY		A3NT11001 - 11547	1
53		FILTER, HYD ASSY		A3NU11001 - 11099	1
53		FILTER, HYD ASSY		A3NT11548 & Above	1
53		FILTER, HYD ASSY		A3NU11101 & Above	1
54		VALVE, CONTROL	- manual controls		1
54		VALVE, CONTROL	- ACS, AHC & SJC		1
55	25G410	CAPSCREW			2
56	59D4	NUT 5			2
57	35C612	BOLT			2
58	30H50	CLIP			1

ENGINE ELECTRICAL CIRCUITRY (Cont'd)
(Engine Sensors, Battery, Alt & Starter)

Ref No	Part Number	Description	Remarks	Serial Number	Qty
1		HARNESS, MFR	See Illustration ENGINE ELECTRICAL CIRCUITRY/ NA2960	& Bel	1
2		HARNESS, MFR	See Illustration ENGINE ELECTRICAL CIRCUITRY/ NA2162	& Abv	1
3	6569203	CLAMP			1
4	6576280	BOLT			2
5	7000769	SOLENOID, SHUTOFF FUEL	W/ 240 mm (9.45") lead		1
6		ALTERNATOR	See Illustration ALTERNATOR/ B22386		1
7	6665427	BATTERY, DRY 950 AMP			1
8	6697920	SENSOR, PRESS OIL ENG			1
9	6693921	SENSOR, RPM			1
10	7102451	FITTING			1
11	7159352	PAN, BATTERY			1
12	6718414	SENDER, TEMP ENG			1
13	7162966	CABLE, NEGATIVE			1
14	7162967	CABLE, POSITIVE			1
15	84G3712	BOLT			2
16	35C612	BOLT	Was 5CM1020 [B]		1
17	6733370	HARNESS			1
18		STARTER	See Illustration STARTER/ B16488R		1
19	59D5	NUT 5			2
20	25E15	WASHER			2
21	45C620	BOLT			3
22	6678668	STRAP, DUAL TIE			2
23		ENGINE	See Illustration ENGINE & GASKET KITS/ NA2401		1
24	43DM8	NUT			1

ENGINE ELECTRICAL CIRCUITRY (Rear Lights & Back-up Alarm)

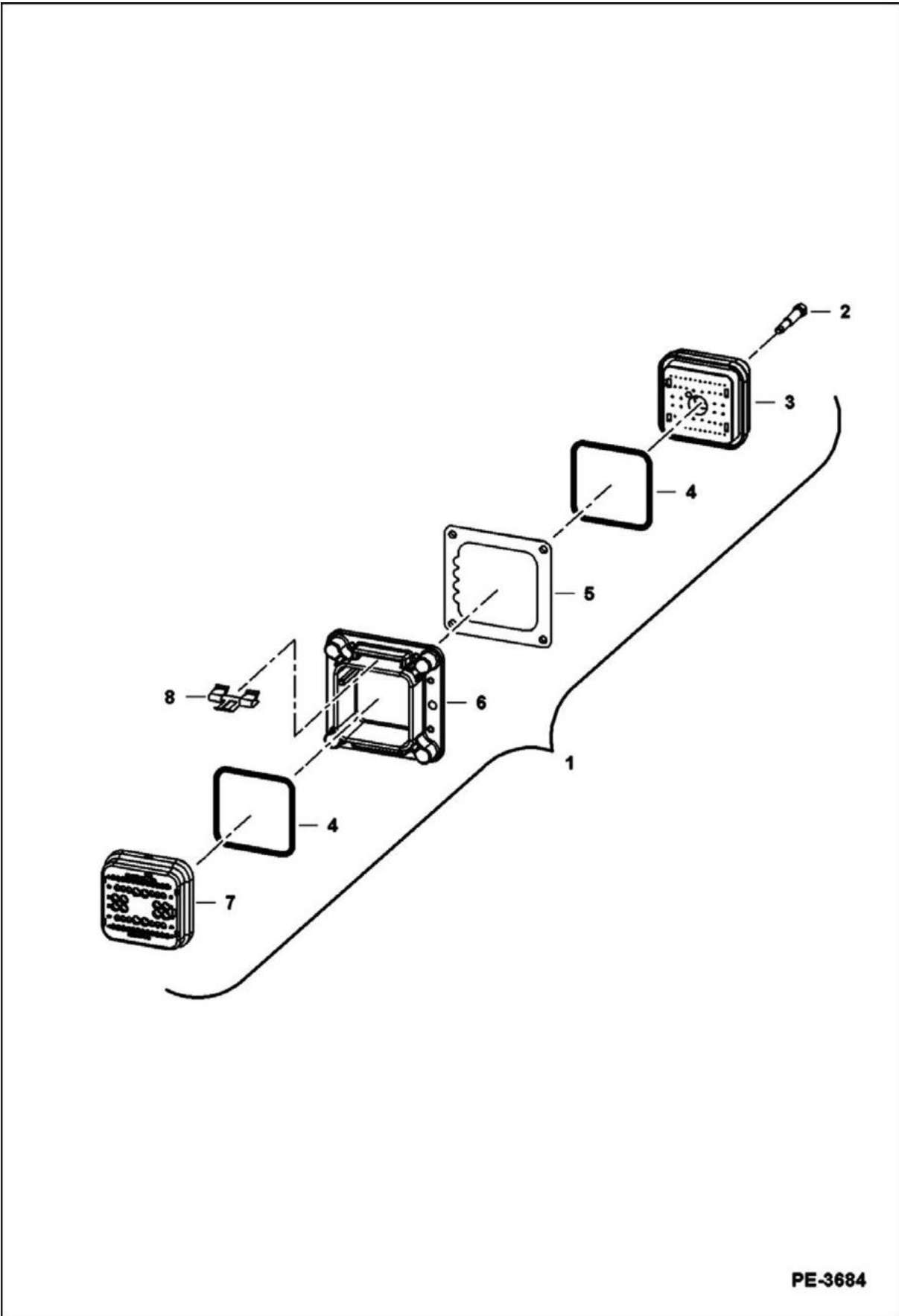


NA1398

ENGINE ELECTRICAL CIRCUITRY (Cont'd)
(Rear Lights & Back-up Alarm)

Ref No	Part Number	Description	Remarks	Serial Number	Qty
1	97D4	NUT			2
2	774220	NUT			2
3	6577545	GROMMET			1
4	6651512	ALARM BACKUP			1
4	6737189	DECAL, WARNING	backup alarm		1
5	6702593	SPACER			2
6	7189077	MOUNT	Was 7167871 [B]		1
7	84G1320	BOLT			4
8	7175017	HARNESS, ALARM BACK-UP			1
9	6646781	SWITCH			2
10	57D5	NUT			2
11	35C410	BOLT 5			2
12	37C516	BOLT			2
13	6670284	LIGHT ASSY			2
13	7104670	LIGHT	rear - RH - EMEA		2
14	6649481	LIGHT, WEDGE BASE			2
15	7175271	HARNESS, REAR DOOR			1
15	7175287	HARNESS, REAR DOOR	European		1
16	7002988	TIE, STUD MOUNT			1
17	6661353	LIGHT ASSY	W/ bulb - white		2
17	898731	1156 BULB			2
18	6672272	WASHER			4
19	6672279	MOUNT, LIGHT RUBBER			2
20	6672276	LENS, LIGHT RED			2
21	6672274	SCREW			4
22	6672273	SCREW			4
23	6672275	GASKET			2
24	6672277	BRACKET			2
25		REAR DOOR	See Illustration REAR DOOR/ NA1001		1
26		MOUNT	See Illustration HAND CONTROLS/ NA1212		2
27	7191385	SHIELD, ALARM			1

CONNECTOR HARNESS ASSEMBLY

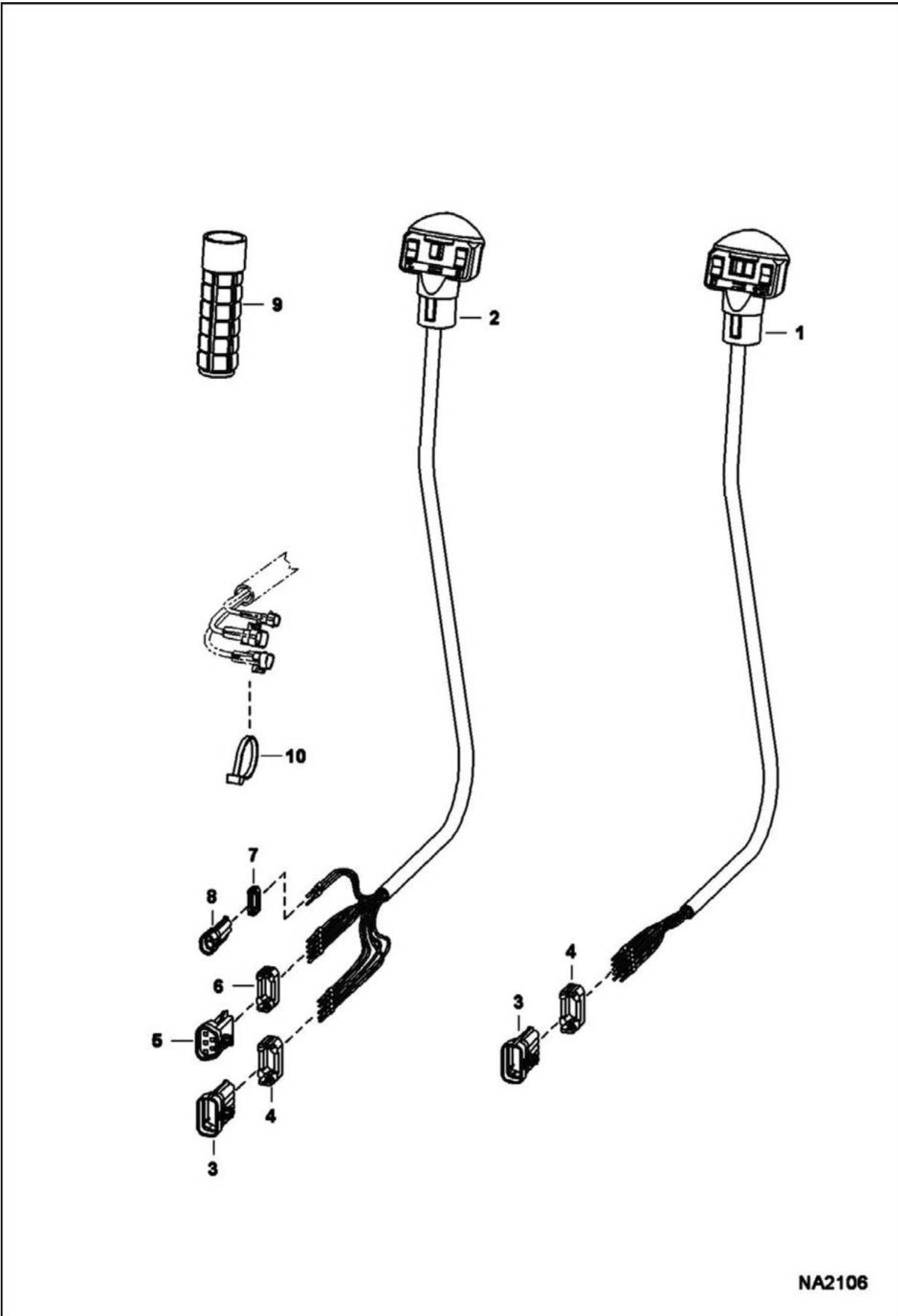


PE-3684

CONNECTOR HARNESS ASSEMBLY (Cont'd)

Ref No	Part Number	Description	Remarks	Serial Number	Qty
1		CONNECTOR	NSS - Order components		1
2		BOLT	NSS - Order Ref. 3		1
3	6688834	CONNECTOR	cab - W/Ref. 2 & 4		1
4		SEAL	NSS - Order Ref. 3 or 7		1
5		SEAL	NSS - Order Ref. 6		1
6	6688836	FLANGE	W/Ref. 5 & 8		1
7	6688833	CONNECTOR	engine - W/Ref. 4		1
8		CLIP	NSS - metal - Order Ref. 6		2

CONTROLS ELECTRICAL (Manual Controls)

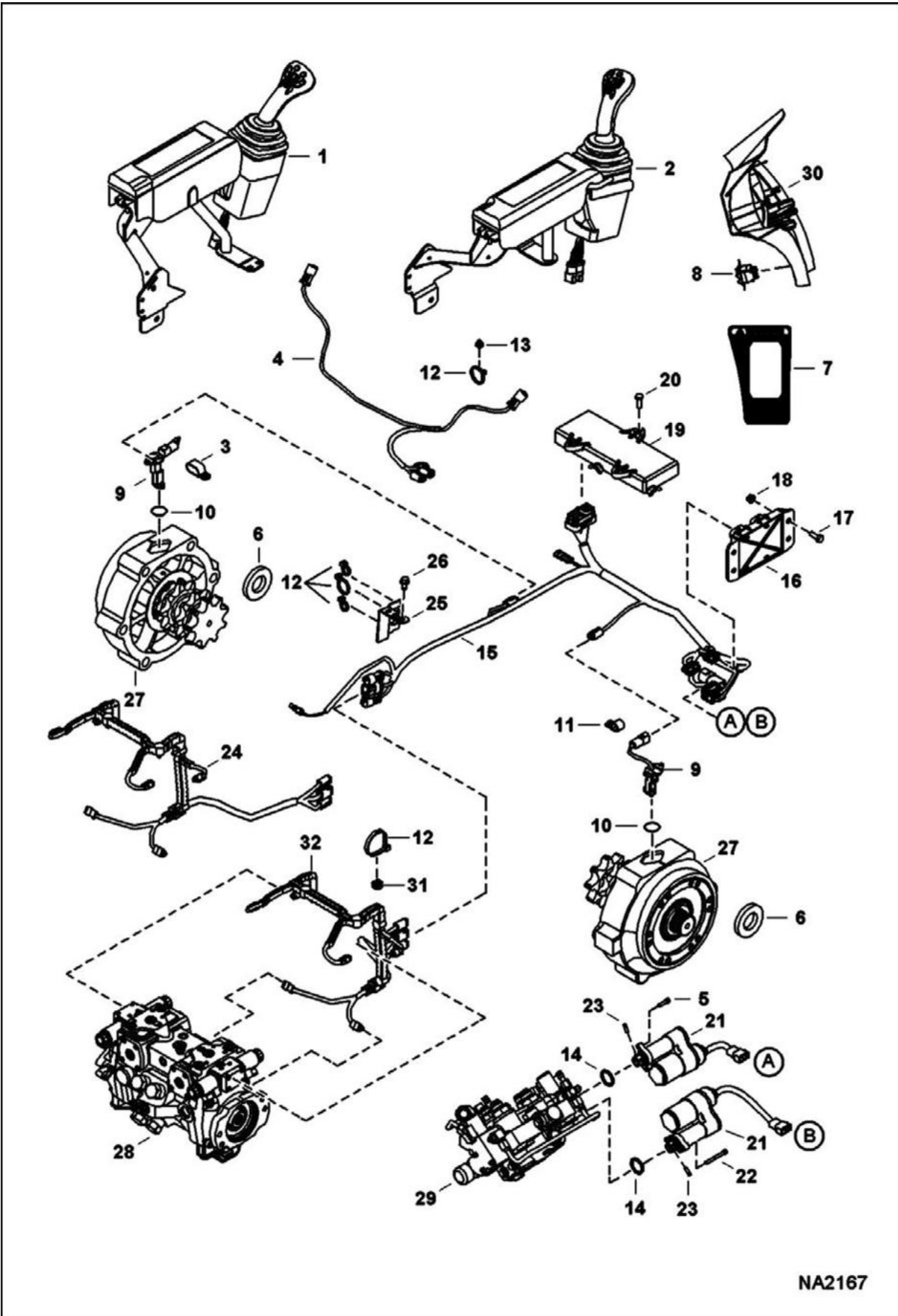


NA2106

CONTROLS ELECTRICAL (Cont'd)
(Manual Controls)

Ref No	Part Number	Description	Remarks	Serial Number	Qty
1	6680418	HANDLE ASSY.	RH - Also Order Ref. 3 & 4		1
1	6640690	PIN			9
1	6641176	SEAL			9
2	6680419	HANDLE ASSY.	LH - Also Order Ref. 3-8		1
2	6640690	PIN			10
2	6641176	SEAL			10
2	6680447	DECAL			1
3	6640692	CONNECTOR	10-pin		2
4	6640694	LOCK	Use W/ 10-pin connector		2
5	6667144	CONNECTOR	5-pin		1
6	6667145	LOCK	Use W/ 5-pin connector		1
7	6641180	LOCK	Use W/ 2-pin connector		1
8	6641179	CONNECTOR	2-pin		2
9	6702621	GRIP			2
10	6624289	STRAP, TIE			2

CONTROLS ELECTRICAL (Selectable Joystick Controls)

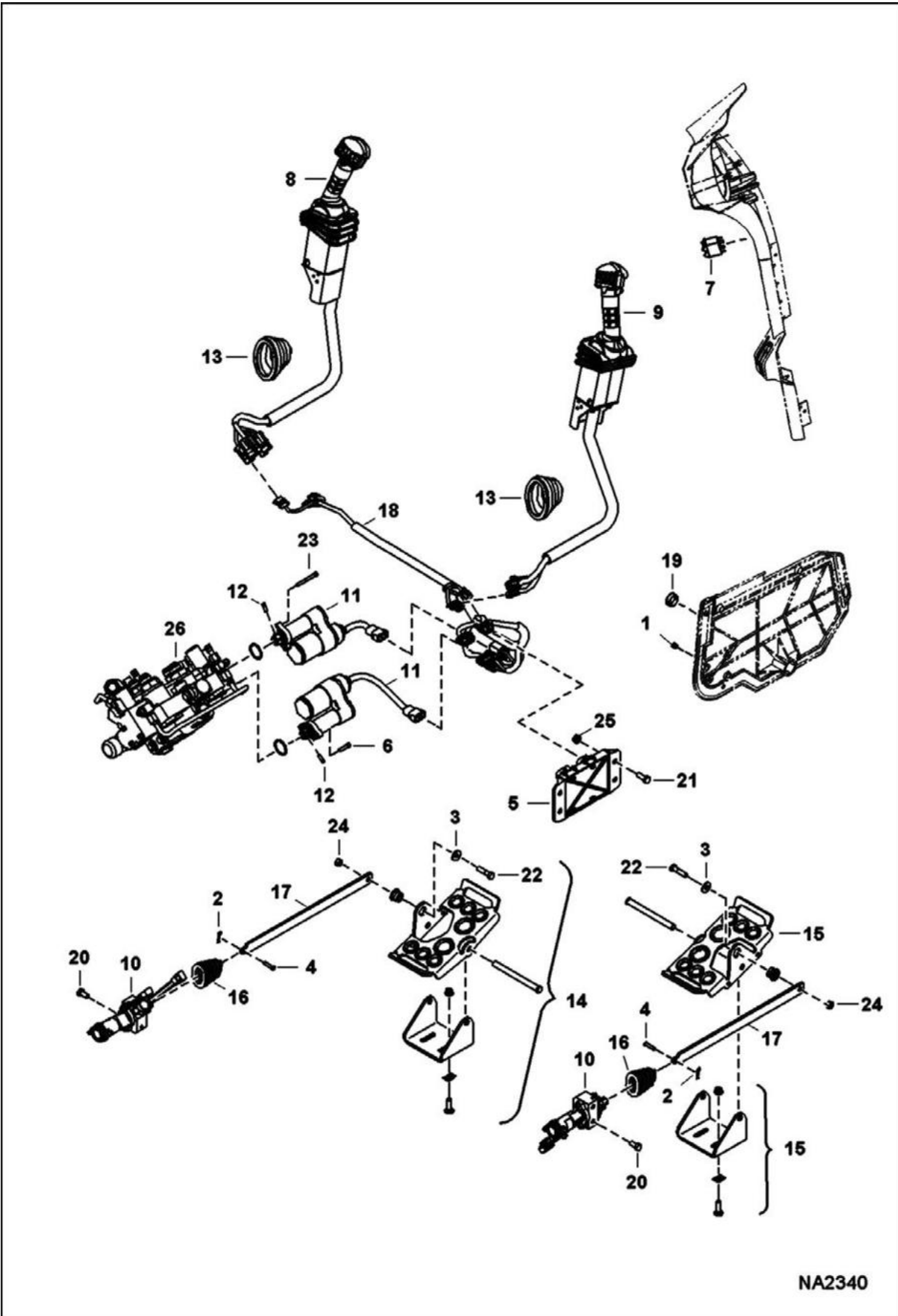


NA2167

CONTROLS ELECTRICAL (Cont'd)
(Selectable Joystick Controls)

Ref No	Part Number	Description	Remarks	Serial Number	Qty
1		JOYSTICK, SJC	See Illustration CONTROLS ELECTRICAL/ NA2169 - LH		1
2		JOYSTICK, SJC	See Illustration CONTROLS ELECTRICAL/ NA2169 - RH		1
3	31H38	CLAMP			1
4	7163706	HARNESS, JOYSTICK			1
5	29G416	BOLT			2
6	6680055	MAGNET			2
7	7168114	DECAL, SWITCH	warning		1
8	7001710	SWITCH, ISO			1
9	6677181	SENSOR, SPEED TRAVEL			2
10	25K20100	O RING 10			2
11	30H42	CLAMP			2
12	6690690	STRAP, TIE			10
12	6690690	STRAP, TIE	Use W/Ref. 32		1
13	6690689	MOUNT, FIR TREE			4
14	58K120	O-RING			2
15	7159325	HARNESS, SJC			1
16	6680410	CONTROLLER	plastic - W/ 3-connector plug		1
17	17C616	BOLT 5			2
18	97D6	NUT 10			2
19	6679485	CONTROLLER SJC			1
20	43C616	BOLT			3
21	7101672	ACTUATOR	W/Ref. 14		2
22	69G436	BOLT			2
23	7108236	PIN			2
24		HARNESS, PUMP	NAP - Order Ref. 32 - Was 7169309 [A]		1
25	7122359	BRACKET			1
26	84G3712	BOLT			1
27		CARRIER, MOTOR	See Illustration MOTOR CARRIER/ NA1007		1
28		PUMP, HYD	See Illustration HYDROSTATIC PUMP/GEAR PUMP/ NA1309		1
29		VALVE, CONTROL	See Illustration CONTROL VALVE/ NA1217		1
30		PANEL, RH	See Illustration OPERATOR CAB/ NA1161		1
31	6690688	TREE MOUNT	Use W/Ref. 32		4
32	7188448	HARNESS, PUMP			1

CONTROLS ELECTRICAL (ACS)

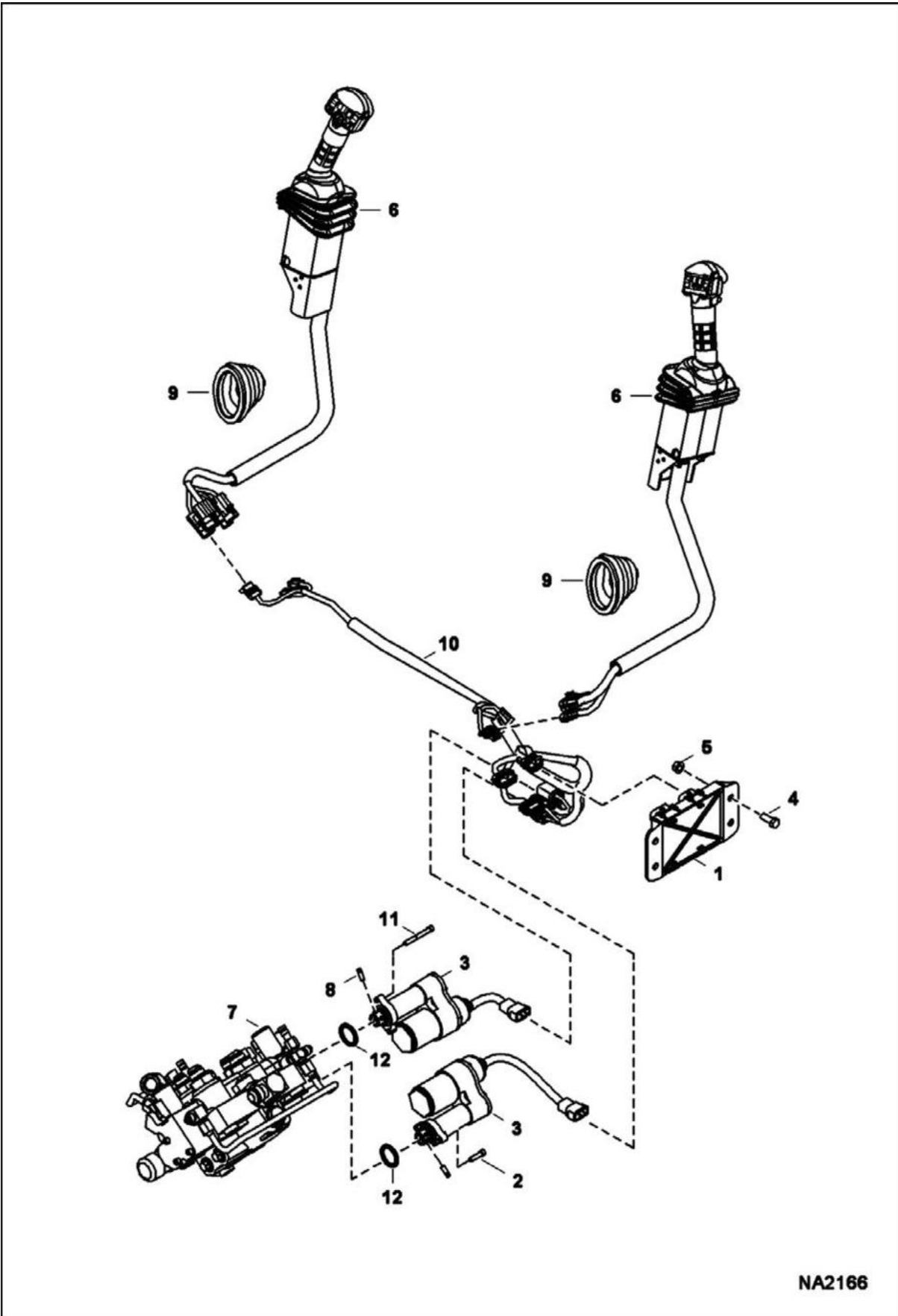


NA2340

**CONTROLS ELECTRICAL (Cont'd)
(ACS)**

Ref No	Part Number	Description	Remarks	Serial Number	Qty
1	5289686	PLUG	black - 0.38" dia hole		2
2	6513495	COTTER PIN			2
3	6563914	WASHER			2
4	6564654	PIN			2
5	6680410	CONTROLLER	plastic - W/ 3-connector plug		1
6	29G416	BOLT	Was 6814021 [A]		2
7	7001713	SWITCH			1
8		LEVER, RH	See Illustration CONTROLS ELECTRICAL/ NA2799		1
9		LEVER, LH	See Illustration CONTROLS ELECTRICAL/ NA2799		1
10	7003496	SENSOR			2
11	7101672	ACTUATOR			2
12	7108236	PIN			2
13	7147815	BOOT			2
14		PEDAL ASSY	See Illustration CONTROL PEDALS/ NA1261 - LH		1
15		PEDAL ASSY	See Illustration CONTROL PEDALS/ NA1261 - RH		1
16	7153503	BOOT			2
17	7154903	LINK			2
18	7164144	HARNESS			1
19	7166315	PLUG			1
20	1C612	BOLT			4
21	1C616	BOLT			2
22	1C624	BOLT			2
23	69G436	BOLT			2
24	95D6	NUT			2
25	97D6	NUT 10			2
26		VALVE, CONTOL	See Illustration CONTROL VALVE/ NA1217		1

CONTROLS ELECTRICAL (AHC)

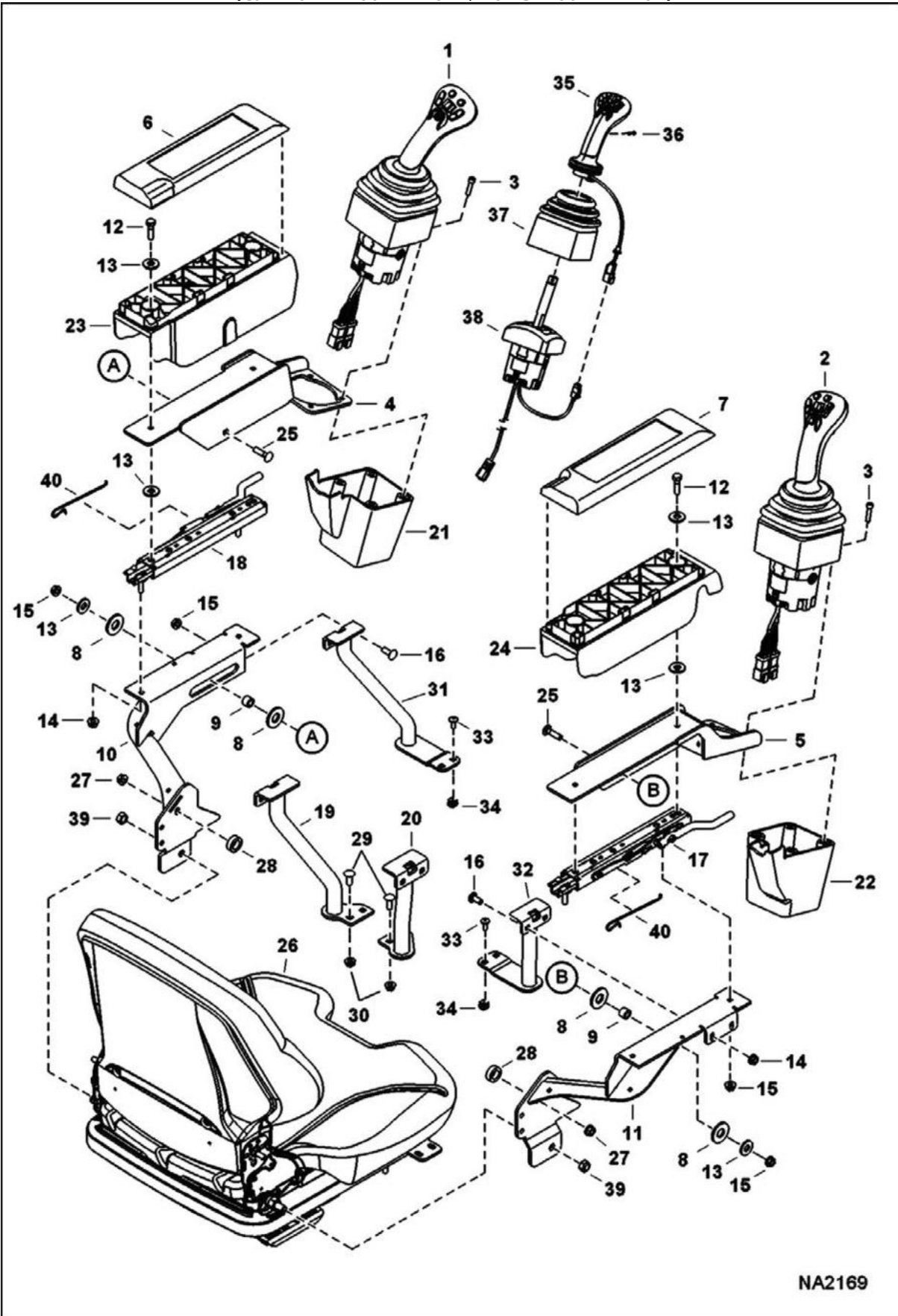


NA2166

**CONTROLS ELECTRICAL (Cont'd)
(AHC)**

Ref No	Part Number	Description	Remarks	Serial Number	Qty
1	6680410	CONTROLLER	plastic - W/ 3-connector plug		1
2	29G416	BOLT			2
3	7101672	ACTUATOR	W/Ref. 12		2
4	17C616	BOLT 5			2
5	95D6	NUT			2
6		LEVER, AHC	See Illustration CONTROLS ELECTRICAL/ NA2798 RH		1
6		LEVER, AHC	See Illustration CONTROLS ELECTRICAL/ NA2798 LH		1
7		VALVE	See Illustration CONTROL VALVE/ NA1217 - ACS, AHC & SJC		1
8	7108236	PIN			2
9	7147815	BOOT			2
10	7164144	HARNESS			1
11	69G436	BOLT			2
12	58K120	O-RING			2

**CONTROLS ELECTRICAL
(SJC) (Armrest Assembly)
(S/N A3NT11001 - 12571, A3NU11001 - 11152)**

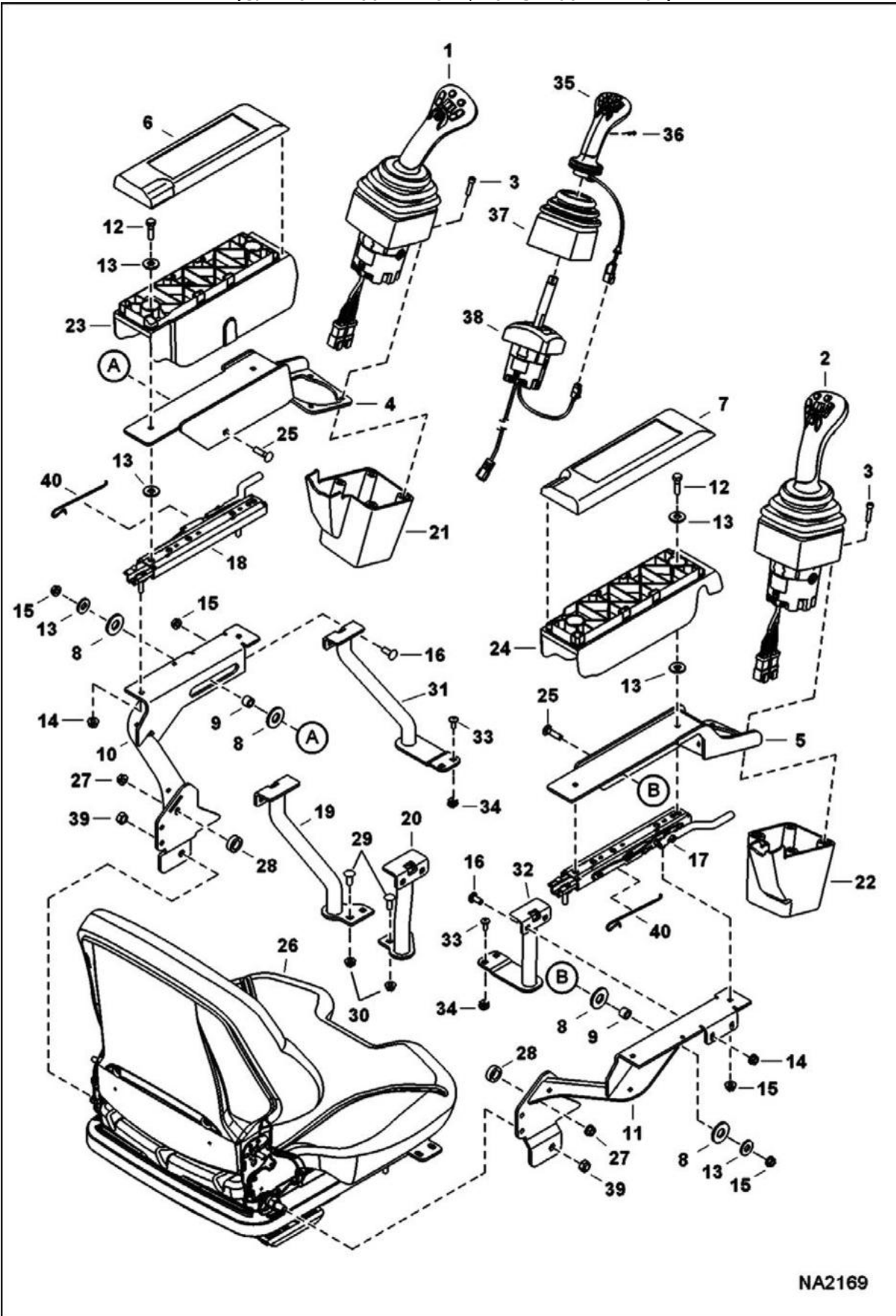


NA2169

CONTROLS ELECTRICAL (Cont'd)
(SJC) (Armrest Assembly)
(S/N A3NT11001 - 12571, A3NU11001 - 11152)

Ref No	Part Number	Description	Remarks	Serial Number	Qty
1	7003628	JOYSTICK, LH			1
2	7003629	JOYSTICK, RH			1
3	29G416	BOLT			8
4	7177417	MOUNT, CONTROLS LH	Was 7153506 [A]		1
5	7177418	MOUNT, CONTROLS RH	Was 7156842 [A]		1
6	7157704	COVER ARMREST LH			1
7	7157671	COVER ARMREST, RH			1
8	7165634	WASHER, PLASTIC			4
9	7165635	SPACER, SJC			2
10	7168863	MOUNT, ARMREST			1
11	7168862	MOUNT, ARMREST			1
12	1CM830	BOLT			2
13	25E18	WASHER			10
14	51DM8	NUT			2
15	97D5	NUT			1
16	10C512	BOLT			4
17		SLIDE	NAP - W/torsion spring - Order 7200887 slide & Ref. 40 - Was 7177169 [A]		1
17	7200887	SLIDE	W/O torsion spring - Also Order Ref. 40		1
18		SLIDE	NAP - W/torsion spring - Order 7200888 slide & Ref. 40 - Was 7177170 [A]		1
18	7200888	SLIDE	W/O torsion spring - Also Order Ref. 40		1
19		SUPPORT, TUBE LH	See Illustration SEAT - 80 mm/ NA2430 & discard Ref. 47 - Order Ref. 31 & (2) each of Ref. 33 & 34 from this page - NAP - Was 7168849 [D]		1
20		SUPPORT, TUBE RH	See Illustration SEAT - 80 mm/ NA2430 & discard Ref. 47 - Order Ref. 32 & (2) each of Ref. 33 & 34 from this page - NAP - Was 7168848 [D]		1
21	7146265	COVER, LH SJC			1
22	7146264	COVER, RH SJC			1
23	7177197	SHELL, ARMREST LH	Was 7157703 [A]		1
24	7177196	SHELL, ARMREST RH	Was 7157670 [A]		1
25	10C520	BOLT			2
26		SEAT	See Illustration SEAT & SEAT BELT/ NA1126 - std.		1
26		SEAT	See Illustration SEAT KIT/ NA2042 - suspension		1
26		SEAT	See Illustration SEAT KIT - 80 mm/ NA2427 - air suspension		1
27	51DM8	NUT			2
28	7162176	SPACER			2
29	10C512	BOLT			4
30	97D5	NUT			4
31	7168849	SUPPORT, TUBE LH			1
32	7168848	SUPPORT, TUBE RH			1
33	6803202	SCREW			4
34	7170765	NUT			4
35	6689922	HANDLE	LH		1

CONTROLS ELECTRICAL (Cont'd)
(SJC) (Armrest Assembly)
(S/N A3NT11001 - 12571, A3NU11001 - 11152)

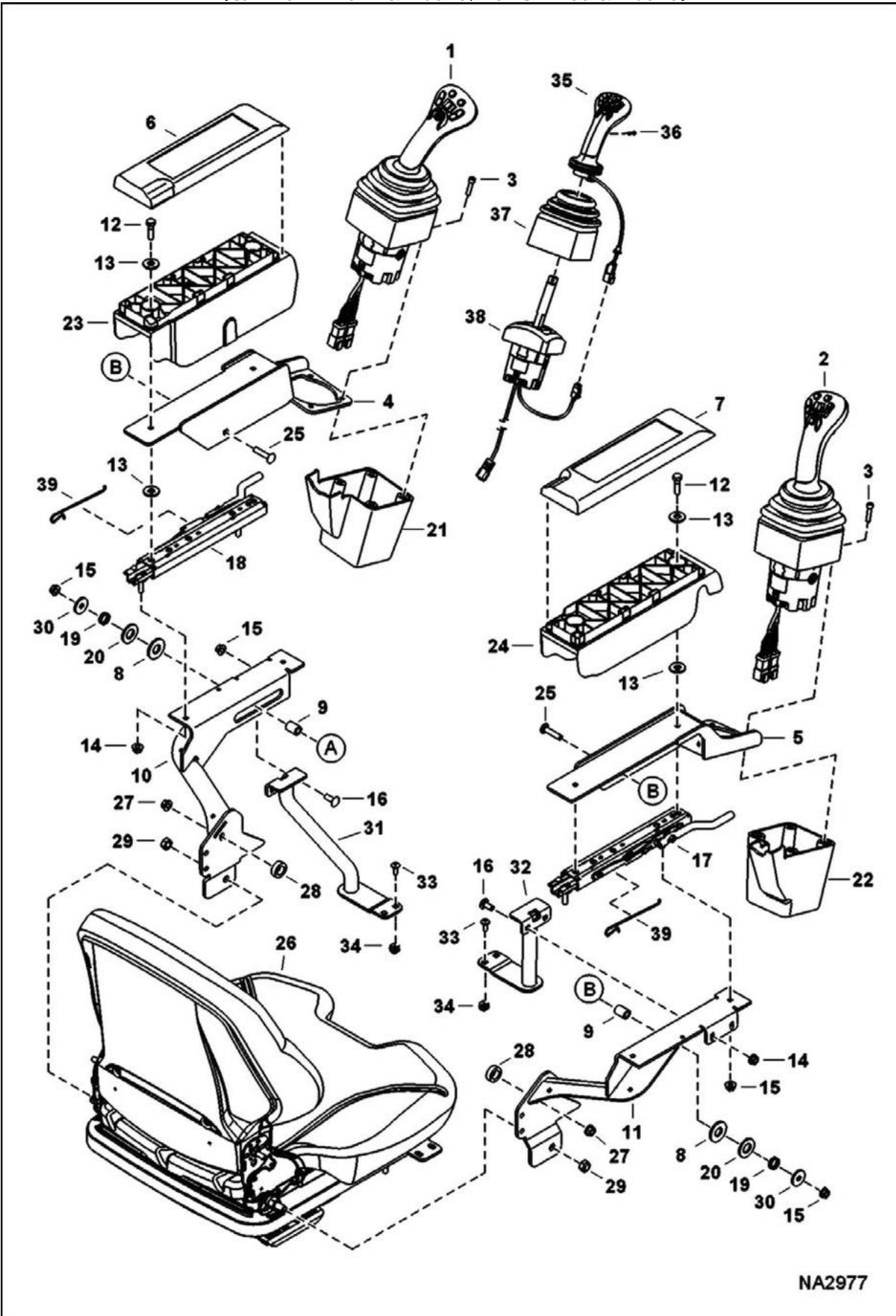


NA2169

CONTROLS ELECTRICAL (Cont'd)
(SJC) (Armrest Assembly)
(S/N A3NT11001 - 12571, A3NU11001 - 11152)

Ref No	Part Number	Description	Remarks	Serial Number	Qty
35	6689923	HANDLE	RH		1
36	6689927	BOLT			2
37	7003698	BOOT, RUBBER			2
38	6697938	BASE, JOYSTICK	LH		1
38	6697939	BASE, JOYSTICK	RH		1
39	86D7	NUT			2
40	7199853	SPRING, TORSION			1

**CONTROLS ELECTRICAL
(SJC) (Armrest Assembly)
(S/N A3NT12572 & Above, A3NU11153 & Above)**

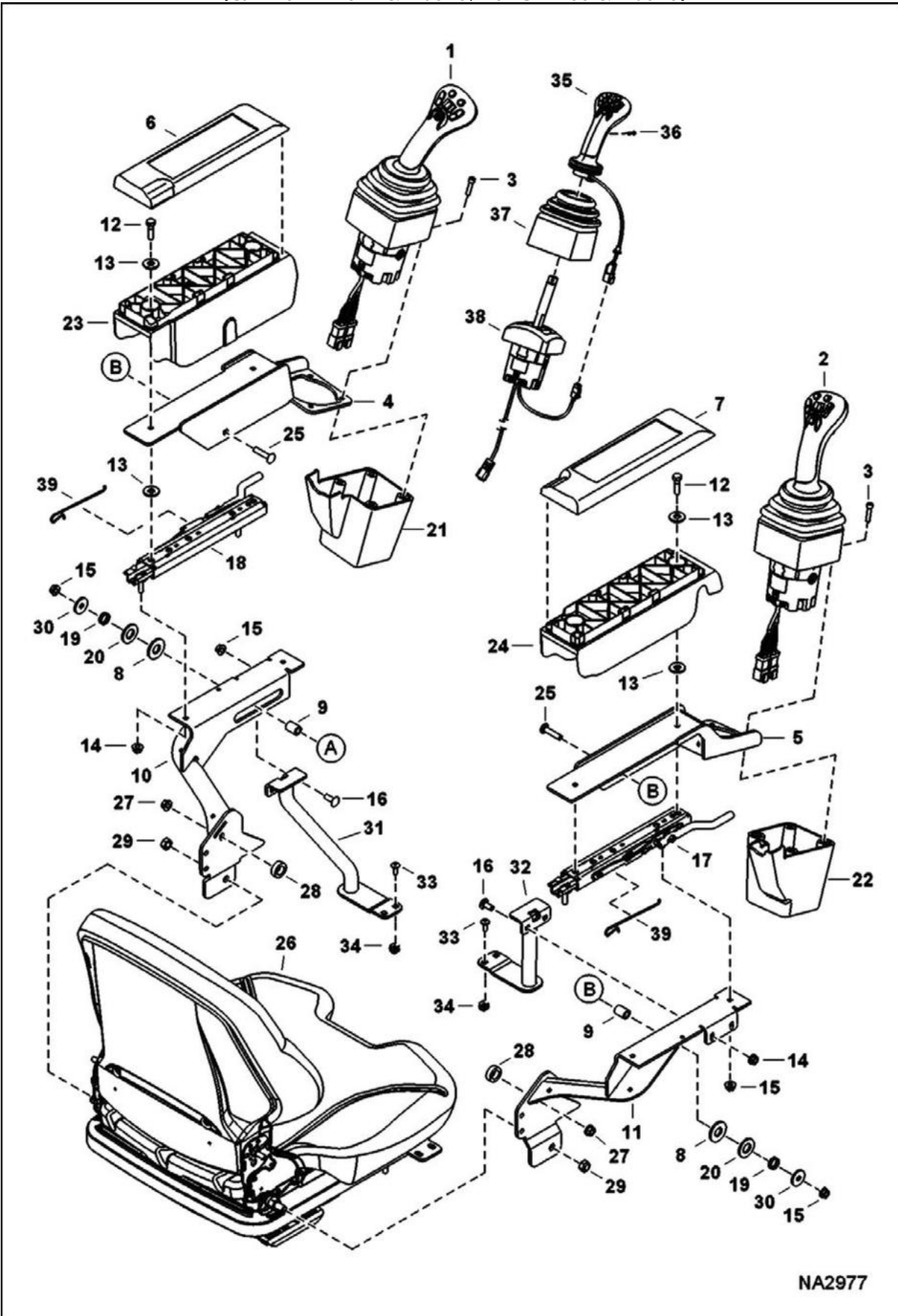


NA2977

CONTROLS ELECTRICAL (Cont'd)
(SJC) (Armrest Assembly)
(S/N A3NT12572 & Above. A3NU11153 & Above)

Ref No	Part Number	Description	Remarks	Serial Number	Qty
1	7003628	JOYSTICK, LH			1
2	7003629	JOYSTICK, RH			1
3	29G416	BOLT			8
4	7197922	MOUNT, CONTROLS LH			1
5	7197921	MOUNT, CONTROLS RH			1
6	7157704	COVER ARMREST LH			1
7	7157671	COVER ARMREST, RH			1
8	7165634	WASHER, PLASTIC			2
9	7197916	SPACER			2
10	7197919	MOUNT, SEAT LH			1
11	7197917	MOUNT, SEAT RH			1
12	1CM830	BOLT			2
13	25E18	WASHER			8
14	51DM8	NUT			2
15	97D5	NUT			1
16	10C512	BOLT			4
17		SLIDE	NAP - W/torsion spring - Order 7200887 slide & Ref. 39 - Was 7177169 [A]		1
17	7200887	SLIDE	W/O torsion spring - Also Order Ref. 39		1
18		SLIDE	NAP - W/torsion spring - Order 7200888 slide & Ref. 40 - Was 7177170 [A]		1
18	7200888	SLIDE	W/O torsion spring - Also Order Ref. 39		1
19	7197915	SPRING, COMPRESSION			2
20	6701174	WASHER			2
21	7146265	COVER, LH SJC			1
22	7146264	COVER, RH SJC			1
23	7177197	SHELL, ARMREST LH			1
24	7177196	SHELL, ARMREST RH			1
25	10C524	BOLT			2
26		SEAT	See Illustration SEAT & SEAT BELT/ NA1126 - std.		1
26		SEAT	See Illustration SEAT KIT/ NA2042 - suspension		1
26		SEAT	See Illustration SEAT KIT - 80 mm/ NA2427 - air suspension		1
27	51DM8	NUT			2
28	7162176	SPACER			2
29	86D7	NUT			2
30	25E25	WASHER 10			2
31	7168849	SUPPORT, TUBE LH			1
32	7168848	SUPPORT, TUBE RH			1
33	6803202	SCREW			4
34	7170765	NUT			4
35	6689922	HANDLE	LH		1
35	6689923	HANDLE	RH		1
36	6689927	BOLT			2
37	7003698	BOOT, RUBBER			2

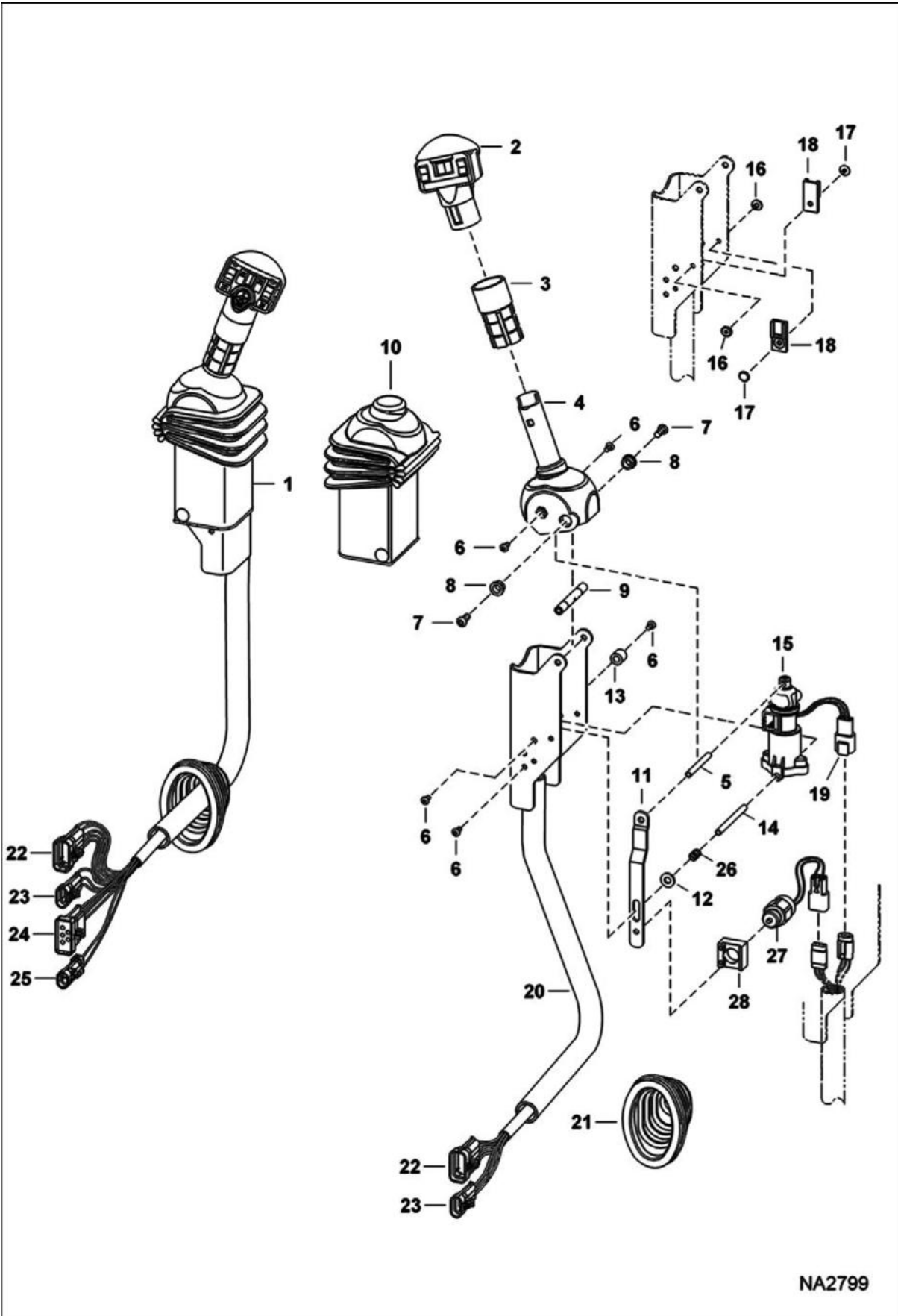
CONTROLS ELECTRICAL (Cont'd)
(SJC) (Armrest Assembly)
(S/N A3NT12572 & Above, A3NU11153 & Above)



CONTROLS ELECTRICAL (Cont'd)
(SJC) (Armrest Assembly)
(S/N A3NT12572 & Above. A3NU11153 & Above)

Ref No	Part Number	Description	Remarks	Serial Number	Qty
38	6697938	BASE, JOYSTICK	LH		1
38	6697939	BASE, JOYSTICK	RH		1
39	7199853	SPRING, TORSION			1

CONTROLS ELECTRICAL (ACS) (Handle Assembly)



NA2799

**CONTROLS ELECTRICAL (Cont'd)
(ACS) (Handle Assembly)**

Ref No	Part Number	Description	Remarks	Serial Number	Qty
1	7003495	LEVER, LH	tilt		1
1	7003494	LEVER, RH	lift		1
2	6680462	HANDLE, ACS RH	tilt - RH		1
2	6680417	HANDLE	lift - LH		1
3		GRIP	NAP - Order 6702621 grip & cut to 2.8" (71,1 mm) long		2
4	6729594	HANDLE	RH		1
4	6729595	HANDLE	LH		1
5	6680469	SPACER	threaded		1
6	6727065	BOLT			6
7	25GT410	SCREW			8
8	6702990	BUSHING			4
9	6713043	SPACER			4
10	6680471	COVER			2
11	6680477	STRAP	stop		1
12	25E13	WASHER 5			1
13	6719835	SLEEVE			4
14	6719834	SPACER	threaded		2
15	6684910	SENSOR, ELEC AHC			2
15	6670706	CONNECTOR			1
15	6670715	PIN			3
15	6670710	LOCK			1
16	6665322	RIVET	female		2
17	6665321	RIVET	male		2
18	6665000	CLIP			2
19	6670707	CONNECTOR			1
19	6670715	PIN			3
19	6670711	LOCK			1
20	7018011	CHANNEL	RH		1
20	7018012	CHANNEL	LH		1
21	7147815	BOOT			2
22	6640692	CONNECTOR	10-pin		1
22	6640690	PIN			8
22	6640694	LOCK	Use W/ 10-pin connector		1
22	6641176	SEAL			8
22	6646582	PLUG	cavity		1
23	6640699	CONNECTOR	3-pin		2
23	6640690	PIN			3
23	6641176	SEAL			3
23	6640700	LOCK			3
24	6667144	CONNECTOR	5-pin		2
24	6640690	PIN			3
24	6641176	SEAL			3
24	6646582	PLUG	cavity		1
24	6641180	LOCK	Use W/ 2-pin connector		1
25	6641179	CONNECTOR	2-pin		1
25	6640690	PIN			2
25	6641176	SEAL			2
25	6641180	LOCK	Use W/ 2-pin connector		1
26	6680470	SPRING			1
27	6676029	SOLENOID, LOCK SPOOL			1
28	6680468	MOUNT			1

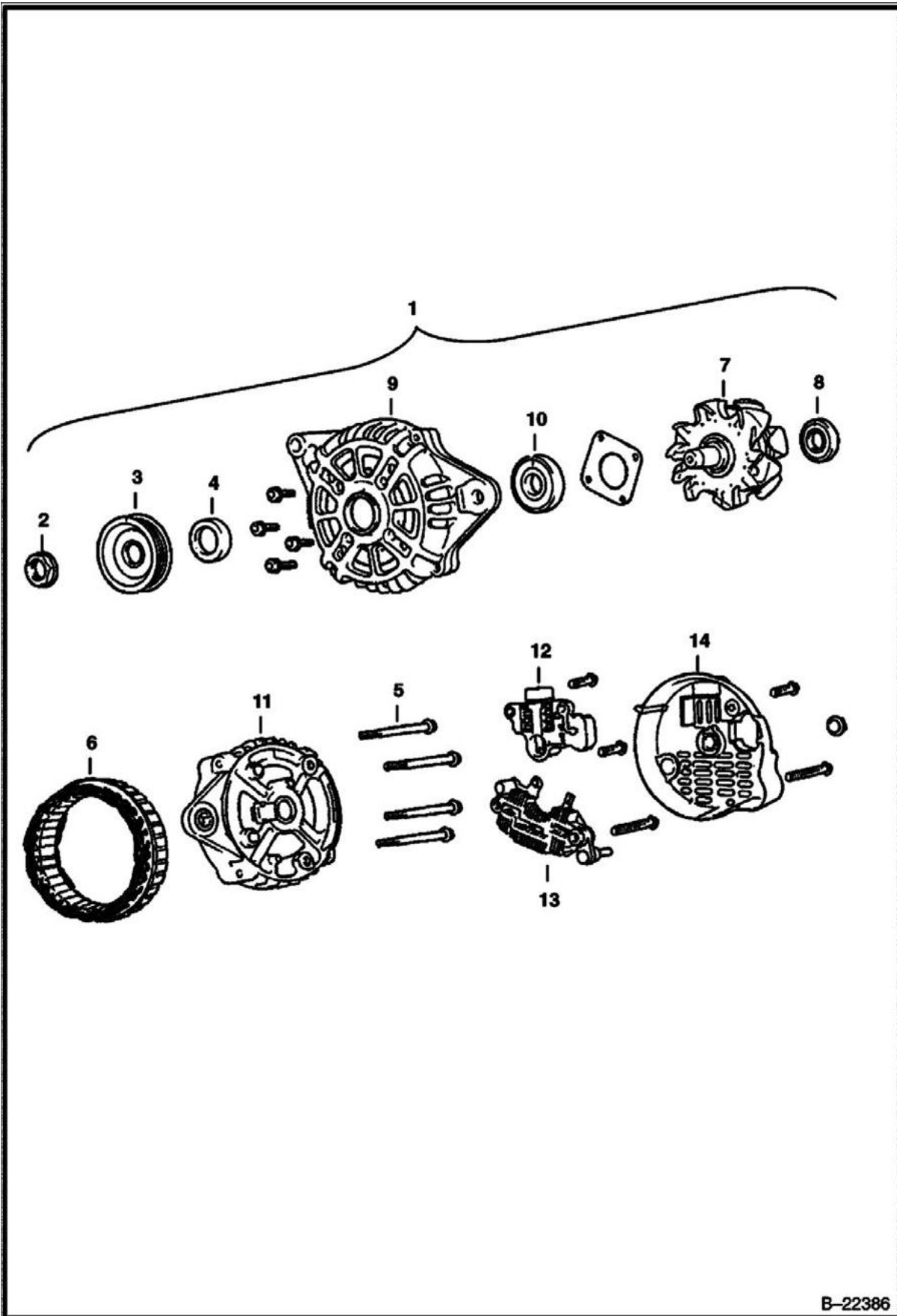
CONTROLS ELECTRICAL (Cont'd)
(AHC) (Handle Assembly)

Ref No	Part Number	Description	Remarks	Serial Number	Qty
1	7008319	LEVER, AHC	tilt - RH		1
1	7008318	LEVER, AHC	lift - LH		1
2	6680462	HANDLE, ACS RH	tilt - RH		1
2	6680417	HANDLE	lift - LH		1
3	6702621	GRIP			2
4	6729594	HANDLE	RH		1
4	6729595	HANDLE	LH		1
5	6680471	COVER			2
6	6684910	SENSOR, ELEC AHC			2
6	6670706	CONNECTOR	3-pin		1
6	6670714	PIN			3
6	6670710	LOCK			1
7	7018011	CHANNEL	RH		1
7	7018012	CHANNEL	LH		1
8	6680469	SPACER			1
9	25GT410	SCREW			4
10	6702990	BUSHING			4
11	6713043	SPACER			2
12	6665321	RIVET	male		4
13	6665000	CLIP			4
14	6665322	RIVET	female		4
15	6719834	SPACER	threaded		2
16	6727065	BOLT			8
17	6719835	SLEEVE			4
18	7147815	BOOT			2
19	6640692	CONNECTOR	10-pin		1
19	6640690	PIN			8
19	6640694	LOCK	Use W/ 10-pin connector		1
19	6641176	SEAL			8
19	6646582	PLUG	cavity		2
20	6640692	CONNECTOR	10-pin		1
20	6640690	PIN			6
20	6640694	LOCK	Use W/ 10-pin connector		1
20	6641176	SEAL			6
20	6646582	PLUG	cavity		4
21	6640699	CONNECTOR	3-pin - RH & LH		2
21	6640690	PIN			3
21	6641176	SEAL			3
21	6640700	LOCK			1
22	6667144	CONNECTOR	5-pin		1
22	6640690	PIN			3
22	6641176	SEAL			3
22	6646582	PLUG	cavity		1
22	6667145	LOCK	Use W/ 5-pin connector		1
23	6641179	CONNECTOR	2-pin		1
23	6640690	PIN			2
23	6641176	SEAL			2
23	6641180	LOCK	Use W/ 2-pin connector		1
24	6670707	CONNECTOR	3-pin		1
24	6670715	PIN			3
24	6670711	LOCK			1
25	6676870	CONNECTOR	3 - pin		1
25	6670711	LOCK			1
25	6670715	PIN			3

CONTROLS ELECTRICAL (Cont'd)
(AHC) (Handle Assembly)

Ref No	Part Number	Description	Remarks	Serial Number	Qty
25	6676640	SEAL	plug		1

ALTERNATOR

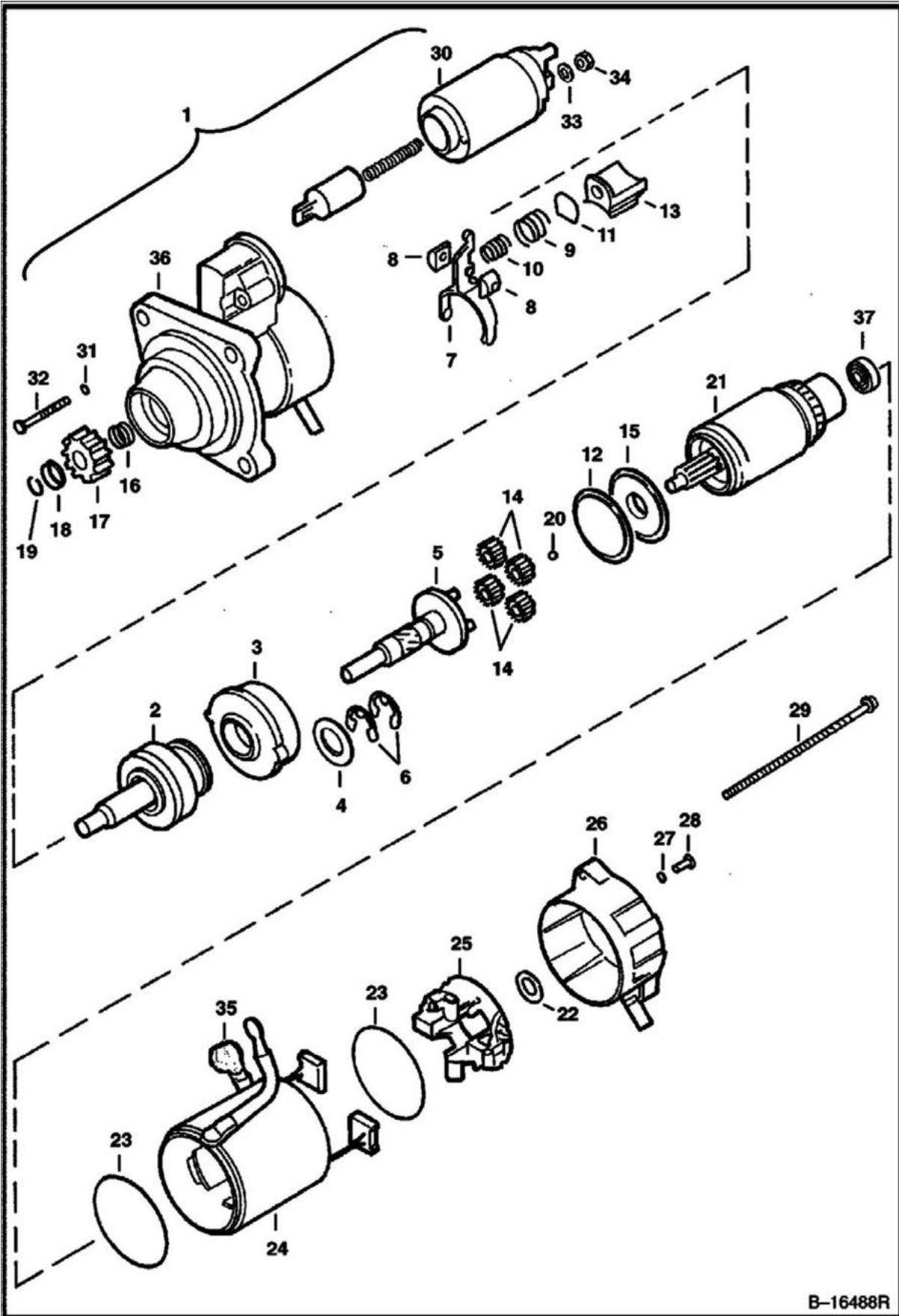


B-22386

ALTERNATOR (Cont'd)

Ref No	Part Number	Description	Remarks	Serial Number	Qty
1	6681857	ALTERNATOR	Ref. 2-14		1
2	6677497	NUT			1
3	6684653	PULLEY			1
4	6677495	SPACER			1
5	6677494	BOLT			4
6	6677493	STATOR			1
7	6677492	ROTOR			1
8	6684652	BEARING	rear		1
9	6677491	BRACKET			1
10	6684651	BEARING	front		1
11	6684650	REGULATOR			1
12	6677490	BRACKET	rear		1
13	6677488	RECTIFIER			1
14	6677487	COVER			1

STARTER (Valeo)

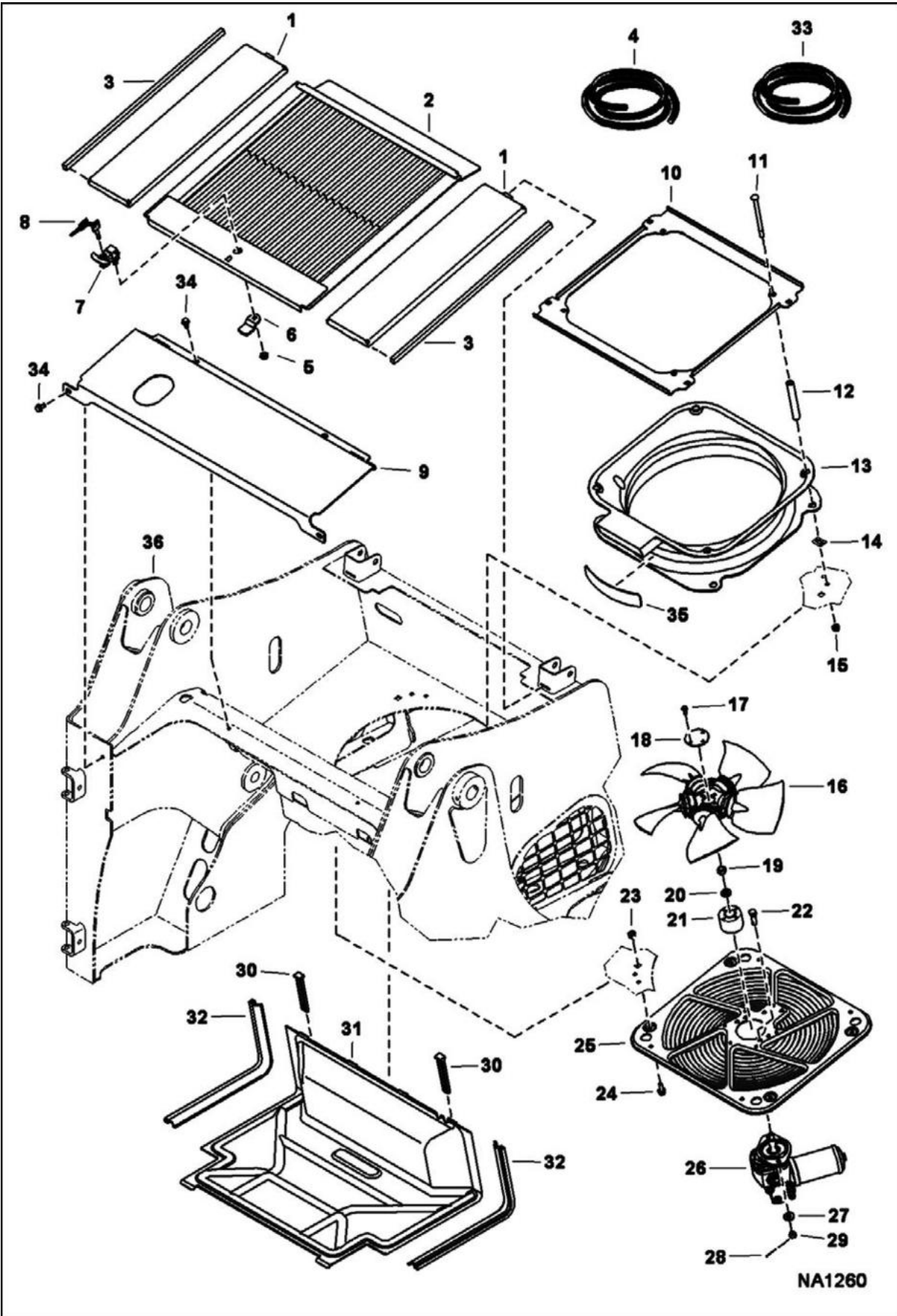


B-16488R

STARTER (Cont'd)
(Valeo)

Ref No	Part Number	Description	Remarks	Serial Number	Qty
1	6685190	STARTER	Ref. 2-37		1
1	6685190REM	STARTER			1
2	6680375	SHAFT	ORC assy		1
3	6680367	GEAR			1
4	6680378	WASHER			1
5	6680365	SHAFT			1
6	6680368	STOP RING			2
7	6680364	LEVER			1
8	6680357	HOLDER			2
9	6680381	SPRING			1
10	6680382	SPRING			1
11	6680370	PLATE			1
12	6680369	SEAL			1
13	6680371	LEVER			1
14	6680366	GEAR			4
15	6680372	BRACKET			1
16	6680361	SPRING			1
17	6680390	GEAR			1
18	6680360	STOP			1
19	6680359	STOP RING			1
20	6680362	BALL			1
21	6680374	ARMATURE	W/Ref. 37		1
22	6680363	WASHER			1
23	6680380	SEAL			2
24	6680373	YOKE			1
25	6680377	HOLDER			1
26	6680389	BRACKET			1
27	6680358	RING	rubber		2
28	6680384	BOLT			2
29	6680356	BOLT			2
30	6680376	SWITCH			1
31	6680379	SEAL			2
32	6680383	BOLT			2
33	6EM80	WASHER, SPRING			1
34	4DM8	NUT			1
35	6680355	BOOT			1
36	6680388	BRACKET	includes ball bearing, drain tube, front bracket & oil seal		1
37		BEARING	NAP - Order Ref. 21		1

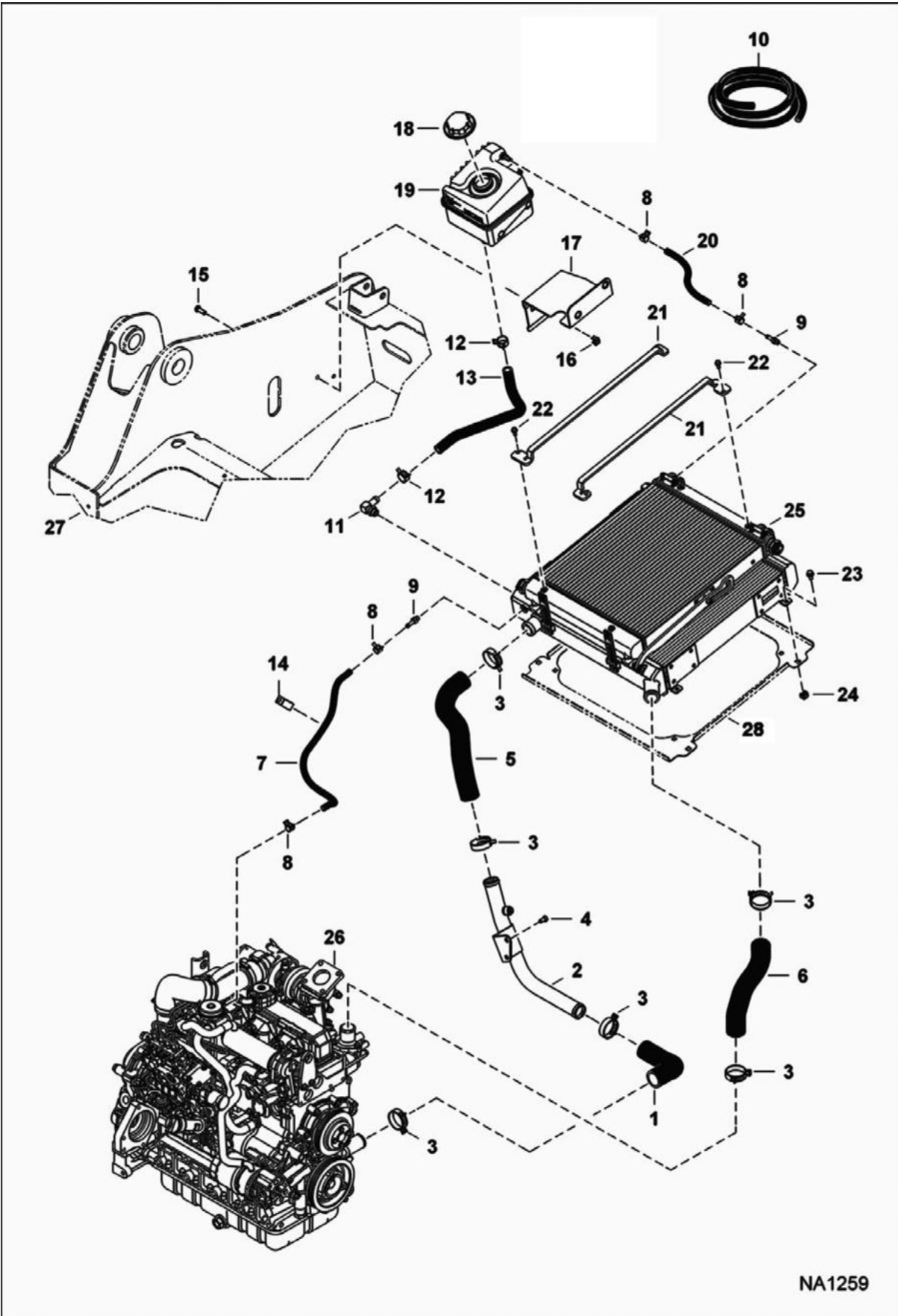
COOLING SYSTEM



COOLING SYSTEM (Cont'd)

Ref No	Part Number	Description	Remarks	Serial Number	Qty
1	7157370	COVER, HOOD			2
2	7157366	SCREEN, ASSY			1
3		SEAL	NAP - 25.62" (650,7 mm) - Order Ref. 4		2
4	6511855	SEAL	bulk - sold per foot		x
5	26DM12	NUT			1
6	7002737	LATCH, PAWL			1
7	7002736	LATCH, DRAW			1
8	6693241	KEY 10	single key W/O ring		1
9	7157365	COVER, ENGINE			1
10	7145139	MOUNT, RADIATOR			1
11	10C696	BOLT			4
12	7136113	BUSHING			4
13	7132835	SHROUD			1
14	6684033	NUT	retaining		4
15	97D6	NUT 10			4
16	7170673	FAN COOLING			1
17	49C412	BOLT			4
18	7125948	PLATE			1
19	96D8	NUT			1
20	6701097	WASHER			1
21	7130834	HUB, FAN			1
22	7147826	BOLT, CROSS DRILLED			2
23	6678785	NUT			4
24	49C616	BOLT	Was 31C616 [B]		4
25	7132837	MOUNT, MOTOR FAN			1
26		MOTOR, HYD COOLING FAN	See Illustration COOLING FAN MOTOR/ MS2514		1
27	6557831	WASHER			2
28	1F316	PIN			2
29	3D6	NUT			2
30	7141906	STRAP, RUBBER			4
31	7132836	DUCT, FAN			1
32		SEAL	NAP - 23.6" (599,4 mm) - Order Ref. 33		2
33	7169778	SEAL, BULK	bulk - sold per foot		x
34	84G3712	BOLT			4
35	7178176	SHIELD, HEAT			1
36		MAIN FRAME	See Illustration MAIN FRAME/ NA1000		1

COOLING SYSTEM (Engine)

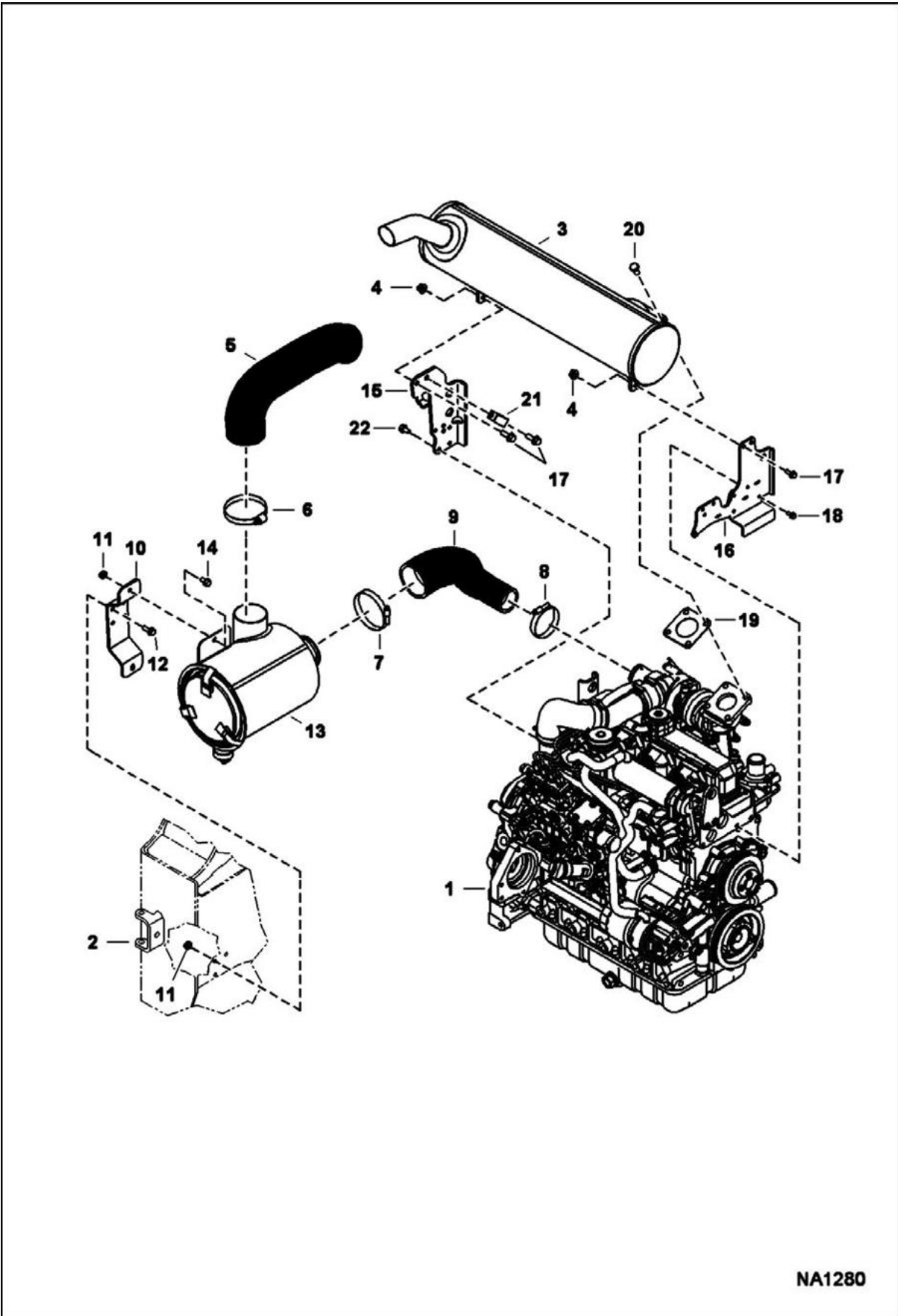


NA1259

COOLING SYSTEM (Cont'd) (Engine)

Ref No	Part Number	Description	Remarks	Serial Number	Qty
1	7143923	HOSE			1
2	7143924	TUBE			1
3	5HM47	CLAMP			6
4	7160865	SCREW			2
5	7143922	HOSE			1
6	7143921	HOSE			1
7		HOSE	NAP - 20.9" (530,9 mm) long - Order Ref. 10		1
8	5HM14	CLAMP			4
9	6734090	ADAPTER			2
10	6577822	HOSE	bulk - sold per foot		x
11	6680952	FITTING 90 DEG BARB			1
11	79K8	O RING 10			1
12	5HM23	CLAMP			2
13		HOSE	NAP - 19" (482,6 mm) long - Order 7185717 hose		1
13	7185717	HOSE, WATER FORMED			1
14	30H65	CLIP			1
15	53C516	BOLT	Was 25G514 [B]		2
16	6678765	NUT			2
17	7144265	MOUNT, TANK			1
18	6733429	CAP			1
19	7137747	TANK, EXPANSION			1
20		HOSE	NAP - 8" (203,2 mm) long - Order Ref. 10		1
21	7167537	GUARD, CONDENSER			2
22	49C412	BOLT	Was 31C410 [B]		4
23	43C512	BOLT	Was 45C516 [B]		4
24	6678765	NUT			4
25		EXCHANGER, OIL WATER	See Illustration RADIATOR/COOLER ASSEMBLY/ NA1395		1
26		ENGINE	See Illustration ENGINE & GASKET KITS/ NA2401		1
27		MAIN FRAME	See Illustration MAIN FRAME/ NA1000		1
28		MOUNT, RADIATOR	See Illustration COOLING SYSTEM/ NA1260		1

ENGINE & ATTACHING PARTS (Air Cleaner & Muffler)

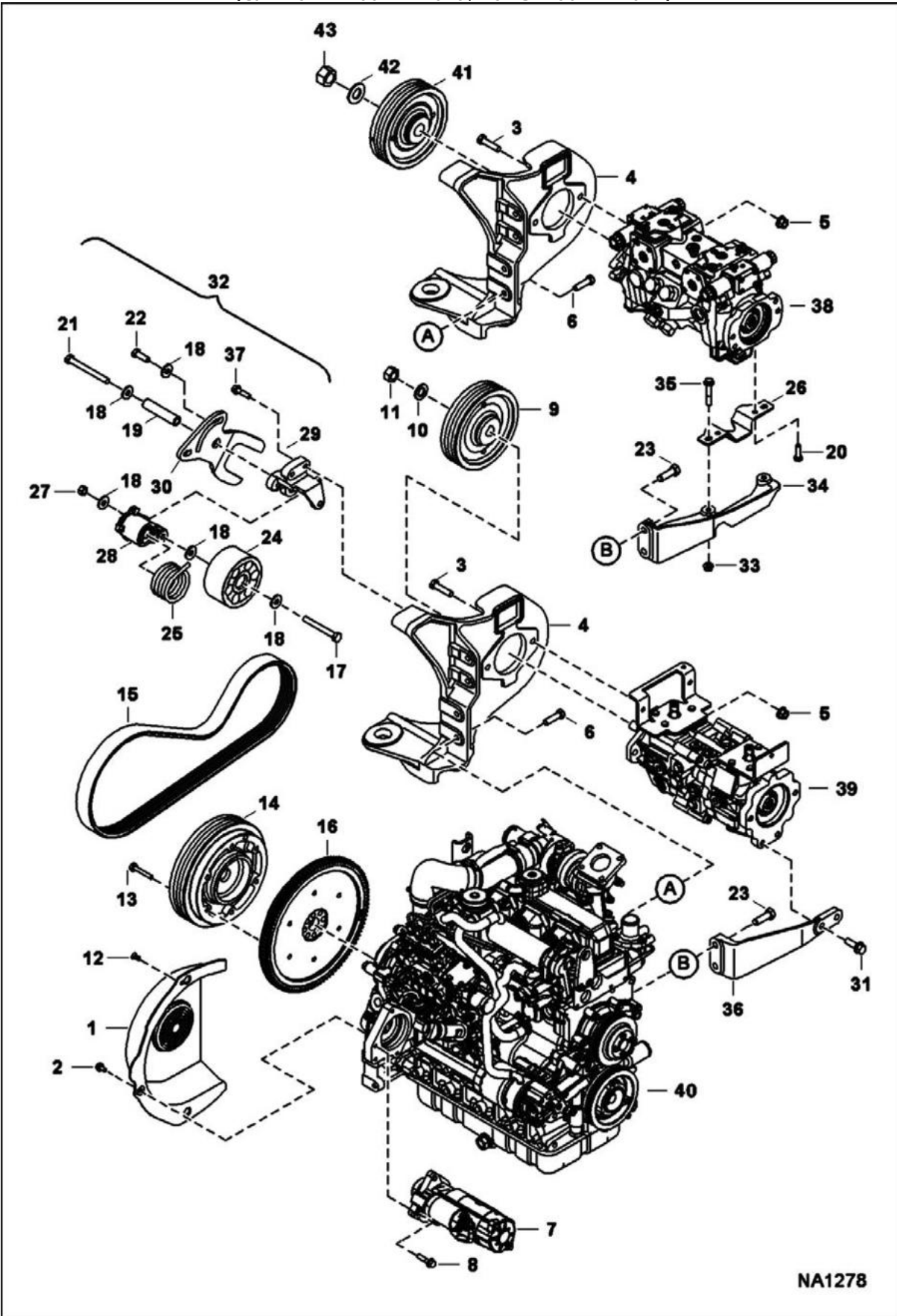


NA1280

ENGINE & ATTACHING PARTS (Cont'd)
(Air Cleaner & Muffler)

Ref No	Part Number	Description	Remarks	Serial Number	Qty
1		ENGINE	See Illustration ENGINE & GASKET KITS/ NA2401		1
2		MAIN FRAME	See Illustration MAIN FRAME/ NA1000		1
3	7142021	MUFFLER	See Illustration MUFFLER/PURIFIER/ NA2072		1
4	89D6	NUT			5
5	7145659	HOSE, AIR FORMED			1
6	42H52	CLAMP			1
7	42HC375	CLAMP			1
8	42HC300	CLAMP			1
9	7145660	HOSE, AIR FORMED			1
10	7157092	BRACKET			1
11	97D6	NUT 10			6
12	84G3712	BOLT			3
13		FILTER, AIR CLEANER ASSY	See Illustration AIR CLEANER/ NA2170		1
14	35C612	BOLT			3
15	7161893	MOUNT, MUFFLER			1
16	7155193	MOUNT, MUFFLER			1
17	35C616	BOLT 5			4
18	59CM820	SCREW HX FLNG W/T 8.8			4
19	7102747	GASKET			1
20	5CM1020	SCREW			4
21	30H65	CLIP	Was 30HJ612 [B]		1
22	59CM816	BOLT			4

ENGINE & ATTACHING PARTS
(Belt Drive)
(S/N A3NT11001 - 12029, A3NU11001 - 11044)

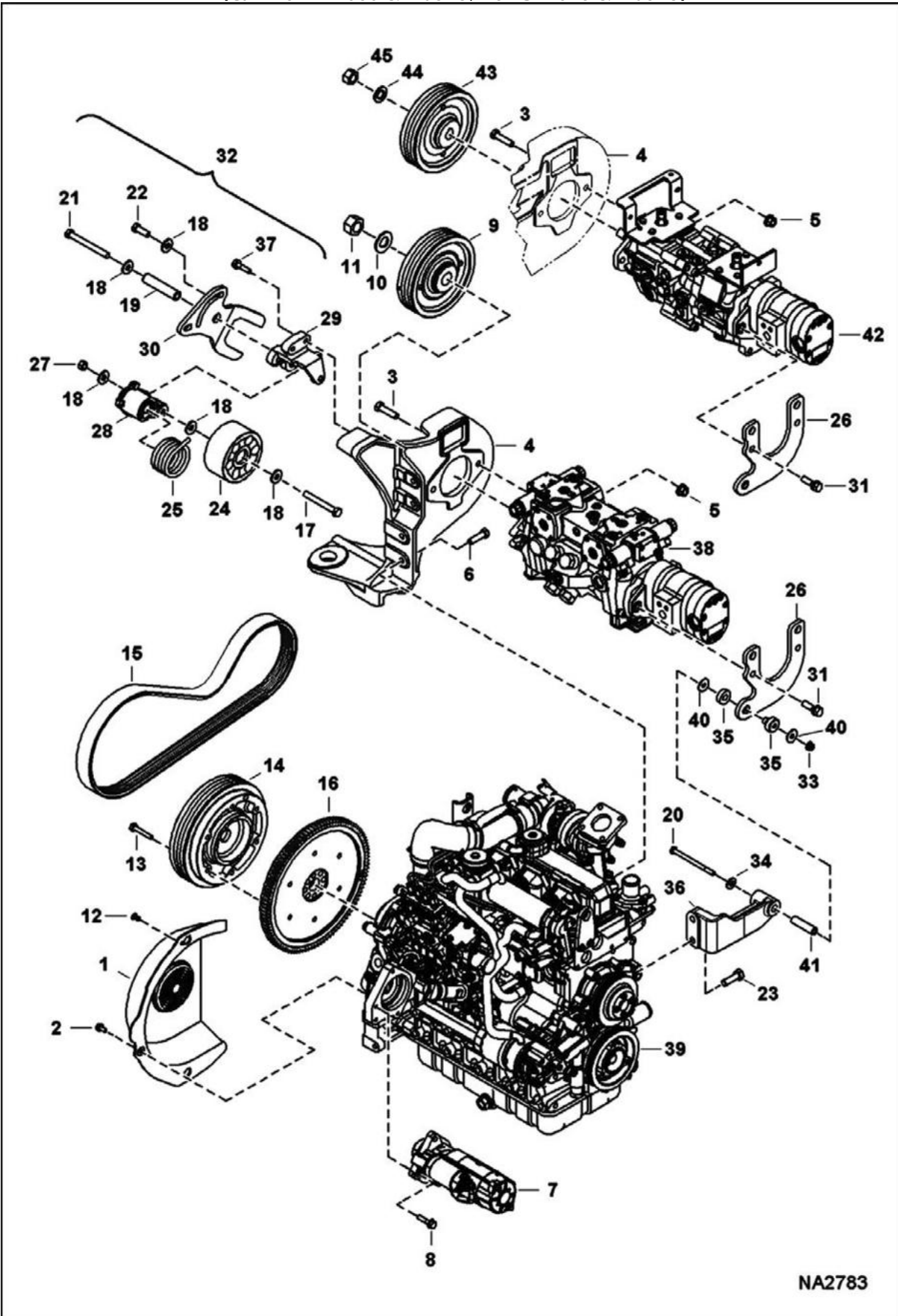


NA1278

ENGINE & ATTACHING PARTS (Cont'd)
(Belt Drive)
(S/N A3NT11001 - 12029, A3NU11001 - 11044)

Ref No	Part Number	Description	Remarks	Serial Number	Qty
1	7142422	SHIELD, FLYWHEEL			1
2	59CM816	BOLT			5
3	17C832	BOLT			2
4	7147861	MOUNT, ENG			1
5	83D8	NUT 5			3
6	7135124	SCREW			4
7		STARTER	See Illustration STARTER/ B16488R		1
8	45C620	BOLT			3
9	7147858	PULLEY, PUMP HYD			1
10	6576033	WASHER			1
11	96D12	NUT			1
12	7155238	BOLT			2
13	7110310	SCREW			6
14	7141780	FLYWHEEL			1
15	7188792	BELT, DRIVE	Was 7147859 [A]		1
16		FLYWHEEL, ENG ASSY	See Illustration CRANKCASE/ B27826		1
17	7CM12100	BOLT			1
18	7152658	WASHER			5
19	7152605	SLEEVE			1
20	6688003	SCREW			2
21	55CM12120	BOLT			1
22	55CM1235	BOLT			1
23	7147745	SCREW			2
24	7167165	WHEEL, TENSIONER			1
25	7145358	SPRING			1
26	7194123	SHIELD, SENSOR	Was 7131322 [A]		1
27	53DM12	NUT			1
28	7167164	ARM, TENSIONER			1
29	7131211	MOUNT			1
30	7174407	ARM, IDLER			1
31	45C824	BOLT	Was 49C824 [B]		2
32	7141788	IDLER ASSY			1
33	43DM10	NUT			2
34		MOUNT, PUMP	See Illustration ISOLATOR MOUNT KIT/ NA5481 NAP - SJC - Order 7201407 kit, mount - Was 7142103 [A]		1
35	59CM1060	SCREW			2
36		MOUNT	See Illustration ISOLATOR MOUNT KIT/ NA5481 NAP - manual controls - Order 7201407 kit, mount - Was 7142189 [A]		1
37	49C636	BOLT			2
38		PUMP, HYD	See Illustration HYDROSTATIC PUMP/GEAR PUMP/ NA1309 - SJC		1
39		PUMP, HYD	See Illustration HYDROSTATIC PUMP/GEAR PUMP/ NA1309 - manual controls, AHC & ACS		1
40		ENGINE	See Illustration ENGINE & GASKET KITS/ NA2401		1
41	7155309	PULLEY			1
42	6805550	WASHER			1
43	96D12	NUT			1

ENGINE & ATTACHING PARTS
(Belt Drive)
(S/N A3NT12030 & Above, A3NU11045 & Above)

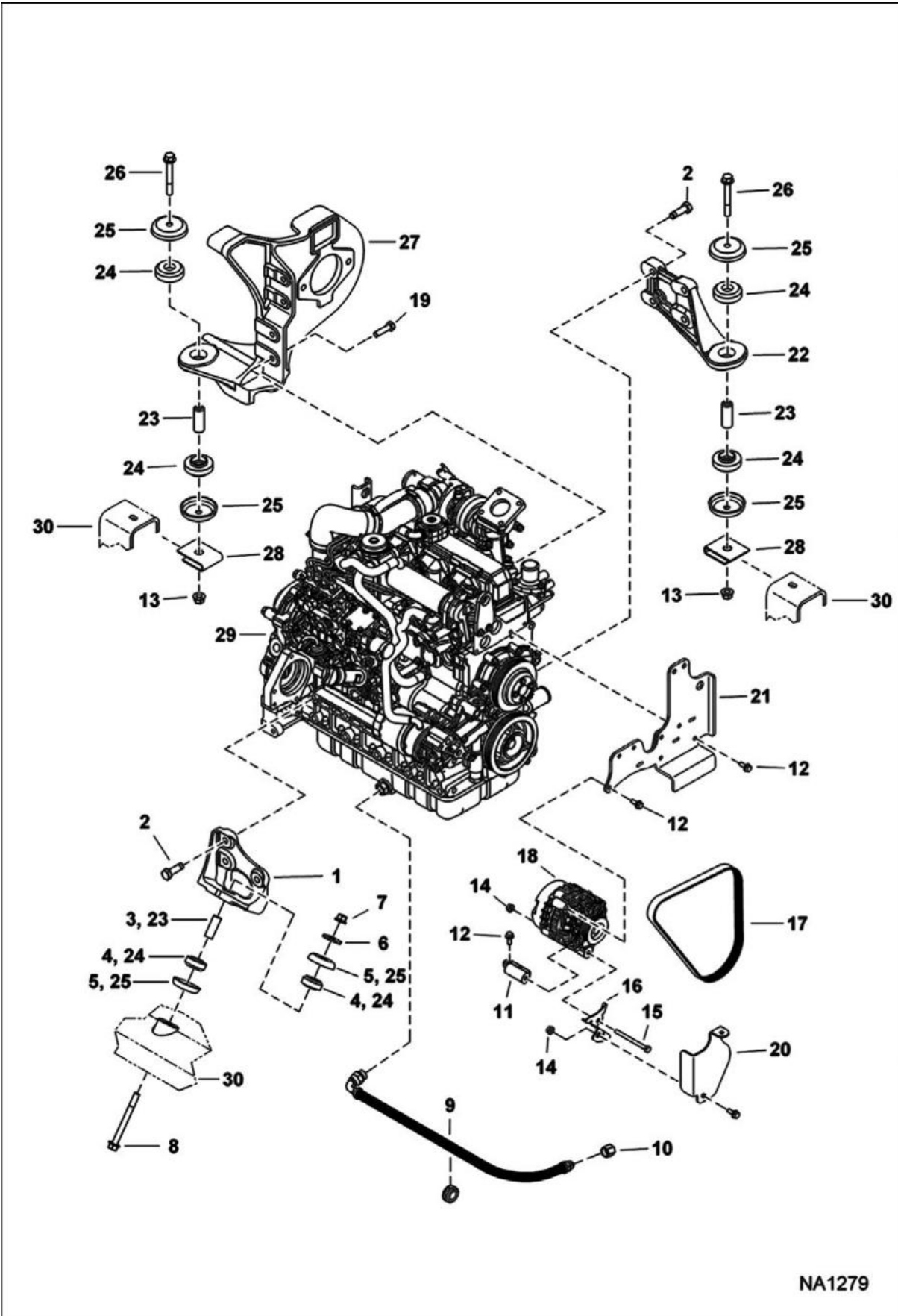


NA2783

ENGINE & ATTACHING PARTS (Cont'd)
(Belt Drive)
(S/N A3NT12030 & Above. A3NU11045 & Above)

Ref No	Part Number	Description	Remarks	Serial Number	Qty
1	7142422	SHIELD, FLYWHEEL			1
2	59CM816	BOLT			5
3	17C832	BOLT			2
4	7147861	MOUNT, ENG			1
5	83D8	NUT 5			3
6	7135124	SCREW			4
7		STARTER	See Illustration STARTER/ B16488R		1
8	45C620	BOLT			3
9	7147858	PULLEY, PUMP HYD			1
10	6576033	WASHER			1
11	96D12	NUT			1
12	7155238	BOLT			2
13	7110310	SCREW			6
14	7141780	FLYWHEEL			1
15	7188792	BELT, DRIVE	Was 7147859 [A]		1
16		FLYWHEEL, ENG ASSY	See Illustration CRANKCASE/ B27826		1
17	7CM12100	BOLT			1
18	7152658	WASHER			5
19	7152605	SLEEVE			1
20	17C680	BOLT			1
21	55CM12120	BOLT			1
22	55CM1235	BOLT			1
23	7147745	SCREW			2
24	7167165	WHEEL, TENSIONER			1
25	7145358	SPRING			1
26	7193687	BRACKET, MOUNTING			1
27	53DM12	NUT			1
28	7167164	ARM, TENSIONER			1
29	7131211	MOUNT			1
30	7174407	ARM, IDLER			1
31	45C828	BOLT			2
32	7141788	IDLER ASSY			1
33	53D6	NUT			1
34	27E6	WASHER 5			1
35	7149357	MOUNT, LOAD ISOLATOR			1
36	7194572	MOUNT			1
37	49C636	BOLT			2
38		PUMP, HYD	See Illustration HYDROSTATIC PUMP/GEAR PUMP/ NA1309 - SJC		1
39		ENGINE	See Illustration ENGINE & GASKET KITS/ NA2401		1
40	6737388	WASHER			1
41	7147350	SPACER, TUBE			1
42		PUMP, HYD	See Illustration HYDROSTATIC PUMP/GEAR PUMP/ NA1309 - manual controls, AHC & ACS		1
43	7155309	PULLEY			1
44	6805550	WASHER			1
45	96D16	NUT			1

ENGINE & ATTACHING PARTS (Engine Mounts)

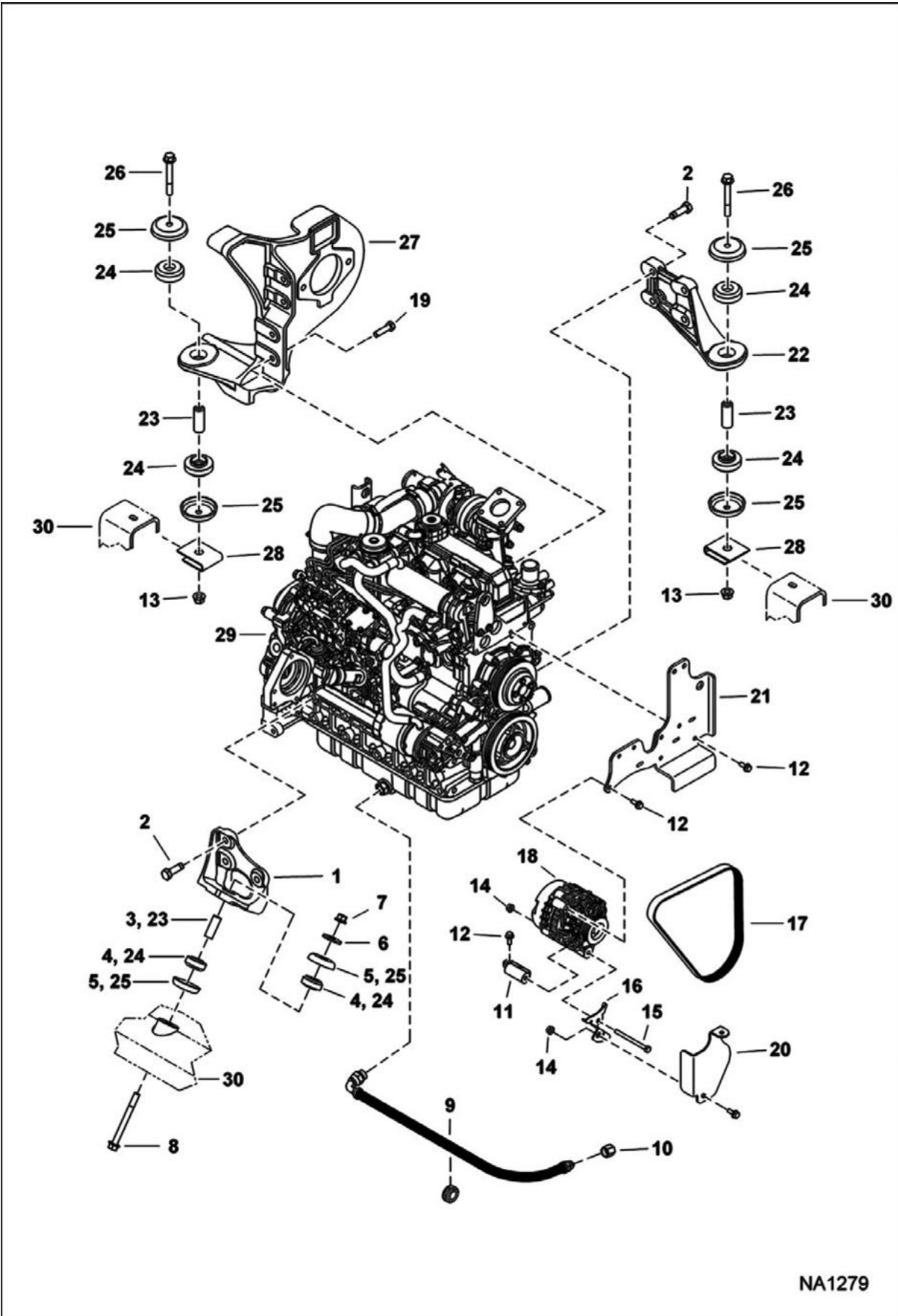


NA1279

ENGINE & ATTACHING PARTS (Cont'd)
(Engine Mounts)

Ref No	Part Number	Description	Remarks	Serial Number	Qty
1		MOUNT, ENG	NAP - Order 7193452 - Was 7142357 [A]	A3NT11001 - 11684	1
1		MOUNT, ENG	NAP - Order 7193452 - Was 7142357 [A]	A3NU11001 - 11006	1
1	7193452	MOUNT, ENG		A3NT11686 & Above	1
1	7193452	MOUNT, ENG		A3NU11006 & Above	1
2	7147745	SCREW			7
3	7146236	BUSHING		A3NY11001 - 11684	1
3	7146236	BUSHING		A3NU11001 - 11006	1
4	7000488	DAMPER		A3NT11001 - 11684	2
4	7000488	DAMPER		A3NU11001 - 11006	2
5	7127305	WASHER		A3NT11001 - 11684	2
5	7127305	WASHER		A3NU11001 - 11006	2
6	6515817	WASHER		A3NT11001 - 11684	1
6	6515817	WASHER		A3NU11001 - 11006	1
7	83D8	NUT 5			1
8	31C880	SCREW			1
9	7136111	HOSE, DRAIN OIL			1
10	36K6	CAP			1
11	7142375	MOUNT			1
12	59CM820	SCREW HX FLNG W/T 8.8			8
13	83D8	NUT 5			2
14	43DM8	NUT			6
15	1CM8100	SCREW			1
16	7164957	MOUNT			1
17	7142000	BELT, ALT			1
18		ALTERNATOR	See Illustration ALTERNATOR/ B22386		1
19	7135124	SCREW			4
20	7165035	SHIELD			1
21	7155193	MOUNT, MUFFLER			1
22	7135486	MOUNT, ENG			1
23	7141405	BUSHING	Use W/Ref. 22 & 27	A3NT11001 - 11684	2
23	7141405	BUSHING	Use W/Ref. 22 & 27	A3NU11001 - 11005	2
23	7141405	BUSHING	Use W/Ref. 1 (7193452 mount), Ref. 22 & 27	A3NT11686 & Above	3
23	7141405	BUSHING	Use W/Ref. 1 (7193452 mount), Ref. 22 & 27	A3NU11006 & Above	3
24	7000489	DAMPER	Use W/Ref. 22 & 27	A3NT11001 - 11684	4
24	7000489	DAMPER	Use W/Ref. 22 & 27	A3NU11001 - 11005	4
24	7000489	DAMPER	Use W/Ref. 1 (7193452 mount), Ref. 22 & 27	A3NT11686 &	6

ENGINE & ATTACHING PARTS (Cont'd) (Engine Mounts)

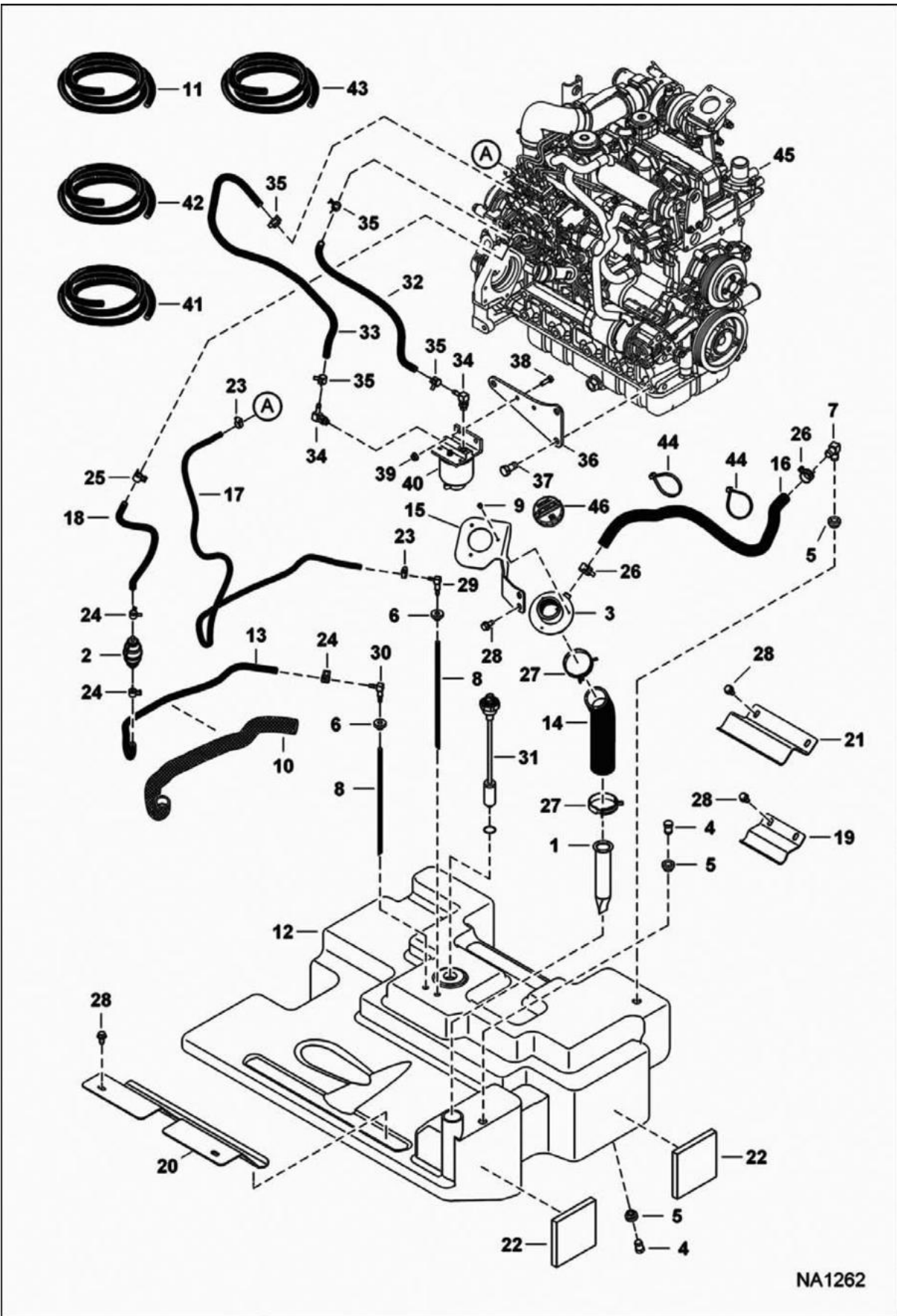


NA1279

ENGINE & ATTACHING PARTS (Cont'd)
(Engine Mounts)

Ref No	Part Number	Description	Remarks	Serial Number	Qty
				Above	
24	7000489	DAMPER	Use W/Ref. 1 (7193452 mount), Ref. 22 & 27	A3NU11006 & Above	6
25	7116851	CUP	Use W/Ref. 22 & 27	A3NT11001 - 11684	4
25	7116851	CUP	Use W/Ref. 22 & 27	A3NU11001 - 11005	4
25	7116851	CUP	Use W/Ref. 1 (7193452 mount), Ref. 22 & 27	A3NT11686 & Above	6
25	7116851	CUP	Use W/Ref. 1 (7193452 mount), Ref. 22 & 27	A3NU11006 & Above	6
26	31C860	BOLT			2
27	7147861	MOUNT, ENG			1
28	7152037	NUT, RETAINING	W/Ref. 13		2
29		ENGINE	See Illustration ENGINE & GASKET KITS/ NA2401		1
30		MAIN FRAME	See Illustration MAIN FRAME/ NA1000		1

ENGINE & ATTACHING PARTS
(Fuel System)

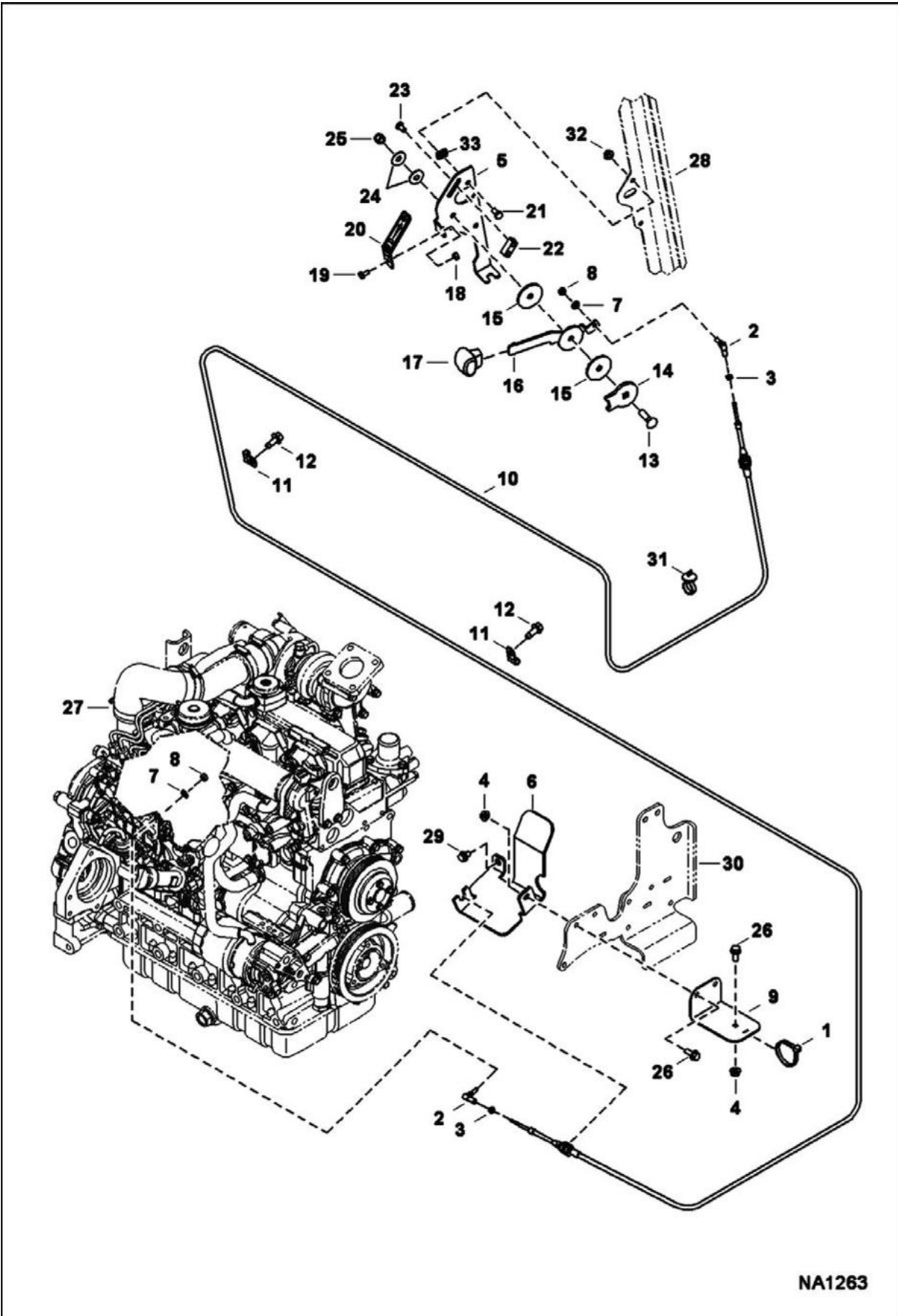


NA1262

ENGINE & ATTACHING PARTS (Cont'd)
(Fuel System)

Ref No	Part Number	Description	Remarks	Serial Number	Qty
1	7120881	SCREEN, FILLER	Was 6569219 [A]		1
2	6657734	PUMP, PRIMER HAND	124 mm (4.88") long		1
3	6701449	FILLER TUBE			1
4	6717401	PLUG			2
5	6717402	BUSHING	0.54" ID		3
6	6735696	BUSHING			2
7	6808798	ELBOW			1
8	6735249	HOSE, FUEL			2
9	7106279	BOLT			3
10	7178623	COVER, HOSE			1
11	6577822	HOSE	bulk - sold per foot		x
12	7130652	TANK, FUEL			1
13		HOSE, FUEL	NAP - 25.25" (641,35 mm) long - Order Ref. 41		1
14	7176970	HOSE, FUEL FORMED			1
15	7176971	BRACKET, FUEL			1
16		HOSE, FUEL	NAP - 29.5" (749,3 mm) long - Order Ref. 42		1
17		HOSE, FUEL	NAP - 48.5" (1231,9 mm) long - Order Ref. 43		1
18		HOSE, FUEL	NAP - 14.5" (368,3 mm) long - Order Ref. 41		1
19	7163765	BRACKET, FUEL	Use on wheel loaders only		1
20	7183784	BRACKET FUEL	Was 7163766 [A]		1
21	7163768	BRACKET, FUEL	Use on track loaders only		1
22	7170635	INSULATION, TANK FUEL			2
23	42HS04	COLLAR			2
24	5HM13	CLAMP			3
25	5HM14	CLAMP			1
26	5HM22	CLAMP			2
27	5HM58	CLAMP			2
28	84G3712	BOLT			6
29	7101291	ELBOW	3 barb on outlet end		1
30	6598908	ELBOW			1
31	6680438	SENSOR, FUEL			1
32		HOSE, FUEL	NAP - 19.5" (495,3 mm) long - Order Ref. 44		1
33		HOSE, FUEL	NAP - 27.5" (698,5 mm) long - Order Ref. 44		1
34	6715183	ELBOW			2
35	5HM14	CLAMP			4
36	7143931	MOUNT, FILTER			1
37	6730894	BOLT			2
38	43C516	BOLT			2
39	55D5	NUT			2
40	6667353	FILTER ASSY			1
40	6667352	FILTER, FUEL W/SEPERATOR 12			1
40	6658180	PLUG, BLEED	bleed		1
41	6577821	HOSE	bulk - sold per foot		x
42	6578172	HOSE	bulk - sold per foot		x
43	6578169	HOSE	bulk - sold per foot - .1875" ID		x
44	6624289	STRAP, TIE			2
45		ENGINE	See Illustration ENGINE & GASKET KITS/ NA2401		1
46	7113340	CAP. DIESEL	black fuel fill		1
46	7121223	CAP. DIESEL LOCKING	black		1

ENGINE SPEED CONTROL (Manual Controls, AHC & ACS) (Single Cable)

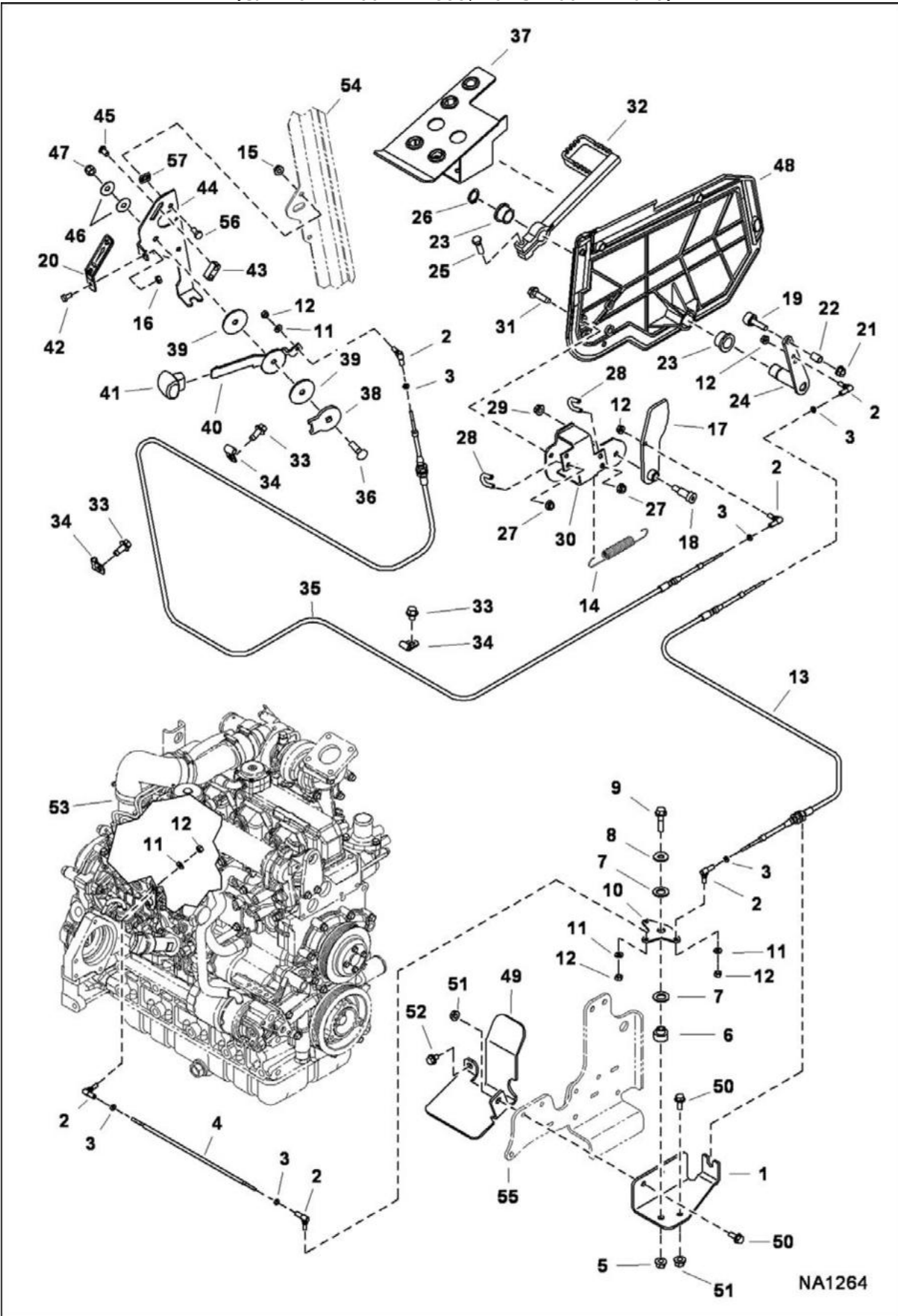


NA1263

ENGINE SPEED CONTROL (Cont'd)
(Manual Controls, AHC & ACS) (Single Cable)

Ref No	Part Number	Description	Remarks	Serial Number	Qty
1	6624289	STRAP, TIE			1
2	6644965	BALL JOINT			2
3	14D10	NUT			2
4	43DM8	NUT			3
5	7166171	BRACKET			1
6	7174813	BRACKET, CABLE			1
7	25E11	WASHER			1
8	62D4	NUT			4
9	7190164	BRACKET, THROTTLE	Was 7174914 [A]		1
10	7174815	CABLE			1
11	30H20	CLIP			2
12	84G3712	BOLT			2
13	37C624	BOLT			1
14	7166269	WASHER			1
15	7159386	WASHER			2
16	7166172	HANDLE			1
17	7166173	HANDLE			1
18	61D4	NUT 5			1
19	17C408	BOLT			1
20	7169911	PLATE, DECAL			1
21	55D5	NUT			2
22	7166174	BLOCK			1
23	25G510	BOLT			2
24	6630038	WASHER			2
25	59D6	NUT			1
26	59CM825	Screw Hex FLNG W/T8.8	Was 59CM820 [B]		3
27		ENGINE	See Illustration ENGINE & GASKET KITS/ NA2401		1
28		CAB, ASSY	See Illustration OPERATOR CAB/ NA1122		1
29	59CM816	BOLT			1
30		MOUNT, MUFFLER	See Illustration ENGINE & ATTACHING PARTS/ NA1279		1
31	6675734	STRAP			1
32	17C510	BOLT			2
33	774220	NUT			2

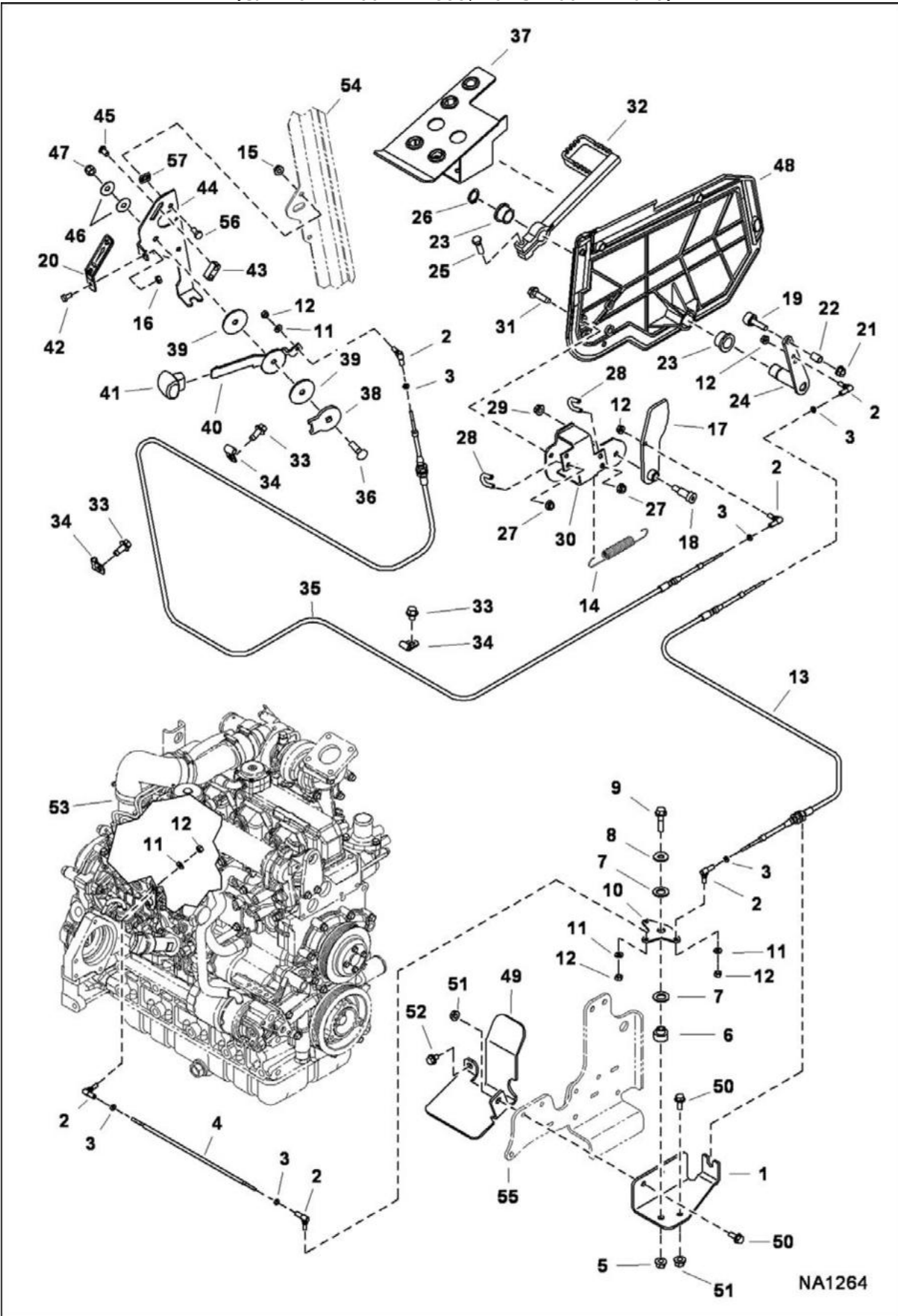
ENGINE SPEED CONTROL (SJC) (3-Cable) (S/N A3NT11001 - 11888, A3NU11001 - 11023)



ENGINE SPEED CONTROL (Cont'd)
(SJC) (3-Cable)
(S/N A3NT11001 - 11888, A3NU11001 - 11023)

Ref No	Part Number	Description	Remarks	Serial Number	Qty
1	7180954	MOUNT			1
2	6644965	BALL JOINT			6
3	14D10	NUT			6
4	7168962	ROD			1
5	89D6	NUT			1
6	7157731	TUBE SPACER			1
7	25E18	WASHER			2
8	6700170	WASHER			1
9	49C624	SCREW			1
10	7157729	BELLCRANK			1
11	25E11	WASHER			4
12	62D4	NUT			6
13	7158988	CABLE, THROTTLE			1
14	7168921	SPRING			1
15	55D5	NUT			2
16	61D4	NUT 5			1
17	7170374	CAM, WELDMENT			1
18	38C816	BOLT			1
19	6737692	BEARING			1
20	7169911	PLATE, DECAL			1
21	98D6	NUT			1
22	6737693	SPACER			1
23	7159624	BUSHING			2
24	7167173	PIVOT ASSY			1
25	17C620	BOLT			1
26	6534668	SNAP RING			1
27	57D5	NUT			4
28	6592766	U-BOLT			2
29	57D6	NUT 5			1
30	7167169	MOUNT			1
31	84G3716	SCREW 5			2
32	7164294	PEDAL, FOOT THROTTLE			1
33	31C612	BOLT			3
34	30H20	CLIP			3
35	7166623	CABLE			1
36	37C624	BOLT			1
37	7157725	PEDAL ASSY			1
38	7166269	WASHER			1
39	7159386	WASHER			2
40	7166172	HANDLE			1
41	7166173	HANDLE			1
42	17C408	BOLT			1
43	7166174	BLOCK			1
44	7166171	BRACKET			1
45	25G510	BOLT			2
46	6630038	WASHER			2
47	59D6	NUT			1
48	7180032	PANEL, RH	Was 7156919 [A]		1
49	7174814	BRACKET, CABLE			1
50	59CM825	Screw Hex FLNG W/T8.8	Was 59CM820 [B]		3
51	43DM8	NUT			3
52	59CM816	BOLT			1

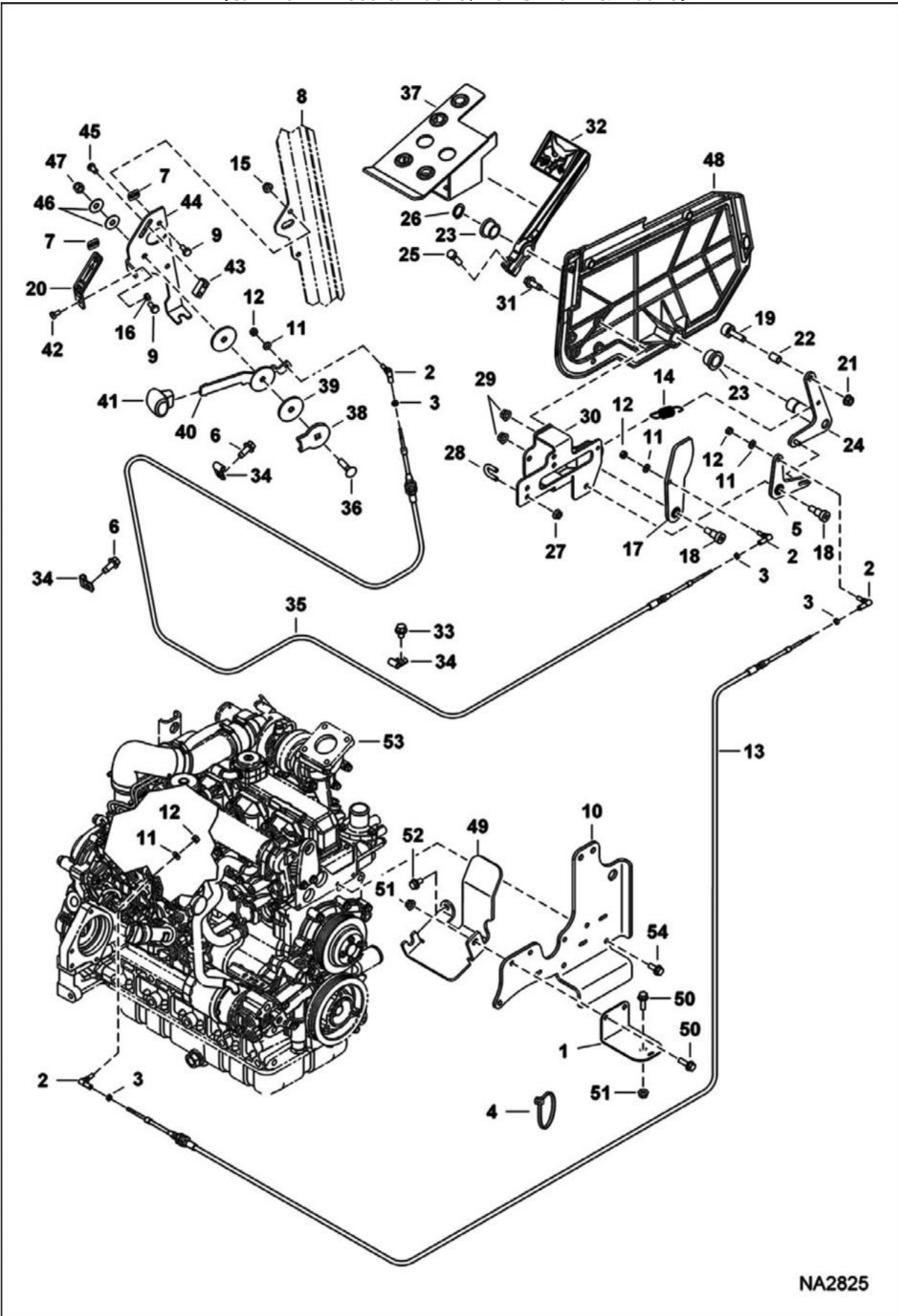
ENGINE SPEED CONTROL (Cont'd)
(SJC) (3-Cable)
(S/N A3NT11001 - 11888, A3NU11001 - 11023)



ENGINE SPEED CONTROL (Cont'd)
(SJC) (3-Cable)
(S/N A3NT11001 - 11888, A3NU11001 - 11023)

Ref No	Part Number	Description	Remarks	Serial Number	Qty
53		ENGINE	See Illustration ENGINE & GASKET KITS/ NA2401		1
54		CAB, ASSY	See Illustration OPERATOR CAB/ NA1122		1
55		MOUNT, MUFFLER	See Illustration ENGINE & ATTACHING PARTS/ NA1279		1
56	17C510	BOLT			2
57	774220	NUT			2

ENGINE SPEED CONTROL (SJC) (2-Cable) (S/N A3NT11889 & Above, A3NU11024 & Above)

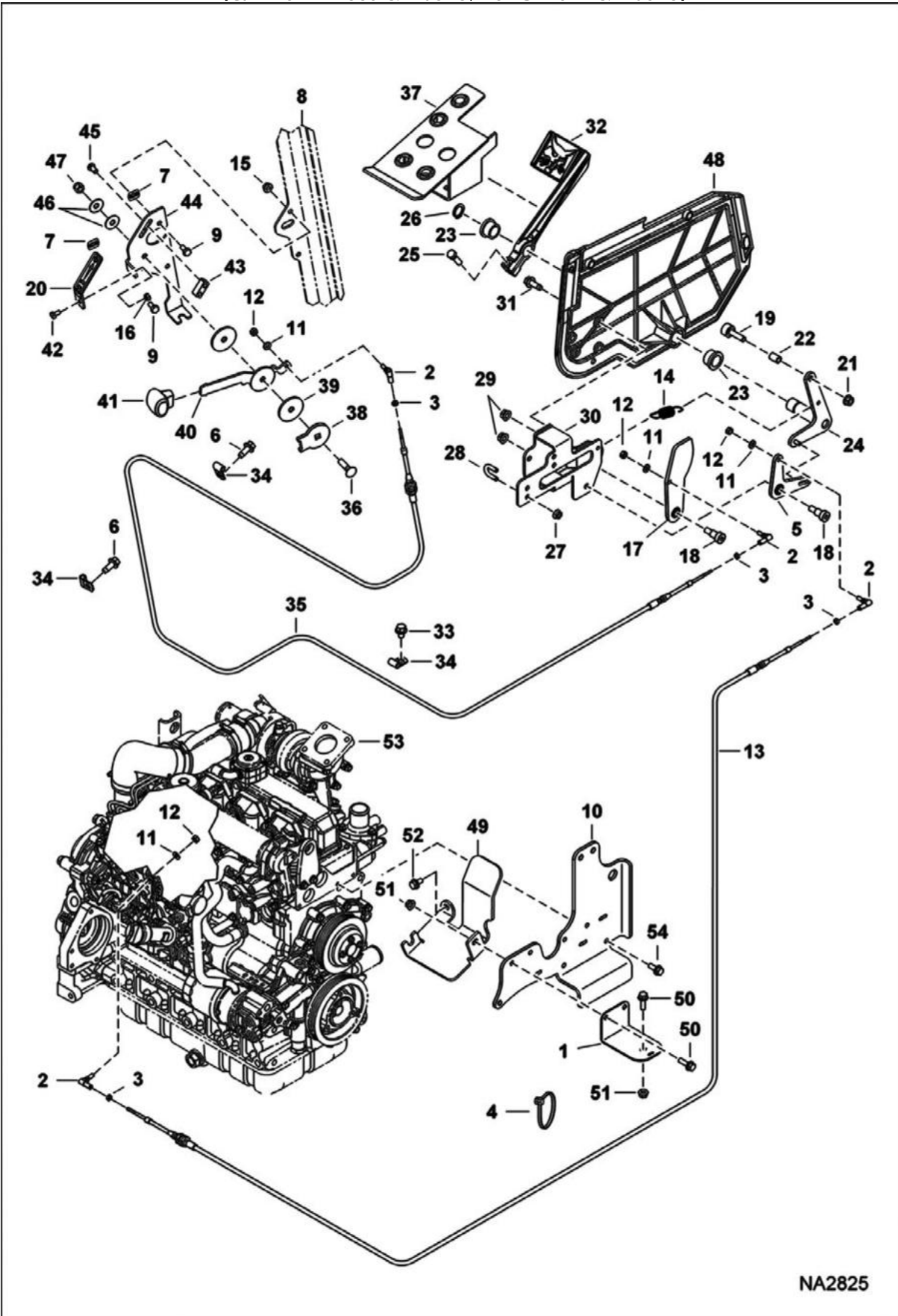


NA2825

ENGINE SPEED CONTROL (Cont'd)
(SJC) (2-Cable)
(S/N A3NT11889 & Above. A3NU11024 & Above)

Ref No	Part Number	Description	Remarks	Serial Number	Qty
1	7190164	BRACKET, THROTTLE			1
2	6644965	BALL JOINT			4
3	14D10	NUT			4
4	6624289	STRAP, TIE			1
5	7191528	LEVER			1
6	84G3712	BOLT			3
7	774220	NUT			2
8		CAB, ASSY	See Illustration OPERATOR CAB/ NA1122		1
9	17C510	BOLT			2
10		MOUNT, MUFFLER	See Illustration ENGINE & ATTACHING PARTS/ NA1279		1
11	25E11	WASHER			4
12	62D4	NUT			4
13	7196284	CABLE, THROTTLE			1
14	7188749	SPRING			1
15	55D5	NUT			2
16	61D4	NUT 5			1
17	7176043	CAM, LEVER			1
18	38C816	BOLT			1
19	6737692	BEARING			1
20	7169911	PLATE, DECAL			1
21	98D6	NUT			1
22	6737693	SPACER			1
23	7159624	BUSHING			2
24	7176039	LEVER			1
25	17C620	BOLT			1
26	6534668	SNAP RING			1
27	57D5	NUT			4
28	6592766	U-BOLT			2
29	57D6	NUT 5			1
30	7176037	MOUNT			1
31	84G3716	SCREW 5			2
32	7164294	PEDAL, FOOT THROTTLE			1
33	35C612	BOLT			1
34	30H20	CLIP			4
35	7166623	CABLE			1
36	37C624	BOLT			1
37	7157725	PEDAL ASSY			1
38	7166269	WASHER			1
39	7159386	WASHER			2
40	7166172	HANDLE			1
41	7166173	HANDLE			1
42	17C408	BOLT			1
43	7166174	BLOCK			1
44	7166171	BRACKET			1
45	25G510	BOLT			2
46	6630038	WASHER			2
47	59D6	NUT			1
48	7180032	PANEL, RH			1
49	7174813	BRACKET, CABLE			1
50	59CM825	Screw Hex FLNG W/T8.8			3
51	43DM8	NUT			3

ENGINE SPEED CONTROL (Cont'd)
(SJC) (2-Cable)
(S/N A3NT11889 & Above, A3NU11024 & Above)

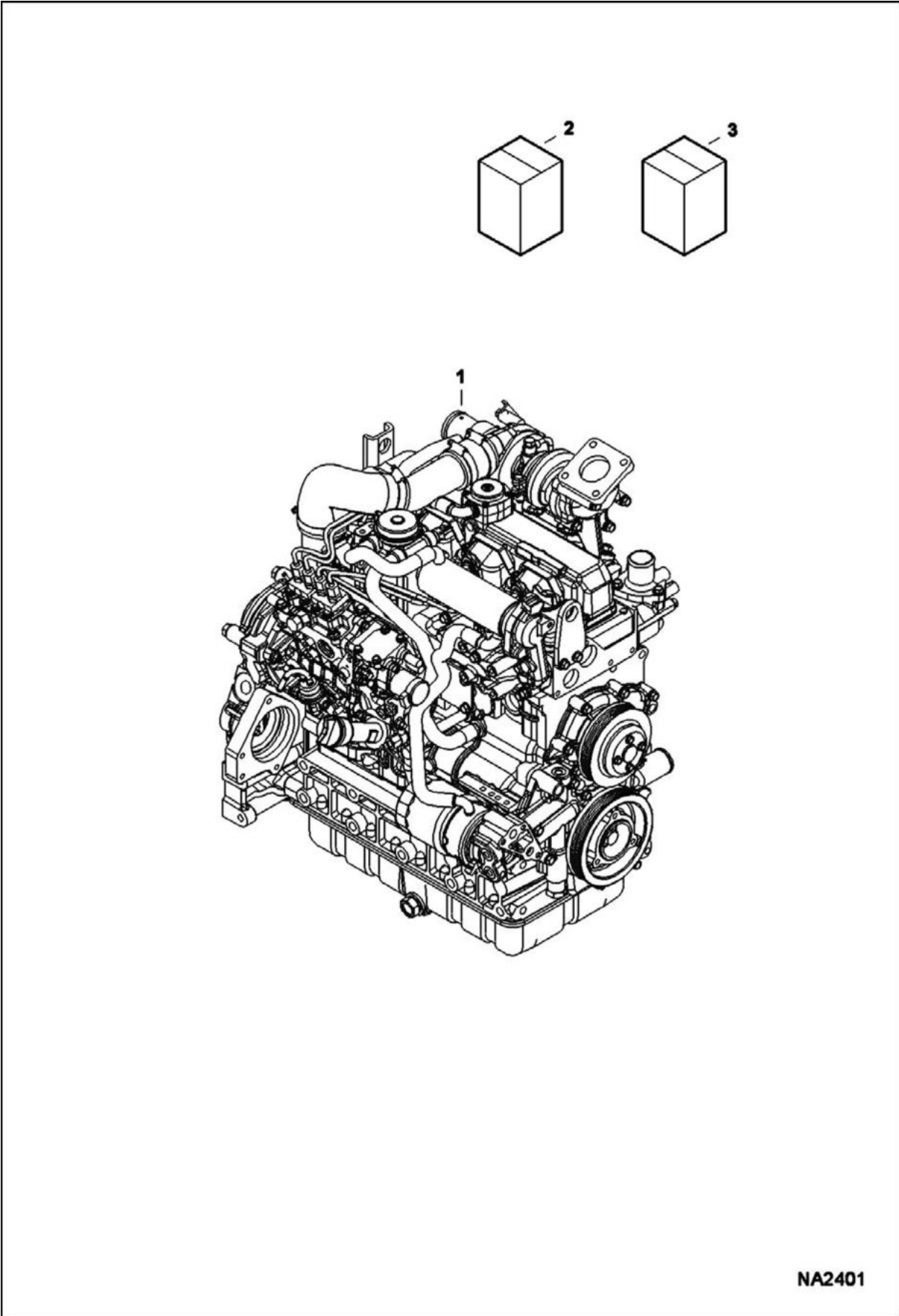


NA2825

ENGINE SPEED CONTROL (Cont'd)
(SJC) (2-Cable)
(S/N A3NT11889 & Above. A3NU11024 & Above)

Ref No	Part Number	Description	Remarks	Serial Number	Qty
52	59CM816	BOLT			1
53		ENGINE	See Illustration ENGINE & GASKET KITS/ NA2401		1
54	59CM820	SCREW HX FLNG W/T 8.8			2

ENGINE & GASKET KITS

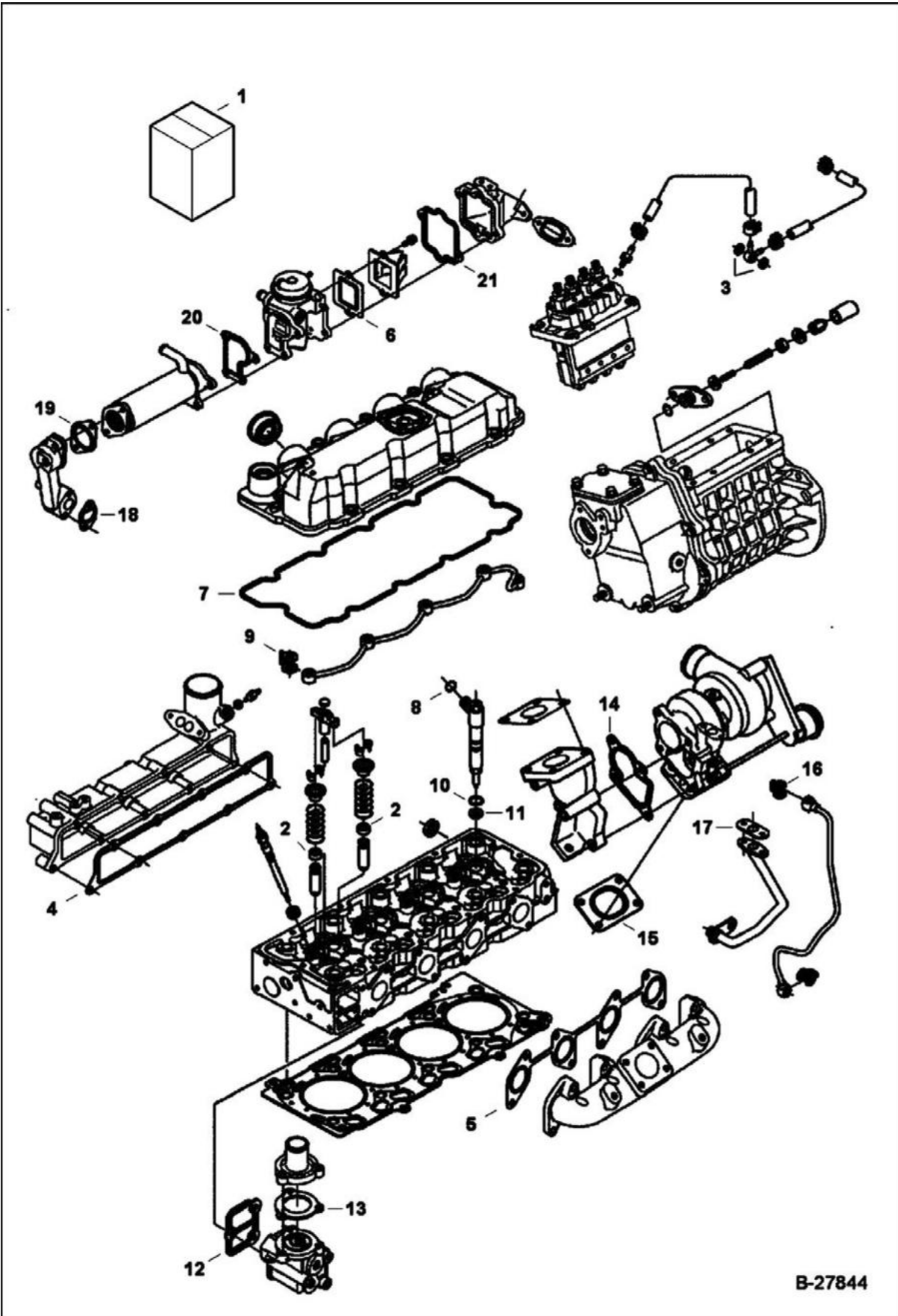


NA2401

ENGINE & GASKET KITS (Cont'd)

Ref No	Part Number	Description	Remarks	Serial Number	Qty
1	6692830	ENGINE, V3307DI-T-E3B- BC-1	V3307		1
2	7008510	KIT, GASKET ENG UPPER	See Illustration ENGINE UPPER GASKET KIT/ B27844		1
3	7008511	KIT, GASKET ENG LOWER	See Illustration ENGINE LOWER GASKET KIT/ B27845		1

ENGINE UPPER GASKET KIT

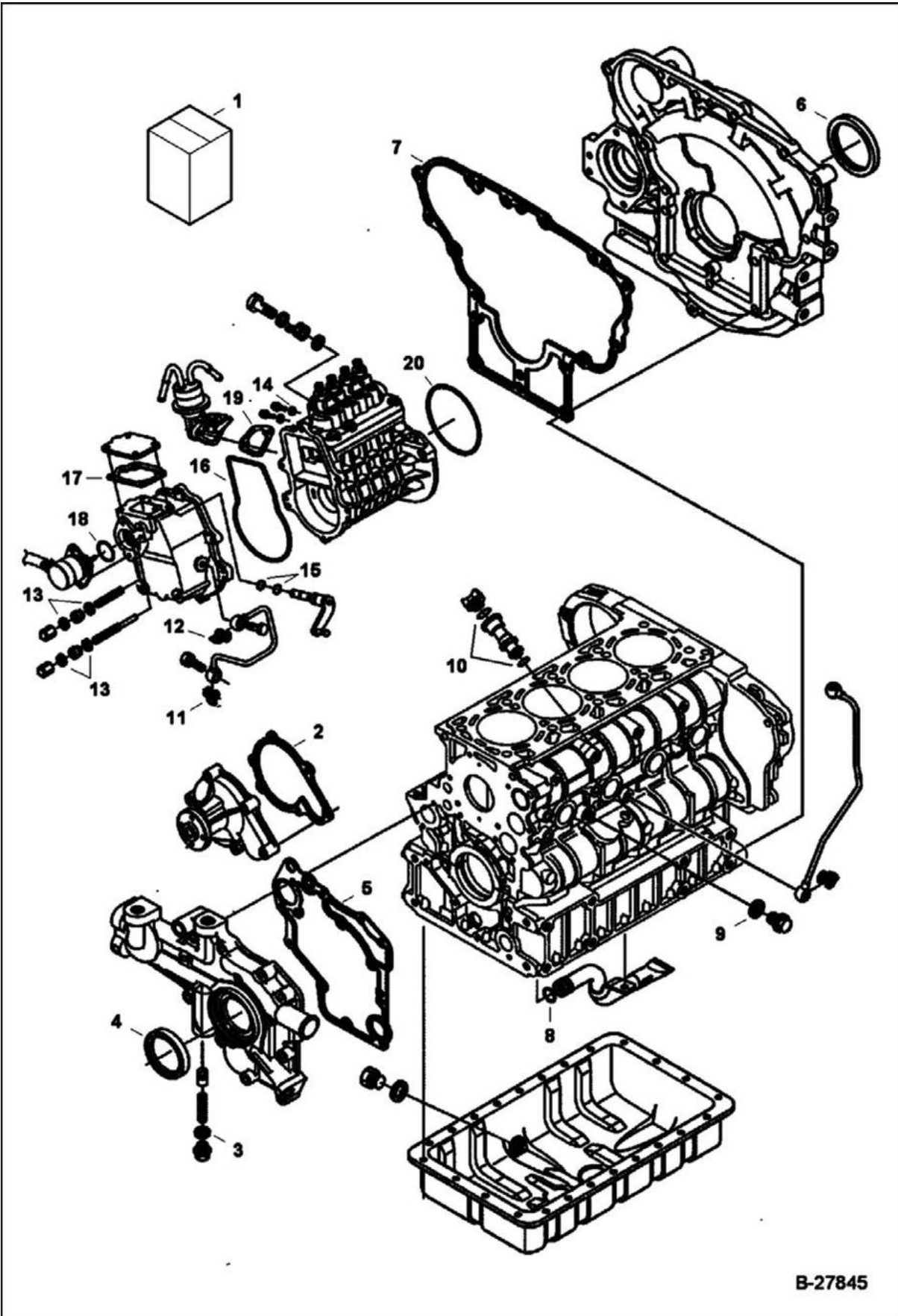


B-27844

ENGINE UPPER GASKET KIT (Cont'd)

Ref No	Part Number	Description	Remarks	Serial Number	Qty
1	7008510	KIT, GASKET ENG UPPER	Ref. 2-21		1
2	6672436	SEAL	See Illustration VALVE & ROCKER ARM/ B27829 - valve stem		16
3	3974095	MET-GASK	See Illustration FUEL & INJECTION PUMP/ B27834		2
4	7008399	GASKET, MANIFOLD INTAKE	See Illustration MANIFOLDS/ B27840		1
5	7008400	GASKET, MANIFOLD EXHAUST	See Illustration MANIFOLDS/ B27840		1
6	7008467	GASKET, EGR VALVE	See Illustration EGR VALVE/ B27842		1
7	7008409	GASKET, ROCKER ARM	See Illustration ROCKER ARM COVER/ B27830		1
8	6680778	O-RING	See Illustration INJECTION NOZZLES/ B27838		4
9	6685498	GASKET	See Illustration INJECTION NOZZLES/ B27838		5
10	7000619	ORING	See Illustration INJECTION NOZZLES/ B27838		4
11	6969824	GASKET, NOZZLE INJ	See Illustration INJECTION NOZZLES/ B27838		4
12	7008448	GASKET, FLANGE WATER	See Illustration WATER PUMP & THERMOSTAT/ B27839		1
13	6680844	GASKET	See Illustration WATER PUMP & THERMOSTAT/ B27839		1
14	7008515	GASKET, TURBO	See Illustration TURBOCHARGER/ B27841 - Was 6687147 [A]		1
15	7008514	GASKET, TURBO	See Illustration TURBOCHARGER/ B27841 - Was 6680893 [A]		1
16	7000642	WASHER, SEALING COPPER	See Illustration TURBOCHARGER/ B27841		1
17	7008516	GASKET	See Illustration TURBOCHARGER/ B27841 - not in kit - can use 6680570		1
17	6680570	GASKET	oil return tube - will replace 7008516		1
18	7000636	GASKET, EGR BASE	See Illustration EGR COOLER/ B27843		1
19	7000635	GASKET, EGR COOLER	See Illustration EGR COOLER/ B27843		1
20	7000633	GASKET, EGR VALVE	See Illustration EGR VALVE/ B27842		1
21	7000634	GASKET, EGR VALVE	See Illustration EGR VALVE/ B27842		1

ENGINE LOWER GASKET KIT

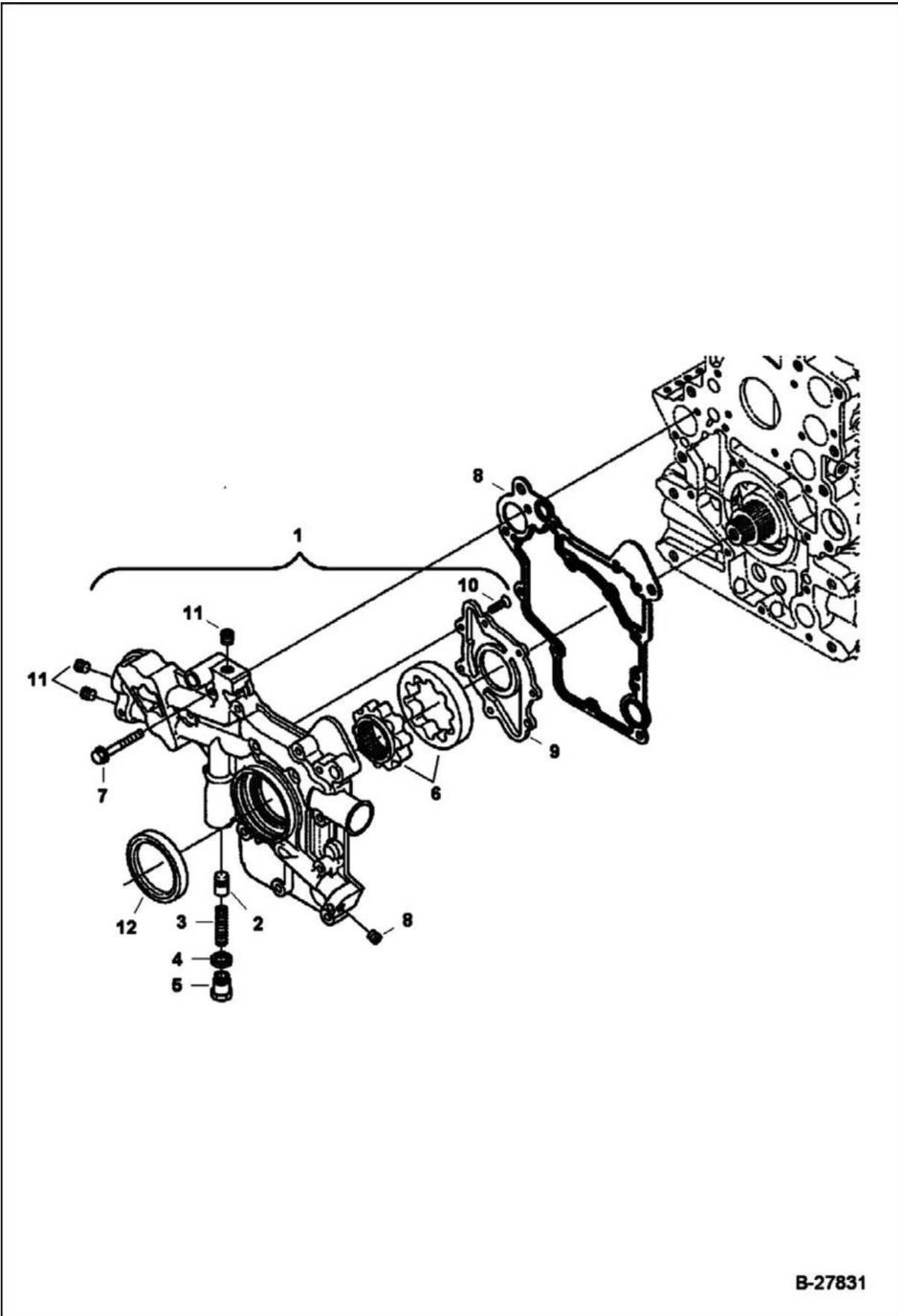


B-27845

ENGINE LOWER GASKET KIT (Cont'd)

Ref No	Part Number	Description	Remarks	Serial Number	Qty
1	7008511	KIT, GASKET ENG LOWER	Ref. 2-20		1
2	7008451	GASKET, PUMP WATER	See Illustration WATER PUMP & THERMOSTAT/ B27839		1
3	6670347	GASKET	See Illustration FRONT COVER/ B27831		1
4	6680680	SEAL	See Illustration FRONT COVER/ B27831		1
5	7008398	GASKET, FRONT COVER	See Illustration FRONT COVER/ B27831		1
6	7008390	SEAL, OIL	See Illustration CRANKCASE/ B27826		1
7	7008461	GASKET, HOUSING	See Illustration CRANKCASE/ B27826		1
8	6686981	O-RING	See Illustration OIL PAN/ B27827		1
9	6652751	GASKET	See Illustration CRANKCASE/ B27826		1
10	6684782	O-RING	See Illustration OIL PAN/ B27827		1
11	6689331	GASKET	See Illustration FUEL & INJECTION PUMP/ B27834		1
12	6685962	WASHER, SEALING ALUMINUM	See Illustration FUEL & INJECTION PUMP/ B27834		1
13	3974972	GASKET	See Illustration INJECTION PUMP/ B27288		4
14	3974095	MET-GASK	See Illustration FUEL & INJECTION PUMP/ B27834		3
15	6683023	O-RING	See Illustration GOVERNOR/ B27836		3
16	6680829	GASKET	See Illustration GOVERNOR/ B27836		1
17	6684841	GASKET	See Illustration GOVERNOR/ B27836		1
18	6685465	O-RING	See Illustration GOVERNOR/ B27836 - stop solenoid		1
19	7010133	GASKET, PUMP FUEL	See Illustration FUEL & INJECTION PUMP/ B27834 Was 6670782 [B]		1
20	7000618	GASKET, PUMP INJ	See Illustration FUEL & INJECTION PUMP/ B27834		1

FRONT COVER

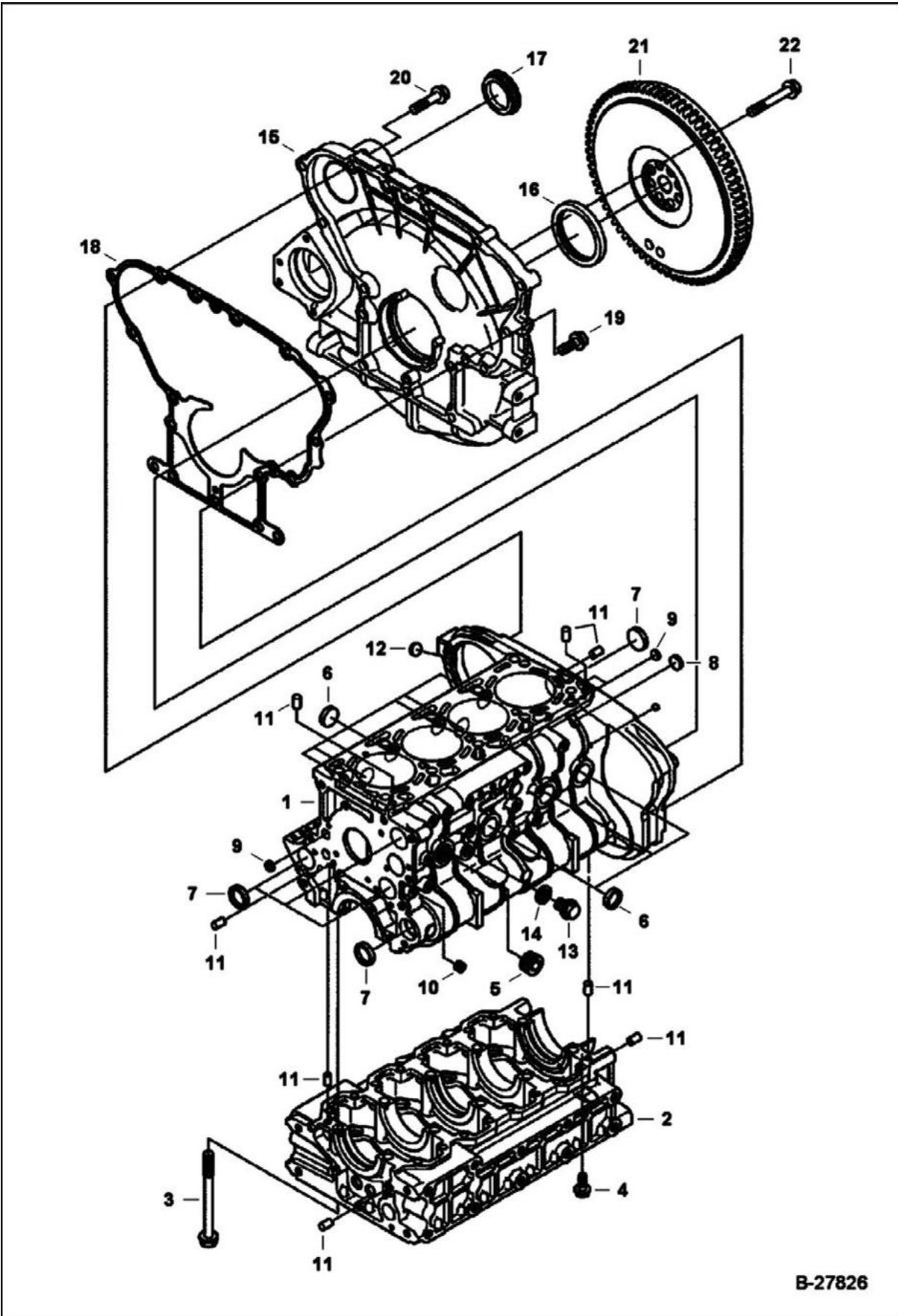


B-27831

FRONT COVER (Cont'd)

Ref No	Part Number	Description	Remarks	Serial Number	Qty
1	7008527	COVER, FRONT	W/Ref. 2-11		1
2	6685929	RELIEF VALVE			1
3	7008518	SPRING			1
4	6670347	GASKET			1
5	7008519	PLUG			1
6	7008440	PUMP, OIL ENG			1
7	7008396	BOLT, FLANGE			13
8	7008398	GASKET, FRONT COVER			1
9	7008441	COVER, PUMP OIL ENG			1
10	6680678	SCREW			7
11	6680679	PLUG			4
12	6680680	SEAL			1

CRANKCASE

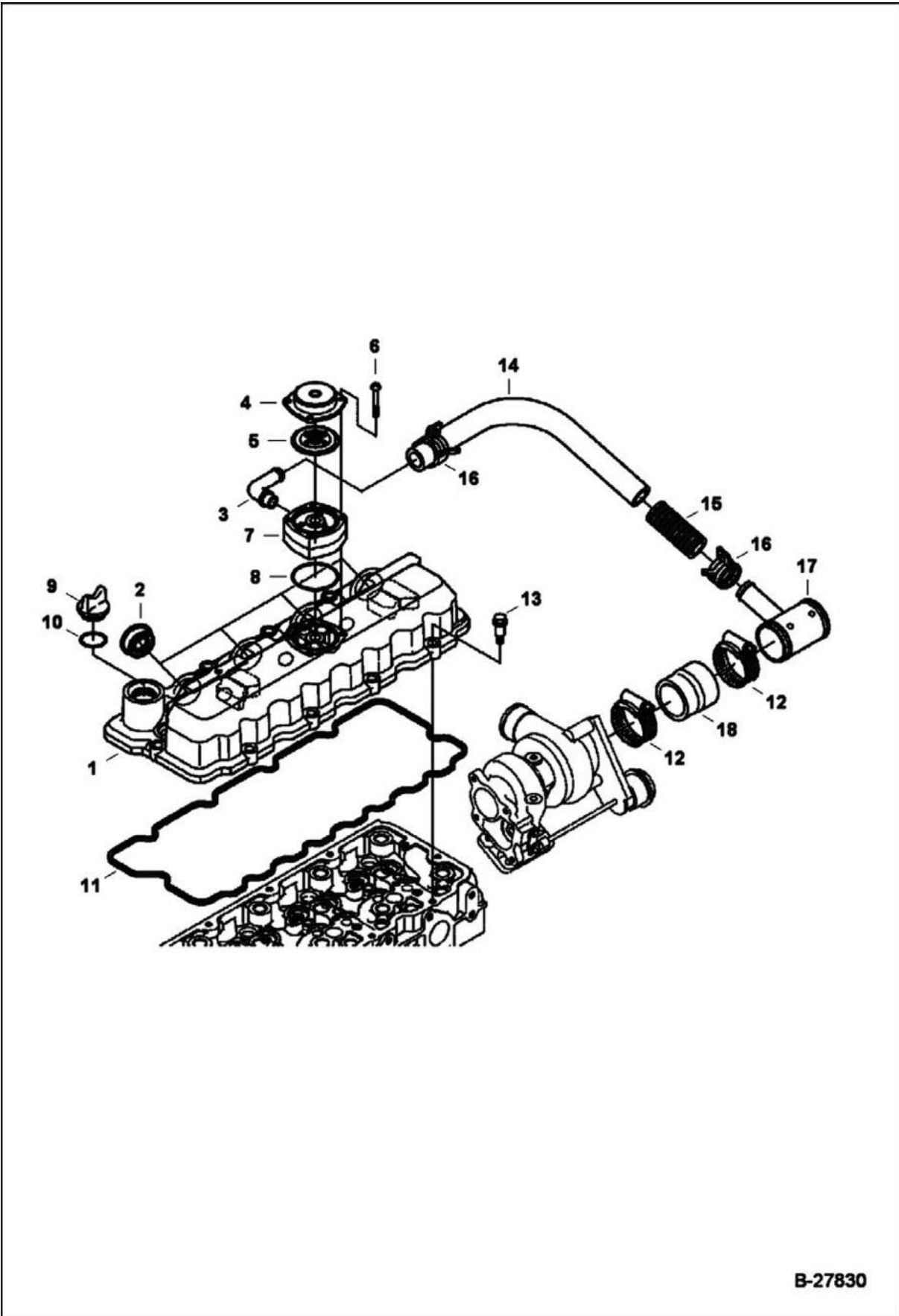


B-27826

CRANKCASE (Cont'd)

Ref No	Part Number	Description	Remarks	Serial Number	Qty
1	7008523	BLOCK, ENG	W/Ref. 2-10		1
2		BLOCK, ENG LOWER	NSS - Order Ref. 1		1
3	7008397	BOLT			10
4	7008453	BOLT, FLANGE			16
5	6672354	PLUG			1
6	3974033	CAP			9
7	3974433	PLUG			5
8	6670338	PLUG			1
9	6680694	PLUG			3
10	6652574	PLUG			1
11	6685918	PIN			8
12	7000600	CAP, SEALING			1
13	6969968	PLUG			1
14	6652751	GASKET			1
15	7008528	HOUSING, FLYWHEEL			1
16	7008390	SEAL, OIL			1
17	7000586	PLUG			1
18	7008461	GASKET, HOUSING			1
19	7008454	BOLT, FLANGE			8
20	7008455	BOLT, FLANGE			8
21	7008535	FLYWHEEL, ENG ASSY	ring gear included		1
21	7000583	GEAR, RING STARTER			1
22	7000615	BOLT, FLYWHEEL			8

ROCKER ARM COVER

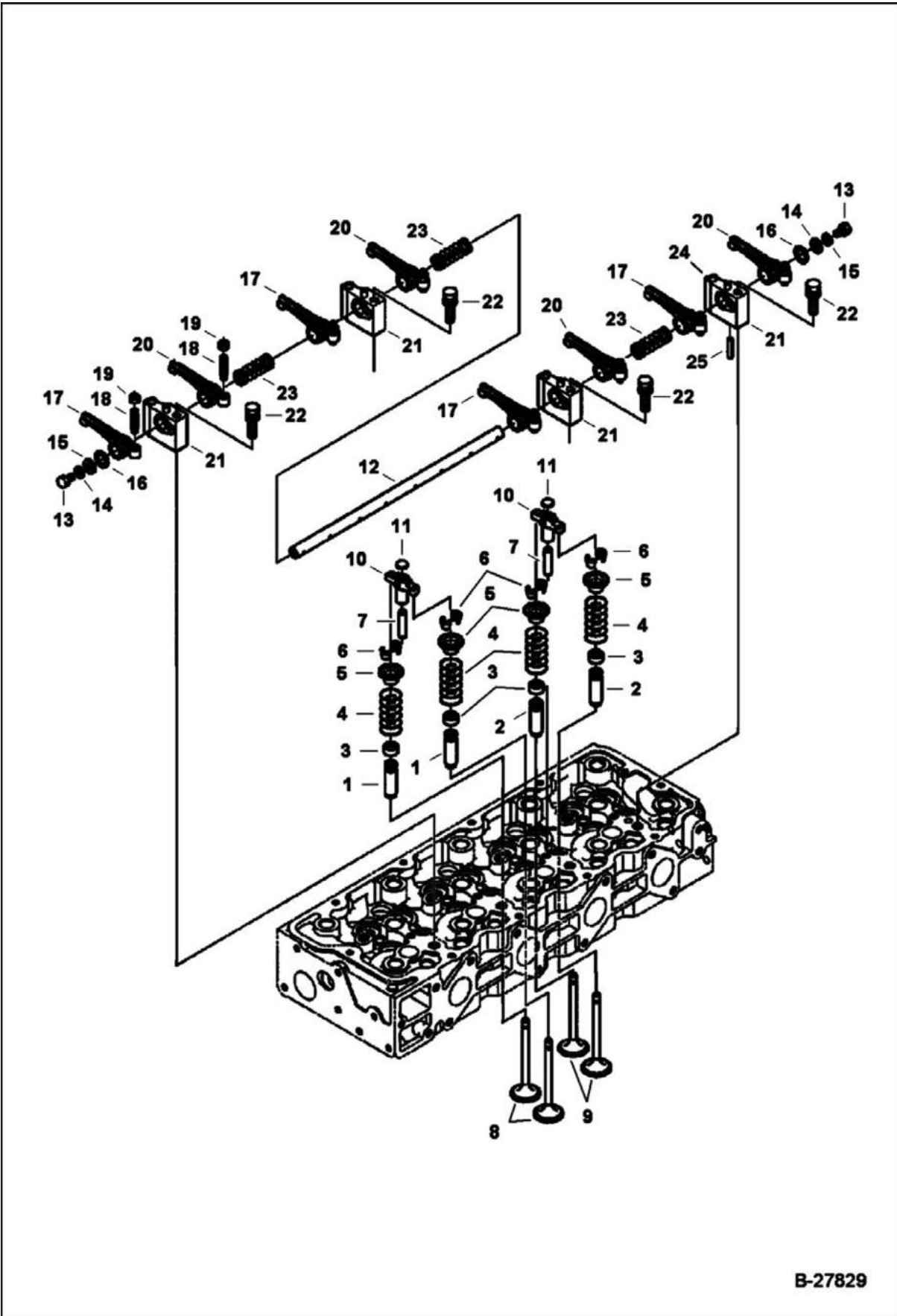


B-27830

ROCKER ARM COVER (Cont'd)

Ref No	Part Number	Description	Remarks	Serial Number	Qty
1	7008533	COVER, HEAD CYL ENG	W/Ref. 2-10		1
1	6657491	ELEMENT			4
2	6680695	SEAL			4
3	7008463	TUBE, BREATHER			1
4	6969803	COVER, BREATHER			1
5	6685087	VALVE			1
6	7008385	SCREW			4
7	7008468	SPACER			1
8	6685581	O-RING			1
9	6685924	CAP			1
10	6683009	O-RING			1
11	7008409	GASKET, ROCKER ARM			1
12	7008543	CLAMP, HOSE			2
13	6684781	BOLT			10
14	7008462	TUBE, BREATHER			1
15	7008491	HOSE, RUBBER			1
16	6684889	CLAMP	Was 6680698 [B]		2
17	7008464	VALVE, AIR BREATHER			1
18	7008465	HOSE, AIR FORMED			1

VALVE & ROCKER ARM

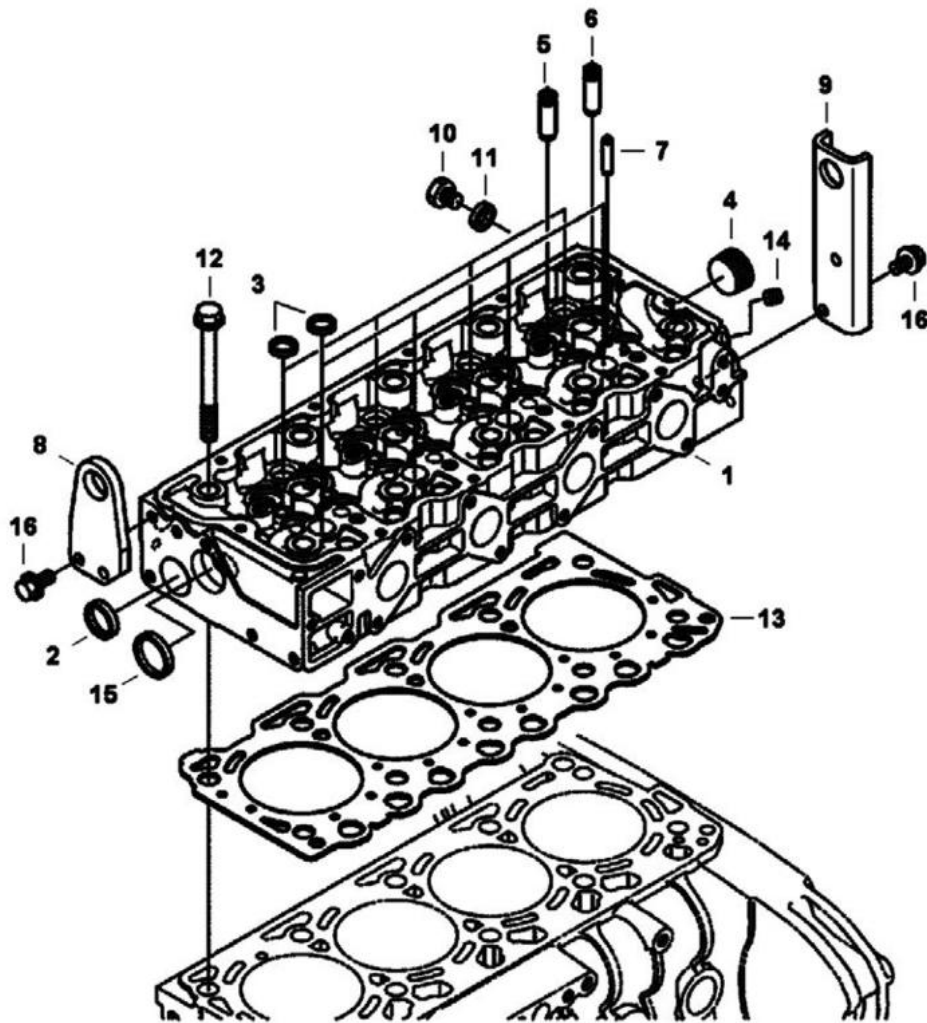


B-27829

VALVE & ROCKER ARM (Cont'd)

Ref No	Part Number	Description	Remarks	Serial Number	Qty
1	6680859	GUIDE			8
2	6685958	GUIDE			8
3	6672436	SEAL	valve stem		16
4	6680863	VALVE SPRING			16
5	6685959	RETAINER			16
6	7008389	RETAINER, VALVE SPRING			16
7	6680866	SHAFT			8
8	7008401	VALVE, INTAKE			8
9	7008402	VALVE, EXHAUST			8
10	6698524	ARM, VALVE BRIDGE			8
11	6680882	PAD			8
12	7008405	SHAFT, ROCKER ARM			1
13	5CM812	BOLT			2
14	6667422	WASHER			2
15	6667451	WASHER	plain		2
16	7008408	WASHER			2
17	7008403	ARM, ROCKER	W/Ref. 18 & 19		4
18	3974920	SCREW			8
19	2DM8	NUT			8
20	7008404	ARM, ROCKER	W/Ref. 18 & 19		4
21	7008407	BRACKET, ROCKER ARM			4
22	7008384	BOLT, FLANGE			4
23	7008406	SPRING, ROCKER ARM			3
24	6680877	PIN			4
25	7000599	PIN			1

CYLINDER HEAD

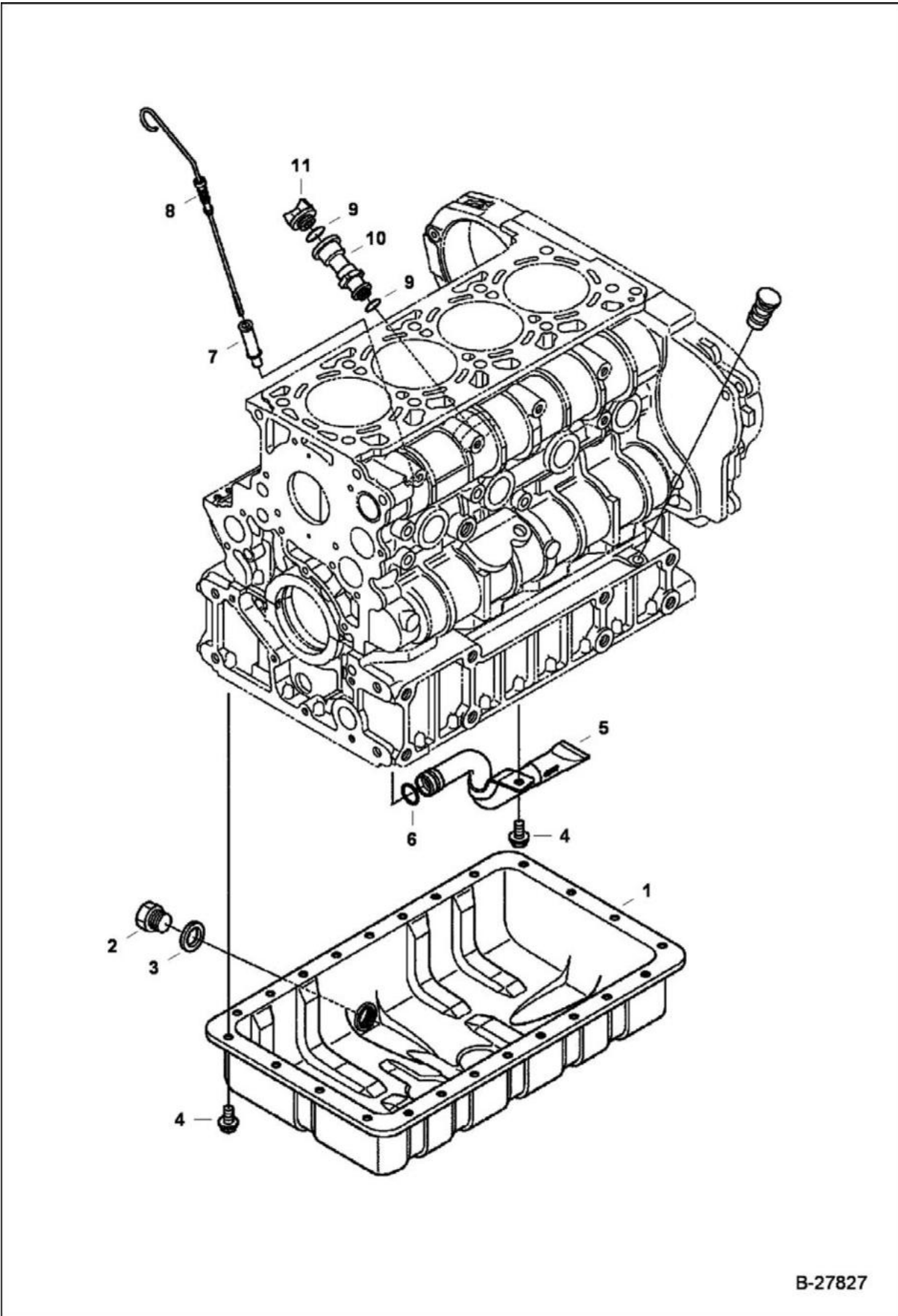


B-27828

CYLINDER HEAD (Cont'd)

Ref No	Part Number	Description	Remarks	Serial Number	Qty
1	7008526	HEAD, CYL ENG	See Illustration VALVE & ROCKER ARM/ B27829 complete W/valves - W/Ref. 2-7 & ILL. B27829 Ref. 1-9		1
2	3974033	CAP			1
3	6670338	PLUG			8
4	6672354	PLUG			1
5	6680859	GUIDE			8
6	6685958	GUIDE			8
7	6680866	SHAFT			8
8	7008457	HOOK, ENG			1
9	7008525	HOOK, ENG			1
10	7000607	PLUG			1
11	6698120	GASKET			1
12	7008397	BOLT			10
13	7008458	GASKET, HEAD	2-notch		1
13	7008459	GASKET, HEAD	1-notch		1
13	7008460	GASKET, HEAD	no notch		1
14	6652574	PLUG			1
15	3974433	PLUG			1
16	6653579	BOLT			4

OIL PAN

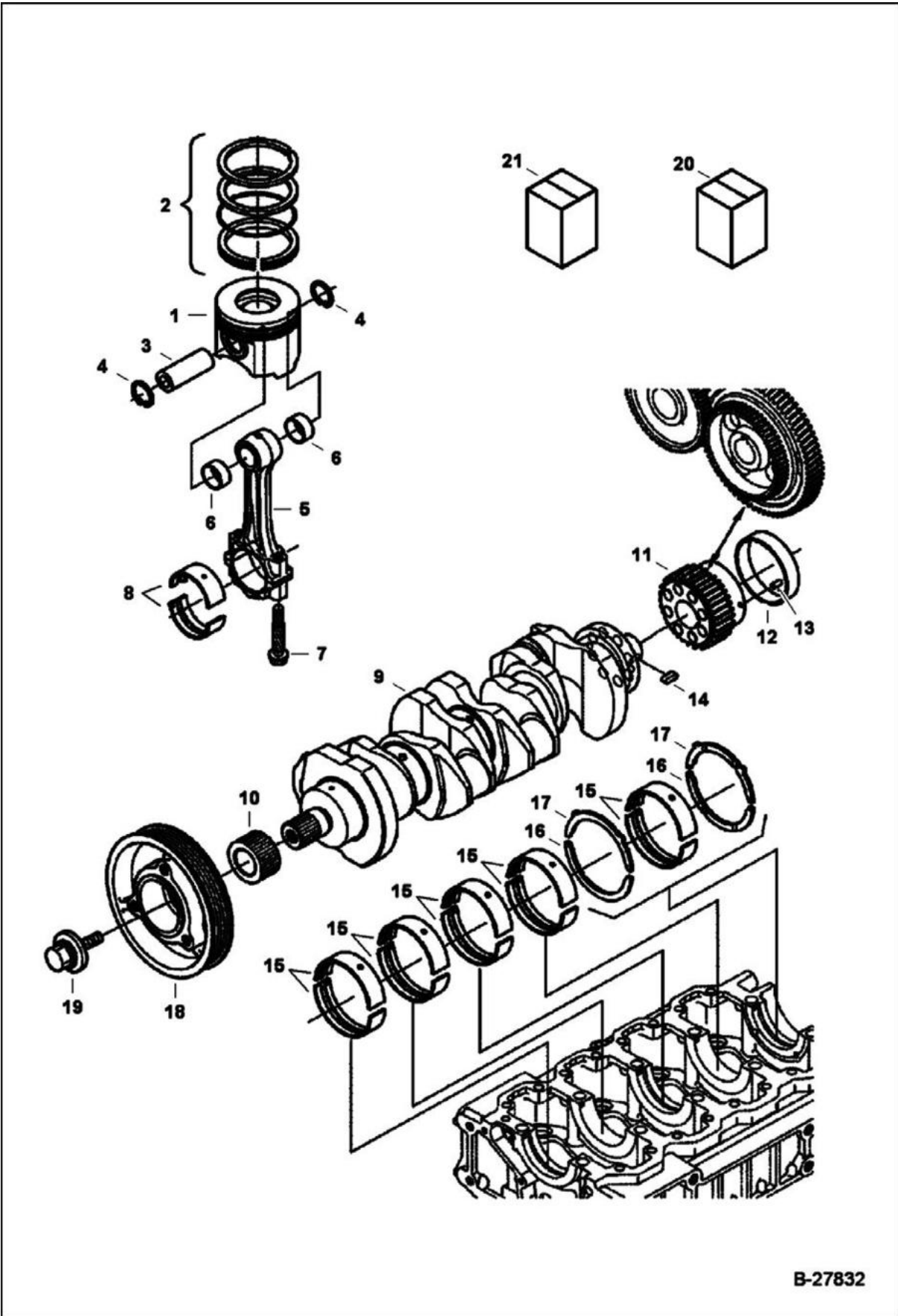


B-27827

OIL PAN (Cont'd)

Ref No	Part Number	Description	Remarks	Serial Number	Qty
1	7008524	PAN, OIL			1
2	6680657	PLUG			1
3	6631046	SEAL			1
4	7001138	BOLT,FLANGE			26
5	7008486	SCREEN, OIL ENG			1
6	6686981	O-RING			1
7	6687904	GUIDE			1
8	7000714	DIPSTICK, OIL ENG			1
9	6683009	O-RING			2
10	6655507	FLANGE			1
11	6685924	CAP			1

PISTON AND CRANKSHAFT

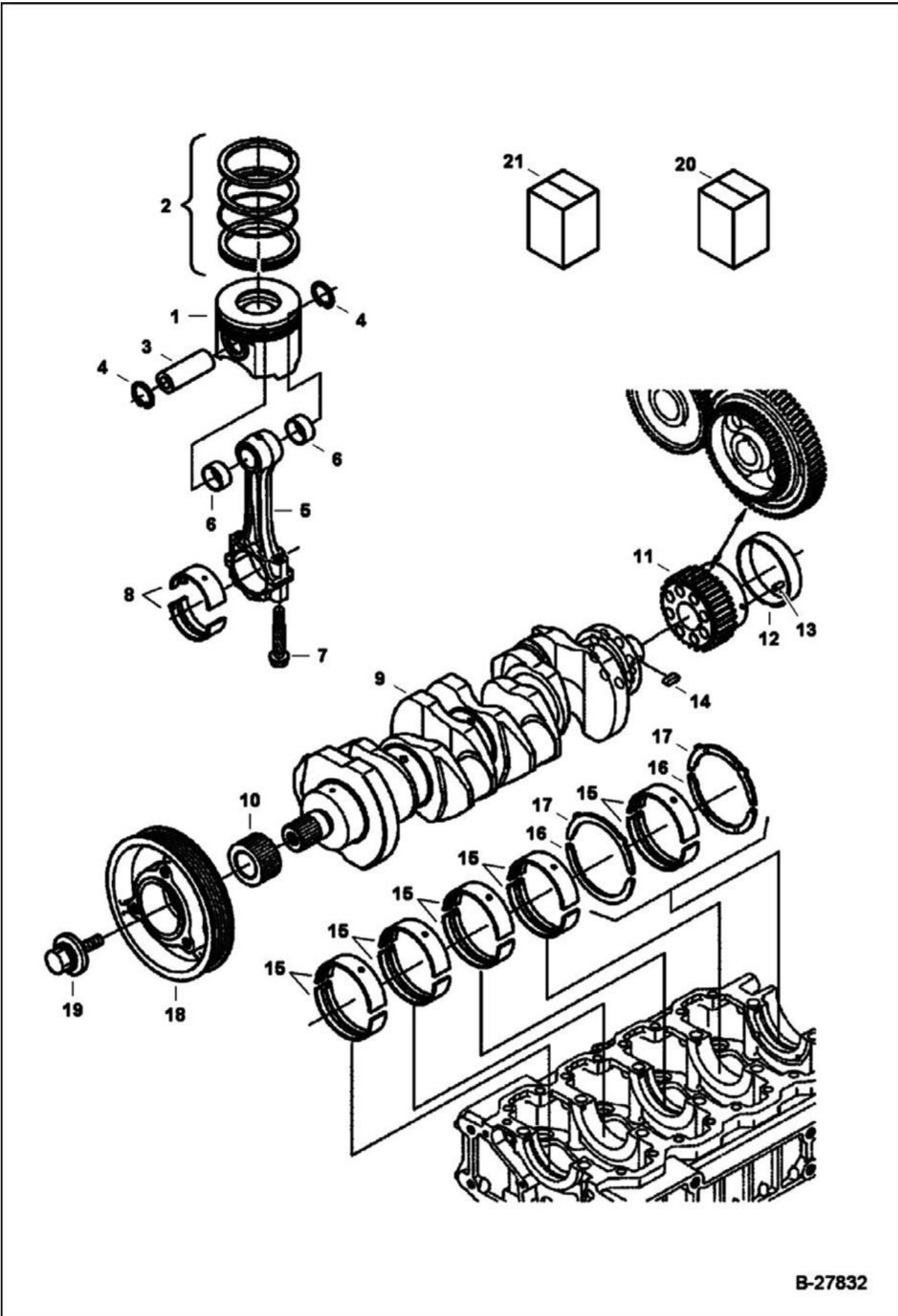


B-27832

PISTON AND CRANKSHAFT (Cont'd)

Ref No	Part Number	Description	Remarks	Serial Number	Qty
1	7008470	PISTON, ENG	(05) std	E/ 9DZ999 & Below	4
1	7022423	PISTON, ENG	(05) std	E/ 9E0001 & Above	4
1	7008471	PISTON, ENG	(05) +0,50 mm	E/ 9DZ999 & Below	4
1	7022426	PISTON, ENG OS	(05) +0,50 mm	E/ 9E0001 & Above	4
1	7008472	PISTON, ENG	(00) std	E/ 9DZ999 & Below	4
1	7022424	PISTON, ENG	(00) std	E/ 9E0001 & Above	4
1	7008475	PISTON, ENG OS	(00) +0,50 mm	E/ 9DZ999 & Below	4
1	7022427	PISTON, ENG OS	(00) +0,50 mm	E/ 9E0001 & Above	4
1	7008476	PISTON, ENG OS	(10) std	E/ 9DZ999 & Below	4
1	7022425	PISTON, ENG	(10) std	E/ 9E0001 & Above	4
1	7008477	PISTON, ENG OS	(10) +0,50 mm	E/ 9DZ999 & Below	4
1	7022428	PISTON, ENG OS	(10) +0,50 mm	E/ 9E0001 & Above	4
2	7008415	RING, PISTON	set		4
2	7008416	RING, PISTON OS	set +0,50 mm		4
3	7008417	PIN, PISTON ENG			4
4	7008386	CIRCLIP			8
5	7008479	ROD, CONNECTING	W/Ref. 6 & 7	E/ 9DZ999 & Below	4
5	7022429	ROD, CONNECTING	W/Ref. 6 & 7	E/ 9E0001 & Above	4
6	7008478	BUSHING, PIN PISTON		E/ 9DZ999 & Below	8
6	7022430	BUSHING, PIN PISTON		E/ 9E0001 & Above	8
7	7008418	BOLT			8
8	7008419	BEARING, ENG ROD CONNECTING	std/blue/set		4
8	7008420	BEARING, ENG ROD CONNECTING	std/set		4
8	7008421	BEARING, ENG ROD CONNECTING	-0,20 mm/green/set		4
8	7008422	BEARING, ENG ROD CONNECTING	-0,40 mm/red/set		4
9	7008534	CRANKSHAFT, ENG	W/Ref. 10		1
10	7000616	GEAR, DRIVE			1
11	7008433	GEAR, CRANKSHAFT	W/Ref. 12 & 13		1
12	7008391	SLEEVE, WEAR			1
13	3974395	PIN			1

PISTON AND CRANKSHAFT (Cont'd)

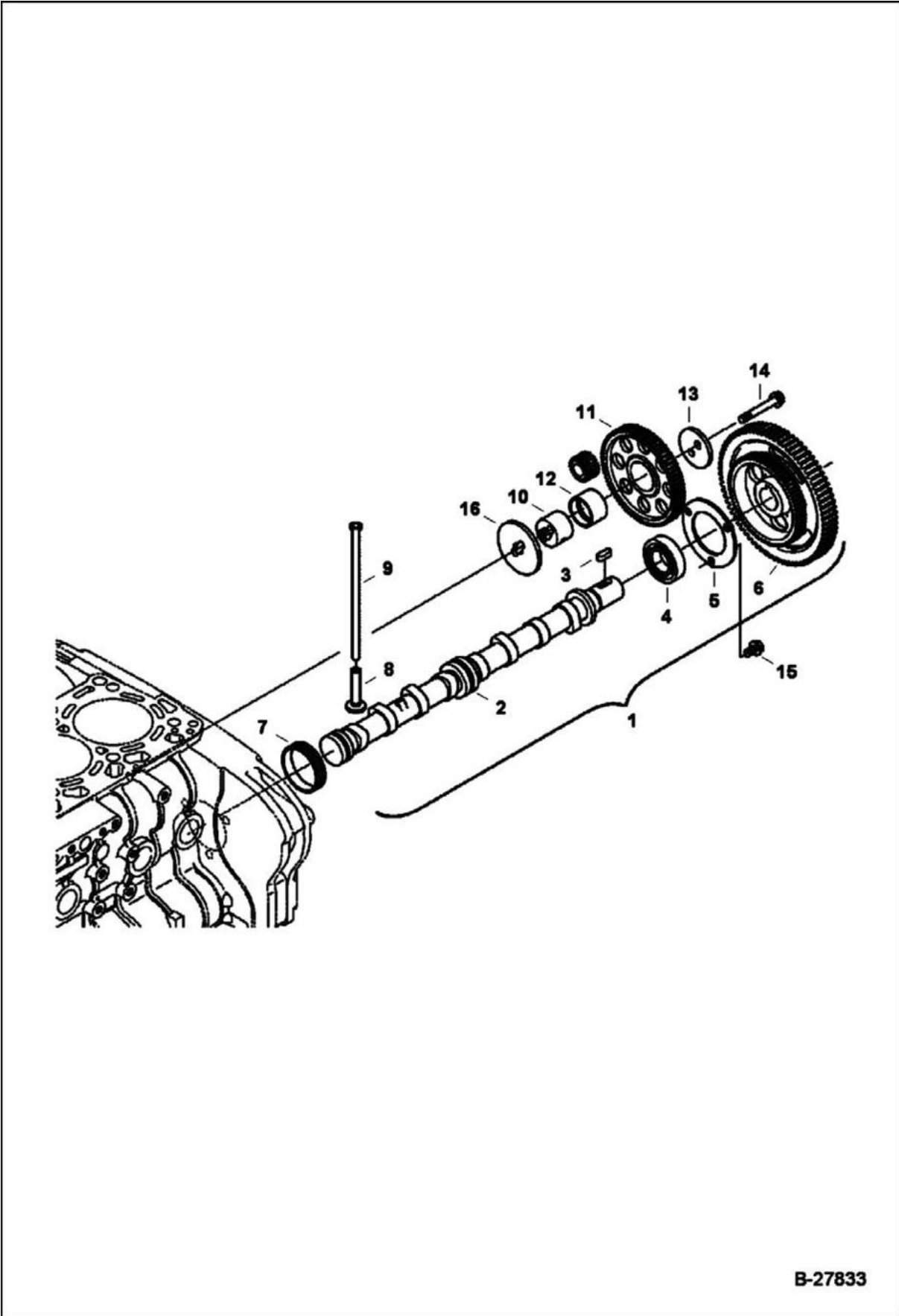


B-27832

PISTON AND CRANKSHAFT (Cont'd)

Ref No	Part Number	Description	Remarks	Serial Number	Qty
14	7000749	KEY, SHAFT	Was 3974546 [B]		1
15	7008423	BEARING, ENG CRANKSHAFT	std		5
15	7008426	BEARING, ENG CRANKSHAFT	-0,20 mm		5
15	7008427	BEARING, ENG CRANKSHAFT	-0,40 mm		5
15	7008480	BEARING, ENG CRANKSHAFT	std		5
15	7008484	BEARING, ENG CRANKSHAFT	-0,20 mm		5
15	7008485	BEARING, ENG CRANKSHAFT	-0,40 mm		5
16	7008424	WASHER, THRUST	std		2
16	7008428	WASHER, THRUST	+0,20 mm		2
16	7008429	WASHER, THRUST	+0,40 mm		2
17	7008425	WASHER, THRUST	std		2
17	7008430	WASHER, THRUST	+0,20 mm		2
17	7008431	WASHER, THRUST	+0,40 mm		2
18	7008542	PULLEY, DRIVE			1
19	7020991	BOLT	Was 7000748 [B]		1
20	7008473	KIT, PISTON	(10) std - Ref. 1-3 & 6	E/ 9DZ999 & Below	4
20	7008474	KIT, PISTON OS	(10) +0,50 mm - Ref. 1-3 & 6	E/ 9DZ999 & Below	4
21	7008481	KIT, BEARING ENG			1
21	7008482	KIT, BEARING ENG	-0,20 mm/+0,20 mm		1
21	7008483	KIT, BEARING ENG	-0,40 mm/+0,40 mm		1

CAMSHAFT AND IDLE GEAR SHAFT

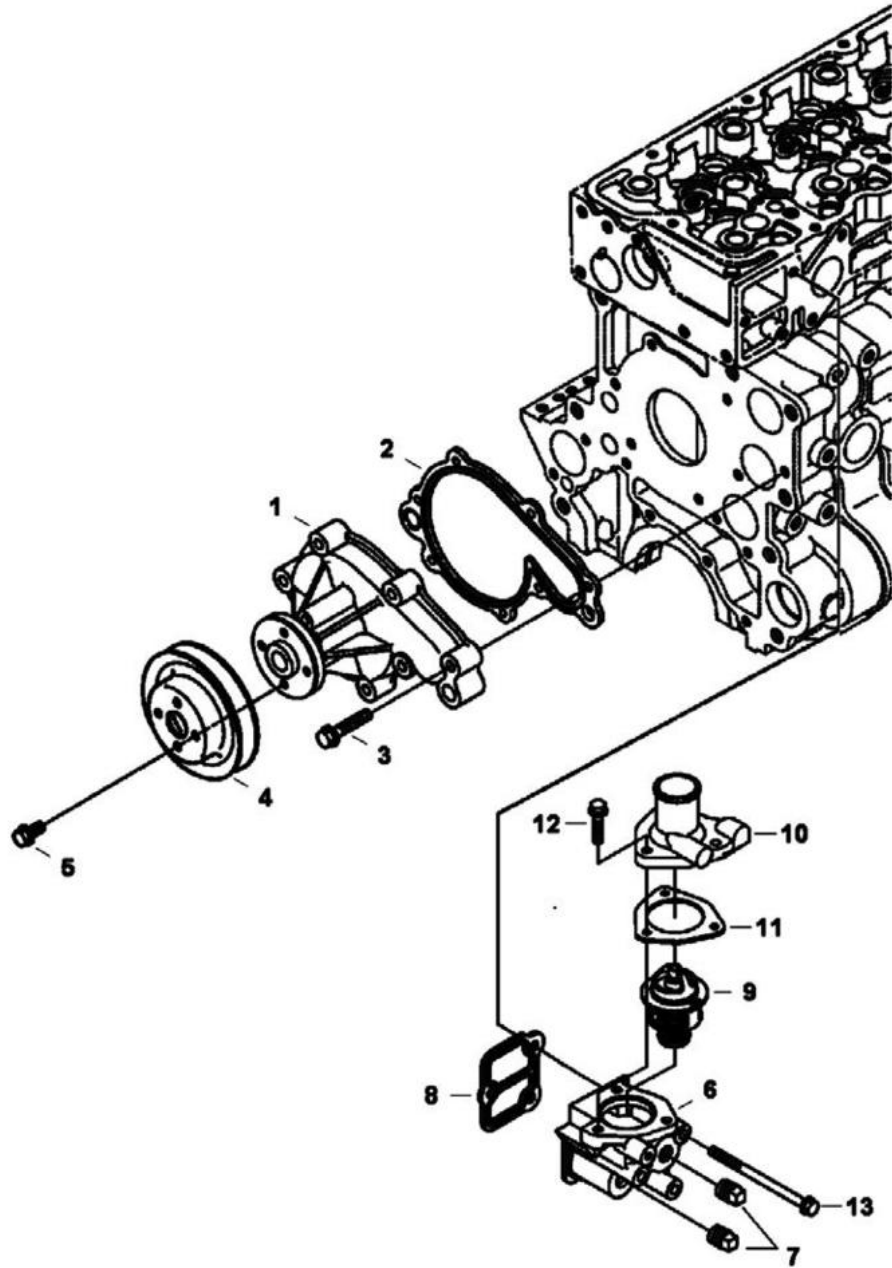


B-27833

CAMSHAFT AND IDLE GEAR SHAFT (Cont'd)

Ref No	Part Number	Description	Remarks	Serial Number	Qty
1	7008411	CAMSHAFT, VALVE	Ref. 2-6		1
2		CAMSHAFT	NSS - Order Ref. 1		1
3	3974546	KEY			1
4	7008388	BEARING, BALL			1
5	7008412	RETAINER, BEARING			1
6	7008414	GEAR, CAMSHAFT			1
7	7008413	CAP, SEALING			1
8	7000612	TAPPET			8
9	7008410	ROD, PUSH			8
10	7008434	SHAFT, GEAR IDLER		E/ 9TZ999 & Below	1
10	7022431	SHAFT, GEAR IDLER		E/ 9U0001 & Above	1
11	7008432	GEAR, IDLER	W/Ref. 12	E/ 9TZ999 & Below	1
11	7022432	GEAR, IDLER	W/Ref. 12	E/ 9U0001 & Above	1
12	7008437	BUSHING, GEAR IDLE			1
13	7008436	COLLAR, GEAR IDLER			1
14	7008456	BOLT, FLANGE		E/ 9TZ999 & Below	2
14	7008396	BOLT, FLANGE		E/ 9U0001 & Above	2
15	7001138	BOLT, FLANGE			3
16	7008435	COLLAR, GEAR IDLER			1

WATER PUMP & THERMOSTAT

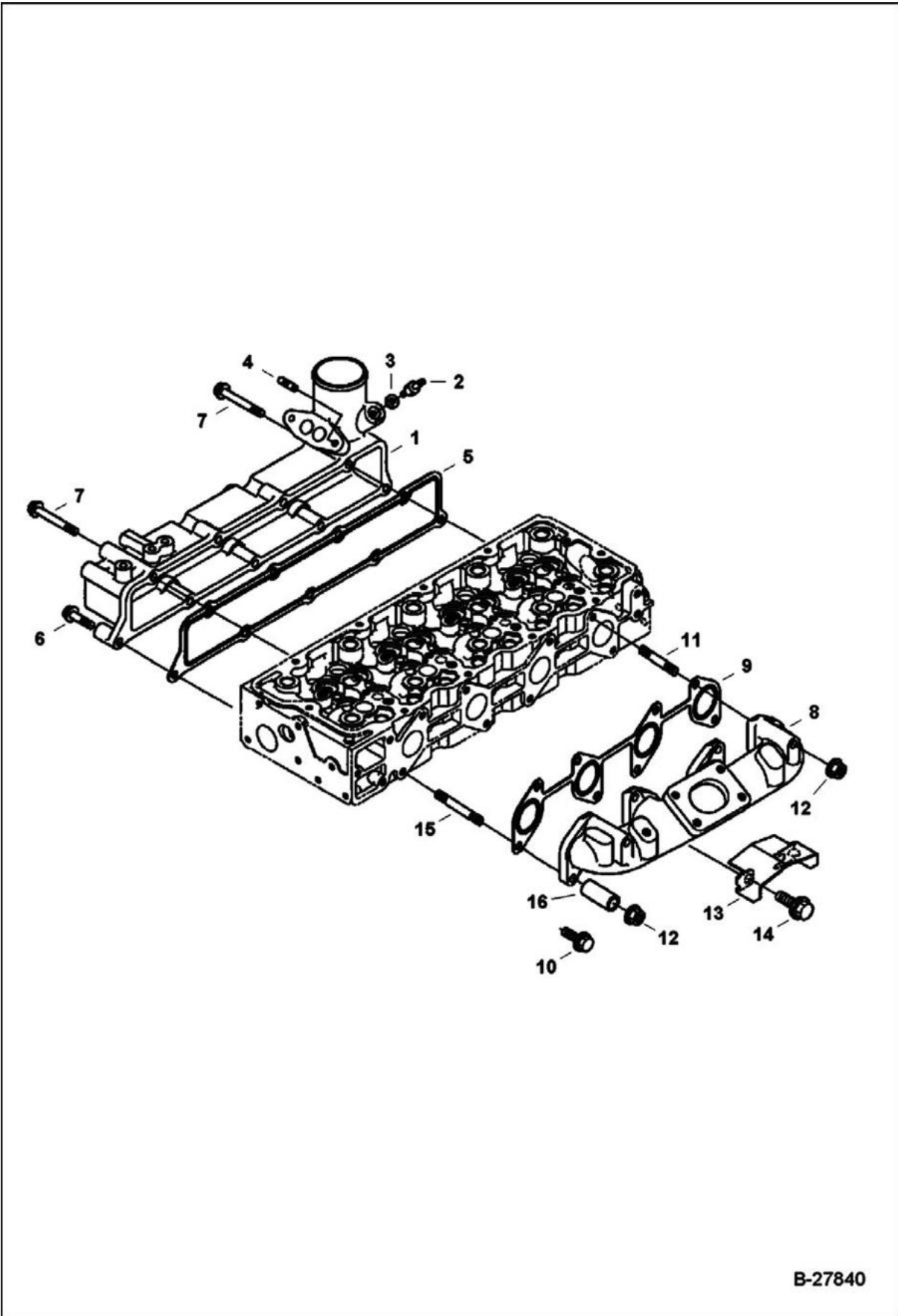


B-27839

WATER PUMP & THERMOSTAT (Cont'd)

Ref No	Part Number	Description	Remarks	Serial Number	Qty
1	7008449	PUMP, WATER			1
2	7008451	GASKET, PUMP WATER			1
3	6689192	BOLT, FLANGE			7
4	7008541	PULLEY, FAN			1
5	6680803	BOLT			4
6	7008539	FLANGE, WATER	W/Ref. 7		1
7	6684857	PLUG			2
8	7008448	GASKET, FLANGE WATER			1
9	6680850	THERMOSTAT			1
10	7008450	COVER, THERMOSTAT			1
11	6680844	GASKET			1
12	6680755	BOLT			3
13	7008382	BOLT			3

MANIFOLDS

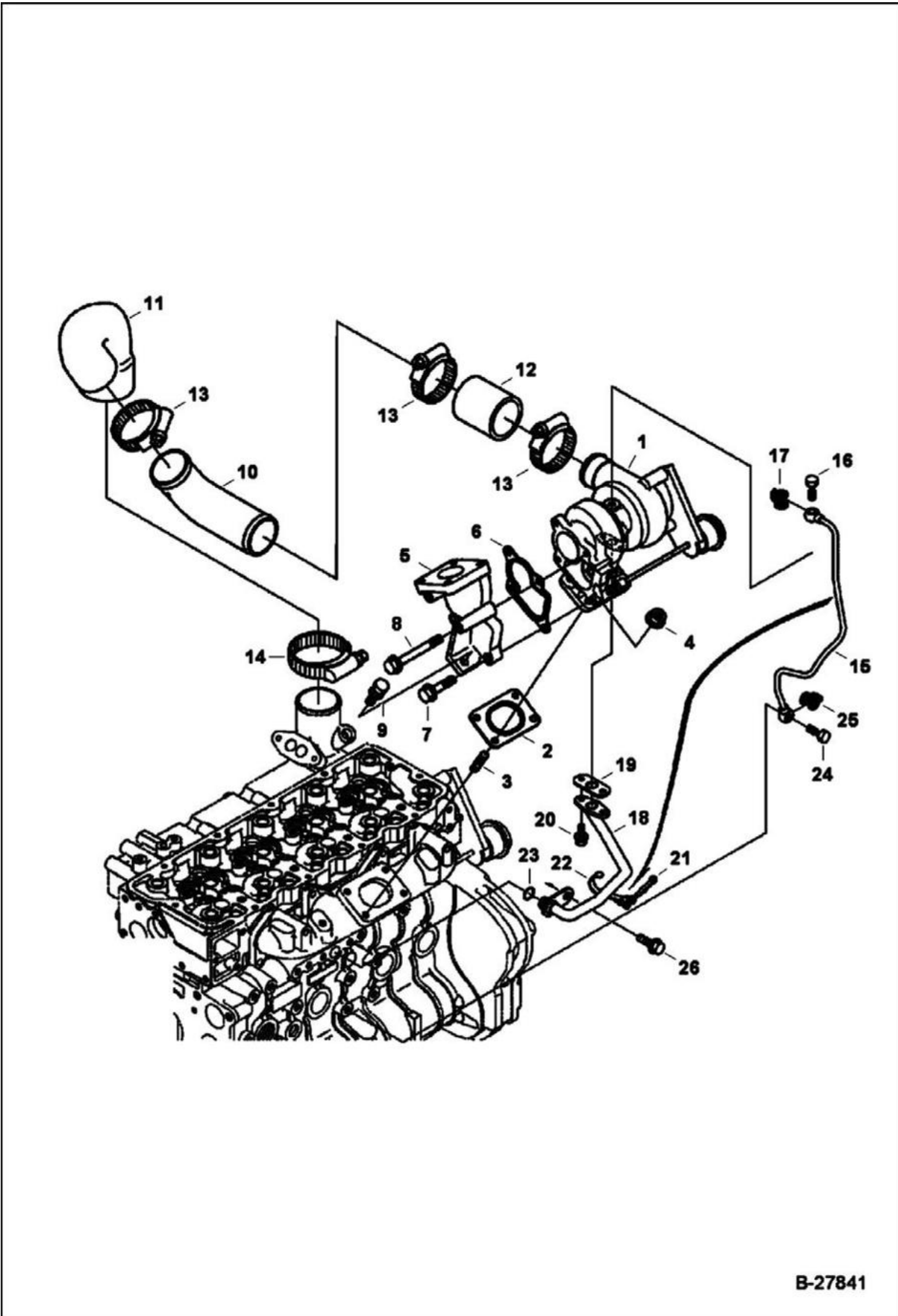


B-27840

MANIFOLDS (Cont'd)

Ref No	Part Number	Description	Remarks	Serial Number	Qty
1	7008466	MANIFOLD, INTAKE	W/Ref. 2-3		1
2	6657446	SCREW			1
3	3974972	GASKET			1
4	6680564	STUD			2
5	7008399	GASKET, MANIFOLD INTAKE			1
6	6689192	BOLT, FLANGE			7
7	7008381	BOLT			2
8	7008531	MANIFOLD, EXHAUST			1
9	7008400	GASKET, MANIFOLD EXHAUST			1
10	7008506	BOLT, FLANGE		E/ AH9999 & Below	6
10	7008506	BOLT, FLANGE		E/ AJ0001 & Above	4
11	7008509	STUD			2
12	6969819	NUT, FLANGE		E/ AH9999 & Below	2
12	6969819	NUT, FLANGE		E/ AJ0001 & Above	4
13	7022434	SHIELD, HEAT	Was 7008522 [A]		1
14	7008383	BOLT, FLANGE			1
15	6653827	STUD	Was 7019302 [A]	E/ AJ0001 & Above	2
16	7019303	SPACER		E/ AJ0001 & Above	2

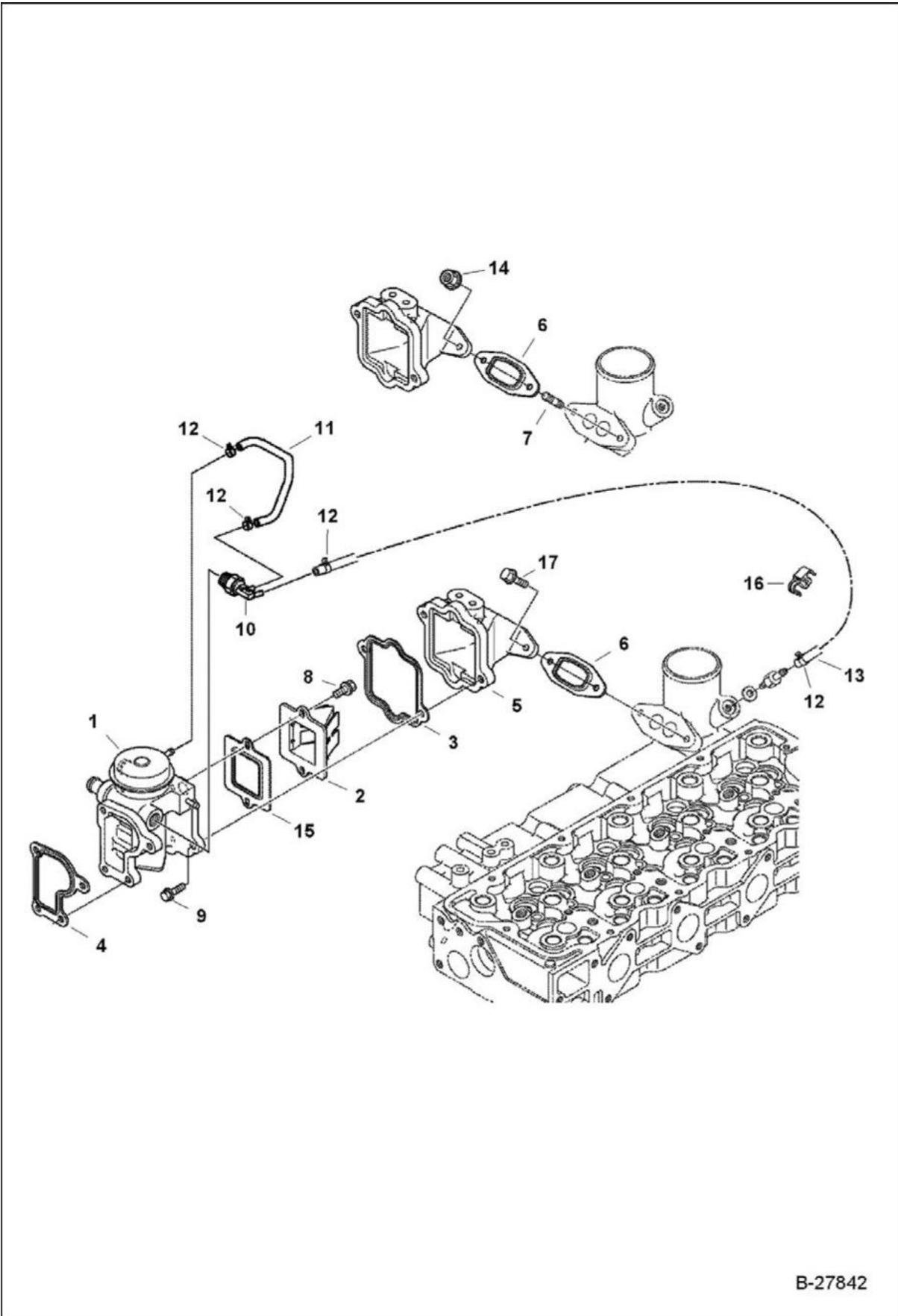
TURBOCHARGER



TURBOCHARGER (Cont'd)

Ref No	Part Number	Description	Remarks	Serial Number	Qty
1	7008469	TURBOCHARGE R			1
2	7008514	GASKET, TURBO			1
3	7008508	STUD			4
4	6969819	NUT, FLANGE			4
5	7008532	FLANGE, MUFFLER			1
6	7008515	GASKET, TURBO			1
7	7008513	BOLT, FLANGE			2
8	7008452	BOLT, FLANGE			2
9	7008507	BOLT			1
10	7008529	PIPE, INTAKE			1
11	7008530	HOSE, AIR INTAKE			1
12	7008521	HOSE, AIR FORMED			1
13	7008543	CLAMP, HOSE			3
14	7008544	CLAMP, HOSE			1
15	7008487	PIPE, OIL			1
16	6680900	BOLT			1
17	7000642	WASHER, SEALING COPPER			1
18	7008488	PIPE, OIL			1
19	7008516	GASKET	oil return tube		1
20	29CM612	BOLT			2
21	6680576	PIN			1
22	6685601	CLAMP			1
23	7008387	O-RING			1
24	6680791	BOLT			1
25	6689331	GASKET			1
26	7008383	BOLT, FLANGE			1

EGR VALVE

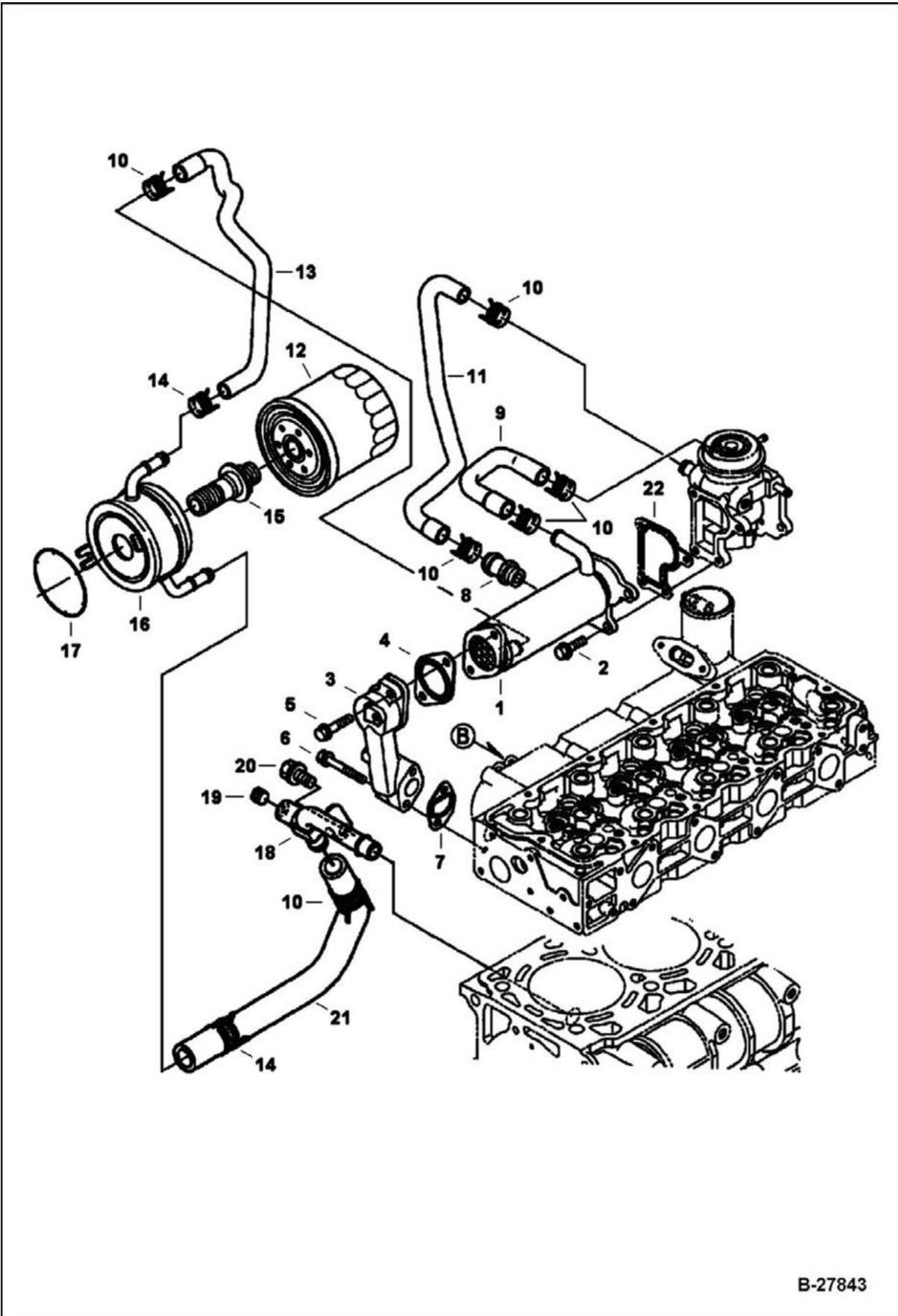


B-27842

EGR VALVE (Cont'd)

Ref No	Part Number	Description	Remarks	Serial Number	Qty
1	7008538	VALVE, EGR			1
2	6698580	VALVE, LEAD			1
3	7000634	GASKET, EGR VALVE			1
4	7000633	GASKET, EGR VALVE			1
5	7000631	FLANGE, EGR			1
6	7000632	GASKET EGR INLET			1
7	6680564	STUD		E/ 9TZ999 & Below	2
8	6680803	BOLT			2
9	6680801	BOLT			2
10	6698585	VALVE, THERMOSTATIC			1
11	7012014	HOSE, VACUUM	Was 7000641 [B]		1
12	6657556	BAND			4
13	7008505	HOSE, VACUUM			1
14	6969819	NUT, FLANGE		E/ 9TZ999 & Below	2
15	7008467	GASKET, EGR VALVE			1
16	7012013	CLAMP, HOSE		E/ 8Q0001 & Above	2
17	7001139	BOLT, FLANGE		E/ 9U0001 & Above	2

EGR COOLER

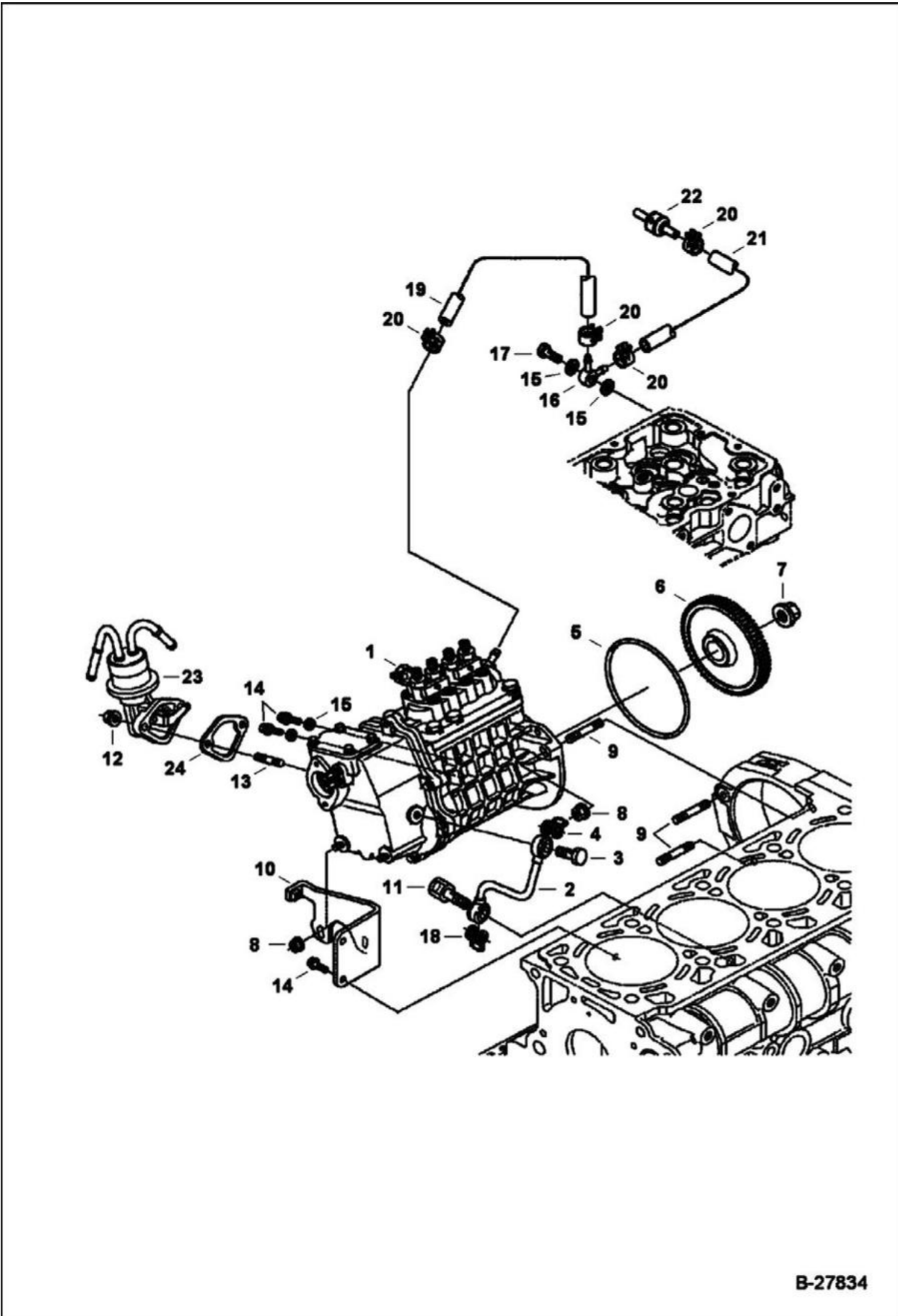


B-27843

EGR COOLER (Cont'd)

Ref No	Part Number	Description	Remarks	Serial Number	Qty
1	7008501	EXCHANGER, EGR			1
2	6680801	BOLT			4
3	7008512	BASE, EGR COOLER			1
4	7000635	GASKET, EGR COOLER			1
5	6680755	BOLT			2
6	6680845	BOLT			2
7	7000636	GASKET, EGR BASE			1
8	6680646	ADAPTER			1
9	7008503	HOSE, WATER FORMED			1
10	6675618	CLAMP			6
11	7008504	HOSE, WATER FORMED			1
12	6678233	FILTER, OIL ENG 12			1
13	7008502	HOSE, WATER FORMED			1
14	6684889	CLAMP			2
15	7008490	CONNECTOR			1
16	7008489	EXCHANGER, OIL ENG			1
17	6698244	ORING			1
18	7008540	PIPE, OIL			1
19	7008393	PLUG			1
20	7008380	BOLT		E/ 8RZ999 & Below	1
20	6685109	BOLT, FLANGE		E/ 8S0001 & Above	1
21	7008536	HOSE, WATER FORMED	W/Ref. 10 & 14		1
22	7000633	GASKET, EGR VALVE			1

FUEL & INJECTION PUMP

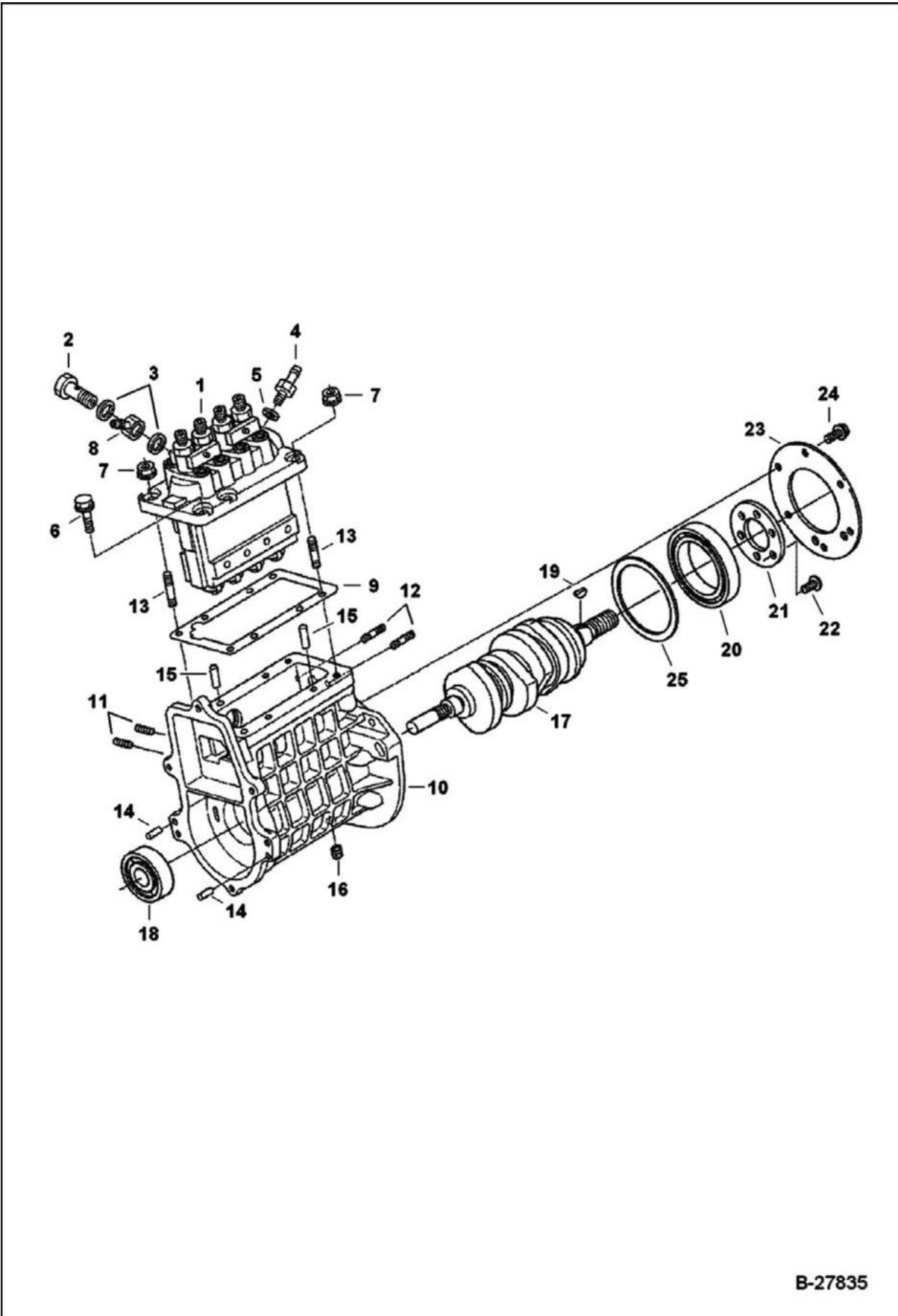


B-27834

FUEL & INJECTION PUMP (Cont'd)

Ref No	Part Number	Description	Remarks	Serial Number	Qty
1	7020827	PUMP, FUEL INJ	assy - Was 7008537 [A]		1
2	7008438	PIPE, OIL			1
3	6680900	BOLT			1
4	6685962	WASHER, SEALING ALUMINUM			1
5	7000618	GASKET, PUMP INJ			1
6	7008443	GEAR, PUMP INJ		E/ 8RZ999 & Below	1
6	7022433	GEAR, PUMP INJ		E/ 8S0001 & Above	1
7	7000613	NUT			1
8	6969819	NUT, FLANGE			5
9	7021003	STUD	Was 6685919 [B]		3
10	7008444	BRACKET, PUMP INJ			1
11	7008439	BOLT, JOINT			1
12	6670533	NUT			2
13	6680264	STUD			2
14	6680662	BOLT			4
15	3974095	MET-GASK			4
16	7008517	FITTING, BANJO			1
17	6680791	BOLT			1
18	6689331	GASKET			1
19	7000605	TUBE, FUEL LINE ASSY			1
20	6654718	CLAMP			4
21	7000604	TUBE, FUEL LINE ASSY			1
22	6680796	VALVE			1
23	7000767	PUMP, FUEL			1
24	7010133	GASKET, PUMP FUEL	Was 6670782 [B]		1

INJECTION PUMP (Fuel Camshaft)

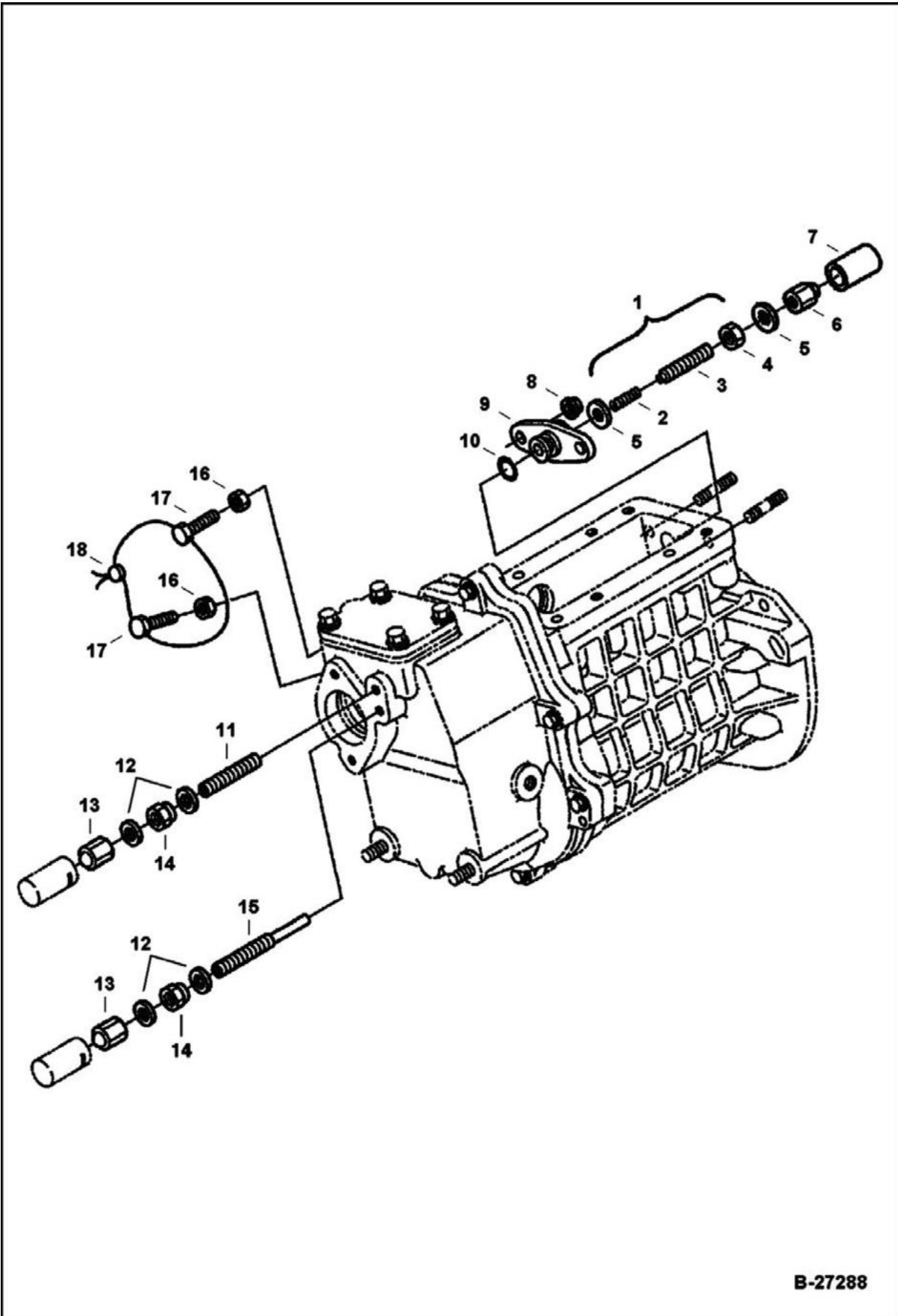


B-27835

INJECTION PUMP (Cont'd) (Fuel Camshaft)

Ref No	Part Number	Description	Remarks	Serial Number	Qty
1	7008493	PUMP, FUEL INJ	W/Ref. 2 & 3		1
2	7001499	BOLT, EYE			1
3	6698120	GASKET			2
4	7000609	SCREW, AIR BLEEDER			1
5	3974095	MET-GASK			2
6	6680755	BOLT			4
7	6969819	NUT, FLANGE			2
8	6513707	JOINT			1
9	6684829	SHIM			1
10	7008492	HOUSING, PUMP INJ	W/Ref. 11-16	E/ 8VZ999 & Below	1
10	7012012	HOUSING, PUMP INJ	W/Ref. 11 & 13-16	E/ 8W0001 - 9F9999	1
10	7020994	HOUSING, PUMP INJ	W/Ref. 11 & 13-16	E/ 9G0001 & Above	1
11	7020989	STUD	for harness bracket - Was 6598156 [B]		2
12	7000606	STUD		E/ 8VZ999 & Below	2
13	6652670	STUD			2
14	6680809	PIN			2
15	3974394	PIN			2
16	6680667	PLUG			1
17	7000628	CAMSHAFT, FUEL			1
18	7000637	BEARING, BALL			1
19	6680813	KEY			1
20	7000617	BEARING, BALL			1
21	7000614	RETAINER, BEARING			1
22	7000594	SCREW			6
23	7000629	RETAINER, BEARING	W/7 holes	E/ 8VZ999 & Below	1
23	7010592	RETAINER, BEARING	W/6 holes and 1 notch	E/ 8W0001 - 9F9999	1
23	7020993	RETAINER	W/8 holes	E/ 9G0001 & Above	1
24	29CM612	BOLT			6
25	7020986	COLLAR		E/ 9G0001 & Above	1

INJECTION PUMP (Adjustment Bolts)

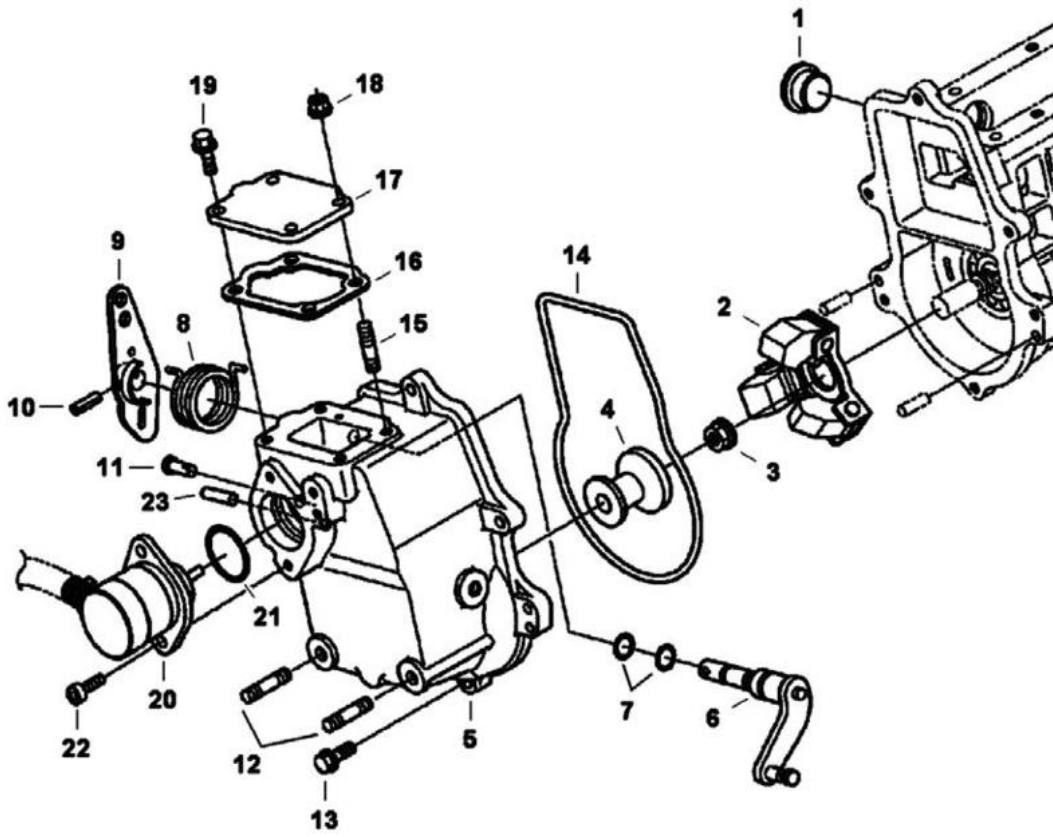


B-27288

INJECTION PUMP (Cont'd)
(Adjustment Bolts)

Ref No	Part Number	Description	Remarks	Serial Number	Qty
1	7008394	BOLT, ADJUSTMENT ASSY	Ref. 2-4	E/ 8TZ999 & Below	1
1	7012049	BOLT, ADJUSTMENT ASSY	Ref. 2-4	E/ 8U0001 & Above	1
2	7008395	SPRING			1
3		BOLT, ADJUSTMENT	NSS - Order Ref. 1		1
4	3974425	NUT			1
5	3974095	MET-GASK			1
6	3974978	NUT			1
7	3974979	CAP			1
8	6670533	NUT		E/ 8VZ999 & Below	2
9	7000621	BRACKET, BOLT ADJUSTING		E/ 8VZ999 & Below	1
10	7000731	O-RING		E/ 8VZ999 & Below	1
11	7000589	BOLT, ADJUSTING			1
12	3974972	GASKET			4
13	6657470	NUT			2
14	6680272	NUT			2
15	7000620	BOLT, ADJUSTING			1
16	1DM6	NUT			2
17	7008446	BOLT, ADJUSTING			2
18		WIRE, SECURITY	NAP		1

GOVERNOR

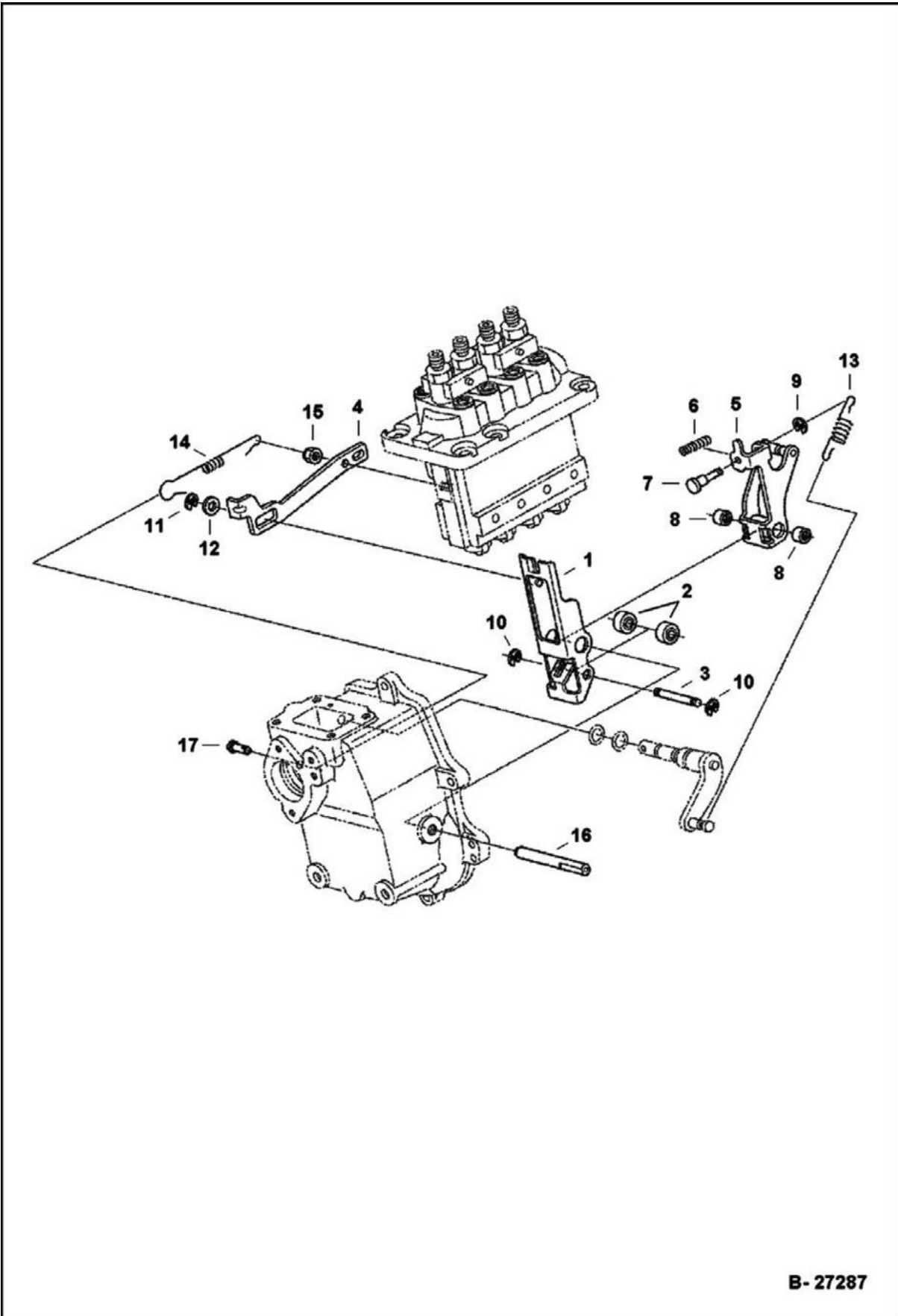


B-27836

GOVERNOR (Cont'd)

Ref No	Part Number	Description	Remarks	Serial Number	Qty
1	6680757	COVER			1
2	7000638	WEIGHT, GOVERNOR			1
3	6680759	NUT			1
4	7000622	SLEEVE, GOVERNOR			1
5	7021007	HOUSING, GOVERNOR	Was 7000768 [B]		1
6	7000623	LEVER, GOVERNOR			1
7	6683023	O-RING			2
8	7000625	SPRING, SPEED CONTROL			1
9	7020992	LEVER, SPEED CONTROL	Was 7000640 [B]		1
10	6680769	PIN			1
11	6652592	PIN			1
12	6680828	STUD			2
13	6680830	BOLT			6
14	6680829	GASKET			1
15	6683087	STUD			1
16	6684841	GASKET			1
17	6685500	COVER			1
18	6670533	NUT			1
19	29CM612	BOLT			3
20	7000769	SOLENOID, SHUTOFF FUEL	W/ 240 mm (9.45") lead		1
21	6685465	O-RING			1
22	6680533	BOLT			2
23	6680775	PIN			1

GOVERNOR (Fork Lever)

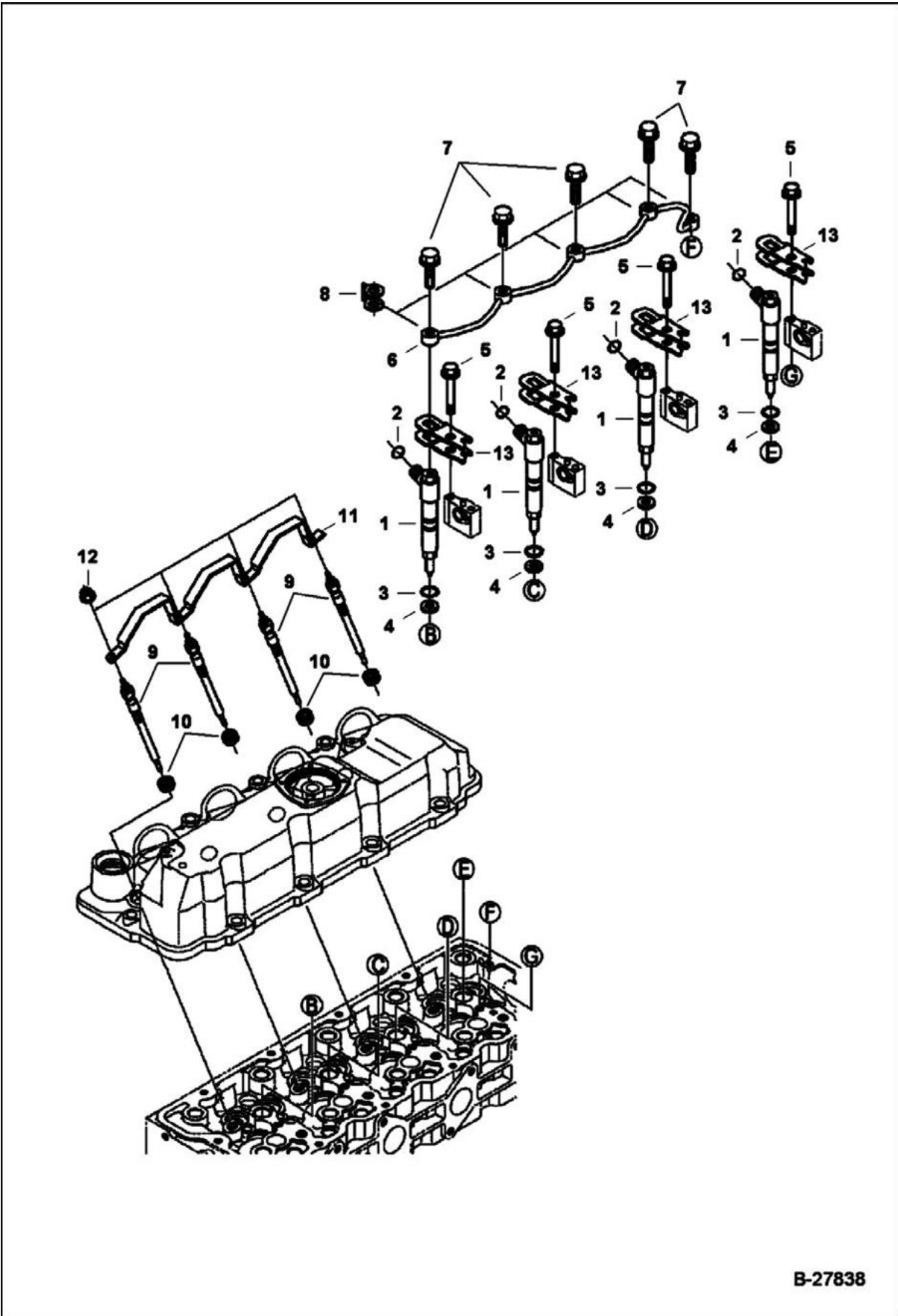


B- 27287

GOVERNOR (Cont'd)
(Fork Lever)

Ref No	Part Number	Description	Remarks	Serial Number	Qty
1	7000639	LEVER, FORK	W/Ref. 2-12		1
2		BEARING	NSS - Order Ref. 1		2
3		SHAFT	NSS - Order Ref. 1		1
4		BRACKET	NSS - Order Ref. 1		1
5		LEVER	NSS - Order Ref. 1		1
6		SPRING	NSS - Order Ref. 1		1
7		PIN	NSS - Order Ref. 1		1
8		BUSHING	NSS - Order Ref. 1		1
9	6680823	SNAP RING			1
10	6680822	SNAP RING			2
11	6680821	SNAP RING			1
12	6680820	WASHER			1
13	7008520	SPRING, GOVERNOR			1
14	7008499	SPRING, START			1
15	6685952	NUT			1
16	7000624	SHAFT, FORK LEVER		E/ 9F9999 & Below	1
16	7020987	SHAFT, FORK LEVER		E/ 9G0001 & Above	1
17	6652592	PIN			1

INJECTION NOZZLES

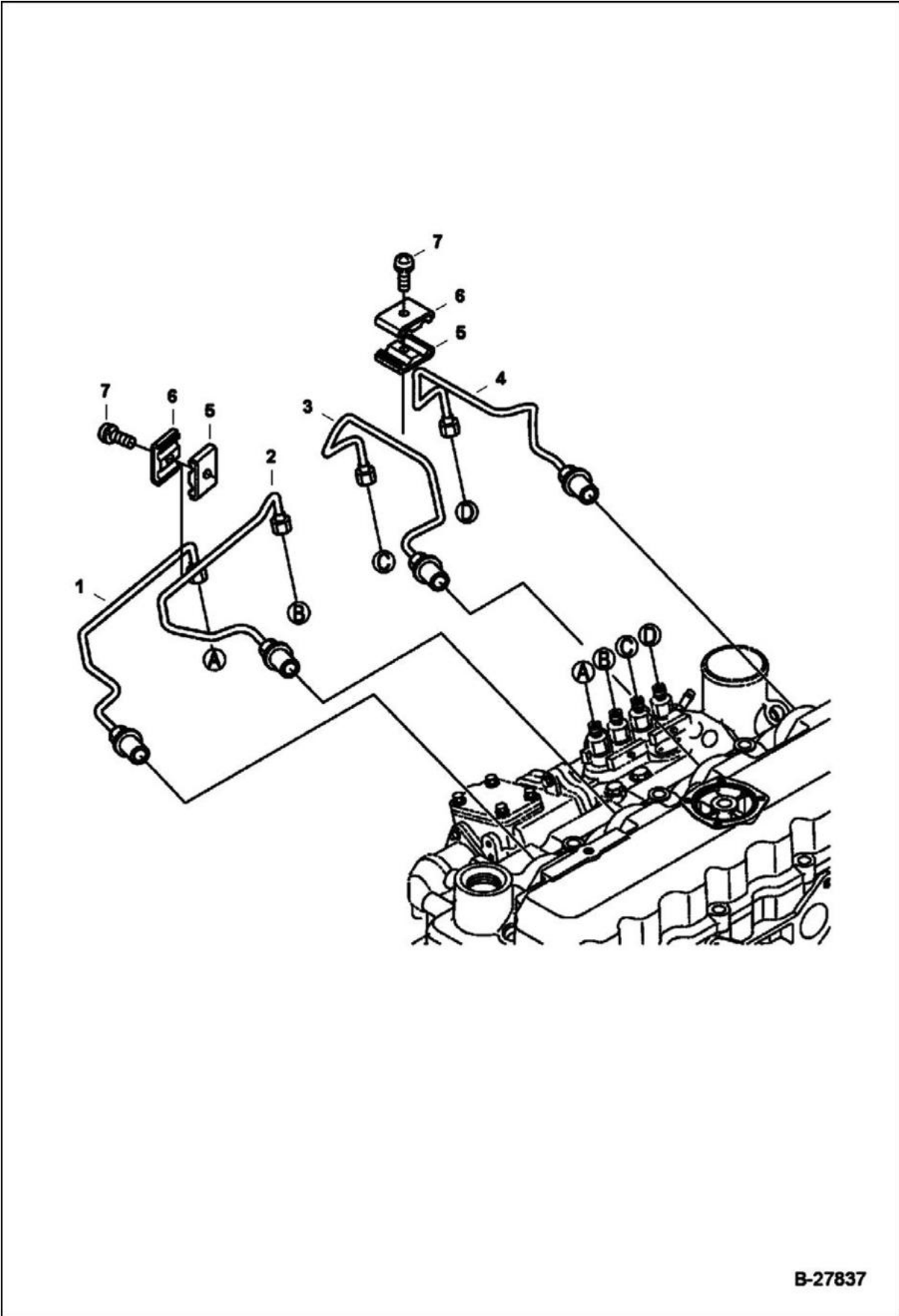


B-27838

INJECTION NOZZLES (Cont'd)

Ref No	Part Number	Description	Remarks	Serial Number	Qty
1		HOLDER, NOZZLE	NAP - Was 7008498 [A]		4
2	6680778	O-RING			4
3	7000619	ORING			4
4	6969824	GASKET, NOZZLE INJ			4
5	7008445	CLAMP, INJECTION			8
6	7008442	PIPE, RETURN FUEL			1
7	6680788	BOLT			5
8	6685498	GASKET			5
9	7008500	GLOW PLUG			4
10	7000626	SEAL	glow plug		4
11	7008447	CORD, GLOW PLUG			1
12	6670472	NUT			4
13	6680687	BOLT			4

INJECTION PIPE

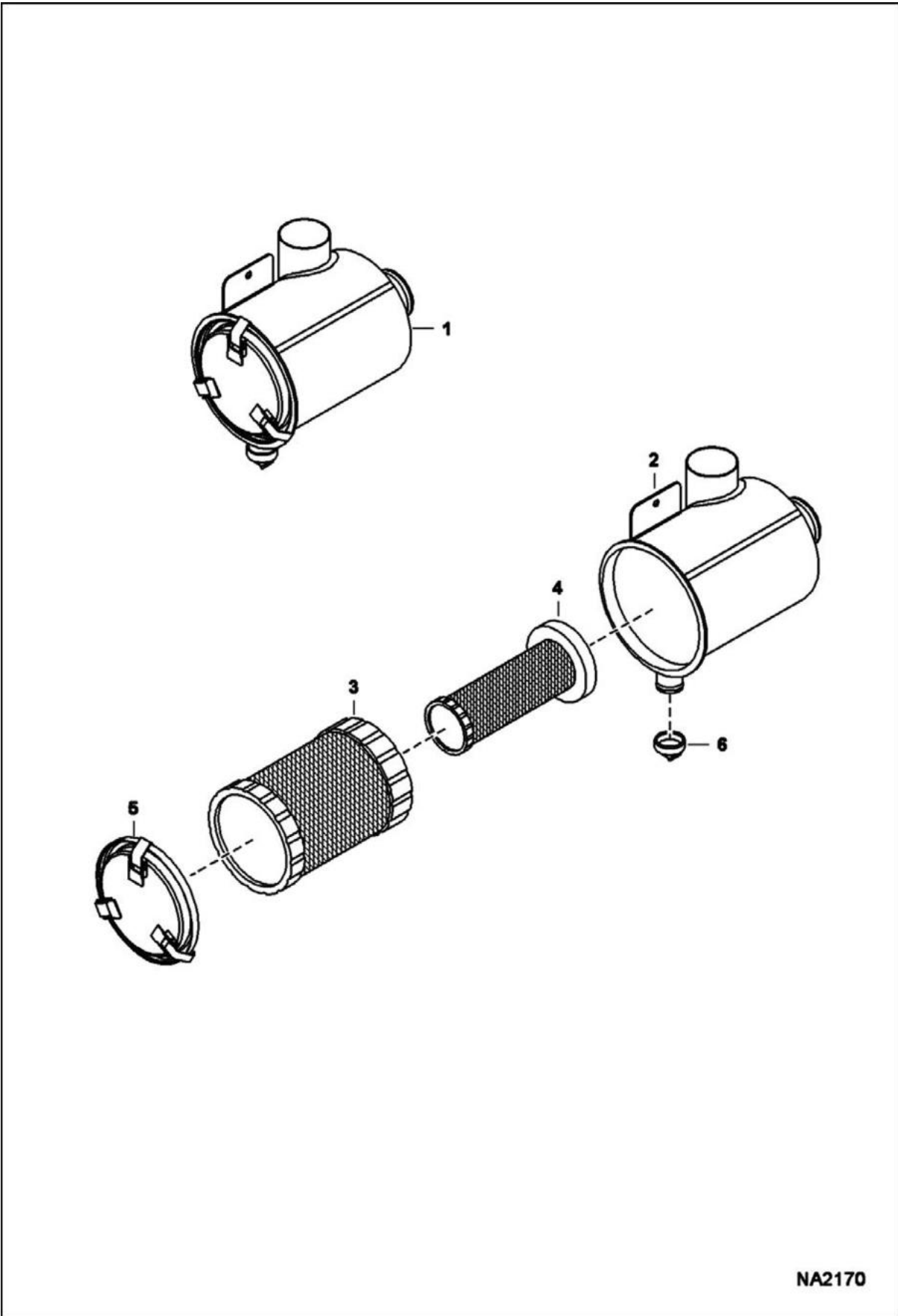


B-27837

INJECTION PIPE (Cont'd)

Ref No	Part Number	Description	Remarks	Serial Number	Qty
1	7008494	PIPE, INJECTION			1
2	7008495	PIPE, INJECTION			1
3	7008496	PIPE, INJECTION			1
4	7008497	PIPE, INJECTION			1
5	6652688	CLAMP			2
6	6652689	CLAMP			1
7	3974260	SCREW			2

AIR CLEANER

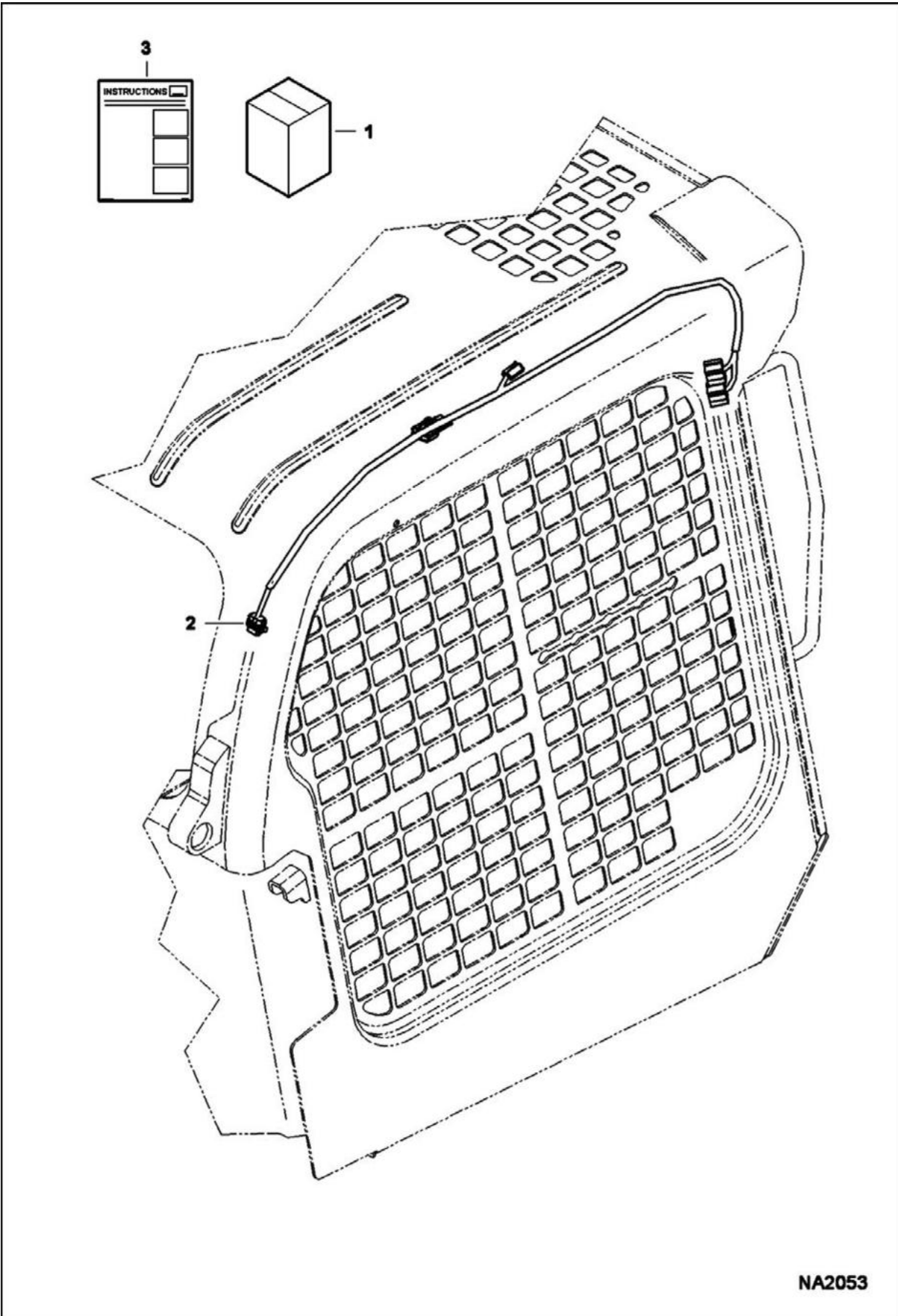


NA2170

AIR CLEANER (Cont'd)

Ref No	Part Number	Description	Remarks	Serial Number	Qty
1	7148598	FILTER, AIR CLEANER ASSY			1
2		TANK	NSS - Order Ref. 1		1
3	7008043	FILTER, AIR OUTER			1
4	7008044	FILTER, AIR INNER			1
5	7001920	COVER, FRONT			1
6	6691536	DUST EJECTION VALVE	1.48" (37,59 mm) ID		1

ACCESSORIES HARNESS KIT

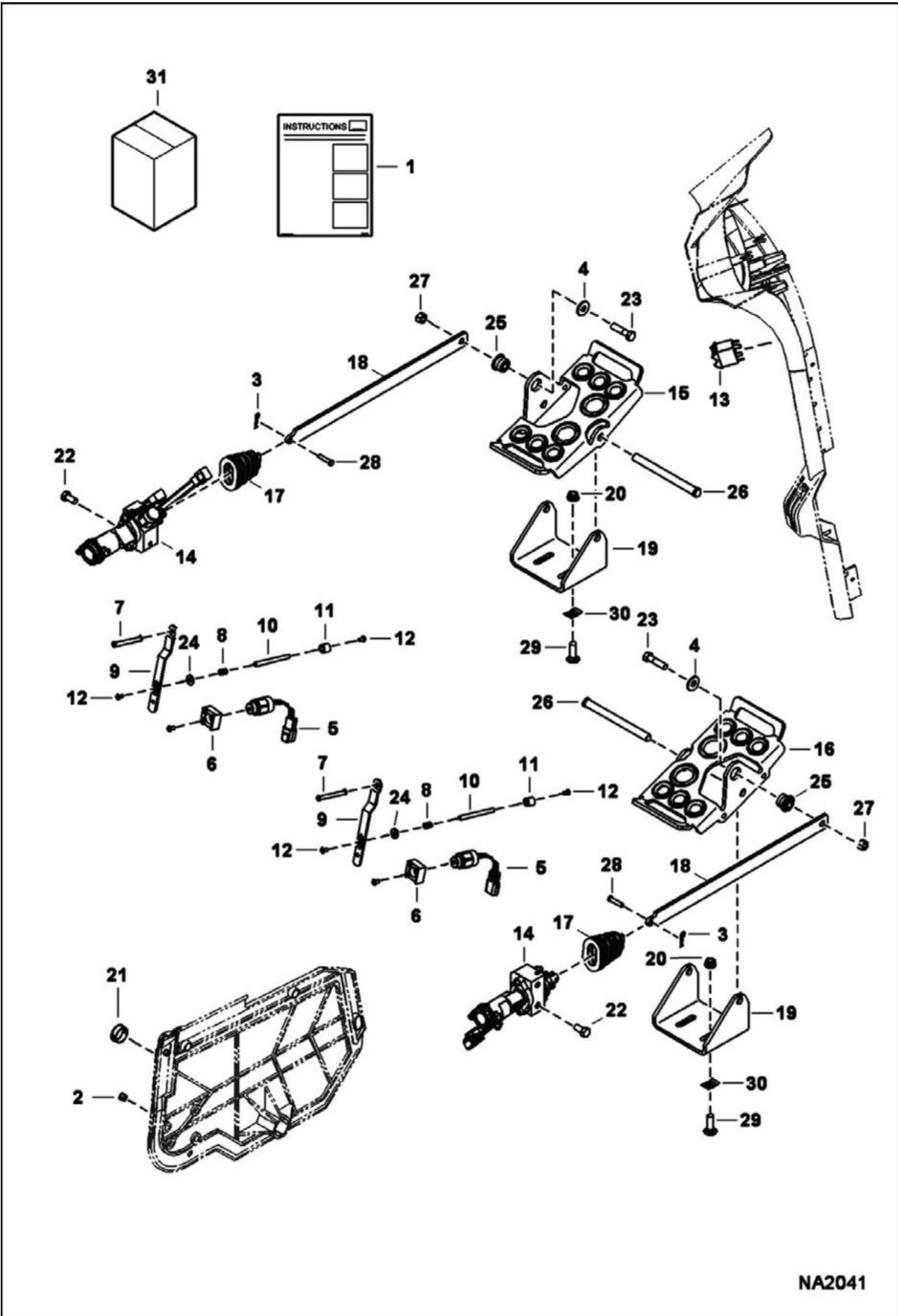


NA2053

ACCESSORIES HARNESS KIT (Cont'd)

Ref No	Part Number	Description	Remarks	Serial Number	Qty
1		KIT, STD OPT ADAPTER	NAP - Order components - Was 7169103 [D]		1
2	7169130	HARNESS ACCESSORY			1
3	6987252	INSTRUCTIONS			1

ACS CONVERSION KIT

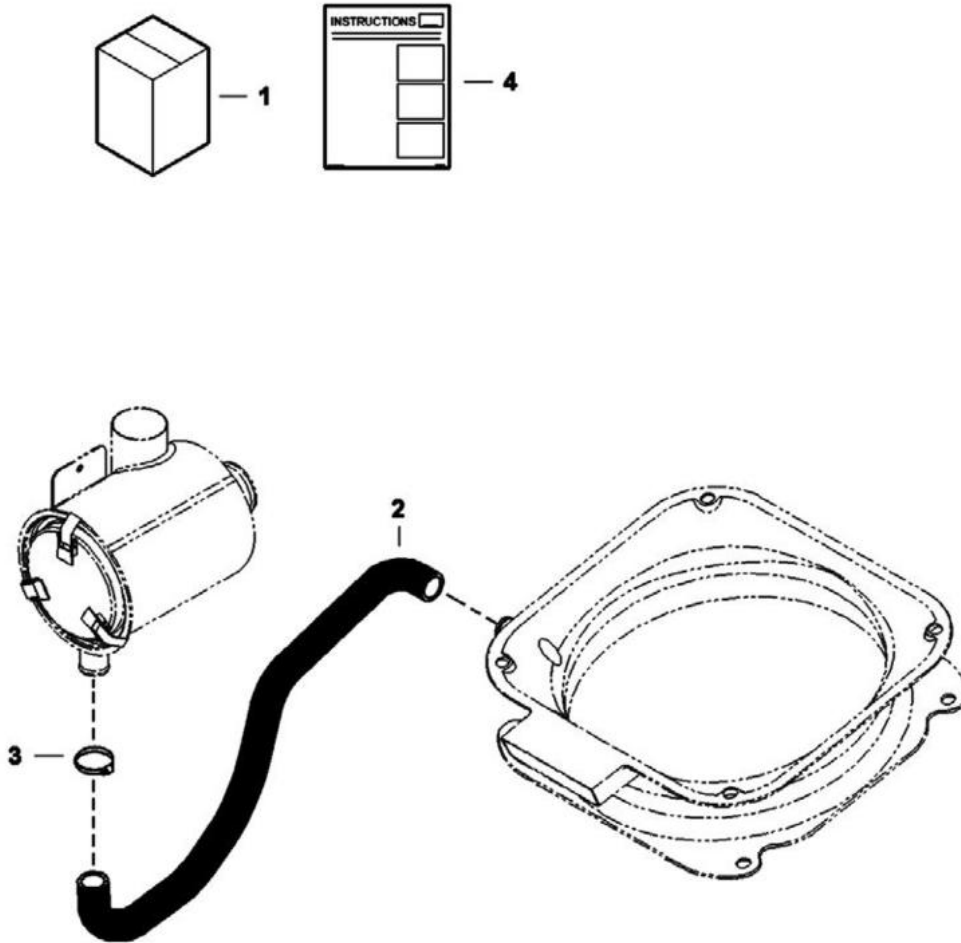


NA2041

ACS CONVERSION KIT (Cont'd)

Ref No	Part Number	Description	Remarks	Serial Number	Qty
1	7129371	KIT, ACS	Ref. 2-31		1
2	5289686	PLUG	black - 0.38" dia hole		2
3	6513495	COTTER PIN			2
4	6563914	WASHER			2
5	6676029	SOLENOID, LOCK SPOOL			2
6	6680468	MOUNT			2
7	6680469	SPACER			2
8	6680470	SPRING			2
9	6680477	STRAP			2
10	6719834	SPACER			2
11	6719835	SLEEVE			2
12	6727065	BOLT			12
13	7001713	SWITCH			1
14	7003496	SENSOR			2
15	7151868	PEDAL ASSY	LH		1
16	7151871	PEDAL ASSY	RH		1
17	7153503	BOOT			2
18	7154903	LINK			2
19	7157611	MOUNT			2
20	57D6	NUT 5			2
21	7166315	PLUG			1
22	17C612	BOLT 5			4
23	17C624	BOLT 5			2
24	25E13	WASHER 5			2
25	6665701	BUSHING, PRESS FIT			1
26		PIN	NAP - Order Ref. 15 or 16		2
27	95D6	NUT			2
28	6564654	PIN			2
29	37C620	BOLT			4
30	6684033	NUT			4
31	6987236	INSTRUCTIONS			1

ASPIRATION HOSE KIT

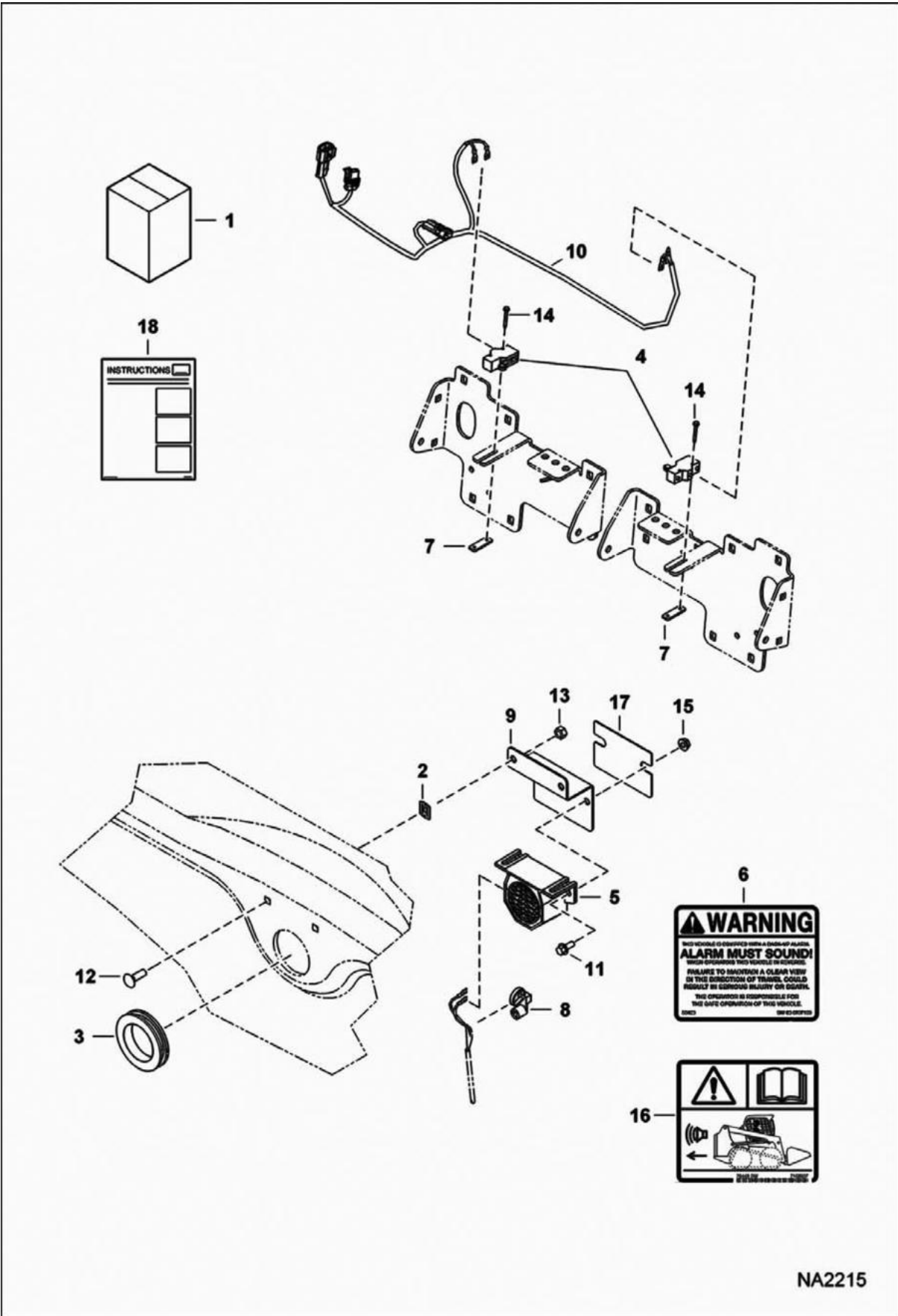


NA2320

ASPIRATION HOSE KIT (Cont'd)

Ref No	Part Number	Description	Remarks	Serial Number	Qty
1		KIT, HOSE ASPIRATION	NAP - Order components - Was 7177065 [A]		1
2	7157923	HOSE, AIR FORMED			1
3	5HM42	HOSECLAMP			1
4	6987475	INSTRUCTIONS			1

BACK-UP ALARM KIT (Manual Controls, AHC & ACS)

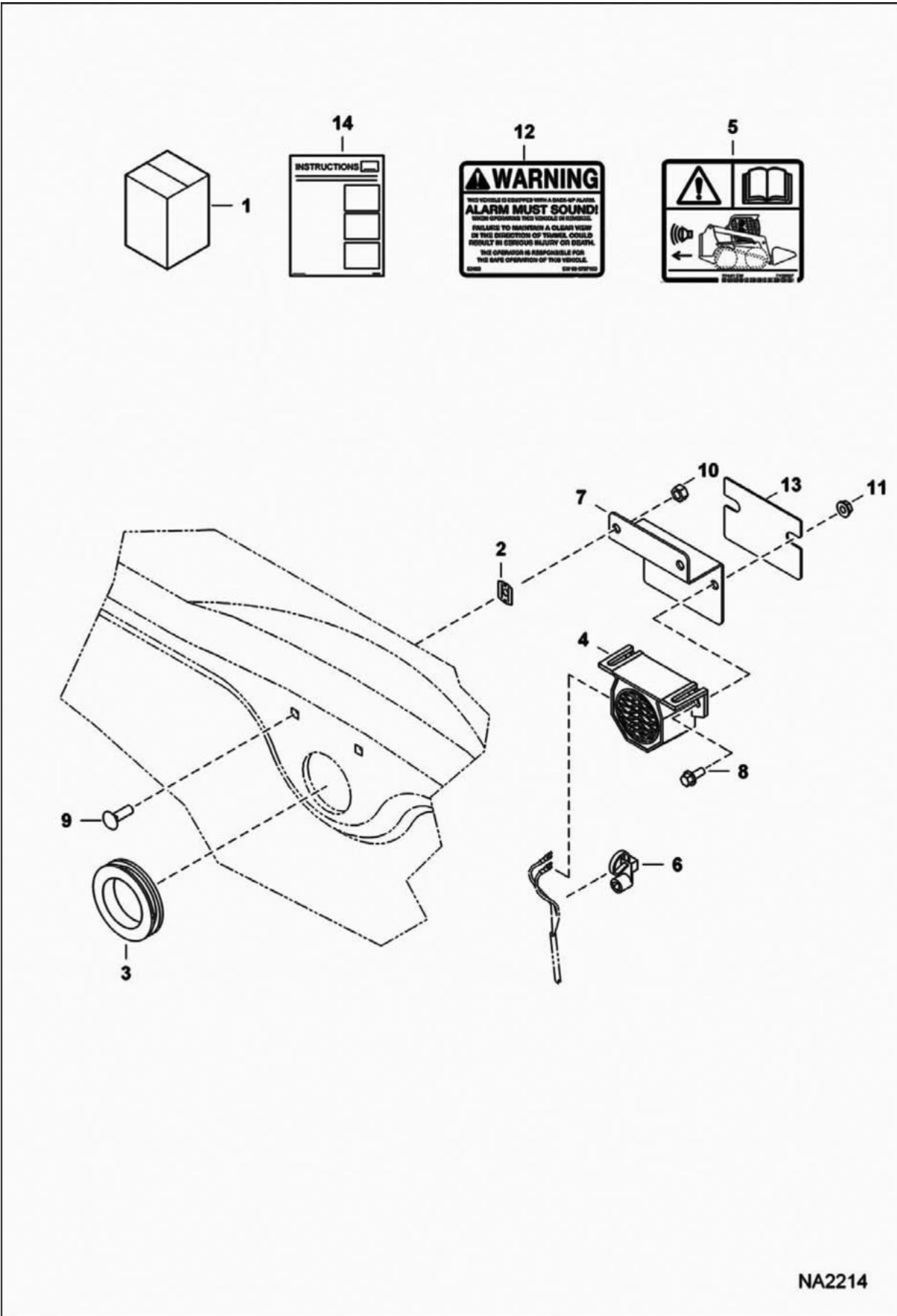


NA2215

BACK-UP ALARM KIT (Cont'd)
(Manual Controls, AHC & ACS)

Ref No	Part Number	Description	Remarks	Serial Number	Qty
1	7173592	KIT, ALARM BACK-UP	Ref, 2-18		1
2	774220	NUT			2
3	6577545	GROMMET			1
4	6646781	SWITCH			2
5	6651512	ALARM BACKUP			1
6	6737189	DECAL, WARNING	backup alarm		1
7	6702593	SPACER			2
8	7002988	TIE, STUD MOUNT			1
9	7189077	MOUNT	Was 7167871 [B]		1
10	7175017	HARNESS, ALARM BACK-UP			1
11	35C410	BOLT 5			2
12	37C516	BOLT			2
13	61D5	NUT			2
14	84G1320	BOLT			4
15	97D4	NUT			2
16	7180087	DECAL, WARNING			1
17	7191385	SHIELD, ALARM			1
18	6987235	INSTRUCTIONS			1

BACK-UP ALARM KIT (Selectable Joystick Controls)

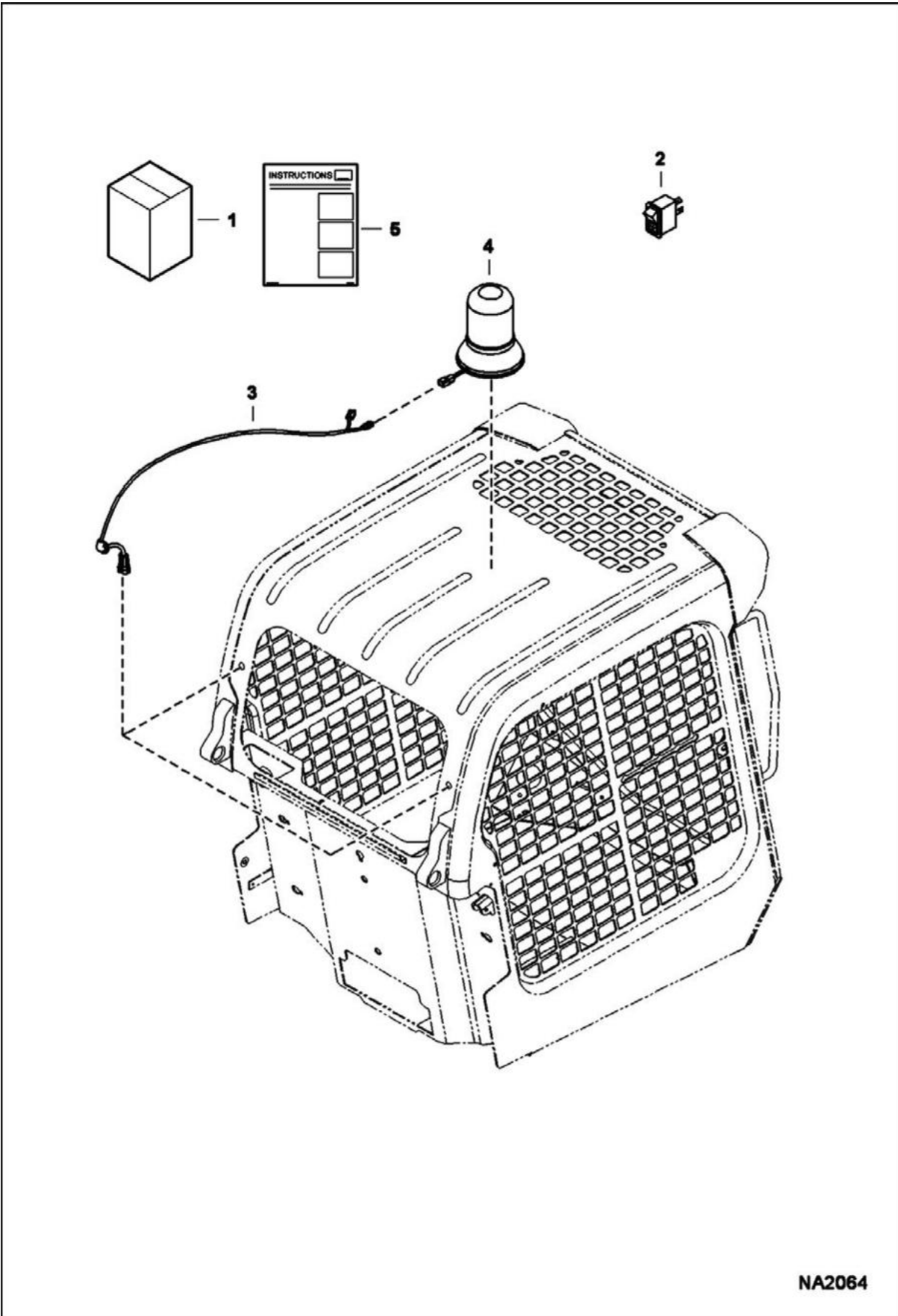


NA2214

BACK-UP ALARM KIT (Cont'd)
(Selectable Joystick Controls)

Ref No	Part Number	Description	Remarks	Serial Number	Qty
1	7173593	KIT, ALARM BACK-UP	Ref. 2-14		1
2	774220	NUT			2
3	6577545	GROMMET			1
4	6651512	ALARM BACKUP			1
5	6737189	DECAL, WARNING	backup alarm		1
6	7002988	TIE, STUD MOUNT			1
7	7189077	MOUNT	Was 7167871 [B]		1
8	35C410	BOLT 5			2
9	37C516	BOLT			2
10	61D5	NUT			2
11	97D4	NUT			2
12	7180087	DECAL, WARNING			1
13	7191385	SHIELD, ALARM			1
14	6987235	INSTRUCTIONS			1

BEACON

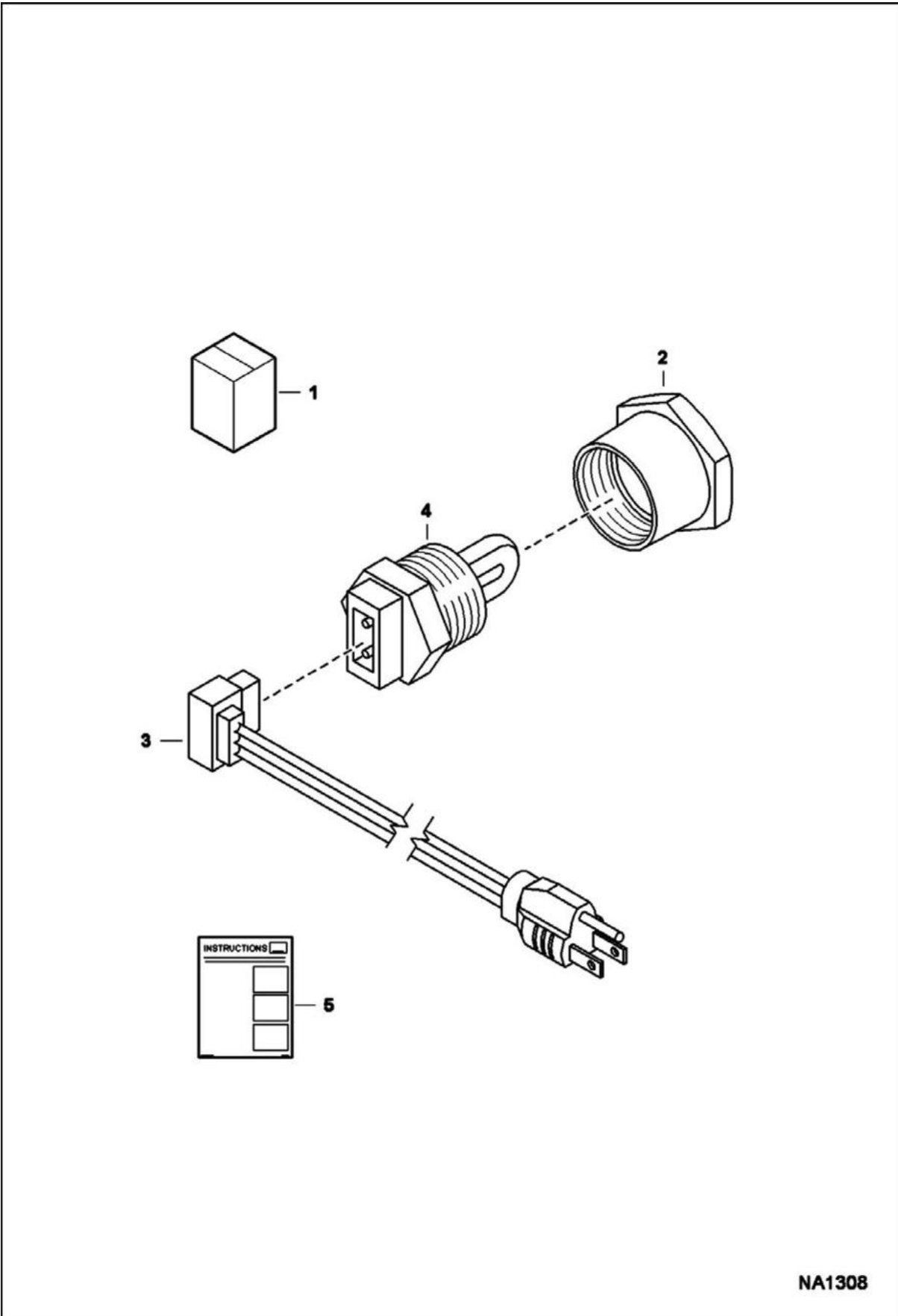


NA2064

BEACON (Cont'd)

Ref No	Part Number	Description	Remarks	Serial Number	Qty
1	7129299	KIT, BEACON LIGHT	Ref. 2-5 - if equipped W/standard cab harness Also Order 7169130 harness & 6987252 instructions		1
2	6668816	SWITCH			1
3	6718872	HARNESS			1
4	6675523	BEACON			1
5	6987225	INSTRUCTIONS			1

BLOCK HEATER (Engine)

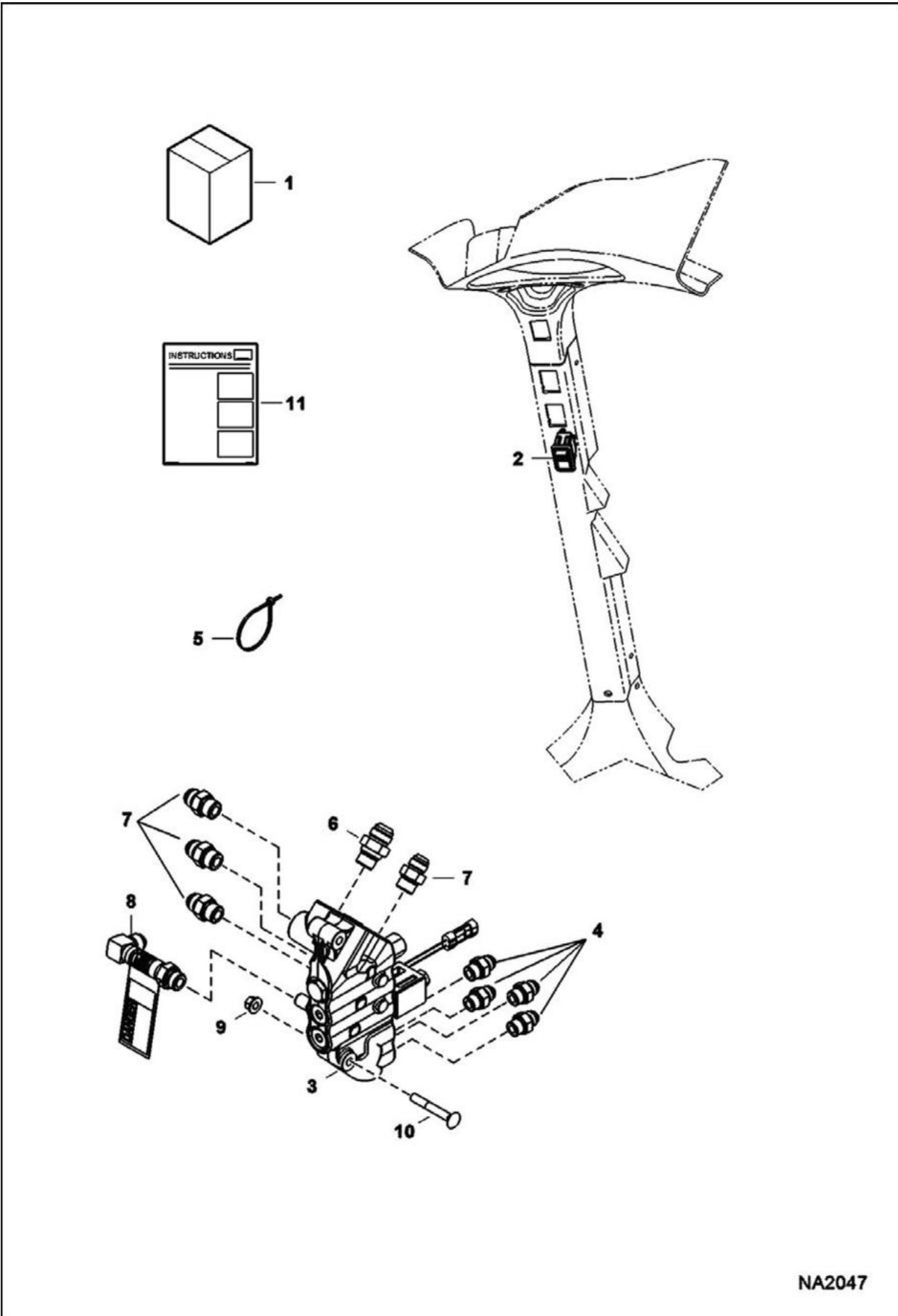


NA1308

**BLOCK HEATER (Cont'd)
(Engine)**

Ref No	Part Number	Description	Remarks	Serial Number	Qty
1	6720808	KIT, ENGINE BLOCK HEATER	W/Ref. 2, 4 & 5		1
2	19F12	BUSHING			1
3	6685850	CORD			1
4	6659369	HEATER	W/Ref. 3		1
5	6720038	INSTRUCTIONS			1

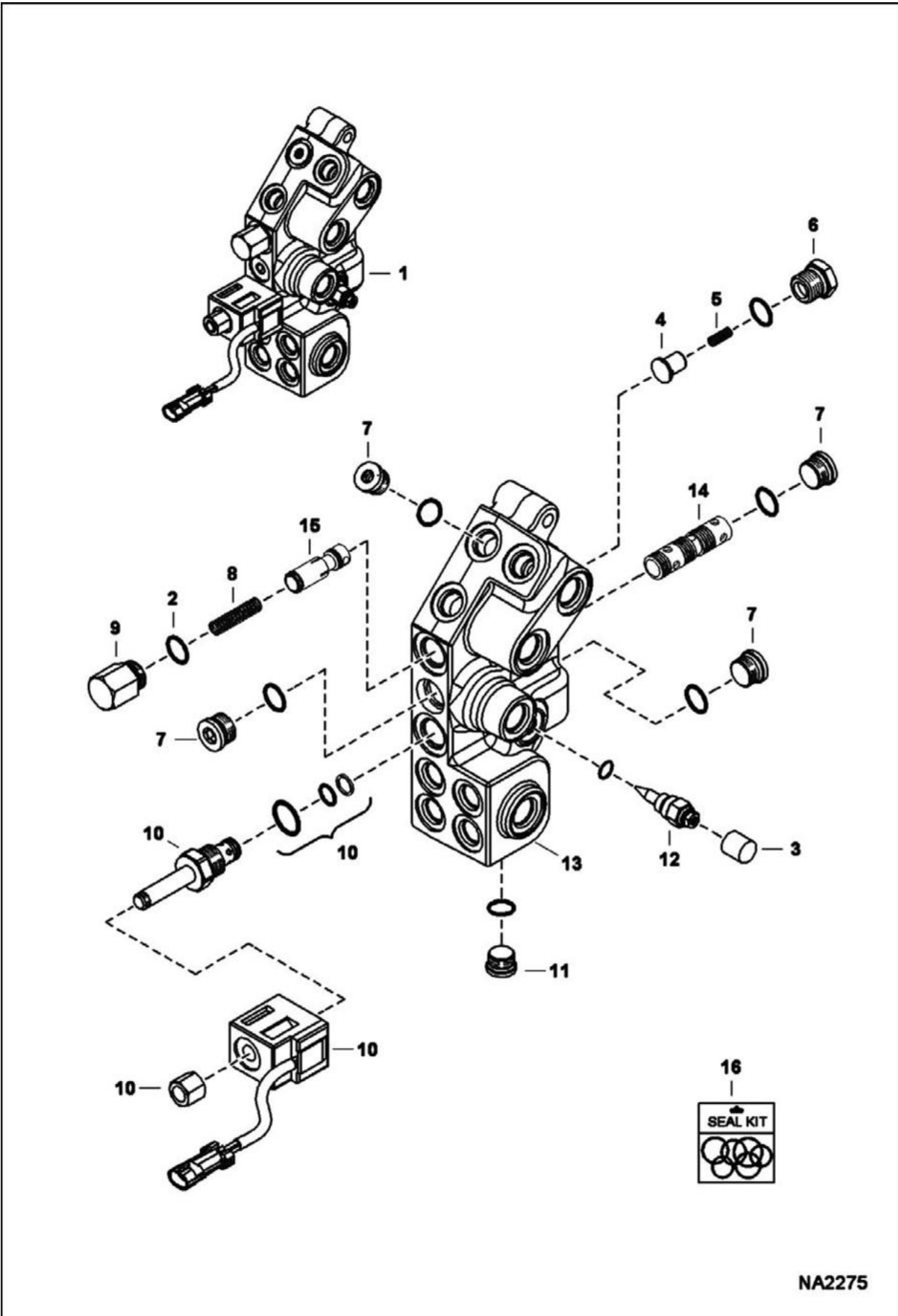
BUCKET POSITION VALVE KIT



BUCKET POSITION VALVE KIT (Cont'd)

Ref No	Part Number	Description	Remarks	Serial Number	Qty
1	7129447	KIT, BPV	Ref. 2-8 & 11		1
2	6690947	SWITCH, BPV			1
3		VALVE, BPV	See Illustration BUCKET POSITION VALVE/ NA2275		1
4	15KB0808	FITTING, HYD CONNECTOR	600 & 700 models		4
4	15KB0608	FITTING, HYD CONNECTOR	500 models		4
5	6624289	STRAP, TIE			1
6	15KB1210	FITTING, HYD CONNECTOR			1
7	15KB1010	FITTING, HYD CONNECTOR			5
8	7183605	KIT, FITTING W/DECAL			1
9	83D6	NUT 5	See Illustration HYDRAULIC CIRCUITRY/ NA1218 - not in kit		2
10	37C644	BOLT	See Illustration HYDRAULIC CIRCUITRY/ NA1218 - not in kit		2
11	6987250	INSTRUCTIONS			1

BUCKET POSITION VALVE

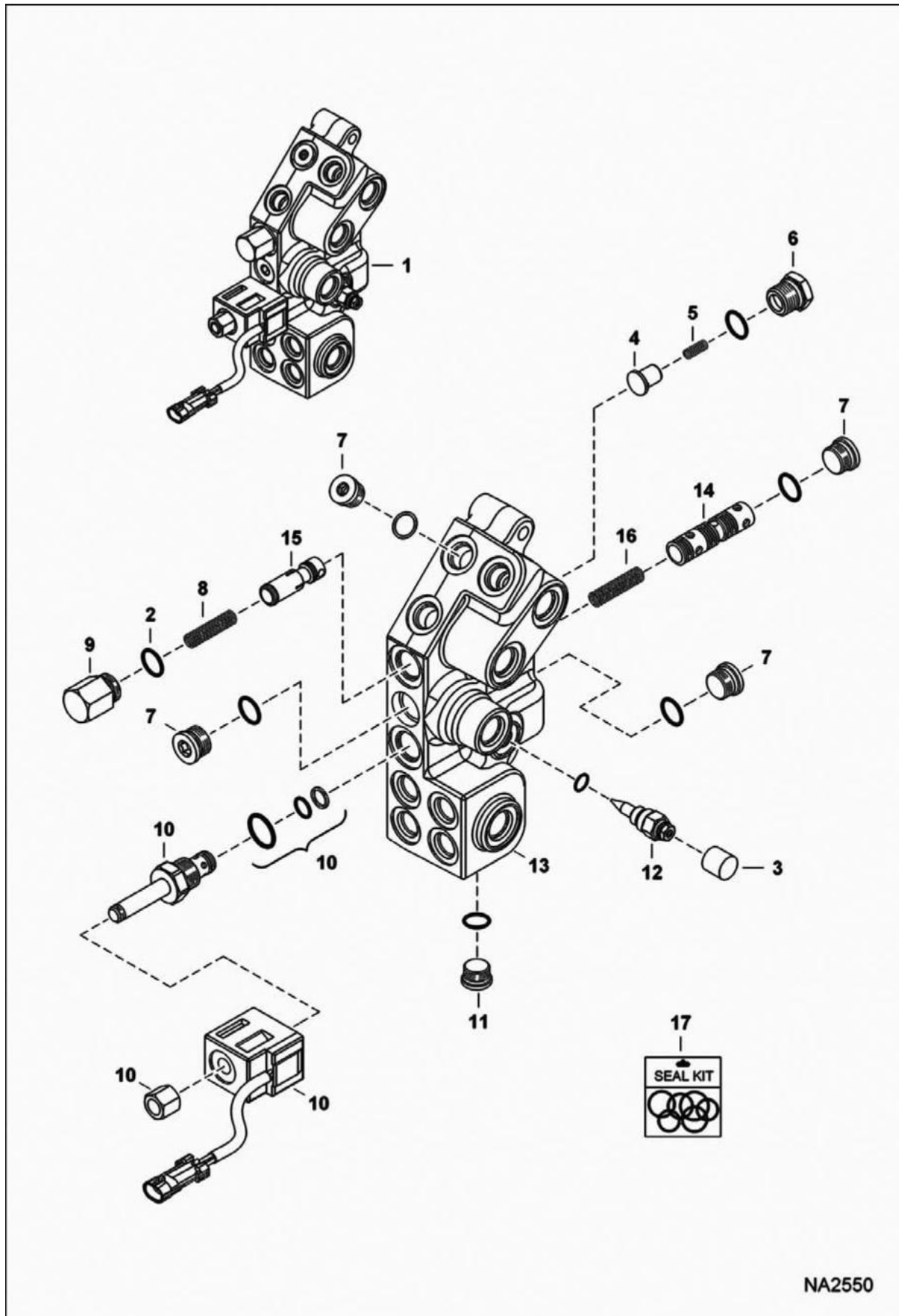


NA2275

BUCKET POSITION VALVE (Cont'd)

Ref No	Part Number	Description	Remarks	Serial Number	Qty
1		VALVE, BPV	See Illustration BUCKET POSITION VALVE/ NA2550 - NAP - Ref. 2-15 - Order 7011059 valve - Was 7002986 [A]		1
2	6667680	SNAP RING			1
3	6667676	COVER			1
4	6647783	LOAD CHECK			1
5	6647785	SPRING			1
6	6647784	PLUG			1
6	79K10	O RING 10			x
7	6676543	PLUG			4
8	6648294	SPRING			1
9	6667176	PLUG			1
10	6672863	VALVE, SOLENOID			1
10	6671527	NUT			1
10	6670634	SEAL KIT			1
10	6675781	COIL			1
10	6675780	CARTRIDGE			1
11	7010282	PLUG			2
12	7010283	VALVE, REGULATOR			1
13		BLOCK	NSS - Order Ref. 1		1
14		SPOOL	NSS - Order Ref. 1		1
15		SPOOL	NSS - Order Ref. 1		1
16	6667185	KIT, SEAL			1

BUCKET POSITION VALVE

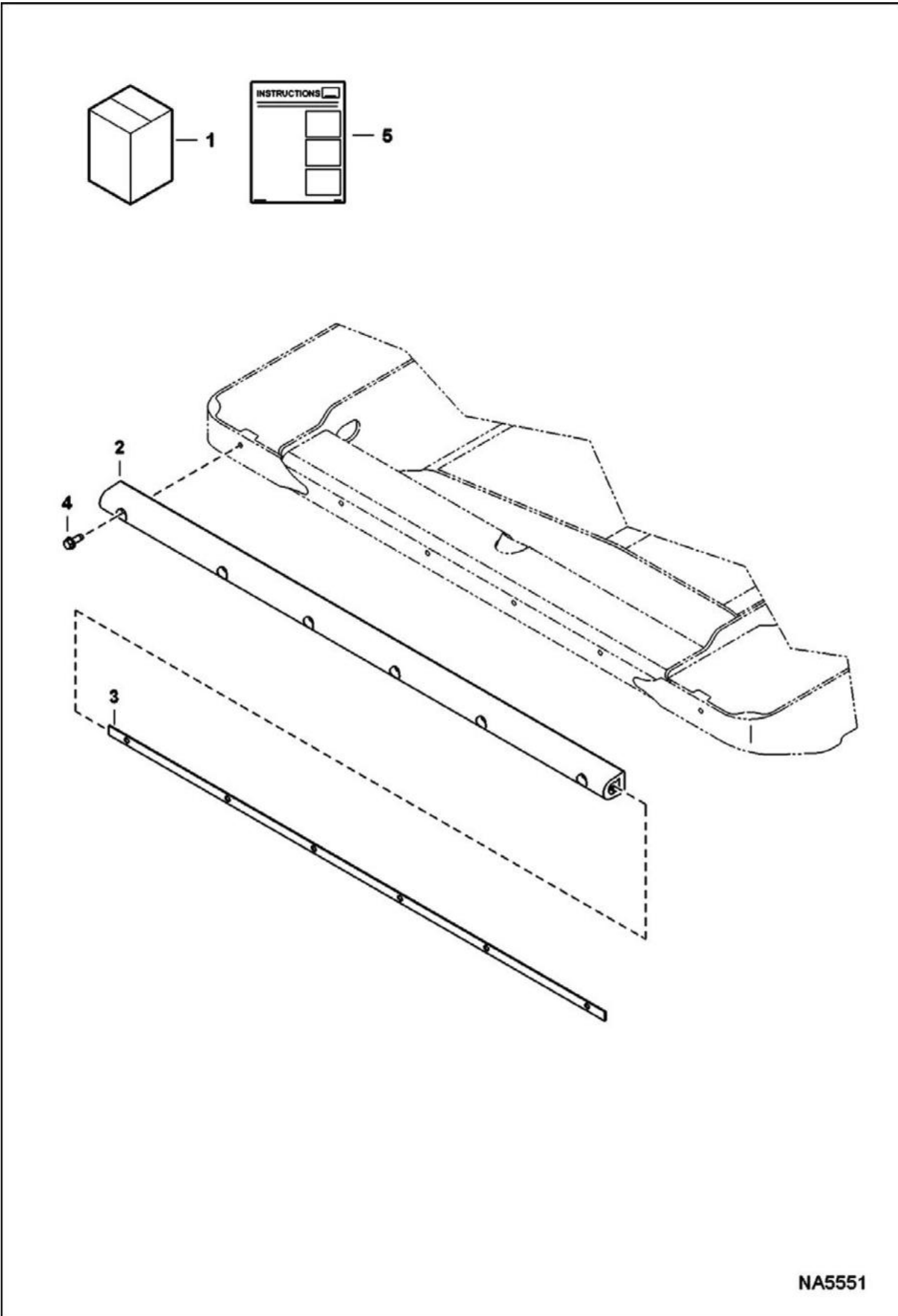


NA2550

BUCKET POSITION VALVE (Cont'd)

Ref No	Part Number	Description	Remarks	Serial Number	Qty
1	7011059	VALVE, BPV	Ref. 2-16		1
2	6667680	SNAP RING			1
3	6667676	COVER			1
4	6647783	LOAD CHECK			1
5	6647785	SPRING			1
6	6647784	PLUG			1
6	79K10	O RING 10			x
7	6676543	PLUG			4
8	6648294	SPRING			1
9	6667176	PLUG			1
10	6672863	VALVE, SOLENOID			1
10	6671527	NUT			1
10	6670634	SEAL KIT			1
10	6675781	COIL			1
10	6675780	CARTRIDGE			1
11	7013201	PLUG			2
12	7010283	VALVE, REGULATOR			1
13		BLOCK	NSS - Order Ref. 1		1
14		SPOOL	NSS - Order Ref. 1		1
15		SPOOL	NSS - Order Ref. 1		1
16	6660775	SPRING			1
17	7013203	KIT, SEAL			1

BUMPER KIT (Rear)



NA5551

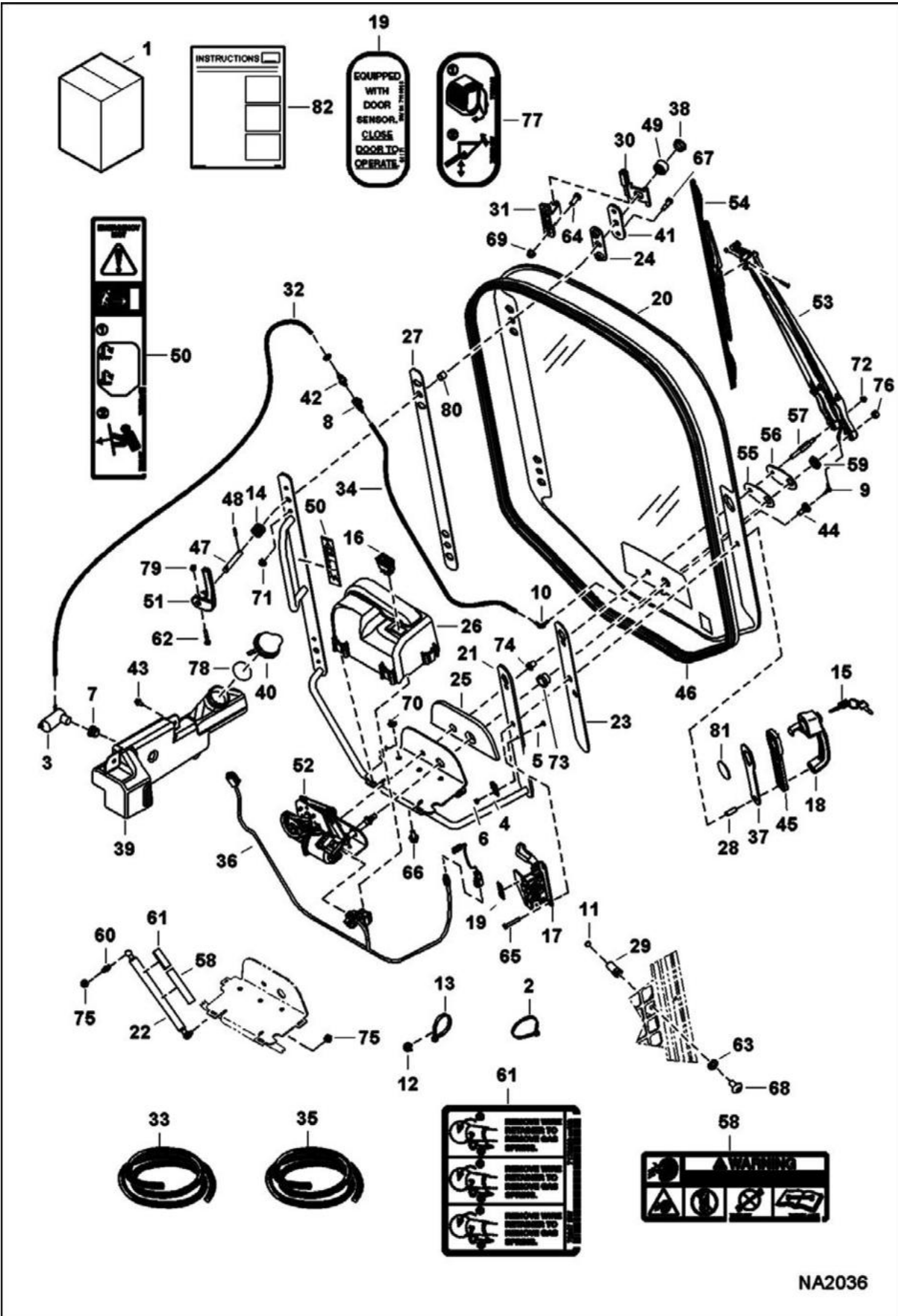
**BUMPER KIT (Cont'd)
(Rear)**

Ref No	Part Number	Description	Remarks	Serial Number	Qty
1	7203665	KIT, BUMPER	Ref. 2-5		1
2	7194160	BUMPER, RUBBER 'M' SERIES			1
3	7201515	RETAINING PLATE, RUBBER BUMPER			1
4	84G3716	SCREW 5			6
5	6990126	INSTRUCTIONS			1

CAB DOOR (Cont'd)

Ref No	Part Number	Description	Remarks	Serial Number	Qty
1	7128393	KIT, DOOR	Ref. 2-82		1
2	6610510	TIE			3
3	6664554	PUMP, WIPER WASHER			1
4	6665000	CLIP			1
5	6665321	RIVET			1
6	6665322	RIVET			1
7	6666766	GROMMET			1
8	6675298	COUPLER, BODY			1
9	6676500	ELBOW			1
10	6676917	ELBOW			1
11	6677192	MAGNET			1
12	6690688	TREE MOUNT			6
13	6690690	STRAP, TIE			10
14	6704453	SPRING			2
15	6693241	KEY 10	single key W/O ring		1
16	7001709	SWITCH FRONT WIPER			1
17	7109661	LATCH, DOOR W/SENSOR			1
18	7109662	HANDLE, LATCH DOOR			1
19	7110316	DECAL, SAFETY	door sensor		1
20	7120401	GLASS, DOOR			1
21	7120402	FRAME DOOR ASSY			1
22	7142371	SPRING GAS DOOR	Also Order Ref. 58 & 61		1
23	7148287	SEAL DOOR HANDLE			1
24	7148289	SEAL DOOR HINGE			2
25	7174837	GASKET, WIPER			1
26	7149827	COVER, WIPER			1
27	7150719	SEAL DOOR FRAME			1
28	7174841	SPACER, HANDLE			2
29	7175151	STRIKER, DOOR			1
30	7193725	HINGE, DOOR CAB	Was 7150817 [A]		2
31	7176593	HINGE BASE			2
32		HOSE	NAP - 48" (1,219.2 mm) long - Order Ref. 33		1
33	6708310	HOSE, BULK 100	clear - 0.154" ID - sold per foot		x
34		HOSE	NAP - 31" (787.4 mm) long - Order Ref. 35		1
35	6676003	HOSE,BULK	black - 0.109" ID - sold per foot		x
36	7155024	HARNESS DOOR			1
37	7160841	SEAL HANDLE DOOR			1
38	7161429	PLUG			2
39	7163259	WASHER TANK			1
40	7163263	CAP WASHER BOTTLE			1
41	7164590	DOOR PLATE			2
42	7165972	COUPLER INSERT			2
43	7166190	SCREW THREAD			3

CAB DOOR (Cont'd)

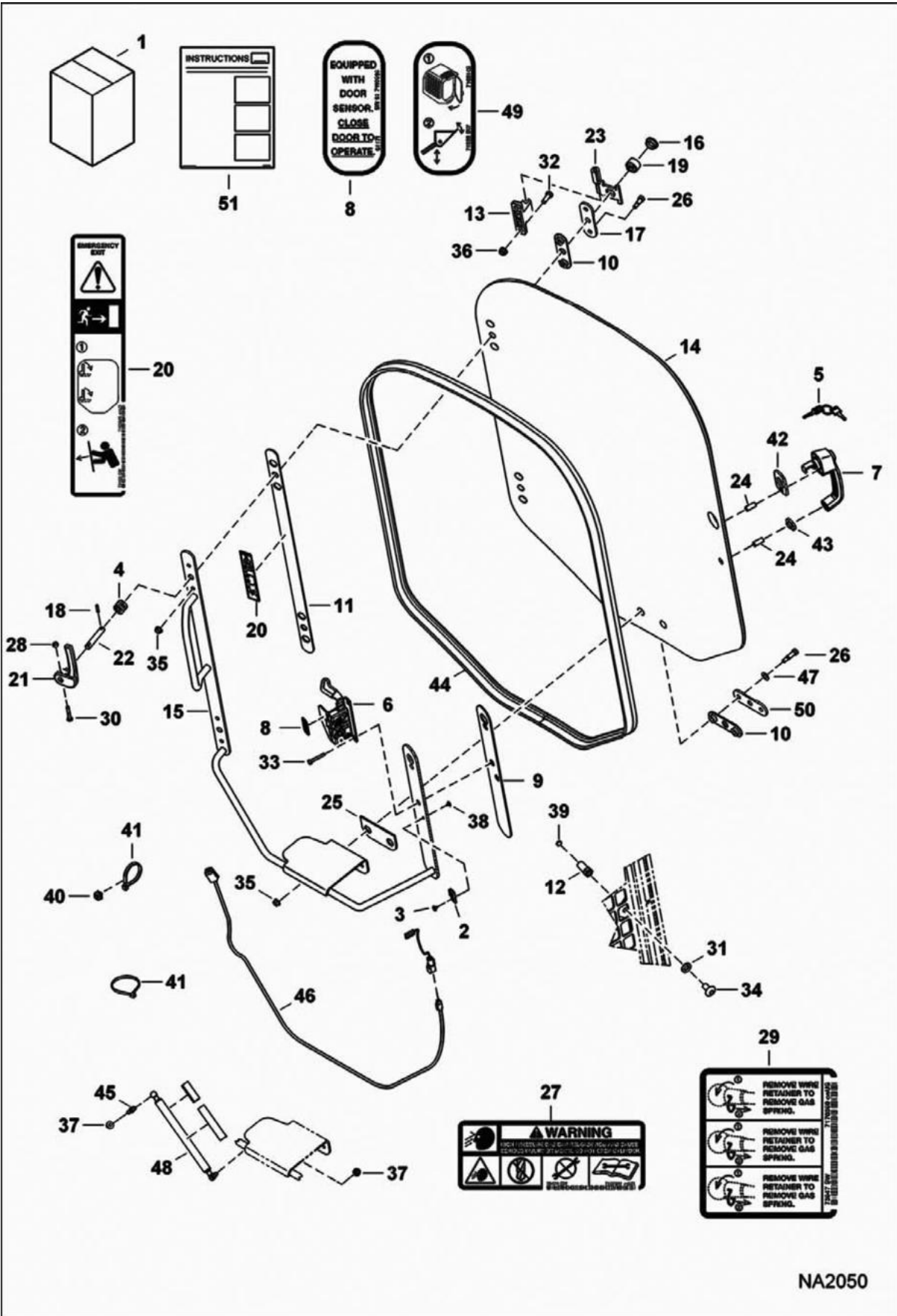


NA2036

CAB DOOR (Cont'd)

Ref No	Part Number	Description	Remarks	Serial Number	Qty
		ROLLING			
44	7167177	GROMMET WIPER			1
45	7166205	SPACER HANDLE			1
46	7167652	SEAL DOOR			1
47	7167844	SHAFT			2
48	7167845	PIN			2
49	7167846	WASHER CAST			2
50	7168025	DECAL EMERGENCY DOOR			1
51	7186972	LEVER	Was 7168288 [A]		1
52	7168952	WIPER MOTOR			1
53	7168953	ARM WIPER ASSY			1
54	7168954	BLADE WIPER ASSY			1
55	7168955	GASKET			1
56	7168956	PLATE ADAPTOR			1
57	7168957	PLATE STUD ADAPTOR			1
58	7169291	DECAL	warning		1
59	6681905	NUT			1
60	7169849	FITTING BALLSTUD			1
61	7170360	DECAL, SPRING REMOVAL	spring removal		1
62	17C428	BOLT	Was 17C424 [B]		2
63	18EM1224	WASHER			1
64	17C516	BOLT			4
65	1CM640	SCREW			2
66	31C612	BOLT			3
67	38C610	BOLT			4
68	10C816	BOLT			1
69	59D5	NUT 5			4
70	97D6	NUT 10			3
71	97D5	NUT			4
72	51DM6	NUT			1
73	7174838	SPACER			1
74	7174839	SPACER			1
75	61D5	NUT			2
76	2DM10	NUT			1
77	7168146	DECAL	EMEA - no-text		1
78	7188097	SEAL			1
79	59D4	NUT 5			2
80	7196015	BUSHING, PLASTIC			2
81	7196017	DISK, PLASTIC			1
82	6987230	INSTRUCTIONS			1

CAB DOOR (Special Applications)

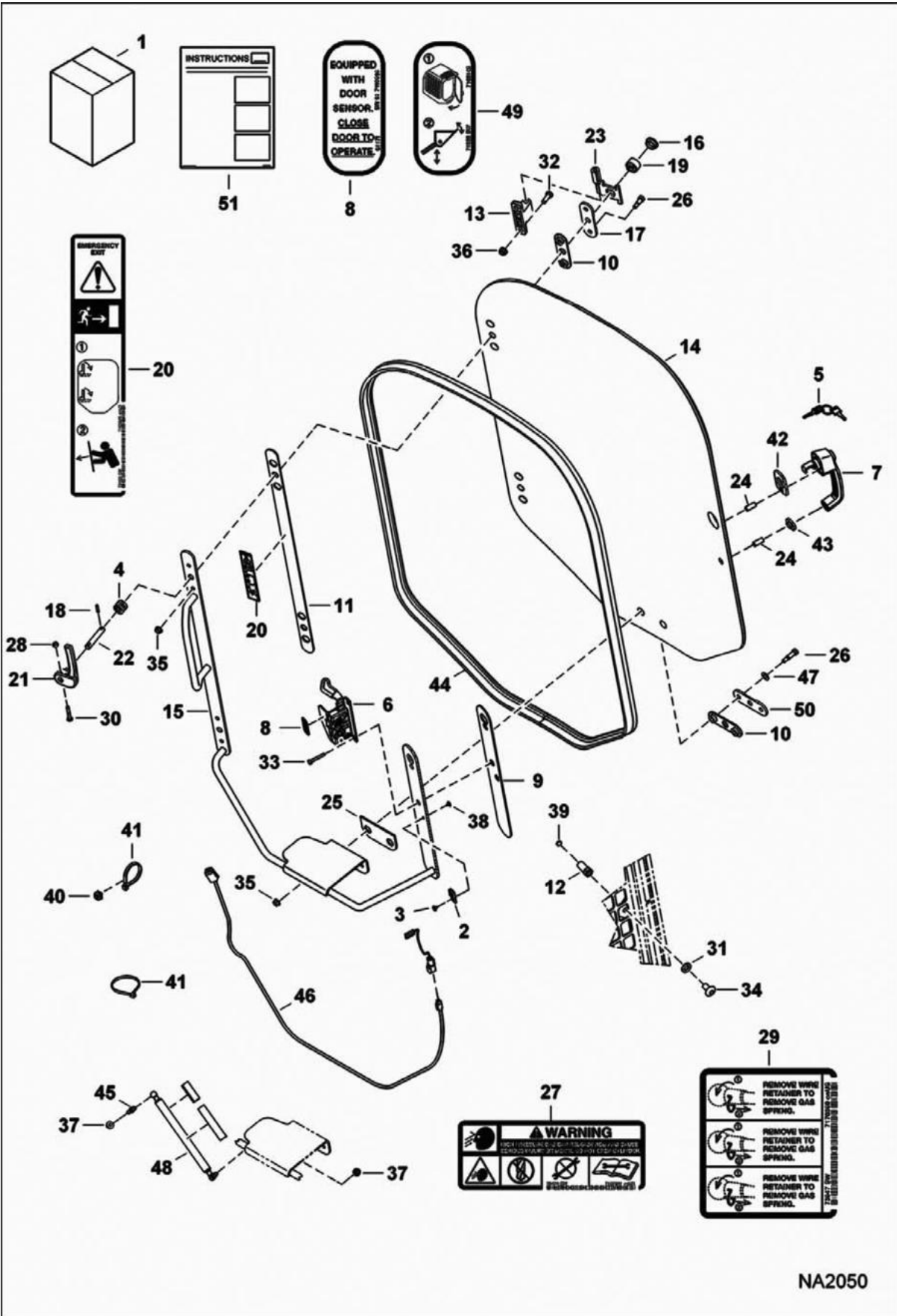


NA2050

CAB DOOR (Cont'd)
(Special Applications)

Ref No	Part Number	Description	Remarks	Serial Number	Qty
1	7128395	KIT, DOOR CAB SPECIAL APPS	Ref. 2-51		1
2	6665000	CLIP			1
3	6665322	RIVET			1
4	6704453	SPRING			2
5	6693241	KEY 10	single key W/O ring		1
6	7109661	LATCH, DOOR W/SENSOR			1
7	7109662	HANDLE, LATCH DOOR			1
8	7110316	DECAL, SAFETY	door sensor		1
9	7148287	SEAL DOOR HANDLE			1
10	7148289	SEAL DOOR HINGE			3
11	7150719	SEAL DOOR FRAME			1
12	7175151	STRIKER, DOOR			1
13	7176593	HINGE BASE			2
14	7155308	WINDOW			1
15	7155359	FRAME, DOOR			1
16	7161429	PLUG			2
17	7164590	DOOR PLATE			2
18	7167845	PIN			2
19	7167846	WASHER CAST			2
20	7168025	DECAL EMERGENCY DOOR			1
21	7186972	LEVER	Was 7168288 [A]		2
22	7168836	SHAFT			2
23	7168837	HINGE, DOOR			1
24	7168839	SPACER			2
25	7168841	SEAL			1
26	38C616	SCREW	Was 7168843 [A]		6
27	7169291	DECAL			1
28	59D4	NUT 5			2
29	7170360	DECAL, SPRING REMOVAL			1
30	17C428	BOLT	Was 17C424 [B]		2
31	18EM1224	WASHER			1
32	17C516	BOLT			4
33	1CM640	SCREW			2
34	10C816	BOLT			1
35	97D5	NUT			4
36	59D5	NUT 5			4
37	61D5	NUT			2
38	6665321	RIVET			1
39	6677192	MAGNET			1
40	6690688	TREE MOUNT			6
41	6690690	STRAP, TIE			10
42	7150745	SPACER	top		1
43	7150746	SPACER	bottom		1
44	7167652	SEAL DOOR			1
45	7169849	FITTING BALLSTUD			1
46	7170531	HARNESS, CAB			1
47	619021	WASHER, 5			6

CAB DOOR (Cont'd)
(Special Applications)

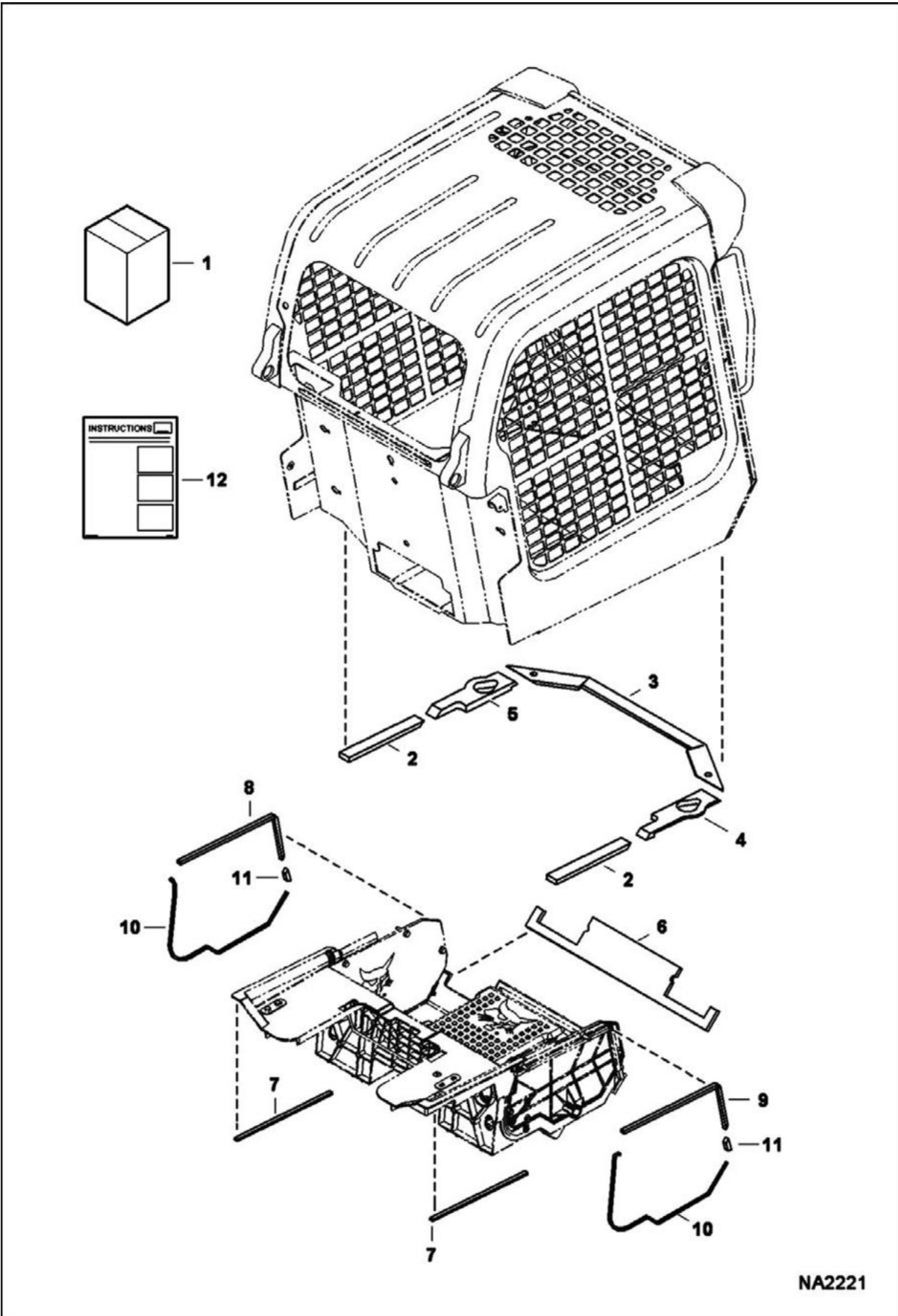


NA2050

CAB DOOR (Cont'd)
(Special Applications)

Ref No	Part Number	Description	Remarks	Serial Number	Qty
48	7142371	SPRING GAS DOOR			1
49	7168146	DECAL	EMEA - no-text		1
50	7183158	PLATE			1
51	6987232	INSTRUCTIONS			1

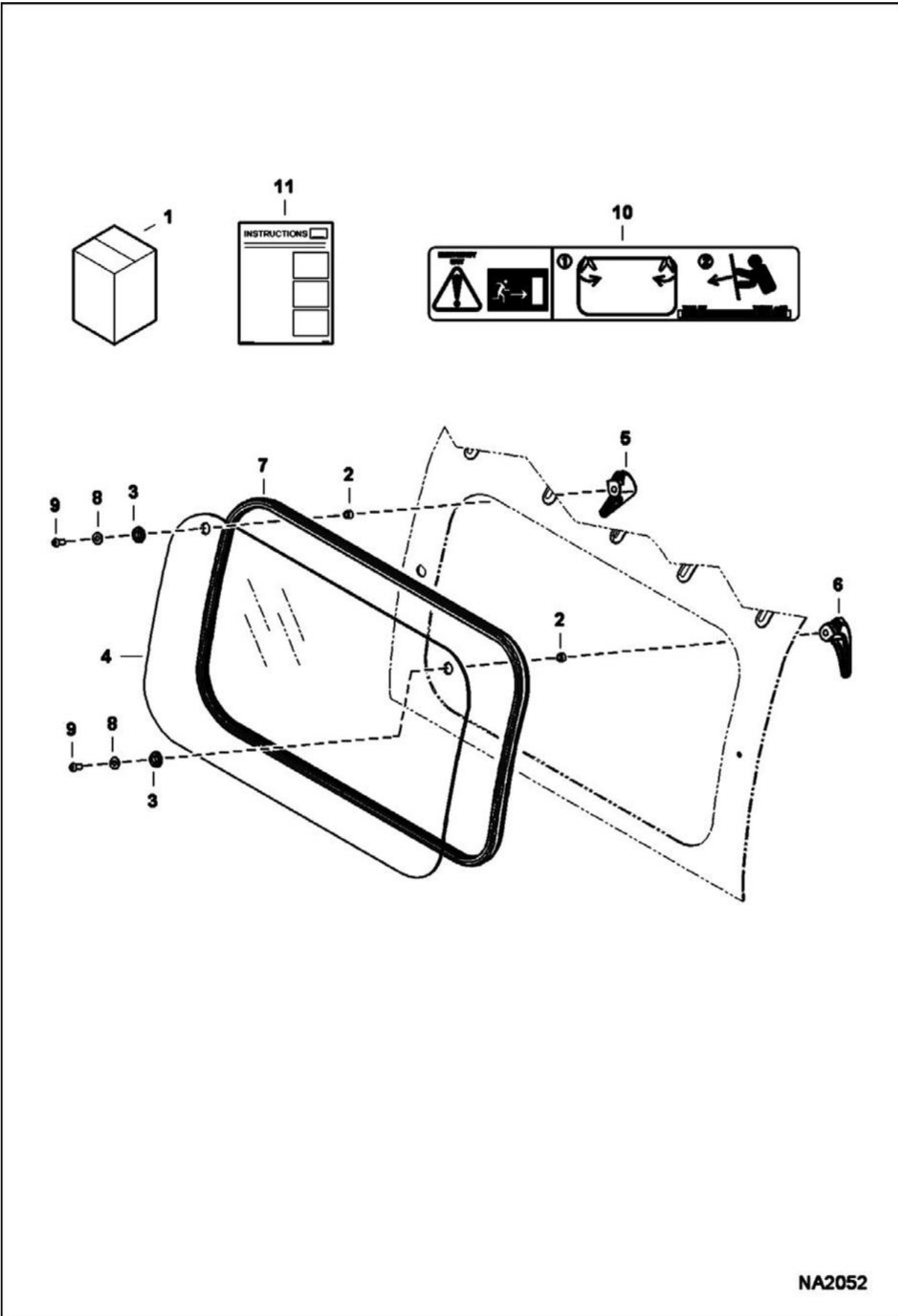
CAB SEAL KIT



CAB SEAL KIT (Cont'd)

Ref No	Part Number	Description	Remarks	Serial Number	Qty
1	7174903	KIT, SEAL CAB	Ref. 2-12		1
2	7142873	SEAL			2
3	7142875	SEAL			1
4	7156087	SEAL	RH		1
5	7161789	SEAL	LH		1
6	7163132	FOAM, FRONT			1
7	7166196	FOAM, PANEL			2
8	7166197	FOAM, PANEL	LH		1
9	7166198	FOAM, PANEL	RH		1
10	7166199	FOAM, EDGE			2
11	7166200	FOAM, PAN FLOOR			2
12	6987388	INSTRUCTIONS			1

CAB WINDOWS (Rear) (Lexan)

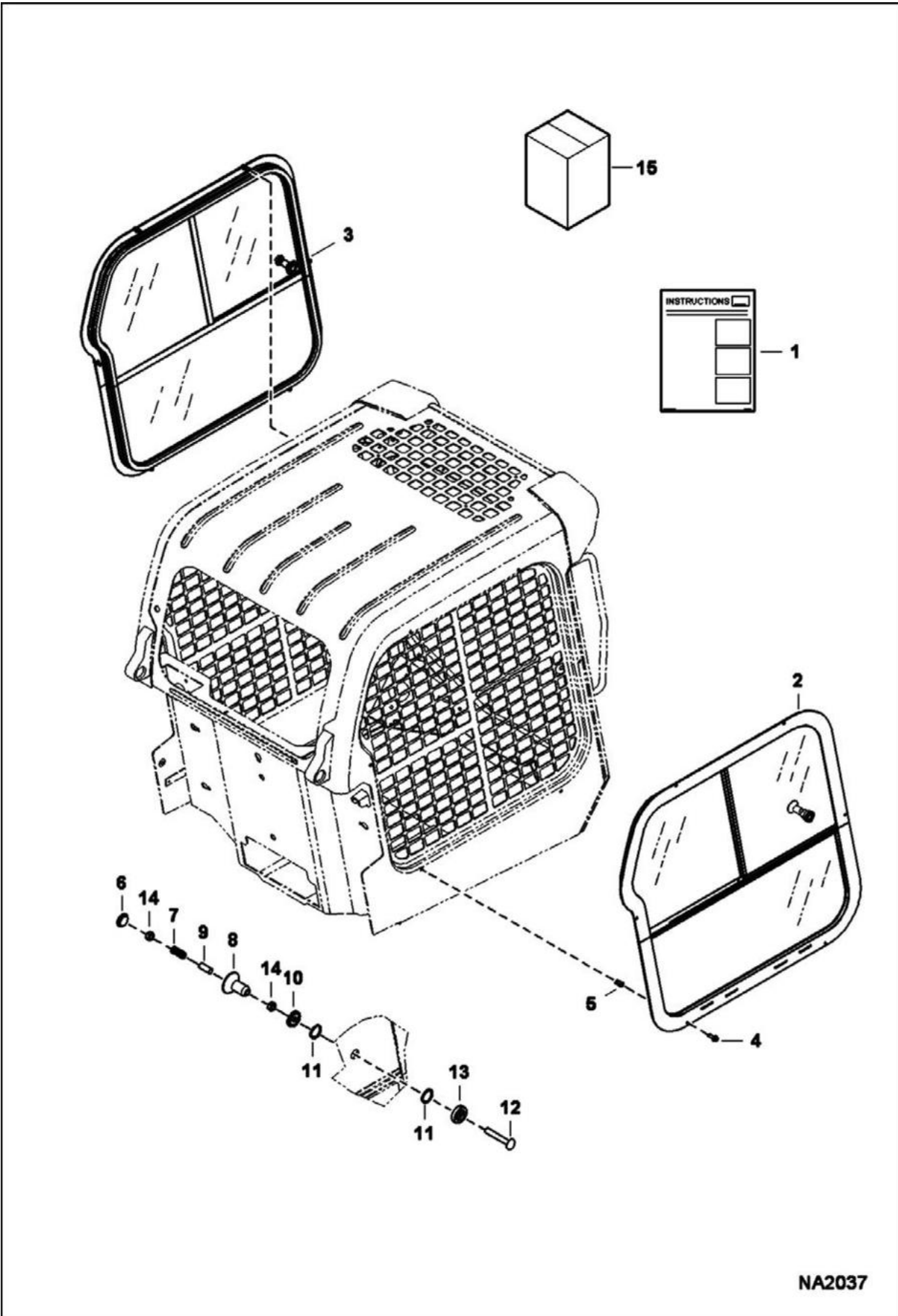


NA2052

**CAB WINDOWS (Cont'd)
(Rear) (Lexan)**

Ref No	Part Number	Description	Remarks	Serial Number	Qty
1	7128389	KIT, WINDOW REAR LEXAN	Ref. 2-11		1
2	7185137	SPACER			2
3	7121425	BUSHING			2
4	7183022	WINDOW, CAB REAR			1
5	7150151	LATCH, WINDOW LEFT			1
6	7150152	LATCH, WINDOW RIGHT			1
7	7163988	SEAL, WINDOW REAR			1
8	25E14	WSHR			2
9	53C516	BOLT			2
10	7167991	DECAL, EXIT REAR			1
11	6987229	INSTRUCTIONS			1

CAB WINDOWS (Side)

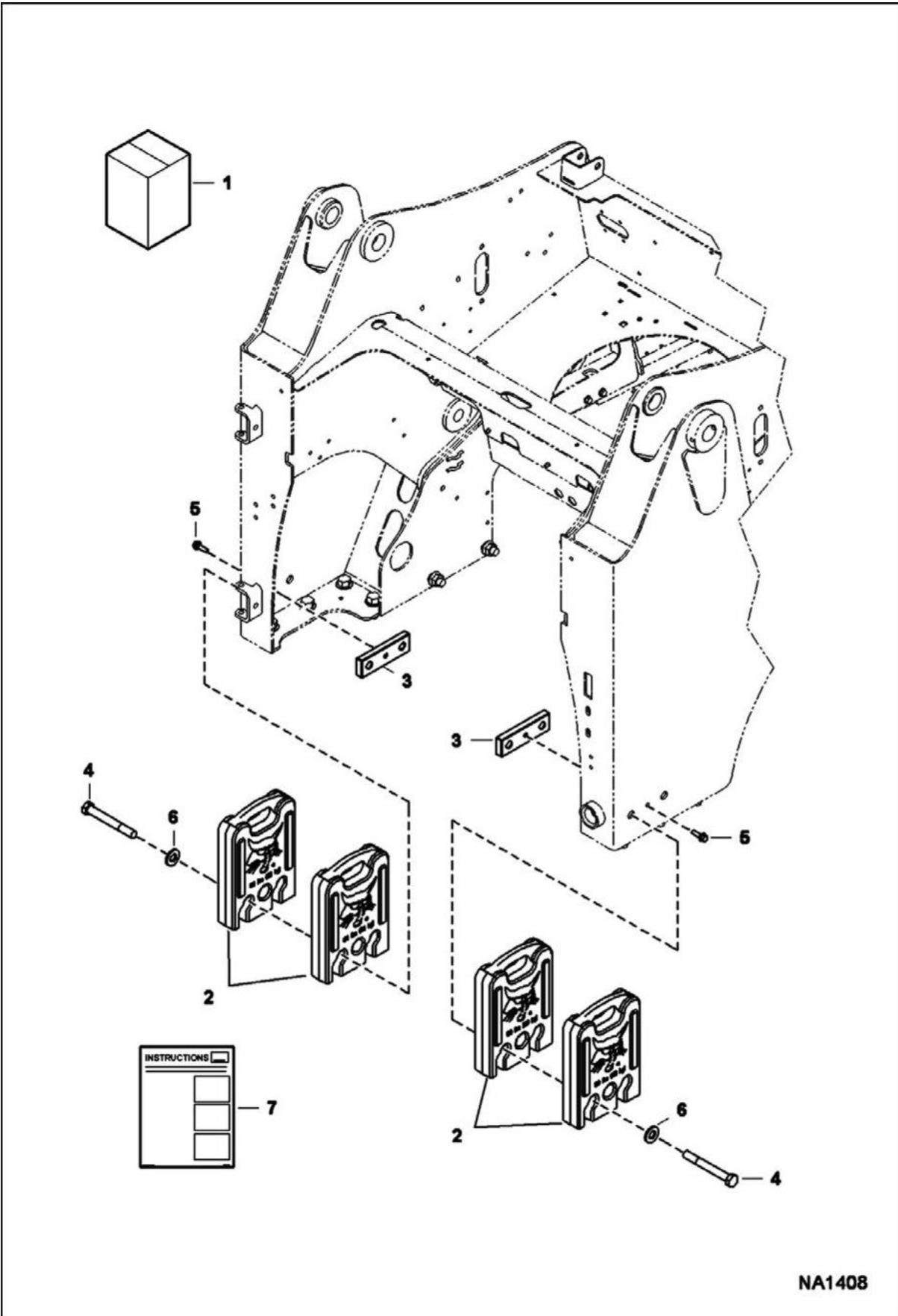


NA2037

CAB WINDOWS (Cont'd)
(Side)

Ref No	Part Number	Description	Remarks	Serial Number	Qty
1	7128342	KIT, WINDOW SIDE	Ref. 2-15		1
2	7148068	WINDOW ASSY	RH - W/Ref. 10-13		1
3	7148069	WINDOW ASSY	LH - W/Ref. 10-13		1
4	35C412	BOLT	Was 7153545 [B]		12
5	7154910	INSERT, THREADED			12
6	7010357	CAP, END			1
7	7010358	SPRING			1
8	7010359	KNOB			1
9	7010360	SLEEVE			1
10		BUSHING	NAP - inner - Order Ref. 2 or 3 - Was 7010361 [D]		1
11		SEAL	NAP - Order Ref. 2 or 3 - Was 7010362 [D]		2
12		BOLT	NAP - Order Ref. 2 or 3 - Was 7010363 [D]		1
13		BUSHING	outer - Order Ref. 2 or 3 - Was 7010364 [D]		1
14	7010365	NUT			2
15	6987228	INSTRUCTIONS			1

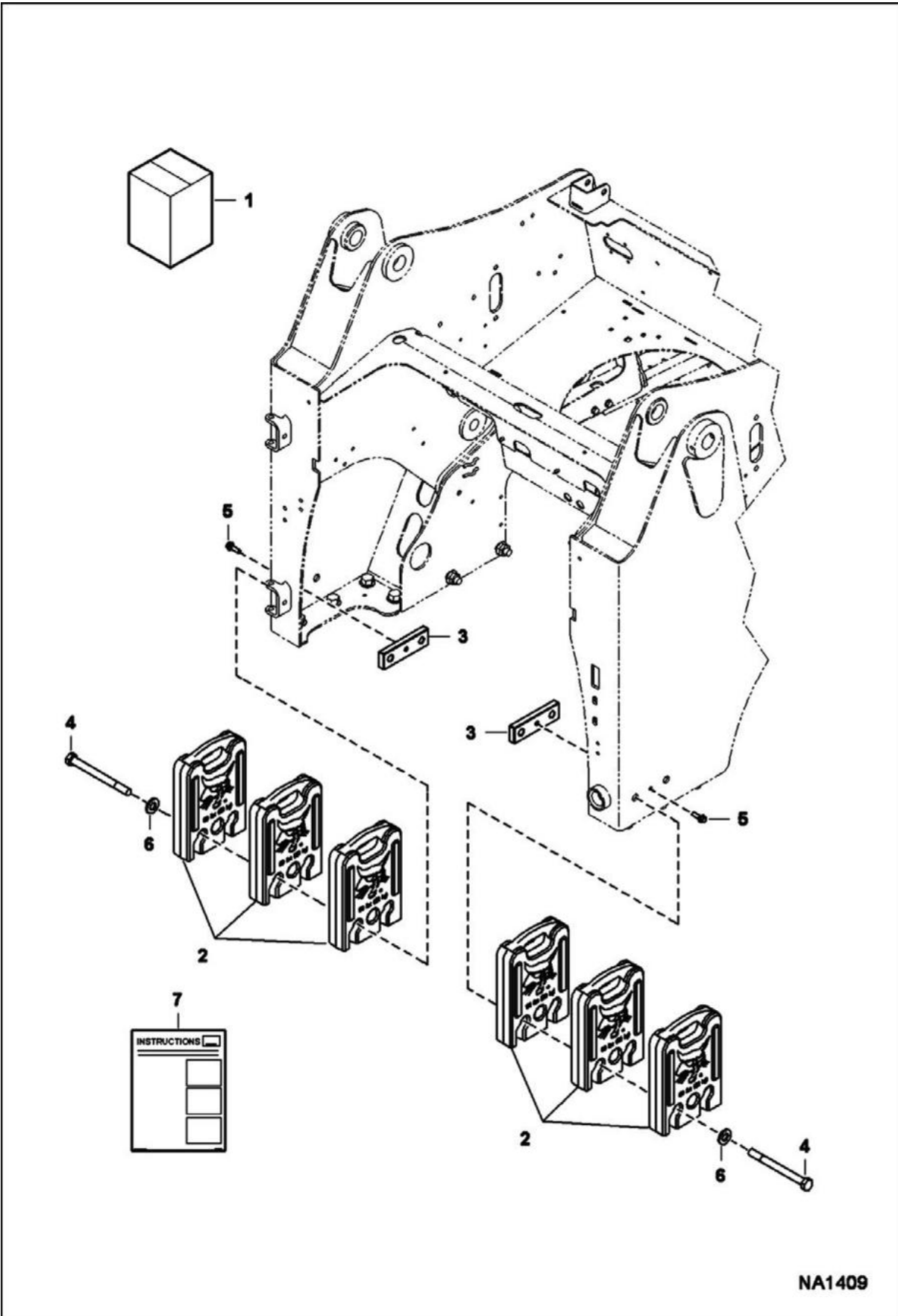
COUNTERWEIGHT KIT (200 lb) (91 kg)



COUNTERWEIGHT KIT (Cont'd)
(200 lb) (91 kg)

Ref No	Part Number	Description	Remarks	Serial Number	Qty
1	7129250	KIT, COUNTERWEIGHT	Ref. 2-7 - 91 kg (200 lb)		1
2	7129173	COUNTERWEIGHT	23 kg (50 lb)		4
3	7155158	PLATE, THREADED			2
4	1C1296	BOLT			4
5	35C620	BOLT 5			2
6	27E12	WASHER			4
7	6987128	INSTRUCTIONS			1

COUNTERWEIGHT KIT (300 lb) (136 kg)

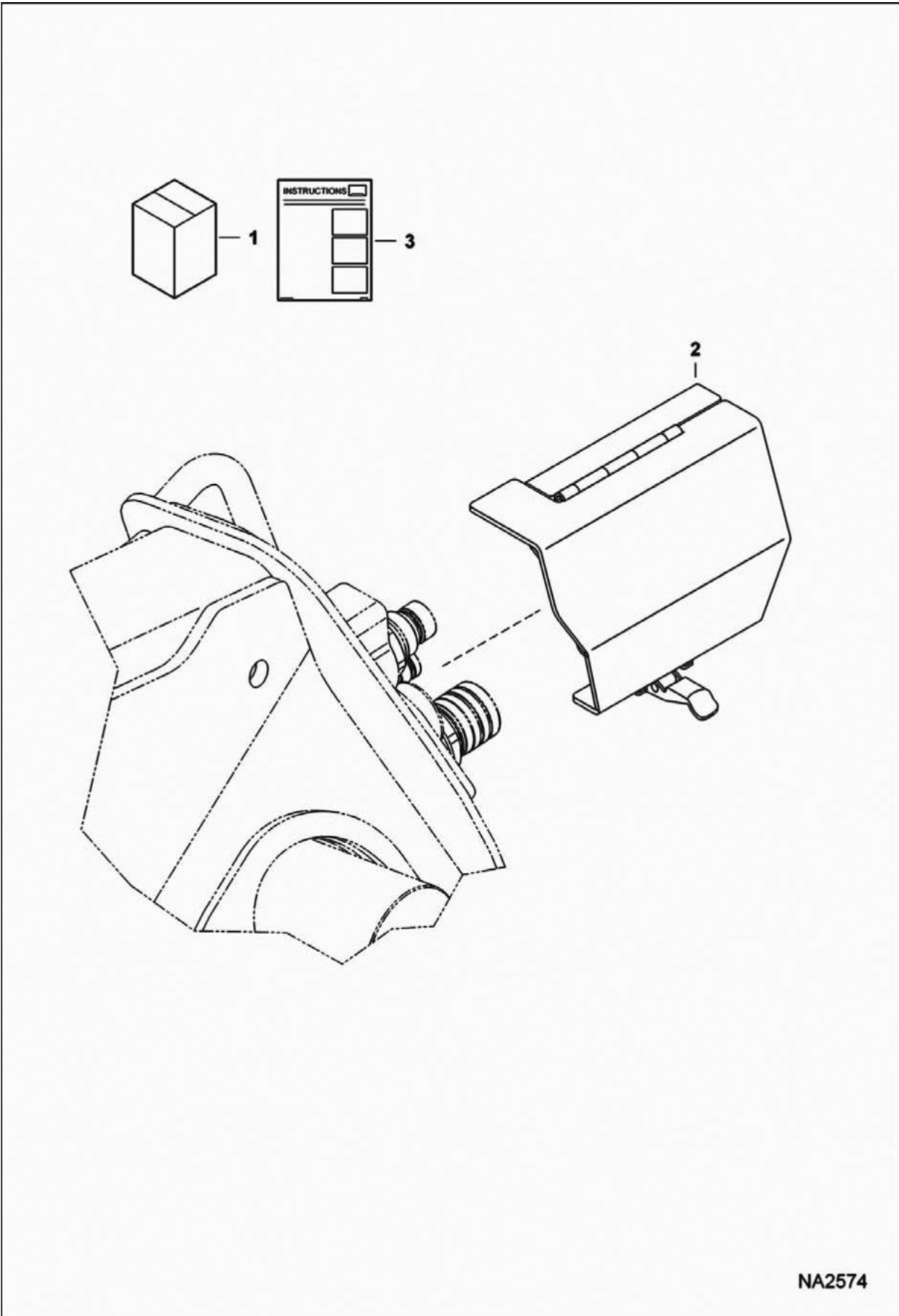


NA1409

COUNTERWEIGHT KIT (Cont'd)
(300 lb) (136 kg)

Ref No	Part Number	Description	Remarks	Serial Number	Qty
1	7129251	KIT, COUNTERWEIGHT	Ref. 2-7 - 136 kg (300 lb)		1
2	7129173	COUNTERWEIGHT	23 kg (50 lb)		6
3	7155158	PLATE, THREADED			2
4	1C12136	BOLT			4
5	35C620	BOLT 5			2
6	27E12	WASHER			4
7	6987128	INSTRUCTIONS			1

COUPLER GUARD KIT

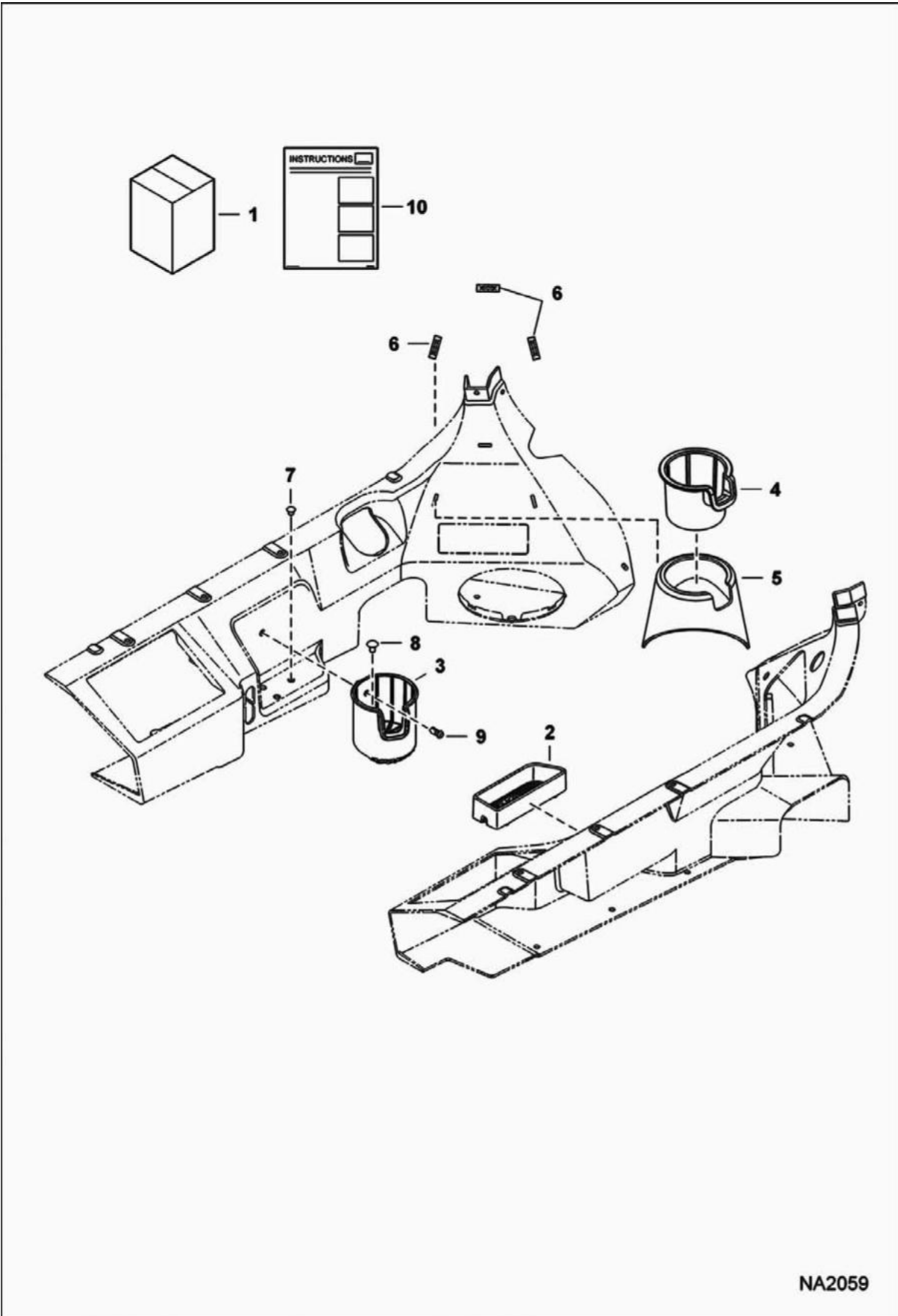


NA2574

COUPLER GUARD KIT (Cont'd)

Ref No	Part Number	Description	Remarks	Serial Number	Qty
1		KIT, GUARD COUPLER	NAP - Ref. 2 & 3 - Order components - Was 7174131 [A]		1
2	7173324	GUARD, COUPLER			1
3	6987492	INSTRUCTIONS			1

CUP HOLDER KIT



NA2059

CUP HOLDER KIT (Cont'd)

Ref No	Part Number	Description	Remarks	Serial Number	Qty
1	7167395	KIT, CUP HOLDER	Ref. 2-10		1
2	7154404	CONTAINER			1
3	7140441	HOLDER, CUP	Was 7154405 [A]		1
4	7155649	HOLDER, CUP			1
5	7160320	HOLDER, CUP			1
6	7167003	CLIP			3
7	7188745	PLUG	Was 7174012 [A]		8
8	6674895	RETAINER			1
9	7160383	RIVET, BIRD CAGE			1
10	6987227	INSTRUCTIONS			1

DECALS (Cont'd)
(Inside)

Ref No	Part Number	Description	Remarks	Serial Number	Qty
1	6989407	KIT, DECAL	See Illustration DECALS/ NA2065 - Ref. 2-22 - Also includes Ref. 2-26 on this page		1
1	7184191AR	KIT, DECAL			1
1	7184191BR	KIT, DECAL			1
1	7184191JP	KIT, DECAL			1
1	7184196AR	KIT, TRANSLATION			1
1	7184196BR	KIT, TRANSLATION			1
2	7168114	DECAL, SWITCH			1
3	7167991	DECAL, EXIT REAR			1
4	7168025	DECAL EMERGENCY DOOR			1
5	7168138	DECAL, WARNING	warning		1
6	7106218	DECAL QUALITY APPRVL			1
7	7110316	DECAL, SAFETY	door sensor		1
8	7152748	DECAL, FUEL DIESEL			1
9	6708929	DECAL, COOLANT	propylene glycol		1
10	6565200	DECAL, FILTER	not in kit		1
11	7168023	DECAL	RH - SJC		1
12	7168024	DECAL	LH - SJC		1
13	7177742	DECAL	throttle		1
14	7167988	DECAL, DANGER			2
15	7167998	DECAL, SERVICE			1
16	7167999	DECAL, ROC 2180	2180 lb		1
17	7168144	DECAL	SJC		1
18	7168136	DECAL	operation		1
19	7167994	DECAL, WARNING			1
20	6565990	DECAL, OIL HYD	hyd fill		1
21	7168140	DECAL, WARNING	warning		1
22	7168142	DECAL, WARNING			1
23	7168272	DECAL	control		1
24	7170355	DECAL, DANGER	hose and tube danger		1
25	7167945	DECAL, FUSE RELAY			1
26	6737189	DECAL, WARNING	backup alarm		1
27	7169699	DECAL	radiator cap - not in kit		1
28	6987174	HANDBOOK, OPERATOR'S	W/wire rope - not in kit		1
29	7184346	DECAL WARNING	not in kit - Was 7168303 [A]		1

DECALS
(Outside)

The image displays 31 numbered decal options for a Bobcat S630 loader. The decals are arranged as follows:

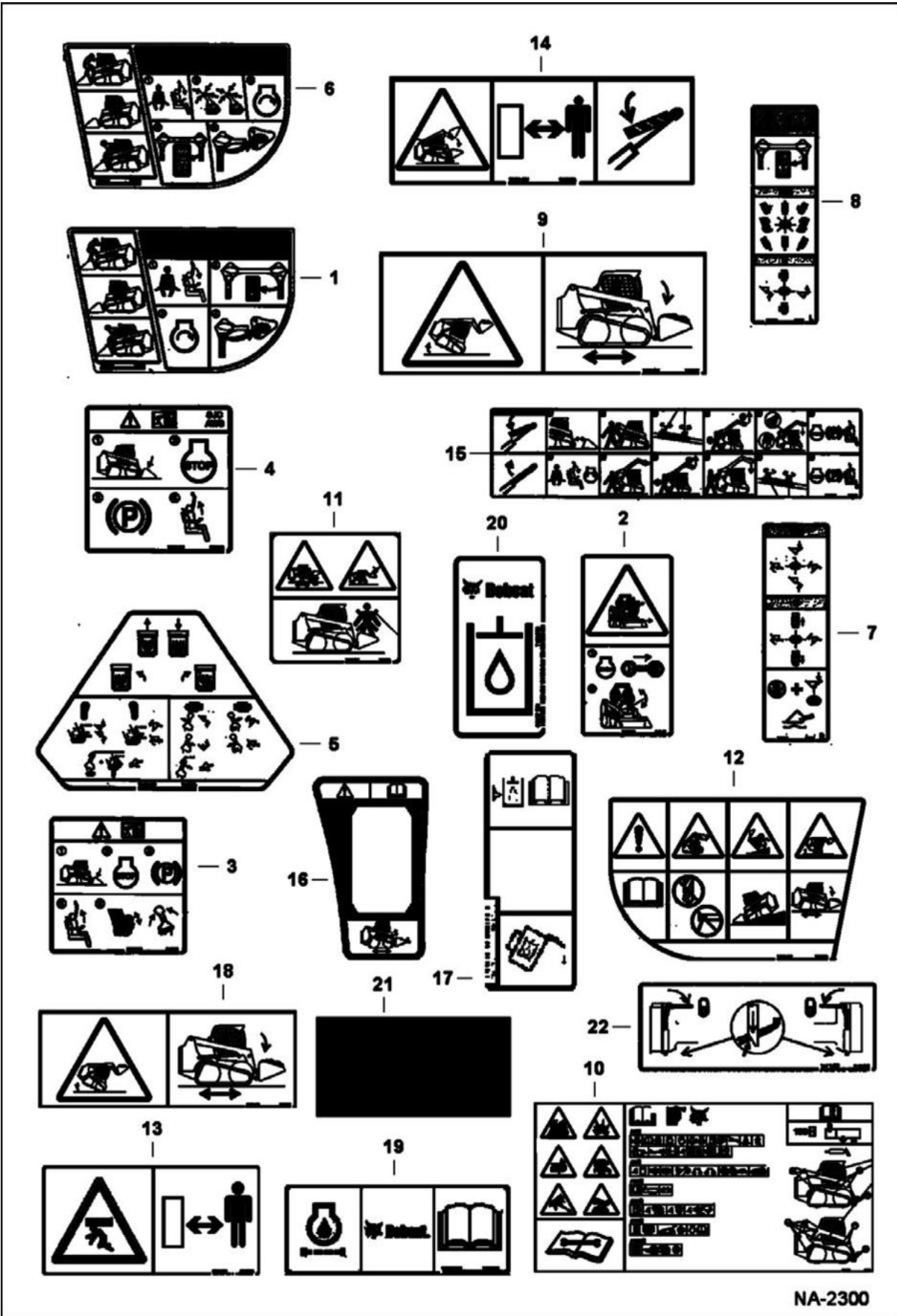
- 1:** A simple rectangular box.
- 2:** A decal with the Bobcat logo and the text "SELECTED FOR PARTS".
- 3:** A warning decal: "WARNING TIPPING, ROLLOVER OR LOSS OF VISIBILITY CAN CAUSE SERIOUS INJURY OR DEATH CARRY LOAD LOW".
- 4:** A danger decal: "DANGER AVOID DEATH Keep out of this area unless lift arms are raised unless supported by an approved lift arm support device. Moving lift arm control or failure of a part can cause lift arms to drop."
- 5:** A warning decal with icons for eye protection, no smoking, no open flames, and a book icon.
- 6:** The Bobcat logo and "S630" text.
- 7:** The word "Bobcat" in a stylized font.
- 8:** A technical diagram showing lift arm angles and a table of capacities.
- 9:** A decal with a hook icon and the text "LIFT CAPACITY".
- 10:** A large, thick black horizontal bar.
- 11:** A thin black horizontal line.
- 12:** A decal with the text "FULLY ENGAGE LOCKING LEVERS WEDGES MUST EXTEND THROUGH HOLES".
- 13:** The text "S630" in a bold, italicized font.
- 14:** A danger decal: "DANGER AVOID DEATH Attachment can be forced against the ground and cause front frame to tilt. Never go under or reach under lift arms or lift cylinder without an approved lift arm support device installed."
- 15:** A vertical decal with a "1" in a box and an upward arrow.
- 16:** A rectangular decal with the text "BOBCAT HYDROSTATIC FLUID OPERATING RANGE".
- 17:** A warning decal: "WARNING AVOID INJURY OR DEATH Never carry riders. Never use loader as a man lift or work platform."
- 18:** A rectangular decal with the text "BOBCAT HYDROSTATIC FLUID OPERATING RANGE".
- 19:** A decal with the word "SPEED" in a large, bold font.
- 20:** The Bobcat cat head logo.
- 21:** A decal with three circular icons and the text "REMOVE WIRE RETAINERS TO REMOVE GAS SPRING." repeated three times.
- 22:** A decal with a book icon and a diagram of a lift arm.
- 23:** A decal with the text "SELECTABLE JOYSTICKS R/C READY".
- 24:** A decal with the text "POWER BOB-TACH".
- 25:** A decal with the text "AIR CONDITIONED".
- 26:** A decal with the text "High Flow Hydraulics".
- 27:** A decal with a hook icon.
- 28:** A vertical decal with icons for a warning triangle, a person, a book, and a hook.
- 29:** A warning decal: "WARNING FAILURE OF THE LIFT ASSEMBLY CAN CAUSE SERIOUS INJURY OR DEATH. BEFORE LIFTING LOADS: 1. Check the hardware and fasteners of the Single Point Lift and Operator Cais (OCS) for proper torque. 2. Inspect Single Point Lift for damage or cracked welds. Repair or replace components as necessary. No riders on loader during lifting. Keep 18 ft (5 m) away while lifting. See Operation & Maintenance Manual for more information."
- 30:** A decal with a hook icon and the text "LIFT CAPACITY".
- 31:** A circular decal with the text "INTERIM TIER 4 COMPLIANT i4".

NA2065

DECALS (Cont'd)
(Outside)

Ref No	Part Number	Description	Remarks	Serial Number	Qty
1	6989407	KIT, DECAL	See Illustration DECALS/ NA2066 Ref. 2-26 - Also includes Ref. 3-22 on this page		1
1	7184191AR	KIT, DECAL			1
1	7184191BR	KIT, DECAL			1
1	7184191JP	KIT, DECAL			1
1	7184196AR	KIT, TRANSLATION			1
1	7184196BR	KIT, TRANSLATION			1
2		DECAL	NAP - patent - Was 6557224 [C]		1
3	7167993	DECAL, WARNING			1
4	7167989	DECAL, DANGER			1
5	7169291	DECAL	warning		1
6	7169963	DECAL, MODEL	S630		2
7	6735901	DECAL, LOGO BOBCAT HEAD	white		1
8	6706558	DECAL, OPERATION	lift arm support		1
9	6727595	DECAL, TIE- DOWN			6
10	7169965	DECAL, TAILGATE BASE			1
11	7169966	DECAL, LIFTARM STRIPE			2
12	6561383	DECAL, OPERATION	Bob-Tach locking levers		1
13	7169967	DECAL, MODEL	S630		1
14	7167990	DECAL, DANGER			1
15	7169877	DECAL	gas spring		1
16	6555341	SAFETY TREAD			1
17	7167996	DECAL, WARNING			1
18	7169710	DECAL, SIGHT GAUGE			1
19	6729078	DECAL	2 speed		2
20	7116870	DECAL, LOGO BOBCAT HEAD			2
21	7170360	DECAL, SPRING REMOVAL			1
22	7168031	DECAL	coupler		1
23	7145528	DECAL	SJC ready - not in kit		1
24	6719888	DECAL	Power Bob-Tach - not in kit		1
25	7166916	DECAL, A/C	not in kit		2
26	7120693	DECAL	high flow - not in kit		1
27	6705340	DECAL, LUBRICANT	EMEA - not in kit		1
28	7142142	DECAL	warning - not in kit		1
29	7142141	DECAL	warning - single point lift - not in kit		1
30	6533898	DECAL	hook - not in kit		1
31	7204037	DECAL	iT4 compliant - not in kit		1

DECALS
(EMEA)

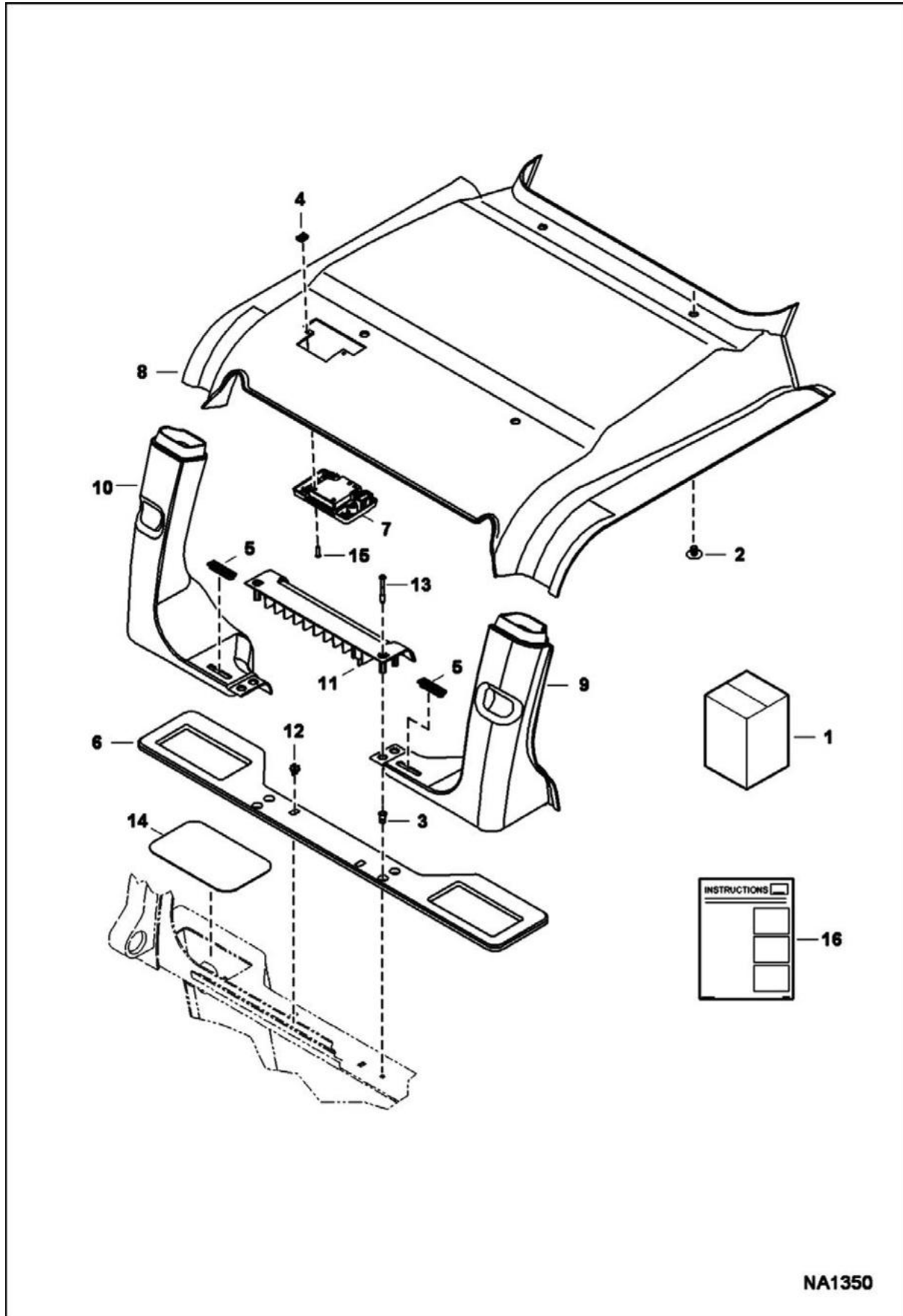


NA-2300

**DECALS (Cont'd)
(EMEA)**

Ref No	Part Number	Description	Remarks	Serial Number	Qty
1	7168137	DECAL, OPERATION			1
2	7168139	DECAL, WARNING			1
3	7168141	DECAL, WARNING			1
4	7168143	DECAL, WARNING			1
5	7168273	DECAL, CONTROL			1
6	7168145	DECAL, WARNING	SJC		1
7	7168081	DECAL, OPERATION	SJC - RH		1
8	7168082	DECAL, OPERATION	SJC - LH		1
9	7168033	DECAL, DANGER			1
10	7168042	DECAL, SERVICE			1
11	7168040	DECAL, WARNING			1
12	7168038	DECAL, WARNING			1
13	7168037	DECAL, WARNING			1
14	7168034	DECAL, DANGER			1
15	7168036	DECAL	lift arm		1
16	7177707	DECAL	SJC switch		1
17	7173294	DECAL	sight guage		1
18	6713507	DECAL	stay clear		2
19	7120569	DECAL, FILTER			1
20	7120570	DECAL	hyd oil		1
21	7120573	DECAL	eng coolant		1
22	7173403	DECAL, OPERATION	Bob-tach		1

DELUXE HEADLINER KIT



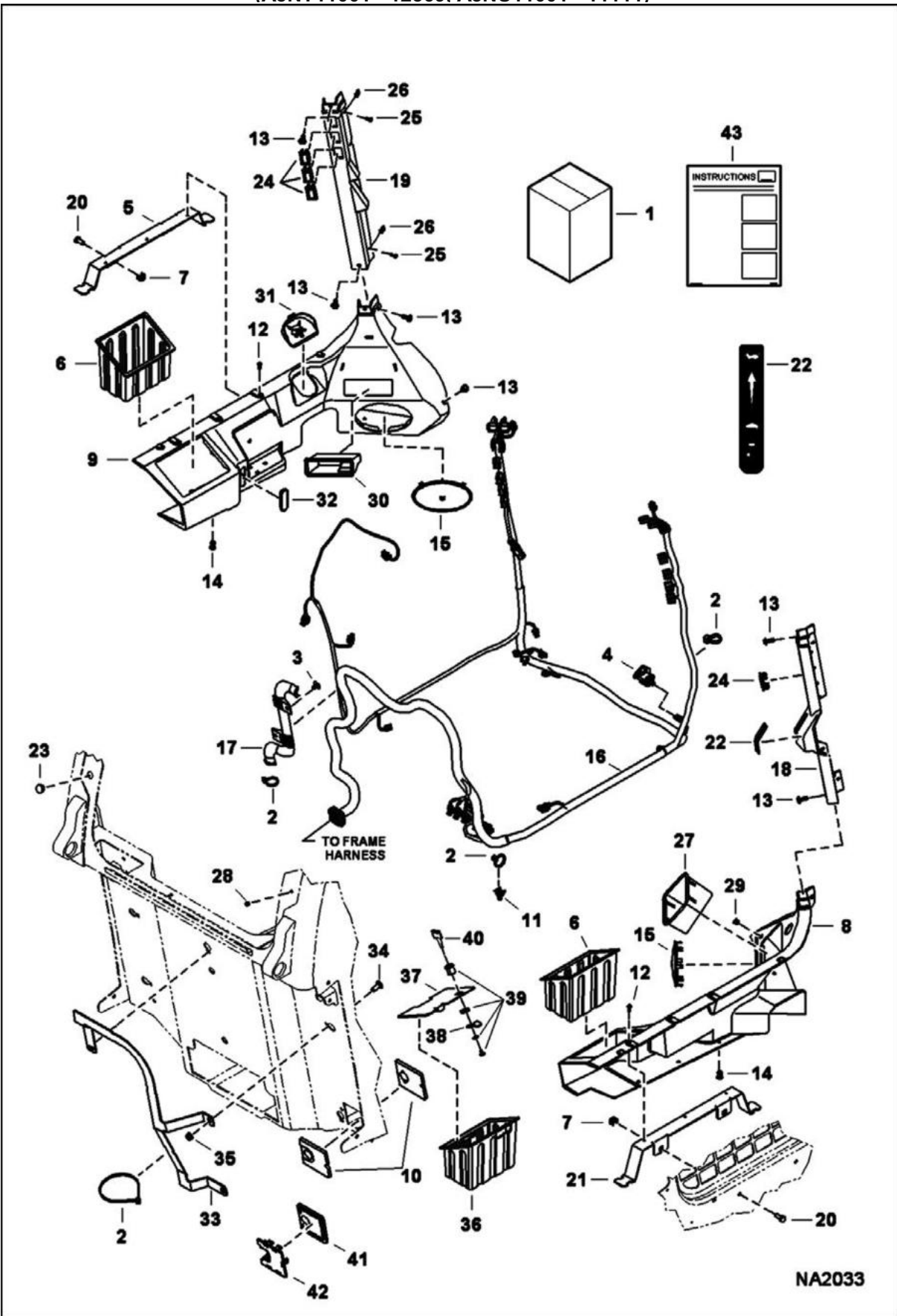
NA1350

DELUXE HEADLINER KIT (Cont'd)

Ref No	Part Number	Description	Remarks	Serial Number	Qty
1	7156253	KIT, HEADLINER DLX	Ref. 2-16		1
2	6674895	RETAINER			4
3	6675033	INSERT			2
4	7142762	CLIP			2
5	7145885	VENT, DEFROST			2
6	7153832	SEAL, SHELF REAR			1
7	7155797	LIGHT			1
8	7155798	HEADLINER, DLX			1
9	100333SUB	DUCT, AIR	RH - W/Ref. 5 - Was 7165330 [A]		1
10	100334SUB	DUCT, AIR	LH - W/Ref. 5 - Was 7165331 [A]		1
11	7165332	SHELF, REAR			1
12	7165333	CLIP			2
13	7165799	SCREW			2
14	7168610	COVER			2
15	7170114	SCREW			2
16	6987355	INSTRUCTIONS			1

DELUXE INTERIOR KIT

(A3NT11001 - 12369, A3NU11001 - 11111)

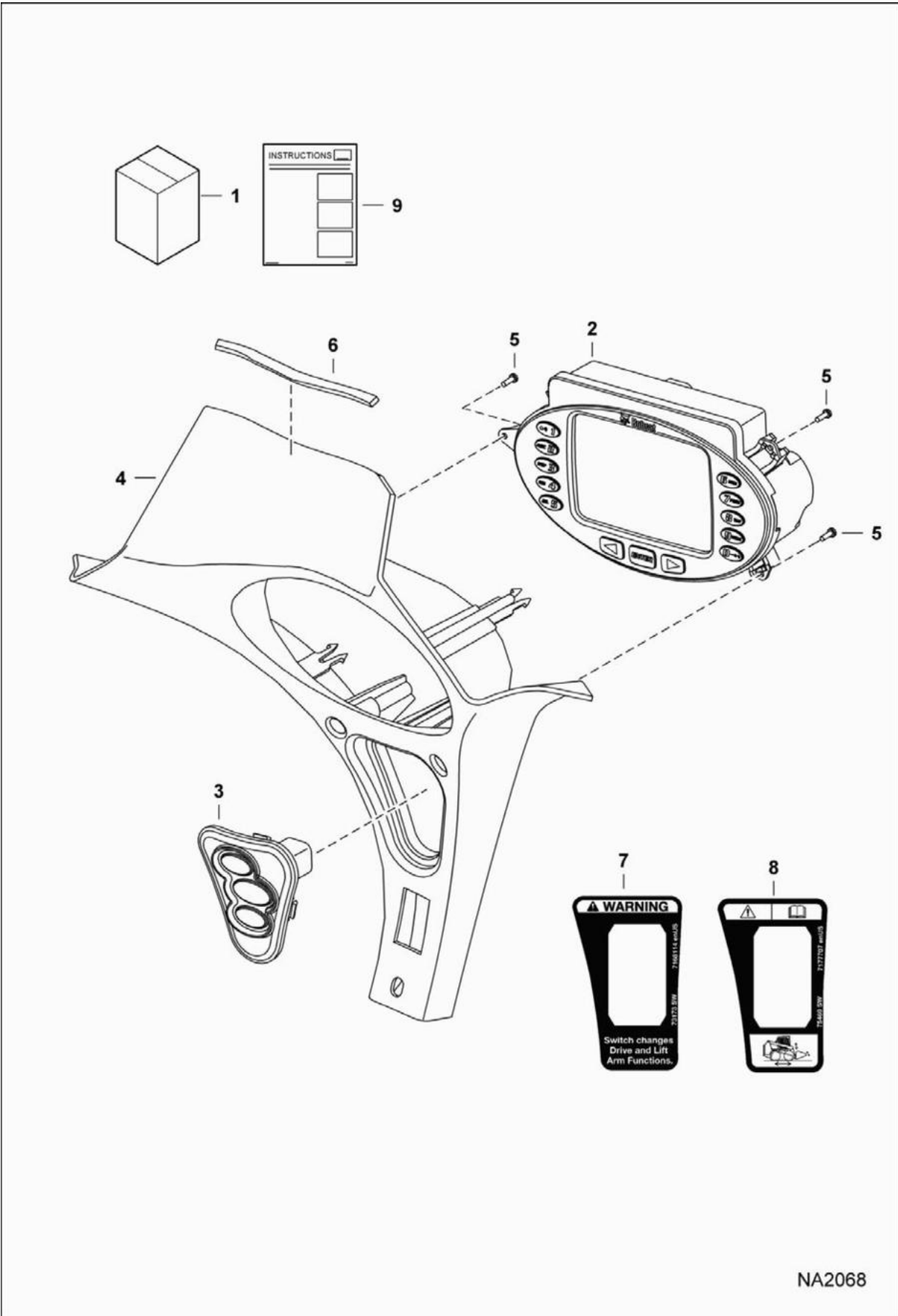


DELUXE INTERIOR KIT (Cont'd)

(A3NT11001 - 12369, A3NU11001 - 11111)

Ref No	Part Number	Description	Remarks	Serial Number	Qty
1	7129465	KIT, INTERIOR DLX	Ref. 2-35 & 43		1
2	6624289	STRAP, TIE			20
3	6674895	RETAINER			2
4	7001664	PLUG, POWER			1
5	7116118	BRACKET			1
6	7145268	CONTAINER, STORAGE			2
7	7149204	NUT			4
8	7155642	FENDER, PANEL RH			1
9	7155643	FENDER, PANEL L.H.			1
10	7185150	PLUG, HARNESS CAB	replaces both Ref. 41 & 42		2
11	7010600	TREE MOUNT	Was 6678666 [B]		2
12	7160381	RIVET, BIRD CAGE			6
13	7160382	RIVET, BIRD CAGE			8
14	7160383	RIVET, BIRD CAGE			10
15	7161939	GRILL			2
16	7196753	HARNESS, CAB DLX	Was 7176098 [B]		1
17	7164073	GUIDE			1
18	7164347	COLUMN, FRONT RIGHT			1
19	7164348	COLUMN, FRONT LEFT			1
20	17C612	BOLT 5			4
21	7127976	BRACKET			1
22	7177742	DECAL	throttle		1
23	6657719	PLUG	0.75" dia hole		2
24	6665314	PLUG			5
25	6669224	BOLT			6
26	7142762	CLIP			6
27	7154285	BOX, STORAGE			1
28	7188745	PLUG	Was 7174012 [A]		1
29	7182942	PLUG	Was 7162771 [A]		1
30	7165344	STORAGE			1
31	7165345	DOOR, COVER			1
32	7165346	DOOR, COVER			1
33	7166177	BRACKET			1
34	10C616	BOLT 10			3
35	97D6	NUT 10			3
36	7181555	TOOL BOX	EMEA - not in kit		1
37	7181556	COVER, TOOL BOX	EMEA - metal cover - not in kit		1
38	7181557	CAM	EMEA - not in kit		1
39	6670726	CYLINDER. LOCK	EMEA - not in kit		1
40	6693241	KEY 10	EMEA - not in kit		1
41		PLUG, HARNESS CAB DLX	NAP - Order Ref. 10 - Was 7179115 [A]		1
42		FOAM	NAP - Order Ref. 10 - Was 7179116 [A]		1
43	6987234	INSTRUCTIONS			1

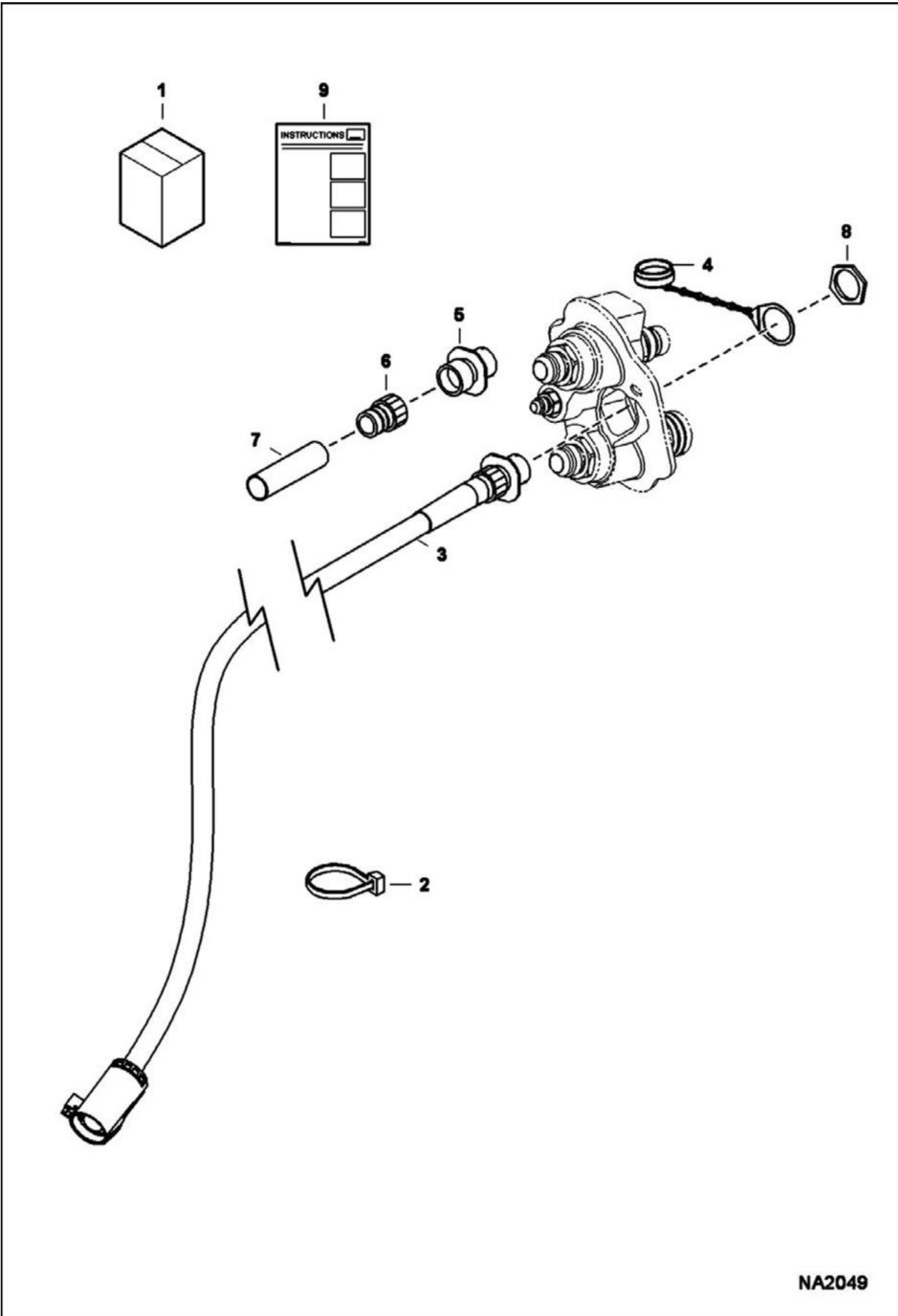
DELUXE PANEL KIT



DELUXE PANEL KIT (Cont'd)

Ref No	Part Number	Description	Remarks	Serial Number	Qty
1	7128344	KIT, PANEL DLX	Ref. 2-6 & 9		1
2	6693413	DISPLAY, DLX			1
3	7003033	SWITCH, IGN			1
4	7155791	PANEL, RH			1
5	7179008	SCREW, PLASTIC			3
6	7187104	SEAL			1
7	7168114	DECAL, SWITCH			1
8	7177707	DECAL	switch - EMEA no-text		1
9	6987280	INSTRUCTIONS			1

ELECTRICAL CONTROLS KIT (7 Pin)

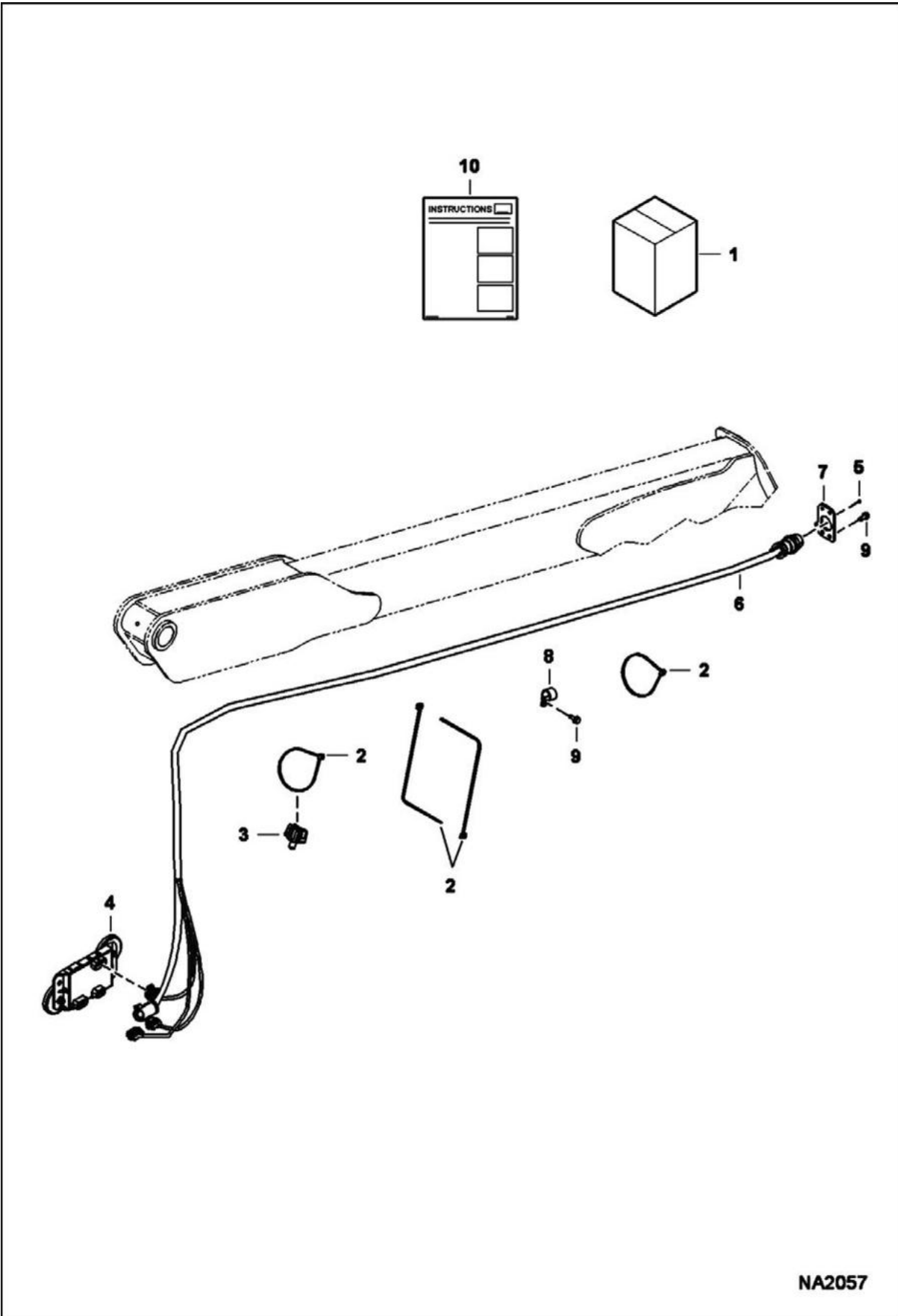


NA2049

ELECTRICAL CONTROLS KIT (Cont'd)
(7 Pin)

Ref No	Part Number	Description	Remarks	Serial Number	Qty
1	7128426	KIT, ACD 7-PIN	Ref. 2-9		1
2	6624289	STRAP, TIE			4
3	7175321	HARNESS, ACD INPUT	W/Ref. 4-8 - 146" (3710 mm) long		1
3		HARNESS, ACD INPUT	NAP - W/Ref. 4-8 - 124" (3150 mm) long - Order 7175321		1
4	6675026	CAP			1
5	6674802	CONNECTOR			1
5	6669549	SOCKET	18 ga - not in kit		4
5	6677136	SOCKET	12 ga - not in kit		3
6	6674799	ADAPTER	heat shrink		1
7		HEAT SHRINK	NSS - purchase locally		1
8	6688338	NUT	jam		1
9	6987238	INSTRUCTIONS			1

ELECTRICAL CONTROLS KIT (14 Pin Attachments)

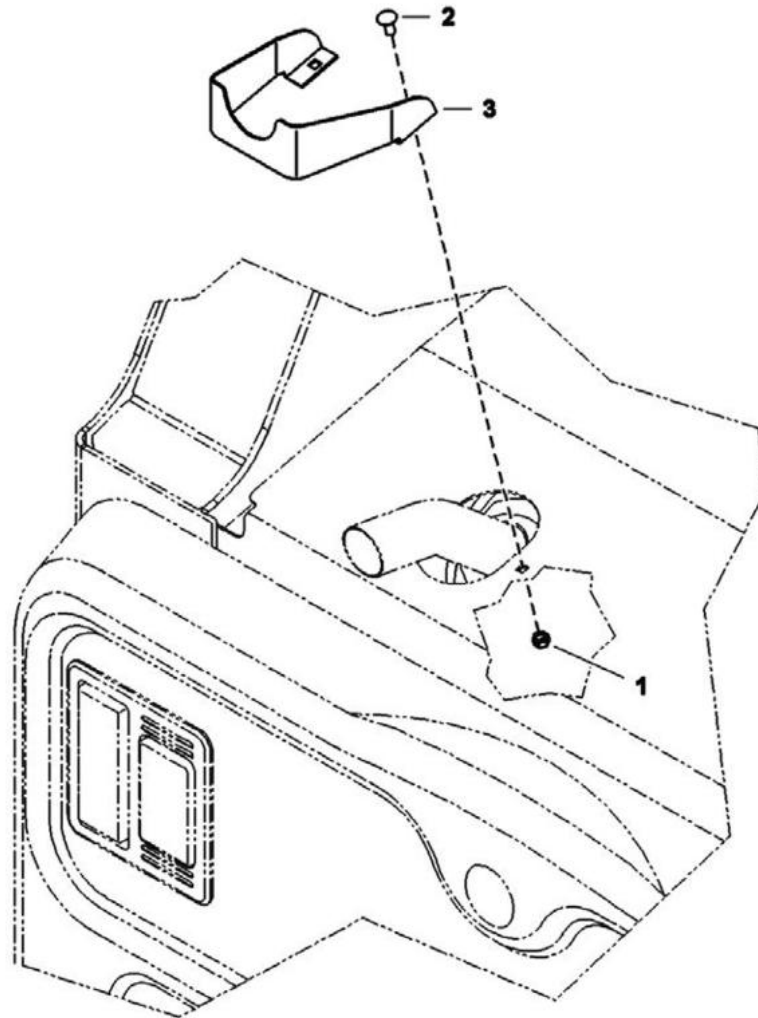


NA2057

ELECTRICAL CONTROLS KIT (Cont'd)
(14 Pin Attachments)

Ref No	Part Number	Description	Remarks	Serial Number	Qty
1	6733136	KIT, ATTACHMENT 14-PIN	Ref. 2-10		1
2	6624289	STRAP, TIE			9
3	6675281	MOUNT			1
4	6678675	CONTROLLER, ACD	W/O magnets		1
4	6719448	MAGNET, CONTROL ATTACH	45 kg (100 lb) force		2
4	25G612	SCREW			2
4	83D6	NUT 5			2
5	6704892	RIVET			1
6	6732730	HARNESS			1
7	6733144	MOUNT			1
8	30H50	CLIP			6
9	84G3112	BOLT 5			8
10	6901872	INSTRUCTIONS			1

EUROPEAN ACCESSORIES (Exhaust Pipe Shield)

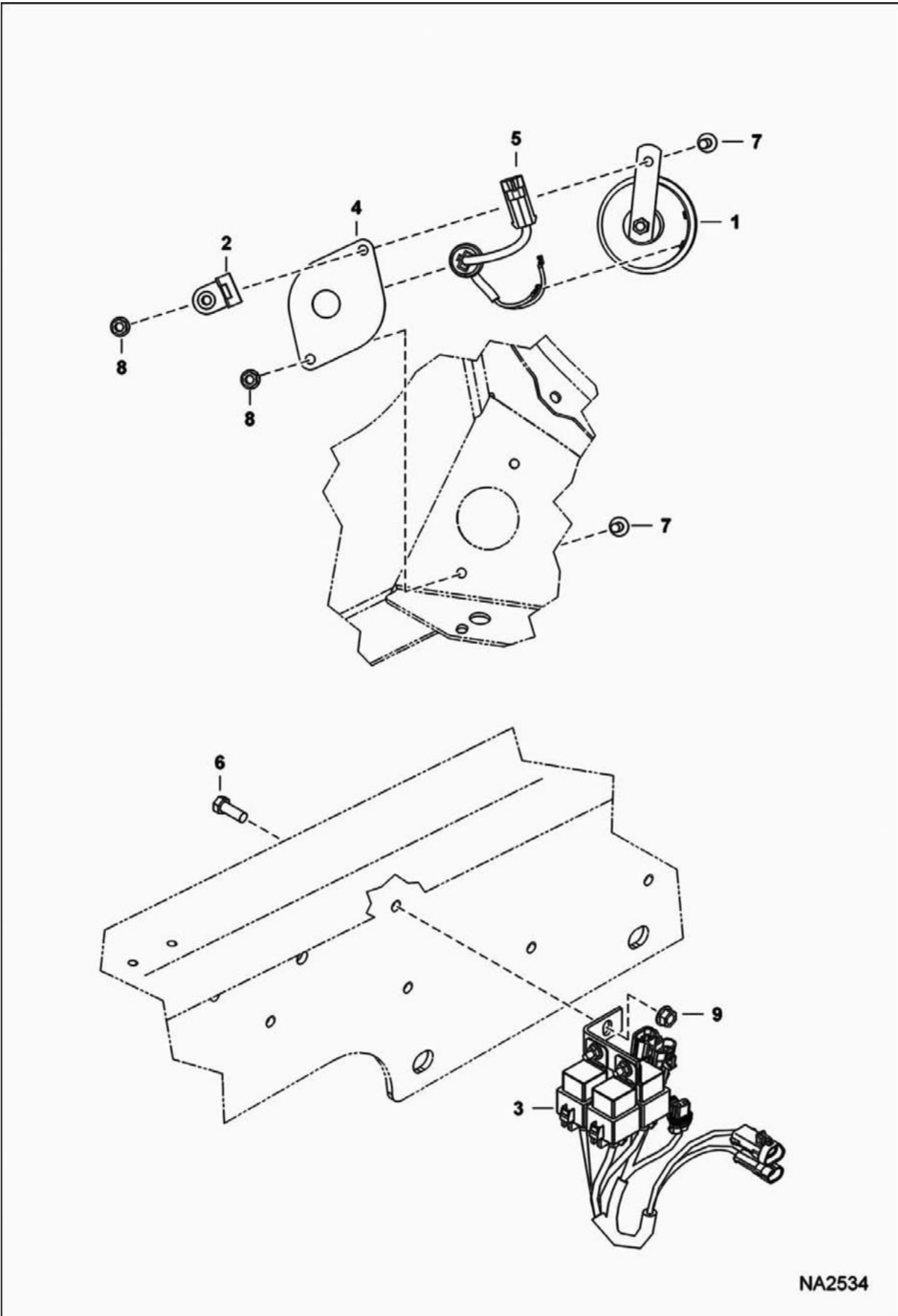


NA2304

EUROPEAN ACCESSORIES (Cont'd)
(Exhaust Pipe Shield)

Ref No	Part Number	Description	Remarks	Serial Number	Qty
1	61D5	NUT			2
2	37C512	BOLT			2
3	7174811	SHIELD, ISOLATOR			1

EUROPEAN ACCESSORIES (Horn)

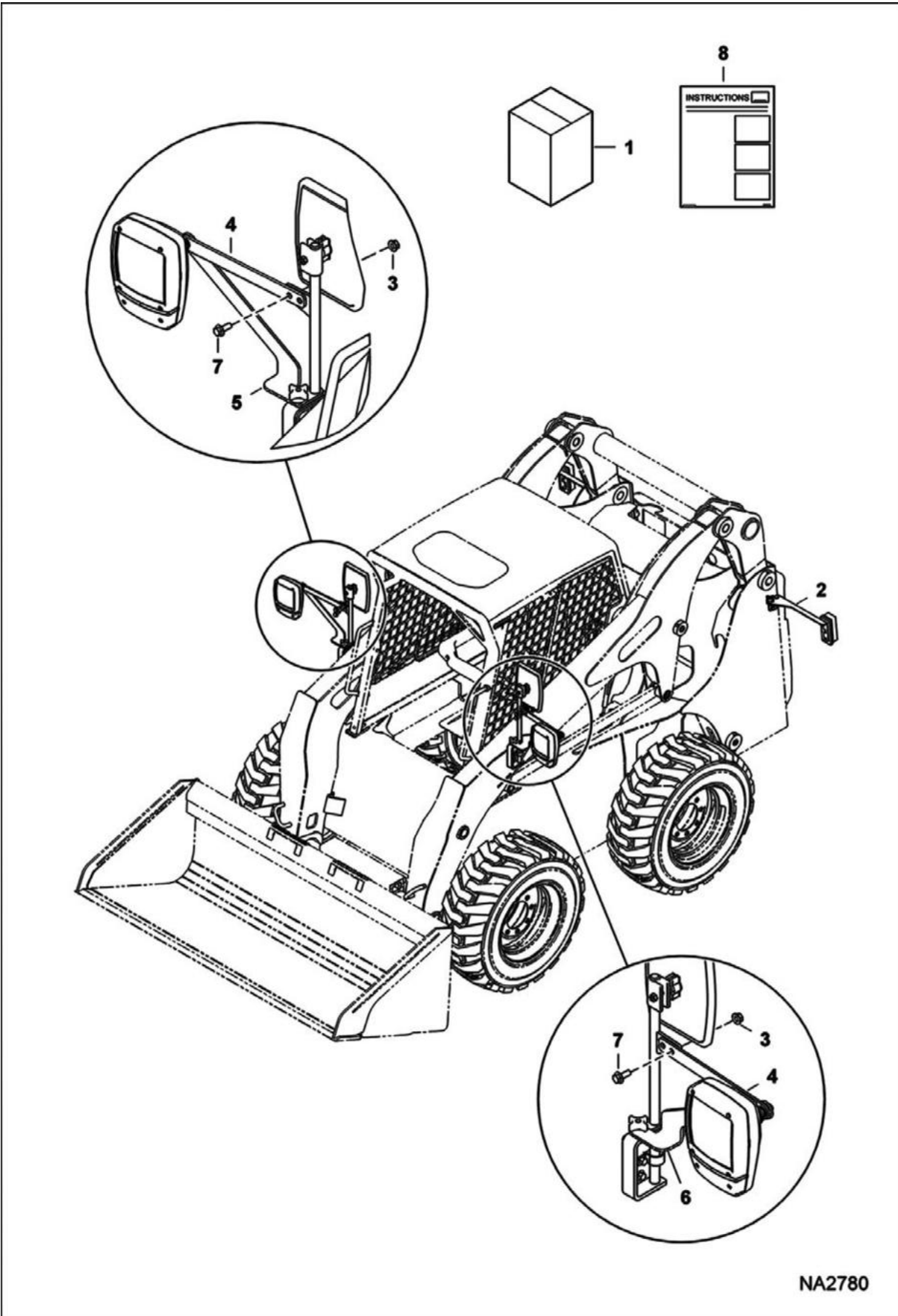


NA2534

EUROPEAN ACCESSORIES (Cont'd)
(Horn)

Ref No	Part Number	Description	Remarks	Serial Number	Qty
1	6671106	HORN			1
2	6684641	MOUNT			1
3	7151940	HARNESS, HORN	SJC		1
4	7177690	MOUNT			1
5	7183295	HARNESS, HORN			1
6	17C616	BOLT 5			1
7	35C516	BOLT 10			2
8	55D5	NUT			2
9	97D6	NUT 10			1

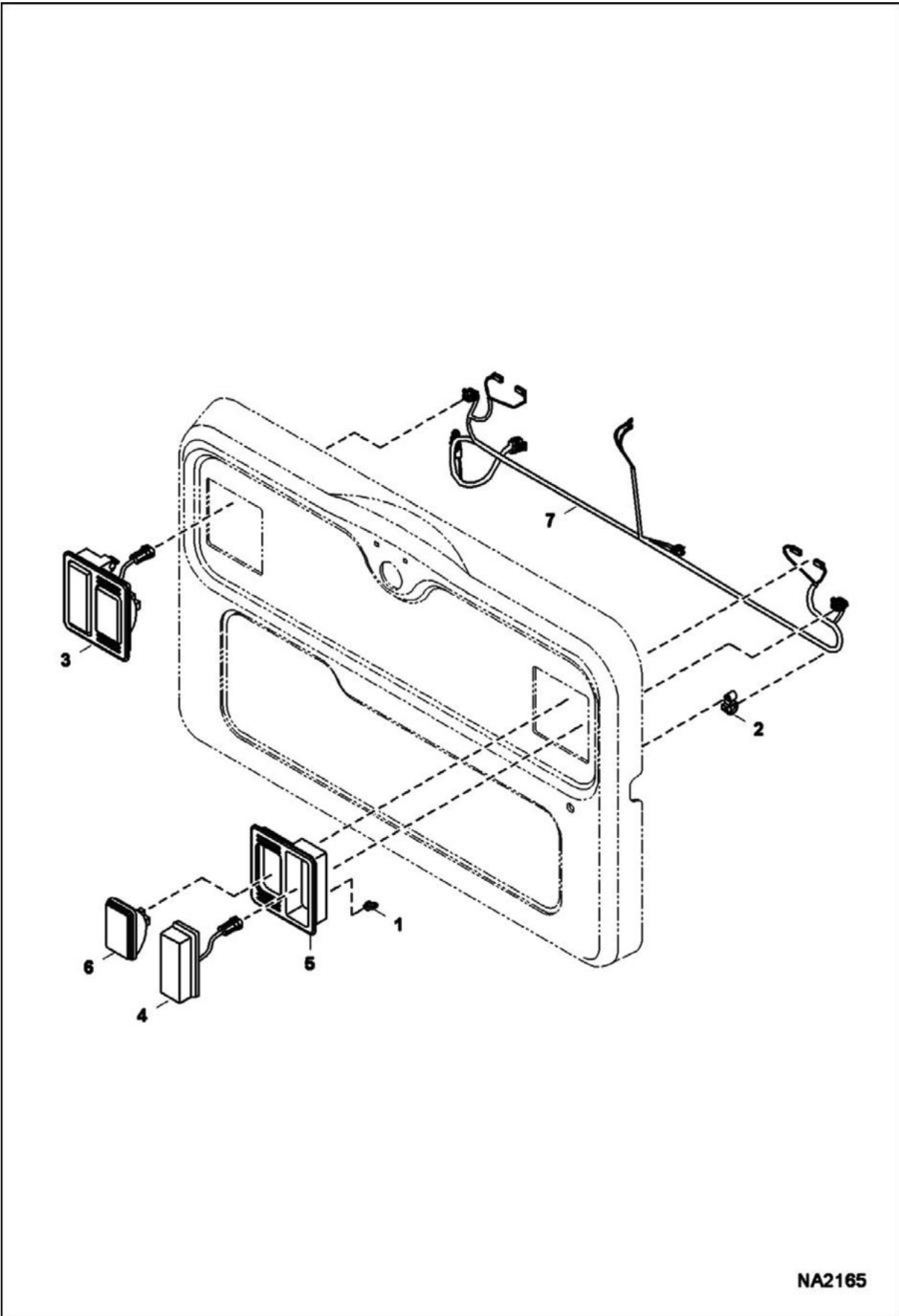
EUROPEAN ACCESSORIES (Light Extenders) (Wide Attachment)



EUROPEAN ACCESSORIES (Cont'd)
(Light Extenders) (Wide Attachment)

Ref No	Part Number	Description	Remarks	Serial Number	Qty
1	7188129	KIT, EXTENTION LIGHT	Ref. 2-8		1
2	7180997	HOLDER	LH		1
2	7180998	HOLDER	RH		1
3	43DM10	NUT			4
4	7188130	HOLDER			2
5	7188131	HOLDER	RH		1
6	7188132	HOLDER	LH		1
7	29CM1025	BOLT			4
8	6987366	INSTRUCTIONS			1

EUROPEAN ACCESSORIES (Rear Door Lights)

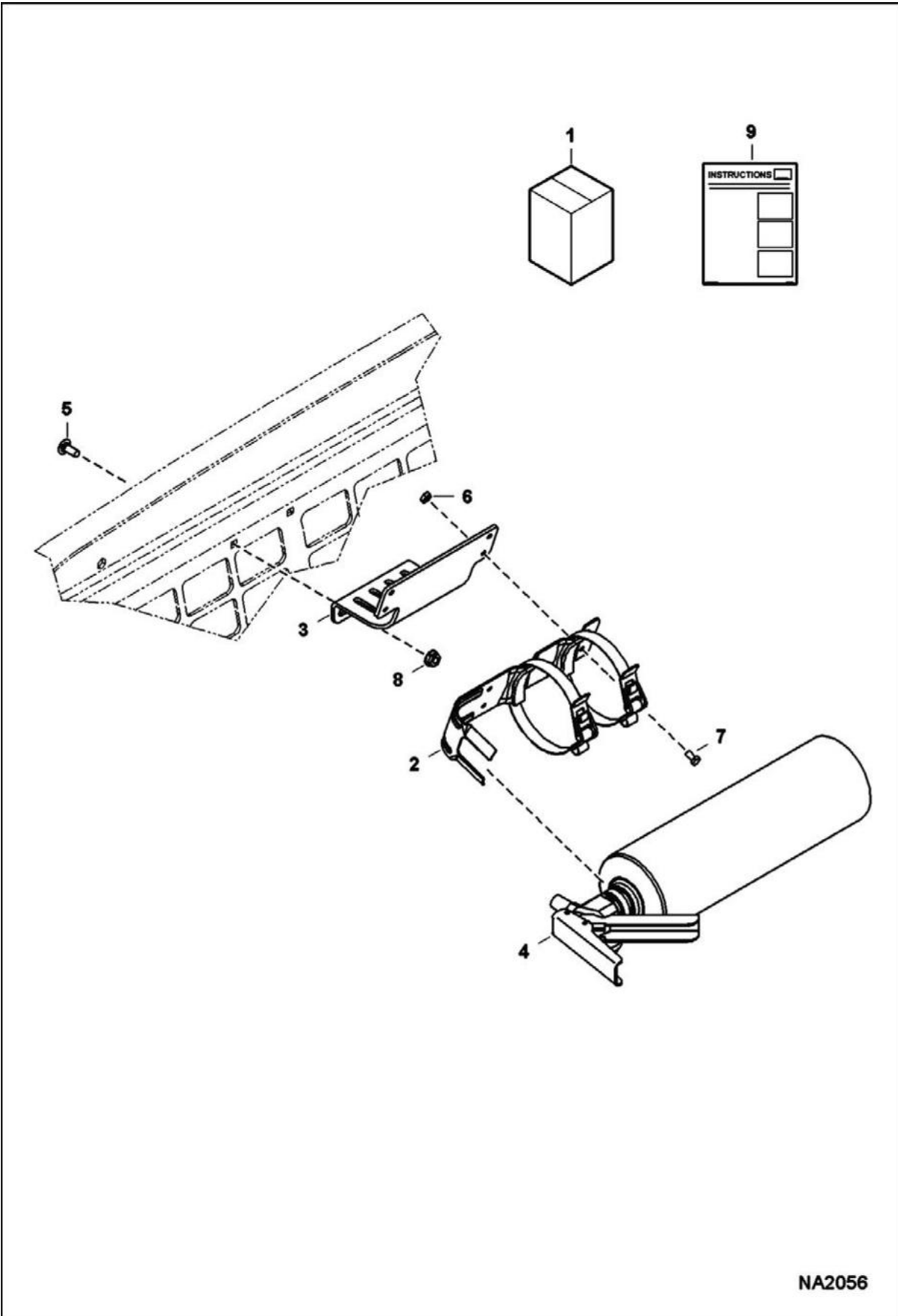


NA2165

EUROPEAN ACCESSORIES (Cont'd)
(Rear Door Lights)

Ref No	Part Number	Description	Remarks	Serial Number	Qty
1	6688637	MOUNT			2
2	7002988	TIE, STUD MOUNT			5
3	7104670	LIGHT	assy RH - Ref. 4-6		1
3	7104671	LIGHT	assy LH - Ref. 4-6		1
4	7101384	LIGHT			2
4	6686096	LENS	turn - amber		1
4	6686097	BULB	turn - 21W		1
4	6686099	LENS	stop - red		1
4	6686098	BULB	stop - 21/5W		1
4	6686100	SCREW			2
5	6672279	MOUNT, LIGHT RUBBER			1
6	6671027	LIGHT			2
7	7175287	HARNESS, REAR DOOR			1

FIRE EXTINGUISHER

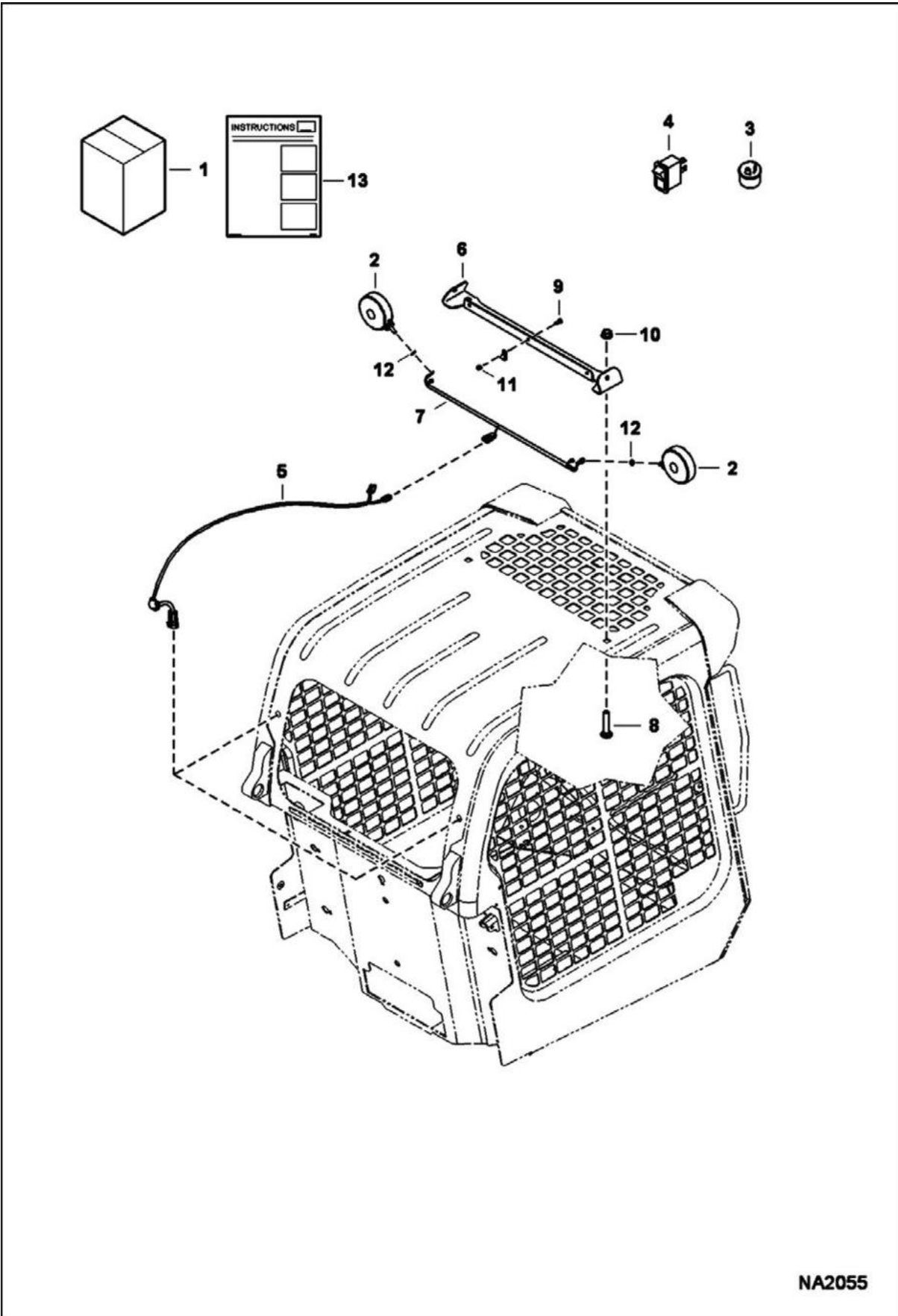


NA2056

FIRE EXTINGUISHER (Cont'd)

Ref No	Part Number	Description	Remarks	Serial Number	Qty
1	7129307	KIT, EXTINGUISHER FIRE	Ref. 2-9		1
2	6691173	BRACKET			1
3	7166482	BRACKET			1
4	7168164	EXTINQUISHER,F IRE			1
5	10C410	BOLT			2
6	12D10	NUT			4
7	45G1006	BOLT			4
8	55D4	NUT			2
9	6987223	INSTRUCTIONS			1

FLASHER LIGHTS (4-Way)

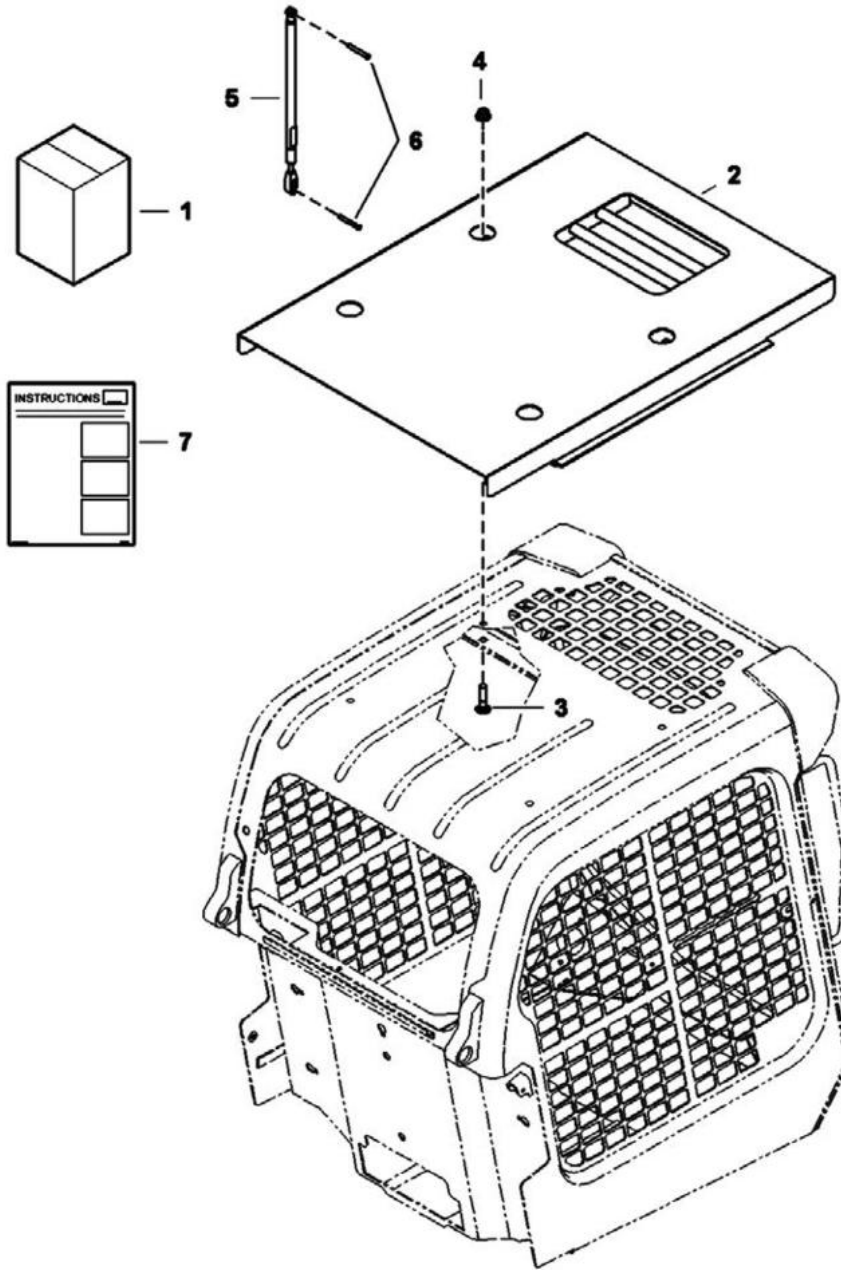


NA2055

FLASHER LIGHTS (Cont'd)
(4-Way)

Ref No	Part Number	Description	Remarks	Serial Number	Qty
1	7128338	KIT, FLASHER 4-WAY	Ref. 2-13		1
1		RESEALING PLUG KIT	See Illustration RESEALING KIT/ NA2775		1
2	6517516	LIGHT			2
3	6557904	FLASHER			1
4	6668815	SWITCH	See Ref. 13 for proper placement		1
5	6718872	HARNESS			1
6	7166832	MOUNT			1
7	7169753	HARNESS, FLASHER 4-WAY			1
8	37C1032	BOLT			2
9	37C412	BOLT			3
10	55D10	NUT			2
11	59D4	NUT 5			3
12	6E5	WASHER			2
13	6987224	INSTRUCTIONS			1

F.O.P.S KIT

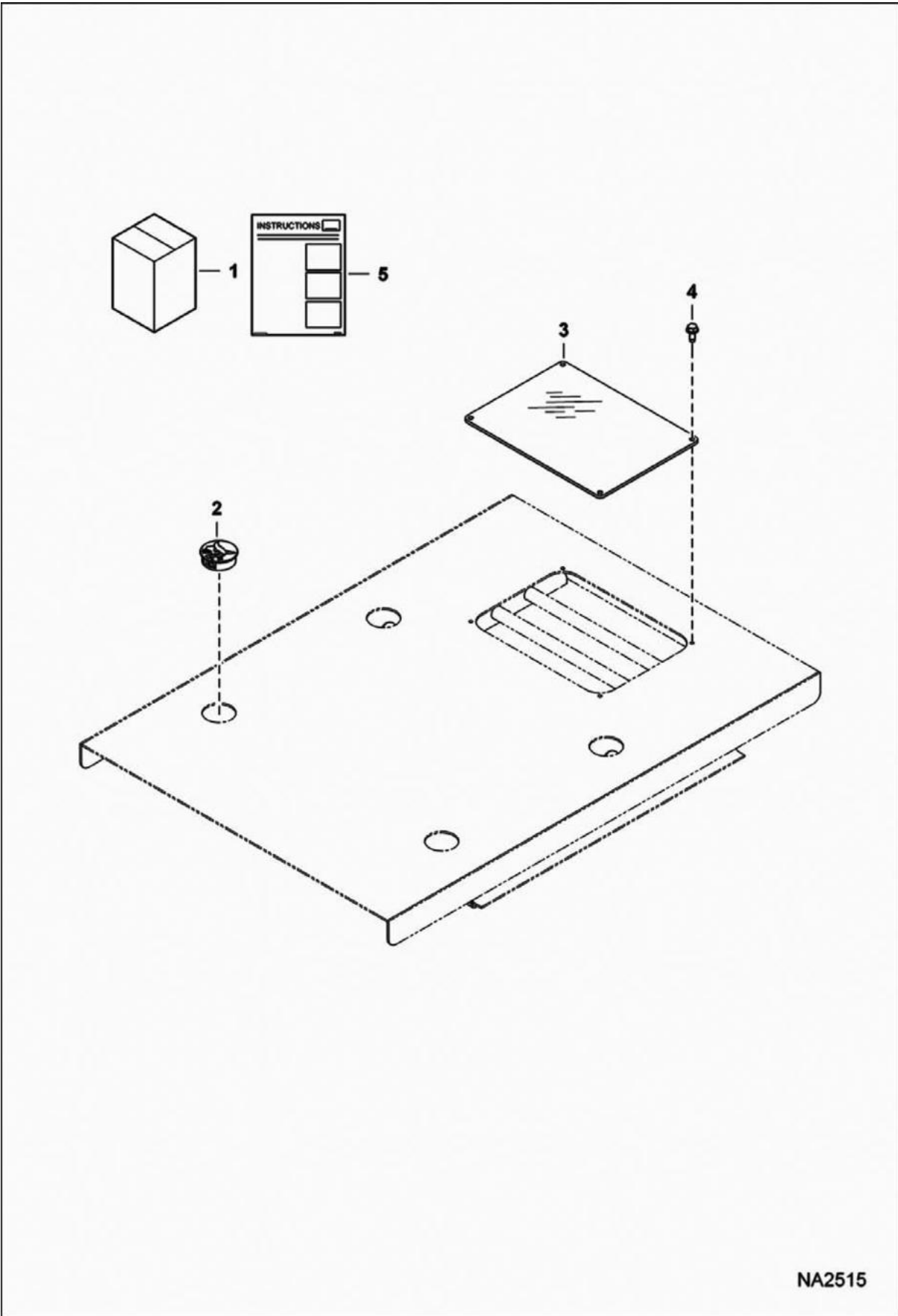


NA2222

F.O.P.S KIT (Cont'd)

Ref No	Part Number	Description	Remarks	Serial Number	Qty
1	7129293	KIT, FOPS TOP	Ref. 2-7		1
1		RESEALING PLUG KIT	See Illustration RESEALING KIT/ NA2775		1
2	7167506	SHIELD, ASSY			1
3	7164686	BOLT, CARRIAGE			4
4	53D10	NUT			4
5	7167437	SPRING, GAS STD			1
6	7194471	PIN, CLEVIS			2
7	6987216	INSTRUCTIONS			1

F.O.P.S WINDOW KIT

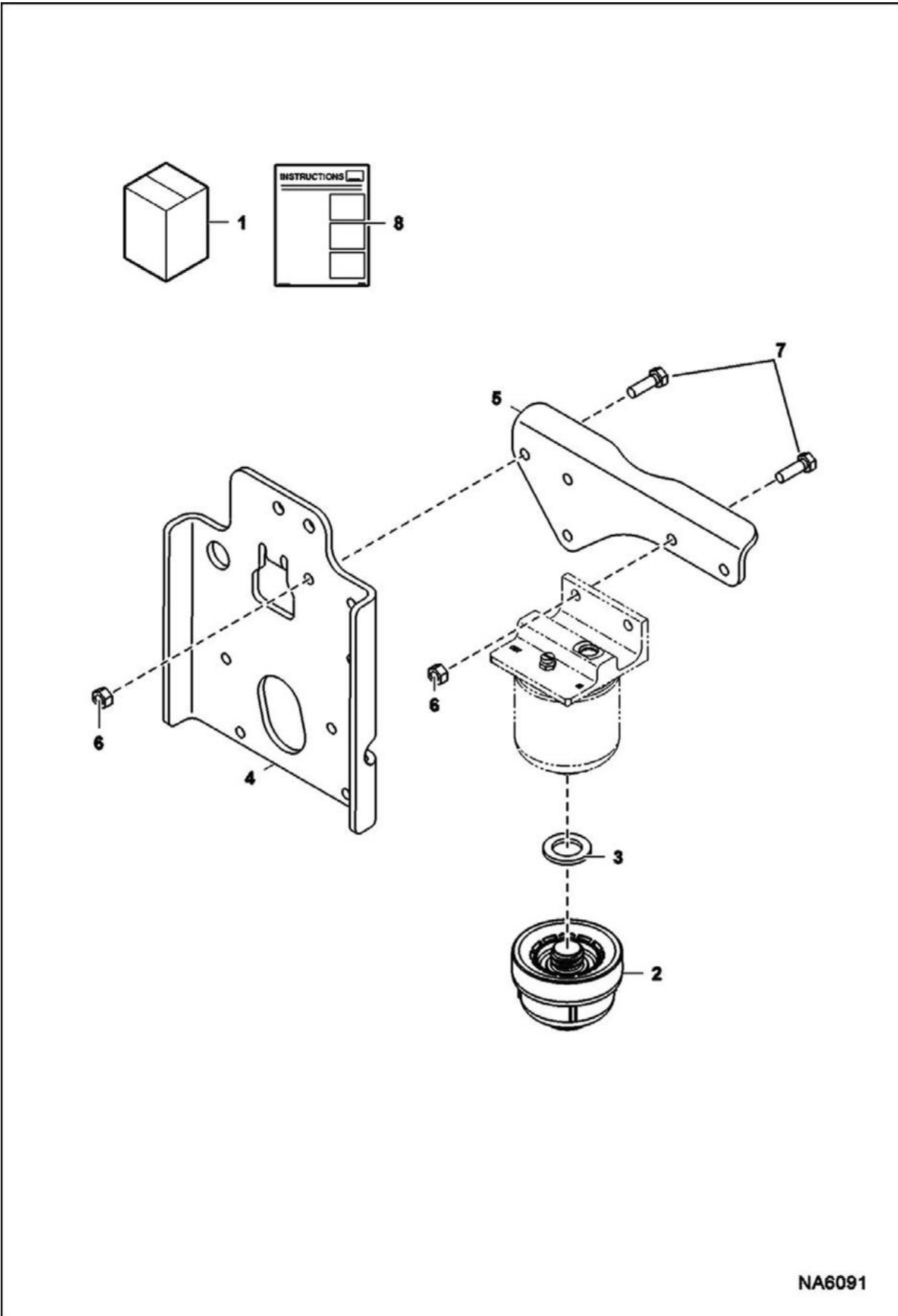


NA2515

F.O.P.S WINDOW KIT (Cont'd)

Ref No	Part Number	Description	Remarks	Serial Number	Qty
1	7186723	KIT, WINDOW FOPS	Ref. 2-5		1
2	6718796	PLUG			4
3	7186644	WINDOW, FOPS			1
4	84G3112	BOLT 5			4
5	6989520	INSTRUCTIONS			1

FUEL BOWL KIT

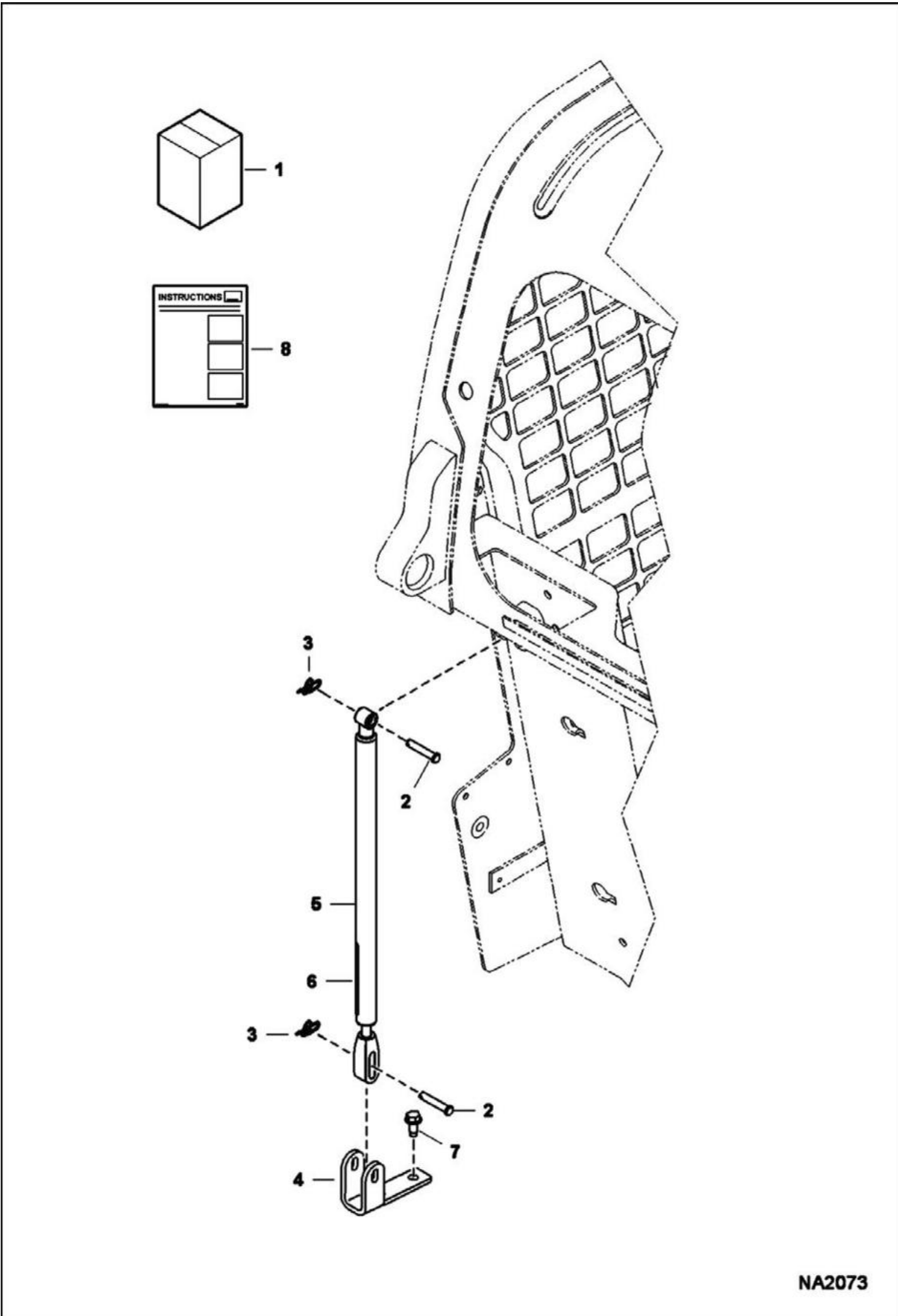


NA6091

FUEL BOWL KIT (Cont'd)

Ref No	Part Number	Description	Remarks	Serial Number	Qty
1	7172899	KIT, BOWL FUEL	Ref. 2-8 - Was 7178299 [D]		1
2	7167163	BOWL, FUEL	W/Ref. 3		1
3	7177212	GASKET			1
4	7203241	MOUNT, MUFFLER			1
5	7144600	MOUNT, FILTER FUEL			1
6	95D5	NUT			5
7	17C516	BOLT			5
8	6987336	INSTRUCTIONS			1

GAS SPRING KIT

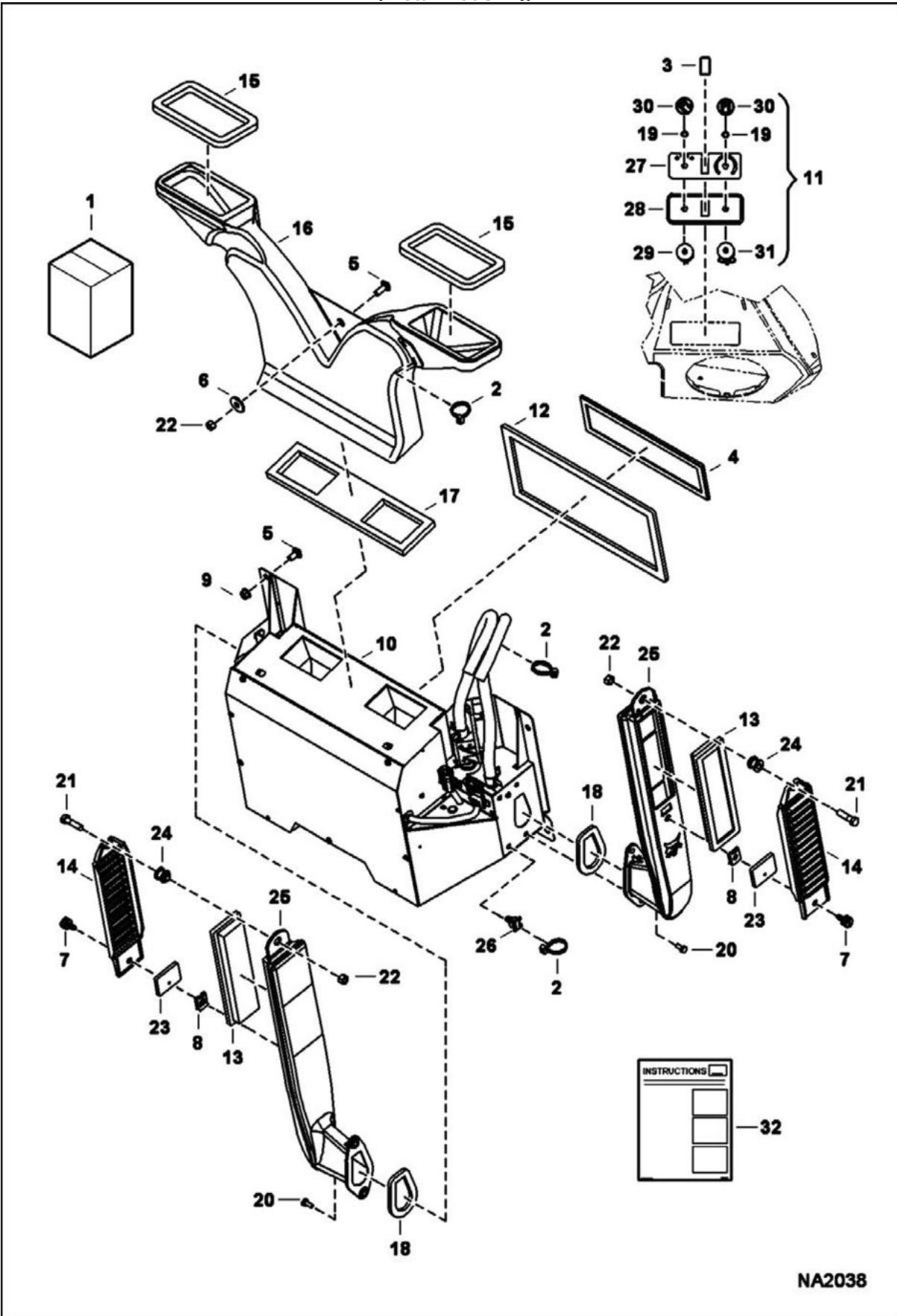


NA2073

GAS SPRING KIT (Cont'd)

Ref No	Part Number	Description	Remarks	Serial Number	Qty
1	7170782	KIT, GAS SPRING DLX	Ref. 2-8		1
2	6567743	PIN			2
3	6631418	PIN			2
4	7144859	MOUNT, GAS SPRING			1
5	7167438	GAS SPRING	Also Order Ref. 6		1
6	7169291	DECAL			1
7	84G3712	BOLT			2
8	6987279	INSTRUCTIONS			1

HEATER & A/C
(Heater Kit)
(Metal Housing)

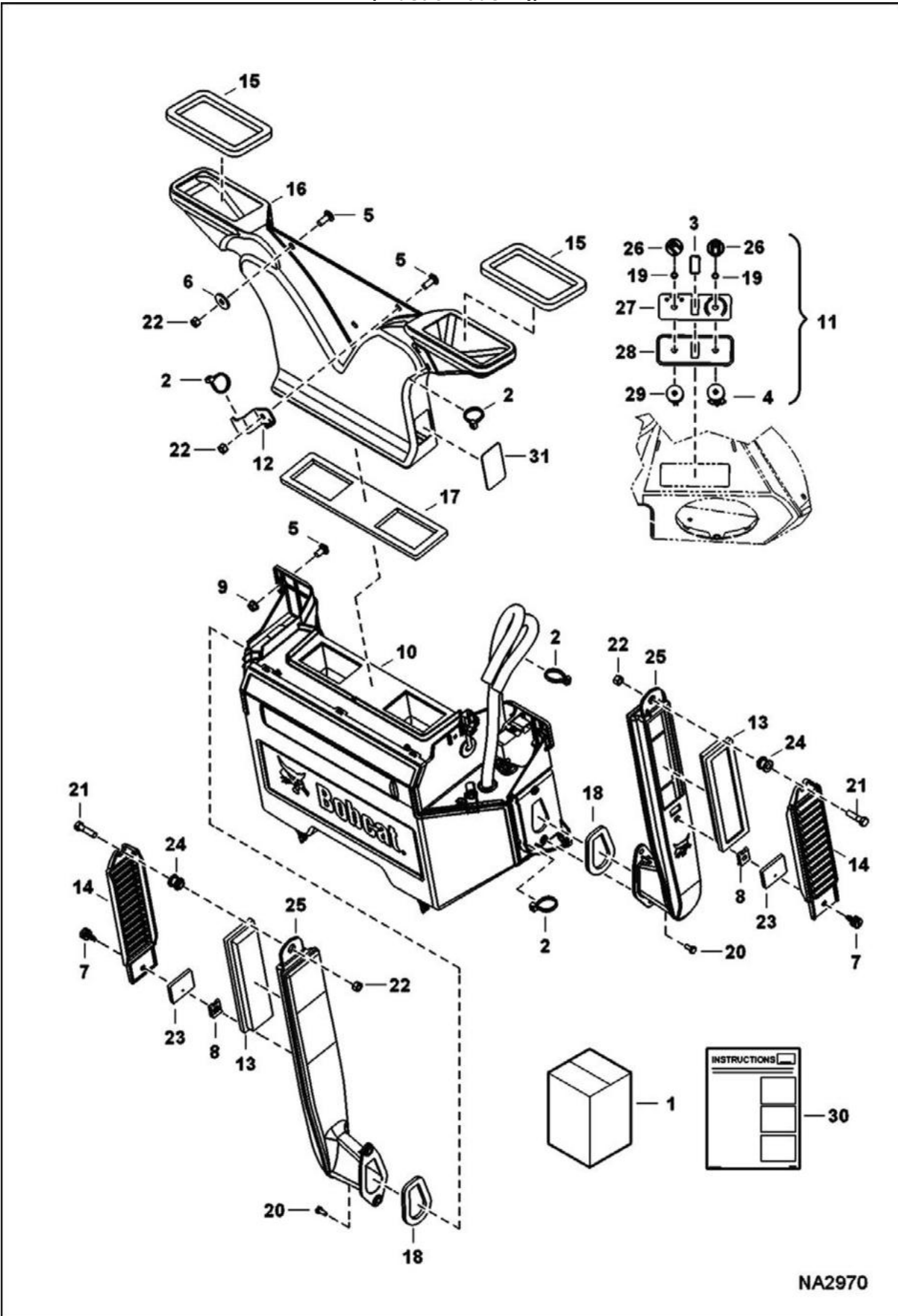


NA2038

HEATER & A/C (Cont'd)
(Heater Kit)
(Metal Housing)

Ref No	Part Number	Description	Remarks	Serial Number	Qty
1		KIT, HEATER	See Illustration HEATER & A/C/ NA2970 NAP - Ref. 2-32 - Order 7128484 kit, heater, 7203232 jumper & 7203233 jumper - Was 7128484 [B]		1
2	6624289	STRAP, TIE			5
3	6675181	PLUG			1
4	6698096	FILTER, AIR RECIRCULATING			1
5	10C612	BOLT			5
6	619021	WASHER, 5			1
7	7000983	SCREW			2
8	7000984	CLIP			2
9	97D6	NUT 10			4
10		HEATER ASSY	See Illustration HEATER & A/C/ NA2332		1
11	7176309	CONTROL	W/Ref. 27-31		1
12	7161595	SEAL, FOAM			1
13	7176099	FILTER, AIR FRESH			2
14	7176100	COVER			2
15	7165673	SEAL, CAB DUCT			2
16	7166534	DUCT			1
17	7167405	SEAL, DUCT			1
18	7176579	SEAL, FOAM			2
19		NUT	NSS		2
20	17C410	BOLT 10			4
21	17C624	BOLT 5			2
22	95D6	NUT			3
23	7176943	SEAL, COVER			2
24	7176942	SPACER			2
25	7176101	DUCT, AIR			2
26	7015668	MOUNT FIR TREE	push in - Use W/tie strap - Was 6678666 [B]		2
27	7011061	DECAL			1
28	7011062	PANEL, CONTROL			1
29	6675176	SWITCH	blower motor - W/Ref. 19		1
30	6675177	KNOB			2
31	7168604	RESISTOR	temp control - W/Ref. 19		1
32	6987231	INSTRUCTIONS			1

HEATER & A/C
(Heater Kit)
(Plastic Housing)

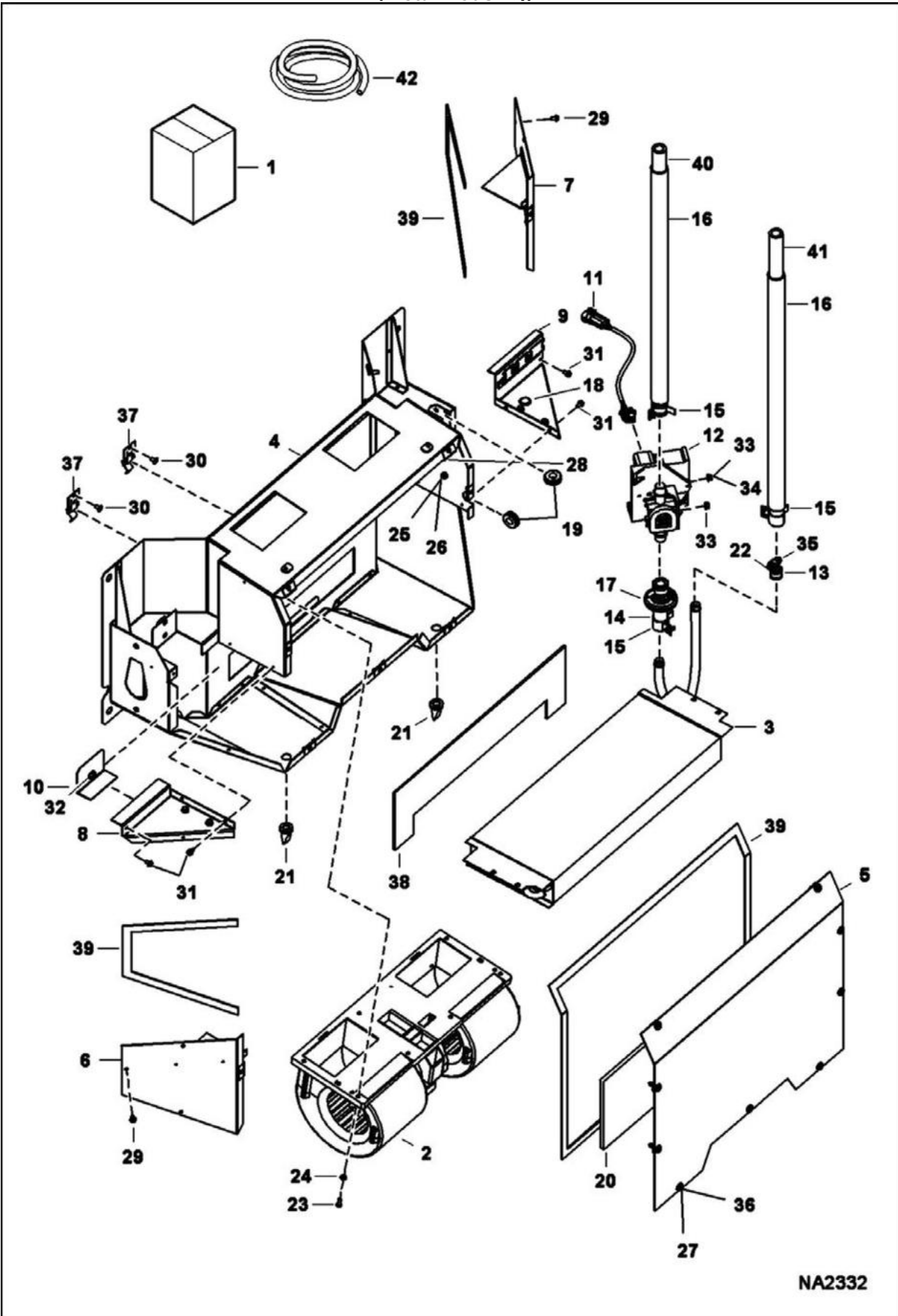


NA2970

HEATER & A/C (Cont'd)
(Heater Kit)
(Plastic Housing)

Ref No	Part Number	Description	Remarks	Serial Number	Qty
1	7128484	KIT, HEATER	Ref. 2-31		1
2	6624289	STRAP, TIE			6
3	6675181	PLUG			1
4	7168604	RESISTOR	temp control - W/Ref. 19		1
5	10C616	BOLT 10			6
6	619021	WASHER, 5			1
7	7000983	SCREW			2
8	7000984	CLIP			2
9	97D6	NUT 10			4
10		HEATER, CAB	See Illustration HEATER & A/C/ NA2969		1
11	7176309	CONTROL	W/Ref. 4, 26-29		1
12	7192569	BRACKET			1
13	7176099	FILTER, AIR FRESH			2
14	7176100	COVER			2
15	7165673	SEAL, CAB DUCT			2
16	7197262	DUCT			1
17	7167405	SEAL, DUCT			1
18	7176579	SEAL, FOAM			2
19		NUT	NSS		2
20	7166190	SCREW THREAD ROLLING			4
21	17C624	BOLT 5			2
22	95D6	NUT			4
23	7176943	SEAL, COVER			2
24	7176942	SPACER			2
25	7176101	DUCT, AIR			2
26	6675177	KNOB			2
27	7011061	DECAL			1
28	7011062	PANEL, CONTROL			1
29	6675176	SWITCH	blower motor - W/Ref. 19		1
30	6987231	INSTRUCTIONS			1
31	7197973	COVER			1

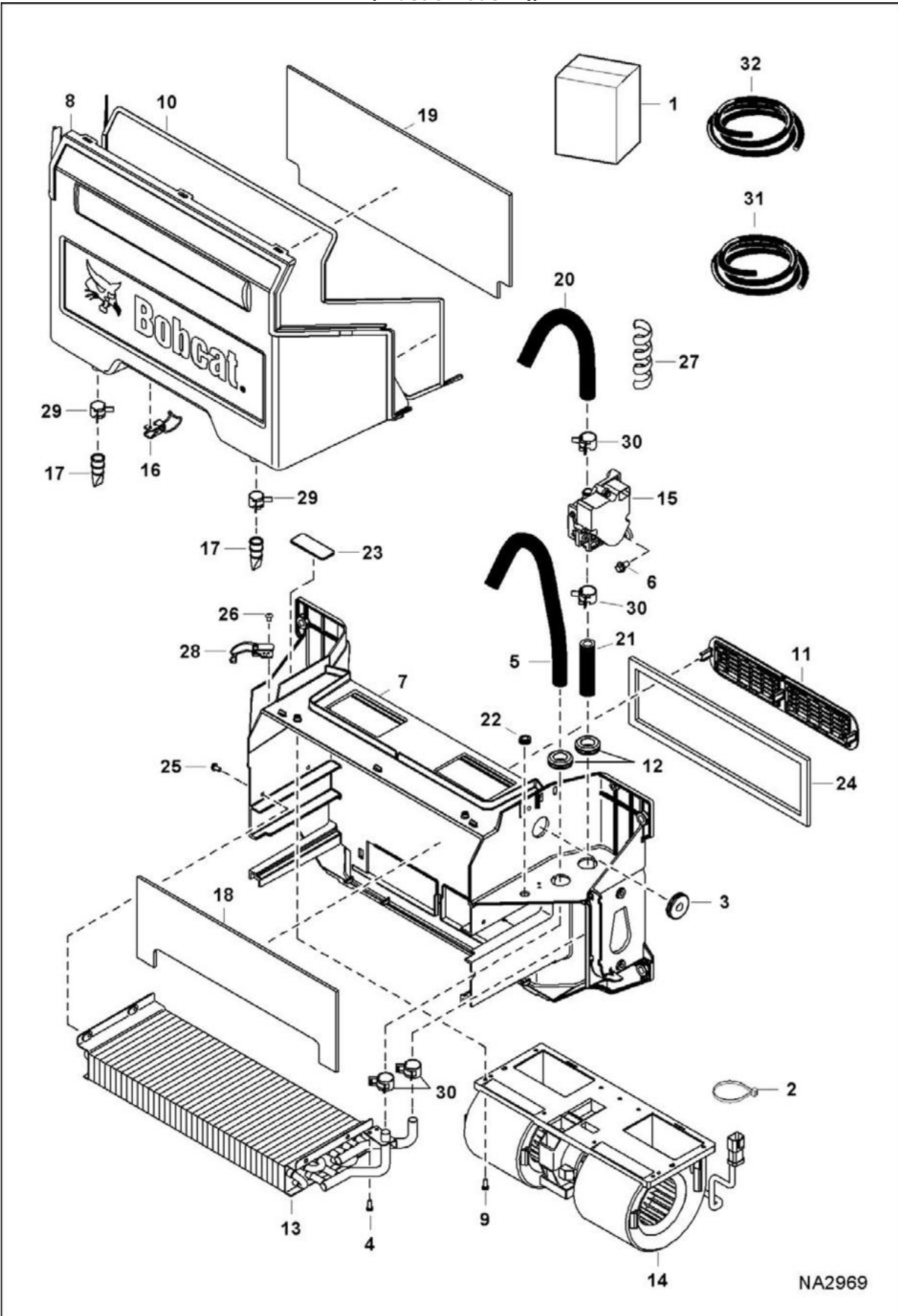
HEATER & A/C (Heater Assembly) (Metal Housing)



HEATER & A/C (Cont'd)
(Heater Assembly)
(Metal Housing)

Ref No	Part Number	Description	Remarks	Serial Number	Qty
1		HEATER ASSY	See Illustration HEATER & A/C/ NA2969 NAP - Ref. 2-39 - Order 7193780 heater - Was 7141701 [A]		1
2		BLOWER, HEATER & A/C	See Illustration HEATER & A/C/ NA2155		1
3	7010386	COIL, HEATER			1
4	7010387	HOUSING			1
5	7010388	COVER			1
6	7010389	COVER, SIDE	LH		1
7	7010390	COVER, SIDE	RH		1
8	7010391	SUPPORT, LH			1
9	7010392	SUPPORT, RH			1
10	7010393	COVER			1
11	7010394	HARNES, HEATER			1
12	7003456	VALVE, MOTORIZED ASSY			1
13	7010395	CLAMP			1
14		HOSE, HEATER	NAP - 3.35" (85, mm) long - Order Ref. 42		1
15	7003458	CLAMP, HOSE			4
16	7010396	COVER, HOSE			2
17	6693222	GROMMET			1
18	7010397	PLUG, FILL			1
19	6690482	GROMMET			2
20	7010398	INSULATION, HEATER			1
21	7010399	VALVE, DRAIN			2
22	7010400	SPACER			1
23	7010401	SCREW			2
24	6693223	WASHER			2
25	7010402	SCREW			1
26	7003465	NUT			2
27	6677116	RETAINER			9
28	6677115	RECEPTACLE			9
29	6677119	SCREW			12
30	7010266	RIVET, POP			4
31	6677118	SCREW			4
32	6693864	BOLT			1
33	7010403	NUT			2
34	7010404	WASHER			2
35	6676653	SCREW			1
36	6677117	SCREW			9
37	7010405	CLIP, RECEPTACLE			2
38	7010406	INSULATION, HEATER			1
39	6693236	FOAM			1
40		HOSE, HEATER	NAP - 20.5" (520,7 mm) long - Order Ref. 42		1
41		HOSE, HEATER	NAP - 22.5" (571,5 mm) long - Order Ref. 42		1
42	7003457	HOSE, HEATER	bulk - sold per foot		x

HEATER & A/C
(Heater Assembly)
(Plastic Housing)

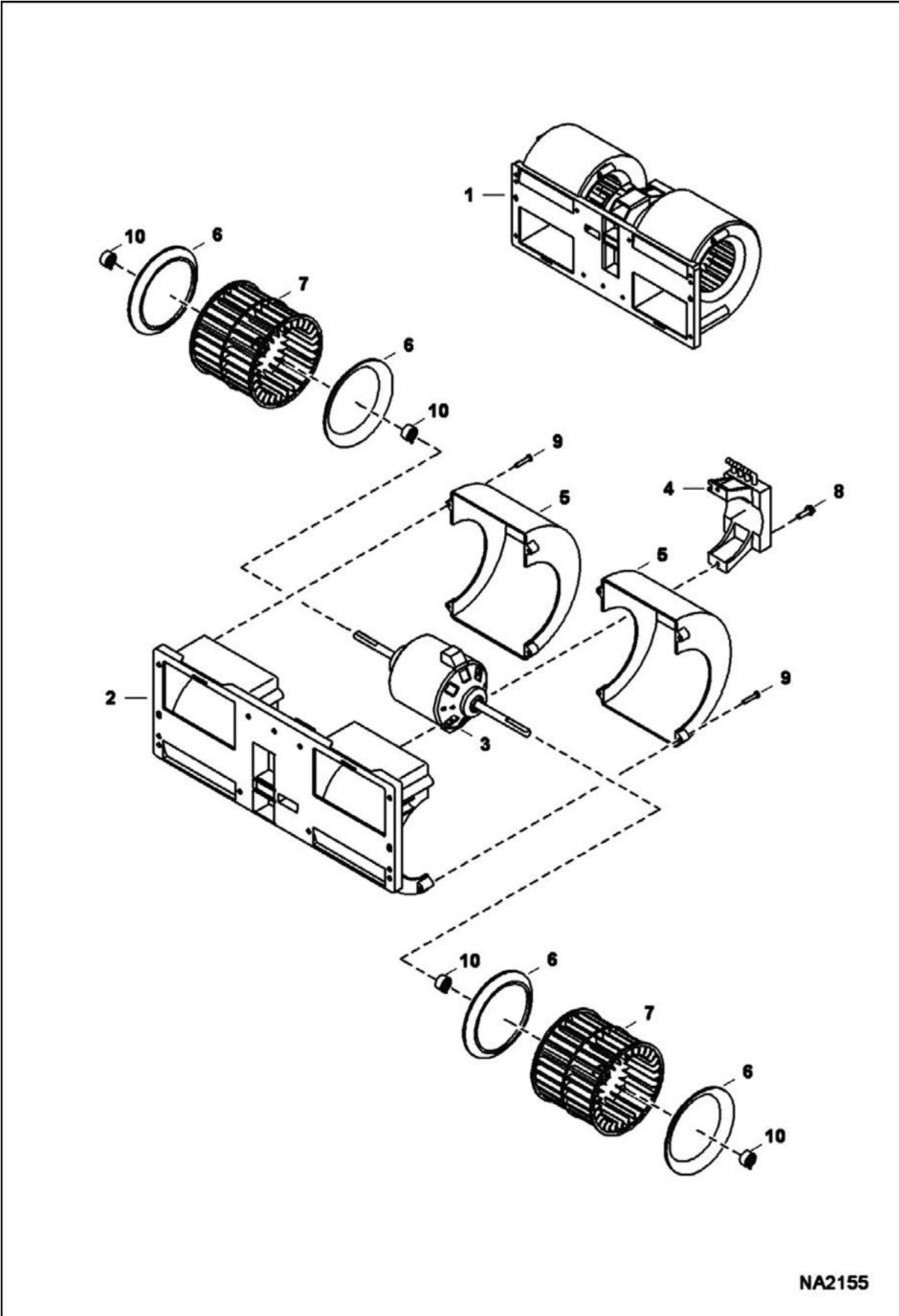


NA2969

HEATER & A/C (Cont'd)
(Heater Assembly)
(Plastic Housing)

Ref No	Part Number	Description	Remarks	Serial Number	Qty
1	7193780	HEATER, CAB	Ref. 2-30		1
2	6624289	STRAP, TIE			1
3	6682697	GROMMET			1
4	7162770	SCREW, PLASTIC			2
5		HOSE, HEATER	NAP - 520,7 mm (20.5") long - Order Ref. 28		1
6	7166190	SCREW THREAD ROLLING			2
7	7185847	HOUSING			1
8	7185848	COVER			1
9	7192287	BOLT			2
10	7192408	SEAL			1
11	7193354	FILTER, AIR RECIRCULATING			1
12	7193532	GROMMET			2
13	7193534	COIL, HEATER			1
14		BLOWER, HEATER & A/C	See Illustration HEATER & A/C/ NA2155A		1
15	7003456	VALVE, MOTORIZED ASSY	Was 7193537 [A]		1
16	7193540	LATCH			2
17	7193541	DRAIN, WATER SEAT			2
18	7193542	SEAL			1
19	7193543	SEAL			1
20		HOSE, WATER	NAP - 609,6 mm (24") long - Order Ref. 31		1
21		HOSE, HEATER	NAP - 85 mm (3.35") long - Order Ref. 31		1
22	7193778	PLUG			1
23	7193782	COVER			1
24	7193783	SEAL, FOAM			1
25	7193784	BOLT			4
26	7193786	RIVET, POP			4
27		WRAP, HOSE	NAP - 457 mm (18") long - Order Ref. 32		2
28	7196889	LATCH			2
29	5HM18	CLAMP			2
30	5HM20	CLAMP			4
31	6565977	HOSE	bulk - sold per foot		x
32	7194262	WRAPAROUND	bulk - sold per foot		x

**HEATER & A/C
(Blower Assembly)
(Used on Heaters W/ Metal Housing)**

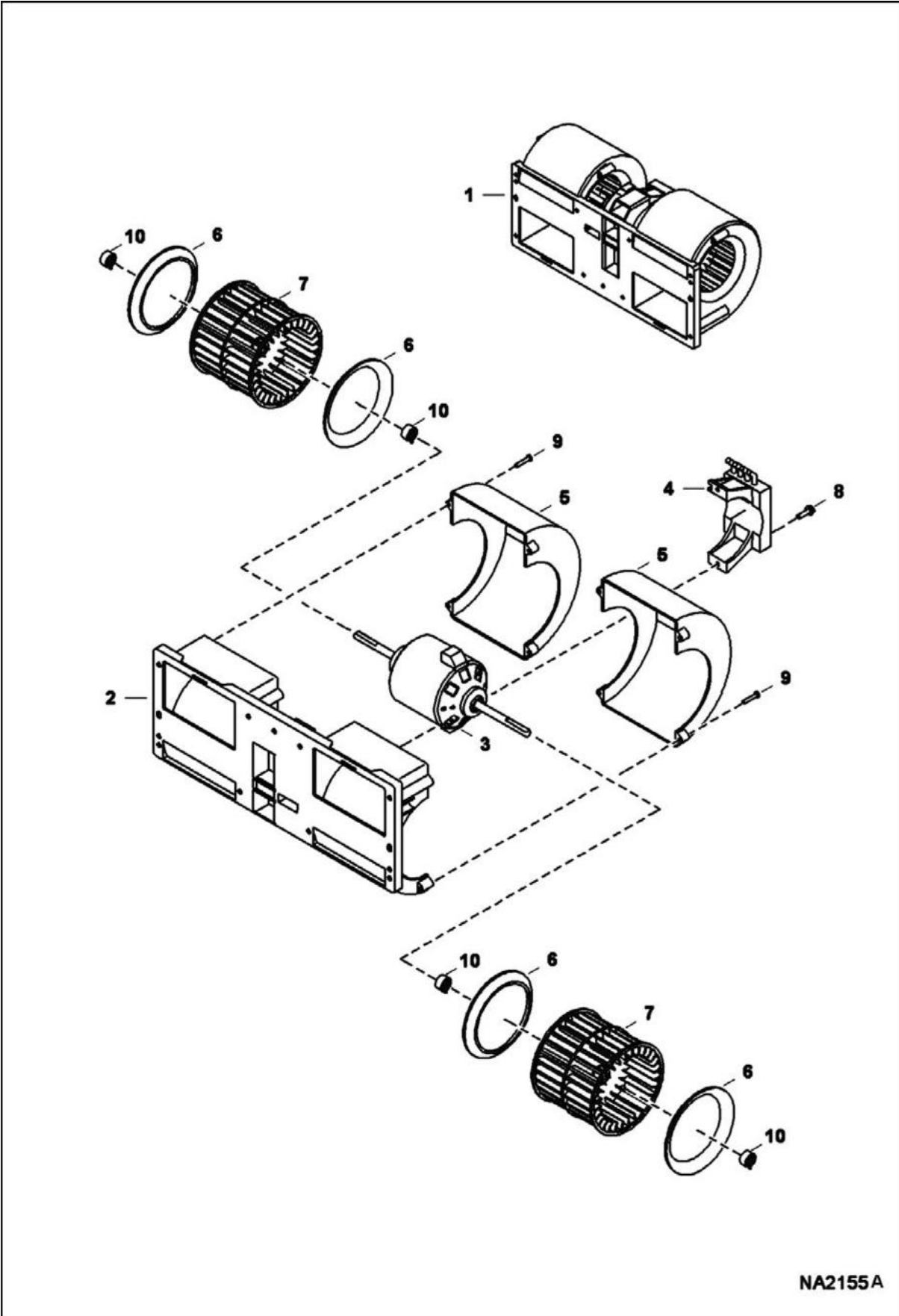


NA2155

HEATER & A/C (Cont'd)
(Blower Assembly)
 (Used on Heaters W/ Metal Housing)

Ref No	Part Number	Description	Remarks	Serial Number	Qty
1	7003445	BLOWER, HEATER & A/C	Ref 2-10		1
2	7010162	HOUSING, BLOWER			1
3	7010163	MOTOR, FAN			1
4	7010164	RESISTOR			1
5	7010165	COVER			2
6	7010166	RING, INNER			4
7	7010167	BLOWER, WHEEL			2
8	7003471	SCREW			2
9	7010168	SCREW			8
10	7010169	CLAMP, HOSE			4

**HEATER & A/C
(Blower Assembly)
(Used on Heaters W/ Plastic Housing)**

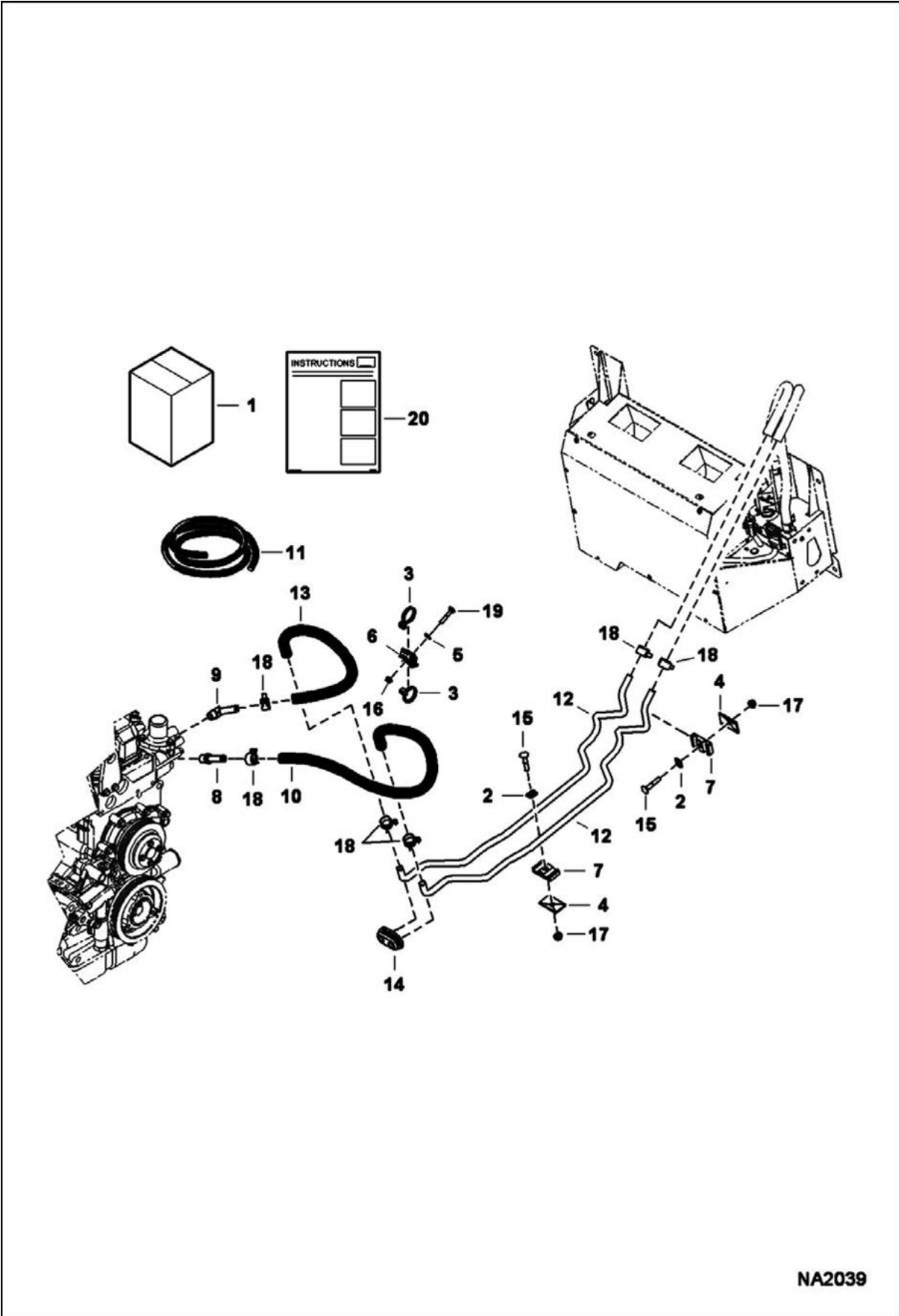


NA2155A

HEATER & A/C (Cont'd)
(Blower Assembly)
 (Used on Heaters W/ Plastic Housing)

Ref No	Part Number	Description	Remarks	Serial Number	Qty
1	7193536	BLOWER, HEATER & A/C	Ref. 2-10		1
2	7010162	HOUSING, BLOWER			1
3	7010163	MOTOR, FAN			1
4		RESISTOR	NAP - Was 7021380 [A]		1
5	7010165	COVER			2
6	7010166	RING, INNER			4
7	7010167	BLOWER, WHEEL			2
8	7003471	SCREW			2
9	7010168	SCREW			8
10	7010169	CLAMP, HOSE			4

HEATER & A/C (Heater Plumbing Kit)

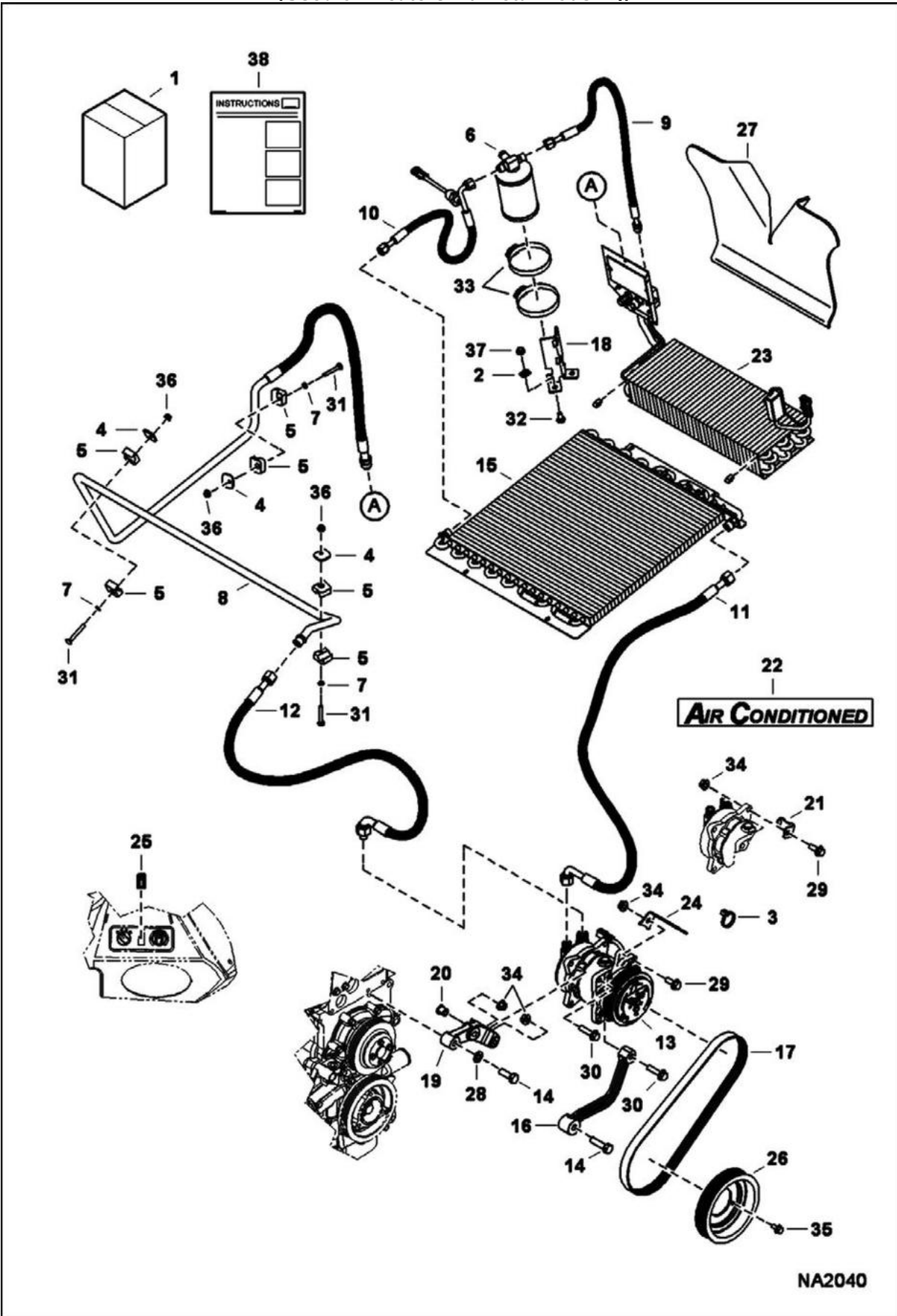


NA2039

HEATER & A/C (Cont'd) (Heater Plumbing Kit)

Ref No	Part Number	Description	Remarks	Serial Number	Qty
1	7129483	KIT, PLUMBING HEATER	Ref. 2-10 & 12-20		1
2	774220	NUT			2
3	6624289	STRAP, TIE			2
4	6652521	PLATE			2
5	6675212	RETAINER			1
6	6678974	MOUNT			1
7	6701892	CLAMP			2
8	6731084	ADAPTER			1
9	6731085	ELBOW			1
10		HOSE	NAP - 31" (787.4 mm) long - Order Ref. 11		1
11	6565977	HOSE	bulk - sold per foot		x
12	7151842	TUBE			2
13		HOSE	NAP - 22" (558,8 mm) long - Order Ref. 11		1
14	7156146	GROMMET			1
15	37C528	BOLT			2
16	55D4	NUT			1
17	55D5	NUT			2
18	5HM20	CLAMP			6
19	37C424	BOLT			1
20	6987231	INSTRUCTIONS			1

HEATER & A/C (A/C Kit) (Used on Heaters W/ Metal Housing)

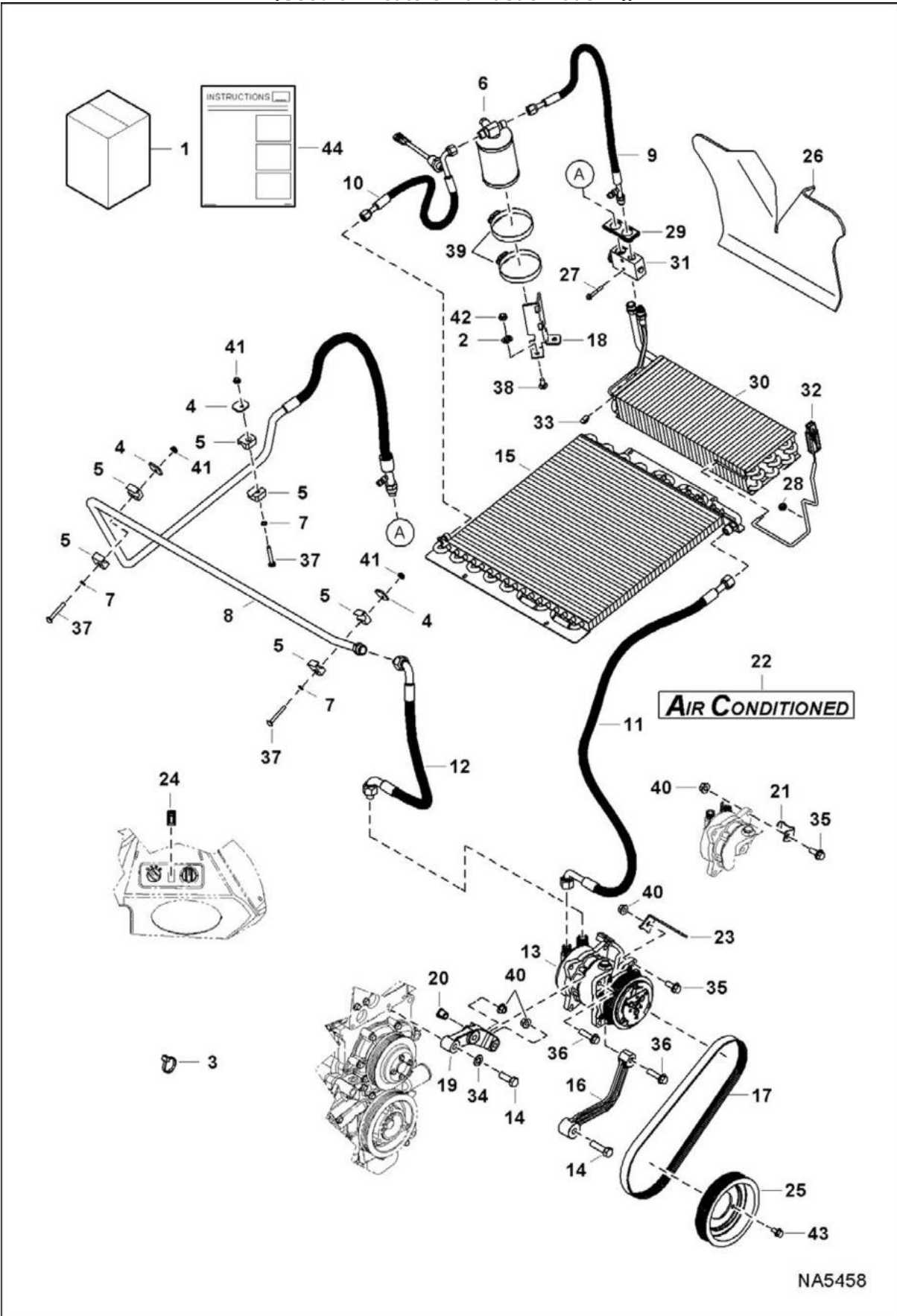


NA2040

HEATER & A/C (Cont'd)
(A/C Kit)
 (Used on Heaters W/ Metal Housing)

Ref No	Part Number	Description	Remarks	Serial Number	Qty
1	7129490	KIT, A/C	Ref. 2-40		1
2	774220	NUT			2
3	6624289	STRAP, TIE			3
4	6665102	COVER			3
5	6666920	CLAMP, HALF			6
6	6674235	RECEIVER DRIER			1
7	6675212	RETAINER			3
8	6697914	HOSE, TUBE ASSY			1
9	6697915	HOSE			1
10	6697916	HOSE			1
10	6675779	SWITCH, PRESS			1
10	7009976	O-RING	# 6		x
11	6697917	HOSE			1
11	7009977	O-RING	# 8		x
12	6697918	HOSE			1
12	7009978	O-RING	# 10		x
13	6698590	COMPRESSOR, A/C			1
14	7135124	SCREW			3
15	7136896	CONDENSER, A/C			1
16	7140150	BRACE, COMPRES MACH			1
17	7142000	BELT, ALT			1
18	7151848	BRACKET			1
19	7157922	MOUNT			1
20	7159243	BUSHING			1
21	7164564	BRACKET, A/C			1
22	7166916	DECAL, A/C			2
23	7168310	EVAPORATOR			1
24	7168430	BRACKET			1
25	7169112	SWITCH, ROCKER A/C			1
26	7169128	PULLEY A/C			1
27	7173651	INSULATION, HEATER			1
28	18EM1224	WASHER			2
29	29CM1025	BOLT			2
30	29CM1040	BOLT			3
31	37C432	SCREW			3
32	37C512	BOLT			2
33	44H48	CLAMP			2
34	51DM10	NUT			4
35	59CM816	BOLT			3
36	55D4	NUT			3
37	55D5	NUT			2
38	6987233	INSTRUCTIONS			1

HEATER & A/C (A/C Kit) (Used on Heaters W/Plastic Housing)

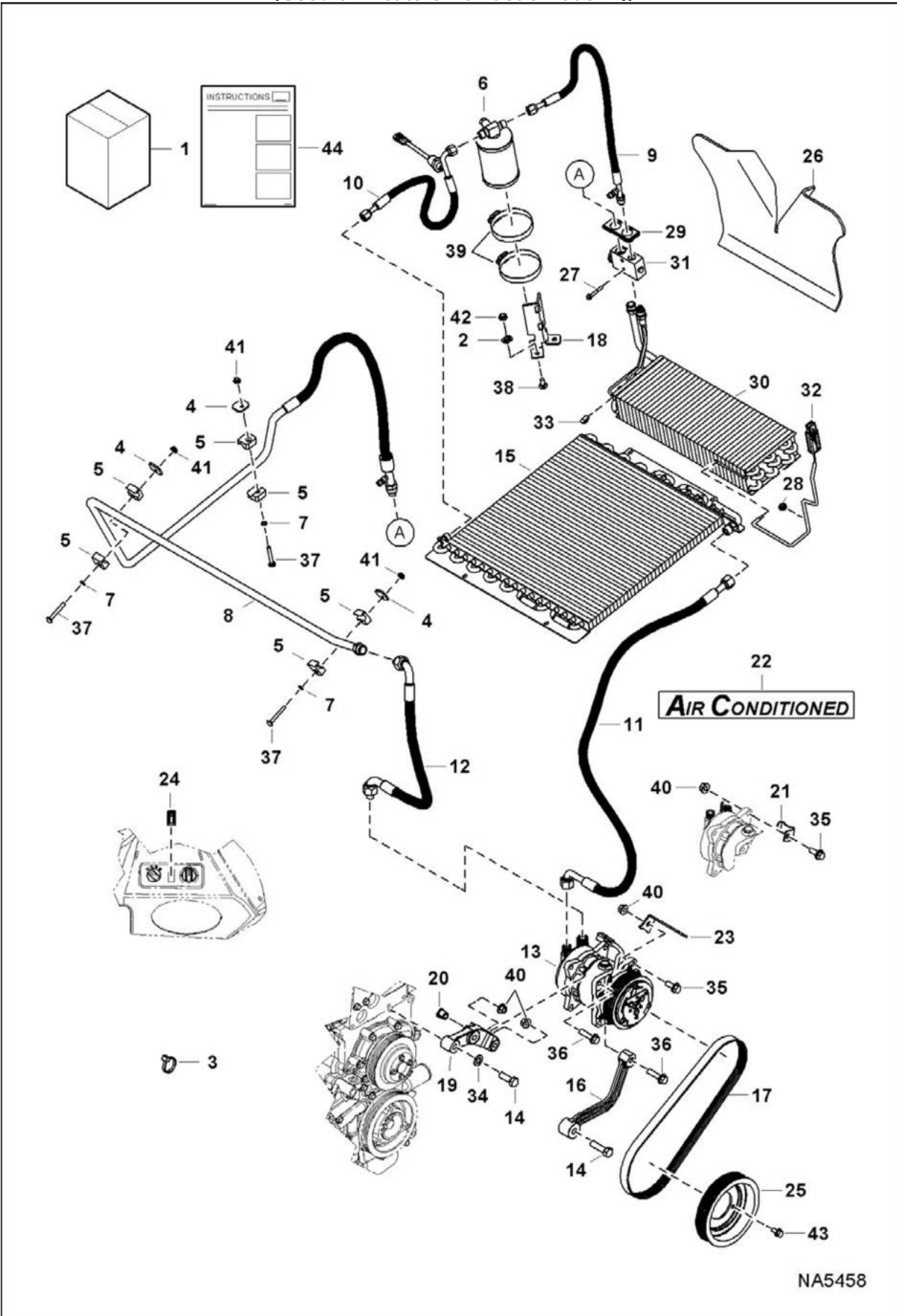


NA5458

HEATER & A/C (Cont'd)
(A/C Kit)
(Used on Heaters W/Plastic Housing)

Ref No	Part Number	Description	Remarks	Serial Number	Qty
1	7198711	KIT, A/C	Ref. 2-44 - Also Order 7203234 jumper	A3NT11001 - 12369	1
1	7198711	KIT, A/C	Ref. 2-44 - Also Order 7203234 jumper	A3NU11001 - 11111	1
1	7198711	KIT, A/C	Ref. 2-44	A3NT12370 & Above	1
1	7198711	KIT, A/C	Ref. 2-44	A3NU11112 & Above	1
2	774220	NUT			2
3	6624289	STRAP, TIE			4
4	6665102	COVER			3
5	6666920	CLAMP, HALF			6
6	6674235	RECEIVER DRIER			1
7	6675212	RETAINER			3
8	6697914	HOSE, TUBE ASSY			1
9	6697915	HOSE			1
10	6697916	HOSE			1
11	6697917	HOSE			1
12	6697918	HOSE			1
13	6698590	COMPRESSOR, A/C			1
14	7135124	SCREW			3
15	7136896	CONDENSER, A/C			1
16	7140150	BRACE, COMPRES MACH			1
17	7142000	BELT, ALT			1
18	7151848	BRACKET			1
19	7157922	MOUNT			1
20	7159243	BUSHING			1
21	7164564	BRACKET, A/C			1
22	7166916	DECAL, A/C			2
23	7168430	BRACKET			1
24	7169112	SWITCH, ROCKER A/C			1
25	7169128	PULLEY A/C			1
26	7173651	INSULATION, HEATER			1
27	7192371	BOLT			2
28	7193531	GROMMET			1
29	7193533	GROMMET			1
30	7193535	EVAPORATOR			1
31	7193538	BLOCK, VALVE A/C			1
32	7193539	THERMOSTAT			1
33	7193785	CLIP			2
34	18EM1224	WASHER			2
35	29CM1025	BOLT			2
36	29CM1040	BOLT			3
37	37C432	SCREW			3
38	37C512	BOLT			2
39	44H48	CLAMP			2
40	51DM10	NUT			4
41	55D4	NUT			3
42	55D5	NUT			2

HEATER & A/C (Cont'd) (A/C Kit) (Used on Heaters W/Plastic Housing)

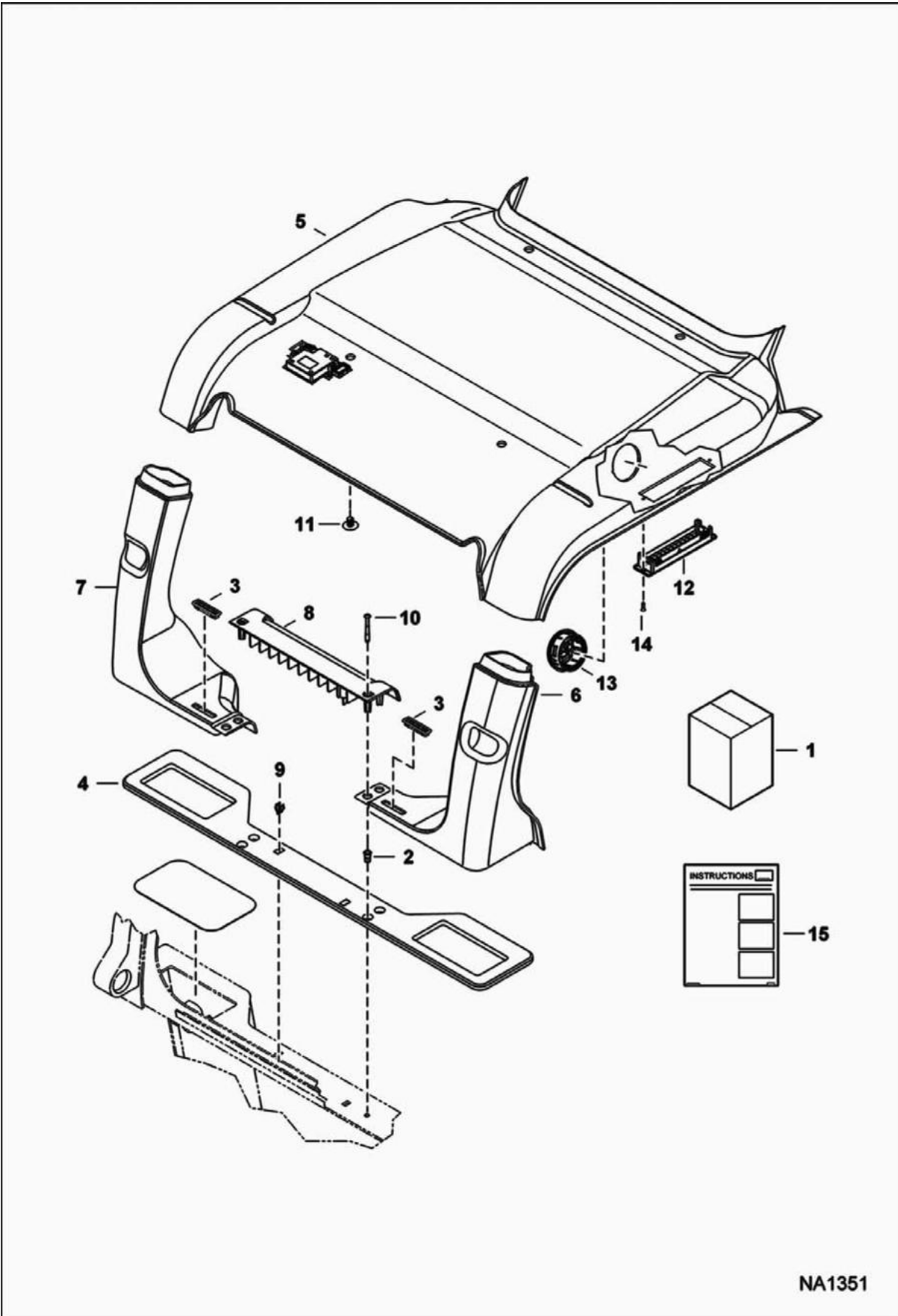


NA5458

HEATER & A/C (Cont'd)
(A/C Kit)
(Used on Heaters W/Plastic Housing)

Ref No	Part Number	Description	Remarks	Serial Number	Qty
43	59CM816	BOLT			3
44	6990077	INSTRUCTIONS			1

HEATER & A/C (HVAC Headliner Kit)

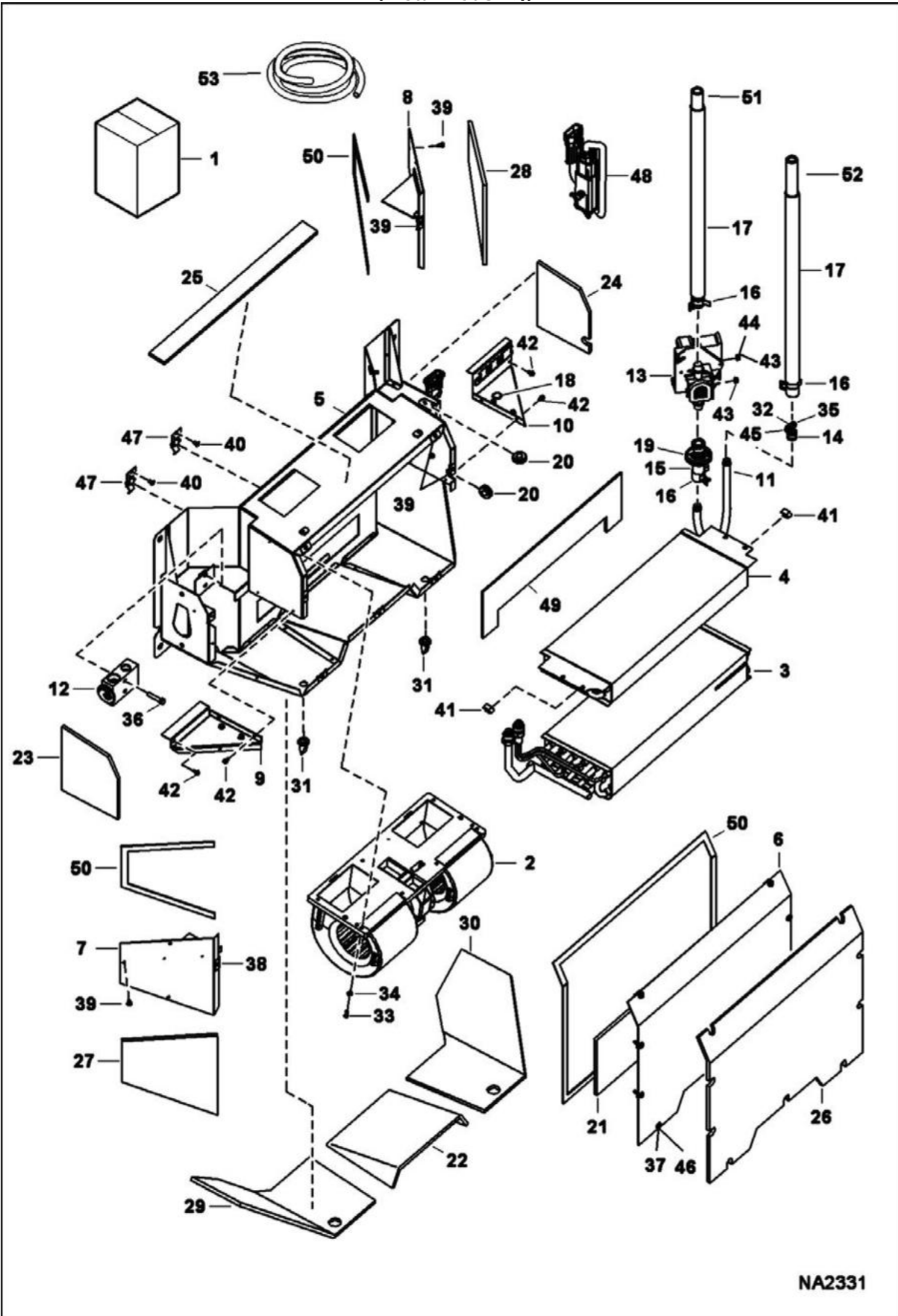


NA1351

HEATER & A/C (Cont'd) (HVAC Headliner Kit)

Ref No	Part Number	Description	Remarks	Serial Number	Qty
1	7174171	KIT, HEADLINER HVAC	Ref. 2-15		1
2	6675033	INSERT			2
3	7145885	VENT, DEFROST			2
4	7153832	SEAL, SHELF REAR			1
5	7155785	HEADLINER, HVAC			1
6	100333SUB	DUCT, AIR	RH - W/Ref. 3 - Was 7165330 [A]		1
7	100334SUB	DUCT, AIR	LH - W/Ref. 3 - Was 7165331 [A]		1
8	7165332	SHELF, REAR			1
9	7165333	CLIP			2
10	7165799	SCREW			2
11	6674895	RETAINER			4
12	7155796	LOUVER, RECTANGLE			2
13	7155794	LOUVER, ROUND			6
14	7155799	SCREW			4
15	6987356	INSTRUCTIONS			1

HEATER & A/C
(HVAC Assembly)
(Metal Housing)

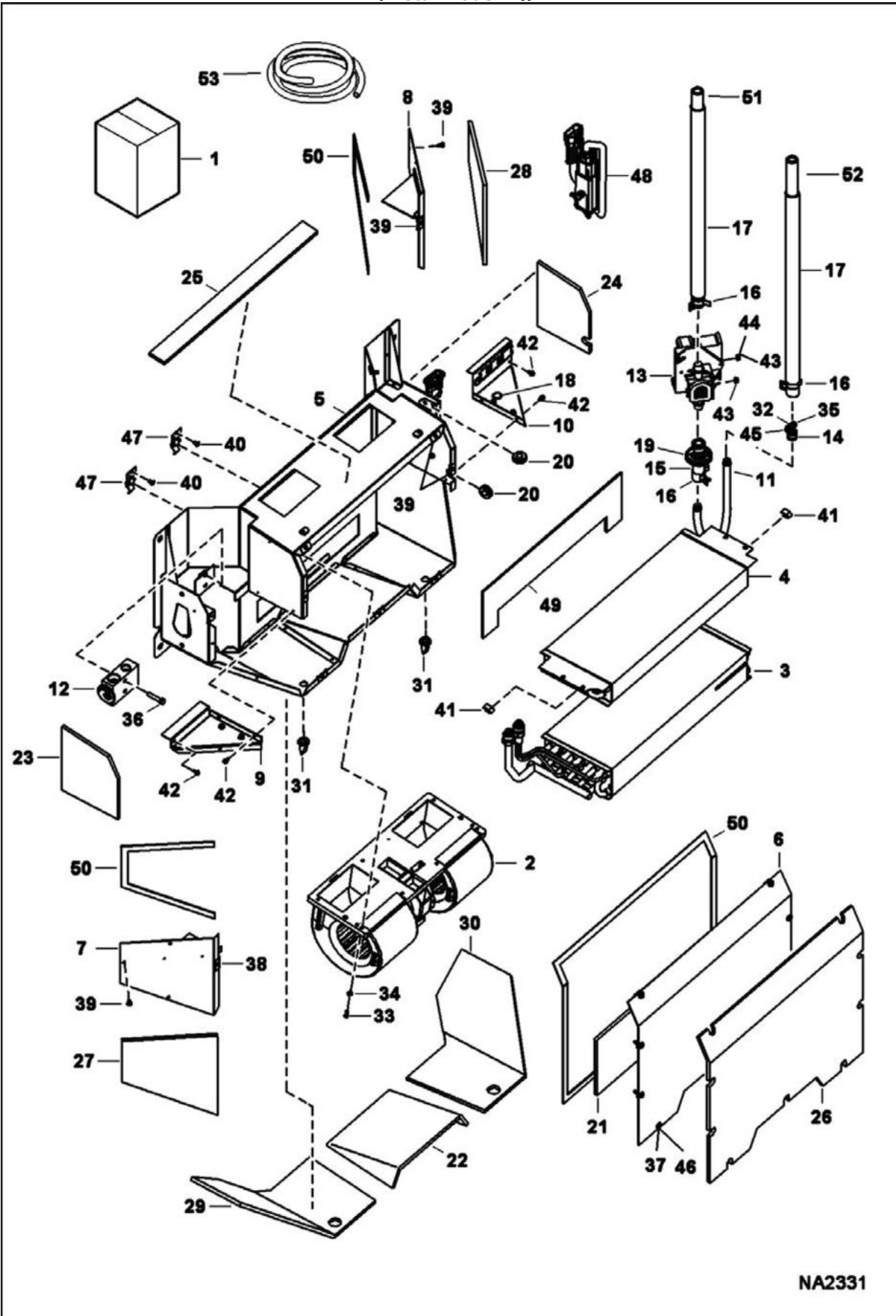


NA2331

HEATER & A/C (Cont'd)
(HVAC Assembly)
(Metal Housing)

Ref No	Part Number	Description	Remarks	Serial Number	Qty
1	7141700	HVAC ASSY	Ref. 2-50		1
2		BLOWER, HEATER & A/C	See Illustration HEATER & A/C/ NA2155		1
3	7008033	EVAPORATOR			1
4	7010386	COIL, HEATER			1
5	7010387	HOUSING			1
6	7010388	COVER			1
7	7010389	COVER, SIDE			1
8	7010390	COVER, SIDE			1
9	7010391	SUPPORT, LH			1
10	7010392	SUPPORT, RH			1
11		TUBE, HEATER	NAP - Order Ref. 4		1
12	6675534	BLOCK, A/C VALVE			1
13	7003456	VALVE, MOTORIZED ASSY			1
14	7010395	CLAMP			1
15		HOSE, HEATER	NAP - 3.35" (85, mm) long - Order Ref. 53		1
16	7003458	CLAMP, HOSE			4
17	7010396	COVER, HOSE			2
18	6675513	GROMMET			1
19	6693222	GROMMET			1
20	6690482	GROMMET			2
21	7010398	INSULATION, HEATER			1
22	7010408	INSULATION, HEATER			1
23	7010409	INSULATION, HEATER			1
24	7010410	INSULATION, HEATER			1
25	7010411	INSULATION, HEATER			1
26	7010412	INSULATION, HEATER			1
27	7010413	INSULATION, HEATER			1
28	7010414	INSULATION, HEATER			1
29	7010415	INSULATION, HEATER			1
30	7010416	INSULATION, HEATER			1
31	7010399	VALVE, DRAIN			2
32	7010400	SPACER			1
33	7010401	SCREW			2
34	6693223	WASHER			2
35	7003465	NUT			1
36	6691534	SCREW			2
37	6677116	RETAINER			9
38	6677115	RECEPTACLE			9
39	6677119	SCREW			12
40	7010266	RIVET, POP			4
41	6676539	CLIP			2
42	6677118	SCREW			4
43	7010403	NUT			2

HEATER & A/C (Cont'd)
(HVAC Assembly)
(Metal Housing)

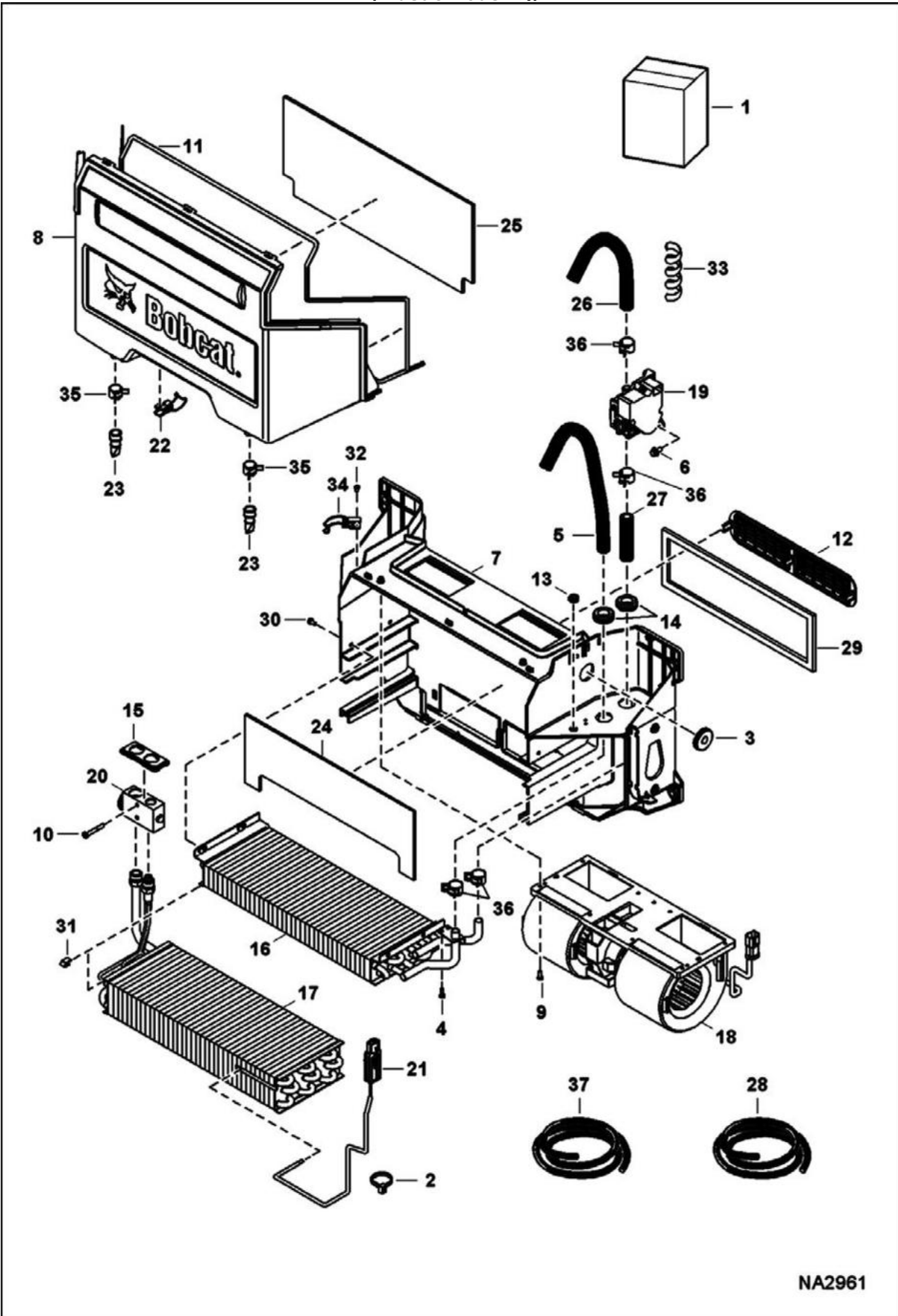


NA2331

HEATER & A/C (Cont'd)
(HVAC Assembly)
(Metal Housing)

Ref No	Part Number	Description	Remarks	Serial Number	Qty
44	7010404	WASHER			2
45	6676653	SCREW			1
46	6677117	SCREW			9
47	7010405	CLIP, RECEPTACLE			2
48	7008040	MODULE, DE- ICER ELECTRONIC			1
49	7010406	INSULATION, HEATER			1
50	6693236	FOAM			1
51		HOSE, HEATER	NAP - 20.5" (520,7 mm) long - Order Ref. 53		1
52		HOSE, HEATER	NAP - 22.5" (571,5 mm) long - Order Ref. 53		1
53	7003457	HOSE, HEATER	bulk - sold per foot		x

HEATER & A/C
(HVAC Assembly)
(Plastic Housing)

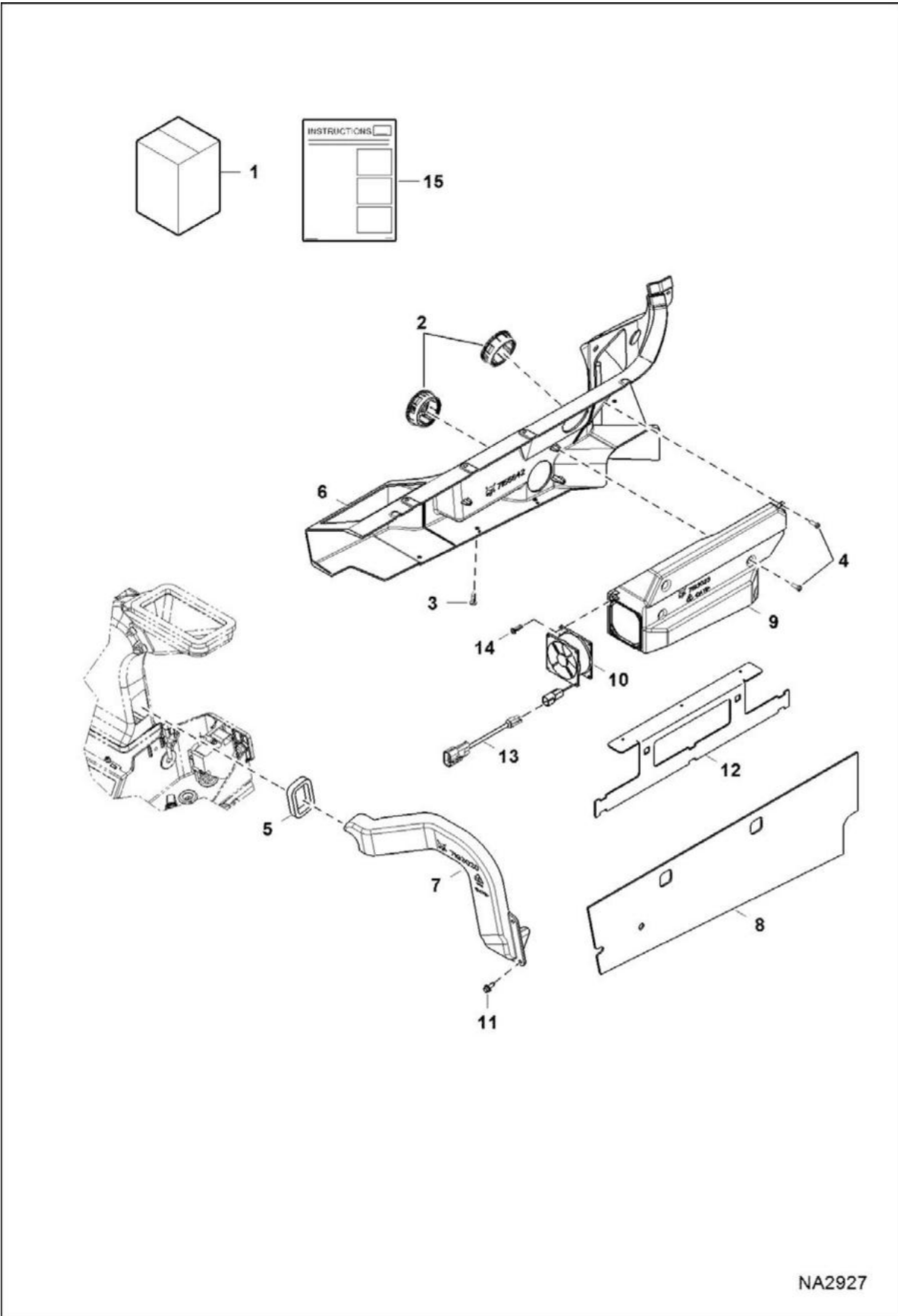


NA2961

HEATER & A/C (Cont'd)
(HVAC Assembly)
(Plastic Housing)

Ref No	Part Number	Description	Remarks	Serial Number	Qty
1	7185690	HVAC ASSY	Ref. 2-36		1
2	6624289	STRAP, TIE			2
3	6682697	GROMMET			1
4	7162770	SCREW, PLASTIC			2
5		HOSE, HEATER	NAP - 520,7 mm (20.5") long - Order Ref. 28		1
6	7166190	SCREW THREAD ROLLING			2
7	7185847	HOUSING			1
8	7185848	COVER			1
9	7192287	BOLT			2
10	7192371	BOLT			2
11	7192408	SEAL			1
12	7193354	FILTER, AIR RECIRCULATING			1
13	7193531	GROMMET			1
14	7193532	GROMMET			2
15	7193533	GROMMET			1
16	7193534	COIL, HEATER			1
17	7193535	EVAPORATOR			1
18		BLOWER, HEATER & A/C	See Illustration HEATER & A/C/ NA2155A		1
19	7003456	VALVE, MOTORIZED ASSY	Was 7193537 [A]		1
20	7193538	BLOCK, VALVE A/C			1
21	7193539	THERMOSTAT			1
22	7193540	LATCH			2
23	7193541	DRAIN, WATER SEAT			2
24	7193542	SEAL			1
25	7193543	SEAL			1
26		HOSE, HEATER	NAP - 609,6 mm (24") long - Order Ref. 28		1
27		HOSE, HEATER	NAP - 85 mm (3.35") long - Order Ref. 28		1
28	6565977	HOSE	bulk - sold per foot		x
29	7193783	SEAL, FOAM			1
30	7193784	BOLT			4
31	7193785	CLIP			2
32	7193786	RIVET, POP			4
33		WRAP, HOSE	NAP - 457 mm (18") long - Order Ref. 37		2
34	7196889	LATCH			2
35	5HM18	CLAMP			2
36	5HM20	CLAMP			4
37	7194262	WRAPAROUND	bulk - sold per foot		x

HEATER & A/C (Lower Duct Kit)

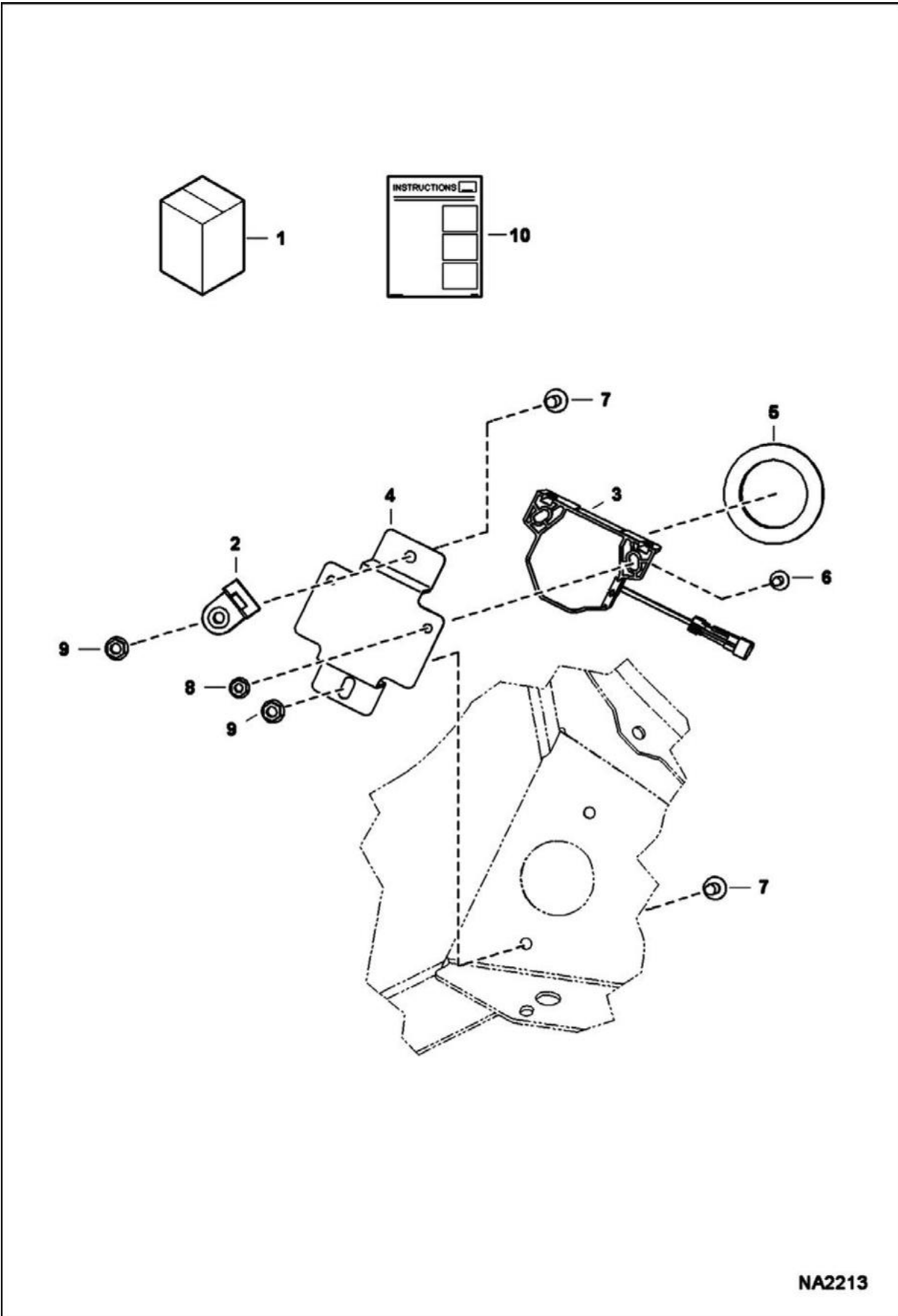


NA2927

HEATER & A/C (Cont'd) (Lower Duct Kit)

Ref No	Part Number	Description	Remarks	Serial Number	Qty
1	7200657	KIT, DUCT	Ref. 2-11, 14 & 15		1
2	7155794	LOUVER, ROUND			2
3	7160381	RIVET, BIRD CAGE			2
4	7162770	SCREW, PLASTIC			6
5	7193018	SEAL			1
6	7193019	PANEL, DUCT			1
7	7193020	DUCT, AIR			1
8	7193022	INSULATION			1
9	7193023	DUCT, AIR			1
10	7197733	FAN			1
11	26GM6016	SCREW			3
12	7193021	BRACKET	not in kit	A3NT11001 -	1
12	7193021	BRACKET	not in kit	A3NU11001 -	1
13	7200883	HARNESS, JUMPER FAN	not in kit	A3NT11001 -	1
13	7200883	HARNESS, JUMPER FAN	not in kit	A3NU11001 -	1
14	7192287	BOLT			4
15	6990079	INSTRUCTIONS			1

HORN KIT (Manual Controls, AHC & ACS)

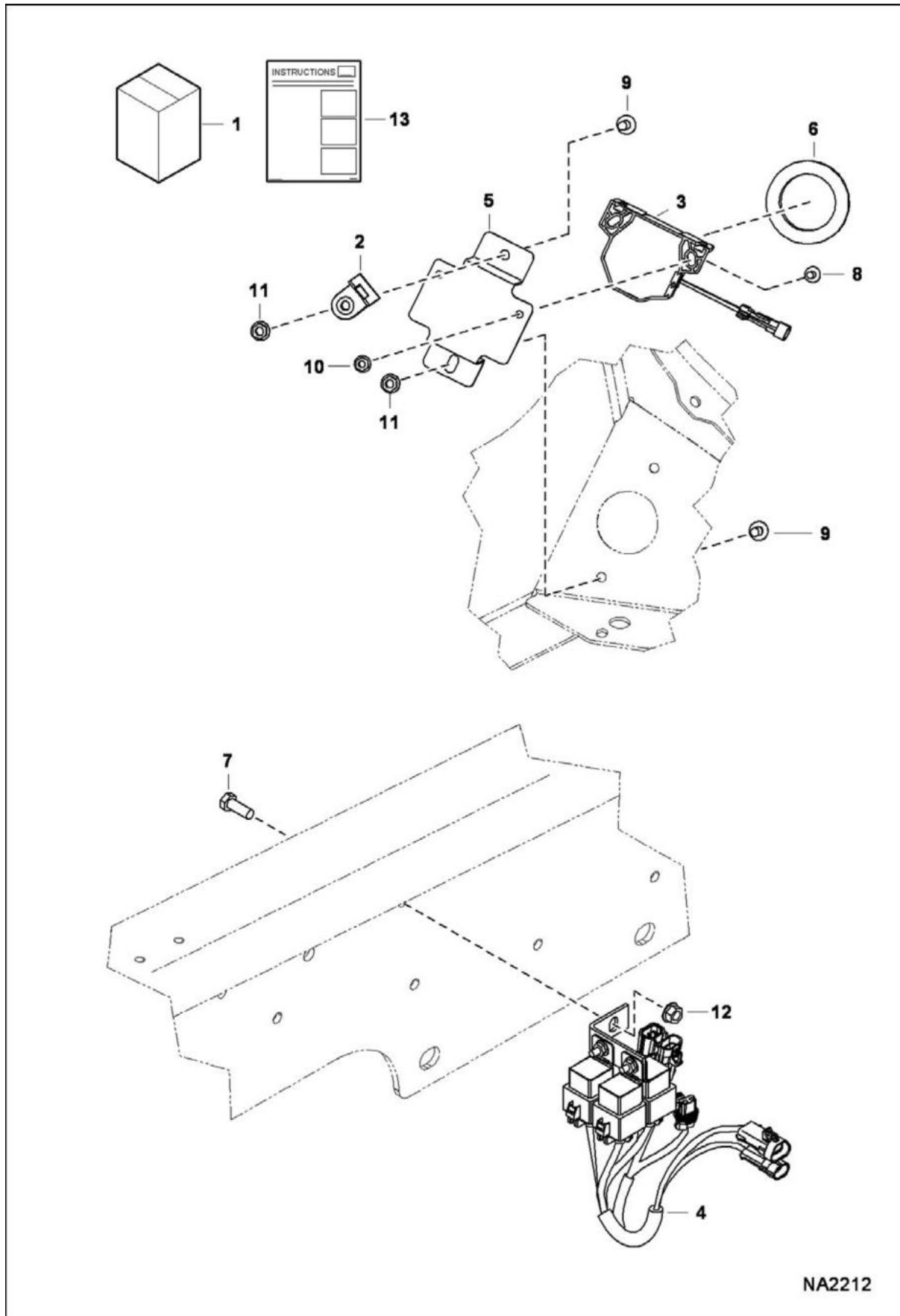


NA2213

HORN KIT (Cont'd)
(Manual Controls, AHC & ACS)

Ref No	Part Number	Description	Remarks	Serial Number	Qty
1	7173594	KIT, HORN	Ref. 2-10		1
2	6684641	MOUNT			1
3	7001044	HORN, ALARM			1
4	7171081	BRACKET, HORN			1
5	7171088	GROMMET			1
6	35C410	BOLT 5			2
7	35C516	BOLT 10			2
8	55D4	NUT			2
9	55D5	NUT			2
10	6987237	INSTRUCTIONS			1

HORN KIT (Selectable Joystick Controls)

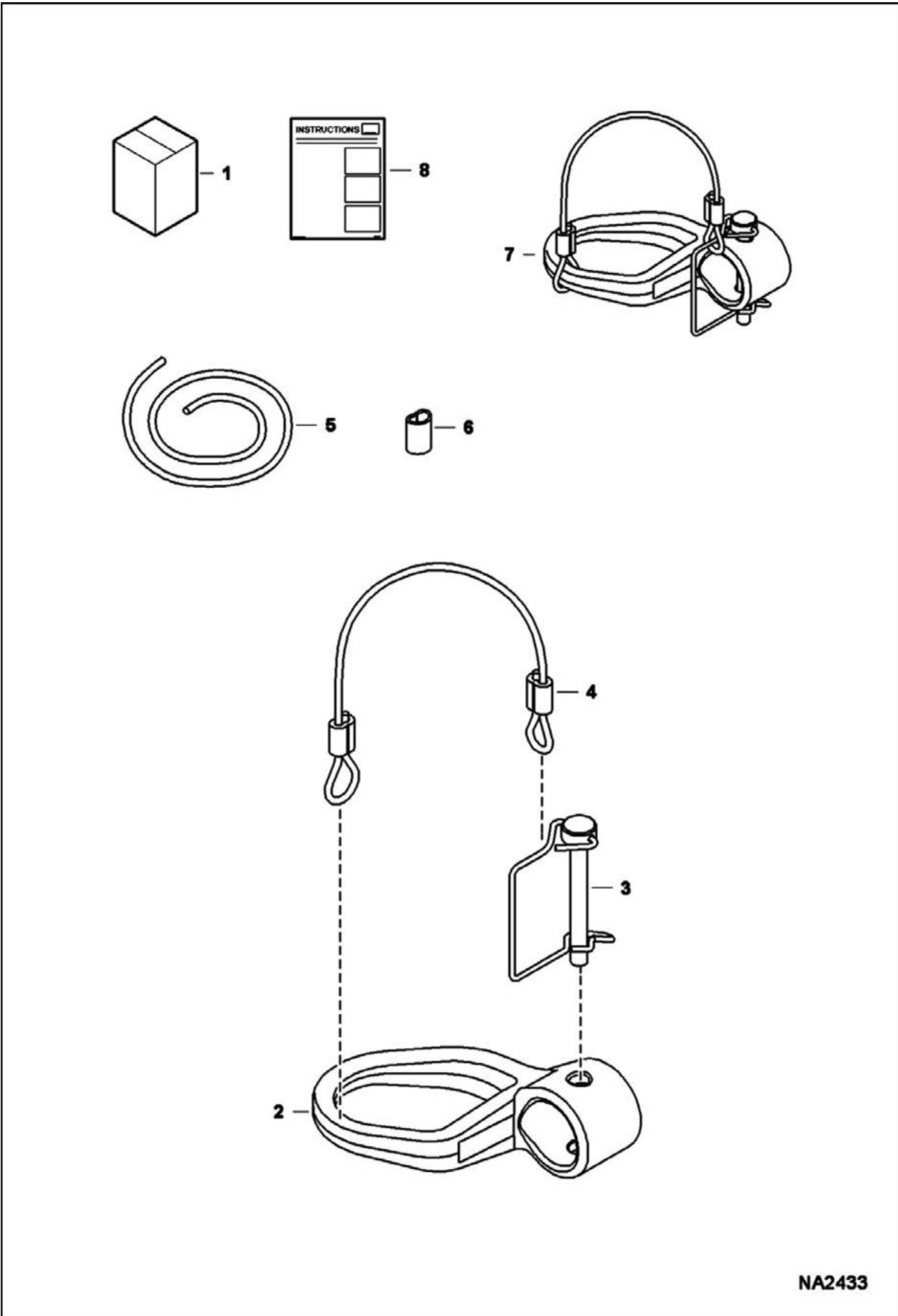


NA2212

HORN KIT (Cont'd)
(Selectable Joystick Controls)

Ref No	Part Number	Description	Remarks	Serial Number	Qty
1	7173595	KIT, HORN W/JOYSTICK	Ref. 2-13		1
2	6684641	MOUNT			1
3	7001044	HORN, ALARM			1
4	7151940	HARNESS, HORN			1
5	7171081	BRACKET, HORN			1
6	7171088	GROMMET			1
7	17C616	BOLT 5			1
8	35C410	BOLT 5			2
9	35C516	BOLT 10			2
10	55D4	NUT			2
11	55D5	NUT			2
12	97D6	NUT 10			1
13	6987237	INSTRUCTIONS			1

HOSE GUIDE ASSY

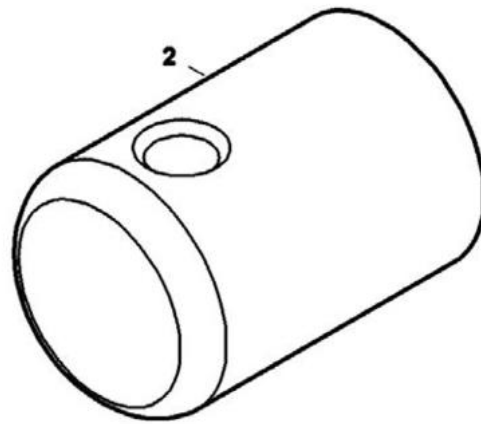
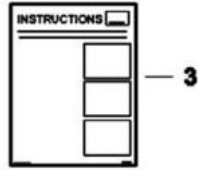
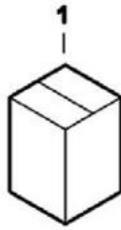


NA2433

HOSE GUIDE ASSY (Cont'd)

Ref No	Part Number	Description	Remarks	Serial Number	Qty
1	7187118	KIT, GUIDE HOSE	Ref. 7 & 8		1
2		GUIDE	NSS - Order Ref. 7		1
3	7161559	PIN, SNAPPER			1
4		CABLE ASSY	NSS - 304,8 mm (12") long - Order Ref. 5 & 6		1
5	6558309	WIRE ROPE	bulk - sold per foot		x
6	6558310	SLEEVE			2
7	7161953	GUIDE, HOSE ASSY	Ref. 2-4		1
8	6989526	INSTRUCTIONS			1

HOSE GUIDE POST KIT



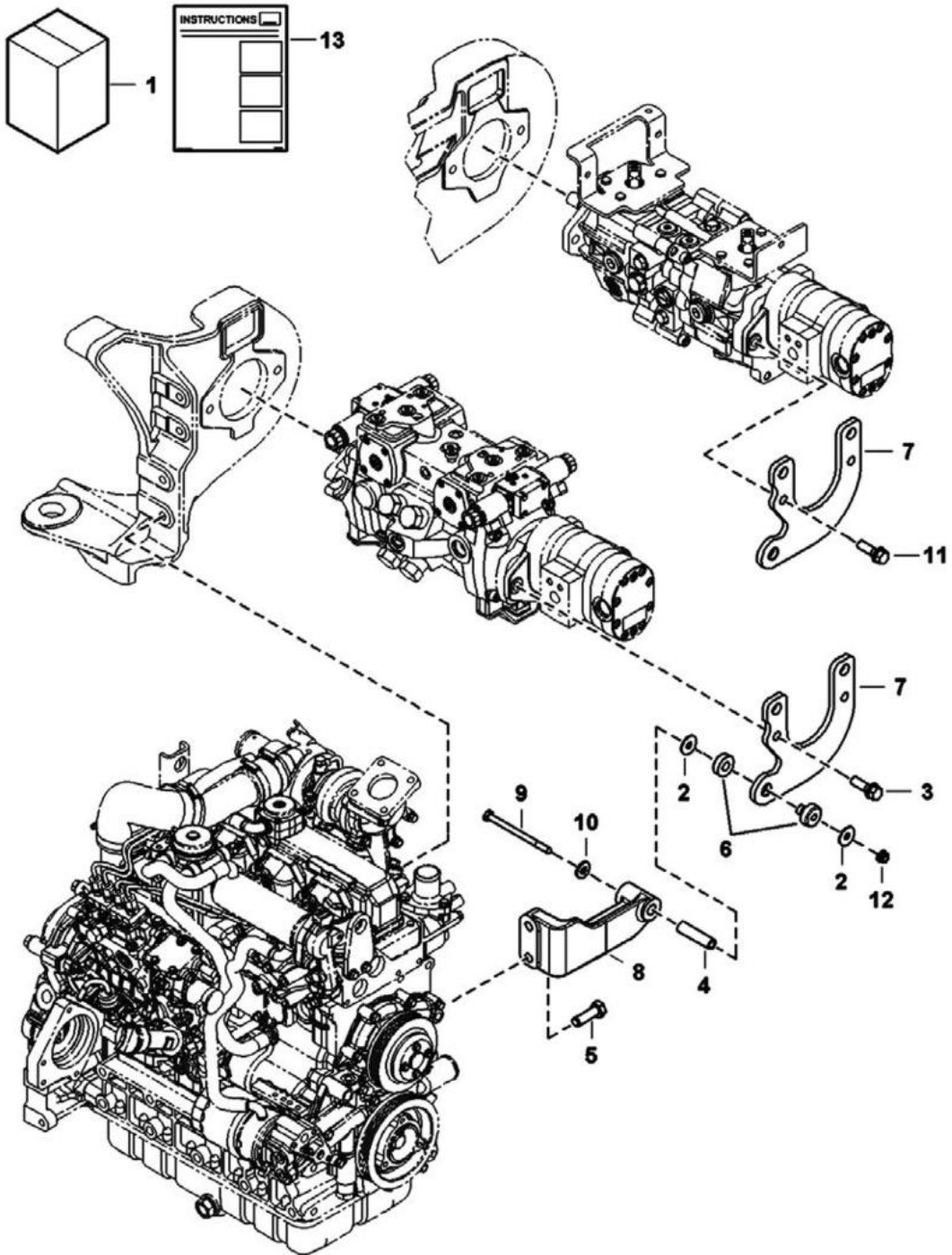
NA2408

HOSE GUIDE POST KIT (Cont'd)

Ref No	Part Number	Description	Remarks	Serial Number	Qty
1	7177863	KIT, POST GUIDE HOSE	Ref. 2 & 3		1
2	7170300	PIN, PIVOT			1
3	6987421	INSTRUCTIONS			1

ISOLATOR MOUNT KIT

(S/N A3NT11001 - 12029, A3NU11001 - 11044)



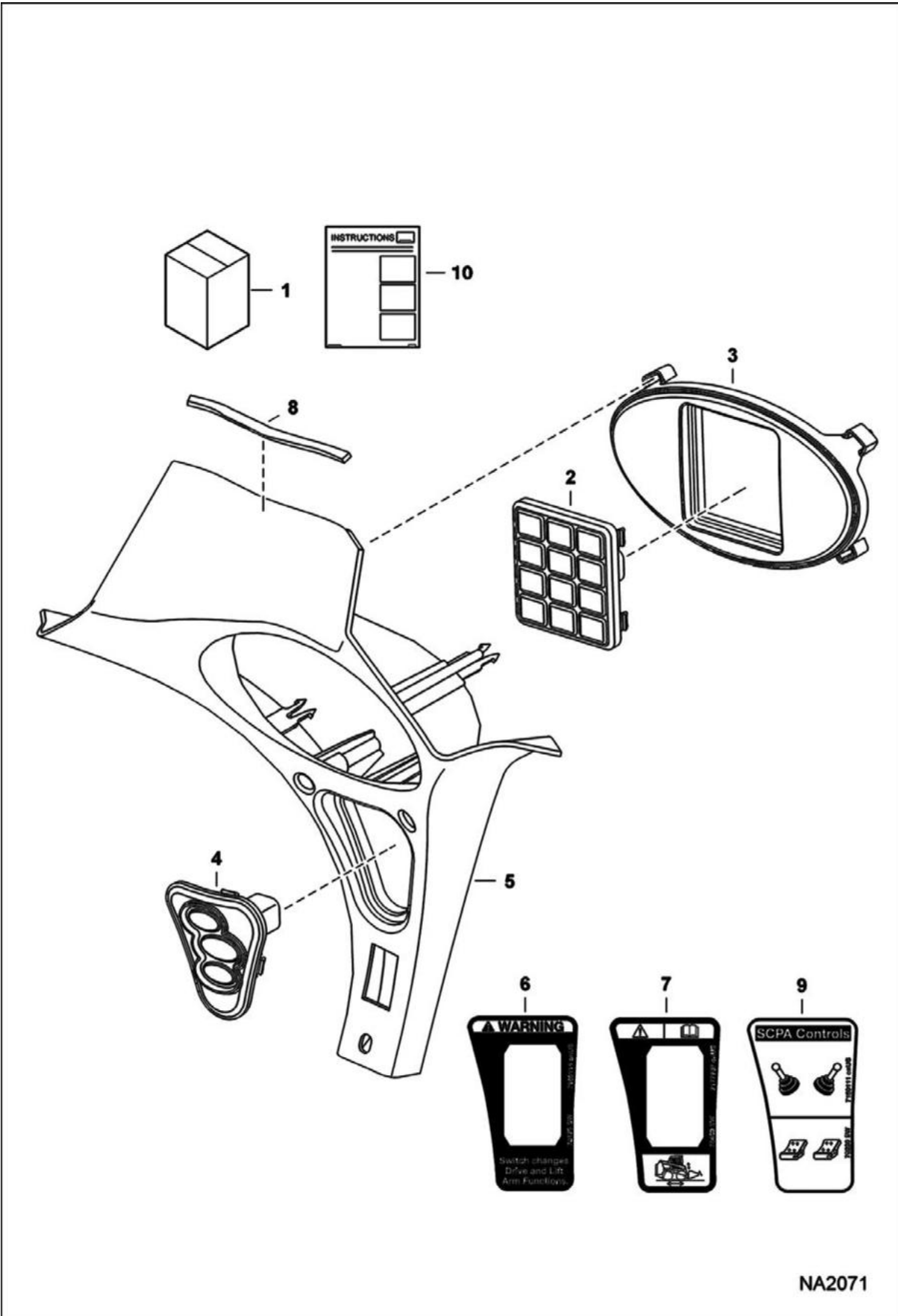
NA5481

ISOLATOR MOUNT KIT (Cont'd)

(S/N A3NT11001 - 12029, A3NU11001 - 11044)

Ref No	Part Number	Description	Remarks	Serial Number	Qty
1	7201407	KIT, MOUNT ISOLATOR	If equipped W/7161786 Power Bob-Tach valve Also Order 7010992 valve, 6727313 fitting, 15KB0808 fitting, 17KB0808 fitting, 55K214 O-ring, 5HM15 clamp, 15KB1212 fitting, 7184971 hose, 7184972 hose, (4) of 17C652 bolt & (914,4 mm) 3 ft of 6586251 hose		1
2	6737388	WASHER			2
3	7131273	SCREW			2
4	7147350	SPACER, TUBE			1
5	7147745	SCREW			2
6	7149357	MOUNT, LOAD ISOLATOR			1
7	7193687	BRACKET, MOUNTING			1
8	7194572	MOUNT			1
9	17C680	BOLT			1
10	27E6	WASHER 5			1
11	45C828	BOLT			2
12	53D6	NUT			1
13	6990106	INSTRUCTIONS			1

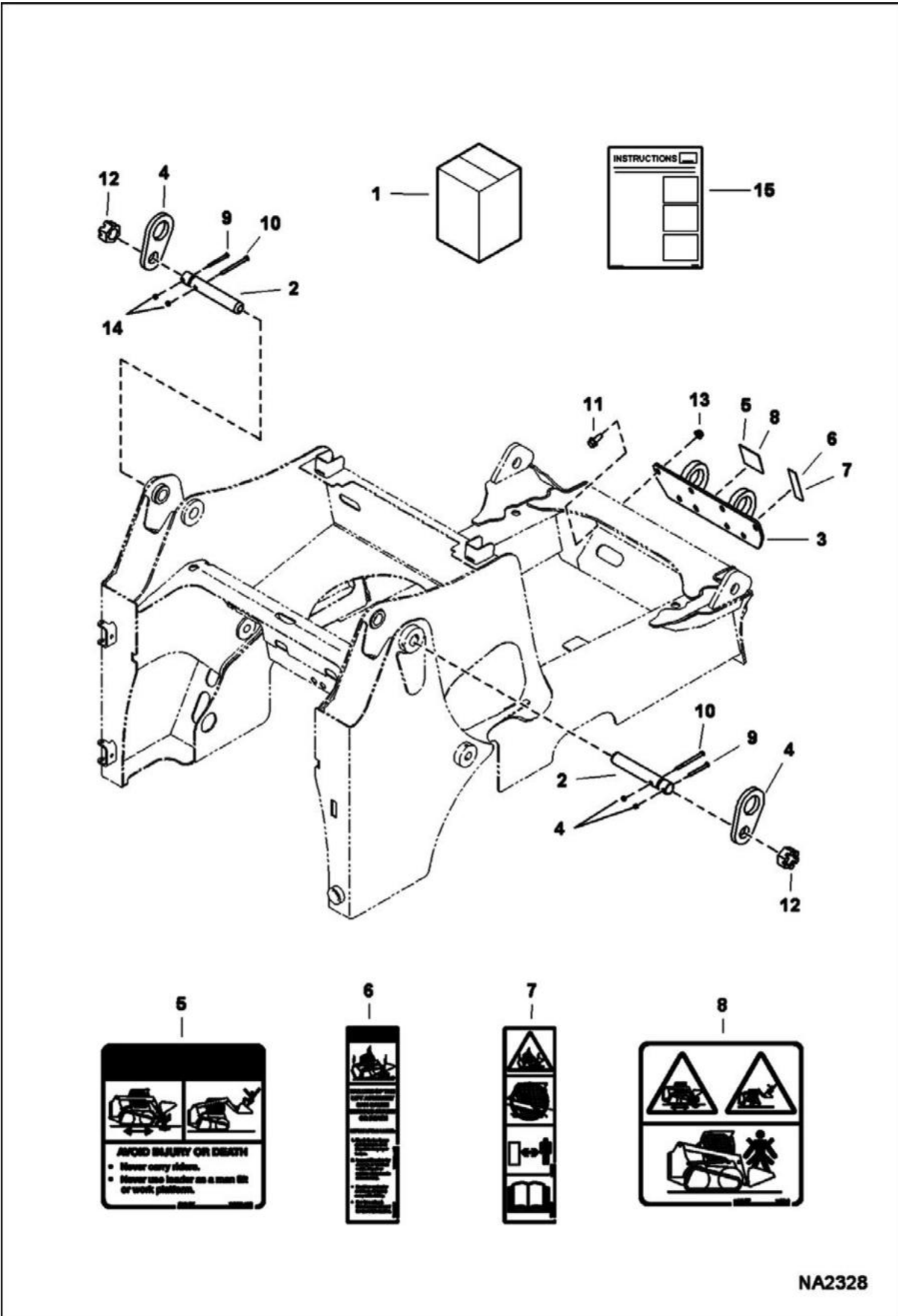
KEYLESS PANEL KIT



KEYLESS PANEL KIT (Cont'd)

Ref No	Part Number	Description	Remarks	Serial Number	Qty
1	7129289	KIT, START KEYLESS	Ref. 2-10		1
2	6693712	KEYPAD, PANEL			1
3	7003027	INSERT, KEYPAD			1
4	7003033	SWITCH, IGN			1
5	7155791	PANEL, RH			1
6	7168114	DECAL, SWITCH			1
7	7177707	DECAL			1
8	7187104	SEAL			1
9	7190111	DECAL, CONTROL	control		1
10	6987281	INSTRUCTIONS			1

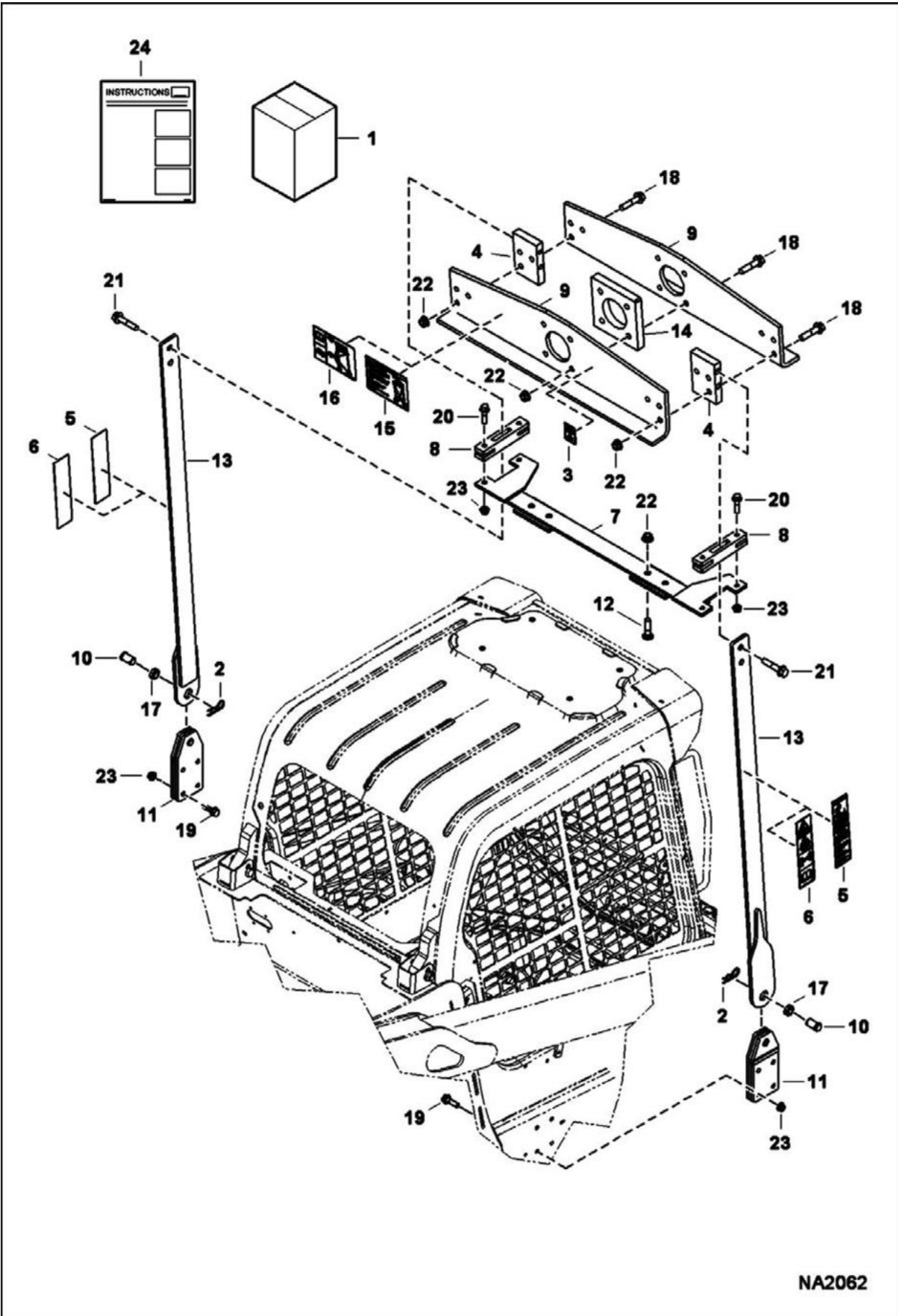
LIFT KIT (Four Point)



**LIFT KIT (Cont'd)
(Four Point)**

Ref No	Part Number	Description	Remarks	Serial Number	Qty
1	7128411	KIT, LIFT 4-POINT	Ref. 2-15		1
1		RESEALING PLUG KIT	See Illustration RESEALING KIT/ NA2775		1
2	7150393	PIN, PIVOT			2
3	7156606	BRACKET, ASSY			1
4	7162933	LIFT EYE			2
5	7167996	DECAL, WARNING			1
6	7168019	DECAL, WARNING			1
7	7168020	DECAL, WARNING	no text		1
8	7168040	DECAL, WARNING	no text		1
9	17C656	BOLT			2
10	17C680	BOLT			2
11	31C1024	BOLT			8
12	4D28	NUT			2
13	53D10	NUT			8
14	85D6	LOCK NUT			4
15	6987218	INSTRUCTIONS			1

LIFT KIT (Single Point)



NA2062

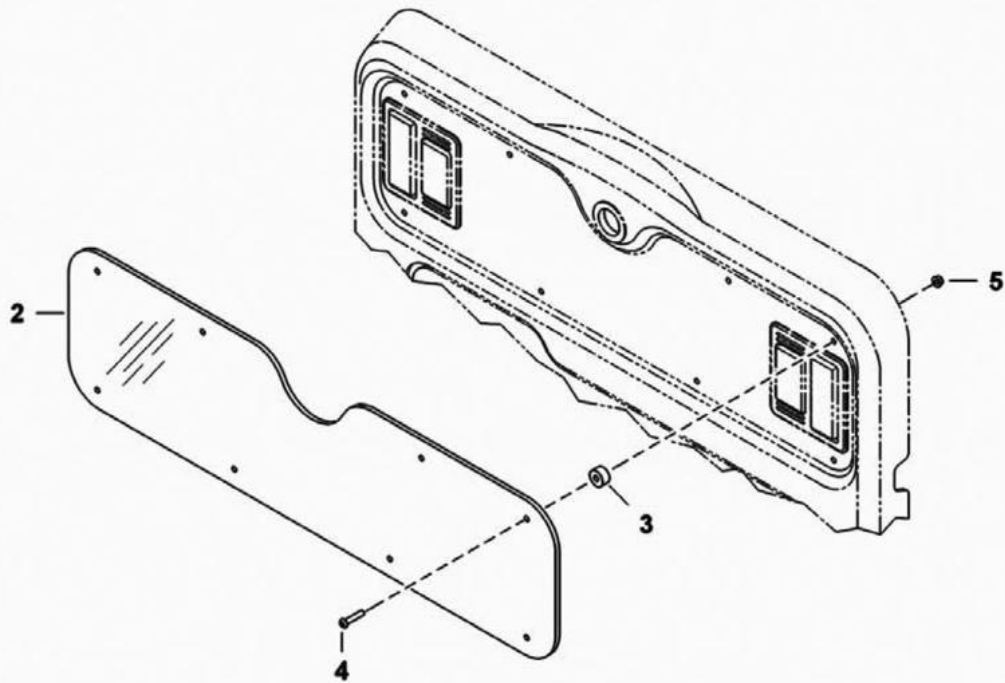
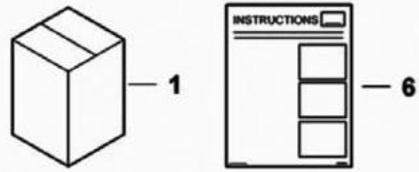
**LIFT KIT (Cont'd)
(Single Point)**

Ref No	Part Number	Description	Remarks	Serial Number	Qty
1	7129295	KIT, LIFT SINGLE POINT	Ref. 2-24		1
1		RESEALING PLUG KIT	See Illustration RESEALING KIT/ NA2775		1
2	1320075	COTTER PIN			2
3	6533898	DECAL			2
4	7126682	BLOCK			2
5	7142141	DECAL			2
6	7142142	DECAL			2
7	7159102	MOUNT			1
8	7160760	MOUNT			2
9	7160779	PLATE			2
10	7161536	PIN, CLEVIS			2
11	7163748	MOUNT			2
12	7164686	BOLT, CARRIAGE			4
13	7166334	ARM LIFT			2
14	7166831	BLOCK			1
15	7168021	DECAL			2
16	7168022	DECAL			2
17	7168159	BUSHING			2
18	31C1044	BOLT			10
19	31C828	BOLT			8
20	31C832	BOLT			4
21	49C1048	BOLT			4
22	53D10	NUT			14
23	53D8	NUT			12
24	6987217	INSTRUCTIONS			1

LIGHT GUARD KIT (Cont'd)
(Front)

Ref No	Part Number	Description	Remarks	Serial Number	Qty
1	7174129	KIT, GUARD LIGHT	Ref. 2-5		1
2	7183869	GUARD, LIGHT	RH		1
3	7183870	GUARD, LIGHT	LH		1
4	25G510	BOLT			6
5	6989487	INSTRUCTIONS			1

LIGHT GUARD KIT (Rear)

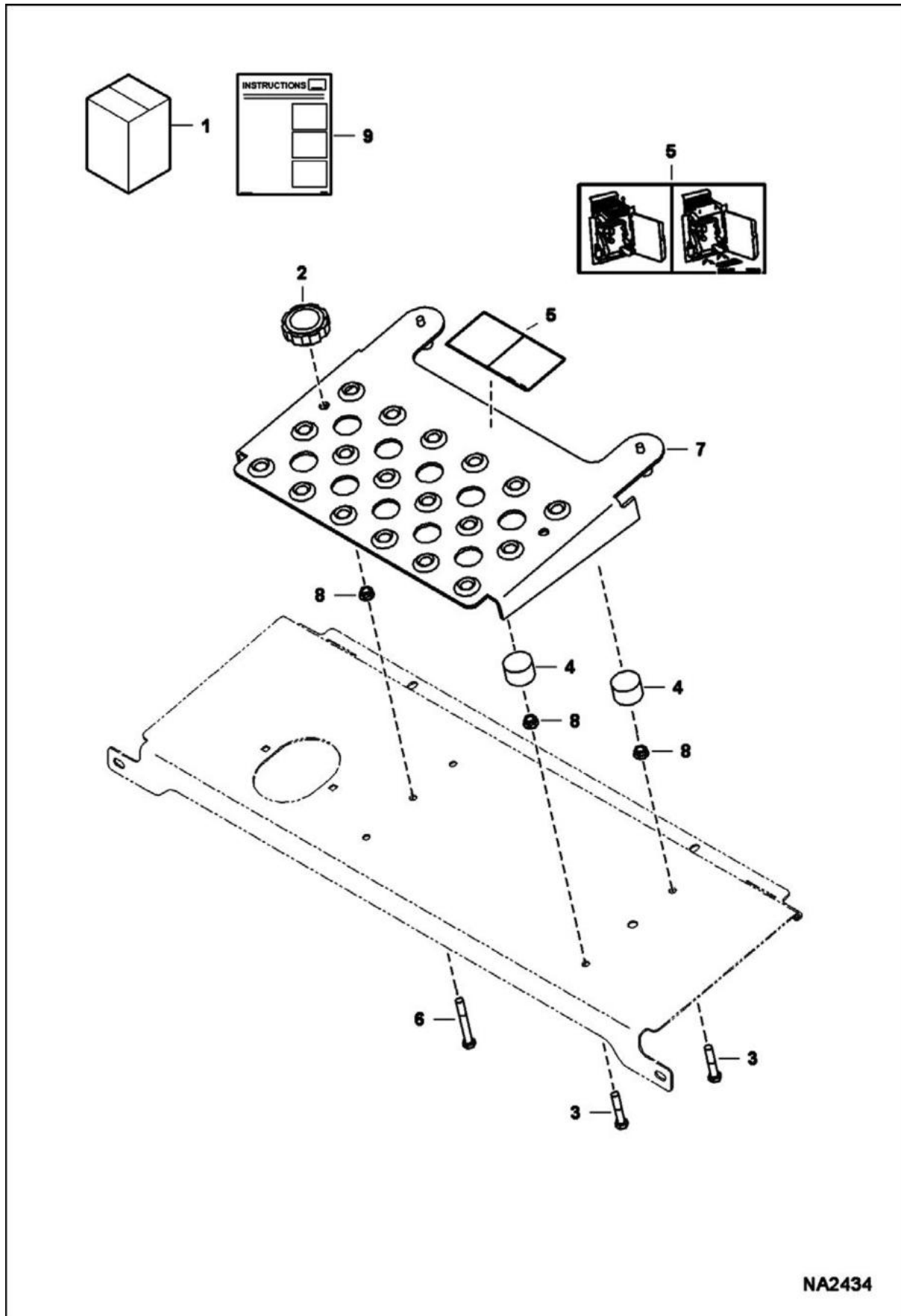


NA2514

LIGHT GUARD KIT (Cont'd)
(Rear)

Ref No	Part Number	Description	Remarks	Serial Number	Qty
1	7174128	KIT, GUARD LIGHT	Ref. 2-6		1
2	7173309	GUARD, LIGHT			2
3	7173310	SPACER			8
4	25G628	SCREW			8
5	97D6	NUT 10			8
6	6987490	INSTRUCTIONS			1

MAINTENANCE PLATFORM KIT

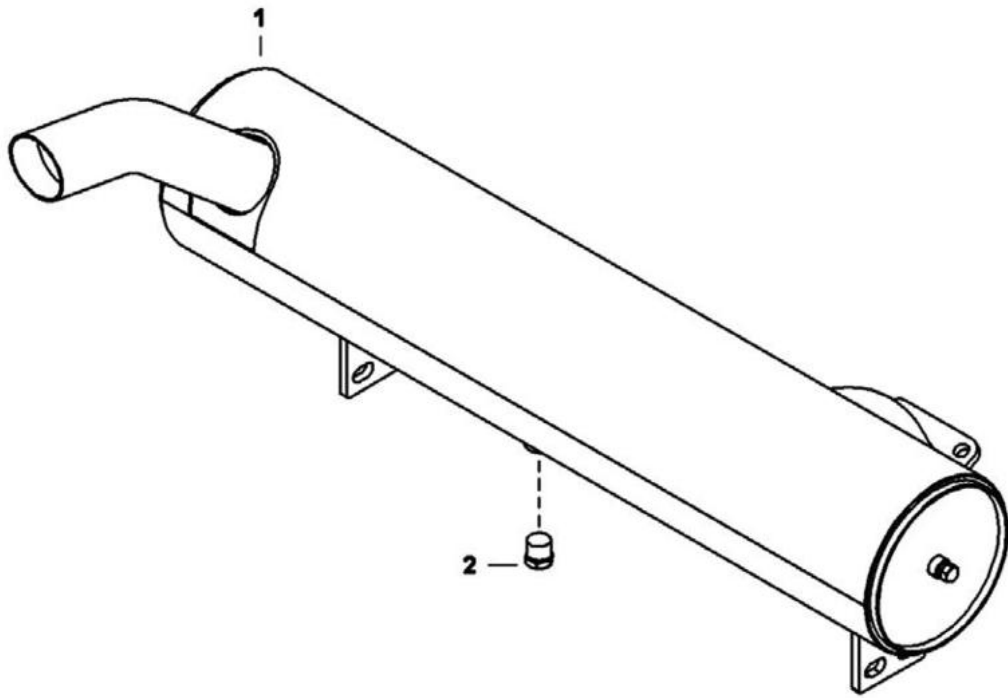


NA2434

MAINTENANCE PLATFORM KIT (Cont'd)

Ref No	Part Number	Description	Remarks	Serial Number	Qty
1	7178420	KIT, PLATFORM MAINTENANCE	Ref. 2-9		1
2	6684932	KNOB			2
3	7186768	BOLT	Was 7156722 [B]		4
4	7156809	BUMPER			4
5	7188542	DECAL, INSTRUCTIONS	Was 7162648 [B]		1
6	7186769	BOLT	Was 7164618 [B]		2
7	7173943	PLATFORM			1
8	55D6	NUT			6
9	6989484	INSTRUCTIONS			1

MUFFLER/PURIFIER

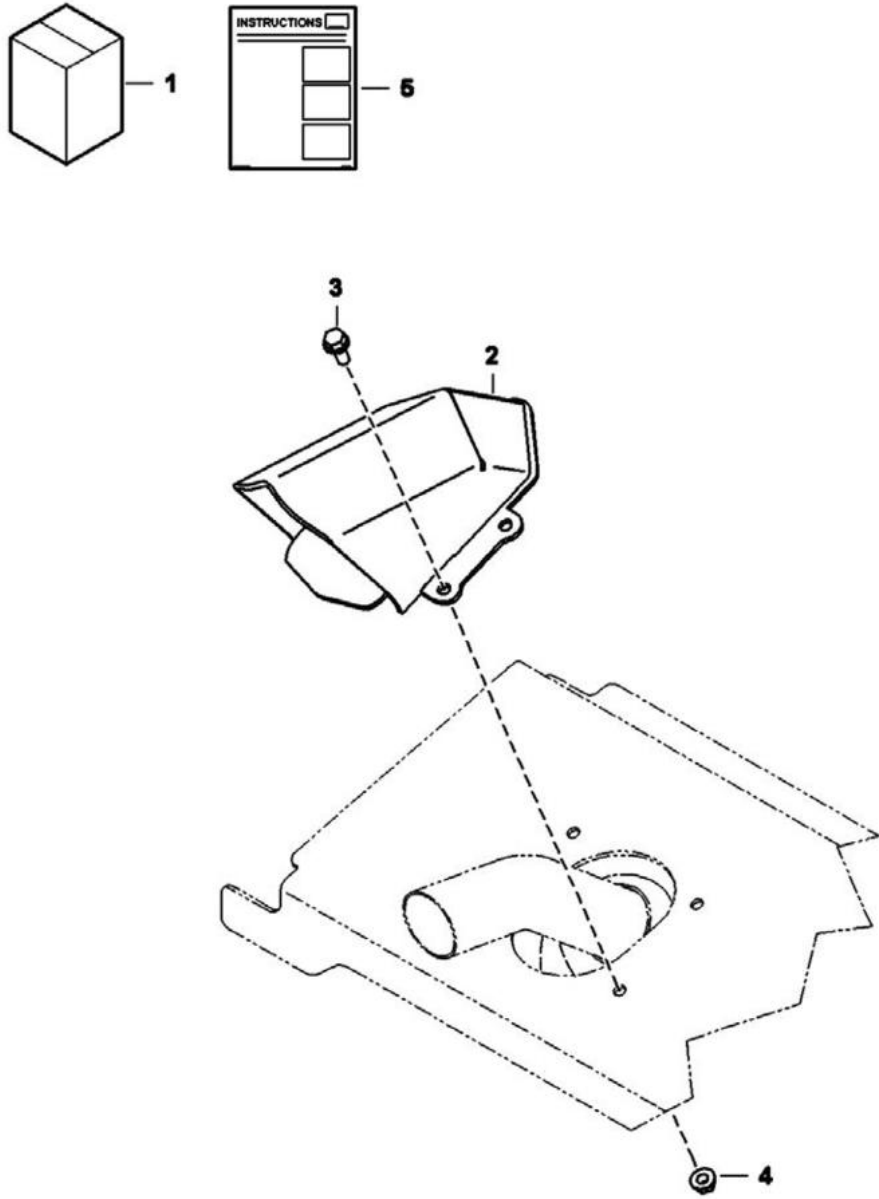


NA2072

MUFFLER/PURIFIER (Cont'd)

Ref No	Part Number	Description	Remarks	Serial Number	Qty
1	7149931	MUFFLER, PURIFIER	W/Ref. 2		1
2	6661062	PLUG	brass - 0.38"		1

MUFFLER GUARD KIT

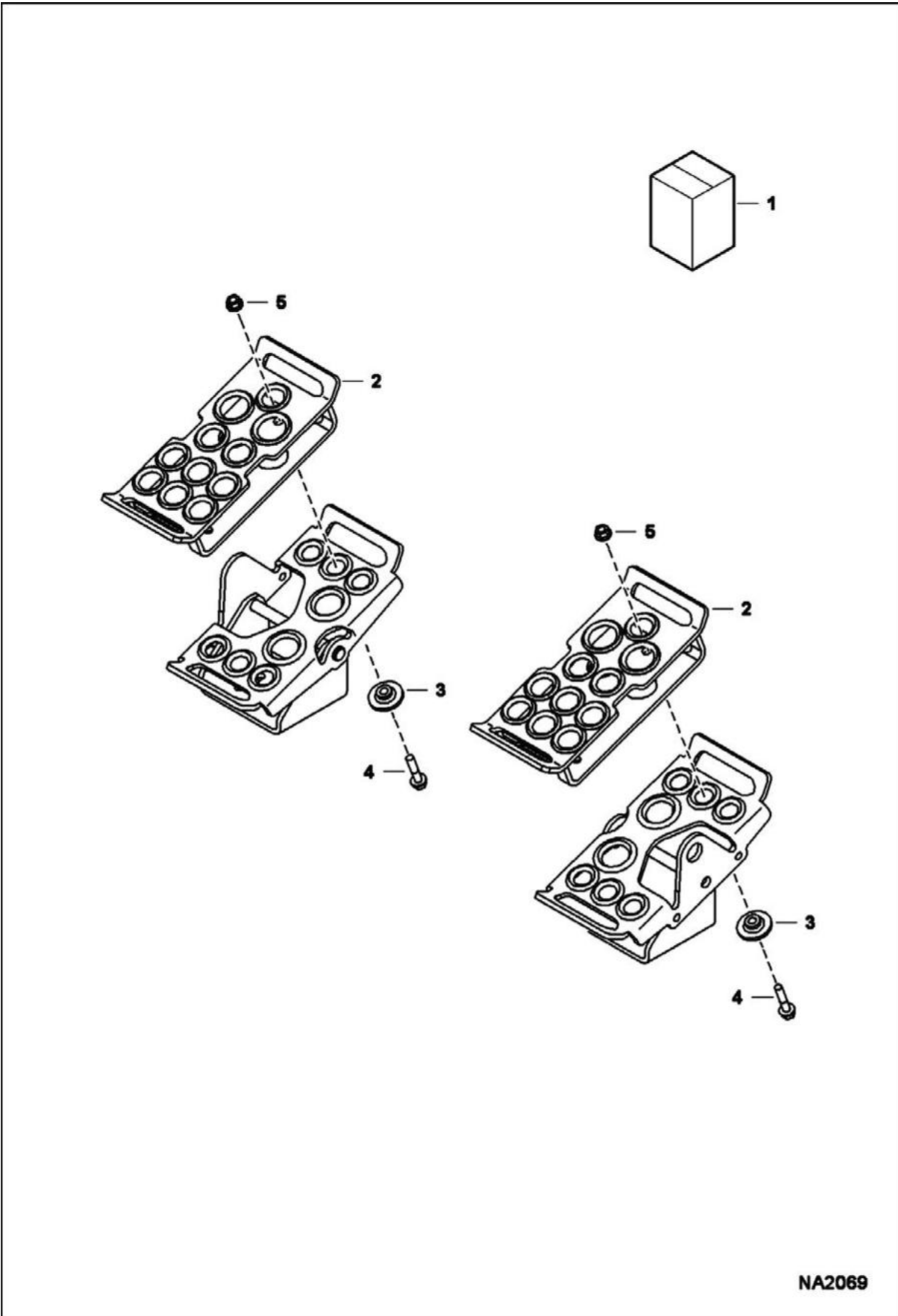


NA2573

MUFFLER GUARD KIT (Cont'd)

Ref No	Part Number	Description	Remarks	Serial Number	Qty
1	7174130	KIT, GUARD MUFFLER	Ref. 2-5		1
2	7193671	GUARD, MUFFLER			1
3	31C512	BOLT			4
4	97D5	NUT			4
5	6987491	INSTRUCTIONS			1

PEDAL EXTENDERS



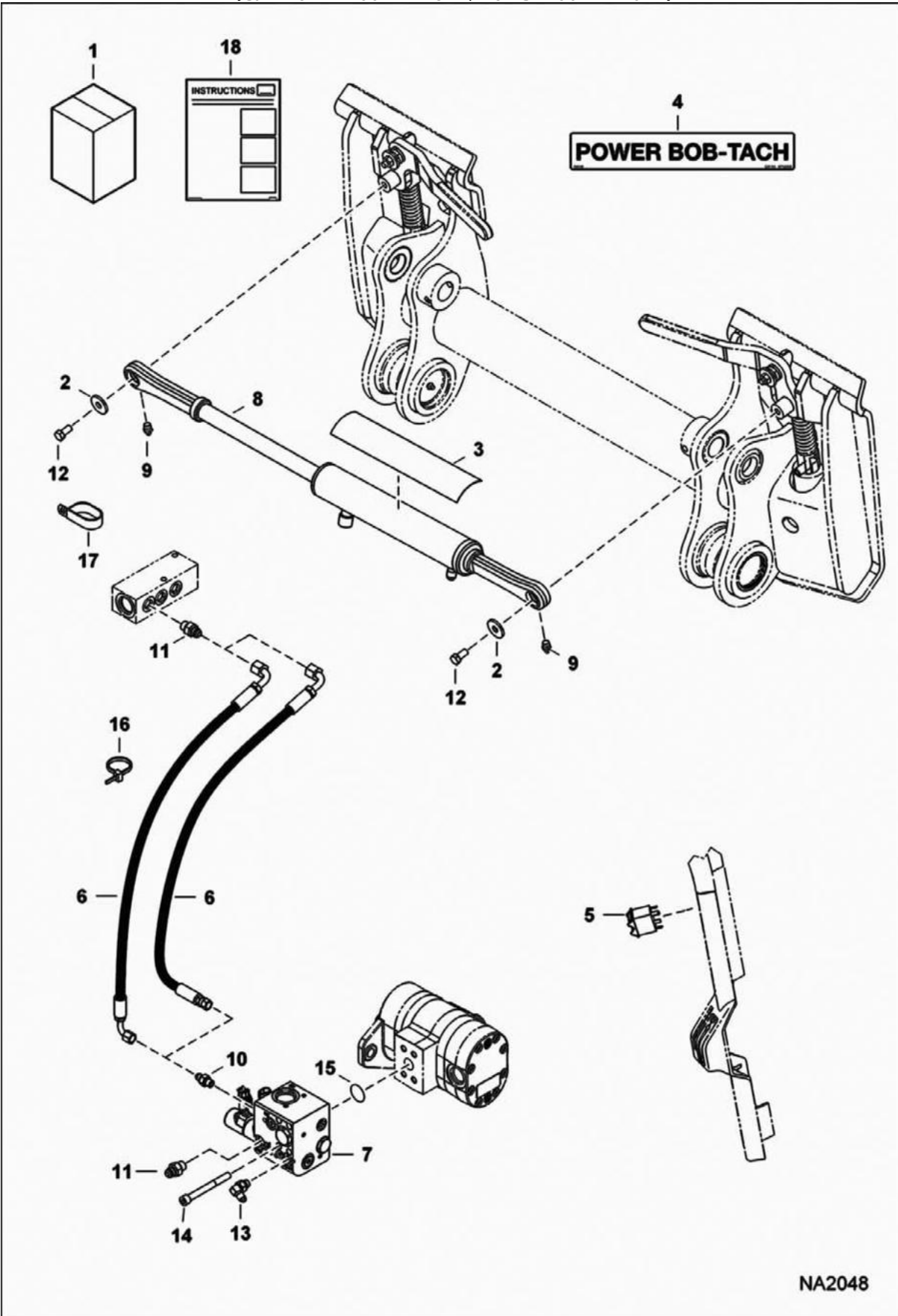
NA2069

PEDAL EXTENDERS (Cont'd)

Ref No	Part Number	Description	Remarks	Serial Number	Qty
1		KIT, PEDAL EXTENDER	NAP - Order components - Was 7131229 [A]		1
2	7131233	PEDAL			2
3	7131236	BUSHING			6
4	35C524	BOLT			6
5	89D5	NUT			6

POWER BOB-TACH (Kit)

(S/N A3NT11001 - 11874, A3NU11001 - 11022)



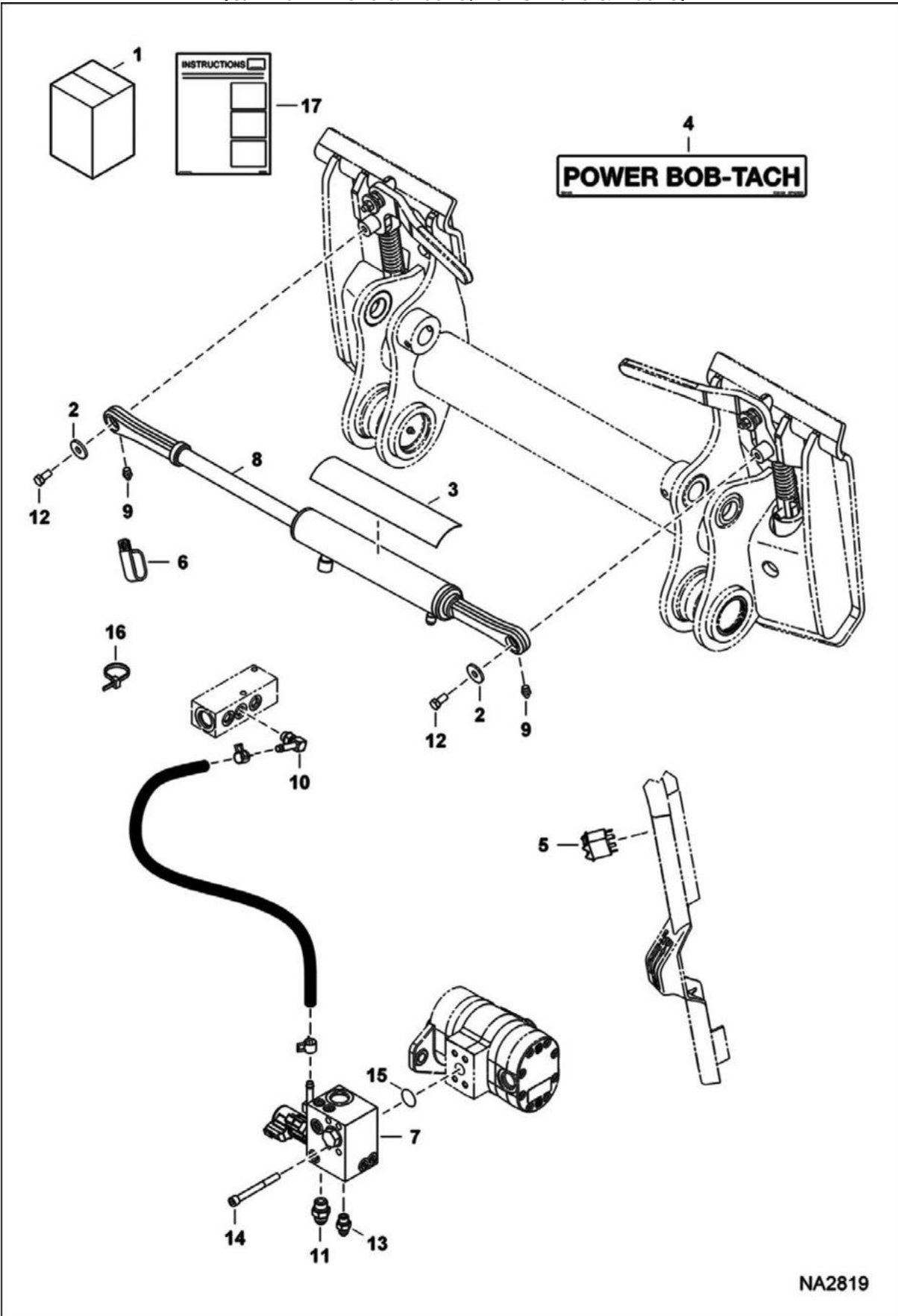
NA2048

POWER BOB-TACH (Cont'd)
(Kit)

(S/N A3NT11001 - 11874, A3NU11001 - 11022)

Ref No	Part Number	Description	Remarks	Serial Number	Qty
1		KIT, POWER BOB-TACH	See Illustration POWER BOB-TACH/ NA2819 See Illustration POWER BOB-TACH/ NA2820 NAP - Ref. 2-18 - Order 7192250 Power Bob-Tach kit & 7192252 plumbing kit, Power Bob-Tach - if loader is not equipped W/deluxe cab harness, Also Order 7176098 deluxe cab harness & 7175293 fuel harness - Was 7167366 [A]		1
2	619021	WASHER, 5			2
3	6555341	SAFETY TREAD			1
4	6719888	DECAL			1
5	7001712	SWITCH			1
6		HOSE ASSY	NAP - Order 7184314 hose - this hose can only be used on track loaders - valve end of hose is straight - Was 7159736 [A]		1
6	7184314	HOSE, HYD ASSY	this hose must be used on skid steer loaders - valve end of hose is 90 degrees		1
7		VALVE, POWER BOB-TACH	See Illustration POWER BOB-TACH/ MS2724		1
8		CYLINDER, POWER BOB-TACH	See Illustration POWER BOB-TACH/ PE3954		1
9	10H35	GREASE ZERK			2
10	15KB0404	FTG HYD S Connector			1
11	15KB0606	FITTING, HYD CONNECTOR			2
12	17C612	BOLT 5			2
13	17KB0404	FTG HYD ELBOW 90			1
14	73G656	SCREW			4
15	55K214	O-RING			1
16	6624289	STRAP, TIE			4
17	31H42	CLIP			1
18	6987220	INSTRUCTIONS			1

POWER BOB-TACH
(Kit)
(S/N A3NT11875 & Above, A3NU11023 & Above)

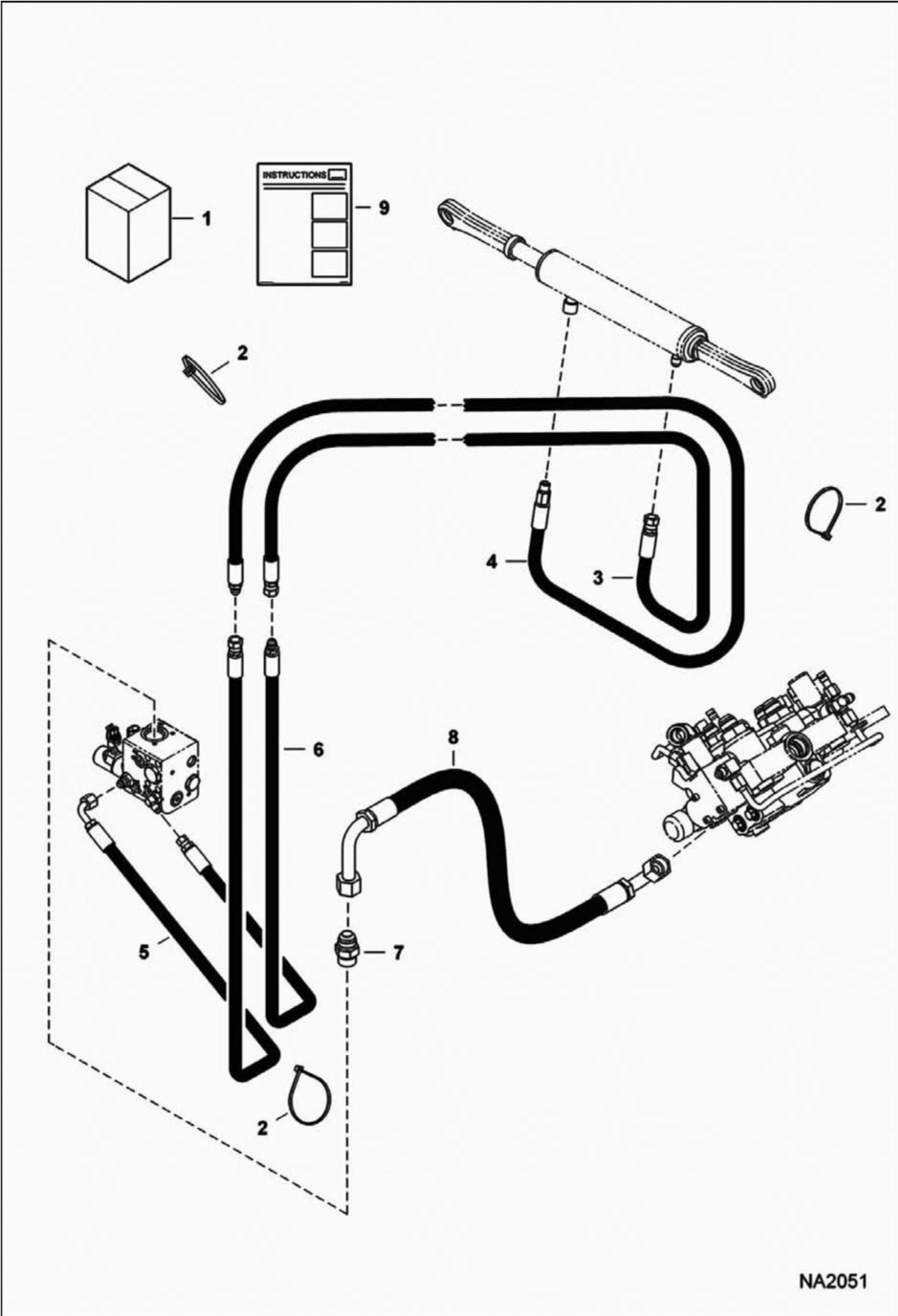


NA2819

POWER BOB-TACH (Cont'd)
(Kit)
(S/N A3NT11875 & Above. A3NU11023 & Above)

Ref No	Part Number	Description	Remarks	Serial Number	Qty
1	7192250	KIT, POWER BOB-TACH	See Illustration POWER BOB-TACH/ NA2820 Ref. 2-5, 7-14 & 18 - Also Order 7192252 plumbing kit - if loader is not equipped W/deluxe cab harness, Also Order 7176098 cab harness & 7175293 fuel harness		1
2	619021	WASHER, 5			2
3	6555341	SAFETY TREAD			1
4	6719888	DECAL			1
5	7001712	SWITCH			1
6	31H42	CLIP	not in kit		1
7		VALVE, POWER BOBTACH	See Illustration POWER BOB-TACH/ NA2823		1
8		CYLINDER, POWER BOB-TACH	See Illustration POWER BOB-TACH/ NA2603		1
9	10H35	GREASE ZERK			2
10	6727313	ELBOW			1
11	15KB0808	FITTING, HYD CONNECTOR			1
12	17C612	BOLT 5			2
13	15KB0606	FITTING, HYD CONNECTOR			1
14	17C652	SCREW			4
15	55K214	O-RING	not in kit		1
16	6624289	STRAP, TIE	not in kit		4
17	6989741	INSTRUCTIONS			1

**POWER BOB-TACH
(Plumbing Kit)
(S/N A3NT11001 - 11874, A3NU11001 - 11022)**

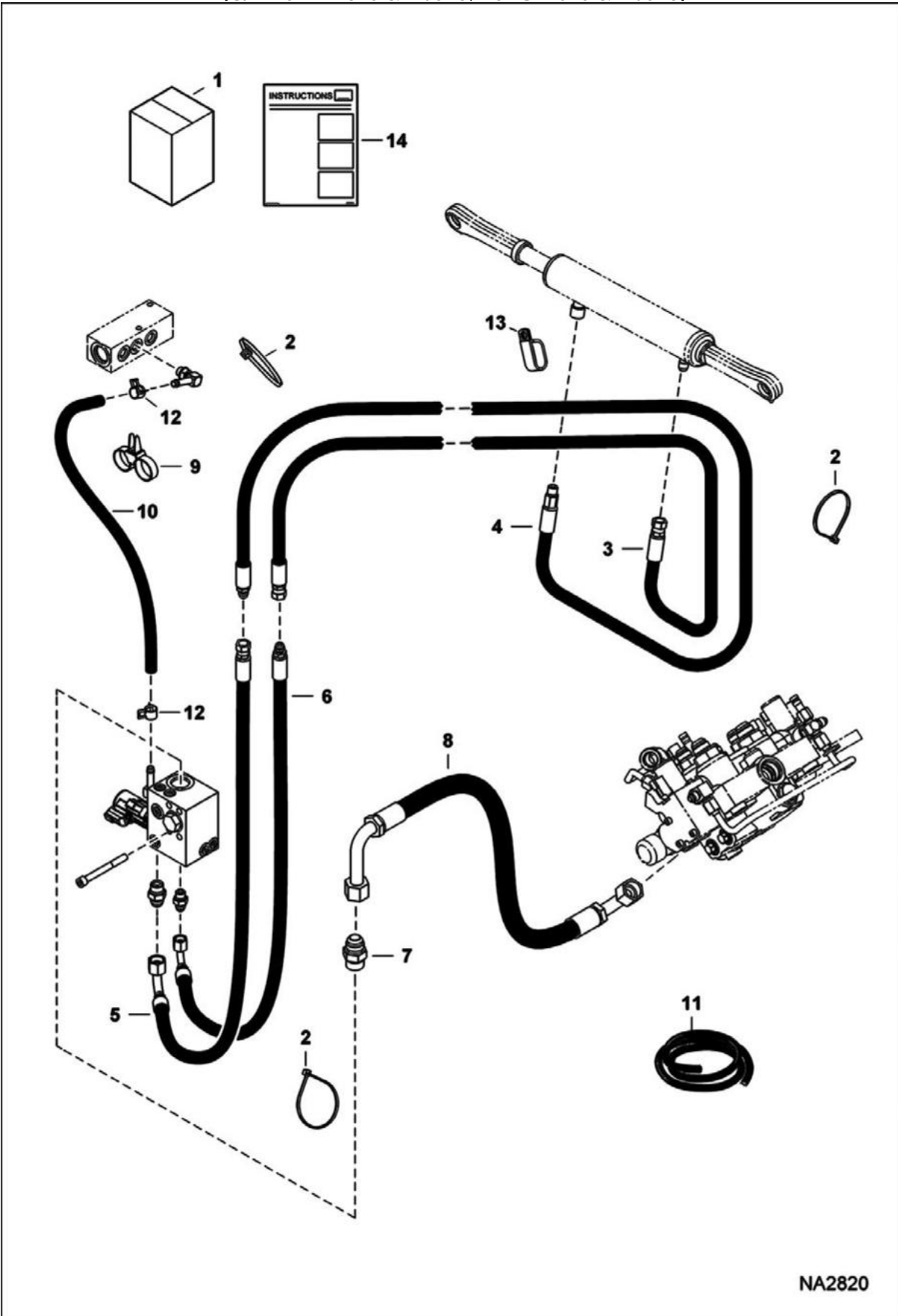


NA2051

POWER BOB-TACH (Cont'd)
(Plumbing Kit)
(S/N A3NT11001 - 11874, A3NU11001 - 11022)

Ref No	Part Number	Description	Remarks	Serial Number	Qty
1		KIT, PLUMBING POWER BOB-TACH	See Illustration POWER BOB-TACH/ NA2820 NAP - Ref. 2-6 - Order 7192252 plumbing kit - Was 7129508 [A]		1
2	6624289	STRAP, TIE			3
3	7171252	HOSE			1
4	7171250	HOSE			1
5	7171249	HOSE			1
6	7171251	HOSE			1
7	15KB1212	FITTING, HYD CONNECTOR			1
7	79K12	O RING 10			1
8	7172234	HOSE, HYD ASSY			1
9	6987220	INSTRUCTIONS	INSTRUCTIONS - not in kit - part of Power Bob-Tach kit		1

**POWER BOB-TACH
(Plumbing Kit)**
(S/N A3NT11875 & Above, A3NU11023 & Above)

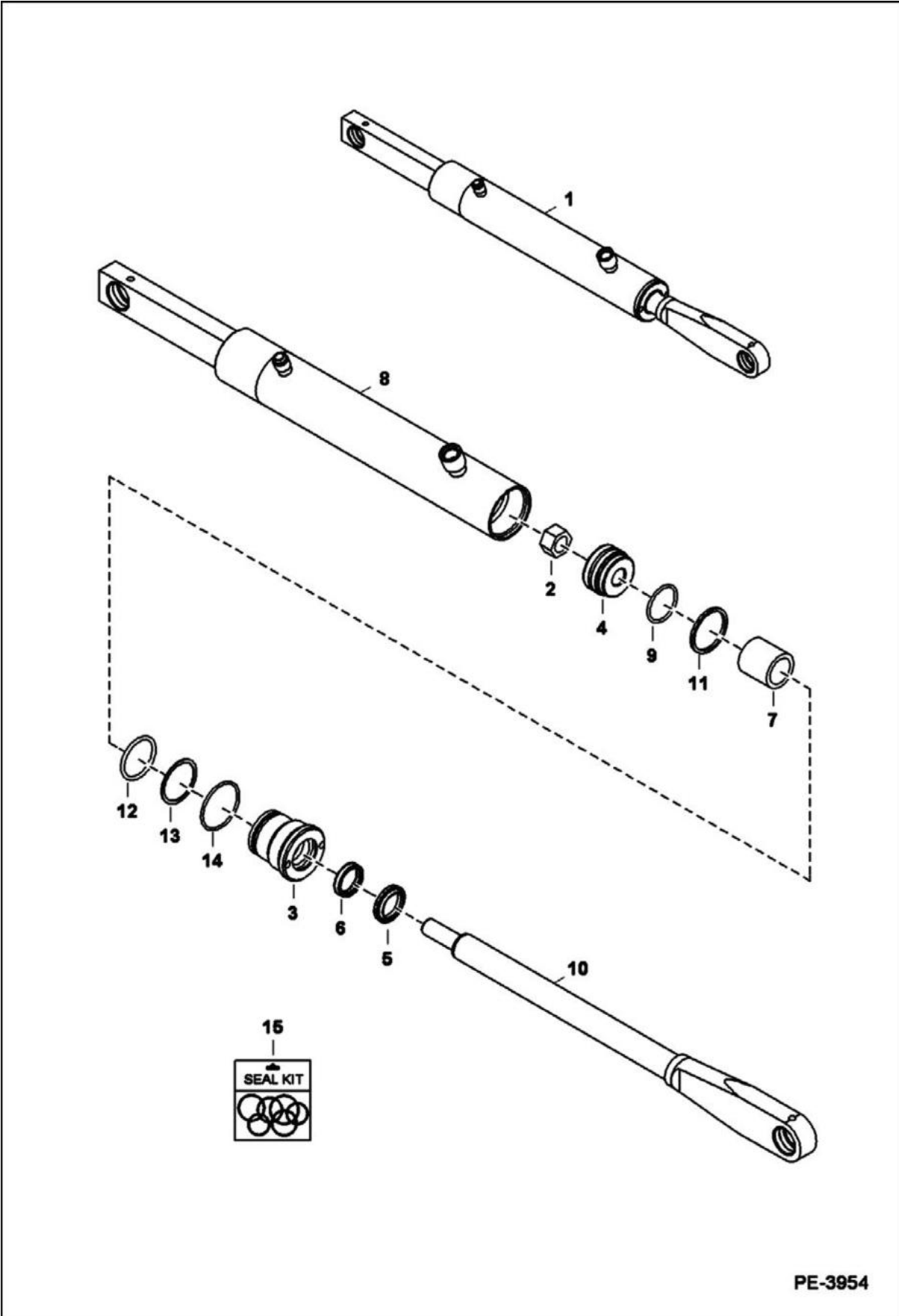


NA2820

POWER BOB-TACH (Cont'd)
(Plumbing Kit)
(S/N A3NT11875 & Above. A3NU11023 & Above)

Ref No	Part Number	Description	Remarks	Serial Number	Qty
1	7192252	KIT, PLUMBING POWER BOB- TACH	Ref. 2-14		1
2	6624289	STRAP, TIE			3
3	7171252	HOSE			1
4	7171250	HOSE			1
5	7184971	HOSE, HYD			1
6	7184972	HOSE, HYD			1
7	15KB1212	FITTING, HYD CONNECTOR			1
8	7172234	HOSE, HYD ASSY			1
9	6678668	STRAP, DUAL TIE			1
10		HOSE	NAP - 29.5" (749,3 mm) - Order Ref. 11		1
11	6586251	HOSE	bulk - sold per foot		x
12	5HM15	CLAMP			2
13	31H42	CLIP			1
14	6989741	INSTRUCTIONS	INSTRUCTIONS - not in kit - part of Power Bob- Tach kit		1

**POWER BOB-TACH
(Cylinder)
(S/N A3NT11001 - 11874, A3NU11001 - 11022)**

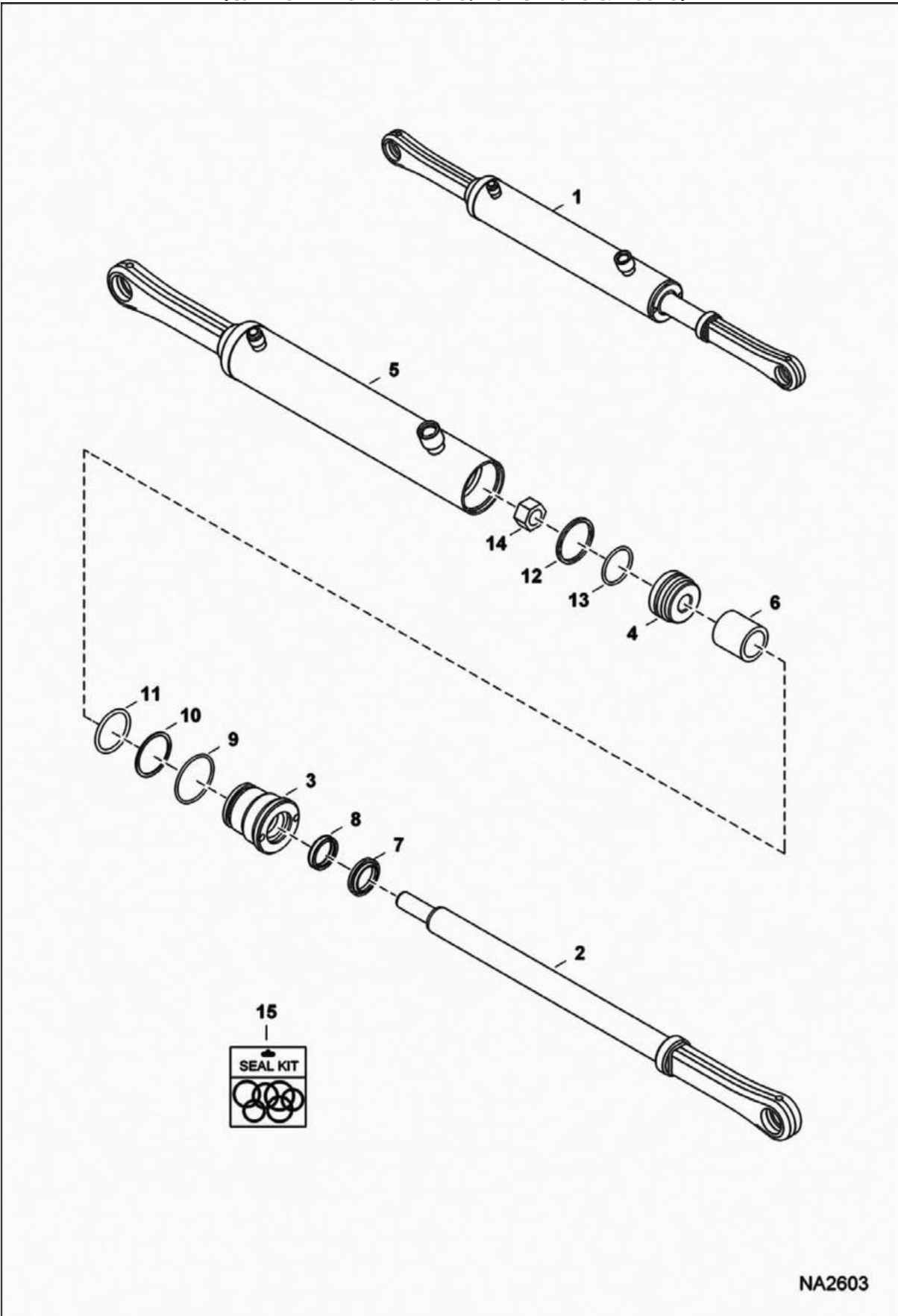


PE-3954

POWER BOB-TACH (Cont'd)
(Cylinder)
(S/N A3NT11001 - 11874, A3NU11001 - 11022)

Ref No	Part Number	Description	Remarks	Serial Number	Qty
1		CYLINDER, POWER BOB-TACH	See Illustration POWER BOB-TACH/ NA2603 NAP - Ref. 2-14 - Order 7183318 cylinder - Was 7167180 [A]		1
2		SHAFT, ROD CYLINDER, POWER BOB-TACH	See Illustration POWER BOB-TACH/ NA2603 NAP - 18.6" (472,4 mm) to bushing center - Order 7183318 cylinder [A]		1
3	6586542	HEAD			1
4	6586543	PISTON			1
5		CASE	See Illustration POWER BOB-TACH/ NA2603 NAP - Order 7183318 cylinder [A]		1
6	6810356	SPACER			1
7	6666542	SEAL			1
8	6667323	SEAL			1
9	82K132	O-RING HYDRAULIC			1
10	73K222	RING			1
11	58K222	O-RING	Was 54K40116 [B]		1
12	25K30110	O RING 10	Was 54K30110 [A]		1
13	6532453	RING			1
14	92D10	NUT			1
15	7138014	SEAL KIT	Ref. 7-14		1

**POWER BOB-TACH
(Cylinder)
(S/N A3NT11875 & Above, A3NU11023 & Above)**



NA2603

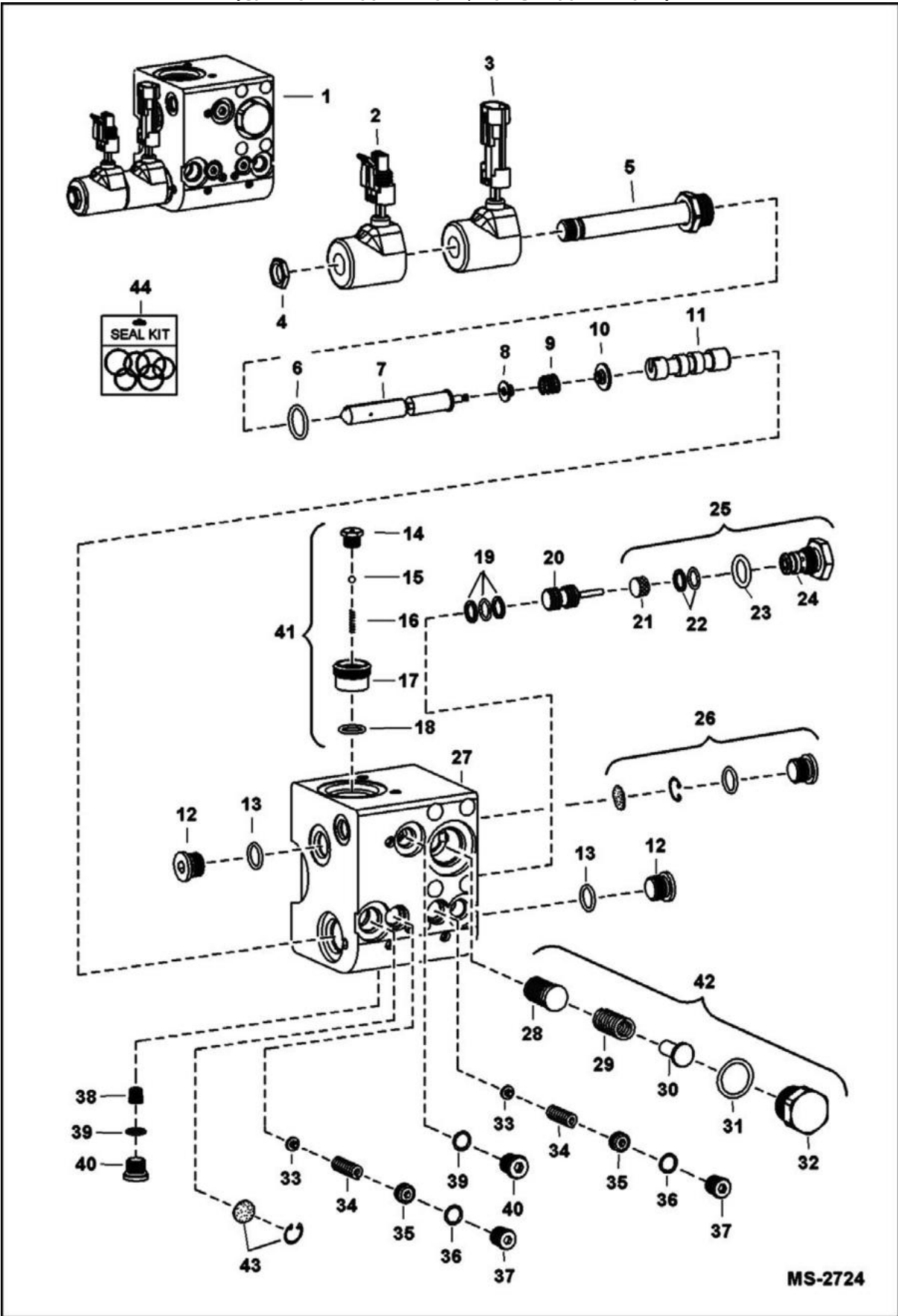
POWER BOB-TACH (Cont'd)
(Cylinder)
(S/N A3NT11875 & Above. A3NU11023 & Above)

Ref No	Part Number	Description	Remarks	Serial Number	Qty
1	7183318	CYLINDER, POWER BOB- TACH	Ref. 2-14		1
2	7183319	SHAFT, ROD CYL POWER BOB- TACH	20.16" (512,1 mm) to bushing center		1
3	6586542	HEAD			1
4	6586543	PISTON			1
5	7183521	CASE			1
6	6810356	SPACER			1
7	6666542	SEAL			1
8	6667323	SEAL			1
9	82K132	O-RING HYDRAULIC			1
10	73K222	RING			1
11	58K222	O-RING	Was 54K40116 [B]		1
12	25K30110	O RING 10			1
13	6532453	RING			1
14	92D10	NUT			1
15	7138014	SEAL KIT	Ref. 7-14		1

POWER BOB-TACH

(Valve)

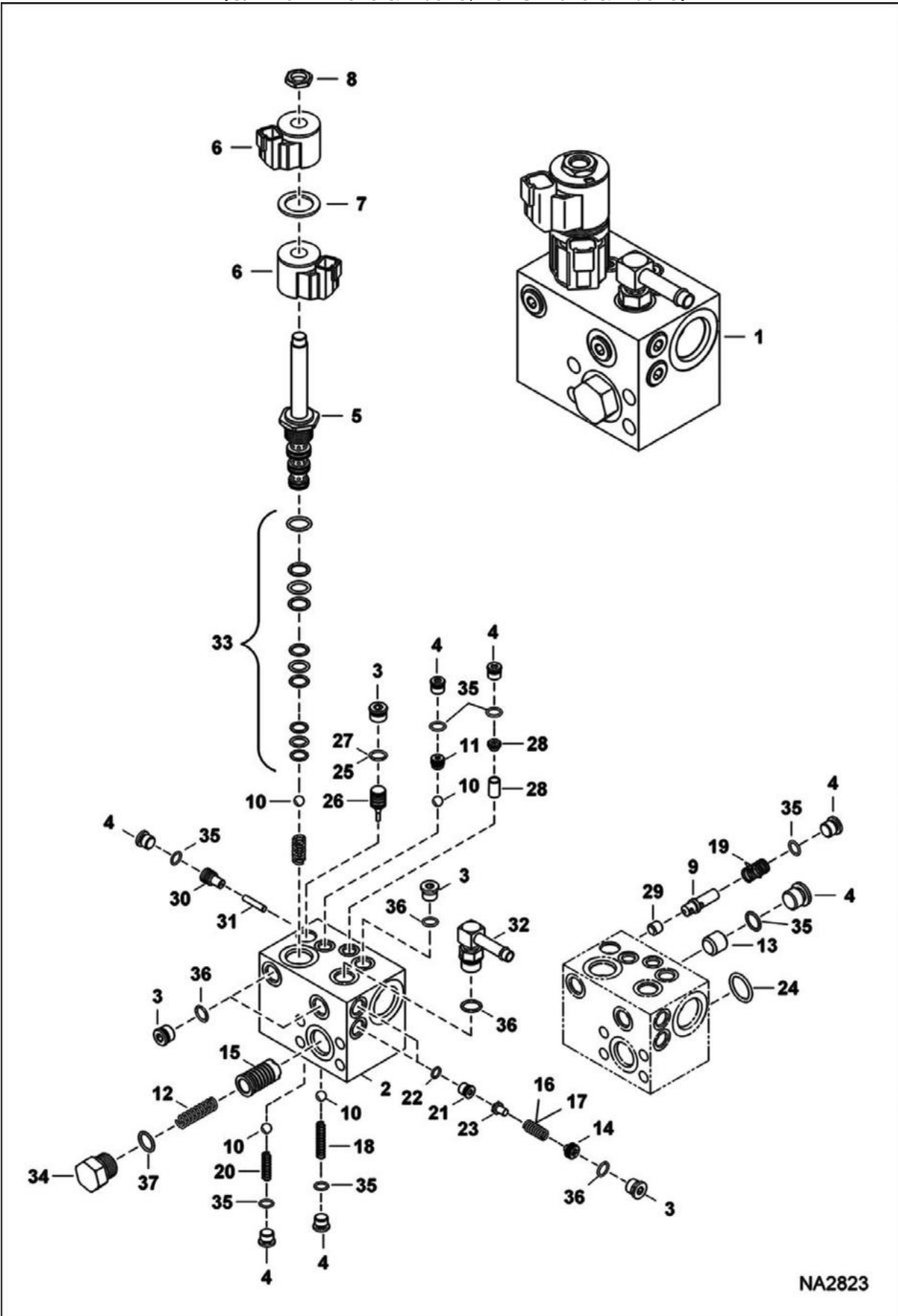
(S/N A3NT11001 - 11874, A3NU11001 - 11022)



POWER BOB-TACH (Cont'd)
(Valve)
(S/N A3NT11001 - 11874, A3NU11001 - 11022)

Ref No	Part Number	Description	Remarks	Serial Number	Qty
1	7161786	VALVE, POWER BOB-TACH	valve has (2) drain ports labeled DR - use whichever port best fits plumbing application		1
2	6684743	SOLENOID	W/male connector		1
3	6684744	SOLENOID	W/female connector		1
4	6684742	NUT			1
5		STEM	NSS		x
6	79K8	O RING 10			x
7		STEM	NSS		x
8		RETAINER	NSS		x
9		SPRING	NSS		x
10		WASHER	NSS		x
11		PISTON	NAP		x
12	6685545	PLUG	W/Ref. 13		x
13		ORING	NSS		x
14		PLUG	NSS		x
15		BALL	NSS		x
16		SPRING	NSS		x
17		VALVE	NSS		x
18	6685542	O-RING			x
19		RINGS	NSS		x
20	6684745	PISTON	W/Ref. 19		1
21		STEM	NSS		1
22		RINGS	NSS		x
23	79K7	O RING 10			x
24	6684746	CHECK VALVE	W/Ref. 23		1
25	7001678	VALVE, CHECK	W/Ref. 21-24		1
26	7001673	KIT, SCREEN FILTER			1
27		BLOCK	NSS		x
28			NSS		x
29		SPRING	NSS		x
30		POPPET	NSS		x
31	79K10	O RING 10			x
32		PLUG	NSS		1
33		POPPET	NSS		x
34		SPRING	NSS		x
35		PLUG	NSS		x
36	79K4	O RING 10			x
37	24K3	PLUG	W/Ref. 36		x
38	6685541	POPPET			1
39		O-RING	NSS		x
40	6685546	PLUG	W/Ref. 39		2
41	6685543	CHECK VALVE	W/Ref. 14-18		1
42	6685544	COMPENSATOR	W/Ref. 26-30		1
43	6689983	FILTER KIT			1
44	6684747	SEAL KIT	Ref. 6, 22, 23, 31 & 39 - consists of (5) O-rings & (1) back-up washer		1

**POWER BOB-TACH
(Valve)**
(S/N A3NT11875 & Above, A3NU11023 & Above)

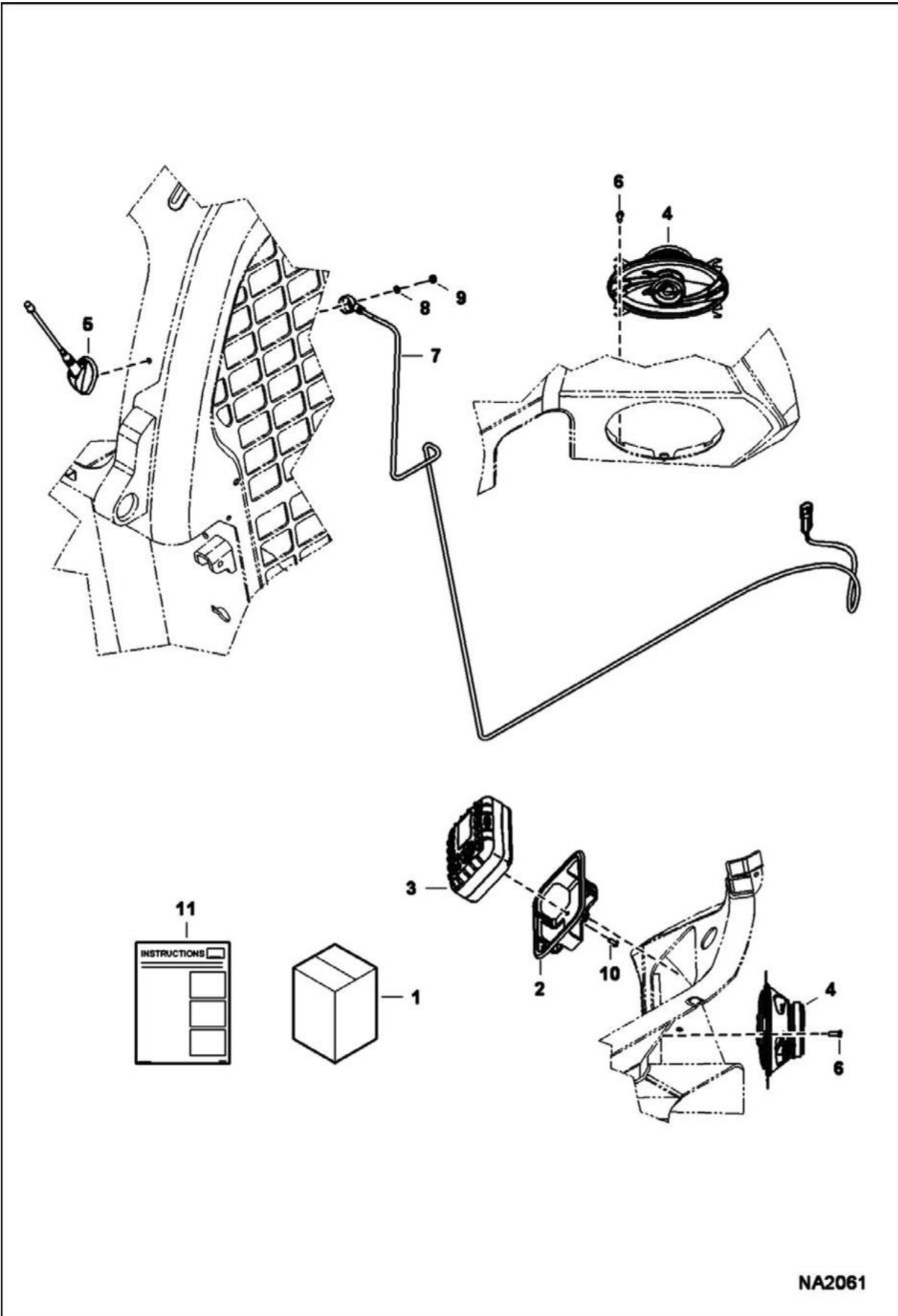


NA2823

POWER BOB-TACH (Cont'd)
(Valve)
(S/N A3NT11875 & Above. A3NU11023 & Above)

Ref No	Part Number	Description	Remarks	Serial Number	Qty
1	7010992	VALVE, BPV	Ref. 2-37		1
2		BLOCK	NAP - Order Ref. 1		1
3	6669620	PLUG			5
4	6669727	PLUG			7
5	6673986	SPOOL			1
6	7010006	COIL			2
7	6689389	SPACER			1
8	7020647	NUT			1
9	7020648	SPOOL			1
10	6678705	BALL			4
11	7008561	SEAT, SHUTTLE			1
12	7020649	SPRING			1
13	6664029	ORIFICE			1
14	7020604	PLUG			2
15	7020650	SPOOL			1
16	7020651	SPRING			1
17	7020607	SPRING			1
18	7020652	SPRING			1
19	7020653	SPRING			1
20	7020654	SPRING			1
21	7020606	PLUG			2
22	7020655	O-RING			2
23	7020605	POPPET			2
24	6690299	O-RING			1
25	7020656	O-RING			2
26	7020657	PISTON			1
27	6678837	O-RING			1
28	7020658	FILTER CARTRIDGE			1
29	7020659	ORIFICE			1
30	7020660	GUIDE			1
31	7020661	SHAFT			1
32	6727313	ELBOW			1
33	6673835	SEAL KIT			1
34	7008556	PLUG			1
35	79K3	O RING 10			x
36	79K6	O RING 10			x
37	79K10	O RING 10			x

RADIO KIT

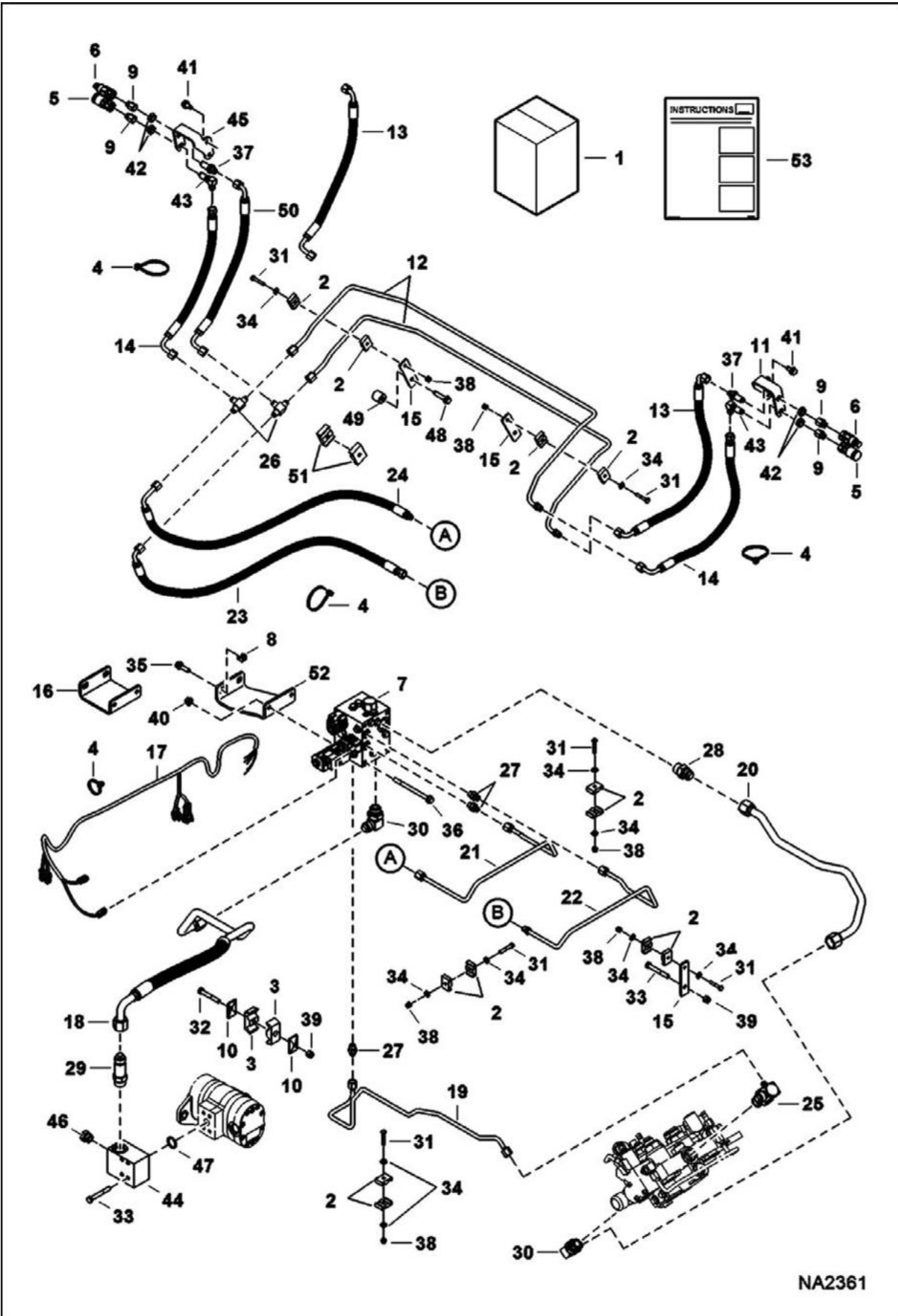


NA2061

RADIO KIT (Cont'd)

Ref No	Part Number	Description	Remarks	Serial Number	Qty
1	6988435	KIT, RADIO M-SERIES LOADERS	Ref. 2-11 - deluxe cab only - Was NAP [D]		1
2	7145333	BRACKET, RADIO			1
3	6988336	RADIO, MINI BOBCAT	W/Ref. 10		1
4	6988660	SPEAKER 4 X 6 RETAIL JXA462	Was 7159875 [A]		2
5	6988661	ANTENNA, 94 INCH MOTOROLA MALE PLUG	W/Ref. 7-9 - Was 7159877 [A]		1
6	7162770	SCREW, PLASTIC			8
7		CABLE	NSS - Order Ref. 5		1
8		WASHER	NSS - Order Ref. 5		1
9		NUT	NSS - Order Ref. 5		1
10		SCREW	NSS - Order Ref. 3		4
11	6987139	INSTRUCTIONS			1

REAR AUXILIARY (Kit)

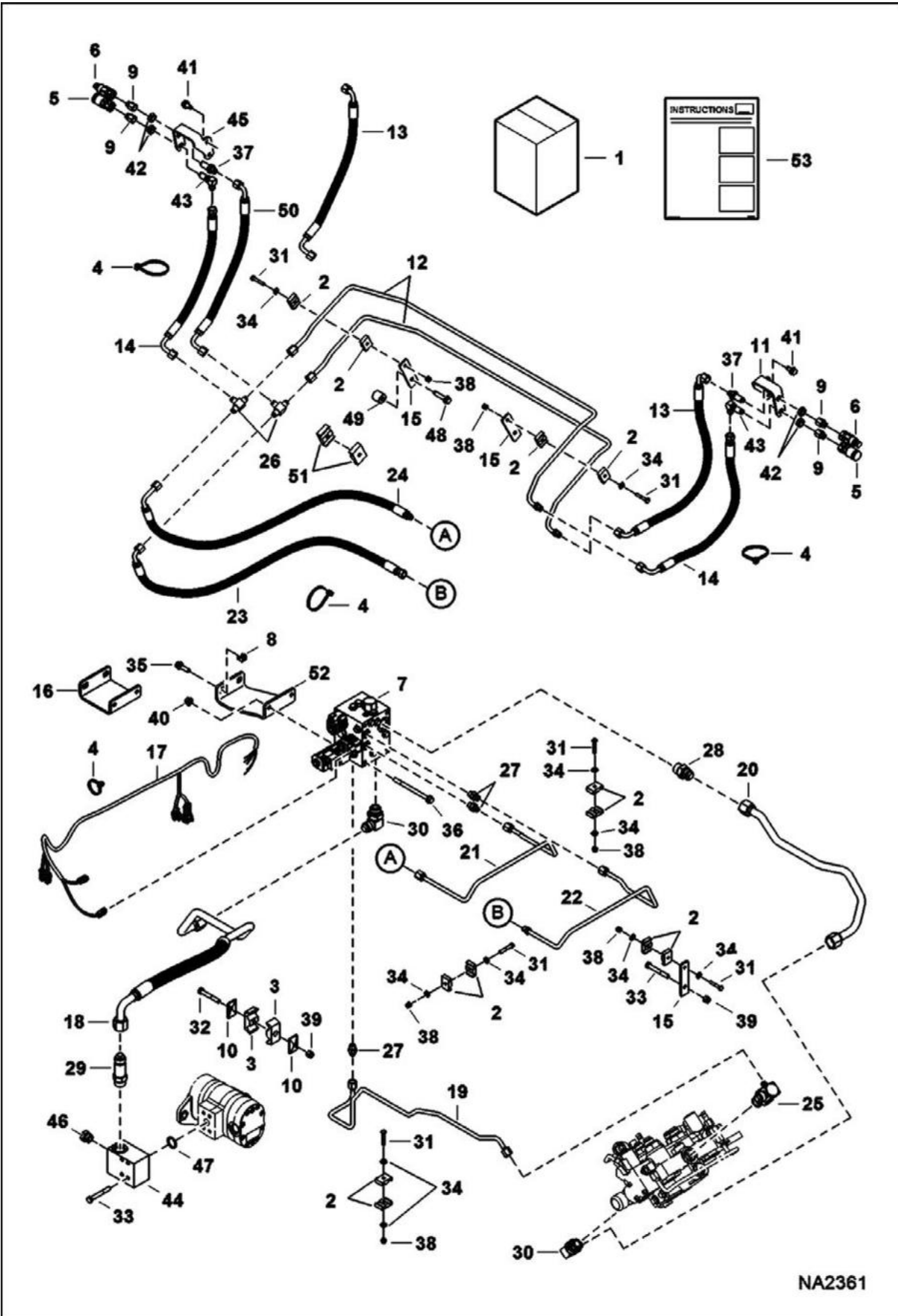


NA2361

REAR AUXILIARY (Cont'd)
(Kit)

Ref No	Part Number	Description	Remarks	Serial Number	Qty
1	7174713	KIT, AUX REAR	Ref. 2-15, 17-50, 52 & 53		1
2	6578870	CLAMP			12
3	6592506	CLAMP			2
4	6624289	STRAP, TIE			11
5	6667803	COUPLER	female		2
6	6667804	COUPLER	male		2
7	6685624	VALVE, AUX REAR	See Illustration REAR AUXILIARY VALVE/ MS2255		1
8	6685663	RETAINER			2
9	6706633	ADAPTER			4
9	79K6	O RING 10			1
10	6652521	PLATE	Was 872229 [B]		2
11	7189579	MOUNT	RH - Was 7169641 [A]		1
12	7169741	TUBELINE, HYD			2
13		HOSE, HYD	NAP - 627,1 mm (24.69") long - Was 7170069 [B]		2
13	7170069	HOSE, HYD	565,2 mm (22.25") long - ends of the hose run parallel to each other, in other words, on the same axis		1
14	7170070	HOSE, HYD			2
15	7170354	ADAPTER			3
16		MOUNT, VALVE	NAP - Order Ref. 52 - Was 7170537 [A]		1
17	7201414	HARNESS, AUX REAR	Was 7191339 [A]		1
18	7189310	HOSE, HYD	Was 7175642 [A]		1
19	7175643	TUBELINE, HYD			1
20	7176078	TUBELINE, HYD			1
21	7177102	TUBELINE, HYD			1
22	7177103	TUBELINE, HYD			1
23	7177104	HOSE, HYD			1
24	7177105	HOSE, HYD			1
25	7178841	TEE			1
25	79K16	O RING 10			1
26	10K5	TEE			2
27	15KB0606	FITTING, HYD CONNECTOR			3
27	79K6	O RING 10			1
28	15KB1212	FITTING, HYD CONNECTOR			1
28	79K12	O RING 10			1
29	16KB1212	FITTING, HYD CONNECTOR			1
29	79K12	O RING 10			1
30	17KB1212	FITTING, HYD ELBOW			2
30	79K12	O RING 10			1
31	17C424	BOLT			6
32	17C640	BOLT 5			1
33	17C644	BOLT			5
34	25E13	WASHER 5			10
35	35C620	BOLT 5			2
36	31C680	BOLT	Was 17C680 [B]		2
37	45K5	FITTING			2
38	59D4	NUT 5			6
39	59D6	NUT			2
40	83D6	NUT 5			2
41	84G3712	BOLT			4
42	86F5	NUT			4

REAR AUXILIARY (Cont'd) (Kit)

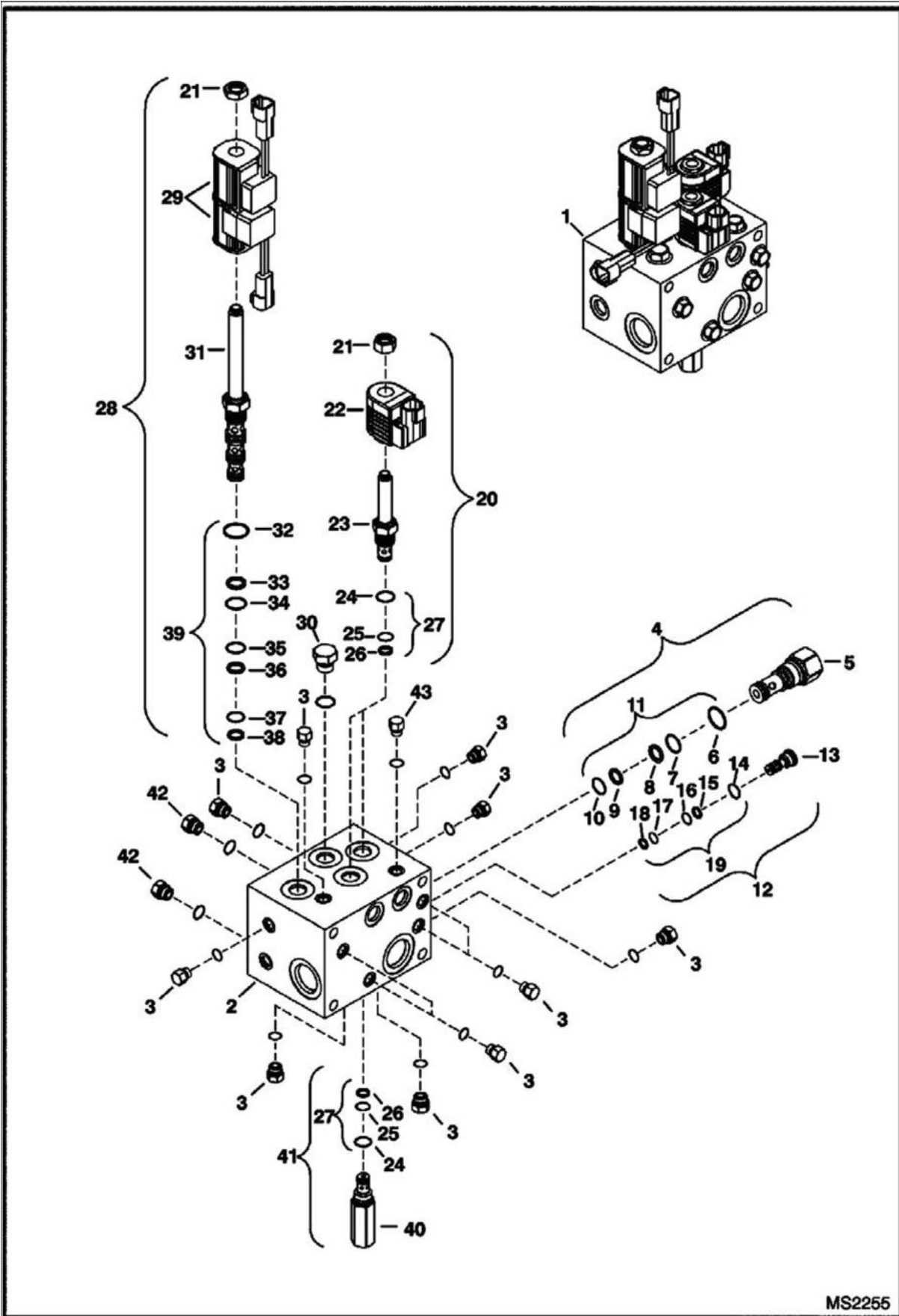


NA2361

REAR AUXILIARY (Cont'd)
(Kit)

Ref No	Part Number	Description	Remarks	Serial Number	Qty
43	88F5	ELBOW			2
44	7171996	MANIFOLD, HYD ASSY			1
45	7189580	MOUNT	LH		1
46	47K7	PLUG	Was 24K7 [B]		1
46	79K10	O RING 10			1
47	55K214	O-RING			1
48	84G3728	BOLT			1
49	7198236	SPACER, TUBE			1
50	7198237	HOSE, HYD	565,2 mm (22.25") long - the end of the hose that connects to Ref. 26 is 25 degrees off parallel to the other hose end, in other words, 25 degrees off axis		1
51	6701892	CLAMP	not in kit		2
52	7203568	MOUNT, VALVE			1
53	6987299	INSTRUCTIONS			1

REAR AUXILIARY VALVE

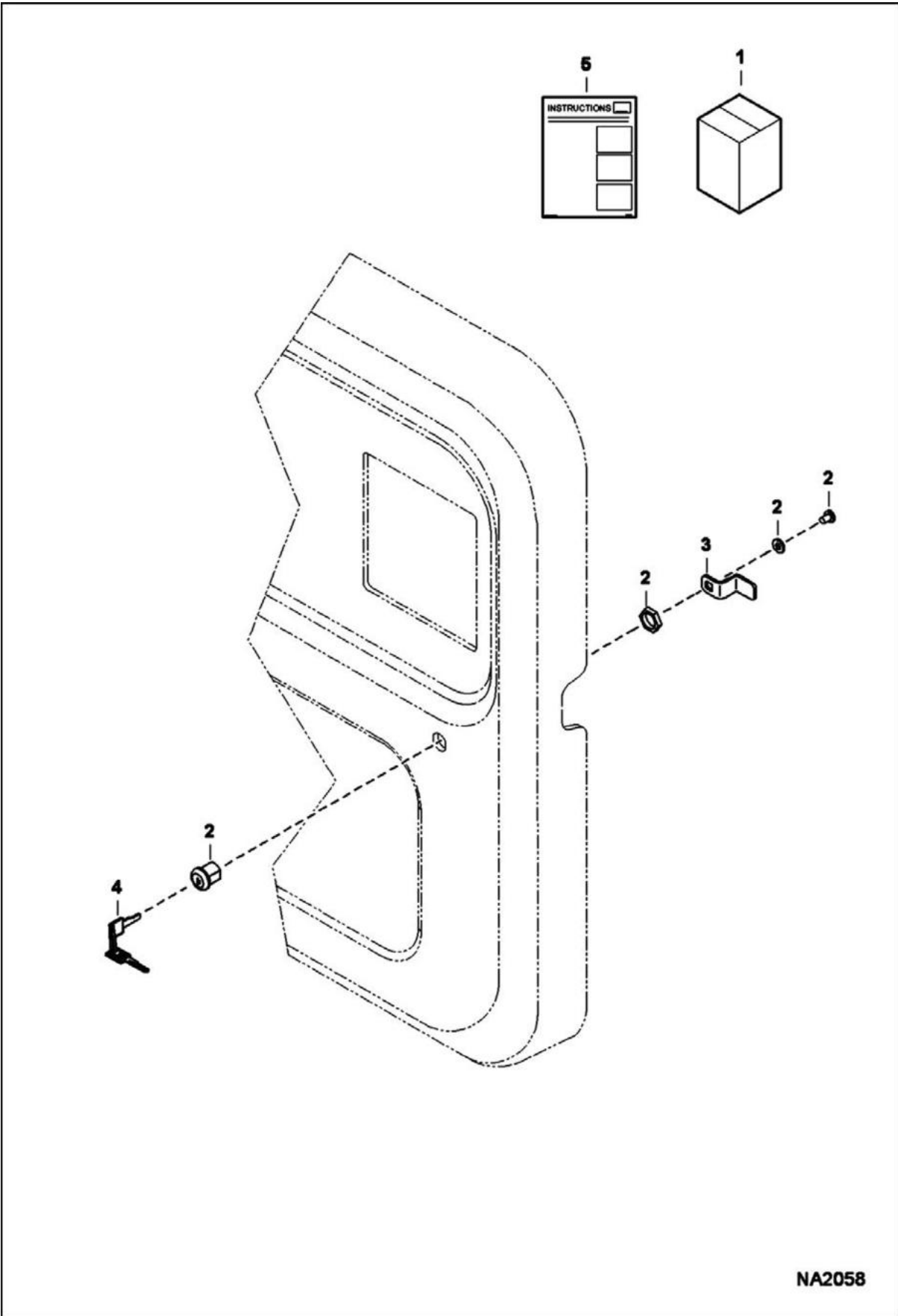


MS2255

REAR AUXILIARY VALVE (Cont'd)

Ref No	Part Number	Description	Remarks	Serial Number	Qty
1	6685624	VALVE, AUX REAR	CP12646		1
2		BLOCK	NSS		1
3		PLUG	NSS - #4 SAE W/ O-ring		11
4	6684044	VALVE	differential sensing - Ref. 5-10		1
5		VALVE	NSS - Order Ref. 4		1
6	6684046	O-RING			1
7	6684048	O-RING			1
8	6684047	BACK-UP RING			1
9	6684050	BACK-UP RING			1
10	6684049	O-RING			1
11	6684045	SEAL KIT	Ref. 6-10		1
12	6684061	VALVE	shuttle - Ref. 13-18		1
13		VALVE	NSS - Order Ref. 12		1
14	6684063	O-RING			1
15	6684064	BACK-UP RING			1
16	6684065	O-RING			1
17	6684066	O-RING			1
18		BACK-UP RING	NAP - Was 6684067 [A]		1
19	6684062	SEAL KIT	Ref. 14-18		1
20		VALVE	NAP - Ref. 21-26 - .5" dia x 45 mm (1.78") long stem - Order 7021365 solenoid valve - Was 6685061 [A]		2
20	7021365	VALVE, SOLENOID	Ref. 21-26 - 13 mm dia x 38 mm (1.53") long stem		2
21	6684060	NUT	0.5" thread - Use W/Ref. 22 (6684073 coil)		2
21	7021367	NUT	13 mm thread - Use W/Ref. 22 (7021366 coil)		2
22	6684073	COIL, SOLENOID	12 volt - Use W/ 0.5" dia x 45 mm (1.78") long stem		2
22	7021366	COIL, SOLENOID	12 volt - Use W/ 13 mm dia x 38 mm (1.53") long stem		2
23		STEM	NSS - Order Ref. 20		2
24	6684070	O-RING			3
25	6684071	O-RING			3
26	6684072	BACK-UP RING			3
27	6684069	SEAL KIT	Ref. 24-26		3
28	6688933	VALVE ASSY	solenoid W/coils - Ref. 21, 29 & 31-38		1
29	6688934	COIL			2
30		PLUG	NSS - #8 SAE W/ O-ring		1
31		VALVE	NSS - Order Ref. 28		1
32		O-RING	NAP - Order Ref. 39		1
33	6684053	BACK-UP RING			1
34	6684054	O-RING			1
35	6684056	O-RING			1
36		BACK-UP RING	NAP - Was 6684055 [A]		1
37		O-RING	NAP - Order Ref. 39		1
38		BACK-UP RING	NAP - Was 6684057 [A]		1
39	6684052	SEAL KIT	Ref. 32-38		1
40		VALVE	NSS - Order Ref. 41		x
41	6685328	RELIEF VALVE	W/Ref. 24-26		1
42		PLUG	NSS - #6 SAE W/ O-ring		4
43		PLUG	NSS - metric		1

REAR DOOR LOCK

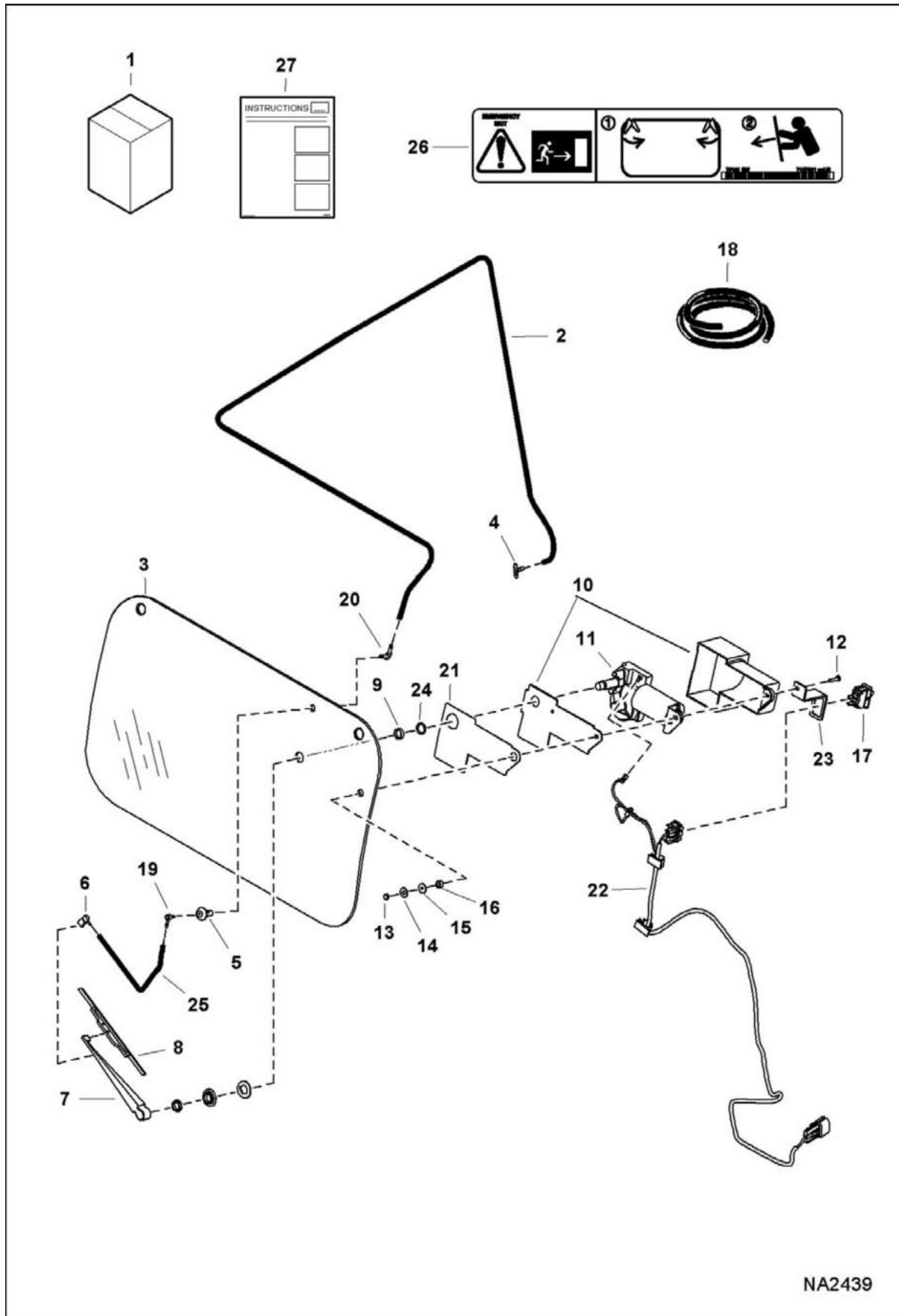


NA2058

REAR DOOR LOCK (Cont'd)

Ref No	Part Number	Description	Remarks	Serial Number	Qty
1	7128403	KIT, LOCK REAR DOOR	Ref. 2-5		1
2	6670726	CYLINDER. LOCK			1
3	7149056	LATCH, CAM			1
4	6693241	KEY 10	single key W/O ring		1
5	6987239	INSTRUCTIONS			1

REAR WIPER KIT

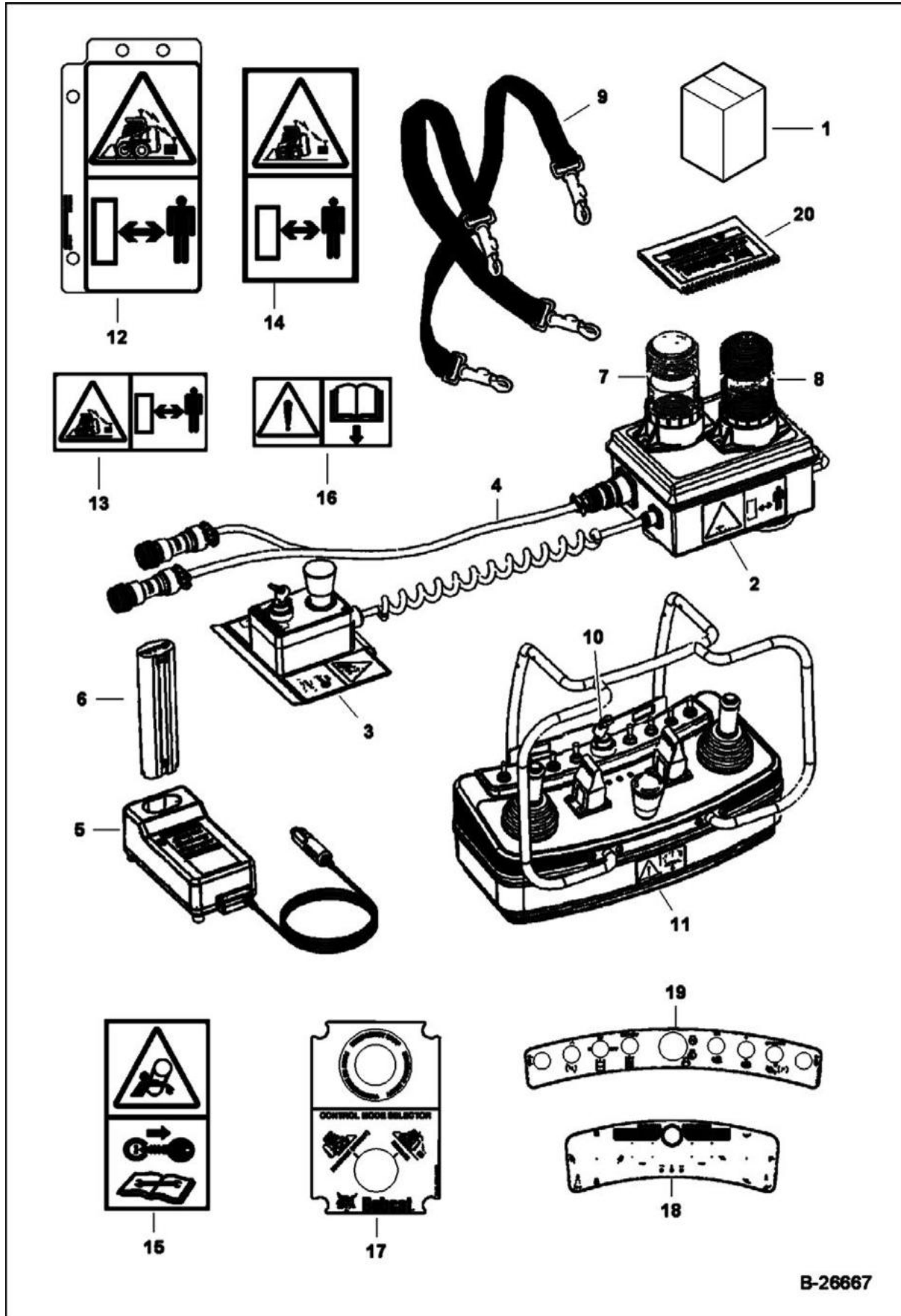


NA2439

REAR WIPER KIT (Cont'd)

Ref No	Part Number	Description	Remarks	Serial Number	Qty
1	7163571	KIT, WIPER REAR	Ref. 2-27		1
2		HOSE	NAP - 2133,6 mm (84") long - Order Ref. 18		1
3	7172247	WINDOW, CAB REAR			1
4	6676000	TEE			1
5	7167177	GROMMET WIPER			1
6	6676028	NOZZLE			1
7	6676001	ARM			1
8	6676002	BLADE			1
9	6667201	SPACER			1
10	6664097	COVER			1
11	6665602	MOTOR			1
12	87G1014	SCREW, MACHINE			1
13	6664103	NUT			1
14	6664065	WASHER	nylon		1
15	6801059	WASHER	neoprene		1
16	6664085	BUSHING	nylon		1
17	6675999	SWITCH			1
18	6676003	HOSE,BULK	black - 0.109" ID - sold per foot		x
19	6676500	ELBOW	exterior		1
20	6676917	ELBOW	interior		1
21	7172119	SEAL, FOAM			1
22	7180207	HARNESS, WIPER			1
23	7172708	BRACKET, SWITCH			1
24	7172121	WASHER			1
25		HOSE	305 mm (12") long - Order Ref. 18		1
26	7167991	DECAL, EXIT REAR			1
27	6987282	INSTRUCTIONS			1

REMOTE CONTROL KIT (Selectable Joystick Controls)

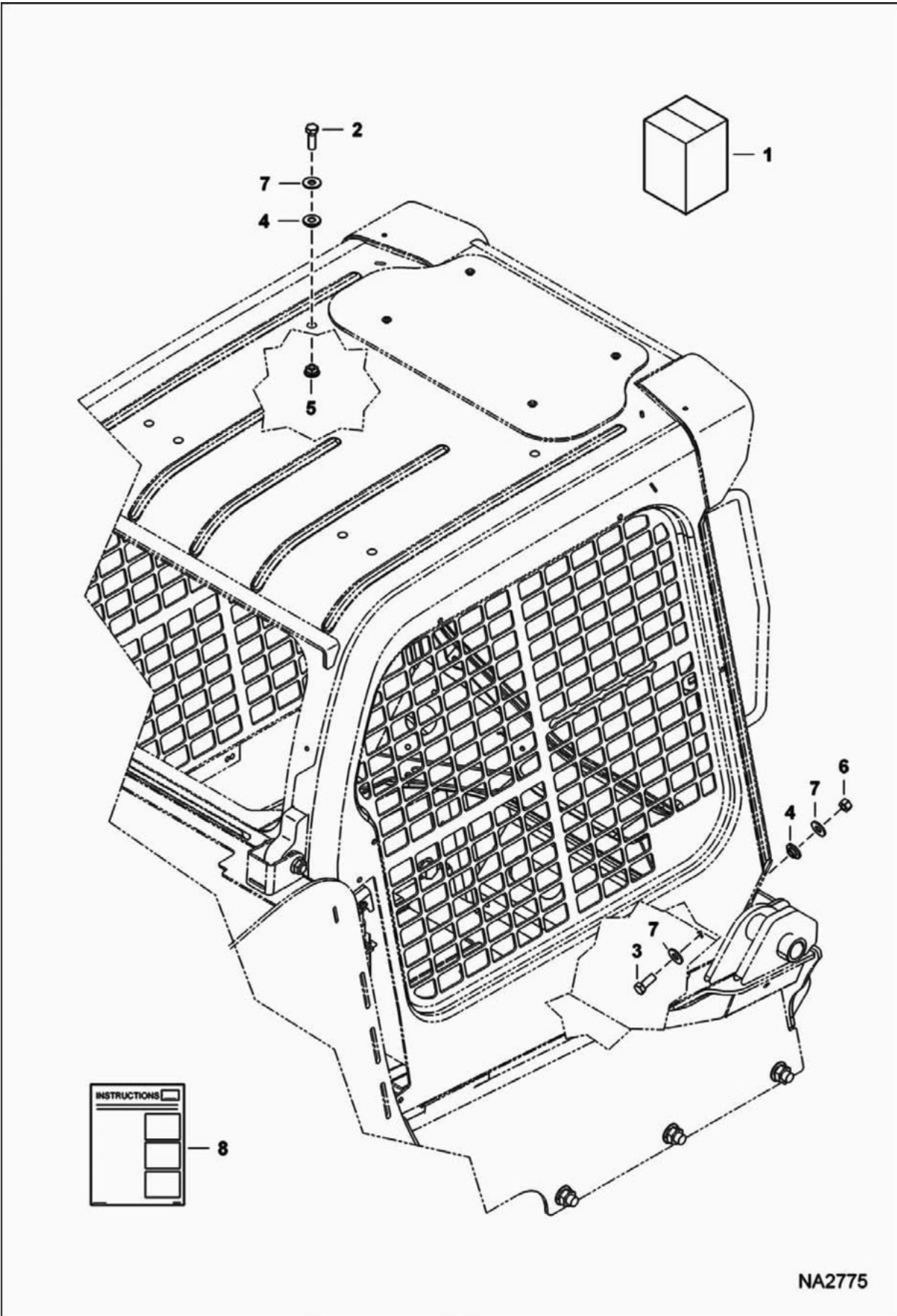


B-26667

REMOTE CONTROL KIT (Cont'd)
(Selectable Joystick Controls)

Ref No	Part Number	Description	Remarks	Serial Number	Qty
1	7185234	KIT, REMOTE CONTROL	radio remote control		1
2		RECEIVER, 2.4GHZ	See BTI392 Was 6692756 [B]		1
3	7011071	CONTROL, MODE SELECTOR	mode selector/E-stop box - W/Ref. 17		1
4	7011070	HARNESS, RECEIVER			1
5	6692769	CHARGER, MAKITA DC1422, 12-24VDC	W/Ref. 6		1
6	6692770	BATTERY, NICD, 9.6V, 1.3AH, MAKITA 9000			1
7	6693411	LENS	green		1
7	6693409	BULB, STROBE			1
8	6693410	LENS	amber		1
8	6693409	BULB, STROBE			1
9	6692771	SHOULDER HARNESS			1
10	6692762	KEYS, SET OF 2	set of (2)		x
11		2.4GHZ TRANSMITTER	See BTI392 - transmitter - W/Ref. 18 & 19 - Was 6692761 [B]		1
12	7135569	DECAL	remote ready identification tag		1
13	6692757	DECAL, "REMOTE CONTROL OPERATION", LARGE	operation		1
14	6692768	DECAL, "REMOTE CONTROL OPERATION", SMALL	operation		1
15	6692767	DECAL, "ROTATING PARTS"	rotating parts		1
16	6692763	DECAL WARNING, "READ THE MANUAL"	operating instructions		1
17		DECAL	NAP - Order Ref. 3		1
18		DECAL	NAP - Order Ref. 11		1
19		DECAL	NAP - Order Ref. 11		1
20	6904709	MANUAL	operation, maintenance and parts		1

RESEALING KIT (Sealing Open Cab Holes)

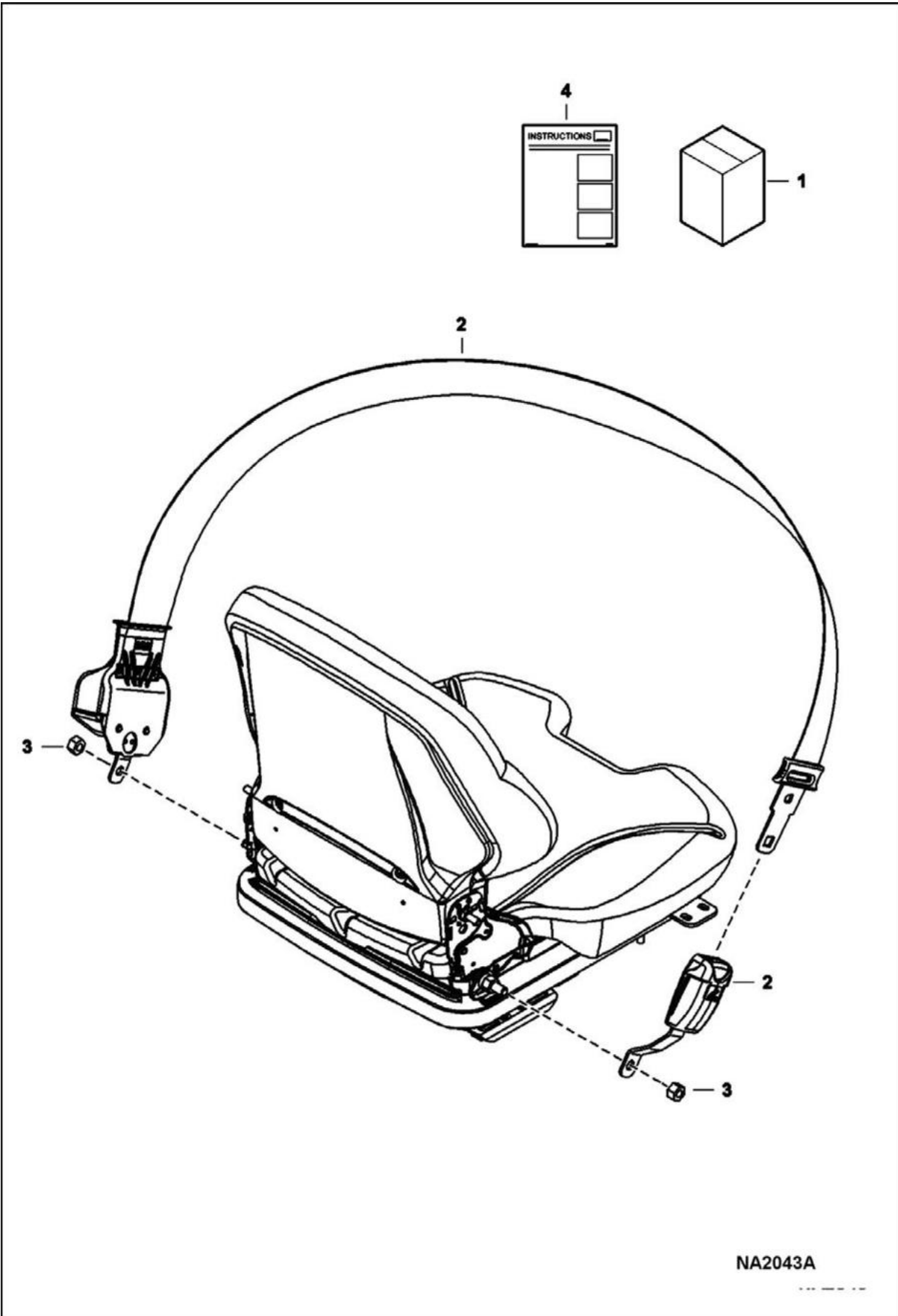


NA2775

RESEALING KIT (Cont'd)
(Sealing Open Cab Holes)

Ref No	Part Number	Description	Remarks	Serial Number	Qty
1	7172897	KIT, RESEAL PLUGS	Ref. 2-8		1
2	17C824	BOLT 5			6
3	17C820	BOLT			8
4	7173453	PLUG			14
5	7192823	NUT			6
6	61D8	NUT 5			8
7	25E20	WASHER			22
8	6987335	INSTRUCTIONS			1

SEAT BELT - 2" (Retractable)

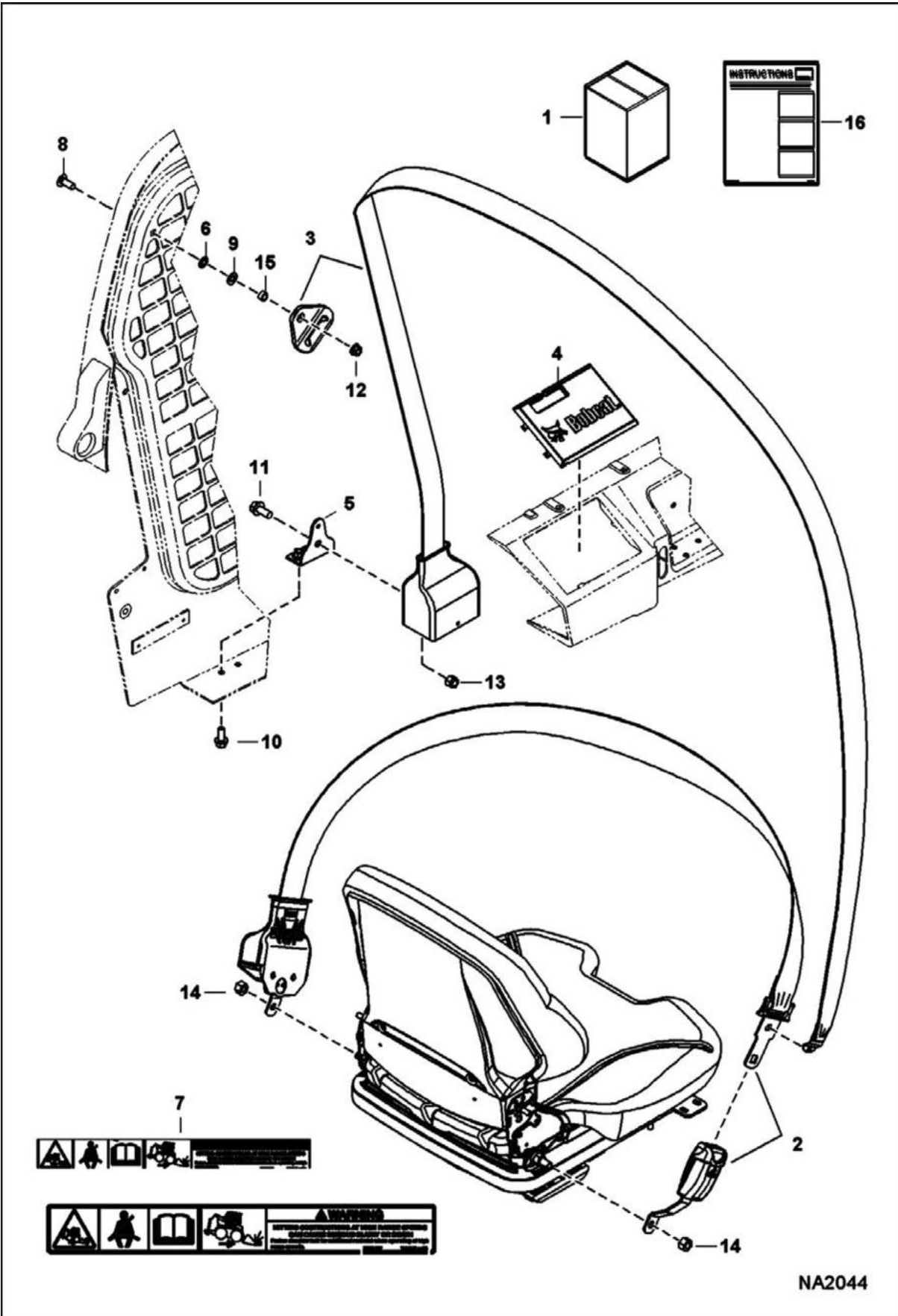


NA2043A

**SEAT BELT - 2" (Cont'd)
(Retractable)**

Ref No	Part Number	Description	Remarks	Serial Number	Qty
1		KIT, BELT SEAT	NAP		1
2	7159542	BELT, SEAT RETRACTOR			1
3	86D7	NUT	not in kit		2
4		INSTRUCTIONS	NAP		1

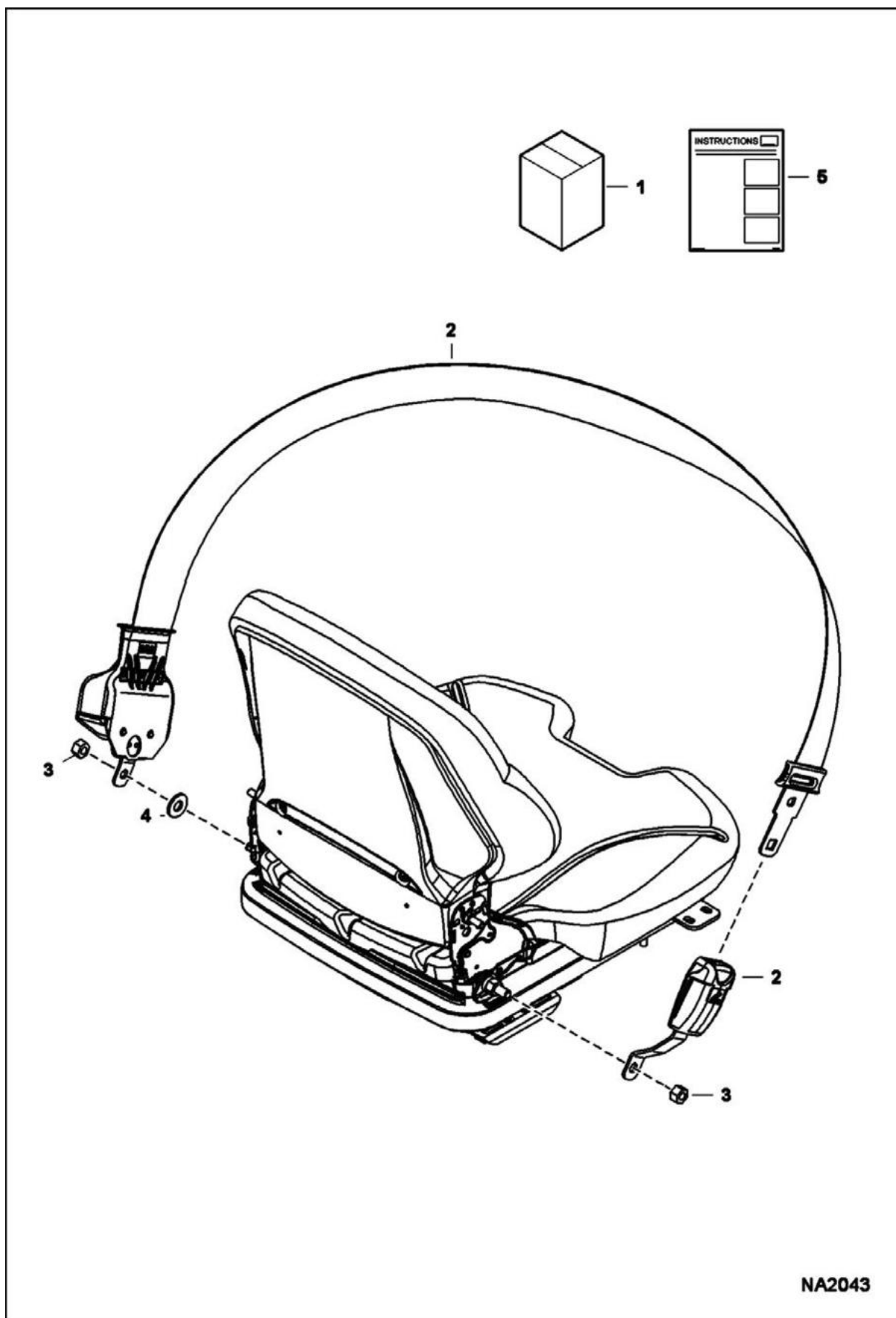
SEAT BELT - 2" (Three Point Retractable)



SEAT BELT - 2" (Cont'd)
(Three Point Retractable)

Ref No	Part Number	Description	Remarks	Serial Number	Qty
1	7128405	KIT, BELT SEAT 2"	Ref. 2-16		1
2	7152319	BELT, RETRACTOR			1
3	7152322	BELT, SEAT 2"			1
4	7152323	COVER, RETRACTOR			1
5	7152324	BRACKET, BELT SEAT 3PT			1
6	6674264	RETAINER NUT			1
7	7184346	DECAL WARNING	Was 7168303 [A]		1
8	10C616	BOLT 10			1
9	29E6	WASHER			1
10	43C612	BOLT			2
11	31C716	SCREW			1
12	53D6	NUT			1
13	59D7	NUT			1
14	86D7	NUT	not in kit		2
15	7184341	BUSHING			1
16	6987248	INSTRUCTIONS			1

SEAT BELT - 3" (Retractable)

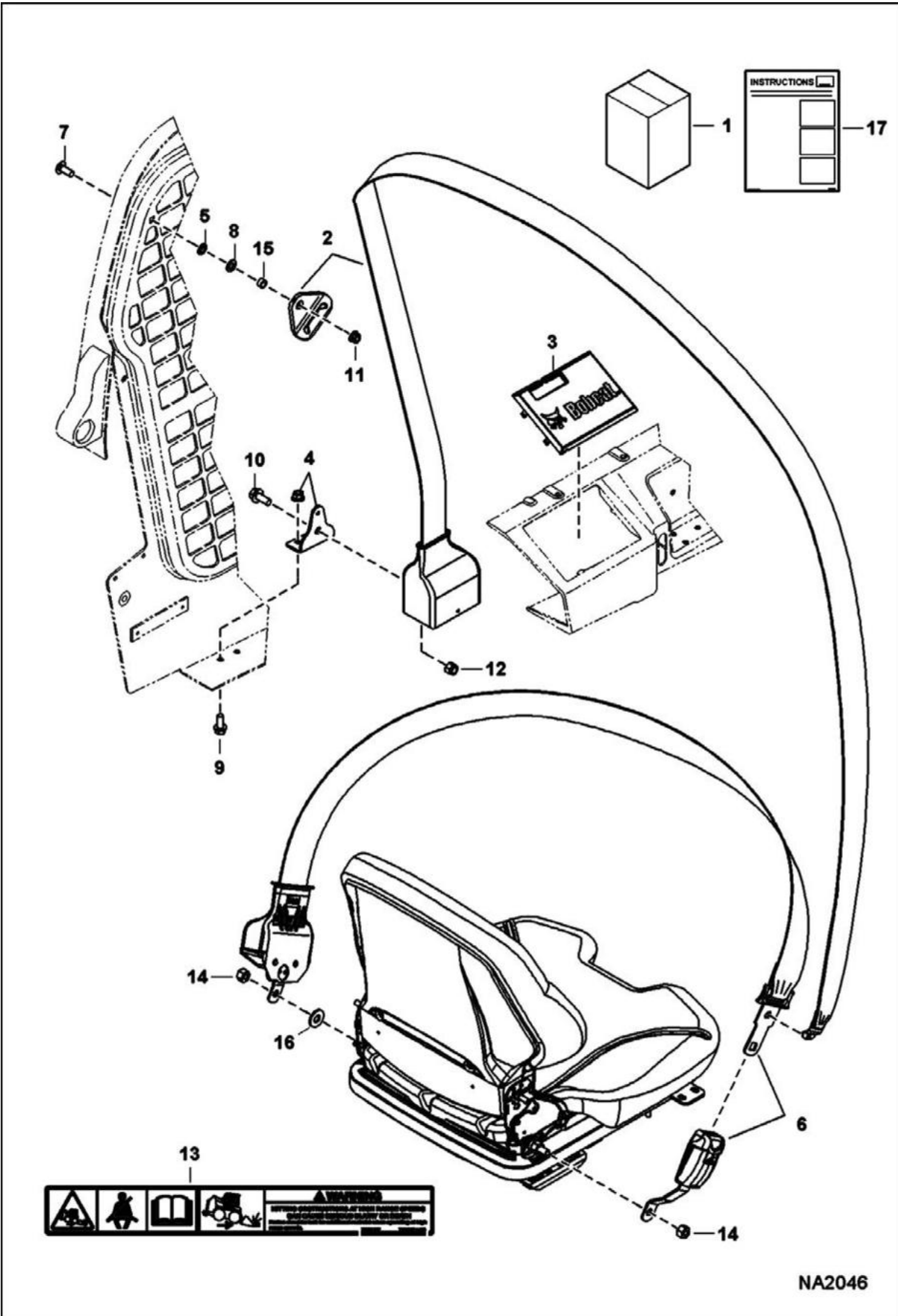


NA2043

**SEAT BELT - 3" (Cont'd)
(Retractable)**

Ref No	Part Number	Description	Remarks	Serial Number	Qty
1	7129303	KIT, BELT SEAT 3"	Ref. 2-4		1
2	7168171	BELT, SEAT 3"			1
3	86D7	NUT	not in kit		2
4	6987253	INSTRUCTIONS			1

SEAT BELT - 3" (Three Point Retractable)

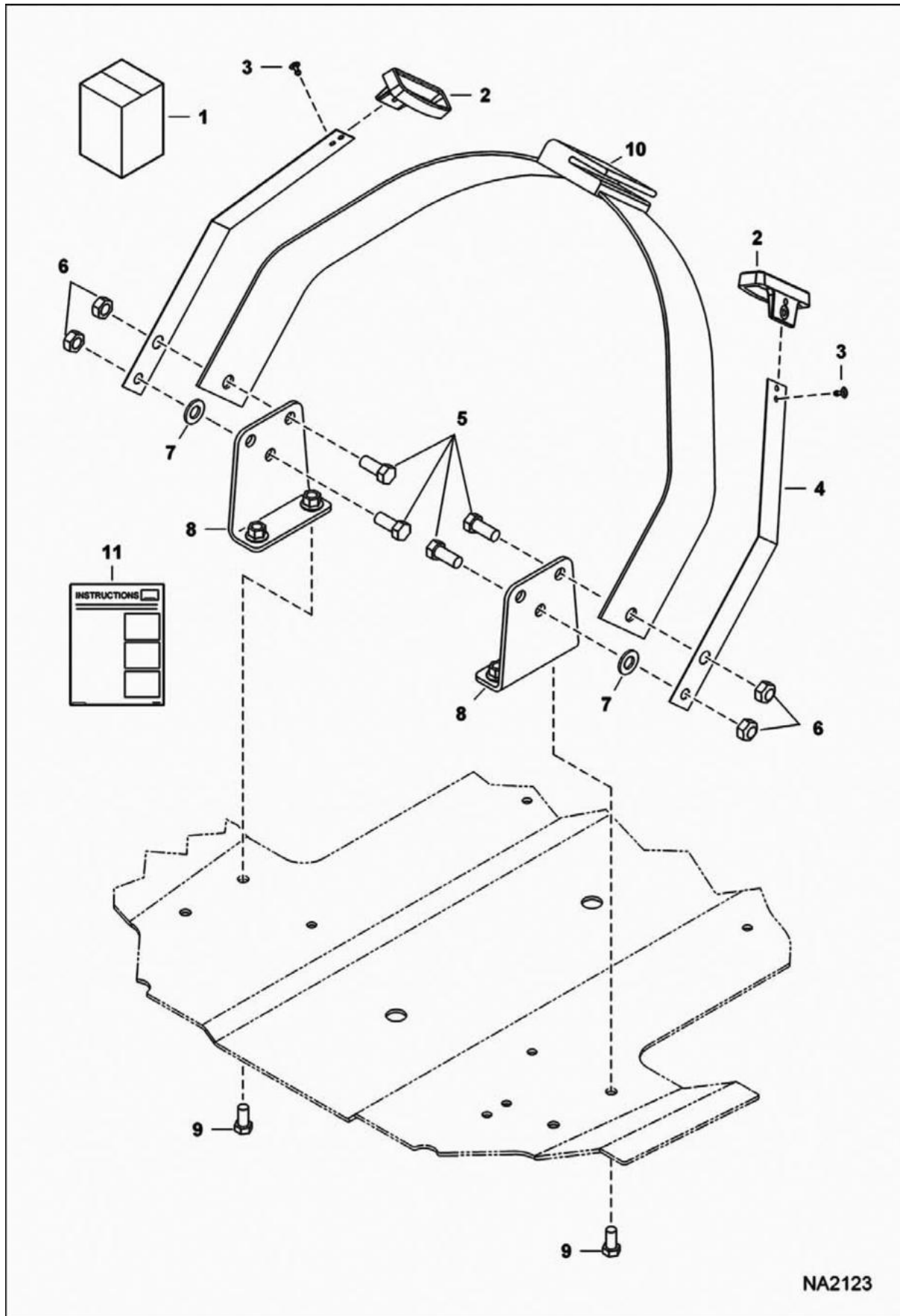


NA2046

**SEAT BELT - 3" (Cont'd)
(Three Point Retractable)**

Ref No	Part Number	Description	Remarks	Serial Number	Qty
1	7169480	KIT, BELT SEAT 3"	Ref. 2-17		1
2	7152322	BELT, SEAT 2"			1
3	7152323	COVER, RETRACTOR			1
4	7152324	BRACKET, BELT SEAT 3PT			1
5	6674264	RETAINER NUT			1
6	7168172	BELT, SEAT 3"			1
7	10C616	BOLT 10			1
8	29E6	WASHER			1
9	43C612	BOLT			2
10	31C716	SCREW			1
11	53D6	NUT			1
12	59D7	NUT			1
13	7184346	DECAL WARNING	Was 7168303 [A]		1
14	86D7	NUT	not in kit		2
15	7184341	BUSHING			1
16	25E18	WASHER			1
17	6987248	INSTRUCTIONS			1

SEAT BELT KIT - 3"

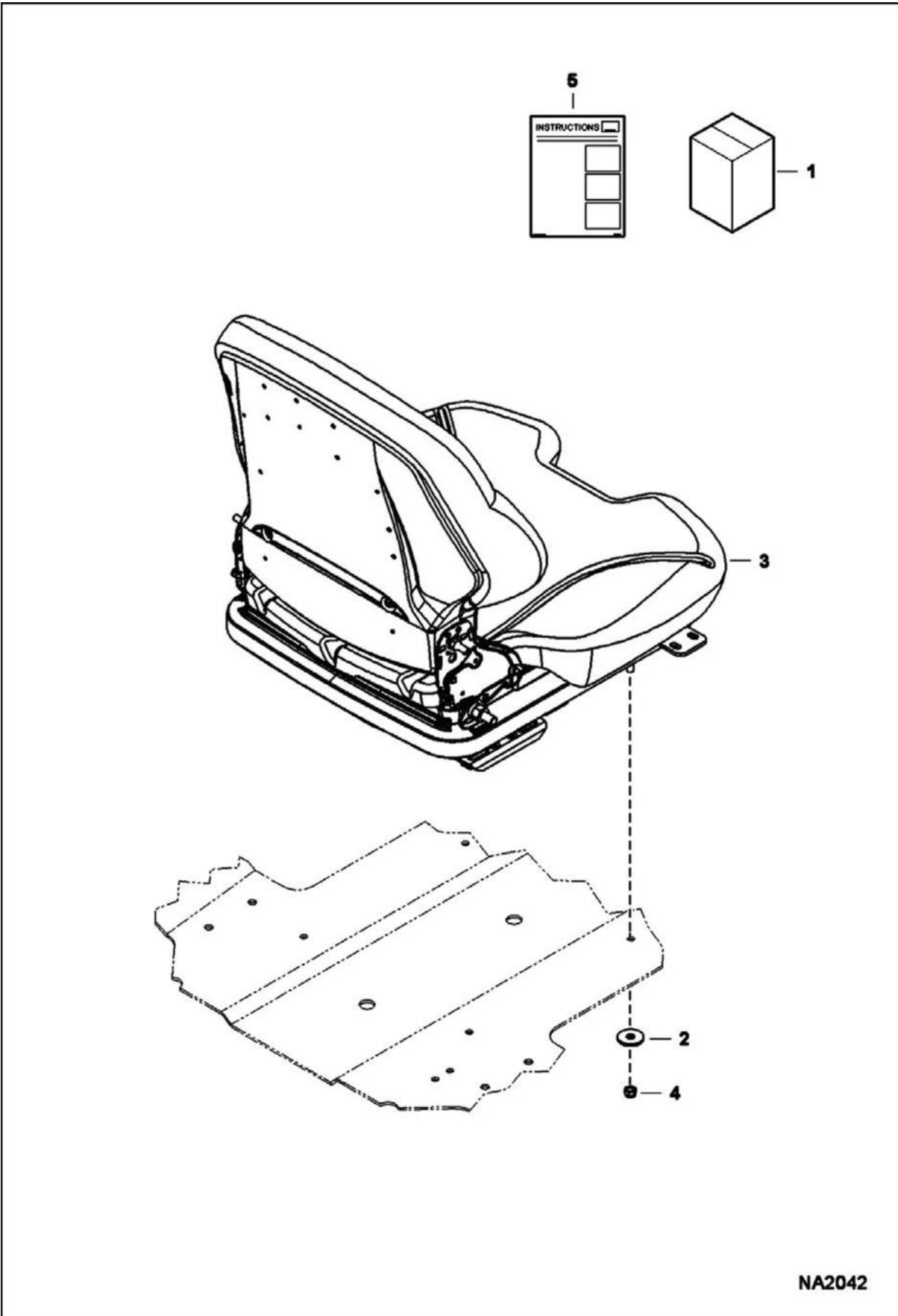


NA2123

SEAT BELT KIT - 3" (Cont'd)

Ref No	Part Number	Description	Remarks	Serial Number	Qty
1	6703640	KIT	Ref. 2-4, 10 & 11		1
2	6703703	GUIDE			2
3	6512797	RIVET			4
4	6711908	SPRING PLATE			2
5	1C716	SCREW HEX CAP	not in kit		4
6	85D7	NUT	not in kit		4
7	25E19	WASHER	not in kit		2
8	7173159	BRACKET, BELT SEAT	not in kit		2
9	43C612	BOLT	not in kit		4
10	6659999	BELT, SEAT			1
11	6989663	INSTRUCTIONS			1

SEAT KIT (Suspension) (80 mm)

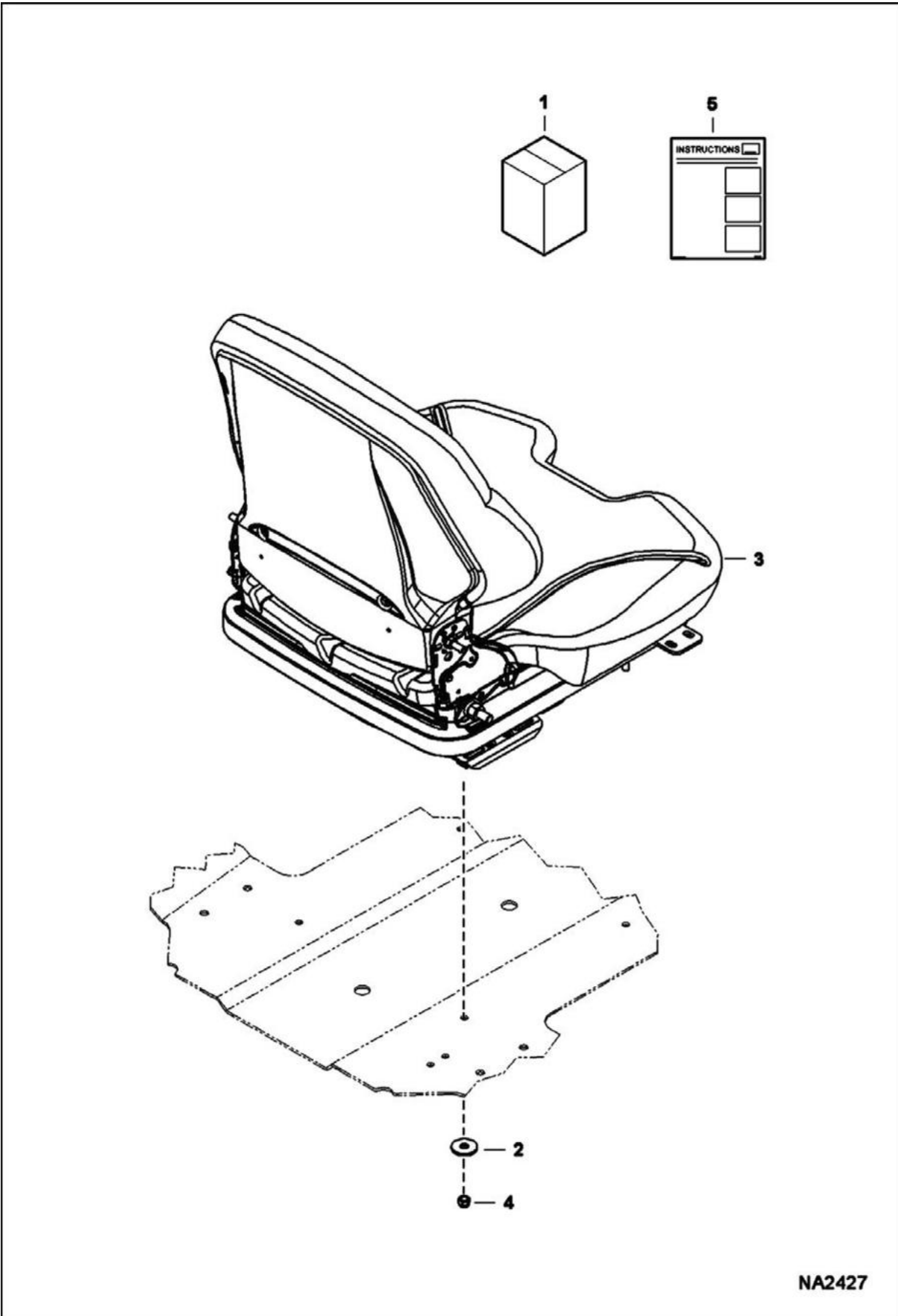


NA2042

**SEAT KIT (Cont'd)
(Suspension) (80 mm)**

Ref No	Part Number	Description	Remarks	Serial Number	Qty
1	7128524	KIT, SEAT 80MM SUSPENSION	Ref. 2-5		1
2	619021	WASHER, 5			4
3	7149786	SEAT, SUSPENSION	See Illustration SEAT - 80 mm/ NA2430 Was 7182357 [A]		1
4	59D5	NUT 5			4
5	6987249	INSTRUCTIONS			1

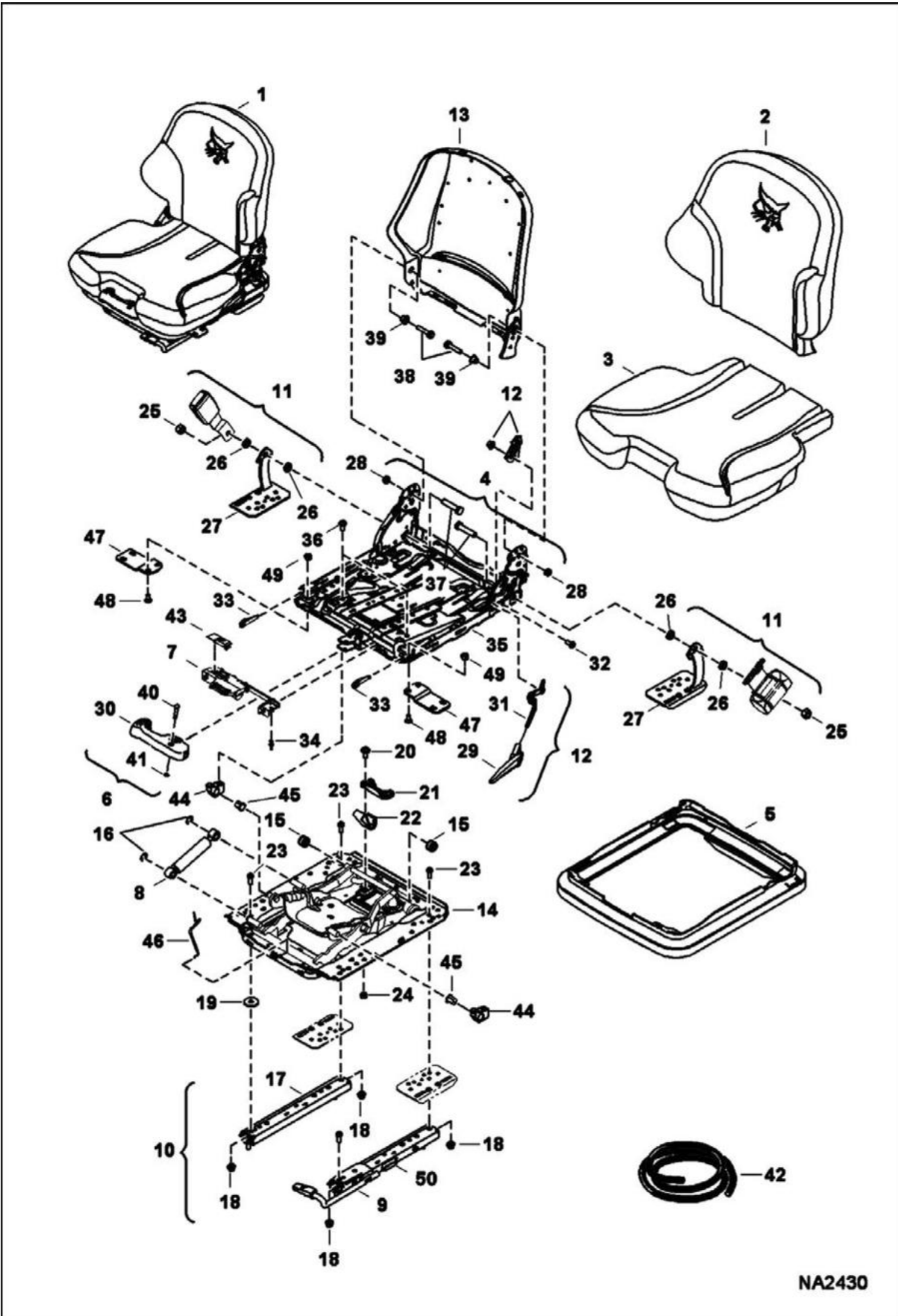
SEAT KIT - 80 mm
(Suspension) (Air)



**SEAT KIT - 80 mm (Cont'd)
(Suspension) (Air)**

Ref No	Part Number	Description	Remarks	Serial Number	Qty
1	7183366	KIT, SEAT OPERATOR SUSPENSION AIR	Ref. 2-5		1
2	619021	WASHER, 5			4
3	7167603	SEAT, OPERATOR SUSPENSION AIR	See Illustration SEAT/ NA2429 Was 7182356 [A]		1
4	59D5	NUT 5			1
5	6987249	INSTRUCTIONS			1

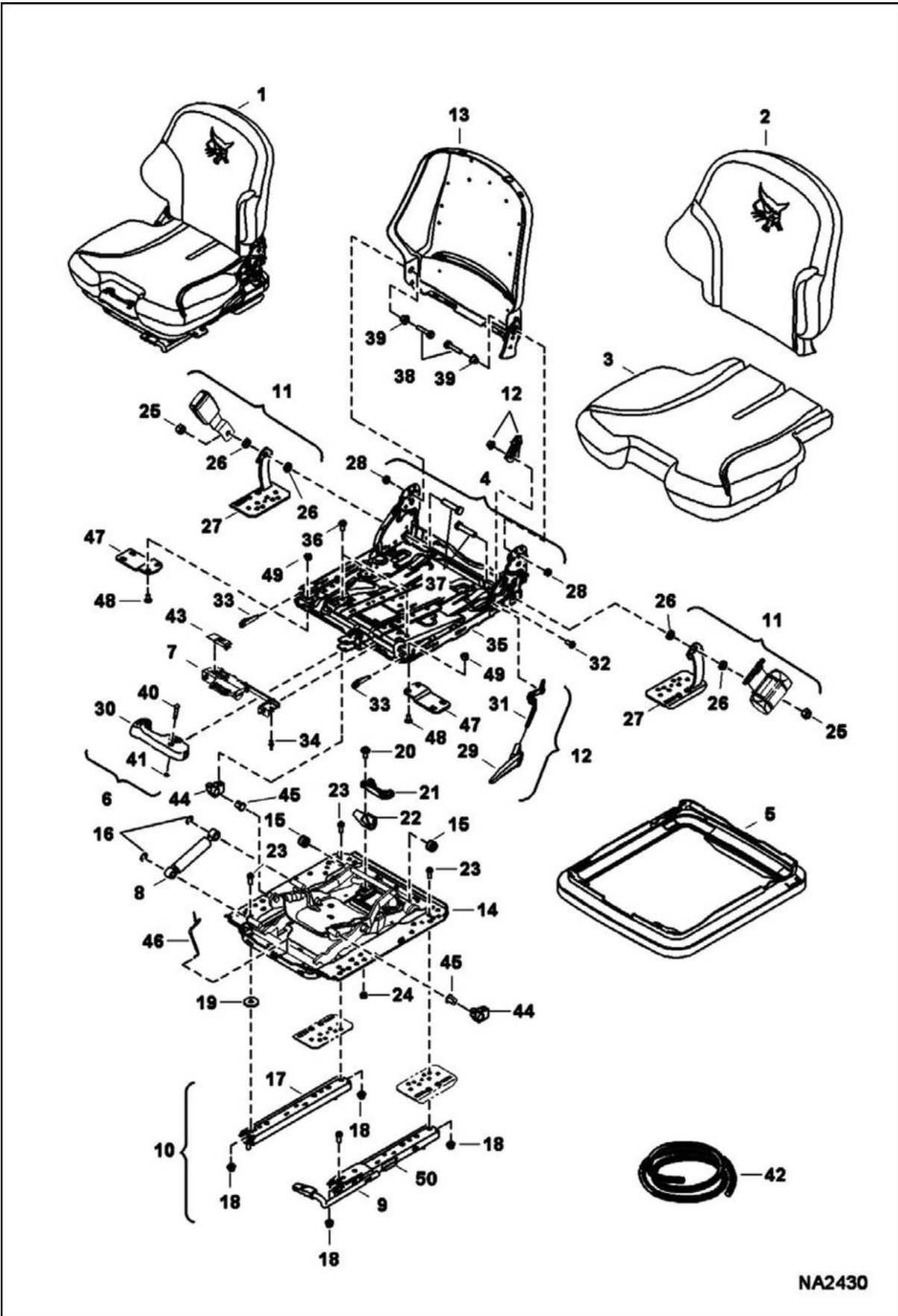
SEAT - 80 mm
(Suspension)



**SEAT - 80 mm (Cont'd)
(Suspension)**

Ref No	Part Number	Description	Remarks	Serial Number	Qty
1		SEAT, SUSPENSION	NAP - W/SJC - Ref. 2-49 - Order 7149786 seat and Also Order Ref. 47 or reuse from existing seat - Was 7182357		1
1	7149786	SEAT, SUSPENSION	W/manual controls - Ref. 2-10, 12-24 & 28-46		1
2	7010335	KIT, CUSHION SEAT VINYL	backrest		1
3	7010336	KIT, CUSHION SEAT VINYL			1
4	7010338	KIT, BACKREST SEAT	Ref. 28, 38 & 39 - parts for backrest		1
5	7010339	BELLOW			1
6	7010340	KIT, ADJUSTER SEAT	Ref. 30, 40 & 41		1
7	7010341	KIT, HOUSING SEAT	W/Ref. 34 & 43		1
8	7010342	KIT, ABSORBER SHOCK SEAT			1
9	7010343	KIT, LEVER ADJUSTING	assy.		1
10	7010344	KIT, RAIL SLIDE SEAT	Ref. 17, 18 & 50 - handle assy not included		1
11	7010345	KIT, TETHER SEAT BELT	Ref. 25-27 - not included		1
12	7010346	KIT, BACKREST SEAT	Ref. 29 & 31		1
13		BACKREST, SEAT	NSS		1
14		FRAME, SUSPENSION	NSS		1
15		BUSHING	NSS - white plastic		2
16		CLIP	NSS		2
17		WASHER	NSS - Order Ref. 12		2
17		RAIL, SLIDE	NSS		1
18		NUT	NSS		4
19		WASHER	NSS		4
20		SCREW	NSS		2
21		STOP, TETHER	NSS		1
22		TETHER, BELT	NSS		1
23		BOLT	NSS		4
24		NUT	NSS		4
25	86D7	NUT			2
26		SPACER	NSS - Order Ref 11		4
27		PLATE, TETHER	NSS - Order Ref. 11		2
28		NUT	NSS - Order Ref. 4		2
29		HANDLE, ADJUSTMENT	NSS - grey - Order Ref. 12		1
30		HANDLE, ADJUSTMENT	NSS - Order Ref. 6		1
31		LEVER	NSS - Order Ref. 12		1
32		SCREW	NSS - Order Ref. 12		1
33		CLIP	NSS - plastic		2
34		RIVOT	NSS - Order Ref. 7		2
35		FRAME	NSS - Order Ref. 1		2
36		BOLT	NSS		1
37		BOLT	NSS - Order Ref. 4		2
38		BOLT	NSS		2

SEAT - 80 mm (Cont'd)
(Suspension)

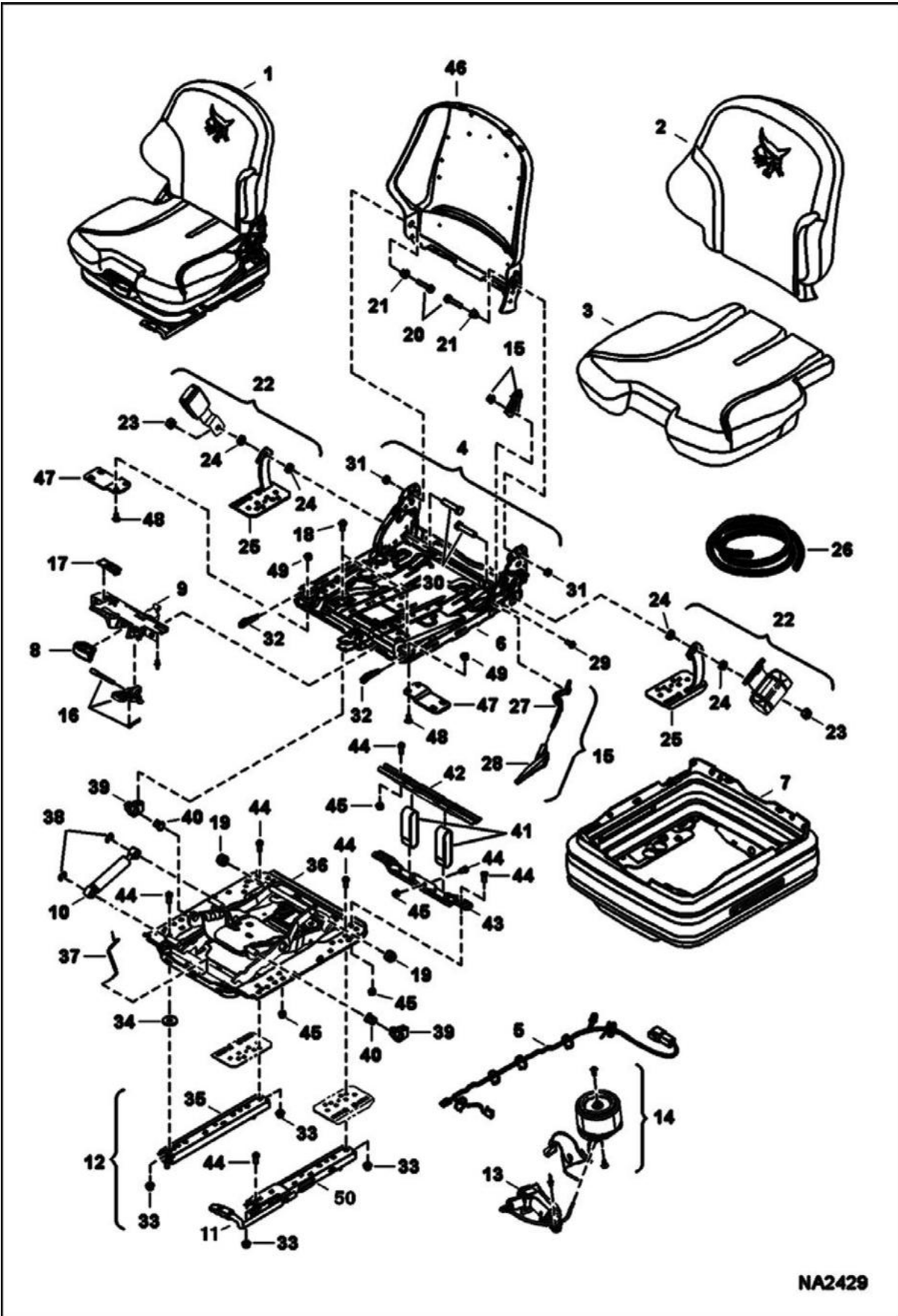


NA2430

SEAT - 80 mm (Cont'd)
(Suspension)

Ref No	Part Number	Description	Remarks	Serial Number	Qty
39		BUSHINGS	NSS		2
40		BOLT	NSS - Order Ref. 6		1
41		CLIP	NSS - Order Ref. 6		1
42		SEAL	NSS		1
43		COVER	NSS - Order Ref. 7		1
44		BLOCK, STOP	NSS - silver		2
45		BUSHING	NSS		2
46		LEVER, GAUGE	NSS - white plastic		1
47	7011183	KIT, BRACKET SEAT	W/Ref. 48 & 49		2
48		BOLT	NSS - Order Ref. 47		4
49		NUT	NSS - Order Ref. 47		4
50		RAIL, SLIDE	NSS - Order Ref. 10		1

SEAT (Suspension) (Air)

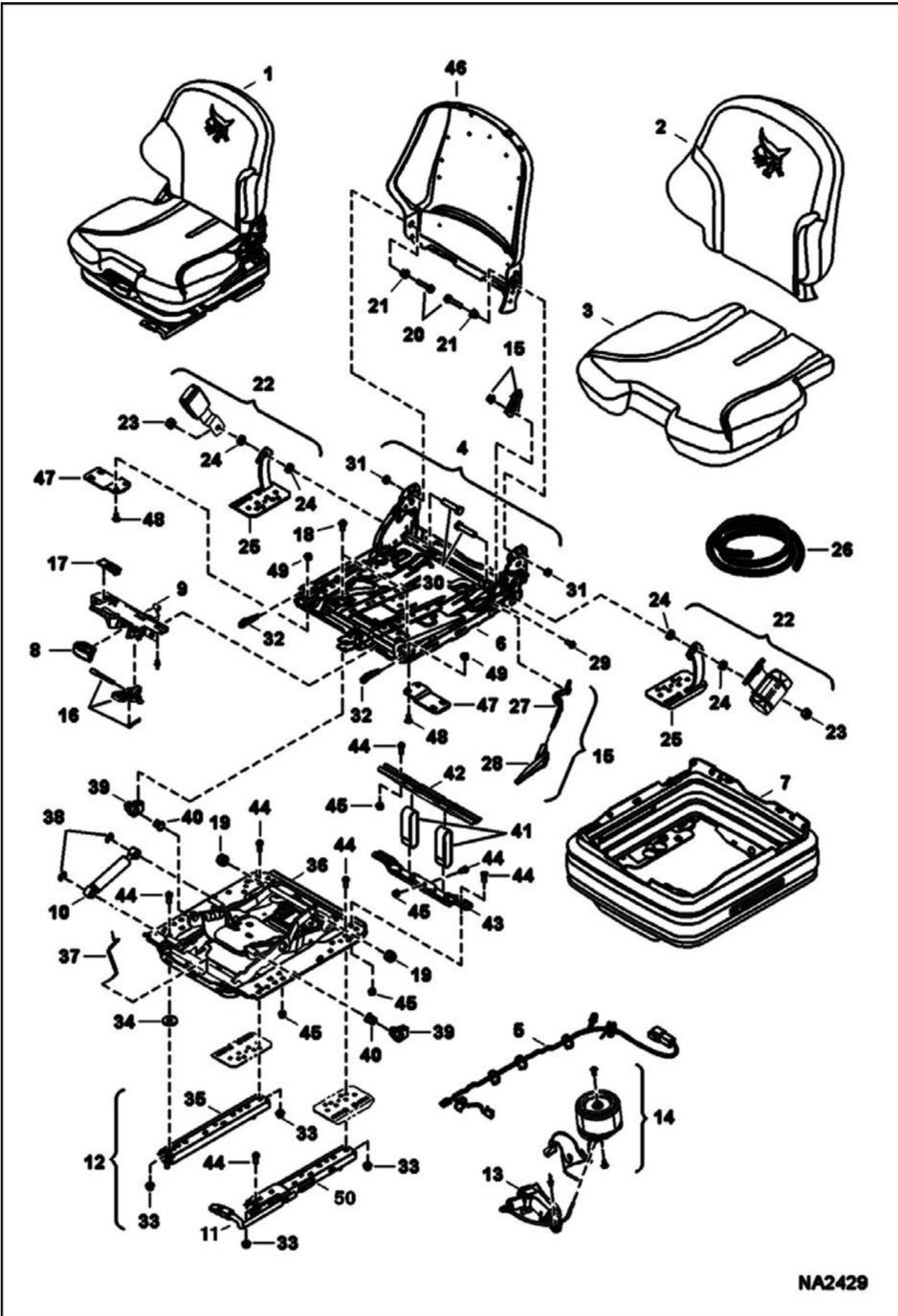


NA2429

SEAT (Cont'd) (Suspension) (Air)

Ref No	Part Number	Description	Remarks	Serial Number	Qty
1		SEAT, OPERATOR SUSPENSION AIR	NAP - Ref. 2-49 - Order 7167603 seat and Also Order Ref. 46 or reuse from existing seat - Was 7182356 [A]		1
1	7167603	SEAT, OPERATOR SUSPENSION AIR	Ref. 2-22 & 26-45		1
2	7010335	KIT, CUSHION SEAT VINYL	backrest		1
3	7010336	KIT, CUSHION SEAT VINYL			1
4	7010338	KIT, BACKREST SEAT	Ref. 20, 21 & 31		1
5	7011175	KIT, SWITCH SEAT			1
6		FRAME	NSS		1
7	7011176	BELLOWS, SEAT CPL			1
8	7011177	HANDLE, ADJUSTING SEAT			1
9	7011178	HOUSING			1
10	7010342	KIT, ABSORBER SHOCK SEAT	W/Ref. 38		1
11	7010343	KIT, LEVER ADJUSTING	assy		1
12	7011179	KIT, RAIL SLIDE SEAT	Ref. 33, 35 & 50 - handle not included		1
13	7011180	COMPRESSOR, AIR SEAT			1
14	7011181	KIT, SPRING AIR			1
15	7010346	KIT, BACKREST SEAT	Ref. 27, 28 & 29		1
16	7011182	KIT, LEVER			1
17		COVER	NSS - Order Ref. 9		1
18		BOLT	NSS		2
19		BUSHING	NSS - white plastic		2
20		BOLT	NSS		2
21		BUSHING	NSS		2
22	7010345	KIT, TETHER SEAT BELT	Ref. 23-25 - not included		1
23		NUT	NSS - Order Ref 22		2
24		BUSHING	NSS - Order Ref 22		4
25		PLATE, TETHER	NSS - Order Ref 22		2
26		SEAL	NSS		1
27		LEVER	NSS - Order Ref 15		1
28		HANDLE	NSS - grey - Order Ref. 15		1
29		BOLT	NSS - Order Ref 15		2
30		BOLT	NSS - Order Ref 4		2
31		NUT	NSS - Order Ref 4		2
32		CLIP	NSS - plastic		2
33		NUT	NSS		4
34		WASHER	NSS		4
35		RAIL, SLIDE	NSS - Order Ref 12		1
36		FRAME, SUSPENSION	NSS - Order Ref 1		1

SEAT (Cont'd)
(Suspension) (Air)

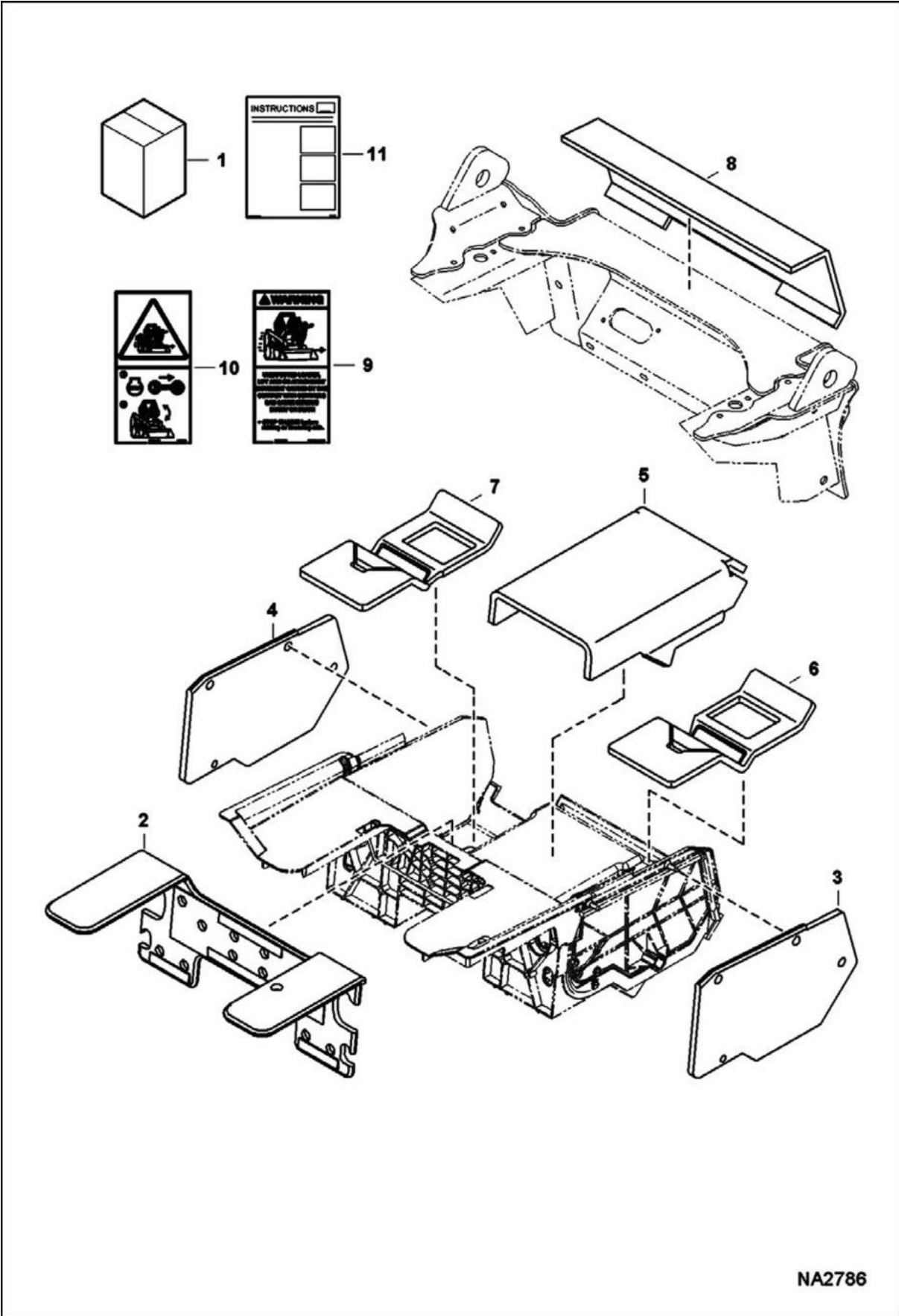


NA2429

**SEAT (Cont'd)
(Suspension) (Air)**

Ref No	Part Number	Description	Remarks	Serial Number	Qty
37		LEVER, GAUGE	NSS - white plastic		1
38		CLIP	NSS - Order Ref 10		2
39		BLOCK, STOP	NSS		2
40		BUSHING	NSS		2
41		STRAP, TETHER	NSS - white		2
42		MOUNT	NSS		1
43		MOUNT	NSS		1
44		BOLT	NSS		9
45		NUT	NSS		5
46		MOLDING, SEAT	NSS		1
47	7011183	KIT, BRACKET SEAT	W/Ref. 48 & 49		2
48		BOLT	NSS - Order Ref. 47		4
49		NUT	NSS - Order Ref. 47		4
50		RAIL, SLIDE	NSS - Order Ref. 12		1

**SOUND/NOISE REDUCTION KIT
(Manual Controls)**
(S/N A3NT11001 - 12369. & A3NU11001 - 11111)

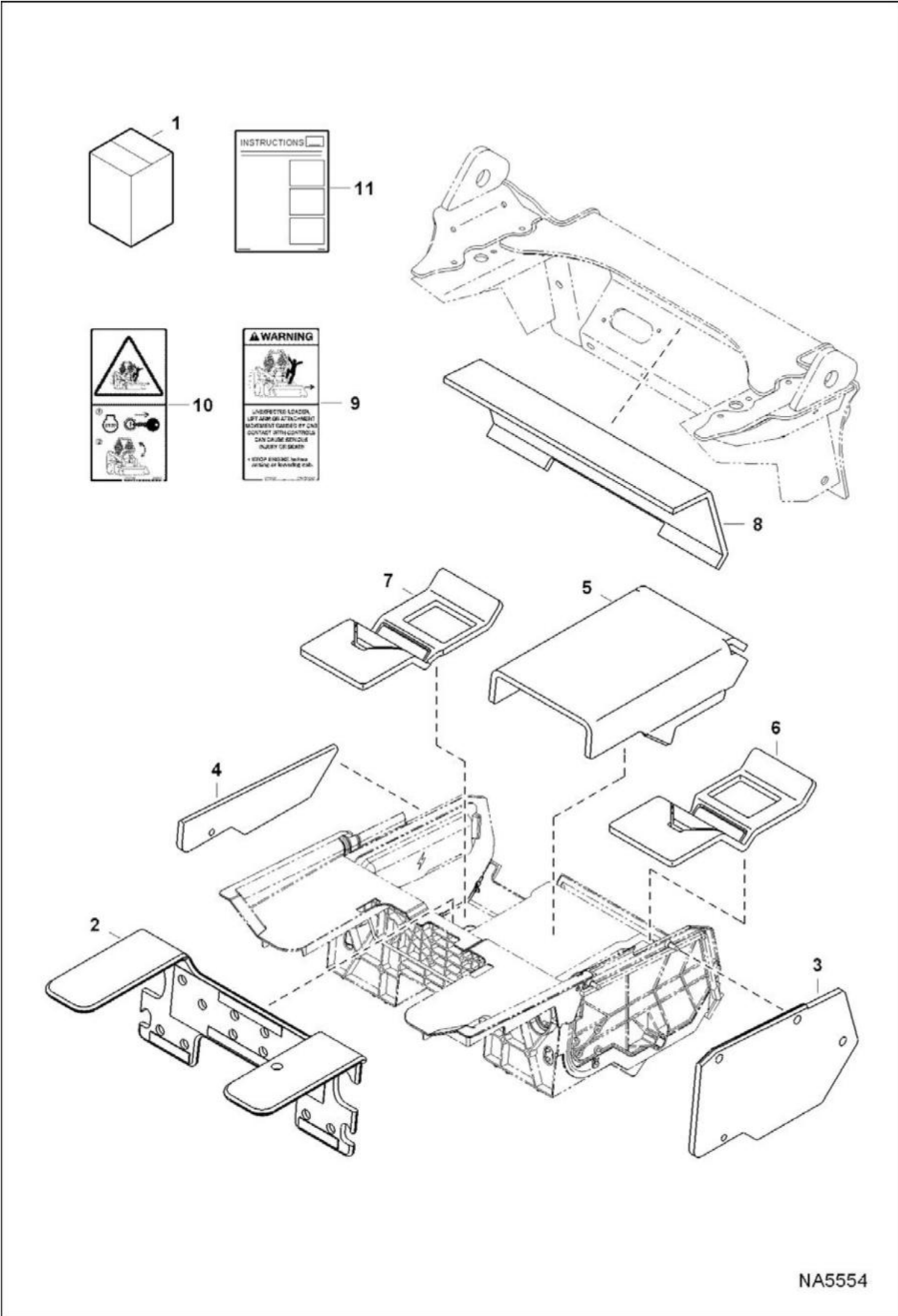


NA2786

SOUND/NOISE REDUCTION KIT (Cont'd)
(Manual Controls)
(S/N A3NT11001 - 12369. & A3NU11001 - 11111)

Ref No	Part Number	Description	Remarks	Serial Number	Qty
1	7192147	KIT, SOUND/NOISE REDUCTION	Ref. 2-11		1
2	7173206	INSULATION, PAN SEAT	skid steer models		1
3	7192066	INSULATION	RH - panel		1
4	7192067	INSULATION, PANEL LH			1
5	7192068	INSULATION, FLOOR	skid steer models		1
6	7192069	INSULATION, FLOOR			1
7	7192070	INSULATION, FLOOR	LH		1
8	7192071	INSULATION, CROSSMEMBER			1
9	7168138	DECAL, WARNING			1
10	7168139	DECAL, WARNING	no-text		1
11	6989699	INSTRUCTIONS			1

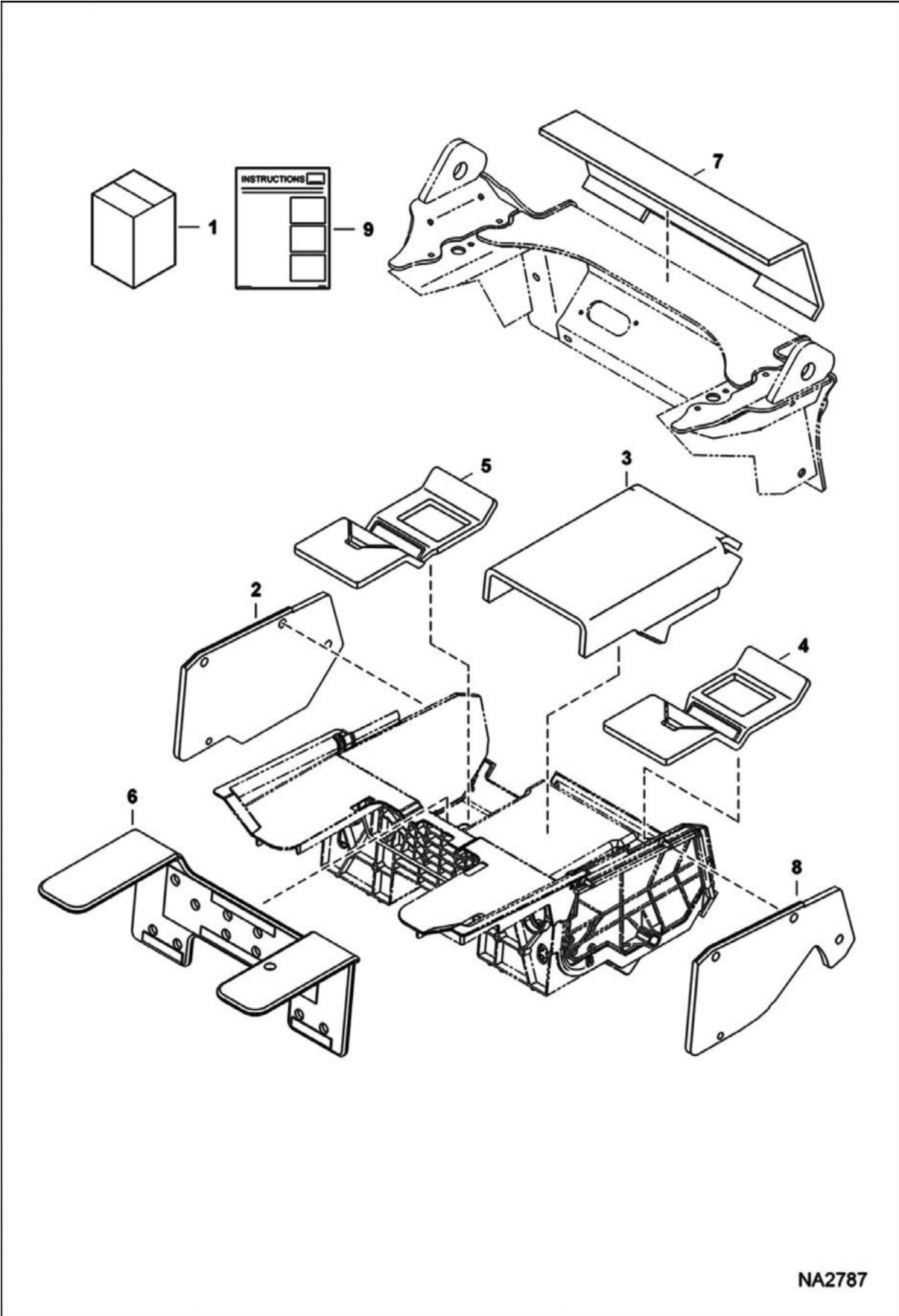
**SOUND/NOISE REDUCTION KIT
(Manual Controls)
(S/N A3NT12370 & Above, A3NU11112 & Above)**



SOUND/NOISE REDUCTION KIT (Cont'd)
(Manual Controls)
(S/N A3NT12370 & Above. A3NU11112 & Above)

Ref No	Part Number	Description	Remarks	Serial Number	Qty
1		KIT, SOUND/NOISE REDUCTION	Ref. 2-11 - Was 7192147 [A]		1
2	7173206	INSULATION, PAN SEAT	skid steer models		1
3	7192066	INSULATION	RH - panel		1
4	7198494	INSULATION, PANEL LH			1
5	7192068	INSULATION, FLOOR	skid steer models		1
6	7192069	INSULATION, FLOOR			1
7	7192070	INSULATION, FLOOR	LH		1
8	7192071	INSULATION, CROSSMEMBER			1
9	7168138	DECAL, WARNING			1
10	7168139	DECAL, WARNING	no-text		1
11	6989699	INSTRUCTIONS			1

SOUND/NOISE REDUCTION KIT
(Selectable Joystick Controls)
(S/N A3NT11001 - 12369, A3NU11001 - 11111)

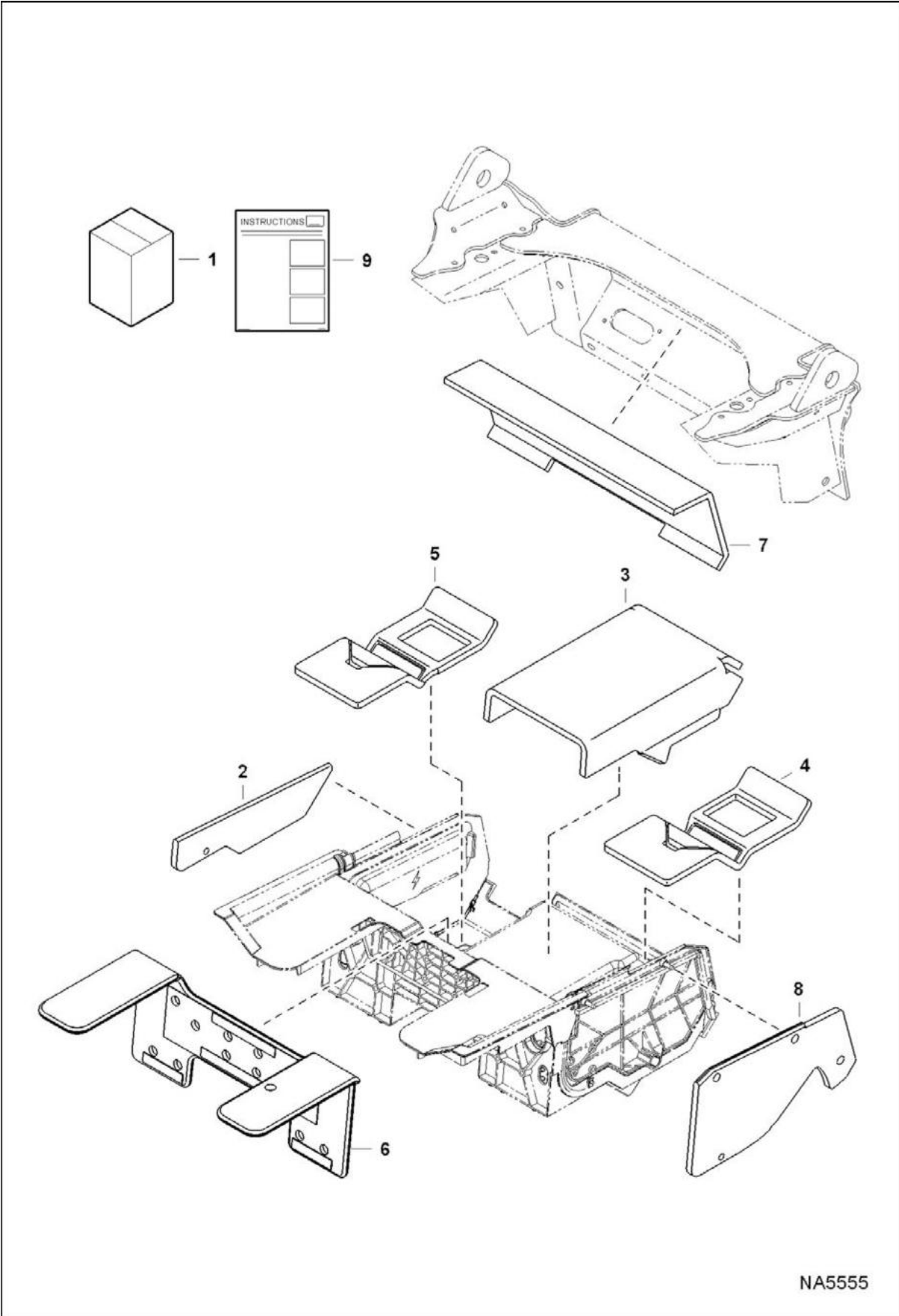


NA2787

SOUND/NOISE REDUCTION KIT (Cont'd)
(Selectable Joystick Controls)
(S/N A3NT11001 - 12369, A3NU11001 - 11111)

Ref No	Part Number	Description	Remarks	Serial Number	Qty
1	7192148	KIT, SOUND/NOISE REDUCTION	Ref. 2-9		1
2	7192067	INSULATION, PANEL LH			1
3	7192068	INSULATION, FLOOR	skid steer models		1
4	7192069	INSULATION, FLOOR	RH		1
5	7192070	INSULATION, FLOOR	LH		1
6	7192153	INSULATION	skid steer models		1
7	7192071	INSULATION, CROSSMEMBER			1
8	7192184	INSULATION	RH panel		1
9	6989699	INSTRUCTIONS			1

SOUND/NOISE REDUCTION KIT
(Selectable Joystick Controls)
(S/N A3NT12370 & Above, A3NU11112 & Above)



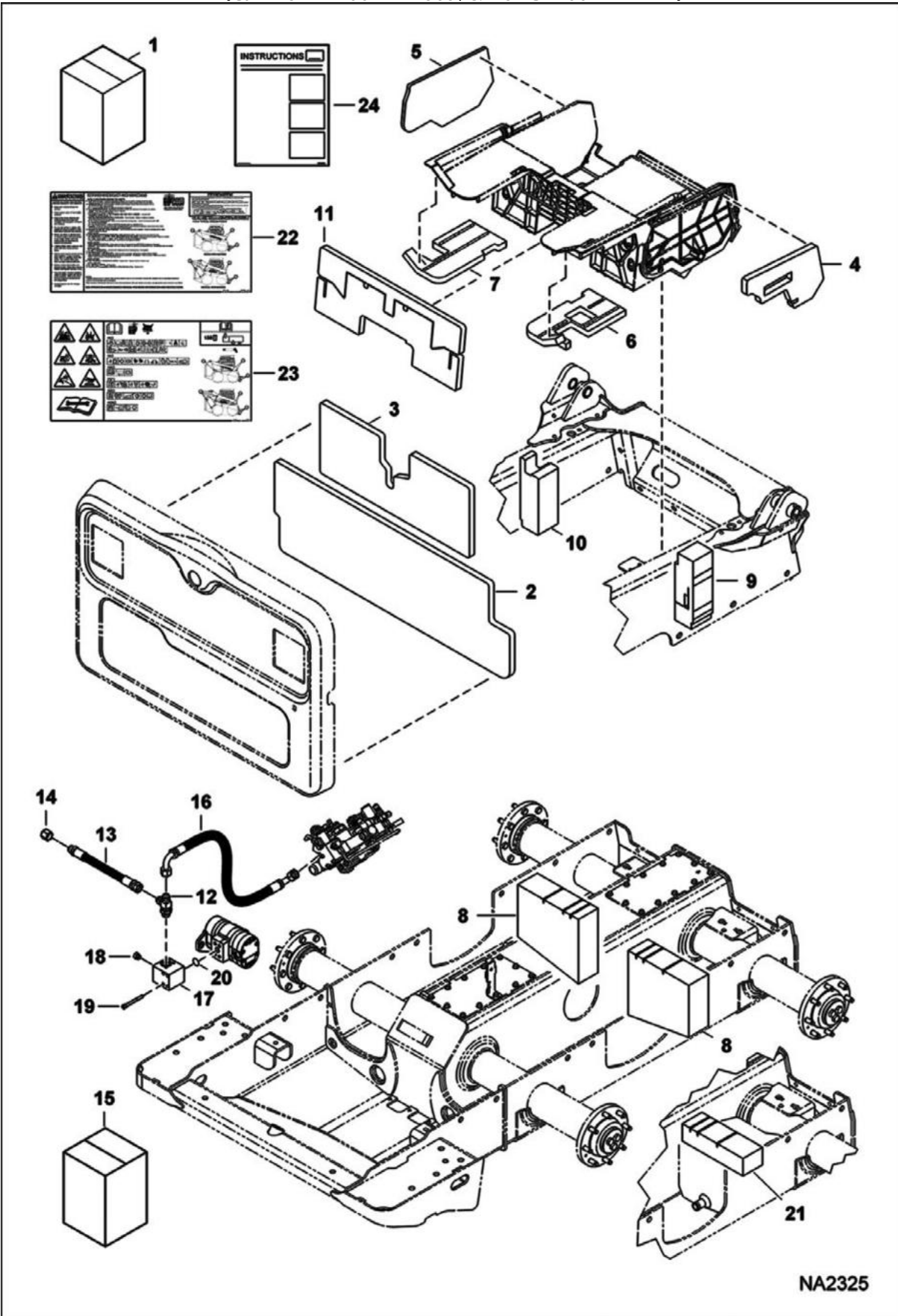
NA5555

SOUND/NOISE REDUCTION KIT (Cont'd)
(Selectable Joystick Controls)
(S/N A3NT12370 & Above. A3NU11112 & Above)

Ref No	Part Number	Description	Remarks	Serial Number	Qty
1		KIT, SOUND/NOISE REDUCTION	Ref. 2-9 - Was 7192148 [A]		1
2	7198494	INSULATION, PANEL LH			1
3	7192068	INSULATION, FLOOR	skid steer models		1
4	7192069	INSULATION, FLOOR	RH		1
5	7192070	INSULATION, FLOOR	LH		1
6	7192153	INSULATION	skid steer models		1
7	7192071	INSULATION, CROSSMEMBER			1
8	7192184	INSULATION	RH panel		1
9	6989699	INSTRUCTIONS			1

SOUND/NOISE REDUCTION KIT

(S/N A3NT11001 - 12369. & A3NU11001 - 11111)



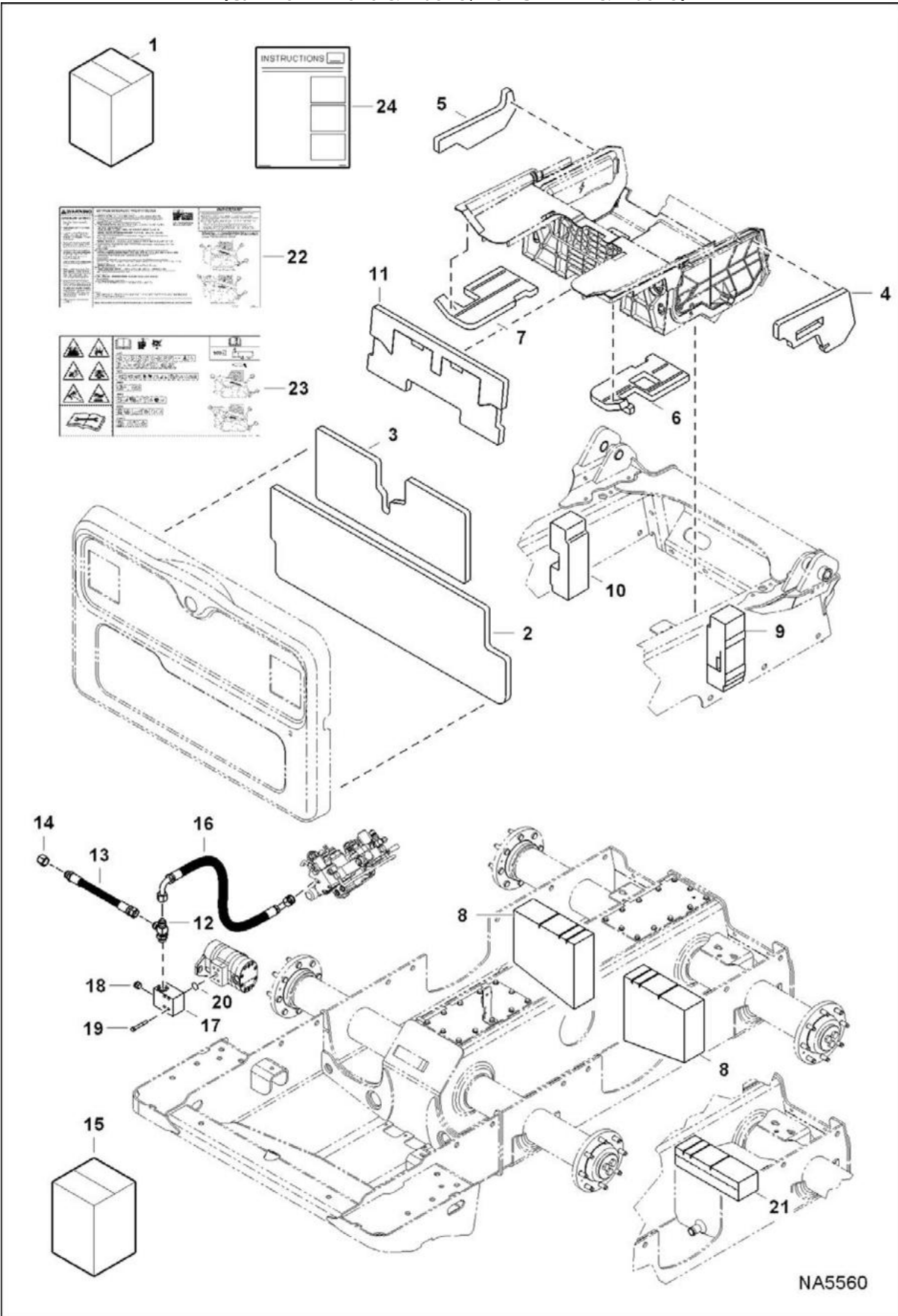
SOUND/NOISE REDUCTION KIT (Cont'd)

(S/N A3NT11001 - 12369. & A3NU11001 - 11111)

Ref No	Part Number	Description	Remarks	Serial Number	Qty
1	7172901	KIT, SOUND/NOISE REDUCTION	Ref. 2-14 & 16-24 - for loaders W/O Ref. 17 & not equipped W/Power Bob-Tach Also Order Ref. 15		1
2	7171192	INSULATION, DOOR REAR			1
3	7171194	INSULATION, DOOR REAR			1
4	7196358	INSULATION	RH - Was 7171217 [A]		1
5	7171218	INSULATION, PANEL LH			1
6	7171219	INSULATION, PANEL RH			1
7	7171220	INSULATION, PANEL LH			1
8	7171656	INSULATION, SIDE			2
9	7196318	INSULATION	Was 7172022 [A]		1
10	7172023	INSULATION, FENDER			1
11	7171184	INSULATION, CROSSMEMBER			1
12	21KB1212	FITTING, HYD TEE			1
13	7185232	HOSE, HYD	muffler - Was 7112348 [A]		1
14	36K8	CAP			1
15		KIT, MANIFOLD	NAP - not in kit - Order Ref. 16-20		1
16	7172235	HOSE, HYD ASSY			1
17	7171996	MANIFOLD, HYD ASSY			1
18	47K7	PLUG	Was 24K7 [B]		1
19	17C644	BOLT			4
20	55K214	O-RING			1
21	7180052	INSULATION, TRANS			1
22	7167998	DECAL, SERVICE			1
23	7168042	DECAL, SERVICE	no text - EMEA		1
24	6987338	INSTRUCTIONS			1

SOUND/NOISE REDUCTION KIT

(S/N A3NT12370 & Above, A3NU11112 & Above)

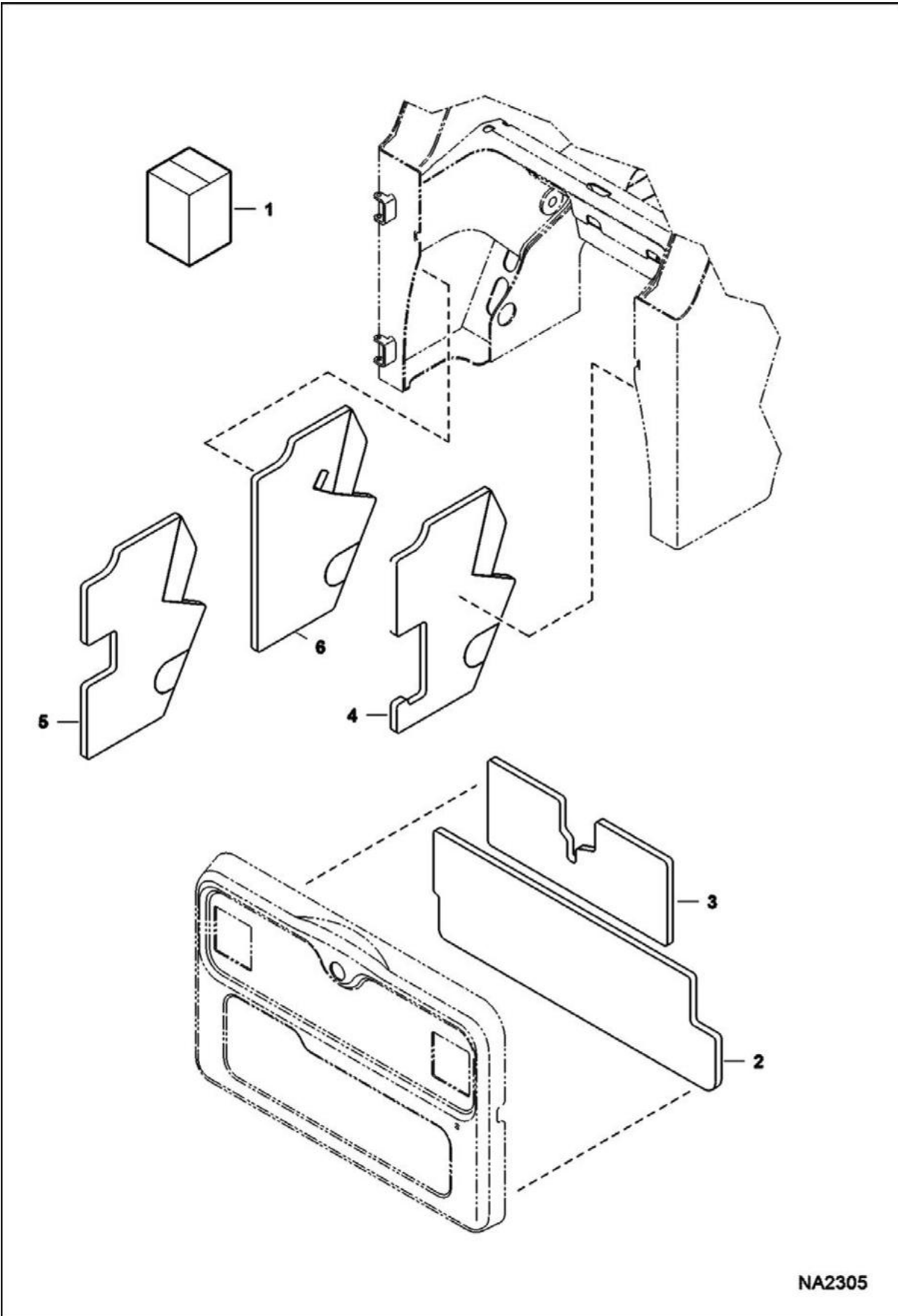


SOUND/NOISE REDUCTION KIT (Cont'd)

(S/N A3NT12370 & Above. A3NU11112 & Above)

Ref No	Part Number	Description	Remarks	Serial Number	Qty
1		KIT, SOUND/NOISE REDUCTION	Ref. 2-14 & 16-24 - for loaders W/O Ref. 17 & not equipped W/Power Bob-Tach Also Order Ref. 15		1
2	7171192	INSULATION, DOOR REAR			1
3	7171194	INSULATION, DOOR REAR			1
4	7196358	INSULATION	RH		1
5	7198481	INSULATION, PANEL LH			1
6	7171219	INSULATION, PANEL RH			1
7	7171220	INSULATION, PANEL LH			1
8	7171656	INSULATION, SIDE			2
9	7196318	INSULATION			1
10	7172023	INSULATION, FENDER			1
11	7171184	INSULATION, CROSSMEMBER			1
12	21KB1212	FITTING, HYD TEE			1
13	7185232	HOSE, HYD	muffler		1
14	36K8	CAP			1
15		KIT, MANIFOLD	NAP - not in kit - Order Ref. 16-20		1
16	7172235	HOSE, HYD ASSY			1
17	7171996	MANIFOLD, HYD ASSY			1
18	47K7	PLUG			1
19	17C644	BOLT			4
20	55K214	O-RING			1
21	7180052	INSULATION, TRANS			1
22	7167998	DECAL, SERVICE			1
23	7168042	DECAL, SERVICE	no text - EMEA		1
24	6987338	INSTRUCTIONS			1

**SOUND/NOISE REDUCTION OPTION
(Bystander)**

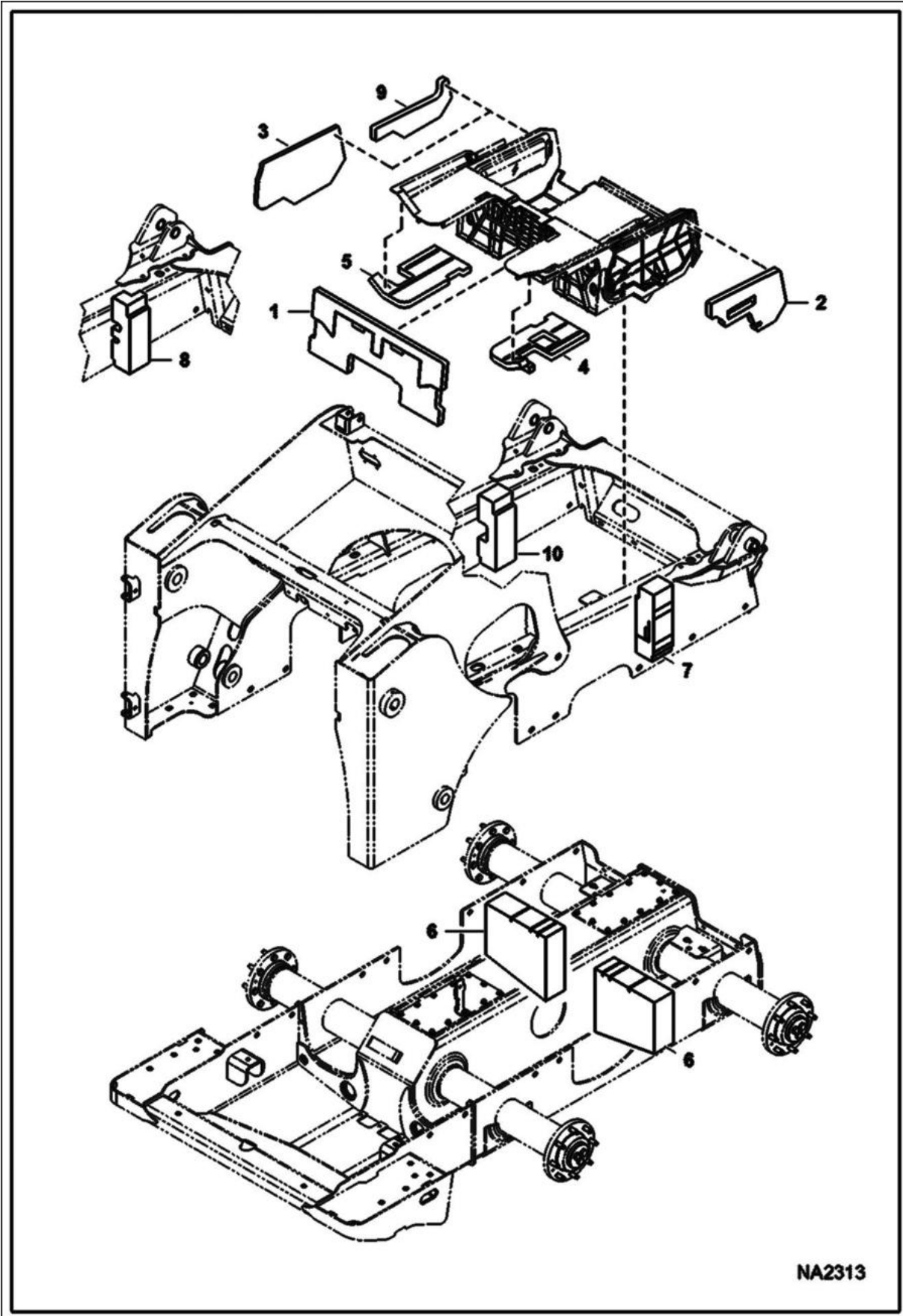


NA2305

SOUND/NOISE REDUCTION OPTION (Cont'd)
(Bystander)

Ref No	Part Number	Description	Remarks	Serial Number	Qty
1		KIT, SOUND NOISE REDUCTION BYSTANDER	NAP - Order Components		1
2	7171192	INSULATION, DOOR REAR	lower		1
3	7171194	INSULATION, DOOR REAR	upper		1
4	7171215	INSULATION, UPRIGHT	RH		1
5		INSULATION, UPRIGHT	NAP - LH - Order Ref. 6 - Was 7171216 [A]		1
6	7204041	INSULATION, UPRIGHT	LH		1

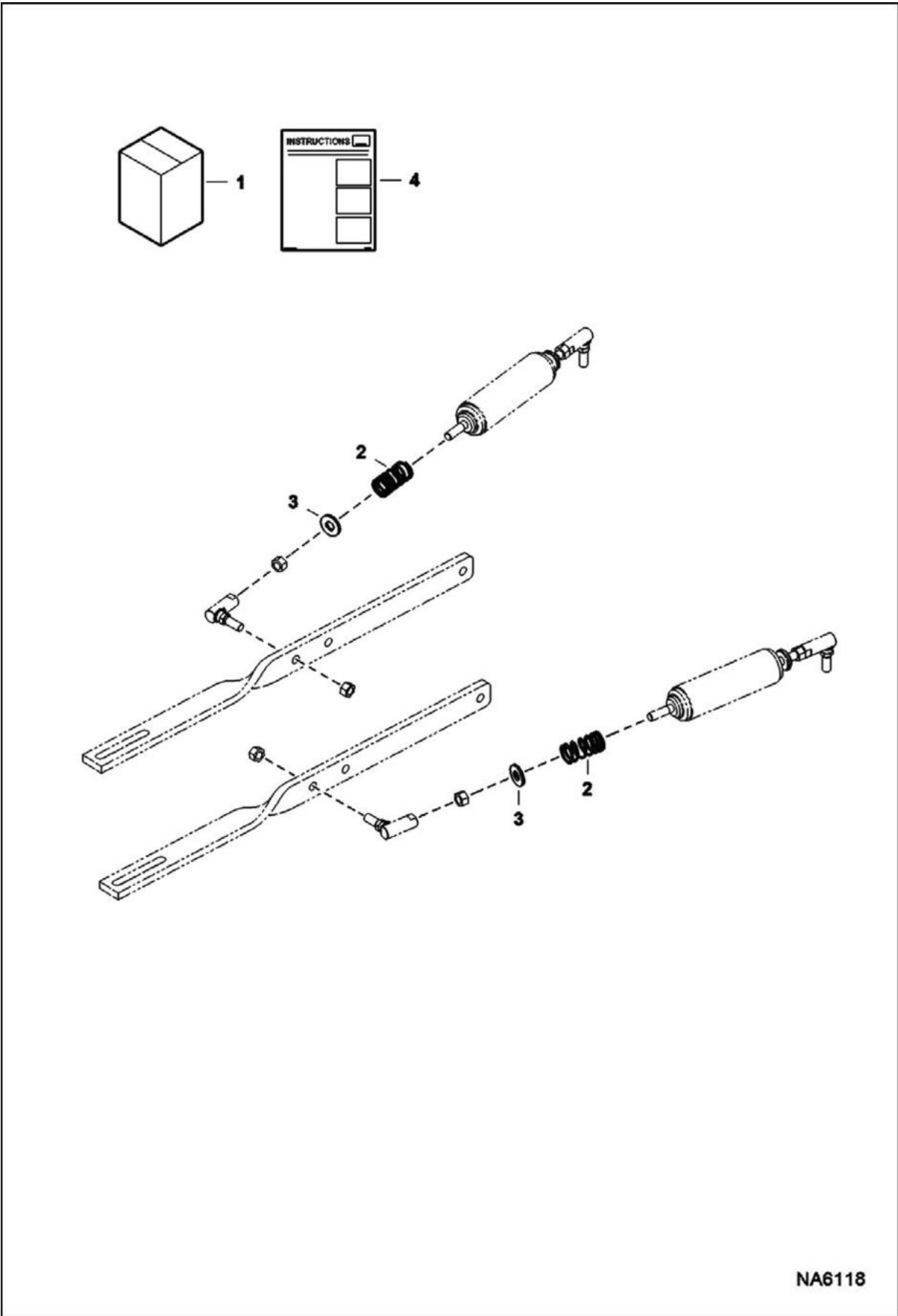
SOUND/NOISE REDUCTION OPTION (Operator Ear)



SOUND/NOISE REDUCTION OPTION (Cont'd)
(Operator Ear)

Ref No	Part Number	Description	Remarks	Serial Number	Qty
1	7171184	INSULATION, CROSSMEMBER			1
2	7196358	INSULATION	RH - Was 7171217 [A]		1
3	7171218	INSULATION, PANEL LH		& Bel	1
4	7171219	INSULATION, PANEL RH			1
5	7171220	INSULATION, PANEL LH			1
6	7171656	INSULATION, SIDE			2
7	7196318	INSULATION	Was 7172022 [A]		1
8	7172023	INSULATION, FENDER		& Bel	1
9	7198481	INSULATION, PANEL LH		& Abv	1
10	7202003	INSULATION, FENDER		& Abv	1

SPRING DAMPER KIT



NA6118

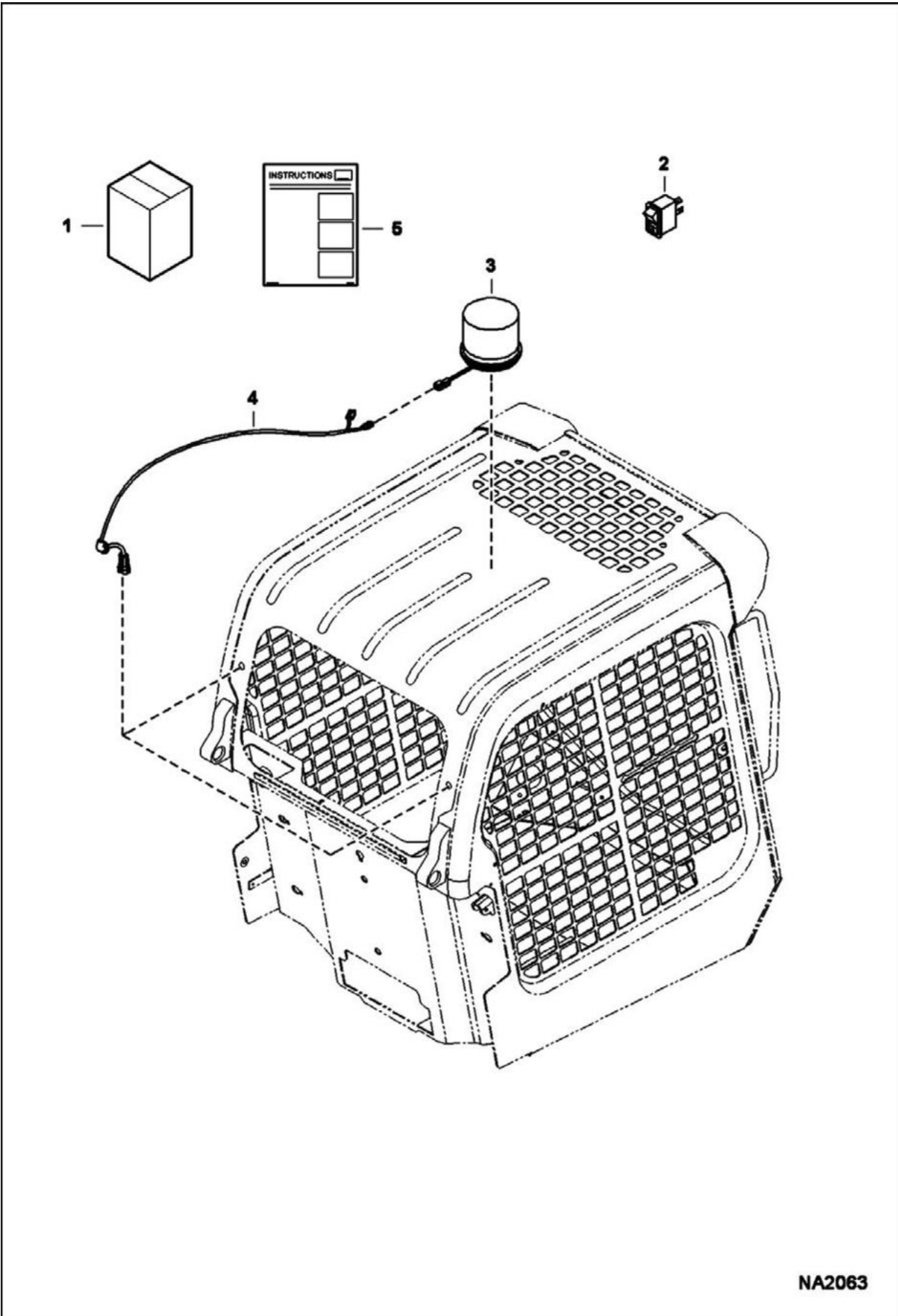
SPRING DAMPER KIT (Cont'd)

Ref No	Part Number	Description	Remarks	Serial Number	Qty
1	7204073	KIT, SPRING DAMPER	Ref. 2-4		1
2	6690564	SPRING, COMPRESSION			2
3	25E15	WASHER			2
4	6990138	INSTRUCTIONS			1

STEERING DAMPENER KIT (Cont'd)
(Dual)

Ref No	Part Number	Description	Remarks	Serial Number	Qty
1	7169070	KIT, DAMPER DUAL	Ref. 2-8		1
2	6599744	BALL JOINT			4
3	6649551	GAS SPRING			2
4	7153075	BRACKET, DAMPER			1
5	7153076	BRACKET, DAMPER			1
6	2C614	SCREW			2
7	62D6	NUT 5			10
8	6987251	INSTRUCTIONS			1

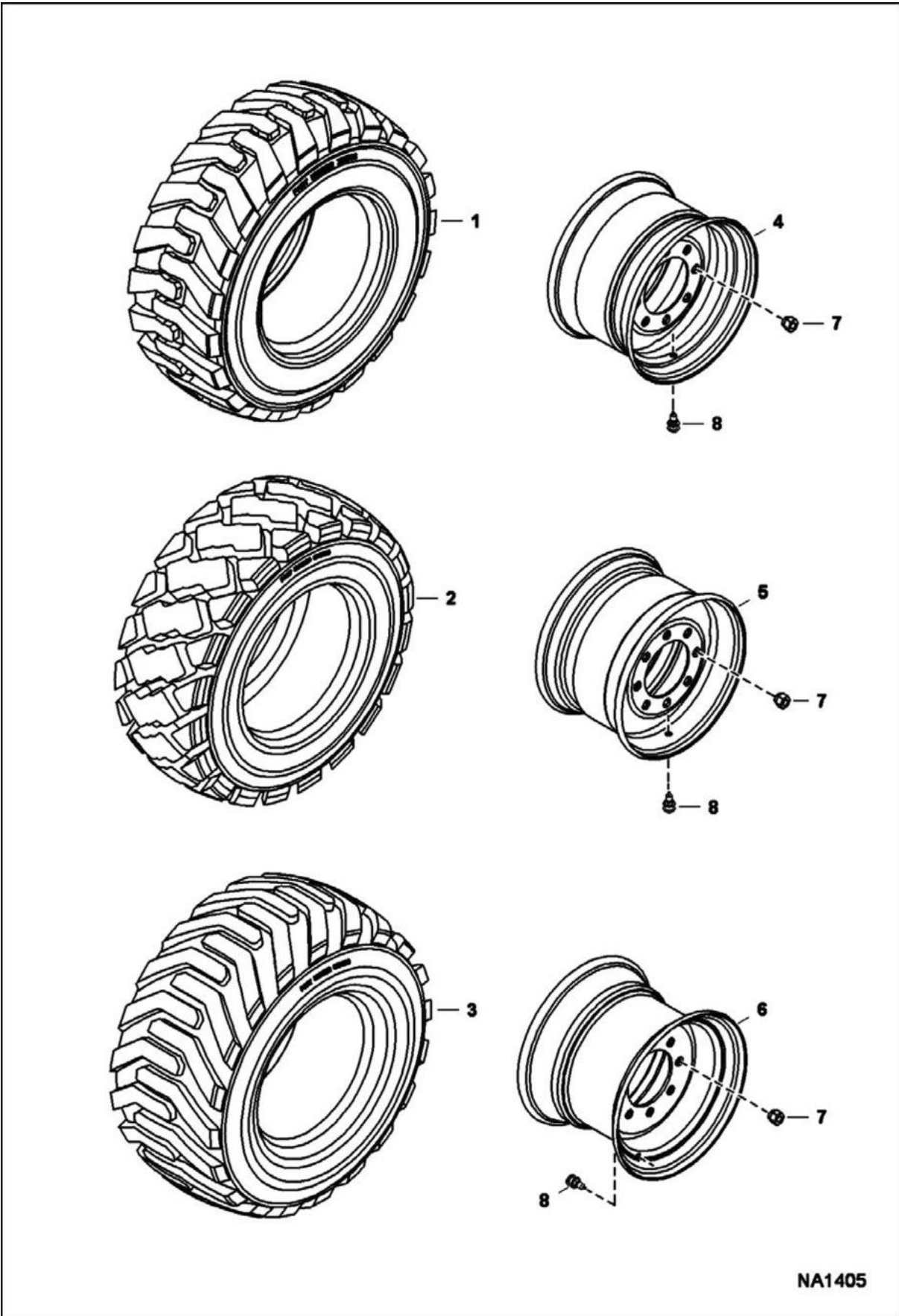
STROBE LIGHT



STROBE LIGHT (Cont'd)

Ref No	Part Number	Description	Remarks	Serial Number	Qty
1	7129301	KIT, STROBE LIGHT	Ref. 2-5 - If equipped with standard cab harness also order 7169130 Harness & 6987252 Instructions		1
2	6668816	SWITCH			1
3	6675522	STROBE			1
4	6718872	HARNESS			1
5	6987225	INSTRUCTIONS			1

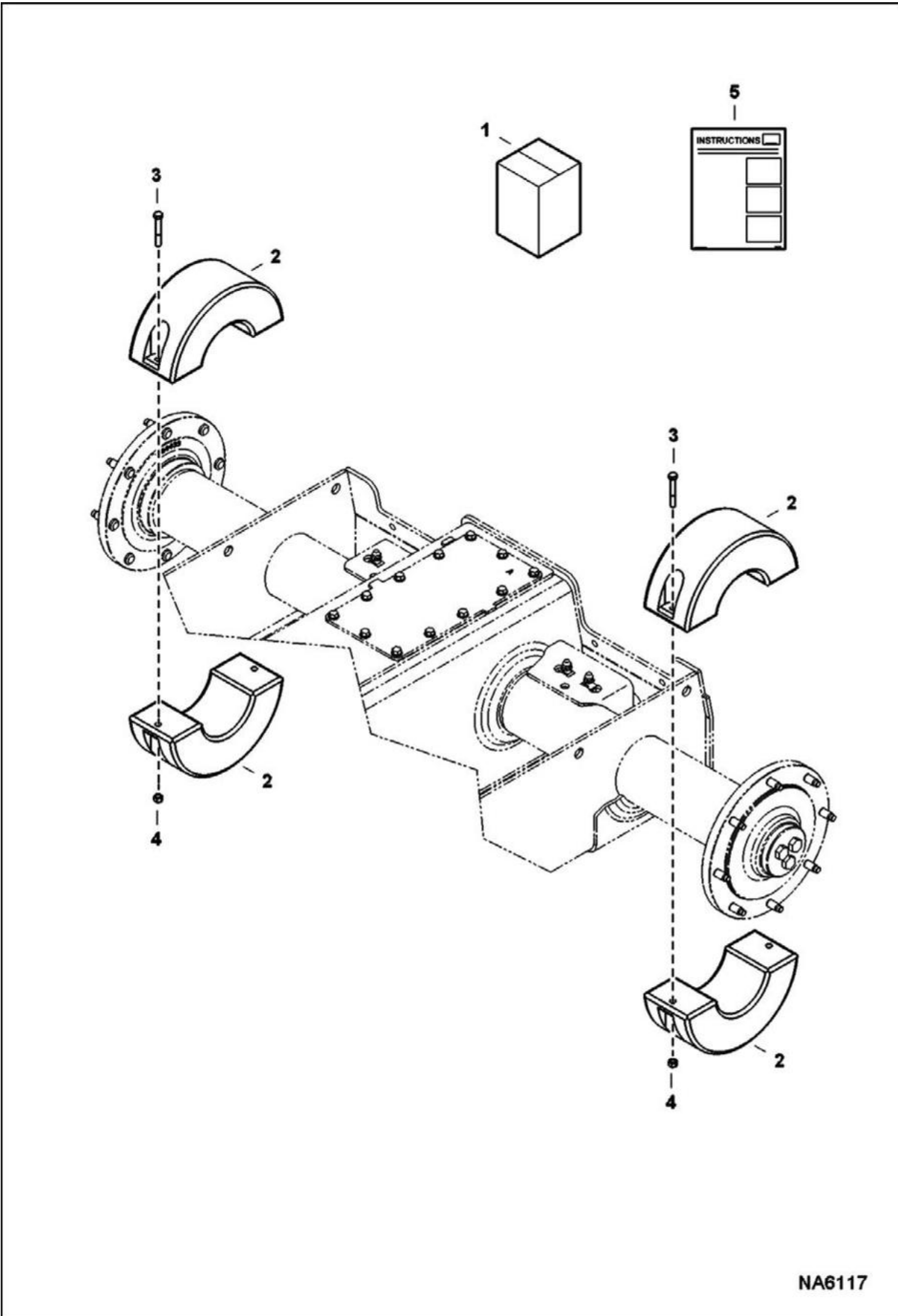
TIRES & RIMS



TIRES & RIMS (Cont'd)

Ref No	Part Number	Description	Remarks	Serial Number	Qty
1	6729901	TIRE	12 x 16.5 12 ply rating - Bobcat - heavy duty - Note p/n on tire		4
1	7101736	TIRE, HEAVY DUTY - 12X16.5 - 12 PLY	Bobcat		4
2	6730108	TIRE	12 x 16.5 12 ply rating - Bobcat - severe duty		4
3	6730109	TIRE	33 x 15.5 x 16.5 12 Ply - Hippo - Galaxy		4
4	6730772	RIM	See BT1197ldr - Use W/Ref. 1 - 72" wide		4
5	6733578	RIM	See BT1197ldr - Use W/Ref. 1 - offset - 68" wide		4
6	6732847	RIM	Use W/Ref. 2 - 74" wide		4
7	6564669	NUT	wheel		32
8	1614765	STEM	valve		4

WEIGHT KIT (Front Axle)

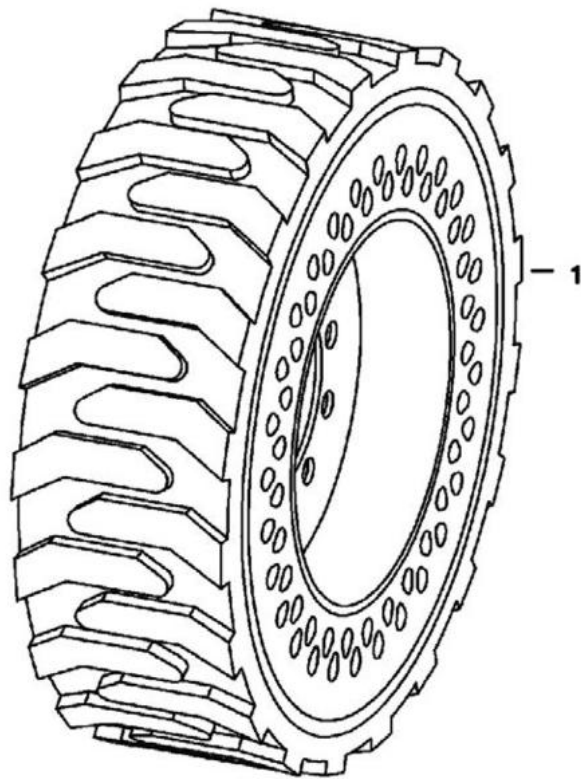


NA6117

WEIGHT KIT (Cont'd)
(Front Axle)

Ref No	Part Number	Description	Remarks	Serial Number	Qty
1	7204279	KIT, AXLE WEIGHT	Ref. 2-5		1
2	6714362	COUNTERWEIGHT, AXLE REAR			4
3	17C640	BOLT 5			4
4	61D6	NUT 5			4
5	6990145	INSTRUCTIONS			1

TIRES & RIMS
(Solid Tire)

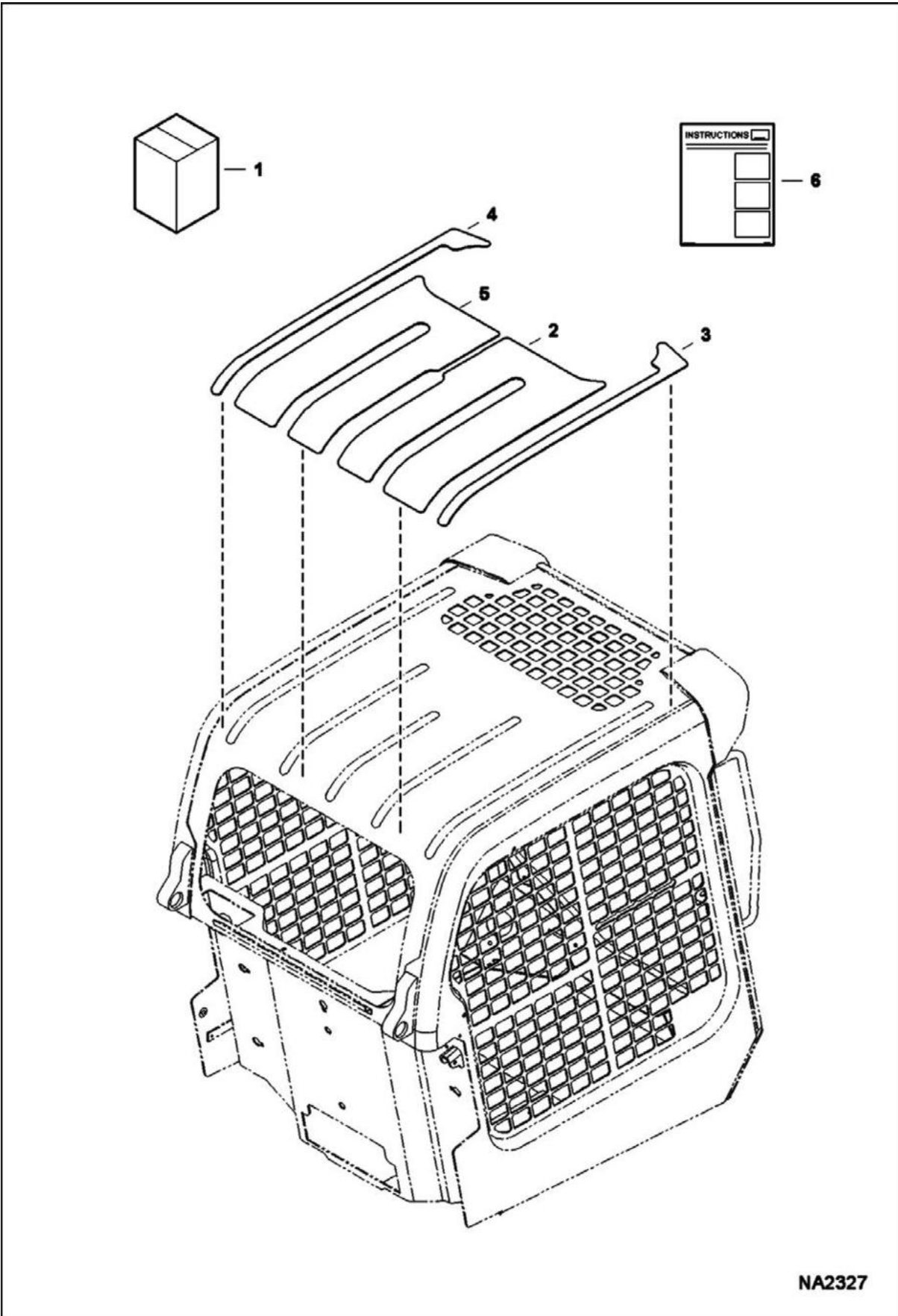


MS-2192

TIRES & RIMS (Cont'd)
(Solid Tire)

Ref No	Part Number	Description	Remarks	Serial Number	Qty
1	6903773	33X6X11 TWIN FLEX TIRE & WHEEL (LEFT)	LH - 12 x 16.5		2
1	6903774	33X6X11 TWIN FLEX TIRE & WHEEL (RIGHT)	RH - 12 x 16.5		2

WHITE DECAL KIT

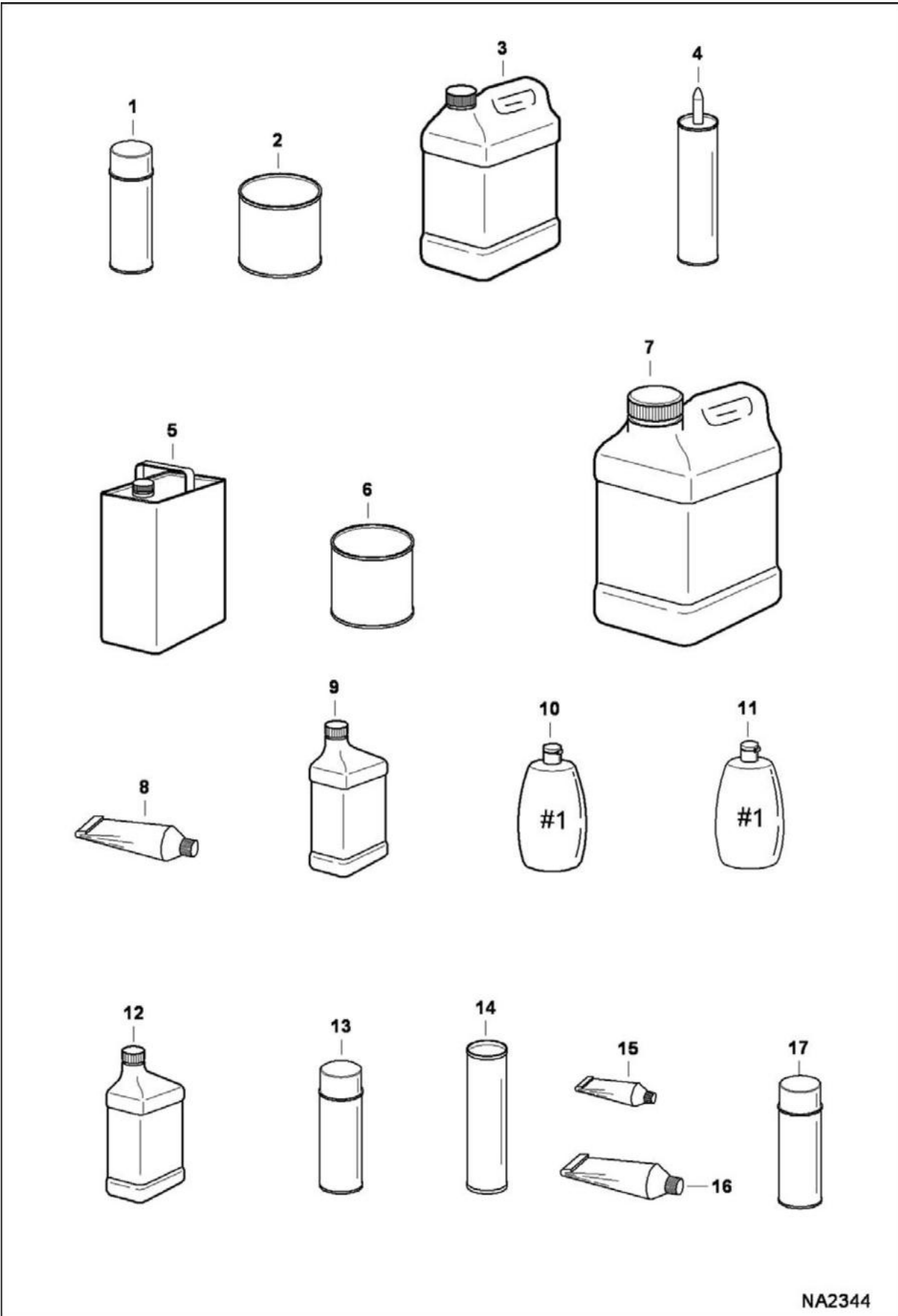


NA2327

WHITE DECAL KIT (Cont'd)

Ref No	Part Number	Description	Remarks	Serial Number	Qty
1	7172903	KIT, DECAL WHITE	Ref. 2-6		1
2	7140927	DECAL			1
3	7141375	DECAL			1
4	7174328	DECAL			1
5	7174537	DECAL			1
6	6987349	INSTRUCTIONS			1

BULK ITEMS

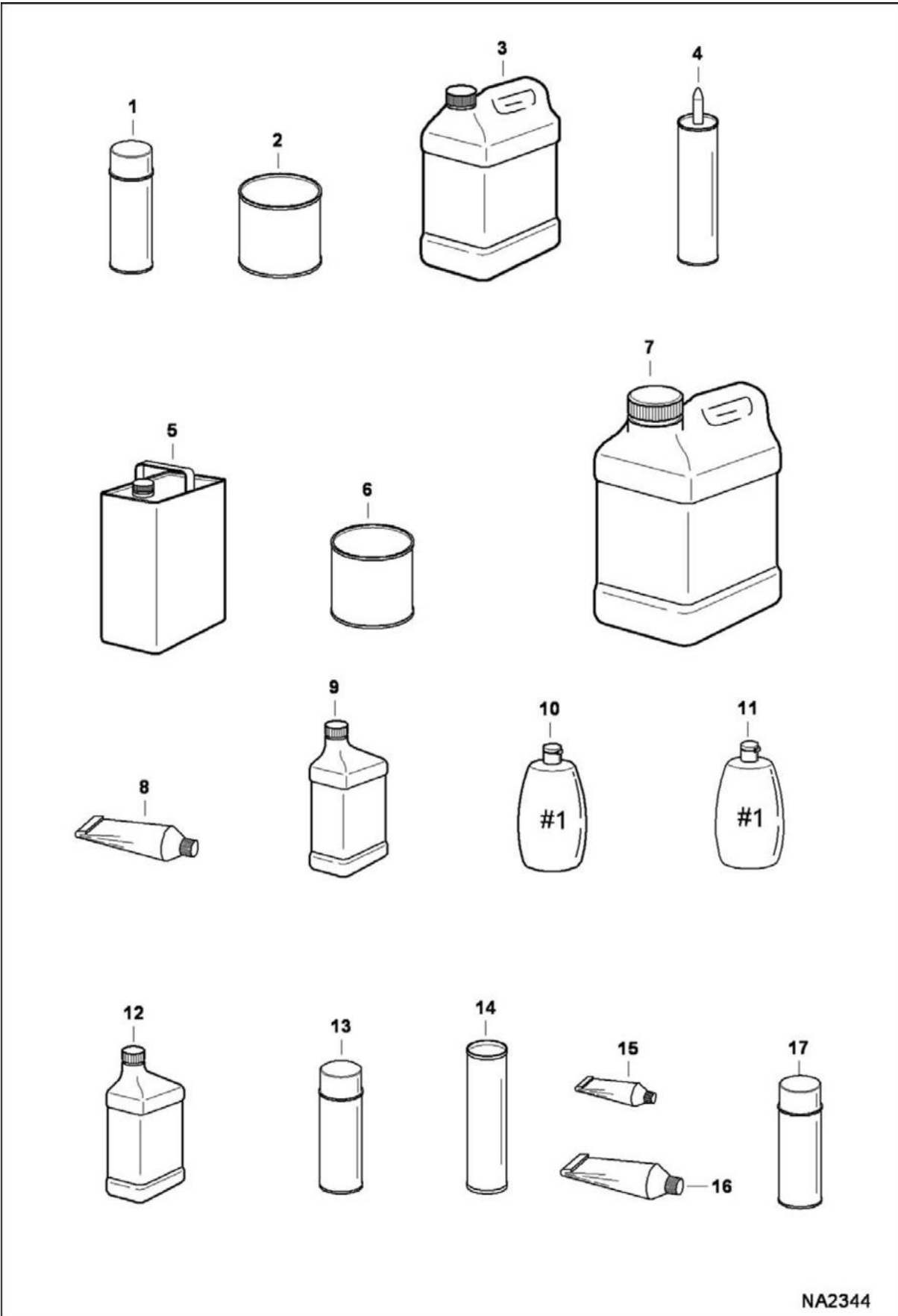


NA2344

BULK ITEMS (Cont'd)

Ref No	Part Number	Description	Remarks	Serial Number	Qty
1	6902228	PAINT, ORANGE SPRAY CAN 6			x
1	6902229	PAINT, CHARCOAL SPRAY CAN 6			x
1	6902230	PAINT, WHITE SPRAY CAN 6			x
2	6902233	PAINT, ORANGE QT 6			x
2	6902234	PAINT, CHARCOAL QT 6			x
2	6902235	PAINT, WHITE QT 6			x
3	6983128	ANTI-FREEZE PG 53/47 PREMIX GAL 6			x
3	6983129	ANTI-FREEZE PG CONCENTRATE 6			x
4	6633583	SEALANT	tube - 300 ml		x
5		REDUCER	NAP - gallon		x
6	6902236	PRIMER QT. 6	quart		x
7	6903117	FLUID, OIL HYD 2.5 GAL 2			x
7	6903118	FLUID, OIL HYD 5 GAL			x
7	6903119	FLUID, OIL HYD 55 GAL			x
8	6599360	SEALANT	electrical - tube - 3 oz		x
8	6685372	SEALANT, GASKET LIQUID	tube - 20 oz		x
9	6903121	LUBE, GEAR 12			x
10	6630188	POLISH	window - #1 - 8 oz		x
11	6630189	POLISH	window - scratch remover - #2 - 8 oz		x
12	6903109	OIL 30W QT. 12			x
12	6903107	OIL, 10W30 QT. 12			x
12	6903105	OIL, 15W40 QT. 12			x
12	6903108	OIL, 10W30 GAL. 6			x
12	6903106	OIL, 15W40 GAL. 6			x
12	6903110	OIL, 30W GAL. 6			x
12	6903113	OIL, 15W40 2.5 GAL. 2			x
12	6903112	OIL, 10W30 2.5 GAL 2			x
12	6903111	OIL 30W 2.5 GAL 2			x
13	6675380	ADHESIVE	insulation - spray can		x
14	6903122	GREASE, MULTI PURPOSE #2 - 10			x
14		GREASE	NAP - 14.5 oz. cartridge - For fan idler bearing & spring loaded drive idler		x
15	6650407	ADHESIVE	tube - 1 oz		x
16	6650388	SEALANT	flange		x

BULK ITEMS (Cont'd)



NA2344

BULK ITEMS (Cont'd)

Ref No	Part Number	Description	Remarks	Serial Number	Qty
17	6736644	PAINT	orange - spray can - .5 oz		x
17	6736641	PAINT	charcoal - spray can - .5 oz		x
17	6736642	PAINT	white - spray can - .5 oz		x
17	6736645	PAINT	red - spray can - .5 oz		x

NUMERICAL INDEX

Part No.	Description	Was	Code	Page
100333SUB	DUCT, AIR	7165330	A	24, 332, 382
100334SUB	DUCT, AIR	7165331	A	24, 332, 382
10C410	BOLT			350
10C512	BOLT			188, 192
10C520	BOLT			188
10C524	BOLT			192
10C612	BOLT			362
10C616	BOLT 10	53C616	A	72, 334, 364, 454, 458
10C616	BOLT 10			72, 334, 364, 454, 458
10C624	BOLT			26, 28
10C696	BOLT			206
10C816	BOLT			306, 308
10H25	FITTING, GREASE 5			42, 44, 74, 76, 78, 80, 82
10H35	GREASE ZERK			44, 420, 422
10K5	TEE			438
10K8	TEE			96
10L1212	ADAPTER			100
11H15	GREASE FITTING			42
12D10	NUT			350
1306637	CLIP			84
1320075	COTTER PIN			406
1321607	CUP, BEARING			48
1321608	BEARING, CONE			48
14D10	NUT			222, 224, 228
14J5032	PIN, STRAIGHT			44
1522534	SEAL			82
15G628	SCREW	15G624	B	120
15KB0404	FTG HYD S Connector			114, 420
15KB0606	FITTING, HYD CONNECTOR			60, 64, 68, 70, 72, 88, 92, 110, 112, 114, 116, 420, 422, 438
15KB0608	FITTING, HYD CONNECTOR			114, 296
15KB0808	FITTING, HYD CONNECTOR			58, 62, 296, 422
15KB1008	FITTING, HYD CONNECTOR			96, 110
15KB1010	FITTING, HYD CONNECTOR			58, 62, 66, 110, 296
15KB1210	FITTING, HYD CONNECTOR			58, 62, 296
15KB1212	FITTING, HYD CONNECTOR			95, 96, 100, 104, 110, 112, 114, 424, 426, 438
15KB1216	FITTING, HYD CONNECTOR			72
15KB1612	FITTING, HYD CONNECTOR			112, 116
1614765	STEM			496
16KB0606	FTG HYD L CONNECTOR	16KB608	B,D	112, 114, 115, 116
16KB0606	FTG HYD L CONNECTOR			112, 114, 115, 116
16KB1212	FITTING, HYD CONNECTOR			438
17C10136	BOLT			42

Code for disposition of old part number

A -- Use up

B -- Use on other application (See PNI)

C -- File PDR Report with Bobcat Parts Sales

D -- Part Number Error

NUMERICAL INDEX (Cont'd)

Part No.	Description	Was	Code	Page
17C1024	BOLT			48
17C1056	BOLT			18
17C12112	BOLT	17C10112	D	42
17C408	BOLT			222, 224, 228
17C410	BOLT 10			362
17C412	BOLT 5			54
17C424	BOLT			438
17C428	BOLT	17C424	B	70, 306, 308
17C428	BOLT			70, 306, 308
17C510	BOLT			222, 226, 228
17C516	BOLT			306, 308, 358
17C540	BOLT			70, 108, 112, 114
17C552	BOLT			56, 114
17C610	BOLT			100, 102
17C612	BOLT 5	31C612	B	18, 22, 284, 334, 420, 422
17C612	BOLT 5			18, 22, 284, 334, 420, 422
17C616	BOLT 5			42, 84, 120, 182, 186, 344, 394
17C620	BOLT			84, 100, 104, 224, 228
17C624	BOLT 5			84, 284, 362, 364
17C628	BOLT			120
17C632	BOLT 5			60, 64, 68
17C636	BOLT	17C620	B	120
17C640	BOLT 5			26, 28, 438, 498
17C644	BOLT	17C640	B	44, 72, 102, 106, 438, 482, 484
17C644	BOLT			44, 72, 102, 106, 438, 482, 484
17C648	BOLT 5			42
17C652	SCREW			422
17C656	BOLT			42, 404
17C664	BOLT			42
17C672	BOLT			42
17C680	BOLT			120, 214, 400, 404
17C728	BOLT			112, 114
17C820	BOLT			40, 450
17C824	BOLT 5			450
17C832	BOLT			212, 214
17C844	BOLT			70
17KB0404	FTG HYD ELBOW 90			420
17KB0606	FITTING			86, 87, 88, 92
17KB1212	FITTING, HYD ELBOW			100, 104, 438
18EM1224	WASHER			306, 308, 376, 378
19F12	BUSHING			294
19J12	CLAMP			100, 104
1C12136	BOLT			320
1C1296	BOLT			318
1C612	BOLT			184
1C616	BOLT			184
1C624	BOLT			184
1C716	SCREW HEX CAP			30, 460
1CM640	SCREW			306, 308
1CM8100	SCREW			216
1CM830	BOLT			188, 192
1DM6	NUT			270
1F316	PIN			206
1K127	O-RING 10			86, 90

Code for disposition of old part number

A -- Use up

B -- Use on other application (See PNI)

C -- File PDR Report with Bobcat Parts Sales

D -- Part Number Error

NUMERICAL INDEX (Cont'd)

Part No.	Description	Was	Code	Page
20J16	FLANGE			112, 114
21KB0606	FTG HYD STRAIGHT TEE			108, 116
21KB1212	FITTING, HYD TEE			102, 106, 482, 484
24F1	ELBOW			168, 172
24K3	PLUG			432
24K5	PLUG			70, 106
24K7	PLUG			86, 90
25E11	WASHER			222, 224, 228
25E13	WASHER 5			18, 54, 196, 284, 438
25E14	WSHR			18, 314
25E15	WASHER			174, 490
25E18	WASHER			32, 34, 36, 38, 188, 192, 224, 458
25E19	WASHER			460
25E20	WASHER			450
25E24	WASHER			120
25E25	WASHER 10			192
25G410	CAPSCREW			168, 172
25G510	BOLT			222, 224, 228, 408
25G612	SCREW			340
25G628	SCREW			410
25GT410	SCREW			196, 198
25K20016	O RING 10			88, 92
25K20100	O RING 10			182
25K30110	O RING 10	54K30110	A	428, 430
25K30110	O RING 10			428, 430
25K30202	O RING 10			82
25K30210	O-RING			44
25K30812	O-RING, 10			46
26DM12	NUT			206
26GM6016	SCREW			390
27E10	WASHER			42
27E12	WASHER			42, 318, 320
27E6	WASHER 5			214, 400
29CM1025	BOLT			346, 376, 378
29CM1040	BOLT			376, 378
29CM612	BOLT			260, 268, 272
29CM820	SCREW			166, 170
29E6	WASHER			454, 458
29G416	BOLT			86, 90, 182, 184, 186, 188, 192
29G416	BOLT	6814021	A	86, 90, 182, 184, 186, 188, 192
2C1626	BOLT			47, 48
2C614	SCREW			492
2DM10	NUT			306
2DM8	NUT			244
30H20	CLIP			160, 222, 224, 228
30H31	CLAMP 10			68
30H42	CLAMP			182
30H50	CLIP			168, 172, 340
30H65	CLIP	30HJ612	B	208, 210
30H65	CLIP			208, 210
30HJ620	CLAMP			108
31C1024	BOLT			404
31C1044	BOLT			406
31C1228	BOLT			14

Code for disposition of old part number

A -- Use up

B -- Use on other application (See PNI)

C -- File PDR Report with Bobcat Parts Sales

D -- Part Number Error

NUMERICAL INDEX (Cont'd)

Part No.	Description	Was	Code	Page
31C420	BOLT 5	53C420	B	160, 164
31C420	BOLT 5	53C416	B	160, 164
31C512	BOLT			416
31C612	BOLT			160, 224, 306
31C640	BOLT			72
31C680	BOLT	17C680	B	438
31C716	SCREW			454, 458
31C820	BOLT			14
31C824	BOLT 10			70
31C828	BOLT			406
31C832	BOLT			406
31C860	BOLT			218
31C880	SCREW			216
31H38	CLAMP			182
31H42	CLIP			420, 422, 426
35C410	BOLT 5	53C410	B	160, 164, 176, 288, 290, 392, 394
35C410	BOLT 5			160, 164, 176, 288, 290, 392, 394
35C412	BOLT			26, 28, 32, 34, 36, 38, 52, 316
35C412	BOLT	7153545	B	26, 28, 32, 34, 36, 38, 52, 316
35C516	BOLT 10			160, 164, 344, 392, 394
35C524	BOLT			418
35C612	BOLT	5CM1020	B	46, 168, 172, 174, 210, 228
35C612	BOLT			46, 168, 172, 174, 210, 228
35C616	BOLT 5			70, 106, 210
35C620	BOLT 5			318, 320, 438
36K5	CAP			86, 90, 108
36K6	CAP			216
36K8	CAP			482, 484
37C1032	BOLT			352
37C412	BOLT			352
37C424	BOLT			374
37C432	SCREW			376, 378
37C512	BOLT			342, 376, 378
37C516	BOLT			176, 288, 290
37C528	BOLT			374
37C620	BOLT			32, 34, 36, 38, 84, 284
37C624	BOLT			222, 224, 228
37C644	BOLT			58, 62, 296
38C610	BOLT			306
38C616	SCREW	7168843	A	308
38C816	BOLT			224, 228
38C824	SCREW			40
38C840	BOLT			40
3974033	CAP			240, 246
3974095	MET-GASK			234, 236, 266, 268, 270
3974260	SCREW			278
3974394	PIN			268
3974395	PIN			250
3974425	NUT			270
3974433	PLUG			240, 246
3974546	KEY			254
3974920	SCREW			244
3974972	GASKET			236, 258, 270
3974978	NUT			270

Code for disposition of old part number

A -- Use up

B -- Use on other application (See PNI)

C -- File PDR Report with Bobcat Parts Sales

D -- Part Number Error

NUMERICAL INDEX (Cont'd)

Part No.	Description	Was	Code	Page
3974979	CAP			270
3D6	NUT			206
42H52	CLAMP			210
42HC175	CLAMP			100
42HC300	CLAMP			210
42HC375	CLAMP			210
42HS04	COLLAR			220
43C512	BOLT	45C516	B	208
43C516	BOLT			220
43C612	BOLT			30, 454, 458, 460
43C616	BOLT			182
43DM10	NUT			212, 346
43DM8	NUT			174, 216, 222, 224, 228
44H48	CLAMP			376, 378
45C620	BOLT			174, 212, 214
45C824	BOLT	49C824	B	130, 212
45C824	BOLT			130, 212
45C828	BOLT			214, 400
45G1006	BOLT			350
45G1212	BOLT			166, 170
45K5	FITTING			438
47C620	BOLT			120
47C820	BOLT			54
47K10	PLUG			100, 104
47K7	PLUG			440, 482, 484
47K7	PLUG	24K7	B	440, 482, 484
47K8	PLUG			104, 132, 136
49C1048	BOLT			406
49C412	BOLT	31C410	B	206, 208
49C412	BOLT			206, 208
49C616	BOLT	31C616	B	206
49C624	SCREW			120, 224
49C628	BOLT			84, 120
49C636	BOLT			212, 214
4D28	NUT			404
4DM8	NUT			204
4F6106	PIN			26, 28
51DM10	NUT			376, 378
51DM6	NUT			306
51DM8	NUT			166, 170, 188, 192
5289686	PLUG			32, 34, 183, 184, 284
53C416	SCREW			18
53C512	SCREW			18
53C516	BOLT			102, 106, 208, 314
53C516	BOLT	25G514	B	102, 106, 208, 314
53D10	NUT			18, 42, 354, 404, 406
53D12	NUT			14, 42
53D6	NUT			26, 28, 42, 84, 120, 214, 400, 454, 458
53D8	NUT			406
53DM12	NUT			212, 214
54K20022	O'RING			138, 140
54K20028	O RING 10			88, 92
54K30218	O-RING			74, 78
54K40208	O-RING			82

Code for disposition of old part number

A -- Use up

B -- Use on other application (See PNI)

C -- File PDR Report with Bobcat Parts Sales

D -- Part Number Error

NUMERICAL INDEX (Cont'd)

Part No.	Description	Was	Code	Page
54K40224	O-RING			74, 78
54K40300	O-RING			74, 76, 78, 80
55CM12120	BOLT			212, 214
55CM1235	BOLT			212, 214
55D10	NUT			352
55D4	NUT			18, 160, 164, 350, 374, 376, 378, 392, 394
55D5	NUT			160, 164, 220, 222, 224, 228, 344, 374, 376, 378, 392, 394
55D6	NUT			412
55K204	O RING 10			86, 90
55K214	O-RING			102, 106, 420, 422, 440, 482, 484
55K219	O'RING			112, 114
56G412	STUD			40
57D5	NUT			100, 104, 176, 224, 228
57D6	NUT 5			32, 34, 36, 38, 84, 160, 224, 228, 284
58K004	O-RING			86, 90
58K013	O-RING			88, 92
58K016	O-RING 10			88, 92
58K120	O-RING			182, 186
58K17	O RING 10			88, 92
58K222	O-RING	54K40116	B	428, 430
59CM1060	SCREW			212
59CM1240	BOLT			130
59CM816	BOLT			210, 212, 214, 222, 224, 228, 229, 230, 376, 378, 379, 380
59CM820	SCREW HX FLNG W/T 8.8			210, 216, 230
59CM825	Screw Hex FLNG W/T8.8	59CM820	B	222, 224, 228
59CM825	Screw Hex FLNG W/T8.8			222, 224, 228
59D4	NUT 5			168, 172, 306, 308, 352, 438
59D5	NUT 5			30, 174, 306, 308, 462, 464
59D6	NUT			40, 70, 72, 222, 224, 228, 438
59D7	NUT			454, 458
59D8	NUT 5			18
5CM1020	SCREW			210
5CM812	BOLT			244
5HM13	CLAMP			220
5HM14	CLAMP			208, 220
5HM15	CLAMP			426
5HM16	CLAMP			100, 104
5HM18	CLAMP			368, 388
5HM20	CLAMP			368, 374, 388
5HM22	CLAMP			220
5HM23	CLAMP			208
5HM27	CLAMP			106, 108
5HM29	HOSECLAMP			96
5HM35	HOSECLAMP			108
5HM42	HOSECLAMP			100, 104, 286
5HM47	CLAMP			100, 104, 208
5HM58	CLAMP			220
619021	WASHER, 5			30, 44, 60, 62, 68, 308, 362, 364, 420, 422, 462, 464
61D4	NUT 5			222, 224, 228

Code for disposition of old part number

A -- Use up

B -- Use on other application (See PNI)

C -- File PDR Report with Bobcat Parts Sales

D -- Part Number Error

NUMERICAL INDEX (Cont'd)

Part No.	Description	Was	Code	Page
61D5	NUT			40, 288, 290, 306, 308, 341, 342
61D6	NUT 5			18, 498
61D8	NUT 5			450
62D4	NUT			222, 224, 228
62D6	NUT 5			120, 492
63D6	NUT			84, 120
6511855	SEAL			206
6512026	BUSHING			84
6512797	RIVET			460
6513495	COTTER PIN			84, 184, 284
6513707	JOINT			268
6515817	WASHER			18, 216
6517516	LIGHT			352
6519178	BUMPER			26, 28, 41, 42
6532453	RING			428, 430
6533898	DECAL			328, 406
6534668	SNAP RING			224, 228
654299	BEARING			132, 136
6553411	BUSHING			54, 56
6553709	WASHER			18
6555341	SAFETY TREAD			328, 420, 422
6557831	WASHER			83, 84, 206
6557904	FLASHER			352
6558309	WIRE ROPE			396
6558310	SLEEVE			396
6560633	DAMPENER			18
6561383	DECAL, OPERATION			328
6562602	BUSHING			18
6563914	WASHER			84, 120, 184, 284
6564452	GRIP			40
6564654	PIN			84, 184, 284
6564669	NUT	7131115	B,D	48, 496
6564669	NUT			48, 496
6565200	DECAL, FILTER			326
6565947	WASHER			48
6565977	HOSE			368, 374, 388
6565990	DECAL, OIL HYD			326
6567743	PIN			18, 360
6569203	CLAMP			174
6576033	WASHER			212, 214
6576280	BOLT			174
6577058	PIN			120
6577545	GROMMET			176, 288, 290
6577821	HOSE			220
6577822	HOSE			208, 220
6577954	PIN			42
6578169	HOSE			220
6578172	HOSE			220
6578253	SPRING, COMPRESSION			44
6578327	HOSE			116
6578857	HUB, WHEEL			48
6578870	CLAMP			438
6579613	STOP			18
658128	RING, SNAP			132, 136

Code for disposition of old part number

A -- Use up

B -- Use on other application (See PNI)

C -- File PDR Report with Bobcat Parts Sales

D -- Part Number Error

NUMERICAL INDEX (Cont'd)

Part No.	Description	Was	Code	Page
6586251	HOSE			100, 104, 426
6586542	HEAD			428, 430
6586543	PISTON			428, 430
6586918	SCREW			86
6587523	WASHER			86, 90
6587575	ADAPTER			86
6587580	SPRING			86, 90
6587763	BOOT			86
6589226	BONNET			86
6592098	WASHER			88
6592100	COLLAR			86, 90
6592105	BALL			86
6592107	SPRING			86
6592109	ADAPTER			88, 90
6592506	CLAMP			72, 438
6592766	U-BOLT			224, 228
6595663	BUSHING			86, 90
6596807	PLUG			86
6597009	HEAD			82
6598908	ELBOW			220
6599360	SEALANT			504
6599744	BALL JOINT			120, 492
6610510	TIE			304
6624289	STRAP, TIE			58, 62, 66, 72, 114, 160, 163, 164, 166, 170, 180, 220, 221, 222, 228, 296, 334, 338, 340, 362, 364, 368, 374, 376, 378, 388, 420, 422, 424, 426, 438
6625575	FUSE, 20A			166, 170
6630038	WASHER			222, 224, 228
6630168	COUPLER			88, 90
6630188	POLISH			504
6630189	POLISH			504
6631046	SEAL			248
6631418	PIN			18, 26, 28, 360
6632279	KIT, SEAL			88, 92
6633583	SEALANT			504
6640690	PIN			180, 196, 198
6640692	CONNECTOR			180, 196, 198
6640694	LOCK			180, 196, 198
6640699	CONNECTOR			196, 198
6640700	LOCK			196, 198
6641176	SEAL			180, 196, 198
6641179	CONNECTOR			180, 196, 198
6641180	LOCK			180, 196, 198
6644965	BALL JOINT			222, 224, 228
6645081	O-RING			132
6645086	PLUG			132, 136
6646582	PLUG			196, 198
6646781	SWITCH			176, 288
6647783	LOAD CHECK			298, 300
6647784	PLUG			298, 300
6647785	SPRING			298, 300
6648294	SPRING			298, 300
6649481	LIGHT, WEDGE BASE			176

Code for disposition of old part number

A -- Use up

B -- Use on other application (See PNI)

C -- File PDR Report with Bobcat Parts Sales

D -- Part Number Error

NUMERICAL INDEX (Cont'd)

Part No.	Description	Was	Code	Page
6649551	GAS SPRING			120, 492
6650107	SEAL			168, 172
6650120	RACE			50, 52
6650388	SEALANT			504
6650407	ADHESIVE			504
6650627	PLATE			132, 136
6650629	PIN			132, 136
6650630	RETAINER			132, 136
6650634	GASKET			132, 136
6650635	BEARING			132, 136
6650636	PIN			132, 136
6650637	BOLT			132, 136
6650646	O-RING			132
6650647	O-RING			132
6650648	PLUG			132
6650652	POPPET			132
6650668	BOLT			132, 136
6650675	COUPLER			132
6651512	ALARM BACKUP			176, 288, 290
6652018	BOLT			136
6652521	PLATE	872229	B	58, 66, 374, 438
6652521	PLATE			58, 66, 374, 438
6652574	PLUG			240, 246
6652592	PIN			272, 274
6652670	STUD			268
6652688	CLAMP			278
6652689	CLAMP			278
6652751	GASKET			236, 240
6653579	BOLT			246
6653827	STUD	7019302	A	258
6654718	CLAMP			266
6654806	FUSE, 15A			166, 170
6655507	FLANGE			248
6657028	O-RING			132, 136
6657067	COVER			134, 136
6657068	COVER			132, 136
6657446	SCREW			258
6657470	NUT			270
6657491	ELEMENT			242
6657556	BAND			262
6657719	PLUG			18, 334
6657734	PUMP, PRIMER HAND			220
6658180	PLUG, BLEED			220
6659369	HEATER			294
6659999	BELT, SEAT			460
6660644	CAP			86
6660775	SPRING			300
6660814	O-RING			132, 136
6661062	PLUG			414
6661353	LIGHT ASSY			176
6661481	O-RING			132
6662126	BRACKET			130
6662848	CAP			90
6663289	FUSE, 5A			166, 170

Code for disposition of old part number

A -- Use up

B -- Use on other application (See PNI)

C -- File PDR Report with Bobcat Parts Sales

D -- Part Number Error

NUMERICAL INDEX (Cont'd)

Part No.	Description	Was	Code	Page
6664029	ORIFICE			434
6664065	WASHER			446
6664085	BUSHING			446
6664097	COVER			446
6664103	NUT			446
6664554	PUMP, WIPER WASHER			304
6664845	CONE, BEARING			50, 52
6665000	CLIP			196, 198, 304, 308
6665102	COVER			376, 378
6665314	PLUG			20, 22, 334
6665321	RIVET			196, 198, 304, 308
6665322	RIVET			196, 198, 304, 308
6665356	BLOCK			168, 172
6665357	LOCK			168, 172
6665358	COVER, FUSE			168, 172
6665371	SWITCH			168, 172
6665411	WEDGE			168, 172
6665427	BATTERY, DRY 950 AMP			2, 174
6665569	WASHER			88, 92
6665570	RING			88, 92
6665602	MOTOR			446
6665701	BUSHING, PRESS FIT			84, 284
6665755	SEAL, OIL			50, 52
6665909	MOUNT			168, 172
6666338	WASHER			132, 136
6666542	SEAL			428, 430
6666766	GROMMET			304
6666920	CLAMP, HALF			376, 378
6667144	CONNECTOR			180, 196, 198
6667145	LOCK			180, 198
6667176	PLUG			298, 300
6667185	KIT, SEAL			298
6667201	SPACER			446
6667323	SEAL			428, 430
6667327	SEAL			82
6667352	FILTER, FUEL W/SEPERATOR 12			2, 8, 220
6667353	FILTER ASSY			220
6667422	WASHER			244
6667451	WASHER			244
6667676	COVER			298, 300
6667680	SNAP RING			298, 300
6667687	STEM			88, 92
6667803	COUPLER			438
6667804	COUPLER			438
6667844	VALVE, LIFT MANUAL			93, 94
6668742	SWITCH			22
6668815	SWITCH			352
6668816	SWITCH			292, 494
6669087	SEAL KIT			94

Code for disposition of old part number

A -- Use up

B -- Use on other application (See PNI)

C -- File PDR Report with Bobcat Parts Sales

D -- Part Number Error

NUMERICAL INDEX (Cont'd)

Part No.	Description	Was	Code	Page
6669135	SEAT, OPERATOR VINYL			30
6669224	BOLT			20, 22, 334
6669267	SEAL			74, 76, 78, 80
6669402	HOUSING			132
6669405	END CAP			136
6669406	END PLATE			132
6669409	WASHER			132
6669410	KIT, SHIM			134
6669411	BEARING			132, 136
6669549	SOCKET			338
6669620	PLUG			434
6669727	PLUG			434
6669732	KIT, SEAL			88, 92
6669734	KIT, SEAL			88, 92
6670284	LIGHT ASSY			176
6670338	PLUG			240, 246
6670347	GASKET			236, 238
6670472	NUT			276
6670533	NUT			266, 270, 272
6670634	SEAL KIT			298, 300
6670706	CONNECTOR			196, 198
6670707	CONNECTOR			196, 198
6670710	LOCK			196, 198
6670711	LOCK			196, 198
6670714	PIN			198
6670715	PIN			196, 198
6670726	CYLINDER. LOCK			334, 444
6671025	COIL			88, 92
6671027	LIGHT			348
6671106	HORN			343, 344
6671138	SEAL, OIL			48
6671516	KIT, SEAL			134, 136
6671518	BOLT			132, 136
6671520	O-RING			130, 136, 138, 140
6671527	NUT			298, 300
6671528	SEAL			168, 172
6671741	SNAP RING			144
6671760	COVER			146, 148
6672272	WASHER			176
6672273	SCREW			176
6672274	SCREW			176
6672275	GASKET			176
6672276	LENS, LIGHT RED			176
6672277	BRACKET			176
6672279	MOUNT, LIGHT RUBBER			176, 348
6672354	PLUG			240, 246
6672436	SEAL			234, 244
6672471	VALVE			88, 92
6672515	KIT, SEAL			158
6672756	KIT, SEAL			158
6672762	PLUG			158
6672863	VALVE, SOLENOID			298, 300
6673200	FUSE BLOCK			166, 170

Code for disposition of old part number

A -- Use up

B -- Use on other application (See PNI)

C -- File PDR Report with Bobcat Parts Sales

D -- Part Number Error

NUMERICAL INDEX (Cont'd)

Part No.	Description	Was	Code	Page
6673789	BEARING			120
6673835	SEAL KIT			434
6673882	SPRING	7008823	A	132
6673986	SPOOL			434
6674035	SNAP RING			124, 126
6674036	RING			124, 126
6674037	SPRING			124, 126
6674038	SEAL			124
6674040	SEAL			124
6674099	BREAKER, 25A			168, 172
6674184	RING			124
6674191	SHIM	6690090	D	126
6674192	BRAKE DISC	6690087	D	126
6674193	BRAKE DISC			126
6674235	RECEIVER DRIER			376, 378
6674264	RETAINER NUT			454, 458
6674316	SWITCH, PRESS OIL HYD			156, 166, 170
6674340	PIN			124
6674341	HOUSING			124
6674343	SHIM			124, 126
6674344	SPRING			124, 126
6674345	PLUG			124, 126
6674687	BATTERY, DRY 600 AMP			2
6674799	ADAPTER			338
6674802	CONNECTOR			338
6674841	SPRING			124, 126
6674894	NUT			26, 28
6674895	RETAINER			20, 24, 164, 324, 332, 334, 382
6675026	CAP			338
6675033	INSERT			20, 22, 24, 332, 382
6675154	HOLDER			166, 170
6675155	FUSE			166, 170
6675176	SWITCH			362, 364
6675177	KNOB			362, 364
6675181	PLUG			362, 364
6675212	RETAINER			374, 376, 378
6675228	SEAL			124
6675281	MOUNT			340
6675298	COUPLER, BODY			304
6675336	LIGHT, BULB 50W			160, 164
6675341	GROUP, ROTARY			133, 134, 136
6675342	PIN			132, 136
6675380	ADHESIVE			504
6675513	GROMMET			384
6675522	STROBE			494
6675523	BEACON			292
6675524	CLIP			20, 24
6675534	BLOCK, A/C VALVE			384
6675545	GROMMET			18
6675559	COIL			88, 92, 168, 172
6675618	CLAMP			264
6675734	STRAP			159, 160, 222
6675779	SWITCH, PRESS			376

Code for disposition of old part number

A -- Use up

B -- Use on other application (See PNI)

C -- File PDR Report with Bobcat Parts Sales

D -- Part Number Error

NUMERICAL INDEX (Cont'd)

Part No.	Description	Was	Code	Page
6675780	CARTRIDGE			298, 300
6675781	COIL			298, 300
6675863	QUAD RING			126
6675864	QUAD RING			124, 126
6675866	SPOOL			124, 126
6675867	WASHER			124, 126
6675868	POPPET			124, 126
6675877	SEAL			126
6675878	SEAL			126
6675879	SEAL			126
6675880	SEAL			126
6675881	SEAL			126
6675883	KIT, WASHER			126
6675885	SNAP RING			126
6675889	PISTON			126
6675890	COVER			126
6675892	GASKET			126
6675893	O-RING			126
6675897	WASHER			126
6675898	BUSHING			126
6675999	SWITCH			446
6676000	TEE			446
6676001	ARM			446
6676002	BLADE			446
6676003	HOSE,BULK			304, 446
6676021	KIT, SEAL			124
6676028	NOZZLE			446
6676029	SOLENOID, LOCK SPOOL			86, 196, 284
6676038	O-RING			124, 126
6676147	PLATE, VALVE			132
6676148	PLATE, VALVE			136
6676246	NUT			158
6676500	ELBOW			304, 446
6676539	CLIP			384
6676543	PLUG			298, 300
6676640	SEAL			199, 200
6676653	SCREW			366, 386
6676870	CONNECTOR			198
6676917	ELBOW			304, 446
6677115	RECEPTACLE			366, 384
6677116	RETAINER			366, 384
6677117	SCREW			366, 386
6677118	SCREW			366, 384
6677119	SCREW			366, 384
6677136	SOCKET			338
6677177	PLUG			158
6677181	SENSOR, SPEED TRAVEL			182
6677192	MAGNET			304, 308
6677487	COVER			202
6677488	RECTIFIER			202
6677490	BRACKET			202
6677491	BRACKET			202
6677492	ROTOR			202

Code for disposition of old part number

A -- Use up

B -- Use on other application (See PNI)

C -- File PDR Report with Bobcat Parts Sales

D -- Part Number Error

NUMERICAL INDEX (Cont'd)

Part No.	Description	Was	Code	Page
6677493	STATOR			202
6677494	BOLT			202
6677495	SPACER			202
6677497	NUT			202
6678226	SEAL, OIL			132, 136
6678233	FILTER, OIL ENG 12			2, 5, 6, 8, 264
6678668	STRAP, DUAL TIE			166, 170, 174, 426
6678675	CONTROLLER, ACD			340
6678705	BALL			434
6678765	NUT			208
6678785	NUT			206
6678837	O-RING			434
6678971	BOLT			46
6678974	MOUNT			374
6679034	MOUNT			166, 167, 168, 170, 171, 172
6679485	CONTROLLER SJC			182
6679820	RELAY			166, 170
6679836	ADAPTER			72
6679837	COUPLER			72
6679838	KIT, COUPLER			72
6679840	SEAL			72
6679841	SEAL			72
6680018	COUPLER, KIT			72
6680020	SEAL KIT			72
6680055	MAGNET			53, 54, 182
6680264	STUD			266
6680272	NUT			270
6680355	BOOT			204
6680356	BOLT			204
6680357	HOLDER			204
6680358	RING			204
6680359	STOP RING			204
6680360	STOP			204
6680361	SPRING			204
6680362	BALL			204
6680363	WASHER			204
6680364	LEVER			204
6680365	SHAFT			204
6680366	GEAR			204
6680367	GEAR			204
6680368	STOP RING			204
6680369	SEAL			204
6680370	PLATE			204
6680371	LEVER			204
6680372	BRACKET			204
6680373	YOKE			204
6680374	ARMATURE			204
6680375	SHAFT			204
6680376	SWITCH			204
6680377	HOLDER			204
6680378	WASHER			204
6680379	SEAL			204
6680380	SEAL			204
6680381	SPRING			204

Code for disposition of old part number

A -- Use up

B -- Use on other application (See PNI)

C -- File PDR Report with Bobcat Parts Sales

D -- Part Number Error

NUMERICAL INDEX (Cont'd)

Part No.	Description	Was	Code	Page
6680382	SPRING			204
6680383	BOLT			204
6680384	BOLT			204
6680388	BRACKET			204
6680389	BRACKET			204
6680390	GEAR			204
6680410	CONTROLLER			182, 184, 185, 186
6680417	HANDLE			196, 198
6680418	HANDLE ASSY.			179, 180
6680419	HANDLE ASSY.			180
6680438	SENSOR, FUEL			166, 170, 220
6680441	BUSHING			26, 28
6680443	BUSHING, MAGNET			26, 28
6680447	DECAL			180
6680462	HANDLE, ACS RH			196, 198
6680468	MOUNT			196, 284
6680469	SPACER			196, 198, 284
6680470	SPRING			196, 284
6680471	COVER			196, 198
6680477	STRAP			196, 284
6680533	BOLT			272
6680564	STUD			258, 262
6680570	GASKET			234
6680576	PIN			260
6680646	ADAPTER			264
6680657	PLUG			248
6680662	BOLT			266
6680667	PLUG			268
6680678	SCREW			238
6680679	PLUG			238
6680680	SEAL			236, 238
6680687	BOLT			276
6680694	PLUG			240
6680695	SEAL			242
6680755	BOLT			256, 264, 268
6680757	COVER			271, 272
6680759	NUT			272
6680769	PIN			272
6680775	PIN			272
6680778	O-RING			234, 276
6680788	BOLT			276
6680791	BOLT			260, 266
6680796	VALVE			266
6680801	BOLT			262, 264
6680803	BOLT			256, 262
6680809	PIN			268
6680813	KEY			268
6680820	WASHER			274
6680821	SNAP RING			274
6680822	SNAP RING			274
6680823	SNAP RING			274
6680828	STUD			272
6680829	GASKET			236, 272
6680830	BOLT			272

Code for disposition of old part number

A -- Use up

B -- Use on other application (See PNI)

C -- File PDR Report with Bobcat Parts Sales

D -- Part Number Error

NUMERICAL INDEX (Cont'd)

Part No.	Description	Was	Code	Page
6680844	GASKET			234, 256
6680845	BOLT			264
6680850	THERMOSTAT			256
6680859	GUIDE			243, 244, 246
6680863	VALVE SPRING			244
6680866	SHAFT			244, 246
6680877	PIN			244
6680882	PAD			244
6680900	BOLT			260, 266
6680952	FITTING 90 DEG BARB			208
6680970	BREATHER			54, 56
6681857	ALTERNATOR			201, 202
6681905	NUT			306
6682260	SHAFT			132
6682261	KEY			132
6682264	SHAFT			136
6682697	GROMMET			368, 388
6682936	O-RING			152
6682949	O-RING			130
6683009	O-RING			242, 248
6683023	O-RING			236, 272
6683087	STUD			272
6683167	CYLINDER BLOCK			132, 136
6683168	PISTON ASSEMBLY			132, 136
6683274	SEAL, SPOOL 10			86, 90
6684033	NUT			32, 34, 36, 38, 84, 206, 284
6684044	VALVE			442
6684045	SEAL KIT			442
6684046	O-RING			442
6684047	BACK-UP RING			442
6684048	O-RING			442
6684049	O-RING			442
6684050	BACK-UP RING			442
6684052	SEAL KIT			442
6684053	BACK-UP RING			442
6684054	O-RING			442
6684056	O-RING			442
6684060	NUT			442
6684061	VALVE			442
6684062	SEAL KIT			442
6684063	O-RING			442
6684064	BACK-UP RING			442
6684065	O-RING			442
6684066	O-RING			442
6684069	SEAL KIT			442
6684070	O-RING			442
6684071	O-RING			442
6684072	BACK-UP RING			442
6684073	COIL, SOLENOID			442
6684125	COUPLER			60, 64, 68, 86, 90
6684565	VALVE, RELIEF	7008822	A	132, 136
6684641	MOUNT			160, 164, 344, 392, 394
6684646	VALVE			86, 90
6684650	REGULATOR			202

Code for disposition of old part number

A -- Use up

B -- Use on other application (See PNI)

C -- File PDR Report with Bobcat Parts Sales

D -- Part Number Error

NUMERICAL INDEX (Cont'd)

Part No.	Description	Was	Code	Page
6684651	BEARING			202
6684652	BEARING			202
6684653	PULLEY			202
6684742	NUT			432
6684743	SOLENOID			432
6684744	SOLENOID			432
6684745	PISTON			432
6684746	CHECK VALVE			432
6684747	SEAL KIT			432
6684781	BOLT			242
6684782	O-RING			236
6684829	SHIM			268
6684841	GASKET			236, 272
6684857	PLUG			256
6684889	CLAMP	6680698	B	242, 264
6684889	CLAMP			242, 264
6684910	SENSOR, ELEC AHC			196, 198
6684932	KNOB			412
6685027	VALVE			98
6685060	BUSHING, TORSION			84, 120
6685087	VALVE			242
6685109	BOLT, FLANGE			264
6685190	STARTER			203, 204
6685190REM	STARTER			204
6685328	RELIEF VALVE			442
6685344	SWASHPLATE			132, 136
6685372	SEALANT, GASKET LIQUID			46, 54, 56, 504
6685390	SCREW			138, 140
6685390	SCREW	6687992	D	138, 140
6685465	O-RING			236, 272
6685498	GASKET			234, 276
6685500	COVER			272
6685541	POPPET			432
6685542	O-RING			432
6685543	CHECK VALVE			432
6685544	COMPENSATOR			432
6685545	PLUG			432
6685546	PLUG			432
6685581	O-RING			242
6685601	CLAMP			260
6685624	VALVE, AUX REAR			438, 441, 442
6685663	RETAINER			120, 438
6685850	CORD			294
6685918	PIN			240
6685924	CAP			242, 248
6685929	RELIEF VALVE			238
6685952	NUT			274
6685958	GUIDE			244, 246
6685959	RETAINER			244
6685962	WASHER, SEALING ALUMINUM			236, 266
6686096	LENS			348
6686097	BULB			348
6686098	BULB			348

Code for disposition of old part number

A -- Use up

B -- Use on other application (See PNI)

C -- File PDR Report with Bobcat Parts Sales

D -- Part Number Error

NUMERICAL INDEX (Cont'd)

Part No.	Description	Was	Code	Page
6686099	LENS			348
6686100	SCREW			348
6686360	VALVE			86, 90
6686360	VALVE	6686359	D	86, 90
6686934	PIN			138, 140
6686981	O-RING			236, 248
6686999	SEAL			82
6687000	WIPER ROD			74, 76, 78, 80
6687191	SEAL, OIL			132
6687866	KIT, SEAL			154
6687904	GUIDE			248
6687913	SEAL			122
6687925	NUT			146, 148
6687930	WIRE			142, 144
6687932	PIN			138, 140
6687938	VALVE			151, 152
6687939	SCREW			152
6687940	PLATE			142, 144
6687941	COUPLER			138, 140
6687943	SHAFT			144
6687956	BEARING			142, 144
6687962	PISTON			146, 148
6687967	SPRING			150
6687986	KIT			146, 148
6687987	BEARING			144
6687992	SCREW	6688039	D	138, 140
6687995	SCREW			146, 148
6687996	SCREW			150
6687997	SCREW			150
6687999	RING, SNAP			142, 144
6688003	SCREW			138, 140, 212
6688005	SEAL			146, 148
6688006	SEAL			146, 148
6688008	SCREW			138, 140
6688009	SEAL			138, 140
6688010	PIN			150
6688011	PIN			138, 140
6688014	PIN			138, 140
6688015	SCREW			138, 140
6688016	SCREW			138, 140
6688017	SHIM			152
6688018	BEARING			142, 144
6688040	BEARING			138, 140
6688042	RING, SNAP			142
6688320	SEAL KIT			98
6688322	KIT, SEAL			98
6688338	NUT			338
6688363	MOTOR, DRIVE HYD 2-SPD			125, 126
6688449	LOCATING PIN			124, 126
6688637	MOUNT			347, 348
6688833	CONNECTOR			178
6688834	CONNECTOR			178
6688836	FLANGE			178
6688845	VALVE			86, 90

Code for disposition of old part number

A -- Use up

B -- Use on other application (See PNI)

C -- File PDR Report with Bobcat Parts Sales

D -- Part Number Error

NUMERICAL INDEX (Cont'd)

Part No.	Description	Was	Code	Page
6688933	VALVE ASSY			442
6688934	COIL			442
6688980	BOLT			166, 170
6689021	SEAL KIT			138, 140
6689088	QUAD RING			126
6689089	O-RING	6690097	D	126
6689090	O-RING	6690077	D	126
6689112	SEAL			60, 62, 66
6689126	PISTON			124, 126
6689133	O-RING			124, 126
6689192	BOLT, FLANGE			256, 258
6689331	GASKET			236, 260, 266
6689389	SPACER			434
6689739	VALVE			86, 90
6689922	HANDLE			188, 192
6689923	HANDLE			188, 189, 190, 192
6689927	BOLT			190, 192
6689983	FILTER KIT			432
6690005	KIT, SEAL			128
6690021	BLOCK			124
6690022	ROLLER			124, 126
6690025	CAM			124, 126
6690039	SCREW			124, 127, 128
6690048	RING			124, 126
6690067	RING			126
6690068	PIN			126
6690082	HOUSING			126
6690084	SHAFT			126
6690089	SHIM			126
6690094	CLAMP			126
6690095	SCREW			126
6690096	SCREW			126
6690105	WASHER			126
6690158	ROTOR GROUP			124
6690163	RING			54
6690299	O-RING			434
6690482	GROMMET			366, 384
6690561	MAGNET			52
6690564	SPRING, COMPRESSION			490
6690688	TREE MOUNT			182, 304, 308
6690689	MOUNT, FIR TREE			182
6690690	STRAP, TIE			182, 304, 308
6690911	CLAMP			74, 76, 78, 80
6690947	SWITCH, BPV			296
6690948	SWITCH PARK BRAKE			160, 164
6690988	CHAIN, DRIVE			46
6691022	NUT			88, 92
6691078	LINK			46
6691100	PIN	6687193	D	126
6691173	BRACKET			350
6691176	REAR CASE ASSY.			128
6691177	BRAKE ASSY.			128
6691227	PLUG			124, 126

Code for disposition of old part number

A -- Use up

B -- Use on other application (See PNI)

C -- File PDR Report with Bobcat Parts Sales

D -- Part Number Error

NUMERICAL INDEX (Cont'd)

Part No.	Description	Was	Code	Page
6691288	CONTROLLER, AUX CONTROL			166, 170
6691534	SCREW			384
6691536	DUST EJECTION VALVE			280
6691714	SENSOR, SEATBAR BICS			26, 28
6692325	SEAL, PISTON			80
6692337	FILTER, HYD CARTRIDGE			2, 10, 156
6692489	ALARM, BUZZER			160, 164
6692757	DECAL, "REMOTE CONTROL OPERATION", LARGE			448
6692762	KEYS, SET OF 2			448
6692763	DECAL WARNING, "READ THE MANUAL"			448
6692767	DECAL, "ROTATING PARTS"			448
6692768	DECAL, "REMOTE CONTROL OPERATION", SMALL			448
6692769	CHARGER, MAKITA DC1422, 12-24VDC			448
6692770	BATTERY, NICD, 9.6V, 1.3AH, MAKITA 9000			448
6692771	SHOULDER HARNESS			448
6692830	ENGINE, V3307DI-T-E3B-BC-1			231, 232
6692926	HOSE, HYD			111, 112, 114
6692928	HOSE, HYD			112, 114
6693222	GROMMET			366, 384
6693223	WASHER			366, 384
6693236	FOAM			366, 386
6693241	KEY 10			160, 206, 304, 308, 334, 444
6693245	SWITCH, IGN			160
6693353	CONTROLLER, GATEWAY			166, 170
6693409	BULB, STROBE			448
6693410	LENS			448
6693411	LENS			448
6693413	DISPLAY, DLX			164, 336
6693414	VALVE, SOLENOID			98
6693415	RING			50, 52
6693525	BEARING			50, 52
6693712	KEYPAD, PANEL			160, 164, 402
6693864	BOLT			366
6693867	HOUSING			136
6693873	GROUP, ROTARY			142
6693874	GROUP, ROTARY			144

Code for disposition of old part number

A -- Use up

B -- Use on other application (See PNI)

C -- File PDR Report with Bobcat Parts Sales

D -- Part Number Error

NUMERICAL INDEX (Cont'd)

Part No.	Description	Was	Code	Page
6693876	SEAL, SHAFT			142
6693921	SENSOR, RPM			174
6697792	PISTON, ASSY			82
6697914	HOSE, TUBE ASSY			376, 378
6697915	HOSE			376, 378
6697916	HOSE			376, 378
6697917	HOSE			376, 378
6697918	HOSE			376, 378
6697920	SENSOR, PRESS OIL ENG			174
6697938	BASE, JOYSTICK			190, 192, 193, 194
6697939	BASE, JOYSTICK			190, 194
6697942	PLUG, NYLON			72
6697960	SOLENOID			150
6697971	VALVE, 2 SPEED			157, 158
6698062	GASKET, MOTOR			156
6698065	COIL, CPP012H			156
6698066	HOUSING, FILTER CARTRIDGE			156
6698096	FILTER, AIR RECIRCULATING			362
6698120	GASKET			246, 268
6698244	ORING			264
6698434	VALVE, PROPORTIONAL			86, 90
6698524	ARM, VALVE BRIDGE			244
6698580	VALVE, LEAD			262
6698585	VALVE, THERMOSTATIC			262
6698590	COMPRESSOR, A/C			376, 378
6698591	KIT, SEAL			156
6698594	PUMP, TANDEM			137, 138
669863	RING, SNAP			132, 136
6700170	WASHER			224
6700631	GASKET			100, 104
6700743	SPRING			42
6701097	WASHER			206
6701174	WASHER			192
6701449	FILLER TUBE			220
6701535	SPRING			26, 28, 120
6701892	CLAMP			58, 62, 66, 374, 440
6702444	FUSE 25A 5			166, 170
6702593	SPACER			176, 288
6702621	GRIP			180, 198
6702716	BLOCK			120
6702903	LEVER, BOB-TACH LH			44
6702904	LEVER, BOB-TACH RH			44
6702935	PIN, PIVOT			42
6702958	BUSHING, WELD-ON			44
6702971	BOLT			18
6702990	BUSHING			196, 198
6703640	KIT			459, 460

Code for disposition of old part number

A -- Use up

B -- Use on other application (See PNI)

C -- File PDR Report with Bobcat Parts Sales

D -- Part Number Error

NUMERICAL INDEX (Cont'd)

Part No.	Description	Was	Code	Page
6703703	GUIDE			460
6704248	PIVOT			44
6704453	SPRING			44, 304, 308
6704892	RIVET			340
6705340	DECAL, LUBRICANT			328
6706098	GUIDE			120
6706558	DECAL, OPERATION			328
6706633	ADAPTER			438
6706718	MOUNT			54
6706737	GASKET			54
6707101	SEAL			70, 94
6707620	FUSE, 10A MINI 5			168, 172
6707621	FUSE, 15A MINI 5			166, 168, 170, 172
6707623	FUSE, 25A MINI 5			166, 168, 170, 172
6708009	LINK			84
6708016	GASKET			54
6708018	SPRING			54
6708043	BUSHING			84
6708267	BOLT			54
6708310	HOSE, BULK 100			304
6708437	CLIP			168, 172
6708929	DECAL, COOLANT			326
6708987	HINGE, WELD-ON			14
6709170	STUD	7130936	B,D	48
6709757	SHAFT, AXLE			48
6710659	BUSHING			26, 28
6711908	SPRING PLATE			460
6713043	SPACER			196, 198
6713507	DECAL			330
6713589	CLEVIS			26, 28
6713887	BOLT			26, 28
6714278	WEDGE, LOCK TRACTION			54
6714362	COUNTERWEIGHT, AXLE REAR			498
6714810	PIN			42
6715163	BUSHING, PRESS FIT			120
6715164	SLEEVE, SPRING			120
6715183	ELBOW			220
6715864	BUSHING			26, 28
6715865	BUSHING			26, 28
6715866	BUSHING			26, 28
6716621	COVER	7176546	A	166, 170
6717242	HOUSING			50
6717401	PLUG			220
6717402	BUSHING			220
6717579	GASKET			166, 170
6717806	BOLT			46, 114
6717885	ELBOW			96
6718034	FUSE, 30A			166, 170
6718414	SENDER, TEMP ENG			174
6718796	PLUG			356
6718872	HARNESS			292, 352, 494
6719056	BLOCK			54

Code for disposition of old part number

A -- Use up

B -- Use on other application (See PNI)

C -- File PDR Report with Bobcat Parts Sales

D -- Part Number Error

NUMERICAL INDEX (Cont'd)

Part No.	Description	Was	Code	Page
6719057	BLOCK			54
6719448	MAGNET, CONTROL ATTACH			340
6719766	STOP			40
6719834	SPACER			196, 198, 284
6719835	SLEEVE			196, 198, 284
6719888	DECAL			328, 420, 422
6720038	INSTRUCTIONS			294
6720808	KIT, ENGINE BLOCK HEATER			293, 294
6725301	OP MANUAL COVER			20, 24
6725403	SEAT BELT			29, 30
6727065	BOLT			196, 198, 284
6727313	ELBOW			100, 104, 422, 434
6727475	CAP, OIL HYD			9, 10, 99, 100, 103, 104
6727595	DECAL, TIE-DOWN			328
6727707	CLAMP			112, 114
6727869	SENDER, HYD TEMP			166, 170
6728473	BOLT, SHOULDER			44
6728971	PIN, PIVOT TAPERED			42
6729078	DECAL			328
6729594	HANDLE			196, 198
6729595	HANDLE			196, 198
6729663	HOUSING			52
6729901	TIRE			495, 496
6730013	COVER			52
6730108	TIRE			496
6730109	TIRE			496
6730772	RIM			496
6730785	BUSHING			14
6730894	BOLT			220
6730995	BUSHING, WEAR			42
6731084	ADAPTER			374
6731085	ELBOW			374
6731121	PLUG			46
6731160	WASHER			42
6731275	INSULATION			166, 170
6732730	HARNESS			340
6732847	RIM			496
6733136	KIT, ATTACHMENT 14-PIN			339, 340
6733144	MOUNT			340
6733370	HARNESS			174
6733429	CAP			208
6733575	HINGE, REAR DOOR			39, 40
6733578	RIM			496
6733616	BUMPER			40
6734090	ADAPTER			208
6734298	MOUNT			120
6735249	HOSE, FUEL			220
6735696	BUSHING			220
6735796	CLAMP			60, 62, 66
6735901	DECAL, LOGO BOBCAT HEAD			328

Code for disposition of old part number

A -- Use up

B -- Use on other application (See PNI)

C -- File PDR Report with Bobcat Parts Sales

D -- Part Number Error

NUMERICAL INDEX (Cont'd)

Part No.	Description	Was	Code	Page
6736641	PAINT			506
6736642	PAINT			506
6736644	PAINT			504, 505, 506
6736645	PAINT			506
6737088	COVER, FRONT ACCESS			46
6737189	DECAL, WARNING			176, 288, 290, 326
6737191	WEDGE			44
6737388	WASHER			84, 120, 214, 400
6737524	KNOB			70, 94
6737692	BEARING			224, 228
6737693	SPACER			224, 228
6801059	WASHER			446
6801167	PLUG			90
6802539	SPACER			18
6803092	BONNET			90
6803202	SCREW			188, 192
6805550	WASHER			212, 214
6808798	ELBOW			220
6809726	ROLLER			40
6809734	BUSHING			40
6809845	BOLT			40
6810132	SPRING			40
6810141	SPRING			40
6810356	SPACER			428, 430
6810539	NUT			74, 76, 78, 80
6810540	NUT			82
6812171	PLUG			74, 76, 78, 80, 82
6812865	FITTING			104, 108
6813153	PLATE			86
6814022	SCREW HEX SKT HD W/T			86, 90
6814694	RETAINER			86, 90
6815152	SPOOL			86
6816549	PLUG ASSY PORT RLF			86, 90
6901872	INSTRUCTIONS			340
6902228	PAINT, ORANGE SPRAY CAN 6			503, 504
6902229	PAINT, CHARCOAL SPRAY CAN 6			504
6902230	PAINT, WHITE SPRAY CAN 6			504
6902233	PAINT, ORANGE QT 6			504
6902234	PAINT, CHARCOAL QT 6			504
6902235	PAINT, WHITE QT 6			504
6902236	PRIMER QT. 6			504
6903105	OIL, 15W40 QT. 12			2, 6, 8, 504
6903106	OIL, 15W40 GAL. 6			2, 6, 8, 504
6903107	OIL, 10W30 QT. 12			2, 6, 8, 504
6903108	OIL, 10W30 GAL. 6			2, 6, 8, 504
6903109	OIL 30W QT. 12			2, 6, 8, 504
6903110	OIL, 30W GAL. 6			2, 6, 8, 504

Code for disposition of old part number

A -- Use up

B -- Use on other application (See PNI)

C -- File PDR Report with Bobcat Parts Sales

D -- Part Number Error

NUMERICAL INDEX (Cont'd)

Part No.	Description	Was	Code	Page
6903111	OIL 30W 2.5 GAL 2			2, 6, 8, 504
6903112	OIL, 10W30 2.5 GAL 2			2, 6, 8, 504
6903113	OIL, 15W40 2.5 GAL. 2			2, 6, 8, 504
6903117	FLUID, OIL HYD 2.5 GAL 2			2, 11, 12, 504
6903118	FLUID, OIL HYD 5 GAL			2, 12, 504
6903119	FLUID, OIL HYD 55 GAL			2, 12, 504
6903121	LUBE, GEAR 12			8, 504
6903122	GREASE, MULTI PURPOSE #2 - 10			7, 8, 504
6903773	33X6X11 TWIN FLEX TIRE & WHEEL (LEFT)			499, 500
6903774	33X6X11 TWIN FLEX TIRE & WHEEL (RIGHT)			500
6904709	MANUAL			448
6967534	PISTON			152
6967535	COLLAR			152
6967536	SPRING			152
6969803	COVER, BREATHER			242
6969819	NUT, FLANGE			258, 260, 262, 266, 268
6969824	GASKET, NOZZLE INJ			234, 276
6969968	PLUG			240
6983128	ANTI-FREEZE PG 53/47 PREMIX GAL 6			504
6983129	ANTI-FREEZE PG CONCENTRATE 6			504
6987128	INSTRUCTIONS			318, 320
6987139	INSTRUCTIONS			436
6987159	MANUAL OPERATION S630 LOADER			2
6987159-CD	MANUAL OPERATION S630 LOADER CD			2
6987160	MANUAL SERVICE S630 LOADER			2
6987160-CD	MANUAL SERVICE S630 LOADER CD			2
6987161	MANUAL PARTS S630 LOADER			2
6987161-CD	MANUAL PARTS S630 LOADER-CD			2, 3, 4
6987174	HANDBOOK, OPERATOR'S			4, 326
6987216	INSTRUCTIONS			354
6987217	INSTRUCTIONS			406
6987218	INSTRUCTIONS			404
6987220	INSTRUCTIONS			420, 424

Code for disposition of old part number

A -- Use up

B -- Use on other application (See PNI)

C -- File PDR Report with Bobcat Parts Sales

D -- Part Number Error

NUMERICAL INDEX (Cont'd)

Part No.	Description	Was	Code	Page
6987223	INSTRUCTIONS			350
6987224	INSTRUCTIONS			352
6987225	INSTRUCTIONS			292, 494
6987227	INSTRUCTIONS			324
6987228	INSTRUCTIONS			316
6987229	INSTRUCTIONS			314
6987230	INSTRUCTIONS			306
6987231	INSTRUCTIONS			362, 364, 374
6987232	INSTRUCTIONS			310
6987233	INSTRUCTIONS			376
6987234	INSTRUCTIONS			334
6987235	INSTRUCTIONS			288, 290
6987236	INSTRUCTIONS			284
6987237	INSTRUCTIONS			392, 394
6987238	INSTRUCTIONS			338
6987239	INSTRUCTIONS			444
6987248	INSTRUCTIONS			454, 458
6987249	INSTRUCTIONS			462, 464
6987250	INSTRUCTIONS			296
6987251	INSTRUCTIONS			492
6987252	INSTRUCTIONS			282
6987253	INSTRUCTIONS			456
6987279	INSTRUCTIONS			360
6987280	INSTRUCTIONS			336
6987281	INSTRUCTIONS			402
6987282	INSTRUCTIONS			446
6987299	INSTRUCTIONS			440
6987335	INSTRUCTIONS			450
6987336	INSTRUCTIONS			358
6987338	INSTRUCTIONS			482, 484
6987349	INSTRUCTIONS			502
6987355	INSTRUCTIONS			332
6987356	INSTRUCTIONS			382
6987366	INSTRUCTIONS			346
6987388	INSTRUCTIONS			312
6987421	INSTRUCTIONS			398
6987475	INSTRUCTIONS			286
6987490	INSTRUCTIONS			410
6987491	INSTRUCTIONS			416
6987492	INSTRUCTIONS			322
6988336	RADIO, MINI BOBCAT			436
6988435	KIT, RADIO M- SERIES LOADERS	NAP	D	435, 436
6988660	SPEAKER 4 X 6 RETAIL JXA462	7159875	A	436
6988661	ANTENNA, 94 INCH MOTOROLA MALE PLUG	7159877	A	436
6989407	KIT, DECAL			325, 326, 327, 328
6989484	INSTRUCTIONS			412
6989487	INSTRUCTIONS			408
6989520	INSTRUCTIONS			356
6989526	INSTRUCTIONS			396
6989663	INSTRUCTIONS			460

Code for disposition of old part number

A -- Use up

B -- Use on other application (See PNI)

C -- File PDR Report with Bobcat Parts Sales

D -- Part Number Error

NUMERICAL INDEX (Cont'd)

Part No.	Description	Was	Code	Page
6989699	INSTRUCTIONS			474, 476, 478, 480
6989741	INSTRUCTIONS			422, 426
6990077	INSTRUCTIONS			380
6990079	INSTRUCTIONS			390
6990106	INSTRUCTIONS			400
6990126	INSTRUCTIONS			302
6990138	INSTRUCTIONS			490
6990145	INSTRUCTIONS			498
69G436	BOLT			90, 182, 184, 186
6E5	WASHER			352
6EM80	WASHER, SPRING			204
6J1664	KEY			48
7000488	DAMPER			216
7000489	DAMPER			216, 217, 218
7000583	GEAR, RING STARTER			240
7000586	PLUG			240
7000589	BOLT, ADJUSTING			270
7000594	SCREW			268
7000599	PIN			244
7000600	CAP, SEALING			240
7000604	TUBE, FUEL LINE ASSY			266
7000605	TUBE, FUEL LINE ASSY			266
7000606	STUD			268
7000607	PLUG			246
7000609	SCREW, AIR BLEEDER			268
7000612	TAPPET			254
7000613	NUT			266
7000614	RETAINER, BEARING			268
7000615	BOLT, FLYWHEEL			240
7000616	GEAR, DRIVE			250
7000617	BEARING, BALL			268
7000618	GASKET, PUMP INJ			236, 266
7000619	ORING			234, 276
7000620	BOLT, ADJUSTING			270
7000621	BRACKET, BOLT ADJUSTING			270
7000622	SLEEVE, GOVERNOR			272
7000623	LEVER, GOVERNOR			272
7000624	SHAFT, FORK LEVER			274
7000625	SPRING, SPEED CONTROL			272
7000626	SEAL			276
7000628	CAMSHAFT, FUEL			268
7000629	RETAINER, BEARING			268
7000631	FLANGE, EGR			262
7000632	GASKET EGR INLET			262

Code for disposition of old part number

A -- Use up

B -- Use on other application (See PNI)

C -- File PDR Report with Bobcat Parts Sales

D -- Part Number Error

NUMERICAL INDEX (Cont'd)

Part No.	Description	Was	Code	Page
7000633	GASKET, EGR VALVE			234, 262, 264
7000634	GASKET, EGR VALVE			234, 262
7000635	GASKET, EGR COOLER			234, 264
7000636	GASKET, EGR BASE			234, 264
7000637	BEARING, BALL			268
7000638	WEIGHT, GOVERNOR			272
7000639	LEVER, FORK			273, 274
7000642	WASHER, SEALING COPPER			234, 260
7000714	DIPSTICK, OIL ENG			248
7000731	O-RING			270
7000749	KEY, SHAFT	3974546	B	250, 251, 252
7000767	PUMP, FUEL			266
7000769	SOLENOID, SHUTOFF FUEL			174, 272
7000973	PLUG, MOTOR			156
7000974	PLUG, MOTOR			156
7000983	SCREW			362, 364
7000984	CLIP			362, 364
7001016	PUMP			131, 132, 135, 136
7001044	HORN, ALARM			160, 164, 392, 394
7001046	MOTOR, DRIVE HYD			123, 124
7001120	SHAFT, DRIVE			142
7001138	BOLT, FLANGE			248, 254
7001139	BOLT, FLANGE			262
7001421	GUAGE, SIGHT			100, 104
7001499	BOLT, EYE			268
7001664	PLUG, POWER			22, 334
7001673	KIT, SCREEN FILTER			432
7001678	VALVE, CHECK			432
7001709	SWITCH FRONT WIPER			304
7001710	SWITCH, ISO			182
7001712	SWITCH			420, 422
7001713	SWITCH			184, 284
7001920	COVER, FRONT			280
7001921	BLOCK, JUNCTION			58, 62
7002716	SCREW			86, 90
7002734	FILTER, OIL HYD TANK			2, 12, 102
7002736	LATCH, DRAW			206
7002737	LATCH, PAWL			206
7002739	GROMMET			110
7002740	GROMMET			100, 104
7002980	SWITCH, PRESSURE			166, 170
7002985	INSERT, BLANK			20, 160, 161, 162
7002988	TIE, STUD MOUNT			176, 288, 290, 348
7003027	INSERT, KEYPAD			160, 164, 402
7003032	SWITCH, OVERRIDE TRACTION			160, 164

Code for disposition of old part number

A -- Use up

B -- Use on other application (See PNI)

C -- File PDR Report with Bobcat Parts Sales

D -- Part Number Error

NUMERICAL INDEX (Cont'd)

Part No.	Description	Was	Code	Page
7003033	SWITCH, IGN			160, 164, 336, 402
7003034	DISPLAY, GAUGE			160, 164
7003445	BLOWER, HEATER & A/C			369, 370
7003456	VALVE, MOTORIZED ASSY	7193537	A	366, 368, 384, 388
7003456	VALVE, MOTORIZED ASSY			366, 368, 384, 388
7003457	HOSE, HEATER			366, 386
7003458	CLAMP, HOSE			366, 384
7003465	NUT			366, 384
7003471	SCREW			370, 372
7003487	SCREEN			100, 104
7003494	LEVER, RH			196
7003495	LEVER, LH			195, 196
7003496	SENSOR			184, 284
7003628	JOYSTICK, LH			187, 188, 191, 192
7003629	JOYSTICK, RH			188, 192
7003698	BOOT, RUBBER			190, 192
7008033	EVAPORATOR			384
7008040	MODULE, DE-ICER ELECTRONIC			386
7008043	FILTER, AIR OUTER			1, 2, 280
7008044	FILTER, AIR INNER			2, 280
7008105	GROUP, ROTATING LH			141, 142
7008106	GROUP ROTATING RH			143, 144
7008107	CONTROL			145, 146
7008108	CONTROL			147, 148
7008109	MODULE, CONTROL			140, 149, 150
7008110	HOUSING			138, 140
7008111	FLANGE, LH			138, 140
7008112	FLANGE, RH			138, 140
7008113	SHAFT			138, 140
7008114	SCREW			138, 140
7008115	SENSOR			138, 140
7008116	FILTER			138, 140
7008117	SWASHPLATE			142, 144
7008118	BEARING			142
7008119	RING			146, 148
7008120	MODULE			150
7008121	GASKET			150
7008122	COVER			150
7008123	GASKET			150
7008124	VALVE, RELIEF			138, 140
7008318	LEVER, AHC			198
7008319	LEVER, AHC			197, 198
7008355	SEAL, QUAD			74, 76, 78, 80
7008380	BOLT			264
7008381	BOLT			258
7008382	BOLT			256
7008383	BOLT, FLANGE			258, 260
7008384	BOLT, FLANGE			244
7008385	SCREW			242

Code for disposition of old part number

A -- Use up

B -- Use on other application (See PNI)

C -- File PDR Report with Bobcat Parts Sales

D -- Part Number Error

NUMERICAL INDEX (Cont'd)

Part No.	Description	Was	Code	Page
7008386	CIRCLIP			250
7008387	O-RING			260
7008388	BEARING, BALL			254
7008389	RETAINER, VALVE SPRING			244
7008390	SEAL, OIL			236, 240
7008391	SLEEVE, WEAR			250
7008393	PLUG			264
7008394	BOLT, ADJUSTMENT ASSY			269, 270
7008395	SPRING			270
7008396	BOLT, FLANGE			238, 254
7008397	BOLT			240, 246
7008398	GASKET, FRONT COVER			236, 238
7008399	GASKET, MANIFOLD INTAKE			234, 258
7008400	GASKET, MANIFOLD EXHAUST			234, 258
7008401	VALVE, INTAKE			244
7008402	VALVE, EXHAUST			244
7008403	ARM, ROCKER			244
7008404	ARM, ROCKER			244
7008405	SHAFT, ROCKER ARM			244
7008406	SPRING, ROCKER ARM			244
7008407	BRACKET, ROCKER ARM			244
7008408	WASHER			244
7008409	GASKET, ROCKER ARM			234, 242
7008410	ROD, PUSH			254
7008411	CAMSHAFT, VALVE			253, 254
7008412	RETAINER, BEARING			254
7008413	CAP, SEALING			254
7008414	GEAR, CAMSHAFT			254
7008415	RING, PISTON			250
7008416	RING, PISTON OS			250
7008417	PIN, PISTON ENG			250
7008418	BOLT			250
7008419	BEARING, ENG ROD CONNECTING			250
7008420	BEARING, ENG ROD CONNECTING			250
7008421	BEARING, ENG ROD CONNECTING			250
7008422	BEARING, ENG ROD CONNECTING			250
7008423	BEARING, ENG CRANKSHAFT			252
7008424	WASHER, THRUST			252
7008425	WASHER, THRUST			252

Code for disposition of old part number

A -- Use up

B -- Use on other application (See PNI)

C -- File PDR Report with Bobcat Parts Sales

D -- Part Number Error

NUMERICAL INDEX (Cont'd)

Part No.	Description	Was	Code	Page
7008426	BEARING, ENG CRANKSHAFT			252
7008427	BEARING, ENG CRANKSHAFT			252
7008428	WASHER, THRUST			252
7008429	WASHER, THRUST			252
7008430	WASHER, THRUST			252
7008431	WASHER, THRUST			252
7008432	GEAR, IDLER			254
7008433	GEAR, CRANKSHAFT			250
7008434	SHAFT, GEAR IDLER			254
7008435	COLLAR, GEAR IDLER			254
7008436	COLLAR, GEAR IDLER			254
7008437	BUSHING, GEAR IDLE			254
7008438	PIPE, OIL			266
7008439	BOLT, JOINT			266
7008440	PUMP, OIL ENG			238
7008441	COVER, PUMP OIL ENG			238
7008442	PIPE, RETURN FUEL			276
7008443	GEAR, PUMP INJ			266
7008444	BRACKET, PUMP INJ			266
7008445	CLAMP, INJECTION			276
7008446	BOLT, ADJUSTING			270
7008447	CORD, GLOW PLUG			276
7008448	GASKET, FLANGE WATER			234, 256
7008449	PUMP, WATER			255, 256
7008450	COVER, THERMOSTAT			256
7008451	GASKET, PUMP WATER			236, 256
7008452	BOLT, FLANGE			260
7008453	BOLT, FLANGE			240
7008454	BOLT, FLANGE			240
7008455	BOLT, FLANGE			240
7008456	BOLT, FLANGE			254
7008457	HOOK, ENG			246
7008458	GASKET, HEAD			246
7008459	GASKET, HEAD			246
7008460	GASKET, HEAD			246
7008461	GASKET, HOUSING			236, 240
7008462	TUBE, BREATHER			242
7008463	TUBE, BREATHER			242
7008464	VALVE, AIR BREATHER			242
7008465	HOSE, AIR FORMED			242
7008466	MANIFOLD, INTAKE			257, 258
7008467	GASKET, EGR VALVE			234, 262

Code for disposition of old part number

A -- Use up

B -- Use on other application (See PNI)

C -- File PDR Report with Bobcat Parts Sales

D -- Part Number Error

NUMERICAL INDEX (Cont'd)

Part No.	Description	Was	Code	Page
7008468	SPACER			242
7008469	TURBOCHARGER			259, 260
7008470	PISTON, ENG			249, 250
7008471	PISTON, ENG			250
7008472	PISTON, ENG			250
7008473	KIT, PISTON			252
7008474	KIT, PISTON OS			252
7008475	PISTON, ENG OS			250
7008476	PISTON, ENG OS			250
7008477	PISTON, ENG OS			250
7008478	BUSHING, PIN PISTON			250
7008479	ROD, CONNECTING			250
7008480	BEARING, ENG CRANKSHAFT			252
7008481	KIT, BEARING ENG			252
7008482	KIT, BEARING ENG			252
7008483	KIT, BEARING ENG			252
7008484	BEARING, ENG CRANKSHAFT			252
7008485	BEARING, ENG CRANKSHAFT			252
7008486	SCREEN, OIL ENG			248
7008487	PIPE, OIL			260
7008488	PIPE, OIL			260
7008489	EXCHANGER, OIL ENG			264
7008490	CONNECTOR			264
7008491	HOSE, RUBBER			242
7008492	HOUSING, PUMP INJ			268
7008493	PUMP, FUEL INJ			267, 268
7008494	PIPE, INJECTION			277, 278
7008495	PIPE, INJECTION			278
7008496	PIPE, INJECTION			278
7008497	PIPE, INJECTION			278
7008499	SPRING, START			274
7008500	GLOW PLUG			276
7008501	EXCHANGER, EGR			263, 264
7008502	HOSE, WATER FORMED			264
7008503	HOSE, WATER FORMED			264
7008504	HOSE, WATER FORMED			264
7008505	HOSE, VACUUM			262
7008506	BOLT, FLANGE			258
7008507	BOLT			260
7008508	STUD			260
7008509	STUD			258
7008510	KIT, GASKET ENG UPPER			232, 233, 234
7008511	KIT, GASKET ENG LOWER			232, 235, 236
7008512	BASE, EGR COOLER			264

Code for disposition of old part number

A -- Use up

B -- Use on other application (See PNI)

C -- File PDR Report with Bobcat Parts Sales

D -- Part Number Error

NUMERICAL INDEX (Cont'd)

Part No.	Description	Was	Code	Page
7008513	BOLT, FLANGE			260
7008514	GASKET, TURBO	6680893	A	234, 260
7008514	GASKET, TURBO			234, 260
7008515	GASKET, TURBO	6687147	A	234, 260
7008515	GASKET, TURBO			234, 260
7008516	GASKET			234, 260
7008517	FITTING, BANJO			266
7008518	SPRING			238
7008519	PLUG			238
7008520	SPRING, GOVERNOR			274
7008521	HOSE, AIR FORMED			260
7008523	BLOCK, ENG			239, 240
7008524	PAN, OIL			247, 248
7008525	HOOK, ENG			246
7008526	HEAD, CYL ENG			245, 246
7008527	COVER, FRONT			237, 238
7008528	HOUSING, FLYWHEEL			240
7008529	PIPE, INTAKE			260
7008530	HOSE, AIR INTAKE			260
7008531	MANIFOLD, EXHAUST			258
7008532	FLANGE, MUFFLER			260
7008533	COVER, HEAD CYL ENG			241, 242
7008534	CRANKSHAFT, ENG			250
7008535	FLYWHEEL, ENG ASSY			240
7008536	HOSE, WATER FORMED			264
7008538	VALVE, EGR			261, 262
7008539	FLANGE, WATER			256
7008540	PIPE, OIL			264
7008541	PULLEY, FAN			256
7008542	PULLEY, DRIVE			252
7008543	CLAMP, HOSE			242, 260
7008544	CLAMP, HOSE			260
7008556	PLUG			434
7008561	SEAT, SHUTTLE			434
7008766	SHIM			152
7008767	SHIM			152
7008771	KIT, SEAL			88, 92, 158
7008810	VALVE	7010979	B,D	156
7008814	BULB, 5W			160, 164
7008832	VALVE, SOLENOID			98
7009081	NUT			160
7009254	EXCHANGER, OIL COOLER			118
7009255	EXCHANGER, WATER RADIATOR			118
7009256	BOLT, FLANGE			118
7009257	STRAP, HOLD DOWN			118
7009258	RING, RETAINER			118

Code for disposition of old part number

A -- Use up

B -- Use on other application (See PNI)

C -- File PDR Report with Bobcat Parts Sales

D -- Part Number Error

NUMERICAL INDEX (Cont'd)

Part No.	Description	Was	Code	Page
7009259	PIN			118
7009260	PIN			118
7009261	RING, RETAINER			118
7009262	ROD, PROP UP			118
7009263	BRACKET, HINGE FORMED			118
7009976	O-RING			376
7009977	O-RING			376
7009978	O-RING			376
7010003	VALVE, CHECK			158
7010004	CARTRIDGE			158
7010005	CARTRIDGE			158
7010006	COIL			158, 434
7010007	FILTER. VALVE			158
7010008	BOLT			158
7010009	BOLT			158
7010010	BLOCK, PORT			158
7010029	KIT, SEAL			158
7010125	CONNECTOR			118
7010126	BOLT			118
7010127	BUMPER, RUBBER			118
7010133	GASKET, PUMP FUEL	6670782	B	236, 266
7010162	HOUSING, BLOWER			370, 372
7010163	MOTOR, FAN			370, 372
7010164	RESISTOR			370
7010165	COVER			370, 372
7010166	RING, INNER			370, 372
7010167	BLOWER, WHEEL			370, 372
7010168	SCREW			370, 372
7010169	CLAMP, HOSE			370, 372
7010172	PUMP, GEAR DOUBLE			154
7010227	COVER			138, 140
7010242	VALVE, CHECK	7113552	A	96
7010266	RIVET, POP			366, 384
7010282	PLUG			298
7010283	VALVE, REGULATOR			298, 300
7010330	PUMP, GEAR TRIPLE			98
7010335	KIT, CUSHION SEAT VINYL			466, 470
7010336	KIT, CUSHION SEAT VINYL			466, 470
7010338	KIT, BACKREST SEAT			466, 470
7010339	BELLOW			466
7010340	KIT, ADJUSTER SEAT			466
7010341	KIT, HOUSING SEAT			466
7010342	KIT, ABSORBER SHOCK SEAT			466, 470
7010343	KIT, LEVER ADJUSTING			466, 470

Code for disposition of old part number

A -- Use up

B -- Use on other application (See PNI)

C -- File PDR Report with Bobcat Parts Sales

D -- Part Number Error

NUMERICAL INDEX (Cont'd)

Part No.	Description	Was	Code	Page
7010344	KIT, RAIL SLIDE SEAT			466
7010345	KIT, TETHER SEAT BELT			466, 470
7010346	KIT, BACKREST SEAT			466, 470
7010357	CAP, END			316
7010358	SPRING			316
7010359	KNOB			316
7010360	SLEEVE			316
7010365	NUT			316
7010386	COIL, HEATER			366, 384
7010387	HOUSING			366, 384
7010388	COVER			366, 384
7010389	COVER, SIDE			366, 384
7010390	COVER, SIDE			366, 384
7010391	SUPPORT, LH			366, 384
7010392	SUPPORT, RH			366, 384
7010393	COVER			366
7010394	HARNES, HEATER			366
7010395	CLAMP			366, 384
7010396	COVER, HOSE			366, 384
7010397	PLUG, FILL			366
7010398	INSULATION, HEATER			366, 384
7010399	VALVE, DRAIN			366, 384
7010400	SPACER			366, 384
7010401	SCREW			366, 384
7010402	SCREW			366
7010403	NUT			366, 384
7010404	WASHER			366, 384, 385, 386
7010405	CLIP, RECEPTACLE			366, 386
7010406	INSULATION, HEATER			366, 386
7010408	INSULATION, HEATER			384
7010409	INSULATION, HEATER			384
7010410	INSULATION, HEATER			384
7010411	INSULATION, HEATER			384
7010412	INSULATION, HEATER			384
7010413	INSULATION, HEATER			384
7010414	INSULATION, HEATER			384
7010415	INSULATION, HEATER			384
7010416	INSULATION, HEATER			384
7010592	RETAINER, BEARING			268
7010600	TREE MOUNT	6678666	B	334

Code for disposition of old part number

A -- Use up

B -- Use on other application (See PNI)

C -- File PDR Report with Bobcat Parts Sales

D -- Part Number Error

NUMERICAL INDEX (Cont'd)

Part No.	Description	Was	Code	Page
7010793	MOTOR, FAN	7164320	B,D	155, 156
7010992	VALVE, BPV			433, 434
7011059	VALVE, BPV			299, 300
7011061	DECAL			362, 364
7011062	PANEL, CONTROL			362, 364
7011070	HARNESS, RECEIVER			448
7011071	CONTROL, MODE SELECTOR			448
7011175	KIT, SWITCH SEAT			470
7011176	BELLOWS, SEAT CPL			470
7011177	HANDLE, ADJUSTING SEAT			470
7011178	HOUSING			470
7011179	KIT, RAIL SLIDE SEAT			470
7011180	COMPRESSOR, AIR SEAT			470
7011181	KIT, SPRING AIR			470
7011182	KIT, LEVER			470
7011183	KIT, BRACKET SEAT			468, 472
7012012	HOUSING, PUMP INJ			268
7012013	CLAMP, HOSE			262
7012014	HOSE, VACUUM	7000641	B	262
7012049	BOLT, ADJUSTMENT ASSY			270
7012312	FILTER, OIL HYD TANK ASSY	7012313	D	104
7012314	FILTER, OIL HYD ASSY			2, 12, 106
7012315	CAP, FILTER			106
7013178	PUMP, HYD			139, 140
7013201	PLUG			300
7013203	KIT, SEAL			300
7015308	SEAL			106
7015488	O-RING, FILTER TOP			102
7015489	O-RING, FILTER BOTTOM			102
7015518	VALVE, CHECK	7001538	A	108
7015668	MOUNT FIR TREE	6678666	B	160, 362
7018011	CHANNEL			196, 198
7018012	CHANNEL			196, 198
7019303	SPACER			258
7020604	PLUG			434
7020605	POPPET			434
7020606	PLUG			434
7020607	SPRING			434
7020643	SEAL, SHAFT			98
7020647	NUT			434
7020648	SPOOL			434
7020649	SPRING			434
7020650	SPOOL			434
7020651	SPRING			434

Code for disposition of old part number

A -- Use up

B -- Use on other application (See PNI)

C -- File PDR Report with Bobcat Parts Sales

D -- Part Number Error

NUMERICAL INDEX (Cont'd)

Part No.	Description	Was	Code	Page
7020652	SPRING			434
7020653	SPRING			434
7020654	SPRING			434
7020655	O-RING			434
7020656	O-RING			434
7020657	PISTON			434
7020658	FILTER CARTRIDGE			434
7020659	ORIFICE			434
7020660	GUIDE			434
7020661	SHAFT			434
7020827	PUMP, FUEL INJ	7008537	A	265, 266
7020986	COLLAR			268
7020987	SHAFT, FORK LEVER			274
7020989	STUD	6598156	B	268
7020991	BOLT	7000748	B	252
7020992	LEVER, SPEED CONTROL	7000640	B	272
7020993	RETAINER			268
7020994	HOUSING, PUMP INJ			268
7021003	STUD	6685919	B	266
7021007	HOUSING, GOVERNOR	7000768	B	272
7021365	VALVE, SOLENOID			442
7021366	COIL, SOLENOID			442
7021367	NUT			442
7022423	PISTON, ENG			250
7022424	PISTON, ENG			250
7022425	PISTON, ENG			250
7022426	PISTON, ENG OS			250
7022427	PISTON, ENG OS			250
7022428	PISTON, ENG OS			250
7022429	ROD, CONNECTING			250
7022430	BUSHING, PIN PISTON			250
7022431	SHAFT, GEAR IDLER			254
7022432	GEAR, IDLER			254
7022433	GEAR, PUMP INJ			266
7022434	SHIELD, HEAT	7008522	A	258
7022635	FITTING, ELBOW	7113631	B,D	106
7100240	RACE			50, 52
7100699	WASHER			120
7101291	ELBOW			220
7101345	BONNET, DETENT HYD VALVE			90
7101371	ELBOW			100, 104
7101384	LIGHT			348
7101672	ACTUATOR			182, 184, 186
7101736	TIRE, HEAVY DUTY - 12X16.5 - 12 PLY			496
7102451	FITTING			174
7102652	SCREW			88, 90
7102747	GASKET			210
7103217	WASHER			120
7103708	BRACKET			122

Code for disposition of old part number

A -- Use up

B -- Use on other application (See PNI)

C -- File PDR Report with Bobcat Parts Sales

D -- Part Number Error

NUMERICAL INDEX (Cont'd)

Part No.	Description	Was	Code	Page
7103711	BOLT			120
7104670	LIGHT			176, 348
7104671	LIGHT			348
7105192	BOLT			120
7105223	SPACER			120
7106218	DECAL QUALITY APPRVL			326
7106279	BOLT			220
7106862	CHAIN, DRIVE			46
7107271	WASHER			48
7108236	PIN			182, 184, 186
7108242	TILT SPOOL			90
7109623	ELBOW			58, 62, 66
7109661	LATCH, DOOR W/SENSOR			304, 308
7109662	HANDLE, LATCH DOOR			304, 308
7109904	BRACKET			136
7109905	BRACKET			134
7110287	GASKET			52
7110310	SCREW			212, 214
7110316	DECAL, SAFETY			304, 308, 326
7110365	ARM, PINTLE			120, 121, 122
7112383	AUX SPOOL			86, 90
7113340	CAP. DIESEL			220
7113631	ELBOW			108
7116111	CAB, ASSY			16
7116118	BRACKET			22, 334
7116851	CUP			218
7116870	DECAL, LOGO BOBCAT HEAD			328
7120401	GLASS, DOOR			304
7120402	FRAME DOOR ASSY			304
7120411	WINDOW			18
7120569	DECAL, FILTER			330
7120570	DECAL			330
7120573	DECAL			330
7120693	DECAL			96, 328
7120881	SCREEN, FILLER	6569219	A	219, 220
7121223	CAP. DIESEL LOCKING			220
7121399	SPRING			86, 90
7121425	BUSHING			18, 314
7121779	PAD			120
7122359	BRACKET			182
7123964	KIT, SEAL COMPLETE			88, 92
7125948	PLATE			206
7126213	DISC			54
7126215	CARRIER, MOTOR			49, 50
7126682	BLOCK			406
7127305	WASHER			216
7127976	BRACKET			22, 334
7128338	KIT, FLASHER 4- WAY			351, 352

Code for disposition of old part number

A -- Use up

B -- Use on other application (See PNI)

C -- File PDR Report with Bobcat Parts Sales

D -- Part Number Error

NUMERICAL INDEX (Cont'd)

Part No.	Description	Was	Code	Page
7128342	KIT, WINDOW SIDE			315, 316
7128344	KIT, PANEL DLX			335, 336
7128389	KIT, WINDOW REAR LEXAN			313, 314
7128393	KIT, DOOR			303, 304
7128395	KIT, DOOR CAB SPECIAL APPS			307, 308
7128403	KIT, LOCK REAR DOOR			443, 444
7128405	KIT, BELT SEAT 2"			453, 454
7128411	KIT, LIFT 4-POINT			403, 404
7128426	KIT, ACD 7-PIN			337, 338
7128484	KIT, HEATER			363, 364
7128524	KIT, SEAT 80MM SUSPENSION			461, 462
7128962	BOB-TACH			43, 44
7129173	COUNTERWEIGHT			318, 320
7129250	KIT, COUNTERWEIGHT			317, 318
7129251	KIT, COUNTERWEIGHT			319, 320
7129289	KIT, START KEYLESS			401, 402
7129293	KIT, FOPS TOP			353, 354
7129295	KIT, LIFT SINGLE POINT			405, 406
7129299	KIT, BEACON LIGHT			291, 292
7129301	KIT, STROBE LIGHT			493, 494
7129303	KIT, BELT SEAT 3"			455, 456
7129307	KIT, EXTINGUISHER FIRE			349, 350
7129371	KIT, ACS			283, 284
7129447	KIT, BPV			295, 296
7129465	KIT, INTERIOR DLX			333, 334
7129483	KIT, PLUMBING HEATER			373, 374
7129490	KIT, A/C			375, 376
7129987	COVER			54, 56
7130652	TANK, FUEL			220
7130785	CHAINCASE			46
7130811	CHAIN, DRIVE			46
7130834	HUB, FAN			206
7131211	MOUNT			212, 214
7131233	PEDAL			418
7131236	BUSHING			418
7131273	SCREW			400
7132835	SHROUD			206
7132836	DUCT, FAN			206
7132837	MOUNT, MOTOR FAN			206
7132914	LIFTARM			42
7132935	BUSHING			42
7132937	BUSHING, WELD-ON			42
7133450	MAIN FRAME			13, 14
7134153	SPROCKET			48

Code for disposition of old part number

A -- Use up

B -- Use on other application (See PNI)

C -- File PDR Report with Bobcat Parts Sales

D -- Part Number Error

NUMERICAL INDEX (Cont'd)

Part No.	Description	Was	Code	Page
7134445	BRACKET, TIE-DOWN			46
7134520	PLUG			86, 90
7134522	PLUG			88, 92
7134830	BUSHING			14
7134831	BUSHING			14
7134832	BUSHING			14
7135124	SCREW			212, 214, 216, 376, 378
7135486	MOUNT, ENG			216
7135569	DECAL			448
7135693	MOUNT			42
7136033	SHAFT			82
7136036	SPACER			82
7136037	TUBELINE			82
7136111	HOSE, DRAIN OIL			216
7136113	BUSHING			206
7136291	CARRIER, MOTOR			51, 52
7136460	BOBTACH			44
7136464	BUSHING, WELD-ON			44
7136465	BUSHING, WELD-ON			44
7136559	SOLENOID ASMBLY			54
7136616	SUPPORT			42
7136896	CONDENSER, A/C			376, 378
7136973	COVER			14
7137747	TANK, EXPANSION			208
7137869	KIT, SEAL			82
7137939	KIT, SEAL			74, 78
7138014	SEAL KIT			428, 430
7138040	LIGHT, RH ASSY			160, 164
7138041	LIGHT, LH ASSY			160, 164
7138172	TUBELINE			58
7138173	TUBELINE			58
7138376	BUSHING			86, 90
7138973	WINDOW, REAR			18
7139459	COVER			14
7140150	BRACE, COMPRES MACH			376, 378
7140441	HOLDER, CUP	7154405	A	324
7140927	DECAL			502
7141375	DECAL			502
7141405	BUSHING			216
7141700	HVAC ASSY			383, 384
7141780	FLYWHEEL			212, 214
7141788	IDLER ASSY			212, 214
7141906	STRAP, RUBBER			206
7141939	BLOCK, COUPLER			71, 72
7142000	BELT, ALT			8, 216, 376, 378
7142021	MUFFLER			210
7142141	DECAL			328, 406
7142142	DECAL			328, 406
7142371	SPRING GAS DOOR			304, 308, 309, 310
7142375	MOUNT			216
7142422	SHIELD, FLYWHEEL			211, 212, 213, 214
7142762	CLIP			20, 22, 24, 332, 334
7142873	SEAL			312

Code for disposition of old part number

A -- Use up

B -- Use on other application (See PNI)

C -- File PDR Report with Bobcat Parts Sales

D -- Part Number Error

NUMERICAL INDEX (Cont'd)

Part No.	Description	Was	Code	Page
7142875	SEAL			312
7143921	HOSE			208
7143922	HOSE			208
7143923	HOSE			207, 208
7143924	TUBE			208
7143931	MOUNT, FILTER			220
7143971	SEATBAR			25, 26
7144158	REAR DOOR			40
7144265	MOUNT, TANK			208
7144600	MOUNT, FILTER FUEL			358
7144859	MOUNT, GAS SPRING			18, 360
7144862	SPRING			18
7145139	MOUNT, RADIATOR			206
7145147	LEVER, STEERING			120
7145149	SHAFT, STEERING			119, 120
7145268	CONTAINER, STORAGE			22, 334
7145333	BRACKET, RADIO			436
7145347	COVER			45, 46
7145358	SPRING			212, 214
7145528	DECAL			328
7145659	HOSE, AIR FORMED			210
7145660	HOSE, AIR FORMED			210
7145885	VENT, DEFROST			24, 332, 382
7146236	BUSHING			216
7146264	COVER, RH SJC			188, 192
7146265	COVER, LH SJC			188, 192
7146471	EXCHANGER, OIL WATER			117, 118
7146538	PIVOT, BOBTACH			44
7147350	SPACER, TUBE			214, 400
7147354	PANEL			14
7147579	SHAFT TRANS			50, 52
7147745	SCREW			212, 214, 216, 400
7147803	PIN			42
7147804	PIN			42
7147815	BOOT			32, 34, 184, 186, 196, 198
7147826	BOLT, CROSS DRILLED			206
7147858	PULLEY, PUMP HYD			212, 214
7147861	MOUNT, ENG			212, 214, 218
7148068	WINDOW ASSY			316
7148069	WINDOW ASSY			316
7148287	SEAL DOOR HANDLE			304, 308
7148289	SEAL DOOR HINGE			304, 308
7148598	FILTER, AIR CLEANER ASSY			279, 280
7149056	LATCH, CAM			444
7149166	MOUNT, BOOM DOWN			70
7149204	NUT			22, 334
7149219	HARNESS			166, 170

Code for disposition of old part number

A -- Use up

B -- Use on other application (See PNI)

C -- File PDR Report with Bobcat Parts Sales

D -- Part Number Error

NUMERICAL INDEX (Cont'd)

Part No.	Description	Was	Code	Page
7149357	MOUNT, LOAD ISOLATOR			214, 400
7149786	SEAT, SUSPENSION	7182357	A	462, 466
7149786	SEAT, SUSPENSION			462, 466
7149827	COVER, WIPER			304
7149931	MUFFLER, PURIFIER			413, 414
7150151	LATCH, WINDOW LEFT			18, 314
7150152	LATCH, WINDOW RIGHT			18, 314
7150182	BUSHING			74, 76, 78, 80
7150393	PIN, PIVOT			404
7150467	TUBELINE, HYD			78, 80
7150719	SEAL DOOR FRAME			304, 308
7150745	SPACER			308
7150746	SPACER			308
7151466	BRACKET			46
7151540	PANEL, CROSSMEMBER			14
7151842	TUBE			374
7151848	BRACKET			376, 378
7151868	PEDAL ASSY			84, 284
7151871	PEDAL ASSY			84, 284
7151889	BELLCRANK			120
7151940	HARNESS, HORN			344, 394
7152003	HOSE, HYD			58, 62, 66
7152004	HOSE, HYD			58, 62, 66
7152005	HOSE, HYD			58, 62, 66
7152037	NUT, RETAINING			218
7152319	BELT, RETRACTOR			454
7152322	BELT, SEAT 2"			454, 458
7152323	COVER, RETRACTOR			454, 458
7152324	BRACKET, BELT SEAT 3PT			454, 458
7152605	SLEEVE			212, 214
7152658	WASHER			212, 214
7152748	DECAL, FUEL DIESEL			326
7153006	HOSE, HYD			58, 62, 66
7153008	HOSE, HYD			58, 62, 66
7153048	LINK, PEDAL			84
7153049	LINK, PEDAL			84
7153058	LINK, BELLCRANK			84
7153075	BRACKET, DAMPER			492
7153076	BRACKET, DAMPER			492
7153379	LEVER, STEERING			120
7153503	BOOT			32, 34, 84, 184, 284
7153655	COVER, BRAKE ASSY			56, 114
7153832	SEAL, SHELF REAR			24, 332, 382
7154163	TUBELINE, HYD			74, 76
7154285	BOX, STORAGE			22, 334
7154305	HOSE			58, 62, 66

Code for disposition of old part number

A -- Use up

B -- Use on other application (See PNI)

C -- File PDR Report with Bobcat Parts Sales

D -- Part Number Error

NUMERICAL INDEX (Cont'd)

Part No.	Description	Was	Code	Page
7154306	HOSE			57, 58, 61, 62, 65, 66
7154307	HOSE			58, 66
7154308	HOSE			58, 66
7154404	CONTAINER			324
7154521	HOSE			96
7154522	TUBELINE			72
7154523	TUBELINE			72
7154528	ELBOW			58, 62
7154903	LINK			184, 284
7154910	INSERT, THREADED			160, 164, 316
7155024	HARNES DOOR			304
7155070	GROMMET			110
7155158	PLATE, THREADED			318, 320
7155193	MOUNT, MUFFLER			210, 216
7155238	BOLT			212, 214
7155308	WINDOW			308
7155309	PULLEY			212, 214
7155359	FRAME, DOOR			308
7155390	HOUSING, FUSE RELAY			166, 170
7155642	FENDER, PANEL RH			22, 334
7155643	FENDER, PANEL L.H.			22, 334
7155649	HOLDER, CUP			324
7155660	FITTING			96
7155661	HOSE			96
7155668	HOSE, HYD FORMED			108
7155785	HEADLINER, HVAC			382
7155786	HEADLINER,STD			20
7155788	PANEL, CENTER			20, 22
7155791	PANEL, RH			20, 22, 160, 164, 336, 402
7155792	PANEL, LH			19, 20, 21, 22, 160, 164
7155794	LOUVER, ROUND			382, 390
7155796	LOUVER, RECTANGLE			382
7155797	LIGHT			24, 332
7155798	HEADLINER, DLX			23, 24, 332
7155799	SCREW			382
7156087	SEAL			312
7156146	GROMMET			374
7156150	MOUNT			70
7156253	KIT, HEADLINER DLX			331, 332
7156606	BRACKET, ASSY			404
7156761	PLATE			120
7156809	BUMPER			412
7156859	HOSE, HYD FORMED			108
7156916	PAN, FLOOR			32, 34, 36, 38
7157073	HOSE, HYD			108
7157080	MOUNT			54, 55, 56
7157092	BRACKET			210
7157286	BODY			86
7157289	BLOCK			86, 90

Code for disposition of old part number

A -- Use up

B -- Use on other application (See PNI)

C -- File PDR Report with Bobcat Parts Sales

D -- Part Number Error

NUMERICAL INDEX (Cont'd)

Part No.	Description	Was	Code	Page
7157290	TUBELINE			86, 90
7157291	TUBELINE			86, 90
7157293	BODY			90
7157358	CLAMP			58, 62, 66
7157365	COVER, ENGINE			206
7157366	SCREEN, ASSY			206
7157370	COVER, HOOD			205, 206
7157545	CLAMP			72
7157611	MOUNT			84, 284
7157671	COVER ARMREST, RH			188, 192
7157704	COVER ARMREST LH			188, 192
7157719	BRACKET			26, 28
7157725	PEDAL ASSY			36, 38, 224, 228
7157729	BELLCRANK			224
7157731	TUBE SPACER			224
7157922	MOUNT			376, 378
7157923	HOSE, AIR FORMED			286
7158574	PEDAL ASSY			36, 38
7158632	CONNECTOR			100, 104
7158921	FITTING			100, 104, 108
7158988	CABLE, THROTTLE			224
7159044	HOSE ASSY			100, 104
7159094	COVER, DRAIN			46
7159102	MOUNT			406
7159243	BUSHING			376, 378
7159325	HARNESS, SJC			182
7159352	PAN, BATTERY			174
7159366	HARNESS, 2 SPEED RETURN			114
7159386	WASHER			222, 224, 228
7159532	COVER			14
7159542	BELT, SEAT RETRACTOR			452
7159624	BUSHING			120, 224, 228
7159735	HOSE, HYD	7186609	C	112, 116
7159749	STEP			42
7160320	HOLDER, CUP			324
7160381	RIVET, BIRD CAGE			22, 334, 390
7160382	RIVET, BIRD CAGE			20, 22, 334
7160383	RIVET, BIRD CAGE			22, 324, 334
7160698	LATCH			40
7160701	LATCH			40
7160703	HANDLE			40
7160704	STOP			40
7160705	CHANNEL			40
7160706	BAR			40
7160760	MOUNT			406
7160765	NUT			32, 34, 36, 38
7160779	PLATE			406
7160841	SEAL HANDLE DOOR			304
7160865	SCREW			208
7161130	COVER			36, 38

Code for disposition of old part number

A -- Use up

B -- Use on other application (See PNI)

C -- File PDR Report with Bobcat Parts Sales

D -- Part Number Error

NUMERICAL INDEX (Cont'd)

Part No.	Description	Was	Code	Page
7161131	COVER, LEVER			36, 38
7161429	PLUG			304, 308
7161527	COVER, BRAKE ASSY			54
7161536	PIN, CLEVIS			406
7161559	PIN, SNAPPER			396
7161595	SEAL, FOAM			362
7161786	VALVE, POWER BOB-TACH			431, 432
7161789	SEAL			312
7161793	PANEL			14
7161893	MOUNT, MUFFLER			210
7161939	GRILL			22, 334
7161953	GUIDE, HOSE ASSY			396
7162176	SPACER			188, 192
7162770	SCREW, PLASTIC			368, 388, 390, 436
7162930	ELBOW			108
7162931	HOSE, HYD FORMED			100
7162933	LIFT EYE			404
7162966	CABLE, NEGATIVE			174
7162967	CABLE, POSITIVE			174
7163132	FOAM, FRONT			32, 34, 36, 38, 312
7163216	BRACKET			120
7163259	WASHER TANK			304
7163263	CAP WASHER BOTTLE			304
7163571	KIT, WIPER REAR			445, 446
7163589	INSERT, SWITCH			160
7163706	HARNESS, JOYSTICK			182
7163748	MOUNT			406
7163765	BRACKET, FUEL			220
7163768	BRACKET, FUEL			220
7163919	TANK, HYDRAULIC			100, 104
7163988	SEAL, WINDOW REAR			18, 314
7164073	GUIDE			164, 334
7164144	HARNESS			184, 186
7164175	BRACKET, SHORT SKI			166, 170
7164294	PEDAL, FOOT THROTTLE			224, 228
7164345	COVER, PAN FLOOR			32, 34, 36, 38
7164347	COLUMN, FRONT RIGHT			22, 334
7164348	COLUMN, FRONT LEFT			22, 334
7164413	HOSE, HYD			110
7164564	BRACKET, A/C			376, 378
7164589	HOSE, HYD			100
7164590	DOOR PLATE			304, 308
7164686	BOLT, CARRIAGE			354, 406
7164698	HOSE, HYD FORMED			108

Code for disposition of old part number

A -- Use up

B -- Use on other application (See PNI)

C -- File PDR Report with Bobcat Parts Sales

D -- Part Number Error

NUMERICAL INDEX (Cont'd)

Part No.	Description	Was	Code	Page
7164957	MOUNT			216
7165035	SHIELD			216
7165037	CAP, INST PANEL RH			20
7165038	CAP, INST PANEL LH			20
7165205	HOSE, HYD FORMED			108
7165206	HOSE, HYD FORMED			108
7165332	SHELF, REAR			24, 332, 382
7165333	CLIP			24, 34, 38, 332, 382
7165344	STORAGE			22, 334
7165345	DOOR, COVER			22, 334
7165346	DOOR, COVER			22, 334
7165634	WASHER, PLASTIC			188, 192
7165635	SPACER, SJC			188
7165673	SEAL, CAB DUCT			362, 364
7165799	SCREW			20, 22, 24, 332, 382
7165806	BRACKET			100, 104
7165972	COUPLER INSERT			304
7165991	HARNESS, CAB STD			160
7166046	VALVE, CONTROL			85, 86
7166047	SEAT, CHECK VALVE			86, 90
7166171	BRACKET			222, 224, 228
7166172	HANDLE			222, 224, 228
7166173	HANDLE			222, 224, 228
7166174	BLOCK			222, 224, 228
7166177	BRACKET			334
7166190	SCREW THREAD ROLLING			304, 305, 306, 364, 368, 388
7166195	PAD, PAN FLOOR			32, 34, 36, 38
7166196	FOAM, PANEL			32, 34, 36, 38, 312
7166197	FOAM, PANEL			31, 32, 33, 34, 36, 38, 312
7166198	FOAM, PANEL			32, 34, 36, 38, 312
7166199	FOAM, EDGE			32, 34, 36, 38, 312
7166200	FOAM, PAN FLOOR			32, 34, 36, 38, 312
7166205	SPACER HANDLE			306
7166269	WASHER			222, 224, 228
7166283	VALVE, CONTROL			89, 90
7166315	PLUG			32, 34, 184, 284
7166334	ARM LIFT			406
7166338	TEE, BOSS			86, 90
7166339	SPRING, LOAD CHECK			86, 90, 91, 92
7166382	HOSE, HYD FORMED			100
7166410	TANK, HYD FILTERED			100
7166445	BRACKET, BLOCK DILL			168, 172
7166482	BRACKET			350
7166489	BRACKET, CAB			166, 170
7166534	DUCT			362

Code for disposition of old part number

A -- Use up

B -- Use on other application (See PNI)

C -- File PDR Report with Bobcat Parts Sales

D -- Part Number Error

NUMERICAL INDEX (Cont'd)

Part No.	Description	Was	Code	Page
7166544	COVER, HVAC			18
7166623	CABLE			224, 228
7166831	BLOCK			406
7166832	MOUNT			352
7166916	DECAL, A/C			328, 376, 378
7167003	CLIP			324
7167118	PLATE, WASHER			32, 34, 36, 38
7167163	BOWL, FUEL			358
7167164	ARM, TENSIONER			212, 214
7167165	WHEEL, TENSIONER			212, 214
7167169	MOUNT			224
7167173	PIVOT ASSY			224
7167177	GROMMET WIPER			306, 446
7167395	KIT, CUP HOLDER			323, 324
7167405	SEAL, DUCT			362, 364
7167437	SPRING, GAS STD			18, 354
7167438	GAS SPRING			360
7167506	SHIELD, ASSY			354
7167537	GUARD, CONDENSER			208
7167582	HOSE, HYD			110
7167583	HOSE, HYD			110
7167603	SEAT, OPERATOR SUSPENSION AIR			464, 470
7167603	SEAT, OPERATOR SUSPENSION AIR	7182356	A	464, 470
7167652	SEAL DOOR			306, 308
7167757	HOSE, HYD FORMED			100
7167844	SHAFT			306
7167845	PIN			306, 308
7167846	WASHER CAST			306, 308
7167945	DECAL, FUSE RELAY			166, 170, 326
7167988	DECAL, DANGER			326
7167989	DECAL, DANGER			328
7167990	DECAL, DANGER			328
7167991	DECAL, EXIT REAR			314, 326, 446
7167993	DECAL, WARNING			328
7167994	DECAL, WARNING			326
7167996	DECAL, WARNING			328, 404
7167998	DECAL, SERVICE			326, 482, 484
7167999	DECAL, ROC 2180			326
7168019	DECAL, WARNING			404
7168020	DECAL, WARNING			404
7168021	DECAL			406
7168022	DECAL			406
7168023	DECAL			326
7168024	DECAL			326
7168025	DECAL EMERGENCY DOOR			306, 308, 326
7168031	DECAL			328
7168033	DECAL, DANGER			330
7168034	DECAL, DANGER			330

Code for disposition of old part number

A -- Use up

B -- Use on other application (See PNI)

C -- File PDR Report with Bobcat Parts Sales

D -- Part Number Error

NUMERICAL INDEX (Cont'd)

Part No.	Description	Was	Code	Page
7168036	DECAL			330
7168037	DECAL, WARNING			330
7168038	DECAL, WARNING			330
7168040	DECAL, WARNING			330, 404
7168042	DECAL, SERVICE			330, 482, 484
7168081	DECAL, OPERATION			330
7168082	DECAL, OPERATION			330
7168114	DECAL, SWITCH			182, 326, 336, 402
7168136	DECAL			326
7168137	DECAL, OPERATION			329, 330
7168138	DECAL, WARNING			326, 474, 476
7168139	DECAL, WARNING			330, 474, 476
7168140	DECAL, WARNING			326
7168141	DECAL, WARNING			330
7168142	DECAL, WARNING			326
7168143	DECAL, WARNING			330
7168144	DECAL			326
7168145	DECAL, WARNING			330
7168146	DECAL			306, 310
7168159	BUSHING			406
7168164	EXTINGUISHER, FIRE			350
7168171	BELT, SEAT 3"			456
7168172	BELT, SEAT 3"			458
7168173	BRACKET, COVER			166, 170
7168272	DECAL			326
7168273	DECAL, CONTROL			330
7168310	EVAPORATOR			376
7168336	HOSE, HYD			58, 62, 66
7168337	HOSE, HYD			70
7168429	BOLT, CONTROLLER			166, 170
7168430	BRACKET			376, 378
7168604	RESISTOR			362, 364
7168610	COVER			20, 24, 332
7168836	SHAFT			308
7168837	HINGE, DOOR			308
7168839	SPACER			308
7168841	SEAL			308
7168848	SUPPORT, TUBE RH			188, 192
7168849	SUPPORT, TUBE LH			188, 192
7168862	MOUNT, ARMREST			188
7168863	MOUNT, ARMREST			188
7168921	SPRING			224
7168927	ADAPTER			112
7168952	WIPER MOTOR			306
7168953	ARM WIPER ASSY			306
7168954	BLADE WIPER ASSY			306
7168955	GASKET			306
7168956	PLATE ADAPTOR			306
7168957	PLATE STUD ADAPTOR			306
7168962	ROD			224
7169070	KIT, DAMPER DUAL			491, 492

Code for disposition of old part number

A -- Use up

B -- Use on other application (See PNI)

C -- File PDR Report with Bobcat Parts Sales

D -- Part Number Error

NUMERICAL INDEX (Cont'd)

Part No.	Description	Was	Code	Page
7169112	SWITCH, ROCKER A/C			376, 378
7169116	ADAPTER			114
7169128	PULLEY A/C			376, 378
7169130	HARNESS ACCESSORY			282
7169291	DECAL			306, 308, 328, 360
7169480	KIT, BELT SEAT 3"			457, 458
7169699	DECAL			326
7169710	DECAL, SIGHT GAUGE			328
7169741	TUBELINE, HYD			438
7169747	TREAD, SAFETY			18
7169753	HARNESS, FLASHER 4-WAY			352
7169778	SEAL, BULK			206
7169849	FITTING BALLSTUD			306, 308
7169877	DECAL			18, 328
7169911	PLATE, DECAL			222, 224, 228
7169932	MOUNT			122
7169963	DECAL, MODEL			328
7169965	DECAL, TAILGATE BASE			328
7169966	DECAL, LIFTARM STRIPE			328
7169967	DECAL, MODEL			328
7170011	SPOOL, LIFT			90
7170051	SLEEVE			86
7170069	HOSE, HYD			438
7170070	HOSE, HYD			438
7170114	SCREW			24, 332
7170300	PIN, PIVOT			398
7170321	SPOOL, LIFT LOCK			86
7170337	STAND, SEAT			30
7170354	ADAPTER			438
7170355	DECAL, DANGER			58, 60, 62, 63, 64, 66, 67, 68, 70, 326
7170360	DECAL, SPRING REMOVAL			306, 308, 328
7170374	CAM, WELDMENT			224
7170531	HARNESS, CAB			308
7170608	BUSHING, WELD-ON			42
7170609	PIN, PIVOT TAPERED			42
7170610	BUSHING, WELD-ON			44
7170611	SEAL			44
7170613	PLUG			44
7170614	SNAP RING			44
7170615	BUSHING, WEAR			44
7170635	INSULATION, TANK FUEL			220
7170673	FAN COOLING			206
7170765	NUT			188, 192
7170782	KIT, GAS SPRING DLX			359, 360
7171003	HOSE			72

Code for disposition of old part number

A -- Use up

B -- Use on other application (See PNI)

C -- File PDR Report with Bobcat Parts Sales

D -- Part Number Error

NUMERICAL INDEX (Cont'd)

Part No.	Description	Was	Code	Page
7171045	HOSE			72
7171054	HOSE			58, 62, 66
7171055	HOSE			60, 62, 66
7171056	HOSE			58, 62, 66
7171057	HOSE			60, 62, 66
7171077	HOSE			72
7171081	BRACKET, HORN			160, 164, 392, 394
7171088	GROMMET			160, 164, 392, 394
7171120	CYLINDER, LIFT			81, 82
7171167	SEALANT, GASKET LIQUID			18
7171184	INSULATION, CROSSMEMBER			482, 484, 487, 488
7171188	BRACKET			168, 172
7171192	INSULATION, DOOR REAR			482, 484, 486
7171194	INSULATION, DOOR REAR			482, 484, 486
7171215	INSULATION, UPRIGHT			486
7171218	INSULATION, PANEL LH			482, 488
7171219	INSULATION, PANEL RH			482, 484, 488
7171220	INSULATION, PANEL LH			482, 484, 488
7171222	BRACKET FRC			166
7171249	HOSE			424
7171250	HOSE			424, 426
7171251	HOSE			424
7171252	HOSE			424, 426
7171394	HOSE			100, 104
7171656	INSULATION, SIDE			482, 484, 488
7171996	MANIFOLD, HYD ASSY			102, 106, 440, 482, 484
7172023	INSULATION, FENDER			482, 484, 488
7172119	SEAL, FOAM			446
7172121	WASHER			446
7172234	HOSE, HYD ASSY			102, 106, 424, 426
7172235	HOSE, HYD ASSY			482, 484
7172247	WINDOW, CAB REAR			446
7172708	BRACKET, SWITCH			446
7172897	KIT, RESEAL PLUGS			449, 450
7172899	KIT, BOWL FUEL	7178299	D	357, 358
7172901	KIT, SOUND/NOISE REDUCTION			481, 482
7172903	KIT, DECAL WHITE			501, 502
7173159	BRACKET, BELT SEAT			30, 460
7173206	INSULATION, PAN SEAT			474, 476
7173294	DECAL			330
7173309	GUARD, LIGHT			410

Code for disposition of old part number

A -- Use up

B -- Use on other application (See PNI)

C -- File PDR Report with Bobcat Parts Sales

D -- Part Number Error

NUMERICAL INDEX (Cont'd)

Part No.	Description	Was	Code	Page
7173310	SPACER			410
7173324	GUARD, COUPLER			322
7173403	DECAL, OPERATION			330
7173453	PLUG			450
7173592	KIT, ALARM BACK-UP			287, 288
7173593	KIT, ALARM BACK-UP			289, 290
7173594	KIT, HORN			391, 392
7173595	KIT, HORN W/JOYSTICK			393, 394
7173651	INSULATION, HEATER			376, 378
7173943	PLATFORM			412
7174054	COVER	7136971	B	14
7174128	KIT, GUARD LIGHT			409, 410
7174129	KIT, GUARD LIGHT			407, 408
7174130	KIT, GUARD MUFFLER			415, 416
7174171	KIT, HEADLINER HVAC			381, 382
7174328	DECAL			502
7174407	ARM, IDLER			212, 214
7174537	DECAL			502
7174713	KIT, AUX REAR			437, 438
7174782	HARNESS, MFR			165, 166
7174787	INSULATION, PAN SEAT			18
7174811	SHIELD, ISOLATOR			342
7174813	BRACKET, CABLE			222, 228
7174814	BRACKET, CABLE			224
7174815	CABLE			222
7174837	GASKET, WIPER			304
7174838	SPACER			306
7174839	SPACER			306
7174841	SPACER, HANDLE			304
7174903	KIT, SEAL CAB			311, 312
7174997	LOUVER, RH			14
7174998	LOUVER, LH			14
7175017	HARNESS, ALARM BACK-UP			176, 288
7175151	STRIKER, DOOR			304, 308
7175271	HARNESS, REAR DOOR			176
7175287	HARNESS, REAR DOOR			176, 348
7175293	HARNESS, FUEL			166, 170
7175321	HARNESS, ACD INPUT			338
7175549	MOUNT, HOSE			72
7175556	HOSE, HYD			72
7175625	HARNESS, MFR			166
7175643	TUBELINE, HYD			438
7176037	MOUNT			228
7176039	LEVER			228

Code for disposition of old part number

A -- Use up

B -- Use on other application (See PNI)

C -- File PDR Report with Bobcat Parts Sales

D -- Part Number Error

NUMERICAL INDEX (Cont'd)

Part No.	Description	Was	Code	Page
7176043	CAM, LEVER			228
7176078	TUBELINE, HYD			438
7176098	HARNESS, CAB DELUXE			164
7176099	FILTER, AIR FRESH			362, 364
7176100	COVER			362, 364
7176101	DUCT, AIR			362, 364
7176117	MOUNT			32, 34, 120
7176118	MOUNT			32, 34, 120
7176133	PANEL, CAB INTERIOR			24
7176134	PANEL, CAB INTERIOR			20
7176309	CONTROL			362, 364
7176579	SEAL, FOAM			362, 364
7176593	HINGE BASE			304, 308
7176603	INSULATION, PANEL SEAT			18
7176927	TUBELINE, HYD			70
7176928	HOSE, HYD			112, 114
7176929	TUBELINE, HYD			112, 114
7176934	HOSE, HYD			114
7176935	HOSE, HYD			114
7176942	SPACER			362, 364
7176943	SEAL, COVER			362, 364
7176970	HOSE, FUEL FORMED			220
7176971	BRACKET, FUEL			220
7177102	TUBELINE, HYD			438
7177103	TUBELINE, HYD			438
7177104	HOSE, HYD			438
7177105	HOSE, HYD			438
7177196	SHELL, ARMREST RH	7157670	A	188, 192
7177196	SHELL, ARMREST RH			188, 192
7177197	SHELL, ARMREST LH			188, 192
7177197	SHELL, ARMREST LH	7157703	A	188, 192
7177212	GASKET			358
7177235	BRACKET, HARNESS	7159879	A	166, 170
7177417	MOUNT, CONTROLS LH	7153506	A	188
7177418	MOUNT, CONTROLS RH	7156842	A	188
7177690	MOUNT			344
7177707	DECAL			330, 336, 402
7177742	DECAL			326, 334
7177816	HOSE, HYD			72
7177817	HOSE, HYD			72
7177863	KIT, POST GUIDE HOSE			397, 398
7178176	SHIELD, HEAT			206

Code for disposition of old part number

A -- Use up

B -- Use on other application (See PNI)

C -- File PDR Report with Bobcat Parts Sales

D -- Part Number Error

NUMERICAL INDEX (Cont'd)

Part No.	Description	Was	Code	Page
7178420	KIT, PLATFORM MAINTENANCE			411, 412
7178623	COVER, HOSE			220
7178841	TEE			438
7178954	COVER, HVAC			20
7179008	SCREW, PLASTIC			160, 164, 336
7179136	PLUG, HARNESS CAB STD			160
7179137	FOAM			160
7179382	BRACKET			102
7180031	PANEL, LH	7156920	A	32, 36
7180032	PANEL, RH	7156919	A	32, 34, 35, 36, 37, 38, 224, 228
7180032	PANEL, RH			32, 34, 35, 36, 37, 38, 224, 228
7180052	INSULATION, TRANS			482, 484
7180087	DECAL, WARNING			288, 290
7180207	HARNESS, WIPER			446
7180954	MOUNT			223, 224
7180987	FITTING, CROSS			86, 90, 116
7180997	HOLDER			346
7180998	HOLDER			346
7181282	CHAIN, DRIVE			46
7181309	PAD, WEAR			102, 106
7181555	TOOL BOX			334
7181556	COVER, TOOL BOX			334
7181557	CAM			334
7181582	HOSE, HYD ASSY	7159735	B	108
7182504	TUBELINE, HYD			114
7182505	TUBELINE, HYD			114
7182796	SEAL, FOAM			18
7182882	TUBELINE, HYD			60, 64, 68
7182942	PLUG	7162771	A	22, 334
7183022	WINDOW, CAB REAR			314
7183158	PLATE			310
7183295	HARNESS, HORN			344
7183298	CLAMP			60, 64, 68
7183318	CYLINDER, POWER BOB-TACH			429, 430
7183319	SHAFT, ROD CYL POWER BOB-TACH			430
7183366	KIT, SEAT OPERATOR SUSPENSION AIR			463, 464
7183521	CASE			430
7183605	KIT, FITTING W/DECAL			66, 296
7183784	BRACKET FUEL	7163766	A	220
7183799	LINK, STEERING	7153662	A	120
7183869	GUARD, LIGHT			408
7183870	GUARD, LIGHT			408
7183957	LINK, CENTER	7152660	A	120
7184191AR	KIT, DECAL			326, 328
7184191BR	KIT, DECAL			326, 328
7184191JP	KIT, DECAL			326, 328

Code for disposition of old part number

A -- Use up

B -- Use on other application (See PNI)

C -- File PDR Report with Bobcat Parts Sales

D -- Part Number Error

NUMERICAL INDEX (Cont'd)

Part No.	Description	Was	Code	Page
7184196AR	KIT, TRANSLATION			326, 328
7184196BR	KIT, TRANSLATION			326, 328
7184314	HOSE, HYD ASSY			420
7184341	BUSHING			454, 458
7184346	DECAL WARNING	7168303	A	326, 454, 458
7184677	BUSHING			40
7184971	HOSE, HYD			426
7184972	HOSE, HYD			426
7185137	SPACER			314
7185150	PLUG, HARNESS CAB			160, 164, 334
7185169	PANEL, STEERING			32, 34, 36, 38
7185170	COVER			32, 34, 36, 38
7185232	HOSE, HYD			482, 484
7185232	HOSE, HYD	7112348	A	482, 484
7185234	KIT, REMOTE CONTROL			447, 448
7185690	HVAC ASSY			387, 388
7185717	HOSE, WATER FORMED			208
7185847	HOUSING			368, 388
7185848	COVER			368, 388
7186644	WINDOW, FOPS			356
7186723	KIT, WINDOW FOPS			355, 356
7186768	BOLT	7156722	B	412
7186769	BOLT	7164618	B	412
7186972	LEVER	7168288	A	306, 308
7187104	SEAL			20, 336, 402
7187114	TUBELINE, HYD			58
7187115	TUBELINE, HYD			58
7187118	KIT, GUIDE HOSE			395, 396
7187472	HOSE			116
7188097	SEAL			306
7188129	KIT, EXTENTION LIGHT			345, 346
7188130	HOLDER			346
7188131	HOLDER			346
7188132	HOLDER			346
7188448	HARNESS, PUMP			182
7188542	DECAL, INSTRUCTIONS	7162648	B	412
7188745	PLUG	7174012	A	18, 324, 334
7188749	SPRING			228
7188778	HOSE, HYD FORMED			104
7188779	HOSE, HYD FORMED			104
7188792	BELT, DRIVE	7147859	A	8, 212, 214
7189077	MOUNT	7167871	B	176, 288, 290
7189310	HOSE, HYD	7175642	A	438
7189370	HOSE, HYD FORMED			104
7189371	HOSE, HYD FORMED			104
7189579	MOUNT	7169641	A	438

Code for disposition of old part number

A -- Use up

B -- Use on other application (See PNI)

C -- File PDR Report with Bobcat Parts Sales

D -- Part Number Error

NUMERICAL INDEX (Cont'd)

Part No.	Description	Was	Code	Page
7189580	MOUNT			440
7189581	BRACKET, HARNESS	7163597	A	168, 172
7190082	MAIN FRAME			14
7190111	DECAL, CONTROL			402
7190164	BRACKET, THROTTLE	7174914	A	222, 227, 228
7190164	BRACKET, THROTTLE			222, 227, 228
7191332	YOKE	7152501	B	84
7191333	PIN, CLEVIS	7179279	B	84
7191334	PIN, CLEVIS	7178508	B	84
7191385	SHIELD, ALARM			176, 288, 290
7191409	PANEL, MOUNTING	7159224	A	36, 38
7191409	PANEL, MOUNTING			36, 38
7191528	LEVER			228
7192066	INSULATION			474, 476
7192067	INSULATION, PANEL LH			474, 478
7192068	INSULATION, FLOOR			474, 476, 478, 480
7192069	INSULATION, FLOOR			474, 476, 478, 480
7192070	INSULATION, FLOOR			474, 476, 478, 480
7192071	INSULATION, CROSSMEMBER			474, 476, 478, 480
7192147	KIT, SOUND/NOISE REDUCTION			473, 474
7192148	KIT, SOUND/NOISE REDUCTION			477, 478
7192153	INSULATION			478, 480
7192184	INSULATION			478, 480
7192250	KIT, POWER BOB- TACH			421, 422
7192252	KIT, PLUMBING POWER BOB-TACH			425, 426
7192287	BOLT			368, 388, 390
7192371	BOLT			378, 388
7192408	SEAL			368, 388
7192569	BRACKET			364
7192823	NUT			450
7193006	HOSE, HYD			112, 116
7193007	HOSE, HYD			112, 116
7193018	SEAL			390
7193019	PANEL, DUCT			390
7193020	DUCT, AIR			390
7193021	BRACKET			390
7193022	INSULATION			390
7193023	DUCT, AIR			390
7193354	FILTER, AIR RECIRCULATING			368, 388
7193452	MOUNT, ENG			216
7193531	GROMMET			378, 388
7193532	GROMMET			368, 388

Code for disposition of old part number

A -- Use up

B -- Use on other application (See PNI)

C -- File PDR Report with Bobcat Parts Sales

D -- Part Number Error

NUMERICAL INDEX (Cont'd)

Part No.	Description	Was	Code	Page
7193533	GROMMET			378, 388
7193534	COIL, HEATER			368, 388
7193535	EVAPORATOR			378, 388
7193536	BLOWER, HEATER & A/C			371, 372
7193538	BLOCK, VALVE A/C			378, 388
7193539	THERMOSTAT			378, 388
7193540	LATCH			368, 388
7193541	DRAIN, WATER SEAT			368, 388
7193542	SEAL			368, 388
7193543	SEAL			368, 388
7193671	GUARD, MUFFLER			416
7193687	BRACKET, MOUNTING			214, 400
7193725	HINGE, DOOR CAB	7150817	A	304
7193758	FITTING, HYD ELBOW			66
7193778	PLUG			368
7193780	HEATER, CAB			367, 368
7193782	COVER			368
7193783	SEAL, FOAM			368, 388
7193784	BOLT			368, 388
7193785	CLIP			378, 388
7193786	RIVET, POP			368, 388
7194123	SHIELD, SENSOR			138, 212
7194123	SHIELD, SENSOR	7131322	A	138, 212
7194160	BUMPER, RUBBER 'M' SERIES			302
7194262	WRAPAROUND			368, 388
7194471	PIN, CLEVIS			354
7194572	MOUNT			214, 400
7196015	BUSHING, PLASTIC			306
7196017	DISK, PLASTIC			306
7196284	CABLE, THROTTLE			228
7196318	INSULATION			482, 484, 488
7196318	INSULATION	7172022	A	482, 484, 488
7196358	INSULATION			482, 484, 488
7196358	INSULATION	7171217	A	482, 484, 488
7196361	HOSE, HYD	7188370	A	116
7196362	HOSE, HYD	7176936	A	114
7196671	PANEL, LH			34, 38
7196673	BRACKET			170
7196753	HARNESS, CAB DLX	7176098	B	164, 334
7196753	HARNESS, CAB DLX			164, 334
7196889	LATCH			368, 388
7197082	COVER			34, 38
7197262	DUCT			364
7197733	FAN			390
7197915	SPRING, COMPRESSION			192
7197916	SPACER			192
7197917	MOUNT, SEAT RH			192
7197919	MOUNT, SEAT LH			192

Code for disposition of old part number

A -- Use up

B -- Use on other application (See PNI)

C -- File PDR Report with Bobcat Parts Sales

D -- Part Number Error

NUMERICAL INDEX (Cont'd)

Part No.	Description	Was	Code	Page
7197921	MOUNT, CONTROLS RH			192
7197922	MOUNT, CONTROLS LH			192
7197972	COVER			16
7197973	COVER			364
7198225	TUBELINE, HYD			62, 66
7198226	TUBELINE, HYD			62, 66
7198236	SPACER, TUBE			440
7198237	HOSE, HYD			440
7198281	HOSE, HYD			62
7198317	HOSE, HYD			62
7198481	INSULATION, PANEL LH			484, 488
7198494	INSULATION, PANEL LH			476, 480
7198711	KIT, A/C			377, 378
7199263	HARNESS, MFR			169, 170
7199264	HARNESS, MFR			170
7199853	SPRING, TORSION			190, 194
7200657	KIT, DUCT			389, 390
7200883	HARNESS, JUMPER FAN			390
7200887	SLIDE			188, 192
7200888	SLIDE			188, 192
7201407	KIT, MOUNT ISOLATOR			399, 400
7201414	HARNESS, AUX REAR	7191339	A	438
7201515	RETAINING PLATE, RUBBER BUMPER			302
7201981	MANIFOLD, DRAIN CASE	7178129	A	69, 70, 112, 114
7202003	INSULATION, FENDER			488
7202032	SHAFT, ROD CYL			76, 80
7202033	TUBE, CASE CYL			76, 80
7202036	HEAD, CYL TILT			76, 80
7202038	BUSHING, ALIGNMENT	6805102	A	88, 90
7202518	KIT, SEAL			76, 80
7202799	BRACKET, SUPPORT			14
7202800	BRACKET, SUPPORT			14
7202956	SEAL, BULK			162, 164
7203241	MOUNT, MUFFLER			358
7203389	SEAT BAR	7153408	A	27, 28
7203489	FITTING, HYD CONNECTOR			68
7203490	FITTING, HYD CONNECTOR			66
7203491	BRACKET, JUNCTION			66
7203506	TUBELINE, HYD			66

Code for disposition of old part number

A -- Use up

B -- Use on other application (See PNI)

C -- File PDR Report with Bobcat Parts Sales

D -- Part Number Error

NUMERICAL INDEX (Cont'd)

Part No.	Description	Was	Code	Page
7203568	MOUNT, VALVE			440
7203665	KIT, BUMPER			301, 302
7203838	TUBE, CASE CYL	7136058	A	82
7204037	DECAL			328
7204041	INSULATION, UPRIGHT			486
7204073	KIT, SPRING DAMPER			489, 490
7204131	VALVE, LEVEL SELF NO			66
7204279	KIT, AXLE WEIGHT			497, 498
7205266	CYLINDER, TILT			80
7205267	CYLINDER, TILT			76
7205268	PISTON, CYL TILT			76, 80
7205329	SEAL, COVER			34, 38
73G624	BOLT			120
73G656	SCREW			420
73K013	RING, BACK-UP			88, 92
73K016	RING, BACK-UP			88, 92
73K222	RING			428, 430
73K228	BACK-UP RING			82
73K232	RING, BACK-UP			74, 78
774220	NUT			176, 222, 226, 228, 288, 290, 374, 376, 378
77F8	ELBOW			72
799119	RING			88
79K10	O RING 10			58, 62, 66, 88, 92, 104, 110, 132, 298, 300, 432, 434, 440
79K12	O RING 10			72, 96, 100, 102, 104, 106, 108, 110, 112, 114, 116, 132, 136, 424, 438
79K16	O RING 10			72, 100, 104, 438
79K3	O RING 10			434
79K4	O RING 10			114, 432
79K6	O RING 10			60, 64, 70, 72, 86, 88, 90, 92, 100, 104, 108, 110, 112, 114, 116, 166, 170, 434, 438
79K7	O RING 10			432
79K8	O RING 10			58, 62, 66, 88, 92, 96, 110, 114, 132, 136, 208, 432
7CM12100	BOLT			212, 214
7D4	NUT			70, 94
82K019	O-RING			88, 92
82K132	O-RING HYDRAULIC			428, 430
82K230	SEAL			82
83D4	NUT 10			26, 28, 70
83D5	NUT 5			70, 108, 112, 116
83D6	NUT 5			58, 62, 72, 120, 296, 340, 438
83D6	NUT 5	86D6	D	58, 62, 72, 120, 296, 340, 438
83D8	NUT 5			14, 212, 214, 216
84G1320	BOLT			176, 288
84G3112	BOLT 5			340, 356
84G3712	BOLT			14, 18, 46, 68, 120, 166, 170, 174, 182, 206, 210, 220, 222, 228, 360, 438
84G3716	SCREW 5	84G3720	B	32, 34, 36, 38, 42, 46, 54, 56, 58, 62, 66, 72, 224, 228, 302
84G3716	SCREW 5			32, 34, 36, 38, 42, 46, 54, 56, 58, 62, 66, 72, 224, 228, 302

Code for disposition of old part number

A -- Use up

B -- Use on other application (See PNI)

C -- File PDR Report with Bobcat Parts Sales

D -- Part Number Error

NUMERICAL INDEX (Cont'd)

Part No.	Description	Was	Code	Page
84G3716	SCREW 5	17C616	B,D	32, 34, 36, 38, 42, 46, 54, 56, 58, 62, 66, 72, 224, 228, 302
84G3720	BOLT			32, 34, 36, 38, 54
84G3724	BOLT			32, 34, 120
84G3728	BOLT			58, 62, 66, 440
84G3732	BOLT			46, 54, 56, 60, 62, 66, 72, 168, 172
84G3732	BOLT	84G3740	B	46, 54, 56, 60, 62, 66, 72, 168, 172
84G3740	BOLT			72
85D6	LOCK NUT			40, 42, 44, 60, 64, 68, 404
85D7	NUT			30, 460
85D8	NUT, 5			18
86D7	NUT			190, 192, 452, 454, 456, 458, 466
86F5	NUT			438
86F6	NUT			58, 62, 66
86F7	LOCK NUT			58, 62, 66
86F8	NUT 5			68, 108
872229	WASHER			60, 64, 68, 72
87G1014	SCREW, MACHINE			446
88F5	ELBOW			438, 439, 440
88F7	ELBOW			66
898731	1156 BULB			176
89D5	NUT			418
89D6	NUT			210, 224
91K6	TEE			58, 62, 66
91K7	FITTING			58, 62, 66
92D10	NUT			428, 430
947088	RING, BACK-UP			74, 76, 78
95D5	NUT			358
95D6	NUT			84, 120, 184, 186, 284, 362, 364
96D12	NUT			212, 214
96D16	NUT			214
96D8	NUT			206
97D4	NUT			175, 176, 288, 290
97D5	NUT			188, 192, 306, 308, 416
97D6	NUT 10			166, 170, 182, 184, 206, 210, 306, 334, 344, 362, 364, 394, 410
98D6	NUT			120, 224, 228

Code for disposition of old part number

A -- Use up

B -- Use on other application (See PNI)

C -- File PDR Report with Bobcat Parts Sales

D -- Part Number Error