

TABLE OF CONTENTS

SN 921913211003	RS446C Reclaimer Stabilizer	2
568001020000	RS446C Reclaimer/Stabilizer (Export)	4
568001019000	RS446C Base Tractor (Export) From 921913211003	6
568002094000	Mainframe Assembly	8
568002111000	Covers Assembly	10
568002151000	Handrails Group	12
568002135000	Service Center Assembly From 571402	14
568005041000	Tank, Fuel	16
004023400000	Tank, Fuel	18
568050038000	Tank, Hydraulic	20
002016733000	Reservoir, Hydraulic From 571405	22
568002094000	Mainframe Assembly	24
568002111000	Covers Assembly	10
568002151000	Handrails Group	12
568002135000	Service Center Assembly From 571402	14
568005041000	Tank, Fuel	16
004023400000	Tank, Fuel	18
568050038000	Tank, Hydraulic	20
002016733000	Reservoir, Hydraulic From 571405	22
568050040000	Tank, Replenishing	28
568050018000	Pump, Replenishing	30
568004082000	Drive Line Assembly	32
004003443000	Torque Limiter	34
91310222	Air Compressor Assembly	36

TABLE OF CONTENTS

91310047	Power Pack Assembly	38
91310190	Pump Assembly, Cutter Cooling	44
91310211	Transmission Assembly	46
001010688000	Exhaust Insulation Assembly	48
002005089000	Split Flange Kit	50
002012635000	Tandem Hydraulic Assembly	52
526001585000	Air Intake Assembly	54
004003040000	Air Cleaner Assembly	56
526001586000	Exhaust Assembly	58
568005012000	Cooling System	60
004013812000	RAD CAC HOC Assembly	62
568005060000	Battery Group	64
568050039000	Hydraulic Group	66
568050043000	Clamps Group	68
568050044000	Hydraulic Group, Auxiliary	72
002017080000	Manifold Assembly	74
568050046000	Hose Group, Auxiliary	76
568050045000	Hydraulic Group, Propel	80
002008549000	Filter Assembly	82
568007030000	Console Assembly	84
568007031000	Slide, Console	88
568008002000	Edge Guide Assembly	90
568090006000	Electrical Group	92
568090131000	Panel Assembly, Main Control	96

TABLE OF CONTENTS

559960082000	Light, Dash Assembly	102
568090027000	Control Handle Assembly	104
571090059000	Panel, Auxiliary Gauge	106
568090166000	Panel Assembly, Power From 568233	110
568090050000	Adapter, Power	112
568090102000	Pump, Lube	114
568090006000	Electrical Group	116
568090131000	Panel Assembly, Main Control	96
559960082000	Light, Dash Assembly	102
568090027000	Control Handle Assembly	104
571090059000	Panel, Auxiliary Gauge	106
568090166000	Panel Assembly, Power	110
568090050000	Adapter, Power	112
568090102000	Pump, Lube	114
568050049000	Hose Kit	120
568005044000	Hose Kit, Power Pack	122
568003047000	Drive Assembly, Wheel	124
568003048000	Axle Assembly, Front Drive	126
568003044000	Tie Rod Assembly	130
568003049000	Axle Assembly, Rear Drive	132
568003044000	Tie Rod Assembly	130
568006014000	Wheel and Tire Assembly	136
568006015000	Wheel and Tire Assembly	138
568009023000	Decal Assembly	140

TABLE OF CONTENTS

568030002000	Tools Group	146
531004002000	Hammer, Air Attachment	148
001010066000	Hammer, Air Assembly	150
097003002000	Hose, Air Assembly	152
526004040000	Chain, Ratchet Tool	154
543040239000	Kit, Oil Sampling Assembly	156
568040062000	Operator Platform, Open	158
568002078000	Covers Group, Operator Station	160
568002141000	Handrail Assembly	162
568002160000	Cowling Assembly	164
568002080000	Hood Assembly	168
526001289000	Hood Assembly, Engine	170
568004075000	Cutter Assembly	172
568004044000	Cutter Housing and Drive	174
568004022000	Door, Rear	178
568004050000	Chaincase Assembly	180
568004051000	Chaincase Assembly	182
568004053000	Axle Assembly, Cutter	184
568004067000	Drive Assembly, Cutter Lower	188
568040084000	Water and Emulsion System	190
568040026000	Accessory Group, Water Emulsion	192
568040033000	Pushbar Assembly	194
568040069000	Spraybar Assembly	196
568040085000	Water Pump and Plumbing Assembly	198

TABLE OF CONTENTS

526004193000	Pump/Motor Assembly	200
553040105000	Lanyard Assembly	202
568050051000	Hose Group	204
568090008000	Electrical System	206
568090049000	Cable, Spraybar	208
568040084000	Water and Emulsion System	210
568040026000	Accessory Group, Water Emulsion	192
568040033000	Pushbar Assembly	194
568040069000	Spraybar Assembly	196
568040085000	Water Pump and Plumbing Assembly	212
526004193000	Pump/Motor Assembly	200
553040105000	Lanyard Assembly	202
568050051000	Hose Group	214
568090009000	Electrical System	216
568090049000	Cable, Spraybar	208

**RS446C Reclaimer Stabilizer
SN 921913211003**

Ref. No.	Part No.	Qty.	Description
1	568001020000	1	RS446C Reclaimer/Stabilizer (Export) (Page 4)
2	568040062000	1	Operator Platform, Open (Page 158)
3	568004075000	1	Cutter Assembly (Page 172)
4	568040084000	1	Water and Emulsion System

WHEN ORDERING PARTS, ALWAYS STATE MODEL AND SERIAL NO. OF MACHINE

**RS446C Reclaimer Stabilizer
SN 921913211003**

NO DRAWING FOR THIS ASSEMBLY

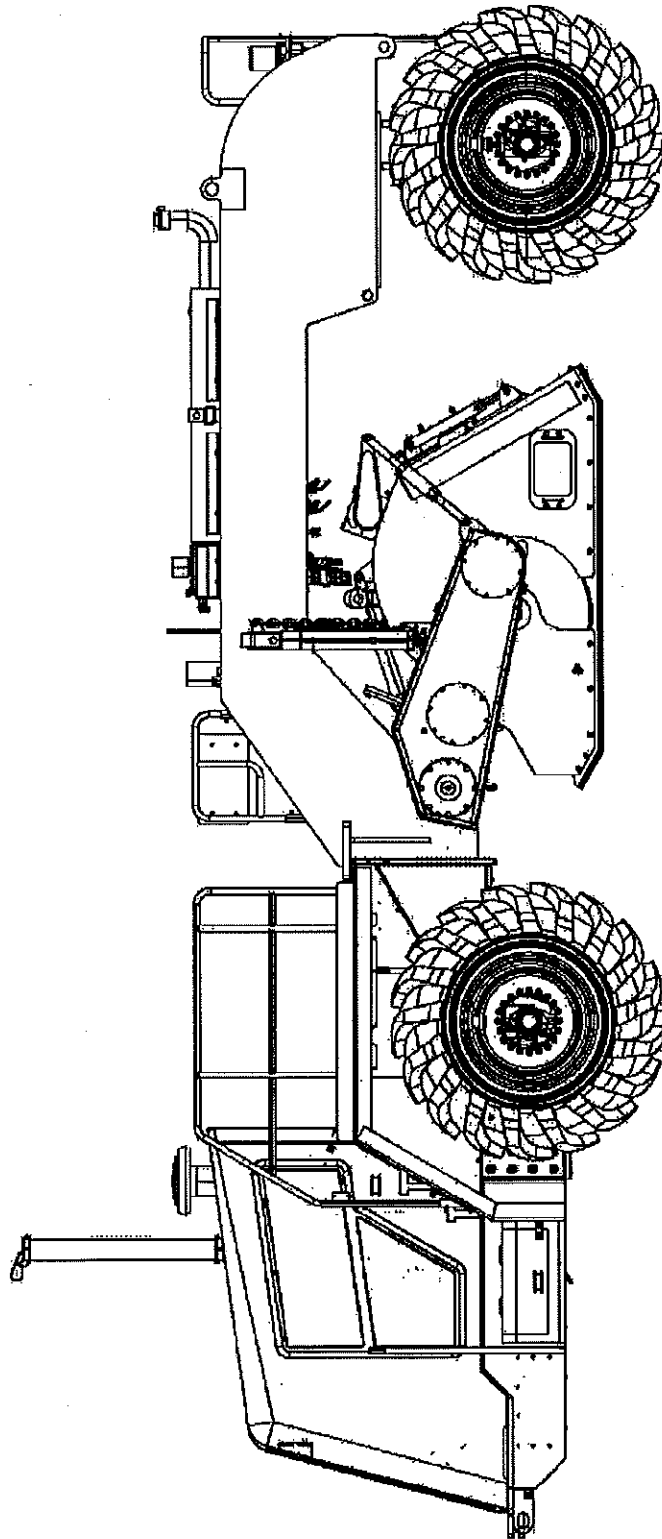
ILLUSTRATION MAY VARY FROM YOUR MACHINE

**RS446C Reclaimer/Stabilizer (Export)
56800102000**

Ref. No.	Part No.	Qty.	Description
1	568001019000	1	RS446C Base Tractor (Export) 2 From 921913211003 (Page 6)
2	568009023000	1	Decal Assembly (Page 140)
4	568030002000	1	Tools Group (Page 146)

WHEN ORDERING PARTS, ALWAYS STATE MODEL AND SERIAL NO. OF MACHINE

RS446C Reclaimer/Stabilizer (Export)
568001020000



Rev. A

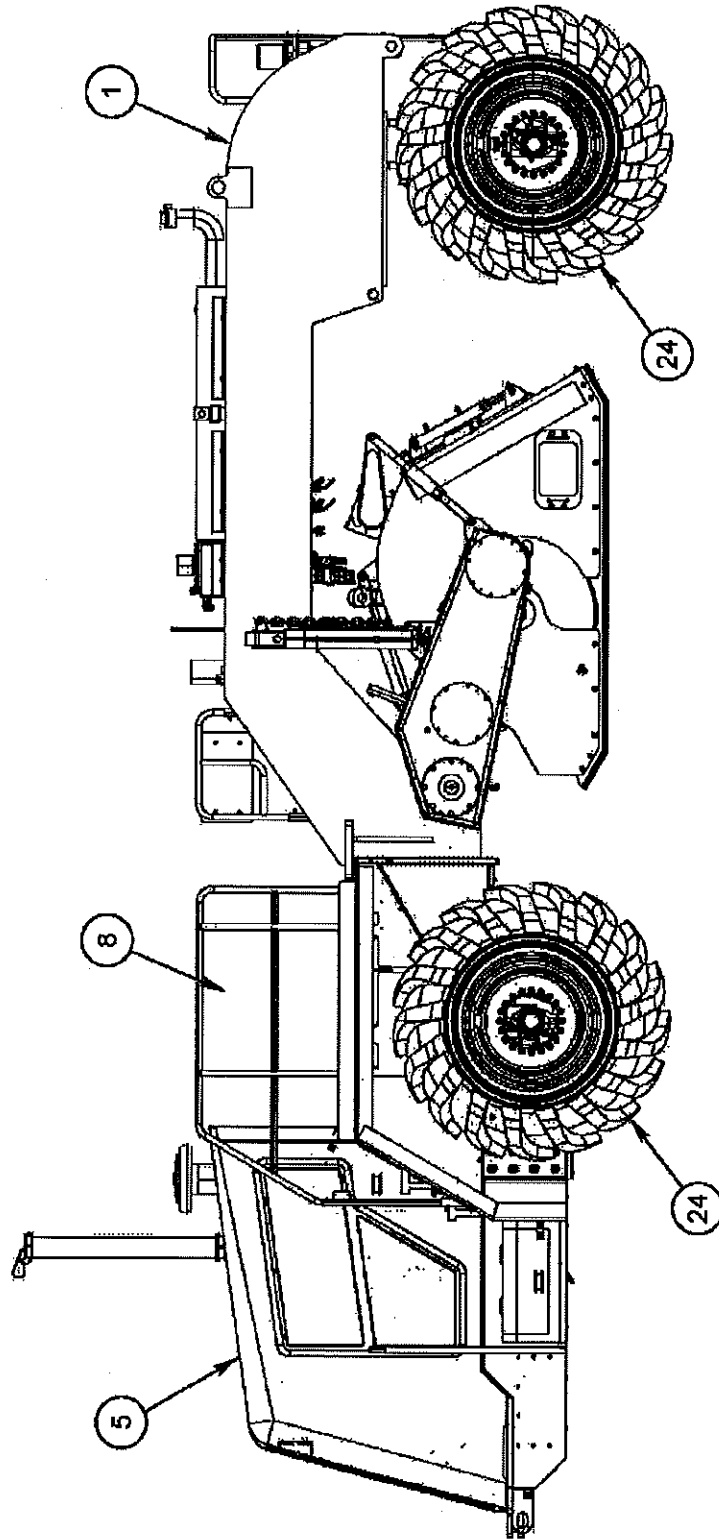
ILLUSTRATION MAY VARY FROM YOUR MACHINE

**RS446C Base Tractor (Export) 2
568001019000**

Ref. No.	Part No.	Qty.	Description
1	568002094000	1	Mainframe Assembly
2	568004082000	1	Drive Line Assembly (Page 32)
4	91310222	1	Air Compressor Assembly (Page 36)
5	91310047	1	Power Pack Assembly (Page 38)
6	568050039000	1	Hydraulic Group (Page 66)
8	568007030000	1	Console Assembly (Page 84)
9	568008002000	1	Edge Guide Assembly (Page 90)
11	568090006000	1	Electrical Group
13	000A00101000	16	Bolt, Hex 1/2-13 UNC x 1"
14	000A00211000	32	Bolt, Hex 1-8 UNC x 3 1/2"
15	000A00265000	32	Nut 1-8 UNC 1-8 UNC
16	000A00296000	16	Washer, Flat 1/2"
17	000A00301000	64	Washer, Flat 1"
21	568050049000	1	Hose Kit (Page 120)
22	568005044000	1	Hose Kit, Power Pack (Page 122)
24	568003047000	1	Drive Assembly, Wheel (Page 124)

WHEN ORDERING PARTS, ALWAYS STATE MODEL AND SERIAL NO. OF MACHINE

RS446C Base Tractor (Export) 2
568001019000



Rev. A

ILLUSTRATION MAY VARY FROM YOUR MACHINE

**Mainframe Assembly 1
568002094000**

Ref. No.	Part No.	Qty.	Description
1	001001444000	2	Pin, Clevis
2	001008186000	1	Manual Container Assembly
3	001009758000	2	Shackle
4	001010106000	2	Chain
5	001010540000	2	Handle, Grab
6	001010959000	2	Hasp
7	526001288000	2	Door Stop
8	568002095000	1	Mainframe
9	568002099000	1	Mount, Cab
10	568002100000	1	Fender, Right
11	568002101000	1	Fender, Left
12	568002111000	1	Covers Assembly (Page 10)
13	568002151000	1	Handrails Group (Page 12)
14	568005041000	1	Tank, Fuel (Page 16)
15	568050038000	1	Tank, Hydraulic (Page 20)
16	000A00104000	8	Bolt, Hex 1/2-13 UNC X 1 3/4"
17	000A00105000	4	Bolt, Hex 1/2-13 UNC X 2"
18	000A00167000	8	Bolt, Hex 3/4-10 UNC X 2"
19	000A00176000	2	Bolt, Hex 3/4-10 UNC X 4 1/2"
20	000A00292000	4	Washer, Flat 1/4
21	000A00296000	4	Washer, Flat 1/2"
22	000A00299000	16	Washer, Flat 3/4"
23	000A00308000	12	Washer, Lock 1/2"
24	000A01497000	4	Pin, Cotter
25	000A01890000	2	Pin, Clevis
26	000A02044000	10	Nut, Lock 3/4-10 UNC
	000A00292000	6	Washer, Flat 1/4 From 568223
27	000AA0099000	8	Washer, Flat
29	000A00304000	6	Washer, Lock 1/4" From 568223
35	568005065000	1	Neutral Safety Bracket
36	000A00004000	2	Bolt, Hex 1/4-20 UNC x 3/4"
37	000A00367000	2	Screw, Socket Head
38	000A02036000	2	Nut, Lock #10-24 UNC
		1	

WHEN ORDERING PARTS, ALWAYS STATE MODEL AND SERIAL NO. OF MACHINE

Intentionally Left Blank

**Covers Assembly
56800211000**

Ref. No.	Part No.	Qty.	Description
1	526001234000	2	Cover Plate
2	526005081000	1	Hose Cover
3	568002112000	2	Cover, Pump Access
4	568002113000	1	Cover, Transmission Access
5	568002114000	2	Cover, Mainframe Side
6	568002117000	1	Cover, Powerpack
7	568002118000	1	Cover, Mainframe Front
8	568002128000	1	Cover, Floorplate
9	568002129000	1	Cover, Floorplate
10	568002174000	1	Cover, Rear Weight From 568255
11	568002149000	1	Plate
12	568002150000	1	Plate
13	568002154000	1	Plate
14	568002157000	1	Plate, Shifter
15	568002158000	1	Cover, Fender
16	568002159000	1	Cover, Clutch Access
17	000A00005000	12	Bolt, Hex 1/4-20 UNC x 7/8"
18	000A00054000	60	Bolt, Hex 3/8-16UNC X 5/8
19	000A00057000	2	Bolt, Hex 3/8-16 UNC X 1"
20	000A00059000	3	Bolt, Hex 3/8-16 UNC X 1 1/2"
21	000A00256000	4	Nut 1/4-20 UNC
22	000A00292000	16	Washer, Flat 1/4
23	000A00294000	65	Washer, Flat 3/8"
24	000A00304000	12	Washer, Lock 1/4"
25	000A00306000	62	Washer, Lock 3/8"
26	000A02040000	3	Nut, Lock 3/8-16 UNC

WHEN ORDERING PARTS, ALWAYS STATE MODEL AND SERIAL NO. OF MACHINE

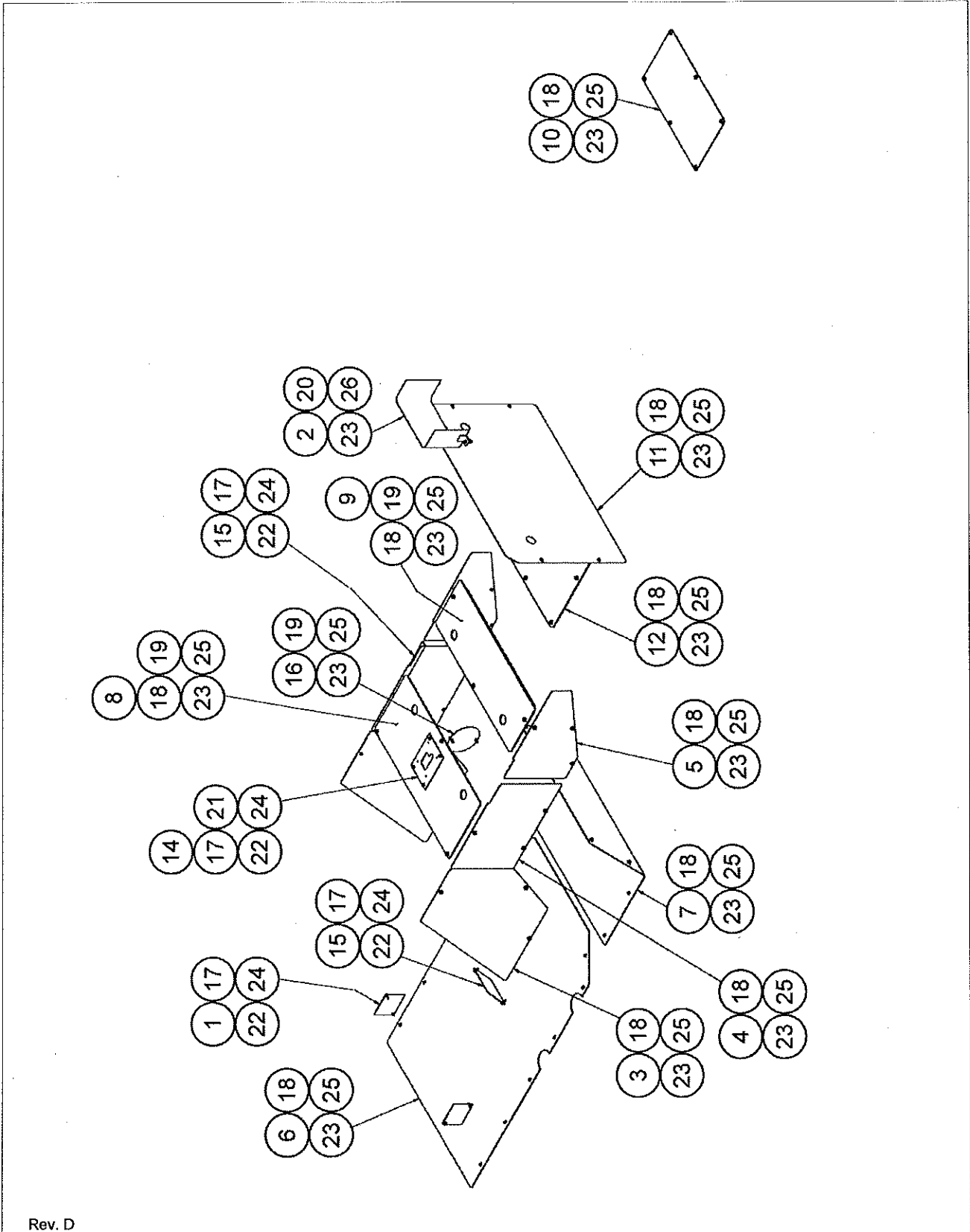
Intentionally Left Blank

**Covers Assembly
568002111000**

Ref. No.	Part No.	Qty.	Description
1	526001234000	2	Cover Plate
2	526005081000	1	Hose Cover
3	568002112000	2	Cover, Pump Access
4	568002113000	1	Cover, Transmission Access
5	568002114000	2	Cover, Mainframe Side
6	568002117000	1	Cover, Powerpack
7	568002118000	1	Cover, Mainframe Front
8	568002128000	1	Cover, Floorplate
9	568002129000	1	Cover, Floorplate
10	568002174000	1	Cover, Rear Weight From 568255
11	568002149000	1	Plate
12	568002150000	1	Plate
13	568002154000	1	Plate
14	568002157000	1	Plate, Shifter
15	568002158000	1	Cover, Fender
16	568002159000	1	Cover, Clutch Access
17	000A00005000	12	Bolt, Hex 1/4-20 UNC x 7/8"
18	000A000054000	60	Bolt, Hex 3/8-16UNC X 5/8"
19	000A000057000	2	Bolt, Hex 3/8-16 UNC X 1"
20	000A000059000	3	Bolt, Hex 3/8-16 UNC X 1 1/2"
21	000A00256000	4	Nut 1/4-20 UNC
22	000A00292000	16	Washer, Flat 1/4"
23	000A00294000	65	Washer, Flat 3/8"
24	000A00304000	12	Washer, Lock 1/4"
25	000A00306000	62	Washer, Lock 3/8"
26	000A02040000	3	Nut, Lock 3/8-16 UNC

WHEN ORDERING PARTS, ALWAYS STATE MODEL AND SERIAL NO. OF MACHINE

Covers Assembly
568002111000



Rev. D

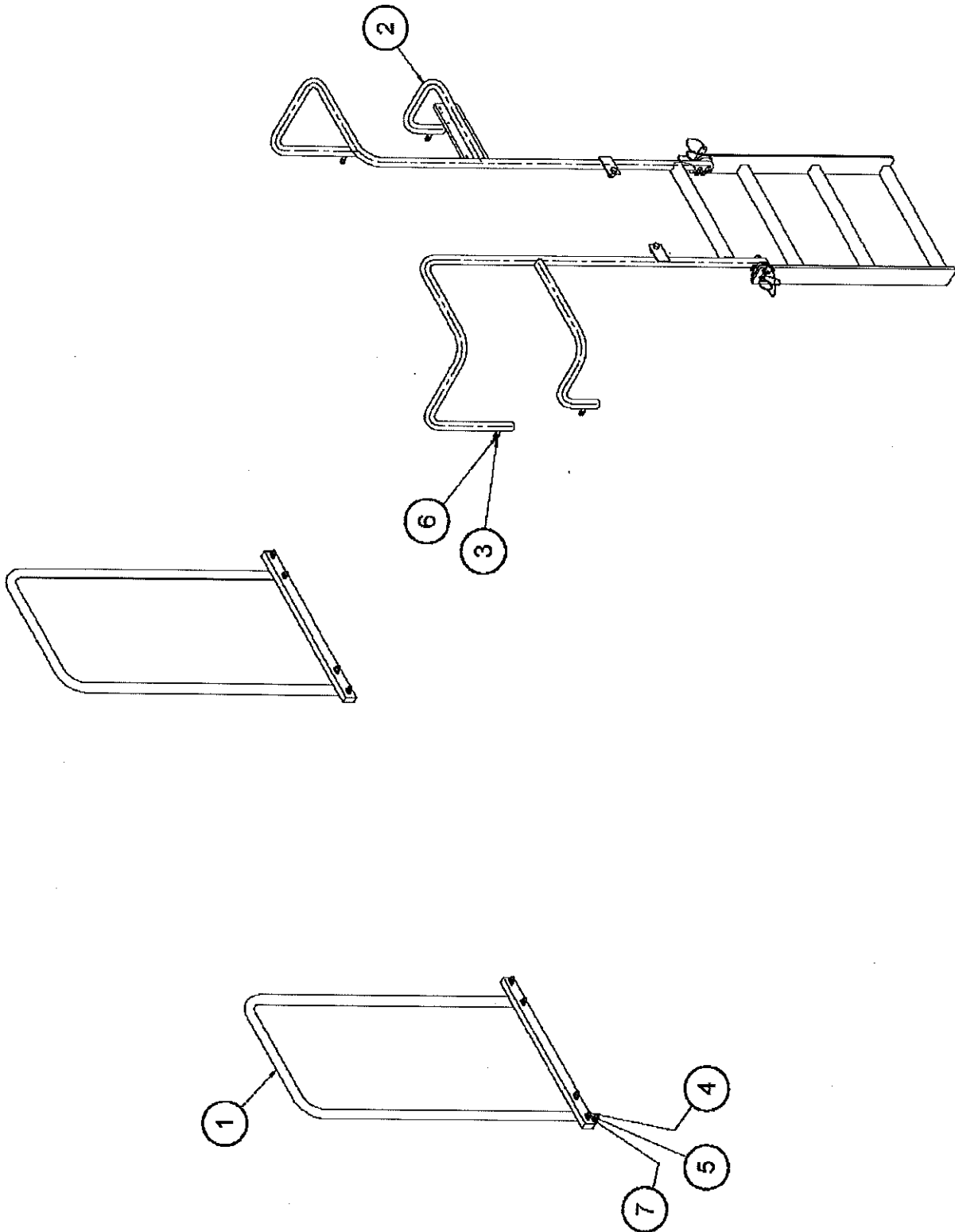
ILLUSTRATION MAY VARY FROM YOUR MACHINE

**Handrails Group
568002151000**

Ref. No.	Part No.	Qty.	Description
1	568002156000	2	Front Handrail
2	568002135000	1	Service Center Assembly 2 From 571402 (Page 14)
3	000A00057000	4	Bolt, Hex 3/8-16 UNC X 1"
4	000A00061000	8	Bolt, Hex 3/8-16 UNC X 2"
5	000A00306000	8	Washer, Lock 3/8"
6	000A00270000	4	Nut, Jam 3/8-16 UNC
7	000A00294000	8	Washer, Flat 3/8"

WHEN ORDERING PARTS, ALWAYS STATE MODEL AND SERIAL NO. OF MACHINE

Handrails Group
568002151000



Rev. 0

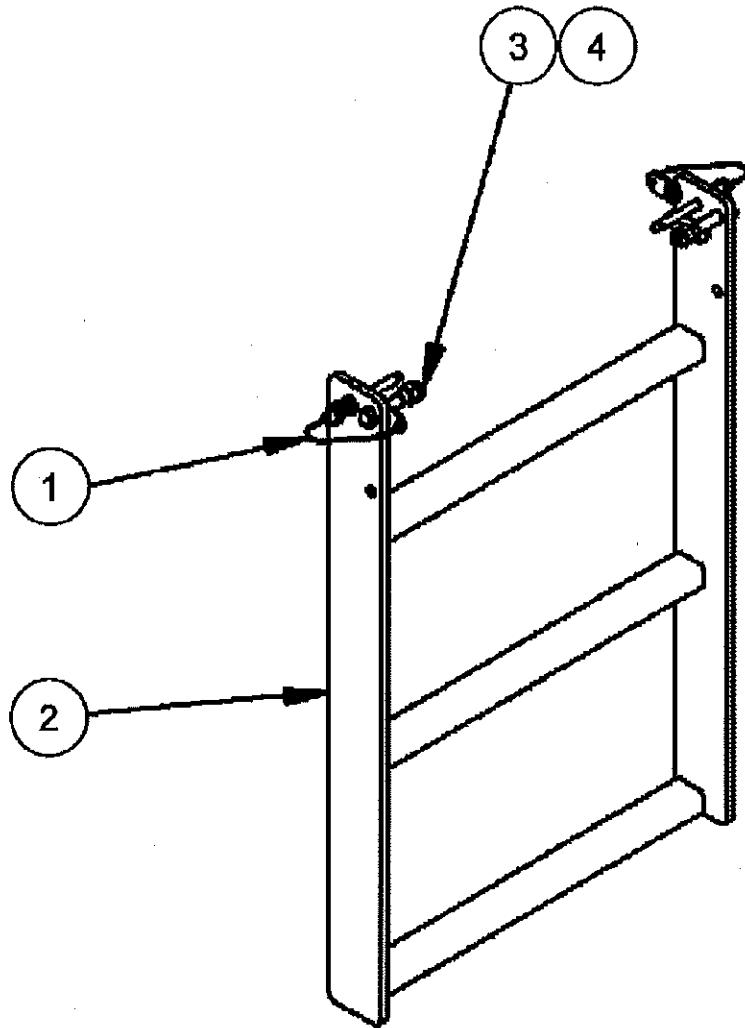
ILLUSTRATION MAY VARY FROM YOUR MACHINE

**Service Center Assembly 2
568002135000**

Ref. No.	Part No.	Qty.	Description
1	001001499000	2	Pin
2	568002127000	1	Ladder
3	000A00109000	2	Bolt, Hex., 1/2-13 UNC X 3"
4	000A02042000	2	Nut, Lock 1/2-13 UNC

WHEN ORDERING PARTS, ALWAYS STATE MODEL AND SERIAL NO. OF MACHINE

Service Center Assembly 2
568002135000



Rev. A

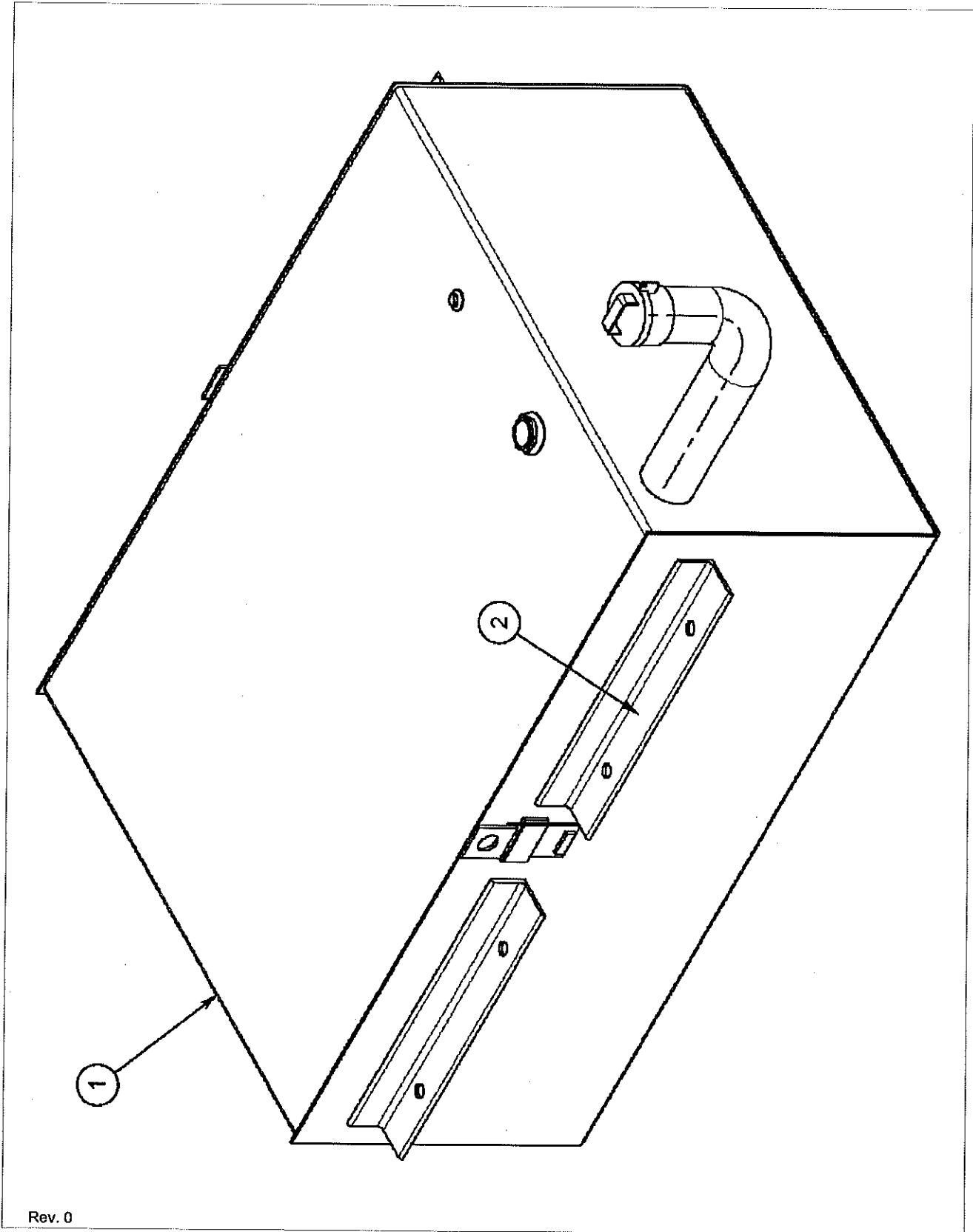
ILLUSTRATION MAY VARY FROM YOUR MACHINE

**Tank, Fuel
568005041000**

Ref. No.	Part No.	Qty.	Description
1	004023400000	1	Tank, Fuel (Page 18)
2	526012011000	4	Fuel Tank Pad

WHEN ORDERING PARTS, ALWAYS STATE MODEL AND SERIAL NO. OF MACHINE

Tank, Fuel
568005041000



Rev. 0

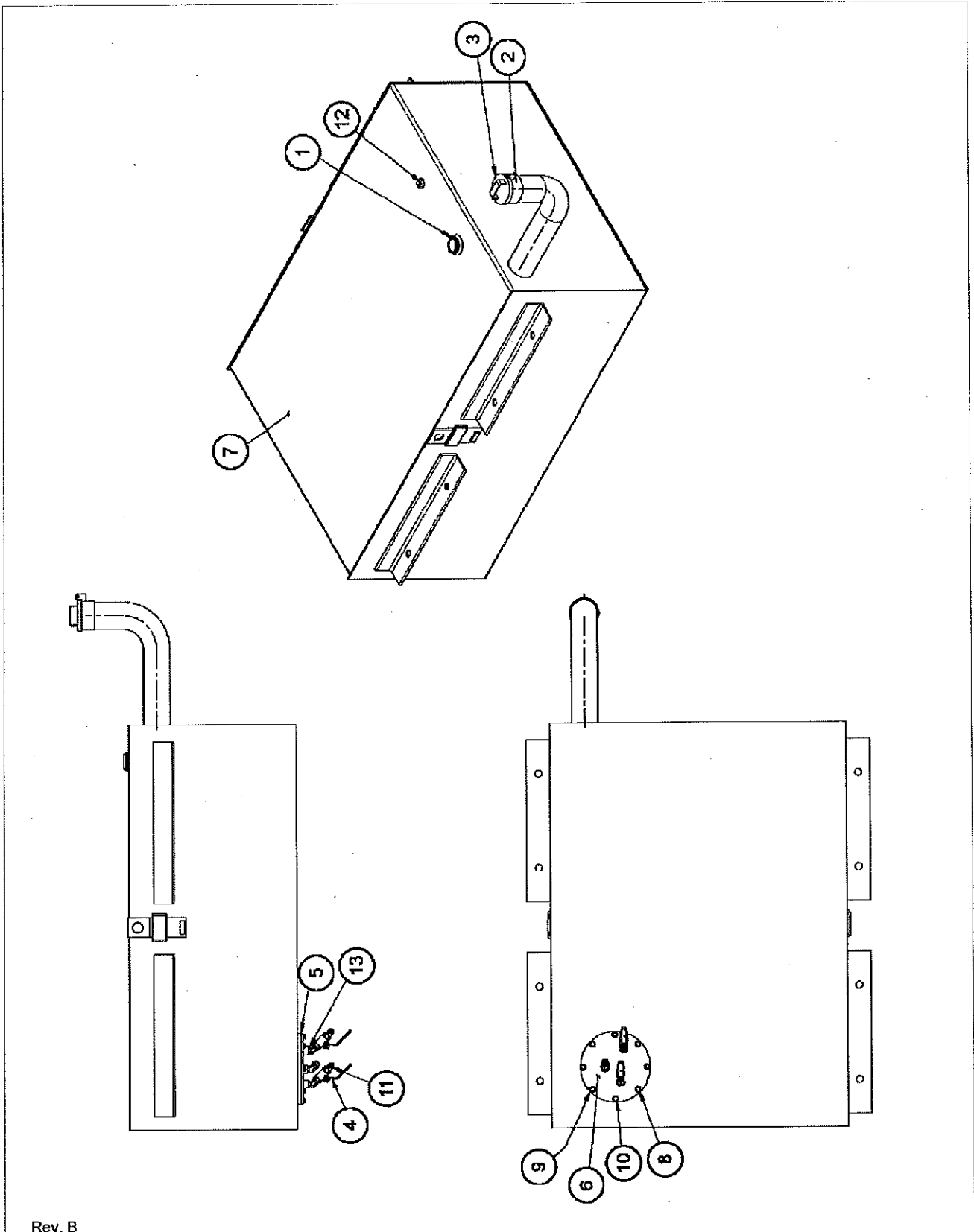
ILLUSTRATION MAY VARY FROM YOUR MACHINE

Tank, Fuel
00402340000

Ref. No.	Part No.	Qty.	Description
1	001005283000	1	Gauge, Fuel
2	001009508000	1	Strainer
3	001010342000	1	Cap, Vented Fuel
4	002006447003	2	Valve, Ball
5	002016661002	1	Gasket
6	004013484000	1	Cover
7	004023401000	1	Reservoir, Fuel
8	000A00057000	8	Bolt, Hex 3/8-16 UNC X 1"
9	000A00294000	8	Washer, Flat 3/8"
10	000A00306000	8	Washer, Lock 3/8"
11	000A00679000	2	Connector, Straight 1/2 JIC x 1/2 ORB
12	001005121000	1	Sending Unit, Fuel From 571407
13	000AA0640003	3	Elbow, 45°

WHEN ORDERING PARTS, ALWAYS STATE MODEL AND SERIAL NO. OF MACHINE

Tank, Fuel
00402340000



Rev. B

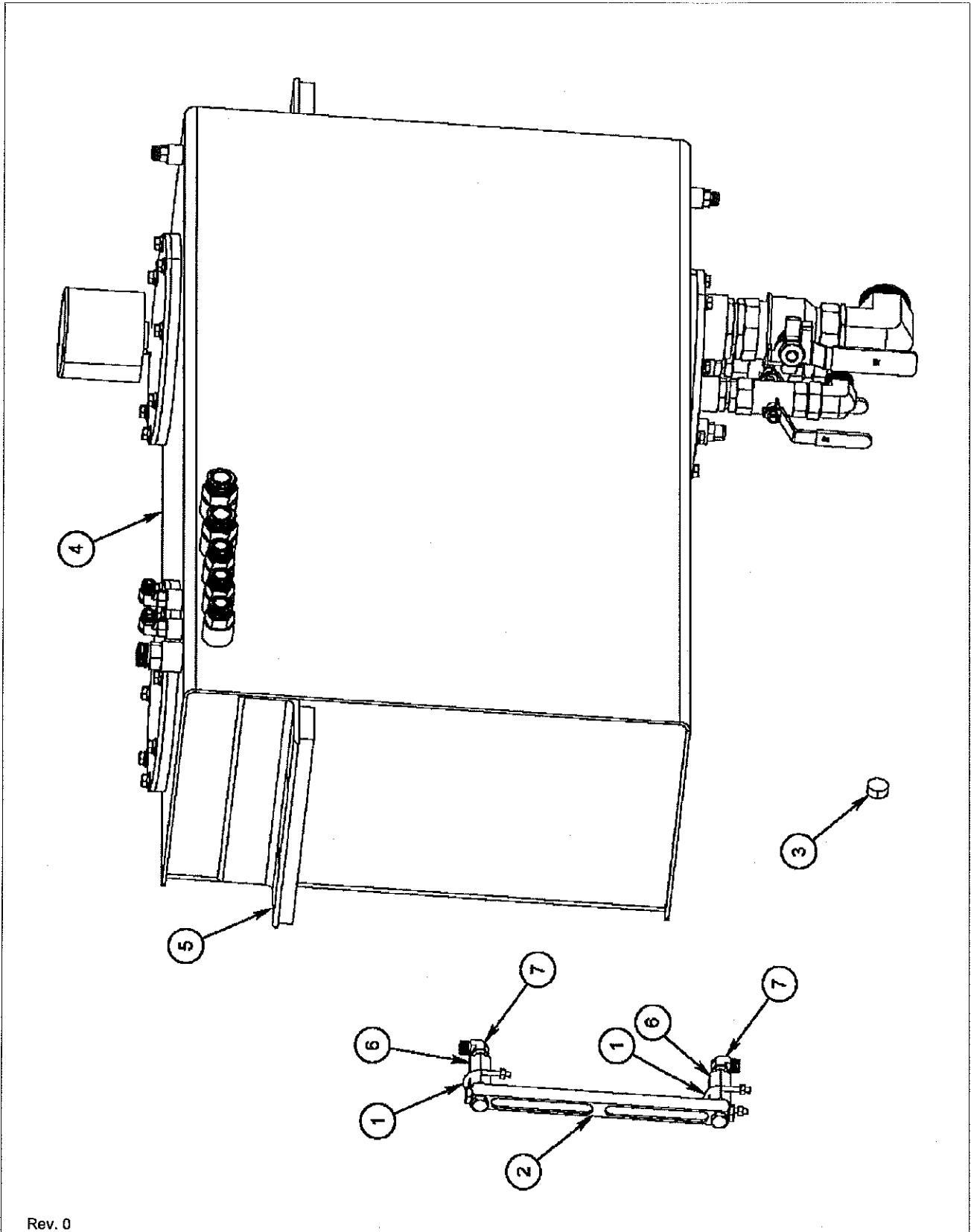
ILLUSTRATION MAY VARY FROM YOUR MACHINE

**Tank, Hydraulic
568050038000**

Ref. No.	Part No.	Qty.	Description
1	001002069000	2	U-Bolt
2	001005011000	1	Gauge, Oil Level
3	002011506022	1	Hose Assembly
4	002016733000	1	Reservoir, Hydraulic 2 From 571405 (Page 22)
5	526005067000	2	Tank Pad
6	568050025000	2	Adapter, Sight Gauge
7	000AA0113003	2	Tube End 90° 6 ORFS/6 Str O-Ring

WHEN ORDERING PARTS, ALWAYS STATE MODEL AND SERIAL NO. OF MACHINE

Tank, Hydraulic
568050038000



Rev. 0

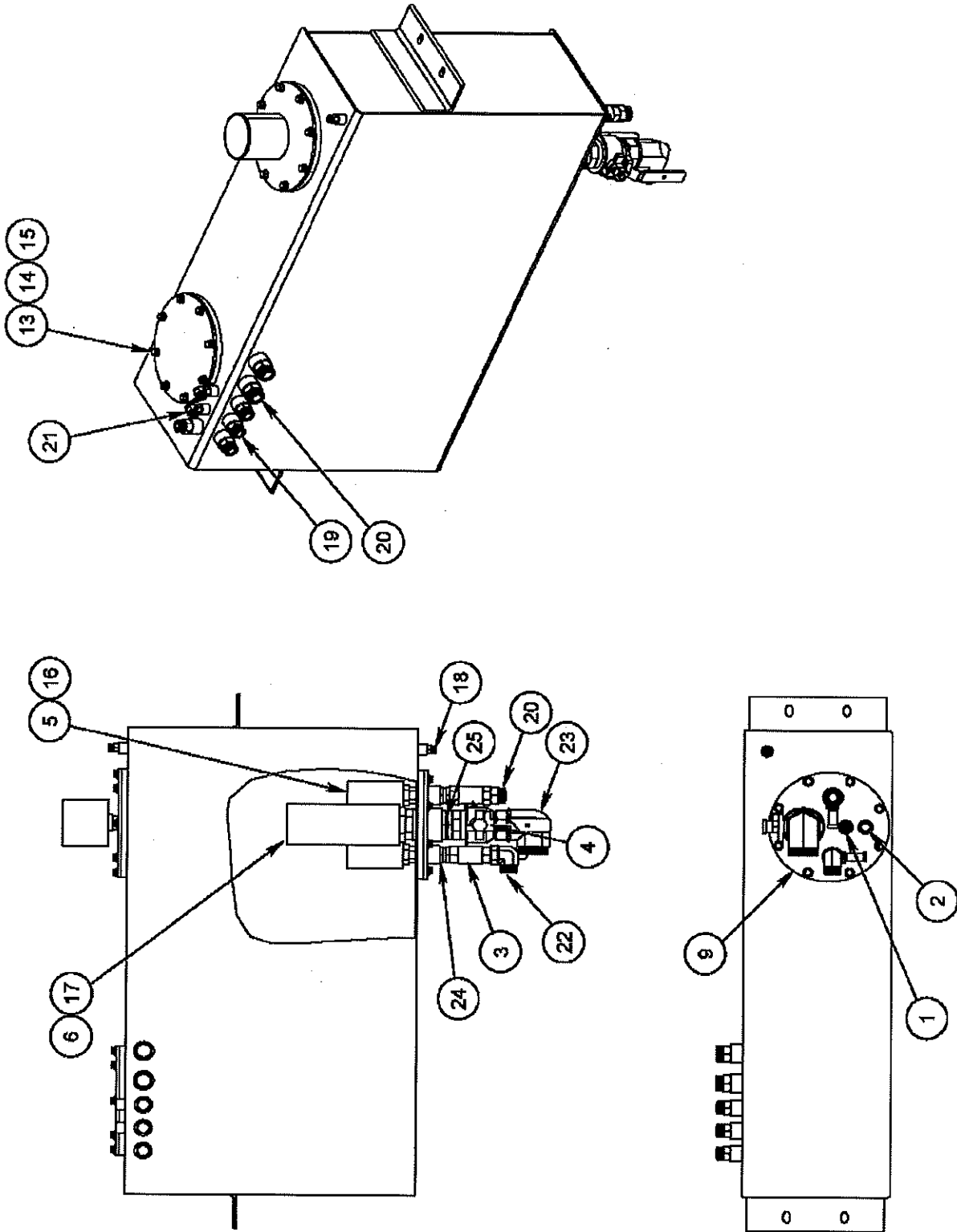
ILLUSTRATION MAY VARY FROM YOUR MACHINE

**Reservoir, Hydraulic 2
002016733000**

Ref. No.	Part No.	Qty.	Description
1	001005285000	1	Sender, Temperature
2	001005290000	1	Switch, Thermostat
3	002006447005	2	Valve, Ball
4	002006447008	1	Valve, Ball
5	002008582000	2	Strainer, Suction
6	002008584000	1	Strainer, Suction
7	002016661002	3	Gasket
8	002016661004	1	Breather
9	002016724000	1	Plate, Ball Valve
10	002016732000	1	Reservoir, Hydraulic
11	002016734000	1	Cover
12	002016735000	1	Cover, Breather
13	000A00057000	24	Bolt, Hex 3/8-16 UNC X 1"
14	000A00294000	24	Washer, Flat 3/8"
15	000A00306000	24	Washer, Lock 3/8"
16	000A00847000	2	Coupling, 1" NPT M
17	000A02834000	1	Coupling, Male 2 NPT X 2 NPT
18	000AA0112004	2	Fitting 6 Str ORFS/Str O-Ring
19	000AA0112016	4	Straight 3/4 ORFS x 3/4 ORB
20	000AA0112001	3	Fitting 4 ORFS Tube End Str O-Ring
21	000AA0113003	2	Tube End 90° 6 ORFS/6 Str O-Ring
22	000AA0113019	1	Fitting 90° 16 ORFS Tube End/Str O-Ring
23	000AA0113027	1	Connector, Elbow 90 2 ORFS X 2 ORB
24	000AA0174006	2	Union 8-Str SAE ORB 8-Str SAE ORB
25	000AA0174009	1	Union 32 SAE ORB

WHEN ORDERING PARTS, ALWAYS STATE MODEL AND SERIAL NO. OF MACHINE

Reservoir, Hydraulic 2
002016733000



Rev. B

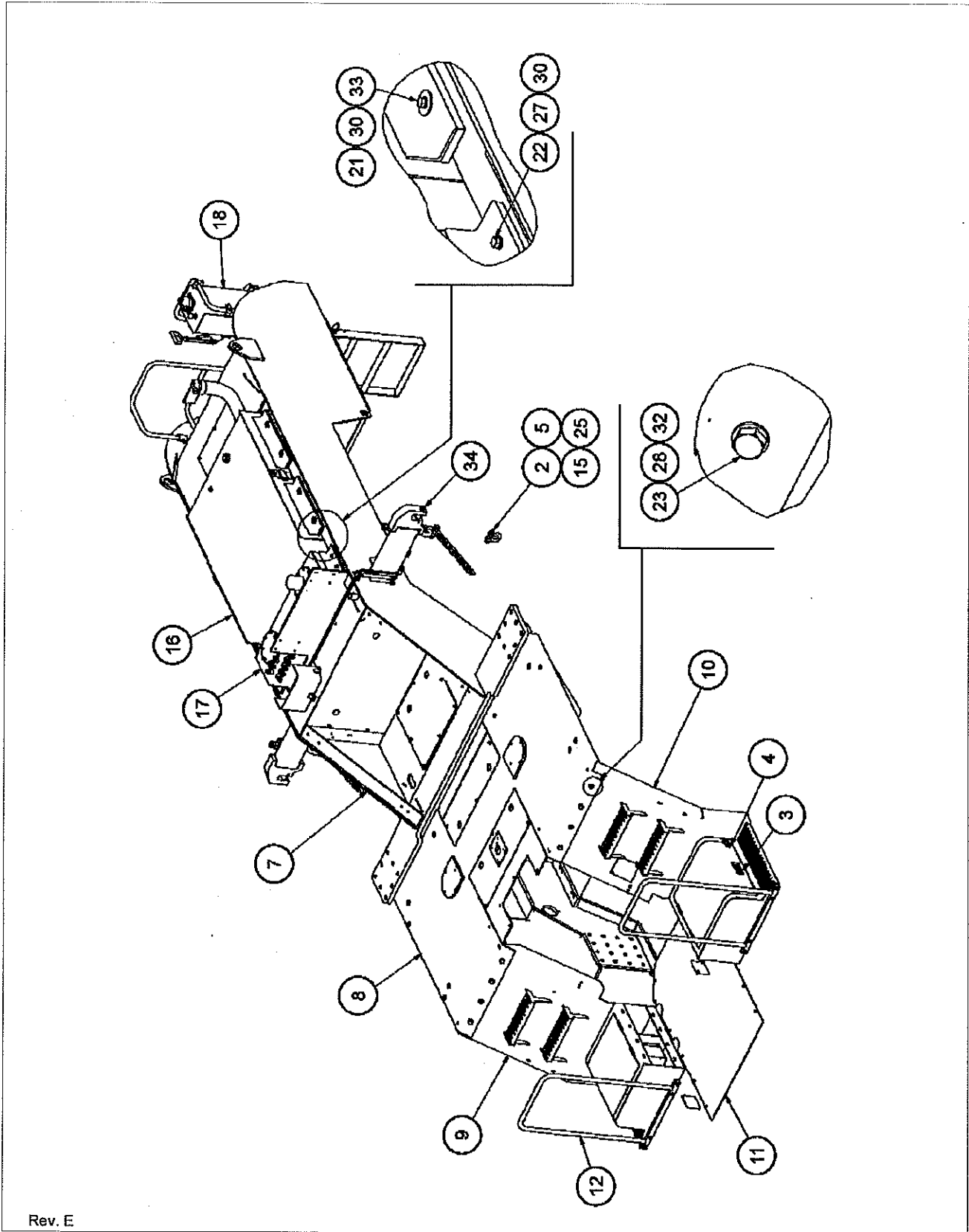
ILLUSTRATION MAY VARY FROM YOUR MACHINE

**Mainframe Assembly 2
568002094000**

Ref. No.	Part No.	Qty.	Description
1	001008193000	1	Tape, Acrylic Foam
2	001009758000	4	Shackle
3	001010540000	2	Handle, Grab
5	001010968000	2	Eyebolt
6	003002068000	1	J-Box
7	568002095000	1	Mainframe
8	568002099000	1	Mount, Cab
9	568002100000	1	Fender, Right
10	568002101000	1	Fender, Left
11	568002111000	1	Covers Assembly (Page 10)
12	568002151000	1	Handrails Group (Page 12)
13	568002152000	1	Tube, PVC
14	568002155000	1	Rod
16	568005041000	1	Tank, Fuel (Page 16)
17	568050038000	1	Tank, Hydraulic (Page 20)
18	568050040000	1	Tank, Replenishing (Page 28)
19	000A00006000	4	Bolt, Hex 1/4-20 UNC X 1"
20	000A00036000	2	Bolt, Hex
21	000A00104000	8	Bolt, Hex 1/2-13 UNC X 1 3/4"
22	000A00105000	4	Bolt, Hex 1/2-13 UNC X 2"
23	000A00167000	8	Bolt, Hex 3/4-10 UNC X 2"
24	000A00256000	4	Nut 1/4-20 UNC
25	000A00267000	2	Nut 1 1/4"-7 UNC
26	000A00292000	6	Washer, Flat 1/4 From 568223
27	000A00296000	4	Washer, Flat 1/2"
28	000A00299000	16	Washer, Flat 3/4"
29	000A00304000	6	Washer, Lock 1/4" From 568223
30	000A00308000	12	Washer, Lock 1/2"
31	000A02039000	2	Nut, Lock 5/16-18 UNC
32	000A02044000	8	Nut, Lock 3/4-10 UNC
33	000AA0099000	8	Washer, Flat
34	A-130120	2	Pin
35	568005065000	1	Neutral Safety Bracket
36	000A00004000	2	Bolt, Hex 1/4-20 UNC x 3/4"
37	000A00367000	2	Screw, Socket Head
38	000A02036000	2	Nut, Lock #10-24 UNC
		1	

WHEN ORDERING PARTS, ALWAYS STATE MODEL AND SERIAL NO. OF MACHINE

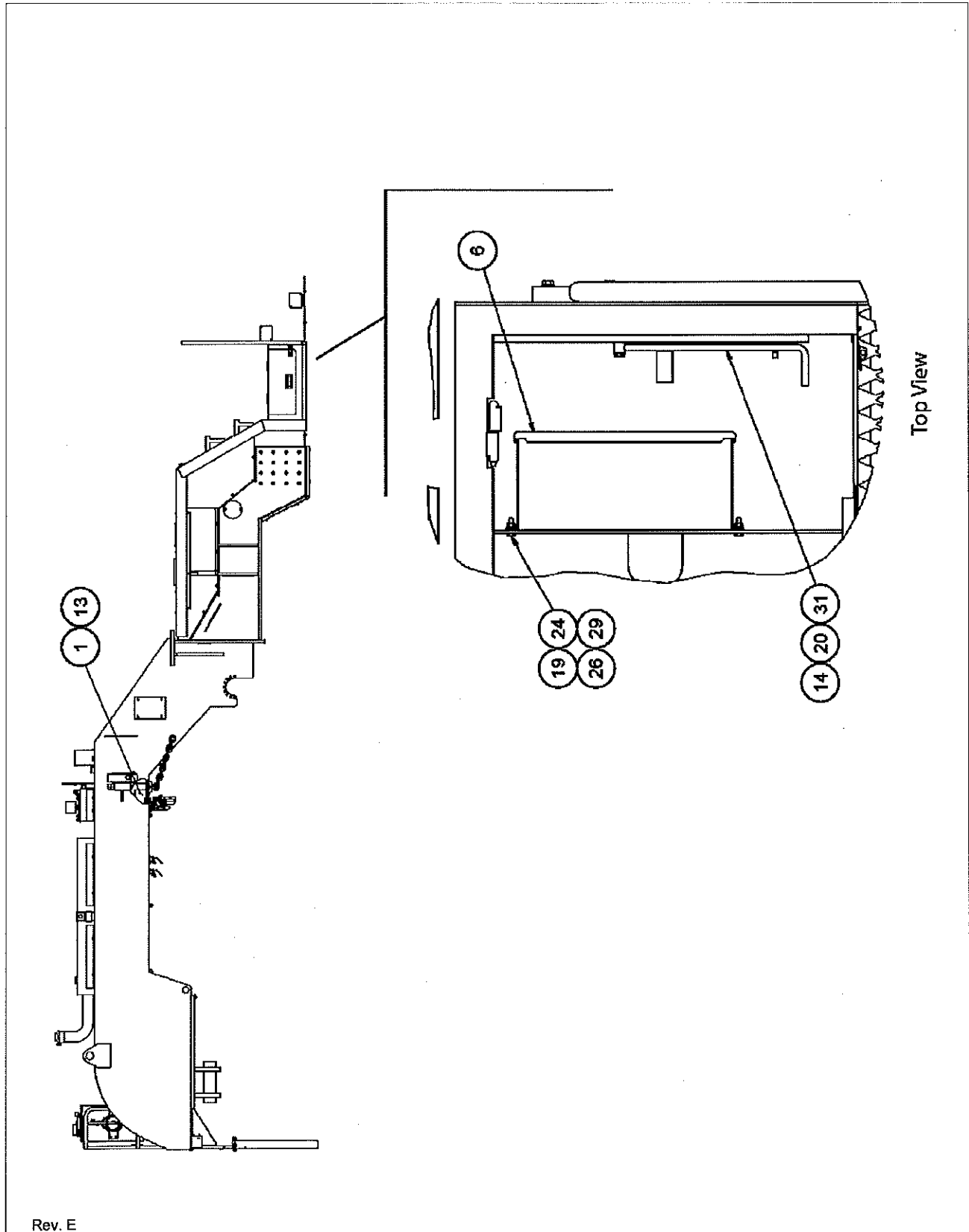
Mainframe Assembly 2
568002094000



Rev. E

ILLUSTRATION MAY VARY FROM YOUR MACHINE

Mainframe Assembly 2
568002094000



Rev. E

ILLUSTRATION MAY VARY FROM YOUR MACHINE

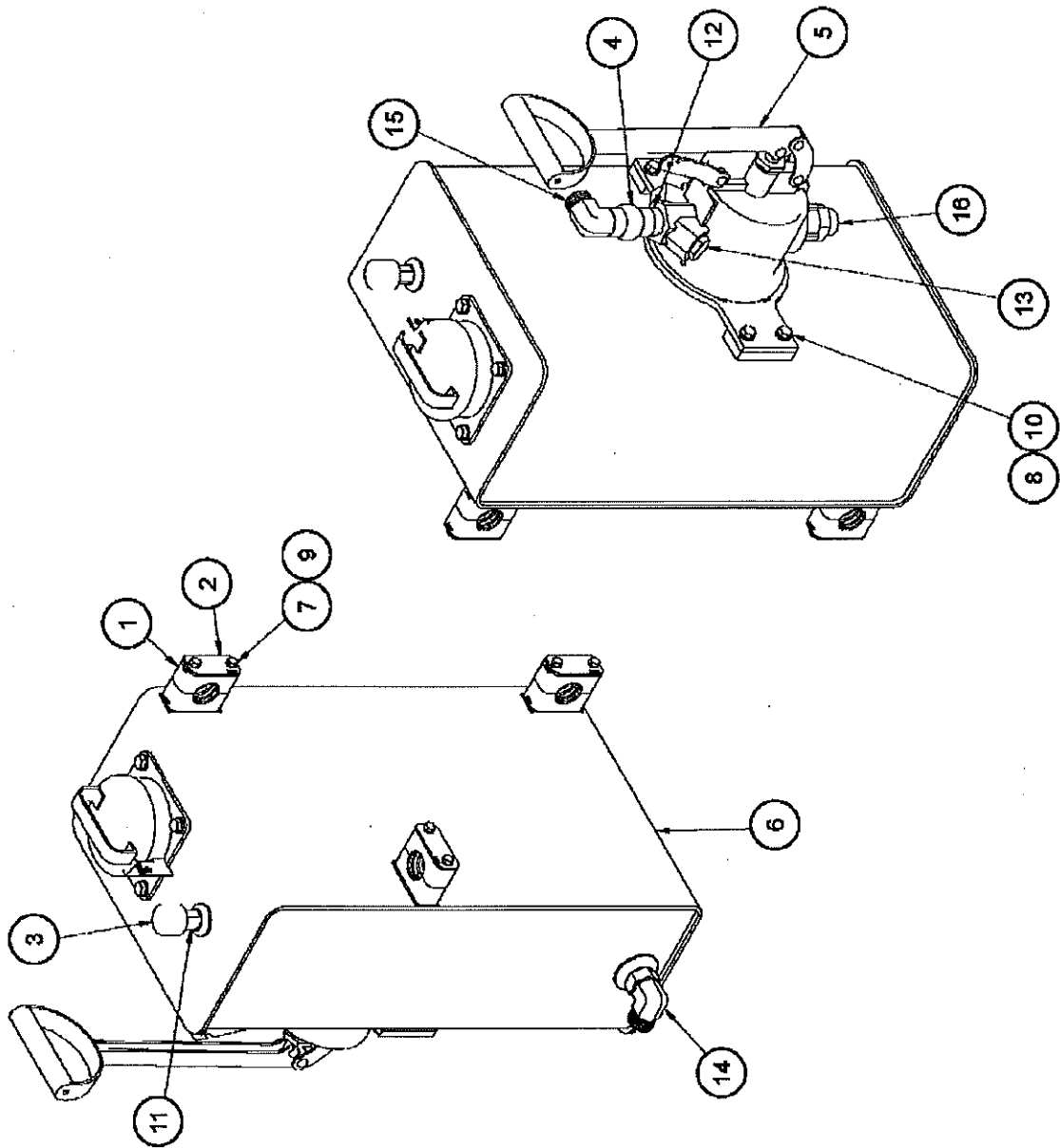
Intentionally Left Blank

**Tank, Replenishing
568050040000**

Ref. No.	Part No.	Qty.	Description
1	001003256001	6	Clamp 1"
2	001003256003	3	Plate, Cover
3	001009017000	1	Breather
4	002006110000	1	Valve, Check
5	568050018000	1	Pump, Replenishing (Page 30)
6	568050041000	1	Tank, Replenishing
7	000A00012000	6	Bolt, Hex 1/4-20 UNC X 2 1/2"
8	000A00055000	4	Bolt, Hex 3/8-16 UNC X 3/4"
9	000A00304000	6	Washer, Lock 1/4"
10	000A00306000	4	Washer, Lock 3/8"
11	000A00700000	1	Reducer #6 SAE - #4
12	000A00846000	1	Coupling 3/4" NPT
13	000A00884000	1	Plug 3/4" NPT
14	000AA0113014	1	Elbow, 90° 12 M ORFS Tube End/Str O-Ring
15	000AA0119013	1	Elbow, 90° 12 M ORFS Tube - Male Pipe
16	000AA0120015	1	Fitting, Hydraulic 3/4 ORFS - 1 NPT

WHEN ORDERING PARTS, ALWAYS STATE MODEL AND SERIAL NO. OF MACHINE

Tank, Replenishing
568050040000



Rev. 0

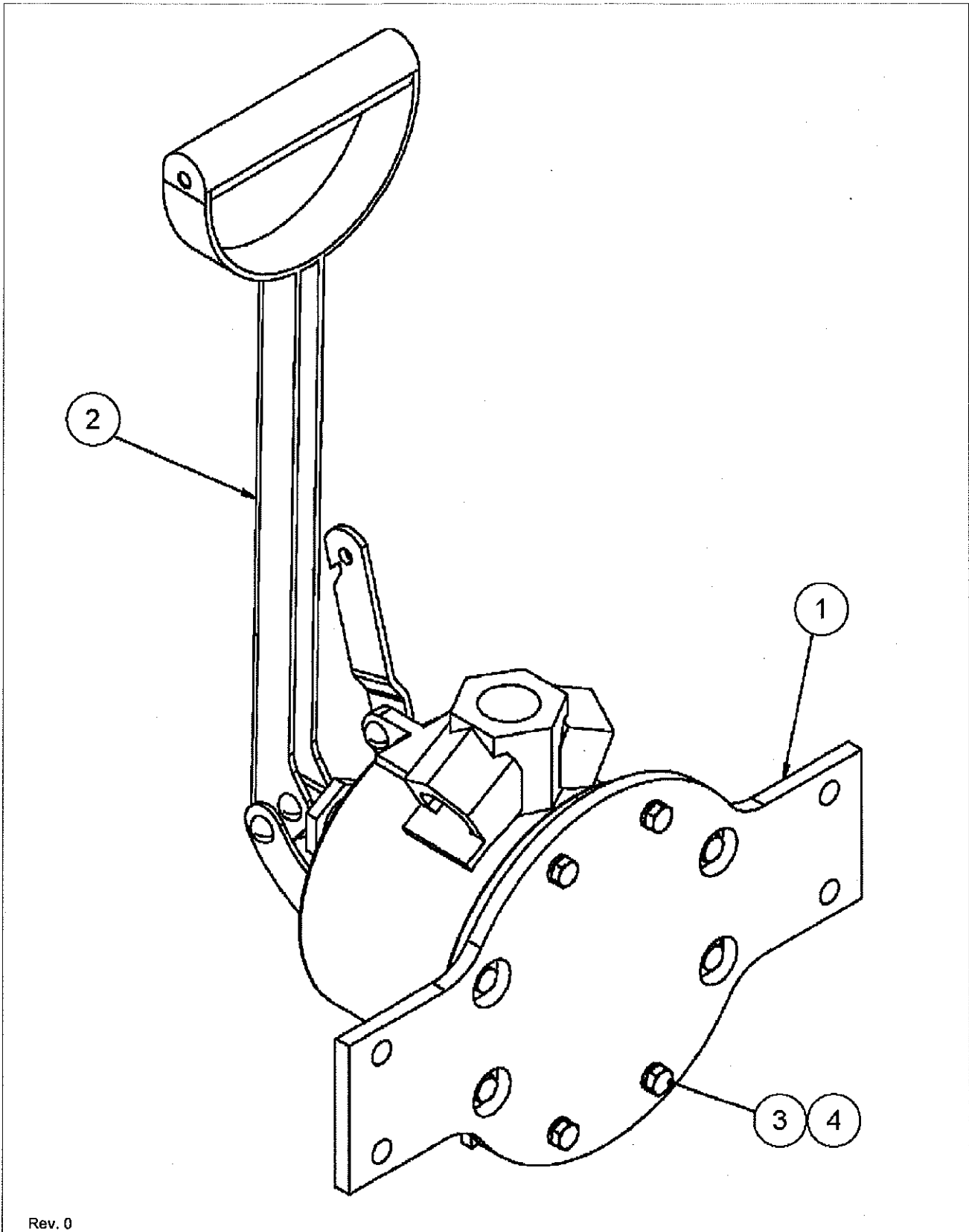
ILLUSTRATION MAY VARY FROM YOUR MACHINE

**Pump, Replenishing
568050018000**

Ref. No.	Part No.	Qty.	Description
1	568050017000	1	Plate, Mounting
2	002002538000	1	Pump, Hand, Hydraulic
3	000A00004000	4	Bolt, Hex 1/4-20 UNC x 3/4"
4	000A00304000	4	Washer, Lock 1/4"

WHEN ORDERING PARTS, ALWAYS STATE MODEL AND SERIAL NO. OF MACHINE

Pump, Replenishing
568050018000



Rev. 0

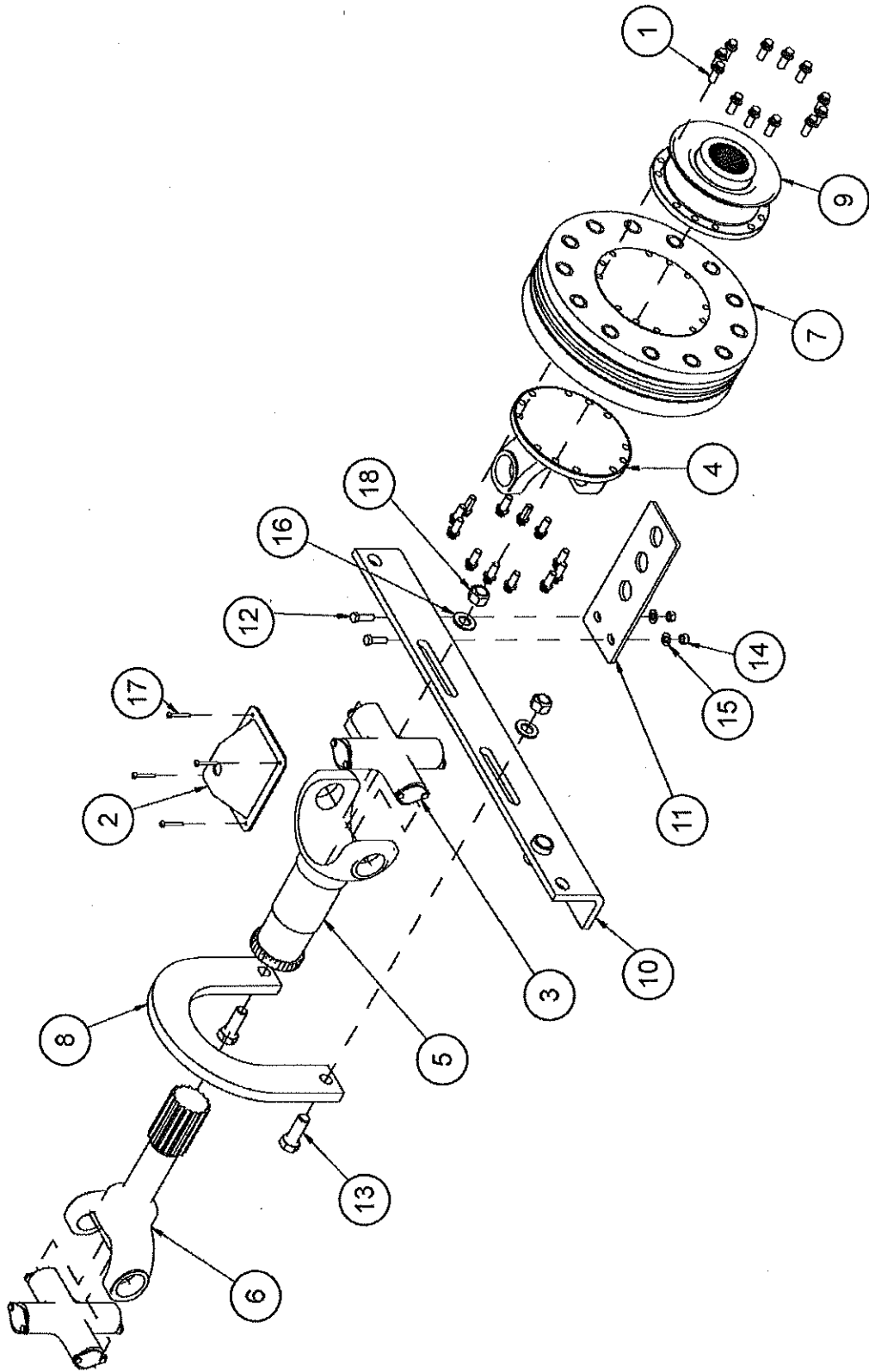
ILLUSTRATION MAY VARY FROM YOUR MACHINE

**Drive Line Assembly
568004082000**

Ref. No.	Part No.	Qty.	Description
1	001002288000	24	Capscrew 7/16-20 X 1
2	001008194000	1	Boot Assembly, Shift
3	004003136000	2	Universal Joint Kit
4	004003139000	1	Yoke Flange
5	004003145000	1	Slip Yoke Assembly
6	004003146000	1	Yoke Shaft
7	004003443000	1	Torque Limiter (Page 34)
8	531001251000	1	Guard, Driveshaft
9	568004041000	1	Companion Flange Assembly
10	568004084000	1	Support Plate
11	568004088000	1	Plate, Bulkhead
12	000A00058000	2	Bolt, Hex 3/8-16 UNC X 1 1/4"
13	000A00167000	2	Bolt, Hex 3/4-10 UNC X 2"
14	000A00258000	2	Nut, 3/8-16 NC
15	000A00294000	2	Washer, Flat 3/8"
16	000A00299000	2	Washer, Flat 3/4"
17	000A01102000	4	Screw, Pan #10-24 UNC X 1 1/2"
18	000A03494000	2	Lock Nut, Crown 3/4-10

WHEN ORDERING PARTS, ALWAYS STATE MODEL AND SERIAL NO. OF MACHINE

Drive Line Assembly
568004082000



Rev. 0

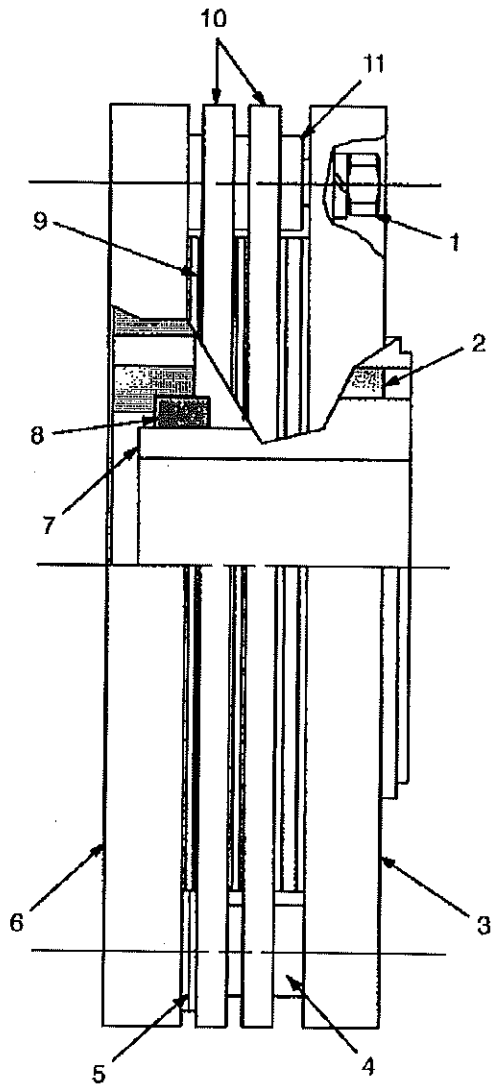
ILLUSTRATION MAY VARY FROM YOUR MACHINE

**Torque Limiter
004003443000**

Ref. No.	Part No.	Qty.	Description
1	004003442014	12	Nut, Lock
2	004003442001	8	Pin, Dowel
3	004003442007	1	Plate, Pressure
4	004003442003	4	Pin, Torque
5	004003442002	4	Washer, Thrust
6	004003442004	1	Flange, Drive
7	004003442005	1	Hub Assembly, Output
8	004003442006	1	Bearing
9	004003442015	2	Plate Assembly, Friction
10	004003442013	2	Plate, Separator
11	004003442011	12	Spring Cup Bolt Assembly

WHEN ORDERING PARTS, ALWAYS STATE MODEL AND SERIAL NO. OF MACHINE

Torque Limiter
004003443000



Rev. A

ILLUSTRATION MAY VARY FROM YOUR MACHINE

**Air Compressor Assembly
91310222**

Ref. No.	Part No.	Qty.	Description
1	55-78929	2	Elbow, Male 90 Degree 3/8" NPT x 1/2" Tube
2	001003128000	2	Clamp, Hose
3	001005237000	1	Gauge 0-200 PSI
4	001079884000	2	Hose Barb 3/4" X 3/4" Hose
5	002004933000	1	Socket, Quick Disconnect 1/4" NPTF
6	002004966000	1	Plug, Dust
7	002004984000	1	Valve, Drain 1/4" NPT
8	002005988000	1	Valve, Pop-Off 125 PSI
9	002015917000	2	Adapter, 90 Elbow 1/8 NPT X 1/4 Tube
10	004002839000	1	Tank, Air
11	526001591000	1	Hose Air Compressor Supply
12	571020001001	1	Tubing 1/4"
13	571020001002	1	Tubing 1/2"
14	000A00057000	4	Bolt, Hex 3/8-16 UNC X 1"
15	000A00258000	4	Nut, 3/8-16 NC
16	000A00294000	8	Washer, Flat 3/8"
17	000A00306000	4	Washer, Lock 3/8"
18	000A00679000	1	Connector, Straight 1/2 JIC x 1/2 ORB
19	000A00701000	1	Connector, Straight 1/2 ORB x 3/8 NPT
20	000A00703000	1	Connector, Male ORB 3/4" JIC
21	000A00722000	1	Reducer 5/8" ORB X 1/2" ORB
22	000A00765000	1	Elbow, 45° 1/2" JIC X 1/2" ORB
23	000A00851000	2	Bushing 3/8" NPT to 1/4" NPT
24	000A00880000	3	Plug, Pipe 1/8" NPT
25	000A00884000	1	Plug 3/4" NPT
26	000A00899000	1	Elbow, Street 90° 3/8 NPT X 3/8 NPT
27	000A00922000	2	Tee, Service 3/8" NPT
28	000A00930000	1	Tee, Run 1/4" NPT
29	000AA0480002	1	Bushing 3/8 NPT x 1/8 NPT

WHEN ORDERING PARTS, ALWAYS STATE MODEL AND SERIAL NO. OF MACHINE

**Air Compressor Assembly
91310222**

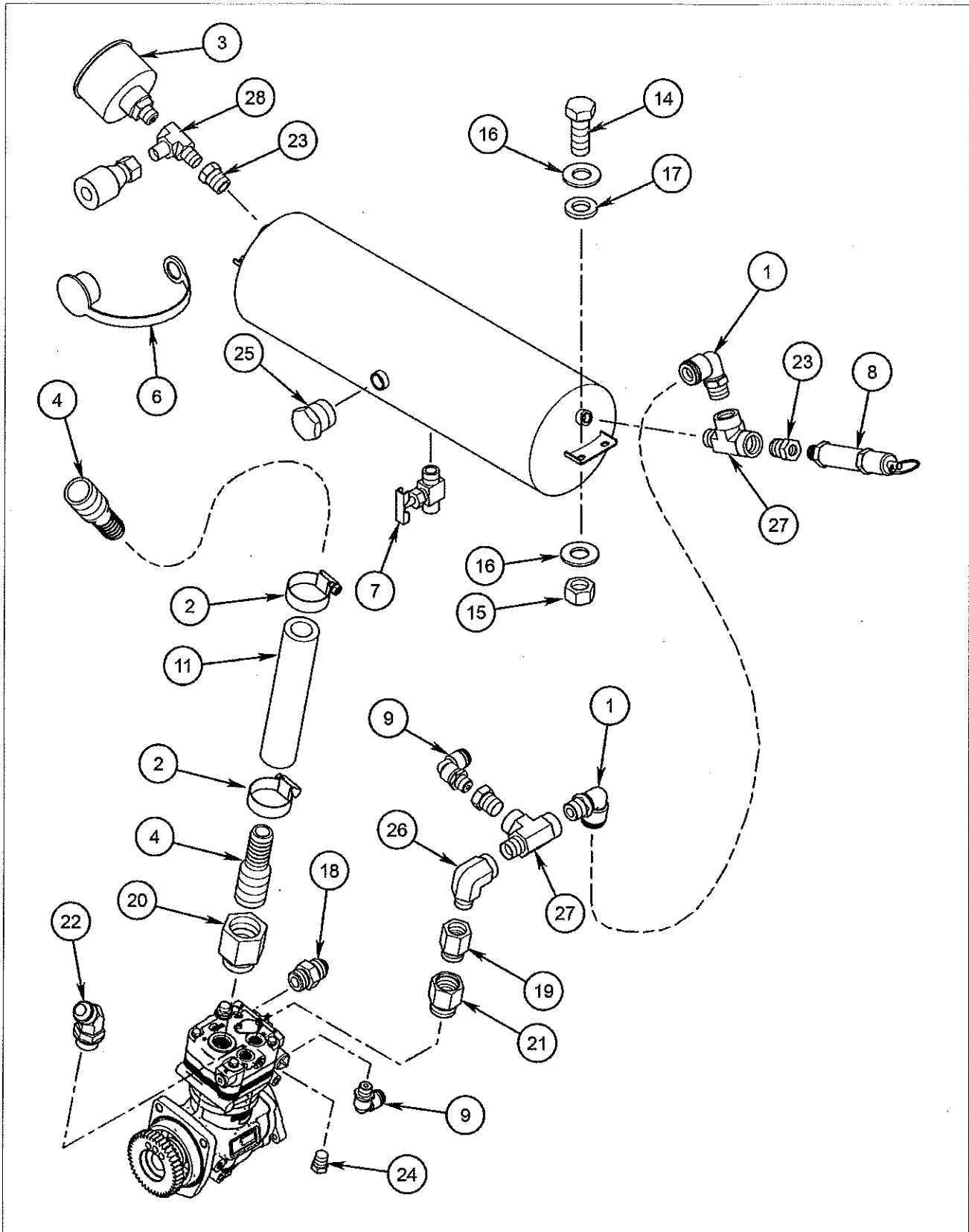


ILLUSTRATION MAY VARY FROM YOUR MACHINE

**Power Pack Assembly
91310047**

Ref. No.	Part No.	Qty.	Description
1	2980909486	1	Hose Barb
2	05020179	1	Oil Cooler Kit
3	91310190	1	Pump Assembly, Cutter Cooling (Page 44)
4	91310211	1	Transmission Assembly (Page 46)
5	001003258020	1	Clamp, Hose
6	001010688000	1	Exhaust Insulation Assembly (Page 48)
7	001079884000	2	Hose Barb 3/4" X 3/4 " Hose
8	002005089000	1	Split Flange Kit (Page 50)
9	002006402000	2	Valve, Ball 3/4" NPT
10	002009501139	1	Nipple 3/4" NPT X 2"
11	002012635000	1	Tandem Hydraulic Assembly (Page 52)
12	002012653000	1	Pump, Hydraulic
13	004013460000	1	Fan, Sickle Blade
14	004013478000	1	Adapter, Pump
15	004023408000	1	Engine
16	526001585000	1	Air Intake Assembly (Page 54)
17	526001586000	1	Exhaust Assembly (Page 58)
18	526001596000	1	Engine Alternator Guard
19	526005084000	1	Cooler Mount Weldment LH
20	526005085000	1	Cooler Mount Weldment RH
21	568002102000	1	Skid, Engine
22	568002153000	1	Plate, Bulkhead
23	568005012000	1	Cooling System (Page 60)
24	568005019000	1	Mount, Filter
25	568005024000	1	Support, Hose
26	568005043000	1	Bracket, Transmission Hose Support
27	568005060000	1	Battery Group (Page 64)
28	568090071000	1	Bracket, Engine Cable Mount
29	000A00031000	1	Bolt, Hex 5/16-18 UNC X 1"
30	000A00057000	4	Bolt, Hex 3/8-16 UNC X 1"
31	000A00058000	12	Bolt, Hex 3/8-16 UNC X 1 1/4"
32	000A00059000	2	Bolt, Hex 3/8-16 UNC X 1 1/2"
33	000A00084000	12	Bolt, Hex 7/16-14 X 2 1/4
34	000A00103000	4	Bolt, Hex 1/2"-13 UNC X 1 1/2"
35	000A00108000	8	Bolt, Hex 1/2-13 UNC X 2 3/4"
36	000A00165000	12	Bolt, Hex 3/4-10 UNC X 1 1/2"
37	000A00169000	2	Bolt, Hex 3/4"-10 UNC X 2 1/2"
38	000A00258000	6	Nut, 3/8-16 NC
39	000A00293000	2	Washer, Flat 5/16
40	000A00294000	6	Washer, Flat 3/8"
41	000A00296000	20	Washer, Flat 1/2"
42	000A00299000	16	Washer, Flat 3/4"
43	000A00306000	14	Washer, Lock 3/8"
44	000A00307000	12	Washer, Lock 7/16
45	000A00308000	4	Washer, Lock 1/2"
46	000A00678000	1	Connector, Straight 3/8" JIC x 3/8" ORB
47	000A00703000	2	Connector, Male ORB 3/4" JIC
48	000A00704000	1	Bushing 7/8 O-Ring X 3/4
49	000A00753000	1	Elbow, 90° 3/8" JIC X 3/8" ORB

WHEN ORDERING PARTS, ALWAYS STATE MODEL AND SERIAL NO. OF MACHINE

**Power Pack Assembly
91310047**

Ref. No.	Part No.	Qty.	Description
50	000A00830000	1	Elbow, 90° 3/4 M x 3/4 F
51	000A00884000	2	Plug 3/4" NPT
52	000A00893000	1	Elbow, 90° 3/4 NPT
53	000A00901000	2	Elbow, 90° Street 3/4" NPT
54	000A00916000	2	Elbow 90° 3/4 NPT
55	000A02039000	1	Nut, Lock 5/16-18 UNC
56	000A02042000	8	Nut, Lock 1/2-13 UNC
57	000A02044000	2	Nut, Lock 3/4-10 UNC
58	000A02686000	1	Straight 1/2" JIC X 5/8" ORB
59	000A03026000	1	Bushing, Pipe Reducer 3/4" NPT x 3/8" NPT
60	000A03932000	1	Straight 1/2" JIC X 3/8" ORB
61	000AA0112002	3	Fitting 90° 4-6 ORFS Tube End/Str O-Ring
62	000AA0112016	1	Straight 3/4 ORFS x 3/4 ORB
63	000AA0112018	4	Connector, Straight 3/4 ORFS x 5/8 ORB
64	000AA0112019	1	Straight 3/4 ORFS x 1 ORB
65	000AA0112021	2	Fitting 16 Str ORFS/Str O-Ring
66	000AA0113002	3	Tube End 90° 1/4 ORFS x 3/8 ORB
67	000AA0113017	4	Elbow 90° 12 ORFS to 16 O-Ring Str
68	000AA0117005	1	Tee, Branch 3/4 ORB x ORFS
69	000AA0118012	1	Connector, Elbow 45° 3/4 x 3/4 ORB
70	000AA0120010	2	Connector, Straight 1/2 ORFS x 3/4 NPT
71	000AA0121006	1	Elbow, 90° Swivel 16 ORB x ORFS
72	000AA0123001	2	Connector, Swivel Nut Elbow -4 ORFS
73	000AA0124001	1	Tee, Swivel Run -4ORFS
74	000AA0125005	1	Tee, Branch -12FFORX
75	000AA0125007	1	Tee ORFS to 16 ORFS
76	000AA0145005	1	Cap 3/4 ORFS
77	000AA0147008	1	Reducer Tube End 12-6 ORFS
78	000AA0388029	2	Bolt, Hex M8-1.25
79	000AA0389002	2	Nut, Hex M8-1.25
80	000AA0392002	2	Washer, Flat M8
81	000AA0435000	1	Elbow Block, Flange To O-Ring

WHEN ORDERING PARTS, ALWAYS STATE MODEL AND SERIAL NO. OF MACHINE

**Power Pack Assembly
91310047**

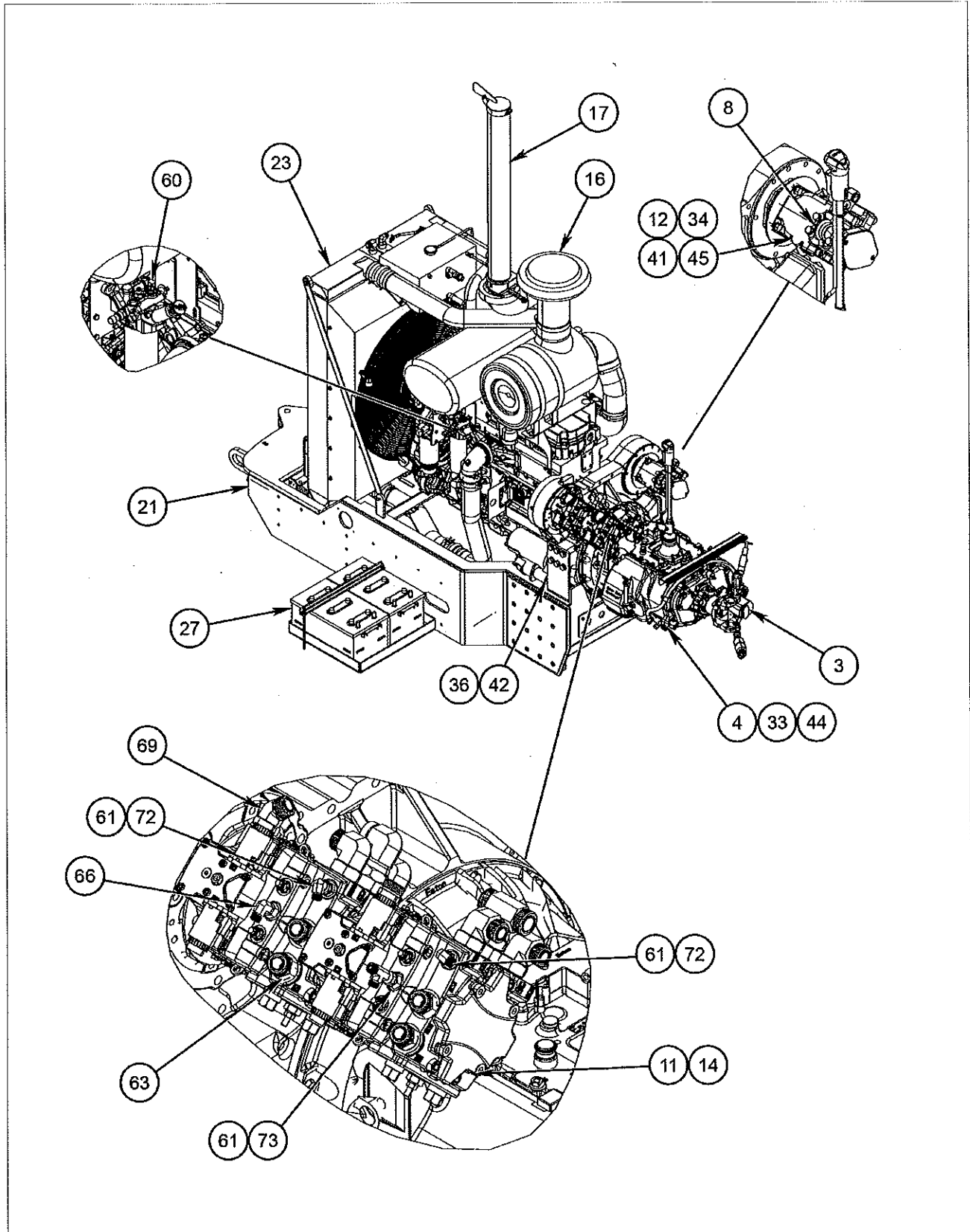


ILLUSTRATION MAY VARY FROM YOUR MACHINE

Power Pack Assembly
91310047

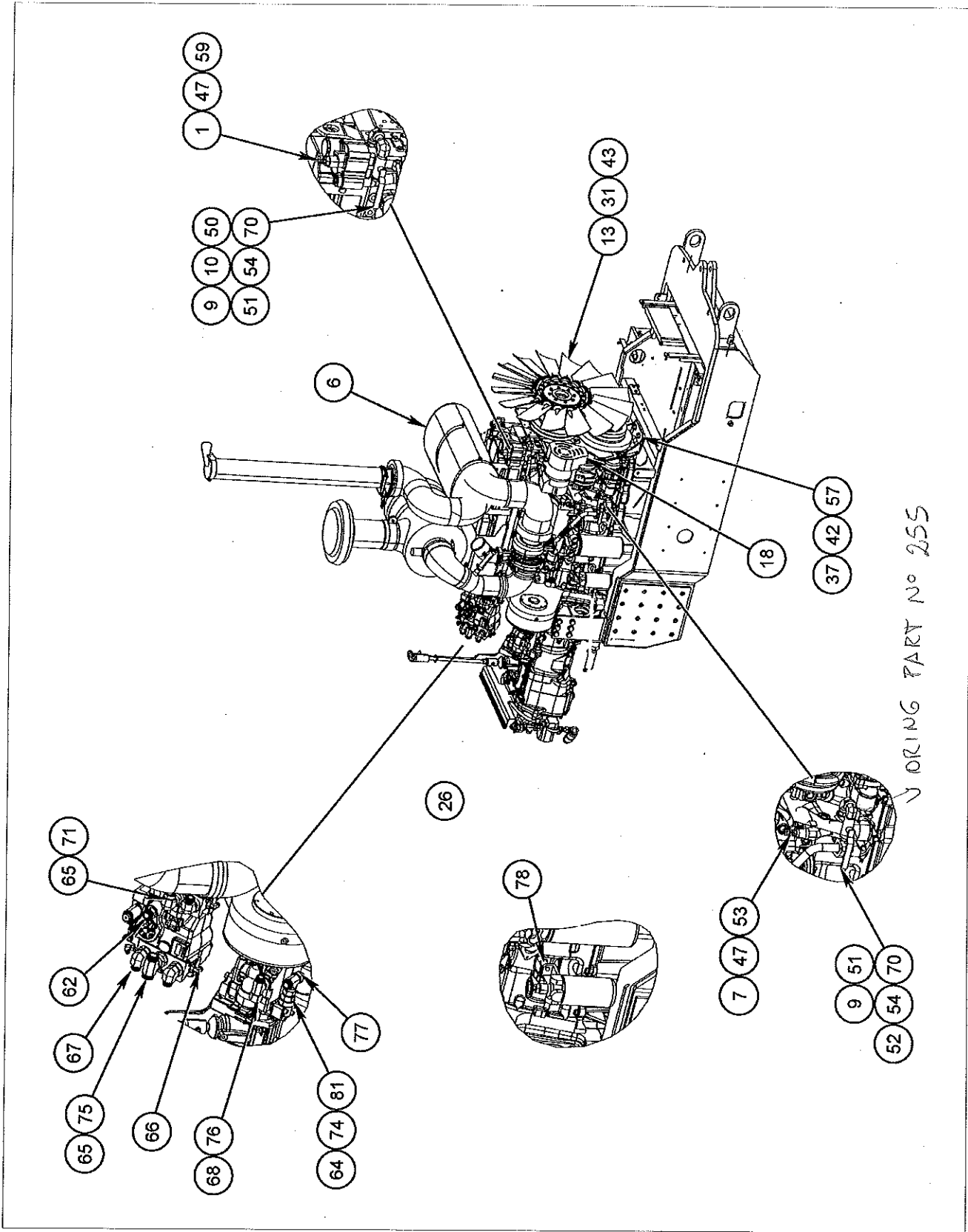


ILLUSTRATION MAY VARY FROM YOUR MACHINE

Power Pack Assembly
91310047

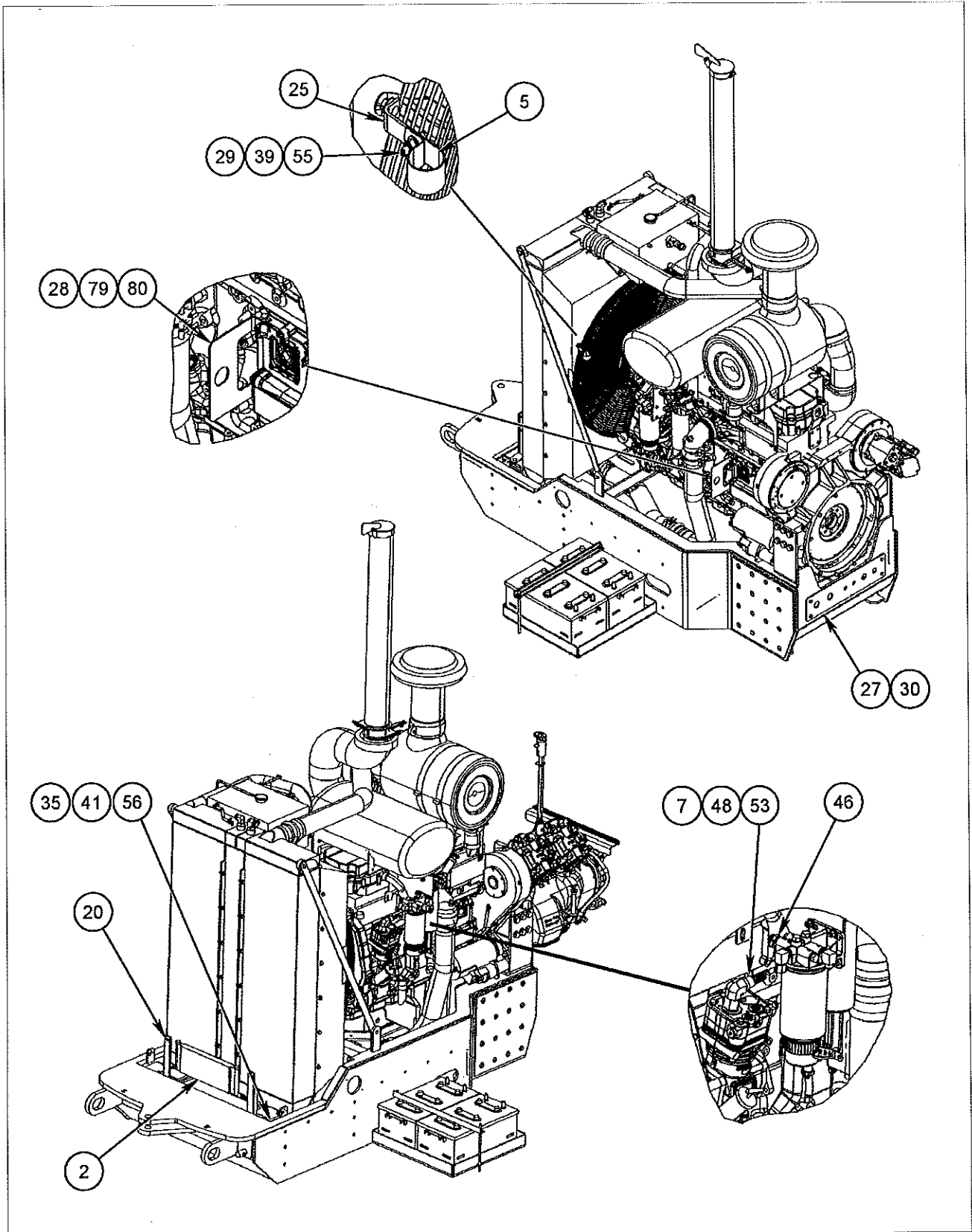


ILLUSTRATION MAY VARY FROM YOUR MACHINE

**Power Pack Assembly
91310047**

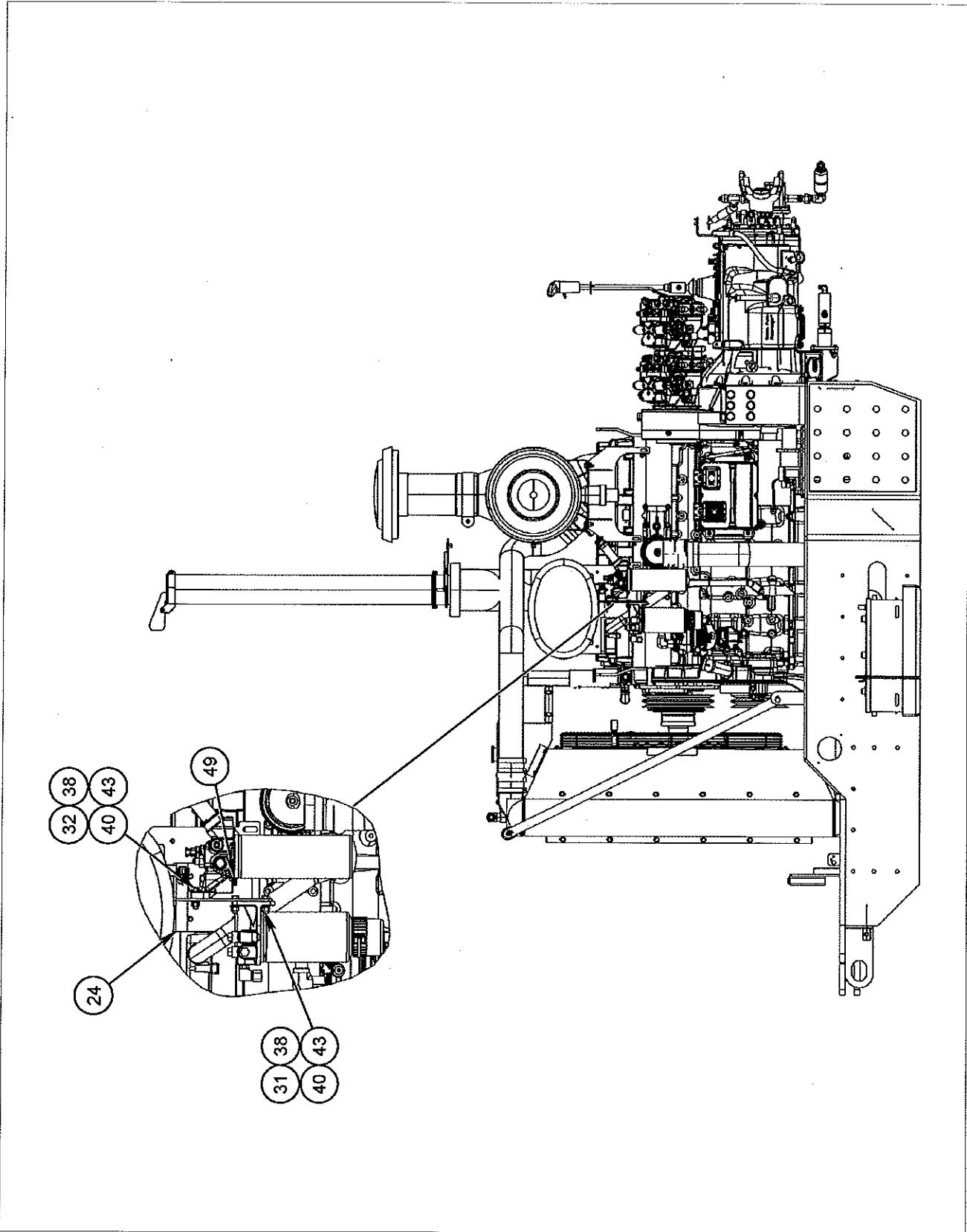


ILLUSTRATION MAY VARY FROM YOUR MACHINE

**Pump Assembly, Cutter Cooling
91310190**

Ref. No.	Part No.	Qty.	Description
1	05020152	1	Screw, Pump Drive
2	91310263	1	Adapter
3	91310265	1	Adapter, Pump
4	002006321000	1	Valve, Relief
5	002008571000	1	Filter, Hydraulic
6	002009501141	1	Nipple 3/4" NPTx3"
7	002009507005	1	Elbow, 45° 3/4 NPT
8	002012644000	1	Pump, Hydraulic
9	000A00080000	2	Bolt, Hex 7/16"-14 UNC X 1 1/4"
10	000A00295000	2	Washer, Flat 7/16
11	000A00307000	2	Washer, Lock 7/16
12	000A00450000	2	Screw, Socket Head 3/8-16 UNC x 3/8"
13	000A00862000	2	Tee 3/4" NPT
14	000A00901000	1	Elbow, 90° Street 3/4" NPT
15	000AA0112017	1	Connector, Straight 3/4 ORFS x 1/2 ORB
16	000AA0116005	1	Connector, Run Tee 12 ORB X -12 ORFS
17	000AA0120013	2	Straight -12ORFS X -12 MNPT
18	000AA0124005	2	Tee, Run Swivel 3/4 ORFS
19	000AA0133005	1	Bulkhead 45° 3/4 ORFS
20	000AA0147007	1	Reducer Tube End 12-4 ORFS
21	000AA0479008	1	Connector, Elbow 45° 12 NPT x 12 ORFS
22	000AA0518009	2	Adapter 3/4 NPT x 1/2 ORB
23	000AA0644008	2	Fitting 3/4 ORFS x 3/4-14 NPT

WHEN ORDERING PARTS, ALWAYS STATE MODEL AND SERIAL NO. OF MACHINE

Pump Assembly, Cutter Cooling 91310190

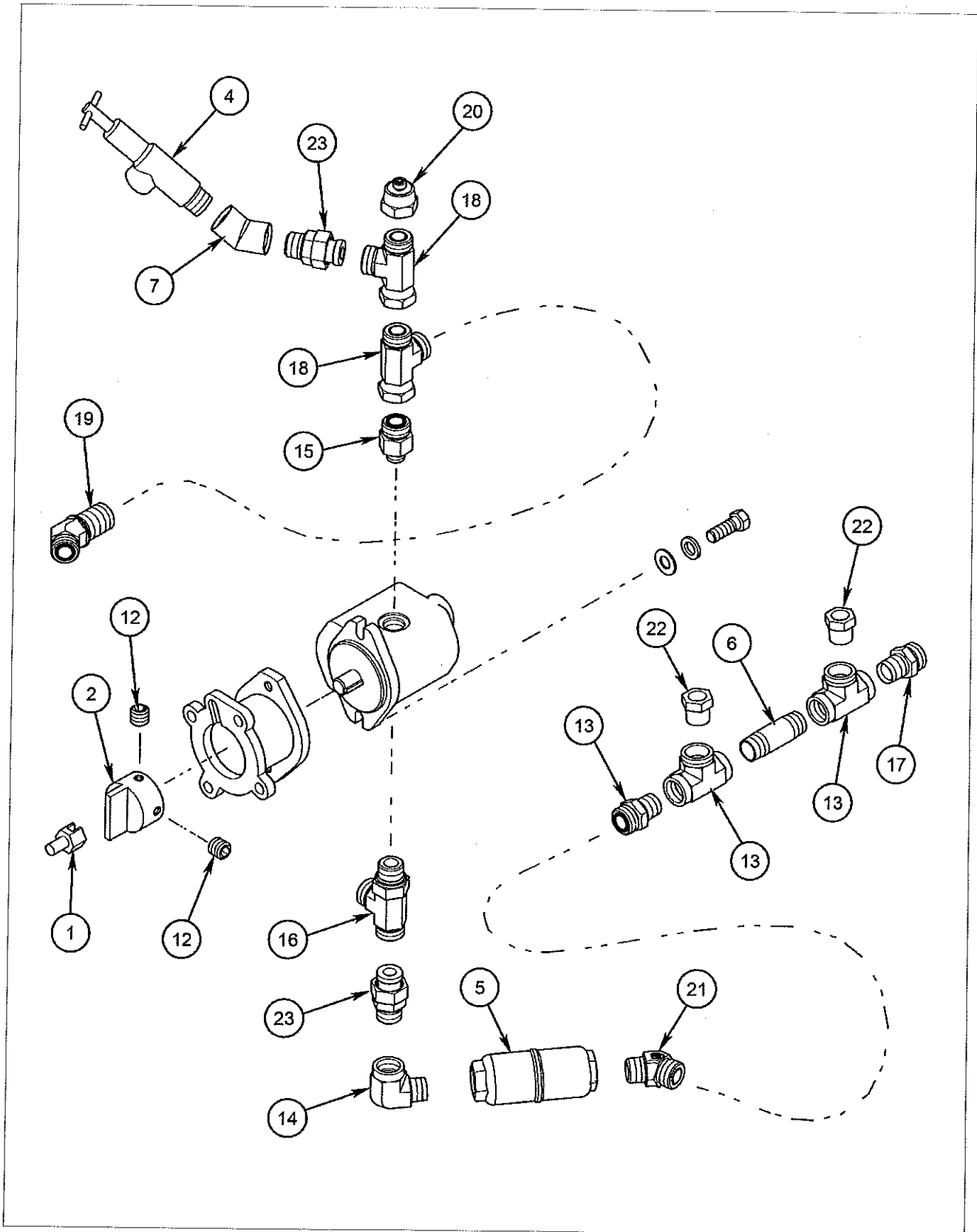


ILLUSTRATION MAY VARY FROM YOUR MACHINE

**Transmission Assembly
91310211**

Ref. No.	Part No.	Qty.	Description
1	05020083	1	Cylinder
2	05020105	1	Rod End 1/2
3	05020106	1	Clevis Pin
4	91310042	1	Bar
5	91310121	1	Mount, Cylinder
6	91310413	1	Transmission, Modified
7	002009501113	1	Nipple, Pipe
8	002009516157	1	Elbow, 90 Degree, Reducer
9	004001786000	1	Bearing
10	004003448000	1	Clutch
11	004013715018	1	Clutch Brake
12	004013744000	1	Dipstick
13	000A00086000	8	Bolt, Hex
14	000A00260000	1	Nut 1/2-13 UNC
15	000A00307000	8	Washer, Lock 7/16
16	000A00682000	1	Fitting, 3/4 ORB M x 3/4 NPT M
17	000A03057000	1	Nut Jam
18	000AA0113003	1	Tube End 90° 6 ORFS/6 Str O-Ring
19	000AA0118003	1	Fitting, 45° Elbow 3/8 ORB x 3/8 ORFS
20	000AA0388025	4	Bolt, M8-1.25 x 30
21	000AA0392002	4	Washer, Flat M8

WHEN ORDERING PARTS, ALWAYS STATE MODEL AND SERIAL NO. OF MACHINE

Transmission Assembly
91310211

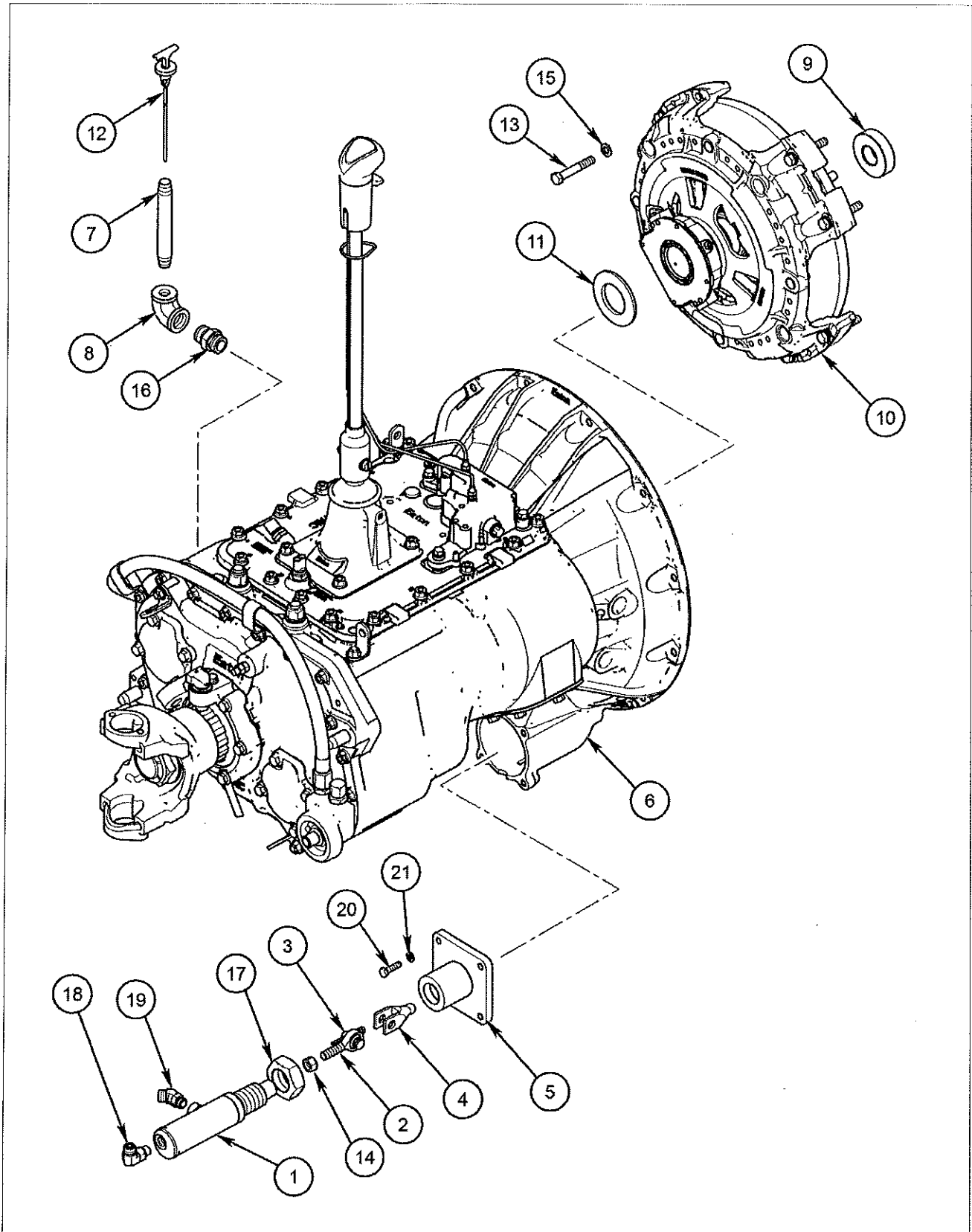


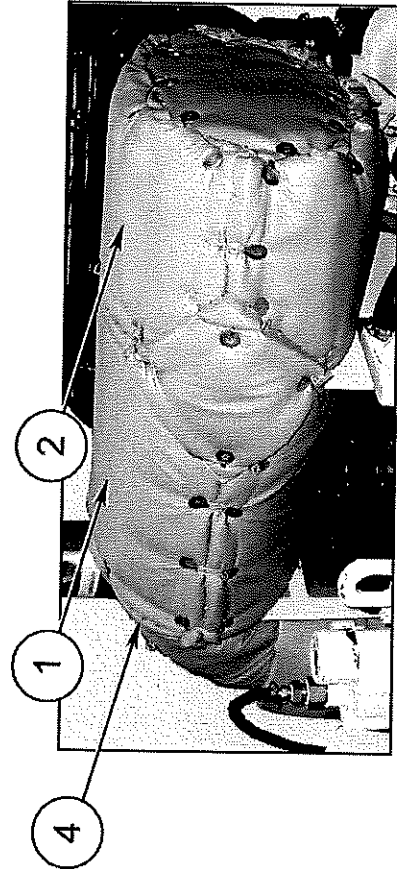
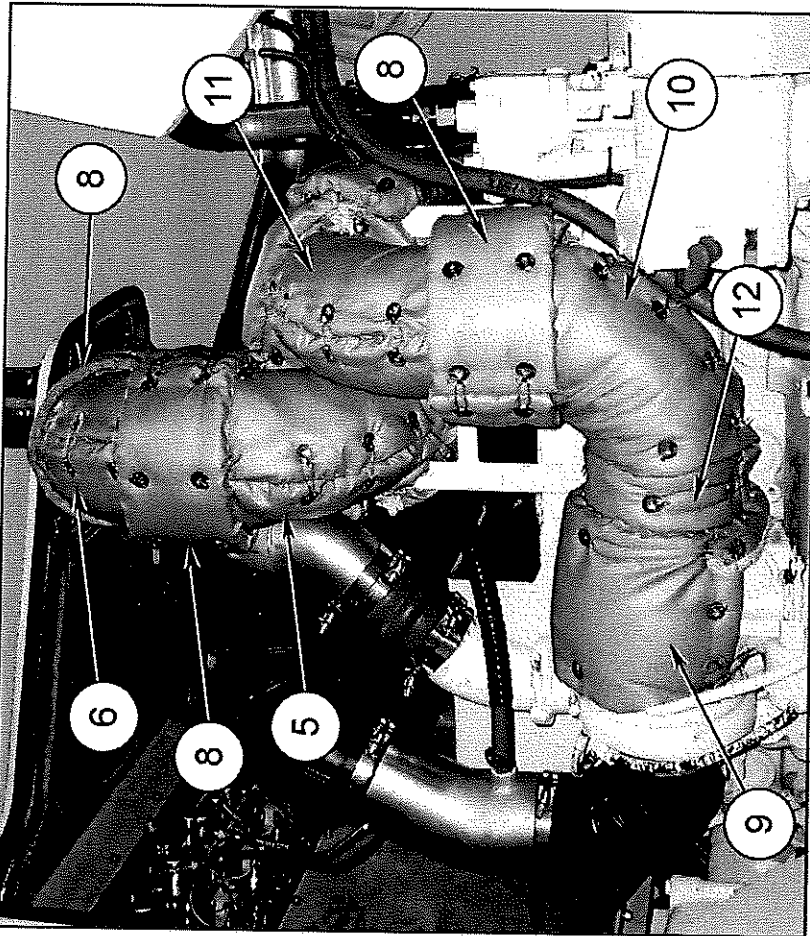
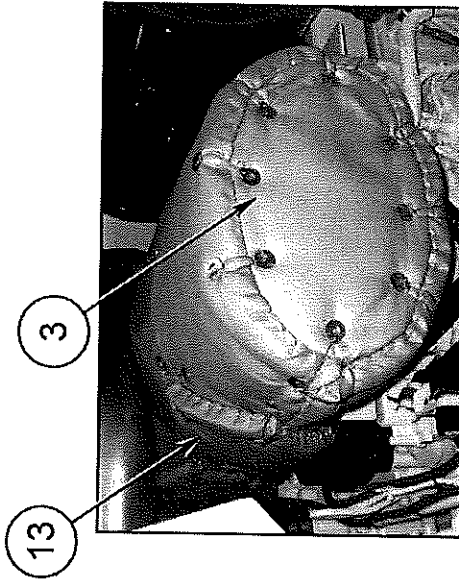
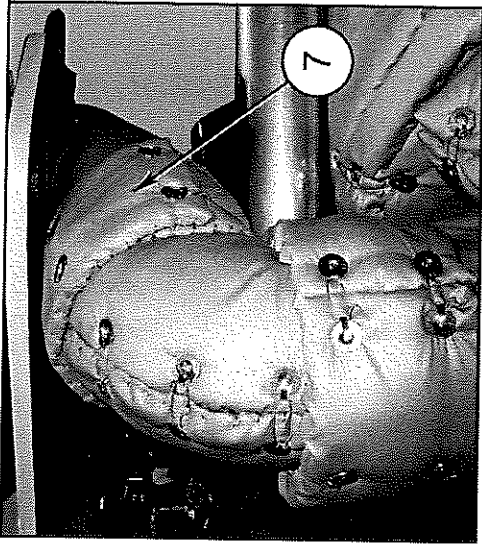
ILLUSTRATION MAY VARY FROM YOUR MACHINE

**Exhaust Insulation Assembly
001010688000**

Ref. No.	Part No.	Qty.	Description
1	001010688001	1	Insulation Pad
2	001010688002	1	Insulation Pad
3	001010688003	1	Insulation Pad
4	001010688005	1	Insulation Pad
5	001010688006	1	Insulation Pad
6	001010688007	1	Insulation Pad
7	001010688008	1	Insulation Pad
8	001010688009	3	Insulation Pad
9	001010688010	1	Insulation Pad
10	001010688011	1	Insulation Pad
11	001010688012	1	Insulation Pad
12	001010688013	1	Insulation Pad
13	M14/M15	1	Insulation Pad

WHEN ORDERING PARTS, ALWAYS STATE MODEL AND SERIAL NO. OF MACHINE

Exhaust Insulation Assembly
001010688000



Rev. 0

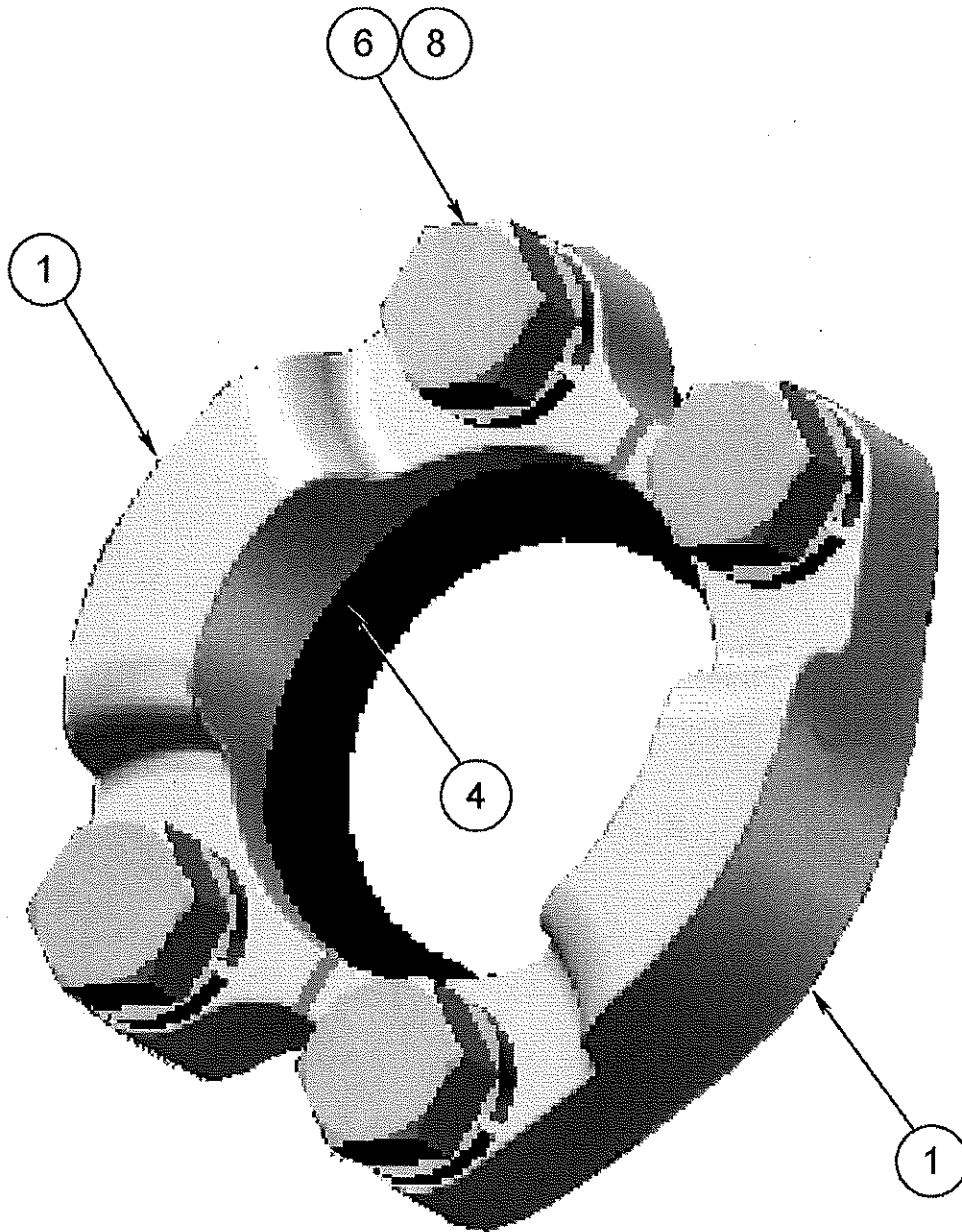
ILLUSTRATION MAY VARY FROM YOUR MACHINE

**Split Flange Kit
002005089000**

Ref. No.	Part No.	Qty.	Description
1	000A07350000	2	Split Flange Half
4	000A01991000	1	O-Ring
6	000A00103000	4	Bolt, Hex 1/2"-13 UNC X 1 1/2"
8	000A00308000	4	Washer, Lock 1/2"

WHEN ORDERING PARTS, ALWAYS STATE MODEL AND SERIAL NO. OF MACHINE

**Split Flange Kit
002005089000**



Rev. 1

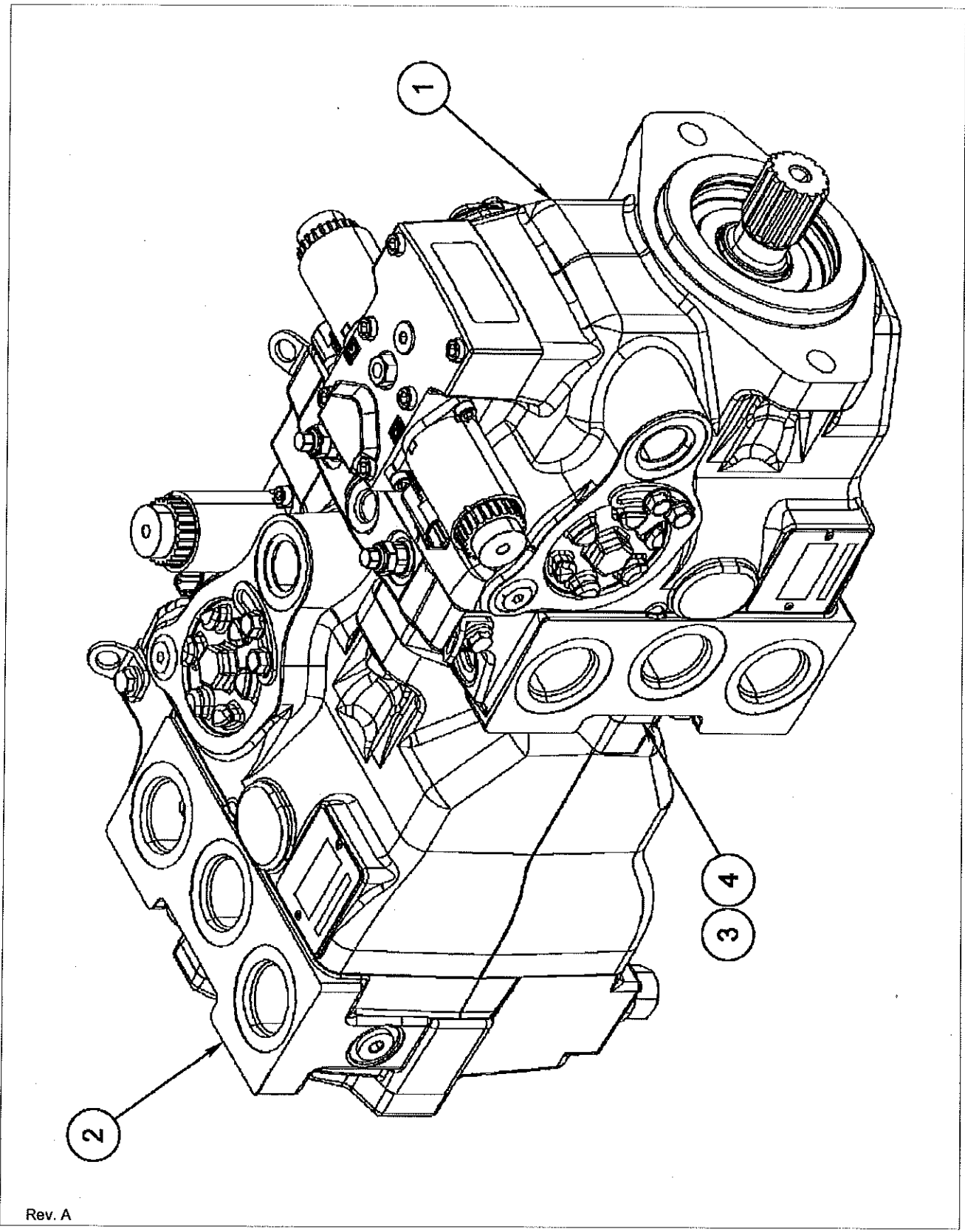
ILLUSTRATION MAY VARY FROM YOUR MACHINE

**Tandem Hydraulic Assembly
002012635000**

Ref. No.	Part No.	Qty.	Description
1	002012635001	1	Pump, Hydraulic
2	002012635002	1	Pump, Hydraulic
3	000AA0392004	2	Washer, Lock
4	000AA0388085	2	Bolt, Hex

WHEN ORDERING PARTS, ALWAYS STATE MODEL AND SERIAL NO. OF MACHINE

Tandem Hydraulic Assembly
002012635000



Rev. A

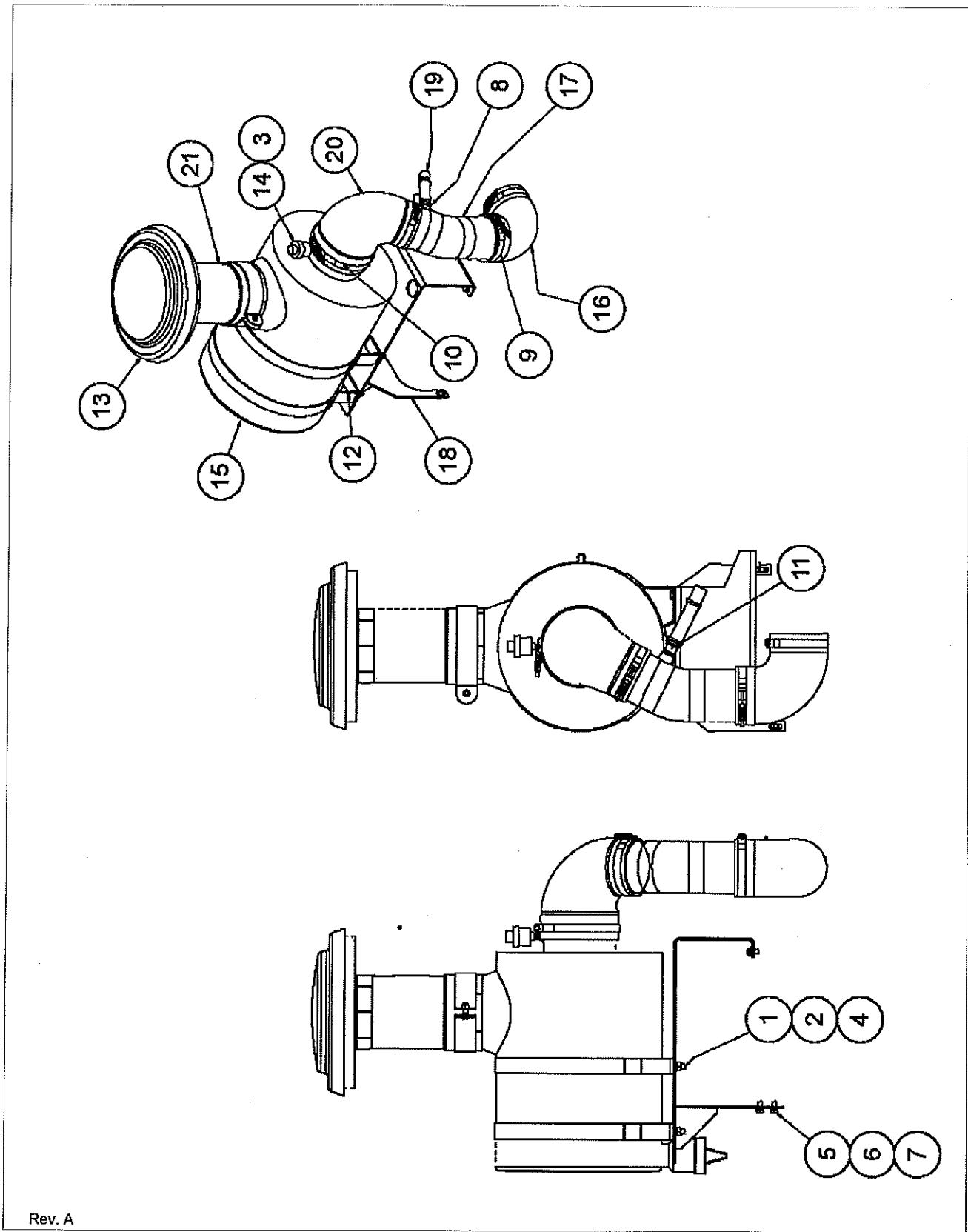
ILLUSTRATION MAY VARY FROM YOUR MACHINE

**Air Intake Assembly
526001585000**

Ref. No.	Part No.	Qty.	Description
1	000A00080000	4	Bolt, Hex 7/16"-14 UNC X 1 1/4"
2	000A00295000	4	Washer, Flat 7/16 From 526321
3	000A00842000	1	Coupling 1/8" NPT
4	000A02041000	4	Nut, Lock 7/16-14 UNC From 526321
5	000AA0388049	4	Bolt Hex 20 mm
6	000AA0391003	4	Flatwasher M10
7	000AA0392003	4	Lockwasher M10
8	001003128000	2	Clamp, Hose
9	001003202000	3	Band, Spring Loaded
10	001003206000	1	Band, Spring Loaded
11	001079884000	1	Hose Barb 3/4" X 3/4 " Hose
12	004002795000	2	Band Mounting
13	004002796000	1	Cap, Air Cleaner
14	004003022000	1	Indicator, Filter
15	004003040000	1	Air Cleaner Assembly (Page 56)
	004003040001		.Safety Element
	004003040002		.Primary Element
16	004003066000	1	Elbow 90°
17	004013431000	1	Air Inlet Tube
18	526001580000	1	Air Cleaner Support WMT
19	526001591000	1	Hose Air Compressor Supply
20	555005007001	1	Elbow, 90° Reducer
21	565005020000	1	Extension, Air Intake

WHEN ORDERING PARTS, ALWAYS STATE MODEL AND SERIAL NO. OF MACHINE

Air Intake Assembly
526001585000



Rev. A

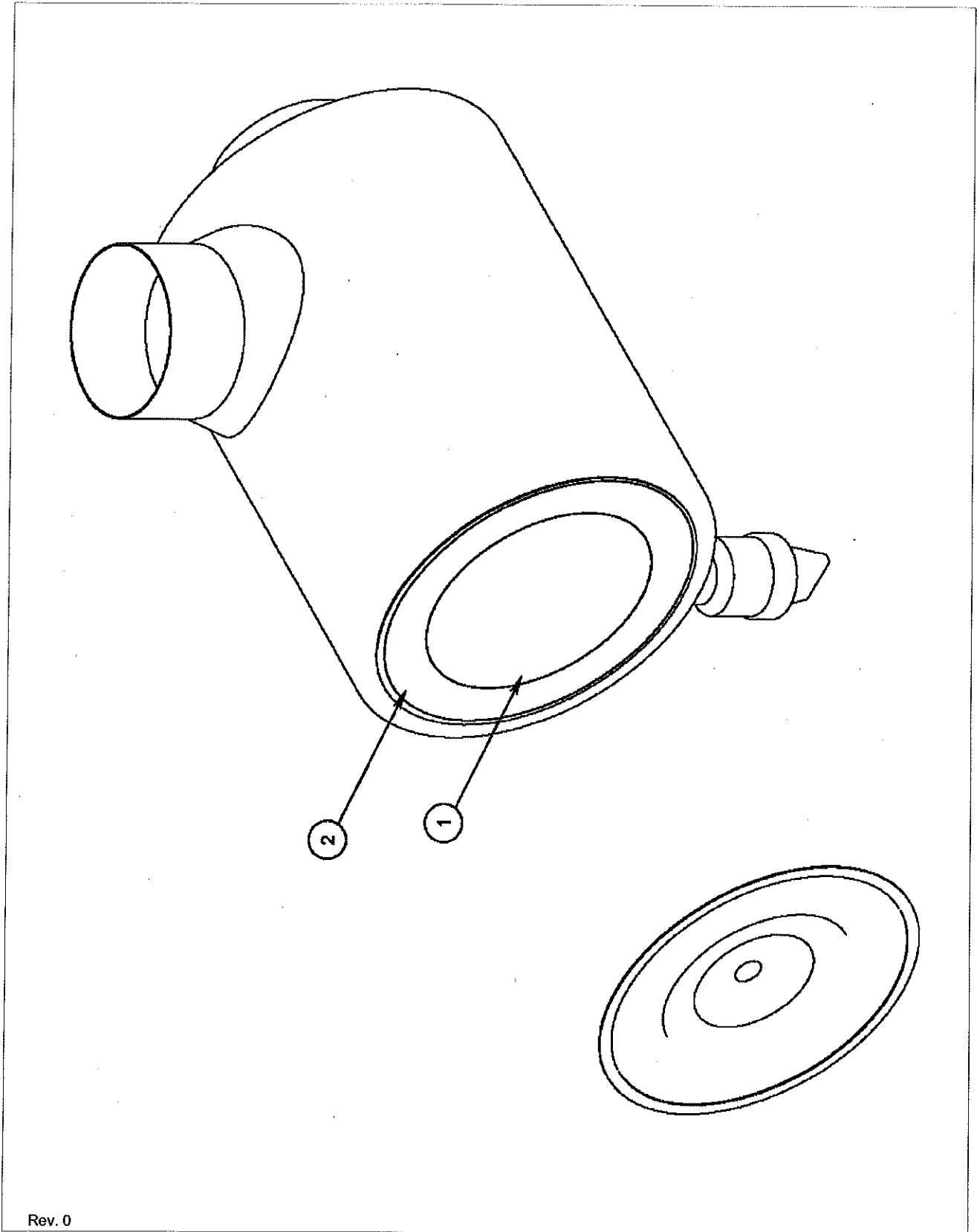
ILLUSTRATION MAY VARY FROM YOUR MACHINE

**Air Cleaner Assembly
004003040000**

Ref. No.	Part No.	Qty.	Description
1	004003040001	1	Safety Element
2	004003040002	1	Primary Element

WHEN ORDERING PARTS, ALWAYS STATE MODEL AND SERIAL NO. OF MACHINE

**Air Cleaner Assembly
00400304000**



Rev. 0

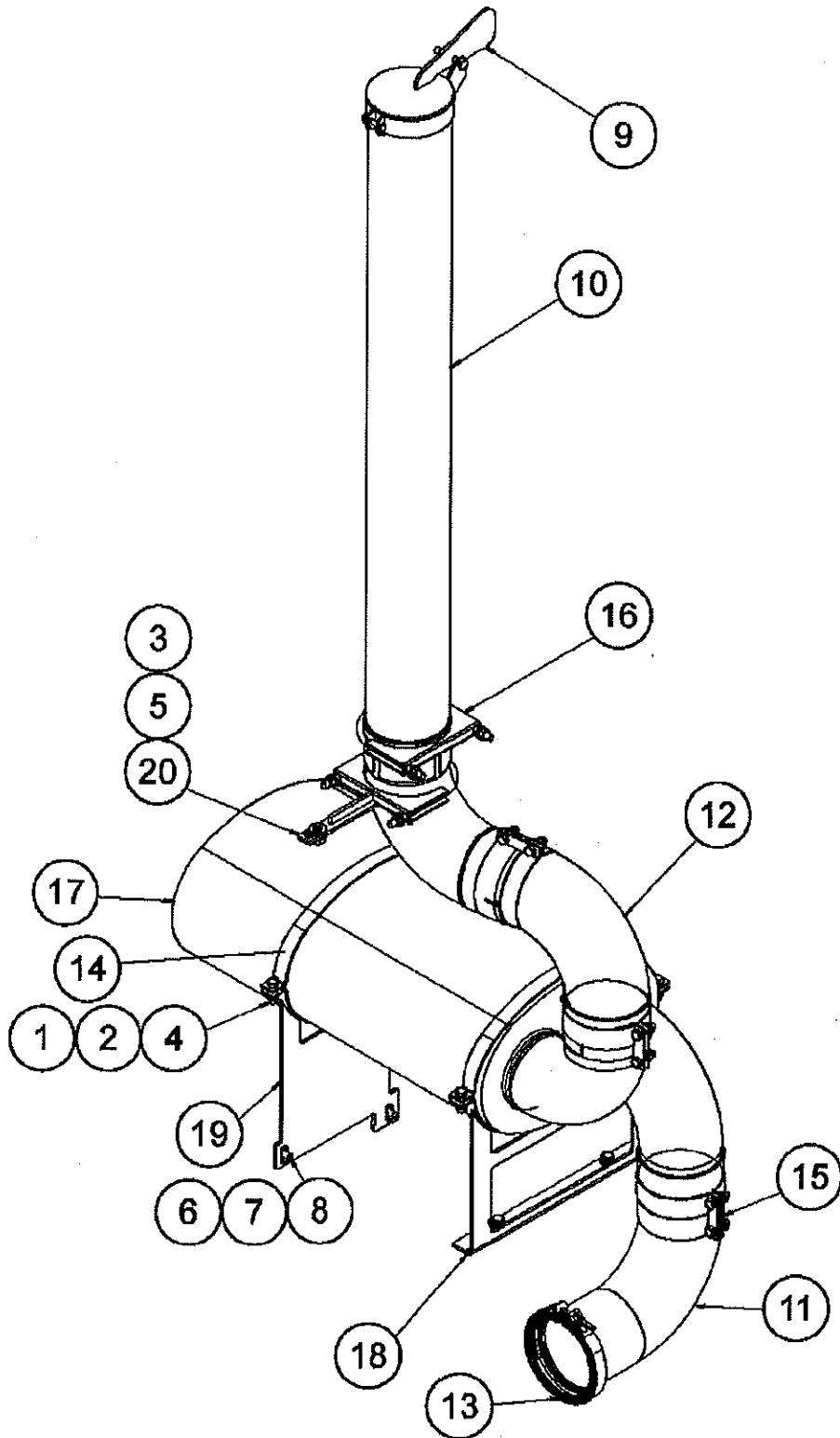
ILLUSTRATION MAY VARY FROM YOUR MACHINE

**Exhaust Assembly
526001586000**

Ref. No.	Part No.	Qty.	Description
1	000A00058000	4	Bolt, Hex 3/8-16 UNC X 1 1/4"
2	000A00258000	4	Nut, 3/8-16 NC
3	000A00296000	2	Washer, Flat 1/2"
4	000A00306000	4	Washer, Lock 3/8"
5	000A02042000	1	Nut, Lock 1/2-13 UNC
6	000AA0388049	4	Bolt Hex 20 mm
7	000AA0391003	4	Flatwasher M10
8	000AA0392003	4	Lockwasher M10
9	004002546000	1	Cap, Exhaust
10	004013368000	1	Stack, Exhaust
11	004013429000	1	Inlet Exhaust Tube
12	004013430000	2	Exhaust Elbow
13	004094239160	1	Clamp, Turbo
14	056000577000	2	Bracket, Muffler
15	24001630	3	Clamp, Exhaust
16	298-05333-92	1	Clamp, Exhaust
17	526001577000	1	Muffler WMT
18	526001578000	1	Muffler Support WMT
19	526001579000	1	Muffler Support WMT
20	526001590000	1	Exhaust Tube Support WMT

WHEN ORDERING PARTS, ALWAYS STATE MODEL AND SERIAL NO. OF MACHINE

Exhaust Assembly
526001586000



Rev. 0

ILLUSTRATION MAY VARY FROM YOUR MACHINE

**Cooling System
568005012000**

Ref. No.	Part No.	Qty.	Description
1	004013328000	5	Hose, Hump
2	001003201000	20	Clamp, Hose
3	004013425000	1	Lower Charge Air Tube B
4	001003114000	16	Clamp, Hose
5	526001581000	2	Radiator Mounting Pad
6	531000575000	4	Hose, Radiator
7	004013479000	1	Tube, Lower Radiator
8	002005191000	1	Barb, Hose
9	526001592000	1	Hose Engine Coolant Fill
10	526001593000	1	Engine Vent Hose
11	003002816000	1	Coolant Loss Sensor
12	568005016000	2	Brace, Radiator
13	004013812000	1	RAD CAC HOC Assembly (Page 62)
14	004013426000	1	Upper Charge Air Tube
15	004013427000	1	Tube, Upper Radiator
16	001003128000	2	Clamp, Hose
18	000A00924000	1	Tee, Service 3/4" NPT
19	000A03025000	1	Reducer 3/4" NPT to 1/4" NPT
20	001003156000	2	Clamp, Hose 7/32" - 5/8"
21	000A00308000	2	Washer, Lock 1/2"
22	000A05384000	1	Elbow 90° 1/2" JIC x 1/2" NPT
23	000A00845000	1	Coupling, Pipe 1/2" NPT
24	000A00900000	1	Elbow, 90° Street 1/2" NPT
25	002006401000	1	Valve, Ball 1/2" NPT
26	004013491000	1	Tube, Lower Charge Air
27	000AA0639000	2	Screw, Button Head Cap From 568107
28	000AA0113014	1	Elbow, 90° 12 M ORFS Tube End/Str O-Ring
29	000AA0113020	1	Elbow, Adj. 90° 16-12 ORFS Tube End/Str O-Rin
30	000AA0112016	1	Straight 3/4 ORFS x 3/4 ORB
31	000AA0112022	1	Tube End 16-12 Male ORFS/Str O-Ring
32	002011740000	1	Hose Assembly

WHEN ORDERING PARTS, ALWAYS STATE MODEL AND SERIAL NO. OF MACHINE

**Cooling System
568005012000**

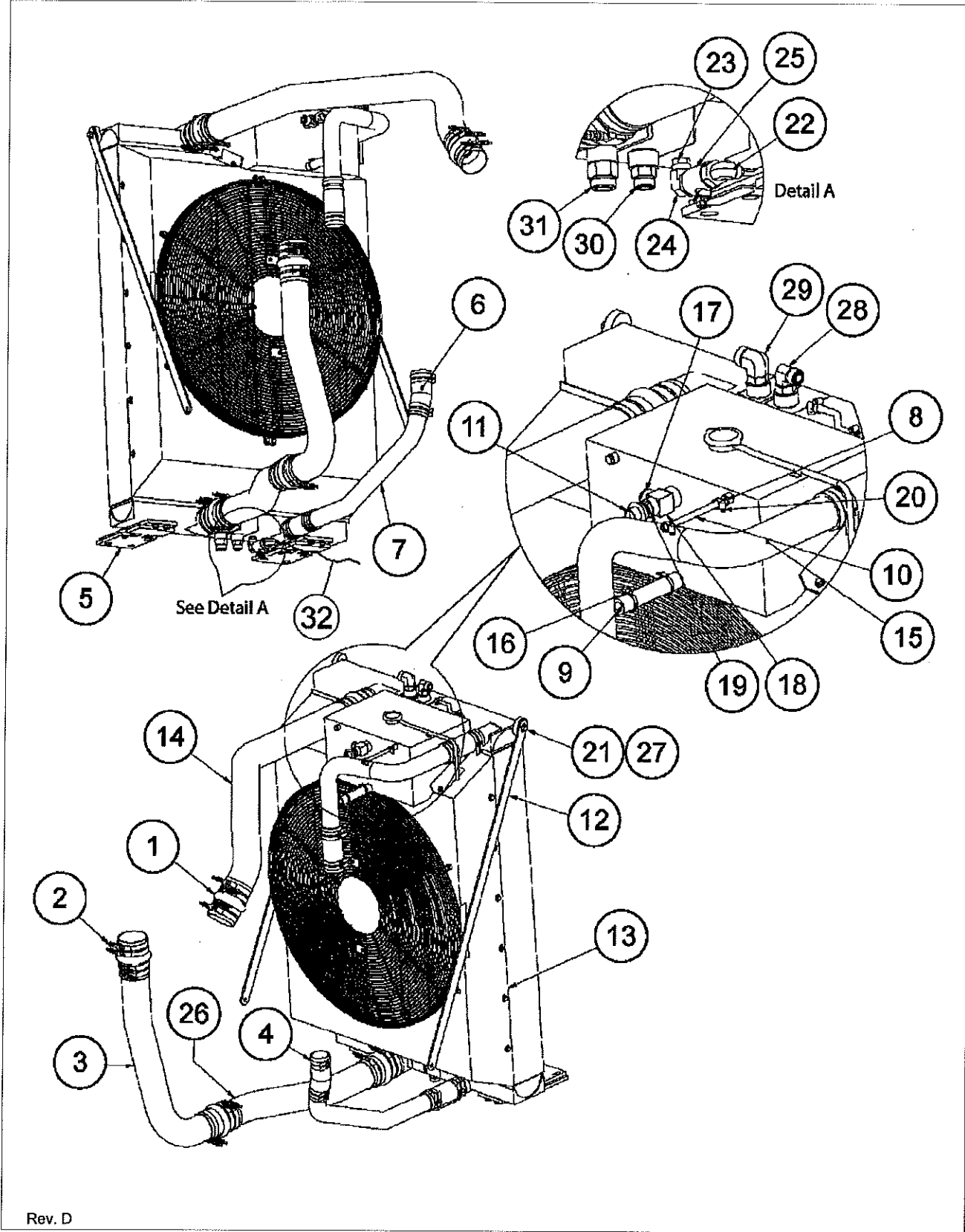


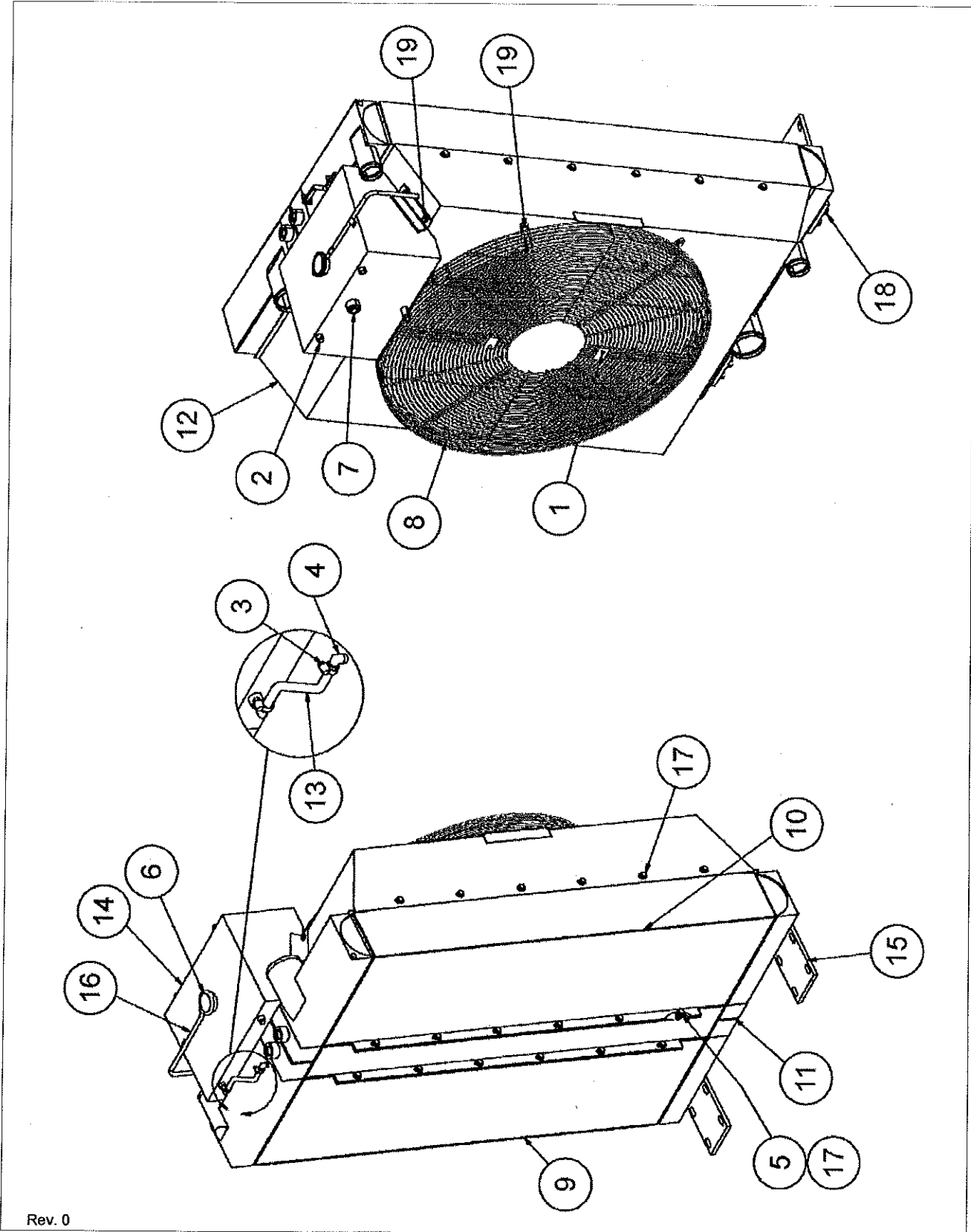
ILLUSTRATION MAY VARY FROM YOUR MACHINE

**RAD CAC HOC Assembly
004013812000**

Ref. No.	Part No.	Qty.	Description
1	000AA0388004	2	Bolt, Hex
2	000A00881000	2	Plug, Pipe 1/4" NPT
3	001003156000	2	Clamp, Hose 7/32" - 5/8"
4	001079886000	2	Hose Barb
5	298-02065-71	24	Nut, Lock
6	004013326008	1	Cap, Radiator
7	004013766006	1	Gauge, Sight
8	004013766009	1	Guard, Finger
9	004013812001	1	Radiator
10	004013812002	1	Cooler, Charge Air
11	004013812003	1	Cooler, Oil
12	004013812004	1	Shroud
13	004013812005	1	Hose, Vent
14	004013812006	1	Tank, Surge
15	004013812007	2	Mount, Foot
16	004013812008	1	Hose, Overflow
17	004013812009	36	Screw, Cap
18	004013812010	8	Screw, Cap
19	004013812011	12	Screw, Cap

WHEN ORDERING PARTS, ALWAYS STATE MODEL AND SERIAL NO. OF MACHINE

RAD CAC HOC Assembly
004013812000



Rev. 0

ILLUSTRATION MAY VARY FROM YOUR MACHINE

**Battery Group
56800506000**

Ref. No.	Part No.	Qty.	Description
1	001009089000	2	Battery
2	526001552000	1	Angle, Tie Down
3	526001553000	1	Liner, Battery
4	531000273000	1	Rod, Tie Down
5	568005060001	1	All Thread
6	000A00258000	5	Nut, 3/8-16 NC
7	000A00294000	4	Washer, Flat 3/8"
8	000A00306000	4	Washer, Lock 3/8"

WHEN ORDERING PARTS, ALWAYS STATE MODEL AND SERIAL NO. OF MACHINE

**Battery Group
568005060000**

NO DRAWING FOR THIS ASSEMBLY

Rev. 0

ILLUSTRATION MAY VARY FROM YOUR MACHINE

**Hydraulic Group
568050039000**

Ref. No.	Part No.	Qty.	Description
1	568050043000	1	Clamps Group (Page 68)
2	568050044000	1	Hydraulic Group, Auxiliary (Page 72)
3	568050045000	1	Hydraulic Group, Propel (Page 80)

WHEN ORDERING PARTS, ALWAYS STATE MODEL AND SERIAL NO. OF MACHINE

**Hydraulic Group
568050039000**

NO DRAWING FOR THIS ASSEMBLY

Rev. A

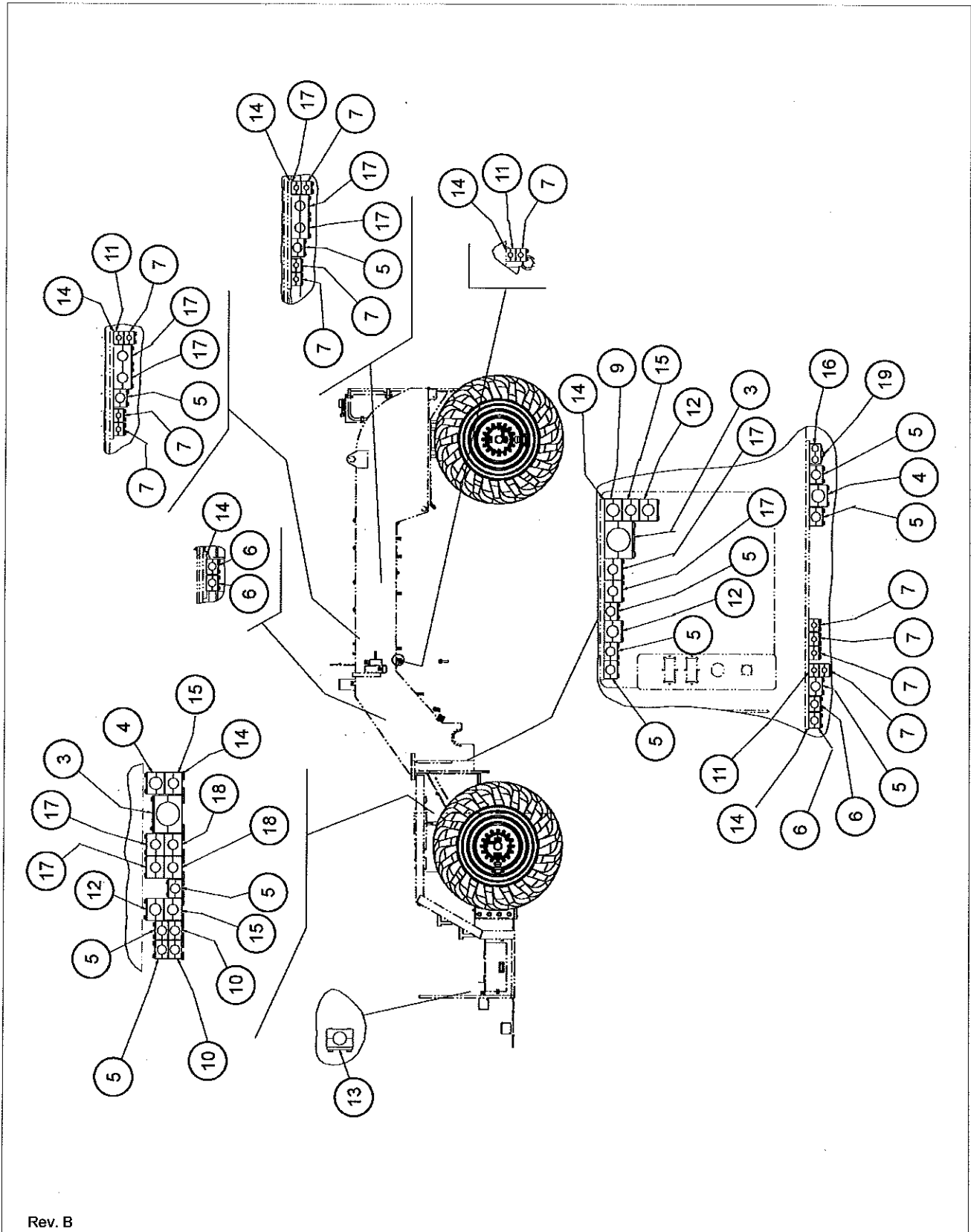
ILLUSTRATION MAY VARY FROM YOUR MACHINE

**Clamps Group
568050043000**

Ref. No.	Part No.	Qty.	Description
1	001003297000	8	Weld Plate
2	001003298000	8	Plate, Cover
3	001003299000	3	Clamp Set Std Series Grp 7
4	001003303000	3	Clamp Set Std Series Grp 5
5	001003305000	15	Clamp Set Std Series Grp 4
6	001003307000	7	Clamp Set Std Series Grp 3
7	001003309000	25	Clamp Set STD Series Grp 2
8	001003315000	8	Clamp, Hose 3 Hole 3/4 Hose
9	001003320000	2	Clamp Set Std Series Stacking Grp 5
10	001003321000	2	Clamp Set Std Series Stacking Grp 4
11	001003323000	11	Clamp Set STD Series Stacking Grp 2
12	001003341000	5	Clamp Set Std Series Grp 5 1 1/2" Tube
13	001003346000	1	Clamp Set HD Series Group 5 1 1/4" Pipe
14	001003351000	145	Nut, Rail 1/4-20 UNC
15	001003352000	4	Clamp Set Std Series Stacking Grp 5 1" Pipe
16	001003356000	1	Clamp Set Std Twin Grp 3 1 1/2" Pipe
17	001003359000	14	Clamp Set Std Series Grp 5 1.259 ID
18	001003360000	2	Clamp Set Std Series Stacking Grp 5 1.259
19	000A00009000	1	Bolt, Hex 1/4-20 x 1 3/4"
20	000A00063000	16	Bolt, Hex, 3/8-16 UNC x 2 1/2"
21	000A00306000	16	Washer, Lock 3/8"

WHEN ORDERING PARTS, ALWAYS STATE MODEL AND SERIAL NO. OF MACHINE

Clamps Group
568050043000



Rev. B

ILLUSTRATION MAY VARY FROM YOUR MACHINE

Clamps Group
568050043000

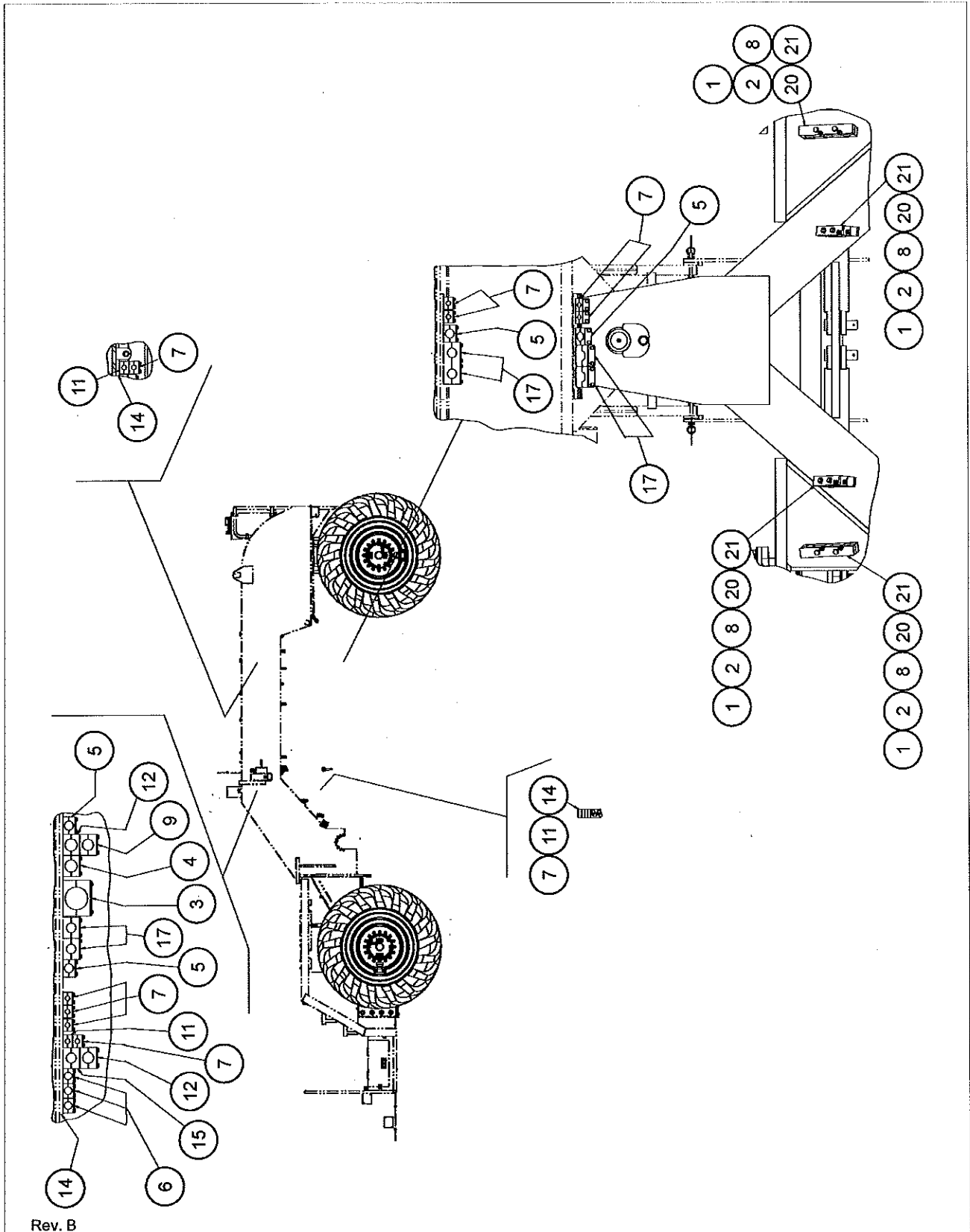


ILLUSTRATION MAY VARY FROM YOUR MACHINE

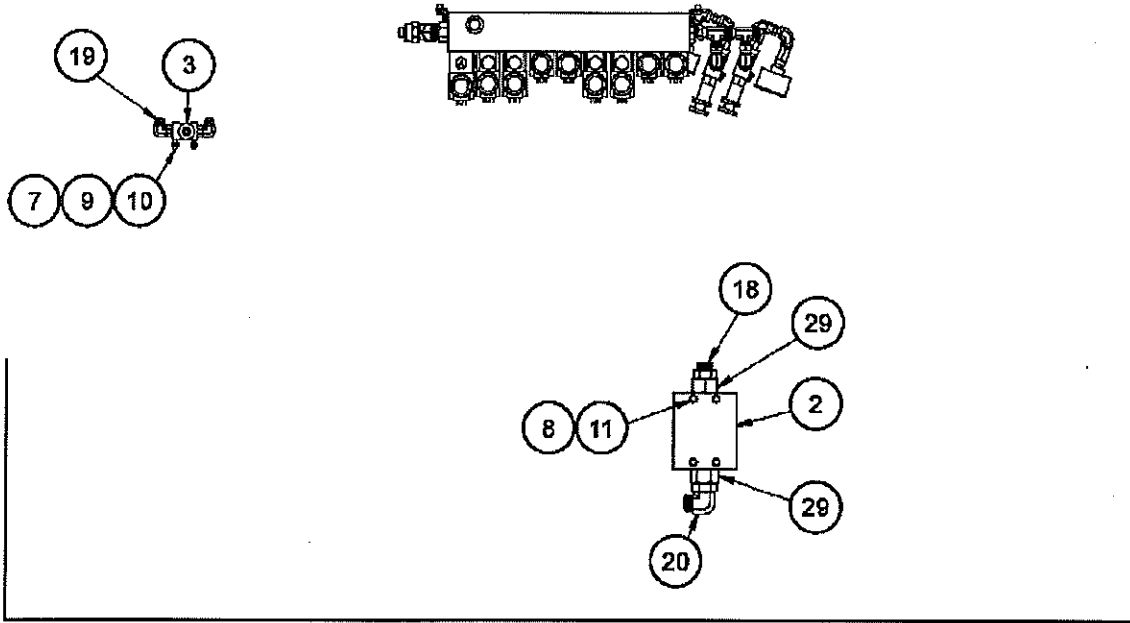
Intentionally Left Blank

**Hydraulic Group, Auxiliary
568050044000**

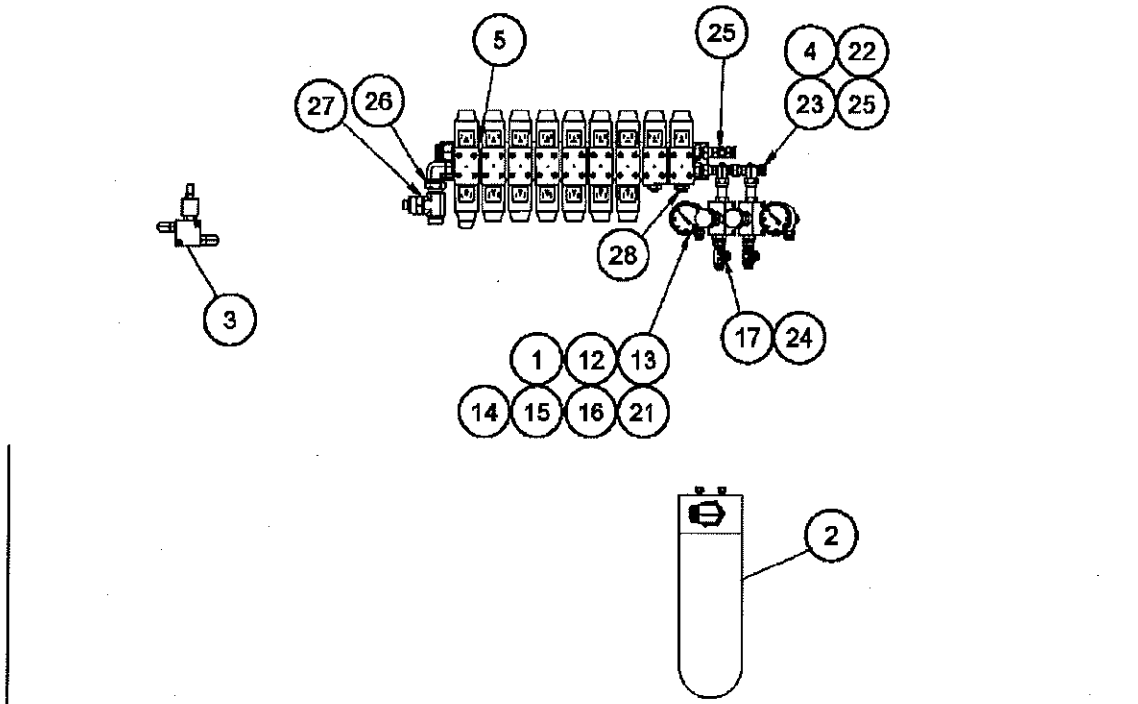
Ref. No.	Part No.	Qty.	Description
1	001005240000	2	Gauge, Pressure 0-600 PSI
2	002008581000	1	Filter Assembly
3	002016289000	1	Valve, Solenoid
4	002016737000	2	Valve, Pressure Reducing
5	002017080000	1	Manifold Assembly (Page 74)
6	568050046000	1	Hose Group, Auxiliary (Page 76)
7	000A00010000	2	Bolt, Hex 1/4-20 UNC X 2"
8	000A00029000	4	Bolt, Hex 5/16-18 UNC X 3/4"
9	000A00256000	2	Nut 1/4-20 UNC
10	000A00304000	2	Washer, Lock 1/4"
11	000A00305000	4	Washer, Lock 5/16
12	000A00689000	2	Straight
13	000A00721000	3	Reducer 1/2" ORB X 3/8" ORB
14	000A00843000	2	Coupling, Pipe 1/4 NPT
15	000A00913000	4	Elbow, 90° Female 1/4" NPT
16	000A00921000	2	Tee, Service
17	000AA0112006	2	Straight -6 ORFS X -8 ORB
18	000AA0112019	1	Straight 3/4 ORFS x 1 ORB
19	000AA0113003	2	Tube End 90° 6 ORFS/6 Str O-Ring
20	000AA0113017	1	Elbow 90° 12 ORFS to 16 O-Ring Str
21	000AA0120004	2	Fitting
22	000AA0122003	2	Connector, Straight
23	000AA0123003	2	Elbow, Swivel Nut 90°
24	000AA0124002	2	Tee, Run
25	000AA0124003	3	Tee, Swivel Run
26	000AA0124005	1	Tee, Run Swivel 3/4 ORFS
27	000AA0147008	1	Reducer Tube End 12-6 ORFS
28	000AA0651000	1	Valve, Check
29	000AA0726000	2	Reducer, Straight
30	002016920000	1	Valve, Check From 568240
31	000AA0112004	1	Fitting 6 Str ORFS/Str O-Ring From 568240

WHEN ORDERING PARTS, ALWAYS STATE MODEL AND SERIAL NO. OF MACHINE

Hydraulic Group, Auxiliary
568050044000



Top View



Front View

Rev. B

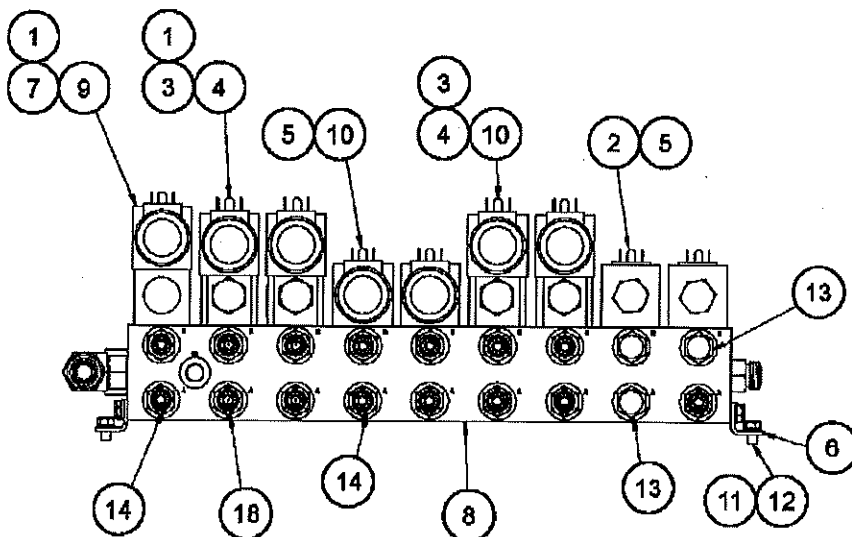
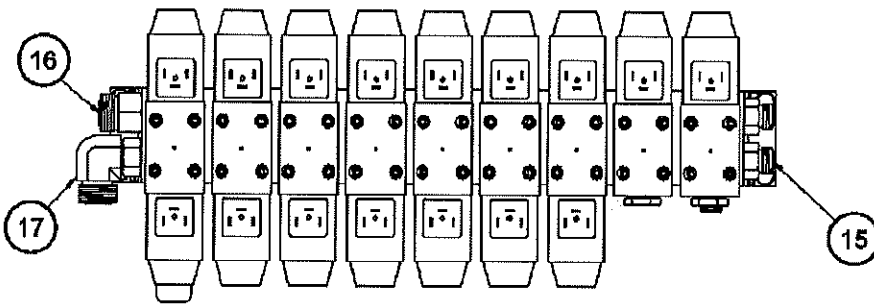
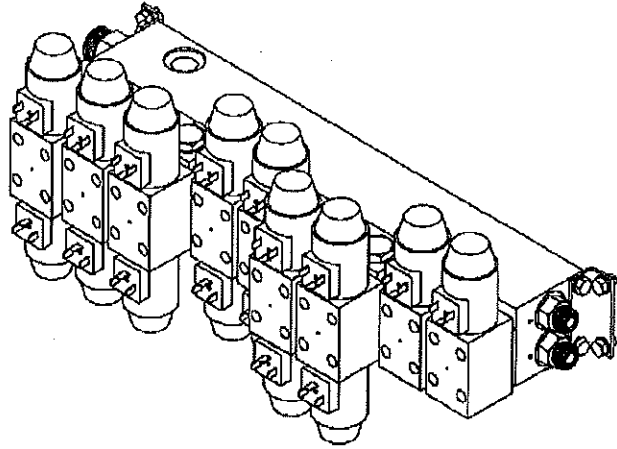
ILLUSTRATION MAY VARY FROM YOUR MACHINE

**Manifold Assembly
002017080000**

Ref. No.	Part No.	Qty.	Description
1	002017063000	3	Valve, Directional
2	002017065000	2	Valve, Directional
3	002017068000	4	Valve, PO Check
4	002017069000	4	Kit, Bolt
5	002017070000	4	Kit, Bolt
6	002017072002	2	Mount, Angle
7	002017077000	1	Valve, Pressure Reducing
8	002017080001	1	Manifold, 9 Station
9	002017304000	1	Kit, Bolt
10	002017305000	4	Valve, Proportional
11	000A00027000	8	Bolt, Hex 5/16-18 UNC X 1/2"
12	000A00305000	8	Washer, Lock 5/16
13	000A00712000	3	Plug 1/2 O-Ring
14	000AA0112006	11	Straight -6 ORFS X -8 ORB
15	000AA0112010	2	Connector, Straight -8ORFS X -10ORB
16	000AA0112018	1	Connector, Straight 3/4 ORFS x 5/8 ORB
17	000AA0113016	1	Elbow, 90° -12ORFS x -10MB
18	000AA0645000	4	Straight, MaLE 3/8 orfs X 1/2 orb

WHEN ORDERING PARTS, ALWAYS STATE MODEL AND SERIAL NO. OF MACHINE

Manifold Assembly
002017080000



Rev. 0

ILLUSTRATION MAY VARY FROM YOUR MACHINE

**Hose Group, Auxiliary
568050046000**

Ref. No.	Part No.	Qty.	Description
1	002011501021	2	Hose Assembly Manifold, Cutter Lift to Tee
4	002011501025	1	Hose Assembly Manifold Pressure to Valve
7	002011501050	1	Hose Assembly Tank to Valve
10	002011501057	4	Hose Assembly Cutter Lift Tee to Cylinders
13	002011501072	1	Hose Assembly Manifold, Front Cutter Door A to Head End
16	002011501076	1	Hose Assembly Manifold, Front Cutter Door B to Rod End
19	002011501132	1	Hose Assembly Manifold, Front Steer B to Tee-Left Head
22	002011501135	2	Hose Assembly Manifold, Rear Cutter Door to Rear Door Cyl
26	002011501142	2	Hose Assembly Manifold, Brake A to Tee Manifold, Front Steer A to Tee
30	002011501171	1	Hose Assembly Manifold, Clutch B to Head End
33	002011501180	3	Hose Assembly Manifold, Clutch A to Rod End Manifold, Rear Steer to Tee
37	002011501070	2	Hose Assembly 3/8 ORFS x 70 Manifold, Cutter Left to Cylinder
40	002011501090	2	Hose Assembly Manifold, Cutter Level Left to Cylinder
43	002011505023	4	Hose Assembly 3/8 ORFS/ORFS 90° x 23 Steer Loops
46	002011505024	1	Hose Assembly Sight Glass Top to Tank
49	002011507080	1	Hose Assembly Chain Tensioner Return Left
51	002011507085	1	Hose Assembly 3/8 ORFS/ORFS 45° x 85" Chain Tensioner Pressure Left
54	002011507102	1	Hose Assembly Chain Tensioner Return Right
57	002011507105	1	Hose Assembly Chain Tensioner Pressure Right
60	002011750000	1	Hose Assembly Chain Tensioner Relief Right to Valve
63	002022565030	1	Hose Assembly 3/4 ORFS/ORFS x 30" Manifold Tank to Tank
66	002022569064	1	Hose Assembly Manifold Pressure to Filter Out
69	002022569098	1	Hose Assembly Pump Pressure to Filter In
72	002022381000	1	Hose Assembly

WHEN ORDERING PARTS, ALWAYS STATE MODEL AND SERIAL NO. OF MACHINE

**Hose Group, Auxiliary
568050046000**

Ref. No.	Part No.	Qty.	Description
76	002022822000	1	Pump Case Drain to Tank Hose Assembly
79	002011754000	1	Suction Aux Hose Assembly
			Chain Tensioner Relief Left to Valve

WHEN ORDERING PARTS, ALWAYS STATE MODEL AND SERIAL NO. OF MACHINE

**Hose Group, Auxiliary
568050046000**

NO DRAWING FOR THIS ASSEMBLY

**HOSE RUNS ARE INCLUDED IN
BILL OF MATERIAL**

Rev. A

ILLUSTRATION MAY VARY FROM YOUR MACHINE

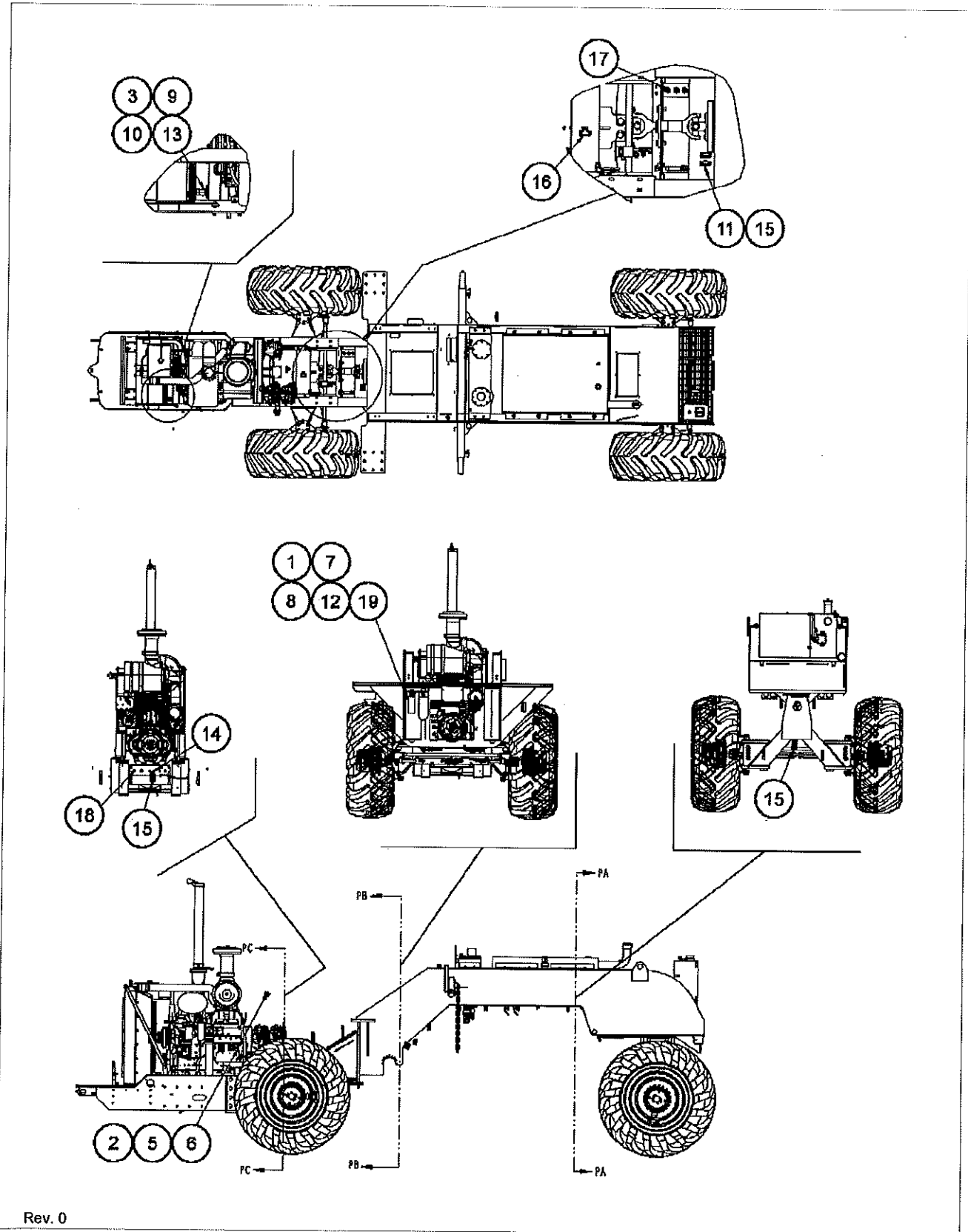
Intentionally Left Blank

**Hydraulic Group, Propel
568050045000**

Ref. No.	Part No.	Qty.	Description
1	002008549000	1	Filter Assembly (Page 82)
2	002016727000	1	Valve, Gauge Isolator
3	002016994000	1	Valve, Check
4	568050047000	1	Hose Group, Propel
5	000A00709000	3	Plug 7/16"- 20 Str Thd
6	000AA0112001	5	Fitting 4 ORFS Tube End Str O-Ring
7	000AA0112019	1	Straight 3/4 ORFS x 1 ORB
8	000AA0113017	1	Elbow 90° 12 ORFS to 16 O-Ring Str
9	000AA0119017	1	Fitting 16 90° M ORFS Tube /Male End
10	000AA0120017	1	Fitting 16 ORFS Tube End/M Pipe
11	000AA0123005	2	Elbow, Swivel Nut 12MORFS X 12FFORX
12	000AA0124005	1	Tee, Run Swivel 3/4 ORFS
13	000AA0125007	2	Tee ORFS to 16 ORFS
14	000AA0128002	1	Tee, Union -6ORFS
15	000AA0128005	8	Tee, Union -12MORFS
16	000AA0128007	1	Tee, Union -16MORFS
17	000AA0130005	3	Elbow, Bulkhead Union 12 ORFS
18	000AA0133006	2	Bulkhead, 45° 1 ORFS
19	000AA0147009	1	Reducer Tube End 12-8 ORFS

WHEN ORDERING PARTS, ALWAYS STATE MODEL AND SERIAL NO. OF MACHINE

Hydraulic Group, Propel
568050045000



Rev. 0

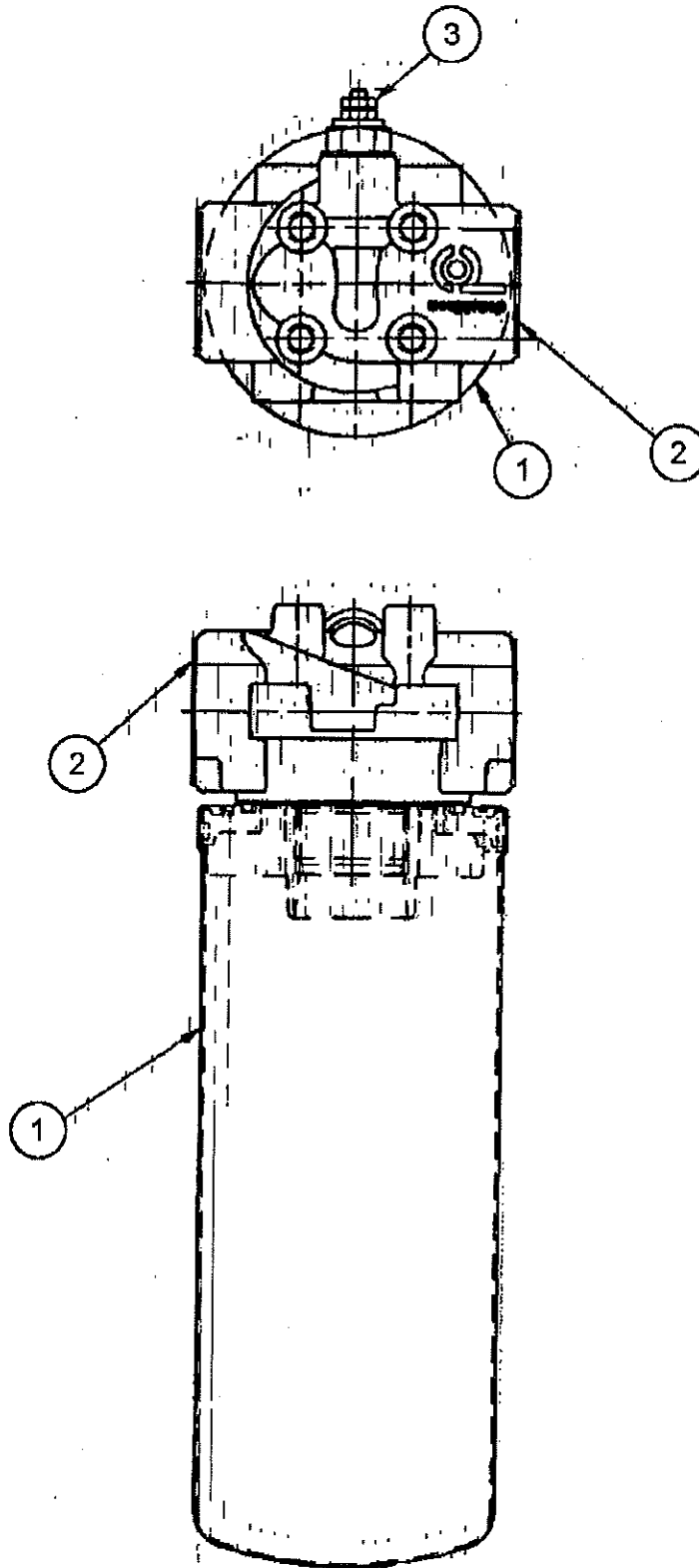
ILLUSTRATION MAY VARY FROM YOUR MACHINE

**Filter Assembly
002008549000**

Ref. No.	Part No.	Qty.	Description
1	002008549001	1	Element, Filter
2	002008549002	1	Head Assembly
3	002008549003	1	Indicator Assembly

WHEN ORDERING PARTS, ALWAYS STATE MODEL AND SERIAL NO. OF MACHINE

**Filter Assembly
002008549000**



Rev. 0

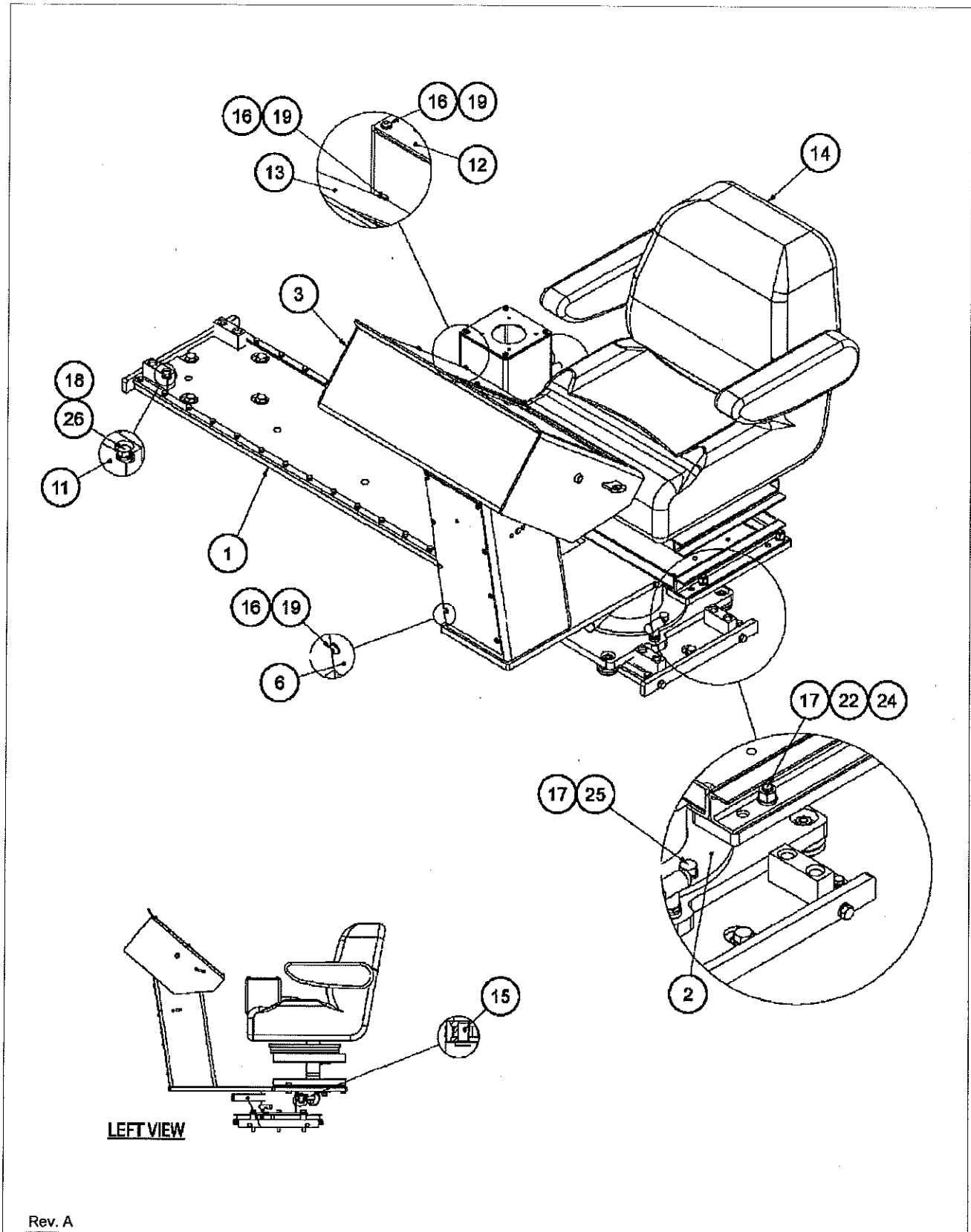
ILLUSTRATION MAY VARY FROM YOUR MACHINE

**Console Assembly
56800703000**

Ref. No.	Part No.	Qty.	Description
1	568007031000	1	Slide, Console (Page 88)
2	531000710000	1	Base, Console
3	568007026000	1	Console Weldment
4	568007017000	1	Base, Joystick Control
5	568007018000	1	Mounting, Joystick
6	568007019000	1	Plate, Lower Cover
7	568007025000	1	Bearing, Console Pivot
8	531000712000	1	Bar, Retainer
9	568007034000	1	Bracket, Cam Lock From 568223
	568007034000	1	Bracket, Cam Lock From 571101
10	531000711000	1	Handle, Cam
11	568007021000	4	Stop, Slide
12	568007023000	1	Plate, Joystick
13	531000706000	1	Cover
14	001007020000	1	Seat Assembly
15	001001424000	1	Pin
16	000A03730000	18	Screw, Hex Socket 1/4-20 UNC X 5/8"
17	000A00308000	10	Washer, Lock 1/2"
18	000A00306000	9	Washer, Lock 3/8"
19	000A00304000	18	Washer, Lock 1/4"
20	000A00298000	2	Washer, Flat 5/8
21	000A00272000	1	Nut, Jam 1/2-13 UNC
22	000A00260000	4	Nut 1/2-13 UNC
23	000A00147000	2	Bolt, Hex 5/8"-11 UNC X 2 1/4"
24	000A00103000	5	Bolt, Hex 1/2"-13 UNC X 1 1/2"
25	000A00102000	6	Bolt, Hex 1/2"-13 UNC X 1 1/4"
26	000A00060000	8	Bolt, Hex 3/8-16 UNC X 1 3/4"
27	000A00056000	1	Bolt, Hex 3/8-16 UNC X 7/8

WHEN ORDERING PARTS, ALWAYS STATE MODEL AND SERIAL NO. OF MACHINE

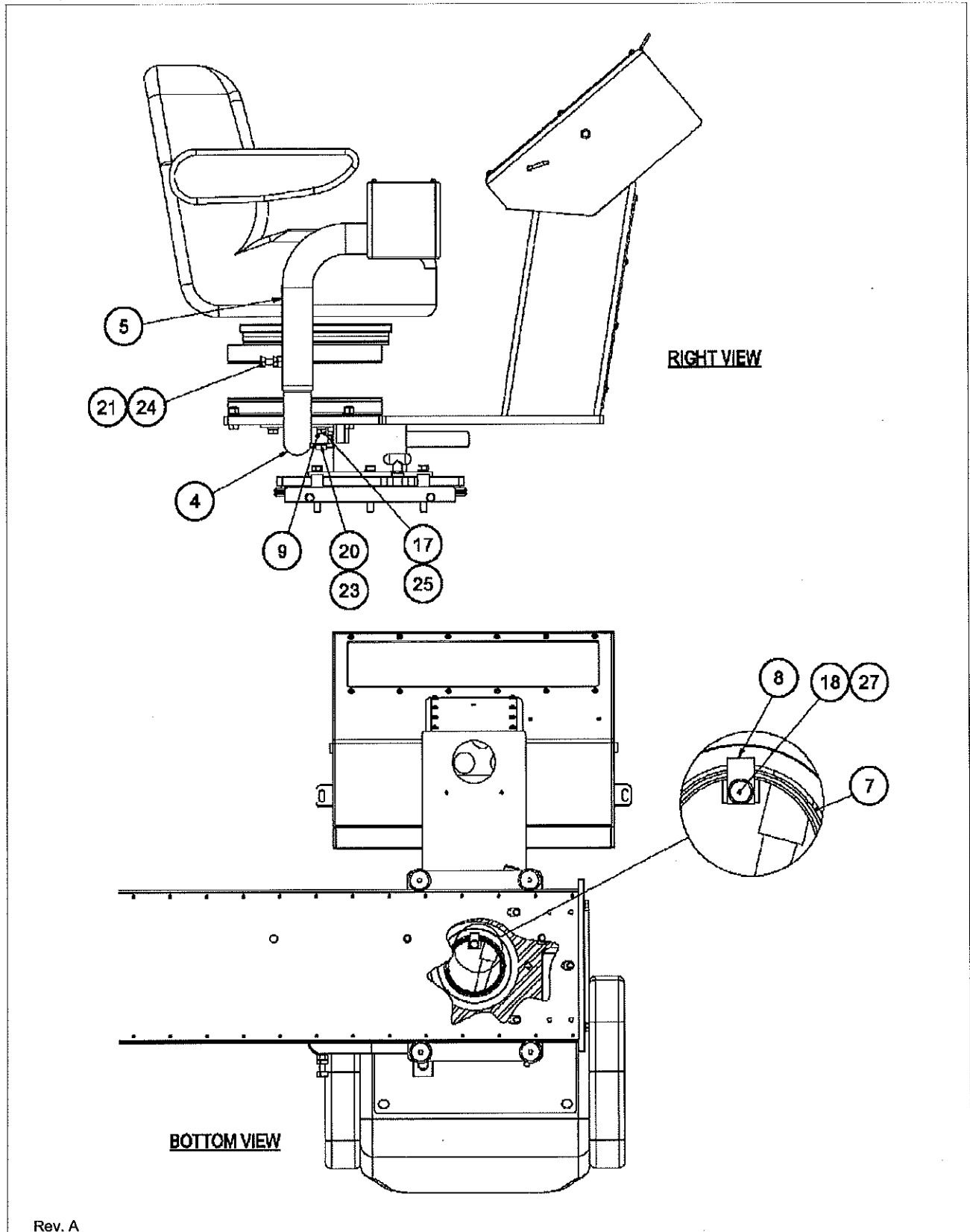
Console Assembly
568007030000



Rev. A

ILLUSTRATION MAY VARY FROM YOUR MACHINE

Console Assembly
56800703000



Rev. A

ILLUSTRATION MAY VARY FROM YOUR MACHINE

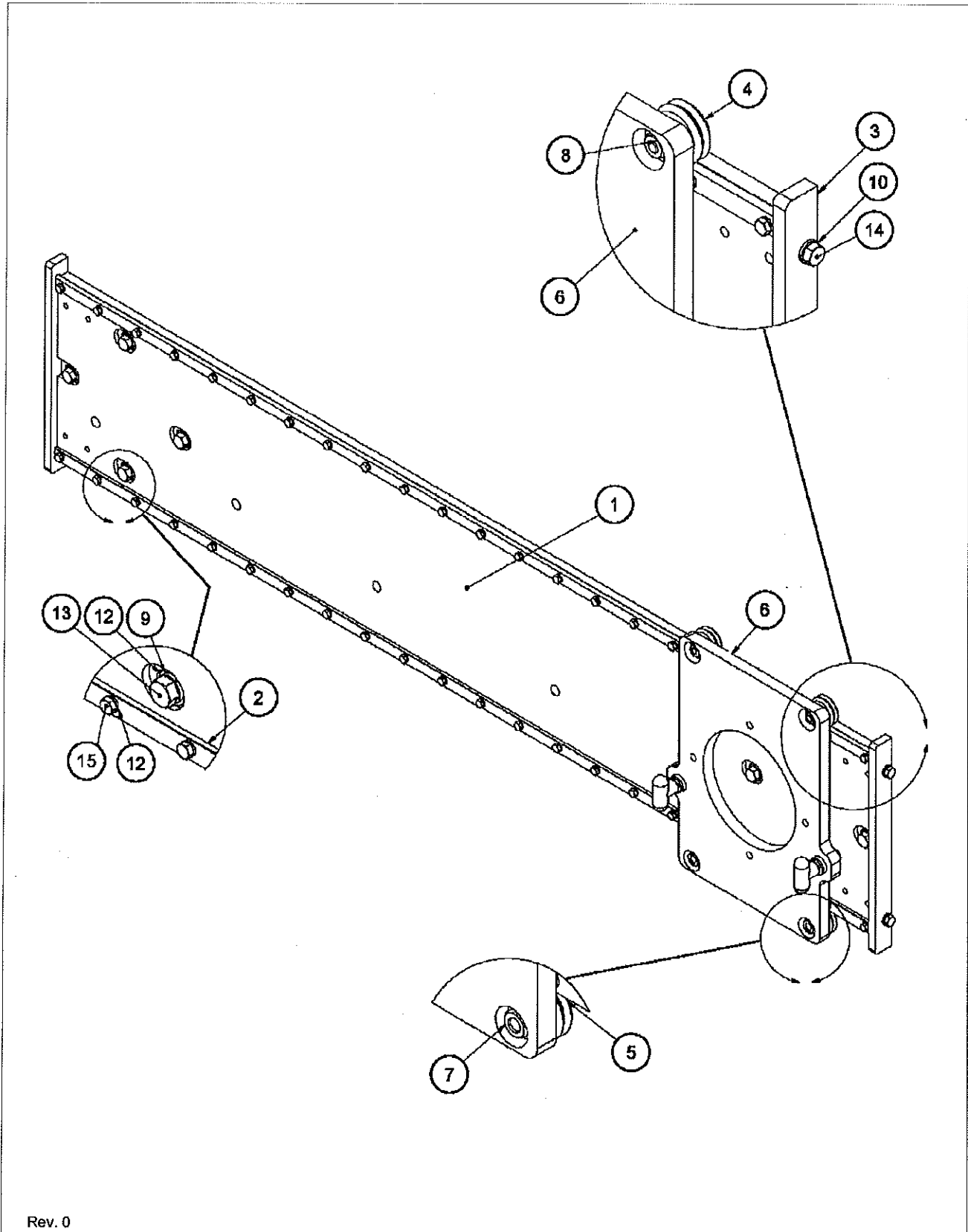
Intentionally Left Blank

**Slide, Console
568007031000**

Ref. No.	Part No.	Qty.	Description
1	568007032000	1	Base Plate, Slide
2	568007014000	2	Track
3	568007015000	2	Stop, Slide Plate
4	001010902000	2	Wheel, Eccentric Steel
5	001010901000	2	Wheel, Concentric Steel
6	568007033000	1	Slide Plate, Console
7	000AA0389004	2	Nut, Hex
8	000AA0389003	2	Nut
9	000A00308000	8	Washer, Lock 1/2"
10	000A00306000	4	Washer, Lock 3/8"
11	000A00304000	44	Washer, Lock 1/4"
12	000A00296000	8	Washer, Flat 1/2"
13	000A00103000	8	Bolt, Hex 1/2"-13 UNC X 1 1/2"
14	000A00059000	4	Bolt, Hex 3/8-16 UNC X 1 1/2"
15	000A00006000	44	Bolt, Hex 1/4-20 UNC X 1"

WHEN ORDERING PARTS, ALWAYS STATE MODEL AND SERIAL NO. OF MACHINE

Slide, Console
568007031000



Rev. 0

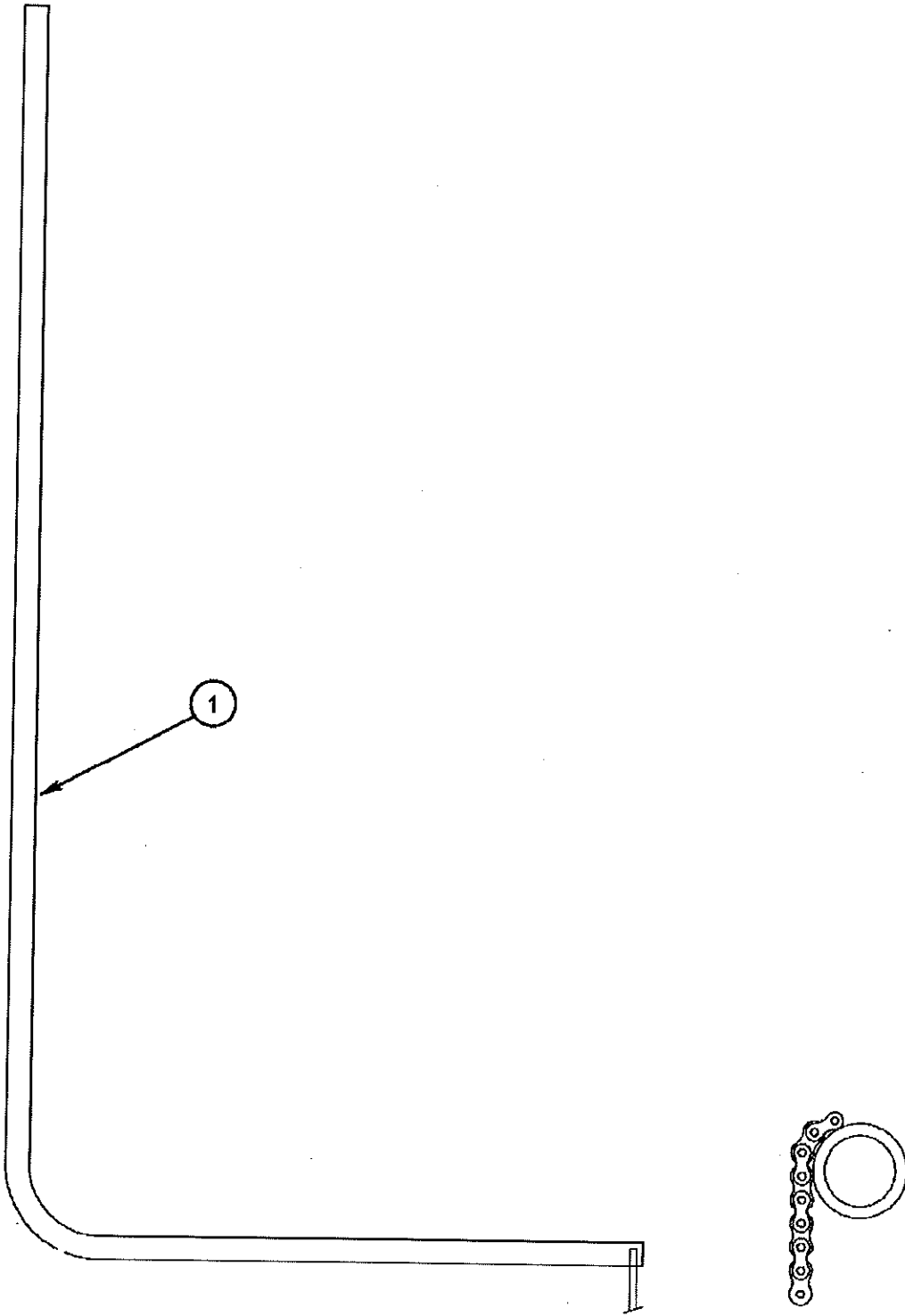
ILLUSTRATION MAY VARY FROM YOUR MACHINE

**Edge Guide Assembly
568008002000**

Ref. No.	Part No.	Qty.	Description
1	526000276000	1	Guide, Edge
2	000A00057000	1	Bolt, Hex 3/8-16 UNC X 1"
3	000A00258000	1	Nut, 3/8-16 NC

WHEN ORDERING PARTS, ALWAYS STATE MODEL AND SERIAL NO. OF MACHINE

**Edge Guide Assembly
568008002000**



Rev. 0

ILLUSTRATION MAY VARY FROM YOUR MACHINE

**Electrical Group 1
568090006000**

Ref. No.	Part No.	Qty.	Description
1	568090131000	1	Panel Assembly, Main Control (Page 96)
2	568090124000	1	Cable, Rear Steering Sensor
3	568090154000	1	Cable, Rear Mainframe
4	568090159000	1	Cable, A-B Console
5	568090126000	1	Cable, Cutter Depth Control
6	568090145000	2	Cable, Cutter Level Control
7	568090116000	1	Cable, A Console/Firewall
8	568090079000	1	Cable, B Console/Firewall Control
9	568090158000	1	Cable, C Console/Firewall Control
10	568090176000	1	Cable, Additive/Trans. Control
11	568090153000	1	Cable, Front Mainframe
12	568090027000	1	Control Handle Assembly (Page 104)
13	568090118000	1	Plate Assembly
14	568090155000	1	Box Assembly, Machine Logic Control
15	568090138000	1	Controller
16	568090121000	1	Cable, Rear Frame
17	568090069000	1	Cable, Engine Propel Interface
18	568090115000	1	Cable, Hydraulic Control
19	571090059000	1	Panel, Auxiliary Gauge (Page 106)
20	568090166000	1	Panel Assembly, Power (Page 110)
	568090166000	1	Panel Assembly, Power From 568233 (Page 110)
21	568090059000	1	Cable, Alternator Harness
22	568090085000	1	Cable, Battery Positive
23	526009051000	1	Cable, Battery Jumper
24	526009052000	1	Cable, Battery Disconnect
25	526009053000	1	Cable, Disconnect to Ground
26	519009048000	1	Cable, Ground
27	568090100000	1	Cable, ECM Ground
28	003000781000	1	Horn
29	003002208000	8	Light
30	0030022141000	4	Light Assembly, LED Red
31	0030022142000	4	Light Assembly, LED Yellow
32	568090050000	8	Adapter, Power (Page 112)
33	568090075000	1	Alarm, Backup
34	568090173000	1	Light, Strobe
35	001002167000	1	Bolt, T 3/8-16 UNC X 2 3/4
36	003001264000	1	Switch, Disconnect Battery
37	001009565000	1	Face Plate, Master Disconnect
38	568090082000	3	Switch, Thermostat
39	001005285000	3	Sender, Temperature
40	001005260000	1	Switch, Pressure
41	001005215000	1	Switch, Pressure
42	003002214300	8	Grommet
43	568090084000	1	Cable, Starter Coil Extension
44	568090102000	1	Pump, Lube (Page 114)
45	568090081000	1	Cable, Front Hood Lights
46	568090119000	1	I/O Module
47	568090122000	1	Cable, Front Steering Sensor
48	568090165000	1	Cable, Cab Power Extension From 568233

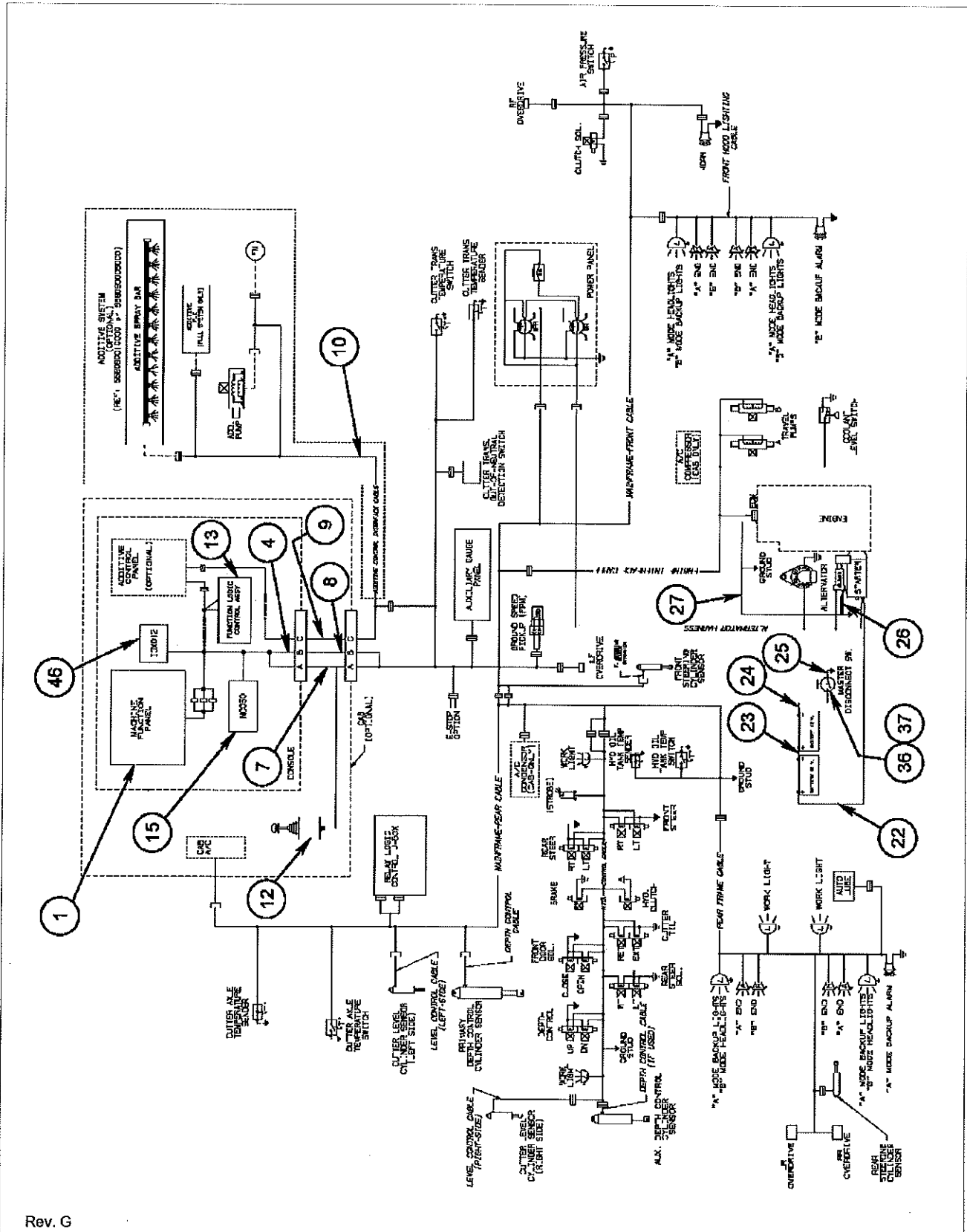
WHEN ORDERING PARTS, ALWAYS STATE MODEL AND SERIAL NO. OF MACHINE

**Electrical Group 1
568090006000**

Ref. No.	Part No.	Qty.	Description
49	568090184000	1	Connector, Dust Cover

WHEN ORDERING PARTS, ALWAYS STATE MODEL AND SERIAL NO. OF MACHINE

Electrical Group 1 568090006000



Rev. G

ILLUSTRATION MAY VARY FROM YOUR MACHINE

**Panel Assembly, Main Control
568090131000**

Ref. No.	Part No.	Qty.	Description
1	568090058000	1	Panel Main Control
2	568090087000	1	Bracket, Component Mounting
3	003001296000	3	Switch, Toggle
4	003000273000	6	Switch, Toggle
5	003000272000	1	Switch, Toggle
6	003001298003	1	Switch, Toggle
7	003000289000	1	Switch, Toggle
8	003000289001	1	Switch, Toggle
9	003000275000	1	Switch, Toggle
10	003000211000	11	Boot, Switch
11	003000210100	2	Guard, Switch
12	003003725002	2	Jumper, Terminal Ring From 568233
13	212-00276-17	1	Key Switch
14	24002006	1	Switch, Emergency Stop
15	003002603006	1	Operator, Push Botton, Red, Mushroom
16	24002008	1	Operator, Push-Pull
17	003002603007	1	Base, Mounting
18	003002125003	10	Lamp, Indicator White
19	003002221000	6	Lamp, Green
20	003002220000	3	Lamp, Amber
21	24002034	1	Switch, Selector
22	003003337225	2	Bridge, Diode
23	003006922000	1	Meter
24	003002219000	1	Lamp, Red
25	559960082000	2	Light, Dash Assembly (Page 102)
26	568090028000	1	Meter, FPM
27	003001752121	1	Resistor
28	000A00332000	2	Screw, Pan #8-32 UNC X 1"
29	000A02035000	2	Nut, Lock #8-32 UNC X 1"
30	003000887000	2	Mount, Cable
31	003005071571	1	Connector
32	003005071563	1	Connector
33	003005071316	1	Connector
34	003005071342	1	Connector
35	003005071356	1	Wedge, Lock
36	003005071361	1	Wedge
37	003005071034	61	Contact, Male
38	003005071033	6	Terminal, Socket, Female
39	003005071017	5	Plug, Sealing
40	003000700207	1	Buttsplice, Non Insulared
41	003000901218	0.2"	Heatshrink, Tubing
42	003000700054	50	Terminal, Ring From 568233
43	003000700098	12	Terminal, Ring
44	003000700173	7	Terminal, Pushon
45	003000700205	1	Terminal, Push On, Female
46	003000700101	3	Terminal, Wire
47	003000700127	1	Terminal
48	003000902251	1.5'	Cable, Shielded
49	003001209000	1	Switch, Toggle

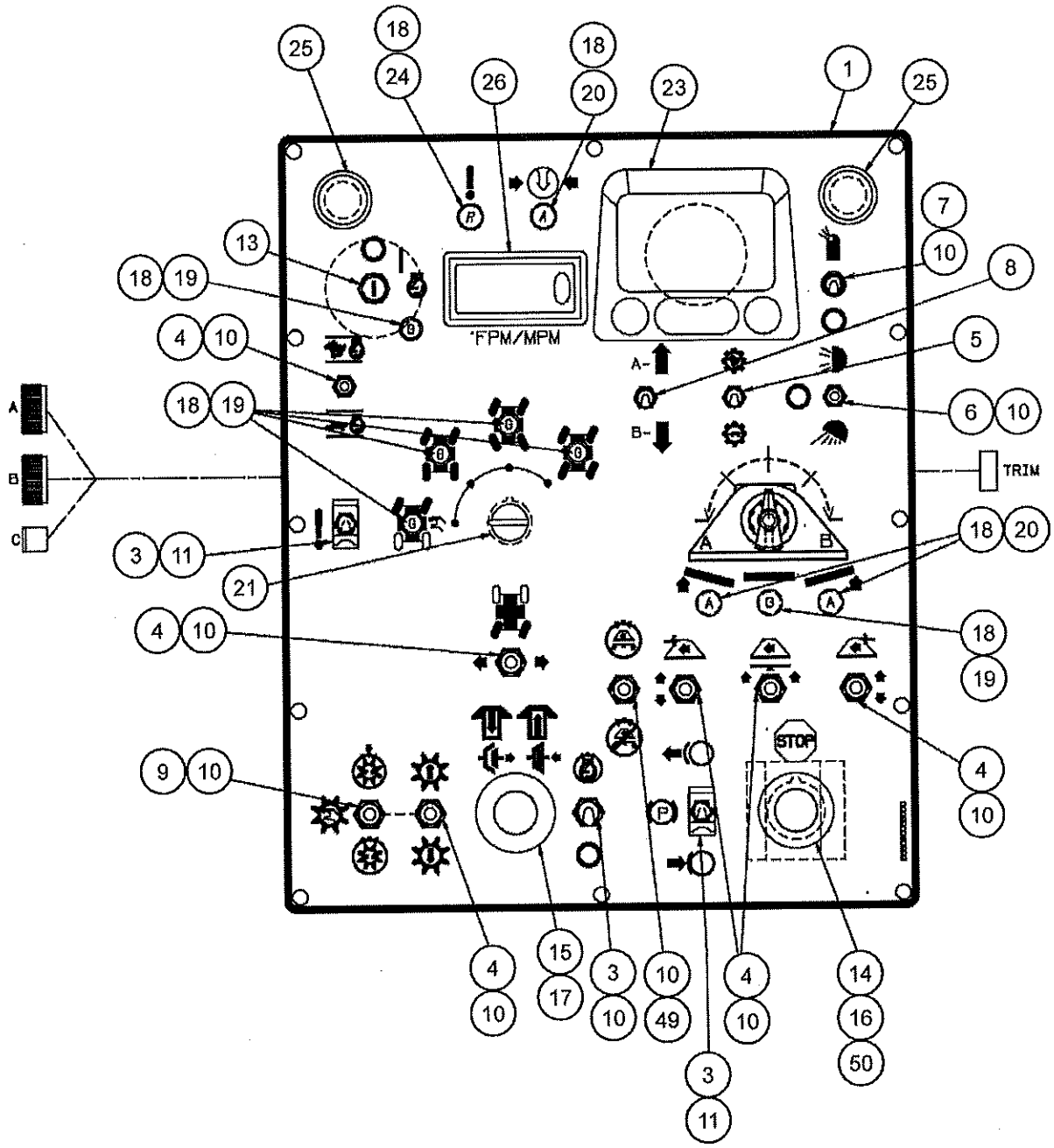
WHEN ORDERING PARTS, ALWAYS STATE MODEL AND SERIAL NO. OF MACHINE

**Panel Assembly, Main Control
568090131000**

Ref. No.	Part No.	Qty.	Description
50	24002007	1	Contact Block
51	568090136000	1	Potentiometer Assembly
52	003000902374	9'	Wire, Green
53	003000902365	20'	Wire, White
54	003000902366	1'	Wire SXL #18 AWG Red
55	003000902367	15'	Wire SXL #18 AWG Orange
56	003000902368	14'	Wire, Yellow
57	003000902369	3'	Wire, Pink
58	003000902370	9'	Wire SXL #18 AWG Black
59	003000902371	16'	Wire, Gray
60	003000902372	10'	Wire, Brown
61	003000902373	6'	Wire, Purple
62	003000902375	18'	Wire, Blue

WHEN ORDERING PARTS, ALWAYS STATE MODEL AND SERIAL NO. OF MACHINE

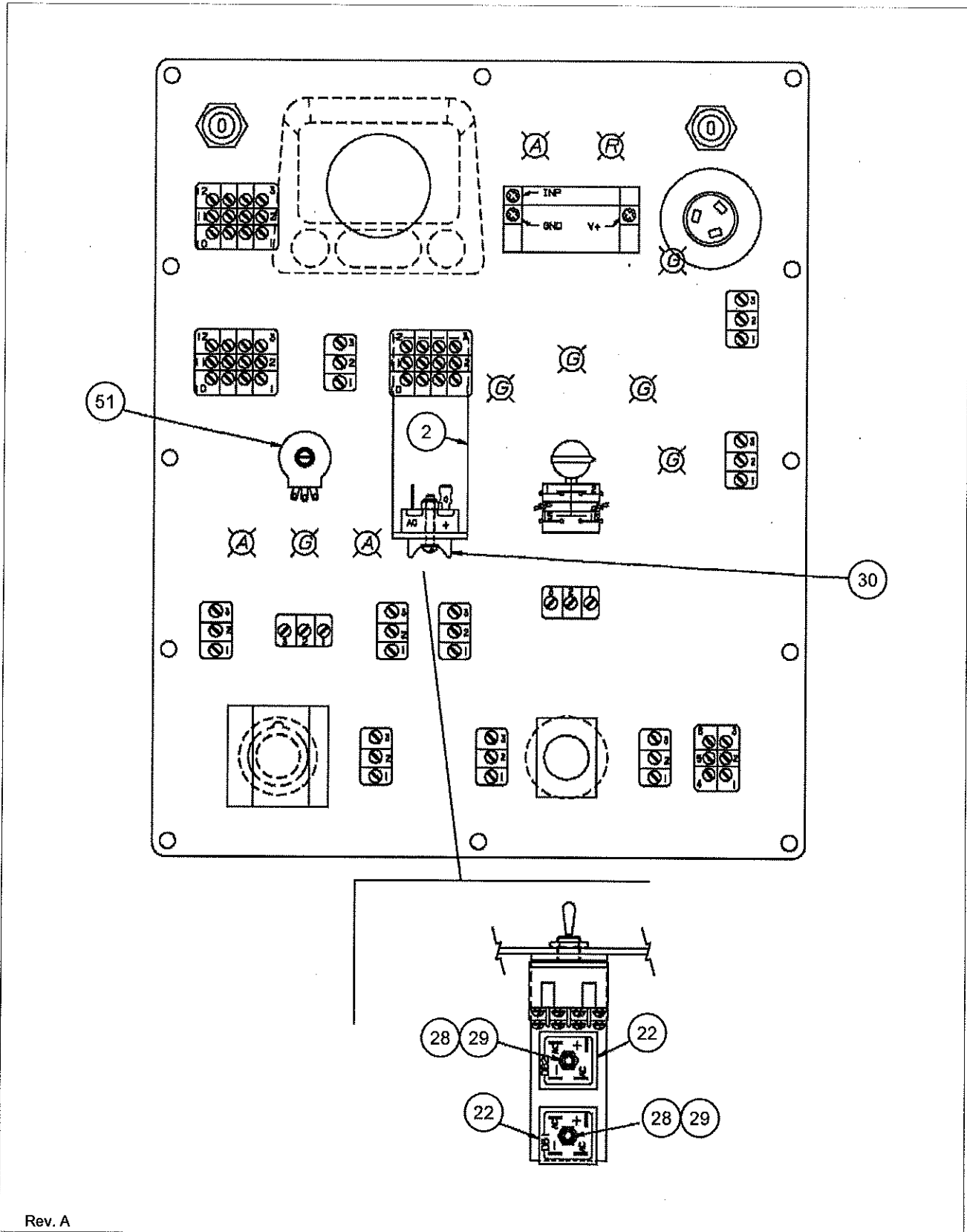
**Panel Assembly, Main Control
568090131000**



Rev. A

ILLUSTRATION MAY VARY FROM YOUR MACHINE

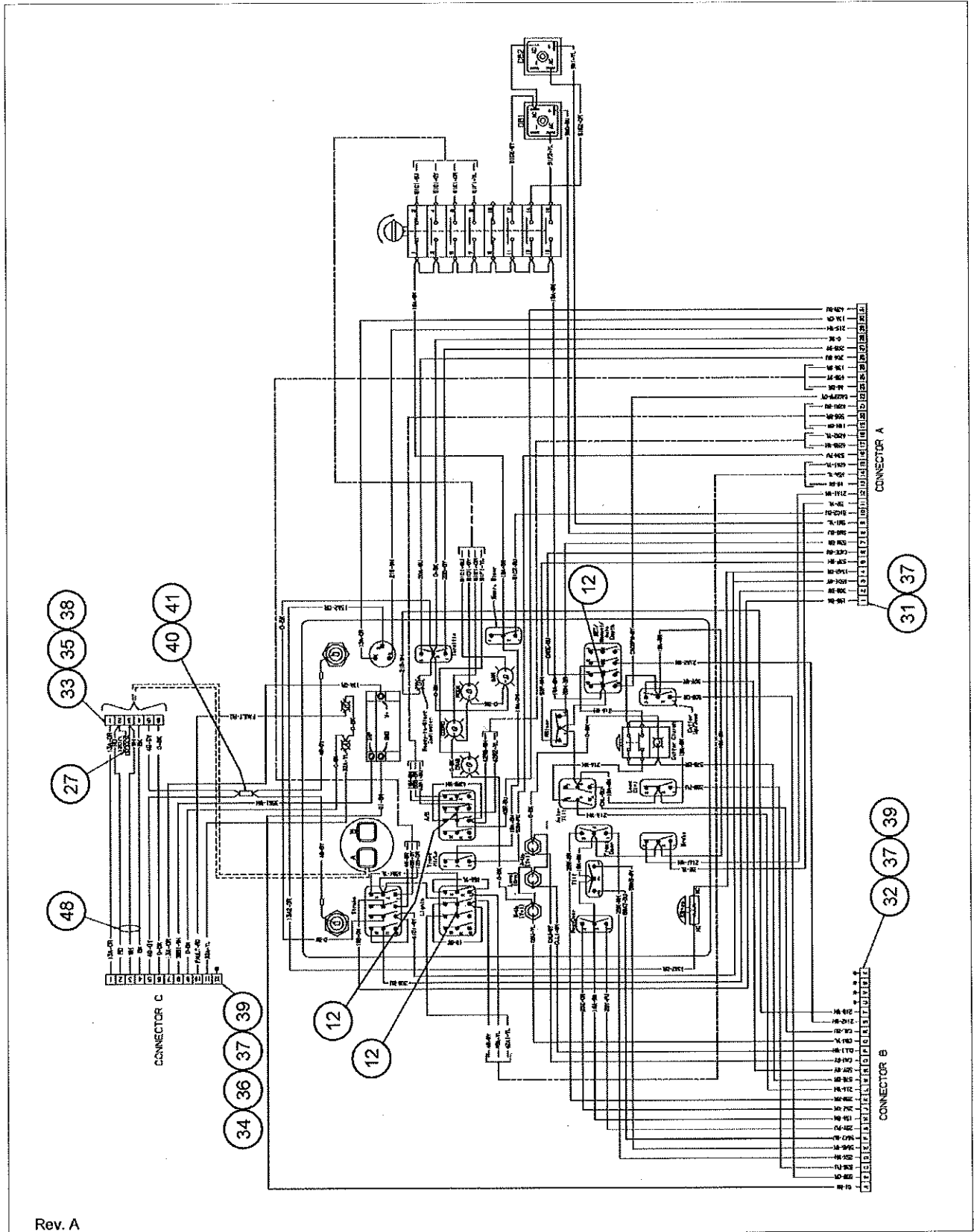
Panel Assembly, Main Control
568090131000



Rev. A

ILLUSTRATION MAY VARY FROM YOUR MACHINE

Panel Assembly, Main Control 568090131000



Rev. A

ILLUSTRATION MAY VARY FROM YOUR MACHINE

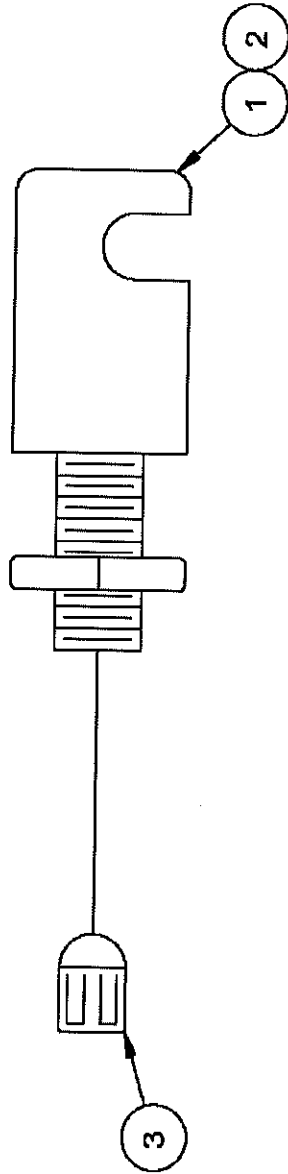
Intentionally Left Blank

**Light, Dash Assembly
559960082000**

Ref. No.	Part No.	Qty.	Description
1	003002107000	1	Light, Dash
2	003002113000	1	Bulb
3	003000700174	1	Terminal, Push On, Male

WHEN ORDERING PARTS, ALWAYS STATE MODEL AND SERIAL NO. OF MACHINE

**Light, Dash Assembly
559960082000**



Rev. 0

ILLUSTRATION MAY VARY FROM YOUR MACHINE

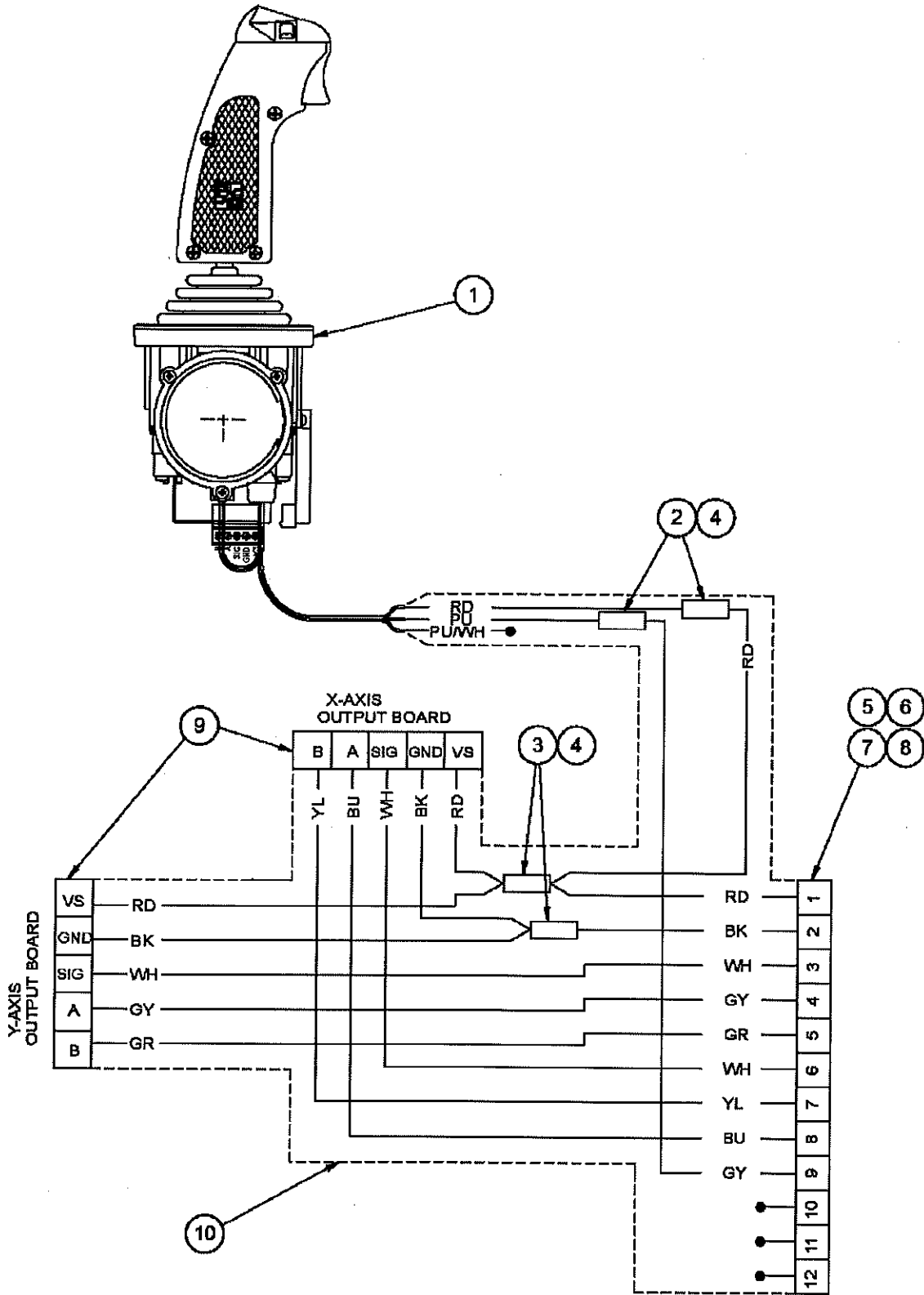
**Control Handle Assembly
568090027000**

Ref. No.	Part No.		Qty.	Description
1	003002853000		1	Control Stick
2	003000700229		2	Splice, Butt
3	003000700208		2	Splice, Butt
4	003000901218		0.8'	Heatshrink, Tubing
5	003005071342		1	Connector
6	003005071361		1	Wedge
7	003005071034		9	Contact, Male
8	003005071017		3	Plug, Sealing
9	003001853002		2'	Loom
10	003000902365		2'	Wire, White
11	003000902370	N	2'	Wire SXL #18 AWG Black
12	003000902366	N	2'	Wire SXL #18 AWG Red
13	003000902375	N	1'	Wire, Blue
14	003000902374	N	1'	Wire, Green
15	003000902371	N	2'	Wire, Gray
16	003000902368	N	1'	Wire, Yellow

N) Not Shown

WHEN ORDERING PARTS, ALWAYS STATE MODEL AND SERIAL NO. OF MACHINE

Control Handle Assembly 568090027000



Rev. B

ILLUSTRATION MAY VARY FROM YOUR MACHINE

**Panel, Auxiliary Gauge
571090059000**

Ref. No.	Part No.	Qty.	Description
1	571090058000	1	Panel, Auxiliary Gauge
2	001005235000	1	Gauge, Pressure
3	001005234000	1	Gauge, Pressure
4	001005236000	2	Gauge, Pressure
5	001005112000	3	Gauge, Oil Temperature
6	571090062000	1	Gauge, Fuel Level From 571407
7	003002160000	4	Housing, Light
8	003002160001	4	Lens, Red
9	003002101000	4	Bulb
10	003003335000	4	Diode
11	003004535001	1	Indicator, Audio
12	003000288000	1	Switch, Toggle
13	003000211000	1	Boot, Switch
14	003003550010	7	Breaker, Circuit 10A
15	003003550015	2	Breaker, Circuit 15A
16	003005071571	1	Connector
17	003005071070	1	Connector
18	003005071014	24	Terminal, Pin, Male (16-14 AWG)
19	003005071016	2	Contact #6 Male
20	003005071019	1	Plug, Seal #6 AWG
21	003005071017	7	Plug, Sealing
22	000A01093000	18	Screw, Pan #8-32 UNF X 5/8
23	003000731006	18	Flatwasher #8
24	520000741000	1	Bracket
25	003000700017	3	Tie, Cable
26	003001853004	6"	Loom
27	003000700054	8	Terminal, Ring
28	003000700098	10	Terminal, Ring
29	003000700066	13	Terminal, Ring
30	003000700025	1	Terminal, Ring #6 X 16-14 AWG
31	056069023000	1	Bar, Buss
32	550090150000	1	Bar, Buss
33	002009000000	3	Snubber
34	000A00913000	2	Elbow, 90° Female 1/4" NPT
35	000A00859000	2	Tee 1/4" NPTF
36	000AA0443000	1	Reducer, Pipe 7/16 O-Ring to 1/4 NPT
37	000A00850000	1	Reducer 1/4" NPT x 1/8" NPT
38	003001853005	6"	Loom
39	003000887000	2	Mount, Cable
40	000A01094000	20	Screw, Pan #8-32 UNC X 3/4"
41	000A02035000	2	Nut, Lock #8-32 UNC X 1"
42	000A02105000	2	Screw, Pan #10-32 UNF X 1/2"
43	000A02052000	2	Nut, Lock #10-32 UNF
44	003000902344	3'	Wire #6 SXL Red
45	003000902345	3'	Wire #6 SXL Orange
46	003000902301	1'	Wire SXL #14 AWG Orange
47	003000902290	4'	Wire, Orange #16 SXL
48	003000902291	4'	Wire #16 SXL Yellow
49	003000902292	3'	Wire #16 SXL Pink

WHEN ORDERING PARTS, ALWAYS STATE MODEL AND SERIAL NO. OF MACHINE

**Panel, Auxiliary Gauge
571090059000**

Ref. No.	Part No.	Qty.	Description
50	003000902293	4'	Wire, Black #16 SXL
51	003000902296	3'	Wire #16 SXL Purple
52	003000902297	3'	Wire, Green #16 SXL
53	003000902298	3'	Wire, Blue #16 SXL

WHEN ORDERING PARTS, ALWAYS STATE MODEL AND SERIAL NO. OF MACHINE

Panel, Auxiliary Gauge
571090059000

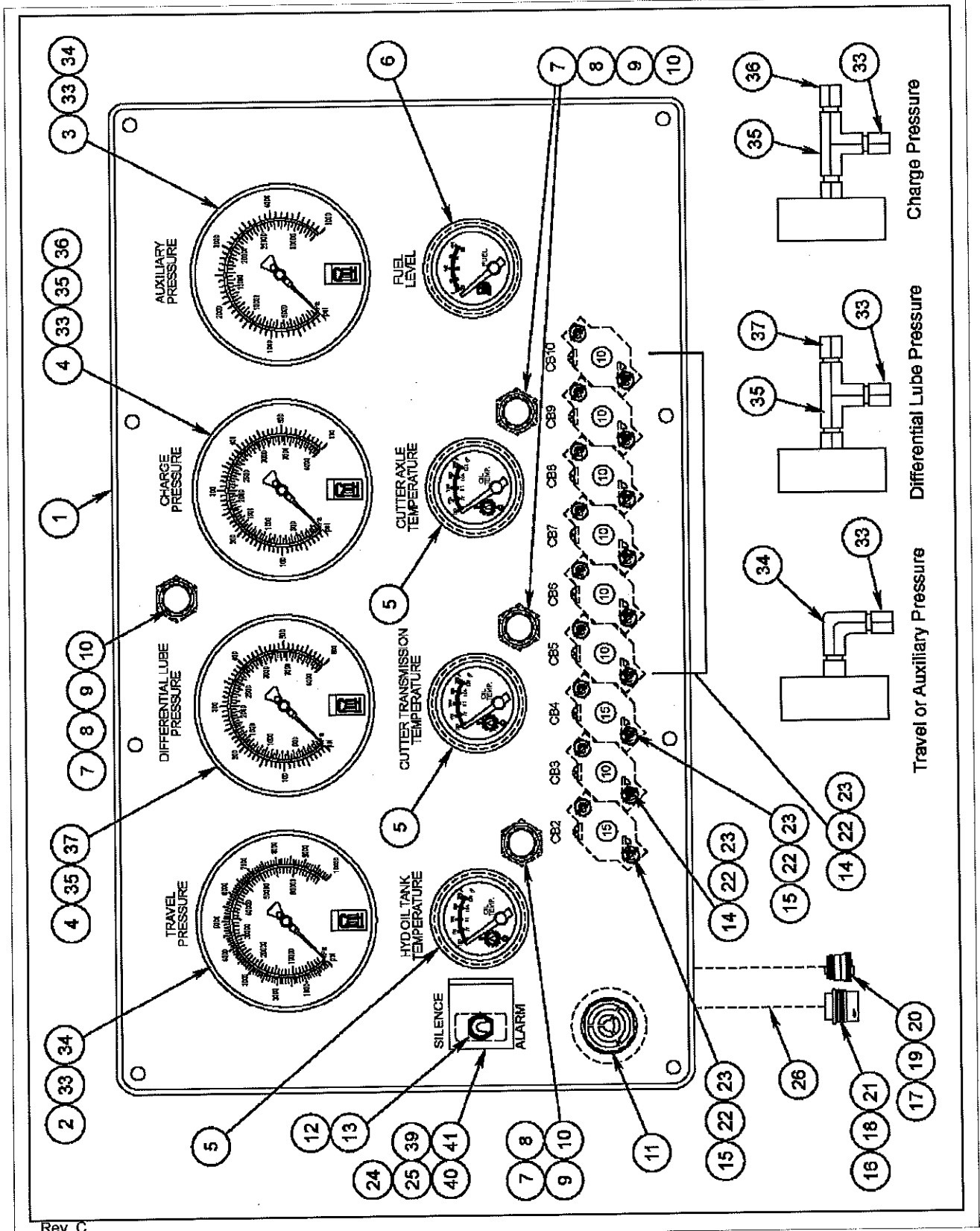


ILLUSTRATION MAY VARY FROM YOUR MACHINE

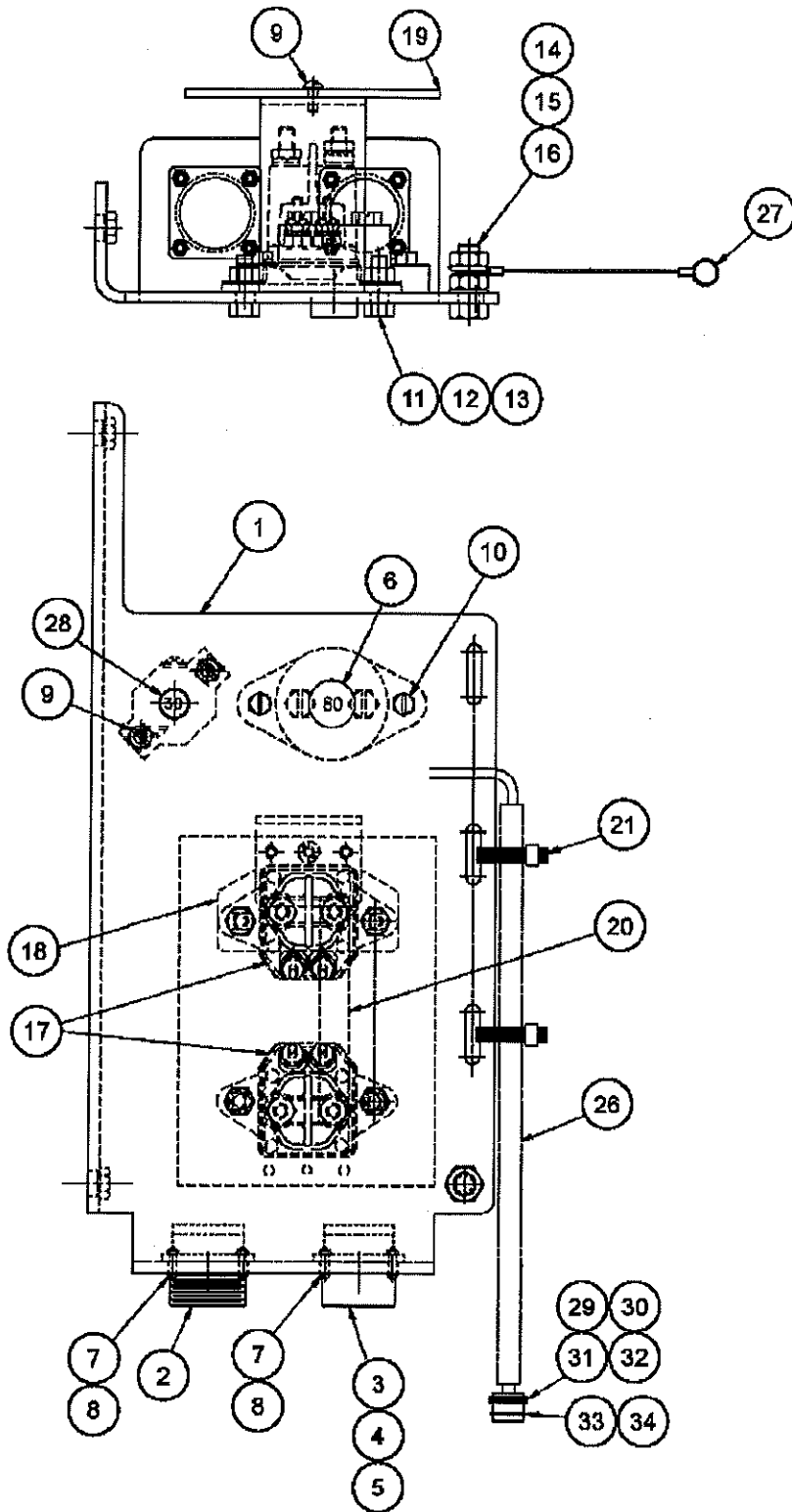
Intentionally Left Blank

**Panel Assembly, Power
568090166000**

Ref. No.	Part No.	Qty.	Description
1	568090055000	1	Bracket
2	003000172000	1	Connector MS3102R-20-19P
3	003005071003	1	Connector HD 10-4-4P
4	003005071014	3	Terminal, Pin, Male (16-14 AWG)
5	003005071016	1	Contact #6 Male
6	003003550060	2	Breaker, Circuit 60A
7	000A02432000	8	Screw, Pan #4-40 UNC X 5/8"
8	000A02033000	8	Nut, Lock #4-40 UNC
9	000A01093000	2	Screw, Pan #8-32 UNF X 5/8"
10	000A02108000	4	Screw, Pan #10-32 UNF X 1"
11	000A00004000	4	Bolt, Hex 1/4-20 UNC x 3/4"
12	000A00292000	4	Washer, Flat 1/4"
13	000A02038000	4	Nut, Lock 1/4-20 UNC
14	000A00058000	1	Bolt, Hex 3/8-16 UNC X 1 1/4"
15	000A00258000	2	Nut, 3/8-16 NC
16	000A01906000	2	Washer, Lock External 3/8"
17	003000417000	2	Relay 24V, 100A Contact
18	559960098000	1	Bracket, Mount
19	559960099000	1	Plate, Cover
20	568090054000	1	Buss Bar Jumper - Relay
21	003000700019	3	Tie Wrap 1/4" X 14" Black
22	003000700003	6	Terminal, Ring 1/4 (8 AWG)
23	003000700065	3	Terminal, Ring #8 (16-14 AWG)
24	003000700074	3	Terminal, Ring #8 X 12-10 AWG
25	003000700079	4	Terminal, Ring 16-14 x 3/8"
26	003001853002	11'	Loom
27	003000700005	1	Terminal, Ring 3/8 (12-10 AWG)
29	003005071075	1	Connector WT04B-24-03SN
30	003005071015	2	Terminal, Socket, Female 6 AWG
31	003005071019	1	Plug, Seal #6 AWG
32	003005071077	2	Crimp Reducer DT Terminal #6 to #10
33	003005071072	1	Nut, Panel
34	003005071047	1	Washer, Lock
35	003000902288	2'	Wire, White #16 SXL
36	003000902290	2'	Wire, Orange #16 SXL
37	003000902293	2'	Wire, Black #16 SXL
38	003000902326	11'	wire, Black #10 SXL
39	003000902332	2'	Wire, White #8 SXL
40	003000902333	2'	Wire SXL #8 AWG Red
41	003000902334	4'	Wire, Orange #8 SXL
42	003000902322	3'	Wire, Red #10 SXL

WHEN ORDERING PARTS, ALWAYS STATE MODEL AND SERIAL NO. OF MACHINE

Panel Assembly, Power
568090166000



Rev. A

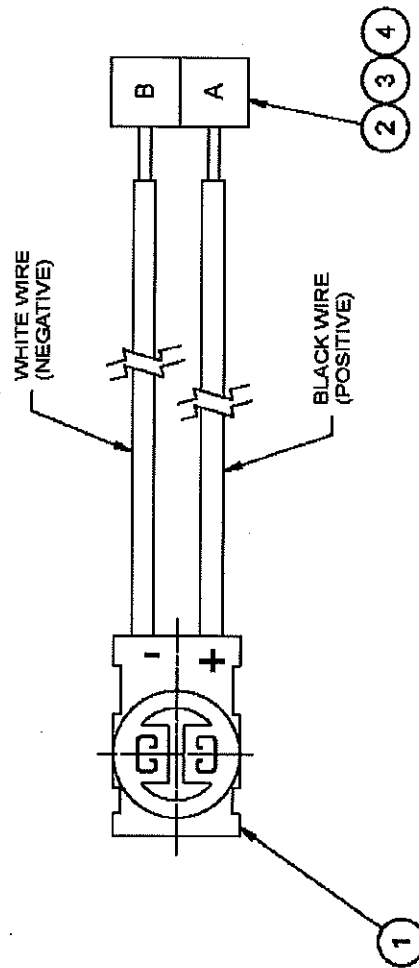
ILLUSTRATION MAY VARY FROM YOUR MACHINE

**Adapter, Power
568090050000**

Ref. No.	Part No.	Qty.	Description
1	003002214310	1	Plug, Adapter
2	003005072012	1	Connector, Two Way Shroud
3	003005072031	2	Terminal, Male
4	003005072001	2	Seal, Cable Green

WHEN ORDERING PARTS, ALWAYS STATE MODEL AND SERIAL NO. OF MACHINE

Adapter, Power
568090050000



Rev. A

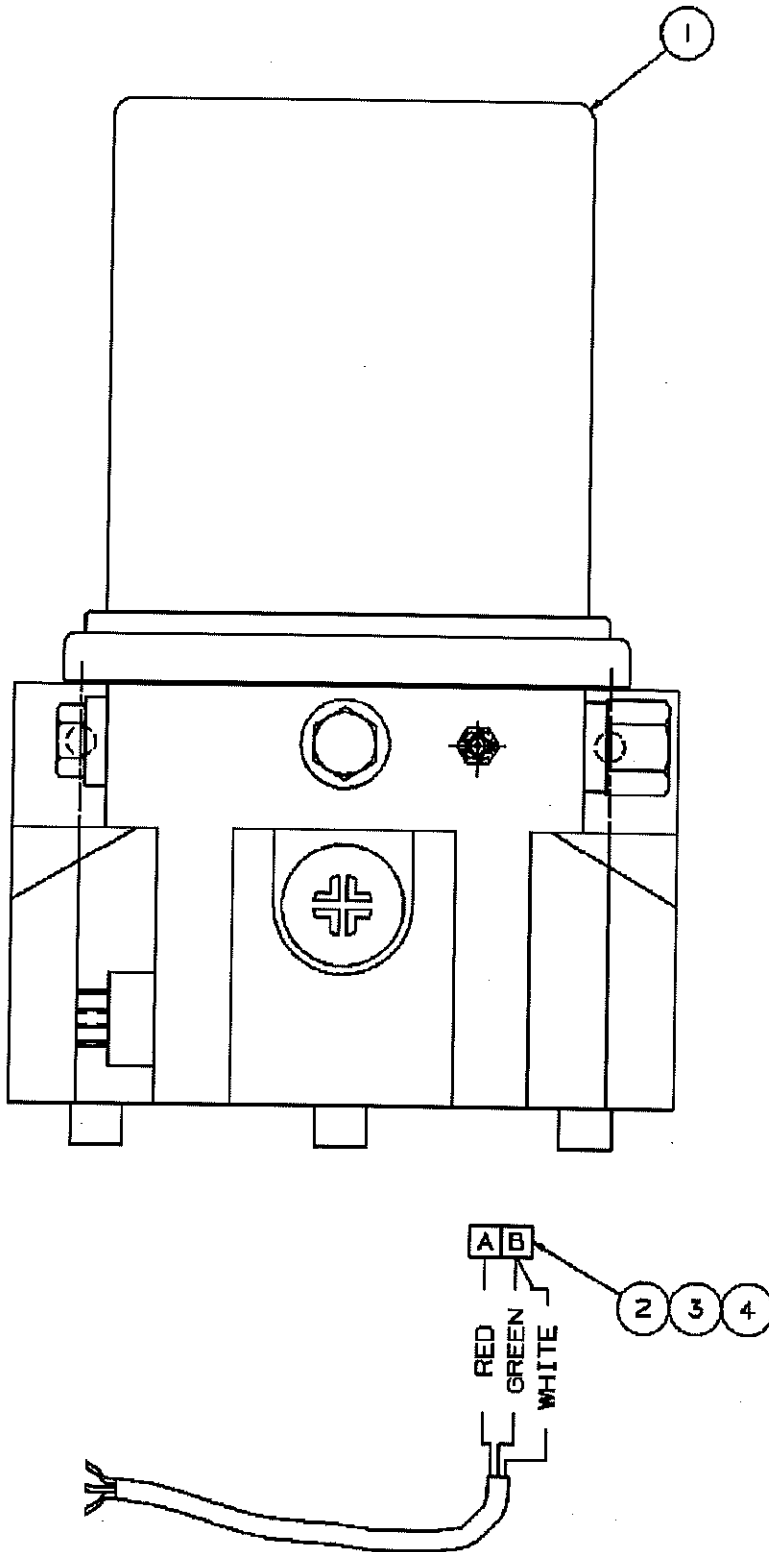
ILLUSTRATION MAY VARY FROM YOUR MACHINE

**Pump, Lube
568090102000**

Ref. No.	Part No.	Qty.	Description
1	002006674000	1	Pump
2	003005072012	1	Connector, Two Way Shroud
3	003005072031	2	Terminal, Male
4	003005072002	2	Seal, Gray Cable

WHEN ORDERING PARTS, ALWAYS STATE MODEL AND SERIAL NO. OF MACHINE

Pump, Lube
568090102000



Rev. A

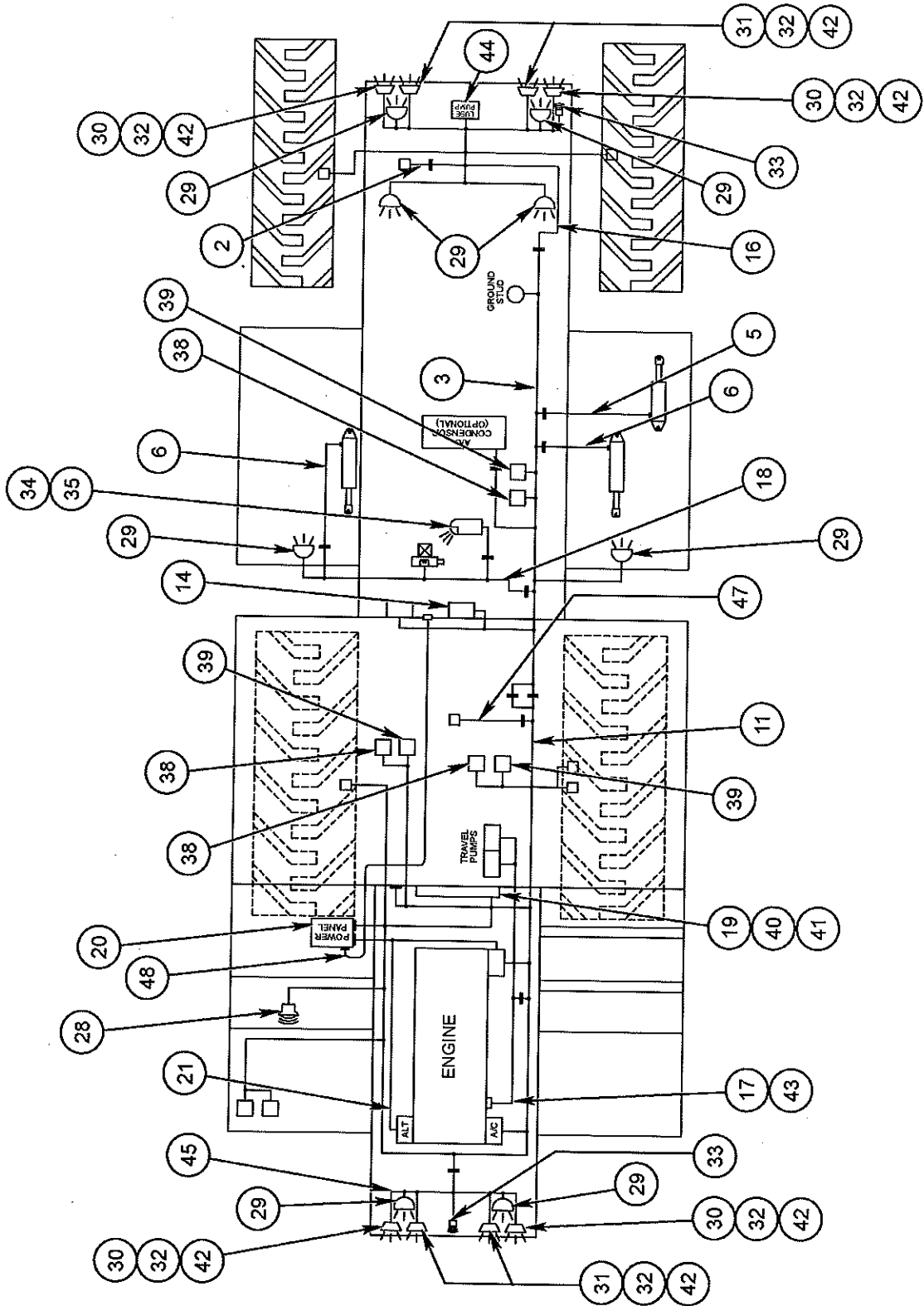
ILLUSTRATION MAY VARY FROM YOUR MACHINE

**Electrical Group 2
568090006000**

Ref. No.	Part No.	Qty.	Description
1	568090131000	1	Panel Assembly, Main Control (Page 96)
2	568090124000	1	Cable, Rear Steering Sensor
3	571090061000	1	Cable, Rear Mainframe
4	568090159000	1	Cable, A-B Console
5	568090126000	1	Cable, Cutter Depth Control
6	568090145000	2	Cable, Cutter Level Control
7	568090116000	1	Cable, A Console/Firewall
8	568090079000	1	Cable, B Console/Firewall Control
9	568090158000	1	Cable, C Console/Firewall Control
10	568090176000	1	Cable, Additive/Trans. Control
11	568090153000	1	Cable, Front Mainframe
12	568090027000	1	Control Handle Assembly (Page 104)
13	568090118000	1	Plate Assembly
14	568090198000	1	Box Assembly, Machine Logic Control
15	568090138000	1	Controller
16	568090121000	1	Cable, Rear Frame
17	568090069000	1	Cable, Engine Propel Interface
18	568090115000	1	Cable, Hydraulic Control
19	571090059000	1	Panel, Auxiliary Gauge (Page 106)
20	568090166000	1	Panel Assembly, Power (Page 110)
21	568090059000	1	Cable, Alternator Harness
22	568090085000	1	Cable, Battery Positive
23	526009051000	1	Cable, Battery Jumper
24	526009052000	1	Cable, Battery Disconnect
25	526009053000	1	Cable, Disconnect to Ground
26	519009048000	1	Cable, Ground
27	568090100000	1	Cable, ECM Ground
28	003000781000	1	Horn
29	003002208000	8	Light
30	003002214100	4	Light Assembly LED Red 2 1/2
31	003002214200	1	Light Assembly, LED Yellow
32	568090050000	8	Adapter, Power (Page 112)
33	568090075000	2	Alarm, Backup
34	568090173000	1	Light, Strobe
35	001002167000	1	Bolt, T 3/8-16 UNC X 2 3/4
36	003001264000	1	Switch, Disconnect Battery
37	001009565000	1	Face Plate, Master Disconnect
38	568090082000	3	Switch, Thermostat
39	001005285000	3	Sender, Temperature
40	001005260000	1	Switch, Pressure
41	001005215000	1	Switch, Pressure
42	003002214300	8	Grommet
43	568090084000	1	Cable, Starter Coil Extension
44	568090102000	1	Pump, Lube (Page 114)
45	568090081000	1	Cable, Front Hood Lights
46	568090119000	1	I/O Module
47	568090122000	1	Cable, Front Steering Sensor
48	568090165000	1	Cable, Cab Power Extension
49	568090184000	1	Connector, Dust Cover

WHEN ORDERING PARTS, ALWAYS STATE MODEL AND SERIAL NO. OF MACHINE

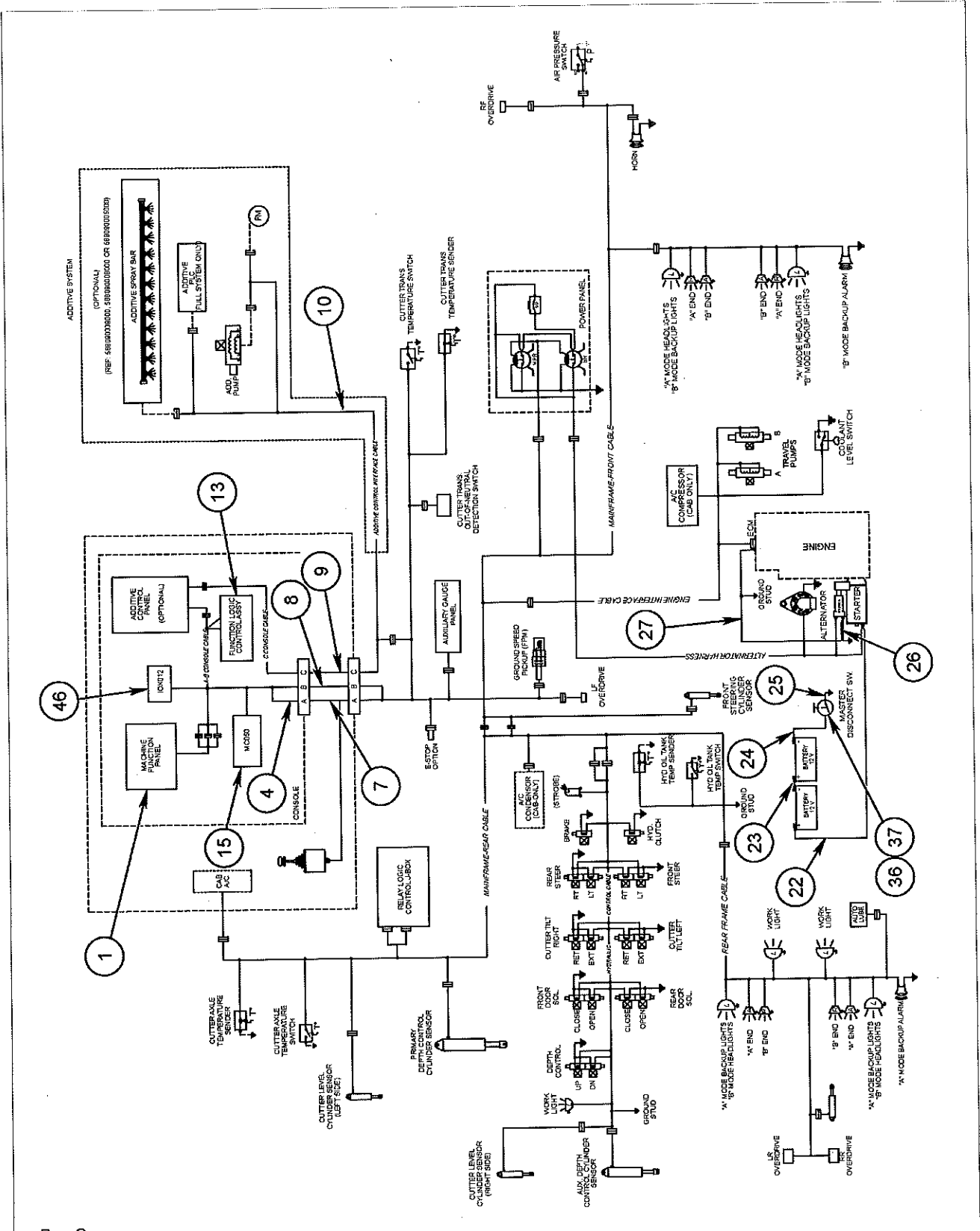
Electrical Group 2
568090006000



Rev. G

ILLUSTRATION MAY VARY FROM YOUR MACHINE

Electrical Group 2 568090006000



Rev. G

ILLUSTRATION MAY VARY FROM YOUR MACHINE

Intentionally Left Blank

**Hose Kit
568050049000**

Ref. No.	Part No.	Qty.	Description
			Air Lines
2	002011752000	1	Hose Assembly 1/4 JIC x 56"
			Air tank
5	002011753000	1	Hose Assembly 1/4 JIC/JIC 90° x 66"
			Air auto drain to tank
8	002011751000	1	Hose Assembly 1/2 TEF x 72"
			Air tank side to comp
			Grease Lines
12	002003036000	4	Hose Assembly 1/8 BLK HD/JIC 90° x 84"
			Remote lube bulkhead to axle
15	002003043000	4	Hose Assembly 1/8 BLK HD/JIC 90° x 99"
			Remote lube bulkhead to axle
18	002003033110	1	Hose Assembly 1/8 JIC x 110"
			Splitter to left side cutter
21	002003033166	1	Hose Assembly 1/8 JIC x 166"
			Splitter to right side cutter
26	002003034060	1	Hose Assembly 1/8 BLK HD/JIC x 60
			Engine lube bulkhead to trans. bottom
29	002003034064	1	Hose Assembly 1/8 BLK HD/JIC x 64
			Engine lube bulkhead to trans. left
32	002003034077	1	Hose Assembly 1/8 BLK HD/JIC x 77"
			Engine lube bulkhead to trans. right
35	002011209000	1	Hose Assembly 1/4 JIC x 205"
			Auto lube pump to splitter valve
			Replenishing Tank
39	002022565031	1	Hose Assembly 3/4 ORFS x 31"
			Replenishing tank to hand pump
42	002022569173	1	Hose Assembly 3/4 ORFS/ORFS 90° x 173
			Hand pump to top of hydraulic tank
			Gauge Lines
46	002011198010	1	Hose Assembly 1/4 ORFS/ORFS 90° x 10"
			Gauge charge loop
51	002011198053	1	Hose Assembly 1/4 ORFS/ORFS 90° x 53"
			Gauge charge to rear pump tee
54	002011198051	1	Hose Assembly x 1/4 ORFS/ORFS 90° x 51"
			Gauge aux
57	002011198072	1	Hose Assembly 3/8 ORFS/ORFS 90° x 72"
			Gauge diff
60	002011506030	1	Hose Assembly 3/8 ORFS/ORFS 90° x 30"
			Sight glass to bottom of tank

WHEN ORDERING PARTS, ALWAYS STATE MODEL AND SERIAL NO. OF MACHINE

Hose Kit
568050049000

NO DRAWING FOR THIS ASSEMBLY

**HOSE RUNS ARE INCLUDED IN
BILL OF MATERIAL**

Rev. 0

ILLUSTRATION MAY VARY FROM YOUR MACHINE

**Hose Kit, Power Pack
568005044000**

Ref. No.	Part No.	Qty.	Description
3	002022565021	1	Hose Assembly 3/4 ORFS x 21" Transmission Side to Transmission Side
9	002011721159	1	Hose Assembly Transmission Top to Cooler Left
12	002011721193	1	Hose Assembly Transmission Pump to Cooler Right
15	002022565014	1	Hose Assembly 3/4 ORFS x 14" Transmission Side to Dipstick
18	002011755000	1	Hose Assembly Transmission Side to Transmission Pump
27	002022322180	1	Hose Assembly Cooler Right Bulkhead to Tank
30	002022565020	2	Hose Assembly Diff Sending Unit to Diff Filter Diff Relief to Bottom Pump
34	002022565098	1	Hose Assembly Bulkhead to Top Differential
37	002022565130	1	Hose Assembly Differential Cooler Top to Bulkhead
40	002022569015	1	Hose Assembly Diff Sending Unit to Diff
43	002022569138	1	Hose Assembly Differential Cooler Bottom to Pump Top
52	002011727090	1	Hose Assembly Fuel Seperator to Bulkhead
55	002011744000	2	Hose Assembly Fuel Bulkhead to Tank
58	002011745000	1	Hose Assembly Fuel Filter to Bulkhead
61	002011746000	1	Hose Assembly Fuel Filter to Top Rear Engine
64	002011731000	1	Hose Assembly Fuel Seperator to Fuel Pump
67	002011730000	1	Hose Assembly Fuel Front Engine to Top Filter
70	002011728000	1	Hose Assembly Fuel Filter to ECM

WHEN ORDERING PARTS, ALWAYS STATE MODEL AND SERIAL NO. OF MACHINE

**Hose Kit, Power Pack
568005044000**

NO DRAWING FOR THIS ASSEMBLY

**HOSE RUNS ARE INCLUDED IN
BILL OF MATERIAL**

Rev. B

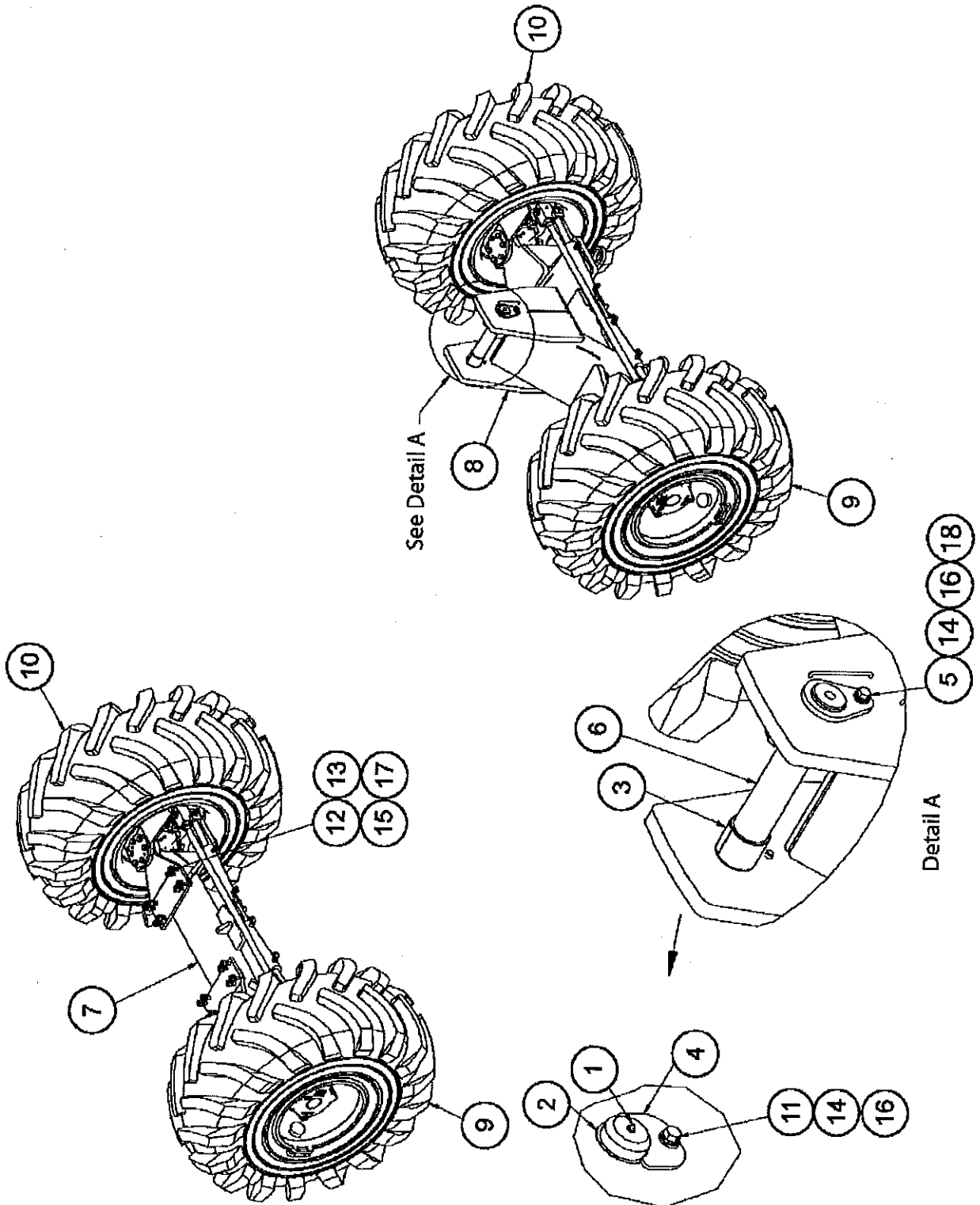
ILLUSTRATION MAY VARY FROM YOUR MACHINE

**Drive Assembly, Wheel
568003047000**

Ref. No.	Part No.	Qty.	Description
1	001079712000	2	Zerk, Grease 1/8 NPT
2	004002286000	2	Bushing, Tension
3	004012159000	2	Bushing, Tension
4	526000360000	1	Retainer, Bushing
5	526008020000	1	Spacer, Bushing
6	526008021000	1	Pin, Rear Bolster
7	568003048000	1	Axle Assembly, Front Drive (Page 126)
8	568003049000	1	Axle Assembly, Rear Drive (Page 132)
9	568006014000	2	Wheel and Tire Assembly (Page 136)
10	568006015000	2	Wheel and Tire Assembly (Page 138)
11	000A00150000	1	Bolt, Hex 5/8-11 UNC X 3"
12	000A00172000	16	Bolt, Hex 3/4-10 UNC x 3 1/4"
13	000A00263000	16	Nut 3/4-10 UNC
14	000A00298000	4	Washer, Flat 5/8
15	000A00299000	16	Washer, Flat 3/4"
16	000A02043000	2	Nut, Lock 5/8-11 UNC
17	000A00311000	16	Washer, Lock 3/4
18	000A00152000	1	Bolt, Hex 5/8-11 UNC x 3 1/2"

WHEN ORDERING PARTS, ALWAYS STATE MODEL AND SERIAL NO. OF MACHINE

Drive Assembly, Wheel
568003047000



Rev. A

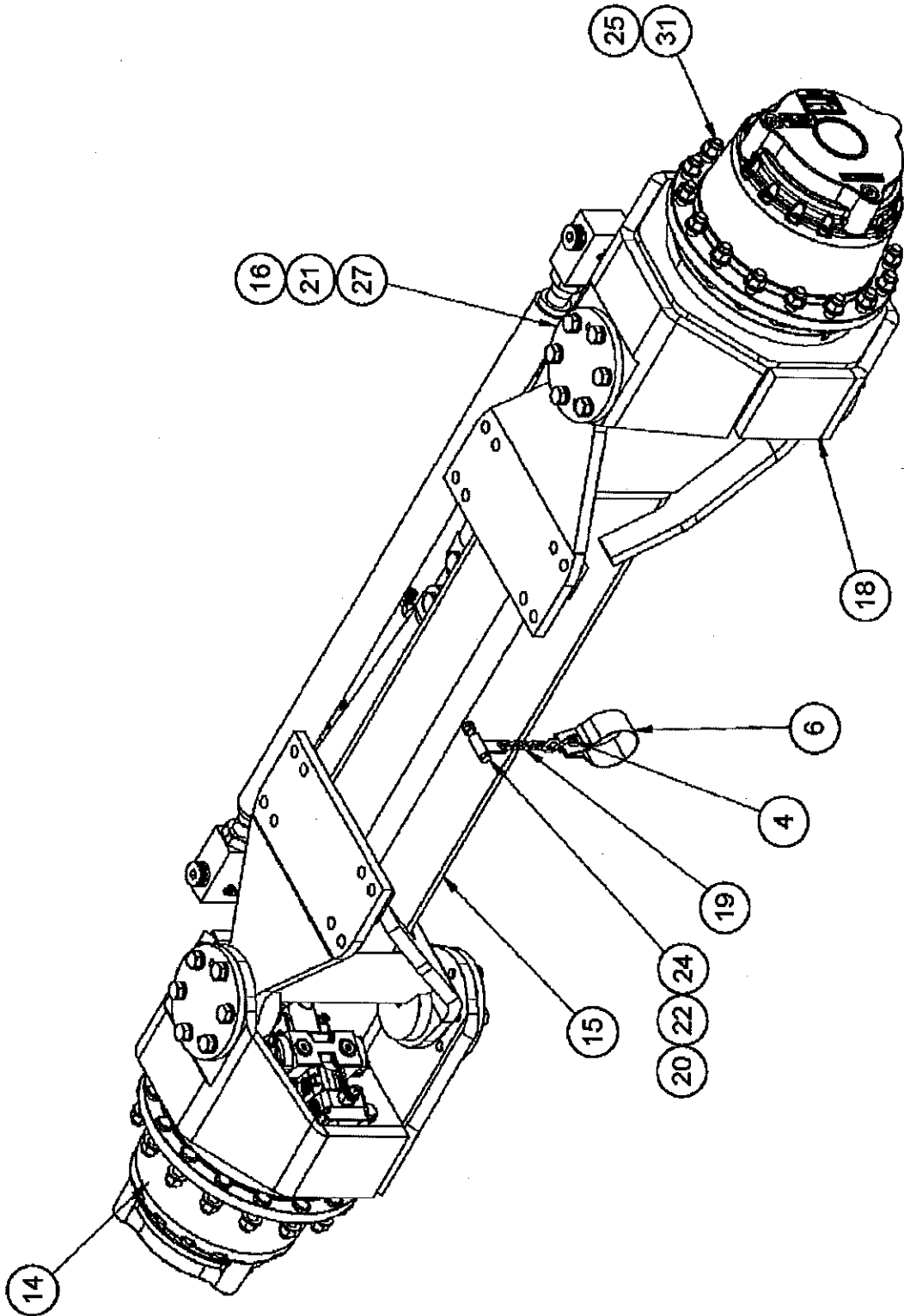
ILLUSTRATION MAY VARY FROM YOUR MACHINE

**Axle Assembly, Front Drive
568003048000**

Ref. No.	Part No.	Qty.	Description
1	25002547	2	Motor, Hydraulic
2	001001497000	4	Pin, Dowel
3	001001498000	2	Pin, Clevis
4	001003012000	1	Hook, S
5	001003349000	2	Bolt, Shoulder
6	001009011000	1	Strap, Hose
7	002005085000	4	Split Flange Kit
8	002017321000	1	Cylinder From 568238
	002017321000	1	Cylinder From 571101
9	002017320000	1	Cylinder, Smart From 568238
	002017320000	1	Cylinder, Smart From 571101
10	004002196000	2	Tension Bushing
11	004012164000	4	Washer, Thrust
12	004012165000	4	Bushing, Bronze
13	004012166000	2	Bushing, Tension
14	004013847000	2	Torque Hub
15	568003036000	1	Drive Axle, Front
16	568003039001	4	Pin, King
17	568003044000	1	Tie Rod Assembly (Page 130)
18	568003050000	2	Hub, Drive Axle
19	568003052000	1	Support, Hydraulic Hose
20	000A00089000	1	Bolt, Hex
21	000A00166000	24	Bolt, Hex 3/4-10 UNC X 1 3/4"
22	000A00259000	1	Nut 7/16"-14 UNC
23	000A00264000	2	Nut, 7/8"-9 UNC
24	000A00271000	1	Nut, Jam
25	000A00299000	32	Washer, Flat 3/4"
26	000A00300000	2	Washer, Flat, 7/8"
27	000A00311000	24	Washer, Lock 3/4
28	000A00572000	4	Elbow, 90 Degree 1/4" JIC X 1/8" NPT
29	000A01542000	2	Pin, Cotter
30	000A02945000	4	Washer, Flat 5/8"
31	000A03037000	32	Nut, Hex
32	000AA0046000	32	Washer, Flat
33	000AA0112016	2	Straight 3/4 ORFS x 3/4 ORB
34	000AA0113005	4	Elbow, 90°
35	000AA0123005	2	Elbow, Swivel Nut 12MORFS X 12FFORX 000AA0123005 used before 12/17/10
36	000AA0124002	2	Tee, Run
37	000AA0164006	2	Connect, Straight
38	000AA0388140	4	Bolt, Hex
39	000AA0388176	32	Bolt, Hex
40	000A00523000	4	Straight 1/4" JIC X 1/8" NPT

WHEN ORDERING PARTS, ALWAYS STATE MODEL AND SERIAL NO. OF MACHINE

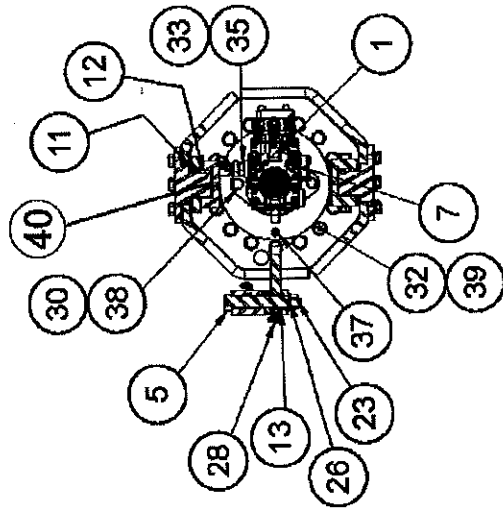
Axle Assembly, Front Drive
568003048000



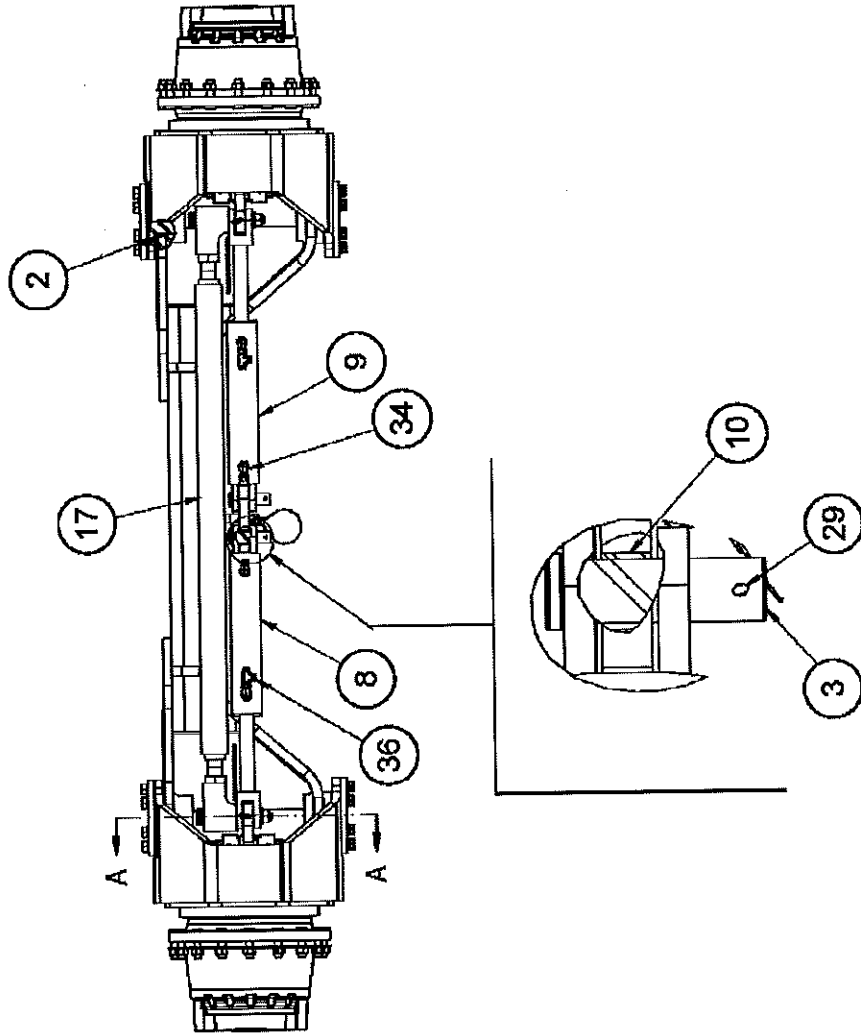
Rev. F

ILLUSTRATION MAY VARY FROM YOUR MACHINE

Axle Assembly, Front Drive
568003048000



Section A-A



Rev. F

ILLUSTRATION MAY VARY FROM YOUR MACHINE

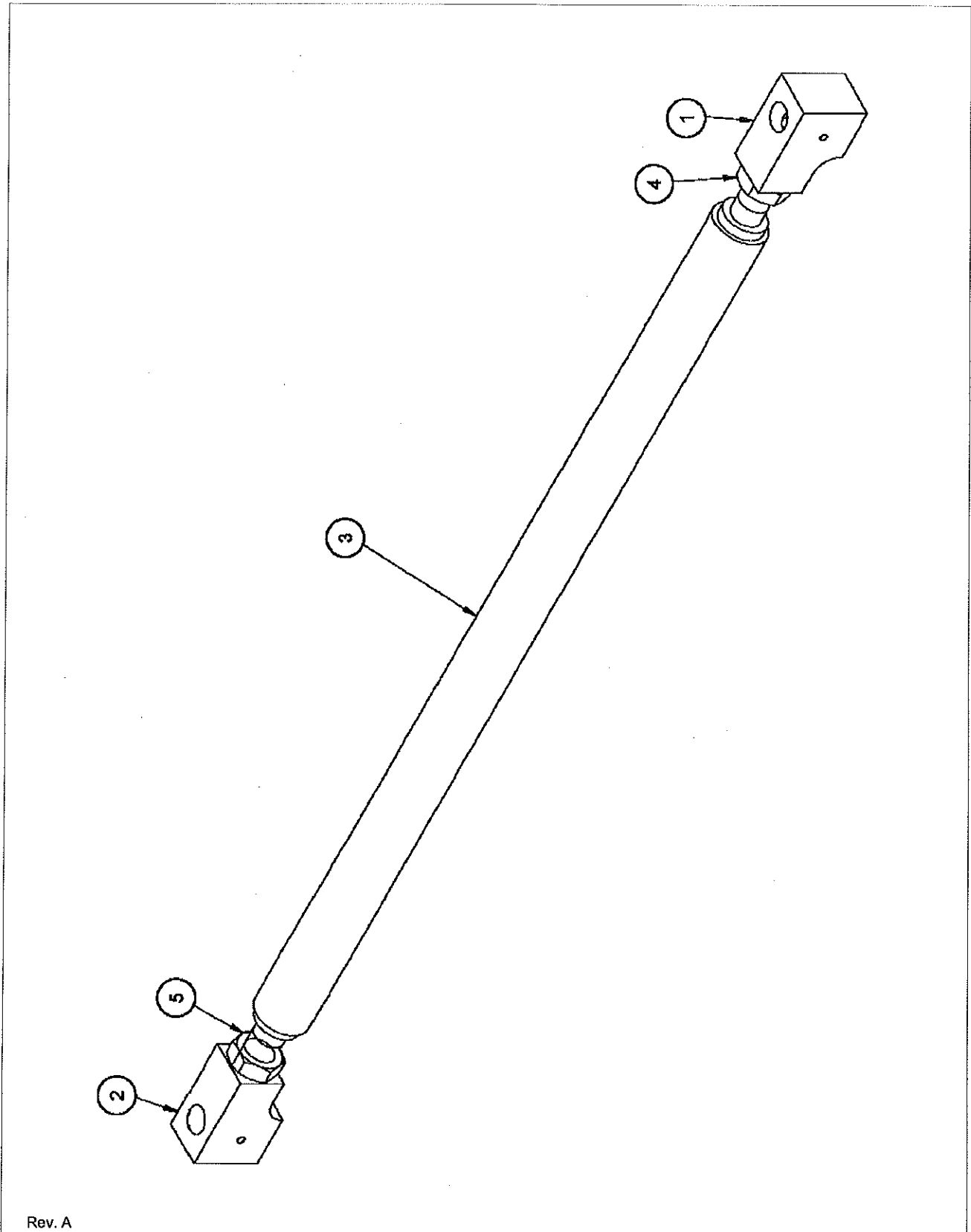
Intentionally Left Blank

**Tie Rod Assembly
568003044000**

Ref. No.	Part No.	Qty.	Description
1	568003042000	1	Clevis, RH Turnbuckle
2	568003045000	1	Clevis, LH Turnbuckle
3	568003053000	1	Tie Bar
4	000A03057000	1	Nut, Jam
5	000AA0643000	1	Nut, Jam

WHEN ORDERING PARTS, ALWAYS STATE MODEL AND SERIAL NO. OF MACHINE

**Tie Rod Assembly
568003044000**



Rev. A

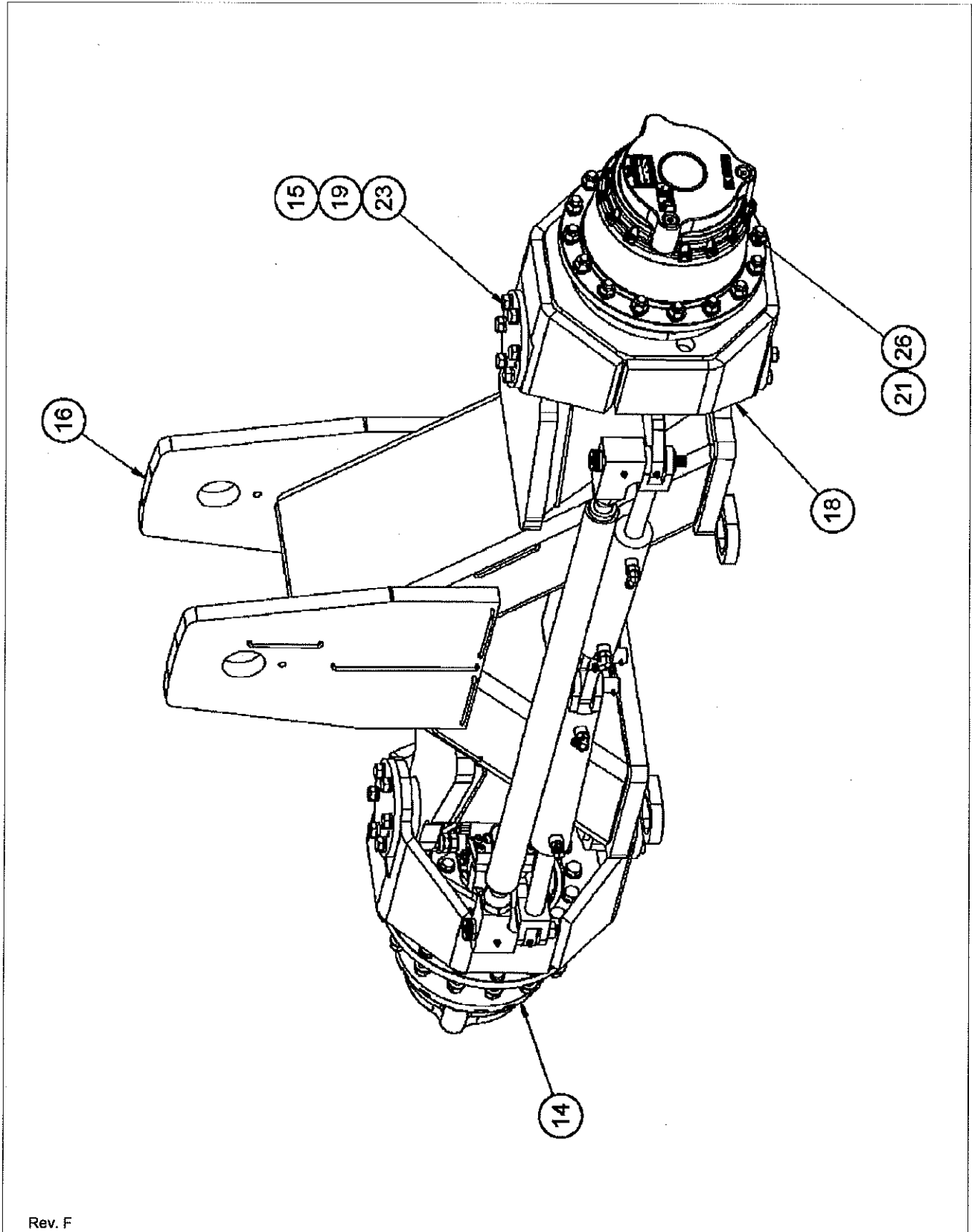
ILLUSTRATION MAY VARY FROM YOUR MACHINE

**Axle Assembly, Rear Drive
568003049000**

Ref. No.	Part No.	Qty.	Description
1	25002547	2	Motor, Hydraulic
2	001001497000	4	Pin, Dowel
3	001001498000	2	Pin, Clevis
4	001003349000	2	Bolt, Shoulder
5	001079712000	4	Zerk, Grease 1/8 NPT
6	001079712045	4	Zerk, 45° Grease 1/8 NPT
7	002005085000	4	Split Flange Kit
8	002017321000	1	Cylinder From 568238
	002017321000	1	Cylinder From 571101
9	002017320000	1	Cylinder, Smart From 568238
	002017320000	1	Cylinder, Smart From 571101
10	004002196000	2	Tension Bushing
11	004012164000	4	Washer, Thrust
12	004012165000	4	Bushing, Bronze
13	004012166000	2	Bushing, Tension
14	004013848000	2	Torque Hub From 571406
15	568003039001	4	Pin, King
16	568003040000	1	Drive Axle, Rear
17	568003044000	1	Tie Rod Assembly (Page 130)
18	568003050000	2	Hub, Drive Axle
19	000A00166000	24	Bolt, Hex 3/4-10 UNC X 1 3/4"
20	000A00264000	2	Nut, 7/8"-9 UNC
21	000A00299000	32	Washer, Flat 3/4"
22	000A00300000	2	Washer, Flat, 7/8"
23	000A00311000	24	Washer, Lock 3/4"
24	000A01542000	2	Pin, Cotter
25	000A02945000	4	Washer, Flat 5/8"
26	000A03037000	32	Nut, Hex
27	000AA0046000	32	Washer, Flat
28	000AA0112016	2	Straight 3/4 ORFS x 3/4 ORB
29	000AA0113005	4	Elbow, 90°
30	000AA0123005	2	Elbow, Swivel Nut 12MORFS X 12FFORX 000AA0123005 used before 12/17/10
31	000AA0388140	4	Bolt, Hex
32	000AA0388176	32	Bolt, Hex
33	000AA0124002	2	Tee, Run 000AA0124002 used after 12/17/10

WHEN ORDERING PARTS, ALWAYS STATE MODEL AND SERIAL NO. OF MACHINE

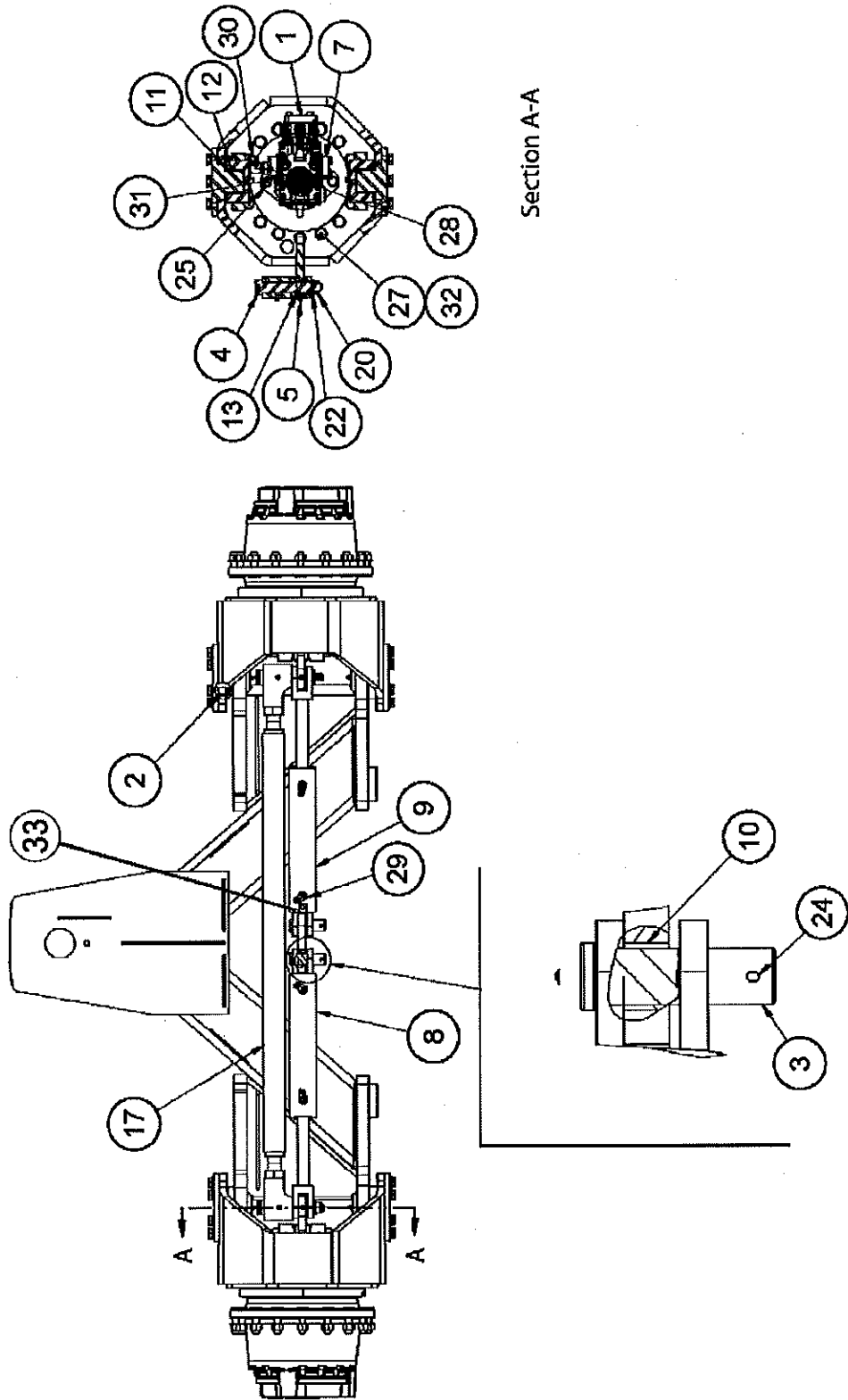
Axle Assembly, Rear Drive
568003049000



Rev. F

ILLUSTRATION MAY VARY FROM YOUR MACHINE

Axle Assembly, Rear Drive
568003049000



Rev. F

ILLUSTRATION MAY VARY FROM YOUR MACHINE

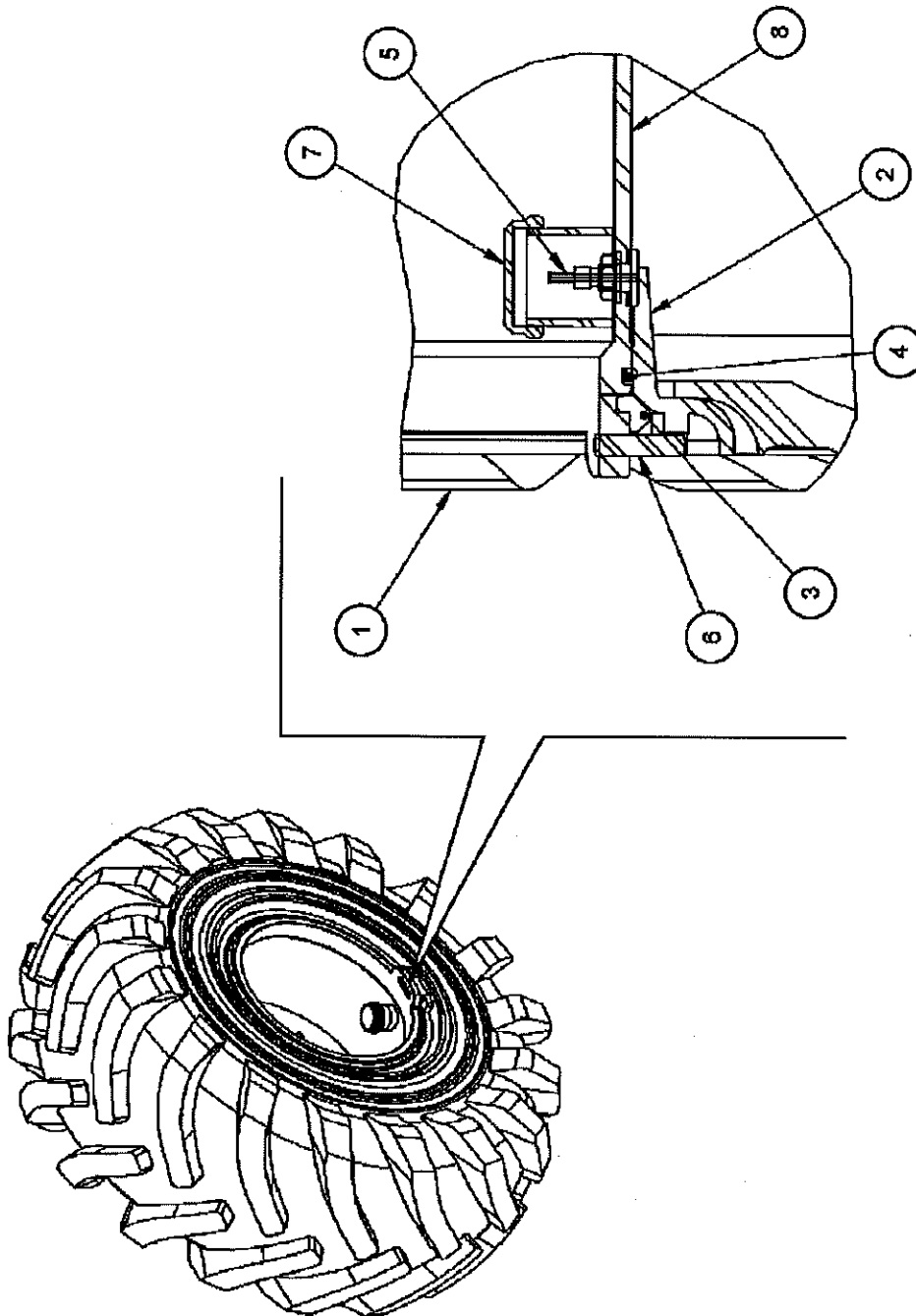
Intentionally Left Blank

**Wheel and Tire Assembly
568006014000**

Ref. No.	Part No.	Qty.	Description
1	004000199001	1	Tire
2	004000199003	1	Ring, Side
3	004000199004	1	Ring, Lock
4	004000199005	1	O-Ring
5	004000396003	1	Valve, Air
6	568006011001	1	Kit, Lock Driver
7	568006011002	1	Cap, Valve Stem Guard
8	568006016000	1	Wheel, 25" x 22" / 2.5

WHEN ORDERING PARTS, ALWAYS STATE MODEL AND SERIAL NO. OF MACHINE

Wheel and Tire Assembly
568006014000



Rev. 0

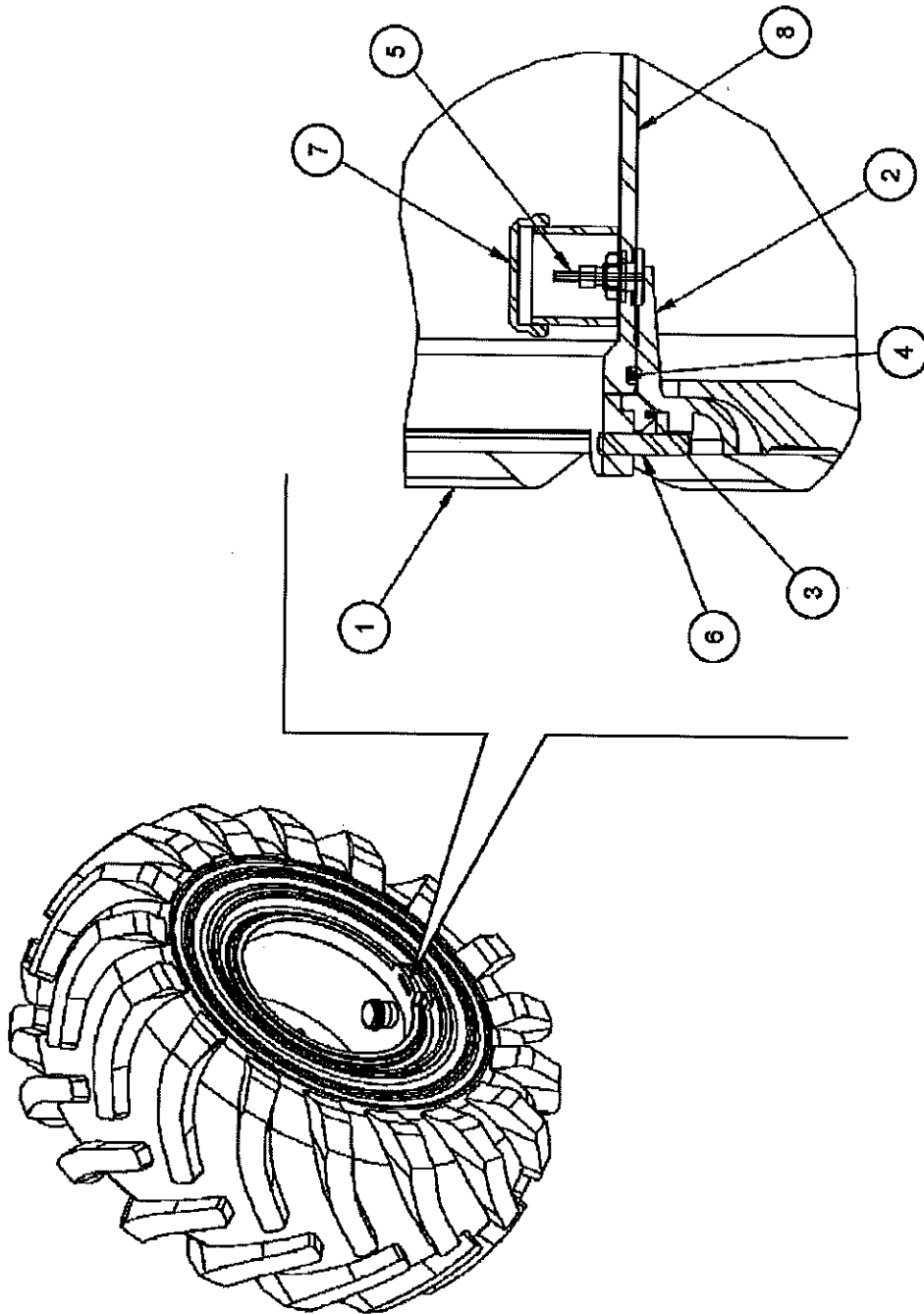
ILLUSTRATION MAY VARY FROM YOUR MACHINE

**Wheel and Tire Assembly
568006015000**

Ref. No.	Part No.	Qty.	Description
1	004000199001	1	Tire
2	004000199003	1	Ring, Side
3	004000199004	1	Ring, Lock
4	004000199005	1	O-Ring
5	004000396003	1	Valve, Air
6	568006011001	1	Kit, Lock Driver
7	568006011002	1	Cap, Valve Stem Guard
8	568006016000	1	Wheel, 25" x 22" / 2.5

WHEN ORDERING PARTS, ALWAYS STATE MODEL AND SERIAL NO. OF MACHINE

Wheel and Tire Assembly
568006015000



Rev. 0

ILLUSTRATION MAY VARY FROM YOUR MACHINE

**Decal Assembly
568009023000**

Ref. No.	Part No.	Qty.	Description
1	55-78841	50'	Tape, Conspicuity
2	001009199000	1	Decal, Diesel Fuel
3	001009243000	2	Decal, Hydraulic Fluid
4	001009460000	1	Decal, Manual Inside
5	001010134000	6	Decal, Spreader Lift
6	001010168000	1	Plate, Serial Number
7	001010530000	1	Decal, Maintenance Information
8	001010650000	4	Decal, Entanglement Hazard, Cutter
9	001010651000	1	Decal, Crush Hazard, Machine Lunge
10	001010652000	1	Decal, Crush Hazard, Door Fall
11	001010653000	1	Decal, Warning Operation Hazard
12	001010657000	4	Decal, Noise Hazard
13	001010658000	2	Decal, Entanglement Hazard, Fan
14	001010660000	1	Decal, Burn Hazard
15	001010661000	4	Decal, Crush Hazard
16	001010662000	2	Decal, Crush Hazard
17	001010674000	1	Decal, Burn Hazard
18	001010676000	2	Decal, Flying Objects Hazard
19	001010677000	1	Decal, Inhalation Hazard
20	001010679000	3	Decal, Hydraulic Oil Requirements
21	001010680000	1	Decal, Radiator Drain
22	001010965000	1	Decal, ROPS
23	041000916000	1	Decal, Oil Level
24	041000917000	1	Decal, Filter Indicator
28	519001849000	4	Decal, Position Indicator
29	526000923000	3	Decal, Chain Tensioner
30	526000924000	1	Decal, Bearing Lube
31	526000930000	1	Decal, Fuel Drain Valve
32	526000936000	1	Decal, Instructions Cutter Clutch Operation
33	526000937000	1	Decal, Attention, Starting Machine
34	526000943000	2	Decal, Warning - Fall Hazard
35	526000944000	2	Decal, Warning - Crush Hazard
36	526000950000	1	Decal, Remote Lube Throwout Bearing
39	565009011000	4	Decal, Tire Pressure
40	568009009000	1	Decal, General Operating Procedure
41	568009013000	1	Decal Clutch Lube Points Inside
42	568009014000	1	Decal, Cutter Transmission Shift
43	568009015000	2	Decal, Warning Console Slide Locks
44	568009016000	1	Decal, Left and Right
45	568009017000	1	Decal, Forward and Reverse
46	568009018000	1	Decal, Hydraulic Tank Upper Ports
47	568009019000	1	Decal, Lower Frame Bulkhead Plumbing
48	568009020000	1	Decal, Selector Travel Gauge Pressure
49	568009022000	1	Decal, Start-Up Switch Configuration
51	568009026000	1	Decal, Lubrication and Maintenance Chart
52	568009027000	1	Decal, Towing Instructions
53	568009028000	1	Decal, Remote Lube
54	568009029000	1	Decal, Aux. Hyd. Manifold
55	000A02228000	8	Screw, Drive #4 x 1/4"

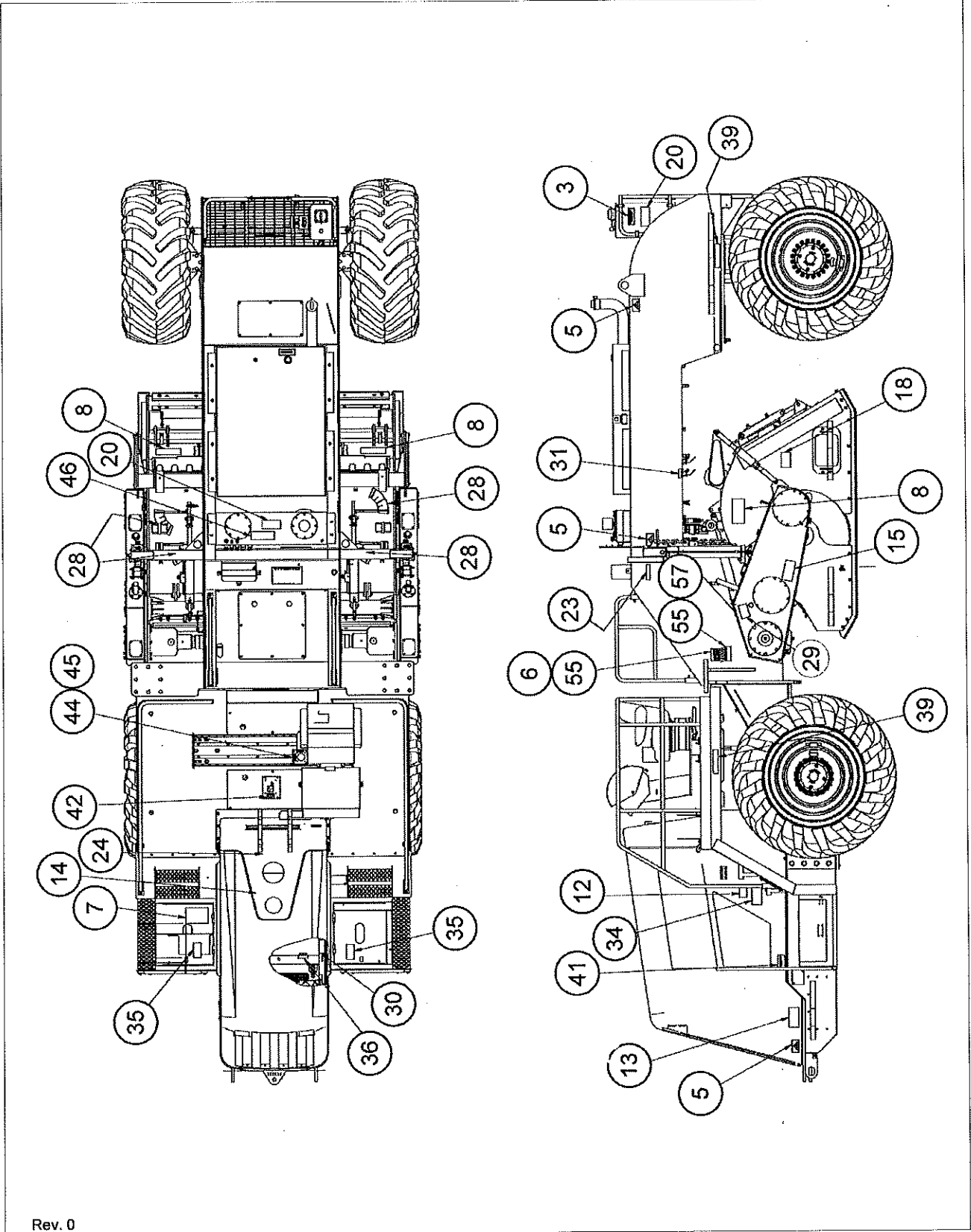
WHEN ORDERING PARTS, ALWAYS STATE MODEL AND SERIAL NO. OF MACHINE

**Decal Assembly
568009023000**

Ref. No.	Part No.	Qty.	Description
56	000A05390000	1	Decal, Cooling System
57	000A05884000	1	Plate, Patent Numbers

WHEN ORDERING PARTS, ALWAYS STATE MODEL AND SERIAL NO. OF MACHINE

Decal Assembly
568009023000



Rev. 0

ILLUSTRATION MAY VARY FROM YOUR MACHINE

Decal Assembly
568009023000

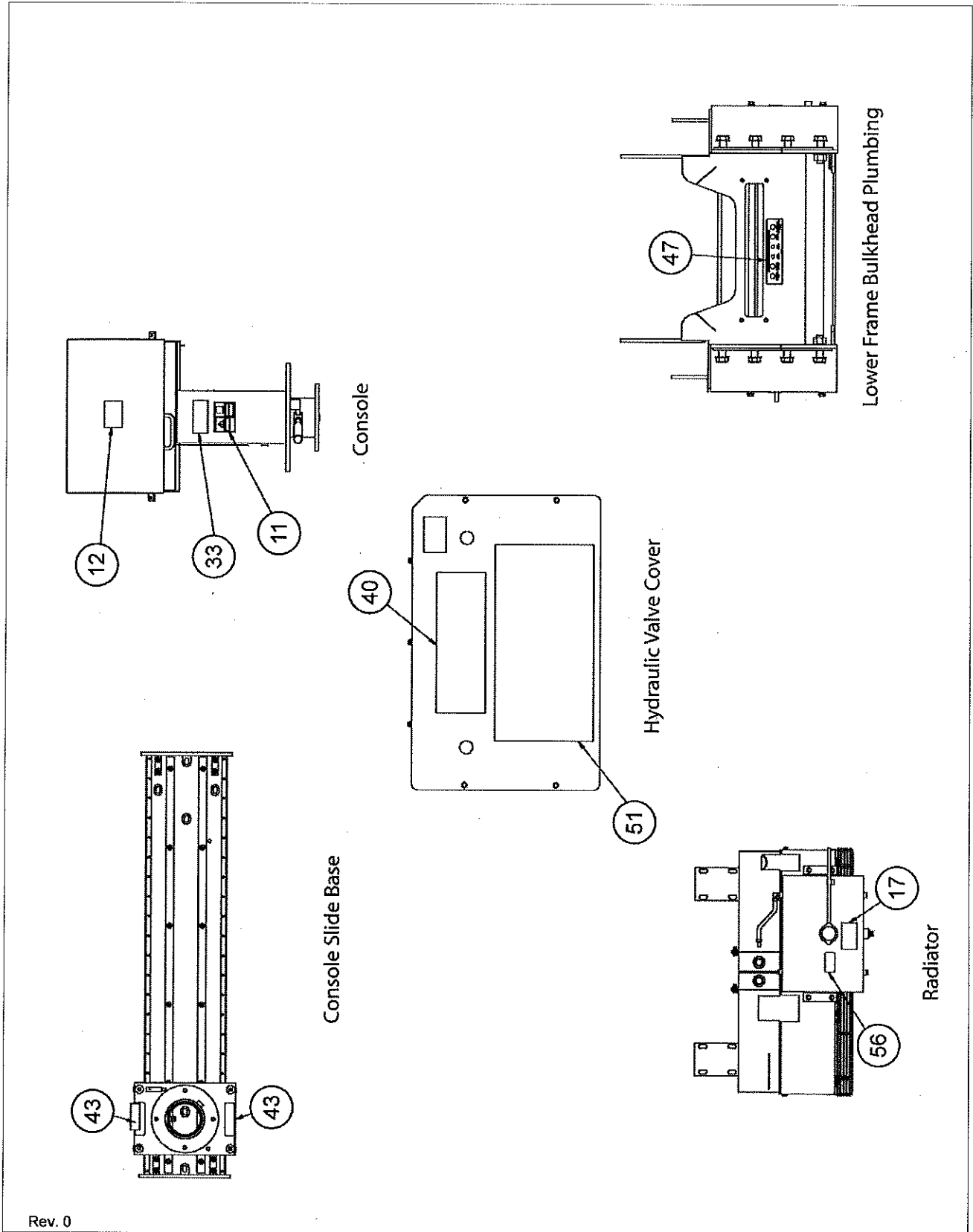
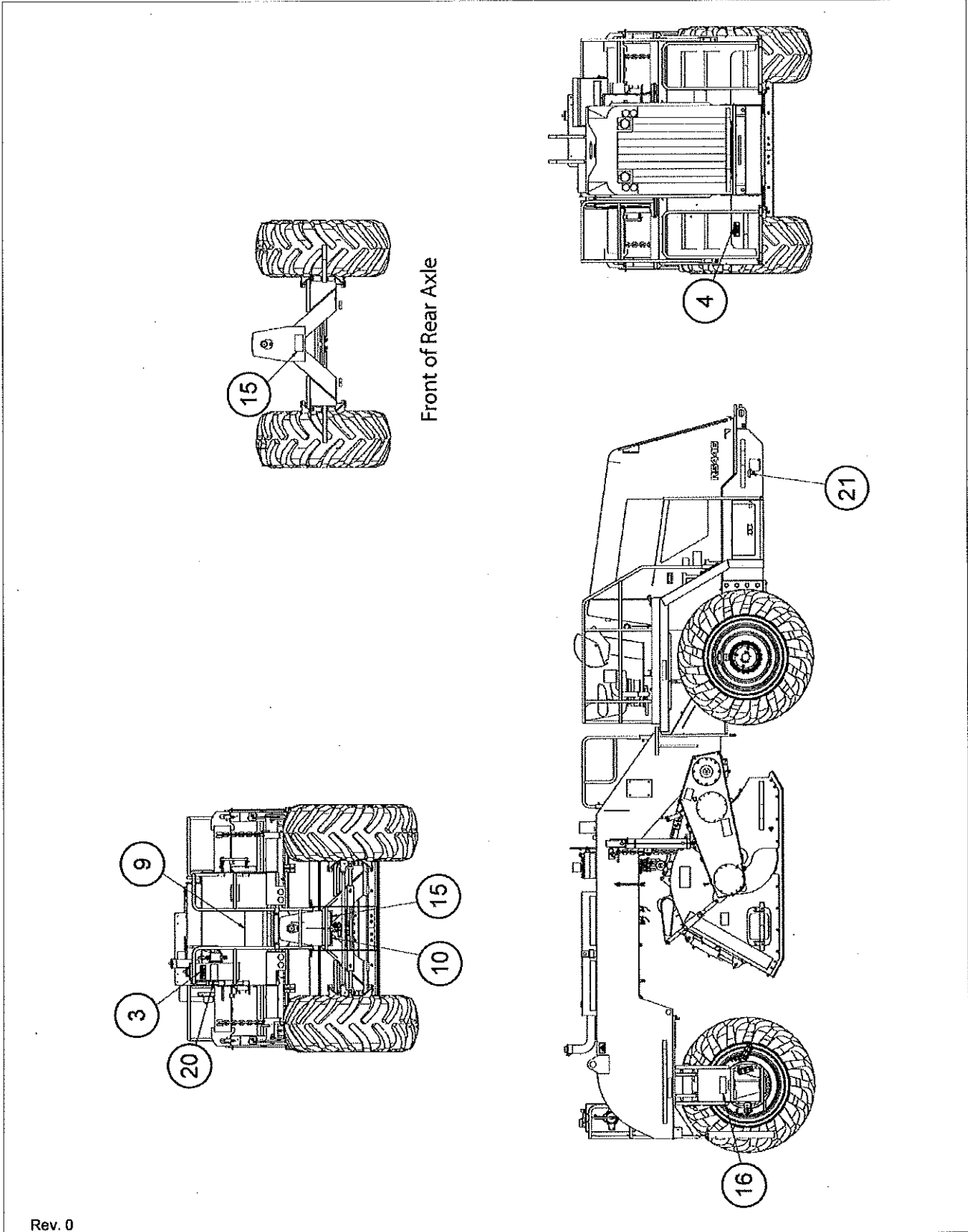
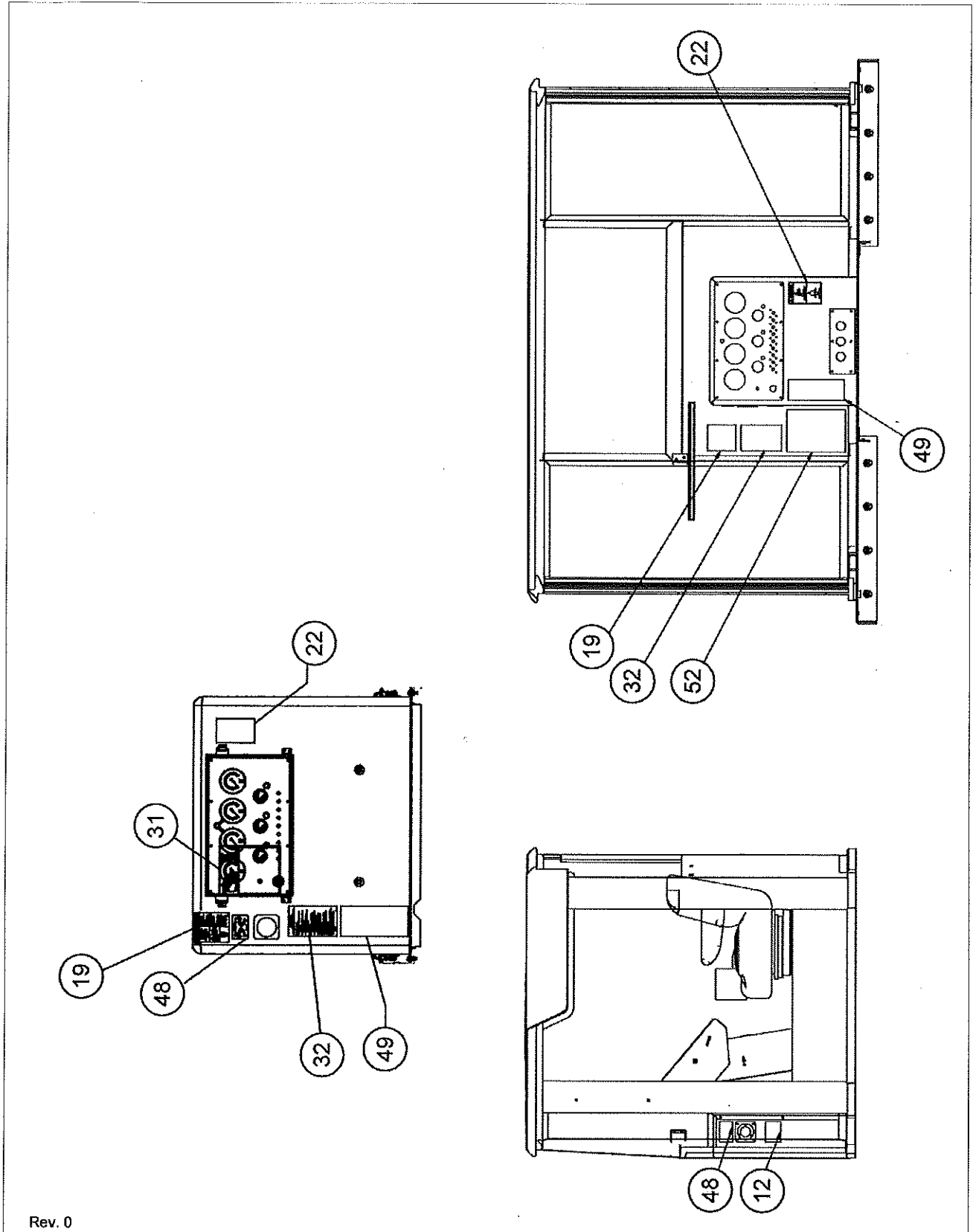


ILLUSTRATION MAY VARY FROM YOUR MACHINE

Decal Assembly
568009023000



Decal Assembly
568009023000



Rev. 0

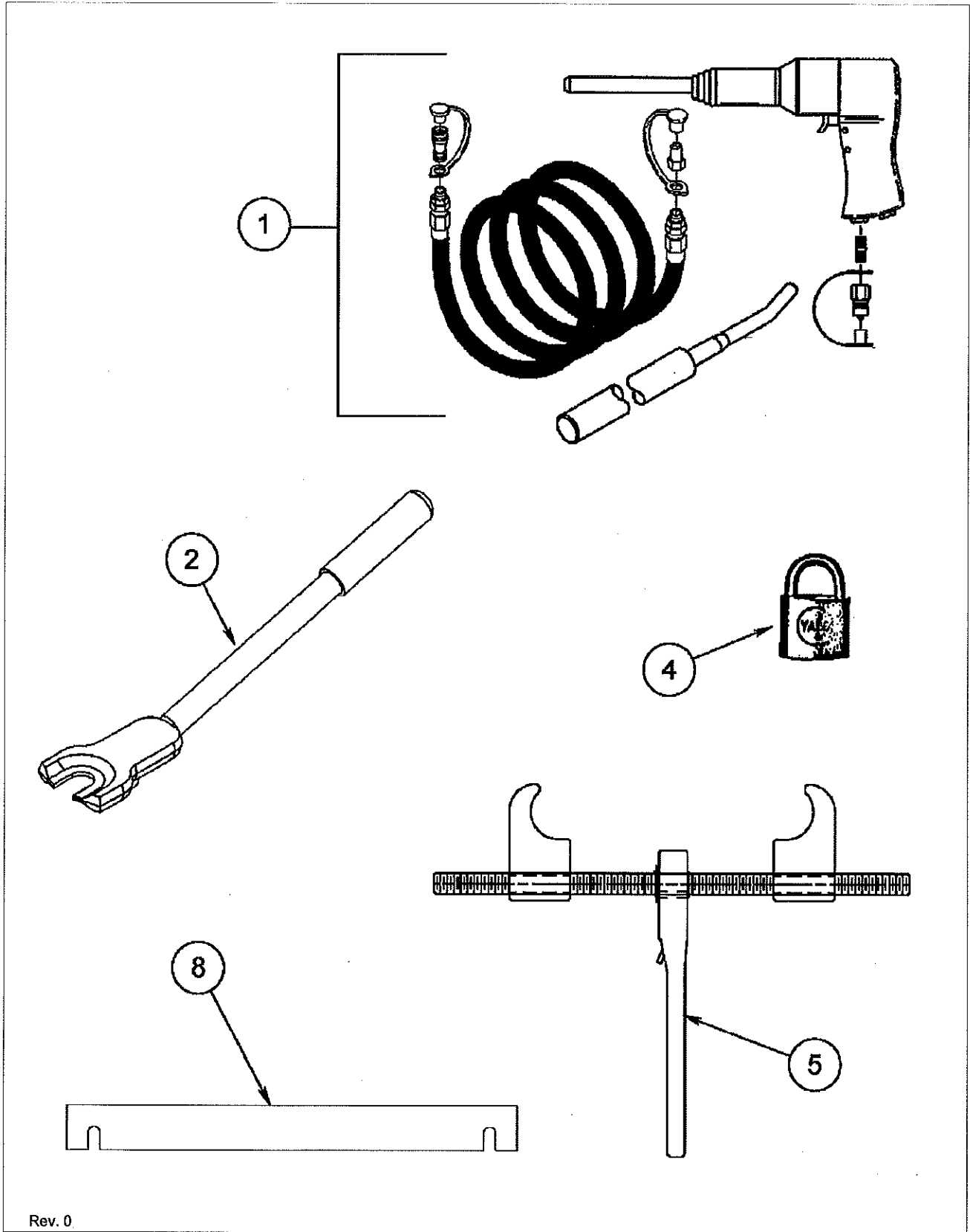
ILLUSTRATION MAY VARY FROM YOUR MACHINE

**Tools Group
568030002000**

Ref. No.	Part No.	Qty.	Description
1	531004002000	1	Hammer, Air Attachment (Page 148)
2	001009369000	1	Puller, Bit
4	001009074000	8	Lock, Pad
5	526004040000	1	Chain, Ratchet Tool (Page 154)
6	001010122000	1	Socket, Wrench
8	526001059000	2	Bar, Filler
9	000A00109000	4	Bolt, Hex., 1/2-13 UNC X 3"
12	543040239000	1	Kit, Oil Sampling Assembly (Page 156)

WHEN ORDERING PARTS, ALWAYS STATE MODEL AND SERIAL NO. OF MACHINE

Tools Group
568030002000



Rev. 0

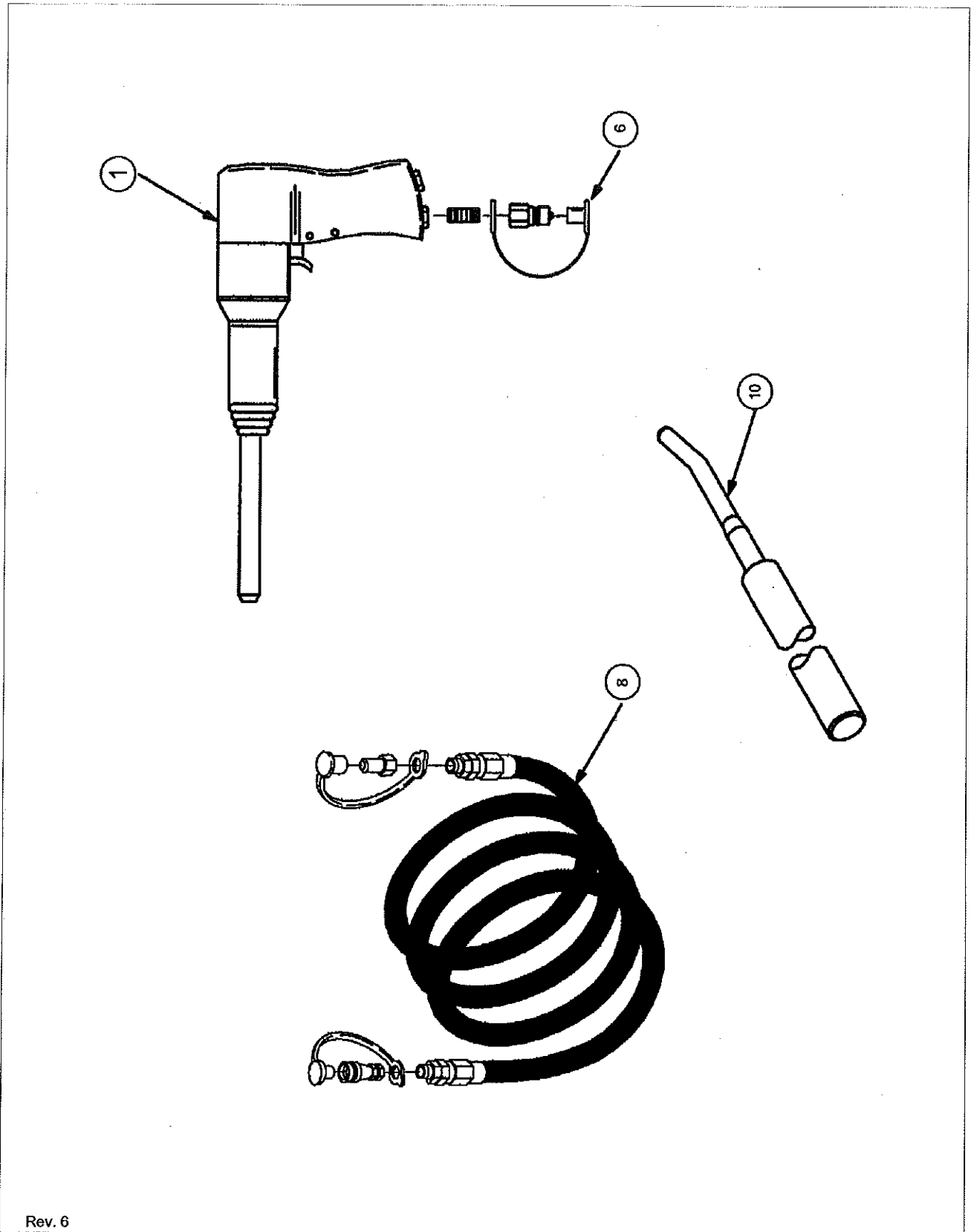
ILLUSTRATION MAY VARY FROM YOUR MACHINE

**Hammer, Air Attachment
531004002000**

Ref. No.	Part No.	Qty.	Description
1	001010066000	1	Hammer, Air Assembly (Page 150)
6	002004965000	1	Cover, Dust
8	097003002000	1	Hose, Air Assembly (Page 152)
10	085000466000	1	Pin, Drive

WHEN ORDERING PARTS, ALWAYS STATE MODEL AND SERIAL NO. OF MACHINE

Hammer, Air Attachment
531004002000



Rev. 6

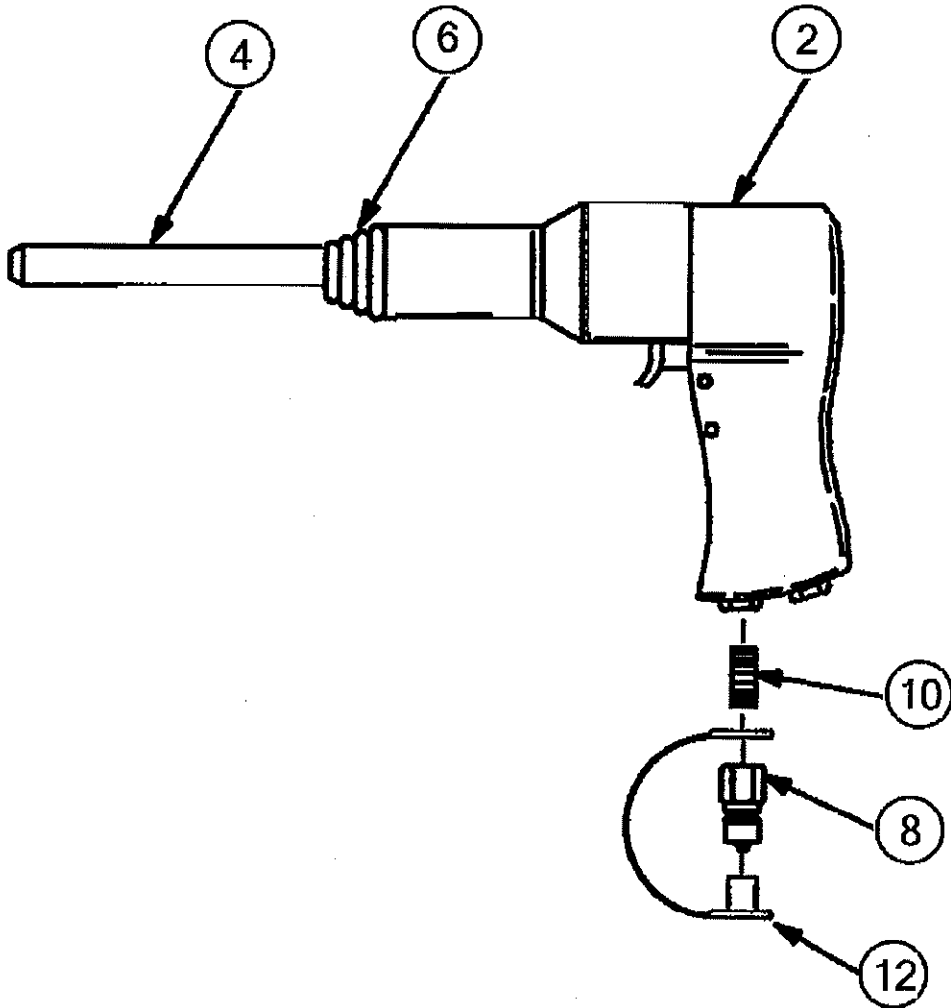
ILLUSTRATION MAY VARY FROM YOUR MACHINE

**Hammer, Air Assembly
001010066000**

Ref. No.	Part No.	Qty.	Description
2	001010067000	1	Hammer, Air
4	001010068000	1	Punch, Straight
6	001010069000	1	Retainer, Spring
8	002004934000	1	Plug, Quick Disconnect
10	000A00843000	1	Coupling, Pipe 1/4 NPT
12	002004965000	1	Cover, Dust

WHEN ORDERING PARTS, ALWAYS STATE MODEL AND SERIAL NO. OF MACHINE

Hammer, Air Assembly
001010066000



Rev. 4

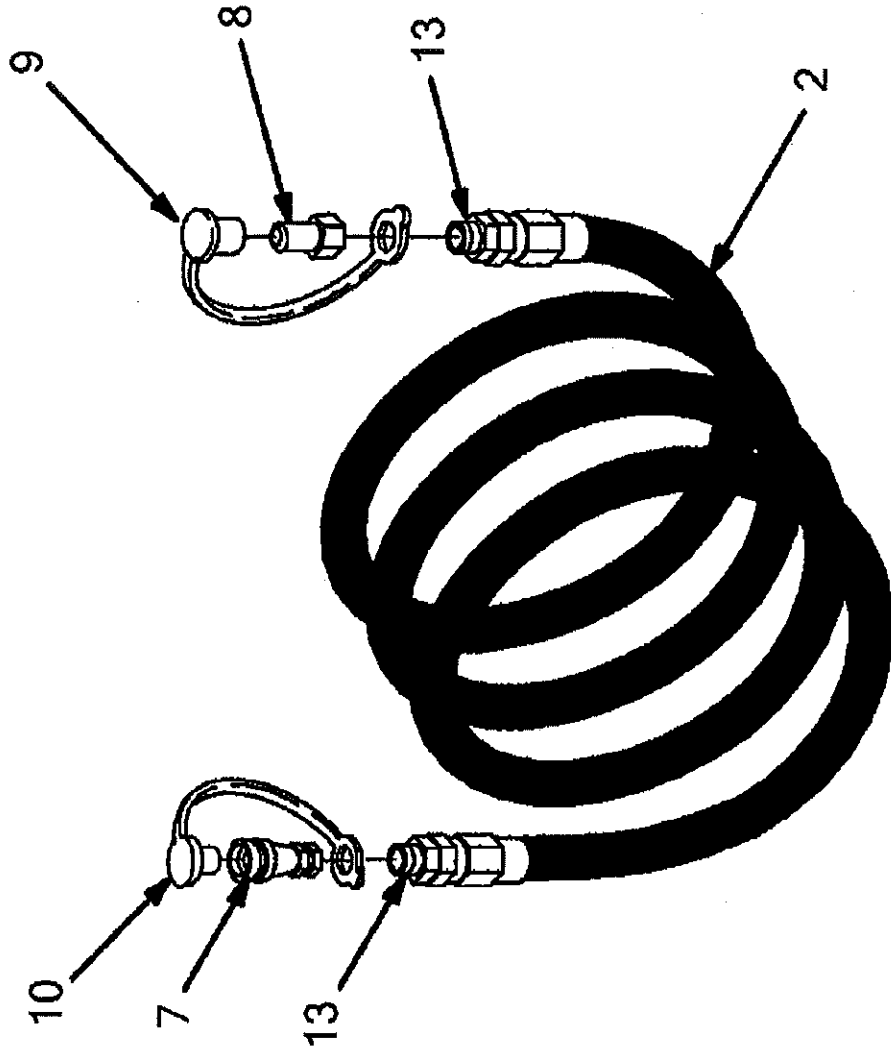
ILLUSTRATION MAY VARY FROM YOUR MACHINE

**Hose, Air Assembly
097003002000**

Ref. No.	Part No.	Qty.	Description
2	002001426000	1	Hose, Hydraulic
7	002004933000	1	Socket, Quick Disconnect 1/4" NPTF
8	002004934000	1	Plug, Quick Disconnect
9	002004965000	1	Cover, Dust
10	002004966000	1	Plug, Dust
13	000A00525000	2	Straight 3/8" JIC X 1/4" NPT

WHEN ORDERING PARTS, ALWAYS STATE MODEL AND SERIAL NO. OF MACHINE

Hose, Air Assembly
097003002000



Rev. 2

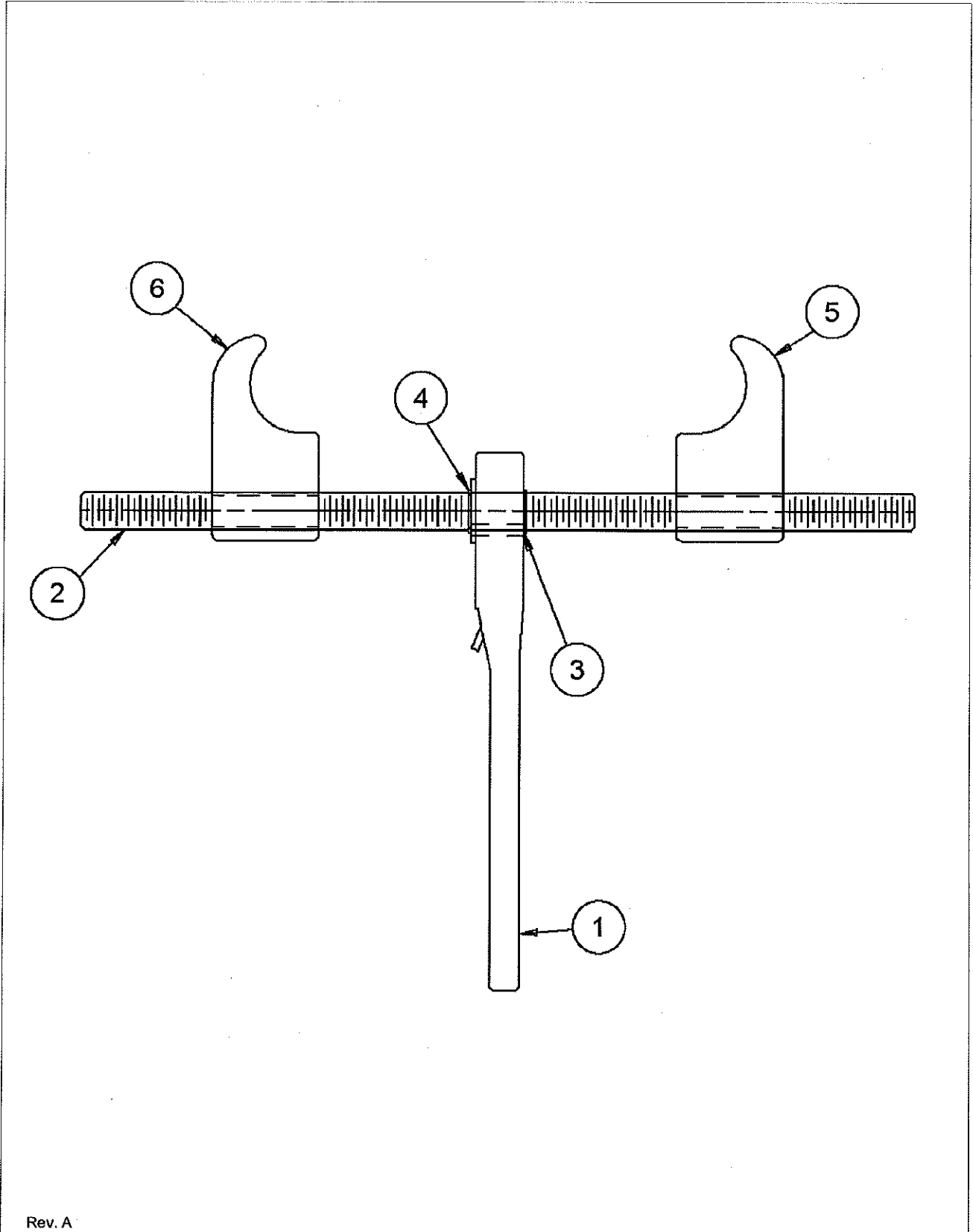
ILLUSTRATION MAY VARY FROM YOUR MACHINE

**Chain, Ratchet Tool
52600404000**

Ref. No.	Part No.	Qty.	Description
1	001010101000	1	Ratchet
2	526004040002	1	Rod, Threaded
3	000A03748000	1	Keystock
4	000A03747000	2	Ring, Snap
5	526004040005	1	Plate
6	526004040006	1	Plate

WHEN ORDERING PARTS, ALWAYS STATE MODEL AND SERIAL NO. OF MACHINE

Chain, Ratchet Tool
526004040000



Rev. A

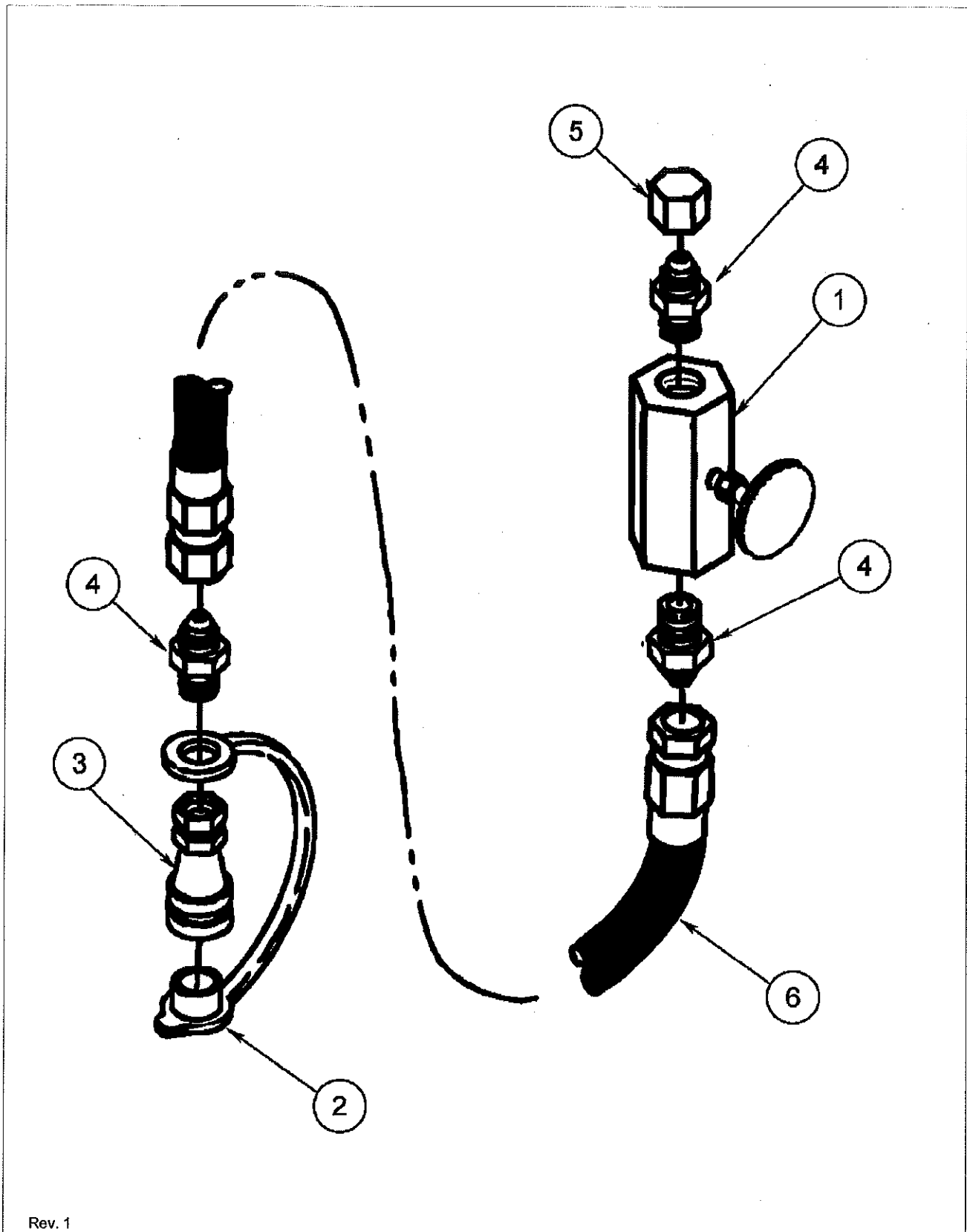
ILLUSTRATION MAY VARY FROM YOUR MACHINE

**Kit, Oil Sampling Assembly
543040239000**

Ref. No.	Part No.	Qty.	Description
1	002006311000	1	Valve, Needle 1/4" NPTF
2	002004966000	1	Plug, Dust
3	002004933000	1	Socket, Quick Disconnect 1/4" NPTF
4	000A05379000	3	Adapter, Straight 1/4" JIC x 1/4" NPT
5	000A00481000	1	Nut, Cap
6	002001018000	1	Hose, Hydraulic 1/4" X 36"

WHEN ORDERING PARTS, ALWAYS STATE MODEL AND SERIAL NO. OF MACHINE

Kit, Oil Sampling Assembly
543040239000



Rev. 1

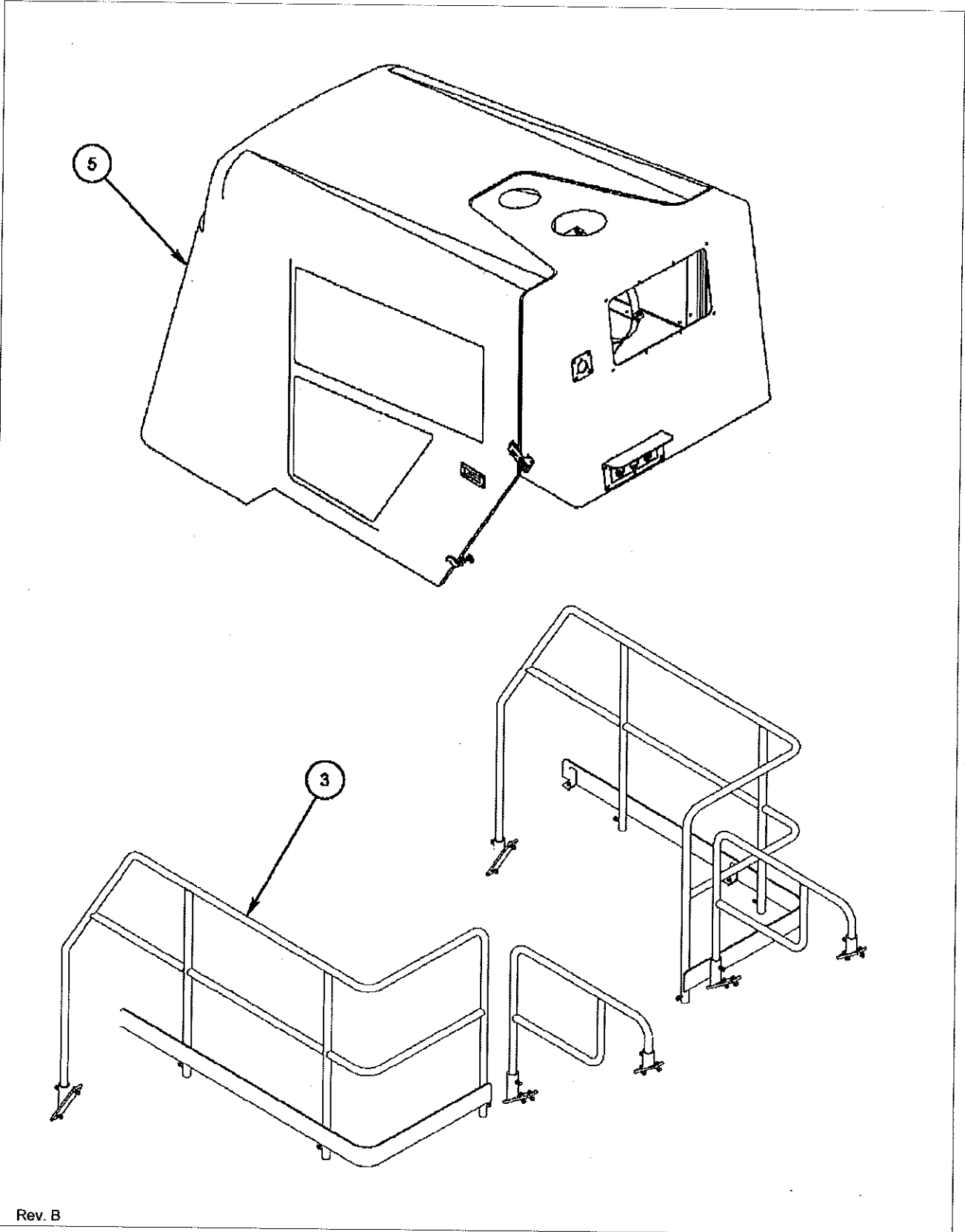
ILLUSTRATION MAY VARY FROM YOUR MACHINE

**Operator Platform, Open
568040062000**

Ref. No.	Part No.	Qty.	Description
1	568002078000	1	Covers Group, Operator Station (Page 160)
3	568002141000	1	Handrail Assembly (Page 162)
5	568002160000	1	Cowling Assembly (Page 164)
7	003005071076	1	Connector

WHEN ORDERING PARTS, ALWAYS STATE MODEL AND SERIAL NO. OF MACHINE

Operator Platform, Open
568040062000



Rev. B

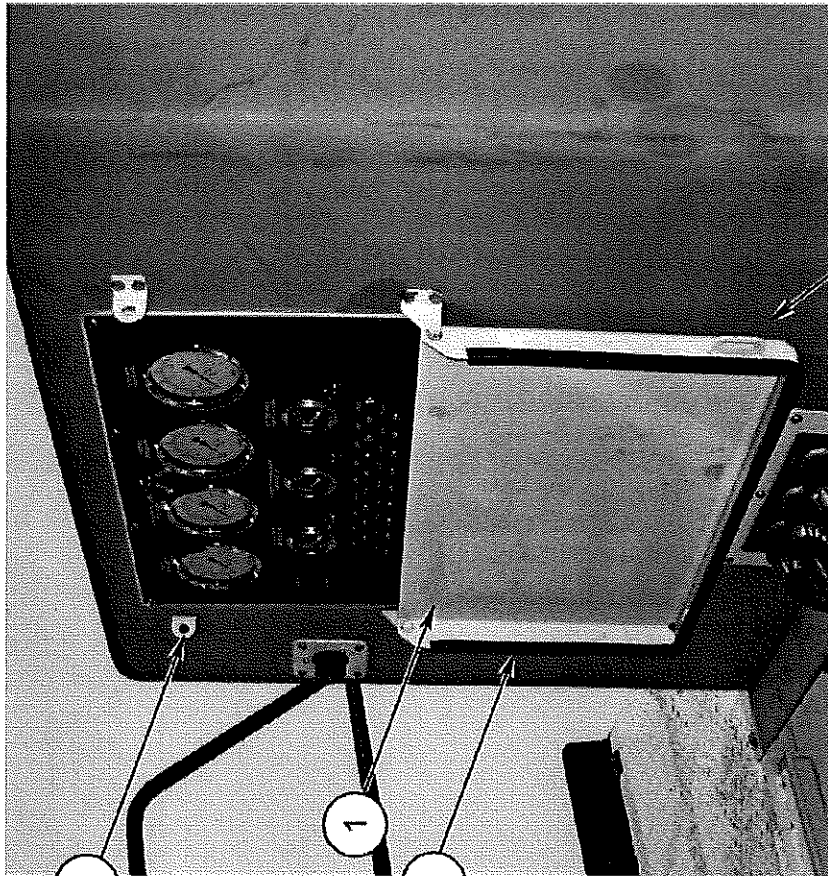
ILLUSTRATION MAY VARY FROM YOUR MACHINE

**Covers Group, Operator Station
568002078000**

Ref. No.	Part No.	Qty.	Description
1	526012039000	1	Cover, Auxiliary Gauge Panel
2	526012040000	2	Staple Padlock
3	000A00292000	10	Washer, Flat 1/4
4	000A02038000	11	Nut, Lock 1/4-20 UNC
5	22-8505631	7'	Trim Regular
6	001008049000	3	Bumper Rubber
7	000A00006000	3	Bolt, Hex 1/4-20 UNC X 1"
10	568007029000	1	Cover, Console
11	000AA0349000	2	Bolt, Button
12	000A00296000	4	Washer, Flat 1/2"
13	000A03384000	2	Nut, Lock 1/2-13 UNC

WHEN ORDERING PARTS, ALWAYS STATE MODEL AND SERIAL NO. OF MACHINE

Covers Group, Operator Station
568002078000



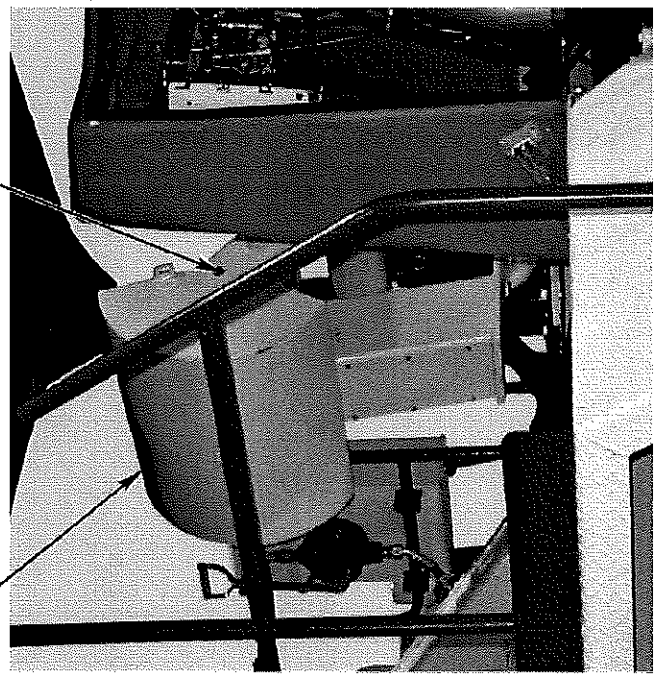
6
7
Behind Cover

2
3
4

1
5

11
12
13

10



Rev. A

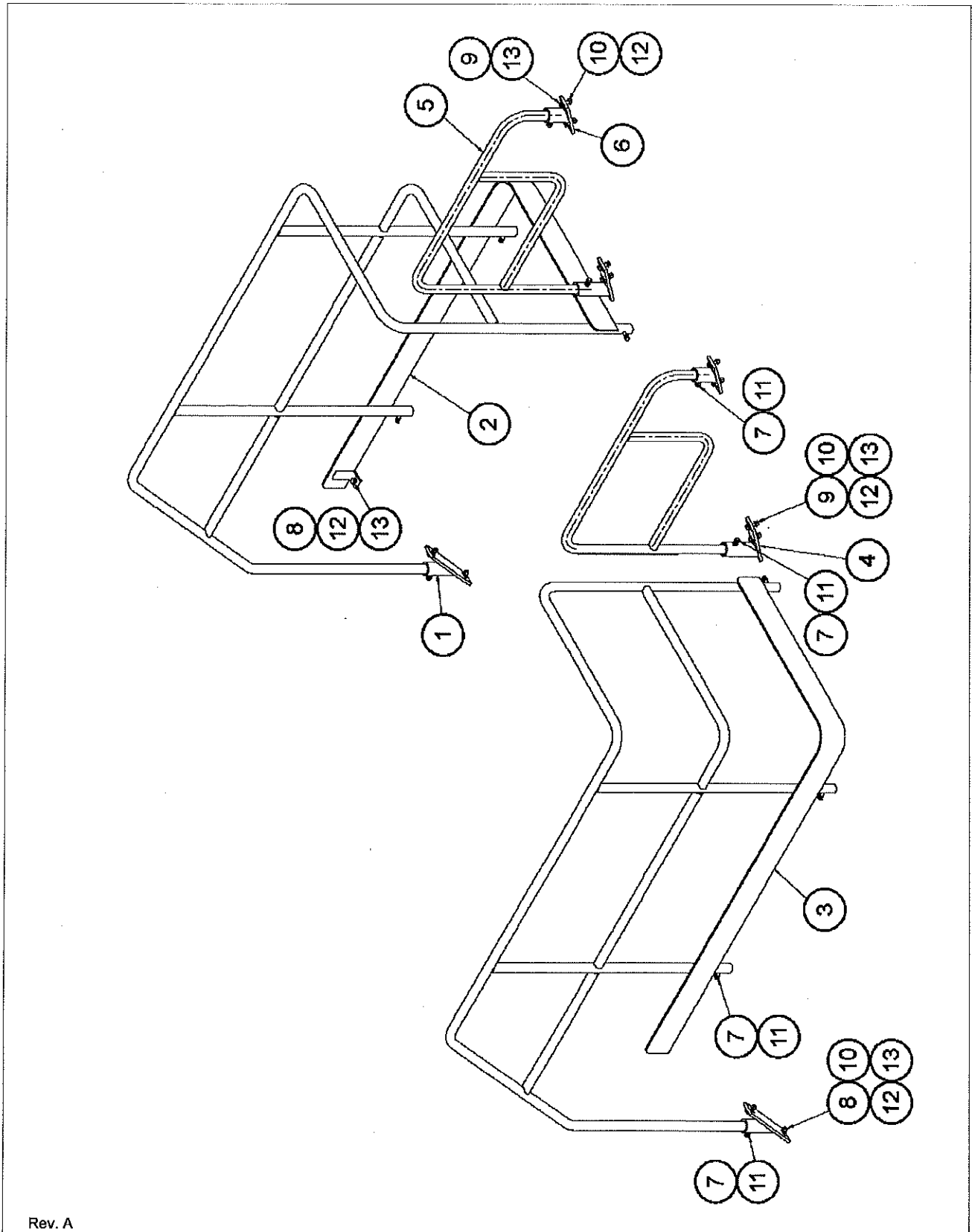
ILLUSTRATION MAY VARY FROM YOUR MACHINE

**Handrail Assembly
568002141000**

Ref. No.	Part No.	Qty.	Description
1	526001255000	2	Handrail Mount
2	568002032000	1	Handrail, Right
3	568002034000	1	Handrail, Left
4	568002145000	2	Mount
5	568002147000	2	Handrail, Rear
6	568002148000	2	Mount
7	000A00057000	12	Bolt, Hex 3/8-16 UNC X 1"
8	000A00058000	10	Bolt, Hex 3/8-16 UNC X 1 1/4"
9	000A00059000	8	Bolt, Hex 3/8-16 UNC X 1 1/2"
10	000A00258000	12	Nut, 3/8-16 NC
11	000A00270000	12	Nut, Jam 3/8-16 UNC
12	000A00294000	30	Washer, Flat 3/8"
13	000A00306000	18	Washer, Lock 3/8"
14	568002168000	1	Kickplate, Left
15	568002169000	1	Kickplate, Right

WHEN ORDERING PARTS, ALWAYS STATE MODEL AND SERIAL NO. OF MACHINE

Handrail Assembly
568002141000



Rev. A

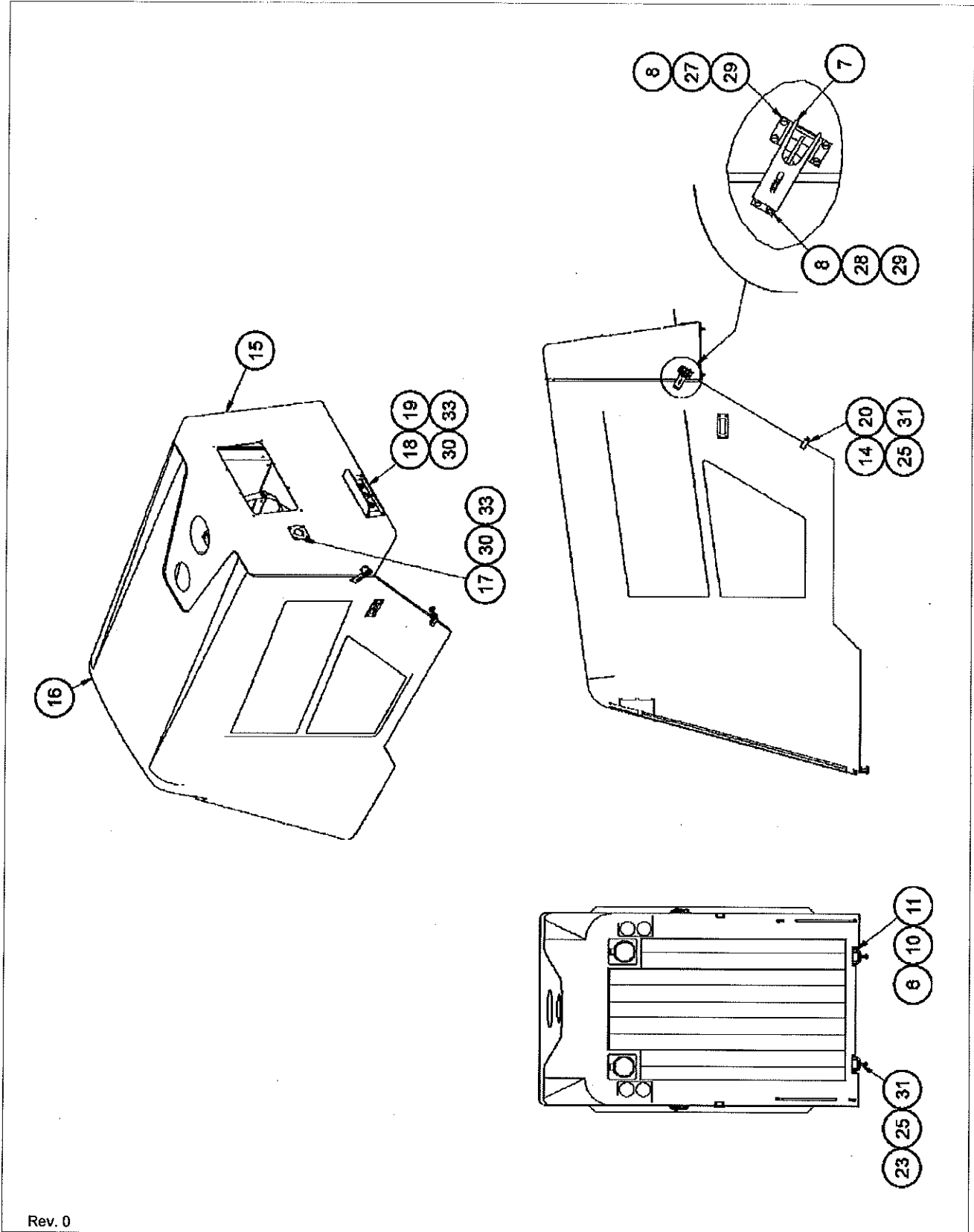
ILLUSTRATION MAY VARY FROM YOUR MACHINE

**Cowling Assembly
568002160000**

Ref. No.	Part No.	Qty.	Description
1	001003033000	8	Clamp, Cable 1/8"
2	001003133001	2	Swedge 1/8"
3	001003133002	2	Thimble
4	001004099001	4	Stud Ball
5	001008187000	21'	Edge Trim
6	001009356000	2	Clip, Hair Pin
7	001010672000	2	Latch Overcenter Tension
8	003000731009	12	Washer, Flat #10
9	004002795000	2	Band Mounting
10	526001258000	2	Hinge Bracket
11	526012007000	2	Pin Clevis 1/2 X 3 5/16
12	526012017000	1	Bar
13	526012019000	1	Cowling Support
14	526012042000	2	Hood Guide
15	568002052000	1	Rear Cowling
16	568002080000	1	Hood Assembly 2 (Page 168)
17	568050036000	1	Mount, Valve Multigauge
18	568090070000	1	Panel, Connector Bulkhead
19	568090072000	1	Panel, Connector Nameplate
20	000A00057000	2	Bolt, Hex 3/8-16 UNC X 1"
21	000A00058000	8	Bolt, Hex 3/8-16 UNC X 1 1/4"
22	000A00059000	2	Bolt, Hex 3/8-16 UNC X 1 1/2"
23	000A00061000	4	Bolt, Hex 3/8-16 UNC X 2"
24	000A00258000	2	Nut, 3/8-16 NC
25	000A00294000	24	Washer, Flat 3/8"
26	000A00296000	2	Washer, Flat 1/2"
27	000A00339000	8	Screw, Pan #10-24 UNC x 3/4"
28	000A01101000	4	Screw, Pan 10-24 x 1 1/4"
29	000A02036000	12	Nut, Lock #10-24 UNC
30	000A02038000	10	Nut, Lock 1/4-20 UNC
31	000A02040000	14	Nut, Lock 3/8-16 UNC
32	000A02042000	2	Nut, Lock 1/2-13 UNC
33	000AA0620000	10	Screw, Socket Button Cap 1/4-20 UNC x 3/4"
34	001004126000	2	Gas Spring
35	526012006001	2	Cable 1/8 X 40 LG

WHEN ORDERING PARTS, ALWAYS STATE MODEL AND SERIAL NO. OF MACHINE

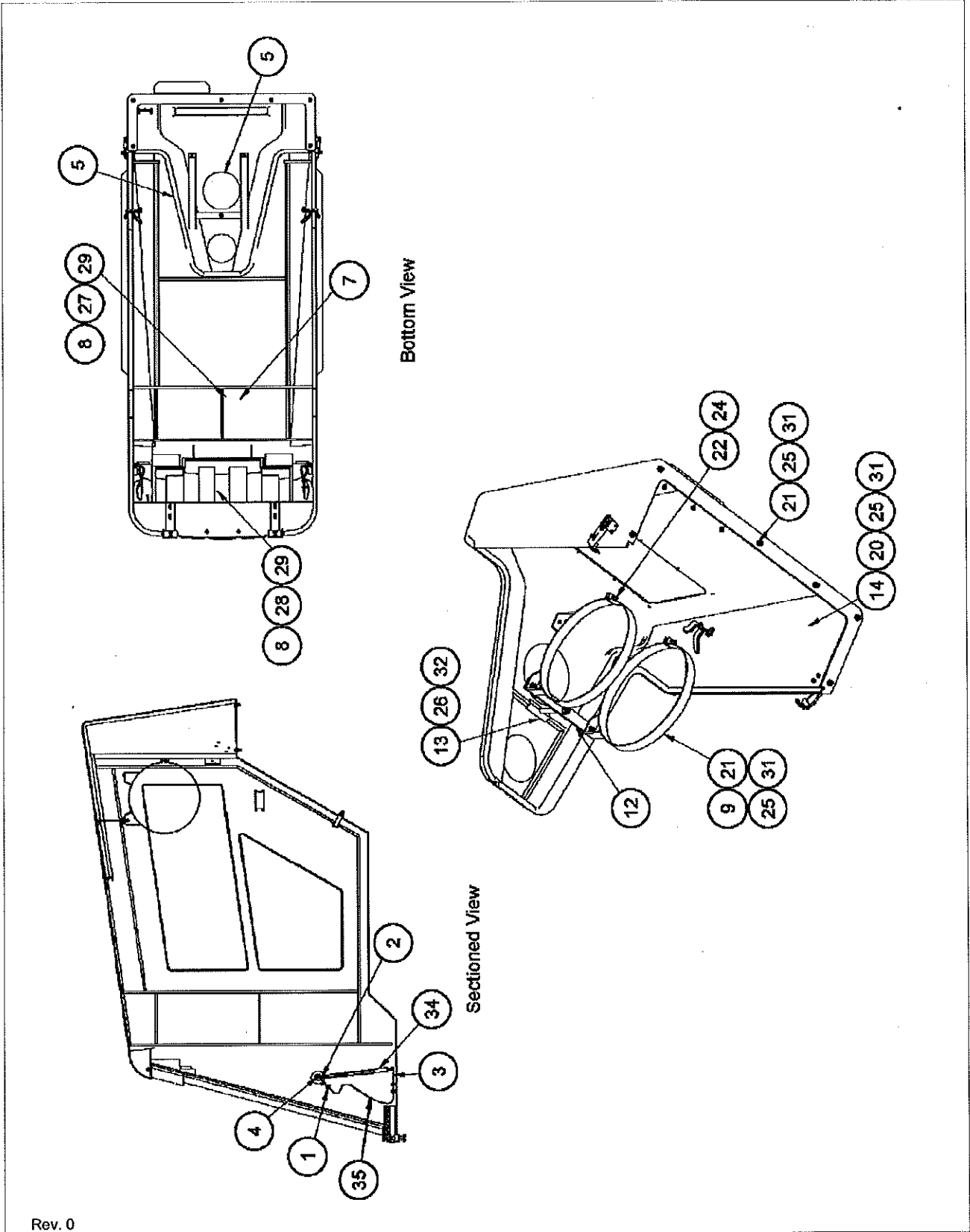
Cowling Assembly
56800216000



Rev. 0

ILLUSTRATION MAY VARY FROM YOUR MACHINE

**Cowling Assembly
56800216000**



Rev. 0

ILLUSTRATION MAY VARY FROM YOUR MACHINE

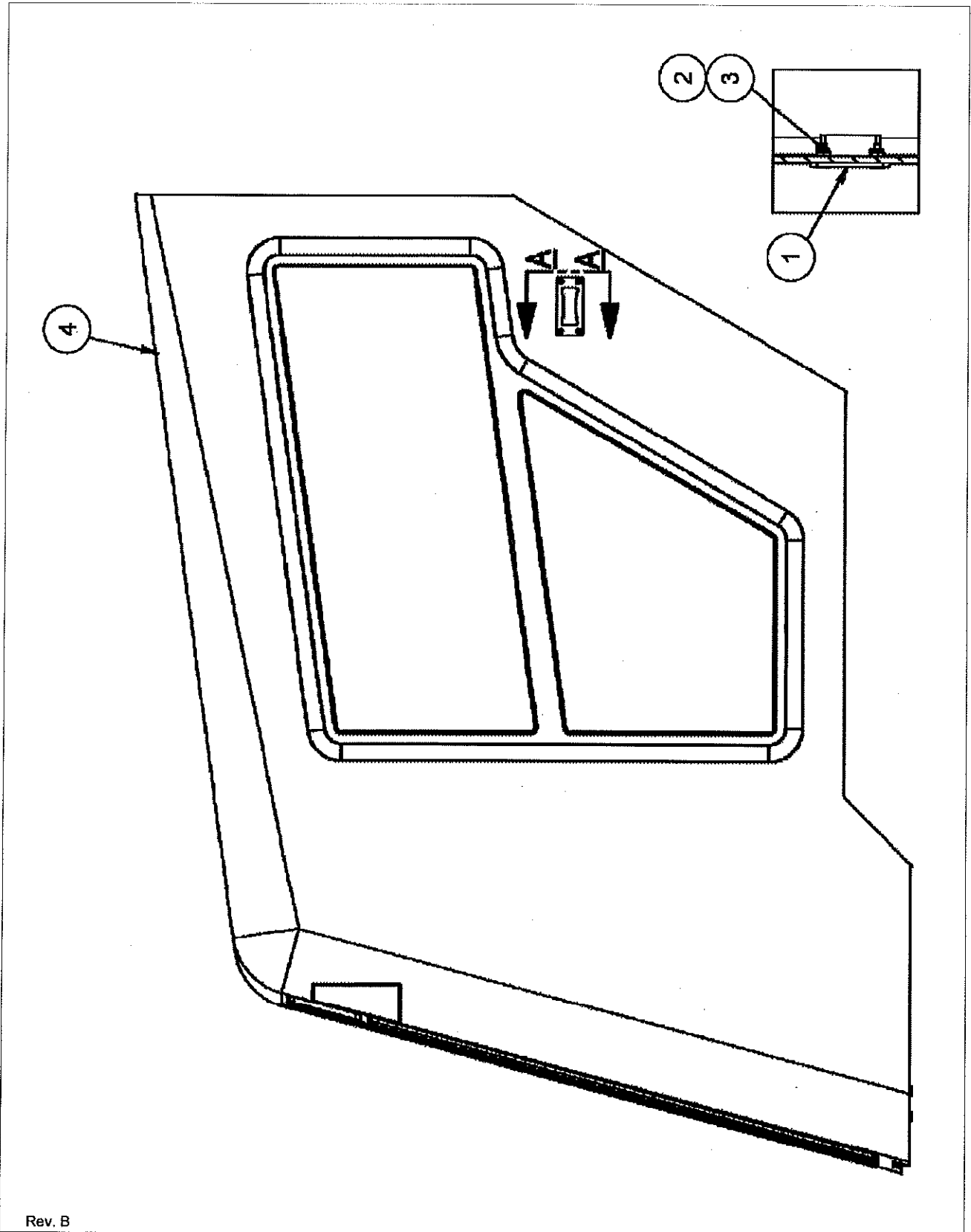
Intentionally Left Blank

**Hood Assembly 2
568002080000**

Ref. No.	Part No.	Qty.	Description
1	001010540000	2	Handle, Grab
2	000A01268000	8	Screw, Cap
3	000A02036000	8	Nut, Lock #10-24 UNC
4	526001289000	1	Hood Assembly, Engine (Page 170)

WHEN ORDERING PARTS, ALWAYS STATE MODEL AND SERIAL NO. OF MACHINE

Hood Assembly 2
56800208000



Rev. B

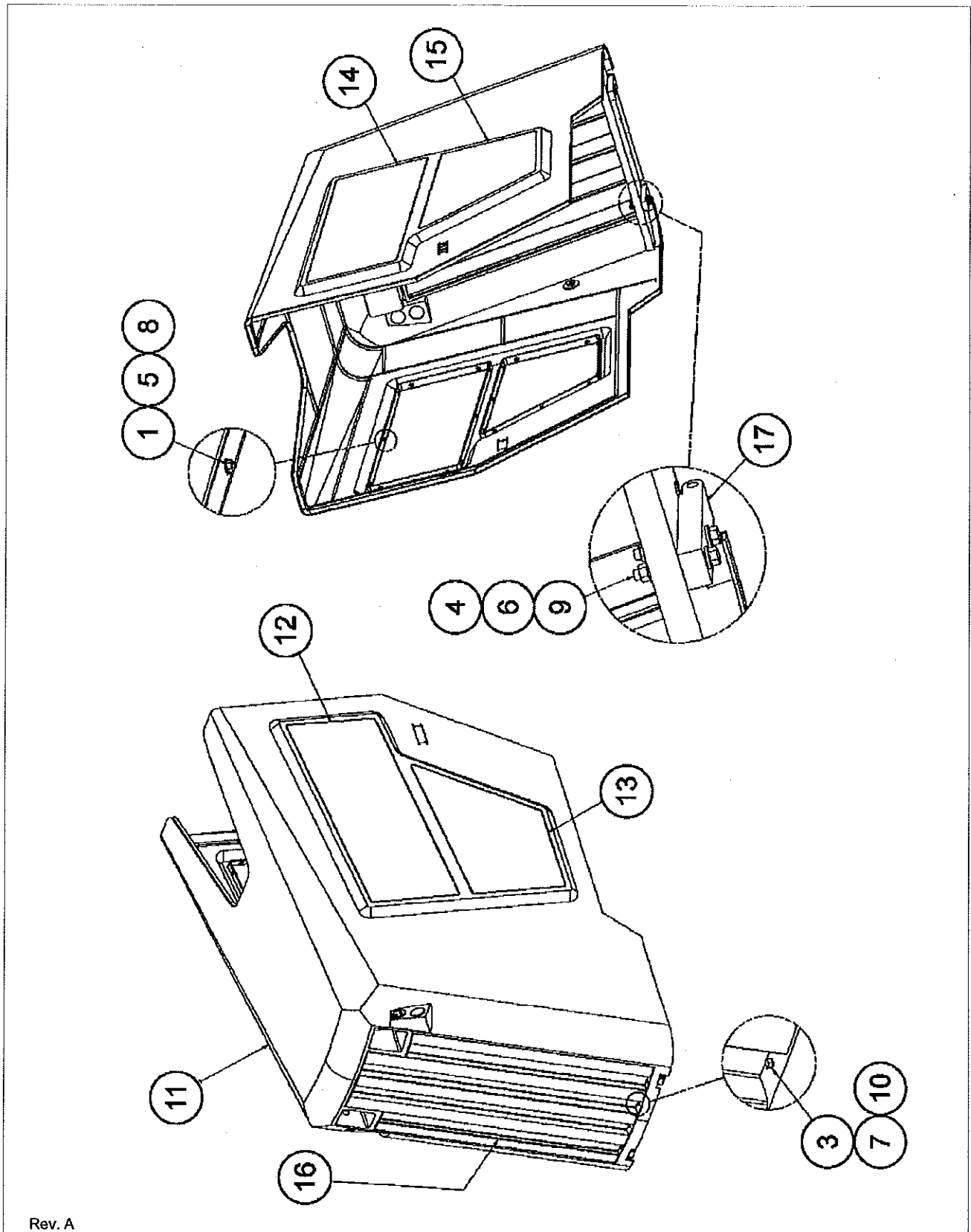
ILLUSTRATION MAY VARY FROM YOUR MACHINE

**Hood Assembly, Engine
526001289000**

Ref. No.	Part No.	Qty.	Description
1	000A00004000	40	Bolt, Hex 1/4-20 UNC x 3/4"
2	000A00006000	4	Bolt, Hex 1/4-20 UNC X 1"
3	000A00008000	4	Bolt, Hex
4	000A00112000	4	Bolt, Hex 1/2-13 UNC X 3 3/4"
5	000A00292000	80	Washer, Flat 1/4
6	000A00296000	8	Washer, Flat 1/2"
7	000A00304000	8	Washer, Lock 1/4"
8	000A02038000	40	Nut, Lock 1/4-20 UNC
9	000A02042000	4	Nut, Lock 1/2-13 UNC
10	000AA0413000	8	Nut, Weld
11	526001290000	1	Hood, Engine
12	526001291000	1	Screen, LH Upper
13	526001292000	1	Screen, LH Lower
14	526001293000	1	Screen, RH Upper
15	526001294000	1	Screen, RH Lower
16	526001295000	1	Grill, Front
17	526001296000	1	Plate, Hinge

WHEN ORDERING PARTS, ALWAYS STATE MODEL AND SERIAL NO. OF MACHINE

Hood Assembly, Engine
526001289000



Rev. A

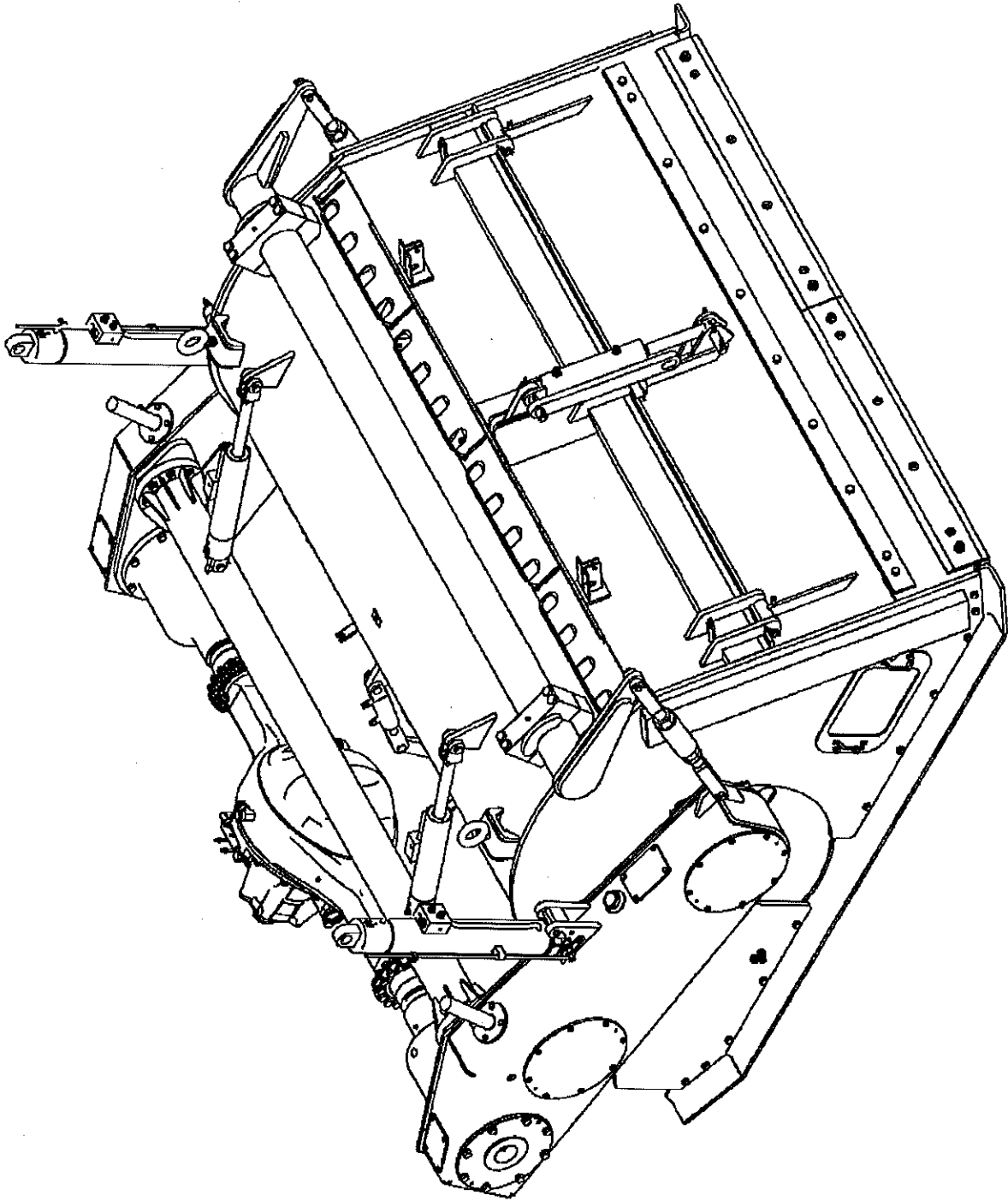
ILLUSTRATION MAY VARY FROM YOUR MACHINE

**Cutter Assembly
568004075000**

Ref. No.	Part No.	Qty.	Description
1	526000926000	2	Decal 50" Cutter Depth Scale
2	568004044000	1	Cutter Housing and Drive (Page 174)
3	568004092000	1	Drum, Cutter From 239

WHEN ORDERING PARTS, ALWAYS STATE MODEL AND SERIAL NO. OF MACHINE

Cutter Assembly
568004075000



Rev. A

ILLUSTRATION MAY VARY FROM YOUR MACHINE

**Cutter Housing and Drive
568004044000**

Ref. No.	Part No.	Qty.	Description
1	000A00171000	16	Bolt, Hex, 3/4"-10 UNC X 3" From 568254
2	001006026000	8	Joint, Ball
3	001010964000	2	Eyebolt
4	001079712000	3	Zerk, Grease 1/8 NPT
5	002007171000	1	Cylinder, Hydraulic
6	002017315000	1	Cylinder, Hydraulic From 568234
7	002017314000	2	Cylinder, Hydraulic From 568230
8	002017317000	1	Cylinder, Hydraulic From 568234
9	002017316000	1	Cylinder, Hydraulic From 568234
10	526001032000	1	Bar, Door Lock
11	526001045000	2	Pin
12	526001048000	2	Turnbuckle
13	526001075000	4	Pin
14	526001142000	1	Holder, Disc LH Weldment
15	526001143000	1	Holder, Disc RH Weldment
16	526001144000	1	Flashing
17	526004016000	1	Cover, Hood
18	568004022000	1	Door, Rear (Page 178)
19	568004050000	1	Chaincase Assembly (Page 180)
20	568004051000	1	Chaincase Assembly (Page 182)
21	568004052000	1	Spacer, Tube
22	568004053000	1	Axle Assembly, Cutter (Page 184)
23	568004056000	1	Door Assembly, front
24	568004059000	1	Plate, Wear
25	568004060000	1	Plate, Wear
26	568004061000	1	Housing, Cutter
27	568004067000	1	Drive Assembly, Cutter Lower (Page 188)
28	568004086000	1	Lube System
29	568008008000	2	Indicator, Cutter Depth
31	000A00032000	2	Bolt, Hex 5/16-18 UNC x 1 1/4"
32	000A00103000	8	Bolt, Hex 1/2"-13 UNC X 1 1/2"
33	000A00105000	22	Bolt, Hex 1/2-13 UNC X 2"
34	000A00106000	6	Bolt, Hex 1/2-13 UNC X 2 1/4"
35	000A00260000	6	Nut 1/2-13 UNC
36	000A00279000	4	Nut, Jam
37	000A00292000	4	Washer, Flat 1/4
38	000A00293000	2	Washer, Flat 5/16
39	000A03728000	5	Washer, Fender 3/8 X 1 1/2" O.D. From 568254
40	000A00296000	44	Washer, Flat 1/2"
41	000A00305000	2	Washer, Lock 5/16
42	000A00308000	8	Washer, Lock 1/2"
43	000A00884000	1	Plug 3/4" NPT
44	000A00924000	1	Tee, Service 3/4" NPT
45	000A01567000	8	Pin, Cotter
46	000A01597000	6	Pin, Cotter
47	000A02038000	4	Nut, Lock 1/4-20 UNC
48	000A02040000	5	Nut, Lock 3/8-16 UNC
49	000A02943000	12	Washer, Hardened 1/2
50	000A03384000	22	Nut, Lock 1/2-13 UNC

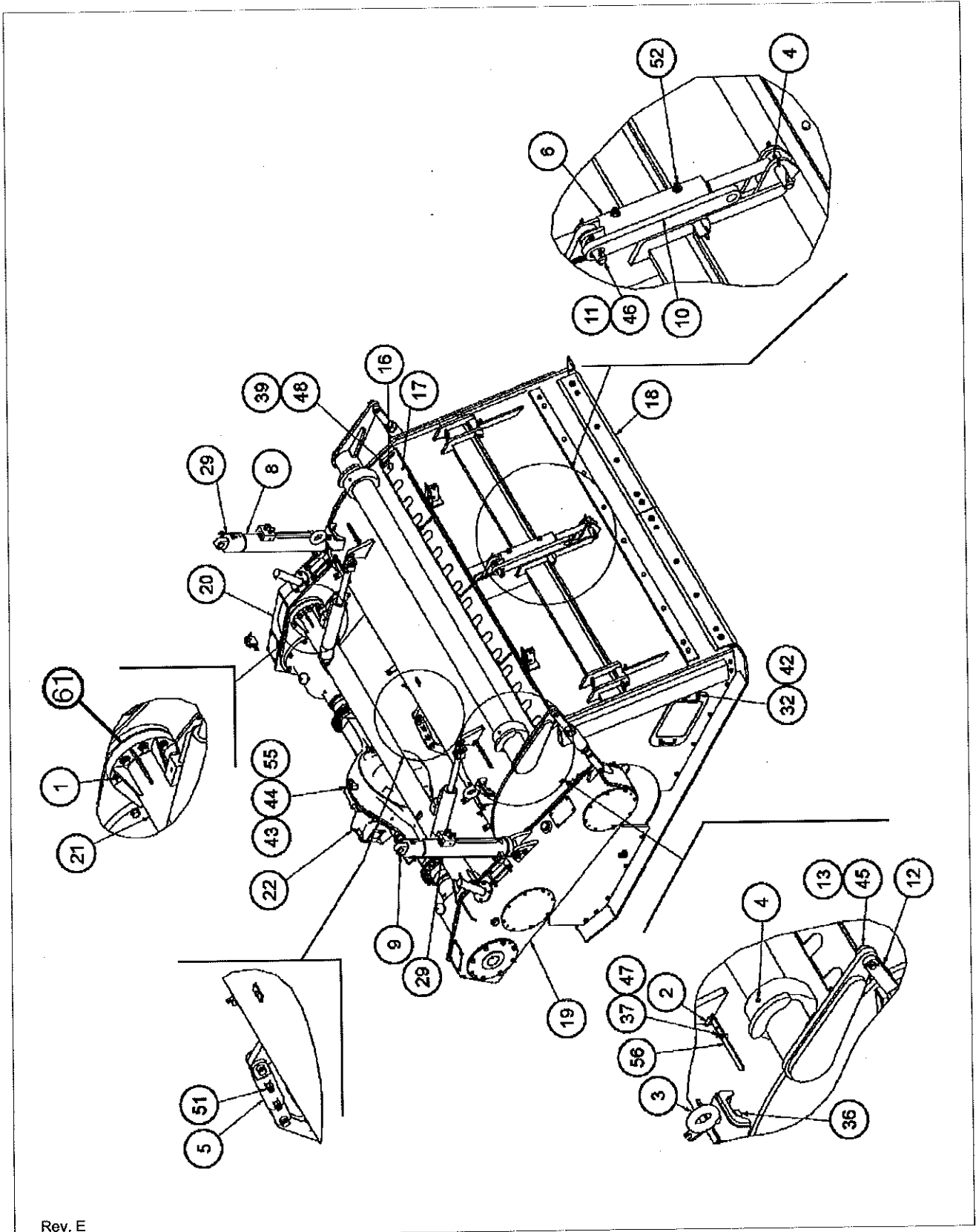
WHEN ORDERING PARTS, ALWAYS STATE MODEL AND SERIAL NO. OF MACHINE

**Cutter Housing and Drive
568004044000**

Ref. No.	Part No.	Qty.	Description
51	000AA0112005	2	Connector, Straight
52	000AA0112006	2	Straight -6 ORFS X -8 ORB
53	000AA0113003	8	Tube End 90° 6 ORFS/6 Str O-Ring
54	000AA0119013	1	Elbow, 90° 12 M ORFS Tube - Male Pipe
55	000AA0120013	1	Straight -12ORFS X -12 MNPT
56	A140858	4	Pointer
57	A141554	4	Cable, Push-Pull
58	001001501000	4	Pin, Clevis From 568230
59	000A01542000	4	Pin, Cotter From 568230
60	000A00311000	16	Washer, Lock 3/4 From 568254
61	568004085000	2	Shim

WHEN ORDERING PARTS, ALWAYS STATE MODEL AND SERIAL NO. OF MACHINE

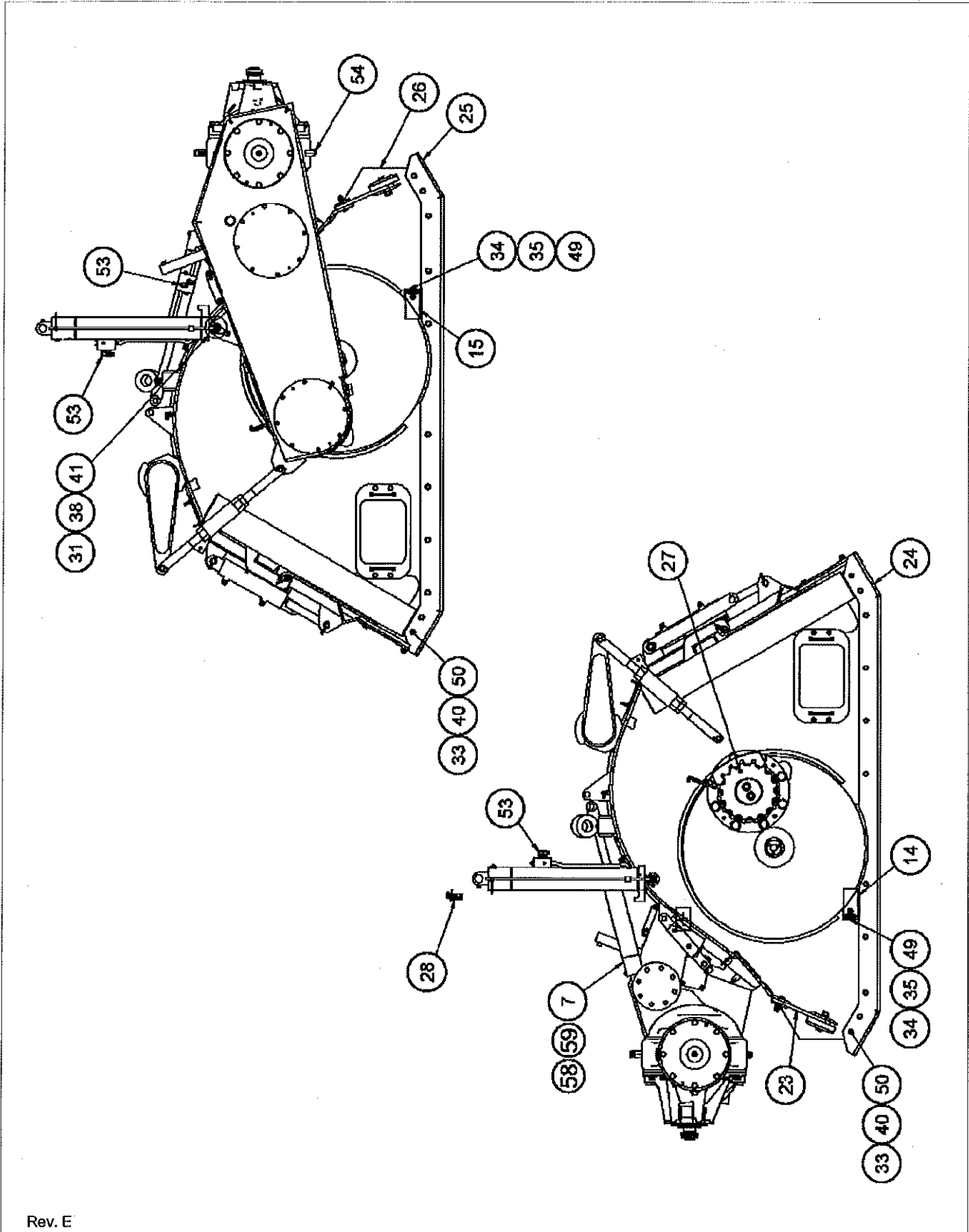
Cutter Housing and Drive
568004044000



Rev. E

ILLUSTRATION MAY VARY FROM YOUR MACHINE

Cutter Housing and Drive
568004044000



Rev. E

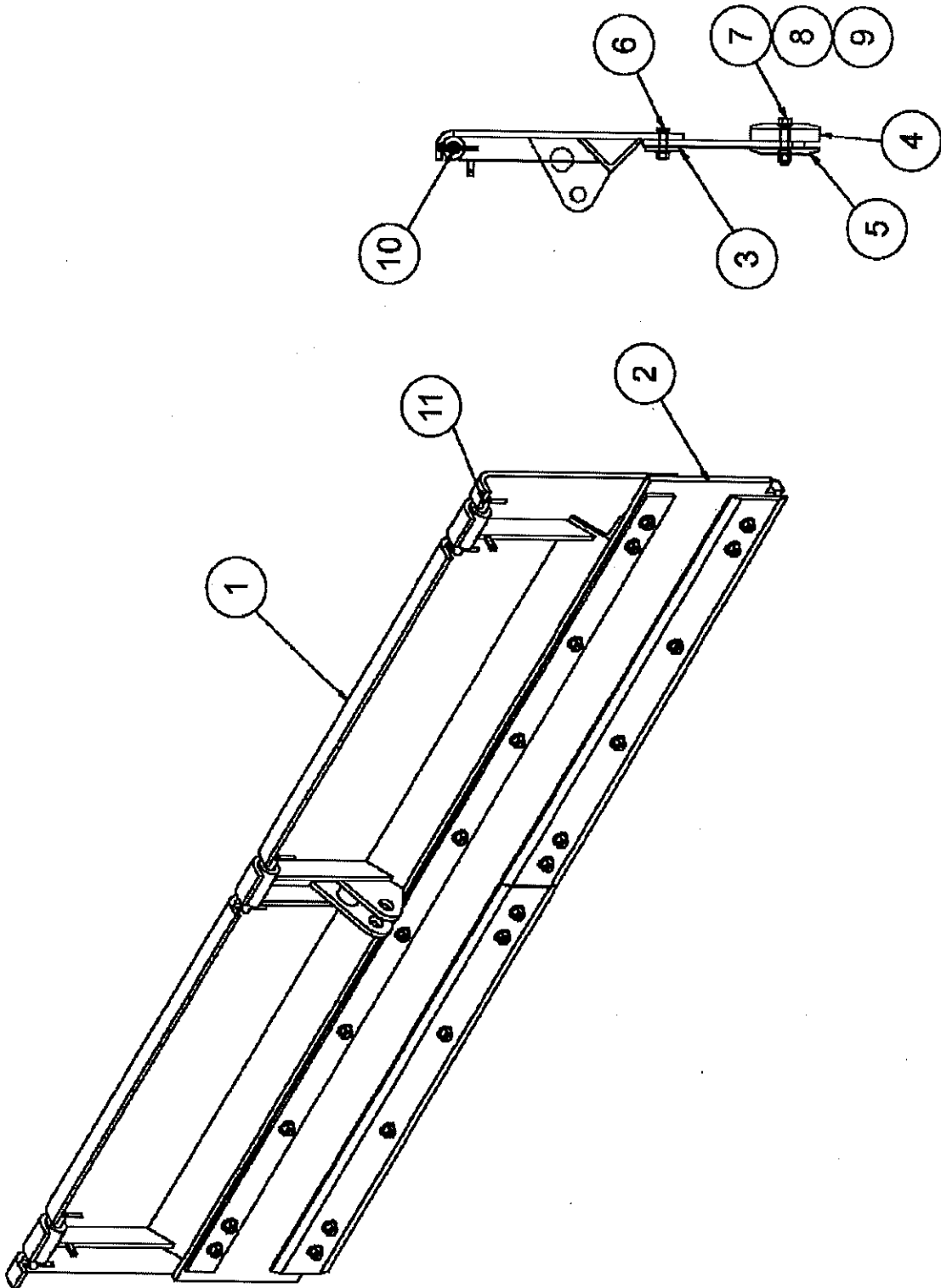
ILLUSTRATION MAY VARY FROM YOUR MACHINE

Door, Rear
568004022000

Ref. No.	Part No.	Qty.	Description
1	568004018000	1	Door, Rear
2	526001034000	1	Flashing
3	531001403000	1	Bar, Hold Down
4	531001426000	1	Bar
5	531000427000	4	Blade 4'
6	000A00147000	10	Bolt, Hex 5/8"-11 UNC X 2 1/4"
7	000A00152000	12	Bolt, Hex 5/8-11 UNC x 3 1/2"
8	000A00298000	22	Washer, Flat 5/8
9	000A00262000	22	Nut 5/8-11 UNC
10	531000496000	3	Pin
11	000A01599000	6	Pin, Cotter 3/8 x 2 1/2

WHEN ORDERING PARTS, ALWAYS STATE MODEL AND SERIAL NO. OF MACHINE

Door, Rear
568004022000



Rev. 0

ILLUSTRATION MAY VARY FROM YOUR MACHINE

**Chaincase Assembly
56800405000**

Ref. No.	Part No.	Qty.	Description
1	002007154000	1	Hydraulic Cylinder
2	004004824000	1	Chain
3	526007108000	2	Cover
4	526007111000	1	Mount, Hydraulic Cylinder Tensioner
5	526007112000	1	Cap, Hydraulic Cylinder Tensioner
6	568004046000	1	Chaincase
7	568004058000	3	Plate, Cover
8	568004065000	1	Idler Arm
9	568004066000	1	Pin, Cylinder
10	568004089000	2	Plate, Safety Latch
11	568004090000	1	Plate, Cover
12	000A00057000	32	Bolt, Hex 3/8-16 UNC X 1"
13	000A00103000	1	Bolt, Hex 1/2"-13 UNC X 1 1/2"
14	000A00115000	2	Bolt, Hex
15	000A00219000	1	Bolt, Hex
16	000A00296000	2	Washer, Flat 1/2"
17	000A00306000	32	Washer, Lock 3/8"
18	000A00308000	1	Washer, Lock 1/2"
19	000A00431000	4	Bolt, Socket
20	000A00718000	2	Plug
21	000A02948000	1	Washer, Flat
22	000A03384000	2	Nut, Lock 1/2-13 UNC
23	000AA0632003	1	Plug, Hollow

WHEN ORDERING PARTS, ALWAYS STATE MODEL AND SERIAL NO. OF MACHINE

Chaincase Assembly
56800405000

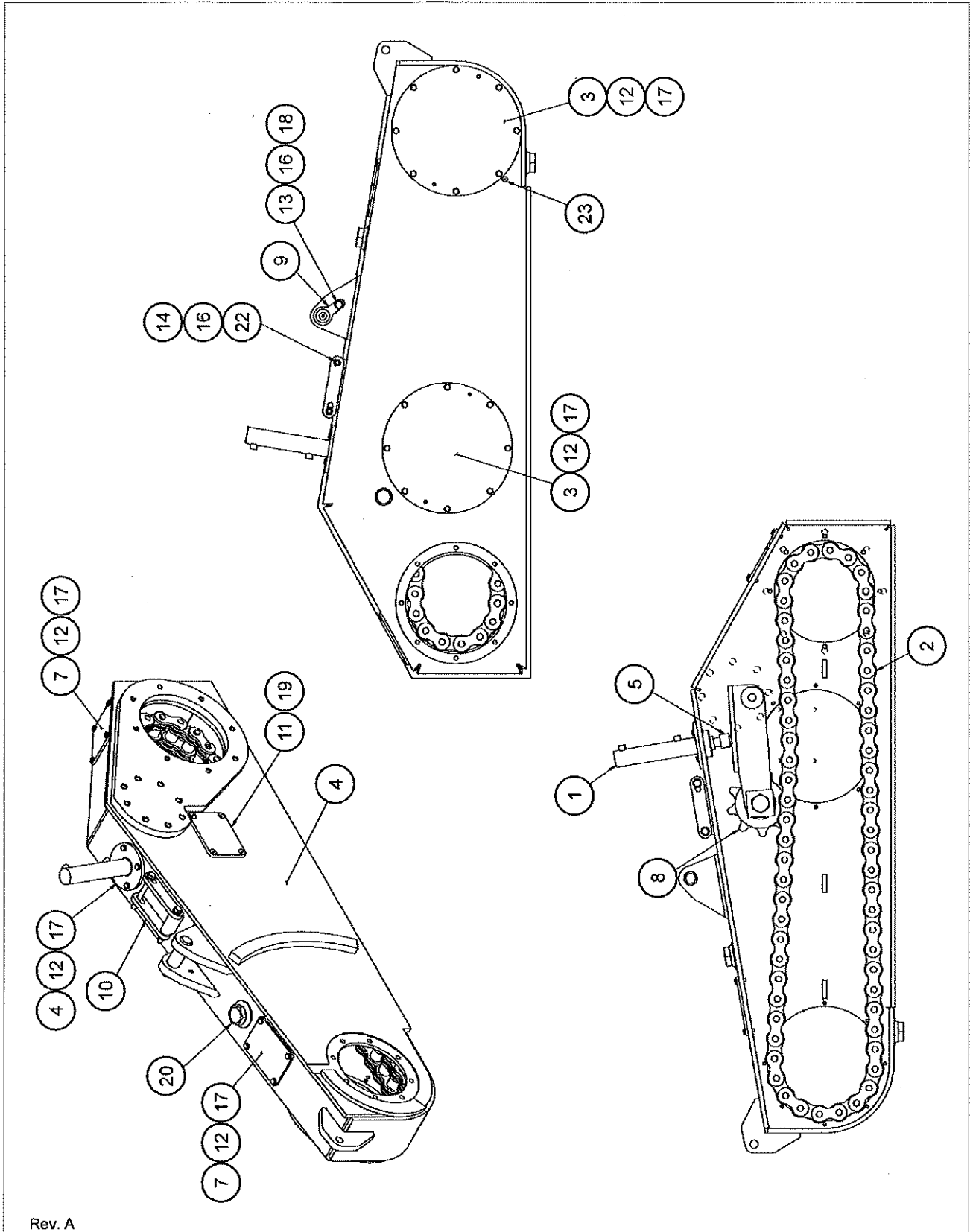


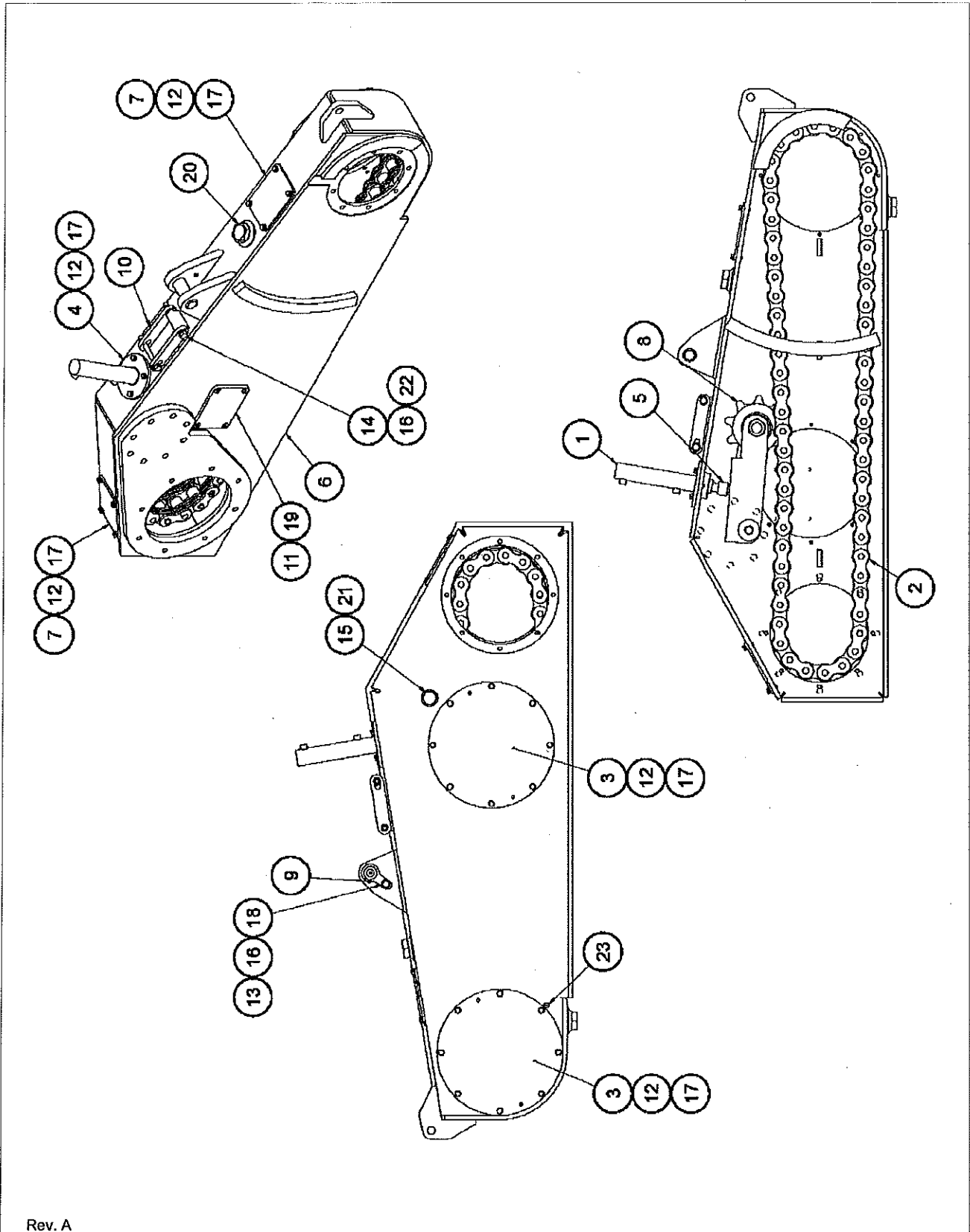
ILLUSTRATION MAY VARY FROM YOUR MACHINE

**Chaincase Assembly
568004051000**

Ref. No.	Part No.	Qty.	Description
1	002007154000	1	Hydraulic Cylinder
2	004004824000	1	Chain
3	526007108000	2	Cover
4	526007111000	1	Mount, Hydraulic Cylinder Tensioner
5	526007112000	1	Cap, Hydraulic Cylinder Tensioner
6	568004047000	1	Chaincase
7	568004058000	3	Plate, Cover
8	568004065000	1	Idler Arm
9	568004066000	1	Pin, Cylinder
10	568004089000	2	Plate, Safety Latch
11	568004090000	1	Plate, Cover
12	000A00057000	28	Bolt, Hex 3/8-16 UNC X 1"
13	000A00103000	1	Bolt, Hex 1/2"-13 UNC X 1 1/2"
14	000A00115000	2	Bolt, Hex
15	000A00219000	1	Bolt, Hex
16	000A00296000	3	Washer, Flat 1/2"
17	000A00306000	28	Washer, Lock 3/8"
18	000A00308000	1	Washer, Lock 1/2"
19	000A00431000	4	Bolt, Socket
20	000A00718000	2	Plug
21	000A02948000	1	Washer, Flat
22	000A03384000	2	Nut, Lock 1/2-13 UNC
23	000AA0632003	1	Plug, Hollow

WHEN ORDERING PARTS, ALWAYS STATE MODEL AND SERIAL NO. OF MACHINE

Chaincase Assembly
568004051000



Rev. A

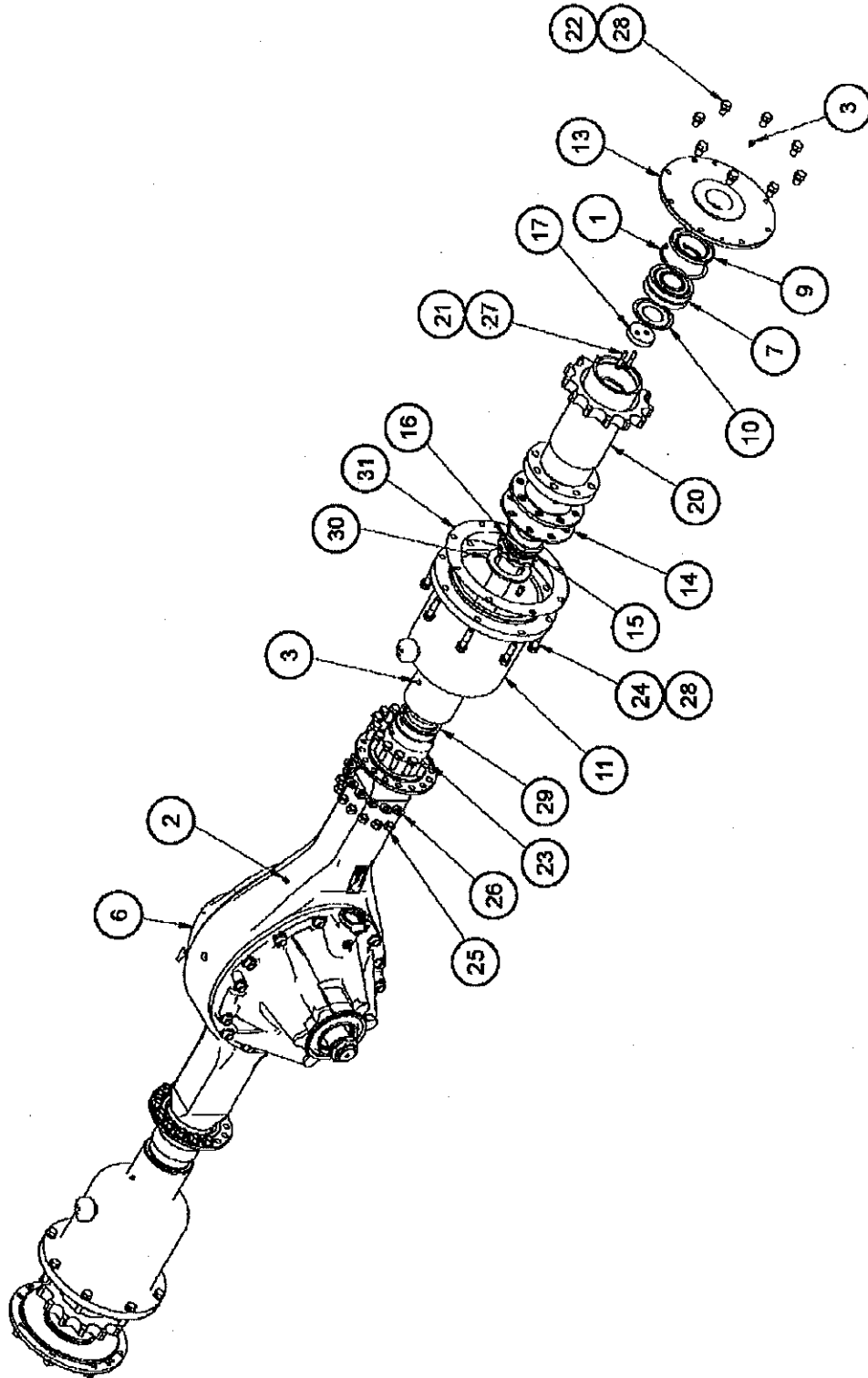
ILLUSTRATION MAY VARY FROM YOUR MACHINE

**Axle Assembly, Cutter
568004053000**

Ref. No.	Part No.	Qty.	Description
1	001001340000	2	Ring, Snap
2	001010148000	1	Breather, Oil
3	001079712000	4	Zerk, Grease 1/8 NPT
6	568004101000	1	Drive Axle, Cutter From 571406
7	004011907000	2	Bearing
9	004014165000	2	Seal, Oil
10	004014173000	2	Ring
11	526000419001	2	Hub, Chain Case
13	526007009000	2	Cover, Stub Shaft
14	526007070000	2	Seal Plate
15	526007071000	2	Shim
16	526007072000	2	Shim
17	526007101000	2	Retainer, Bearing
18	568004013000	1	Shaft, Short
19	568004014000	1	Shaft, Long
20	568004054000	2	Sprocket, Upper
21	000A00061000	4	Bolt, Hex 3/8-16 UNC X 2"
22	000A00142000	16	Bolt, Hex 5/8-11 UNC X 1"
23	000A00145000	18	Bolt, Hex, 5/8"-11 UNC X 1 3/4"
24	000A00148000	16	Bolt, Hex 5/8-11 UNC x 2 1/2"
25	000A00262000	18	Nut 5/8-11 UNC
26	000A00298000	18	Washer, Flat 5/8
27	000A00306000	4	Washer, Lock 3/8"
28	000A00310000	32	Washer, Lock 5/8
29	A-136252	2	Spacer
30	A076557	2	Washer, Thrust
31	A125415	2	Gasket
32	E200026	1	Breather 3/4 NPT

WHEN ORDERING PARTS, ALWAYS STATE MODEL AND SERIAL NO. OF MACHINE

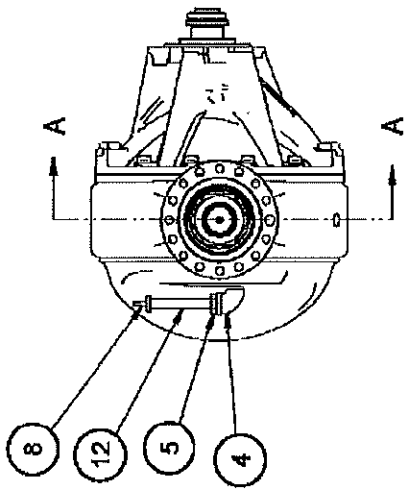
Axle Assembly, Cutter
568004053000



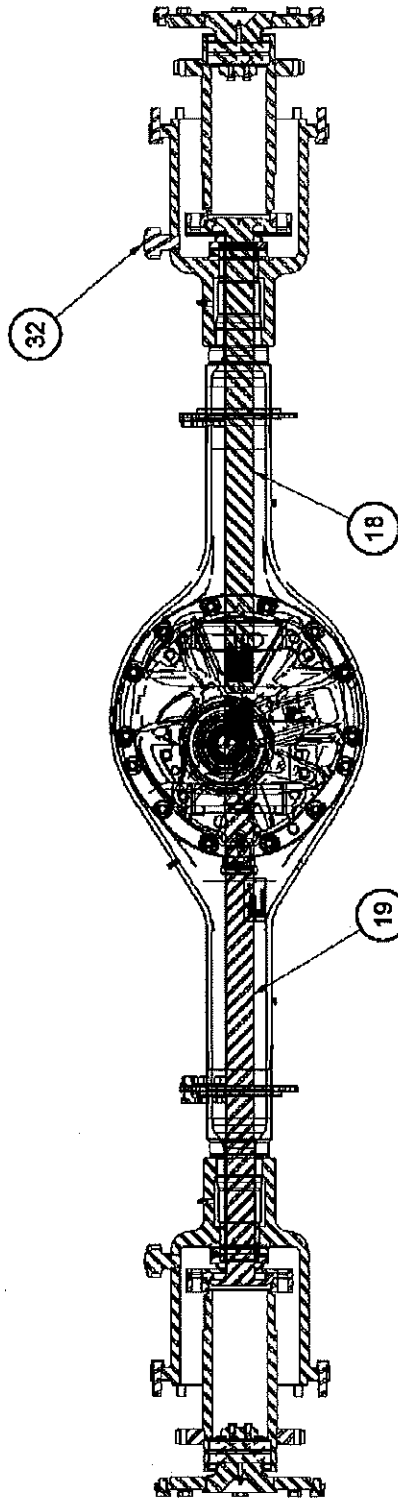
Rev. B

ILLUSTRATION MAY VARY FROM YOUR MACHINE

Axle Assembly, Cutter
568004053000



The items shown on this detail are listed on the assembly only up to 568238.



Rev. B

ILLUSTRATION MAY VARY FROM YOUR MACHINE

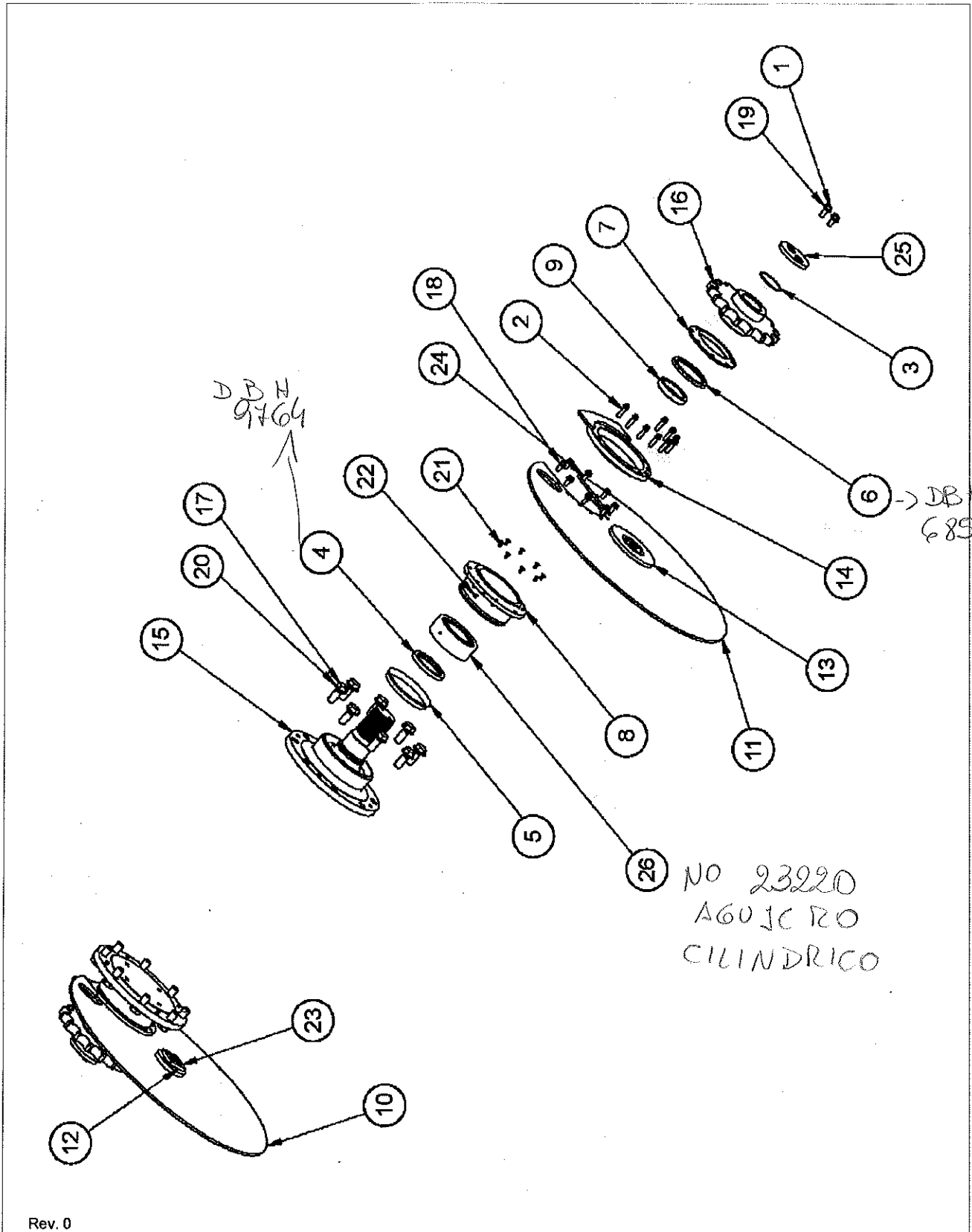
Intentionally Left Blank

**Drive Assembly, Cutter Lower
568004067000**

Ref. No.	Part No.	Qty.	Description
1	001002249000	4	Screw, Cap Hex
2	001009434000	18	Screw, Cap
3	004004244000	2	O-Ring
4	004014145000	2	Seal, Shaft
5	004014163000	2	Boot, Seal
6	004014166000	2	Seal
7	526000420000	2	Seal, Lower Bearing Housing
8	526000430000	2	Bearing, Lower Housing
9	526000449000	2	Spacer, Stub Shaft
10	526001028000	1	Disc LH Weldment
11	526001029000	1	Disc RH Weldment
12	526001031000	2	Screw, Pivot Weldment
13	526001057000	2	Shaft, Pivot Weldment
14	526001091000	2	Hood, Disc Assembly
15	568004068000	2	Stub Shaft, Long
16	568004069000	2	Sprocket, Cutter Drive
17	000A00207000	16	Bolt, Hex
18	000A00296000	16	Washer, Flat 1/2"
19	000A00298000	4	Washer, Flat 5/8
20	000A00301000	16	Washer, Flat 1"
21	000A00425000	16	Screw, Hex Flat, C'snk
22	000A00880000	2	Plug, Pipe 1/8"NPT
23	000A01828000	2	Pin, Rolled
24	A-141472	16	Bolt
25	A126820	2	Plate, Thrust
26	E051338	2	Bearing, Spherical Roller

WHEN ORDERING PARTS, ALWAYS STATE MODEL AND SERIAL NO. OF MACHINE

Drive Assembly, Cutter Lower
568004067000



Rev. 0

ILLUSTRATION MAY VARY FROM YOUR MACHINE

**Water and Emulsion System 1
568040084000**

Ref. No.	Part No.	Qty.	Description
1	001002161000	4	U-Bolt 1/4-20 UNC
2	001003012000	1	Hook, S
3	001009011000	1	Strap, Hose
4	002002269000	1	Coupling, Quick 3"
5	002003045000	1	Hose Assembly, Water 3" x 121"
6	002009503011	1	Union, Pipe 3" NPT
7	002017087000	1	Manifold Assembly, Hydraulic
8	526004312000	1	Flashing
9	568040026000	1	Accessory Group, Water Emulsion (Page 192)
10	568040033000	1	Pushbar Assembly (Page 194)
11	568040054001	1	Liner, Rubber
12	568040059000	1	Saddle Pipe
13	568040066000	1	Supply Pipe
14	568040069000	1	Spraybar Assembly (Page 196)
15	568040081000	1	Bracket, J-Box
16	568040085000	1	Water Pump and Plumbing Assembly 1 (Page 198)
17	568040086000	1	Bracket, Pump Mounting
18	568050051000	1	Hose Group 1 (Page 204)
19	568090008000	1	Electrical System 1 (Page 206)
20	000A00058000	2	Bolt, Hex 3/8-16 UNC X 1 1/4"
21	000A00104000	8	Bolt, Hex 1/2-13 UNC X 1 3/4"
22	000A00258000	2	Nut, 3/8-16 NC
23	000A00260000	8	Nut 1/2-13 UNC
24	000A00294000	2	Washer, Flat 3/8"
25	000A00306000	2	Washer, Lock 3/8"
26	000A00308000	8	Washer, Lock 1/2"
27	000A01836000	1	Bolt, Eye 3/8-16

WHEN ORDERING PARTS, ALWAYS STATE MODEL AND SERIAL NO. OF MACHINE

Intentionally Left Blank

**Accessory Group, Water Emulsion
568040026000**

Ref. No.	Part No.	Qty.	Description
1	553040119000	1	Crank
3	531004092000	1	Hose Assembly 4 x 120"
6	002009141000	16	Nozzle
8	002009138000	16	Nozzle
10	000AA0249000	16	Elbow, 45°
11	000A00854000	16	Reducer 1" NTP X 3/4" NPTF
12	002009501163	16	Nipple, Pipe
14	002009147000	16	Nozzle, Water Spray
16	002009501180	16	Nipple, 1" NPT X 6" LG
17	002009507006	16	Elbow, 45 Degree
19	568040027000	1	Flashing

WHEN ORDERING PARTS, ALWAYS STATE MODEL AND SERIAL NO. OF MACHINE

**Accessory Group, Water Emulsion
568040026000**

NO DRAWING FOR THIS ASSEMBLY

Rev. 0

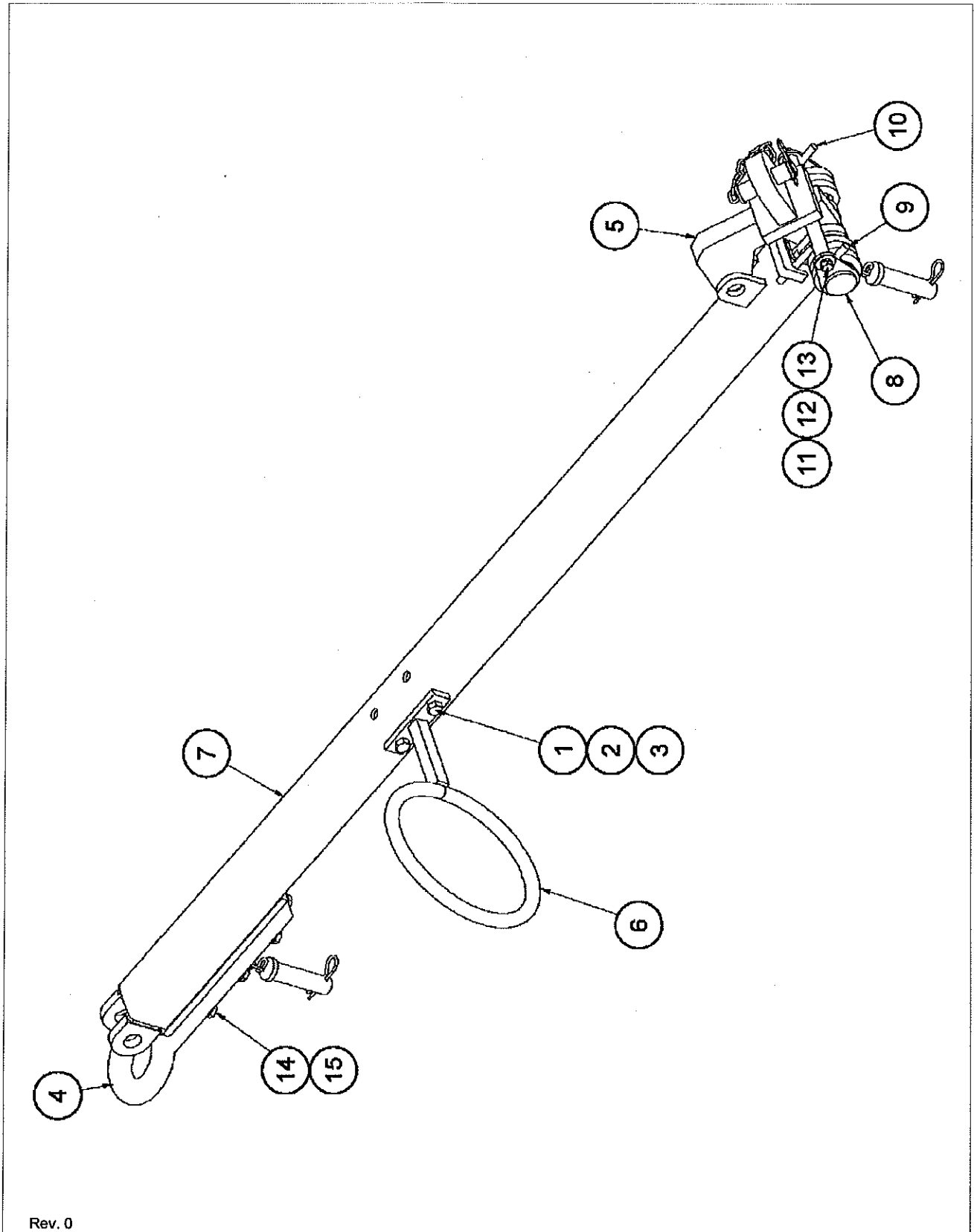
ILLUSTRATION MAY VARY FROM YOUR MACHINE

**Pushbar Assembly
568040033000**

Ref. No.	Part No.	Qty.	Description
1	000A00156000	2	Bolt, Hex 5/8-11 UNC x 5"
2	000A00262000	2	Nut 5/8-11 UNC
3	000A00310000	2	Washer, Lock 5/8
4	001010086000	1	Draw Bar
5	568040035000	1	Pivot, Push Bar
6	526224397000	1	Support, Hose
7	568040034000	1	Pushbar
8	568040036000	2	Pin
9	568040037000	1	Spring, Right Hand
10	568040038000	1	Spring, Left Hand
11	311539041410	2	Washer, Fender
12	000A00308000	2	Washer, Lock 1/2"
13	000A00101000	2	Bolt, Hex 1/2-13 UNC x 1"
14	000A02945000	7	Washer, Flat 5/8"
15	000A00147000	7	Bolt, Hex 5/8"-11 UNC X 2 1/4"

WHEN ORDERING PARTS, ALWAYS STATE MODEL AND SERIAL NO. OF MACHINE

Pushbar Assembly
568040033000



Rev. 0

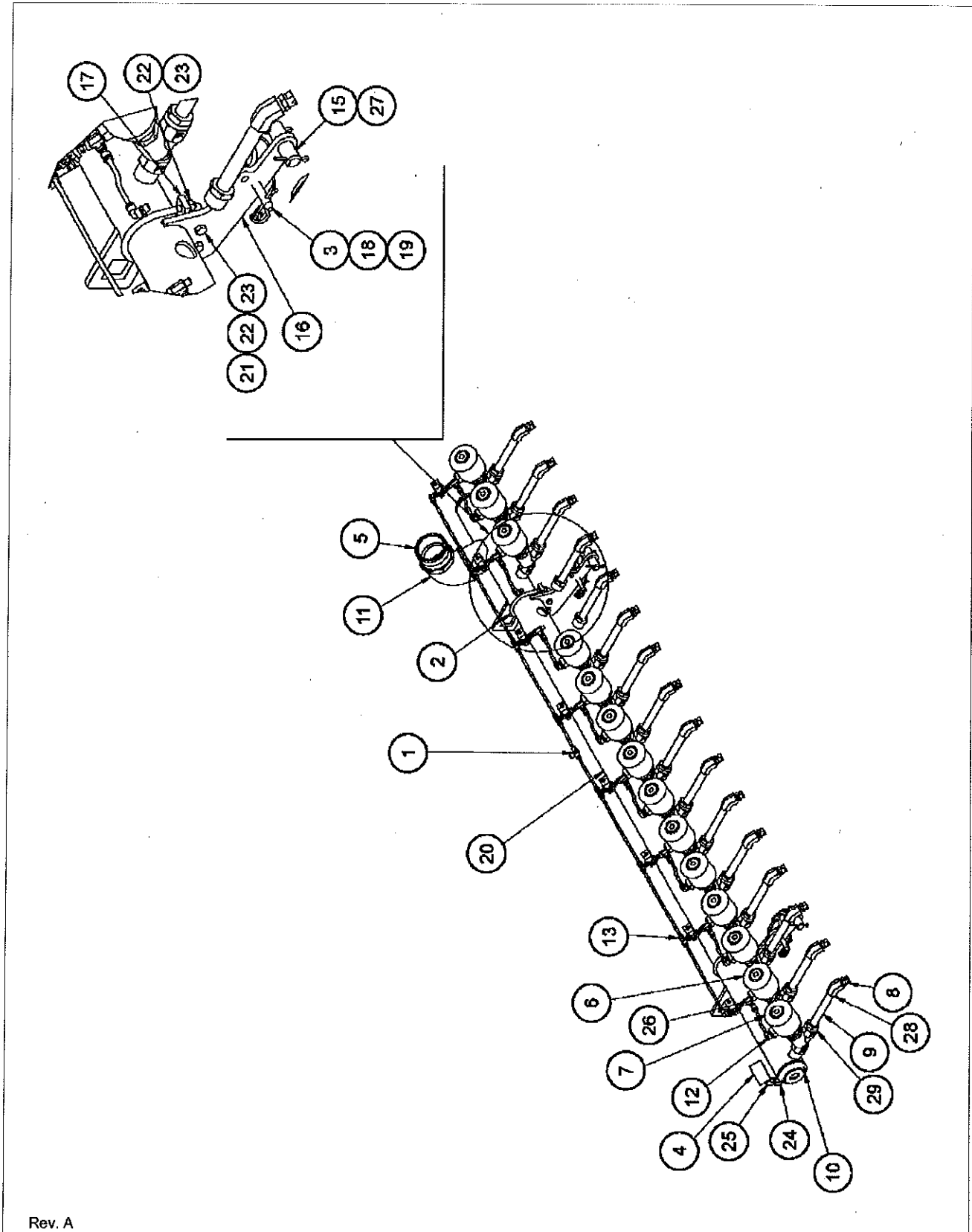
ILLUSTRATION MAY VARY FROM YOUR MACHINE

**Spraybar Assembly
568040069000**

Ref. No.	Part No.	Qty.	Description
1	55-79022	1	Tee, One Touch Union
2	001002251000	2	U-Bolt 3/8 x 3 1/2 x 4 1/8
3	001003133001	6	Swedge 1/8"
4	001005238000	1	Gauge, Pressure 0-100 PSI
5	002002269000	1	Coupling, Quick 3"
6	002006518000	8	Valve Assembly
7	002006519000	8	Valve Assembly
8	002009133000	16	Nozzle
9	002009501130	16	Nipple, Pipe 1/2 x 6
10	002009506045	2	Plug, Pipe 2" NPT
11	002009510029	1	Elbow, Street 90° 3" NPT
12	002015917000	18	Adapter, 90 Elbow 1/8 NPT X 1/4 Tube
13	002015920000	6	Tee, Male Branch
14	312006150000	13'	Tube
15	553040049000	2	Pin
16	568040012000	2	Bracket, Spraybar
17	568040013000	2	Saddle, Spraybar
18	568040031000	2	Pin Assembly, Hitch
19	568040032000	2	Lanyard, Pin and Keeper
20	568010001000	1	Spraybar From 571406
21	000A00061000	4	Bolt, Hex 3/8-16 UNC X 2"
22	000A00258000	8	Nut, 3/8-16 NC
23	000A00306000	8	Washer, Lock 3/8"
24	000A00898000	1	Elbow, 90° Street
25	000A00907000	1	Elbow, 45° Street
26	000A00920000	8	Tee
27	000A01538000	4	Pin, Cotter 3/16" X 2"
28	000AA0089000	16	Elbow, Pipe 45°
29	000AA0090000	16	Bushing, Reducer 1"- 1/2"
30	002009501172	16	Nipple, Pipe From 571406

WHEN ORDERING PARTS, ALWAYS STATE MODEL AND SERIAL NO. OF MACHINE

Spraybar Assembly
568040069000



Rev. A

ILLUSTRATION MAY VARY FROM YOUR MACHINE

**Water Pump and Plumbing Assembly 1
568040085000**

Ref. No.	Part No.	Qty.	Description
1	002008543000	1	Strainer, Basket
2	002009501382	1	Pipe Nipple Sch 40, 4" X 6'
3	002009510029	2	Elbow, Street 90° 3" NPT
4	002009511051	1	Bushing, Reducer 4" x 3"
5	313006041000	1	Gasket, Flange 4"
6	319006120000	1	Flange, Pipe 4"
7	526004193000	1	Pump/Motor Assembly (Page 200)
8	526004195000	1	Mount, Pump/Motor
9	526004398000	1	Angle, Flowmeter Support
10	531004145000	1	Flange
11	553040105000	1	Lanyard Assembly (Page 202)
12	568040087000	1	Plate
13	568040088000	1	Nipple, Pipe 3" x 41"
14	000A00105000	4	Bolt, Hex 1/2-13 UNC X 2"
15	000A00145000	2	Bolt, Hex, 5/8"-11 UNC X 1 3/4"
16	000A00146000	2	Bolt, Hex 5/8-11 UNC X 2"
17	000A00149000	16	Bolt, Hex 5/8-11 UNC X 2 3/4"
18	000A00260000	4	Nut 1/2-13 UNC
19	000A00262000	20	Nut 5/8-11 UNC
20	000A00296000	8	Washer, Flat 1/2"
21	000A00298000	8	Washer, Flat 5/8
22	000A00308000	4	Washer, Lock 1/2"
23	000A00310000	20	Washer, Lock 5/8

WHEN ORDERING PARTS, ALWAYS STATE MODEL AND SERIAL NO. OF MACHINE

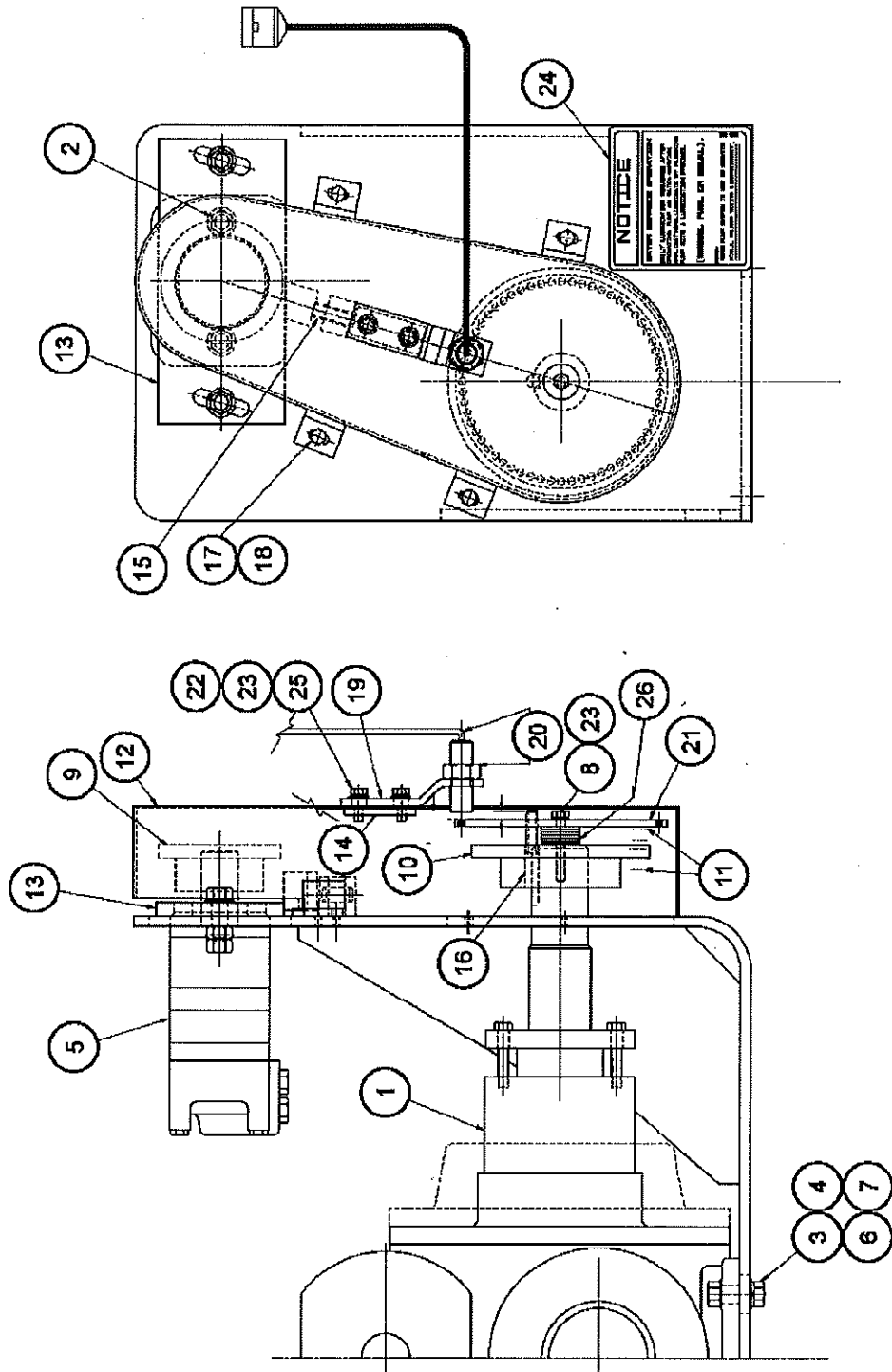
Intentionally Left Blank

**Pump/Motor Assembly
526004193000**

Ref. No.	Part No.	Qty.	Description
1	526004286000	1	Pump
2	000A00107000	2	Screw, Cap 1/2-13 UNC X 2 1/2"
3	000A00260000	6	Nut 1/2-13 UNC
4	000A00296000	10	Washer, Flat 1/2"
5	002015449000	1	Motor, Hydraulic
6	000A00105000	6	Bolt, Hex 1/2-13 UNC X 2"
7	000A00308000	8	Washer, Lock 1/2"
8	000A01142000	1	Bolt, Hex
9	004011125000	1	Sprocket
10	004011130000	1	Sprocket
11	004001219000	1	Chain
12	526004285000	1	Guard, Chain
13	531004163000	1	Bracket
14	543040109000	1	Backing Plate
15	000A00109000	1	Bolt, Hex., 1/2-13 UNC X 3"
16	001001308000	1	Key, Square
17	000A00292000	4	Washer, Flat 1/4
18	000A00006000	4	Bolt, Hex 1/4-20 UNC X 1"
19	543040110000	1	Bracket, Sensor Mount
20	526009173000	1	Cable, Speed Interface Control
21	543040111000	1	Pulser Disks Assembly
22	000A00031000	2	Bolt, Hex 5/16-18 UNC X 1"
23	000A00305000	3	Washer, Lock 5/16
24	526000925000	1	Decal, Pump Lubrication
25	000A00293000	2	Washer, Flat 5/16
26	G15069	10	Washer, Flat From 5/16" x 1 3/8

WHEN ORDERING PARTS, ALWAYS STATE MODEL AND SERIAL NO. OF MACHINE

Pump/Motor Assembly
526004193000



Rev. B

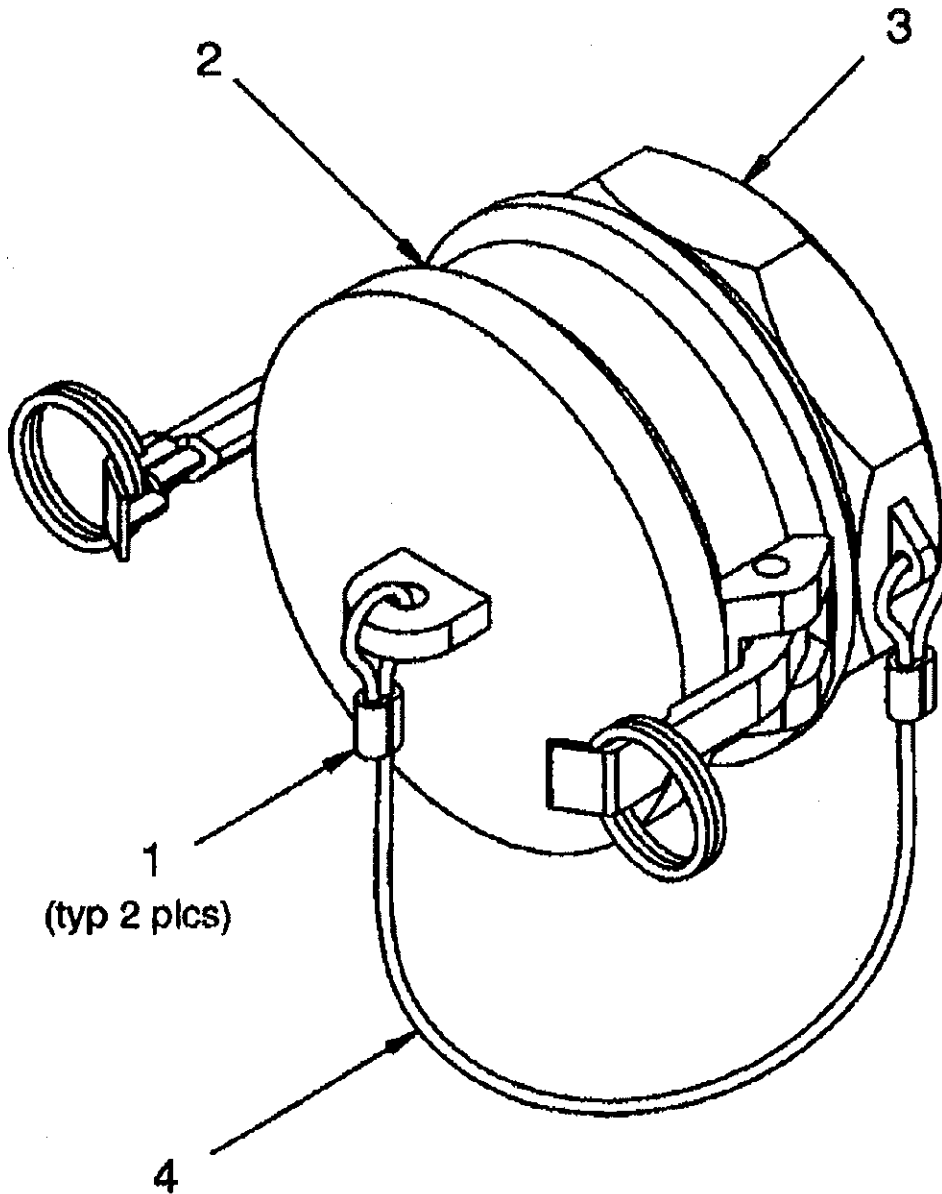
ILLUSTRATION MAY VARY FROM YOUR MACHINE

**Lanyard Assembly
553040105000**

Ref. No.	Part No.	Qty.	Description
1	001003133001	2	Swedge 1/8"
2	002002275000	1	Cap, Dust
3	002002278000	1	Coupler
4	553040105001	1	Wire

WHEN ORDERING PARTS, ALWAYS STATE MODEL AND SERIAL NO. OF MACHINE

Lanyard Assembly
553040105000



Rev. 0

ILLUSTRATION MAY VARY FROM YOUR MACHINE

**Hose Group 1
568050051000**

Ref. No.	Part No.	Qty.	Description
1	002011507136	1	Hose Assembly 3/8 ORFS x 136" Pump case drain to motor
4	0020225690180	1	Hose Assembly Valve to motor A
7	0020225690210	1	Hose Assembly Motor B to tank
10	0020225690036	1	Hose Assembly Filter to valve

WHEN ORDERING PARTS, ALWAYS STATE MODEL AND SERIAL NO. OF MACHINE

**Hose Group 1
568050051000**

NO DRAWING FOR THIS ASSEMBLY

**HOSE RUNS ARE INCLUDED IN
BILL OF MATERIAL**

Rev. A

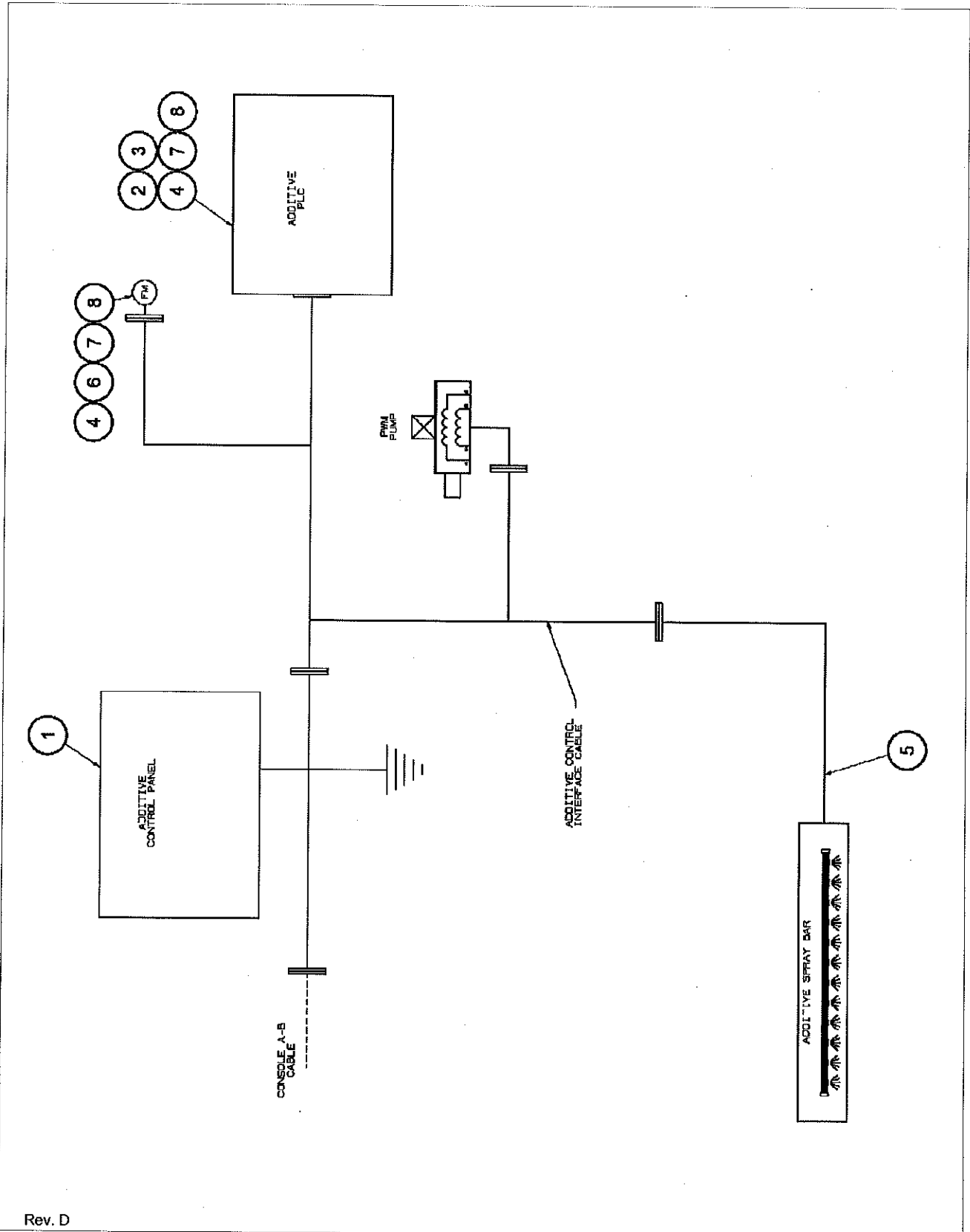
ILLUSTRATION MAY VARY FROM YOUR MACHINE

**Electrical System 1
568090008000**

Ref. No.	Part No.	Qty.	Description
3	568040014000	2	Bracket, J-Box Support
4	000A00002000	6	Bolt, Hex 1/4-20 UNC X 1/2"
5	568090049000	1	Cable, Spraybar (Page 208)
6	568090035000	1	Cable, Flowmeter Ground
7	000A02038000	14	Nut, Lock 1/4-20 UNC
8	000A00292000	14	Washer, Flat 1/4

WHEN ORDERING PARTS, ALWAYS STATE MODEL AND SERIAL NO. OF MACHINE

Electrical System 1
568090008000



Rev. D

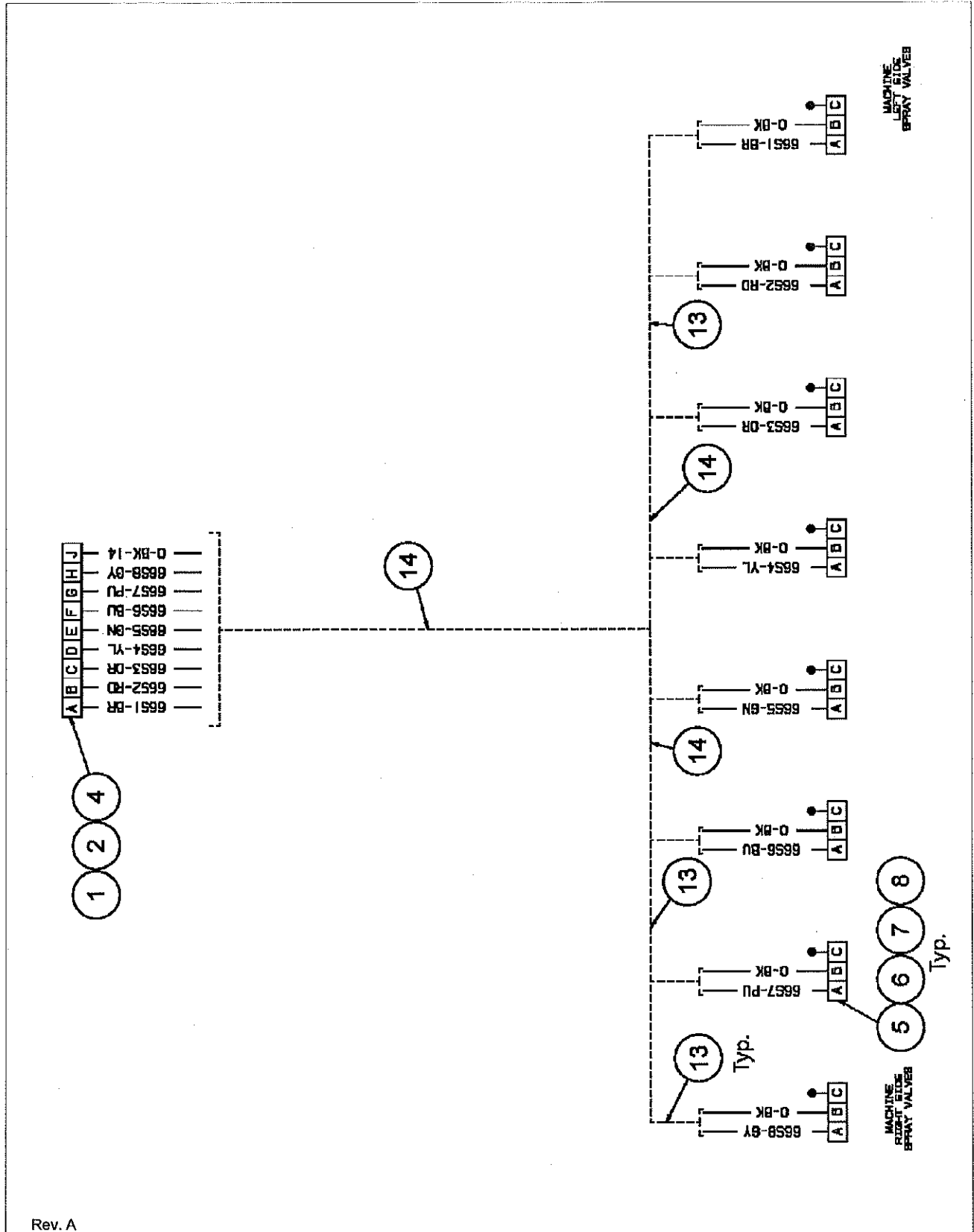
ILLUSTRATION MAY VARY FROM YOUR MACHINE

**Cable, Spraybar
568090049000**

Ref. No.	Part No.	Qty.	Description
1	003005071011	1	Connector
2	003005071013	8	Terminal, Socket, Female
4	003005071035	1	Terminal, Socket
5	003005072023	8	Connector, Three Way Tower
6	003005072032	16	Terminal, Sleeve, Female
7	003005072002	16	Seal, Gray Cable
8	003005072004	8	Plug, Sealing
9	003000700207	1	Buttsplice, Non Insulated
10	003000901219	2"	Tubing, Heat Shrink
11	003000700208	3	Splice, Butt
12	003000901218	6"	Heatshrink, Tubing
13	003001853002	7'	Loom
14	003001853004	11.5'	Loom
15	003000902289	17.5'	Wire, Red #16 SXL
16	003000902290	16.5'	Wire, Orange #16 SXL
17	003000902291	16'	Wire #16 SXL Yellow
18	003000902294	18.5'	Wire, Gray
19	003000902295	18.5'	Wire, Brown
20	003000902296	17.5'	Wire #16 SXL Purple
21	003000902297	16'	Wire, Green #16 SXL
22	003000902298	16.5'	Wire, Blue #16 SXL
23	003000902304	24.5'	Wire SXL #14 AWG Black

WHEN ORDERING PARTS, ALWAYS STATE MODEL AND SERIAL NO. OF MACHINE

Cable, Spraybar
568090049000



Rev. A

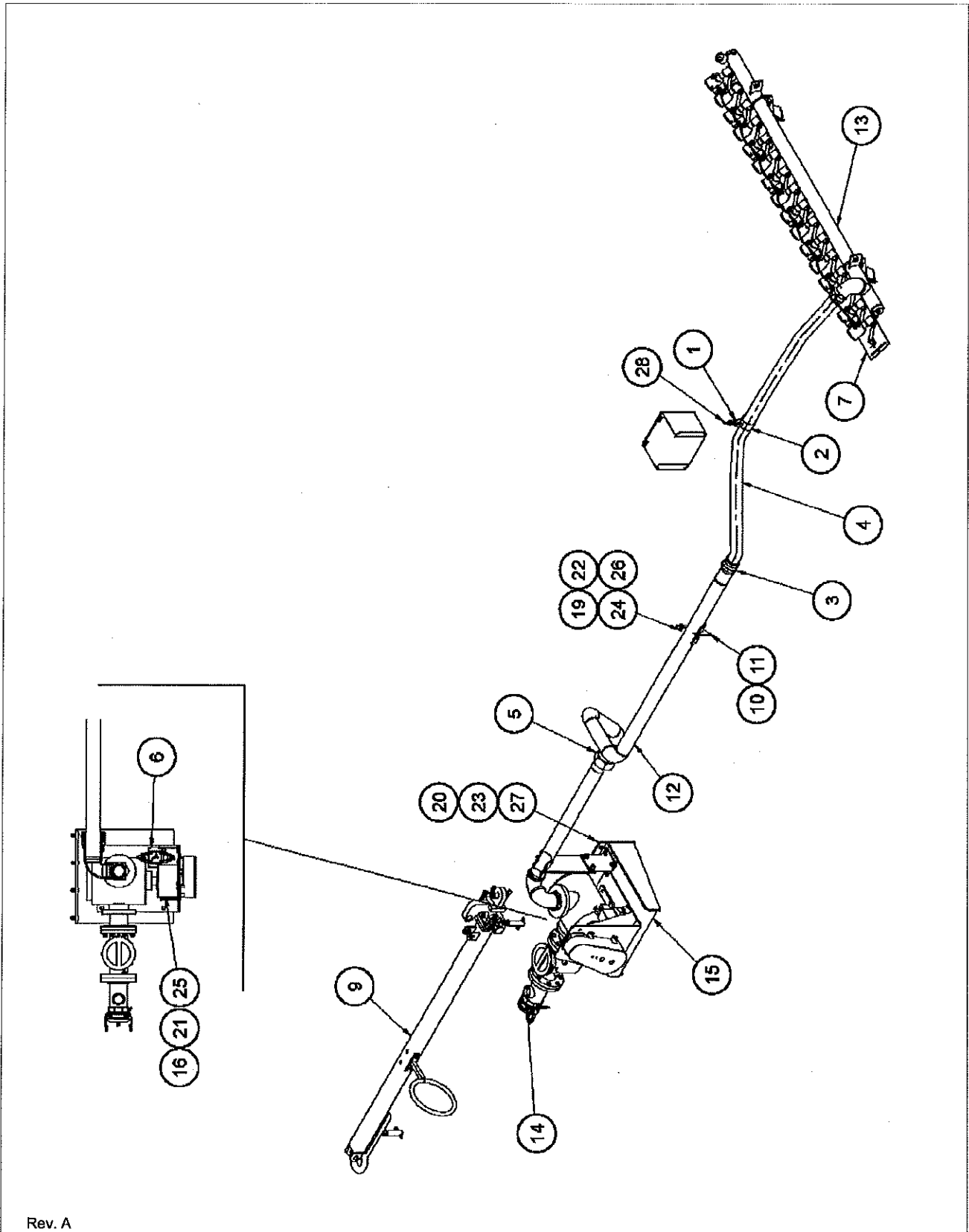
ILLUSTRATION MAY VARY FROM YOUR MACHINE

**Water and Emulsion System 2
568040084000**

Ref. No.	Part No.	Qty.	Description
1	001003012000	1	Hook, S
2	001009011000	1	Strap, Hose
3	002002269000	1	Coupling, Quick 3"
4	002003045000	1	Hose Assembly, Water 3" x 121"
5	002009503011	1	Union, Pipe 3" NPT
6	002017087000	1	Manifold Assembly, Hydraulic
7	526004312000	1	Flashing
8	568040026000	1	Accessory Group, Water Emulsion (Page 192)
9	568040033000	1	Pushbar Assembly (Page 194)
10	568040054001	1	Liner, Rubber
11	568040059000	1	Saddle Pipe
12	568040066000	1	Supply Pipe
13	568040069000	1	Spraybar Assembly (Page 196)
14	568040085000	1	Water Pump and Plumbing Assembly 2 (Page 212)
15	568040086000	1	Bracket, Pump Mounting
16	568040092000	1	Guard
17	568050051000	1	Hose Group 2 (Page 214)
18	568090009000	1	Electrical System (Page 216)
19	000A00058000	2	Bolt, Hex 3/8-16 UNC X 1 1/4"
20	000A00104000	8	Bolt, Hex 1/2-13 UNC X 1 3/4"
21	000A00256000	2	Nut 1/4-20 UNC
22	000A00258000	2	Nut, 3/8-16 NC
23	000A00260000	8	Nut 1/2-13 UNC
24	000A00294000	2	Washer, Flat 3/8"
25	000A00304000	2	Washer, Lock 1/4"
26	000A00306000	2	Washer, Lock 3/8"
27	000A00308000	8	Washer, Lock 1/2"
28	000A01836000	1	Bolt, Eye 3/8-16

WHEN ORDERING PARTS, ALWAYS STATE MODEL AND SERIAL NO. OF MACHINE

Water and Emulsion System 2
568040084000



Rev. A

ILLUSTRATION MAY VARY FROM YOUR MACHINE

**Water Pump and Plumbing Assembly 2
568040085000**

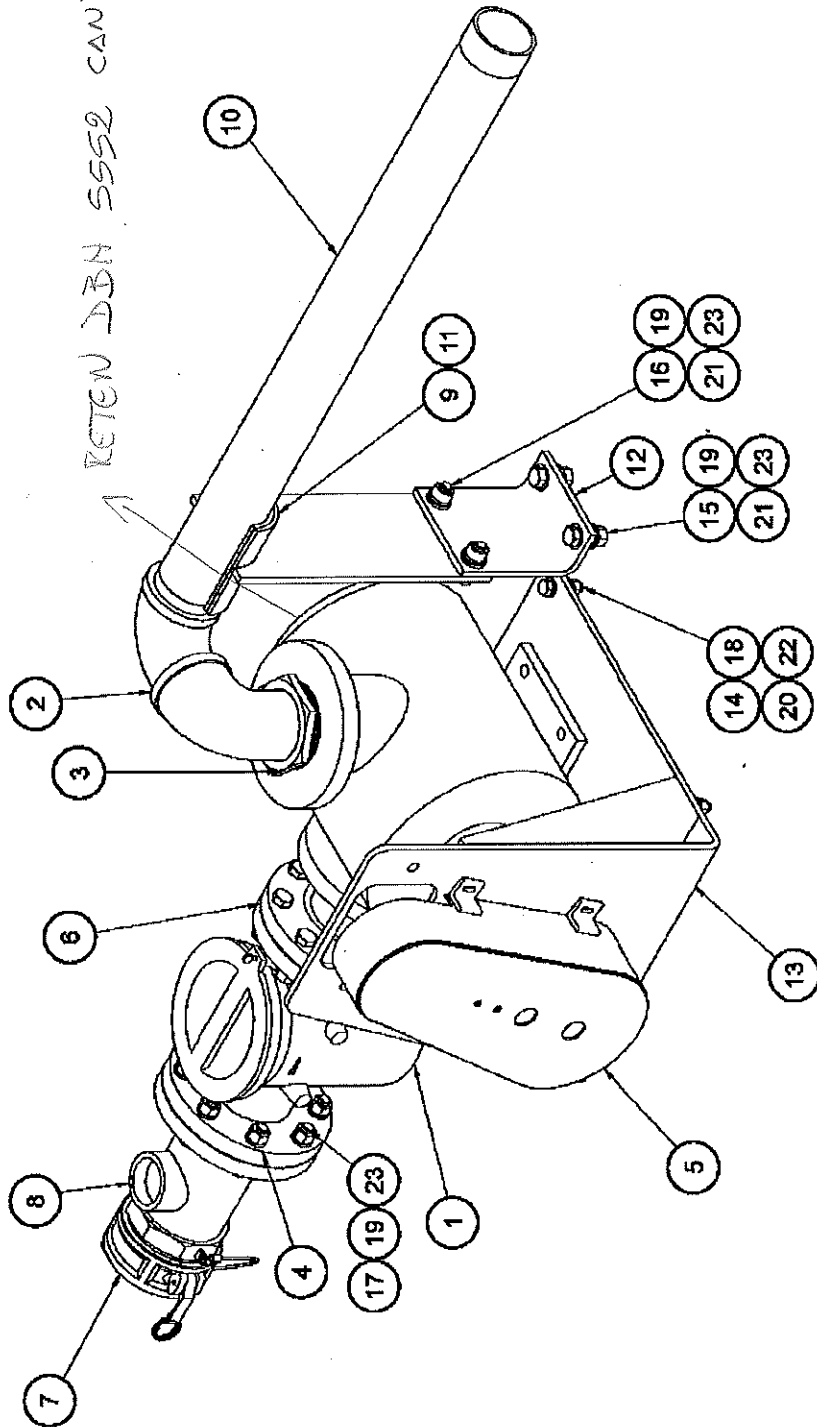
Ref. No.	Part No.	Qty.	Description
1	002008543000	1	Strainer, Basket
2	002009510029	2	Elbow, Street 90° 3" NPT
3	002009511051	1	Bushing, Reducer 4" x 3"
4	313006041000	1	Gasket, Flange 4"
5	526004193000	1	Pump/Motor Assembly (Page 200)
6	531004145000	1	Flange
7	553040105000	1	Lanyard Assembly (Page 202)
8	553040171000	1	Flange Weldment
9	568040054001	1	Liner, Rubber
10	568040088000	1	Nipple, Pipe 3" x 41"
11	568040090000	1	Saddle, Pipe
12	568040091000	1	Plate
13	568040093000	1	Mount, Pump/Motor
14	000A00105000	4	Bolt, Hex 1/2-13 UNC X 2"
15	000A00145000	2	Bolt, Hex 5/8"-11 UNC X 1 3/4"
16	000A00146000	2	Bolt, Hex 5/8-11 UNC X 2"
17	000A00149000	16	Bolt, Hex 5/8-11 UNC X 2 3/4"
18	000A00260000	4	Nut 1/2-13 UNC
19	000A00262000	20	Nut 5/8-11 UNC
20	000A00296000	8	Washer, Flat 1/2"
21	000A00298000	8	Washer, Flat 5/8
22	000A00308000	4	Washer, Lock 1/2"
23	000A00310000	20	Washer, Lock 5/8

WHEN ORDERING PARTS, ALWAYS STATE MODEL AND SERIAL NO. OF MACHINE

Water Pump and Plumbing Assembly 2
568040085000

PALETA PART NO 091924 CANT 6

RETEN DBN 5552 CANT 2



Rev. B

ILLUSTRATION MAY VARY FROM YOUR MACHINE

**Hose Group 2
568050051000**

Ref. No.	Part No.	Qty.	Description
			Valve A port to RT port of motor from behind
			Valve B port to LT port of motor from behind
5	002011721304	1	Hose Assembly 1/2 ORFS x 304"
			Return from valve to tank
8	002011721276	1	Hose Assembly 1/2 ORFS x 276"
			Pressure from aux pump to valve
11	002011198168	1	Hose Assembly 1/4 ORFS x 168"
			Case drain motor to case drain aux pump
14	001003322000	2	Clamp Set Std Series Stacking Grp 3
16	001003307000	2	Clamp Set Std Series Grp 3
27	000A00714000	2	Plug 1 1/16-12
			For ports facing front of machine
30	000AA0112008	2	Connector, STR Male 1/2 ORFS X 1/2 ORB
			Valve
33	000AA0112011	3	Connector, Straight -8ORFS X -12ORB
			2 on valve 1 on hyd tank
36	000AA0147007	1	Reducer Tube End 12-4 ORFS
			Case drain tee on aux pump
39	000AA0123001	1	Connector, Swivel Nut Elbow -4 ORFS
			Case drain on aux pump
42	000AA0124005	1	Tee, Run Swivel 3/4 ORFS
			Tee going to hyd main aux valve
45	000AA0147009	1	Reducer Tube End 12-8 ORFS
			Tee going to hyd main aux valve
48	000AA0123005	1	Elbow, Swivel Nut 12MORFS X 12FFORX
			Side port of main aux valve
52	000AA0113001	1	Elbow 45° 4-4 ORFS/Str O-Ring
			Motor caase drain
55	000AA0112010	2	Connector, Straight -8ORFS X -10ORB
			Motor main ports
	002011721027	2	Hose Assembly

WHEN ORDERING PARTS, ALWAYS STATE MODEL AND SERIAL NO. OF MACHINE

**Hose Group 2
568050051000**

NO DRAWING FOR THIS ASSEMBLY

**HOSE RUNS ARE INCLUDED IN
BILL OF MATERIAL**

Rev. A

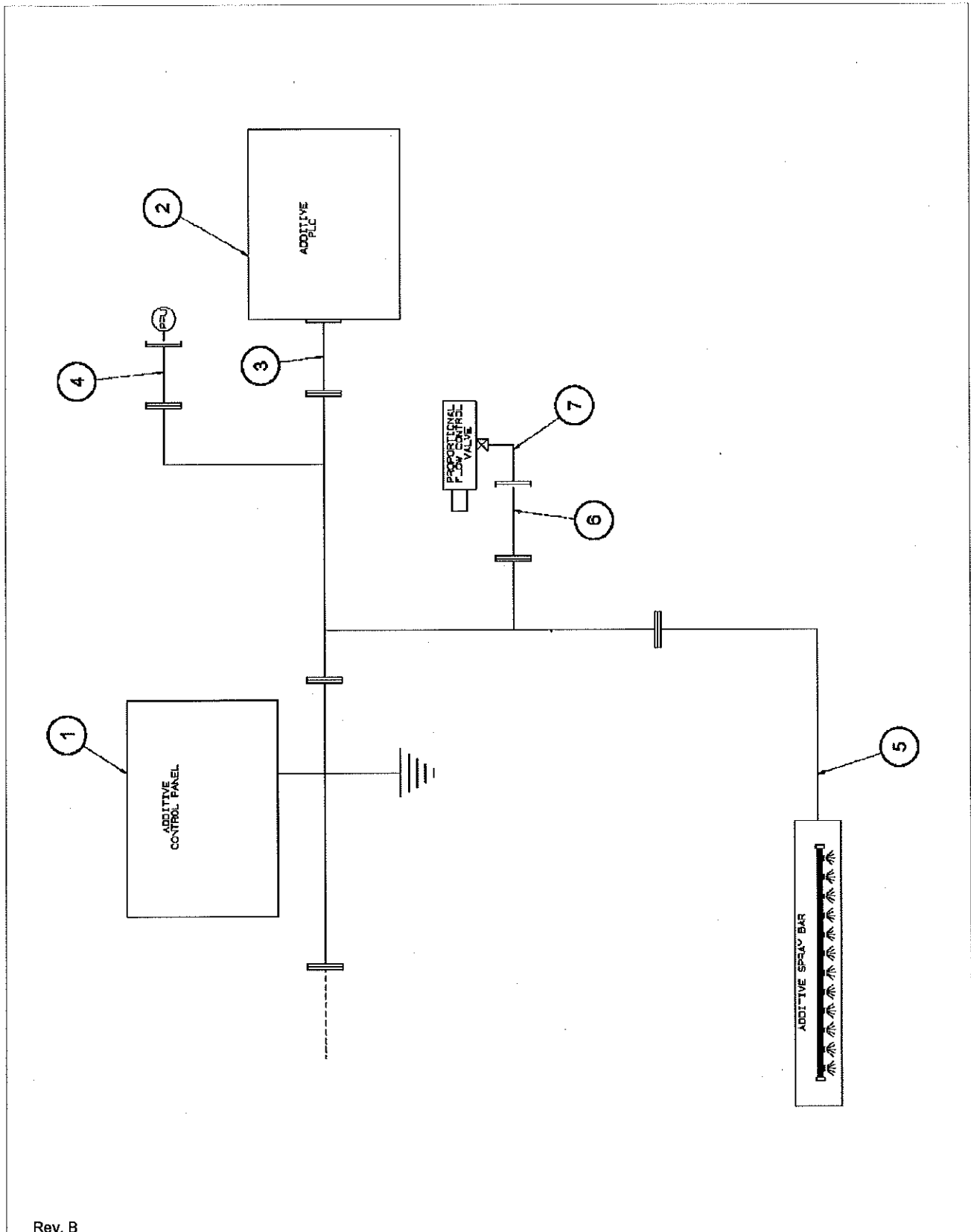
ILLUSTRATION MAY VARY FROM YOUR MACHINE

**Electrical System
568090009000**

Ref. No.	Part No.	Qty.	Description
1	568090169000	1	Panel Assembly From 568256
2	568090181000	1	J-Box Assembly From 568256
4	568090162000	1	Cable, PPU Adapter/Extension
5	568090049000	1	Cable, Spraybar (Page 208)
6	568090163000	1	Cable, Valve Extension
7	550090145000	1	Cable, Molded

WHEN ORDERING PARTS, ALWAYS STATE MODEL AND SERIAL NO. OF MACHINE

Electrical System
568090009000



Rev. B

ILLUSTRATION MAY VARY FROM YOUR MACHINE



NUMERICAL INDEX

Part No	Page	Part No	Page	Part No	Page
000A00002000	206	000A00270000	12,162	000A00884000	28,36,39,174
000A00004000	8,24,30,110,170	000A00271000	126	000A00893000	39
000A00005000	10	000A00272000	84	000A00898000	196
000A00006000	24,88,160,170,200	000A00279000	174	000A00899000	36
000A00008000	170	000A00292000	8,10,24,110,160	000A00900000	60
000A00009000	68		170,174,200,206	000A00901000	39,44
000A00010000	72	000A00293000	38,174,200	000A00907000	196
000A00012000	28	000A00294000	10,12,18,22,32	000A00913000	72,106
000A00027000	74		36,38,64,162,164	000A00916000	39
000A00029000	72		190,210	000A00920000	196
000A00031000	38,200	000A00295000	44,54	000A00921000	72
000A00032000	174	000A00296000	6,8,24,38,58,88	000A00922000	36
000A00036000	24		160,164,170,174	000A00924000	60,174
000A00054000	10		180,182,188,198	000A00930000	36
000A00055000	28	000A00298000	200,212	000A01093000	106,110
000A00056000	84		84,124,178,184	000A01094000	106
000A00057000	10,12,18,22,36		188,198,212	000A01101000	164
	38,90,162,164,180	000A00299000	8,24,32,38,124	000A01102000	32
	182		126,132	000A01142000	200
000A00058000	32,38,58,110,162	000A00300000	126,132	000A01268000	168
	164,190,210	000A00301000	6,188	000A01497000	8
000A00059000	10,38,88,162,164	000A00304000	8,10,24,28,30,72	000A01538000	196
000A00060000	84		84,88,170,210	000A01542000	126,132,175
000A00061000	12,164,184,196	000A00305000	72,74,174,200	000A01567000	174
000A00063000	68	000A00306000	10,12,18,22,28	000A01597000	174
000A00080000	44,54		36,38,58,64,68	000A01599000	178
000A00084000	38		84,88,162,180,182	000A01828000	188
000A00086000	46		184,190,196,210	000A01836000	190,210
000A00089000	126	000A00307000	38,44,46	000A01890000	8
000A00101000	6,194	000A00308000	8,24,38,50,60,84	000A01906000	110
000A00102000	84		88,174,180,182	000A01991000	50
000A00103000	38,50,84,88,174		190,194,198,200	000A02033000	110
	180,182		210,212	000A02035000	96,106
000A00104000	8,24,190,210	000A00310000	184,194,198,212	000A02036000	8,24,164,168
000A00105000	8,24,174,198,200	000A00311000	124,126,132,175	000A02038000	110,160,164,170
	212	000A00332000	96		174,206
000A00106000	174	000A00339000	164	000A02039000	24,39
000A00107000	200	000A00367000	8,24	000A02040000	10,164,174
000A00108000	38	000A00425000	188	000A02041000	54
000A00109000	14,146,200	000A00431000	180,182	000A02042000	14,39,58,164,170
000A00112000	170	000A00450000	44	000A02043000	124
000A00115000	180,182	000A00481000	156	000A02044000	8,24,39
000A00142000	184	000A00523000	126	000A02052000	106
000A00145000	184,198,212	000A00525000	152	000A02105000	106
000A00146000	198,212	000A00572000	126	000A02108000	110
000A00147000	84,178,194	000A00678000	38	000A02228000	140
000A00148000	184	000A00679000	18,36	000A02432000	110
000A00149000	198,212	000A00682000	46	000A02686000	39
000A00150000	124	000A00689000	72	000A02834000	22
000A00152000	124,178	000A00700000	28	000A02943000	174
000A00156000	194	000A00701000	36	000A02945000	126,132,194
000A00165000	38	000A00703000	36,38	000A02948000	180,182
000A00166000	126,132	000A00704000	38	000A03025000	60
000A00167000	8,24,32	000A00709000	80	000A03026000	39
000A00169000	38	000A00712000	74	000A03037000	126,132
000A00171000	174	000A00714000	214	000A03057000	46,130
000A00172000	124	000A00718000	180,182	000A03384000	160,174,180,182
000A00176000	8	000A00721000	72	000A03494000	32
000A00207000	188	000A00722000	36	000A03728000	174
000A00211000	6	000A00753000	38	000A03730000	84
000A00219000	180,182	000A00765000	36	000A03747000	154
000A00256000	10,24,72,210	000A00830000	38	000A03748000	154
000A00258000	32,36,38,58,64	000A00842000	54	000A03932000	39
	90,110,162,164	000A00843000	72,150	000A05379000	156
	190,196,210	000A00845000	60	000A05384000	60
000A00259000	126	000A00846000	28	000A05390000	140
000A00260000	46,84,174,190,198	000A00847000	22	000A05884000	141
	200,210,212	000A00850000	106	000A07350000	50
000A00262000	178,184,194,198	000A00851000	36	000AA0046000	126,132
	212	000A00854000	192	000AA0089000	196
000A00263000	124	000A00859000	106	000AA0090000	196
000A00264000	126,132	000A00862000	44	000AA0099000	8,24
000A00265000	6	000A00880000	36,188	000AA0112001	22,80
000A00267000	24	000A00881000	62	000AA0112002	39

NUMERICAL INDEX

Part No	Page	Part No	Page	Part No	Page
000AA0112004	22,72	000AA0435000	39	001005283000	18
000AA0112005	174	000AA0443000	106	001005285000	22,92,116
000AA0112006	72,74,175	000AA0479008	44	001005290000	22
000AA0112008	214	000AA0480002	36	001006026000	174
000AA0112010	74,214	000AA0518009	44	001007020000	84
000AA0112011	214	000AA0620000	164	001008049000	160
000AA0112016	22,39,60,126,132	000AA0632003	180,182	001008186000	8
000AA0112017	44	000AA0639000	60	001008187000	164
000AA0112018	39,74	000AA0640003	18	001008193000	24
000AA0112019	39,72,80	000AA0643000	130	001008194000	32
000AA0112021	39	000AA0644008	44	001009011000	126,190,210
000AA0112022	60	000AA0645000	74	001009017000	28
000AA0113001	214	000AA0651000	72	001009074000	146
000AA0113002	39	000AA0726000	72	001009089000	64
000AA0113003	20,22,46,72,175	001001308000	200	001009199000	140
000AA0113005	126,132	001001340000	184	001009243000	140
000AA0113014	28,60	001001424000	84	001009356000	164
000AA0113016	74	001001444000	8	001009369000	146
000AA0113017	39,72,80	001001497000	126,132	001009434000	188
000AA0113019	22	001001498000	126,132	001009460000	140
000AA0113020	60	001001499000	14	001009508000	18
000AA0113027	22	001001501000	175	001009565000	92,116
000AA0116005	44	001002069000	20	001009758000	8,24
000AA0117005	39	001002161000	190	001010066000	148,150
000AA0118003	46	001002167000	92,116	001010067000	150
000AA0118012	39	001002249000	188	001010068000	150
000AA0119013	28,175	001002251000	196	001010069000	150
000AA0119017	80	001002288000	32	001010086000	194
000AA0120004	72	001003012000	126,190,210	001010101000	154
000AA0120010	39	001003033000	164	001010106000	8
000AA0120013	44,175	001003114000	60	001010122000	146
000AA0120015	28	001003128000	36,54,60	001010134000	140
000AA0120017	80	001003133001	164,196,202	001010148000	184
000AA0121006	39	001003133002	164	001010168000	140
000AA0122003	72	001003156000	60,62	001010342000	18
000AA0123001	39,214	001003201000	60	001010530000	140
000AA0123003	72	001003202000	54	001010540000	8,24,168
000AA0123005	80,126,132,214	001003206000	54	001010650000	140
000AA0124001	39	001003256001	28	001010651000	140
000AA0124002	72,126,132	001003256003	28	001010652000	140
000AA0124003	72	001003258020	38	001010653000	140
000AA0124005	44,72,80,214	001003297000	68	001010657000	140
000AA0125005	39	001003298000	68	001010658000	140
000AA0125007	39,80	001003299000	68	001010660000	140
000AA0128002	80	001003303000	68	001010661000	140
000AA0128005	80	001003305000	68	001010662000	140
000AA0128007	80	001003307000	68,214	001010672000	164
000AA0130005	80	001003309000	68	001010674000	140
000AA0133005	44	001003315000	68	001010676000	140
000AA0133006	80	001003320000	68	001010677000	140
000AA0145005	39	001003321000	68	001010679000	140
000AA0147007	44,214	001003322000	214	001010680000	140
000AA0147008	39,72	001003323000	68	001010688000	38,48
000AA0147009	80,214	001003341000	68	001010688001	48
000AA0164006	126	001003346000	68	001010688002	48
000AA0174006	22	001003349000	126,132	001010688003	48
000AA0174009	22	001003351000	68	001010688005	48
000AA0249000	192	001003352000	68	001010688006	48
000AA0349000	160	001003356000	68	001010688007	48
000AA0388004	62	001003359000	68	001010688008	48
000AA0388025	46	001003360000	68	001010688009	48
000AA0388029	39	001004099001	164	001010688010	48
000AA0388049	54,58	001004126000	164	001010688011	48
000AA0388085	52	001005011000	20	001010688012	48
000AA0388140	126,132	001005112000	106	001010688013	48
000AA0388176	126,132	001005121000	18	001010901000	88
000AA0389002	39	001005215000	92,116	001010902000	88
000AA0389003	88	001005234000	106	001010959000	8
000AA0389004	88	001005235000	106	001010964000	174
000AA0391003	54,58	001005236000	106	001010965000	140
000AA0392002	39,46	001005237000	36	001010968000	24
000AA0392003	54,58	001005238000	196	001079712000	124,132,174,184
000AA0392004	52	001005240000	72	001079712045	132
000AA0413000	170	001005260000	92,116	001079884000	36,38,54

NUMERICAL INDEX

Part No	Page	Part No	Page	Part No	Page
001079886000	62	002011501050	76	002017317000	174
002001018000	156	002011501057	76	002017320000	126,132
002001426000	152	002011501070	76	002017321000	126,132
002002269000	190,196,210	002011501072	76	002022322180	122
002002275000	202	002011501076	76	002022381000	76
002002278000	202	002011501090	76	002022565014	122
002002538000	30	002011501132	76	002022565020	122
002003033110	120	002011501135	76	002022565021	122
002003033166	120	002011501142	76	002022565030	76
002003034060	120	002011501171	76	002022565031	120
002003034064	120	002011501180	76	002022565098	122
002003034077	120	002011505023	76	002022565130	122
002003036000	120	002011505024	76	0020225690036	204
002003043000	120	002011506022	20	002022569015	122
002003045000	190,210	002011506030	120	0020225690180	204
002004933000	36,152,156	002011507080	76	0020225690210	204
002004934000	150,152	002011507085	76	002022569064	76
002004965000	148,150,152	002011507102	76	002022569098	76
002004966000	36,152,156	002011507105	76	002022569138	122
002004984000	36	002011507136	204	002022569173	120
002005085000	126,132	002011721027	214	002022822000	77
002005089000	38,50	002011721159	122	003000172000	110
002005191000	60	002011721193	122	003000210100	96
002005988000	36	002011721276	214	003000211000	96,106
002006110000	28	002011721304	214	003000272000	96
002006311000	156	002011727090	122	003000273000	96
002006321000	44	002011728000	122	003000275000	96
002006401000	60	002011730000	122	003000288000	106
002006402000	38	002011731000	122	003000289000	96
002006447003	18	002011740000	60	003000289001	96
002006447005	22	002011744000	122	003000417000	110
002006447008	22	002011745000	122	003000700003	110
002006518000	196	002011746000	122	003000700005	110
002006519000	196	002011750000	76	003000700017	106
002006674000	114	002011751000	120	003000700019	110
002007154000	180,182	002011752000	120	003000700025	106
002007171000	174	002011753000	120	003000700054	96,106
002008543000	198,212	002011754000	77	003000700065	110
002008549000	80,82	002011755000	122	003000700066	106
002008549001	82	002012635000	38,52	003000700074	110
002008549002	82	002012635001	52	003000700079	110
002008549003	82	002012635002	52	003000700098	96,106
002008571000	44	002012644000	44	003000700101	96
002008581000	72	002012653000	38	003000700127	96
002008582000	22	002015449000	200	003000700173	96
002008584000	22	002015917000	36,196	003000700174	102
002009000000	106	002015920000	196	003000700205	96
002009133000	196	002016289000	72	003000700207	96,208
002009138000	192	002016661002	18,22	003000700208	104,208
002009141000	192	002016661004	22	003000700229	104
002009147000	192	002016724000	22	003000731006	106
002009501113	46	002016727000	80	003000731009	164
002009501130	196	002016732000	22	003000781000	92,116
002009501139	38	002016733000	20,22	003000887000	96,106
002009501141	44	002016734000	22	003000901218	96,104,208
002009501163	192	002016735000	22	003000901219	208
002009501172	196	002016737000	72	003000902251	96
002009501180	192	002016920000	72	003000902288	110
002009501382	198	002016994000	80	003000902289	208
002009503011	190,210	002017063000	74	003000902290	106,110,208
002009506045	196	002017065000	74	003000902291	106,208
002009507005	44	002017068000	74	003000902292	106
002009507006	192	002017069000	74	003000902293	106,110
002009510029	196,198,212	002017070000	74	003000902294	208
002009511051	198,212	002017072002	74	003000902295	208
002009516157	46	002017077000	74	003000902296	107,208
002011198010	120	002017080000	72,74	003000902297	107,208
002011198051	120	002017080001	74	003000902298	107,208
002011198053	120	002017087000	190,210	003000902301	106
002011198072	120	002017304000	74	003000902304	208
002011198168	214	002017305000	74	003000902322	110
002011209000	120	002017314000	174	003000902326	110
002011501021	76	002017315000	174	003000902332	110
002011501025	76	002017316000	174	003000902333	110

NUMERICAL INDEX

Part No	Page	Part No	Page	Part No	Page
003000902334	110	003005072002	114,208	004013812005	62
003000902344	106	003005072004	208	004013812006	62
003000902345	106	003005072012	112,114	004013812007	62
003000902365	97,104	003005072023	208	004013812008	62
003000902366	97,104	003005072031	112,114	004013812009	62
003000902367	97	003005072032	208	004013812010	62
003000902368	97,104	003006922000	96	004013812011	62
003000902369	97	004000199001	136,138	004013847000	126
003000902370	97,104	004000199003	136,138	004013848000	132
003000902371	97,104	004000199004	136,138	004014145000	188
003000902372	97	004000199005	136,138	004014163000	188
003000902373	97	004000396003	136,138	004014165000	184
003000902374	97,104	004001219000	200	004014166000	188
003000902375	97,104	004001786000	46	004014173000	184
003001209000	96	004002196000	126,132	004023400000	16,18
003001264000	92,116	004002286000	124	004023401000	18
003001296000	96	004002546000	58	004023408000	38
003001298003	96	004002795000	54,164	004094239160	58
003001752121	96	004002796000	54	041000916000	140
003001853002	104,110,208	004002839000	36	041000917000	140
003001853004	106,208	004003022000	54	05020083	46
003001853005	106	004003040000	54,56	05020105	46
003002068000	24	004003040001	54,56	05020106	46
003002101000	106	004003040002	54,56	05020152	44
003002107000	102	004003066000	54	05020179	38
003002113000	102	004003136000	32	056000577000	58
003002125003	96	004003139000	32	056069023000	106
003002160000	106	004003145000	32	085000466000	148
003002160001	106	004003146000	32	097003002000	148,152
003002208000	92,116	004003442001	34	212-00276-17	96
003002214100	116	004003442002	34	22-8505631	160
0030022141000	92	004003442003	34	24001630	58
003002214200	116	004003442004	34	24002006	96
0030022142000	92	004003442005	34	24002007	96
003002214300	92,116	004003442006	34	24002008	96
003002214310	112	004003442007	34	24002034	96
003002219000	96	004003442011	34	25002547	126,132
003002220000	96	004003442013	34	298-02065-71	62
003002221000	96	004003442014	34	298-05333-92	58
003002603006	96	004003442015	34	2980909486	38
003002603007	96	004003443000	32,34	311539041410	194
003002816000	60	004003448000	46	312006150000	196
003002853000	104	004004244000	188	313006041000	198,212
003003335000	106	004004824000	180,182	319006120000	198
003003337225	96	004011125000	200	519001849000	140
003003550010	106	004011130000	200	519009048000	92,116
003003550015	106	004011907000	184	520000741000	106
003003550060	110	004012159000	124	526000276000	90
003003725002	96	004012164000	126,132	526000360000	124
003004535001	106	004012165000	126,132	526000419001	184
003005071003	110	004012166000	126,132	526000420000	188
003005071011	208	004013326008	62	526000430000	188
003005071013	208	004013328000	60	526000449000	188
003005071014	106,110	004013368000	58	526000923000	140
003005071015	110	004013425000	60	526000924000	140
003005071016	106,110	004013426000	60	526000925000	200
003005071017	96,104,106	004013427000	60	526000926000	172
003005071019	106,110	004013429000	58	526000930000	140
003005071033	96	004013430000	58	526000936000	140
003005071034	96,104	004013431000	54	526000937000	140
003005071035	208	004013460000	38	526000943000	140
003005071047	110	004013478000	38	526000944000	140
003005071070	106	004013479000	60	526000950000	140
003005071072	110	004013484000	18	526001028000	188
003005071075	110	004013491000	60	526001029000	188
003005071076	158	004013715018	46	526001031000	188
003005071077	110	004013744000	46	526001032000	174
003005071316	96	004013766006	62	526001034000	178
003005071342	96,104	004013768009	62	526001045000	174
003005071356	96	004013812000	60,62	526001048000	174
003005071361	96,104	004013812001	62	526001057000	188
003005071563	96	004013812002	62	526001059000	146
003005071571	96,106	004013812003	62	526001075000	174
003005072001	112	004013812004	62	526001091000	188

NUMERICAL INDEX

Part No	Page	Part No	Page	Part No	Page
526001142000	174	531000712000	84	568003044000	126,130,132
526001143000	174	531001251000	32	568003045000	130
526001144000	174	531001403000	178	568003047000	6,124
526001234000	10	531001426000	178	568003048000	124,126
526001255000	162	531004002000	146,148	568003049000	124,132
526001258000	164	531004092000	192	568003050000	126,132
526001288000	8	531004145000	198,212	568003052000	126
526001289000	168,170	531004163000	200	568003053000	130
526001290000	170	543040109000	200	568004013000	184
526001291000	170	543040110000	200	568004014000	184
526001292000	170	543040111000	200	568004018000	178
526001293000	170	543040239000	146,156	568004022000	174,178
526001294000	170	550090145000	216	568004041000	32
526001295000	170	550090150000	106	568004044000	172,174,175
526001296000	170	553040049000	196	568004046000	180
526001552000	64	553040105000	198,202,212	568004047000	182
526001553000	64	553040105001	202	568004050000	174,180
526001577000	58	553040119000	192	568004051000	174,182
526001578000	58	553040171000	212	568004052000	174
526001579000	58	555005007001	54	568004053000	174,184
526001580000	54	55-78841	140	568004054000	184
526001581000	60	55-78929	36	568004056000	174
526001585000	38,54	55-79022	196	568004058000	180,182
526001586000	38,58	559960082000	96,102	568004059000	174
526001590000	58	559960098000	110	568004060000	174
526001591000	36,54	559960099000	110	568004061000	174
526001592000	60	565005020000	54	568004066000	180,182
526001593000	60	565009011000	140	568004066000	180,182
526001596000	38	568001019000	4,6	568004067000	174,188
526004016000	174	568001020000	2,4	568004068000	188
526004040000	146,154	568002032000	162	568004069000	188
526004040002	154	568002034000	162	568004075000	2,172
526004040005	154	568002052000	164	568004082000	6,32
526004040006	154	568002078000	158,160	568004084000	32
526004193000	198,200,212	568002080000	164,168	568004085000	175
526004195000	198	568002094000	6,8,24	568004086000	174
526004285000	200	568002095000	8,24	568004088000	32
526004286000	200	568002099000	8,24	568004089000	180,182
526004312000	190,210	568002100000	8,24	568004090000	180,182
526004398000	198	568002101000	8,24	568004092000	172
526005067000	20	568002102000	38	568004101000	184
526005081000	10	568002111000	8,10,24	568005012000	38,60
526005084000	38	568002112000	10	568005016000	60
526005085000	38	568002113000	10	568005019000	38
526007009000	184	568002114000	10	568005024000	38
526007070000	184	568002117000	10	568005041000	8,16,24
526007071000	184	568002118000	10	568005043000	38
526007072000	184	568002127000	14	568005044000	6,122
526007101000	184	568002128000	10	568005060000	38,64
526007108000	180,182	568002129000	10	568005060001	64
526007111000	180,182	568002135000	12,14	568005065000	8,24
526007112000	180,182	568002141000	158,162	568006011001	136,138
526008020000	124	568002145000	162	568006011002	136,138
526008021000	124	568002147000	162	568006014000	124,136
526009051000	92,116	568002148000	162	568006015000	124,138
526009052000	92,116	568002149000	10	568006016000	136,138
526009053000	92,116	568002150000	10	568007014000	88
526009173000	200	568002151000	8,12,24	568007015000	88
526012006001	164	568002152000	24	568007017000	84
526012007000	164	568002153000	38	568007018000	84
526012011000	16	568002154000	10	568007019000	84
526012017000	164	568002155000	24	568007021000	84
526012019000	164	568002156000	12	568007023000	84
526012039000	160	568002157000	10	568007025000	84
526012040000	160	568002158000	10	568007026000	84
526012042000	164	568002159000	10	568007029000	160
526224397000	194	568002160000	158,164	568007030000	6,84
531000273000	64	568002168000	162	568007031000	84,88
531000427000	178	568002169000	162	568007032000	88
531000496000	178	568002174000	10	568007033000	88
531000575000	60	568003036000	126	568007034000	84
531000706000	84	568003039001	126,132	568008002000	6,90
531000710000	84	568003040000	132	568008008000	174
531000711000	84	568003042000	130	568009009000	140

NUMERICAL INDEX

Part No	Page	Part No	Page	Part No	Page
568009013000	140	568090072000	164		
568009014000	140	568090075000	92,116		
568009015000	140	568090079000	92,116		
568009016000	140	568090081000	92,116		
568009017000	140	568090082000	92,116		
568009018000	140	568090084000	92,116		
568009019000	140	568090085000	92,116		
568009020000	140	568090087000	96		
568009022000	140	568090100000	92,116		
568009023000	4,140,141	568090102000	92,114,116		
568009026000	140	568090115000	92,116		
568009027000	140	568090116000	92,116		
568009028000	140	568090118000	92,116		
568009029000	140	568090119000	92,116		
568010001000	196	568090121000	92,116		
568030002000	4,146	568090122000	92,116		
568040012000	196	568090124000	92,116		
568040013000	196	568090126000	92,116		
568040014000	206	568090131000	92,96,97,116		
568040026000	190,192,210	568090136000	97		
568040027000	192	568090138000	92,116		
568040031000	196	568090145000	92,116		
568040032000	196	568090153000	92,116		
568040033000	190,194,210	568090154000	92		
568040034000	194	568090155000	92		
568040035000	194	568090158000	92,116		
568040036000	194	568090159000	92,116		
568040037000	194	568090162000	216		
568040038000	194	568090163000	216		
568040054001	190,210,212	568090165000	92,116		
568040059000	190,210	568090166000	92,110,116		
568040062000	2,158	568090169000	216		
568040066000	190,210	568090173000	92,116		
568040069000	190,196,210	568090176000	92,116		
568040081000	190	568090181000	216		
568040084000	2,190,210	568090184000	92,93,116		
568040085000	190,198,210,212	568090198000	116		
568040086000	190,210	571020001001	36		
568040087000	198	571020001002	36		
568040088000	198,212	571090058000	106		
568040090000	212	571090059000	92,106,107,116		
568040091000	212	571090061000	116		
568040092000	210	571090062000	106		
568040093000	212	91310042	46		
568050017000	30	91310047	6,38,39		
568050018000	28,30	91310121	46		
568050025000	20	91310190	38,44		
568050036000	164	91310211	38,46		
568050038000	8,20,24	91310222	6,36		
568050039000	6,66	91310263	44		
568050040000	24,28	91310265	44		
568050041000	28	91310413	46		
568050043000	66,68	A076557	184		
568050044000	66,72	A125415	184		
568050045000	66,80	A126820	188		
568050046000	72,76,77	A-130120	24		
568050047000	80	A-136252	184		
568050049000	6,120	A140858	175		
568050051000	190,204,210,214	A-141472	188		
568090006000	6,92,93,116	A141554	175		
568090008000	190,206	E051338	188		
568090009000	210,216	E200026	184		
568090027000	92,104,116	G15069	200		
568090028000	96	M14/M15	48		
568090035000	206	SN 921913211003	2		
568090049000	206,208,216				
568090050000	92,112,116				
568090054000	110				
568090055000	110				
568090058000	96				
568090059000	92,116				
568090069000	92,116				
568090070000	164				
568090071000	38				

ASSEMBLIES ALPHABETICAL INDEX

Description	Part No	Page
Accessory Group, Water Emulsion	568040026000	192
Adapter, Power	568090050000	112
Air Cleaner Assembly	004003040000	56
Air Compressor Assembly	91310222	36
Air Intake Assembly	526001585000	54
Axle Assembly, Cutter	568004053000	184
Axle Assembly, Front Drive	568003048000	126
Axle Assembly, Rear Drive	568003049000	132
Battery Group	568005060000	64
Cable, Spraybar	568090049000	208
Chain, Ratchet Tool	526004040000	154
Chaincase Assembly	568004050000	180
Chaincase Assembly	568004051000	182
Clamps Group	568050043000	68
Console Assembly	568007030000	84
Control Handle Assembly	568090027000	104
Cooling System	568005012000	60
Covers Assembly	568002111000	10
Covers Group, Operator Station	568002078000	160
Cowling Assembly	568002160000	164
Cutter Assembly	568004075000	172
Cutter Housing and Drive	568004044000	174
Decal Assembly	568009023000	140
Door, Rear	568004022000	178
Drive Assembly, Cutter Lower	568004067000	188
Drive Assembly, Wheel	568003047000	124
Drive Line Assembly	568004082000	32
Edge Guide Assembly	568008002000	90
Electrical Group 1	568090006000	92
Electrical Group 2	568090006000	116
Electrical System 1	568090008000	206
Electrical System	568090009000	216
Exhaust Assembly	526001586000	58
Exhaust Insulation Assembly	001010688000	48
Filter Assembly	002008549000	82
Hammer, Air Assembly	001010066000	150
Hammer, Air Attachment	531004002000	148
Handrail Assembly	568002141000	162
Handrails Group	568002151000	12
Hood Assembly 2	568002080000	168
Hood Assembly, Engine	526001289000	170
Hose Group 1	568050051000	204
Hose Group 2	568050051000	214
Hose Group, Auxiliary	568050046000	76
Hose Kit	568050049000	120
Hose Kit, Power Pack	568005044000	122
Hose, Air Assembly	097003002000	152
Hydraulic Group	568050039000	66
Hydraulic Group, Auxiliary	568050044000	72
Hydraulic Group, Propel	568050045000	80
Kit, Oil Sampling Assembly	543040239000	156
Lanyard Assembly	553040105000	202
Light, Dash Assembly	559960082000	102
Mainframe Assembly 1	568002094000	8
Mainframe Assembly 2	568002094000	24
Manifold Assembly	002017080000	74
Operator Platform, Open	568040062000	158
Panel Assembly, Main Control	568090131000	96
Panel Assembly, Power	568090166000	110
Panel, Auxiliary Gauge	571090059000	108
Power Pack Assembly	91310047	38
Pump Assembly, Cutter Cooling	91310190	44
Pump, Lube	568090102000	114
Pump, Replenishing	568050018000	30
Pump/Motor Assembly	526004193000	200
Pushbar Assembly	568040033000	194
RAD CAC HOC Assembly	004013812000	62
Reservoir, Hydraulic 2	002016733000	22
RS446C Base Tractor (Export) 2	568001019000	6
RS446C Reclaimer Stabilizer	SN 921913211003	2
RS446C Reclaimer/Stabilizer (Export)	568001020000	4
Service Center Assembly 2	568002135000	14
Slide, Console	568007031000	88

ASSEMBLIES ALPHABETICAL INDEX

Description	Part No	Page
Split Flange Kit	002005089000	50
Spraybar Assembly	568040069000	196
Tandem Hydraulic Assembly	002012635000	52
Tank, Fuel	004023400000	18
Tank, Fuel	568005041000	16
Tank, Hydraulic	568050038000	20
Tank, Replenishing	568050040000	28
Tie Rod Assembly	568003044000	130
Tools Group	568030002000	146
Torque Limiter	004003443000	34
Transmission Assembly	91310211	46
Water and Emulsion System 1	568040084000	190
Water and Emulsion System 2	568040084000	210
Water Pump and Plumbing Assembly 1	568040085000	198
Water Pump and Plumbing Assembly 2	568040085000	212
Wheel and Tire Assembly	568006014000	136
Wheel and Tire Assembly	568006015000	138

PARTS ALPHABETICAL INDEX

Description	Part No	Page
Adapter	91310263	44
Adapter 3/4 NPT x 1/2 ORB	000AA0518009	44
Adapter, 90 Elbow 1/8 NPT X 1/4 Tube	002015917000	36,196
Adapter, Pump	004013478000	38
Adapter, Pump	91310265	44
Adapter, Sight Gauge	568050025000	20
Adapter, Straight 1/4" JIC x 1/4" NPT	000A05379000	156
Air Cleaner Support WMT	526001580000	54
Air Inlet Tube	004013431000	54
Alarm, Backup	568090075000	92,116
All Thread	568005060001	64
Angle, Flowmeter Support	526004398000	198
Angle, Tie Down	526001552000	64
Backing Plate	543040109000	200
Band Mounting	004002795000	54,164
Band, Spring Loaded	001003202000	54
Band, Spring Loaded	001003206000	54
Bar	526012017000	164
Bar	531001426000	178
Bar	91310042	46
Bar, Buss	056069023000	106
Bar, Buss	550090150000	106
Bar, Door Lock	526001032000	174
Bar, Filler	526001059000	146
Bar, Hold Down	531001403000	178
Bar, Retainer	531000712000	84
Barb, Hose	002005191000	60
Base Plate, Slide	568007032000	88
Base, Console	531000710000	84
Base, Joystick Control	568007017000	84
Base, Mounting	003002603007	96
Battery	001009089000	64
Bearing	004001786000	46
Bearing	004003442006	34
Bearing	004011907000	184
Bearing, Console Pivot	568007025000	84
Bearing, Lower Housing	526000430000	188
Bearing, Spherical Roller	E051338	188
Blade 4'	531000427000	178
Bolt	A-141472	188
Bolt Hex 20 mm	000AA0388049	54,58
Bolt, Button	000AA0349000	160
Bolt, Eye 3/8-16	000A01836000	190,210
Bolt, Hex	000A00115000	180,182
Bolt, Hex	000A00008000	170
Bolt, Hex	000A00219000	180,182
Bolt, Hex	000A00207000	188
Bolt, Hex	000A00036000	24
Bolt, Hex	000A01142000	200
Bolt, Hex	000A00086000	46
Bolt, Hex	000A00089000	126
Bolt, Hex	000AA0388085	52
Bolt, Hex	000AA0388140	126,132
Bolt, Hex	000AA0388176	126,132
Bolt, Hex	000AA0388004	62
Bolt, Hex 3/8-16UNC X 5/8	000A00054000	10
Bolt, Hex 1/2"-13 UNC X 1 1/2"	000A00103000	38,50,174,180,182 84,88
Bolt, Hex 1/2"-13 UNC X 1 1/4"	000A00102000	84
Bolt, Hex 1/2-13 UNC X 1 3/4"	000A00104000	8,24,190,210
Bolt, Hex 1/2-13 UNC x 1"	000A00101000	6,194
Bolt, Hex 1/2-13 UNC X 2 1/4"	000A00106000	174
Bolt, Hex 1/2-13 UNC X 2 3/4"	000A00108000	38
Bolt, Hex 1/2-13 UNC X 2"	000A00105000	8,24,174,198,200 212
Bolt, Hex 1/2-13 UNC X 3 3/4"	000A00112000	170
Bolt, Hex 1/4-20 UNC X 1"	000A00006000	24,160,170,88,200
Bolt, Hex 1/4-20 UNC X 1/2"	000A00002000	206
Bolt, Hex 1/4-20 UNC X 2 1/2"	000A00012000	28
Bolt, Hex 1/4-20 UNC X 2"	000A00010000	72
Bolt, Hex 1/4-20 UNC x 3/4"	000A00004000	8,24,30,170,110
Bolt, Hex 1/4-20 UNC x 7/8"	000A00005000	10
Bolt, Hex 1/4-20 x 1 3/4"	000A00009000	68

PARTS ALPHABETICAL INDEX

Description	Part No	Page
Bolt, Hex 1-8 UNC x 3 1/2"	000A00211000	6
Bolt, Hex 3/4"-10 UNC X 2 1/2"	000A00169000	38
Bolt, Hex 3/4-10 UNC X 1 1/2"	000A00165000	38
Bolt, Hex 3/4-10 UNC X 1 3/4"	000A00166000	126,132
Bolt, Hex 3/4-10 UNC X 2"	000A00167000	8,24,32
Bolt, Hex 3/4-10 UNC x 3 1/4"	000A00172000	124
Bolt, Hex 3/4-10 UNC X 4 1/2"	000A00176000	8
Bolt, Hex 3/8-16 UNC X 1 1/2"	000A00059000	10,38,162,164,88
Bolt, Hex 3/8-16 UNC X 1 1/4"	000A00058000	32,38,58,162,164 110,190,210
Bolt, Hex 3/8-16 UNC X 1 3/4"	000A00060000	84
Bolt, Hex 3/8-16 UNC X 1"	000A00057000	10,12,18,22,36 38,162,164,180 182,90
Bolt, Hex 3/8-16 UNC X 2"	000A00061000	12,164,184,196
Bolt, Hex 3/8-16 UNC X 3/4"	000A00055000	28
Bolt, Hex 3/8-16 UNC X 7/8	000A00056000	84
Bolt, Hex 5/16-18 UNC x 1 1/4"	000A00032000	174
Bolt, Hex 5/16-18 UNC X 1"	000A00031000	38,200
Bolt, Hex 5/16-18 UNC X 1/2"	000A00027000	74
Bolt, Hex 5/16-18 UNC X 3/4"	000A00029000	72
Bolt, Hex 5/8"-11 UNC X 2 1/4"	000A00147000	178,84,194
Bolt, Hex 5/8-11 UNC X 1"	000A00142000	184
Bolt, Hex 5/8-11 UNC x 2 1/2"	000A00148000	184
Bolt, Hex 5/8-11 UNC X 2 3/4"	000A00149000	198,212
Bolt, Hex 5/8-11 UNC X 2"	000A00146000	198,212
Bolt, Hex 5/8-11 UNC x 3 1/2"	000A00152000	178,124
Bolt, Hex 5/8-11 UNC X 3"	000A00150000	124
Bolt, Hex 5/8-11 UNC x 5"	000A00156000	194
Bolt, Hex 7/16"-14 UNC X 1 1/4"	000A00080000	44,54
Bolt, Hex 7/16-14 X 2 1/4	000A00084000	38
Bolt, Hex M8-1.25	000AA0388029	39
Bolt, Hex, 3/4"-10 UNC X 3"	000A00171000	174
Bolt, Hex, 3/8-16 UNC x 2 1/2"	000A00063000	68
Bolt, Hex, 5/8"-11 UNC X 1 3/4"	000A00145000	184,198,212
Bolt, Hex., 1/2-13 UNC X 3"	000A00109000	14,146,200
Bolt, M8-1.25 x 30	000AA0388025	46
Bolt, Shoulder	001003349000	126,132
Bolt, Socket	000A00431000	180,182
Bolt, T 3/8-16 UNC X 2 3/4	001002167000	92,116
Boot Assembly, Shift	001008194000	32
Boot, Seal	004014163000	188
Boot, Switch	003000211000	96,106
Box Assembly, Machine Logic Control	568090155000	92
Box Assembly, Machine Logic Control	568090198000	116
Brace, Radiator	568005016000	60
Bracket	520000741000	106
Bracket	531004163000	200
Bracket	568090055000	110
Bracket, Cam Lock	568007034000	84
Bracket, Component Mounting	568090087000	96
Bracket, Engine Cable Mount	568090071000	38
Bracket, J-Box	568040081000	190
Bracket, J-Box Support	568040014000	206
Bracket, Mount	559960098000	110
Bracket, Muffler	056000577000	58
Bracket, Pump Mounting	568040086000	190,210
Bracket, Sensor Mount	543040110000	200
Bracket, Spraybar	568040012000	196
Bracket, Transmission Hose Support	568005043000	38
Breaker, Circuit 10A	003003550010	106
Breaker, Circuit 15A	003003550015	106
Breaker, Circuit 60A	003003550060	110
Breather	001009017000	28
Breather	002016661004	22
Breather 3/4 NPT	E200026	184
Breather, Oil	001010148000	184
Bridge, Diode	003003337225	96
Bulb	003002113000	102
Bulb	003002101000	106
Bulkhead 45° 3/4 ORFS	000AA0133005	44
Bulkhead, 45° 1 ORFS	000AA0133006	80
Bumper Rubber	001008049000	160

PARTS ALPHABETICAL INDEX

Description	Part No	Page
Bushing 3/8 NPT x 1/8 NPT	000AA0480002	36
Bushing 3/8" NPT to 1/4" NPT	000A00851000	36
Bushing 7/8 O-Ring X 3/4	000A00704000	38
Bushing, Bronze	004012165000	126,132
Bushing, Pipe Reducer 3/4" NPT x 3/8" NPT	000A03026000	39
Bushing, Reducer 1"- 1/2"	000AA0090000	196
Bushing, Reducer 4" x 3"	002009511051	198,212
Bushing, Tension	004002286000	124
Bushing, Tension	004012159000	124
Bushing, Tension	004012166000	126,132
Buss Bar Jumper - Relay	568090054000	110
Buttsplice, Non Insulated	003000700207	96,208
Cable 1/8 X 40 LG	526012006001	164
Cable, A Console/Firewall	568090116000	92,116
Cable, A-B Console	568090159000	92,116
Cable, Additive/Trans. Control	568090176000	92,116
Cable, Alternator Harness	568090059000	92,116
Cable, B Console/Firewall Control	568090079000	92,116
Cable, Battery Disconnect	526009052000	92,116
Cable, Battery Jumper	526009051000	92,116
Cable, Battery Positive	568090085000	92,116
Cable, C Console/Firewall Control	568090158000	92,116
Cable, Cab Power Extension	568090165000	92,116
Cable, Cutter Depth Control	568090126000	92,116
Cable, Cutter Level Control	568090145000	92,116
Cable, Disconnect to Ground	526009053000	92,116
Cable, ECM Ground	568090100000	92,116
Cable, Engine Propel Interface	568090069000	92,116
Cable, Flowmeter Ground	568090035000	206
Cable, Front Hood Lights	568090081000	92,116
Cable, Front Mainframe	568090153000	92,116
Cable, Front Steering Sensor	568090122000	92,116
Cable, Ground	519009048000	92,116
Cable, Hydraulic Control	568090115000	92,116
Cable, Molded	550090145000	216
Cable, PPU Adapter/Extension	568090162000	216
Cable, Push-Pull	A141554	175
Cable, Rear Frame	568090121000	92,116
Cable, Rear Mainframe	568090154000	92
Cable, Rear Mainframe	571090061000	116
Cable, Rear Steering Sensor	568090124000	92,116
Cable, Shielded	003000902251	96
Cable, Speed Interface Control	526009173000	200
Cable, Starter Coil Extension	568090084000	92,116
Cable, Valve Extension	568090163000	216
Cap 3/4 ORFS	000AA0145005	39
Cap, Air Cleaner	004002796000	54
Cap, Dust	002002275000	202
Cap, Exhaust	004002546000	58
Cap, Hydraulic Cylinder Tensioner	526007112000	180,182
Cap, Radiator	004013326008	62
Cap, Valve Stem Guard	568006011002	136,138
Cap, Vented Fuel	001010342000	18
Capscrew 7/16-20 X 1	001002288000	32
Chain	001010106000	8
Chain	004001219000	200
Chain	004004824000	180,182
Chaincase	568004046000	180
Chaincase	568004047000	182
Clamp 1"	001003256001	28
Clamp Set HD Series Group 5 1 1/4" Pipe	001003346000	68
Clamp Set STD Series Grp 2	001003309000	68
Clamp Set Std Series Grp 3	001003307000	68,214
Clamp Set Std Series Grp 4	001003305000	68
Clamp Set Std Series Grp 5	001003303000	68
Clamp Set Std Series Grp 5 1 1/2" Tube	001003341000	68
Clamp Set Std Series Grp 5 1.259 ID	001003359000	68
Clamp Set Std Series Grp 7	001003299000	68
Clamp Set STD Series Stacking Grp 2	001003323000	68
Clamp Set Std Series Stacking Grp 3	001003322000	214
Clamp Set Std Series Stacking Grp 4	001003321000	68
Clamp Set Std Series Stacking Grp 5	001003320000	68
Clamp Set Std Series Stacking Grp 5 1" Pipe	001003352000	68

PARTS ALPHABETICAL INDEX

Description	Part No	Page
Clamp Set Std Series Stacking Grp 5 1.259	001003360000	68
Clamp Set Std Twin Grp 3 1 1/2" Pipe	001003356000	68
Clamp, Cable 1/8"	001003033000	164
Clamp, Exhaust	24001630	58
Clamp, Exhaust	298-05333-92	58
Clamp, Hose	001003114000	60
Clamp, Hose	001003128000	36,54,60
Clamp, Hose	001003201000	60
Clamp, Hose	001003258020	38
Clamp, Hose 3 Hole 3/4 Hose	001003315000	68
Clamp, Hose 7/32" - 5/8"	001003156000	60,62
Clamp, Turbo	004094239160	58
Clevis Pin	05020106	46
Clevis, LH Turnbuckle	568003045000	130
Clevis, RH Turnbuckle	568003042000	130
Clip, Hair Pin	001009356000	164
Clutch	004003448000	46
Clutch Brake	004013715018	46
Companion Flange Assembly	568004041000	32
Connect, Straight	000AA0164006	126
Connector	003005071076	158
Connector	003005071011	208
Connector	003005071342	96,104
Connector	003005071316	96
Connector	003005071563	96
Connector	003005071571	96,106
Connector	003005071070	106
Connector HD 10-4-P	003005071003	110
Connector MS3102R-20-19P	003000172000	110
Connector WT04B-24-03SN	003005071075	110
Connector, Dust Cover	568090184000	92,93,116
Connector, Elbow 45° 12 NPT x 12 ORFS	000AA0479008	44
Connector, Elbow 45° 3/4 x 3/4 ORB	000AA0118012	39
Connector, Elbow 90 2 ORFS X 2 ORB	000AA0113027	22
Connector, Male ORB 3/4" JIC	000AA00703000	36,38
Connector, Run Tee 12 ORB X -12 ORFS	000AA0116005	44
Connector, STR Male 1/2 ORFS X 1/2 ORB	000AA0112008	214
Connector, Straight	000AA0112005	174
Connector, Straight	000AA0122003	72
Connector, Straight 1/2 JIC x 1/2 ORB	000A00679000	18,36
Connector, Straight 1/2 ORB x 3/8 NPT	000A00701000	36
Connector, Straight 1/2 ORFS x 3/4 NPT	000AA0120010	39
Connector, Straight 3/4 ORFS x 1/2 ORB	000AA0112017	44
Connector, Straight 3/4 ORFS x 5/8 ORB	000AA0112018	39,74
Connector, Straight 3/8" JIC x 3/8" ORB	000A00678000	38
Connector, Straight -8ORFS X -10ORB	000AA0112010	74,214
Connector, Straight -8ORFS X -12ORB	000AA0112011	214
Connector, Swivel Nut Elbow -4 ORFS	000AA0123001	39,214
Connector, Three Way Tower	003005072023	208
Connector, Two Way Shroud	003005072012	112,114
Console Weldment	568007026000	84
Contact #6 Male	003005071016	106,110
Contact Block	24002007	96
Contact, Male	003005071034	96,104
Control Stick	003002853000	104
Controller	568090138000	92,116
Coolant Loss Sensor	003002816000	60
Cooler Mount Weldment LH	526005084000	38
Cooler Mount Weldment RH	526005085000	38
Cooler, Charge Air	004013812002	62
Cooler, Oil	004013812003	62
Coupler	002002278000	202
Coupling 1" NPT M	000A00847000	22
Coupling 1/8" NPT	000A00842000	54
Coupling 3/4" NPT	000A00846000	28
Coupling, Male 2 NPT X 2 NPT	000A02834000	22
Coupling, Pipe 1/2" NPT	000A00845000	60
Coupling, Pipe 1/4 NPT	000A00843000	72,150
Coupling, Quick 3"	002002269000	190,196,210
Cover	002016734000	22
Cover	004013484000	18
Cover	526007108000	180,182
Cover	531000706000	84

PARTS ALPHABETICAL INDEX

Description	Part No	Page
Cover Plate	526001234000	10
Cover, Auxiliary Gauge Panel	526012039000	160
Cover, Breather	002016735000	22
Cover, Clutch Access	568002159000	10
Cover, Console	568007029000	160
Cover, Dust	002004965000	148,150,152
Cover, Fender	568002158000	10
Cover, Floorplate	568002128000	10
Cover, Floorplate	568002129000	10
Cover, Hood	526004016000	174
Cover, Mainframe Front	568002118000	10
Cover, Mainframe Side	568002114000	10
Cover, Powerpack	568002117000	10
Cover, Pump Access	568002112000	10
Cover, Rear Weight	568002174000	10
Cover, Stub Shaft	526007009000	184
Cover, Transmission Access	568002113000	10
Cowling Support	526012019000	164
Crank	553040119000	192
Crimp Reducer DT Terminal #6 to #10	003005071077	110
Cylinder	002017321000	126,132
Cylinder	05020083	46
Cylinder, Hydraulic	002007171000	174
Cylinder, Hydraulic	002017315000	174
Cylinder, Hydraulic	002017316000	174
Cylinder, Hydraulic	002017317000	174
Cylinder, Hydraulic	002017314000	174
Cylinder, Smart	002017320000	126,132
Decal 50" Cutter Depth Scale	526000926000	172
Decal Clutch Lube Points Inside	568009013000	140
Decal, Attention, Starting Machine	526000937000	140
Decal, Aux. Hyd. Manifold	568009029000	140
Decal, Bearing Lube	526000924000	140
Decal, Burn Hazard	001010660000	140
Decal, Burn Hazard	001010674000	140
Decal, Chain Tensioner	526000923000	140
Decal, Cooling System	000A05390000	140
Decal, Crush Hazard	001010661000	140
Decal, Crush Hazard	001010662000	140
Decal, Crush Hazard, Door Fall	001010652000	140
Decal, Crush Hazard, Machine Lunge	001010651000	140
Decal, Cutter Transmission Shift	568009014000	140
Decal, Diesel Fuel	001009199000	140
Decal, Entanglement Hazard, Cutter	001010650000	140
Decal, Entanglement Hazard, Fan	001010658000	140
Decal, Filter Indicator	041000917000	140
Decal, Flying Objects Hazard	001010676000	140
Decal, Forward and Reverse	568009017000	140
Decal, Fuel Drain Valve	526000930000	140
Decal, General Operating Procedure	568009009000	140
Decal, Hydraulic Fluid	001009243000	140
Decal, Hydraulic Oil Requirements	001010679000	140
Decal, Hydraulic Tank Upper Ports	568009018000	140
Decal, Inhalation Hazard	001010677000	140
Decal, Instructions Cutter Clutch Operation	526000936000	140
Decal, Left and Right	568009016000	140
Decal, Lower Frame Bulkhead Plumbing	568009019000	140
Decal, Lubrication and Maintenance Chart	568009026000	140
Decal, Maintenance Information	001010530000	140
Decal, Manual Inside	001009460000	140
Decal, Noise Hazard	001010657000	140
Decal, Oil Level	041000916000	140
Decal, Position Indicator	519001849000	140
Decal, Pump Lubrication	526000925000	200
Decal, Radiator Drain	001010680000	140
Decal, Remote Lube	568009028000	140
Decal, Remote Lube Throwout Bearing	526000950000	140
Decal, ROPS	001010965000	140
Decal, Selector Travel Gauge Pressure	568009020000	140
Decal, Spreader Lift	001010134000	140
Decal, Start-Up Switch Configuration	568009022000	140
Decal, Tire Pressure	565009011000	140
Decal, Towing Instructions	568009027000	140

PARTS ALPHABETICAL INDEX

Description	Part No	Page
Decal, Warning - Crush Hazard	526000944000	140
Decal, Warning - Fall Hazard	526000943000	140
Decal, Warning Console Slide Locks	568009015000	140
Decal, Warning Operation Hazard	001010653000	140
Diode	003003335000	106
Dipstick	004013744000	46
Disc LH Weldment	526001028000	188
Disc RH Weldment	526001029000	188
Door Assembly, front	568004056000	174
Door Stop	526001288000	8
Door, Rear	568004018000	178
Draw Bar	001010086000	194
Drive Axle, Cutter	568004101000	184
Drive Axle, Front	568003036000	126
Drive Axle, Rear	568003040000	132
Drum, Cutter	568004092000	172
Edge Trim	001008187000	164
Elbow 90°	004003066000	54
Elbow 45° 4-4 ORFS/Str O-Ring	000AA0113001	214
Elbow 90° 1/2" JIC x 1/2" NPT	000A05384000	60
Elbow 90° 12 ORFS to 16 O-Ring Str	000AA0113017	39,72,80
Elbow 90° 3/4 NPT	000A00916000	39
Elbow Block, Flange To O-Ring	000AA0435000	39
Elbow, 45 Degree	002009507006	192
Elbow, 45°	000AA0640003	18
Elbow, 45°	000AA0249000	192
Elbow, 45° 1/2" JIC X 1/2" ORB	000A00765000	36
Elbow, 45° 3/4 NPT	002009507005	44
Elbow, 45° Street	000A00907000	196
Elbow, 90 Degree 1/4" JIC X 1/8" NPT	000A00572000	126
Elbow, 90 Degree, Reducer	002009516157	46
Elbow, 90°	000AA0113005	126,132
Elbow, 90° 12 M ORFS Tube - Male Pipe	000AA0119013	28,175
Elbow, 90° 12 M ORFS Tube End/Str O-Ring	000AA0113014	28,60
Elbow, 90° -12ORFS x -10MB	000AA0113016	74
Elbow, 90° 3/4 M x 3/4 F	000A00830000	38
Elbow, 90° 3/4 NPT	000A00893000	39
Elbow, 90° 3/8" JIC X 3/8" ORB	000A00753000	38
Elbow, 90° Female 1/4" NPT	000A00913000	72,106
Elbow, 90° Reducer	555005007001	54
Elbow, 90° Street	000A00898000	196
Elbow, 90° Street 1/2" NPT	000A00900000	60
Elbow, 90° Street 3/4" NPT	000A00901000	39,44
Elbow, 90° Swivel 16 ORB x ORFS	000AA0121006	39
Elbow, Adj. 90° 16-12 ORFS Tube End/Str O-Rin	000AA0113020	60
Elbow, Bulkhead Union 12 ORFS	000AA0130005	80
Elbow, Male 90 Degree 3/8" NPT x 1/2" Tube	55-78929	36
Elbow, Pipe 45°	000AA0089000	196
Elbow, Street 90° 3" NPT	002009510029	196,198,212
Elbow, Street 90° 3/8 NPT X 3/8 NPT	000A00899000	36
Elbow, Swivel Nut 12MORFS X 12FFORX	000AA0123005	80,126,132,214
Elbow, Swivel Nut 90°	000AA0123003	72
Element, Filter	002008549001	82
Engine	004023408000	38
Engine Alternator Guard	526001596000	38
Engine Vent Hose	526001593000	60
Exhaust Elbow	004013430000	58
Exhaust Tube Support WMT	526001590000	58
Extension, Air Intake	565005020000	54
Eyebolt	001010964000	174
Eyebolt	001010968000	24
Face Plate, Master Disconnect	001009565000	92,116
Fan, Sickle Blade	004013460000	38
Fender, Left	568002101000	8,24
Fender, Right	568002100000	8,24
Filter Assembly	002008581000	72
Filter, Hydraulic	002008571000	44
Fitting	000AA0120004	72
Fitting 16 90° M ORFS Tube /Male End	000AA0119017	80
Fitting 16 ORFS Tube End/M Pipe	000AA0120017	80
Fitting 16 Str ORFS/Str O-Ring	000AA0112021	39
Fitting 3/4 ORFS x 3/4-14 NPT	000AA0644008	44
Fitting 4 ORFS Tube End Str O-Ring	000AA0112001	22,80

PARTS ALPHABETICAL INDEX

Description	Part No	Page
Fitting 6 Str ORFS/Str O-Ring	000AA0112004	22,72
Fitting 90° 16 ORFS Tube End/Str O-Ring	000AA0113019	22
Fitting 90° 4-6 ORFS Tube End/Str O-Ring	000AA0112002	39
Fitting, 3/4 ORB M x 3/4 NPT M	000A00682000	46
Fitting, 45° Elbow 3/8 ORB x 3/8 ORFS	000AA0118003	46
Fitting, Hydraulic 3/4 ORFS - 1 NPT	000AA0120015	28
Flange	531004145000	198,212
Flange Weldment	553040171000	212
Flange, Drive	004003442004	34
Flange, Pipe 4"	319006120000	198
Flashing	526001034000	178
Flashing	526001144000	174
Flashing	526004312000	190,210
Flashing	568040027000	192
Flatwasher M10	000AA0391003	54,58
Flatwasher #8	003000731006	106
Front Handrail	568002156000	12
Fuel Tank Pad	526012011000	16
Gas Spring	001004126000	164
Gasket	A125415	184
Gasket	002016661002	18,22
Gasket, Flange 4"	313006041000	198,212
Gauge 0-200 PSI	001005237000	36
Gauge, Fuel	001005283000	18
Gauge, Fuel Level	571090062000	106
Gauge, Oil Level	001005011000	20
Gauge, Oil Temperature	001005112000	106
Gauge, Pressure	001005235000	106
Gauge, Pressure	001005234000	106
Gauge, Pressure	001005236000	106
Gauge, Pressure 0-100 PSI	001005238000	196
Gauge, Pressure 0-600 PSI	001005240000	72
Gauge, Sight	004013766006	62
Grill, Front	526001295000	170
Grommet	003002214300	92,116
Guard	568040092000	210
Guard, Chain	526004285000	200
Guard, Driveshaft	531001251000	32
Guard, Finger	004013766009	62
Guard, Switch	003000210100	96
Guide, Edge	526000276000	90
Hammer, Air	001010067000	150
Handle, Cam	531000711000	84
Handle, Grab	001010540000	8,24,168
Handrail Mount	526001255000	162
Handrail, Left	568002034000	162
Handrail, Rear	568002147000	162
Handrail, Right	568002032000	162
Hasp	001010959000	8
Head Assembly	002008549002	82
Heatshrink, Tubing	003000901218	96,104,208
Hinge Bracket	526001258000	164
Holder, Disc LH Weldment	526001142000	174
Holder, Disc RH Weldment	526001143000	174
Hood Guide	526012042000	164
Hood, Disc Assembly	526001091000	188
Hood, Engine	526001290000	170
Hook, S	001003012000	190,126,210
Horn	003000781000	92,116
Hose Air Compressor Supply	526001591000	36,54
Hose Assembly	002022322180	122
Hose Assembly	002022381000	76
Hose Assembly	002011728000	122
Hose Assembly	002011727090	122
Hose Assembly	002011740000	60
Hose Assembly	002011744000	122
Hose Assembly	002011755000	122
Hose Assembly	002011721027	214
Hose Assembly	002011721159	122
Hose Assembly	002011721193	122
Hose Assembly	002011750000	76
Hose Assembly	002011731000	122
Hose Assembly	002011754000	77

PARTS ALPHABETICAL INDEX

Description	Part No	Page
Hose Assembly	002022822000	77
Hose Assembly	002022565130	122
Hose Assembly	002022565020	122
Hose Assembly	002022565098	122
Hose Assembly	0020225690180	204
Hose Assembly	0020225690210	204
Hose Assembly	0020225690036	204
Hose Assembly	002022569064	76
Hose Assembly	002022569098	76
Hose Assembly	002022569015	122
Hose Assembly	002022569138	122
Hose Assembly	002011501132	76
Hose Assembly	002011501135	76
Hose Assembly	002011501142	76
Hose Assembly	002011501171	76
Hose Assembly	002011501180	76
Hose Assembly	002011501021	76
Hose Assembly	002011501025	76
Hose Assembly	002011501050	76
Hose Assembly	002011501057	76
Hose Assembly	002011501072	76
Hose Assembly	002011501076	76
Hose Assembly	002011501090	76
Hose Assembly	002011507102	76
Hose Assembly	002011507105	76
Hose Assembly	002011507080	76
Hose Assembly	002011506022	20
Hose Assembly	002011505024	76
Hose Assembly	002011730000	122
Hose Assembly	002011745000	122
Hose Assembly	002011746000	122
Hose Assembly 1/2 ORFS x 276"	002011721276	214
Hose Assembly 1/2 ORFS x 304"	002011721304	214
Hose Assembly 1/2 TEF x 72"	002011751000	120
Hose Assembly 1/4 JIC x 205"	002011209000	120
Hose Assembly 1/4 JIC x 56"	002011752000	120
Hose Assembly 1/4 JIC/JIC 90° x 66"	002011753000	120
Hose Assembly 1/4 ORFS x 168"	002011198168	214
Hose Assembly 1/4 ORFS/ORFS 90° x 10"	002011198010	120
Hose Assembly 1/4 ORFS/ORFS 90° x 53"	002011198053	120
Hose Assembly 1/8 BLK HD/JIC 90° x 84"	002003036000	120
Hose Assembly 1/8 BLK HD/JIC 90° x 99"	002003043000	120
Hose Assembly 1/8 BLK HD/JIC x 60	002003034060	120
Hose Assembly 1/8 BLK HD/JIC x 64	002003034064	120
Hose Assembly 1/8 BLK HD/JIC x 77"	002003034077	120
Hose Assembly 1/8 JIC x 110"	002003033110	120
Hose Assembly 1/8 JIC x 166"	002003033166	120
Hose Assembly 3/4 ORFS x 14"	002022565014	122
Hose Assembly 3/4 ORFS x 21"	002022565021	122
Hose Assembly 3/4 ORFS x 31"	002022565031	120
Hose Assembly 3/4 ORFS/ORFS 90° x 173	002022569173	120
Hose Assembly 3/8 ORFS x 136"	002011507136	204
Hose Assembly 3/8 ORFS x 70	002011501070	76
Hose Assembly 3/8 ORFS/ORFS 45° x 85"	002011507085	76
Hose Assembly 3/8 ORFS/ORFS 90° x 23	002011505023	76
Hose Assembly 3/8 ORFS/ORFS 90° x 30"	002011506030	120
Hose Assembly 3/8 ORFS/ORFS 90° x 72"	002011198072	120
Hose Assembly 4 x 120"	531004092000	192
Hose Assembly x 1/4 ORFS/ORFS 90° x 51"	002011198051	120
Hose Assembly, Water 3" x 121"	002003045000	190,210
Hose Assembly 3/4 ORFS/ORFS x 30"	002022565030	76
Hose Barb	001079886000	62
Hose Barb	2980909486	38
Hose Barb 3/4" X 3/4" Hose	001079884000	36,38,54
Hose Cover	526005081000	10
Hose Engine Coolant Fill	526001592000	60
Hose Group, Propel	568050047000	80
Hose, Hump	004013328000	60
Hose, Hydraulic	002001426000	152
Hose, Hydraulic 1/4" X 36"	002001018000	156
Hose, Overflow	004013812008	62
Hose, Radiator	531000575000	60
Hose, Vent	004013812005	62

PARTS ALPHABETICAL INDEX

Description	Part No	Page
Housing, Cutter	568004061000	174
Housing, Light	003002160000	106
Hub Assembly, Output	004003442005	34
Hub, Chain Case	526000419001	184
Hub, Drive Axle	568003050000	126,132
Hydraulic Cylinder	002007154000	180,182
I/O Module	568090119000	92,116
Idler Arm	568004065000	180,182
Indicator Assembly	002008549003	82
Indicator, Audio	003004535001	106
Indicator, Cutter Depth	568008008000	174
Indicator, Filter	004003022000	54
Inlet Exhaust Tube	004013429000	58
Insulation Pad	001010688001	48
Insulation Pad	001010688002	48
Insulation Pad	001010688003	48
Insulation Pad	001010688005	48
Insulation Pad	001010688006	48
Insulation Pad	001010688007	48
Insulation Pad	001010688008	48
Insulation Pad	001010688009	48
Insulation Pad	M14/M15	48
Insulation Pad	001010688010	48
Insulation Pad	001010688011	48
Insulation Pad	001010688012	48
Insulation Pad	001010688013	48
J-Box	003002068000	24
J-Box Assembly	568090181000	216
Joint, Ball	001006026000	174
Jumper, Terminal Ring	003003725002	96
Key Switch	212-00276-17	96
Key, Square	001001308000	200
Keystock	000A03748000	154
Kickplate, Left	568002168000	162
Kickplate, Right	568002169000	162
Kit, Bolt	002017304000	74
Kit, Bolt	002017070000	74
Kit, Bolt	002017069000	74
Kit, Lock Driver	568006011001	136,138
Ladder	568002127000	14
Lamp, Amber	003002220000	96
Lamp, Green	003002221000	96
Lamp, Indicator White	003002125003	96
Lamp, Red	003002219000	96
Lanyard, Pin and Keeper	568040032000	196
Latch Overcenter Tension	001010672000	164
Lens, Red	003002160001	106
Light	003002208000	92,116
Light Assembly LED Red 2 1/2	003002214100	116
Light Assembly, LED Red	0030022141000	92
Light Assembly, LED Yellow	003002214200	116
Light Assembly, LED Yellow	0030022142000	92
Light, Dash	003002107000	102
Light, Strobe	568090173000	92,116
Liner, Battery	526001553000	64
Liner, Rubber	568040054001	190,210,212
Lock Nut, Crown 3/4-10	000A03494000	32
Lock, Pad	001009074000	146
Lockwasher M10	000AA0392003	54,58
Loom	003001853002	104,110,208
Loom	003001853004	106,208
Loom	003001853005	106
Lower Charge Air Tube B	004013425000	60
Lube System	568004086000	174
Mainframe	568002095000	8,24
Manifold Assembly, Hydraulic	002017087000	190,210
Manifold, 9 Station	002017080001	74
Manual Container Assembly	001008186000	8
Meter	003006922000	96
Meter, FPM	568090028000	96
Motor, Hydraulic	002015449000	200
Motor, Hydraulic	25002547	126,132
Mount	568002145000	162

PARTS ALPHABETICAL INDEX

Description	Part No	Page
Mount	568002148000	162
Mount, Angle	002017072002	74
Mount, Cab	568002099000	8,24
Mount, Cable	003000887000	96,106
Mount, Cylinder	91310121	46
Mount, Filter	568005019000	38
Mount, Foot	004013812007	62
Mount, Hydraulic Cylinder Tensioner	526007111000	180,182
Mount, Pump/Motor	526004195000	198
Mount, Pump/Motor	568040093000	212
Mount, Valve Multigauge	568050036000	164
Mounting, Joystick	568007018000	84
Muffler Support WMT	526001578000	58
Muffler Support WMT	526001579000	58
Muffler WMT	526001577000	58
Neutral Safety Bracket	568005065000	8,24
Nipple 3/4" NPT X 2"	002009501139	38
Nipple 3/4" NPTx3"	002009501141	44
Nipple, 1" NPT X 6" LG	002009501180	192
Nipple, Pipe	002009501172	196
Nipple, Pipe	002009501113	46
Nipple, Pipe	002009501163	192
Nipple, Pipe 1/2 x 6	002009501130	196
Nipple, Pipe 3" x 41"	568040088000	198,212
Nozzle	002009133000	196
Nozzle	002009138000	192
Nozzle	002009141000	192
Nozzle, Water Spray	002009147000	192
Nut	000AA0389003	88
Nut 1 1/4"-7 UNC	000A00267000	24
Nut 1/2-13 UNC	000A00260000	46,174,84,190,198 200,210,212
Nut 1/4-20 UNC	000A00256000	10,24,72,210
Nut 1-8 UNC 1-8 UNC	000A00265000	6
Nut 3/4-10 UNC	000A00263000	124
Nut 5/8-11 UNC	000A00262000	178,184,194,198 212
Nut 7/16"-14 UNC	000A00259000	126
Nut Jam	000A03057000	46,130
Nut, 3/8-16 NC	000A00258000	32,36,38,58,64 162,164,90,110 190,196,210
Nut, 7/8"-9 UNC	000A00264000	126,132
Nut, Cap	000A00481000	156
Nut, Hex	000A03037000	126,132
Nut, Hex	000AA0389004	88
Nut, Hex M8-1.25	000AA0389002	39
Nut, Jam	000AA0643000	130
Nut, Jam	000A00279000	174
Nut, Jam	000A00271000	126
Nut, Jam 1/2-13 UNC	000A00272000	84
Nut, Jam 3/8-16 UNC	000A00270000	12,162
Nut, Lock	004003442014	34
Nut, Lock	298-02065-71	62
Nut, Lock #10-24 UNC	000A02036000	8,24,164,168
Nut, Lock #10-32 UNF	000A02052000	106
Nut, Lock #4-40 UNC	000A02033000	110
Nut, Lock #8-32 UNC X 1"	000A02035000	96,106
Nut, Lock 1/2-13 UNC	000A02042000	14,39,58,164,170
Nut, Lock 1/2-13 UNC	000A03384000	160,174,180,182
Nut, Lock 1/4-20 UNC	000A02038000	160,164,170,174 110,206
Nut, Lock 3/4-10 UNC	000A02044000	8,24,39
Nut, Lock 3/8-16 UNC	000A02040000	10,164,174
Nut, Lock 5/16-18 UNC	000A02039000	24,39
Nut, Lock 5/8-11 UNC	000A02043000	124
Nut, Lock 7/16-14 UNC	000A02041000	54
Nut, Panel	003005071072	110
Nut, Rail 1/4-20 UNC	001003351000	68
Nut, Weld	000AA0413000	170
Oil Cooler Kit	05020179	38
Operator, Push Botton, Red, Mushroom	003002603006	96
Operator, Push-Pull	24002008	96

PARTS ALPHABETICAL INDEX

Description	Part No	Page
O-Ring	000A01991000	50
O-Ring	004000199005	136,138
O-Ring	004004244000	188
Panel Assembly	568090169000	216
Panel Main Control	568090058000	96
Panel, Auxiliary Gauge	571090058000	106
Panel, Connector Bulkhead	568090070000	164
Panel, Connector Nameplate	568090072000	164
Pin	001001424000	84
Pin	001001499000	14
Pin	526001045000	174
Pin	526001075000	174
Pin	531000496000	178
Pin	553040049000	196
Pin	568040036000	194
Pin	A-130120	24
Pin Assembly, Hitch	568040031000	196
Pin Clevis 1/2 X 3 5/16	526012007000	164
Pin, Clevis	000A01890000	8
Pin, Clevis	001001498000	126,132
Pin, Clevis	001001501000	175
Pin, Clevis	001001444000	8
Pin, Cotter	000A01567000	174
Pin, Cotter	000A01597000	174
Pin, Cotter	000A01497000	8
Pin, Cotter	000A01542000	175,126,132
Pin, Cotter 3/16" X 2"	000A01538000	196
Pin, Cotter 3/8 x 2 1/2	000A01599000	178
Pin, Cylinder	568004066000	180,182
Pin, Dowel	004003442001	34
Pin, Dowel	001001497000	126,132
Pin, Drive	085000466000	148
Pin, King	568003039001	126,132
Pin, Rear Bolster	526008021000	124
Pin, Rolled	000A01828000	188
Pin, Torque	004003442003	34
Pipe Nipple Sch 40, 4" X 6'	002009501382	198
Pivot, Push Bar	568040035000	194
Plate	526004040005	154
Plate	526004040006	154
Plate	568002149000	10
Plate	568002150000	10
Plate	568002154000	10
Plate	568040087000	198
Plate	568040091000	212
Plate Assembly	568090118000	92,116
Plate Assembly, Friction	004003442015	34
Plate, Ball Valve	002016724000	22
Plate, Bulkhead	568002153000	38
Plate, Bulkhead	568004088000	32
Plate, Cover	001003298000	68
Plate, Cover	559960099000	110
Plate, Cover	568004058000	180,182
Plate, Cover	568004090000	180,182
Plate, Cover	001003256003	28
Plate, Hinge	526001296000	170
Plate, Joystick	568007023000	84
Plate, Lower Cover	568007019000	84
Plate, Mounting	568050017000	30
Plate, Patent Numbers	000A05884000	141
Plate, Pressure	004003442007	34
Plate, Safety Latch	568004089000	180,182
Plate, Separator	004003442013	34
Plate, Serial Number	001010168000	140
Plate, Shifter	568002157000	10
Plate, Thrust	A126820	188
Plate, Wear	568004059000	174
Plate, Wear	568004060000	174
Plug	000A00718000	180,182
Plug 1 1/16-12	000A00714000	214
Plug 1/2 O-Ring	000A00712000	74
Plug 3/4" NPT	000A00884000	28,36,39,174
Plug 7/16"- 20 Str Thd	000A00709000	80

PARTS ALPHABETICAL INDEX

Description	Part No	Page
Plug, Adapter	003002214310	112
Plug, Dust	002004966000	36,156,152
Plug, Hollow	000AA0632003	180,182
Plug, Pipe 1/4" NPT	000A00881000	62
Plug, Pipe 1/8"NPT	000A00880000	36,188
Plug, Pipe 2" NPT	002009506045	196
Plug, Quick Disconnect	002004934000	150,152
Plug, Seal #6 AWG	003005071019	106,110
Plug, Sealing	003005071017	96,104,106
Plug, Sealing	003005072004	208
Pointer	A140858	175
Potentiometer Assembly	568090136000	97
Primary Element	004003040002	54,56
Puller, Bil	001009369000	146
Pulsar Disks Assembly	543040111000	200
Pump	002006674000	114
Pump	526004286000	200
Pump, Hand, Hydraulic	002002538000	30
Pump, Hydraulic	002012644000	44
Pump, Hydraulic	002012653000	38
Pump, Hydraulic	002012635001	52
Pump, Hydraulic	002012635002	52
Punch, Straight	001010068000	150
Pushbar	568040034000	194
Radiator	004013812001	62
Radiator Mounting Pad	526001581000	60
Ratchet	001010101000	154
Rear Cowling	568002052000	164
Reducer #6 SAE - #4	000A00700000	28
Reducer 1" NTP X 3/4" NPTF	000A00854000	192
Reducer 1/2" ORB X 3/8" ORB	000A00721000	72
Reducer 1/4" NPT x 1/8" NPT	000A00850000	106
Reducer 3/4" NPT to 1/4" NPT	000A03025000	60
Reducer 5/8" ORB X 1/2" ORB	000A00722000	36
Reducer Tube End 12-4 ORFS	000AA0147007	44,214
Reducer Tube End 12-6 ORFS	000AA0147008	39,72
Reducer Tube End 12-8 ORFS	000AA0147009	80,214
Reducer, Pipe 7/16 O-Ring to 1/4 NPT	000AA0443000	106
Reducer, Straight	000AA0726000	72
Relay 24V, 100A Contact	003000417000	110
Reservoir, Fuel	004023401000	18
Reservoir, Hydraulic	002016732000	22
Resistor	003001752121	96
Retainer, Bearing	526007101000	184
Retainer, Bushing	526000360000	124
Retainer, Spring	001010069000	150
Ring	004014173000	184
Ring, Lock	004000199004	136,138
Ring, Side	004000199003	136,138
Ring, Snap	000A03747000	154
Ring, Snap	001001340000	184
Rod	568002155000	24
Rod End 1/2	05020105	46
Rod, Threaded	526004040002	154
Rod, Tie Down	531000273000	64
Saddle Pipe	568040059000	190,210
Saddle, Pipe	568040090000	212
Saddle, Spraybar	568040013000	196
Safety Element	004003040001	54,56
Screen, LH Lower	526001292000	170
Screen, LH Upper	526001291000	170
Screen, RH Lower	526001294000	170
Screen, RH Upper	526001293000	170
Screw, Button Head Cap	000AA0639000	60
Screw, Cap	000A01268000	168
Screw, Cap	004013812010	62
Screw, Cap	001009434000	188
Screw, Cap	004013812009	62
Screw, Cap	004013812011	62
Screw, Cap 1/2-13 UNC X 2 1/2"	000A00107000	200
Screw, Cap Hex	001002249000	188
Screw, Drive #4 x 1/4"	000A02228000	140
Screw, Hex Flat, C'snk	000A00425000	188

PARTS ALPHABETICAL INDEX

Description	Part No	Page
Screw, Hex Socket 1/4-20 UNC X 5/8"	000A03730000	84
Screw, Pan #10-24 UNC X 1 1/2"	000A01102000	32
Screw, Pan #10-24 UNC x 3/4"	000A00339000	164
Screw, Pan #10-32 UNF X 1"	000A02108000	110
Screw, Pan #10-32 UNF X 1/2"	000A02105000	106
Screw, Pan #4-40 UNC X 5/8"	000A02432000	110
Screw, Pan #8-32 UNC X 1"	000A00332000	96
Screw, Pan #8-32 UNC X 3/4"	000A01094000	106
Screw, Pan #8-32 UNF X 5/8	000A01093000	106,110
Screw, Pan 10-24 x 1 1/4	000A01101000	164
Screw, Pivot Weldment	526001031000	188
Screw, Pump Drive	05020152	44
Screw, Socket Button Cap 1/4-20 UNC x 3/4"	000AA0620000	164
Screw, Socket Head	000A00367000	8,24
Screw, Socket Head 3/8-16 UNC x 3/8"	000A00450000	44
Seal	004014166000	188
Seal Plate	526007070000	184
Seal, Cable Green	003005072001	112
Seal, Gray Cable	003005072002	114,208
Seal, Lower Bearing Housing	526000420000	188
Seal, Oil	004014165000	184
Seal, Shaft	004014145000	188
Seat Assembly	001007020000	84
Sender, Temperature	001005285000	22,92,116
Sending Unit, Fuel	001005121000	18
Shackle	001009758000	8,24
Shaft, Long	568004014000	184
Shaft, Pivot Weldment	526001057000	188
Shaft, Short	568004013000	184
Shim	568004085000	175
Shim	526007072000	184
Shim	526007071000	184
Shroud	004013812004	62
Skid, Engine	568002102000	38
Slide Plate, Console	568007033000	88
Slip Yoke Assembly	004003145000	32
Snubber	002009000000	106
Socket, Quick Disconnect 1/4" NPTF	002004933000	36,156,152
Socket, Wrench	001010122000	146
Spacer	A-136252	184
Spacer, Bushing	526008020000	124
Spacer, Stub Shaft	526000449000	188
Spacer, Tube	568004052000	174
Splice, Butt	003000700229	104
Splice, Butt	003000700208	104,208
Split Flange Half	000A07350000	50
Split Flange Kit	002005085000	126,132
Spraybar	568010001000	196
Spring Cup Bolt Assembly	004003442011	34
Spring, Left Hand	568040038000	194
Spring, Right Hand	568040037000	194
Sprocket	004011125000	200
Sprocket	004011130000	200
Sprocket, Cutter Drive	568004069000	188
Sprocket, Upper	568004054000	184
Stack, Exhaust	004013368000	58
Staple Padlock	526012040000	160
Stop, Slide	568007021000	84
Stop, Slide Plate	568007015000	88
Straight	000A00689000	72
Straight 1/2" JIC X 3/8" ORB	000A03932000	39
Straight 1/2" JIC X 5/8" ORB	000A02686000	39
Straight 1/4" JIC X 1/8" NPT	000A00523000	126
Straight -12ORFS X -12 MNPT	000AA0120013	44,175
Straight 3/4 ORFS x 1 ORB	000AA0112019	39,72,80
Straight 3/4 ORFS x 3/4 ORB	000AA0112016	22,39,60,126,132
Straight 3/8" JIC X 1/4" NPT	000A00525000	152
Straight -6 ORFS X -8 ORB	000AA0112006	72,74,175
Straight, MaLE 3/8 orfs X 1/2 orb	000AA0645000	74
Strainer	001009508000	18
Strainer, Basket	002008543000	198,212
Strainer, Suction	002008582000	22
Strainer, Suction	002008584000	22

PARTS ALPHABETICAL INDEX

Description	Part No	Page
Strap, Hose	001009011000	190,126,210
Stub Shaft, Long	568004068000	188
Stud Ball	001004099001	164
Supply Pipe	568040066000	190,210
Support Plate	568004084000	32
Support, Hose	526224397000	194
Support, Hose	568005024000	38
Support, Hydraulic Hose	568003052000	126
Swedge 1/8"	001003133001	164,196,202
Switch, Disconnect Battery	003001264000	92,116
Switch, Emergency Stop	24002006	96
Switch, Pressure	001005215000	92,116
Switch, Pressure	001005260000	92,116
Switch, Selector	24002034	96
Switch, Thermostat	568090082000	92,116
Switch, Thermostat	001005290000	22
Switch, Toggle	003001296000	96
Switch, Toggle	003000272000	96
Switch, Toggle	003000288000	106
Switch, Toggle	003000273000	96
Switch, Toggle	003001298003	96
Switch, Toggle	003001209000	96
Switch, Toggle	003000289000	96
Switch, Toggle	003000289001	96
Switch, Toggle	003000275000	96
Tank Pad	526005067000	20
Tank, Air	004002839000	36
Tank, Replenishing	568050041000	28
Tank, Surge	004013812006	62
Tape, Acrylic Foam	001008193000	24
Tape, Conspicuity	55-78841	140
Tee	000A00920000	196
Tee 1/4" NPTF	000A00859000	106
Tee 3/4" NPT	000A00862000	44
Tee ORFS to 16 ORFS	000AA0125007	39,80
Tee, Branch -12FFORX	000AA0125005	39
Tee, Branch 3/4 ORB x ORFS	000AA0117005	39
Tee, Male Branch	002015920000	196
Tee, One Touch Union	55-79022	196
Tee, Run	000AA0124002	72,126,132
Tee, Run 1/4" NPT	000A00930000	36
Tee, Run Swivel 3/4 ORFS	000AA0124005	44,72,80,214
Tee, Service	000A00921000	72
Tee, Service 3/4" NPT	000A00924000	60,174
Tee, Service 3/8" NPT	000A00922000	36
Tee, Swivel Run	000AA0124003	72
Tee, Swivel Run -4ORFS	000AA0124001	39
Tee, Union -12MORFS	000AA0128005	80
Tee, Union -16MORFS	000AA0128007	80
Tee, Union -6ORFS	000AA0128002	80
Tension Bushing	004002196000	126,132
Terminal	003000700127	96
Terminal, Male	003005072031	112,114
Terminal, Pin, Male (16-14 AWG)	003005071014	106,110
Terminal, Push On, Female	003000700205	96
Terminal, Push On, Male	003000700174	102
Terminal, Pushon	003000700173	96
Terminal, Ring	003000700098	96,106
Terminal, Ring	003000700054	96,106
Terminal, Ring	003000700066	106
Terminal, Ring #6 X 16-14 AWG	003000700025	106
Terminal, Ring #8 (16-14 AWG)	003000700065	110
Terminal, Ring #8 X 12-10 AWG	003000700074	110
Terminal, Ring 1/4 (8 AWG)	003000700003	110
Terminal, Ring 16-14 x 3/8	003000700079	110
Terminal, Ring 3/8 (12-10 AWG)	003000700005	110
Terminal, Sleeve, Female	003005072032	208
Terminal, Socket	003005071035	208
Terminal, Socket, Female	003005071013	208
Terminal, Socket, Female	003005071033	96
Terminal, Socket, Female 6 AWG	003005071015	110
Terminal, Wire	003000700101	96
Thimble	001003133002	164

PARTS ALPHABETICAL INDEX

Description	Part No	Page
Tie Bar	568003053000	130
Tie Wrap 1/4" X 14" Black	003000700019	110
Tie, Cable	003000700017	106
Tire	004000199001	136,138
Torque Hub	004013847000	126
Torque Hub	004013848000	132
Track	568007014000	88
Transmission, Modified	91310413	46
Trim Regular	22-8505631	160
Tube	312006150000	196
Tube End 16-12 Male ORFS/Str O-Ring	000AA0112022	60
Tube End 90° 1/4 ORFS x 3/8 ORB	000AA0113002	39
Tube End 90° 6 ORFS/6 Str O-Ring	000AA0113003	20,22,46,72,175
Tube, Lower Charge Air	004013491000	60
Tube, Lower Radiator	004013479000	60
Tube, PVC	568002152000	24
Tube, Upper Radiator	004013427000	60
Tubing 1/2"	571020001002	36
Tubing 1/4"	571020001001	36
Tubing, Heat Shrink	003000901219	208
Turnbuckle	526001048000	174
U-Bolt	001002069000	20
U-Bolt 1/4-20 UNC	001002161000	190
U-Bolt 3/8 x 3 1/2 x 4 1/8	001002251000	196
Union 32 SAE ORB	000AA0174009	22
Union 8-Str SAE ORB 8-Str SAE ORB	000AA0174006	22
Union, Pipe 3" NPT	002009503011	190,210
Universal Joint Kit	004003136000	32
Upper Charge Air Tube	004013426000	60
Valve Assembly	002006518000	196
Valve Assembly	002006519000	196
Valve, Air	004000396003	136,138
Valve, Ball	002006447005	22
Valve, Ball	002006447008	22
Valve, Ball	002006447003	18
Valve, Ball 1/2" NPT	002006401000	60
Valve, Ball 3/4" NPT	002006402000	38
Valve, Check	000AA0651000	72
Valve, Check	002006110000	28
Valve, Check	002016920000	72
Valve, Check	002016994000	80
Valve, Directional	002017065000	74
Valve, Directional	002017063000	74
Valve, Drain 1/4" NPT	002004984000	36
Valve, Gauge Isolator	002016727000	80
Valve, Needle 1/4" NPTF	002006311000	156
Valve, PO Check	002017068000	74
Valve, Pop-Off 125 PSI	002005988000	36
Valve, Pressure Reducing	002016737000	72
Valve, Pressure Reducing	002017077000	74
Valve, Proportional	002017305000	74
Valve, Relief	002006321000	44
Valve, Solenoid	002016289000	72
Washer, Fender	311539041410	194
Washer, Fender 3/8 X 1 1/2" O.D.	000A03728000	174
Washer, Flat	000AA0099000	8,24
Washer, Flat	G15069	200
Washer, Flat	000A02948000	180,182
Washer, Flat	000AA0046000	126,132
Washer, Flat #10	003000731009	164
Washer, Flat 1"	000A00301000	6,188
Washer, Flat 1/2"	000A00296000	6,8,24,38,58,160 164,170,174,180 182,188,88,198 200,212
Washer, Flat 1/4	000A00292000	8,10,24,160,170 174,110,200,206
Washer, Flat 3/4"	000A00299000	8,24,32,38,124 126,132
Washer, Flat 3/8"	000A00294000	10,12,18,22,32 36,38,64,162,164 190,210
Washer, Flat 5/16	000A00293000	38,174,200

PARTS ALPHABETICAL INDEX

Description	Part No	Page
Washer, Flat 5/8	000A00298000	178,184,188,84 124,198,212
Washer, Flat 5/8"	000A02945000	126,132,194
Washer, Flat 7/16	000A00295000	44,54
Washer, Flat M8	000AA0392002	39,46
Washer, Flat, 7/8"	000A00300000	126,132
Washer, Hardened 1/2	000A02943000	174
Washer, Lock	003005071047	110
Washer, Lock	000AA0392004	52
Washer, Lock 1/2"	000A00308000	8,24,38,50,60,174 180,182,84,88,190 194,198,200,210 212
Washer, Lock 1/4"	000A00304000	8,10,24,28,30,72 170,84,88,210
Washer, Lock 3/4	000A00311000	175,124,126,132
Washer, Lock 3/8"	000A00306000	10,12,18,22,28 36,38,58,64,68 162,180,182,184 84,88,190,196,210
Washer, Lock 5/16	000A00305000	72,74,174,200
Washer, Lock 5/8	000A00310000	184,194,198,212
Washer, Lock 7/16	000A00307000	38,44,46
Washer, Lock External 3/8	000A01906000	110
Washer, Thrust	004003442002	34
Washer, Thrust	004012164000	126,132
Washer, Thrust	A076557	184
Wedge	003005071361	96,104
Wedge, Lock	003005071356	96
Weld Plate	001003297000	68
Wheel, 25" x 22" / 2.5	568006016000	136,138
Wheel, Concentric Steel	001010901000	88
Wheel, Eccentric Steel	001010902000	88
Wire	553040105001	202
Wire #16 SXL Pink	003000902292	106
Wire #16 SXL Purple	003000902296	107,208
Wire #16 SXL Yellow	003000902291	106,208
Wire #6 SXL Orange	003000902345	106
Wire #6 SXL Red	003000902344	106
Wire SXL #14 AWG Black	003000902304	208
Wire SXL #14 AWG Orange	003000902301	106
Wire SXL #18 AWG Black	003000902370	97,104
Wire SXL #18 AWG Orange	003000902367	97
Wire SXL #18 AWG Red	003000902366	97,104
Wire SXL #8 AWG Red	003000902333	110
wire, Black #10 SXL	003000902326	110
Wire, Black #16 SXL	003000902293	106,110
Wire, Blue	003000902375	97,104
Wire, Blue #16 SXL	003000902298	107,208
Wire, Brown	003000902295	208
Wire, Brown	003000902372	97
Wire, Gray	003000902294	208
Wire, Gray	003000902371	97,104
Wire, Green	003000902374	97,104
Wire, Green #16 SXL	003000902297	107,208
Wire, Orange #16 SXL	003000902290	106,110,208
Wire, Orange #8 SXL	003000902334	110
Wire, Pink	003000902369	97
Wire, Purple	003000902373	97
Wire, Red #10 SXL	003000902322	110
Wire, Red #16 SXL	003000902289	208
Wire, White	003000902365	97,104
Wire, White #16 SXL	003000902288	110
Wire, White #8 SXL	003000902332	110
Wire, Yellow	003000902368	97,104
Yoke Flange	004003139000	32
Yoke Shaft	004003146000	32
Zerk, 45° Grease 1/8 NPT	001079712045	132
Zerk, Grease 1/8 NPT	001079712000	174,184,124,132