

TABLE OF CONTENTS

SN 568240	RS446 Reclaimer/Stabilizer	2
568001014000	RS446 Tractor	4
568001013000	RS446 Reclaimer/Stabilizer	6
568002094000	Mainframe Assembly From 568216	8
568002111000	Covers Assembly	12
568002151000	Handrails Group	14
568002135000	Service Center Assembly	16
568002151000	Handrails Group	14
568002135000	Service Center Assembly	16
568005041000	Tank, Fuel	18
004023400000	Tank, Fuel	20
568050038000	Tank, Hydraulic	22
002016733000	Reservoir, Hydraulic	24
568005041000	Tank, Fuel	18
004023400000	Tank, Fuel	20
568050038000	Tank, Hydraulic	22
002016733000	Reservoir, Hydraulic	24
568004082000	Drive Line Assembly	26
004003443000	Torque Limiter	28
568003047000	Drive Assembly, Wheel From 568208	30
568003048000	Axle Assembly, Front Drive	32
568003044000	Tie Rod Assembly	36
568003049000	Axle Assembly, Rear Drive	38
568003044000	Tie Rod Assembly	36

TABLE OF CONTENTS

568020018000	Regulator Assembly, Air	42
002015914000	Air Regulator-Lubricator	44
568005040000	Engine Assembly	46
001010688000	Exhaust Insulation Assembly	54
002005089000	Split Flange Kit	56
002012635000	Tandem Hydraulic Assembly	58
526001585000	Air Intake Assembly	60
526001586000	Exhaust Assembly	62
568005012000	Cooling System	64
004013812000	RAD CAC HOC Assembly	66
568005042000	Dipstick Assembly	68
568005045000	Pump Assembly, Cutter Cooling	70
568005046000	Actuator, Hydraulic Clutch	72
526000596000	Turnbuckle Assembly	74
004013722000	Kit, Clutch Shift Lever	76
568005049000	Cooling Group, Transmission	78
568020011000	Tank, Air Assembly From 568106	80
568005060000	Battery Group	82
568050039000	Filters Assembly	84
002008549000	Filter Assembly	86
568090006000	Electrical Group From 568233	88
568090131000	Panel Assembly, Main Control	92
559960082000	Light, Dash Assembly	98
568090027000	Control Handle Assembly	100

TABLE OF CONTENTS

526009226000	Panel, Auxiliary Gauge	102
568090056000	Panel, Power	106
568090050000	Adapter, Power	108
560090028000	Light, Strobe	110
568090102000	Pump, Lube	112
568050049000	Hose Kit	114
568005044000	Hose Kit, Power Pack	116
568030002000	Tools Group	118
531004002000	Hammer, Air Attachment	120
001010066000	Hammer, Air Assembly	122
097003002000	Hose, Air Assembly	124
526004040000	Chain, Ratchet Tool	126
543040239000	Kit, Oil Sampling Assembly	128
568040062000	Operator Platform, Open	130
568002078000	Covers Group, Operator Station	132
568002141000	Handrail Assembly	134
568002160000	Cowling Assembly	136
568002080000	Hood Assembly	140
526001289000	Hood Assembly, Engine	142
568004075000	Cutter Assembly	144
568004044000	Cutter Housing and Drive	146
568004022000	Door, Rear	150
568004050000	Chaincase Assembly	152
568004051000	Chaincase Assembly	154

TABLE OF CONTENTS

568004053000	Axle Assembly, Cutter	156
568004067000	Drive Assembly, Cutter Lower	160
568040084000	Water and Emulsion System	162
568040026000	Accessory Group, Water Emulsion	164
568040033000	Pushbar Assembly	166
568040069000	Spraybar Assembly	168
568040085000	Water Pump and Plumbing Assembly	170
526004193000	Pump/Motor Assembly	172
553040105000	Lanyard Assembly	174
568050051000	Hose Group	176
568090008000	Electrical System	178
568090049000	Cable, Spraybar	180

Intentionally Left Blank

**RS446 Reclaimer/Stabilizer
SN 568240**

Ref. No.	Part No.		Qty.	Description
1	568001014000		1	RS446 Tractor (Page 4)
2	568040062000		1	Operator Platform, Open (Page 130)
3	568004075000		1	Cutter Assembly (Page 144)
4	568040084000	N	1	Water and Emulsion System (Page 162)
N)	Not Shown			

WHEN ORDERING PARTS, ALWAYS STATE MODEL AND SERIAL NO. OF MACHINE

RS446 Reclaimer/Stabilizer
SN 568240

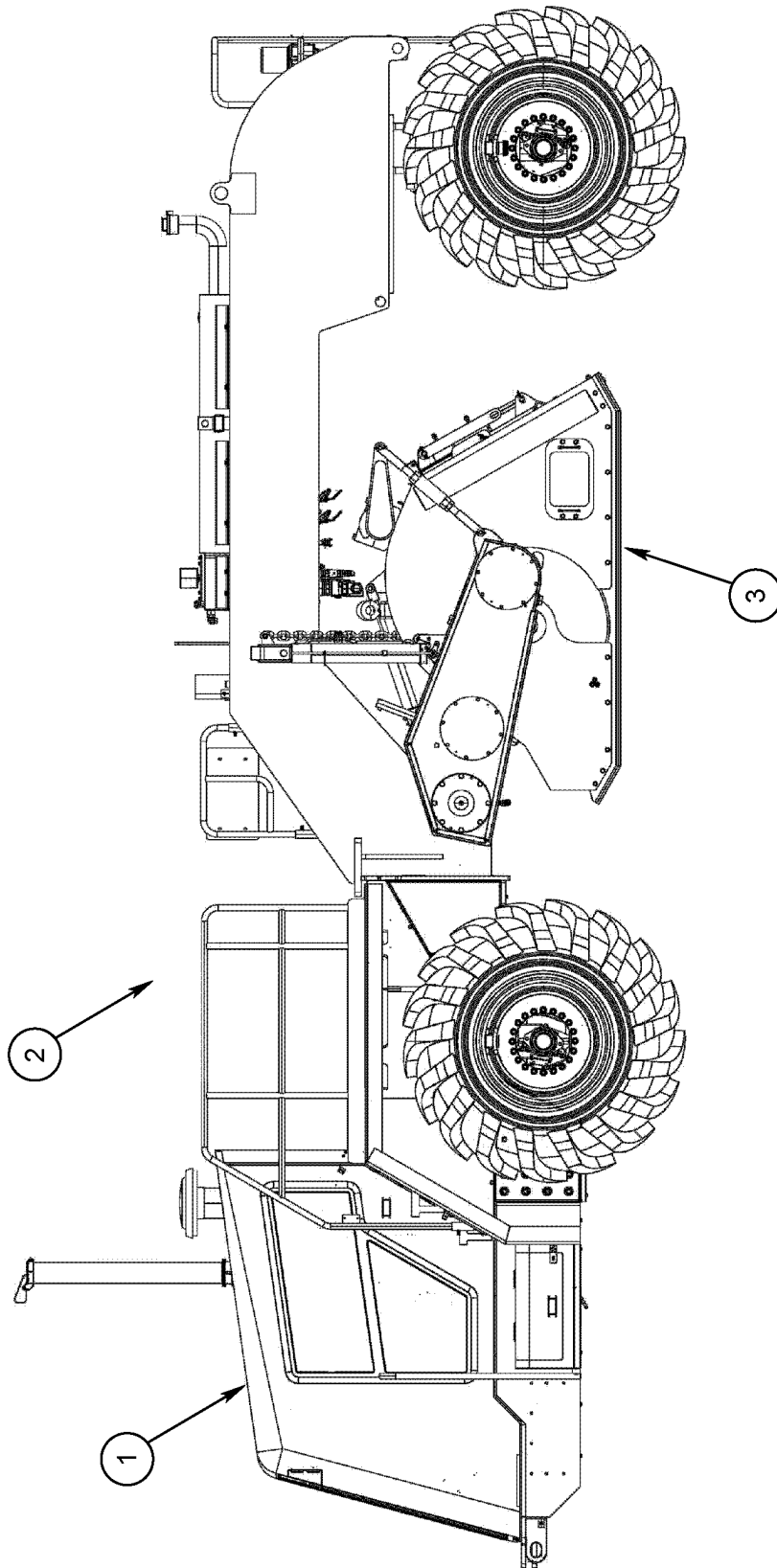


ILLUSTRATION MAY VARY FROM YOUR MACHINE

**RS446 Tractor
568001014000**

Ref. No.	Part No.	Qty.	Description
1	568001013000	1	RS446 Reclaimer/Stabilizer (Page 6)
2	568030002000	1	Tools Group (Page 118)
3	568009023000	1	Decal Assembly

WHEN ORDERING PARTS, ALWAYS STATE MODEL AND SERIAL NO. OF MACHINE

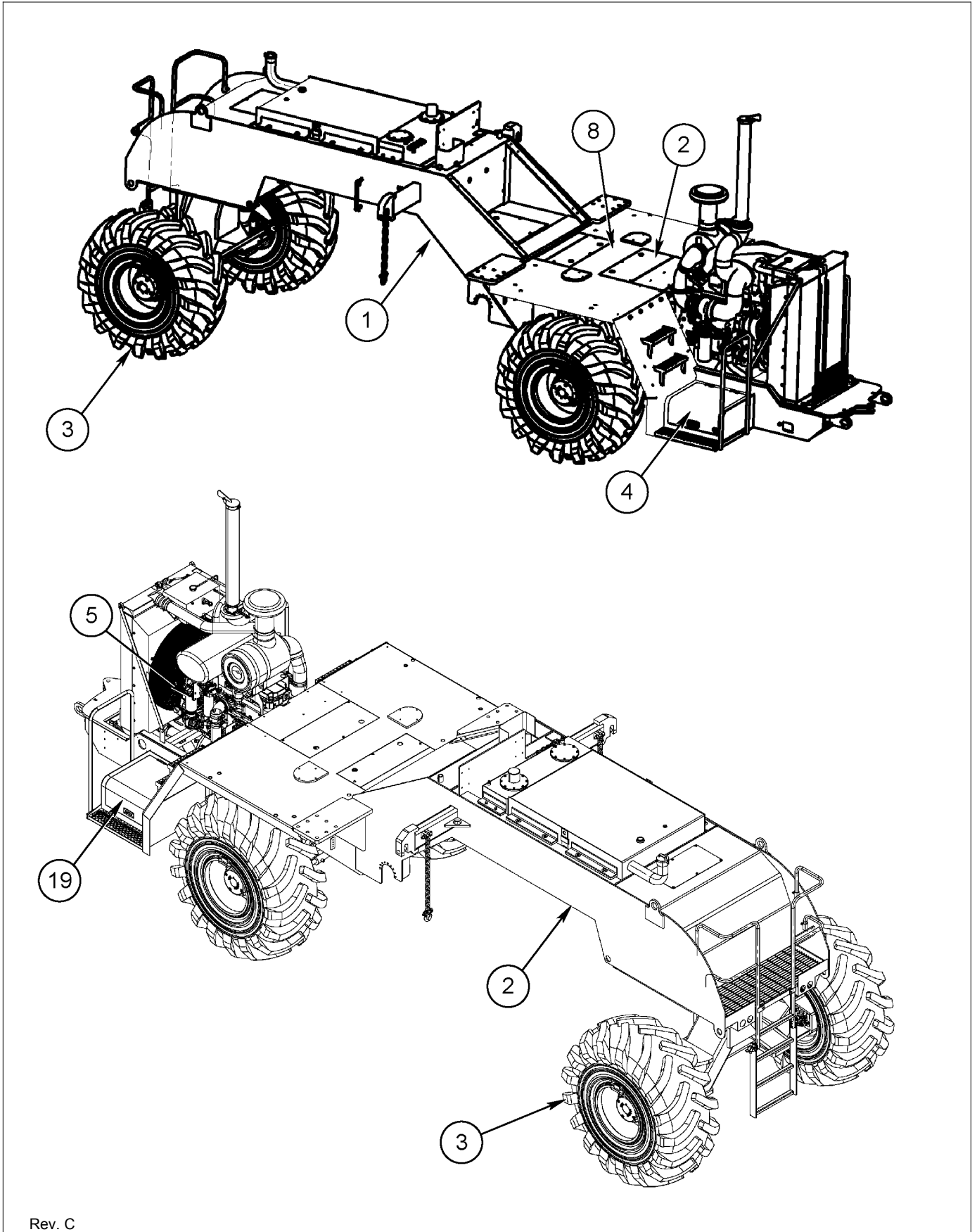
Intentionally Left Blank

**RS446 Reclaimer/Stabilizer
568001013000**

Ref. No.	Part No.	Qty.	Description
1	568002094000	1	Mainframe Assembly 2 From 568216 (Page 8)
2	568004082000	1	Drive Line Assembly (Page 26)
3	568003047000	1	Drive Assembly, Wheel From 568208 (Page 30)
4	568020018000	1	Regulator Assembly, Air (Page 42)
5	568005040000	1	Engine Assembly (Page 46)
6	568050039000	1	Filters Assembly (Page 84)
8	568007030000	1	Console Assembly From 568223
9	568008002000	1	Edge Guide Assembly
11	568090006000	1	Electrical Group From 568233 (Page 88)
13	000A00101000	16	Bolt, Hex 1/2-13 UNC x 1"
14	000A00211000	32	Bolt, Hex 1-8 UNC x 3 1/2"
15	000A00265000	32	Nut 1-8 UNC 1-8 UNC
16	000A00296000	16	Washer, Flat 1/2"
17	000A00301000	64	Washer, Flat 1"
21	568050049000	1	Hose Kit (Page 114)
22	568005044000	1	Hose Kit, Power Pack (Page 116)

WHEN ORDERING PARTS, ALWAYS STATE MODEL AND SERIAL NO. OF MACHINE

RS446 Reclaimer/Stabilizer
568001013000



Rev. C

ILLUSTRATION MAY VARY FROM YOUR MACHINE

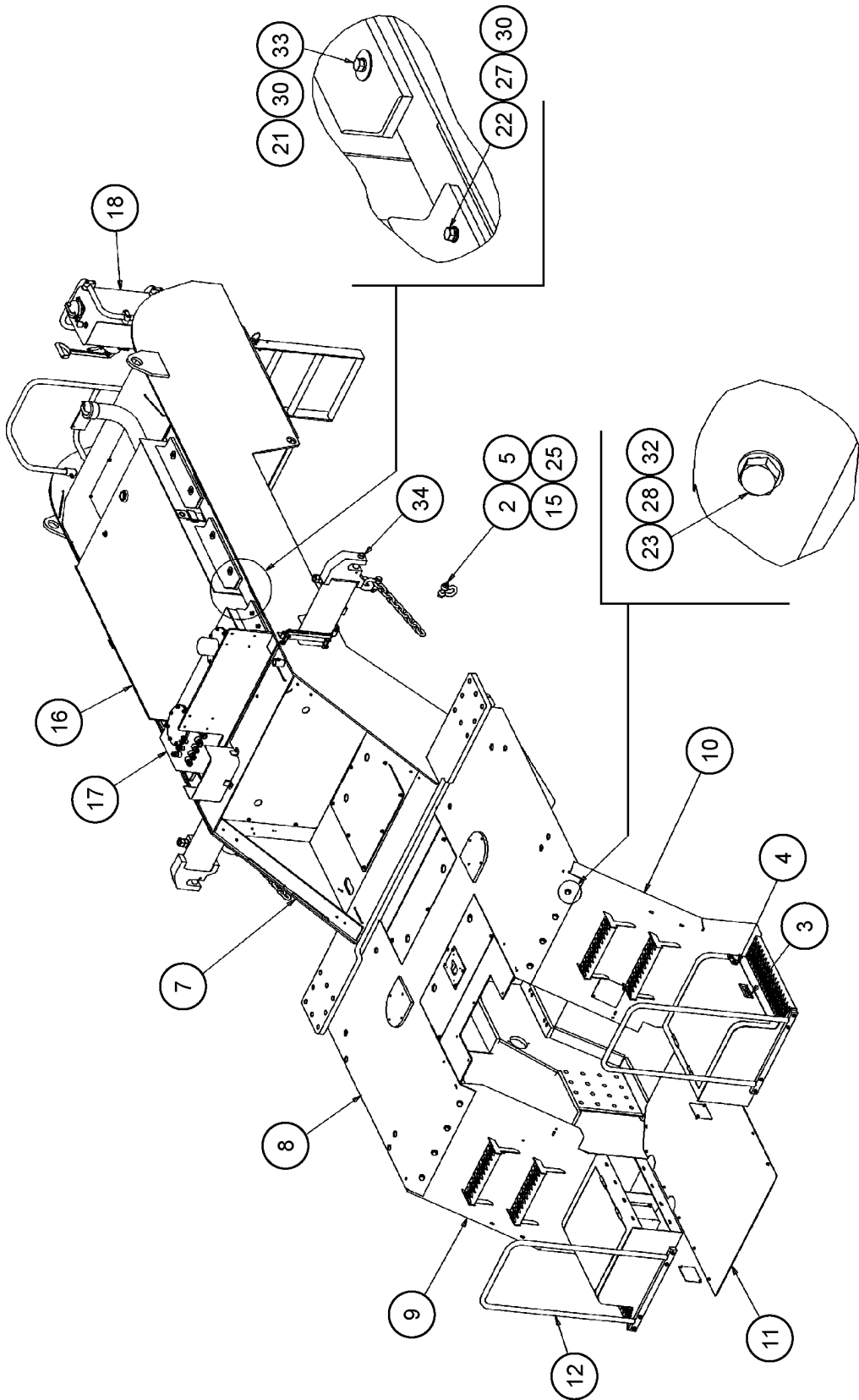


**Mainframe Assembly 2
568002094000**

Ref. No.	Part No.	Qty.	Description
1	001008193000	1	Tape, Acrylic Foam
2	001009758000	4	Shackle
3	001010540000	2	Handle, Grab
5	001010968000	2	Eyebolt
6	003002068000	1	J-Box
7	568002095000	1	Mainframe
8	568002099000	1	Mount, Cab
9	568002100000	1	Fender, Right
10	568002101000	1	Fender, Left
11	568002111000	1	Covers Assembly (Page 12)
12	568002151000	1	Handrails Group (Page 14)
13	568002152000	1	Tube, PVC
14	568002155000	2	Rod
15	568004091000	2	Chain
16	568005041000	1	Tank, Fuel (Page 18)
17	568050038000	1	Tank, Hydraulic (Page 22)
18	568050040000	1	Tank, Replenishing
19	000A00006000	4	Bolt, Hex 1/4-20 UNC X 1"
20	000A00036000	2	Bolt, Hex
21	000A00104000	8	Bolt, Hex 1/2"-13 UNC X 1 3/4"
22	000A00105000	4	Bolt, Hex 1/2-13 UNC X 2"
23	000A00167000	8	Bolt, Hex 3/4-10 UNC X 2"
24	000A00256000	4	Nut 1/4-20 UNC
25	000A00267000	2	Nut
26	000A00292000	6	Washer, Flat 1/4 From 568223
27	000A00296000	4	Washer, Flat 1/2"
28	000A00299000	16	Washer, Flat 3/4"
29	000A00304000	6	Washer, Lock 1/4" From 568223
30	000A00308000	12	Washer, Lock 1/2"
31	000A02039000	2	Nut, Lock 5/16-18 UNC
32	000A02044000	8	Nut, Lock 3/4-10 UNC
33	000AA0099000	8	Washer, Flat
34	A-130120	2	Pin
35	568005065000	1	Neutral Safety Bracket
36	000A00004000	2	Bolt, Hex 1/4-20 UNC x 3/4"
37	000A00367000	2	Screw, Socket Head
38	000A02036000	2	Nut, Lock #10-24 UNC

WHEN ORDERING PARTS, ALWAYS STATE MODEL AND SERIAL NO. OF MACHINE

Mainframe Assembly 2 568002094000

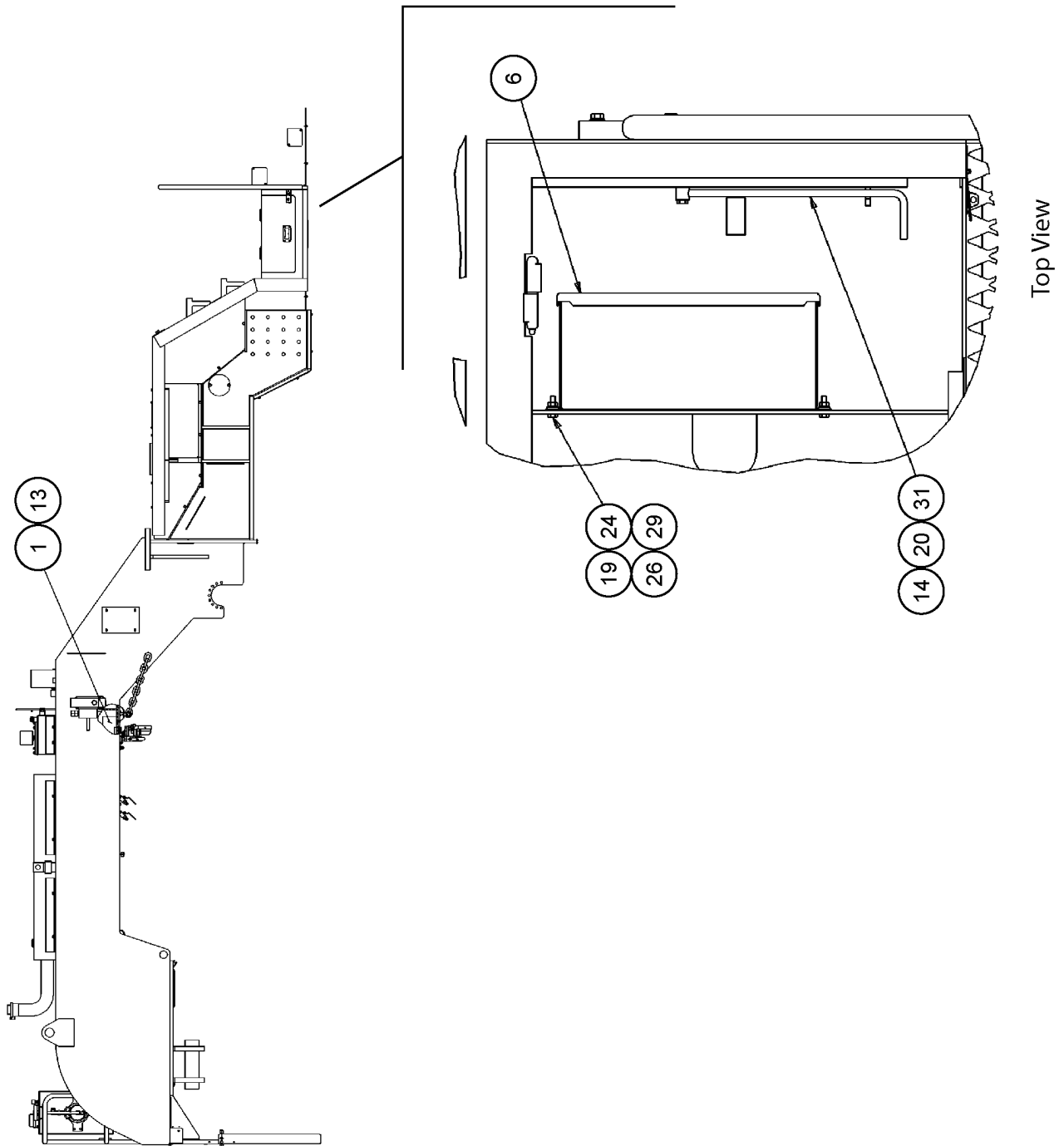


Rev. E

ILLUSTRATION MAY VARY FROM YOUR MACHINE



Mainframe Assembly 2 568002094000



Rev. E

ILLUSTRATION MAY VARY FROM YOUR MACHINE



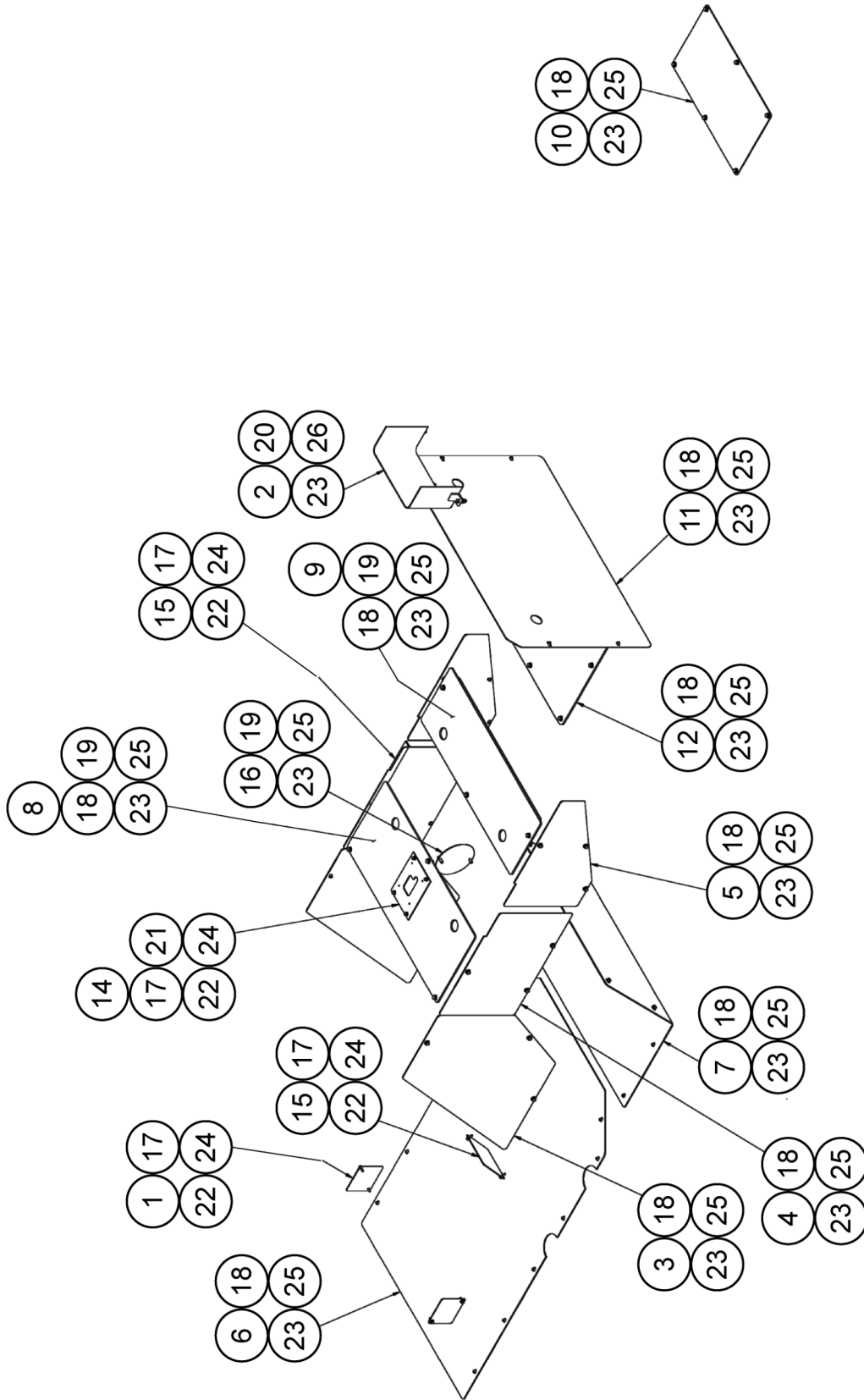
Intentionally Left Blank

**Covers Assembly
568002111000**

Ref. No.	Part No.	Qty.	Description
1	526001234000	2	Cover Plate
2	526005081000	1	Hose Cover
3	568002112000	2	Cover, Pump Access
4	568002113000	1	Cover, Transmission Access
5	568002114000	2	Cover, Mainframe Side
6	568002117000	1	Cover, Powerpack
7	568002118000	1	Cover, Mainframe Front
8	568002128000	1	Cover, Floorplate
9	568002129000	1	Cover, Floorplate
10	568002138000	1	Cover, Rear Weight
11	568002149000	1	Plate
12	568002150000	1	Plate
13	568002154000	1	Plate
14	568002157000	1	Plate, Shifter
15	568002158000	1	Cover, Fender
16	568002159000	1	Cover, Clutch Access
17	000A00005000	12	Bolt, Hex
18	000A00054000	60	Bolt, Hex
19	000A00057000	2	Bolt, Hex 3/8-16 UNC X 1"
20	000A00059000	3	Bolt, Hex 3/8-16 UNC X 1 1/2"
21	000A00256000	4	Nut 1/4-20 UNC
22	000A00292000	16	Washer, Flat 1/4
23	000A00294000	65	Washer, Flat 3/8"
24	000A00304000	12	Washer, Lock 1/4"
25	000A00306000	62	Washer, Lock 3/8"
26	000A02040000	3	Nut, Lock 3/8-16 UNC

WHEN ORDERING PARTS, ALWAYS STATE MODEL AND SERIAL NO. OF MACHINE

Covers Assembly
568002111000



Rev. B

ILLUSTRATION MAY VARY FROM YOUR MACHINE

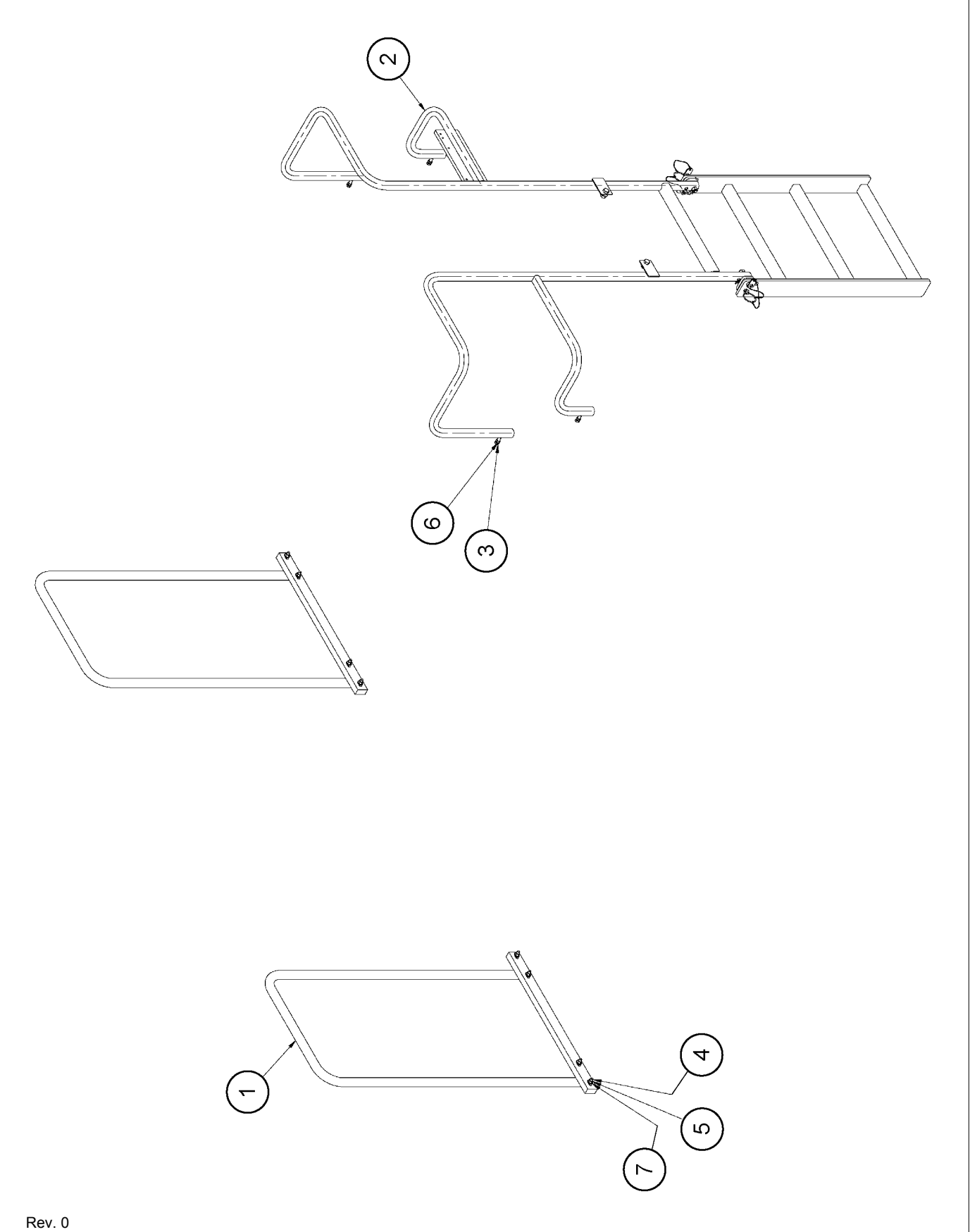


**Handrails Group
568002151000**

Ref. No.	Part No.	Qty.	Description
1	568002156000	2	Front Handrail
2	568002135000	1	Service Center Assembly (Page 16)
3	000A00057000	4	Bolt, Hex 3/8-16 UNC X 1"
4	000A00061000	8	Bolt, Hex 3/8-16 UNC X 2"
5	000A00306000	8	Washer, Lock 3/8"
6	000A00270000	4	Nut, Jam 3/8-16 UNC
7	000A00294000	8	Washer, Flat 3/8"

WHEN ORDERING PARTS, ALWAYS STATE MODEL AND SERIAL NO. OF MACHINE

**Handrails Group
568002151000**



Rev. 0

ILLUSTRATION MAY VARY FROM YOUR MACHINE

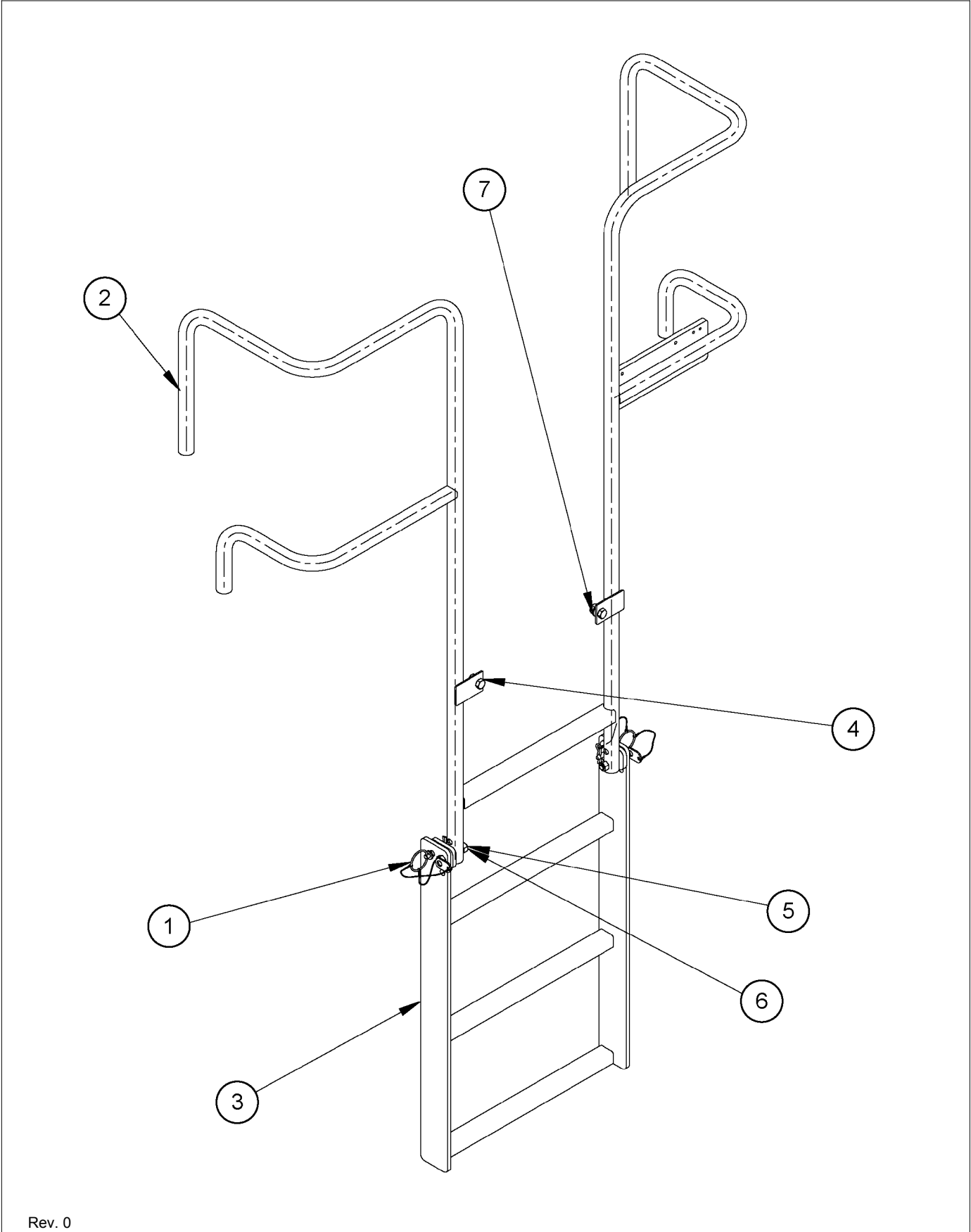


**Service Center Assembly
568002135000**

Ref. No.	Part No.	Qty.	Description
1	001001499000	2	Pin
2	568002126000	1	Handrail
3	568002127000	1	Ladder
4	000A00102000	2	Bolt, Hex 1/2"-13 UNC X 1 1/4"
5	000A00109000	2	Bolt, Hex
6	000A002042000	4	Nut, Elastic
7	000A00296000	2	Washer, Flat 1/2"

WHEN ORDERING PARTS, ALWAYS STATE MODEL AND SERIAL NO. OF MACHINE

Service Center Assembly
568002135000



Rev. 0

ILLUSTRATION MAY VARY FROM YOUR MACHINE

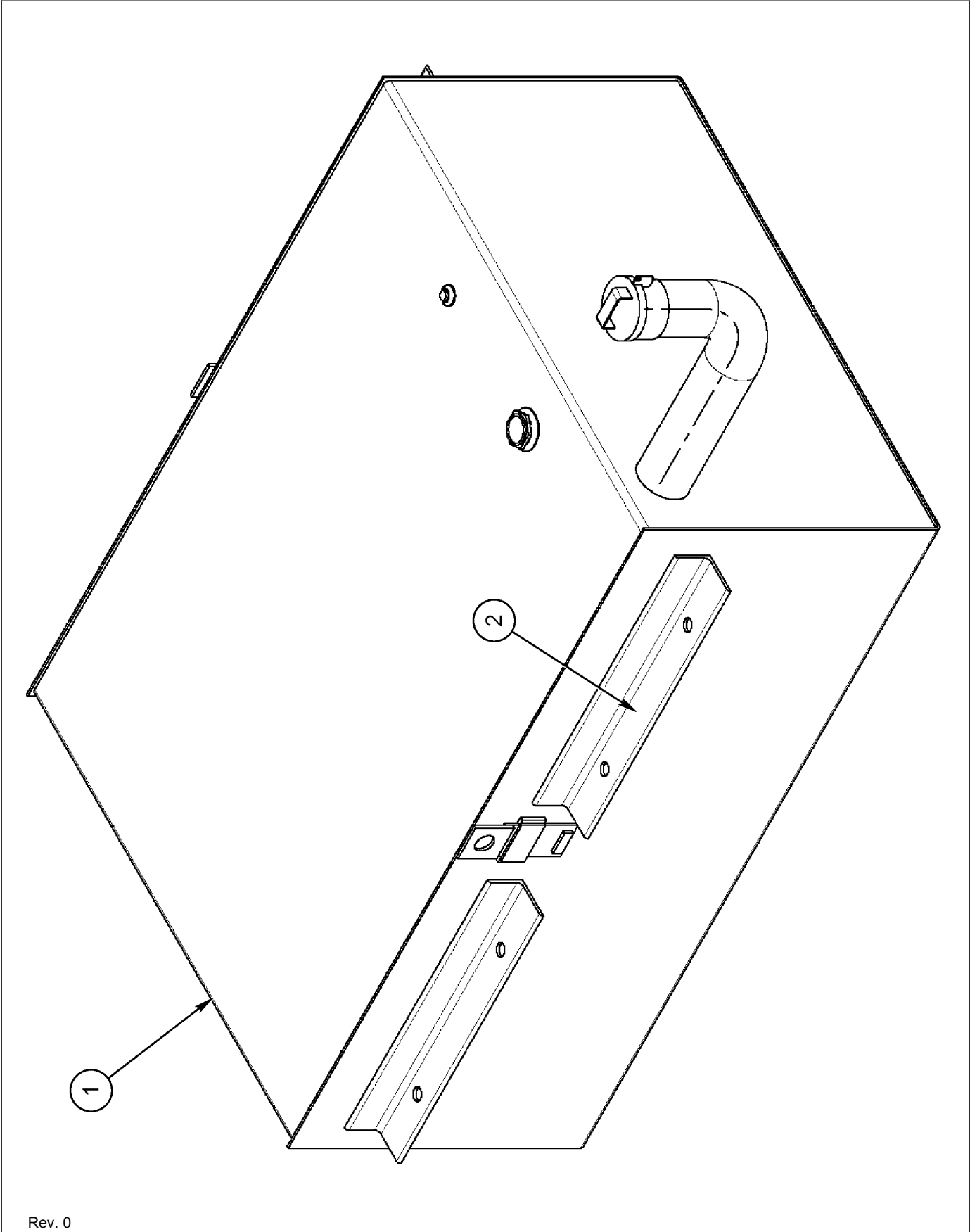


**Tank, Fuel
568005041000**

Ref. No.	Part No.	Qty.	Description
1	004023400000	1	Tank, Fuel (Page 20)
2	526012011000	4	Fuel Tank Pad

WHEN ORDERING PARTS, ALWAYS STATE MODEL AND SERIAL NO. OF MACHINE

Tank, Fuel
568005041000



Rev. 0

ILLUSTRATION MAY VARY FROM YOUR MACHINE

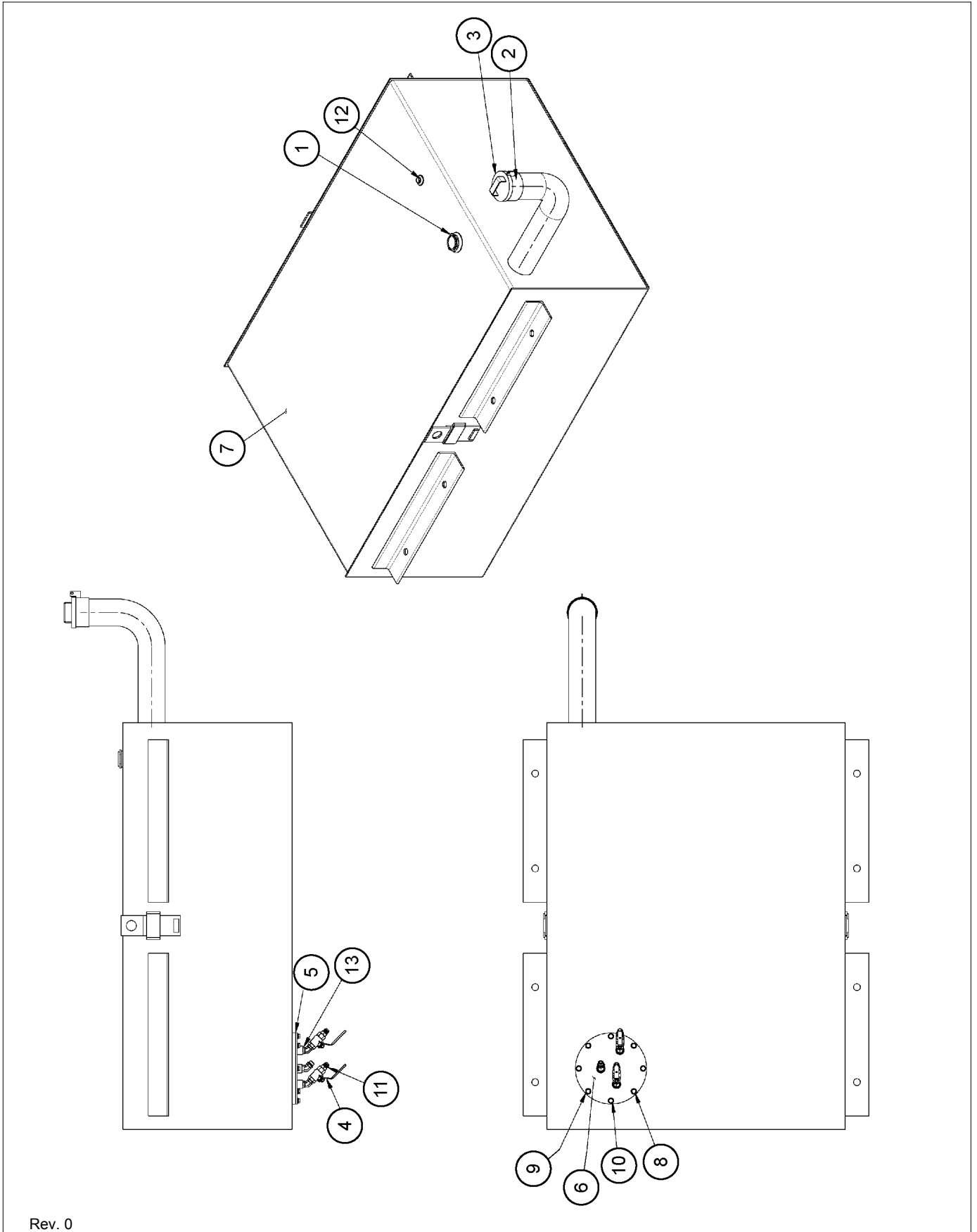


Tank, Fuel
00402340000

Ref. No.	Part No.	Qty.	Description
1	001005283000	1	Gauge, Fuel
2	001009508000	1	Strainer
3	001010342000	1	Cap, Vented Fuel
4	002006447003	2	Valve, Ball
5	002016661002	1	Gasket
6	004013484000	1	Cover
7	004023401000	1	Reservoir, Fuel
8	000A00057000	8	Bolt, Hex 3/8-16 UNC X 1"
9	000A00294000	8	Washer, Flat 3/8"
10	000A00306000	8	Washer, Lock 3/8"
11	000A00679000	2	Connector, Straight
12	000A00882000	1	Plug, Pipe 3/8" NPT
13	000AA0640003	3	Elbow, 45°

WHEN ORDERING PARTS, ALWAYS STATE MODEL AND SERIAL NO. OF MACHINE

Tank, Fuel
00402340000



Rev. 0

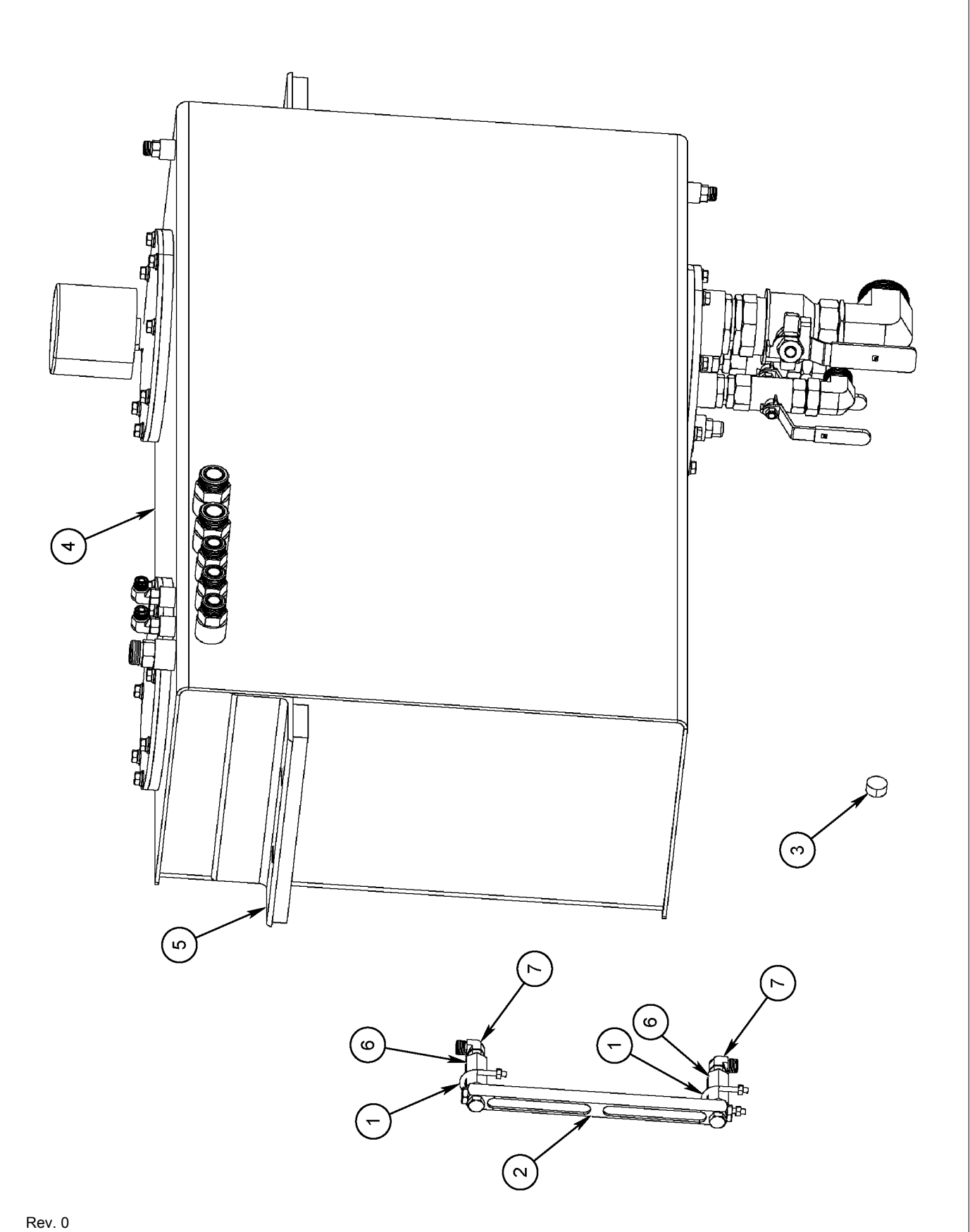
ILLUSTRATION MAY VARY FROM YOUR MACHINE

**Tank, Hydraulic
568050038000**

Ref. No.	Part No.	Qty.	Description
1	001002069000	2	U-Bolt
2	001005011000	1	Gauge, Oil Level
3	002011506022	1	Hose Assembly
4	002016733000	1	Reservoir, Hydraulic (Page 24)
5	526005067000	2	Tank Pad
6	568050025000	2	Adapter, Sight Gauge
7	000AA0113003	2	Tube End 90°

WHEN ORDERING PARTS, ALWAYS STATE MODEL AND SERIAL NO. OF MACHINE

Tank, Hydraulic
568050038000



Rev. 0

ILLUSTRATION MAY VARY FROM YOUR MACHINE

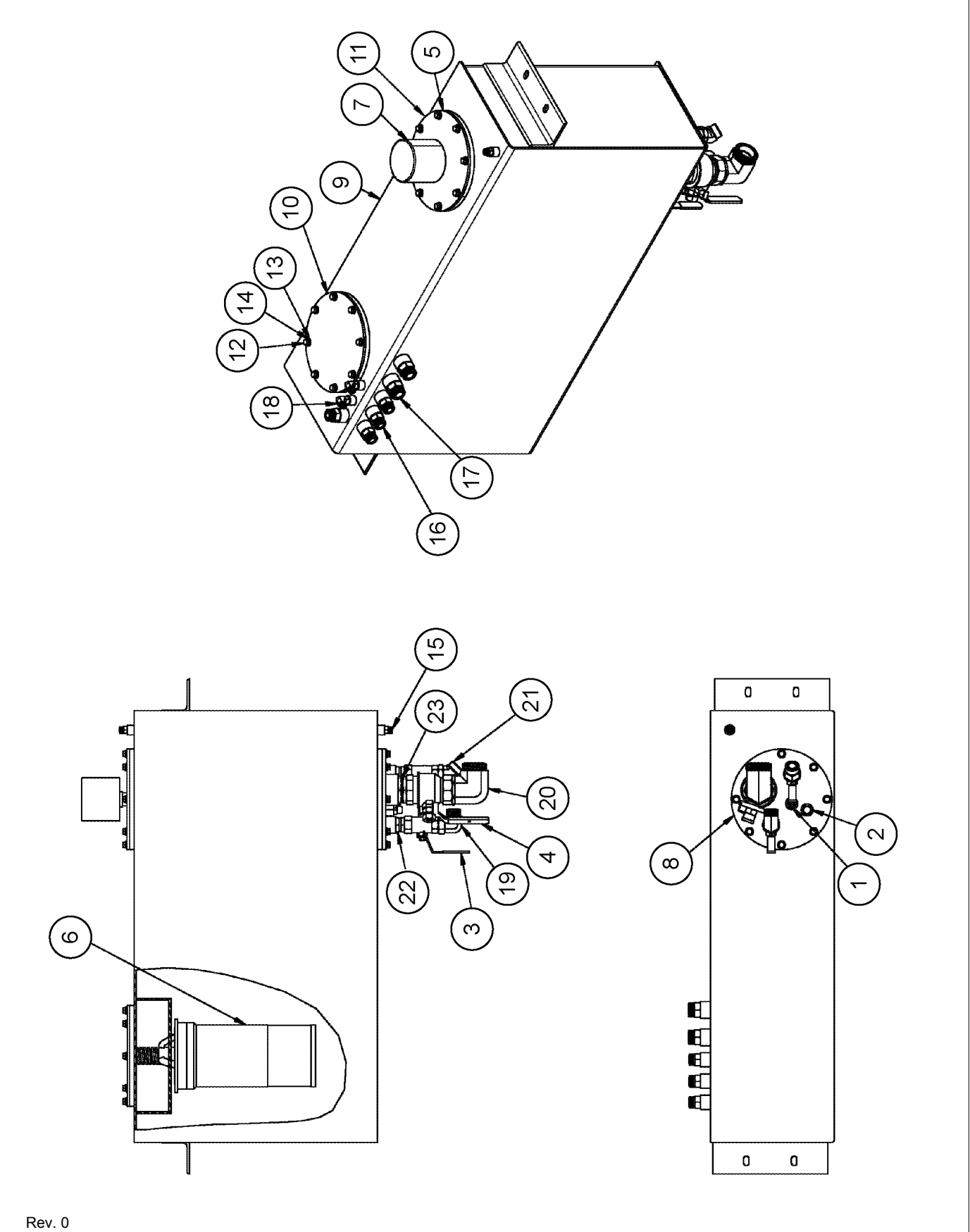


**Reservoir, Hydraulic
002016733000**

Ref. No.	Part No.	Qty.	Description
1	001005285000	1	Sender, Temperature
2	001005290000	1	Switch, Thermostat
3	002006447005	2	Valve, Ball
4	002006447008	1	Valve, Ball
5	002016661002	3	Gasket
6	002016661003	1	Filter Assembly
7	002016661004	1	Breather
8	002016724000	1	Plate, Ball Valve
9	002016732000	1	Reservoir, Hydraulic
10	002016734000	1	Cover
11	002016735000	1	Cover, Breather
12	000A00057000	24	Bolt, Hex 3/8-16 UNC X 1"
13	000A00294000	24	Washer, Flat 3/8"
14	000A00306000	24	Washer, Lock 3/8"
15	000AA0112004	2	Fitting
16	000AA0112016	4	Straight
17	000AA0112021	2	Fitting
18	000AA0113003	2	Tube End 90°
19	000AA0113019	1	Fitting 90°
20	000AA0113027	1	Connector, Elbow 90
21	000AA0118016	1	Connector, Elbow 45
22	000AA0174006	2	Union 8-Str SAE ORB
23	000AA0174009	1	Union

WHEN ORDERING PARTS, ALWAYS STATE MODEL AND SERIAL NO. OF MACHINE

Reservoir, Hydraulic
002016733000



Rev. 0

ILLUSTRATION MAY VARY FROM YOUR MACHINE

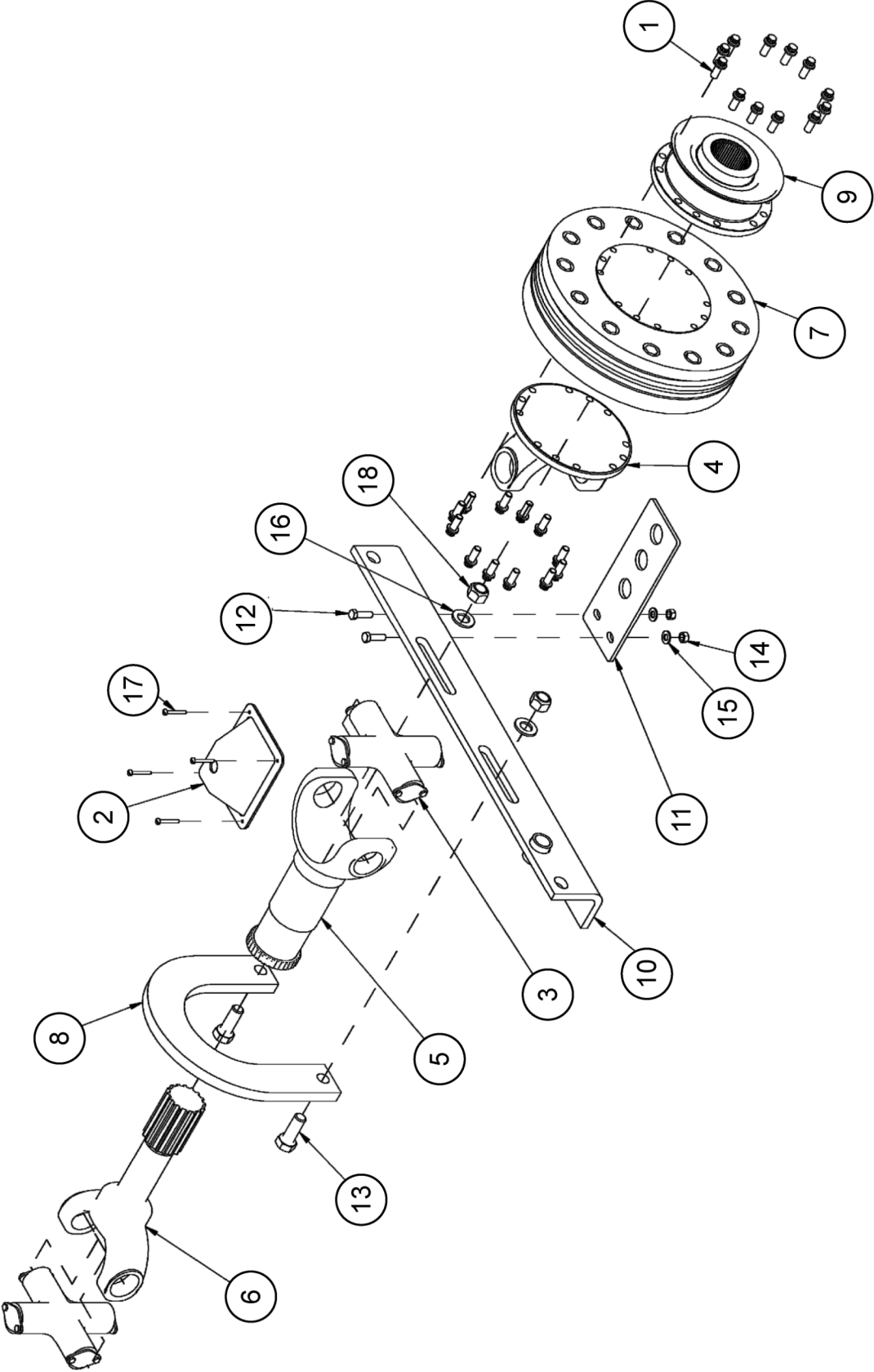


**Drive Line Assembly
568004082000**

Ref. No.	Part No.	Qty.	Description
1	001002288000	24	Capscrew
2	001008194000	1	Boot Assembly, Shift
3	004003136000	2	Universal Joint Kit
4	004003139000	1	Yoke Flange
5	004003145000	1	Slip Yoke Assembly
6	004003146000	1	Yoke Shaft
7	004003443000	1	Torque Limiter (Page 28)
8	531001251000	1	Guard, Driveshaft
9	568004041000	1	Companion Flange Assembly
10	568004084000	1	Support Plate
11	568004088000	1	Plate, Bulkhead
12	000A00058000	2	Bolt, Hex 3/8-16 UNC X 1 1/4"
13	000A00167000	2	Bolt, Hex 3/4-10 UNC X 2"
14	000A00258000	2	Nut, 3/8-16 NC
15	000A00294000	2	Washer, Flat 3/8"
16	000A00299000	2	Washer, Flat 3/4"
17	000A01102000	4	Screw, Pan
18	000A03494000	2	Lock Nut, Crown 3/4-10

WHEN ORDERING PARTS, ALWAYS STATE MODEL AND SERIAL NO. OF MACHINE

Drive Line Assembly
568004082000



Rev. 0

ILLUSTRATION MAY VARY FROM YOUR MACHINE

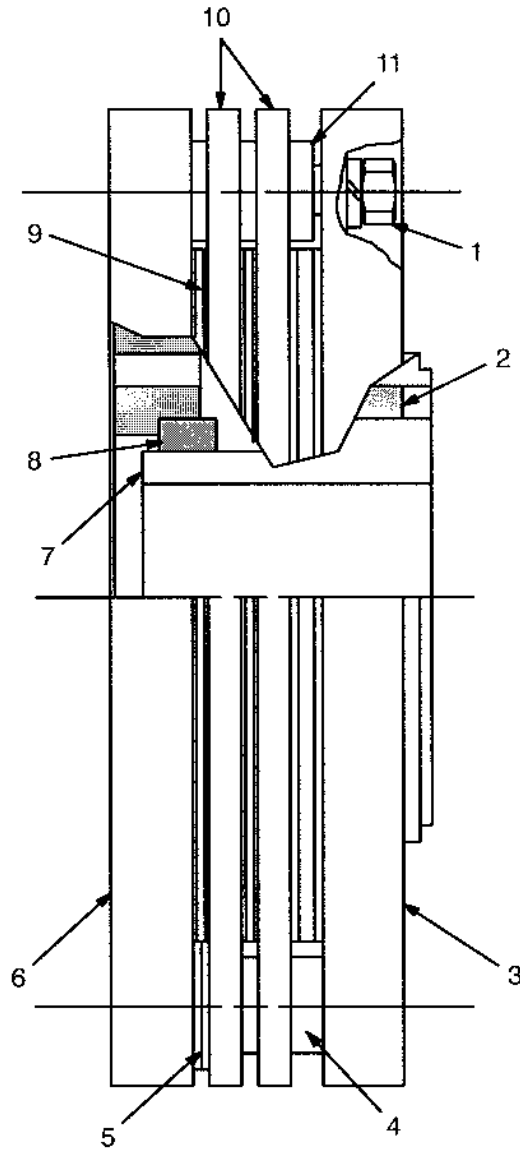


**Torque Limiter
004003443000**

Ref. No.	Part No.	Qty.	Description
1	004003442014	12	Nut, Lock
2	004003442001	8	Pin, Dowel
3	004003442007	1	Plate, Pressure
4	004003442003	4	Pin, Torque
5	004003442002	4	Washer, Thrust
6	004003442004	1	Flange, Drive
7	004003442005	1	Hub Assembly, Output
8	004003442006	1	Bearing
9	004003442015	2	Plate Assembly, Friction
10	004003442013	2	Plate, Separator
11	004003442011	12	Spring Cup Bolt Assembly

WHEN ORDERING PARTS, ALWAYS STATE MODEL AND SERIAL NO. OF MACHINE

Torque Limiter
004003443000



Rev. A

ILLUSTRATION MAY VARY FROM YOUR MACHINE

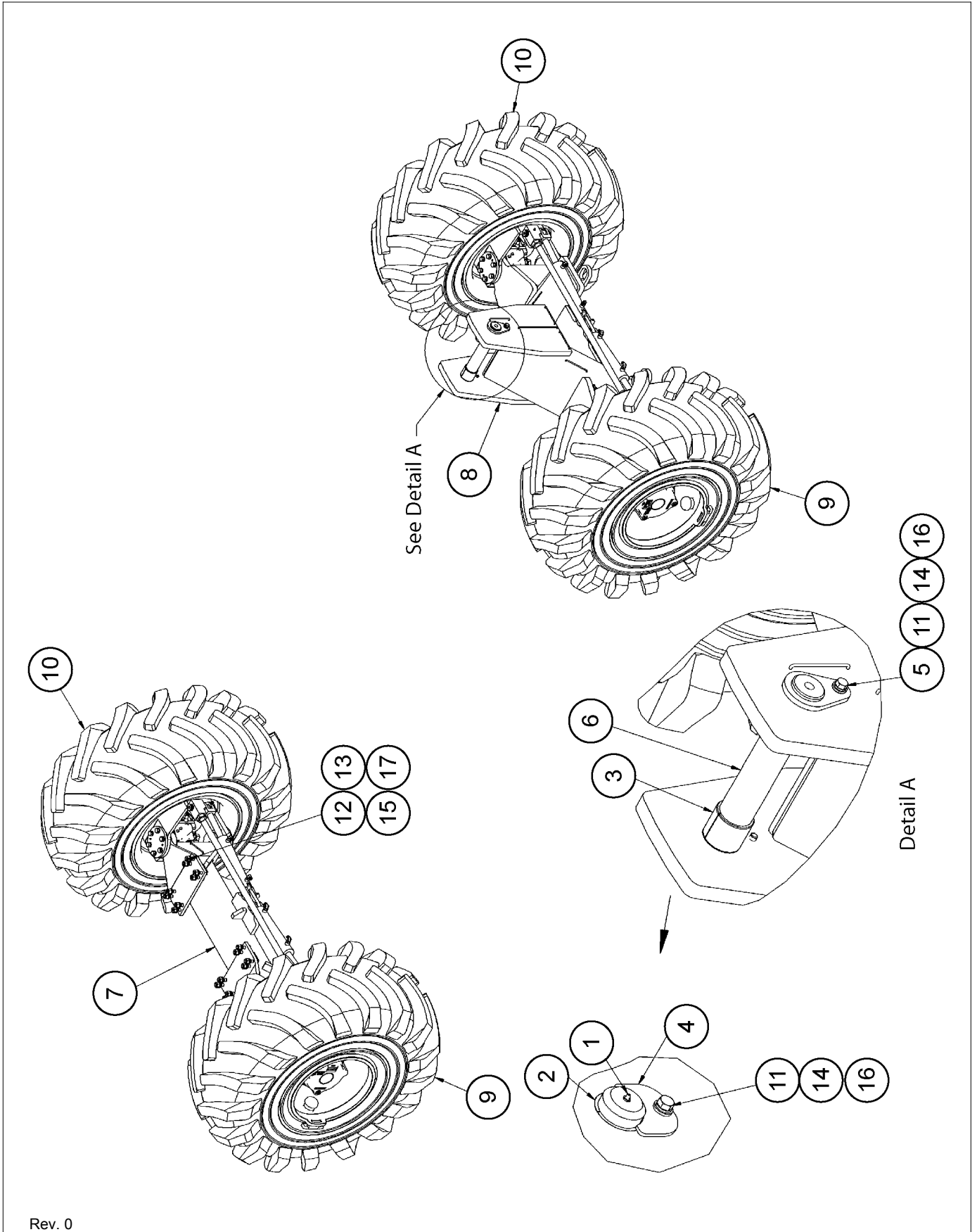


**Drive Assembly, Wheel
568003047000**

Ref. No.	Part No.	Qty.	Description
1	001079712000	2	Zerk, Grease 1/8 NPT
2	004002286000	2	Bushing, Tension
3	004012159000	2	Bushing, Tension
4	526000360000	1	Retainer, Bushing
5	526008020000	1	Spacer, Bushing
6	526008021000	1	Pin, Rear Bolster
7	568003048000	1	Axle Assembly, Front Drive (Page 32)
8	568003049000	1	Axle Assembly, Rear Drive (Page 38)
9	568006014000	2	Wheel and Tire Assembly
10	568006015000	2	Wheel and Tire Assembly
11	000A00148000	2	Bolt, Hex 5/8-11 UNC x 2 1/2"
12	000A00172000	16	Bolt, Hex 3/4-10 UNC x 3 1/4"
13	000A00263000	16	Nut 3/4-10 UNC
14	000A00298000	2	Washer, Flat 5/8
15	000A00299000	16	Washer, Flat 3/4"
16	000A00310000	2	Washer, Lock 5/8
17	000A00311000	16	Washer, Lock 3/4

WHEN ORDERING PARTS, ALWAYS STATE MODEL AND SERIAL NO. OF MACHINE

Drive Assembly, Wheel
568003047000



Rev. 0

ILLUSTRATION MAY VARY FROM YOUR MACHINE

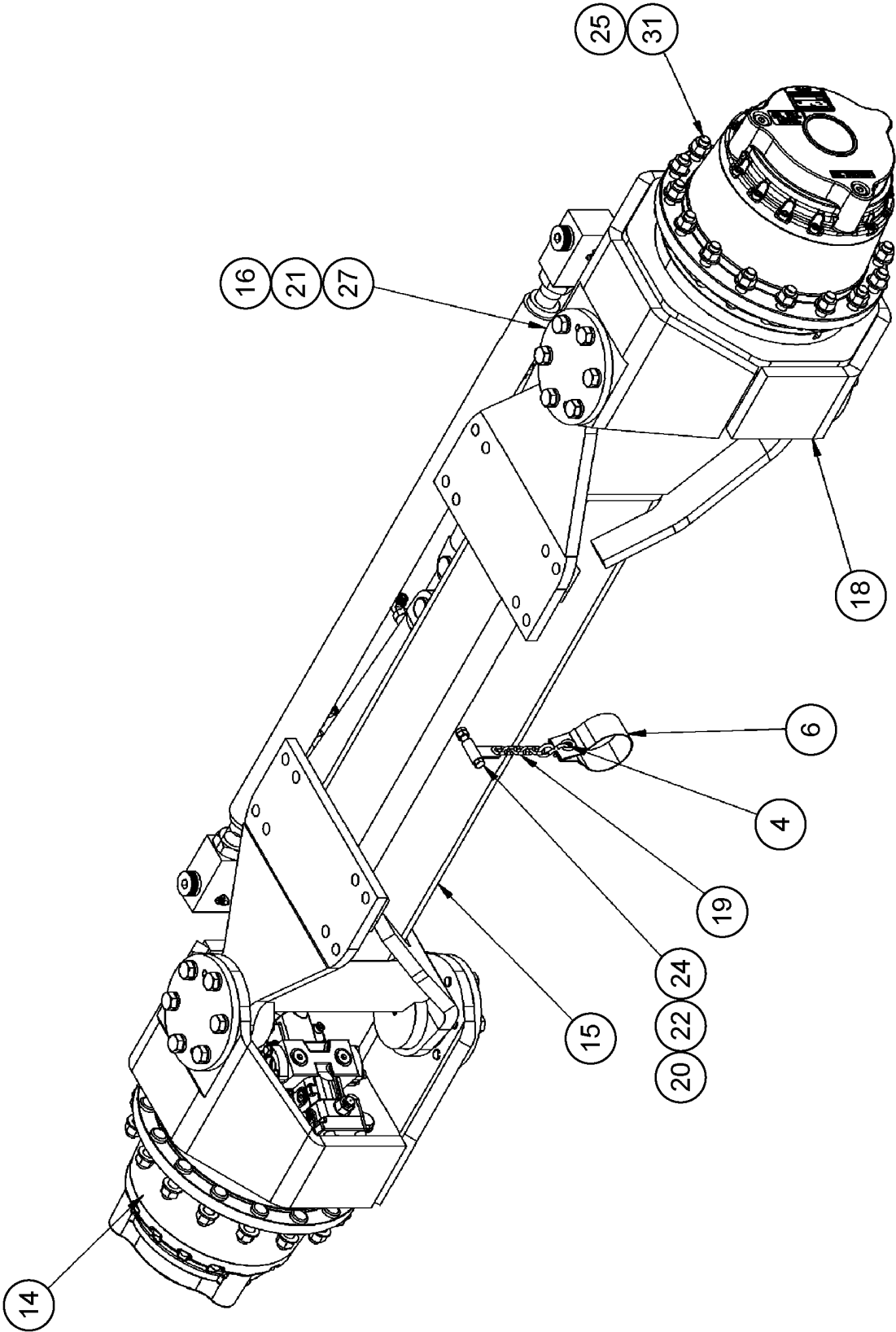


**Axle Assembly, Front Drive
568003048000**

Ref. No.	Part No.	Qty.	Description
1	25002547	2	Motor, Hydraulic
2	001001497000	4	Pin, Dowel
3	001001498000	2	Pin, Clevis
4	001003012000	1	Hook, S
5	001003349000	2	Bolt, Shoulder
6	001009011000	1	Strap, Hose
7	002005085000	4	Split Flange Kit
8	002017307000	1	Cylinder
9	002017308000	1	Cylinder, Smart
10	004002196000	2	Tension Bushing
11	004012164000	4	Washer, Thrust
12	004012165000	4	Bushing, Bronze
13	004012166000	2	Bushing, Tension
14	004013847000	2	Torque Hub
15	568003036000	1	Drive Axle, Front
16	568003039001	4	Pin, King
17	568003044000	1	Tie Rod Assembly (Page 36)
18	568003050000	2	Hub, Drive Axle
19	568003052000	1	Support, Hydraulic Hose
20	000A00089000	1	Bolt, Hex
21	000A00166000	24	Bolt, Hex 3/4-10 UNC X 1 3/4"
22	000A00259000	1	Nut
23	000A00264000	2	Nut, 7/8"-9 UNC
24	000A00271000	1	Nut, Jam
25	000A00299000	32	Washer, Flat 3/4"
26	000A00300000	2	Washer, Flat, 7/8"
27	000A00311000	24	Washer, Lock 3/4"
28	000A00572000	4	Elbow, 90 Degree 1/4" JIC X 1/8" NPT
29	000A01542000	2	Pin, Cotter
30	000A02945000	4	Washer, Flat 5/8"
31	000A03037000	32	Nut, Hex
32	000AA0046000	32	Washer, Flat
33	000AA0112016	2	Straight
34	000AA0113005	4	Elbow, 90°
35	000AA0123005	2	Elbow, Swivel Nut 000AA0123005 used before 12/17/10
36	000AA0124002	2	Tee, Run
37	000AA0164006	2	Connect, Straight
38	000AA0388140	4	Bolt, Hex
39	000AA0388176	32	Bolt, Hex
40	000A00523000	4	Straight

WHEN ORDERING PARTS, ALWAYS STATE MODEL AND SERIAL NO. OF MACHINE

Axle Assembly, Front Drive
568003048000

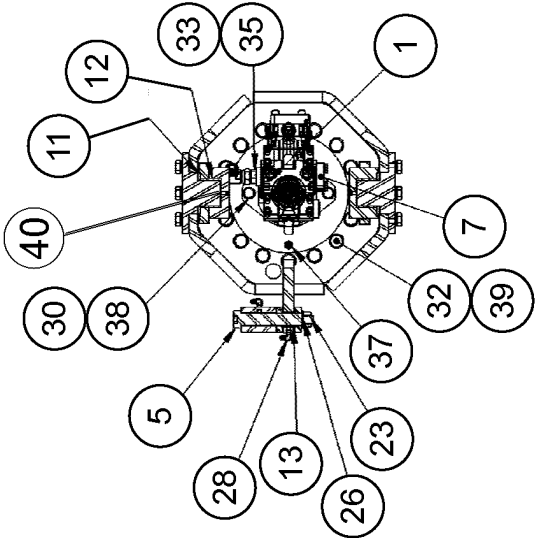


Rev. D

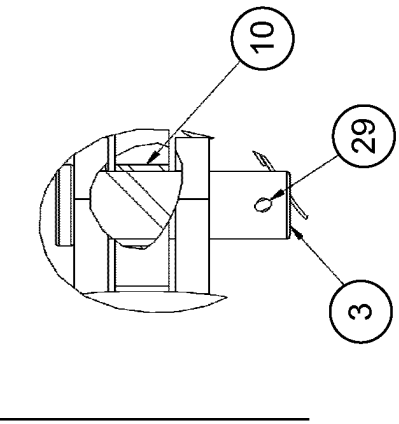
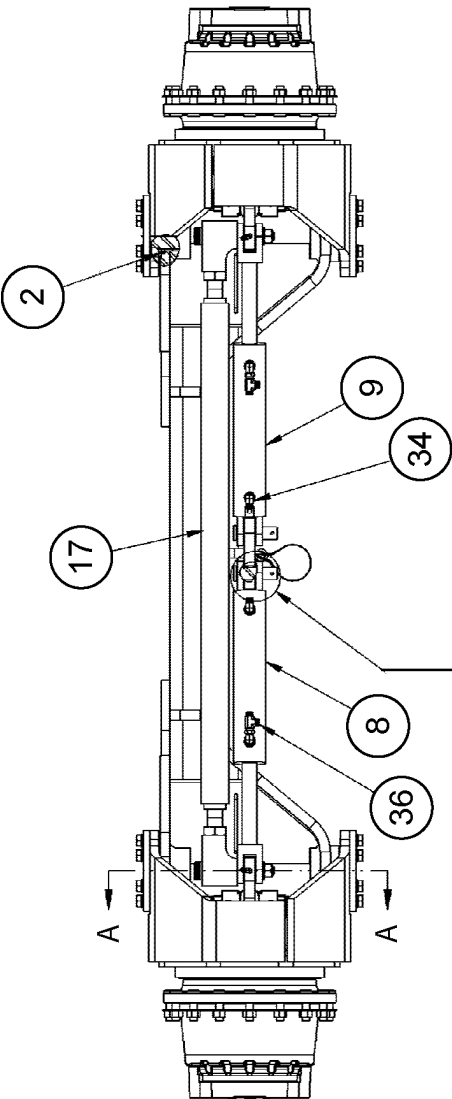
ILLUSTRATION MAY VARY FROM YOUR MACHINE



Axle Assembly, Front Drive
568003048000



Section A-A



Rev. D

ILLUSTRATION MAY VARY FROM YOUR MACHINE



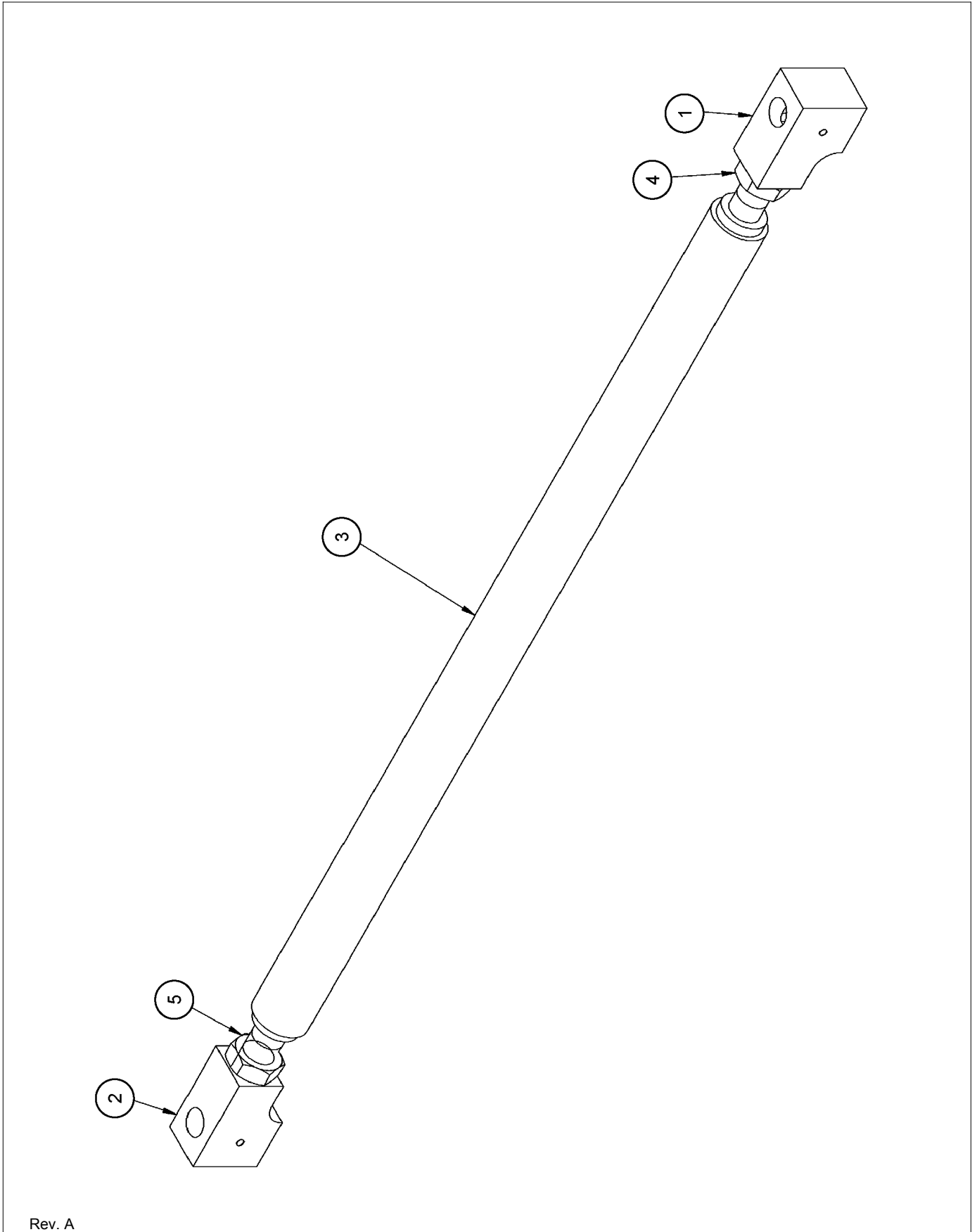
Intentionally Left Blank

**Tie Rod Assembly
568003044000**

Ref. No.	Part No.	Qty.	Description
1	568003042000	1	Clevis, RH Turnbuckle
2	568003045000	1	Clevis, LH Turnbuckle
3	568003053000	1	Tie Bar
4	000A03057000	1	Nut Jam
5	000AA0643000	1	Nut, Jam

WHEN ORDERING PARTS, ALWAYS STATE MODEL AND SERIAL NO. OF MACHINE

**Tie Rod Assembly
568003044000**



Rev. A

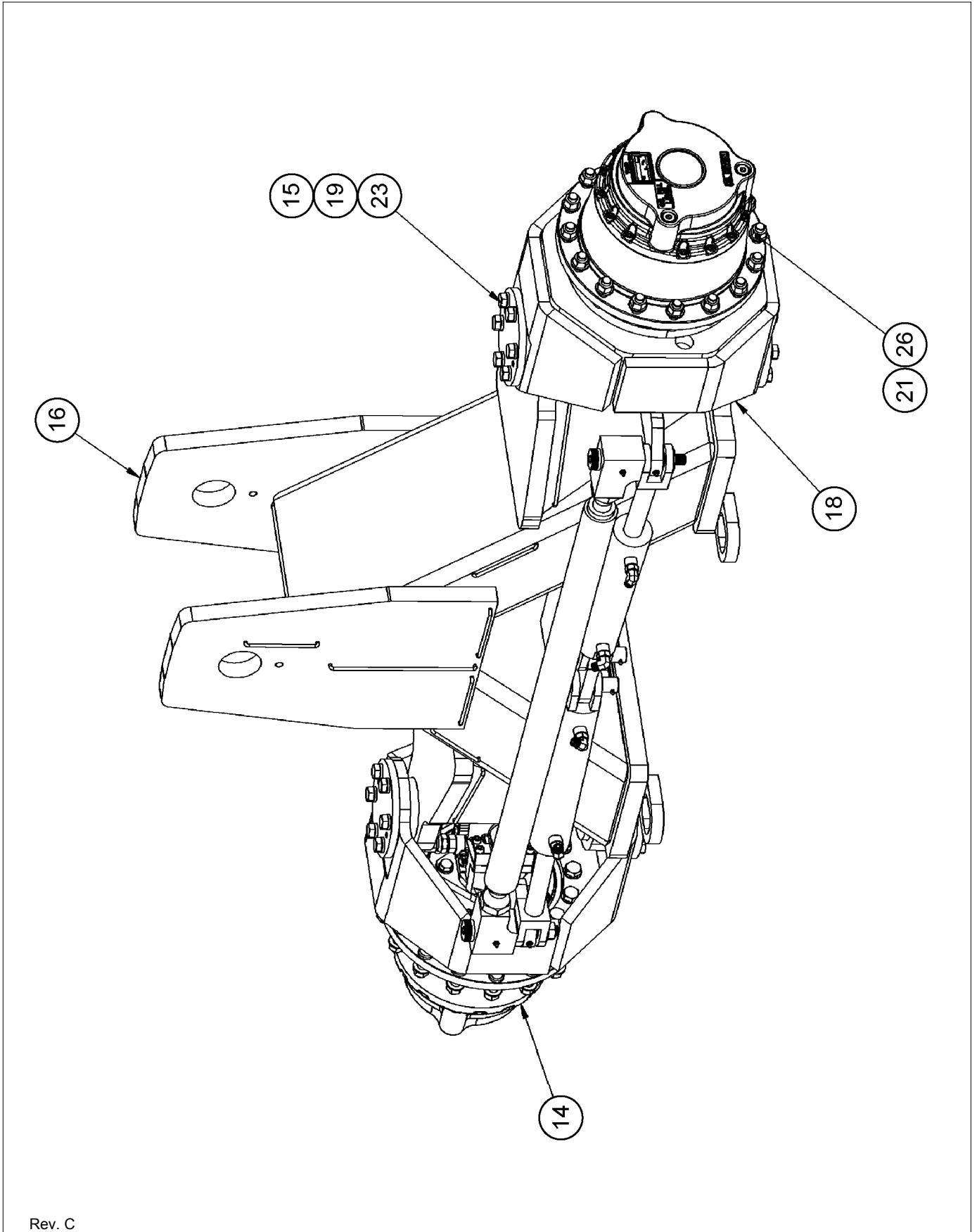
ILLUSTRATION MAY VARY FROM YOUR MACHINE

**Axle Assembly, Rear Drive
568003049000**

Ref. No.	Part No.	Qty.	Description
1	25002547	2	Motor, Hydraulic
2	001001497000	4	Pin, Dowel
3	001001498000	2	Pin, Clevis
4	001003349000	2	Bolt, Shoulder
5	001079712000	4	Zerk, Grease 1/8 NPT
6	001079712045	4	Zerk, 45° Grease
7	002005085000	4	Split Flange Kit
8	002017307000	1	Cylinder
9	002017308000	1	Cylinder, Smart
10	004002196000	2	Tension Bushing
11	004012164000	4	Washer, Thrust
12	004012165000	4	Bushing, Bronze
13	004012166000	2	Bushing, Tension
14	004013847000	2	Torque Hub
	004013846000	1	Torque Hub
			004013847000 used before 12/17/10
15	568003039001	4	Pin, King
16	568003040000	1	Drive Axle, Rear
17	568003044000	1	Tie Rod Assembly (Page 36)
18	568003050000	2	Hub, Drive Axle
19	000A00166000	24	Bolt, Hex 3/4-10 UNC X 1 3/4"
20	000A00264000	2	Nut, 7/8"-9 UNC
21	000A00299000	32	Washer, Flat 3/4"
22	000A00300000	2	Washer, Flat, 7/8"
23	000A00311000	24	Washer, Lock 3/4
24	000A01542000	2	Pin, Cotter
25	000A02945000	4	Washer, Flat 5/8"
26	000A03037000	32	Nut, Hex
27	000AA0046000	32	Washer, Flat
28	000AA0112016	2	Straight
29	000AA0113005	4	Elbow, 90°
30	000AA0123005	2	Elbow, Swivel Nut
			000AA0123005 used before 12/17/10
31	000AA0388140	4	Bolt, Hex
32	000AA0388176	32	Bolt, Hex
33	000AA0124002	2	Tee, Run
			000AA0124002 used after 12/17/10

WHEN ORDERING PARTS, ALWAYS STATE MODEL AND SERIAL NO. OF MACHINE

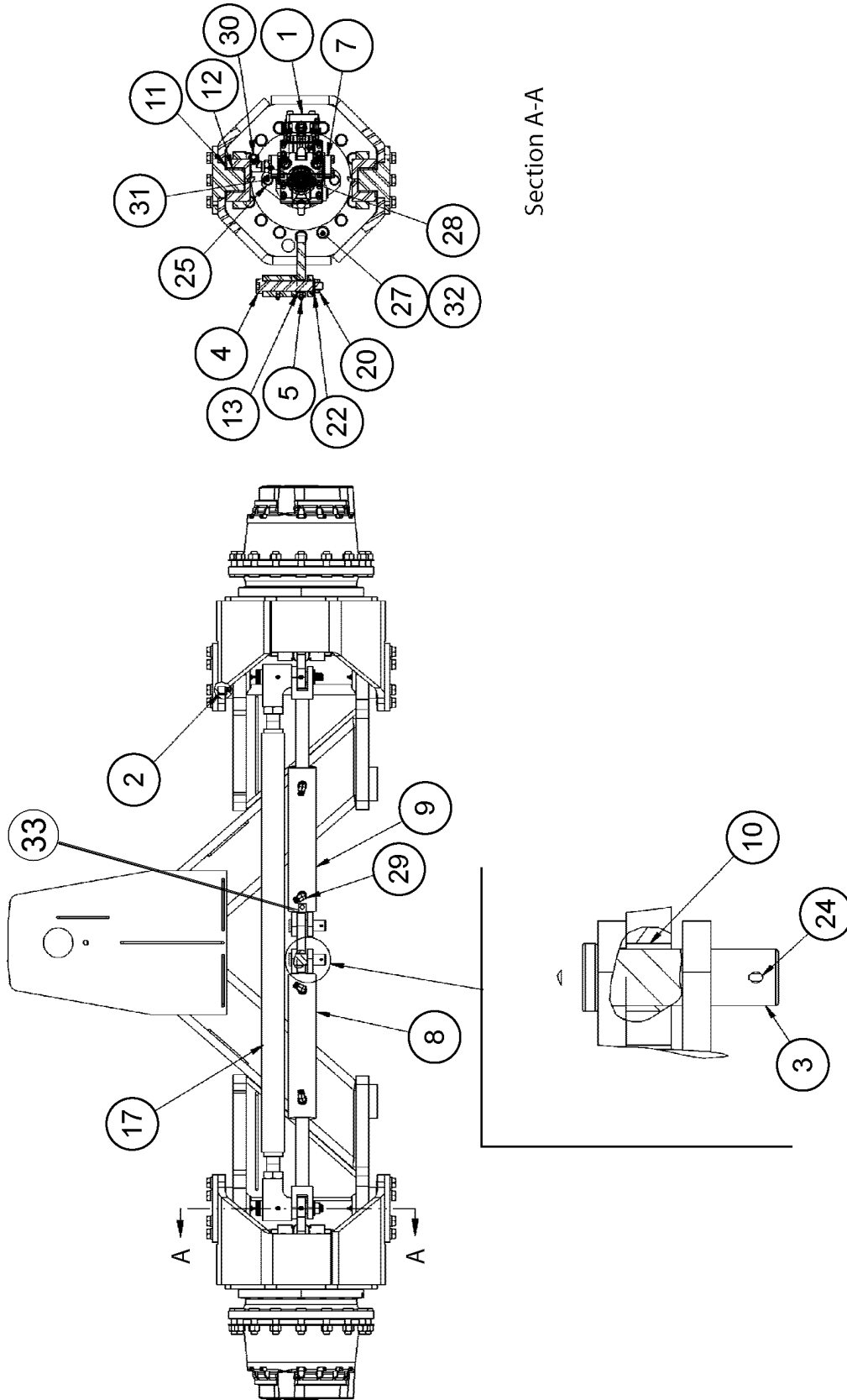
Axle Assembly, Rear Drive
568003049000



Rev. C

ILLUSTRATION MAY VARY FROM YOUR MACHINE

**Axle Assembly, Rear Drive
568003049000**



Rev. C

ILLUSTRATION MAY VARY FROM YOUR MACHINE



Intentionally Left Blank

**Regulator Assembly, Air
568020018000**

Ref. No.	Part No.	Qty.	Description
1	002015914000	1	Air Regulator-Lubricator (Page 44)
2	000A00031000	2	Bolt, Hex 5/16-18 UNC X 1"
3	000A00305000	2	Washer, Lock 5/16
7	000A00396000	2	Screw, Cap Socket
8	000A00306000	2	Washer, Lock 3/8"
10	55-79007	2	Adapter, Elbow
11	000A00923000	3	Tee
12	000A02258000	1	Reducer
13	000A00890000	1	Elbow, 90°
14	002004933000	2	Socket, Quick Disconnect 1/4" NPTF
15	002004966000	2	Plug, Dust
16	000A00850000	1	Reducer
17	001005255000	1	Switch, Pressure
18	000A00907000	2	Elbow, 45° Street
19	000A00843000	1	Coupling, Pipe 1/4 NPT
20	302003892100	3	Connector
21	002015915000	1	Bulkhead
22	000A00859000	1	Tee
23	000A00881000	1	Plug, Pipe 1/4" NPT
26	568020010001	1	Tubing, Air Air tank outlet to air regulator inlet
29	568020010002	1	Tubing, Air Air regulator outlet to main bulkhead air fit
32	568020010003	1	Tubing, Air Main bulkhead air fitting to tee
35	568020010004	1	Tubing, Air Tee to elbow at air tool connection
39	001003311000	5	Clamp Set
43	001003258004	3	Clamp, Hose/Tubing

WHEN ORDERING PARTS, ALWAYS STATE MODEL AND SERIAL NO. OF MACHINE

**Regulator Assembly, Air
568020018000**

NO DRAWING FOR THIS ASSEMBLY

Rev. 0

ILLUSTRATION MAY VARY FROM YOUR MACHINE



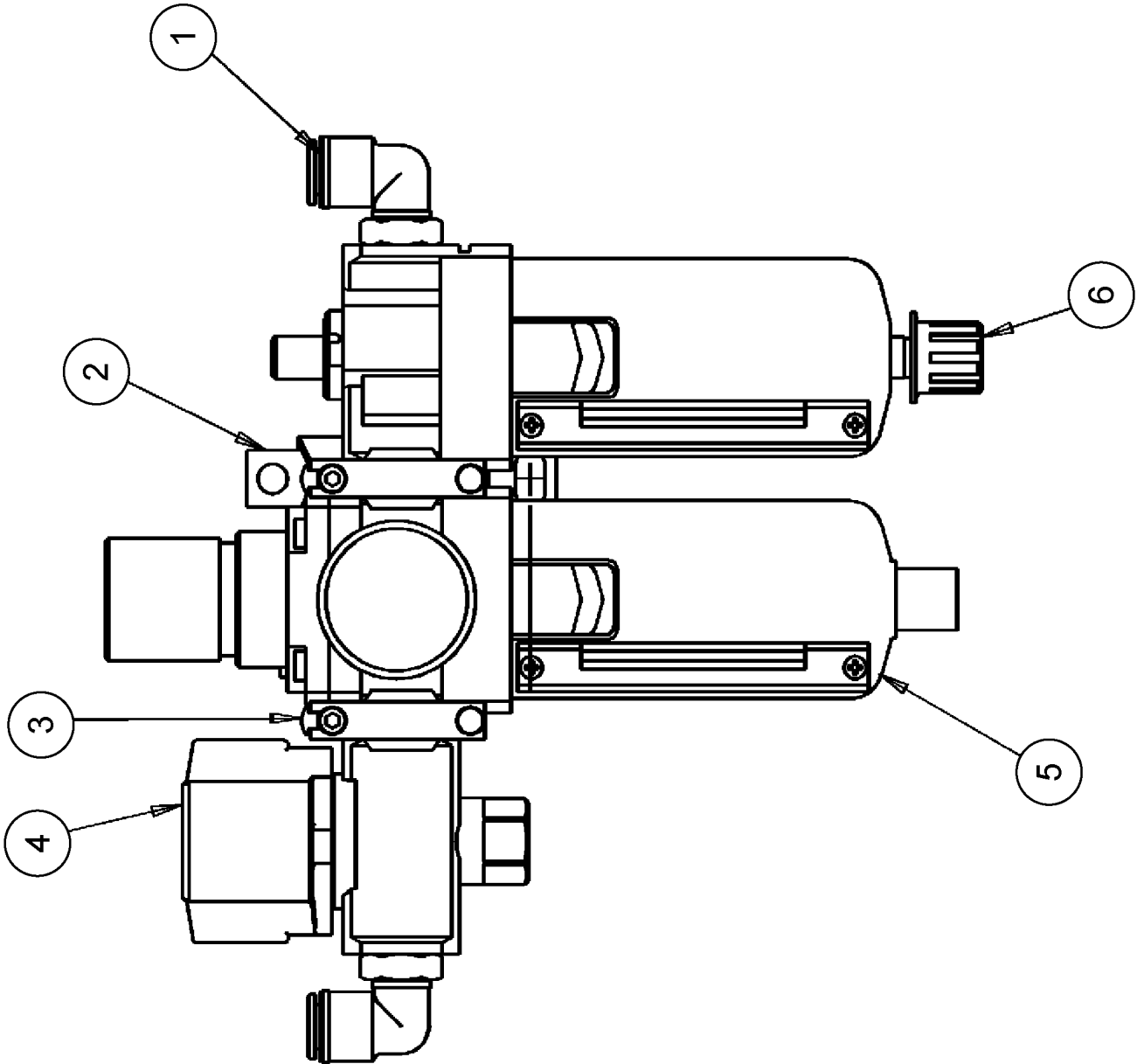
TEREX

**Air Regulator-Lubricator
002015914000**

Ref. No.	Part No.	Qty.	Description
1	55-79007	2	Adapter, Elbow
2	002015914001	1	Bracket, Air System Support
3	002015914002	1	Bracket, Air System Attachment
4	002015914003	1	Valve, Pressure Relief Lockout
5	320010020010	1	Filter-Regulator
6	320010020040	1	Lubricator

WHEN ORDERING PARTS, ALWAYS STATE MODEL AND SERIAL NO. OF MACHINE

Air Regulator-Lubricator
002015914000



Rev 0

ILLUSTRATION MAY VARY FROM YOUR MACHINE



**Engine Assembly
568005040000**

Ref. No.	Part No.	Qty.	Description
1	2980909486	1	Hose Barb
2	001003258020	1	Clamp, Hose
3	001010688000	1	Exhaust Insulation Assembly (Page 54)
4	001079884000	2	Hose Barb
5	002005089000	1	Split Flange Kit (Page 56)
6	002006402000	2	Valve, Ball
7	002009501139	1	Nipple
8	002012613000	1	Hydraulic Pump
9	002012635000	1	Tandem Hydraulic Assembly (Page 58)
10	004001786000	1	Bearing
11	004003448000	1	Clutch
12	004013402000	1	Engine Assembly
13	004013460000	1	Fan, Sickle Blade
14	004013478000	1	Adapter, Pump
15	004013715018	1	Clutch Brake
16	526000466000	1	Cover, Access
17	526001585000	1	Air Intake Assembly (Page 60)
18	526001586000	1	Exhaust Assembly (Page 62)
19	526001596000	1	Engine Alternator Guard
20	568002102000	1	Skid, Engine
21	568002153000	1	Plate, Bulkhead
22	568005012000	1	Cooling System (Page 64)
23	568005019000	1	Mount, Filter
24	568005024000	1	Support, Hose
25	568005042000	1	Dipstick Assembly (Page 68)
26	568005043000	1	Bracket, Transmission Hose Support
27	568005045000	1	Pump Assembly, Cutter Cooling (Page 70)
28	568005046000	1	Actuator, Hydraulic Clutch (Page 72)
29	568005048000	1	Transmission
30	568005049000	1	Cooling Group, Transmission (Page 78)
31	568020011000	1	Tank, Air Assembly 2 From 568106 (Page 80)
32	568020017000	2	Mount, Air Tank
33	568090071000	1	Bracket, Engine Cable Mount
34	000A00004000	4	Bolt, Hex 1/4-20 UNC x 3/4"
35	000A000031000	1	Bolt, Hex 5/16-18 UNC X 1"
36	000A000057000	4	Bolt, Hex 3/8-16 UNC X 1"
37	000A000058000	20	Bolt, Hex 3/8-16 UNC X 1 1/4"
38	000A000059000	2	Bolt, Hex 3/8-16 UNC X 1 1/2"
39	000A000084000	20	Bolt, Hex
40	000A00103000	4	Bolt, Hex 1/2"-13 UNC X 1 1/2"
41	000A00108000	8	Bolt, Hex 1/2-13 UNC X 2 3/4"
42	000A00165000	12	Bolt, Hex 3/4-10 UNC X 1 1/2"
43	000A00169000	2	Bolt, Hex 3/4"-10 UNC X 2 1/2"
44	000A00258000	14	Nut, 3/8-16 NC
45	000A00292000	4	Washer, Flat 1/4
46	000A00293000	2	Washer, Flat 5/16
47	000A00294000	30	Washer, Flat 3/8"
48	000A00296000	20	Washer, Flat 1/2"
49	000A00299000	16	Washer, Flat 3/4"

WHEN ORDERING PARTS, ALWAYS STATE MODEL AND SERIAL NO. OF MACHINE

**Engine Assembly
568005040000**

Ref. No.	Part No.	Qty.	Description
50	000A00304000	4	Washer, Lock 1/4"
51	000A00306000	14	Washer, Lock 3/8"
52	000A00307000	20	Washer, Lock 7/16
53	000A00308000	4	Washer, Lock 1/2"
54	000A00523000	2	Straight
55	000A00627000	1	Straight, Union, Bulkhead 1/4" JIC
56	000A00665000	1	Nut, Bulkhead Lock
57	000A00678000	1	Connector, Straight 3/8" JIC x 3/8" ORB
58	000A00703000	2	Connector, Male ORB
59	000A00704000	1	Bushing
60	000A00729000	1	Elbow, 90° Swivel
61	000A00753000	1	Elbow, 90° 3/8" JIC X 3/8" ORB
62	000A00830000	1	Elbow, 90°
63	000A00884000	2	Plug 3/4" NPT
64	000A00893000	1	Elbow, 90°
65	000A00901000	3	Elbow, 90° Street
66	000A00916000	2	Elbow 90° 3/4 NPT
67	000A02039000	1	Nut, Lock 5/16-18 UNC
68	000A02042000	8	Nut, Lock 1/2-13 UNC
69	000A02044000	2	Nut, Lock 3/4-10 UNC
70	000A02686000	1	Straight 1/2" JIC X 5/8" ORB
71	000A02979000	2	Elbow
72	000A03026000	1	Bushing, Pipe Reducer 3/4" NPT x 3/8" NPT
73	000A03932000	1	Straight
74	000AA0112002	3	Fitting 90°
75	000AA0112016	1	Straight
76	000AA0112018	4	Connector, Straight
77	000AA0112019	1	Straight
78	000AA0112021	2	Fitting
79	000AA0113002	3	Tube End 90°
80	000AA0113014	1	Elbow, 90°
81	000AA0113017	4	Elbow 90°
82	000AA0117005	1	Tee, Branch
83	000AA0118012	1	Connector
84	000AA0120010	2	Connector, Straight
85	000AA0120013	1	Straight
86	000AA0121006	1	Elbow, 90° Swivel
87	000AA0123001	2	Connector, Swivel Nut Elbow
88	000AA0123005	1	Elbow, Swivel Nut
89	000AA0124001	1	Tee, Swivel Run
90	000AA0124005	1	Tee, Run Swivel
91	000AA0125005	1	Tee, Branch
92	000AA0125007	1	Tee
93	000AA0145005	1	Cap
94	000AA0147008	1	Reducer Tube End
95	000AA0388029	2	Bolt, Hex
96	000AA0389002	2	Nut, Hex
97	000AA0392002	2	Washer, Flat
98	000AA0435000	1	Elbow Block, Flange To O-Ring

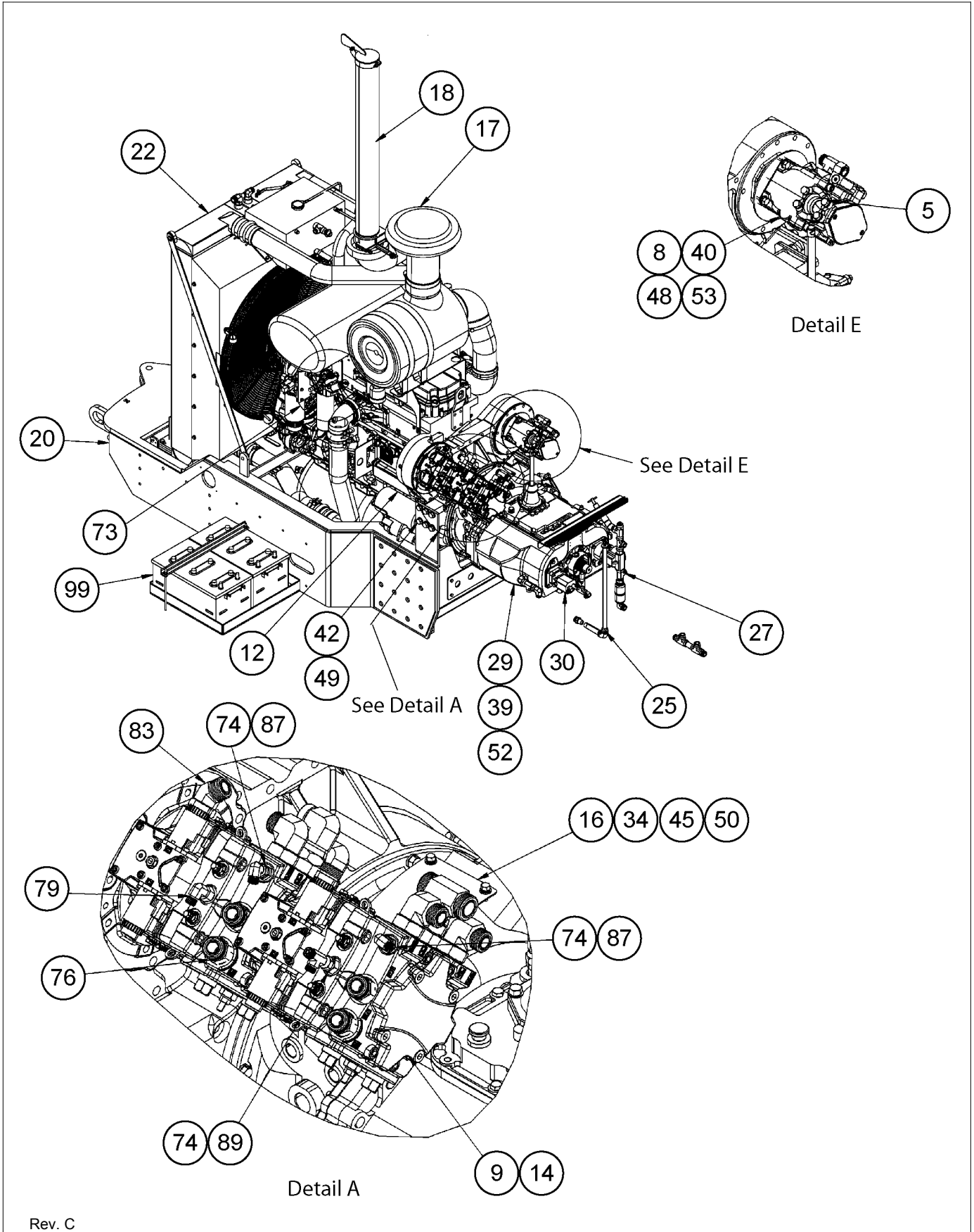
WHEN ORDERING PARTS, ALWAYS STATE MODEL AND SERIAL NO. OF MACHINE

**Engine Assembly
568005040000**

Ref. No.	Part No.	Qty.	Description
99	568005060000	1	Battery Group (Page 82)

WHEN ORDERING PARTS, ALWAYS STATE MODEL AND SERIAL NO. OF MACHINE

**Engine Assembly
56800504000**

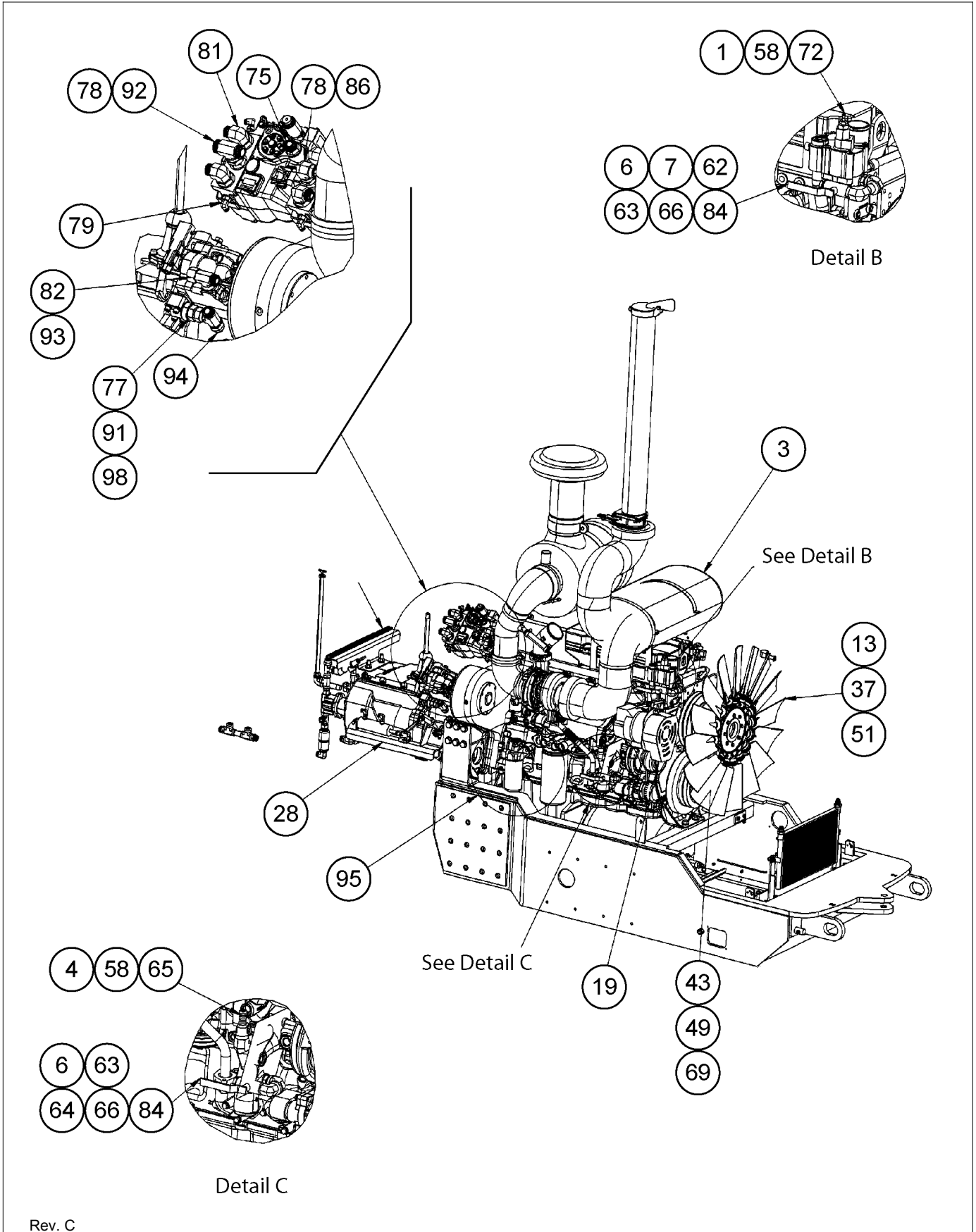


Rev. C

ILLUSTRATION MAY VARY FROM YOUR MACHINE



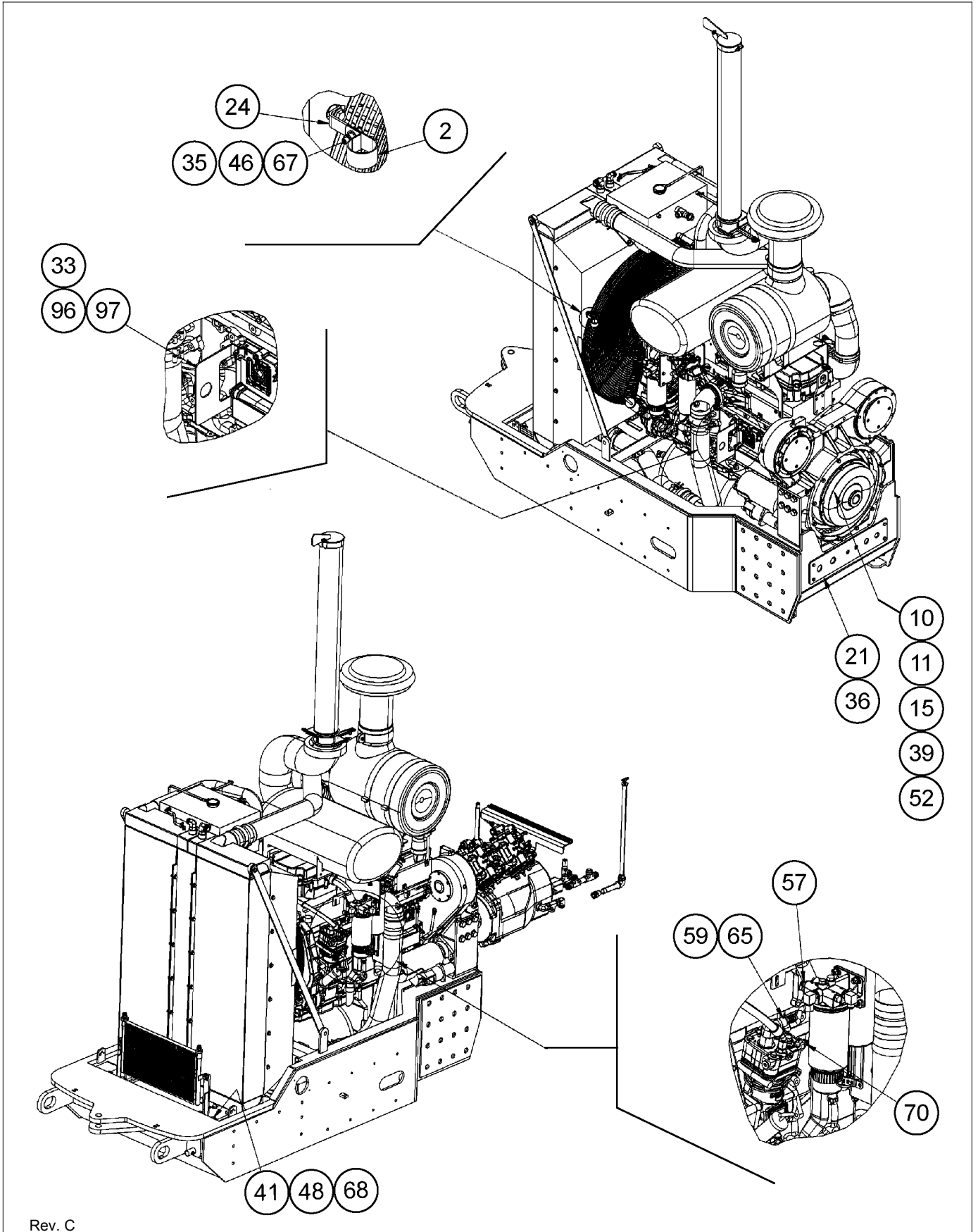
**Engine Assembly
56800504000**



Rev. C

ILLUSTRATION MAY VARY FROM YOUR MACHINE

Engine Assembly 568005040000

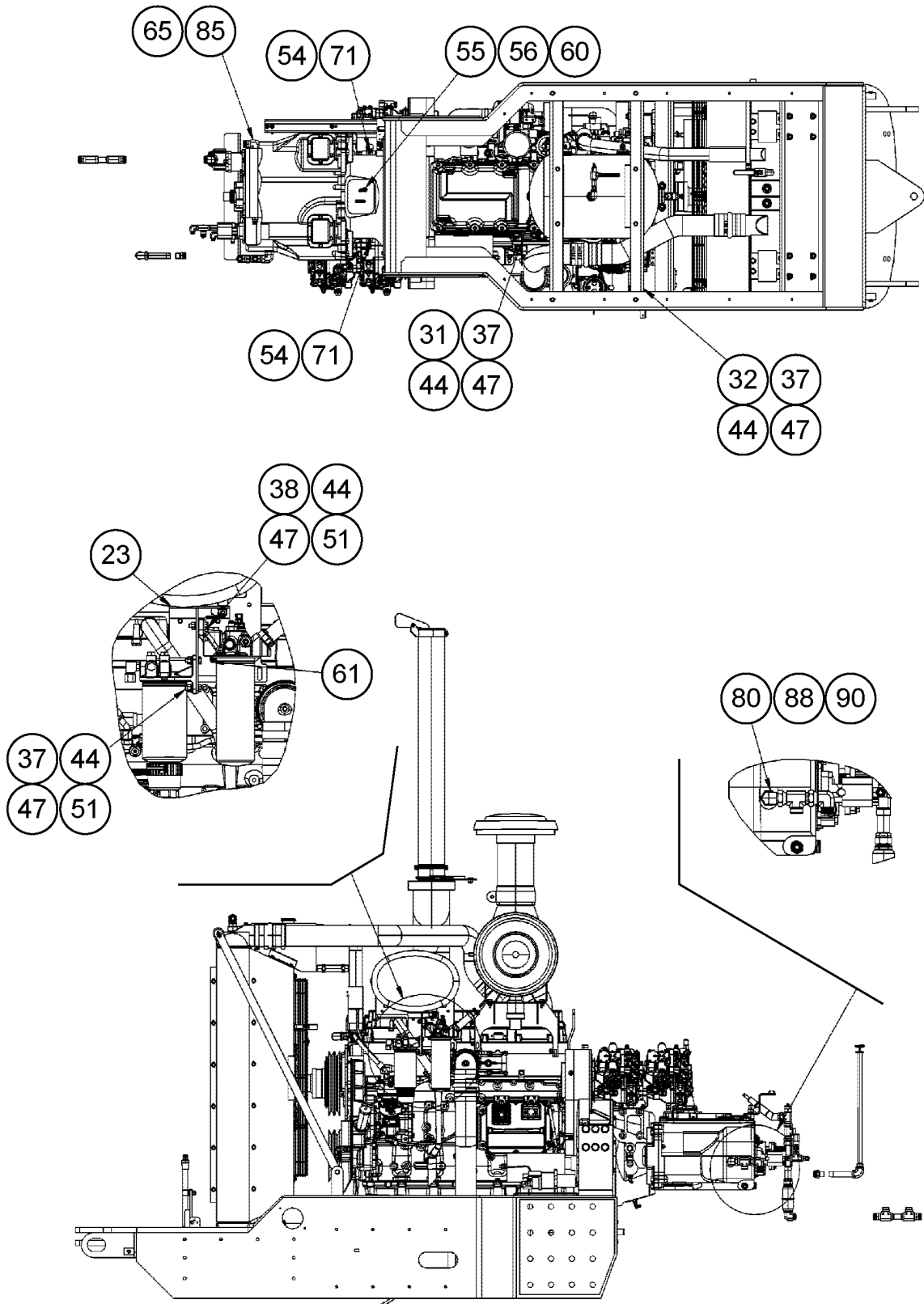


Rev. C

ILLUSTRATION MAY VARY FROM YOUR MACHINE



Engine Assembly 56800504000



Rev. C

ILLUSTRATION MAY VARY FROM YOUR MACHINE

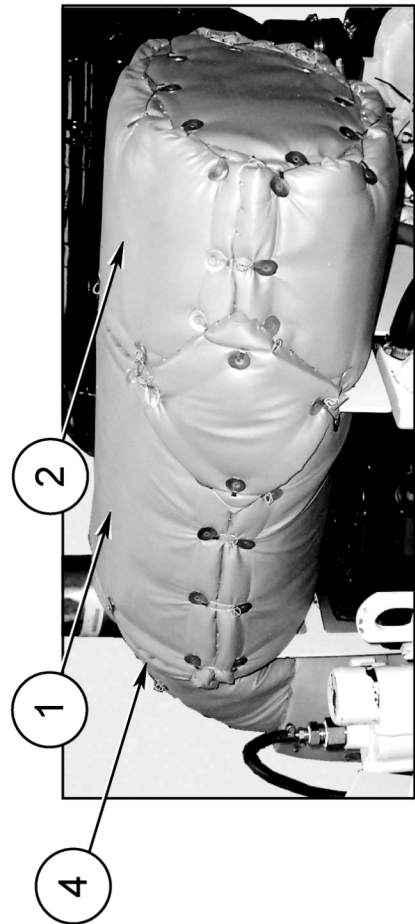
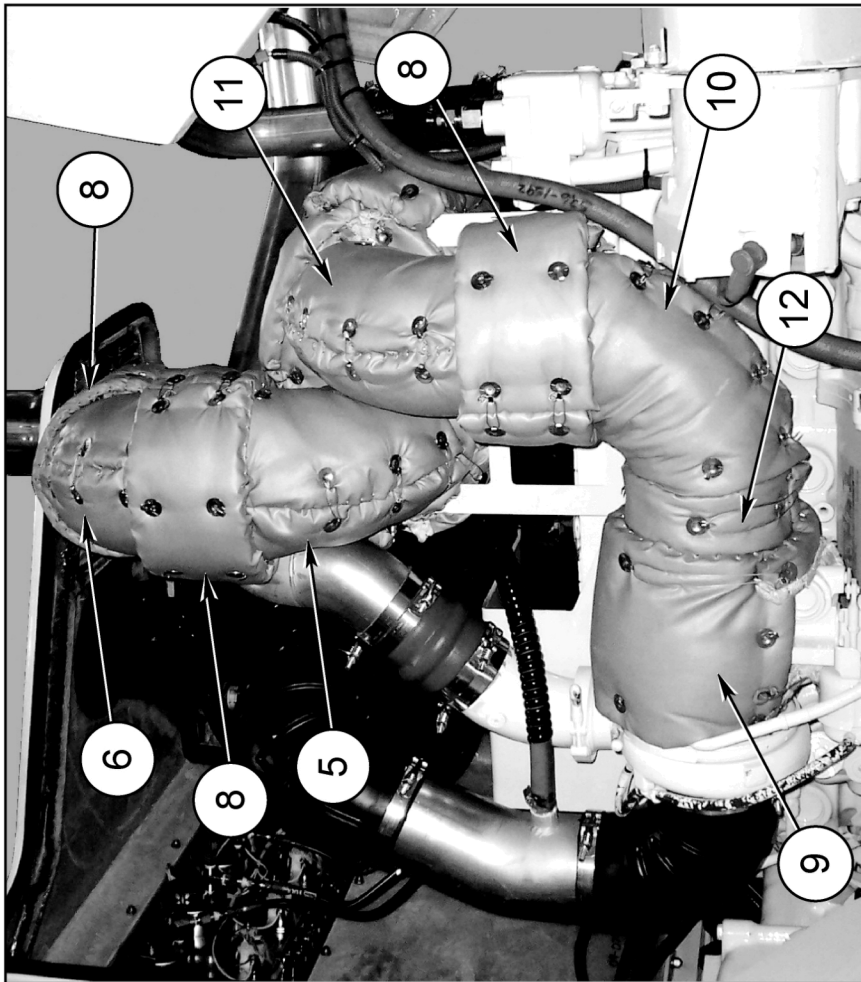
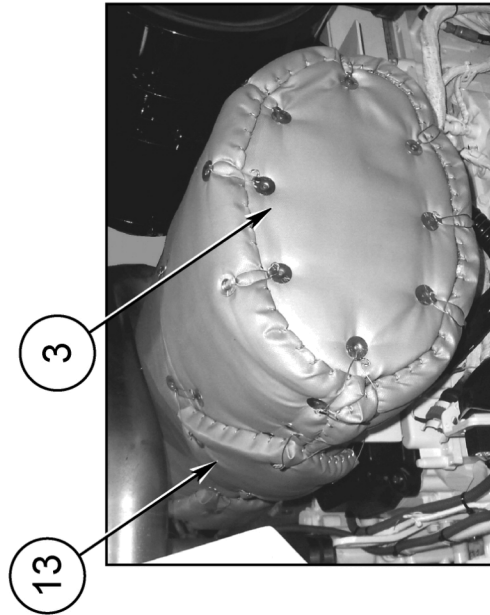
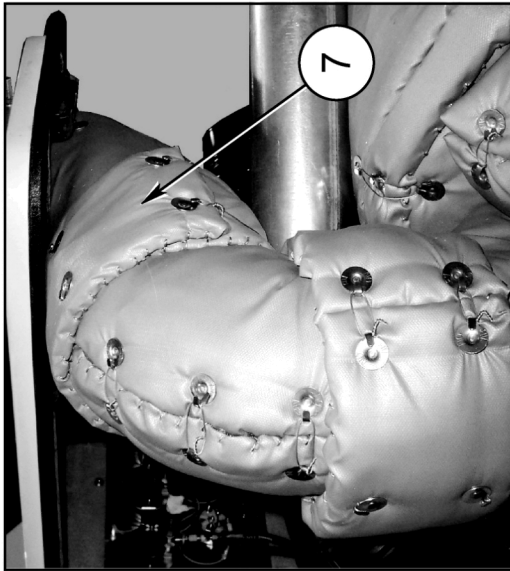
Intentionally Left Blank

**Exhaust Insulation Assembly
001010688000**

Ref. No.	Part No.	Qty.	Description
1	001010688001	1	Insulation Pad
2	001010688002	1	Insulation Pad
3	001010688003	1	Insulation Pad
4	001010688005	1	Insulation Pad
5	001010688006	1	Insulation Pad
6	001010688007	1	Insulation Pad
7	001010688008	1	Insulation Pad
8	001010688009	3	Insulation Pad
9	001010688010	1	Insulation Pad
10	001010688011	1	Insulation Pad
11	001010688012	1	Insulation Pad
12	001010688013	1	Insulation Pad
13	M14/M15	1	Insulation Pad

WHEN ORDERING PARTS, ALWAYS STATE MODEL AND SERIAL NO. OF MACHINE

Exhaust Insulation Assembly
001010688000



Rev. 0

ILLUSTRATION MAY VARY FROM YOUR MACHINE

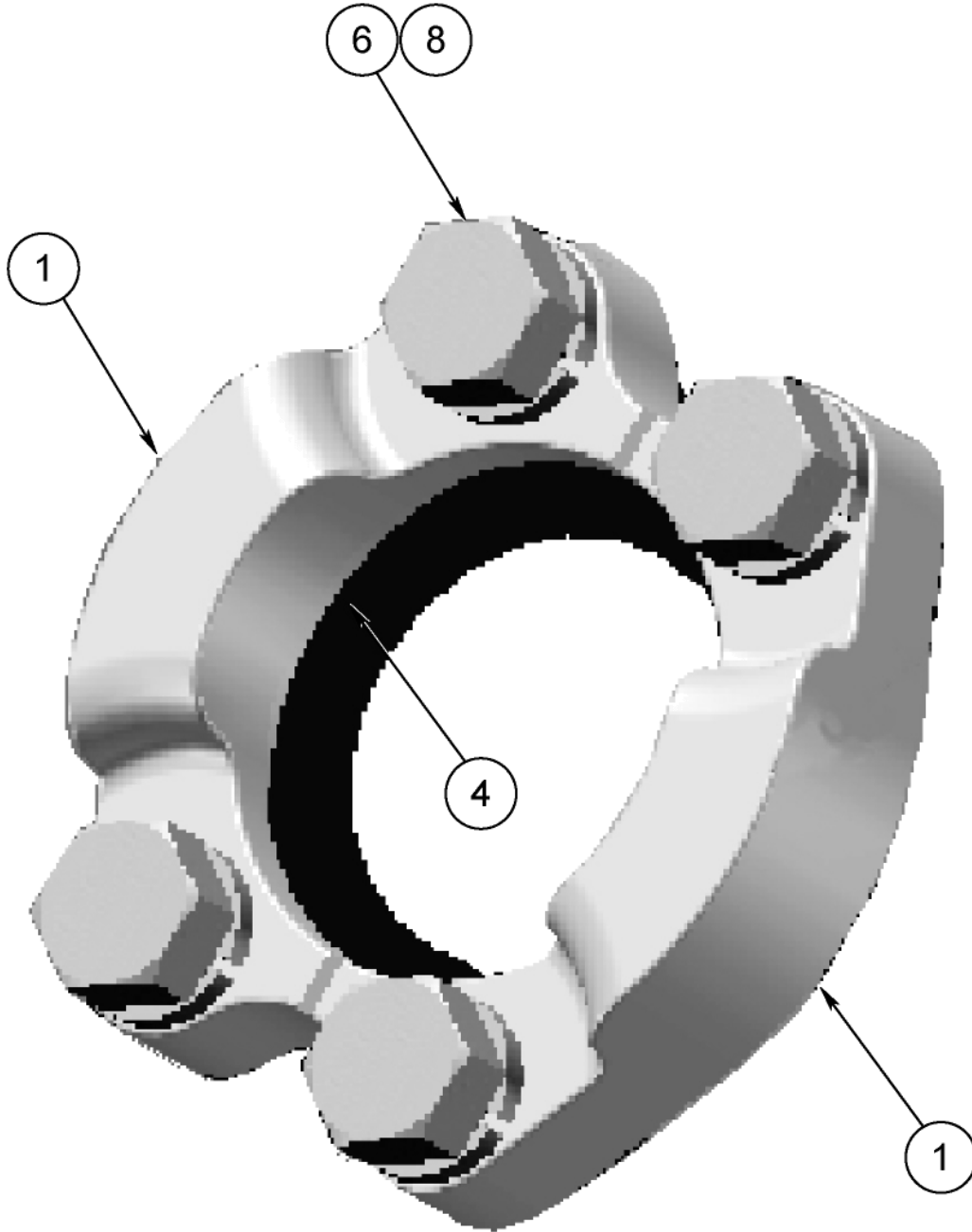


**Split Flange Kit
002005089000**

Ref. No.	Part No.	Qty.	Description
1	000A07350000	2	Split Flange Half
4	000A01991000	1	O-Ring
6	000A00103000	4	Bolt, Hex 1/2"-13 UNC X 1 1/2"
8	000A00308000	4	Washer, Lock 1/2"

WHEN ORDERING PARTS, ALWAYS STATE MODEL AND SERIAL NO. OF MACHINE

Split Flange Kit
002005089000



Rev. 1

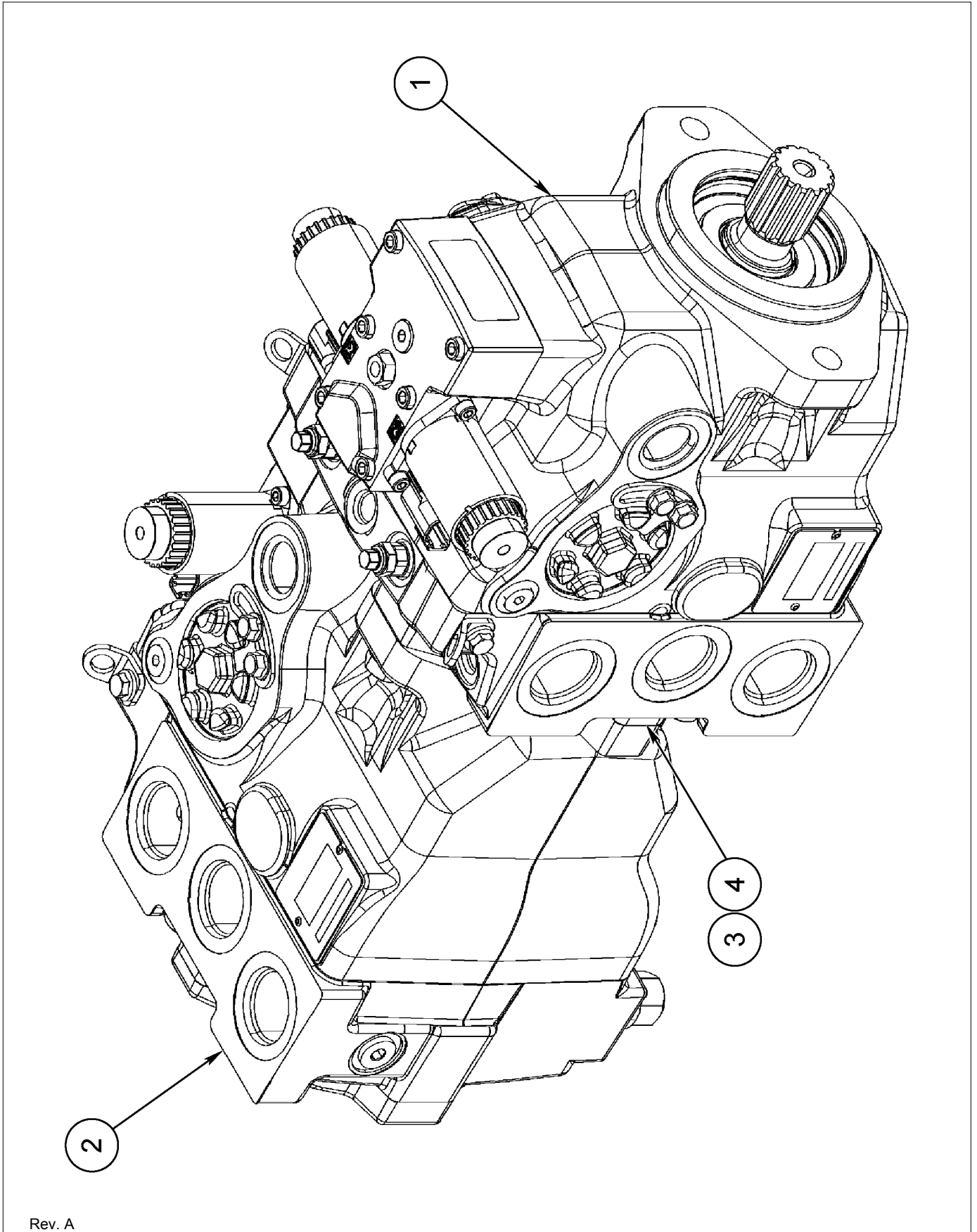
ILLUSTRATION MAY VARY FROM YOUR MACHINE

**Tandem Hydraulic Assembly
002012635000**

Ref. No.	Part No.	Qty.	Description
1	002012635001	1	Pump, Hydraulic
2	002012635002	1	Pump, Hydraulic
3	000AA0392004	2	Washer, Lock
4	000AA0388085	2	Bolt, Hex

WHEN ORDERING PARTS, ALWAYS STATE MODEL AND SERIAL NO. OF MACHINE

Tandem Hydraulic Assembly
002012635000



Rev. A

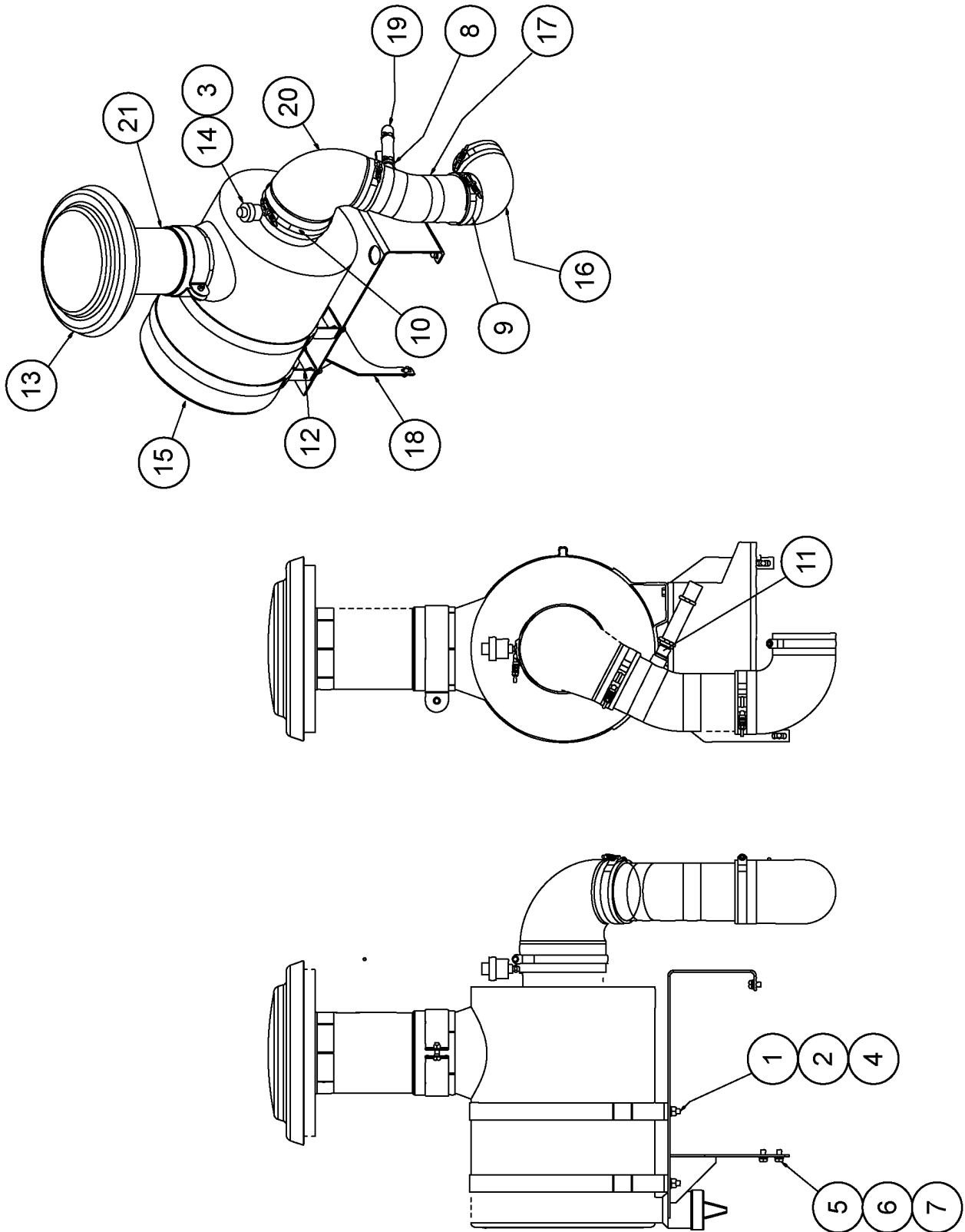
ILLUSTRATION MAY VARY FROM YOUR MACHINE

**Air Intake Assembly
526001585000**

Ref. No.	Part No.	Qty.	Description
1	000A00080000	4	Bolt, Hex
2	000A00295000	4	Washer, Flat From 526321
3	000A00842000	1	Coupling
4	000A02041000	4	Nut, Lock From 526321
5	000AA0388049	4	Bolt Hex
6	000AA0391003	4	Flatwasher
7	000AA0392003	4	Lockwasher
8	001003128000	2	Clamp, Hose
9	001003202000	3	Band, Spring Loaded
10	001003206000	1	Band, Spring Loaded
11	001079884000	1	Hose Barb
12	004002795000	2	Band Mounting
13	004002796000	1	Cap, Air Cleaner
14	004003022000	1	Indicator, Filter
15	004003040000	1	Air Cleaner Assembly
	004003040001		.Safety Element
	004003040002		.Secondary Element
16	004003066000	1	Elbow
17	004013431000	1	Air Inlet Tube
18	526001580000	1	Air Cleaner Support WMT
19	526001591000	1	Hose Air Compressor Supply
20	555005007001	1	Elbow, 90° Reducer
21	565005020000	1	Extension, Air Intake

WHEN ORDERING PARTS, ALWAYS STATE MODEL AND SERIAL NO. OF MACHINE

Air Intake Assembly 526001585000



Rev. A

ILLUSTRATION MAY VARY FROM YOUR MACHINE

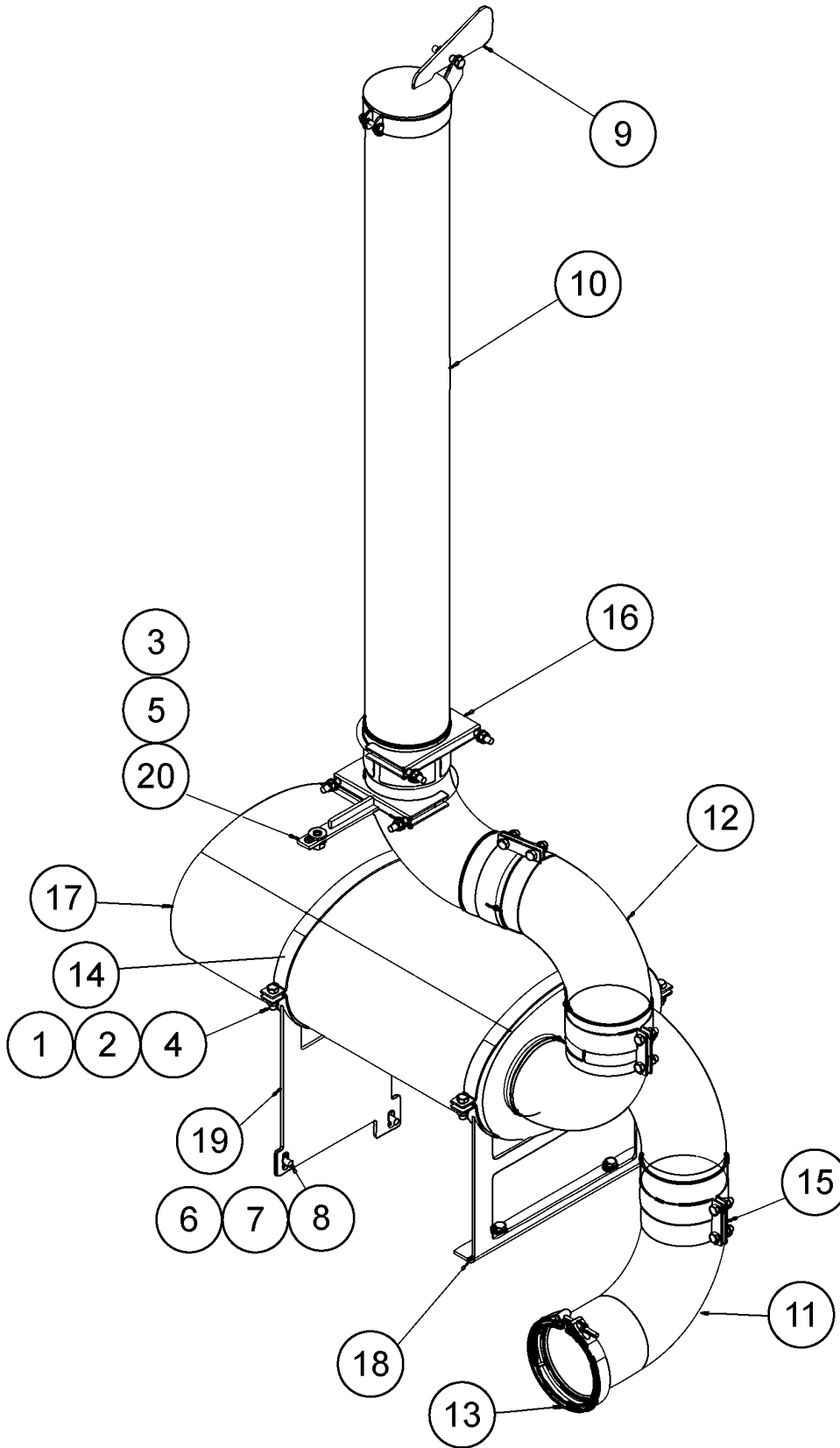


**Exhaust Assembly
526001586000**

Ref. No.	Part No.	Qty.	Description
1	000A00058000	4	Bolt, Hex 3/816 UNC X 1 1/4"
2	000A00258000	4	Nut, 3/8-16 NC
3	000A00296000	2	Washer, Flat 1/2"
4	000A00306000	4	Washer, Lock 3/8"
5	000A02042000	1	Nut, Lock 1/2-13 UNC
6	000AA0388049	4	Bolt Hex
7	000AA0391003	4	Flatwasher
8	000AA0392003	4	Lockwasher
9	004002546000	1	Cap, Exhaust
10	004013368000	1	Stack, Exhaust
11	004013429000	1	Inlet Exhaust Tube
12	004013430000	2	Exhaust Elbow
13	004094239160	1	Clamp, Turbo
14	056000577000	2	Bracket, Muffler
15	24001630	3	Clamp, Exhaust
16	298-05333-92	1	Clamp, Exhaust
17	526001577000	1	Muffler WMT
18	526001578000	1	Muffler Support WMT
19	526001579000	1	Muffler Support WMT
20	526001590000	1	Exhaust Tube Support WMT

WHEN ORDERING PARTS, ALWAYS STATE MODEL AND SERIAL NO. OF MACHINE

Exhaust Assembly
526001586000



Rev. 0

ILLUSTRATION MAY VARY FROM YOUR MACHINE

**Cooling System
568005012000**

Ref. No.	Part No.	Qty.	Description
1	004013328000	5	Hose, Hump
2	001003201000	20	Clamp, Hose
3	004013425000	1	Lower Charge Air Tube B
4	001003114000	16	Clamp, Hose
5	526001581000	2	Radiator Mounting Pad
6	531000575000	4	Hose, Radiator
7	004013479000	1	Tube, Lower Radiator
8	002005191000	1	Barb, Hose
9	526001592000	1	Hose Engine Coolant Fill
10	526001593000	1	Engine Vent Hose
11	003002816000	1	Coolant Loss Sensor
12	568005016000	2	Brace, Radiator
13	004013812000	1	RAD CAC HOC Assembly (Page 66)
14	004013426000	1	Upper Charge Air Tube
15	004013427000	1	Tube, Upper Radiator
16	001003128000	2	Clamp, Hose
18	000A00924000	1	Tee, Service 3/4" NPT
19	000A03025000	1	Reducer
20	001003156000	2	Clamp, Hose
21	000A00308000	2	Washer, Lock 1/2"
22	000A05384000	1	Elbow 90°
23	000A00845000	1	Coupling, Pipe
24	000A00900000	1	Elbow, 90° Street
25	002006401000	1	Valve, Ball 1/2" NPT
26	004013491000	1	Tube, Lower Charge Air
27	000AA0639000	2	Screw, Button Head Cap From 568107
28	000AA0113014	1	Elbow, 90°
29	000AA0113020	1	Elbow, Adj. 90°
30	000AA0112016	1	Straight
31	000AA0112022	1	Tube End
32	002011740000	1	Hose Assembly

WHEN ORDERING PARTS, ALWAYS STATE MODEL AND SERIAL NO. OF MACHINE

Cooling System 568005012000

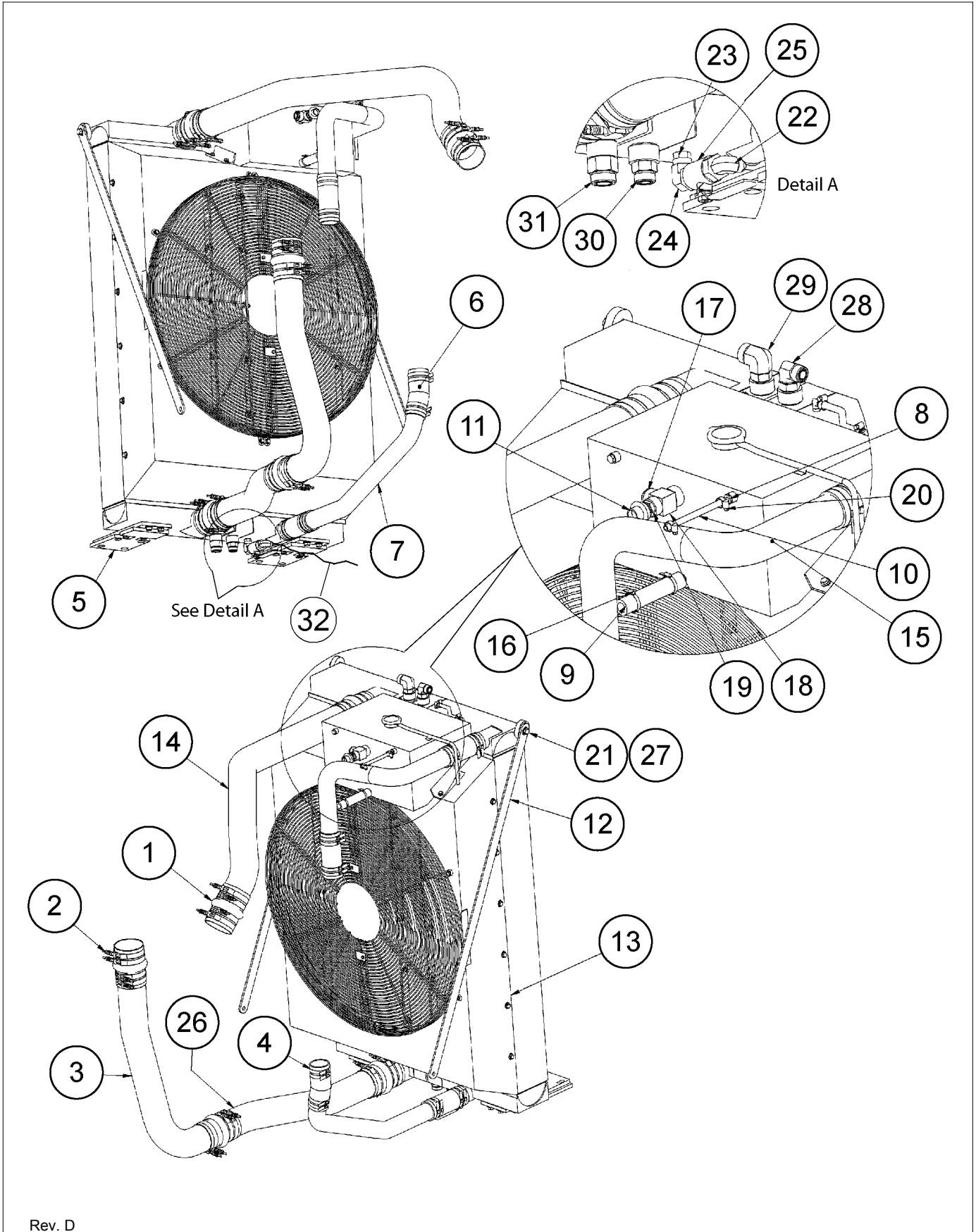


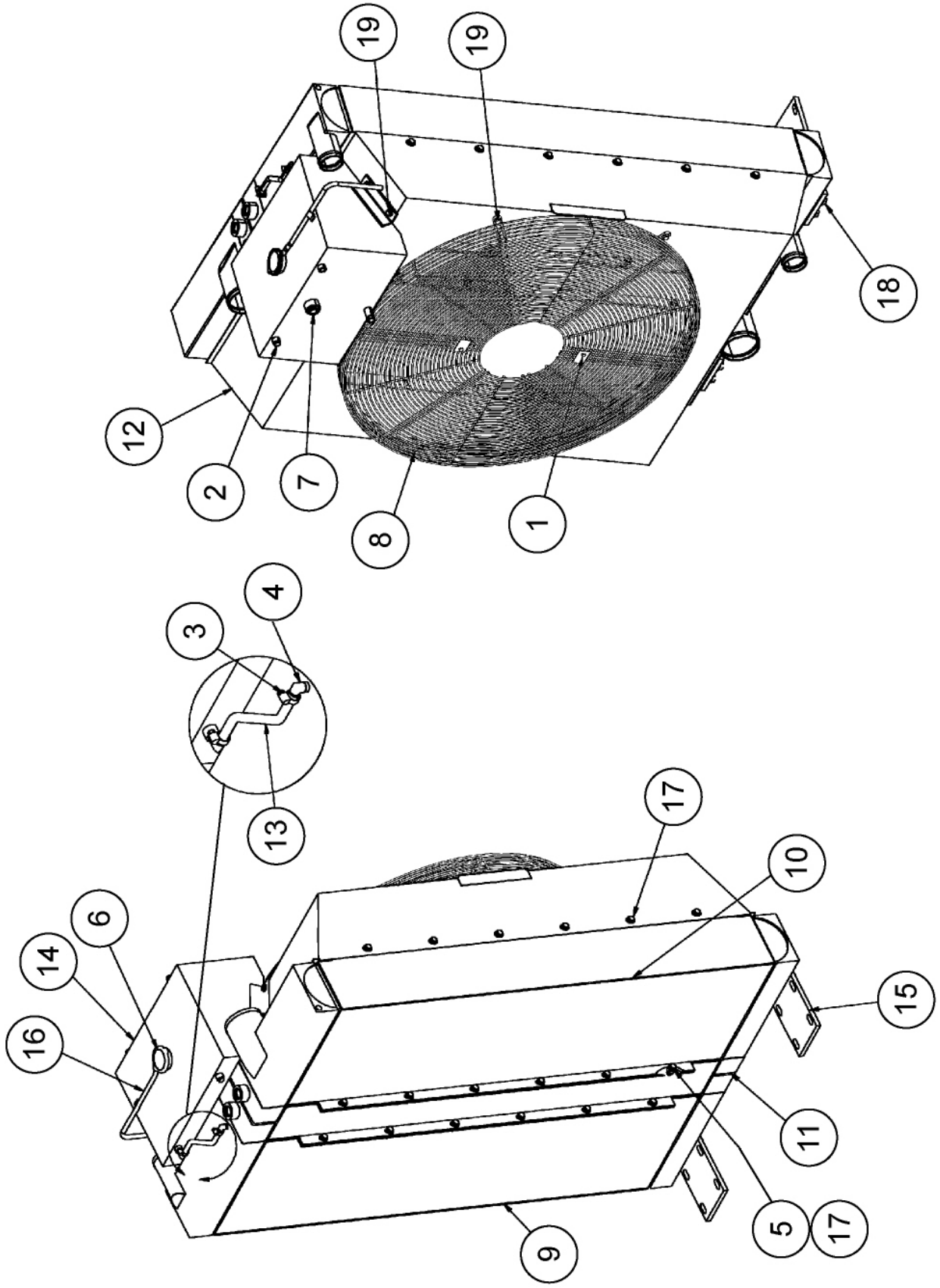
ILLUSTRATION MAY VARY FROM YOUR MACHINE

**RAD CAC HOC Assembly
004013812000**

Ref. No.	Part No.	Qty.	Description
1	000AA0388004	2	Bolt, Hex
2	000A00881000	2	Plug, Pipe 1/4" NPT
3	001003156000	2	Clamp, Hose
4	001079886000	2	Hose Barb
5	298-02065-71	24	Nut, Lock
6	004013326008	1	Cap, Radiator
7	004013766006	1	Gauge, Sight
8	004013766009	1	Guard, Finger
9	004013812001	1	Radiator
10	004013812002	1	Cooler, Charge Air
11	004013812003	1	Cooler, Oil
12	004013812004	1	Shroud
13	004013812005	1	Hose, Vent
14	004013812006	1	Tank, Surge
15	004013812007	2	Mount, Foot
16	004013812008	1	Hose, Overflow
17	004013812009	36	Screw, Cap
18	004013812010	8	Screw, Cap
19	004013812011	12	Screw, Cap

WHEN ORDERING PARTS, ALWAYS STATE MODEL AND SERIAL NO. OF MACHINE

RAD CAC HOC Assembly
004013812000



Rev. 0

ILLUSTRATION MAY VARY FROM YOUR MACHINE



**Dipstick Assembly
568005042000**

Ref. No.	Part No.	Qty.	Description
1	002009501145	1	Nipple
2	002009508005	1	Elbow, 90 Degree
3	004013836000	1	Dipstick
4	568005026001	1	Pipe
5	000A01941000	1	Reducer, Pipe
6	000AA0120013	1	Straight

WHEN ORDERING PARTS, ALWAYS STATE MODEL AND SERIAL NO. OF MACHINE

Dipstick Assembly
568005042000

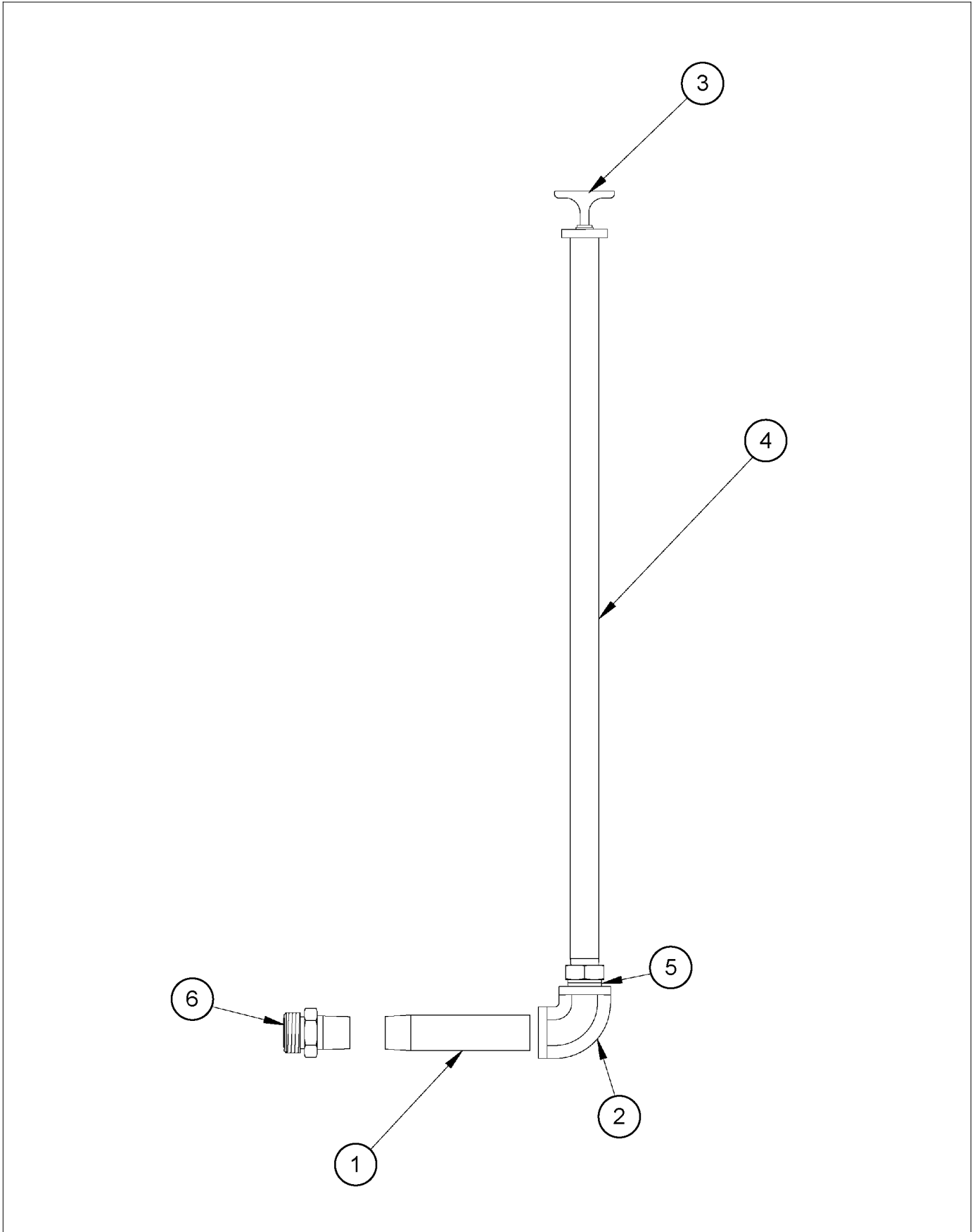


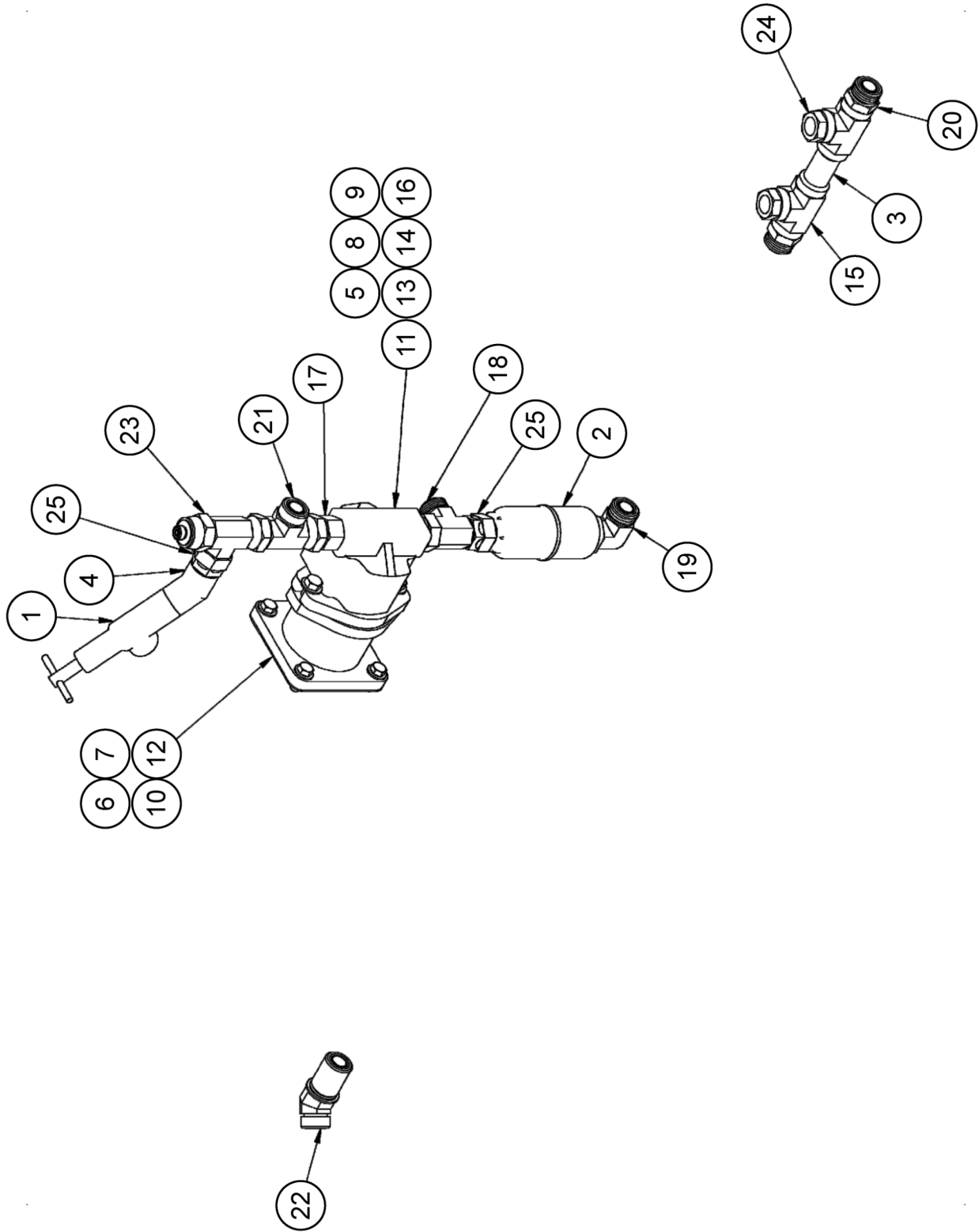
ILLUSTRATION MAY VARY FROM YOUR MACHINE

**Pump Assembly, Cutter Cooling
568005045000**

Ref. No.	Part No.	Qty.	Description
1	002006321000	1	Valve, Relief
2	002008571000	1	Filter, Hydraulic
3	002009501141	1	Nipple 3/4" NPTx3"
4	002009507005	1	Elbow, 45 Degree
5	002012504000	1	Pump, Hydraulic
6	004013637027	1	Gasket
7	526005033000	1	Flange, Pump
8	526005034000	1	Adaptor, Coupling
9	526005035000	1	Key
10	000A00057000	4	Bolt, Hex 3/8-16 UNC X 1"
11	000A00079000	2	Bolt, Hex
12	000A00294000	4	Washer, Flat 3/8"
13	000A00295000	2	Washer, Flat
14	000A00465000	4	Screw, Set Socket
15	000A00862000	2	Tee
16	000A01745000	1	Pin, Roll
17	000AA0112017	1	Straight
18	000AA0116005	1	Connector, Run Tee
19	000AA0119013	1	Elbow, 90°
20	000AA0120013	2	Straight
21	000AA0124005	2	Tee, Run Swivel
22	000AA0133005	1	Bulkhead 45°
23	000AA0147007	1	Reducer Tube End
24	000AA0518009	2	Adapter
25	000AA0644008	2	Fitting

WHEN ORDERING PARTS, ALWAYS STATE MODEL AND SERIAL NO. OF MACHINE

Pump Assembly, Cutter Cooling 568005045000



Rev. 0

ILLUSTRATION MAY VARY FROM YOUR MACHINE

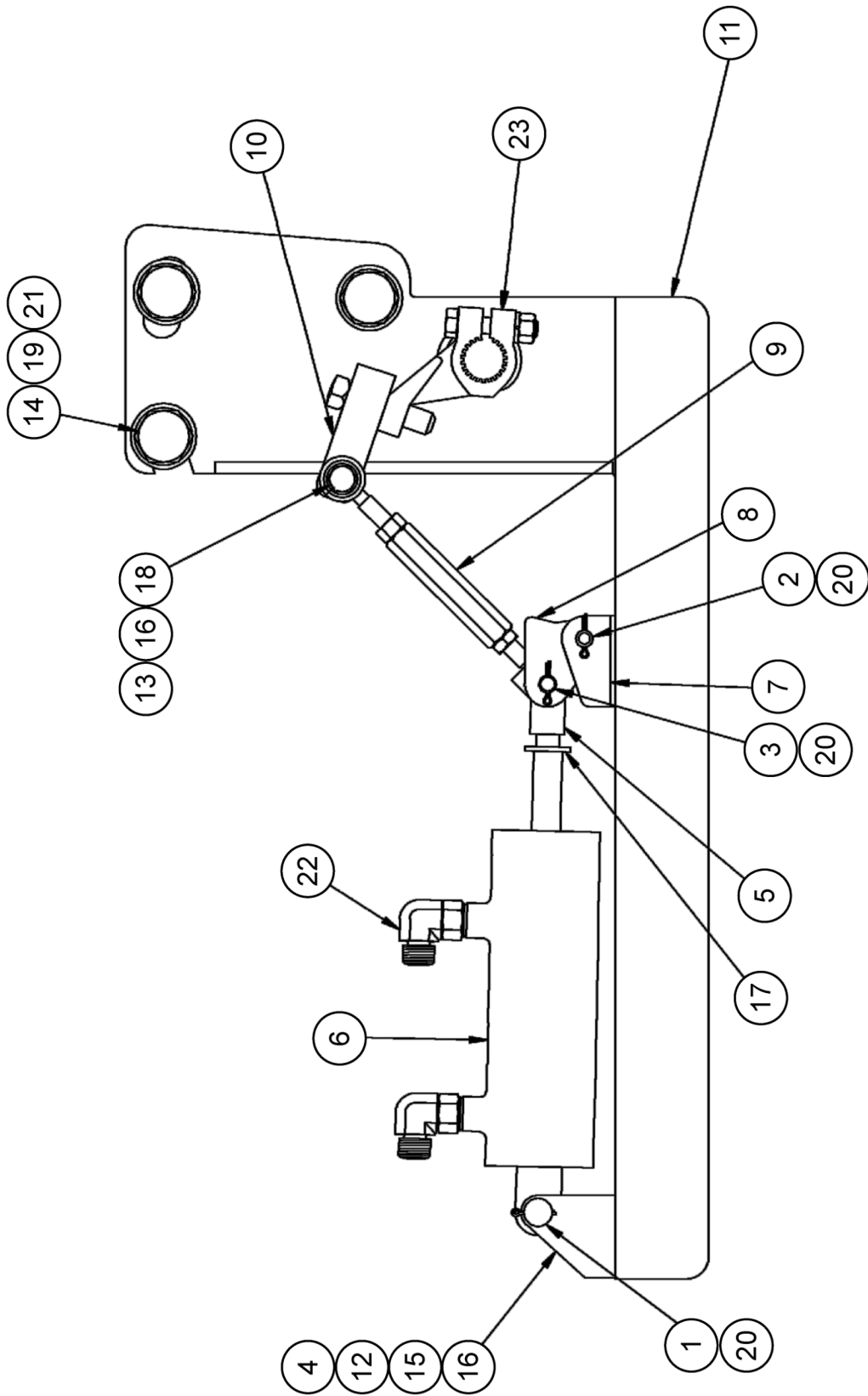


**Actuator, Hydraulic Clutch
568005046000**

Ref. No.	Part No.	Qty.	Description
1	001001475000	1	Pin, Clevis
2	001001476000	1	Pin
3	001001477000	1	Pin
4	002005977000	1	Bracket, Pivot
5	002005978000	1	Clevis, Rod
6	002007170000	1	Cylinder, Hydraulic
7	526000267000	1	Bracket, Pivot
8	526000268000	1	Pivot
9	526000596000	1	Turnbuckle Assembly (Page 74)
10	526001219000	1	Arm, Actuator
11	568005047000	1	Mount, Cylinder
12	000A00057000	3	Bolt, Hex 3/8-16 UNC X 1"
13	000A00061000	1	Bolt, Hex 3/8-16 UNC X 2"
14	000A00167000	3	Bolt, Hex 3/4-10 UNC X 2"
15	000A00258000	3	Nut, 3/8-16 NC
16	000A00294000	4	Washer, Flat 3/8"
17	000A00296000	1	Washer, Flat 1/2"
18	000A00306000	1	Washer, Lock 3/8"
19	000A00311000	3	Washer, Lock 3/4"
20	000A01504000	6	Pin, Cotter
21	000A02946000	3	Washer, Flat 3/4", Hardened
22	000AA0113003	2	Tube End 90°
23	004013722000	1	Kit, Clutch Shift Lever (Page 76)

WHEN ORDERING PARTS, ALWAYS STATE MODEL AND SERIAL NO. OF MACHINE

Actuator, Hydraulic Clutch
568005046000



Rev. 0

ILLUSTRATION MAY VARY FROM YOUR MACHINE

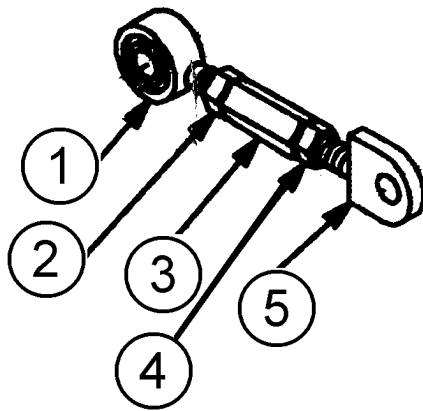


**Turnbuckle Assembly
526000596000**

Ref. No.	Part No.	Qty.	Description
1	004002203000	1	Bearing, Rod End
2	001002109000	1	Nut Hex
3	526000598000	1	Link, Adjustable
4	000A03047000	1	Nut, Jam
5	526000597000	1	Rod, End

WHEN ORDERING PARTS, ALWAYS STATE MODEL AND SERIAL NO. OF MACHINE

Turnbuckle Assembly
526000596000



Rev. 0

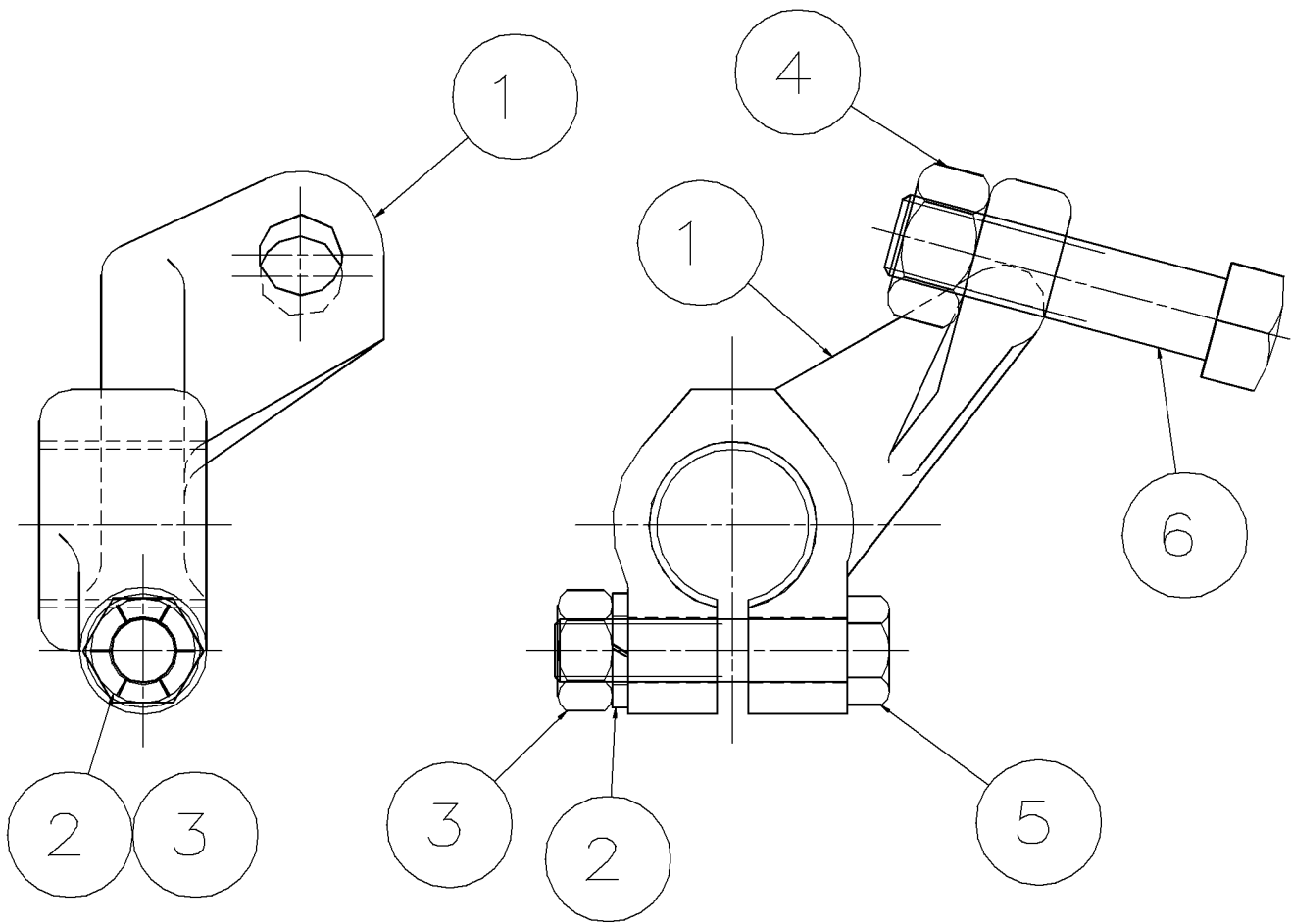
ILLUSTRATION MAY VARY FROM YOUR MACHINE

**Kit, Clutch Shift Lever
004013722000**

Ref. No.	Part No.	Qty.	Description
1	004013722001	1	Lever
2	000A00306000	1	Washer, Lock 3/8"
3	000A00258000	1	Nut, 3/8-16 NC
4	000A00260000	1	Nut 1/2"-13 UNC
5	000A00060000	1	Bolt, Hex 3/8-16 UNC X 1 3/4"
6	000A01418000	1	Screw Set Square Half Dog Point

WHEN ORDERING PARTS, ALWAYS STATE MODEL AND SERIAL NO. OF MACHINE

Kit, Clutch Shift Lever
004013722000



Rev. 0

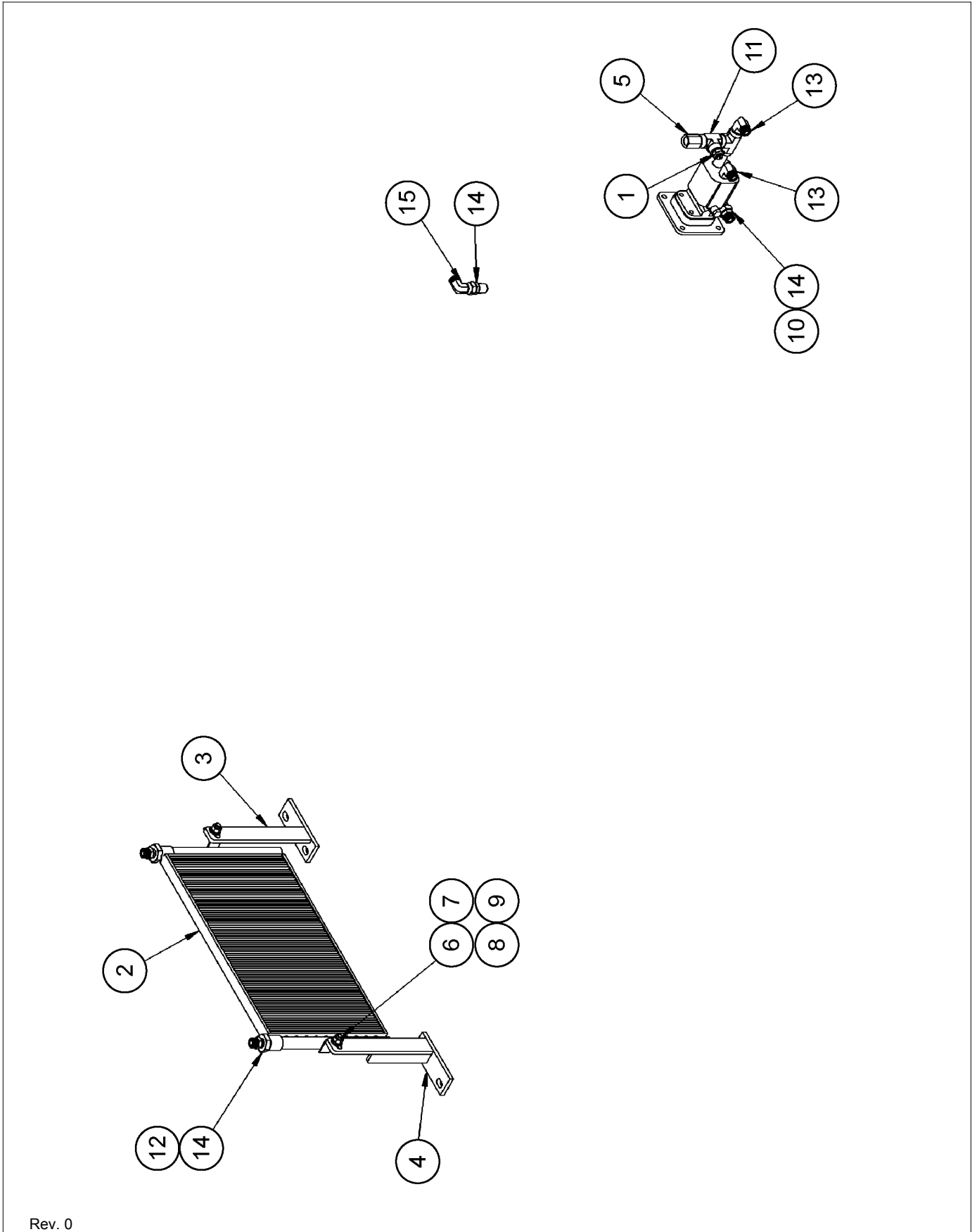
ILLUSTRATION MAY VARY FROM YOUR MACHINE

**Cooling Group, Transmission
568005049000**

Ref. No.	Part No.	Qty.	Description
1	001005111000	1	Sender, Water Temperature
2	004013640000	1	Kit, Transmission Oil Cooling
3	526005084000	1	Cooler Mount Weldment LH
4	526005085000	1	Cooler Mount Weldment RH
5	568005035000	1	Adapter, Sensor
6	000A00080000	2	Bolt, Hex
7	000A00259000	2	Nut
8	000A00295000	2	Washer, Flat
9	000A00307000	2	Washer, Lock 7/16
10	000A00853000	1	Bushing, Pipe
11	000A00923000	1	Tee
12	000A02292000	2	Bushing, Reducer
13	000AA0119009	2	Elbow, 90°
14	000AA0120009	4	Fitting
15	000AA0123003	1	Elbow, Swivel Nut 90°

WHEN ORDERING PARTS, ALWAYS STATE MODEL AND SERIAL NO. OF MACHINE

Cooling Group, Transmission
568005049000



Rev. 0

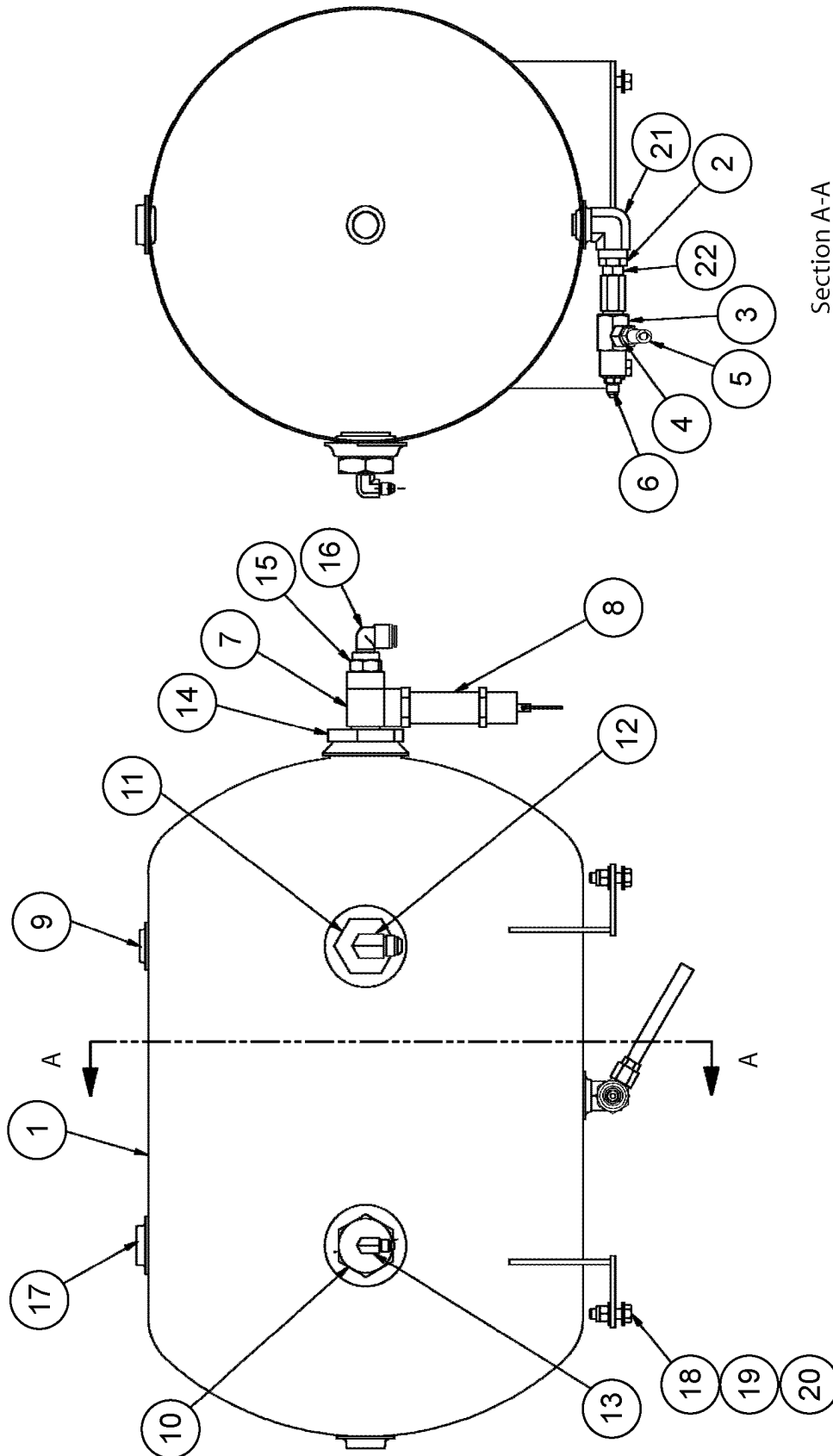
ILLUSTRATION MAY VARY FROM YOUR MACHINE

**Tank, Air Assembly 2
568020011000**

Ref. No.	Part No.	Qty.	Description
1	568020015000	1	Tank, Air
2	000A00852000	1	Bushing, Reducer
3	002005987000	1	Valve, Drain Automatic
4	002005175000	1	Barb, Hose
5	526002018000	1	Hose, Water
6	000A05379000	1	Adapter, Straight 1/4" JIC x 1/4" NPT
7	000A00924000	1	Tee, Service 3/4" NPT
8	002005913000	1	Valve, Pop Off
9	000AA0628008	1	Plug, Hollow Hex
10	002009511014	1	Reducer
11	002009511025	1	Bushing, Pipe
12	000A05384000	1	Elbow 90°
13	000A05382000	1	Elbow, 90 Degree 1/4" JIC X 1/4" NPT
14	002009511030	1	Bushing
15	000A00853000	1	Bushing, Pipe
16	55-79007	1	Adapter, Elbow
17	000AA0628012	2	Plug, Hollow Hex
18	000A00294000	8	Washer, Flat 3/8"
19	000A00058000	4	Bolt, Hex 3/8-16 UNC X 1 1/4"
20	000A02040000	4	Nut, Lock 3/8-16 UNC
21	000A00900000	1	Elbow, 90° Street
22	000A00844000	1	Coupling

WHEN ORDERING PARTS, ALWAYS STATE MODEL AND SERIAL NO. OF MACHINE

Tank, Air Assembly 2
568020011000



Section A-A

Rev. D

ILLUSTRATION MAY VARY FROM YOUR MACHINE



**Battery Group
56800506000**

Ref. No.	Part No.	Qty.	Description
1	001009089000	2	Battery
2	526001552000	1	Angle, Tie Down
3	526001553000	1	Liner, Battery
4	531000273000	1	Rod, Tie Down
5	568005060001	1	All Thread
6	000A00258000	5	Nut, 3/8-16 NC
7	000A00294000	4	Washer, Flat 3/8"
8	000A00306000	4	Washer, Lock 3/8"

WHEN ORDERING PARTS, ALWAYS STATE MODEL AND SERIAL NO. OF MACHINE

**Battery Group
56800506000**

NO DRAWING FOR THIS ASSEMBLY

ILLUSTRATION MAY VARY FROM YOUR MACHINE



TEREX

**Filters Assembly
568050039000**

Ref. No.	Part No.	Qty.	Description
1	002008549000	1	Filter Assembly (Page 86)
2	002008581000	1	Filter Assembly

WHEN ORDERING PARTS, ALWAYS STATE MODEL AND SERIAL NO. OF MACHINE

**Filters Assembly
568050039000**

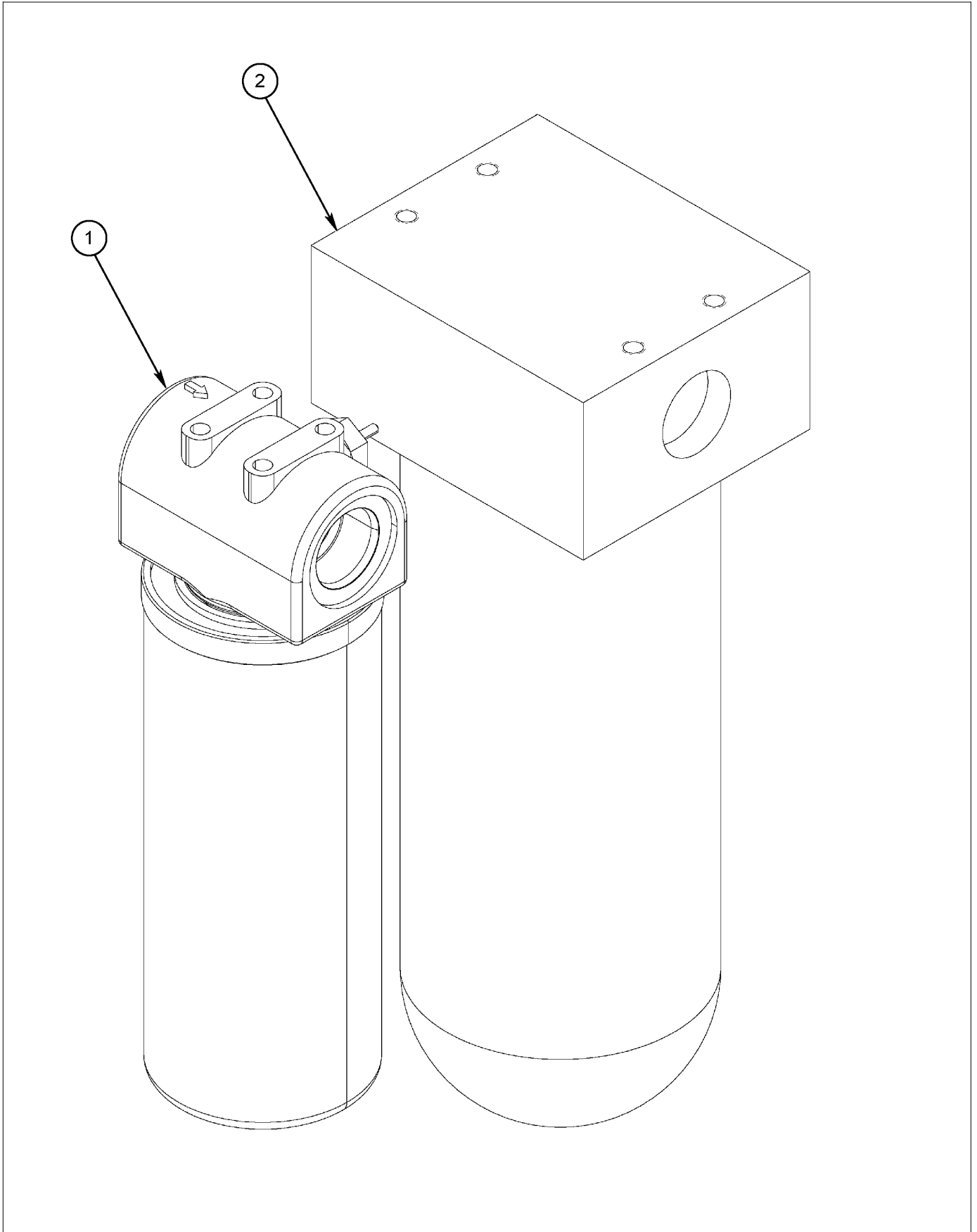


ILLUSTRATION MAY VARY FROM YOUR MACHINE

**Filter Assembly
002008549000**

Ref. No.	Part No.	Qty.	Description
1	002008549001	1	Element, Filter
2	002008549002	1	Head Assembly
3	002008549003	1	Indicator Assembly

WHEN ORDERING PARTS, ALWAYS STATE MODEL AND SERIAL NO. OF MACHINE

**Filter Assembly
002008549000**

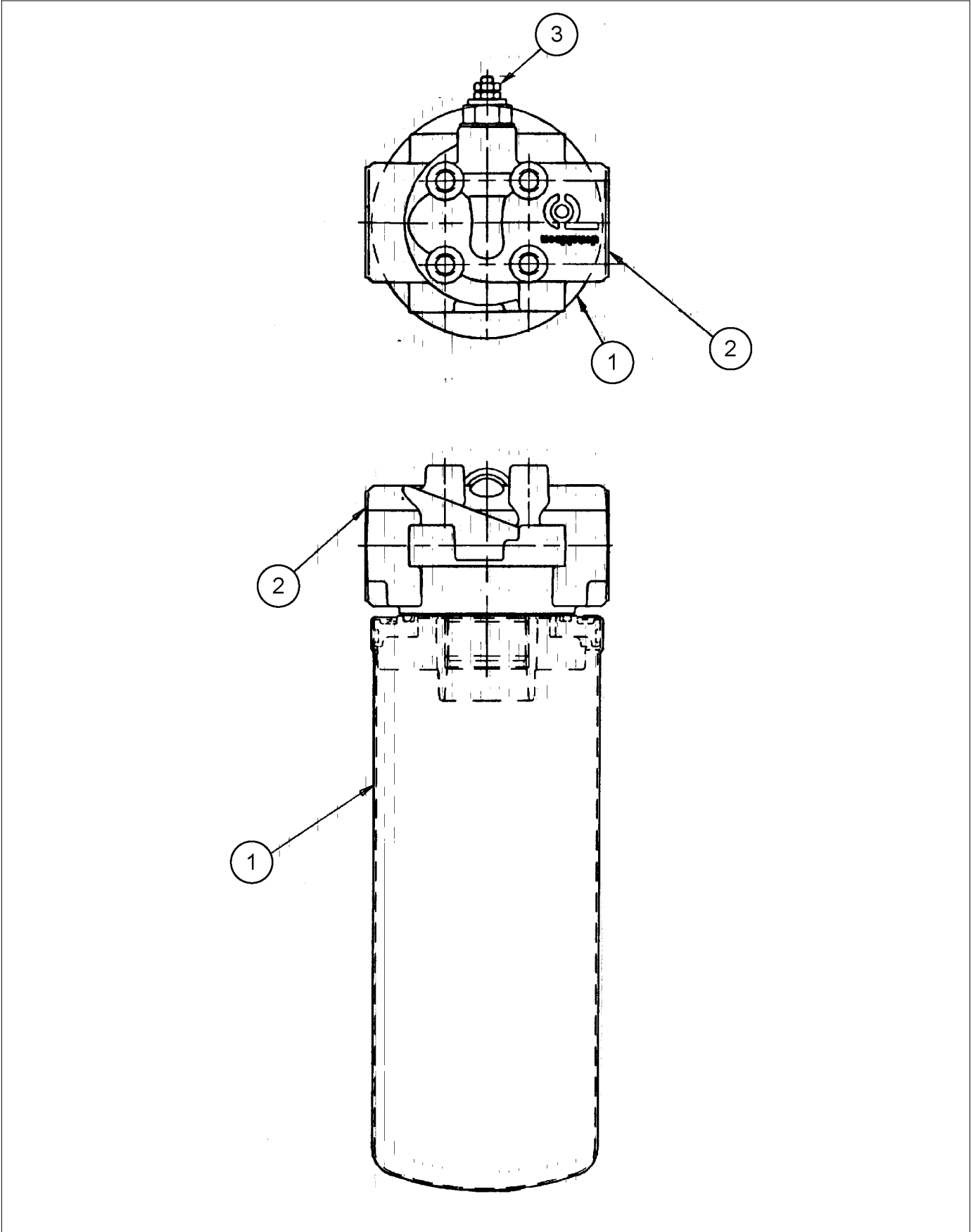


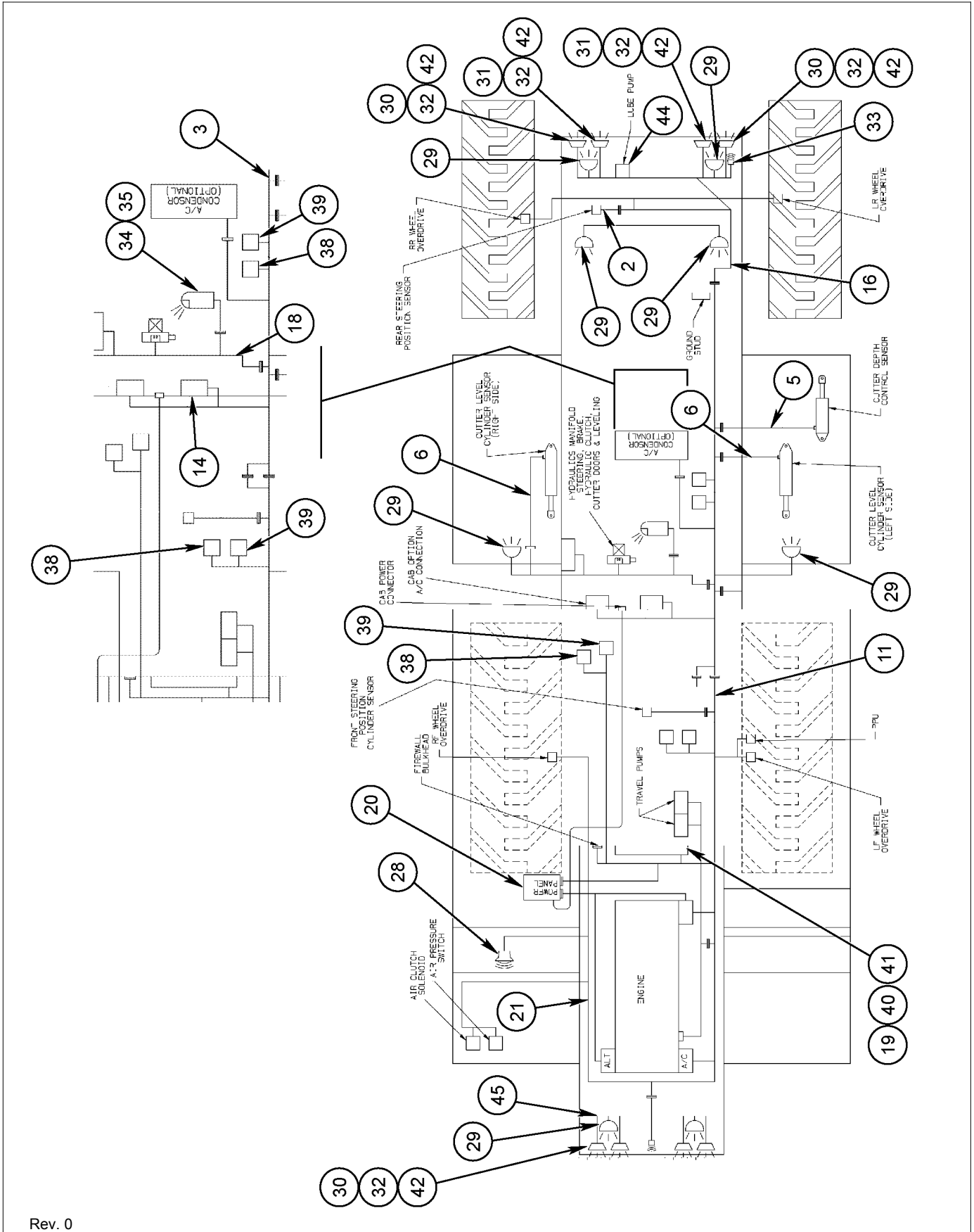
ILLUSTRATION MAY VARY FROM YOUR MACHINE

**Electrical Group
568090006000**

Ref. No.	Part No.	Qty.	Description
1	568090131000	1	Panel Assembly, Main Control (Page 92)
2	568090124000	1	Cable, Rear Steering Sensor
3	568090154000	1	Cable, Rear Mainframe
4	568090159000	1	Cable, A-B Console
5	568090126000	1	Cable, Cutter Depth Control
6	568090145000	2	Cable, Cutter Level Control
7	568090116000	1	Cable, A Console/Firewall
8	568090079000	1	Cable, B Console/Firewall Control
9	568090158000	1	Cable, C Console/Firewall Control
10	568090156000	1	Cable, Additive/Trans. Control
11	568090153000	1	Cable, Front Mainframe
12	568090027000	1	Control Handle Assembly (Page 100)
13	568090118000	1	Plate Assembly
14	568090155000	1	Box Assembly, Machine Logic Control
15	568090138000	1	Controller
16	568090121000	1	Cable, Rear Frame
17	568090069000	1	Cable, Engine Propel Interface
18	568090115000	1	Cable, Hydraulic Control
19	526009226000	1	Panel, Auxiliary Gauge (Page 102)
20	568090056000	1	Panel, Power (Page 106)
21	568090059000	1	Cable, Alternator Harness
22	568090085000	1	Cable, Battery Positive
23	526009051000	1	Cable, Battery Jumper
24	526009052000	1	Cable, Battery Disconnect
25	526009053000	1	Cable, Disconnect to Ground
26	519009048000	1	Cable, Ground
27	568090100000	1	Cable, ECM Ground
28	003000781000	1	Horn
29	003002208000	8	Light
30	0030022141000	4	Light Assembly, LED Red
31	0030022142000	4	Light Assembly, LED Yellow
32	568090050000	8	Adapter, Power (Page 108)
33	568090075000	1	Alarm, Backup
34	560090028000	1	Light, Strobe (Page 110)
35	001002167000	1	Bolt, T 3/8-16 UNC X 2 3/4
36	003001264000	1	Switch, Disconnect Battery
37	001009565000	1	Face Plate, Master Disconnect
38	568090082000	3	Switch, Thermostat
39	001005285000	3	Sender, Temperature
40	001005260000	1	Switch, Pressure
41	001005215000	1	Switch, Pressure
42	0030022143000	8	Kit, Grommet Mount
43	568090084000	1	Cable, Starter Coil Extension
44	568090102000	1	Pump, Lube (Page 112)
45	568090081000	1	Cable, Front Hood Lights
46	568090119000	1	I/O Module
47	568090122000	1	Cable, Front Steering Sensor

WHEN ORDERING PARTS, ALWAYS STATE MODEL AND SERIAL NO. OF MACHINE

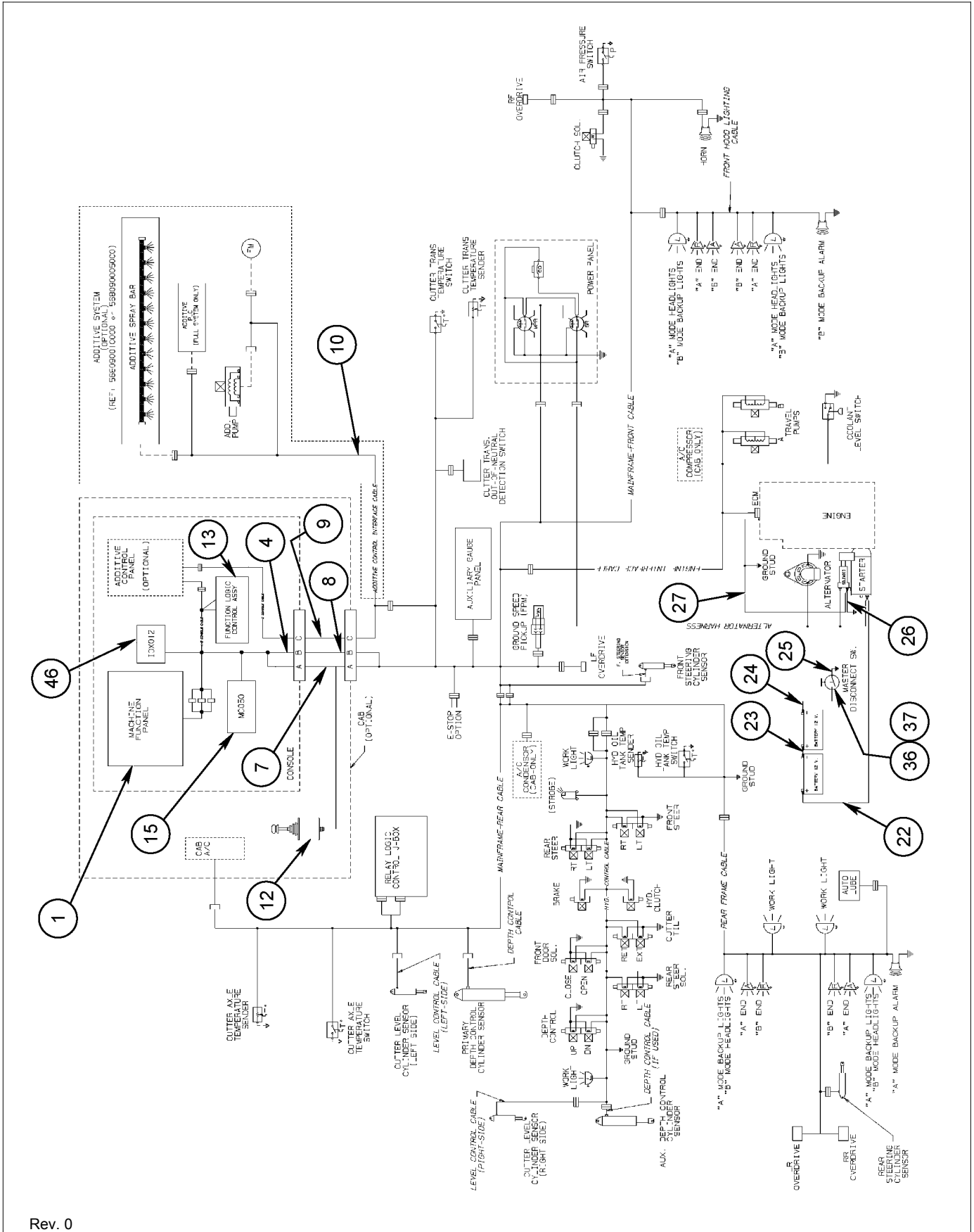
Electrical Group
568090006000



Rev. 0

ILLUSTRATION MAY VARY FROM YOUR MACHINE





Rev. 0

ILLUSTRATION MAY VARY FROM YOUR MACHINE



Intentionally Left Blank

**Panel Assembly, Main Control
568090131000**

Ref. No.	Part No.	Qty.	Description
1	568090058000	1	Panel Main Control
2	568090087000	1	Bracket, Component Mounting
3	003001296000	3	Switch, Toggle
4	003000273000	6	Switch, Toggle
5	003000272000	1	Switch, Toggle
6	003001298003	1	Switch, Toggle
7	003000289000	1	Switch, Toggle
8	003000289001	1	Switch, Toggle
9	003000275000	1	Switch, Toggle
10	003000211000	11	Boot, Switch
11	003000210100	2	Guard, Switch
12	003003725002	3	Jumper, Terminal Ring
13	212-00276-17	1	Key Switch
14	24002006	1	Switch, Emergency Stop
15	003002603006	1	Operator, Push Botton, Red, Mushroom
16	24002008	1	Operator, Push-Pull
17	003002603007	1	Base, Mounting
18	003002125003	10	Lamp, Indicator White
19	003002221000	6	Lamp, Green
20	003002220000	3	Lamp, Amber
21	24002034	1	Switch, Selector
22	003003337225	2	Bridge, Diode
23	003006922000	1	Meter
24	003002219000	1	Lamp, Red
25	559960082000	2	Light, Dash Assembly (Page 98)
26	568090028000	1	Meter, FPM
27	003001752121	1	Resistor
28	000A00332000	2	Screw, Pan
29	000A02035000	2	Nut, Lock
30	003000887000	2	Mount, Cable
31	003005071571	1	Connector
32	003005071563	1	Connector
33	003005071316	1	Connector
34	003005071342	1	Connector
35	003005071356	1	Wedge, Lock
36	003005071361	1	Wedge
37	003005071034	61	Contact, Male
38	003005071033	6	Terminal, Socket, Female
39	003005071017	5	Pluq, Sealing
40	003000700207	1	Buttsplice, Non Insulared
41	003000901218	0.2"	Heatshrink, Tubing
42	003000700054	48	Terminal, Ring
43	003000700098	12	Terminal, Ring
44	003000700173	7	Terminal, Pushon
45	003000700205	1	Terminal, Push On, Female
46	003000700101	3	Terminal, Wire
47	003000700127	1	Terminal
48	003000902251	1.5'	Cable, Shielded
49	003001209000	1	Switch, Toggle

WHEN ORDERING PARTS, ALWAYS STATE MODEL AND SERIAL NO. OF MACHINE

**Panel Assembly, Main Control
568090131000**

Ref. No.	Part No.	Qty.	Description
50	24002007	1	Contact Block
51	568090136000	1	Potentiometer Assembly
52	003000902374	9'	Wire, Green
53	003000902365	20'	Wire, White
54	003000902366	1'	Wire, Red
55	003000902367	15'	Wire, Orange
56	003000902368	14'	Wire, Yellow
57	003000902369	3'	Wire, Pink
58	003000902370	9'	Wire, Black
59	003000902371	16'	Wire, Gray
60	003000902372	10'	Wire, Brown
61	003000902373	6'	Wire, Purple
62	003000902375	18'	Wire, Blue

WHEN ORDERING PARTS, ALWAYS STATE MODEL AND SERIAL NO. OF MACHINE

Panel Assembly, Main Control
568090131000

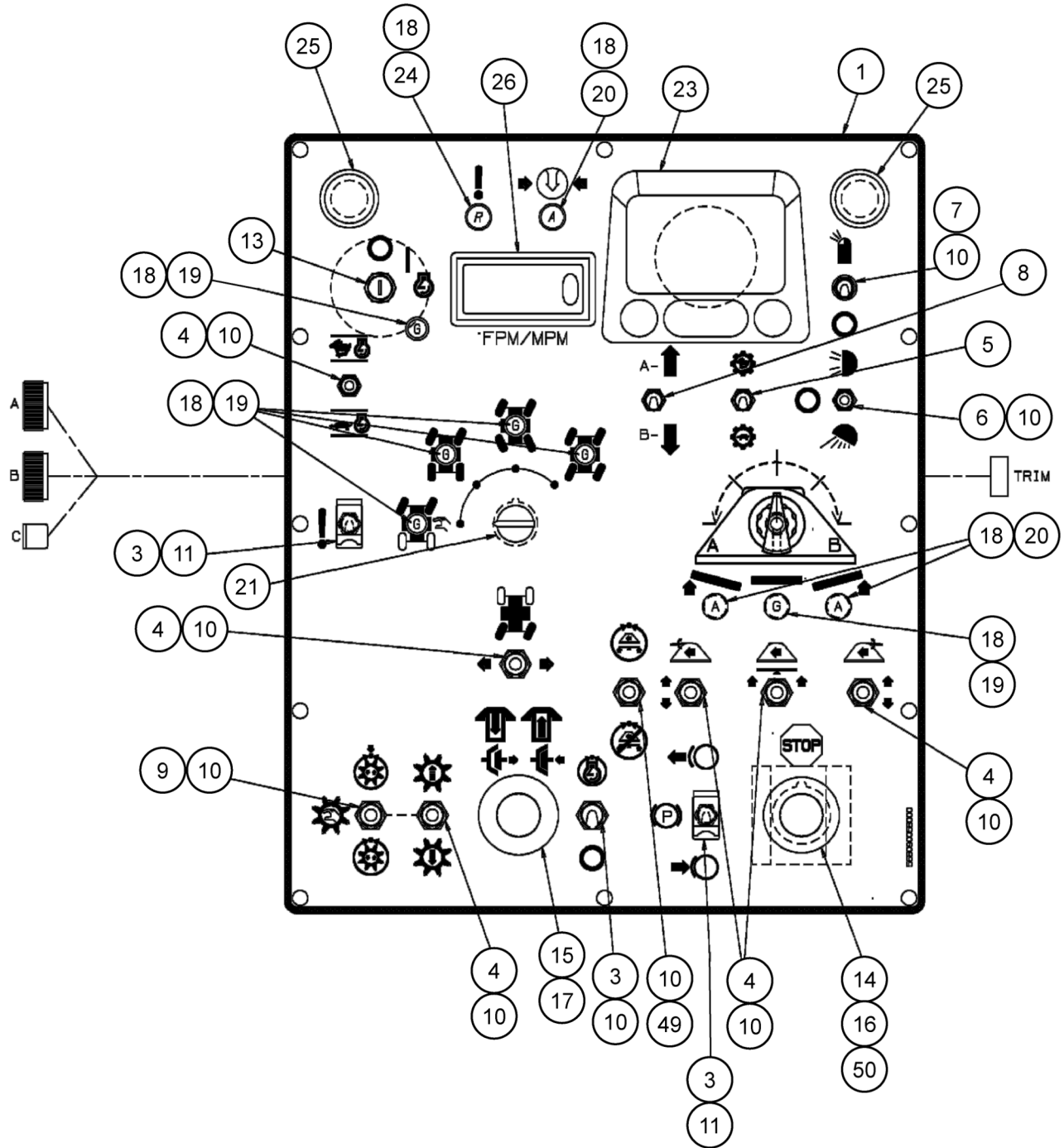


ILLUSTRATION MAY VARY FROM YOUR MACHINE

Panel Assembly, Main Control
568090131000

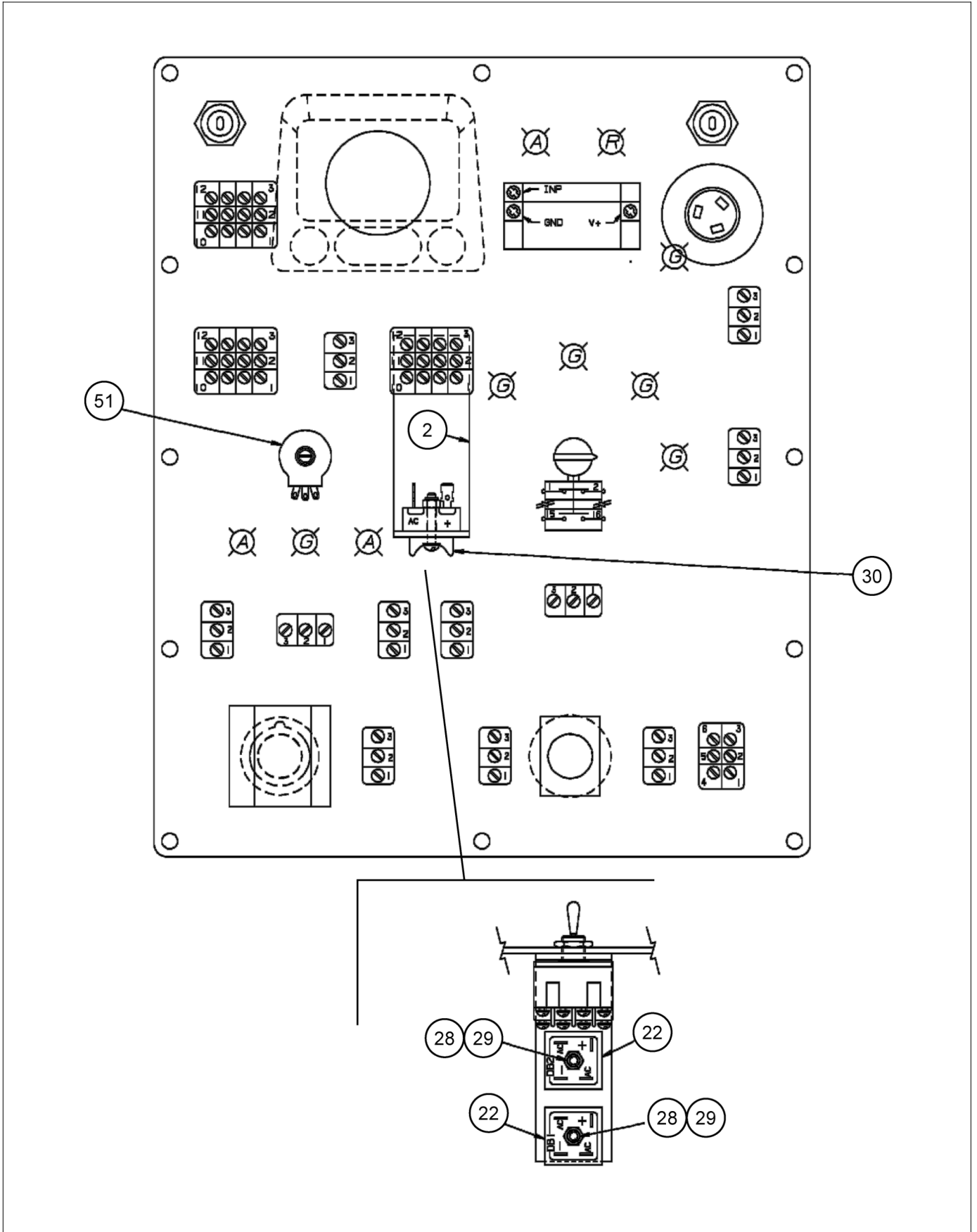


ILLUSTRATION MAY VARY FROM YOUR MACHINE

Panel Assembly, Main Control 568090131000

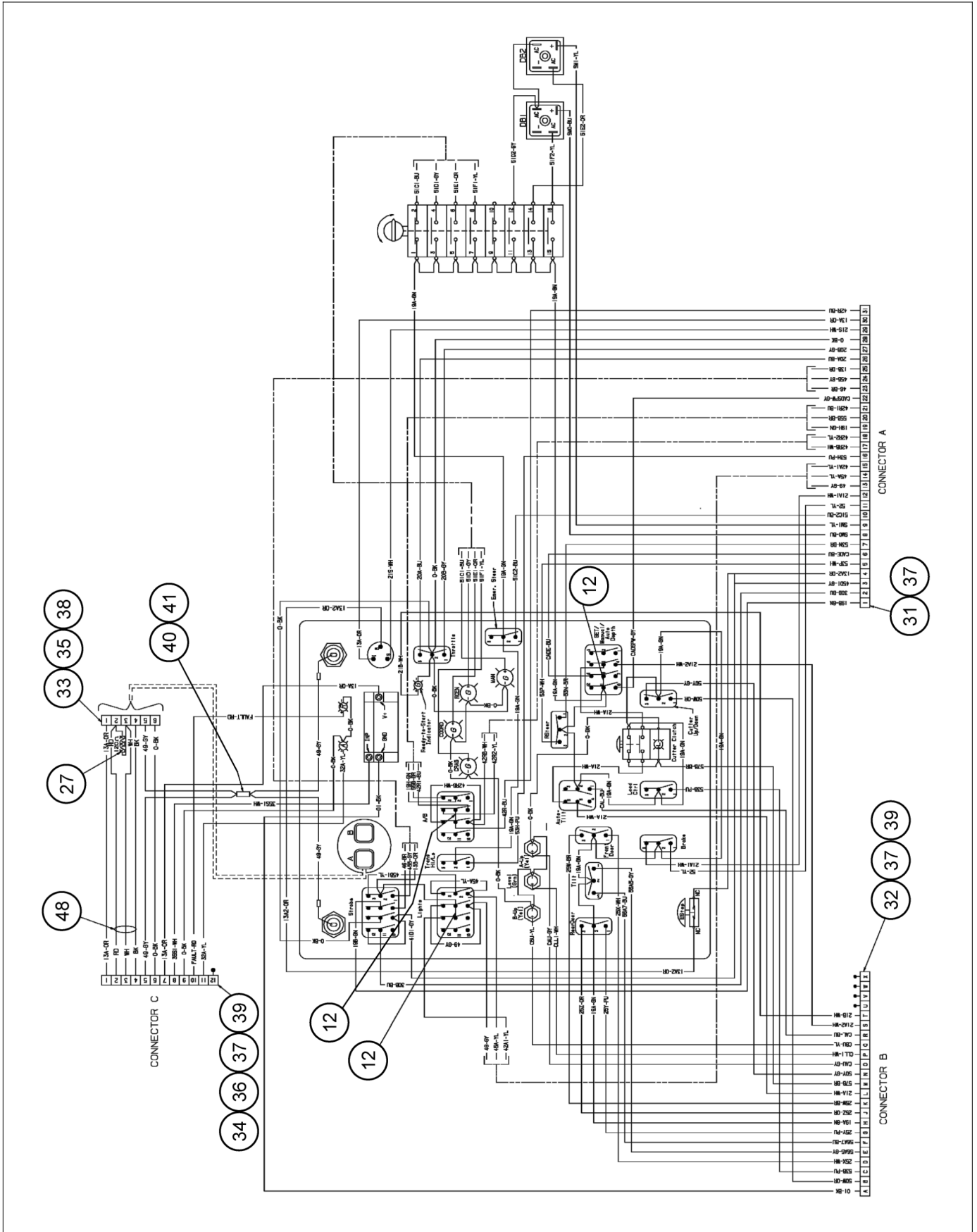


ILLUSTRATION MAY VARY FROM YOUR MACHINE

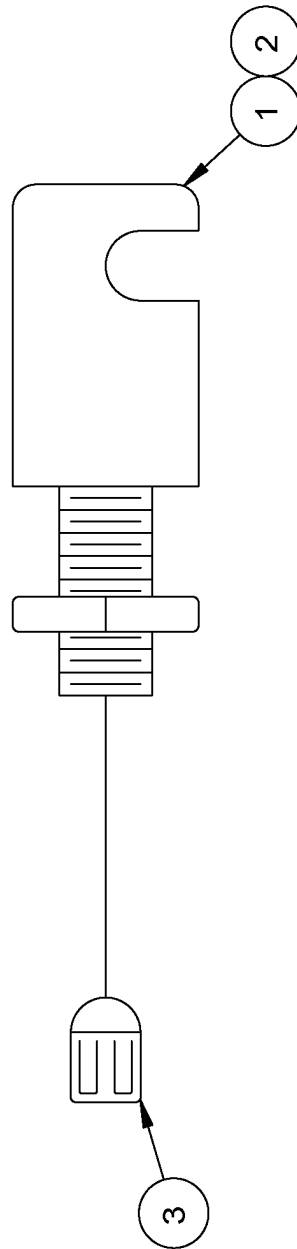
Intentionally Left Blank

**Light, Dash Assembly
559960082000**

Ref. No.	Part No.	Qty.	Description
1	003002107000	1	Light, Dash
2	003002113000	1	Bulb
3	003000700174	1	Terminal, Push On, Male

WHEN ORDERING PARTS, ALWAYS STATE MODEL AND SERIAL NO. OF MACHINE

Light, Dash Assembly
559960082000



Rev. 0

ILLUSTRATION MAY VARY FROM YOUR MACHINE



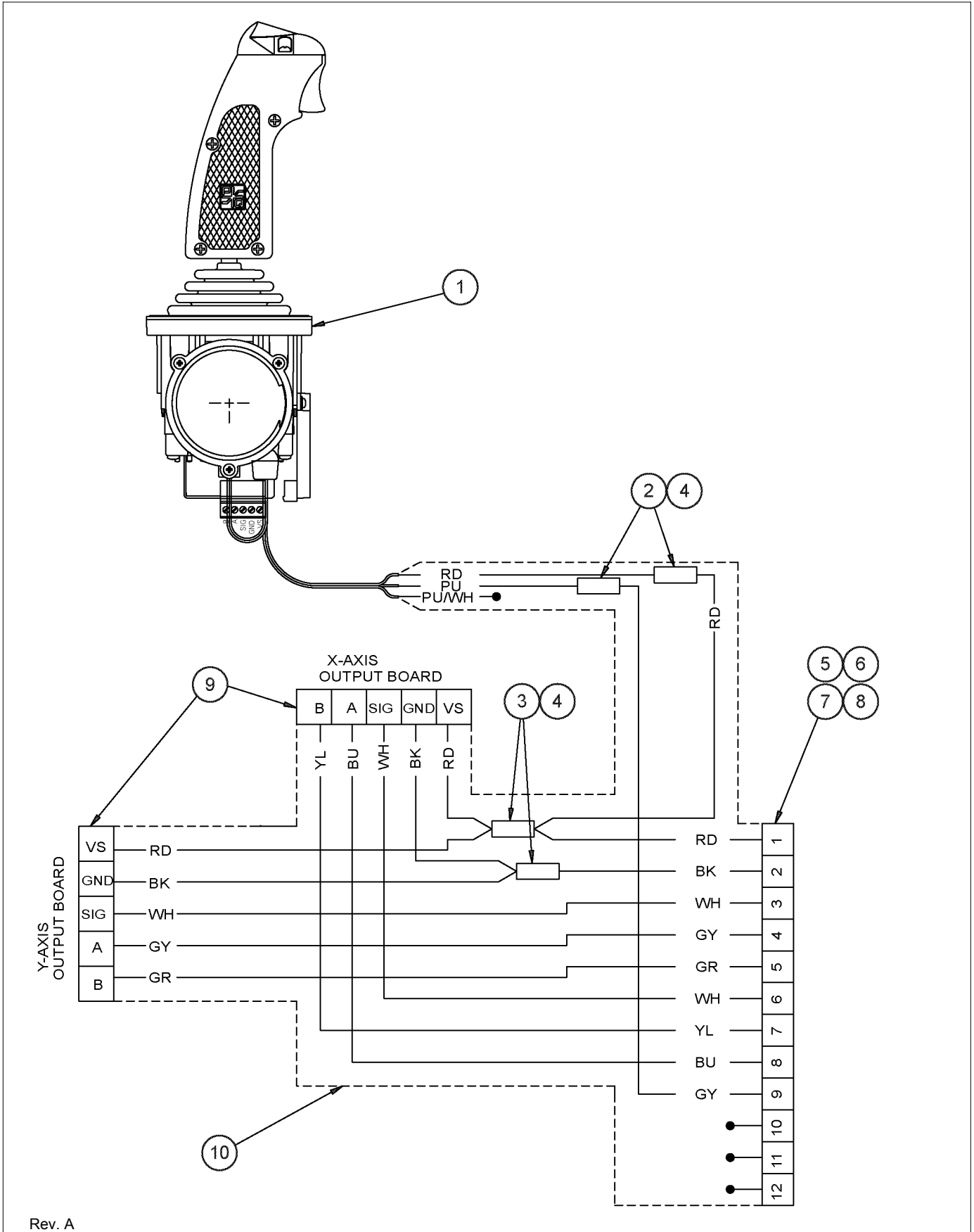
**Control Handle Assembly
568090027000**

Ref. No.	Part No.		Qty.	Description
1	003002853000		1	Control Stick
2	003000700229		2	Splice, Butt
3	003000700208		2	Splice, Butt
4	003000901218		0.8'	Heatshrink, Tubing
5	003005071342		1	Connector
6	003005071361		1	Wedge
7	003005071034		9	Contact, Male
8	003005071017		3	Plug, Sealing
9	003005135000		2	Connector
10	003001853002		2'	Loom
11	003000902370	N	2'	Wire, Black
12	003000902366	N	2'	Wire, Red
13	003000902375	N	1'	Wire, Blue
14	003000902374	N	1'	Wire, Green
15	003000902371	N	2'	Wire, Gray
16	003000902368	N	1'	Wire, Yellow
17	003000902365	N	2'	Wire, White
			1	

N) Not Shown

WHEN ORDERING PARTS, ALWAYS STATE MODEL AND SERIAL NO. OF MACHINE

Control Handle Assembly 568090027000



Rev. A

ILLUSTRATION MAY VARY FROM YOUR MACHINE



**Panel, Auxiliary Gauge
526009226000**

Ref. No.	Part No.		Qty.	Description
1	526009240000		1	Panel, Auxiliary Gauge
2	001005235000		1	Gauge, Pressure
3	001005234000		1	Gauge, Pressure
4	001005236000		2	Gauge, Pressure
5	001005112000		3	Gauge, Oil Temperature
6	003002160000		4	Housing, Light
7	003002160001		4	Lens, Red
8	003002101000		4	Bulb
9	003003335000		4	Diode
10	003004535001		1	Indicator, Audio
11	003000288000		1	Switch, Toggle
12	003000211000		1	Boot, Switch
13	003003550010		7	Breaker, Circuit
14	003003550015		2	Breaker, Circuit
15	003005071563		1	Connector
16	003005071070		1	Connector
17	003005071014		22	Terminal, Pin, Male
18	003005071016		2	Contact
19	003005071019		1	Plug, Seal
20	003005071017		1	Plug, Sealing
21	000A01093000		18	Screw, Pan
22	003000902375		18	Wire, Blue
23	520000741000		1	Bracket
24	003000700017		2	Tie, Cable
25	003001853006	N	3'	Loom
26	003000700028	N	2	Terminal, Ring
27	003000700025	N	3	Terminal, Ring
28	003000700065	N	9	Terminal, Ring
29	003000700007	N	16	Terminal, Ring
30	003000902290	N	3'	Wire, Orange
31	003000902291	N	3'	Wire, Yellow
32	003000902292	N	3'	Wire, Pink
33	003000902293	N	3'	Wire, Black
34	003000902296	N	3'	Wire, Purple
35	003000902297	N	3'	Wire, Green
36	003000902298	N	3'	Wire, Blue
37	003000902344	N	3'	Wire, Red
38	003000902345	N	3'	Wire, Orange
39	056069023000		1	Bar, Buss
40	550090150000		1	Bar, Buss
41	002009000000		3	Snubber
42	000A00913000		2	Elbow, 90° Female
44	000A00859000		2	Tee
45	000AA0443000		1	Reducer, Pipe
46	000A00850000		1	Reducer

N) Not Shown

WHEN ORDERING PARTS, ALWAYS STATE MODEL AND SERIAL NO. OF MACHINE

Panel, Auxiliary Gauge 526009226000

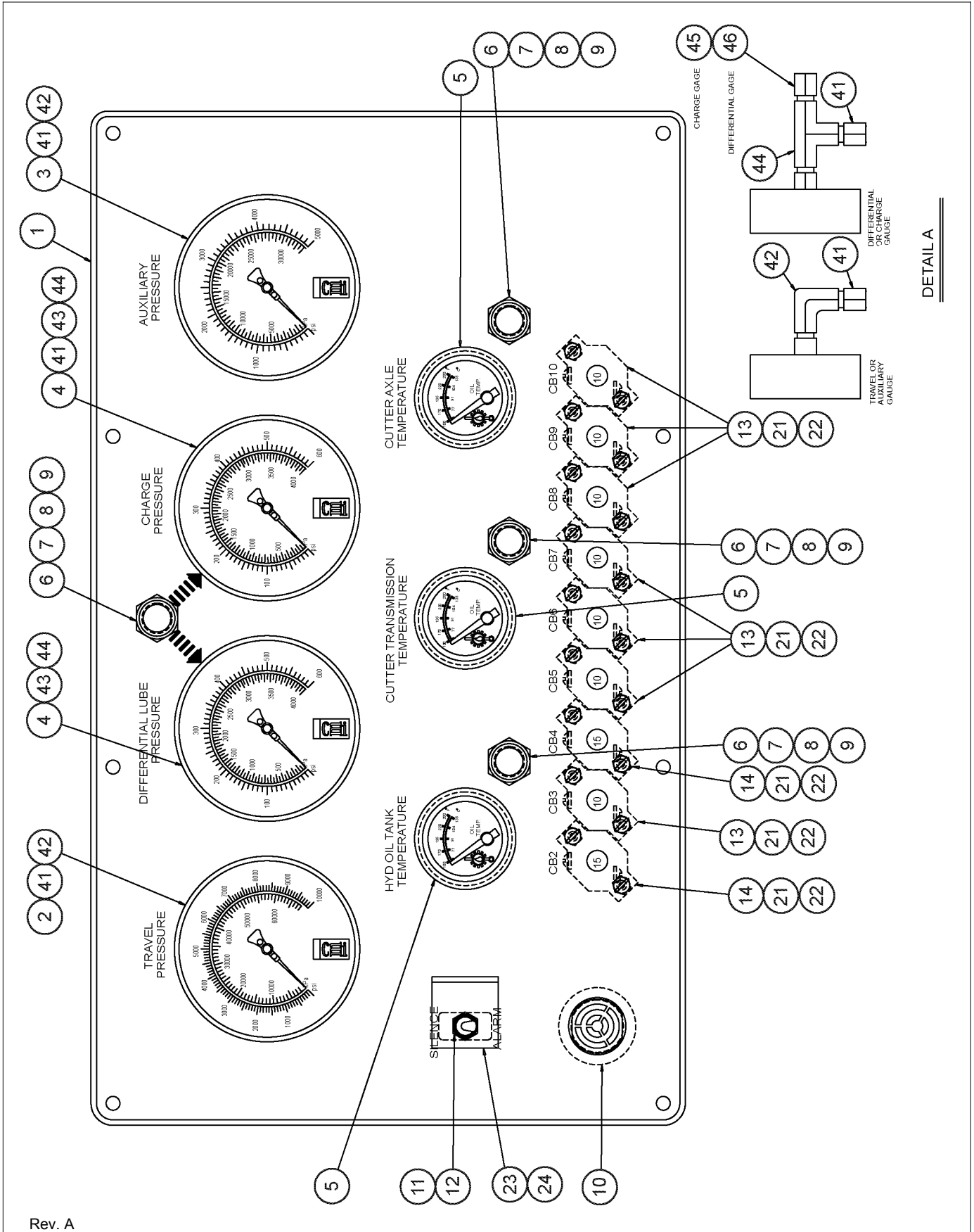
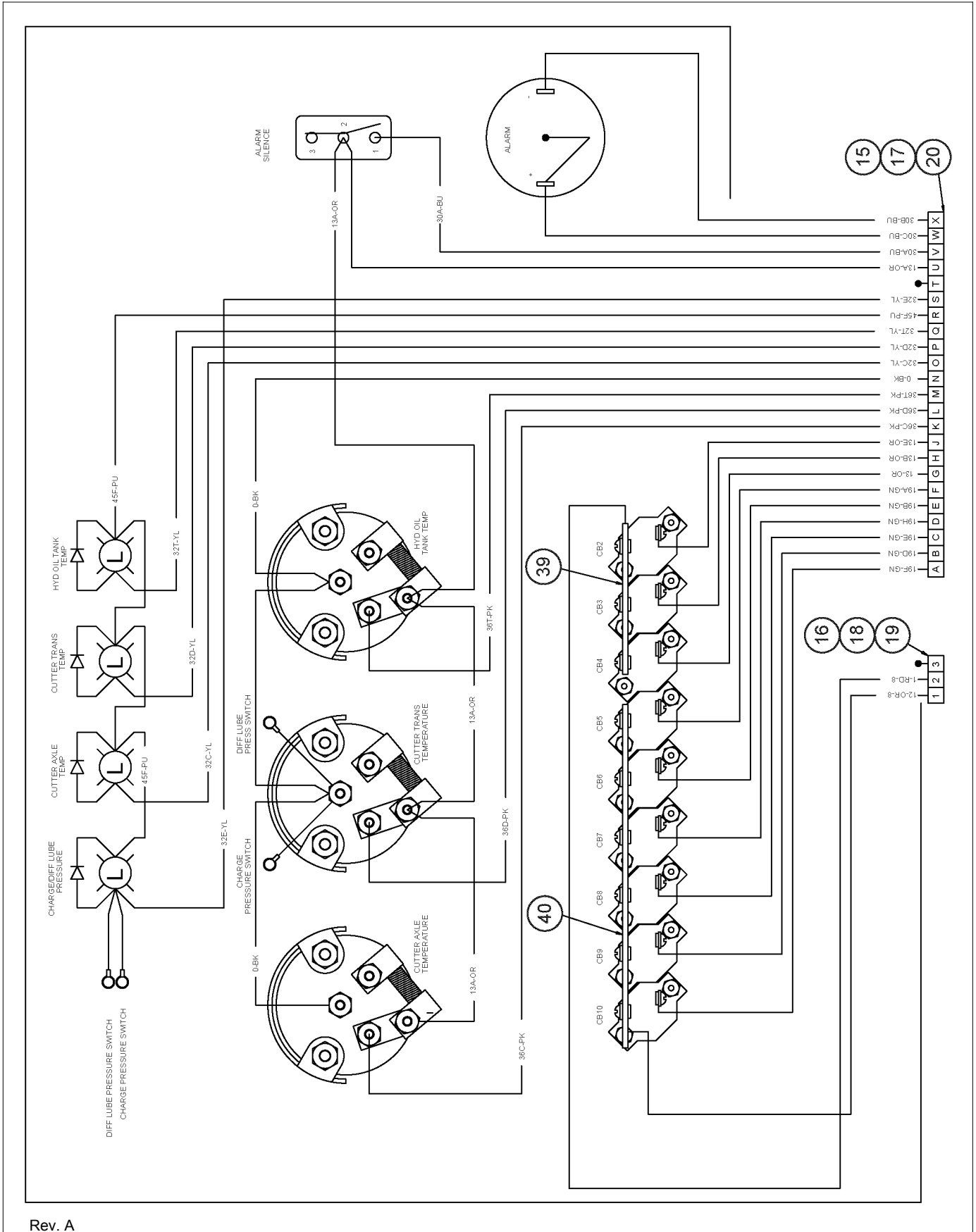


ILLUSTRATION MAY VARY FROM YOUR MACHINE

Panel, Auxiliary Gauge 526009226000



Rev. A

ILLUSTRATION MAY VARY FROM YOUR MACHINE



Intentionally Left Blank

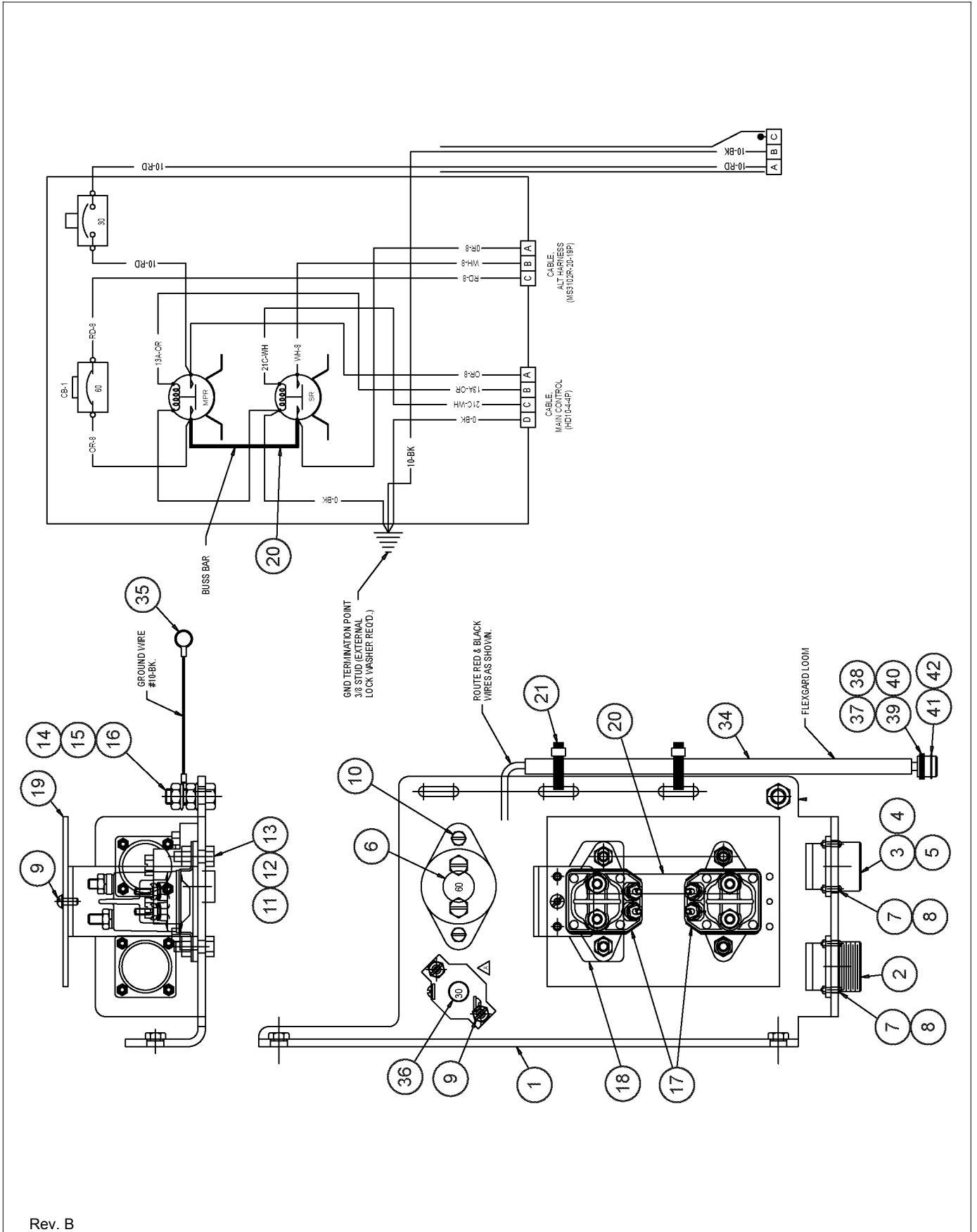
**Panel, Power
568090056000**

Ref. No.	Part No.		Qty.	Description
1	568090055000		1	Bracket
2	003000172000		1	Connector
3	003005071003		1	Connector
4	003005071014		3	Terminal, Pin, Male
5	003005071016		1	Contact
6	003003550060		1	Breaker, Circuit
7	000A02432000		8	Screw, Pan
8	000A02033000		8	Nut, Lock
9	000A01093000		3	Screw, Pan
10	000A02108000		2	Screw, Pan
11	000A00004000		4	Bolt, Hex 1/4-20 UNC x 3/4"
12	000A00292000		4	Washer, Flat 1/4
13	000A02038000		4	Nut, Lock 1/4-20 UNC
14	000A00058000		1	Bolt, Hex 3/8-16 UNC X 1 1/4"
15	000A00258000		2	Nut, 3/8-16 NC
16	000A01906000		2	Washer, Lock External
17	003000417000		2	Relay
18	559960098000		1	Bracket, Mount
19	559960099000		1	Plate, Cover
20	568090054000		1	Buss Bar Jumper - Relay
21	003000700019		3	Tie Wrap
22	003000700003	N	6	Terminal, Ring
23	003000700065	N	3	Terminal, Ring
24	003000700074	N	3	Terminal, Ring
25	003000700079	N	4	Terminal, Ring
26	003000902288	N	2'	Wire, White
27	003000902290	N	2'	Wire, Orange
28	003000902293	N	2'	Wire, Black
29	003000902326	N	14'	wire, Black
30	003000902332	N	2'	Wire, White
31	003000902333	N	2'	Wire, Red
32	003000902334	N	4'	Wire, Orange
33	003000902322	N	12'	Wire, Red
34	003001853002		11'	Loom
35	003000700005		1	Terminal, Ring
36	003003550030		1	Breaker, Circuit
37	003005071075		1	Connector
38	003005071015		2	Terminal, Socket, Female
39	003005071019		1	Pluq, Seal
40	003005071077		2	Crimp Reducer
41	003005071072		1	Nut, Panel
42	003005071047		1	Washer, Lock

N) Not Shown

WHEN ORDERING PARTS, ALWAYS STATE MODEL AND SERIAL NO. OF MACHINE

Panel, Power 568090056000



Rev. B

ILLUSTRATION MAY VARY FROM YOUR MACHINE

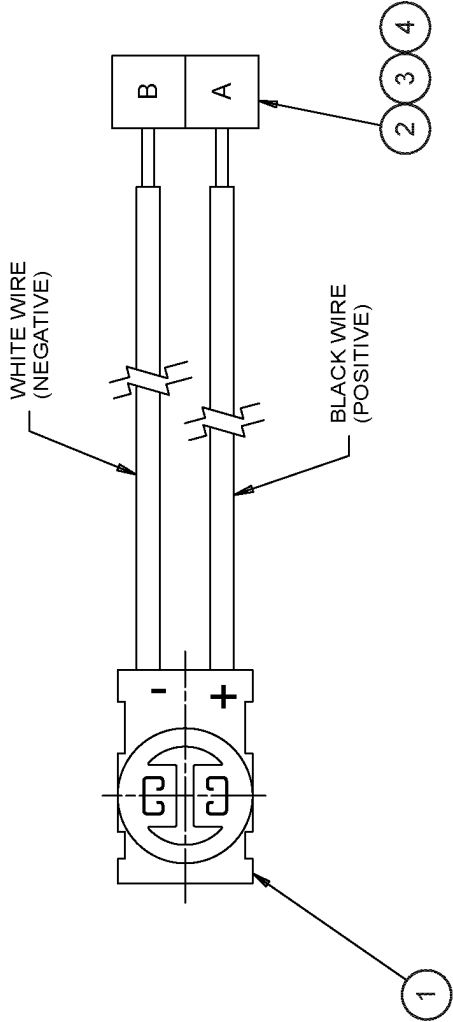


**Adapter, Power
568090050000**

Ref. No.	Part No.	Qty.	Description
1	003002214310	1	Plug, Adapter
2	003005072012	1	Connector, Two Way Shroud
3	003005072031	2	Terminal, Male
4	003005072001	2	Seal, Cable Green

WHEN ORDERING PARTS, ALWAYS STATE MODEL AND SERIAL NO. OF MACHINE

**Adapter, Power
568090050000**



Rev. A

ILLUSTRATION MAY VARY FROM YOUR MACHINE



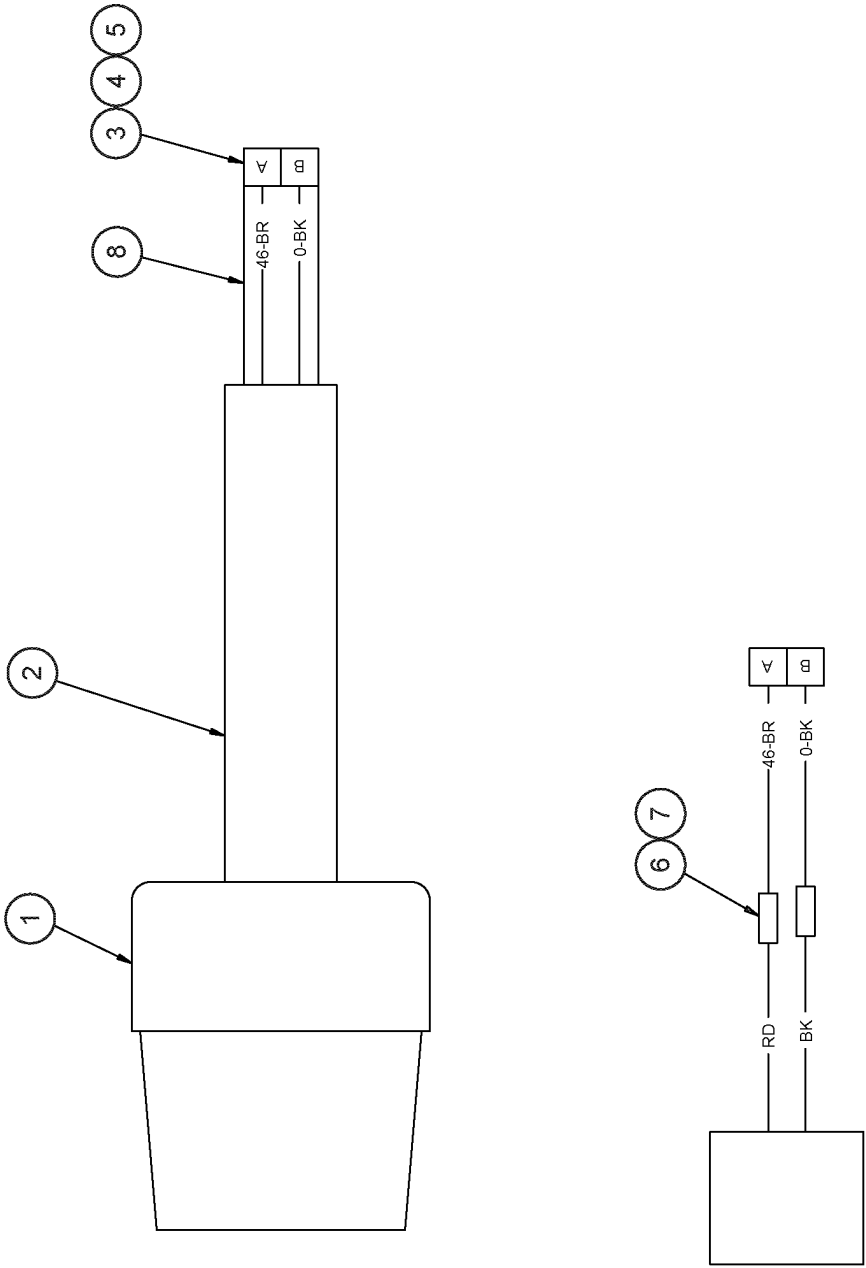
**Light, Strobe
560090028000**

Ref. No.	Part No.		Qty.	Description
1	24001375		1	Light, Beacon
2	16181028		1	Pole, Beacon Weldment
3	003005072012		1	Connector, Two Way Shroud
4	003005072031		2	Terminal, Male
5	003005072002		2	Seal, Gray Cable
6	003000700208		2	Splice, Butt
7	003000902282		0.4'	Tubing, Heatshrinkable
8	003001853001		2'	Loom
9	003000902293	N	5'	Wire, Black
10	003000902295	N	5'	Wire, Brown
			1	

N) Not Shown

WHEN ORDERING PARTS, ALWAYS STATE MODEL AND SERIAL NO. OF MACHINE

Light, Strobe
560090028000



Rev. A

ILLUSTRATION MAY VARY FROM YOUR MACHINE

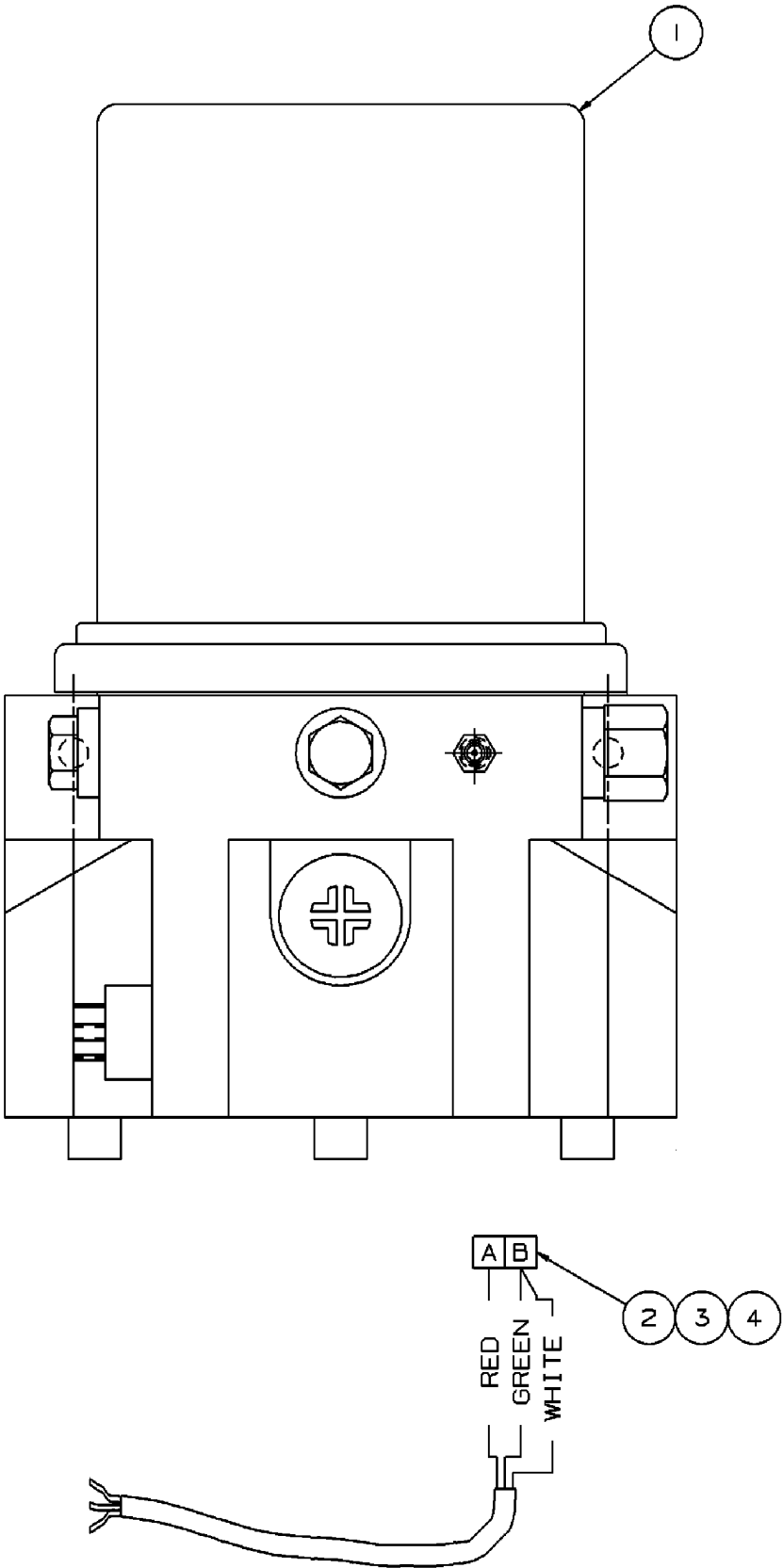


**Pump, Lube
568090102000**

Ref. No.	Part No.	Qty.	Description
1	002006674000	1	Pump
2	003005072012	1	Connector, Two Way Shroud
3	003005072031	2	Terminal, Male
4	003005072002	2	Seal, Gray Cable

WHEN ORDERING PARTS, ALWAYS STATE MODEL AND SERIAL NO. OF MACHINE

Pump, Lube
568090102000



Rev. 0

ILLUSTRATION MAY VARY FROM YOUR MACHINE



**Hose Kit
568050049000**

Ref. No.	Part No.	Qty.	Description
			Air Lines
2	002011752000	1	Hose Assembly 1/4 JIC x 56"
			Air tank
5	002011753000	1	Hose Assembly 1/4 JIC/JIC 90° x 66"
			Air auto drain to tank
8	002011751000	1	Hose Assembly 1/2 TEF x 72"
			Air tank side to comp
			Grease Lines
12	002003036000	4	Hose Assembly 1/8 BLK HD/JIC 90° x 84"
			Remote lube bulkhead to axle
15	002003043000	4	Hose Assembly 1/8 BLK HD/JIC 90° x 99"
			Remote lube bulkhead to axle
18	002003033110	1	Hose Assembly 1/8 JIC x 110"
			Splitter to left side cutter
21	002003033166	1	Hose Assembly 1/8 JIC x 166"
			Splitter to right side cutter
26	002003034060	1	Hose Assembly 1/8 BLK HD/JIC x 60
			Engine lube bulkhead to trans. bottom
29	002003034064	1	Hose Assembly 1/8 BLK HD/JIC x 64
			Engine lube bulkhead to trans. left
32	002003034077	1	Hose Assembly 1/8 BLK HD/JIC x 77"
			Engine lube bulkhead to trans. right
35	002011209000	1	Hose Assembly 1/4 JIC x 205"
			Auto lube pump to splitter valve
			Replenishing Tank
39	002022565031	1	Hose Assembly 3/4 ORFS x 31"
			Replenishing tank to hand pump
42	002022569173	1	Hose Assembly 3/4 ORFS/ORFS 90° x 173
			Hand pump to top of hydraulic tank
			Gauge Lines
46	002011198010	1	Hose Assembly 1/4 ORFS/ORFS 90° x 10"
			Gauge charge loop
51	002011198053	1	Hose Assembly 1/4 ORFS/ORFS 90° x 53"
			Gauge charge to rear pump tee
54	002011198051	1	Hose Assembly x 1/4 ORFS/ORFS 90° x 51"
			Gauge aux
57	002011198072	1	Hose Assembly 3/8 ORFS/ORFS 90° x 72"
			Gauge diff
60	002011506030	1	Hose Assembly 3/8 ORFS/ORFS 90° x 30"
			Sight glass to bottom of tank

WHEN ORDERING PARTS, ALWAYS STATE MODEL AND SERIAL NO. OF MACHINE

Hose Kit
568050049000

NO DRAWING FOR THIS ASSEMBLY

**HOSE RUNS ARE INCLUDED IN
BILL OF MATERIAL**

Rev. 0

ILLUSTRATION MAY VARY FROM YOUR MACHINE



TEREX

**Hose Kit, Power Pack
568005044000**

Ref. No.	Part No.	Qty.	Description
3	002022569026	1	Hose Assembly Transmission Side to Transmission Side
9	002011721159	1	Hose Assembly Transmission Top to Cooler Left
12	002011721193	1	Hose Assembly Transmission Pump to Cooler Right
15	002022565012	1	Hose Assembly Transmission Side to Dipstick
18	002011755000	1	Hose Assembly Transmission Side to Transmission Pump
27	002022322180	1	Hose Assembly Cooler Right Bulkhead to Tank
30	002022565020	2	Hose Assembly Diff Sending Unit to Diff Filter Diff Relief to Bottom Pump
34	002022565098	1	Hose Assembly Bulkhead to Top Differential
37	002022565130	1	Hose Assembly Differential Cooler Top to Bulkhead
40	002022569015	1	Hose Assembly Diff Sending Unit to Diff
43	002022569138	1	Hose Assembly Differential Cooler Bottom to Pump Top
52	002011727090	1	Hose Assembly Fuel Seperator to Bulkhead
55	002011744000	2	Hose Assembly Fuel Bulkhead to Tank
58	002011745000	1	Hose Assembly Fuel Filter to Bulkhead
61	002011746000	1	Hose Assembly Fuel Filter to Top Rear Engine
64	002011731000	1	Hose Assembly Fuel Seperator to Fuel Pump
67	002011730000	1	Hose Assembly Fuel Front Engine to Top Filter
70	002011728000	1	Hose Assembly Fuel Filter to ECM

WHEN ORDERING PARTS, ALWAYS STATE MODEL AND SERIAL NO. OF MACHINE

NO DRAWING FOR THIS ASSEMBLY

**HOSE RUNS ARE INCLUDED IN
BILL OF MATERIAL**

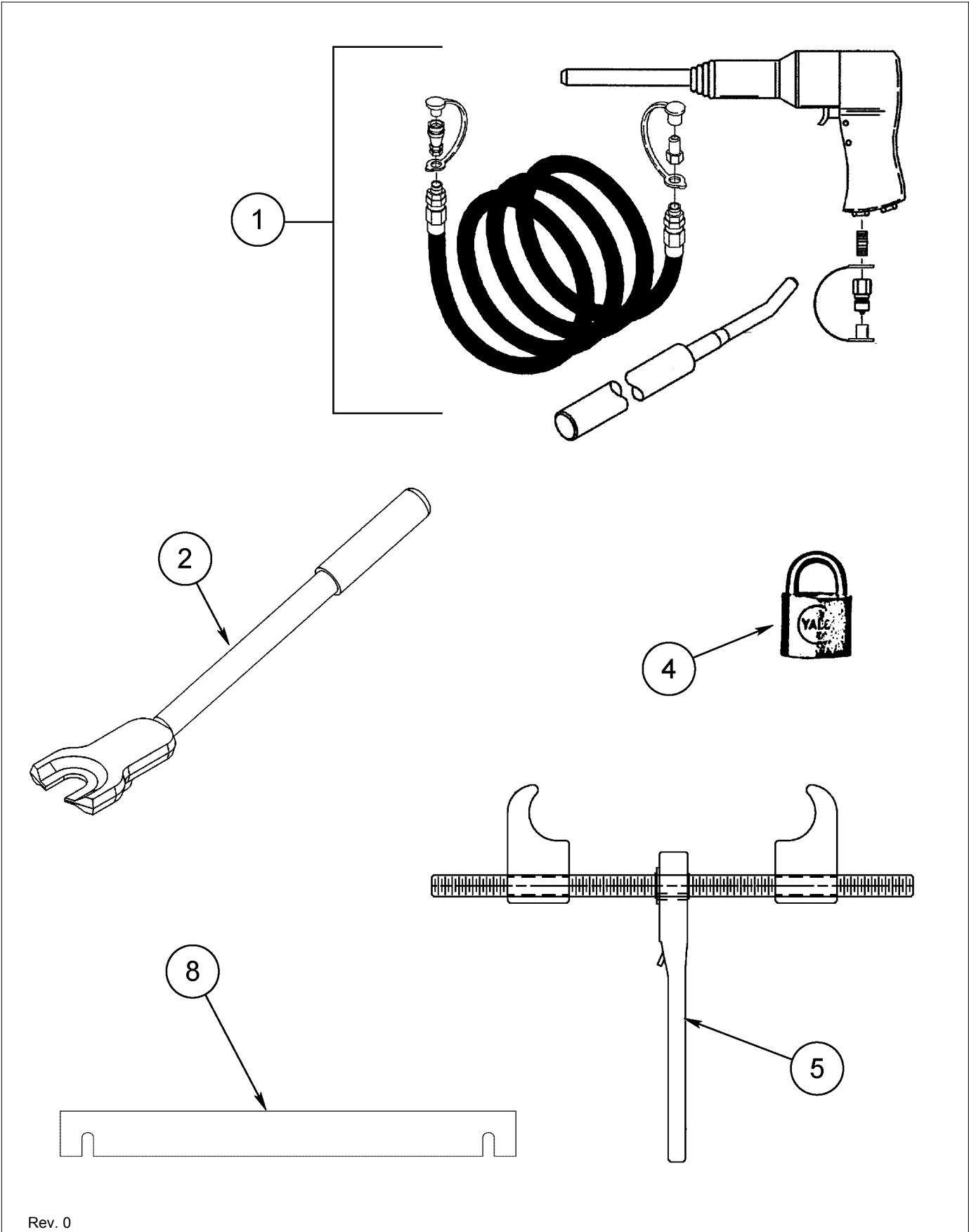
ILLUSTRATION MAY VARY FROM YOUR MACHINE

**Tools Group
568030002000**

Ref. No.	Part No.	Qty.	Description
1	531004002000	1	Hammer, Air Attachment (Page 120)
2	001009369000	1	Puller, Bit
4	001009074000	8	Lock, Pad
5	526004040000	1	Chain, Ratchet Tool (Page 126)
6	001010122000	1	Socket, Wrench
8	526001059000	2	Bar, Filler
9	000A00109000	4	Bolt, Hex
12	543040239000	1	Kit, Oil Sampling Assembly (Page 128)

WHEN ORDERING PARTS, ALWAYS STATE MODEL AND SERIAL NO. OF MACHINE

Tools Group
568030002000



Rev. 0

ILLUSTRATION MAY VARY FROM YOUR MACHINE

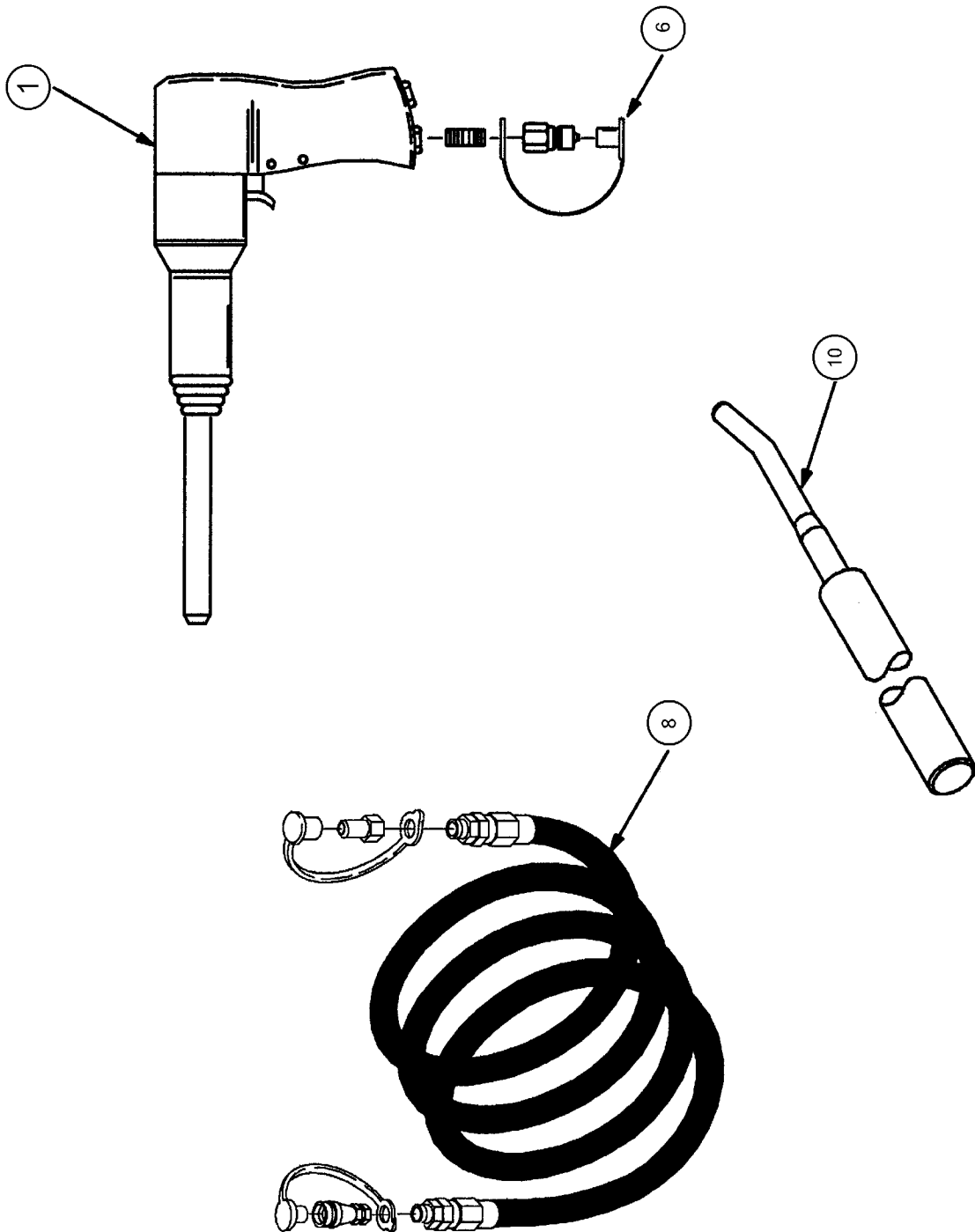


**Hammer, Air Attachment
531004002000**

Ref. No.	Part No.	Qty.	Description
1	001010066000	1	Hammer, Air Assembly (Page 122)
6	002004965000	1	Cover, Dust
8	097003002000	1	Hose, Air Assembly (Page 124)
10	085000466000	1	Pin, Drive

WHEN ORDERING PARTS, ALWAYS STATE MODEL AND SERIAL NO. OF MACHINE

Hammer, Air Attachment
531004002000



Rev. 6

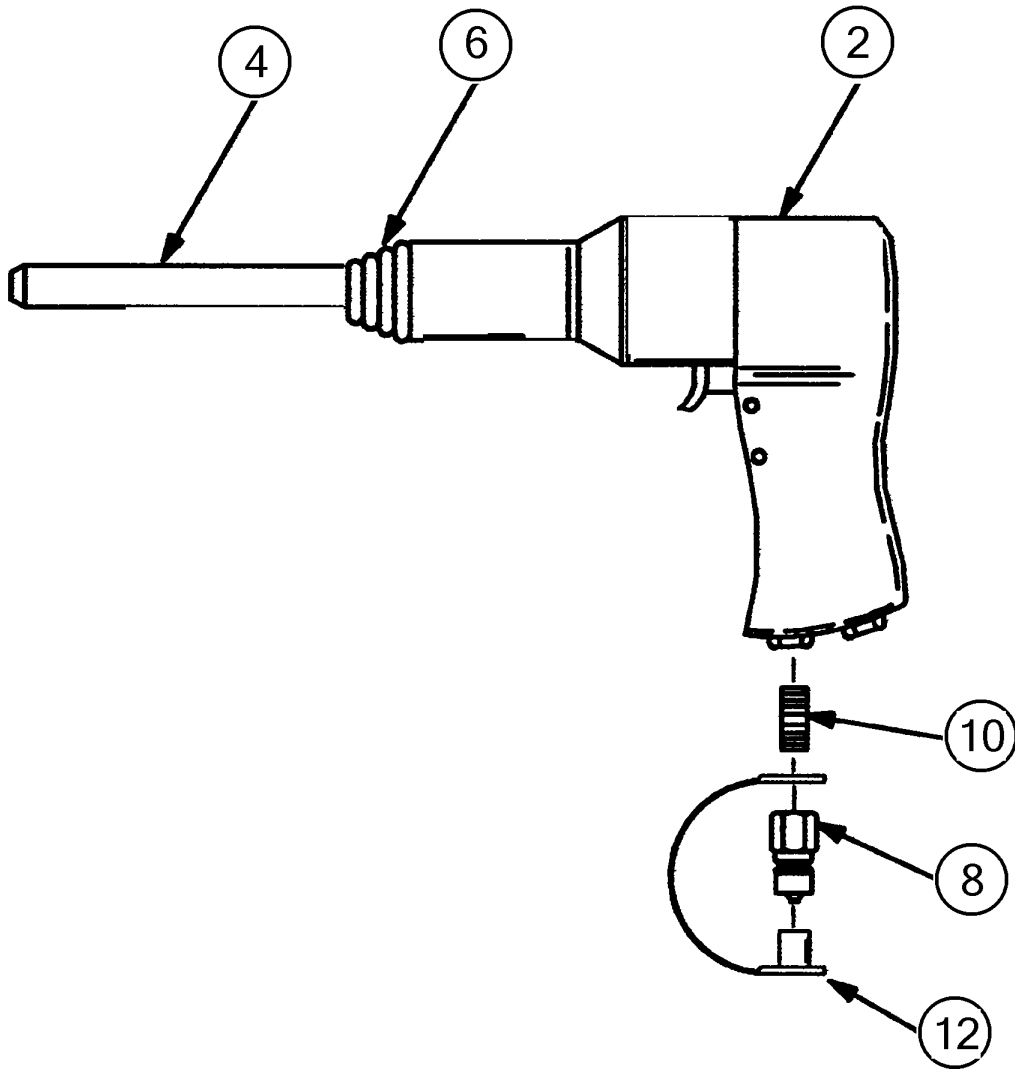
ILLUSTRATION MAY VARY FROM YOUR MACHINE

**Hammer, Air Assembly
001010066000**

Ref. No.	Part No.	Qty.	Description
2	001010067000	1	Hammer, Air
4	001010068000	1	Punch, Straight
6	001010069000	1	Retainer, Spring
8	002004934000	1	Plug, Quick Disconnect
10	000A00843000	1	Coupling, Pipe 1/4 NPT
12	002004965000	1	Cover, Dust

WHEN ORDERING PARTS, ALWAYS STATE MODEL AND SERIAL NO. OF MACHINE

Hammer, Air Assembly
001010066000



Rev. 4

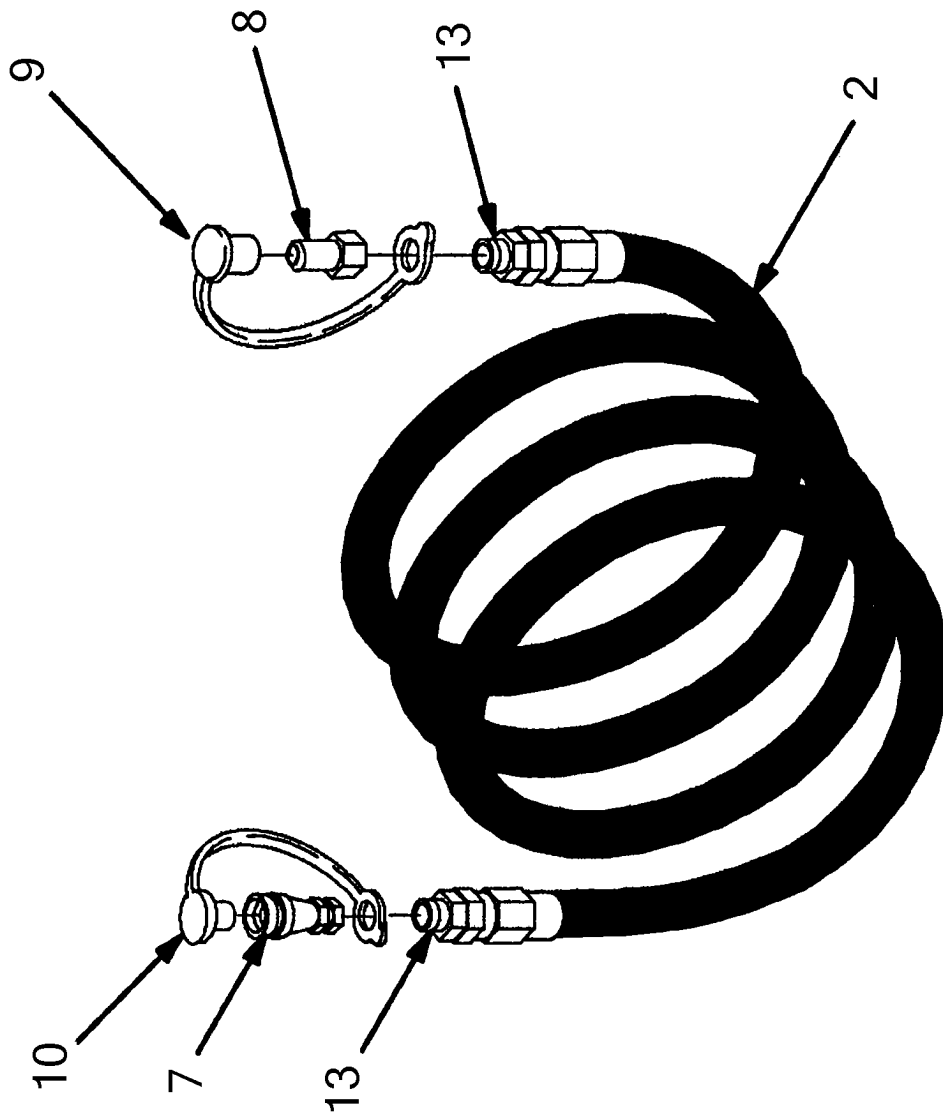
ILLUSTRATION MAY VARY FROM YOUR MACHINE

**Hose, Air Assembly
097003002000**

Ref. No.	Part No.	Qty.	Description
2	002001426000	1	Hose, Hydraulic
7	002004933000	1	Socket, Quick Disconnect 1/4" NPTF
8	002004934000	1	Plug, Quick Disconnect
9	002004965000	1	Cover, Dust
10	002004966000	1	Plug, Dust
13	000A00525000	2	Straight 3/8" JIC X 1/4" NPT

WHEN ORDERING PARTS, ALWAYS STATE MODEL AND SERIAL NO. OF MACHINE

Hose, Air Assembly
097003002000



Rev. 2

ILLUSTRATION MAY VARY FROM YOUR MACHINE

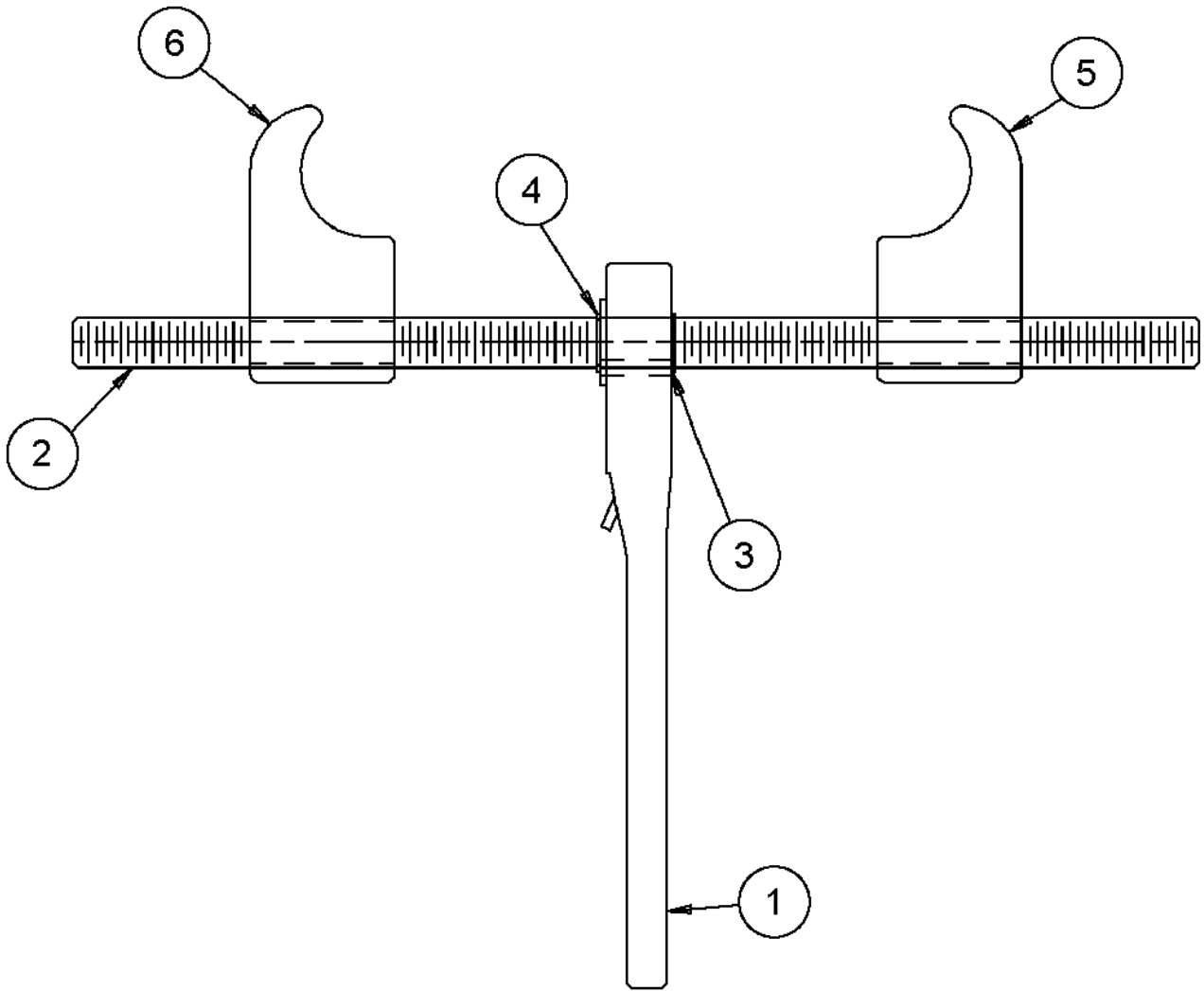


**Chain, Ratchet Tool
526004040000**

Ref. No.	Part No.	Qty.	Description
1	001010101000	1	Ratchet
2	526004040002	1	Rod, Threaded
3	000A03748000	1	Keystock
4	000A03747000	2	Ring, Snap
5	526004040005	1	Plate
6	526004040006	1	Plate

WHEN ORDERING PARTS, ALWAYS STATE MODEL AND SERIAL NO. OF MACHINE

Chain, Ratchet Tool
526004040000



Rev. A

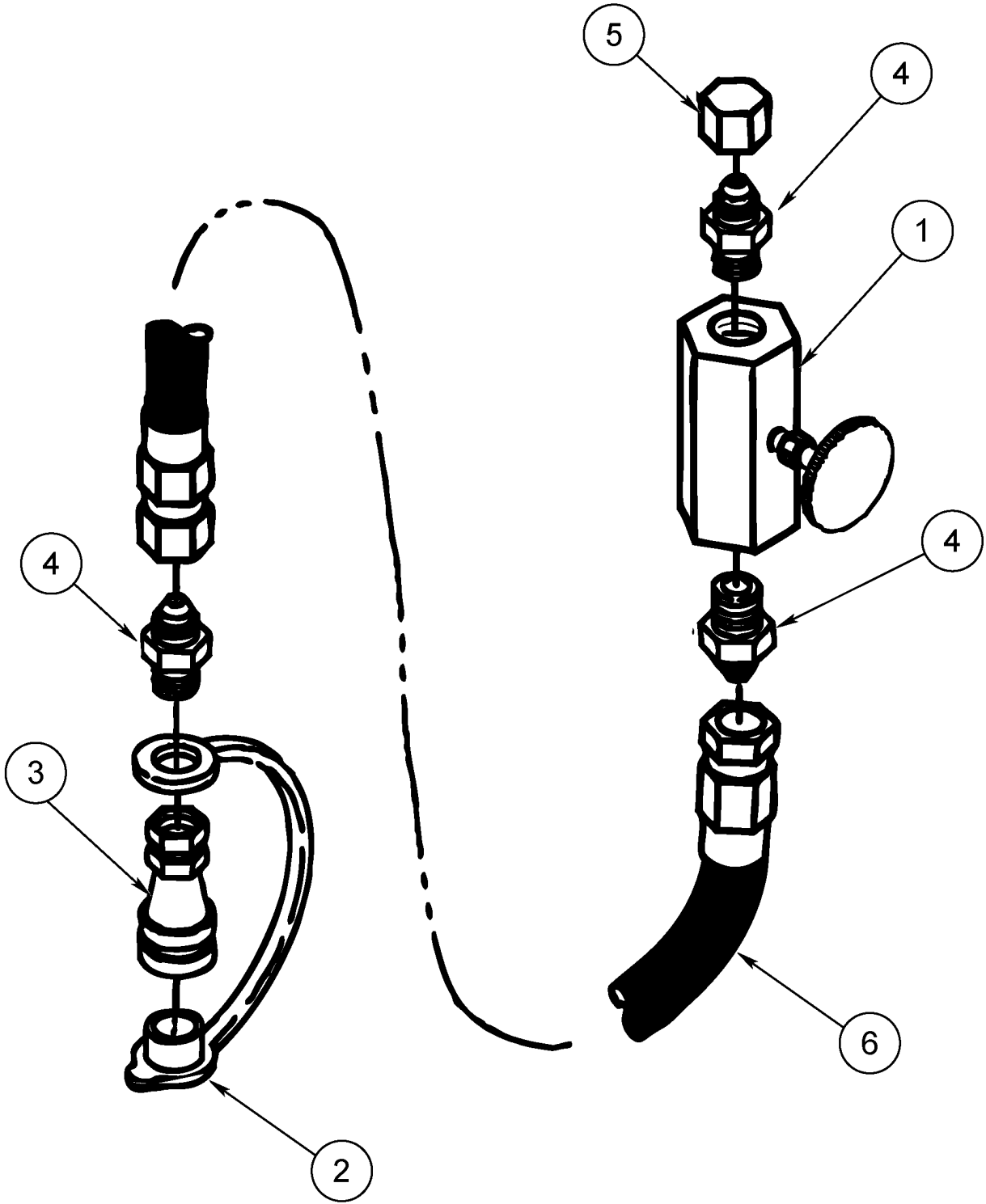
ILLUSTRATION MAY VARY FROM YOUR MACHINE

**Kit, Oil Sampling Assembly
543040239000**

Ref. No.	Part No.	Qty.	Description
1	002006311000	1	Valve, Needle
2	002004966000	1	Plug, Dust
3	002004933000	1	Socket, Quick Disconnect 1/4" NPTF
4	000A05379000	3	Adapter, Straight 1/4" JIC x 1/4" NPT
5	000A00481000	1	Nut, Cap
6	002001018000	1	Hose, Hydraulic 1/4" X 36"

WHEN ORDERING PARTS, ALWAYS STATE MODEL AND SERIAL NO. OF MACHINE

Kit, Oil Sampling Assembly
543040239000



Rev. 1

ILLUSTRATION MAY VARY FROM YOUR MACHINE



**Operator Platform, Open
568040062000**

Ref. No.	Part No.	Qty.	Description
1	568002078000	1	Covers Group, Operator Station (Page 132)
3	568002141000	1	Handrail Assembly (Page 134)
5	568002160000	1	Cowling Assembly (Page 136)

WHEN ORDERING PARTS, ALWAYS STATE MODEL AND SERIAL NO. OF MACHINE

**Operator Platform, Open
568040062000**

NO DRAWING FOR THIS ASSEMBLY

Rev. 0

ILLUSTRATION MAY VARY FROM YOUR MACHINE



TEREX

**Covers Group, Operator Station
568002078000**

Ref. No.	Part No.	Qty.	Description
1	526012039000	1	Cover, Auxilary Gauge Panel
2	526012040000	2	Staple Padlock
3	000A00292000	10	Washer, Flat 1/4
4	000A02038000	11	Nut, Lock 1/4-20 UNC
5	22-8505631	7'	Trim Regular
6	001008049000	3	Bumper Rubber
7	000A00006000	3	Bolt, Hex 1/4-20 UNC X 1"
10	568007029000	1	Cover, Console
11	000AA0349000	2	Bolt, Button
12	000A00296000	4	Washer, Flat 1/2"
13	000A03384000	2	Nut, Lock 1/2-13 UNC

WHEN ORDERING PARTS, ALWAYS STATE MODEL AND SERIAL NO. OF MACHINE

Covers Group, Operator Station
568002078000



6 7
Behind Cover

2 3 4

1 5



11 12 13

10

Rev. A

ILLUSTRATION MAY VARY FROM YOUR MACHINE

**Handrail Assembly
568002141000**

Ref. No.	Part No.	Qty.	Description
1	526001255000	2	Handrail Mount
2	568002032000	1	Handrail, Right
3	568002034000	1	Handrail, Left
4	568002145000	2	Mount
5	568002147000	2	Handrail, Rear
6	568002148000	2	Mount
7	000A00057000	12	Bolt, Hex 3/8-16 UNC X 1"
8	000A00058000	6	Bolt, Hex 3/8-16 UNC X 1 1/4"
9	000A00059000	8	Bolt, Hex 3/8-16 UNC X 1 1/2"
10	000A00258000	12	Nut, 3/8-16 NC
11	000A00270000	12	Nut, Jam 3/8-16 UNC
12	000A00294000	26	Washer, Flat 3/8"
13	000A00306000	14	Washer, Lock 3/8"

WHEN ORDERING PARTS, ALWAYS STATE MODEL AND SERIAL NO. OF MACHINE

**Handrail Assembly
568002141000**

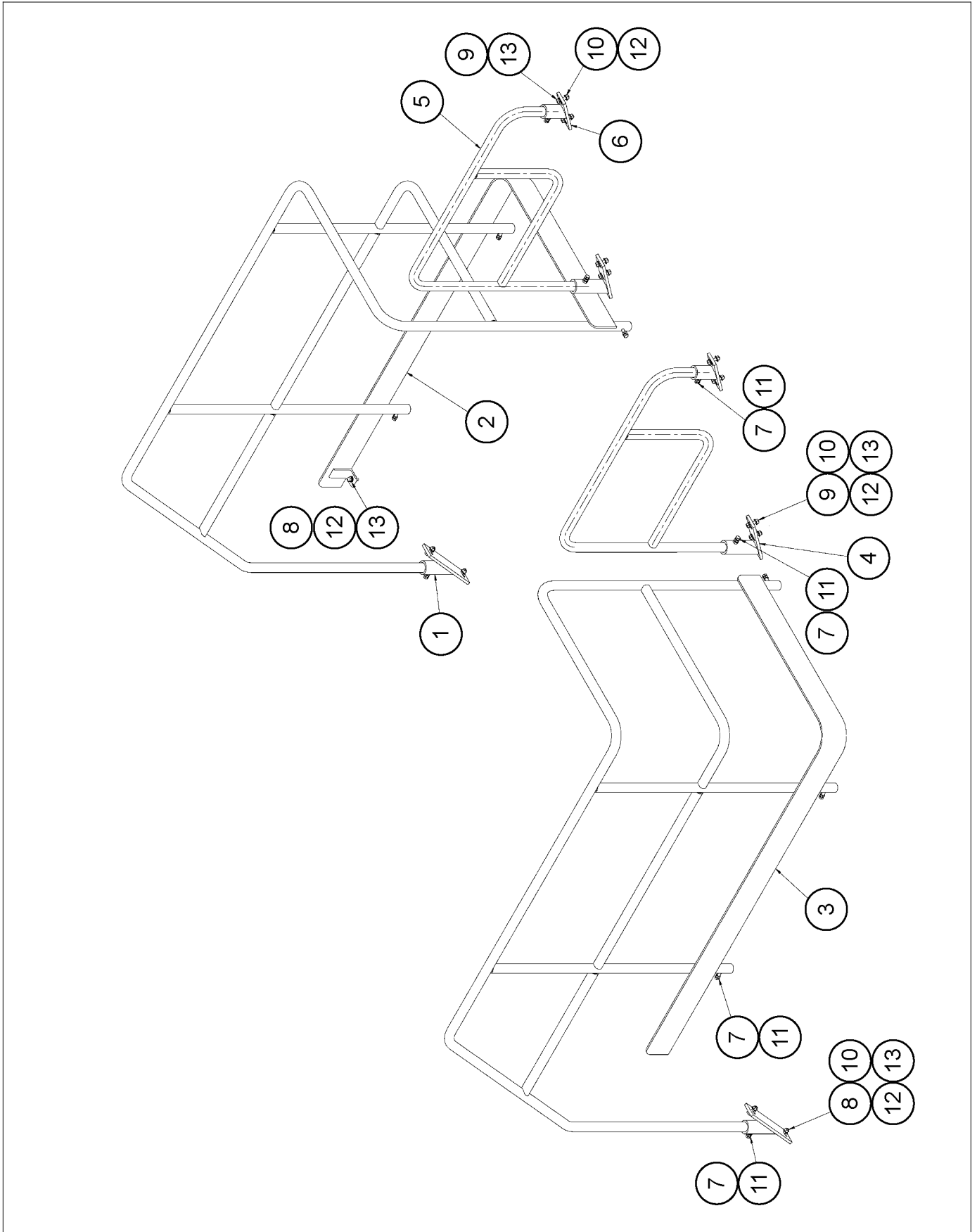


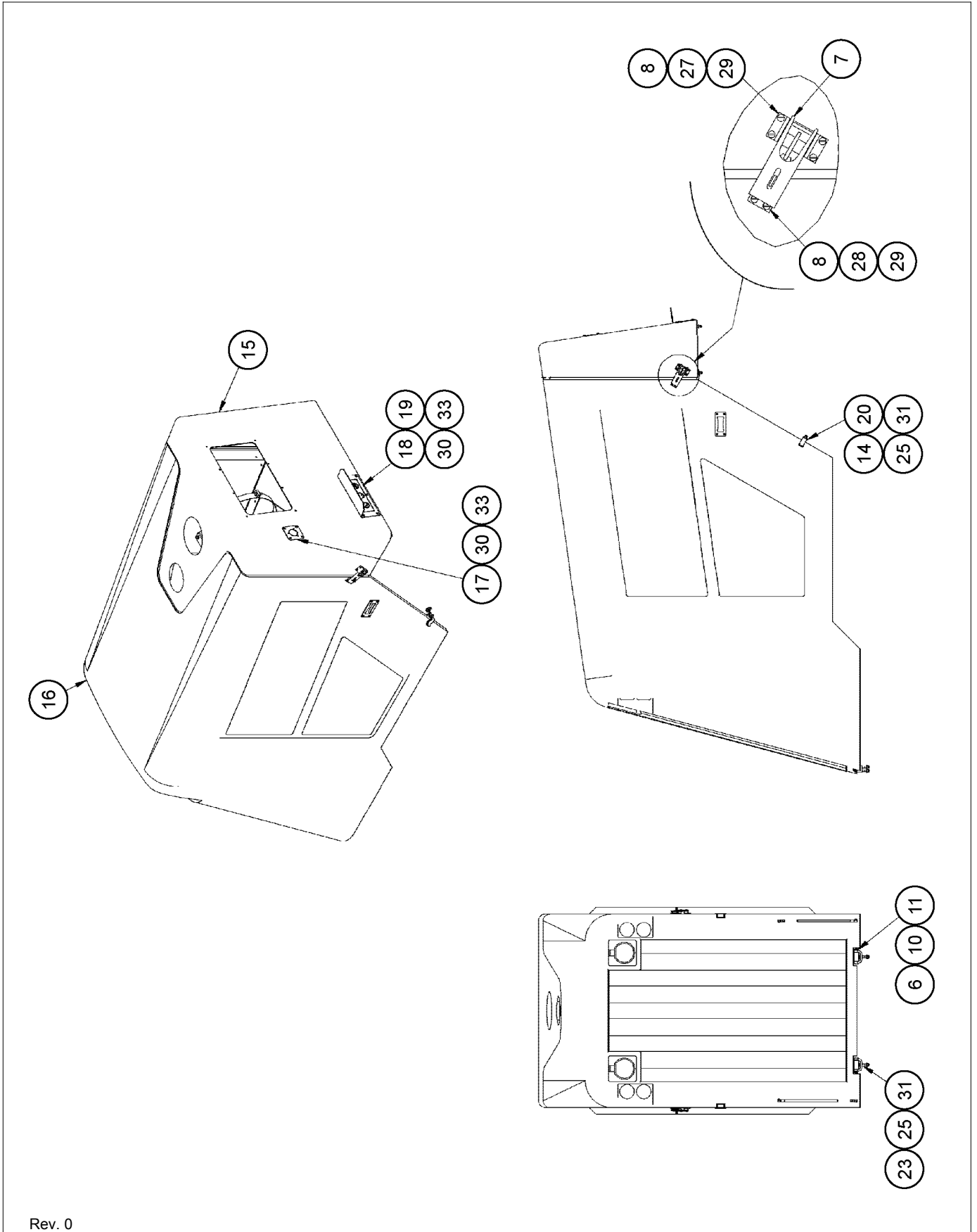
ILLUSTRATION MAY VARY FROM YOUR MACHINE

**Cowling Assembly
568002160000**

Ref. No.	Part No.	Qty.	Description
1	001003033000	8	Clamp, Cable 1/8"
2	001003133001	2	Swedge 1/8"
3	001003133002	2	Thimble
4	001004099001	4	Stud Ball
5	001008187000	21'	Edge Trim
6	001009356000	2	Clip, Hair Pin
7	001010672000	2	Latch Overcenter Tension
8	003000731009	12	Washer, Flat #10
9	004002795000	2	Band Mounting
10	526001258000	2	Hinge Bracket
11	526012007000	2	Pin Clevis 1/2 X 3 5/16
12	526012017000	1	Bar
13	526012019000	1	Cowling Support
14	526012042000	2	Hood Guide
15	568002052000	1	Rear Cowling
16	568002080000	1	Hood Assembly 2 (Page 140)
17	568050036000	1	Mount, Valve Multigauge
18	568090070000	1	Panel, Connector Bulkhead
19	568090072000	1	Panel, Connector Nameplate
20	000A00057000	2	Bolt, Hex 3/8-16 UNC X 1"
21	000A00058000	8	Bolt, Hex 3/8-16 UNC X 1 1/4"
22	000A00059000	2	Bolt, Hex 3/8-16 UNC X 1 1/2"
23	000A00061000	4	Bolt, Hex 3/8-16 UNC X 2"
24	000A00258000	2	Nut, 3/8-16 NC
25	000A00294000	24	Washer, Flat 3/8"
26	000A00296000	2	Washer, Flat 1/2"
27	000A00339000	8	Screw, Pan #10-24 UNC x 3/4"
28	000A01101000	4	Screw, Pan 10-24 x 1 1/4
29	000A02036000	12	Nut, Lock #10-24 UNC
30	000A02038000	10	Nut, Lock 1/4-20 UNC
31	000A02040000	14	Nut, Lock 3/8-16 UNC
32	000A02042000	2	Nut, Lock 1/2-13 UNC
33	000AA0620000	10	Screw, Socket Button Cap 1/4-20 UNC x 3/4"
34	001004126000	2	Gas Spring
35	526012006001	2	Cable 1/8 X 40 LG

WHEN ORDERING PARTS, ALWAYS STATE MODEL AND SERIAL NO. OF MACHINE

Cowling Assembly 568002160000

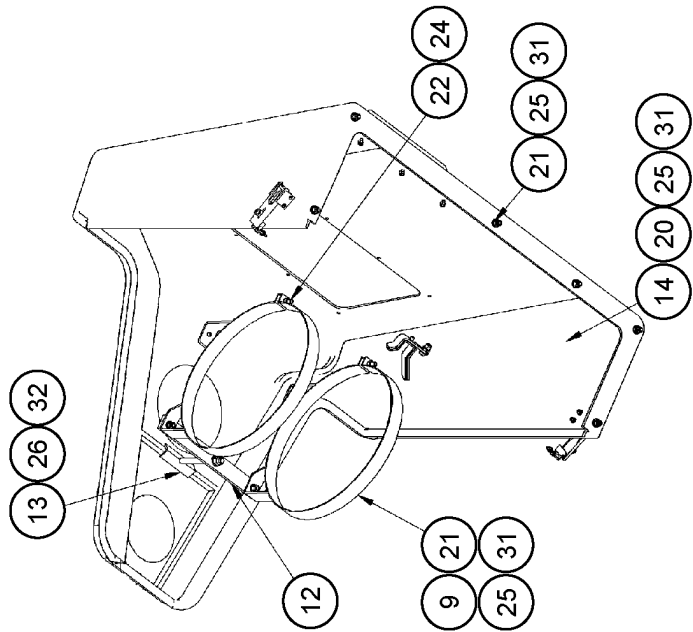
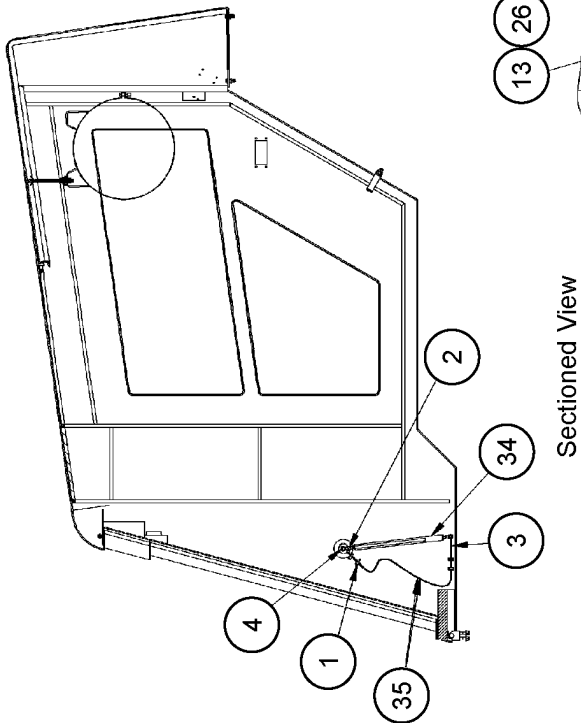
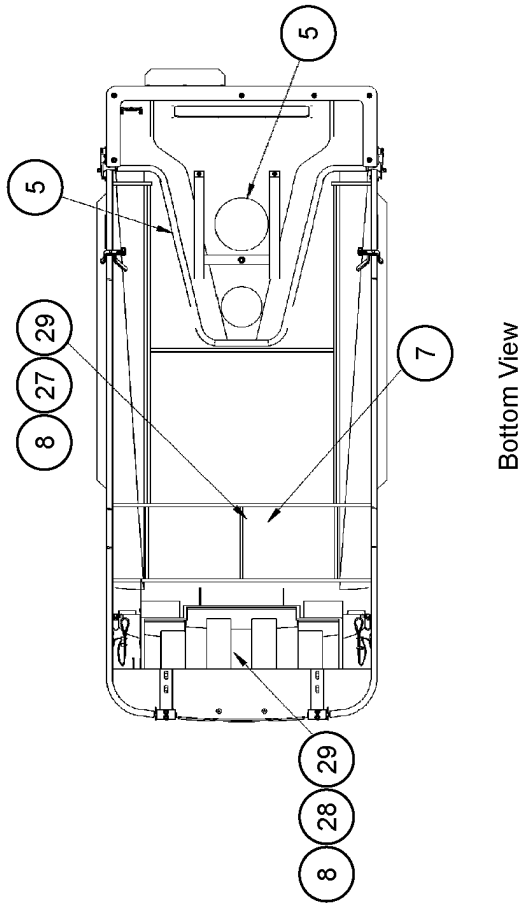


Rev. 0

ILLUSTRATION MAY VARY FROM YOUR MACHINE



Cowling Assembly 56800216000



Rev. 0

ILLUSTRATION MAY VARY FROM YOUR MACHINE

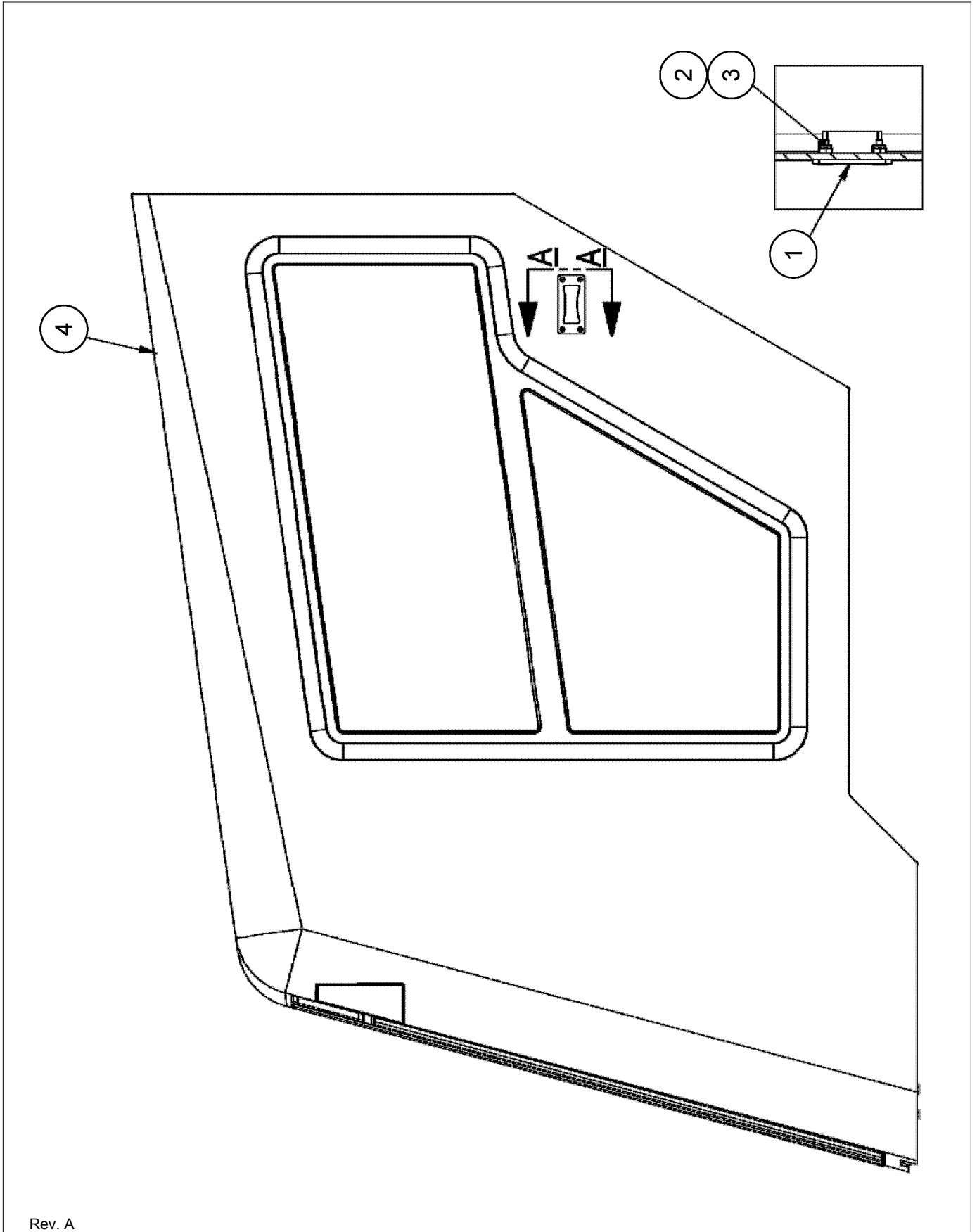
Intentionally Left Blank

**Hood Assembly 2
56800208000**

Ref. No.	Part No.	Qty.	Description
1	001010540000	2	Handle, Grab
2	000A01268000	8	Screw, Cap
3	000A02036000	8	Nut, Lock #10-24 UNC
4	526001289000	1	Hood Assembly, Engine (Page 142)

WHEN ORDERING PARTS, ALWAYS STATE MODEL AND SERIAL NO. OF MACHINE

Hood Assembly 2
56800208000



Rev. A

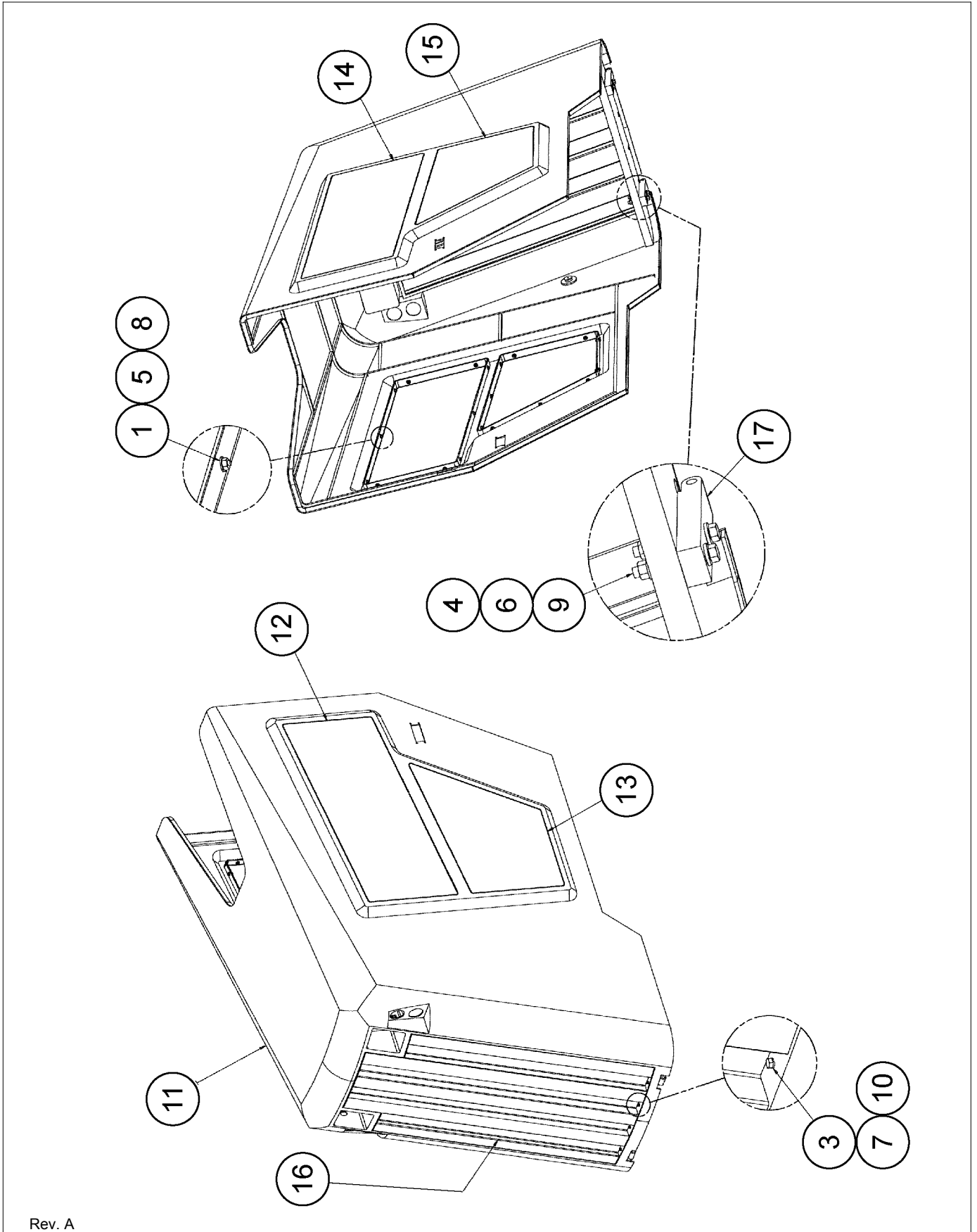
ILLUSTRATION MAY VARY FROM YOUR MACHINE

**Hood Assembly, Engine
526001289000**

Ref. No.	Part No.	Qty.	Description
1	000A00004000	40	Bolt, Hex 1/4-20 UNC x 3/4"
2	000A00006000	4	Bolt, Hex 1/4-20 UNC X 1"
3	000A00008000	4	Bolt, Hex
4	000A00112000	4	Bolt, Hex
5	000A00292000	80	Washer, Flat 1/4
6	000A00296000	8	Washer, Flat 1/2"
7	000A00304000	8	Washer, Lock 1/4"
8	000A02038000	40	Nut, Lock 1/4-20 UNC
9	000A02042000	4	Nut, Lock 1/2-13 UNC
10	000AA0413000	8	Nut, Weld
11	526001290000	1	Hood, Engine
12	526001291000	1	Screen, LH Upper
13	526001292000	1	Screen, LH Lower
14	526001293000	1	Screen, RH Upper
15	526001294000	1	Screen, RH Lower
16	526001295000	1	Grill, Front
17	526001296000	1	Plate, Hinge

WHEN ORDERING PARTS, ALWAYS STATE MODEL AND SERIAL NO. OF MACHINE

Hood Assembly, Engine
526001289000



Rev. A

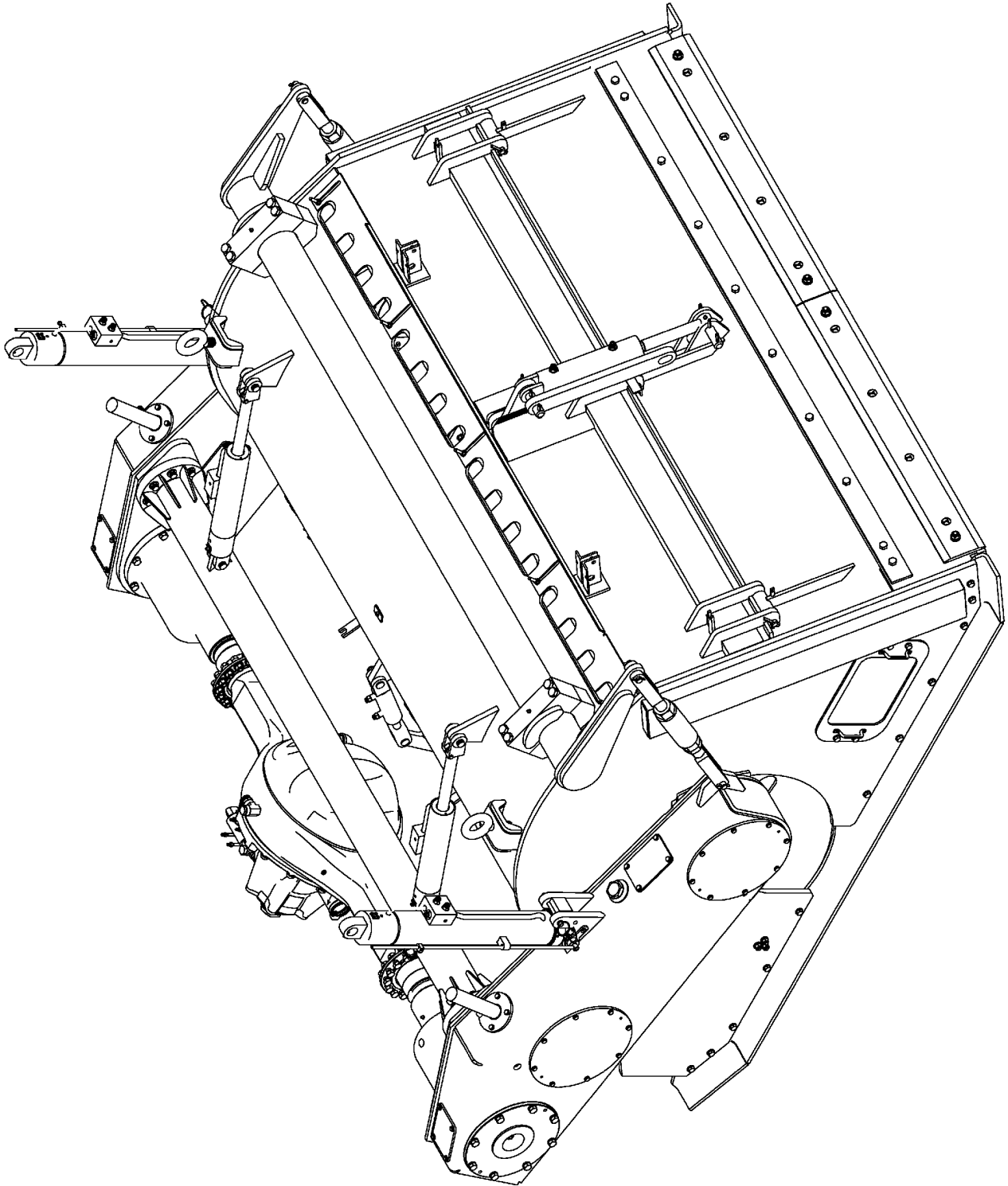
ILLUSTRATION MAY VARY FROM YOUR MACHINE

**Cutter Assembly
568004075000**

Ref. No.	Part No.	Qty.	Description
1	526000926000	2	Decal 50" Cutter Depth Scale
2	568004044000	1	Cutter Housing and Drive (Page 146)
3	526001433000	1	Cutter Assembly

WHEN ORDERING PARTS, ALWAYS STATE MODEL AND SERIAL NO. OF MACHINE

**Cutter Assembly
568004075000**



Rev. 0

ILLUSTRATION MAY VARY FROM YOUR MACHINE



TEREX

**Cutter Housing and Drive
568004044000**

Ref. No.	Part No.	Qty.	Description
1	001002285000	16	Capscrew 12 Point
2	001006026000	8	Joint, Ball
3	001010964000	2	Eyebolt
4	001079712000	3	Zerk, Grease 1/8 NPT
5	002007171000	1	Cylinder, Hydraulic
6	002007360000	1	Cylinder, Hydraulic
7	002017314000	2	Cylinder, Hydraulic From 568230
8	002017309000	1	Cylinder, Hydraulic
9	002017310000	1	Cylinder, Hydraulic
10	526001032000	1	Bar, Door Lock
11	526001045000	2	Pin
12	526001048000	2	Turnbuckle
13	526001075000	4	Pin
14	526001142000	1	Holder, Disc LH Weldment
15	526001143000	1	Holder, Disc RH Weldment
16	526001144000	1	Flashing
17	526004016000	1	Cover, Hood
18	568004022000	1	Door, Rear (Page 150)
19	568004050000	1	Chaincase Assembly (Page 152)
20	568004051000	1	Chaincase Assembly (Page 154)
21	568004052000	1	Spacer, Tube
22	568004053000	1	Axle Assembly, Cutter (Page 156)
23	568004056000	1	Door Assembly, front
24	568004059000	1	Plate, Wear
25	568004060000	1	Plate, Wear
26	568004061000	1	Housing, Cutter
27	568004067000	1	Drive Assembly, Cutter Lower (Page 160)
28	568004086000	1	Lube System
29	568008008000	2	Indicator, Cutter Depth
31	000A00032000	2	Bolt, Hex 5/16-18 UNC x 1 1/4"
32	000A00103000	8	Bolt, Hex 1/2"-13 UNC X 1 1/2"
33	000A00105000	22	Bolt, Hex 1/2-13 UNC X 2"
34	000A00106000	6	Bolt, Hex 1/2-13 UNC X 2 1/4"
35	000A00260000	6	Nut 1/2"-13 UNC
36	000A00279000	4	Nut, Jam
37	000A00292000	4	Washer, Flat 1/4
38	000A00293000	2	Washer, Flat 5/16
39	000A00294000	5	Washer, Flat 3/8"
40	000A00296000	44	Washer, Flat 1/2"
41	000A00305000	2	Washer, Lock 5/16
42	000A00308000	8	Washer, Lock 1/2"
43	000A00884000	1	Plug 3/4" NPT
44	000A00924000	1	Tee, Service 3/4" NPT
45	000A01567000	8	Pin, Cotter
46	000A01597000	6	Pin, Cotter
47	000A02038000	4	Nut, Lock 1/4-20 UNC
48	000A02040000	5	Nut, Lock 3/8-16 UNC
49	000A02943000	12	Washer, Hardened 1/2
50	000A03384000	22	Nut, Lock 1/2-13 UNC

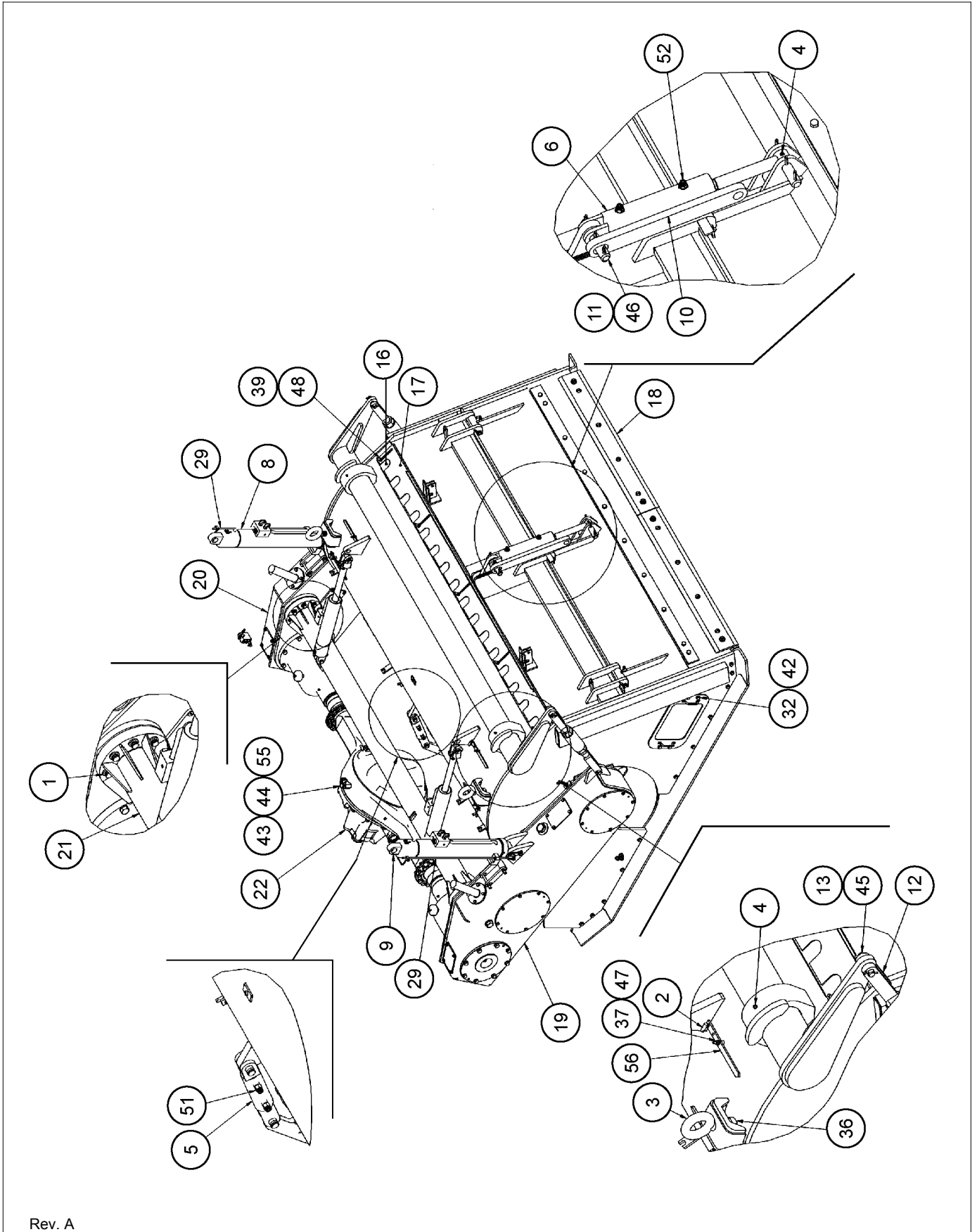
WHEN ORDERING PARTS, ALWAYS STATE MODEL AND SERIAL NO. OF MACHINE

**Cutter Housing and Drive
568004044000**

Ref. No.	Part No.	Qty.	Description
51	000AA0112005	2	Connector, Straight
52	000AA0112006	2	Straight
53	000AA0113003	8	Tube End 90°
54	000AA0119013	1	Elbow, 90°
55	000AA0120013	1	Straight
56	A140858	4	Pointer
57	A141554	4	Cable, Push-Pull
58	001001501000	4	Pin, Clevis From 568230
59	000A01542000	4	Pin, Cotter From 568230

WHEN ORDERING PARTS, ALWAYS STATE MODEL AND SERIAL NO. OF MACHINE

Cutter Housing and Drive 568004044000

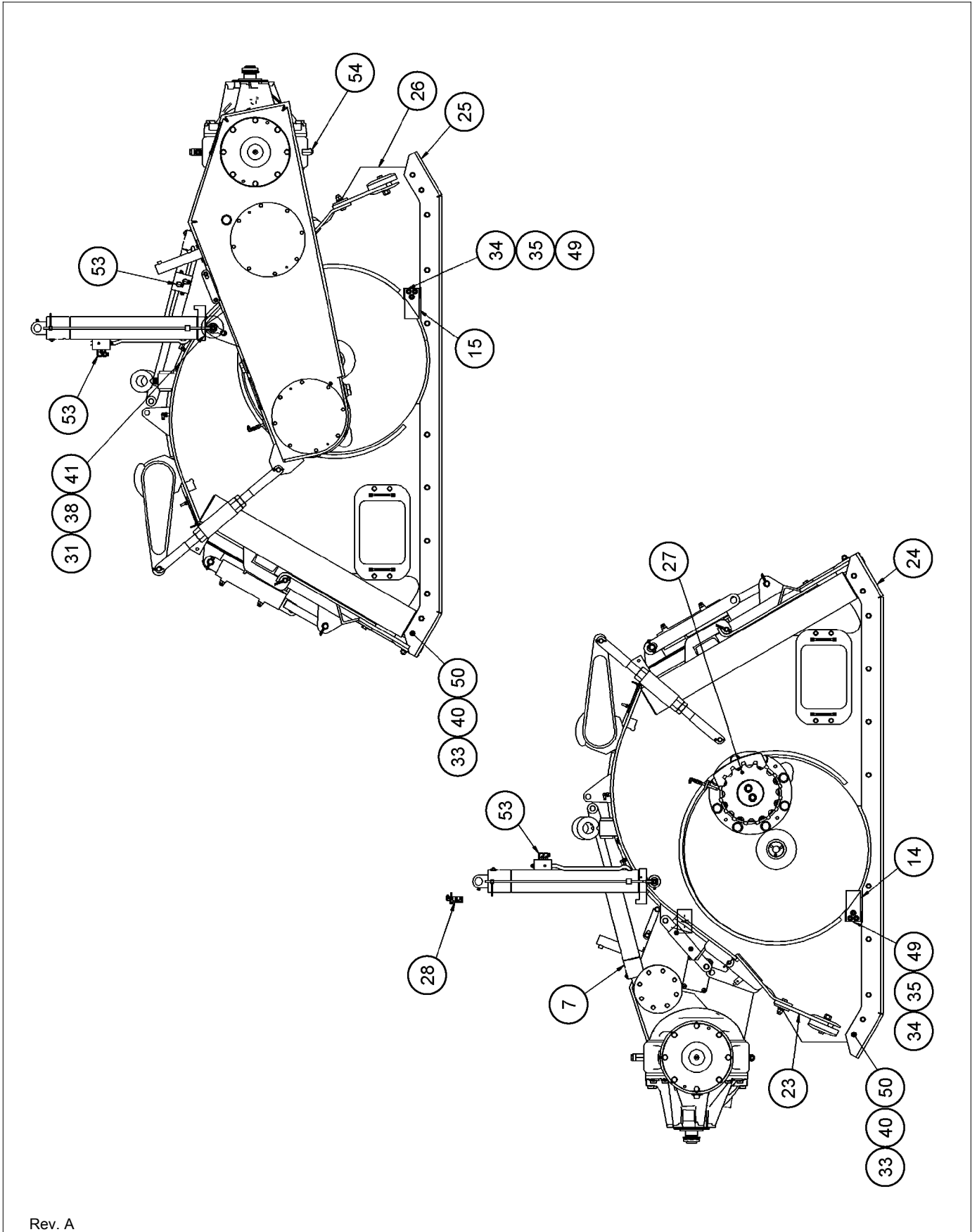


Rev. A

ILLUSTRATION MAY VARY FROM YOUR MACHINE



Cutter Housing and Drive
568004044000



Rev. A

ILLUSTRATION MAY VARY FROM YOUR MACHINE

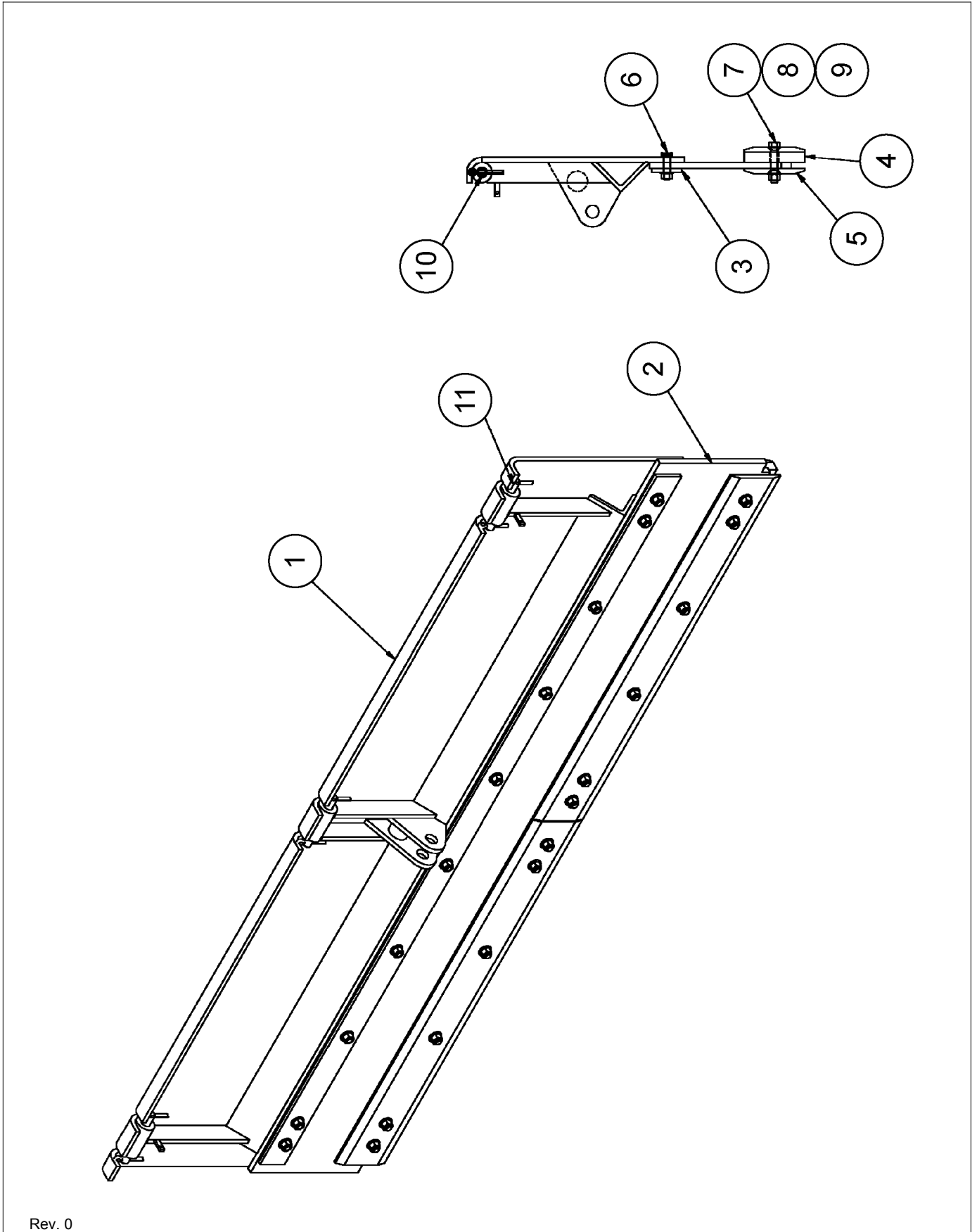


**Door, Rear
568004022000**

Ref. No.	Part No.	Qty.	Description
1	568004018000	1	Door, Rear
2	526001034000	1	Flashing
3	531001403000	1	Bar, Hold Down
4	531001426000	1	Bar
5	531000427000	4	Blade 4'
6	000A00147000	10	Bolt, Hex 5/8"-11 UNC X 2 1/4"
7	000A00152000	12	Bolt, Hex
8	000A00298000	22	Washer, Flat 5/8
9	000A00262000	22	Nut 5/8"-11 UNC
10	531000496000	3	Pin
11	000A01599000	6	Pin, Cotter 3/8 x 2 1/2

WHEN ORDERING PARTS, ALWAYS STATE MODEL AND SERIAL NO. OF MACHINE

Door, Rear
568004022000



Rev. 0

ILLUSTRATION MAY VARY FROM YOUR MACHINE



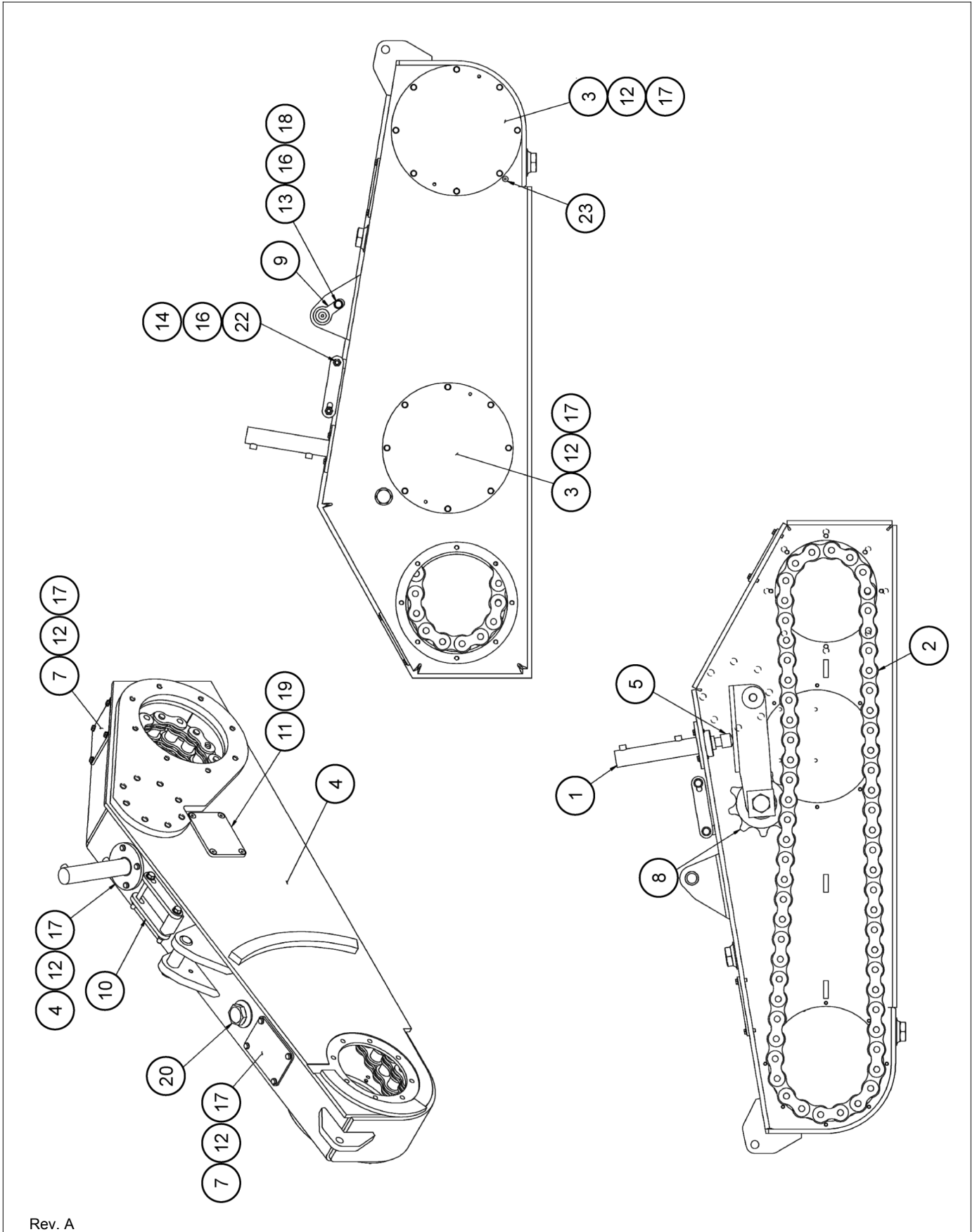
TEREX

**Chaincase Assembly
568004050000**

Ref. No.	Part No.	Qty.	Description
1	002007154000	1	Hydraulic Cylinder
2	004004824000	1	Chain
3	526007108000	2	Cover
4	526007111000	1	Mount, Hydraulic Cylinder Tensioner
5	526007112000	1	Cap, Hydraulic Cylinder Tensioner
6	568004046000	1	Chaincase
7	568004058000	3	Plate, Cover
8	568004065000	1	Idler Arm
9	568004066000	1	Pin, Cylinder
10	568004089000	2	Plate, Safety Latch
11	568004090000	1	Plate, Cover
12	000A00057000	32	Bolt, Hex 3/8-16 UNC X 1"
13	000A00103000	1	Bolt, Hex 1/2"-13 UNC X 1 1/2"
14	000A00115000	2	Bolt, Hex
15	000A00219000	1	Bolt, Hex
16	000A00296000	2	Washer, Flat 1/2"
17	000A00306000	32	Washer, Lock 3/8"
18	000A00308000	1	Washer, Lock 1/2"
19	000A00431000	4	Bolt, Socket
20	000A00718000	2	Plug
21	000A02948000	1	Washer, Flat
22	000A03384000	2	Nut, Lock 1/2-13 UNC
23	000AA0632003	1	Plug, Hollow

WHEN ORDERING PARTS, ALWAYS STATE MODEL AND SERIAL NO. OF MACHINE

Chaincase Assembly 56800405000



Rev. A

ILLUSTRATION MAY VARY FROM YOUR MACHINE



**Chaincase Assembly
568004051000**

Ref. No.	Part No.	Qty.	Description
1	002007154000	1	Hydraulic Cylinder
2	004004824000	1	Chain
3	526007108000	2	Cover
4	526007111000	1	Mount, Hydraulic Cylinder Tensioner
5	526007112000	1	Cap, Hydraulic Cylinder Tensioner
6	568004047000	1	Chaincase
7	568004058000	3	Plate, Cover
8	568004065000	1	Idler Arm
9	568004066000	1	Pin, Cylinder
10	568004089000	2	Plate, Safety Latch
11	568004090000	1	Plate, Cover
12	000A00057000	28	Bolt, Hex 3/8-16 UNC X 1"
13	000A00103000	1	Bolt, Hex 1/2"-13 UNC X 1 1/2"
14	000A00115000	2	Bolt, Hex
15	000A00219000	1	Bolt, Hex
16	000A00296000	3	Washer, Flat 1/2"
17	000A00306000	28	Washer, Lock 3/8"
18	000A00308000	1	Washer, Lock 1/2"
19	000A00431000	4	Bolt, Socket
20	000A00718000	2	Plug
21	000A02948000	1	Washer, Flat
22	000A03384000	2	Nut, Lock 1/2-13 UNC
23	000AA0632003	1	Plug, Hollow

WHEN ORDERING PARTS, ALWAYS STATE MODEL AND SERIAL NO. OF MACHINE

Chaincase Assembly 568004051000

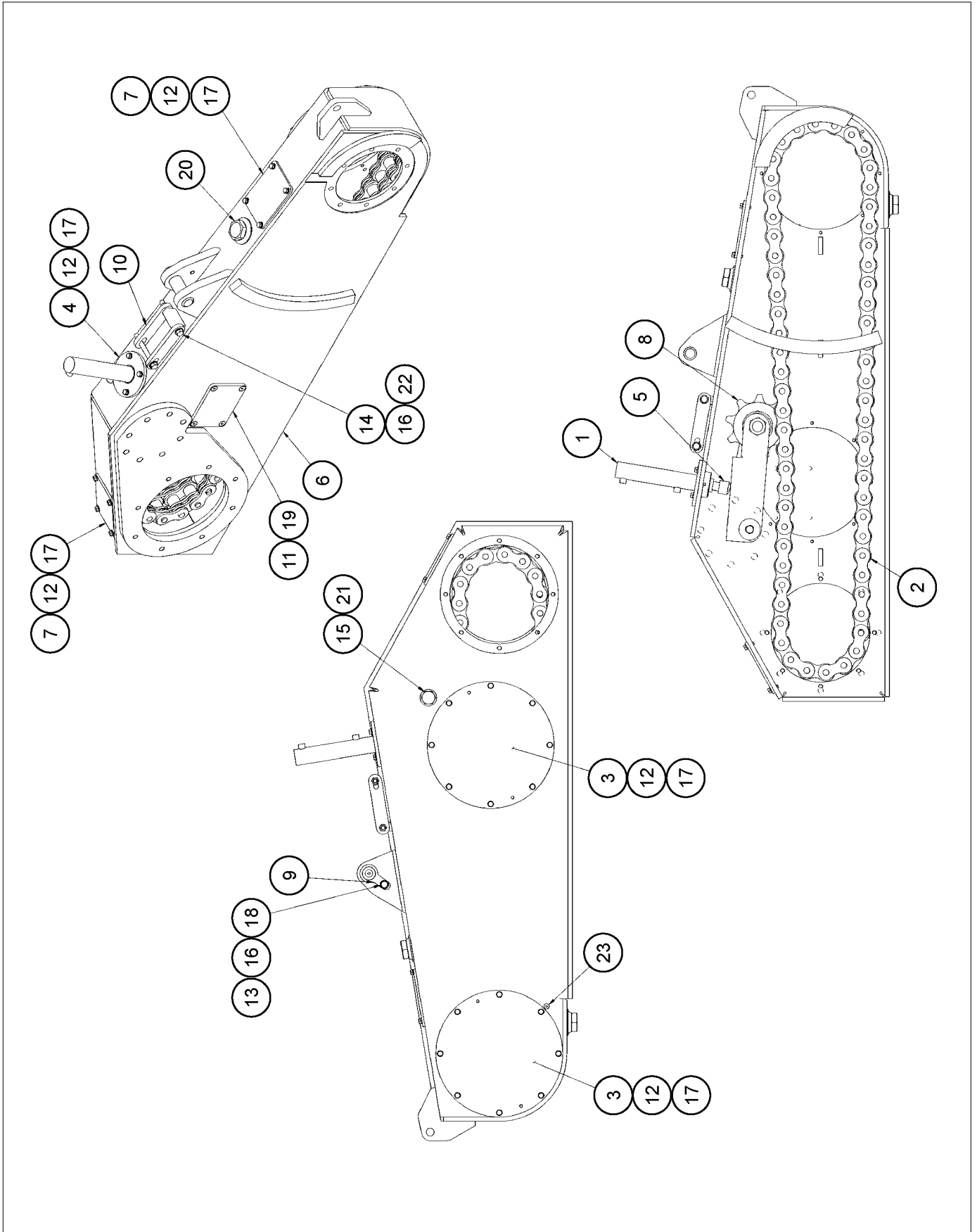


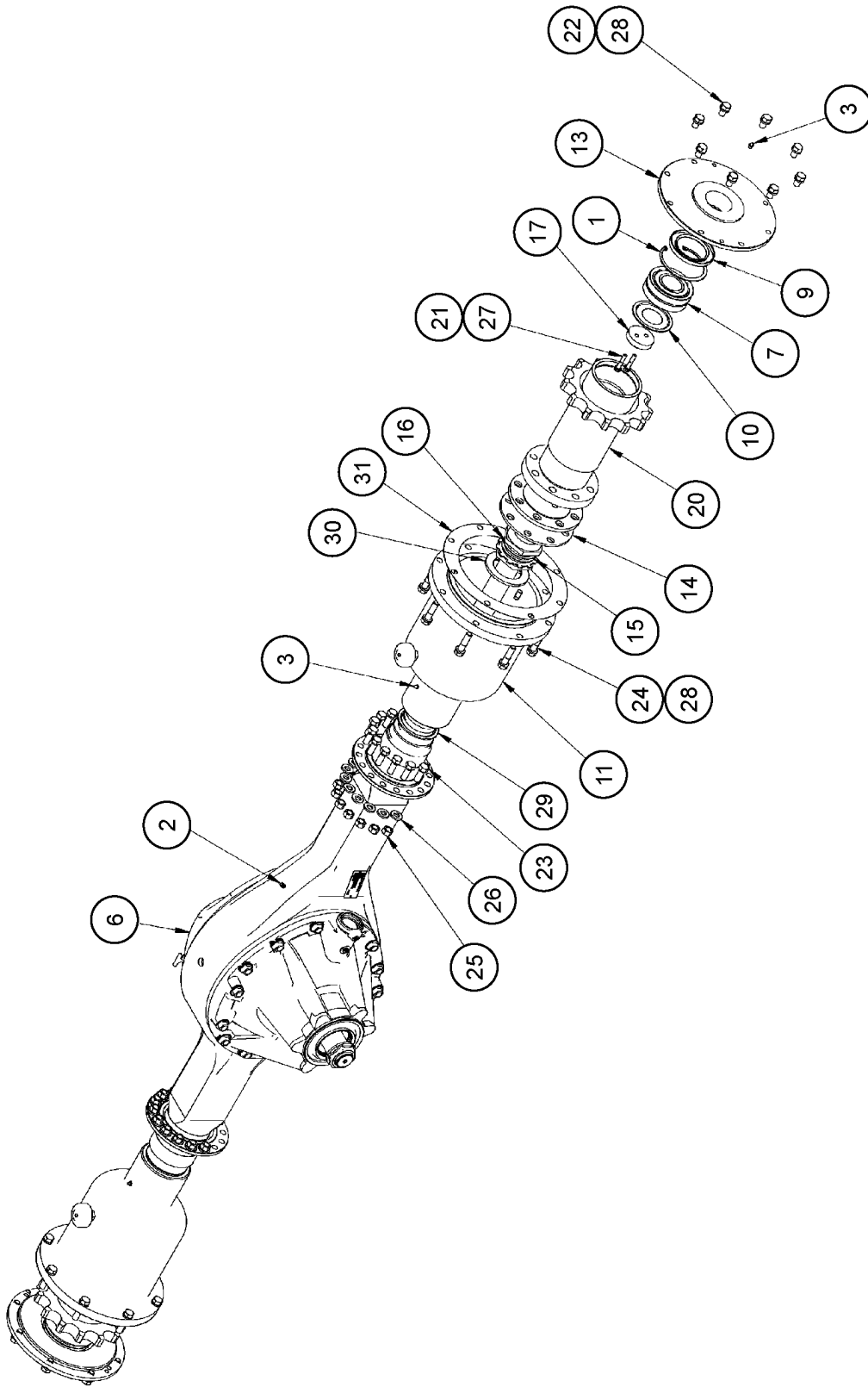
ILLUSTRATION MAY VARY FROM YOUR MACHINE

**Axle Assembly, Cutter
568004053000**

Ref. No.	Part No.	Qty.	Description
1	001001340000	2	Ring, Snap
2	001010148000	1	Breather, Oil
3	001079712000	4	Zerk, Grease 1/8 NPT
4	002009510006	1	Elbow, Street, 90 Degree, 1" NPT
5	002009511023	1	Bushing
6	004010231000	1	Drive Axle, Cutter
7	004011907000	2	Bearing
8	004013744000	1	Dipstick
9	004014165000	2	Seal, Oil
10	004014173000	2	Ring
11	526000419001	2	Hub, Chain Case
12	526001157000	1	Pipe Extension, Dipstick
13	526007009000	2	Cover, Stub Shaft
14	526007070000	2	Seal Plate
15	526007071000	2	Shim
16	526007072000	2	Shim
17	526007101000	2	Retainer, Bearing
18	568004013000	1	Shaft, Short
19	568004014000	1	Shaft, Long
20	568004054000	2	Sprocket, Upper
21	000A00061000	4	Bolt, Hex 3/8-16 UNC X 2"
22	000A00142000	16	Bolt, Hex 5/8-11 UNC X 1"
23	000A00145000	18	Bolt, Hex, 5/8"-11 UNC X 1 3/4"
24	000A00148000	16	Bolt, Hex 5/8-11 UNC x 2 1/2"
25	000A00262000	18	Nut 5/8"-11 UNC
26	000A00298000	18	Washer, Flat 5/8
27	000A00306000	4	Washer, Lock 3/8"
28	000A00310000	32	Washer, Lock 5/8
29	A-136252	2	Spacer
30	A076557	2	Washer, Thrust
31	A125415	2	Gasket
32	E200026	1	Breather

WHEN ORDERING PARTS, ALWAYS STATE MODEL AND SERIAL NO. OF MACHINE

**Axle Assembly, Cutter
568004053000**

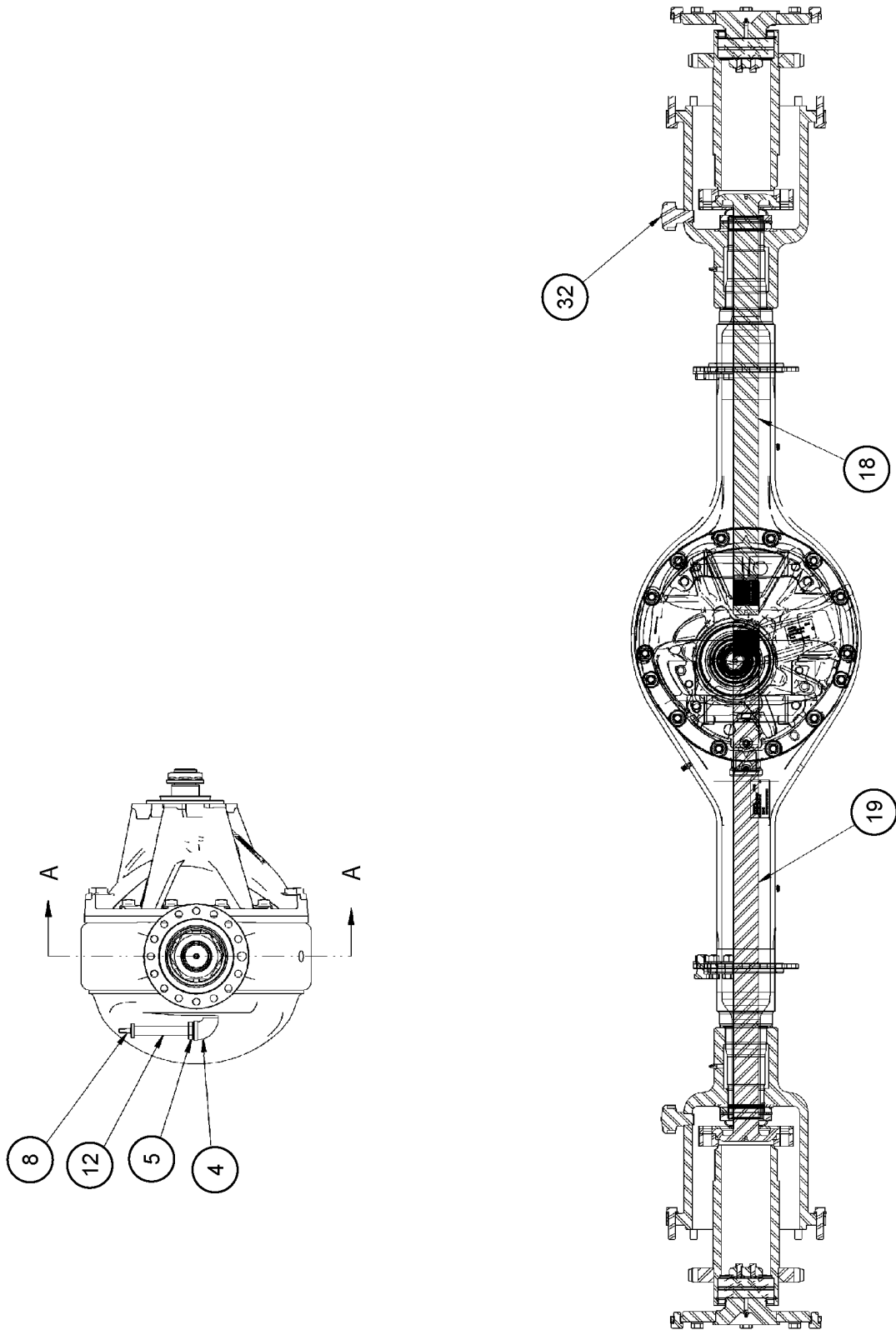


Rev. 0

ILLUSTRATION MAY VARY FROM YOUR MACHINE



Axle Assembly, Cutter 568004053000



Rev. 0

ILLUSTRATION MAY VARY FROM YOUR MACHINE



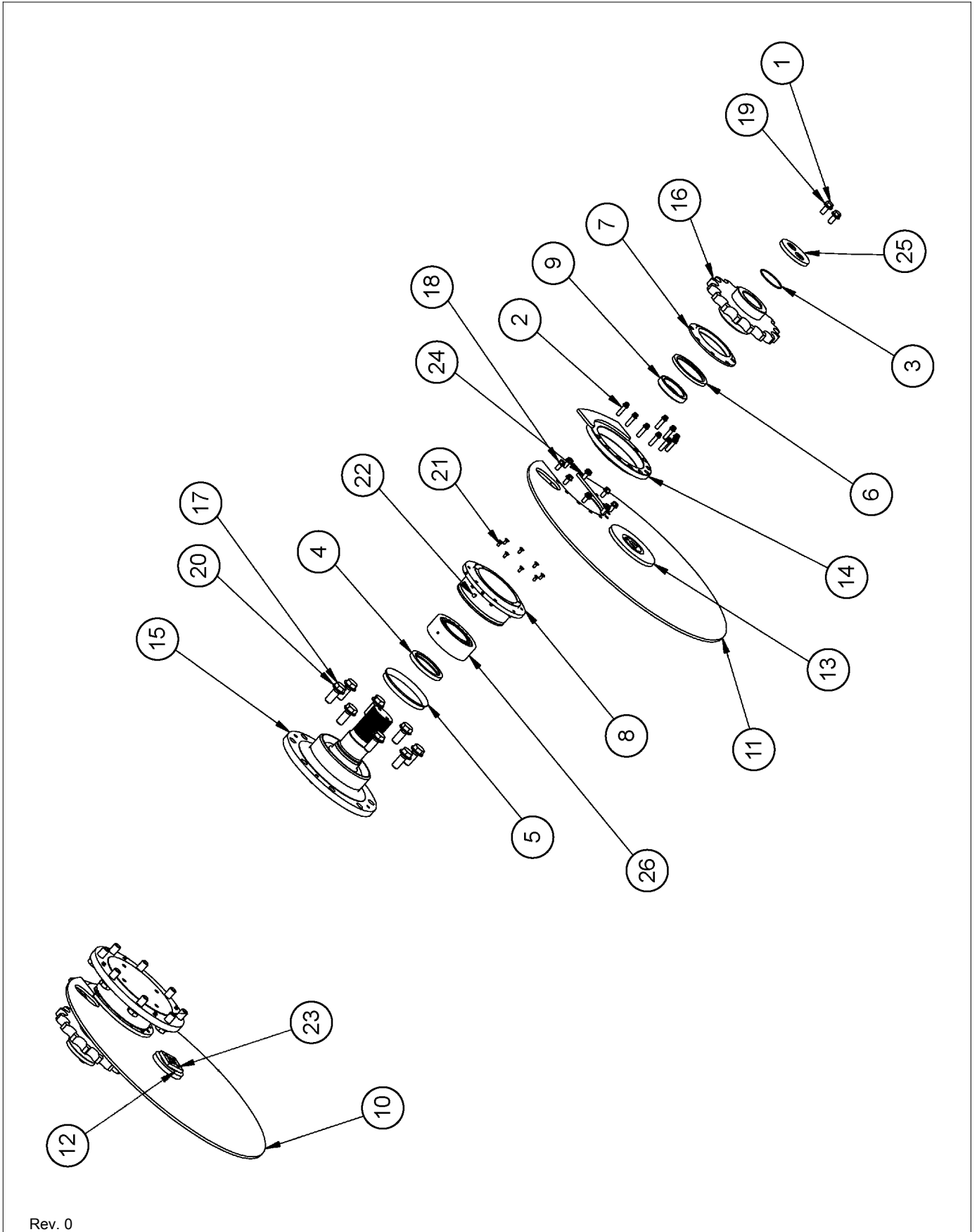
Intentionally Left Blank

**Drive Assembly, Cutter Lower
568004067000**

Ref. No.	Part No.	Qty.	Description
1	001002249000	4	Screw, Cap Hex
2	001009434000	18	Screw, Cap
3	004004244000	2	O-Ring
4	004014145000	2	Seal, Shaft
5	004014163000	2	Boot, Seal
6	004014166000	2	Seal
7	526000420000	2	Seal, Lower Bearing Housing
8	526000430000	2	Bearing, Lower Housing
9	526000449000	2	Spacer, Stub Shaft
10	526001028000	1	Disc LH Weldment
11	526001029000	1	Disc RH Weldment
12	526001031000	2	Screw, Pivot Weldment
13	526001057000	2	Shaft, Pivot Weldment
14	526001091000	2	Hood, Disc Assembly
15	568004068000	2	Stub Shaft, Long
16	568004069000	2	Sprocket, Cutter Drive
17	000A00207000	16	Bolt, Hex
18	000A00296000	16	Washer, Flat 1/2"
19	000A00298000	4	Washer, Flat 5/8
20	000A00301000	16	Washer, Flat 1"
21	000A00425000	16	Screw, Hex Flat, C'snk
22	000A00880000	2	Plug, Pipe 1/8"NPT
23	000A01828000	2	Pin, Rolled
24	A-141472	16	Bolt
25	A126820	2	Plate, Thrust
26	E051338	2	Bearing, Spherical Roller

WHEN ORDERING PARTS, ALWAYS STATE MODEL AND SERIAL NO. OF MACHINE

Drive Assembly, Cutter Lower
568004067000



Rev. 0

ILLUSTRATION MAY VARY FROM YOUR MACHINE



**Water and Emulsion System
568040084000**

Ref. No.	Part No.	Qty.	Description
1	001002161000	4	U-Bolt 1/4-20 UNC
2	001003012000	1	Hook, S
3	001009011000	1	Strap, Hose
4	002002269000	1	Coupling, Quick 3"
5	002003045000	1	Hose Assembly, Water
6	002009503011	1	Union, Pipe
7	002017087000	1	Manifold Assembly, Hydraulic
8	526004312000	1	Flashing
9	568040026000	1	Accessory Group, Water Emulsion (Page 164)
10	568040033000	1	Pushbar Assembly (Page 166)
11	568040054001	1	Liner, Rubber
12	568040059000	1	Saddle Pipe
13	568040066000	1	Supply Pipe
14	568040069000	1	Spraybar Assembly (Page 168)
15	568040081000	1	Bracket, J-Box
16	568040085000	1	Water Pump and Plumbing Assembly (Page 170)
17	568040086000	1	Bracket, Pump Mounting
18	568050051000	1	Hose Group (Page 176)
19	568090008000	1	Electrical System (Page 178)
20	000A00058000	2	Bolt, Hex 3/8-16 UNC X 1 1/4"
21	000A00104000	8	Bolt, Hex 1/2"-13 UNC X 1 3/4"
22	000A00258000	2	Nut, 3/8-16 NC
23	000A00260000	8	Nut 1/2"-13 UNC
24	000A00294000	2	Washer, Flat 3/8"
25	000A00306000	2	Washer, Lock 3/8"
26	000A00308000	8	Washer, Lock 1/2"
27	000A01836000	1	Bolt, Eye

WHEN ORDERING PARTS, ALWAYS STATE MODEL AND SERIAL NO. OF MACHINE

Water and Emulsion System 568040084000

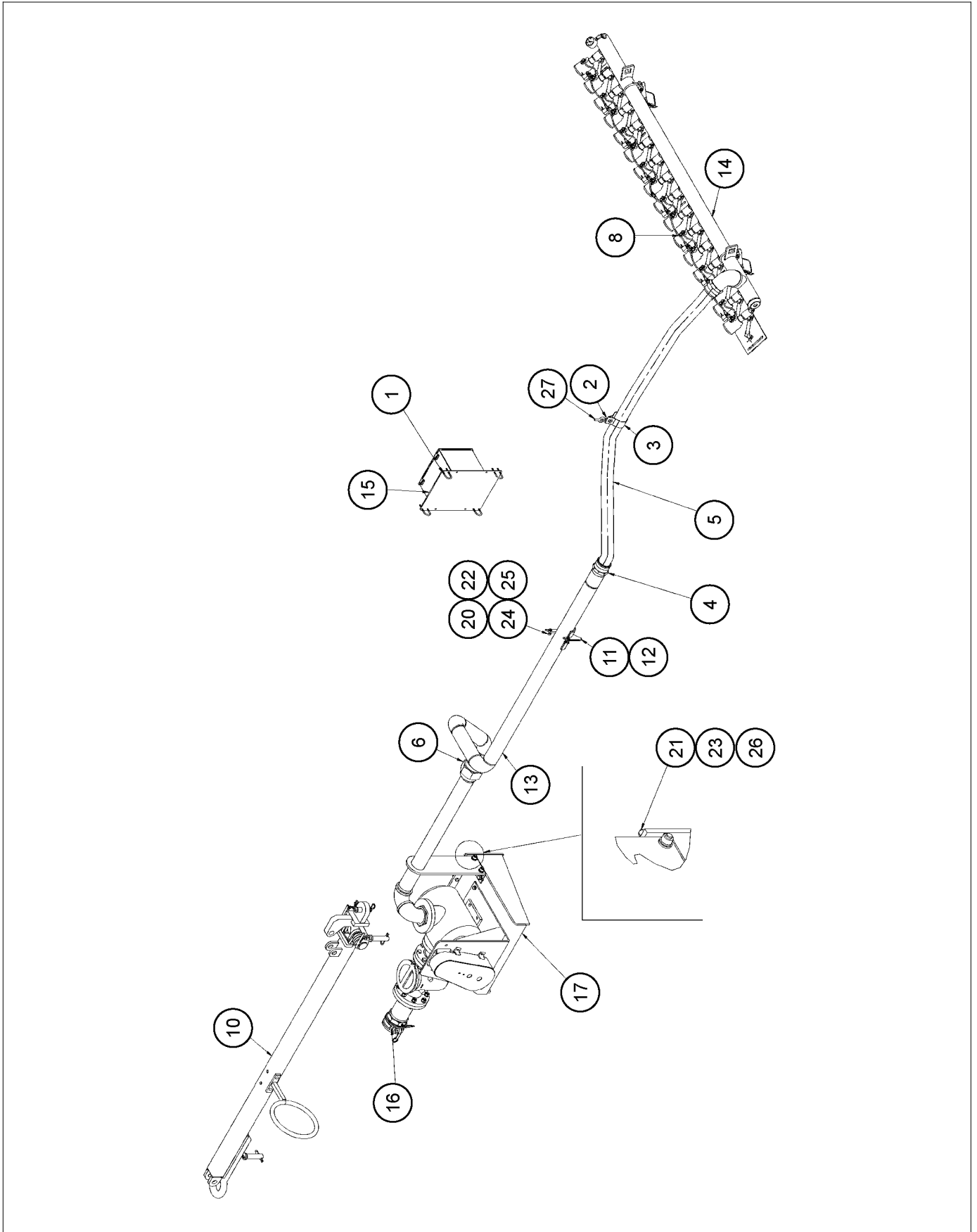


ILLUSTRATION MAY VARY FROM YOUR MACHINE

**Accessory Group, Water Emulsion
568040026000**

Ref. No.	Part No.	Qty.	Description
1	553040119000	1	Crank
3	531004092000	1	Hose Assembly 4 x 120"
6	002009141000	16	Nozzle
8	002009138000	16	Nozzle
10	000AA0249000	16	Elbow, 45°
11	000A00854000	16	Reducer
12	002009501163	16	Nipple, Pipe
14	002009147000	16	Nozzle, Water Spray
16	002009501180	16	Nipple, 1" NPT X 6" LG
17	002009507006	16	Elbow, 45 Degree
19	568040027000	1	Flashing

WHEN ORDERING PARTS, ALWAYS STATE MODEL AND SERIAL NO. OF MACHINE

**Accessory Group, Water Emulsion
568040026000**

NO DRAWING FOR THIS ASSEMBLY

Rev. 0

ILLUSTRATION MAY VARY FROM YOUR MACHINE



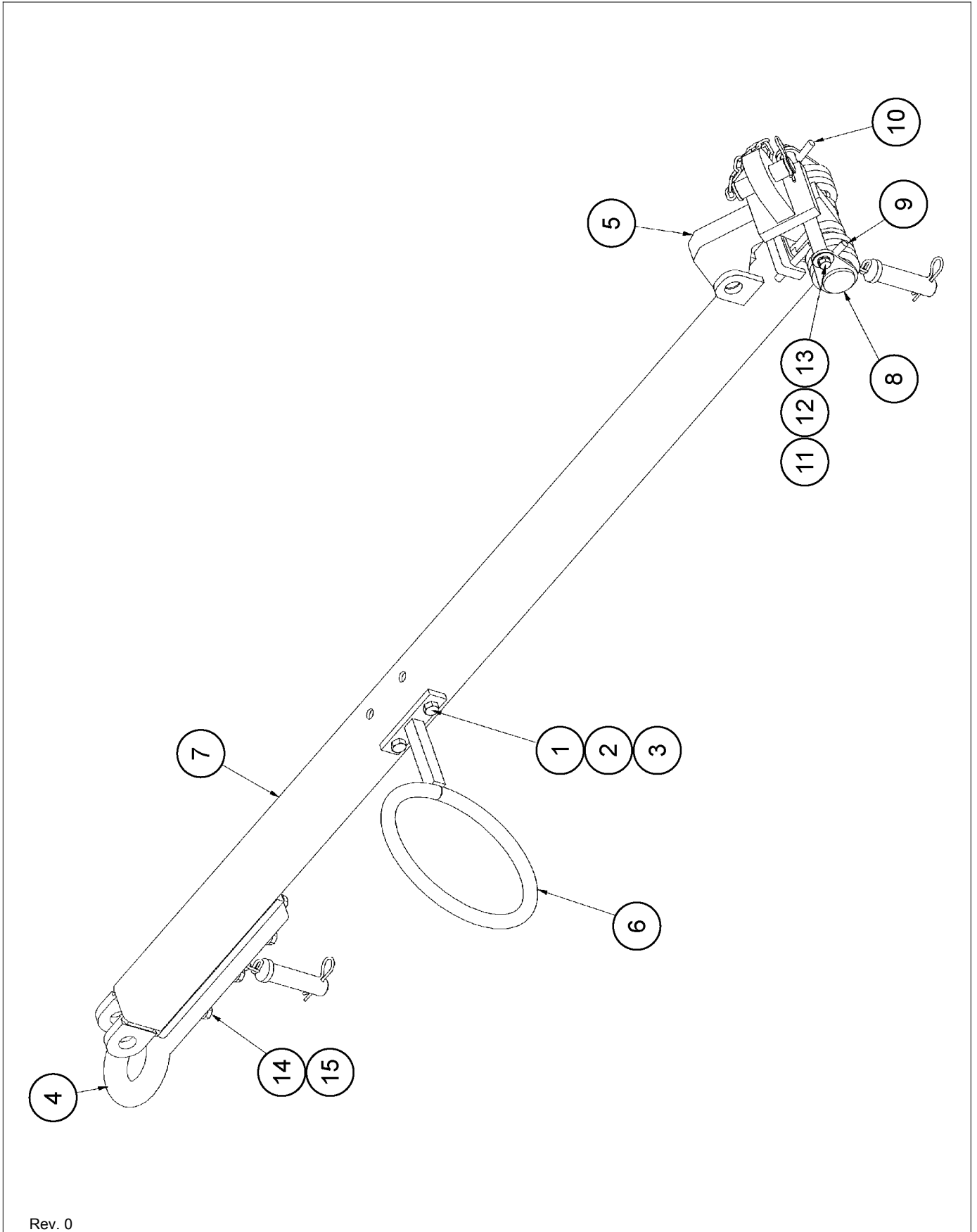
TEREX

**Pushbar Assembly
568040033000**

Ref. No.	Part No.	Qty.	Description
1	000A00156000	2	Bolt, Hex 5/8-11 UNC x 5"
2	000A00262000	2	Nut 5/8"-11 UNC
3	000A00310000	2	Washer, Lock 5/8
4	001010086000	1	Draw Bar
5	568040035000	1	Pivot, Push Bar
6	526224397000	1	Support, Hose
7	568040034000	1	Pushbar
8	568040036000	2	Pin
9	568040037000	1	Spring, Right Hand
10	568040038000	1	Spring, Left Hand
11	311539041410	2	Washer, Fender
12	000A00308000	2	Washer, Lock 1/2"
13	000A00101000	2	Bolt, Hex 1/2-13 UNC x 1"
14	000A02945000	7	Washer, Flat 5/8"
15	000A00147000	7	Bolt, Hex 5/8"-11 UNC X 2 1/4"

WHEN ORDERING PARTS, ALWAYS STATE MODEL AND SERIAL NO. OF MACHINE

**Pushbar Assembly
568040033000**



Rev. 0

ILLUSTRATION MAY VARY FROM YOUR MACHINE



**Spraybar Assembly
568040069000**

Ref. No.	Part No.	Qty.	Description
1	55-79022	1	Tee, One Touch Union
2	001002251000	2	U-Bolt and Nuts
3	001003133001	6	Swedqe 1/8"
4	001005238000	1	Gauge, Pressure
5	002002269000	1	Coupling, Quick 3"
6	002006518000	8	Valve Assembly
7	002006519000	8	Valve Assembly
8	002009133000	16	Nozzle
9	002009501130	16	Nipple, Pipe 1/2 x 6
10	002009506045	2	Plug, Pipe 2" NPT
11	002009510029	1	Elbow, Street 90° 3" NPT
12	002015917000	18	Adapter, 90 Elbow 1/8 NPT X 1/4 Tube
13	002015920000	6	Tee, Male Branch
14	312006150000	13'	Tube
15	553040049000	2	Pin
16	568040012000	2	Bracket, Spraybar
17	568040013000	2	Saddle, Spraybar
18	568040031000	2	Pin Assembly, Hitch
19	568040032000	2	Lanyard, Pin and Keeper
20	568040076000	1	Spraybar
21	000A00061000	4	Bolt, Hex 3/8-16 UNC X 2"
22	000A00258000	8	Nut, 3/8-16 NC
23	000A00306000	8	Washer, Lock 3/8"
24	000A00898000	1	Elbow, 90° Street
25	000A00907000	1	Elbow, 45° Street
26	000A00920000	8	Tee
27	000A01538000	4	Pin, Cotter 3/16" X 2"
28	000AA0089000	16	Elbow, Pipe 45°
29	000AA0090000	16	Bushing, Reducer 1"- 1/2"

WHEN ORDERING PARTS, ALWAYS STATE MODEL AND SERIAL NO. OF MACHINE

Spraybar Assembly 568040069000

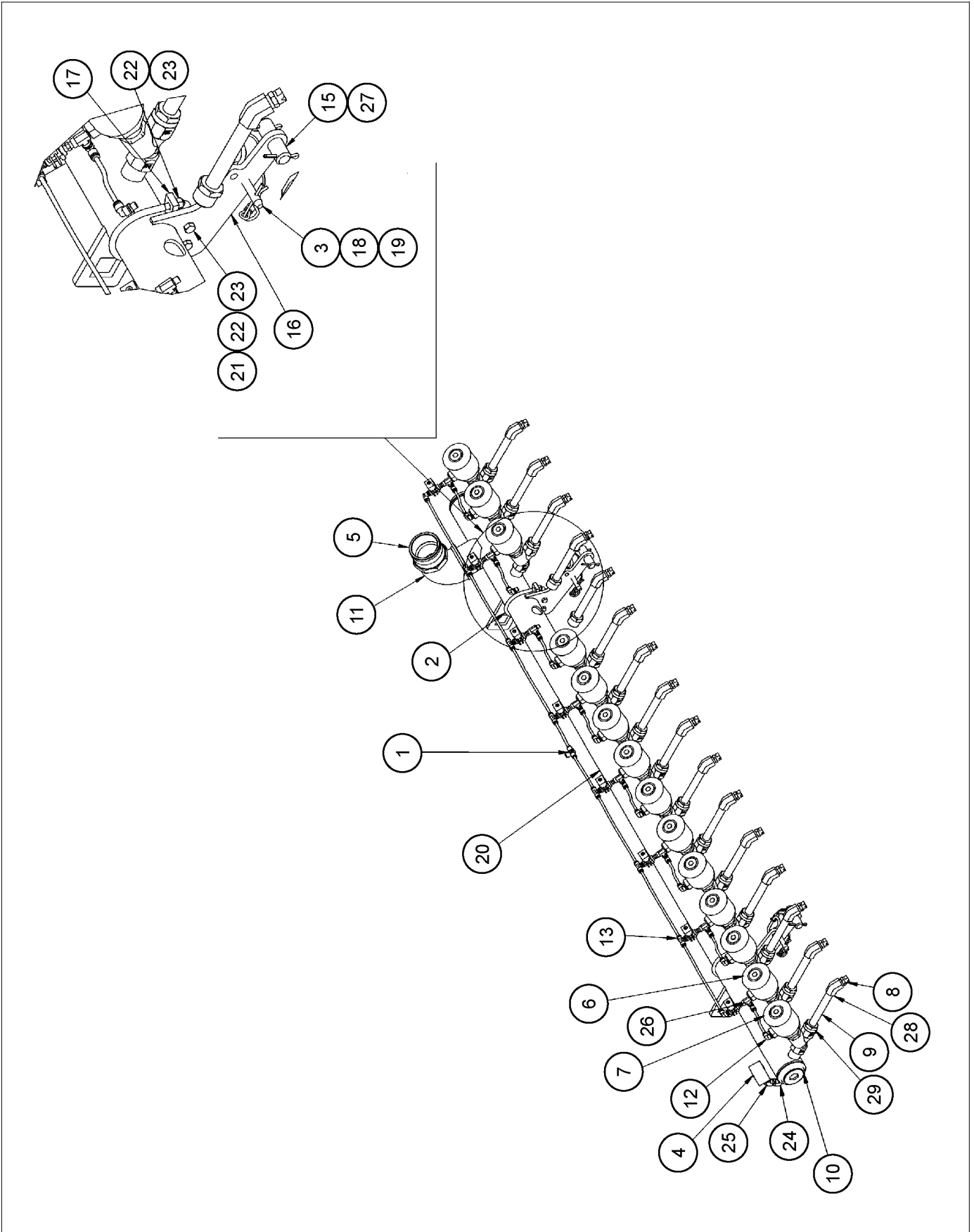


ILLUSTRATION MAY VARY FROM YOUR MACHINE

**Water Pump and Plumbing Assembly
568040085000**

Ref. No.	Part No.	Qty.	Description
1	002008543000	1	Strainer, Basket
2	002009501382	1	Pipe Nipple Sch 40, 4" X 6'
3	002009510029	2	Elbow, Street 90° 3" NPT
4	002009511051	1	Bushing, Reducer
5	313006041000	1	Gasket, Flange 4"
6	319006120000	1	Flange, Pipe
7	526004193000	1	Pump/Motor Assembly (Page 172)
8	526004195000	1	Mount, Pump/Motor
9	526004398000	1	Angle, Flowmeter Support
10	531004145000	1	Flange
11	553040105000	1	Lanyard Assembly (Page 174)
12	568040087000	1	Plate
13	568040088000	1	Nipple, Pipe
14	000A00105000	4	Bolt, Hex 1/2-13 UNC X 2"
15	000A00145000	2	Bolt, Hex, 5/8"-11 UNC X 1 3/4"
16	000A00146000	2	Bolt, Hex 5/8-11 UNC X 2"
17	000A00149000	16	Bolt, Hex 5/8-11 UNC X 2 3/4"
18	000A00260000	4	Nut 1/2"-13 UNC
19	000A00262000	20	Nut 5/8"-11 UNC
20	000A00296000	8	Washer, Flat 1/2"
21	000A00298000	8	Washer, Flat 5/8"
22	000A00308000	4	Washer, Lock 1/2"
23	000A00310000	20	Washer, Lock 5/8"

WHEN ORDERING PARTS, ALWAYS STATE MODEL AND SERIAL NO. OF MACHINE

Water Pump and Plumbing Assembly 568040085000

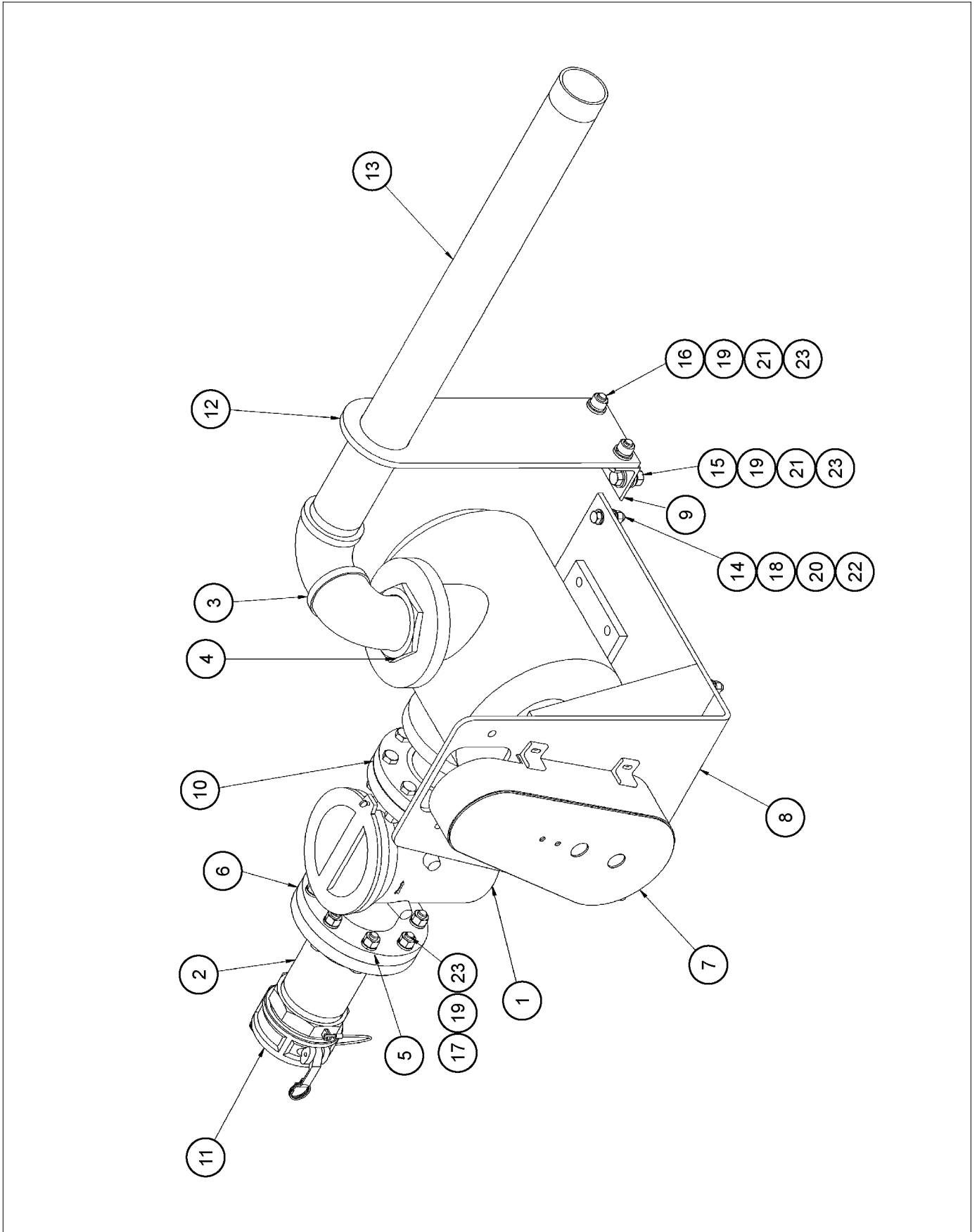


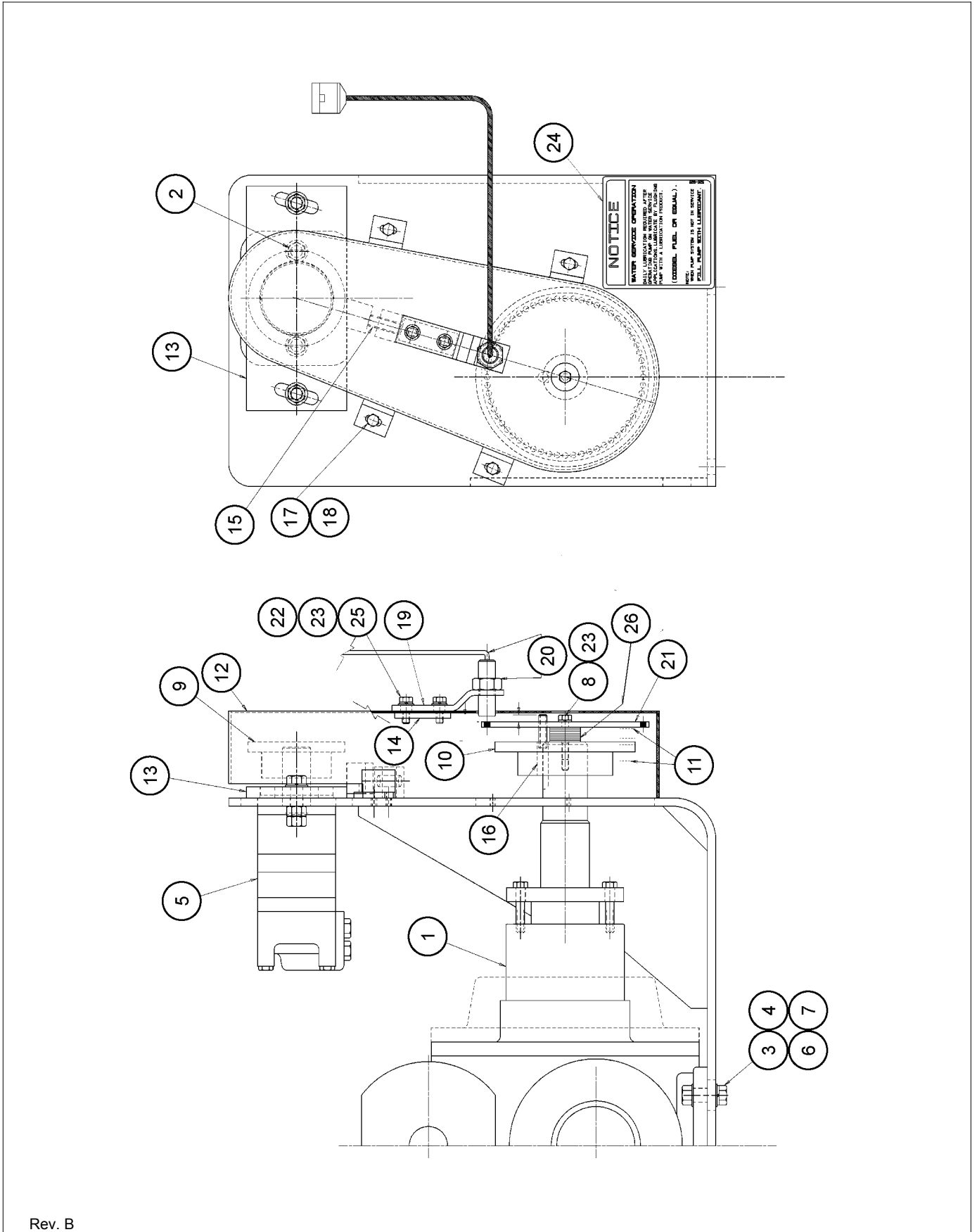
ILLUSTRATION MAY VARY FROM YOUR MACHINE

**Pump/Motor Assembly
526004193000**

Ref. No.	Part No.	Qty.	Description
1	526004286000	1	Pump
2	000A00107000	2	Screw, Cap 1/2-13 UNC X 2 1/2"
3	000A00260000	6	Nut 1/2"-13 UNC
4	000A00296000	10	Washer, Flat 1/2"
5	002015449000	1	Motor, Hydraulic
6	000A00105000	6	Bolt, Hex 1/2-13 UNC X 2"
7	000A00308000	8	Washer, Lock 1/2"
8	000A01142000	1	Bolt, Hex
9	004011125000	1	Sprocket
10	004011130000	1	Sprocket
11	004001219000	1	Chain
12	526004285000	1	Guard, Chain
13	531004163000	1	Bracket
14	543040109000	1	Backing Plate
15	000A00109000	1	Bolt, Hex
16	001001308000	1	Key, Square
17	000A00292000	4	Washer, Flat 1/4
18	000A00006000	4	Bolt, Hex 1/4-20 UNC X 1"
19	543040110000	1	Bracket, Sensor Mount
20	526009173000	1	Cable, Speed Interface Control
21	543040111000	1	Pulser Disks Assembly
22	000A00031000	2	Bolt, Hex 5/16-18 UNC X 1"
23	000A00305000	3	Washer, Lock 5/16
24	526000925000	1	Decal, Pump Lubrication
25	000A00293000	2	Washer, Flat 5/16
26	G15069	10	Washer, Flat From 5/16" x 1 3/8

WHEN ORDERING PARTS, ALWAYS STATE MODEL AND SERIAL NO. OF MACHINE

Pump/Motor Assembly 526004193000



Rev. B

ILLUSTRATION MAY VARY FROM YOUR MACHINE

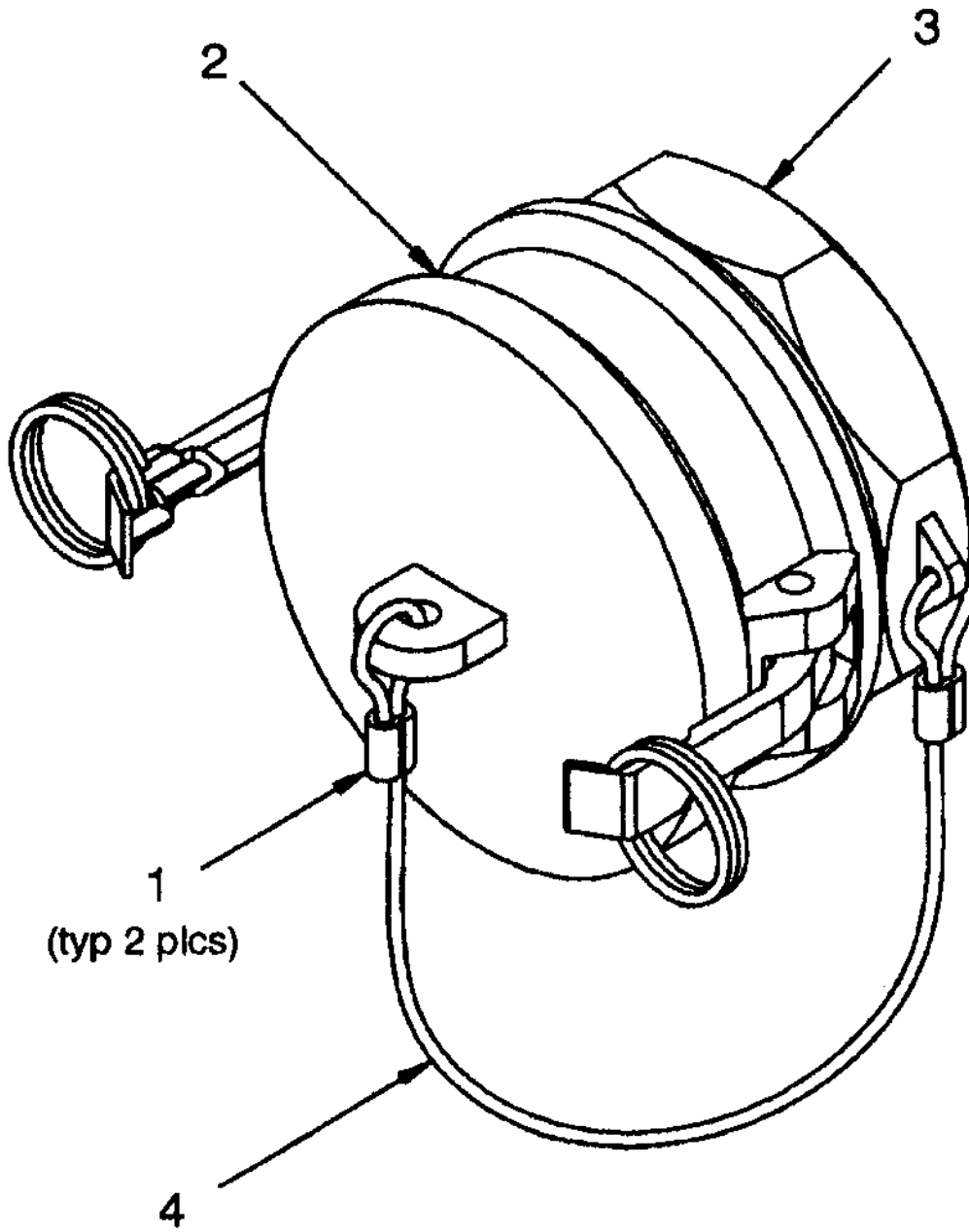


**Lanyard Assembly
553040105000**

Ref. No.	Part No.	Qty.	Description
1	001003133001	2	Swedge 1/8"
2	002002275000	1	Cap, Dust
3	002002278000	1	Coupler
4	553040105001	1	Wire

WHEN ORDERING PARTS, ALWAYS STATE MODEL AND SERIAL NO. OF MACHINE

Lanyard Assembly
553040105000



Rev. 0

ILLUSTRATION MAY VARY FROM YOUR MACHINE



**Hose Group
568050051000**

Ref. No.	Part No.	Qty.	Description
1	002011507136	1	Hose Assembly Pump case drain to motor
4	0020225690180	1	Hose Assembly Valve to motor A
7	0020225690210	1	Hose Assembly Motor B to tank
10	0020225690036	1	Hose Assembly Filter to valve

WHEN ORDERING PARTS, ALWAYS STATE MODEL AND SERIAL NO. OF MACHINE

Hose Group
568050051000

NO DRAWING FOR THIS ASSEMBLY

HOSE RUNS ARE INCLUDED IN
BILL OF MATERIAL

Rev. 0

ILLUSTRATION MAY VARY FROM YOUR MACHINE



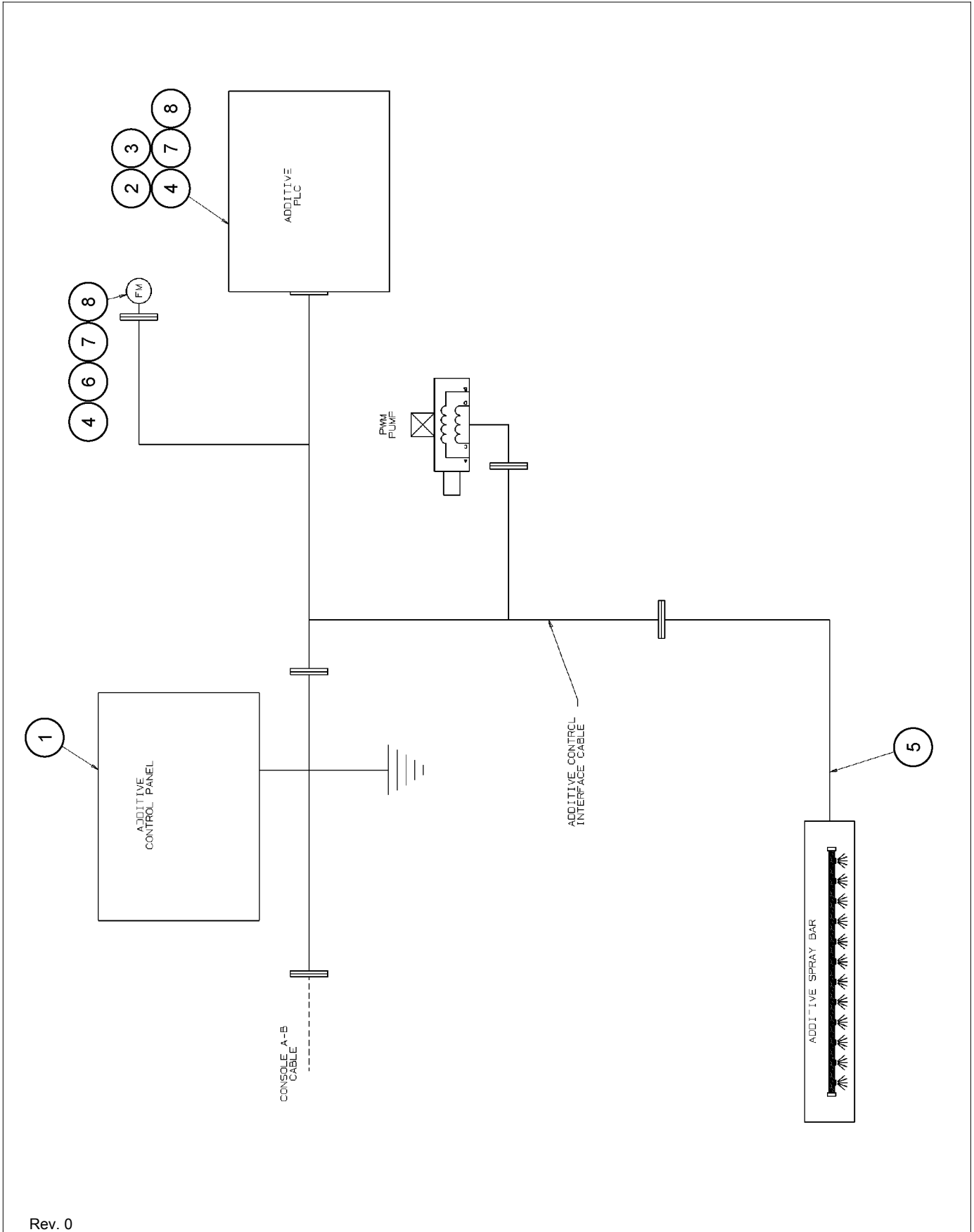
TEREX

**Electrical System
568090008000**

Ref. No.	Part No.	Qty.	Description
1	568090140000	1	Panel Assembly, Emulsion
2	568090144000	1	J-Box Assembly
3	568040014000	2	Bracket, J-Box Support
4	000A00002000	6	Bolt, Hex 1/4-20 UNC X 1/2"
5	568090049000	1	Cable, Spraybar (Page 180)
6	568090035000	1	Cable, Flowmeter Ground
7	000A02038000	14	Nut, Lock 1/4-20 UNC
8	000A00292000	14	Washer, Flat 1/4

WHEN ORDERING PARTS, ALWAYS STATE MODEL AND SERIAL NO. OF MACHINE

Electrical System 568090008000



Rev. 0

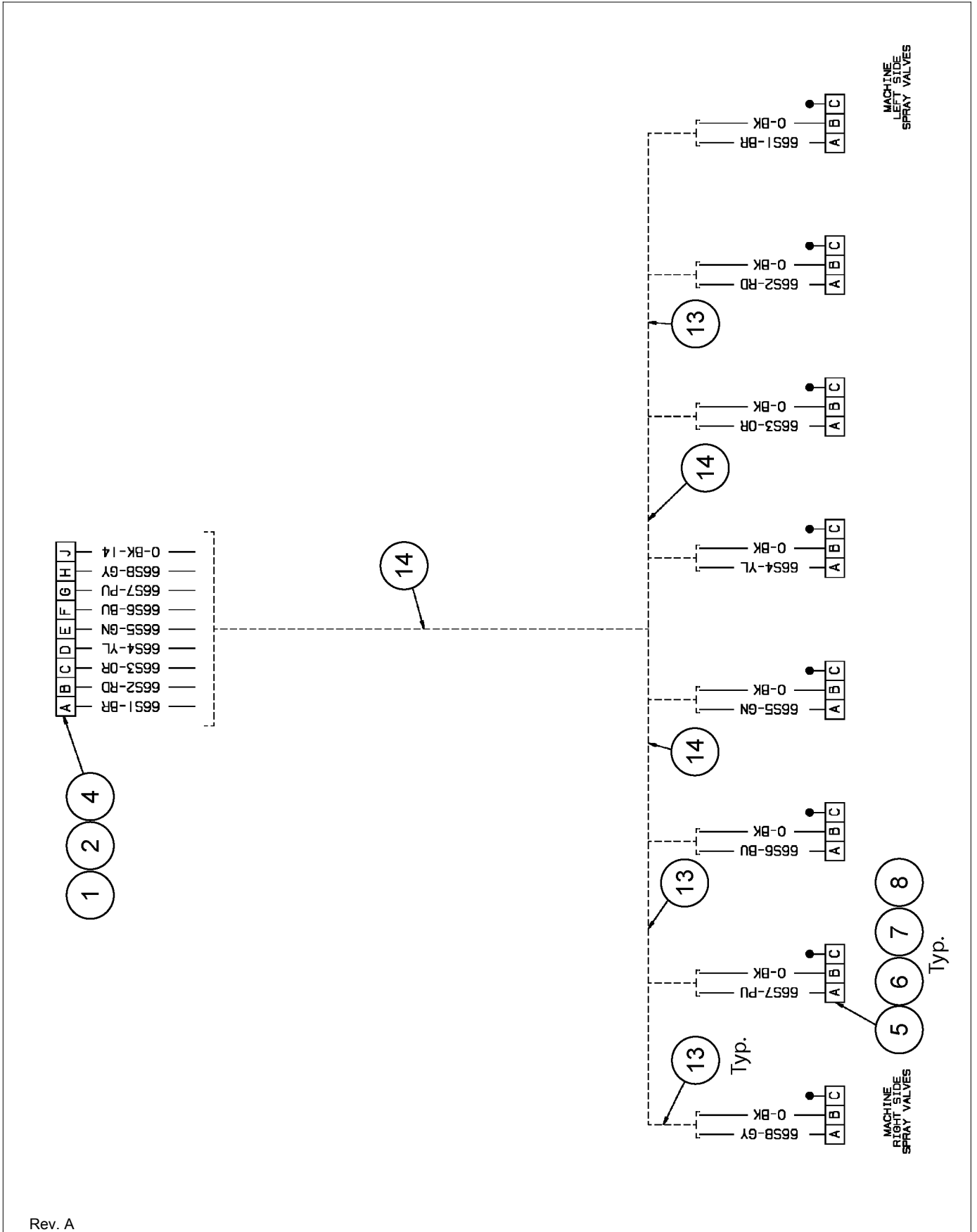
ILLUSTRATION MAY VARY FROM YOUR MACHINE

**Cable, Spraybar
568090049000**

Ref. No.	Part No.	Qty.	Description
1	003005071011	1	Connector
2	003005071013	8	Terminal, Socket, Female
4	003005071035	1	Terminal, Socket
5	003005072023	8	Connector, Three Way Tower
6	003005072032	16	Terminal, Sleeve, Female
7	003005072002	16	Seal, Gray Cable
8	003005072004	8	Plug, Sealing
9	003000700207	1	Buttsplice, Non Insulated
10	003000901219	2"	Tubing, Heat Shrink
11	003000700208	3	Splice, Butt
12	003000901218	6"	Heatshrink, Tubing
13	003001853002	7'	Loom
14	003001853004	11.5'	Loom
15	003000902289	17.5'	Wire, Red
16	003000902290	16.5'	Wire, Orange
17	003000902291	16'	Wire, Yellow
18	003000902294	18.5'	Wire, Gray
19	003000902295	18.5'	Wire, Brown
20	003000902296	17.5'	Wire, Purple
21	003000902297	16'	Wire, Green
22	003000902298	16.5'	Wire, Blue
23	003000902304	24.5'	Wire, Black

WHEN ORDERING PARTS, ALWAYS STATE MODEL AND SERIAL NO. OF MACHINE

Cable, Spraybar
568090049000



Rev. A

ILLUSTRATION MAY VARY FROM YOUR MACHINE



NUMERICAL INDEX

Part No	Page	Part No	Page	Part No	Page
000A00002000	178	000A00296000	172	000A01597000	146
000A00004000	8,46,106,142	000A00298000	30,150,156,160	000A01599000	150
000A00005000	12		170	000A01745000	70
000A00006000	8,132,142,172	000A00299000	8,26,30,32,38,46	000A01828000	160
000A00008000	142	000A00300000	32,38	000A01836000	162
000A000031000	42,46,172	000A00301000	6,160	000A01906000	106
000A000032000	146	000A00304000	8,12,46,142	000A01941000	68
000A000036000	8	000A00305000	42,146,172	000A01991000	56
000A000054000	12	000A00306000	12,14,20,24,42	000A02033000	106
000A000057000	12,14,20,24,46		47,62,72,76,82	000A02035000	92
	70,72,134,136,152		134,152,154,156	000A02036000	8,136,140
	154		162,168	000A02038000	106,132,136,142
000A000058000	26,46,62,80,106	000A00307000	47,78		146,178
	134,136,162	000A00308000	8,47,56,64,146	000A02039000	8,47
000A000059000	12,46,134,136		152,154,162,166	000A02040000	12,80,136,146
000A000060000	76		170,172	000A02041000	60
000A000061000	14,72,136,156,168	000A00310000	30,156,166,170	000A02042000	47,62,136,142
000A000079000	70	000A00311000	30,32,38,72	000A02044000	8,47
000A000080000	60,78	000A00332000	92	000A02108000	106
000A000084000	46	000A00339000	136	000A02258000	42
000A000089000	32	000A00367000	8	000A02292000	78
000A00101000	6,166	000A00396000	42	000A02432000	106
000A00102000	16	000A00425000	160	000A02686000	47
000A00103000	46,56,146,152,154	000A00431000	152,154	000A02943000	146
000A00104000	8,162	000A00465000	70	000A02945000	32,38,166
000A00105000	8,146,170,172	000A00481000	128	000A02946000	72
000A00106000	146	000A00523000	32,47	000A02948000	152,154
000A00107000	172	000A00525000	124	000A02979000	47
000A00108000	46	000A00572000	32	000A03025000	64
000A00109000	16,118,172	000A00627000	47	000A03026000	47
000A00112000	142	000A00665000	47	000A03037000	32,38
000A00115000	152,154	000A00678000	47	000A03047000	74
000A00142000	156	000A00679000	20	000A03057000	36
000A00145000	156,170	000A00703000	47	000A03384000	132,146,152,154
000A00146000	170	000A00704000	47	000A03494000	26
000A00147000	150,166	000A00718000	152,154	000A03747000	126
000A00148000	30,156	000A00729000	47	000A03748000	126
000A00149000	170	000A00753000	47	000A03932000	47
000A00152000	150	000A00830000	47	000A05379000	80,128
000A00156000	166	000A00842000	60	000A05382000	80
000A00165000	46	000A00843000	42,122	000A05384000	64,80
000A00166000	32,38	000A00844000	80	000A07350000	56
000A00167000	8,26,72	000A00845000	64	000AA0046000	32,38
000A00169000	46	000A00850000	42,102	000AA0089000	168
000A00172000	30	000A00852000	80	000AA0090000	168
000A002042000	16	000A00853000	78,80	000AA0099000	8
000A00207000	160	000A00854000	164	000AA0112002	47
000A00211000	6	000A00859000	42,102	000AA0112004	24
000A00219000	152,154	000A00862000	70	000AA0112005	146
000A00256000	8,12	000A00880000	160	000AA0112006	147
000A00258000	26,46,62,72,76	000A00881000	42,66	000AA0112016	24,32,38,47,64
	82,106,134,136	000A00882000	20	000AA0112017	70
	162,168	000A00884000	47,146	000AA0112018	47
000A00259000	32,78	000A00890000	42	000AA0112019	47
000A00260000	76,146,162,170	000A00893000	47	000AA0112021	24,47
	172	000A00898000	168	000AA0112022	64
000A00262000	150,156,166,170	000A00900000	64,80	000AA0113002	47
000A00263000	30	000A00901000	47	000AA0113003	22,24,72,147
000A00264000	32,38	000A00907000	42,168	000AA0113005	32,38
000A00265000	6	000A00913000	102	000AA0113014	47,64
000A00267000	8	000A00916000	47	000AA0113017	47
000A00270000	14,134	000A00920000	168	000AA0113019	24
000A00271000	32	000A00923000	42,78	000AA0113020	64
000A00279000	146	000A00924000	64,80,146	000AA0113027	24
000A00292000	8,12,46,106,132	000A01093000	102,106	000AA0116005	70
	142,146,172,178	000A01101000	136	000AA0117005	47
000A00293000	46,146,172	000A01102000	26	000AA0118012	47
000A00294000	12,14,20,24,26	000A01142000	172	000AA0118016	24
	46,70,72,80,82	000A01268000	140	000AA0119009	78
	134,136,146,162	000A01418000	76	000AA0119013	70,147
000A00295000	60,70,78	000A01504000	72	000AA0120009	78
000A00296000	6,8,16,46,62,72	000A01538000	168	000AA0120010	47
	132,136,142,146	000A01542000	32,38,147	000AA0120013	47,68,70,147
	152,154,160,170	000A01567000	146	000AA0121006	47

NUMERICAL INDEX

Part No	Page	Part No	Page	Part No	Page
000AA0123001	47	001005111000	78	002005089000	46,56
000AA0123003	78	001005112000	102	002005175000	80
000AA0123005	32,38,47	001005215000	88	002005191000	64
000AA0124001	47	001005234000	102	002005913000	80
000AA0124002	32,38	001005235000	102	002005977000	72
000AA0124005	47,70	001005236000	102	002005978000	72
000AA0125005	47	001005238000	168	002005987000	80
000AA0125007	47	001005255000	42	002006311000	128
000AA0133005	70	001005260000	88	002006321000	70
000AA0145005	47	001005283000	20	002006401000	64
000AA0147007	70	001005285000	24,88	002006402000	46
000AA0147008	47	001005290000	24	002006447003	20
000AA0164006	32	001006026000	146	002006447005	24
000AA0174006	24	001008049000	132	002006447008	24
000AA0174009	24	001008187000	136	002006518000	168
000AA0249000	164	001008193000	8	002006519000	168
000AA0349000	132	001008194000	26	002006674000	112
000AA0388004	66	001009011000	32,162	002007154000	152,154
000AA0388029	47	001009074000	118	002007170000	72
000AA0388049	60,62	001009089000	82	002007171000	146
000AA0388085	58	001009356000	136	002007360000	146
000AA0388140	32,38	001009369000	118	002008543000	170
000AA0388176	32,38	001009434000	160	002008549000	84,86
000AA0389002	47	001009508000	20	002008549001	86
000AA0391003	60,62	001009565000	88	002008549002	86
000AA0392002	47	001009758000	8	002008549003	86
000AA0392003	60,62	001010066000	120,122	002008571000	70
000AA0392004	58	001010067000	122	002008581000	84
000AA0413000	142	001010068000	122	002009000000	102
000AA0435000	47	001010069000	122	002009133000	168
000AA0443000	102	001010086000	166	002009138000	164
000AA0518009	70	001010101000	126	002009141000	164
000AA0620000	136	001010122000	118	002009147000	164
000AA0628008	80	001010148000	156	002009501130	168
000AA0628012	80	001010342000	20	002009501139	46
000AA0632003	152,154	001010540000	8,140	002009501141	70
000AA0639000	64	001010672000	136	002009501145	68
000AA0640003	20	001010688000	46,54	002009501163	164
000AA0643000	36	001010688001	54	002009501180	164
000AA0644008	70	001010688002	54	002009501382	170
001001308000	172	001010688003	54	002009503011	162
001001340000	156	001010688005	54	002009506045	168
001001475000	72	001010688006	54	002009507005	70
001001476000	72	001010688007	54	002009507006	164
001001477000	72	001010688008	54	002009508005	68
001001497000	32,38	001010688009	54	002009510006	156
001001498000	32,38	001010688010	54	002009510029	168,170
001001499000	16	001010688011	54	002009511014	80
001001501000	147	001010688012	54	002009511023	156
001002069000	22	001010688013	54	002009511025	80
001002109000	74	001010964000	146	002009511030	80
001002161000	162	001010968000	8	002009511051	170
001002167000	88	001079712000	30,38,146,156	002011198010	114
001002249000	160	001079712045	38	002011198051	114
001002251000	168	001079884000	46,60	002011198053	114
001002285000	146	001079886000	66	002011198072	114
001002288000	26	002001018000	128	002011209000	114
001003012000	32,162	002001426000	124	002011506022	22
001003033000	136	002002269000	162,168	002011506030	114
001003114000	64	002002275000	174	002011507136	176
001003128000	60,64	002002278000	174	002011721159	116
001003133001	136,168,174	002003033110	114	002011721193	116
001003133002	136	002003033166	114	002011727090	116
001003156000	64,66	002003034060	114	002011728000	116
001003201000	64	002003034064	114	002011730000	116
001003202000	60	002003034077	114	002011731000	116
001003206000	60	002003036000	114	002011740000	64
001003258004	42	002003043000	114	002011744000	116
001003258020	46	002003045000	162	002011745000	116
001003311000	42	002004933000	42,124,128	002011746000	116
001003349000	32,38	002004934000	122,124	002011751000	114
001004099001	136	002004965000	120,122,124	002011752000	114
001004126000	136	002004966000	42,124,128	002011753000	114
001005011000	22	002005085000	32,38	002011755000	116

NUMERICAL INDEX

Part No	Page	Part No	Page	Part No	Page
002012504000	70	003000901219	180	003005071016	102,106
002012613000	46	003000902251	92	003005071017	92,100,102
002012635000	46,58	003000902282	110	003005071019	102,106
002012635001	58	003000902288	106	003005071033	92
002012635002	58	003000902289	180	003005071034	92,100
002015449000	172	003000902290	102,106,180	003005071035	180
002015914000	42,44	003000902291	102,180	003005071047	106
002015914001	44	003000902292	102	003005071070	102
002015914002	44	003000902293	102,106,110	003005071072	106
002015914003	44	003000902294	180	003005071075	106
002015915000	42	003000902295	110,180	003005071077	106
002015917000	168	003000902296	102,180	003005071316	92
002015920000	168	003000902297	102,180	003005071342	92,100
002016661002	20,24	003000902298	102,180	003005071356	92
002016661003	24	003000902304	180	003005071361	92,100
002016661004	24	003000902322	106	003005071563	92,102
002016724000	24	003000902326	106	003005071571	92
002016732000	24	003000902332	106	003005072001	108
002016733000	22,24	003000902333	106	003005072002	110,112,180
002016734000	24	003000902334	106	003005072004	180
002016735000	24	003000902344	102	003005072012	108,110,112
002017087000	162	003000902345	102	003005072023	180
002017307000	32,38	003000902365	93,100	003005072031	108,110,112
002017308000	32,38	003000902366	93,100	003005072032	180
002017309000	146	003000902367	93	003005135000	100
002017310000	146	003000902368	93,100	003006922000	92
002017314000	146	003000902369	93	004001219000	172
002022322180	116	003000902370	93,100	004001786000	46
002022565012	116	003000902371	93,100	004002196000	32,38
002022565020	116	003000902372	93	004002203000	74
002022565031	114	003000902373	93	004002286000	30
002022565098	116	003000902374	93,100	004002546000	62
002022565130	116	003000902375	93,100,102	004002795000	60,136
0020225690036	176	003001209000	92	004002796000	60
002022569015	116	003001264000	88	004003022000	60
0020225690180	176	003001296000	92	004003040000	60
0020225690210	176	003001298003	92	004003040001	60
002022569026	116	003001752121	92	004003040002	60
002022569138	116	003001853001	110	004003066000	60
002022569173	114	003001853002	100,106,180	004003136000	26
003000172000	106	003001853004	180	004003139000	26
003000210100	92	003001853006	102	004003145000	26
003000211000	92,102	003002068000	8	004003146000	26
003000272000	92	003002101000	102	004003442001	28
003000273000	92	003002107000	98	004003442002	28
003000275000	92	003002113000	98	004003442003	28
003000288000	102	003002125003	92	004003442004	28
003000289000	92	003002160000	102	004003442005	28
003000289001	92	003002160001	102	004003442006	28
003000417000	106	003002208000	88	004003442007	28
003000700003	106	0030022141000	88	004003442011	28
003000700005	106	0030022142000	88	004003442013	28
003000700007	102	0030022143000	88	004003442014	28
003000700017	102	003002214310	108	004003442015	28
003000700019	106	003002219000	92	004003443000	26,28
003000700025	102	003002220000	92	004003448000	46
003000700028	102	003002221000	92	004004244000	160
003000700054	92	003002603006	92	004004824000	152,154
003000700065	102,106	003002603007	92	004010231000	156
003000700074	106	003002816000	64	004011125000	172
003000700079	106	003002853000	100	004011130000	172
003000700098	92	003003335000	102	004011907000	156
003000700101	92	003003337225	92	004012159000	30
003000700127	92	003003350010	102	004012164000	32,38
003000700173	92	003003350015	102	004012165000	32,38
003000700174	98	003003350030	106	004012166000	32,38
003000700205	92	003003350060	106	004013326008	66
003000700207	92,180	003003725002	92	004013328000	64
003000700208	100,110,180	003004535001	102	004013368000	62
003000700229	100	003005071003	106	004013402000	46
003000731009	136	003005071011	180	004013425000	64
003000781000	88	003005071013	180	004013426000	64
003000887000	92	003005071014	102,106	004013427000	64
003000901218	92,100,180	003005071015	106	004013429000	62

NUMERICAL INDEX

Part No	Page	Part No	Page	Part No	Page
004013430000	62	526000598000	74	526009051000	88
004013431000	60	526000925000	172	526009052000	88
004013460000	46	526000926000	144	526009053000	88
004013478000	46	526001028000	160	526009173000	172
004013479000	64	526001029000	160	526009226000	88,102
004013484000	20	526001031000	160	526009240000	102
004013491000	64	526001032000	146	526012006001	136
004013637027	70	526001034000	150	526012007000	136
004013640000	78	526001045000	146	526012011000	18
004013715018	46	526001048000	146	526012017000	136
004013722000	72,76	526001057000	160	526012019000	136
004013722001	76	526001059000	118	526012039000	132
004013744000	156	526001075000	146	526012040000	132
004013766006	66	526001091000	160	526012042000	136
004013766009	66	526001142000	146	526224397000	166
004013812000	64,66	526001143000	146	531000273000	82
004013812001	66	526001144000	146	531000427000	150
004013812002	66	526001157000	156	531000496000	150
004013812003	66	526001219000	72	531000575000	64
004013812004	66	526001234000	12	531001251000	26
004013812005	66	526001255000	134	531001403000	150
004013812006	66	526001258000	136	531001426000	150
004013812007	66	526001289000	140,142	531004002000	118,120
004013812008	66	526001290000	142	531004092000	164
004013812009	66	526001291000	142	531004145000	170
004013812010	66	526001292000	142	531004163000	172
004013812011	66	526001293000	142	543040109000	172
004013836000	68	526001294000	142	543040110000	172
004013846000	38	526001295000	142	543040111000	172
004013847000	32,38	526001296000	142	543040239000	118,128
004014145000	160	526001433000	144	550090150000	102
004014163000	160	526001552000	82	553040049000	168
004014165000	156	526001553000	82	553040105000	170,174
004014166000	160	526001577000	62	553040105001	174
004014173000	156	526001578000	62	553040119000	164
004023400000	18,20	526001579000	62	555005007001	60
004023401000	20	526001580000	60	55-79007	42,44,80
004094239160	62	526001581000	64	55-79022	168
056000577000	62	526001585000	46,60	559960082000	92,98
056069023000	102	526001586000	46,62	559960098000	106
085000466000	120	526001590000	62	559960099000	106
097003002000	120,124	526001591000	60	560090028000	88,110
16181028	110	526001592000	64	565005020000	60
212-00276-17	92	526001593000	64	568001013000	4,6
22-8505631	132	526001596000	46	568001014000	2,4
24001375	110	526002018000	80	568002032000	134
24001630	62	526004016000	146	568002034000	134
24002006	92	526004040000	118,126	568002052000	136
24002007	92	526004040002	126	568002078000	130,132
24002008	92	526004040005	126	568002080000	136,140
24002034	92	526004040006	126	568002094000	6,8
25002547	32,38	526004193000	170,172	568002095000	8
298-02065-71	66	526004195000	170	568002099000	8
298-05333-92	62	526004285000	172	568002100000	8
2980909486	46	526004286000	172	568002101000	8
302003892100	42	526004312000	162	568002102000	46
311539041410	166	526004398000	170	568002111000	8,12
312006150000	168	526005033000	70	568002112000	12
313006041000	170	526005034000	70	568002113000	12
319006120000	170	526005035000	70	568002114000	12
320010020010	44	526005067000	22	568002117000	12
320010020040	44	526005081000	12	568002118000	12
519009048000	88	526005084000	78	568002126000	16
520000741000	102	526005085000	78	568002127000	16
526000267000	72	526007009000	156	568002128000	12
526000268000	72	526007070000	156	568002129000	12
526000360000	30	526007071000	156	568002135000	14,16
526000419001	156	526007072000	156	568002138000	12
526000420000	160	526007101000	156	568002141000	130,134
526000430000	160	526007108000	152,154	568002145000	134
526000449000	160	526007111000	152,154	568002147000	134
526000466000	46	526007112000	152,154	568002148000	134
526000596000	72,74	526008020000	30	568002149000	12
526000597000	74	526008021000	30	568002150000	12

NUMERICAL INDEX

Part No	Page	Part No	Page	Part No	Page
568002151000	8,14	568007029000	132	568090119000	88
568002152000	8	568007030000	6	568090121000	88
568002153000	46	568008002000	6	568090122000	88
568002154000	12	568008008000	146	568090124000	88
568002155000	8	568009023000	4	568090126000	88
568002156000	14	568020010001	42	568090131000	88,92,93
568002157000	12	568020010002	42	568090136000	93
568002158000	12	568020010003	42	568090138000	88
568002159000	12	568020010004	42	568090140000	178
568002160000	130,136	568020011000	46,80	568090144000	178
568003036000	32	568020015000	80	568090145000	88
568003039001	32,38	568020017000	46	568090153000	88
568003040000	38	568020018000	6,42	568090154000	88
568003042000	36	568030002000	4,118	568090155000	88
568003044000	32,36,38	568040012000	168	568090156000	88
568003045000	36	568040013000	168	568090158000	88
568003047000	6,30	568040014000	178	568090159000	88
568003048000	30,32	568040026000	162,164	A076557	156
568003049000	30,38	568040027000	164	A125415	156
568003050000	32,38	568040031000	168	A126820	160
568003052000	32	568040032000	168	A-130120	8
568003053000	36	568040033000	162,166	A-136252	156
568004013000	156	568040034000	166	A140858	147
568004014000	156	568040035000	166	A-141472	160
568004018000	150	568040036000	166	A141554	147
568004022000	146,150	568040037000	166	E051338	160
568004041000	26	568040038000	166	E200026	156
568004044000	144,146,147	568040054001	162	G15069	172
568004046000	152	568040059000	162	M14/M15	54
568004047000	154	568040062000	2,130	SN 568240	2
568004050000	146,152	568040066000	162		
568004051000	146,154	568040069000	162,168		
568004052000	146	568040076000	168		
568004053000	146,156	568040081000	162		
568004054000	156	568040084000	2,162		
568004056000	146	568040085000	162,170		
568004058000	152,154	568040086000	162		
568004059000	146	568040087000	170		
568004060000	146	568040088000	170		
568004061000	146	568050025000	22		
568004065000	152,154	568050036000	136		
568004066000	152,154	568050038000	8,22		
568004067000	146,160	568050039000	6,84		
568004068000	160	568050040000	8		
568004069000	160	568050049000	6,114		
568004075000	2,144	568050051000	162,176		
568004082000	6,26	568090006000	6,88		
568004084000	26	568090008000	162,178		
568004086000	146	568090027000	88,100		
568004088000	26	568090028000	92		
568004089000	152,154	568090035000	178		
568004090000	152,154	568090049000	178,180		
568004091000	8	568090050000	88,108		
568005012000	46,64	568090054000	106		
568005016000	64	568090055000	106		
568005019000	46	568090056000	88,106		
568005024000	46	568090058000	92		
568005026001	68	568090059000	88		
568005035000	78	568090069000	88		
568005040000	6,46,47,48	568090070000	136		
568005041000	8,18	568090071000	46		
568005042000	46,68	568090072000	136		
568005043000	46	568090075000	88		
568005044000	6,116	568090079000	88		
568005045000	46,70	568090081000	88		
568005046000	46,72	568090082000	88		
568005047000	72	568090084000	88		
568005048000	46	568090085000	88		
568005049000	46,78	568090087000	92		
568005060000	47,48,82	568090100000	88		
568005060001	82	568090102000	88,112		
568005065000	8	568090115000	88		
568006014000	30	568090116000	88		
568006015000	30	568090118000	88		

ASSEMBLIES ALPHABETICAL INDEX

Description	Part No	Page
Accessory Group, Water Emulsion	568040026000	164
Actuator, Hydraulic Clutch	568005046000	72
Adapter, Power	568090050000	108
Air Intake Assembly	526001585000	60
Air Regulator-Lubricator	002015914000	44
Axle Assembly, Cutter	568004053000	156
Axle Assembly, Front Drive	568003048000	32
Axle Assembly, Rear Drive	568003049000	38
Battery Group	568005060000	82
Cable, Spraybar	568090049000	180
Chain, Ratchet Tool	526004040000	126
Chaincase Assembly	568004050000	152
Chaincase Assembly	568004051000	154
Control Handle Assembly	568090027000	100
Cooling Group, Transmission	568005049000	78
Cooling System	568005012000	64
Covers Assembly	568002111000	12
Covers Group, Operator Station	568002078000	132
Cowling Assembly	568002160000	136
Cutter Assembly	568004075000	144
Cutter Housing and Drive	568004044000	146
Dipstick Assembly	568005042000	68
Door, Rear	568004022000	150
Drive Assembly, Cutter Lower	568004067000	160
Drive Assembly, Wheel	568003047000	30
Drive Line Assembly	568004082000	26
Electrical Group	568090006000	88
Electrical System	568090008000	178
Engine Assembly	568005040000	46
Exhaust Assembly	526001586000	62
Exhaust Insulation Assembly	001010688000	54
Filter Assembly	002008549000	86
Filters Assembly	568050039000	84
Hammer, Air Assembly	001010066000	122
Hammer, Air Attachment	531004002000	120
Handrail Assembly	568002141000	134
Handrails Group	568002151000	14
Hood Assembly 2	568002080000	140
Hood Assembly, Engine	526001289000	142
Hose Group	568050051000	176
Hose Kit	568050049000	114
Hose Kit, Power Pack	568005044000	116
Hose, Air Assembly	097003002000	124
Kit, Clutch Shift Lever	004013722000	76
Kit, Oil Sampling Assembly	543040239000	128
Lanyard Assembly	553040105000	174
Light, Dash Assembly	559960082000	98
Light, Strobe	560090028000	110
Mainframe Assembly 2	568002094000	8
Operator Platform, Open	568040062000	130
Panel Assembly, Main Control	568090131000	92
Panel, Auxiliary Gauge	526009226000	102
Panel, Power	568090056000	106
Pump Assembly, Cutter Cooling	568005045000	70
Pump, Lube	568090102000	112
Pump/Motor Assembly	526004193000	172
Pushbar Assembly	568040033000	166
RAD CAC HOC Assembly	004013812000	66
Regulator Assembly, Air	568020018000	42
Reservoir, Hydraulic	002016733000	24
RS446 Reclaimer/Stabilizer	568001013000	6
RS446 Reclaimer/Stabilizer	SN 568240	2
RS446 Tractor	568001014000	4
Service Center Assembly	568002135000	16
Split Flange Kit	002005089000	56
Spraybar Assembly	568040069000	168
Tandem Hydraulic Assembly	002012635000	58
Tank, Air Assembly 2	568020011000	80
Tank, Fuel	004023400000	20
Tank, Fuel	568005041000	18
Tank, Hydraulic	568050038000	22
Tie Rod Assembly	568003044000	36
Tools Group	568030002000	118

ASSEMBLIES ALPHABETICAL INDEX

Description	Part No	Page
Torque Limiter	004003443000	28
Turnbuckle Assembly	526000596000	74
Water and Emulsion System	568040084000	162
Water Pump and Plumbing Assembly	568040085000	170

PARTS ALPHABETICAL INDEX

Description	Part No	Page
Adapter	000AA0518009	70
Adapter, 90 Elbow 1/8 NPT X 1/4 Tube	002015917000	168
Adapter, Elbow	55-79007	42,44,80
Adapter, Pump	004013478000	46
Adapter, Sensor	568005035000	78
Adapter, Sight Gauge	568050025000	22
Adapter, Straight 1/4" JIC x 1/4" NPT	000A05379000	80,128
Adaptor, Coupling	526005034000	70
Air Cleaner Assembly	004003040000	60
Air Cleaner Support WMT	526001580000	60
Air Inlet Tube	004013431000	60
Alarm, Backup	568090075000	88
All Thread	568005060001	82
Angle, Flowmeter Support	526004398000	170
Angle, Tie Down	526001552000	82
Arm, Actuator	526001219000	72
Backing Plate	543040109000	172
Band Mounting	004002795000	60,136
Band, Spring Loaded	001003202000	60
Band, Spring Loaded	001003206000	60
Bar	526012017000	136
Bar	531001426000	150
Bar, Buss	056069023000	102
Bar, Buss	550090150000	102
Bar, Door Lock	526001032000	146
Bar, Filler	526001059000	118
Bar, Hold Down	531001403000	150
Barb, Hose	002005175000	80
Barb, Hose	002005191000	64
Base, Mounting	003002603007	92
Battery	001009089000	82
Bearing	004001786000	46
Bearing	004003442006	28
Bearing	004011907000	156
Bearing, Lower Housing	526000430000	160
Bearing, Rod End	004002203000	74
Bearing, Spherical Roller	E051338	160
Blade 4'	531000427000	150
Bolt	A-141472	160
Bolt Hex	000AA0388049	60,62
Bolt, Button	000AA0349000	132
Bolt, Eye	000A01836000	162
Bolt, Hex	000A00054000	12
Bolt, Hex	000A00112000	142
Bolt, Hex	000A00109000	16,118,172
Bolt, Hex	000A00115000	152,154
Bolt, Hex	000A00008000	142
Bolt, Hex	000A00005000	12
Bolt, Hex	000A00219000	152,154
Bolt, Hex	000A00207000	160
Bolt, Hex	000A00036000	8
Bolt, Hex	000A01142000	172
Bolt, Hex	000A00152000	150
Bolt, Hex	000A00080000	60,78
Bolt, Hex	000A00079000	70
Bolt, Hex	000A00089000	32
Bolt, Hex	000A00084000	46
Bolt, Hex	000AA0388085	58
Bolt, Hex	000AA0388140	32,38
Bolt, Hex	000AA0388176	32,38
Bolt, Hex	000AA0388004	66
Bolt, Hex	000AA0388029	47
Bolt, Hex 1/2"-13 UNC X 1 1/2"	000A00103000	46,56,146,152,154
Bolt, Hex 1/2"-13 UNC X 1 1/4"	000A00102000	16
Bolt, Hex 1/2"-13 UNC X 1 3/4"	000A00104000	8,162
Bolt, Hex 1/2-13 UNC x 1"	000A00101000	6,166
Bolt, Hex 1/2-13 UNC X 2 1/4"	000A00106000	146
Bolt, Hex 1/2-13 UNC X 2 3/4"	000A00108000	46
Bolt, Hex 1/2-13 UNC X 2"	000A00105000	8,146,170,172
Bolt, Hex 1/4-20 UNC X 1"	000A00006000	8,132,142,172
Bolt, Hex 1/4-20 UNC X 1/2"	000A00002000	178
Bolt, Hex 1/4-20 UNC x 3/4"	000A00004000	8,46,106,142
Bolt, Hex 1-8 UNC x 3 1/2"	000A00211000	6

PARTS ALPHABETICAL INDEX

Description	Part No	Page
Bolt, Hex 3/4"-10 UNC X 2 1/2"	000A00169000	46
Bolt, Hex 3/4-10 UNC X 1 1/2"	000A00165000	46
Bolt, Hex 3/4-10 UNC X 1 3/4"	000A00166000	32,38
Bolt, Hex 3/4-10 UNC X 2"	000A00167000	8,26,72
Bolt, Hex 3/4-10 UNC x 3 1/4"	000A00172000	30
Bolt, Hex 3/8-16 UNC X 1 1/2"	000A00059000	12,46,134,136
Bolt, Hex 3/816 UNC X 1 1/4"	000A00058000	26,46,62,80,106 134,136,162
Bolt, Hex 3/8-16 UNC X 1 3/4"	000A00060000	76
Bolt, Hex 3/8-16 UNC X 1"	000A00057000	12,14,20,24,46 70,72,134,136,152 154
Bolt, Hex 3/8-16 UNC X 2"	000A00061000	14,72,136,156,168
Bolt, Hex 5/16-18 UNC x 1 1/4"	000A00032000	146
Bolt, Hex 5/16-18 UNC X 1"	000A00031000	42,46,172
Bolt, Hex 5/8"-11 UNC X 2 1/4"	000A00147000	150,166
Bolt, Hex 5/8-11 UNC X 1"	000A00142000	156
Bolt, Hex 5/8-11 UNC x 2 1/2"	000A00148000	30,156
Bolt, Hex 5/8-11 UNC X 2 3/4"	000A00149000	170
Bolt, Hex 5/8-11 UNC X 2"	000A00146000	170
Bolt, Hex 5/8-11 UNC x 5"	000A00156000	166
Bolt, Hex, 5/8"-11 UNC X 1 3/4"	000A00145000	156,170
Bolt, Shoulder	001003349000	32,38
Bolt, Socket	000A00431000	152,154
Bolt, T 3/8-16 UNC X 2 3/4	001002167000	88
Boot Assembly, Shift	001008194000	26
Boot, Seal	004014163000	160
Boot, Switch	003000211000	92,102
Box Assembly, Machine Logic Control	568090155000	88
Brace, Radiator	568005016000	64
Bracket	520000741000	102
Bracket	531004163000	172
Bracket	568090055000	106
Bracket, Air System Attachment	002015914002	44
Bracket, Air System Support	002015914001	44
Bracket, Component Mounting	568090087000	92
Bracket, Engine Cable Mount	568090071000	46
Bracket, J-Box	568040081000	162
Bracket, J-Box Support	568040014000	178
Bracket, Mount	559960098000	106
Bracket, Muffler	056000577000	62
Bracket, Pivot	002005977000	72
Bracket, Pivot	526000267000	72
Bracket, Pump Mounting	568040086000	162
Bracket, Sensor Mount	543040110000	172
Bracket, Spraybar	568040012000	168
Bracket, Transmission Hose Support	568005043000	46
Breaker, Circuit	003003550010	102
Breaker, Circuit	003003550015	102
Breaker, Circuit	003003550030	106
Breaker, Circuit	003003550060	106
Breather	E200026	156
Breather	002016661004	24
Breather, Oil	001010148000	156
Bridge, Diode	003003337225	92
Bulb	003002113000	98
Bulb	003002101000	102
Bulkhead	002015915000	42
Bulkhead 45°	000AA0133005	70
Bumper Rubber	001008049000	132
Bushing	002009511023	156
Bushing	002009511030	80
Bushing	000A00704000	47
Bushing, Bronze	004012165000	32,38
Bushing, Pipe	002009511025	80
Bushing, Pipe	000A00853000	78,80
Bushing, Pipe Reducer 3/4" NPT x 3/8" NPT	000A03026000	47
Bushing, Reducer	000A02292000	78
Bushing, Reducer	000A00852000	80
Bushing, Reducer	002009511051	170
Bushing, Reducer 1"- 1/2"	000AA0090000	168
Bushing, Tension	004002286000	30
Bushing, Tension	004012159000	30

PARTS ALPHABETICAL INDEX

Description	Part No	Page
Bushing, Tension	004012166000	32,38
Buss Bar Jumper - Relay	568090054000	106
Buttsplice, Non Insulared	003000700207	92,180
Cable 1/8 X 40 LG	526012006001	136
Cable, A Console/Firewall	568090116000	88
Cable, A-B Console	568090159000	88
Cable, Additive/Trans. Control	568090156000	88
Cable, Alternator Harness	568090059000	88
Cable, B Console/Firewall Control	568090079000	88
Cable, Battery Disconnect	526009052000	88
Cable, Battery Jumper	526009051000	88
Cable, Battery Positive	568090085000	88
Cable, C Console/Firewall Control	568090158000	88
Cable, Cutter Depth Control	568090126000	88
Cable, Cutter Level Control	568090145000	88
Cable, Disconnect to Ground	526009053000	88
Cable, ECM Ground	568090100000	88
Cable, Engine Propel Interface	568090069000	88
Cable, Flowmeter Ground	568090035000	178
Cable, Front Hood Lights	568090081000	88
Cable, Front Mainframe	568090153000	88
Cable, Front Steering Sensor	568090122000	88
Cable, Ground	519009048000	88
Cable, Hydraulic Control	568090115000	88
Cable, Push-Pull	A141554	147
Cable, Rear Frame	568090121000	88
Cable, Rear Mainframe	568090154000	88
Cable, Rear Steering Sensor	568090124000	88
Cable, Shielded	003000902251	92
Cable, Speed Interface Control	526009173000	172
Cable, Starter Coil Extension	568090084000	88
Cap	000AA0145005	47
Cap, Air Cleaner	004002796000	60
Cap, Dust	002002275000	174
Cap, Exhaust	004002546000	62
Cap, Hydraulic Cylinder Tensioner	526007112000	152,154
Cap, Radiator	004013326008	66
Cap, Vented Fuel	001010342000	20
Capscrew	001002288000	26
Capscrew 12 Point	001002285000	146
Chain	568004091000	8
Chain	004001219000	172
Chain	004004824000	152,154
Chaincase	568004046000	152
Chaincase	568004047000	154
Clamp Set	001003311000	42
Clamp, Cable 1/8"	001003033000	136
Clamp, Exhaust	24001630	62
Clamp, Exhaust	298-05333-92	62
Clamp, Hose	001003114000	64
Clamp, Hose	001003128000	60,64
Clamp, Hose	001003201000	64
Clamp, Hose	001003258020	46
Clamp, Hose	001003156000	64,66
Clamp, Hose/Tubing	001003258004	42
Clamp, Turbo	004094239160	62
Clevis, LH Turnbuckle	568003045000	36
Clevis, RH Turnbuckle	568003042000	36
Clevis, Rod	002005978000	72
Clip, Hair Pin	001009356000	136
Clutch	004003448000	46
Clutch Brake	004013715018	46
Companion Flange Assembly	568004041000	26
Connect, Straight	000AA0164006	32
Connector	302003892100	42
Connector	000AA0118012	47
Connector	003005135000	100
Connector	003005071011	180
Connector	003005071342	92,100
Connector	003005071003	106
Connector	003005071316	92
Connector	003005071563	92,102
Connector	003005071571	92

PARTS ALPHABETICAL INDEX

Description	Part No	Page
Connector	003000172000	106
Connector	003005071075	106
Connector	003005071070	102
Connector, Elbow 45	000AA0118016	24
Connector, Elbow 90	000AA0113027	24
Connector, Male ORB	000A00703000	47
Connector, Run Tee	000AA0116005	70
Connector, Straight	000A00679000	20
Connector, Straight	000AA0120010	47
Connector, Straight	000AA0112018	47
Connector, Straight	000AA0112005	146
Connector, Straight 3/8" JIC x 3/8" ORB	000A00678000	47
Connector, Swivel Nut Elbow	000AA0123001	47
Connector, Three Way Tower	003005072023	180
Connector, Two Way Shroud	003005072012	108,110,112
Contact	003005071016	102,106
Contact Block	24002007	92
Contact, Male	003005071034	92,100
Control Stick	003002853000	100
Controller	568090138000	88
Coolant Loss Sensor	003002816000	64
Cooler Mount Weldment LH	526005084000	78
Cooler Mount Weldment RH	526005085000	78
Cooler, Charge Air	004013812002	66
Cooler, Oil	004013812003	66
Coupler	002002278000	174
Coupling	000A00842000	60
Coupling	000A00844000	80
Coupling, Pipe	000A00845000	64
Coupling, Pipe 1/4 NPT	000A00843000	42,122
Coupling, Quick 3"	002002269000	162,168
Cover	002016734000	24
Cover	004013484000	20
Cover	526007108000	152,154
Cover Plate	526001234000	12
Cover, Access	526000466000	46
Cover, Auxiliary Gauge Panel	526012039000	132
Cover, Breather	002016735000	24
Cover, Clutch Access	568002159000	12
Cover, Console	568007029000	132
Cover, Dust	002004965000	120,122,124
Cover, Fender	568002158000	12
Cover, Floorplate	568002128000	12
Cover, Floorplate	568002129000	12
Cover, Hood	526004016000	146
Cover, Mainframe Front	568002118000	12
Cover, Mainframe Side	568002114000	12
Cover, Powerpack	568002117000	12
Cover, Pump Access	568002112000	12
Cover, Rear Weight	568002138000	12
Cover, Stub Shaft	526007009000	156
Cover, Transmission Access	568002113000	12
Cowling Support	526012019000	136
Crank	553040119000	164
Crimp Reducer	003005071077	106
Cutter Assembly	526001433000	144
Cylinder	002017307000	32,38
Cylinder, Hydraulic	002007170000	72
Cylinder, Hydraulic	002007171000	146
Cylinder, Hydraulic	002007360000	146
Cylinder, Hydraulic	002017309000	146
Cylinder, Hydraulic	002017310000	146
Cylinder, Hydraulic	002017314000	146
Cylinder, Smart	002017308000	32,38
Decal 50" Cutter Depth Scale	526000926000	144
Decal, Pump Lubrication	526000925000	172
Diode	003003335000	102
Dipstick	004013744000	156
Dipstick	004013836000	68
Disc LH Weldment	526001028000	160
Disc RH Weldment	526001029000	160
Door Assembly, front	568004056000	146
Door, Rear	568004018000	150

PARTS ALPHABETICAL INDEX

Description	Part No	Page
Draw Bar	001010086000	166
Drive Axle, Cutter	004010231000	156
Drive Axle, Front	568003036000	32
Drive Axle, Rear	568003040000	38
Edge Guide Assembly	568008002000	6
Edge Trim	001008187000	136
Elbow	000A02979000	47
Elbow	004003066000	60
Elbow 90°	000A05384000	64,80
Elbow 90°	000AA0113017	47
Elbow 90° 3/4 NPT	000A00916000	47
Elbow Block, Flange To O-Ring	000AA0435000	47
Elbow, 45 Degree	002009507006	164
Elbow, 45 Degree	002009507005	70
Elbow, 45°	000AA0640003	20
Elbow, 45°	000AA0249000	164
Elbow, 45° Street	000A00907000	42,168
Elbow, 90 Degree	002009508005	68
Elbow, 90 Degree 1/4" JIC X 1/4" NPT	000A05382000	80
Elbow, 90 Degree 1/4" JIC X 1/8" NPT	000A00572000	32
Elbow, 90°	000AA0119009	78
Elbow, 90°	000A00890000	42
Elbow, 90°	000AA0119013	70,147
Elbow, 90°	000AA0113014	47,64
Elbow, 90°	000A00830000	47
Elbow, 90°	000A00893000	47
Elbow, 90°	000AA0113005	32,38
Elbow, 90° 3/8" JIC X 3/8" ORB	000A00753000	47
Elbow, 90° Female	000A00913000	102
Elbow, 90° Reducer	555005007001	60
Elbow, 90° Street	000A00900000	64,80
Elbow, 90° Street	000A00898000	168
Elbow, 90° Street	000A00901000	47
Elbow, 90° Swivel	000A00729000	47
Elbow, 90° Swivel	000AA0121006	47
Elbow, Adj. 90°	000AA0113020	64
Elbow, Pipe 45°	000AA0089000	168
Elbow, Street 90° 3" NPT	002009510029	168,170
Elbow, Street, 90 Degree, 1" NPT	002009510006	156
Elbow, Swivel Nut	000AA0123005	32,38,47
Elbow, Swivel Nut 90°	000AA0123003	78
Element, Filter	002008549001	86
Engine Alternator Guard	526001596000	46
Engine Assembly	004013402000	46
Engine Vent Hose	526001593000	64
Exhaust Elbow	004013430000	62
Exhaust Tube Support WMT	526001590000	62
Extension, Air Intake	565005020000	60
Eyebolt	001010964000	146
Eyebolt	001010968000	8
Face Plate, Master Disconnect	001009565000	88
Fan, Sickle Blade	004013460000	46
Fender, Left	568002101000	8
Fender, Right	568002100000	8
Filter Assembly	002008581000	84
Filter Assembly	002016661003	24
Filter, Hydraulic	002008571000	70
Filter-Regulator	320010020010	44
Fitting	000AA0112021	24,47
Fitting	000AA0644008	70
Fitting	000AA0112004	24
Fitting	000AA0120009	78
Fitting 90°	000AA0113019	24
Fitting 90°	000AA0112002	47
Flange	531004145000	170
Flange, Drive	004003442004	28
Flange, Pipe	319006120000	170
Flange, Pump	526005033000	70
Flashing	526001034000	150
Flashing	526001144000	146
Flashing	526004312000	162
Flashing	568040027000	164
Flatwasher	000AA0391003	60,62

PARTS ALPHABETICAL INDEX

Description	Part No	Page
Front Handrail	568002156000	14
Fuel Tank Pad	526012011000	18
Gas Spring	001004126000	136
Gasket	004013637027	70
Gasket	A125415	156
Gasket	002016661002	20,24
Gasket, Flange 4"	313006041000	170
Gauge, Fuel	001005283000	20
Gauge, Oil Level	001005011000	22
Gauge, Oil Temperature	001005112000	102
Gauge, Pressure	001005235000	102
Gauge, Pressure	001005238000	168
Gauge, Pressure	001005234000	102
Gauge, Pressure	001005236000	102
Gauge, Sight	004013766006	66
Grill, Front	526001295000	142
Guard, Chain	526004285000	172
Guard, Driveshaft	531001251000	26
Guard, Finger	004013766009	66
Guard, Switch	003000210100	92
Hammer, Air	001010067000	122
Handle, Grab	001010540000	8,140
Handrail	568002126000	16
Handrail Mount	526001255000	134
Handrail, Left	568002034000	134
Handrail, Rear	568002147000	134
Handrail, Right	568002032000	134
Head Assembly	002008549002	86
Heatshrink, Tubing	003000901218	92,100,180
Hinge Bracket	526001258000	136
Holder, Disc LH Weldment	526001142000	146
Holder, Disc RH Weldment	526001143000	146
Hood Guide	526012042000	136
Hood, Disc Assembly	526001091000	160
Hood, Engine	526001290000	142
Hook, S	001003012000	32,162
Horn	003000781000	88
Hose Air Compressor Supply	526001591000	60
Hose Assembly	002022322180	116
Hose Assembly	002011728000	116
Hose Assembly	002011727090	116
Hose Assembly	002011740000	64
Hose Assembly	002011744000	116
Hose Assembly	002011755000	116
Hose Assembly	002011721159	116
Hose Assembly	002011721193	116
Hose Assembly	002011731000	116
Hose Assembly	002022565012	116
Hose Assembly	002022565130	116
Hose Assembly	002022565020	116
Hose Assembly	002022565098	116
Hose Assembly	002022569026	116
Hose Assembly	0020225690180	176
Hose Assembly	0020225690210	176
Hose Assembly	0020225690036	176
Hose Assembly	002022569015	116
Hose Assembly	002022569138	116
Hose Assembly	002011507136	176
Hose Assembly	002011506022	22
Hose Assembly	002011730000	116
Hose Assembly	002011745000	116
Hose Assembly	002011746000	116
Hose Assembly 1/2 TEF x 72"	002011751000	114
Hose Assembly 1/4 JIC x 205"	002011209000	114
Hose Assembly 1/4 JIC x 56"	002011752000	114
Hose Assembly 1/4 JIC/JIC 90° x 66"	002011753000	114
Hose Assembly 1/4 ORFS/ORFS 90° x 10"	002011198010	114
Hose Assembly 1/4 ORFS/ORFS 90° x 53"	002011198053	114
Hose Assembly 1/8 BLK HD/JIC 90° x 84"	002003036000	114
Hose Assembly 1/8 BLK HD/JIC 90° x 99"	002003043000	114
Hose Assembly 1/8 BLK HD/JIC x 60	002003034060	114
Hose Assembly 1/8 BLK HD/JIC x 64	002003034064	114
Hose Assembly 1/8 BLK HD/JIC x 77"	002003034077	114

PARTS ALPHABETICAL INDEX

Description	Part No	Page
Hose Assembly 1/8 JIC x 110"	002003033110	114
Hose Assembly 1/8 JIC x 166"	002003033166	114
Hose Assembly 3/4 ORFS x 31"	002022565031	114
Hose Assembly 3/4 ORFS/ORFS 90° x 173	002022569173	114
Hose Assembly 3/8 ORFS/ORFS 90° x 30"	002011506030	114
Hose Assembly 3/8 ORFS/ORFS 90° x 72"	002011198072	114
Hose Assembly 4 x 120"	531004092000	164
Hose Assembly x 1/4 ORFS/ORFS 90° x 51"	002011198051	114
Hose Assembly, Water	002003045000	162
Hose Barb	001079886000	66
Hose Barb	001079884000	46,60
Hose Barb	2980909486	46
Hose Cover	526005081000	12
Hose Engine Coolant Fill	526001592000	64
Hose, Hump	004013328000	64
Hose, Hydraulic	002001426000	124
Hose, Hydraulic 1/4" X 36"	002001018000	128
Hose, Overflow	004013812008	66
Hose, Radiator	531000575000	64
Hose, Vent	004013812005	66
Hose, Water	526002018000	80
Housing, Cutter	568004061000	146
Housing, Light	003002160000	102
Hub Assembly, Output	004003442005	28
Hub, Chain Case	526000419001	156
Hub, Drive Axle	568003050000	32,38
Hydraulic Cylinder	002007154000	152,154
Hydraulic Pump	002012613000	46
I/O Module	568090119000	88
Idler Arm	568004065000	152,154
Indicator Assembly	002008549003	86
Indicator, Audio	003004535001	102
Indicator, Cutter Depth	568008008000	146
Indicator, Filter	004003022000	60
Inlet Exhaust Tube	004013429000	62
Insulation Pad	001010688001	54
Insulation Pad	001010688002	54
Insulation Pad	001010688003	54
Insulation Pad	001010688005	54
Insulation Pad	001010688006	54
Insulation Pad	001010688007	54
Insulation Pad	001010688008	54
Insulation Pad	001010688009	54
Insulation Pad	M14/M15	54
Insulation Pad	001010688010	54
Insulation Pad	001010688011	54
Insulation Pad	001010688012	54
Insulation Pad	001010688013	54
J-Box	003002068000	8
J-Box Assembly	568090144000	178
Joint, Ball	001006026000	146
Jumper, Terminal Ring	003003725002	92
Key	526005035000	70
Key Switch	212-00276-17	92
Key, Square	001001308000	172
Keystock	000A03748000	126
Kit, Grommet Mount	0030022143000	88
Kit, Transmission Oil Cooling	004013640000	78
Ladder	568002127000	16
Lamp, Amber	003002220000	92
Lamp, Green	003002221000	92
Lamp, Indicator White	003002125003	92
Lamp, Red	003002219000	92
Lanyard, Pin and Keeper	568040032000	168
Latch Overcenter Tension	001010672000	136
Lens, Red	003002160001	102
Lever	004013722001	76
Light	003002208000	88
Light Assembly, LED Red	0030022141000	88
Light Assembly, LED Yellow	0030022142000	88
Light, Beacon	24001375	110
Light, Dash	003002107000	98
Liner, Battery	526001553000	82

PARTS ALPHABETICAL INDEX

Description	Part No	Page
Liner, Rubber	568040054001	162
Link, Adjustable	526000598000	74
Lock Nut, Crown 3/4-10	000A03494000	26
Lock, Pad	001009074000	118
Lockwasher	000AA0392003	60,62
Loom	003001853006	102
Loom	003001853001	110
Loom	003001853002	100,106,180
Loom	003001853004	180
Lower Charge Air Tube B	004013425000	64
Lube System	568004086000	146
Lubricator	320010020040	44
Mainframe	568002095000	8
Manifold Assembly, Hydraulic	002017087000	162
Meter	003006922000	92
Meter, FPM	568090028000	92
Motor, Hydraulic	002015449000	172
Motor, Hydraulic	25002547	32,38
Mount	568002145000	134
Mount	568002148000	134
Mount, Air Tank	568020017000	46
Mount, Cab	568002099000	8
Mount, Cable	003000887000	92
Mount, Cylinder	568005047000	72
Mount, Filter	568005019000	46
Mount, Foot	004013812007	66
Mount, Hydraulic Cylinder Tensioner	526007111000	152,154
Mount, Pump/Motor	526004195000	170
Mount, Valve Multigauge	568050036000	136
Muffler Support WMT	526001578000	62
Muffler Support WMT	526001579000	62
Muffler WMT	526001577000	62
Neutral Safety Bracket	568005065000	8
Nipple	002009501139	46
Nipple	002009501145	68
Nipple 3/4" NPTx3"	002009501141	70
Nipple, 1" NPT X 6" LG	002009501180	164
Nipple, Pipe	568040088000	170
Nipple, Pipe	002009501163	164
Nipple, Pipe 1/2 x 6	002009501130	168
Nozzle	002009133000	168
Nozzle	002009138000	164
Nozzle	002009141000	164
Nozzle, Water Spray	002009147000	164
Nut	000A00267000	8
Nut	000A00259000	32,78
Nut 1/2"-13 UNC	000A00260000	76,146,162,170 172
Nut 1/4-20 UNC	000A00256000	8,12
Nut 1-8 UNC 1-8 UNC	000A00265000	6
Nut 3/4-10 UNC	000A00263000	30
Nut 5/8"-11 UNC	000A00262000	150,156,166,170
Nut Hex	001002109000	74
Nut Jam	000A03057000	36
Nut, 3/8-16 NC	000A00258000	26,46,62,72,76 82,106,134,136 162,168
Nut, 7/8"-9 UNC	000A00264000	32,38
Nut, Bulkhead Lock	000A00665000	47
Nut, Cap	000A00481000	128
Nut, Elastic	000A002042000	16
Nut, Hex	000A03037000	32,38
Nut, Hex	000AA0389002	47
Nut, Jam	000AA0643000	36
Nut, Jam	000A00279000	146
Nut, Jam	000A03047000	74
Nut, Jam	000A00271000	32
Nut, Jam 3/8-16 UNC	000A00270000	14,134
Nut, Lock	004003442014	28
Nut, Lock	000A02033000	106
Nut, Lock	000A02035000	92
Nut, Lock	298-02065-71	66
Nut, Lock	000A02041000	60

PARTS ALPHABETICAL INDEX

Description	Part No	Page
Nut, Lock #10-24 UNC	000A02036000	8,136,140
Nut, Lock 1/2-13 UNC	000A02042000	47,62,136,142
Nut, Lock 1/2-13 UNC	000A03384000	132,146,152,154
Nut, Lock 1/4-20 UNC	000A02038000	106,132,136,142 146,178
Nut, Lock 3/4-10 UNC	000A02044000	8,47
Nut, Lock 3/8-16 UNC	000A02040000	12,80,136,146
Nut, Lock 5/16-18 UNC	000A02039000	8,47
Nut, Panel	003005071072	106
Nut, Weld	000AA0413000	142
Operator, Push Botton, Red, Mushroom	003002603006	92
Operator, Push-Pull	24002008	92
O-Ring	000A01991000	56
O-Ring	004004244000	160
Panel Assembly, Emulsion	568090140000	178
Panel Main Control	568090058000	92
Panel, Auxiliary Gauge	526009240000	102
Panel, Connector Bulkhead	568090070000	136
Panel, Connector Nameplate	568090072000	136
Pin	001001476000	72
Pin	001001477000	72
Pin	001001499000	16
Pin	526001045000	146
Pin	526001075000	146
Pin	531000496000	150
Pin	553040049000	168
Pin	568040036000	166
Pin	A-130120	8
Pin Assembly, Hitch	568040031000	168
Pin Clevis 1/2 X 3 5/16	526012007000	136
Pin, Clevis	001001475000	72
Pin, Clevis	001001498000	32,38
Pin, Clevis	001001501000	147
Pin, Cotter	000A01567000	146
Pin, Cotter	000A01597000	146
Pin, Cotter	000A01542000	32,38,147
Pin, Cotter	000A01504000	72
Pin, Cotter 3/16" X 2"	000A01538000	168
Pin, Cotter 3/8 x 2 1/2	000A01599000	150
Pin, Cylinder	568004066000	152,154
Pin, Dowel	004003442001	28
Pin, Dowel	001001497000	32,38
Pin, Drive	085000466000	120
Pin, King	568003039001	32,38
Pin, Rear Bolster	526008021000	30
Pin, Roll	000A01745000	70
Pin, Rolled	000A01828000	160
Pin, Torque	004003442003	28
Pipe	568005026001	68
Pipe Extension, Diptick	526001157000	156
Pipe Nipple Sch 40, 4" X 6'	002009501382	170
Pivot	526000268000	72
Pivot, Push Bar	568040035000	166
Plate	526004040005	126
Plate	526004040006	126
Plate	568002149000	12
Plate	568002150000	12
Plate	568002154000	12
Plate	568040087000	170
Plate Assembly	568090118000	88
Plate Assembly, Friction	004003442015	28
Plate, Ball Valve	002016724000	24
Plate, Bulkhead	568002153000	46
Plate, Bulkhead	568004088000	26
Plate, Cover	559960099000	106
Plate, Cover	568004058000	152,154
Plate, Cover	568004090000	152,154
Plate, Hinge	526001296000	142
Plate, Pressure	004003442007	28
Plate, Safety Latch	568004089000	152,154
Plate, Separator	004003442013	28
Plate, Shifter	568002157000	12
Plate, Thrust	A126820	160

PARTS ALPHABETICAL INDEX

Description	Part No	Page
Plate, Wear	568004059000	146
Plate, Wear	568004060000	146
Plug	000A00718000	152,154
Plug 3/4" NPT	000A00884000	47,146
Plug, Adapter	003002214310	108
Plug, Dust	002004966000	42,124,128
Plug, Hollow	000AA0632003	152,154
Plug, Hollow Hex	000AA0628008	80
Plug, Hollow Hex	000AA0628012	80
Plug, Pipe 1/4" NPT	000A00881000	42,66
Plug, Pipe 1/8"NPT	000A00880000	160
Plug, Pipe 2" NPT	002009506045	168
Plug, Pipe 3/8" NPT	000A00882000	20
Plug, Quick Disconnect	002004934000	122,124
Plug, Seal	003005071019	102,106
Plug, Sealing	003005071017	92,100,102
Plug, Sealing	003005072004	180
Pointer	A140858	147
Pole, Beacon Weldment	16181028	110
Potentiometer Assembly	568090136000	93
Puller, Bit	001009369000	118
Pulser Disks Assembly	543040111000	172
Pump	002006674000	112
Pump	526004286000	172
Pump, Hydraulic	002012504000	70
Pump, Hydraulic	002012635001	58
Pump, Hydraulic	002012635002	58
Punch, Straight	001010068000	122
Pushbar	568040034000	166
Radiator	004013812001	66
Radiator Mounting Pad	526001581000	64
Ratchet	001010101000	126
Rear Cowling	568002052000	136
Reducer	000A00854000	164
Reducer	000A02258000	42
Reducer	000A00850000	42,102
Reducer	002009511014	80
Reducer	000A03025000	64
Reducer Tube End	000AA0147007	70
Reducer Tube End	000AA0147008	47
Reducer, Pipe	000A01941000	68
Reducer, Pipe	000AA0443000	102
Relay	003000417000	106
Reservoir, Fuel	004023401000	20
Reservoir, Hydraulic	002016732000	24
Resistor	003001752121	92
Retainer, Bearing	526007101000	156
Retainer, Bushing	526000360000	30
Retainer, Spring	001010069000	122
Ring	004014173000	156
Ring, Snap	000A03747000	126
Ring, Snap	001001340000	156
Rod	568002155000	8
Rod, End	526000597000	74
Rod, Threaded	526004040002	126
Rod, Tie Down	531000273000	82
Saddle Pipe	568040059000	162
Saddle, Spraybar	568040013000	168
Safety Element	004003040001	60
Screen, LH Lower	526001292000	142
Screen, LH Upper	526001291000	142
Screen, RH Lower	526001294000	142
Screen, RH Upper	526001293000	142
Screw Set Square Half Dog Point	000A01418000	76
Screw, Button Head Cap	000AA0639000	64
Screw, Cap	000A01268000	140
Screw, Cap	004013812010	66
Screw, Cap	001009434000	160
Screw, Cap	004013812009	66
Screw, Cap	004013812011	66
Screw, Cap 1/2-13 UNC X 2 1/2"	000A00107000	172
Screw, Cap Hex	001002249000	160
Screw, Cap Socket	000A00396000	42

PARTS ALPHABETICAL INDEX

Description	Part No	Page
Screw, Hex Flat, C'snk	000A00425000	160
Screw, Pan	000A01102000	26
Screw, Pan	000A02108000	106
Screw, Pan	000A02432000	106
Screw, Pan	000A00332000	92
Screw, Pan	000A01093000	102,106
Screw, Pan #10-24 UNC x 3/4"	000A00339000	136
Screw, Pan 10-24 x 1 1/4	000A01101000	136
Screw, Pivot Weldment	526001031000	160
Screw, Set Socket	000A00465000	70
Screw, Socket Button Cap 1/4-20 UNC x 3/4"	000AA0620000	136
Screw, Socket Head	000A00367000	8
Seal	004014166000	160
Seal Plate	526007070000	156
Seal, Cable Green	003005072001	108
Seal, Gray Cable	003005072002	110,112,180
Seal, Lower Bearing Housing	526000420000	160
Seal, Oil	004014165000	156
Seal, Shaft	004014145000	160
Secondary Element	004003040002	60
Sender, Temperature	001005285000	24,88
Sender, Water Temperature	001005111000	78
Shackle	001009758000	8
Shaft, Long	568004014000	156
Shaft, Pivot Weldment	526001057000	160
Shaft, Short	568004013000	156
Shim	526007072000	156
Shim	526007071000	156
Shroud	004013812004	66
Skid, Engine	568002102000	46
Slip Yoke Assembly	004003145000	26
Snubber	002009000000	102
Socket, Quick Disconnect 1/4" NPTF	002004933000	42,124,128
Socket, Wrench	001010122000	118
Spacer	A-136252	156
Spacer, Bushing	526008020000	30
Spacer, Stub Shaft	526000449000	160
Spacer, Tube	568004052000	146
Splice, Butt	003000700229	100
Splice, Butt	003000700208	100,110,180
Split Flange Half	000A07350000	56
Split Flange Kit	002005085000	32,38
Spraybar	568040076000	168
Spring Cup Bolt Assembly	004003442011	28
Spring, Left Hand	568040038000	166
Spring, Right Hand	568040037000	166
Sprocket	004011125000	172
Sprocket	004011130000	172
Sprocket, Cutter Drive	568004069000	160
Sprocket, Upper	568004054000	156
Stack, Exhaust	004013368000	62
Staple Padlock	526012040000	132
Straight	000A03932000	47
Straight	000A00523000	32,47
Straight	000AA0112016	24,32,38,47,64
Straight	000AA0112019	47
Straight	000AA0112017	70
Straight	000AA0120013	47,68,70,147
Straight	000AA0112006	147
Straight 1/2" JIC X 5/8" ORB	000A02686000	47
Straight 3/8" JIC X 1/4" NPT	000A00525000	124
Straight, Union, Bulkhead 1/4" JIC	000A00627000	47
Strainer	001009508000	20
Strainer, Basket	002008543000	170
Strap, Hose	001009011000	32,162
Stub Shaft, Long	568004068000	160
Stud Ball	001004099001	136
Supply Pipe	568040066000	162
Support Plate	568004084000	26
Support, Hose	526224397000	166
Support, Hose	568005024000	46
Support, Hydraulic Hose	568003052000	32
Swedge 1/8"	001003133001	136,168,174

PARTS ALPHABETICAL INDEX

Description	Part No	Page
Switch, Disconnect Battery	003001264000	88
Switch, Emergency Stop	24002006	92
Switch, Pressure	001005215000	88
Switch, Pressure	001005260000	88
Switch, Pressure	001005255000	42
Switch, Selector	24002034	92
Switch, Thermostat	568090082000	88
Switch, Thermostat	001005290000	24
Switch, Toggle	003001296000	92
Switch, Toggle	003000272000	92
Switch, Toggle	003000288000	102
Switch, Toggle	003000273000	92
Switch, Toggle	003001298003	92
Switch, Toggle	003001209000	92
Switch, Toggle	003000289000	92
Switch, Toggle	003000289001	92
Switch, Toggle	003000275000	92
Tank Pad	526005067000	22
Tank, Air	568020015000	80
Tank, Replenishing	568050040000	8
Tank, Surge	004013812006	66
Tape, Acrylic Foam	001008193000	8
Tee	000A00923000	42,78
Tee	000A00859000	42,102
Tee	000A00920000	168
Tee	000A00862000	70
Tee	000AA0125007	47
Tee, Branch	000AA0125005	47
Tee, Branch	000AA0117005	47
Tee, Male Branch	002015920000	168
Tee, One Touch Union	55-79022	168
Tee, Run	000AA0124002	32,38
Tee, Run Swivel	000AA0124005	47,70
Tee, Service 3/4" NPT	000A00924000	64,80,146
Tee, Swivel Run	000AA0124001	47
Tension Bushing	004002196000	32,38
Terminal	003000700127	92
Terminal, Male	003005072031	108,110,112
Terminal, Pin, Male	003005071014	102,106
Terminal, Push On, Female	003000700205	92
Terminal, Push On, Male	003000700174	98
Terminal, Pushon	003000700173	92
Terminal, Ring	003000700007	102
Terminal, Ring	003000700028	102
Terminal, Ring	003000700098	92
Terminal, Ring	003000700025	102
Terminal, Ring	003000700054	92
Terminal, Ring	003000700065	102,106
Terminal, Ring	003000700074	106
Terminal, Ring	003000700003	106
Terminal, Ring	003000700079	106
Terminal, Ring	003000700005	106
Terminal, Sleeve, Female	003005072032	180
Terminal, Socket	003005071035	180
Terminal, Socket, Female	003005071013	180
Terminal, Socket, Female	003005071033	92
Terminal, Socket, Female	003005071015	106
Terminal, Wire	003000700101	92
Thimble	001003133002	136
Tie Bar	568003053000	36
Tie Wrap	003000700019	106
Tie, Cable	003000700017	102
Torque Hub	004013846000	38
Torque Hub	004013847000	32,38
Transmission	568005048000	46
Trim Regular	22-8505631	132
Tube	312006150000	168
Tube End	000AA0112022	64
Tube End 90°	000AA0113002	47
Tube End 90°	000AA0113003	22,24,72,147
Tube, Lower Charge Air	004013491000	64
Tube, Lower Radiator	004013479000	64
Tube, PVC	568002152000	8

PARTS ALPHABETICAL INDEX

Description	Part No	Page
Tube, Upper Radiator	004013427000	64
Tubing, Air	568020010002	42
Tubing, Air	568020010003	42
Tubing, Air	568020010004	42
Tubing, Air	568020010001	42
Tubing, Heat Shrink	003000901219	180
Tubing, Heatshrinkable	003000902282	110
Turnbuckle	526001048000	146
U-Bolt	001002069000	22
U-Bolt 1/4-20 UNC	001002161000	162
U-Bolt and Nuts	001002251000	168
Union	000AA0174009	24
Union 8-Str SAE ORB	000AA0174006	24
Union, Pipe	002009503011	162
Universal Joint Kit	004003136000	26
Upper Charge Air Tube	004013426000	64
Valve Assembly	002006518000	168
Valve Assembly	002006519000	168
Valve, Ball	002006402000	46
Valve, Ball	002006447005	24
Valve, Ball	002006447008	24
Valve, Ball	002006447003	20
Valve, Ball 1/2" NPT	002006401000	64
Valve, Drain Automatic	002005987000	80
Valve, Needle	002006311000	128
Valve, Pop Off	002005913000	80
Valve, Pressure Relief Lockout	002015914003	44
Valve, Relief	002006321000	70
Washer, Fender	311539041410	166
Washer, Flat	000AA0099000	8
Washer, Flat	G15069	172
Washer, Flat	000A02948000	152,154
Washer, Flat	000A00295000	60,70,78
Washer, Flat	000AA0046000	32,38
Washer, Flat	000AA0392002	47
Washer, Flat #10	003000731009	136
Washer, Flat 1"	000A00301000	6,160
Washer, Flat 1/2"	000A00296000	6,8,16,46,62,72 132,136,142,146 152,154,160,170 172
Washer, Flat 1/4	000A00292000	8,12,46,106,132 142,146,172,178
Washer, Flat 3/4"	000A00299000	8,26,30,32,38,46
Washer, Flat 3/4", Hardened	000A02946000	72
Washer, Flat 3/8"	000A00294000	12,14,20,24,26 46,70,72,80,82 134,136,146,162
Washer, Flat 5/16	000A00293000	46,146,172
Washer, Flat 5/8	000A00298000	30,150,156,160 170
Washer, Flat 5/8"	000A02945000	32,38,166
Washer, Flat, 7/8"	000A00300000	32,38
Washer, Hardened 1/2	000A02943000	146
Washer, Lock	003005071047	106
Washer, Lock	000AA0392004	58
Washer, Lock 1/2"	000A00308000	8,47,56,64,146 152,154,162,166 170,172
Washer, Lock 1/4"	000A00304000	8,12,46,142
Washer, Lock 3/4	000A00311000	30,32,38,72
Washer, Lock 3/8"	000A00306000	12,14,20,24,42 47,62,72,76,82 134,152,154,156 162,168
Washer, Lock 5/16	000A00305000	42,146,172
Washer, Lock 5/8	000A00310000	30,156,166,170
Washer, Lock 7/16	000A00307000	47,78
Washer, Lock External	000A01906000	106
Washer, Thrust	004003442002	28
Washer, Thrust	004012164000	32,38
Washer, Thrust	A076557	156
Wedge	003005071361	92,100

PARTS ALPHABETICAL INDEX

Description	Part No	Page
Wedge, Lock	003005071356	92
Wheel and Tire Assembly	568006014000	30
Wheel and Tire Assembly	568006015000	30
Wire	553040105001	174
wire, Black	003000902326	106
Wire, Black	003000902304	180
Wire, Black	003000902293	102,106,110
Wire, Black	003000902370	93,100
Wire, Blue	003000902298	102,180
Wire, Blue	003000902375	93,100,102
Wire, Brown	003000902295	110,180
Wire, Brown	003000902372	93
Wire, Gray	003000902294	180
Wire, Gray	003000902371	93,100
Wire, Green	003000902297	102,180
Wire, Green	003000902374	93,100
Wire, Orange	003000902290	102,106,180
Wire, Orange	003000902367	93
Wire, Orange	003000902345	102
Wire, Orange	003000902334	106
Wire, Pink	003000902292	102
Wire, Pink	003000902369	93
Wire, Purple	003000902296	102,180
Wire, Purple	003000902373	93
Wire, Red	003000902322	106
Wire, Red	003000902289	180
Wire, Red	003000902366	93,100
Wire, Red	003000902344	102
Wire, Red	003000902333	106
Wire, White	003000902288	106
Wire, White	003000902365	93,100
Wire, White	003000902332	106
Wire, Yellow	003000902291	102,180
Wire, Yellow	003000902368	93,100
Yoke Flange	004003139000	26
Yoke Shaft	004003146000	26
Zerk, 45° Grease	001079712045	38
Zerk, Grease 1/8 NPT	001079712000	30,38,146,156