

Pantalla anterior

◀ **Producto:** MOTOR GRADER  
**Modelo:** 140H MOTOR GRADER 5HM  
**Configuración:** 140H Motor Grader 3306 Engine 5HM00001-UP (MACHINE)

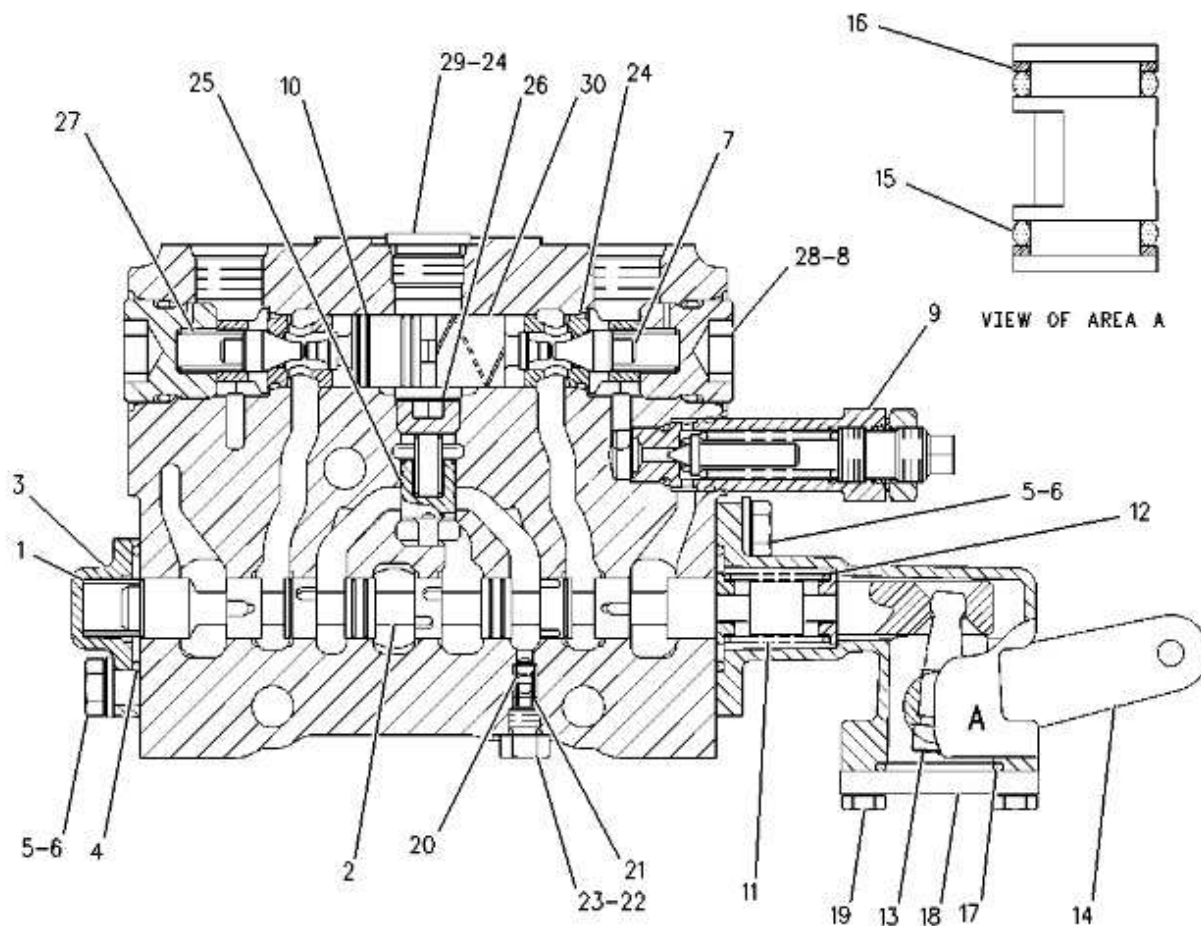


GRAFICO #1  
g00109393

**140H Motor Grader, Powered By 3306B Engine**  
 Número de medio - SEBP2488-101 | Fecha de publicación - 01/02/2009 | Fecha de actualización - 17/02/2009

i03483882

**124-2884 VALVE GP-CONTROL -BLADE LIFT**  
**S/N 5HM1-UP**  
**PART OF 124-3325 VALVE GP-BANK 4, 124-3326 VALVE GP-BANK 5**  
**Type 1**  
**ALSO AN ATTACHMENT**

**GRUPO ENTERO**

Ref.	Cant.	NPR Nota	No. de pieza	Nombre de la pieza
Grp	<input type="text"/>	<a href="#">NPR</a>	124-2884	VALVE GP-CONTROL -BLADE LIFT

**PIEZAS INDIVIDUALES**

Ref.	Cant.	NPR Nota	No. de pieza	Cant. req.	Nombre de la pieza
------	-------	----------	--------------	------------	--------------------

1		<u>NPR</u>	111-8233	1	SPRING
2		<u>NPR</u>	124-1840	1	STEM-BLADE LIFT
3		<u>NPR</u>	101-1978	1	COVER
4		<u>NPR</u>	2K-8199	2	SEAL-O-RING
5		<u>NPR M</u>	8T-4189	4	BOLT (M8X1.25X20-MM)
6		<u>NPR</u>	8T-4224	4	WASHER-HARD (8.8X16X2-MM THK)
7		<u>NPR</u>	106-3658	2	VALVE
8		<u>NPR</u>	7J-9933	2	SEAL-O-RING
9		<u>NPR Y</u>	<u>6E-3033</u>	1	VALVE GP-RELIEF (BLADE LIFT)
10		<u>NPR</u>	106-3660	1	PISTON
11		<u>NPR</u>	102-7412	1	SPRING
12		<u>NPR</u>	101-1973	4	RETAINER
13		<u>NPR</u>	101-1971	1	LEVER
14		<u>NPR</u>	101-1970	1	LEVER AS
15		<u>NPR</u>	8M-4437	2	SEAL-O-RING
16		<u>NPR</u>	101-1983	2	RING-BACKUP
17		<u>NPR</u>	4D-9986	1	SEAL-O-RING
18		<u>NPR</u>	101-2480	1	COVER
19		<u>NPR M</u>	8T-4138	2	BOLT (M6X1X20-MM)
20		<u>NPR</u>	5B-9318	1	BALL
21		<u>NPR</u>	6E-3007	1	SPRING
22		<u>NPR</u>	6E-4502	1	PLUG
23		<u>NPR</u>	4J-7533	1	SEAL-O-RING
24		<u>NPR</u>	3K-0360	3	SEAL-O-RING
25		<u>NPR</u>	6E-5153	1	SPRING
26		<u>NPR</u>	108-2187	1	PLUG-PIPE
27		<u>NPR</u>	9J-0403	2	SPRING
28		<u>NPR</u>	9J-0404	2	PLUG
29		<u>NPR</u>	9S-8005	1	PLUG-O-RING
30		<u>NPR</u>	135-5934	1	PISTON-VENTED

Abreviaturas:

M - METRIC PART  
 Y - SEPARATE ILLUSTRATION

SMCS Codes		
5051		