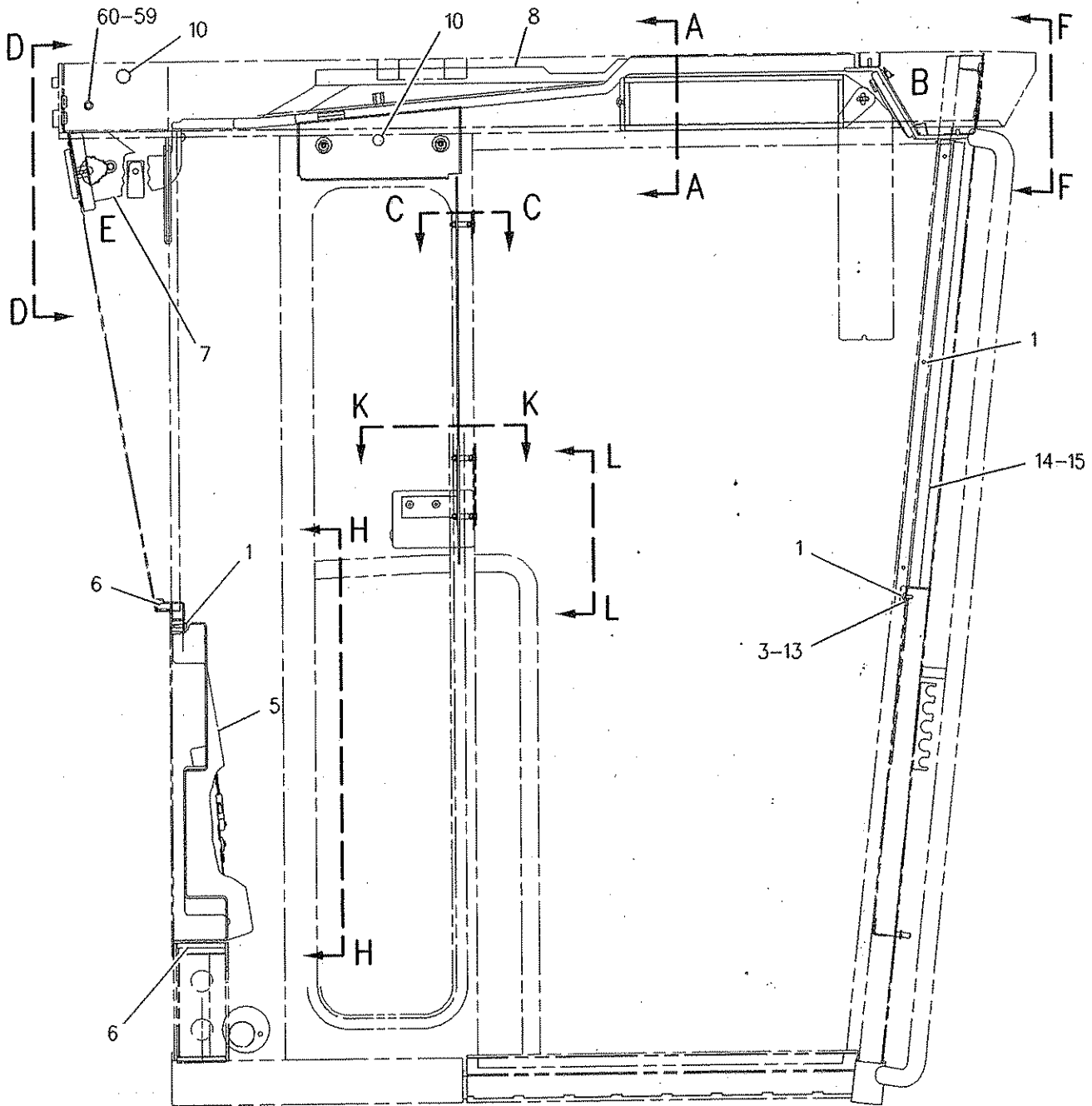


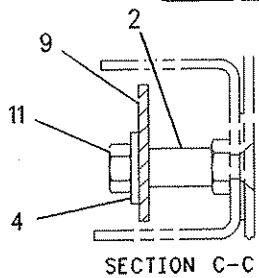
# OPERATOR STATION

8X-2405 LINER GP-CAB (contd.)

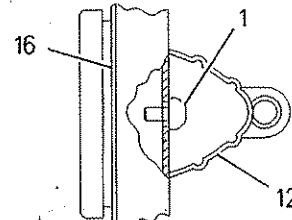
i01454757



RIGHT SIDE VIEW



SECTION C-C



VIEW OF AREA E

REFER TO ALL ILLUSTRATIONS OF THIS GROUP FOR AUXILIARY VIEWS

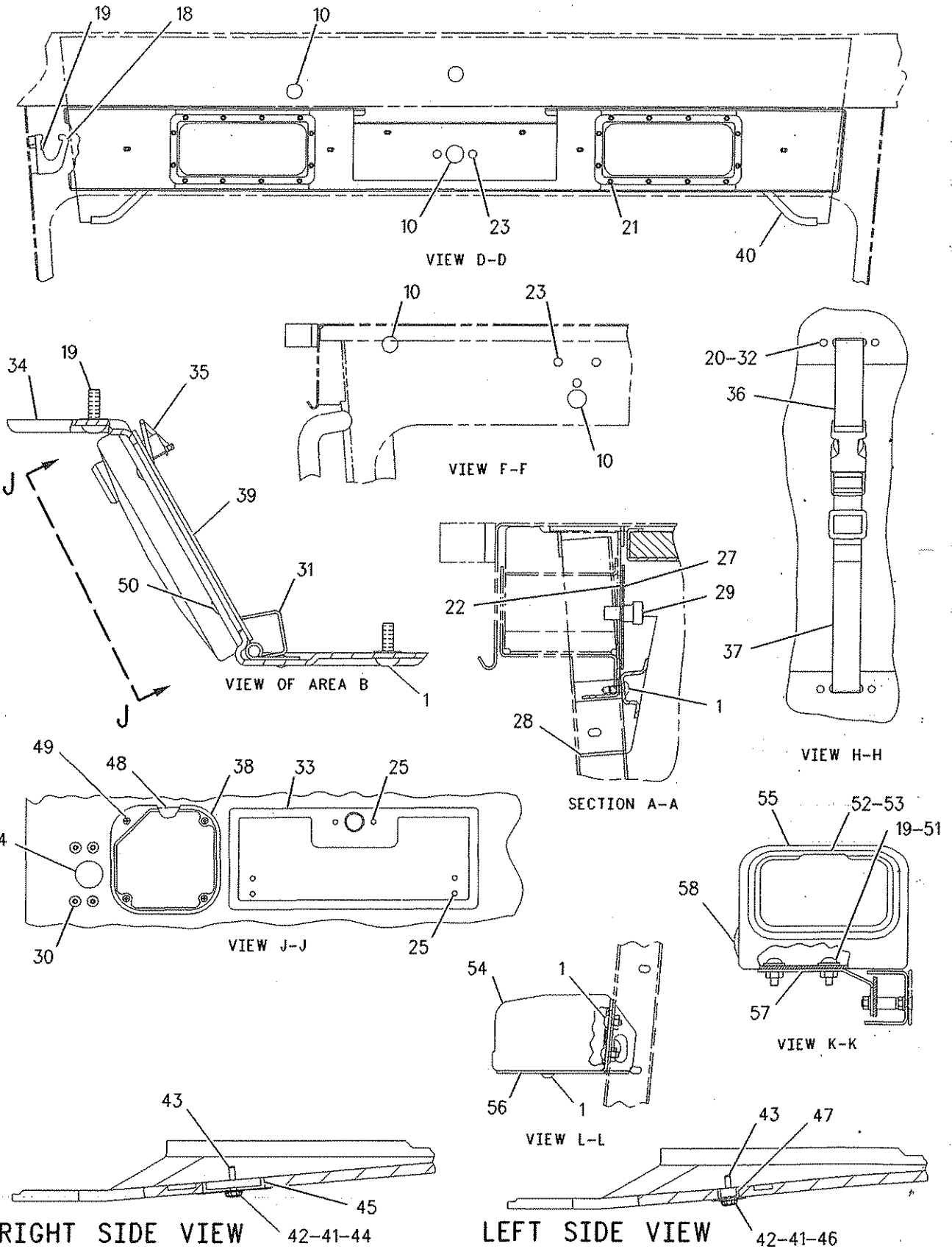
GRAPHIC #1

g00760925

# OPERATOR STATION

8X-2405 LINER GP-CAB (contd.)

101454757



757

F

F

15

10925

88-26

GRAPHIC #2

SEBP2488-26

4 of 4

g0076092

OPERATOR STATION 871

# OPERATOR STATION

## 125-4346 LINER GP-CAB

S/N: 5HM1-UP

PART OF 130-4564 CAB GP-NON-ROPS  
AN ATTACHMENT

SMCS-7329

i00130989

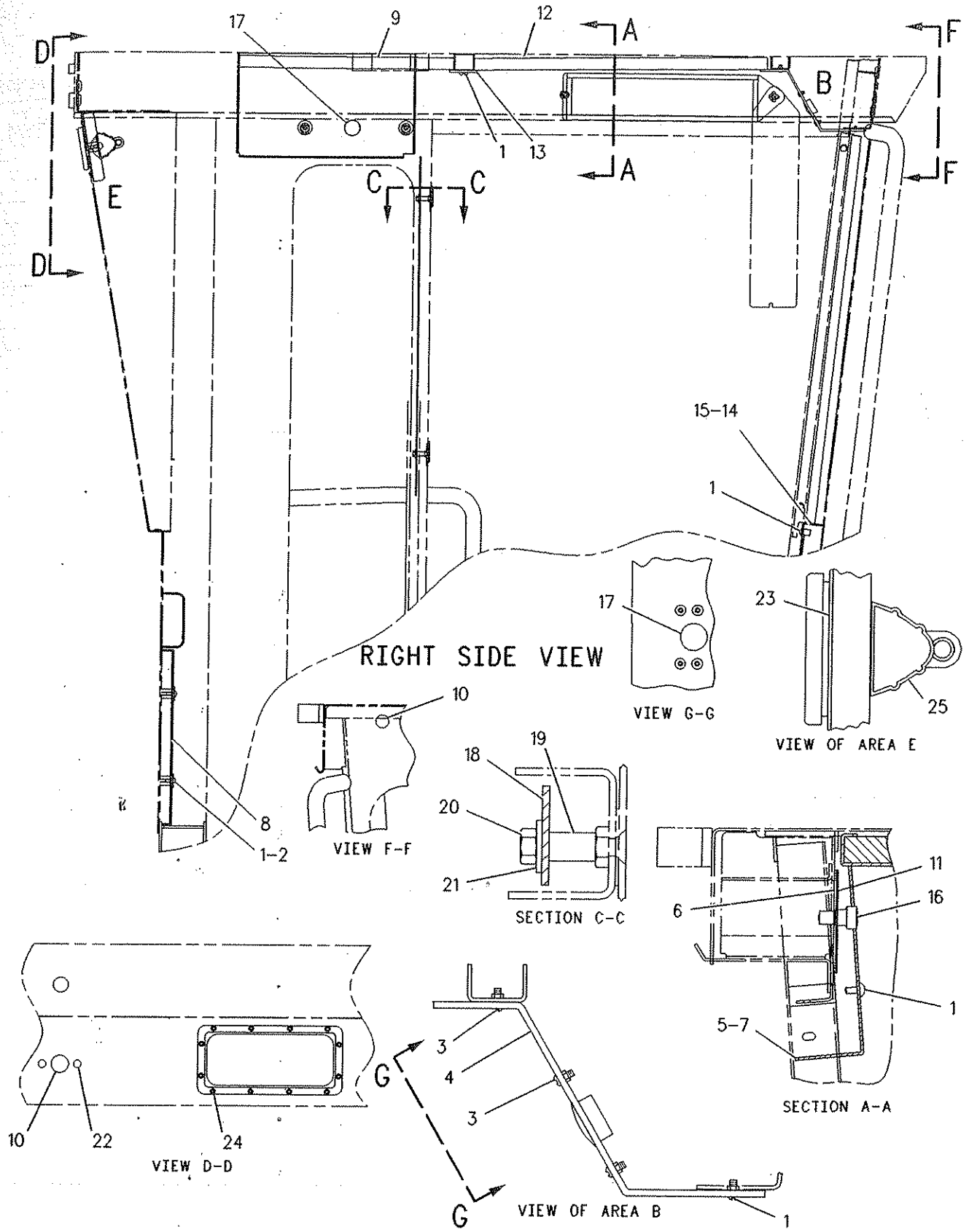
NOTE	REF NO	GRAPHIC REF	PART NUMBER	QTY	PART NAME						SEE PAGE
					1	2	3	4	5	6 (PRODUCT LEVEL)	
M	1	1	9X-2043	20	SCREW-TRUSS HEAD (M6X1X14MM)						
	2	1	6G-5214	5	WASHER						
M	3	1	9X-2045	7	SCREW-TRUSS HEAD (M6X1X20MM)						
	4	1	125-5520	1	PANEL AS-CAB						
M		1	6V-9632	4	NUT-WELD (M6X1 THD)						
	5	1	125-9596	1	COVER-LH						
M		1	6V-9632	4	NUT-WELD (M6X1 THD)						
BD	6	1	5P-5969		SEAL						
	7	1	125-6482	1	COVER AS-RH						
M		1	6V-9632	4	NUT-WELD (M6X1 THD)						
	8	1	125-4389	1	INSULATION						
	9	1	125-4388	1	INSULATION						
	10	1	6V-3928	3	PLUG-BUTTON						
	11	1	8X-7845	2	COVER						
	12	1	125-9584	1	INSULATION						
	13	1	125-6483	1	PLATE						
	14	1	115-6805	1	DUCT-LH						
	15	1	115-6804	1	DUCT-RH						
	16	1	107-5014	4	KNOB						
	17	1	6V-0292	2	PLUG						
	18	1	8X-8790	1	PLATE						
	19	1	6P-0205	2	SPACER						
M	20	1	099-0492	2	LOCKNUT (M6X1.0 THD)						
	21	1	9X-8256	2	WASHER (2MM THK)						
	22	1	5P-7803	2	PLUG-BUTTON						
	23	1	6G-2396	2	GASKET						
	24	1	3G-3265	24	RIVET						
	25	1	6G-2395	2	DOOR GP						
					(EACH INCLUDES)						
		1	6G-7222	2	ROLLER						

B-USE AS REQUIRED  
D-ORDER BY THE METER  
M-METRIC PART

# OPERATOR STATION

125-4346 LINER GP-CAB (contd.)

100130989



GRAPHIC #1

g00109333

# OPERATOR STATION

## 129-4618 LINER GP-CAB

S/N: 5HM1-UP

HIGH PROFILE

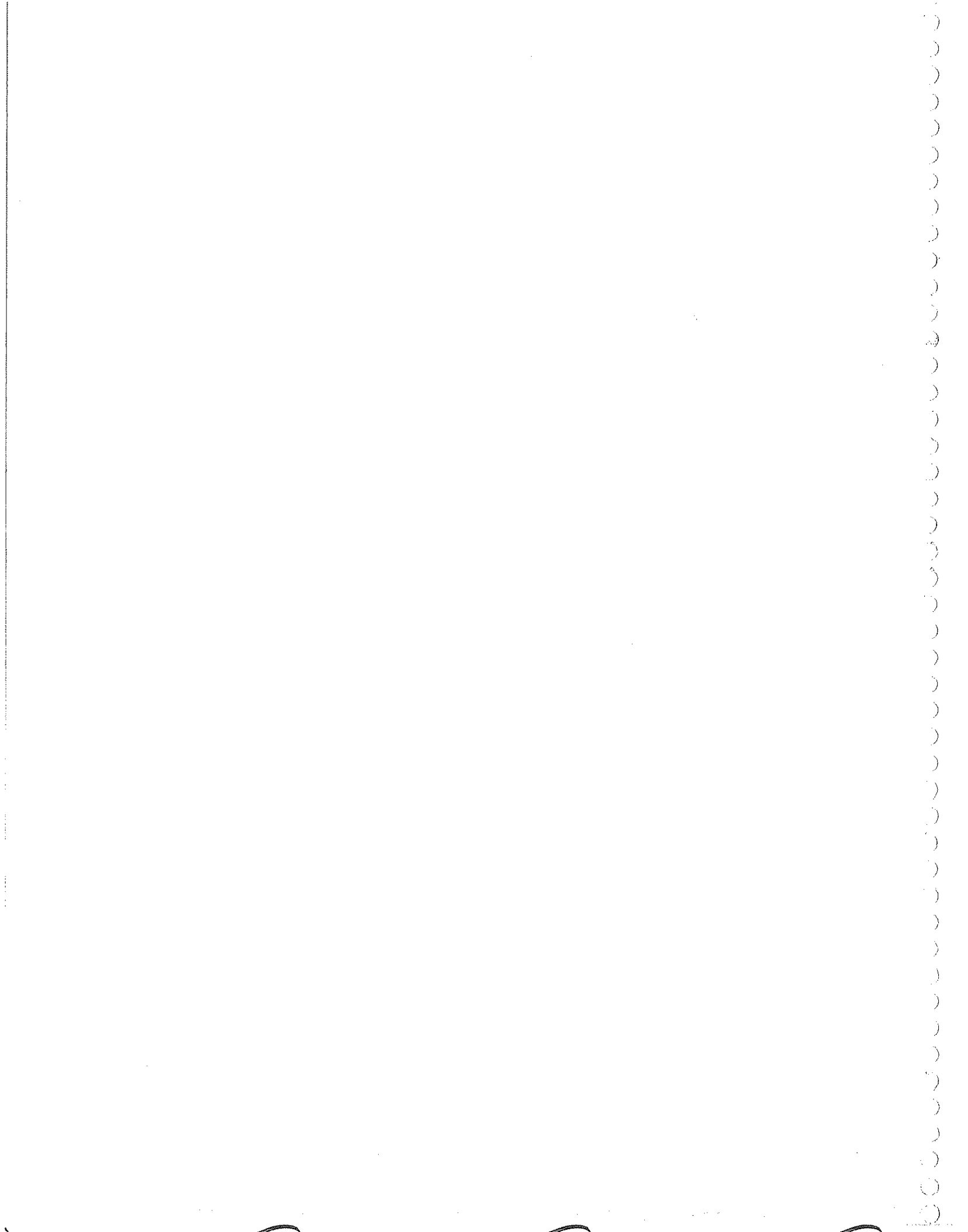
PART OF 130-4563 CAB GP-HIGH PROFILE  
AN ATTACHMENT

SMCS-7329

i00606553

NOTE	REF NO	GRAPHIC REF	PART NUMBER	QTY	PART NAME						SEE PAGE
					1	2	3	4	5	6 (PRODUCT LEVEL)	
M	1	1	9X-2043	12	SCREW-TRUSS HEAD (M6X1X14MM)						
M	2	1	9X-2045	3	SCREW-TRUSS HEAD (M6X1X20MM)						
	3	1	129-4622	1	PANEL-CAB						
	4	1	129-4645	1	INSULATION						
	5	1	6V-3928	2	PLUG-BUTTON						
	6	1	129-4646	1	INSULATION						
	7	1	134-6474	1	PLATE						
	8	1	115-6804	1	DUCT-RH						
	9	1	115-6805	1	DUCT-LH						

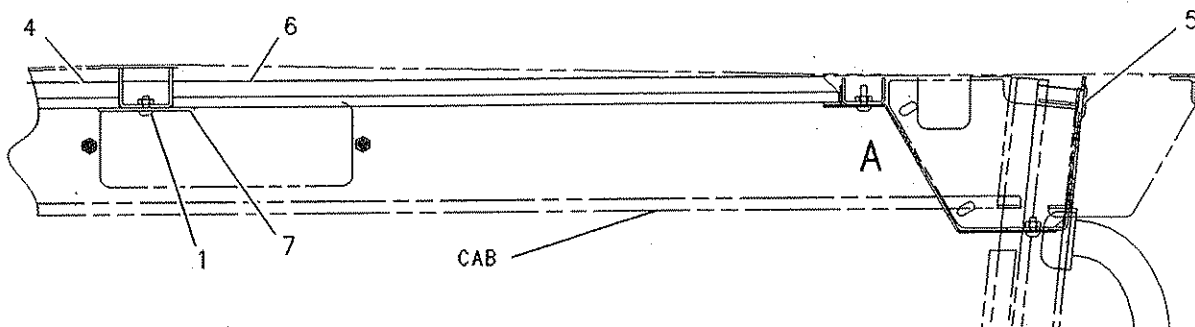
M-METRIC PART



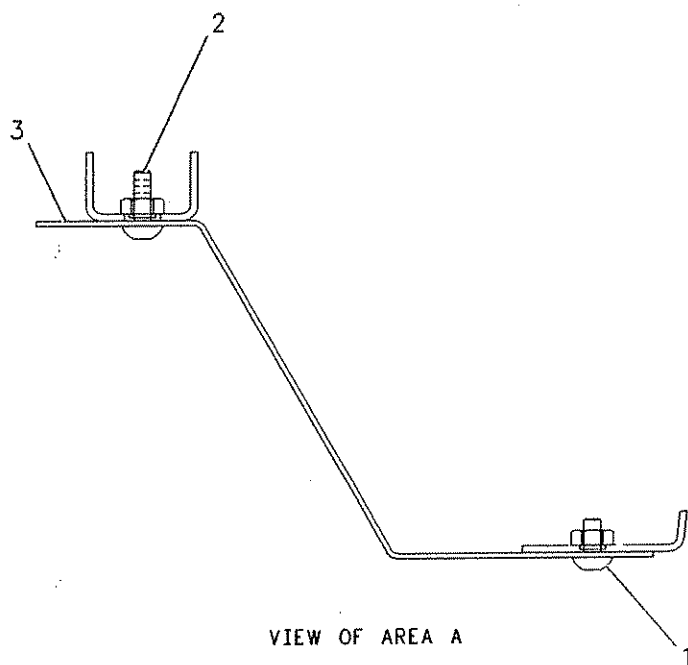
# OPERATOR STATION

129-4618 LINER GP-CAB (contd.)

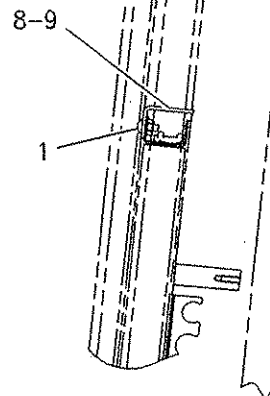
100606553



RIGHT SIDE VIEW



VIEW OF AREA A



GRAPHIC #1

g00109332

# OPERATOR STATION

## 8X-4558 LINES GP-HEATER

S/N: 5HM1-UP

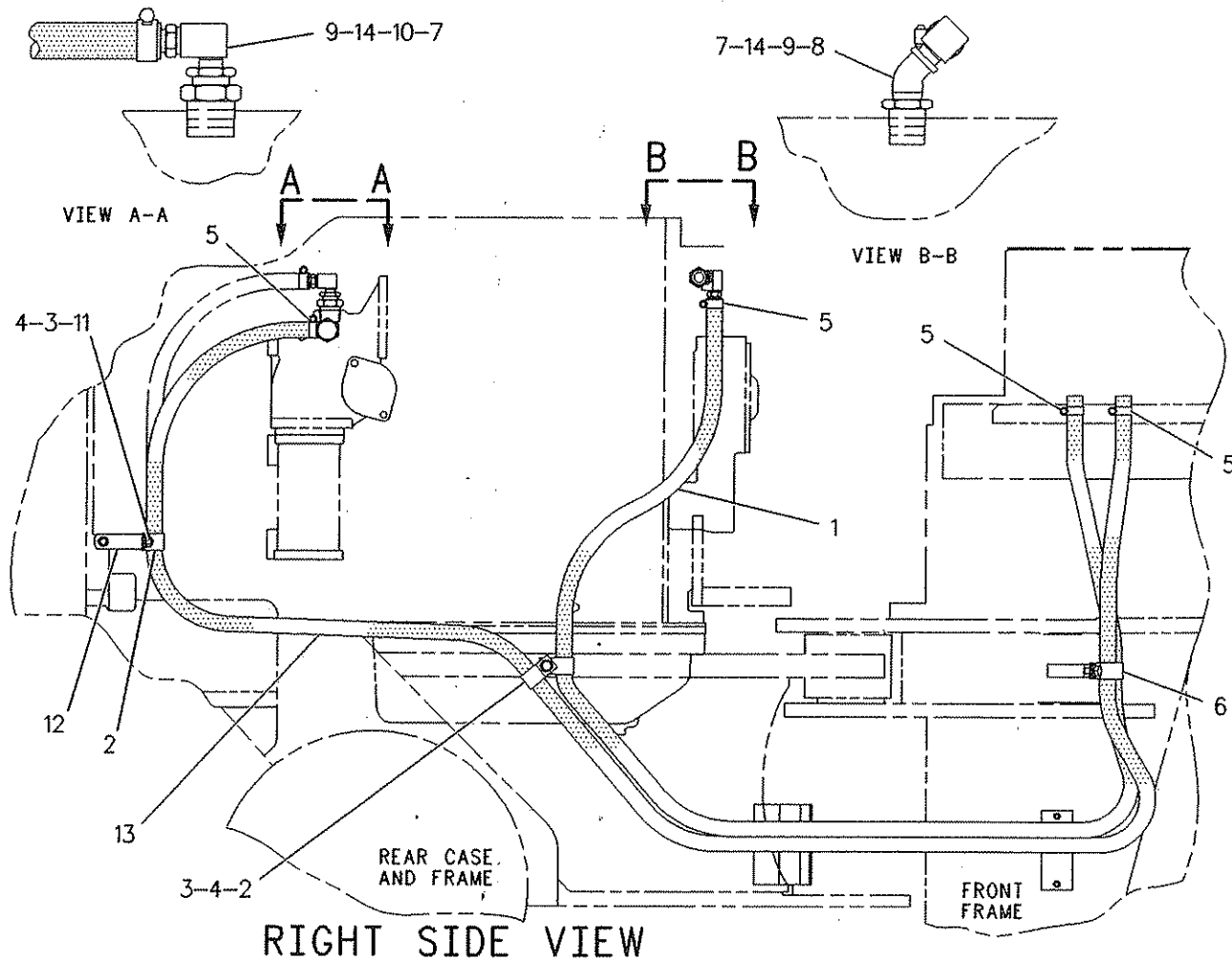
PART OF 124-2959 HEATER AR-CAB  
AN ATTACHMENT

SMCS-7304

i00135788

NOTE	REF NO	GRAPHIC REF	PART NUMBER	QTY	PART NAME						SEE PAGE
					1	2	3	4	5	6 (PRODUCT LEVEL)	
E	1	1	6V-5651		HOSE (260 CM)						
	2	1	4S-1962	3	CLIP (25.4MM ID)						
	3	1	8T-4896	2	WASHER-HARD (2.5MM THK)						
	4	1	5M-3062	2	BOLT (3/8-16X.750IN)						
	5	1	5D-1026	4	CLAMP-HOSE						
	6	1	6D-1641	1	CLIP (25.0MM ID)						
	7	1	6B-4661	2	BUSHING-REDUCER						
	8	1	1L-2279	1	ELBOW-PIPE (3/8 IN PIPE)						
	9	1	9M-5501	2	ELBOW-STREET						
	10	1	6B-9081	1	BUSHING-TERMINAL						
	11	1	6V-8801	1	NUT (3/8-16 THD)						
	12	1	9L-1566	1	SUPPORT-TUBE						
E	13	1	6V-5651		HOSE (320 CM)						
	14	1	7D-7026	2	CONNECTOR-HOSE						

E-ORDER BY THE CENTIMETER



GRAPHIC #1

g00109106



# OPERATOR STATION

## 6V-1970 LITERATURE GP

S/N: 5HM1-UP

PART OF 112-4113 CHASSIS AR

100607038

NOTE	PART NUMBER	QTY	PART NAME						SEE PAGE	
			1	2	3	4	5	6 (PRODUCT LEVEL)		
	5P-8500	2								
	2Y-3209	2								

# OPERATOR STATION

## 126-1137 LOUVER GP-CAB

S/N: 5HM1-UP

PART OF 124-2959 HEATER AR-CAB

AN ATTACHMENT

SMCS-7301

100610113

NOTE	PART NUMBER	QTY	PART NAME						SEE PAGE
			1	2	3	4	5	6 (PRODUCT LEVEL)	
	8Y-6388	4	LOUVER AS						
	126-1135	2	PLATE						
	126-1136	2	PLATE						
	6V-2687	4	SCREW-PAN HEAD (10-24X1IN)						
D	5P-5969		SEAL (1 M)						
D-ORDER BY THE METER									

# OPERATOR STATION

## 8X-2795 MIRROR GP- REAR VIEW

S/N: 5HM1-UP

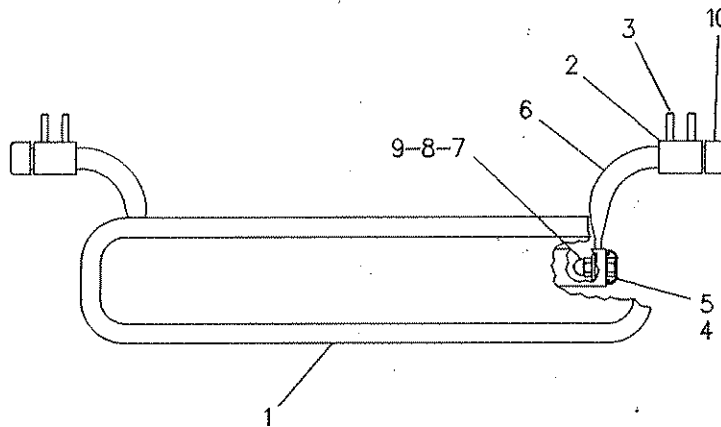
PART OF 130-4563 CAB GP-HIGH PROFILE, 130-4564 CAB GP-NON-ROPS, 130-2886 CANOPY  
GP, 116-5842, 131-0823 ROPS GP-ENCLOSED, 126-6631 ROPS GP-HIGH PROFILE  
AN ATTACHMENT

SMCS-7319

i00134556

NOTE	REF NO	GRAPHIC REF	PART NUMBER	QTY	PART NAME						SEE PAGE
					1	2	3	4	5	6 (PRODUCT LEVEL)	
	1	1	8Y-4512	1	MIRROR						
	2	1	2G-8241	2	CLAMP						
M	3	1	9X-2046	4	SCREW-TRUSS HEAD (M6X1X35MM)						
	4	1	2G-8572	2	WASHER (2.54MM THK)						
	5	1	2G-8573	2	CAP						
	6	1	2G-8242	2	ARM						
	7	1	5P-1075	2	WASHER-HARD (3MM THK)						
	8	1	8H-1728	2	NUT-ACORN						
	9	1	5S-7379	2	BOLT (3/8-16X.875IN)						
	10	1	1P-2378	2	CAP						

M-METRIC PART



GRAPHIC #1

g00084778

# OPERATOR STATION

## 123-4358 MIRROR GP-REAR VIEW

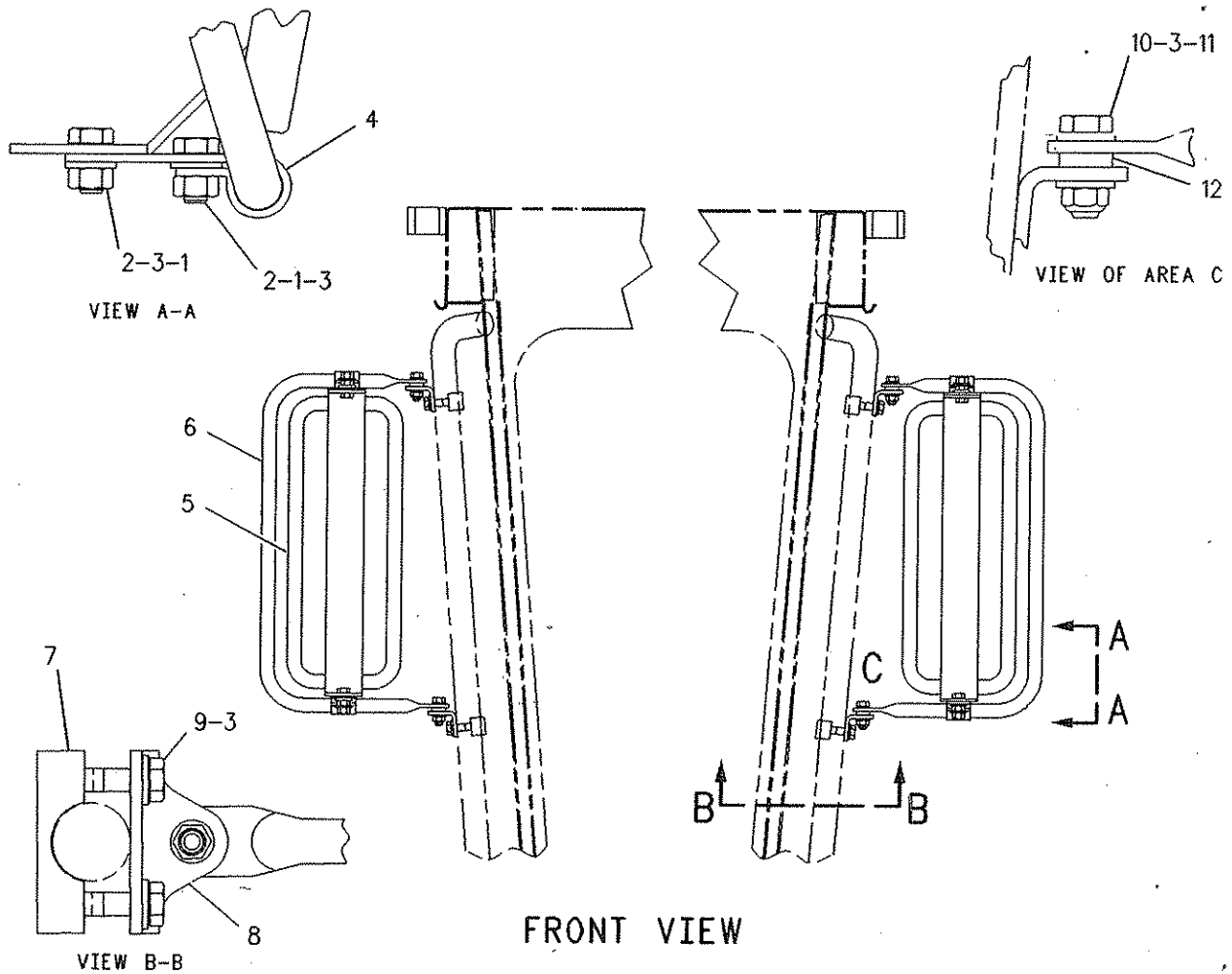
S/N: 5HM1-UP  
AN ATTACHMENT

SMCS-7319

i00130904

NOTE	REF NO	GRAPHIC REF	PART NUMBER	QTY	PART NAME						SEE PAGE
					1	2	3	4	5	6 (PRODUCT LEVEL)	
M	1	1	8T-4133	8	NUT (M10X1.50 THD)						
M	2	1	8T-4137	8	BOLT (M10X1.50X20MM)						
	3	1	8T-4121	24	WASHER (2.5MM THK)						
	4	1	6G-8831	4	CLAMP						
	5	1	5P-6871	2	MIRROR						
	6	1	113-8218	2	ARM						
	7	1	123-4586	4	BLOCK						
	8	1	123-4587	4	BRACKET						
M	9	1	8T-4182	8	BOLT (M10X1.5X45MM)						
M	10	1	8T-4195	4	BOLT (M10X1.50X30MM)						
M	11	1	6V-7744	4	LOCKNUT (M10X1.50 THD)						
	12	1	9C-5928	4	SPACER						

M-METRIC PART



GRAPHIC #1

g00109253

# OPERATOR STATION

## 140-8127 MIRROR GP-REAR VIEW

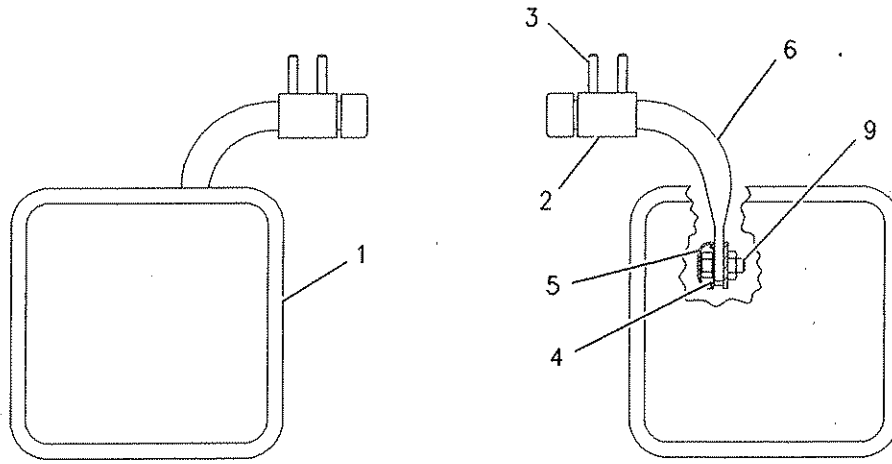
S/N: 5HM1-UP  
AN ATTACHMENT

SMCS-7319

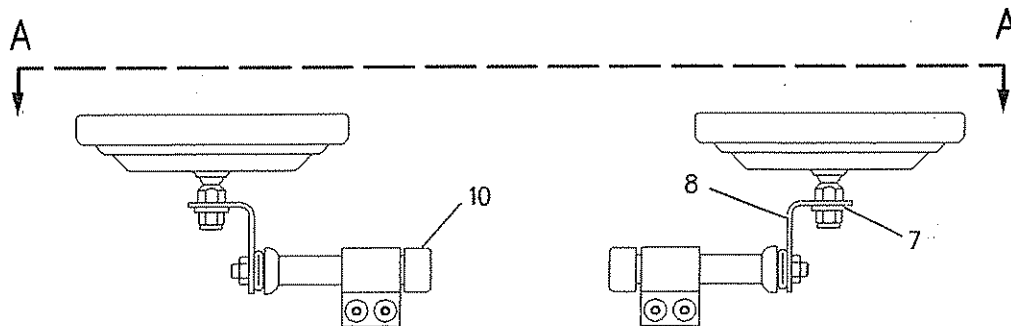
i01375335

NOTE	REF NO	GRAPHIC REF	PART NUMBER	QTY	PART NAME						SEE PAGE
					1	2	3	4	5	6 (PRODUCT LEVEL)	
	1	1	5P-6872	2	MIRROR						
	2	1	2G-8241	2	CLAMP						
M	3	1	9X-2046	4	SCREW-TRUSS HEAD (M6X1X35MM)						
	4	1	2G-8572	2	WASHER-SPECIAL (10X27.81X2.54MM THK)						
	5	1	2G-8573	2	CAP						
	6	1	2G-8242	2	ARM						
	7	1	5P-1075	2	WASHER-HARD (10.2X22.5X3MM THK)						
	8	1	140-6418	2	BRACKET AS						
					(EACH INCLUDES)						
		1	1F-0750	1	NUT-WELD (3/8-16 THD)						
	9	1	5S-7379	2	BOLT (3/8-16X.875 IN)						
	10	1	1P-2378	2	CAP						

M-METRIC PART



VIEW A-A



GRAPHIC #1

g00699923

# OPERATOR STATION

## 127-8314 MODULE GP-QUAD GAUGE

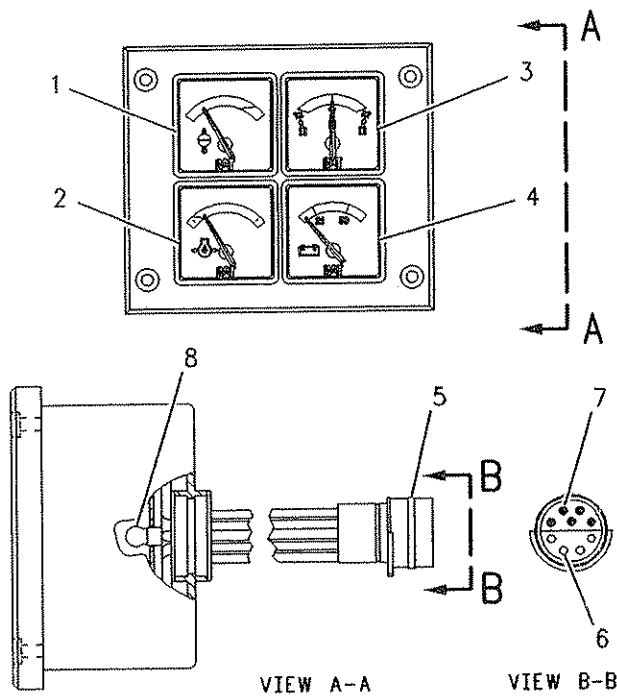
S/N: 5HM1-UP

PART OF 116-2143, 116-2144 PANEL GP-INSTRUMENT  
ALSO AN ATTACHMENT

SMCS-7451, 7490

i01047901

NOTE	REF NO	GRAPHIC REF	PART NUMBER	QTY	PART NAME						SEE PAGE
					1	2	3	4	5	6 (PRODUCT LEVEL)	
	1	1	9X-4284	1	INDICATOR AS-COOLANT TEMP						
	2	1	9X-4282	1	INDICATOR AS-ENGINE OIL PRESS						
	3	1	124-0395	1	INDICATOR AS-ARTICULATION						
	4	1	127-8315	1	INDICATOR AS-VOLT						
	5	1	9G-3668	1	HOUSING-PLUG						
	6	1	7N-7779	4	SOCKET						
	7	1	7N-7780	5	PIN-CONNECTOR (BLADE)						
	8	1	8M-6176	2	LAMP (12 VOLT)						
AVAILABLE REPAIR KIT(S):											
			116-4686	1	KIT-GAUGE CLUSTER BEZEL						



GRAPHIC #1

g00109209

# OPERATOR STATION

## 149-5930 MODULE GP-QUAD GAUGE

S/N: 5HM1298-1591

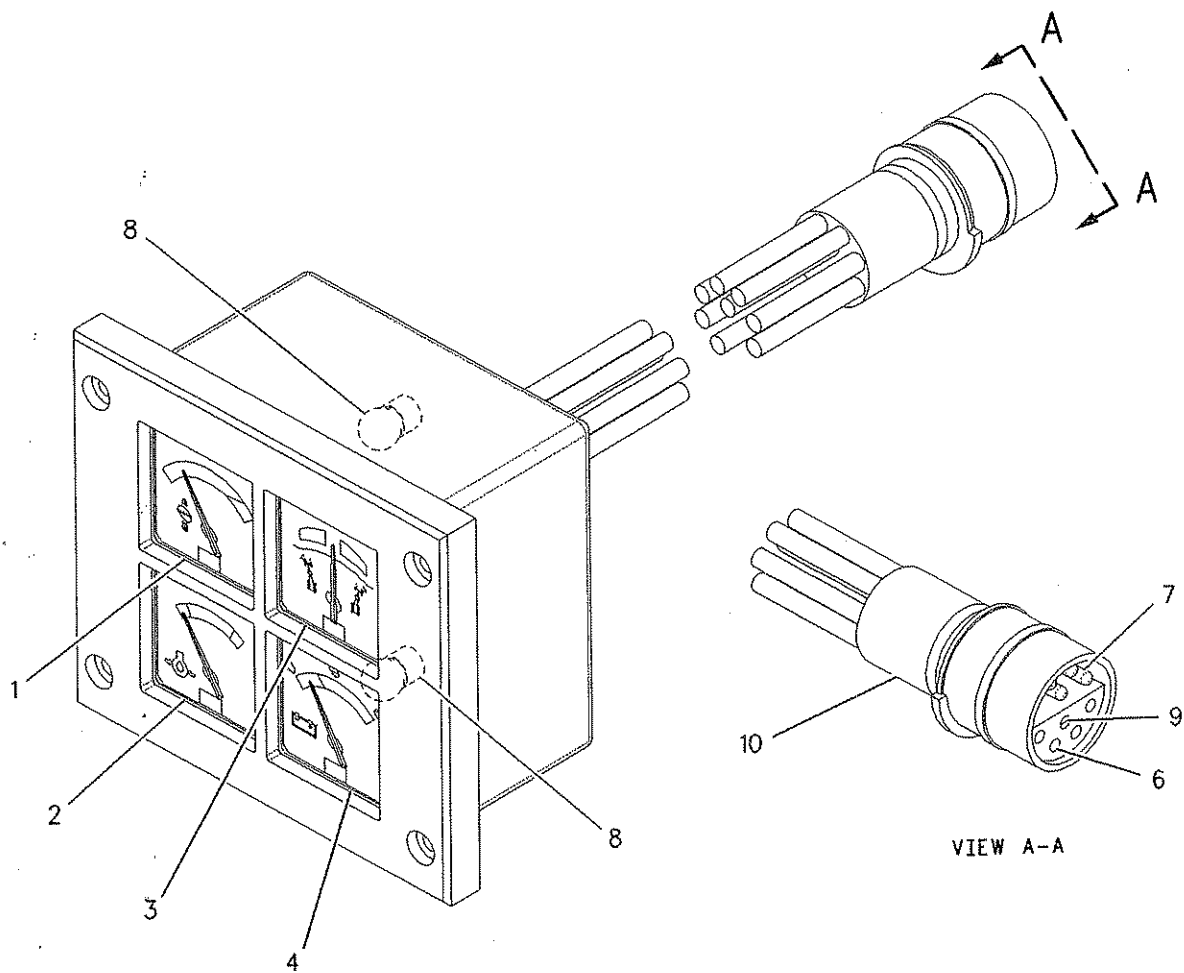
24 VOLT

PART OF 116-2143, 116-2144 PANEL GP-INSTRUMENT  
ALSO AN ATTACHMENT

SMCS-7451, 7490

i01360068

NOTE	REF NO	GRAPHIC REF	PART NUMBER	QTY	PART NAME						SEE PAGE		
					1	2	3	4	5	6 (PRODUCT LEVEL)			
	1	1	9X-4284	1	INDICATOR AS-COOLANT TEMP								
	2	1	9X-4282	1	INDICATOR AS-ENGINE OIL PRESS								
	3	1	149-1115	1	INDICATOR AS-ARTICULATION								
	4	1	180-3833	1	INDICATOR AS-VOLT								
	6	1	7N-7779	4	SOCKET-CONNECTOR								
	7	1	7N-7780	5	PIN-CONNECTOR (BLADE)								
	8	1	8M-6176	2	LAMP (12 VOLT)								
	9	1	9G-3667	1	HOUSING-PLUG								
	10	1	9G-3695	1	PLUG-SEALING (GROMMET)								
					AVAILABLE REPAIR KIT(S):								
					116-4686	1	KIT-GAUGE CLUSTER BEZEL (INCLUDES SEAL, SCREW, PIPE, & BEZEL AS)						



GRAPHIC #1

g00718389

# OPERATOR STATION

## 187-1050 MODULE GP-QUAD GAUGE

S/N: 5HM1592-UP

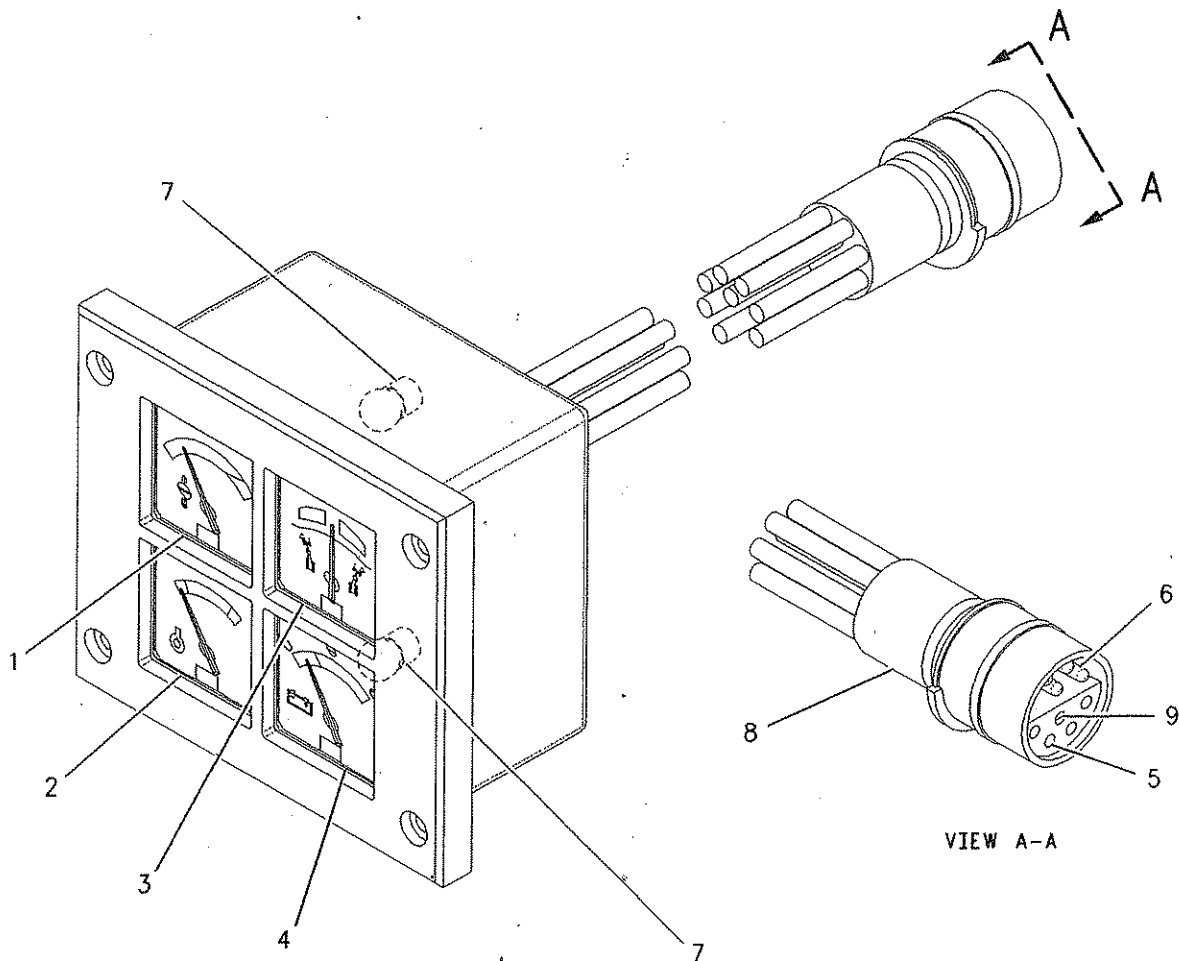
24V

PART OF 116-2143, 116-2144 PANEL GP-INSTRUMENT  
ALSO AN ATTACHMENT

SMCS-7451, 7490

i01342775

NOTE	REF NO	GRAPHIC REF	PART NUMBER	QTY	PART NAME						SEE PAGE
					1	2	3	4	5	6 (PRODUCT LEVEL)	
	1	1	9X-4284	1	INDICATOR AS-COOLANT TEMP						
	2	1	9X-4282	1	INDICATOR AS-ENGINE OIL PRESS						
	3	1	180-3834	1	INDICATOR AS (ARTICULATION)						
	4	1	180-3833	1	INDICATOR AS-VOLT						
	5	1	7N-7779	4	SOCKET-CONNECTOR						
	6	1	7N-7780	4	PIN-CONNECTOR (BLADE)						
	7	1	8M-6176	2	LAMP (12 VOLT)						
	8	1	9G-3667	1	HOUSING-PLUG						
	9	1	9G-3695	2	PLUG-SEALING (GROMMET)						
					AVAILABLE REPLACEMENT PART(S):						
			116-4686	1	KIT-GAUGE CLUSTER BEZEL						



GRAPHIC #1

g00712227



# OPERATOR STATION

## 3T-7068 MOTOR GP-WINDOW WIPER

S/N: 5HM1-UP

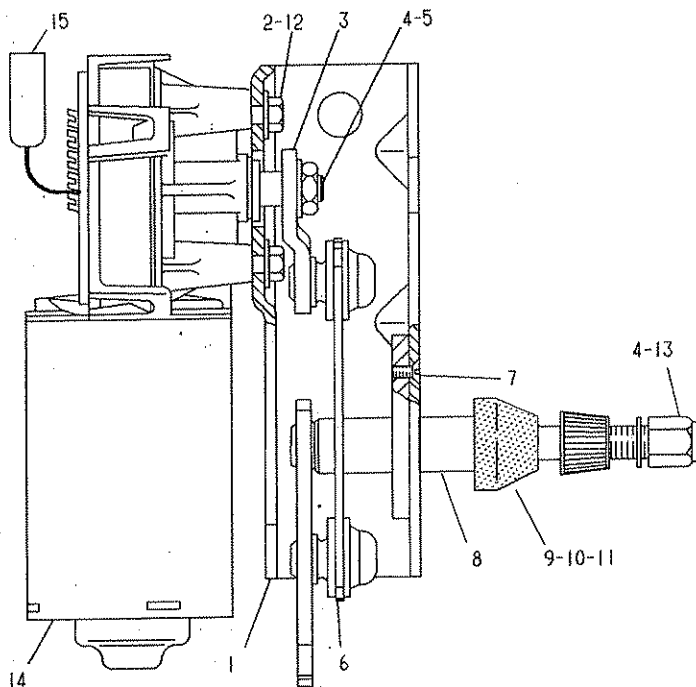
PART OF 125-4345, 8X-2810, 8X-2815, 8X-2910, 8X-2911 WIPER GP-WINDOW  
AN ATTACHMENT

SMCS-7305

i00836047

NOTE	REF NO	GRAPHIC REF	PART NUMBER	QTY	PART NAME	1 2 3 4 5 6 (PRODUCT LEVEL)						SEE PAGE
						1	2	3	4	5	6	
	1	1	3T-7059	1	BRACKET							
M	2	1	5C-9553	3	BOLT (M6X1.0X16MM)							
	3	1	3T-7086	1	CRANK AS							
M	4	1	6V-6889	2	NUT (M8X1.25 THD)							
	5	1	6V-6888	1	WASHER-SPRING							
	6	1	6V-6219	1	LINK-CONNECTING							
M	7	1	3C-1884	4	SCREW-MACHINE (M5X0.8 BG THD)							
	8	1	6T-2770	1	SHAFT AS-DRIVE							
	9	1	6V-6209	1	CAP							
M	10	1	6V-6213	1	NUT (M20X1 THD)							
	11	1	6V-6214	1	WASHER							
	12	1	5P-0537	3	WASHER (2MM THK)							
	13	1	6A-9718	1	WASHER							
	14	1	9X-3392	1	MOTOR AS-WINDOW WIPER							
	15	1	7N-8204	1	HOUSING-RECEPTACLE							
		1	7N-7780	2	PIN-CONNECTOR (BLADE)							
		1	7N-7779	2	SOCKET							

M-METRIC PART



GRAPHIC #1

g00097525

# OPERATOR STATION

## 125-4344 MOUNTING GP-CAB

S/N: 5HM1-UP

NON-ROPS, ENCLOSED

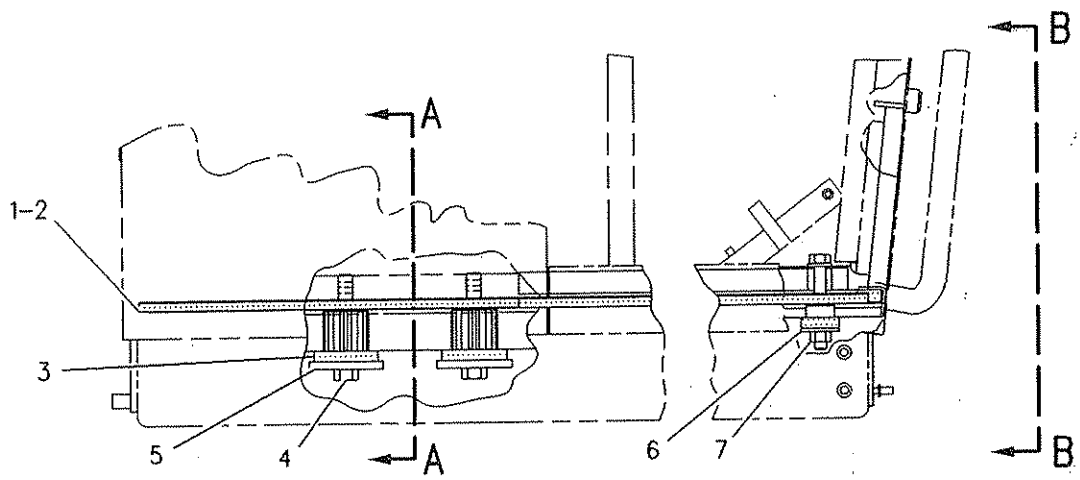
PART OF 130-4563 CAB GP-HIGH PROFILE, 130-4564 CAB GP-NON-ROPS  
AN ATTACHMENT

SMCS-7301

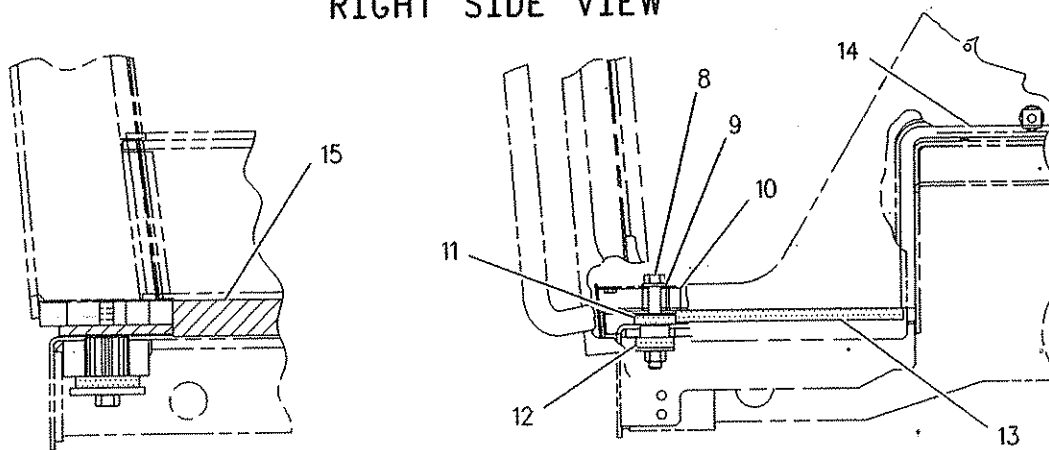
101132163

NOTE	REF NO	GRAPHIC REF	PART NUMBER	QTY	PART NAME						SEE PAGE
					1	2	3	4	5	6 (PRODUCT LEVEL)	
	1	1	103-5515	1	PAD-RH						
	2	1	103-5516	1	PAD-LH						
	3	1	103-4953	4	MOUNTING						
	4	1	7X-0375	4	BOLT (3/4X10X5 IN)						
	5	1	8X-0674	4	WASHER (10MM THK)						
	6	1	038-3987	2	WASHER						
	7	1	4K-0367	2	NUT (5/8-11 THD)						
	8	1	7X-0354	2	BOLT (5/8-11X4.50 IN)						
	9	1	8T-4122	2	WASHER (3.5MM THK)						
	10	1	8X-6131	2	SEAL						
	11	1	164-2465	2	PAD						
	12	1	9D-1589	2	MOUNTING						
	13	1	2G-7098	2	PAD						
	14	1	2G-7097	1	PAD						
B	15	1	123-6806		SEAL						

B-USE AS REQUIRED



RIGHT SIDE VIEW



SECTION A-A

VIEW B-B

GRAPHIC #1

g00109328

# MEMORANDA

# OPERATOR STATION

## 2A - 6985 MOUNTING GP - ROPS

S/N: 5HM1-UP

PART OF 116-5842, 131-0823 ROPS GP-ENCLOSED  
AN ATTACHMENT

SMCS-7266

101435139

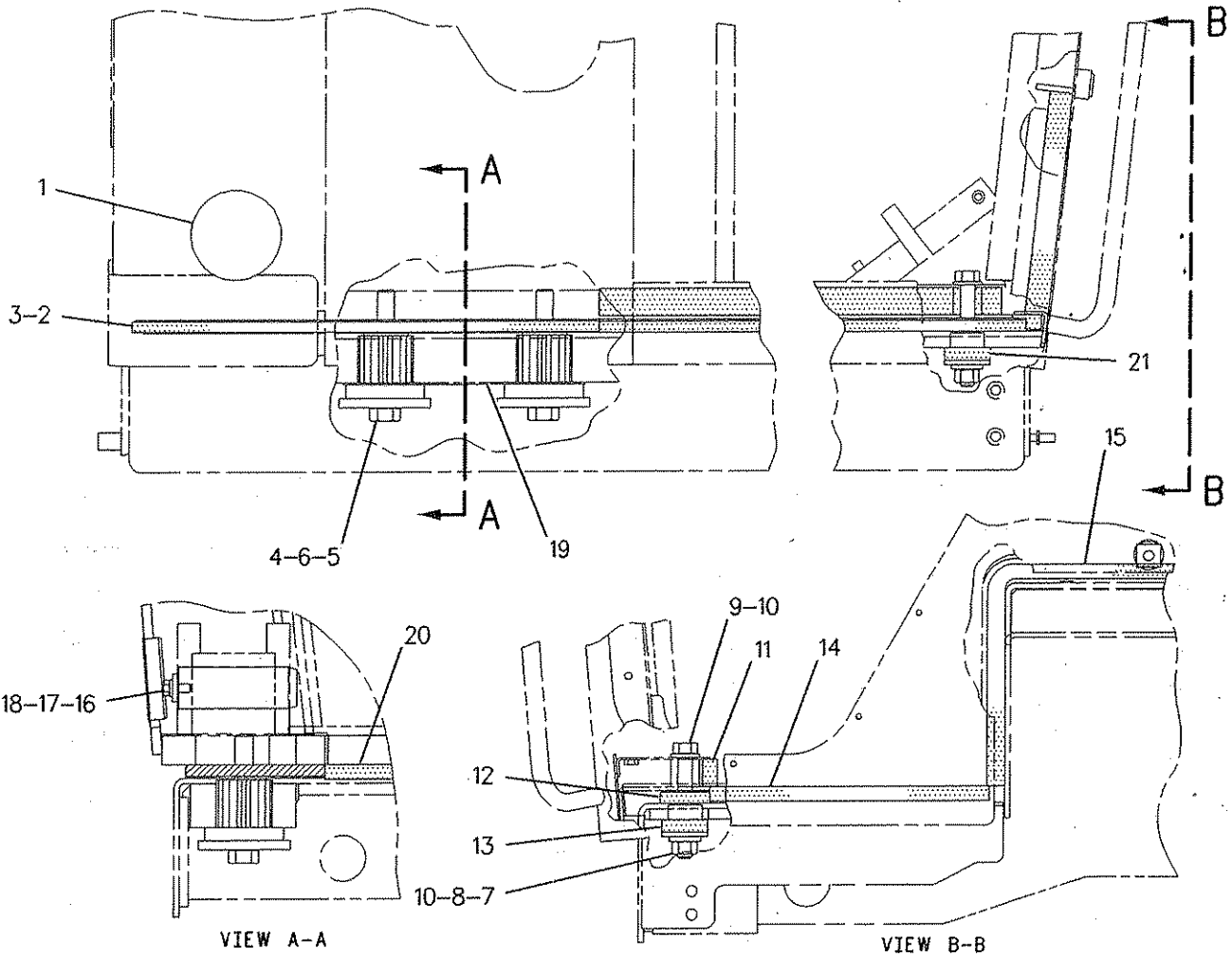
NOTE	REF NO	GRAPHIC REF	PART NUMBER	QTY	PART NAME						SEE PAGE
					1	2	3	4	5	6 (PRODUCT LEVEL)	
	1	1	3E-4048	2	CAP-PLUG						
	2	1	103-5515	1	PAD-RH						
	3	1	103-5516	1	PAD-LH						
	4	1	103-4953	4	MOUNTING						
	5	1	7X-0375	4	BOLT (3/4-10X5 IN)						
	6	1	8X-0674	4	WASHER (22X100X10MM THK)						
	7	1	038-3987	2	WASHER (16.75X50.8X4.76MM THK)						
	8	1	4K-0367	2	NUT-FULL (5/8-11 THD)						
	9	1	7X-0354	2	BOLT (5/8-11X4.50IN)						
	10	1	8T-4122	4	WASHER-HARD (17X32X3.5MM THK)						
	11	1	8X-6131	2	SEAL						
	12	1	164-2465	2	PAD						
	13	1	9D-1589	2	MOUNTING						
	14	1	2G-7098	2	PAD						
	15	1	2G-7097	1	PAD						
	16	1	103-4771	2	PIN AS						
	17	1	030-8535	2	BOLT-LOCKING (3/8-16X0.875 IN)						
	18	1	8T-4896	2	WASHER-HARD (10.2X18.5X2.5MM THK)						
	19	1	166-1999	2	SHIM (2.28MM THK)						
BE	20	1	123-6806		SEAL						
	21	1	166-1997	2	SHIM (1.2MM THK)						

B- USE AS REQUIRED  
E- ORDER BY THE CENTIMETER

# OPERATOR STATION

2A-6985 MOUNTING GP-ROPS (contd.)

101435139



GRAPHIC #1

g00752004

# OPERATOR STATION

## 8X-2375 PANEL GP-CAB

S/N: 5HM1-UP

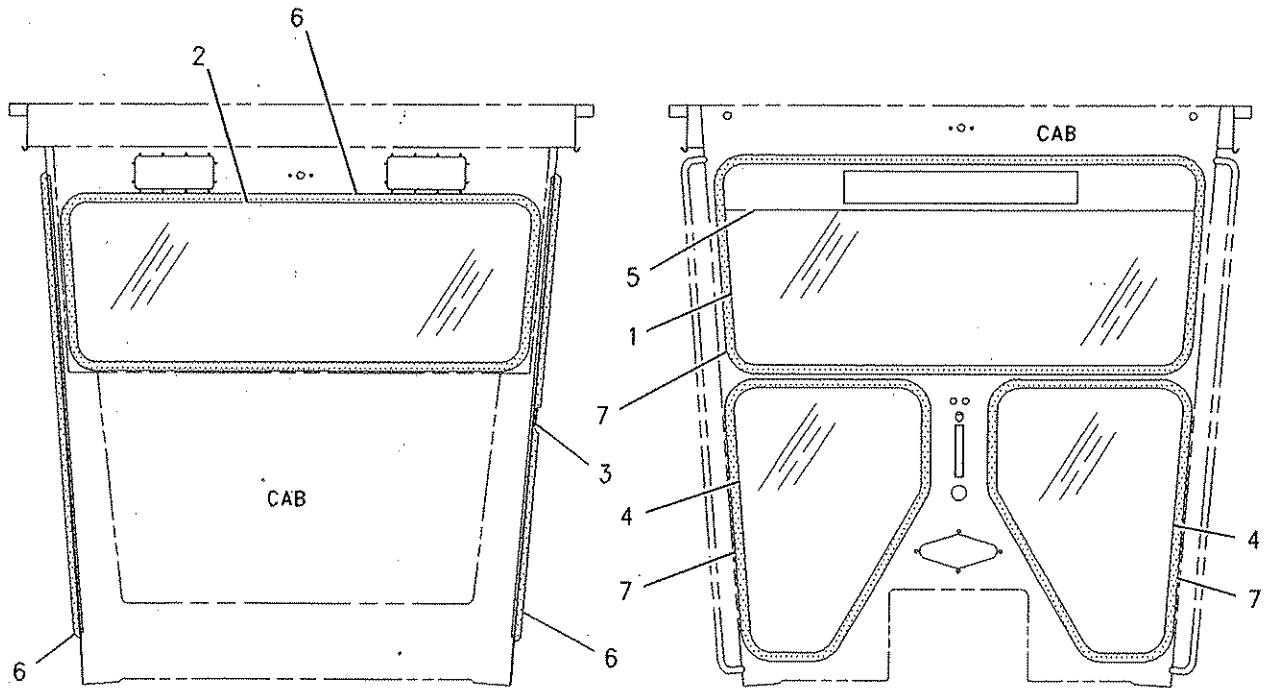
PART OF 131-0823 ROPS GP-ENCLOSED  
AN ATTACHMENT

SMCS-7301

i01307000

NOTE	REF NO	GRAPHIC REF	PART NUMBER	QTY	PART NAME						SEE PAGE
					1	2	3	4	5	6 (PRODUCT LEVEL)	
	1	1	8X-5456	1	GLASS-FRONT						
	2	1	118-2557	2	GLASS (SIDE)						
	3	1	102-9381	1	GLASS-REAR						
	4	1	149-3409	2	GLASS						
	5	1	166-2829	1	FILM (SUNVISOR CATERPILLAR)						
D	6	1	5P-5768		SEAL (10.5M)						
E	7	1	3E-9413		SEAL (913CM)						

D-ORDER BY THE METER  
E-ORDER BY THE CENTIMETER



REAR VIEW

FRONT VIEW

GRAPHIC #1

g00693198

# OPERATOR STATION

## 8X-2385 PANEL GP-CAB

S/N: 5HM1-UP

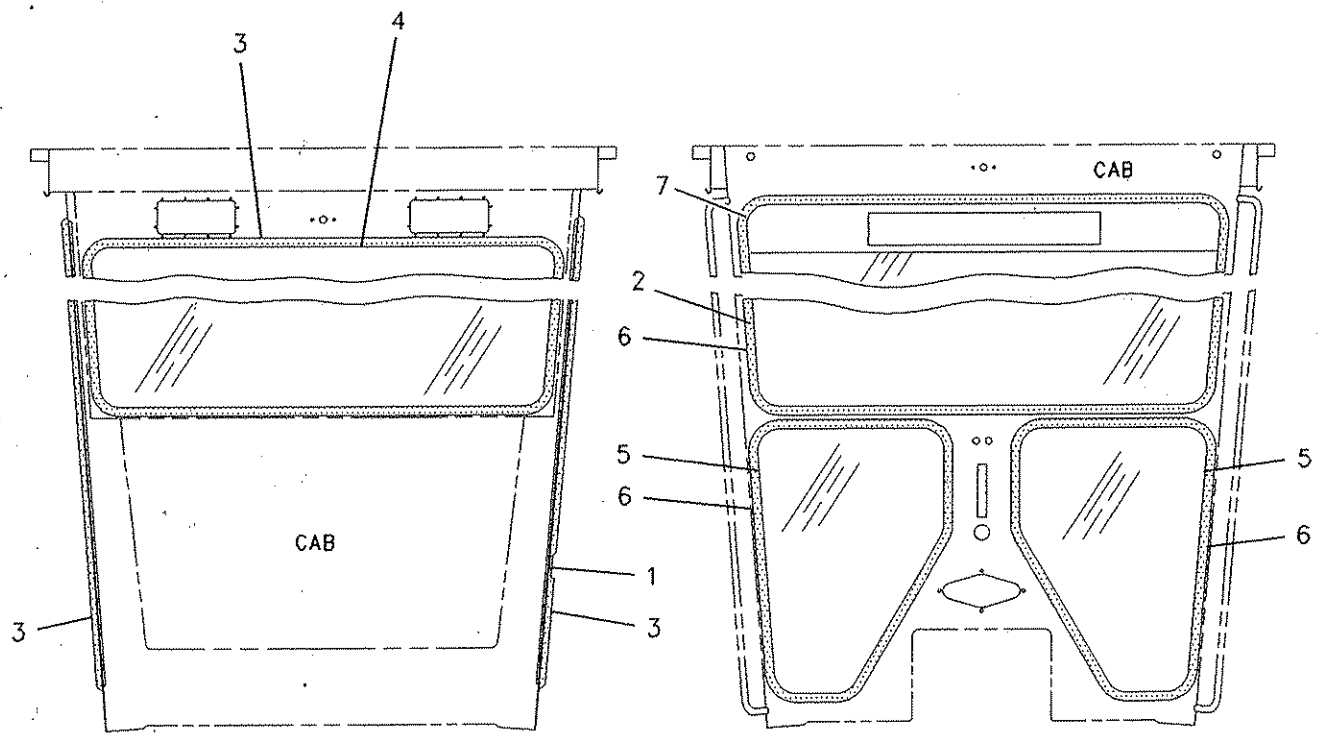
PART OF 130-4564 CAB GP-NON-ROPS, 116-5842 ROPS GP-ENCLOSED  
AN ATTACHMENT

SMCS-7301

i01308004

NOTE	REF NO	GRAPHIC REF	PART NUMBER	QTY	PART NAME						SEE PAGE
					1	2	3	4	5	6 (PRODUCT LEVEL)	
	1	1	115-6806	2	GLASS (SIDE)						
	2	1	8X-2228	1	GLASS-FRONT						
BD	3	1	5P-5768		SEAL						
	4	1	102-9372	1	GLASS-REAR						
	5	1	149-3409	2	GLASS						
E	6	1	3E-9413		SEAL (963CM)						
	7	1	166-2830	1	FILM (SUNSHADE-CATERPILLAR)						

B-USE AS REQUIRED  
D-ORDER BY THE METER  
E-ORDER BY THE CENTIMETER



REAR VIEW

FRONT VIEW

GRAPHIC #1

g00693201

# OPERATOR STATION

## 129-8614 PANEL GP-CAB

S/N: 5HM1-UP

HIGH PROFILE

PART OF 130-4563 CAB GP-HIGH PROFILE  
AN ATTACHMENT

SMCS-7301

i00677677

NOTE	REF NO	GRAPHIC REF	PART NUMBER	QTY	PART NAME						SEE PAGE
					1	2	3	4	5	6 (PRODUCT LEVEL)	
	1	1	8X-2228	1	GLASS-FRONT						
D	2	1	5P-5768		SEAL (4.3M)						
	3	1	102-9372	1	GLASS-REAR						
	4	1	149-3409	2	GLASS						
D	5	1	3E-9413		SEAL (9.7M)						

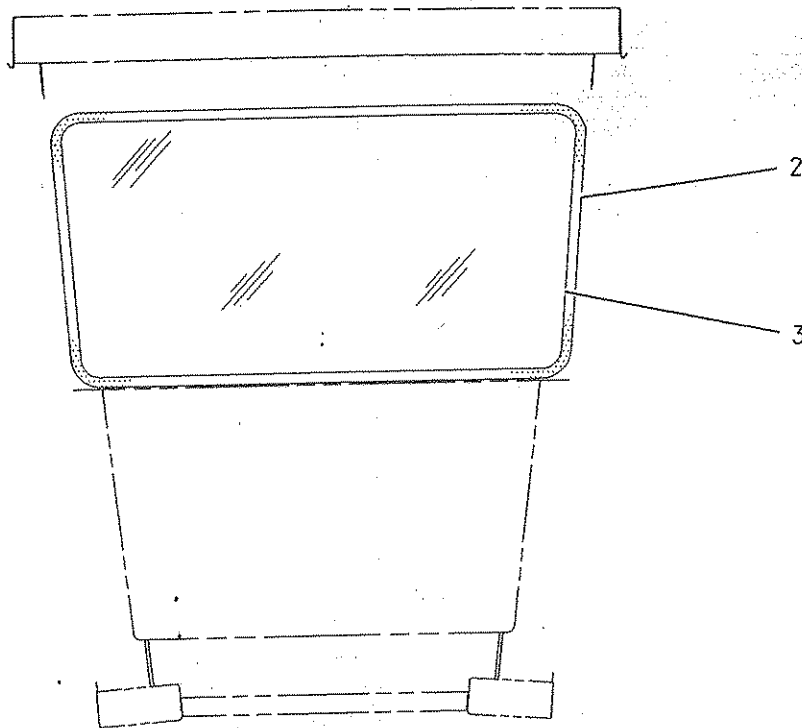
D-ORDER BY THE METER



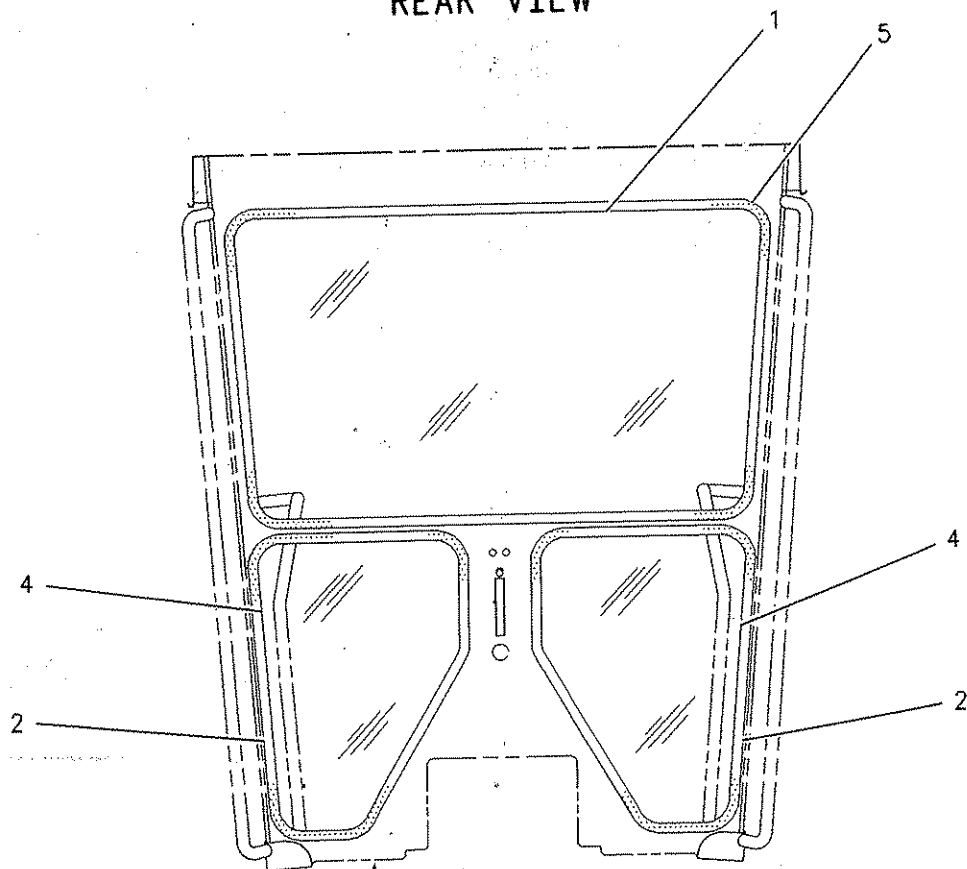
# OPERATOR STATION

129-8614 PANEL GP - CAB (contd.)

i00677677



REAR VIEW



FRONT VIEW

GRAPHIC #1

g00294475

# OPERATOR STATION

## 116-2143 PANEL GP-INSTRUMENT

S/N: 5HM1-1297

PART OF 112-4113 CHASSIS AR

SMCS-7450, 7451

i01047902

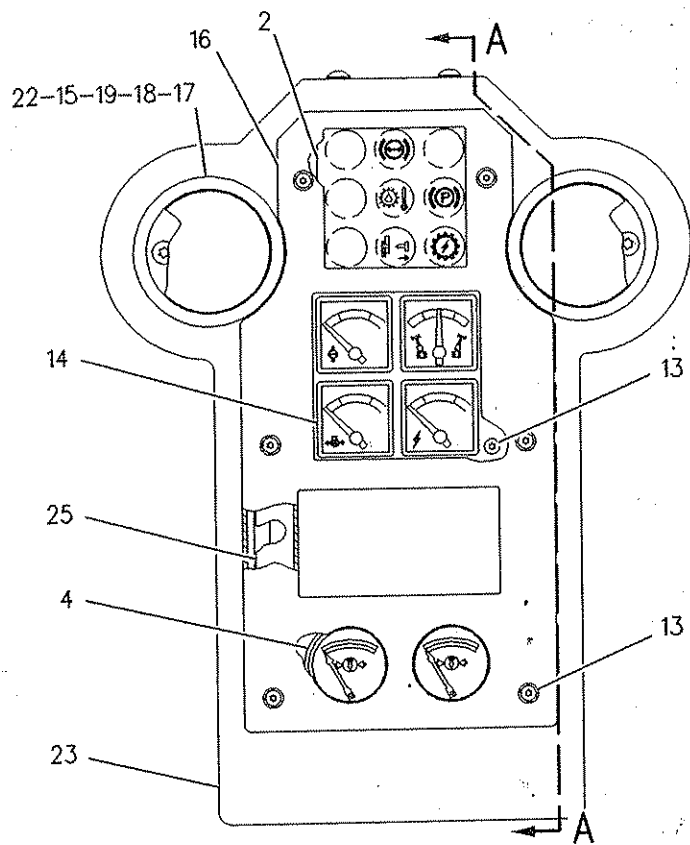
NOTE	REF NO	GRAPHIC REF	PART NUMBER	QTY	PART NAME						SEE PAGE
					1	2	3	4	5	6 (PRODUCT LEVEL)	
	1	1	122-8346	2	PLATE AS						
					(EACH INCLUDES)						
M		1	6V-9632	2	NUT-WELD (M6X1 THD)						
	2	1	136-5154	1	FILM-PANEL						
	3	1	122-8147	1	PANEL						
	4	1	1W-3306	2	INDICATOR AS-AIR PRESSURE (RESERVOIRS)						
					(EACH INCLUDES)						
		1	4B-2049	2	NUT (10-32 THD)						
		1	8F-1434	2	LOCKWASHER (0.51MM THK)						
	5	1	117-5215	1	GASKET						
M	6	1	3E-8020	2	SCREW-TRUSS HEAD (M6X1X25 MM)						
	7	1	5P-4115	4	WASHER (2MM THK)						
	8	1	7N-5876	7	LAMP (28 VOLT)						
	9	1	9G-3659	1	CLIP						
	10	1	5D-0269	2	ELBOW						
	11	1	137-5114	1	HARNESS AS						
	12	1	2M-4009	4	PLUG-BUTTON						
M	13	1	9X-1046	10	SCREW (M4X0.7X18MM)						
Y	14	1	127-8314	1	MODULE GP-QUAD GAUGE						
M	15	1	9X-2043	8	SCREW-TRUSS HEAD (M6X1X14MM)						882
	16	1	122-8152	1	PANEL						
	17	1	122-8151	2	CUP						
	18	1	9X-8256	4	WASHER (2MM THK)						
M	19	1	5C-2890	4	NUT (M6X1.00 THD)						
	20	1	122-8148	1	PLATE AS						
M		1	6V-9632	2	NUT-WELD (M6X1 THD)						
M	21	1	6V-5698	2	SCREW-BUTTON HEAD (M4X0.7X10MM)						
	22	1	126-4220	2	COVER						
	23	1	122-8159	1	PANEL						
BD	24	1	5P-5927	1	SEAL						
	25	1	127-5119	1	PLATE						

B-USE AS REQUIRED  
D-ORDER BY THE METER  
M-METRIC PART  
Y-SEPARATE ILLUSTRATION

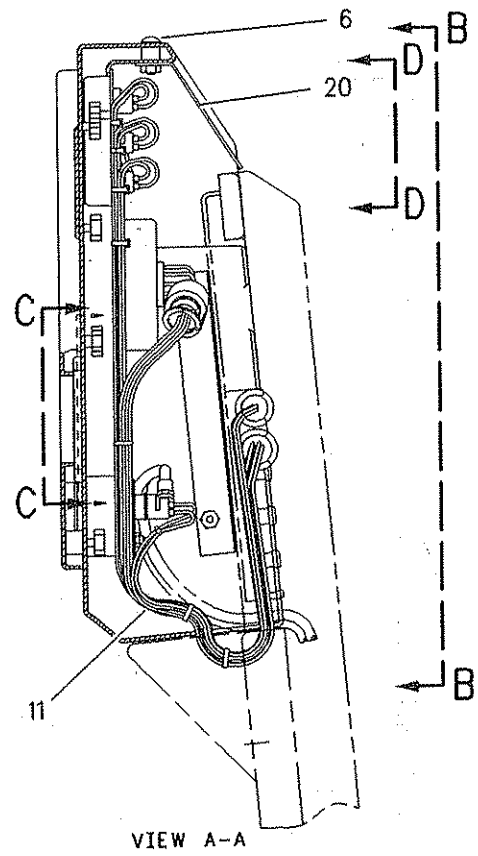
# OPERATOR STATION

116-2143 PANEL GP-INSTRUMENT (contd.)

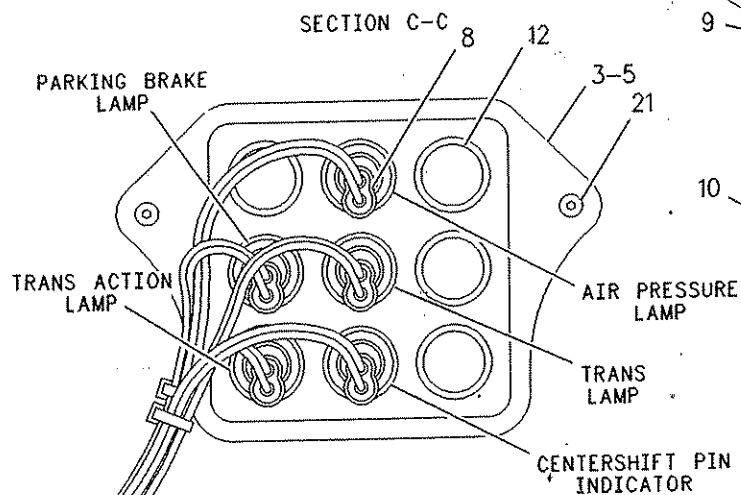
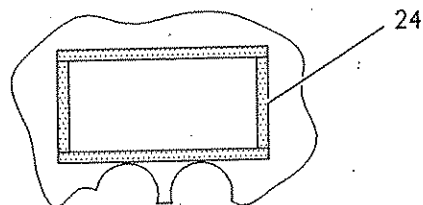
i01047902



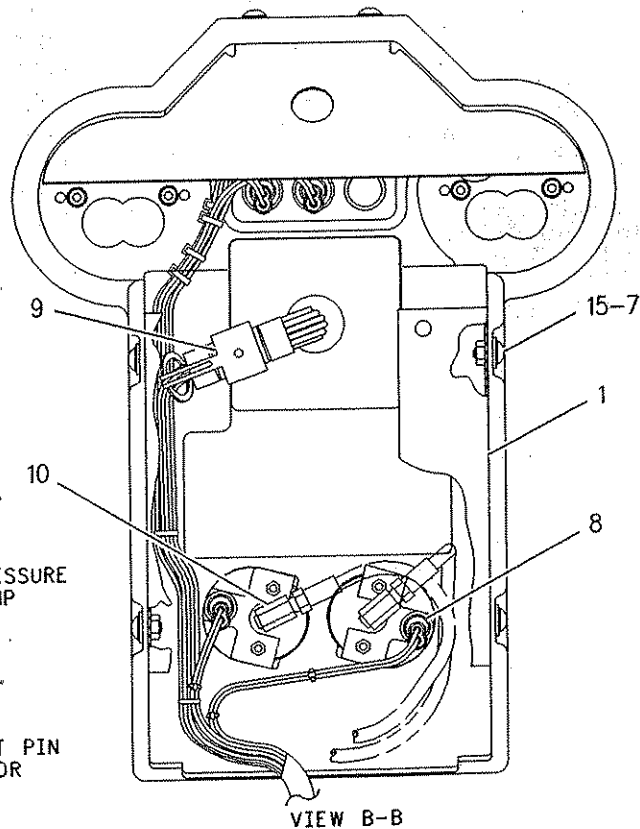
FRONT VIEW



VIEW A-A



VIEW D-D



VIEW B-B

GRAPHIC #1

g00109508

# OPERATOR STATION

## 116-2143 PANEL GP-INSTRUMENT

S/N: 5HM1298-1591

PART OF 112-4113 CHASSIS AR

SMCS-7450, 7451

101346388

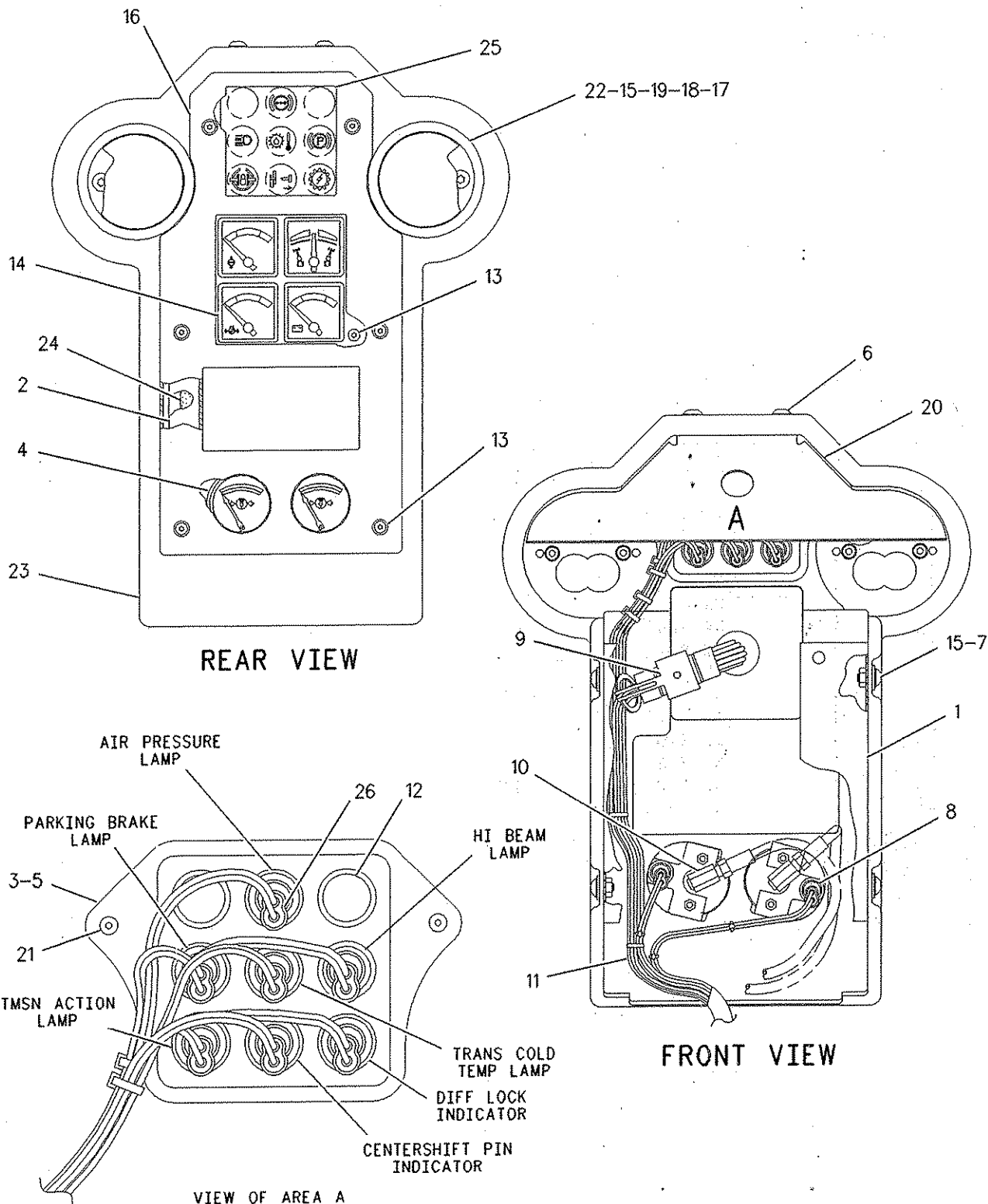
NOTE	REF NO	GRAPHIC REF	PART NUMBER	QTY	PART NAME						SEE PAGE
					1	2	3	4	5	6 (PRODUCT LEVEL)	
	1	1	122-8346	2	PLATE AS						
					(EACH INCLUDES)						
M		1	6V-9632	2	NUT-WELD (M6X1 THD)						
	2	1	136-5154	1	FILM-PANEL						
	3	1	122-8147	1	PANEL						
	4	1	1W-3306	2	INDICATOR AS-AIR PRESSURE (RESERVOIRS)						
					(EACH INCLUDES)						
		1	4B-2049	2	NUT (10-32 THD)						
		1	8F-1434	2	LOCKWASHER (0.51MM THK)						
	5	1	117-5215	1	GASKET						
M	6	1	3E-8020	2	SCREW-TRUSS HEAD (M6X1X25 MM)						
	7	1	5P-4115	4	WASHER (2MM THK)						
	8	1	7N-5876	2	LAMP (28 VOLT)						
	9	1	9G-3659	1	CLIP (CONNECTOR)						
	10	1	5D-0269	2	ELBOW (90 DEG-30 DEG)						
	11	1	142-7533	1	HARNESS AS (GAGE)						
	12	1	2M-4009	4	PLUG-BUTTON						
M	13	1	9X-1046	10	SCREW (M4X0.7X18MM)						
CY	14	1	149-5930	1	MODULE GP-QUAD GAUGE						883
M	15	1	9X-2043	8	SCREW-TRUSS HEAD (M6X1X14MM)						
	16	1	122-8152	1	PANEL						
	17	1	122-8151	2	CUP						
	18	1	9X-8256	4	WASHER (2MM THK)						
M	19	1	5C-2890	4	NUT (M6X1 THD)						
	20	1	122-8148	1	PLATE AS						
M		1	6V-9632	2	NUT-WELD (M6X1 THD)						
M	21	1	6V-5698	2	SCREW-BUTTON HEAD (M4X0.7X10MM)						
	22	1	126-4220	2	COVER						
	23	1	122-8159	1	PANEL						
BD	24	1	5P-5927		SEAL						
	25	1	146-5128	1	FILM-PANEL						
	26	1	8D-1429	7	LAMP (28 VOLT)						

B-USE AS REQUIRED  
 C-CHANGE FROM PREVIOUS TYPE  
 D-ORDER BY THE METER  
 M-METRIC PART  
 Y-SEPARATE ILLUSTRATION

# OPERATOR STATION

116-2143 PANEL GP-INSTRUMENT (contd.)

i01346388



GRAPHIC #1

g00711231

# OPERATOR STATION

## 116-2143 PANEL GP - INSTRUMENT

S/N: 5HM1592-UP

PART OF 112-4113 CHASSIS AR

SMCS-7450, 7451

101337800

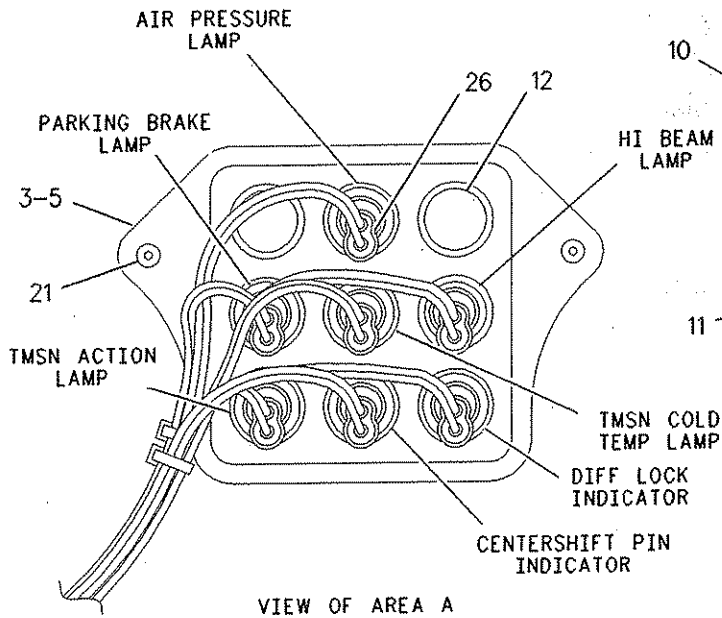
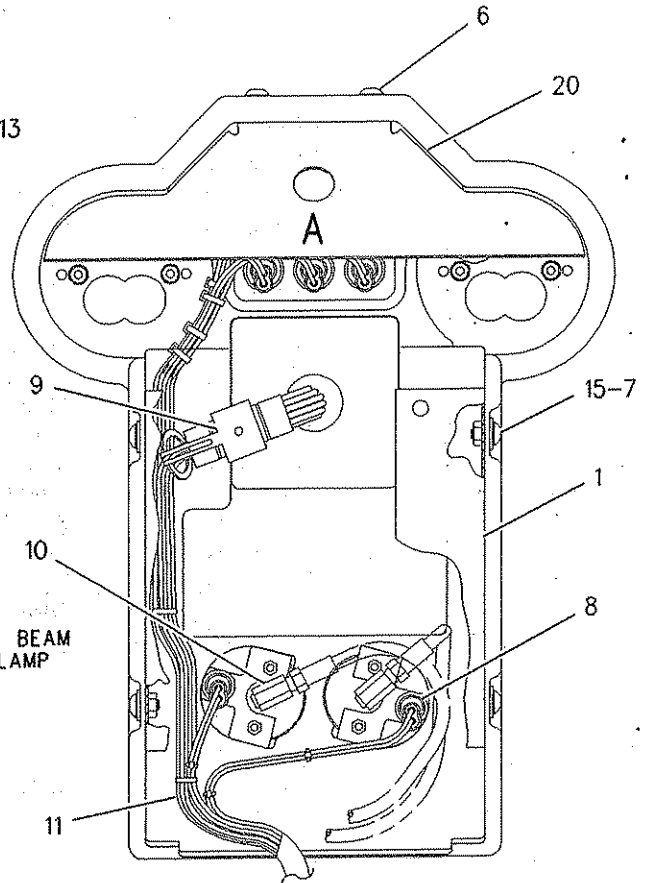
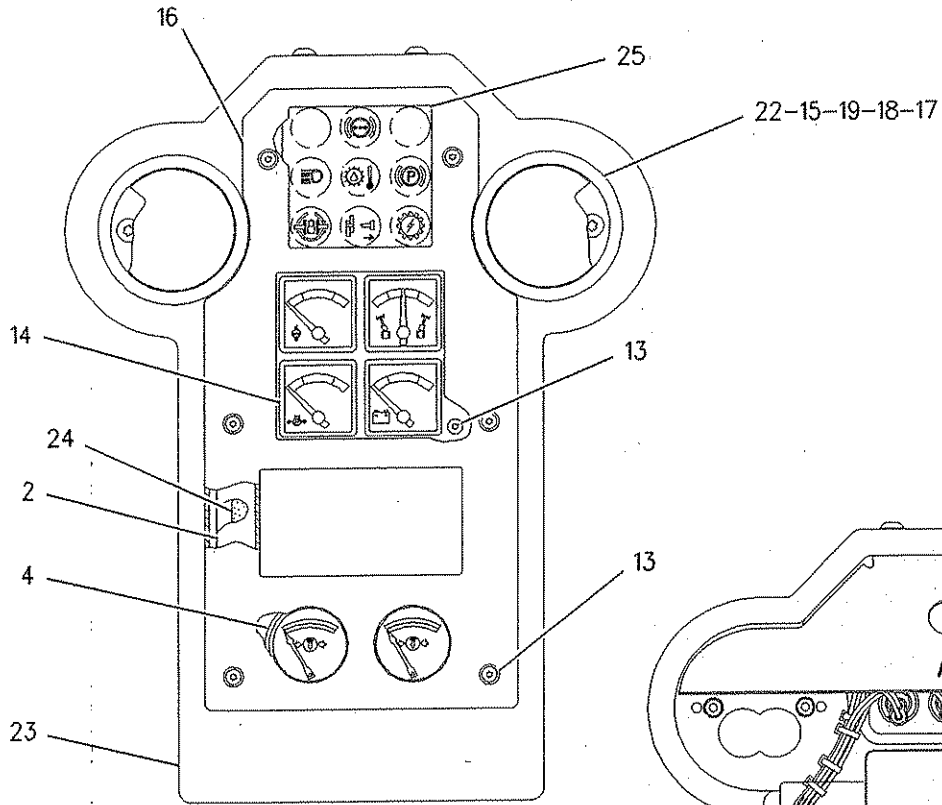
NOTE	REF NO	GRAPHIC REF	PART NUMBER	QTY	PART NAME						SEE PAGE
					1	2	3	4	5	6 (PRODUCT LEVEL)	
	1	1	122-8346	2	PLATE AS						
					(EACH INCLUDES)						
M		1	6V-9632	2	NUT-WELD (M6X1 THD)						
	2	1	136-5154	1	FILM-PANEL						
	3	1	122-8147	1	PANEL						
	4	1	1W-3306	2	INDICATOR AS-AIR PRESSURE (RESERVOIRS)						
					(EACH INCLUDES)						
		1	4B-2049	2	NUT (10-32 THD)						
		1	8F-1434	2	LOCKWASHER (0.51MM THK)						
	5	1	117-5215	1	GASKET						
M	6	1	3E-8020	2	SCREW-TRUSS HEAD (M6X1X25 MM)						
	7	1	5P-4115	4	WASHER (2MM THK)						
	8	1	7N-5876	2	LAMP (28 VOLT)						
	9	1	9G-3659	1	CLIP (CONNECTOR)						
	10	1	5D-0269	2	ELBOW (90 DEG)						
	11	1	142-7533	1	HARNESS AS (GAGE)						
	12	1	2M-4009	4	PLUG-BUTTON						
M	13	1	9X-1046	10	SCREW (M4X0.7X18MM)						
CY	14	1	187-1050	1	MODULE GP-QUAD GAUGE						884
M	15	1	9X-2043	8	SCREW-TRUSS HEAD (M6X1X14MM)						
	16	1	122-8152	1	PANEL						
	17	1	122-8151	2	CUP						
	18	1	9X-8256	4	WASHER (2MM THK)						
M	19	1	5C-2890	4	NUT (M6X1 THD)						
	20	1	122-8148	1	PLATE AS						
M		1	6V-9632	2	NUT-WELD (M6X1 THD)						
M	21	1	6V-5698	2	SCREW-BUTTON HEAD (M4X0.7X10MM)						
	22	1	126-4220	2	COVER						
	23	1	122-8159	1	PANEL						
BD	24	1	5P-5927		SEAL						
	25	1	146-5128	1	FILM-PANEL						
	26	1	8D-1429	7	LAMP (28 VOLT)						

B- USE AS REQUIRED  
 C- CHANGE FROM PREVIOUS TYPE  
 D- ORDER BY THE METER  
 M- METRIC PART  
 Y- SEPARATE ILLUSTRATION

# OPERATOR STATION

116-2143 PANEL GP - INSTRUMENT (contd.)

101337800



GRAPHIC #1

g00712407

# OPERATOR STATION

## 116-2144 PANEL GP-INSTRUMENT

S/N: 5HM1-1297

PART OF 129-7229 CAB AR-HIGH PROFILE, 129-7228 CAB AR-NON-ROPS, 116-5842,  
131-0823 ROPS GP-ENCLOSED  
AN ATTACHMENT

SMCS-7450, 7451

101047985

NOTE	REF NO	GRAPHIC REF	PART NUMBER	QTY	PART NAME						SEE PAGE
					1	2	3	4	5	6 (PRODUCT LEVEL)	
	1	1	122-8146	2	PLATE AS						
					(EACH INCLUDES)						
M		1	6V-9632	2	NUT-WELD (M6X1 THD)						
	2	1	146-5128	1	FILM-PANEL						
	3	1	122-8147	1	PANEL						
	4	1	1W-3306	2	INDICATOR AS-AIR PRESSURE (RESERVOIRS)						
					(EACH INCLUDES)						
		1	4B-2049	2	NUT (10-32 THD)						
		1	8F-1434	2	LOCKWASHER (0.51MM THK)						
	5	1	117-5215	1	GASKET						
	6	1	2R-1922	2	CONNECTOR						
M	7	1	3E-8020	8	SCREW-TRUSS HEAD (M6X1X25 MM)						
	8	1	7N-5876	9	LAMP (28 VOLT)						
	9	1	9G-3659	1	CLIP						
	10	1	5D-0269	2	ELBOW						
	11	1	5K-7577	2	HOSE AS						
	12	1	6V-4245	4	ELBOW-PIPE						
	13	1	9M-8662	2	COUPLING						
	14	1	2H-3922	2	LOCKWASHER (1.27MM THK)						
	15	1	142-7533	1	HARNESS AS						
	16	1	2M-4009	2	PLUG-BUTTON						
	17	1	122-8145	1	PANEL						
M	18	1	9X-1046	10	SCREW (M4X0.7X18MM)						
Y	19	1	127-8314	1	MODULE GP-QUAD GAUGE						882
M	20	1	9X-2043	8	SCREW-TRUSS HEAD (M6X1X14MM)						
	21	1	122-7045	6	COVER						
	22	1	104-2091	12	SCREW-FLAT HEAD (NO.6-20X0.5IN)						
	23	1	122-8152	1	PANEL						
	24	1	122-8151	2	CUP						
	25	1	9X-8256	4	WASHER (2MM THK)						
M	26	1	5C-2890	4	NUT (M6X1.00 THD)						
	27	1	122-8148	1	PLATE AS						
M		1	6V-9632	2	NUT-WELD (M6X1 THD)						
M	28	1	6V-5698	2	SCREW-BUTTON HEAD (M4X0.7X10MM)						
	29	1	126-4220	2	COVER						
E	30	1	5P-5927		SEAL (60 CM)						
	31	1	127-5119	1	PLATE						

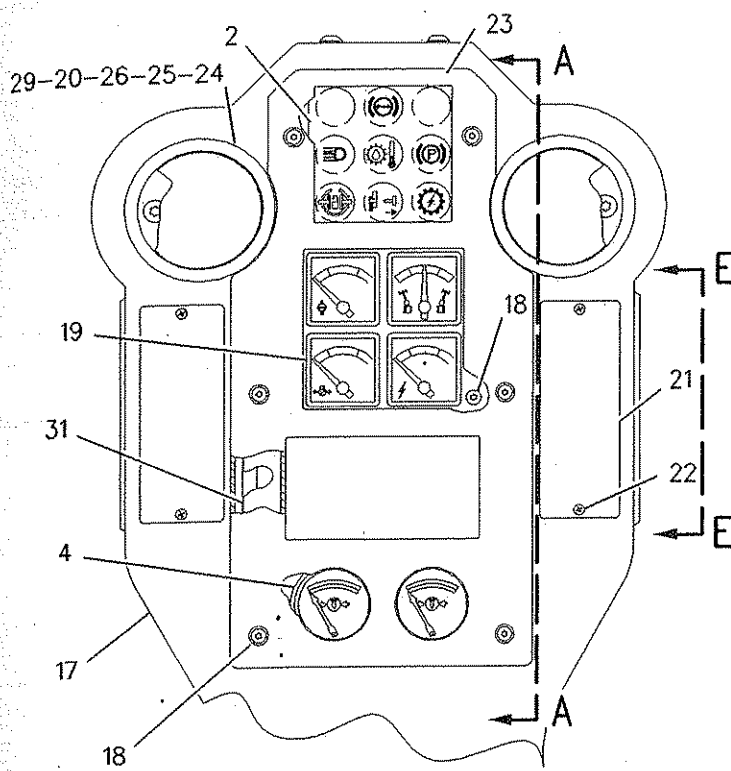
E-ORDER BY THE CENTIMETER  
M-METRIC PART  
Y-SEPARATE ILLUSTRATION



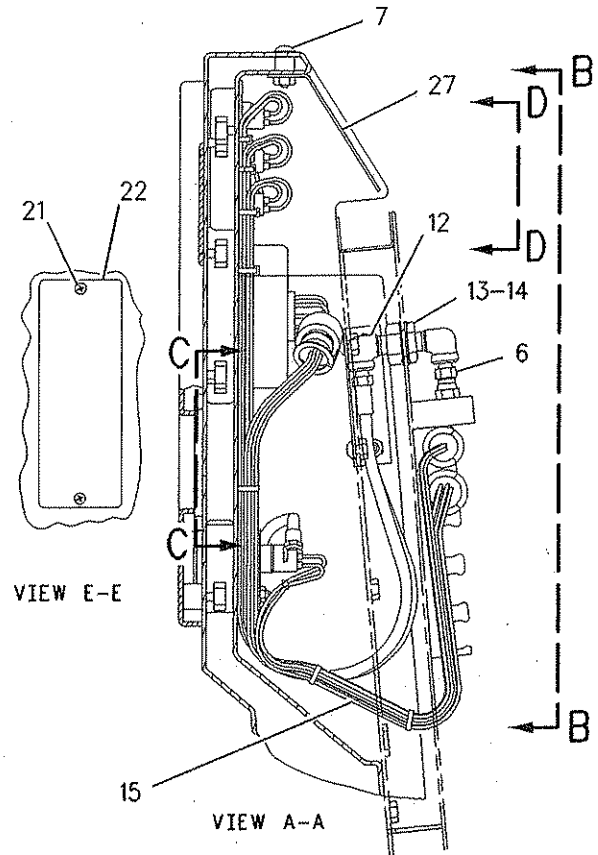
# OPERATOR STATION

116-2144 PANEL GP-INSTRUMENT (contd.)

i01047985

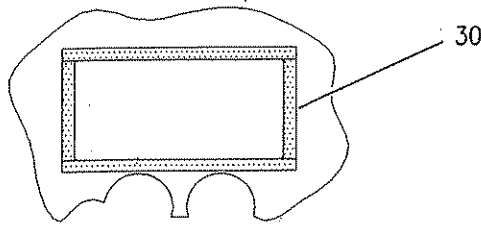


FRONT VIEW

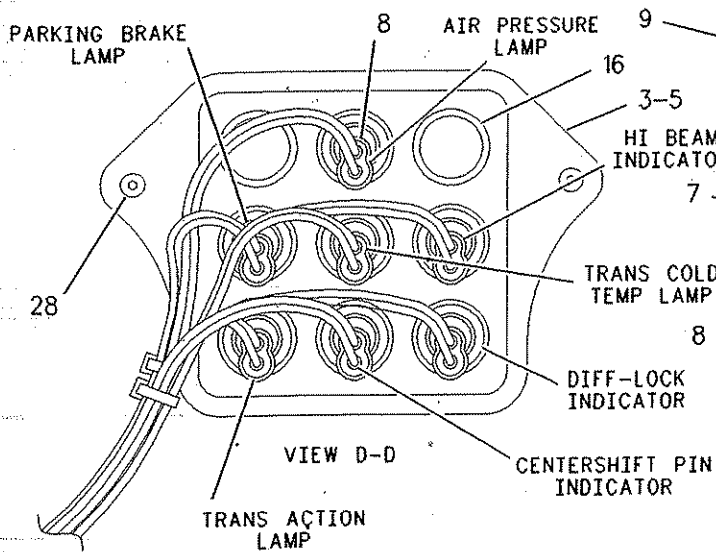


VIEW E-E

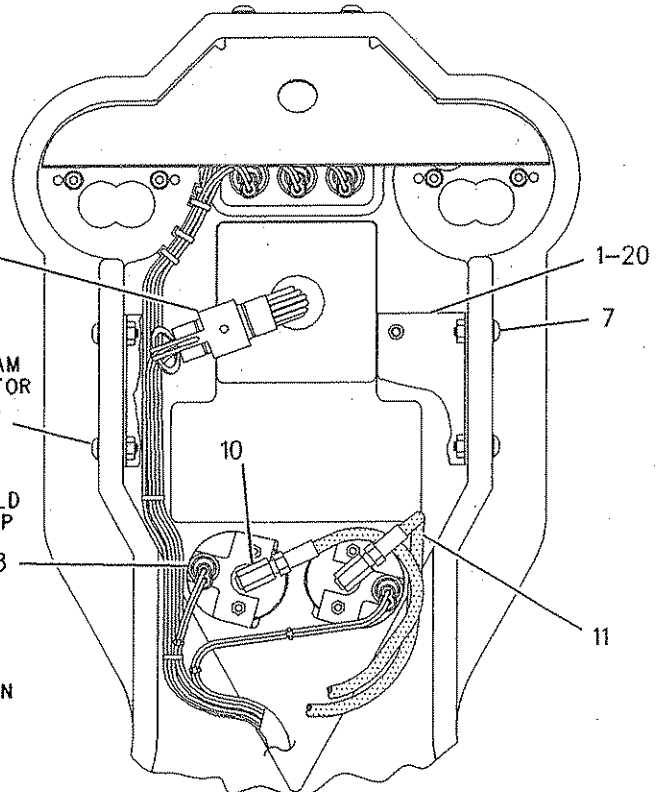
VIEW A-A



SECTION C-C



VIEW D-D



VIEW B-B

GRAPHIC #1

g00518965

# OPERATOR STATION

## 116-2144 PANEL GP - INSTRUMENT

S/N: 5HM1298-1591

PART OF 129-7229 CAB AR-HIGH PROFILE, 129-7228 CAB AR-NON-ROPS, 116-5842,  
131-0823 ROPS GP-ENCLOSED  
AN ATTACHMENT

SMCS-7450, 7451

101122340

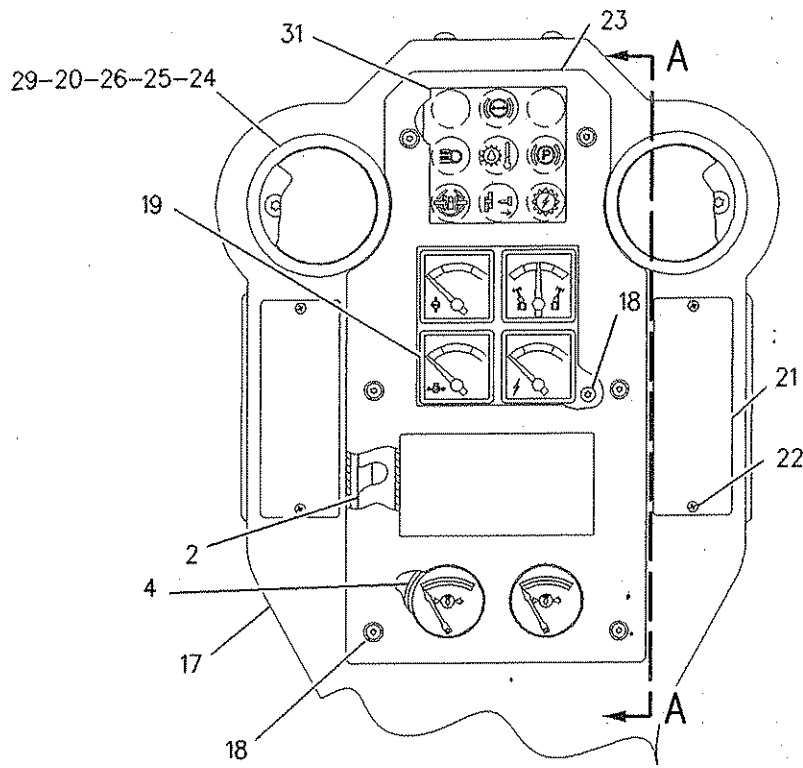
NOTE	REF NO	GRAPHIC REF	PART NUMBER	QTY	PART NAME						SEE PAGE
					1	2	3	4	5	6 (PRODUCT LEVEL)	
	1	1	122-8146	2	PLATE AS						
					(EACH INCLUDES)						
M		1	6V-9632	2	NUT-WELD (M6X1 THD)						
	2	1	146-5128	1	FILM-PANEL						
	3	1	122-8147	1	PANEL						
	4	1	1W-3306	2	INDICATOR AS-AIR PRESSURE (RESERVOIR)						
					(EACH INCLUDES)						
		1	4B-2049	2	NUT (10-32 THD)						
		1	8F-1434	2	LOCKWASHER (0.51MM THK)						
	5	1	117-5215	1	GASKET						
	6	1	2R-1922	2	CONNECTOR						
M	7	1	3E-8020	8	SCREW-TRUSS HEAD (M6X1X25 MM)						
	8	1	7N-5876	2	LAMP (28 VOLT)						
	9	1	9G-3659	1	CLIP (CONNECTOR)						
	10	1	5D-0269	2	ELBOW						
	11	1	5K-7577	2	HOSE AS						
	12	1	6V-4245	4	ELBOW-PIPE						
	13	1	9M-8662	2	COUPLING						
	14	1	2H-3922	2	LOCKWASHER (1.27MM THK)						
	15	1	142-7533	1	HARNESS AS						
	16	1	2M-4009	2	PLUG-BUTTON						
	17	1	122-8145	1	PANEL						
M	18	1	9X-1046	10	SCREW (M4X0.7X18MM)						
Y	19	1	149-5930	1	MODULE GP-QUAD GAUGE						883
M	20	1	9X-2043	8	SCREW-TRUSS HEAD (M6X1X14MM)						
	21	1	122-7045	6	COVER						
	22	1	104-2091	12	SCREW-FLAT HEAD (NO.6-20X0.5IN)						
	23	1	122-8152	1	PANEL						
	24	1	122-8151	2	CUP						
	25	1	9X-8256	4	WASHER (2MM THK)						
M	26	1	5C-2890	4	NUT (M6X1.00 THD)						
	27	1	122-8148	1	PLATE AS						
M		1	6V-9632	2	NUT-WELD (M6X1 THD)						
M	28	1	6V-5698	2	SCREW-BUTTON HEAD (M4X0.7X10MM)						
	29	1	126-4220	2	COVER						
BE	30	1	5P-5927		SEAL (60CM)						
	31	1	127-5119	1	PLATE						
	32	1	8D-1429	7	LAMP (28 VOLT)						

B- USE AS REQUIRED  
E- ORDER BY THE CENTIMETER  
M- METRIC PART  
Y- SEPARATE ILLUSTRATION

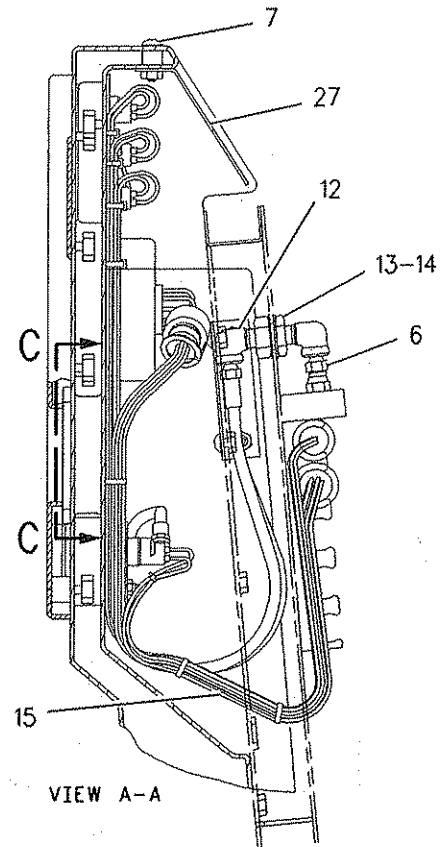
# OPERATOR STATION

116-2144 PANEL GP-INSTRUMENT (contd.)

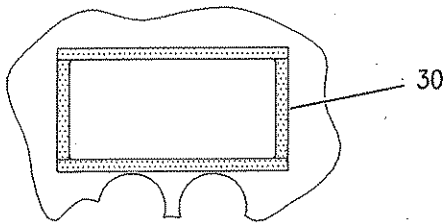
101122340



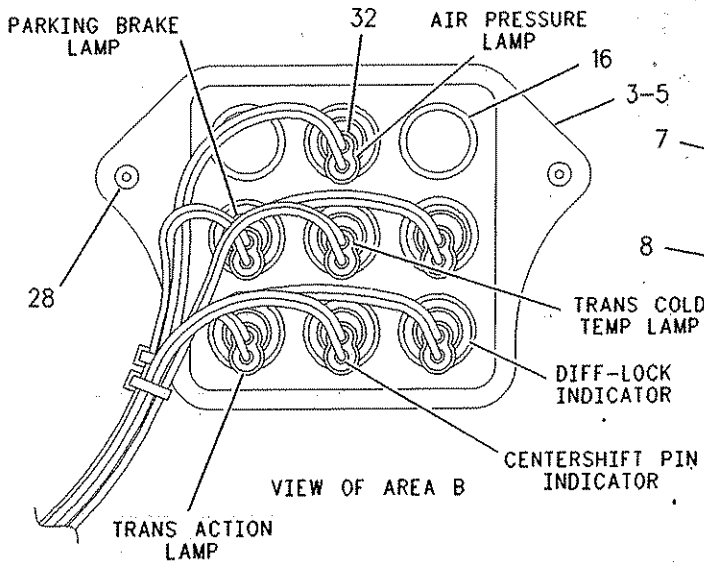
FRONT VIEW



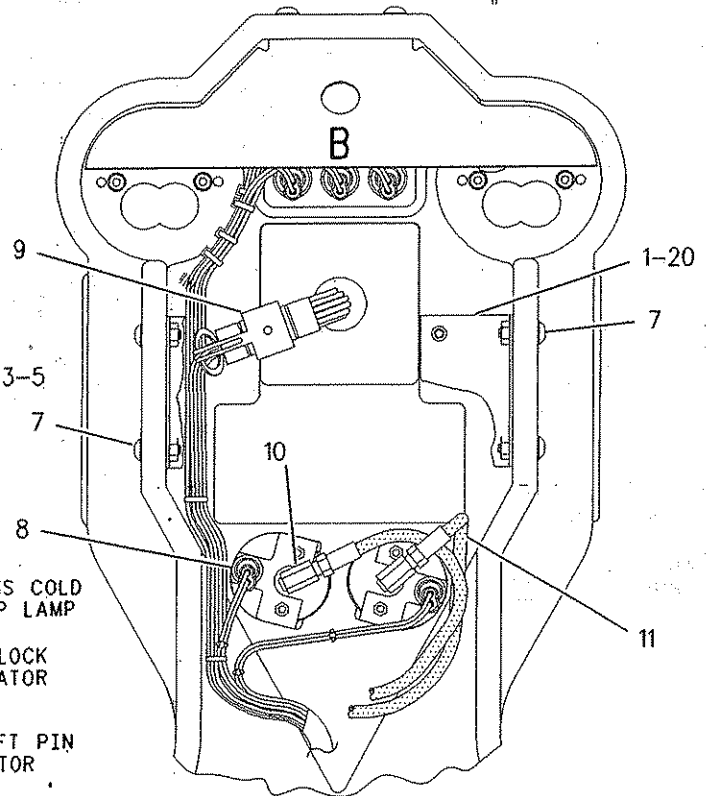
VIEW A-A



SECTION C-C



VIEW OF AREA B



REAR VIEW

GRAPHIC #1

g00559927

# OPERATOR STATION

## 116-2144 PANEL GP-INSTRUMENT

S/N: 5HM1592-UP

PART OF 129-7229 CAB AR-HIGH PROFILE, 129-7228 CAB AR-NON-ROPS, 116-5842,  
131-0823 ROPS GP-ENCLOSED  
AN ATTACHMENT

SMCS-7450, 7451

i01342656

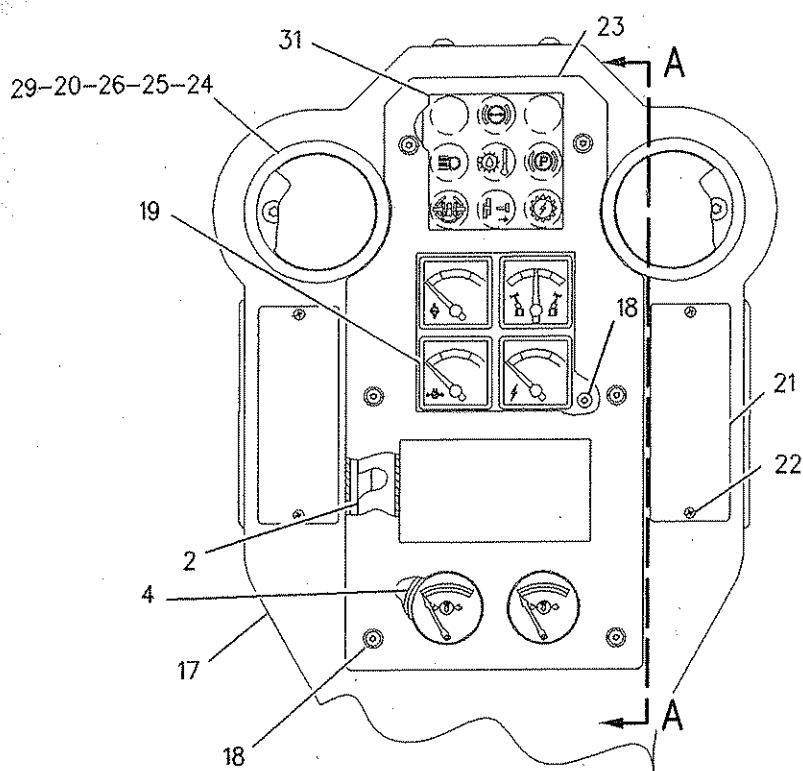
NOTE	REF NO	GRAPHIC REF	PART NUMBER	QTY	PART NAME						SEE PAGE
					1	2	3	4	5	6 (PRODUCT LEVEL)	
	1	1	122-8146	2	PLATE AS						
					(EACH INCLUDES)						
M		1	6V-9632	2	NUT-WELD (M6X1 THD)						
	2	1	146-5128	1	FILM-PANEL						
	3	1	122-8147	1	PANEL						
	4	1	1W-3306	2	INDICATOR AS-AIR PRESSURE (RESERVOIR)						
					(EACH INCLUDES)						
		1	4B-2049	2	NUT (10-32 THD)						
		1	8F-1434	2	LOCKWASHER						
	5	1	117-5215	1	GASKET						
	6	1	2R-1922	2	CONNECTOR						
M	7	1	3E-8020	8	SCREW-TRUSS HEAD (M6X1X25 MM)						
	8	1	7N-5876	2	LAMP (28 VOLT)						
	9	1	9G-3659	1	CLIP						
	10	1	5D-0269	2	ELBOW (90 DEG)						
	11	1	5K-7577	2	HOSE AS						
	12	1	6V-4245	4	ELBOW-PIPE (90 DEGREE)						
	13	1	9M-8662	2	COUPLING						
	14	1	2H-3922	2	LOCKWASHER						
	15	1	142-7533	1	HARNESS AS-CAB (GAGE)						
	16	1	2M-4009	2	PLUG-BUTTON						
	17	1	122-8145	1	PANEL						
M	18	1	9X-1046	10	SCREW (M4X0.7X18MM)						
CY	19	1	187-1050	1	MODULE GP-QUAD GAUGE						884
M	20	1	9X-2043	8	SCREW-TRUSS HEAD (M6X1X14MM)						
	21	1	122-7045	6	COVER						
	22	1	104-2091	12	SCREW-FLAT HEAD (NO.6-20X0.5IN)						
	23	1	122-8152	1	PANEL						
	24	1	122-8151	2	CUP						
	25	1	9X-8256	4	WASHER (6.6X12X2MM THK)						
M	26	1	5C-2890	4	NUT (M6X1 THD)						
	27	1	122-8148	1	PLATE AS						
M		1	6V-9632	2	NUT-WELD (M6X1 THD)						
M	28	1	6V-5698	2	SCREW-BUTTON HEAD (M4X0.7X10MM)						
	29	1	126-4220	2	COVER						
BE	30	1	5P-5927		SEAL (60CM)						
	31	1	127-5119	1	PLATE						
	32	1	8D-1429	7	LAMP (28 VOLT)						

B-USE AS REQUIRED  
 C-CHANGE FROM PREVIOUS TYPE  
 E-ORDER BY THE CENTIMETER  
 M-METRIC PART  
 Y-SEPARATE ILLUSTRATION

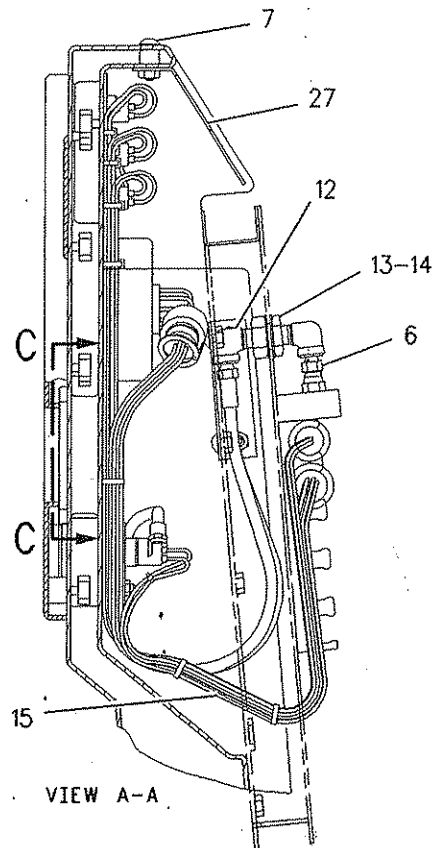
# OPERATOR STATION

116-2144 PANEL GP - INSTRUMENT (contd.)

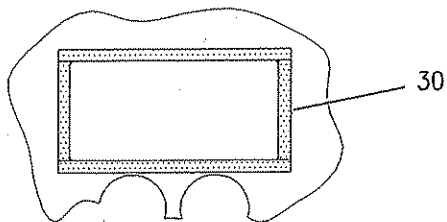
101342656



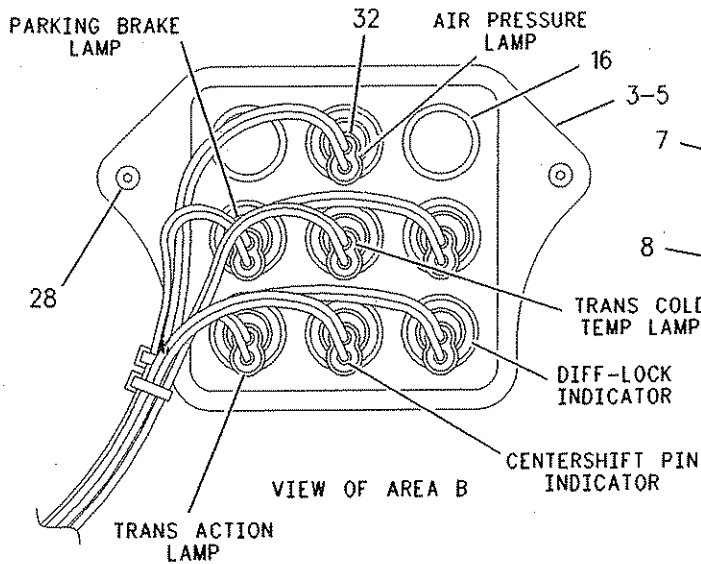
FRONT VIEW



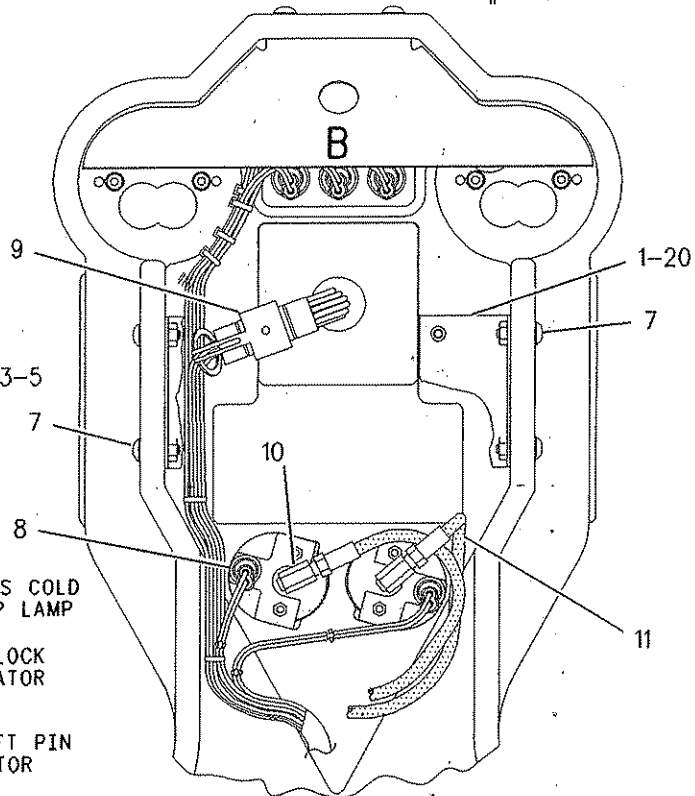
VIEW A-A



SECTION C-C



VIEW OF AREA B



REAR VIEW

GRAPHIC #1

g00559927

# OPERATOR STATION

## 125-8846 PANEL GP-WINDOW

S/N: 5HM1-UP

RH

PART OF 126-0961 WINDOW GP  
AN ATTACHMENT

SMCS-7310

100857875

SEE  
PAGE

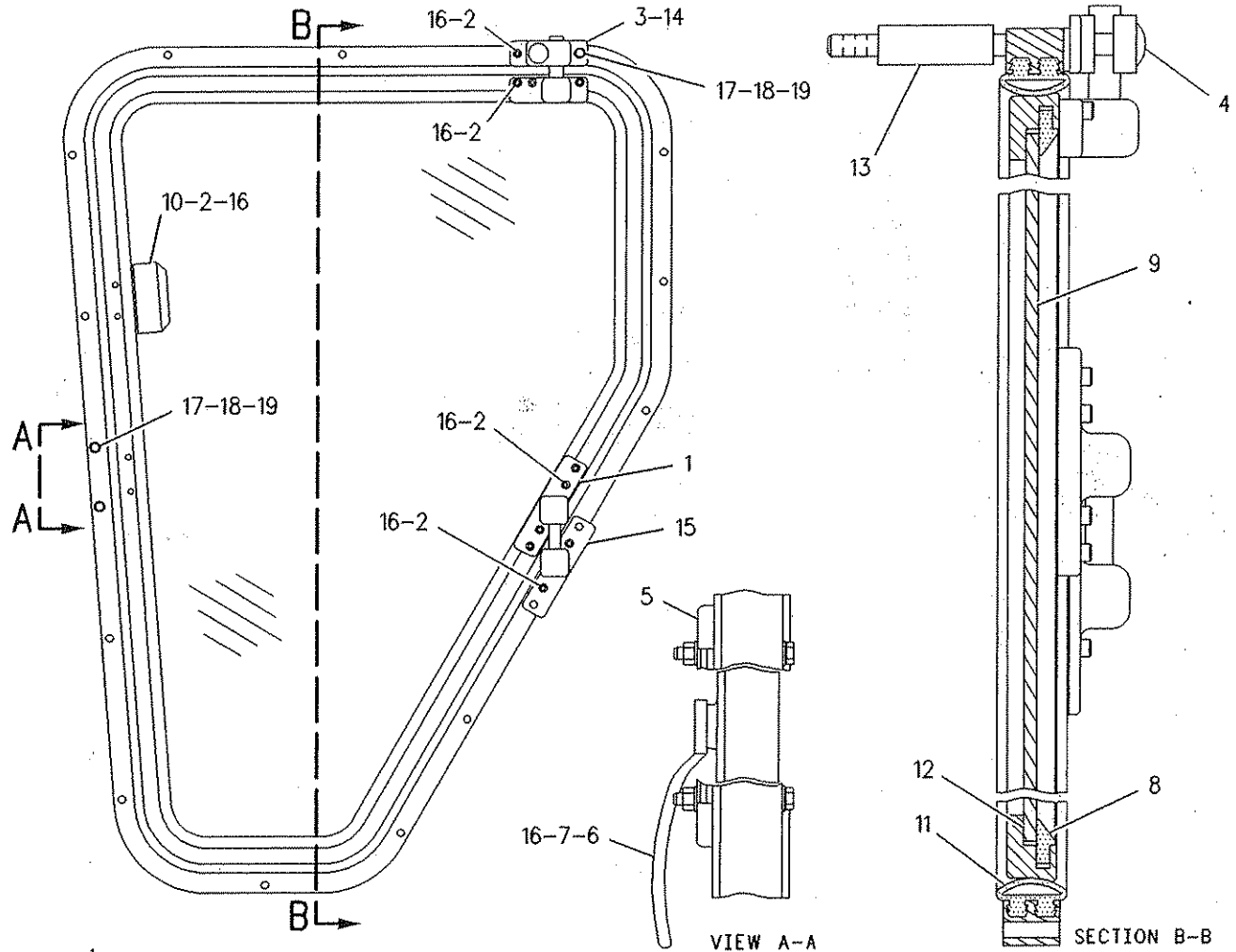
NOTE	REF NO	GRAPHIC REF	PART NUMBER	QTY	PART NAME						
					1	2	3	4	5	6 (PRODUCT LEVEL)	
	1	1	5T-1958	1	IDLER AS-RH						
		1	5T-3144	1	PIVOT AS-IDLER						
	2	1	1H-3340	12	BOLT						
	3	1	8W-1028	1	HINGE AS-RH						
	4	1	126-1167	1	BOLT						
	5	1	126-0228	1	CATCH-STOP						
	6	1	5T-1969	1	HANDLE						
	7	1	1H-8456	2	SCREW-MACHINE						
BD	8	1	5P-5680		SEAL						
	9	1	5T-1967	1	GLASS-VENT						
	10	1	126-1539	1	HANDLE-PULL						
	11	1	5T-1964	1	SEAL						
BE	12	1	7X-7661		TAPE						
	13	1	126-0208	1	SPACER						
	14	1	126-0209	1	PLATE						
	15	1	126-0210	1	PLATE						
	16	1	5T-1972	14	INSERT-SCREW						
M	17	1	8T-0352	3	BOLT						
	18	1	8T-0328	6	WASHER-HARD (1MM THK)						
M	19	1	7Y-5226	3	NUT (M5X0.8MM THD)						
					AVAILABLE REPAIR KIT(S):						
			5T-3146	1	KIT-IDLER HOUSING-RH						

B-USE AS REQUIRED  
D-ORDER BY THE METER  
E-ORDER BY THE CENTIMETER  
M-METRIC PART

# OPERATOR STATION

125-8846 PANEL GP-WINDOW (contd.)

i00857875



GRAPHIC #1

g00108859

# OPERATOR STATION

## 125-8847 PANEL GP-WINDOW-LH

S/N: 5HM1-UP

PART OF 126-0961 WINDOW GP

AN ATTACHMENT

SMCS-7310

i00888430

NOTE	REF NO	GRAPHIC REF	PART NUMBER	QTY	PART NAME						SEE PAGE
					1	2	3	4	5	6 (PRODUCT LEVEL)	
	1	1	5T-1959	1	IDLER AS-LH						
		1	5T-3145	1	PIVOT AS-IDLER						
	2	1	1H-3340	12	BOLT						
	3	1	8W-1029	1	HINGE AS-LH						
	4	1	126-1167	1	BOLT						
	5	1	126-0228	1	;CATCH-STOP						
	6	1	6G-2959	1	HANDLE						
	7	1	1H-8456	2	SCREW-MACHINE						
BD	8	1	5P-5680		SEAL						
	9	1	5T-1967	1	GLASS-VENT						
	10	1	126-1539	1	HANDLE-PULL						
	11	1	5T-1964	1	SEAL						
B	12	1	7X-7661		TAPE						
	13	1	126-0208	1	SPACER						
	14	1	126-0209	1	PLATE						
	15	1	126-0210	1	PLATE						
	16	1	5T-1972	14	INSERT-SCREW						
M	17	1	8T-0352	3	BOLT						
	18	1	8T-0328	6	WASHER-HARD (1MM THK)						
M	19	1	7Y-5226	3	NUT (M5X0.8MM THD)						
					AVAILABLE REPAIR KIT(S):						
			5T-3147	1	;KIT-IDLER HOUSING-LH						

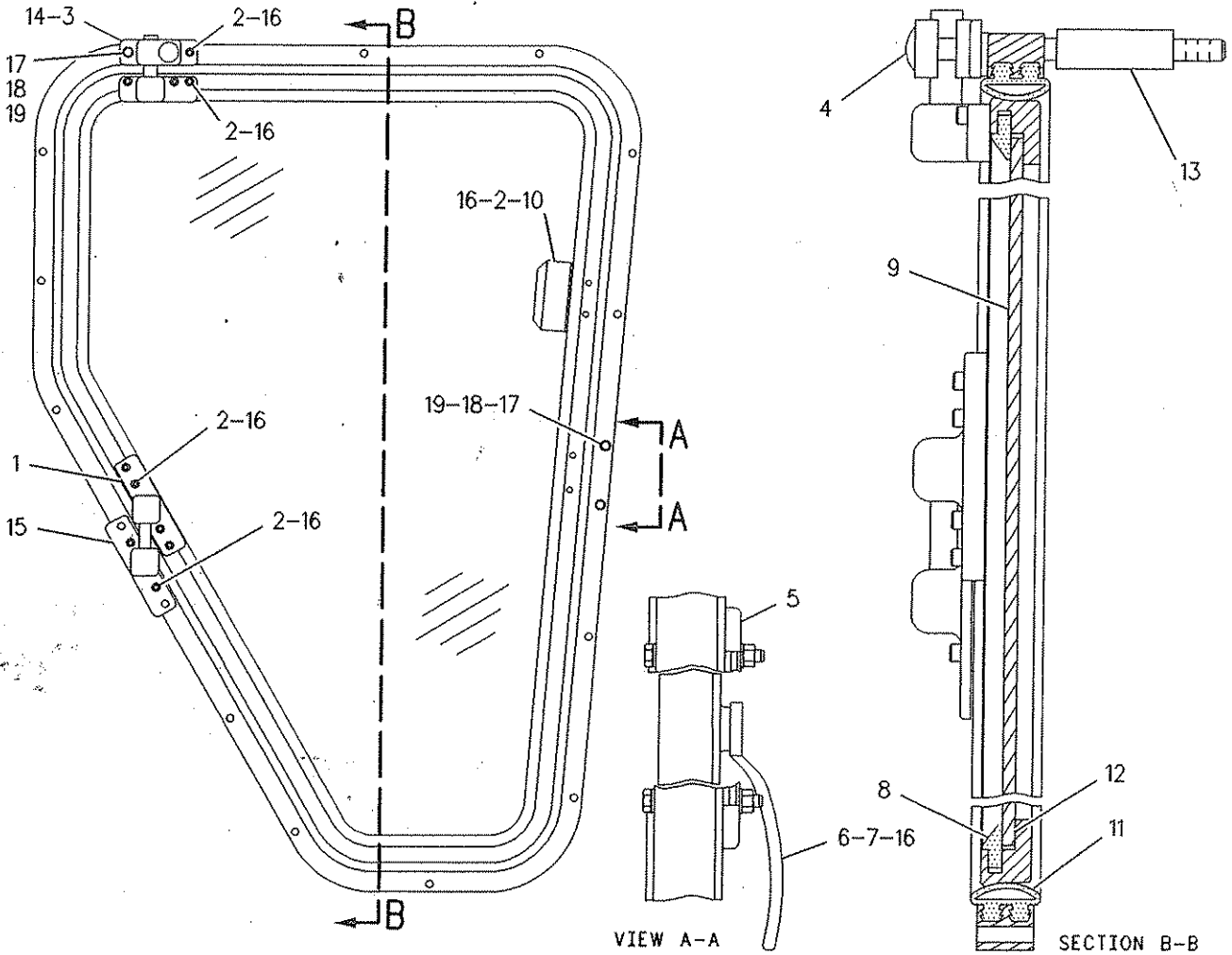
B- USE AS REQUIRED  
D- ORDER BY THE METER  
M- METRIC PART



# OPERATOR STATION

125-8847 PANEL GP-WINDOW (contd.)

100888430



GRAPHIC #1

g00108860



# OPERATOR STATION

## 150-5106 PANEL GP-WINDOW-RH

S/N: 5HM1-UP

PART OF 126-0961 WINDOW GP  
AN ATTACHMENT

SMCS-7310

i01453670

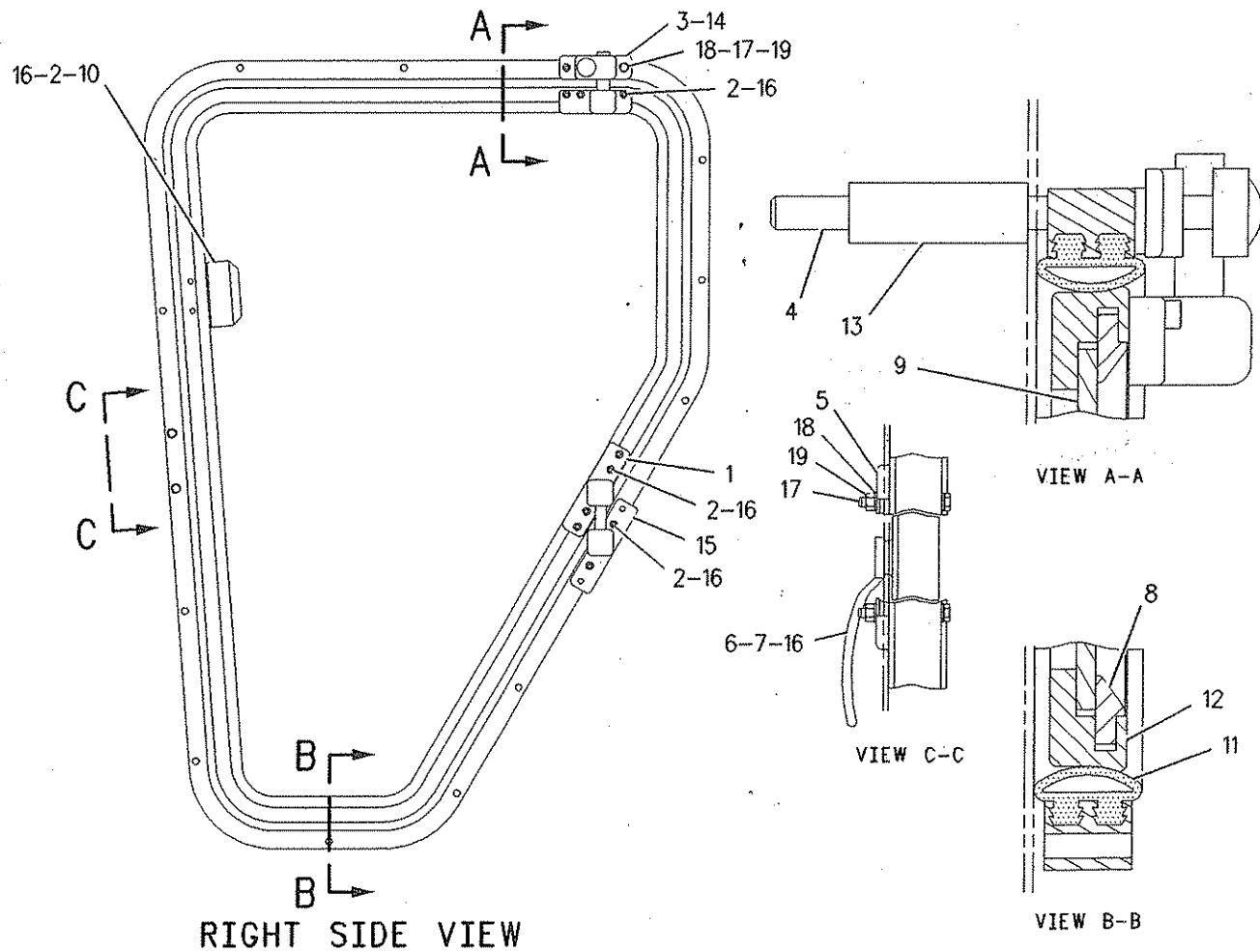
NOTE	REF NO	GRAPHIC REF	PART NUMBER	QTY	PART NAME						SEE PAGE
					1	2	3	4	5	6 (PRODUCT LEVEL)	
	1	1	5T-1958	1	IDLER AS-RH						
		1	5T-3144	1	PIVOT AS-IDLER						
		1	5T-3146	1	KIT-IDLER HOUSING-RH						
					(INCLUDES HOUSING, BEARING, & WASHER)						
	2	1	1H-3340	12	BOLT (M10X24X25.4MM)						
	3	1	8W-1028	1	HINGE AS-RH						
	4	1	126-1167	1	BOLT (3/8-24X5.375 IN)						
	5	1	126-0228	1	CATCH-STOP						
	6	1	5T-1969	1	HANDLE						
	7	1	1H-8456	2	SCREW-MACHINE (10/24X1.0 IN)						
BD	8	1	5P-5680		SEAL						
	9	1	150-5105	1	GLASS						
	10	1	126-1539	1	HANDLE-PULL						
B	11	1	5T-1964	1	SEAL						
E	12	1	7X-7661		TAPE (229 CM)						
	13	1	126-0208	1	SPACER (10.31X17.45X50.8MM THK)						
	14	1	126-0209	1	PLATE						
	15	1	126-0210	1	PLATE						
	16	1	5T-1972	14	INSERT-SCREW						
M	17	1	8T-0352	3	BOLT (M5X0.8X45MM)						
	18	1	8T-0328	6	WASHER-HARD (5.5X10X1MM THK)						
M	19	1	7Y-5226	3	NUT (M5X0.8 THD)						

B-USE AS REQUIRED  
D-ORDER BY THE METER  
E-ORDER BY THE CENTIMETER  
M-METRIC PART

# OPERATOR STATION

150-5106 PANEL GP-WINDOW (contd.)

i01453670



RIGHT SIDE VIEW

VIEW A-A

VIEW C-C

VIEW B-B

GRAPHIC #1

g00291495

# OPERATOR STATION

## 150-5107 PANEL GP-WINDOW-LH

S/N: 5HM1-UP  
PART OF 126-0961 WINDOW GP  
AN ATTACHMENT

101454822

SMCS-7310

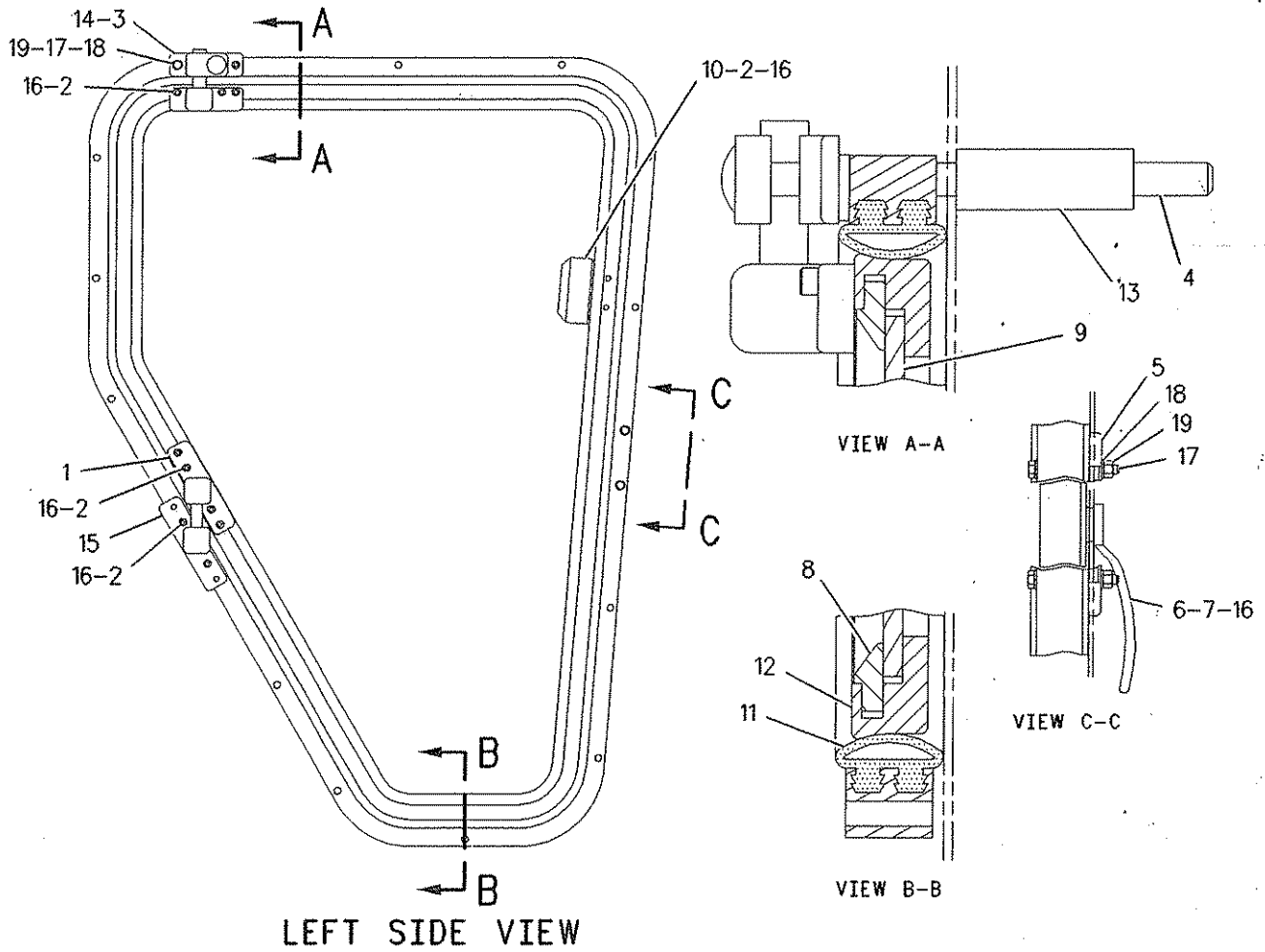
NOTE	REF NO	GRAPHIC REF	PART NUMBER	QTY	PART NAME	1 2 3 4 5 6 (PRODUCT LEVEL)						SEE PAGE
						1	2	3	4	5	6	
	1	1	5T-1959	1	IDLER AS-LH							
		1	5T-3145	1	PIVOT AS-IDLER							
		1	5T-3147	1	KIT-IDLER HOUSING-LH (INCLUDES HOUSING, BEARING, & WASHER)							
	2	1	1H-3340	12	BOLT (M10X24X25.4MM)							
	3	1	8W-1029	1	HINGE AS-LH							
	4	1	126-1167	1	BOLT (3/8-24X5.375 IN)							
	5	1	126-0228	1	CATCH-STOP							
	6	1	6G-2959	1	HANDLE							
	7	1	1H-8456	2	SCREW-MACHINE (10/24X1.0 IN)							
D	8	1	5P-5680		SEAL (1 M)							
	9	1	150-5105	1	GLASS							
	10	1	126-1539	1	HANDLE-PULL							
	11	1	5T-1964	1	SEAL							
E	12	1	7X-7661		TAPE (229 CM)							
	13	1	126-0208	1	SPACER (10.31X17.45X50.8MM THK)							
	14	1	126-0209	1	PLATE							
	15	1	126-0210	1	PLATE							
	16	1	5T-1972	14	INSERT-SCREW							
M	17	1	8T-0352	3	BOLT (M5X0.8X45MM)							
	18	1	8T-0328	6	WASHER-HARD (5.5X10X1MM THK)							
M	19	1	7Y-5226	3	NUT (M5X0.8 THD)							

D-ORDER BY THE METER  
E-ORDER BY THE CENTIMETER  
M-METRIC PART

# OPERATOR STATION

150-5107 PANEL GP-WINDOW (contd.)

i01454822



GRAPHIC #1

g00291496

# OPERATOR STATION

## 133-3290 PROTECTION AR-VANDALISM

S/N: 5HM1-UP  
AN ATTACHMENT

100606660

SMCS-7315

NOTE	PART NUMBER	QTY	PART NAME						SEE PAGE
			1	2	3	4	5	6 (PRODUCT LEVEL)	
Y	5N-8553	1	PROTECTION GP-ENG OIL FILLER						70
Y	1N-4297	1	GUARD GP-VANDALISM						844
Y	133-3291	1	PROTECTION GP-TMSN OIL FILLER						354

Y-SEPARATE ILLUSTRATION

# OPERATOR STATION

## 116-5876 ROPS AR

S/N: 5HM1-UP  
AN ATTACHMENT

SMCS-7323

i01044951

NOTE	PART NUMBER	QTY	PART NAME						SEE PAGE
			1	2	3	4	5	6 (PRODUCT LEVEL)	
Y	8W-5927	1	INSULATION GP-WEATHER						860
Y	144-9435	1	LIGHTER GP						862
Y	116-5842	1	ROPS GP-ENCLOSED						919
Y	8X-8940	1	SEAT GP-STATIC						938
Y	8X-9675	1	WASHER GP-WINDOW						948

Y-SEPARATE ILLUSTRATION



# OPERATOR STATION

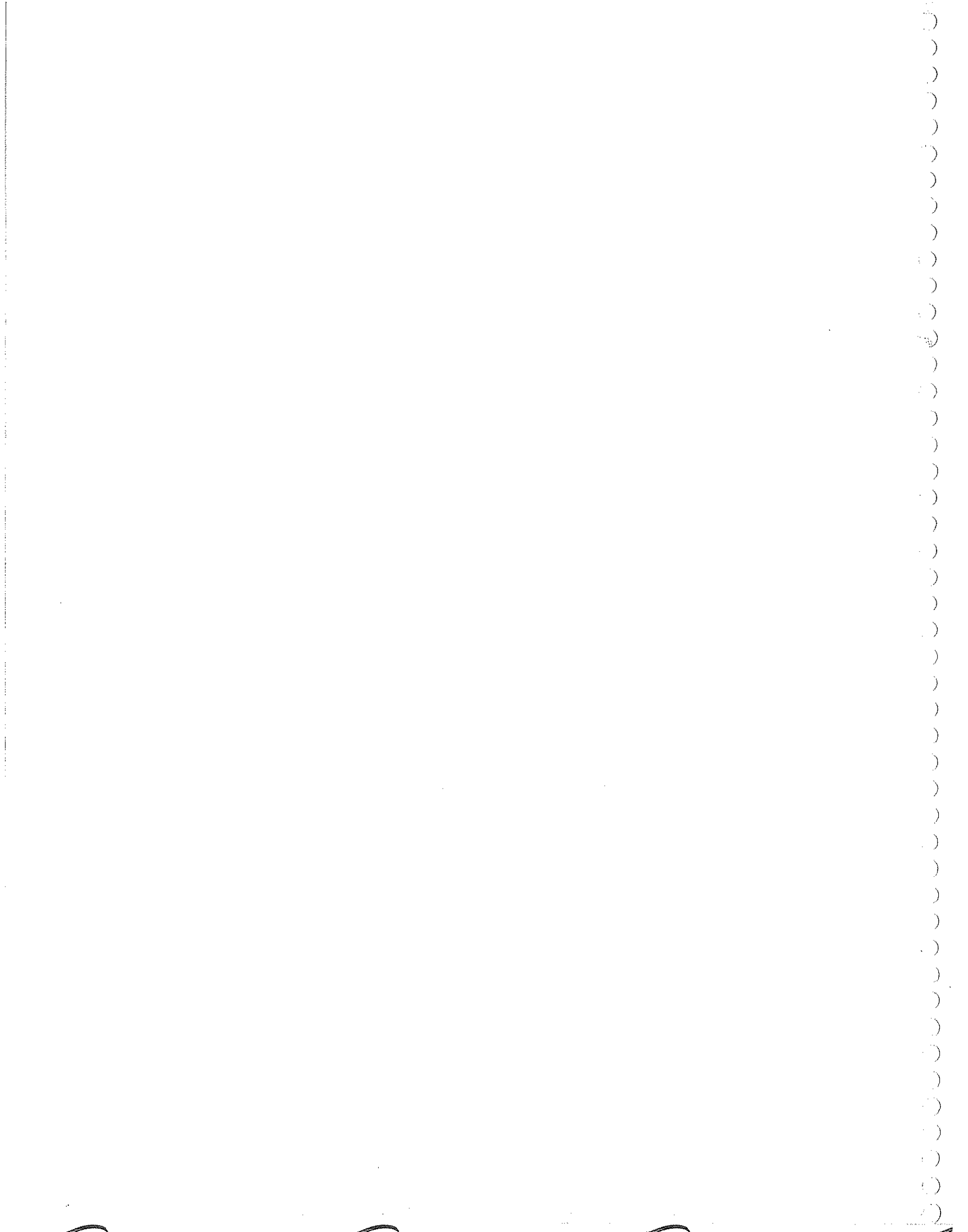
116-5878 ROPS AR

S/N: 5HM1-UP  
AN ATTACHMENT

SMCS-7323

i00611524

NOTE	PART NUMBER	QTY	PART NAME						SEE PAGE
			1	2	3	4	5	6 (PRODUCT LEVEL)	
Y	7I-5045	1	GUARD GP-PLATFORM						524
Y	126-6631	1	ROPS GP-HIGH PROFILE						926
Y-SEPARATE ILLUSTRATION									



# OPERATOR STATION

## 130-0461 ROPS AR

S/N: 5HM1-UP  
WITH LOW PROFILE CAB  
AN ATTACHMENT

SMCS-7323

i00857878

NOTE	PART NUMBER	QTY	PART NAME						SEE PAGE
			1	2	3	4	5	6 (PRODUCT LEVEL)	
Y	8W-5927	1	INSULATION GP-WEATHER						860
Y	144-9435	1	LIGHTER GP						862
Y	131-0823	1	ROPS GP-ENCLOSED						924
Y	8X-8940	1	SEAT GP-STATIC						938
Y	8X-9675	1	WASHER GP-WINDOW						948

Y-SEPARATE ILLUSTRATION

# OPERATOR STATION

117-4698 ROPS GP

S/N: 5HM1-UP

PART OF 126-6631 ROPS GP-HIGH PROFILE  
AN ATTACHMENT

SMCS-7266, 7323, 7325

i01038411

NOTE	PART NUMBER	QTY	PART NAME						SEE PAGE
			1	2	3	4	5	6 (PRODUCT LEVEL)	
	112-3980	1	ROPS AS-OPEN						

# OPERATOR STATION

## 116-5842 ROPS GP - ENCLOSED

S/N: 5HM1-UP

HIGH PROFILE

PART OF 116-5876 ROPS AR

AN ATTACHMENT

SMCS-7325

i01002222

NOTE	PART NUMBER	QTY	PART NAME						SEE PAGE
			1	2	3	4	5	6 (PRODUCT LEVEL)	
Y	8X-4413	1	DOOR GP - CAB						830
	<b>159-3759</b>	1	FILM - INSTRUCTION (DO NOT DRILL/WELD ROPS)						
Y	8X-2405	1	LINER GP - CAB						868
Y	<b>8X-2795</b>	1	MIRROR GP - REAR VIEW						879
Y	2A-6985	1	MOUNTING GP - ROPS						888
Y	8X-2385	1	PANEL GP - CAB						891
Y	116-2144	1	PANEL GP - INSTRUMENT						900
Y	<b>117-3486</b>	1	ROPS GP - ENCLOSED						920
Y	8X-2815	1	WIPER GP - WINDOW						964
Y	112-6080	1	WIRING GP - CAB						218

Y - SEPARATE ILLUSTRATION

# OPERATOR STATION

## 117-3486 ROPS GP- ENCLOSED

S/N: 5HM1-UP

PART OF 116-5842 ROPS GP- ENCLOSED

AN ATTACHMENT

SMCS-7325

i01041608

NOTE	PART NUMBER	QTY	PART NAME						SEE PAGE
			1	2	3	4	5	6 (PRODUCT LEVEL)	
	117-0000	1	ROPS AS- ENCLOSED						
	5D-9629	4	ROD						
M	6V-9632	10	NUT-WELD (M6X1 THD)						
	7T-1099	11	LINK						
	9G-9151	1	CLIP (10.20MM ID)						
	9G-9153	2	CLIP (12MM ID)						
	103-5304	1	PLATE						

M-METRIC PART

# MEMORANDA

# OPERATOR STATION

## 118-2556 ROPS GP-ENCLOSED

S/N: 5HM1-UP

LOW PROFILE

PART OF 131-0823 ROPS GP-ENCLOSED

AN ATTACHMENT

SMCS-7325

i01033220

NOTE	REF NO	GRAPHIC REF	PART NUMBER	QTY	PART NAME						SEE PAGE
					1	2	3	4	5	6 (PRODUCT LEVEL)	
	2	1	7T-1099	4	LINK						
	3	1	8X-6294	5	BOSS						
	4	1	9G-9151	2	CLIP (10.20MM ID)						
	5	1	9G-9153	2	CLIP (12MM ID)						
	6	1	103-5304	1	PLATE						
	7	1	3T-0049	1	CLIP (23MM ID)						
	8	1	5D-9629	2	ROD						
	9	1	9R-2672	6	BOSS (20MM DIA)						
	10	1	130-6926	2	BLOCK						
M	11	1	6V-9632	42	NUT-WELD (M6X1 THD)						

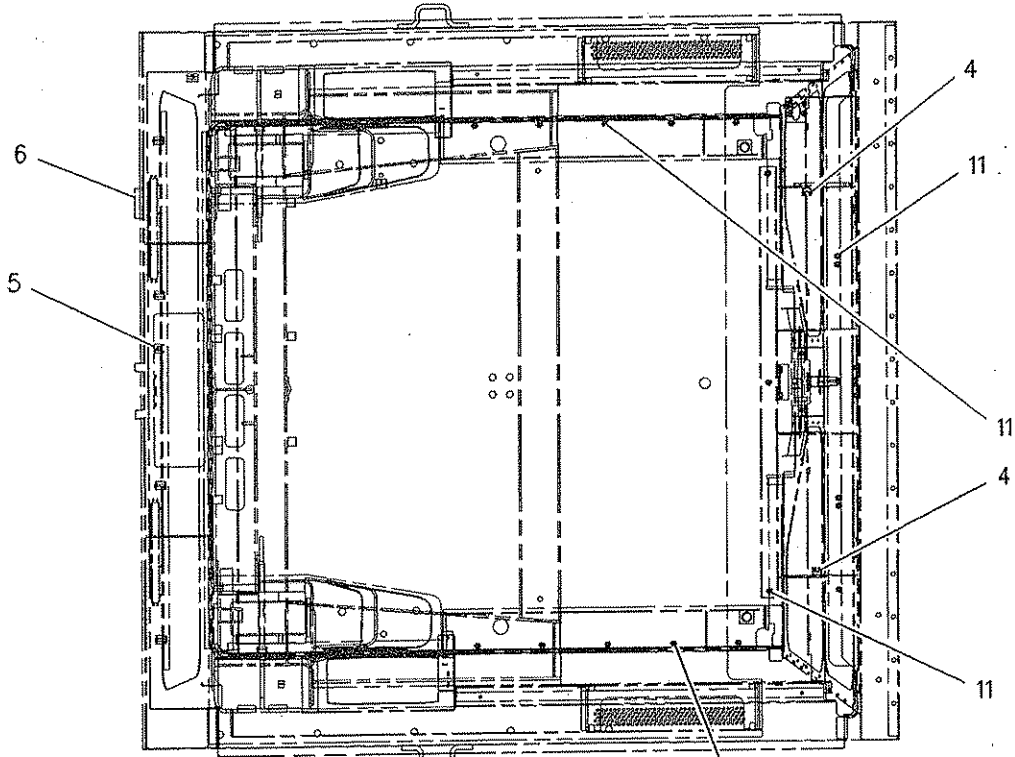
M-METRIC PART



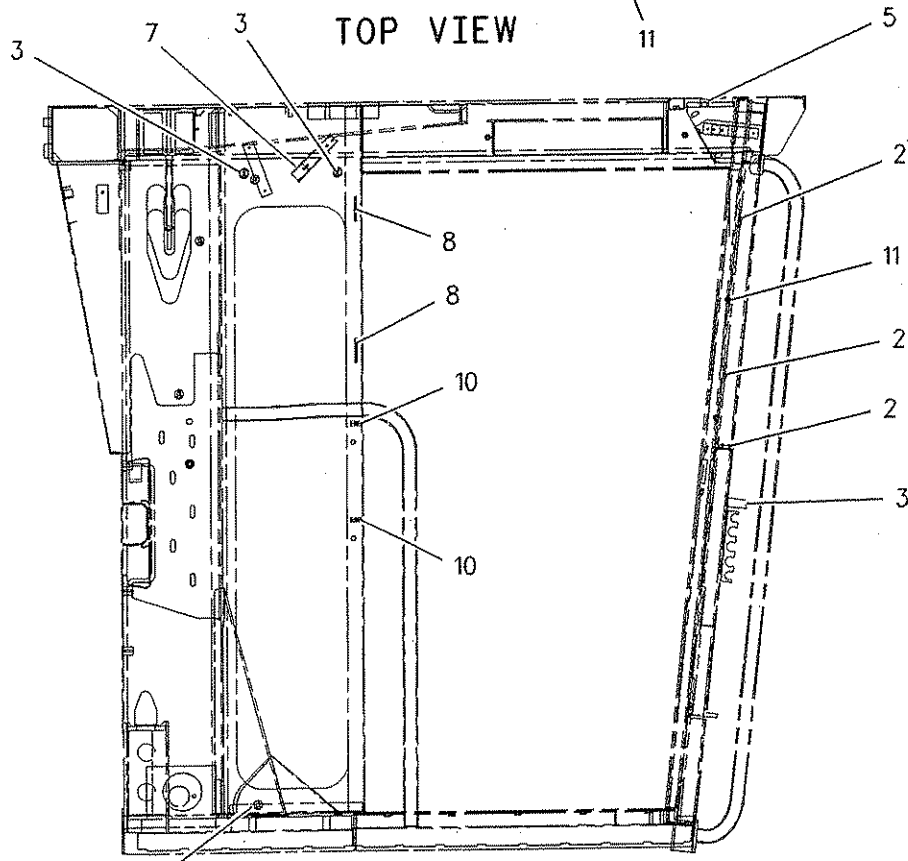
# OPERATOR STATION

118-2556 ROPS GP - ENCLOSED (contd.)

i01033220



TOP VIEW



RIGHT SIDE VIEW

GRAPHIC #1

g00532021

# OPERATOR STATION

## 131-0823 ROPS GP- ENCLOSED

S/N: 5HM1-UP

LOW PROFILE

PART OF 130-0461 ROPS AR  
AN ATTACHMENT

SMCS-7325

i01330768

NOTE	PART NUMBER	QTY	PART NAME						SEE PAGE
			1	2	3	4	5	6 (PRODUCT LEVEL)	
Y	8X-4527	1	DOOR GP- CAB						836
	159-3759	2	FILM- INSTRUCTION (DO NOT DRILL/WELD ROPS)						
Y	8X-2400	1	LINER GP- CAB						864
Y	8X-2795	1	MIRROR GP- REAR VIEW						
Y	2A-6985	1	MOUNTING GP- ROPS						879
Y	8X-2375	1	PANEL GP- CAB						888
Y	116-2144	1	PANEL GP- INSTRUMENT						890
Y	118-2556	1	ROPS GP- ENCLOSED						900
Y	8X-2810	1	WIPER GP- WINDOW						922
Y	112-6080	1	WIRING GP- CAB						962
Y- SEPARATE ILLUSTRATION								218	

# MEMORANDA

# OPERATOR STATION

## 726-6637 ROPS GP-HIGH PROFILE

S/N: 5HM1-UP

PART OF 116-5878 ROPS AR

AN ATTACHMENT

SMCS-7323, 7325

i01434131

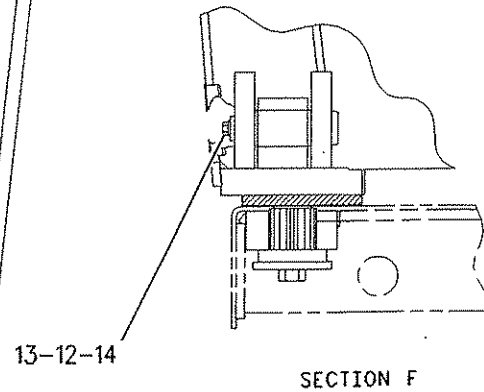
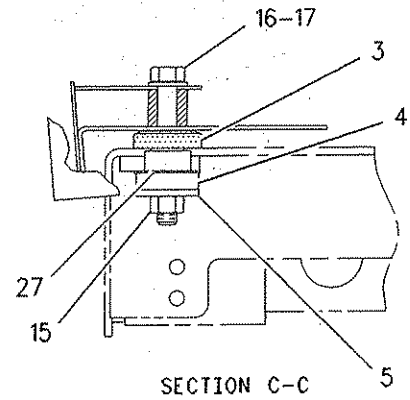
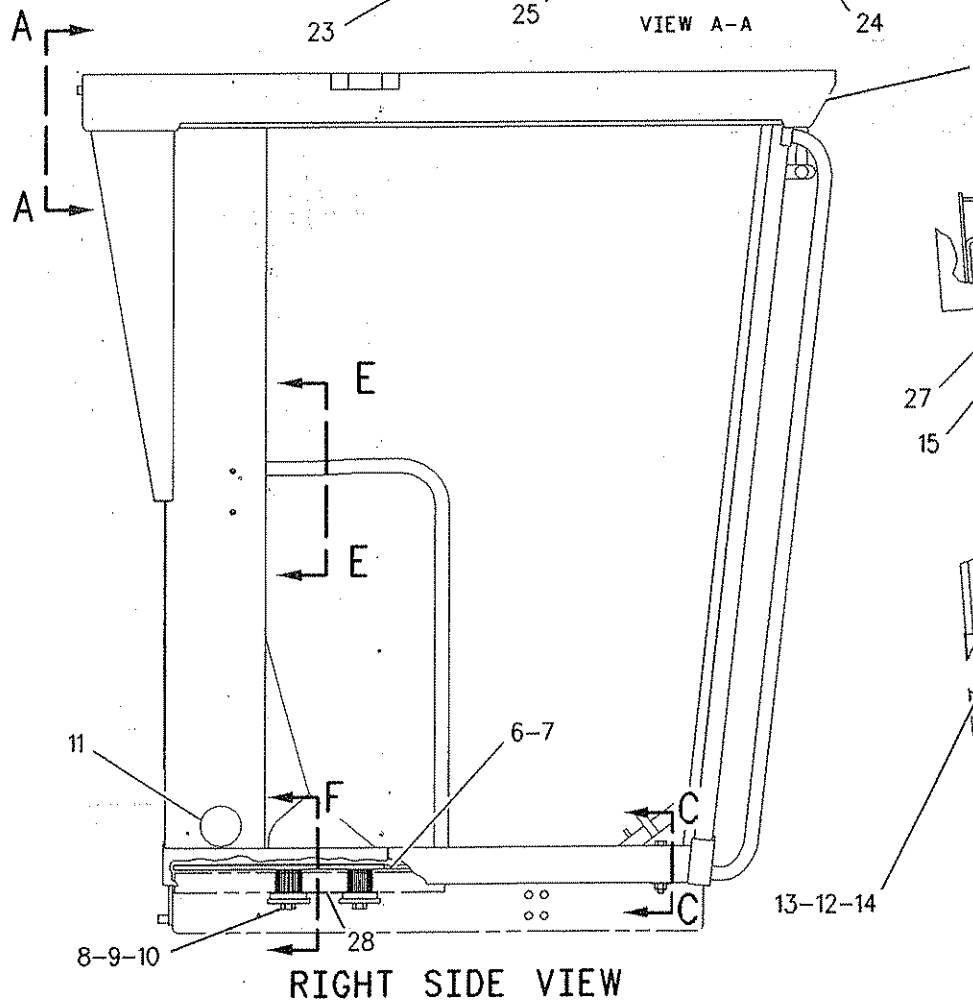
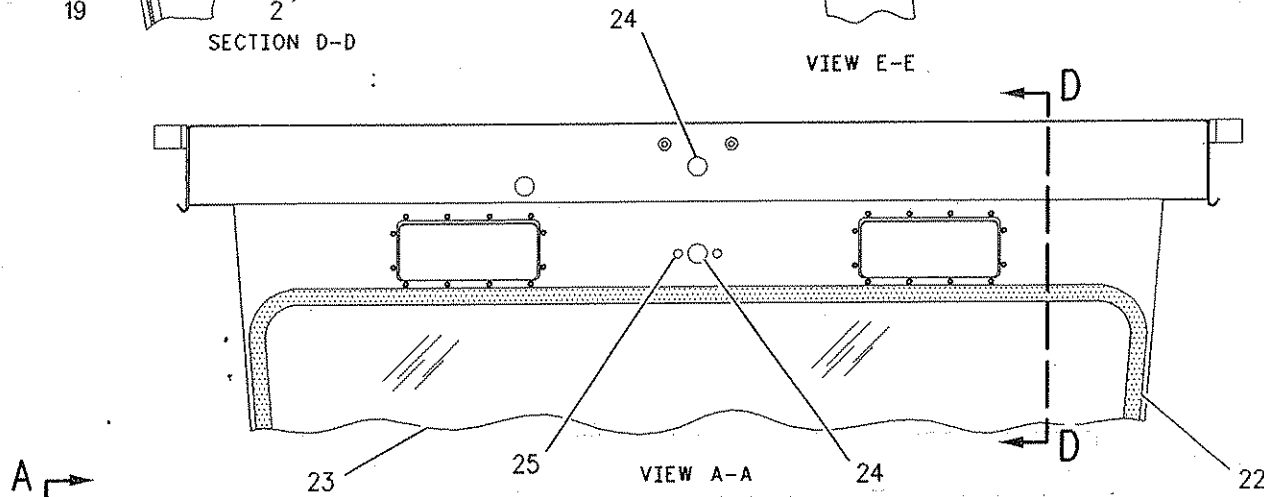
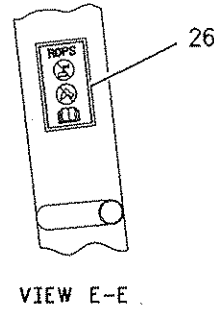
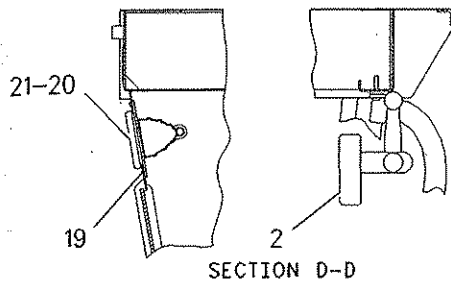
NOTE	REF NO	GRAPHIC REF	PART NUMBER	QTY	PART NAME						SEE PAGE
					1	2	3	4	5	6 (PRODUCT LEVEL)	
Y	1	1	117-4698	1	ROPS GP						918
Y	2	1	8X-2795	1	MIRROR GP-REAR VIEW						879
	3	1	164-2465	2	PAD						
	4	1	9D-1589	2	MOUNTING						
	5	1	038-3987	2	WASHER (16.75X50.8X4.76MM THK)						
	6	1	103-5515	1	PAD-RH						
	7	1	103-5516	1	PAD-LH						
	8	1	7X-0375	4	BOLT (3/4-10X5 IN)						
	9	1	8X-0674	4	WASHER (22X100X10MM THK)						
	10	1	103-4953	4	MOUNTING						
	11	1	3E-4048	2	CAP-PLUG						
	12	1	030-8535	2	BOLT-LOCKING (3/8-16X0.875 IN)						
	13	1	8T-4896	2	WASHER-HARD (10.2X18.5X2.5MM THK)						
	14	1	103-4771	2	PIN AS						
	15	1	4K-0367	2	NUT-FULL (5/8-11 THD)						
	16	1	7X-0354	2	BOLT (5/8-11X4.50IN)						
	17	1	8T-4122	4	WASHER-HARD (17X32X3.5MM THK)						
	19	1	3G-3265	24	RIVET						
	20	1	6G-2395	2	DOOR GP						
	21	1	6G-2396	2	GASKET						
BD	22	1	5P-5768		SEAL						
	23	1	102-9372	1	GLASS-REAR						
	24	1	6V-3928	3	PLUG-BUTTON						
	25	1	5P-7803	2	PLUG-BUTTON						
	26	1	159-3759	2	FILM-INSTRUCTION (DO NOT DRILL/WELD ROPS)						
	27	1	166-1999	2	SHIM (2.28MM THK)						
	28	1	166-1997	2	SHIM (1.2MM THK)						

B-USE AS REQUIRED  
D-ORDER BY THE METER  
Y-SEPARATE ILLUSTRATION

# OPERATOR STATION

126-6631 ROPS GP-HIGH PROFILE (contd.)

i01434131



GRAPHIC #1

g00600213

# OPERATOR STATION

## 139-4612 SCREEN GP - SUN

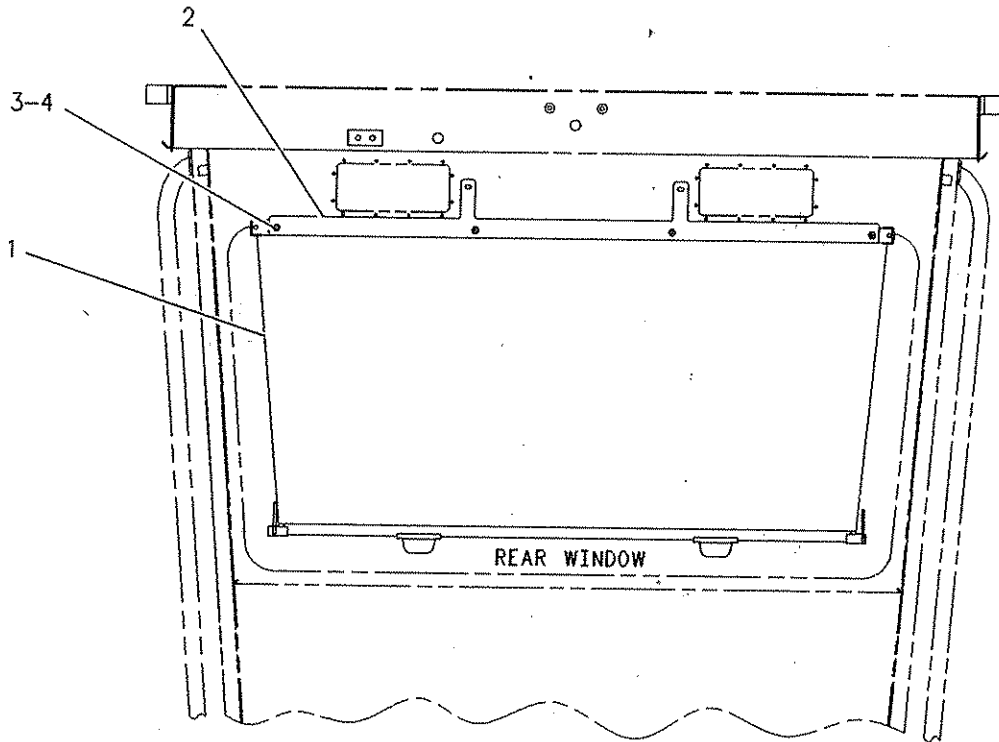
S/N: 5HM1-UP  
AN ATTACHMENT

SMCS-7165

i00698315

NOTE	REF NO	GRAPHIC REF	PART NUMBER	QTY	PART NAME						SEE PAGE
					1	2	3	4	5	6 (PRODUCT LEVEL)	
	1	1	137-5503	1	SCREEN GP - SUN						
	2	1	139-4605	1	PLATE AS						
M		1	6V-9632	4	NUT-WELD (M6X1 THD)						
M	3	1	5C-9553	4	BOLT (M6X1.0X16MM)						
	4	1	9X-8256	4	WASHER (2MM THK)						

M - METRIC PART



REAR VIEW

GRAPHIC #1

g00301584

# OPERATOR STATION

## 116-1965 SEAT BELT GP

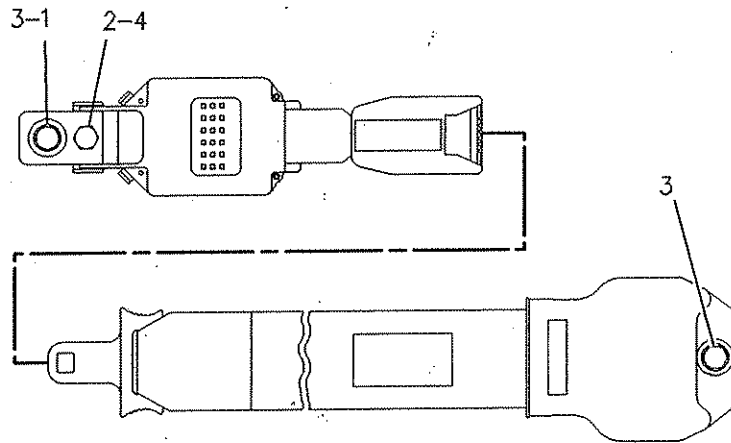
S/N: 5HM1-UP

PART OF 126-2747, 159-4638 SEAT GP, 8X-8940 SEAT GP-STATIC  
AN ATTACHMENT

SMCS-7327

i00131156

NOTE	REF NO	GRAPHIC REF	PART NUMBER	QTY	PART NAME						SEE PAGE
					1	2	3	4	5	6 (PRODUCT LEVEL)	
	1	1	1A-4350	1	BOLT (7/16-20X1.75IN)						
	2	1	4D-6432	1	LOCKNUT (7/16-20 THD)						
	3	1	8S-0934	2	LOCKNUT-FLANGE (7/16-20 THD)						
	4	1	8T-9381	1	BOLT (7/16-20X1IN)						



GRAPHIC #1

g00109323

# OPERATOR STATION

## 8Y-3912 SEAT GP

S/N: 5HM1-UP

ADJUSTER-CLOTH

PART OF 8Y-6851 SEAT GP-STATIC

AN ATTACHMENT

SMCS-7312

i01375368

NOTE	REF NO	GRAPHIC REF	PART NUMBER	QTY	PART NAME						SEE PAGE
					1	2	3	4	5	6 (PRODUCT LEVEL)	
BE	1	1	7X-7877		STRIP-EDGING						
	2	1	8Y-3913	1	CUSHION AS-SEAT						
	3	1	9C-5324	1	CUSHION AS-BACK						
	4	1	6W-1895	1	BAR						
	5	1	6W-1890	1	BAR AS						
	6	1	9C-1587	1	LEVER						
	7	1	9X-6624	4	BOLT						
	8	1	033-4843	4	NUT (5/16-18 THD)						
	9	1	6W-9693	2	ADJUSTER AS						
	10	1	6W-2373	1	SPRING						
	11	1	9X-8277	4	SCREW-HEX SOCKET						
	12	1	9V-7437	1	SHELL AS						
	13	1	9S-2544	4	SCREW-HEX HEAD						
	14	1	6W-5757	1	CLIP						
	15	1	6W-3309	1	HOLDER						
	16	1	8T-7565	7	RIVET-POP						
	17	1	5P-7957	1	LANYARD						
	18	1	6W-5740	1	CAP						
	19	1	5B-6172	4	WASHER (9.7X19X.8MM THK)						
	20	1	7X-7739	4	WASHER (9.7X25.4 X4MM THK)						

B-USE AS REQUIRED

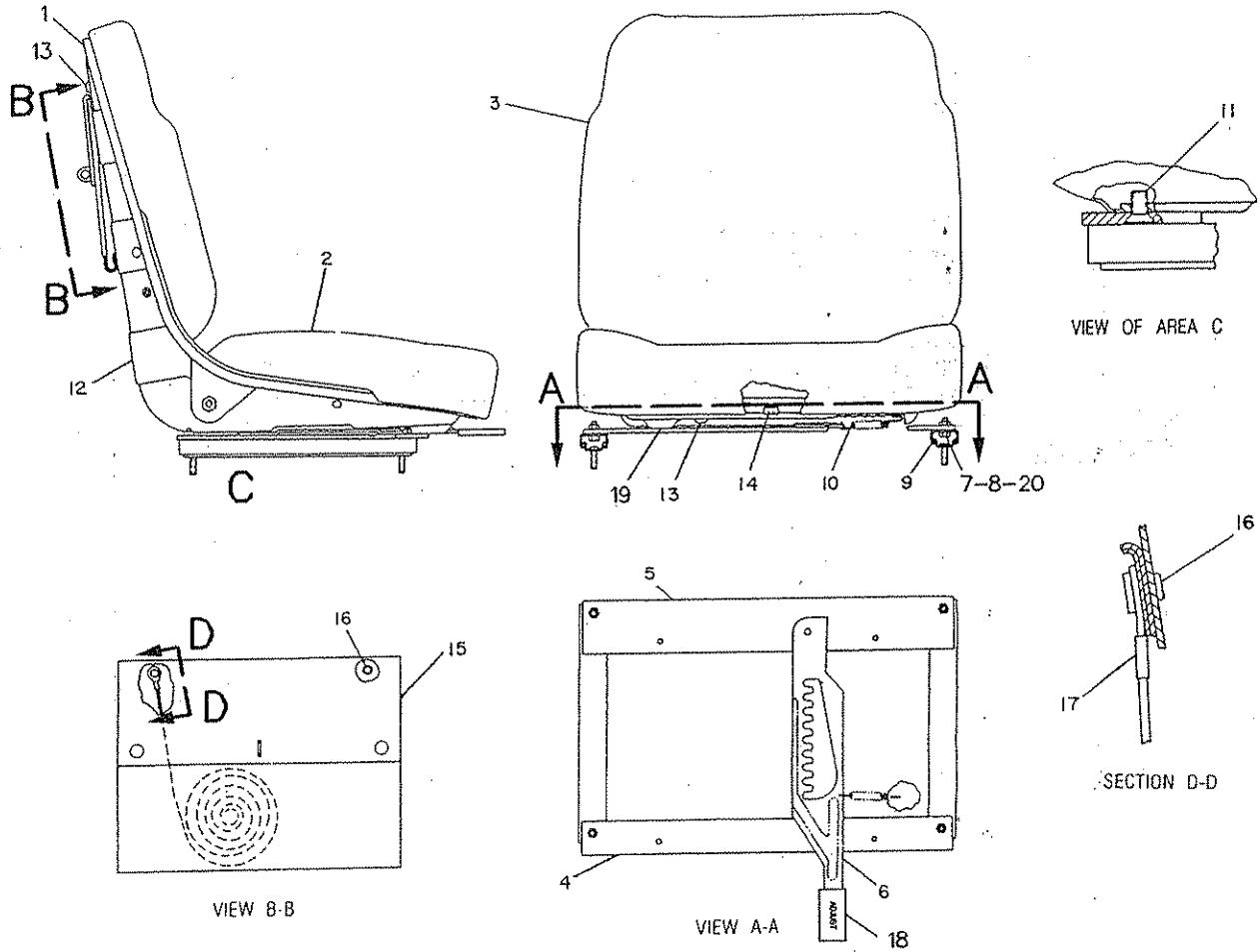
E-ORDER BY THE CENTIMETER



# OPERATOR STATION

8Y-3912 SEAT GP (contd.)

101375368



GRAPHIC #1

g00108400

# OPERATOR STATION

## 8Y-4005 SEAT GP

S/N: 5HM1-UP

VINYL

PART OF 8Y-6852 SEAT GP-STATIC  
AN ATTACHMENT

MCS-7312

i01375384

NOTE	REF NO	GRAPHIC REF	PART NUMBER	QTY	PART NAME						SEE PAGE
					1	2	3	4	5	6 (PRODUCT LEVEL)	
BE	1	1	7X-7877		STRIP-EDGING						
	2	1	8R-2057	1	CUSHION AS-SEAT						
	3	1	8R-2054	1	CUSHION AS-BACK						
	4	1	6W-1895	1	BAR						
	5	1	6W-1890	1	BAR AS						
	6	1	9C-1587	1	LEVER						
	7	1	9X-6624	4	BOLT						
	8	1	033-4843	4	NUT (5/16-18 THD)						
	9	1	6W-9693	2	ADJUSTER AS						
	10	1	6W-2373	1	SPRING						
	11	1	9X-8277	4	SCREW-HEX SOCKET						
	12	1	9V-7437	1	SHELL AS						
	13	1	9S-2544	4	SCREW-HEX HEAD						
	14	1	6W-5757	1	CLIP						
	15	1	6W-3309	1	HOLDER						
	16	1	8T-7565	7	RIVET-POP						
	17	1	5P-7957	1	LANYARD						
	18	1	6W-5740	1	CAP						
	19	1	5B-6172	4	WASHER (9.7X19X.8MM THK)						
	20	1	7X-7739	4	WASHER (9.7X25.4 X4MM THK)						

USE AS REQUIRED  
ORDER BY THE CENTIMETER

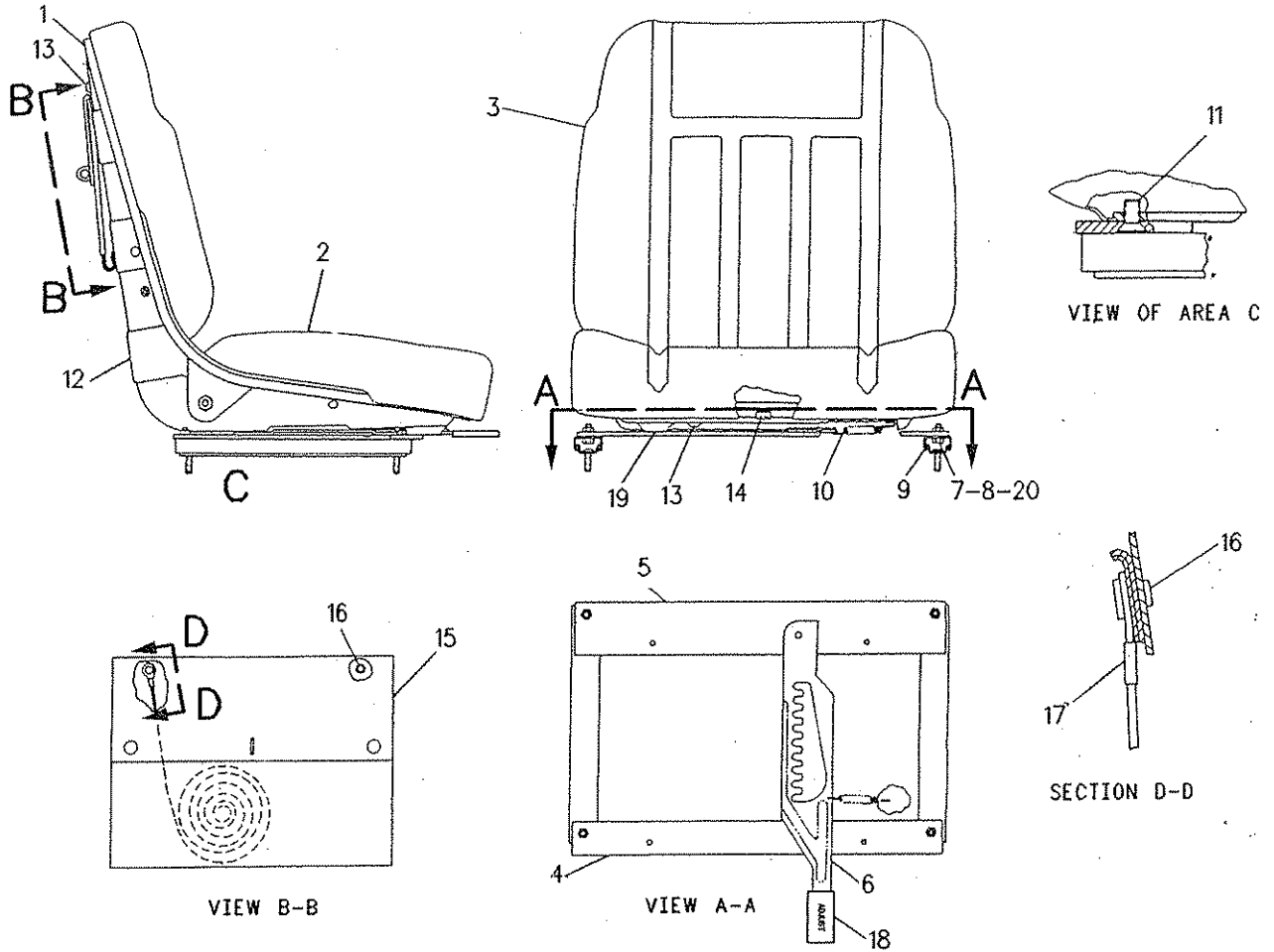
GF

S

# OPERATOR STATION

8Y-4005 SEAT GP (contd.)

i01375384



GRAPHIC #1

g00109688

# OPERATOR STATION

113-4254 SEAT GP

S/N: 5HM1-UP

PART OF 112-4113 CHASSIS AR

SMCS-7312

101047988

NOTE	PART NUMBER	QTY	PART NAME						SEE PAGE
			1	2	3	4	5	6 (PRODUCT LEVEL)	
	5P-8502	1	PADLOCK GP						
A	5P-8500	1	KEY						
A	8Y-6364	1	SLEEVE						
M	9X-2041	6	SCREW-TRUSS HEAD (M10X1.5X20MM)						
	8Y-4030	1	SEAT BELT GP						
Y	125-9856	1	SEAT GP-STATIC						944

A-NOT PART OF THIS GROUP

M-METRIC PART

Y-SEPARATE ILLUSTRATION

# OPERATOR STATION

## 125-9855 SEAT GP

S/N: 5HM1-UP

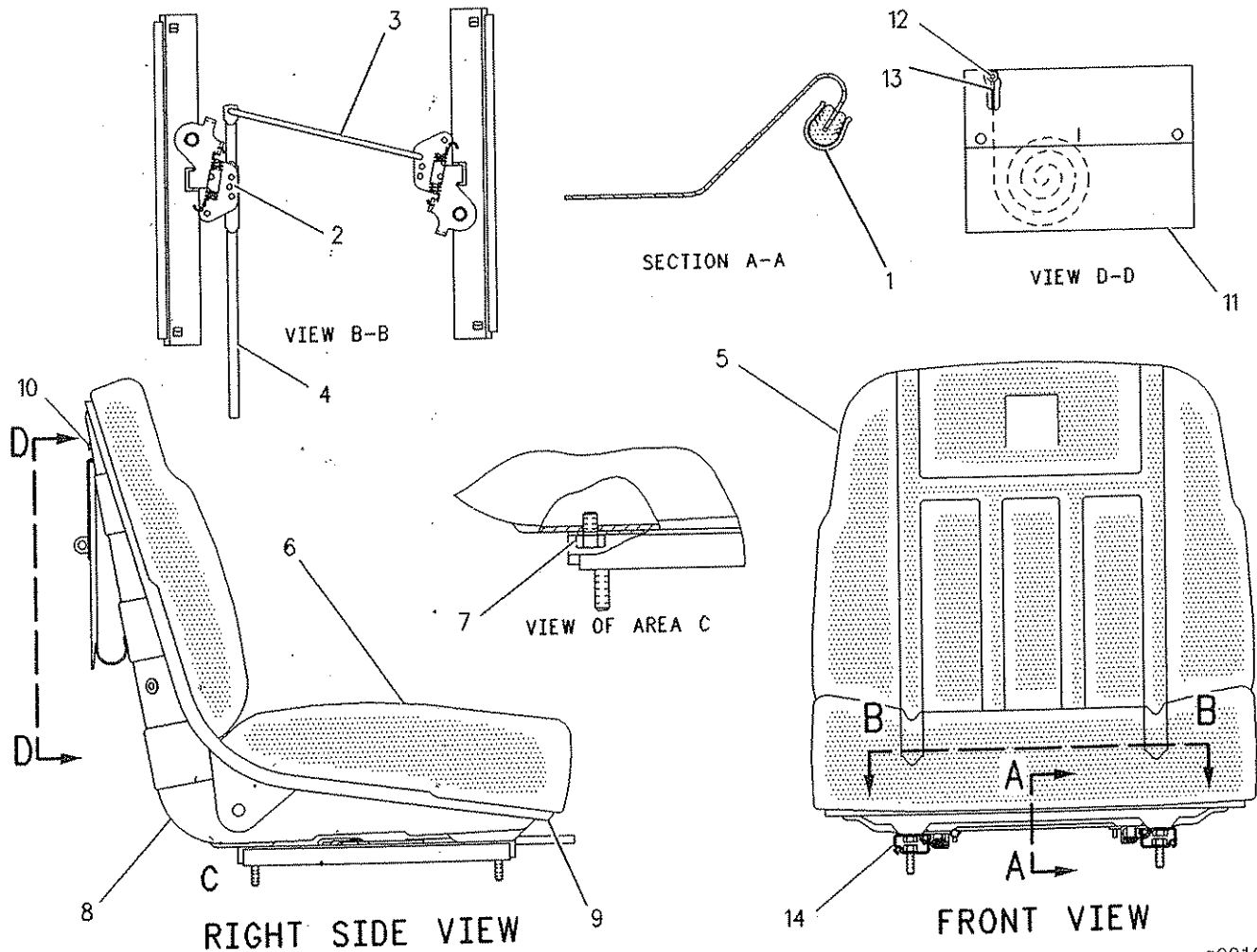
PART OF 125-9856 SEAT GP-STATIC

100131050

SMCS-7312

NOTE	REF NO	GRAPHIC REF	PART NUMBER	QTY	PART NAME						SEE PAGE
					1	2	3	4	5	6 (PRODUCT LEVEL)	
	1	1	6W-5757	1	CLIP						
	2	1	1F-1599	2	RIVET-HEAD						
	3	1	9V-8788	1	ROD						
	4	1	8V-3208	1	LEVER						
	5	1	8R-2054	1	CUSHION AS-BACK						
	6	1	8R-2057	1	CUSHION AS-SEAT						
	7	1	033-4121	4	BOLT						
	8	1	9V-7437	1	SHELL AS						
		1	9V-7440	4	NUT-WELD (3/8-16 THD)						
BE	9	1	7X-7877	1	STRIP-EDGING						
	10	1	9S-2544	4	SCREW-HEX HEAD						
	11	1	6W-3309	1	HOLDER						
	12	1	8T-7565	7	RIVET-POP						
	13	1	5P-7957	1	LANYARD						
	14	1	9V-8789	2	ADJUSTER AS						

B-USE AS REQUIRED  
E-ORDER BY THE CENTIMETER



GRAPHIC #1

g00109164

# OPERATOR STATION

## 126-2747 SEAT GP

S/N: 5HM1-UP

AN ATTACHMENT

SMCS-7312

i01047991

NOTE	PART NUMBER	QTY	PART NAME						SEE PAGE
			1	2	3	4	5	6 (PRODUCT LEVEL)	
	5P-8502	1	PADLOCK GP						
A	5P-8500	1	KEY						
A	8Y-6364	1	SLEEVE						
M	9X-2041	6	SCREW-TRUSS HEAD (M10X1.5X20MM)						
Y	116-1965	1	SEAT BELT GP						929
Y	8Y-6852	1	SEAT GP-STATIC						942

A - NOT PART OF THIS GROUP

M - METRIC PART

Y - SEPARATE ILLUSTRATION

# OPERATOR STATION

## 159-4638 SEAT GP

S/N: 5HM1-UP  
AN ATTACHMENT

SMCS-7312

100992958

NOTE	PART NUMBER	QTY	PART NAME						SEE PAGE
			1	2	3	4	5	6 (PRODUCT LEVEL)	
	5P-8502	1	PADLOCK GP						
A	5P-8500	1	KEY						
A	8Y-6364	1	SLEEVE						
M	9X-2041	6	SCREW-TRUSS HEAD (M10X1.5X20MM)						
Y	116-1965	1	SEAT BELT GP						929
Y	8Y-6852	1	SEAT GP-STATIC						942

A-NOT PART OF THIS GROUP  
M-METRIC PART  
Y-SEPARATE ILLUSTRATION

# OPERATOR STATION

## 8X-8940 SEAT GP-STATIC

S/N: 5HM1-UP

PART OF 129-7228 CAB AR-NON-ROPS, 116-5876, 130-0461 ROPS AR  
AN ATTACHMENT

SMCS-7312

i00607171

NOTE	PART NUMBER	QTY	PART NAME						SEE PAGE
			1	2	3	4	5	6 (PRODUCT LEVEL)	
Y	116-1965	1	SEAT BELT GP						929
Y	8Y-6851	1	SEAT GP-STATIC						940
M	9X-2041	1	SCREW-TRUSS HEAD (M10X1.5X20MM)						

M-METRIC PART  
Y-SEPARATE ILLUSTRATION



# MEMORANDA

**OPERATOR STATION**  
**8Y-6851 SEAT GP-STATIC**  
 S/N: 5HM1-UP  
 PART OF 8X-8940 SEAT GP-STATIC  
 AN ATTACHMENT

SMCS-7312

100159854

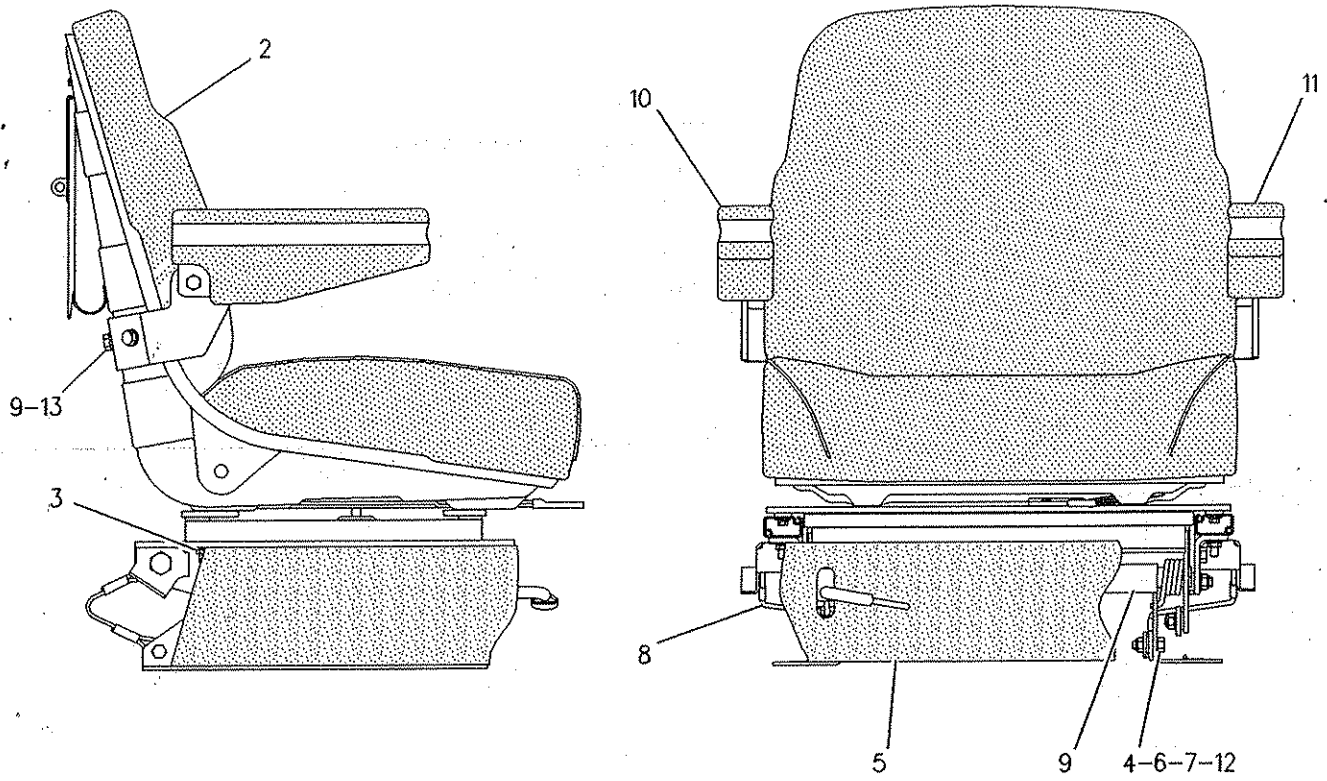
NOTE	REF NO	GRAPHIC REF	PART NUMBER	QTY	PART NAME						SEE PAGE
					1	2	3	4	5	6 (PRODUCT LEVEL)	
Y	1	1	116-2779	1	ADJUSTER GP-SEAT						810
Y	2	1	8Y-3912	1	SEAT GP						930
	3	1	9L-9814	4	LOCKNUT						
	4	1	8S-4790	2	SPACER						
	5	1	119-6194	1	BOOT AS						
	6	1	089-7968	2	WASHER						
	7	1	8R-4519	2	LOCKNUT						
	8	1	6W-3628	2	CABLE						
	9	1	5M-2894	4	WASHER (2.5MM THK)						
	10	1	9V-7446	1	ARMREST AS-RH						
		1	2K-4973	1	LOCKNUT (3/8-16 THD)						
		1	2K-6061	1	SCREW-MACHINE						
		1	5S-7383	1	BOLT (3/8-16X1.75IN)						
		1	8Y-6277	2	SPACER						
		1	9V-7447	1	PAD AS						
		1	1F-0750	1	NUT-WELD (3/8-16 THD)						
		1	9V-7453	1	BRACKET-RH						
	11	1	9V-7454	1	ARMREST AS-LH						
		1	2K-4973	1	LOCKNUT (3/8-16 THD)						
		1	2K-6061	1	SCREW-MACHINE						
		1	5S-7383	1	BOLT (3/8-16X1.75IN)						
		1	8Y-6277	2	SPACER						
		1	9V-7447	1	PAD AS						
		1	1F-0750	1	NUT-WELD (3/8-16 THD)						
		1	9V-7458	1	BRACKET-LH						
	12	1	8T-9381	2	BOLT (7/16-20X1IN)						
	13	1	9X-8276	4	BOLT						

Y-SEPARATE ILLUSTRATION

# OPERATOR STATION

8Y-6851 SEAT GP-STATIC (contd.)

100159854



GRAPHIC #1

g00109298

# OPERATOR STATION

## 8Y-6852 SEAT GP-STATIC

S/N: 5HM1-UP

PART OF 126-2747, 159-4638 SEAT GP  
AN ATTACHMENT

SMCS-7312

100857882

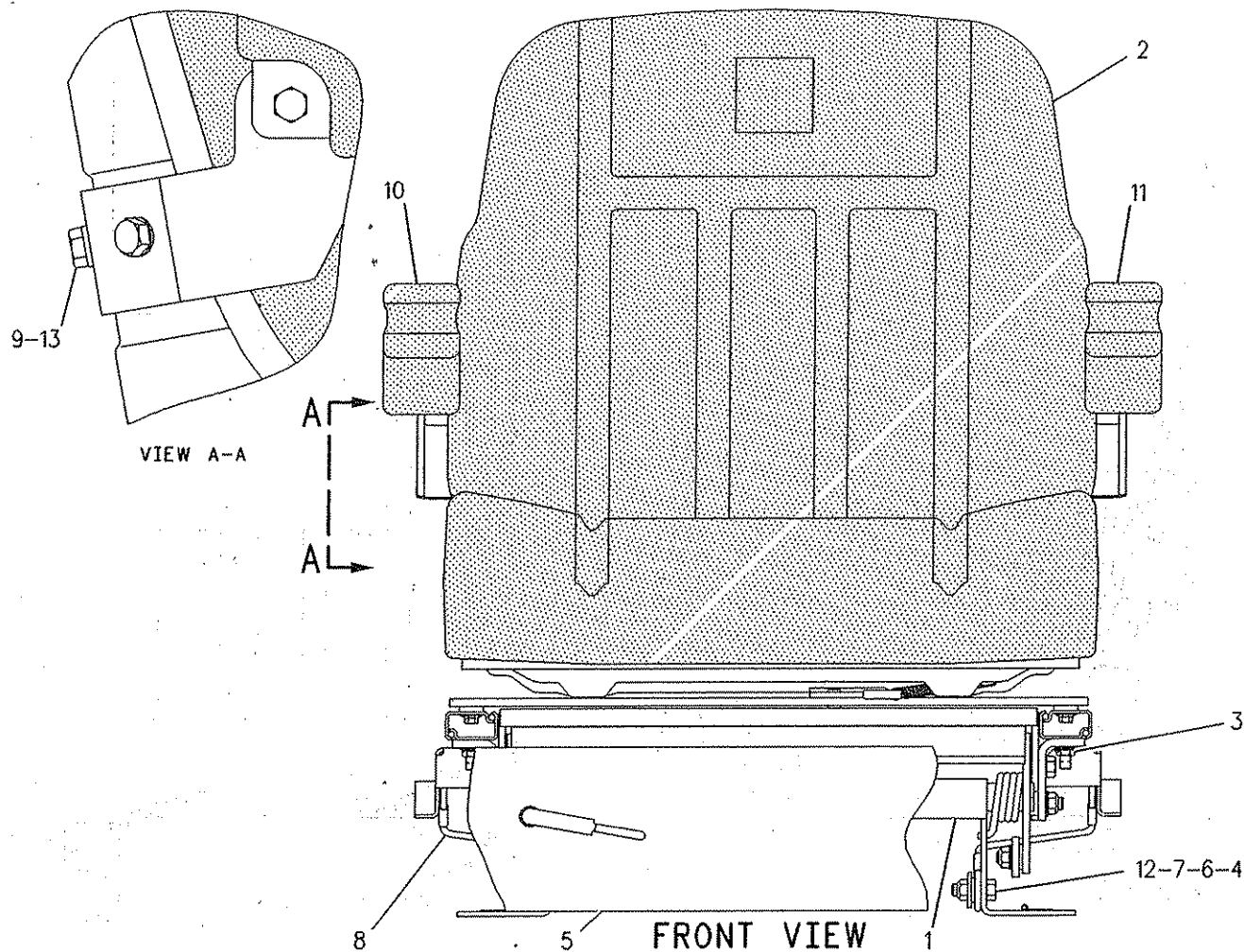
NOTE	REF NO	GRAPHIC REF	PART NUMBER	QTY	PART NAME						SEE PAGE
					1	2	3	4	5	6 (PRODUCT LEVEL)	
Y	1	1	116-2779	1	ADJUSTER GP-SEAT						810
Y	2	1	8Y-4005	1	SEAT GP						932
	3	1	9L-9814	4	LOCKNUT						
	4	1	8S-4790	2	SPACER						
	5	1	119-6194	1	BOOT AS						
	6	1	089-7968	2	WASHER						
	7	1	8R-4519	2	LOCKNUT						
	8	1	6W-3628	2	CABLE						
	9	1	5M-2894	4	WASHER (2.5MM THK)						
	10	1	9V-7446	1	ARMREST AS-RH						
		1	2K-4973	1	LOCKNUT (3/8-16 THD)						
		1	2K-6061	1	SCREW-MACHINE						
		1	5S-7383	1	BOLT (3/8-16X1.75IN)						
		1	8Y-6277	2	SPACER						
		1	9V-7447	.1	PAD AS						
		1	1F-0750	1	NUT-WELD (3/8-16 THD)						
		1	9V-7453	1	BRACKET-RH						
	11	1	9V-7454	1	ARMREST AS-LH						
		1	2K-4973	1	LOCKNUT (3/8-16 THD)						
		1	2K-6061	1	SCREW-MACHINE						
		1	5S-7383	1	BOLT (3/8-16X1.75IN)						
		1	8Y-6277	2	SPACER						
		1	9V-7447	1	PAD AS						
		1	1F-0750	1	NUT-WELD (3/8-16 THD)						
		1	9V-7458	1	BRACKET-LH						
	12	1	8T-9381	2	BOLT (7/16-20X1IN)						
	13	1	9X-8276	4	BOLT						

Y-SEPARATE ILLUSTRATION

# OPERATOR STATION

8Y-6852 SEAT GP-STATIC (contd.)

i00857882



GRAPHIC #1

g00109321

# OPERATOR STATION

## 125-9856 SEAT GP-STATIC

S/N: 5HM1-UP

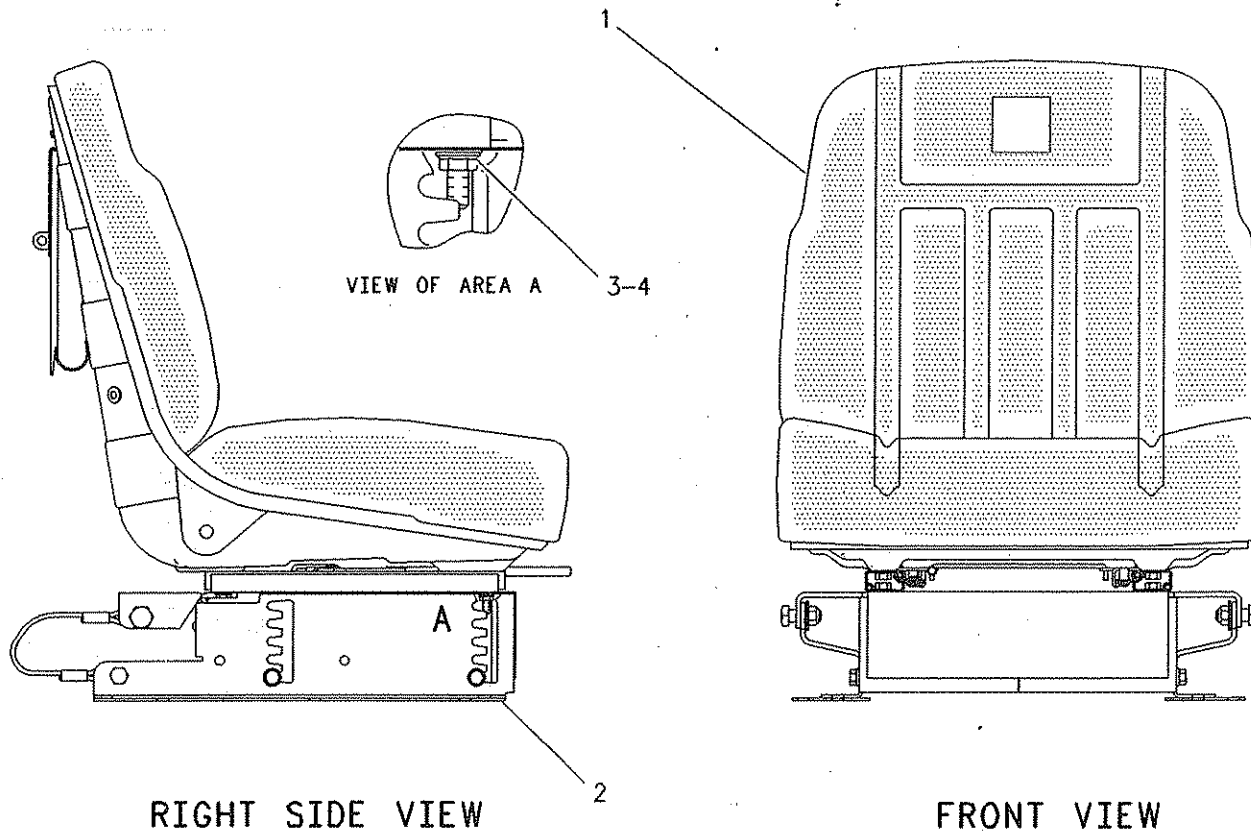
PART OF 113-4254 SEAT GP

SMCS-7312

i00131056

NOTE	REF NO	GRAPHIC REF	PART NUMBER	QTY	PART NAME						SEE PAGE
					1	2	3	4	5	6 (PRODUCT LEVEL)	
Y	1	1	125-9855	1	SEAT GP						935
Y	2	1	125-9854	1	ADJUSTER GP-SEAT						812
	3	1	031-4155	4	LOCKNUT (5/16-18 THD)						
	4	1	8T-4224	4	WASHER-HARD (2MM THK)						

Y-SEPARATE ILLUSTRATION



GRAPHIC #1

g00109154

# MEMORANDA

# OPERATOR STATION

## 8W-6318 SUPPORT GP-SEAT

S/N: 5HM1-UP

PART OF 112-4113 CHASSIS AR

SMCS-7321

101455873

NOTE	REF NO	GRAPHIC REF	PART NUMBER	QTY	PART NAME						SEE PAGE
					1	2	3	4	5	6 (PRODUCT LEVEL)	
	1	1	8X-5536	1	COVER						
M	2	1	9X-2041	5	SCREW-TRUSS HEAD (M10X1.5X20MM)						
	3	1	8X-5538	1	COVER AS						
M		1	8T-3490	1	NUT-WELD (M10X1.5 THD)						
	4	1	8X-5540	1	COVER						
	5	1	6V-8801	8	NUT (3/8-16 THD)						
	6	1	5P-1075	8	WASHER-HARD (10.2X22.5X3MM THK)						
	7	1	8X-5535	1	SUPPORT AS						
		1	5H-0255	1	BOSS (1/2-13X1.0IN OAL)						
		1	5P-8245	8	WASHER-HARD (13.5X25.5X3MM THK)						
M		1	6V-9632	2	NUT-WELD (M6X1 THD)						
M		1	8T-3490	24	NUT-WELD (M10X1.5 THD)						
		1	9G-9155	1	CLIP						
	8	1	8X-5534	1	PAD						
	9	1	123-4618	1	COVER						
	10	1	113-4251	1	PLATE						
	11	1	106-5840	1	COVER						
M	12	1	9X-2045	6	SCREW-TRUSS HEAD (M6X1X20MM)						
	13	1	123-4701	1	SEAL						
M	14	1	9X-2040	2	SCREW-TRUSS HEAD (M10X1.5X25MM)						
BD	15	1	5P-5969		SEAL						
	16	1	7G-4824	1	STRAP						
	17	1	8E-7791	1	STRAP						
M	18	1	134-8273	2	SCREW-FLAT HEAD (M10X1.5 THD) (M10X1.5X25MM)						
	19	1	7X-0591	2	WASHER-HARD (17X29X3MM THK)						
	20	1	8C-3756	1	FILM-IDENTIFICATION (GROUP & SEQUENCE NO.)						

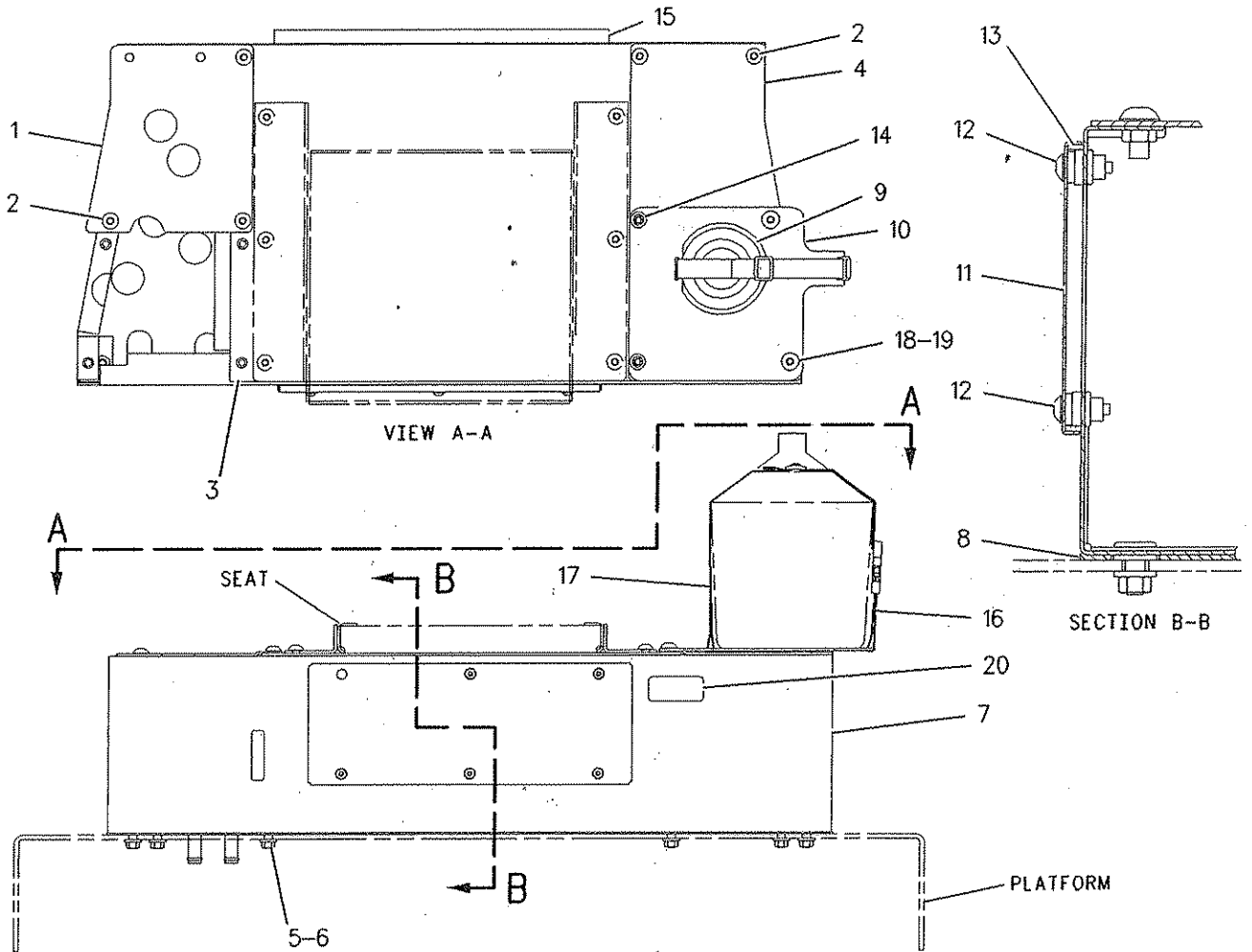
B- USE AS REQUIRED  
D- ORDER BY THE METER  
M- METRIC PART



# OPERATOR STATION

8W-6318 SUPPORT GP-SEAT (contd.)

i01455873



GRAPHIC #1

g00637854

# OPERATOR STATION

## 8X-9675 WASHER GP-WINDOW

S/N: 5HM1-UP

PART OF 116-5876, 130-0461 ROPS AR  
AN ATTACHMENT

SMCS-7306

i01193188

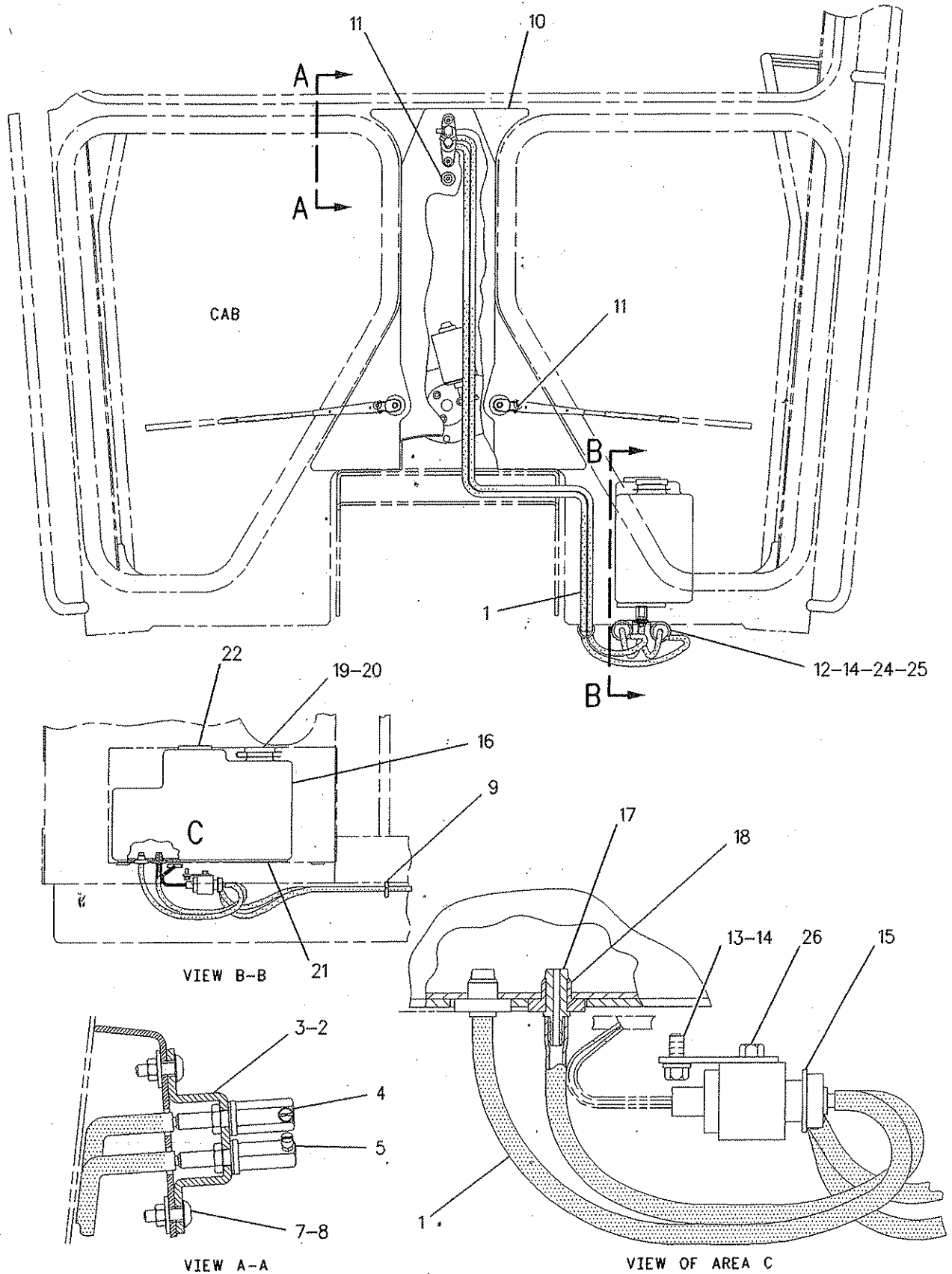
NOTE	REF NO	GRAPHIC REF	PART NUMBER	QTY	PART NAME						SEE PAGE
					1	2	3	4	5	6 (PRODUCT LEVEL)	
BE	1	1	144-0195		HOSE						
	2	1	8W-0935	1	GASKET						
	3	1	8W-0934	1	BRACKET						
	4	1	9P-2369	1	JET AS-WASHER						
		1	8Y-4408	1	NOZZLE AS-JET						
	5	1	8T-2901	1	NOZZLE AS						
		1	8Y-4409	1	NOZZLE AS-JET						
M	7	1	5C-2890	2	NUT (M6X1.00 THD)						
	8	1	5P-4115	2	WASHER (2MM THK)						
	9	1	3S-2093	3	STRAP-CABLE						
	10	1	102-3645	1	COVER						
M	11	1	9X-2045	5	SCREW-TRUSS HEAD (M6X1X20MM)						
	12	1	4D-7388	2	CLIP (34.92MM ID)						
	13	1	5M-3062	1	BOLT (3/8-16X.75IN)						
	14	1	8T-4896	2	WASHER-HARD (2.5MM THK)						
	15	1	7T-8891	2	PUMP AS-WASHER						
	16	1	8X-9405	1	RESERVOIR AS						
	17	1	8X-5280	2	CONNECTOR						
	18	1	6W-5698	2	GROMMET						
	19	1	7T-1961	1	CAP						
	20	1	8X-1135	1	GASKET						
	21	1	8X-9349	1	PAD						
	22	1	107-4865	1	PAD						
	24	1	4L-6454	1	BOLT (3/8-16X1 IN)						
	25	1	6V-8801	1	NUT (3/8-16 THD)						
	26	1	7G-4326	1	PLATE						

B-USE AS REQUIRED  
E-ORDER BY THE CENTIMETER  
M-METRIC PART

# OPERATOR STATION

8X-9675 WASHER GP-WINDOW (contd.)

101193188



GRAPHIC #1

g00638869

# OPERATOR STATION

## 8X-9680 WASHER GP-WINDOW

S/N: 5HM1-UP

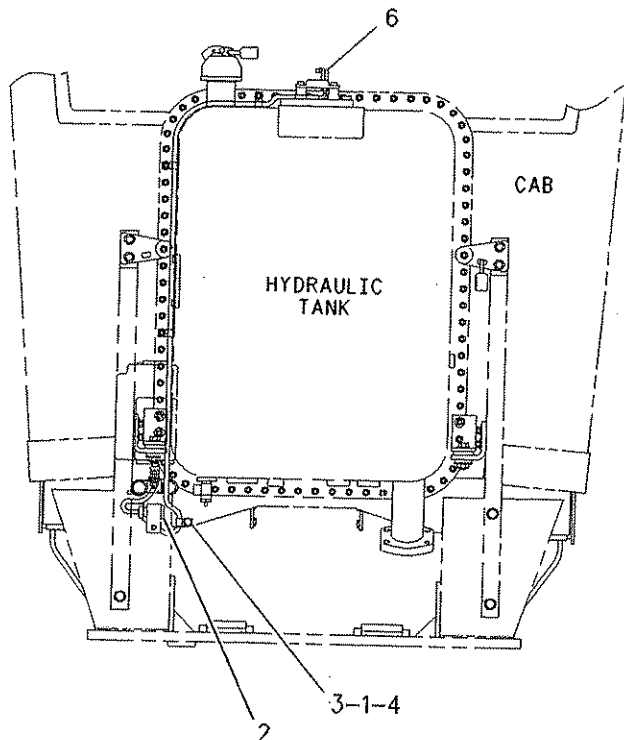
PART OF 155-7450, 155-7451 WIPER AR-WINDOW  
AN ATTACHMENT

SMCS-7306

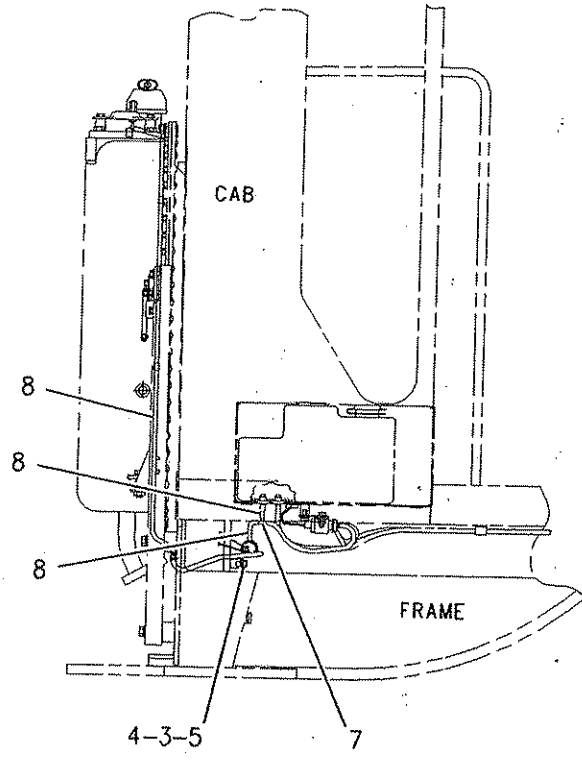
i01193379

NOTE	REF NO	GRAPHIC REF	PART NUMBER	QTY	PART NAME						SEE PAGE
					1	2	3	4	5	6 (PRODUCT LEVEL)	
	1	1	4D-7794	1	CLIP (10.0MM ID)						
	2	1	7T-8891	1	PUMP AS-WASHER						
	3	1	8T-4896	2	WASHER-HARD (2.5MM THK)						
	4	1	5P-8167	2	BOLT (3/8-16X.625IN)						
	5	1	4D-7388	1	CLIP (34.92MM ID)						
	6	1	3V-3816	1	NOZZLE AS						
	7	1	6K-9632	1	TEE						
BE	8	1	144-0195		HOSE						

B-USE AS REQUIRED  
E-ORDER BY THE CENTIMETER



REAR VIEW



RIGHT SIDE VIEW

GRAPHIC #1

g00638832

# MEMORANDA

# OPERATOR STATION

## 125-4342 WASHER GP-WINDOW

S/N: 5HM1-UP

PART OF 129-7229 CAB AR-HIGH PROFILE, 129-7228 CAB AR-NON-ROPS  
AN ATTACHMENT

SMCS-7306

101193196

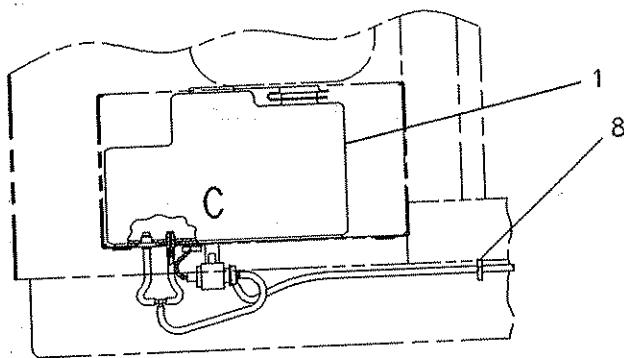
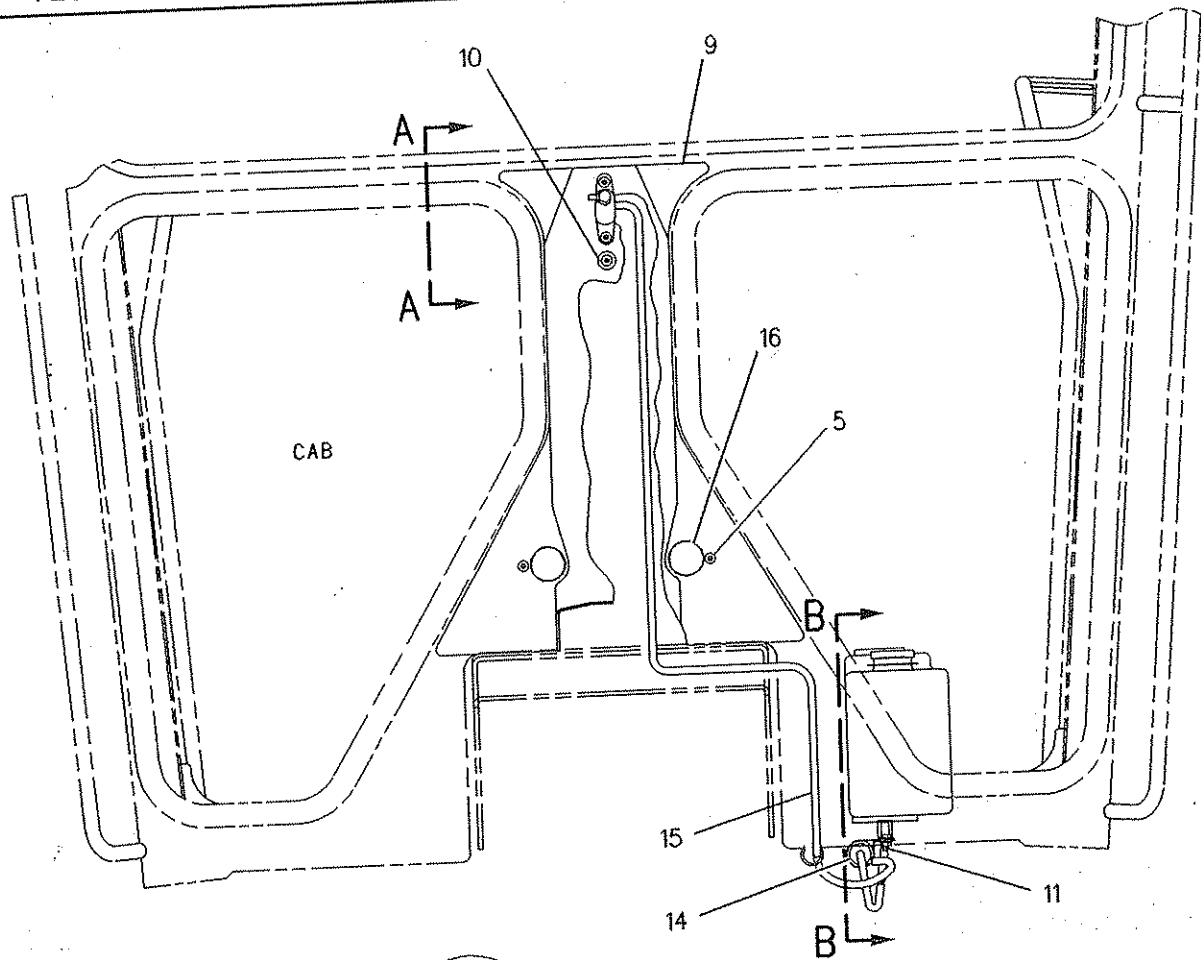
NOTE	REF NO	GRAPHIC REF	PART NUMBER	QTY	PART NAME						SEE PAGE
					1	2	3	4	5	6 (PRODUCT LEVEL)	
	1	1	8X-9405	1	RESERVOIR AS						
		1	6W-5698	2	GROMMET						
		1	7T-1961	1	CAP						
		1	8X-1135	1	GASKET						
		1	8X-5280	2	CONNECTOR						
		1	8X-9349	1	PAD (RECTANGULAR)						
		1	107-4865	1	PAD (ROUND)						
	2	1	8W-0935	1	GASKET						
	3	1	8W-0934	1	BRACKET						
	4	1	9P-2369	1	JET AS-WASHER						
		1	8Y-4408	1	NOZZLE AS-JET						
M	5	1	9X-2042	2	SCREW-TRUSS HEAD (M6X1.0X12MM)						
M	6	1	5C-2890	2	NUT (M6X1.00 THD)						
	7	1	5P-4115	2	WASHER (2MM THK)						
	8	1	3S-2093	3	STRAP-CABLE						
	9	1	102-3645	1	COVER						
M	10	1	9X-2045	3	SCREW-TRUSS HEAD (M6X1X20MM)						
	11	1	4D-7388	1	CLIP (34.92MM ID)						
	12	1	5M-3062	1	BOLT (3/8-16X.75IN)						
	13	1	6K-9632	1	TEE						
	14	1	7T-8891	1	PUMP AS-WASHER						
BE	15	1	144-0195		HOSE						
	16	1	6V-6467	2	PLUG						
	17	1	8T-4896	2	WASHER-HARD (2.5MM THK)						

B - USE AS REQUIRED  
E - ORDER BY THE CENTIMETER  
M - METRIC PART

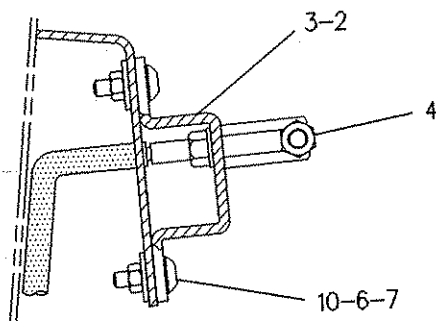
# OPERATOR STATION

125-4342 WASHER GP-WINDOW (contd.)

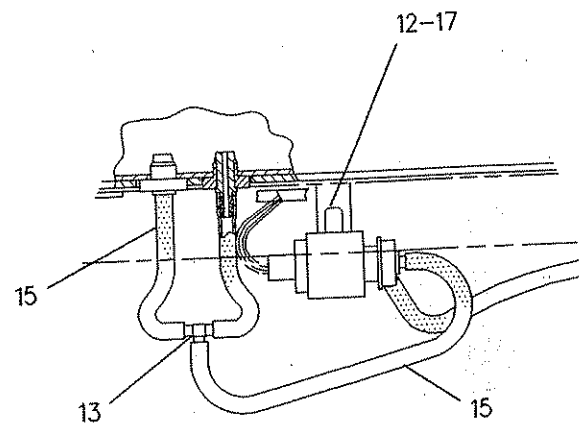
i01193196



VIEW B-B



VIEW A-A



VIEW OF AREA C

GRAPHIC #1

SEBP2488-26

2 of 2

900286150

OPERATOR STATION 953

# OPERATOR STATION

## 726-0961 WINDOW GP

S/N: 5HM1-1280

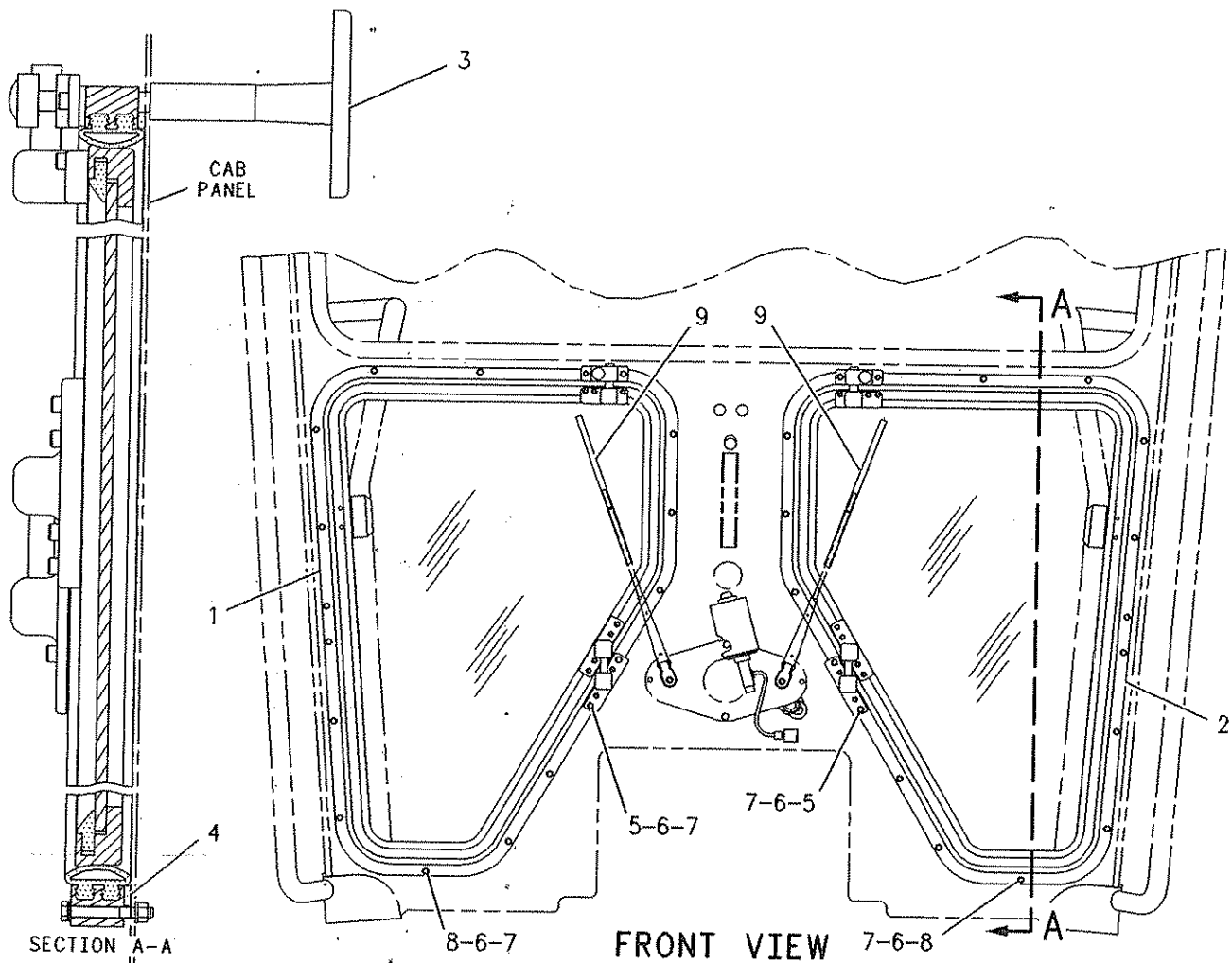
AN ATTACHMENT

SMCS-7310, 7340

i00131068

NOTE	REF NO	GRAPHIC REF	PART NUMBER	QTY	PART NAME						SEE PAGE
					1	2	3	4	5	6 (PRODUCT LEVEL)	
Y	1	1	125-8846	1	PANEL GP-RH						906
Y	2	1	125-8847	1	PANEL GP-LH						908
	3	1	5T-3093	2	HANDLE						
BD	4	1	5P-5969		SEAL						
M	5	1	8T-0352	4	BOLT						
	6	1	8T-0328	56	WASHER-HARD (1MM THK)						
M	7	1	7Y-5226	28	NUT (M5X0.8MM THD)						
M	8	1	8T-0335	24	BOLT (M5X0.8X40MM)						
	9	1	6V-8255	2	BLADE AS-WIPER						

B-USE AS REQUIRED  
 D-ORDER BY THE METER  
 M-METRIC PART  
 Y-SEPARATE ILLUSTRATION



GRAPHIC #1

g00108855



# OPERATOR STATION

## 126-0961 WINDOW GP

S/N: 5HM1281-UP

AN ATTACHMENT

SMCS-7310, 7340

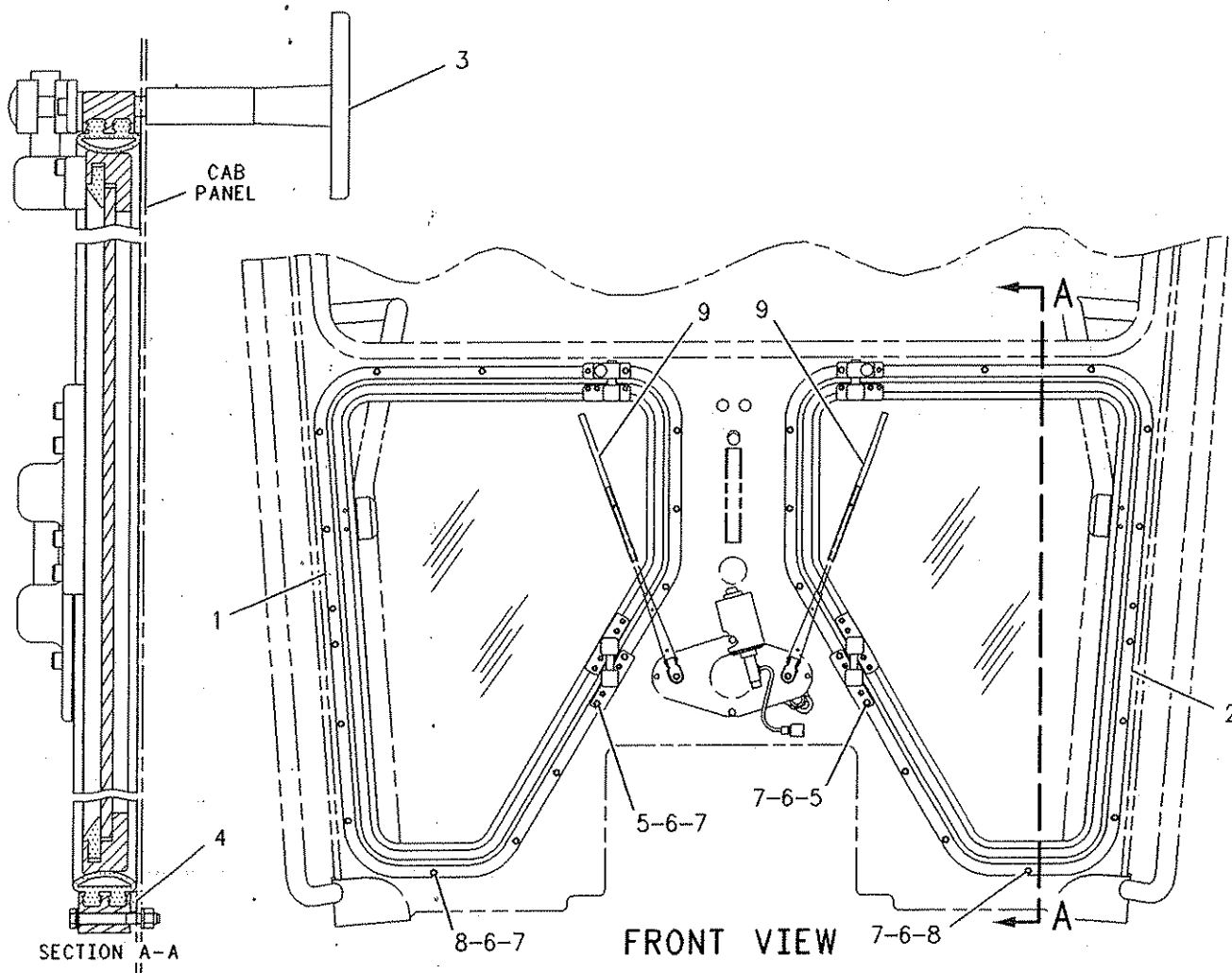
i01453632

NOTE	REF NO	GRAPHIC REF	PART NUMBER	QTY	PART NAME						SEE PAGE
					1	2	3	4	5	6 (PRODUCT LEVEL)	
CY	1	1	150-5106	1	PANEL GP-WINDOW (RH)						910
CY	2	1	150-5107	1	PANEL GP-WINDOW (LH)						912
	3	1	5T-3093	2	HANDLE						
	4	1	5P-5969		SEAL (25.35 DM)						
M	5	1	8T-0352	4	BOLT (M5X0.8X45MM)						
	6	1	8T-0328	56	WASHER-HARD (5.5X10X1MM THK)						
M	7	1	7Y-5226	28	NUT (M5X0.8 THD)						
M	8	1	8T-0335	24	BOLT (M5X0.8X40MM)						
	9	1	6V-8255	2	BLADE AS-WIPER						

C-CHANGE FROM PREVIOUS TYPE

M-METRIC PART

Y-SEPARATE ILLUSTRATION



GRAPHIC #1

g00108855

# OPERATOR STATION

## 134-8232 WINDOW GP

S/N: 5HM1-UP

PART OF 139-6129 WINDOW GP

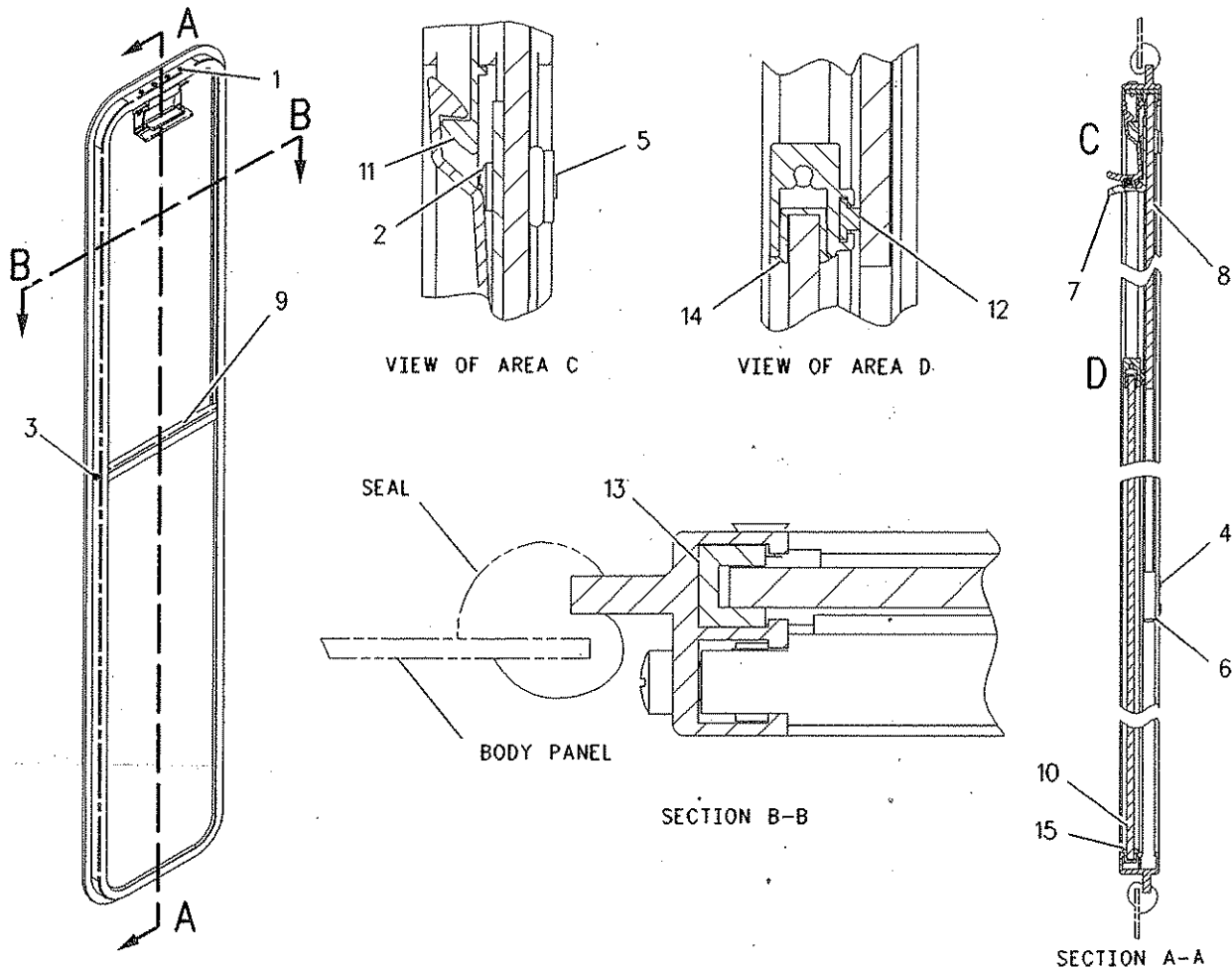
AN ATTACHMENT

SMCS-7310, 7340

i101052405

NOTE	REF NO	GRAPHIC REF	PART NUMBER	QTY	PART NAME						SEE PAGE
					1	2	3	4	5	6 (PRODUCT LEVEL)	
	1	1	5M-9695	4	SCREW						
	2	1	5P-7162	2	SCREW-MACHINE (10-32 THD)						
	3	1	8C-6738	2	SCREW-PAN HEAD						
	4	1	9X-6019	4	LOCKSCREW						
	5	1	104-5958	2	NUT						
	6	1	109-0146	2	STOP-SLIDE						
	7	1	139-9132	1	LATCH AS						
	8	1	139-9138	1	GLASS-SLIDING						
	9	1	139-9134	1	POST-CENTER						
	10	1	139-9135	1	GLASS-FIXED						
	11	1	139-9137	1	CATCH						
E	12	1	8Y-6981		SEAL (21 CM)						
E	13	1	139-9136		SEAL-WEATHER (285 CM)						
D	14	1	5P-5627		SEAL (1 M)						
E	15	1	8Y-6982		SEAL (188 CM)						

D-ORDER BY THE METER  
E-ORDER BY THE CENTIMETER



GRAPHIC #1

g00545825

# OPERATOR STATION

## 134-8233 WINDOW GP

S/N: 5HM1-UP

PART OF 139-6128 WINDOW GP

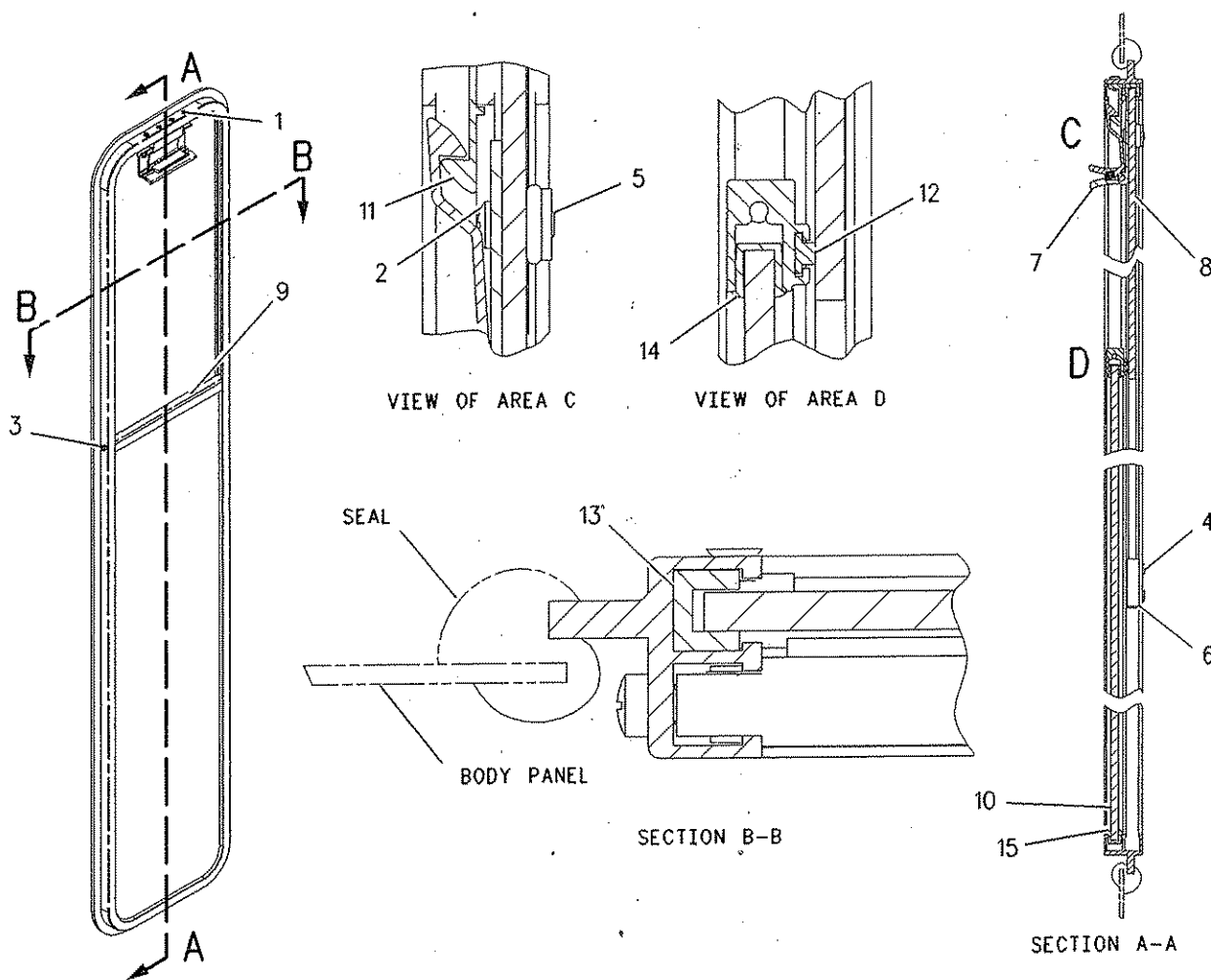
AN ATTACHMENT

SMCS-7310, 7340

i01056062

NOTE	REF NO	GRAPHIC REF	PART NUMBER	QTY	PART NAME	1 2 3 4 5 6 (PRODUCT LEVEL)						SEE PAGE	
	1	1	5M-9695	4	SCREW								
	2	1	5P-7162	2	SCREW-MACHINE (10-32 THD)								
	3	1	8C-6738	2	SCREW-PAN HEAD								
	4	1	9X-6019	4	LOCKSCREW								
	5	1	104-5958	2	NUT								
	6	1	109-0146	2	STOP-SLIDE								
	7	1	139-9132	1	LATCH AS								
	8	1	139-9133	1	GLASS-SLIDING								
	9	1	139-9134	1	POST-CENTER								
	10	1	139-9135	1	GLASS-FIXED								
	11	1	139-9137	1	CATCH								
E	12	1	8Y-6981		SEAL (21 CM)								
E	13	1	139-9136		SEAL-WEATHER (194 CM)								
D	14	1	5P-5627		SEAL (1 M)								
E	15	1	8Y-6982		SEAL (188 CM)								

D-ORDER BY THE METER  
E-ORDER BY THE CENTIMETER



GRAPHIC #1

g00548221

# OPERATOR STATION

## 139-6128 WINDOW GP

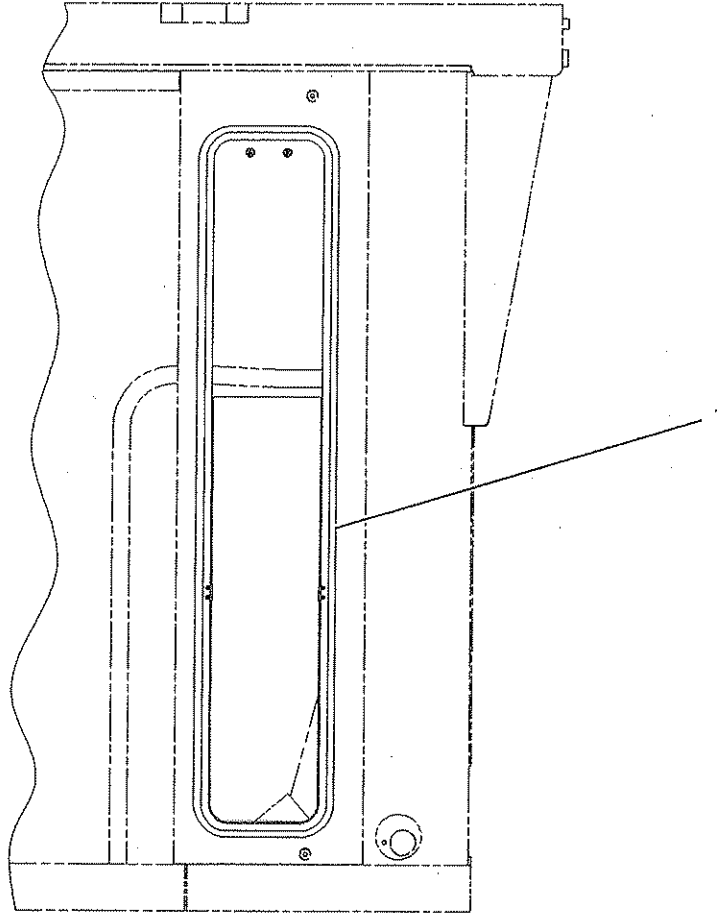
S/N: 5HM1-UP  
SIDE SLIDING LP  
AN ATTACHMENT

SMCS-7310, 7340

101052316

NOTE	REF NO	GRAPHIC REF	PART NUMBER	QTY	PART NAME						SEE PAGE
					1	2	3	4	5	6 (PRODUCT LEVEL)	
Y	1	1	134-8233	2	WINDOW GP						957

Y-SEPARATE ILLUSTRATION



GRAPHIC #1

g00301642

# OPERATOR STATION

## 139-6129 WINDOW GP

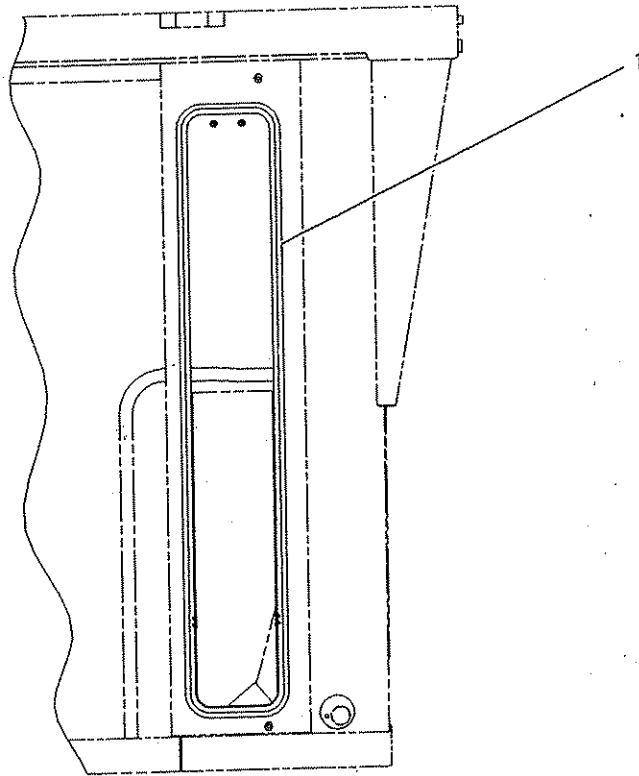
S/N: 5HM1-UP  
SIDE SLIDING HP  
AN ATTACHMENT

100698320

SMCS-7310, 7340

NOTE	REF NO	GRAPHIC REF	PART NUMBER	QTY	PART NAME						SEE PAGE
					1	2	3	4	5	6 (PRODUCT LEVEL)	
Y	1	1	134-8232	2	WINDOW GP						956

Y-SEPARATE ILLUSTRATION



LEFT SIDE VIEW

GRAPHIC #1

g00301585

# OPERATOR STATION

## 155-7450 WIPER AR-WINDOW

S/N: 5HM1-UP  
AN ATTACHMENT

SMCS-7305, 7306

101044459

NOTE	PART NUMBER	QTY	PART NAME						SEE PAGE
			1	2	3	4	5	6 (PRODUCT LEVEL)	
Y	8X-9680	1							950
Y	8X-2910	1							966

Y-SEPARATE ILLUSTRATION

# OPERATOR STATION

## 155-7451 WIPER AR-WINDOW

S/N: 5HM1-UP  
AN ATTACHMENT

SMCS-7305, 7306

101044543

NOTE	PART NUMBER	QTY	PART NAME						SEE PAGE
			1	2	3	4	5	6 (PRODUCT LEVEL)	
Y	8X-9680	1	WASHER GP-WINDOW						950
Y	8X-2911	1	WIPER GP-WINDOW						967

Y-SEPARATE ILLUSTRATION

# OPERATOR STATION

## 8X-2810 WIPER GP-WINDOW

S/N: 5HM1-UP

PART OF 131-0823 ROPS GP-ENCLOSED

AN ATTACHMENT

SMCS-7305

i00857885

NOTE	REF NO	GRAPHIC REF	PART NUMBER	QTY	PART NAME						SEE PAGE
					1	2	3	4	5	6 (PRODUCT LEVEL)	
	1	1	125-7003	1	SHAFT AS						
M	2	1	5C-7423	3	SCREW						
	3	1	125-7004	1	SHAFT AS						
M	4	1	6V-6889	1	NUT (M8X1.25 THD)						
	5	1	6V-6888	1	WASHER-SPRING						
	6	1	2A-6928	1	LINK						
B	7	1	4B-4283	4	WASHER (3.5MM THK)						
	8	1	8X-2556	1	FLANGE						
	9	1	8X-2663	1	GASKET						
	10	1	2A-6926	1	LEVER AS						
	11	1	2A-6929	1	LINK						
	12	1	9X-3392	1	MOTOR AS-WINDOW WIPER						
		1	7K-4474	1	CONNECTOR AS						
		1	7N-7779	2	SOCKET						
		1	7N-7780	2	PIN-CONNECTOR (BLADE)						
		1	7N-8204	1	HOUSING-RECEPTACLE						
	13	1	6V-8258	1	ARM AS-WIPER						
	14	1	7K-4474	1	CONNECTOR AS						
		1	7N-7779	2	SOCKET						
		1	7N-7780	2	PIN-CONNECTOR (BLADE)						
		1	7N-8204	1	HOUSING-RECEPTACLE						
Y	15	1	3T-7068	1	MOTOR GP-WINDOW WIPER						885
	16	1	6V-5853	1	BLADE AS-WIPER						
	17	1	7X-3182	2	BOLT (1/4-28X.5IN)						
	18	1	5P-4115	2	WASHER (2MM THK)						
	19	1	123-4355	2	BLADE AS						
M	20	1	8T-4138	2	BOLT (M6X1.0X20MM)						
	21	1	123-4354	2	ARM AS						

B-USE AS REQUIRED

M-METRIC PART

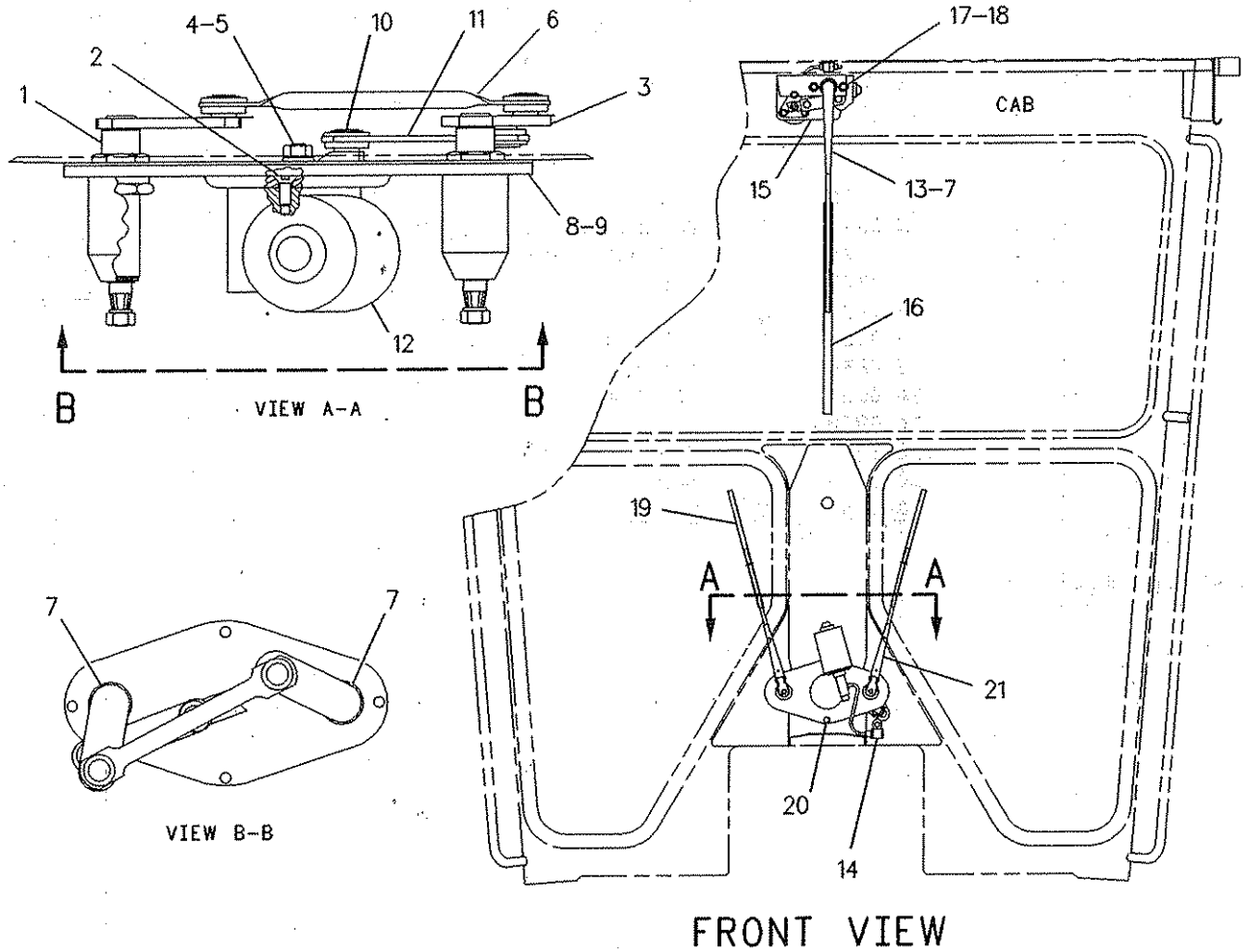
Y-SEPARATE ILLUSTRATION



# OPERATOR STATION

8X-2810 WIPER GP-WINDOW (contd.)

i00857885



GRAPHIC #1

g00109234

# OPERATOR STATION

## 8X-2815 WIPER GP-WINDOW

S/N: 5HM1-UP

PART OF 116-5842 ROPS GP-ENCLOSED  
AN ATTACHMENT

SMCS-7305

i00857886

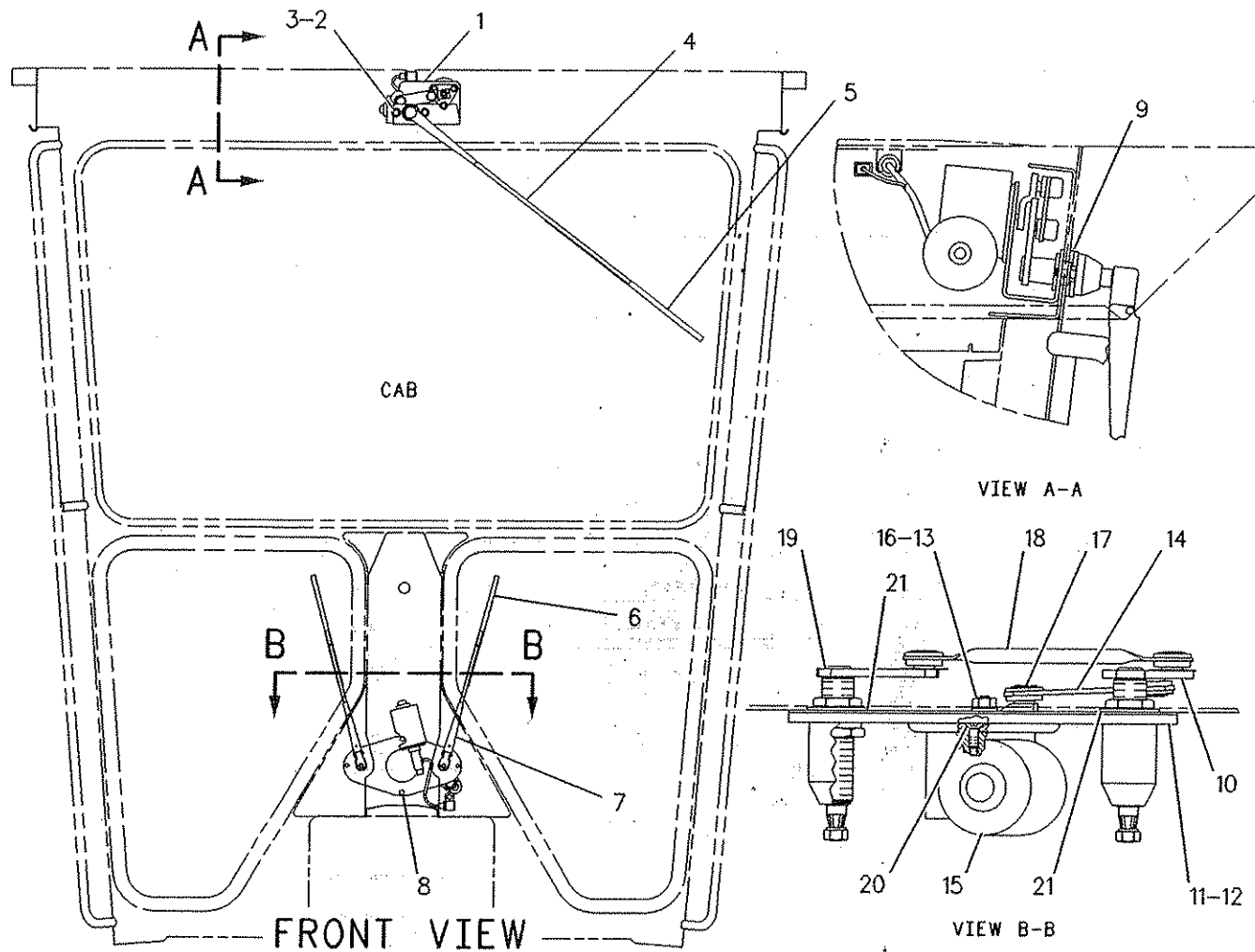
NOTE	REF NO	GRAPHIC REF	PART NUMBER	QTY	PART NAME						SEE PAGE
					1	2	3	4	5	6 (PRODUCT LEVEL)	
Y	1	1	3T-7068	1	MOTOR GP-WINDOW WIPER						885
	2	1	7X-3182	2	BOLT (1/4-28X.5IN)						
	3	1	5P-4115	2	WASHER (2MM THK)						
	4	1	6V-8259	1	ARM AS-WIPER						
	5	1	6V-5853	1	BLADE AS-WIPER						
	6	1	123-4355	2	BLADE AS						
	7	1	123-4354	2	ARM AS						
M	8	1	8T-4138	2	BOLT (M6X1.0X20MM)						
B	9	1	4B-4283	2	WASHER (3.5MM THK)						
	10	1	125-7004	1	SHAFT AS						
	11	1	8X-2556	1	FLANGE						
	12	1	8X-2663	1	GASKET						
M	13	1	6V-6889	1	NUT (M8X1.25 THD)						
	14	1	2A-6929	1	LINK						
	15	1	9X-3392	1	MOTOR AS-WINDOW WIPER						
		1	7K-4474	1	CONNECTOR AS						
		1	7N-7779	2	SOCKET						
		1	7N-7780	2	PIN-CONNECTOR (BLADE)						
		1	7N-8204	1	HOUSING-RECEPTACLE						
	16	1	6V-6888	1	WASHER-SPRING						
	17	1	2A-6926	1	LEVER AS						
	18	1	2A-6928	1	LINK						
	19	1	125-7003	1	SHAFT AS						
M	20	1	5C-7423	3	SCREW						
	21	1	4B-4283	2	WASHER (3.5MM THK)						

B-USE AS REQUIRED  
M-METRIC PART  
Y-SEPARATE ILLUSTRATION

# OPERATOR STATION

8X-2815 WIPER GP-WINDOW (contd.)

i00857886



GRAPHIC #1

g00109177

# OPERATOR STATION

## 8X-2910 WIPER GP-WINDOW

S/N: 5HM1-UP

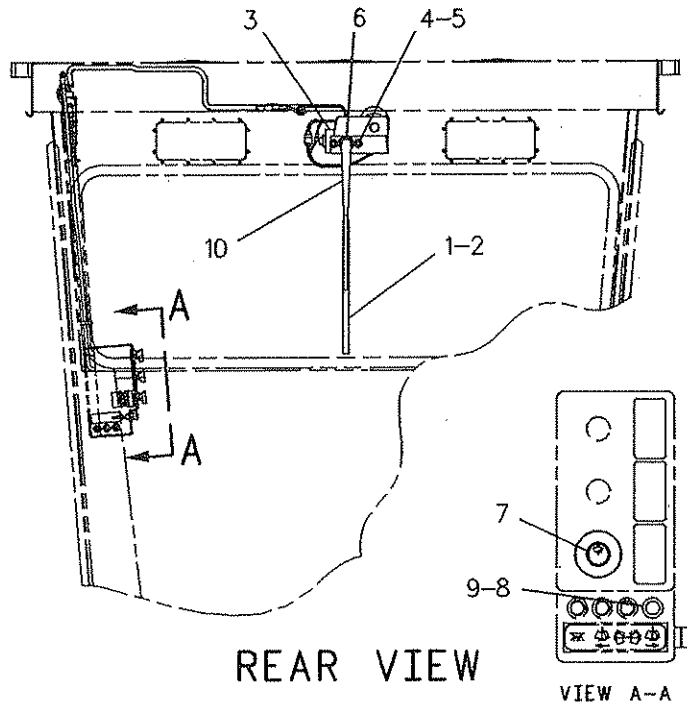
PART OF 155-7450 WIPER AR-WINDOW  
AN ATTACHMENT

SMCS-7305

i00857887

NOTE	REF NO	GRAPHIC REF	PART NUMBER	QTY	PART NAME						SEE PAGE
					1	2	3	4	5	6 (PRODUCT LEVEL)	
	1	1	6V-5849	1	BLADE AS-WIPER						
	2	1	8C-5060	1	KIT-WIPER BLADE (INCLUDES 2 REFILL BLADES)						
Y	3	1	3T-7068	1	MOTOR GP-WINDOW WIPER						885
	4	1	7X-3182	2	BOLT (1/4-28X.5IN)						
	5	1	5P-4115	2	WASHER (2MM THK)						
B	6	1	4B-4283	2	WASHER (3.5MM THK)						
	7	1	3T-6655	1	SWITCH AS-ROTARY (WIPER/WASHER)						
			2H-3920	1	LOCKWASHER (11.38MM ID)						
			6V-8369	1	NUT (7/16-28 THD)						
			7T-9302	1	KNOB-WIPER SWITCH						
			014-0816	1	SETSCREW						
8	1	1	4K-5122	1	HOLDER AS-FUSE						
	1	1	7N-2867	1	CAP-FUSE HOLDER						
9	1	1	3K-8782	1	FUSE (10 AMP)						
10	1	1	6V-8257	1	ARM AS-WIPER						

B-USE AS REQUIRED  
Y-SEPARATE ILLUSTRATION



REAR VIEW

VIEW A-A

GRAPHIC #1

g00108715

# OPERATOR STATION

## 8X-2911 WIPER GP-WINDOW

S/N: 5HM1-UP

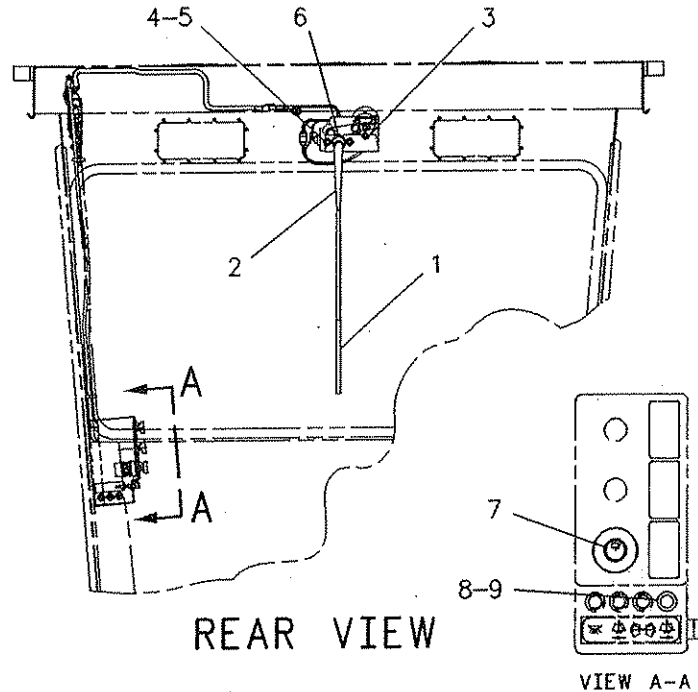
PART OF 155-7451 WIPER AR-WINDOW  
AN ATTACHMENT

SMCS-7305

i00857888

NOTE	REF NO	GRAPHIC REF	PART NUMBER	QTY	PART NAME						SEE PAGE
					1	2	3	4	5	6 (PRODUCT LEVEL)	
	1	1	6V-5853	1	BLADE AS-WIPER						
	2	1	6V-8258	1	ARM AS-WIPER						
Y	3	1	3T-7068	1	MOTOR GP-WINDOW WIPER						885
	4	1	7X-3182	2	BOLT (1/4-28X.5IN)						
	5	1	5P-4115	2	WASHER (2MM THK)						
B	6	1	4B-4283	2	WASHER (3.5MM THK)						
	7	1	3T-6655	1	SWITCH AS-ROTARY (WIPER/WASHER)						
		1	2H-3920	1	LOCKWASHER (11.38MM ID)						
		1	6V-8369	1	NUT (7/16-28 THD)						
		1	7T-9302	1	KNOB-WIPER SWITCH						
		1	014-0816	1	SETSCREW						
8	1	1	4K-5122	1	HOLDER AS-FUSE						
		1	7N-2867	1	CAP-FUSE HOLDER						
9	1	1	3K-8782	1	FUSE (10 AMP)						

B-USE AS REQUIRED  
Y-SEPARATE ILLUSTRATION



GRAPHIC #1

g00108716

# OPERATOR STATION

## 125-4345 WIPER GP-WINDOW

S/N: 5HM1-UP

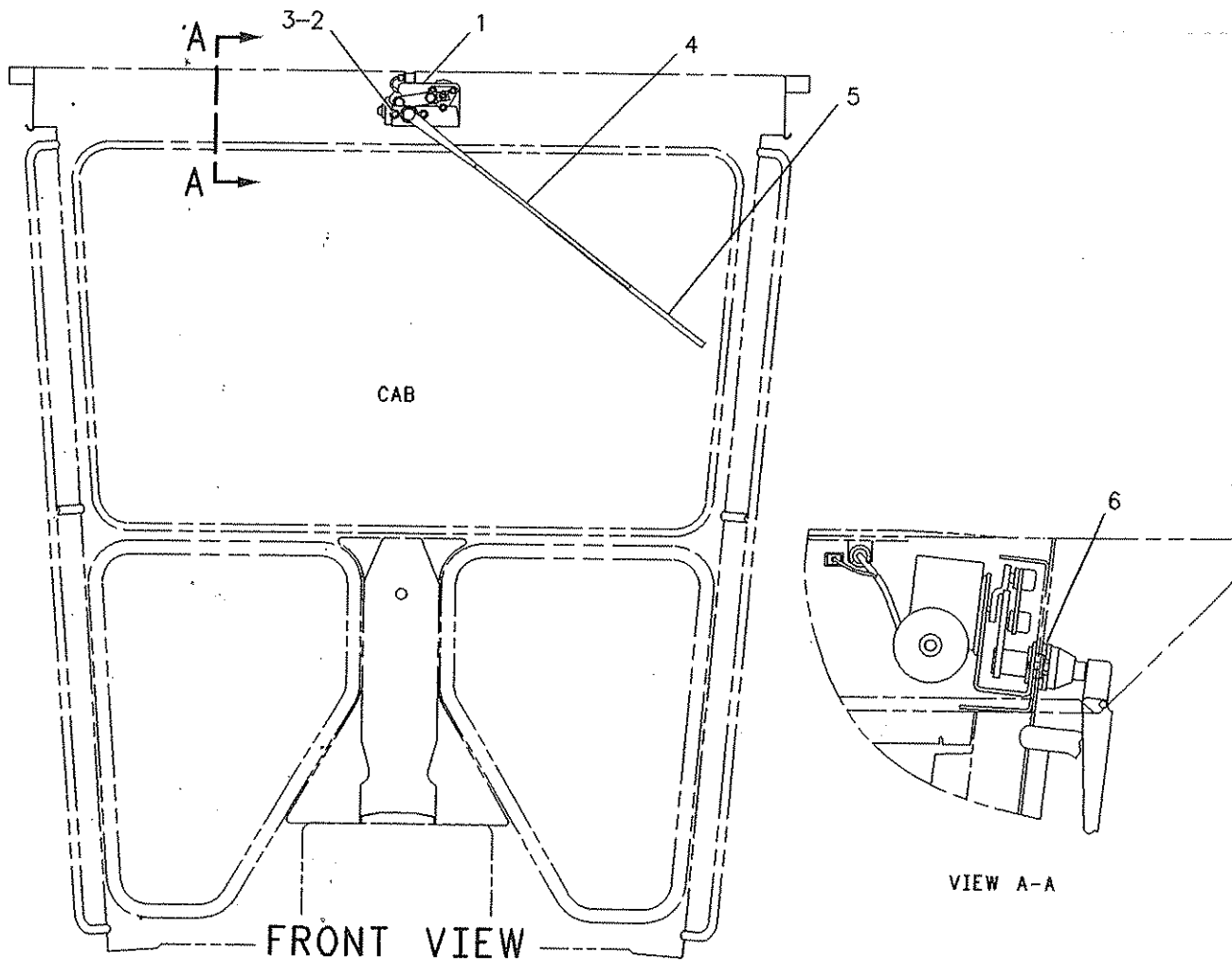
PART OF 130-4563 CAB GP-HIGH PROFILE, 130-4564 CAB GP-NON-ROPS  
AN ATTACHMENT

SMCS-7305

i00879693

NOTE	REF NO	GRAPHIC REF	PART NUMBER	QTY	PART NAME						SEE PAGE
					1	2	3	4	5	6 (PRODUCT LEVEL)	
Y	1	1	3T-7068	1	MOTOR GP-WINDOW WIPER						885
	2	1	7X-3182	2	BOLT (1/4-28X.5IN)						
	3	1	5P-4115	2	WASHER (2MM THK)						
	4	1	6V-8259	1	ARM AS-WIPER						
	5	1	6V-5853	1	BLADE AS-WIPER						
B	6	1	4B-4283	2	WASHER (3.5MM THK)						

B-USE AS REQUIRED  
Y-SEPARATE ILLUSTRATION



GRAPHIC #1

g00109331

# SERVICE EQUIPMENT AND SUPPLIES

## 8T-5255 JACK-HYDRAULIC

S/N: 5HM1-UP  
AN ATTACHMENT

i01367599

NOTE	PART NUMBER	QTY	PART NAME						SEE PAGE
			1	2	3	4	5	6 (PRODUCT LEVEL)	
(NO SERVICED PARTS)									

# SERVICE EQUIPMENT AND SUPPLIES

5M-8212 PLATE & FILM GP

S/N: 8TD10000-99999

PART OF 116-4605 ENGINE AR

SMCS-7405, 7557

i00829398

NOTE	PART NUMBER	QTY	PART NAME						SEE PAGE
			1	2	3	4	5	6 (PRODUCT LEVEL)	
	2Y-2168	1	PLATE (SERIAL NUMBER-ENGINE)						
	2Y-7540	1	PLATE-INFORMATION (PORTUGUESE)						
	4B-4158	2	SCREW-DRIVE						
	2Y-3209	2	SEAL-WIRE						



# SERVICE EQUIPMENT AND SUPPLIES

**87-4009 PLATE & FILM GP**

S/N: 5HM1-UP

PART OF 137-7406, 9W-7603 RIPPER AR

AN ATTACHMENT

SMCS-7405, 7557

i01367605

NOTE	PART NUMBER	QTY	PART NAME						SEE PAGE
			1	2	3	4	5	6 (PRODUCT LEVEL)	
(NO SERVICED PARTS)									

# SERVICE EQUIPMENT AND SUPPLIES

## 115-9845 PLATE & FILM GP

S/N: 5HM1-UP

PART OF 112-4113 CHASSIS AR

SMCS-7405, 7557

101534168

NOTE	REF NO	GRAPHIC REF	PART NUMBER	QTY	PART NAME						SEE PAGE
					1	2	3	4	5	6 (PRODUCT LEVEL)	
	1	1	8T-9530	8	TACK-FASTENER						
	2	1	1P-2807	2	FILM (LIFT EYE LOCATION)						
	3	1	5P-1436	6	FILM-WARNING (ROTATING FAN BLADES)						
					(2) ON FAN SIDE PANEL						
					(2) ON SIDES OF FUEL TANK						
					(1) RH RADIATOR ACCESS PLATE						
					(1) LH RADIATOR SUPPORT						
	4	1	9X-1878	1	PLATE (PRODUCT IDENTIFICATION)						
	5	2	7X-7644	2	FILM-TIE DOWN						
	6	1	7X-3229	2	FILM-LIFT & TIE DOWN						
	7	1	5P-1174	1	FILM-TRANSMISSION OIL (FILLER CAP)						
	8	2	135-6367	1	FILM-WARNING (UNEXPECTED MOVEMENT)						
	9	1	5P-1175	1	FILM (ENGINE OIL FILL)						
	10	1	101-7664	1	FILM-IDENTIFICATION (FUEL FILTER) (SECONDARY)						
	11	1	4P-8681	1	FILM-IDENTIFICATION (ENGINE OIL FILTER)						
A	12	1	5M-8212	1	PLATE & FILM GP (ENGINE)						
	13	1,2	8T-3321	2	FILM-WARNING (NO CLEARANCE)						
	14	2	5P-4077	1	FILM-WARNING (GROUND BLADE)						
	15	1	189-5804	2	FILM (EXPORT)						
	16	1	6V-4611	2	FILM-WARNING (JUMPER CABLE)						
A	18	1	7J-5311	2	PLATE-WARNING (HIGH PRESSURE CYLINDER)						
	19	1	125-2209	1	FILM-INDICATOR (BLADE LIFT PIN)						
	20	1	5P-3999	1	PLATE-MAIN FRAME (DO NOT DRILL OR WELD)						
	21	2	5P-8197	1	PLATE-WARNING (MACHINE OPERATION)						
	22	2	134-7258	1	FILM-IDENTIFICATION (EXTENDED LIFE COOLANT)						
	23	2	116-0028	1	FILM GP						
		2	9X-2447	1	FILM-CATERPILLAR						
23A	1	1	106-9091	1	FILM-STRIPE (REAR)						
23B	1	1	127-2912	2	FILM-STRIPE (RH-LH FORWARD)						
23C	1	1	127-2911	2	FILM-STRIPE (LOUVERS)						
23D	1	1	115-0788	2	FILM-STRIPE (140H)						
23E	1	1	106-9092	1	FILM-STRIPE (REAR)						
24	2	2	4B-4158	8	SCREW-DRIVE (3/16X0.25 IN)						
25	1	1	9X-8372	1	FILM-INSTRUCTION (WASHER FILL)						
					(LOCATE ON COVER FOR WINDOW WASHER FLUID BOTTLE WHEN ATTACHMENT ROPS ARE USED)						
	26	1	202-9824	1	PLATE-INFORMATION						
	27	1	8C-8923	1	FILM-NOTICE (SHIPPING LIFT TIE DOWN)						

A-NOT PART OF THIS GROUP

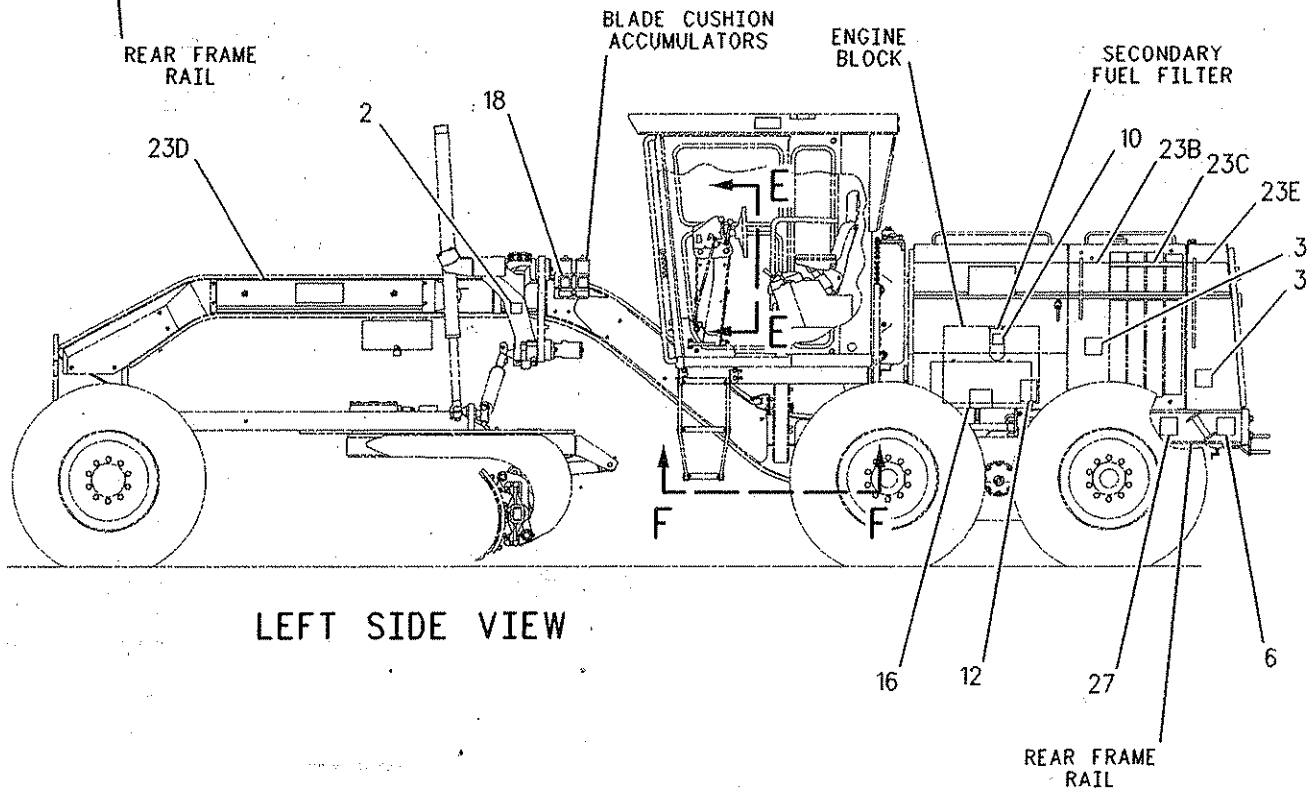
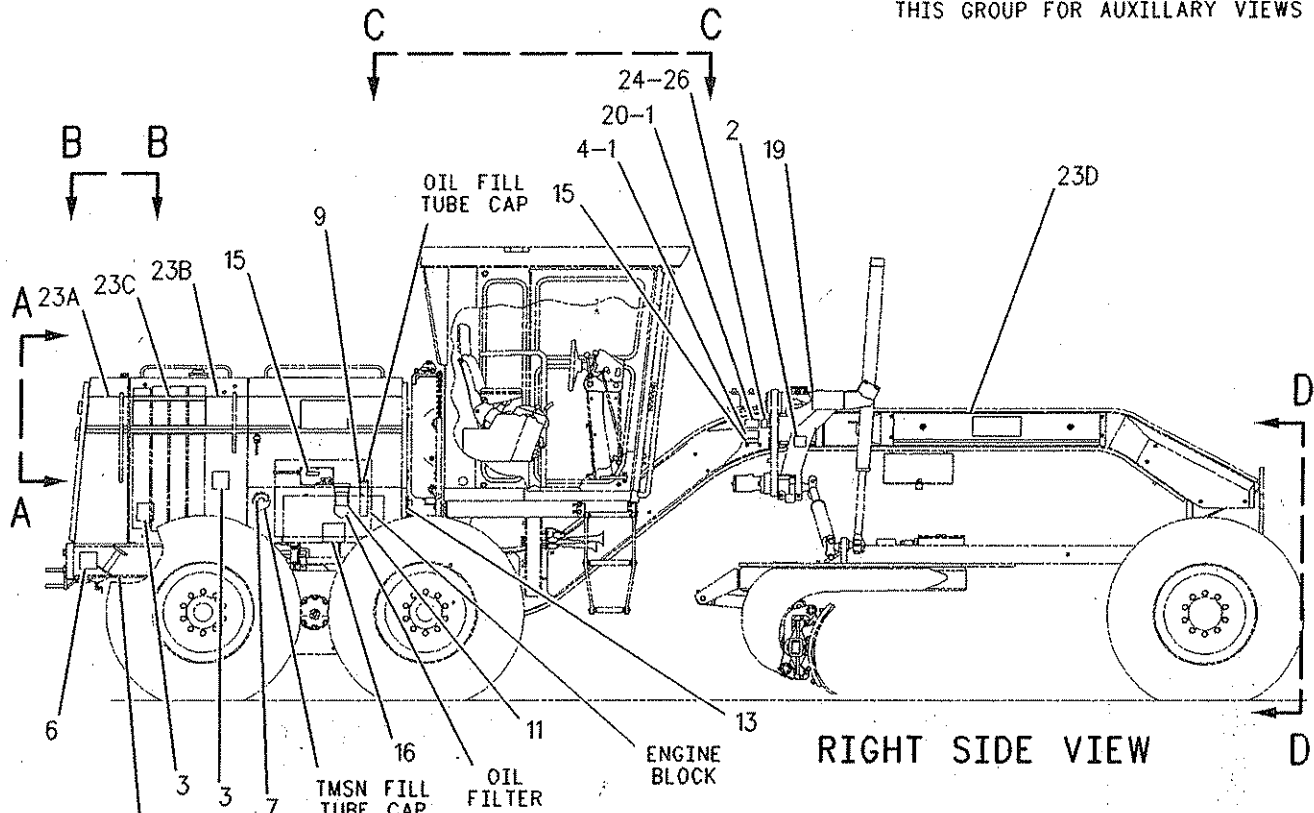
GHA

# SERVICE EQUIPMENT AND SUPPLIES

115-9845 PLATE & FILM GP (contd.)

101534168

REFER TO ALL ILLUSTRATIONS OF THIS GROUP FOR AUXILLARY VIEWS



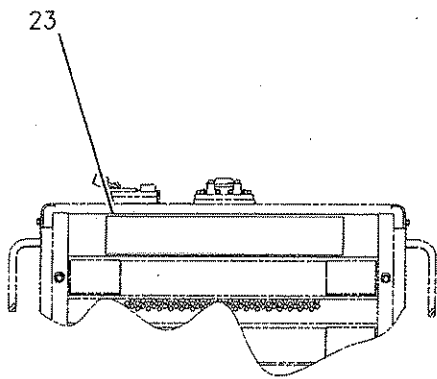
GRAPHIC #1

g00796555

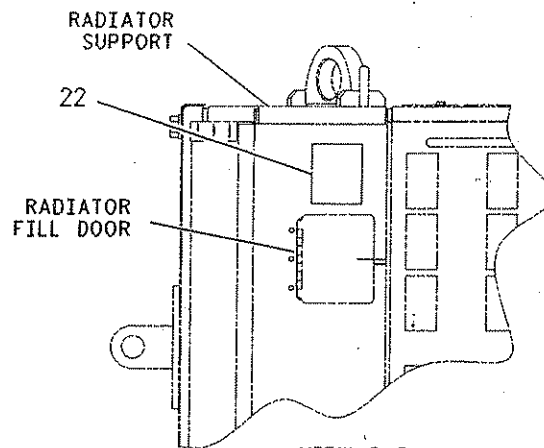
# SERVICE EQUIPMENT AND SUPPLIES

115-9845 PLATE & FILM GP (contd.)

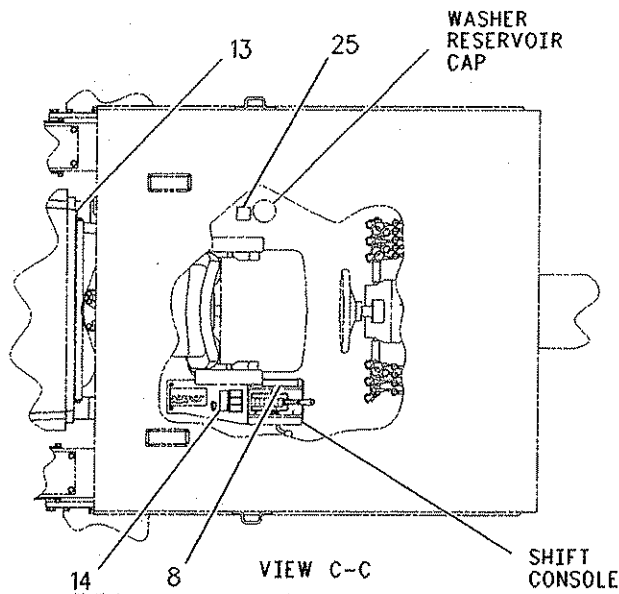
i01534168



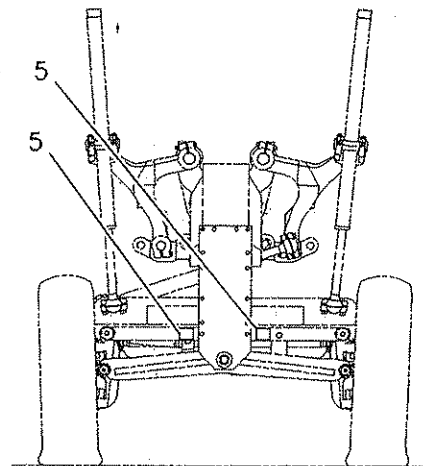
VIEW A-A



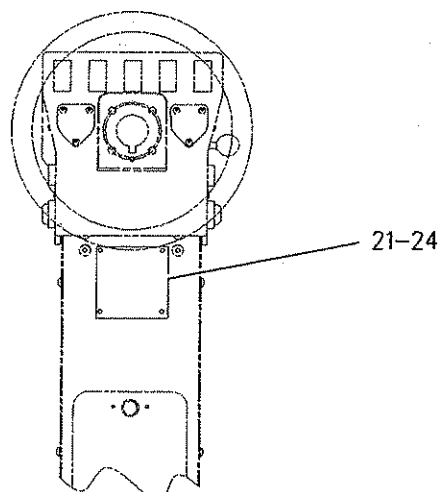
VIEW B-B



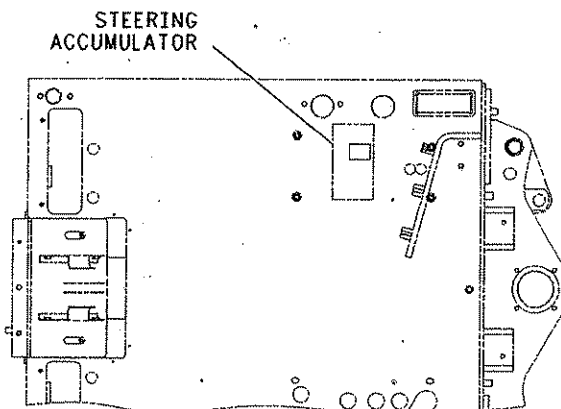
VIEW C-C



VIEW D-D



VIEW E-E



VIEW F-F

GRAPHIC #2

g00796287

# MEMORANDA

# SERVICE EQUIPMENT AND SUPPLIES

## 116-9359 PLATE & FILM GP

S/N: 5HM1-UP

FRENCH

AN ATTACHMENT

SMCS-7405, 7557

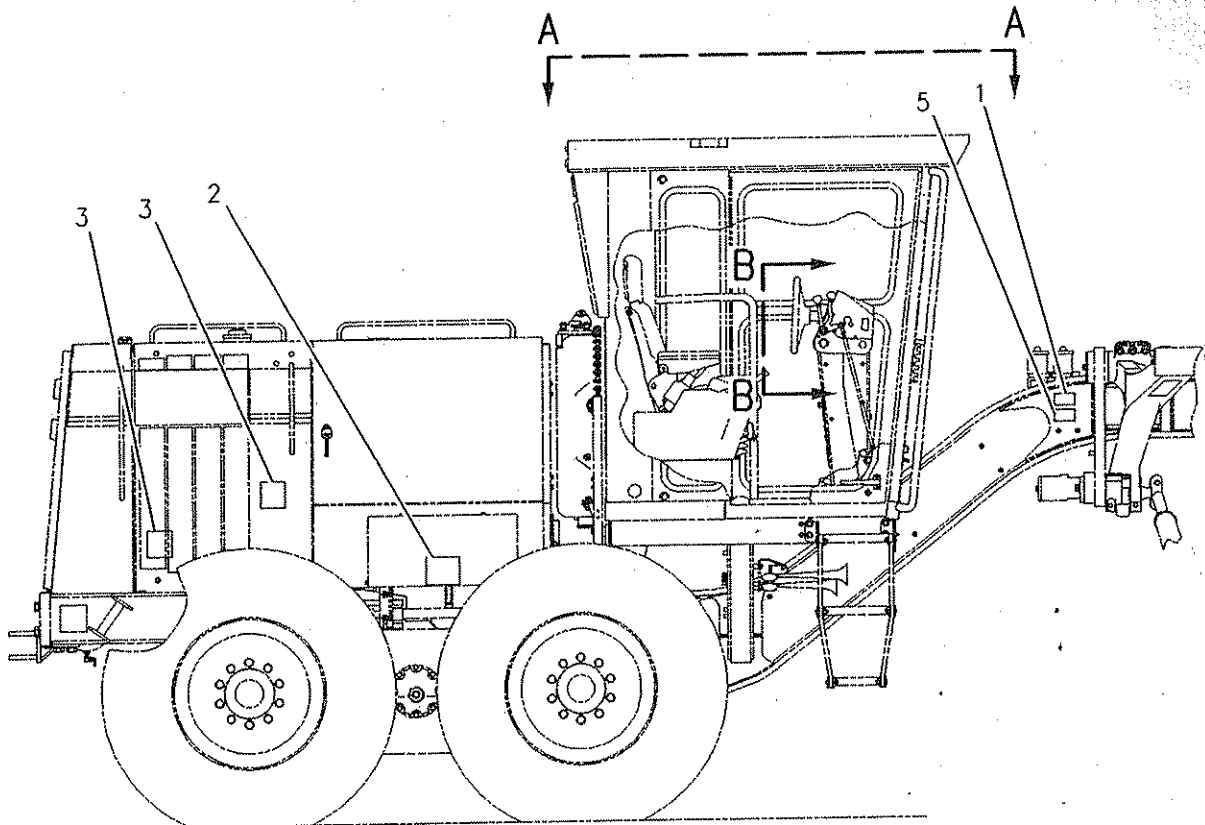
i01029448

NOTE	REF NO	GRAPHIC REF	PART NUMBER	QTY	PART NAME						SEE PAGE
					1	2	3	4	5	6 (PRODUCT LEVEL)	
1	1	1	5P-4000	1	PLATE-MAIN FRAME (DO NOT DRILL OR WELD)						
2	1	1	6V-4612	2	FILM-WARNING (JUMPER CABLE USE)						
3	1	1	5P-1437	6	FILM-WARNING (ROTATING FAN BLADES)						
					(2) ON FAN SIDE PANELS						
					(2) ON SIDES OF FUEL TANK						
					(1) RH RADIATOR ACCESS PLT.						
					(1) LH RADIATOR SUPPORT						
4	1	1	5P-4084	1	FILM-WARNING (GROUND BLADE)						
5	1	1	8T-3512	2	FILM-WARNING (NO CLEARANCE)						
6	1	1	135-6381	1	FILM-WARNING (UNEXPECTED MOVEMENT)						
7	1	1	5P-8198	1	PLATE-WARNING (DO NOT OPERATE)						

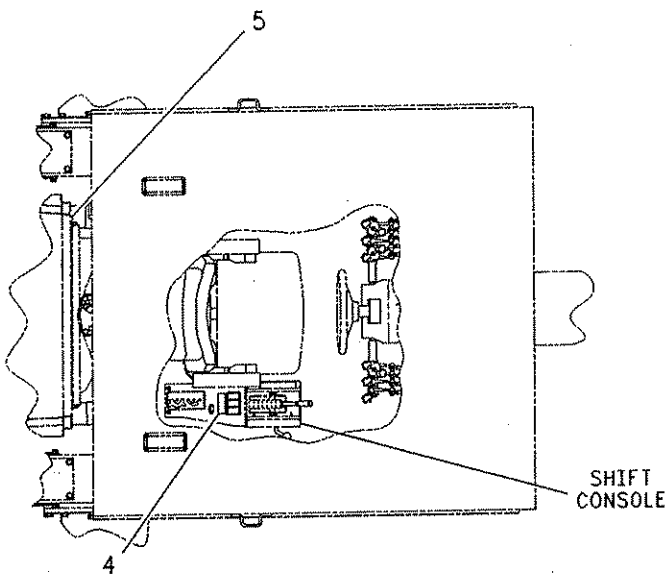
# SERVICE EQUIPMENT AND SUPPLIES

116-9359 PLATE & FILM GP (contd.)

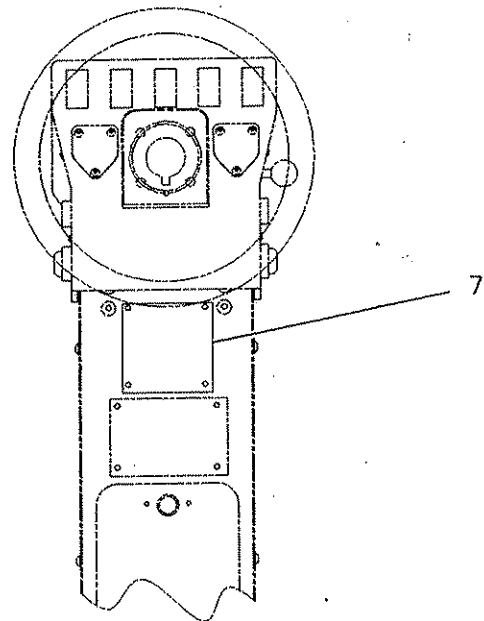
101029448



RIGHT SIDE VIEW



VIEW A-A



VIEW B-B

GRAPHIC #1

g00278962

# SERVICE EQUIPMENT AND SUPPLIES

## 176-9360 PLATE & FILM GP

S/N: 5HM1-UP

SPANISH

AN ATTACHMENT

SMCS-7405, 7557

i00675126

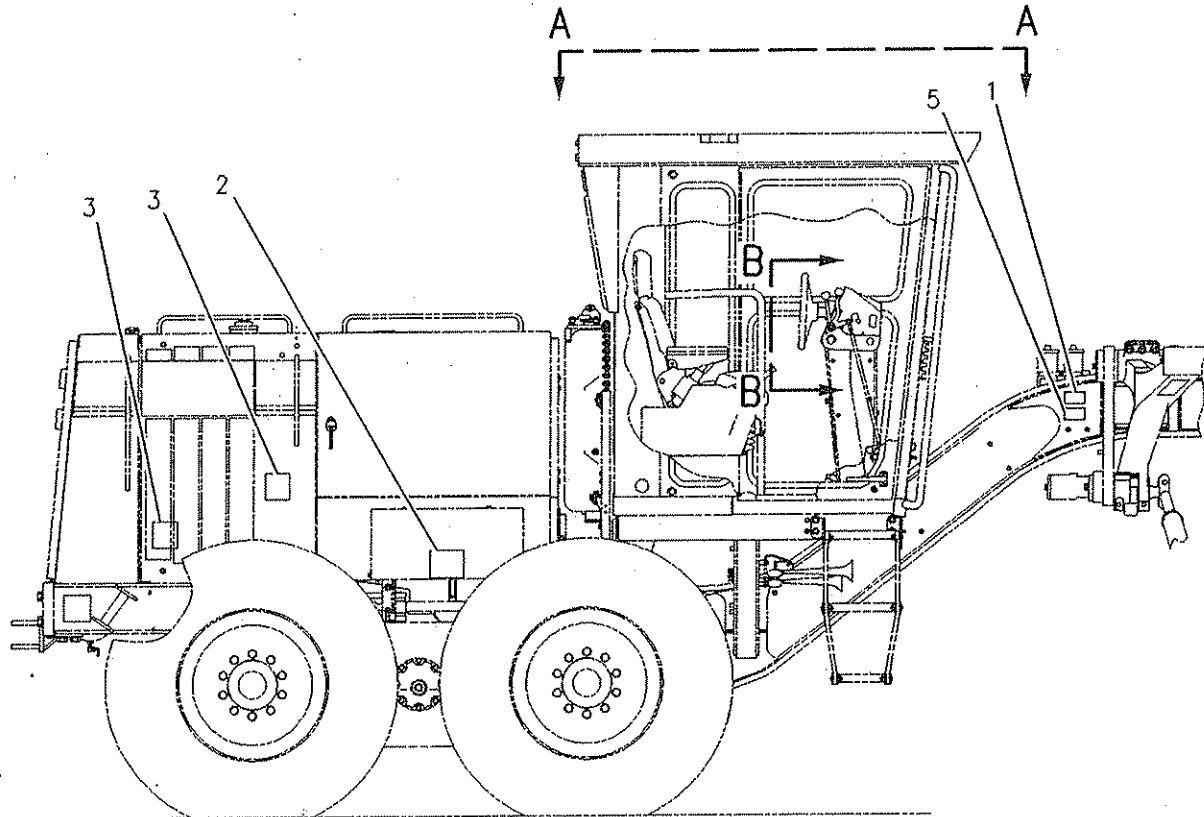
NOTE	REF NO	GRAPHIC REF	PART NUMBER	QTY	PART NAME						SEE PAGE
					1	2	3	4	5	6 (PRODUCT LEVEL)	
	1	1	5P-4001	1	PLATE-MAIN FRAME (DO NOT DRILL OR WELD)						
	2	1	6V-4613	2	FILM-WARNING (JUMPER CABLE)						
	3	1	5P-1438	6	FILM-WARNING (ROTATING FAN BLADES)						
					(2) ON FAN SIDE PANELS						
					(2) ON SIDES OF FUEL TANK						
					(1) RH RADIATOR ACCESS PLT.						
					(1) LH RADIATOR SUPPORT						
	4	1	5P-4085	1	FILM-WARNING (GROUND BLADE)						
	5	1	8T-3513	2	FILM-WARNING (NO CLEARANCE)						
	6	1	135-6382	1	FILM-WARNING (UNEXPECTED MOVEMENT)						
	7	1	5P-8199	1	PLATE-WARNING (DO NOT OPERATE)						



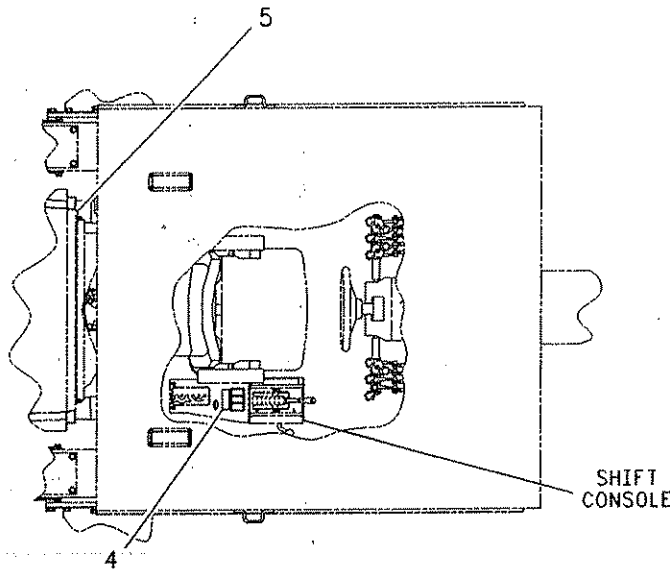
# SERVICE EQUIPMENT AND SUPPLIES

116-9360 PLATE & FILM GP (contd.)

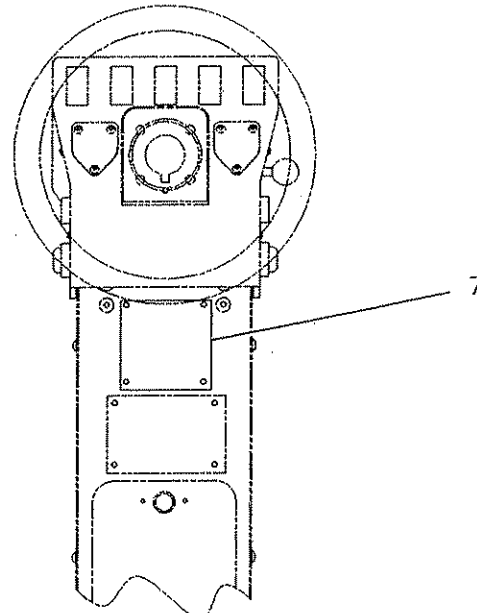
100675126



RIGHT SIDE VIEW



VIEW A-A



VIEW B-B

GRAPHIC #1

g00278962

# SERVICE EQUIPMENT AND SUPPLIES

## 116-9361 PLATE & FILM GP

S/N: 5HM1-UP  
 PORTUGUESE  
 AN ATTACHMENT

SMCS-7405, 7557

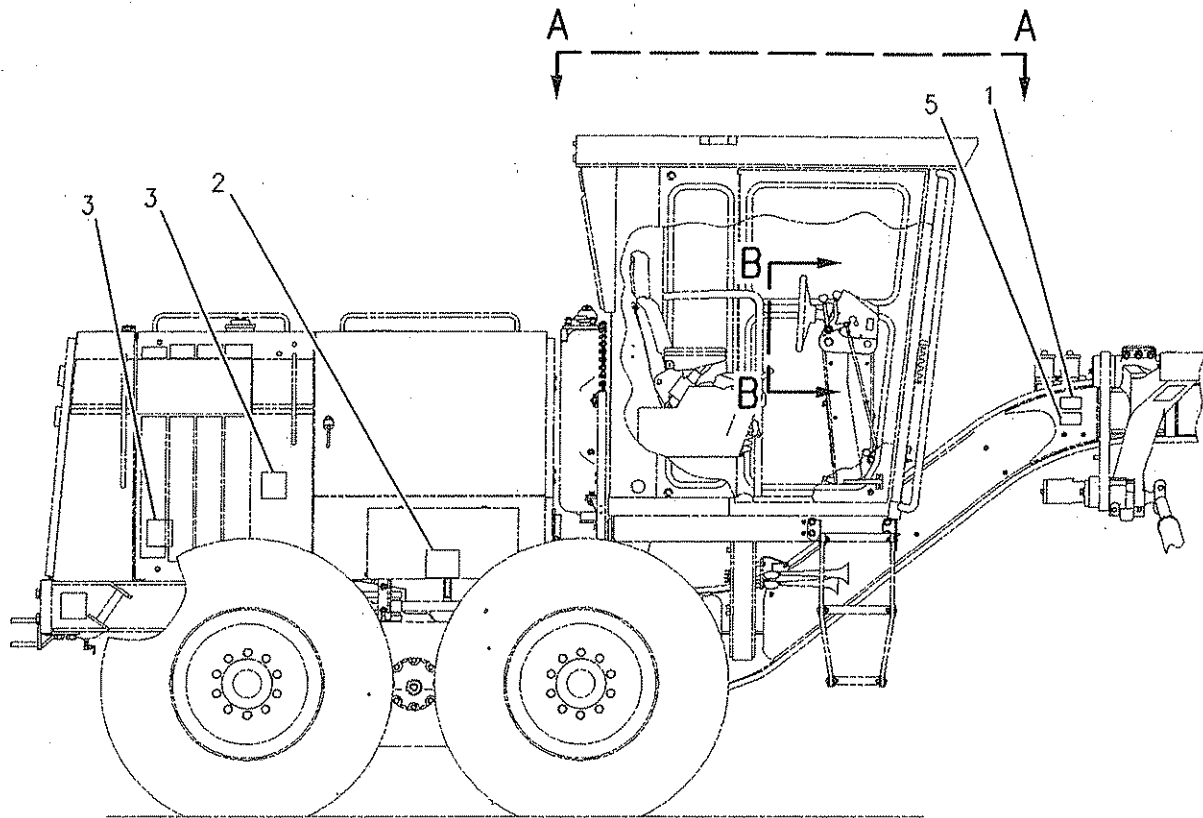
i01045256

NOTE	REF NO	GRAPHIC REF	PART NUMBER	QTY	PART NAME						SEE PAGE
					1	2	3	4	5	6 (PRODUCT LEVEL)	
1		1	5P-4002	1	PLATE-MAIN FRAME (DO NOT DRILL OR WELD)						
2		1	6V-4614	2	FILM-WARNING (JUMPER CABLE USE)						
3		1	5P-1439	6	FILM-WARNING (ROTATING FAN BLADES)						
					(2) ON FAN SIDE PANELS						
					(2) ON SIDES OF FUEL TANK						
					(1) RH RADIATOR ACCESS PLT.						
					(1) LH RADIATOR SUPPORT						
4		1	5P-4086	1	FILM-WARNING (GROUND BLADE)						
5		1	8T-3514	2	FILM-WARNING (NO CLEARANCE)						
6		1	135-6383	1	FILM-WARNING (UNEXPECTED MOVEMENT)						
7		1	5P-8200	1	PLATE-WARNING (DO NOT OPERATE)						

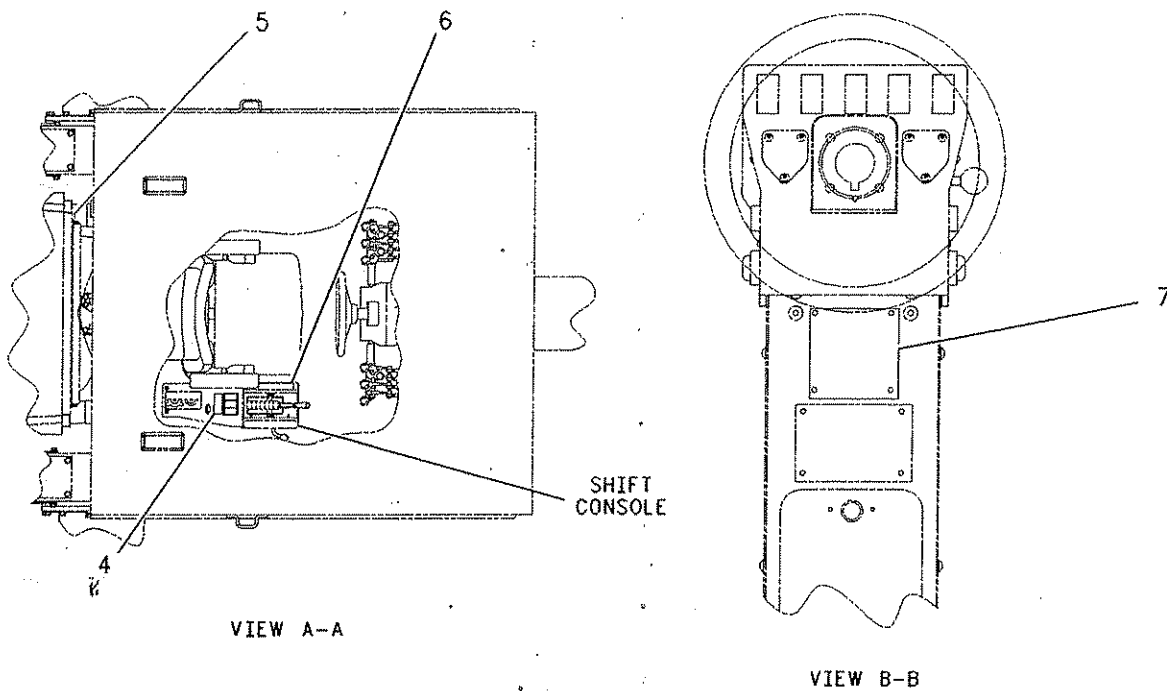
# SERVICE EQUIPMENT AND SUPPLIES

116-9361 PLATE & FILM GP (contd.)

101045256



RIGHT SIDE VIEW



VIEW A-A

VIEW B-B

GRAPHIC #1

g00531947

# SERVICE EQUIPMENT AND SUPPLIES

## 116-9363 PLATE & FILM GP

S/N: 5HM1-UP

ARABIC

AN ATTACHMENT

SMCS-7405, 7557

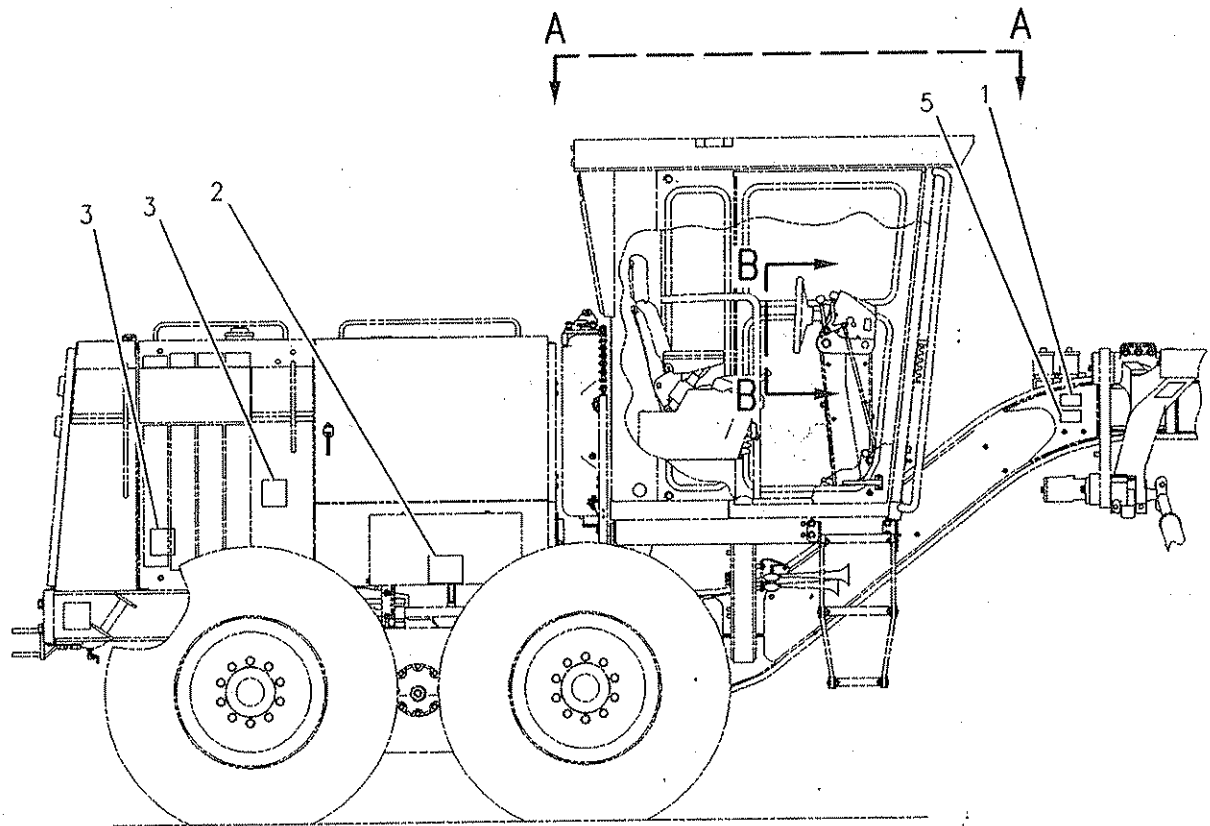
101367613

NOTE	REF NO	GRAPHIC REF	PART NUMBER	QTY	PART NAME						SEE PAGE
					1	2	3	4	5	6 (PRODUCT LEVEL)	
1	1	1	6V-0271	1	PLATE-MAIN FRAME (DO NOT DRILL OR WELD)						
2	1	1	6V-8831	2	FILM-WARNING (JUMPER CABLE)						
3	1	1	6V-0252	6	FILM-WARNING (ROTATING FAN BLADES)						
					(2) ON FAN SIDE PANELS						
					(2) ON SIDES OF FUEL TANK						
					(1) RH RADIATOR ACCESS PLT.						
					(1) LH RADIATOR SUPPORT						
4	1	1	6V-0249	1	FILM-WARNING (GROUND BLADE)						
5	1	1	8T-3517	2	FILM-WARNING (NO CLEARANCE)						
6	1	1	135-6389	1	FILM-WARNING (UNEXPECTED MOVEMENT)						
7	1	1	5P-9761	1	PLATE-WARNING (DO NOT OPERATE)						

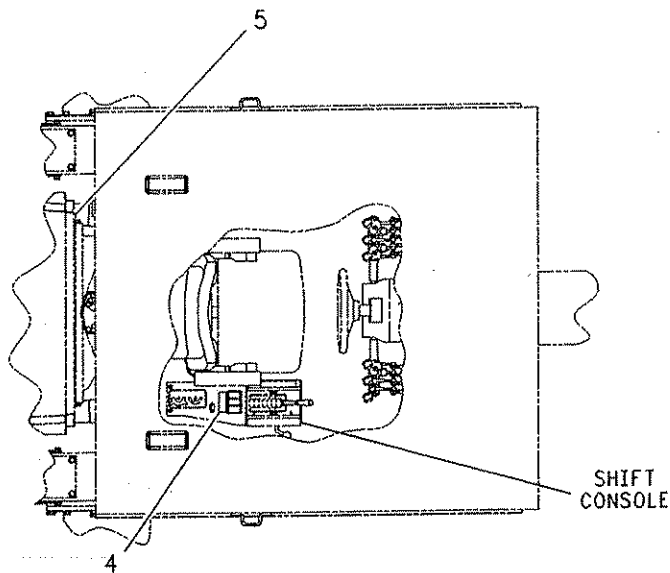
# SERVICE EQUIPMENT AND SUPPLIES

116-9363 PLATE & FILM GP (contd.)

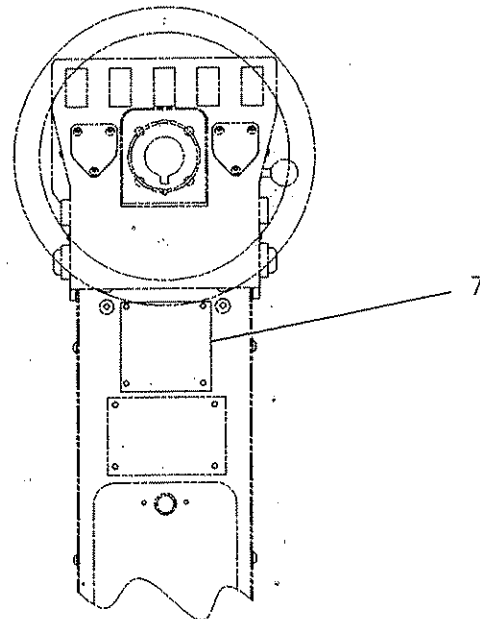
i01367613



RIGHT SIDE VIEW



VIEW A-A



VIEW B-B

GRAPHIC #1

g00278962

# SERVICE EQUIPMENT AND SUPPLIES

## 116-9411 PLATE & FILM GP

S/N: 5HM1-UP

FRENCH

AN ATTACHMENT

SMCS-7405, 7557

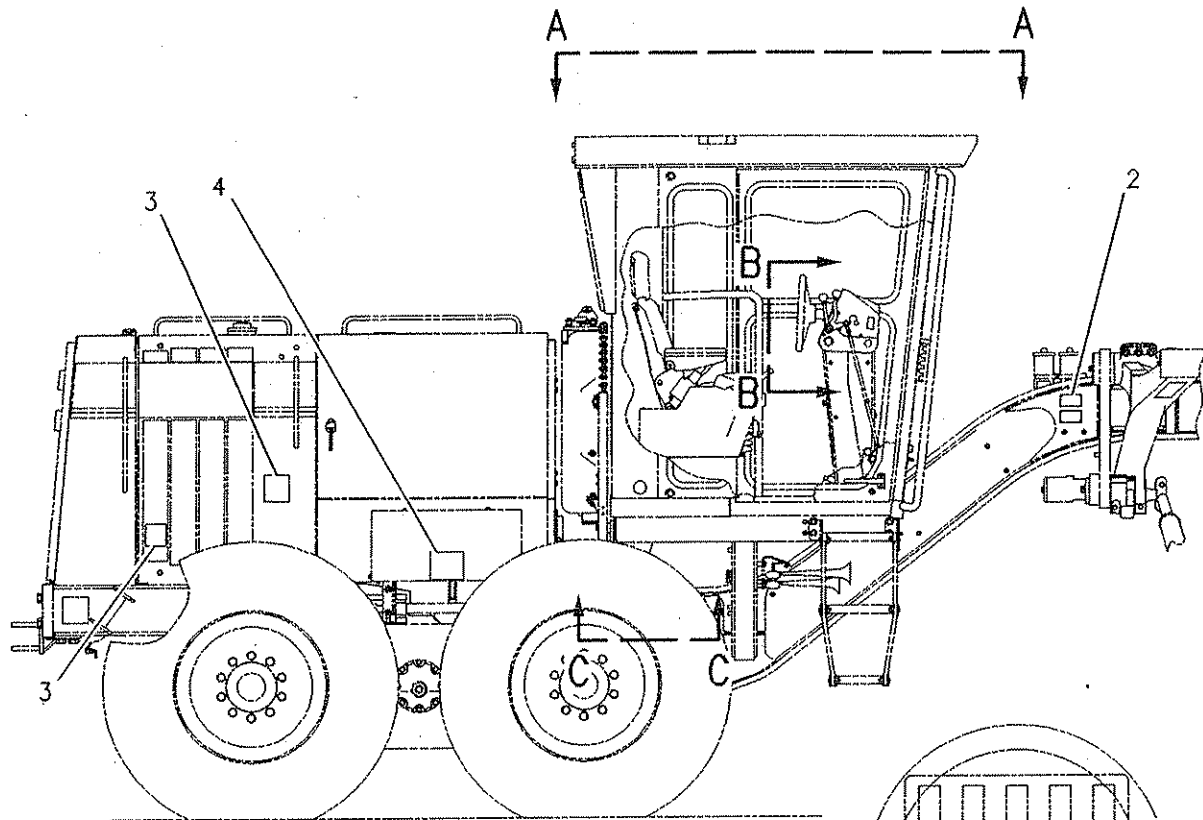
100684602

NOTE	REF NO	GRAPHIC REF	PART NUMBER	QTY	PART NAME						SEE PAGE
					1	2	3	4	5	6 (PRODUCT LEVEL)	
1		1	5P-8198	1	PLATE-WARNING (DO NOT OPERATE)						
2		1	5P-4000	1	PLATE-MAIN FRAME (DO NOT DRILL OR WELD)						
3		1	5P-1437	4	FILM-WARNING (ROTATING FAN BLADES)						
					(2) ON FAN SIDE PANELS						
					(2) ON SIDES OF FUEL TANK						
4		1	6V-4612	2	FILM-WARNING (JUMPER CABLE)						
5		1	5P-4084	1	FILM-WARNING (GROUND BLADE)						
6		1	8T-3512	2	FILM-WARNING (NO CLEARANCE)						
7		1	135-6381	1	FILM-WARNING (UNEXPECTED MOVEMENT)						

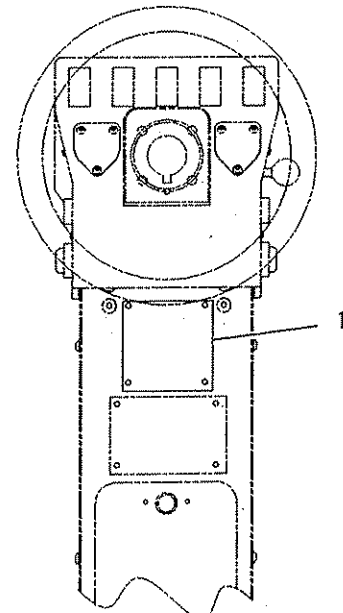
# SERVICE EQUIPMENT AND SUPPLIES

116-9411 PLATE & FILM GP (contd.)

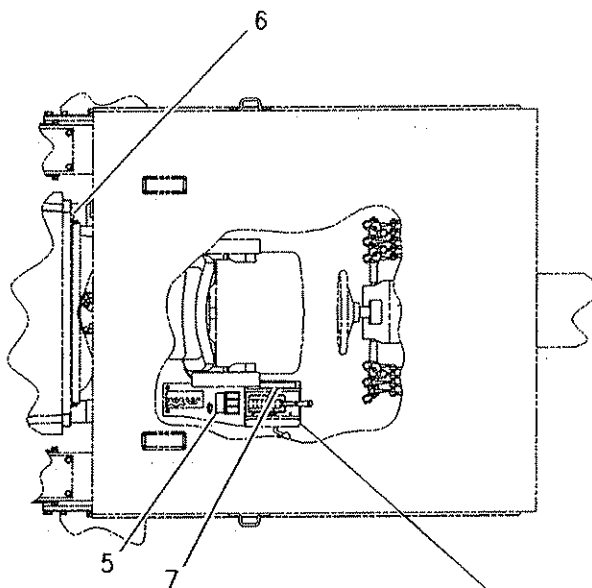
i00684602



RIGHT SIDE VIEW



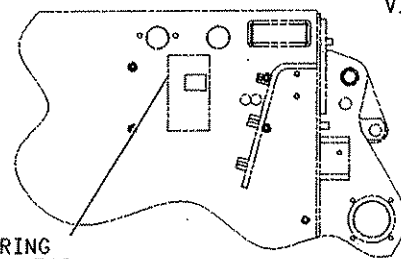
VIEW B-B



VIEW A-A

SHIFT CONSOLE

STEERING ACCUMULATOR



VIEW C-C

GRAPHIC #1

g00279125

# SERVICE EQUIPMENT AND SUPPLIES

## 116-9412 PLATE & FILM GP

S/N: 5HM1-UP

SPANISH

AN ATTACHMENT

SMCS-7405, 7557

i00684604

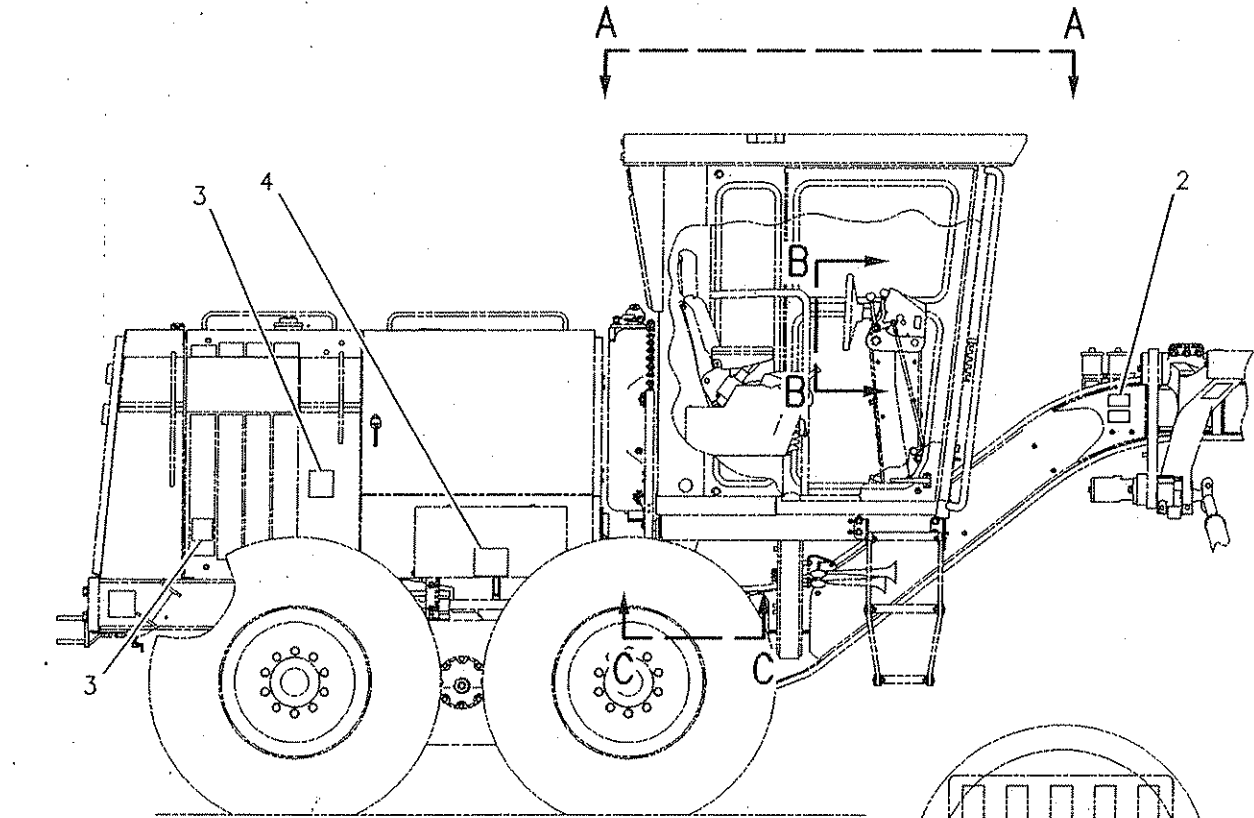
NOTE	REF NO	GRAPHIC REF	PART NUMBER	QTY	PART NAME						SEE PAGE
					1	2	3	4	5	6 (PRODUCT LEVEL)	
1		1	5P-8199	1	PLATE-WARNING (DO NOT OPERATE)						
2		1	5P-4001	1	PLATE-MAIN FRAME (DO NOT DRILL OR WELD)						
3		1	5P-1438	4	FILM-WARNING (ROTATING FAN BLADES)						
					(2) ON FAN SIDE PANELS						
					(2) ON SIDES OF FUEL TANK						
4		1	6V-4613	2	FILM-WARNING (JUMPER CABLE)						
5		1	5P-4085	1	FILM-WARNING (GROUND BLADE)						
6		1	8T-3513	2	FILM-WARNING (NO CLEARANCE)						
7		1	135-6382	1	FILM-WARNING (UNEXPECTED MOVEMENT)						



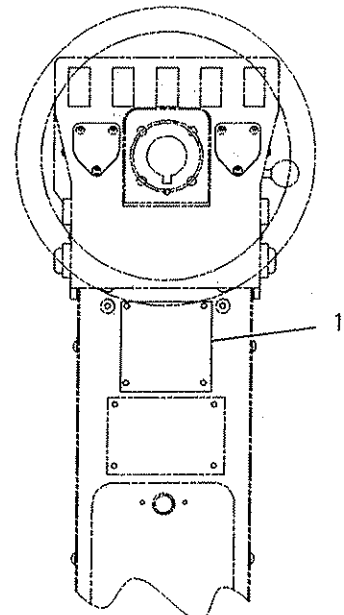
# SERVICE EQUIPMENT AND SUPPLIES

116-9412 PLATE & FILM GP (contd.)

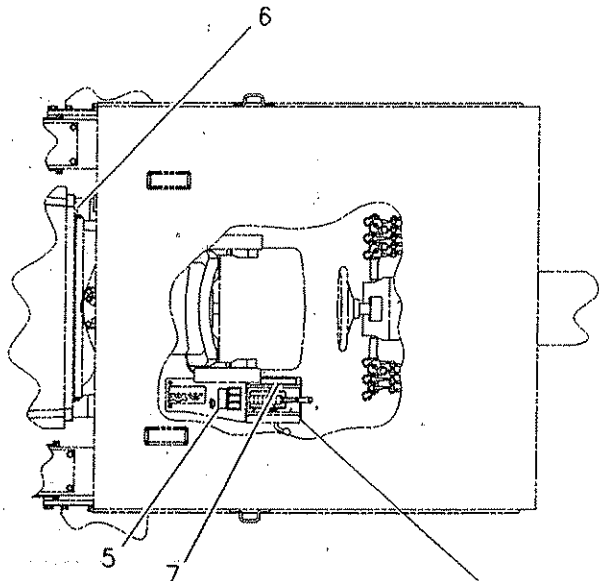
100684604



RIGHT SIDE VIEW

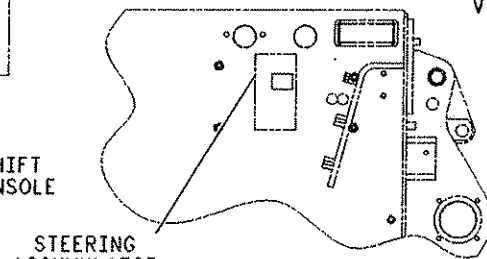


VIEW B-B



VIEW A-A

SHIFT  
CONSOLE



STEERING  
ACCUMULATOR

VIEW C-C

GRAPHIC #1

g00279125

# SERVICE EQUIPMENT AND SUPPLIES

## 116-9413 PLATE & FILM GP

S/N: 5HM1-UP  
 PORTUGUESE  
 AN ATTACHMENT

SMCS-7405, 7557

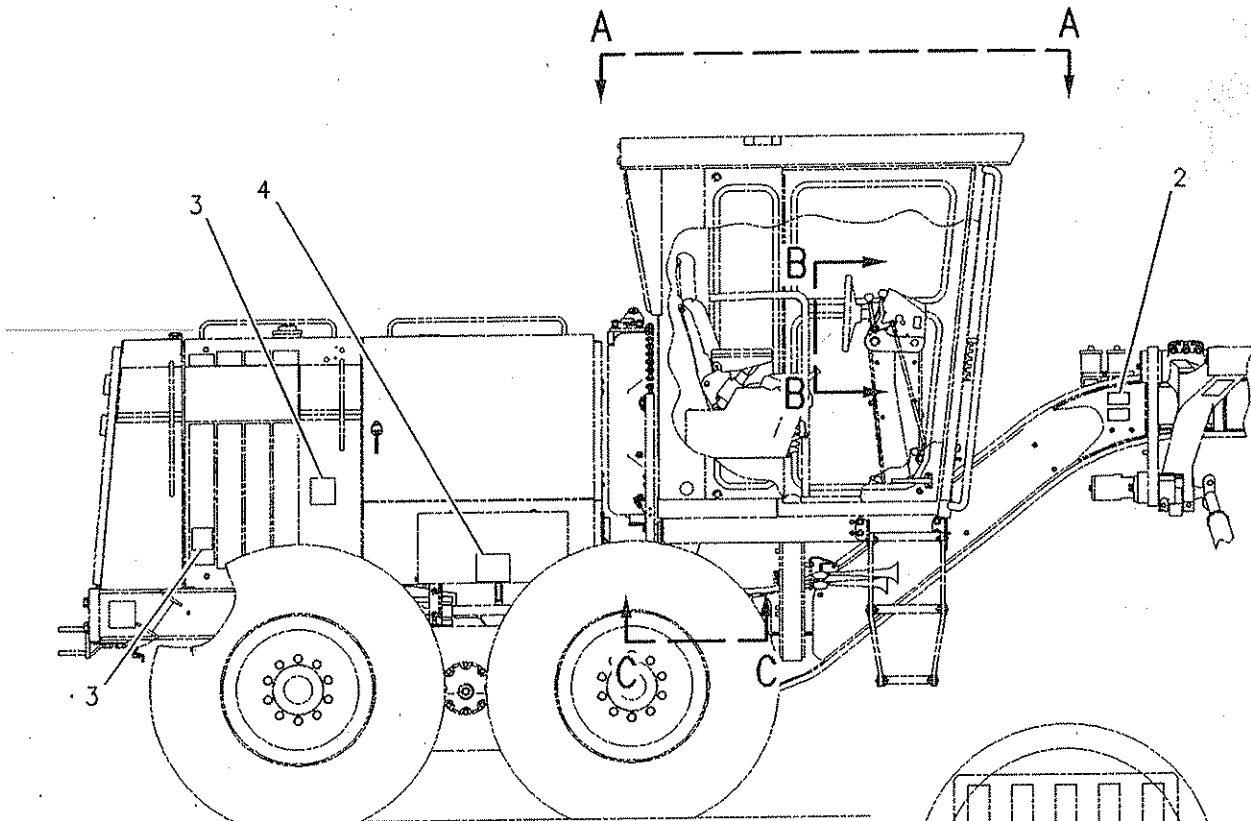
i00684608

NOTE	REF NO	GRAPHIC REF	PART NUMBER	QTY	PART NAME						SEE PAGE
					1	2	3	4	5	6 (PRODUCT LEVEL)	
1	1	1	5P-8200	1	PLATE-WARNING (DO NOT OPERATE)						
2	1	1	5P-4002	1	PLATE-MAIN FRAME (DO NOT DRILL OR WELD)						
3	1	1	5P-1439	4	FILM-WARNING (ROTATING FAN BLADES)						
					(2) ON FAN SIDE PANELS						
					(2) ON SIDES OF FUEL TANK						
4	1	1	6V-4614	2	FILM-WARNING (JUMPER CABLE)						
5	1	1	5P-4086	1	FILM-WARNING (GROUND BLADE)						
6	1	1	8T-3514	2	FILM-WARNING (NO CLEARANCE)						
7	1	1	135-6383	1	FILM-WARNING (UNEXPECTED MOVEMENT)						

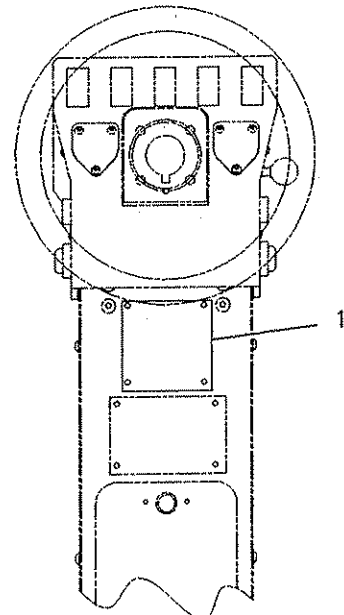
# SERVICE EQUIPMENT AND SUPPLIES

116-9413 PLATE & FILM GP (contd.)

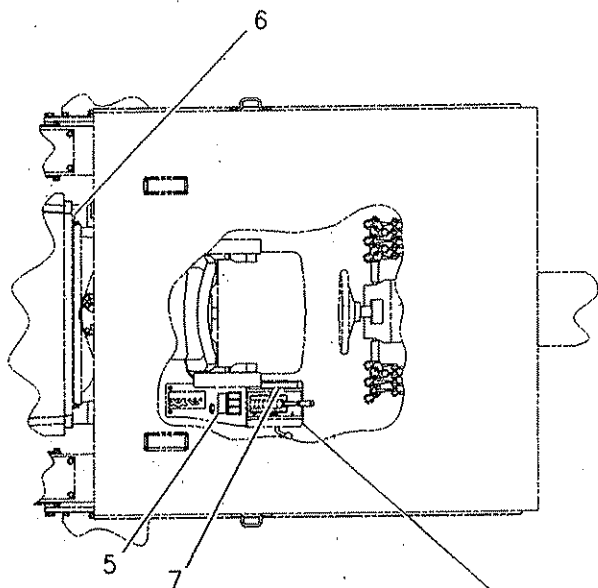
i00684608



RIGHT SIDE VIEW

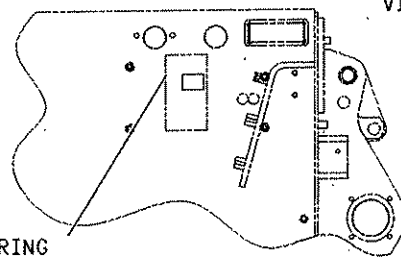


VIEW B-B



VIEW A-A

SHIFT  
CONSOLE



STEERING  
ACCUMULATOR

VIEW C-C

GRAPHIC #1

g00279125

# SERVICE EQUIPMENT AND SUPPLIES

## 116-9415 PLATE & FILM GP

S/N: 5HM1-UP

ARABIC

AN ATTACHMENT

SMCS-7405, 7557

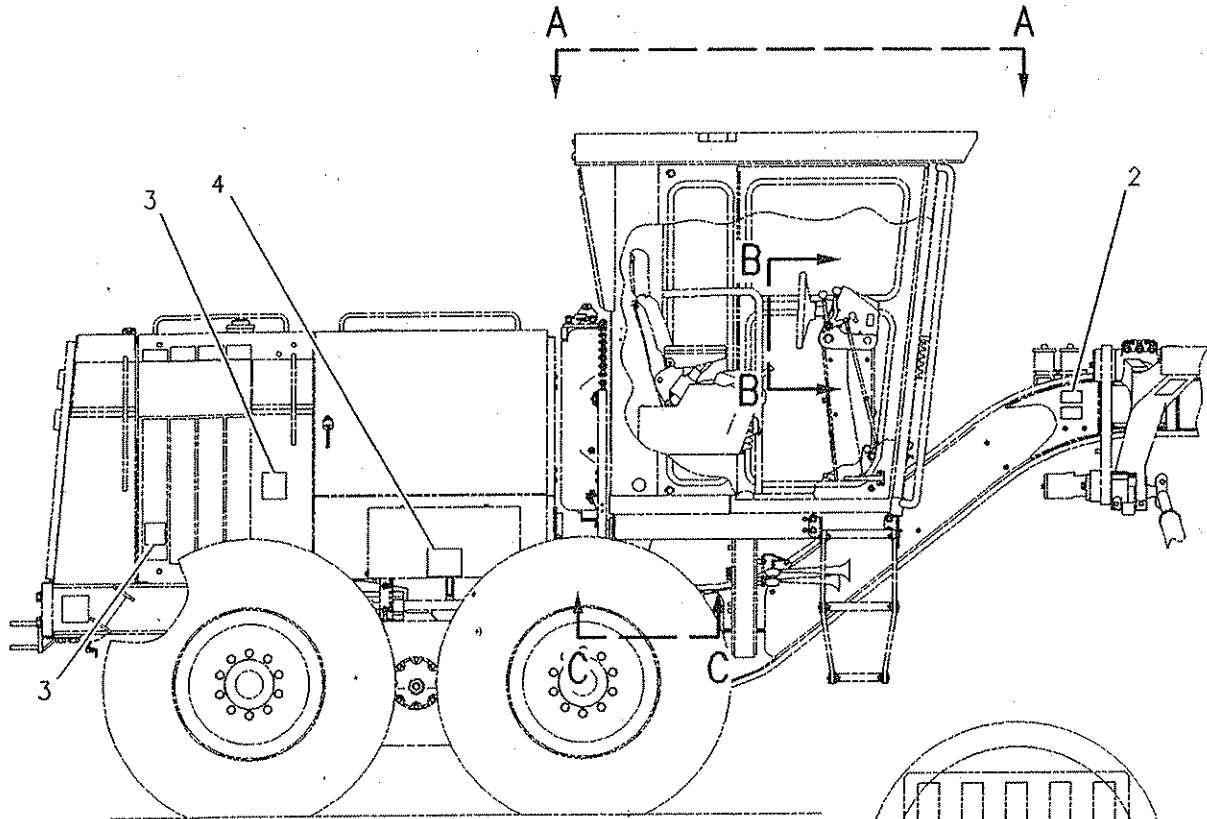
i00684609

NOTE	REF NO	GRAPHIC REF	PART NUMBER	QTY	PART NAME						SEE PAGE
					1	2	3	4	5	6 (PRODUCT LEVEL)	
1	1	1	5P-9761	1	PLATE-WARNING (DO NOT OPERATE )						
2	1	1	6V-0271	1	PLATE-MAIN FRAME (DO NOT DRILL OR WELD)						
3	1	1	6V-0252	4	FILM-WARNING (ROTATING FAN BLADES)						
					(2) ON SIDES OF FUEL TANK						
					(2) ON FAN SIDE PANELS						
4	1	1	6V-8831	2	FILM-WARNING (JUMPER CABLE)						
5	1	1	6V-0249	1	FILM-WARNING (GROUND BLADE)						
6	1	1	8T-3517	2	FILM-WARNING (NO CLEARANCE)						
7	1	1	135-6389	1	FILM-WARNING (UNEXPECTED MOVEMENT)						

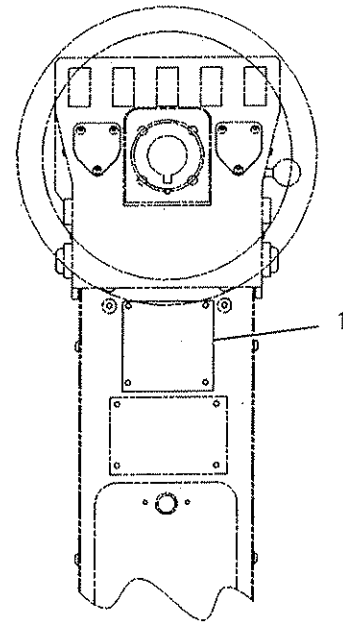
# SERVICE EQUIPMENT AND SUPPLIES

116-9415 PLATE & FILM GP (contd.)

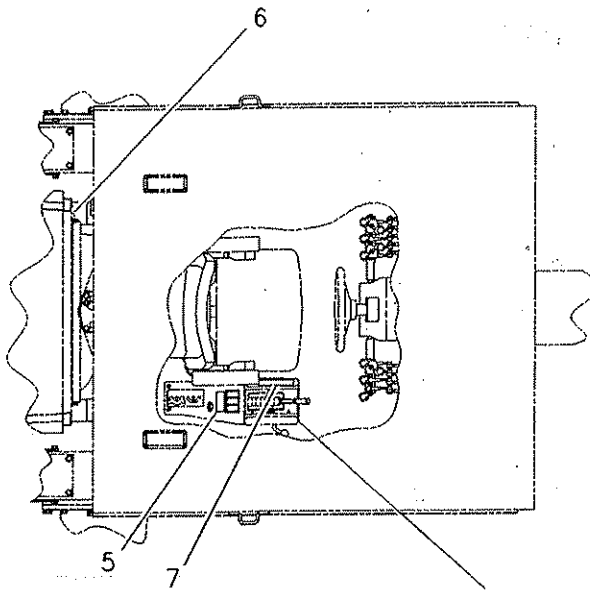
i00684609



RIGHT SIDE VIEW

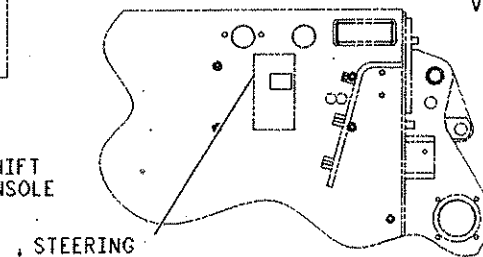


VIEW B-B



VIEW A-A

SHIFT  
CONSOLE



STEERING  
ACCUMULATOR

VIEW C-C

GRAPHIC #1

g00279125

# SERVICE EQUIPMENT AND SUPPLIES

## 128-6023 PLATE & FILM GP

S/N: 5HM1-UP  
AN ATTACHMENT

SMCS-7405, 7557

i00982163

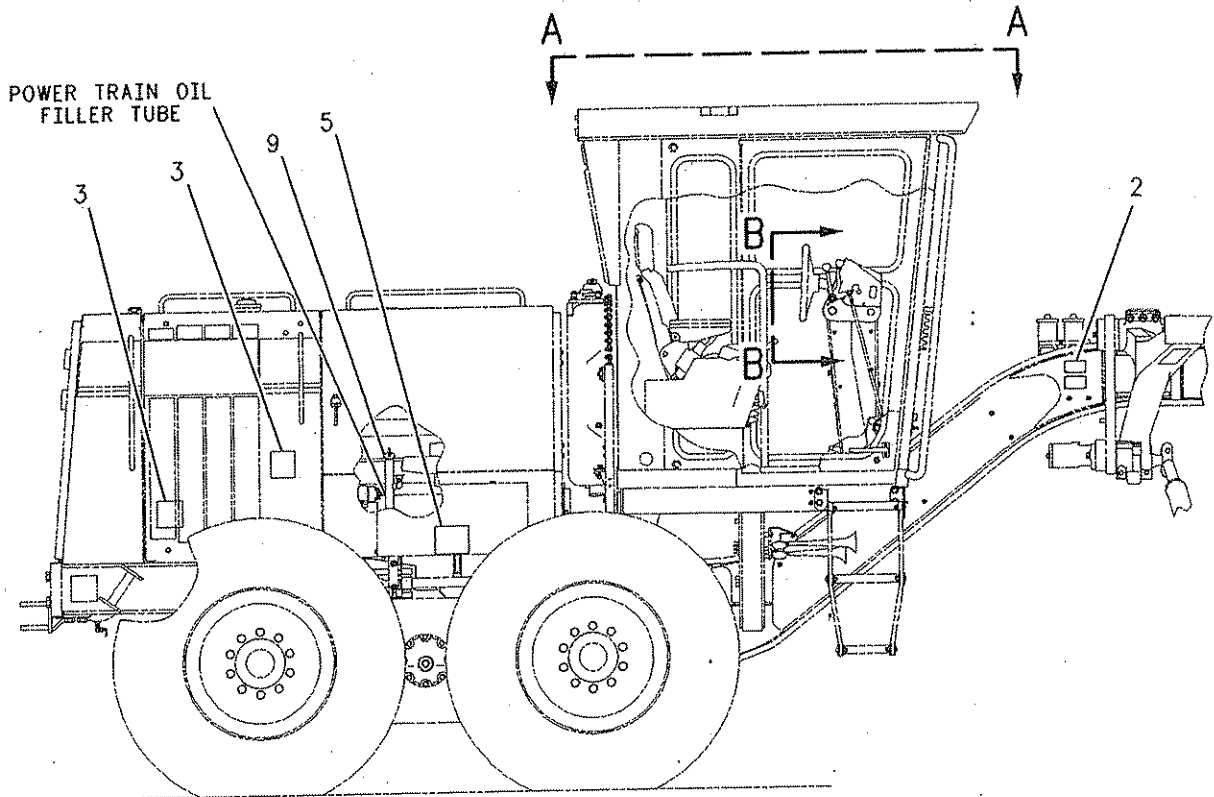
NOTE	REF NO	GRAPHIC REF	PART NUMBER	QTY	PART NAME						SEE PAGE
					1	2	3	4	5	6 (PRODUCT LEVEL)	
1		1	5P-8200	1	PLATE-WARNING (DO NOT OPERATE)						
2		1	5P-4002	1	PLATE-MAIN FRAME (DO NOT DRILL OR WELD)						
3		1	5P-1439	6	FILM-WARNING (ROTATING FAN BLADES)						
					(2) ON FAN SIDE PANELS						
					(2) ON SIDES OF FUEL TANK						
					(1) ON RH RADIATOR ACCESS PLATE						
					(1) LH RADIATOR SUPPORT						
5		1	6V-4614	2	FILM-WARNING (JUMPER CABLE USE)						
6		1	5P-4086	1	FILM-WARNING (GROUND BLADE)						
7		1	8T-3514	2	FILM-WARNING (NO CLEARANCE)						
8		1	135-6383	1	FILM-WARNING (UNEXPECTED MOVEMENT)						
9		1	117-3302	1	GAUGE AS-DIPSTICK (POWER TRAIN OIL)						
F		1	2Y-8414	1	GAUGE AS-OIL LEVEL (DIPSTICK) (ENGINE)						

F - NOT SHOWN

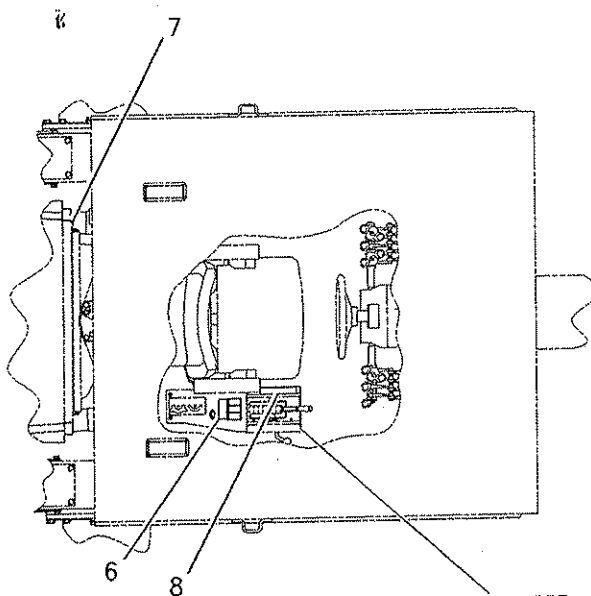
# SERVICE EQUIPMENT AND SUPPLIES

128-6023 PLATE & FILM GP (contd.)

i00982163

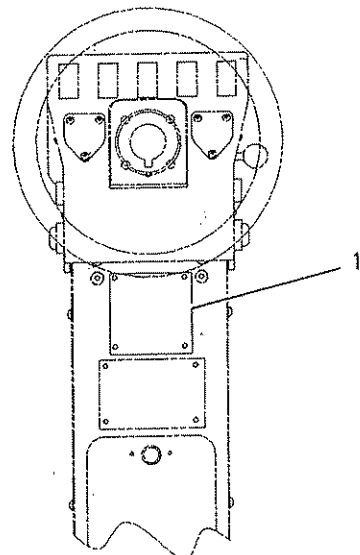


RIGHT SIDE VIEW



VIEW A-A

SHIFT CONSOLE



VIEW B-B

GRAPHIC #1

g00500020

# SERVICE EQUIPMENT AND SUPPLIES

## 111-1719 TOOL BOX GP

S/N: 5HM1-UP

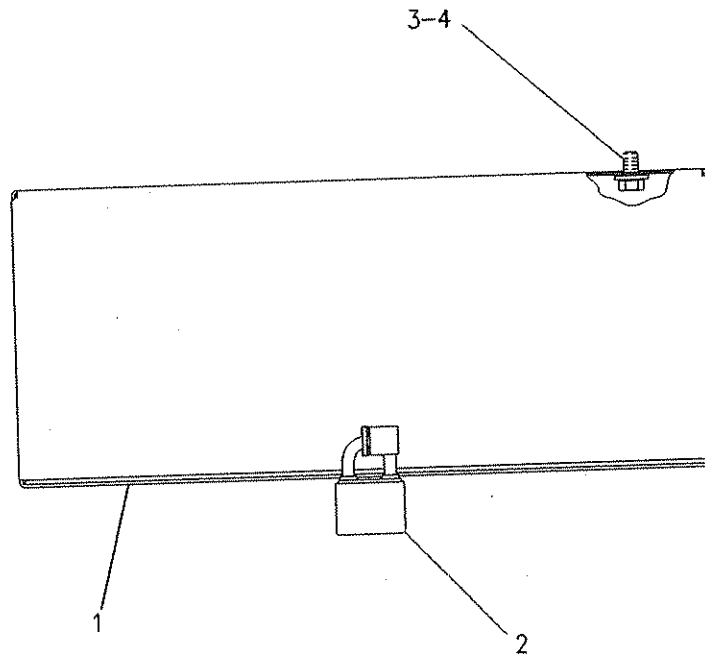
PART OF 112-4113 CHASSIS AR

i01449464

SMCS-7259

NOTE	REF NO	GRAPHIC REF	PART NUMBER	QTY	PART NAME						SEE PAGE
					1	2	3	4	5	6 (PRODUCT LEVEL)	
	1	1	129-7249	1	TOOL BOX						
	2	1	5P-8502	1	PADLOCK GP (TOOL BOX)						
A		1	5P-8500	1	KEY (TOOL BOX)						
A		1	8Y-6364	1	SLEEVE						
	3	1	5K-9107	4	BOLT-LOCKING (3/8-16X0.75 IN)						
	4	1	5P-1075	4	WASHER-HARD (10.2X22.5X3MM THK)						

A - NOT PART OF THIS GROUP



GRAPHIC #1

g00109173



# PART NUMBER INDEX

Part	Page	Part	Page	Part	Page	Part	Page
<b>0</b>							
		OS-1594	20		66	1D-0503	762
OL-0364	66		41		68		764
OL-0478	664		42		76		766
	665		66		109		768
	675		68		332		770
OL-1026	360		86	1A-2457	116	1D-1313	312
OL-1143	38		90		120	1D-4540	12
	68		333	1A-4350	929		16
OL-1178	522	OS-1604	670	1A-5822	654		76
OL-1329	10	OS-1608	359	1A-8063	802	1D-4541	48
OL-1351	19	OS-1614	68	1A-8537	762	1D-4569	528
	90	OS-1615	125	1B-0676	116	1D-4595	36
	109		124		117	1D-4612	802
OL-1352	14		140		120	1D-4627	496
	38	OS-1616	144		121		500
	39		128		312	1D-4628	567
	78	OS-1617	143		314		568
OL-2070	37		14		316		571
	66		16		540	1D-4689	535
	76		22		541	1D-4717	101
OS-0509	136	OS-1618	68		546		102
	18		41	1B-0936	281	1D-5119	772
	670		42		286	1D-5120	664
OS-1566	46	OS-1619	60	1B-2578	312		665
	536		57		314	1F-0748	159
OS-1571	66		71		316		164
	664		74		541		614
	665		84		547		676
OS-1573	567	OS-1621	106	1B-2713	841		678
	568	OS-1748	572		842		680
OS-1576	40		41	1B-2790	60		682
OS-1579	359	OS-1756	42		68		684
	373		334	1B-2886	573		686
OS-1585	500		336	1B-3057	280		688
	528		348		286		690
	608	OS-1973	788	1B-4038	608		692
	612		352		612		696
OS-1587	44		485	1B-4046	608		698
	528		486		612		762
OS-1588	57		487	1B-4208	802		764
	70		488	1B-4367	533		766
	76	OT-0055	88	1B-5174	76		768
	78		92		84	1F-0750	96
	511		136		86		192
OS-1589	12	OT-0065	14		90		216
	15		72		280		265
	21		84		287		503
	528	OT-0102	66		608		504
OS-1590	71	OT-0573	38		612		507
	73		39	1B-5355	106		508
	74	OV-0196	116		112		510
	75		120	1B-7709	36		511
	84	OV-0375	496		58		516
OS-1591	38		500	1B-8704	116		520
	39				120		530
	78				312		546
	101				314		881
	102				316		940
	136	1A-0224	802	1B-8705	160		942
	355	1A-1135	41		162	1F-1006	72
	670		42	1B-8709	72	1F-1599	935
OS-1592	496	1A-1415	608	1B-8737	664	1F-4622	312
	500		612		665		314
	576	1A-1460	528	1C-1895	514		316
		1A-2029	62	1C-2251	37		541

## 1

# PART NUMBER INDEX

Part	Page	Part	Page	Part	Page	Part	Page
	547		670	1P-4694	346		604
1F-5339	34	1L-5081	66	1P-6367	20	1U-8698	496
	516	1L-6931	796	1P-6452	153	1U-8846	280
1F-7958	573		798	1P-6872	658	1V-6341	117
	608	1L-7388	612	1P-7009	228		121
	612	1L-9048	160		234	1W-1669	144
	802	1M-1230	841		240	1W-1695	138
1F-8488	362		842	1P-7115	552		▶144
1H-0337	712	1M-3003	278	1P-7297	79	1W-1698	144
	714	1M-3780	356	1P-7346	73	1W-1699	144
1H-1023	554	1M-4095	360		75	1W-2481	4
	656	1M-4969	246	1P-7521	278		6
	756	1M-6119	246	1P-9956	54		▶124
1H-3244	156		247	1R-0658	78	1W-3285	140
	162		252	1R-0719	350	1W-3286	140
	246		253	1R-0722	672	1W-3306	894
	253		258	1R-0750	127		896
	259		264	1S-0994	618		898
	265	1M-6120	246		622		900
1H-3338	826		247		626		902
	828		252		630		904
	832		253		634	1W-3597	146
	834		258		638		▶153
1H-3340	906		264		644	1W-3802	4
	908	1M-6718	755	1S-1953	140		6
	910	1M-7643	107	1S-2342	224		▶37
	912	1N-3576	▶26		228	1W-3851	8
1H-5514	76	1N-3800	128		234		9
1H-7339	578	1N-3802	128		240		▶198
	584	1N-3824	63	1S-3618	645	1W-3900	45
	608	1N-3958	84	1S-5304	52	1W-4098	128
	612	1N-4102	63	1S-5440	140	1W-4243	41
1H-7724	541	1N-4297	▶844	1S-7251	246	1W-4402	23
	547		914		247	1W-4405	30
1H-8306	150	1N-4406	4		252	1W-5300	6
	152		6		253	1W-5634	▶41
1H-8456	906		▶18		258		144
	908	1N-5999	598		259	1W-5912	378
	910		600	1S-7252	246	1W-6084	386
	912		602		247	1W-6523	128
1H-8720	642		604		252	1W-6558	86
1J-2860	334	1P-0436	143		253		90
	336	1P-0451	114		258	1W-6588	4
	348	1P-0604	292		264		6
1J-4757	334		296		346		▶54
	336		308	1S-9110	26	1W-6987	142
	348		310	1S-9540	28	1W-7816	45
1J-5929	50	1P-1367	60		54	1W-8793	518
1J-9671	712	1P-2378	879	1S-9543	378		520
	714		128	1S-9593	382	1W-9167	134
1K-6870	150	1P-2497	334		390		136
	152	1P-2636	336		391	1W-9168	134
1K-6872	535		348		392		135
	790		348		756	1W-9169	134
	792	1P-2662	334		757		135
	796		348	1T-0416	136		136
	798		348	1T-0738	328	1W-9171	142
1K-6985	86	1P-2807	972		330	1Y-0684	48
	90	1P-4244	4		394		
			6		396		
1L-0509	350		▶61		396		
1L-2279	876			1T-0765	76		
1L-3769	126	1P-4577	350	1U-3998	598		
1L-4349	670	1P-4578	350		600	2A-1162	44
1L-4775	578	1P-4693	346		602	2A-1538	573
1L-5072	58		536				

# PART NUMBER INDEX

Part	Page	Part	Page	Part	Page	Part	Page
2A-3211	62	2B-9373	356		465		485
	355	2D-0626	796		466		486
	752		798		467		487
	754	2D-2507	440		468		488
2A-3398	509		442		469		489
2A-3798	19		444		470		492
2A-4429	30		446		471		493
2A-4639	38		448		472		494
2A-5546	148		450		473	2D-2511	440
2A-6570	641		452		474		442
2A-6908	822		454		475		444
2A-6926	962		456		476		446
	964		458		477		448
2A-6928	962		461		478		450
	964		462		479		452
2A-6929	962		463		480		454
	964		464		485		456
2A-6938	362		465		486		488
2A-6940	85		466		487		489
2A-6941	85		467		488	2D-2565	441
2A-6985	888		468		489		443
	919		469		492		445
	924		470		493		447
2A-7081	618		471	2D-2509	494		449
	622		472		440		451
	634		473		441		453
	638		474		442		455
2A-7089	762		475		443		457
	764		476		444		458
	766		477		445		459
	768		478		446		460
	770		479		447		486
2A-7136	518		480		448		487
2A-7184	822		485		449		492
2A-7304	94		486		450	2D-2654	486
	96		487		451		487
2A-7326	518		488		452		490
2B-0858	28		489		453	2D-4202	670
	60		493		454	2D-5238	509
2B-0941	616		494		455	2D-5572	805
	618	2D-2508	440		456	2D-6006	556
	619		441		457	2D-6235	390
	622		442		458		756
	623		443		459		841
	626		444		460		842
	634		445		461	2D-6386	541
	638		446		462		547
2B-0947	340		447		463	2D-6642	334
	342		448		464		336
2B-2673	762		449		465		340
	764		450		466		342
	766		451		467	2D-7325	541
	768		452		468		546
	770		453		469	2D-8009	356
2B-2694	72		454		470	2D-8154	608
2B-2695	12		455		471		612
	14		456		472	2D-8652	588
	16		457		473		590
	76		458		474	2F-2290	129
2B-3147	362		459		475	2F-8057	533
2B-3148	362		460		476		574
2B-7410	608		461		477		575
	612		462		478	2F-8509	660
2B-8343	116		463		479	2G-0478	608
	120		464		480	2G-0617	184

# PART NUMBER INDEX

Part	Page	Part	Page	Part	Page	Part	Page
2G-0988	184	2G-6747	684		680		868
2G-1034	552		686		682	2G-8768	496
2G-3219	505		688		684		500
	762		690		686	2G-8777	496
	764		692		688		500
	766	2G-6748	676		690	2G-9098	567
	768		678		692		568
2G-3221	505		680		696		571
	762		682		698	2G-9103	567
	764		684	2G-6757	676		568
	766		686		678		571
	768		688		680	2G-9758	196
2G-3865	496		690		682	2G-9791	362
	500		692		684	2H-1507	246
2G-3967	569		696		686	2H-3429	126
	570		698		688		200
2G-3971	759	2G-6749	678		690		206
	760		684		692	2H-3740	496
2G-4332	802		686		696		500
2G-5493	618		688		698	2H-3746	802
	622		690	2G-7097	886	2H-3764	772
	626		692		888	2H-3786	574
	630		696	2G-7098	886		575
	634		698		888	2H-3920	162
	638	2G-6751	676	2G-7309	802		184
2G-5667	496		678	2G-7387	497		218
	500		680		500		966
	576		682		501		967
2G-5673	496		684	2G-7388	497	2H-3922	213
	500		686		500		900
2G-5745	487		688		501		902
2G-6285	556		690	2G-7728	802		904
2G-6337	536		692	2G-8096	276	2H-3928	667
2G-6595	461		696	2G-8233	788		668
	462		698	2G-8241	879	2H-3931	648
	463	2G-6752	676		881		649
	464		678	2G-8242	879		650
	465		680		881	2H-3932	136
	466		682	2G-8572	822	2H-3934	136
	467		684		864	2H-3940	552
	468		686		868	2H-5001	334
	469		688		879		336
	470		690		881	2H-6489	281
	471		692	2G-8573	822		286
	472		696		864	2H-6490	360
	473		698		868	2H-9091	552
	474	2G-6753	680		879	2H-9247	608
	475		684		881		612
	476		688	2G-8609	576	2H-9889	618
	477		696	2G-8615	496		622
	478	2G-6754	688		500		626
	479		692	2G-8624	496		630
	480	2G-6755	676		500		634
	485		678	2G-8626	496		638
	487		680		500	2J-0157	126
	493		682	2G-8631	496		280
	494		684		500		286
2G-6664	851		686		606	2J-3505	496
	852		688	2G-8633	496		500
2G-6695	608		690		500	2J-3506	346
	612		692	2G-8741	496		608
2G-6740	682		696		500		612
	686		698	2G-8742	496		788
	692	2G-6756	676		500		802
	698		678	2G-8767	864	2J-6089	752

# PART NUMBER INDEX

Part	Page	Part	Page	Part	Page	Part	Page
	753		264		▶71	2S-5100 . . . . .	670
	754	2L-3331 . . . . .	540	2P-2537 . . . . .	60	2S-5658 . . . . .	25
2J-6274 . . . . .	278		541	2P-2547 . . . . .	65		26
2J-6356 . . . . .	345		546	2P-2685 . . . . .	153	2S-6692 . . . . .	41
2J-7761 . . . . .	670		547	2P-2697 . . . . .	65	2S-7383 . . . . .	125
2J-8163 . . . . .	496	2L-5893 . . . . .	810	2P-2717 . . . . .	70	2S-8439 . . . . .	345
	500	2L-7693 . . . . .	116		354	2S-9255 . . . . .	270
2K-0120 . . . . .	796		120		355		272
	798	2M-0849 . . . . .	567	2P-2719 . . . . .	62	2T-2243 . . . . .	132
2K-0419 . . . . .	505		568		70	2V-0099 . . . . .	813
	762		788	2P-2720 . . . . .	62		848
	764	2M-0912 . . . . .	258		70	2V-4331 . . . . .	528
	766		264	2P-2721 . . . . .	70	2V-4387 . . . . .	192
	768	2M-0913 . . . . .	258	2P-3201 . . . . .	20	2V-7859 . . . . .	117
	770		264	2P-4339 . . . . .	813		121
2K-0420 . . . . .	565	2M-1908 . . . . .	540		848	2V-8259 . . . . .	270
	566		546	2P-6105 . . . . .	4		272
2K-0703 . . . . .	796	2M-4009 . . . . .	510		6		274
	798		511		▶66	2W-1086 . . . . .	22
2K-2773 . . . . .	116		894	2P-6132 . . . . .	84	2W-2216 . . . . .	128
	120		896	2P-6200 . . . . .	4	2W-2410 . . . . .	▶128
2K-2882 . . . . .	116		898		6		146
	120		900		▶38	2W-3282 . . . . .	4
2K-4233 . . . . .	790		902	2P-6224 . . . . .	4		6
	792		904		6		▶127
	798	2M-5407 . . . . .	66		▶56	2W-4160 . . . . .	4
2K-4821 . . . . .	156	2M-7819 . . . . .	128	2P-6493 . . . . .	4		6
	160	2M-9346 . . . . .	224		6		▶138
	162	2M-9780 . . . . .	48		▶65	2W-4561 . . . . .	78
2K-4973 . . . . .	101		132	2P-6529 . . . . .	4	2W-4837 . . . . .	30
	102		278		6	2W-5240 . . . . .	76
	670		280		▶21	2W-5448 . . . . .	146
	790		286	2P-6530 . . . . .	4	2W-6091 . . . . .	54
	792		362		6	2W-6102 . . . . .	129
	796		618		▶20	2W-6103 . . . . .	128
	798		622	2P-6855 . . . . .	4	2W-6104 . . . . .	128
	810		630		6	2W-6134 . . . . .	25
	940		634		▶62	2W-6688 . . . . .	126
	942		638	2P-8540 . . . . .	794	2W-7060 . . . . .	4
2K-5106 . . . . .	334		712	2P-8746 . . . . .	71		6
	336		714		74		▶84
	348	2N-0828 . . . . .	128	2P-8886 . . . . .	121	2W-7234 . . . . .	153
2K-5109 . . . . .	334	2N-1287 . . . . .	47	2P-9556 . . . . .	128	2W-7255 . . . . .	86
	336		48	2P-9647 . . . . .	4		90
	348	2N-2766 . . . . .	107		6	2W-7279 . . . . .	▶76
2K-5830 . . . . .	822		114		▶52		78
2K-6061 . . . . .	940	2N-2878 . . . . .	146	2R-0694 . . . . .	556	2W-7280 . . . . .	4
	942	2N-3378 . . . . .	48	2R-0719 . . . . .	556		6
2K-6413 . . . . .	806	2N-9421 . . . . .	116	2R-0724 . . . . .	556		▶78
2K-6830 . . . . .	594		120	2R-1600 . . . . .	509	2W-7400 . . . . .	129
2K-7471 . . . . .	802	2P-0220 . . . . .	12	2R-1922 . . . . .	900	2W-7678 . . . . .	86
2K-7979 . . . . .	822		15		902	2W-8003 . . . . .	▶86
2K-8199 . . . . .	716	2P-0698 . . . . .	8		904		88
	718		▶43	2S-0736 . . . . .	36	2W-8143 . . . . .	516
	720	2P-1168 . . . . .	41		58	2W-9062 . . . . .	10
	722	2P-1170 . . . . .	72	2S-1382 . . . . .	116	2W-9162 . . . . .	61
	724	2P-1279 . . . . .	751		120	2W-9305 . . . . .	129
	726		752	2S-1541 . . . . .	66	2Y-2168 . . . . .	970
	728		753	2S-2923 . . . . .	12	2Y-3209 . . . . .	877
	730		754		48		970
	732	2P-1692 . . . . .	10	2S-3029 . . . . .	281	2Y-4071 . . . . .	510
	734	2P-1738 . . . . .	52		286	2Y-5206 . . . . .	6
	736	2P-1739 . . . . .	66	2S-4078 . . . . .	642		▶23
	738	2P-1781 . . . . .	72		712	2Y-5229 . . . . .	332
2L-0273 . . . . .	258	2P-1784 . . . . .	6		714	2Y-5755 . . . . .	674

# PART NUMBER INDEX

Part	Page	Part	Page	Part	Page	Part	Page
2Y-7389	10	3B-8489	496	3E-0134	202		192
2Y-7540	970		500		208	3E-8776	196
2Y-8414	992		532	3E-0135	202	3E-8782	190
2Y-8990	68		576		208	3E-8815	188
2Y-9326	52		772	3E-0136	202		192
2Y-9679	6		796		208	3E-8817	270
	▶82		798	3E-0137	202		272
2Y-9800	9		802		208		274
		3B-8822	222	3E-0138	202	3E-8821	838
			538		208		839
		3B-8921	300	3E-0139	202		840
			304		208	3E-8825	184
		3C-1884	885	3E-0140	202		188
3B-0551	76	3D-2824	144		208		190
3B-0623	30		345	3E-0141	202		192
3B-0645	60		641		208		196
3B-1915	12		642	3E-0142	202		270
	15		670		208		272
	38		756	3E-0143	202		274
	39		144		208		276
	52	3D-2898	144	3E-0144	202		318
	71	3D-2981	362		208		322
	74	3D-4004	312	3E-0145	202		838
	78	3D-4245	378		208		839
	355		382		208		840
3B-4505	16		386	3E-0400	849		184
3B-4506	645	3D-4904	802	3E-3365	322	3E-9326	184
3B-4508	505	3D-6509	340	3E-3368	194	3E-9327	270
3B-4607	116		342	3E-3890	848		272
	120	3D-6689	373	3E-4048	888		274
	556	3D-8317	129		926	3E-9330	838
	822	3D-8747	841	3E-4302	658		839
3B-4610	556		842		660		840
3B-4615	510	3D-8748	841	3E-5239	224	3E-9367	224
3B-4618	496		842	3E-5383	246		228
	500	3D-8749	841		252		234
	574		842		258		240
	575	3D-8752	841	3E-5454	156	3E-9413	890
3B-4628	618		842	3E-6914	37		891
	622	3D-8884	538	3E-7279	246		892
	634	3D-8913	540		253	3E-9763	184
	638		546		259	3E-9865	822
3B-4647	573		552		265	3F-0379	200
3B-5320	762	3D-9609	116	3E-7417	658		206
	764		120		660	3F-5108	781
	766	3E-0109	218	3E-7775	200		782
	768		270		206		783
	770		272	3E-7985	148		784
3B-5325	806		274	3E-8005	328		786
3B-5329	569		276		330		787
	570	3E-0125	202	3E-8006	394	3F-7514	822
	772		208		396	3F-9556	676
3B-6753	788	3E-0127	202	3E-8020	845		678
	532		208		894		680
3B-6769	47	3E-0128	202		896		682
3B-7255	541		208		898		684
3B-7721	547	3E-0129	202		900		686
	350		208		902		688
3B-7732	532	3E-0130	202		904		690
3B-7733	522		208	3E-8320	265		692
3B-7740	47	3E-0131	202	3E-8700	▶194		696
3B-7764	48		208		259		698
	567	3E-0132	202		265	3G-0361	670
3B-8486	568		208	3E-8763	190	3G-1701	854
	571	3E-0133	202		276		856
3B-8488	496		208	3E-8772	184		858

3

# PART NUMBER INDEX

Part	Page	Part	Page	Part	Page	Part	Page
3G-2579	796		753	3K-2527	770		524
3G-2581	796		754	3K-2889	533		526
	798		755	3K-5733	129		540
3G-2692	670	3J-5389	362	3K-6060	246		546
3G-3265	864	3J-5390	76		252		626
	868		84		258		646
	872		536		264		813
	926	3J-5696	810		540		848
3G-3458	656	3J-6019	26		541		858
3G-3498	670	3J-6956	394		546		948
3G-3726	745		396		547		952
	746	3J-7354	60		822	3S-2173	280
	750		68	3K-8280	312	3S-2713	21
3G-3835	128		128		547		58
3G-6659	532		132	3K-8460	58		116
3G-6891	656		278	3K-8782	174		117
3G-6906	656		318		188		120
3G-6907	656		320		190		121
3G-8997	656		322		192		136
3H-0107	667		345		218		541
	668		348		220		547
3H-2900	270		378		276	3S-5496	28
	272		382		318		30
	274		386		838	3S-6049	247
	526		542		839		252
	813		646		840		253
	849		712		862		258
3H-3243	61		714		966		264
3H-8538	314		747		967	3S-6050	247
	316	3J-8500	663	3K-9520	184		252
3J-1907	127	3K-0196	359	3N-2886	4		253
	132	3K-0360	68		6		258
	146		132		▶10		264
	224		280	3P-0009	128	3S-7023	584
	228		286	3P-0337	304		586
	234		328	3P-0887	345		592
	240		362	3P-1461	567		594
	259		616		788	3S-8313	30
	265		618	3P-1823	47	3S-8652	345
	280		622		48	3T-0049	922
	286		626	3P-1896	30	3T-0050	224
	318		630	3P-1932	646		541
	320		634	3P-3839	524		547
	322		638	3P-9498	711	3T-0688	345
	328		642		714	3T-0849	662
	330		644	3P-9847	85	3T-1480	240
	345		645	3S-0004	356	3T-1887	160
	350		646	3S-1349	802	3T-2662	184
	378		658	3S-2093	184	3T-3045	246
	382		714		192		252
	386		716		218		259
	394		718		220		265
	396		720		222	3T-3047	264
	562		722		224	3T-3048	222
	615		724		228		224
	642		726		234		228
	712		728		240		234
	714		730		246		240
	740		732		252		858
	744		734		259	3T-3422	200
	745		736		265		206
	746		738		270	3T-3434	200
	750		742		272		206
	751		747		274	3T-4377	360
	752	3K-0986	359		276	3T-5760	246

# PART NUMBER INDEX

Part	Page	Part	Page	Part	Page	Part	Page
	252		134		759	4F-4097	660
	258		136		760	4F-6024	128
3T-5763	264		148	4D-4895	117	4F-7115	751
3T-6352	510		247		121	4F-7389	350
	▶156		253		312	4F-7390	278
	158		259		314	4F-7952	357
3T-6354	156		265		316	4F-7957	125
3T-6655	218		518	4D-5292	334		138
	220		520		336	4F-9503	116
	966	4B-4276	390	4D-5497	536		120
	967	4B-4283	962	4D-6086	802	4F-9653	608
3T-6774	841		964	4D-6293	516		612
	842		966	4D-6432	929	4H-0094	378
3T-7059	885		967	4D-6585	538		386
3T-7068	▶885		968	4D-6695	346	4H-6147	538
	962	4B-4314	823		394		540
	964	4B-4910	58		396		546
	966	4B-5271	645	4D-6716	354		854
	967	4B-5272	812		355	4H-6520	334
	968	4B-5275	851	4D-6885	541		336
3T-7086	885		852		547		348
3T-8236	712	4B-5324	276	4D-7246	608	4H-6996	608
	714	4B-5387	26	4D-7388	948		612
3V-0613	510		28		950	4H-7869	198
3V-3816	950	4B-7270	536		952	4H-9105	278
3V-4694	218	4B-9365	138	4D-7733	562	4J-0520	350
	274	4B-9782	26		615	4J-0521	642
3W-3622	264		28	4D-7794	184	4J-0522	350
3W-4871	822		72		188	4J-2506	318
3W-7254	790	4B-9880	72		192		320
	792		382		220		322
3W-7256	790	4D-0577	540		222		378
	792		541		224		382
3Y-2806	822		546		228		386
			547		234	4J-2667	312
		4D-0582	540		240		314
			541		246		316
			546		252	4J-3914	541
			547		258		547
4B-1280	276		554		264	4J-3915	830
4B-1326	150	4D-1135	554		270		836
4B-2043	156	4D-1138	394		272	4J-5468	616
4B-2049	200	4D-1322	396		274		618
	202		744		532		622
	206	4D-2297	745		670		626
	208		746		858		630
	222		750		950		634
	894		751	4D-8148	509		638
	896		752	4D-9986	716		646
	898		753		718	4J-5477	101
	900		754		720		102
	902		116		722		132
4B-3388	904	4D-2498	120		724		322
	48		540		726		642
	68	4D-2560	546		728		646
	143		854		730		712
	854	4D-2847	645		732		714
	856	4D-2886	346		734	4J-7533	140
4B-3604	772	4D-3704	496		736		195
4B-3938	19		500		738		378
	26		536	4E-0645	247		382
	28		576	4E-2392	646		386
4B-4158	970		116	4E-4454	218		700
	972	4D-4064	120	4F-3658	786		701
4B-4274	94		758		787		702
	96	4D-4375					

4



# PART NUMBER INDEX

Part	Page	Part	Page	Part	Page	Part	Page
	703	4K-3004 . . . . .	796		854	4N-5485 . . . . .	128
	704		798		856	4N-5834 . . . . .	86
	705	4K-3094 . . . . .	246		948		90
	706		252	4L-6459 . . . . .	64	4N-6404 . . . . .	128
	707		258		688	4N-6406 . . . . .	128
	708		264		692	4N-6407 . . . . .	128
	709	4K-3150 . . . . .	796	4L-9337 . . . . .	63	4N-7431 . . . . .	85
	710		798		112	4N-7521 . . . . .	202
	712	4K-3330 . . . . .	▶805		350		208
	714	4K-4881 . . . . .	491		844	4N-8445 . . . . .	195
	716	4K-5122 . . . . .	218	4L-9564 . . . . .	61	4N-9019 . . . . .	140
	718		838	4M-0061 . . . . .	842	4N-9170 . . . . .	280
	720		839	4M-0200 . . . . .	848	4N-9216 . . . . .	109
	722		840	4M-1751 . . . . .	379	4P-1662 . . . . .	4
	724		862		382		6
	726		966		386		▶195
	728		967	4M-1827 . . . . .	200	4P-1663 . . . . .	195
	730	4K-6781 . . . . .	528		206	4P-2578 . . . . .	136
	732	4K-7463 . . . . .	528	4M-1828 . . . . .	200	4P-2942 . . . . .	18
	734	4K-7464 . . . . .	528		206	4P-3546 . . . . .	72
	736	4K-8479 . . . . .	514	4M-1831 . . . . .	200	4P-3778 . . . . .	106
	738		524		206	4P-3966 . . . . .	14
4J-8251 . . . . .	670		526	4M-2381 . . . . .	382	4P-3977 . . . . .	14
4J-8252 . . . . .	670	4K-8603 . . . . .	281	4M-2969 . . . . .	52	4P-4327 . . . . .	106
4J-8524 . . . . .	554		286	4M-5281 . . . . .	117	4P-5524 . . . . .	103
4J-8527 . . . . .	554	4K-8659 . . . . .	528		121		104
4J-8922 . . . . .	116	4K-8864 . . . . .	132		228	4P-7305 . . . . .	23
	117		224		234		24
	120		246		240	4P-7306 . . . . .	23
	121		252		524		24
	312	4K-9097 . . . . .	510		526	4P-7826 . . . . .	42
	314	4L-3641 . . . . .	66		860	4P-7827 . . . . .	24
	316	4L-5966 . . . . .	848	4M-5317 . . . . .	222	4P-7830 . . . . .	75
	541	4L-6454 . . . . .	79	4M-6107 . . . . .	292	4P-7831 . . . . .	90
	547		94		296	4P-8480 . . . . .	140
4J-8997 . . . . .	138		96		308	4P-8681 . . . . .	972
4J-9224 . . . . .	606		116		310	4P-9021 . . . . .	140
4J-9225 . . . . .	588		117	4M-6108 . . . . .	281	4P-9330 . . . . .	▶134
	590		120		286		136
	598		121	4M-6109 . . . . .	286	4P-9331 . . . . .	▶135
	600		184	4M-6425 . . . . .	116		136
	602		192		120	4P-9381 . . . . .	134
	604		224		541	4P-9382 . . . . .	134
4J-9964 . . . . .	667		228	4M-6480 . . . . .	68	4P-9385 . . . . .	135
	668		234	4M-6921 . . . . .	670	4P-9386 . . . . .	135
4K-0367 . . . . .	334		240	4M-6953 . . . . .	352	4P-9809 . . . . .	105
	336		259		485	4P-9828 . . . . .	140
	348		265		486	4P-9832 . . . . .	140
	781		312		487	4P-9840 . . . . .	140
	782		314		488	4P-9856 . . . . .	4
	783		316	4M-8303 . . . . .	124		▶24
	784		350	4M-8973 . . . . .	540	4P-9857 . . . . .	24
	786		510		546	4S-1936 . . . . .	260
	787		514	4N-0260 . . . . .	129	4S-1962 . . . . .	876
	820		516	4N-0432 . . . . .	129	4S-4455 . . . . .	258
	886		524	4N-1761 . . . . .	125		646
	888		526	4N-2953 . . . . .	128	4S-5780 . . . . .	164
	926		530	4N-3287 . . . . .	132	4S-5838 . . . . .	278
4K-1388 . . . . .	712		540		▶143	4S-5879 . . . . .	328
	714		546	4N-3732 . . . . .	72		330
4K-1493 . . . . .	667		626	4N-3840 . . . . .	76		536
4K-2039 . . . . .	378		645	4N-3841 . . . . .	76	4S-7529 . . . . .	538
	383		646	4N-5353 . . . . .	71	4S-7558 . . . . .	540
	386		812		74		546
	756		822	4N-5484 . . . . .	128	4S-7606 . . . . .	538

# PART NUMBER INDEX

Part	Page	Part	Page	Part	Page	Part	Page
4T-1700	747	5B-1866	116		500		382
4T-1860	712		120		670		386
	714	5B-6172	810	5D-0398	770		656
	▶755		930	5D-0399	770	5H-0255	848
4T-4509	747		932	5D-0768	556		946
4T-4935	712	5B-7652	26	5D-1026	79	5H-2671	23
	714		28		350		24
	▶742	5B-9079	41		876	5H-3204	66
4T-4942	742		42	5D-1258	318	5H-3593	675
4T-5070	755	5B-9318	716		320	5H-4279	68
4T-5071	755		718	5D-1911	670	5H-4778	538
4T-5074	747		720	5D-2645	618		540
4T-5613	584		722		622		546
	586		724		626		854
	592		726		634		856
	594		728		638	5H-4909	608
	606		730	5D-3636	556		612
4T-6779	582		732	5D-4204	63	5H-6005	670
	583		734	5D-4382	538	5H-6552	146
4T-6780	588		736		▶554	5H-7704	109
	590		738	5D-4988	626	5H-7826	532
4T-6907	577	5B-9603	36	5D-5206	770	5H-8848	588
	578	5C-2874	160	5D-6539	314		598
	580		199		316		600
	596		210	5D-6644	762		641
	597	5C-2890	246		764	5H-8985	292
4T-7571	742		252		766		296
4T-8054	606		253		768		300
	648		259	5D-6952	533		304
	649		265	5D-6993	851		308
	650		547		852		310
4V-0015	528		848	5D-6994	851	5J-1036	379
4V-7890	810		894		852		382
4V-7891	810		896	5D-6996	851		386
4V-9804	535		898		852	5J-1086	278
4V-9809	535		900	5D-6997	851	5J-1246	667
4V-9810	535		902		852		668
4W-0452	56		904	5D-6998	▶851	5J-3658	541
4W-1203	34		948		854	5J-5402	594
4W-1204	34		952	5D-7778	554	5J-7010	588
4W-1309	47	5C-6565	534	5D-7780	554		590
4W-2042	34	5C-6793	258	5D-8159	802	5J-7333	774
4W-2321	72		264	5D-8161	802	5J-8150	588
4W-2322	72	5C-7261	188	5D-9553	781		598
4W-5734	146		190		782		600
4W-5735	146		192	5D-9554	783	5J-8175	578
4W-5738	23	5C-7423	962		784	5J-8200	584
	24		964	5D-9629	518	5J-8225	648
4W-5739	54	5C-8312	218		920		649
4W-5974	4		220		922	5K-0871	528
	6		822	5D-9844	334	5K-0906	196
	▶332	5C-9553	270		336		198
4W-6868	128		272		348		222
4W-6869	140		849	5F-0149	788	5K-0983	528
4W-7629	124		885	5F-0304	44	5K-0984	528
4W-9057	127		928	5F-3106	21	5K-0985	528
		5D-0269	894		88	5K-0987	528
			896		92	5K-0988	528
			898	5F-4899	109	5K-0989	528
			900	5F-5434	12	5K-0991	528
			902		48	5K-1458	802
			904	5F-7054	136		805
5A-3604	34		904	5F-8000	358	5K-1459	802
5B-0577	802	5D-0353	344	5F-9144	128		805
5B-0841	340		346		378	5K-2408	538
	342		496				
	348						

5

# PART NUMBER INDEX

Part	Page	Part	Page	Part	Page	Part	Page
	854		334	5M-6687	247		265
	856		336		253		280
5K-2595	334		346		259		286
5K-5068	101		348		265		312
	102		355	5M-8212	6		314
5K-5122	220		511		970		316
5K-5129	496		812		972		350
	536		940	5M-8500	117		496
	608		942		121		500
5K-5288	500	5M-3062	85		822		510
5K-5552	569		94	5M-9695	956		514
	570		96		957		516
5K-5962	34		121	5N-8553	70		518
5K-7577	900		184		914		520
	902		188	5N-8780	52		524
	904		192	5P-0076	39		526
5K-8454	608		196	5P-0537	124		530
	612		220		127		534
5K-9090	642		224		128		540
5K-9107	670		228		138		546
	994		234		148		672
5K-9237	47		240		195		676
5K-9238	540		246		378		678
	546		252		382		680
5K-9243	65		258		386		682
5L-1100	656		264		841		684
5L-2030	334		270		842		686
	336		272		885		688
	348		274	5P-0597	109		690
5L-2031	334		318	5P-0599	108		692
	336		320		626		696
	348		511	5P-0721	541		698
5L-4507	247		514		547		774
	253		516	5P-0747	246		813
	259		518		247		822
	265		520		252		830
5L-7200	184		540		253		836
5M-2057	712		541		258		848
	714		546		259		860
5M-2894	14		547		264		879
	19		644		265		881
	20		774	5P-0761	247		946
	21		810		253		994
	37		830		258	5P-1076	117
	38		836		264		121
	39		876	5P-0765	350		159
	41		948	5P-0767	79		503
	42		952		540		504
	57	5M-4606	58		546		535
	62	5M-4741	332	5P-0810	626		676
	66	5M-6200	280		634		678
	68		286		638		680
	70	5M-6213	28	5P-0811	864		682
	71		68	5P-1075	64		684
	74		84		94		686
	76		86		96		688
	78		90		101		690
	86		280		102		692
	88		286		112		696
	90		538		117		698
	92		540		121	5P-1174	972
	106		546		216	5P-1175	972
	107	5M-6214	28		246	5P-1262	85
	109		45		252	5P-1295	642
	136		127		259	5P-1436	972

# PART NUMBER INDEX

Part	Page	Part	Page	Part	Page	Part	Page
5P-1437	976		865		772		946
	984		868		774	5P-8247	46
5P-1438	978		894	5P-6871	880		160
	986		896	5P-6872	881		162
5P-1439	980		898	5P-6882	860		334
	988		948	5P-6920	156		336
	992		952	5P-6945	128		340
5P-2199	756		962	5P-7162	956		342
5P-2228	796		964		957		348
	798		966	5P-7213	359		528
5P-2250	508		967	5P-7704	117		762
5P-2424	511		968		121		764
	530	5P-4116	350		312		766
	672	5P-4253	346		314		768
	676	5P-4289	127		316		786
	678	5P-4483	280	5P-7803	864		787
	680		286		868	5P-8248	334
	682	5P-4868	642		872		336
	684	5P-4939	134		926		346
	686		135	5P-7854	64		348
	688	5P-5454	865		350		573
	690		868	5P-7957	930		608
	692	5P-5627	956		932		612
	696		957		935		664
	698	5P-5637	813	5P-7981	318		665
	796		823		320		788
	798		848	5P-7982	318		802
5P-2503	334	5P-5639	823		320	5P-8249	567
	336	5P-5672	813	5P-8167	246		568
	348	5P-5680	906		252		571
5P-2566	522		908		258	5P-8250	802
	526		910		264	5P-8291	772
	667		912		514	5P-8394	184
	668	5P-5757	105		516	5P-8439	511
5P-3272	128	5P-5768	820		822	5P-8500	70
5P-3490	346		890		950		150
5P-3602	864		891	5P-8197	972		152
5P-3729	150		892	5P-8198	976		354
5P-3863	280		926		984		355
	281	5P-5813	334	5P-8199	978		503
	286		336		986		520
	358		348	5P-8200	980		672
5P-3924	281	5P-5824	865		988		844
	286		868		992		845
5P-3999	972	5P-5923	774	5P-8215	144		877
5P-4000	976	5P-5927	894	5P-8244	536		934
	984		896	5P-8245	10		936
5P-4001	978		898		57		937
	986		900		340		994
5P-4002	980		902		342	5P-8502	70
	988		904		362		150
	992	5P-5931	618		518		152
5P-4077	972		622		520		354
5P-4084	976	5P-5969	516		528		355
	984		830		572		503
5P-4085	978		836		573		520
	986		860		576		672
5P-4086	980		868		608		844
	988		872		612		845
	992		878		670		934
5P-4115	270		946		762		936
	272		954		764		937
	524		955		766		994
	526	5P-6620	146		768	5P-8525	840
	860	5P-6652	522		802	5P-8768	5

# PART NUMBER INDEX

Part	Page	Part	Page	Part	Page	Part	Page
	6		622		910		692
5P-8842	496		626	5T-3147	908		696
	500		630		912		698
	576		634	5T-3889	758	6B-3260	802
5P-8843	496		638		759		805
	500		644		760	6B-4196	116
5P-8890	496		646	5T-3890	758		120
	500		774		759	6B-4198	125
	552		879		760		127
5P-8998	536		881	5T-4030	854	6B-4540	270
5P-9118	670	5S-7382	101		856		272
5P-9119	813		102		858		274
5P-9135	849		216	5T-4267	758	6B-4661	876
	514		350		759	6B-5072	362
5P-9743	516		844		760	6B-6684	359
	128	5S-7383	116	5T-5295	573	6B-7469	107
5P-9757	982		117	5T-7125	346	6B-9081	876
5P-9761	990		120	5T-7129	346	6C-3246	469
	518		121	5T-7133	346		470
5P-9909	520		192	5T-7486	826	6C-7366	467
	350		312		828		468
5P-9938	654		314		832	6D-0458	116
5R-4787	68		316		834		120
5S-0003	854		552	5T-8285	538	6D-0580	318
	856		619		540		320
	270		623		546		322
5S-4246	272		626	5T-8366	505	6D-1432	538
	274		634		762	6D-1641	876
5S-4385	356		638		764	6D-3897	128
5S-4546	105		823		766	6D-4054	822
5S-5199	105		940		768	6D-4244	79
5S-5879	58		942	5T-8367	762		224
5S-5917	58	5S-8055	19		764		228
5S-5918	59	5S-8462	26		766		234
5S-6051	76		28	5T-8417	573		240
5S-6348	54	5S-9062	34	5T-9020	516		276
5S-6670	25	5S-9948	32	5T-9313	184		618
5S-6735	20	5T-0570	608	5T-9628	340		622
	109		778		342		626
5S-6750	54	5T-0906	496	5T-9903	646		630
5S-7163	332		500	5T-9986	618		634
5S-7349	200	5T-1362	675		622		638
	206	5T-1958	906	5V-5262	812		646
	246		910	5V-7003	510	6D-4246	224
	252	5T-1959	908		530		228
	259		912	5Y-0766	674		234
	265	5T-1964	906	5Y-0767	674		240
5S-7379	116		908	5Y-0768	674		247
	120		910	5Y-0769	664		253
	184		912		674		259
	188	5T-1967	906	5Y-1546	23		265
	192		908			6D-4247	616
	247	5T-1969	906				644
	253		910			6D-6489	552
	496	5T-1972	906			6D-6581	826
	500		908				828
	524		910	6A-3591	552		832
	526		912	6A-9718	885		834
	534	5T-3093	954	6B-0933	676		834
	552		955		678	6D-7563	786
	574	5T-3144	906		680	6D-7564	787
	575		910		682	6D-8498	144
	608	5T-3145	908		684	6D-9157	670
	615		912		686	6D-9598	541
	618	5T-3146	906		688		547
					690	6D-9718	856

6

# PART NUMBER INDEX

Part	Page	Part	Page	Part	Page	Part	Page
6D-9855	540		730		738		450
	546		738	6E-4599	722		451
6E-0123	582	6E-3028	704		728		452
	583		708		730		453
6E-0775	594		▶716		738		454
6E-1131	584	6E-3029	704	6E-4702	▶744		455
	586		708		748		456
	592		▶718	6E-4703	712		457
6E-1338	567	6E-3030	704		714		458
	▶584		708		▶745		459
6E-1343	571		▶720	6E-4704	743		460
	▶592	6E-3033	732		▶746		461
6E-1344	592		734	6E-4828	747		462
6E-1346	592		738	6E-4940	588		463
6E-1436	660		▶743		590		464
6E-1549	569	6E-3034	705	6E-4974	606		465
	▶588		709	6E-5047	362		466
6E-1550	588		710	6E-5153	716		467
6E-1560	565		▶722		718		468
	▶577	6E-3035	700		720		469
6E-1561	577		701		722		470
6E-1835	742		702		724		471
6E-1923	712		703		726		472
	714		705		728		473
6E-1924	712		706		730		474
	714		707		732		475
6E-1925	712		709		734		476
	714		710		736		477
6E-1926	642		▶724		738		478
6E-2169	670	6E-3036	701	6E-5200	747		479
6E-2266	670		705	6E-5884	656		480
6E-2267	670		706	6E-5885	656		485
6E-2269	670		707	6E-5887	656		486
6E-2866	▶711		709	6E-6140	740		487
	712		710	6E-6141	740		488
6E-3006	751		▶726	6E-6142	740		489
	752	6E-3044	716	6E-6419	740		492
6E-3007	716		718	6E-6420	740		493
	718		720	6E-6571	658		494
	720		724		▶662	6F-4855	378
	722	6E-3058	726	6E-6594	658		382
	724	6E-3136	654	6E-6596	658		386
	726		▶658	6E-6597	658	6F-6672	144
	728	6E-3137	641	6E-6599	658	6F-6992	802
	730		▶660	6E-6600	658	6F-7013	503
	732	6E-4090	577	6E-6601	658	6F-7045	213
	734		578	6E-6602	658	6F-7062	28
	736		580	6E-6603	658		332
	738	6E-4223	658	6E-6604	662	6G-0417	528
6E-3013	716	6E-4224	658	6E-6605	662	6G-0905	536
	718		660	6F-0253	851	6G-1415	540
	720	6E-4228	740		852		546
	722	6E-4230	740	6F-0698	334	6G-1528	491
	724	6E-4239	740		336	6G-1631	291
	726	6E-4502	716		348	6G-1633	291
	728		718	6F-3930	440	6G-1755	▶291
	730		720		441		353
	738		722		442	6G-1780	574
6E-3019	716		724		443	6G-1908	608
	718		726		444	6G-1914	772
	720		728		445	6G-1915	772
	722		730		446	6G-1953	346
	724		732		447	6G-2395	864
	726		734		448		868
	728		736		449		872

# PART NUMBER INDEX

Part	Page	Part	Page	Part	Page	Part	Page
	926		608	6J-0499	514		690
6G-2396	864		612		516		692
	868		762	6J-0789	582		696
	872		764		583		698
	926		766	6J-0793	582	6L-2479	247
6G-2751	864		768		583		253
	868	6H-3957	86	6J-1381	582		259
	823		90		583	6L-3966	510
6G-2914	864	6H-7127	116	6J-1889	312	6L-5897	128
	868		120	6J-1972	577		153
	758	6H-9691	128		578	6L-7751	117
6G-2944	770		554		580		121
	759	6I-0273	103		584	6L-8617	96
6G-2946	760		104		586		98
	762	6I-0274	103		592		99
	770		104		596	6N-0009	108
6G-2949	758	6I-0275	103		597	6N-0124	76
6G-2959	908		104	6J-2237	52	6N-0164	4
	912	6I-0497	54	6J-2419	144		6
6G-3206	346	6I-0923	45	6J-2709	510		110
6G-3212	346	6I-0979	140	6J-2797	594	6N-0462	21
6G-4357	675	6I-1240	12	6J-3993	379	6N-0992	108
6G-4358	675		48		382	6N-1036	72
6G-4526	772	6I-1345	72	6J-5731	577	6N-1526	105
6G-4701	334	6I-1346	72		578	6N-1536	355
	336		73		580		844
	348		75		584	6N-1872	156
6G-4703	334	6I-1370	126		586	6N-2011	844
	336		132		592	6N-2642	71
	348	6I-1418	228		596		73
	872		234		597	6N-2985	62
6G-5214	772		240	6J-5733	577		70
6G-5442	608	6I-2002	148		578	6N-3504	128
6G-5532	608	6I-2003	128		580	6N-3827	200
6G-5533	608	6I-2004	128		584		206
6G-5534	608	6I-2108	4		586	6N-6033	68
6G-5537	608		6		592	6N-7174	30
6G-5538	608		6		596	6N-7325	355
6G-5539	608		148		597		844
6G-5542	608	6I-2123	16	6J-6439	742	6N-7887	21
6G-5543	608	6I-2124	16	6K-0545	802	6N-8003	25
6G-5544	608	6I-2832	140	6K-1972	47		26
6G-5547	608		146		48	6N-9294	158
6G-5548	608	6I-2841	140		48		159
6G-5978	390	6I-8444	378	6K-3273	864		164
6G-5979	374		386		868		164
	375	6I-8447	378	6K-3632	770	6N-9915	30
	390		386	6K-3771	86	6N-9995	196
	392	6I-8641	292		90	6P-0205	807
6G-5987	841		296	6K-4076	514		808
	842		300		516		864
6G-6122	608		304	6K-6826	540		868
6G-6623	675	6I-8642	280		546		872
6G-7187	572	6I-8823	394	6K-9632	950	6P-3236	813
	576		396		952		848
	864	6I-8911	292	6L-1650	280	6P-5442	312
6G-7222	872		308		286	6P-5647	790
	822	6I-8912	292	6L-1883	12		792
6G-8814	880		296		48	6S-7826	656
6G-8831	770		300	6L-1962	676	6S-7827	656
6G-9428	770		304		678	6T-2770	885
6G-9429	770		308		680	6T-5345	848
6H-0192	45		310		682	6T-8115	862
6H-0211	573		394		684	6T-8236	378
6H-1717	32	6I-9395	396		686		382
	505		822		688		386
	576	6J-0488					

# PART NUMBER INDEX

Part	Page	Part	Page	Part	Page	Part	Page
6T-8500	390	6V-3508	58	6V-5219	358	6V-8081	346
	756	6V-3668	278	6V-5226	▶202	6V-8183	312
6V-0249	982	6V-3834	658		211		314
	990	6V-3918	328	6V-5227	▶204		316
6V-0252	982		330	6V-5230	712		744
	990	6V-3928	864		714		822
6V-0271	982		868	6V-5537	204	6V-8185	117
	990		872		▶206		121
6V-0292	864		874	6V-5538	204		162
	868		926		▶208		246
	872	6V-3940	281	6V-5556	747		252
6V-0387	14		286	6V-5586	755		259
6V-0395	247		350	6V-5651	876		265
	253	6V-3964	228	6V-5696	642		276
	259		234	6V-5698	894	6V-8186	117
	265		240		896		121
6V-0484	328	6V-3965	318		898		676
	330		320		900		678
6V-0852	318		322		902		680
	320		350		904		682
	322		394	6V-5839	278		684
	350		396		670		686
	394		642	6V-5842	278		688
	396		712	6V-5845	588		690
	642		714		598		692
	712	6V-4245	541		600		696
	714		547	6V-5849	966		698
6V-1322	117		900	6V-5853	962	6V-8187	117
	121		902		964		121
6V-1426	107		904		967		156
6V-1427	107	6V-4248	280		968		265
6V-1668	849		286	6V-5874	70		312
6V-1720	280	6V-4283	247		844		314
	286		253	6V-6209	885		316
6V-1819	292		259	6V-6213	885	6V-8188	94
	296		265	6V-6214	885		96
	300	6V-4369	132	6V-6219	885		200
	304	6V-4611	972	6V-6467	952		202
	308	6V-4612	976	6V-6563	672		206
	310		984	6V-6703	169		208
6V-1820	280	6V-4613	978		170		246
	286		986		171		252
	357	6V-4614	980	6V-6835	146		259
6V-1889	350		988	6V-6888	885		265
6V-1970	1		992		962		511
	▶877	6V-4750	5		964		526
6V-2202	156		7	6V-6889	885		530
6V-2480	274	6V-5023	▶199		962		672
6V-2686	196		211		964		676
6V-2687	524	6V-5158	830	6V-6893	246		678
	526		836		252		680
	814	6V-5163	830		258		682
	878		836		264		684
6V-2773	826		864	6V-6921	136		686
	828		868	6V-7636	826		688
	832	6V-5192	663		828		690
	834	6V-5207	▶200		832		692
6V-2900	6		211		834		696
6V-3265	188	6V-5217	280	6V-7673	658	6V-8189	698
	190		281		660		116
	192		286	6V-7692	564		117
6V-3324	214		328	6V-7744	880		120
6V-3342	854		330	6V-7981	280		121
	856		394		286		510
6V-3507	276		396	6V-8004	34		541



# PART NUMBER INDEX

Part	Page	Part	Page	Part	Page	Part	Page
	547		630		318		920
6V-8212	280		634		320		922
	286		638		511		928
6V-8214	658		642		540		946
6V-8237	577		646		541	6V-9746	350
	578	6V-8627	132		546		641
	580		322		547		642
	596		642		552		646
6V-8255	954	6V-8628	322		618	6V-9748	34
	955	6V-8634	132		622	6V-9835	642
6V-8257	966		616		626	6V-9836	626
6V-8258	962		619		630	6V-9837	646
	967		622		634	6V-9849	646
6V-8259	964		626		638	6V-9875	642
	968		630		645	6V-9876	618
6V-8336	660		634		646		619
6V-8337	658		638		672		622
	660	6V-8636	562		813		623
6V-8362	214		615		848		626
	848	6V-8637	642		854		630
6V-8365	246	6V-8639	618		858		634
	253		622		876		638
	259		630		946	6V-9928	86
	265		634		948	6W-0108	810
6V-8369	218		638	6V-8831	982	6W-0111	810
	966		646		990	6W-0590	810
	967	6V-8647	322	6V-8837	660	6W-1496	812
6V-8373	276		642	6V-8837	660	6W-1497	812
6V-8376	184		646	6V-8918	116	6W-1885	810
	276		712		120	6W-1888	812
6V-8377	148		714	6V-8928	864	6W-1890	930
6V-8378	148	6V-8716	350		868		932
	224	6V-8723	132	6V-8980	644	6W-1895	930
	240		616		645		932
6V-8397	132		618	6V-9000	132	6W-2371	812
	562		622	6V-9001	562	6W-2373	930
	615		626	6V-9002	646		932
	616		644	6V-9004	642	6W-3309	930
	618		645	6V-9007	641		932
	619	6V-8724	132		642		935
	622		562	6V-9168	644	6W-3628	812
	623		615		645		940
	626	6V-8765	654	6V-9632	218		942
	630	6V-8801	37		324	6W-5698	948
	634		94		326		952
	638		96		524	6W-5740	930
	644		116		526		932
	645		117		815	6W-5757	930
6V-8398	618		120		820		932
	622		121		822		935
	626		184		826	6W-5817	547
	630		188		828	6W-9693	930
	634		192		832		932
	638		218		834	6Y-0309	806
	642		224		849	6Y-0590	360
	646		228		860	6Y-0591	360
	714		234		865	6Y-0976	296
6V-8624	618		240		869		310
	622		246		872	6Y-0982	300
	630		252		894	6Y-1000	300
	634		258		896	6Y-1114	292
	638		264		898		296
6V-8625	618		312		900		300
	622		314		902		304
	626		316		904		308

# PART NUMBER INDEX

Part	Page	Part	Page	Part	Page	Part	Page
6Y-1115	310	6Y-2935	652	7C-1905	8	7C-9305	105
	292	6Y-3849	278		9	7C-9309	▶105
	296	6Y-3850	278		▶159		113
	300	6Y-3852	278	7C-2091	8	7C-9530	105
	304	6Y-3853	292		9	7C-9531	105
	308		308		▶34	7C-9532	113
6Y-1116	310	6Y-3855	296	7C-2092	8	7C-9533	105
	292		310		9	7C-9534	105
	308	6Y-3860	358		▶106	7C-9535	105
6Y-1119	292	6Y-3861	358	7C-2094	8	7C-9536	105
	296	6Y-4280	660		9	7C-9538	113
	310	6Y-4638	378		▶108	7C-9539	105
6Y-1864	304		382	7C-2095	8	7C-9540	105
6Y-1870	360	6Y-4978	394		9	7C-9541	105
6Y-1878	300	6Y-5010	356		▶80	7C-9699	105
6Y-1885	292	6Y-5230	802		▶81	7C-9997	32
	308	6Y-5352	278	7C-2096	8	7D-0028	346
6Y-1887	296	6Y-5728	280		9	7D-0035	346
	300		286		▶50	7D-1151	514
	304	6Y-7821	▶328	7C-2097	8		516
	310		369		9	7D-1195	670
6Y-1888	310	6Y-7822	328		▶112	7D-1649	496
6Y-1890	304		▶394	7C-2098	8		500
6Y-1891	296	6Y-7823	▶378		9		614
	300		394		▶94	7D-2135	802
	310	6Y-7824	▶382		▶96	7D-2136	802
6Y-1895	296		394	7C-2099	94	7D-2196	802
	300		396		▶98	7D-3504	612
	310	6Y-7916	536		▶99	7D-3898	514
6Y-2299	296	6Y-7953	608	7C-3626	4	7D-3963	538
6Y-2300	▶360	6Y-7954	340		6	7D-4903	552
	369		342		▶57	7D-5252	440
	370	6Y-7981	304	7C-4354	228		441
	371	6Y-8237	378		234		442
	372		386		240		443
6Y-2301	▶292	6Y-8285	300		247		444
	369	6Y-8764	▶356		253		445
	370		357		259		446
6Y-2302	▶296	6Y-8765	▶357		265		447
	369		369		524		448
	370		370		526		449
6Y-2303	▶300		371	7C-5134	112		450
	369		372	7C-5278	142		451
	370	6Y-9763	281	7C-6178	14		452
	371		286	7C-7011	58		453
	372	6Y-9960	50	7C-7013	▶58		454
6Y-2307	296				59		455
	310			7C-7614	134		456
6Y-2312	300			7C-8365	34		457
	304			7C-8366	34		458
6Y-2419	300	7B-2499	770	7C-8369	34		459
6Y-2424	296	7B-2742	195	7C-8370	34		460
	310	7B-3028	386	7C-8371	34		461
6Y-2425	300	7B-3235	496	7C-8632	▶113		462
	304		670		114		463
6Y-2428	304	7B-5037	758	7C-8634	34		464
6Y-2429	304	7B-5163	32	7C-8657	4		465
6Y-2430	304	7B-9323	556		6		466
6Y-2466	378	7C-0562	16		▶114		467
	386	7C-0563	16	7C-8993	▶125		468
6Y-2584	394	7C-0564	16		146		469
	396	7C-0565	16	7C-9301	105		470
6Y-2932	652	7C-0566	16	7C-9302	113		471
6Y-2933	652	7C-0570	16	7C-9303	105		472
6Y-2934	652	7C-0577	16	7C-9304	113		473

7

# PART NUMBER INDEX

Part	Page	Part	Page	Part	Page	Part	Page
	474	7D-8983	608	7G-4822	292	7I-4943	510
	475		612		296	7I-4945	510
	476	7D-8984	608		300	7I-4948	510
	477		612		304	7I-4949	510
	478	7D-9212	312		308		511
	479	7D-9267	664		310	7I-4952	511
	480		665	7G-4824	848	7I-4959	510
	485	7D-9600	1		864	7I-4960	510
	486		▶664		868	7I-4963	510
	487		▶665		946	7I-4965	510
	488	7E-2464	144	7G-5453	379	7I-4966	511
	489	7E-3667	144		382	7I-4977	530
	492	7E-3986	140		386	7I-4979	510
	493	7E-4656	144	7G-7053	270	7I-4981	510
	494	7E-4892	128		272	7I-4982	510
7D-5610	▶364	7E-5346	126		274	7I-4983	510
	398		129	7G-7919	524		530
7D-6567	362	7E-5677	8		526	7I-4985	510
7D-7026	79		9	7H-1447	670		530
	876		▶101	7H-2423	598	7I-4995	510
7D-7095	505		▶102		600		530
7D-7419	540	7E-5680	4		602	7I-5045	▶524
	546		6		604		819
7D-7496	522		▶40	7H-2444	788		916
7D-7889	346	7E-5681	4	7H-3171	28	7I-5083	506
7D-8185	340		6		82		508
	342		▶44	7H-3641	116	7I-5116	▶506
7D-8225	340	7E-5682	4		117	7J-0204	598
	342		6		120		600
7D-8226	340		▶107		121		602
	342	7E-5683	4		676		604
7D-8245	802		6		678	7J-0637	117
7D-8347	334		▶68		680		121
	336	7E-6047	54		682	7J-5311	972
	348	7E-6200	4		684	7J-5544	670
7D-8354	536		6		686	7J-6729	318
7D-8362	536		▶32		688		320
7D-8434	536	7E-6701	64		690	7J-6839	656
7D-8436	278	7E-6796	47		692	7J-8009	656
	536	7E-7984	112		696	7J-8611	344
7D-8437	536	7E-7986	106		698		540
7D-8439	536	7E-8453	108	7H-9678	126		546
7D-8440	353	7E-8454	112	7I-4610	1	7J-8902	198
	▶536	7E-8923	14		▶532	7J-9108	756
7D-8441	536	7E-8925	14	7I-4616	518	7J-9885	606
7D-8636	496	7E-8926	14	7I-4696	854	7J-9933	716
	500	7E-8928	14		856		718
7D-8637	496	7E-9067	40		858		720
	500	7E-9068	44	7I-4697	854		722
7D-8643	496	7E-9301	107	7I-4698	854		724
	500	7E-9302	68		856		726
7D-8875	788	7E-9303	68		858		728
7D-8876	788	7F-0482	505	7I-4699	854		730
7D-8877	788	7F-1327	802		856		732
7D-8878	788	7F-7590	66		858		734
7D-8879	788	7F-7621	156	7I-4713	94		736
7D-8881	788	7F-8267	656		96		738
7D-8882	788	7F-8268	357	7I-4717	216		742
7D-8883	788	7F-9311	552	7I-4718	1	7K-1181	224
7D-8884	788	7G-0437	278		▶564		228
7D-8889	788	7G-1060	246	7I-4749	672		234
7D-8891	788		252	7I-4750	672		240
7D-8912	496		259	7I-4881	94		246
	500		265		96		252
	▶533	7G-4326	948	7I-4890	823		264

# PART NUMBER INDEX

Part	Page	Part	Page	Part	Page	Part	Page
	705	8C-3446	60		575		688
	706		646	8D-2811	496		690
	707	8C-3451	646		500		692
	708	8C-3655	200		574		696
	709		206		575		698
	710	8C-3756	848	8D-3508	326	8D-5637	676
7X-2553	34		946	8D-3540	346		678
7X-2825	578	8C-4436	503	8D-3591	346		680
	580		504	8D-3786	510		682
7X-2833	5	8C-4586	849		530		684
7X-3182	962	8C-4984	328		672		686
	964		330	8D-3791	514		688
	966	8C-5060	966		516		690
	967	8C-5210	86	8D-3885	346		692
	968		90	8D-3886	346		696
7X-3229	972	8C-5337	324	8D-3902	346		698
7X-3373	200	8C-6207	▶181	8D-4064	340	8D-5640	676
	206		246		342		678
7X-4736	538	8C-6354	270	8D-4282	340		680
7X-4776	714		272		342		682
	756		274	8D-4332	788		684
7X-6315	169	8C-6561	143	8D-4336	788		686
	170	8C-6738	956	8D-4766	565		688
	171		957		566		690
7X-7644	972	8C-6857	774	8D-5054	198		692
7X-7661	906	8C-6876	117	8D-5467	770		696
	908		121	8D-5632	676		698
	910	8C-6913	802		678	8D-5641	676
	912	8C-6965	378		680		678
7X-7700	150		382		682		680
	152		386		684		682
7X-7731	496	8C-7581	858		686		684
	500	8C-8422	286		688		686
7X-7739	930	8C-8451	849		690		688
	932	8C-8454	830		692		690
7X-7877	218		836		696		692
	220	8C-8923	972		698		696
	845	8C-9122	588	8D-5633	676		698
	930		598		678		823
	932		600		680	8D-5949	762
	935	8C-9123	578		682		764
7Y-5226	906	8C-9124	584		684		766
	908	8C-9131	588		686		768
	910		598		688	8D-5996	116
	912		600		690		120
	954	8C-9132	578		692	8D-6684	362
	955	8C-9133	584		696	8D-6687	569
		8C-9586	116		698		570
			120	8D-5634	676	8D-7026	540
		8C-9660	276		678		546
		8C-9678	▶176		680	8D-7086	565
			218		682		566
8B-1615	344		220		684		572
8B-2377	125		392		686	8D-7225	572
8B-6349	26	8C-9987	757		688	8D-7423	608
	28		802		690		612
8C-0620	312	8D-1268	813		692	8D-7424	608
	314	8D-1429	848		696		612
	316		896		698	8D-7425	608
8C-2926	356		898	8D-5636	676		612
8C-3085	755		902		678	8D-7426	608
8C-3309	642		904		680	8D-7678	569
8C-3411	584		574		682		570
8C-3425	654	8D-2429	575		684	8D-7960	822
8C-3442	822		574		686	8D-7996	567
8C-3445	60	8D-2638	574				

8

# PART NUMBER INDEX

Part	Page	Part	Page	Part	Page	Part	Page
	568	8E-2390 . . . . .	280		382	8H-8648 . . . . .	247
8D-8168 . . . . .	788		286		386		253
8D-8197 . . . . .	334	8E-3366 . . . . .	▶333	8E-9897 . . . . .	382		259
	336		353	8F-0492 . . . . .	864	8H-9204 . . . . .	136
	348	8E-5519 . . . . .	308		868	8H-9788 . . . . .	68
8D-8795 . . . . .	278		310	8F-1434 . . . . .	156	8J-0112 . . . . .	588
8D-8852 . . . . .	676	8E-5531 . . . . .	781		199		590
	678		782		200	8J-0331 . . . . .	751
	680		783		202	8J-0377 . . . . .	667
	682		784		206		668
	696	8E-5734 . . . . .	296		208	8J-0380 . . . . .	667
	698		300		210	8J-0386 . . . . .	667
8D-8879 . . . . .	514		304		222	8J-0484 . . . . .	584
8D-9092 . . . . .	618		310		224	8J-1434 . . . . .	796
	622	8E-5736 . . . . .	304		240		798
	634	8E-5742 . . . . .	292		894		▶806
	638		296		896	8J-2330 . . . . .	667
8D-9159 . . . . .	514		300		898	8J-2331 . . . . .	667
	516		304		900		668
8D-9784 . . . . .	334		308		902	8J-6371 . . . . .	582
	336		310		904		583
	348	8E-6130 . . . . .	790	8F-1974 . . . . .	224	8J-6384 . . . . .	586
8D-9882 . . . . .	758		792		228	8J-6815 . . . . .	711
	759	8E-6140 . . . . .	292		234		714
	760		296		240	8J-7008 . . . . .	796
8D-9883 . . . . .	758	8E-6570 . . . . .	378	8F-3469 . . . . .	292		798
	759		382		296	8J-7024 . . . . .	793
8D-9884 . . . . .	758		386		300		794
	759	8E-7107 . . . . .	280		304		▶796
8D-9886 . . . . .	758		286		308	8J-8343 . . . . .	146
	759	8E-7713 . . . . .	382	8F-4102 . . . . .	569	8J-9910 . . . . .	594
	760	8E-7714 . . . . .	378		570	8J-9911 . . . . .	594
8D-9887 . . . . .	758		382	8F-5340 . . . . .	656	8K-0530 . . . . .	522
	759		386	8F-6230 . . . . .	394	8K-1207 . . . . .	26
	760	8E-7791 . . . . .	848		396		28
8D-9969 . . . . .	117		864	8F-6437 . . . . .	676	8K-1433 . . . . .	246
	121		868		678		252
	312		946		680		259
	314	8E-8319 . . . . .	292		682		265
	316		296		684	8L-5832 . . . . .	128
8D-9973 . . . . .	116		300		686		146
	120		304		688	8L-6005 . . . . .	541
	312		308		690		547
	314		310		692	8L-7905 . . . . .	823
	316	8E-9316 . . . . .	▶304		696	8L-8662 . . . . .	19
8D-9974 . . . . .	117		369		698	8M-0755 . . . . .	48
	121		370	8F-7219 . . . . .	666	8M-0904 . . . . .	66
	312		371	8F-8178 . . . . .	125	8M-2770 . . . . .	222
	314		372	8F-8998 . . . . .	65		224
	316	8E-9474 . . . . .	394	8F-9836 . . . . .	514		228
8E-1133 . . . . .	280		396		772		234
	286	8E-9476 . . . . .	394	8G-0452 . . . . .	514		240
8E-1143 . . . . .	382		396		516		246
8E-1161 . . . . .	304	8E-9478 . . . . .	394	8G-0871 . . . . .	510		252
8E-1263 . . . . .	292		396	8G-2613 . . . . .	50		265
	296	8E-9750 . . . . .	292	8H-1141 . . . . .	200		270
	308		296		206		272
	310	8E-9893 . . . . .	382	8H-1728 . . . . .	879	8M-2772 . . . . .	222
8E-1368 . . . . .	333	8E-9894 . . . . .	378	8H-2778 . . . . .	126		247
8E-1908 . . . . .	296		382	8H-2810 . . . . .	126		253
	310		386	8H-3526 . . . . .	355		259
	300	8E-9895 . . . . .	378		844		265
8E-1909 . . . . .	300		382	8H-4040 . . . . .	802	8M-2773 . . . . .	224
8E-1910 . . . . .	300		386	8H-5303 . . . . .	213		228
8E-1913 . . . . .	304		379	8H-5306 . . . . .	213		234
8E-1914 . . . . .	304	8E-9896 . . . . .					

# PART NUMBER INDEX

Part	Page	Part	Page	Part	Page	Part	Page
	240		258	8N-8221 . . . . .	54		200
	247		264	8N-8222 . . . . .	54		202
	253	8N-1849 . . . . .	54	8N-8223 . . . . .	54		206
8M-3175 . . . . .	712	8N-2487 . . . . .	140	8N-8225 . . . . .	23		208
	714	8N-2488 . . . . .	128		24		210
8M-3182 . . . . .	60	8N-2495 . . . . .	128	8N-8226 . . . . .	23		906
8M-3267 . . . . .	19	8N-2499 . . . . .	129		24		908
8M-3368 . . . . .	552	8N-2501 . . . . .	129	8N-8227 . . . . .	23		910
8M-3837 . . . . .	509	8N-2503 . . . . .	128		24		912
8M-4295 . . . . .	304	8N-2505 . . . . .	128	8N-8228 . . . . .	23		954
8M-4432 . . . . .	76	8N-2507 . . . . .	128		24		955
8M-4437 . . . . .	716	8N-2510 . . . . .	140	8N-8229 . . . . .	23	8T-0335 . . . . .	954
	718	8N-2637 . . . . .	144		24		955
	720	8N-2640 . . . . .	144	8N-8721 . . . . .	46	8T-0336 . . . . .	608
	722	8N-2641 . . . . .	144	8N-8846 . . . . .	96		612
	724	8N-2694 . . . . .	101		98	8T-0337 . . . . .	177
	726		102		99		178
	728	8N-3087 . . . . .	129	8P-2813 . . . . .	514		179
	730	8N-3088 . . . . .	146	8P-5141 . . . . .	848		180
	732	8N-3096 . . . . .	146	8R-2054 . . . . .	932	8T-0352 . . . . .	906
	734	8N-3163 . . . . .	4		935		908
	736		6	8R-2057 . . . . .	932		910
	738		▶19		935		912
8M-4438 . . . . .	318	8N-3168 . . . . .	129	8R-4519 . . . . .	812		954
	320	8N-3251 . . . . .	58		940		955
	322	8N-3256 . . . . .	128		942	8T-0355 . . . . .	358
8M-4448 . . . . .	58	8N-3258 . . . . .	128	8S-0493 . . . . .	72	8T-0372 . . . . .	278
8M-5248 . . . . .	68	8N-3259 . . . . .	128	8S-0934 . . . . .	929		658
8M-5253 . . . . .	68	8N-3325 . . . . .	58	8S-1326 . . . . .	65		660
8M-6176 . . . . .	882	8N-3327 . . . . .	58	8S-1491 . . . . .	18	8T-0533 . . . . .	496
	883	8N-3945 . . . . .	129	8S-1499 . . . . .	58	8T-0540 . . . . .	496
	884	8N-4110 . . . . .	26	8S-1605 . . . . .	22	8T-0639 . . . . .	328
8M-6521 . . . . .	280		28	8S-1965 . . . . .	52		330
	286	8N-4457 . . . . .	▶60	8S-3995 . . . . .	65	8T-0646 . . . . .	642
8M-7065 . . . . .	12		76	8S-4212 . . . . .	70	8T-0659 . . . . .	136
	14	8N-4485 . . . . .	82	8S-4790 . . . . .	812	8T-0667 . . . . .	597
8M-7145 . . . . .	107		83		940	8T-1174 . . . . .	823
8M-7758 . . . . .	864		100		942	8T-1296 . . . . .	618
	868	8N-4617 . . . . .	103	8S-5383 . . . . .	164		630
8M-8489 . . . . .	356		104	8S-6511 . . . . .	72		634
8M-8515 . . . . .	146	8N-4745 . . . . .	4	8S-6814 . . . . .	128		638
8M-8948 . . . . .	813		6	8S-7716 . . . . .	111	8T-1683 . . . . .	626
	846		▶22	8S-7718 . . . . .	111		644
8M-9062 . . . . .	153	8N-4960 . . . . .	41	8S-8874 . . . . .	66	8T-1687 . . . . .	618
8M-9307 . . . . .	28		42	8S-9092 . . . . .	346		622
	332	8N-5117 . . . . .	140		762		626
8N-0110 . . . . .	45	8N-5132 . . . . .	136	8S-9129 . . . . .	280		630
8N-0303 . . . . .	4	8N-5286 . . . . .	4		286		634
	6		6		358		638
	▶45		▶28	8S-9130 . . . . .	280	8T-1698 . . . . .	652
8N-0743 . . . . .	82	8N-5784 . . . . .	146		286	8T-2275 . . . . .	670
	83	8N-5928 . . . . .	86		358	8T-2501 . . . . .	318
	100		90	8T-0076 . . . . .	616		320
8N-0869 . . . . .	247	8N-5929 . . . . .	86		618		322
	253		90		622		618
	258	8N-6199 . . . . .	126		626		622
8N-0888 . . . . .	8	8N-6854 . . . . .	52		634		626
	▶83	8N-7254 . . . . .	6		638		634
8N-1415 . . . . .	142		▶63	8T-0081 . . . . .	132		638
8N-1693 . . . . .	196	8N-7315 . . . . .	66	8T-0119 . . . . .	132	8T-2502 . . . . .	82
8N-1721 . . . . .	54	8N-7318 . . . . .	66	8T-0197 . . . . .	350		83
8N-1725 . . . . .	246	8N-7523 . . . . .	153	8T-0328 . . . . .	128		100
	247	8N-7837 . . . . .	94		156		112
	252		96		160		538
	253		510		199		540

# PART NUMBER INDEX

Part	Page	Part	Page	Part	Page	Part	Page
	546		698		726		224
	618		826		728		228
	622		828		730		234
	634		830		732		240
	638		832		734		246
8T-2561 . . . . .	511		834		736		252
	822		836		738		259
8T-2604 . . . . .	117		865		813		265
	121		869		962		276
8T-2901 . . . . .	948		880		964		756
8T-3282 . . . . .	588	8T-4122 . . . . .	126	8T-4171 . . . . .	849		813
	590		164	8T-4179 . . . . .	359	8T-4223 . . . . .	848
	598		312	8T-4181 . . . . .	826		94
	600		314		828		96
	602		316		832		112
	604		565		834		116
8T-3321 . . . . .	972		566	8T-4182 . . . . .	864		120
8T-3426 . . . . .	868		648		868		159
8T-3490 . . . . .	188		649		880		164
	190		650	8T-4185 . . . . .	34		246
	192		820	8T-4186 . . . . .	80		252
	281		886		81		259
	287		888		700		265
	826		926		701		359
	828	8T-4123 . . . . .	50		704		378
	832	8T-4128 . . . . .	101		705		383
	834		102	8T-4189 . . . . .	287		386
	848	8T-4133 . . . . .	184		716		522
	849		202		718		526
	946		208		720		535
8T-3512 . . . . .	976		281		722		552
	984		287		724		618
8T-3513 . . . . .	978		822		726		622
	986		830		728		634
8T-3514 . . . . .	980		836		730		638
	988		880		732		642
	992	8T-4136 . . . . .	676		734		648
8T-3517 . . . . .	982		678		736		649
	990		680		738		650
8T-3597 . . . . .	359		682	8T-4192 . . . . .	359		667
8T-3957 . . . . .	642		684	8T-4195 . . . . .	676		668
8T-4009 . . . . .	793		686		678		672
	794		688		680		774
	▶971		690		682		788
8T-4121 . . . . .	34		692		684	8T-4224 . . . . .	34
	80		696		686		116
	81		698		688		117
	188	8T-4137 . . . . .	188		690		120
	190		190		692		121
	192		192		696		143
	202		280		698		188
	208		286		830		190
	280		826		836		192
	286		828		865		196
	350		832		869		198
	676		834		880		222
	678		880	8T-4196 . . . . .	34		312
	680	8T-4138 . . . . .	270		350		314
	682		272	8T-4200 . . . . .	280		316
	684		547	8T-4205 . . . . .	117		510
	686		716		121		541
	688		718		143		547
	690		720		156		716
	692		722		200		718
	696		724		206		720

# PART NUMBER INDEX

Part	Page	Part	Page	Part	Page	Part	Page
8X-1915	822	8X-2525	334	8X-3200	514		830
8X-1917	822	8X-2528	340		516	8X-4318	▶828
8X-1921	822		342	8X-3261	117		830
8X-1943	▶569	8X-2534	334		121	8X-4413	818
	▶570		336	8X-3434	497		▶830
	776		348		500		919
	777	8X-2556	962	8X-3435	497	8X-4446	832
8X-1944	▶571		964		501		834
	778	8X-2646	556	8X-3436	497	8X-4448	826
8X-1945	▶648	8X-2650	540		501		828
	778		546	8X-3437	497		832
8X-1947	▶567		▶556		501		834
	▶568	8X-2651	860	8X-3593	117	8X-4467	654
	778	8X-2653	860		121	8X-4525	▶832
8X-1960	▶772	8X-2663	962	8X-3595	116		836
	778		964		120	8X-4526	▶834
8X-2160	822	8X-2680	540	8X-3615	788		836
8X-2161	822		546	8X-3616	788	8X-4527	▶836
8X-2226	524	8X-2765	860	8X-3663	802		924
	860	8X-2791	868	8X-3747	362	8X-4556	340
8X-2228	891	8X-2795	817	8X-3748	362	8X-4558	847
	892		818	8X-3749	648		▶876
8X-2245	▶838		820		649	8X-4641	340
	▶839		▶879		650		342
8X-2308	334		919	8X-3789	822	8X-4741	567
	336		924	8X-3805	312		568
8X-2330	1		926		314		571
	▶822	8X-2810	924		316	8X-4879	324
8X-2336	196		▶962	8X-3806	826		326
8X-2349	▶774	8X-2815	919		828	8X-5005	359
8X-2366	774		▶964	8X-3938	826		▶373
8X-2369	1	8X-2893	822		828	8X-5106	788
	▶672	8X-2905	324	8X-3951	822	8X-5107	788
8X-2375	▶890	8X-2910	960	8X-3965	822	8X-5108	775
	924		▶966	8X-4066	832		788
8X-2379	1	8X-2911	961		834	8X-5109	775
	▶654		▶967	8X-4154	1	8X-5110	788
8X-2385	818	8X-2913	524		▶526	8X-5111	788
	▶891		526	8X-4176	85	8X-5121	350
	919		860	8X-4243	826	8X-5123	822
8X-2400	▶864	8X-2920	▶840		832	8X-5154	184
	924	8X-2947	116	8X-4244	828	8X-5155	510
8X-2405	▶868		120		834	8X-5156	510
	919	8X-2948	116	8X-4245	826	8X-5160	538
8X-2478	398		120		828	8X-5280	948
	399	8X-2952	117		832		952
	▶485		121		834	8X-5321	504
8X-2479	▶398	8X-2953	117	8X-4262	826	8X-5322	504
8X-2480	▶399		121		832	8X-5330	1
8X-2481	▶486	8X-2954	117	8X-4263	828		▶503
	▶487		121		834	8X-5414	864
8X-2496	116	8X-2955	116	8X-4270	344		868
	120		120	8X-4271	344	8X-5456	890
8X-2497	312	8X-2956	117	8X-4276	676	8X-5489	228
	314		121		678		234
	316	8X-3121	117		680		240
	541		121		682		246
	547	8X-3122	116		684		252
8X-2498	312		120		686	8X-5498	676
	314	8X-3123	116		688		678
	316		120		690		690
8X-2499	541	8X-3124	117		692	8X-5499	680
	547		121		696		682
8X-2500	117	8X-3125	116		698		684
	121		120	8X-4317	▶826		686



# PART NUMBER INDEX

9

Part	Page	Part	Page	Part	Page	Part	Page
	688	8X-7975	646	8X-9675	915		
	692	8X-7978	524		917		
	696		526		▶948	9B-0143	334
	698	8X-8011	776	8X-9680	▶950		336
8X-5534	849		780		960		348
	946		▶781		961	9B-1565	786
8X-5535	848	8X-8055	860	8Y-3912	▶930		787
	946	8X-8059	188		940	9B-2596	103
8X-5536	849	8X-8096	324	8Y-3913	930	9B-7233	148
	946		326	8Y-4005	▶932		156
8X-5538	848	8X-8103	864		942		184
	946	8X-8104	864	8Y-4030	934		214
8X-5540	848	8X-8105	868	8Y-4398	826		848
	946	8X-8106	868		828		858
8X-5620	359	8X-8271	540		832	9B-7237	50
8X-5680	324		541		834		85
	326		546	8Y-4399	828		116
8X-5731	672		547		834		120
8X-5732	672	8X-8288	▶365	8Y-4400	826		132
8X-5733	672		399		832		312
8X-5734	670	8X-8299	117	8Y-4401	826		314
8X-5735	670		121		828		316
8X-6070	▶616	8X-8351	860		832		520
	800	8X-8377	346		834		541
8X-6075	802	8X-8406	772	8Y-4408	948		547
8X-6080	800	8X-8407	772		952		618
	▶802	8X-8408	772	8Y-4409	948		622
8X-6131	886	8X-8409	772	8Y-4512	879		626
	888	8X-8448	540	8Y-4619	826		630
8X-6294	922		546		828		634
8X-6296	184	8X-8450	540		832		638
8X-6419	526		546		834		672
8X-6475	524	8X-8451	540	8Y-4620	826		676
	526		546		828		678
8X-6478	524	8X-8505	524		832		680
	526		526		834		682
8X-6496	524	8X-8506	50	8Y-4801	826		684
	526	8X-8507	50		828		686
8X-6779	822	8X-8790	872		832		688
8X-6998	864	8X-8794	50		834		690
8X-6999	868	8X-8813	641	8Y-6277	940		692
8X-7283	350	8X-8916	350		942		696
8X-7317	350	8X-8921	540	8Y-6364	150		698
8X-7565	▶562		541		152		858
	778		546		354	9C-1587	930
8X-7600	541		547		355		932
	547	8X-8928	540		503	9C-2177	810
8X-7601	540	8X-8940	816		520	9C-2399	642
	541		915		672	9C-5324	930
	546		917		845	9C-5344	350
	547		▶938		934	9C-5347	810
8X-7603	540	8X-9142	558		936	9C-5928	880
	546		559		937	9C-9467	350
8X-7665	312		560		994	9D-0145	116
8X-7740	116		561	8Y-6388	814		120
	552		▶644		878		312
8X-7820	641	8X-9149	562	8Y-6851	938		314
8X-7845	864	8X-9227	562		▶940		316
	868	8X-9349	948	8Y-6852	936	9D-0565	362
	872		952		937	9D-0566	362
8X-7951	772	8X-9387	854		▶942	9D-0953	618
8X-7956	772		856	8Y-6981	956		619
8X-7972	562	8X-9405	948		957		622
8X-7973	642		952	8Y-6982	956		623
8X-7974	642	8X-9464	526		957		630

# PART NUMBER INDEX

Part	Page	Part	Page	Part	Page	Part	Page
	634	9F-2978	94		500		920
	638		188	9G-7132	378		922
	646		506		382	9G-9154	116
9D-1142	608		507		386		120
	612		514	9G-7548	160		222
9D-1491	608		516	9G-7549	160		224
	612		518	9G-7551	160		228
9D-1589	820		534	9G-7552	160		234
	886		540	9G-7553	160		240
	888		774	9G-7554	160		314
	926		790	9G-7555	160		316
9D-2549	552	9F-4337	198	9G-7556	160		318
9D-3075	536	9F-5124	802	9G-7558	160		320
9D-3311	514		805	9G-7559	160		322
	516	9F-5644	213	9G-7560	160		524
9D-3345	353	9F-6445	224	9G-7561	160		526
	▶366		228	9G-7562	160		552
9D-3523	497		234	9G-7565	160	9G-9155	946
	501		240	9G-7566	160	9G-9813	▶154
9D-3583	788		516	9G-7567	160		270
9D-4049	▶852	9F-6705	712	9G-7568	160		272
	856		714	9G-7641	▶214		274
9D-5516	802	9G-0747	276		270	9H-1031	772
9D-5567	514	9G-1950	849		272	9H-1113	58
	516	9G-2264	218		274	9H-5921	44
9D-5568	514		276	9G-8140	541	9H-6454	670
	516		838		547	9J-0096	796
9D-5571	516		839	9G-8909	247		798
9D-5657	514		840		253	9J-0403	716
	516	9G-2265	218	9G-9150	188		718
9D-5659	514		220		192		720
	516		224		196		722
	524		228		224		724
	526		234		228		726
9D-6095	▶367		240		234		728
9D-6164	184		270		240		730
	516		272		246		732
	774	9G-2991	334		252		734
9D-6166	514		336		258		736
	516	9G-3659	894		264		738
9D-6168	516		896		270	9J-0404	716
9D-6425	▶505		898		272		718
	779		900		274		720
	780		902		281		722
9D-6521	533		904		318		724
9D-6523	533	9G-3667	524		320		726
9D-6524	533		526		328		728
9D-6584	514		883		524		730
	516		884		526		732
	648	9G-3668	882		849		734
	649	9G-3670	524		854		736
	650		526	9G-9151	516		738
9D-6589	514	9G-3695	196		920	9J-1979	670
	516		247		922	9J-1985	670
9D-6663	552		524	9G-9152	224	9J-1988	670
9D-7047	536		526		228	9J-1991	670
9D-7924	672		883		234	9J-2935	656
9D-8121	556		884		240	9J-3047	670
9D-8508	188	9G-4352	524		246	9J-4963	652
9D-9257	514		526		252	9J-5442	656
	516	9G-4365	196		259	9J-5498	536
9D-9797	496	9G-4574	158		265	9J-5686	656
	500		▶162		524	9J-6586	806
9F-2247	23	9G-5127	344		526	9J-8076	656
	346	9G-5211	496	9G-9153	516	9J-8783	312

# PART NUMBER INDEX

Part	Page	Part	Page	Part	Page	Part	Page
	314	9L-2140 . . . . .	156		96		265
	316	9L-2295 . . . . .	114		355	9S-1102 . . . . .	106
	541	9L-5254 . . . . .	47		518	9S-1240 . . . . .	159
	547	9L-5452 . . . . .	48		520		164
9K-2721 . . . . .	675	9L-5810 . . . . .	48	9M-6522 . . . . .	48	9S-1302 . . . . .	540
9K-7951 . . . . .	440	9L-6770 . . . . .	156	9M-6527 . . . . .	86		546
	441		160		107	9S-1322 . . . . .	772
	442		162	9M-7394 . . . . .	670	9S-1354 . . . . .	312
	443	9L-9068 . . . . .	394	9M-7609 . . . . .	200		314
	444		396		206		316
	445	9L-9098 . . . . .	136	9M-8406 . . . . .	222		851
	446	9L-9159 . . . . .	134		224		852
	447	9L-9814 . . . . .	940		246	9S-1366 . . . . .	788
	448		942		252	9S-2437 . . . . .	156
	449	9M-0164 . . . . .	106		258	9S-2544 . . . . .	156
	450	9M-0397 . . . . .	12		264		930
	451	9M-0402 . . . . .	12		270		932
	452		48		272		935
	453	9M-1853 . . . . .	94		274	9S-3029 . . . . .	54
	454		96		848	9S-4167 . . . . .	127
	455		676	9M-8662 . . . . .	900	9S-4180 . . . . .	140
	456		678		902		195
	457		680		904		700
	458		682	9M-9886 . . . . .	58		701
	459		684	9N-0869 . . . . .	61		702
	460		686	9N-1995 . . . . .	511		703
	461		688		864		704
	462		690		868		705
	463		692	9N-3040 . . . . .	47		706
	464		696		48		707
	465		698	9N-3388 . . . . .	134		708
	466	9M-1974 . . . . .	12		135		709
	467		14		136		710
	468		22		156	9S-4181 . . . . .	280
	469		48	9N-4156 . . . . .	356		287
	470		60	9N-4158 . . . . .	356	9S-4182 . . . . .	60
	471		68	9N-4159 . . . . .	356		278
	472		72	9N-4161 . . . . .	356		345
	473		76	9N-4162 . . . . .	356		348
	474		280	9N-4163 . . . . .	356	9S-4183 . . . . .	670
	475		287	9N-4498 . . . . .	382	9S-4185 . . . . .	68
	476		328	9N-4500 . . . . .	382		280
	477		330	9N-5328 . . . . .	68		286
	478		841	9N-5769 . . . . .	21		658
	479		842	9N-6152 . . . . .	278	9S-4189 . . . . .	712
	480		854	9P-0356 . . . . .	373		714
	485		856	9P-2369 . . . . .	948	9S-4190 . . . . .	280
	486	9M-1986 . . . . .	345		952		286
	487	9M-2042 . . . . .	281	9P-7121 . . . . .	150		362
	488		286		152		660
	489	9M-2092 . . . . .	496	9P-9150 . . . . .	328	9S-4191 . . . . .	125
	492		500		330		127
	493	9M-2341 . . . . .	126		394		280
	494	9M-2750 . . . . .	117		396		286
9L-1518 . . . . .	16		121	9R-1183 . . . . .	618		345
9L-1566 . . . . .	224	9M-2904 . . . . .	63		622		350
	228		64	9R-2620 . . . . .	274		394
	234	9M-4335 . . . . .	278		865		396
	240	9M-4584 . . . . .	48		869		740
	540	9M-4594 . . . . .	216	9R-2672 . . . . .	922	9S-5517 . . . . .	159
	546	9M-4849 . . . . .	68	9R-3852 . . . . .	188	9S-6147 . . . . .	101
	854	9M-5501 . . . . .	876		192		102
	876	9M-5590 . . . . .	822	9R-8870 . . . . .	626	9S-7083 . . . . .	109
9L-2137 . . . . .	156	9M-5732 . . . . .	62	9S-0174 . . . . .	253	9S-8001 . . . . .	712
9L-2139 . . . . .	156		94		259		714

# PART NUMBER INDEX

Part	Page	Part	Page	Part	Page	Part	Page
9S-8002	68	9T-4211	596	9U-8075	378		798
	378		597		386	9W-4430	278
	382	9T-4213	577	9U-8613	378	9W-4431	278
	386		578		387	9W-4452	278
	714		580	9U-8614	378	9W-4453	278
9S-8003	712	9T-5241	842		386	9W-5128	▶280
	714	9T-5603	667	9U-8620	378		369
9S-8004	378		668		382	9W-5132	▶278
	382	9T-5604	618		386		369
	386		634	9U-8668	382		370
9S-8005	280		▶667	9U-8669	382		371
	286	9T-5957	642	9U-8815	292		372
	716		▶712		296	9W-5133	280
	718		▶714		308	9W-5134	▶358
	720	9T-7750	740		310		369
	722	9T-7754	662	9U-9282	378		370
	724	9T-7755	662		382		371
	726	9T-7756	662		386		372
	728	9T-7757	662	9U-9312	328	9W-6465	281
	730	9T-7759	662	9U-9316	378		286
	732	9T-7761	662		382	9W-6467	304
	734	9T-7765	663		386	9W-6582	50
	736	9T-7767	663	9U-9595	382	9W-6584	50
	738	9T-7769	663	9U-9693	656	9W-6645	496
9S-8006	280	9T-7771	663	9U-9995	292		536
	286	9T-7773	663		308		608
9S-8008	345	9T-7774	663	9V-0344	510		612
9S-8009	712	9T-7775	660	9V-0450	510	9W-7038	281
	714	9T-7984	▶670	9V-0453	510		286
			672	9V-3043	810	9W-7115	353
9S-8752	57		670	9V-7437	930		▶369
9T-1633	658	9T-7985	670		932	9W-7385	50
9T-1636	658	9T-8051	652		935	9W-7388	50
	660	9T-8053	652	9V-7440	810	9W-7410	382
9T-1652	658	9T-8054	652		935	9W-7411	379
	660	9T-8056	652	9V-7446	940		386
9T-1699	658	9T-8058	652		942	9W-7412	378
	660	9T-8059	652	9V-7447	940		382
9T-1710	658	9T-8061	652		942		386
	660	9T-8063	652	9V-7453	940	9W-7438	790
9T-1857	740	9T-8065	652		942		792
9T-2186	740	9T-8067	652	9V-7454	940	9W-7467	▶790
9T-2197	658	9T-8069	652		942		793
9T-2387	598	9T-8070	652	9V-7458	940	9W-7469	790
	600	9T-8560	656		942		792
9T-2388	598	9T-8784	565		810	9W-7470	790
	600		▶578	9V-7943	810		792
	602		▶580	9V-8788	935	9W-7603	▶793
	604	9T-9040	606	9V-8789	935	9W-7784	378
9T-2392	598	9T-9071	652	9W-0274	195		387
9T-2393	574	9T-9072	652	9W-0335	862		292
	▶598	9U-8067	378	9W-0706	374	9W-9371	296
9T-2394	600		382		▶390		308
9T-2395	574		386	9W-0898	382		296
	▶600	9U-8068	378	9W-1454	280	9W-9901	310
9T-2452	578		382		281		292
	580		386		286		308
9T-2456	588	9U-8069	378	9W-1835	786		310
9T-2457	588		383		787		296
	590		386	9W-2029	292	9W-9905	296
9T-2482	597	9U-8070	378		296		300
9T-3133	594		386		308		304
9T-3727	598	9U-8071	386		310		310
	600	9U-8072	378	9W-2739	378	9W-9920	50
	602		386		382	9X-0343	841
	604	9U-8073	379	9W-3155	796		842

# PART NUMBER INDEX

Part	Page	Part	Page	Part	Page	Part	Page
9X-1046	218		836		206		152
	220		840	9X-4986	814	9X-8606	540
	822		848	9X-5694	312		546
	838		864	9X-6001	160	9X-8874	57
	839		868	9X-6019	956	9X-8875	802
	840		872		957	9X-8880	334
	894		874	9X-6258	276		336
	896		946	9X-6395	742		348
	898		948		747		786
	900		952	9X-6458	90		787
	902	9X-2046	864	9X-6578	314	9X-8881	764
	904		868		316		766
9X-1386	247		879	9X-6624	930		768
	253		881		932	9X-8883	764
	259	9X-2126	848	9X-6775	▶178		766
	265	9X-2134	132		188		768
	281	9X-2185	849		190	9X-8887	608
	287	9X-2205	150		192		612
9X-1439	▶177		152	9X-7169	▶179	9X-8898	770
9X-1813	194	9X-2447	972		184	9X-9013	849
	264	9X-2485	45	9X-7170	▶180	9X-9120	264
9X-1878	972	9X-2488	848		184	9X-9363	849
9X-2038	845	9X-2498	174	9X-7680	740	9X-9365	188
9X-2040	848		228	9X-7797	180		192
	946		234	9X-7798	179	9X-9511	200
9X-2041	324		240	9X-7876	378		206
	326	9X-2546	826		382	9X-9632	188
	848		828	9X-8256	117		192
	934		832		121	9X-9638	840
	936		834		246	9X-9654	848
	937	9X-2836	136		252	9X-9657	838
	938	9X-3064	181		259		840
	946		182		265		▶841
9X-2042	218	9X-3392	885		270	9X-9689	841
	324		962		272		842
	326		964		807	9X-9825	264
	822	9X-3455	177		808	9Y-0629	39
	826		178		826	9Y-0630	39
	828		179		828	9Y-1798	30
	832		180		830	9Y-1979	110
	834	9X-3463	177		832		111
	952		178		834	9Y-3595	68
9X-2043	116		179		836	9Y-4701	128
	120		180		849	9Y-6859	60
	220	9X-4174	177		864	9Y-6860	60
	324		178		868	9Y-7037	140
	326	9X-4243	177		872	9Y-7149	60
	524		178		894	9Y-7524	134
	526		179		896	9Y-9895	56
	820		180		898		
	860	9X-4244	177		900		
	864		178		902		
	868		179		904		
	872		180		928	002-1212	660
	874	9X-4282	882	9X-8257	34	002-6453	362
	894		883	9X-8276	940		552
	896		884		942	003-9514	79
	898	9X-4284	882	9X-8277	930	004-5933	552
	900		883		932	004-9040	658
	902		884	9X-8355	775	005-7898	350
	904	9X-4492	181	9X-8372	972	005-8639	598
9X-2045	324	9X-4493	182	9X-8399	582		600
	326	9X-4609	280		583		602
	820		286		606		604
	830	9X-4824	200	9X-8600	150	006-6434	79

0

# PART NUMBER INDEX

Part	Page	Part	Page	Part	Page	Part	Page
006-6586	150		926		707	101-1983	716
	152	061-7661	247		708		718
006-8663	588		253		709		720
	658		259		710		722
	660		265	101-0852	169		724
009-0008	117	065-1153	656		170		726
	121	069-5688	826		171		728
009-2069	662		828	101-1148	716		730
009-4184	854		832	101-1149	718		732
	856		834	101-1151	724		734
	858	086-0507	670	101-1152	728		736
009-4185	854	089-7968	940		730		738
	856		942	101-1153	726	101-1984	716
	858	091-8488	864	101-1154	720		718
014-0816	966	091-9071	854	101-1155	722		720
	967		856	101-1966	730		722
027-1287	675		858	101-1968	730		724
030-0060	496	092-3200	564	101-1970	716		726
	500	095-0888	658		718		728
030-0061	496		660		720		730
	500	095-1207	378		734		738
030-6121	756		383		736	101-2457	676
030-7947	127		386		738		678
030-7948	68	096-6166	218	101-1971	716		680
030-8535	38		220		718		682
	334		822		720		684
	336	098-7467	854		722		686
	346		856		724		688
	348		858		726		690
	823	099-0492	872		728		692
	888				730		696
	926				732		698
030-9612	156				734	101-2458	684
031-0216	128				736		686
031-2666	822	100-3401	660		738		688
031-4155	842	100-3402	660	101-1973	716		690
	944	100-3403	660		718		692
032-1269	47	100-3404	660		720	101-2480	716
033-4121	935	100-3405	660		722		718
033-4843	930	100-3407	660		724		720
	932	100-3408	660		726		722
033-5879	146	100-3409	660		728		724
033-6027	660	100-3410	663		730		726
	740	100-3411	663		732		728
033-6036	658	100-3412	660		734		730
	660		▶663		736		732
	740	100-3413	660		738		734
033-6044	195	100-3415	660	101-1978	716		736
033-8248	120	100-3416	660		718		738
	222		▶666		720	101-2850	103
	247	100-3652	23		722	101-3055	864
	253		24		724		868
	259	100-4336	626		726	101-4145	728
034-1994	822	100-4915	391		728		▶748
034-3557	334	100-6021	712		730	101-4147	722
	336		714		732		726
	348		▶747		734		730
034-7044	503	100-7861	30		736		▶749
036-9821	200	101-0509	700		738	101-4148	749
	206		701	101-1982	722		▶750
036-9823	200		702		724	101-7664	972
	206		703		726	101-8075	1
038-3987	820		704		728		▶496
	886		705		730	101-8077	496
	888		706		732	101-8161	218

# PART NUMBER INDEX

Part	Page	Part	Page	Part	Page	Part	Page
101-8190	188	102-8636	42	104-4523	790		▶652
	190	102-8802	222		792	105-3249	479
	192		259	104-5512	25		480
101-8192	188		265	104-5518	25	105-8681	324
	192		322	104-5527	25		326
101-8193	188	102-8803	247	104-5530	25	105-8827	▶212
	192		253	104-5958	956		320
101-9346	700		258		957	105-9772	41
	701		264	104-6387	280	106-1567	454
	702		287		286		455
	703	102-8808	194	104-7419	676	106-1793	107
	704	102-8813	194		678	106-3392	109
	705	102-9372	820		680	106-3658	716
	706		891		682		718
	707		892		684		720
	708		926		686		722
	709	102-9381	890		688		724
	710	102-9383	276		690		726
101-9520	524	103-0802	188		692		728
	526	103-1031	318		696		730
101-9754	378		320		698		732
	383	103-1057	188	104-7429	676		734
	386		190		678		736
102-1501	564		192		680		738
	▶656	103-1596	518		682	106-3659	716
102-2384	658		520		684		718
102-2385	658	103-4771	888		686		720
102-2386	658		926		688		722
102-2804	656	103-4953	820		690		724
102-3645	948		886		692		726
	952		888		696		728
102-3659	642		926		698		730
102-3981	218	103-5304	920	104-7740	676	106-3660	734
102-4139	614		922		678	106-3788	511
	762	103-5417	534		680	106-3789	511
	764	103-5419	534		682	106-3926	▶90
	766	103-5515	820		684		92
	768		886		686	106-3927	4
102-5881	296		888		688		▶92
	300		926		690	106-4497	41
	304	103-5516	820		692	106-4787	▶618
	310		886		696		▶622
102-6238	704		888		698		776
	708		926	104-7837	218		777
102-7412	716	103-5678	184	104-8588	280	106-4835	471
	718	103-6263	868	104-8589	281		472
	720	103-9125	496	104-8655	762	106-4884	1
	722		500		764		▶528
	724	103-9425	864		766	106-5840	848
	726	104-1956	518		768		946
	728	104-2091	900	104-8672	676	106-6553	830
	730		902		▶700		836
	732		904	104-8673	678	106-7128	612
	734	104-3122	658		▶701	106-7129	612
	736		660	104-9726	516	106-7130	612
	738		▶740	105-1921	514	106-7131	612
102-8385	700	104-3124	658	105-1922	514	106-7388	748
	701		660	105-2080	614		▶751
	702	104-3947	378		762	106-7389	749
	703		382		764		▶752
	705		391		766	106-7390	743
	706	104-4253	134		768		▶753
	707	104-4254	134	105-2508	143	106-7656	101
	709	104-4286	642	105-3196	608		▶103
	710	104-4522	790		612	106-7657	101

# PART NUMBER INDEX

Part	Page	Part	Page	Part	Page	Part	Page
	102	107-9641 . . . . .	826		794		296
106-7658 . . . . .	108		828	109-7072 . . . . .	645		300
106-8552 . . . . .	204		832	109-7073 . . . . .	645		304
	▶210		834	109-9771 . . . . .	642		308
106-8555 . . . . .	198	108-0702 . . . . .	646	110-0016 . . . . .	109		310
	▶211	108-0703 . . . . .	646	110-0019 . . . . .	109	111-0343 . . . . .	392
106-8704 . . . . .	322	108-0714 . . . . .	646	110-1607 . . . . .	2		757
106-8957 . . . . .	4	108-1104 . . . . .	▶800		▶4	111-0871 . . . . .	247
	▶74	108-1610 . . . . .	618	110-2985 . . . . .	▶626		253
106-8958 . . . . .	74		622		778	111-1719 . . . . .	1
	▶75		626	110-3003 . . . . .	626		▶994
106-9087 . . . . .	510		646	110-3326 . . . . .	541	111-3945 . . . . .	514
106-9091 . . . . .	972	108-2187 . . . . .	716		547		516
106-9092 . . . . .	972		718	110-4213 . . . . .	441	111-5754 . . . . .	752
106-9107 . . . . .	511		720		443		753
106-9188 . . . . .	224		722		445	111-7088 . . . . .	328
	228		724		447	111-7994 . . . . .	12
	234		726		449		▶16
	240		728		451	111-8001 . . . . .	4
107-0260 . . . . .	16		730		453		▶42
107-0521 . . . . .	728		732		455	111-8007 . . . . .	4
107-0543 . . . . .	702		734		457		6
	706		736		458		▶109
	709		738		459	111-8010 . . . . .	82
	▶728	108-2522 . . . . .	16		460		83
107-0545 . . . . .	703	108-3129 . . . . .	382		492	111-8015 . . . . .	30
	707	108-3519 . . . . .	184	110-4214 . . . . .	441	111-8233 . . . . .	716
	710	108-4484 . . . . .	864		443		718
	▶730	108-4814 . . . . .	740		445		720
107-0611 . . . . .	222	108-4815 . . . . .	740		447		722
107-4865 . . . . .	948	108-4816 . . . . .	740		449		724
	952	108-5157 . . . . .	747		451		726
107-5014 . . . . .	864	108-5751 . . . . .	292		453		728
	868		308		455		730
	872	108-5949 . . . . .	828		457		732
107-6813 . . . . .	830		834		458		734
	836	108-5950 . . . . .	826		459		736
107-7090 . . . . .	270		832		460		738
	272	108-5951 . . . . .	828		492	111-9321 . . . . .	700
	813		834	110-4652 . . . . .	612		701
107-8140 . . . . .	626	108-5952 . . . . .	826	110-4654 . . . . .	612		702
107-8141 . . . . .	626		832	110-4655 . . . . .	612		703
107-8142 . . . . .	626	108-6523 . . . . .	378	110-4656 . . . . .	▶612		706
107-8143 . . . . .	619		383		778		707
	623		386	110-5157 . . . . .	378	112-1813 . . . . .	781
107-8144 . . . . .	618	108-7823 . . . . .	350		386	112-2404 . . . . .	224
	622	108-7824 . . . . .	350	110-5158 . . . . .	382		228
	634	109-0146 . . . . .	956	110-5161 . . . . .	394		234
	638		957		396		240
107-8147 . . . . .	626	109-1144 . . . . .	376	110-5765 . . . . .	4	112-2580 . . . . .	680
107-8148 . . . . .	626		711		▶15		▶702
107-8149 . . . . .	618	109-1317 . . . . .	▶14	110-5800 . . . . .	25	112-2581 . . . . .	682
	622		15	110-6078 . . . . .	348		▶703
	630	109-2804 . . . . .	864	110-6241 . . . . .	822	112-3199 . . . . .	616
	634		868	110-6398 . . . . .	247	112-3200 . . . . .	616
	638	109-3036 . . . . .	757		253	112-3837 . . . . .	644
107-8150 . . . . .	618	109-3204 . . . . .	658	110-6399 . . . . .	246	112-3980 . . . . .	918
	622	109-4582 . . . . .	340		252	112-4099 . . . . .	▶2
	626		342	110-6846 . . . . .	259	112-4106 . . . . .	2
	630	109-4583 . . . . .	340		264		▶778
	634		342	110-6848 . . . . .	259	112-4113 . . . . .	▶1
	638	109-6776 . . . . .	790		265		2
107-8374 . . . . .	802		792	110-7004 . . . . .	514	112-4122 . . . . .	2
107-8375 . . . . .	802	109-7027 . . . . .	▶645	110-7005 . . . . .	514		▶353
107-9579 . . . . .	34		793	110-7723 . . . . .	292	112-4159 . . . . .	654



# PART NUMBER INDEX

Part	Page	Part	Page	Part	Page	Part	Page
112-4834	538		120		834	116-2014	810
112-5060	762		860	114-9267	648	116-2015	810
	764	112-9442	615	115-0540	648	116-2016	810
	766	112-9555	814		649	116-2143	1
	768	112-9813	450		650		▼894
112-5061	762		451	115-0541	648		▼896
	764	112-9814	▼368		649		▼898
	766	113-2536	511		650	116-2144	815
	768	113-4251	848	115-0630	▼338		816
112-5361	1		946	115-0632	▼348		▼900
	▼565	113-4254	1		353		▼902
112-5495	665		▼934	115-0633	348		▼904
	▼675	113-5336	52	115-0634	348		919
112-5575	573	113-5341	4	115-0788	972		924
	▼597		6	115-0804	▼684	116-2145	1
	774		▼136	115-0808	559		▼858
112-5852	774	113-5757	1		▼686	116-2327	810
112-5853	774		▼530	115-0810	▼688	116-2779	▼810
112-5855	774		1	115-0811	▼690		940
112-5955	1	113-5758	1	115-0812	560		942
	▼222		▼504		▼692	116-3211	642
112-5960	1	113-5759	▼510		▼559	116-4605	2
	▼270	113-7745	281	115-1002	▼560		▼6
	▼272		287	115-1011	146	116-4686	882
	▼274	113-7753	247	115-1249	▼641		883
112-5974	1		253	115-3078	264		884
	▼276	113-7754	▼594	115-5590	864	116-5842	915
112-5978	1		793	115-6804	868		▼919
	▼224		794		872	116-5876	▼915
	▼228	113-7755	594		874	116-5878	▼916
	▼234	113-7756	594		864	116-7577	100
	▼240	113-8218	880	115-6805	868	116-9359	▼976
112-5985	1	113-8457	511		872	116-9360	▼978
	▼246	113-9048	350		874	116-9361	▼980
	▼252	113-9306	778		891	116-9363	▼982
	▼258		▼782	115-6806	864	116-9411	▼984
	▼264	113-9307	▼783	115-6807	868	116-9412	▼986
112-6080	▼218	113-9422	▼770		28	116-9413	▼988
	818		778	115-7550	1	116-9415	▼990
	919	113-9517	511	115-7921	▼507	116-9981	258
	924		518		▼630	117-0000	920
112-6795	▼676		520	115-8078	778	117-2311	807
	778		530		1		808
112-6799	▼678	114-0359	806	115-8081	▼646	117-3163	▼779
112-6804	▼680	114-2505	276		507	117-3175	▼776
112-6818	558	114-2687	66	115-8173	507	117-3186	▼777
	▼682	114-5075	656	115-8174	507	117-3302	992
112-6871	▼558	114-5132	656	115-8178	184	117-3486	919
112-7462	573	114-5168	656	115-9446	1		▼920
112-7463	▼573	114-5180	656	115-9845	▼972	117-3536	▼780
	776	114-5190	656		864	117-3855	▼634
	777	114-5325	656	115-9922	868		▼638
	779	114-5326	656		864		779
	780	114-5332	656	115-9923	868		780
112-7485	▼759	114-5337	656		972	117-4698	▼918
	762	114-5339	656	116-0028	216		926
	776	114-5342	656	116-0118	222	117-4945	4
112-7486	▼762	114-5347	656		▼785		6
	▼764	114-6635	751	116-0379	800		▼146
	▼766		752		486	117-5215	894
	▼768		753	116-1327	▼929		896
	776		754	116-1965	936		898
	777	114-8718	140		937		900
112-9035	597	114-9190	826		938		902
112-9119	156		828		810		904
112-9164	116		832	116-2013			

# PART NUMBER INDEX

Part	Page	Part	Page	Part	Page	Part	Page
135-6320	322		696	139-1153	808		234
135-6367	972		698	139-1430	813	142-4940	848
135-6381	976	137-5114	894	139-2119	322	142-5757	340
	984	137-5314	46	139-2120	322	142-5787	649
135-6382	978	137-5503	928	139-3171	814		650
	986	137-6719	702	139-3225	503	142-5835	274
135-6383	980		703	139-3226	503	142-6100	530
	988		706	139-3507	807	142-6170	440
	992		707		808		441
135-6389	982		708	139-3593	864	142-6171	442
	990		709		868		443
135-7099	511		710	139-4605	928	142-6172	481
	530	137-6720	700	139-4612	▶928		▶489
135-7101	511		701	139-6128	▶958	142-6173	444
	530		702	139-6129	▶959		445
135-9941	318		703	139-6815	386	142-6174	446
	320		704	139-8474	736		447
	322		705		▶754	142-6175	448
136-1678	386		706	139-9132	956		449
	▶391		707		957	142-6182	461
136-1892	318		708	139-9133	957		464
	320		709	139-9134	956	142-6183	462
136-1953	848		710		957		465
136-3153	246	137-6783	865	139-9135	956	142-6184	463
	252		868		957		466
136-3166	48	137-6790	566	139-9136	956	142-6185	473
136-3171	8		▶582		957		476
	▶64	137-6791	583	139-9137	956	142-6186	474
136-5154	894	137-6792	566		957		477
	896		▶583	139-9138	956	142-6187	475
	898	137-6793	582	140-3607	459		478
136-5160	312	137-6794	582	140-6131	510	142-6203	▶352
136-6330	646		583	140-6133	510		353
136-6331	646	137-7316	▶192	140-6418	881	142-6226	441
136-6942	6	137-7317	192	140-7616	1		443
136-6943	5	137-7318	192		▶520		445
	6	137-7406	▶794	140-7617	520		447
136-6944	6	137-7407	▶792	140-8127	▶881		449
136-8308	806		794	140-8129	▶566		451
136-9326	5	137-8065	865	140-8665	150		453
136-9329	5		868	140-8786	552		455
137-1717	247	137-8130	582	141-0360	458		457
	253		583	141-2991	516		458
137-1722	270	137-9410	184	141-2994	516		459
	272	138-2759	287	141-2995	1		460
137-4515	676	138-3760	520		▶516		▶490
	678	138-3777	94	141-5445	228		492
	680		96		234	142-6229	464
	682	138-3779	520		240		465
	684	138-3780	520	141-5835	820		466
	686	138-4054	830	141-8605	392		468
	688		836		757		470
	690	138-7026	865	141-9661	670		472
	692		869	141-9784	849		476
	696	138-7062	520	142-0308	602		477
	698	138-7063	520		604		478
137-4516	676	138-7065	807	142-0350	392		479
	678	138-9910	865	142-0731	218		▶491
	680		869	142-0732	218		494
	682	139-0071	862	142-0742	172	142-6297	400
	684	139-0178	862		▶807		▶440
	686	139-0250	258	142-0747	173	142-6298	401
	688	139-0532	666		▶808		▶441
	690	139-1117	864	142-1767	396	142-6300	402
	692	139-1118	868	142-3363	▶170		▶442

# PART NUMBER INDEX

Part	Page	Part	Page	Part	Page	Part	Page
142-6301	403	142-6372	426	144-0373	259	145-9535	287
	▶443		▶474		265	146-5128	896
142-6303	▶481	142-6373	428	144-0382	259		898
142-6304	482		▶475		265		900
	▶492	142-6374	433	144-0383	259		902
142-6305	▶482		▶476		265		904
142-6306	404	142-6375	436	144-0477	146	147-1771	330
	▶444		▶477	144-2161	516	147-3310	536
142-6307	405	142-6376	438	144-2162	516	147-6143	760
	▶445		▶478	144-2205	▶286	147-6144	760
142-6309	406	142-6385	434		370	147-7238	314
	▶446		▶479		371		316
142-6310	407	142-6445	▶400		372	148-0358	391
	▶447	142-6446	▶401	144-2231	287	148-2404	483
142-6312	408	142-6448	▶402		330		▶493
	▶448	142-6449	▶403	144-2234	353	148-2405	▶483
142-6313	409	142-6454	▶404		▶370	148-2408	484
	▶449	142-6455	▶405		▶371		▶494
142-6315	410	142-6457	▶406		▶372	148-2409	▶484
	▶450	142-6458	▶407	144-5323	314	148-2516	375
142-6316	411	142-6460	▶408		316	148-2593	586
	▶451	142-6461	▶409	144-5724	510		592
142-6318	412	142-6463	▶410	144-5725	510	148-7502	30
	▶452	142-6464	▶411	144-6294	375	148-8318	616
142-6319	413	142-6466	▶412		▶392	148-8374	616
	▶453	142-6467	▶413	144-6295	320	149-1115	883
142-6321	414	142-6469	▶414		322	149-1116	264
	▶454	142-6470	▶415		▶375	149-2065	314
142-6322	415	142-6472	▶416	144-6695	564		316
	▶455	142-6474	▶417	144-8525	228	149-3409	890
142-6324	416	142-6477	▶418		234		891
	▶456	142-6479	▶419		240		892
142-6325	417	142-7373	615	144-8622	▶175	149-5606	5
	▶457	142-7375	615		228	149-5930	▶883
142-6328	418	142-7378	▶615		234		896
	▶458		778		240		902
142-6330	419	142-7533	896	144-9435	▶862	149-7798	849
	▶459		898		915	149-8292	328
142-6332	420		900		917	149-9129	287
	▶460		902	145-1261	172	150-1280	597
142-6353	421		904		173	150-3726	146
	▶461	142-8205	▶649		▶174	150-3727	146
142-6354	425		▶650	145-1278	▶172	150-3728	128
	▶462		778	145-1279	▶173	150-3730	129
142-6355	427	142-8470	858	145-2244	793	150-4868	646
	▶463	143-2440	222		794	150-5105	910
142-6356	429	143-3580	274		▶798		912
	▶464	143-4792	503	145-5968	516	150-5106	▶910
142-6357	435	143-5373	287	145-5969	516		955
	▶465	143-5374	286	145-5999	258	150-5107	▶912
142-6358	437	143-7403	286		264		955
	▶466	143-7501	798	145-8039	287	151-0362	▶420
142-6360	422	143-9286	324	145-8713	258	151-0364	▶421
	▶467		326		264	151-0365	▶422
142-6361	430	143-9288	324	145-9077	117	151-0366	▶423
	▶468		326		312	151-0368	▶424
142-6363	423		815		314	151-0371	▶425
	▶469	143-9290	324	145-9531	▶330	151-0372	▶426
142-6364	431		326		370	151-0374	▶427
	▶470	143-9634	▶166		371	151-0375	▶428
142-6366	▶471		272		372	151-0378	▶429
142-6367	432	144-0195	948	145-9533	330	151-0379	▶430
	▶472		950		▶396	151-0380	▶431
142-6371	424		952	145-9534	▶386	151-0381	▶432
	▶473	144-0367	108		396	151-0382	▶433

# PART NUMBER INDEX

Part	Page	Part	Page	Part	Page	Part	Page
199-2737 . . . . .	832						
199-2738 . . . . .	834						
199-2739 . . . . .	826						
199-2740 . . . . .	828						
<b>2</b>							
202-9824 . . . . .	972						