

Pantalla anterior

◀ **Producto:** MOTOR GRADER
Modelo: 140H MOTOR GRADER 5HM
Configuración: 140H Motor Grader 3306 Engine 5HM00001-UP (MACHINE)

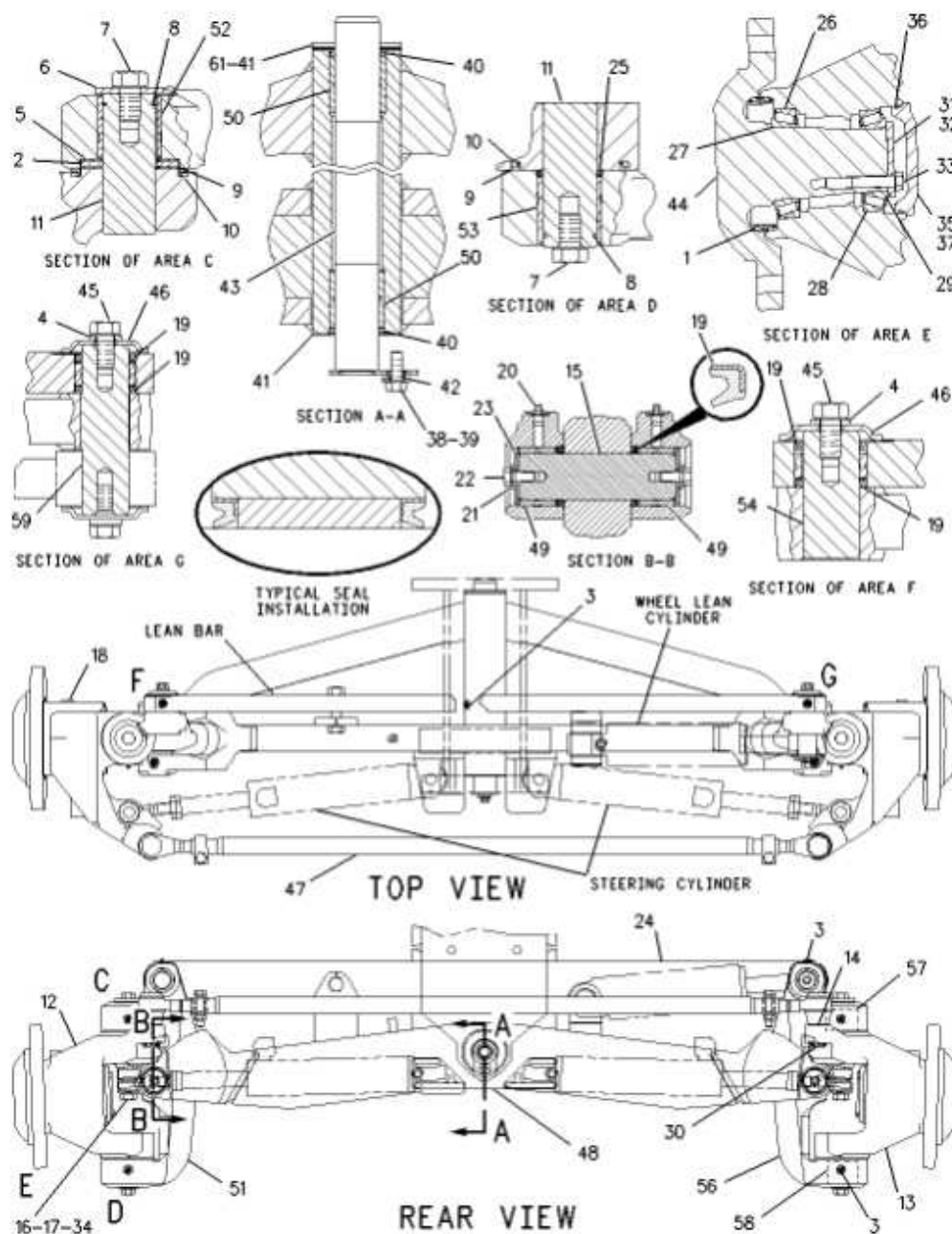


GRAFICO #1
g00885270

140H Motor Grader, Powered By 3306B Engine
 Número de medio - SEBP2488-101 | Fecha de publicación - 01/02/2009 | Fecha de actualización - 17/02/2009

i03177581

134-1080 AXLE GP-FRONT
S/N 5HM2681-UP
PART OF 112-4113 CHASSIS AR

GRUPO ENTERO

Ref.	Cant.	NPR Nota	No. de pieza	Nombre de la pieza
Grp	<input type="text"/>	<u>NPR</u>	134-1080	AXLE GP-FRONT

PIEZAS INDIVIDUALES

Ref.	Cant.	NPR Nota	No. de pieza	Cant. req.	Nombre de la pieza
1	<input type="text"/>	<u>NPR</u>	5K-5288	2	SEAL GP-DUO-CONE (EACH INCLUDES)
	<input type="text"/>	<u>NPR</u>	5K-5129	2	RING-SEALING
2	<input type="text"/>	<u>NPR</u>	2G-8626	2	WASHER-THRUST (2.02X3.63X0.16-IN THK)
3	<input type="text"/>	<u>NPR</u>	3B-8489	7	FITTING-GREASE (WHEEL LEAN CYLINDER)
4	<input type="text"/>	<u>NPR</u>	4D-3704	2	WASHER-HARD (17X30X5-MM THK)
5	<input type="text"/>	<u>NPR</u>	2G-8615	4	WASHER-THRUST (2.015X3.625X0.11-IN THK)
6	<input type="text"/>	<u>NPR</u>	2G-8742	2	WASHER-HARD (20X65X5-MM THK)
7	<input type="text"/>	<u>NPR</u>	2H-3740	4	BOLT (3/4-16X1.25-IN)
8	<input type="text"/>	<u>NPR</u>	2G-8741	4	RING-METAL SEAL
9	<input type="text"/>	<u>NPR</u>	2G-8777	4	SEAL
10	<input type="text"/>	<u>NPR</u>	9M-2092	4	SEAL-O-RING
11	<input type="text"/>	<u>NPR</u>	8W-5293	4	PIN
12	<input type="text"/>	<u>NPR</u>	8W-4652	1	HOUSING-SPINDLE
13	<input type="text"/>	<u>NPR</u>	8W-4653	1	HOUSING-SPINDLE
14	<input type="text"/>	<u>NPR</u>	8D-2811	2	WASHER (1.25X1.94X0.032- IN THK)
15	<input type="text"/>	<u>NPR</u>	2G-8633	2	PIN
16	<input type="text"/>	<u>NPR</u>	1D-4627	2	BOLT (7/8-9X3-IN)
17	<input type="text"/>	<u>NPR</u>	2J-3505	2	NUT-FULL (7/8-9-THD)
18	<input type="text"/>	<u>NPR</u>	7X-7731	2	PLUG-PIPE
19	<input type="text"/>	<u>NPR</u>	5P-8842	8	SEAL-LIP TYPE
20	<input type="text"/>	<u>NPR</u>	3B-8489	4	FITTING-GREASE (STEERING CYLINDER)
21	<input type="text"/>	<u>NPR</u>	5P-1075	4	WASHER-HARD (10.2X22.5X3-MM THK)
22	<input type="text"/>	<u>NPR</u>	5S-7379	4	BOLT (3/8-16X0.875-IN)
23	<input type="text"/>	<u>NPR</u>	2G-8768	4	WASHER (10.5X53.8X3-MM THK)
24	<input type="text"/>	<u>NPR</u>	103-9125	1	BAR AS
	<input type="text"/>	<u>NPR</u>	2G-8624	2	BEARING-SLEEVE
25	<input type="text"/>	<u>NPR</u>	5P-8890	2	SEAL-LIP TYPE
26	<input type="text"/>	<u>NPR</u>	030-0060	2	CUP-BEARING
27	<input type="text"/>	<u>NPR</u>	030-0061	2	CONE-BEARING
28	<input type="text"/>	<u>NPR</u>	7D-8637	2	CUP-BEARING
29	<input type="text"/>	<u>NPR</u>	7D-8636	2	CONE-BEARING
30	<input type="text"/>	<u>NPR</u>	3B-4618	2	PIN-COTTER
31	<input type="text"/>	<u>NPR</u>	7D-8643	2	RETAINER
32	<input type="text"/>	<u>NPR</u> B	2G-3865	6	SHIM (0.127-MM THK)
33	<input type="text"/>	<u>NPR</u>	0V-0375	6	BOLT (1/2-13X3.25-IN)
34	<input type="text"/>	<u>NPR</u>	9D-9797	2	LOCK
35	<input type="text"/>	<u>NPR</u>	5T-0906	2	COVER
36	<input type="text"/>	<u>NPR</u>	2J-8163	2	SEAL-O-RING

37	<input type="checkbox"/>	<u>NPR</u>	5D-0353	4	BOLT-LOCKING (3/8-16X1-IN)
38	<input type="checkbox"/>	<u>NPR</u>	0S-1585	1	BOLT (1/2-13X1.5-IN)
39	<input type="checkbox"/>	<u>NPR</u>	7D-1649	1	WASHER-HARD (13.5X32X5-MM THK)
40	<input type="checkbox"/>	<u>NPR</u>	5P-8843	2	SEAL-LIP TYPE
41	<input type="checkbox"/>	<u>NPR</u> B	2G-5673	2	WASHER (2.031X4X0.06-IN THK)
42	<input type="checkbox"/>	<u>NPR</u>	9G-5211	1	SPACER (12.95X19.05X9-MM THK)
43	<input type="checkbox"/>	<u>NPR</u>	130-3595	1	PIN AS
44	<input type="checkbox"/>	<u>NPR</u>	147-3400	2	SPINDLE
45	<input type="checkbox"/>	<u>NPR</u>	0S-1592	2	BOLT (5/8-11X1.25-IN)
46	<input type="checkbox"/>	<u>NPR</u>	2G-5667	2	RETAINER
47	<input type="checkbox"/>	<u>NPR</u> CY	<u>131-3740</u>	1	LINK GP-STEERING
48	<input type="checkbox"/>	<u>NPR</u>	134-1081	1	AXLE AS-FRONT
49	<input type="checkbox"/>	<u>NPR</u>	2G-8631	4	BEARING-SLEEVE
50	<input type="checkbox"/>	<u>NPR</u>	131-4428	2	BEARING-SLEEVE
51	<input type="checkbox"/>	<u>NPR</u>	8X-3434	1	ARM AS-LEANING (LH)
52	<input type="checkbox"/>	<u>NPR</u>	146-1842	1	BEARING-SLEEVE
53	<input type="checkbox"/>	<u>NPR</u>	146-1843	1	BEARING-SLEEVE
54	<input type="checkbox"/>	<u>NPR</u>	8W-6476	1	PIN
56	<input type="checkbox"/>	<u>NPR</u>	8X-3435	1	ARM AS-LEANING (RH)
57	<input type="checkbox"/>	<u>NPR</u>	146-1842	1	BEARING-SLEEVE
58	<input type="checkbox"/>	<u>NPR</u>	146-1843	1	BEARING-SLEEVE
59	<input type="checkbox"/>	<u>NPR</u>	8W-6497	1	PIN
61	<input type="checkbox"/>	<u>NPR</u>	9D-3523	1	WASHER (2.062X4X0.188-MM THK)

Abreviaturas:

B - USE AS REQUIRED
C - CHANGE FROM PREVIOUS TYPE
R - REMFG PART MAY BE AVAILABLE
Y - SEPARATE ILLUSTRATION

SMCS Codes		
4305	4313	5225

Copyright 1993 - 2014 Caterpillar Inc.
Todos los derechos reservados.
Red privada para licenciados del SIS.

Tue Jul 15 2014 16:50:38 GMT-0300 (Hora estándar de Argentina)