



13

12

11

10

### CONN 15

NOTE AF  
SHT 1

MP-C15  
T110785

MP-C2  
T110785

MP-C3  
1552272

MP-C4  
3E3394

MP-C5  
1552272

MP-C6  
1552272

MP-C7  
1552272

MP-C8  
1552272

MP-C9  
1552272

MP-C10  
1552272

MP-C11  
1552272

MP-C12  
1552272

MP-C13  
1552272

MP-C14  
1552272

MP-C15  
1552272

MP-C16  
1552272

MP-C17  
1552272

MP-C18  
1552272

MP-C19  
1552272

MP-C20  
1552272

MP-C21  
1552272

MP-C22  
1552272

MP-C23  
1552272

MP-C24  
1552272

MP-C25  
1552272

MP-C26  
1552272

MP-C27  
1552272

MP-C28  
1552272

MP-C29  
1552272

MP-C30  
1552272

MP-C31  
1552272

MP-C32  
1552272

MP-C33  
1552272

MP-C34  
1552272

MP-C35  
1552272

MP-C36  
1552272

MP-C37  
1552272

MP-C38  
1552272

MP-C39  
1552272

MP-C40  
1552272

### CONN 35

NOTE C  
SHT 1

MP-C3  
3E3394

MP-C4  
3E3394

MP-C5  
3E3394

MP-C6  
3E3394

MP-C7  
3E3394

MP-C8  
3E3394

MP-C9  
3E3394

MP-C10  
3E3394

MP-C11  
3E3394

MP-C12  
3E3394

MP-C13  
3E3394

MP-C14  
3E3394

MP-C15  
3E3394

MP-C16  
3E3394

MP-C17  
3E3394

MP-C18  
3E3394

MP-C19  
3E3394

MP-C20  
3E3394

MP-C21  
3E3394

MP-C22  
3E3394

MP-C23  
3E3394

MP-C24  
3E3394

MP-C25  
3E3394

MP-C26  
3E3394

MP-C27  
3E3394

MP-C28  
3E3394

MP-C29  
3E3394

MP-C30  
3E3394

MP-C31  
3E3394

MP-C32  
3E3394

MP-C33  
3E3394

MP-C34  
3E3394

MP-C35  
3E3394

MP-C36  
3E3394

MP-C37  
3E3394

MP-C38  
3E3394

MP-C39  
3E3394

MP-C40  
3E3394

### CONN 11

NOTE V  
SHT 1

MP-C7  
3E3394

MP-C8  
3E3394

MP-C9  
3E3394

MP-C10  
3E3394

MP-C11  
3E3394

MP-C12  
3E3394

MP-C13  
3E3394

MP-C14  
3E3394

MP-C15  
3E3394

MP-C16  
3E3394

MP-C17  
3E3394

MP-C18  
3E3394

MP-C19  
3E3394

MP-C20  
3E3394

MP-C21  
3E3394

MP-C22  
3E3394

MP-C23  
3E3394

MP-C24  
3E3394

MP-C25  
3E3394

MP-C26  
3E3394

MP-C27  
3E3394

MP-C28  
3E3394

MP-C29  
3E3394

MP-C30  
3E3394

MP-C31  
3E3394

MP-C32  
3E3394

MP-C33  
3E3394

MP-C34  
3E3394

MP-C35  
3E3394

MP-C36  
3E3394

MP-C37  
3E3394

MP-C38  
3E3394

MP-C39  
3E3394

MP-C40  
3E3394

### CONN 36

NOTE A, SHT 1  
(TO CAB GROUND STUD, LOC. SHT 1, F-7)

MP-C3  
3E5179

MP-C4  
1552252

MP-C5  
1552252

MP-C6  
1552252

MP-C7  
1552252

MP-C8  
1552252

MP-C9  
1552252

MP-C10  
1552252

MP-C11  
1552252

MP-C12  
1552252

MP-C13  
1552252

MP-C14  
1552252

MP-C15  
1552252

MP-C16  
1552252

MP-C17  
1552252

MP-C18  
1552252

MP-C19  
1552252

MP-C20  
1552252

MP-C21  
1552252

MP-C22  
1552252

MP-C23  
1552252

MP-C24  
1552252

MP-C25  
1552252

MP-C26  
1552252

MP-C27  
1552252

MP-C28  
1552252

MP-C29  
1552252

MP-C30  
1552252

MP-C31  
1552252

MP-C32  
1552252

MP-C33  
1552252

MP-C34  
1552252

MP-C35  
1552252

MP-C36  
1552252

MP-C37  
1552252

MP-C38  
1552252

MP-C39  
1552252

MP-C40  
1552252

### CONN 37

NOTE A, SHT 1  
(TO CAB GROUND STUD, LOC. SHT 1, F-7)

MP-C5  
3E3394

MP-C6  
3E3394

MP-C7  
3E3394

MP-C8  
3E3394

MP-C9  
3E3394

MP-C10  
3E3394

MP-C11  
3E3394

MP-C12  
3E3394

MP-C13  
3E3394

MP-C14  
3E3394

MP-C15  
3E3394

MP-C16  
3E3394

MP-C17  
3E3394

MP-C18  
3E3394

MP-C19  
3E3394

MP-C20  
3E3394

MP-C21  
3E3394

MP-C22  
3E3394

MP-C23  
3E3394

MP-C24  
3E3394

MP-C25  
3E3394

MP-C26  
3E3394

MP-C27  
3E3394

MP-C28  
3E3394

MP-C29  
3E3394

MP-C30  
3E3394

MP-C31  
3E3394

MP-C32  
3E3394

MP-C33  
3E3394

MP-C34  
3E3394

MP-C35  
3E3394

MP-C36  
3E3394

MP-C37  
3E3394

MP-C38  
3E3394

MP-C39  
3E3394

MP-C40  
3E3394

### CONN 14

NOTE B  
SHT 1

MP-C1  
3E3394

MP-C2  
3E3394

MP-C3  
3E3394

MP-C4  
3E3394

MP-C5  
3E3394

MP-C6  
3E3394

MP-C7  
3E3394

MP-C8  
3E3394

MP-C9  
3E3394

MP-C10  
3E3394

MP-C11  
3E3394

MP-C12  
3E3394

MP-C13  
3E3394

MP-C14  
3E3394

MP-C15  
3E3394

MP-C16  
3E3394

MP-C17  
3E3394

MP-C18  
3E3394

MP-C19  
3E3394

MP-C20  
3E3394

MP-C21  
3E3394

MP-C22  
3E3394

MP-C23  
3E3394

MP-C24  
3E3394

MP-C25  
3E3394

MP-C26  
3E3394

MP-C27  
3E3394

MP-C28  
3E3394

MP-C29  
3E3394

MP-C30  
3E3394

MP-C31  
3E3394

MP-C32  
3E3394

MP-C33  
3E3394

MP-C34  
3E3394

MP-C35  
3E3394

MP-C36  
3E3394

MP-C37  
3E3394

MP-C38  
3E3394

MP-C39  
3E3394

MP-C40  
3E3394

### CONN 15

NOTE AF  
SHT 1

MP-C15  
T110785

MP-C16  
T110785

MP-C17  
T110785

MP-C18  
T110785

MP-C19  
T110785

MP-C20  
T110785

MP-C21  
T110785

MP-C22  
T110785

MP-C23  
T110785

MP-C24  
T110785

MP-C25  
T110785

MP-C26  
T110785

MP-C27  
T110785

MP-C28  
T110785

MP-C29  
T110785

MP-C30  
T110785

MP-C31  
T110785

MP-C32  
T110785

MP-C33  
T110785

MP-C34  
T110785

MP-C35  
T110785

MP-C36  
T110785

MP-C37  
T110785

MP-C38  
T110785

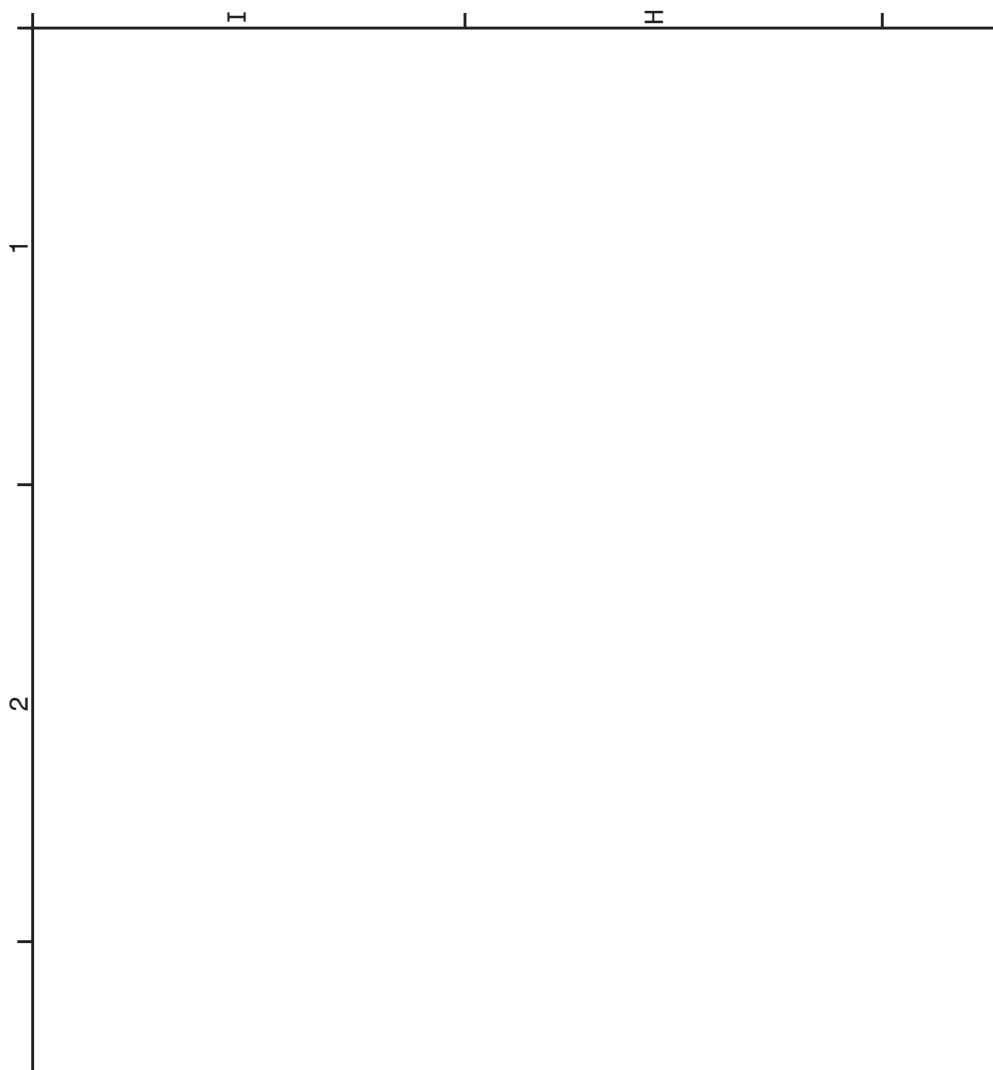
MP-C39  
T110785

MP-C40  
T110785

### CONN 35







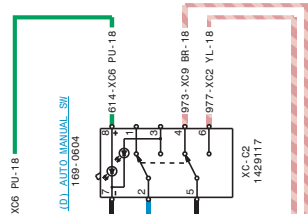












INSOLE

6.1 DIAGNOSTIC LED

187-1043

SW TO GND

SPEED SNR

PK SW TO GND

PL SW TO GND

(MAN) SW TO GND

(AUTO) SW TO GND

HL ENABLE CMD SW TO BAT

HL AUTO SW TO GND

HL ON SW TO GND

HL END PRESS SW TO GND

INDICATOR

#1 SOL

#2 SOL

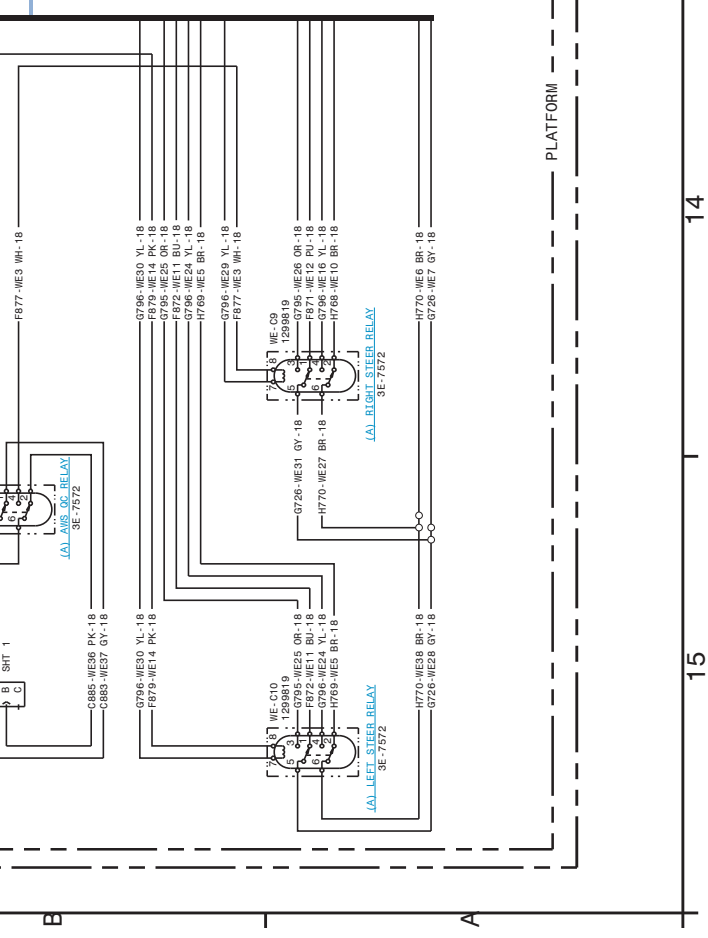
#3 SOL

HL RLY

OR RLY

WIRE GROUP COLOR DESCRIPTIONS	
	GROUND CIRCUIT
	WIRES THAT HAVE SYSTEM VOLTAGE WHEN THE KEY SWITCH IS OFF
	WIRES THAT HAVE SYSTEM VOLTAGE WHEN THE KEY SWITCH IS ON
	STARTING CIRCUIT
	AUTOSHIFT CONTROL CIRCUIT
	GAUGE CIRCUIT
	PANEL LAMP CIRCUIT
	AUX HYDRAULIC CONTROL CIRCUIT
	TURN SIGNAL / WIPER WASHER CIRCUIT
	MACHINE SECURITY CONTROL CIRCUIT
OTHER COLOR DESCRIPTIONS	
	HIGHWAYS

ABBREV	COLOR	SYMBOL	DESCRIPTION
RD	RED		BLADE, SPADE, RING, OR SCREW TERMINAL
OR	ORANGE		CIRCUIT CONNECTED
YL	YELLOW		CIRCUIT NOT CONNECTED
PK	PINK		ELECTRICAL CONNECTION TO MACHINE STRUCTURE
GY	GRAY		INTERNAL ELECTRICAL CONNECTION TO SURFACE OF COMPONENT
PU	PURPLE		CONNECTOR
BR	BROWN		ATCH WIRE, CABLE & COMPONENT
BU	BLUE		CIRCUIT GROUPING IDENTIFICATION
			SPLICE



14

15

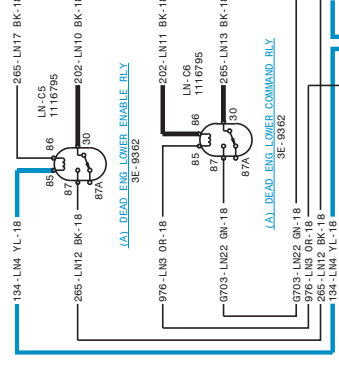


**CONN 19**

LN-C7  
3E3375

- 1 306-LM6 GN-18
- 2 307-LM7 BK-18
- 3 338-LN19 PK-18
- 4 327-LN20 PK-18

NOTE AK  
SHT 1



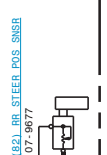
- 1 LN-G3 3E3376
- 2 184-LN9 BU-18
- 3 200-LN6 BK-18
- 4 134-LN7 YL-18

NOTE U  
SHT 1

**CONN 12**

DEAD

- (60) ANS\_LOCK\_VALVE\_SOL  
129-4531
- (60) ANS\_CIRCLE\_STEER\_SOL  
160-7293
- (60) ANS\_SHUTOFF\_SOL  
3E-6422
- (60) ANS\_RH\_STEER\_SOL  
160-7293
- (60) ANS\_LH\_STEER\_SOL  
160-7293



- (62) RH\_STEER\_POS\_SNSR  
107-9677

7

8

9



PH-C34 & PW-C35 ATTACHMENTS	DOWN	XF-C3	LN-C5	TA-C6	TA-C7	PW-C34
MACH SECURITY LOWER	NO	NO	NO	NO	NO	YES
DEAD ENG LOWER	LN-C5	NO	NO	NO	NO	YES
AUTOSHIFT	XF-C2	NO	YES	YES	YES	YES
	PW-C35	YES	YES	YES	YES	YES

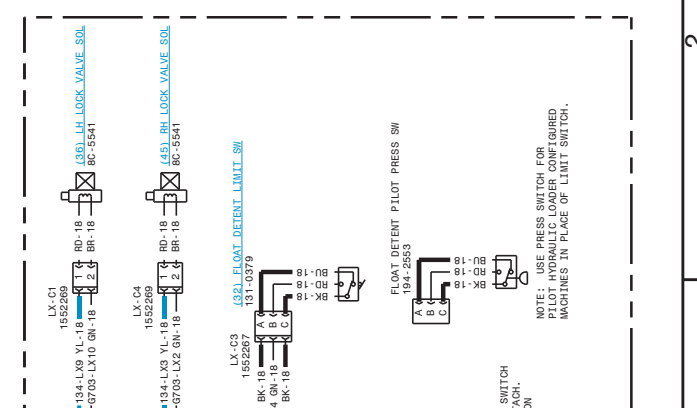
TABLE 1 - CONNECTIONS FOR ATTACHMENTS WITH PW-C34 & PW-C35

YES - CONNECTION IS ALLOWED  
NO - DO NOT CONNECT

HOW TO USE THIS TABLE:

- 1) IDENTIFY ALL ATTACHMENTS BEING INSTALLED.
- 2) GO DOWN LEFT COLUMN TILL AN INSTALLED ATTACHMENT IS FOUND.
- 3) GO LEFT TO RIGHT ACROSS ROW UNTIL FIRST "YES" CONNECTION IS FOUND.
- 4) IF NOT, CONTINUE ACROSS ROW UNTIL AN ATTACHMENT OR PW-C34 MATCHES.
- 5) IF NOT, CONTINUE ACROSS ROW UNTIL AN ATTACHMENT OR PW-C34 MATCHES.
- 6) REPEAT STEPS 2 - 5 TILL ALL ATTACHMENT CONNECTIONS HAVE BEEN FOUND.
- 7) PLATFORM CONNECTORS PW-C34 & PW-C35 SHOULD BE MATED TO A CONNECTOR.
- 8) NEVER MAKE A CONNECTION WHERE THERE IS A "NO".

NOTE AK



**MATIC IS FOR THE 416D, 420D, 424D, 428D, 430D, 432D, 438D, AND 442D  
LOADER ELECTRICAL SYSTEM**  
of 2: CAB  
MBER: RENR3587-04  
C PART NUMBER: 176-0268, CHANGE: 01, VERSION: -  
shown installed on a fully operable machine with the key and engine off, transmission shifter  
th parking brake set.  
ropriate Service Manual for Troubleshooting, Specifications and Systems Operations.