

Parts Manual

Generator Set

with PowerCommand® 1.1 Control or PowerStart 0500 Control

C44D5

C55D5

C66D5

C40D6

C50D6

C60D6

Table of Contents

Description	Page
SECTION A (Base Engine Parts)	
Alternator	7
Camshaft & Rocker Arm	8
Connecting Rod Assembly	10
Cooling System	11
Crankshaft with PTFE Seal Arrangement.....	12
Crankshaft	13
Cylinder Block	14
Cylinder Head	16
Dipstick Arrangement	17
Engine Suspension	18
Exhaust Manifold	19
Fuel Filter	20
Fuel Injection Pump.....	21
Flywheel.....	22
Injector.....	23
Lubrication System.....	24
Piston Assembly.....	26
Starter.....	27
Turbo Charger.....	28
SECTION B (Upfit Parts)	
Actuator Installation (A050U676) Normal Duty.....	30
Air Filter Installation (A035A535) Normal Duty.....	31
Air Filter Installation (A035A537) Heavy Duty.....	32
Battery Charger Installation (A040S959).....	33

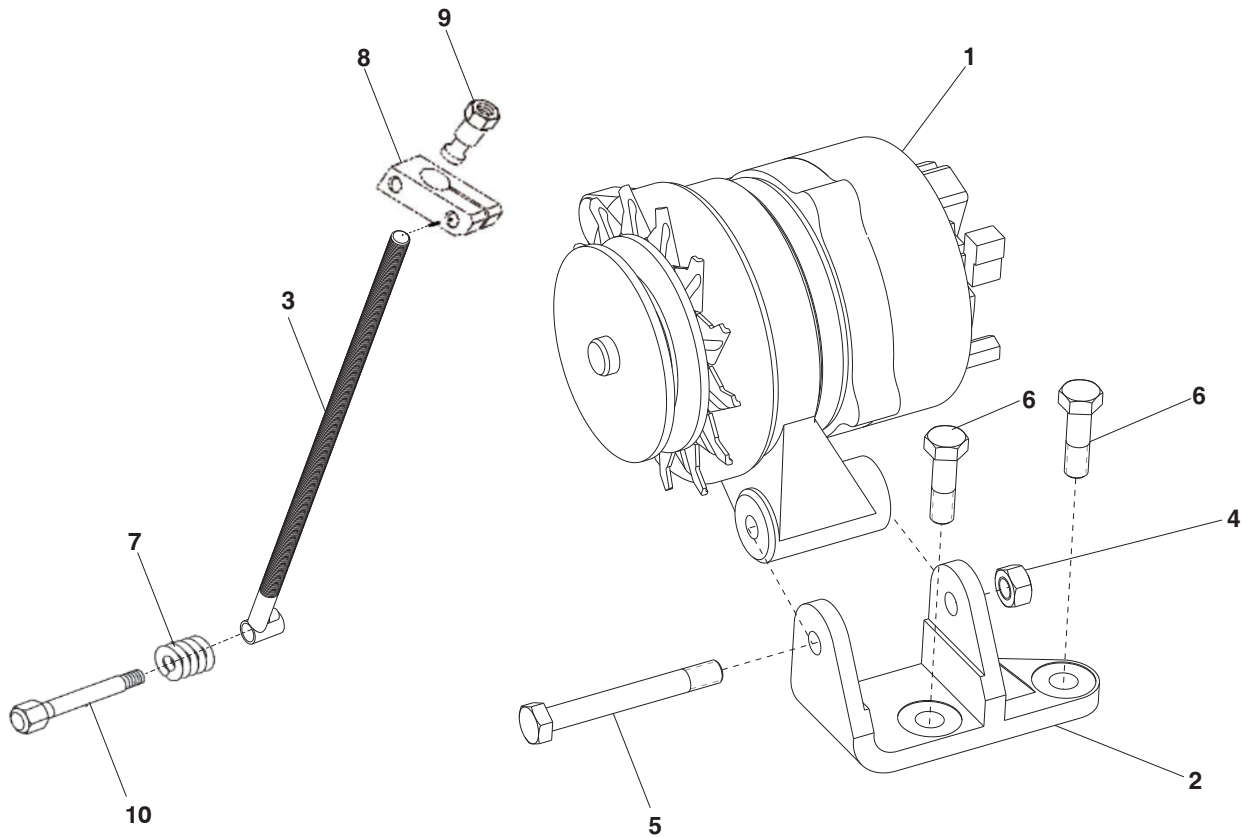
Description	Page
Battery Installation (A035B447).....	34
Busbar Installation (A041J296).....	36
Circuit Breaker Accessories Installation 63-400Amp.....	38
Circuit Breaker Accessories Installation (A035J479) 400-630Amp.....	40
Circuit Breaker Installation (A040S989) 3 Pole.....	42
Circuit Breaker Installation (A041C996) 4 Pole.....	44
Control Panel Installation (A040S951) PS0500.....	46
Control Panel Installation (A040S953) PC1.1 Electronic Governor.....	50
Control Panel Installation (A040S955) PC1.1 Mechanical Governor.....	54
Current Transformer Installation 1 Phase Dual Voltage.....	57
Current Transformer Installation 1 Phase Non-Dual Voltage.....	58
Current Transformer Installation 3-Phase.....	59
Duct Installation (A040S961) Frame-UC224G.....	60
Duct Installation (A040S965) Frame-UC224E & UC224F.....	61
Duct Installation (A040S967) Frame-UC224C & UC224D.....	62
Enclosure Installation (A035A759).....	63
Engine Installation (A051E086) CAC (50Hz & 60Hz) - 66kVA & 60kWe.....	64
Engine Installation (A051E120) Non CAC (50Hz & 60Hz) - 55kVA & 50kWe.....	66
Engine Installation (A051E122) Non CAC (50Hz & 60Hz) - 44kVA & 40kWe.....	68
Fuel System Installation (A040M688).....	70
Generator Installation (A035J509).....	72
Guard Installation (A040K577) For CAC Application.....	74
Guard Installation (A040Y050) For Non CAC Application.....	76
Harness Installation (A041L200).....	78
Heater Installation (A041R557).....	80

Description	Page
Lead Installation Single Phase 2 Wire.....	82
Lead Installation Single Phase 3 Wire.....	83
Lead Installation 3-Phase.....	84
Oil Drain Installation (A040N012).....	86
Part Numbers for Diesel Engine	87
Radiator Installation (A047A473) (44kVA) and (40kWe), Open Set.....	88
Radiator Installation (A047A804) (55kVA) and (50kWe), Open Set.....	90
Radiator Installation (A047A802) (66kVA) and (60kWe), Open Set.....	92
Radiator Installation (A035F315) (44kVA) and (40kWe), Enclosed Set.....	94
Radiator Installation (A035K619) (55kVA) and (50kWe), Enclosed Set.....	96
Radiator Installation (A035F317) (66kVA) and (60kWe), Enclosed Set.....	98
Sensor Installation (A035J981) PC1.1.....	101
Sensor Installation PS0500 (A035G010).....	102
Silencer Installation (A035L145) Open.....	104
Silencer Installation (A035A969) Enclosed.....	106
Skid Installation (A035F876) 100 Ltrs.....	108
Skid Installation (A035A547) 150 Ltrs.....	110
Skid Installation (A035F874) 500 Ltrs.....	114
Solenoid Installation.....	116
Voltage Regulator Installation (A040S973).....	117

“Intentionally Left Blank”

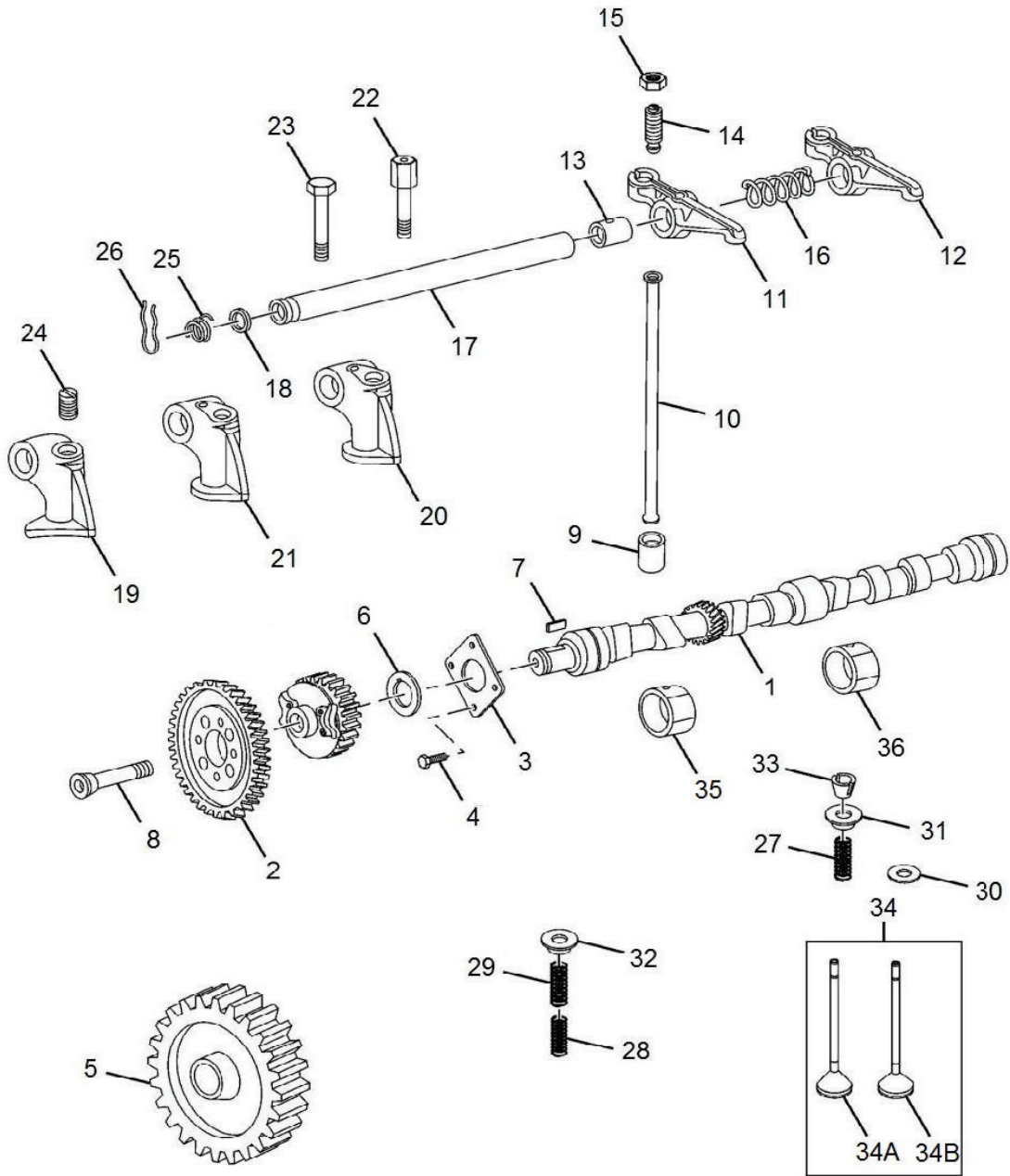
SECTION A
(Base Engine Parts)

Alternator



Item	Part No.	Description	Qty
1	A050D038	ALTERNATOR WITH PULLEY (12V,35AMP)	1
2	A050D055	BRACKET-ALTERNATOR	1
3	A034J202	ROD-THREADED	1
4	A034J208	NUT-LOCK	1
5	A034J197	BOLT-HEX HD	1
6	A034J196	BOLT-HEX HD	2
7	A050T100	SPRING	1
8	A050T280	CLAMPING PIECE	1
9	0860-2138	CLAMPING NUT	1
10	A055R807	BOLT [FOR FIXING ALTERNATOR]	1

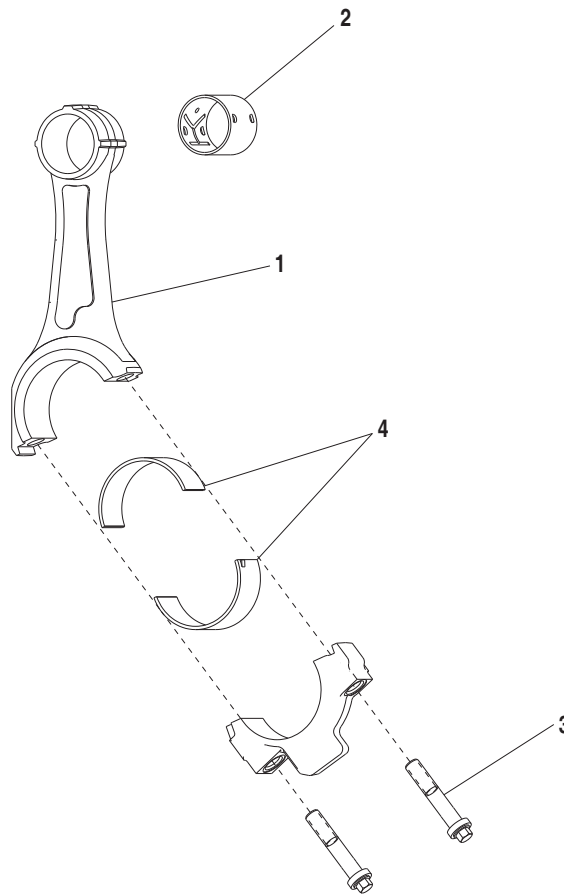
Cam Shaft & Rocker Arm



Cam Shaft & Rocker Arm

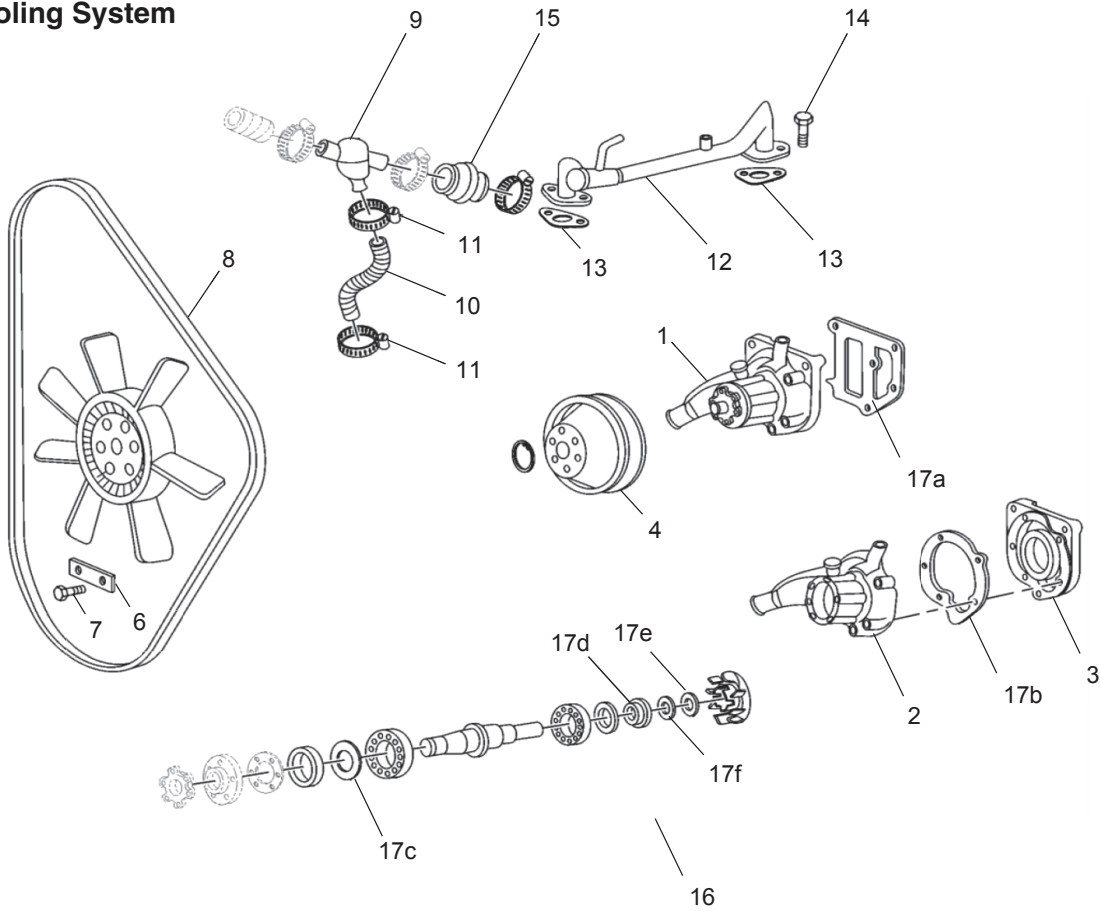
Item	Part No.	Description	Qty
1	A045Z301	CAMSHAFT	1
2	0507-0044	CAMSHAFT GEAR	1
3	A050T095	THRUST WASHER	1
4	0800-6594	HEX. SCREW	4
5	0507-0055	DRIVE GEAR (FIP)	1
6	0105-0792	BUTTING RING	1
7	0406-1243	PARALLEL KEY	1
8	0323-2690	PIN (INJ. TIMER MTG.)	1
9	0115-0572	VALVE TAPPET (STD)	8
10	A050T096	PUSH ROD (OPTIONAL)	8
11	0115-0574	ASSY. ROCKER ARM LEFT WITH BUSH	4
12	0115-0575	ASSY. ROCKER ARM RIGHT WITH BUSH	4
13	0508-1347	BUSH	4
14	0115-0585	BALL END TAPPET ADJUSTER	4
15	0115-0576	HEX NUT	4
16	0506-0062	SPRING LONG	3
-	0115-0577	ASSY ROCKER ARM SHAFT WITH ARMS (VALID TILL AUG 2010)	1
-	A050D012	ASSY ROCKER ARM SHAFT WITH ARMS (VALID FROM SEP 2010)	1
17	A050D013	ASSY. ROCKER ARM SHAFT	1
18	A050T097	SEALING CAP 14	2
19	0115-0586	ROCKER ARM SUPPORT NO. 1	1
20	0115-0587	ROCKER ARM SUPPORT NO. 2,5,6	2
21	0115-0588	ROCKER ARM SUPPORT NO. 3 & 4	1
22	0800-6555	BOLT (ROCKER ARM)	3
23	0800-6556	HEX BOLT M 12X75	1
24	0815-1606	GRUB SCREW EM 6X10	1
25	0506-0066	SPRING SHORT	2
26	0518-0828	SPRING CLIP	2
27	0110-4149	VALVE SPRING (VALID TILL FEB 2012)	8
28	A050D015	VALVE SPRING - INNER (m March 2012)	8
29	A050D017	VALVE SPRING - OUTER (m March 2012)	8
30	0526-2427	VALVE SPRING WASHER	8
31	0406-1244	LOCK RETAINER - VALVE SPRING (VALID TILL FEB 2012)	8
32	A050D018	LOCK RETAINER - VALVE SPRING (m March 2012)	8
33	0406-1245	LOCK HALF - VALVE SPRING	16
34	0541-1769	VALVE SET	1
34A	-	INLET VALVE 60DEG INDUCTION HARDENED M/S	4
34B	-	EXHAUST VALVE	4
-	0105-0791	SET OF CAMSHAFT BEARING STD	1
35	-	CAMSHAFT BEARING NO. 1	1
36	-	CAMSHAFT BEARING NO. 2,3	2

Connecting Rod Assembly



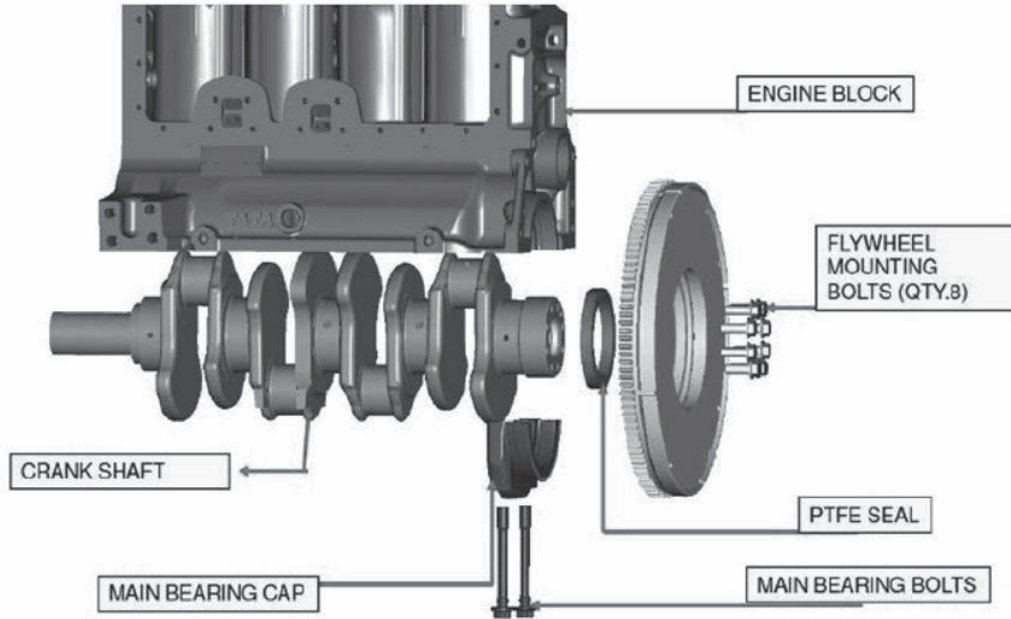
Item	Part No.	Description	Qty
1	A048K324	ASSY. CON ROD (WITHOUT BEARING SHELLS)	4
2	A050D009	CON. ROD BUSH STD	4
3	A050D340	CONNECTING ROD BOLT	8
4	0114-0460	CONNECTING ROD BEARING SET STD (SELECTION)	1
-	-	CON. ROD BEARING HALF STD	8
4	0114-0465	CONNECTING ROD BEARING SET R/S I1 (SELECTION)	1
-	-	CON. ROD BEARING HALF R/S I	8
4	A055P734	CONNECTING ROD BEARING SET R/S II (SELECTION)	1
-	-	CON. ROD BEARING HALF R/S II	8

Cooling System



Item	Part No.	Description	Qty
1	0132-0528	ASSY. WATER PUMP	1
2	-	HOUSING, WATER PUMP	1
3	-	BACK COVER	1
PULLEY, FAN & V-BELT			
4	0512-0452	PULLEY (SINGLE GROOVE)	1
6	0406-1254	LOCK PLATE	3
7	A050D100	BOLT M 8X16	6
8	0511-0260	V-BELT (COGGED) 1400 MM LENGTH	1
9	A050D101	ASSY. THERMOSTAT	1
10	0503-3179	RUBBER HOSE (THERMOSTAT TO WATER PUMP)	1
11	0503-3036-02	HOSE CLIP 35	1
12	0130-8460	ASSY. UPPER COOLING WATER LINE	1
13	A050D102	GASKET (UPPER COOLING WATER LINE)	2
15	0503-3178	RUBBER HOSE (COOLING WATER LINE TO THERMOSTAT)	1
16	0541-1730	WATER PUMP REPAIR KIT (MAJOR)	1
17	A055R956	WATER PUMP REPAIR KIT (Minor)	

Crankshaft with PTFE Seal Arrangement (image for ref)

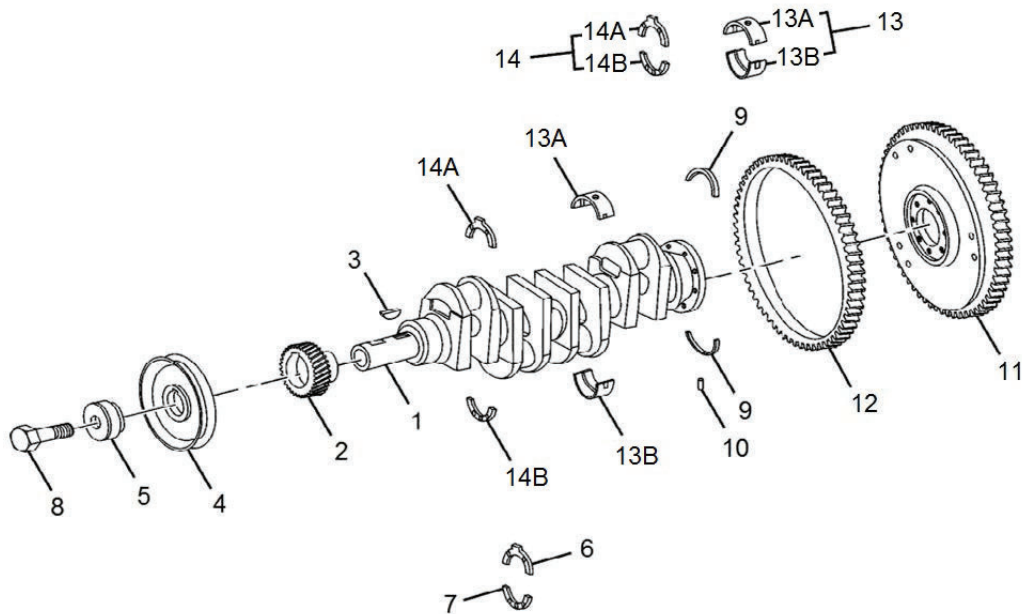


Item	Part No.	Description	Qty
1	A047S542	PTFE SEAL	1
2	A052S295	PTFE SEAL SERVICE TOOL	1

PTFE associated engine component part numbers (image for ref)

Item	Part No.	Description	Qty
1	A047U905	ASSY CRANKSHAFT	1
2	A047S519	ASSY CYLINDER CRANKCASE WITH FLYWHEEL HSG	1
3	A047S541	CYLINDER CRANKCASE	1
4	A047S561	BEARING,CAP	1
5	A047S565	FLYWHEEL	1
6	A047S716	CRANKSHAFT	1

Crankshaft

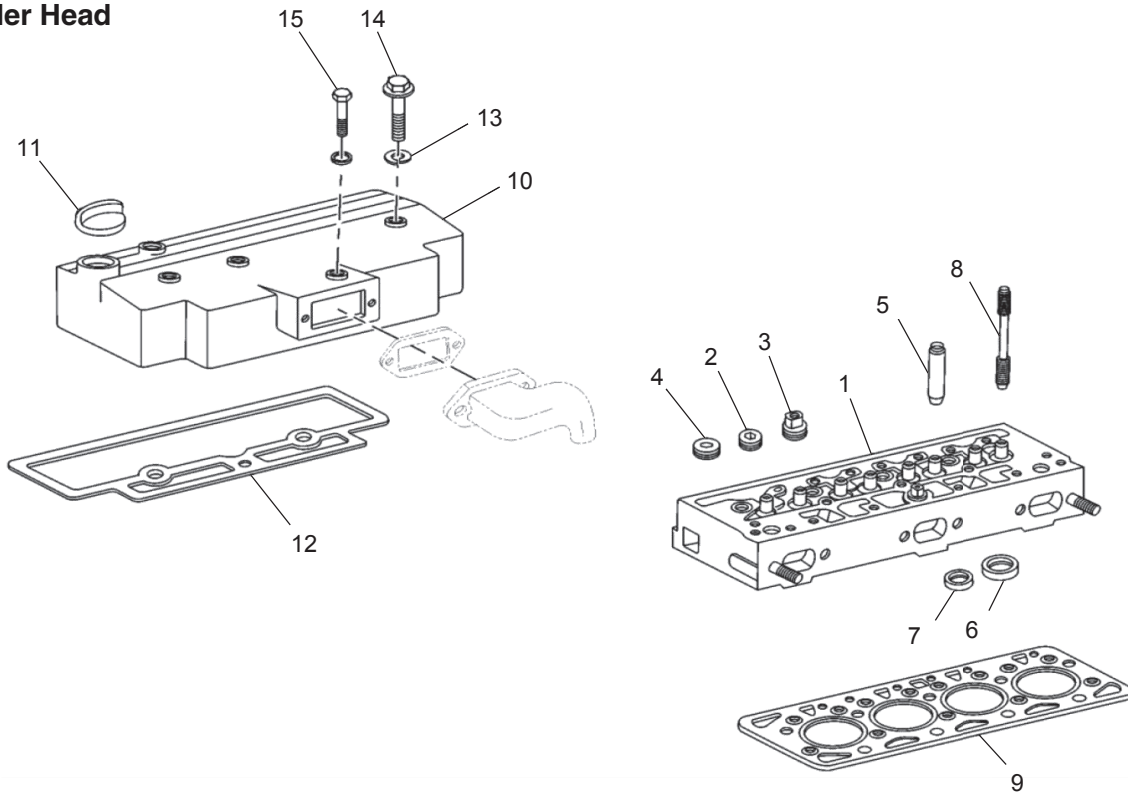


Item	Part No.	Description	Qty
1	0104-2190	CRANKSHAFT (INTEGRAL)	1
2	A050T093	CRANKSHAFT GEAR	1
3	0406-1246	KEY 8X13	2
4	0512-0453	ASSY. PULLEY WITH COVER (CRANKSHAFT)	1
	A055R958	OIL SLINGER	
	A055R960	SPACER (SUITABLE FOR OIL SLINGER)	
5	0306-5448	THRUST SPACER (VALID TILL AUG 2010)	1
8	0800-6557	VIBRATION DAMPER LOCK	1
9	0509-0561	SEALING RING HALF	2
10	0516-2155	LOCATING PIN	1
11	0104-2193	ASSY. FLYWHEEL WITH RING GEAR (10+/-1 DEG)	1
12	0507-0047	RING GEAR	1
-	0104-2194	FLYWHEEL HSG. (WITH 5/8" THREAD HOLE)	1
13	0104-2191	MAIN BEARING SET STD (88.00 MM DIA.)	1
13	0541-1763	MAIN BEARING SET RS I	5
13	A055R795	MAIN BEARINGSET RS II	5
14	0510-0272	SET OF THRUST WASHER STD	1
14	0510-0283	SET OF THRUST WASHER RS I	2
14	A055R798	SET OF THRUST WASHER RS II	2
-	A050D011	KIT, CRANKSHAFT SEALING RING HALF	1
9	-	SEALING RING HALF	2
10	-	LOCATING PIN	1

Cylinder Block

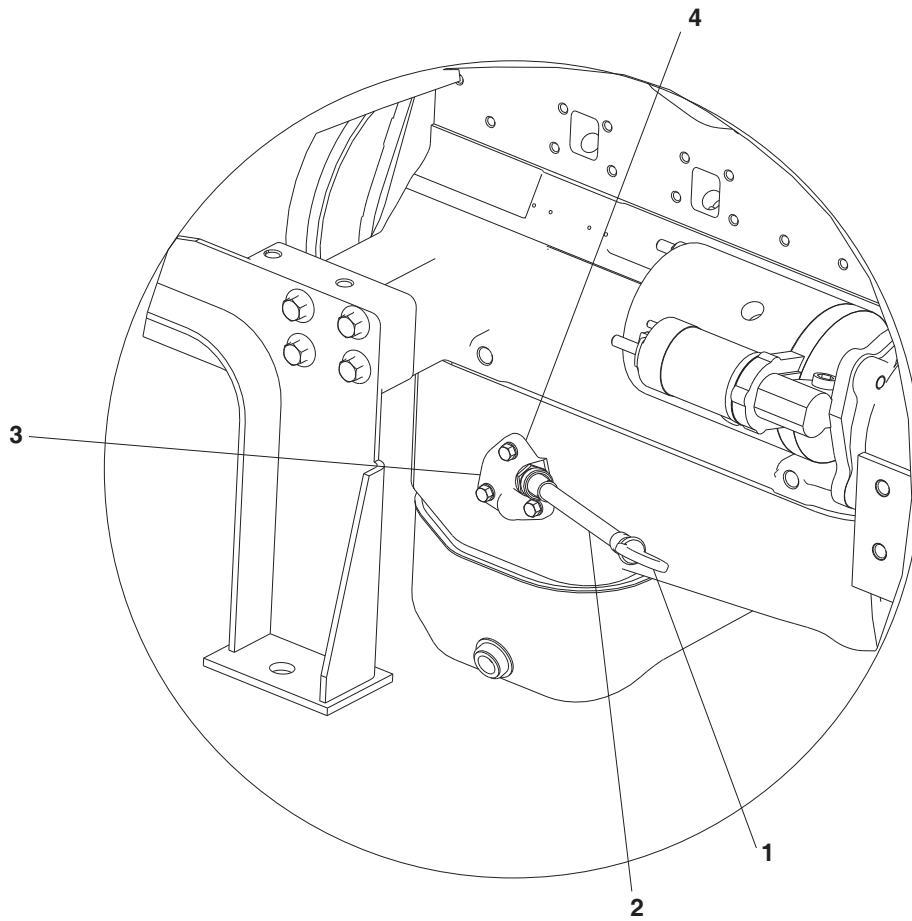
Item	Part No.	Description	Qty
1	A050C800	ASSY. CYL. BLOCK W/O CLUTCH/FLYWHEL HSG	1
2	0110-4180	CYLINDER LINER	4
-	0517-0469	SCREW PLUG	1
3	0526-2428	WASHER 18X22 CU	1
4	A050C802	SEALING PLUG AM 18X1.5 TS16460	1
5	0502-1735	SLEEVE	1
6	0502-1735	CLAMPING SLEEVE	1
7	0516-2157	CYL. PIN 12H 8X30	2
8	0516-2158	CYL. PIN (CYL. HEAD TO CYL. BLOCK)	2
9	0516-2159	CYL. PIN 8M 6X16	10
-	0517-0469	SCREW PLUG	1
10	A050C806	HEXAGONAL HEAD SCREW FOR M.B.CAP MTG.	10
-	0516-2155	LOCATING PIN	1
11	0123-2438	ASSY. TUBE (DIPSTICK)	1
12	0123-2437	ASSY. OIL DIPSTICK	1
13	0104-2194	FLYWHEEL HOUSING	1
		TIMING GEAR HOUSING	
15	0103-0870	ASSY. TIMING GEAR HOUSING WITH COVER (VALID TILL JAN 2010)	1
15	A050C999	ASSY TGH WITH THREAD INSERTS (VALID FROM FEB 2010)	1
16	0516-2159	CYL. PIN 8M 6X16	2
17	0103-0871	GASKET (TIMING GEAR HSG TO CYL. BLOCK)	1
18	0406-1252	LOCKING PLATE	3
19	0800-6597	HEX SCREW M10X25	3
20	0103-0877	COVER FRONT (TGH) W/O OIL HOLE (VALID TILL AUG 2011)	1
20	A050D001	COVER FRONT TGH WITH OUT OIL HOLE (VALID FROM SEP 2011)	1
21	0509-0562	SEAL (CRANKSHAFT FRONT)	1
22	A057Y945	GASKET (TGH COVER)	1
23	0123-2436	ASSY. BREATHER	1
		PUSH ROD CHAMBER COVER	
24	0115-0578	ASSY. COVER PUSH ROD CHAMBER	1
25	0103-0876	GASKET (PUSH ROD CHAMBER COVER)	1
		OIL SUMP	
26	A057Y951	ASSY. OIL SUMP W/O DIPSTICK FLANGES	1
27	0526-2428	WASHER 18X22	1
28	0517-0457	ASSY. MAGNETIC DRAIN PLUG	1
29	0505-2550	RETAINING FLANGE (DIPSTICK)	1
30	0850-2118	SPRING WASHER B 6	2
31	0800-6598	HEX. SCREW M 6X12	2
32	0155-5040	GASKET (FLANGE)	2
35	0526-2430	WASHER 14X18 AL	1
36	0323-2691	DOUBLE SOCKET	1
37	A047S360	ASSY OIL SUMP GASKET	1
38	0800-6599	ASSY. COMBI SCREW	12

Cylinder Head



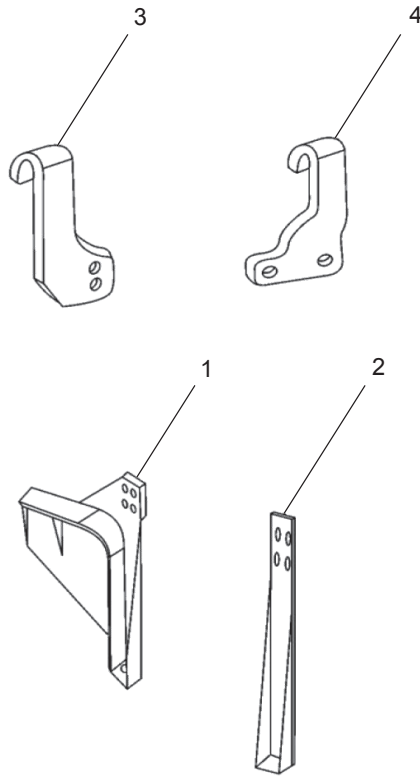
Item	Part No.	Description	Qty
1	0110-4151	ASSY. CYL. HEAD WITH VALVES (VALID TILL FEB 2012)	1
1	A050D002	ASSY. CYL. HEAD WITH VALVES-60 DEG (VALID FROM MAR 2012)	1
-	0110-4172	ASSY. CYL. HEAD WITHOUT VALVES (VALID TILL FEB 2012)	1
-	A050D004	ASSY. CYL. HEAD W/O VALVES-60 DEG (VALID FROM MAR 2012)	1
2	0517-0471	PLUG MC 30X1.5	3
-	A055R995	PLUG MC 22X1.5	2
3	0517-0471	PLUG MC 30X1.5 IS9645-SS8451-8C	1
4	A055S000	PLUG MC 24X1.5	2
5	0110-4152	VALVE GUIDE INLET (STD 15.00 MM DIA)	4
-	0110-4174	VALVE GUIDE SEAL INLET	4
-	0110-4167	VALVE GUIDE EXHAUST - STD 15.00 MM DIA (VALID TILL NOV 2009)	4
-	0110-4181	VALVE GUIDE - EXHAUST - STD (VALID FROM DEC 2009)	4
-	0110-4175	VALVE GUIDE SEAL EXHAUST	4
6	0110-4183	VALVE SEAT RING INLET (STD)	4
7	0110-4157	VALVE SEAT RING EXHAUST (STD)	4
8	A054A786	BOLT,HEX HEAD(CYLINDER BLOCK)	17
9	A050D005	GASKET, CYLINDER HEAD (NON RETORQUE)	1
10	A057Y937	ASSY. CYLINDER HEAD COVER	1
11	0123-2446	ASSY. CAP	1
12	A048A496	GASKET (CYL. HEAD COVER INJECTOR INSIDE) : M/S TALBR	1
13	0800-6559	WASHER 8X14CU	4
14	0800-6600	STRETCH BOLT	3
15	A050T074	HEX BOLT M8X125	1

Dipstick Arrangement



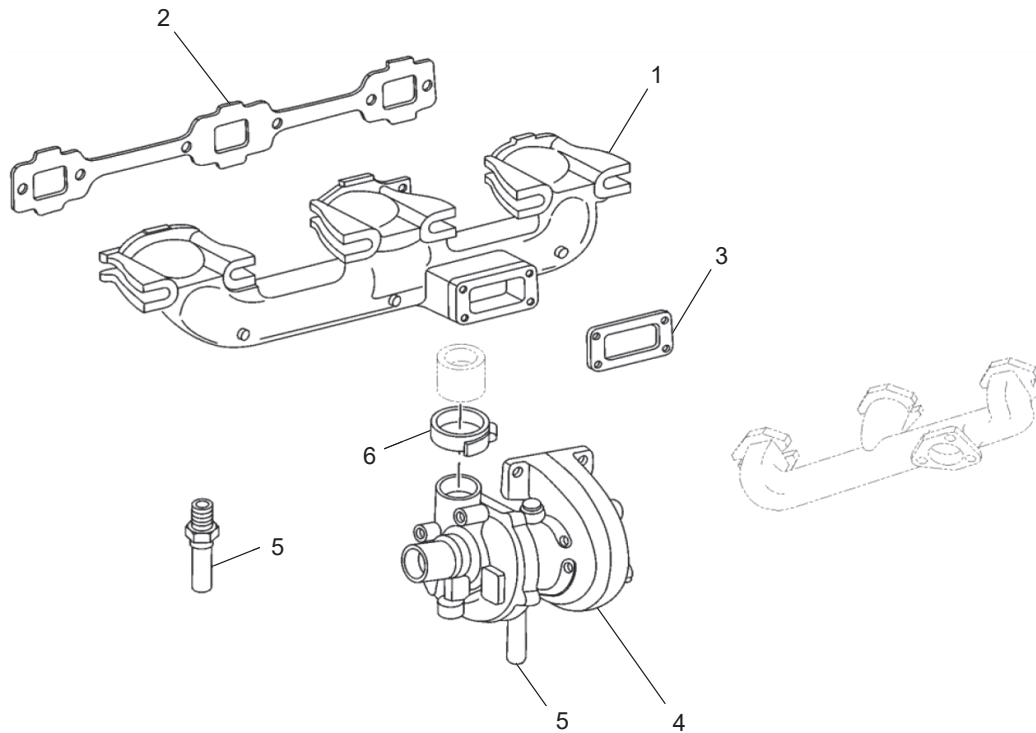
Item	Part No.	Description	Qty
1	0123-2437	DIPSTICK OIL	1
2	0123-2438	TUBE OIL	1
3	0505-2550	FLANGE PIPE	1
4	A043X691	GASKET FLANGE	1

Engine Suspension



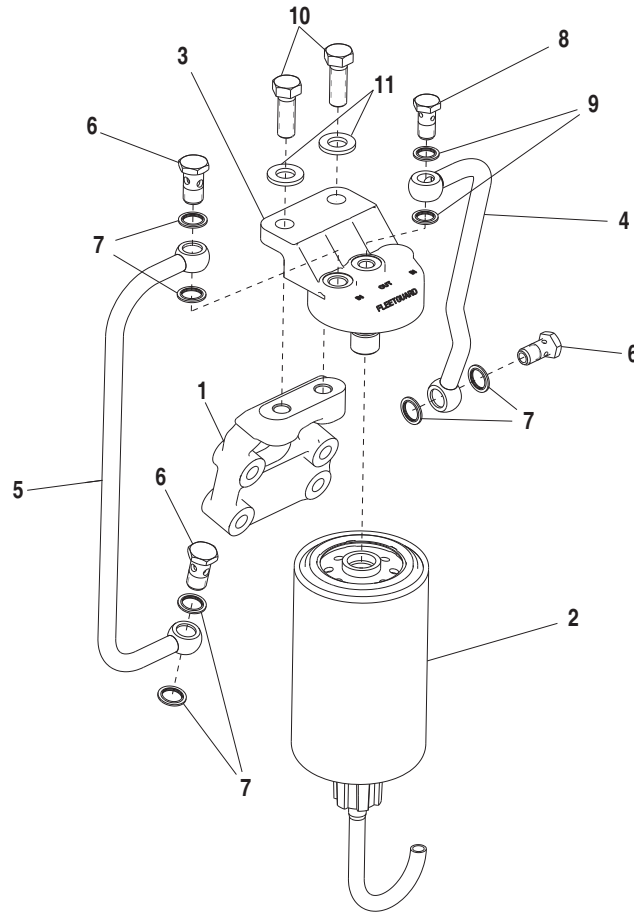
Item	Part No.	Description	Qty
1	A040N208	ASSY. SUPPORT ENG. FRONT - LH	1
-	A040N206	ASSY. SUPPORT ENG. FRONT - RH	1
-	0526-2426	BRIGHT WASHER 13 IS2016 STSS8451 - 8C	6
2	A055S017	ASSY. BRACKET - REAR	2
3	0403-7359	LIFTING HOOK FRONT	1
4	A050D551	LIFTING HOOK - REAR	1

Exhaust Manifold



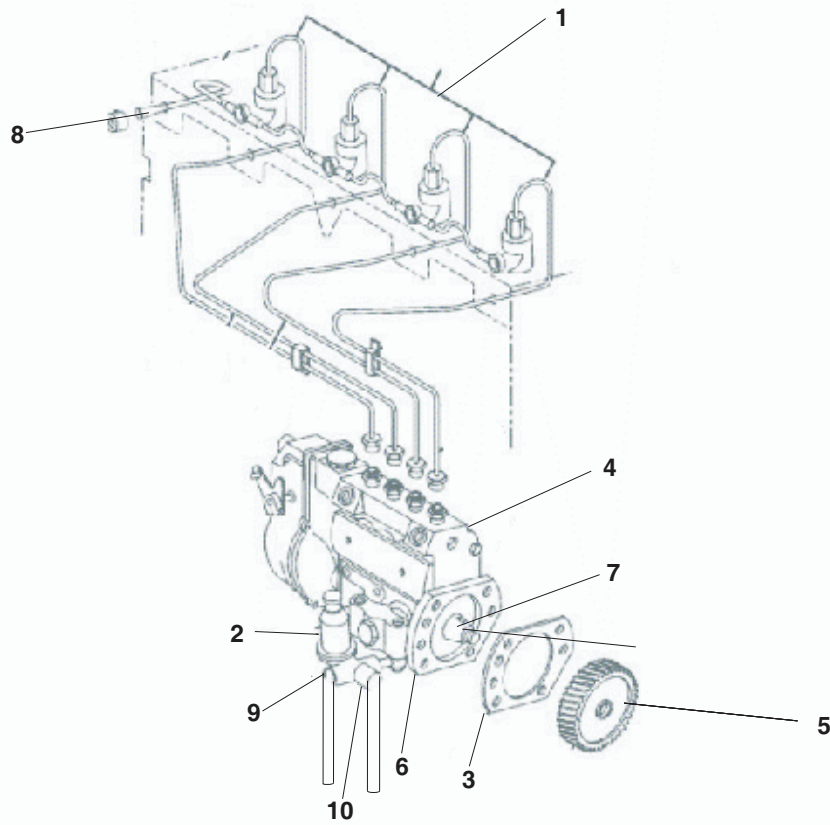
Item	Part No.	Description	Qty
1	0154-3310	MANIFOLD EXHAUST (FOR C66D5,C60D6)	1
	0154-3308	MANIFOLD EXHAUST (FOR C55D5,C44D5,C40D6,C50D6)	1
2	0154-3309	GASKET EXHAUST MANIFOLD	1
3	0155-5074	GASKET (TC TO EXHAUST MANIFOLD)	1
4	A044K735	TURBO CHARGER (C66 D5 & C60 D6)	1
-	A044K733	TURBO CHARGER (C44 D5,C55 D5,C40 D6,C50 D6)	1
-	0505-2574	CROSS PIPE (G4/G6)	1
-	0503-3201	CLAMP HOSE (TURBO OIL DRAIN)	1
	0123-2449	TUBE OIL	1
-	0503-3202	HOSE (72 LONG)	1
-	0503-3203	HOSE CLAMP 70	2
5	0505-2561	ASSY. OIL OUTLET TUBE	1
6	A040G639	HOSE-TC OIL OUTLET TO CYLINDER BLOCK	1
-	A043Y715	ASSY. OIL SUPPLY LINE (FLEXIBLE)	1

Fuel Filter



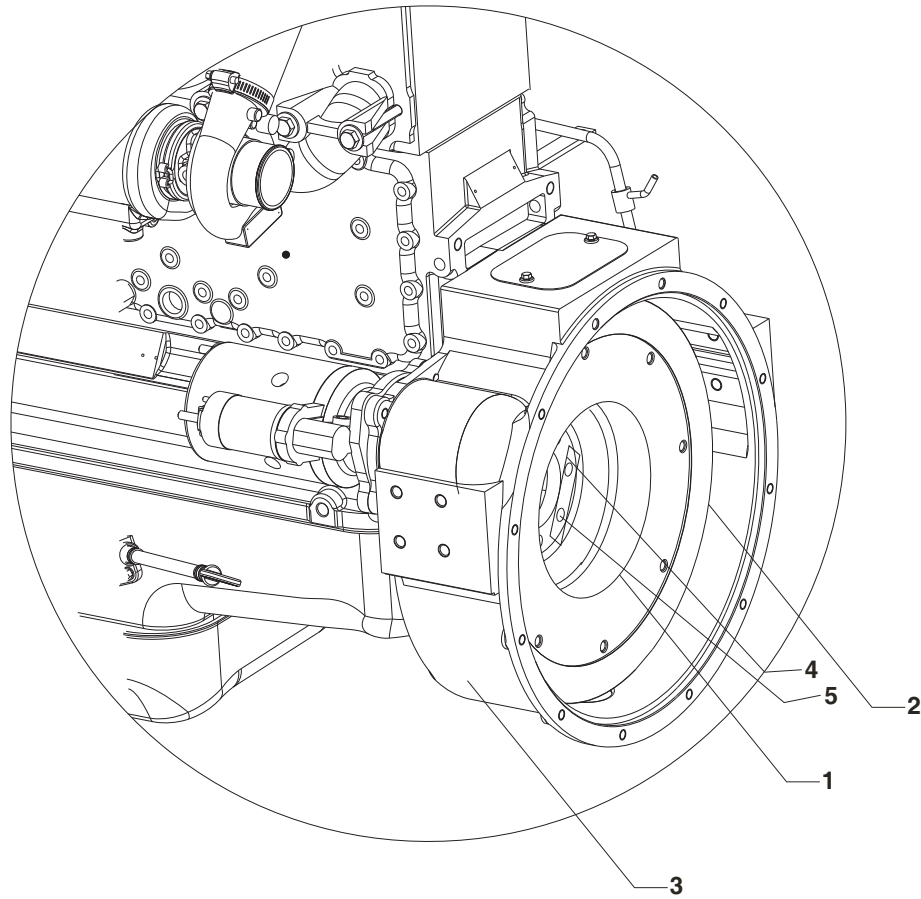
Item	Part No.	Description	Qty
1	A045T294	BRACKET FUEL FILTER	1
2	A043L096	ELEMENT FUEL WATER SEPERATOR,SPIN ON (FFL PART NO: FS19652)	1
3	A050D024	HEAD-FILTER	1
4	0501-1163	LINE FUEL (FUEL FILTER TO FIP)	1
5	0501-1181	LINE FUEL (FEED PUMP TO FUEL FILTER)	1
6	0502-1625	BOLT-BANJO (M14)	3
7	0509-0495-02	WASHER-SEALING	6
8	0502-1624	BOLT-BANJO (M12)	1
9	0509-0495-01	WASHER-SEALING	2
10	0800-6594-62	SCREW-HEX HD	2
11	0526-2400-31	WASHER-FL	2

Fuel Injection Pump



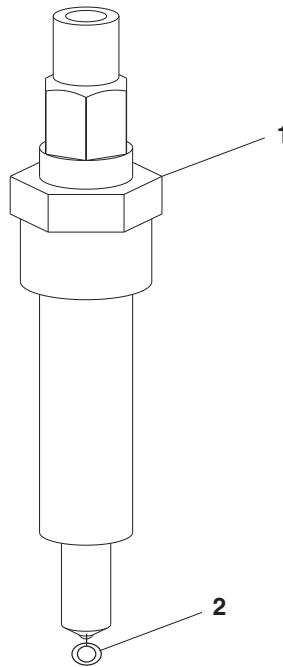
Item	Part No.	Description	Qty
1	0501-1162	LINE,FUEL	1
2	0149-2886	FEED PUMP (BOSCH Part No: 9 440 030 029)	1
3	0149-2953	GASKET FIP SUPPORT (VALID TILL APRIL 2010)	1
3	A049V248	GASKET FIP SUPPORT (VALID FROM MAY 2010)	1
4	0149-2937	FUEL INJECTION PUMP -C44D5 (BOSCH NO: F002A0Z386)	1
	0149-2936	FUEL INJECTION PUMP -C55D5 (BOSCH NO: F002 A0Z 388)	1
	0149-2938	FUEL INJECTION PUMP -C66D5 (BOSCH NO: F002A0Z389)	1
	A040X039	FUEL INJECTION PUMP -C40D6 (BOSCH NO: F002A0Z907)	1
	A040X040	FUEL INJECTION PUMP -C50D6 (BOSCH NO: F002A0Z898)	1
4	A040X041	FUEL INJECTION PUMP -C60D6 (BOSCH NO: F002A0Z894)	1
	A040X047	FUEL INJECTION PUMP -C60D6 (BOSCH NO: F002A0Z894)	1
5	0507-0046	GEAR-SPUR (FIP DRIVE)	1
6	0149-2965	SUPPORT-INJECTION PUMP (VALID TILL 23RD APR 2010)	1
	A050D016	SUPPORT-INJECTION PUMP (VALID FROM 24TH APR 2010)	1
7	0509-0578	FIP O RING	1
8	A040X051	HOSE, OVERFLOW LINE FUEL RETURN TUBE	1
9	A040S821	TUBE FUEL (TANK TO FEED PUMP)	1
10	A040X047	TUBE FUEL (FIP RETURN PIPE TO TANK)	1

Flywheel



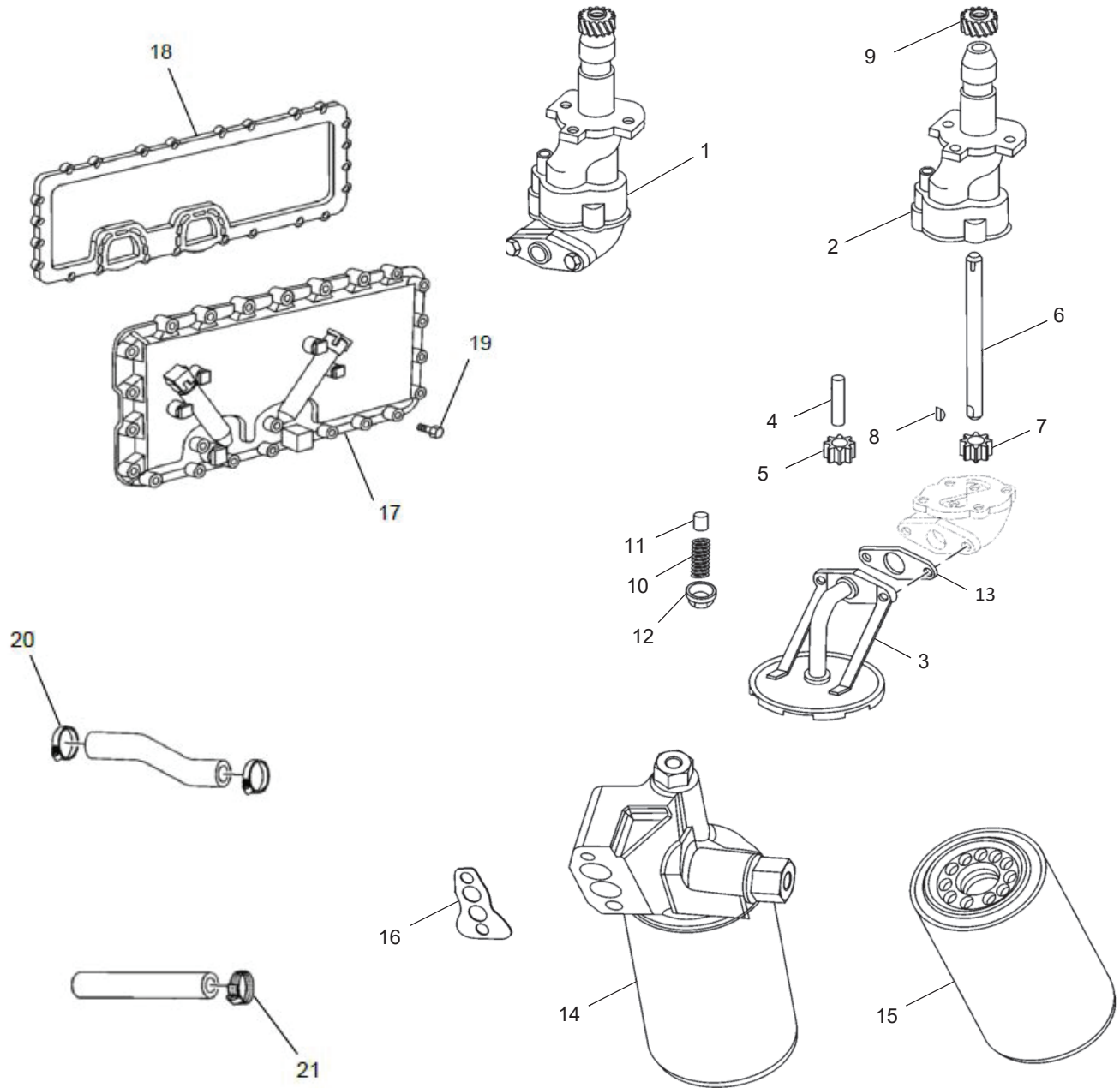
Item	Part No.	Description	Qty
1	0104-2193	FLYWHEEL ASSLY (ROPE FELT SEAL ARRANGEMENT)	1
#	A047S565	FLYWHEEL ASSLY (PTFE SEAL ARRANGEMENT)	1
2	0507-0047	GEAR RING	1
3	0104-2194	HOUSING FLYWHEEL (SAE-3)	1
4	0406-1252	PLATE-LOCK	4
5	0800-6612	SCREW-HEX HD	8

Injector



Item	Part No.	Description	Qty
1	0147-1003	INJECTOR FUEL	4
2	0526-2362	WASHER,COPPER	4

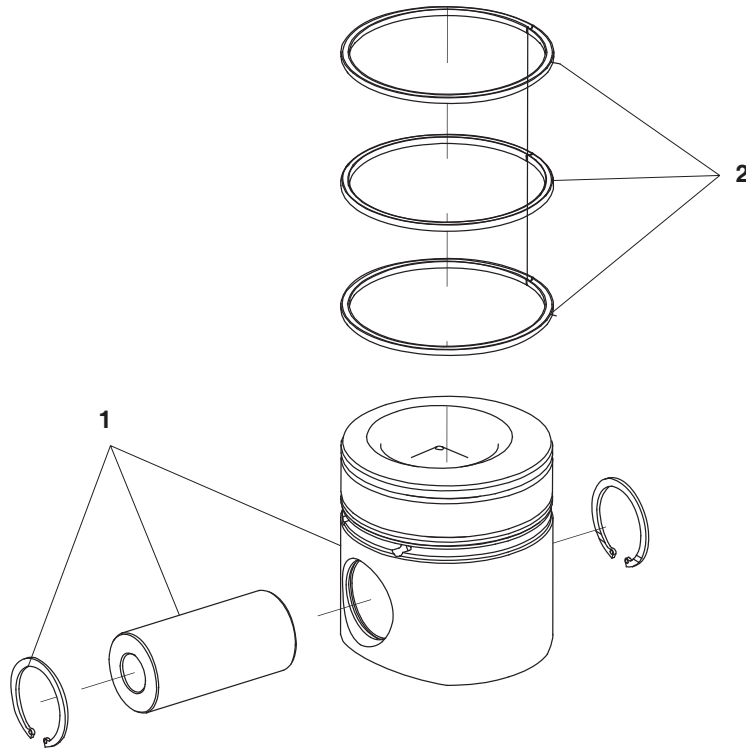
Lubrication System



Lubrication System

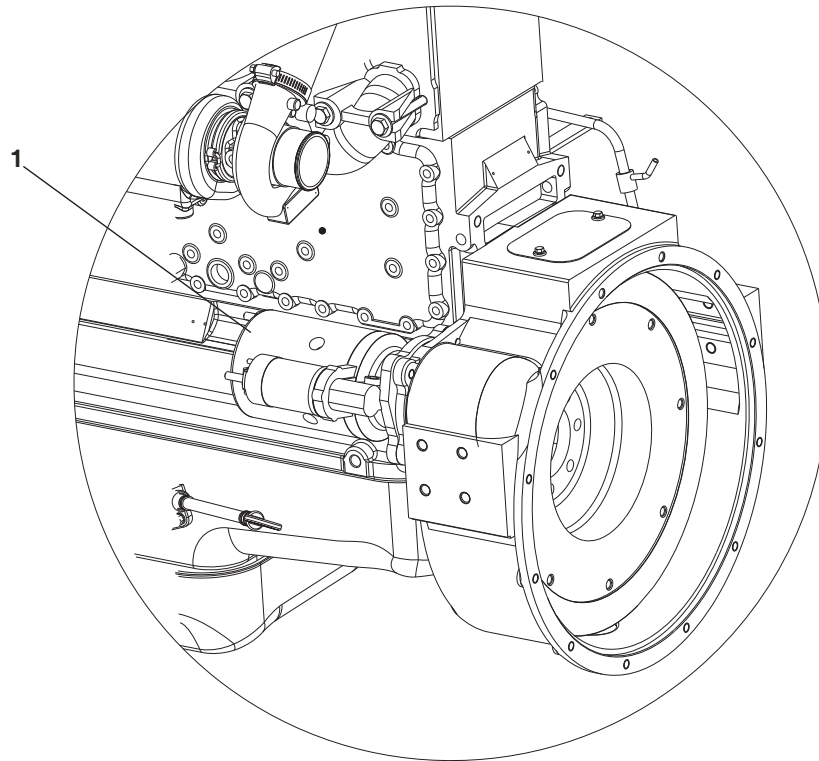
Item	Part No.	Description	Qty
		OIL PUMP	
1	A050D056	ASSY. OIL PUMP WITHOUT STRAINER	1
2	0120-1411	OIL PUMP HOUSING	1
3	A050D057	ASSY STRAINER (OIL PUMP)	1
4	0306-5459	SHAFT DRIVEN GEAR	1
5	0507-0056	OIL PUMP GEAR (DRIVEN)	1
6	0306-5460	DRIVE SHAFT OIL PUMP	1
7	A055S138	OIL PUMP GEAR DRIVE SHAFT	1
8	A055S141	WOODRUFF KEY 3X6.5	2
9	0507-0057	DRIVE GEAR OIL PUMP	1
-	0115-0589	VALVE HOUSING OIL PR RELIEF VALVE	1
10	0110-4177	SPRING PRESSURE RELIEF VALVE	1
11	0120-1408	PLUNGER (FOR OIL PRESSURE RELIEF VALVE)	1
12	A055S142	PLUG (RELIEF VALVE - OIL PUMP)	1
13	A055S143	GASKET	1
-	A055S144	KIT, OIL PUMP GEAR	1
5	-	GEAR (DRIVEN)	1
7	-	GEAR (DRIVE SHAFT)	1
		OIL FILTER	
14	A050D058	ASSY OIL FILTER COMPLETE	1
15	0122-0962	ELEMENT LUBE OIL FILTER (FFL PART NO: LF16061)	1
-	A050D060	HEAD ASSY	1
16	0122-0960	GASKET (OIL FILTER TO CYL BLOCK)	1
-	A050D337	ASSY. LUBE LINE (OIL FILTER TO FIP)	1
		OIL COOLER	
17	A050D077	ASSY OIL COOLER - AL - M/S POSH (OPTIONAL)	1
17	A050D079	ASSY OIL COOLER - AL - M/S PN-NJ (OPTIONAL)	1
18	0102-1584	GASKET (CYL. BLOCK)	1
19	A050D085	HEX FL BOLT M8X40 TS17130 10.9SS8451 - 8CH	27
-	A043Y715	ASSY. OIL SUPPLY LINE (FLEXIBLE)	1
-	A040G639	HOSE - TC OIL OUTLET TO CYLINDER BLOCK	1
20		HOSE CLAMP 35 IS4762 - SS8451S2 - Y	2
-	A050D093	PIPE UNION BOLT 8 M12X1.5 TS16405	1
-	A050D103	SEALING WASHER 12X16 IS3175 AL	1
-	A035M960	PIPE UNION BOLT 10 M14X1.5	1
-	A050D104	SEALING WASHER 14X18 IS3175 CU	2
-	A044J366	GASKET (B)	1
-	A040G639	HOSE - TC OIL OUTLET TO CYLINDER BLOCK	1
21	0503-3201	HOSE CLAMP (32 DIA)	1
-	A050D088	HEX BOLT M10X95	1
-	A050D095	CONNECTOR (B)	1
-	A050D105	SEALING WASHER 10X14 IS3175 CU	1
-	A050D106	SEALING WASHER 10X16 IS3175 CU	1

Piston Assembly



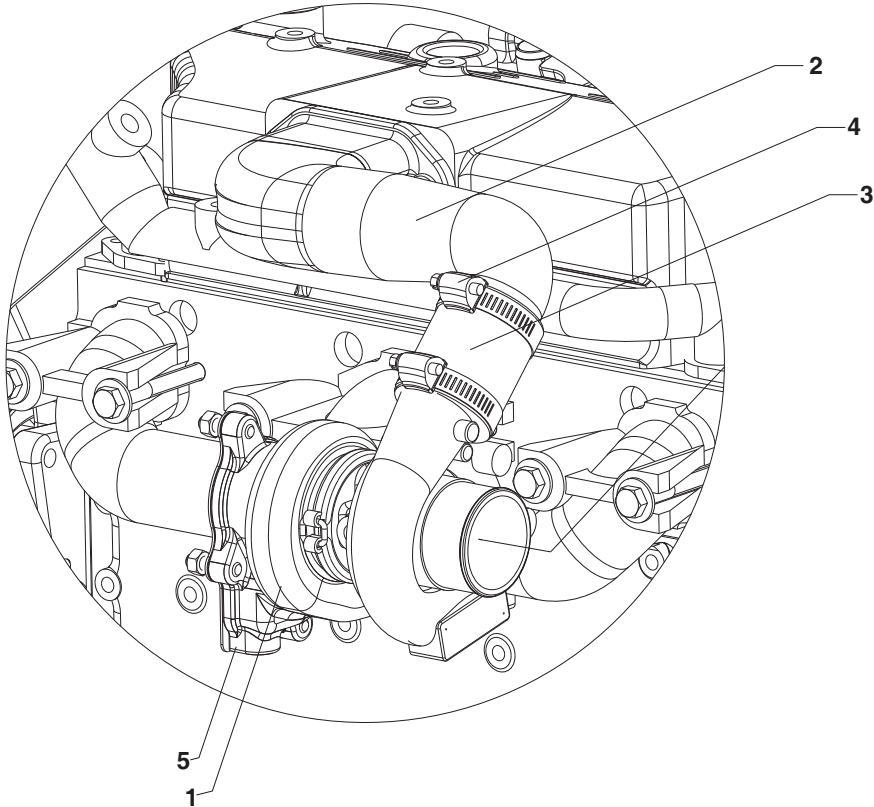
Item	Part No.	Description	Qty
1	A050D008	SET OF BARE PISTON (STD) W/O RINGS	1
	-	PISTON	4
	-	PIN	4
	-	CIRCLIP (OPTIONAL)	8
1	0112-0349	SET OF BARE PISTON (STD) W/O RINGS	1
	-	PISTON	4
	-	PIN	4
	-	CIRCLIP	8
2	0112-0350	SET OF PISTON RINGS (STD) BS I & II	1
	-	COMPRESSION RING GR - I	4
	-	INTERNALLY STEPPED RING GR - II	4
	-	OIL RING GR - II	4

Starter



Item	Part No.	Description	Qty
1	0191-2534	STARTER MOTOR	1
-	A034J200	SPACER	1

Turbo charger

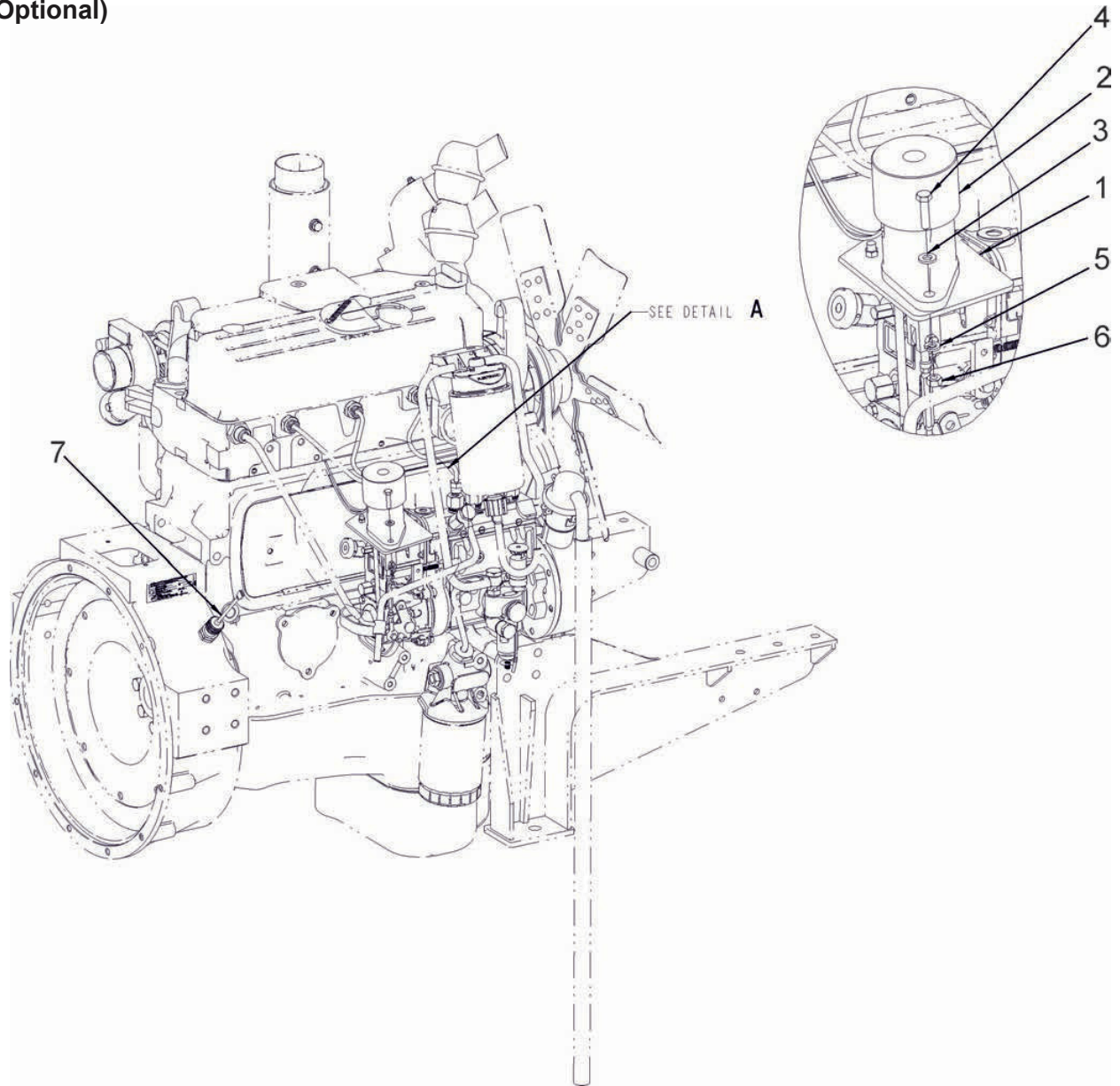


Item	Part No.	Description	Qty
1	A044K735	TURBO CHARGER (C66 D5 & C60 D6)	1
	A044K733	TURBO CHARGER (C44 D5,C55 D5,C40 D6,C50 D6)	1
2	0505-2574	CROSS PIPE (G4/G6)	1
3	0503-3202	HOSE AIR	1
4	0503-3203	CLAMP HOSE	2
-	0502-1744	ADAPTER HOSE	1
-	0503-3201	CLAMP HOSE (TURBO OIL DRAIN)	2
-	0123-2449	TUBE OIL	1
5	A040G639	HOSE OIL (TURBO OIL DRAIN HOSE)	1
-	A043Y715	HOSE OIL (TURBO OIL SUPPLY)	1
#	A052F449	GASKET (TC TO INT PIPE)- THL (B)	1

SECTION B

(Upfit Parts)

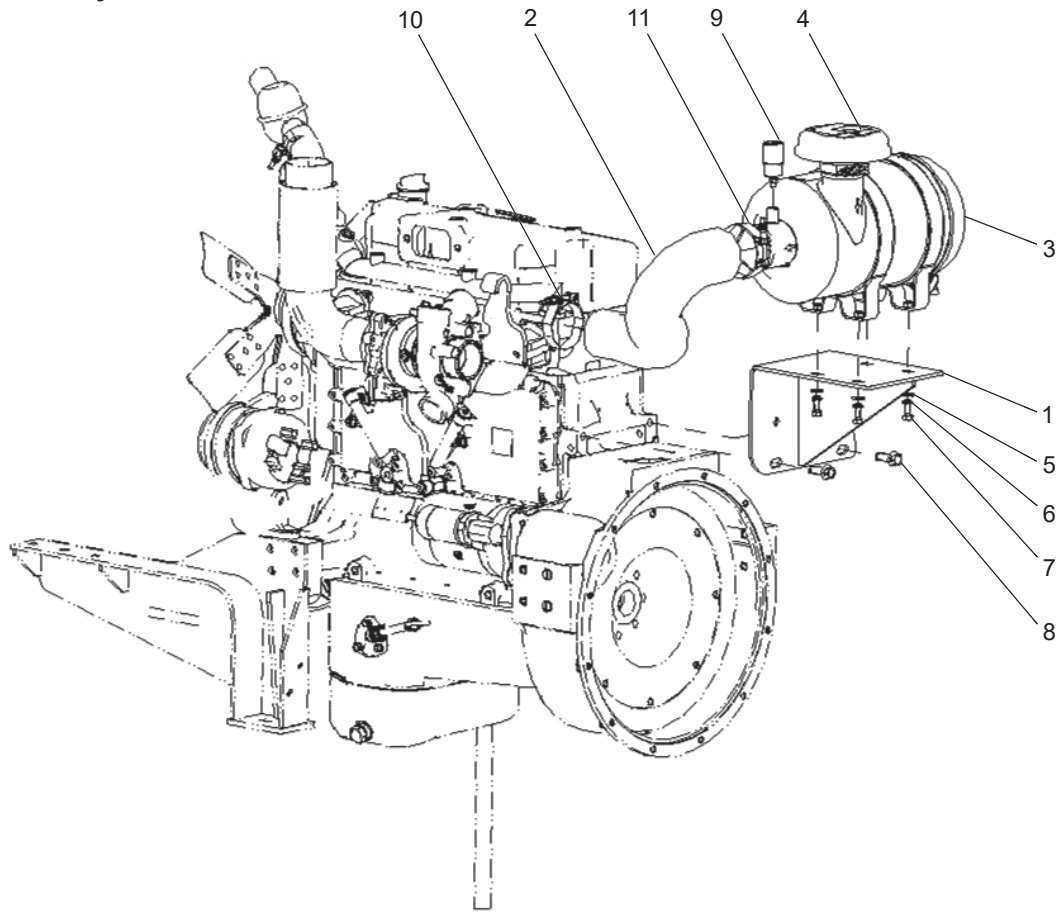
**Actuator Installation (A050U676)
 (Optional)**



Item	Part No.	Description	Qty
1	0306-5444	BRACKET	1
2	0306-5465	ACTUATOR	1
3	0526-2400-22	WASHER FL (M6)	2
4	0800-6494-11	SCREW HEX HD (M6 X 1 X 20L)	2
5	0850-2114-07	WASHER SPR LK (M6)	2
6	0860-2127-09	NUT HEX (M6 X 1)	2
7	A048L394	MAGNETIC PICKUP	1

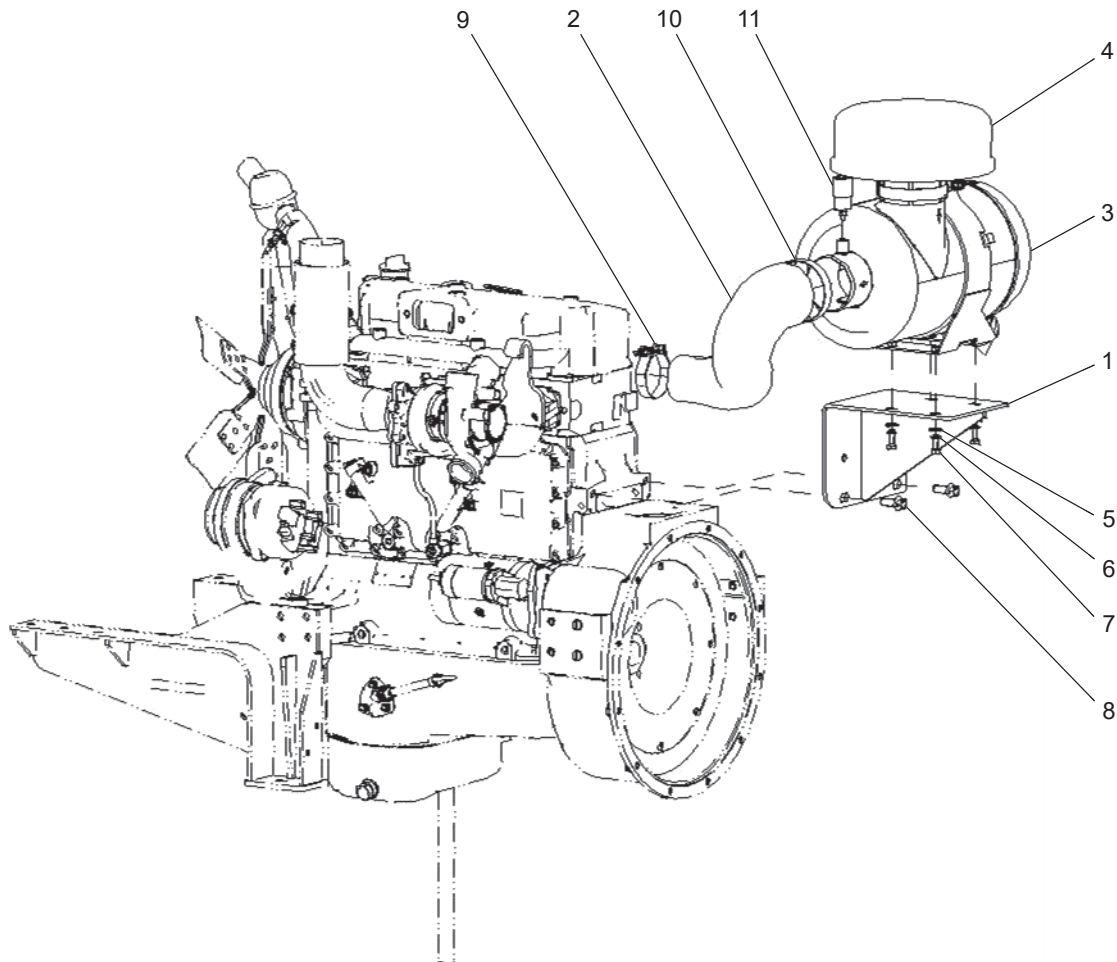
Air Filter Installation (A035A535)

Normal Duty



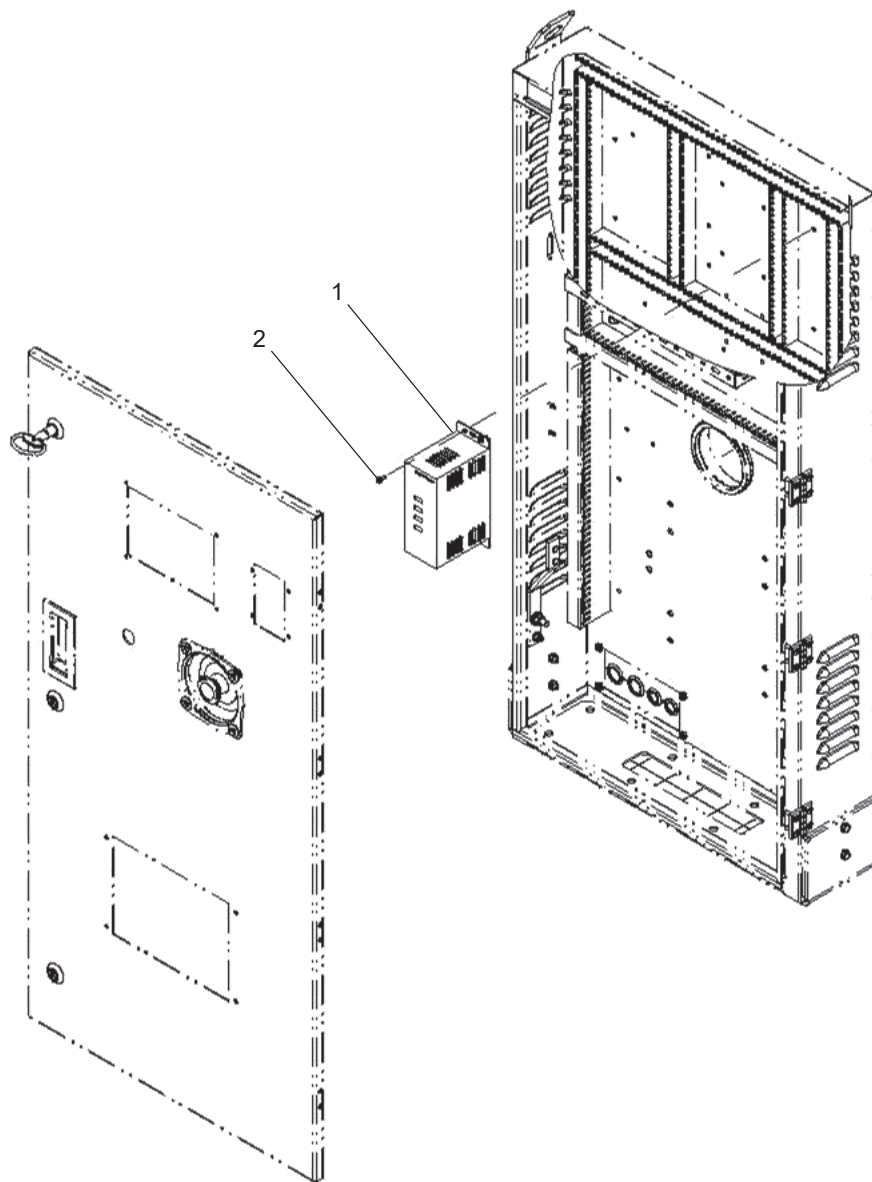
Item	Part No.	Description	Qty
1	A034P564	BRACKET, AIR FILTER	1
2	A034P557	HOSE, AIR	1
3	A034P652	AIR, FILTER ASSEMBLY (FFL Part No: 8250586)	1
#	A034P660	ELEMENT AIR FILTER - PRIMARY (FFL Part No: 8200651)	1
#	A034P656	ELEMENT AIR FILTER - SAFETY (FFL Part No: 8200650)	1
4	0140-4255	COVER, AIR FILTER	1
5	0526-2400-25	WASHER, FLAT	4
6	0850-2114-09	WASHER, LOCK	4
7	0800-6494-27	SCREW, HEX HEAD	4
8	0800-6520-57	SCREW, HEX FLANGE HEAD	2
9	0140-4287	INDICATOR, SERVICE	1
10	A041B506	CLAMP, HOSE	1
11	A040Y178	CLAMP, HOSE	1
12	0110-4179	EJECTOR VALVE (not illustrated)	1
13	A034P672	NUT WING (not illustrated)	1

Air Filter Installation (A035A537) Heavy Duty (Optional)



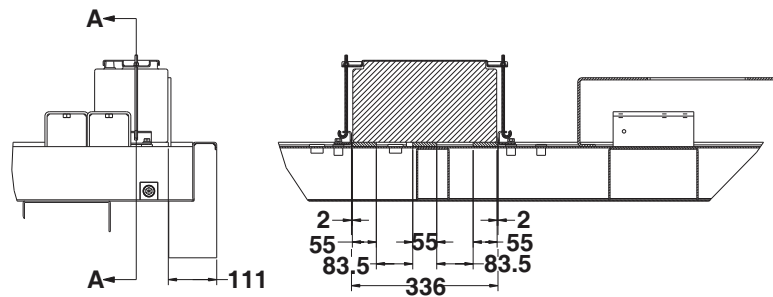
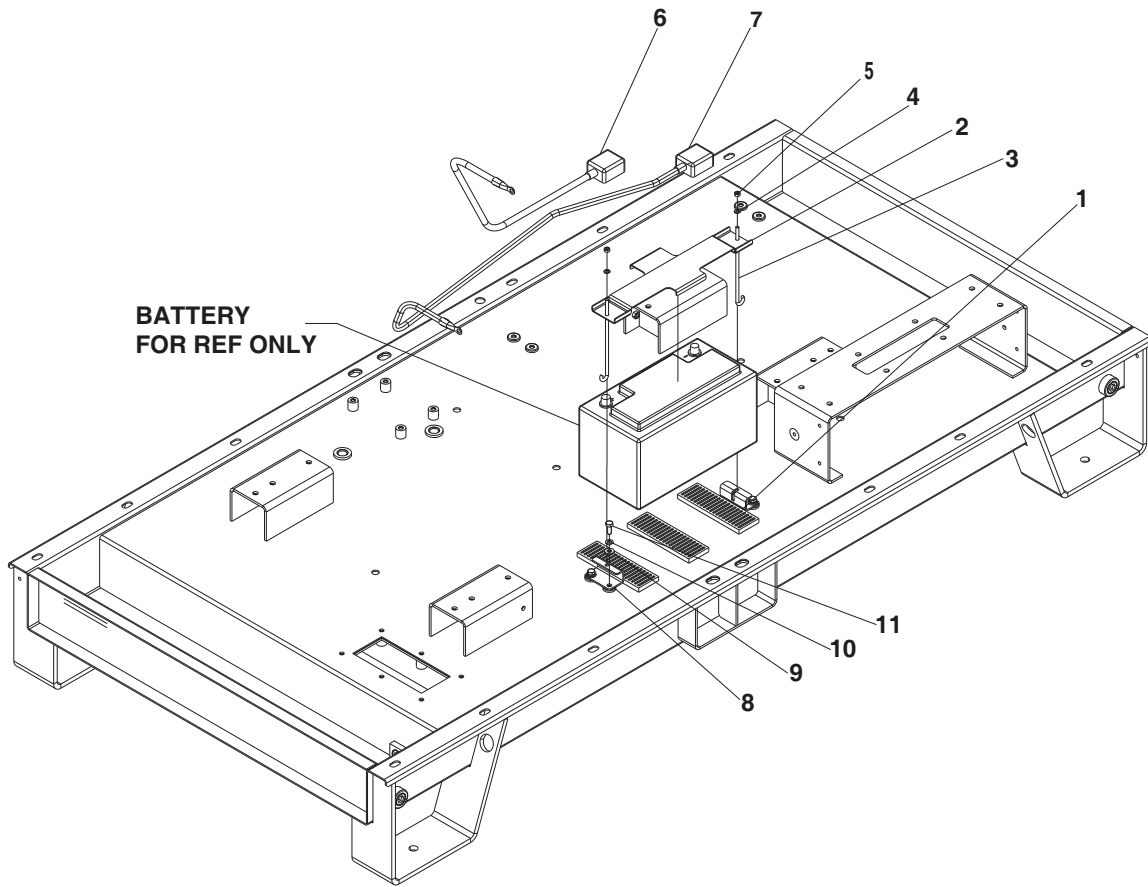
Item	Part No.	Description	Qty
1	A034P564	BRACKET, AIR FILTER	1
2	A034P555	HOSE, AIR	1
3	A034P654	AIR FILTER ASSEMBLY	1
#	A034P662	ELEMENT AIR FILTER - PRIMARY (FFL PART NO: AF26086)	1
#	A034P658	ELEMENT AIR FILTER - SAFETY (FFL PART NO: AF26085)	1
4	A034P682	COVER, AIR FILTER	1
5	0526-2400-25	WASHER, FLAT	4
6	0850-2114-09	WASHER, LOCK	4
7	0800-6494-27	SCREW, HEX HEAD	4
8	0800-6520-57	SCREW, HEX FLANGE HEAD	2
9	A041B506	CLAMP, HOSE	1
10	0503-3163-03	CLAMP, HOSE	1
11	0140-4287	INDICATOR, SERVICE	1
12	A034P672	NUT WING (nont illustrated)	1

Battery Charger Installation (A040S959)



Item	Part No.	Description	Qty
1	A040Y367	CHARGER, BATTERY	1
2	0814-2166-01	SCREW, FLAT HEAD	4
3	0338-5414	HARNESS, ACCESSORY	1

Battery Installation (A035B447)

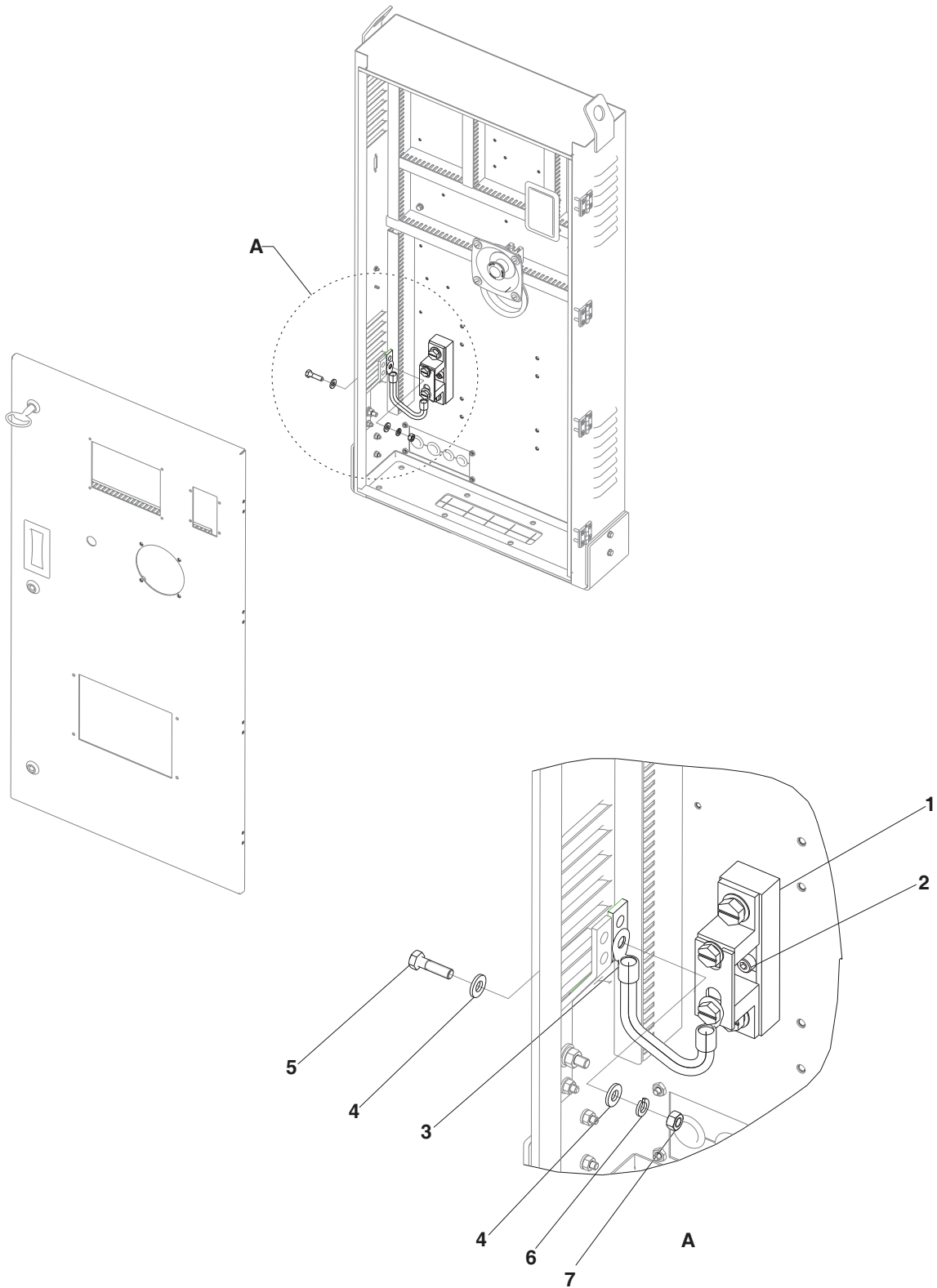


C BRACKET TO C BRACKET INSIDE
^J^
INSULATION MOUNTING ARRANGEMENT
SCALE 1/4

Battery Installation (A035B447)

Item	Part No.	Description	Qty
1	A034F667	INSULATION	3
2	0416-1459	HOLDDOWN,BATTERY	1
3	0416-1458	ROD,BATTERY RETAINING	2
4	0850-2114-07	WASHER,LOCK	2
5	0860-2127-09	NUT,HEX	2
6	0416-1390-04	CABLE,ELECTRICAL	1
7	0416-1391-04	CABLE,ELECTRICAL	1
8	A035R697	HOLDDOWN,BATTERY	2
9	0526-2400-25	WASHER,FLAT	4
10	0850-2114-09	WASHER,LOCK	4
11	0800-6494-26	SCREW,HEX HEAD	4
#	0416-1455	BATTERY (Non Serviceable Part)	1

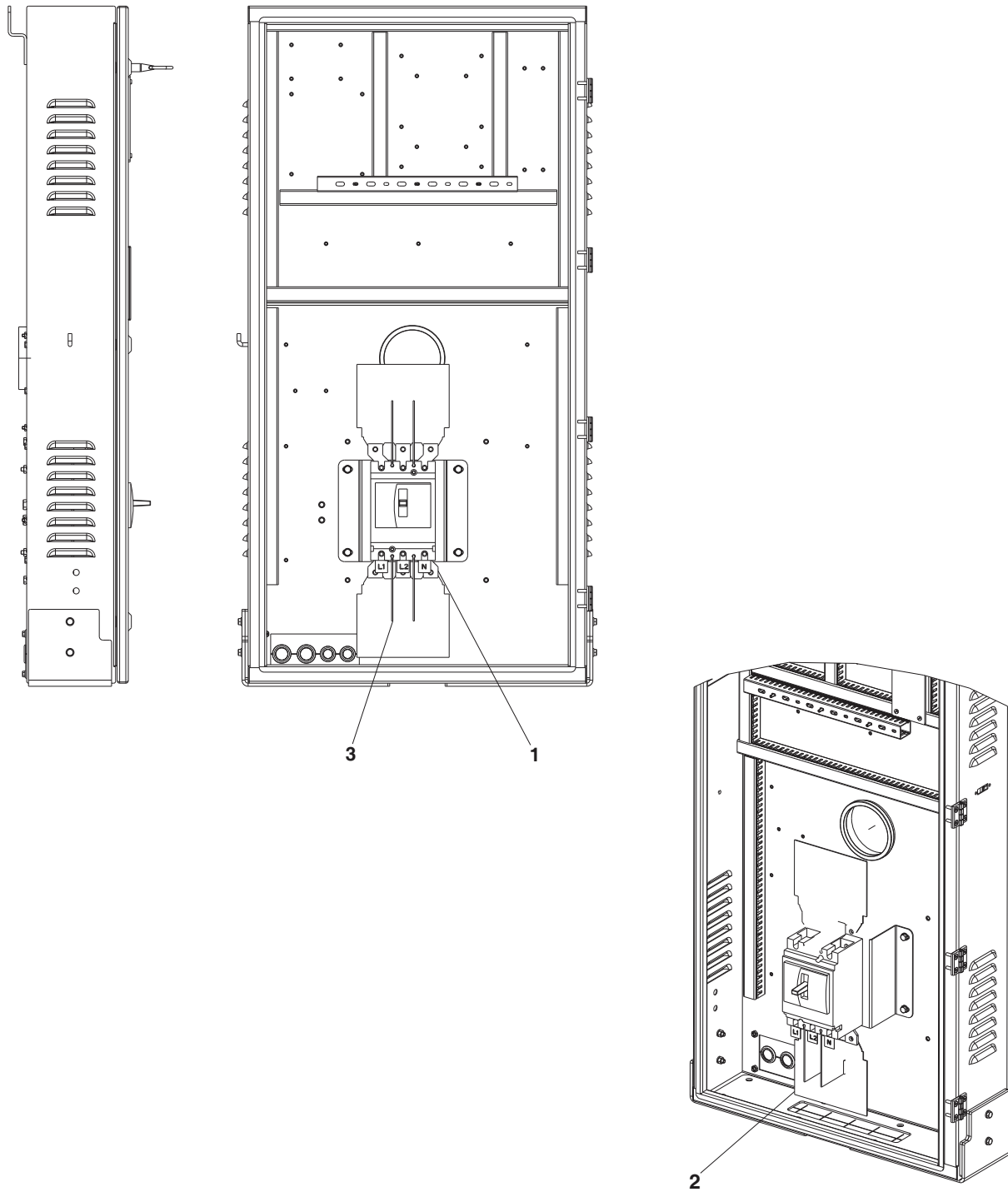
Busbar Installation (A041J296)



Busbar Installation (A041J296)

Item	Part No.	Description	Qty
1	0337-4128	BAR,NEUTRAL	1
2	A041K849	SCREW,SOCKET HEAD	2
3	A040U964	WIRE,GROUND	1
4	0526-2403-25	WASHER,FLAT	2
5	0800-6526-28	SCREW,HEX HEAD	1
6	0850-2114-10	WASHER,LOCK	1
7	0860-2127-12	NUT,HEX	1

Circuit Breaker Accessories Installation 63-400 Amp

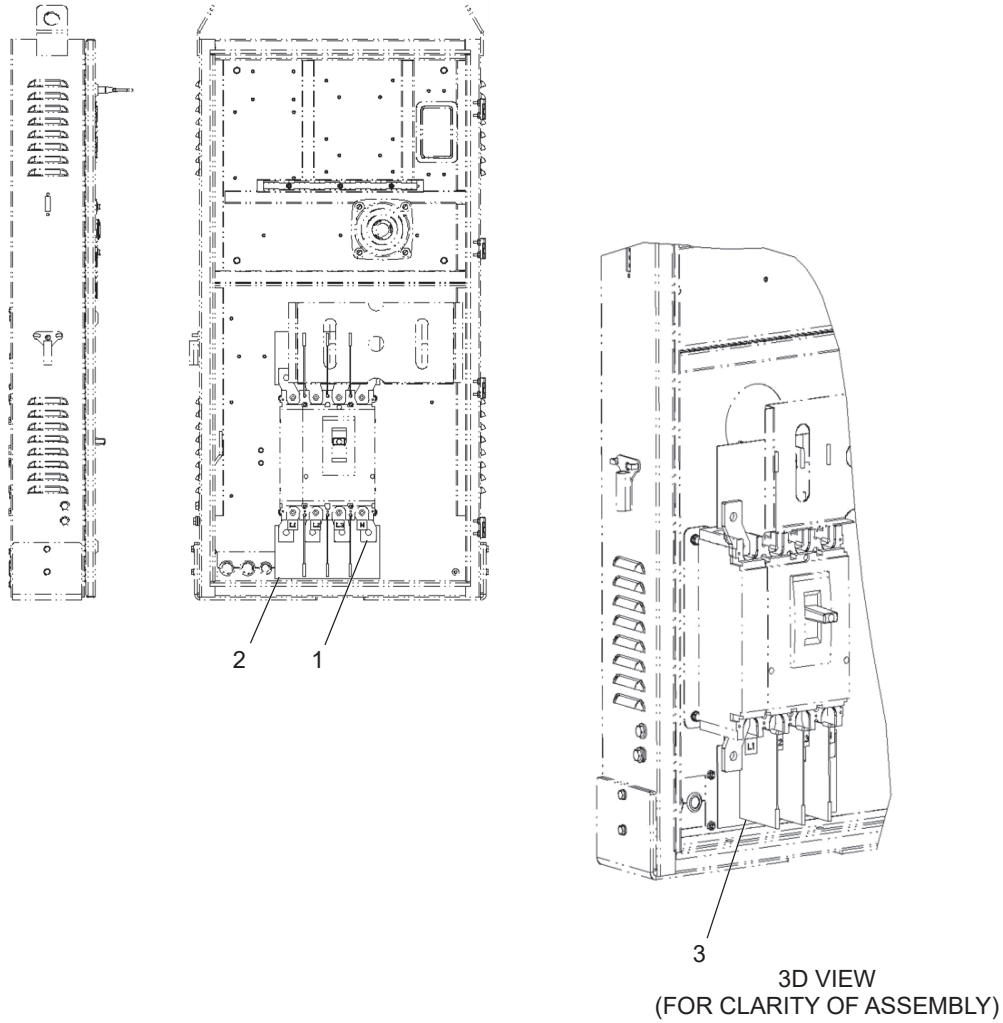


Circuit Breaker Accessories Installation 63-400Amp

Item	Part No.	Description	Qty
1	0320-2156-05	INSTALLATION,CIRCUIT BREAKER ACCESSORIES	2
2	0320-2156-05	INSTALLATION,CIRCUIT BREAKER ACCESSORIES	2
3	A030H963	BARRIER,PHASE	4

Circuit Breaker Accessories Installation (A035J479)

400-630Amp

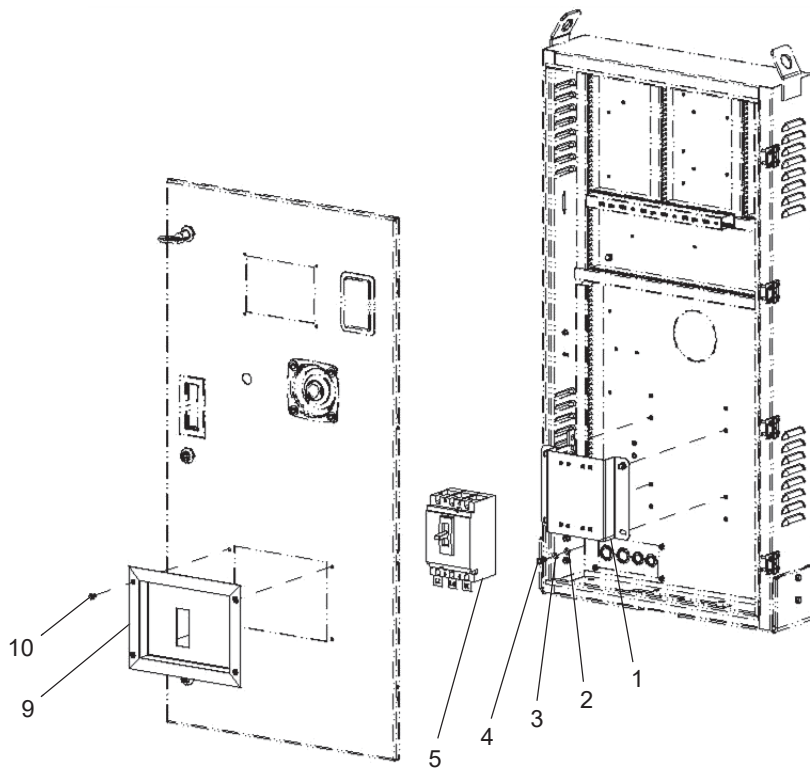


Item	Part No.	Description	Qty
1	0320-2119-06	INSTALLATION, CIRCUIT BREAKER ACCESSORY	2
2	0320-2119-08	INSTALLATION, CIRCUIT BREAKER ACCESSORY	2
3	A030H965	BARRIER, PHASE	6

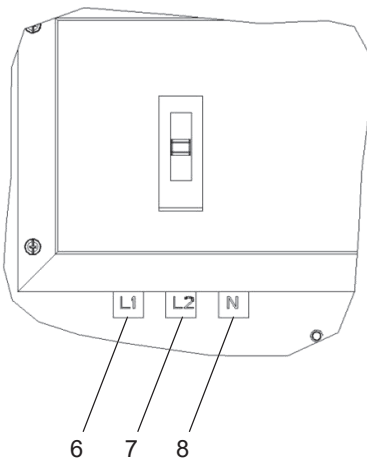
This page is Intentionally blank.

Circuit Breaker Installation (A040S989)

3 Pole



3D VIEW



DETAILED VIEW
FOR LABEL INFORMATION

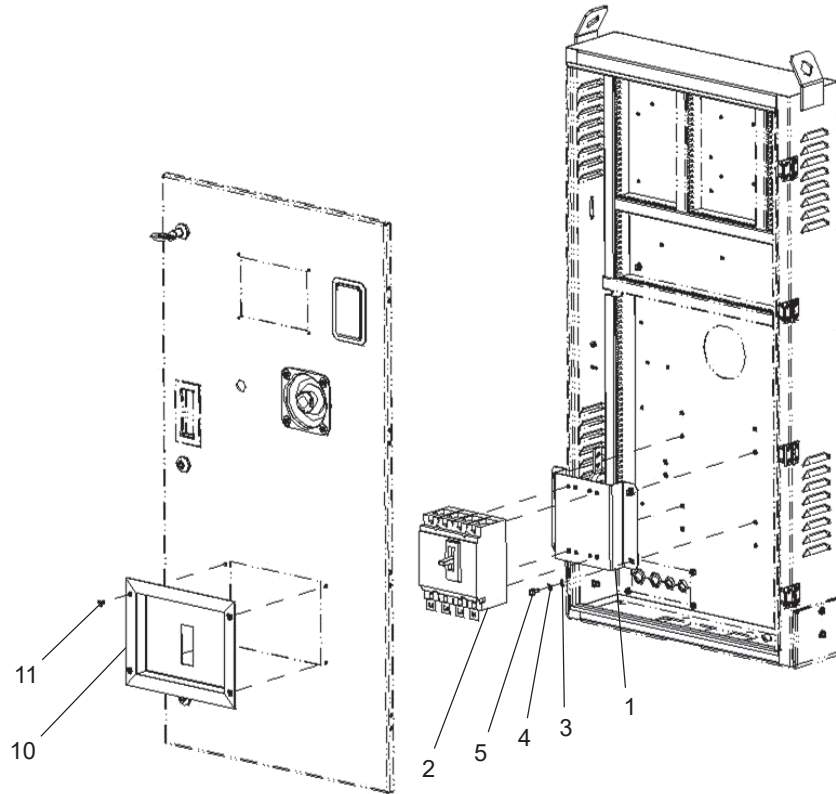
Circuit Breaker Installation (A040S989)

3 Pole

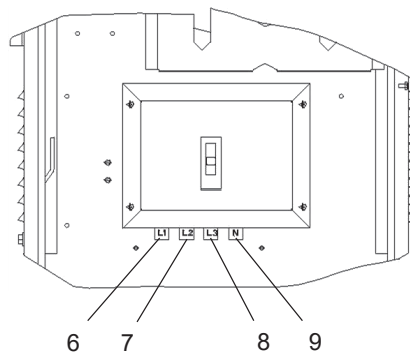
Item	Part No.	Description	Qty
1	A043W949	BRACKET, CIRCUIT BREAKER	1
2	0526-2400-22	WASHER, FLAT	4
3	0850-2114-07	WASHER, LOCK	4
4	0800-6494-10	SCREW, HEX HEAD	4
5	A049W274	BREAKER, CIRCUIT (3P, 63Amp)	1
#	A049W275	BREAKER, CIRCUIT (3P, 80Amp)	-
#	A049W276	BREAKER, CIRCUIT (3P, 100Amp)	-
#	A049W277	BREAKER, CIRCUIT (3P, 125Amp)	-
#	A049W290	BREAKER, CIRCUIT (3P, 160Amp)	-
#	A049W291	BREAKER, CIRCUIT (3P, 200Amp)	-
#	A049W292	BREAKER, CIRCUIT (3P, 250Amp)	-
#	A049W293	BREAKER, CIRCUIT (3P, 400Amp)	-
6	0098-8981-01	LABEL, INFORMATION	1
7	0098-8981-02	LABEL, INFORMATION	1
8	0098-8981-04	LABEL, INFORMATION	1
9	A049X103	COVER, CIRCUIT BREAKER	1
10	A047C910	SCREW, SLOTTED	4

Circuit Breaker Installation (A041C996)

4 Pole



3D VIEW



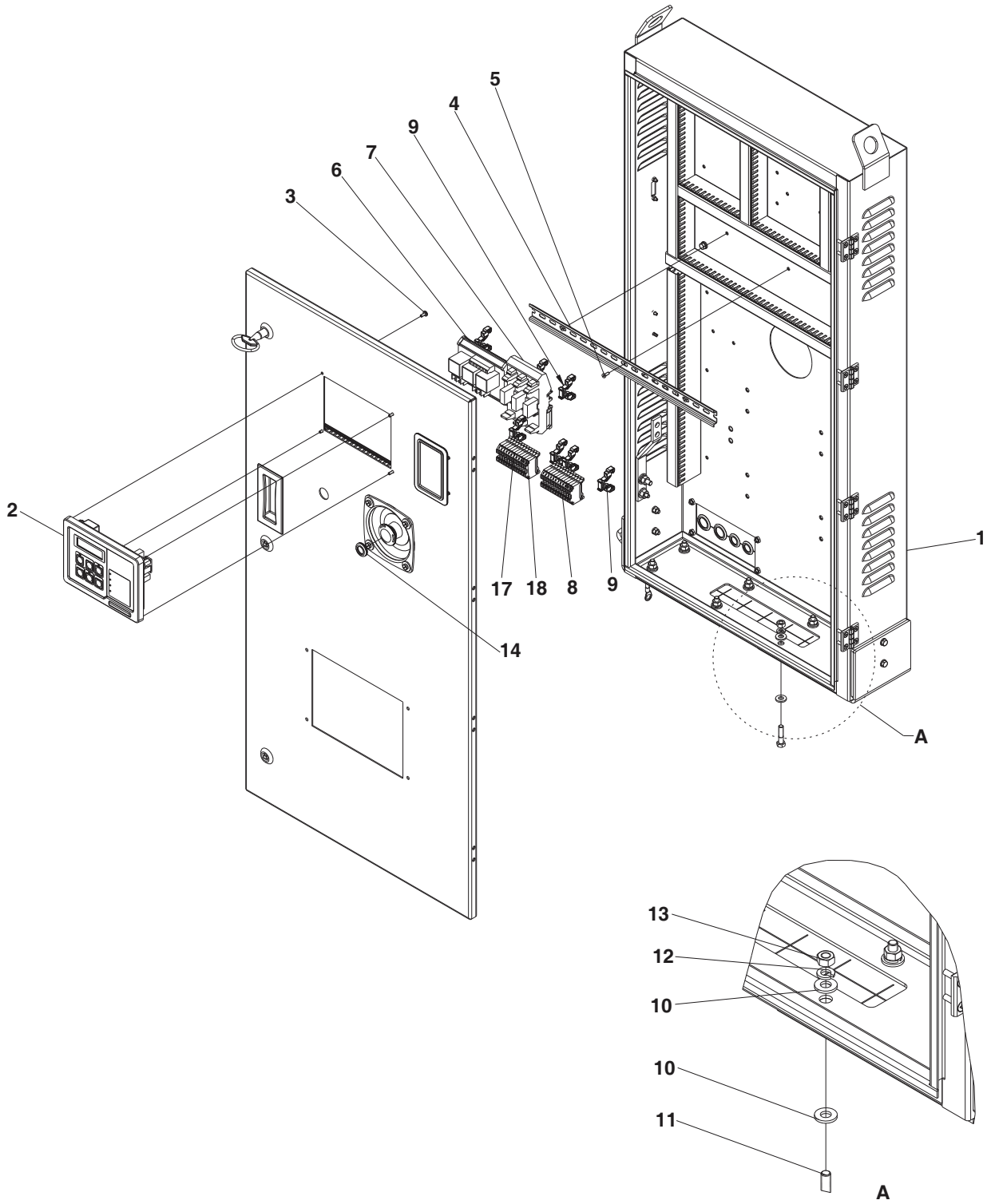
DETAILED VIEW
FOR LABEL INFORMATION

Circuit Breaker Installation (A041C996)

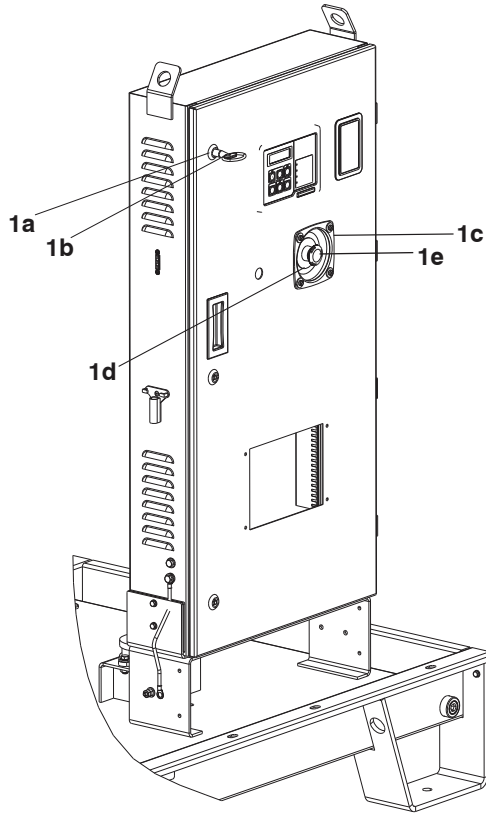
4 Pole

Item	Part No.	Description	Qty
1	A043W949	BRACKET, CIRCUIT BREAKER	1
2	A049W282	BREAKER, CIRCUIT (4P, 63Amp)	1
#	A049W283	BREAKER, CIRCUIT (4P, 80Amp)	-
#	A049W284	BREAKER, CIRCUIT (4P, 100Amp)	-
#	A049W285	BREAKER, CIRCUIT (4P, 125Amp)	-
#	A049W295	BREAKER, CIRCUIT (4P, 160Amp)	-
#	A049W296	BREAKER, CIRCUIT (4P, 200Amp)	-
#	A049W297	BREAKER, CIRCUIT (4P, 250Amp)	-
#	A049W298	BREAKER, CIRCUIT (4P, 400Amp)	-
3	0526-2400-22	WASHER, FLAT	4
4	0850-2114-07	WASHER, LOCK	4
5	0800-6494-10	SCREW, HEX HEAD	4
6	0098-8981-01	LABEL, INFORMATION	1
7	0098-8981-02	LABEL, INFORMATION	1
8	0098-8981-03	LABEL, INFORMATION	1
9	0098-8981-04	LABEL, INFORMATION	1
10	A049X107	COVER, CIRCUIT BREAKER	1
11	A047C910	SCREW, SLOTTED	4
12	0338-5408	HARNES, GROUND	1

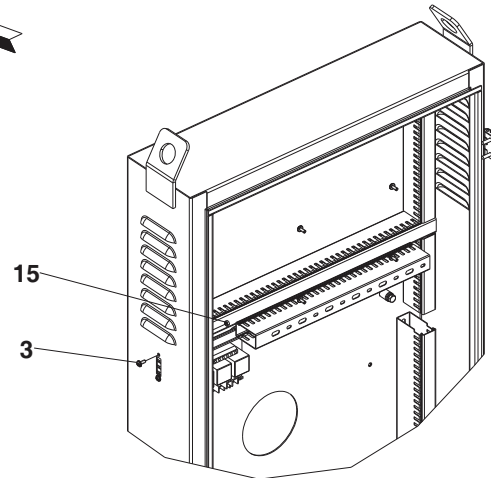
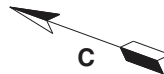
Control Panel Installation (A040S951) PS0500



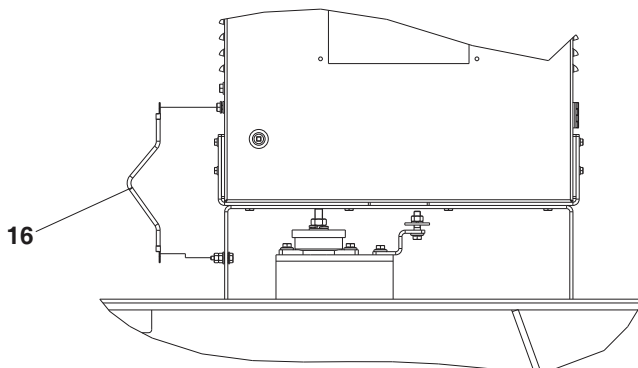
Control Panel Installation (A040S951) PS0500



**EARTHING CABLE ASSY
(CONTROL PANEL TO SKID CONN.)**



**THIS VIEW REFER ONLY FOR HARDWARE USED
IN FITMENT OF WIRE INTERFACE(A041B813)**



**VIEW FROM C
EARTHING CABLE ASSY
(CONTROL PANEL TO SKID CONN.)**

**Control Panel Installation (A040S951)
 PS0500**

Item	Part No.	Description	Qty
1	A040N176	PANEL,CONTROL	1
1a	0406-1257	LOCK, DOOR	3
1b	0406-1256	KEY	1
#	A043N184	KEY	1
1c	A044V873	COVER,EMERGENCY STOP SWITCH	1
1d	0308-1278	BEZEL,SWITCH	1
1e	0308-1277	SWITCH,PUSH BUTTON	1
2	0300-6445	CONTROL	1
3	0814-2166-01	SCREW,FLAT HEAD	6
4	A040T120	RAIL,MOUNTING	1
5	0803-2025-01	SCREW,SET	3
6	A049F209	RELAY,CONTROL	1
7	0307-3197	RELAY,CONTROL	1
8	A035F510	BLOCK,TERMINAL	24
9	0307-3194	RELAY,LOCKOUT	7
10	0526-2400-25	WASHER,FLAT	16
11	0800-6494-29	SCREW,HEX HEAD	8
12	0850-2114-09	WASHER,LOCK	8
13	0860-2127-11	NUT,HEX	8
14	A047G963	GROMMET	1
15	0860-2127-05	NUT,HEX	2
16	A042M574	LINK,NEUTRAL	1
17	A043C537	LABEL,INFORMATION	2
18	A043C539	LABEL,INFORMATION	2
19	A040S375	HARNESS,ENGINE	1
20	A043T156	HARNESS,INTERFACE	2
#	0406-1257	LOCK (Not Illustrated)	1
#	0406-1256	KEY (Not Illustrated)	1
#	A035C550	HARNESS GENSET, 1 phase 3 wire for PS0500 PMG & NON PMG	1
#	A035C546	HARNESS GENSET, 1 phase 2 wirefor PS0500 PMG & NON PMG	1
#	A035C548	HARNESS GENSET, 3 phase 4 wire for PS0500 PMG & NON PMG	1

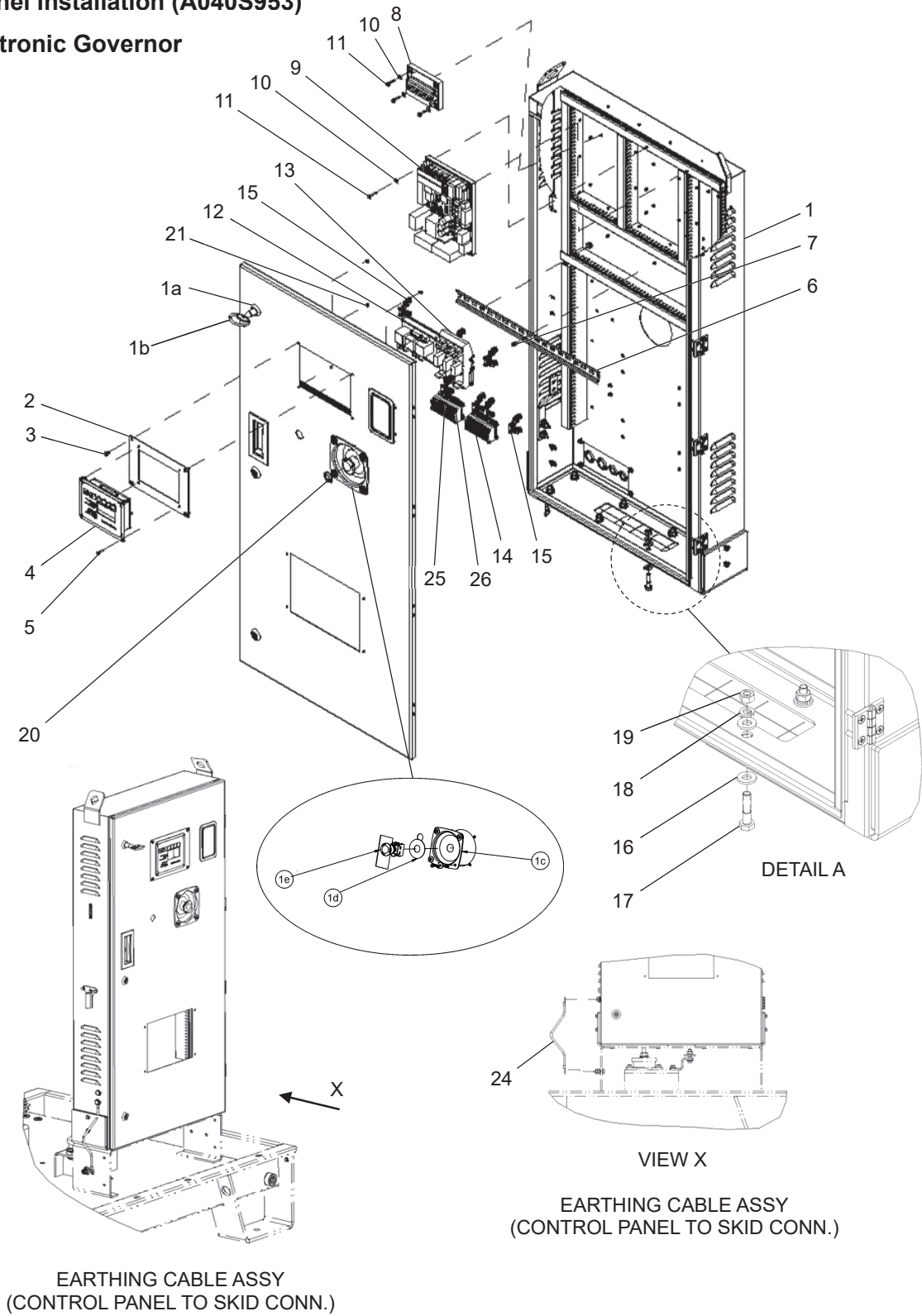
Kit Control (A030K633) Drawing not shown

Item	Part No.	Description	Qty
1	0327-1536	CARD,INPUT OUTPUT	1
2	0323-2192-04	CONNECTOR,PLUG	1
3	0323-1678-06	CONNECTOR,PLUG	6
4	A030K737	MANUAL,OWNER (AUX 101/102)	1

This page is Intentionally blank.

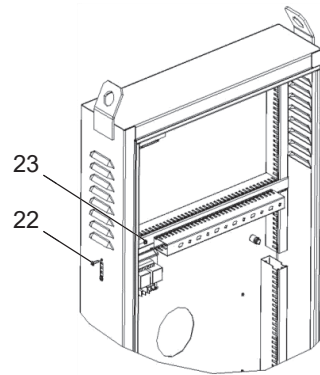
Control Panel Installation (A040S953)

PC1.1 Electronic Governor



Control Panel Installation (A040S953)

PC1.1 Electronic Governor



Item	Part No.	Description	Qty
1	A040N176	PANEL, CONTROL	1
1a	0406-1257	LOCK, DOOR	3
1b	0406-1256	KEY	1
#	A043N184	KEY	1
1c	A044V873	COVER, EMERGENCY STOP SWITCH	1
1d	0308-1278	BEZEL, SWITCH	1
1e	0308-1277	SWITCH, PUSH BUTTON	1
2	0319-7548	PLATE, MOUNTING	1
3	0814-2166-01	SCREW, FLAT HEAD	4
4	0300-6014	CONTROL, GENSET	1
5	0814-2168	SCREW, FLAT HEAD	4
6	A040T120	RAIL, MOUNTING	1
7	0803-2025-01	SCREW, SET	3
8	0327-1507	CARD, GOVERNOR	1
9	0327-1617-01	CARD, CONTROL	1
10	0526-2400-19	WASHER, FLAT	10
11	0814-2166-03	SCREW, FLAT HEAD	10
12	A049F209	RELAY, CONTROL	1
13	0307-3197	RELAY, CONTROL	1
14	A035F510	BLOCK, TERMINAL	24
15	0307-3194	RELAY, LOCKOUT	7
16	0526-2400-25	WASHER, FLAT	16
17	0800-6494-29	SCREW, HEX HEAD	8
18	0850-2114-09	WASHER, LOCK	8
19	0860-2127-11	NUT, HEX	8
20	A047G963	GROMMET	1
21	0860-2127-06	NUT, HEX	4
22	0814-2166-02	SCREW, FLAT HEAD	2
23	0860-2127-05	NUT, HEX	2
24	A042M574	LINK, NEUTRAL	1
25	A043C537	LABEL, INFORMATION	2
26	A043C539	LABEL, INFORMATION	2
27	A040N026	HARNESS, ENGINE	1
28	A041B813	HARNESS, INTERFACE	1

Control Panel Installation (A040S953)

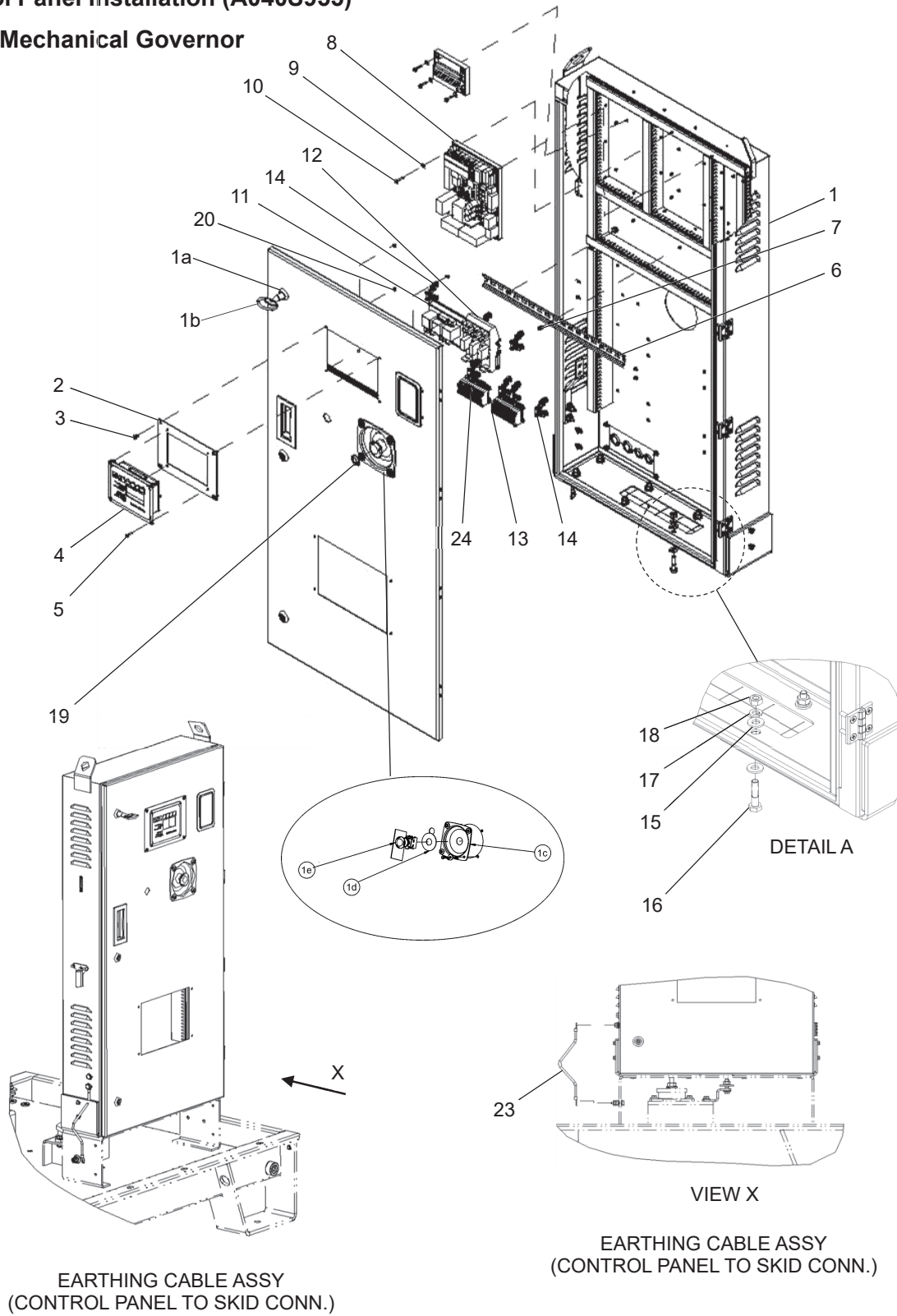
PC1.1 Electronic Governor

Item	Part No.	Description	Qty
#	A047L228 / A047L231	1 phase 3 wire,PMG / NON PMG	1
#	A047L219 / A047L221	1 phase 2 wire,PMG / NON PMG	1
#	A047L170 / A047L192	3 phase 4 wire,PMG / NON PMG	1

This page is Intentionally blank.

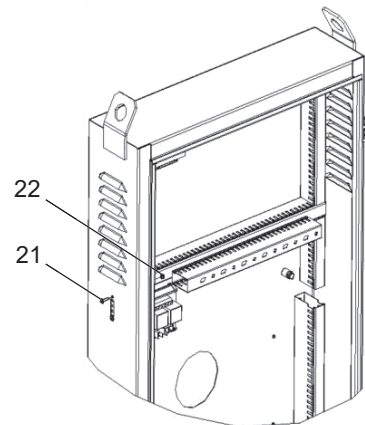
Control Panel Installation (A040S955)

PC1.1 Mechanical Governor



Control Panel Installation (A040S955)

PC1.1 Mechanical Governor



Item	Part No.	Description	Qty
1	A040N176	PANEL, CONTROL	1
1a	0406-1257	LOCK, DOOR	3
1b	0406-1256	KEY	1
#	A043N184	KEY	1
1c	A044V873	COVER, EMERGENCY STOP SWITCH	1
1d	0308-1278	BEZEL, SWITCH	1
1e	0308-1277	SWITCH, PUSH BUTTON	1
2	0319-7548	PLATE, MOUNTING	1
3	0814-2166-01	SCREW, FLAT HEAD	4
4	0300-6014	CONTROL, GENSET	1
5	0814-2168	SCREW, FLAT HEAD	4
6	A040T120	RAIL, MOUNTING	1
7	0803-2025-01	SCREW, SET	3
8	0327-1617-01	CARD, CONTROL	1
9	0526-2400-19	WASHER, FLAT	6
10	0814-2166-03	SCREW, FLAT HEAD	6
11	A049F209	RELAY, CONTROL	1
12	0307-3197	RELAY, CONTROL	1
13	A035F510	BLOCK, TERMINAL	20
14	0307-3194	RELAY, LOCKOUT	7
15	0526-2400-25	WASHER, FLAT	16
16	0800-6494-29	SCREW, HEX HEAD	8
17	0850-2114-09	WASHER, LOCK	8
18	0860-2127-11	NUT, HEX	8
19	A047G963	GROMMET	1
20	0860-2127-06	NUT, HEX	4
21	0814-2166-02	SCREW, FLAT HEAD	2
22	0860-2127-05	NUT, HEX	2
23	A042M574	LINK, NEUTRAL	1
24	A043C537	LABEL, INFORMATION	2
25	A040N192	HARNESS, ENGINE	1
26	A041B813	HARNESS, INTERFACE	1

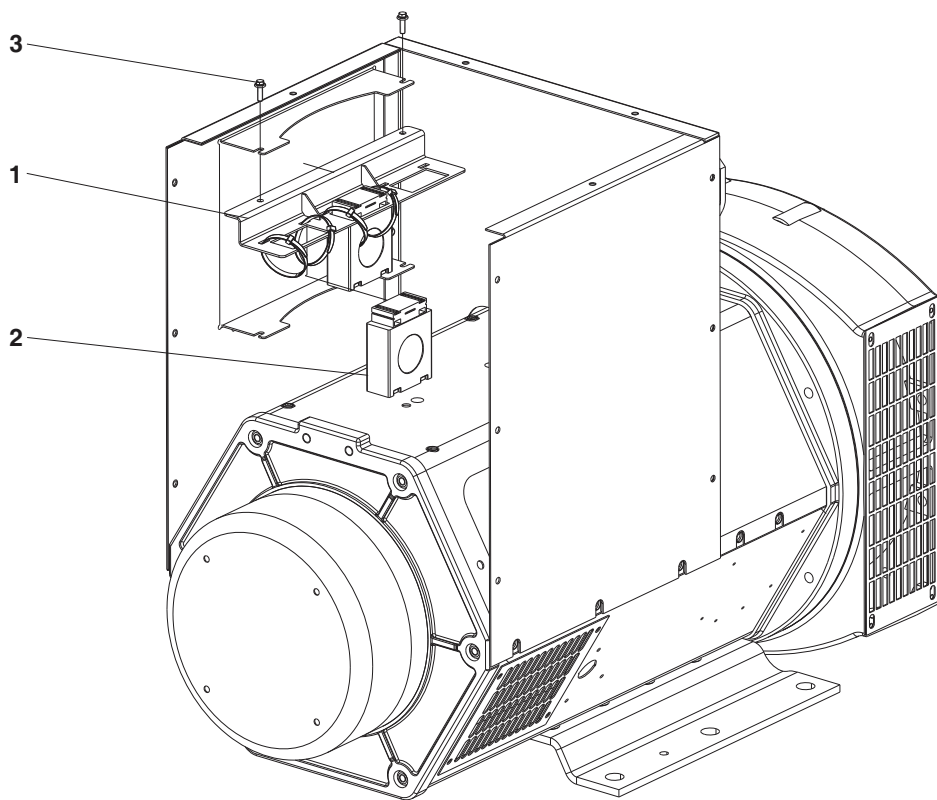
Control Panel Installation (A040S955)

PC1.1 Mechanical Governor

Item	Part No.	Description	Qty
#	A047L228 / A047L231	1 phase 3 wire,PMG / NON PMG	1
#	A047L219 / A047L221	1 phase 2 wire,PMG / NON PMG	1
#	A047L170 / A047L192	3 phase 4 wire,PMG / NON PMG	1

Current Transformer Installation

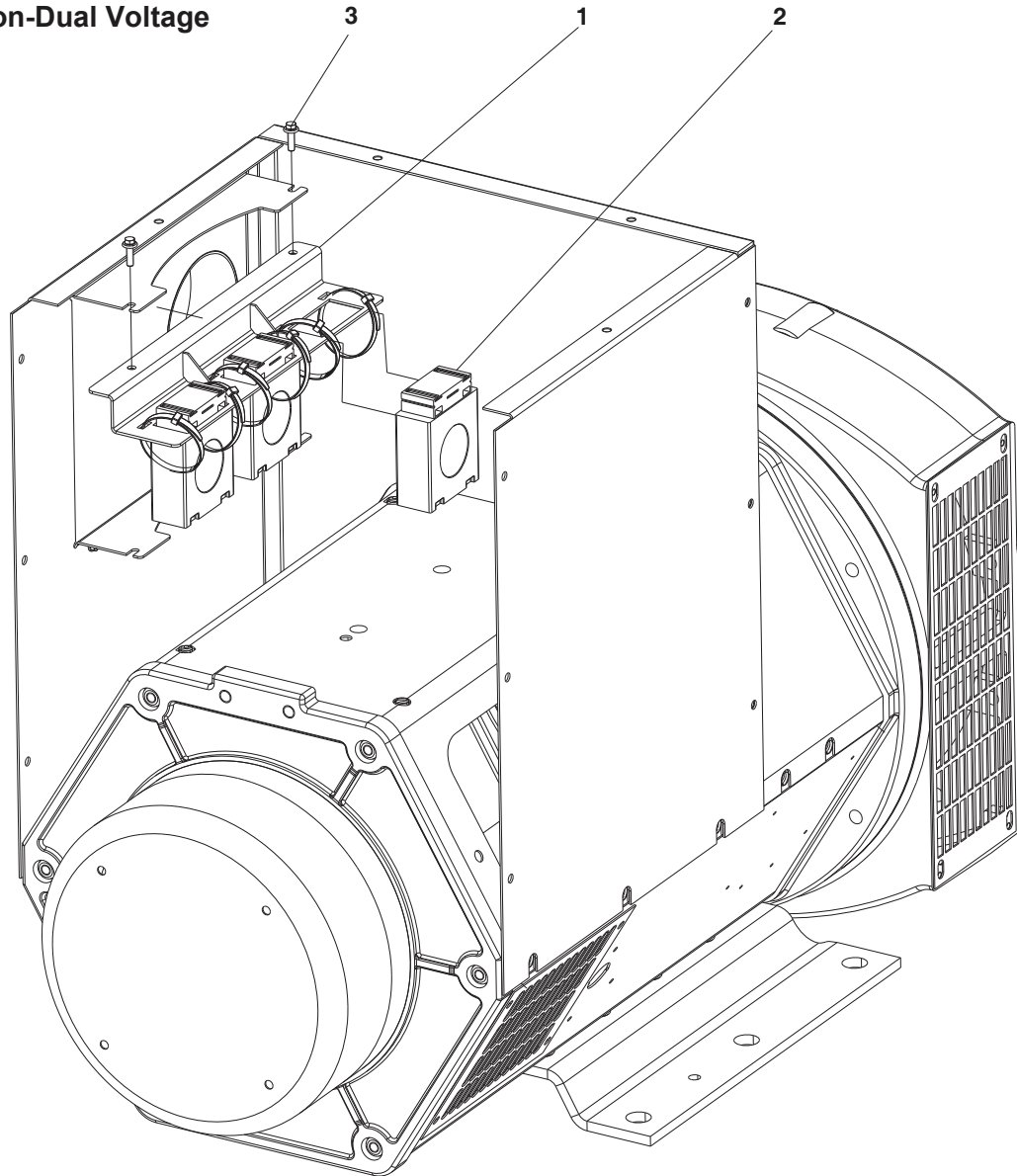
1 Phase Dual Voltage



Item	Part No.	Description	Qty
1	A040N849	BRACKET,TRANSFORMER	1
2	A035F246	TRANSFORMER,CURRENT (C40 D6 , C44 D5 & C55 D5)	2
#	A035F320	TRANSFORMER CURRENT (C50 D6 & C66 D5)	-
#	A035E751	TRANSFORMER CURRENT (C60 D6)	-
3	0800-6520-01	SCREW,HEX FLANGE HEAD	2
4	A043Z472	WIRE,GROUND (NOT ILLUSTRATED)	1

Current Transformer Installation

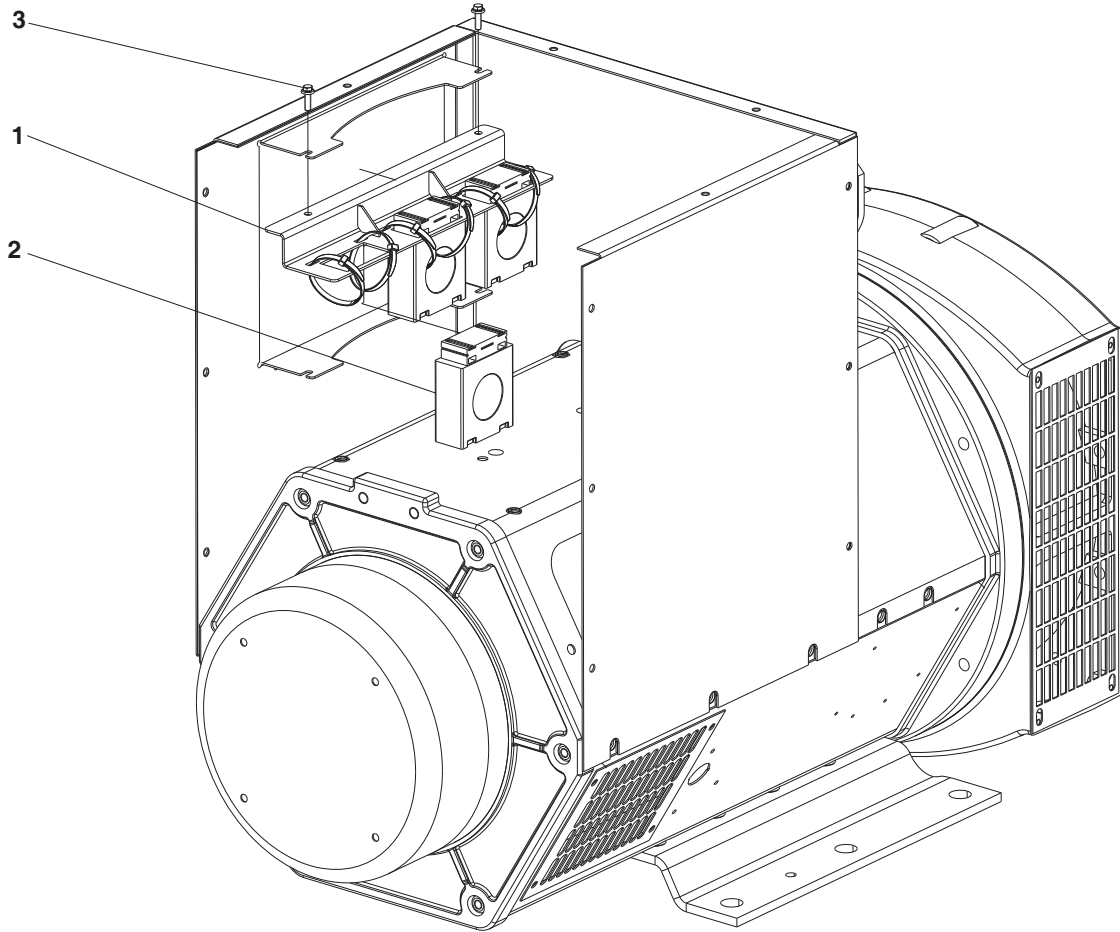
1 Phase Non-Dual Voltage



Item	Part No.	Description	Qty
1	A040N849	BRACKET,TRANSFORMER	1
2	A035F246	TRANSFORMER,CURRENT (C40 D6 , C44 D5 & C55 D5)	3
#	A035F320	TRANSFORMER CURRENT (C50 D6 & C66 D5)	-
#	A035E751	TRANSFORMER CURRENT (C60 D6)	-
3	0800-6520-01	SCREW,HEX FLANGE HEAD	2

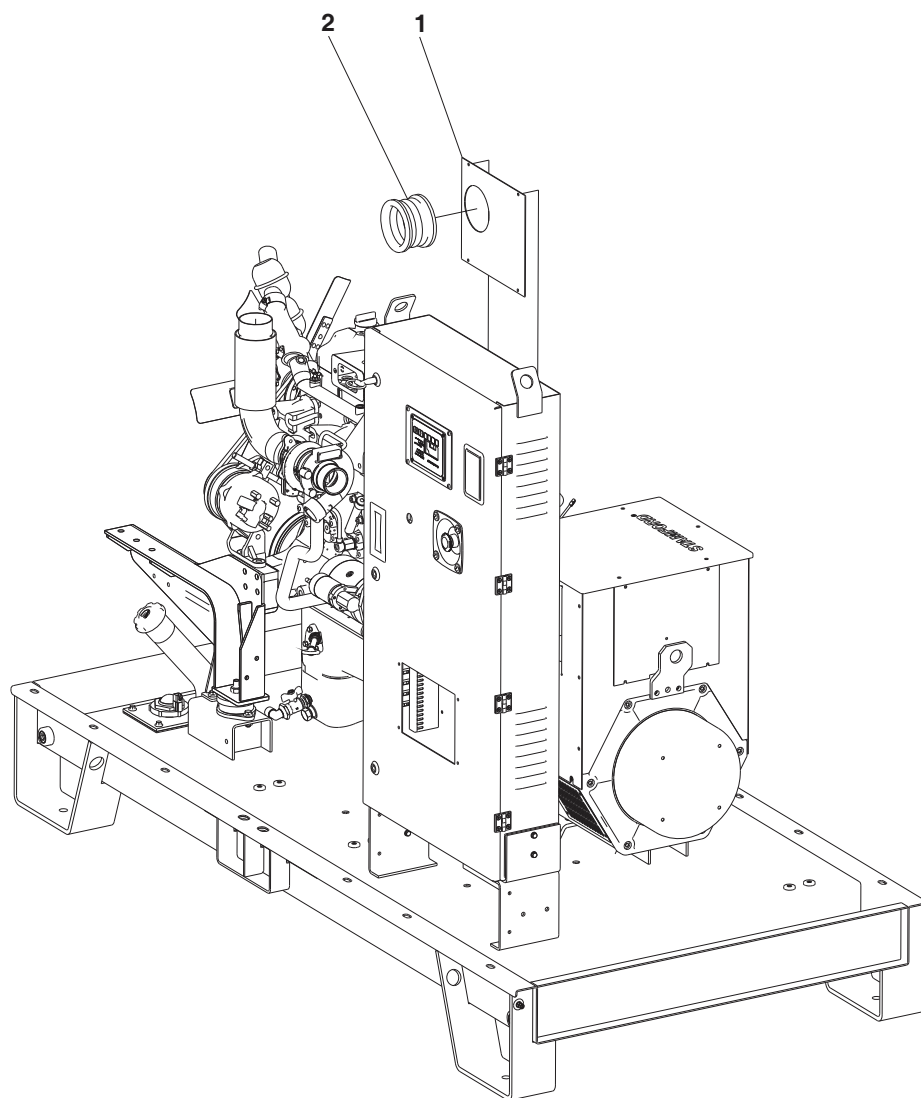
Current Transformer Installation

3-Phase



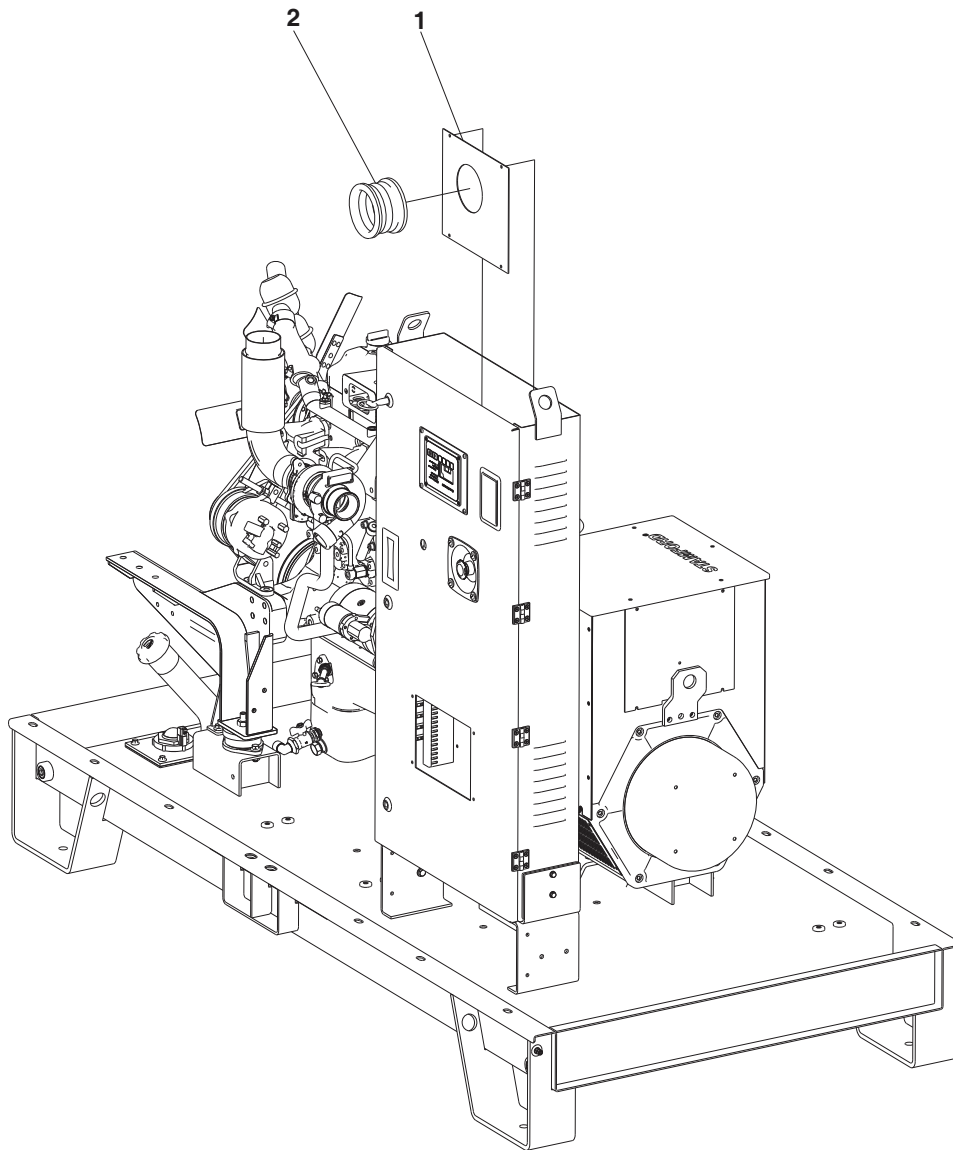
Item	Part No.	Description	Qty
1	A040N849	BRACKET,TRANSFORMER	1
2	A035F320	TRANSFORMER,CURRENT (C50D6, C60D6 & C66D5)	3
#	A035F246	TRANSFORMER CURRENT (C40D6, C44D5 & C55D5)	-
3	0800-6520-01	SCREW,HEX FLANGE HEAD	2

Duct Installation (A040S961) Frame-UC224G



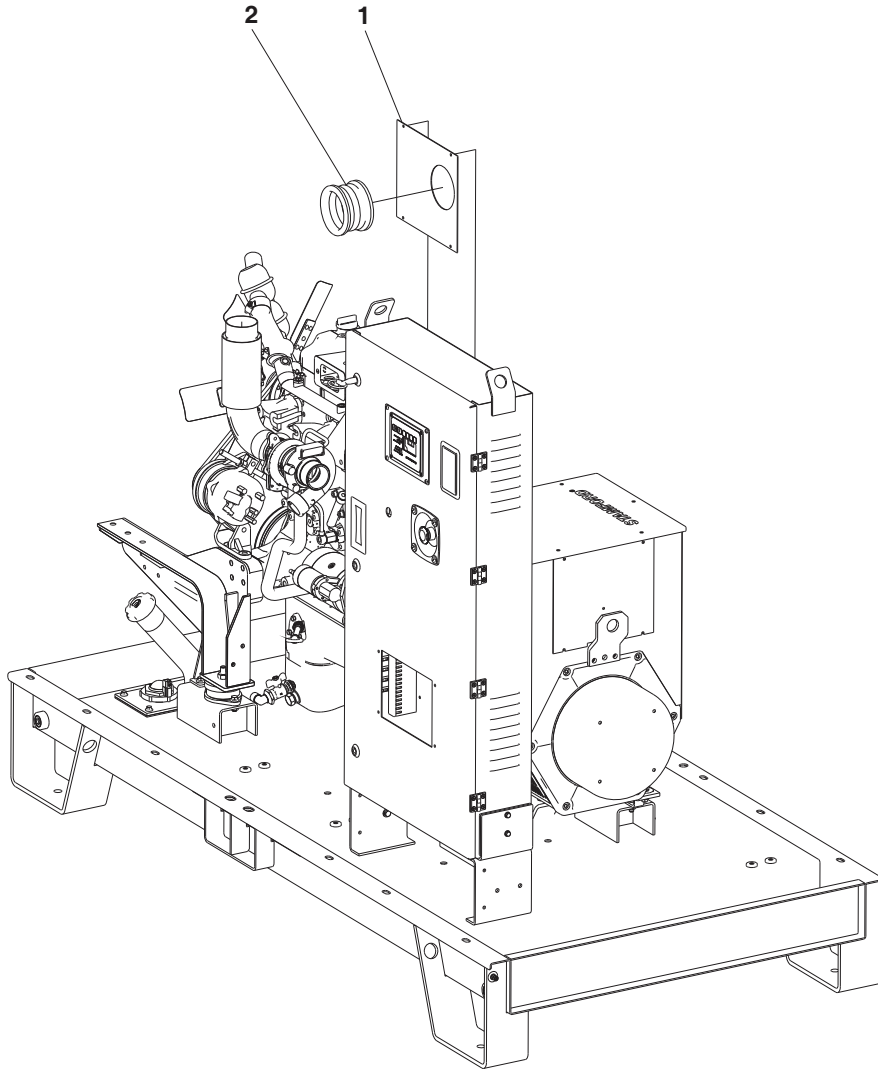
Item	Part No.	Description	Qty
1	A040R970	PLATE	1
2	A047G693	GROMMET	1

Duct Installation (A040S965) Frame-UC224E & UC224F



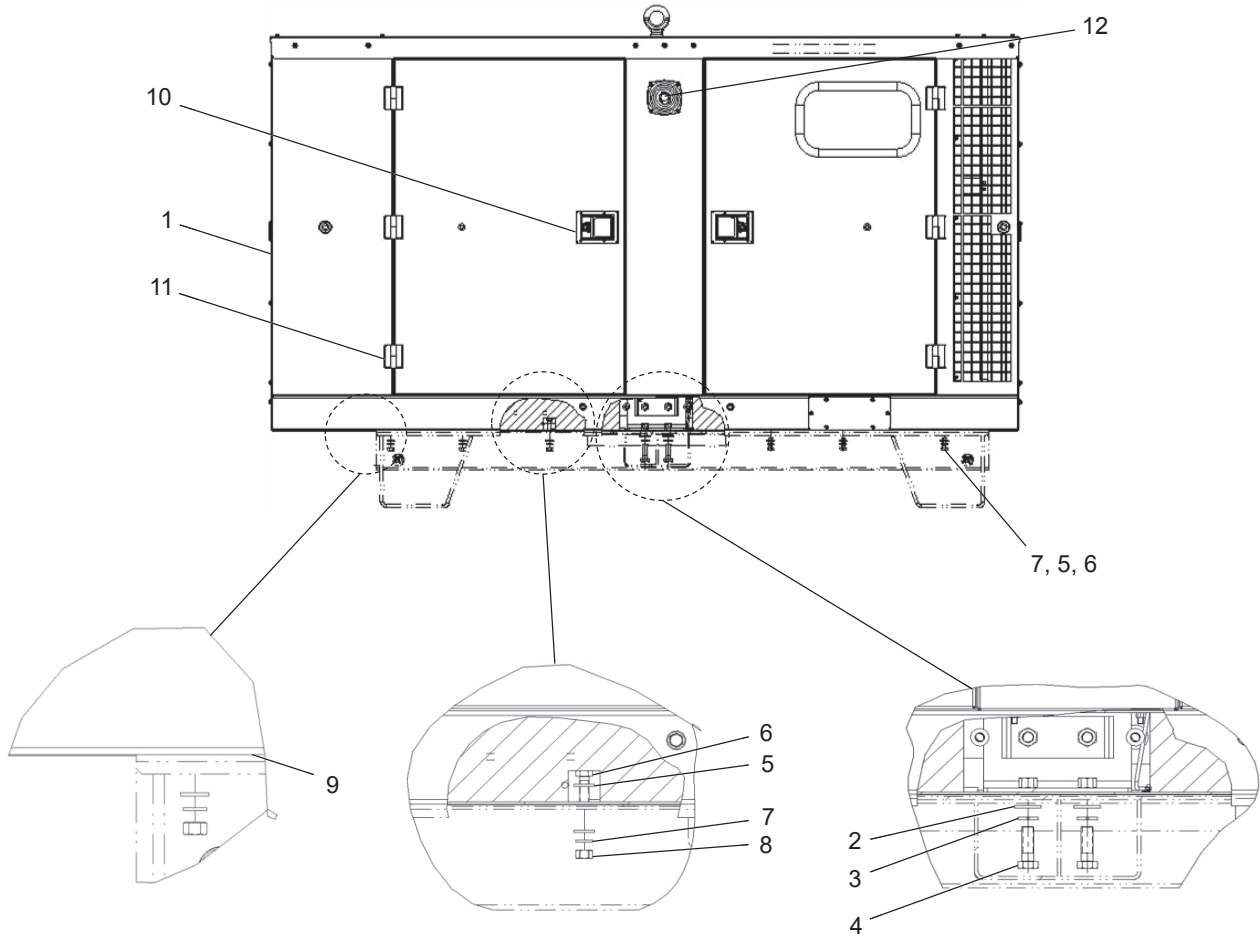
Item	Part No.	Description	Qty
1	A040R968	PLATE	1
2	A047G693	GROMMET	1

**Duct Installation (A040S967)
Frame-UC224C & UC24D**



Item	Part No.	Description	Qty
1	A040R966	PLATE	1
2	A047G693	GROMMET	1

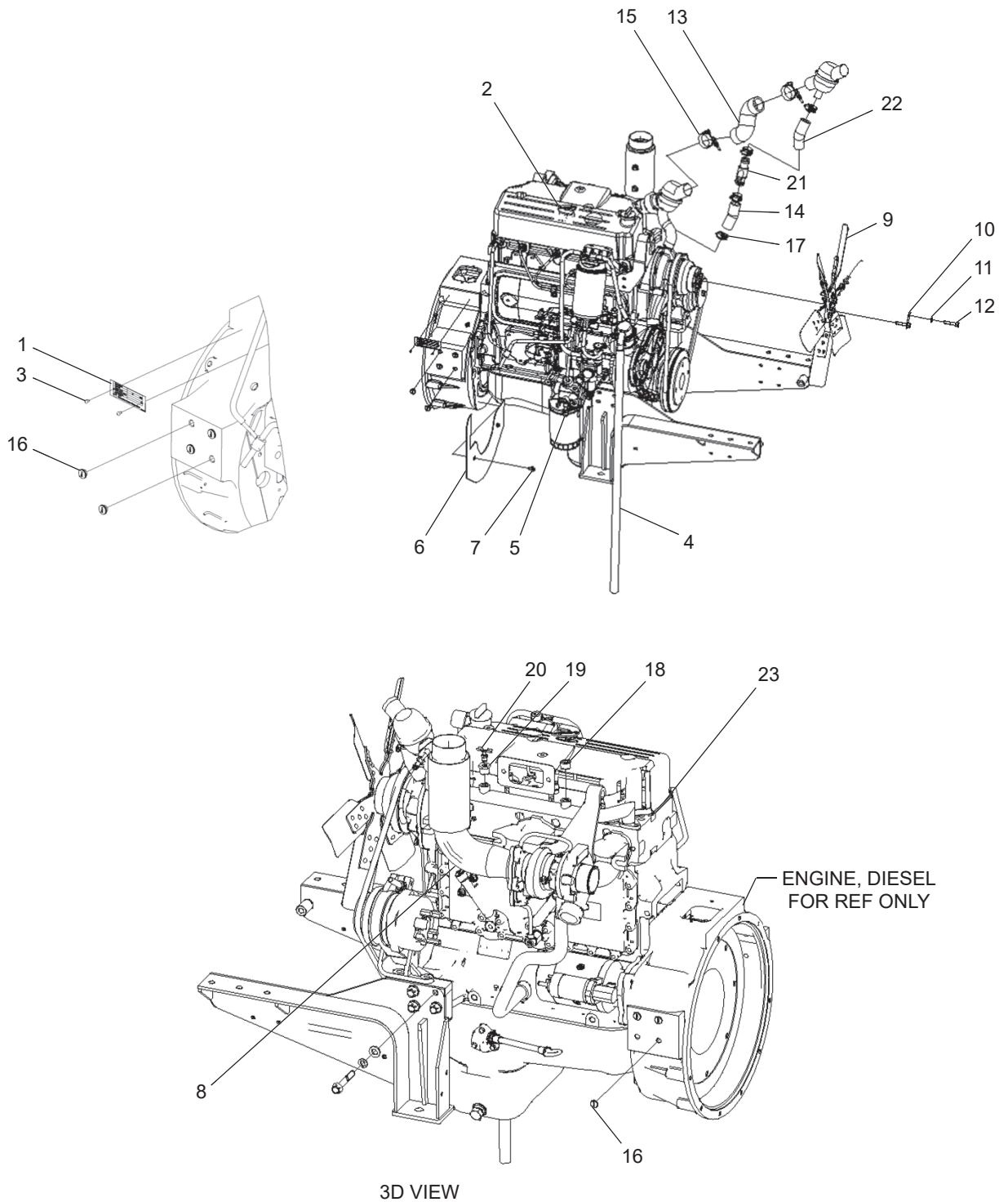
Enclosure Installation (A035A759)



Item	Part No.	Description	Qty
1	A034U564	ENCLOSURE (Non Serviceable Part)	1
2	A047M976	WASHER, FLAT	4
3	0850-2114-17	WASHER, LOCK	4
4	0800-6519-06	SCREW, HEX HEAD	4
5	0526-2400-31	WASHER, FLAT	21
6	0800-6494-62	SCREW, HEX HEAD	12
7	0850-2114-13	WASHER, LOCK	12
8	0860-2127-15	NUT, HEX	9
9	A044R737	SEAL, ENCLOSURE	6
10	0406-1225	LOCK, DOOR	2
11	0406-1220	HINGES	6
12	0308-1277	SWITCH,PUSH BUTTON	1

Engine Installation (A051E086)

CAC (50Hz & 60Hz) - 66kVA & 60kWe



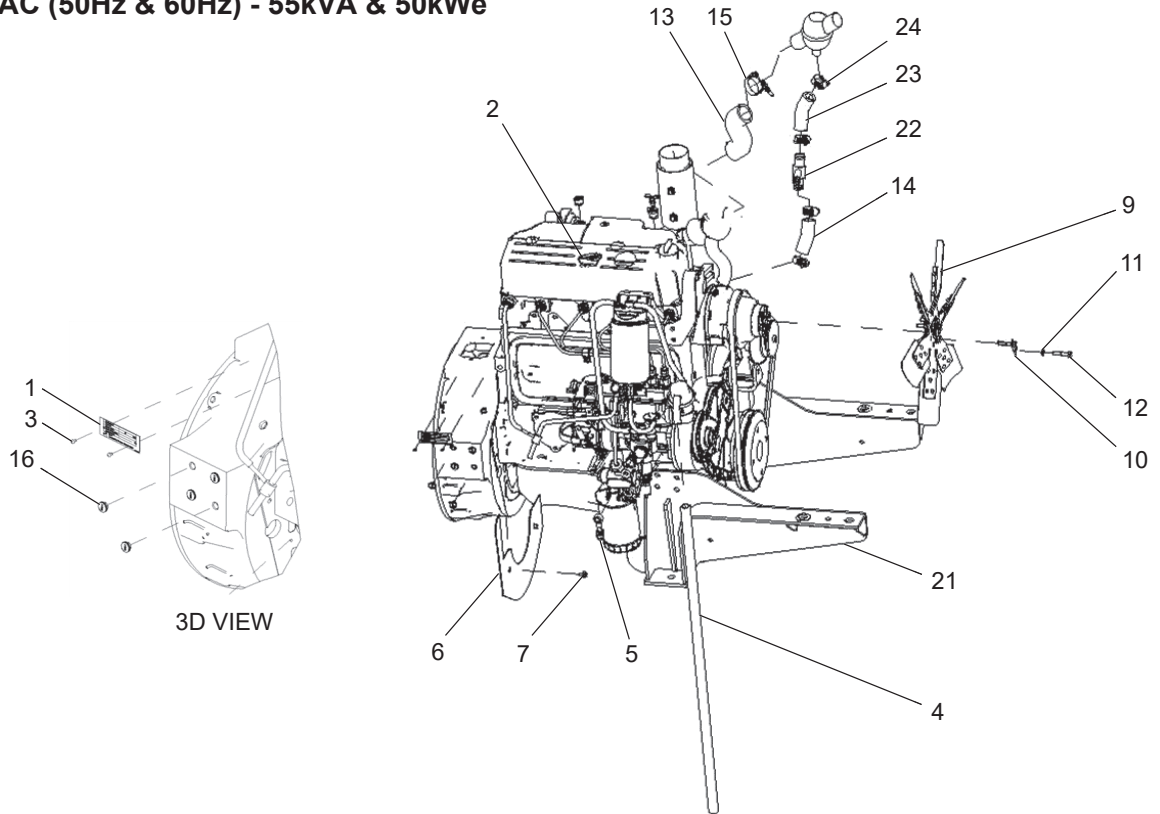
Engine Installation (A051E086)

CAC (50Hz & 60Hz) - 66kVA & 60kWe

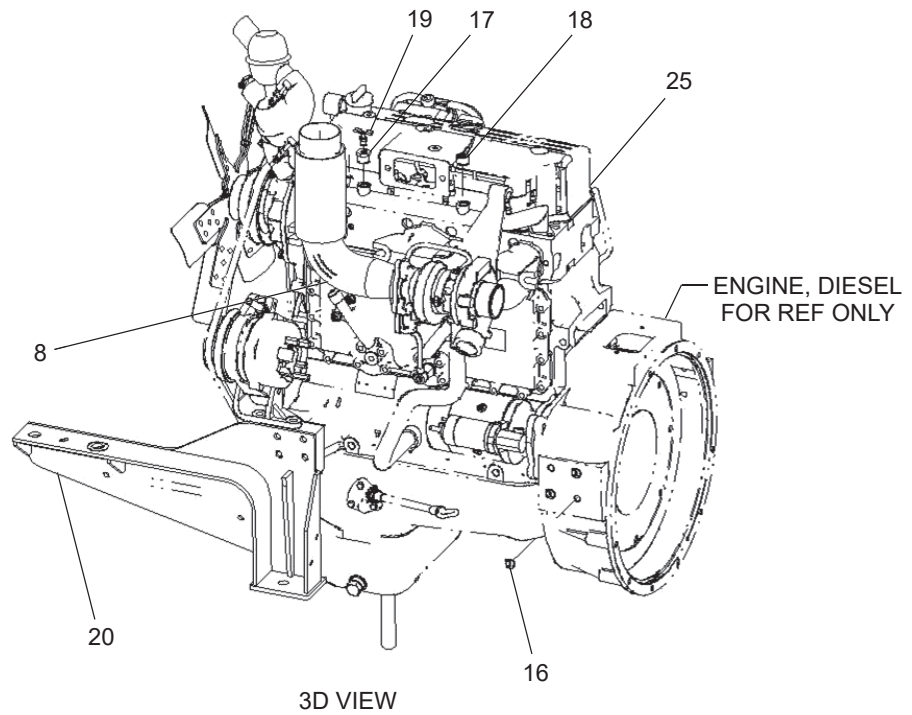
Item	Part No.	Description	Qty
1	0099-2598	NAMEPLATE, ENGINE	1
2	0099-2604	NAMEPLATE, CONTROL	1
3	0818-1181-01	RIVET, ROUND HEAD	2
4	A040G955	HOSE, BREATHER	1
5	0146-0898-02	ADAPTER, FUEL LINE	1
6	0306-5456	COVER	1
7	0800-6528-01	SCREW, HEX FLANGE HEAD	2
8	0155-5028	PIPE, EXHAUST	1
9	0130-8401	FAN, RADIATOR	1
10	0205-0393	BACKPLATE, FAN	3
11	0850-2114-09	WASHER, LOCK	6
12	0800-6494-30	SCREW, HEX HEAD	6
13	A040V350	HOSE, WATER	1
14	A050R827	HOSE, WATER	1
15	A040Y180	CLAMP, HOSE	2
16	0517-0451	PLUG, HOLE	7
17	0503-3095	CLAMP, HOSE	4
18	0517-0443-02	PLUG	1
19	0505-2576	BUSHING, REDUCER	1
20	0517-0478	PLUG	1
21	A050R142	ADAPTER, HOSE	1
22	A050R825	HOSE, WATER	1
23	A048A496	GASKET, COVER	1

Engine Installation (A051E120)

Non - CAC (50Hz & 60Hz) - 55kVA & 50kWe



3D VIEW



3D VIEW

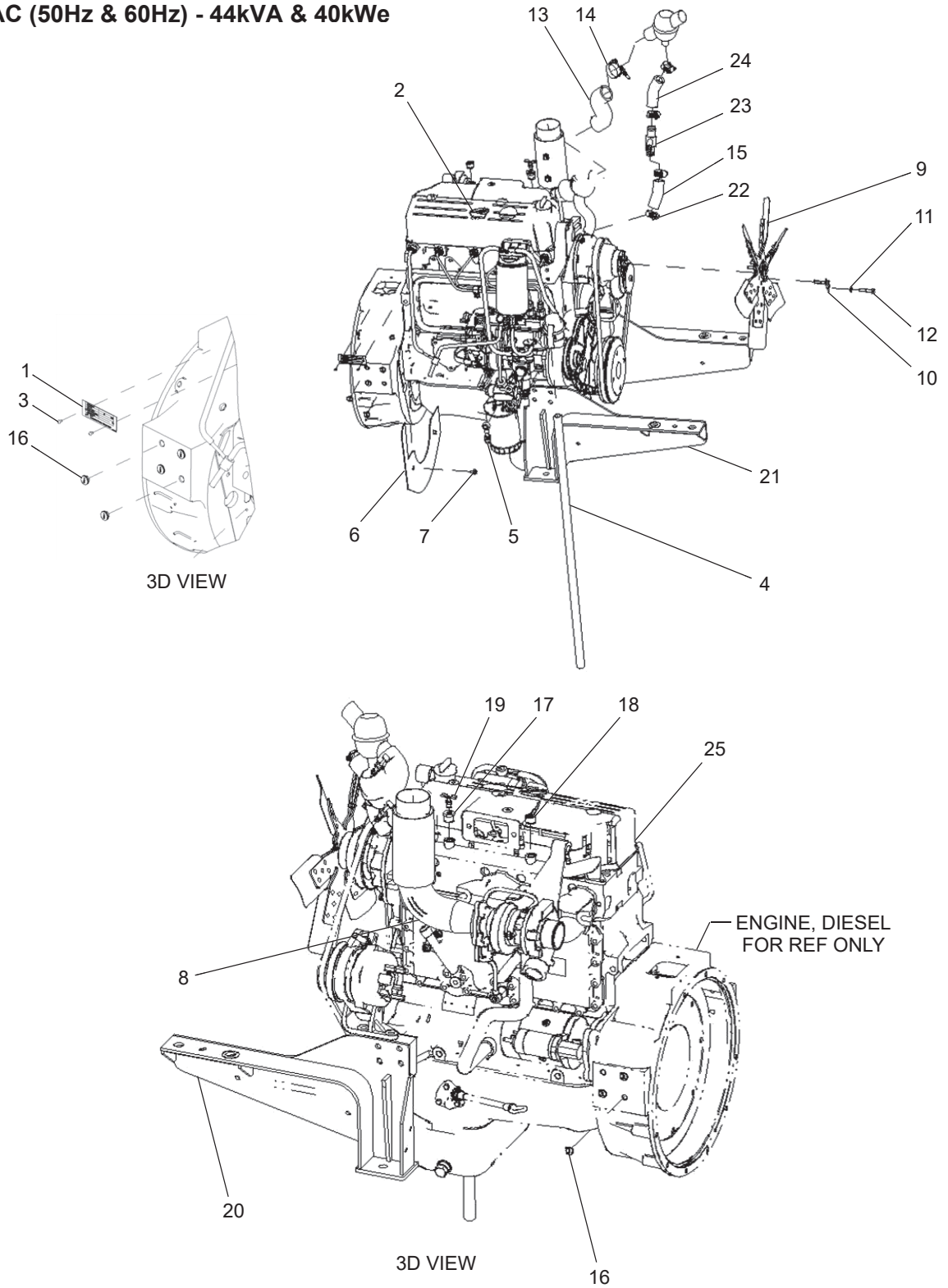
Engine Installation (A051E120)

Non - CAC (50Hz & 60Hz) - 55kVA & 50kWe

Item	Part No.	Description	Qty
1	0099-2598	NAMEPLATE, ENGINE	1
2	0099-2604	NAMEPLATE, CONTROL	1
3	0818-1181-01	RIVET, ROUND HEAD	2
4	A040G955	HOSE, BREATHER	1
5	0146-0898-02	ADAPTER, FUEL LINE	1
6	0306-5456	COVER	1
7	0800-6528-01	SCREW, HEX FLANGE HEAD	2
8	0155-5028	PIPE, EXHAUST	1
9	0130-8401	FAN, RADIATOR	1
10	0205-0393	BACKPLATE,FAN	3
11	0850-2114-09	WASHER, LOCK	6
12	0800-6494-30	SCREW, HEX HEAD	6
13	A040V350	HOSE, WATER	1
14	A050R827	HOSE, WATER	1
15	A040Y180	CLAMP, HOSE	2
16	0517-0451	PLUG, HOLE	7
17	0517-0443-02	PLUG	1
18	0505-2576	BUSHING, REDUCER	1
19	0517-0478	PLUG	1
20	A049S702	MOUNT, ENGINE	1
21	A049S700	MOUNT, ENGINE	1
22	A050R142	ADAPTER, HOSE	1
23	A050R825	HOSE, WATER	1
24	0503-3095	CLAMP, HOSE	4
25	A048A496	GASKET, COVER	1

Engine Installation (A051E122)

Non - CAC (50Hz & 60Hz) - 44kVA & 40kWe

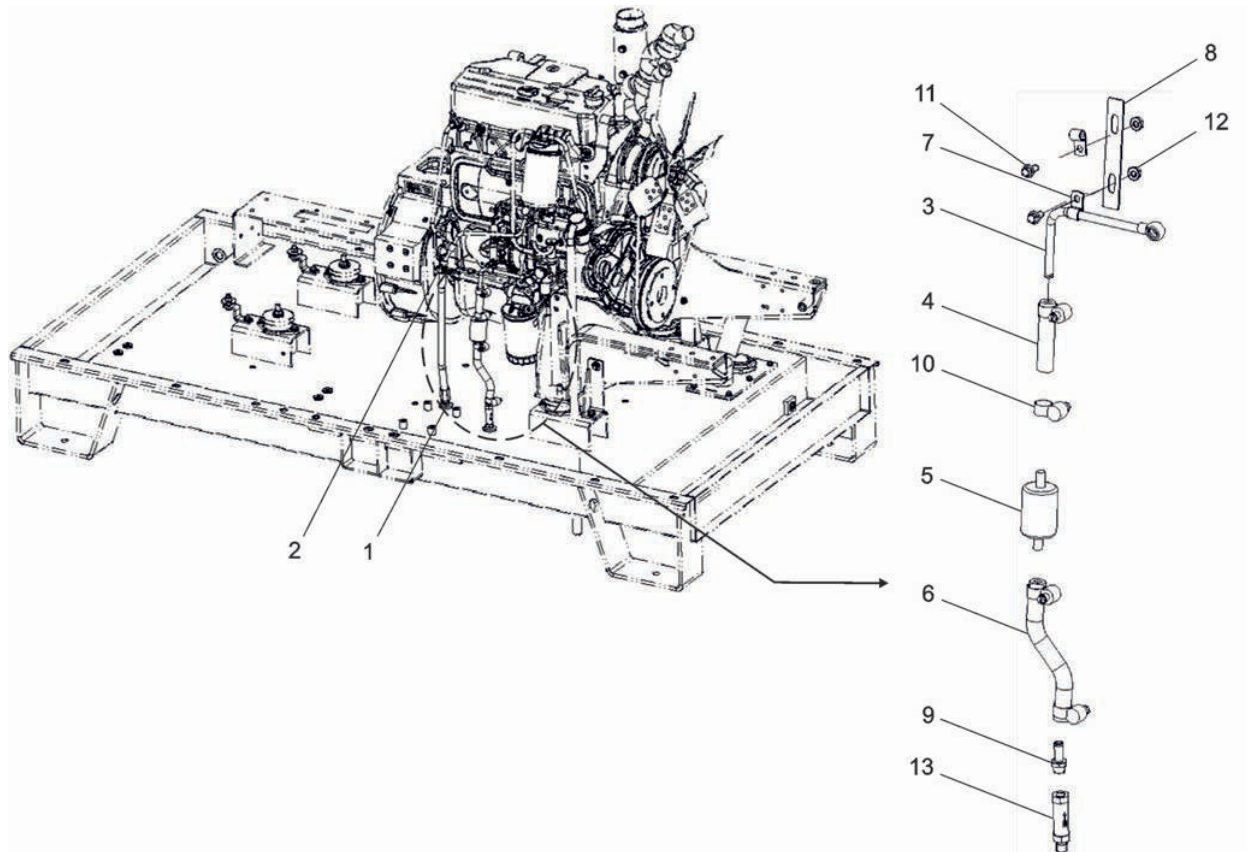


Engine Installation (A051E122)

Non - CAC (50Hz & 60Hz) - 44kVA & 40kWe

Item	Part No.	Description	Qty
1	0099-2598	NAMEPLATE, ENGINE	1
2	0099-2604	NAMEPLATE, CONTROL	1
3	0818-1181-01	RIVET, ROUND HEAD	2
4	A040G955	HOSE, BREATHER	1
5	0146-0898-02	ADAPTER, FUEL LINE	1
6	0306-5456	COVER	1
7	0800-6528-01	SCREW, HEX FLANGE HEAD	2
8	0155-5028	PIPE, EXHAUST	1
9	0130-8400	FAN, RADIATOR	1
10	0205-0393	BACKPLATE, FAN	3
11	0850-2114-09	WASHER, LOCK	6
12	0800-6494-30	SCREW, HEX HEAD	6
13	A040V350	HOSE, WATER	1
14	A040Y180	CLAMP, HOSE	2
15	A050R827	HOSE, WATER	1
16	0517-0451	PLUG, HOLE	7
17	0505-2576	BUSHING, REDUCER	1
18	0517-0443-02	PLUG	1
19	0517-0478	PLUG	1
20	A049S702	MOUNT, ENGINE	1
21	A049S700	MOUNT, ENGINE	1
22	0503-3095	CLAMP, HOSE	4
23	A050R142	ADAPTER, HOSE	1
24	A050R825	HOSE, WATER	1
25	A048A496	GASKET, COVER	1

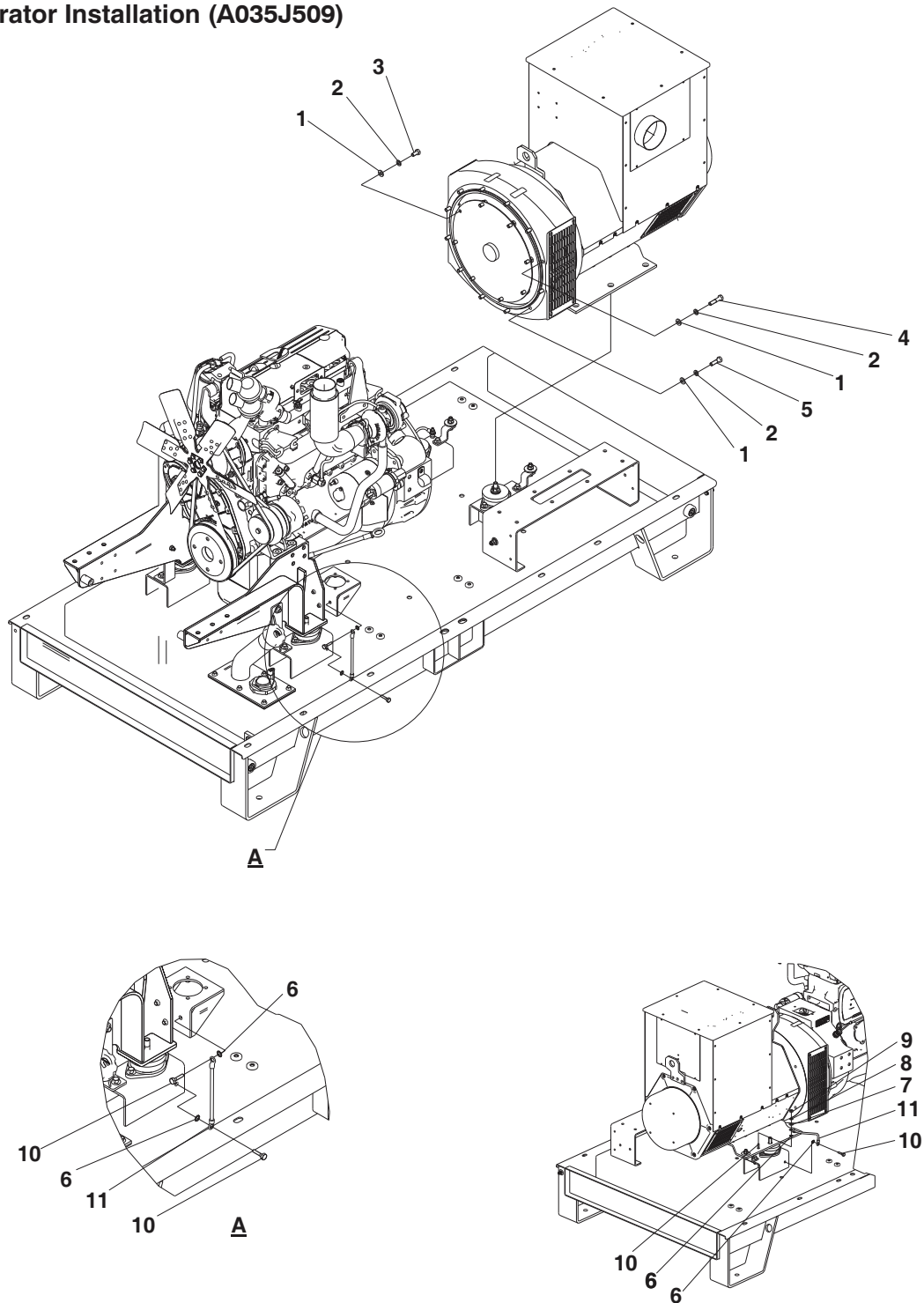
Fuel System Installation (A040M688)



Item	Part No.	Description	Qty
1	A040L186	HOSE, FUEL	1
2	0503-3036-02	CLAMP, HOSE	1
3	A040S821	TUBE, FUEL	1
4	A041U699	HOSE, FUEL	1
5	A048W352	STRAINER, FUEL	1
6	A043C152	HOSE, FUEL	1
7	A041W263	CLIP, HOSE	2
8	A041B507	SUPPORT	1
9	A040M834	ADAPTER, HOSE	1
10	A041W261	CLAMP, HOSE	4
11	0800-6520-18	SCREW, HEX FLANGE HEAD	2
12	0860-2137	NUT, HEX FLANGE	2
13	A046G653	VALVE, CHECK	1

This page is Intentionally blank.

Generator Installation (A035J509)



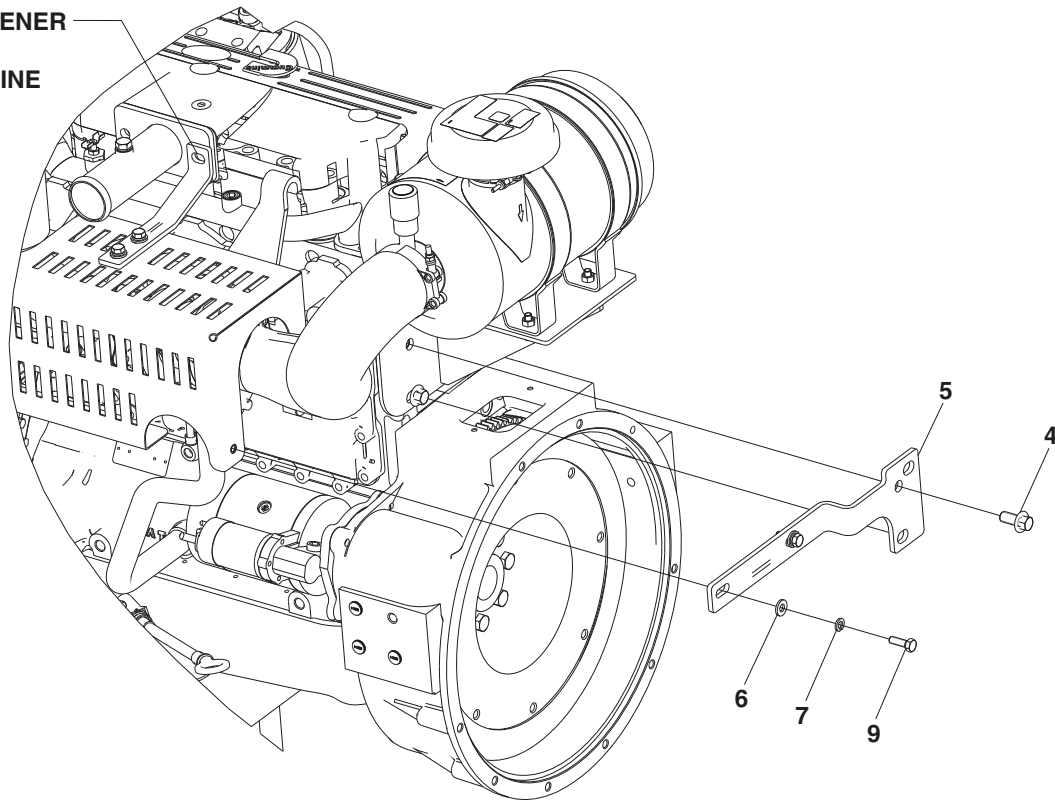
THIS VIEW ONLY FOR REFERENCE

Generator Installation (A035J509)

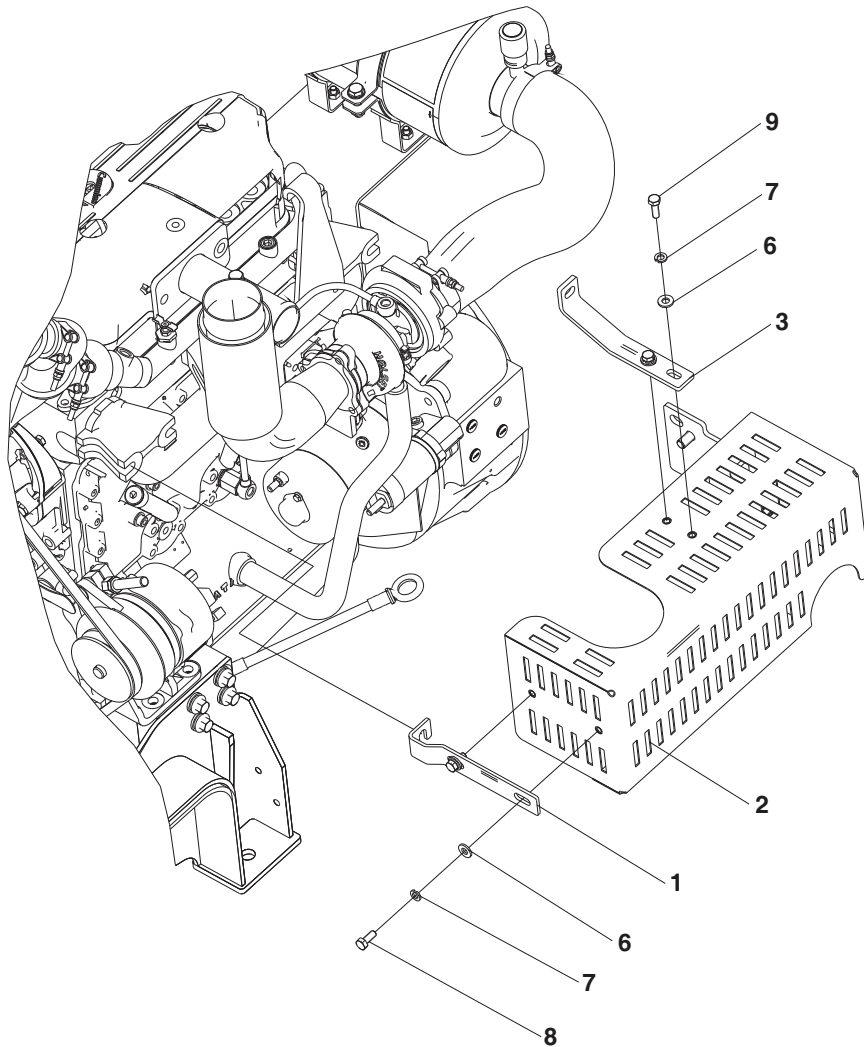
Item	Part No.	Description	Qty
1	0526-2401-10	WASHER,FLAT	20
2	0850-2114-11	WASHER,LOCK	20
3	0800-6494-43	SCREW,HEX HEAD	8
4	0800-6494-48	SCREW,HEX HEAD	4
5	0800-6494-46	SCREW,HEX HEAD	8
6	0853-0040-55	WASHER,LOCK	4
7	A049W777	WASHER,FLAT	1
8	0850-2114-09	WASHER,LOCK	1
9	A049W781	NUT,HEX	1
10	A049W492	SCREW,HEX HEAD	4
11	A043Y136	WIRE,GROUND	2

**Guard Installation (A040K577)
CAC (50Hz & 60Hz) - 66kVA &
60kWe**

**USE FASTENER
SUPPLIED
WITH ENGINE**

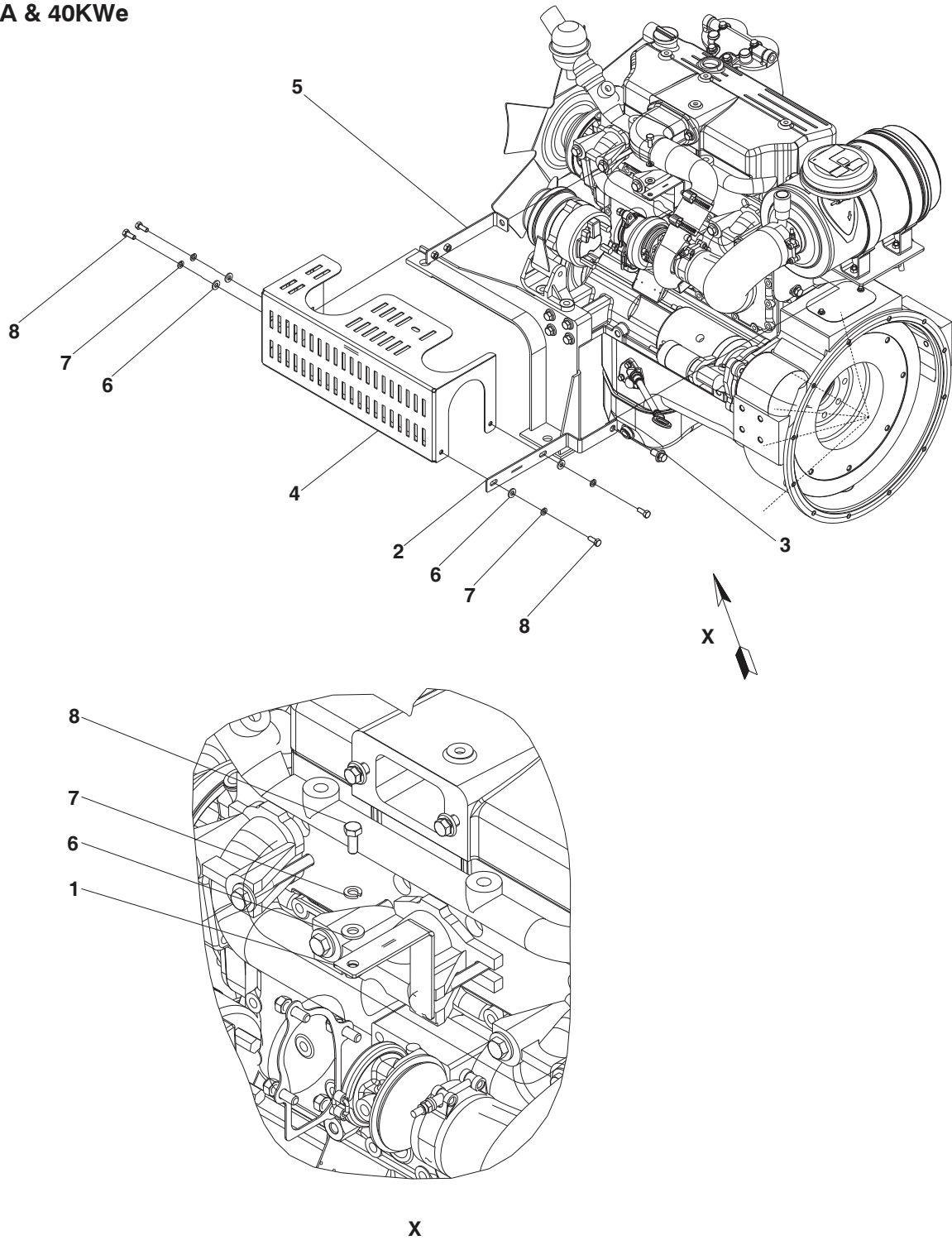


**Guard Installation (A040K577)
CAC (50Hz & 60Hz) - 66kVA &
60kWe**



Item	Part No.	Description	Qty
1	A048S259	BRACKET, GUARD	1
2	A048S255	GUARD, EXHAUST	1
3	A048S262	BRACKET, GUARD	1
4	0800-6520-56	SCREW, HEX FLANGE HEAD	1
5	A048S257	BRACKET, GUARD	1
6	0526-2400-25	WASHER, FLAT	6
7	0850-2114-09	WASHER, LOCK	6
8	0800-6494-26	SCREW, HEX HEAD	2
9	0800-6494-27	SCREW, HEX HEAD	4

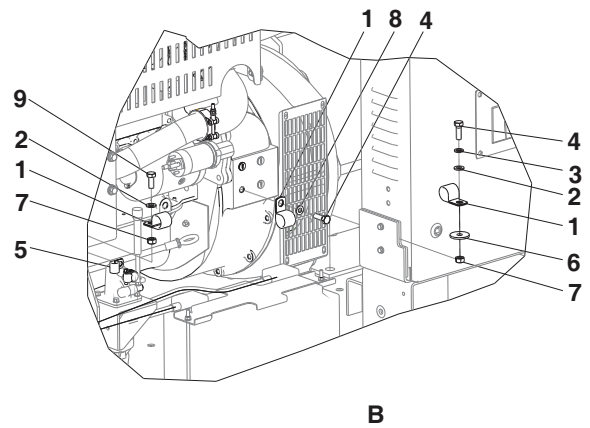
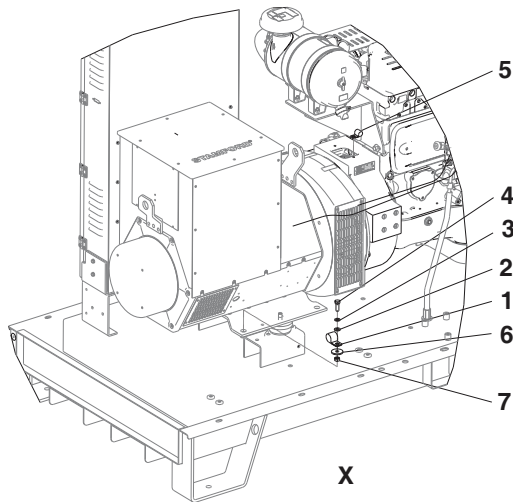
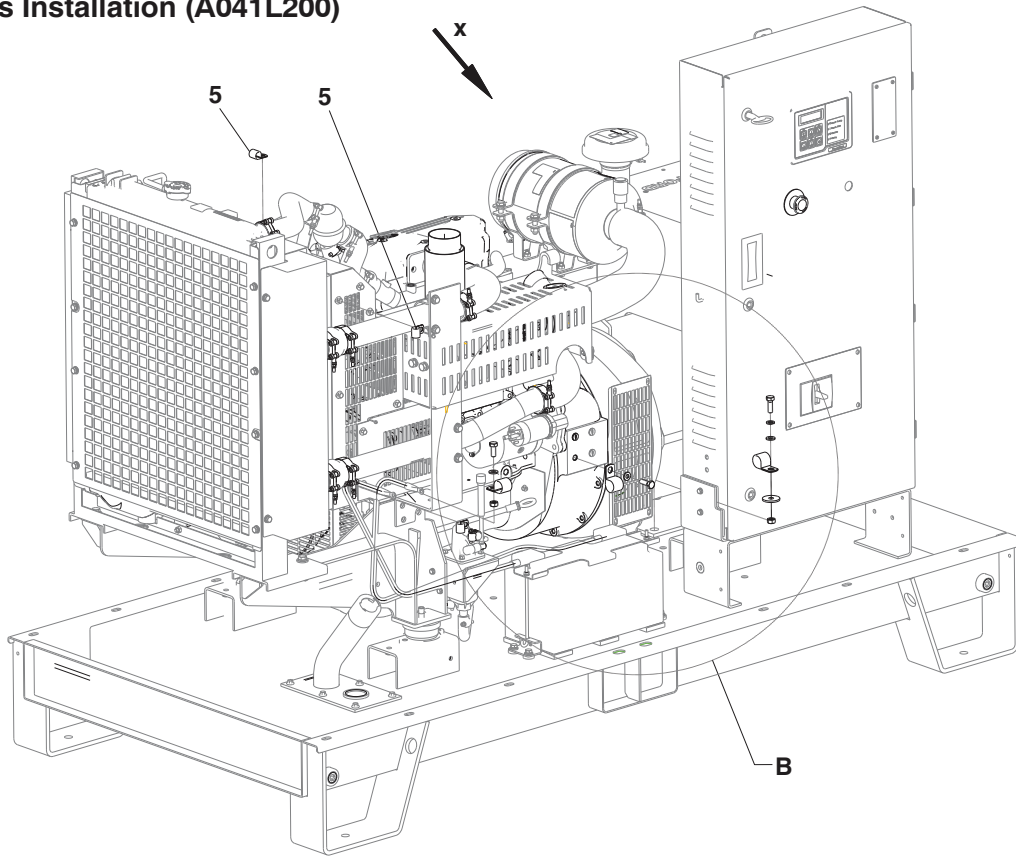
Guard Installation (A040Y050)
Non - CAC (50Hz & 60Hz) -
55kVA & 50kWe
44KVA & 40KWe



Guard Installation (A040Y050)
Non - CAC (50Hz & 60Hz) -
55kVA & 50kWe
44KVA & 40KWe

Item	Part No.	Description	Qty
1	A040X777	BRACKET,GUARD	1
2	A040K142	BRACKET,GUARD	1
3	0800-6520-55	SCREW,HEX FLANGE HEAD	1
4	A040X775	GUARD,EXHAUST	1
5	A040K144	BRACKET,GUARD	1
6	0526-2400-25	WASHER,FLAT	5
7	0850-2114-09	WASHER,LOCK	5
8	0800-6494-26	SCREW,HEX HEAD	5

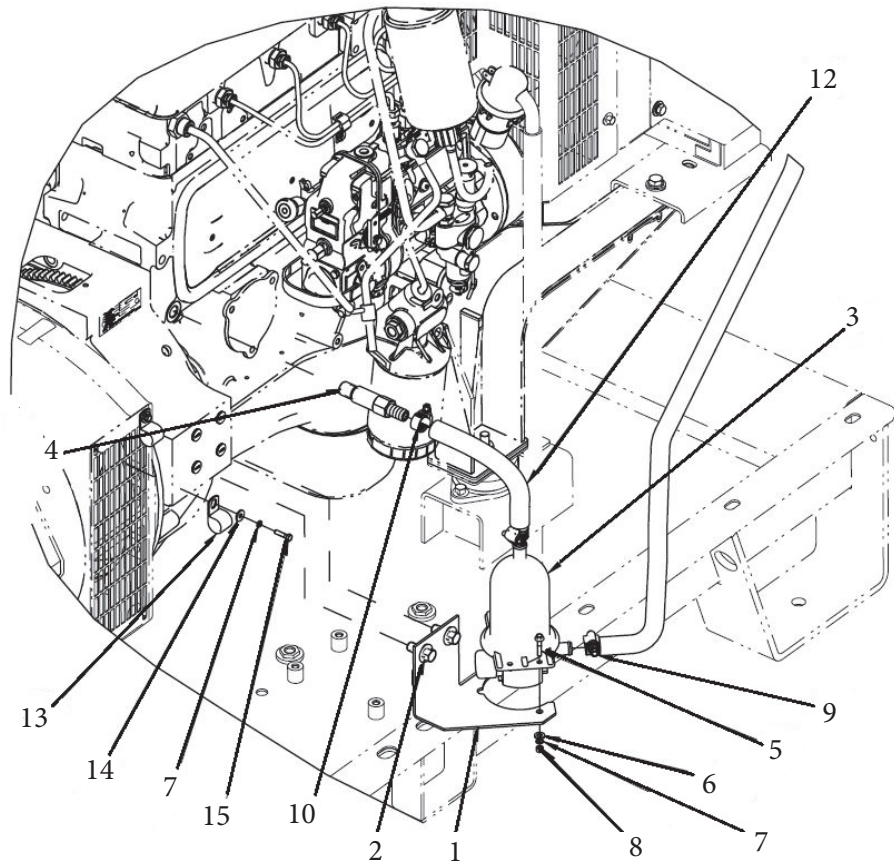
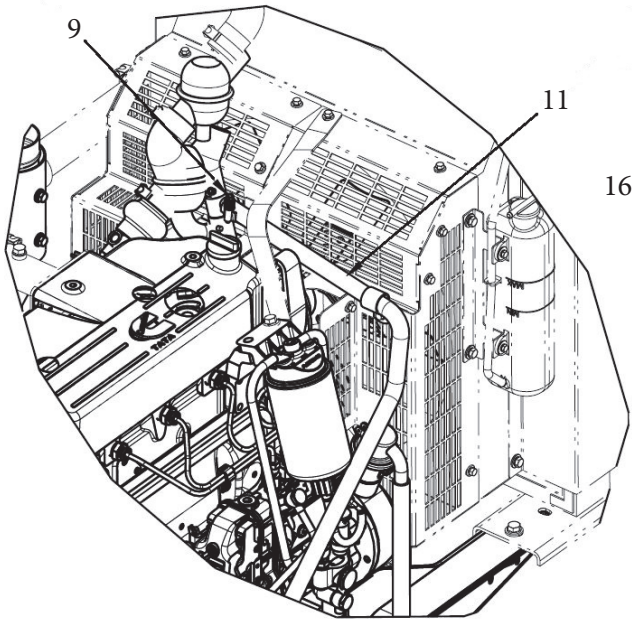
Harness Installation (A041L200)



Harness Installation (A041L200)

Item	Part No.	Description	Qty
1	0503-3097-03	CLAMP,HOSE	4
2	0526-2400-28	WASHER,FLAT	3
3	0850-2114-11	WASHER,LOCK	2
4	0800-6494-45	SCREW,HEX HEAD	3
5	0503-3097-01	CLAMP,HOSE	4
6	A035N047	WASHER,FLAT	2
7	0860-2127-13	NUT,HEX	3
8	0526-2403-25	WASHER,FLAT	1
9	0800-6494-44	SCREW,HEX HEAD	1
#	A031B113	RELAY,POWER	1

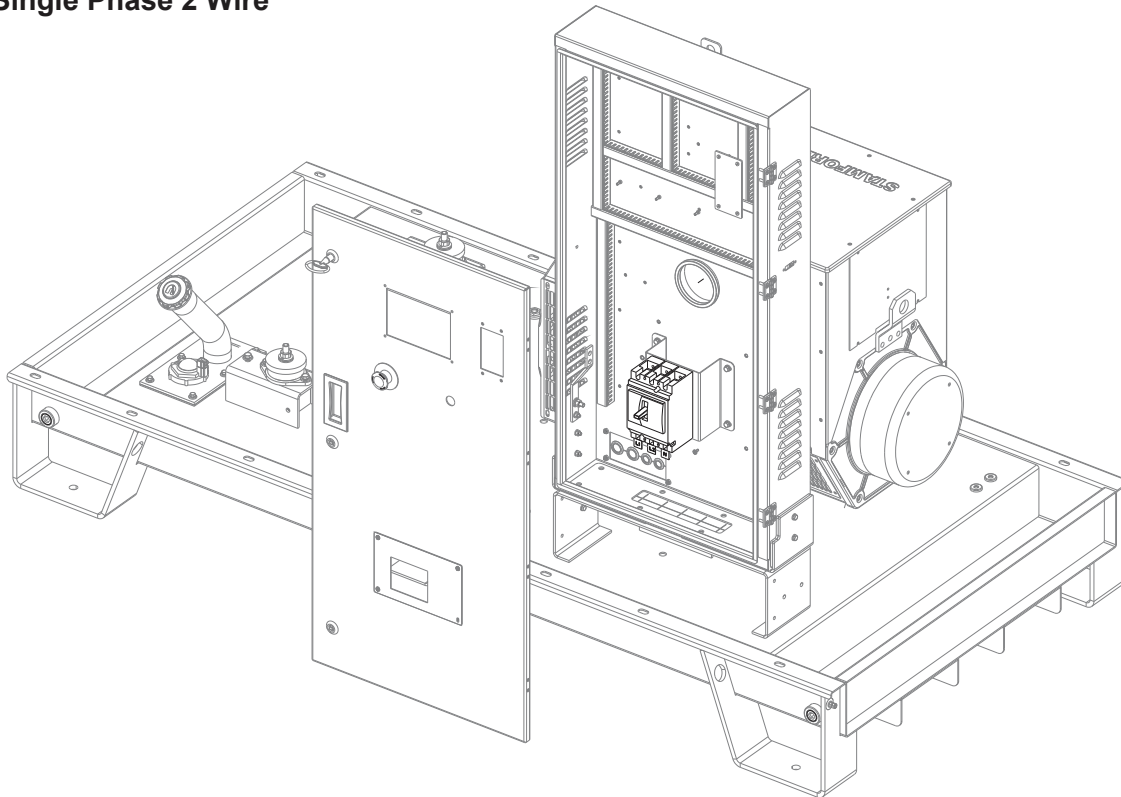
Heater Installation (A041R557)



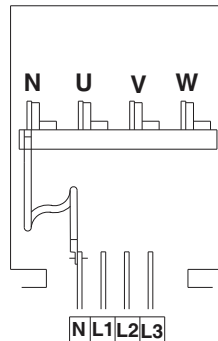
Heater Installation (A041R557)

Item	Part No.	Description	Qty
1	A050R801	BRACKET,HEATER	1
2	0800-6520-56	SCREW,HEX FLANGE HEAD	2
3	A046H464	HEATER,COOLANT	1
4	0502-1725	COUPLING,HOSE	1
5	0800-6520-03	SCREW,HEX FLANGE HEAD	2
6	0526-2400-22	WASHER,FLAT	2
7	0850-2114-05	WASHER,LOCK	4
8	0860-2127-07	NUT,HEX	2
9	0503-2157-01	CLAMP,HOSE	2
10	0503-3036-02	CLAMP,HOSE	2
11	A050S073	HOSE,COOLANT	1
12	A040L208	HOSE,COOLANT	1
13	0503-3097-02	CLAMP,HOSE	2
14	0526-2400-20	WASHER,FLAT	2
15	0800-6494-05	SCREW,HEX HEAD	2
16	0503-3097-03	CLAMP,HOSE	1

Lead Installation Single Phase 2 Wire



3D VIEW

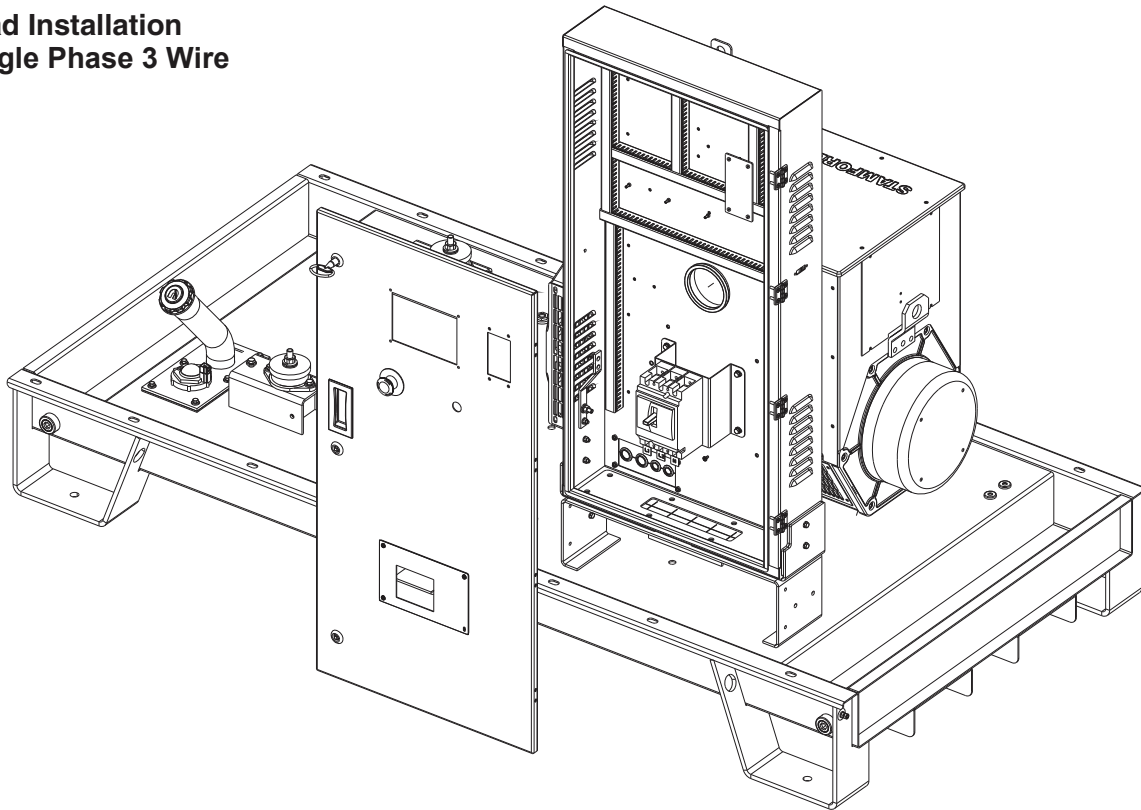


CONNECTIONS BETWEEN
 N AND N

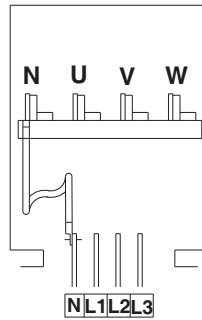
POWER CABLE CONNECTIONS FOR REFERENCE ONLY

Item	Part No.	Description	Qty
1	A035D354	SINGLE PHASE 2 WIRE 250Amp CB	1
2	A035D354	SINGLE PHASE 2 WIRE 160Amp CB	1
3	A035D353	SINGLE PHASE 2 WIRE 200Amp CB	1
4	A044M708	SINGLE PHASE 2 WIRE 400Amp CB	1

Lead Installation Single Phase 3 Wire



3D VIEW

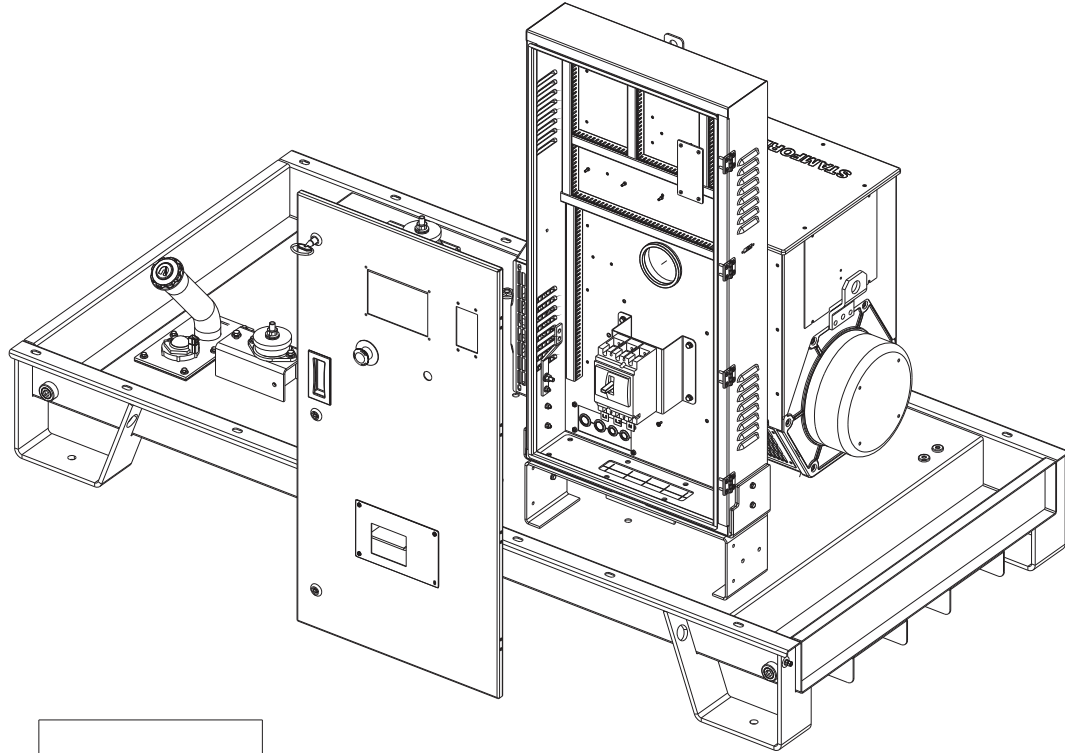


CONNECTIONS BETWEEN
 N AND N
 POWER CABLE CONNECTIONS FOR REFERENCE ONLY

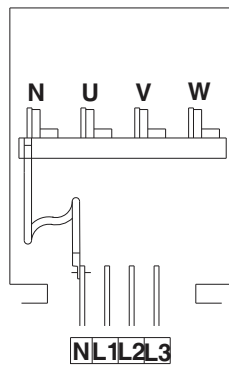
Item	Part No.	Description	Qty
1	A035D352	SINGLE PHASE 3 WIRE 250Amp	1
2	A035D352	SINGLE PHASE 3 WIRE 160Amp CB	1
3	A035D351	SINGLE PHASE 3 WIRE 200Amp CB	1
4	A043Z236	SINGLE PHASE 3 WIRE 400Amp CB	1

Lead Installation

3-Phase



3D VIEW



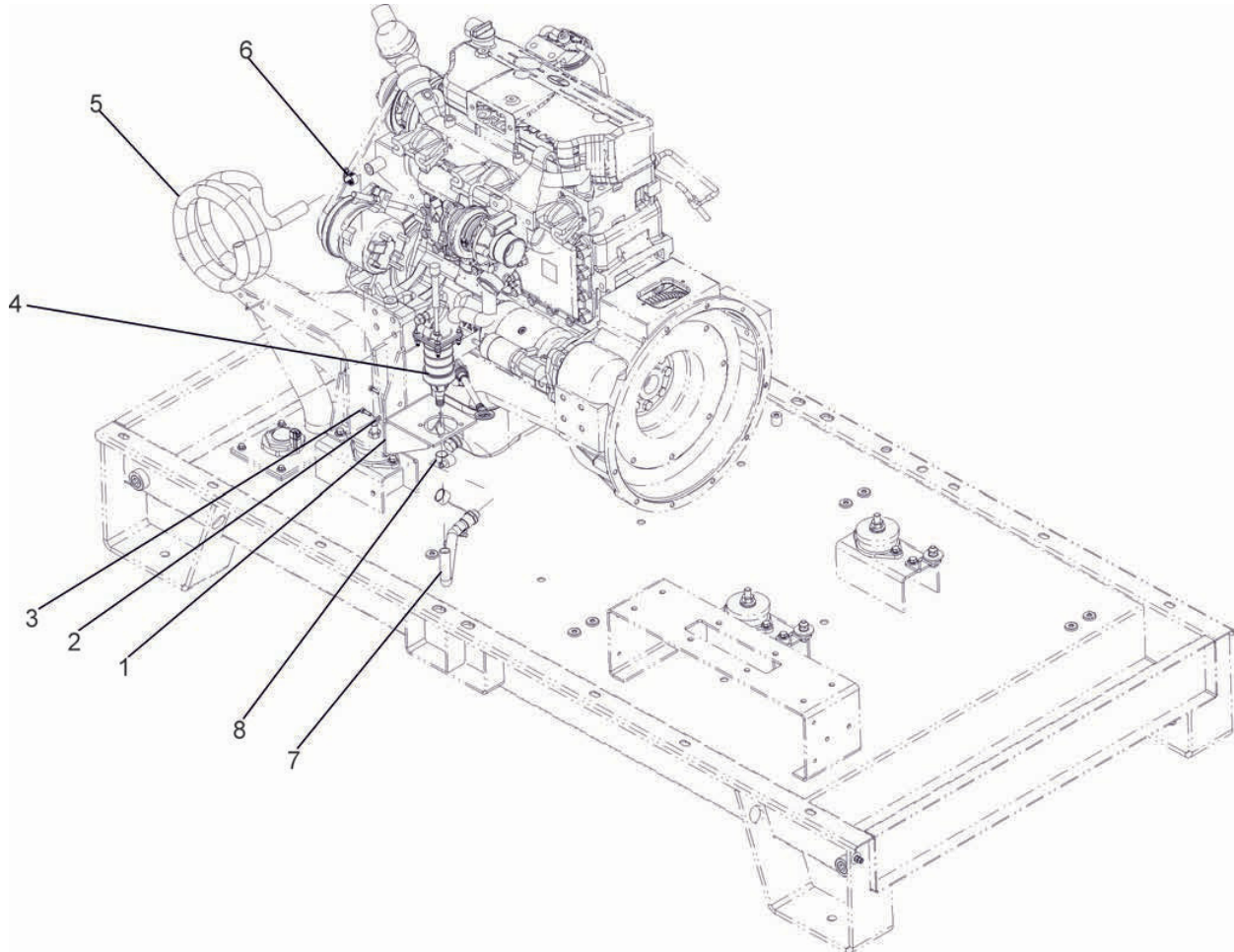
**CONNECTIONS
BETWEEN
N AND N**

**POWER CABLE CONNECTIONS FOR
REFERENCE ONLY**

Lead Installation 3-Phase

Item	Part No.	Description	Qty
1	A035D343	3-PHASE, 63Amp & 80Amp CB	1
2	A035D345	3-PHASE, 100Amp CB	1
3	A035D346	3-PHASE, 125Amp CB/3-PHASE, 200 Amp CB	1
4	A035D347	3-PHASE, 160Amp CB/3-PHASE, 250 Amp CB	1

Oil Drain Installation (A040N012)

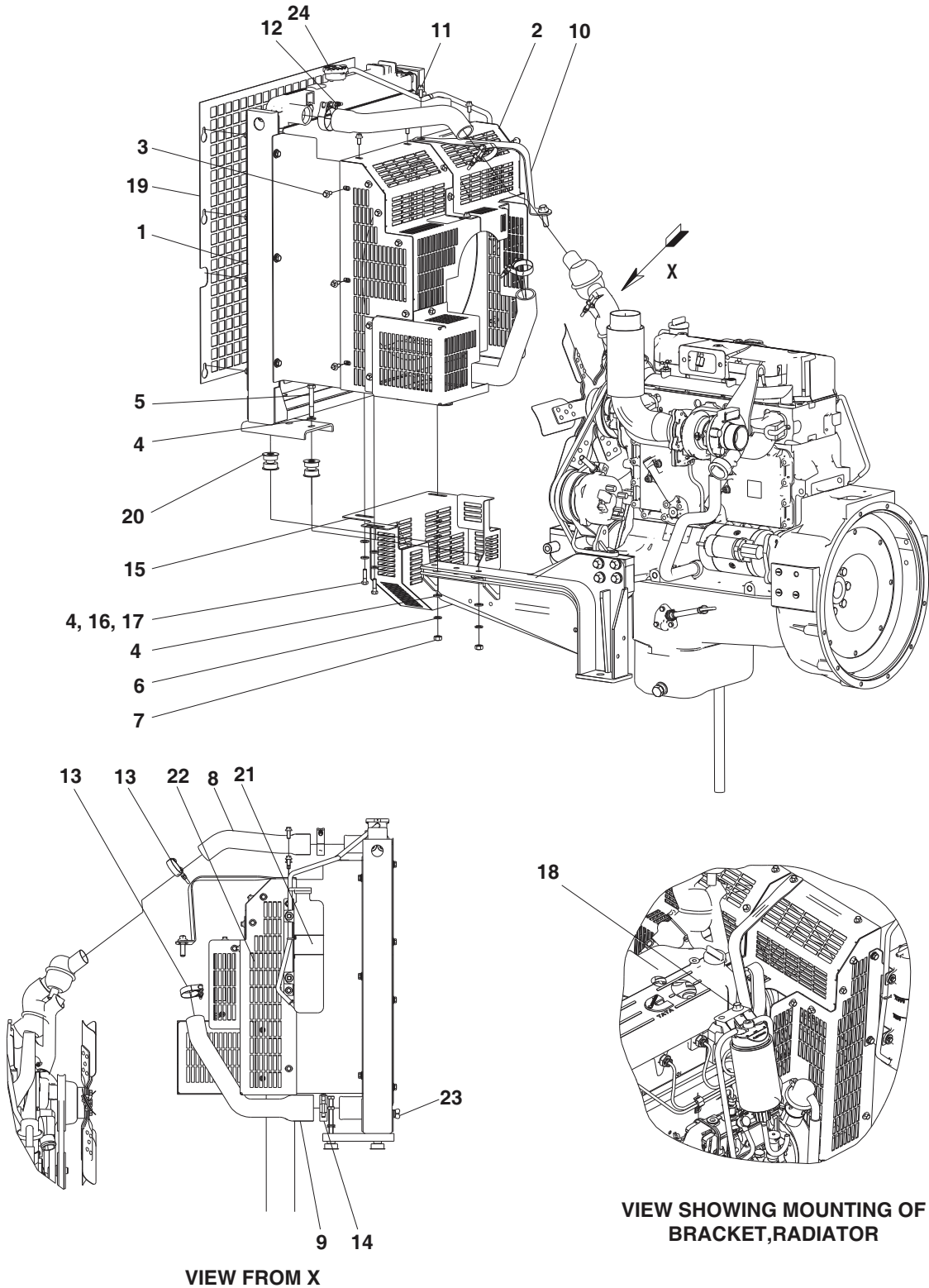


Item	Part No.	Description	Qty
1	A040K163	BRACKET, OIL PUMP	1
2	0526-2400-22	WASHER, FLAT	2
3	0800-6494-11	SCREW, HEX HEAD	2
4	0120-1414	PUMP, OIL	1
5	0503-3099-01	HOSE, FUEL	1
6	0503-3036-02	CLAMP, HOSE	1
7	A044Z293	VALVE, BALL	1
8	A041W261	CLAMP,HOSE	1

Part Numbers for Diesel Engine

Sl no.	Part No	DESCRIPTION	Qty
1	A035J490	ENGINE DIESEL WITH ROPE FELT SEAL C44D5	1
	A050J051	ENGINE DIESEL WITH PTFE SEAL C44D5	1
2	A035J488	ENGINE DIESEL WITH ROPE FELT SEAL C55D5	1
	A050J053	ENGINE DIESEL WITH PTFE SEAL C55D5	1
3	A035J486	ENGINE DIESEL WITH ROPE FELT SEAL C66D5	1
	A050J055	ENGINE DIESEL WITH PTFE SEAL C66D5	1
4	A035J484	ENGINE DIESEL WITH ROPE FELT SEAL C40D6	1
	A050H877	ENGINE DIESEL WITH PTFE SEAL C40D6	1
5	A035J482	ENGINE DIESEL WITH ROPE FELT SEAL C50D6	1
	A050J047	ENGINE DIESEL WITH PTFE SEAL C50D6	1
6	A035H039	ENGINE DIESEL WITH ROPE FELT SEAL C60D6	1
	A050J049	ENGINE DIESEL WITH PTFE SEAL C60D6	1

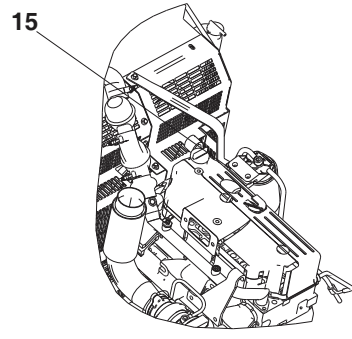
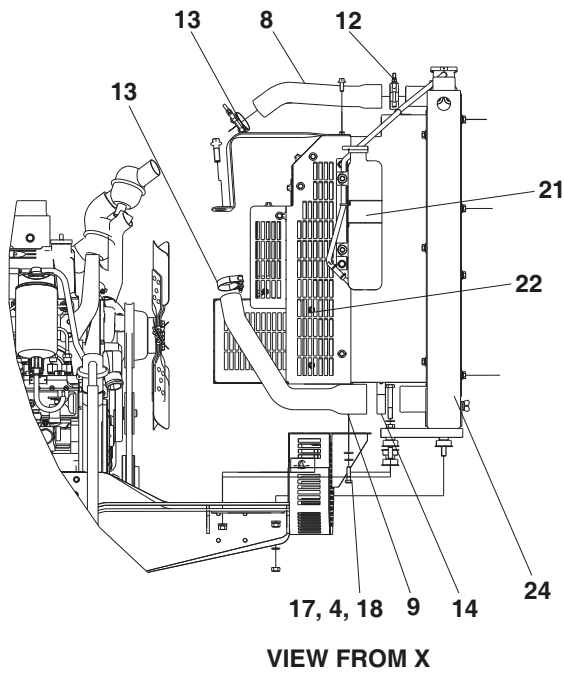
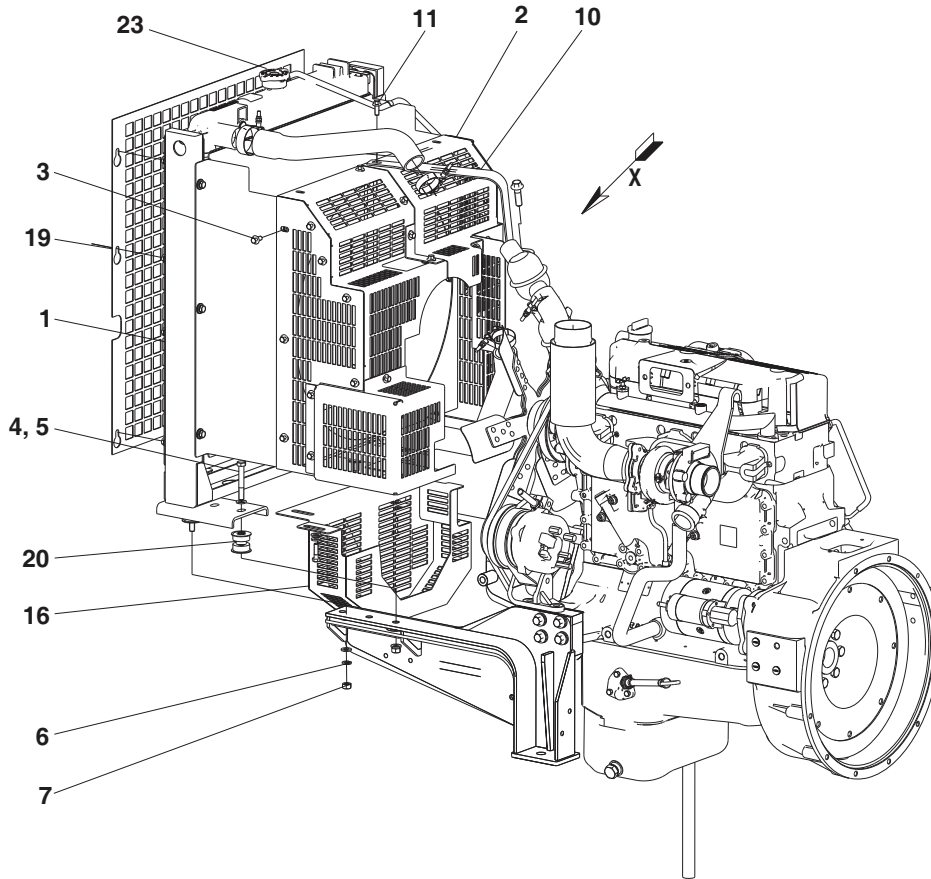
Radiator Installation (A047A473) (44kVA) and (40kWe), Open Set



**Radiator Installation (A047A473)
 (44kVA) and (40kWe), Open Set**

Item	Part No.	Description	Qty
1	A049T126	RADIATOR	1
2	A035D656	GUARD,RADIATOR	1
3	0800-6520-18	SCREW,HEX FLANGE HEAD	9
4	0526-2400-28	WASHER,FLAT	11
5	0800-6494-53	SCREW,HEX HEAD	4
6	0850-2114-11	WASHER,LOCK	4
7	0860-2127-13	NUT,HEX	4
8	A035D515	HOSE,WATER	1
9	A035D513	HOSE,WATER	1
10	A035R482	BRACKET,RADIATOR	1
11	0800-6520-19	SCREW,HEX FLANGE HEAD	1
12	A041T650	CLAMP,HOSE	1
13	A040Y180	CLAMP,HOSE	2
14	A041A701	CLAMP,HOSE	1
15	A049S921	GUARD,BELT	1
16	0526-2400-25	WASHER,FLAT	3
17	0800-6526-28	SCREW,HEX HEAD	3
18	0800-6520-59	SCREW,HEX FLANGE HEAD	1
19	A046N645	GUARD,RADIATOR	1
20	0402-0970	ISOLATOR,VIBRATION	4
21	0130-8396	RECOVERY BOTTLE ASSY	1
22	A035B449	SHROUD	1
23	0517-0456	DRAIN COCK	1
24	A035B453	PRESSURE CAP	1

**Radiator Installation (A047A804)
(55kVA) and (50kWe), Open Set**

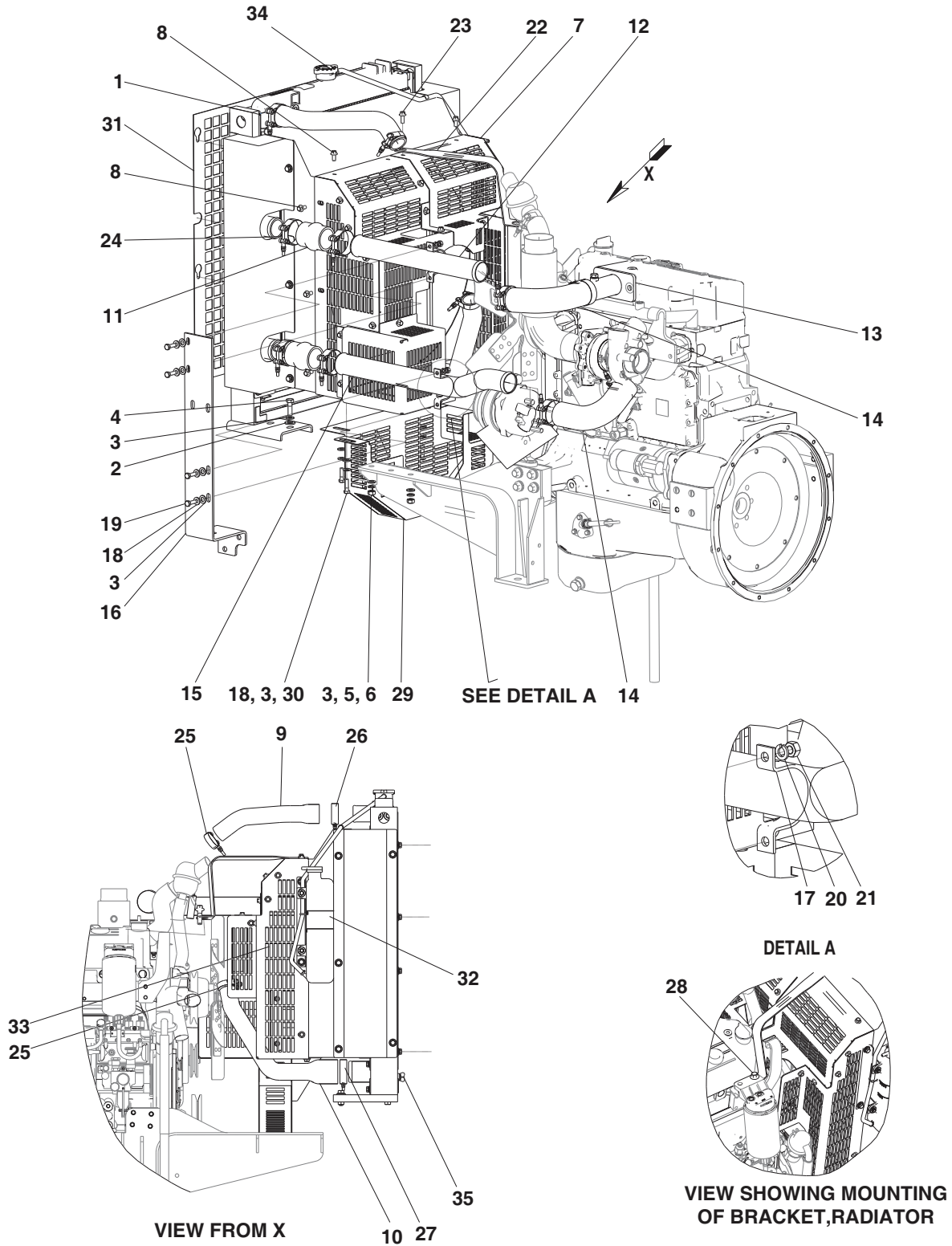


**VIEW SHOWING MOUNTING
OF BRACKET, RADIATOR**

**Radiator Installation (A047A804)
 (55kVA) and (50kWe), Open Set**

Item	Part No.	Description	Qty
1	A049T124	RADIATOR	1
2	A035D656	GUARD,RADIATOR	1
3	0800-6520-18	SCREW,HEX FLANGE HEAD	9
4	0526-2400-28	WASHER,FLAT	11
5	0800-6494-53	SCREW,HEX HEAD	4
6	0850-2114-11	WASHER,LOCK	4
7	0860-2127-13	NUT,HEX	4
8	A035D515	HOSE,WATER	1
9	A035D513	HOSE,WATER	1
10	A035R482	BRACKET,RADIATOR	1
11	0800-6520-19	SCREW,HEX FLANGE HEAD	1
12	A041T650	CLAMP,HOSE	1
13	A040Y180	CLAMP,HOSE	2
14	A041A701	CLAMP,HOSE	1
15	0800-6520-59	SCREW,HEX FLANGE HEAD	1
16	A049S921	GUARD,BELT	1
17	0526-2400-25	WASHER,FLAT	3
18	0800-6526-28	SCREW,HEX HEAD	3
19	A046N645	GUARD,RADIATOR	1
20	0402-0970	ISOLATOR,VIBRATION	4
21	0130-8396	RECOVERY BOTTLE ASSY	1
22	A035B450	SHROUD	1
23	A035B453	PRESSURE CAP	1
24	0517-0456	DRAIN COCK	1

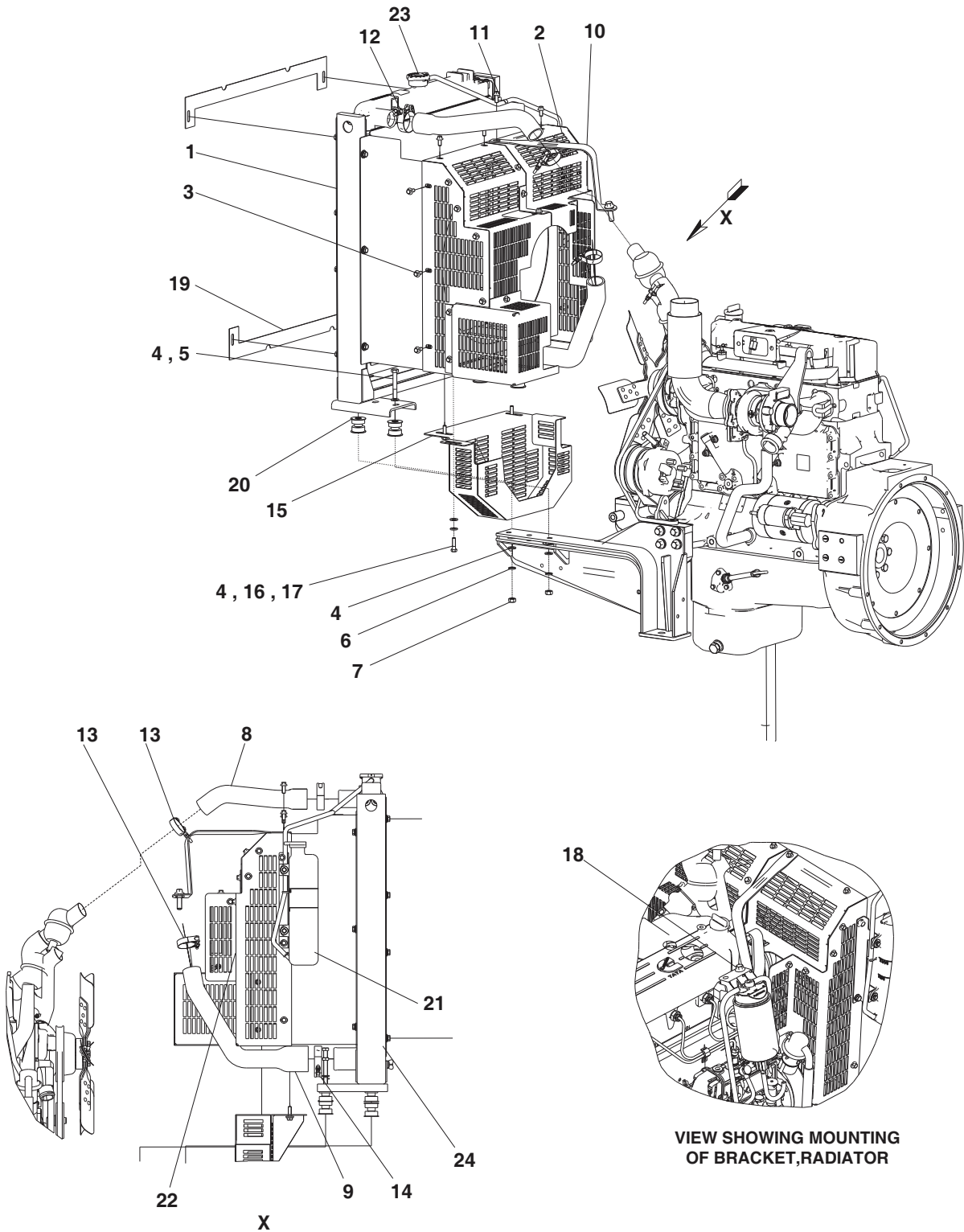
Radiator Installation (A047A802) (66kVA) and (60kWe), Open Set



**Radiator Installation (A047A802)
(66kVA) and (60kWe), Open Set**

Item	Part No.	Description	Qty
1	A035A565	RADIATOR	1
2	0526-2400-31	WASHER,FLAT	4
3	0526-2400-28	WASHER,FLAT	15
4	0800-6494-46	SCREW,HEX HEAD	4
5	0850-2114-11	WASHER,LOCK	4
6	0860-2127-13	NUT,HEX	4
7	A035D656	GUARD,RADIATOR	1
8	0800-6520-18	SCREW,HEX FLANGE HEAD	7
9	A035D515	HOSE,WATER	1
10	A035D513	HOSE,WATER	1
11	0503-3170	HOSE,VACUUM	2
12	0130-8403-01	TUBE,AIR	1
13	0130-8359	TUBE,AIR	1
14	0503-3151	ELBOW,HOSE	2
15	0130-8363-02	TUBE,AIR	1
16	0130-8266-02	BRACKET,TUBE	1
17	0502-1724	CLAMP,TUBE	2
18	0526-2400-25	WASHER,FLAT	7
19	0800-6494-27	SCREW,HEX HEAD	4
20	0850-2114-09	WASHER,LOCK	4
21	0860-2127-11	NUT,HEX	4
22	A035R482	BRACKET,RADIATOR	1
23	0800-6520-19	SCREW,HEX FLANGE HEAD	1
24	A041A699	CLAMP,HOSE	8
25	A040Y180	CLAMP,HOSE	2
26	A041T650	CLAMP,HOSE	1
27	A041A701	CLAMP,HOSE	1
28	0800-6520-59	SCREW,HEX FLANGE HEAD	1
29	A049S921	GUARD,BELT	1
30	0800-6526-28	SCREW,HEX HEAD	3
31	A046N645	GUARD,RADIATOR	1
32	0130-8396	RECOVERY BOTTLE ASSY	1
33	A035B451	SHROUD	1
34	A035B453	PRESSURE CAP	1
35	0517-0456	DRAIN COCK	1

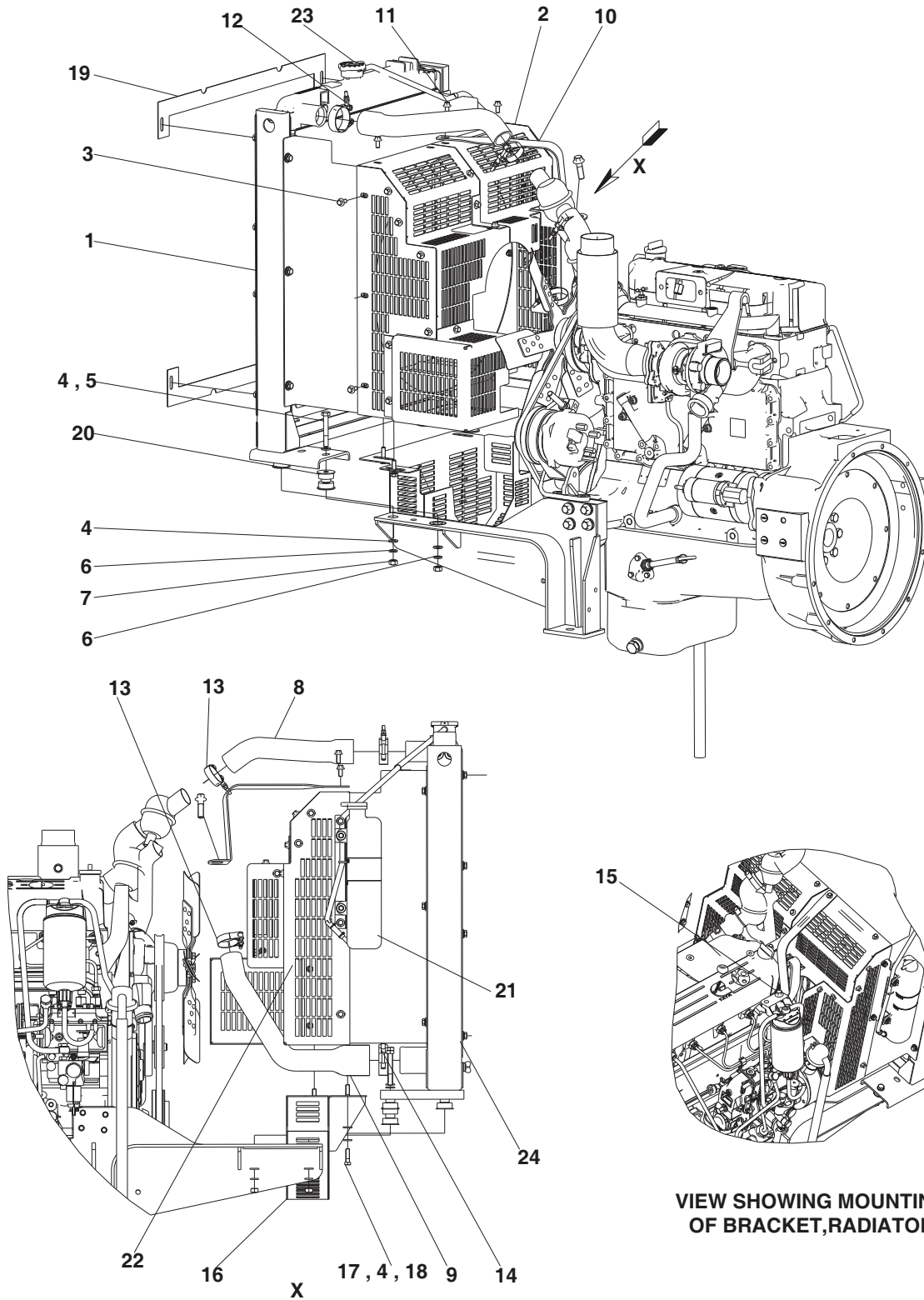
Radiator Installation (A035F315) (44kVA) and (40kWe), Enclosed set



**Radiator Installation (A035F315)
 (44kVA) and (40kWe), Enclosed set**

Item	Part No.	Description	Qty
1	A049T126	RADIATOR	1
2	A035D656	GUARD,RADIATOR	1
3	0800-6520-18	SCREW,HEX FLANGE HEAD	9
4	0526-2400-28	WASHER,FLAT	11
5	0800-6494-53	SCREW,HEX HEAD	4
6	0850-2114-11	WASHER,LOCK	4
7	0860-2127-13	NUT,HEX	4
8	A035D515	HOSE,WATER	1
9	A035D513	HOSE,WATER	1
10	A035R482	BRACKET,RADIATOR	1
11	0800-6520-19	SCREW,HEX FLANGE HEAD	1
12	A041T650	CLAMP,HOSE	1
13	A040Y180	CLAMP,HOSE	2
14	A041A701	CLAMP,HOSE	1
15	A049S921	GUARD,BELT	1
16	0526-2400-25	WASHER,FLAT	3
17	0800-6526-28	SCREW,HEX HEAD	3
18	0800-6520-59	SCREW,HEX FLANGE HEAD	1
19	A047P149	PLATE	2
20	0402-0970	ISOLATOR,VIBRATION	4
21	0130-8396	RECOVERY BOTTLE ASSY	1
22	A035B453	SHROUD	1
23	0517-0456	DRAIN COCK	1
24	A035B453	PRESSURE CAP	1

Radiator Installation (A035K619) (55kVA) and (50kWe), Enclosed set

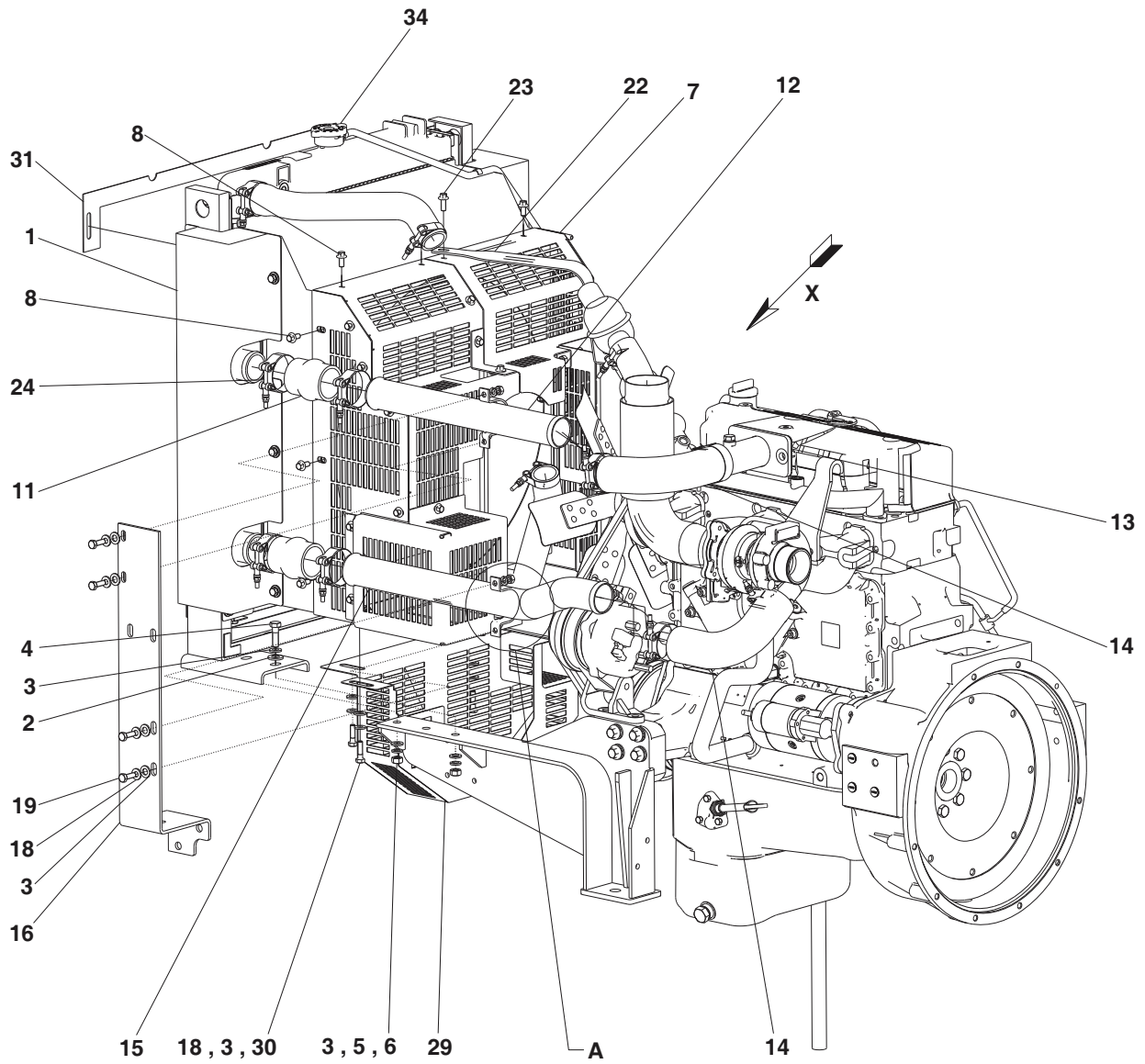


**VIEW SHOWING MOUNTING
OF BRACKET, RADIATOR**

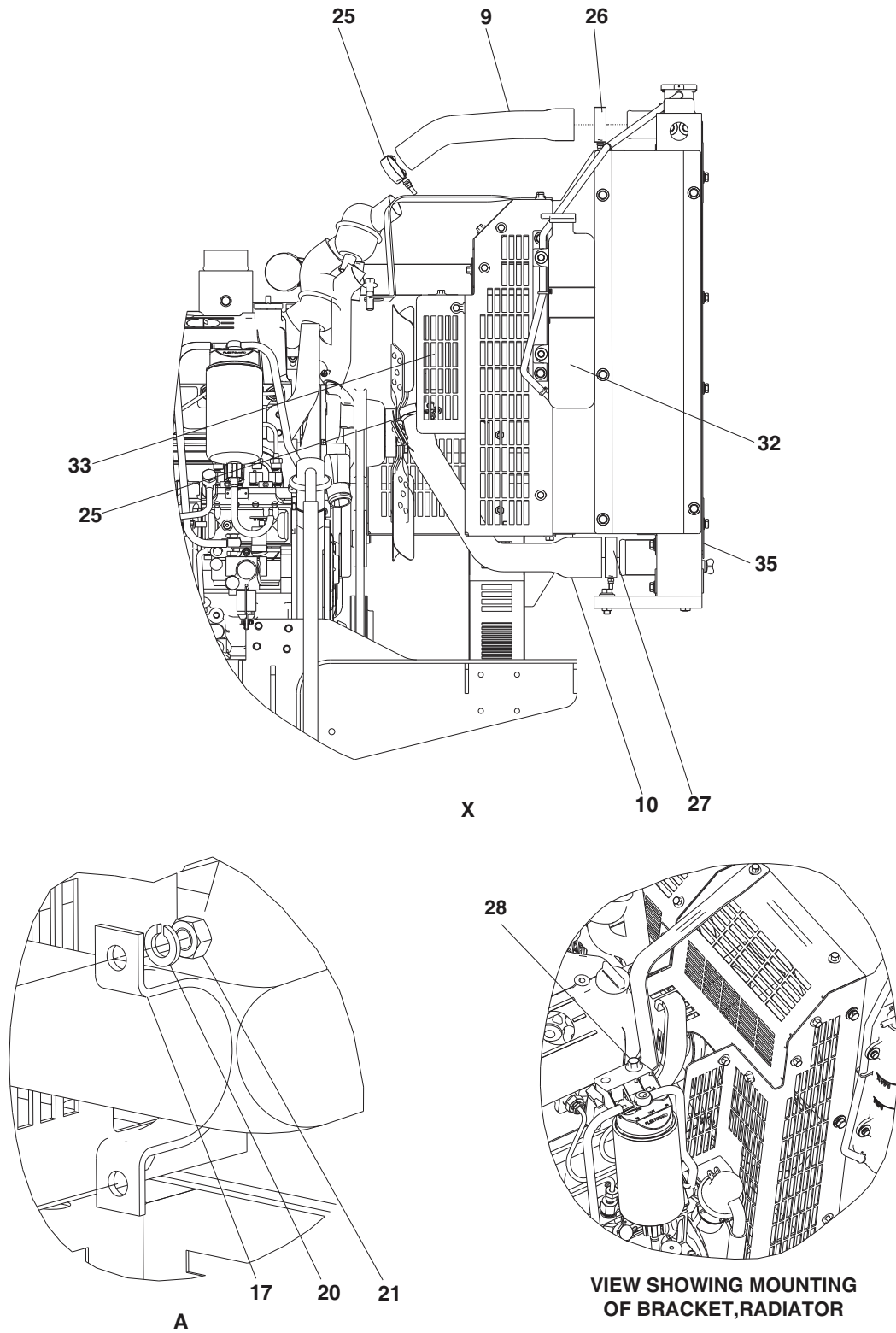
**Radiator Installation (A035K619)
 (55kVA) and (50kWe), Enclosed set**

Item	Part No.	Description	Qty
1	A049T124	RADIATOR	1
2	A035D656	GUARD,RADIATOR	1
3	0800-6520-18	SCREW,HEX FLANGE HEAD	9
4	0526-2400-28	WASHER,FLAT	11
5	0800-6494-53	SCREW,HEX HEAD	4
6	0850-2114-11	WASHER,LOCK	4
7	0860-2127-13	NUT,HEX	4
8	A035D515	HOSE,WATER	1
9	A035D513	HOSE,WATER	1
10	A035R482	BRACKET,RADIATOR	1
11	0800-6520-19	SCREW,HEX FLANGE HEAD	1
12	A041T650	CLAMP,HOSE	1
13	A040Y180	CLAMP,HOSE	2
14	A041A701	CLAMP,HOSE	1
15	0800-6520-59	SCREW,HEX FLANGE HEAD	1
16	A049S921	GUARD,BELT	1
17	0526-2400-25	WASHER,FLAT	3
18	0800-6526-28	SCREW,HEX HEAD	3
19	A047P149	PLATE	2
20	0402-0970	ISOLATOR,VIBRATION	4
21	0130-8396	RECOVERY BOTTLE ASSY	1
22	A035B450	SHROUD	1
23	A035B453	PRESSURE CAP	1
24	0517-0456	DRAIN COCK	1

Radiator Installation (A035F317) (66kVA) and (60kWe), Enclosed set



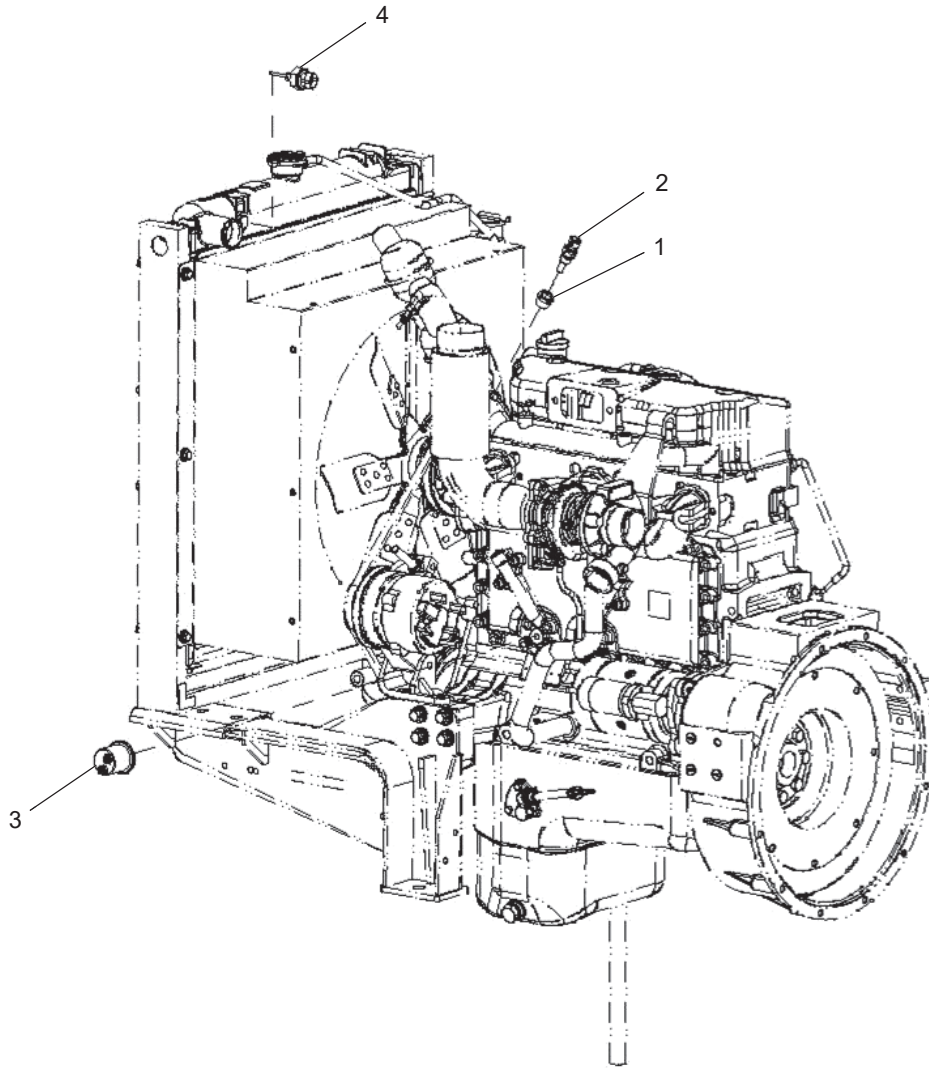
**Radiator Installation (A035F317)
(66kVA) and (60kWe), Enclosed set**



**Radiator Installation (A035F317)
 (66kVA) and (60kWe), Enclosed set**

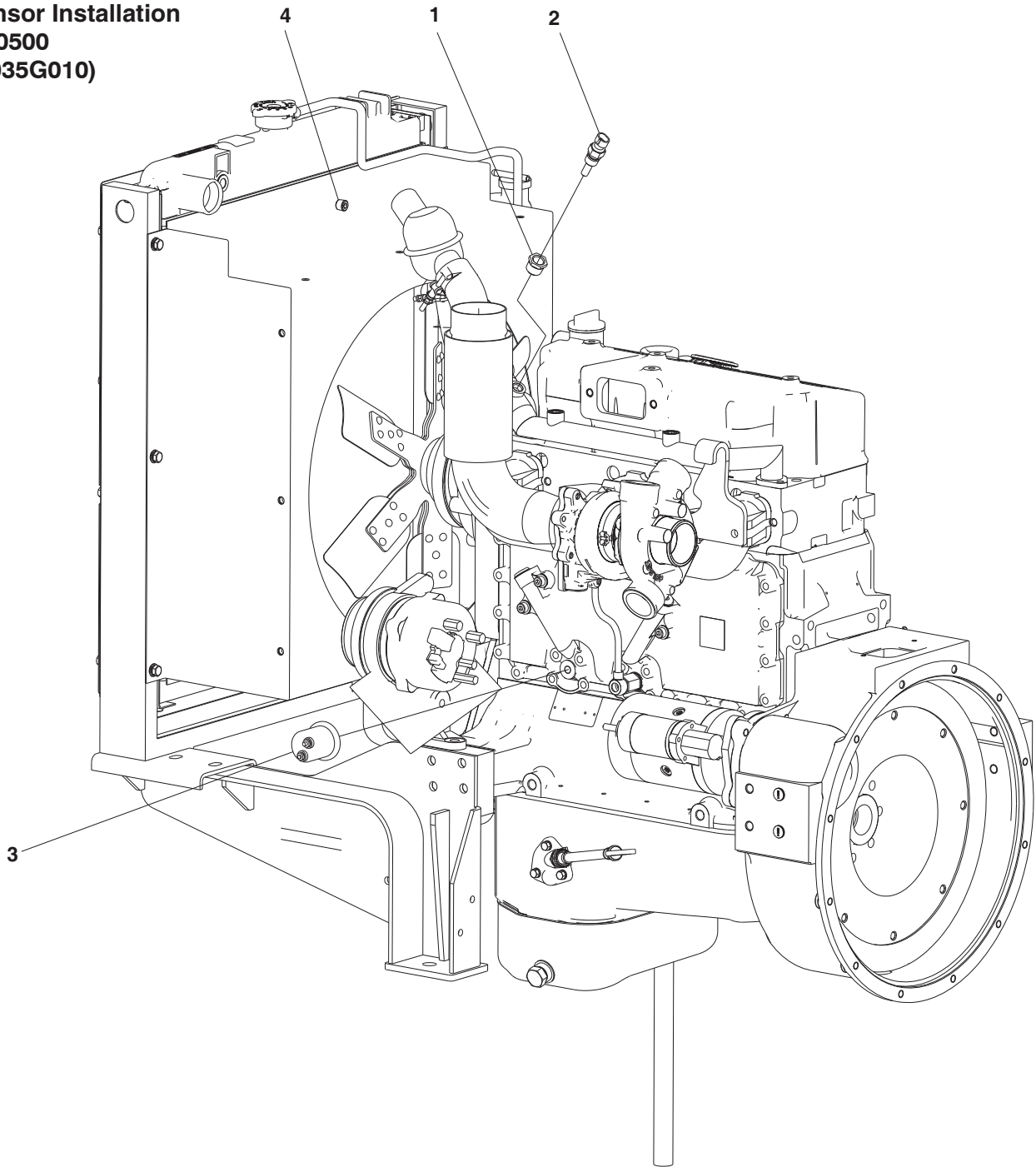
Item	Part No.	Description	Qty
1	A035A565	RADIATOR	1
2	0526-2400-31	WASHER,FLAT	4
3	0526-2400-28	WASHER,FLAT	15
4	0800-6494-46	SCREW,HEX HEAD	4
5	0850-2114-11	WASHER,LOCK	4
6	0860-2127-13	NUT,HEX	4
7	A035D656	GUARD,RADIATOR	1
8	0800-6520-18	SCREW,HEX FLANGE HEAD	7
9	A035D515	HOSE,WATER	1
10	A035D513	HOSE,WATER	1
11	0503-3170	HOSE,VACUUM	2
12	0130-8403-01	TUBE,AIR	1
13	0130-8359	TUBE,AIR	1
14	0503-3151	ELBOW,HOSE	2
15	0130-8363-02	TUBE,AIR	1
16	0130-8266-02	BRACKET,TUBE	1
17	0502-1724	CLAMP,TUBE	2
18	0526-2400-25	WASHER,FLAT	7
19	0800-6494-27	SCREW,HEX HEAD	4
20	0850-2114-09	WASHER,LOCK	4
21	0860-2127-11	NUT,HEX	4
22	A035R482	BRACKET,RADIATOR	1
23	0800-6520-19	SCREW,HEX FLANGE HEAD	1
24	A041A699	CLAMP,HOSE	8
25	A040Y180	CLAMP,HOSE	2
26	A041T650	CLAMP,HOSE	1
27	A041A701	CLAMP,HOSE	1
28	0800-6520-59	SCREW,HEX FLANGE HEAD	1
29	0130-8491	GUARD,BELT	1
30	0800-6526-28	SCREW,HEX HEAD	3
31	A047P146	PLATE	2
32	0130-8396	RECOVERY BOTTLE ASSY	1
33	A035B451	SHROUD	1
34	A035B453	PRESSURE CAP	1
35	0517-0456	DRAIN COCK	1

Sensor Installation (A035J981)
PC1.1



Item	Part No.	Description	Qty
1	0505-2470-02	BUSHING, REDUCER	1
2	0193-0529-01	SENSOR, TEMPERATURE	1
3	0193-0430-01	SENSOR, PRESSURE	1
4	A028Z105	SENDER, LOW COOLANT	1

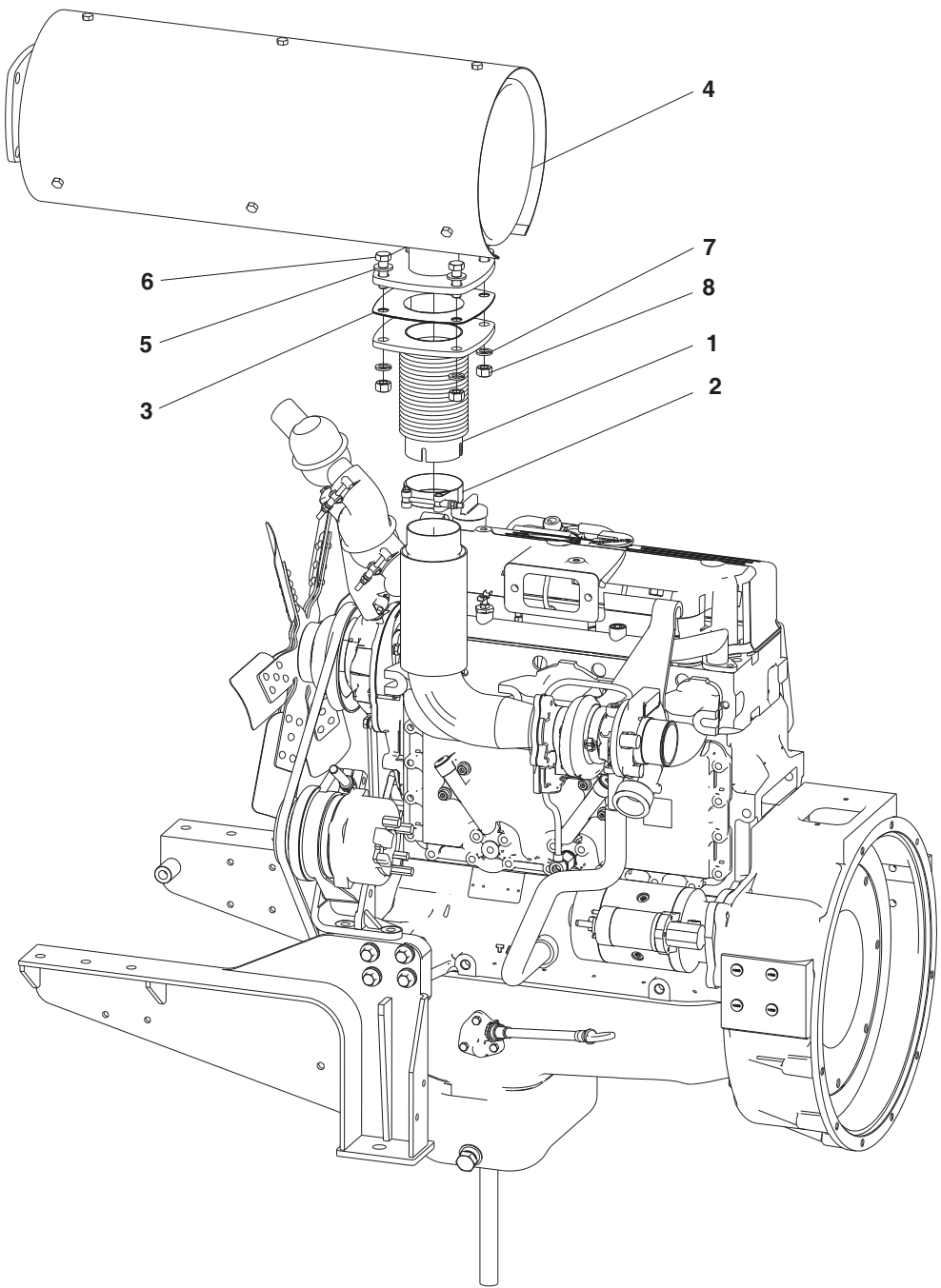
**Sensor Installation
 PS0500
 (A035G010)**



Item	Part No.	Description	Qty
1	0505-2470-02	BUSHING,REDUCER	1
2	0193-0529-01	SENSOR,TEMPERATURE	1
3	0193-0430-01	SENDER,PRESSURE	1
4	A041K874	BUSHING	1

This page is Intentionally blank.

Silencer Installation (A035L145) Open

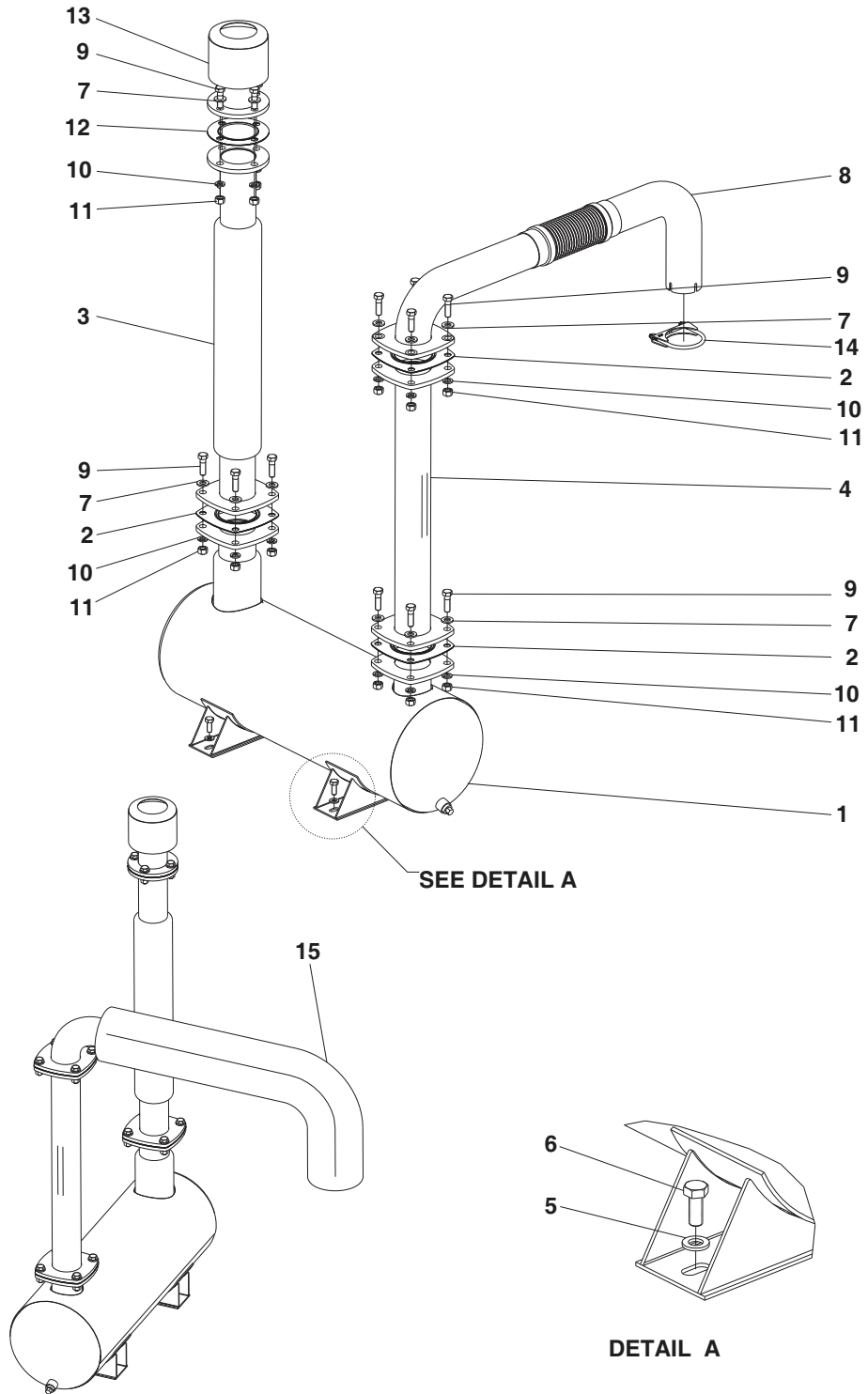


Silencer Installation (A035L145)

Open

Item	Part No.	Description	Qty
1	0155-4779	PIPE,EXHAUST	1
2	0155-4776	CLAMP,EXHAUST	1
3	A034X644	GASKET,EXHAUST	1
4	A034P931	SILENCER	1
5	0526-2400-31	WASHER,FLAT	4
6	0800-6494-63	SCREW,HEX HEAD	4
7	0850-2114-13	WASHER,LOCK	4
8	0860-2127-15	NUT,HEX	4

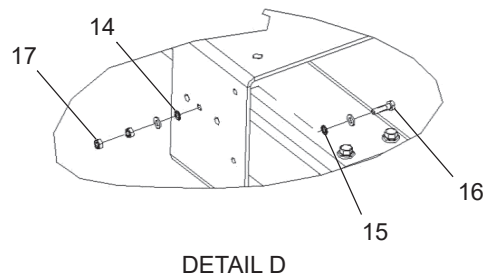
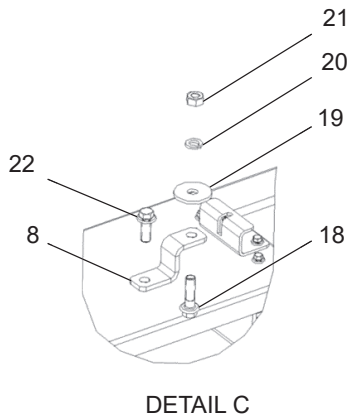
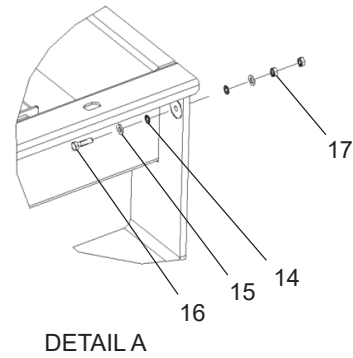
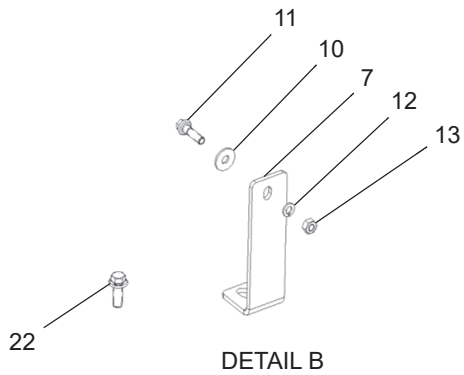
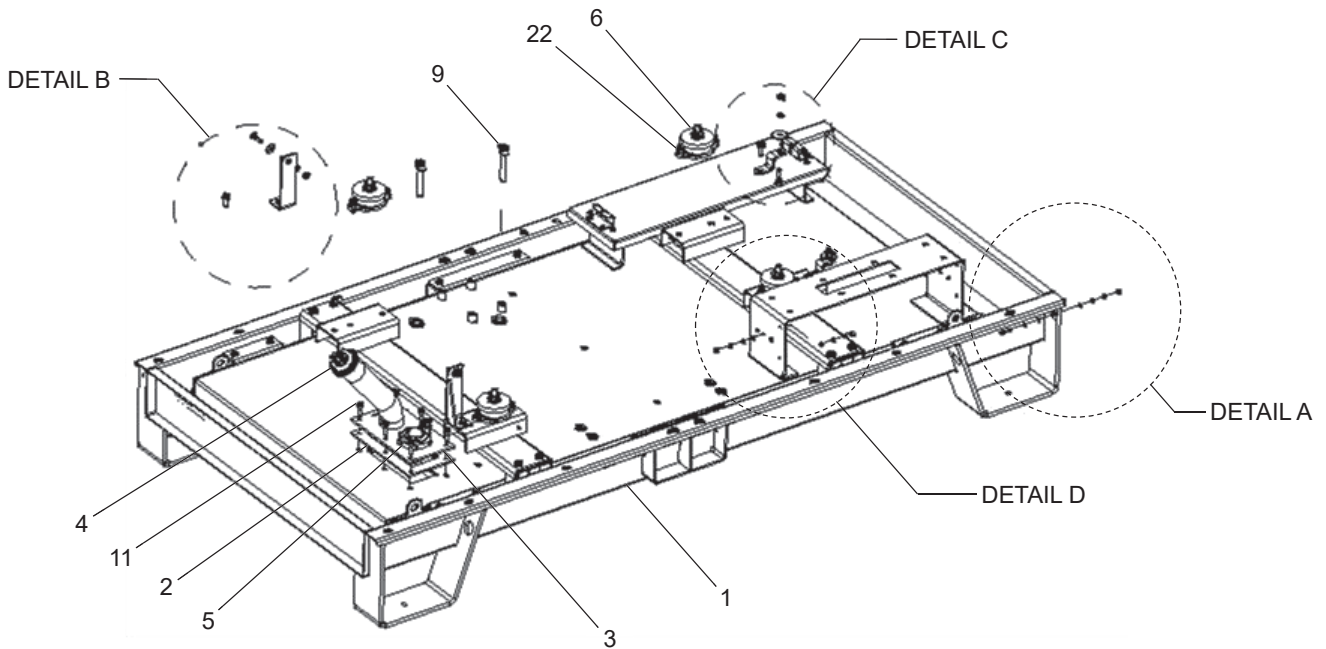
Silencer Installation (A035A969) Enclosed



Silencer Installation (A035A969) Enclosed

Item	Part No.	Description	Qty
1	A034P933	SILENCER	1
2	A034X644	GASKET,EXHAUST	3
3	A034X642	PIPE,EXHAUST	1
4	A034W961	PIPE,EXHAUST	1
5	0526-2400-28	WASHER,FLAT	2
6	0800-6494-44	SCREW,HEX HEAD	2
7	0526-2400-31	WASHER,FLAT	16
8	A041Z874	PIPE,EXHAUST	1
9	0800-6494-63	SCREW,HEX HEAD	16
10	0850-2114-13	WASHER,LOCK	16
11	0860-2127-15	NUT,HEX	16
12	A041D418	GASKET,EXHAUST	1
13	A034X651	CAP,RAIN	1
14	A041J452	CLAMP	1
15	A044R135	WRAPPER,GUARD	1

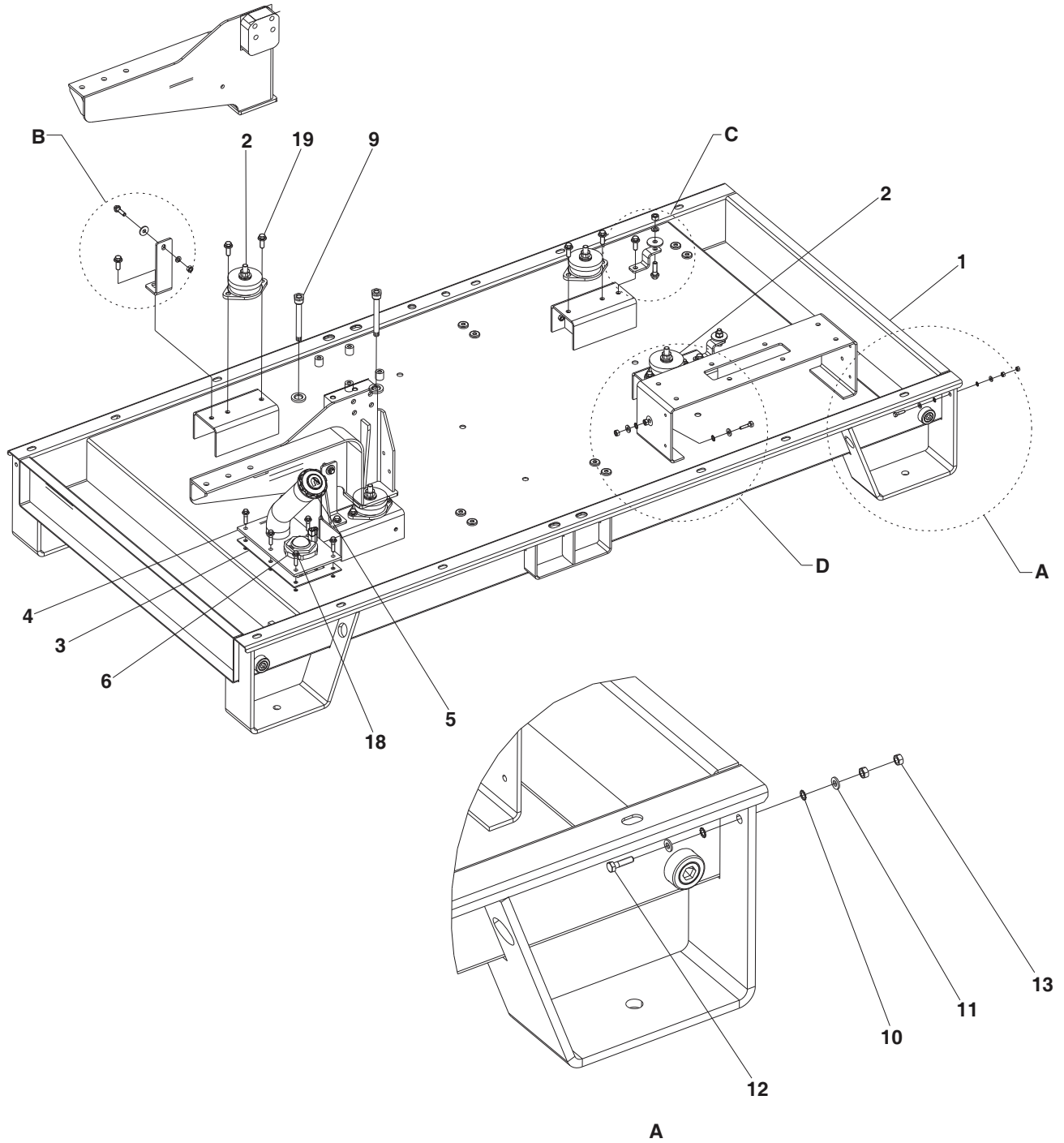
Skid Installation (A035F876) 100 Ltrs



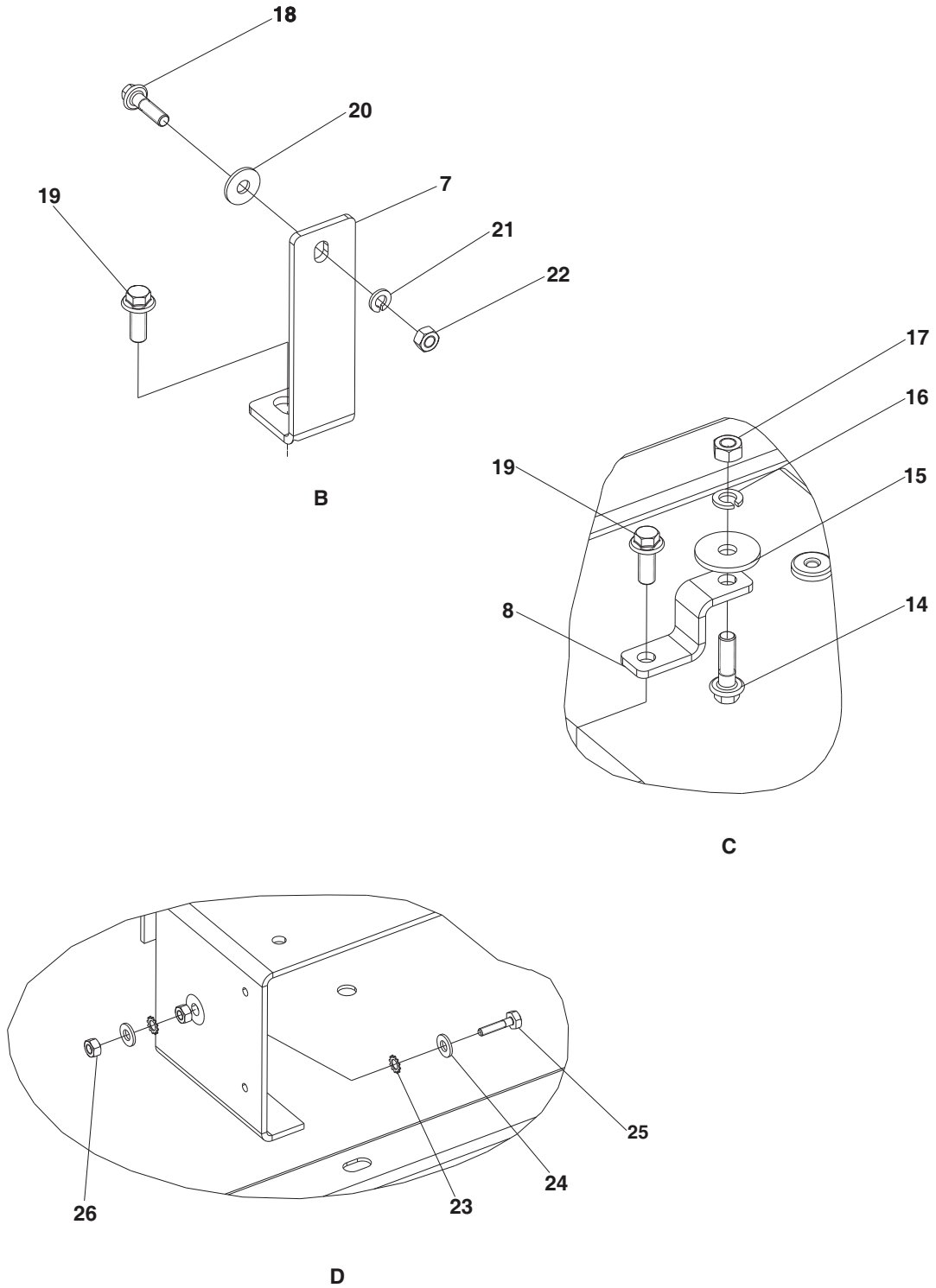
Skid Installation (A035F876)
100 Ltrs

Item	Part No.	Description	Qty
1	A035E115	BASE, SKID (Non Serviceable Part)	1
2	A040K503	GASKET, FLANGE	1
3	A040K398	NECK, FILLER	1
4	0159-1741	CAP, FILL	1
5	A035K751	SWITCH, LEVEL	1
6	0402-0958	ISOLATOR, VIBRATION	4
7	A034U043	BRACKET, SHIPPING	2
8	A034U045	STRAP	2
9	A046Y918	STRAINER, FUEL	2
10	0526-2403-26	WASHER, FLAT	2
11	0800-6520-21	SCREW, HEX FLANGE HEAD	8
12	0850-2113-19	WASHER, LOCK	2
13	0860-2127-11	NUT, HEX	2
14	0853-2046	WASHER, LOCK	4
15	0526-2402	WASHER, FLAT	4
16	0800-6523	SCREW, HEX HEAD	2
17	0860-2129	NUT, HEX	4
18	0800-6520-40	SCREW, HEX FLANGE HEAD	2
19	A035N047	WASHER, FLAT	2
20	0850-2114-11	WASHER, LOCK	2
21	0870-2225-03	NUT, LOCK	2
22	0800-6520-38	SCREW, HEX FLANGE HEAD	12

Skid Installation (A035A547) 150 Ltrs



Skid Installation (A035A547) 150 Ltrs

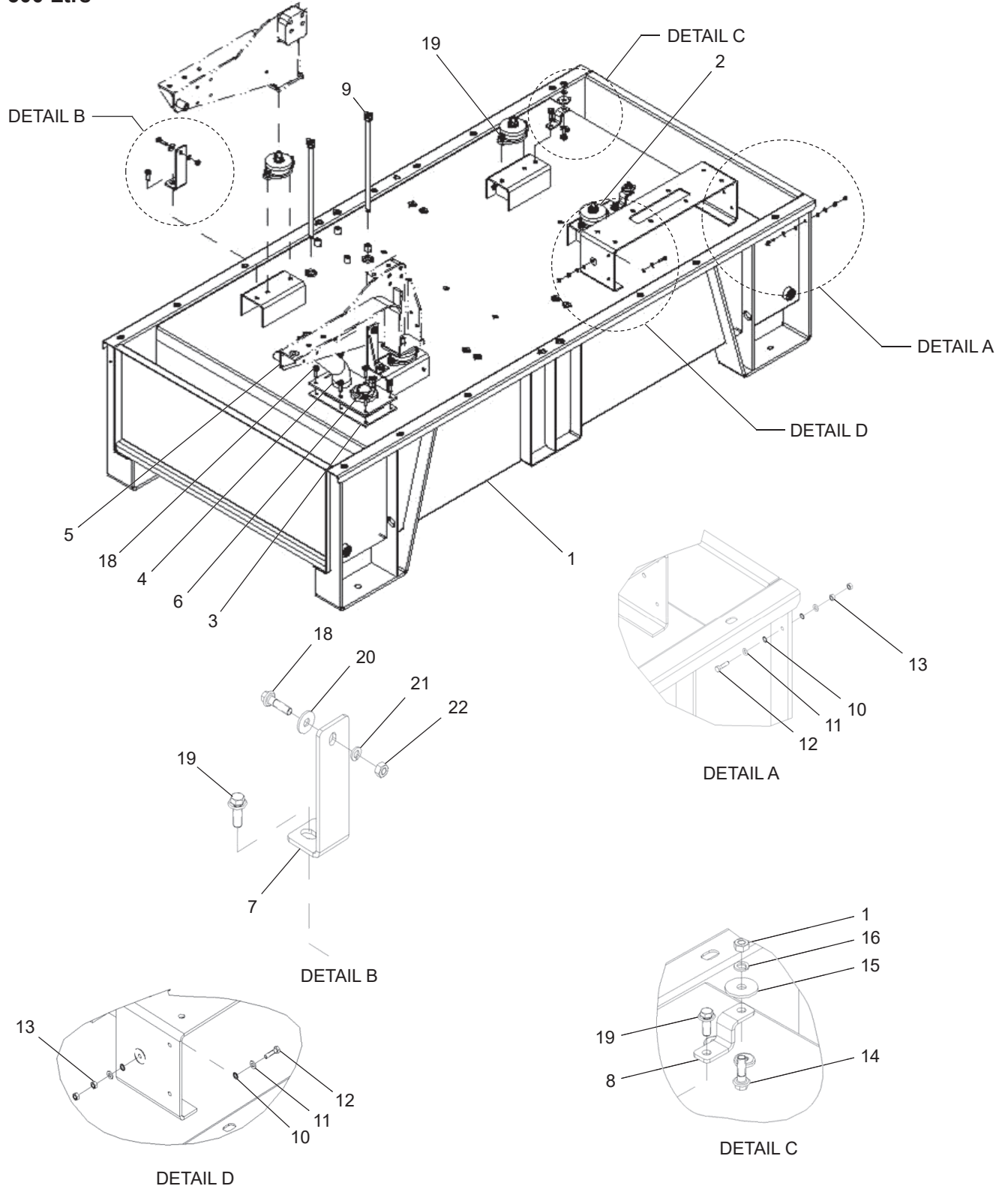


Skid Installation (A035A547)
150 Ltrs

Item	Part No.	Description	Qty
1	A034S350	BASE,SKID(Non Serviceable Part)	1
2	0402-0958	ISOLATOR,VIBRATION	4
3	A040K503	GASKET,FLANGE	1
4	A040K398	NECK,FILLER	1
5	0159-1741	CAP,FILL	1
6	A035K750	SWITCH,LEVEL	1
7	A034U043	BRACKET,SHIPPING	2
8	A034U045	STRAP	2
9	0159-1779-01	PICKUP,FUEL	2
10	0853-2046	WASHER,LOCK	2
11	0526-2402	WASHER,FLAT	2
12	0800-6523	SCREW,HEX HEAD	1
13	0860-2129	NUT,HEX	2
14	0800-6520-40	SCREW,HEX FLANGE HEAD	2
15	A035N047	WASHER,FLAT	2
16	0850-2114-11	WASHER,LOCK	2
17	0860-2127-13	NUT,HEX	2
18	0800-6520-21	SCREW,HEX FLANGE HEAD	8
19	0800-6520-38	SCREW,HEX FLANGE HEAD	12
20	0526-2403-26	WASHER,FLAT	2
21	0850-2113-19	WASHER,LOCK	2
22	0870-2322-05	NUT,LOCK	2
23	0853-0040-55	WASHER,LOCK	2
24	A049W777	WASHER,FLAT	2
25	A049W492	SCREW,HEX HEAD	1
26	A049W781	NUT,HEX	2

This page is Intentionally blank.

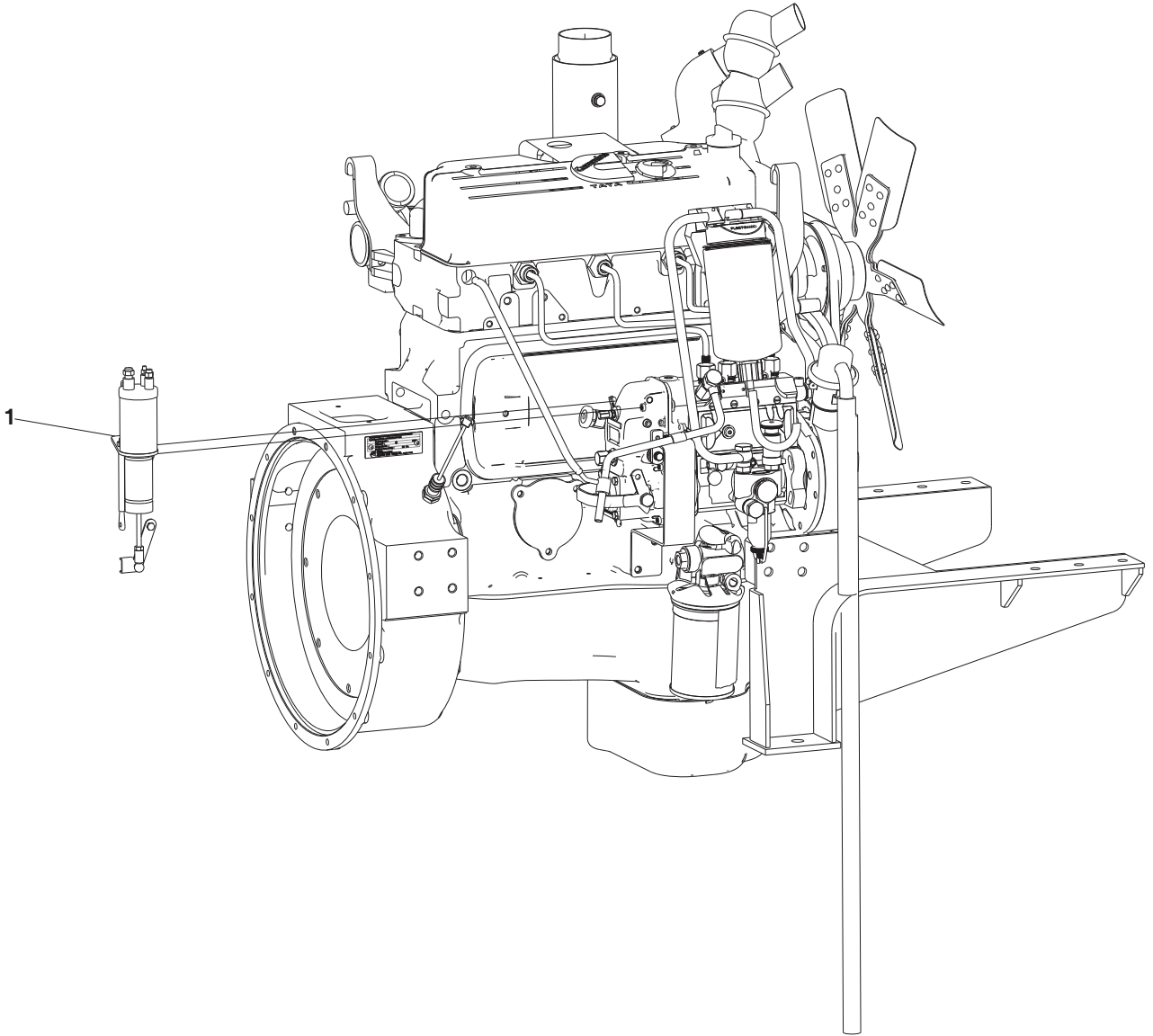
Skid Installation (A035F874) 500 Ltrs



Skid Installation (A035F874)
500 Ltrs

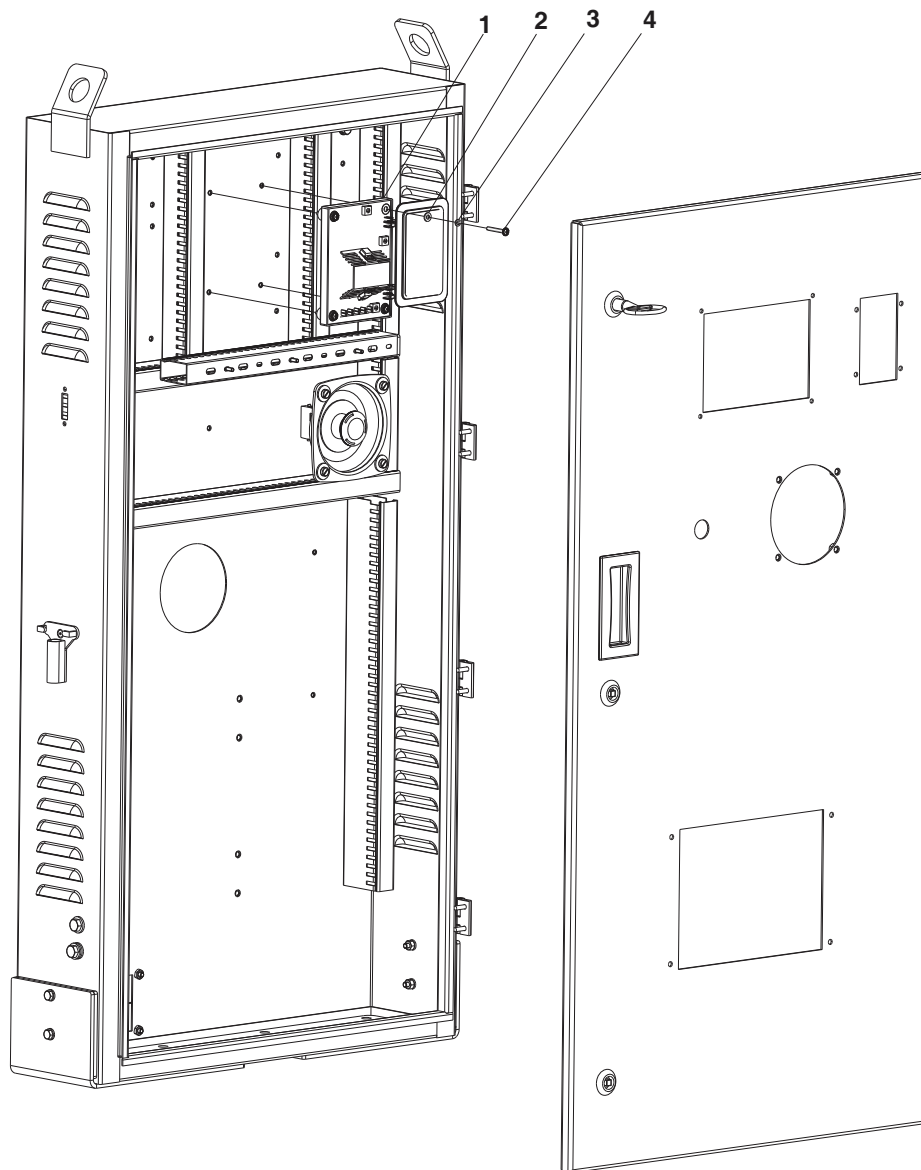
Item	Part No.	Description	Qty
1	A035D947	BASE, SKID (Non Serviceable Part)	1
2	0402-0958	ISOLATOR, VIBRATION	4
3	A040K503	GASKET, FLANGE	1
4	A040K398	NECK, FILLER	1
5	0159-1741	CAP, FILL	1
6	A035L092	SWITCH, LEVEL	1
7	A034U043	BRACKET, SHIPPING	2
8	A034U045	STRAP	2
9	0159-1779-04	PICKUP, FUEL	2
10	0853-2046	WASHER, LOCK	4
11	0526-2402	WASHER, FLAT	4
12	0800-6523	SCREW, HEX HEAD	2
13	0860-2129	NUT, HEX	4
14	0800-6520-40	SCREW, HEX FLANGE HEAD	2
15	A035N047	WASHER, FLAT	2
16	0850-2114-11	WASHER, LOCK	2
17	0860-2127-13	NUT, HEX	2
18	0800-6520-21	SCREW, HEX FLANGE HEAD	8
19	0800-6520-38	SCREW, HEX FLANGE HEAD	12
20	0526-2403-26	WASHER, FLAT	2
21	0850-2113-19	WASHER, LOCK	2
22	0870-2322-05	NUT, LOCK	2

Solenoid Installation



Item	Part No.	Description	Qty
1	A044F794	COIL,ELECTRICAL	1

Voltage Regulator Installation (A040S973)



Item	Part No.	Description	Qty
1	0305-1058	REGULATOR,VOLTAGE	1
2	0526-2400-16	WASHER,FLAT	4
3	0850-2114-03	WASHER,LOCK	4
4	0814-2166-05	SCREW,FLAT HEAD	4
5	A050F646	HARNES,REGULATOR	1

This page is Intentionally blank.

power.cummins.com

Copyright © 2019 Cummins Inc. All rights reserved.

Cummins, the "C" logo, PowerCommand, AmpSentry, and InPower are trademarks of Cummins Inc.

Other company, product, or service names may be trademarks or service marks of others.

Specifications are subject to change without notice.

