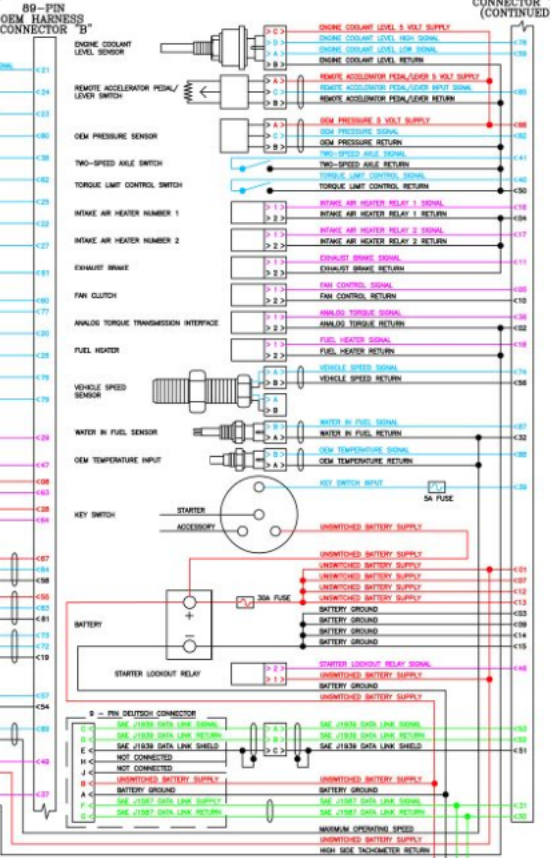
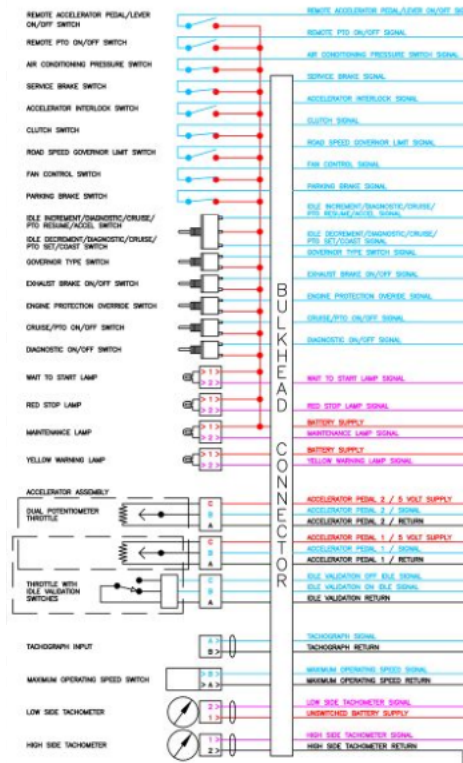




RED DC VOLTAGE  
 BLUE INPUT SIGNALS  
 BLACK GROUND, SHIELDS AND RETURN  
 PURPLE OUTPUT SIGNALS  
 GREEN DATA LINKS

REPRESENTS FEMALE PIN  
 REPRESENTS MALE PIN

NOTES: (1) SOME OF THE CIRCUITS SHOWN HERE WILL NOT BE ACTIVE IN ALL APPLICATIONS. CONSULT THE EQUIPMENT MANUFACTURER'S LITERATURE TO DETERMINE WHICH CIRCUITS ARE USED.  
 (2) THE ENGINE WILL HAVE EITHER THE OIL PRESSURE SWITCH OR OIL PRESSURE / TEMPERATURE SENSOR, BUT NOT BOTH.



**Cummins** ISB (4 cylinder) and ISB<sup>®</sup> (4 and 6 cylinder) Wiring Diagram  
 Bulletin 3666483-04 (for ECM Part Number 4896112)

OEM RESPONSIBILITY

OEM HARNESS CONNECTOR 'B' (CONTINUED)

OEM RESPONSIBILITY

CUMMINS RESPONSIBILITY

CUMMINS RESPONSIBILITY

CUMMINS RESPONSIBILITY

