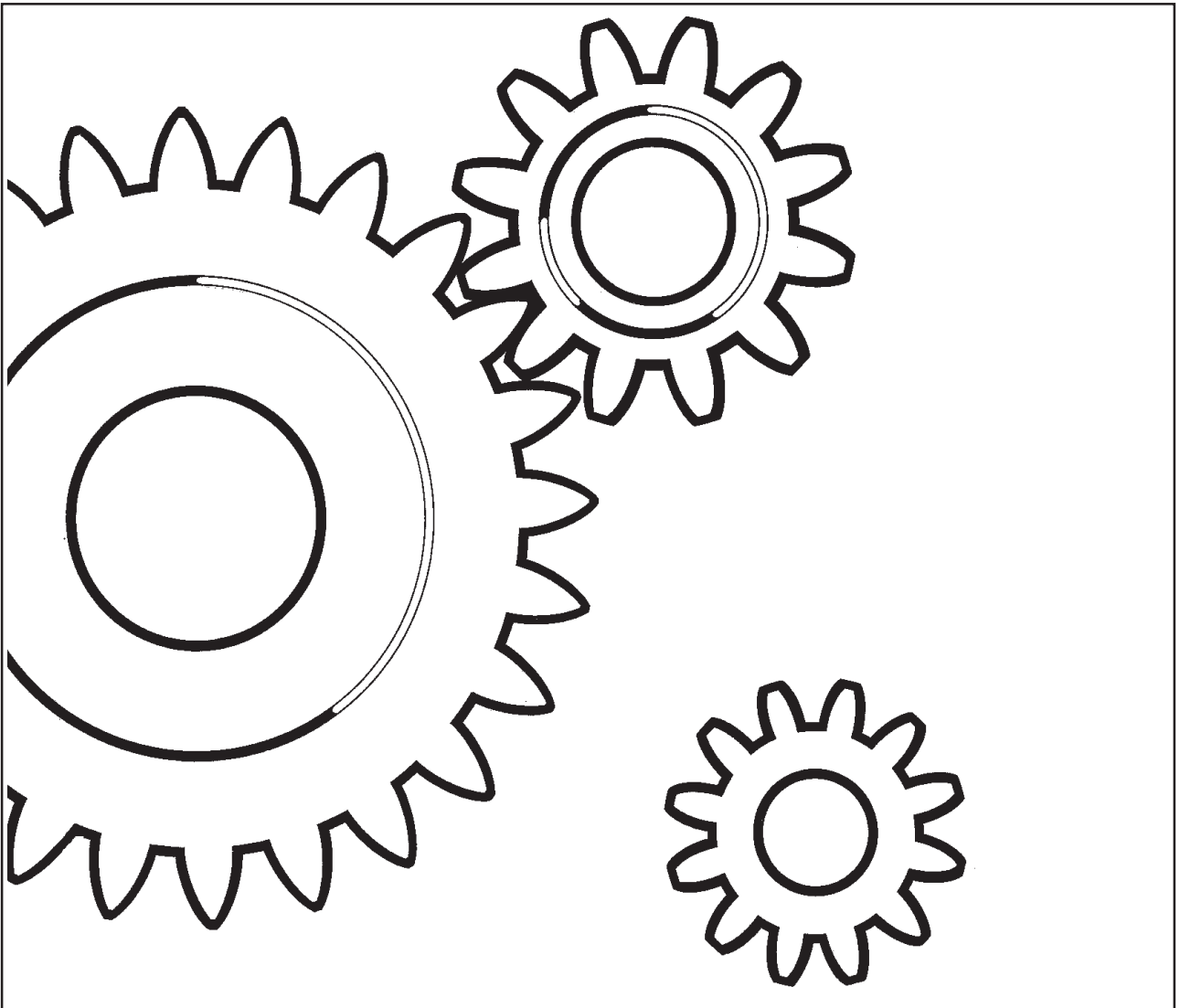


DYNAPAC CA250PD SPARE PARTS CATALOGUE

SCA250PD-1EN10



DYNAPAC

Part of the Atlas Copco Group

Box 504, SE-371 23 Karlskrona, Sweden
Phone: +46 455 30 60 00, Fax: +46 455 30 60 10
www.dynapac.com

Vibratory Roller CA250PD

Spare Parts Catalogue

SCA250PD-1EN10

Valid from roller serial number:

**65320260*-*

Diesel engines:

CUMMINS 4BTA 3.9C

Published catalogue issues valid for these rollers:

<i>Catalogue</i>	<i>Issue date</i>	<i>Valid for serial numbers</i>
SCA250PD-1EN1	2000-02	Replaced by SCA250PD-1EN2
SCA250PD-1EN2	2001-05	Replaced by SCA250PD-1EN3
SCA250PD-1EN3	2002-10	Replaced by SCA250PD-1EN4
SCA250PD-1EN4	2003-10	Replaced by SCA250PD-1EN5
SCA250PD-1EN5	2004-11	Replaced by SCA250PD-1EN6
SCA250PD-1EN6	2006-02	Replaced by SCA250PD-1EN7
SCA250PD-1EN7	2008-03	Replaced by SCA250PD-1EN8
SCA250PD-1EN8	2008-05	Replaced by SCA250PD-1EN9
SCA250PD-1EN9	2009-04	Replaced by SCA250PD-1EN10
SCA250PD-1EN10	2009-04	*65320260*



RESERVDLSBESTÄLLNING

Följande uppgifter ska lämnas vid beställning av reservdelar för att undvika leveransfel:

1. Maskintyp.
2. Vältens serienummer.
3. Antal av önskad reservdel.
4. Reserdelens artikelnummer.
5. Reservdelens benämning.
6. Måttuppgifter vid beställning av metervara.

ORDERING SPARE PARTS

To avoid errors in delivery, please give the following information when ordering spare parts:

1. Type of machine.
2. Roller serial number.
3. Quantity required.
4. Part number.
5. Parts denomination.
6. Dimensions when ordering per length.

ERSATZTEILBESTELLUNG

Zur Vermeidung von Fehllieferungen sind bei der Bestellung von Ersatzteilen folgende Angaben zu machen:

1. Maschinentyp.
2. Herstellungsnummer.
3. Bestellmenge. (Quantity)
4. Ersatzteilnummer. (Part N°)
5. Ersatzteilbenennung. (Denomination)
6. Massangaben bei Bestellung von Meterware.

ORDINI DI RICAMBI

Per evitare errori nelle consegne di ricambi, Vi preghiamo di comunicarci le seguenti informazioni al momento dell'ordinazione:

1. Tipo di macchina.
2. Numero di serie della macchina.
3. Quantità dei pezzi desiderati. (Quantity)
4. Numero di codice del pezzo. (Part N°)
5. Descrizione del pezzo di ricambio. (Denomination)
6. Misura, in caso di ordine per metro.

PEDIDO DE RECAMBIOS

Para evitar errores en las entregas, deberán indicarse los siguientes datos al hacer un pedido de recambios:

1. Tipo de máquina.
2. Número de serie.
3. Cantidad de piezas deseadas. (Quantity)
4. Número de artículo de la pieza de recambio. (Part N°)
5. Denominación de la pieza. (Denomination)
6. Indíquese la medida al solicitar un artículo que se expide por metros.

COMMANDE DE PIÉCES DE RECHANGE

Les indications suivantes doivent être fournies lors de la commande de pièces de rechange, afin d'éviter toute erreur de livraison:

1. Type de machine.
2. Numéro de série.
3. Quantité désirée de pièce de rechange. (Quantity)
4. Numéro de la pièce de rechange. (Part N°)
5. Dénomination de la pièce de rechange. (Denomination)
6. Longueur en cas de commande au mètre.

YOUR AGENT/DEALER:

Text pages

The text pages is structured as the picture on the right.

1. This is the remarks for specific items and the descriptions of the remarks is at the bottom of the parts list.

2. Parts indicated by a dot and moved to the right are included when buying the assembled unit above.

3. Spare parts and service code for a specific part, mainly for internal use at Dynapac. "A" = Service part, "B" = Fast moving part, "C" = Suggested exchanged part and "D" = Regular spare part.

DYNAPAC				Metso Dynapac AB	
Cooling system					
Ref. No.	Part No.	Rem.	Qty	Description	Code
1	223047		1	Water cooler	③ C
2	935852		1	Radiator cap	D
3	935851	①	1	② Cock	
4	373263	A	1	Radiator hose	D
5	313009		6	Clamp	
6	205058	B	1XL	Rubber cloth	
7	373261	C	1	Radiator hose	D
8			1	Oil cooler	D
9	223289		1	Plate	
10	902166	D	1XL	Edge trim	
11	223287	E	1	Holder	
12	223288	F	1	Holder	
13	908168		1	Fan guard	
14	908170		1	Fan shroud	
15	908171		2	Mounting bar	
16	908169		1	Fan guard	
17	500021		14	Screw	
18	902286		14	Nut	
19	600006		14	Washer	
20	313102		2	Cable strap	

A) Upper
 B) L=060MM
 C) Lower
 D) L=2280MM
 E) Left
 F) Right

Changes

PARTS INFO	SERVICE INFO	GROUP	PAGE	NOTES

Notes

PÄRMETIKETT

För att undvika fel vid reservdelsbeställning finns här nedan två etiketter som passar i fickorna på pärmarnas ryggar. På dessa kan man se från vilket vältnummer av aktuell maskin reservdelskatalogen gäller. Gör så här:

1. Tag denna sida ur pärmen.
2. Klipp ut etiketten till **VÄNSTER** (1) och sätt in den i fickan på **DENNA** pärmens rygg.
3. Finns det en etikett till **HÖGER** (2), kan denna användas på pärmen för **FÖREGÅENDE** utgåva av denna katalog.
4. Kasta detta papper.

KATALOG-BESCHRIFTUNG

Zur Vermeidung von Fehlern bei der Ersatzteilbestellung benutzen Sie bitte die unteren Beschriftungen, um die Kataloge auf der Rückseite zu kennzeichnen. Auf der Beschriftung ist angegeben, für welche Maschinennummern der jeweilige Katalog gültig ist. Ablauf:

1. Nehmen Sie dieses Blatt aus dem Katalog.
2. Schneiden Sie die **LINKE** Beschriftung (1) aus. Schieben Sie die Beschriftung in die tasche auf **DEM** Katalogrücke.
3. Sollte die Beschriftung unten **RECHTS** (2) mitgeliefert werden, kennzeichnen Sie damit bitte die **ÄLTERE** Ausführung dieses Kataloges.
4. Den Rest dieses Blattes bitte vernichten.

ETIQUETA PARA LA CARPETA

Para evitar errores al pedir repuestos utilicen las etiquetas abajo descritas para identificar los catálogos en la parte trasera de la carpeta. En la etiqueta se ven los números de referencia de la serie para la cual es válido el catálogo. Instrucciones:

1. Quitar esta página de la carpeta.
2. Corta la etiqueta **IZQUIERDA** (1) y ponerla en la parte trasera de la carpeta.
3. Si hay una etiqueta en la parte **DERECHA** (2) se puede utilizar en la carpeta para el catálogo que **PRECEDE** a esta.
4. Tirar esta hoja.

BINDER LABEL

To avoid errors when ordering spare parts use the labels below to identify the catalogues on the back of the binder. The label contain the serial number range for which the catalogue is valid. Do like this:

1. Remove this page from the binder.
2. Cut out the **LEFT** label (1) and put it on **THIS** binders back.
3. If there is a label to the **RIGHT** (2), it can be used on the binder for **PRECEDING** issue of this catalogue.
4. Throw away this paper.

ETICHETTA POSTA SUL RACCOGLITORE

Per evitare errori quando ordinate pezzi di ricambio, usate le etichette in calce che servono ad identificare i cataloghi sul retro del raccoglitore. L'etichetta indica il numero di matricola delle macchine prese in considerazione nel catalogo.

1. Rimuovete questa pagina dal raccoglitore.
2. Ritagliate l'etichetta posta a **SINISTRA** (1) e ponetela sul retro **DEL** raccoglitore.
3. Se trovate anche un'etichetta sulla **DESTRA** (2), ritagliatela e ponetela sul raccoglitore relativo alla **PRECEDENTE** edizione del catalogo.
4. Distruggete questo foglio.

ETIQUETAGE DU CATALOGUE

Afin d'éviter des erreurs lors de commandes de pièces de rechange, nous vous conseillons d'apposer les marquages ci-dessous à l'arrière du classeur, pour identifier les catalogues. Ce marquage indique les numéros de série pour lesquels le catalogue est adapté. Il convient de procéder de la façon suivante:

1. Retirez cette page du classeur.
2. Découpez l'étiquette de **GAUCHE** (1), et apposez-la à l'arrière de **CE** catalogue.
3. Si il y a une étiquette à **DROITE** (2), vous pourrez l'apposer sur le classeur de l'édition **PRECEDENTE** du catalogue.
4. Détruire cette feuille.

1.

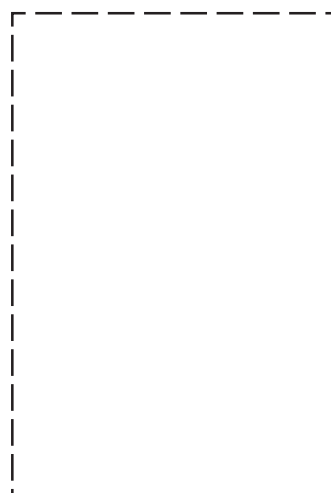


TABLE OF CONTENTS

Page

CA250PD SN 65320260 -	2
Service kits	4
4700938524 Service kit 50 h	6
4700938527 Service kit 250/750 h	8
4700938521 Service kit 500 h Up to 65X23699	10
4700950196 Service kit 500 h From 65X23700	12
4700938522 Service kit 1000 h Up to 65X23699	14
4700950197 Service kit 1000 h From 65X23700	16
Repair kits	18
4700938558 Steering hitch kit	20
4700938894 Eccentric shaft kit	22
4700938891 Drum rotation kit	24
4700938878 Shock absorber kit, drum	26
Frame	28
Frame	30
Scraper Up to 65X20602	32
Scrapers and beam From 65X20603 Up to 65X21750	34
Scrapers and beam From 65X21751 Up to 65X24499	36
Scrapers and beam From 65X24500	38
Hitch	40
Structure Up to 62X20481	42
Structure From 65X20482 Up to 65X23699	44
Structure From 65X23700	46
Side covers Option	48
Noise suppression From 65X20800	50
Drum shroud Option From 65X21751	52
Drum	54
Drum Up to 65X24499	56
Drum From 65X24500	58
Drum cartridge Drive side	62
Drum cartridge Drive side Up to 65X24499	64
Drum cartridge Vibration side	66
Drum cartridge Vibration side Up to 65X23899	68
Drum cartridge Vibration side From 65X23900 Up to 65X24499	70
4700380462 Drum gear	72
Engine	74
Engine Up to 65X21075	76
Engine From 65X21076 Up to 65X21969	78
Engine From 65X21970 Up to 65X23699	80
Engine From 65X23700	82
Cooling system Up to 65X21524	84
4700380185 Radiator Up to 65X20609	86
4700383806 Radiator From 65X20610 Up to 65X21524	88
Cooling system From 65X21525 Up to 65X23699	90
Cooling system From 65X23700	92
Combustion air system Up to 65X21524	96
Combustion air system From 65X21525 Up to 65X23699	98
Combustion air system From 65X23700	100
Fuel system Up to 65X21524	102
Fuel system From 65X21525 Up to 65X23699	104
Fuel system From 65X23700	106
Exhaust system Up to 65X21172	108
Exhaust system From 65X21173 Up to 65X21537	110

TABLE OF CONTENTS

Page

Exhaust system From 65X21538 Up to 65X23699	112
Exhaust system From 65X23700	114
Transmission	116
Rear axle and wheels Up to 65X20819	118
Rear axle and wheels From 65X20820 Up to 65X21197	120
Rear axle and wheels From 65X21198 Up to 65X22222	122
Rear axle and wheels From 65X22223 Up to 65X22357	124
Rear axle and wheels From 65X22358 Up to 65X22381	126
Rear axle and wheels From 65X22382	128
4700370112 Rear axle Up to 65X20819	130
Differential with limited slip	132
Differential housing and brakes	134
Planet gear	136
4700383857 Rear axle From 65X20820 Up to 65X24241	138
Differential with limited slip	140
Differential housing and brakes	142
Planet gear	144
4700393002 Rear axle From 65X24242	146
Differential with limited slip	148
Differential housing and brakes	150
Planet gear	152
4700372941 Rear axle No-Spin, Option Up to 65X20819	154
Differential with No-Spin	156
Differential housing and brakes	158
Planet gear	160
4700383856 Rear axle No-Spin, Option From 65X20820	162
Differential with No-Spin	164
Differential housing and brakes	142
Planet gear	166
4700396309 Rear axle, Option From 65X24242	168
Differential with limited slip	148
Differential housing and brakes	150
Planet gear	152
Hydraulic system	170
Propulsion system, Front	172
4700371509 Propulsion motor	174
Propulsion system, Rear Up to 65X23699	176
4700371545 Propulsion pump Up to 65X20260	178
4700380830 Propulsion pump From 65X20261	184
4700375999 Hydraulic motor	190
4700371545 Propulsion pump Up to 65X20260	178
Propulsion system, Rear From 65X23700 Up to 65X23899	192
4700380830 Propulsion pump	184
4700375999 Hydraulic motor	190
Propulsion system, Rear From 65X23900	194
4700395385 Hydraulic pump	196
4700375999 Hydraulic motor	190
Vibration system Up to 65X23899	200
4700380145 Hydraulic motor, vibration	202
4700381151 Vibration pump Up to 65X20592	204
4700937167 Rotary group, cpl	206
4700937168 Valve block, cpl	208
4700383958 Vibration pump From 65X20593	210
4700937167 Rotary group, cpl	206
4700937168 Valve block, cpl	208
Vibration system From 65X23900	212
4700395384 Vibration pump	214
4700395386 Hydraulic motor, vibration	218

TABLE OF CONTENTS

Page

Steering system Up to 65X20396	220
Steering system From 65X20397 Up to 65X21524	222
Steering system From 65X21525 Up to 65X23699	224
4700375031 Steering cylinder Up to 65X22578	226
4700392002 Steering cylinder From 65X22579	228
Steering system From 65X23700	230
4700392002 Steering cylinder	228
4700375031 Steering cylinder Up to 65X22578	226
4700376000 Steering valve	232
Brake system Up to 65X20396	234
Brake system From 65X20397	236
Hydraulic oil tank Up to 65X23699	238
Hydraulic oil tank From 65X23700	240
Central test panel hydraulic Option Up to 65X23899	242
Central test panel hydraulic Option From 65X23900	244
Variable rear axle motor Option	246
4700374137 Propulsion motor	248
4700371545 Propulsion pump Up to 65X20260	178
4700380830 Propulsion pump From 65X20261	184

Electrical equipment 252

Electric system Up to 65X21524	254
Electric system From 65X21525 Up to 65X23699	256
Electric system From 65X23700	258
Control panel Up to 65X21524	260
Control panel From 65X21525 Up to 65X23699	262
Control panel From 65X23700	264
Control panel	266
Working lights Option Up to 65X20596	268
Working lights Option From 65X20597 Up to 65X21339	270
Working lights Option From 65X21340 Up to 65X23699	272
Rotating beacon Option	274
Back-up alarm Option Up to 65X21950	276
Back-up alarm Option From 65X21951	278
Compaction meter Option Up to ECN 03073	280
Compaction meter Option From ECN 03073	282

Drivers platform 284

Drivers platform	286
Drivers platform	288
Drivers platform	290
Control panel Up to 65X23699	292
Control panel From 65X23700	294
Throttle controls Up to 65X21735	296
Throttle controls From 65X21736 Up to 65X23699	298
Throttle controls From 65X23700	300
Forward and reverse control Up to 65X23699	302
Forward and reverse control From 65X23700	304
Forward and reverse control handle	306
Steering column Up to 65X22547	308
Steering column From 65X22548	310
Canopy Option	312
Rops and fops	314
Cab mounting	316
Cab 380656 Up to 65X22547	318
Cab Screens	320
Cab Door, left side	324
Cab Interior rear mirror	326
Wiper arm with blade, front	328
Cab Electric	330

TABLE OF CONTENTS

Page

Cab Exterior, rear mirror Up to 65X22547	332
Cab Work light	334
Cab mounting From 65X22548	336
Cab 378308 From 65X22548	338
Cab Screens	340
Cab Door, left side	344
Cab Interior rear mirror	326
Wiper arm with blade, front	328
Cab Electric	330
Decals	346
Decals	348
Decals	350
Standard equipment	352
Standard equipment	354
Optional equipment	356
Tool equipment	358
Dy-Mic Up to 65X21339	360
Dy-Mic From 65X21340	362
Air conditioner and heater, Simple cab	364
4700383413 Condenser, cpl	368
Heater Simple cab	370
4700385222 Heater	372

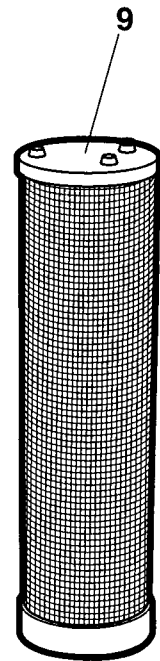
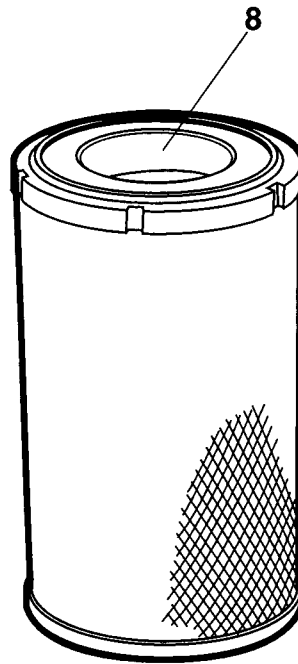
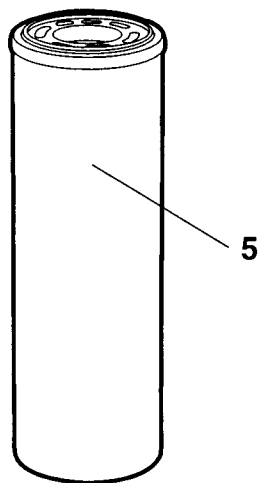
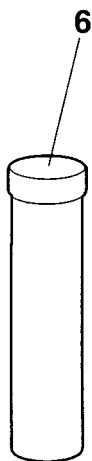
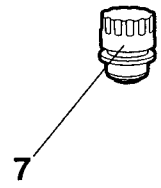
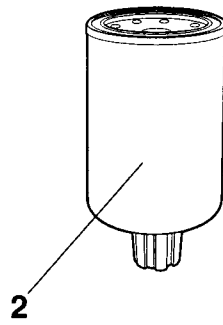
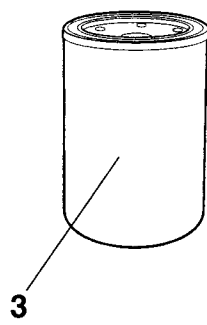
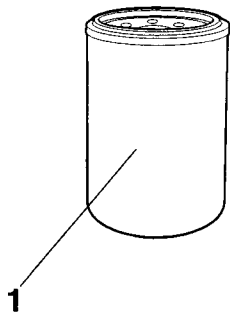
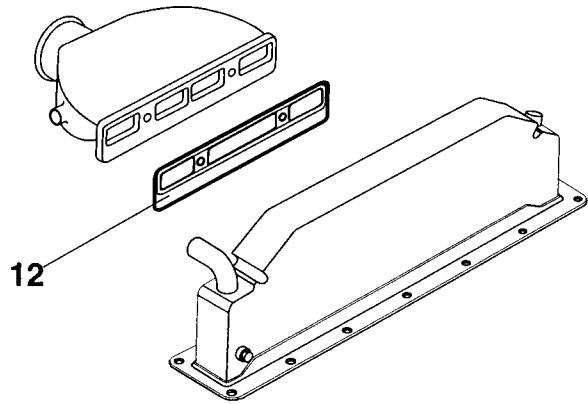
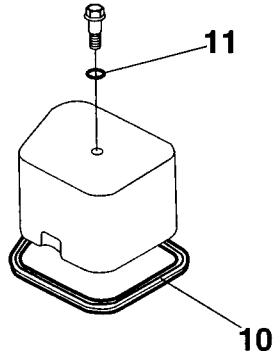


CA250PD SN 65320260 -

Item	Part No	Rem Qty	Description	Code
1			Service kits (Page 4)	
2			Repair kits (Page 18)	
10			Frame (Page 28)	
20			Drum (Page 54)	
30			Engine (Page 74)	
40			Transmission (Page 116)	
50			Hydraulic system (Page 170)	
60			Electrical equipment (Page 252)	
70			Drivers platform (Page 284)	
80			Decals (Page 346)	
90			Standard equipment (Page 352)	
91			Optional equipment (Page 356)	

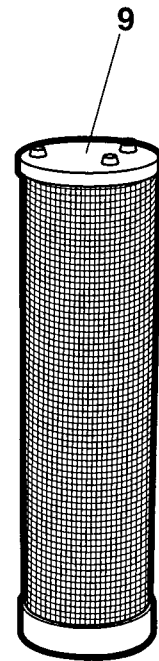
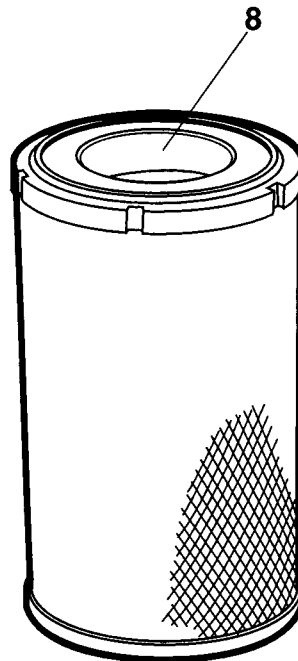
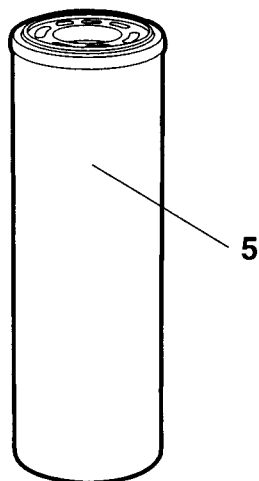
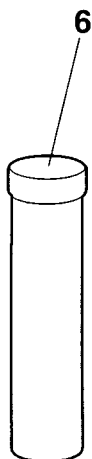
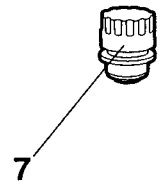
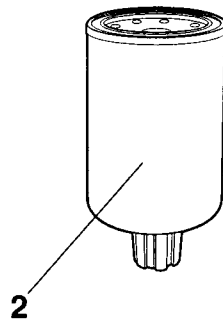
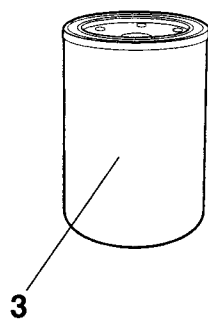
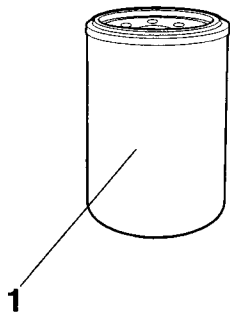
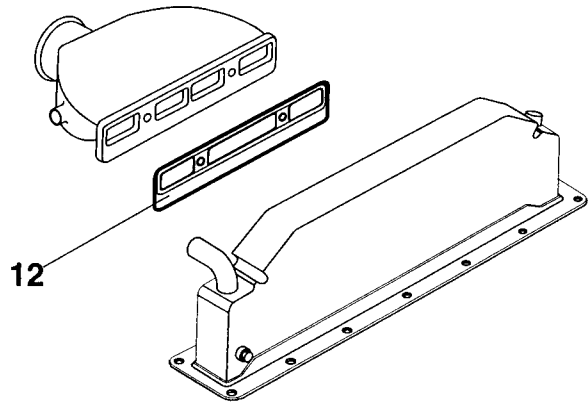
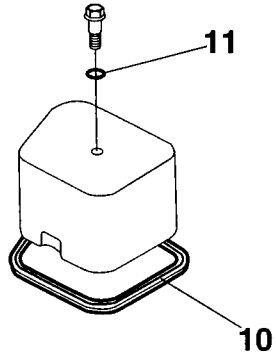
Service kits

Item	Part No	Rem Qty	Description	Code
1	4700938524		Service kit (Page 6)	50 h
2	4700938527		Service kit (Page 8)	250/750 h
3	4700938521		Service kit Up to 65X23699 (Page 10)	500 h
4	4700950196		Service kit From 65X23700 (Page 12)	500 h
5	4700938522		Service kit Up to 65X23699 (Page 14)	1000 h
6	4700950197		Service kit From 65X23700 (Page 16)	1000 h



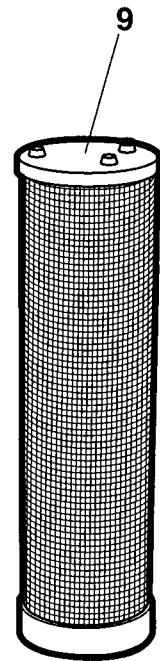
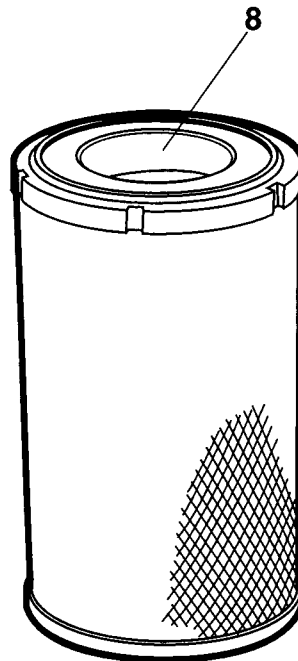
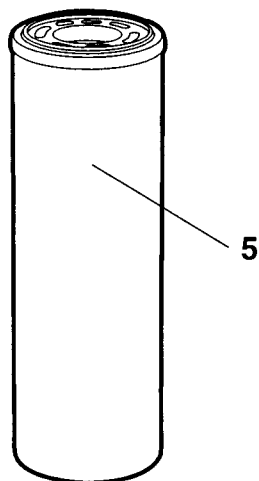
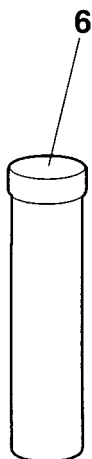
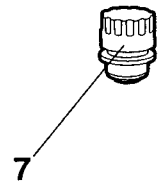
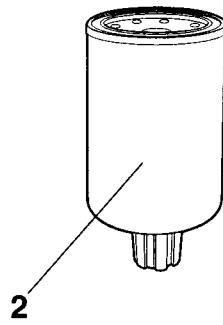
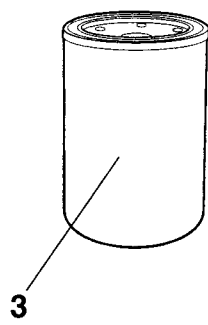
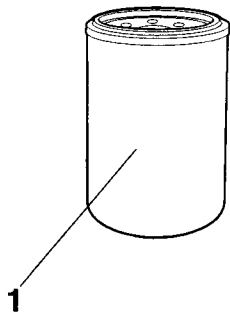
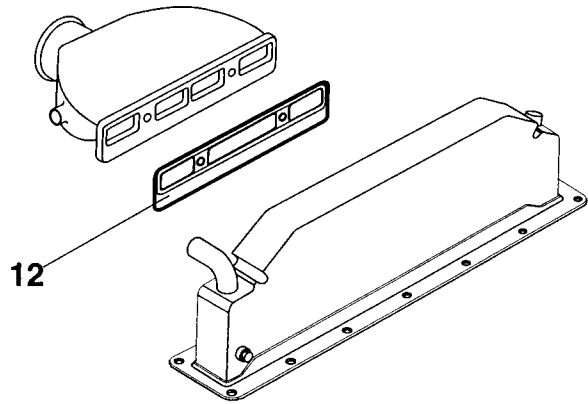
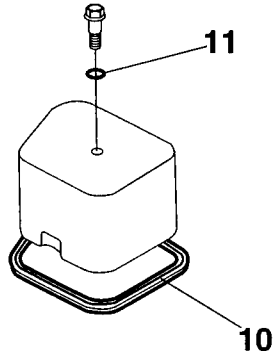
4700938524 Service kit 50 h

Item	Part No	Rem Qty	Description	Code
	4700938524		Service kit (Page 6)	50 h
1	4700212373	1	Oil filter	A
2	4700935969	1	Fuel filter w. waterseparator	A
5	4700372229	1	Hydraulic oil filter element	A



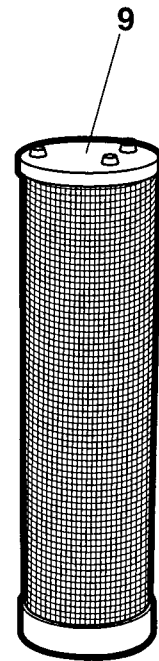
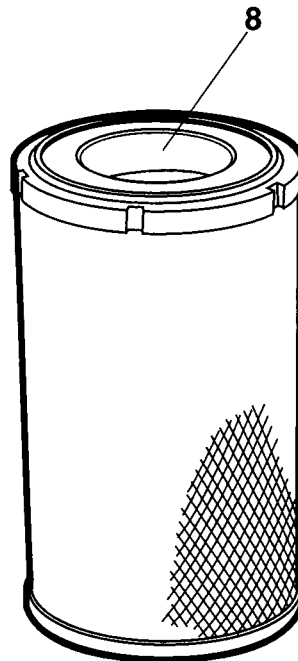
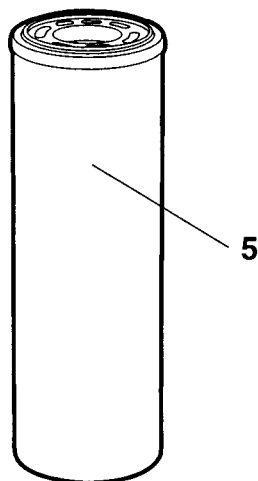
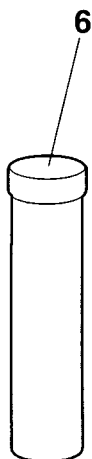
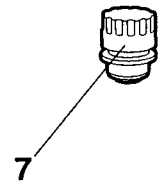
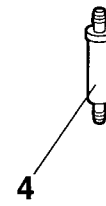
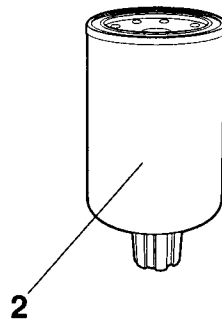
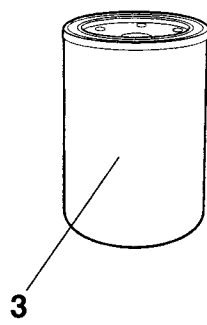
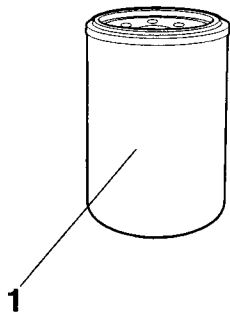
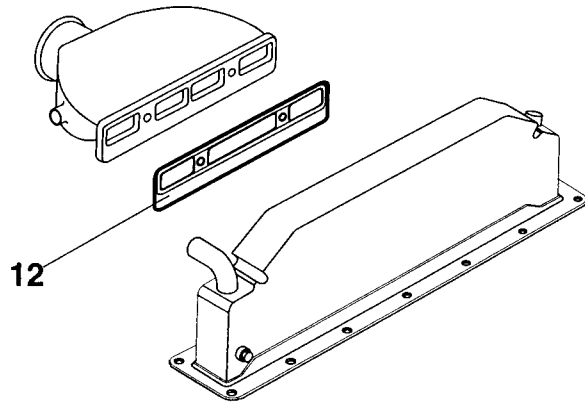
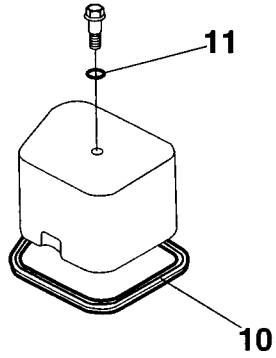
4700938527 Service kit 250/750 h

Item	Part No	Rem Qty	Description	Code
	4700938527		Service kit (Page 8)	250/750 h
1	4700212373	1	Oil filter	A



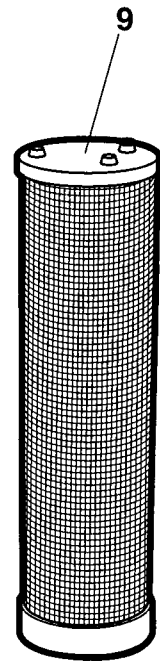
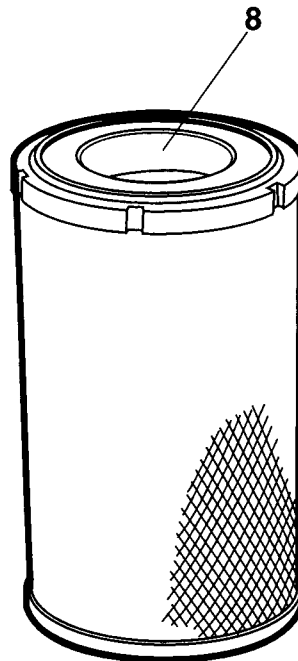
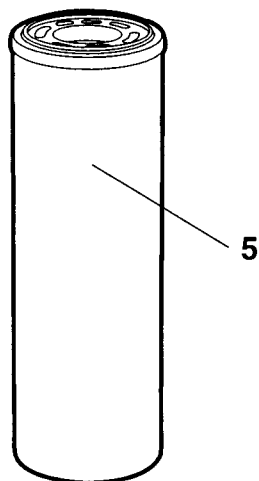
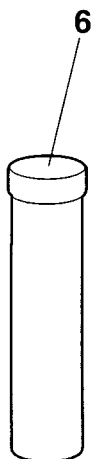
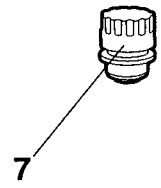
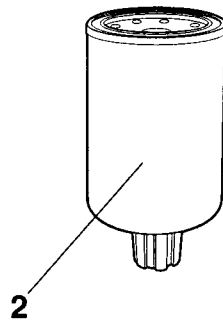
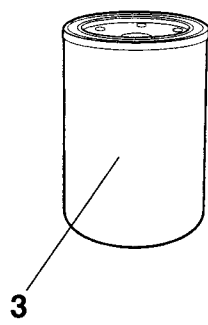
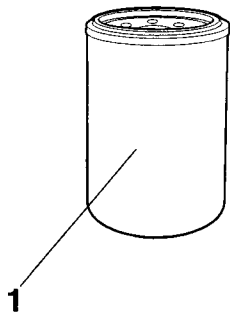
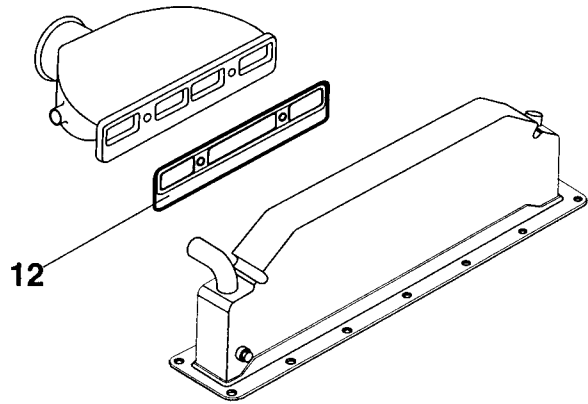
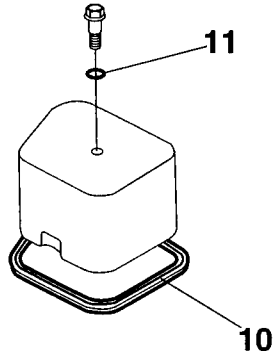
4700938521 Service kit 500 h

Item	Part No	Rem	Qty	Description		Code
	4700938521			Service kit (Page 10)	500 h	
1	4700212373		1	Oil filter		A
2	4700935969		1	Fuel filter w. waterseparator		A
8	4700908450	1	1	Air filter element,	Main	A
1)	Main					



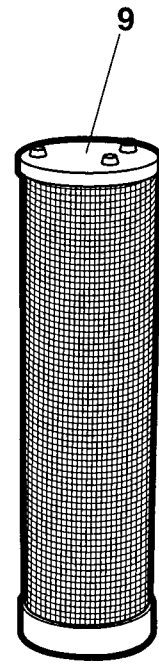
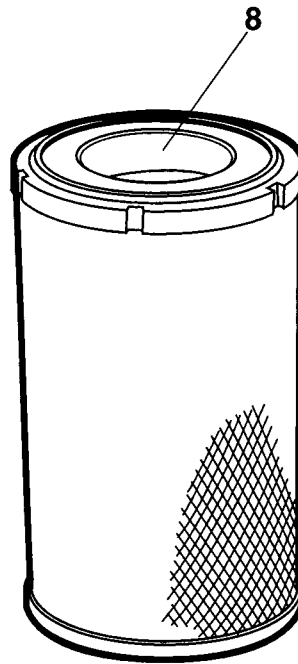
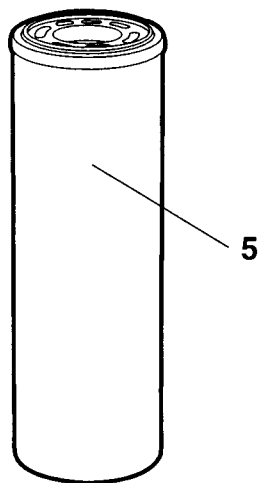
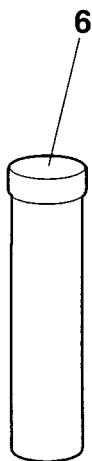
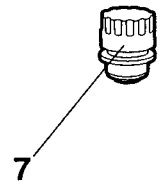
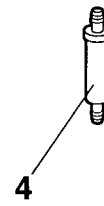
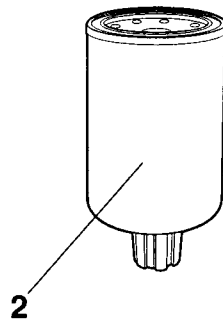
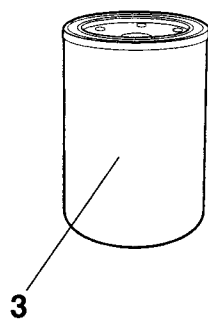
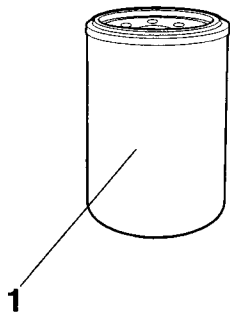
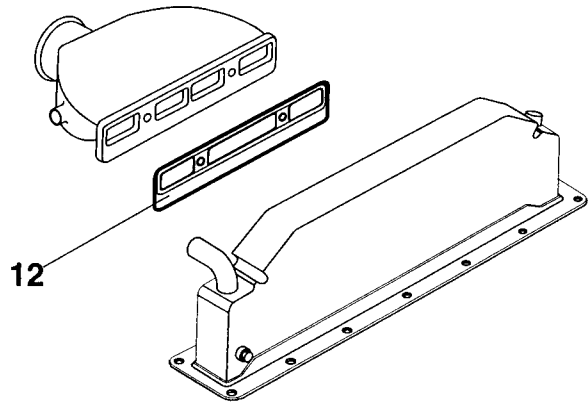
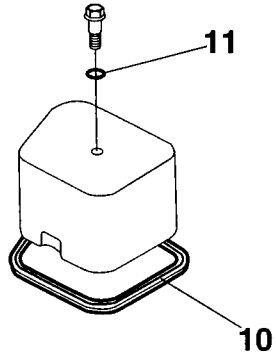
4700950196 Service kit 500 h

Item	Part No	Rem Qty	Description	Code
	4700950196		Service kit (Page 12)	500 h
1	4700212373	1	Oil filter	A
2	4700935969	1	Fuel filter w. waterseparator	A
8	4700394686	1	Air filter element, main	A



4700938522 Service kit 1000 h

Item	Part No	Rem	Qty	Description	Code
	4700938522			Service kit (Page 14)	1000 h
1	4700212373		1	Oil filter	A
2	4700935969		1	Fuel filter w. waterseparator	A
5	4700372229		1	Hydraulic oil filter element	A
7	4700357138		1	Ventilating filter	A
8	4700394686	1	1	Air filter element, main	A
9	4700394687	2	1	Air filter element, safety	A
10	4700938514		4	Valve cover gasket	A
11	4700938516		4	Gasket	A
12	4700938517		1	Gasket, inlet pipe	
1)	Main				
2)	Safety				



4700950197 Service kit 1000 h

Item	Part No	Rem Qty	Description	Code
	4700950197		Service kit (Page 16)	1000 h
1	4700212373	1	Oil filter	A
2	4700935969	1	Fuel filter w. waterseparator	A
5	4700372229	1	Hydraulic oil filter element	A
7	4700357138	1	Ventilating filter	A
8	4700394686	1	Air filter element, main	A
9	4700394687	1	Air filter element, safety	A
10	4700938514	4	Valve cover gasket	A
11	4700938516	4	Gasket	A
12	4700938517	1	Gasket, inlet pipe	

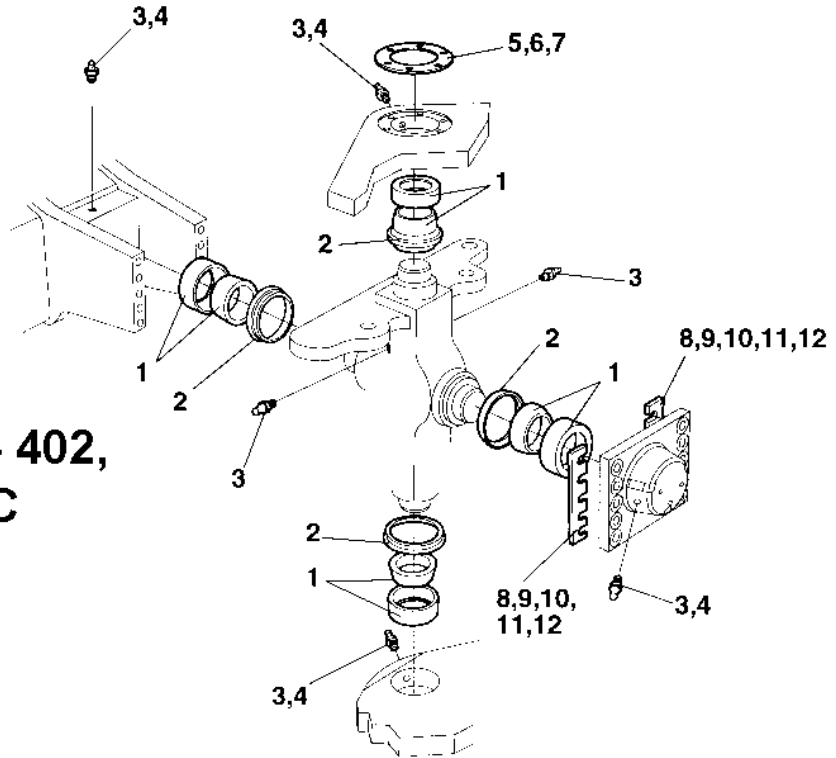
Repair kits

Item	Part No	Rem Qty	Description	Code
5	4700938558		Steering hitch kit (Page 20)	
10	4700938894		Eccentric shaft kit (Page 22)	
20	4700938891		Drum rotation kit (Page 24)	
30	4700938878		Shock absorber kit, drum (Page 26)	

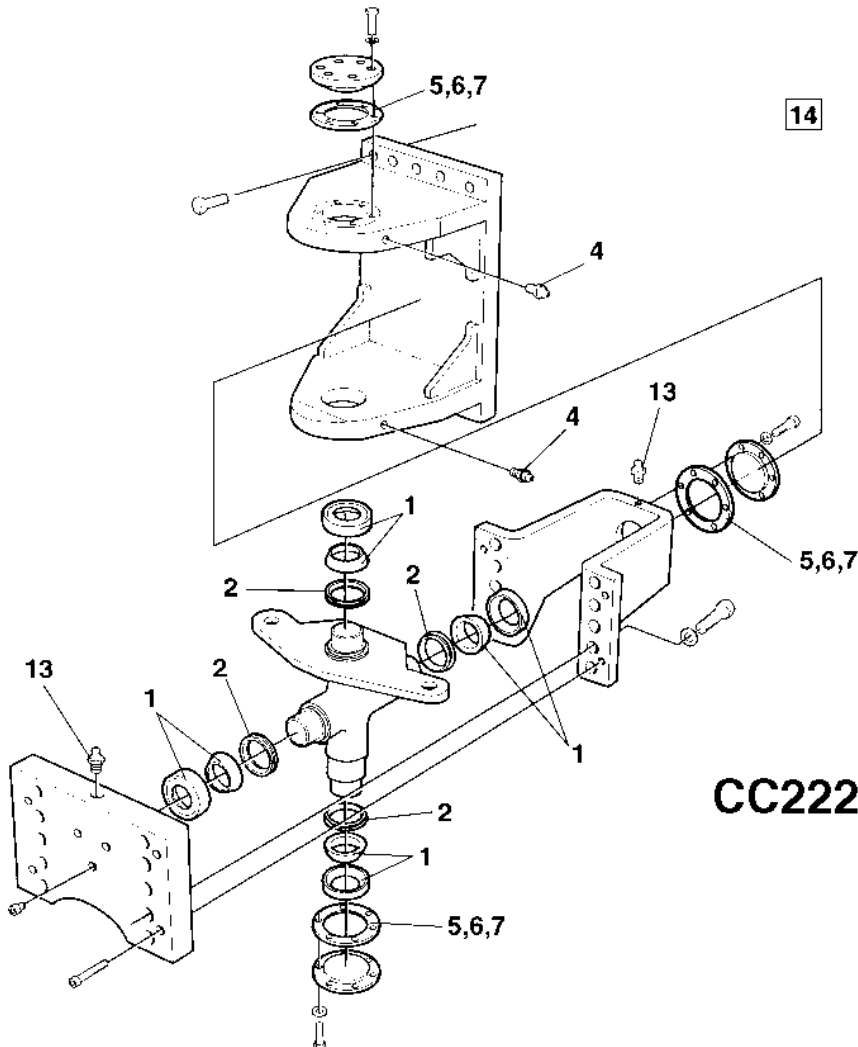
4700938558 Steering hitch kit

938558

**CA150 - 402,
CC501/C**



14



CC222-622/C

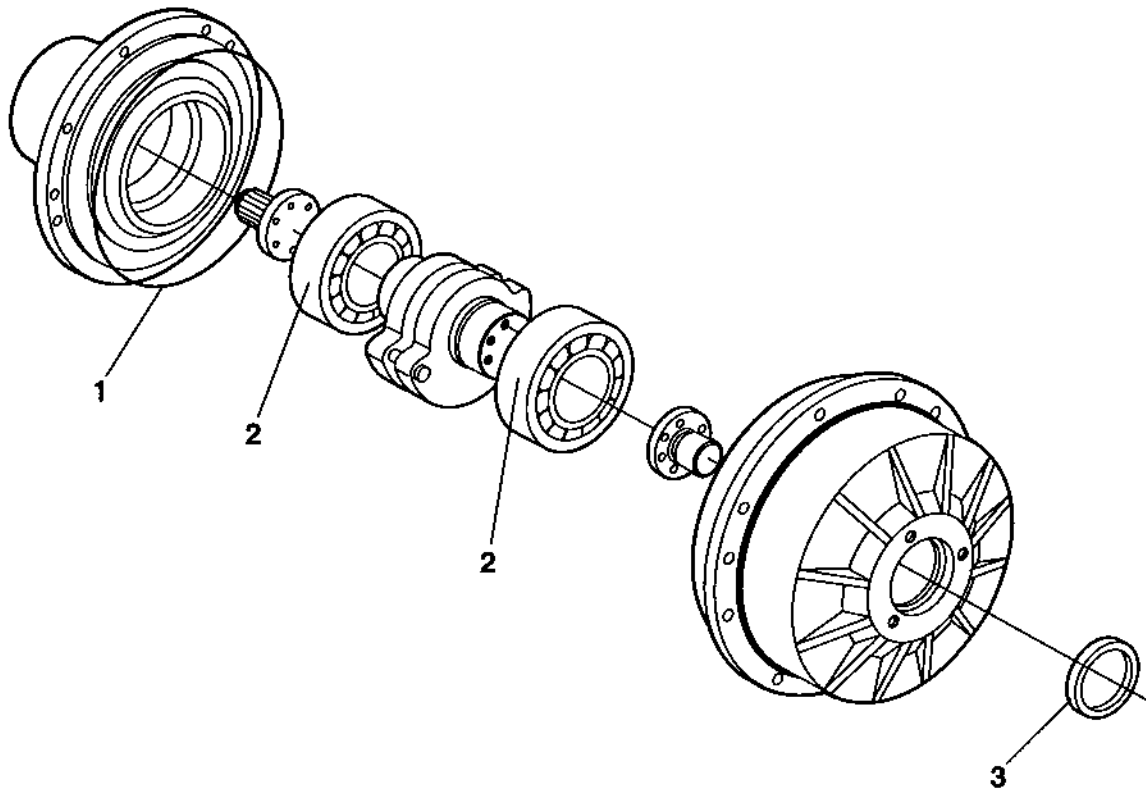
4700938558 Steering hitch kit

Item	Part No	Rem Qty	Description	Code
	4700938558		Steering hitch kit (Page 20)	
1	4700100040	4	Axial ball bearing	D
2	4700167032	4	Lip-type oil seal	D
3	4700310008	2 3	Grease nipple	D
4	4700926214	2	Grease fitting	D
5	4700337045	3	Shim	T=1,0 mm D
6	4700345874	3	Shim	T=0,35 mm D
7	4700345875	3	Shim	T=0,10 mm D
8	4700345871	1 2	Shim	T=1,0 mm D
9	4700345872	1 2	Shim	T=0,35 mm D
10	4700345873	1 2	Shim	T=0,10 mm D
11	4700380993	1 2	Shim	T = 2,0 mm D
12	4700384498	1 2	Shim	T = 0,15 mm D
13	4700929863	3 1	Grease nipple	D
14	4700904663	1	Lube grease	" DYNAPAC special approved "
15		1	Instructions	

- 1) Valid for CA150-402 and CC501/C
- 2) Valid for CC501/C
- 3) Valid for CC222/232/322/422/432/522/622/C

4700938894 Eccentric shaft kit

VALS3

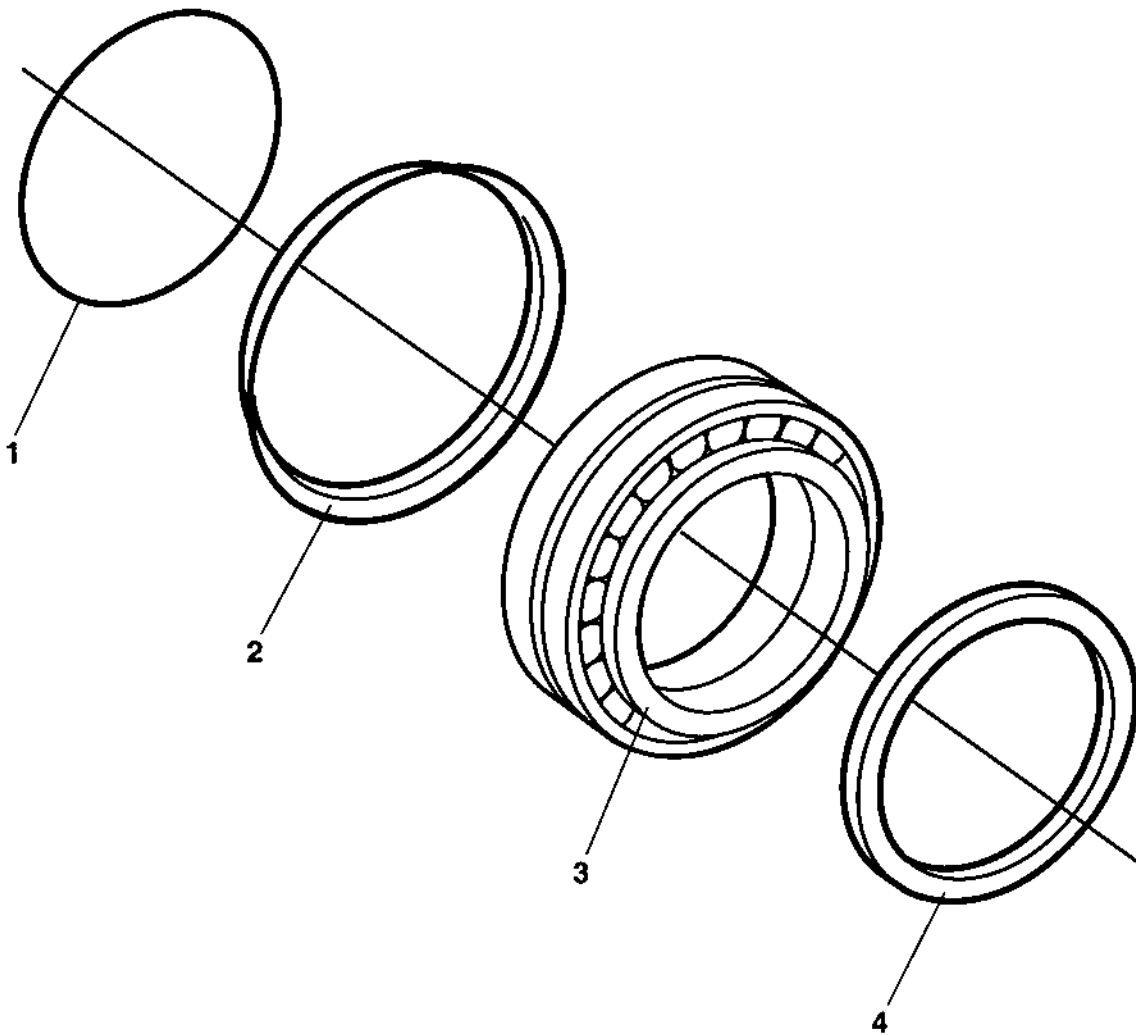


4700938894 Eccentric shaft kit

Item	Part No	Rem Qty	Description	Code
	4700938894		Eccentric shaft kit (Page 22)	
1	4700900776	1	O-ring	D
2	4700900784	2	Cylinder roller bearing	
3	4700900782	1	Seal ring	D

4700938891 Drum rotation kit

RAMLAGER

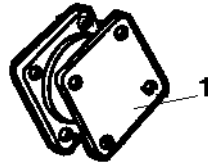


4700938891 Drum rotation kit

Item	Part No	Rem Qty	Description	Code
	4700938891		Drum rotation kit (Page 24)	
1	4700160105	1	O-ring 70	D
2	4700929447	1	V-ring	D
3	4700116041	1	Taper roller bearing	D
4	4700386272	1	Sealing	D

4700938878 Shock absorber kit, drum

SHOCK ABSORB.



4700938878 Shock absorber kit, drum

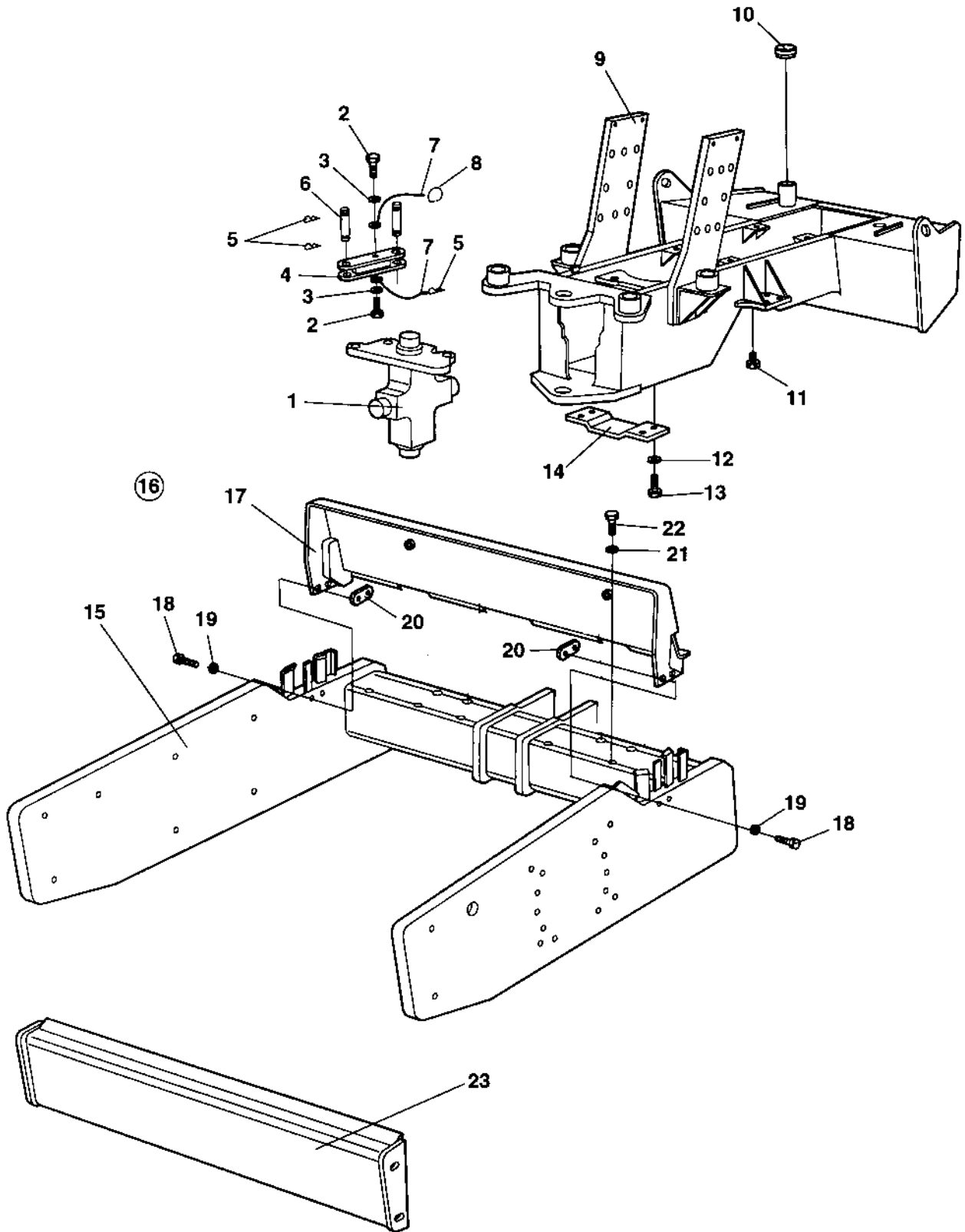
Item	Part No	Rem Qty	Description	Code
	4700938878		Shock absorber kit, drum (Page 26)	
1	4700801187	10	Shock absorber	B

Frame

Item	Part No	Rem Qty	Description	Code
10			Frame (Page 30)	
20			Scraper Up to 65X20602 (Page 32)	
30			Scrapers and beam From 65X20603 Up to 65X21750 (Page 34)	
35			Scrapers and beam From 65X21751 Up to 65X24499 (Page 36)	
36			Scrapers and beam From 65X24500 (Page 38)	
60			Hitch (Page 40)	
70			Structure Up to 62X20481 (Page 42)	
75			Structure From 65X20482 Up to 65X23699 (Page 44)	
76			Structure From 65X23700 (Page 46)	
80			Side covers (Page 48)	Option
85			Noise suppression From 65X20800 (Page 50)	
90			Drum shroud From 65X21751 (Page 52)	Option

Frame

16934-1



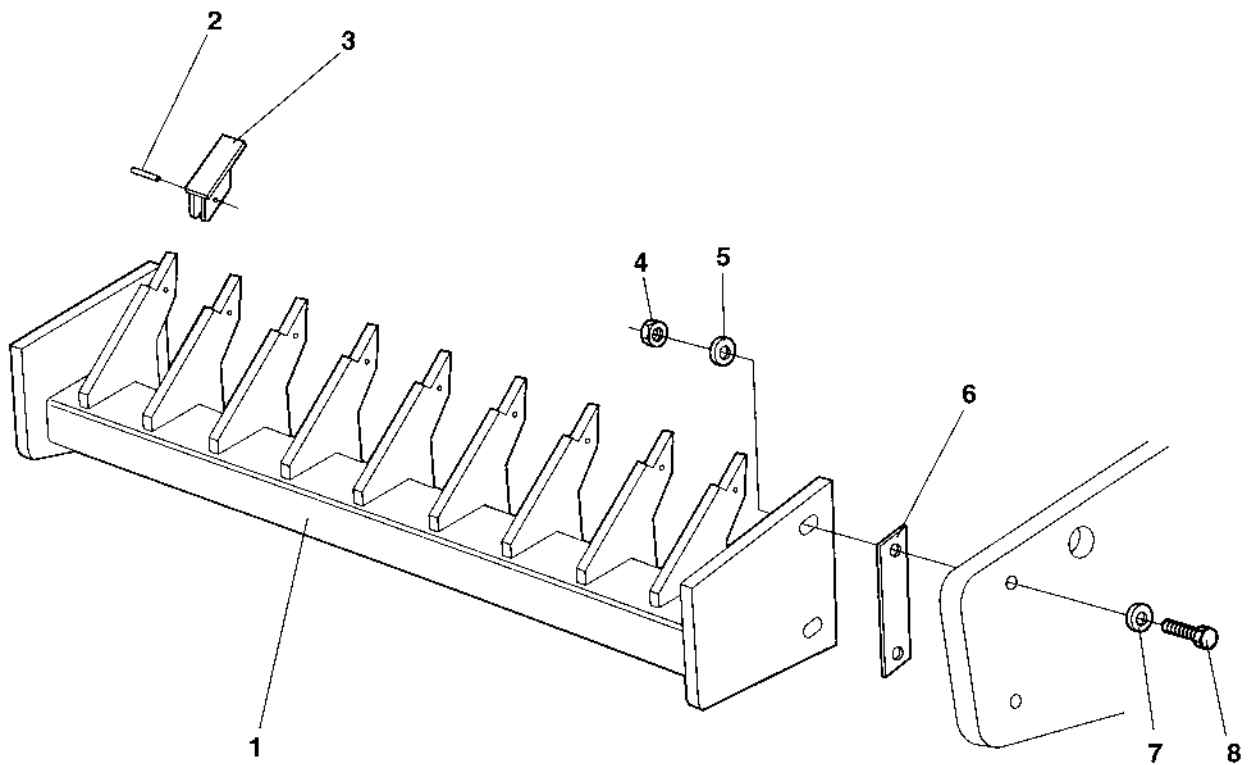
Frame

Item	Part No	Rem	Qty	Description	Code
1			1	Hitch (Page 40)	
2	4700500043		2	Screw	M10x16H 8,8
3	4700904230		2	Washer	
4	4700374744		1	Safety rod	
5	4700635061		3	Hair clip	D
6	4700347119		2	Shaft	D
7	4700343775		2	Wire	
8	4700357488		1	Spring	
9	4700376334		1	Tractor frame Up to 65X21524	
	4700386812		1	Tractor frame From 65X21525 Up to 65X21969	
	4700378206		1	Tractor frame From 65X21970	
10	4700373460		1	Fuel cap	D
11	4700813391		1	Magnetic plug	D
12	4700904557		4	Washer	
13	4700500029		4	Screw	
14	4700372087		1	Protective plate	
15	4700380968		1	Drum frame Up to 65X20288	
	4700382850		1	Drum frame From 65X20289 Up to 65X20596	
	4700384066		1	Drum frame From 65X20597 Up to 65X21750	
	4700376701		1	Drum frame From 65X21751 Up to 65X24499	
	4700397126		1	Drum frame From 65X24500	
16			1	Drum shroud, cpl	Option
17	4700372844	A	1	.Drum shroud Up to 65X21750	
18	4700500077		4	.Screw	
19	4700904230		4	.Washer	
20	4700376045		2	.Holder	
21	4700904557		4	.Washer	
22	4700500029		4	.Screw	
23			1	Scraper	

A) For new Drum shroud see section "Drum shroud Option".

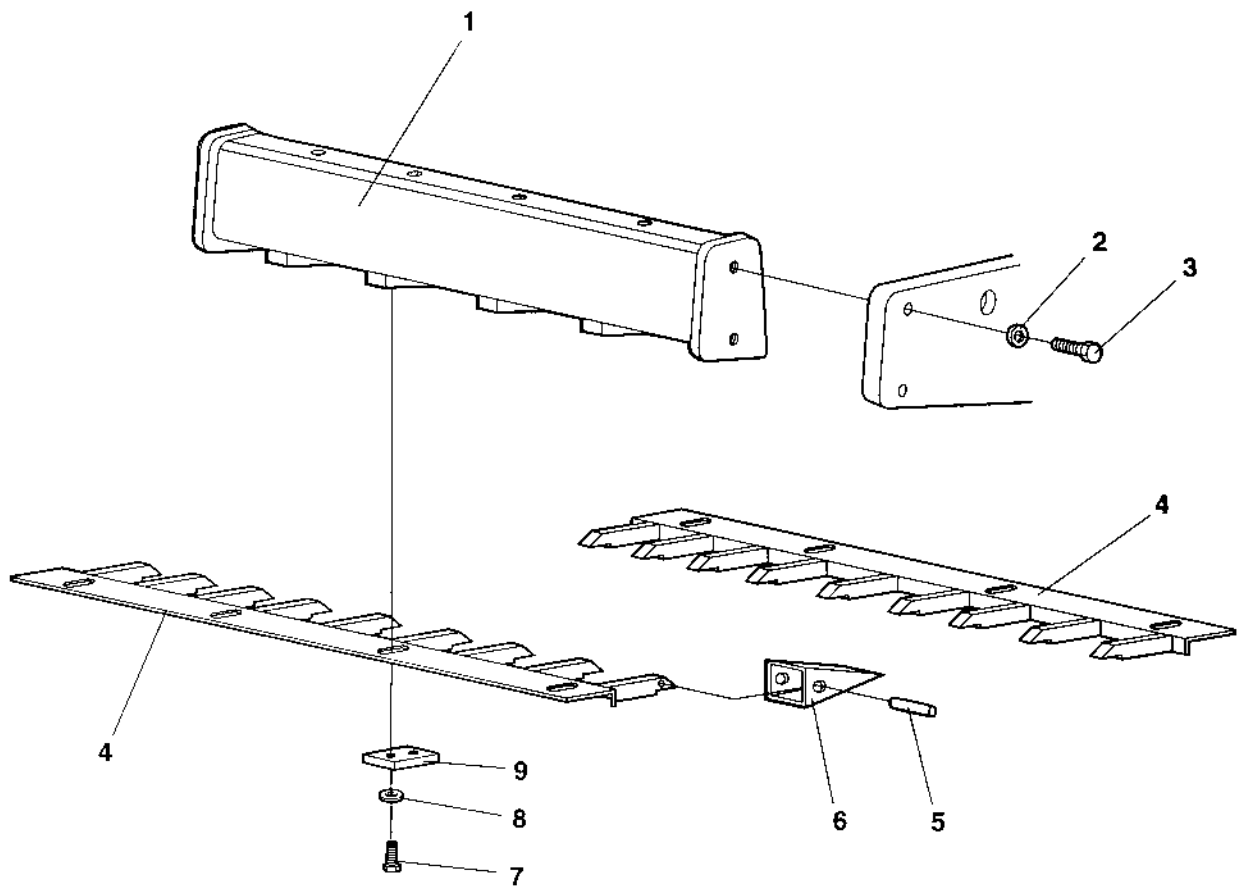
Scraper

17001



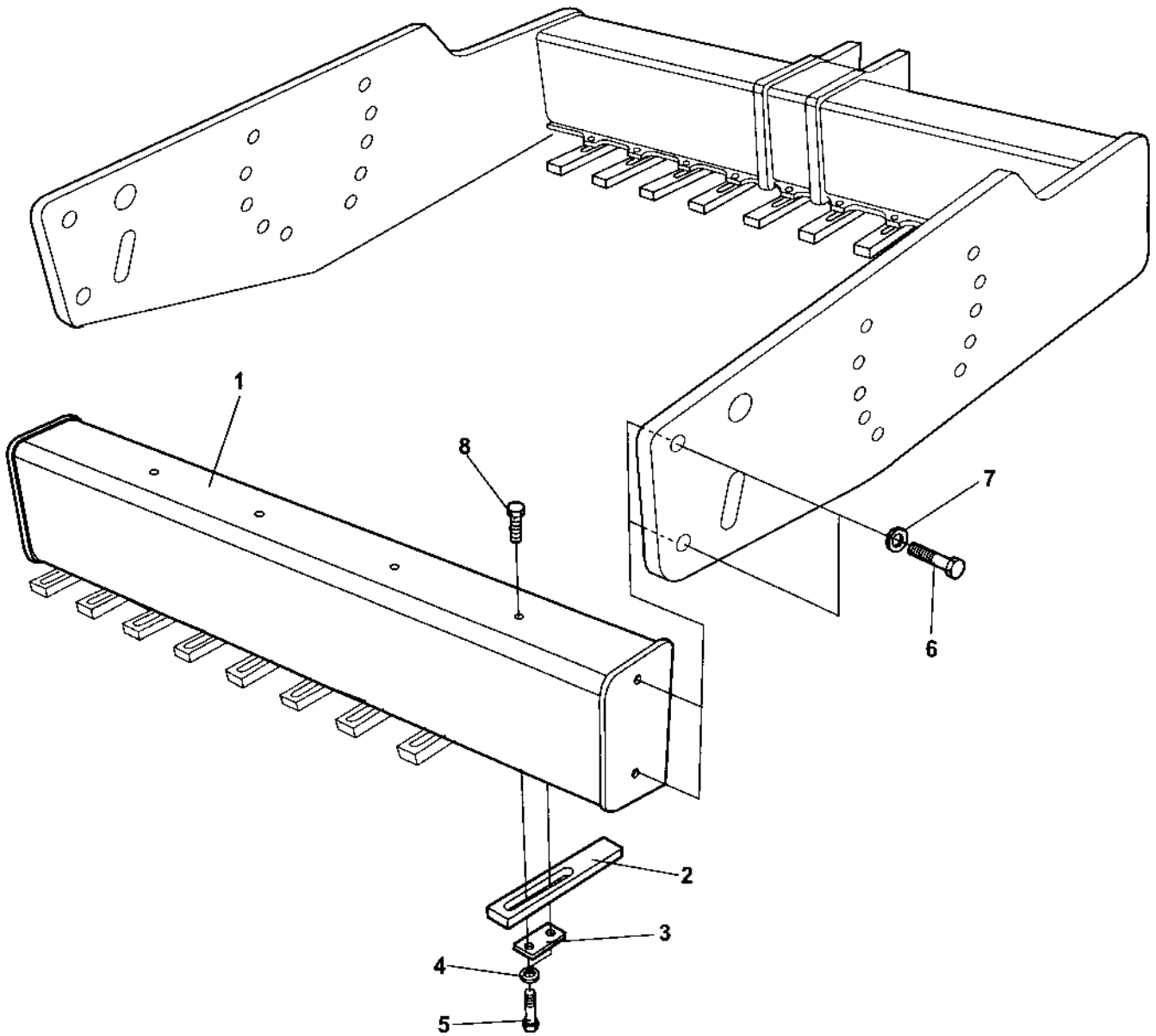
Scraper

Item	Part No	Rem Qty	Description	Code
1	4700345864	1	Scraper	
2	4700801631	18	Flexible pin	B
3	4700801630	18	Tooth	B
4	4700570016	4	Nut	M24
5	4700904559	4	Washer	25x45x8
6	4700345891	N	Shim	T=3 mm
7	4700904234	4	Washer	25x45x4
8	4700500147	4	Screw	M24x130



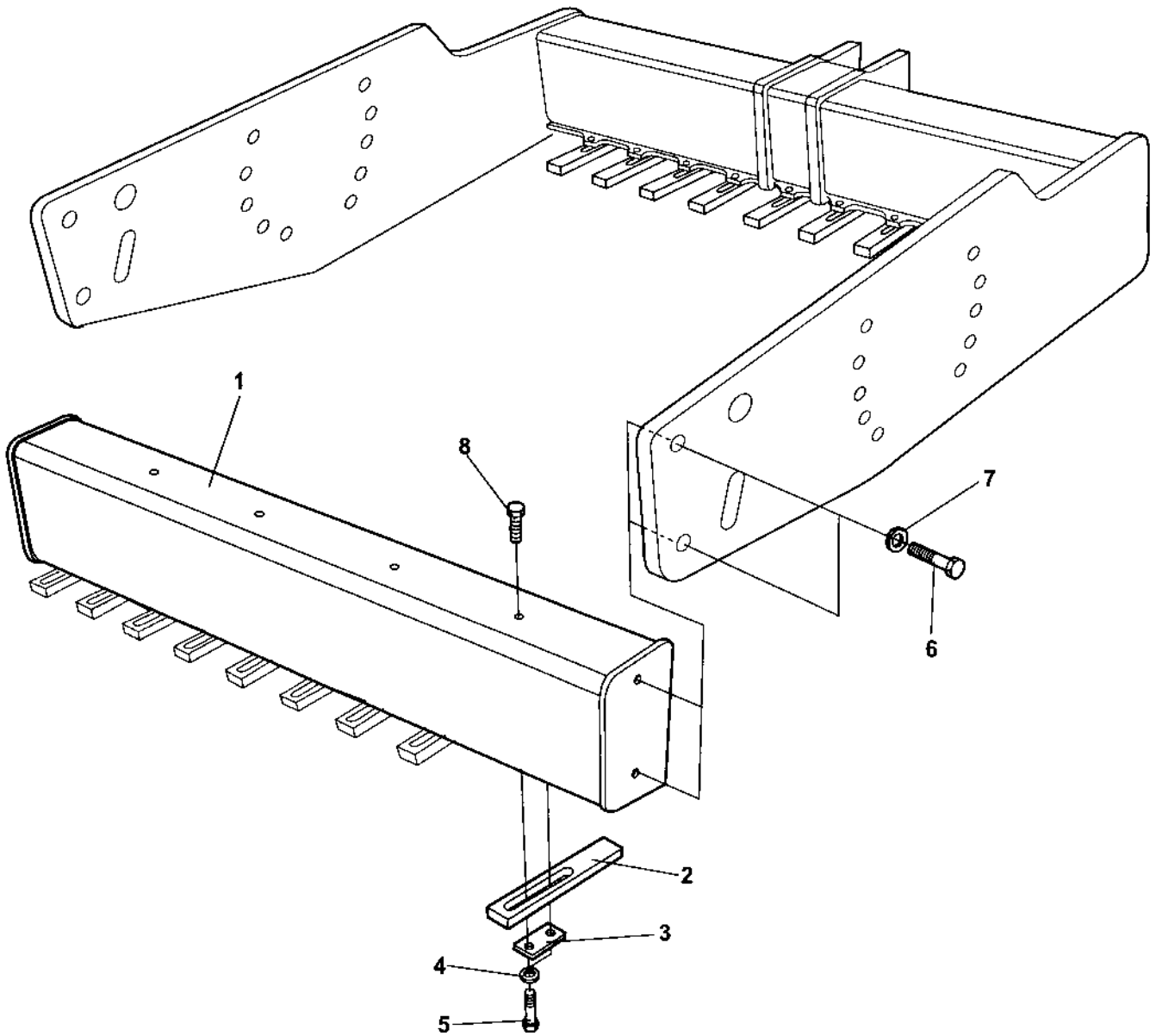
Scrapers and beam

Item	Part No	Rem Qty	Description	Code
1	4700382259	1	Cross beam	
2	4700904234	4	Washer	25x45x4
3	4700500147	4	Screw	M24x130
4	4700344962	2	Scraper	
5	4700801631	18	Flexible pin	56,5x40
6	4700383844	18	Tooth	
7	4700500102	16	Screw	M16x45
8	4700615046	16	Conical spring washer	17x39
9	4700355639	8	Bracket	



Scrapers and beam

Item	Part No	Rem Qty	Description	Code
1	4700389907	1	Cross beam	
2	4700376551	18	Scraper tooth	
3	4700376622	18	Holder	
4	4700904232	36	Washer	
5	4700500165	36	Screw	M16-2,0x75 8,8
6	4700900807	4	Screw	M24x120 10,9
7	4700904234	4	Washer	25x45x4
8	4700500154	4	Screw	M16-2,0x25 8,8

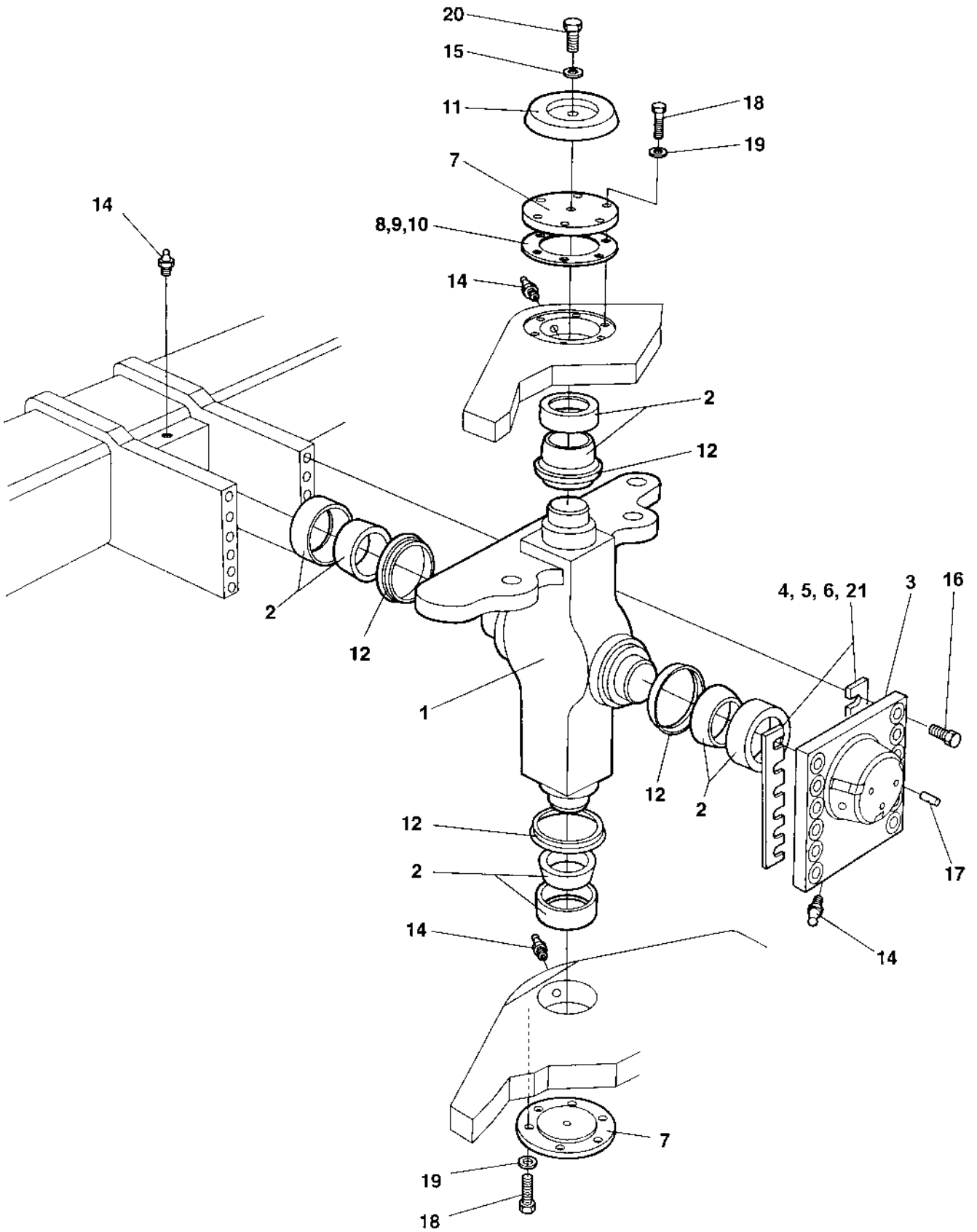


Scrapers and beam

Item	Part No	Rem Qty	Description	Code
1	4700389907	1	Cross beam	
2	4700376551	18	Scraper tooth	
3	4700376622	18	Holder	
4	4700904232	36	Washer	
5	4700500165	36	Screw	M16-2,0x75 8,8
6	4700928230	4	Screw	M24-3,0X90 10.9
7	4700904234	4	Washer	25x45x4
8	4700500154	4	Screw	M16-2,0x25 8,8

Hitch

16083

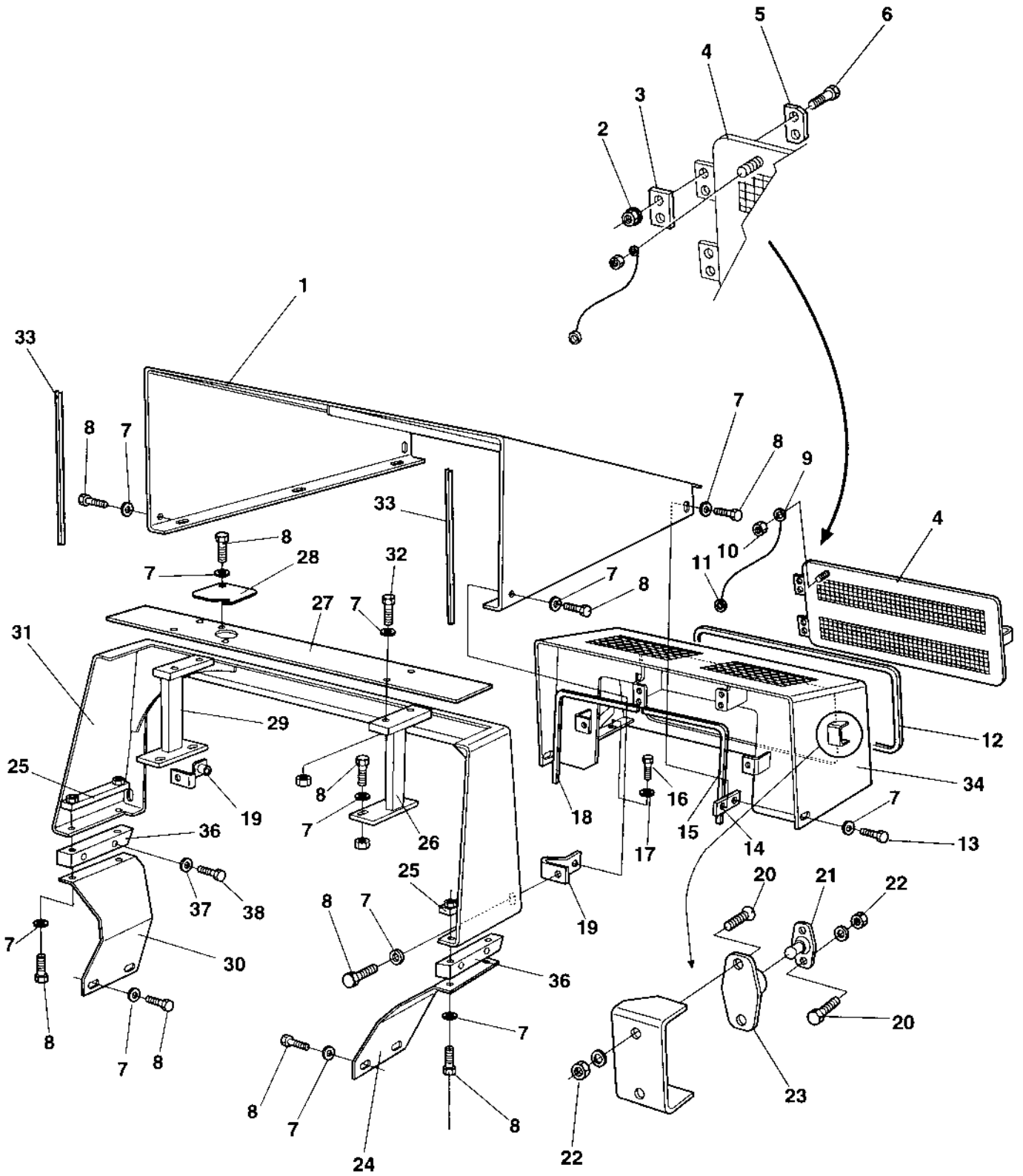


Hitch

Item	Part No	Rem Qty	Description	Code
1	4700374900	1	Hitch	
2	4700100040	4	Axial ball bearing	D
3	4700373421	1	Bearing cover	
4	4700345871	N	Shim	T=1,0 mm D
5	4700345872	N	Shim	T=0,35 mm D
6	4700345873	N	Shim	T=0,10 mm D
7	4700337042	2	Bearing cover	
8	4700337045	N	Shim	T=1,0 mm D
9	4700345874	N	Shim	T=0,35 mm D
10	4700345875	N	Shim	T=0,10 mm D
11	4700343159	1	Cover	
12	4700167032	4	Lip-type oil seal	D
14	4700926214	4	Grease fitting	D
15	4700904229	1	Washer	8,4x16x1,5
16	4700500287	12	Screw	M20x80 10,9
	4700925208	12	Screw	M20x90
17	4700910995	3	Stop screw	
18	4700500037	12	Screw	
19	4700904231	12	Washer	13x24x2 300 HV
20	4700500018	1	Screw	M8-1,25x12 8,8
21	4700380993	N	Shim	T = 2,0 mm D
	4700384498	N	Shim	T = 0,15 mm D

Structure

16939-1



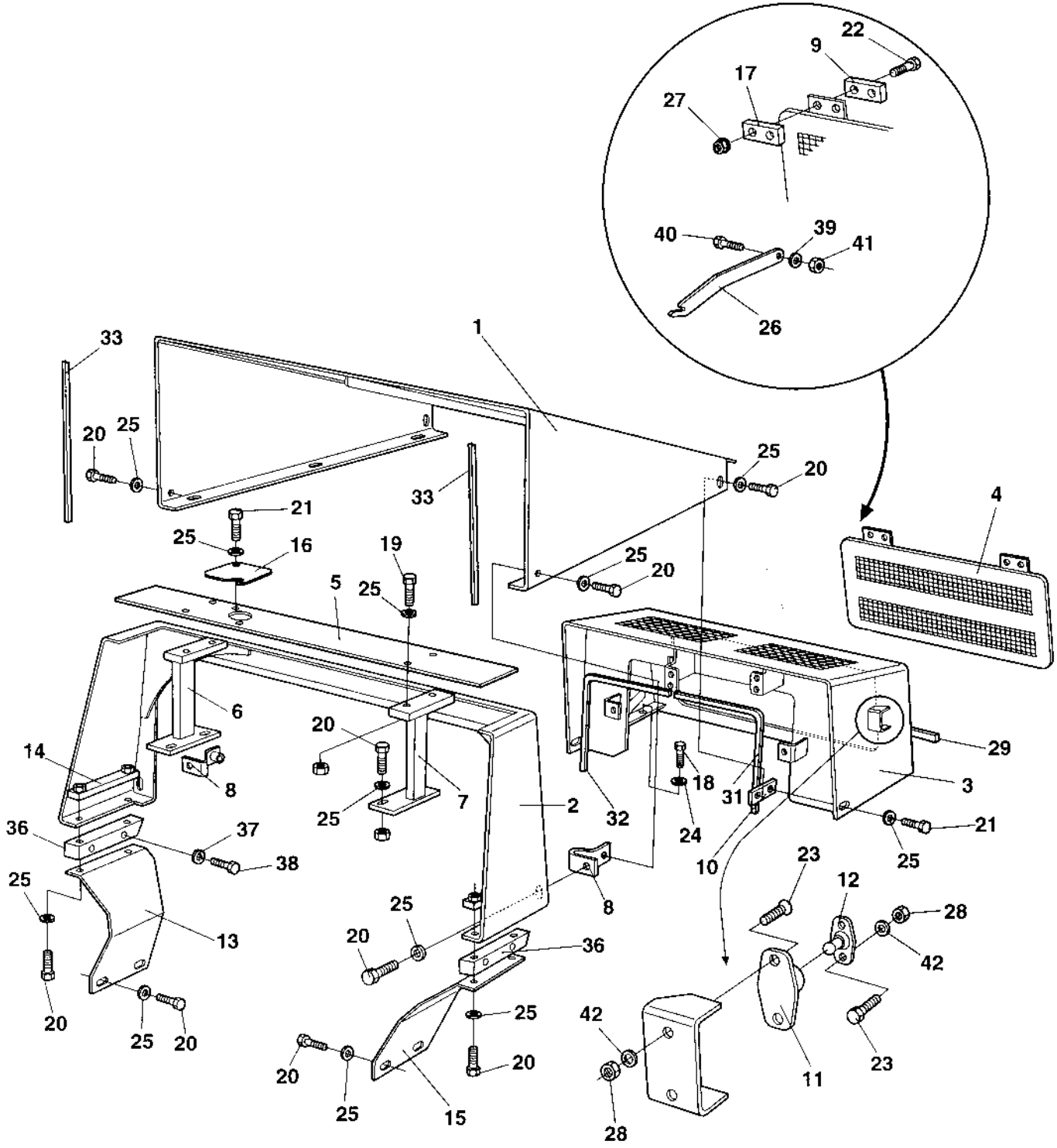
Structure

Item	Part No	Rem Qty	Description	Code
1	4700380047	1	Engine hood	
2	4700902285	4	Lock nut	M6
3	4700380755	2	Holder	
4	4700380005	1	Rear cover	
5	4700380012	2	Holder	
6	4700924875	4	Screw	
7	4700904640	29	Washer	8,4x22x3
8	4700500022	19	Screw	M8x30H 8.8 A2K
9	4700928381	2	Washer	6,4x18x1,6
10	4700586002	2	Lock nut	
11	4700381446	1	Wire	
12	4700202028	A	Edge trim	
13	4700500053	6	Screw	M8x20H 8.8
14	4700380109	2	Holder	
15	4700902166	B	Edge trim	
16	4700500030	4	Screw	
17	4700904230	4	Washer	
18	4700902166	C	Edge trim	
19	4700376366	2	Holder	
20	4700904504	4	Screw	M5 x 18
21	4700450067	1	Door bumper	D
22	4700902284	4	Nut	M5
23	4700450066	1	Door bumper	D
24	4700381347	1	Holder	
25	4700381330	2	Holder	
26	4700376349	1	Holder, left	
27	4700376354	1	Cover	
28	4700381297	1	Cover	
29	4700376348	1	Holder, right	
30	4700381348	1	Holder	
31	4700376340	1	Protecting cover	
32	4700500047	4	Screw	
33	4700902166	D	Edge trim	
34	4700376346	1	Hood	
36	4700381989	2	Holder	
37	4700904231	4	Washer	13x24x2 300 HV
38	4700500133	4	Screw	

- A) L=2500 mm
- B) B=1200 mm
- C) L= 750 mm
- D) L=460 mm

Structure

17269-1



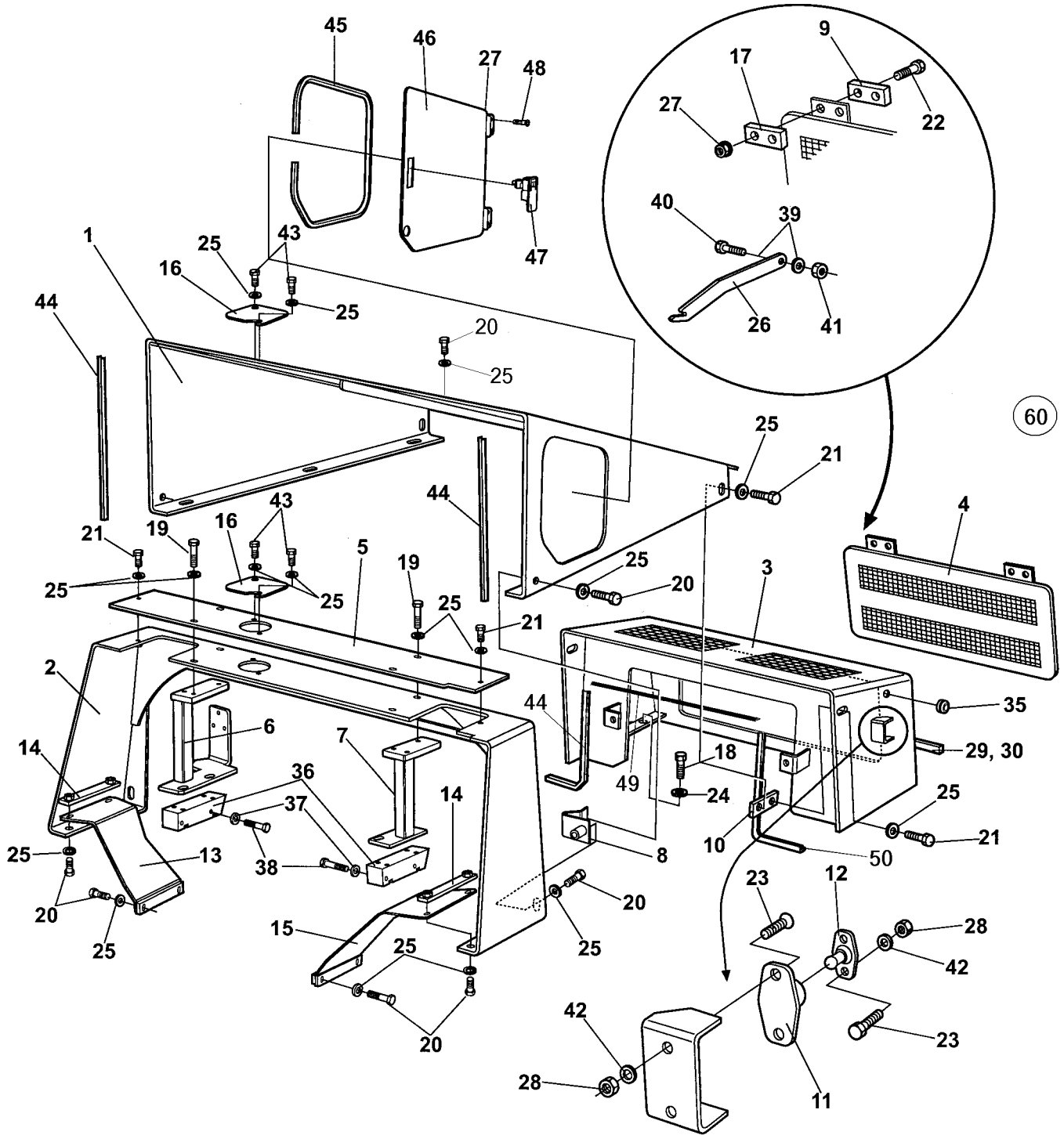
Structure

Item	Part No	Rem	Qty	Description	Code
1	4700380047		1	Engine hood Up to 65X21172	
	4700386500		1	Engine hood From 65X21173	
2	4700376340		1	Protecting cover	
3	4700382429		1	Hood Up to 65X21524	
	4700386814		1	Hood From 65X21525	
	4700791475	F	2	.Grommet From 65X21525	
4	4700382406		1	Rear cover	
5	4700376354		1	Cover	
6	4700376348		1	Holder, right	
7	4700376349		1	Holder, left	
8	4700376366		2	Holder	
9	4700380755		2	Holder	
10	4700380109		2	Holder	
11	4700450066		2	Door bumper	D
12	4700450067		2	Door bumper	D
13	4700381348		1	Holder	
14	4700381330		2	Holder	
15	4700381347		1	Holder	
16	4700381297		1	Cover	
17	4700380012		2	Holder	
18	4700500030		4	Screw Up to 65X21524	
	4700500031		4	Screw From 65X21525	
19	4700500047		4	Screw	
20	4700500022		19	Screw	M8x30H 8.8 A2K
21	4700500053		6	Screw	M8x20H 8.8
	4700500021		2	Screw	M8-1,25x25 8.8
22	4700924875		4	Screw	
23	4700904504		8	Screw	M5 x 18
24	4700904230		4	Washer Up to 65X21524	
	4700904557		4	Washer From 65X21525	
25	4700904640		31	Washer	8,4x22x3
26	4700382411		1	Hook	
27	4700902285		4	Lock nut	M6
28	4700586011		8	Lock nut	3/8 UNF
29	4700902379	A	1	Edge trim	
31	4700902166	B	1	Edge trim	
32	4700902166	C	1	Edge trim	
33	4700902166	D	2	Edge trim	
36	4700381989		2	Holder	
37	4700904231		4	Washer	13x24x2 300 HV
38	4700500133		4	Screw	
39	4700904228		2	Washer	
40	4700500040		1	Screw	M6-1x20 8,8
41	4700586002		1	Lock nut	
42	4700904281		8	Washer	

- A) L=330 mm
- B) L=1200 mm
- C) L=750 mm
- D) L=460 mm
- F) With membrane

Structure

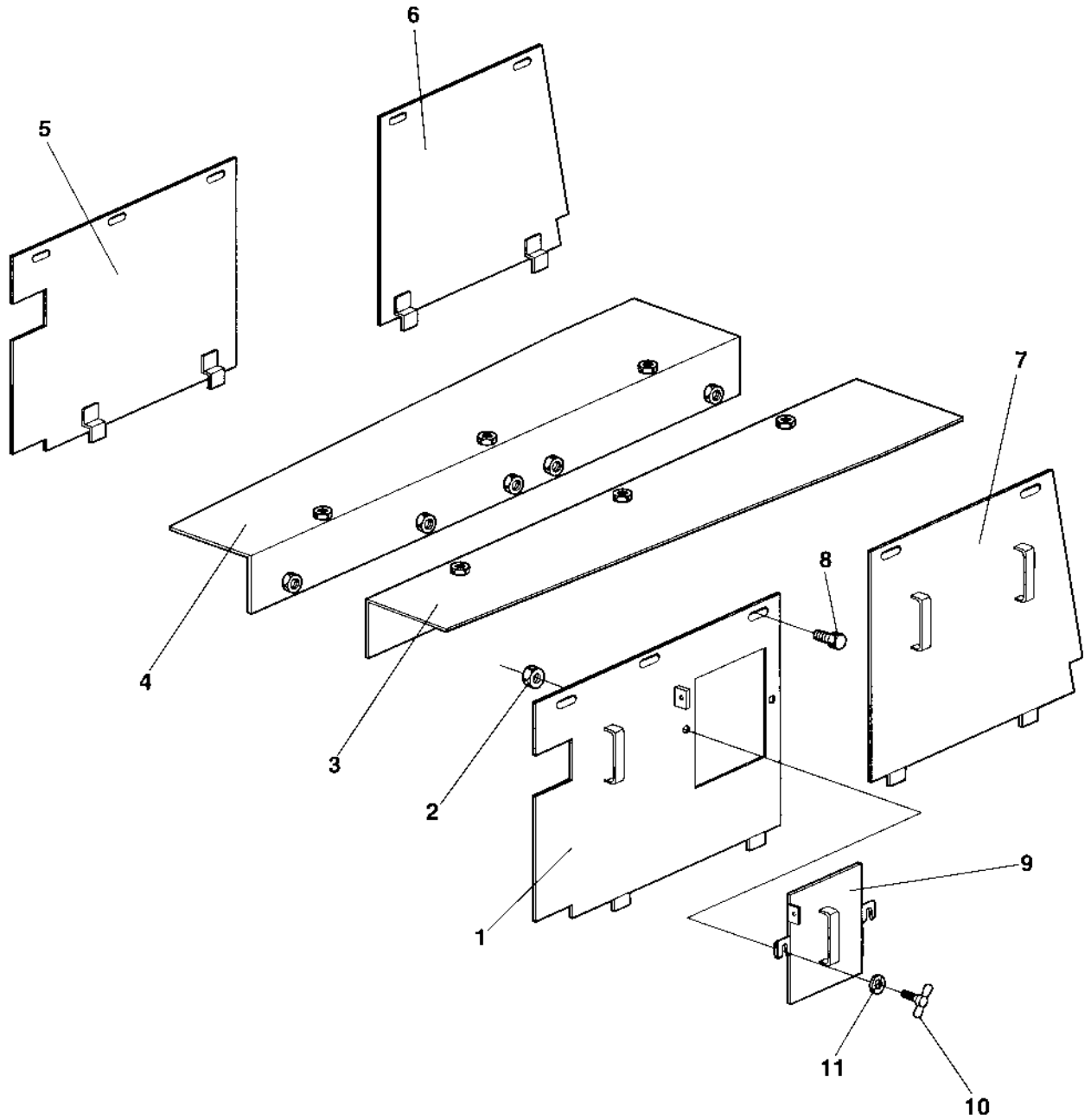
18485-1



Structure

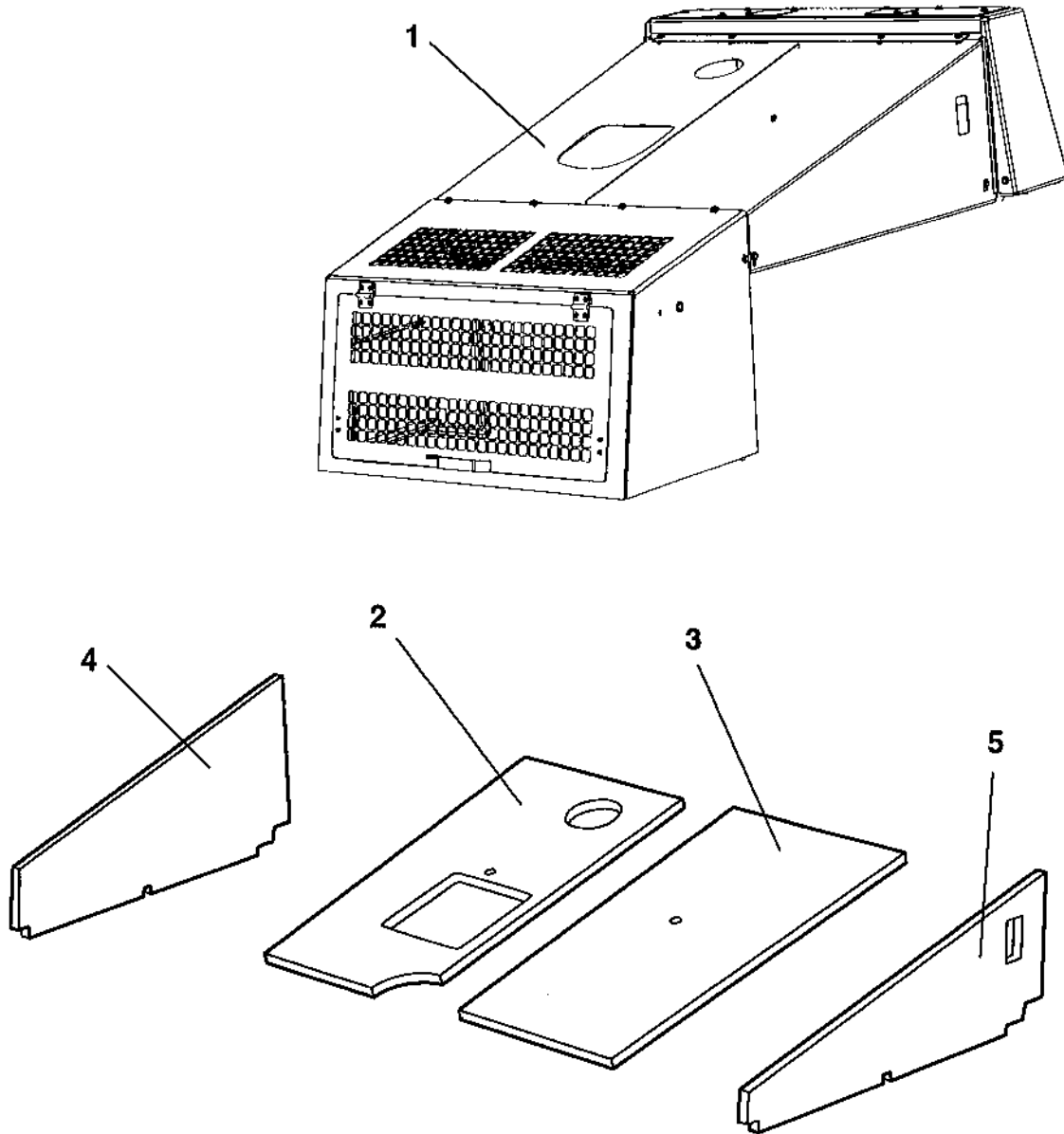
Item	Part No	Rem	Qty	Description	Code
1	4700392911		1	Hood	
2	4700376340		1	Protecting cover	
3	4700392912	H	1	Hood	
4	4700382406	H	1	Rear cover	
5	4700376354		1	Cover	
6	4700392786		1	Holder, right	
7	4700376349		1	Holder, left	
8	4700376366		2	Holder	
9	4700380755	H	2	Holder	
10	4700380109		2	Holder	
11	4700450066	H	2	Door bumper	D
12	4700450067	H	2	Door bumper	D
13	4700381348		1	Holder	
14	4700381330		2	Holder	
15	4700381347		1	Holder	
16	4700381297		2	Cover	
17	4700380012	H	2	Holder	
18	4700500031		4	Screw	
19	4700500047		4	Screw	
20	4700500022		19	Screw	M8x30H 8.8 A2K
21	4700500053		6	Screw	M8x20H 8.8
22	4700924875	H	4	Screw	
23	4700904504	H	8	Screw	M5 x 18
24	4700904557		4	Washer	
25	4700904640		34	Washer	8,4x22x3
26	4700382411		1	Hook	
27	4700902285	H	8	Lock nut	M6
28	4700586001	H	8	Lock nut	
29	4700902379	B	1XL	Edge trim	
30	4700902379	C	1XL	Edge trim	
35	4700791475	A	2	Grommet	
36	4700381989		2	Holder	
37	4700904231		4	Washer	13x24x2 300 HV
38	4700500133		4	Screw	
39	4700904228		2	Washer	
40	4700500040		1	Screw	M6-1x20 8,8
41	4700586002		1	Lock nut	
42	4700904281	H	8	Washer	
43	4700500021		4	Screw	M8-1,25x25 8.8
44	4700902166	E,E	1XL	Edge trim	
45	4700902379	D	1XL	Edge trim	
46	4700393857		1	Cover	
47	4700792549		1	Lock	
48	4700513012		4	Screw	M6x20 10,9
49	4700791597	F	1XL	Rubber strip	
50	4700902166	G	1XL	Edge trim	
60	4700950398	I	1	Engine hood Cpl	

- A) With membrane
- B) L=0,330M
- C) L=0,550M
- D) L=1,240M
- E) L=0,690M
- F) L=0,660M
- G) L=0,700M
- H) Included in item 60 Engine hood Cpl.
- I) Consists of all items marked "H".



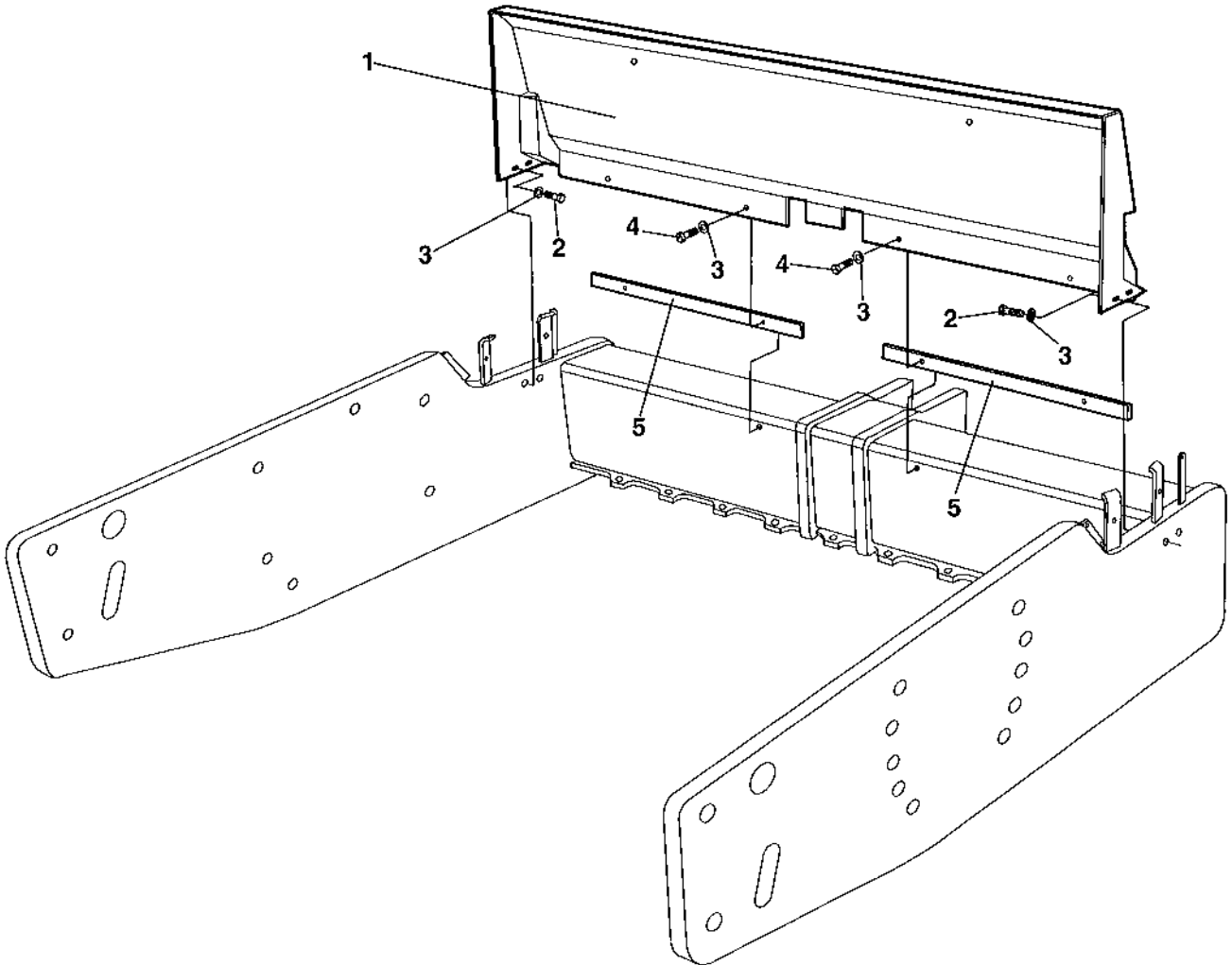
Side covers Option

Item	Part No	Rem Qty	Description	Code
1	4700380053	1	Side cover, right	
2	4700586003	2	Lock nut	M8
3	4700387089	1	Holder, right	
4	4700387090	1	Holder, left	
5	4700380058	1	Side cover, left	
6	4700380057	1	Side cover, left	
7	4700380052	1	Side cover, right	
8	4700500053	16	Screw	M8x20H 8.8
9	4700381033	1	Cover	
10	4700904718	2	Wing screw	
11	4700904640	18	Washer	8,4x22x3



Noise suppression

Item	Part No	Rem Qty	Description	Code
1		1	Hood	
2	4700390479	1	Noise suppression	
3	4700390478	1	Noise suppression	
4	4700390481	1	Noise suppression	
5	4700390480	1	Noise suppression	
		1		



Drum shroud Option

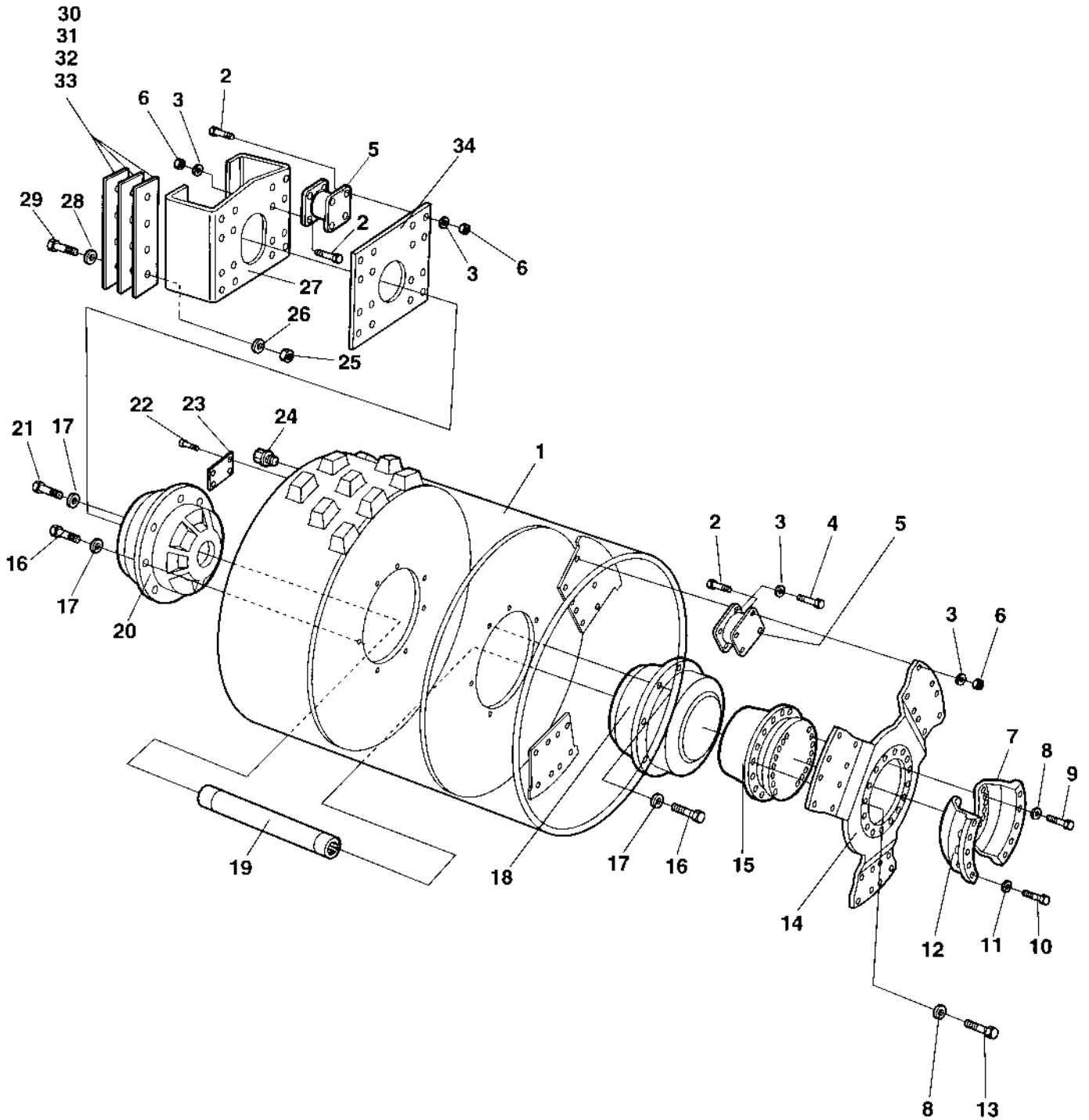
Item	Part No	Rem Qty	Description	Code
1	4700376945	1	Drum shroud	
2	4700500029	4	Screw	
3	4700904567	8	Washer	10,5x28x6 HB305
4	4700500240	4	Screw	M10x40H 8,8
5	4700376944	2	Spacer	

Drum

Item	Part No	Rem Qty	Description	Code
10			Drum Up to 65X24499 (Page 56)	
15			Drum From 65X24500 (Page 58)	
20			Drum cartridge (Page 62)	Drive side
21			Drum cartridge Up to 65X24499 (Page 64)	Drive side
30			Drum cartridge (Page 66)	Vibration side
31			Drum cartridge Up to 65X23899 (Page 68)	Vibration side
40			Drum cartridge From 65X23900 Up to 65X244	Vibration side)
50	4700380462		Drum gear (Page 72)	C

Drum

16960



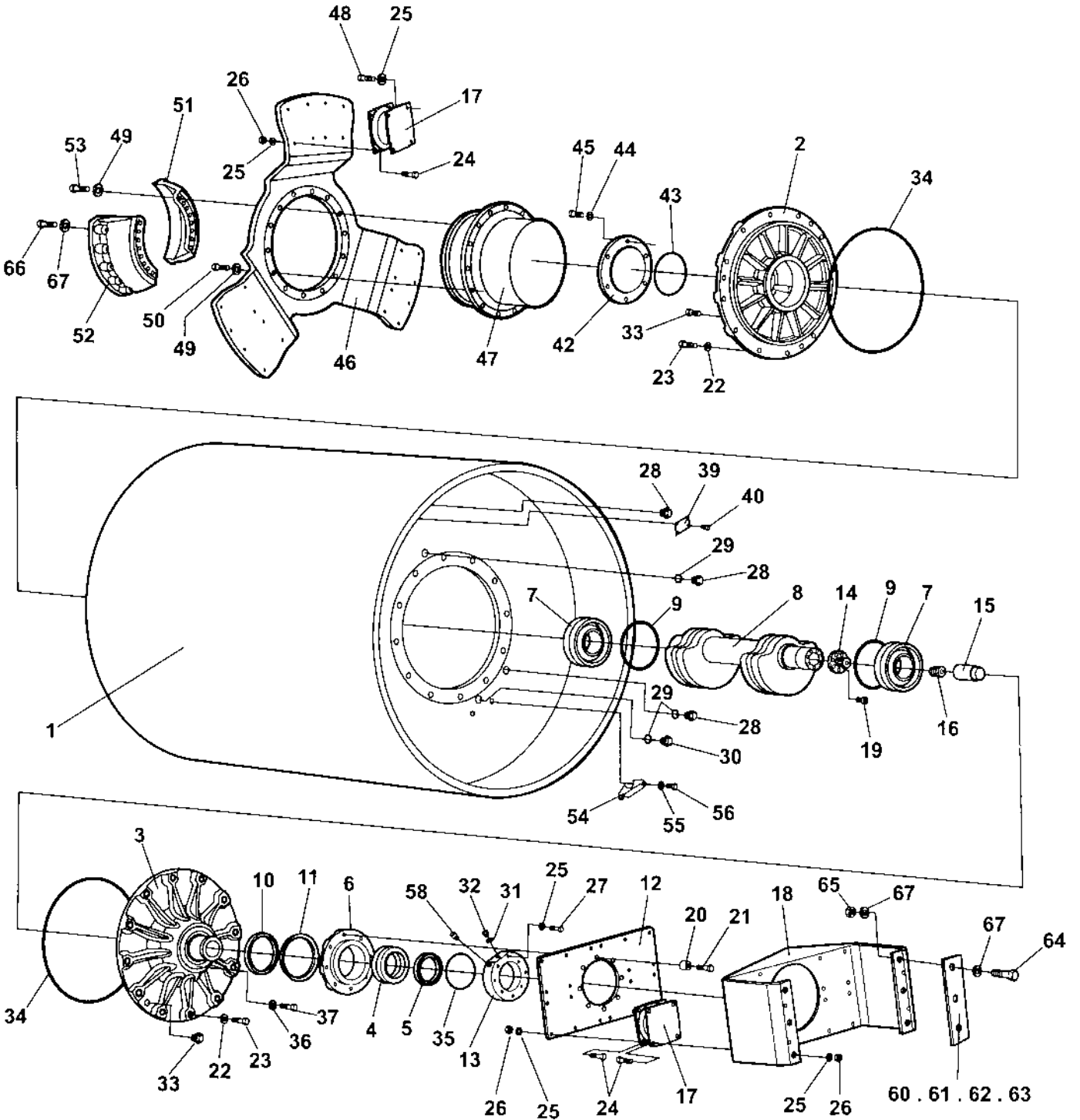
Drum

Item	Part No	Rem	Qty	Description	Code
1	4700374927		1	Drum	
2	4700500194		56	Screw	
3	4700600009		80	Washer	13x24x2,5
4	4700500051		24	Screw	M12x25H 8.8 A3K
5	4700801187		10	Shock absorber	
6	4700586019		56	Lock nut	
7	4700373442	A	1	Gear holder	
8	4700903838		32	Washer	
9	4700903919		16	Screw	
10	4700904479		10	Screw	M24x110 10,9
11	4700904234		10	Washer	25x45x4
12	4700373443	B	1	Gear holder	
13	4700903281		16	Screw	
14	4700396142		1	Drive disc	
15	4700380462		1	Drum gear (Page 72)	
16	4700500076		23	Screw Up to 65X20588	M16x55
	4700500082		23	Screw From 65X20589	M16x70
17	4700615046		24	Conical spring washer Up to 65X20588	17x39
	4700384114		24	Spacer From 65X20589	
	4700904232		24	Washer	
18				Drum cartridge (Page 62)	Drive side
				Drum cartridge (Page 64)	Drive side
19	4700349682		1	Drive shaft	
20				Drum cartridge (Page 66)	Vibration side
				Drum cartridge Up to 65X23899 (Page 68)	Vibration side
				Drum cartridge From 65X23900 (Page 70)	Vibration side
21	4700357815		1	Air breather screw Up to 65X20588	
	4700384121		1	Air breather screw From 65X20589	
22	4700527002		4	Drive screw	
23	4700343801		1	Sign plate	
24	4700232210		1	Plug	
25	4700925867		6	Nut	M20
26	4700904233		6	Washer	21x36x3
27	4700355676		1	Bracket	
	4700396030	C	1	Bracket	
28	4700904233		6	Washer	21x36x3
	4700904234		6	Washer	25x45x4
29	4700928850		6	Screw	M20-2,5x120 10,9
	4700900807		6	Screw	M24x120 10,9
30	4700345678		N	Shim	T = 1,5 mm
	4700393276	C	N	Shim	T = 1,5 mm
31	4700345679		N	Shim	T = 3 mm
	4700393277	C	N	Shim	T = 3 mm
32	4700345884		N	Shim	T = 6 mm
	4700393278	C	N	Shim	T = 6 mm
33	4700345885		N	Shim	T = 8 mm
	4700393279	C	N	Shim	T = 8 mm
34	4700343322		1	Holder plate	

- A) Right
- B) Left
- C) used together with P/N 4700900807 M24, item29.

Drum

18803



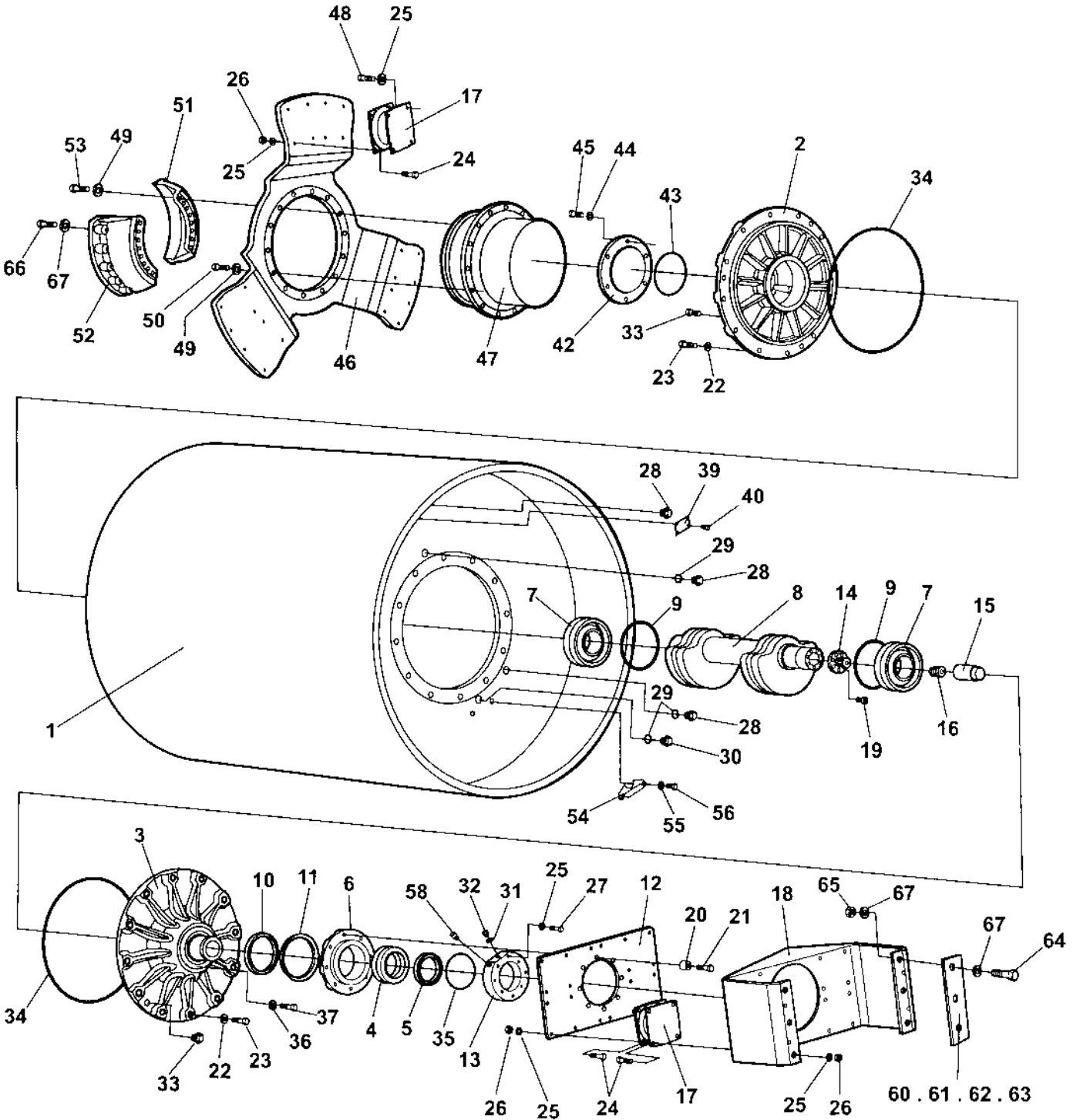
Drum

Item	Part No	Rem Qty	Description	Code
1	4700392823	1	Drum	
2	4700389063	1	Bearing housing	
3	4700391206	1	Bearing housing	
4	4700116041	1	Taper roller bearing	D
5	4700390897	1	Shaft nut	
6	4700343318	1	Bearing housing	D
7	4700388089	2	Bearing	
8	4700391195	1	Eccentric shaft	
9	4700791927	2	Retaining ring	
10	4700167023	1	Seal ring	D
11	4700929447	1	V-ring	D
12	4700343322	1	Holder plate	
13	4700395458	1	Motor adapter	
14	4700380018	1	Splined shaft	
15	4700381027	1	Splined sleeve	
16	4700349715	1	Spring	
17	4700801187	10	Shock absorber	B
18	4700396030	1	Bracket	
19	4700791156	8	Screw	M10-1,5x55 12,9
20	4700384114	8	Spacer	
21	4700500082	8	Screw	M16x70
22	4700904232	24	Washer	
23	4700500165	24	Screw	M16-2,0x75 8,8
24	4700500194	56	Screw	
25	4700904231	84	Washer	13x24x2 300 HV
26	4700570007	56	Hexagon nut	M12
27	4700500196	4	Screw	M12-1,75x80 8.8
28	4700232210	3	Plug	
29	4700162017	3	Seal ring	D
30	4700343744	1	Magnetic plug	D
31	4700162018	1	Sealing	D
32	4700370231	1	Plug	
33	4700900775	6	Plug	
34	4700904737	2	O-ring	D
35	4700160105	1	O-ring 70	D
36	4700230277	3	Copper washer	12,2x17,9x1,5
37	4700904177	3	Screw	
39	4700343801	1	Sign plate	
40	4700527002	4	Drive screw	
42	4700383783	1	Bearing cover	
43	4700160358	1	O-ring	D
44	4700904230	6	Washer	
45	4700500029	6	Screw	
46	4700396142	1	Drive disc	
47	4700380462	1	Drum gear (Page 72)	C
48	4700500051	24	Screw	M12x25H 8.8 A3K
49	4700904233	32	Washer	21x36x3
50	4700903281	16	Screw	
51	4700373442	A 1	Gear holder	
52	4700373443	B 1	Gear holder	
53	4700903919	16	Screw	
54	4700359955	1	Drop plate	
55	4700904229	2	Washer	8,4x16x1,5
56	4700500019	2	Screw	M8x16H 8.8 A2K
58	4700926736	1	Breather	B
60	4700393276	N	Shim	T = 1,5 mm
61	4700393277	N	Shim	T = 3 mm
62	4700393278	N	Shim	T = 6 mm

A) Right
B) Left

Drum

18803

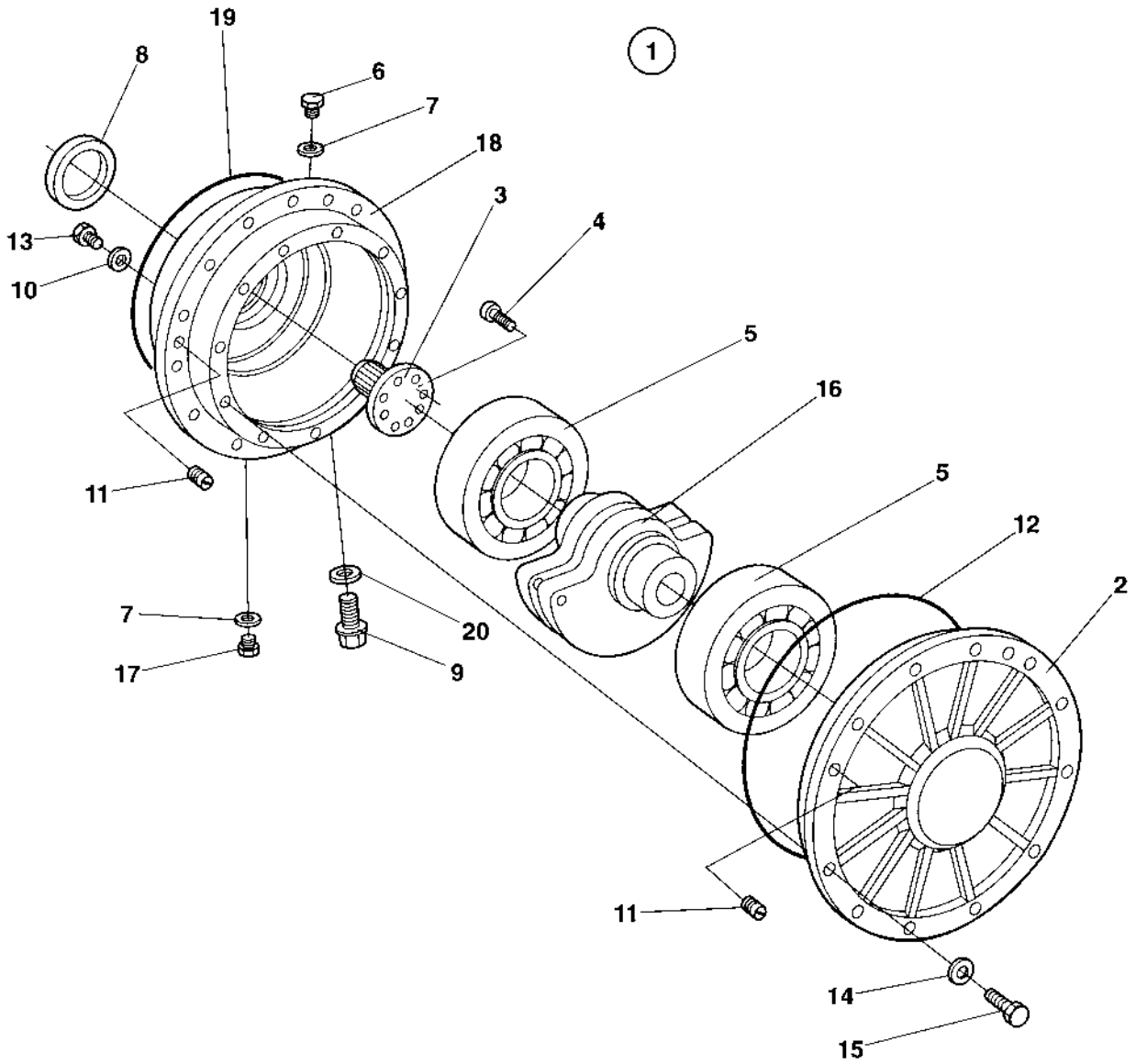


Drum

Item	Part No	Rem Qty	Description	Code
63	4700393279	N	Shim	T = 8 mm
64	4700928230	6	Screw	M24-3,0X90 10.9
65	4700792464	4	Nut	M24 -10 DIN985
66	4700928231	10	Screw	M24X80 10.9
67	4700904234	22	Washer	25x45x4

Drum cartridge Drive side

16963

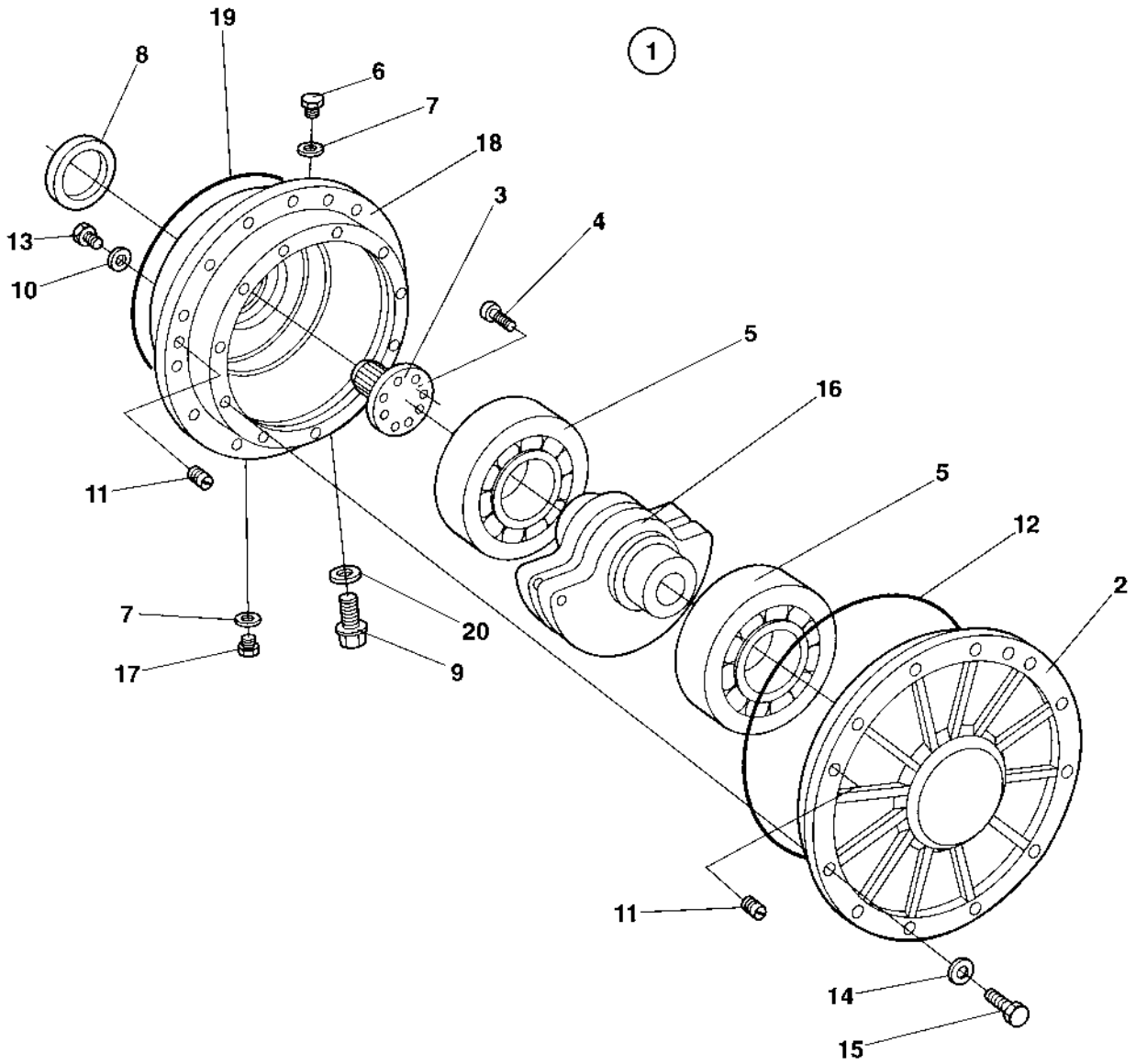


Drum cartridge Drive side

Item	Part No	Rem Qty	Description	Code
1	4700937626	1	Drum cartridge	
2	4700356028	1	.Bearing housing outer	
3	4700380018	1	.Splined shaft	
4	4700791156	8	.Screw	M10-1,5x55 12,9
5	4700900784	2	.Cylinder roller bearing	
6	4700343744	1	.Magnetic plug	D
7	4700162017	2	.Seal ring	D
8	4700900782	1	.Seal ring	D
9	4700381634	1	.Plug	
10	4700162027	3	.Sealing	D
11	4700900775	6	.Plug	
12	4700900776	1	.O-ring	D
13	4700500163	3	.Screw	M12x16
14	4700615046	12	.Conical spring washer Up to 65X20588	17x39
	4700904232	12	.Washer From 65X20589	
15	4700500076	12	.Screw Up to 65X20588	M16x55
	4700500082	12	.Screw From 65X20589	M16x70
16	4700380323	1	.Eccentric shaft	
17	4700232210	1	.Plug	
18	4700381738	1	.Bearing housing inner Up to 65X20588	
	4700384382	1	.Bearing housing inner From 65X20589	
19	4700904737	1	.O-ring	D
20	4700162011	1	.Washer, sealing	D

Drum cartridge Drive side

16963

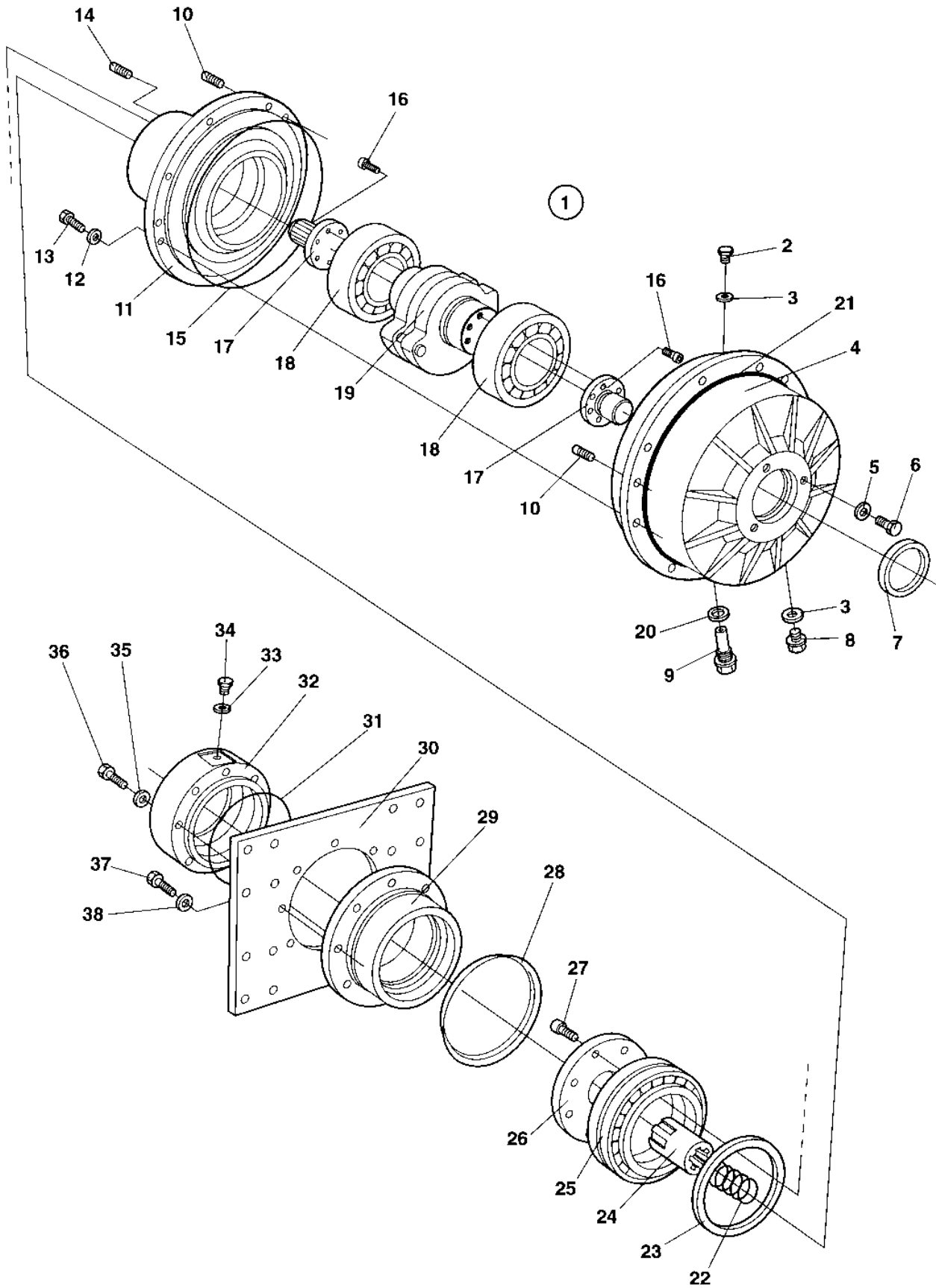


Drum cartridge Drive side

Item	Part No	Rem Qty	Description	Code
1	4700945585	1	Drum cartridge	
2	4700379876	1	.Bearing housing outer	
3	4700380018	1	.Splined shaft	
4	4700791156	8	.Screw	M10-1,5x55 12,9
5	4700390896	2	.Spherical roller bearing	D
6	4700343744	1	.Magnetic plug	D
7	4700162017	2	.Seal ring	D
8	4700900782	1	.Seal ring	D
9	4700381634	1	.Plug	
10	4700162027	3	.Sealing	D
11	4700900775	6	.Plug	
12	4700900776	1	.O-ring	D
13	4700500163	3	.Screw	M12x16
14	4700904232	12	.Washer	
15	4700500082	12	.Screw	M16x70
16	4700381760	1	.Eccentric shaft	
17	4700232210	1	.Plug	
18	4700379880	1	.Bearing housing inner	
19	4700904737	1	.O-ring	D
20	4700162011	1	.Washer, sealing	D

Drum cartridge Vibration side

16961

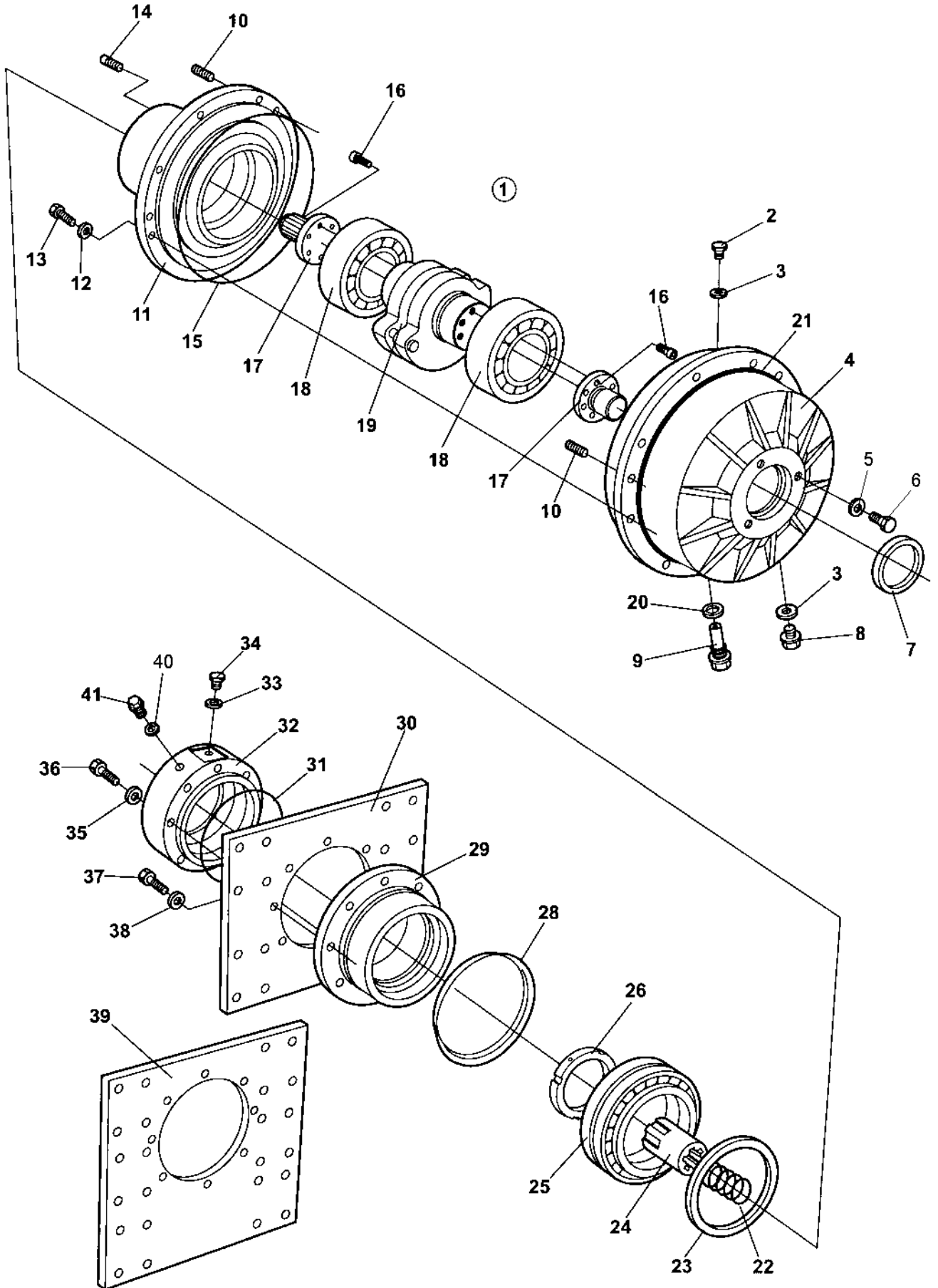


Drum cartridge Vibration side

Item	Part No	Rem Qty	Description	Code
1	4700937627	1	Drum cartridge	
2	4700343744	1	.Magnetic plug	D
3	4700162017	2	.Seal ring	D
4	4700381738	1	.Bearing housing inner Up to 65X20588	
	4700384382	1	.Bearing housing inner From 65X20589	
5	4700162027	3	.Sealing	D
6	4700500163	3	.Screw	M12x16
7	4700900782	1	.Seal ring	D
8	4700232210	1	.Plug	
9	4700381634	1	.Plug	
10	4700900775	6	.Plug	
11	4700356029	1	.Bearing housing outer	
12	4700615046	12	.Conical spring washer Up to 65X20588	17x39
	4700904232	12	.Washer From 65X20589	
13	4700500076	12	.Screw Up to 65X20588	M16x55
	4700500082	12	.Screw From 65X20589	M16x70
14	4700901828	6	.Set screw	
15	4700900776	1	.O-ring	D
16	4700791156	16	.Screw	M10-1,5x55 12,9
17	4700380018	2	.Splined shaft	
18	4700900784	2	.Cylinder roller bearing	
19	4700380323	1	.Eccentric shaft	
20	4700162011	1	.Washer, sealing	D
21	4700904737	1	O-ring	D
22	4700349715	1	Spring	
23	4700167023	1	Seal ring	D
24	4700370365	1	Splined sleeve Up to 65X20658	
	4700381027	1	Splined sleeve From 65X20659	
25	4700116041	1	Taper roller bearing	D
26	4700343462	1	Bearing cover Up to 65X20658	
	4700381028	1	Bearing cover From 65X20659	
27	4700508019	8	Screw Up to 65X20658	M8x25
	4700508056	8	Screw From 65X20659	M8x40
28	4700929447	1	V-ring	D
29	4700343318	1	Bearing housing	D
30	4700343322	1	Holder plate	
31	4700160105	1	O-ring 70	D
32	4700357271	1	Motor adapter Up to 65X20658	
	4700380967	1	Motor adapter From 65X20659	
33	4700162018	1	Sealing	D
34	4700370231	1	Plug	
35	4700904231	4	Washer	13x24x2 300 HV
36	4700500133	4	Screw Up to 65X20658	
	4700500196	4	Screw From 65X20659	M12-1,75x80 8.8
37	4700500076	8	Screw Up to 65X20588	M16x55
	4700500082	8	Screw From 65X20589	M16x70
38	4700615046	8	Conical spring washer Up to 65X20588	17x39
	4700384114	8	Spacer From 65X20589	

Drum cartridge Vibration side

18388-1

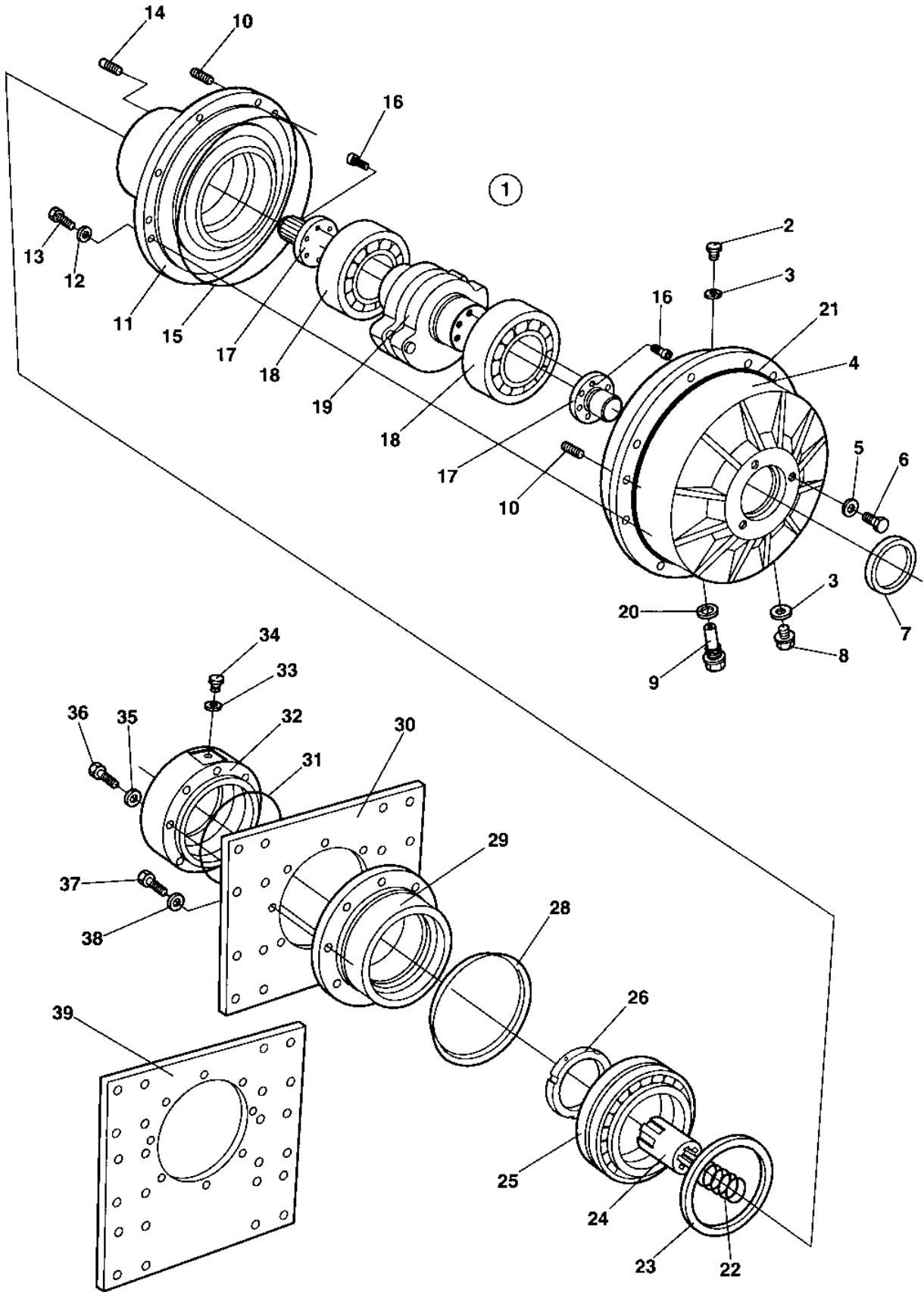


Drum cartridge Vibration side

Item	Part No	Rem Qty	Description	Code
1	4700945589	1	Drum cartridge	
2	4700343744	1	.Magnetic plug	D
3	4700162017	2	.Seal ring	D
4	4700379880	1	.Bearing housing inner	
5	4700162027	3	.Sealing	D
6	4700500163	3	.Screw	M12x16
7	4700900782	1	.Seal ring	D
8	4700232210	1	.Plug	
9	4700381634	1	.Plug	
10	4700900775	6	.Plug	
11	4700379878	1	.Bearing housing outer	
12	4700904232	12	.Washer	
13	4700500082	12	.Screw	M16x70
14	4700903189	3	.Stop screw	
15	4700900776	1	.O-ring	D
16	4700791156	16	.Screw	M10-1,5x55 12,9
17	4700380018	2	.Splined shaft	
18	4700390896	2	.Spherical roller bearing	D
19	4700381760	1	.Eccentric shaft	
20	4700162011	1	.Washer, sealing	D
21	4700904737	1	O-ring	D
22	4700349715	1	Spring	
23	4700167023	1	Seal ring	D
24	4700381027	1	Splined sleeve	
25	4700116041	1	Taper roller bearing	D
26	4700390897	1	Shaft nut	
28	4700929447	1	V-ring	D
29	4700343318	1	Bearing housing	D
30	4700343322	1	Holder plate	
31	4700160105	1	O-ring 70	D
32	4700390771	1	Motor adapter	
33	4700162018	1	Sealing	D
34	4700370231	1	Plug	
35	4700904231	4	Washer	13x24x2 300 HV
36	4700500196	4	Screw	M12-1,75x80 8.8
37	4700500082	8	Screw	M16x70
38	4700384114	8	Spacer	
39			Not used on this model	
40	4700162024	1	Washer, sealing	
41	4700903190	1	Steel plug	

Drum cartridge Vibration side

18388

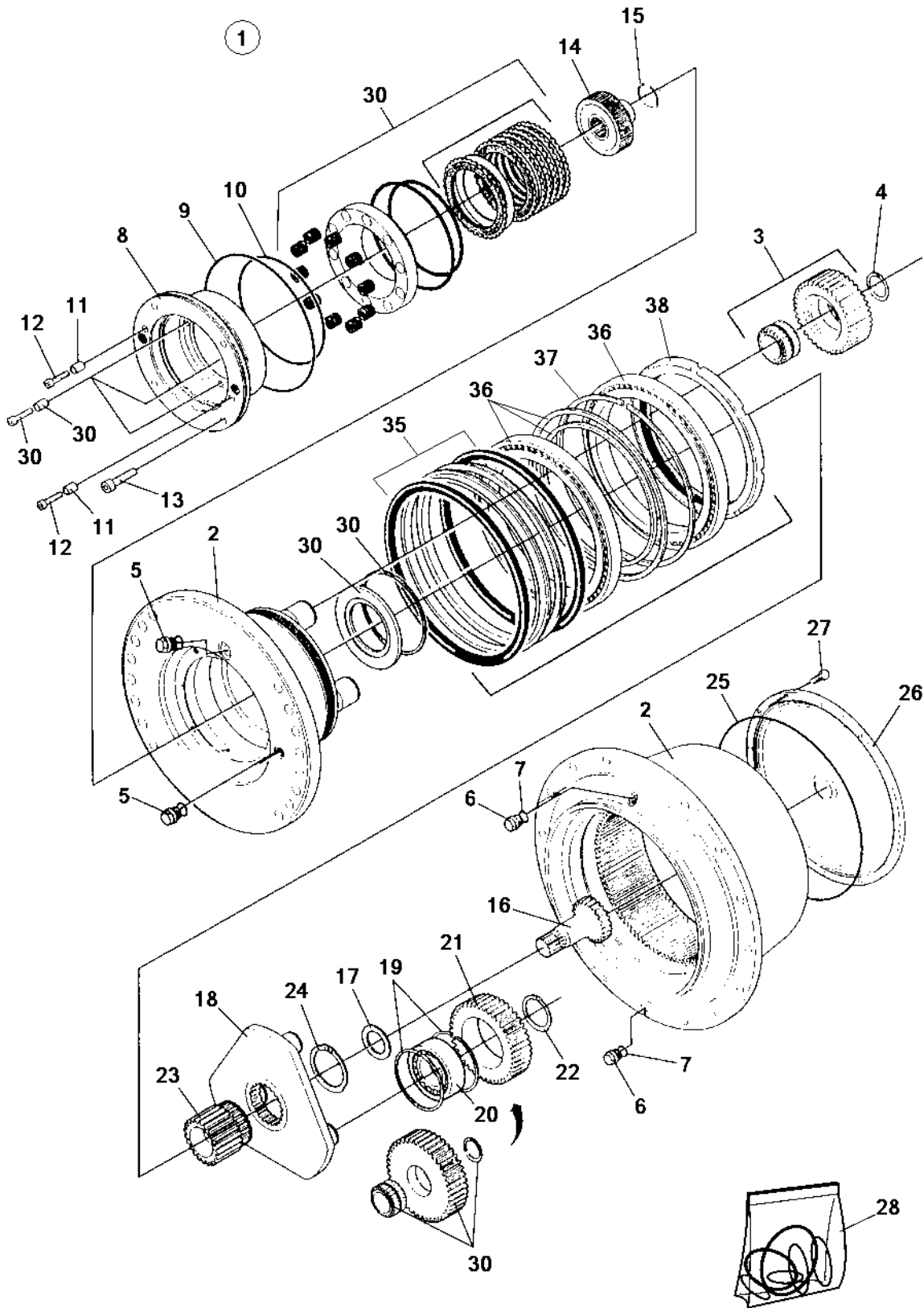


Drum cartridge Vibration side

Item	Part No	Rem Qty	Description	Code
1	4700945589	1	Drum cartridge	
2	4700343744	1	.Magnetic plug	D
3	4700162017	2	.Seal ring	D
4	4700379880	1	.Bearing housing inner	
5	4700162027	3	.Sealing	D
6	4700500163	3	.Screw	M12x16
7	4700900782	1	.Seal ring	D
8	4700232210	1	.Plug	
9	4700381634	1	.Plug	
10	4700900775	6	.Plug	
11	4700379878	1	.Bearing housing outer	
12	4700904232	12	.Washer	
13	4700500082	12	.Screw	M16x70
14	4700903189	3	.Stop screw	
15	4700900776	1	.O-ring	D
16	4700791156	16	.Screw	M10-1,5x55 12,9
17	4700380018	2	.Splined shaft	
18	4700390896	2	.Spherical roller bearing	D
19	4700381760	1	.Eccentric shaft	
20	4700162011	1	.Washer, sealing	D
21	4700904737	1	O-ring	D
22	4700349715	1	Spring	
23	4700167023	1	Seal ring	D
24	4700381027	1	Splined sleeve	
25	4700116041	1	Taper roller bearing	D
26	4700390897	1	Shaft nut	
28	4700929447	1	V-ring	D
29	4700343318	1	Bearing housing	D
30	4700343322	1	Holder plate	
31	4700160105	1	O-ring 70	D
32	4700395458	1	Motor adapter	
33	4700162018	1	Sealing	D
34	4700370231	1	Plug	
35	4700904231	4	Washer	13x24x2 300 HV
36	4700500197	4	Screw	12x90
37	4700500082	8	Screw	M16x70
38	4700384114	8	Spacer	
39			Not used on this model	

4700380462 Drum gear

18410



4700380462 Drum gear

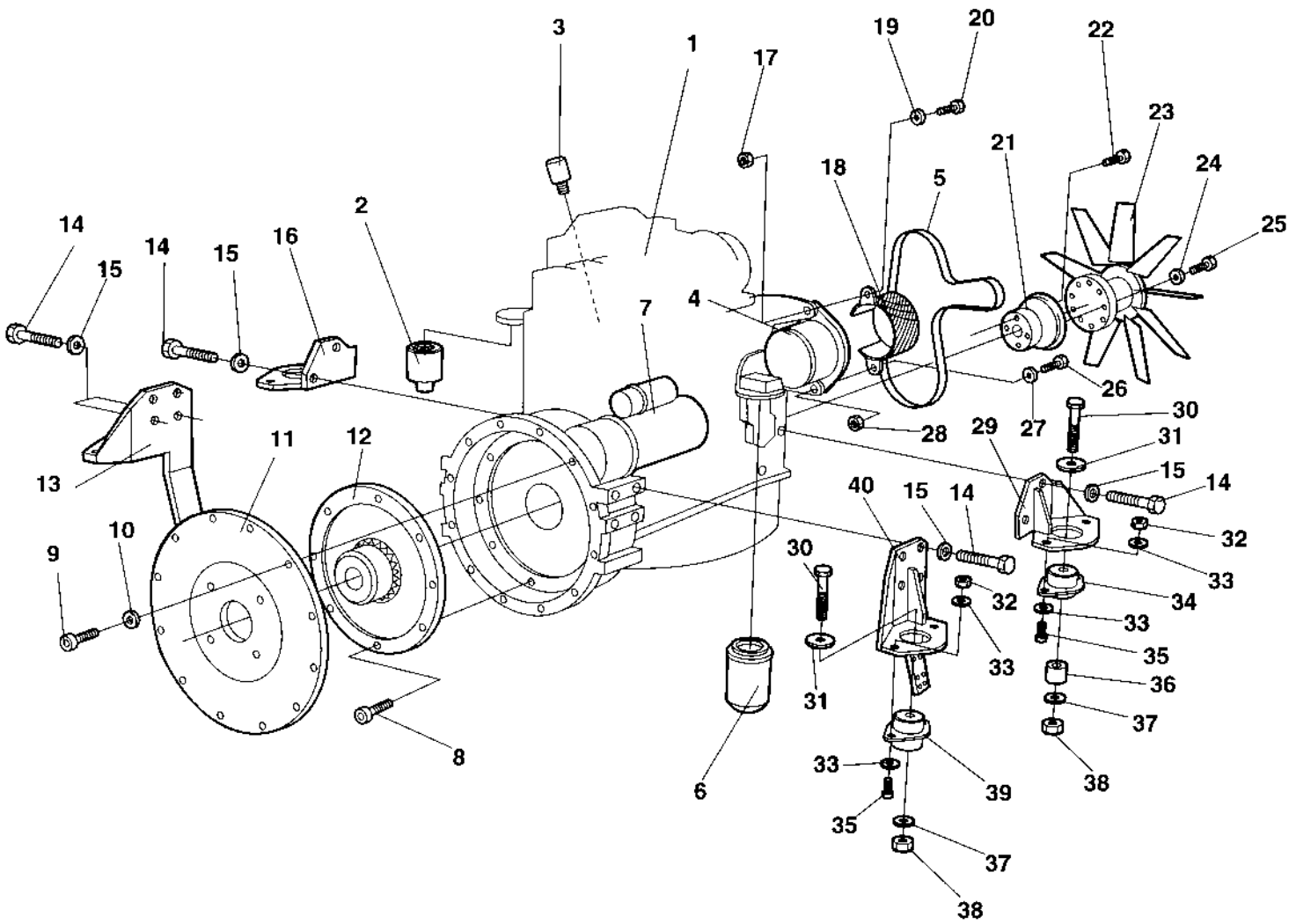
Item	Part No	Rem Qty	Description	Code
1		1	Drum gear, cpl	
2		1	.Hub	
3		3	.Planet gear	
4		3	.Retaining ring	
5	4700935394	2	.Plug	
6		2	.Plug	
7	4700935395	4	.Seal ring	
8	4700935865	1	.Adapter	
9	4700935866	1	.O-ring	
10	4700935867	1	.O-ring	
11	4700935868	2	.Bushing	
12	4700935870	2	.Screw	
13	4700902944	4	.Screw	
14	4700935874	1	.Coupling	
15	4700935875	1	.Retaining ring	
16	4700935876	1	.Sun wheel	
17	4700935877	1	.Spacer	
18		1	.Planet carrier	
19		6	.Retaining ring	
20		3	.Roller bearing	
21		3	.Planet gear	
22	4700935881	3	.Retaining ring	
23	4700935882	1	.Sun wheel	
24	4700935883	1	.Retaining ring	
25	4700935413	1	.O-ring	
26	4700935414	1	.Cover	
27		12	.Screw	
28	4700945581	1	.Seal kit	
30			Not used on this model	
35	4700935859	1	.Seal	
36		2	.Roller bearing	
37		1	.Spring ring	
38	4700935862	1	.Nut	

Engine

Item	Part No	Rem Qty	Description	Code
10			Engine Up to 65X21075 (Page 76)	
11			Engine From 65X21076 Up to 65X21969 (Page 78)	
12			Engine From 65X21970 Up to 65X23699 (Page 80)	
13			Engine From 65X23700 (Page 82)	
20			Cooling system Up to 65X21524 (Page 84)	
22	4700380185		Radiator Up to 65X20609 (Page 86)	
23	4700383806		Radiator From 65X20610 Up to 65X21524 (Page 88)	
25			Cooling system From 65X21525 Up to 65X23699 (Page 90)	
26			Cooling system From 65X23700 (Page 92)	
30			Combustion air system Up to 65X21524 (Page 96)	
35			Combustion air system From 65X21525 Up to 65X23699 (Page 98)	
36			Combustion air system From 65X23700 (Page 100)	
40			Fuel system Up to 65X21524 (Page 102)	
45			Fuel system From 65X21525 Up to 65X23699 (Page 104)	
46			Fuel system From 65X23700 (Page 106)	
50			Exhaust system Up to 65X21172 (Page 108)	
60			Exhaust system From 65X21173 Up to 65X21537 (Page 110)	
70			Exhaust system From 65X21538 Up to 65X23699 (Page 112)	
80			Exhaust system From 65X23700 (Page 114)	

Engine

16929



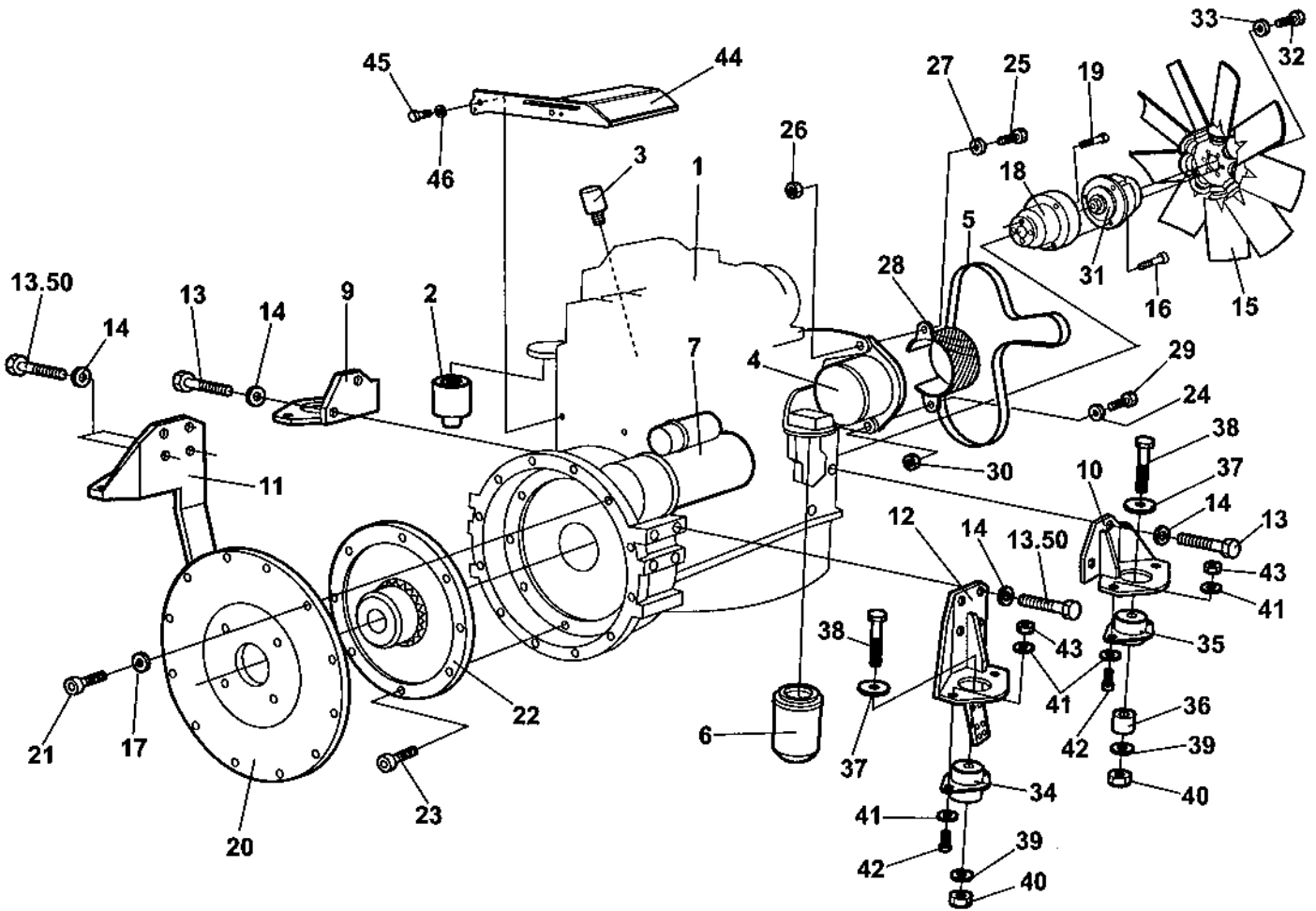
Engine

Item	Part No	Rem	Qty	Description	Code
1	4700380015		1	Engine Cummins	4BTA 3.9 Elite
2	4700935969		1	.Fuel filter w. waterseparator	A
3	4700935758		1	.Fuel solenoid	D
4	4700937895		1	.Alternator	C
5	4700901449		1	.V-belt	B
6	4700212373		1	.Oil filter	A
7	4700901448		1	.Starter	C
8	4700509025		8	Screw	3/8-16UNCx32 8,8
9	4700508029		12	Screw	M10-1,5x30H 8,8
10	4700904637		12	Washer	
11	4700372772		1	Bracket	
12	4700370229		1	Coupling, cpl	
13	4700371481	A	1	Engine bracket	
14	4700500037		12	Screw	
15	4700904638		12	Washer	12x22x2
16	4700372492	B	1	Engine bracket	
17	4700586018		1	Lock nut	
18	4700380101		1	V-belt cover	
19	4700904230		1	Washer	
20	4700904379		1	Screw	M10x110H 8,8
21	4700373782		1	Connector	
22	4700904204		4	Screw	
23	4700382719		1	Fan	
24	4700904637		9	Washer	
25	4700500161		9	Screw	
26	4700904241		1	Screw	
27	4700904640		1	Washer	8,4x22x3
28	4700586003		1	Lock nut	M8
29	4700372493	C	1	Engine bracket	
30	4700500228		4	Screw	M20-2,5x120 8,8
31	4700347512		4	Washer	
32	4700586019		8	Lock nut	
33	4700904231		16	Washer	13x24x2 300 HV
34	4700372984		2	Shock absorber	D
35	4700500194		8	Screw	
36	4700370258		2	Spacer washer	
37	4700904233		4	Washer	21x36x3
38	4700901145		4	Lock nut	M20-10
39	4700372983		2	Shock absorber	D
40	4700371482	D	1	Engine bracket	

- A) Right front
- B) Right rear
- C) Left rear
- D) Left front

Engine

17774



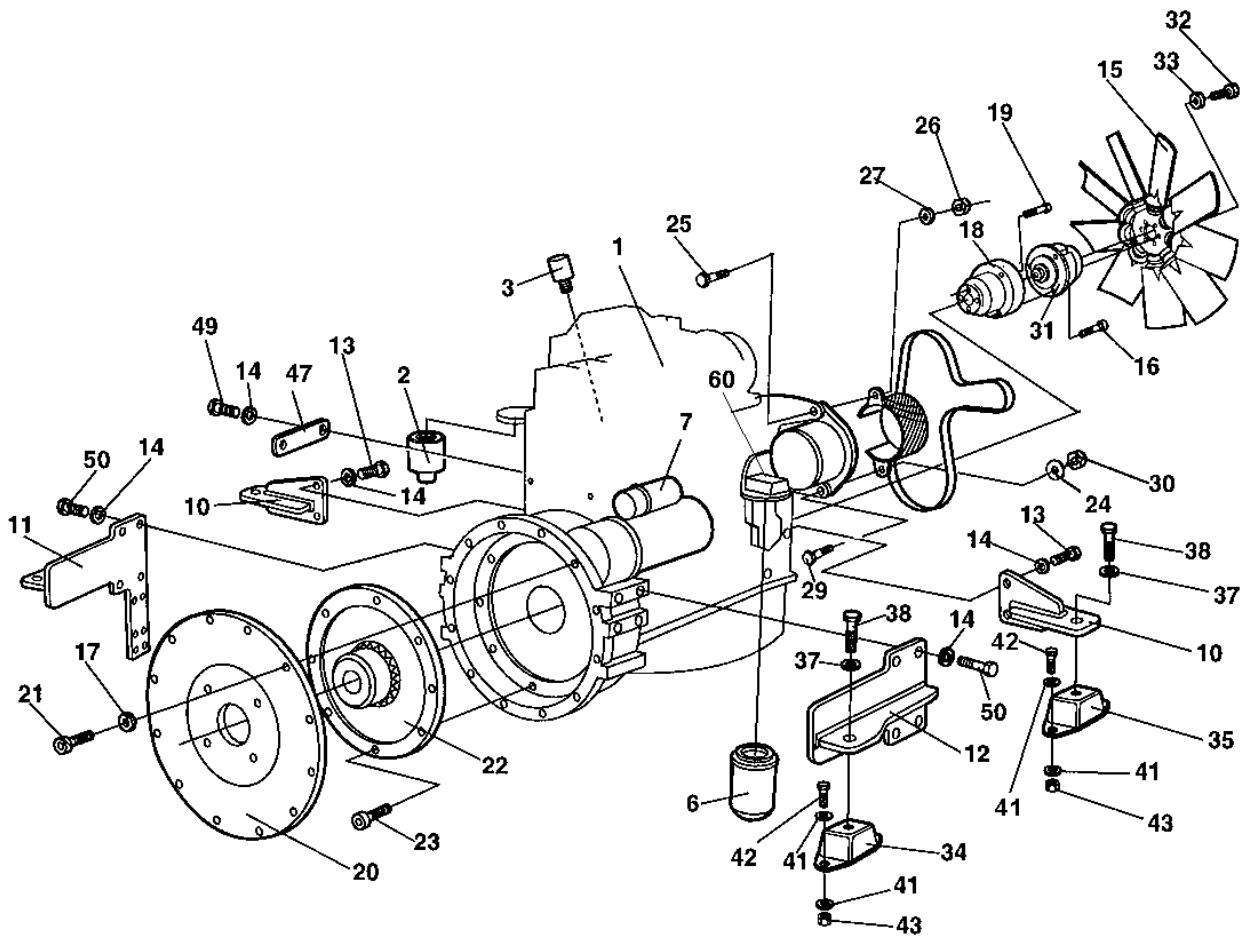
Engine

Item	Part No	Rem	Qty	Description	Code
1	4700380015		1	Engine Cummins	4BTA 3.9 Elite
2	4700935969		1	.Fuel filter w. waterseparator	A
3	4700935758		1	.Fuel solenoid	D
4	4700937895		1	.Alternator	C
5	4700901449		1	.V-belt	B
6	4700212373		1	.Oil filter	A
7	4700901448		1	.Starter Up to 65X21540	C
	4700939505		1	.Starter From 65X21541	C
9	4700372492	A	1	Engine bracket Up to 65X21524	
	4700387264	A	1	Engine bracket From 65X21525	
10	4700372493	B	1	Engine bracket Up to 65X21524	
	4700387263	B	1	Engine bracket From 65X21525	
11	4700371481	C	1	Engine bracket	
12	4700371482	D	1	Engine bracket	
13	4700500037		12	Screw Up to 65X21524	
	4700500037		14	Screw From 65X21525	
14	4700904638		12	Washer Up to 65X21524	12x22x2
	4700904638		14	Washer From 65X21525	12x22x2
15	4700386006		1	Fan	
16	4700792081		3	Socket head cap screw	M12x50 10,9
17	4700904637		12	Washer	
18	4700382392		1	Connector	
19	4700904204		4	Screw	
20	4700372772		1	Bracket	
21	4700508029		12	Screw	M10-1,5x30H 8,8
22	4700370229		1	Coupling, cpl	
23	4700509025		8	Screw	3/8-16UNCx32 8,8
24	4700904640		1	Washer	8,4x22x3
25	4700904379		1	Screw	M10x110H 8,8
26	4700586018		1	Lock nut	
27	4700904230		1	Washer	
28	4700380101		1	V-belt cover	
29	4700904241		1	Screw	
30	4700586003		1	Lock nut	M8
31	4700382393		1	Fan hub	
32	4700500047		6	Screw	
33	4700904229		6	Washer	8,4x16x1,5
34	4700372983	E	2	Shock absorber	D
35	4700372984	F	2	Shock absorber	D
36	4700370258		2	Spacer washer	
37	4700347512		4	Washer	
38	4700500228		4	Screw	M20-2,5x120 8,8
39	4700904233		4	Washer	21x36x3
40	4700901145		4	Lock nut	M20-10
41	4700904231		16	Washer Up to 65X21524	13x24x2 300 HV
	4700904638		16	Washer From 65X21525	12x22x2
42	4700500194		8	Screw Up to 65X21524	
	4700500037		8	Screw From 65X21525	
43	4700586019		8	Lock nut	
44	4700387909		1	Heat protection From 65X21525	
45	4700500035		2	Screw From 65X21525	M12x020H
46	4700904231		2	Washer From 65X21525	13x24x2 300 HV
50	4700508079		8	Screw From 65X21525	M12-1,75x35H 8,8
			1		

- A) Right rear
- B) Left rear
- C) Right front
- D) Left front
- E) Front
- F) Rear

Engine

18124



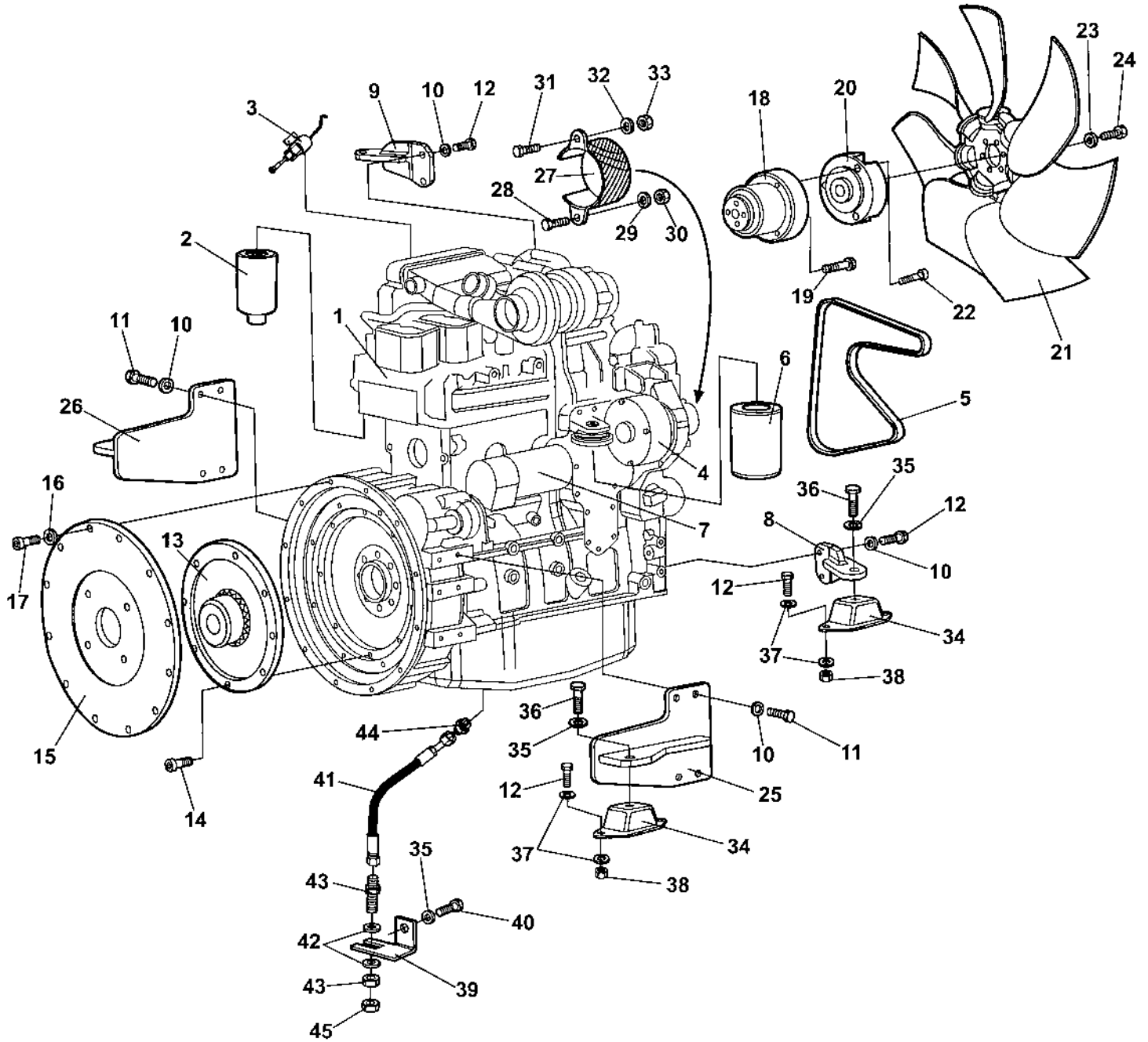
Engine

Item	Part No	Rem	Qty	Description	Code
1	4700380015		1	Engine Cummins	4BTA 3.9 Elite
2	4700935969		1	.Fuel filter w. waterseparator	A
3	4700935758		1	.Fuel solenoid	D
4	4700937895	G	1	.Alternator Up to 65X22325	C
	4700945140		1	.Alternator From 65X22326	C
5	4700901449		1	.V-belt	B
6	4700212373		1	.Oil filter	A
7	4700939505		1	.Starter	C
9	4700378211	A	1	Engine bracket	
10	4700378211	B	1	Engine bracket	
11	4700378213	C	1	Engine bracket	
12	4700378210	D	1	Engine bracket	
13	4700500194		4	Screw	
14	4700904638		13	Washer	12x22x2
15	4700386006		1	Fan	
16	4700792081		3	Socket head cap screw	M12x50 10,9
17	4700904637		12	Washer	
18	4700382392		1	Connector	
19	4700904204		4	Screw	
20	4700372772		1	Bracket	
21	4700508029		12	Screw	M10-1,5x30H 8,8
22	4700370229		1	Coupling, cpl	
23	4700509025		8	Screw	3/8-16UNCx32 8,8
24	4700904640		1	Washer	8,4x22x3
25	4700904379		1	Screw	M10x110H 8,8
26	4700586018		1	Lock nut	
27	4700904230		1	Washer	
28	4700380101		1	V-belt cover	
29	4700904241		1	Screw	
30	4700586003		1	Lock nut	M8
31	4700382393		1	Fan hub	
32	4700500047		6	Screw	
33	4700904229		6	Washer	8,4x16x1,5
34	4700387128	E	2	Shock absorber	
35	4700387129	F	2	Shock absorber	D
37	4700904232		4	Washer	
38	4700500070		4	Screw	M16x50
39	4700904233		4	Washer	21x36x3
41	4700904703		16	Washer	
42	4700500194		8	Screw	
43	4700586019		8	Lock nut	
47	4700378214		1	Cable holder	
49	4700500036		1	Screw	
50	4700508079		8	Screw	M12-1,75x35H 8,8
60	4700935044		1	Oil pressure sensor	D

- A) Right rear
- B) Left rear
- C) Right front
- D) Left front
- E) Front
- F) Rear
- G) Replaced by Alternator kit P/N 4700945181.

Engine

18661

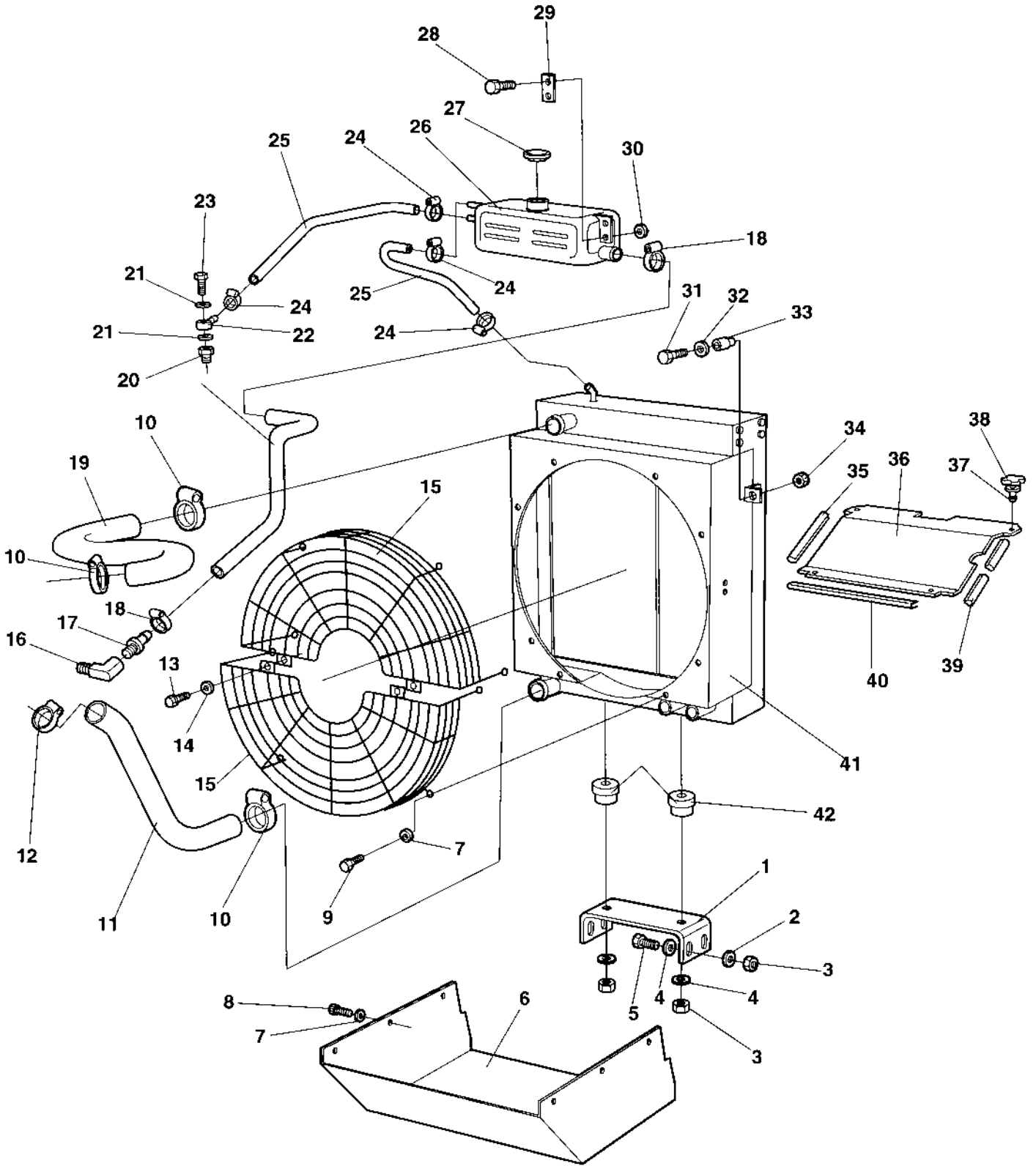


Engine

Item	Part No	Rem Qty	Description	Code
1	4700380015	1	Engine Cummins	4BTA 3.9 Elite
2	4700935969	1	.Fuel filter w. waterseparator	A
3	4700935758	1	.Fuel solenoid	D
4	4700945140	1	.Alternator	C
5	4700901449	1	.V-belt	B
6	4700212373	1	.Oil filter	A
7	4700939505	1	.Starter	C
8	4700392283	1	Engine bracket,	Right
9	4700392284	1	Engine bracket,	Left
10	4700904638	12	Washer	12x22x2
11	4700508079	8	Screw	M12-1,75x35H 8,8
12	4700500194	12	Screw	
13	4700370229	1	Coupling, cpl	
14	4700509025	8	Screw	3/8-16UNCx32 8,8
15	4700372772	1	Bracket	
16	4700904637	12	Washer	
17	4700508029	12	Screw	M10-1,5x30H 8,8
18	4700394005	1	Connector	
19	4700792661	4	Screw	M12-1,25x80 12,9
20	4700382393	1	Fan hub	
21	4700379164	1	Fan	
22	4700792081	3	Socket head cap screw	M12x50 10,9
23	4700904229	6	Washer	8,4x16x1,5
24	4700500047	6	Screw	
25	4700393962	1	Engine bracket	Right
26	4700393963	1	Engine bracket	Left
27	4700380101	1	V-belt cover	
28	4700904241	1	Screw	
29	4700904640	1	Washer	8,4x22x3
30	4700586003	1	Lock nut	M8
31	4700904379	1	Screw	M10x110H 8,8
32	4700904230	1	Washer	
33	4700586018	1	Lock nut	
34	4700387129	4	Shock absorber	
35	4700904232	5	Washer	
36	4700500070	4	Screw	M16x50
37	4700904703	16	Washer	
38	4700586019	8	Lock nut	
39	4700388855	1	Bracket	
40	4700500154	1	Screw	M16-2,0x25 8,8
41	4700394511	1	Oil drain hose	
42	4700904233	2	Washer	21x36x3
43	4700230515	1	Connector	
44	4700925723	1	Connector	
45	4700330383	1	Cap hydraulic	

Cooling system

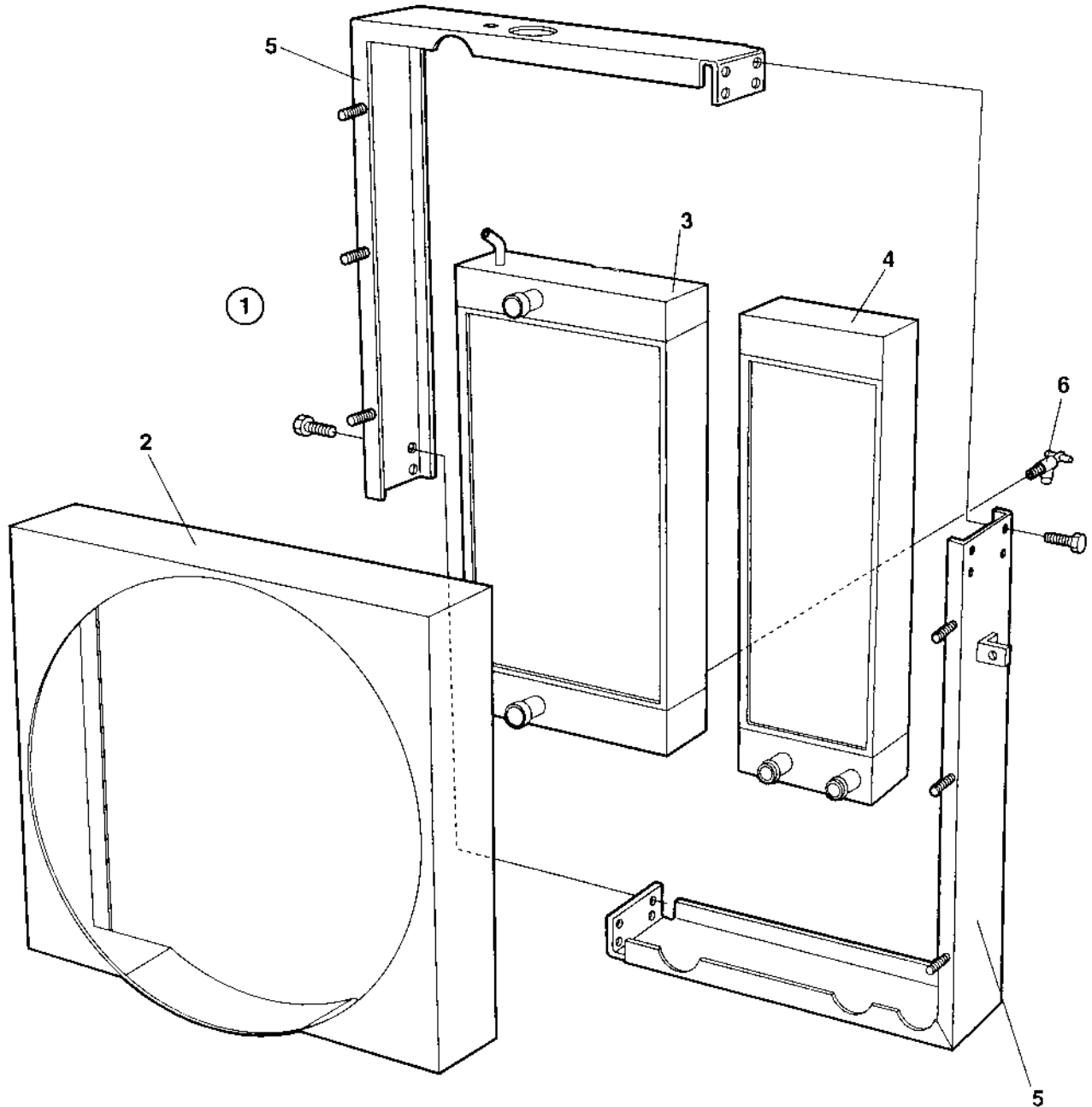
16933



Cooling system

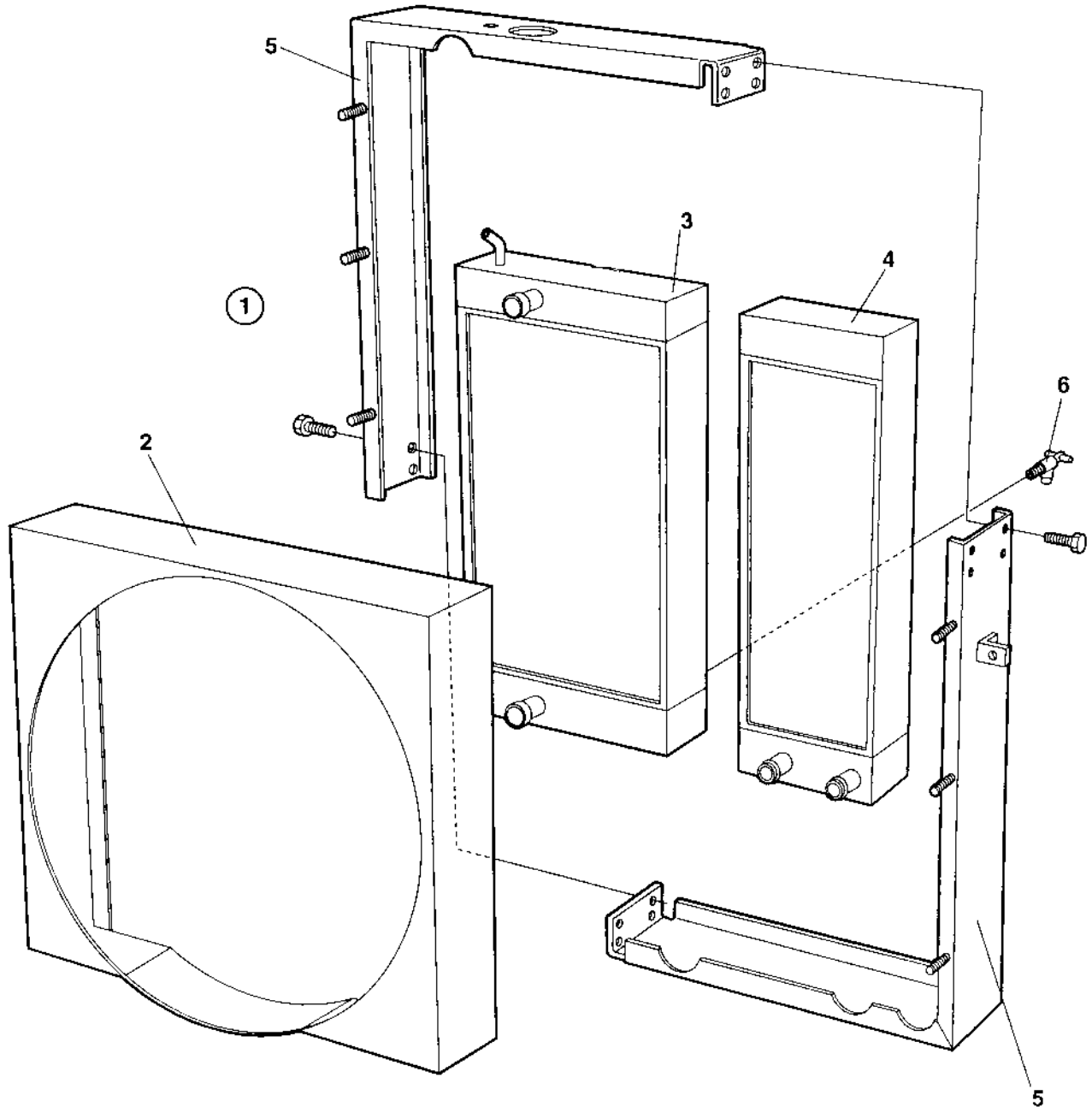
Item	Part No	Rem	Qty	Description	Code
1	4700370938		1	Radiator bracket	
2	4700904557		4	Washer	
3	4700586018		6	Lock nut	
4	4700904230		6	Washer	
5	4700500031		4	Screw	
6	4700373144		1	Air leading plate	
7	4700904640		14	Washer	8,4x22x3
8	4700500053		6	Screw	M8x20H 8.8
9	4700500019		8	Screw	M8x16H 8.8 A2K
10	4700313010		3	Hose clamp	
11	4700381313		1	Coolant hose	
12	4700313023		1	Hose clamp	
13	4700500018		2	Screw	M8-1,25x12 8,8
14	4700904229		6	Washer	8,4x16x1,5
15	4700372348		2	Fan guard Up to 65X21075	
	4700386135		2	Fan guard From 65X21076	
16	4700234365		1	Elbow 90	
17	4700370840		1	Hose connection	
18	4700313006		2	Hose clamp	
19	4700372224		1	Coolant hose	D
20	4700372544		1	Connector	
21	4700330328		2	Copper washer	10x14x1
22	4700903916		1	Banjo coupling	
23	4700903915		1	Hollow screw	
24	4700313075		4	Hose clamp	
25	4700380372		2	Rubber hose	
26	4700374864		1	Expansion tank	
27	4700903714		1	Cap	
28	4700500021		4	Screw	M8-1,25x25 8.8
29	4700381413		1	Washer	
30	4700904229		6	Washer	8,4x16x1,5
31	4700500012		2	Screw	M6x12
32	4700904639		2	Washer	6,7x14x1,5
33	4700371774		2	Shock absorber	
34	4700902285		2	Lock nut	M6
35	4700902166	A	1	Edge trim	
36	4700380365		1	Air inlet	
37	4700926984		2	Lock bolt	
38	4700904486		2	Quick lock	
39	4700902166	B	1	Edge trim	
40	4700902166	C	1	Edge trim	
41	4700380185		1	Radiator Up to 65X20609 (Page 86)	
	4700383806		1	Radiator From 65X20610 Up to 65X21524 (Page 88)	
42	4700904551		2	Shock absorber	

- A) L=320 mm
- B) L=400 mm
- C) L=584 mm



4700380185 Radiator

Item	Part No	Rem Qty	Description	Code
1		1	Radiator, cpl	
2	4700938053	1	.Fan cover	
3	4700938054	1	.Water radiator	
4	4700938055	1	.Oil cooler	
5	4700938056	1	.Frame	
6	4700937394	1	.Drain cock	

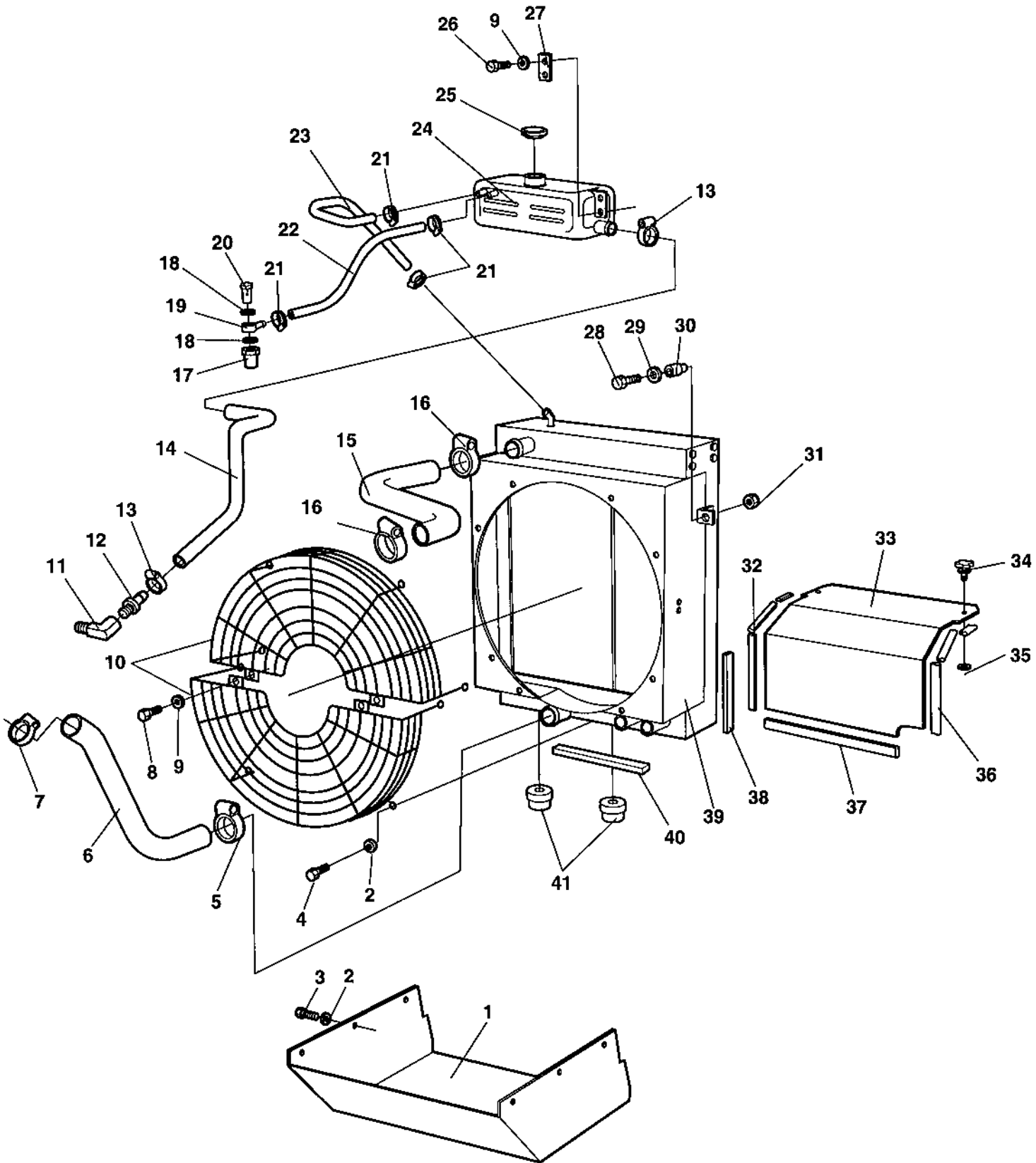


4700383806 Radiator

Item	Part No	Rem Qty	Description	Code
1		1	Radiator, cpl	
2	4700939744	1	.Fan cover	
3	4700939741	1	.Water cooler	
4	4700939742	1	.Oil cooler	
5	4700939743	1	.Frame	
6	4700937394	1	.Drain cock	

Cooling system

17799



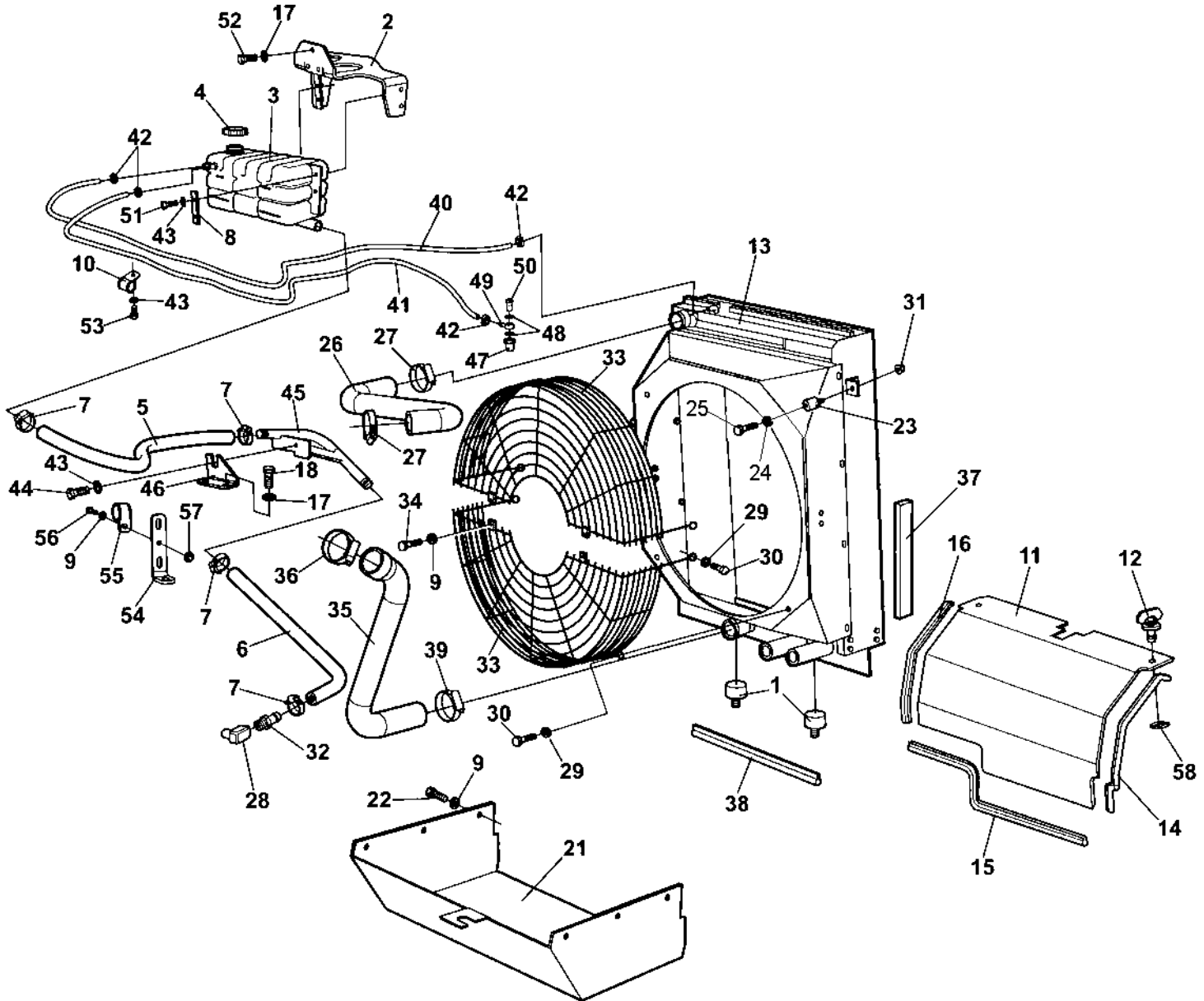
Cooling system

Item	Part No	Rem Qty	Description	Code
1	4700373144	1	Air leading plate	
2	4700904640	14	Washer	8,4x22x3
3	4700500053	6	Screw	M8x20H 8.8
4	4700500019	8	Screw	M8x16H 8.8 A2K
5	4700313010	1	Hose clamp	
6	4700387241	1	Coolant hose	
7	4700313023	1	Hose clamp	
8	4700500018	2	Screw	M8-1,25x12 8,8
9	4700904229	6	Washer	8,4x16x1,5
10	4700387085	2	Fan guard	
11	4700234365	1	Elbow 90	
12	4700370840	1	Hose connection	
13	4700313006	2	Hose clamp	
14	4700380305	1	Coolant hose	
15	4700387239	1	Coolant hose	
16	4700313010	2	Hose clamp	
17	4700372544	1	Connector	
18	4700330328	2	Copper washer	10x14x1
19	4700903916	1	Banjo coupling	
20	4700903915	1	Hollow screw	
21	4700313075	4	Hose clamp	
22	4700373775	1	Rubber hose	
23	4700380372	1	Rubber hose	
24	4700387130	1	Expansion tank	
25	4700903714	1	Cap	
26	4700500021	4	Screw	M8-1,25x25 8.8
27	4700381413	2	Washer	
28	4700500012	2	Screw	M6x12
29	4700904639	2	Washer	6,7x14x1,5
30	4700371774	2	Shock absorber	
31	4700902285	2	Lock nut	M6
32	4700902166	A 1XL	Edge trim	
33	4700386815	1	Air inlet	
34	4700904486	2	Quick lock	
35	4700926985	2	Quick lock washer	
36	4700902166	B 1XL	Edge trim	
37	4700902166	C 1XL	Edge trim	
38	4700202041	D 2XL	Rubber strip	
39	4700387110	1	Radiator Up to 65X21714	
	4700377370	1	Radiator From 65X21715	
	4700939745	1	.Water cooler	
	4700939746	1	.Oil cooler	
40	4700288129	E 1XL	Edge trim	
41	4700904551	2	Shock absorber	

- A) L=0,400 m
- B) L=0,300 m
- C) L=0,560 m
- D) L=0,300 m
- E) L=0,570 m

Cooling system

18662-1



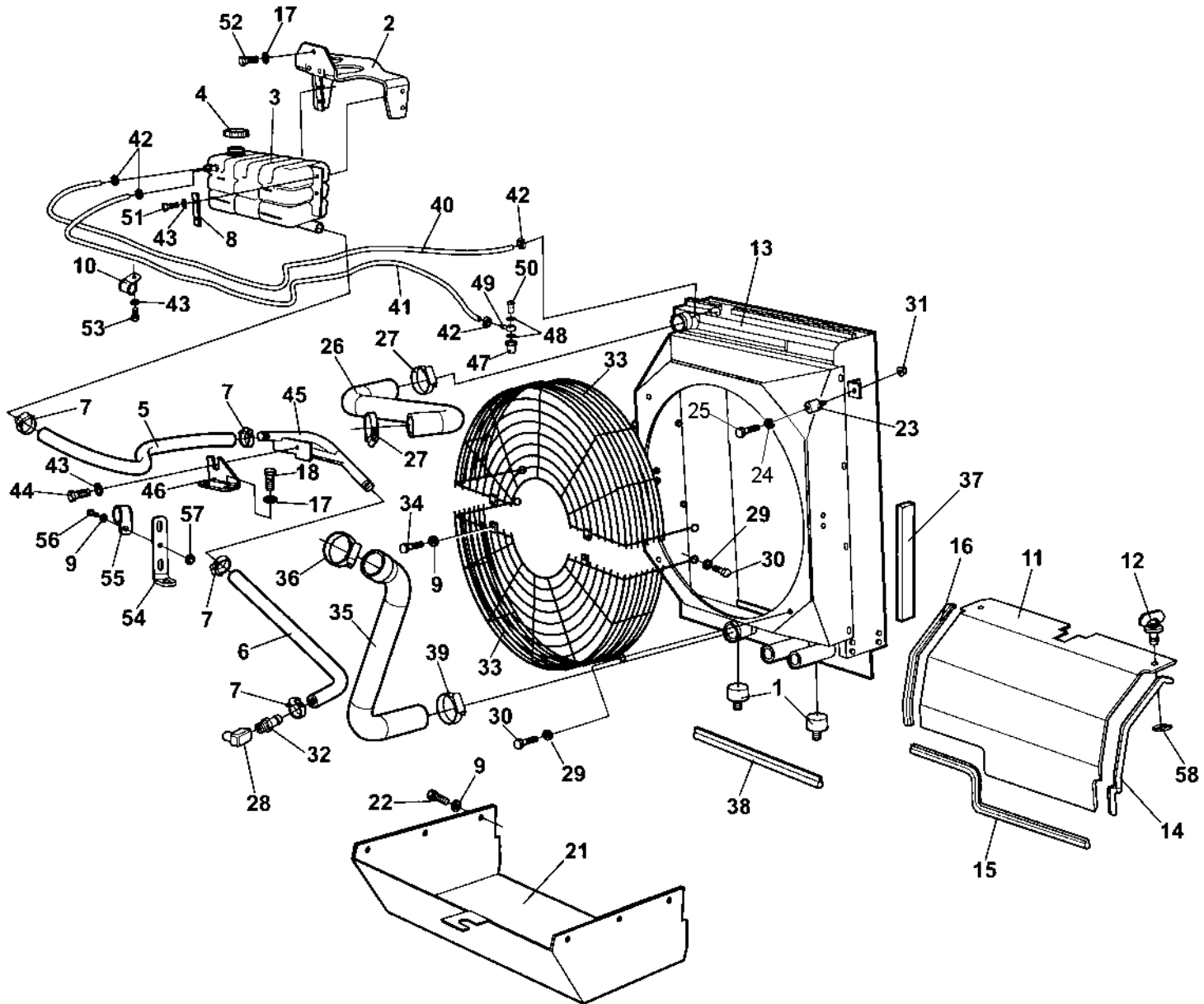
Cooling system

Item	Part No	Rem Qty	Description	Code
1	4700904551	2	Shock absorber	
2	4700392170	1	Holder	
3	4700392313	1	Expansion tank	
4	4700903714	1	Cap	
5	4700205027	A 1XL	Coolant hose	
6	4700205027	B 1XL	Coolant hose	
7	4700313006	4	Hose clamp	
8	4700381413	2	Washer	
9	4700904229	8	Washer	8,4x16x1,5
10	4700921084	1	Pipe clamp	
11	4700386853	1	Air inlet plate	
12	4700904486	2	Quick lock	
13	4700394097	1	Radiator	
14	4700902166	C 1XL	Edge trim	
15	4700902166	D 1XL	Edge trim	
16	4700902166	E 1XL	Edge trim	
17	4700904230	5	Washer	
18	4700500028	2	Screw	
21	4700386943	1	Air leading plate	
22	4700500053	6	Screw	M8x20H 8.8
23	4700371774	2	Shock absorber	
24	4700904639	2	Washer	6,7x14x1,5
25	4700500012	2	Screw	M6x12
26	4700393705	1	Coolant hose	
27	4700313010	2	Hose clamp	
28	4700234365	1	Elbow 90	
29	4700904640	8	Washer	8,4x22x3
30	4700500019	8	Screw	M8x16H 8.8 A2K
31	4700902285	2	Lock nut	M6
32	4700370840	1	Hose connection	
33	4700387085	2	Fan guard	
34	4700500018	2	Screw	M8-1,25x12 8,8
35	4700393713	1	Coolant hose	
36	4700313023	1	Hose clamp	
37	4700202041	F 1XL	Rubber strip	
38	4700902166		Edge trim	
39	4700313010	1	Hose clamp	
40	4700246069	G 1XL	Fuel hose	3/8"
41	4700246069	H 1XL	Fuel hose	3/8"
42	4700313001	4	Hose clamp	
43	4700904228	7	Washer	
44	4700500013	2	Screw	M6-1x16 8,8
45	4700393772	1	Pipe assembly	
46	4700394071	1	Bracket	
47	4700392378	1	Connector	
48	4700747282	2	Copper washer	
49	4700330170	1	Banjo nipple	
50	4700330171	1	Hollow screw	
51	4700500075	4	Screw	M6-1,0x25 8.8
52	4700500029	3	Screw	
53	4700500040	1	Screw	M6-1x20 8,8
54	4700390083	1	Holder	

- A) L=0,95M
- B) 0,570M
- C) L=0,450M
- D) L=0,690M
- E) L=0,330M
- F) L=0,6M
- G) L=1,90M
- H) L=1,90M

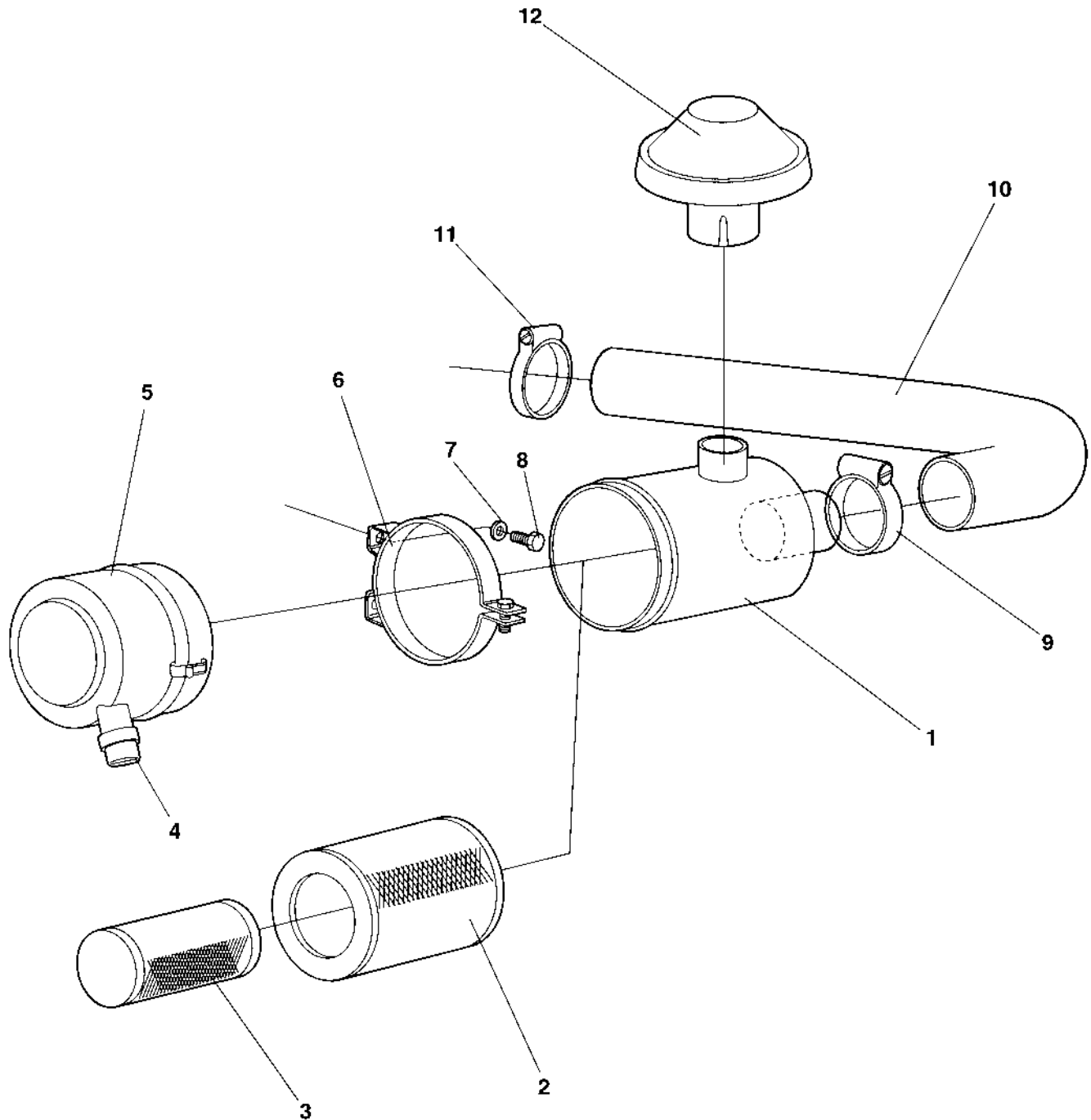
Cooling system

18662-1



Cooling system

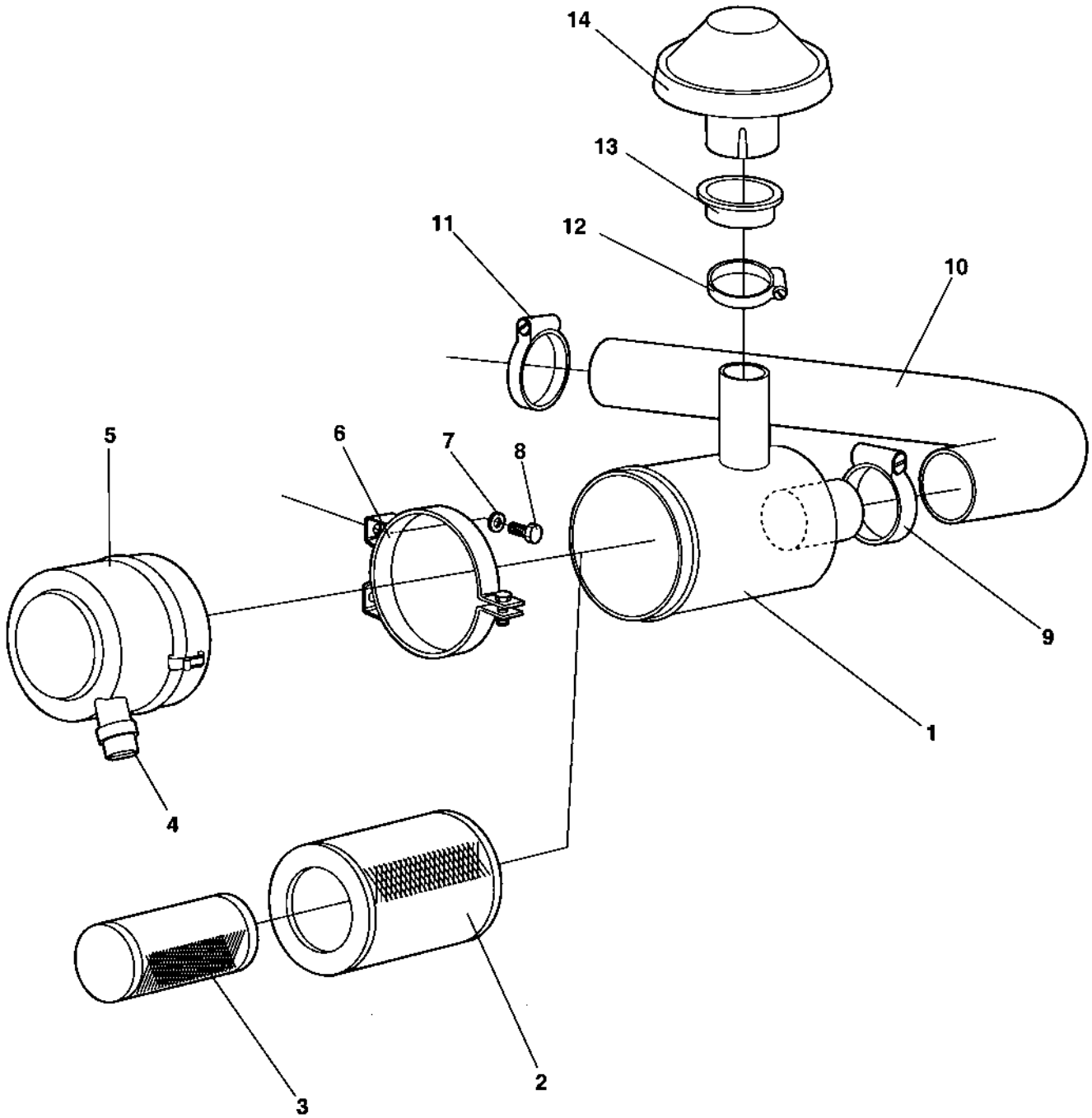
Item	Part No	Rem Qty	Description	Code
55	4700921050	1	Clamp	
56	4700500021	1	Screw	M8-1,25x25 8.8
57	4700902286	1	Lock nut	M8
58	4700926985	2	Quick lock washer	



Combustion air system

Item	Part No	Rem	Qty	Description	Code
1	4700380161		1	Air cleaner	
2	4700394686	A	1	.Air filter element, main	A
3	4700394687	B	1	.Air filter element, safety	A
4	4700908399		1	.Vacuator valve	D
5	4700908452		1	.Cover	
6	4700813791		2	Mounting band	
7	4700904229		4	Washer	8,4x16x1,5
8	4700500019		4	Screw	M8x16H 8.8 A2K
9	4700904060		1	Hose clamp	
10	4700380157		1	Air inlet hose	
11	4700904059		1	Hose clamp	
12	4700499266		1	Protection cover	

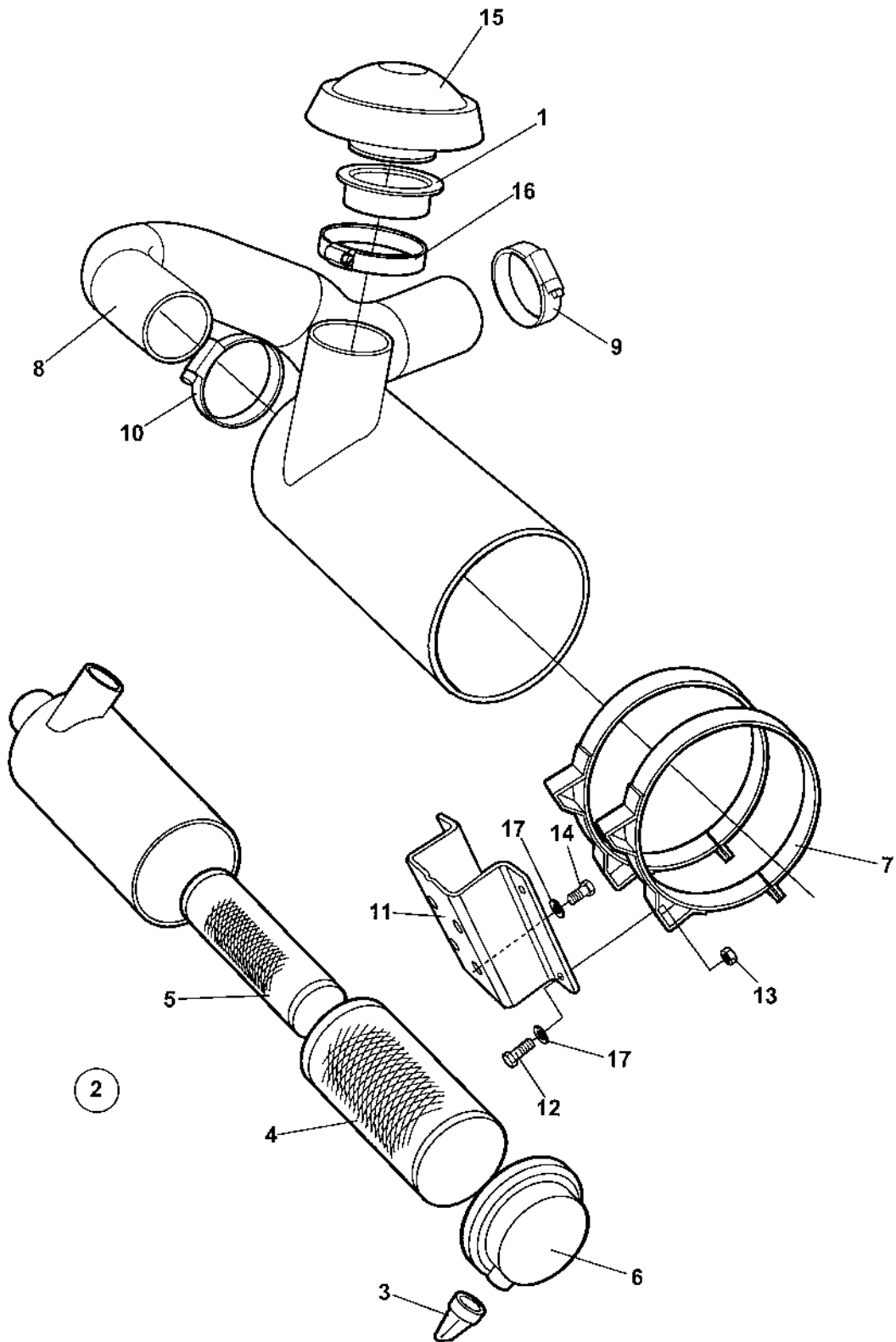
- A) Main
B) Safety



Combustion air system

Item	Part No	Rem	Qty	Description	Code
1	4700380161		1	Air cleaner	
2	4700394686	A	1	.Air filter element, main	A
3	4700394687	B	1	.Air filter element, safety	A
4	4700908399		1	.Vacuator valve	D
5	4700908452		1	.Cover	
6	4700813791		2	Mounting band	
7	4700904229		4	Washer	8,4x16x1,5
8	4700500019		4	Screw	M8x16H 8.8 A2K
9	4700904060		1	Hose clamp	
10	4700380157		1	Air inlet hose	
11	4700392810		1	Hose clamp	
12	4700904060		1	Hose clamp	
13	4700348309		1	Rubber bushing	
14	4700499266		1	Protection cover	

- A) Main
B) Safety

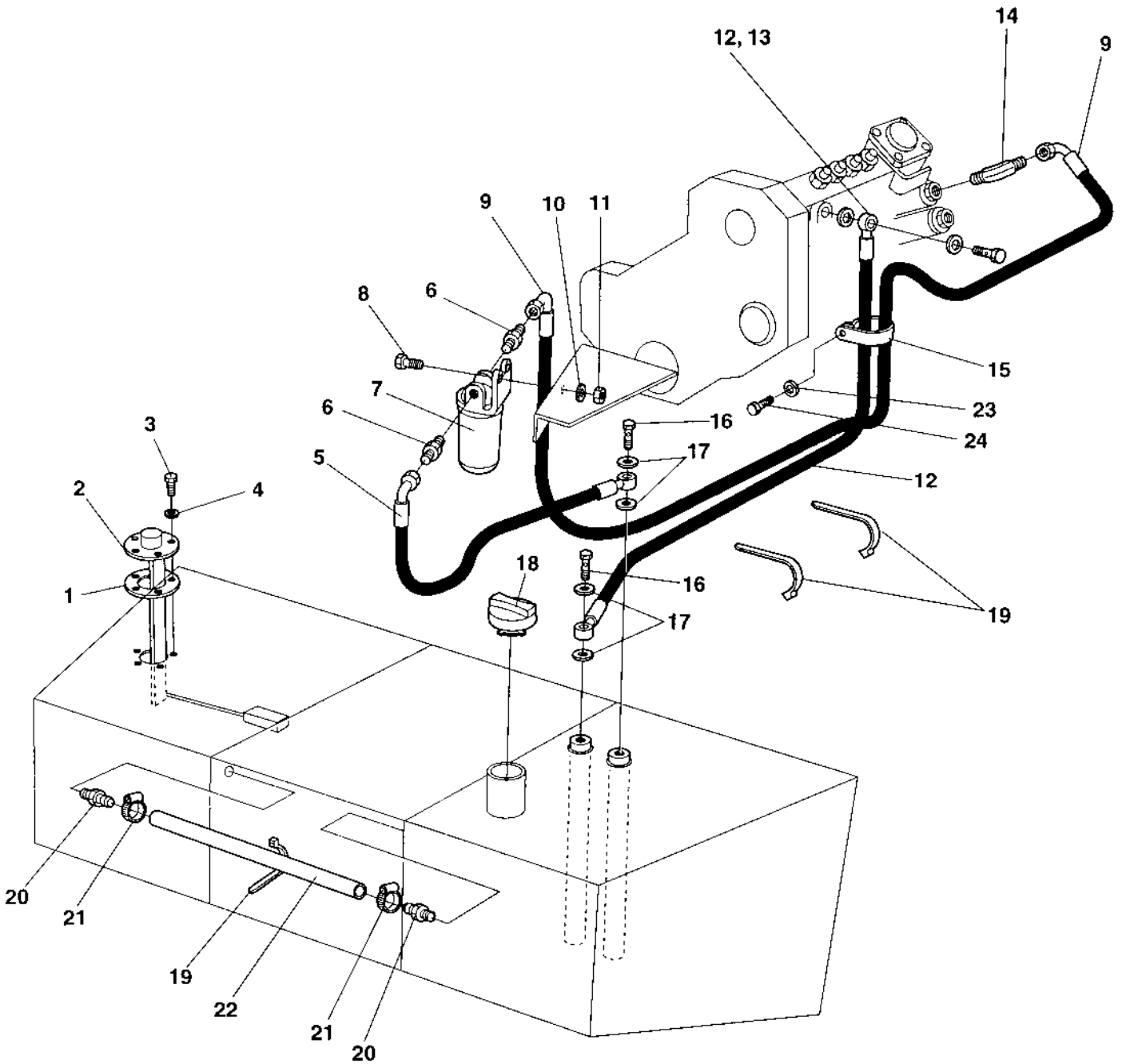


Combustion air system

Item	Part No	Rem Qty	Description	Code
1	4700348309	1	Rubber bushing	
2	4700394680	1	Air cleaner Cpl	
3	4700908399	1	.Vacuator valve	D
4	4700394686	1	.Air filter element, main	A
5	4700394687	1	.Air filter element, safety	A
6	4700395022	1	.Cover	
7	4700813791	2	Mounting band	
8	4700393666	1	Air inlet hose	
9	4700392810	1	Hose clamp	
10	4700389600	1	Hose clamp	
11	4700393085	1	Filter bracket	
12	4700500021	4	Screw	M8-1,25x25 8.8
13	4700586003	4	Lock nut	M8
14	4700500053	4	Screw	M8x20H 8.8
15	4700499266	1	Protection cover	
16	4700904060	1	Hose clamp	
17	4700904556	8	Washer	8,4x16x3,0

Fuel system

16916



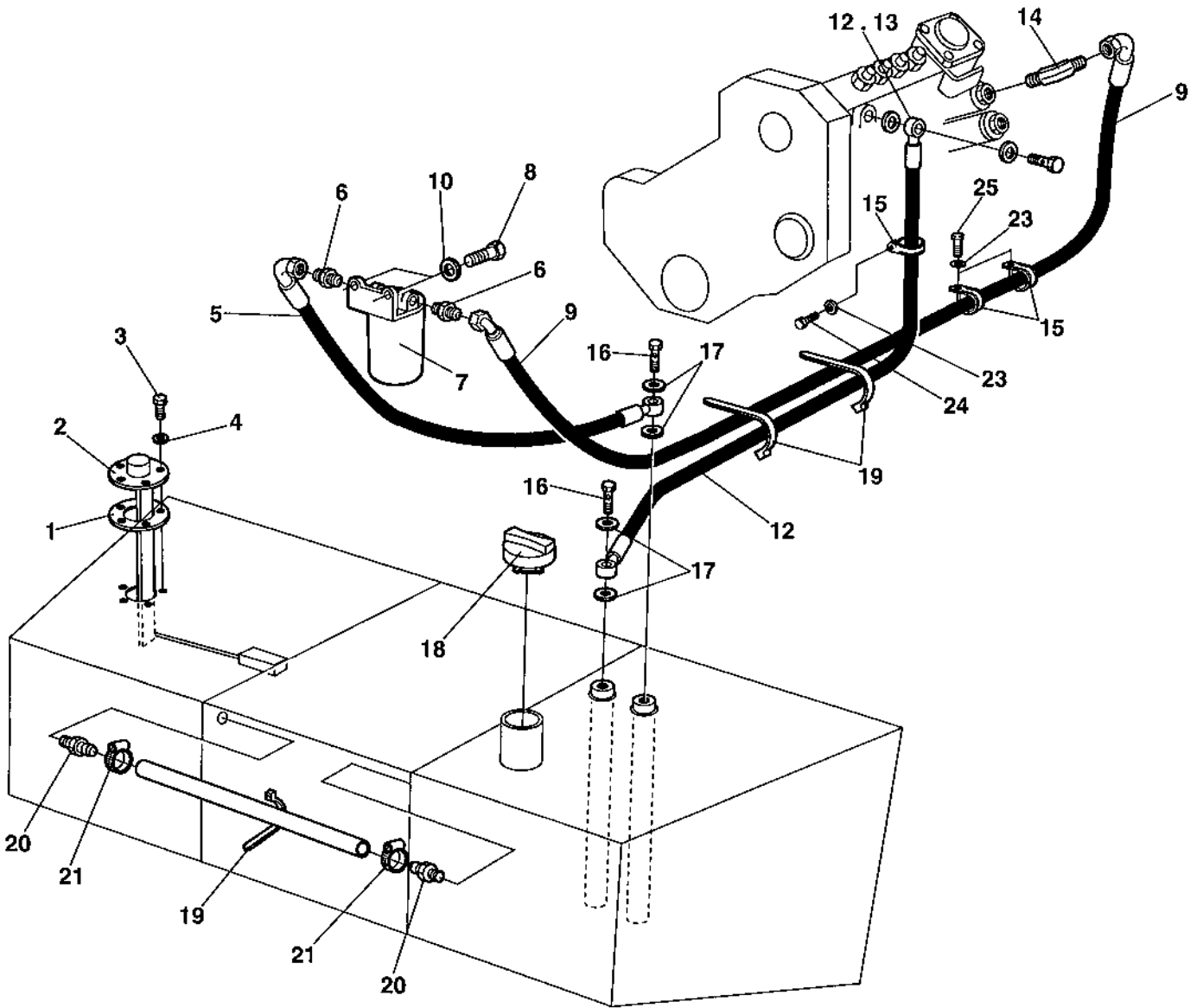
Fuel system

Item	Part No	Rem Qty	Description	Code
1	4700945777	1	Gasket	
2	4700904695	1	Fuel level sender	D
3	4700500006	5	Screw	M5x16
4	4700904281	5	Washer	
5	4700381081	1	Fuel hose	
6	4700900249	2	Straight connector	
7	4700900247	1	Fuel pre-filter	
8	4700500040	2	Screw	M6-1x20 8,8
9	4700381082	1	Fuel hose	
10	4700904639	2	Washer	6,7x14x1,5
11	4700902285	2	Lock nut	M6
12	4700380262	1	Fuel hose	
13	4700313001	1	Hose clamp	
14	4700234619	1	Adapter	
15	4700921050	1	Clamp	
16	4700330171	2	Hollow screw	
17	4700747282	4	Copper washer	
18	4700373460	1	Fuel cap	D
19	4700313041	N	Cable ties	
20	4700373574	2	Hose connection	
21	4700313002	2	Hose clamp	13-20 mm
22	4700244054	A	Hose reinforced	
23	4700603018	2	Washer	10x18x4
24	4700500022	1	Screw	M8x30H 8.8 A2K

A) L=650 mm

Fuel system

16916-2



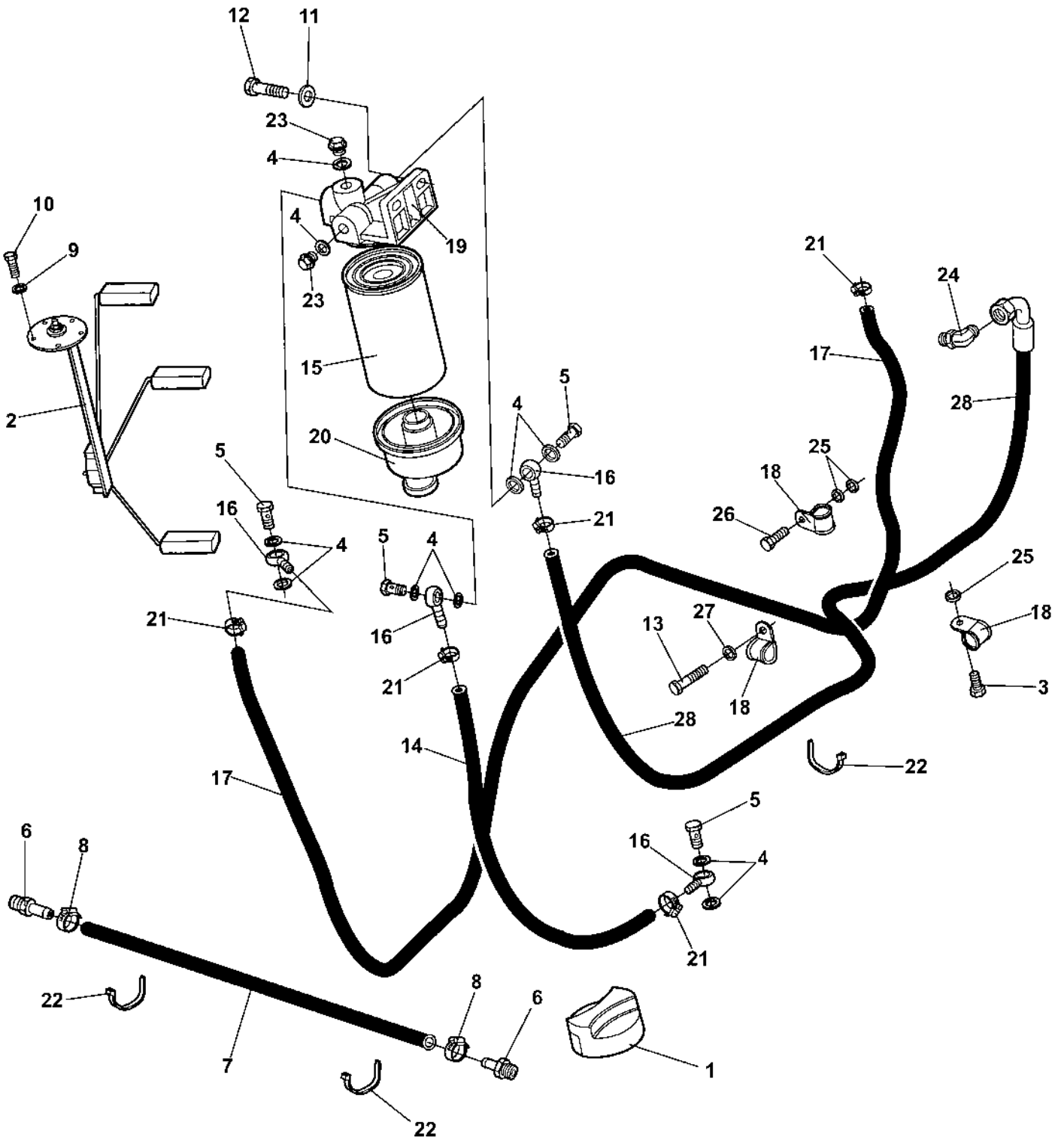
Fuel system

Item	Part No	Rem Qty	Description	Code
1	4700945777	1	Gasket	
2	4700904695	1	Fuel level sender	D
3	4700500006	5	Screw	
4	4700904281	5	Washer	
5	4700386882	1	Fuel hose	
6	4700900249	2	Straight connector	
7	4700939507	1	Fuel filter	A
8	4700500019	2	Screw	
9	4700387265	1	Fuel hose	
10	4700904229	2	Washer	
11			Not used on this model	
12	4700380262	1	Fuel hose	
13	4700313001	1	Hose clamp	
14	4700234619	1	Adapter	
15	4700902558	3	Clamp	
16	4700330171	2	Hollow screw	
17	4700747282	4	Copper washer	
18	4700373460	1	Fuel cap	D
19	4700313041	N	Cable ties	
20	4700373574	2	Hose connection	
21	4700313002	2	Hose clamp	
22	4700244054	A	Hose reinforced	
23	4700603018	4	Washer	
24	4700500022	1	Screw	
25	4700500021	2	Screw	

A) L=650 mm

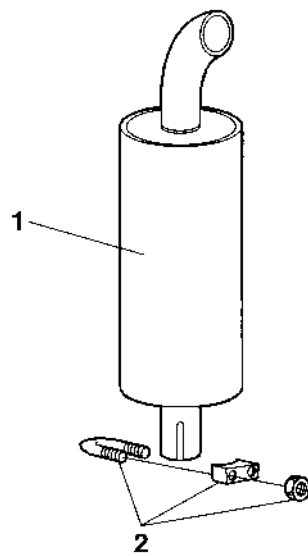
Fuel system

18665



Fuel system

Item	Part No	Rem Qty	Description	Code
1	4700373460	1	Fuel cap	D
2	4700904695	1	Fuel level sender	D
	4700945777	1	Gasket	
3	4700500021	2	Screw	M8-1,25x25 8.8
4	4700747282	10	Copper washer	
5	4700330171	4	Hollow screw	
6	4700373574	2	Hose connection	
7	4700244054	A	Hose reinforced	
8	4700313002	2	Hose clamp	13-20 mm
9	4700904281	5	Washer	
10	4700500006	5	Screw	M5x16
11	4700904230	2	Washer	
12	4700500029	2	Screw	
13	4700500067	2	Screw	M8-1,25x55 8,8
14	4700904984	B	Fuel hose	D
15	4700939404	1	Fuel filter element	A
16	4700901121	4	Banjo fitting	14x6 Hose 8
17	4700904984	C	Fuel hose	D
18	4700902558	5	Clamp	
19	4700939403	1	Filter head	
20	4700939405	1	Bowl	
21	4700313001	5	Hose clamp	
22	4700313041		Cable ties	
23	4700903190	2	Steel plug	
24	4700234619	1	Adapter	
25	4700603018	4	Washer	10x18x4
26	4700500022	1	Screw	M8x30H 8.8 A2K
27	4700904229	2	Washer	8,4x16x1,5
28	4700390705	1	Fuel hose	
A)	L=0,640M			
B)	L=0,550M			
C)	L=2,120M			

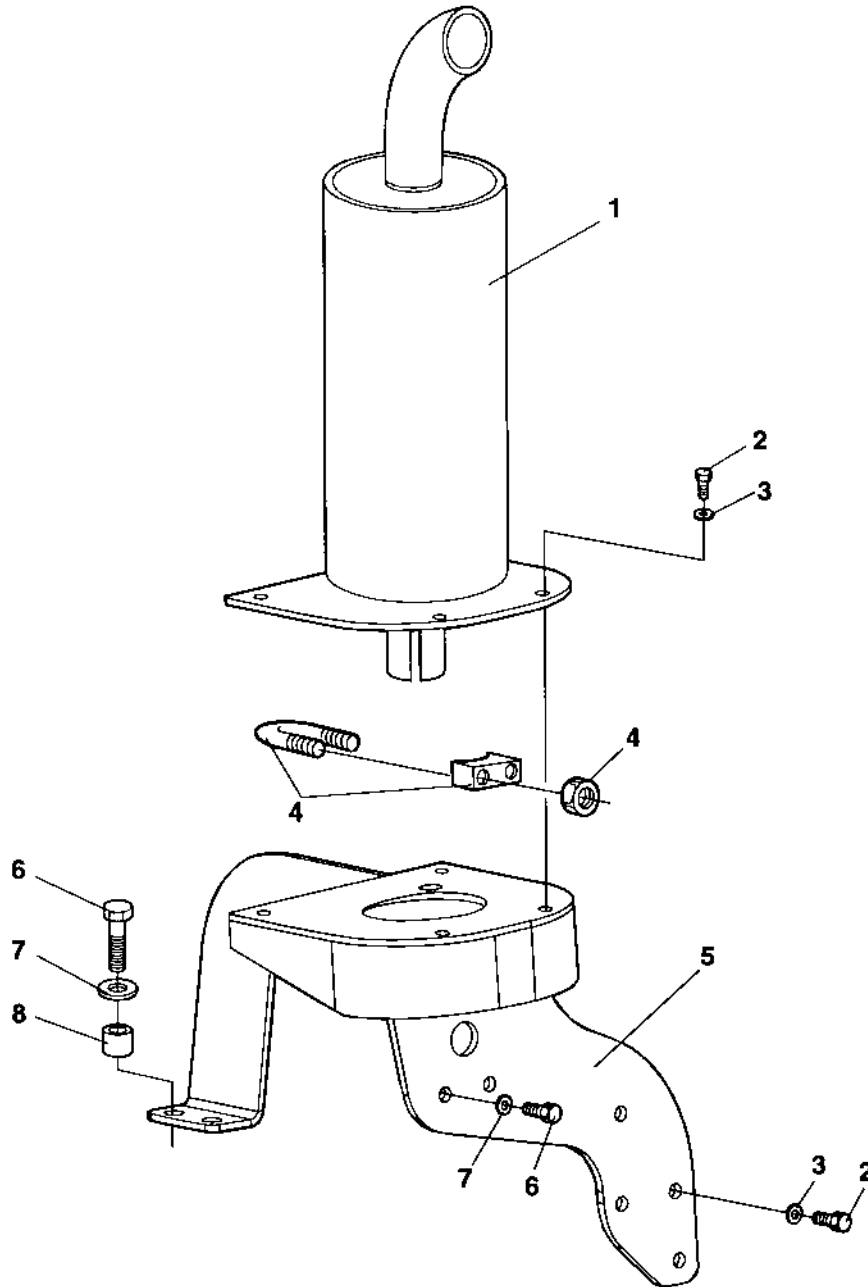


Exhaust system

Item	Part No	Rem Qty	Description	Code
1	4700380158	1	Muffler	
2	4700904876	1	Pipe clamp	

Exhaust system

17661

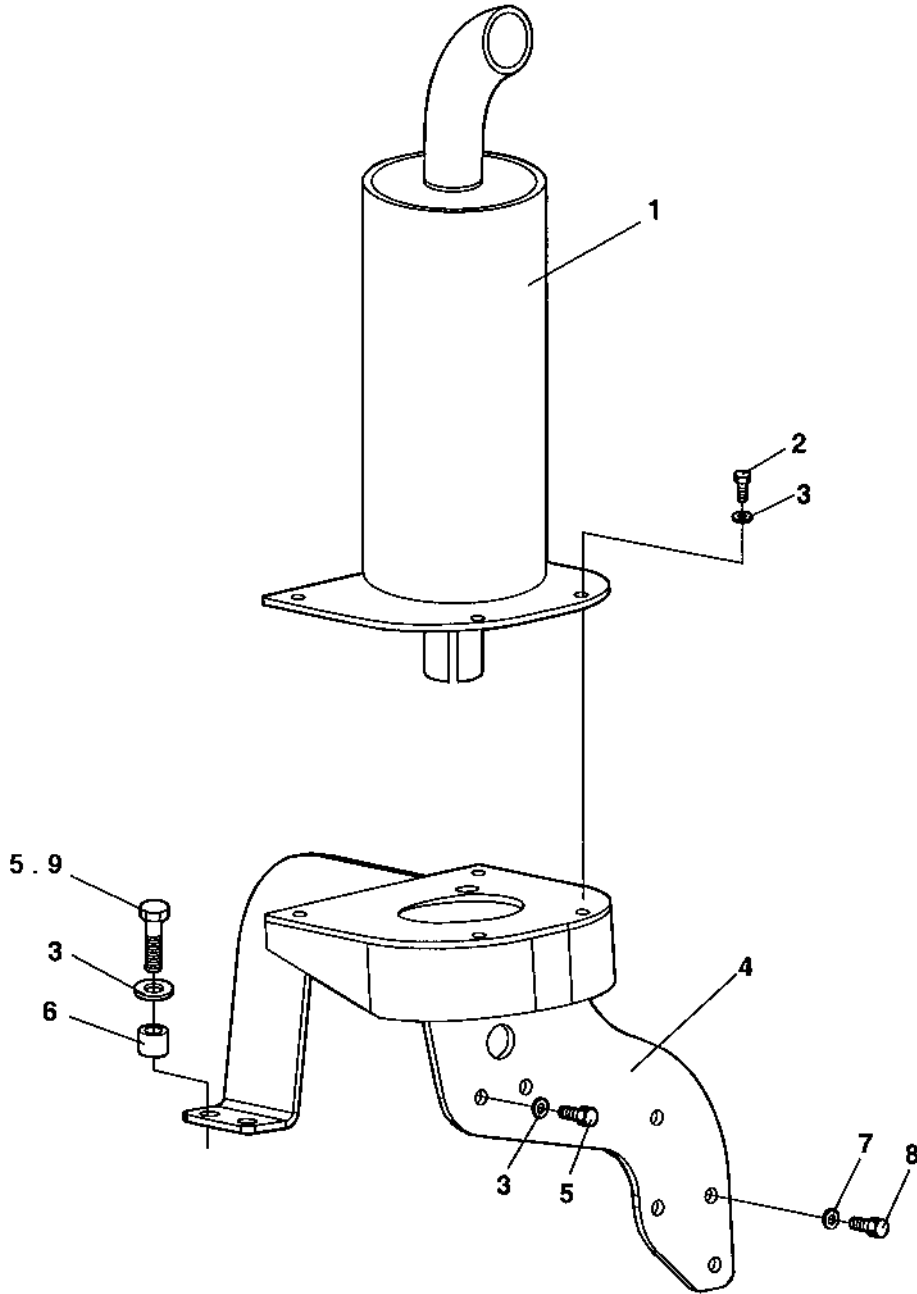


Exhaust system

Item	Part No	Rem Qty	Description	Code
1	4700388751	1	Muffler	
2	4700500021	7	Screw	M8-1,25x25 8.8
3	4700904640	7	Washer	8,4x22x3
4	4700313094	1	Pipe clamp	
5	4700386448	1	Bracket	
6	4700500091	4	Screw	
7	4700904230	4	Washer	
8	4700382093	2	Spacer sleeve	

Exhaust system

17661-1



Exhaust system

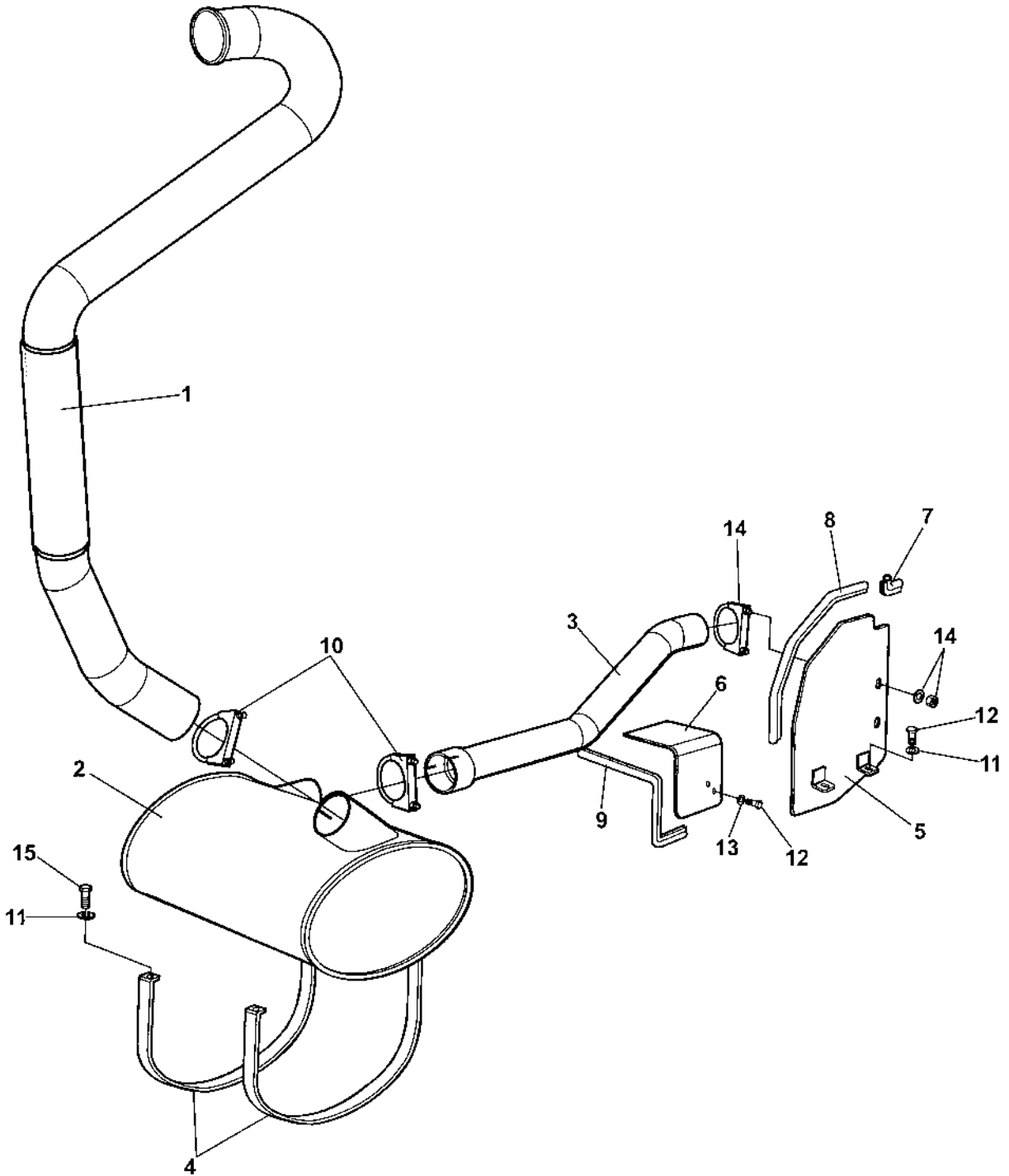
Item	Part No	Rem	Qty	Description	Code
1	4700388751		1	Muffler	
2	4700500030		4	Screw	
3	4700904557		8	Washer	
4	4700388750	A	1	Bracket	
	4700395552		1	Bracket	
5	4700500091		4	Screw	
6	4700382093		2	Spacer sleeve	
7	4700904640		3	Washer	8,4x22x3
8	4700500021		3	Screw	M8-1,25x25 8.8
9	4700500032	B	2	Screw	M10 x 55

A) Replaced by P/N 4700395552 together with Screws P/N 4700500032 x 2.

B) Used together with Bracket P/N 4700395552.

Exhaust system

18664



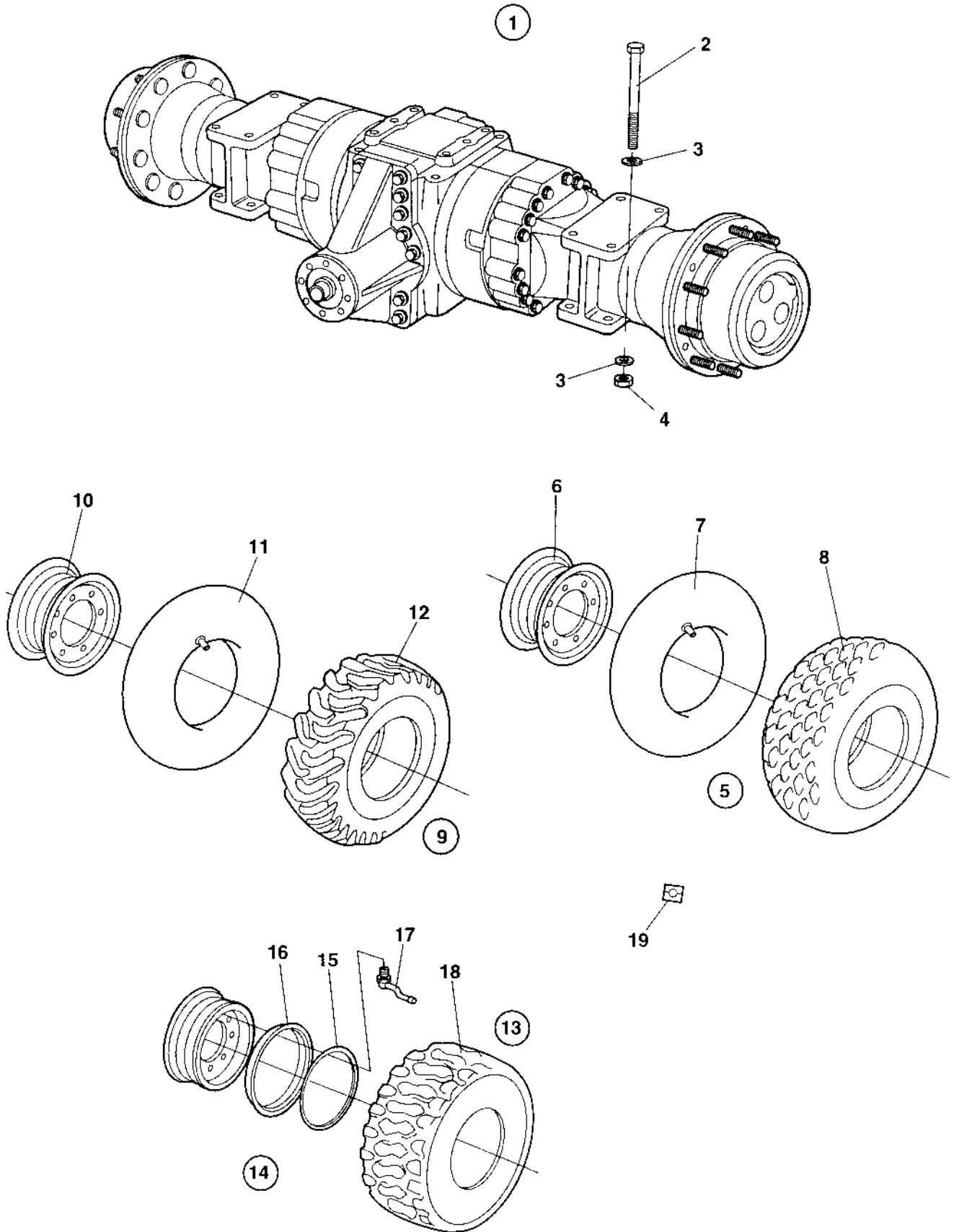
Exhaust system

Item	Part No	Rem	Qty	Description	Code
1	4700393661		1	Exhaust pipe	
2	4700392295		1	Muffler	
3	4700392296		1	Exhaust pipe	
4	4700386789		2	Clamp	
5	4700377098		1	Thermal guard	
6	4700392747		1	Thermal guard	
7	4700902166	A	1XL	Edge trim	
8	4700902166	B	1XL	Edge trim	
9	4700902166	C	1XL	Edge trim	
10	4700313094		2	Pipe clamp	
11	4700904640		6	Washer	8,4x22x3
12	4700500053		4	Screw	M8x20H 8.8
13	4700904229		4	Washer	8,4x16x1,5
14	4700313093		1	Pipe clamp	
15	4700500022		4	Screw	M8x30H 8.8 A2K
A)	L=0.080M				
B)	L=0,410M				
C)	L=0,380M				

Transmission

Item	Part No	Rem Qty	Description	Code
10			Rear axle and wheels Up to 65X20819 (Page 118)	
15			Rear axle and wheels From 65X20820 Up to 65X21197 (Page 120)	
16			Rear axle and wheels From 65X21198 Up to 65X22222 (Page 122)	
17			Rear axle and wheels From 65X22223 Up to 65X22357 (Page 124)	
18			Rear axle and wheels From 65X22358 Up to 65X22381 (Page 126)	
19			Rear axle and wheels From 65X22382 (Page 128)	
20	4700370112		Rear axle Up to 65X20819 (Page 130)	
25	4700383857		Rear axle From 65X20820 Up to 65X24241 (Page 138)	
27	4700393002		Rear axle From 65X24242 (Page 146)	
30	4700372941		Rear axle Up to 65X20819 (Page 154)	No-Spin, Option
35	4700383856		Rear axle From 65X20820 (Page 162)	No-Spin, Option
45	4700396309		Rear axle, Option From 65X24242 (Page 168)	

15984



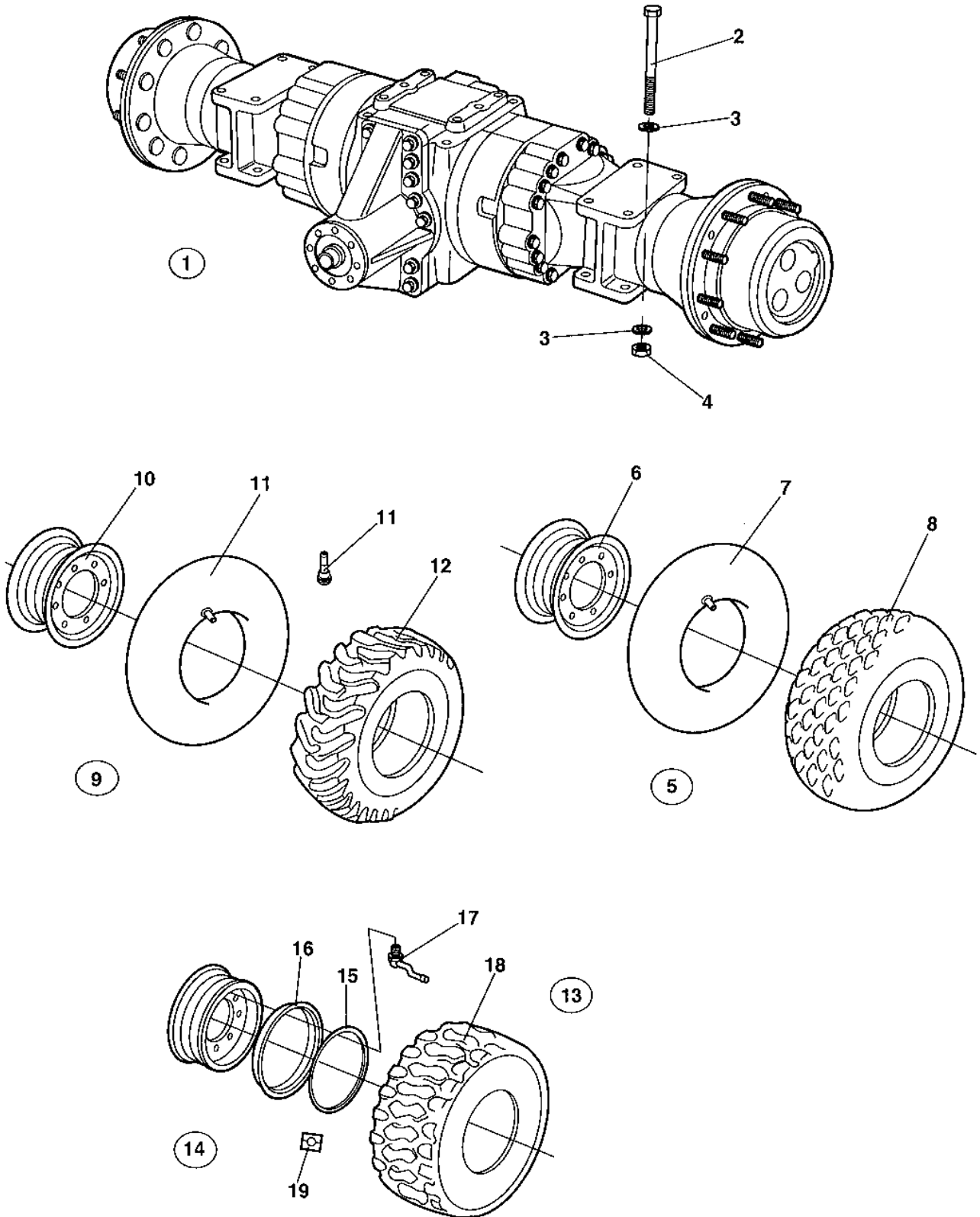
Rear axle and wheels

Item	Part No	Rem	Qty	Description	Code
1	4700370112		1	Rear axle (Page 130)	
2	4700929217		8	Screw	
3	4700904233		16	Washer	21x36x3
4	4700901145		8	Lock nut	M20-10
5	4700370970		2	Wheel, cpl	
	4700371945	A	2	Wheel, cpl	
6	4700370680		1	.Rim	
7	4700813380		1	.Inner tube	D
8	4700813379		1	.Tyre	D
9	4700373168	B	1	Tractor wheel, cpl	
	4700373169	C	1	Tractor wheel, cpl	
	4700371946	D	1	Tractor wheel, cpl	
	4700371947	E	1	Tractor wheel, cpl	
10	4700372913		1	.Rim	
11	4700373176		1	.Tube	D
12	4700373131		1	.Tyre	D
13	4700371179	F	2	Wheel, tubeless, cpl	
	4700371948	A	2	Wheel, tubeless, cpl	
14	4700370961		1	.Rim cpl	
15	4700901443		1	..Snap ring	
16	4700901444		1	..Side ring	
17	4700901219		1	.Air charging valve	
18	4700901218		1	.Tyre	D
19	4700991990	G	2	Decal "TYRE PRESSURE"	110-150kPA/16-21psi
	4700390900	G	1	Decal "TYRE PRESSURE"	110kPA/16psi
	4700355983	H	2	Decal "TYRE PRESSURE"	200kPa/29psi
	4700903985	I	2	Decal "SAFETY", "TYRE IN BALLAST"	

- A) Liquidfilled, option
- B) Left, option
- C) Right, option
- D) Liquidfilled, left, option
- E) Liquidfilled, right, option
- F) Option
- G) Used with item 4700370970, 4700371945, 4700373168, 4700373169, 4700371946, 4700371947.
- H) Used with item 4700371179, 4700371948.
- I) Used with item 4700371945, 4700371946, 4700371947, 4700371948.

Rear axle and wheels

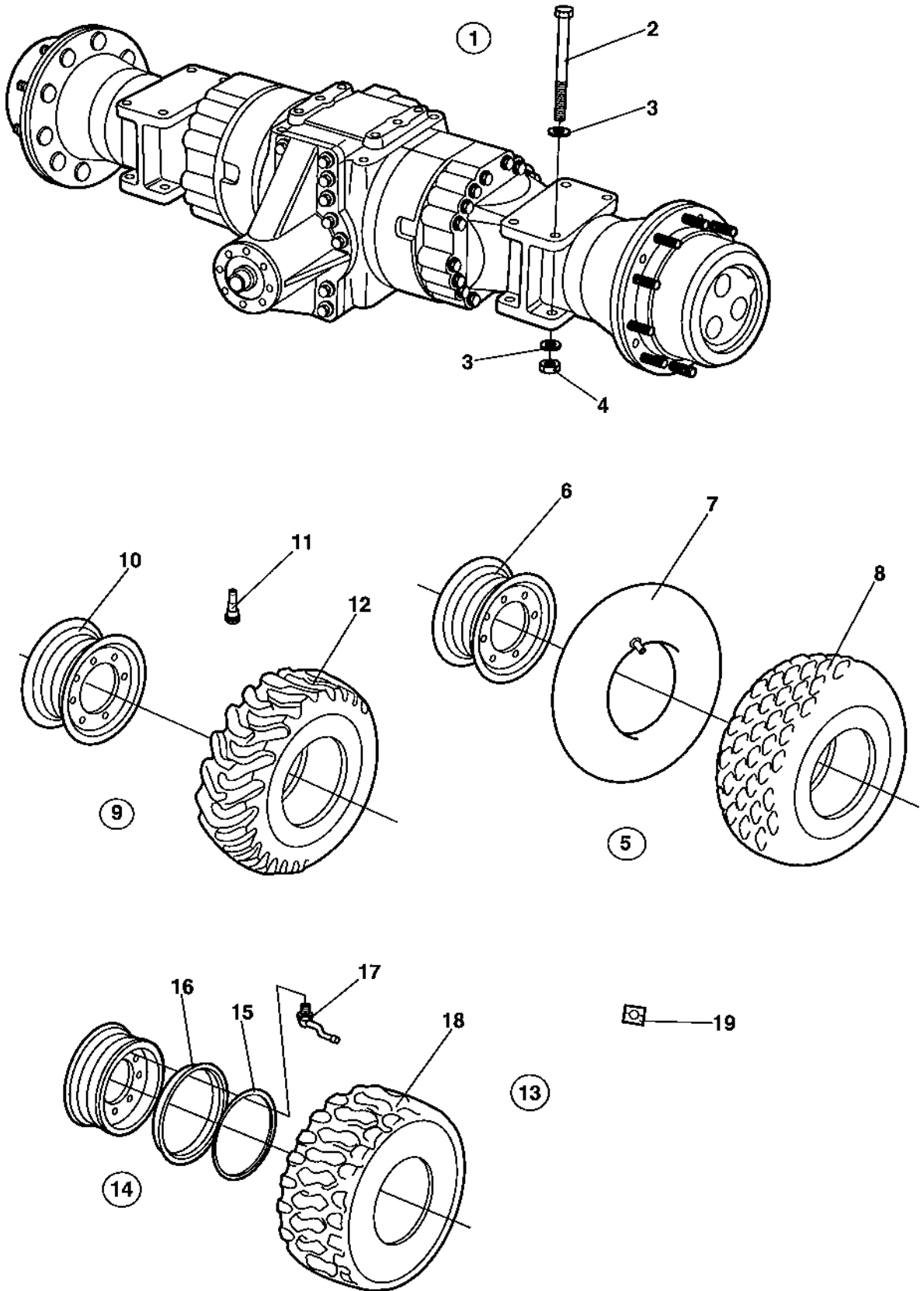
15984-1



Rear axle and wheels

Item	Part No	Rem	Qty	Description	Code
1	4700383857		1	Rear axle (Page 138)	
2	4700929217		8	Screw	
3	4700904233		16	Washer	21x36x3
4	4700901145		8	Lock nut	M20-10
5	4700383976		2	Wheel, cpl	
	4700383977	A	2	Wheel, cpl	
	4700388145	A,G	1	Wheel, cpl	
	4700388146	G	1	Wheel, cpl	
6	4700383933		1	.Rim	
7	4700813380		1	.Inner tube	D
8	4700813379		1	.Tyre	D
	4700791573	J,G	1	.Tyre	D
9	4700383980	B	1	Tractor wheel, cpl	
	4700383981	C	1	Tractor wheel, cpl	
	4700383978	D	1	Tractor wheel, cpl	
	4700383979	E	1	Tractor wheel, cpl	
10	4700383956		1	.Rim	
11	4700373176		1	.Tube	D
	4700902239	K	1	.Air charging valve	Straight
12	4700373131		1	.Tyre	D
13	4700383974	F	2	Wheel, tubeless, cpl	
	4700383975	A	2	Wheel, tubeless, cpl	
14	4700383955		1	.Rim cpl	
15	4700901443		1	..Snap ring	
16	4700901444		1	..Side ring	
17	4700901219		1	.Air charging valve	
18	4700901218		1	.Tyre	D
19	4700355983	H	2	Decal "TYRE PRESSURE"	200kPa/29psi
	4700903985	I	2	Decal "SAFETY", "TYRE IN BALLAST"	

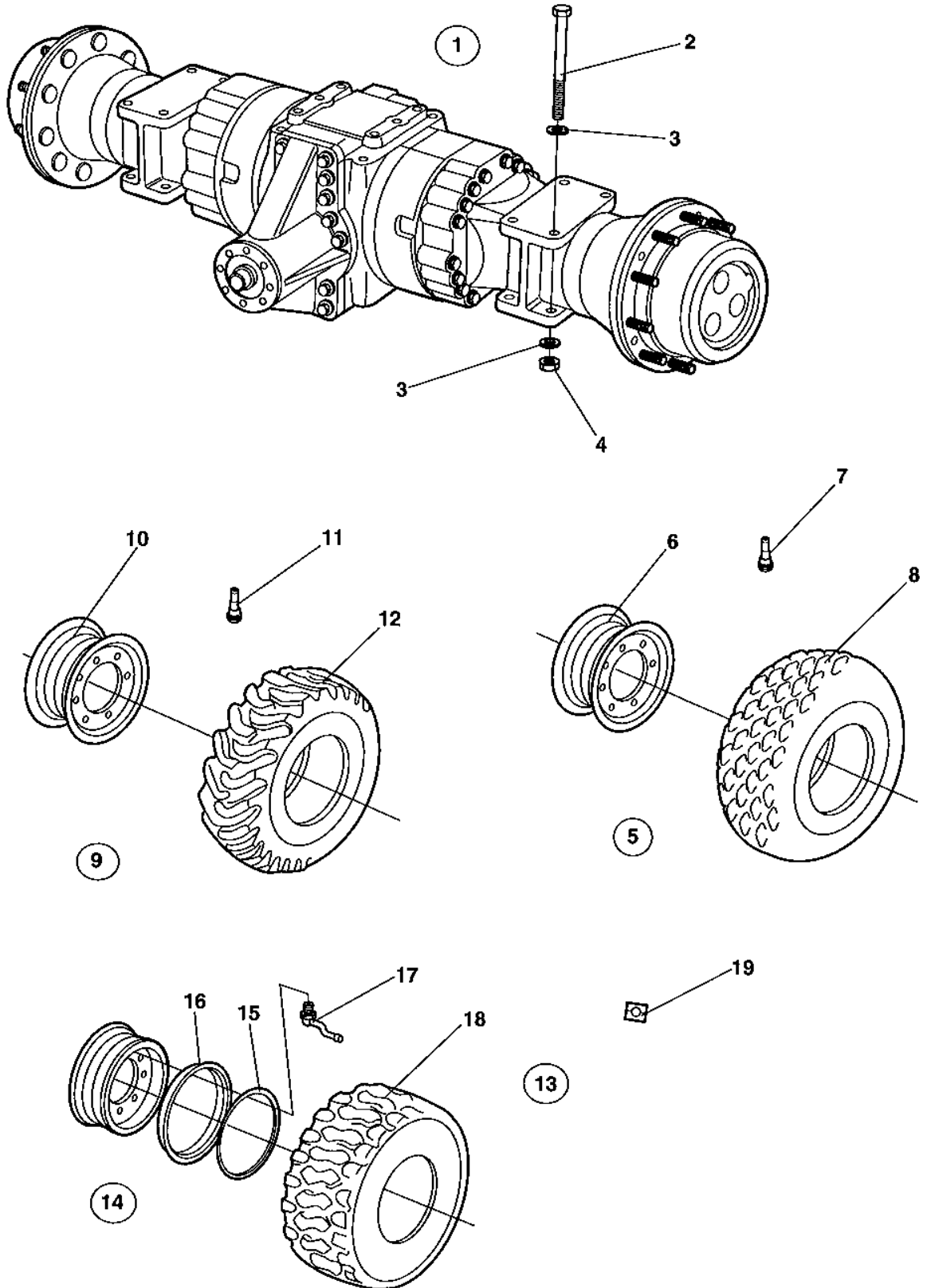
- A) Liquidfilled, option
- B) Left, option
- C) Right, option
- D) Liquidfilled, IRight, option
- E) Liquidfilled, Left, option
- F) Option
- G) For Chinese market only.
- H) Used with item 4700383974. 4700383975.
- I) Used with item 4700383977, 4700383978, 4700383979.
- J) Used together with 4700388145 and 4700388146.
- K) Used together with Non Liquefilled Tubless Tractor tyres.



Rear axle and wheels

Item	Part No	Rem Qty	Description	Code
1	4700383857	1	Rear axle (Page 138)	
2	4700929217	8	Screw	
3	4700904233	16	Washer	21x36x3
4	4700901145	8	Lock nut	M20-10
5	4700383976	2	Wheel, cpl	
	4700383977	A	Wheel, cpl	
	4700388145	A,G	Wheel, cpl	
	4700388146	G	Wheel, cpl	
6	4700383933	1	.Rim	
7	4700813380	1	.Inner tube	D
8	4700813379	1	.Tyre	D
	4700791573	J,G	.Tyre	D
9	4700379412	B	Tractor wheel, cpl	
	4700379411	C	Tractor wheel, cpl	
	4700379413	D	Tractor wheel, cpl	
	4700379414	E	Tractor wheel, cpl	
10	4700383933	1	.Rim	
11	4700792261	1	.Air charging valve	Straight
12	4700379410	1	.Tyre	D
13	4700383974	F	Wheel, tubeless, cpl	
	4700383975	K	Wheel, tubeless, cpl	
14	4700383955	1	.Rim cpl	
15	4700901443	1	..Snap ring	
16	4700901444	1	..Side ring	
17	4700791175	1	.Air charging valve	
	4700791176	1	.Valve foot	
18	4700901218	1	.Tyre	D
19	4700355983	H	Decal "TYRE PRESSURE"	200kPa/29psi
	4700903985	I	Decal "SAFETY", "TYRE IN BALLAST"	

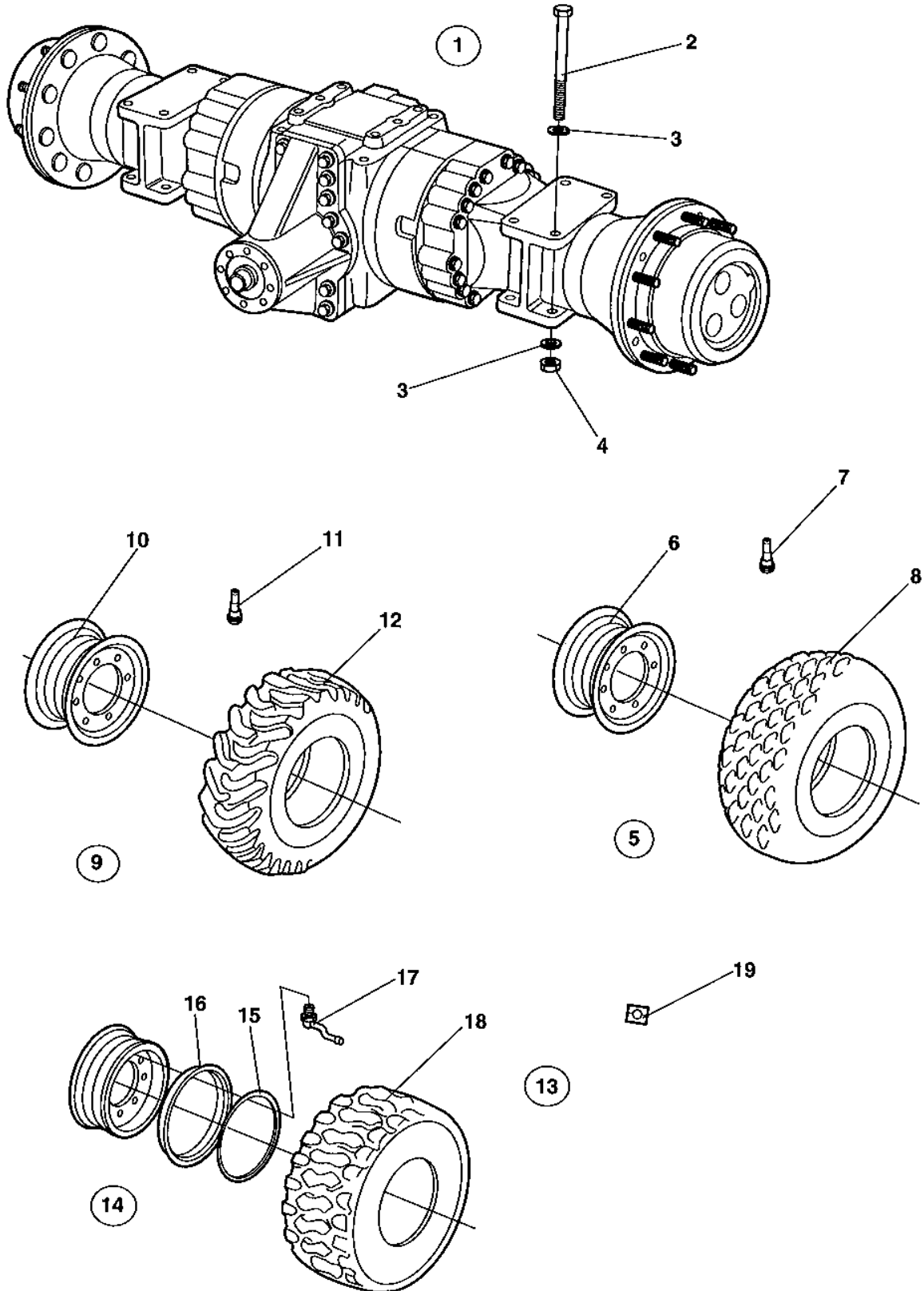
- A) Liquidfilled, option.
- B) Left, option.
- C) Right, option.
- D) Liquidfilled tyre, right, option.
- E) Liquidfilled tyre, left, option.
- F) Option, Michelin branded.
- G) For Chinese market only.
- H) Used with item 13, 4700383974. 4700383975.
- I) Used with Liqued filled tyres.
- J) Used together with 4700388145 and 4700388146.
- K) Liquidfilled, option, Michelin branded.



Rear axle and wheels

Item	Part No	Rem Qty	Description	Code
1	4700383857	1	Rear axle (Page 138)	
2	4700929217	8	Screw	
3	4700904233	16	Washer	21x36x3
4	4700901145	8	Lock nut	M20-10
5	4700379631	2	Wheel, cpl	
	4700379691	A 2	Wheel, cpl	
	4700388145	A,G 1	Wheel, cpl	
	4700388146	G 1	Wheel, cpl	
6	4700383933	1	.Rim	
7	4700792261	1	.Air charging valve	Straight B
8	4700379632	1	.Tyre	D
	4700791573	J,G 1	.Tyre	D
9	4700379412	B 1	Tractor wheel, cpl	
	4700379411	C 1	Tractor wheel, cpl	
	4700379413	D 1	Tractor wheel, cpl	
	4700379414	E 1	Tractor wheel, cpl	
10	4700383933	1	.Rim	
11	4700792261	1	.Air charging valve	Straight B
12	4700379410	1	.Tyre	D
13	4700383974	F 2	Wheel, tubeless, cpl	
	4700383975	K 2	Wheel, tubeless, cpl	
14	4700383955	1	.Rim cpl	
15	4700901443	1	..Snap ring	
16	4700901444	1	..Side ring	
17	4700791175	1	.Air charging valve	
	4700791176	1	.Valve foot	
18	4700901218	1	.Tyre	D
19	4700355983	H 2	Decal "TYRE PRESSURE"	200kPa/29psi
	4700903985	I 2	Decal "SAFETY", "TYRE IN BALLAST"	

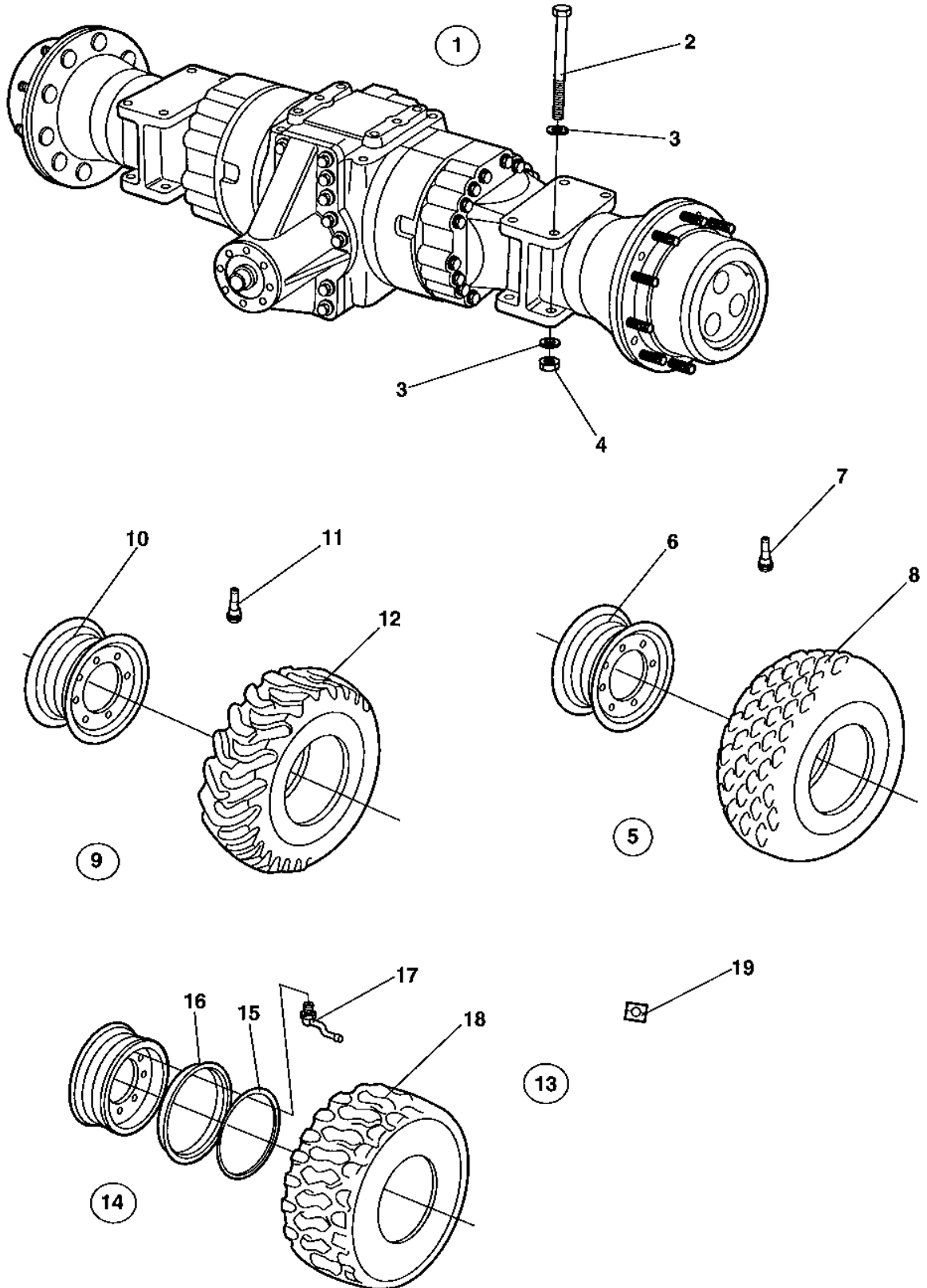
- A) Liquidfilled, option.
- B) Left, option.
- C) Right, option.
- D) Liquidfilled tyre, right, option.
- E) Liquidfilled tyre, left, option.
- F) Option, Michelin branded.
- G) For Chinese market only.
- H) Used with item 13, 4700383974. 4700383975.
- I) Used with Liqued filled tyres.
- J) Used together with 4700388145 and 4700388146.
- K) Liquidfilled, option, Michelin branded.



Rear axle and wheels

Item	Part No	Rem Qty	Description	Code
1	4700383857	1	Rear axle (Page 138)	
2	4700929217	8	Screw	
3	4700904233	16	Washer	21x36x3
4	4700901145	8	Lock nut	M20-10
5	4700390590	2	Wheel, cpl	
	4700390762	A 2	Wheel, cpl	
	4700388145	A,G 1	Wheel, cpl	
	4700388146	G 1	Wheel, cpl	
6	4700383933	1	.Rim	
7	4700792261	1	.Air charging valve	Straight B
8	4700390591	1	.Tyre	D
	4700791573	J,G 1	.Tyre	D
9	4700379412	B 1	Tractor wheel, cpl	
	4700379411	C 1	Tractor wheel, cpl	
	4700379413	D 1	Tractor wheel, cpl	
	4700379414	E 1	Tractor wheel, cpl	
10	4700383933	1	.Rim	
11	4700792261	1	.Air charging valve	Straight B
12	4700379410	1	.Tyre	D
13	4700383974	F 2	Wheel, tubeless, cpl	
	4700383975	K 2	Wheel, tubeless, cpl	
14	4700383955	1	.Rim cpl	
15	4700901443	1	..Snap ring	
16	4700901444	1	..Side ring	
17	4700791175	1	.Air charging valve	
	4700791176	1	.Valve foot	
18	4700901218	1	.Tyre	D
19	4700355983	H 2	Decal "TYRE PRESSURE"	200kPa/29psi
	4700903985	I 2	Decal "SAFETY", "TYRE IN BALLAST"	

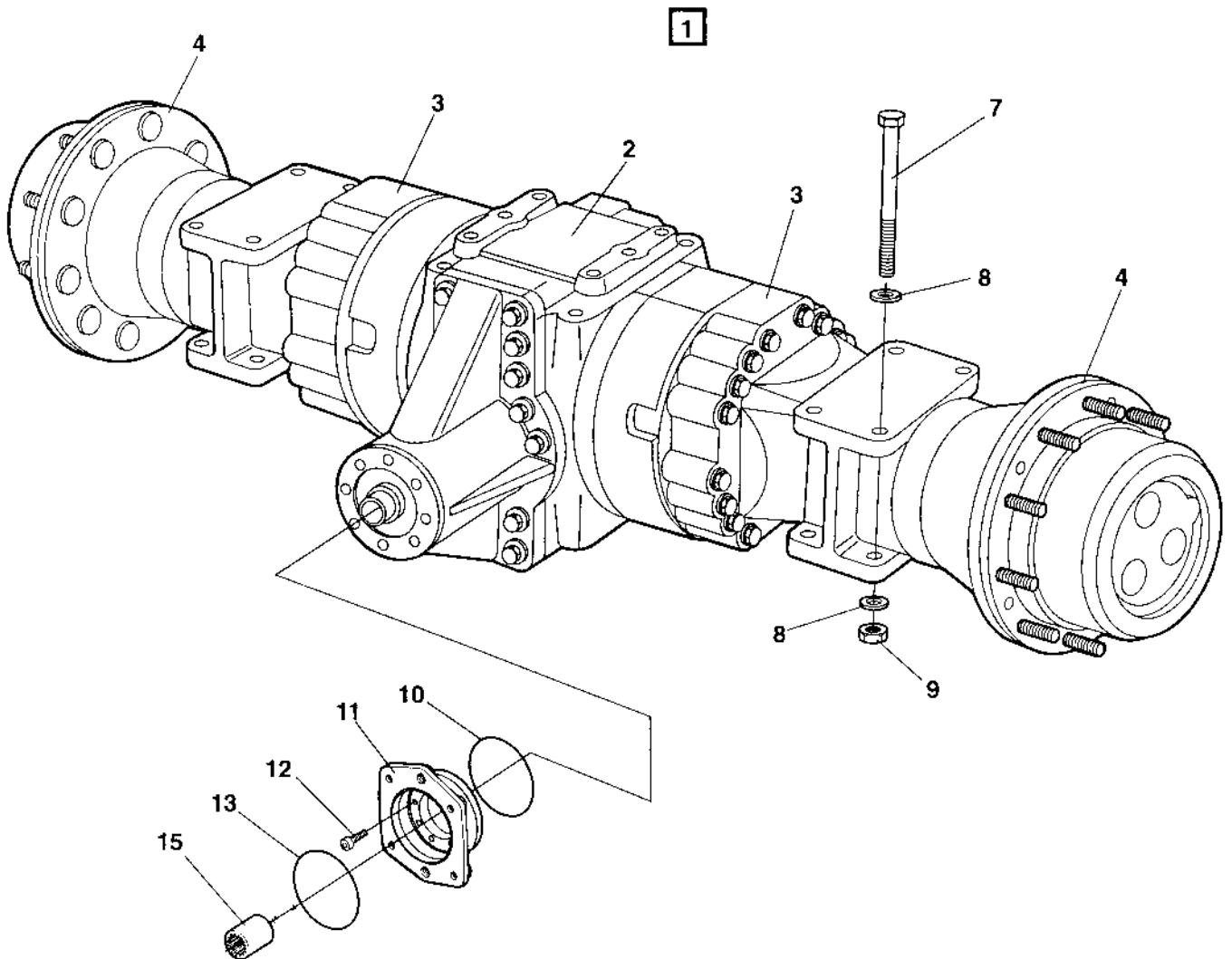
- A) Liquidfilled, option.
- B) Left, option.
- C) Right, option.
- D) Liquidfilled tyre, right, option.
- E) Liquidfilled tyre, left, option.
- F) Option, Michelin branded.
- G) For Chinese market only.
- H) Used with item 13, 4700383974. 4700383975.
- I) Used with Liqueed filled tyres.
- J) Used together with 4700388145 and 4700388146.
- K) Liquidfilled, option, Michelin branded.



Rear axle and wheels

Item	Part No	Rem Qty	Description	Code
1	4700383857	1	Rear axle (Page 138)	
2	4700929217	8	Screw	
3	4700904233	16	Washer	21x36x3
4	4700901145	8	Lock nut	M20-10
5	4700390590	2	Wheel, cpl	
	4700390762	A	Wheel, cpl	
	4700388145	A,G	Wheel, cpl	
	4700388146	G	Wheel, cpl	
6	4700383933	1	.Rim	
7	4700792261	1	.Air charging valve	Straight
8	4700390591	1	.Tyre	B
	4700791573	J,G	.Tyre	D
9	4700390588	B	Tractor wheel, cpl	D
	4700390587	C	Tractor wheel, cpl	
	4700390759	D	Tractor wheel, cpl	
	4700390760	E	Tractor wheel, cpl	
10	4700383933	1	.Rim	
11	4700792261	1	.Air charging valve	Straight
12	4700390589	1	.Tyre	B
13	4700383974	F	Wheel, tubeless, cpl	D
	4700383975	K	Wheel, tubeless, cpl	
14	4700383955	1	.Rim cpl	
15	4700901443	1	..Snap ring	
16	4700901444	1	..Side ring	
17	4700791175	1	.Air charging valve	
	4700791176	1	.Valve foot	
18	4700901218	1	.Tyre	D
19	4700355983	H	Decal "TYRE PRESSURE"	200kPa/29psi
	4700903985	I	Decal "SAFETY", "TYRE IN BALLAST"	

- A) Liquidfilled, option.
- B) Left, option.
- C) Right, option.
- D) Liquidfilled tyre, right, option.
- E) Liquidfilled tyre, left, option.
- F) Option, Michelin branded.
- G) For Chinese market only.
- H) Used with item 13, 4700383974. 4700383975.
- I) Used with Liqueed filled tyres.
- J) Used together with 4700388145 and 4700388146.
- K) Liquidfilled, option, Michelin branded.

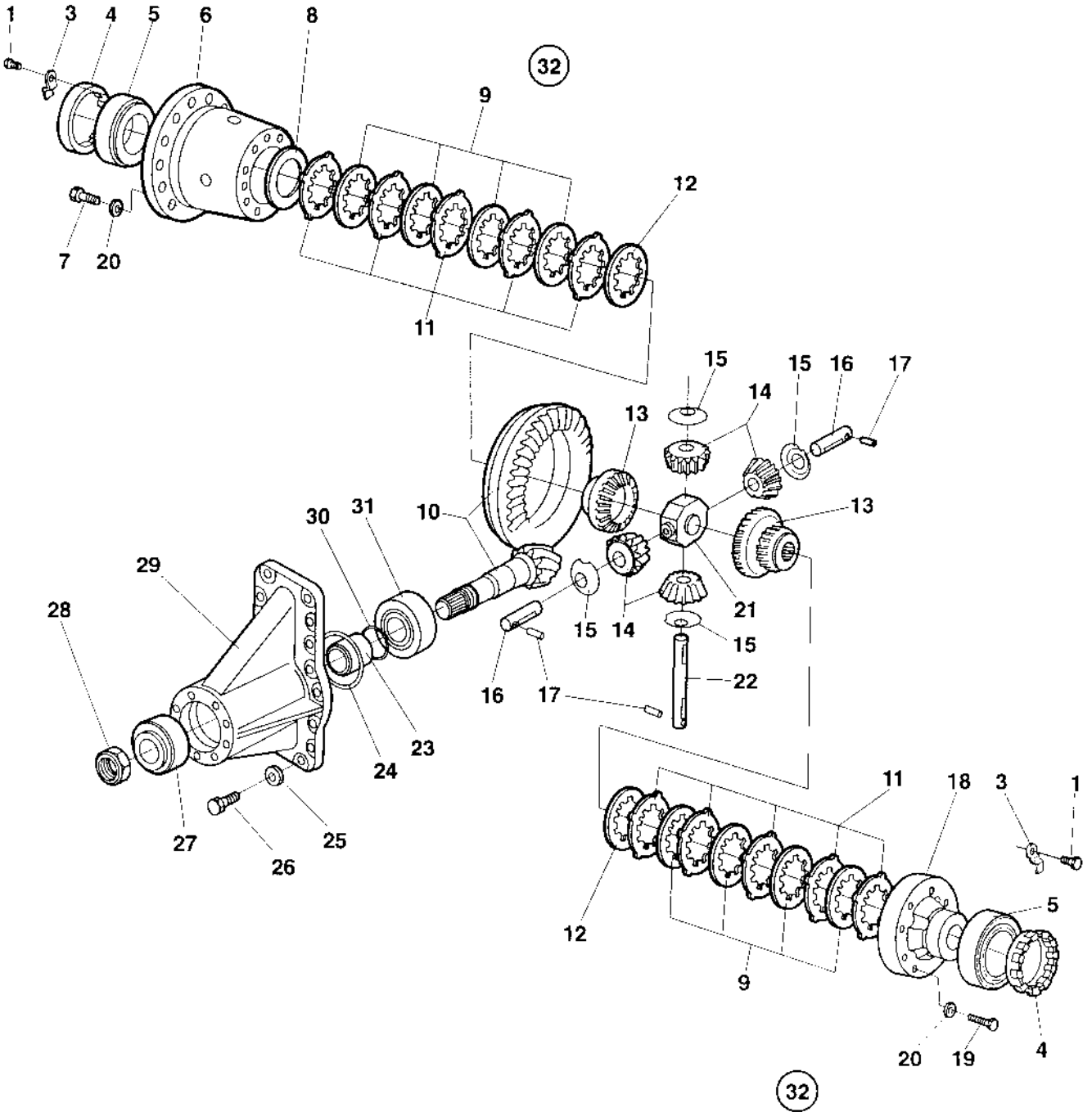


4700370112 Rear axle

Item	Part No	Rem Qty	Description	Code
1		1	Rear axle	
2		1	.Differential with limited slip (Page 132)	
3		2	.Differential housing and brakes (Page 134)	
4		2	.Planet gear (Page 136)	
7	4700929217	8	Screw	
8	4700904233	16	Washer	21x36x3
9	4700901145	8	Lock nut	M20-10
10	4700929648		.O-ring	D
11	4700909583		.Flange	
12	4700909582		.Screw	
13	4700909584		.O-ring	D
15	4700901834		.Splined sleeve	

Differential with limited slip

15798



Differential with limited slip

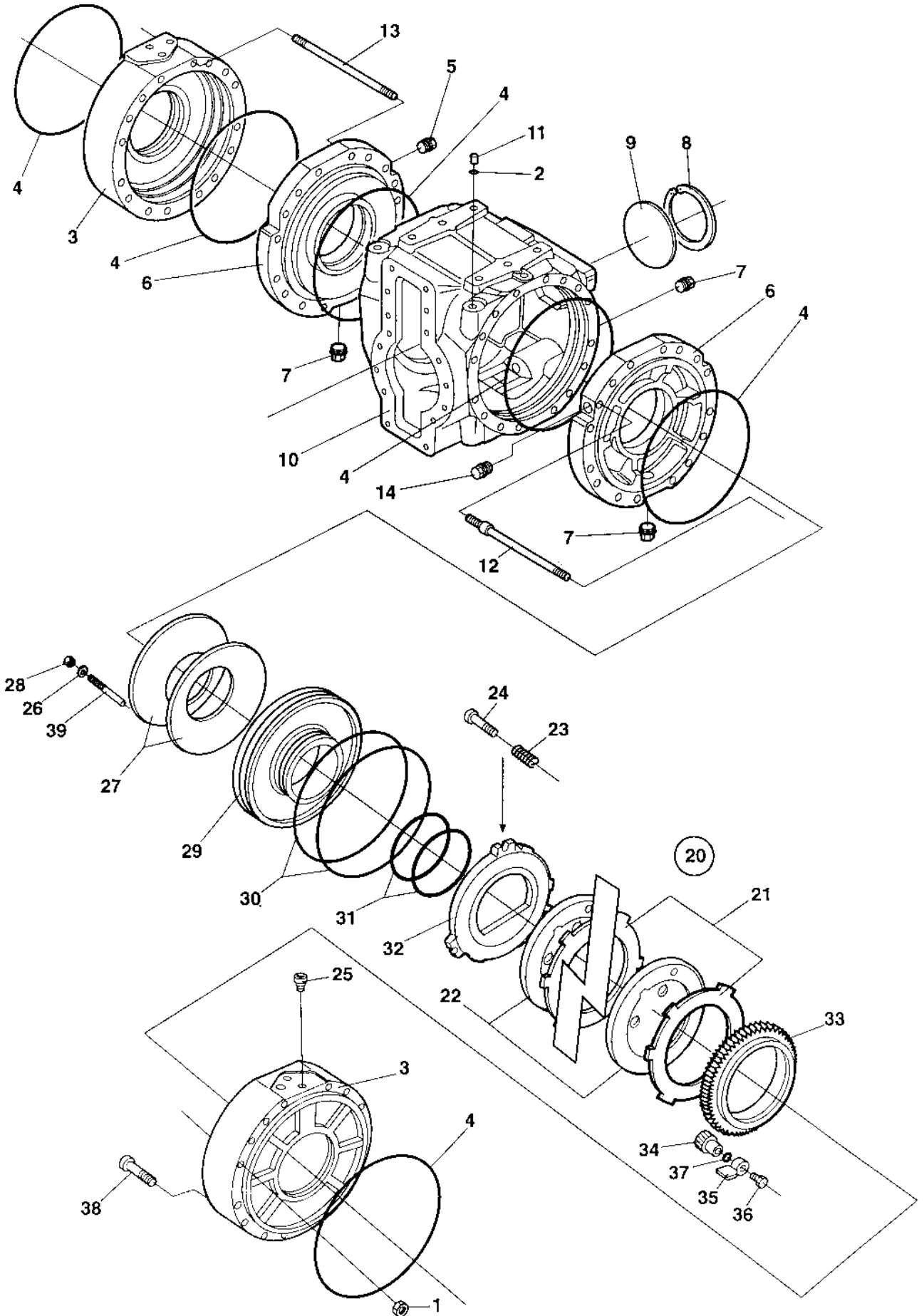
Item	Part No	Rem	Qty	Description	Code
1	4700909547		2	Screw	
3	4700909548		2	Lock plate	
4	4700929624		2	Ring nut	
5	4700909549		2	Roller bearing	
6	4700909550		1	Differential carrier	
7	4700929629		16	Screw	
8	4700909551		1	Shim	0,30mm
	4700909552		1	Shim	0,40mm
	4700909553		1	Shim	0,10mm
9		A	1	Limited slip disc	
10	4700909555		1	Bevel gear set	
11		A	10	Limited slip disc	
12		A	2	Limited slip disc	
13	4700909558		2	Differential gear	
14	4700926758		4	Differential pinion	
15	4700909559		4	Friction washer	
16	4700909560		2	Shaft	
17	4700909561		3	Rolled pin	
18	4700909562		1	Differential carrier cover	
19	4700909563		8	Screw	
20	4700909564		24	Spring washer	
21	4700909565		1	Shaft retainer	
22	4700909566		1	Shaft	
23	4700909567		1	Spacer	
24	4700909568		1	Shim	0,10mm
	4700909569		1	Shim	0,20mm
	4700909570		1	Shim	0,50mm
	4700909571		1	Shim	0.15mm
25	4700909572		16	Spring washer	
26	4700909573		16	Screw	
27	4700909574		1	Roller bearing	
28	4700909575		1	Nut	
29	4700908485		1	Housing	
30	4700929644		1	Shim	0,40mm
	4700909576		1	Shim	0,30mm
	4700909577		1	Shim	0.50mm
	4700909578		1	Shim	0.60mm
	4700909579		5	Shim	0.45mm
	4700909580		3	Shim	0,20mm
31	4700909581		1	Roller bearing	
32	4700935644		2	Disc kit	

D

A) Use item 32

Differential housing and brakes

15797

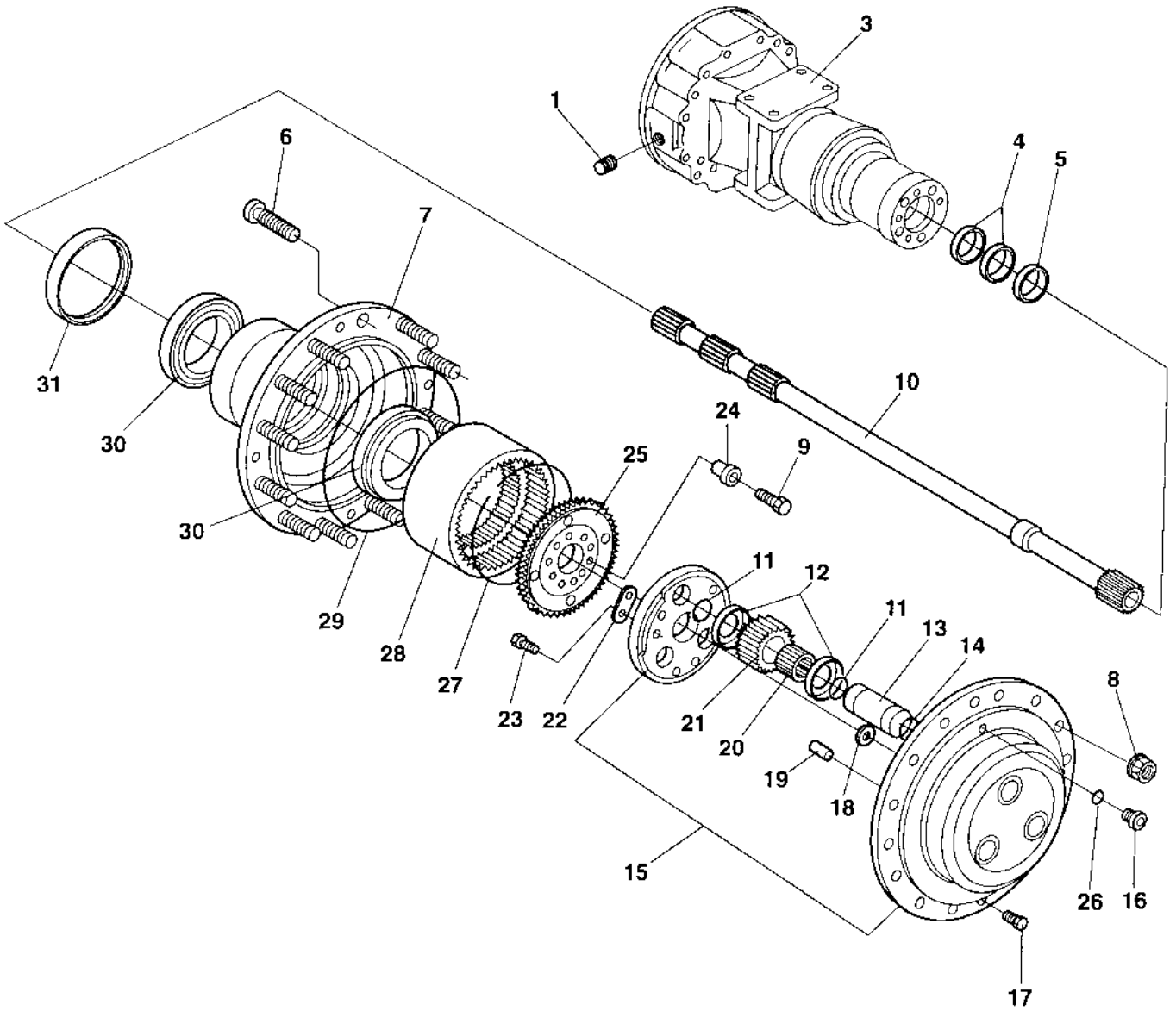


Differential housing and brakes

Item	Part No	Rem Qty	Description	Code
1	4700211733	32	Nut	
2	4700909537	2	Washer	
3	4700909538	2	Housing	
4	4700909539	6	O-ring	D
5	4700909540	1	Plug	
6	4700909541	2	Intermediate housing	
7	4700926810	5	Magnetic plug	
8	4700929617	1	Lock ring	
9	4700909542	1	Plug	
10	4700909543	1	Housing	
11	4700909544	2	Screw	
12	4700909545	4	Stud	
13	4700909546	28	Stud	
14	4700900926	1	Breather	D
20	4700935606	2	Brake disc kit	D
21		12	.Brake disc	D
22		12	.Brake disc	D
23	4700909613	6	Spring	
24	4700909614	6	Adjusting screw	
25	4700909615	4	Breather	
26	4700926847	4	Sealing washer	
27	4700909616	4	Spring	
28	4700926846	4	Nut	
29	4700909617	2	Piston	
30	4700909618	4	O-ring	D
31	4700909619	4	O-ring	D
32	4700909620	2	Brake disc	
33	4700909621	2	Ring	
34	4700909622	2	Pinion	
35	4700909623	2	Lock plate	
36	4700909624	2	Screw	
37	4700900966	2	O-ring	D
38	4700909625	4	Screw	
39	4700909626	4	Bolt	

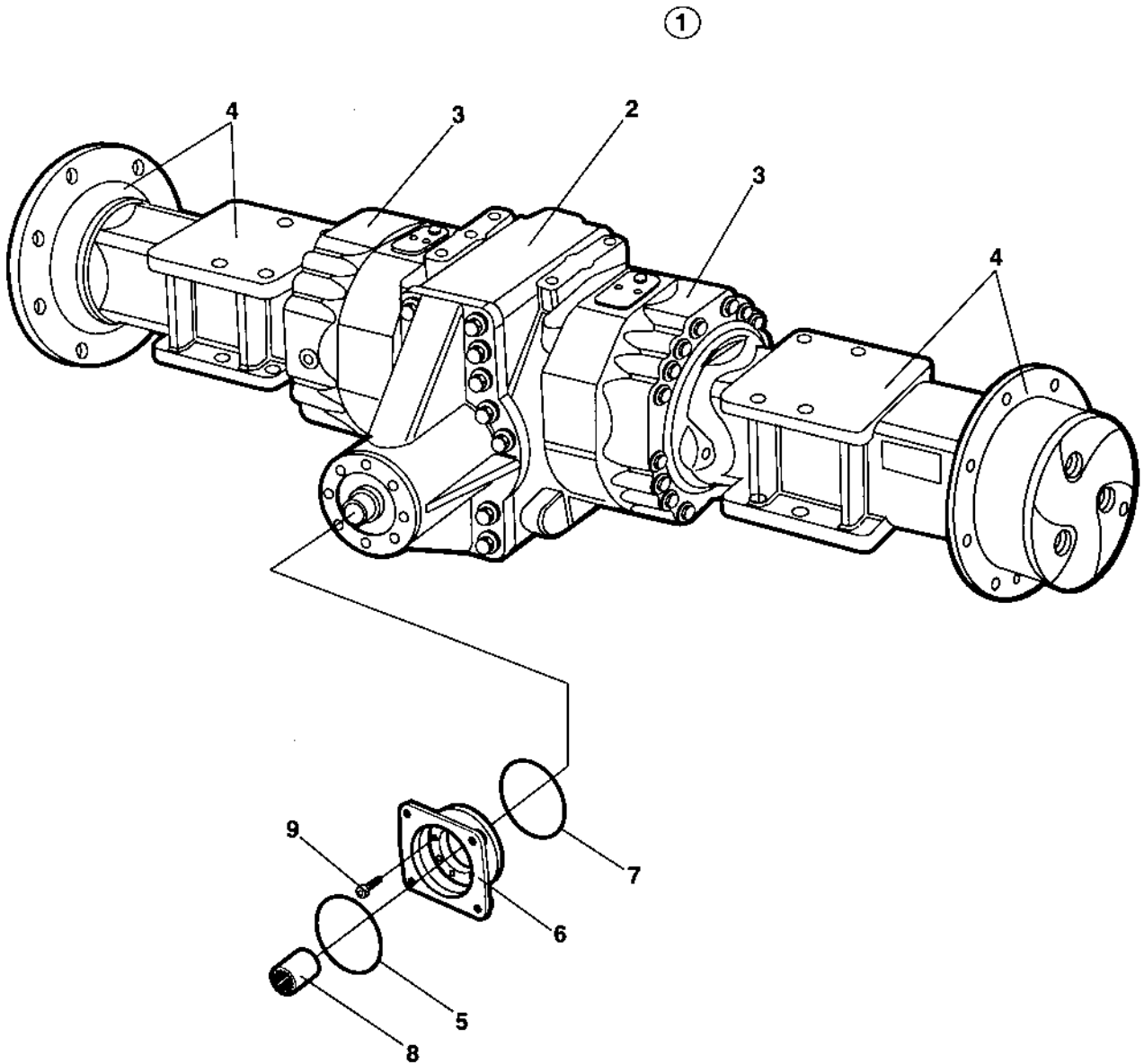
Planet gear

15800



Planet gear

Item	Part No	Rem Qty	Description	Code
1	4700926732	2	Magnetic plug	
3	4700909585	2	Housing	
4	4700909586	2	Seal	D
5	4700909587	2	Ring	
6	4700926781	20	Wheel screw	
7	4700909588	2	Hub	
8	4700901987	20	Wheel nut	
9	4700909589	20	Screw	
10	4700909590	2	Shaft	
11	4700909591	12	Snap ring	
12	4700909592	12	Washer	
13	4700909593	6	Shaft	
14	4700909594	6	O-ring	D
15	4700909595	2	Planet gear carrier	
16	4700909596	2	Plug	
17	4700909597	10	Screw	
18	4700909598	2	Friction washer	
19	4700909599	6	Pin	
20	4700909601	6	Needle roller bearing	
21	4700909602	6	Planet gear	
22	4700909603	6	Lock plate	
23	4700909604	12	Screw	
24	4700909605	20	Bushing	
25	4700909606	2	Ring gear support	
26	4700909607	2	Seal	D
27	4700909608	2	Snap ring	
28	4700908095	2	Ring gear	
29	4700909609	2	O-ring	D
30	4700909610	4	Roller bearing	
31	4700908461	2	Ring	D

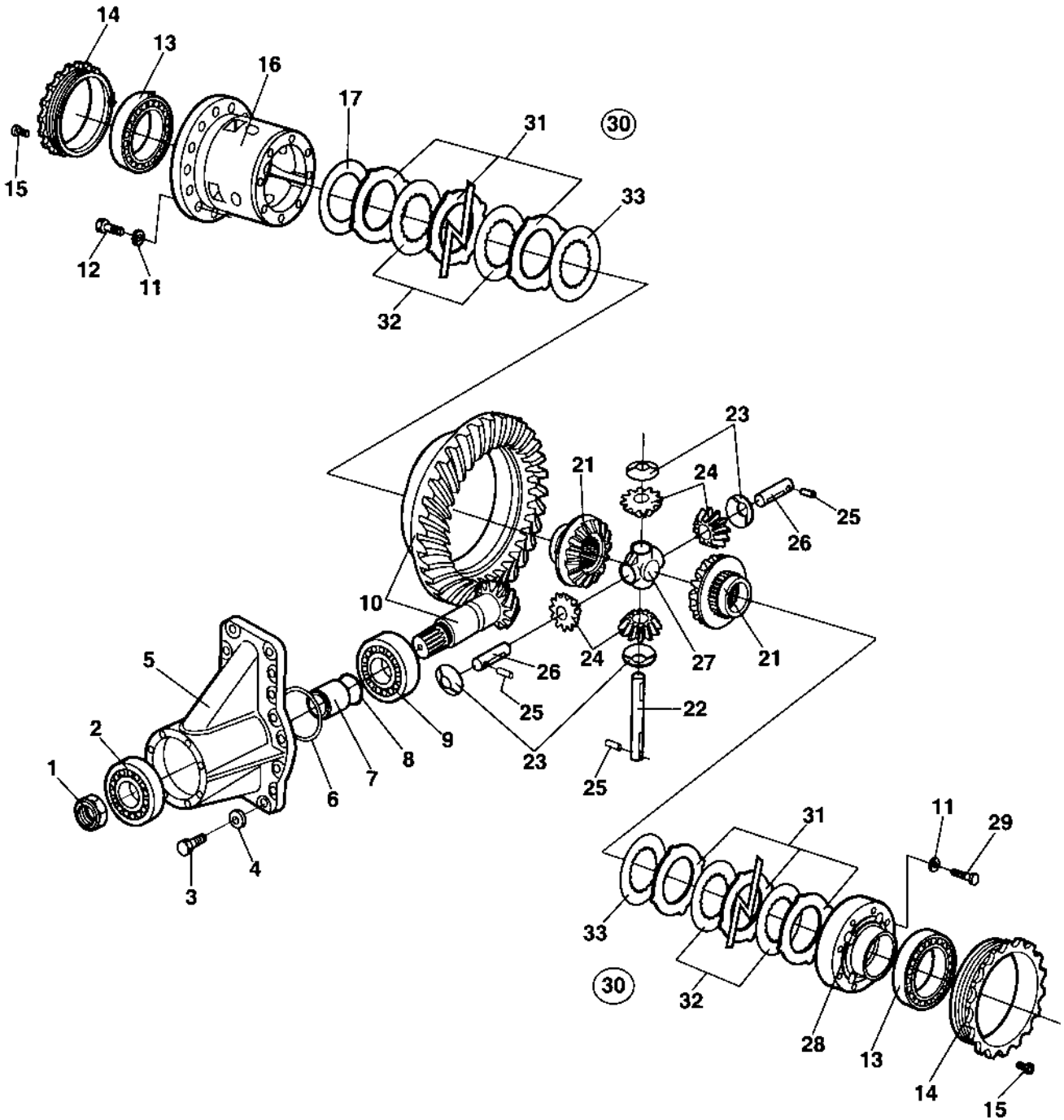


4700383857 Rear axle

Item	Part No	Rem Qty	Description	Code
1		1	Rear axle	D
2		1	.Differential with limited slip (Page 140)	
3		2	.Differential housing and brakes (Page 142)	
4		2	.Planet gear (Page 144)	
5	4700909584	1	O-ring	D
6	4700909583	1	Flange	
7	4700929648	1	O-ring	D
8	4700901834	1	Splined sleeve	
9	4700909582	8	Screw	

Differential with limited slip

17672

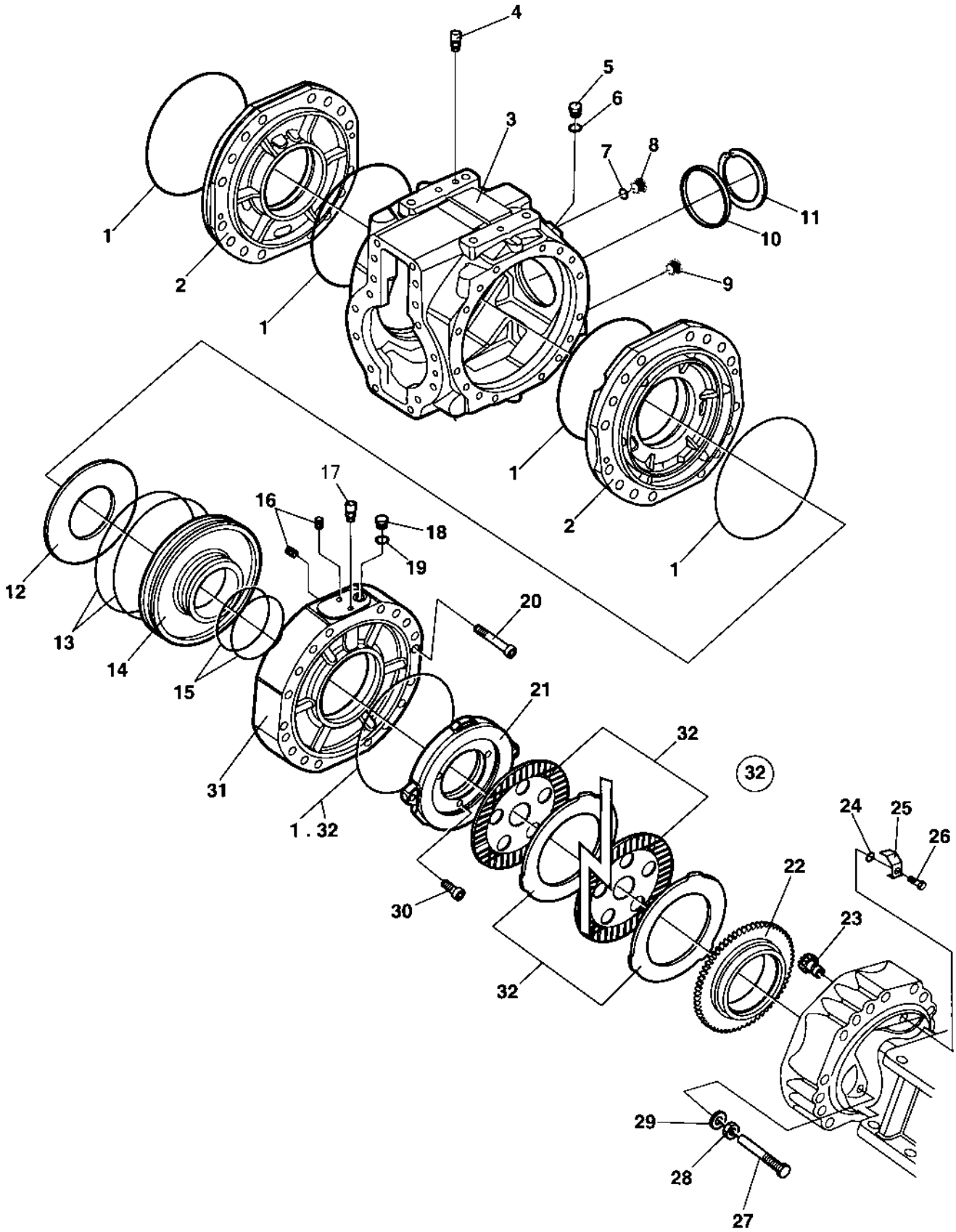


Differential with limited slip

Item	Part No	Rem Qty	Description	Code
1	4700929638	1	Nut	
2	4700909574	1	Roller bearing	
3	4700939257	16	Bolt	
4	4700909572	16	Spring washer	
5	4700908485	1	Housing	
6	4700909568	1	Shim	0,10mm
	4700909569	1	Shim	0,20mm
	4700909570	1	Shim	0,50mm
	4700939258	1	Shim	0,15mm
7	4700909567	1	Spacer	
8	4700939259	1	Shim	0,15mm
	4700909580	1	Shim	0,20mm
	4700909576	1	Shim	0,30mm
	4700929644	1	Shim	0,40mm
	4700939260	1	Shim	0,50mm
9	4700909581	1	Roller bearing	
10	4700212553	1	Bevel gear set	
11	4700929628	16	Washer	
12	4700929629	16	Screw	
13	4700923342	1	Bearing	
14	4700939261	2	Nut	
15	4700938989	2	Screw	
16	4700909550	1	Differential carrier	
17	4700909551	1	Shim	0,30mm
	4700909552	1	Shim	0,40mm
	4700909553	1	Shim	0,10mm
21	4700909558	2	Differential gear	
22	4700909566	1	Shaft	
23	4700909559	4	Friction washer	
24	4700939262	4	Differential pinion	
25	4700909561	3	Rolled pin	
26	4700909560	2	Shaft	
27	4700909565	1	Shaft retainer	
28	4700909562	1	Differential carrier cover	
29	4700909563	8	Screw	
30	4700935644	2	Disc kit	D
31		10	.Limited slip disc	D
32		8	.Limited slip disc	D
33		2	.Limited slip disc	D

Differential housing and brakes

17670

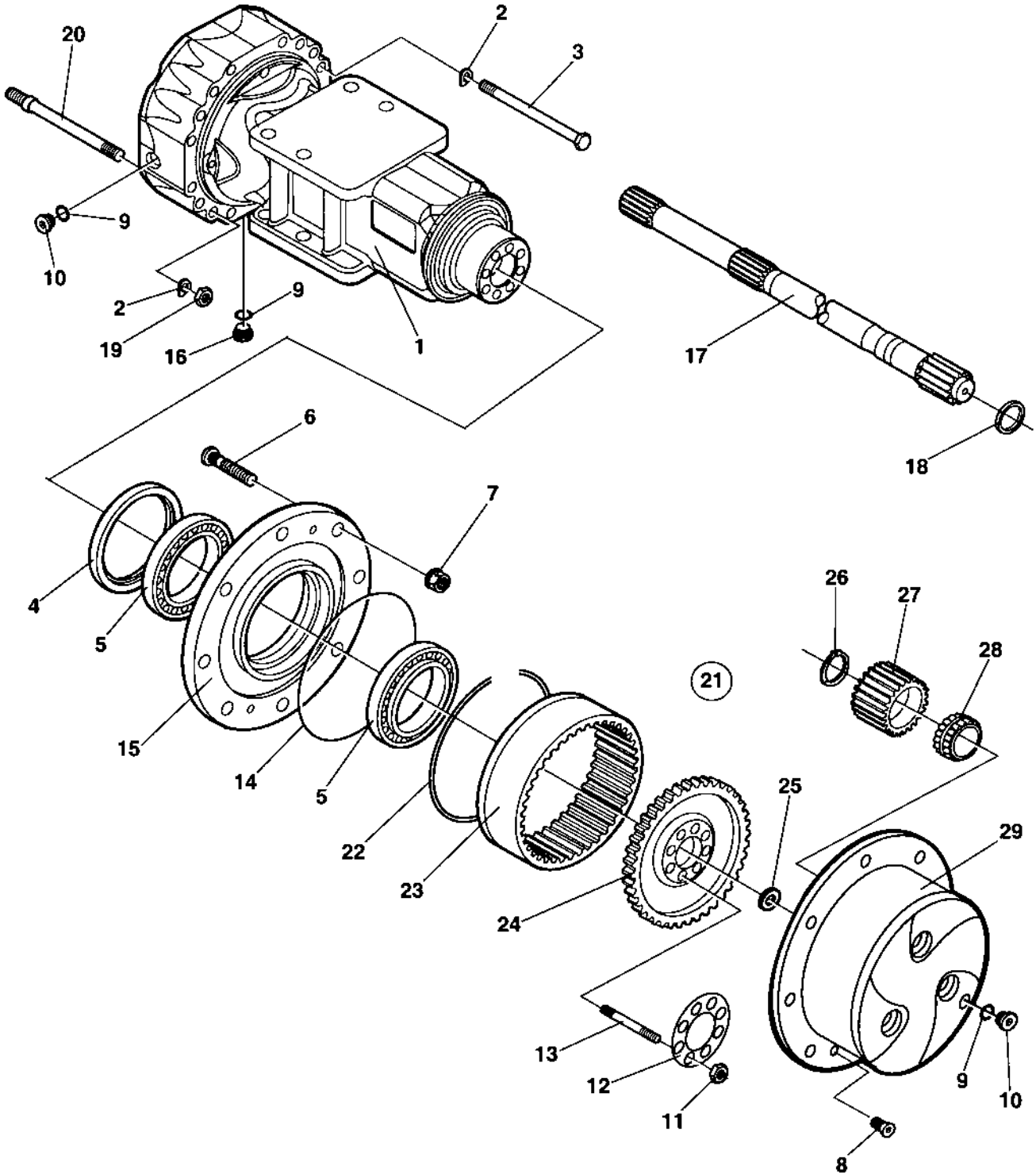


Differential housing and brakes

Item	Part No	Rem Qty	Description	Code
1	4700909609	6	O-ring	D
2	4700939255	2	Cover	
3	4700939256	1	Housing	
4	4700938984	1	Vent nipple	
5	4700909544	2	Screw	
6	4700938983	2	Sealing washer	
7	4700909607	1	Seal	D
8	4700909596	1	Plug	
9	4700926810	1	Magnetic plug	
10	4700938296	1	Plug	
11	4700929617	1	Lock ring	
12	4700909616	2	Spring	
13	4700909618	4	O-ring	D
14	4700939280	2	Piston	
15	4700909619	4	O-ring	D
16	4700939281	4	Bolt	
17	4700938984	2	Vent nipple	
18	4700939282	2	Bolt	
19	4700939036	2	Sealing washer	
20	4700939035	4	Screw	
21	4700939283	2	Disc	
22	4700939285	2	Ring	
23	4700909622	2	Pinion	
24	4700900966	2	O-ring	D
25	4700939286	2	Lock plate	
26	4700909624	2	Screw	
27	4700909626	4	Bolt	
28	4700900957	4	Nut	
29	4700926847	4	Sealing washer	
30	4700939026	6	Screw	
31	4700939287	2	Cover	
32	4700939284	2	Brake disc kit	
		12	.Brake disc	
		12	.Brake disc	
	4700909609	2	.O-ring	D

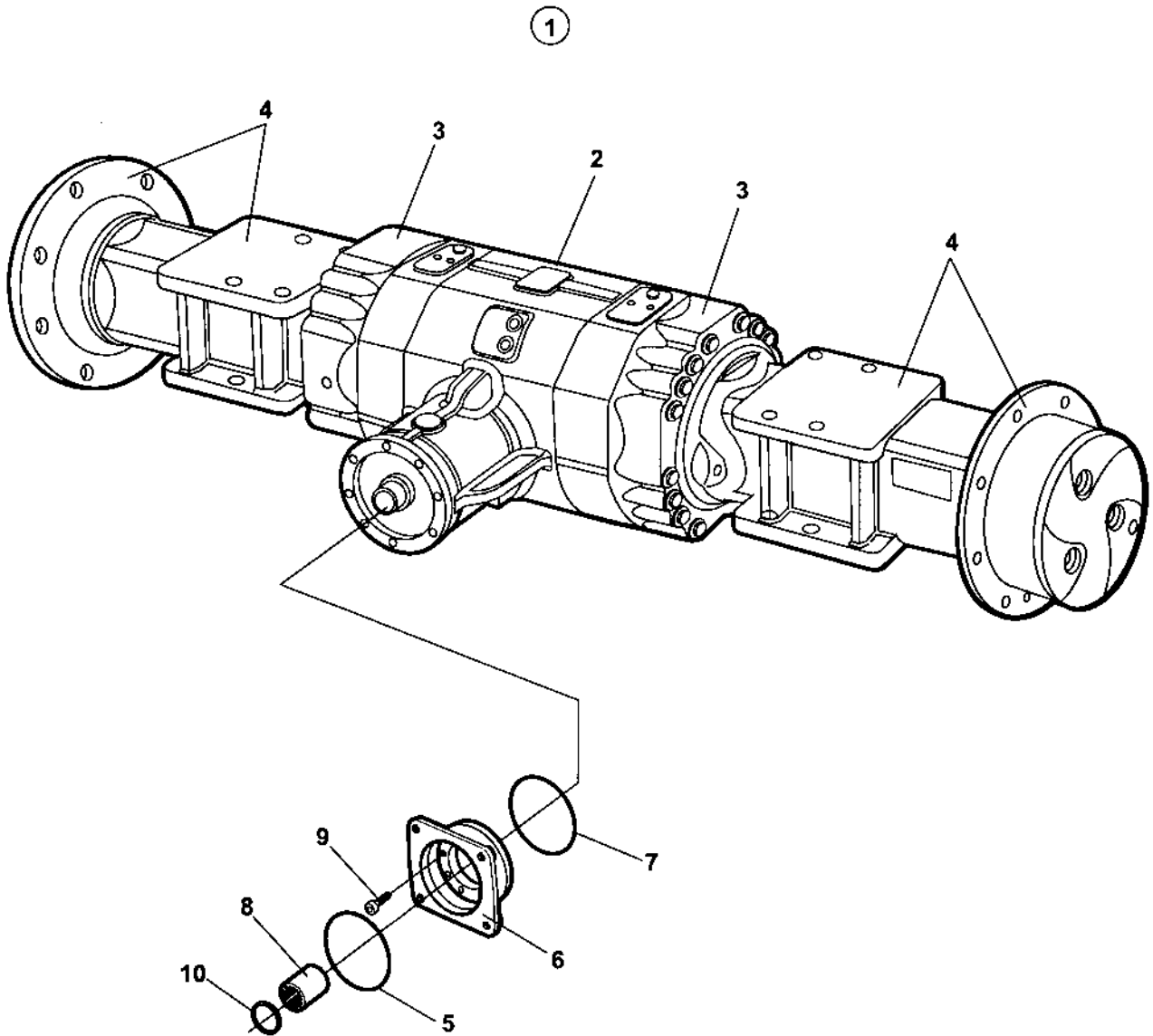
Planet gear

17673



Planet gear

Item	Part No	Rem Qty	Description	Code
1	4700939263	2	Axle case	
2	4700939003	32	Spring washer	
3	4700939264	24	Bolt	
4	4700939265	2	Seal	
5	4700939266	4	Bearing	
6	4700926781	20	Wheel screw	
7	4700901987	20	Wheel nut	
8	4700939015	4	Screw	
9	4700330333	6	Copper washer	D
10	4700909596	4	Plug	
11	4700939016	20	Nut	
12	4700939275	2	Lock plate	
13	4700939017	20	Stud	
14	4700929612	2	O-ring	
15	4700939276	2	Wheel hub	
16	4700938985	2	Magnetic plug	
17	4700939277	2	Half shaft	
18	4700909586	2	Seal	D
19	4700939019	8	Nut	
20	4700939278	8	Stud	
21	4700939279	2	Planet gear carrier Cpl.	
22	4700939267	2	.Circlip	
23	4700939268	2	.Ring gear	
24	4700939269	2	.Ring gear support	
25	4700939270	2	.Washer	
26	4700939271	6	.Seal	
27	4700939272	6	.Planet gear	
28	4700939273	6	.Bearing	
29	4700939274	2	.Planet gear carrier	

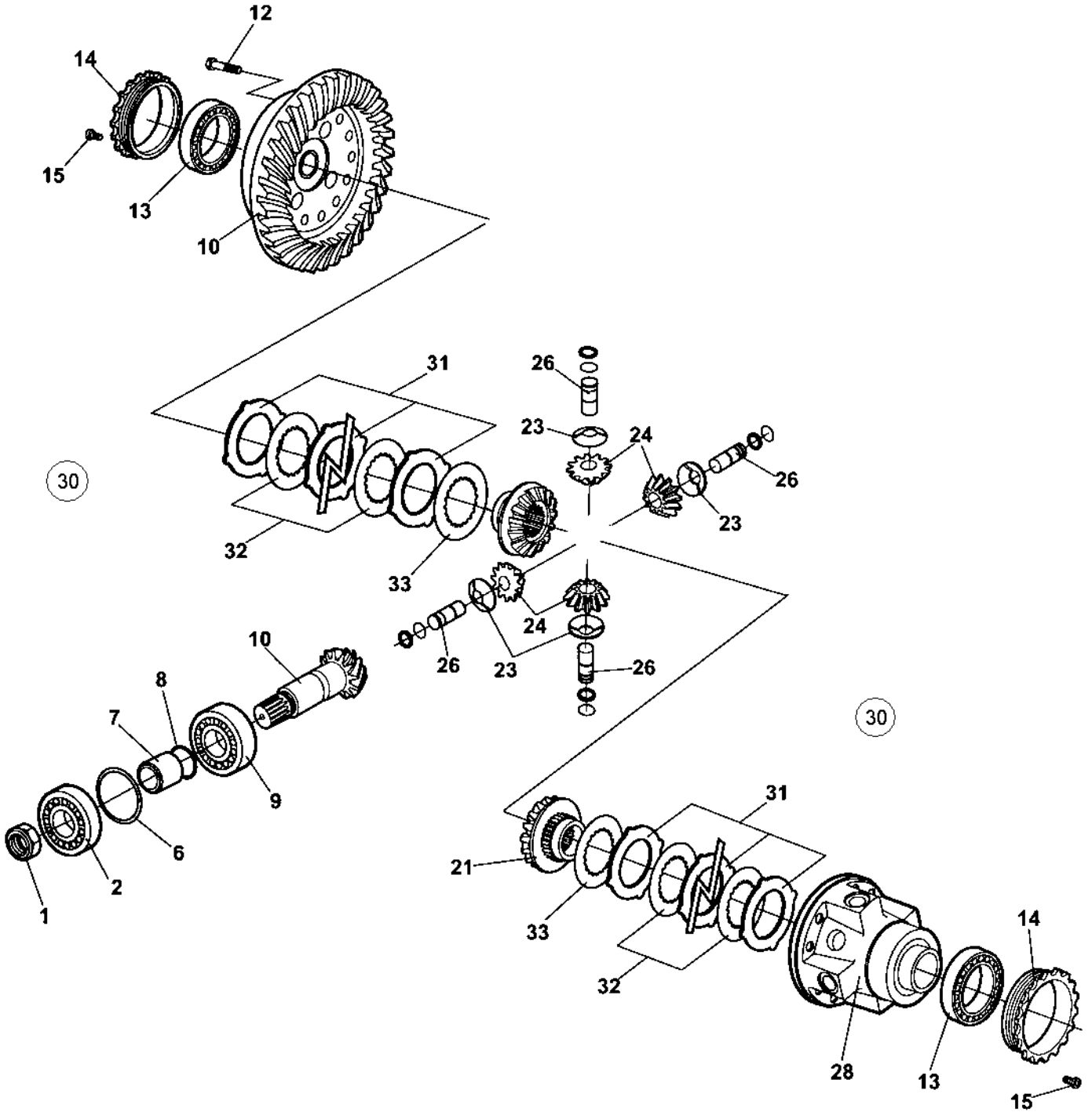


4700393002 Rear axle

Item	Part No	Rem Qty	Description	Code
1		1	Rear axle	
2		1	.Differential with limited slip (Page 148)	
3		2	.Differential housing and brakes (Page 150)	
4		2	.Planet gear (Page 152)	
5	4700909630	1	O-ring	D
6	4700950556	1	Flange	
7	4700929648	1	O-ring	D
8	4700950559	1	Splined sleeve	
9	4700929712	8	Screw	
10		1	Circlip	

Differential with limited slip

18841

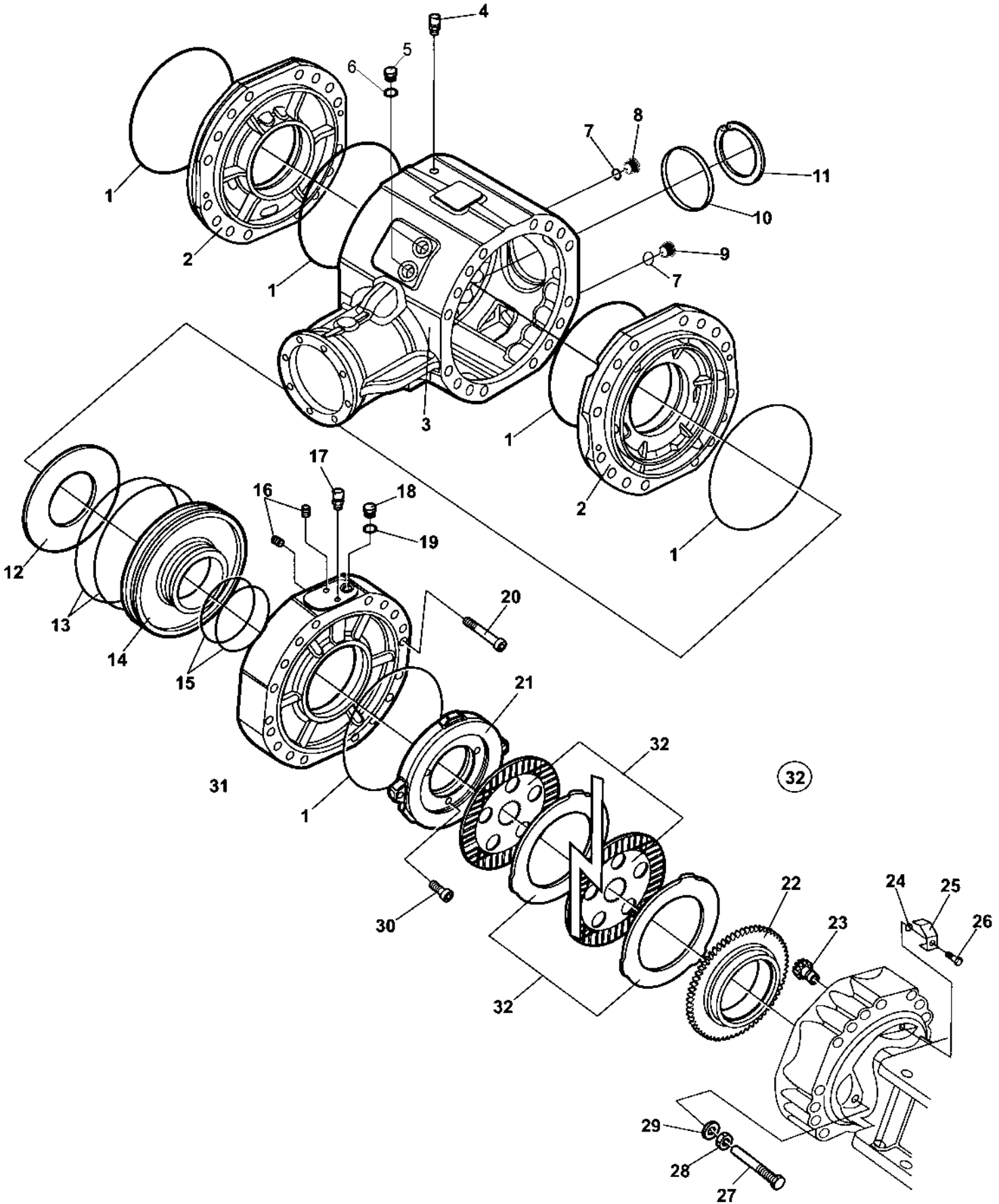


Differential with limited slip

Item	Part No	Rem Qty	Description	Code
1	4700938988	1	Ring nut	
2		1	Roller bearing	
6	4700926354	N	Shim	
	4700926356	N	Shim	
	4700926786	N	Shim	
7		1	Spacer	
8	4700936053	1	Shim	0.15mm
	4700936054	1	Shim	0.20mm
	4700936055	1	Shim	0.40mm
	4700936056	1	Shim	0.50mm
9		1	Roller bearing	
10		1	Bevel gear set	
12	4700938991	16	Screw	
13		1	Bearing	
14		2	Nut	
15	4700938989	2	Screw	
21		2	Differential gear	
23	4700936036	4	Friction washer	
24	4700936035	4	Differential pinion	
26		4	Pin	
28		1	Differential carrier	
30	4700938993	2	Disc kit	D
31		N	.Limited slip disc	D
32		N	.Limited slip disc	D
33		N	.Limited slip disc	D

Differential housing and brakes

18842

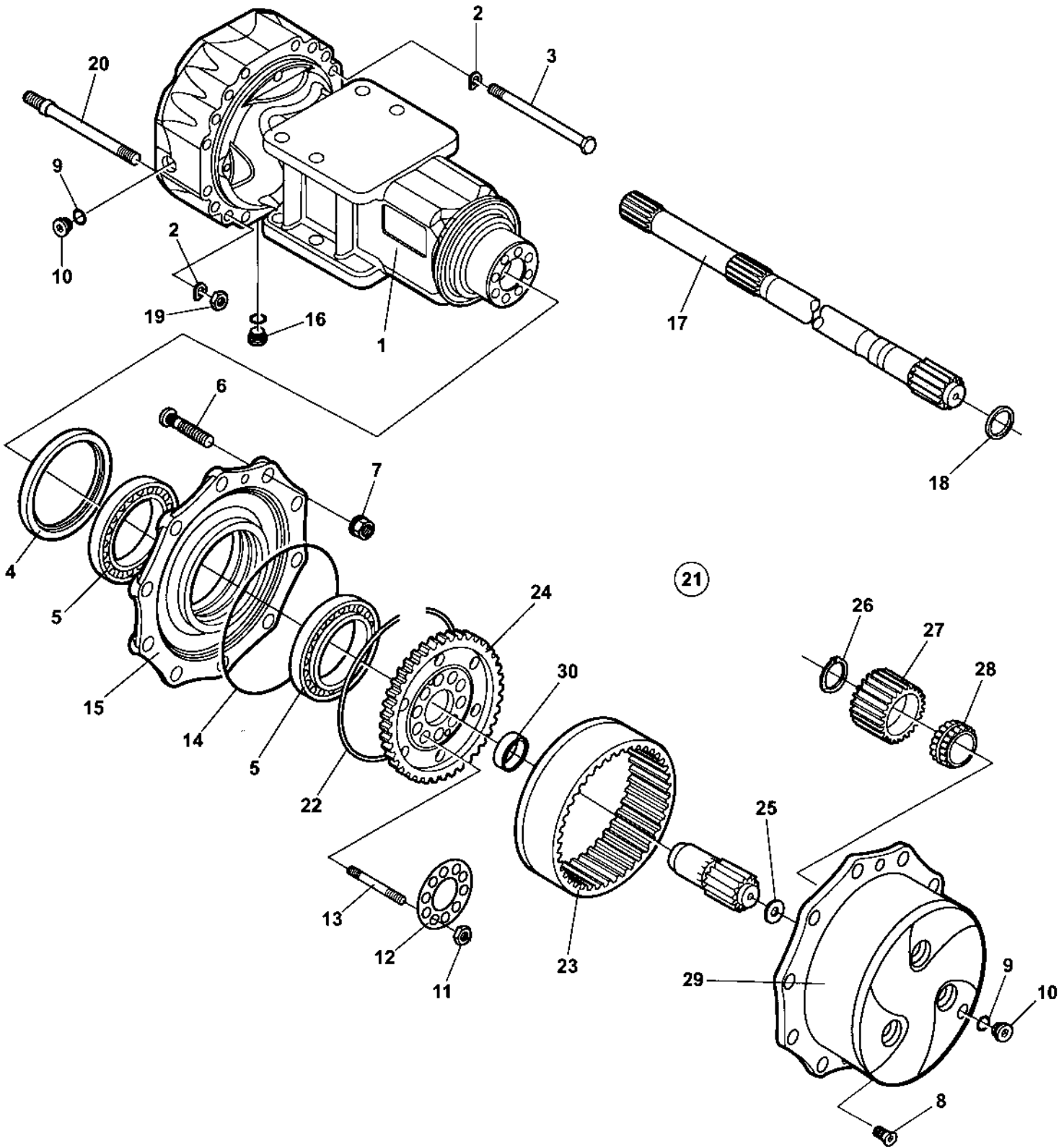


Differential housing and brakes

Item	Part No	Rem Qty	Description	Code
1	4700929612	6	O-ring	
2		2	Cover	
3		1	Housing	
4	4700938984	1	Vent nipple	
5	4700909544	2	Screw	
6	4700938983	2	Sealing washer	
7		2	Seal	
8	4700939348	1	Plug	
9	4700939350	1	Magnetic plug	
10		1	Plug	
11	4700929617	1	Lock ring	
12	4700909616	2	Spring	
13	4700909618	4	O-ring	D
14	4700939280	2	Piston	
15	4700909619	4	O-ring	D
16		4	Bolt	D
17	4700938984	2	Vent nipple	
18	4700939282	2	Bolt	
19	4700939036	2	Sealing washer	
20	4700939035	4	Screw	
21		2	Disc	
22	4700939285	2	Ring	
23	4700909622	2	Pinion	
24	4700900966	2	O-ring	D
25		2	Lock plate	D
26	4700909624	2	Screw	
27	4700909626	4	Bolt	
28	4700900957	4	Nut	
29	4700926847	4	Sealing washer	
30	4700939026	6	Screw	
31		2	Cover	
32	4700950558	2	Brake disc kit	
		10	.Brake disc	
		10	.Brake disc	
	4700929612	2	.O-ring	

Planet gear

18840

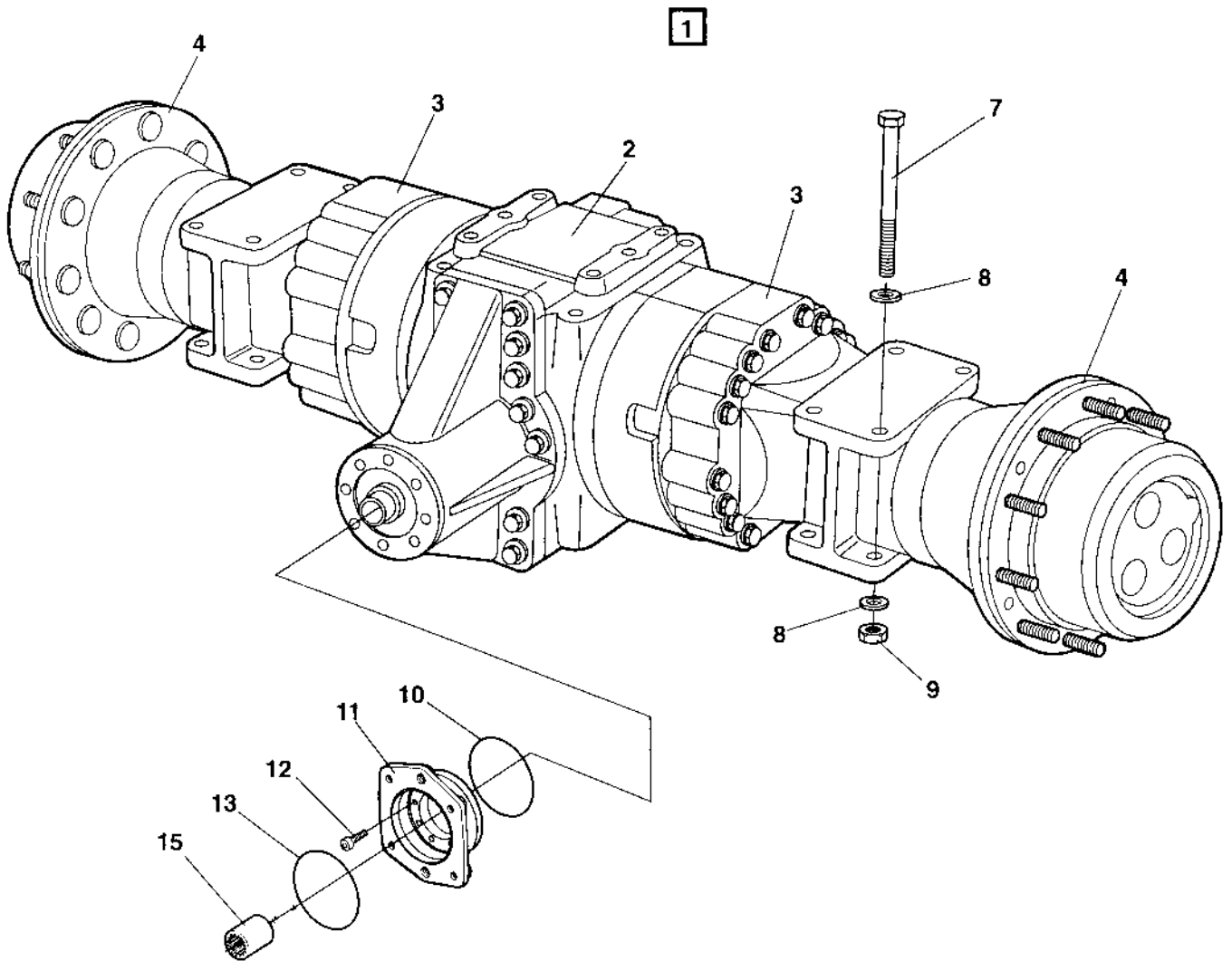


Planet gear

Item	Part No	Rem Qty	Description	Code
1		2	Axle case	
2	4700939003	32	Spring washer	
3		24	Bolt	
4		2	Seal	
5	4700939009	4	Bearing	
6	4700926781	20	Wheel screw	
7	4700901987	20	Wheel nut	
8	4700939015	4	Screw	
9		6	Copper washer	
10	4700939348	4	Plug	
11	4700939016	20	Nut	
12	4700939010	2	Lock plate	
13	4700939017	20	Stud	
14	4700929612	2	O-ring	
15		2	Wheel hub	
16	4700939350	2	Magnetic plug	
17		2	Half shaft	
18	4700939014	2	Seal	
19	4700939019	8	Nut	
20	4700939278	8	Stud	
21	4700950557	2	Planet gear carrier Cpl.	
22	4700939267	2	.Circlip	
23		2	.Ring gear	
24		2	.Ring gear support	
25	4700939270	2	.Washer	
26	4700939271	6	.Seal	
27	4700939272	6	.Planet gear	
28	4700939273	6	.Bearing	
29		2	.Planet gear carrier	
30		2	Ring	

4700372941 Rear axle No-Spin, Option

15796-1

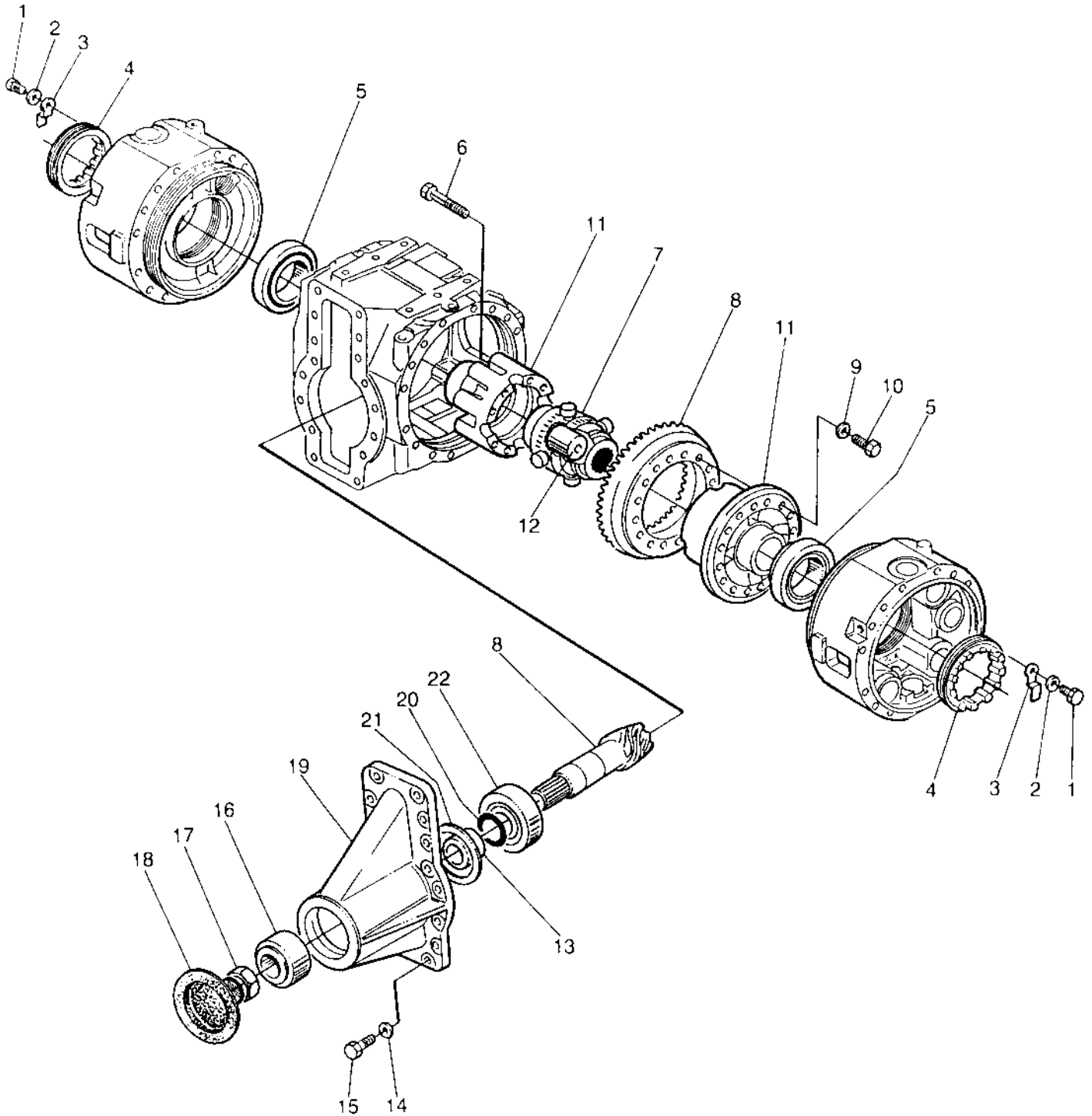


4700372941 Rear axle No-Spin, Option

Item	Part No	Rem Qty	Description	Code
1		1	Rear axle cpl	
2		1	.Differential (Page 156)	with No-Spin
3		2	.Differential housing and brakes (Page 158)	
4		2	.Planet gear (Page 160)	
7	4700929217	8	Screw	
8	4700600014	16	Washer	
9	4700901145	8	Lock nut	M20-10
10	4700929648	1	.O-ring	D
11	4700909583	1	.Flange	
12	4700909582	8	.Screw	
13	4700909584	1	.O-ring	D
15	4700901834	1	.Splined sleeve	

Differential with No-Spin

15100

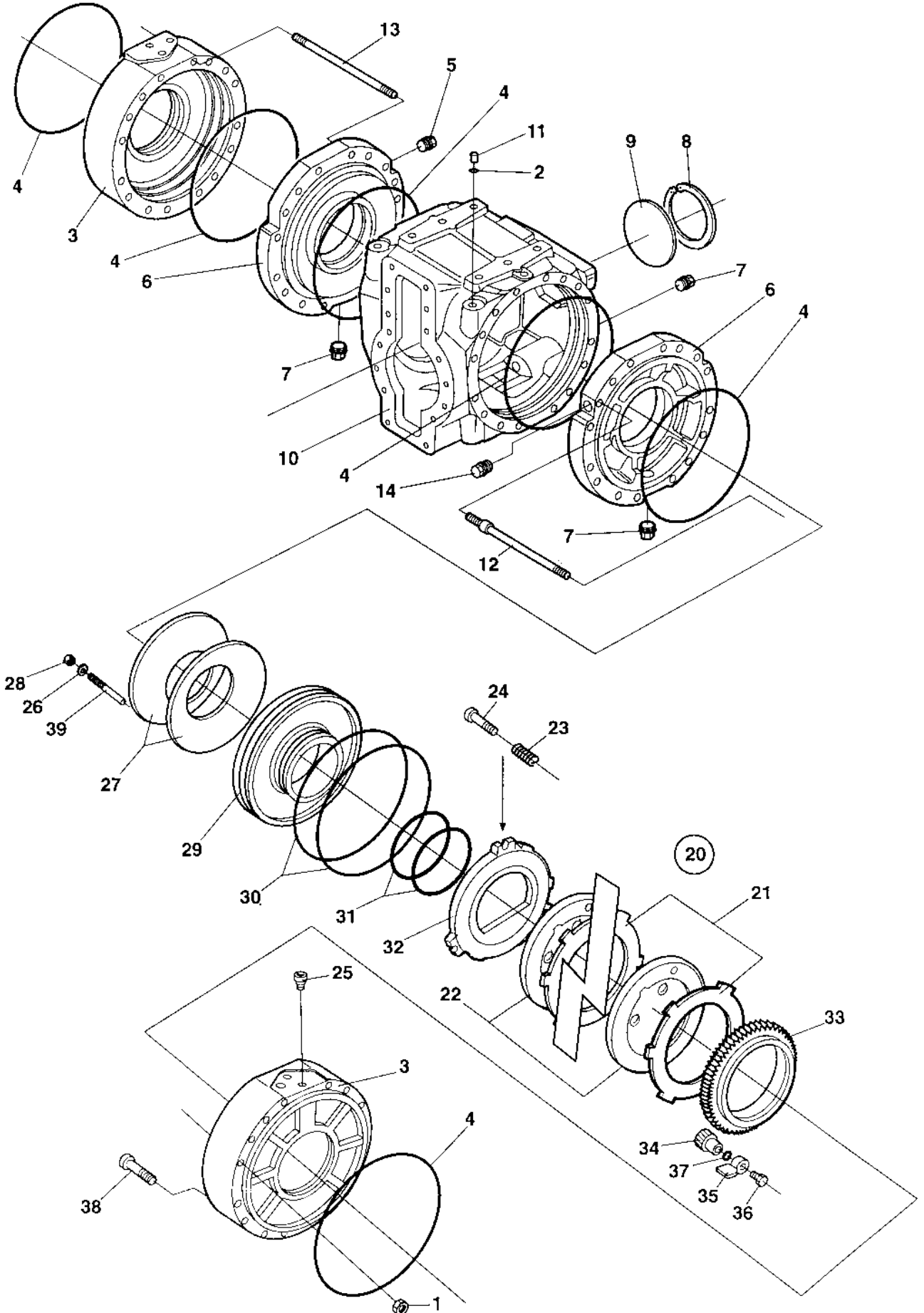


Differential with No-Spin

Item	Part No	Rem	Qty	Description	Code
1	4700900937		2	Screw	
2	4700900944		2	Washer Model Kollas	
3	4700909548		2	Lock plate	
4	4700929624		2	Ring nut	
5			2	Bearing	
6	4700929625		8	Screw	
7	4700929626		1	Non-spin unit	
8	4700909555		1	Bevel gear set	
9	4700929628		16	Washer	
10	4700929629		16	Screw	
11	4700929630		1	Differential case	
12	4700929631		1	Spacer	
13	4700909567		1	Spacer	
14	4700909572		16	Spring washer	
15	4700909573		16	Screw	
16			1	Bearing	
17	4700929638		1	Nut	
18			1	Cover	
19	4700908485		1	Housing	
20	4700929644		N	Shim	0,40mm
	4700909576		N	Shim	0,30mm
	4700909577		N	Shim	0.50mm
	4700909578		N	Shim	0.60mm
	4700909579		N	Shim	0.45mm
	4700909580		N	Shim	0,20mm
21	4700900969		N	Shim	T=0,10 mm
	4700900970		N	Shim	T=0,20
	4700900971		N	Shim	T=0,50 mm
	4700900972		N	Shim	T=0,15 mm
22			1	Bearing	
	4700212530	A	1	Bearing kit	D
A)	Consists of item 5,16 and 22				

Differential housing and brakes

15797

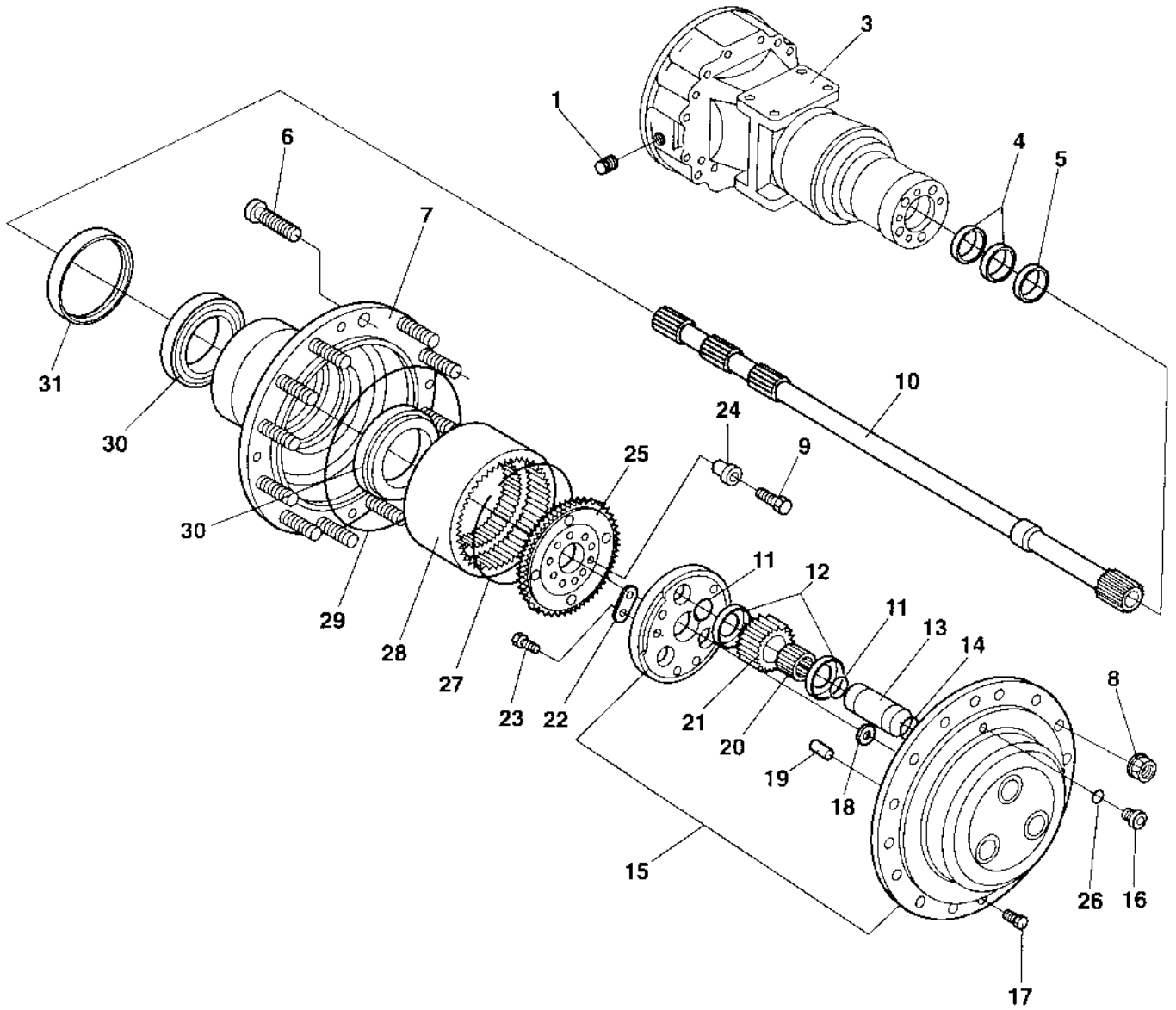


Differential housing and brakes

Item	Part No	Rem Qty	Description	Code
1	4700936086	12	Nut	
2	4700909537	2	Washer	
3	4700909538	2	Housing	
4	4700909539	6	O-ring	D
5	4700909540	1	Plug	
6	4700938295	2	Intermediate housing	
7	4700926810	5	Magnetic plug	
8	4700929617	1	Lock ring	
9	4700938296	1	Plug	
10	4700909543	1	Housing	
11	4700909544	2	Screw	
12	4700909545	4	Stud	
13	4700938300	8	Stud	
14	4700926736	1	Breather	B
20	4700935606	2	Brake disc kit	D
21		12	.Brake disc	D
22		12	.Brake disc	D
23	4700909613	6	Spring	
24	4700909614	6	Adjusting screw	
25	4700909615	4	Breather	
26	4700926847	4	Sealing washer	
27	4700909616	4	Spring	
28	4700900957	4	Nut	
29	4700909617	2	Piston	
30	4700909618	4	O-ring	D
31	4700909619	4	O-ring	D
32	4700909620	2	Brake disc	
33	4700938298	2	Ring	
34	4700909622	2	Pinion	
35	4700909623	2	Lock plate	
36	4700909624	2	Screw	
37	4700900966	2	O-ring	D
38	4700909625	4	Screw	
39	4700909626	4	Bolt	

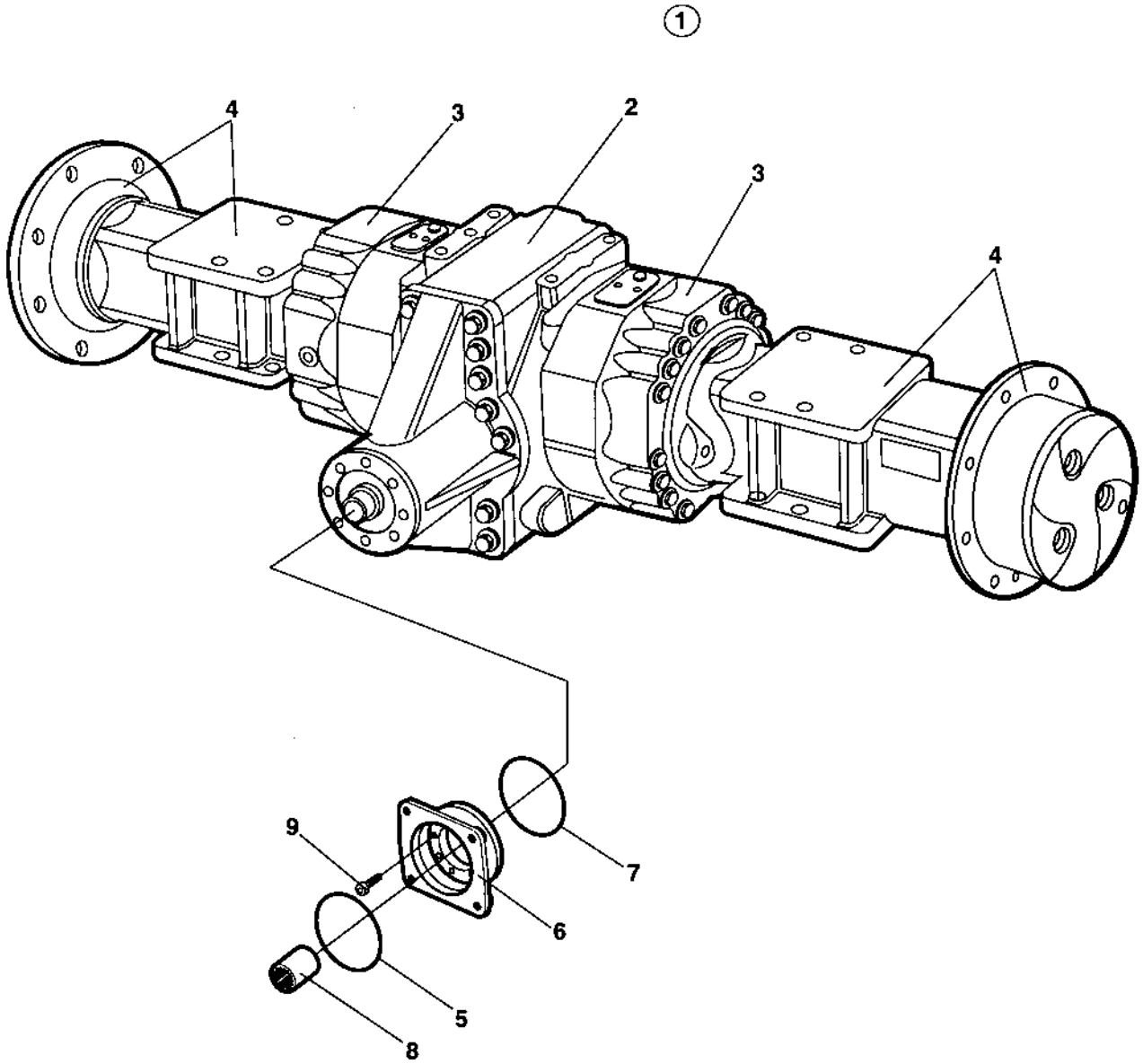
Planet gear

15800



Planet gear

Item	Part No	Rem Qty	Description	Code
1	4700926732	2	Magnetic plug	
3	4700909585	2	Housing	
4	4700909586	2	Seal	D
5	4700909587	2	Ring	
6	4700926781	20	Wheel screw	
7	4700909588	2	Hub	
8	4700901987	20	Wheel nut	
9	4700909589	20	Screw	
10	4700909590	2	Shaft	
11	4700909591	12	Snap ring	
12	4700909592	12	Washer	
13	4700909593	6	Shaft	
14	4700909594	6	O-ring	D
15	4700909595	2	Planet gear carrier	
16	4700909596	2	Plug	
17	4700909597	10	Screw	
18	4700909598	2	Friction washer	
19	4700909599	6	Pin	
20	4700909601	6	Needle roller bearing	
21	4700909602	6	Planet gear	
22	4700909603	6	Lock plate	
23	4700909604	12	Screw	
24	4700909605	20	Bushing	
25	4700909606	2	Ring gear support	
26	4700909607	2	Seal	D
27	4700909608	2	Snap ring	
28	4700908095	2	Ring gear	
29	4700909609	2	O-ring	D
30	4700909610	4	Roller bearing	
31	4700908461	2	Ring	D

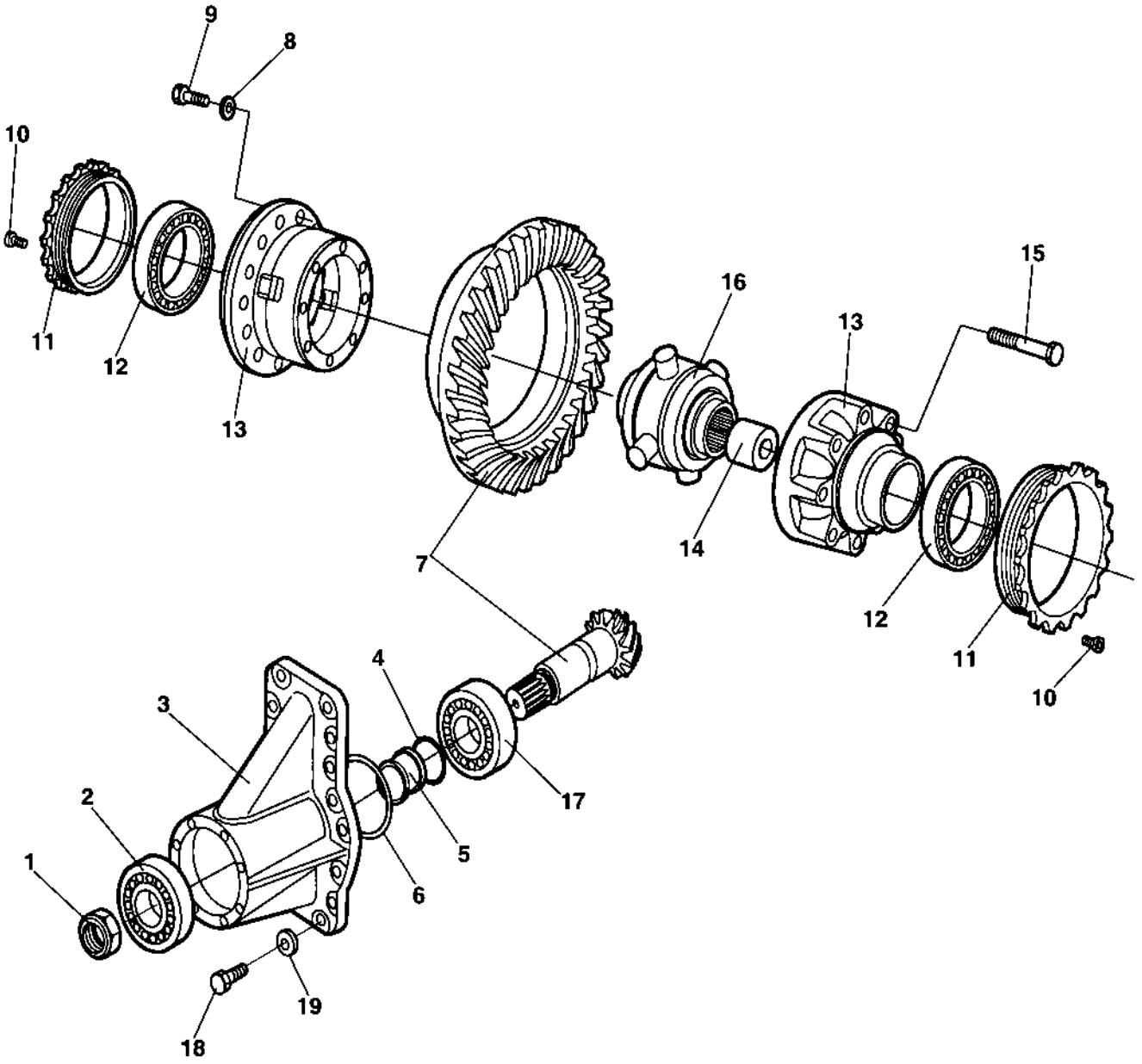


4700383856 Rear axle No-Spin, Option

Item	Part No	Rem Qty	Description	Code
1		1	Rear axle	D
2		1	.Differential (Page 164)	
3		2	.Differential housing and brakes (Page 142)	
4		2	.Planet gear (Page 166)	
5	4700909584	1	O-ring	D
6	4700909583	1	Flange	
7	4700929648	1	O-ring	D
8	4700901834	1	Splined sleeve	
9	4700909582	8	Screw	

Differential with No-Spin

17689

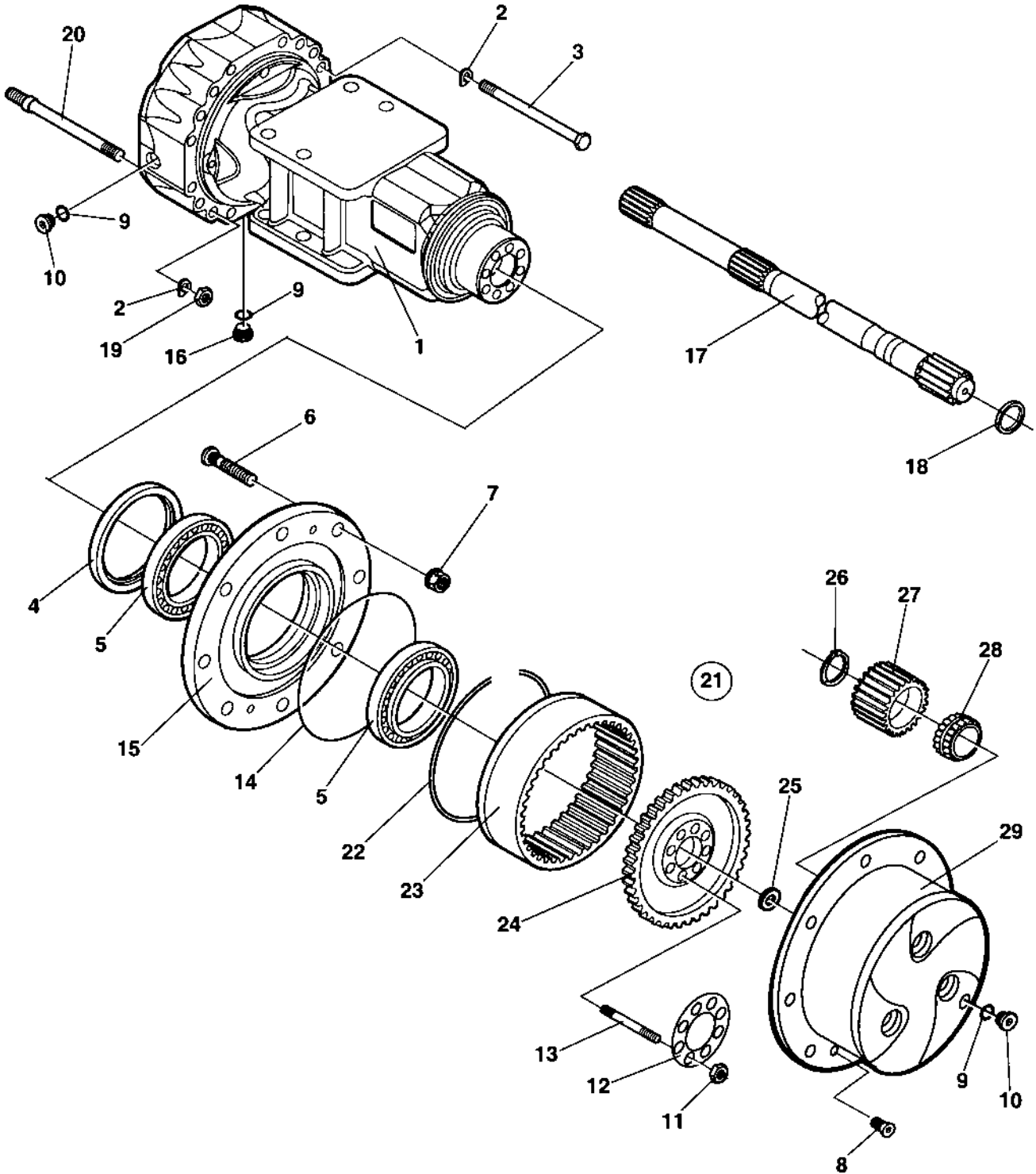


Differential with No-Spin

Item	Part No	Rem Qty	Description	Code
1	4700929638	1	Nut	
2	4700909574	1	Roller bearing	
3	4700908485	1	Housing	
4	4700939259	1	Shim	0,15mm
	4700909580	1	Shim	0,20mm
	4700909576	1	Shim	0,30mm
	4700929644	1	Shim	0,40mm
	4700939260	1	Shim	0,50mm
5	4700909567	1	Spacer	
6	4700909568	1	Shim	0,10mm
	4700909569	1	Shim	0,20mm
	4700909570	1	Shim	0,50mm
	4700939258	1	Shim	0,15mm
7	4700212553	1	Bevel gear set	
8	4700929628	16	Washer	
9	4700929629	16	Screw	
10	4700938989	2	Screw	
11	4700939261	2	Nut	
12	4700923342	1	Bearing	
13	4700929630	1	Differential case	
14	4700929631	1	Spacer	
15	4700929625	8	Screw	
16	4700929626	1	Non-spin unit	
17	4700909581	1	Roller bearing	
18	4700939257	16	Bolt	
19	4700909572	16	Spring washer	

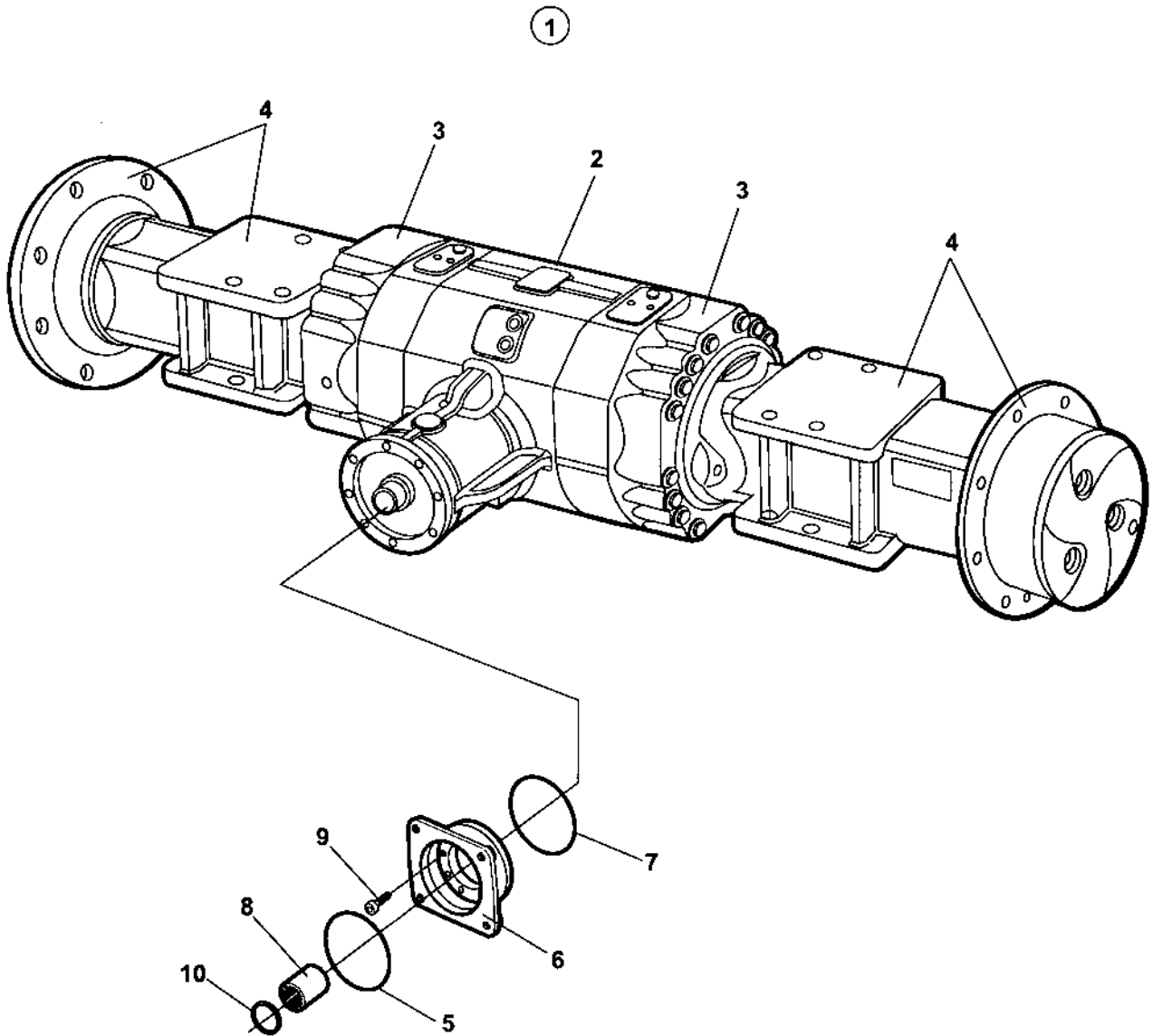
Planet gear

17673



Planet gear

Item	Part No	Rem Qty	Description	Code
1	4700939263	2	Axle case	
2	4700939003	32	Spring washer	
3	4700939264	24	Bolt	
4	4700939265	2	Seal	
5	4700939266	4	Bearing	
6	4700926781	20	Wheel screw	
7	4700901987	20	Wheel nut	
8	4700939015	4	Screw	
9	4700330333	6	Copper washer	D
10	4700909596	4	Plug	
11	4700939016	20	Nut	
12	4700939275	2	Lock plate	
13	4700939017	20	Stud	
14	4700929612	2	O-ring	
15	4700939276	2	Wheel hub	
16	4700938985	2	Magnetic plug	
17	4700939277	2	Half shaft	
18	4700909586	2	Seal	D
19	4700939019	8	Nut	
20	4700939278	8	Stud	
21	4700939351	2	Planet gear carrier Cpl.	
22	4700939267	2	.Circlip	
23	4700939268	2	.Ring gear	
24	4700939269	2	.Ring gear support	
25	4700939270	2	.Washer	
26	4700939271	8	.Seal	
27	4700939272	8	.Planet gear	
28	4700939273	8	.Bearing	
29	4700939349	2	.Planet gear carrier	



4700396309 Rear axle, Option

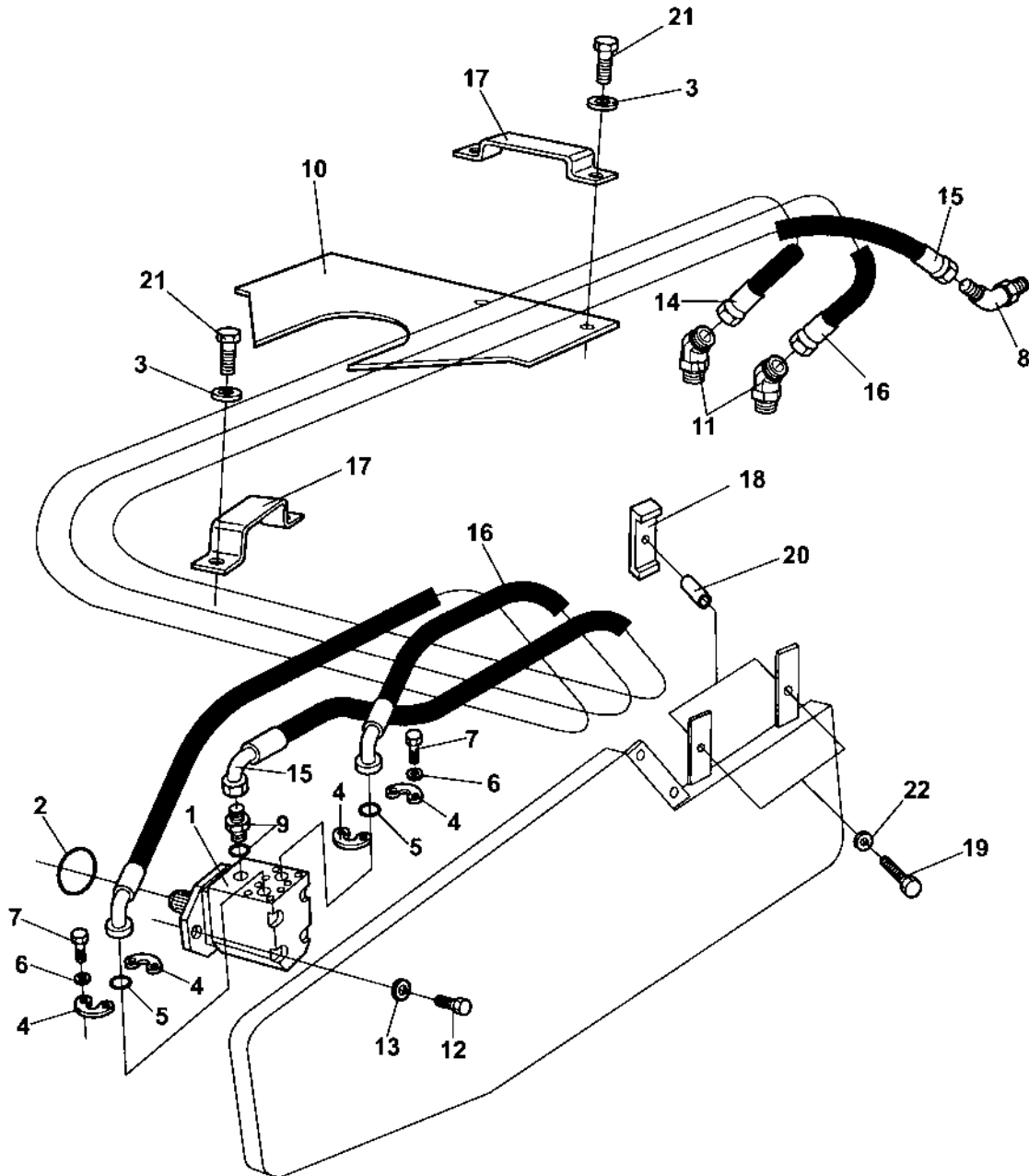
Item	Part No	Rem Qty	Description	Code
1		1	Rear axle	
2		1	.Differential with limited slip (Page 148)	
3		2	.Differential housing and brakes (Page 150)	
4		2	.Planet gear (Page 152)	
5	4700909584	1	O-ring	D
6	4700950555	1	Flange	
7	4700929648	1	O-ring	D
8	4700901834	1	Splined sleeve	
9	4700900256	8	Screw	
10		1	Not used on this model	

Hydraulic system

Item	Part No	Rem Qty	Description	Code
10			Propulsion system, Front (Page 172)	
15	4700371509		Propulsion motor (Page 174)	C
20			Propulsion system, Rear Up to 65X23699 (Page 176)	
21	4700371545		Propulsion pump Up to 65X20260 (Page 178)	C
22			Propulsion system, Rear From 65X23700 Up to 65X23899 (Page 192)	
25			Propulsion system, Rear From 65X23900 (Page 194)	
30			Vibration system Up to 65X23899 (Page 200)	
35			Vibration system From 65X23900 (Page 212)	
40			Steering system Up to 65X20396 (Page 220)	
50			Steering system From 65X20397 Up to 65X21524 (Page 222)	
52			Steering system From 65X21525 Up to 65X23699 (Page 224)	
53			Steering system From 65X23700 (Page 230)	
54	4700375031		Steering cylinder Up to 65X22578 (Page 226)	C
56	4700376000		Steering valve (Page 232)	
60			Brake system Up to 65X20396 (Page 234)	
65			Brake system From 65X20397 (Page 236)	
68			Hydraulic oil tank Up to 65X23699 (Page 238)	
69			Hydraulic oil tank From 65X23700 (Page 240)	
70			Central test panel hydraulic Up to 65X23899 (Option:42)	
71			Central test panel hydraulic From 65X23900 (Option:44)	
80			Variable rear axle motor (Page 246) Option	

Propulsion system, Front

16613-1

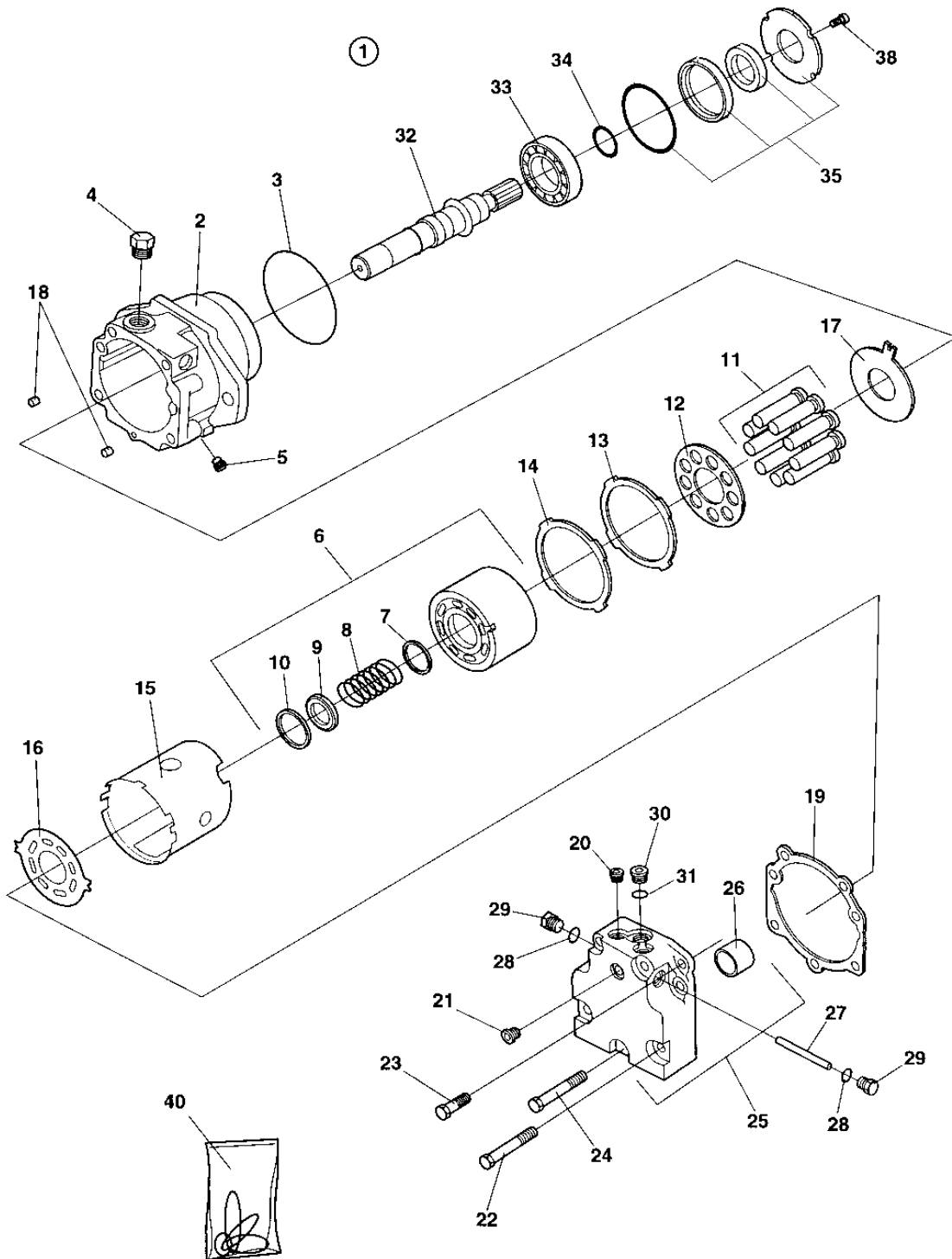


Propulsion system, Front

Item	Part No	Rem Qty	Description	Code
1	4700371509	1	Propulsion motor (Page 174)	C
2	4700904058	1	O-ring	
3	4700904230	4	Washer	
4	4700923384	4	Flange half	
5	4700904005	2	O-ring	
6	4700904638	8	Washer	12x22x2
7	4700502132	8	Screw	UNC 7/16" x 22
8	4700334132	1	Elbow 45, O-ring	
9	4700334138	1	Adapter	
10	4700372235	1	Hose guard	
11	4700334132	2	Elbow 45, O-ring	
12	4700500101	2	Screw	M20x50
13	4700903290	2	Washer	21x36x6
14	4700483119	1	Hydraulic hose	
15	4700483190	1	Hydraulic hose	
16	4700483120	1	Hydraulic hose	
17	4700373016	2	Hose clamp	
18	4700373270	2	Hose clamp	
19	4700500032	2	Screw	M10 x 55
20	4700373423	2	Spacer	
21	4700500029	4	Screw	
22	4700904230	2	Washer	

4700371509 Propulsion motor

16542



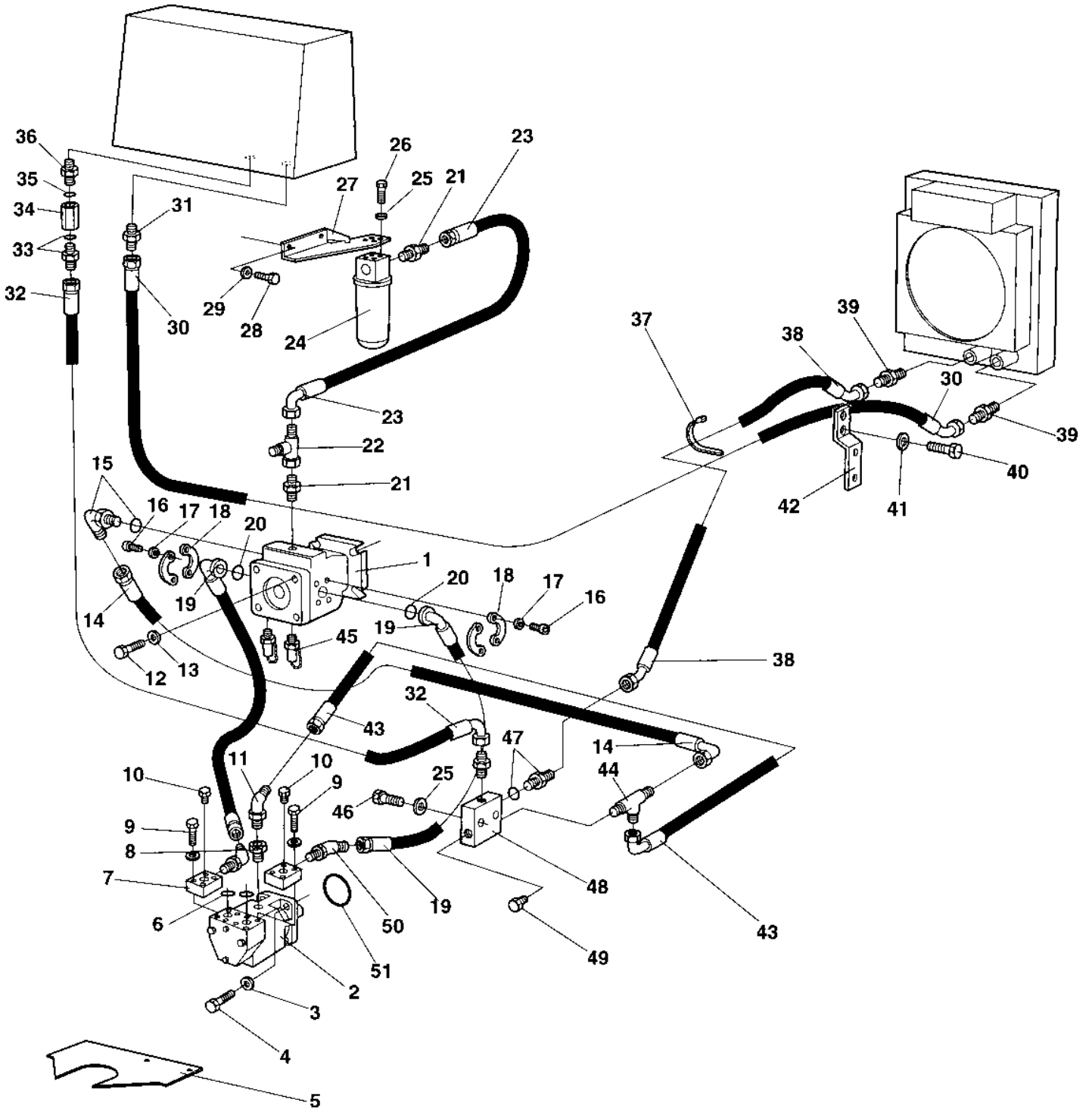
4700371509 Propulsion motor

Item	Part No	Rem	Qty	Description	Code
1			1	Hydraulic motor, Cpl	
2	4700937274		1	.Housing	
3	4700937275	1	1	.O-ring	
4	4700902928		2	.Plug	
	4700901453	1	2	..O-ring	
5	4700908432		1	.Plug	
6	4700937277		1	.Cylinder block, cpl	
7	4700935619		1	..Spacer	
8	4700937278		1	..Spring	
9	4700935621		1	..Spring retainer	
10	4700935622		1	..Ring retainer	
11	4700903570		9	.Piston	D
12	4700903571		1	.Pressure plate	D
13	4700935623		1	.Retainer guide	
14	4700935624		1	.Shim	
15	4700935625		1	.Holder	
16	4700935626		1	.Valve plate	
17	4700937279		1	.Thrust plate	
18	4700813822		2	.Pin	
19	4700935629	1	1	.Gasket	D
20	4700358388		2	.Plug	
21	4700908432		1	.Plug	
22	4700909252		4	.Screw	
23	4700909253		2	.Screw	
24	4700935630		1	.Screw	
25	4700937280		1	.End cap, cpl	
26	4700903053		1	..Bushing	
27	4700909255		1	.Spool	
28	4700923087	1	2	.O-ring	D
29	4700358388		2	.Plug	
30	4700935853		1	.Plug	
31	4700926658	1	1	.O-ring	D
32	4700935631		1	.Shaft	
33	4700901465		1	.Bearing	
34	4700901467		1	.Ring	
35	4700950368		1	.Shaft seal kit	
38	4700908773		3	.Screw	
40	4700937283		1	Seal kit	

1) Includes in item 40, Seal kit

Propulsion system, Rear

16925



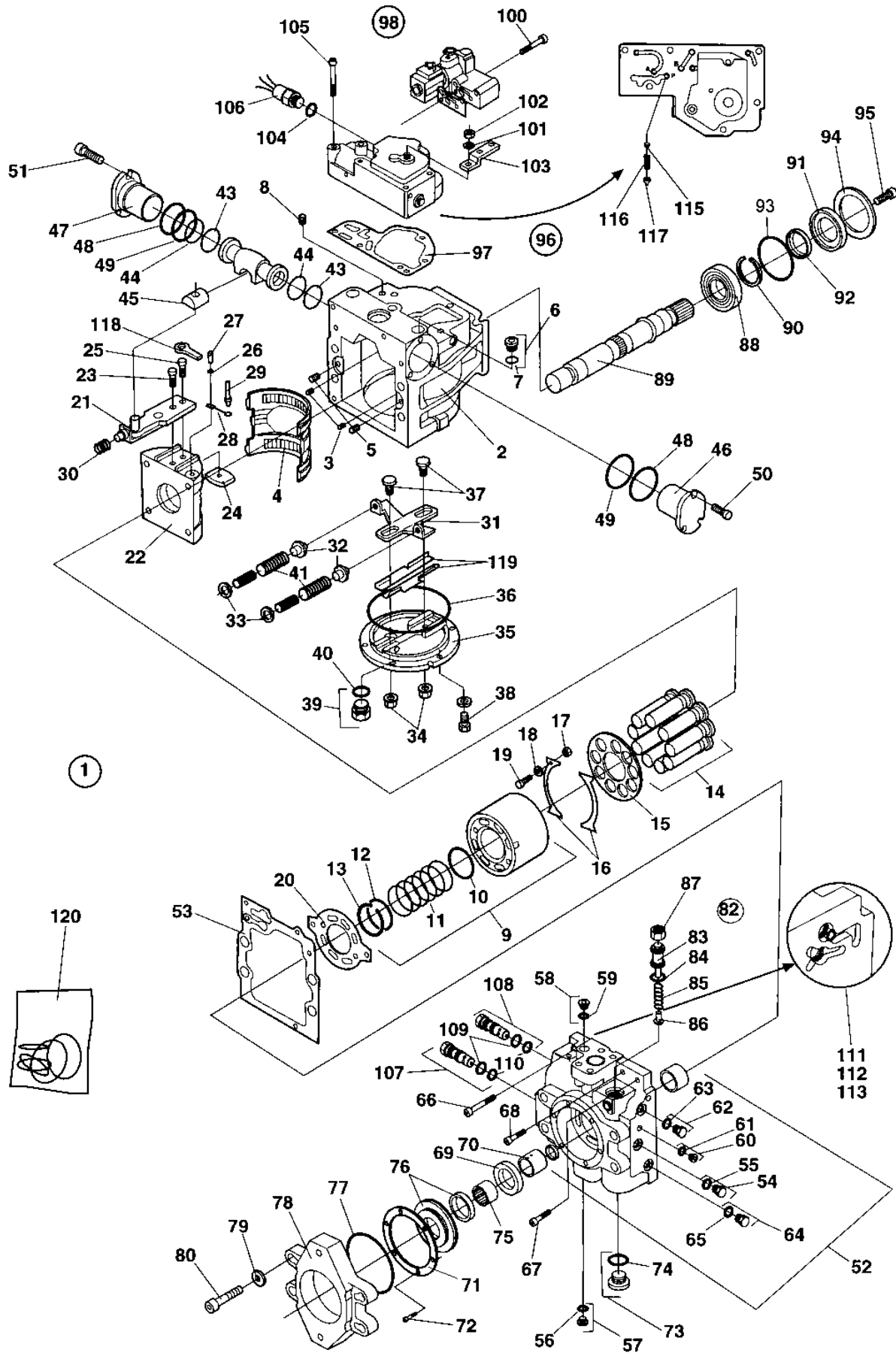
Propulsion system, Rear

Item	Part No	Rem Qty	Description	Code
1	4700371545	1	Propulsion pump Up to 65X20260 (Page 178)	C
	4700380830	1	Propulsion pump From 65X20261 (Page 184)	C
2	4700375999	1	Hydraulic motor (Page 190)	
3	4700904793	8	Washer	19x34x3
4	4700500263	4	Screw	M18x60
5	4700372235	1	Hose guard	
6	4700904171	2	O-ring	
7	4700380717	2	Flange coupling	
8	4700334468	1	Adapter	
9	4700509034	8	Screw	
10	4700232222	2	Plug	
11	4700334248	1	Elbow 45, O-ring	
12	4700500046	4	Screw	
13	4700904213	4	Washer	
14	4700482391	1	Hydraulic hose	
15	4700813499	1	Elbow 90, O-ring	
16	4700502132	8	Screw	UNC 7/16" x 22
17	4700904638	8	Washer	12x22x2
18	4700923384	4	Flange half	
19	4700483033	2	Hydraulic hose Up to 65X20396	
	4700483517	2	Hydraulic hose From 65X20397	
20	4700904005	2	O-ring	
21	4700334468	3	Adapter	
22	4700234243	1	T-connector	
23	4700482010	1	Hydraulic hose	D
24	4700359550	1	Hydraulic oil filter, cpl	
	4700359551	1	.Filter head	
	4700359552	1	.Cleaning filter element	Maximum 50 hours use
	4700372229	B 1	Hydraulic oil filter element	A
25	4700904230	6	Washer	
26	4700500028	4	Screw	
27	4700380490	1	Filter bracket	
28	4700500021	2	Screw	M8-1,25x25 8.8
29	4700904229	2	Washer	8,4x16x1,5
30	4700483499	1	Hydraulic hose	
31	4700234909	1	Straight connector	
32	4700482182	1	Hydraulic hose	D
33	4700923371	1	Adapter	
34	4700374059	1	Check valve	
35	4700162008	1	Seal washer	
36	4700904282	1	Adapter	
37	4700313102	N	Cable ties	
38	4700483123	1	Hydraulic hose	
39	4700234958	2	Connector	
40	4700500035	2	Screw Up to 65X21524	M12x020H
41	4700904231	2	Washer Up to 65X21524	13x24x2 300 HV
42	4700372048	1	Hose clamp Up to 65X21524	
43	4700482391	1	Hydraulic hose	
44	4700234875	1	Tee-connector o-ring	
45	4700900229	2	Measuring nipple	D
46	4700500149	2	Screw	M10x70
47	4700334140	1	Adapter	
48	4700345243	1	Connection block	
49	4700232222	1	Plug	
50	4700234254	2	Elbow 45, O-ring Up to 65X20396	
	4700334140	2	Adapter From 65X20397	
51	4700902581	1	O-ring	D

B) Spare part for ordinary service

4700371545 Propulsion pump

16521



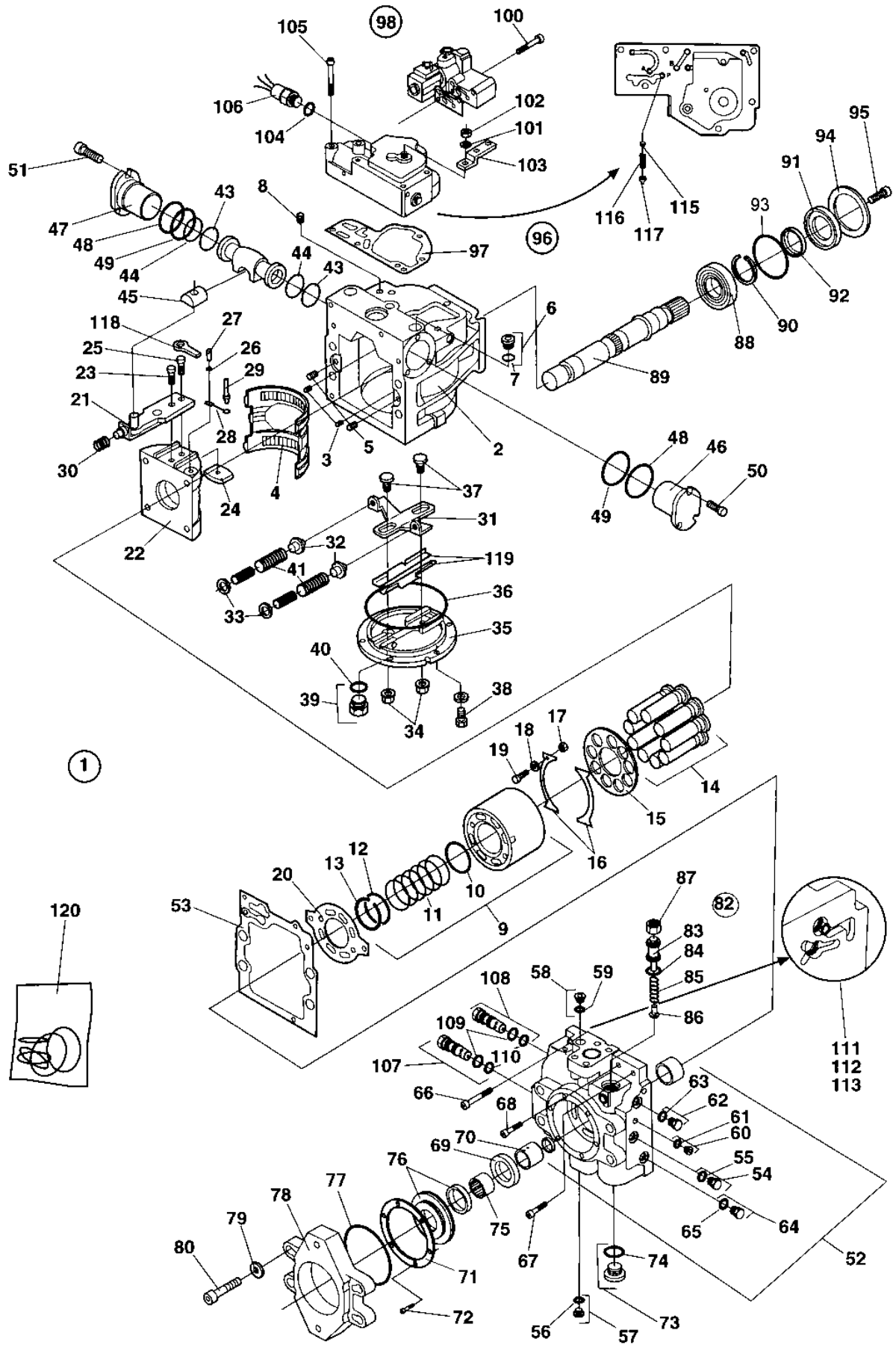
4700371545 Propulsion pump

Item	Part No	Rem	Qty	Description	Code
1	4700371545		1	Propulsion pump (Page 178)	C
2	4700936546		1	.Housing	
3	4700909374		2	.Pin	
4	4700901452		1	.Bearing	
5	4700813822		2	.Pin	
6	4700908432		2	.Plug	
7	4700923087	1	2	..O-ring	D
8	4700901454		3	.Filter element	D
9	4700901455		1	.Cylinder block, cpl	
10	4700935619		1	..Spacer	
11	4700935620		1	..Spring	
12	4700935621		1	..Spring retainer	
13	4700935622		1	..Ring retainer	
14	4700903570		9	.Piston	D
15	4700903571		1	.Pressure plate	D
16	4700901458		2	.Retainer guide	D
17	4700935856		4	.Spacer	
18	4700909381		4	.Washer	
19	4700935855		4	.Screw	
20	4700936547		1	.Valve plate	
21	4700909727		1	.Servo arm, cpl	
22	4700903579		1	.Swash plate	
23	4700909386		1	.Screw	
24	4700909387		1	.Guide	
25	4700909388		1	.Screw	
26	4700909389		1	.Washer	
27	4700909390		1	.Pin	
28	4700909391		1	.Link	
29	4700909392		1	.Pin	
30	4700909393		1	.Spring	
31	4700936549		1	.Lever	
32	4700908377		2	.Spring support	
33	4700908378		2	.Washer	
34	4700909398	1	2	.Seal lock nut	
35	4700936550		1	.Cover	
36	4700936551	1	1	.O-ring	
37	4700936552		2	.Guide post	
38	4700936553		6	.Screw	
39	4700902928		1	.Plug	
40	4700901453	1	1	..O-ring	
41	4700908352		2	.Spring	
42	4700936582		1	.Piston, cpl	
43	4700936555	1	2	.O-ring	
44	4700936556	1	2	.Seal ring	
45	4700909407		1	.Guide	
46	4700903580		1	.Servo	
47	4700903580		1	.Servo	
48	4700936557	1	2	.O-ring	
49	4700936558	1	2	.O-ring	
50	4700936559		3	.Screw	
51	4700936559		3	.Screw	
52	4700936560		1	.End cap, cpl	
53	4700936561	1	1	.Gasket	
54	4700358388		1	.Plug	
55	4700923087	1	1	..O-ring	D
56	4700908432		1	.Plug	
57	4700923087	1	1	..O-ring	D

1) Included in item 120, Seal kit

4700371545 Propulsion pump

16521



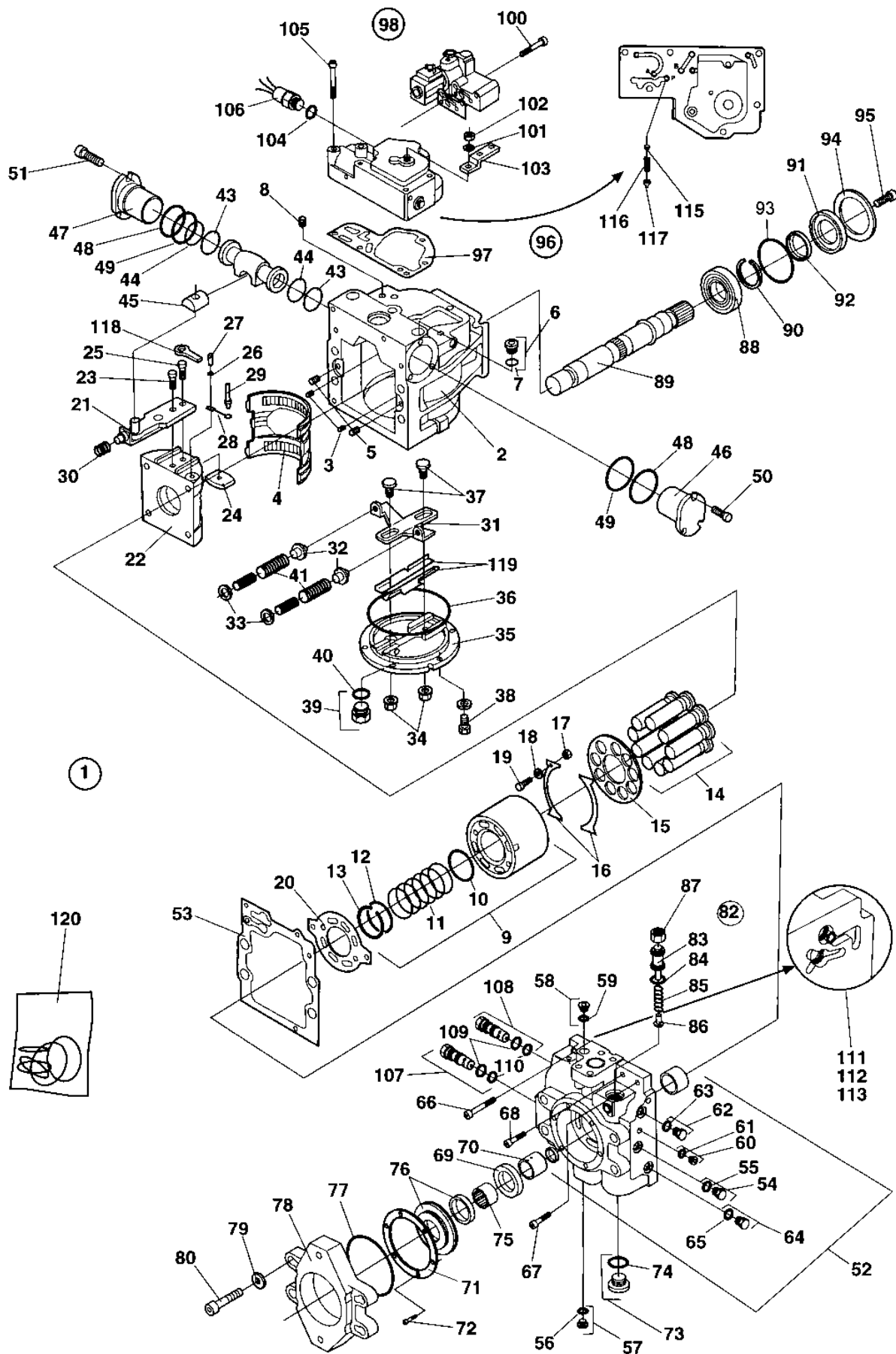
4700371545 Propulsion pump

Item	Part No	Rem	Qty	Description	Code
58	4700908432		1	.Plug	
59	4700923087	1	1	..O-ring	D
60	4700908432		1	.Plug	
61	4700923087	1	1	..O-ring	D
62	4700358388		1	.Plug	
63	4700923087	1	1	..O-ring	D
64	4700358388		1	.Plug	
65	4700923087	1	1	..O-ring	D
66	4700936562		1	.Screw	
67	4700936563		1	.Screw	
68	4700936564		1	.Screw	
69	4700936565		1	.Spacer	
70	4700903578		1	.Shaft	
71	4700935857		1	.Retaining plate	
72	4700936566		6	.Screw	
73	4700936567		1	.Plug, cpl	
74	4700936568	1	1	..O-ring	
75	4700936569		1	.Coupling sleeve	
76	4700908217		1	.Cover assembly	
77	4700909399	1	1	.O-ring	
78	4700936570		1	.Adapter	
79	4700936571		4	.Washer	
80	4700936572		4	.Screw	
82	4700936583		1	.Pressure relief valve, cpl	
83	4700903574	A	1	..Screw	
84	4700813618	1	1	..O-ring	D
85	4700901463		1	..Compression spring	D
86	4700901464		1	..Valve cone	D
87	4700902959		1	..Nut	
88	4700901465		1	.Bearing	
89	4700901466		1	.Shaft	
90	4700901467		1	.Ring	
91	4700903571		1	.Pressure plate	D
92	4700935632	1	1	.Seal	D
93	4700935633	1	1	.O-ring	D
94	4700935634		1	.Retaining plate	
95	4700908773		3	.Screw	
96	4700936288		1	.Control valve, cpl	
97	4700936576	1	1	..Gasket	
98	4700936577		1	..Solenoid valve, cpl	
	4700909641		1	...Solenoid valve	D
	4700909642		1	...Solenoid	D
	4700909643		1	...Seal kit	
99	4700909430	1	1	..Gasket	
100	4700909431		2	..Screw	
101	4700909428		1	..Washer	
102	4700909429		1	..O-ring	
103	4700909432		1	..Control lever	
104	4700909433	1	1	..O-ring	
105	4700909434		6	..Screw	
106	4700909367		1	..Neutral start switch	D
107	4700903576		1	.Valve	D
108	4700903576		1	.Valve	D
109	4700813611	1	2	..O-ring	
110	4700936579	1	2	..O-ring	
111	4700901475		2	.Valve	D
112	4700909349	1	2	.O-ring	

- 1) Included in item 120, Seal kit
- A) Not sold seperately. Replaced by PN 4700936583.

4700371545 Propulsion pump

16521

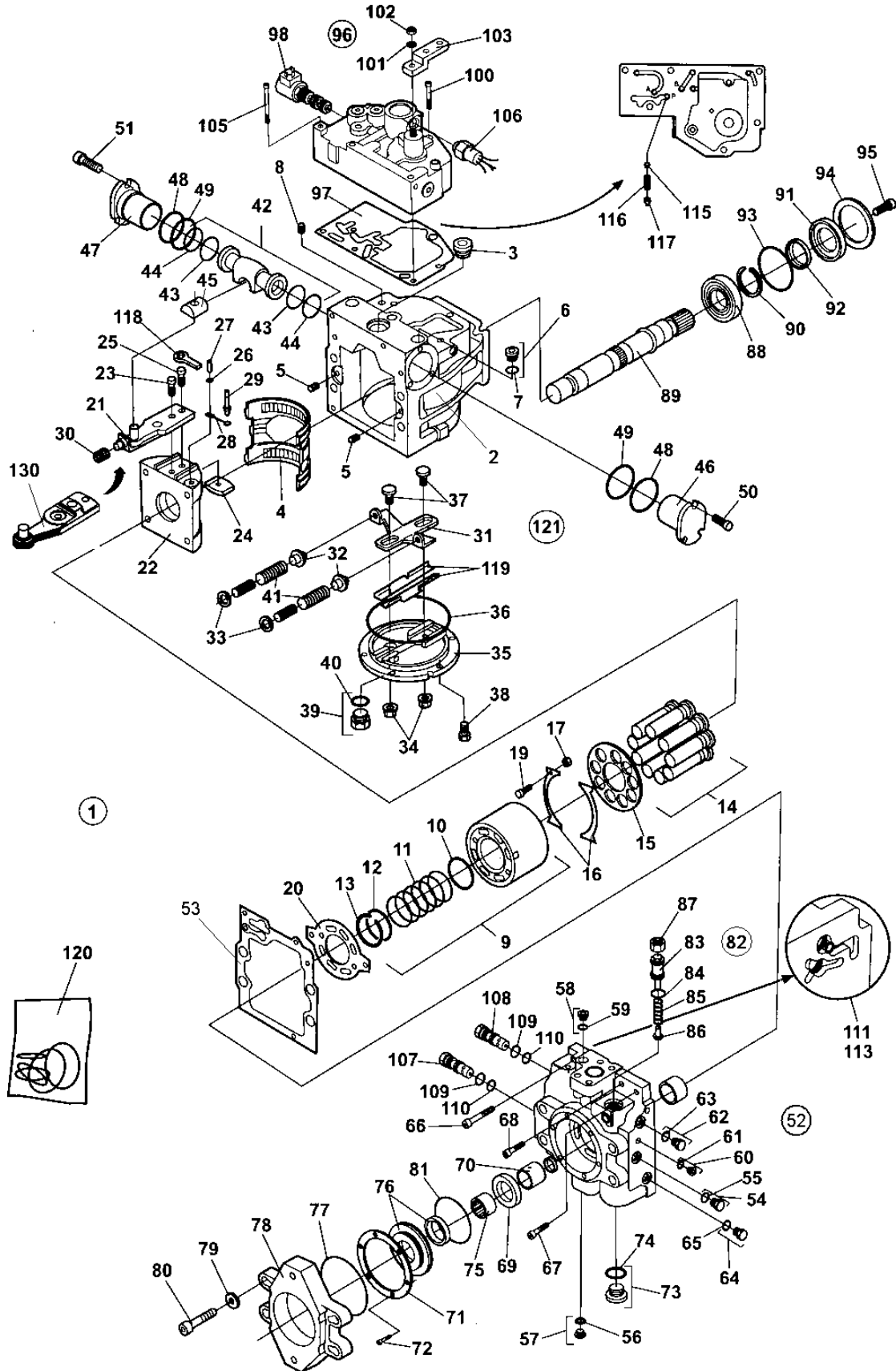


4700371545 Propulsion pump

Item	Part No	Rem Qty	Description	Code
113	4700901476	2	.Plug	D
115	4700909435	1	.Orifice	
116	4700909436	1	.Spring	
117	4700908448	1	.Spring retainer	
118	4700936580	1	.Link	
119	4700936554	1	.Guide assy, 1pair	
120	4700935605	1	.Seal kit	

4700380830 Propulsion pump

18875



4700380830 Propulsion pump

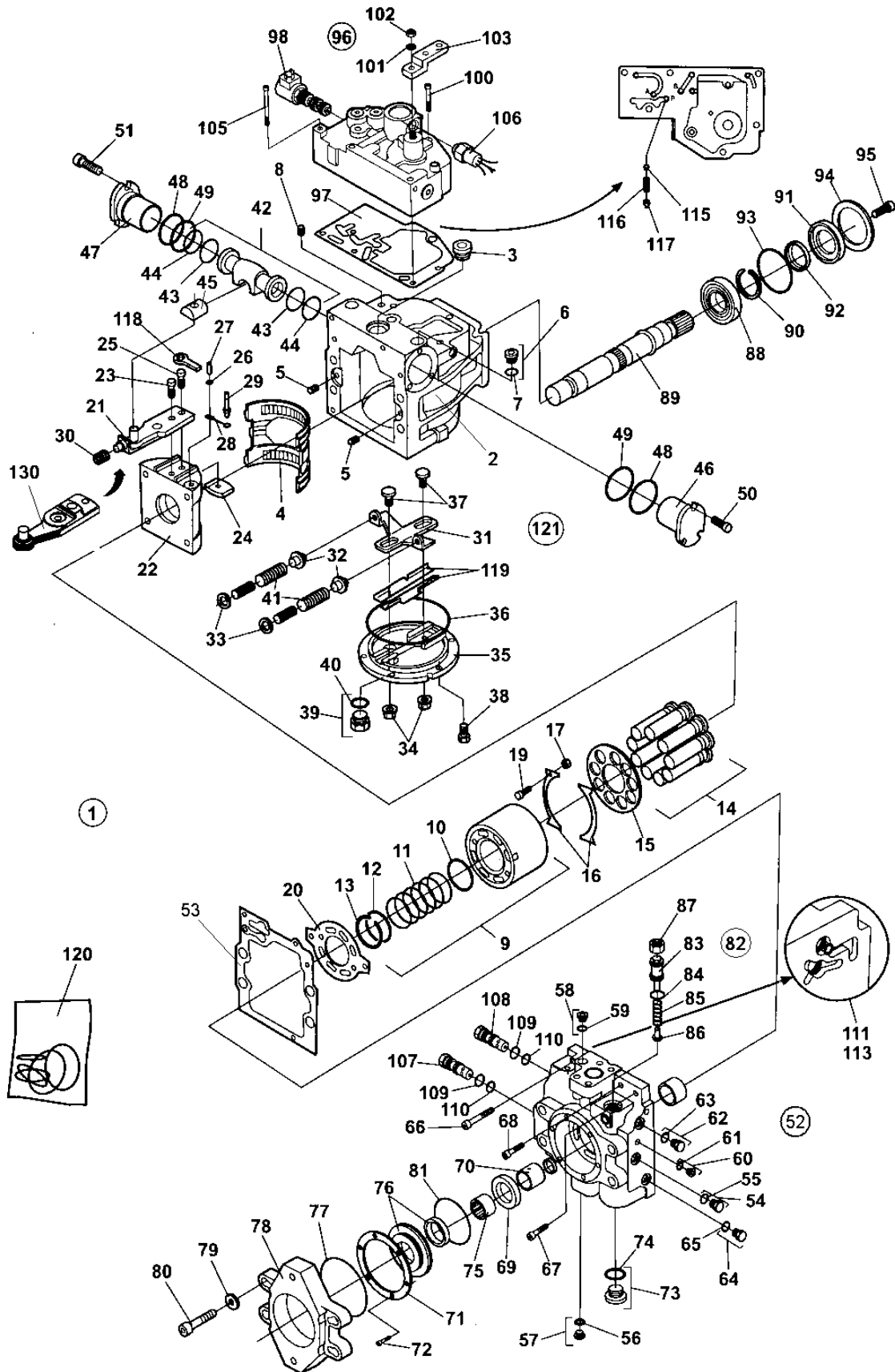
Item	Part No	Rem Qty	Description	Code
1	4700380830	1	Propulsion pump (Page 184)	C
2	4700936546	1	.Housing	
		2	1 .Housing	
3	4700902928	1	.Plug	
4	4700901452	1	.Bearing	
		2	1 .Bearing	
5	4700813822	2	.Pin	
6	4700908432	2	.Plug	
7	4700923087	1	..O-ring	D
8	4700901454	3	.Filter element	D
9	4700901455	1	.Cylinder block, cpl	
10		1	..Spacer	
11		1	..Spring	
12		1	..Spring retainer	
13		1	..Ring retainer	
14	4700903570	9	.Piston	D
15	4700903571	1	.Pressure plate	D
16	4700901458	2	.Retainer guide	D
17	4700935856	4	.Spacer	
19	4700909382	4	.Screw	
20	4700936547	1	.Valve plate	
21	4700909727	1	.Servo arm, cpl	
22		1	.Swash plate	
		2	1 .Swash plate	
23	4700909386	1	.Screw	
		2	1 .Screw	
24	4700909387	1	.Guide	
25	4700909388	1	.Screw	
26	4700909389	1	.Washer	
27	4700909390	1	.Pin	
28	4700909391	1	.Link	
29	4700909392	1	.Pin	
30	4700909393	1	.Spring	
31		1	.Lever	
32		2	.Spring support	
33		2	.Washer	
34	4700909398	1	2 .Seal lock nut	
35		1	.Cover	
		2	1 .Cover	
36	4700936551	1	1 .O-ring	
37		2	.Guide post	
38	4700936553	6	.Screw	
39	4700902928	1	.Plug	
40	4700901453	1	1 ..O-ring	
41	4700908352	2	.Spring	
42	4700936582	1	.Piston, cpl	
43		1	2 ..O-ring	
44		1	2 ..Seal ring	
45		1	..Guide	
46	4700903580	1	.Servo	
47	4700903580	1	.Servo	
48	4700936557	1	2 .O-ring	
49	4700936558	1	2 .O-ring	
50	4700936559	3	.Screw	
51	4700936559	3	.Screw	
52	4700936560	1	.End cap, cpl	
53	4700936561	1	1 .Gasket	
54	4700358388	1	.Plug	

1) Included in item 120, Seal kit

2) Valid with item 130

4700380830 Propulsion pump

18875



4700380830 Propulsion pump

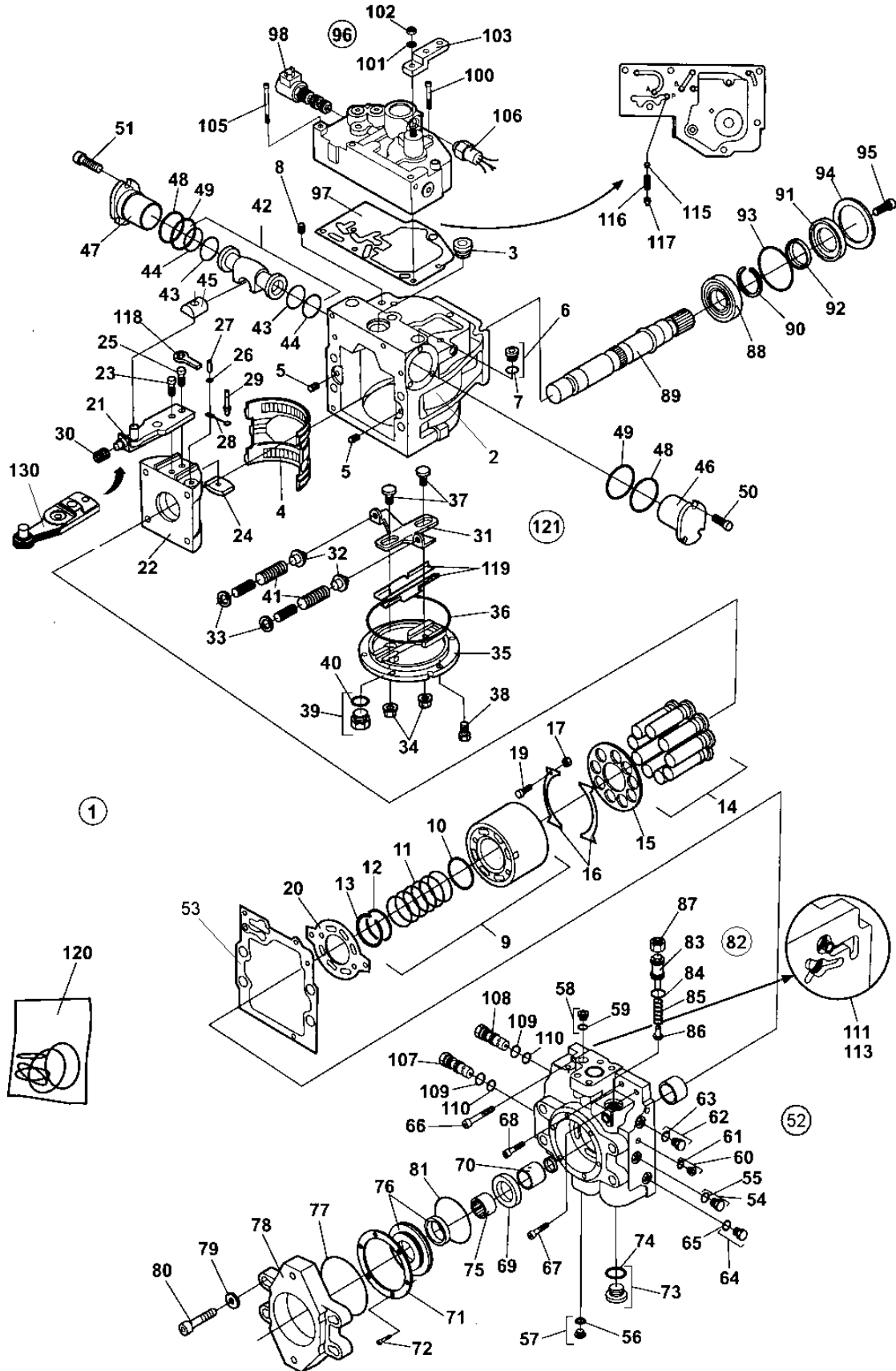
Item	Part No	Rem	Qty	Description	Code
55	4700923087	1	1	..O-ring	D
56	4700908432		1	.Plug	
57	4700923087	1	1	..O-ring	D
58	4700908432		1	.Plug	
59	4700923087	1	1	..O-ring	D
60	4700908432		1	.Plug	
61	4700923087	1	1	..O-ring	D
62	4700358388		1	.Plug	
63	4700923087	1	1	..O-ring	D
64	4700358388		1	.Plug	
65	4700923087	1	1	..O-ring	D
66	4700936562		1	.Screw	
67	4700936563		1	.Screw	
68	4700936564		1	.Screw	
69	4700950283		1	.Spacer	
70	4700950284		1	.Spacer	
71	4700935857		1	.Retaining plate	
72	4700936566		6	.Screw	
73	4700936567		1	.Plug, cpl	
74	4700936568	1	1	..O-ring	
75			1	.Coupling sleeve	
76			1	.Cover assembly	
77	4700909399	1	1	.O-ring	
78	4700936570		1	.Adapter	
79	4700936571		4	.Washer	
			4	.	
81	4700937150		1	.O-ring	
82	4700936583		1	.Pressure relief valve, cpl	
83			1	..Screw	
84		1	1	..O-ring	
85			1	..Spring	
86			1	..Valve cone	
87			1	..Nut	
88	4700901465		1	.Bearing	
89	4700901466		1	.Shaft	
90	4700901467		1	.Ring	
91			1	.Pressure plate	
92		1	1	.Seal	
		2	1	.Seal	
93		1	1	.O-ring	
94			1	.Retaining plate	
95			3	.Screw	
96	4700938170		1	.Control valve, cpl	
97	4700939489	1	1	..Control valve gasket	
98	4700938252		1	..Solenoid valve	
100			1	..Screw	
101	4700909428		1	..Washer	
102	4700909429		1	..O-ring	
103	4700909432		1	..Control lever	
105	4700937857		5	..Screw	
106	4700938253		1	..Neutral start switch	
107	4700212339		1	.Valve	
108	4700212339		1	.Valve	
109		1	2	..O-ring	
110		1	2	..O-ring	
111	4700901475		2	.Valve	D
113	4700901476		2	.Plug	D
115	4700909435		1	.Orifice	

1) Included in item 120, Seal kit

2) Valid with item 130

4700380830 Propulsion pump

18875

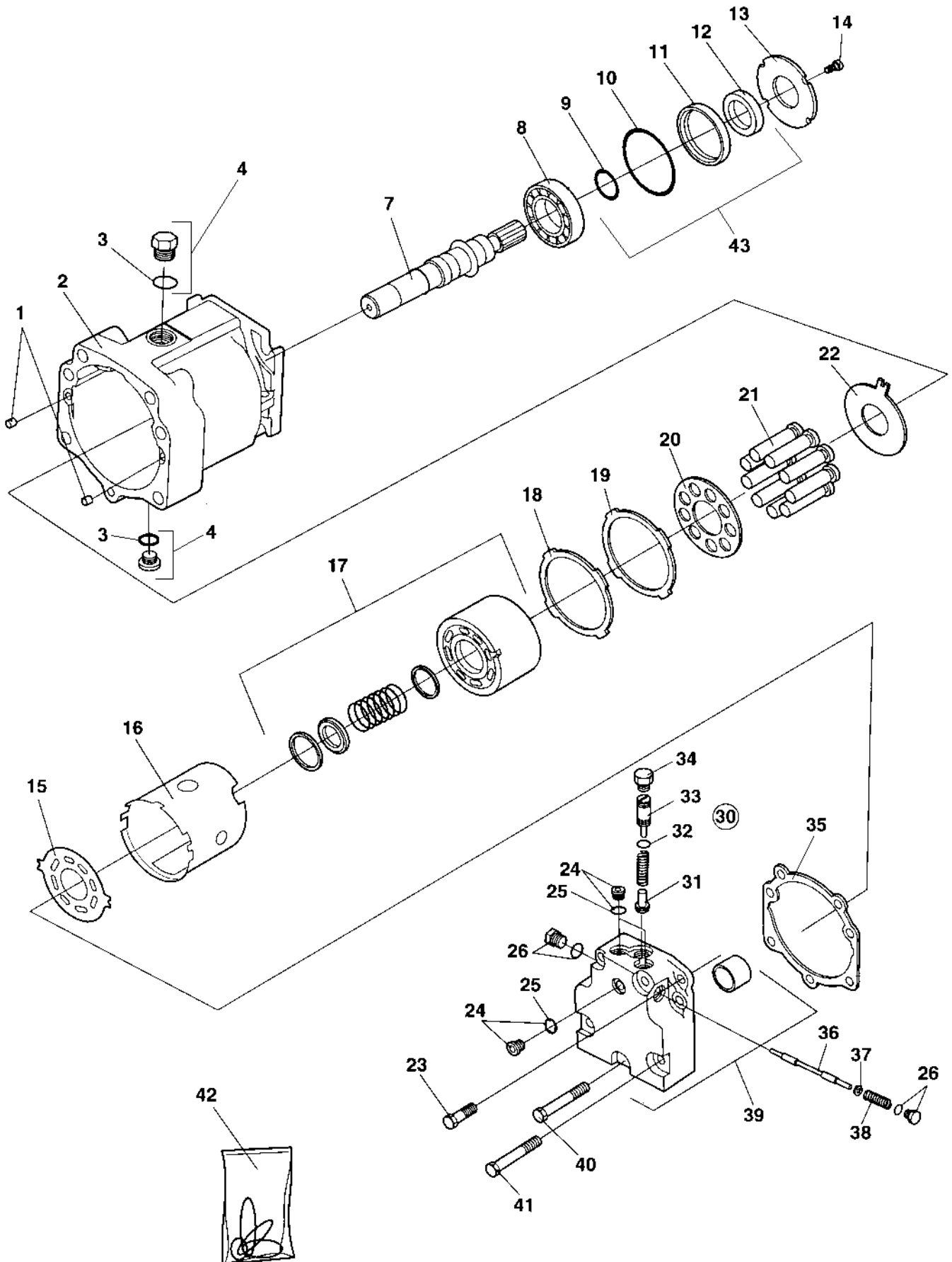


4700380830 Propulsion pump

Item	Part No	Rem Qty	Description	Code
116	4700909436	1	.Spring	
117	4700908448	1	.Spring retainer	
118		1	.Link	
119		1	.Guide assy, 1pair	
120	4700901328	1	.Seal kit	D
121	4700936548	1	.Cover assy	
130		1	.Servo arm	

4700375999 Hydraulic motor

18874



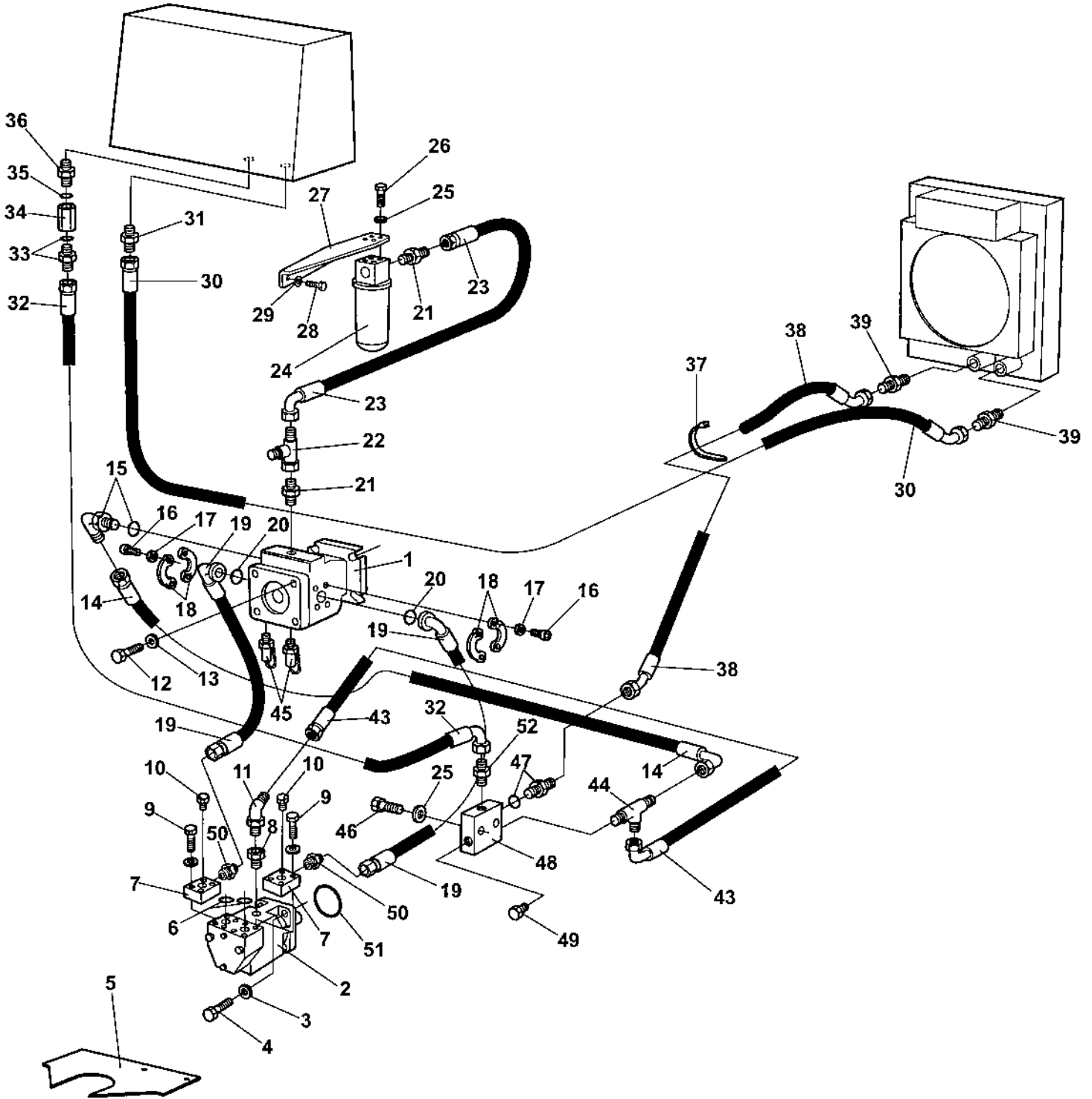
4700375999 Hydraulic motor

Item	Part No	Rem	Qty	Description	Code
1	4700813822		2	Pin	
2			1	Housing	
3		A	2	O-ring	
4	4700936567		2	Plug, cpl	
7			1	Shaft	
8			1	Bearing	
9			1	Ring	
10		A	1	O-ring	
11			1	Seal carrier	
12		A	1	Seal	
13			1	Retaining plate	
14	4700936563		3	Screw	
15	4700945160		1	Valve plate	
16			1	Holder	
17			1	Cylinder block, cpl	
18			1	Shim	
19			1	Retainer guide	
20			1	Pressure plate	
21			9	Piston	
22			1	Thrust plate	
23			2	Screw	
24	4700902337		3	Plug, cpl	
25		A	3	O-ring	
26			2	Plug, cpl	
30			1	Valve, cpl	
31			1	Spring collar	
32		A	2	O-ring	
33			1	Adapter	
34			1	Plug	
35		A	1	Gasket	
36			1	Spool	
37			2	Spring washer	
38			2	Spring	
39			1	End cap, cpl	
40			1	Screw	
41			4	Screw	
42	4700950378		1	Seal kit	D
43			1	Shaft seal kit	D

A) Included in item 42

Propulsion system, Rear

16925-1



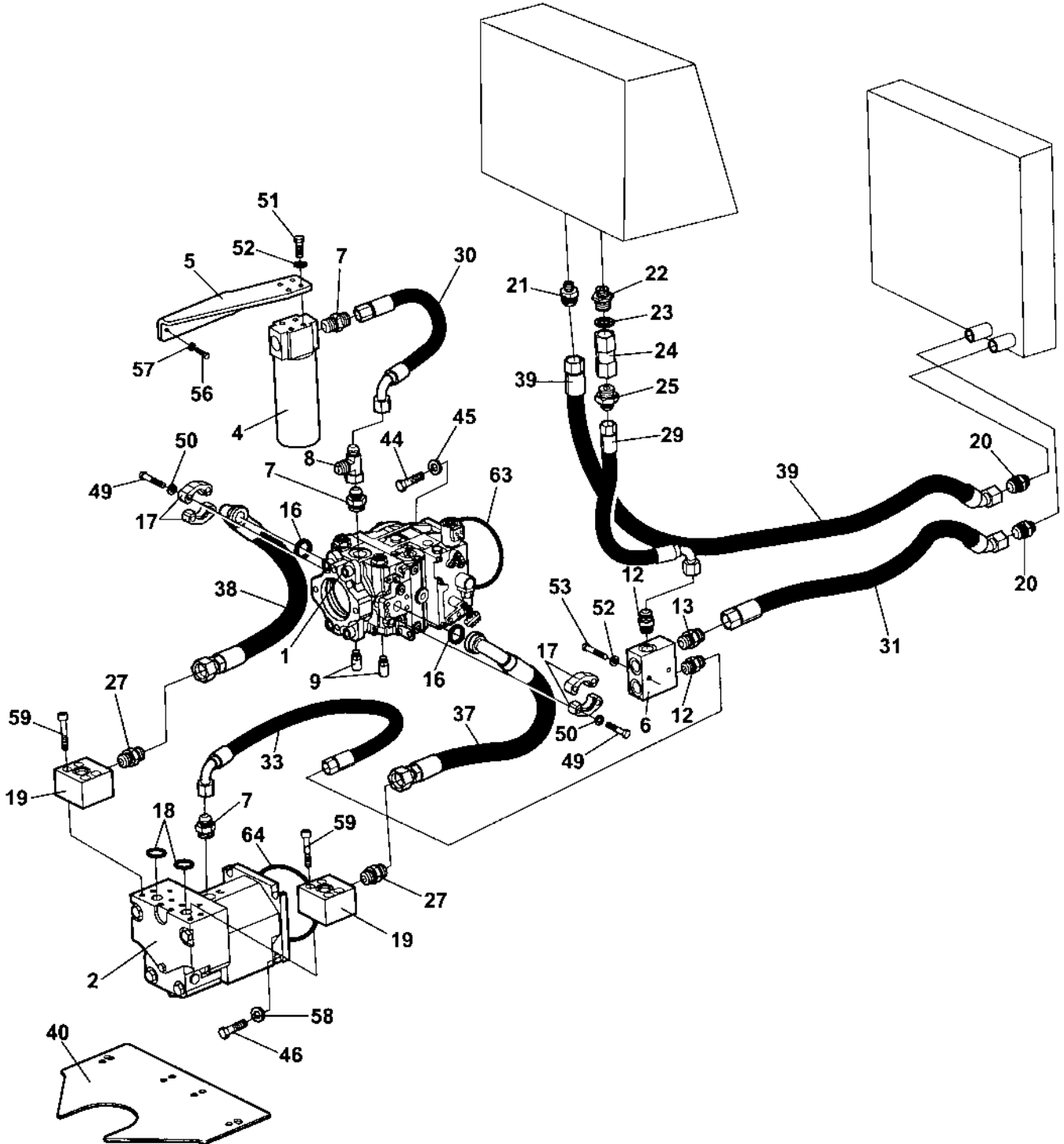
Propulsion system, Rear

Item	Part No	Rem	Qty	Description	Code
1	4700380830		1	Propulsion pump (Page 184)	C
2	4700375999		1	Hydraulic motor (Page 190)	
3	4700904793		8	Washer	19x34x3
4	4700500263		4	Screw	M18x60
5	4700372235		1	Hose guard	
6	4700904171		2	O-ring	
7	4700380717		2	Flange coupling	
8	4700334468		1	Adapter	
9	4700509034		8	Screw	
10	4700232222		2	Plug	
11	4700334248		1	Elbow 45, O-ring	
12	4700500046		4	Screw	
13	4700904213		4	Washer	
14	4700482391		1	Hydraulic hose	
15	4700813499		1	Elbow 90, O-ring	
16	4700502132		8	Screw	UNC 7/16" x 22
17	4700904638		8	Washer	12x22x2
18	4700923384		4	Flange half	
19	4700483558		2	Hydraulic hose	
20	4700904005		2	O-ring	
21	4700334468		3	Adapter	
22	4700234243		1	T-connector	
23	4700482182		1	Hydraulic hose	D
24	4700359550		1	Hydraulic oil filter, cpl	
	4700359551		1	.Filter head	
	4700359552		1	.Cleaning filter element	Maximum 50 hours use
	4700372229	B	1	Hydraulic oil filter element	A
25	4700904230		6	Washer	
26	4700500028		4	Screw	
27	4700379482		1	Filter bracket	
28	4700500021		2	Screw	M8-1,25x25 8.8
29	4700904229		2	Washer	8,4x16x1,5
30	4700483499		1	Hydraulic hose	
31	4700234909		1	Straight connector	
32	4700482182		1	Hydraulic hose	D
33	4700923371		1	Adapter	
34	4700374059		1	Check valve	
35	4700162008		1	Seal washer	
36	4700904282		1	Adapter	
37	4700313102		N	Cable ties	
38	4700483123		1	Hydraulic hose	
39	4700234958		2	Connector	
43	4700482391		1	Hydraulic hose	
44	4700234875		1	Tee-connector o-ring	
45	4700900229		2	Measuring nipple	D
46	4700500109		2	Screw	M10-1,5x65 8,8
47	4700334140		1	Adapter	
48	4700345243		1	Connection block	
49	4700232222		1	Plug	
50	4700792339		2	Straight connector orfs	
51	4700902581		1	O-ring	D
52	4700334138		1	Adapter	

B) Spare part for ordinary service

Propulsion system, Rear

18704



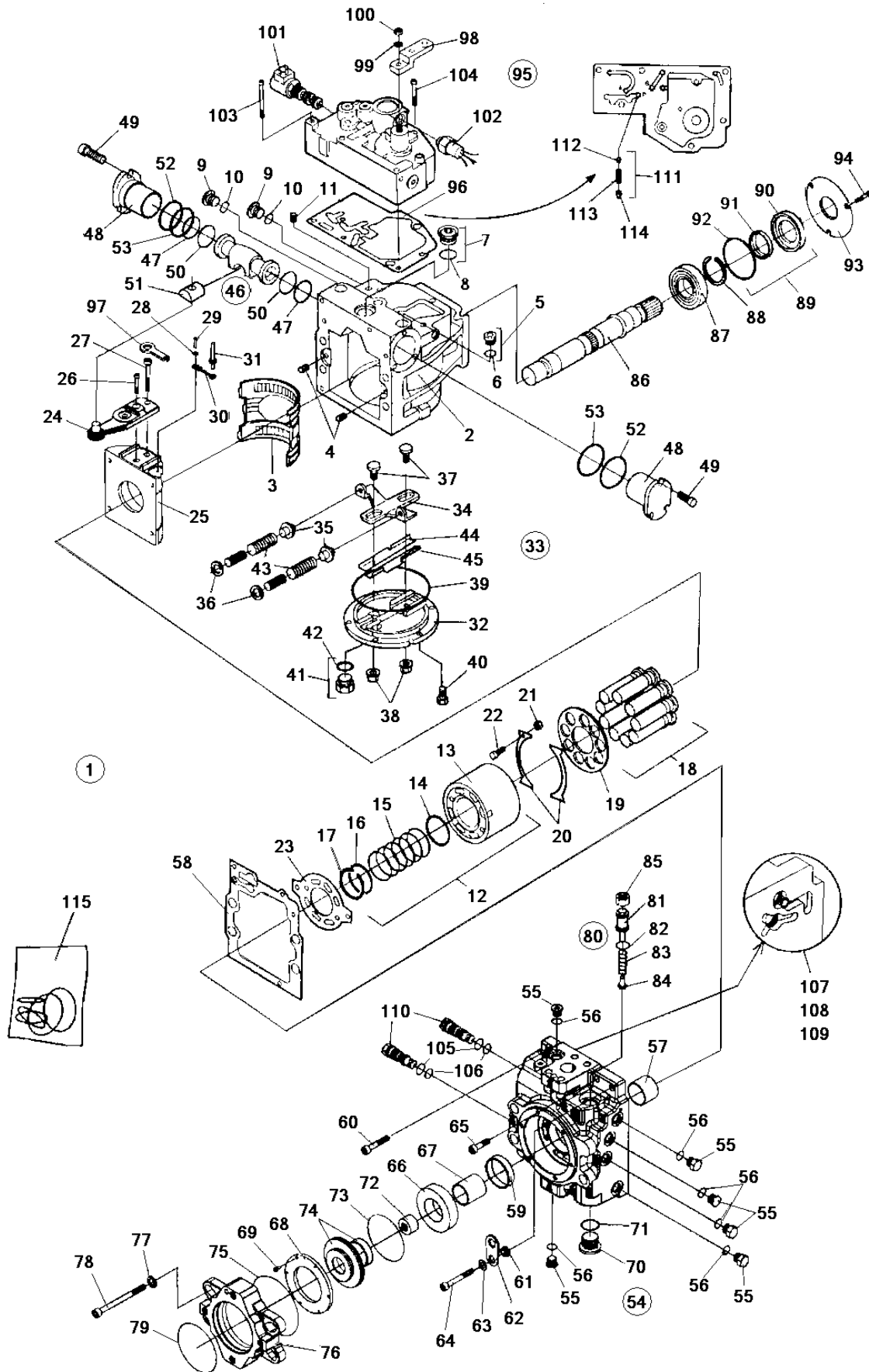
Propulsion system, Rear

Item	Part No	Rem	Qty	Description	Code
1	4700395385		1	Hydraulic pump (Page 196)	
2	4700375999		1	Hydraulic motor (Page 190)	
4	4700359550		1	Hydraulic oil filter, cpl	
	4700359551		1	.Filter head	
	4700359552		1	.Cleaning filter element	Maximum 50 hours use
	4700372229	B	1	.Hydraulic oil filter element	A
5	4700379482		1	Filter bracket	
6	4700345243		1	Connection block	
7	4700334468		3	Adapter	
8	4700234243		1	T-connector	
9	4700900229		2	Measuring nipple	D
12	4700334138		2	Adapter	
13	4700334140		1	Adapter	
16	4700904005		2	O-ring	
17	4700923384		4	Flange half	
18	4700904171		2	O-ring	
19	4700380717		2	Flange coupling	
20	4700234958		2	Connector	
21	4700234909		1	Straight connector	
22	4700904282		1	Adapter	
23	4700162008		1	Seal washer	
24	4700374059		1	Check valve	
25	4700923371		1	Adapter	
27	4700792339		2	Straight connector orfs	
29	4700482182		1	Hydraulic hose	D
30	4700482182		1	Hydraulic hose	D
31	4700483123		1	Hydraulic hose	
33	4700482391		1	Hydraulic hose	
37	4700483551		1	Hydraulic hose	
38	4700483551		1	Hydraulic hose	
39	4700483499		1	Hydraulic hose	
40	4700372235		1	Hose guard	
44	4700500046		4	Screw	
45	4700904213		4	Washer	
46	4700500263		4	Screw	M18x60
49	4700502132		8	Screw	UNC 7/16" x 22
50	4700904638		8	Washer	12x22x2
51	4700500028		4	Screw	
52	4700904230		6	Washer	
53	4700500109		2	Screw	M10-1,5x65 8,8
56	4700500021		2	Screw	M8-1,25x25 8.8
57	4700904229		2	Washer	8,4x16x1,5
58	4700904793		4	Washer	19x34x3
59	4700509034		8	Screw	
61	4700902919		3	Plug	
62	4700232222		3	Plug	
63			1	O-ring	
64	4700160132		1	O-ring	124, 50x3, 00 D

B) Spare part for ordinary service

4700395385 Hydraulic pump

18938



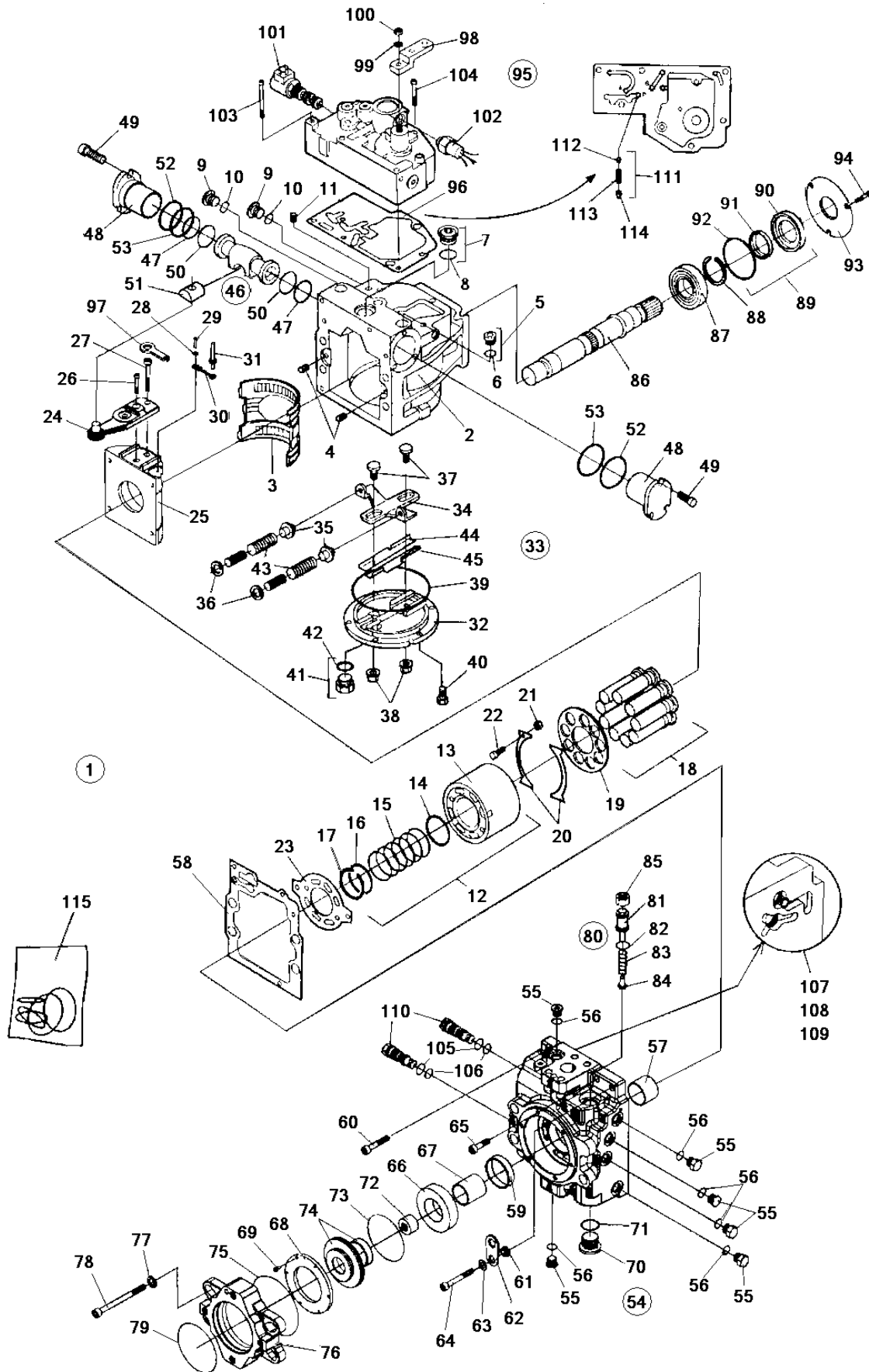
4700395385 Hydraulic pump

Item	Part No	Rem	Qty	Description	Code
1	4700395385		1	Hydraulic pump (Page 196)	
2			1	.Housing	
3			1	.Bearing	
4			2	.Pin	
5			2	.Plug	
6		A	2	..O-ring	
7			1	.Plug	
8		A	1	.O-ring	
9			2	..Plug	
10		A	2	..O-ring	
11			3	.Filter element	
12	4700901455		1	.Cylinder block, cpl	
13			1	..Cylinder block	
14			1	..Ring	
15			1	..Spring	
16			1	..Spring retainer	
17			1	..Ring	
18	4700903570		9	.Piston	D
19	4700903571		1	.Pressure plate	D
20	4700901458		2	.Retainer guide	D
21	4700935856		4	.Spacer	
22	4700909382		4	.Screw	
23	4700936547		1	.Valve plate	
24			1	.Servo arm	
25			1	.Swash plate	
26			1	.Screw	
27			1	.Screw	
28			1	.Washer	
29			1	.Pin	
30	4700909391		1	.Link	
31	4700909392		1	.Pin	
32			1	.Cover	
33	4700936548		1	.Cover assy	
34			1	.Lever	
35			2	.Spring retainer	
36			2	.Shim	
37			2	.Guide post	
38	4700909398	A	2	.Seal lock nut	
39	4700936551	A	1	.O-ring	
40	4700936553		6	.Screw	
41	4700902928		1	.Plug	
42		A	1	..O-ring	
43	4700908352		2	.Spring	
44			1	.Guide	
45			1	.Guide	
46	4700936582		1	.Piston, cpl	
47		A	2	.O-ring	
48			2	.Servo sleeve	
49	4700936559		6	.Screw	
50		A	2	.Piston ring	
51			1	.Guide	
52	4700936557	A	2	.O-ring	
53		A	2	.O-ring	
54	4700936560		1	.End cap, cpl	
55			6	.Plug	
56		A	6	..O-ring	
57			1	.Bushing	
58	4700936561	A	1	.Gasket	
59			1	.Bearing	

A) Includes in seal kit, item 115

4700395385 Hydraulic pump

18938



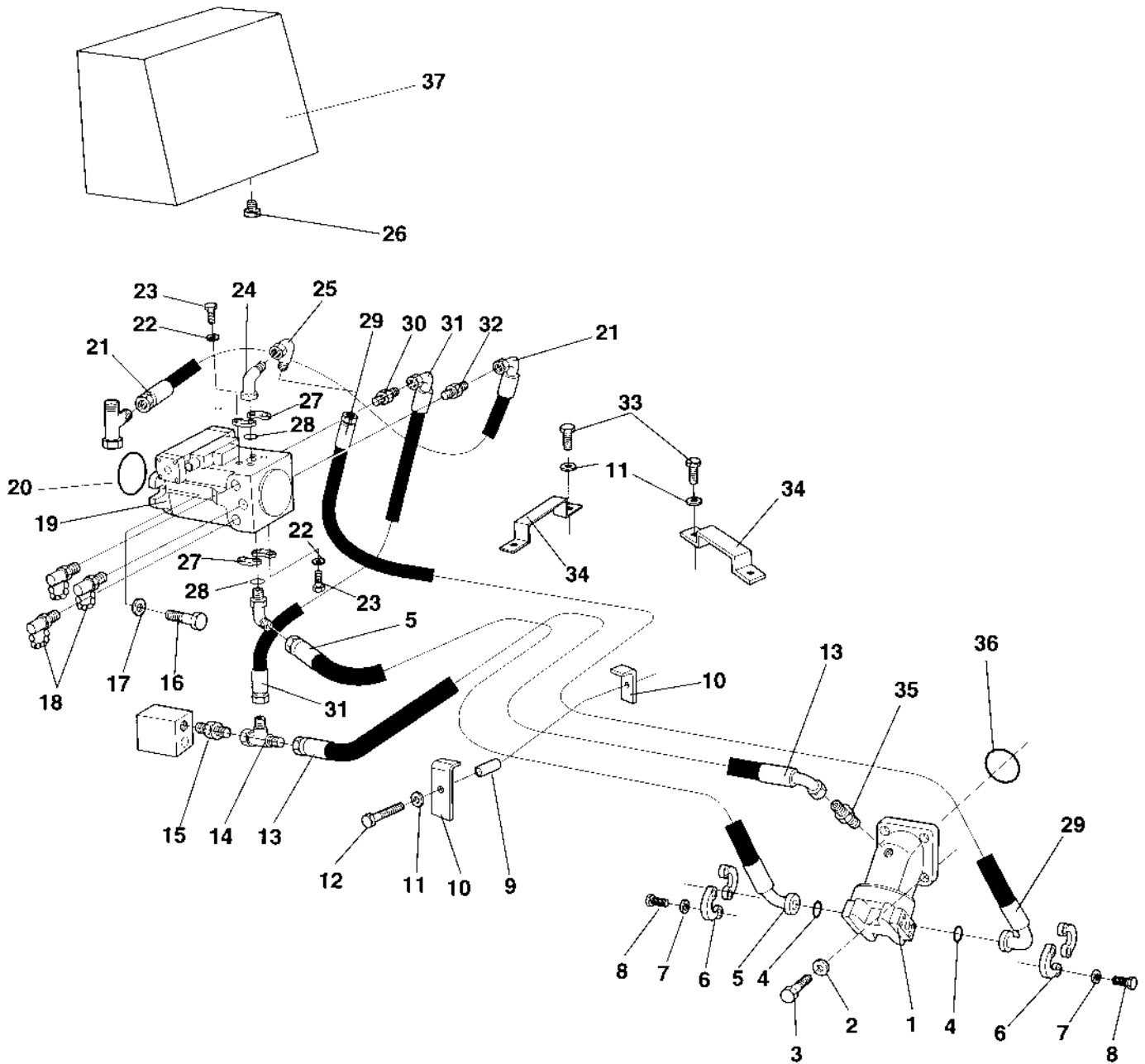
4700395385 Hydraulic pump

Item	Part No	Rem	Qty	Description	Code
60	4700936562		1	.Screw	
61			1	.Spacer	
62			1	.Lifting bracket	
63	4700900188		1	.Washer	
64	4700936563		1	.Screw	
65	4700936564		1	.Screw	
66	4700950283		1	.Spacer	
67	4700950284		1	.Spacer	
68	4700935857		1	.Retaining plate	
69	4700936566		6	.Screw	
70	4700936567		1	.Plug, cpl	
71		A	1	..O-ring	
72			1	.Coupling	
73	4700937150	A	1	.O-ring	
74			1	.Cover assy	
75	4700909399	A	1	.O-ring	
76			1	.Adapter	
77	4700936571		4	.Washer	
78			4	.Screw	
79		A	1	.O-ring	
80	4700936583		1	.Pressure relief valve, cpl	
81			1	..Screw	
82		A	1	..O-ring	
83			1	..Spring	
84			1	..Valve cone	
85			1	..Nut	
86			1	.Bearing	
87	4700901466		1	.Shaft	
88			1	.Snap ring	
89			1	.Shaft seal assy	
90			1	..Seal	
91		A	1	..Lip seal	
92		A	1	..O-ring	
93			1	.Retaining plate	
94	4700908773		3	.Screw	
95	4700938170		1	.Control valve, cpl	
96	4700939489	A	1	..Control valve gasket	
97			1	..Link	
98	4700909432		1	..Control lever	
99			1	..Washer	
100	4700909429		1	..O-ring	
101			1	..Solenoid valve	
102	4700938253		1	..Neutral start switch	
103	4700937857		5	..Screw	
104			1	..Screw	
105		A	2	.O-ring	
106		A	2	.O-ring	
107			2	.Valve	
108			2	.Plug	
109		A	2	..O-ring	
110			1	.Valve	
111	4700212336		1	.Orifice valve cpl	D
112	4700909435		1	..Orifice	
113	4700908447		1	..Compression spring	
114	4700908448		1	..Spring retainer	
115	4700901328		1	.Seal kit	D

A) Includes in seal kit, item 115

Vibration system

16927

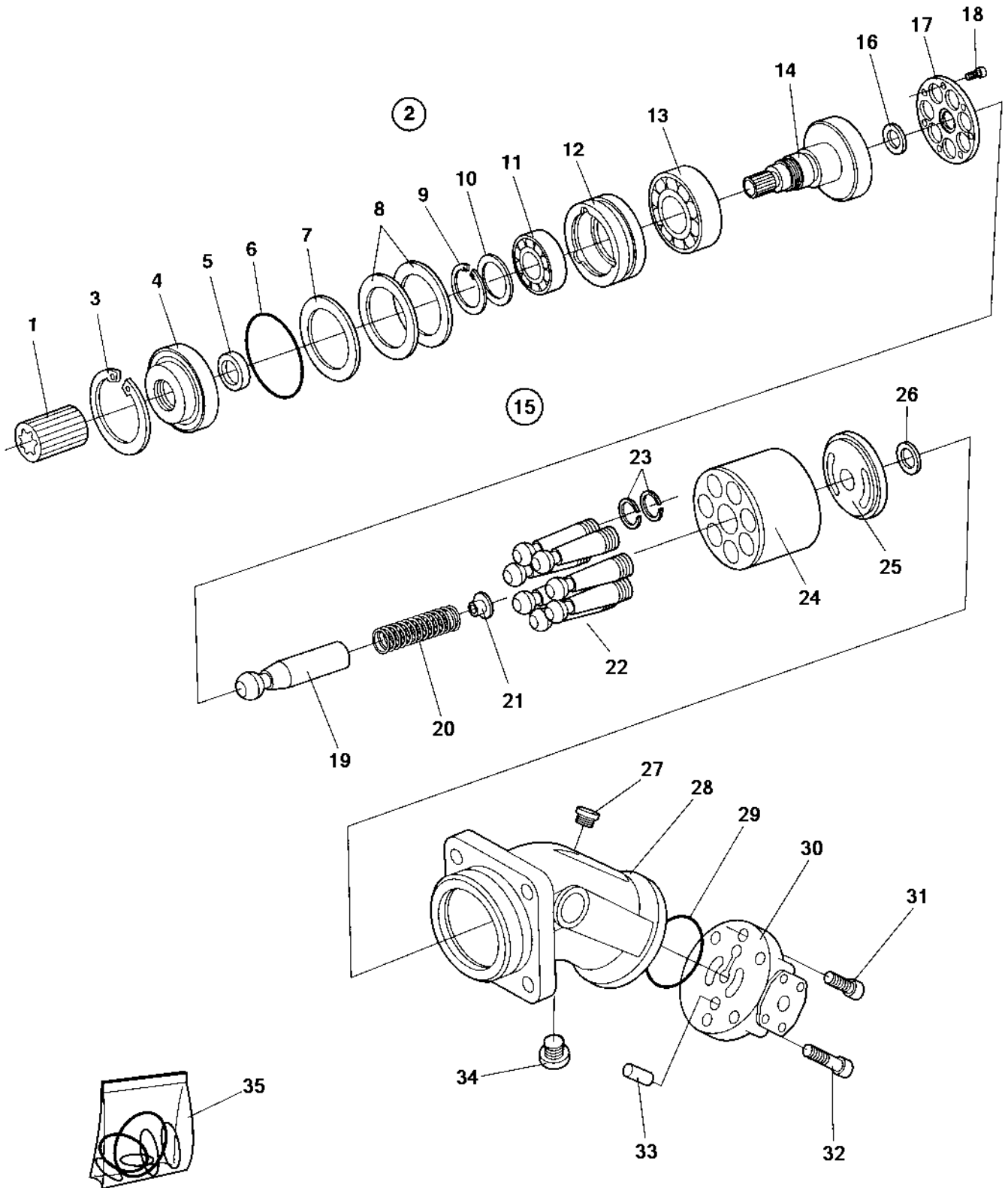


Vibration system

Item	Part No	Rem Qty	Description	Code
1	4700380145	1	Hydraulic motor, vibration (Page 202)	C
2	4700904231	4	Washer	
3	4700500194	4	Screw	
4	4700904003	2	O-ring	
5	4700483501	1	Hydraulic hose	
6	4700900430	4	Flange half	
7	4700904229	8	Washer	
8	4700502019	8	Screw	
9	4700373424	2	Spacer	
10	4700373270	2	Hose clamp	
11	4700904230	6	Washer	
12	4700500032	2	Screw	
13	4700482107	1	Hydraulic hose	
14	4700334135	1	Tee-connector	
15	4700334122	1	Adapter	
16	4700502078	2	Screw	
17	4700904232	2	Washer	
18	4700901157	3	Measuring nipple	D
19	4700381151	1	Vibration pump Up to 65X20592 (Page 204)	C
	4700383958	1	Vibration pump From 65X20593 (Page 210)	C
20	4700903877	1	O-ring	
21	4700483286	1	Hydraulic hose	
22	4700904230	8	Washer	
23	4700500030	8	Screw	
24	4700904767	2	Flange adapter	
25	4700904781	1	Adapter	
26	4700232122	1	Plug Up to 65X20396	
	4700334025	1	Straight connector From 65X20397	
	4700330383	1	Cap hydraulic From 65X20397	
27	4700929226	4	Flange half	
28	4700904004	2	O-ring	D
29	4700483500	1	Hydraulic hose	
30	4700901155	1	Connector	
31	4700483397	1	Hydraulic hose	
32	4700234382	1	Adapter	
33	4700500028	4	Screw	
34	4700373017	2	Hose clamp	
35	4700334121	1	Straight connector	
36	4700160132	1	O-ring	
				124, 50x3, 00
37		1	Hydraulic oil tank Up to 65X23699 (Page 238)	
		1	Hydraulic oil tank From 65X23700 (Page 240)	

4700380145 Hydraulic motor, vibration

16978



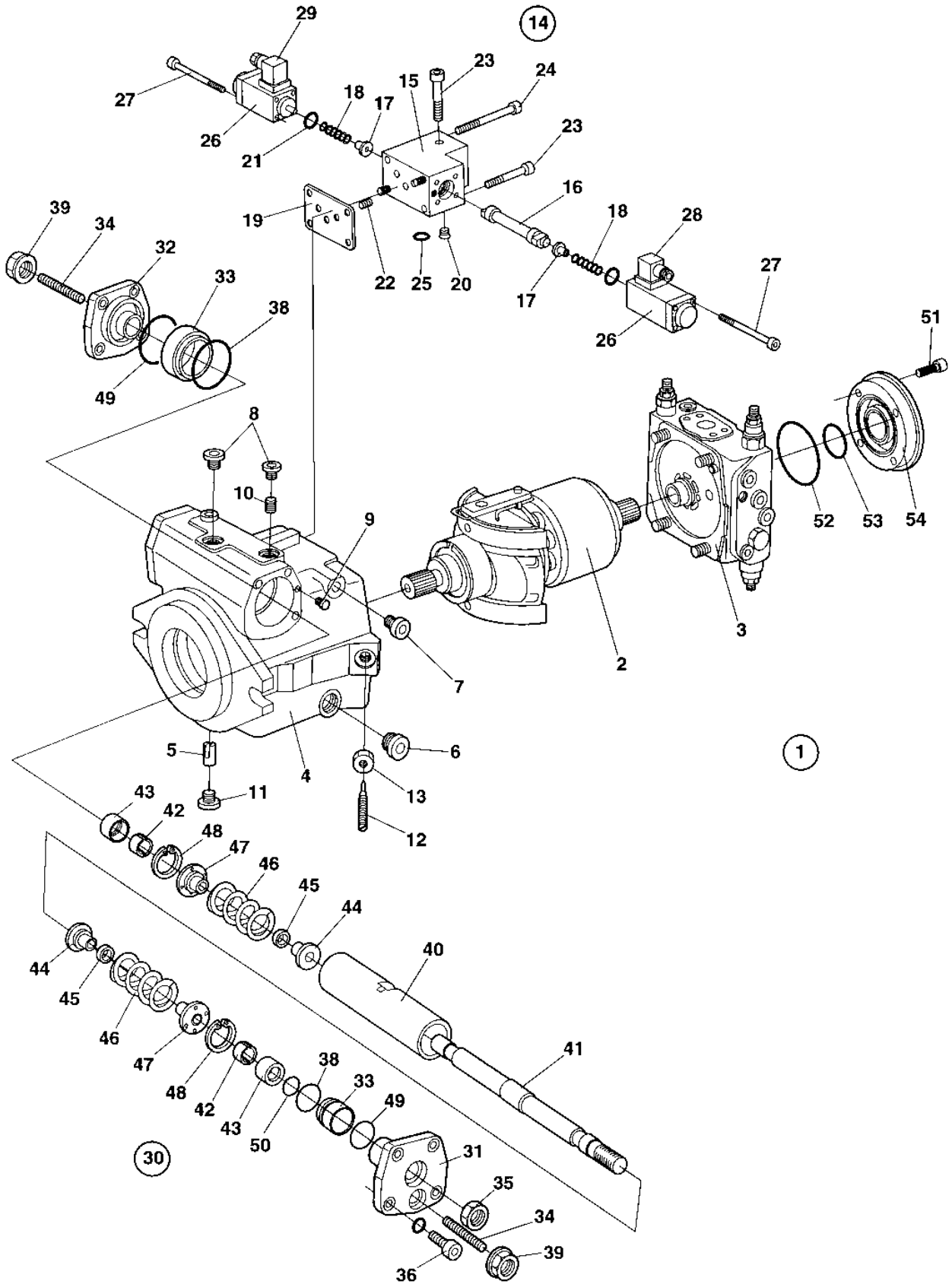
4700380145 Hydraulic motor, vibration

Item	Part No	Rem	Qty	Description	Code
			1	Hydraulic motor, vibration	
1	4700340863		1	..Splined sleeve	D
2	4700380078		1	..Hydraulic motor, vibration	
3	4700901387		1	..Snap ring	
4	4700937261		1	..Cover	
5	4700937264	1	1	..Seal ring	
6	4700937265	1	1	..O-ring	
7	4700901390		1	..Shim	T=0,3 mm
8	4700901389		2	..Shim	T=0,1 mm
9	4700938042		1	..Retaining ring	
10	4700938041		1	..Back-up plate	
11	4700901386		1	..Bearing	
12	4700937260		1	..Bearing ring	
13	4700901385		1	..Bearing	
14	4700938040		1	..Shaft	
15			1	..Rotary group, hydr.section	
16			1	..Washer	
17			1	..Retaining plate	
18			7	..Screw	
19			1	..Pin	
20			1	..Spring	
21			1	..Spring collar	
22			7	..Piston	
			1	...Piston	
23			2	...Sealing ring	
24			1	..Cylinder	
25			1	..Pressure plate	
26			1	..Washer	
27	4700937995		1	..Screw	
28	4700937256		1	..Housing	
29	4700937258	1	1	..O-ring	
30	4700937257		1	..Plate	
31	4700902655		2	..Screw	
32	4700927350		4	..Screw	
33	4700937993		1	..Pin	
34	4700937259	1	1	..Screw	
35	4700937674		1	..Seal kit	

1) Included in seal kit, item 35

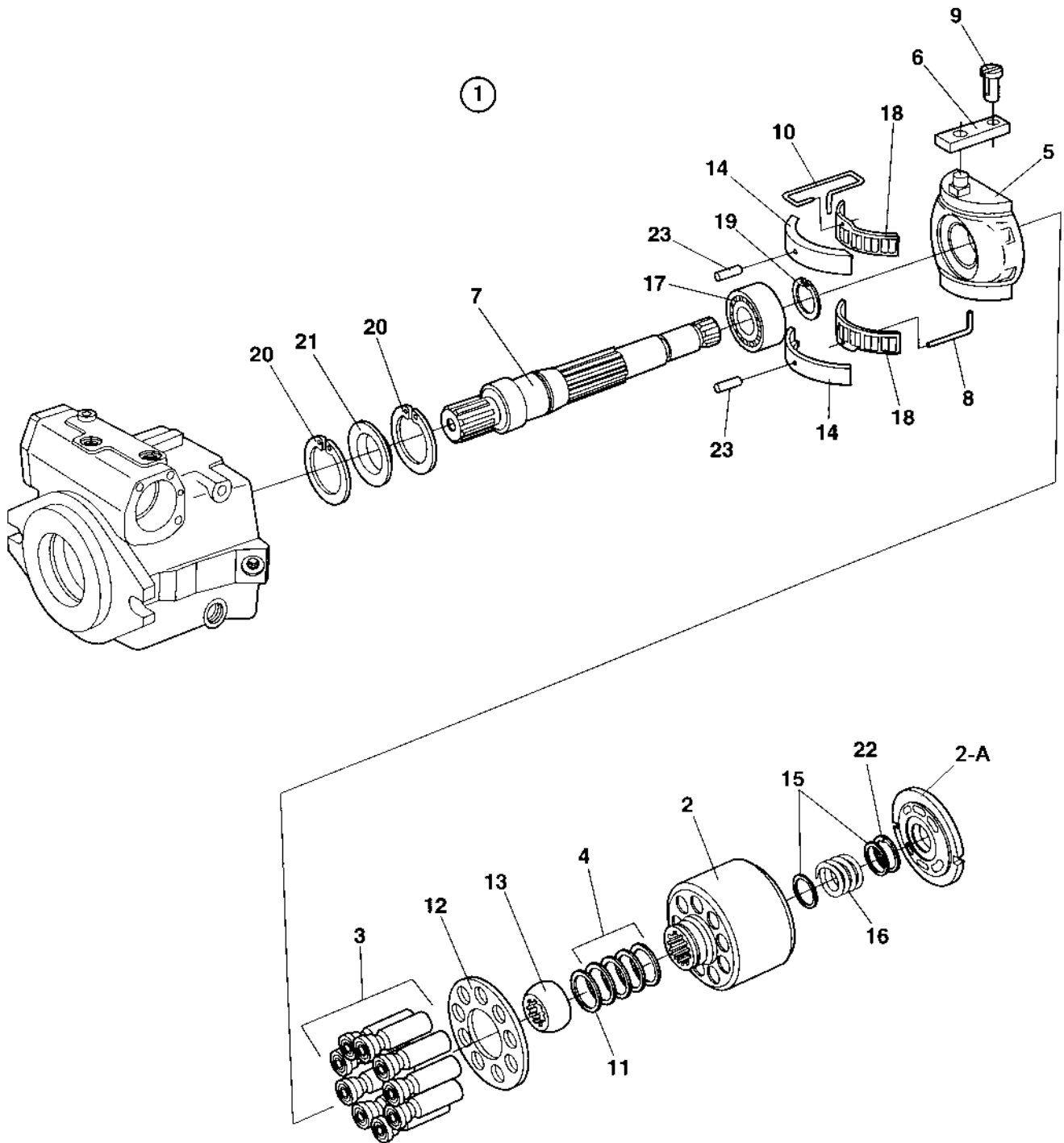
4700381151 Vibration pump

16522-1



4700381151 Vibration pump

Item	Part No	Rem Qty	Description	Code
1		1	Vibration pump	
	4700939727	1	.Seal kit	
2	4700937167	1	.Rotary group, cpl (Page 206)	
3	4700937168	1	.Valve block, cpl (Page 208)	
4	4700937986	1	.Housing	
5	4700935158	1	.Pin	
6	4700935219	1	.Plug	
7	4700902724	1	.Plug	
8	4700936803	5	.Plug	
9	4700909514	2	.Pin	
10	4700936308	2	.Orifice	
11	4700902624	1	.Screw	
12	4700902687	1	.Pin	
13	4700902695	1	.Nut	
14	4700908381	1	.Control valve	
15	4700936683	1	..Housing	
16	4700936684	1	..Piston	
17	4700936685	2	..Spring collar	
18	4700936686	2	..Spring	
19	4700935218	1	..Gasket	
20	4700936687	2	..Pin	
21	4700927253	2	..O-ring	
22	4700936688	1	..Pin	
23	4700927358	3	..Screw	
24	4700908383	2	..Screw	
25	4700936418	1	..O-ring	
26	4700937994	2	..Solenoid	
27	4700901430	8	..Screw	
28	4700927354	1	..Socket	D
29	4700927355	1	..Socket	D
30	4700937985	1	.Hydraulic control	
31	4700937998	1	..Cover	
32	4700937999	1	..Cover	
33	4700938003	2	..Guide ring	
34	4700937195	2	..Pin	
35	4700936340	1	..Nut	
36	4700902856	8	..Screw	
38	4700938004	2	..O-ring	
39	4700936393	2	..Seal lock nut	
40	4700938005	1	..Piston	
41	4700937198	1	..Rod	
42	4700938006	2	..Ring	5,77
43	4700938014	2	..Sleeve	
44	4700937199	2	..Spring collar	
45	4700936648	2	..Spacer ring	
46	4700937531	2	..Spring, outer	
	4700937200	2	..Spring, inner	
47	4700937201	2	..Spring collar	
48	4700938015	2	..V-ring	
49	4700938001	1	..O-ring	
50	4700936371	1	..O-ring	
51	4700902655	4	.Screw	
52	4700936678	1	.O-ring	
53	4700936679	1	.O-ring	
54	4700936677	1	.Cover	

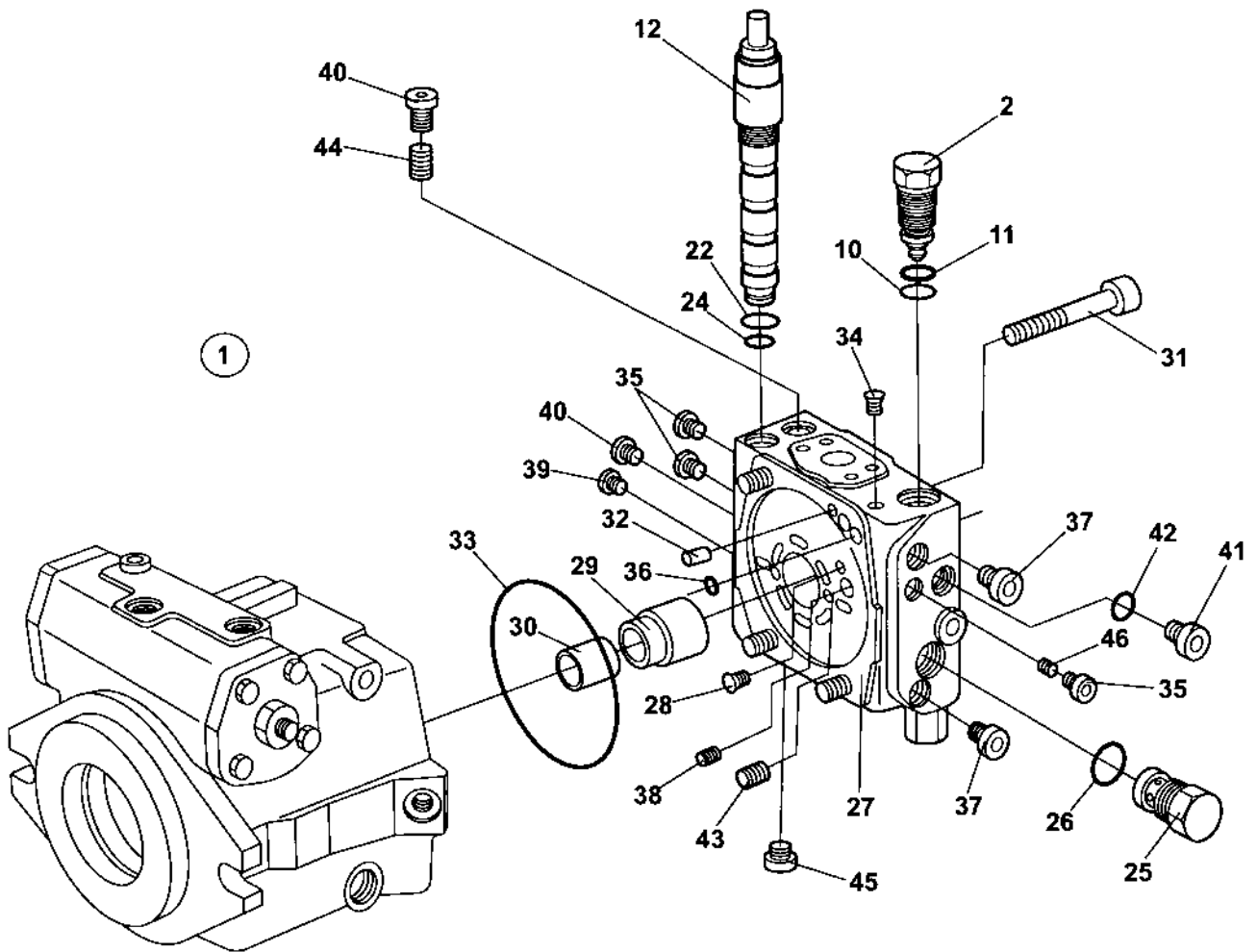


4700937167 Rotary group, cpl

Item	Part No	Rem Qty	Description	Code
1		1	Rotary group, cpl	
2	4700937170	1	.Cylinder with control plate	
2-A	4700940308	1	..Control plate	
3	4700937171	9	.Piston	
4	4700937172	1	.Cup springs, cpl	
5	4700937173	1	.Cradle	
6	4700937174	1	.Slide ring	
7	4700908367	1	.Shaft	
8	4700936621	1	.Wire	
9	4700935164	1	.Pin	
10	4700937175	1	.Wire	
11	4700937176	1	.Shim	
12	4700937180	1	.Retaining plate	
13	4700937181	1	.Retaining ball	
14	4700937182	1	.Bearing liner, 1 pair	
15	4700937183	2	.Washer	
16	4700937184	1	.Spring	
17	4700937185	1	.Bearing	
18	4700937186	1	.Cradle bearing assembly, 1 set	
19	4700937187	1	.Retaining ring	
20	4700937188	2	.V-ring	
21	4700937189	1	.Seal ring	
22	4700937190	1	.Retaining ring	
23	4700902792	2	.Pin	

4700937168 Valve block, cpl

18844

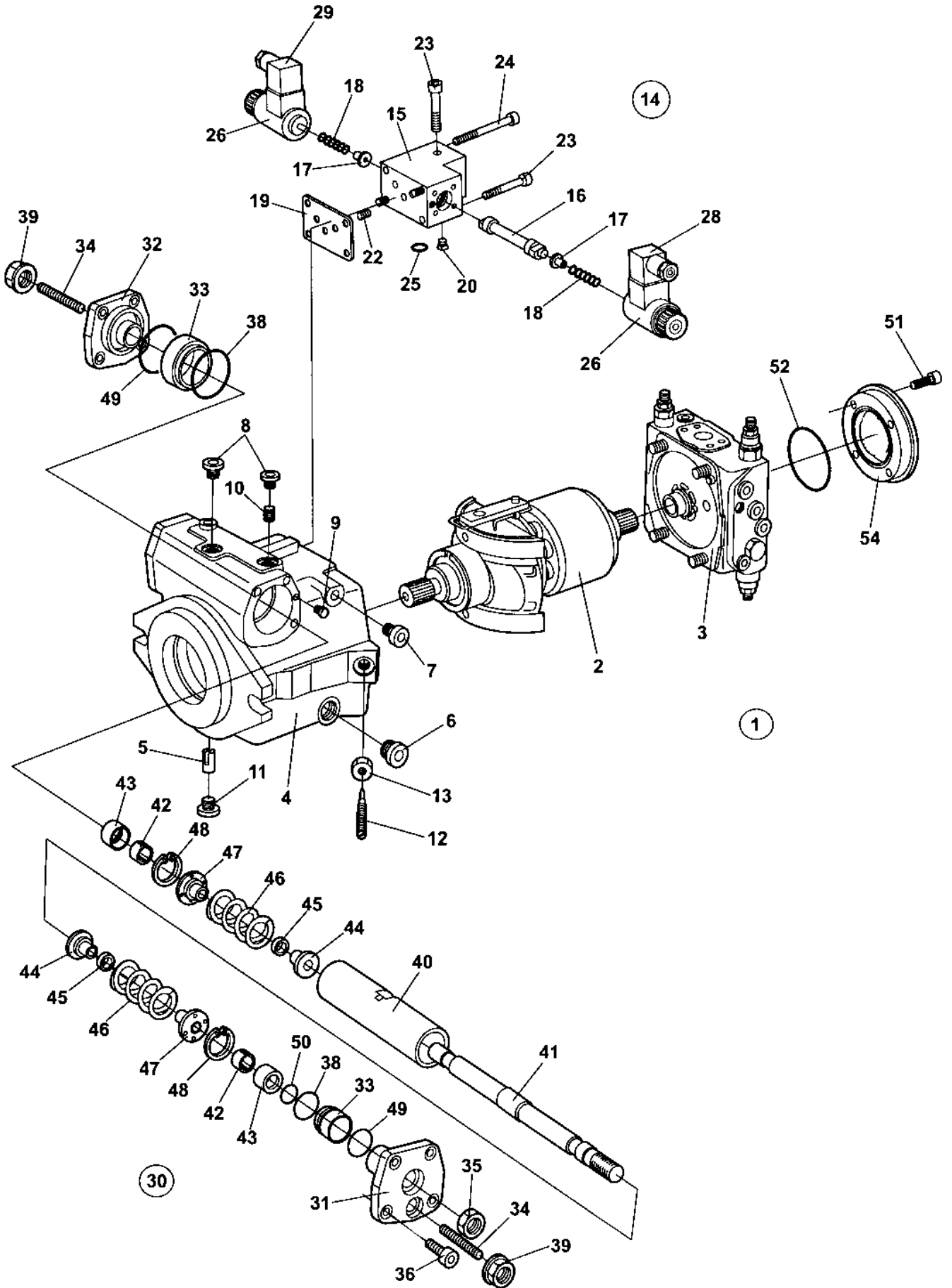


4700937168 Valve block, cpl

Item	Part No	Rem Qty	Description	Code
1		1	Valve block, cpl	
2		2	.Relief valve	310 bar
	4700935172	2	.Pressure relief valve	350 bar
		2	.Relief valve	380 bar
	4700937240	2	.Pressure relief valve	440 bar
10	4700927278	1	..O-ring	D
11	4700936673	1	..Back-up ring	
12	4700908375	1	.Valve	
22	4700902783	1	..O-ring	D
24	4700936394	1	..O-ring	
25	4700936674	1	.Pin	
26	4700927278	1	.O-ring	D
27	4700937202	1	.Port plate	
28	4700902735	1	.Pin	
29	4700937203	1	.Bush	
30	4700937204	1	.Bearing bushing	
31	4700937205	4	.Screw	
32	4700908384	2	.Pin	
33	4700937206	1	.O-ring	
34	4700909514	3	.Pin	
35	4700936370	3	.Locking screw	
36	4700909469	2	.O-ring	
37	4700902625	2	.Screw	
38	4700901742	1	.Pin	
39	4700902723	1	.Plug	
40	4700902811	3	.Plug	
41	4700902693	1	.Screw	
42	4700927278	1	.O-ring	D
43	4700902697	1	.Screw	
44	4700936613	1	.Locking screw	
45	4700936614	1	.Plug	
46	4700936313	1	.Orifice	

4700383958 Vibration pump

18843

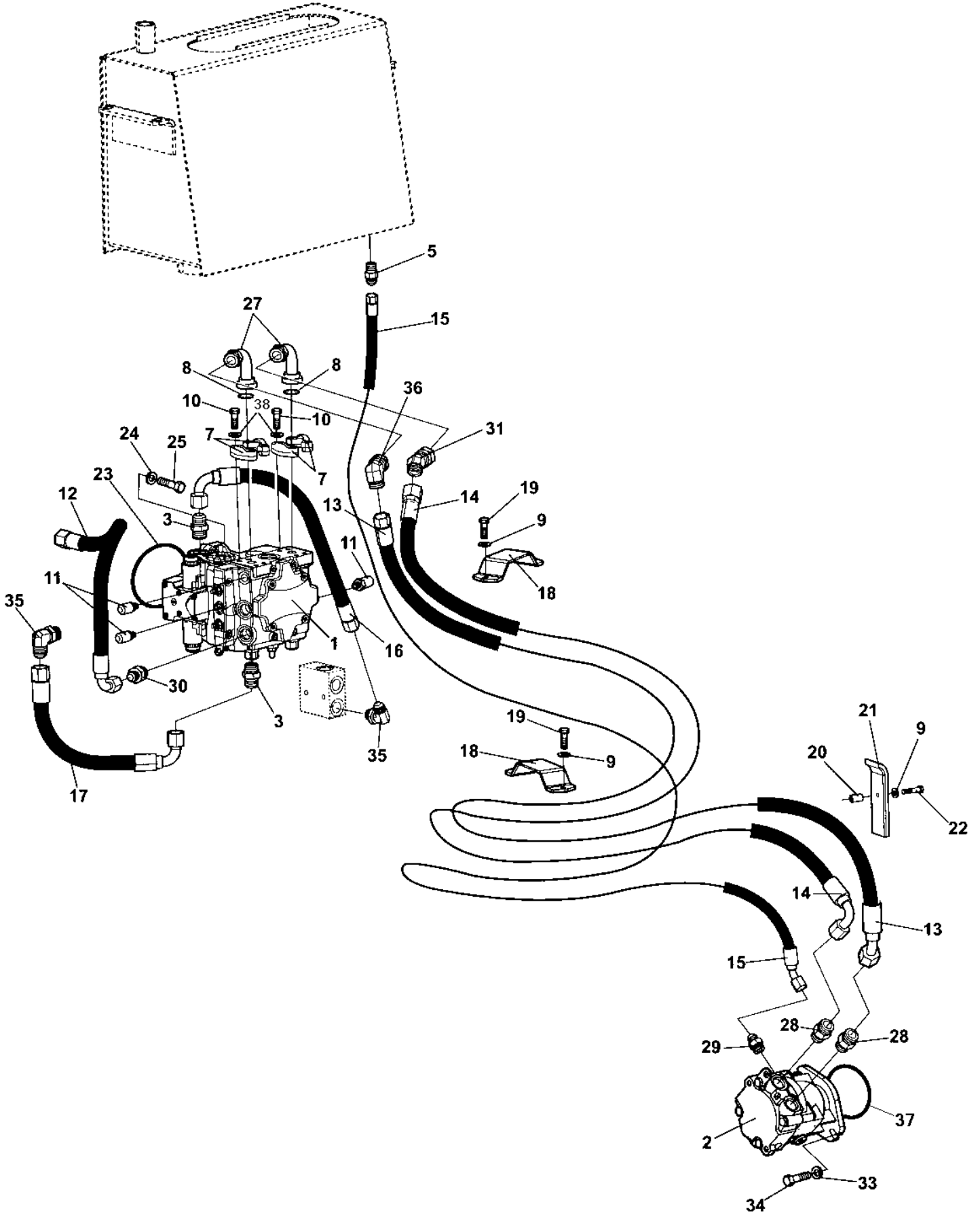


4700383958 Vibration pump

Item	Part No	Rem Qty	Description	Code
1		1	Vibration pump	
	4700940675	1	.Seal kit	
2	4700937167	1	.Rotary group, cpl (Page 206)	
3	4700937168	1	.Valve block, cpl (Page 208)	
4	4700937986	1	.Housing	
5	4700935158	1	.Pin	
6	4700935219	1	.Plug	
7	4700902724	1	.Plug	
8	4700936803	5	.Plug	
9	4700909514	2	.Pin	
10	4700936308	2	.Orifice	
11	4700902624	1	.Screw	
12	4700902687	1	.Pin	
13	4700902695	1	.Nut	
14	4700940507	1	.Control valve, cpl	
15		1	..Housing	
16	4700945775	1	..Piston	
17	4700945776	2	..Spring collar	
18	4700936686	2	..Spring	
19		1	..Gasket	
20		2	..Pin	
22	4700936307	1	..Double break-off pin	D
23	4700927358	3	..Screw	
24	4700908383	2	..Screw	
25		1	..O-ring	
26	4700940505	2	..Solenoid	
28		1	..Socket	
29		1	..Socket	
30	4700937985	1	.Hydraulic control	
31	4700937998	1	..Cover	
32	4700937999	1	..Cover	
33	4700938003	2	..Guide ring	
34	4700937195	2	..Pin	
35	4700936340	1	..Nut	
36	4700902856	8	..Screw	
38	4700938004	2	..O-ring	
39	4700936393	2	..Seal lock nut	
40	4700938005	1	..Piston	
41	4700937198	1	..Rod	
42		2	..Ring	
43	4700938014	2	..Sleeve	
44	4700937199	2	..Spring collar	
45	4700936648	2	..Spacer ring	
46	4700937531	2	..Spring, outer	
	4700937200	2	..Spring, inner	
47	4700937201	2	..Spring collar	
48	4700939167	2	..Retaining ring	
49	4700938001	2	..O-ring	
50	4700909469	1	..O-ring	
51	4700939173	4	.Screw	
52	4700935192	1	.O-ring	
54		1	.Cover	

Vibration system

18705

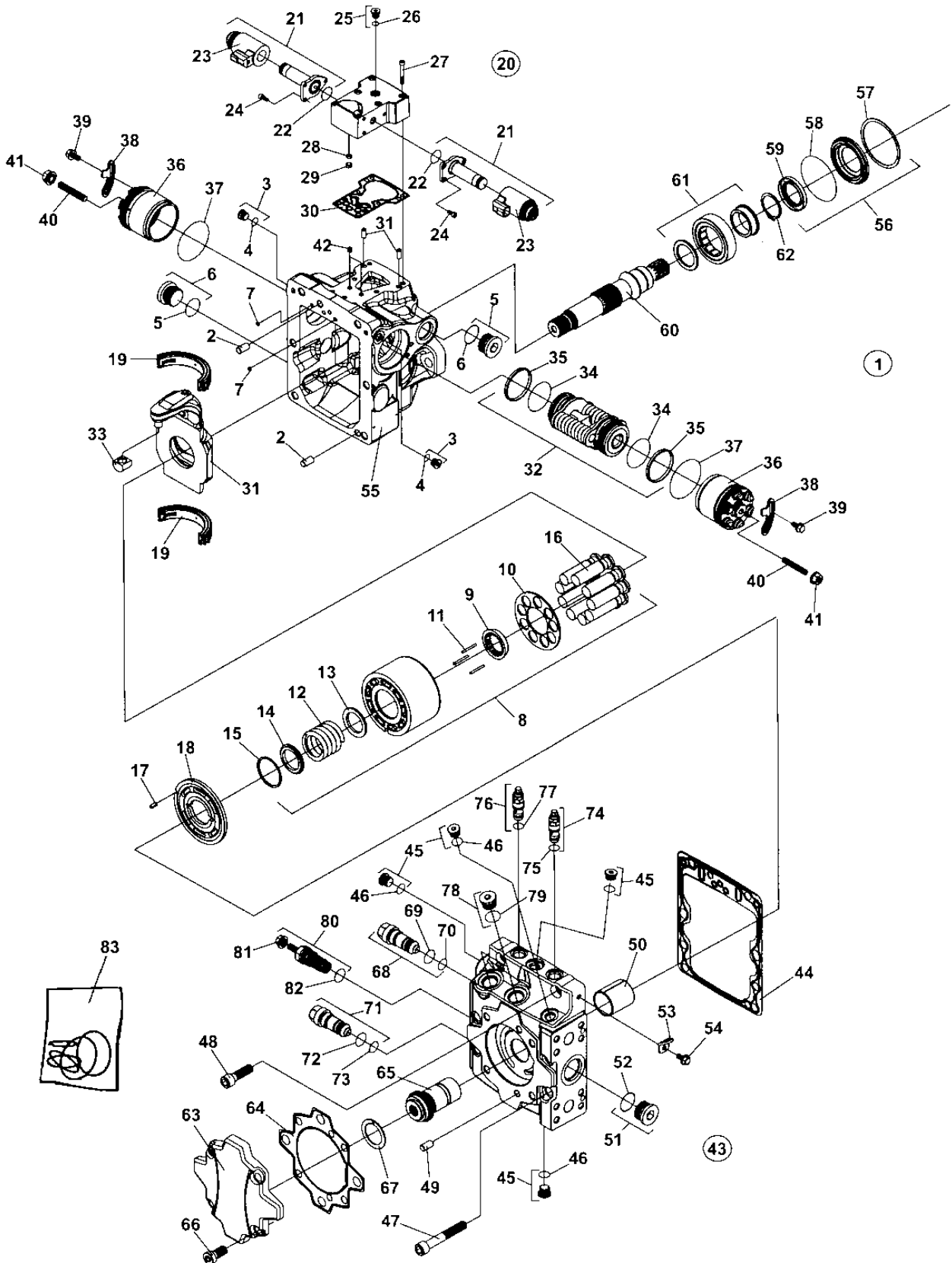


Vibration system

Item	Part No	Rem Qty	Description	Code
1	4700395384	1	Vibration pump (Page 214)	
2	4700395386	1	Hydraulic motor, vibration (Page 218)	C
3	4700334138	2	Adapter	
5	4700334205	1	Straight connector	
7	4700929226	4	Flange half	
8	4700904773	2	O-ring	
9	4700904230	6	Washer	
10	4700500030	8	Screw	
11	4700900229	3	Measuring nipple	D
12	4700483286	1	Hydraulic hose	
13	4700484235	1	Hydraulic hose	
14	4700484234	1	Hydraulic hose	
15	4700483031	1	Hydraulic hose	
16	4700482391	1	Hydraulic hose	
17	4700483999	1	Hydraulic hose	
18	4700373016	2	Hose clamp	
19	4700500028	4	Screw	
20	4700373423	2	Spacer	
21	4700373270	2	Hose clamp	
22	4700500032	2	Screw	M10 x 55
23	4700900512	1	O-ring	D
24	4700904231	2	Washer	13x24x2 300 HV
25	4700502059	2	Screw	1/2"-13UNCx1.1/2" 8.8
27	4700791819	2	Flange fitting 90	
28	4700791823	2	Straight connector orfs	
29	4700334134	1	Connector	
30	4700234119	1	Adapter	
31	4700904586	1	Elbow 45	
33	4700904703	2	Washer	
34	4700947688	2	Screw	M12x35H
35	4700813499	2	Elbow 90, O-ring	
36	4700904584	1	Elbow connector 90	
37	4700160279	1	O-ring	D
38	4700904637	8	Washer	

4700395384 Vibration pump

18932



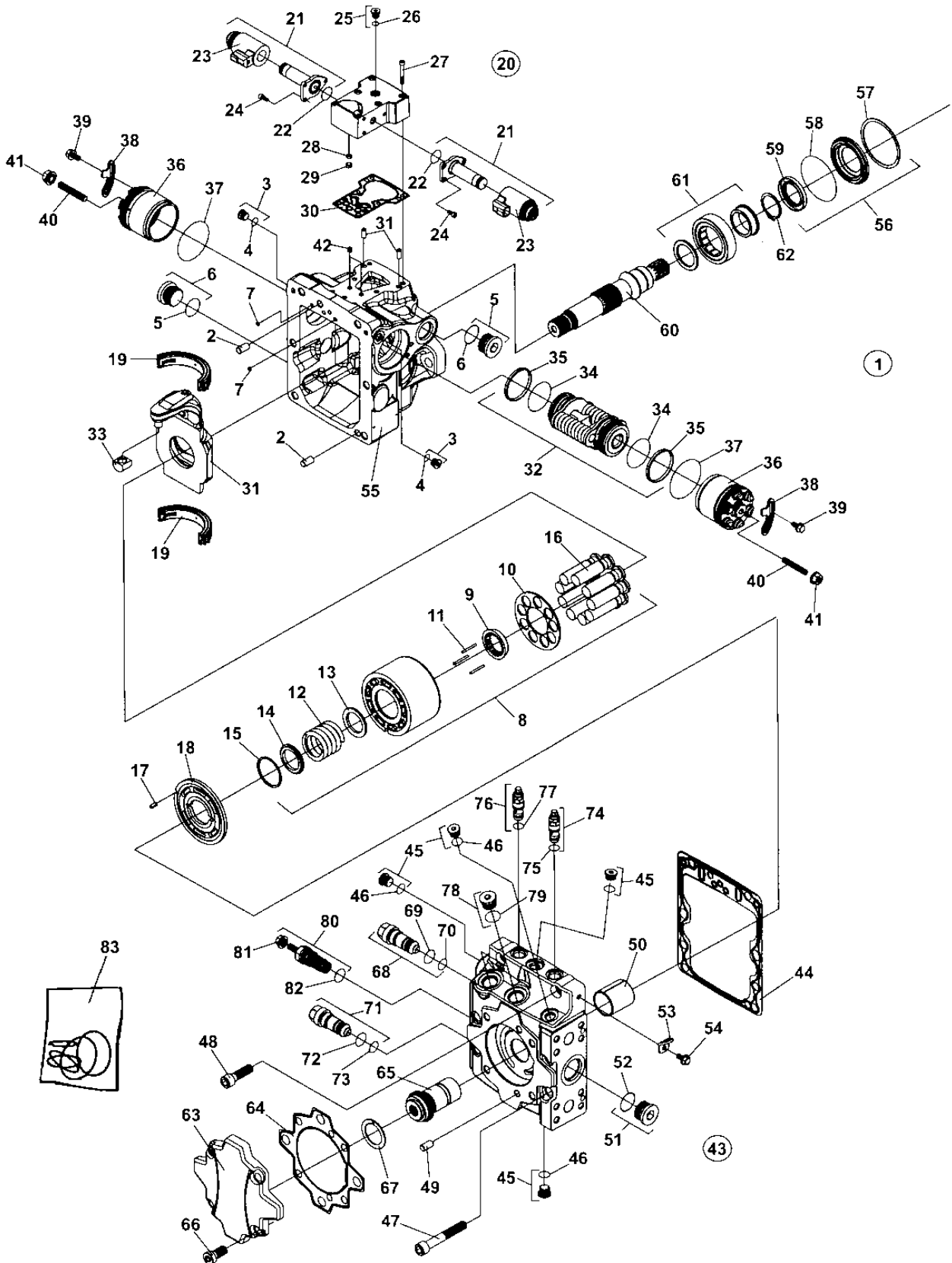
4700395384 Vibration pump

Item	Part No	Rem	Qty	Description	Code
1	4700395384		1	Vibration pump (Page 214)	
2			2	.Pin	
3			2	.Plug	
4		A	2	..O-ring	
5			2	.Plug	
6		A	1	..O-ring	
7			2	.Screen	
8	4700950617		1	.Cylinderblock kit	
9			1	..Slipper retainer guide	
10			1	..Pressure plate	
11			3	..Pin	
12			1	..Spring	
13			1	..Washer	
14			1	..Washer	
15			1	..Retaining ring	
16			1	..Piston assembly	
17	4700828142		1	.Spring	
18			1	.Valve plate	
19			1	.Swashplate bearing kit	
20			1	.Control valve, cpl	
21			2	..Solenoid valve	
22		A	2	..O-ring	
23	4700950618		2	..Coil	
24			6	..Screw	
25			2	..Plug	
26			2	..O-ring	
27			6	..Screw	
28			1	..Screw	
29			1	..Locking ring	
30		A	1	..Gasket	
31			2	.Dowel pin	
32			1	.Piston, cpl	
33			1	..Slider	
34		A	2	..O-ring	
35			2	..Piston ring	
36			2	.Servo cylinder	
37		A	2	.O-ring	
38			2	.Locking plate	
39			4	.Screw	
40			2	.Screw	
41		A	2	.Seal nut	
42			2	.Orifice	
43			1	.End cap, cpl	
44		A	1	.Gasket	
45			4	.Plug	
46		A	4	..O-ring	
47	4700909417		1	.Screw	
48			2	.Screw	
49			2	.Pin	
50			1	.Bearing	
51			1	.Plug	
52		A	1	..O-ring	
53			2	.Lifting bracket	
54	4700936933		2	.Screw	
55			1	.Housing	
56			1	.Shaft seal kit	
57			1	..Retaining ring	
58		A	1	..O-ring	
59		A	1	..Lip seal	

A) Included in seal kit, item 83

4700395384 Vibration pump

18932



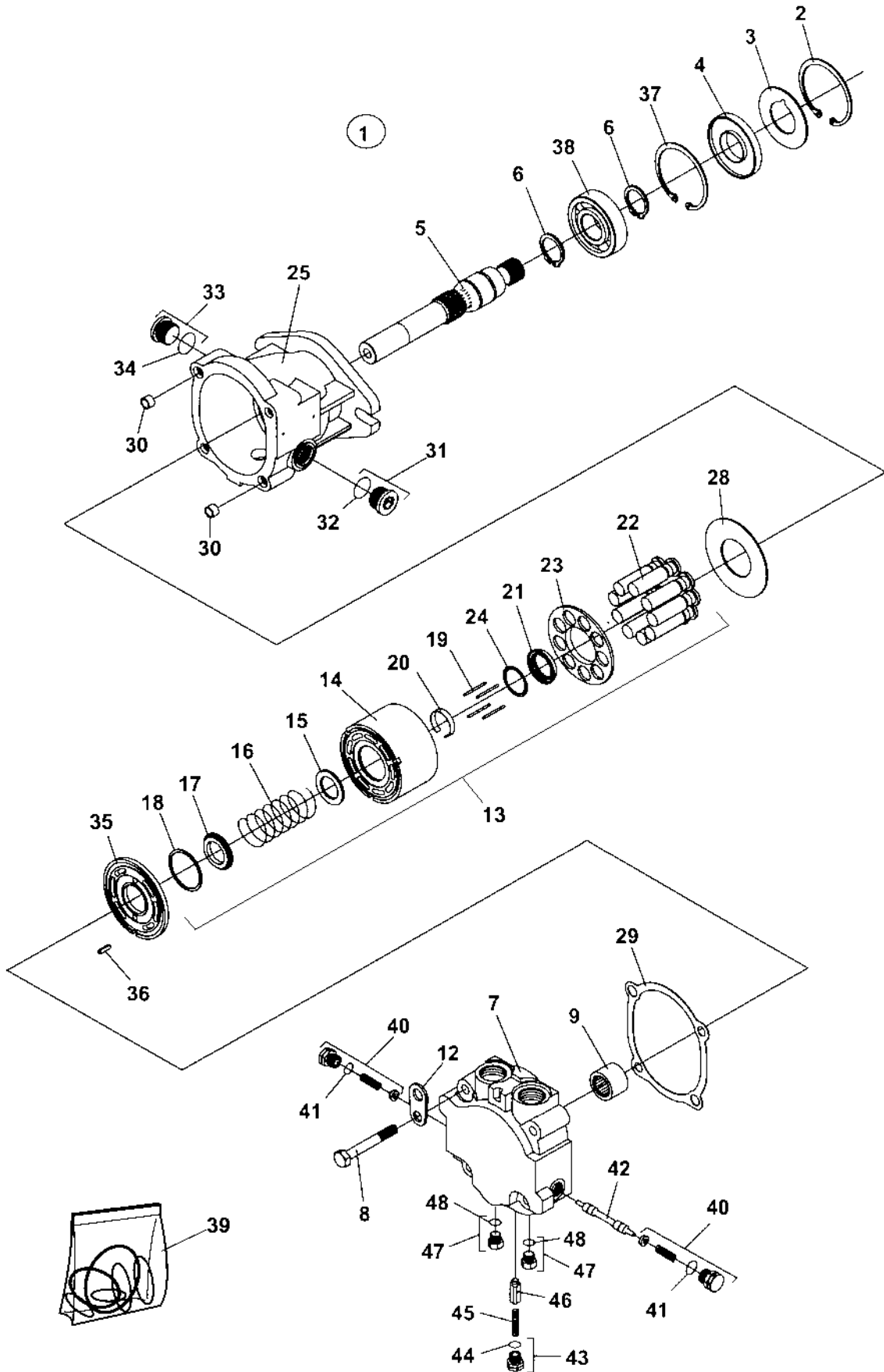
4700395384 Vibration pump

Item	Part No	Rem	Qty	Description	Code
60			1	.Shaft	
61			1	.Roller bearing	
62			1	.Retaining ring	
63			1	.Adapter	
64		A	1	.Gasket	
65			1	.Coupling	
66			4	.Screw	
67			1	.Thrust plate	
68	4700950619		1	.Pressure relief valve/350 bar	
69		A	1	..O-ring	
70		A	1	..O-ring	
71	4700950619		1	.Pressure relief valve/350 bar	
72		A	1	..O-ring	
73		A	1	..O-ring	
74	4700950620		1	.Pressure limiter valve/300 bar	
75		A	1	..O-ring	
76	4700950620		1	.Pressure limiter valve/300 bar	
77		A	1	..O-ring	
78			2	.Plug	
79		A	2	..O-ring	
80			1	.Charge relief valve	
81		A	1	..Seal nut	
82		A	1	..O-ring	
83	4700950616		1	.Seal kit	

A) Included in seal kit, item 83

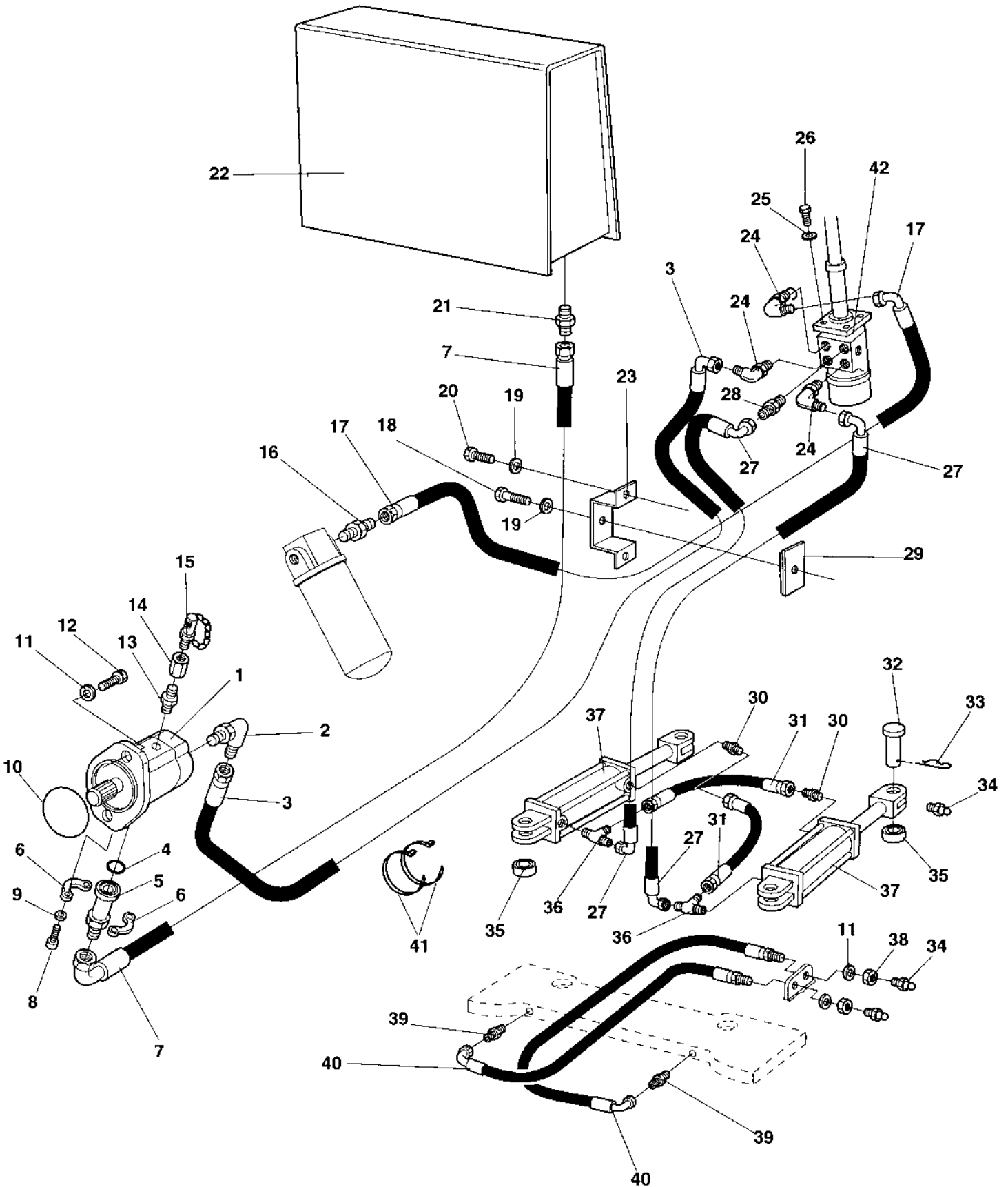
4700395386 Hydraulic motor, vibration

18939



4700395386 Hydraulic motor, vibration

Item	Part No	Rem Qty	Description	Code
1	4700395386	1	Hydraulic motor, vibration (Page 218)	C
2	4700828112	1	.Retaining ring	
3	4700937062	1	.Support washer	D
4	4700945879	1	.Lip seal	
5		1	.Shaft	
6	4700828114	2	.Retaining ring	
7	4700937079	1	.End cap	
8	4700937080	4	.Screw	
9	4700937081	1	.Needle bearing	
12		1	.Lifting bracket	
13		1	.Cylinder block, cpl	
14		1	..Cylinder block	
15	4700937066	1	..Washer	
16	4700937067	1	..Spring	
17	4700828138	1	..Spacer	
18	4700828139	1	..Retaining ring	
19	4700937070	4	..Pin	
20	4700937071	1	..Retaining ring	
21	4700937072	1	..Retainer guide	
22		9	..Piston assembly	
23	4700937074	1	..Retainer	
24	4700937077	1	..Washer	
25	4700937084	1	.Housing	
28	4700937065	1	.Thrust plate	
29	4700937075	1	.Gasket	
30	4700909346	2	.Pin	
31	4700909243	1	.Plug	
32		1	.O-ring	
33	4700909243	1	.Plug	
34		1	.O-ring	
35		1	.Valve plate	
36	4700937086	1	.Pin	
37	4700937064	1	.Retaining ring	D
38		1	.Ball bearing	D
39	4700945877	1	.Seal kit	
40		2	.Loop flushing plug	
41		2	..O-ring	
42		1	.Shuttle spool	
43		1	.Plug	
44		1	..O-ring	
45		1	.Spring	
46		1	.Poppet	
47		2	.Plug	
48		2	..O-ring	

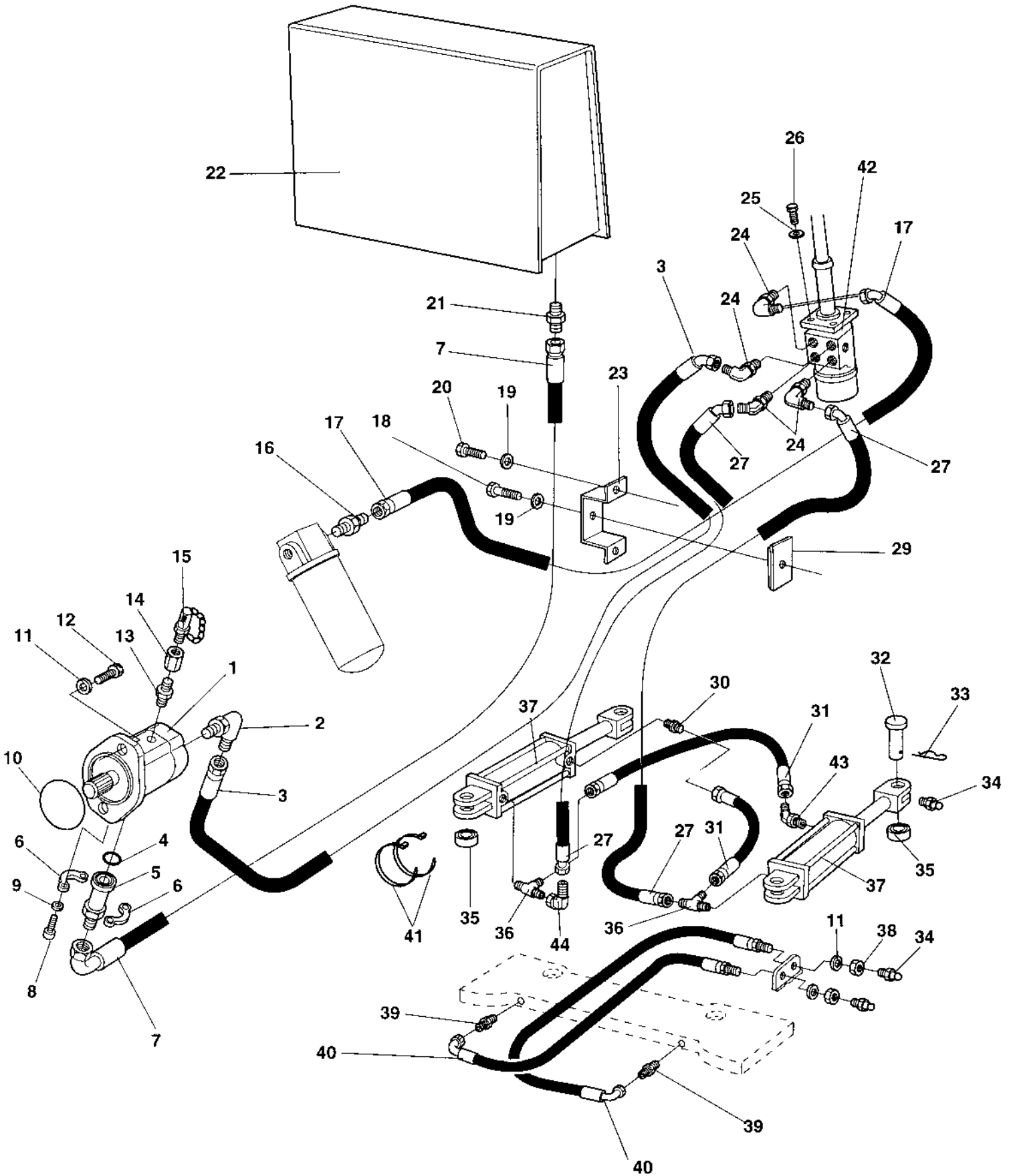


Steering system

Item	Part No	Rem Qty	Description	Code
1	4700394902	1	Hydraulic pump	
2	4700334558	1	Elbow 90G with O-ring	
3	4700482815	1	Hydraulic hose	
4	4700904005	1	O-ring	
5	4700372625	1	Connector	
6	4700232097	2	Flange half	D
7	4700483050	1	Hydraulic hose	
8	4700508029	4	Screw	M10-1,5x30H 8,8
9	4700904637	4	Washer	
10	4700937055	1	O-ring	
11	4700904231	4	Washer	13x24x2 300 HV
12	4700500133	4	Screw	
13	4700334199	1	Straight o-ring connector	
14	4700338304	1	Connector	
15	4700910161	1	Measuring nipple	D
16	4700234667	1	Reducer	
17	4700482435	1	Hydraulic hose	
18	4700904241	1	Screw	
19	4700904229	3	Washer	8,4x16x1,5
20	4700500019	2	Screw	M8x16H 8.8 A2K
21	4700234626	1	Adapter	
22		1	Hydraulic oil tank (Page 238)	
23	4700372513	1	Hose clamp	
24	4700813444	3	Elbow 90, O-ring	
25	4700600008	4	Washer	
26	4700502034	4	Screw	UNC 3/8 - 16
27	4700482525	2	Hydraulic hose	
28	4700334121	1	Straight connector	
29	4700372514	1	Hose clamp	
30	4700334121	2	Straight connector	
31	4700483109	2	Hydraulic hose	
32	4700347119	2	Shaft	D
33	4700635061	4	Hair clip	D
34	4700926214	4	Grease fitting	D
35	4700813316	4	Ball bushing	D
36	4700234218	2	Tee-connector	
37	4700375031	2	Steering cylinder (Page 226)	C
38	4700903831	2	Nut	
39	4700371669	2	Straight connector	
40	4700903812	2	Hydraulic hose	
41	4700313102	N	Cable ties	
42	4700376000	1	Steering valve (Page 232)	

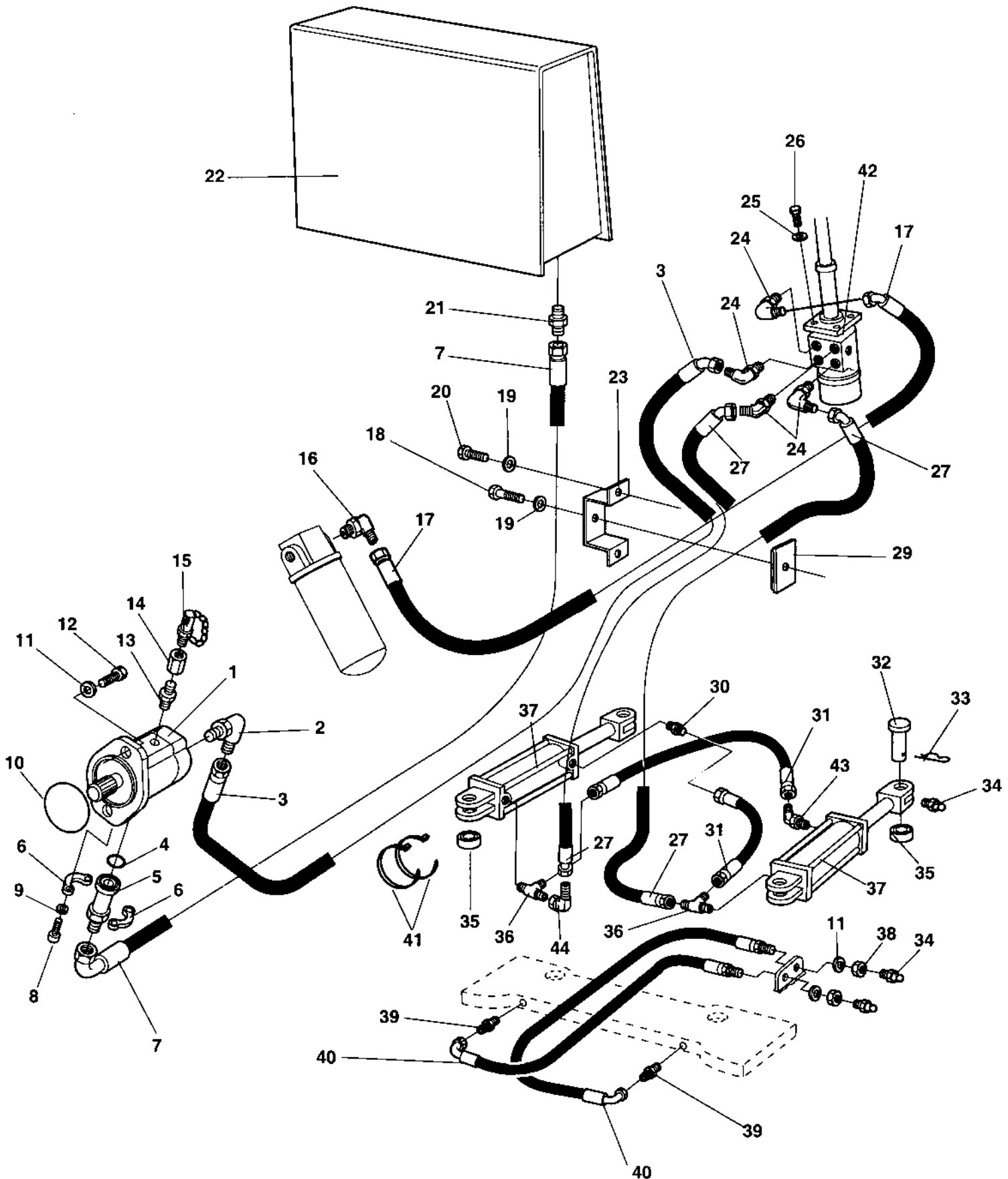
Steering system

16928-1



Steering system

Item	Part No	Rem Qty	Description	Code
1	4700394902	1	Hydraulic pump	
2	4700334558	1	Elbow 90G with O-ring	
3	4700483496	1	Hydraulic hose	
4	4700904005	1	O-ring	
5	4700372625	1	Connector	
6	4700232097	2	Flange half	D
7	4700483050	1	Hydraulic hose	
8	4700508029	4	Screw	M10-1,5x30H 8,8
9	4700904637	4	Washer	
10	4700937055	1	O-ring	
11	4700904231	4	Washer	13x24x2 300 HV
12	4700500133	4	Screw	
13	4700334199	1	Straight o-ring connector	
14	4700338304	1	Connector	
15	4700910161	1	Measuring nipple	D
16	4700234667	1	Reducer	
17	4700483498	1	Hydraulic hose	
18	4700904241	1	Screw	
19	4700904229	3	Washer	8,4x16x1,5
20	4700500019	2	Screw	M8x16H 8.8 A2K
21	4700234626	1	Adapter	
22		1	Hydraulic oil tank (Page 238)	
23	4700372513	1	Hose clamp	
24	4700813444	4	Elbow 90, O-ring	
25	4700600008	4	Washer	
26	4700502034	4	Screw	UNC 3/8 - 16
27	4700483497	2	Hydraulic hose	
28	4700334121	1	Straight connector	
29	4700372514	1	Hose clamp	
30	4700334121	1	Straight connector	
31	4700483109	2	Hydraulic hose	
32	4700347119	2	Shaft	D
33	4700635061	4	Hair clip	D
34	4700926214	4	Grease fitting	D
35	4700813316	4	Ball bushing	D
36	4700234218	2	Tee-connector	
37	4700375031	2	Steering cylinder (Page 226)	C
38	4700903831	2	Nut	
39	4700371669	2	Straight connector	
40	4700903812	2	Hydraulic hose	
41	4700313102	N	Cable ties	
42	4700376000	1	Steering valve (Page 232)	
43	4700813500	1	Elbow 45, O-ring	
44	4700234662	1	Elbow 45	

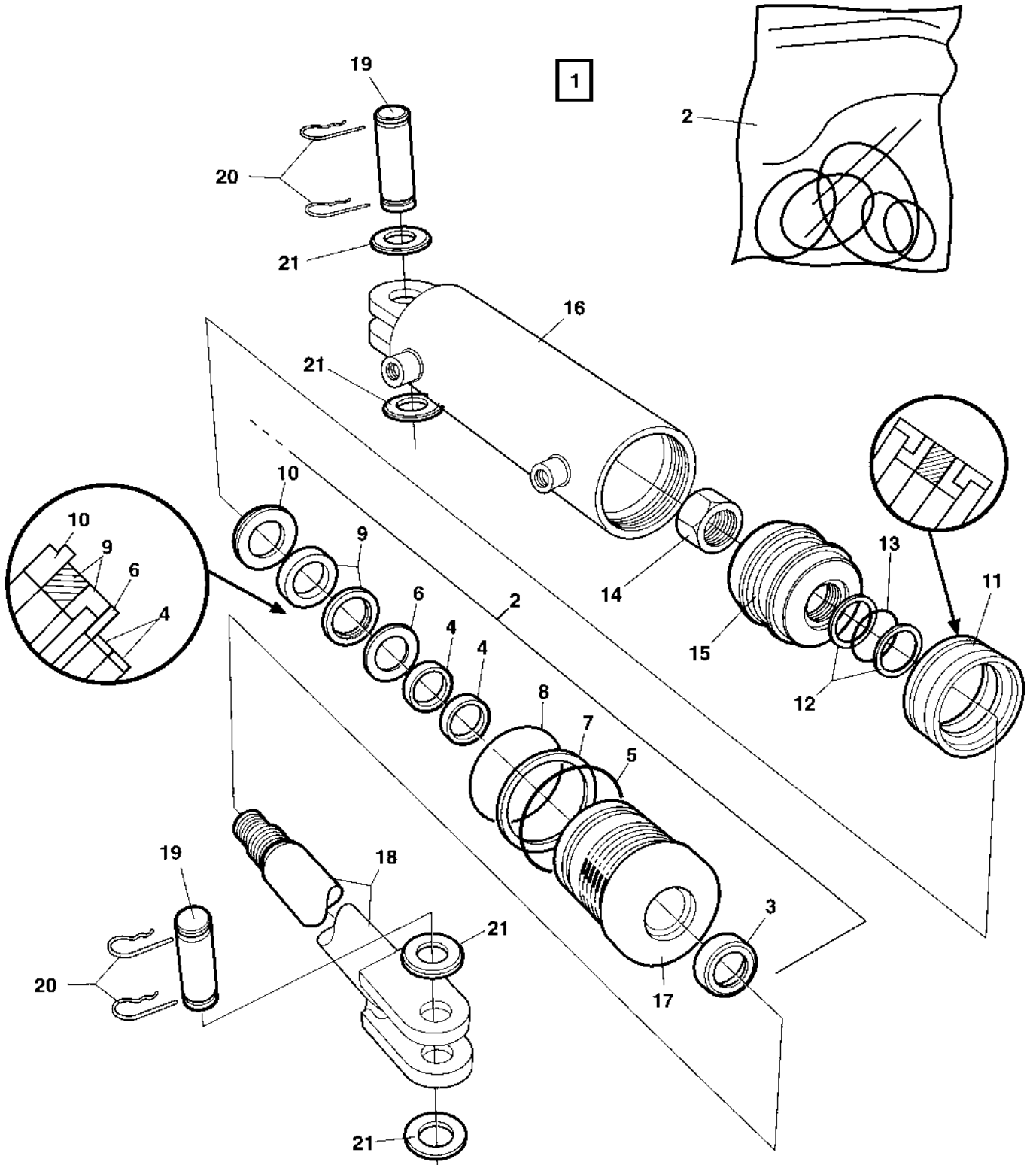


Steering system

Item	Part No	Rem Qty	Description	Code
1	4700394902	1	Hydraulic pump	
2	4700334558	1	Elbow 90G with O-ring	
3	4700483496	1	Hydraulic hose	
4	4700904005	1	O-ring	
5	4700372625	1	Connector	
6	4700232097	2	Flange half	D
7	4700483050	1	Hydraulic hose	
8	4700508029	4	Screw	M10-1,5x30H 8,8
9	4700904637	4	Washer	
10	4700937055	1	O-ring	
11	4700904231	4	Washer	13x24x2 300 HV
12	4700500133	4	Screw	
13	4700334199	1	Straight o-ring connector	
14	4700338304	1	Connector	
15	4700910161	1	Measuring nipple	D
16	4700929123	1	Elbow 90, O-ring	
17	4700483498	1	Hydraulic hose	
18	4700904241	1	Screw	
19	4700904229	3	Washer	8,4x16x1,5
20	4700500019	2	Screw	M8x16H 8.8 A2K
21	4700234626	1	Adapter	
22		1	Hydraulic oil tank	
23	4700372513	1	Hose clamp	
24	4700813444	4	Elbow 90, O-ring	
25	4700600008	4	Washer	
26	4700502034	4	Screw	UNC 3/8 - 16
27	4700483497	2	Hydraulic hose	
28	4700334121	1	Straight connector	
29	4700372514	1	Hose clamp	
30	4700334121	1	Straight connector	
31	4700483109	2	Hydraulic hose	
32	4700347119	2	Shaft	D
33	4700635061	4	Hair clip	D
34	4700926214	4	Grease fitting	D
35	4700813316	4	Ball bushing	D
36	4700234218	2	Tee-connector	
37	4700375031	2	Steering cylinder Up to 65X22578 (Page 226)	C
	4700392002	2	Steering cylinder From 65X22579 (Page 228)	C
38	4700903831	2	Nut	
39	4700371669	2	Straight connector	
40	4700903812	2	Hydraulic hose	
41	4700313102	N	Cable ties	
42	4700376000	1	Steering valve (Page 232)	
43	4700813500	1	Elbow 45, O-ring	
44	4700234662	1	Elbow 45	

4700375031 Steering cylinder

16490

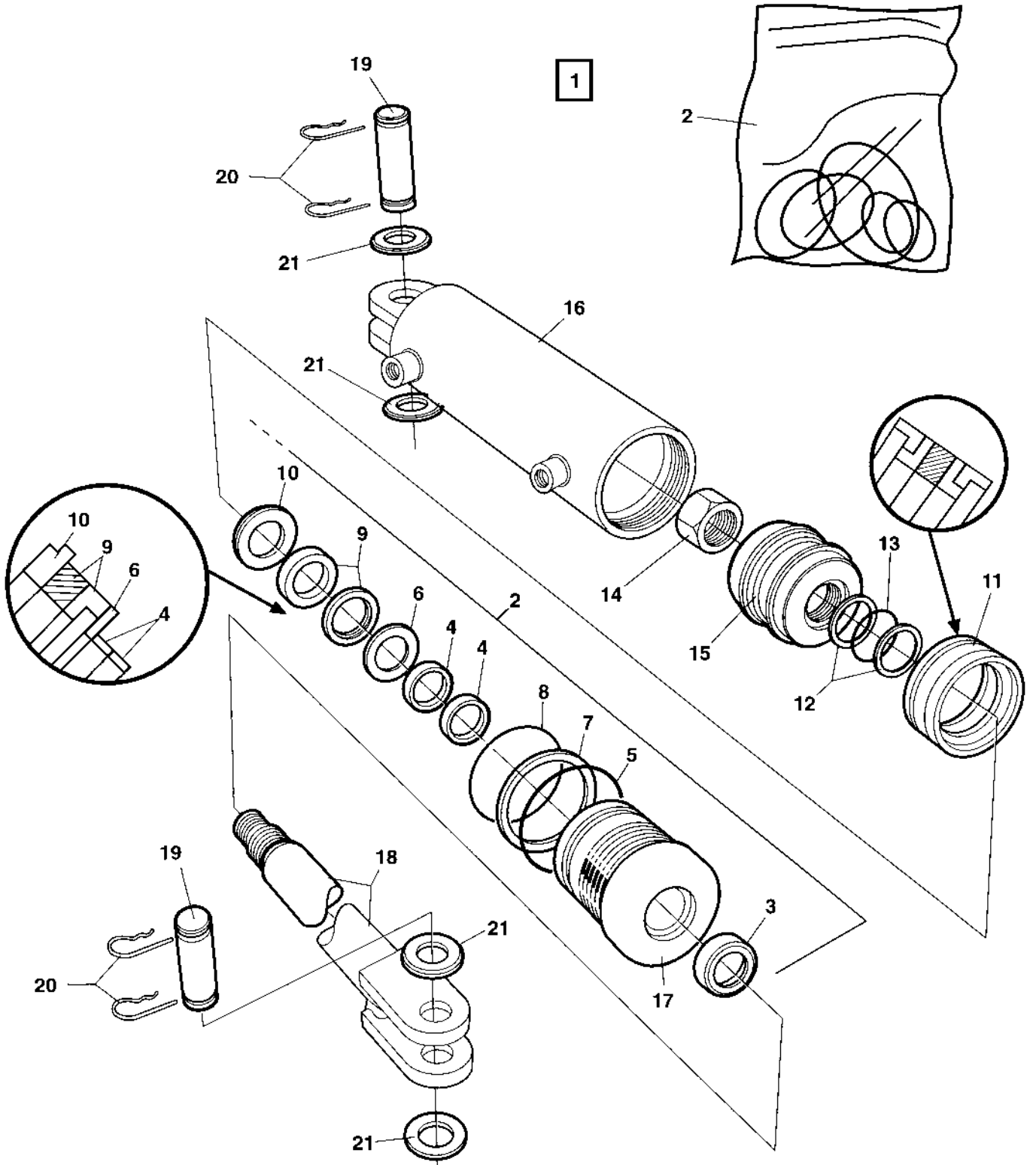


4700375031 Steering cylinder

Item	Part No	Rem Qty	Description	Code
1		1	Steering cylinder, cpl	
2	4700904145	1	.Seal kit	D
3		1	..Seal	D
4		2	..Seal	D
5		1	..O-ring	D
6		1	..Back-up ring	D
7		1	..Back-up ring	D
8		1	..O-ring	D
9		1	..Seal	D
10		1	..Retaining ring	D
11		1	..Seal	D
12		2	..Back-up ring	D
13		1	..O-ring	D
14		1	..Lock nut	D
15	4700904143	1	.Piston block	
16	4700936267	1	.Cylinder	
17	4700903619	1	.Steering	
18	4700936268	1	.Piston rod	
19	4700347119	2	.Shaft	D
20	4700635061	4	.Hair clip	D
21	4700600016	4	.Washer	
			26x45x4	

4700392002 Steering cylinder

16490

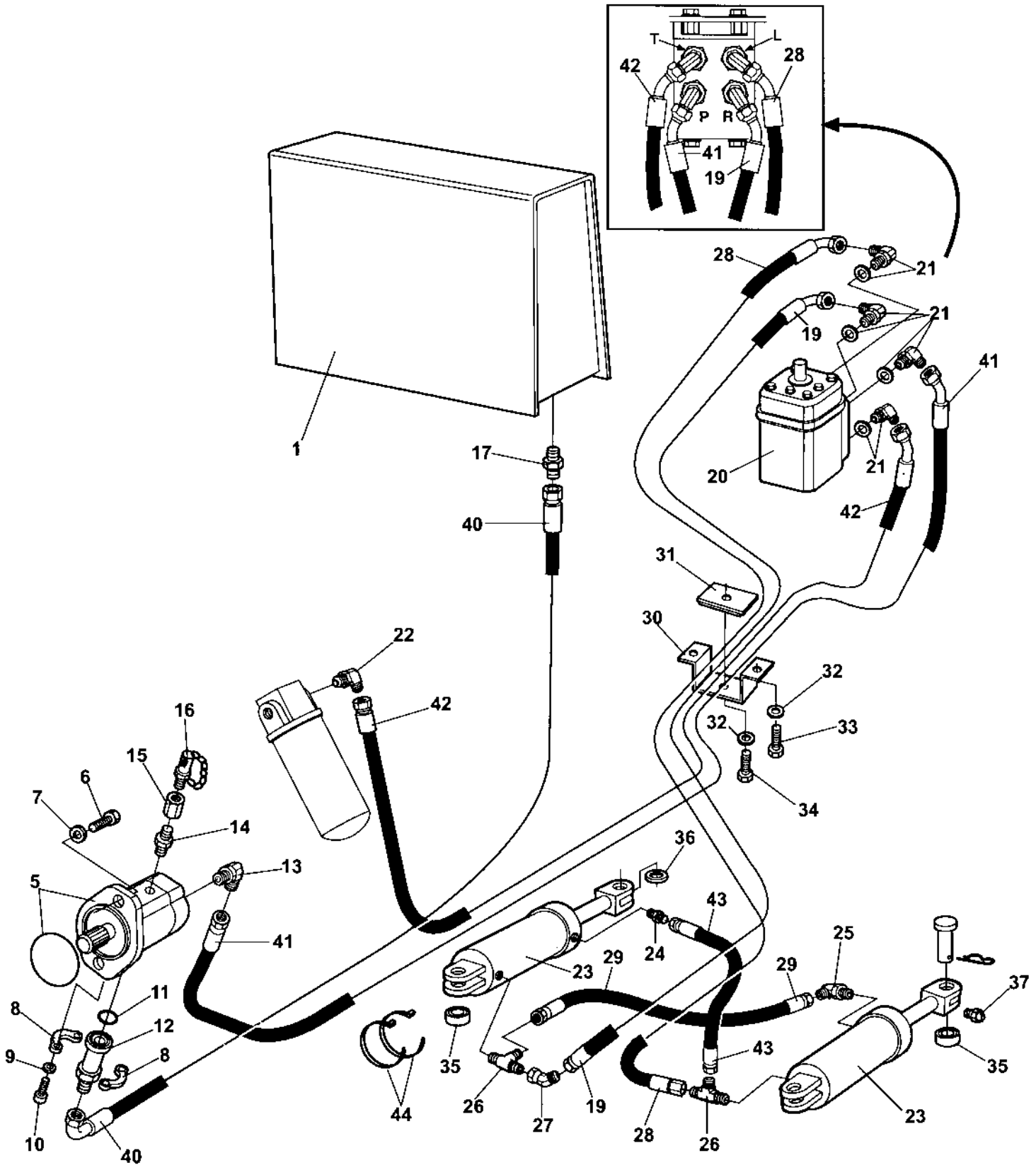


4700392002 Steering cylinder

Item	Part No	Rem Qty	Description	Code
1	4700392002	1	Steering cylinder (Page 228)	C
2	4700392100	1	.Seal kit	
3		1	..Seal	
4		2	..Seal	
5		1	..O-ring	
6		1	..Back-up ring	
7		1	..Back-up ring	
8		1	..O-ring	
9		1	..Seal	
10		1	..Retaining ring	
11		1	..Seal	
12		2	..Back-up ring	
13		1	..O-ring	
14		1	..Lock nut	
15		1	.Piston block	
16		1	.Cylinder	
17		1	.Steering	
18	4700392105	1	.Piston rod	
19	4700392103	2	.Shaft	D
20	4700635061	4	.Hair clip	D
21	4700600016	4	.Washer	
			26x45x4	

Steering system

18047-2

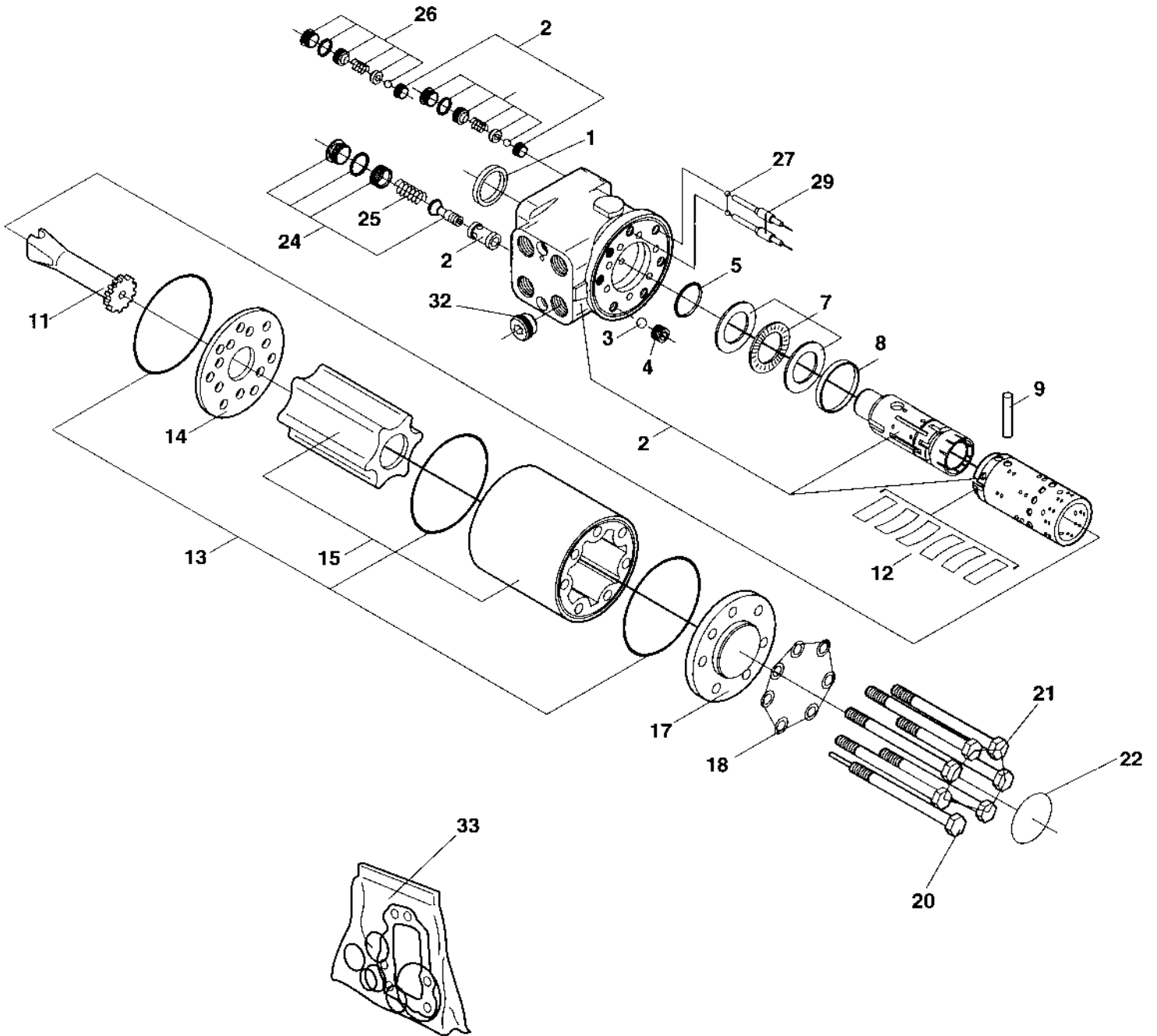


Steering system

Item	Part No	Rem Qty	Description	Code
1		1	Hydraulic oil tank (Page 240)	
5	4700394902	1	Hydraulic pump	
6	4700500133	2	Screw	
7	4700904231	2	Washer	13x24x2 300 HV
8	4700232097	2	Flange half	D
9	4700904637	4	Washer	
10	4700508029	4	Screw	M10-1,5x30H 8,8
11	4700904005	1	O-ring	
12	4700372625	1	Connector	
13	4700334558	1	Elbow 90G with O-ring	
14	4700334199	1	Straight o-ring connector	
15	4700338304	1	Connector	
16	4700910161	1	Measuring nipple	D
17	4700234626	1	Adapter	
19	4700483280	1	Hydraulic hose	
20	4700376000	1	Steering valve (Page 232)	
21	4700813444	4	Elbow 90, O-ring	
22	4700929123	1	Elbow 90, O-ring	
23	4700392002	2	Steering cylinder (Page 228)	C
24	4700334121	1	Straight connector	
25	4700813500	1	Elbow 45, O-ring	
26	4700234218	2	Tee-connector	
27	4700234662	1	Elbow 45	
28	4700483497	1	Hydraulic hose	
29	4700483109	1	Hydraulic hose	
30	4700372513	1	Hose clamp	
31	4700372514	1	Hose clamp	
32	4700904229	3	Washer	8,4x16x1,5
33	4700500019	2	Screw	M8x16H 8.8 A2K
34	4700904241	1	Screw	
35	4700379630	4	Radial spherical plain bearing	
36	4700904234	2	Washer	25x45x4
37	4700500044	2	Screw	M6x8
38	4700334197	1	Elbow 90	
40	4700483050	1	Hydraulic hose	
41	4700483231	1	Hydraulic hose	
42	4700483498	1	Hydraulic hose	
43	4700483109	1	Hydraulic hose	
44	4700313102	1	Cable ties	

4700376000 Steering valve

17013



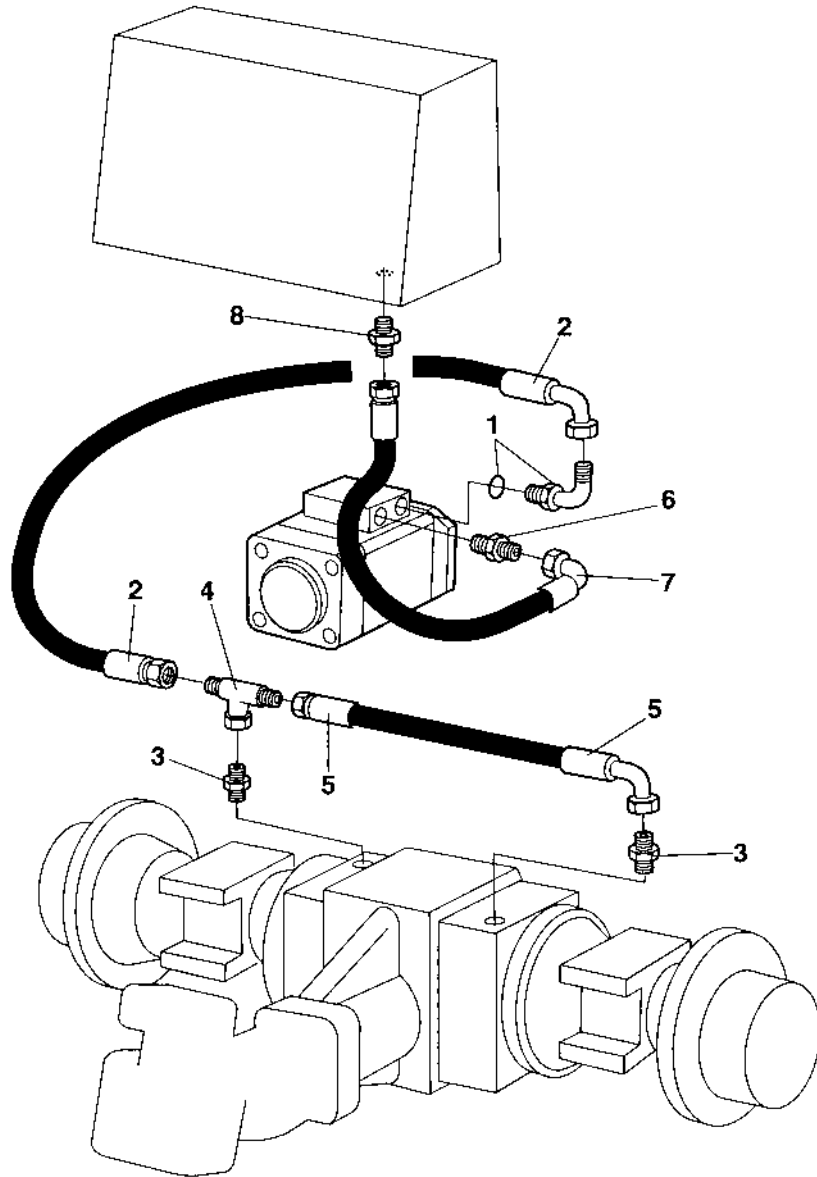
4700376000 Steering valve

Item	Part No	Rem	Qty	Description	Code
1	4700938062	A	1	Dust seal ring	
2			1	Housing, spool and sleeve	
3	4700938063		1	Ball	
4	4700938064		1	Threaded bushing	
5	4700908780	A	1	O-ring	
7	4700911620		1	Bearing	D
8	4700938065		1	Ring	
9	4700938066		1	Cross pin	
11	4700902861		1	Cardan shaft	
12	4700938067		1	Set of springs	
13	4700938068	A	3	O-ring	
14	4700902862		1	Valve plate	
15	4700903457		1	Gear wheel set	
17	4700938069		1	End cover	
18	4700938070	A	7	Washer	
20	4700938071		1	Screw with pin	
21	4700935468		6	Spring washer	
22	4700938072		1	Name plate	
24	4700938073		1	Pressure relief valve	
25	4700902864		1	Spring	
26	4700938074		2	Shock valve	
27	4700929013		2	Ball	
29	4700929014		2	Rolled pin	
32	4700938075		1	Check valve	
33	4700935429		1	Seal kit	

A) Included in seal kit, item 33

Brake system

16621

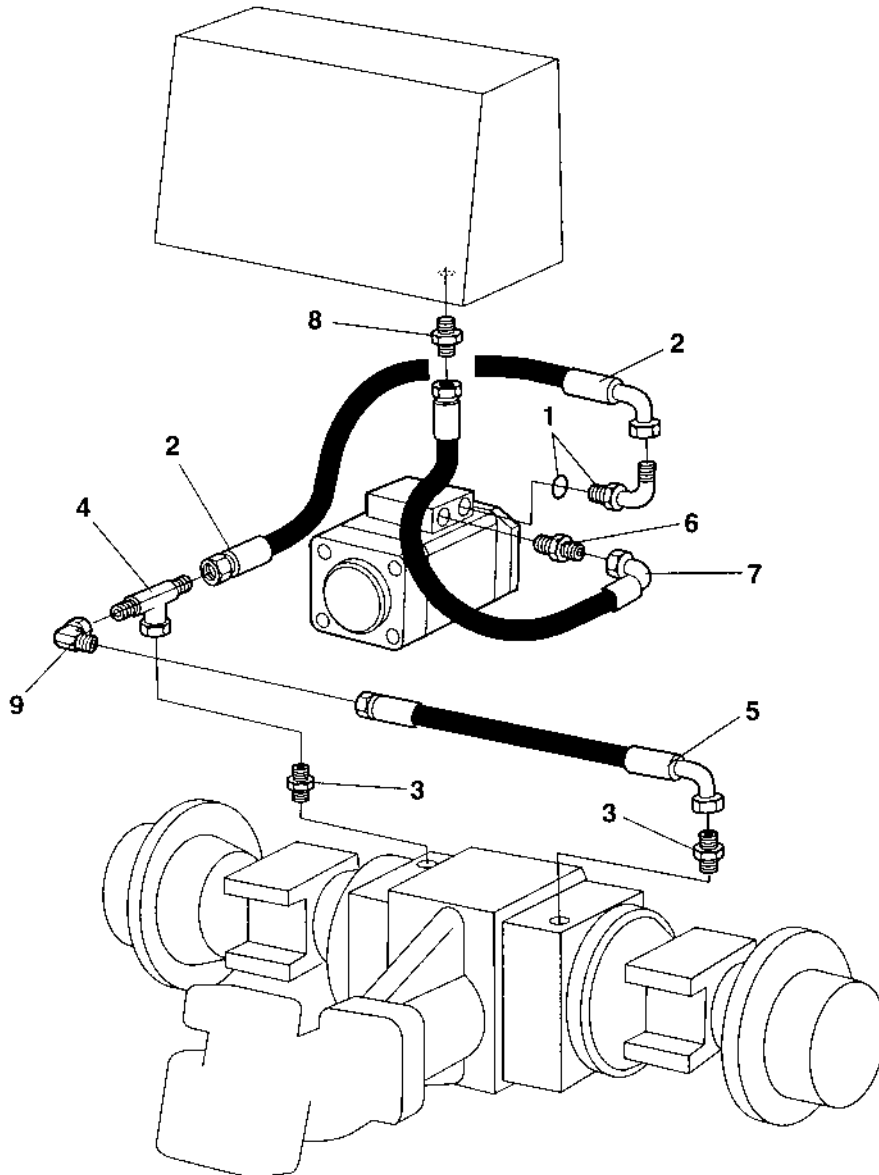


Brake system

Item	Part No	Rem Qty	Description	Code
1	4700334389	1	Connector	
2	4700482056	1	Hydraulic hose	
3	4700900552	2	Adapter	
4	4700234888	1	Tee-connector	
5	4700482399	1	Hydraulic hose	
6	4700234843	1	Adapter	
7	4700482516	1	Hydraulic hose	
8	4700334205	1	Straight connector	

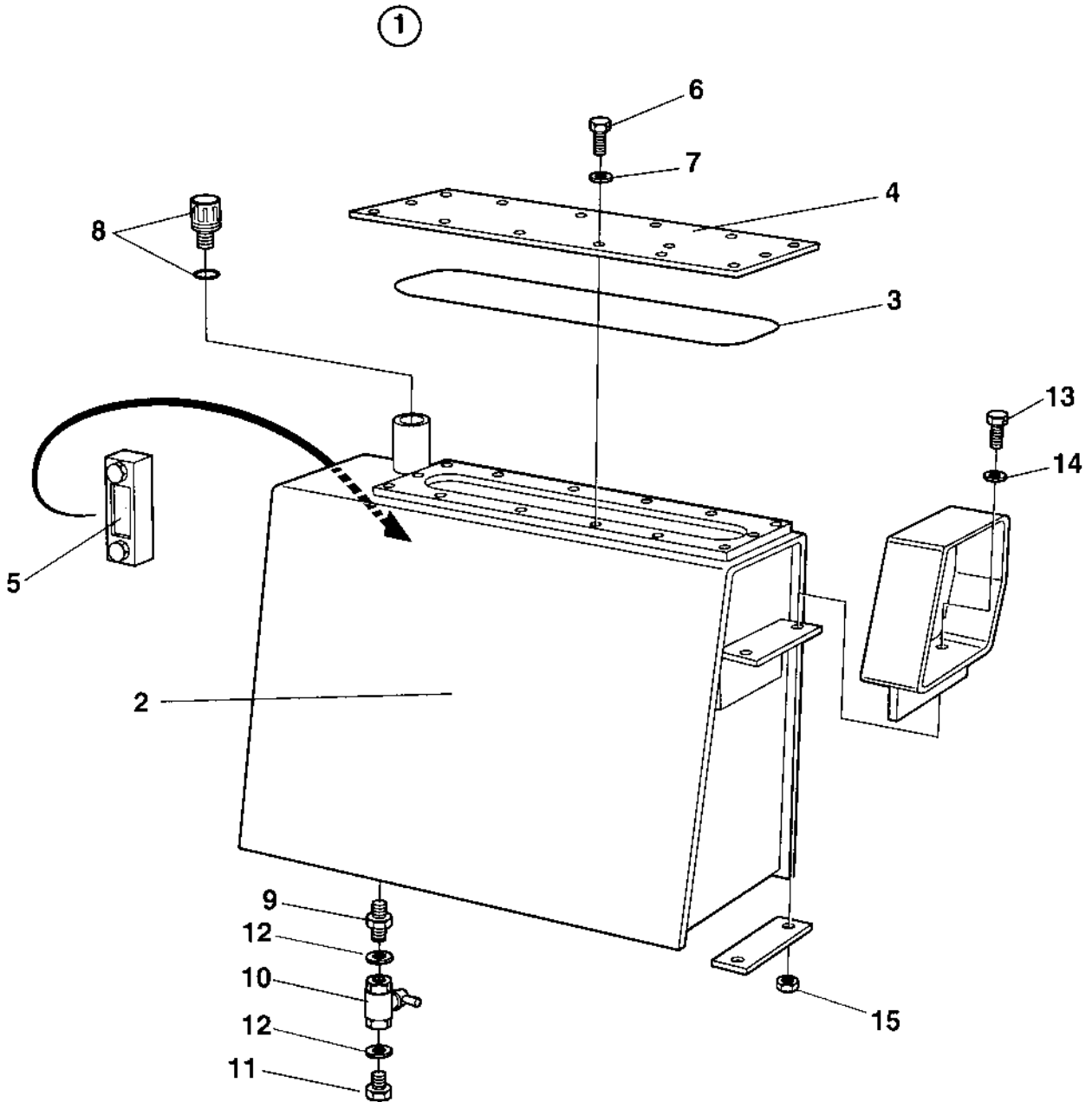
Brake system

16621-1



Brake system

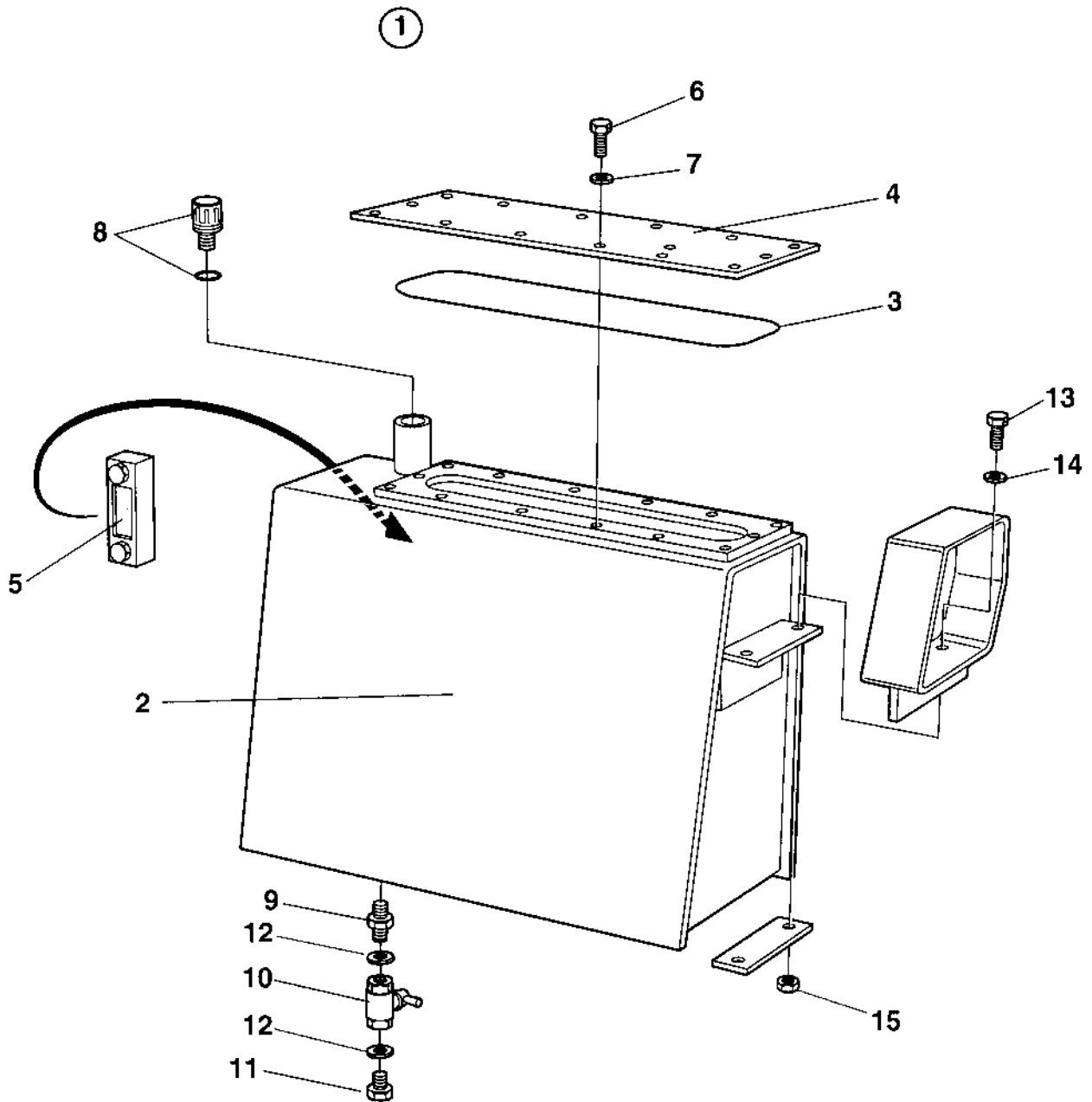
Item	Part No	Rem Qty	Description	Code
1	4700334389	1	Connector	
2	4700482056	1	Hydraulic hose	
3	4700900552	2	Adapter	
4	4700234888	1	Tee-connector	
5	4700482399	1	Hydraulic hose	
6	4700234843	1	Adapter	
7	4700482474	1	Hydraulic hose	
8	4700334205	1	Straight connector	
9	4700334524	1	Connector	



Hydraulic oil tank

Item	Part No	Rem Qty	Description	Code
1	4700372044	1	Hydraulic oil tank, cpl	
2	4700372029	1	.Hydraulic oil tank	
3	4700349880	1	.O-ring	
4	4700349879	1	.Cover	
5	4700989151	1	.Oil level glass	D
6	4700500019	14	.Screw	M8x16H 8.8 A2K
7	4700904229	14	.Washer	8,4x16x1,5
8	4700357138	1	.Ventilating filter	A
9	4700813738	1	.Adapter Up to 65X20661	3/4NPTF
	4700791119	1	.Adapter From 65X20662	G3/4
10	4700233304	1	.Ball valve	
11	4700232122	2	.Plug Up to 65X20661	3/4NPTF
	4700232039	1	.Plug From 65X29662	G3/4
12	4700791120	2	.Sealing washer From 65X20662	
13	4700500192	4	Screw	M10x80
14	4700904567	4	Washer	10,5x28x6 HB305
15	4700570006	4	Nut	

- 1) Can be replaced by Adapter P/N 4700791119 X 1 if Sealing washer P/N 4700791120 X 2 is changed simultaneously.
- 2) Can be replaced by Plug P/N 4700232039 X1 if Sealing washer P/N 4700791120 X 2 is changed simultaneously.

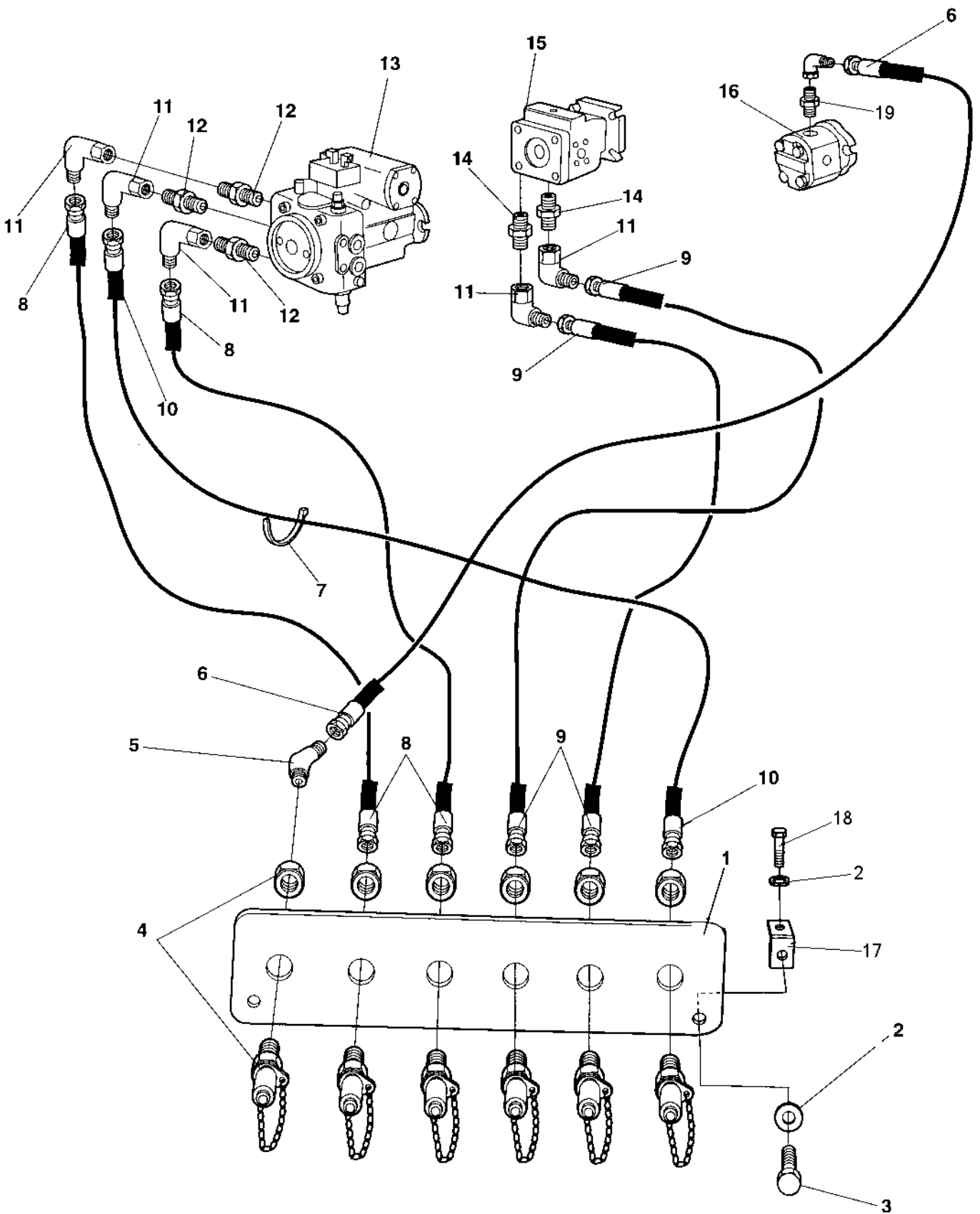


Hydraulic oil tank

Item	Part No	Rem Qty	Description	Code
1	4700392981	1	Hydraulic oil tank, cpl	
2	4700392986	1	.Hydraulic oil tank	
3	4700349880	1	.O-ring	
4	4700349879	1	.Cover	
5	4700989151	1	.Oil level glass	D
6	4700500019	14	.Screw	M8x16H 8.8 A2K
7	4700904229	14	.Washer	8,4x16x1,5
8	4700357138	1	.Ventilating filter	
9	4700791119	1	.Adapter	G3/4
10	4700233304	1	.Ball valve	
11	4700232039	1	.Plug	G3/4
12	4700791120	2	.Sealing washer	
13	4700500030	4	Screw	
14	4700904567	4	Washer	10,5x28x6 HB305

Central test panel hydraulic Option

16988

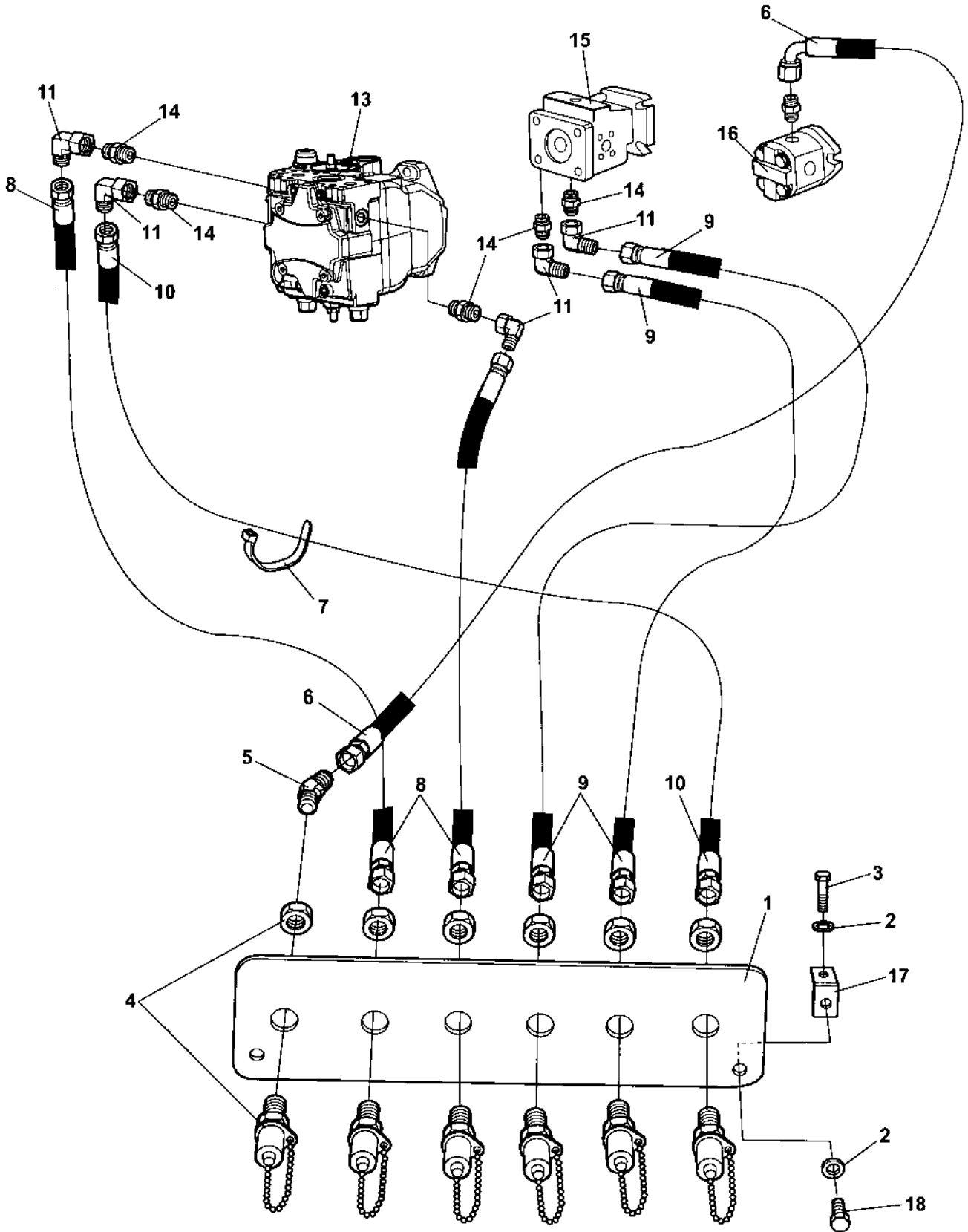


Central test panel hydraulic Option

Item	Part No	Rem Qty	Description	Code
1	4700374028	1	Test panel	
2	4700904229	4	Washer	8,4x16x1,5
3	4700500053	2	Screw	M8x20H 8.8
4	4700356348	6	Measuring nipple	D
5	4700234622	1	Elbow 45	
6	4700483204	1	Hydraulic hose	
7	4700313102	N	Cable ties	
8	4700483445	2	Hydraulic hose	
9	4700483188	2	Hydraulic hose	
10	4700482342	1	Hydraulic hose	
11	4700334196	5	Elbow 90	
12	4700902125	3	Connector	
13		1	Vibration pump	
14	4700234388	2	Connector	
15		1	Propulsion pump	
16		1	Steering pump	
17	4700908136	2	Bracket	
18	4700500018	2	Screw	M8-1,25x12 8,8

Central test panel hydraulic Option

16988-1

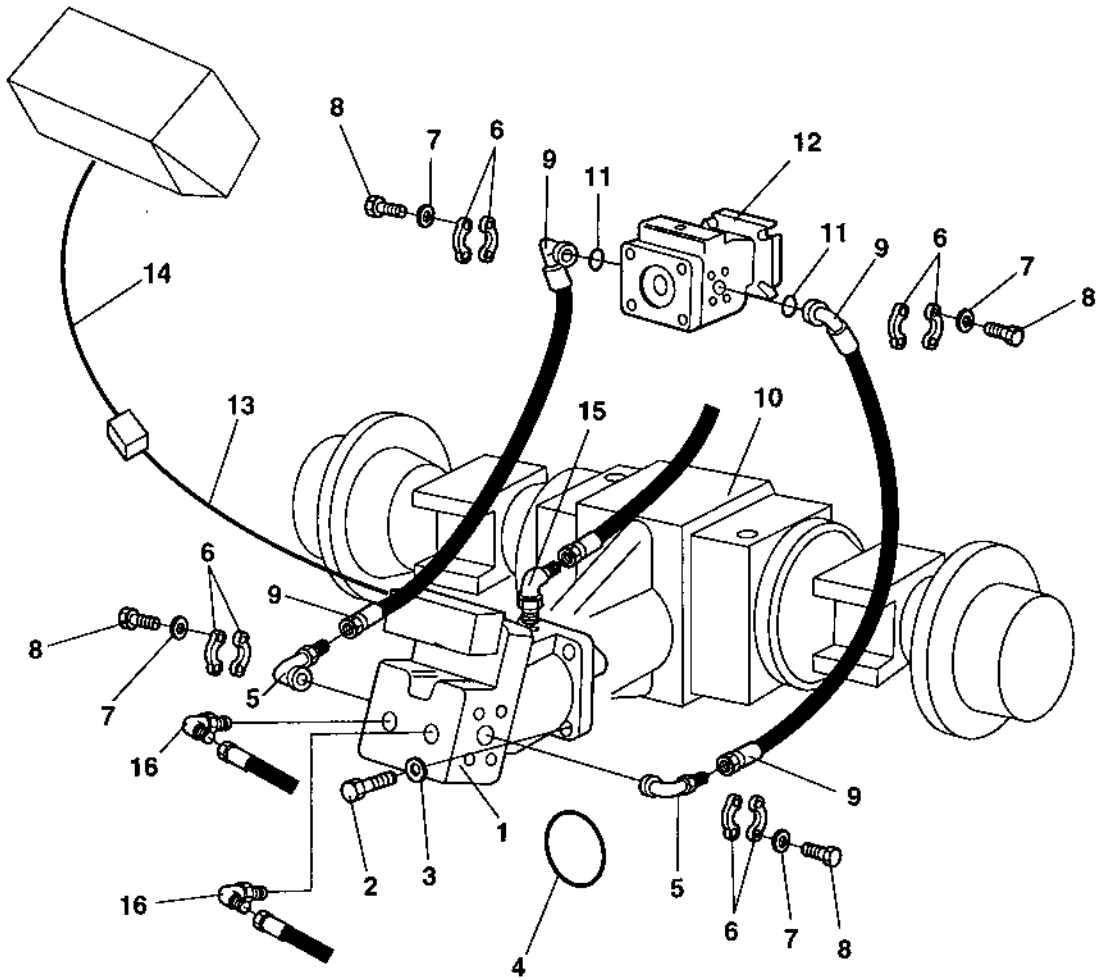


Central test panel hydraulic Option

Item	Part No	Rem Qty	Description	Code
1	4700374028	1	Test panel	
2	4700904229	4	Washer	8,4x16x1,5
3	4700500053	2	Screw	M8x20H 8.8
4	4700356348	6	Measuring nipple	D
5	4700234622	1	Elbow 45	
6	4700483204	1	Hydraulic hose	
7	4700313102	N	Cable ties	
8	4700483445	2	Hydraulic hose	
9	4700483188	2	Hydraulic hose	
10	4700482342	1	Hydraulic hose	
11	4700334196	5	Elbow 90	
13		1	Vibration pump	
14	4700234388	5	Connector	
15		1	Propulsion pump	
16		1	Steering pump	
17	4700908136	2	Bracket	
18	4700500018	2	Screw	M8-1,25x12 8,8

Variable rear axle motor Option

17528

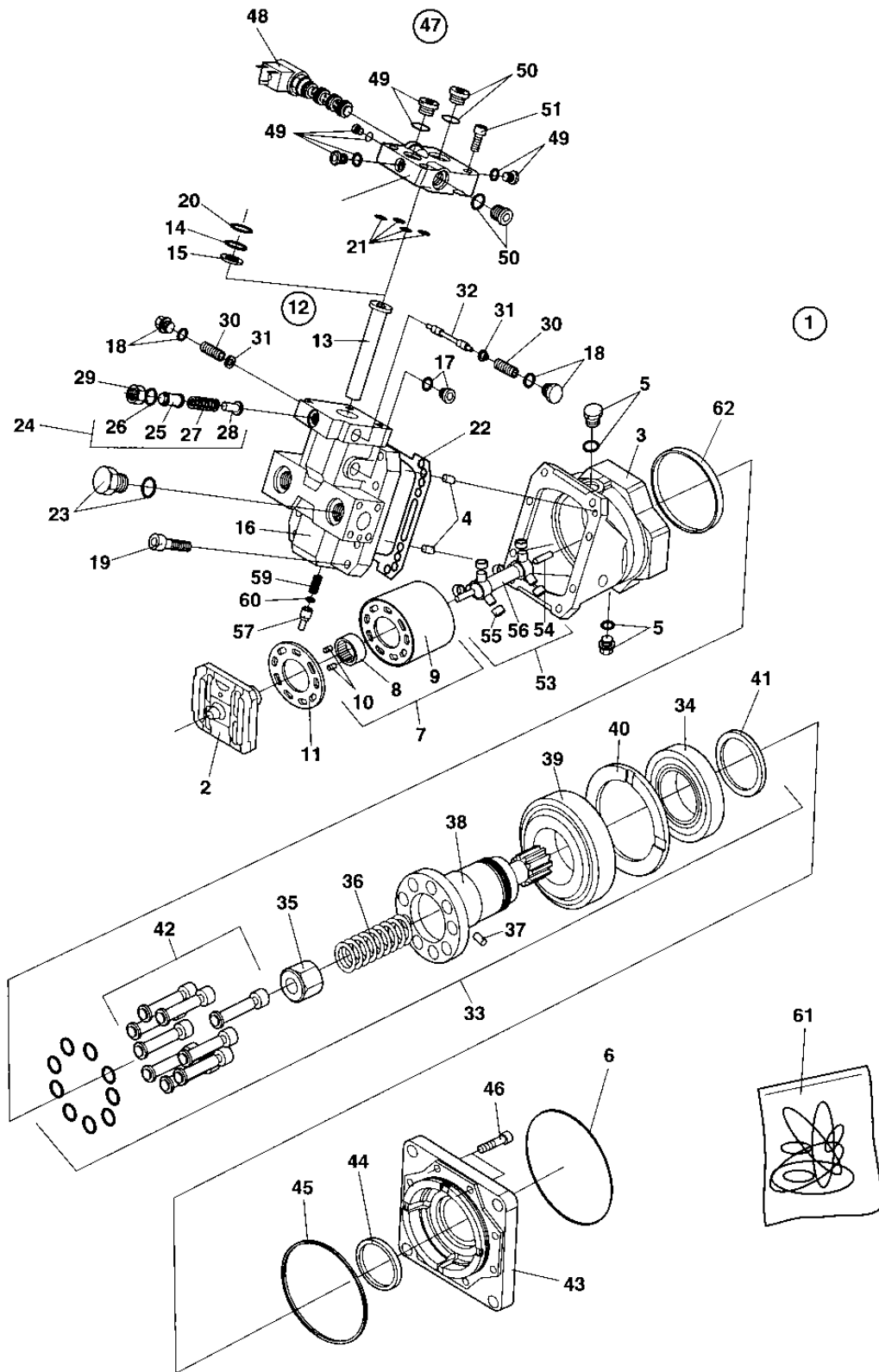


Variable rear axle motor Option

Item	Part No	Rem Qty	Description	Code
1	4700374137	1	Propulsion motor (Page 248)	C
2	4700500263	4	Screw	M18x60
3	4700904793	4	Washer	19x34x3
4	4700902581	1	O-ring	D
5	4700900604	2	Adapter	
6	4700923384	8	Flange half	
7	4700904638	16	Washer	12x22x2
8	4700502132	16	Screw	UNC 7/16" x 22
9	4700483033	2	Hydraulic hose Up to 65X20396	
	4700483517	2	Hydraulic hose From 65X20397	
10		1	Rear axle	
11	4700904005	2	O-ring	
12	4700371545	1	Propulsion pump Up to 65X20260 (Page 178)	C
	4700380830	1	Propulsion pump From 65X20261 (Page 184)	C
13	4700380577	1	Cable harness	
14	4700380700	1	Cable harness	
15	4700334132	1	Elbow 45, O-ring	
16	4700813499	2	Elbow 90, O-ring	

4700374137 Propulsion motor

16523



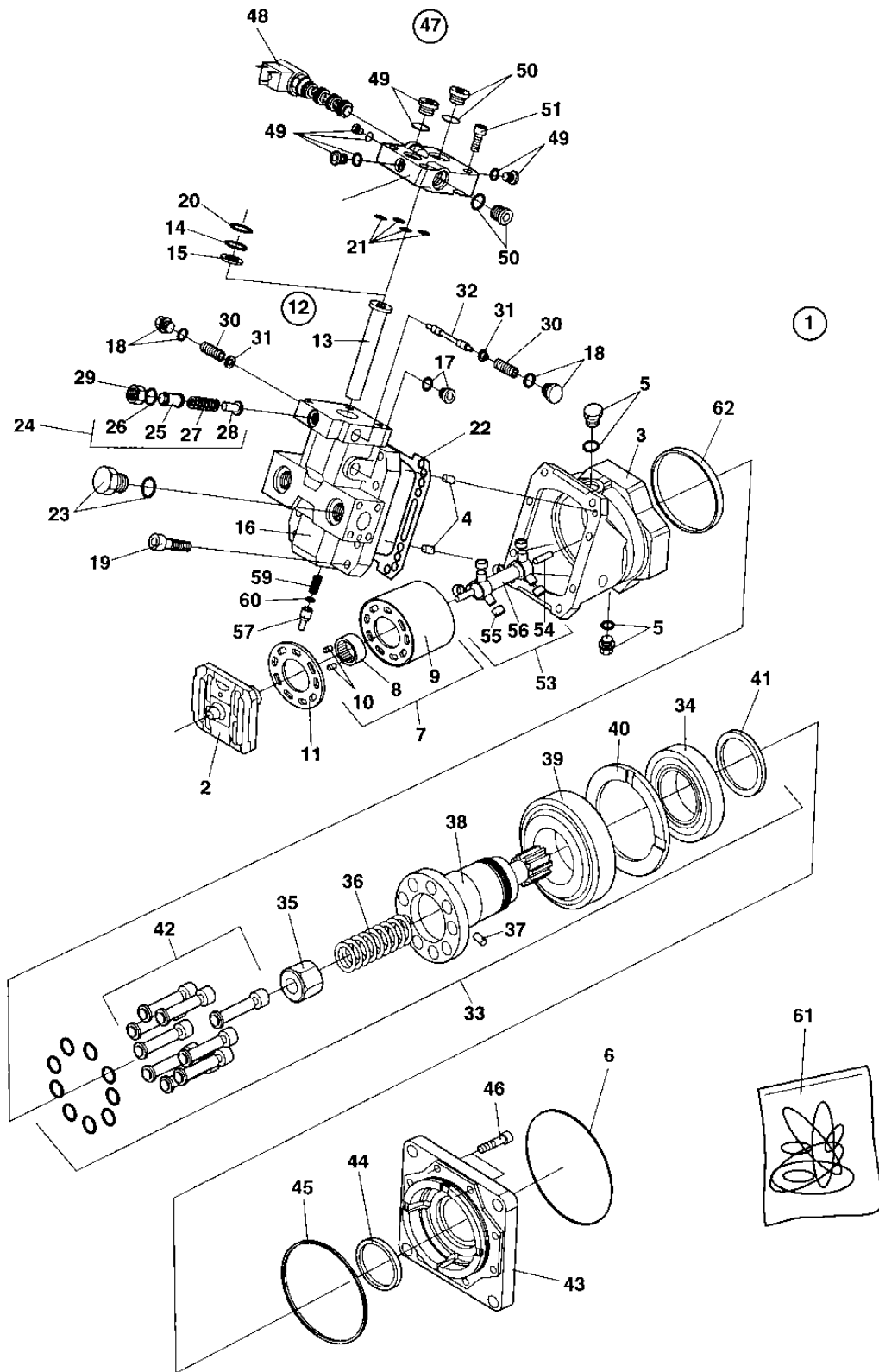
4700374137 Propulsion motor

Item	Part No	Rem	Qty	Description	Code
1			1	Hydraulic motor, Cpl	
2	4700935521		1	.Valve segment	
3	4700902926		1	.Housing	
4	4700813822		2	.Pin	
5	4700902928		2	.Plug	
	4700901453	1	2	..O-ring	
6	4700902581	1	1	.O-ring	D
7	4700902929		1	.Cylinder block	
8			1	..Bush	
9			1	..Cylinder block	
10			2	..Pin	
11	4700902930		1	.Bearing plate	D
12	4700935527		1	.Piston assembly	
13	4700935526		1	..Piston	
14	4700935525	1	1	..O-ring	D
15	4700935524	1	1	..Seal plug	D
16	4700935530		1	.End cap	
17	4700908432		1	.Plug	
18	4700935741		2	.Plug, cpl	
19	4700902944		8	.Screw	
20	4700935531	1	1	.O-ring	D
21	4700908443	1	5	.Rect. seal	
22	4700908427	1	1	.Gasket	D
23	4700902928		2	.Plug	
	4700901453	1	2	..O-ring	
24	4700936589		1	.Loop Flushing assy.	
25			1	..Adjusting screw	
26	4700926658	1	1	..O-ring	D
27	4700902957		1	..Spring	
28	4700901464		1	..Valve cone	D
29	4700902959		1	..Nut	
30	4700935749		2	.Spring	
31	4700935750		2	.Spring retainer	
32	4700935533		1	.Spool	
33	4700902960		1	.Shaft, cpl	
34			1	..Bearing	
35			1	..Spring guide	
36			1	..Spring	
37			1	..Pin	
38			1	..Shaft	
39			1	..Bearing	
40			1	..Spacer	
41			1	..Nut	
42	4700936592		9	..Piston assembly	
43	4700902961		1	.Flange	
44	4700935536		1	.Shaft seal	55x75x12 D
	4700945757	1	1	.Shaft seal	55x70x7 D
45	4700935664	1	1	.O-ring	D
46	4700936591		8	.Screw	
47	4700935543		1	.Electric hydraulic control	
48	4700908435		1	..Solenoid valve assy	
49	4700908426		4	..Plug, cpl	
50	4700908432		2	..Plug	
51	4700935544		4	..Screw	
52	4700935545		1	..Valve housing	
53	4700902984		1	.Shaft, cpl	
54			2	..Pin	
55			6	..Roller	
56			1	..Shaft	

1) Includes in Seal kit item 61

4700374137 Propulsion motor

16523



4700374137 Propulsion motor

Item	Part No	Rem	Qty	Description	Code
57	4700902996		1	.Cap	
58	4700936593		2	.Orifice	
59	4700902995		1	.Headless screw	
60	4700909525	1	1	.Nut	
61	4700935520		1	Seal kit	D
62			1	Not used on this model	D

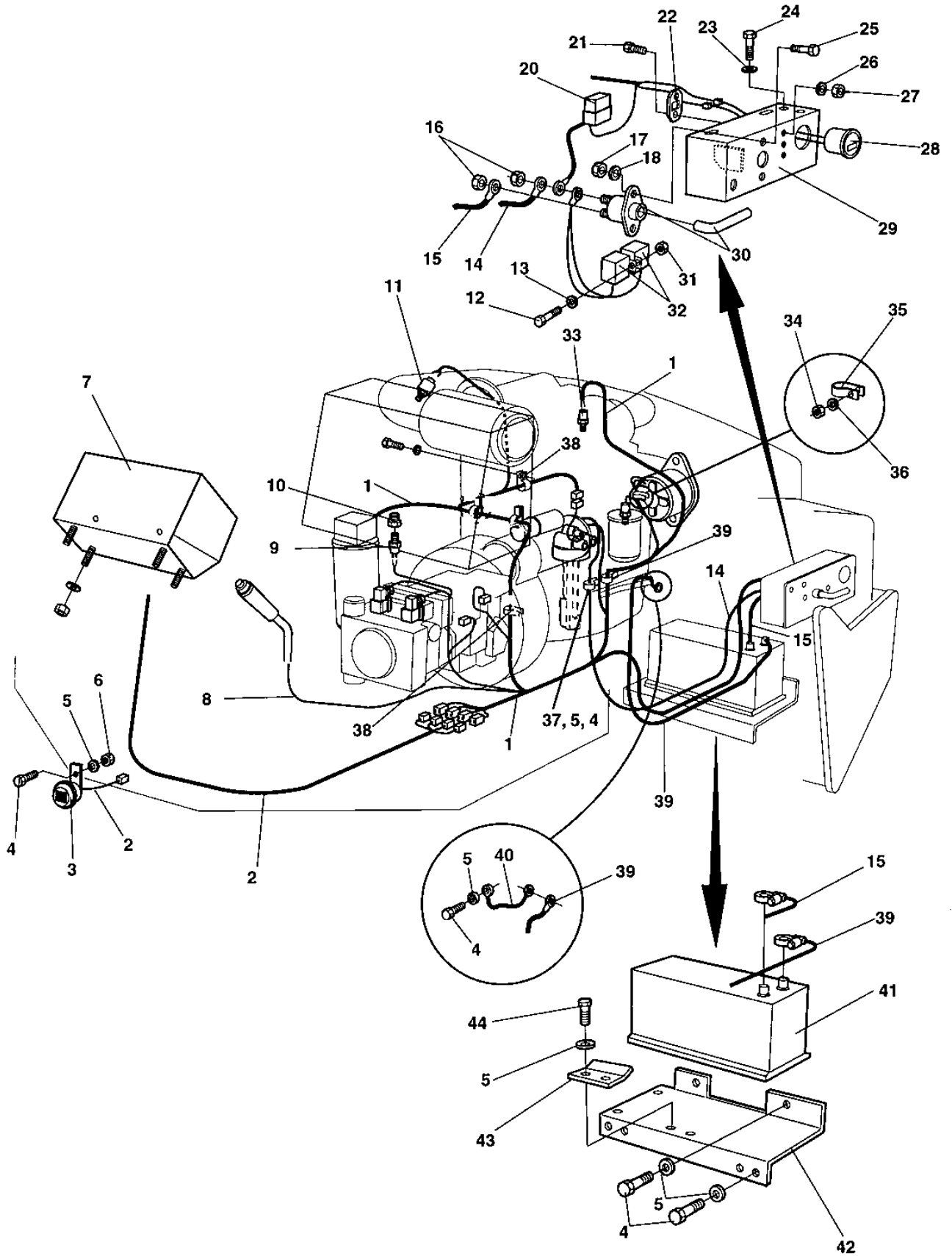
1) Includes in Seal kit item 61

Electrical equipment

Item	Part No	Rem Qty	Description	Code
10			Electric system Up to 65X21524 (Page 254)	
15			Electric system From 65X21525 Up to 65X23699 (Page 256)	
17			Electric system From 65X23700 (Page 258)	
20			Control panel Up to 65X21524 (Page 260)	
25			Control panel From 65X21525 Up to 65X23699 (Page 262)	
30			Control panel From 65X23700 (Page 264)	
31			Control panel (Page 266)	
40			Working lights Up to 65X20596 (Page 268) Option	
50			Working lights From 65X20597 Up to 65X2133Optionge 270)	
60			Working lights From 65X21340 Up to 65X2369Optionge 272)	
70			Rotating beacon (Page 274) Option	
80			Back-up alarm Up to 65X21950 (Page 276) Option	
85			Back-up alarm From 65X21951 (Page 278) Option	
90			Compaction meter Up to ECN 03073 (Page 2Option	
95		1	Compaction meter From ECN 03073 (Page 2Option	

Electric system

16931

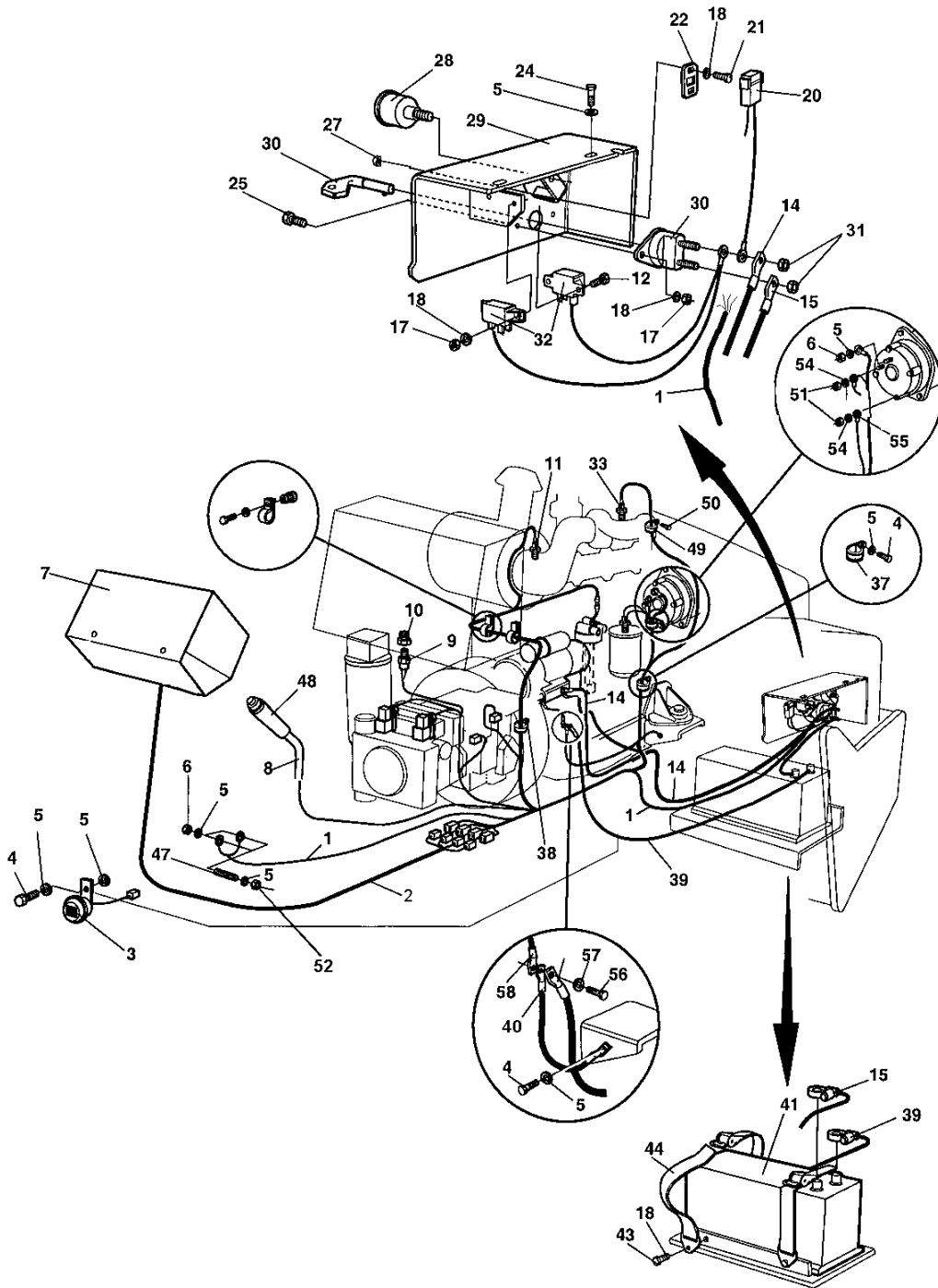


Electric system

Item	Part No	Rem Qty	Description	Code
1	4700380280	1	Cable harness	
2	4700380281	1	Cable harness	
3	4700999027	1	Horn	D
4	4700500053	7	Screw	M8x20H 8.8
5	4700904229	15	Washer	8,4x16x1,5
6	4700570005	3	Nut	M8
7		1	Control panel (Page 260)	
8	4700357583	1	Cable harness	
9	4700903631	1	Temperature sensor	Hydraulic oil
10	4700813434	1	Reducer	
11	4700929023	1	Indicator	D
12	4700500075	2	Screw	M6-1,0x25 8.8
13	4700904639	2	Washer	6,7x14x1,5
14	4700348347	1	Battery cable	
15	4700904018	1	Connection cable, coarse	
16	4700902285	2	Lock nut	M6
17	4700902285	2	Lock nut	M6
18	4700904639	2	Washer	6,7x14x1,5
20	4700904037	1	Fuse	30A
21	4700500184	2	Screw	M5-0,8x14 8,8
22	4700904036	1	Fuse holder	
23	4700904229	3	Washer	8,4x16x1,5
24	4700500053	3	Screw	M8x20H 8.8
25	4700500040	2	Screw	M6-1x20 8,8
26	4700904228	1	Washer	
27	4700902284	2	Nut	M5
28	4700801567	1	Hour meter	D
29	4700380087	1	Holder	
30	4700903640	1	Battery switch	D
31	4700902285	1	Lock nut	M6
32	4700904448	2	Relay	D
33	4700903632	1	Temperature sensor	Engine
34	4700570003	1	Nut	M5
35	4700921031	1	Clamp	
36	4700904228	1	Washer	
37	4700921116	2	Clamp	
38	4700921104	1	Clamp	
39	4700904020	1	Battery cable	
40	4700903760	1	Connection cable, coarse	
41	4700470020	1	Battery	
42	4700371277	1	Battery shelf	
43	4700356500	1	Battery holder	
44	4700500047	2	Screw	

Electric system

18113



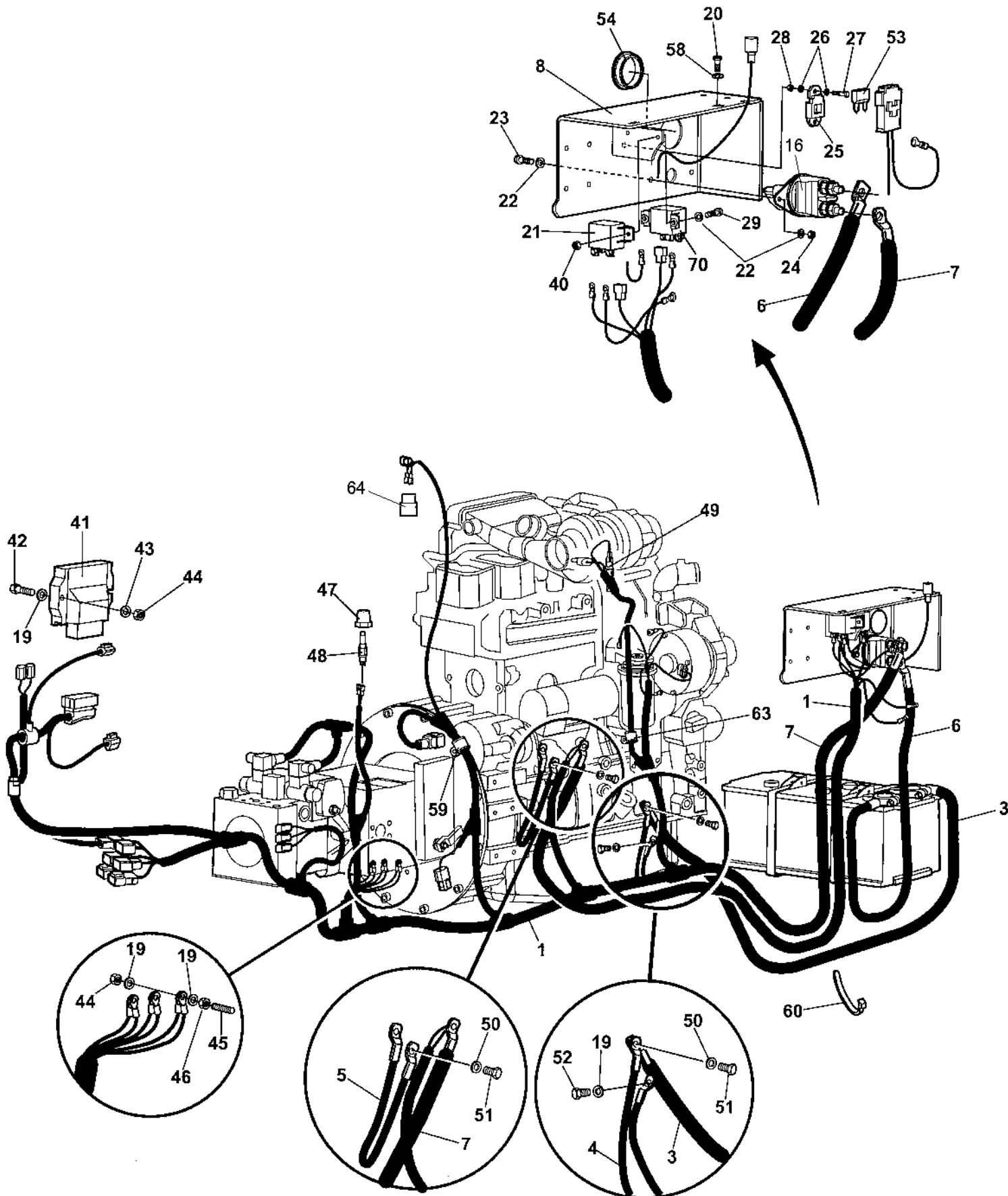
Electric system

Item	Part No	Rem Qty	Description	Code
1	4700380280	1	Cable harness	
2	4700380281	1	Cable harness	
3	4700999027	1	Horn	D
4	4700500053	2	Screw	M8x20H 8.8
5	4700904229	13	Washer	8,4x16x1,5
6	4700570005	3	Nut	M8
7		1	Control panel (Page 262)	
8	4700357583	1	Cable harness	
9	4700903631	1	Temperature sensor	Hydraulic oil
10	4700813434	1	Reducer	
11	4700929023	1	Indicator	D
12	4700500075	2	Screw	M6-1,0x25 8.8
14	4700791598	1	Cable harness	
15	4700791503	1	Battery cable	
17	4700902285	2	Lock nut	M6
18	4700904639	5	Washer	6,7x14x1,5
20	4700904037	1	Fuse	30A
21	4700500184	2	Screw	M5-0,8x14 8,8
22	4700904036	1	Fuse holder	
24	4700500053	2	Screw	M8x20H 8.8
25	4700500040	2	Screw	M6-1x20 8,8
27	4700902284	2	Nut	M5
28	4700801567	1	Hour meter	D
29	4700386999	1	Holder	
30	4700903640	1	Battery switch	D
	4700903641	1	.Key	D
31		2	.Nut	D
32	4700904448	2	Relay	D
33	4700903632	1	Temperature sensor	Engine
34	4700570003	1	Nut	M5
35	4700921031	1	Clamp	
36	4700904228	1	Washer	
37	4700921116	2	Clamp	
38	4700921104	1	Clamp	
39	4700903758	1	Battery cable	
40	4700904750	1	Connection cable, coarse	
41	4700470020	1	Battery	
42	4700904639	4	Washer	6,7x14x1,5
43	4700500012	4	Screw	M6x12
44	4700791371	2	Strap	
45	4700904231	1	Washer	13x24x2 300 HV
46	4700500051	1	Screw	M12x25H 8.8 A3K
47	4700903768	2	Threaded stud	
48		B 1	Grab handle	
49	4700921072	1	Clamp	
50	4700500018	1	Screw	M8-1,25x12 8,8
51	4700570003	2	Nut	M5
52	4700902286	2	Lock nut	M8
53	4700500047	2	Screw	
54	4700904281	2	Washer	
55	4700791924	1	Connection cable Up to 65X22325	
	4700792277	1	Connection cable From 65X22326	
56	4700500035	1	Screw	M12x020H
57	4700904638	1	Washer	12x22x2
58	4700335607	1	Connection cable, coarse	

B) See section "handle"

Electric system

18660



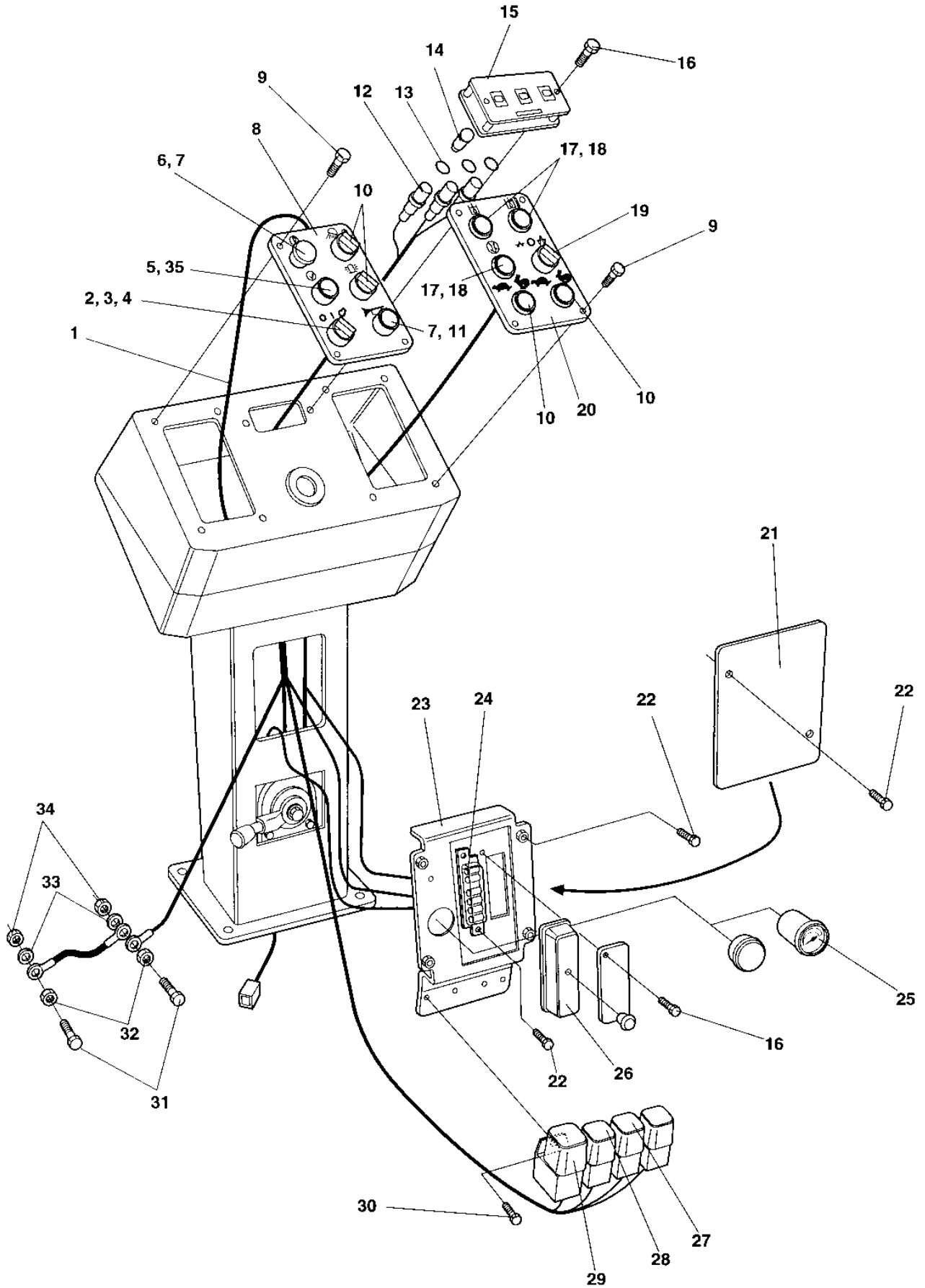
Electric system

Item	Part No	Rem Qty	Description	Code
1	4700393810	1	Cable harness Up to 65X23899	
	4700395821	1	Cable harness From 65X23900	
3	4700904020	1	Battery cable	
4	4700903760	1	Connection cable, coarse	
5	4700335607	1	Connection cable, coarse	
6	4700791503	1	Battery cable	
7	4700792052	1	Connection cable, coarse	
8	4700386999	1	Holder	
16	4700903640	1	Battery switch	D
	4700903641	1	.Key	D
19	4700904229	10	Washer	8,4x16x1,5
20	4700500053	2	Screw	M8x20H 8.8
21	4700791183	A 1	Relay	D
22	4700904228	6	Washer	
23	4700500013	2	Screw	M6-1x16 8,8
24	4700570004	2	Nut	M6X1,00 -8 A2K
25	4700904036	1	Fuse holder	
26	4700904281	4	Washer	
27	4700500060	2	Screw	M5-0,8x20 8.8
28	4700586001	2	Lock nut	
29	4700500075	3	Screw	M6-1,0x25 8.8
40	4700902285	2	Lock nut	M6
41	4700378745	1	Control unit, ECU	
42	4700500025	2	Screw	M8-1,25x50 8,8
43	4700904556	2	Washer	8,4x16x3,0
44	4700586003	5	Lock nut	M8
45	4700903768	3	Threaded stud	
46	4700570005	3	Nut	M8
47	4700813434	1	Reducer	
48	4700903631	1	Temperature sensor	Hydraulic oil
49	4700903632	1	Temperature sensor	Engine
50	4700904231	2	Washer	13x24x2 300 HV
51	4700500051	2	Screw	M12x25H 8.8 A3K
52	4700500019	1	Screw	M8x16H 8.8 A2K
53	4700904038	1	Fuse	40A
54	4700345870	1	Plug	
58	4700904230	2	Washer	
59	4700921080	1	Clamp	
60	4700313041	1	Cable ties	
63	4700921072	1	Clamp	
64	4700929023	1	Indicator	D
70	4700791183	1	Relay	D

A) Replaces P/N 4700904448 as Start relay from January 2009.

Control panel

16932

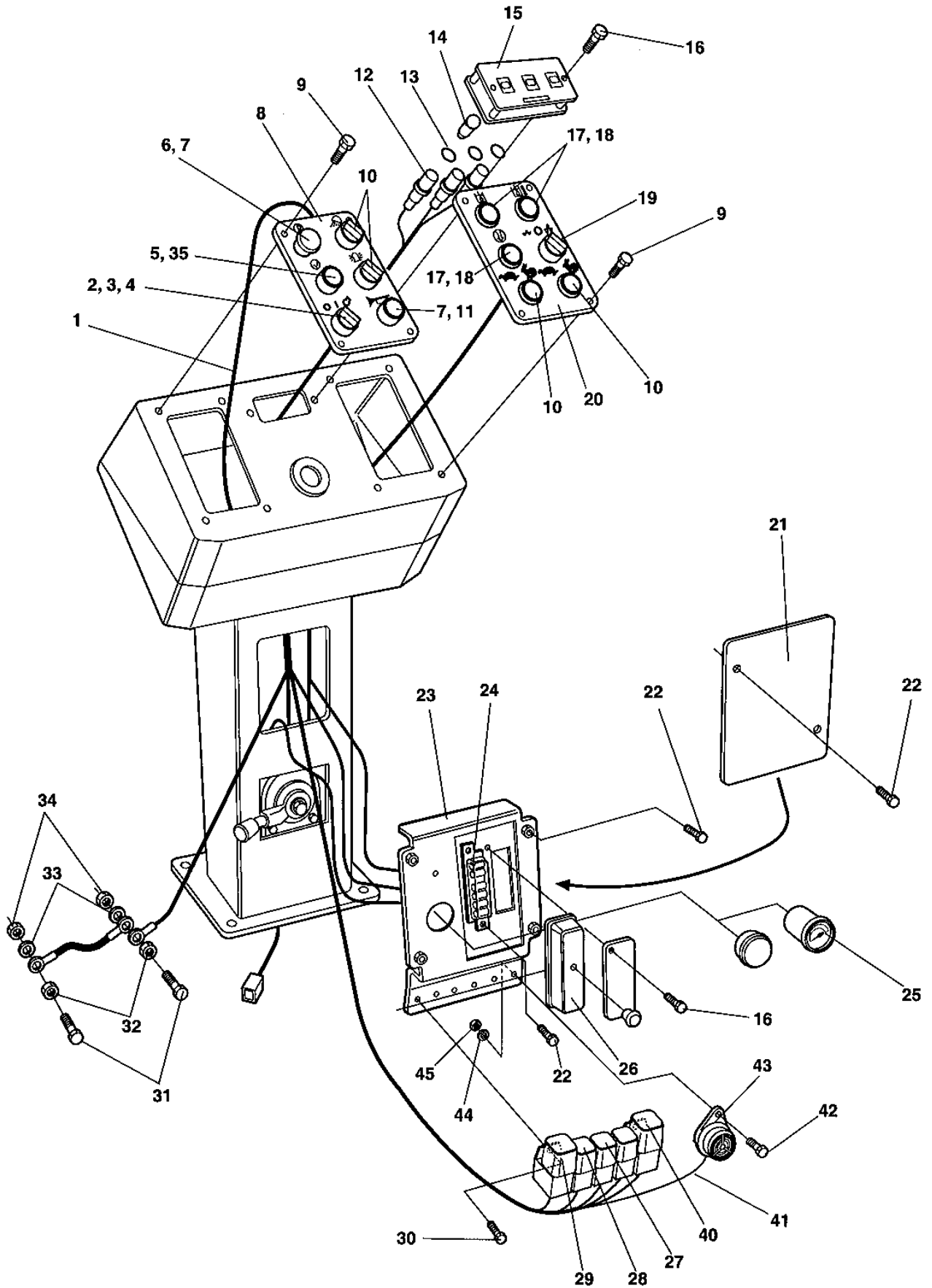


Control panel

Item	Part No	Rem Qty	Description	Code
1	4700380281	1	Cable harness	
2	4700932050	1	Switch	
3	4700930154	1	Contact piece, NC	
4	4700930182	1	Contact block	
5	4700932032	1	Push button	
6	4700930200	1	Emergency stop	
7	4700930163	6	Contact piece, NO	D
8	4700380278	1	Control panel left	
9	4700902224	8	Screw	M6x10
10	4700911456	4	Hole plug	
11	4700932032	1	Push button	
12	4700902225	3	Lamp socket	2-POL
13	4700160269	3	O-ring	
14	4700985125	3	Bulb	12V
15	4700357585	1	Display panel	B
16	4700901767	6	Screw	ST3,5x9,5 Black
17	4700985146	3	Pilot lamp cpl	Red
18	4700985012	3	Bulb	D
19	4700930153	1	Switch	
20	4700380277	1	Control panel right	
21	4700371344	1	Cover	
22	4700541702	6	Screw	M6x12
23	4700371326	1	Distribution control plate	
24	4700901226	4	Fuse	7.5A
25	4700355263	1	Fuel gauge	D
26	4700903820	2	Fuse box	D
	4700901240	6	Connector	
27	4700287597	1	Relay	D
28	4700287598	1	Relay	12V-30A
29	4700382782	1	Relay, VBS	D
30	4700902223	3	Screw	
31	4700500075	2	Screw	M6-1,0x25 8.8
32	4700586002	2	Lock nut	
33	4700904228	2	Washer	
34	4700570004	2	Nut	M6X1,00 -8 A2K
35	4700930163	1	Contact piece, NO	D

Control panel

16932-1



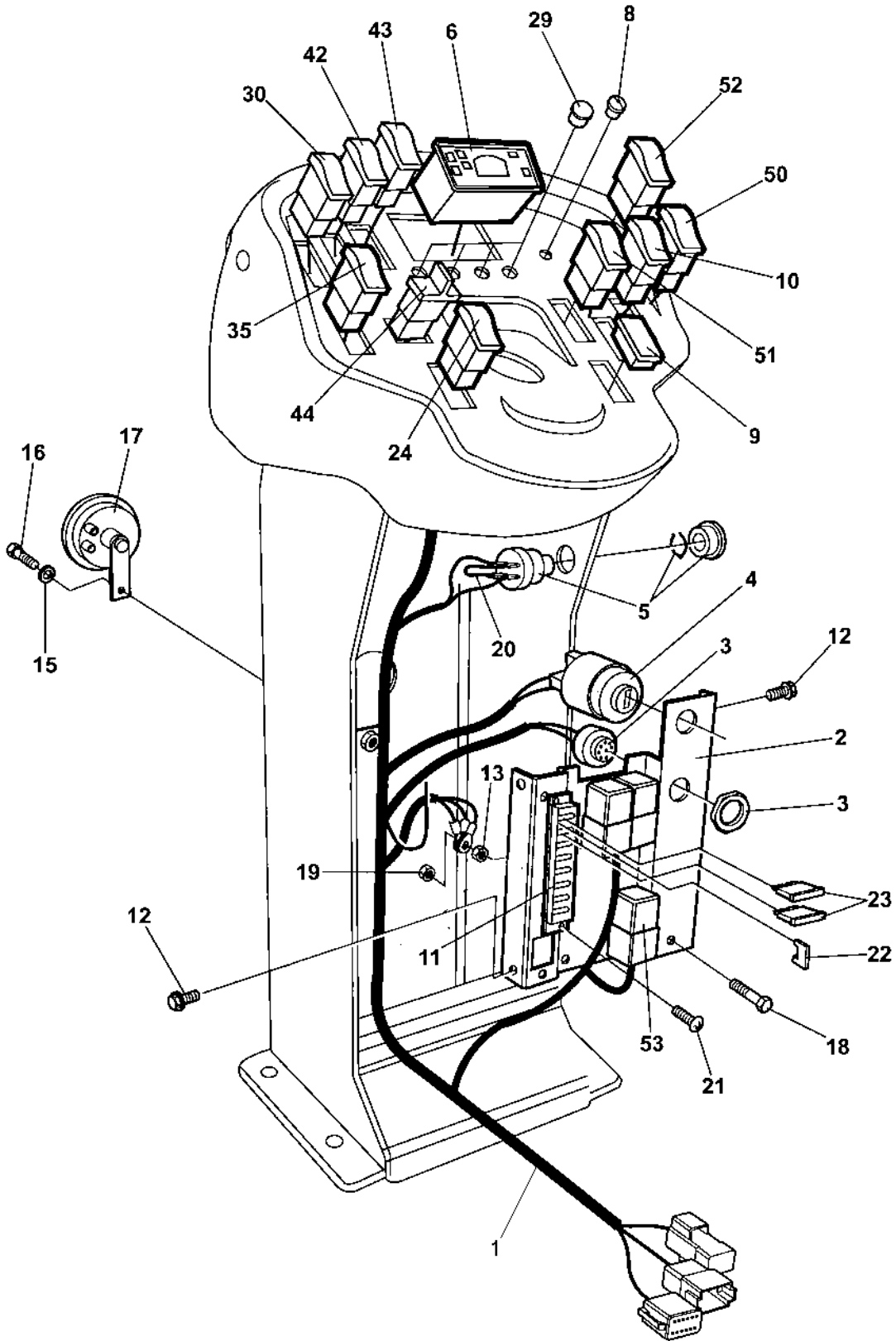
Control panel

Item	Part No	Rem	Qty	Description	Code
1	4700380281		1	Cable harness	
2	4700932050		1	Switch	
3	4700930154		1	Contact piece, NC	
4	4700930182		1	Contact block	
5	4700932032		1	Push button	
6	4700930200		1	Emergency stop	
7	4700930163		6	Contact piece, NO	D
8	4700380278		1	Control panel left	
9	4700902224		8	Screw	M6x10
10	4700911456		4	Hole plug	
11	4700932032		1	Push button	
12	4700902225		3	Lamp socket	2-POL
13	4700160269		3	O-ring	
14	4700985125		3	Bulb	12V
15	4700357585		1	Display panel	B
16	4700901767		6	Screw	ST3,5x9,5 Black
17	4700985146		3	Pilot lamp cpl	Red
18	4700985012		3	Bulb	D
19	4700930153		1	Switch	D
20	4700380277		1	Control panel right	
21	4700371344		1	Cover	
22	4700541702		6	Screw	M6x12
23	4700371326		1	Distribution control plate	
24	4700901226		4	Fuse	7.5A
25	4700355263		1	Fuel gauge	D
26	4700903820		2	Fuse box	D
	4700901240		6	Connector	
27	4700287597		1	Relay	D
28	4700287598		1	Relay	12V-30A
29	4700382782		1	Relay, VBS	D
30	4700902223		4	Screw	
31	4700500075		2	Screw	M6-1,0x25 8.8
32	4700586002		2	Lock nut	
33	4700904228		2	Washer	
34	4700570004		2	Nut	M6X1,00 -8 A2K
35	4700930163		1	Contact piece, NO	D
40	4700904846	A	1	Delay relay	
41	4700387728	A	1	Cable harness	
42	4700533070	A	1	Screw	
43	4700355301	A	1	Buzzer	D
44	4700904281	A	2	Washer	
45	4700586001	A	1	Lock nut	

A) Interlock, Option

Control panel

18672



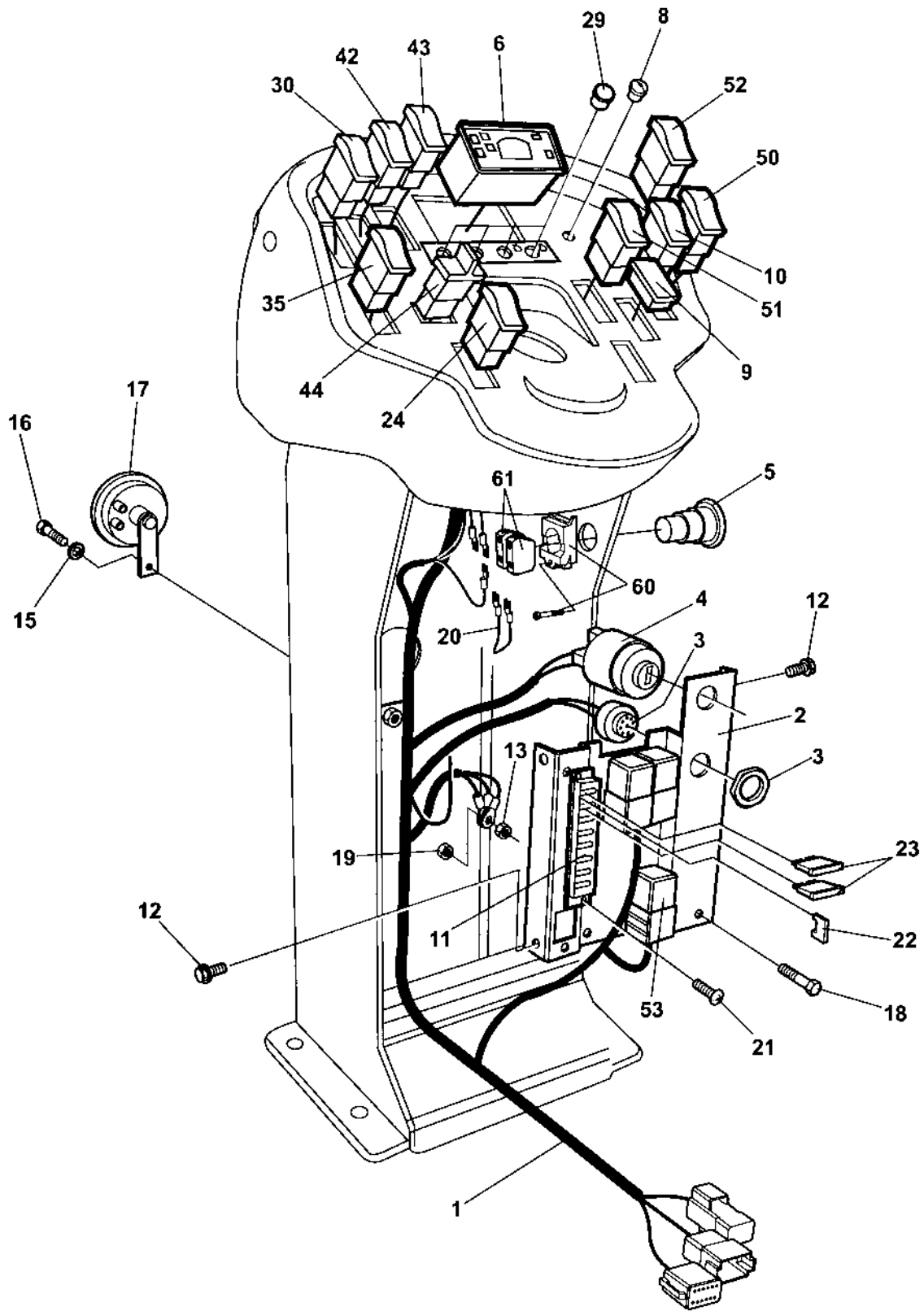
Control panel

Item	Part No	Rem	Qty	Description	Code	
1	4700392507	B	1	Cable harness		
2	4700387683		1	Distribution control plate		
3	4700385599		1	Buzzer		
4	4700238158		1	Ignition switch		
	4700940451		1	.Key		
5	4700791647		1	Emergency stop		
6	4700392996		1	Control panel		
8	4700792083	N		Plug		
9	4700791588	N		Panel plug		
10	4700792461		1	Switch, vibration		
11	4700791185		1	Fuse box		
12	4700903782		4	Screw	M5x12	
13	4700570004		3	Nut	M6X1,00 -8 A2K	
15	4700904229		1	Washer	8,4x16x1,5	
16	4700500053		1	Screw	M8x20H 8.8	
17	4700999027		1	Horn		D
18	4700500075		1	Screw	M6-1,0x25 8.8	
19	4700586002		1	Lock nut		
20	4700791517		1	Connection cable		
21	4700901767		2	Screw	ST3,5x9,5 Black	
22	4700791211	N		Contact bridge		
23	4700901228	N		Fuse	15A	
	4700901227	N		Fuse	10A	B
24	4700791582		1	Switch, parking brake		
29	4700792320		4	Plug		
	4700792315		1	Illuminated block yellow		
30	4700791587	A	1	Switch, working light		
35	4700791585	A	1	Switch, rotating beacon		
42	4700791583	A	1	Switch, driving light		
43	4700791584	A	1	Switch, hazard flashers		
44	4700792413	A	1	Switch, drive direction		
50	4700791588		1	Panel plug		
	4700792463	A	1	Switch, Power distribution		
51	4700791578		1	Switch, horn		
52	4700792462	A	1	Switch, TC & TM		
	4700791657	A	1	Switch, Hi-Lo Speed		
53	4700903956	A	1	Relay		D

- A) Option
- B) Control panel

Control panel

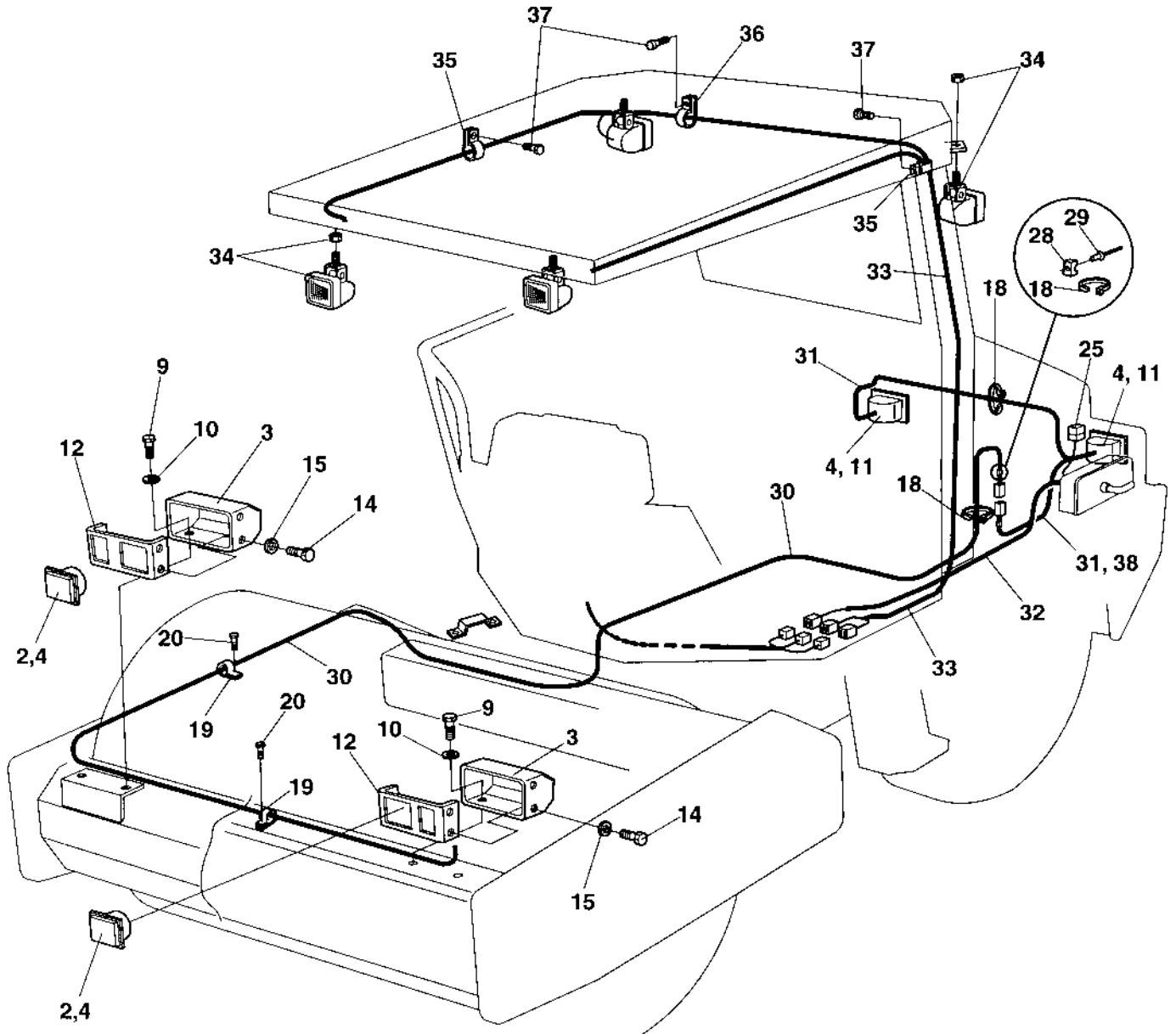
18672-1



Control panel

Item	Part No	Rem	Qty	Description	Code	
1	4700396968	B	1	Cable harness		
2	4700387683		1	Distribution control plate		
3	4700385599		1	Buzzer		
4	4700238158		1	Ignition switch		
	4700940451		1	.Key		
5	4700791739		1	Emergency stop		
6	4700392996		1	Control panel		
8	4700792083	N		Plug		
9	4700791588	N		Panel plug		
10	4700792461		1	Switch, vibration		
11	4700791185		1	Fuse box		
12	4700903782		4	Screw	M5x12	
13	4700570004		3	Nut	M6X1,00 -8 A2K	
15	4700904229		1	Washer	8,4x16x1,5	
16	4700500053		1	Screw	M8x20H 8.8	
17	4700999027		1	Horn		D
18	4700500075		1	Screw	M6-1,0x25 8.8	
19	4700586002		1	Lock nut		
20	4700343550		1	Connection cable		
21	4700901767		2	Screw	ST3,5x9,5 Black	
22	4700791211	N		Contact bridge		
23	4700901228	N		Fuse	15A	
	4700901227	N		Fuse	10A	B
24	4700791582		1	Switch, parking brake		
29	4700792320		4	Plug		
	4700792315		1	Illuminated block yellow		
30	4700791587	A	1	Switch, working light		
35	4700791585	A	1	Switch, rotating beacon		
42	4700791583	A	1	Switch, driving light		
43	4700791584	A	1	Switch, hazard flashers		
44	4700792413	A	1	Switch, drive direction		
50	4700791588		1	Panel plug		
	4700792463	A	1	Switch, Power distribution		
51	4700791578		1	Switch, horn		
52	4700792462	A	1	Switch, TC & TM		
	4700791657	A	1	Switch, Hi-Lo Speed		
53	4700903956	A	1	Relay		D
60	4700791733		1	Fixing collar		
61	4700791723		2	Connector		

- A) Option
- B) Control panel

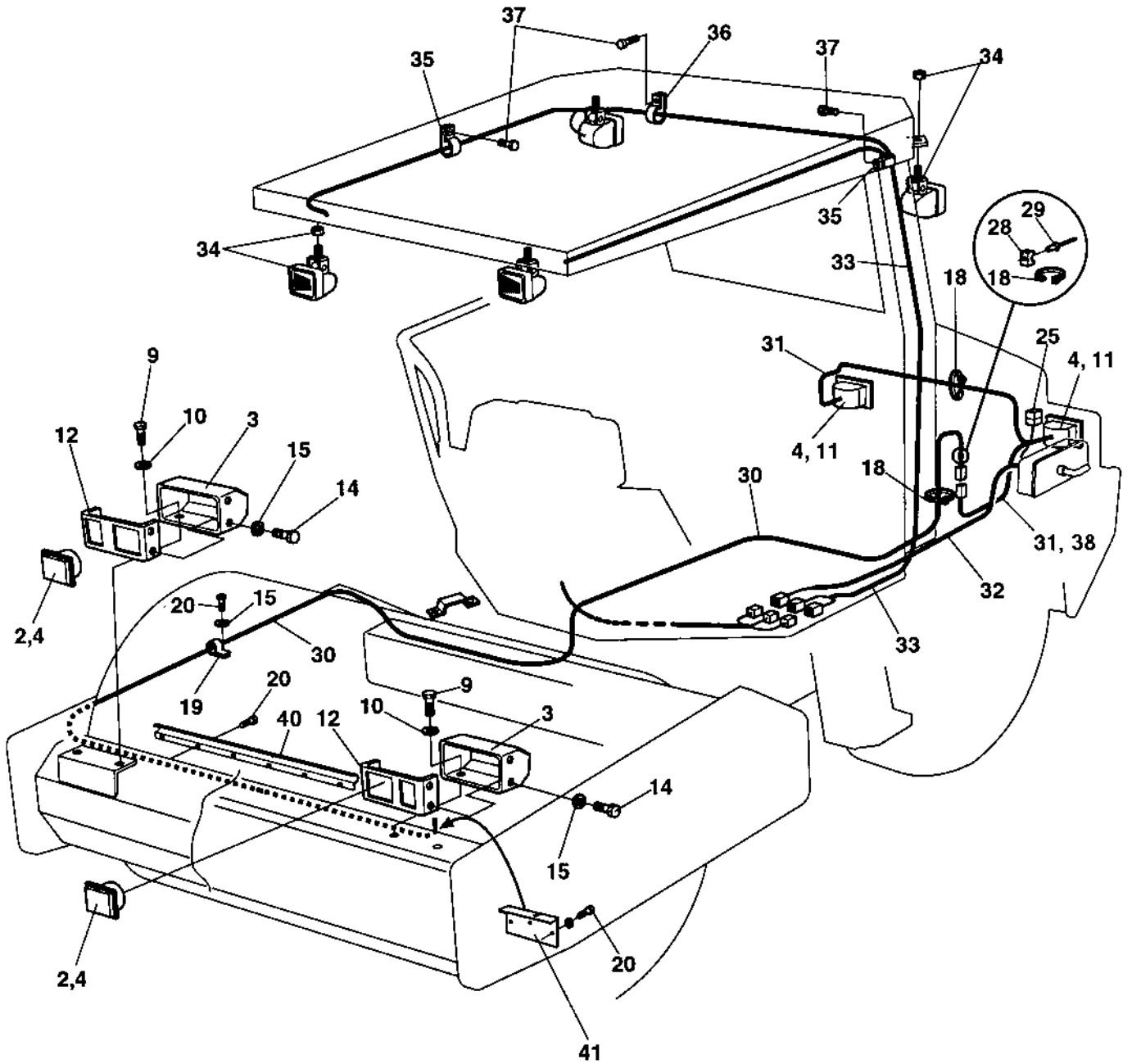


Working lights Option

Item	Part No	Rem Qty	Description	Code
2	4700902227	2	Work light	
3	4700374029	2	Lamp shield	
4	4700901369	4	Bulb	B
9	4700500043	6	Screw	55w H3 M10x16H 8,8
10	4700904230	6	Washer	
11	4700904314	2	Work lamp	
12	4700374030	2	Bracket	
14	4700500040	8	Screw	M6-1x20 8,8
15	4700904228	8	Washer	
18	4700925802	7	Cable ties	L=142 mm
19	4700921039	11	Pipe clamp	
20	4700541705	11	Screw	
25	4700904038	1	Fuse	40A
28	4700904543	7	Cable tie holder	D
29	4700903436	7	Blind rivet	
30	4700373184	1	Cable harness	
31	4700381435	1	Cable harness	
32	4700373184	1	Cable harness	
33	4700372758	1	Cable harness	
34	4700904314	4	Work lamp	
35	4700921039	10	Pipe clamp	
36	4700921031	3	Clamp	
37	4700541702	13	Screw	M6x12
38	4700921072	1	Clamp	

Working lights Option

16982-1

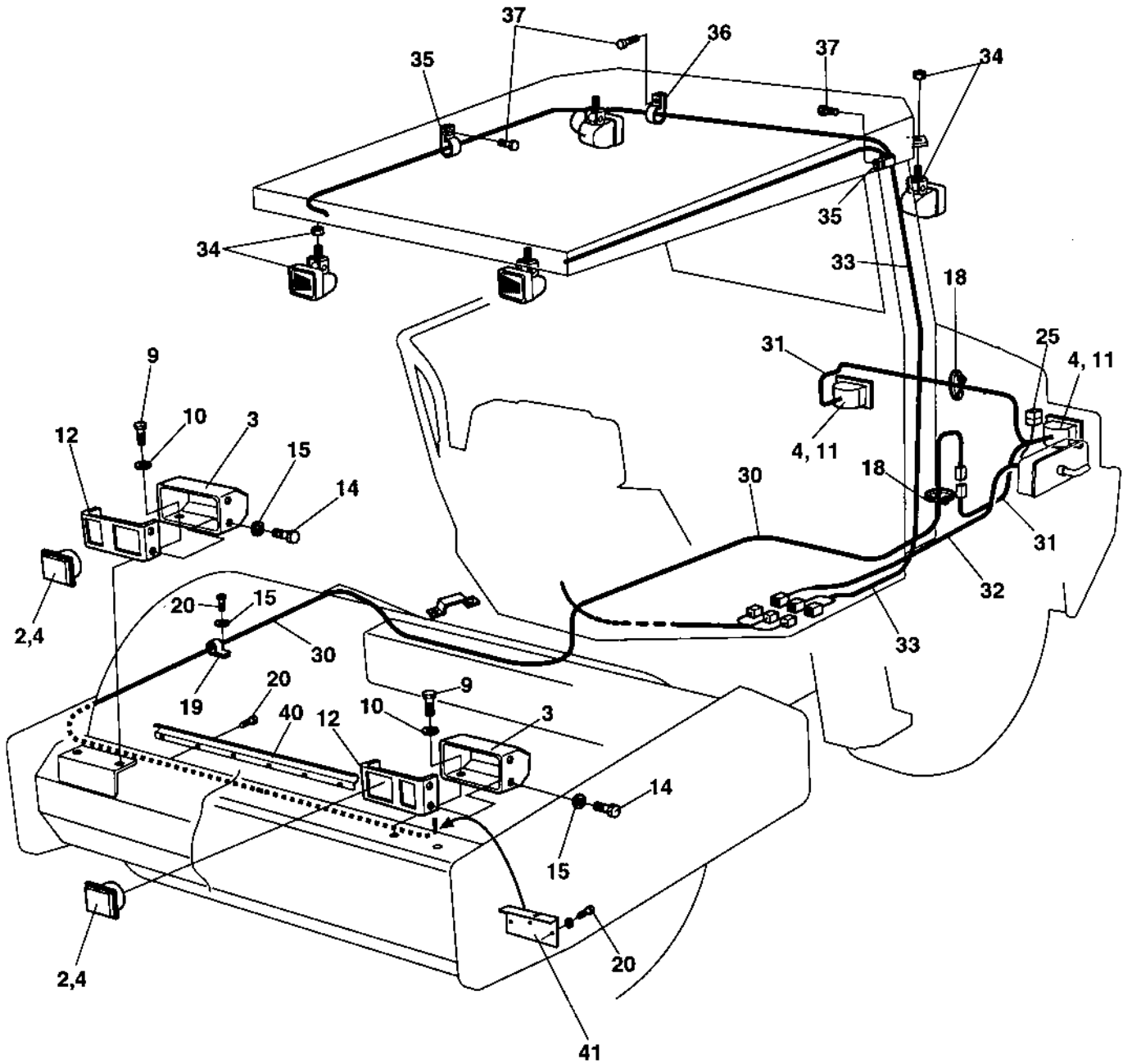


Working lights Option

Item	Part No	Rem Qty	Description	Code
2	4700902227	2	Work light	
3	4700374029	2	Lamp shield	
4	4700901369	4	Bulb	B
9	4700500043	6	Screw	55w H3 M10x16H 8,8
10	4700904230	6	Washer	
11	4700904314	2	Work lamp	
12	4700374030	2	Bracket	
14	4700500040	8	Screw	M6-1x20 8,8
15	4700904228	13	Washer	
18	4700925802	7	Cable ties	L=142 mm
19	4700921039	8	Pipe clamp	
20	4700500012	8	Screw	M6x12
25	4700904038	1	Fuse	40A
28	4700904543	7	Cable tie holder	D
29	4700903436	7	Blind rivet	
30	4700373184	1	Cable harness	
31	4700381435	1	Cable harness	
32	4700373184	1	Cable harness	
33	4700372758	1	Cable harness	
34	4700904314	4	Work lamp	
35	4700921039	10	Pipe clamp	
36	4700921031	3	Clamp	
37	4700541702	13	Screw	M6x12
38	4700921072	1	Clamp	
40	4700381462	1	Rubber hose	
41	4700384163	2	Protection	

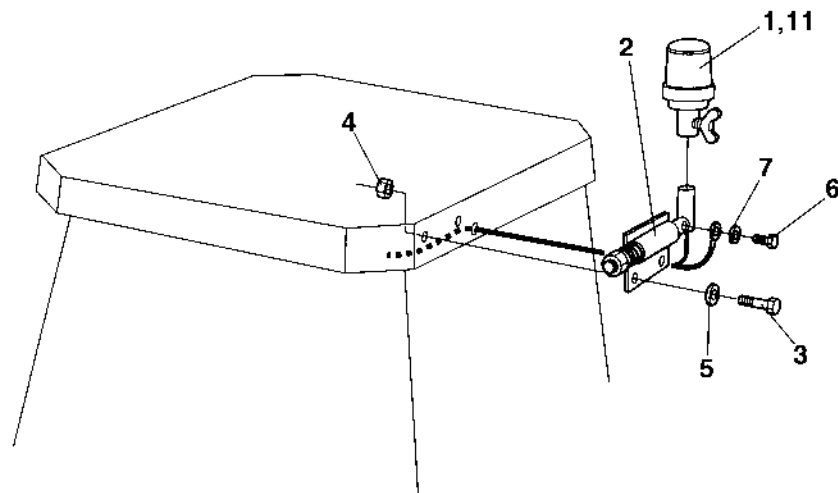
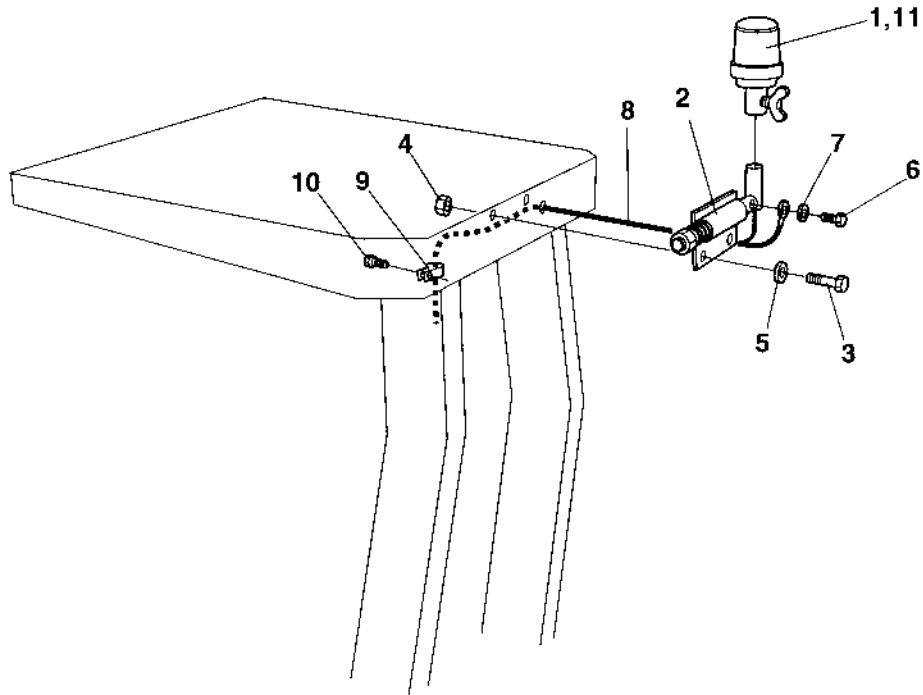
Working lights Option

16982-2



Working lights Option

Item	Part No	Rem Qty	Description	Code
2	4700902227	2	Work light	
3	4700374029	2	Lamp shield	
4	4700901369	4	Bulb	B
9	4700500043	6	Screw	55w H3 M10x16H 8,8
10	4700904230	6	Washer	
11	4700904314	2	Work lamp	
12	4700374030	2	Bracket	
14	4700500040	8	Screw	M6-1x20 8,8
15	4700904228	13	Washer	
18	4700925802	N	Cable ties	L=142 mm
19	4700921039	8	Pipe clamp	
20	4700500012	8	Screw	M6x12
25	4700904038	1	Fuse	40A
30	4700373184	1	Cable harness	D
31	4700387419	1	Cable harness	
32	4700373184	1	Cable harness	
33	4700372758	1	Cable harness	
34	4812110216	4	Work lamp	
	4700904230	4	Washer	
	4700586018	4	Lock nut	
35	4700921039	10	Pipe clamp	
36	4700921031	3	Clamp	
37	4700541702	13	Screw	M6x12
40	4700381462	1	Rubber hose	
41	4700384163	2	Protection	



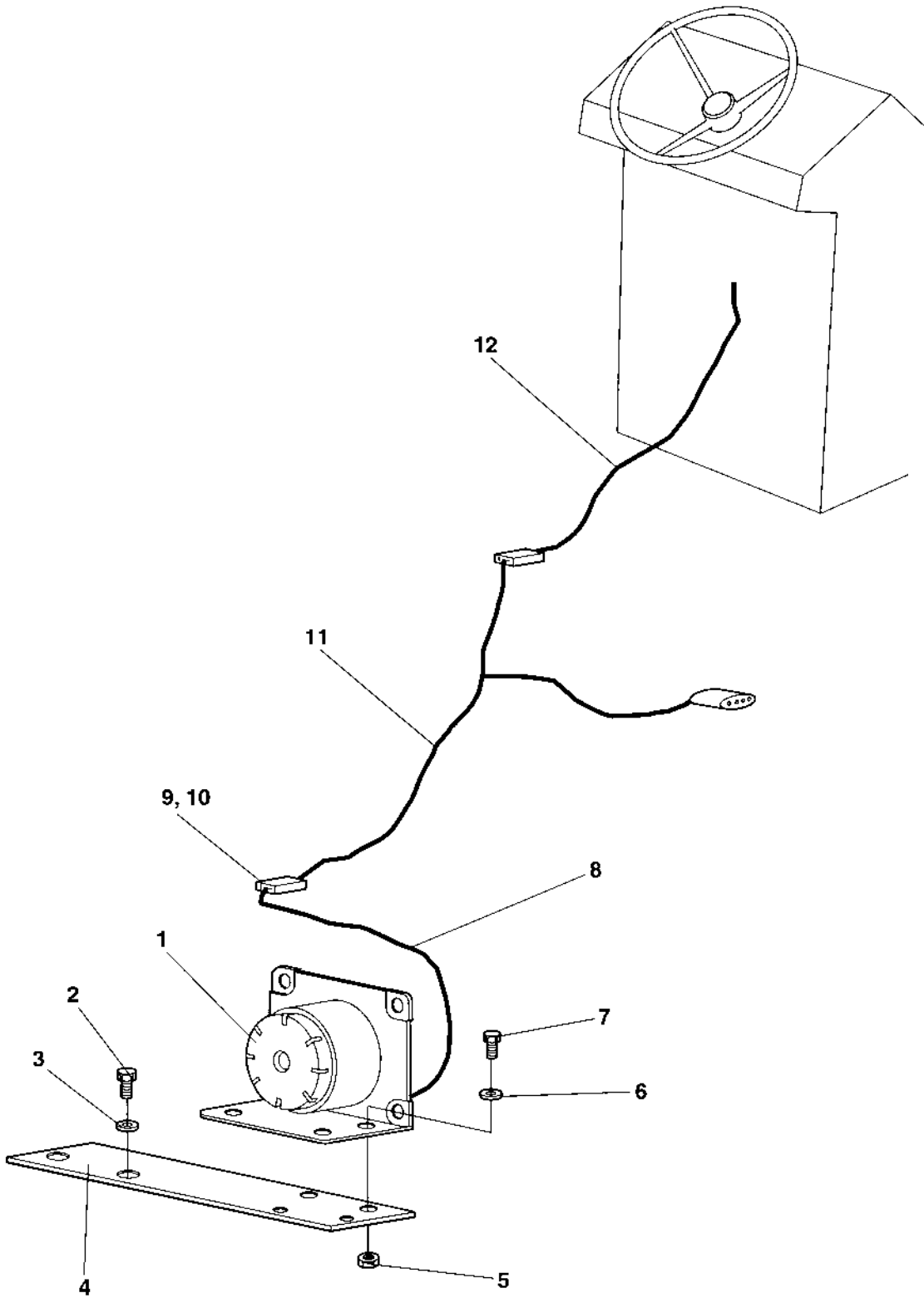
Rotating beacon Option

Item	Part No	Rem	Qty	Description	Code
1	4700999011	1	1	Rotating beacon	D
2	4700358452		1	Lamp holder	
3	4700500021		2	Screw	M8-1,25x25 8.8
4	4700586003		2	Lock nut	M8
5	4700904229		2	Washer	8,4x16x1,5
6	4700500013		1	Screw	M6-1x16 8,8
7	4700904228		1	Washer	
8	4700374398		1	Cable harness	
9	4700921039		1	Pipe clamp	
10	4700541702		1	Screw	M6x12
11	4700389577	2	1	Rotating beacon	D

- 1) Is replaced by item 11, P/N 4700389577
- 2) Replaces item 1, P/N 4700999011

Back-up alarm Option

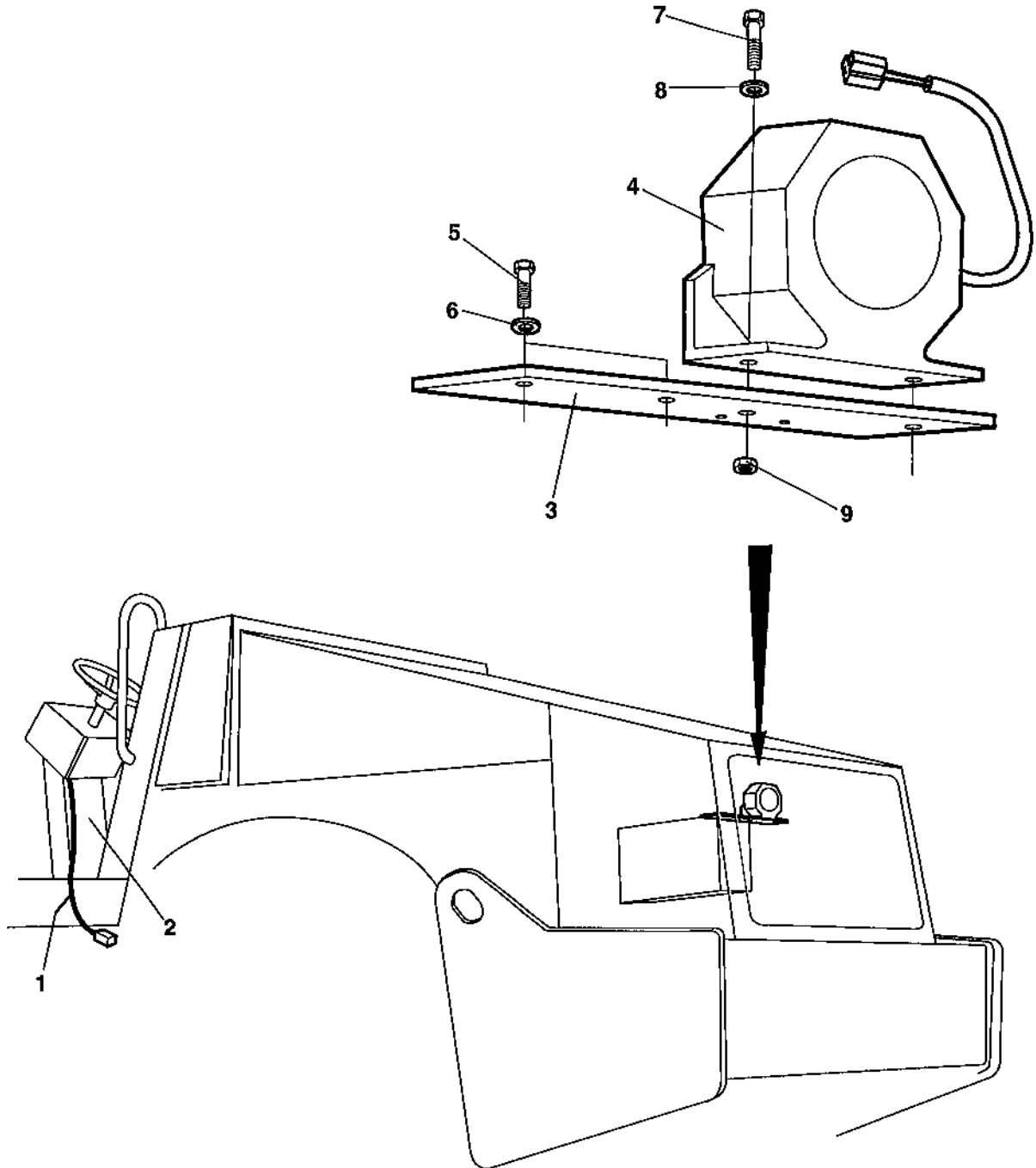
16983



Back-up alarm Option

Item	Part No	Rem	Qty	Description	Code
1	4700900798		1	Buzzer	
2	4700500053		2	Screw	M8x20H 8.8
3	4700904229		2	Washer	8,4x16x1,5
4	4700380800		1	Bracket	
5	4700586001		2	Lock nut	
6	4700904281		2	Washer	
7	4700500006		2	Screw	M5x16
8	4700244002	A	1	Plastic hose	
9	4700901766		1	Connector	2-POL
10	4700903897		2	Push-on terminal male	D
11	4700380799		1	Cable harness	
12	4700380798		1	Cable harness	

A) L=150 mm



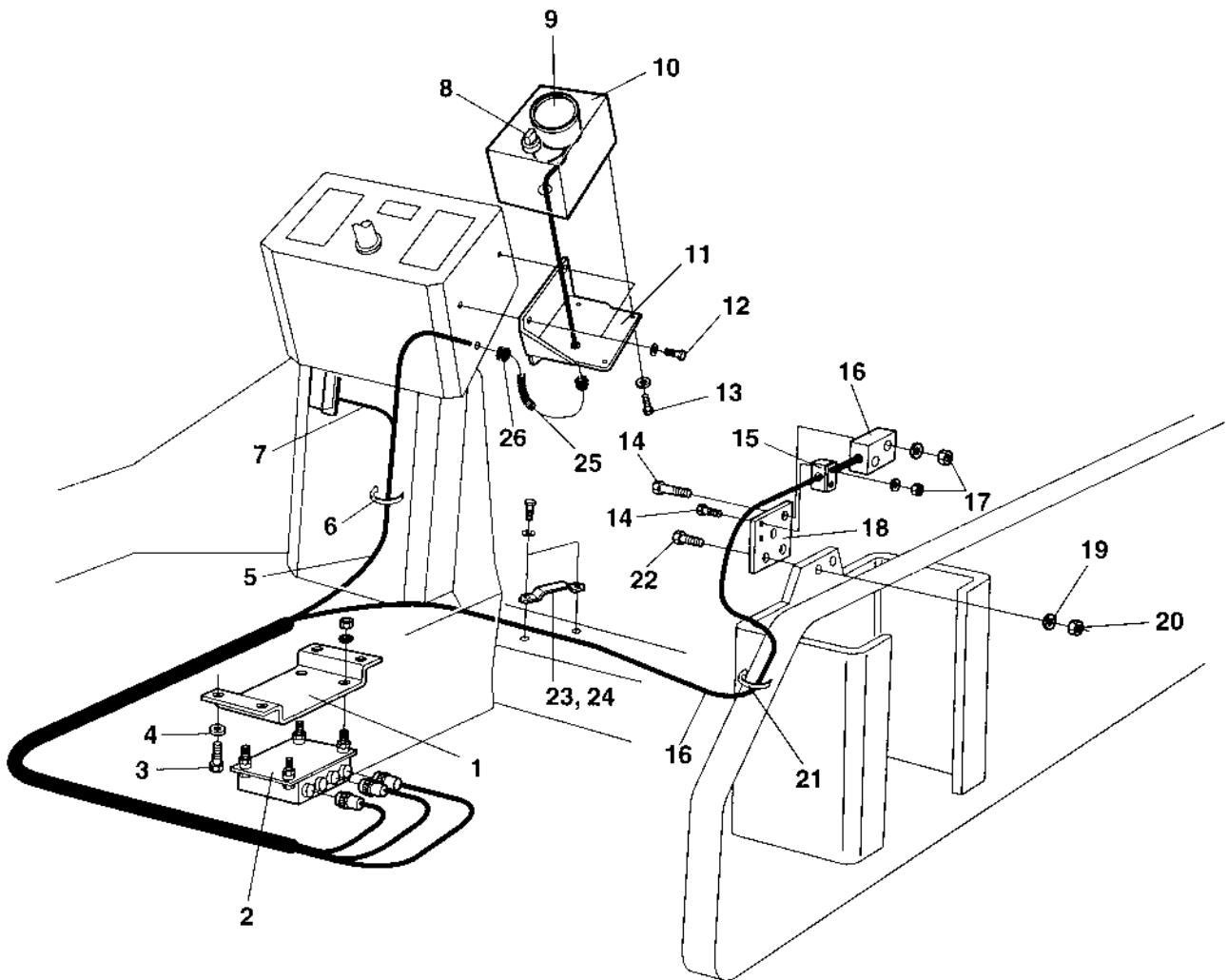
Back-up alarm Option

Item	Part No	Rem	Qty	Description	Code
1	4700380798	A	1	Cable harness	
2	4700901224	B	1	Fuse	3A D
3	4700377071		1	Bracket	
4	4700904910		1	Back-up alarm	
5	4700500053		2	Screw	M8x20H 8.8
6	4700904229		2	Washer	8,4x16x1,5
7	4700500040		2	Screw	M6-1x20 8,8
8	4700904228		2	Washer	
9	4700586002		2	Lock nut	

- A) Is connected to the main wiring harness.
B) Located in the fusebox on the control panel.

Compaction meter Option

17358



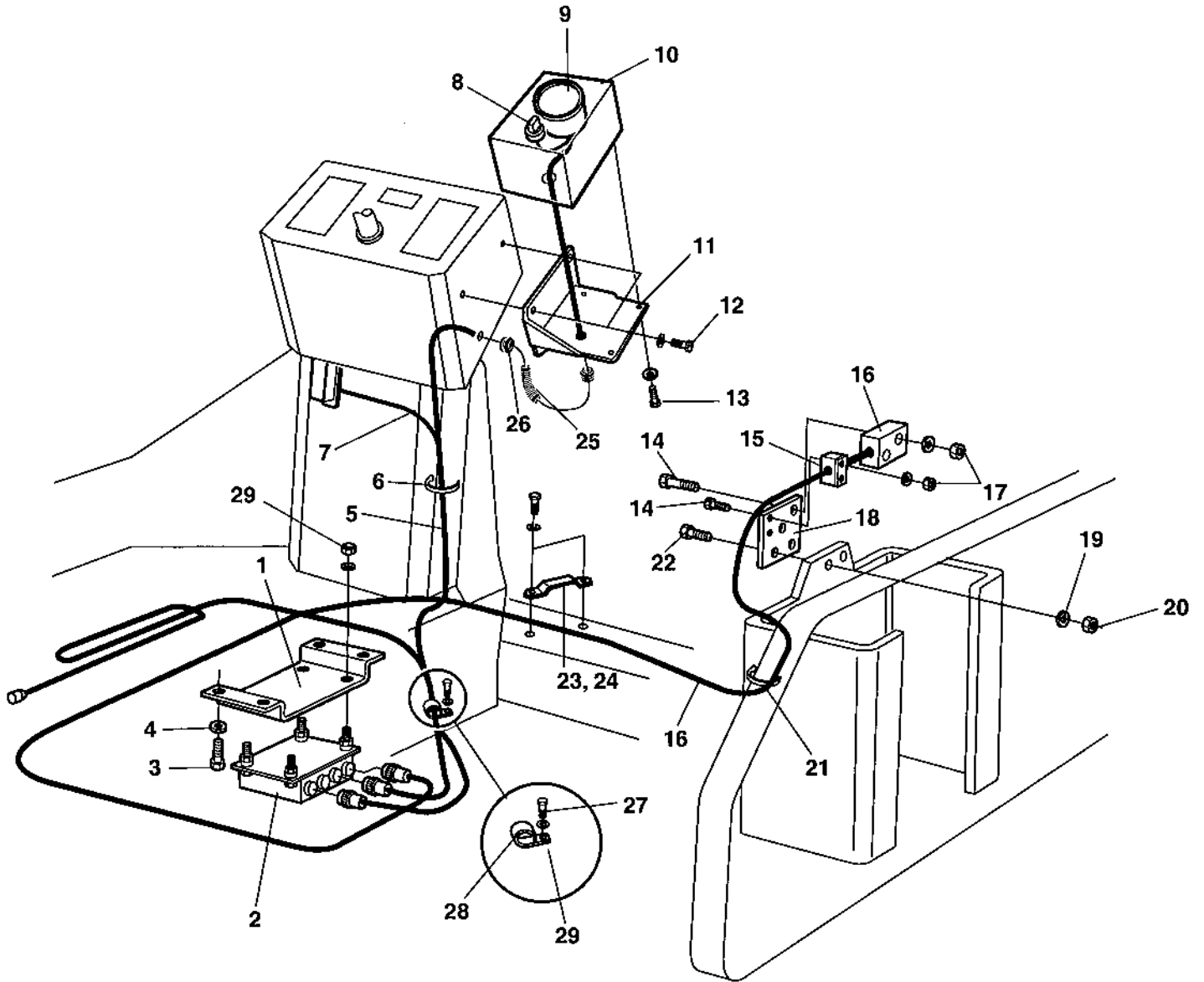
Compaction meter Option

Item	Part No	Rem Qty	Description	Code
1	4700372836	1	Bracket	
2	4700388210	1	Processor comp.meter	
3	4700500053	4	Screw	M8x20H 8.8
4	4700904229	4	Washer	8,4x16x1,5
5	4700372784	1	Cable harness	
6	4700313102	N	Cable ties	
7	4700381351	1	Cable harness	
8	4700930151	1	Switch	D
9	4700383452	1	Compaction meter	
10	4700373096	1	Instrument box	
11	4700383326	1	Bracket	
12	4700904206	3	Screw	
13	4700541526	4	Screw	
14	4700500079	4	Screw	M6-1x50 8,8
15	4700902496	1	Clamp	
16	4700348213	1	Sensor, cpl	
17	4700902285	7	Lock nut	M6
18	4700373140	1	Bracket	
19	4700904231	2	Washer	13x24x2 300 HV
20	4700902288	2	Nut	M12
21	4700313041	N	Cable ties	
22	4700500194	2	Screw	
23	4700373016	1	Hose clamp	
24	4700349435	1	Rubber part	
25	4700901190	A	Conduit	
26	4700903192	2	Grommet	

A) L=230mm

Compaction meter Option

17358-1



Compaction meter Option

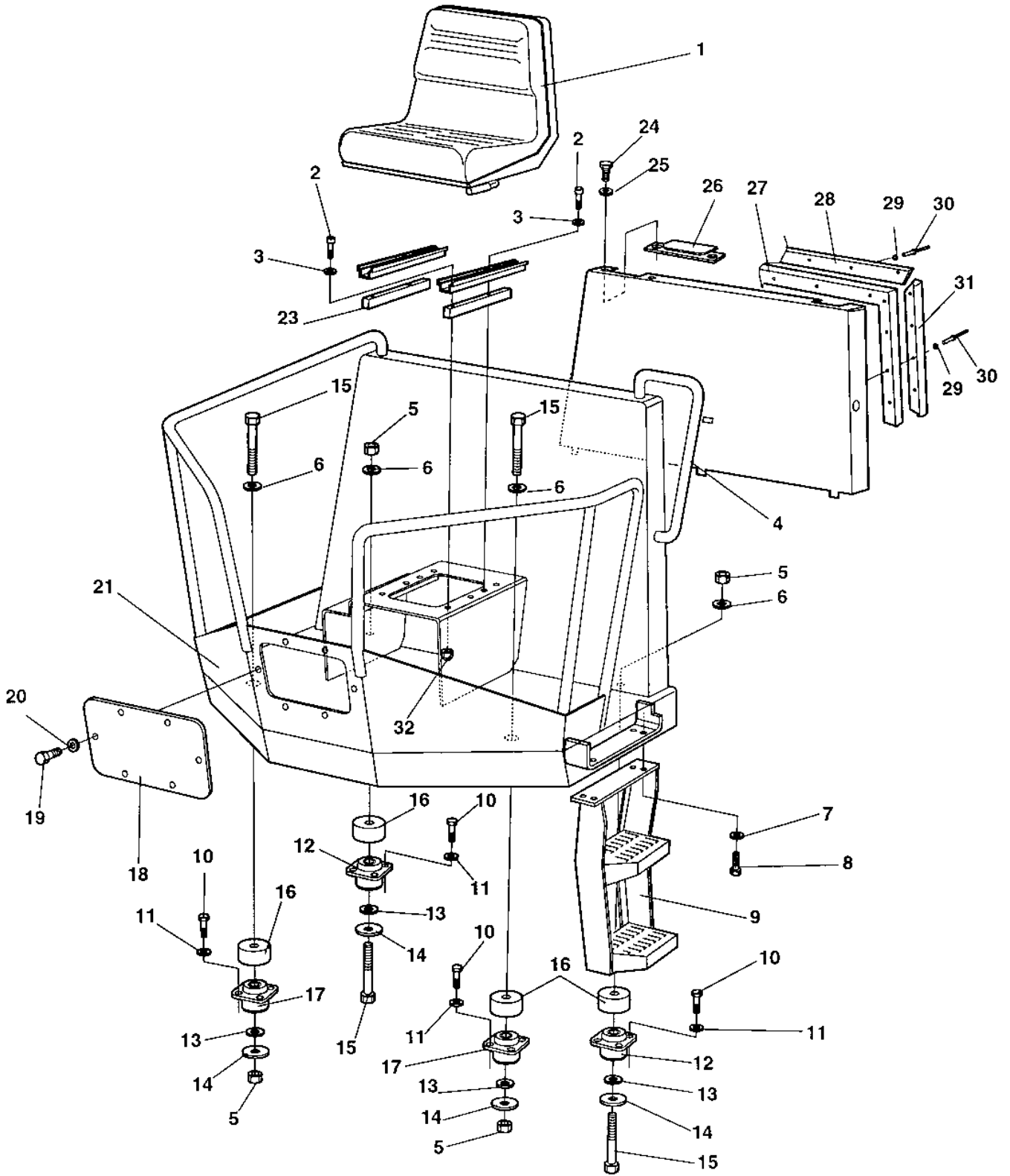
Item	Part No	Rem Qty	Description	Code
1	4700372836	1	Bracket	
2	4700388210	1	Processor comp.meter	
3	4700500053	4	Screw	M8x20H 8.8
4	4700904229	4	Washer	8,4x16x1,5
5	4700388211	1	Cable harness	
6	4700313102	N	Cable ties	
7	4700381351	1	Cable harness	
8	4700930151	1	Switch	D
9	4700383452	1	Compaction meter	
10	4700373096	1	Instrument box	
11	4700383326	1	Bracket	
12	4700904206	3	Screw	
13	4700541526	4	Screw	
14	4700500079	4	Screw	M6-1x50 8,8
15	4700902496	1	Clamp	
16	4700348213	1	Sensor, cpl	
17	4700902285	7	Lock nut	M6
18	4700373140	1	Bracket	
19	4700904231	2	Washer	13x24x2 300 HV
20	4700902288	2	Nut	M12
21	4700313041	N	Cable ties	
22	4700500194	2	Screw	
23	4700373016	1	Hose clamp	
24	4700349435	1	Rubber part	
25	4700901190	A	Conduit	
26	4700903192	2	Grommet	
27	4700500047	1	Screw	
28	4700921072	1	Clamp	
29	4700902286	5	Lock nut	M8
A)	L=230mm			

Drivers platform

Item	Part No	Rem Qty	Description	Code
10			Drivers platform (Page 286)	
15			Drivers platform (Page 288)	
16			Drivers platform (Page 290)	
20			Control panel Up to 65X23699 (Page 292)	
21			Control panel From 65X23700 (Page 294)	
30			Throttle controls Up to 65X21735 (Page 296)	
31			Throttle controls From 65X21736 Up to 65X23699 (Page 298)	
32			Throttle controls From 65X23700 (Page 300)	
40			Forward and reverse control Up to 65X23699 (Page 302)	
45			Forward and reverse control From 65X23700 (Page 304)	
50			Steering column Up to 65X22547 (Page 308)	
52			Steering column From 65X22548 (Page 310)	
100			Canopy (Page 312)	Option
110			Rops and fops (Page 314)	
120			Cab mounting (Page 316)	
130			Cab Up to 65X22547 (Page 318)	380656
160			Cab Up to 65X22547 (Page 332)	Exterior, rear mirror
180			Cab (Page 334)	Work light
190			Cab mounting From 65X22548 (Page 336)	
200			Cab From 65X22548 (Page 338)	378308

Drivers platform

16941-1



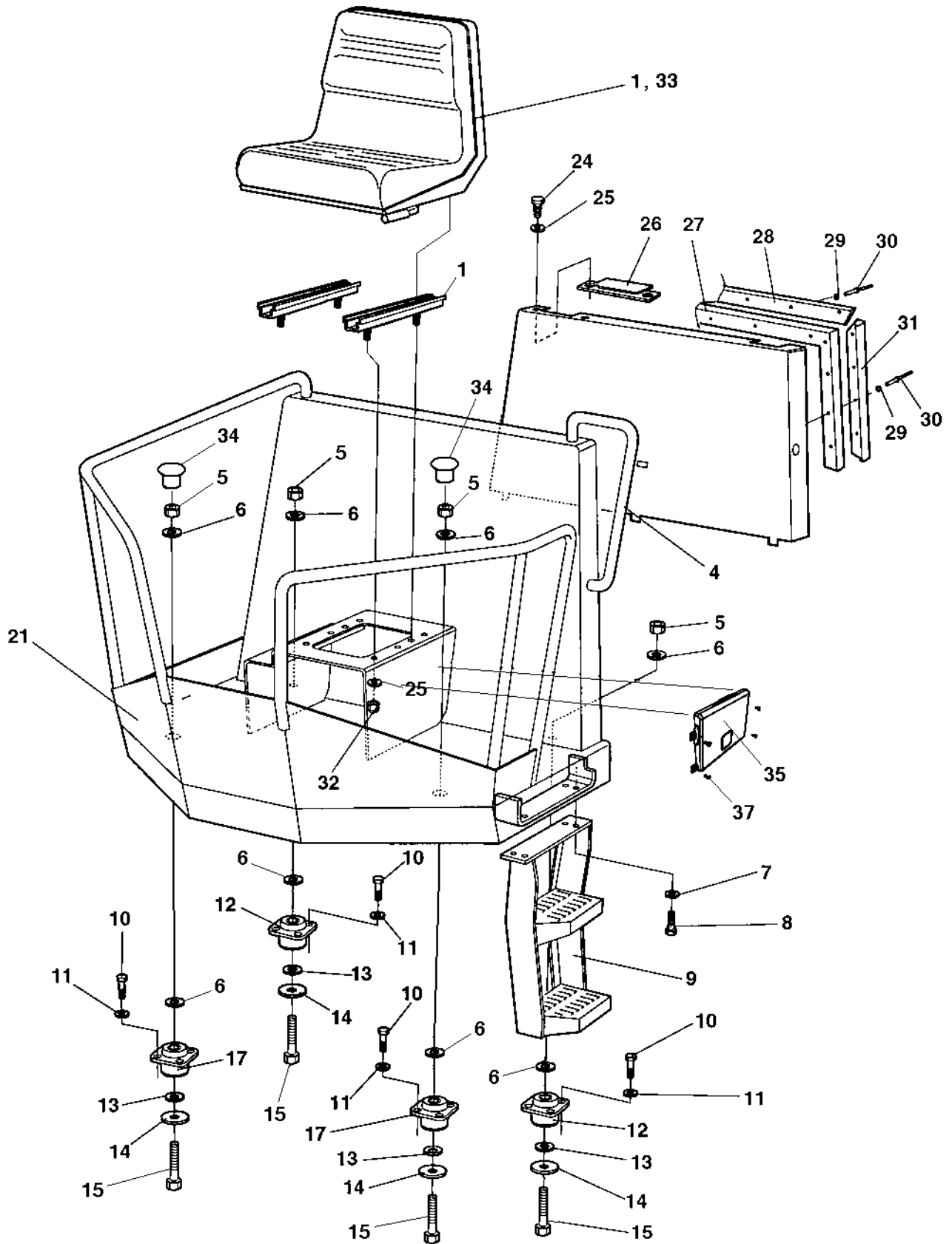
Drivers platform

Item	Part No	Rem	Qty	Description	Code
1	4700380208		1	Drivers seat, cpl	
	4700348331		1	Seat cover	D
	4700370234	A	1	Drivers seat	
	4700936283		1	.Seat switch	D
	4700380889		1	.Cable harness	
	4700909535	B,C	1	.Sliding rail	Left D
	4700909536	D	1	.Sliding rail	Right D
2	4700508006		4	Screw	
3	4700904229		4	Washer	8,4x16x1,5
4	4700380123		1	Grab handle	
5	4700901145		4	Lock nut	M20-10
6	4700904233		4	Washer	21x36x3
7	4700904230		8	Washer	
8	4700500029		4	Screw	
9	4700376252		1	Step	
10	4700500111		16	Screw	M12x55 8,8
11	4700904231		16	Washer	13x24x2 300 HV
12	4700372757		2	Shock absorber	
13	4700903290		4	Washer	21x36x6
14	4700347512		4	Washer	
15	4700500226		4	Screw	M20-2.5x180 8,8
16	4700374471		4	Spacer	
17	4700373400		2	Shock absorber	
18	4700380129		1	Cover plate Up to 65X20595	
19	4700500019		6	Screw Up to 65X20595	M8x16H 8.8 A2K
20	4700904229		6	Washer Up to 65X20595	8,4x16x1,5
21	4700380113		1	Platform	
23	4700382397		2	Spacer	
24	4700500053		4	Screw	M8x20H 8.8
25	4700904229		8	Washer	8,4x16x1,5
26	4700380727		2	Cover	
27	4700372494	E	1	Rubber strip	
28	4700372785		1	List	
29	4700927974		13	Washer	
30	4700904433		13	Blind rivet	
31	4700382582		2	List	
32	4700902286		2	Lock nut	M8

- A) Option
- B) With handle
- C) Left
- D) Right
- E) L=2,4 M

Drivers platform

18486



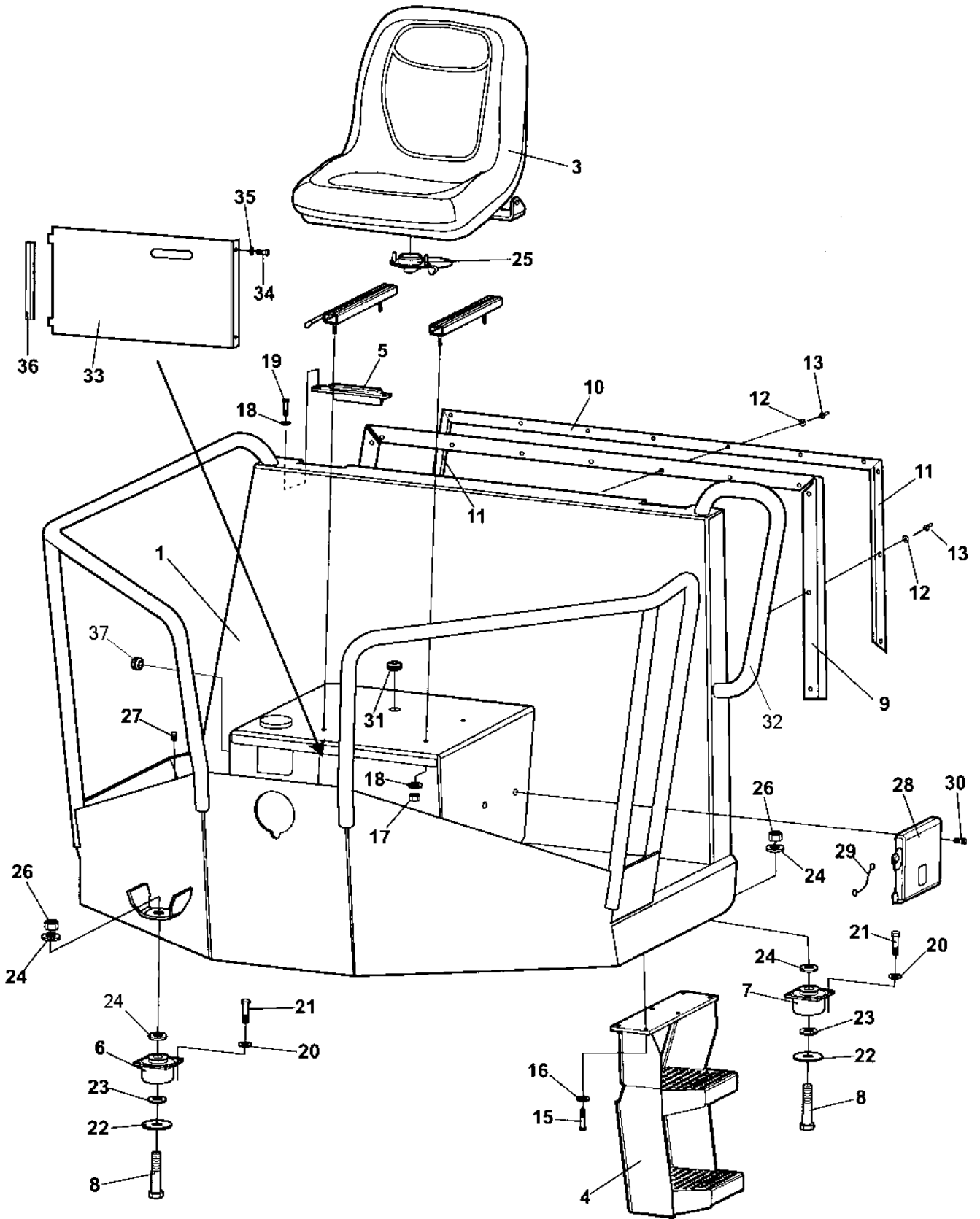
Drivers platform

Item	Part No	Rem	Qty	Description	Code
1	4700377556		1	Seat	
	4700377518	A	1	Drivers seat, cpl	
	4700348331		1	Seat cover	D
4	4700380123	F	1	Grab handle	
5	4700901145		4	Lock nut	M20-10
6	4700904233		4	Washer	21x36x3
7	4700904230		8	Washer	
8	4700500029		4	Screw	
9	4700376252		1	Step	
10	4700500195		16	Screw	
11	4700904231		16	Washer	13x24x2 300 HV
12	4700372757		2	Shock absorber	
13	4700903290		4	Washer	21x36x6
14	4700347512		4	Washer	
15	4700500210		4	Screw	M20-2,5x100 8.8
17	4700373400		2	Shock absorber	
21	4700392394		1	Platform	
24	4700500053		4	Screw	M8x20H 8.8
25	4700904229		8	Washer	8,4x16x1,5
26	4700380727		2	Cover	
27	4700372494	E	1	Rubber strip	
28	4700372785		1	List	
29	4700927974		13	Washer	
30	4700904433		13	Blind rivet	
31	4700382582		2	List	
32	4700586003		4	Lock nut	M8
33	4700379636		1	Seat switch	
34	4700902203		2	Plug	
35	4700383705		1	Instruction book holder	
	4700357643	G	1	Wire	
37	4700791226		4	Screw	

- A) Option
- E) L=2,4 M
- F) Welded with platform 4700380113.
- G) Not illustrated

Drivers platform

18726



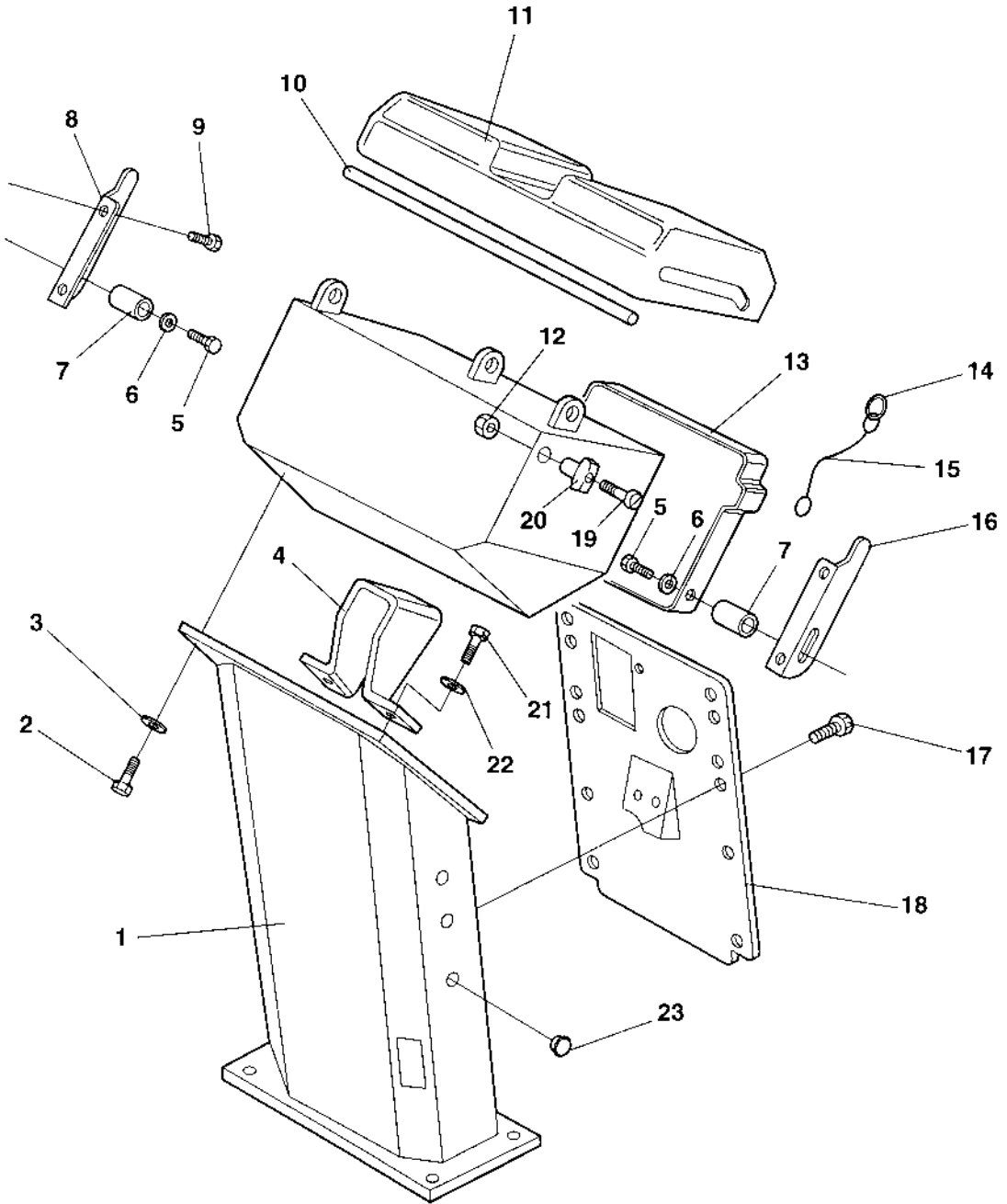
Drivers platform

Item	Part No	Rem	Qty	Description	Code
1	4700392394		1	Platform	
3	4700377556		1	Seat	
4	4700376252		1	Step	
5	4700380727		2	Cover	
6	4700372757		2	Shock absorber	D
7	4700373400		2	Shock absorber	D
8	4700500210		4	Screw	M20-2,5x100 8.8
9	4700372494	A	1XL	Rubber strip	
10	4700372785		1	List	
11	4700382582		2	List	
12	4700927974		13	Washer	
13	4700904433		13	Blind rivet	
15	4700500029		4	Screw	
16	4700904230		4	Washer	
17	4700586003		4	Lock nut	M8
18	4700904229		8	Washer	8,4x16x1,5
19	4700500053		4	Screw	M8x20H 8.8
20	4700904231		16	Washer	13x24x2 300 HV
21	4700500195		16	Screw	
22	4700347512		4	Washer	
23	4700903290		4	Washer	21x36x6
24	4700904233		8	Washer	21x36x3
25	4700379636	C	1	Seat switch	
	4812155075	D	1	Seat switch	
26	4700901145		4	Lock nut	M20-10
27	4700902203		2	Plug	
28	4700383705		1	Instruction book holder	
29	4700357643		1	Wire	
30	4700791226		4	Screw	
31	4700903192		1	Grommet	
32	4700380123		1	Grab handle	
33	4700392875		1	Cover	
34	4700500013		2	Screw	M6-1x16 8,8
35	4700904228		2	Washer	
36	4700902166	B	1XL	Edge trim	
37	4700903727		1	Plug	

- A) L=2,400M
- B) L=0,210M
- C) With bayonet fitting.
- D) With screws.

Control panel

17263



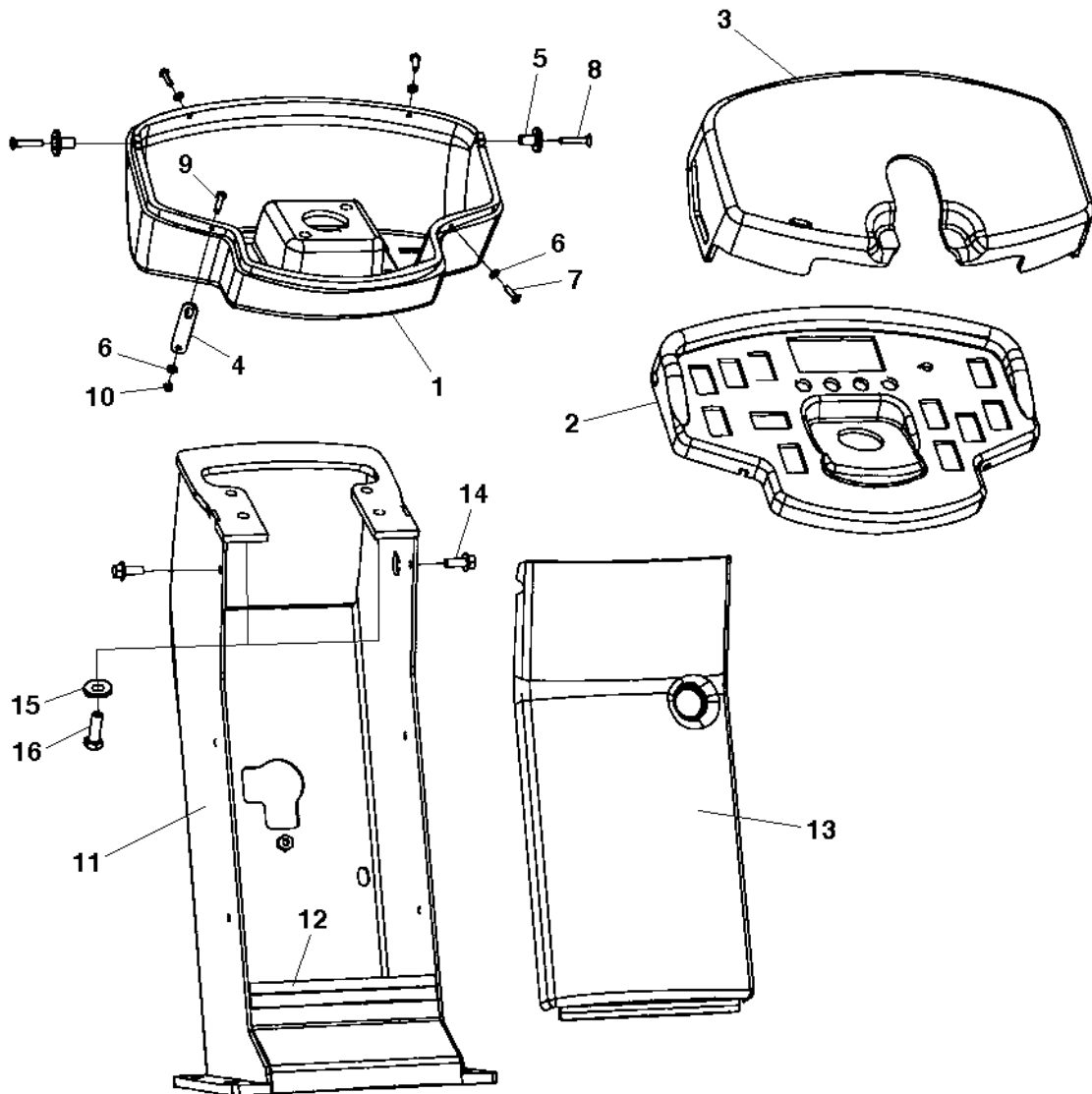
Control panel

Item	Part No	Rem	Qty	Description	Code
1	4700358142		1	Control panel	
2	4700500040		4	Screw	M6-1x20 8,8
3	4700904228		4	Washer	
4	4700357316		1	Bracket	
5	4700902164		2	Screw	
6	4700929602		4	Washer	
7	4700902163		2	Parallel pin	
8	4700357427		1	Cover holder	
9	4700901767		4	Screw	ST3,5x9,5 Black
10	4700902379	A	1	Edge trim	
11	4700357424		1	Cover	
	4700358881		1	Pad lock	
12	4700586002		2	Lock nut	
13	4700357425		1	Instruction book holder	
14	4700358254		1	Key-ring	
15	4700357643		1	Wire	
16	4700357426		1	Cover holder	
17	4700541702		8	Screw	M6x12
18	4700358143		1	Cover	
19	4700924875		2	Screw	
20	4700357855		2	Bushing	
21	4700500021		4	Screw	M8-1,25x25 8.8
22	4700904640		4	Washer	8,4x22x3
23	4700902919		4	Plug	

A) L=350 mm

Control panel

18487



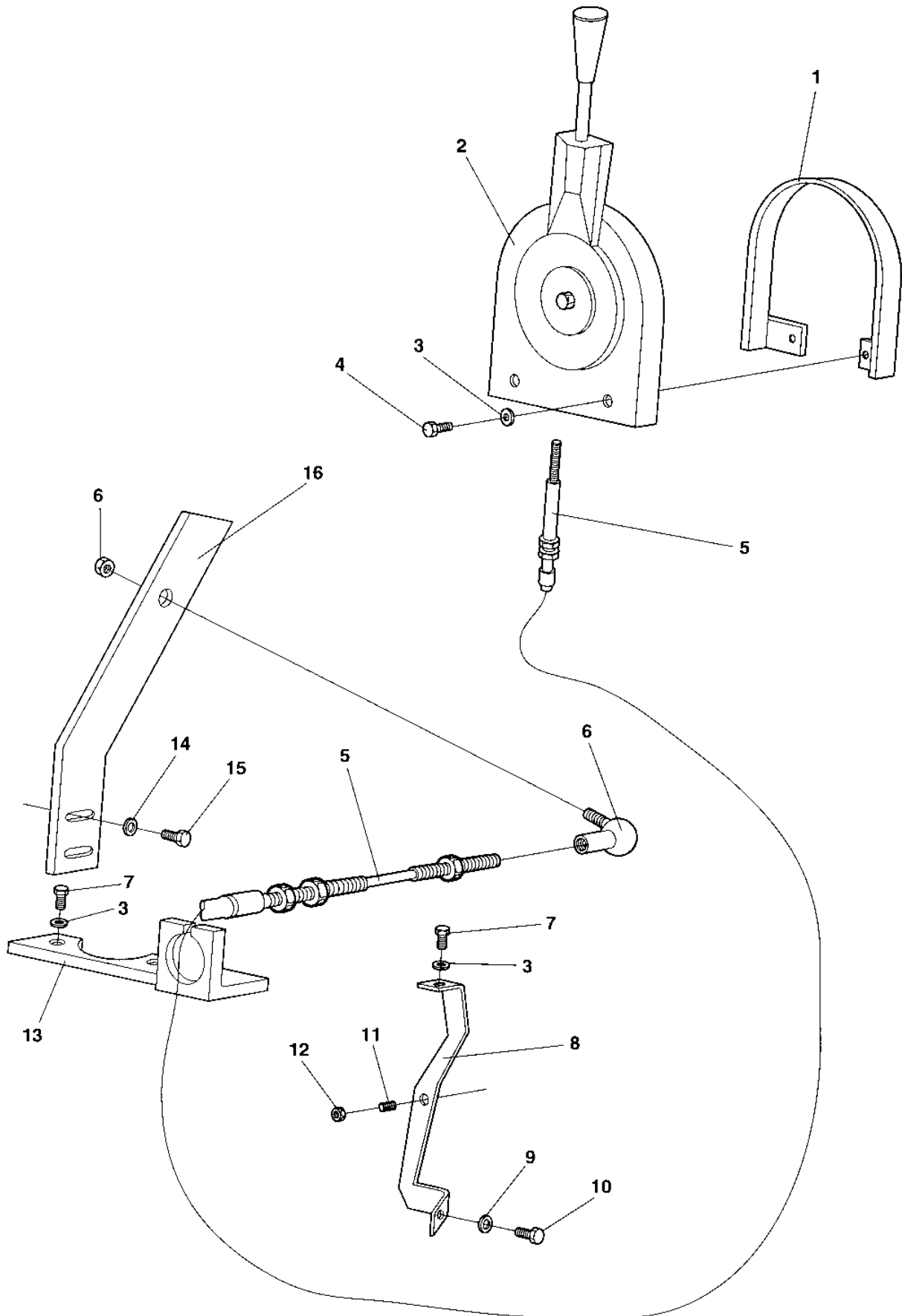
Control panel

Item	Part No	Rem Qty	Description	Code
1	4700387720	1	Control panel holder	
2	4700391784	1	Control panel	
3	4700387227	1	Control panel cover	
4	4700387545	1	Latch	
5	4700357855	2	Bushing	
6	4700904281	4	Washer	
7	4700904653	3	Screw	M5x16 A2-70
8	4700513017	2	Screw	M6x30H 10,9
9	4700500007	1	Screw	M5-0,8x22H 8,8
10	4700791476	1	Nut	M5 -8
11	4700378335	1	Control panel column	
12	4700902166	A 1XL	Edge trim	
13	4700387226	1	Column cover	
14	4700500505	2	Screw	M8x20 8.8
15	4700904230	4	Washer	
16	4700500029	4	Screw	

A) L=0,190 m

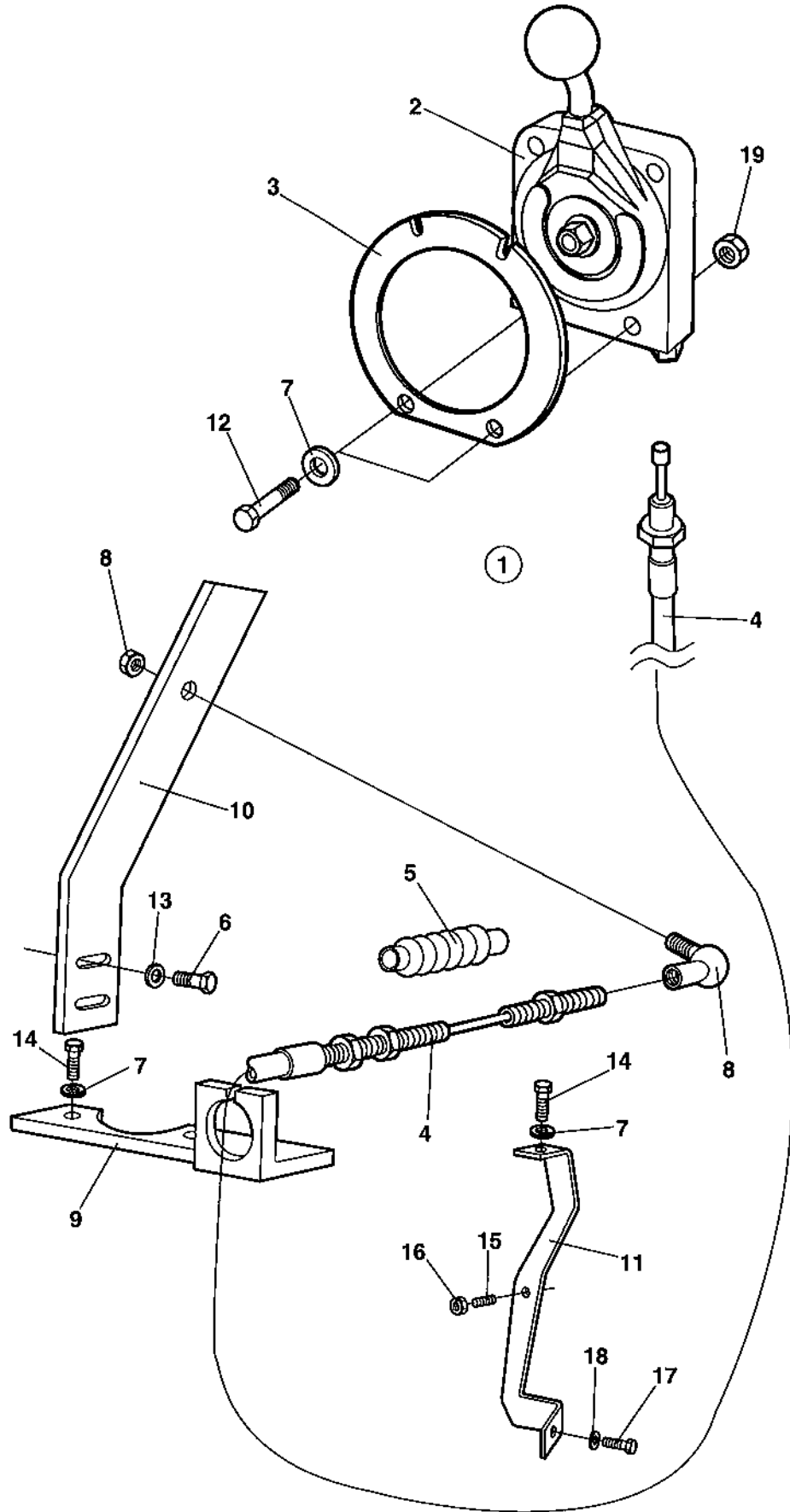
Throttle controls

16943



Throttle controls

Item	Part No	Rem Qty	Description	Code
1	4700902192	1	Control	D
2	4700902192	1	Control	D
3	4700904228	4	Washer	
4	4700500015	2	Screw	M6-1x30 8,8
5	4700372616	1	Cable	
6	4700416034	1	Ball joint	D
7	4700500040	3	Screw	M6-1x20 8,8
8	4700375507	1	Bracket	
9	4700904229	1	Washer	8,4x16x1,5
10	4700500021	1	Screw	M8-1,25x25 8.8
11	4700923987	1	Stop screw	M6x25
12	4700573003	1	Nut	M6
13	4700381268	1	Control bracket	
14	4700603010	2	Washer	6,4X12X3
15	4700500013	2	Screw	M6-1x16 8,8
16	4700374065	1	Control lever	



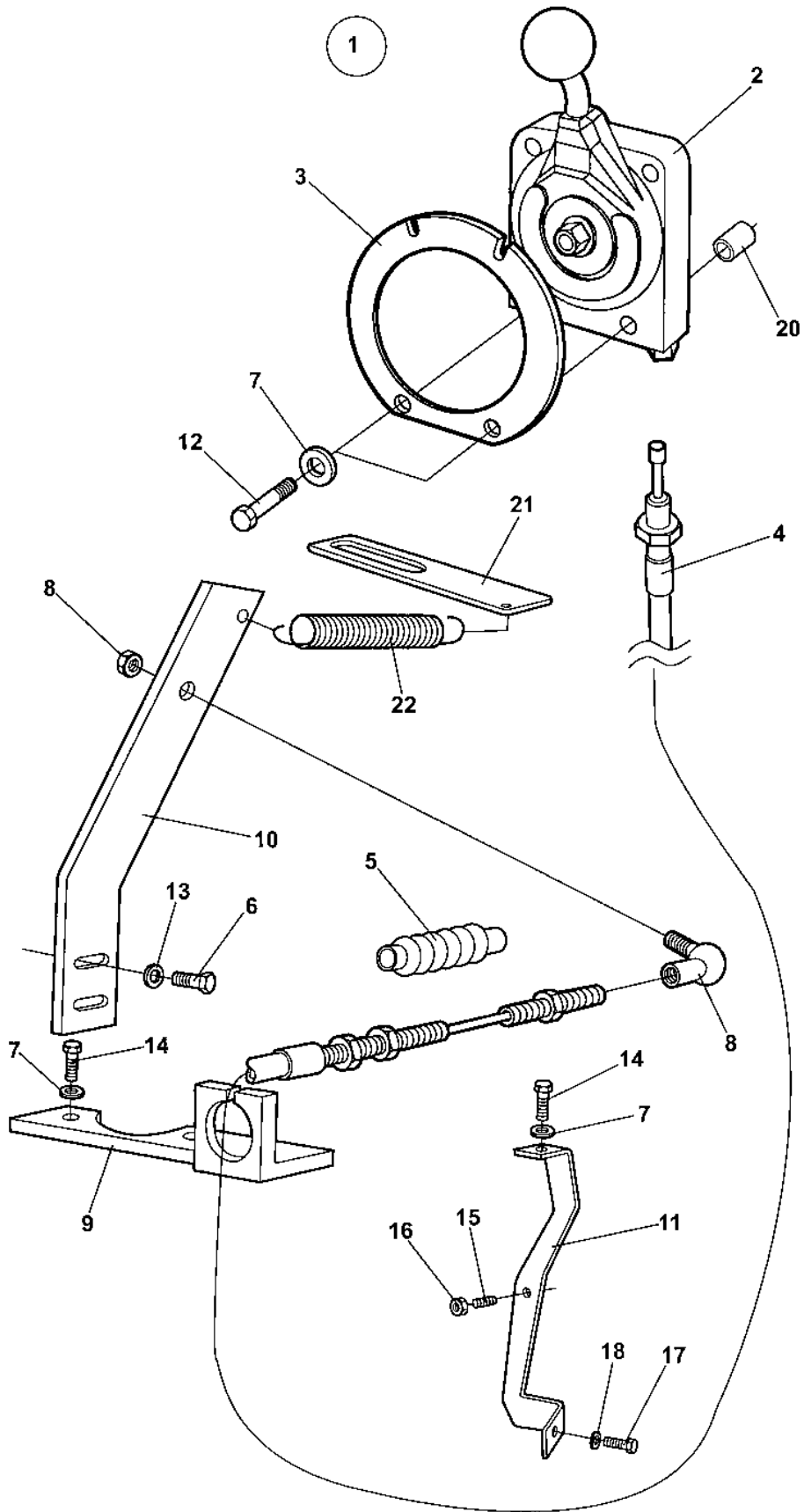
Throttle controls

Item	Part No	Rem	Qty	Description	Code
1	4700389171		1	Throttle control, cpl	
2	4700389175		1	.Control	
3	4700389177		1	.Snap plate	
4	4700389178	A	1	.Throttle cable	D
5	4700382349		1	.Bellows	
6	4700500013		2	Screw	M6-1x16 8,8
7	4700904228		5	Washer	
8	4700416034		1	Ball joint	D
9	4700381268		1	Control bracket	
10	4700374065		1	Control lever	
11	4700375507		1	Bracket	
12	4700500061		2	Screw	M6-1X35 8,8
13	4700603010		2	Washer	6,4X12X3
14	4700500040		3	Screw	M6-1x20 8,8
15	4700923987		1	Stop screw	M6x25
16	4700573003		1	Nut	M6
17	4700500021		1	Screw	M8-1,25x25 8.8
18	4700904229		1	Washer	8,4x16x1,5
19	4700902285		1	Lock nut	M6

A) L=3530MM

Throttle controls

17980-1

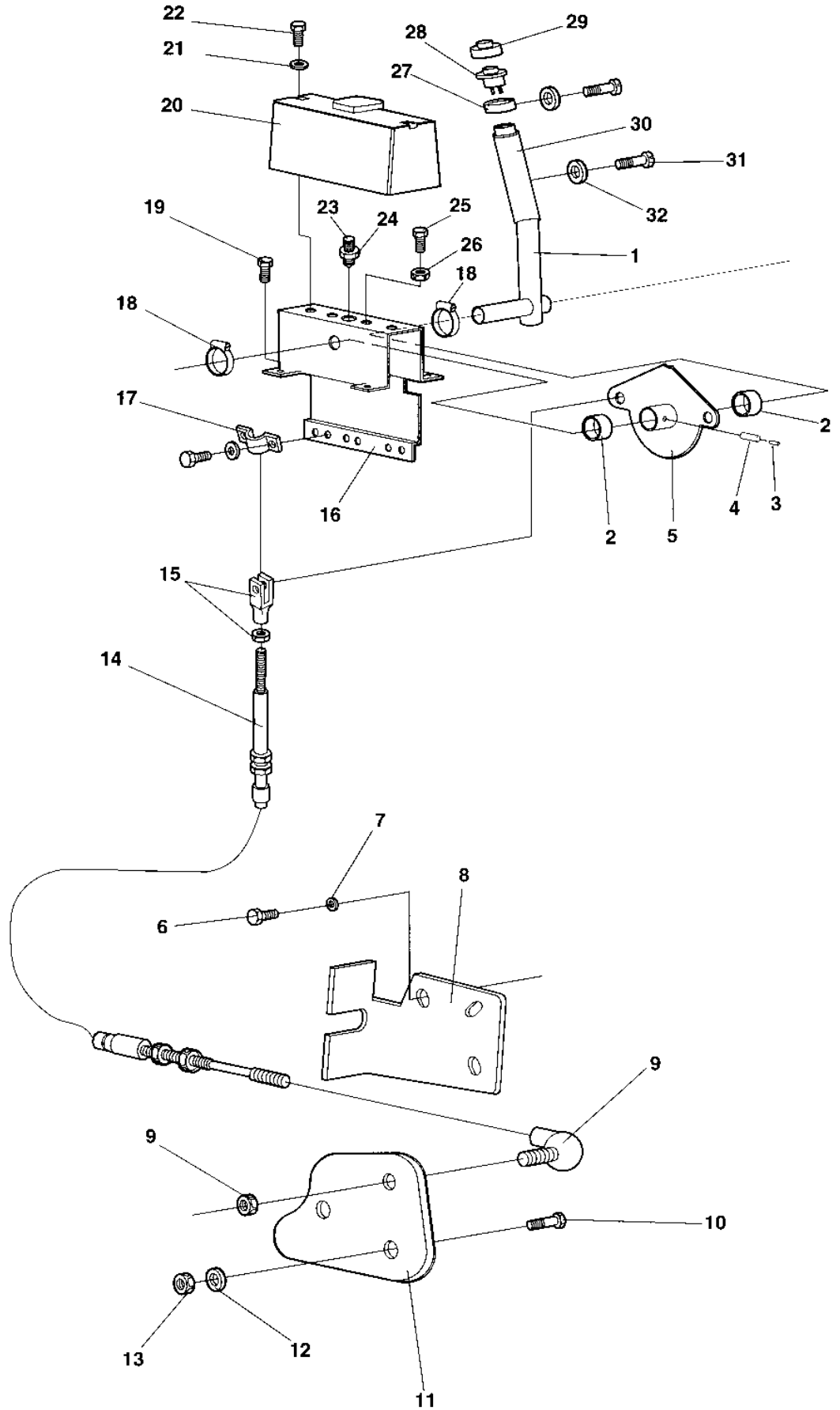


Throttle controls

Item	Part No	Rem Qty	Description	Code
1	4700394603	1	Throttle control, cpl	
2	4700389175	1	.Control	
3	4700945822	1	.Snap plate	
4	4700389184	1	.Throttle cable	D
5	4700382349	1	.Bellows	
6	4700500013	2	Screw	M6-1x16 8,8
7	4700904228	5	Washer	
8	4700416034	1	Ball joint	D
9	4700381268	1	Control bracket	
10	4700374065	1	Control lever	
11	4700375507	1	Bracket	
12	4700500079	2	Screw	M6-1x50 8,8
13	4700603010	2	Washer	6,4X12X3
14	4700500040	3	Screw	M6-1x20 8,8
15	4700923987	1	Stop screw	M6x25
16	4700573003	1	Nut	M6
17	4700500021	1	Screw	M8-1,25x25 8.8
18	4700904229	1	Washer	8,4x16x1,5
20	4700371728	2	Spacer sleeve	
21	4700393388	1	Spring holder	
22	4700357500	1	Spring	

Forward and reverse control

16947

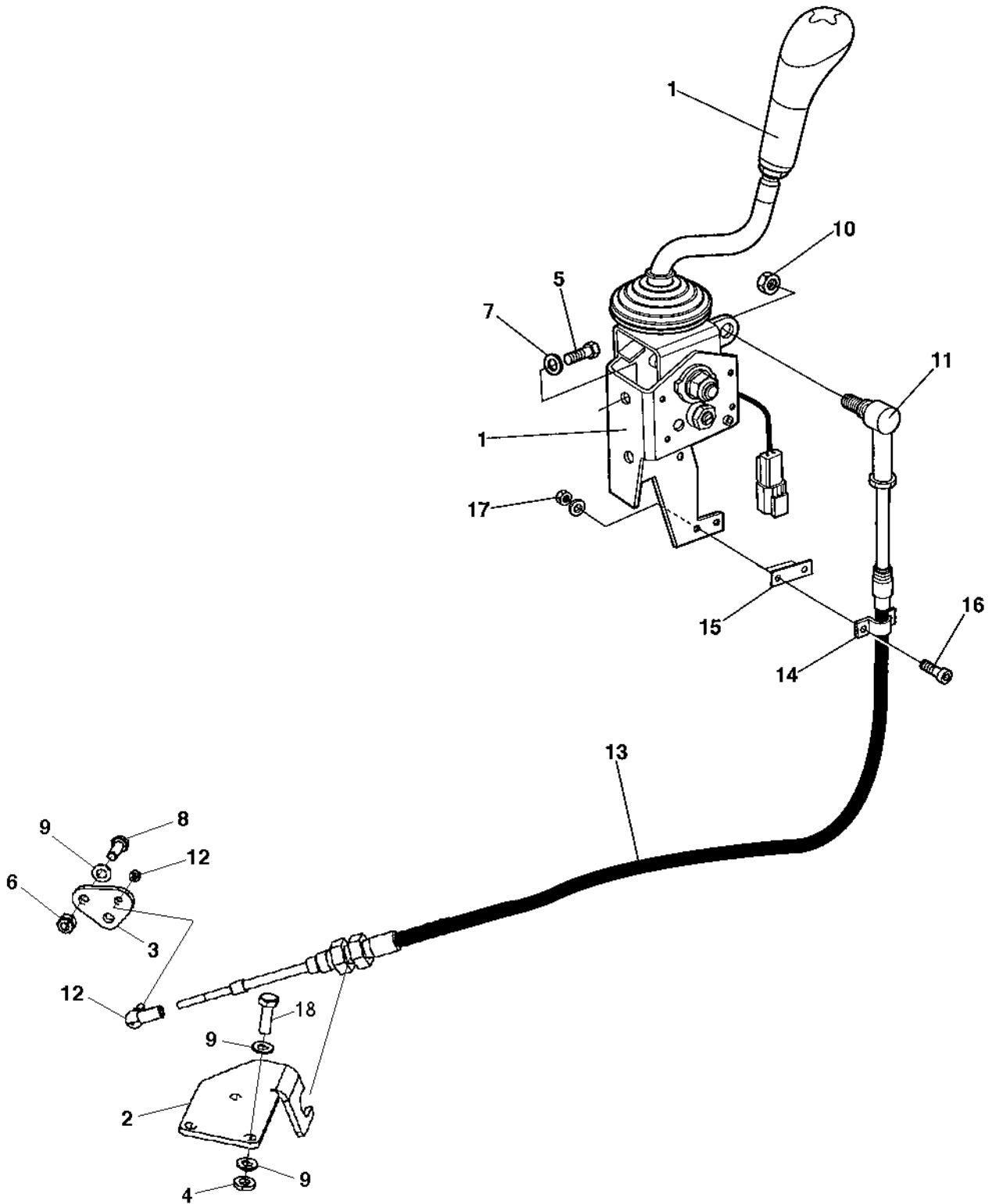


Forward and reverse control

Item	Part No	Rem Qty	Description	Code
1	4700357501	1	Control lever	
2	4700902187	2	Bearing	
3	4700903395	1	Spirol pin	
4	4700629016	1	Expanding	
5	4700902895	1	Cam disc	
6	4700903799	3	Screw Up to 65X20260	M6 x 70
	4700904812	3	Screw From 65X20261	M6x65
7	4700904228	3	Washer	
8	4700380367	1	Control bracket Up to 65X20260	
	4700381777	1	Control bracket From 65X20261	
9	4700416034	1	Ball joint	D
10	4700500021	2	Screw	M8-1,25x25 8.8
11	4700380366	1	Control bracket	
12	4700904229	2	Washer	8,4x16x1,5
13	4700586003	2	Lock nut	M8
14	4700902191	1	Control cable	D
15	4700416004	1	Fork	
16	4700902896	1	Framing	
17	4700902189	1	Bracket	
18	4700313035	2	Hose clamp	
19	4700541703	4	Screw	M6x16
20	4700357494	1	Cover	
21	4700904228	2	Washer	
22	4700500013	2	Screw	M6-1x16 8,8
23	4700922325	1	Spring ball plunger	D
24	4700573004	1	Nut	
25	4700533038	2	Screw	
26	4700570004	2	Nut	M6X1,00 -8 A2K
27	4700285911	1	Bushing	D
28	4700928497	1	Push button	D
29	4700348481	1	Cover	D
30	4700285909	1	Grab handle	D
31	4700533001	3	Screw	
32	4700904697	3	Washer	3,2x6x0,5

Forward and reverse control

18489



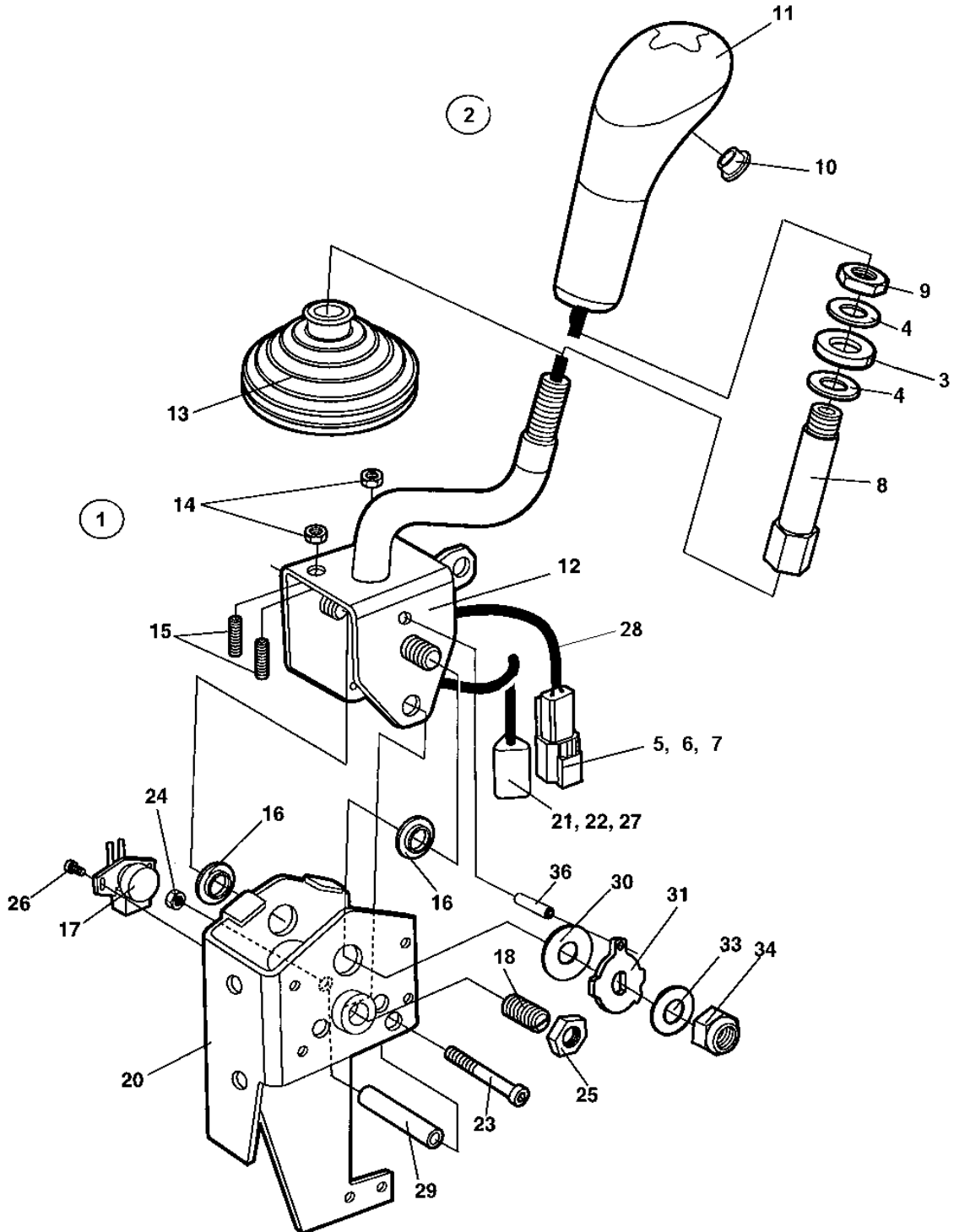
Forward and reverse control

Item	Part No	Rem	Qty	Description	Code
1			1	Forward and reverse control handle (Page 306)	
2	4700392899		1	Control bracket	
3	4700392900		1	Control lever	
4	4700904556		3	Washer	8,4x16x3,0
5	4700508092		2	Screw	
6	4700586003		2	Lock nut	M8
7	4700904556		2	Washer	8,4x16x3,0
8	4700500021		2	Screw	M8-1,25x25 8.8
9	4700904229		8	Washer	8,4x16x1,5
10	4700586003		1	Lock nut	M8
11	4700377019		1	Ball joint	
	4700950382		1	Ball stud	M8
12	4700416034		1	Ball joint	
13	4700377024	A	1	Cable	Forward/Reverse
14	4700377020		1	Clamp	
15	4700377021		1	Spacer	
16	4700926537		2	Screw	M5-0,8x16H 8,8
17	4700586001		2	Lock nut	
18	4700947680		3	Screw	M8-1,25x25 10.9

A) L=1900MM

Forward and reverse control handle

18071-2



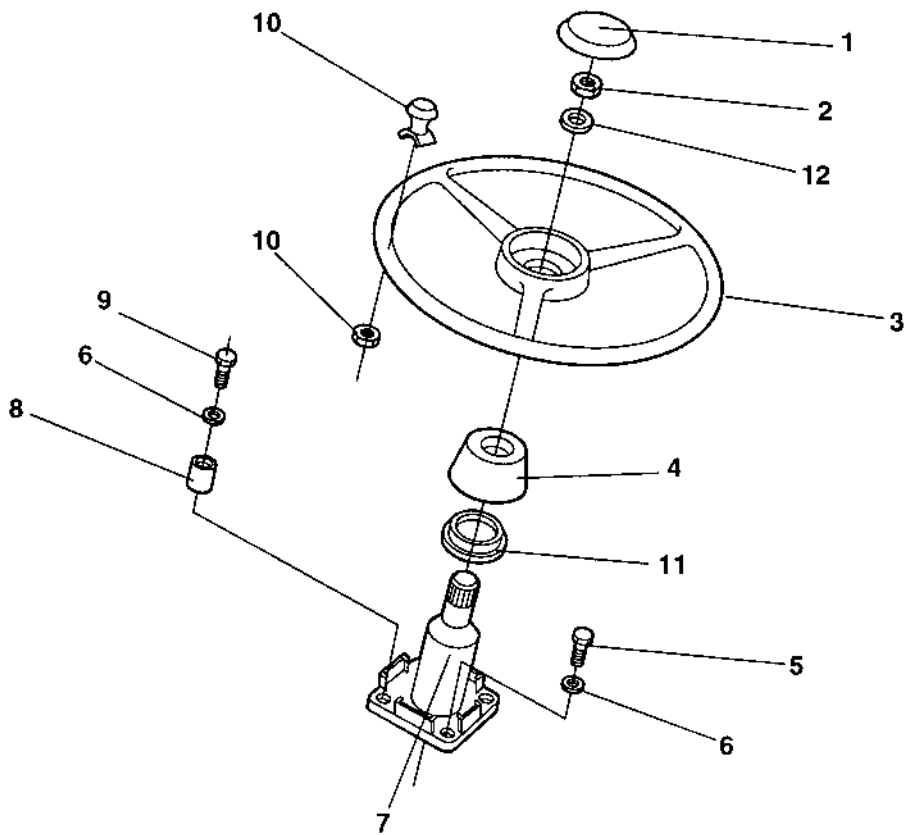
Forward and reverse control handle

Item	Part No	Rem Qty	Description	Code
1	4700945407	1	Lever, cpl	
2	4700940374	1	.Handle kit, cpl	
		1	..Handle	
	4700945729	1	...Push-button switch	
		1	...Cable	
		1	..Lockfluid	
		1	..Service information	
3		1	..Washer	
4		2	..Washer	
5		1	..Connector, receptable	
6		1	..Lock wedge	
7		2	..Pin	
8		1	..Rod	
9		1	..Nut	
10	4700377018	1	..Protection plug	
11	4700378759	1	..Handle top	
12	4700391379	1	.Lever	
13	4700377009	1	.Bellows	
14	4700570004	2	.Nut	M6X1,00 -8 A2K
15	4700377015	2	.Set screw	
16	4700391381	1	Bushing	
17	4700391382	1	Potentiometer with cable	
18	4700377016	1	Spring loaded pin	
20	4700377010	1	Bracket	
21	4700903945	1	Connector, plug	
22	4700903946	1	Lock wedge	
23	4700508068	1	Screw	
24	4700904563	1	Lock nut	M6
25	4700927233	1	Nut	
26	4700391383	1	Screw	
27	4700903947	3	Pin	
28		B 1	Cable	
29	4700377011	1	Spacer	
30	4700377012	1	Friction washer	
31	4700391380	1	Cam washer	
33	4700377014	1	Spring washer	
34	4700586019	1	Lock nut	
36	4700391386	1	Spirol pin	

B) Included in potentiometer Pos 17

Steering column

16953-2

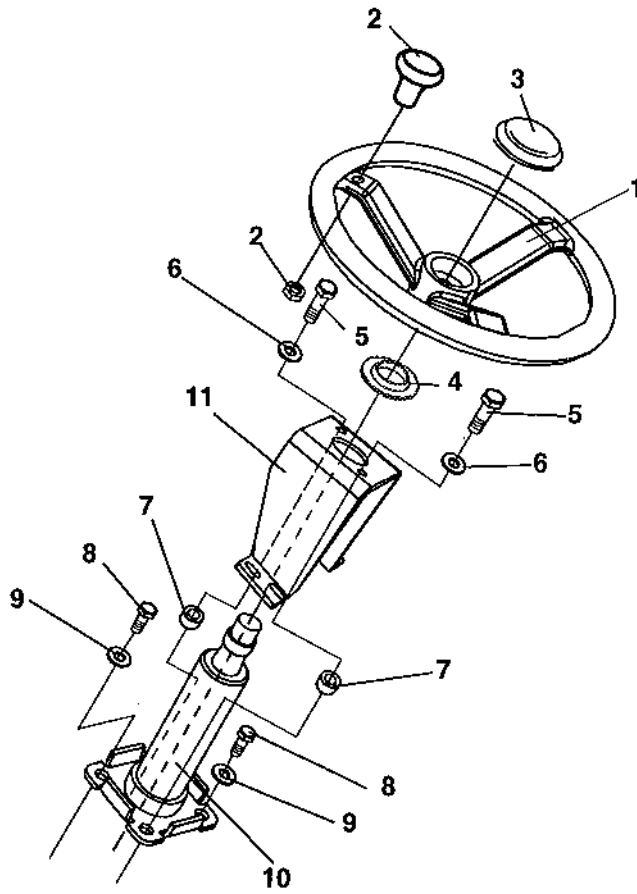


Steering column

Item	Part No	Rem Qty	Description	Code
1	4700902186	1	Cover plate	
2		1	Nut	
3	4700902183	1	Steering wheel	
4	4700902185	1	Insert adapter	
5	4700500048	2	Screw	M10-1,5x20 8,8
6	4700904230	4	Washer	
7	4700902123	1	Steering column	
8	4700355869	2	Spacer sleeve	
9	4700500030	2	Screw	
10	4700902184	1	Turning knob	D
11	4700928830	1	Rubber washer	
12	4700904793	1	Washer	19x34x3

Steering column

18258



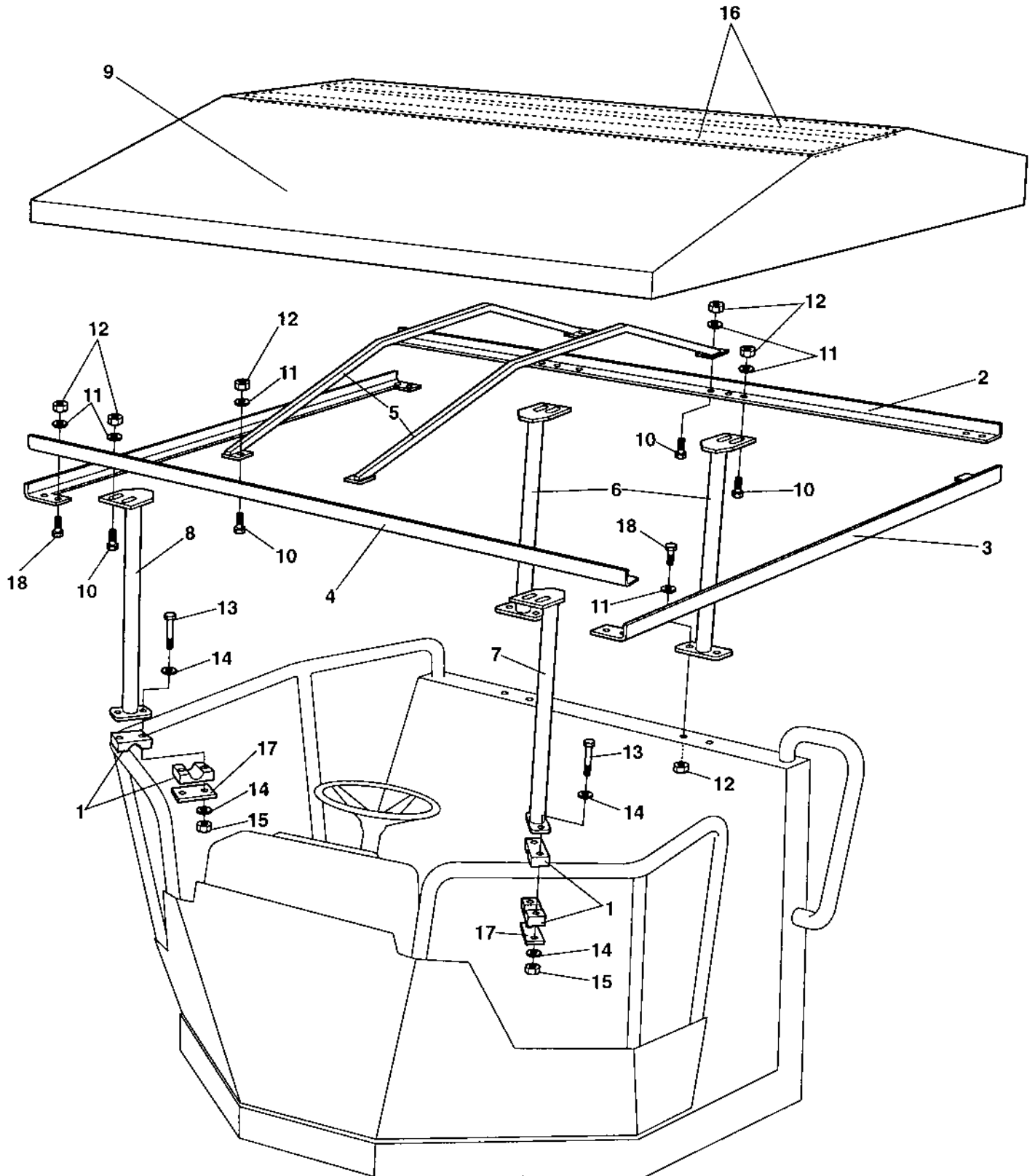
Steering column

Item	Part No	Rem	Qty	Description	Code
1	4700372964		1	Steering wheel, cpl	
2	4700935614		1	.Turning knob	D
3	4700935613		1	.Cover	
4	4700928830		1	Rubber washer	
5	4700500031		2	Screw	
6	4700904230		2	Washer	
7	4700355869		2	Spacer sleeve	
8	4700500048		2	Screw	M10-1,5x20 8,8
9	4700904230		2	Washer	
10	4700902123		1	Steering column	
11		A	1	Bracket	

A) Included in control panel

Canopy Option

17483

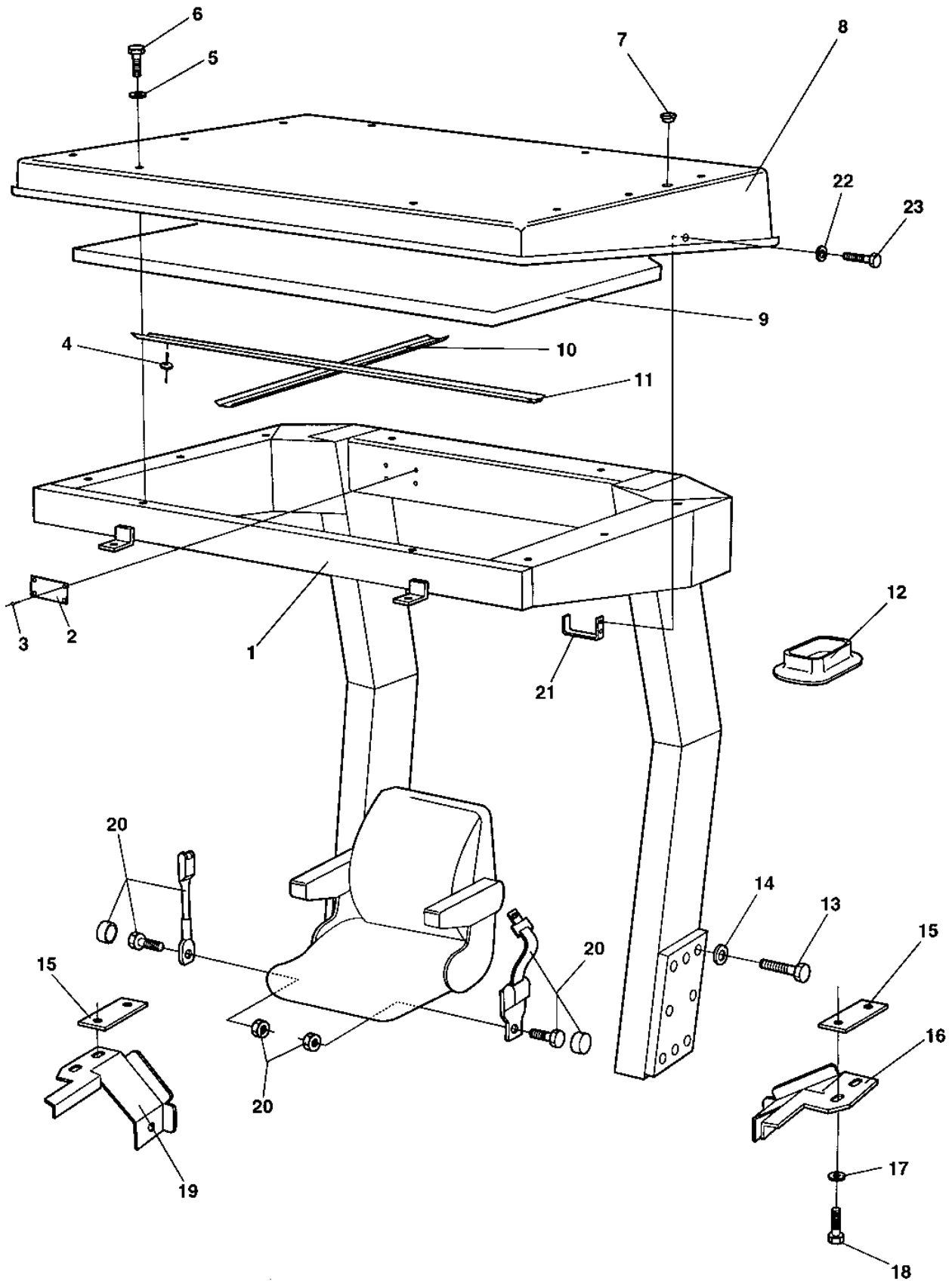


Canopy Option

Item	Part No	Rem Qty	Description	Code
1	4700904340	2	Pipe clamp	
2	4700373746	1	Canopy profile	
3	4700373747	2	Canopy profile	
4	4700373748	1	Canopy profile	
5	4700373749	4	Canopy rib	
6	4700373750	2	Canopy anchor	
7	4700380963	1	Canopy anchor	
8	4700380964	1	Canopy anchor	
9	4700373906	1	Roof	
10	4700500021	16	Screw	M8-1,25x25 8.8
11	4700904229	44	Washer	8,4x16x1,5
12	4700586003	22	Lock nut	M8
13	4700500153	4	Screw	
14	4700904228	8	Washer	
15	4700586002	4	Lock nut	
16	4700373907	2	Lath	
17	4700924791	2	Cover plate	
18	4700500022	8	Screw	M8x30H 8.8 A2K

Rops and fops

17526



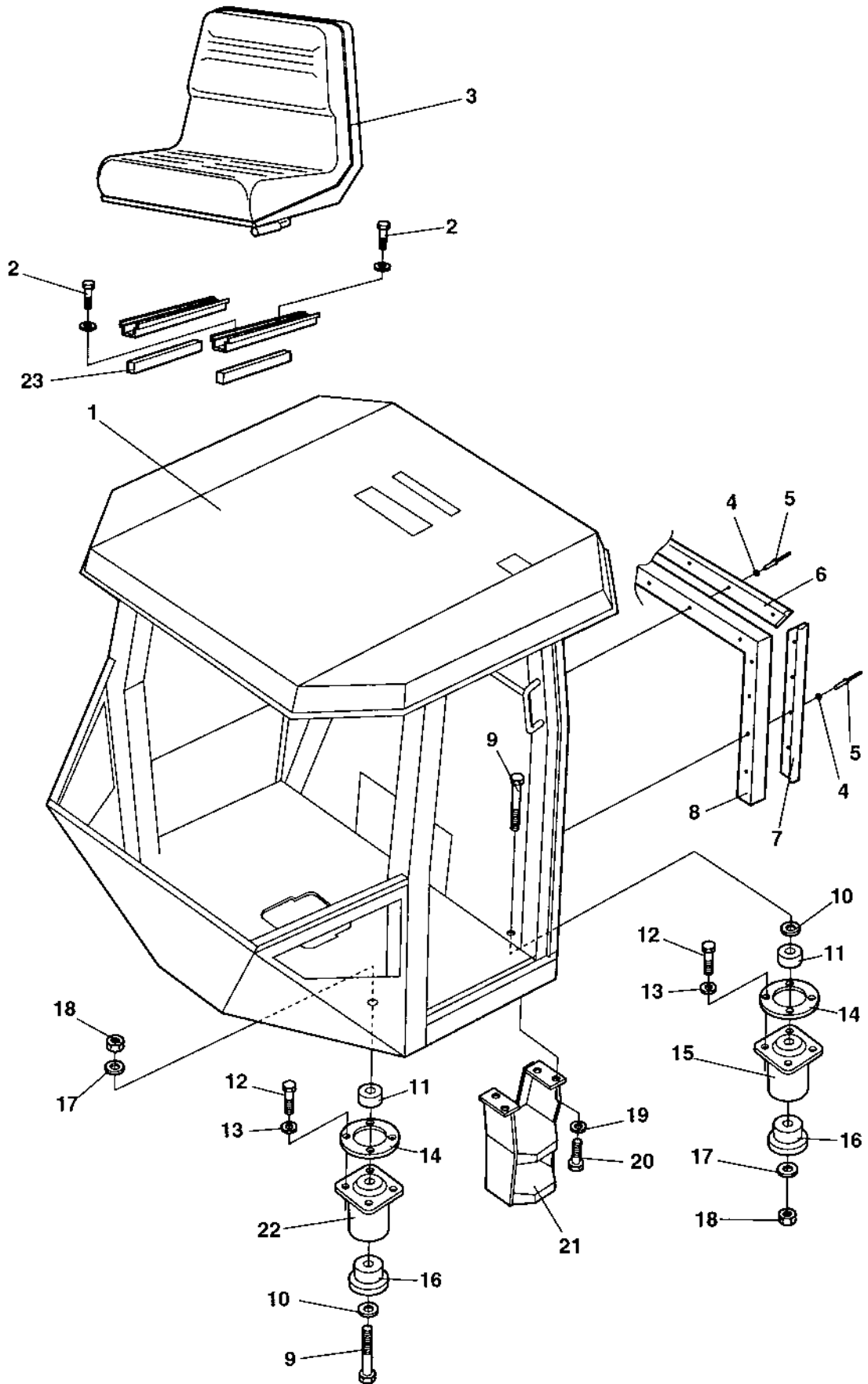
Rops and fops

Item	Part No	Rem Qty	Description	Code
1	4700372743	1	Rops	
2	4700370803	1	.Sign, rops	
3	4700624016	4	.Blind rivet	
4	4700904619	12	Blind rivet	
5	4700500230	10	Screw	M8-1.25x35
6	4700603009	10	Washer	
7	4700904180	4	Plug	
8	4700372745	1	Fops roof	
	4700370792	1	.Sign, fops	
	4700624016	4	.Blind rivet	
9	4700372678	1	Absorbent	
10	4700376489	1	Absorbent holder	
11	4700376488	1	Absorbent holder	
12	4700372489	2	Rubber seal	
13	4700904562	12	Screw	
14	4700904234	12	Washer	25x45x4
15	4700381330	2	Holder	
16	4700381353	1	Holder plate	
17	4700904640	8	Washer	8,4x22x3
18	4700500022	8	Screw	M8x30H 8.8 A2K
19	4700381352	1	Holder plate	
20	4700370766	1	Seat belt	
	4700383200	A 1	Seat belt	3"
21	4700383225	2	Hook From 65X20592	
22	4700904734	4	Washer From 65X20592	8,4x26x4
23	4700500100	4	Screw From 65X20592	

A) Option 3"

Cab mounting

16966-1



Cab mounting

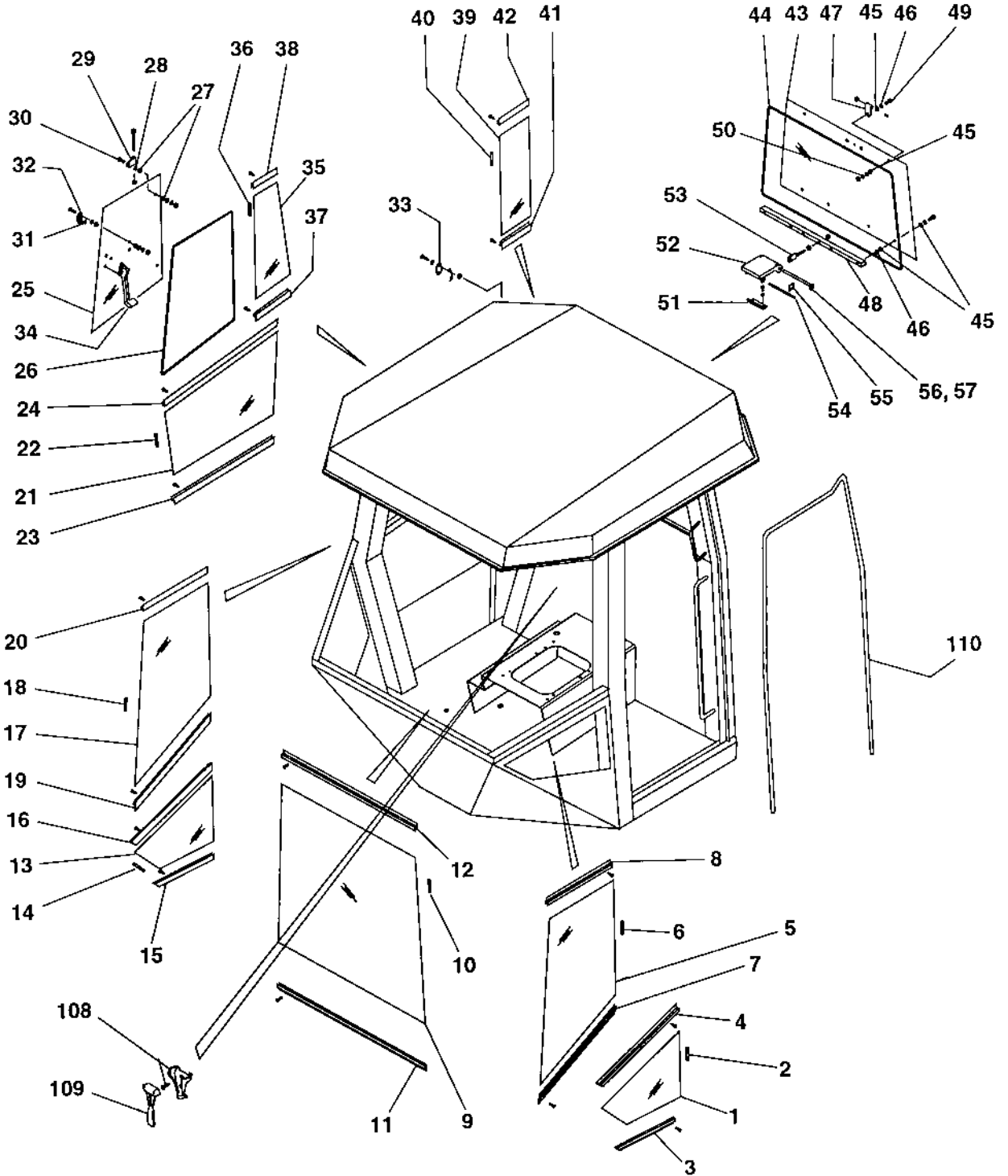
Item	Part No	Rem	Qty	Description		Code
1				Cab (Page 318)	380656	
2	4700508005	H	4	Screw		
	4700508059	I	4	Screw	M8x65	
3	4700380208		1	Drivers seat, cpl		
	4700370234	D	1	Drivers seat		
	4700936283		1	.Seat switch		D
	4700380889		1	.Cable harness		
	4700909535	E,F	1	.Sliding rail	Left	D
	4700909536	G	1	.Sliding rail	Right	D
4	4700927974		13	Washer		
5	4700904433		13	Blind rivet		
6	4700372785		1	List		
7	4700382582		2	List		
8	4700372494	A	N	Rubber strip		
9	4700903905		4	Screw		
10	4700904233		4	Washer	21x36x3	
11	4700370258		4	Spacer washer		
12	4700500121		16	Screw	M12x65 8,8	
13	4700904231		16	Washer	13x24x2 300 HV	
14	4700359998		4	Back-up ring		
15	4700374606	B	2	Shock absorber	Green	D
16	4700372457		4	Back-up ring		
17	4700903290		4	Washer	21x36x6	
18	4700901145		4	Lock nut	M20-10	
19	4700904230		4	Washer		
20	4700500029		4	Screw		
21	4700376252		1	Step		
22	4700374607	C	2	Shock absorber	Yellow	D
23	4700382397		2	Spacer		
A)	L=2400 mm					
B)	Rear					
C)	Front					
D)	Option					
E)	With handle					
F)	Left					
G)	Right					
H)	Without Ref. 23					
I)	With Ref. 23					

Cab 380656

Item	Part No	Rem Qty	Description	Code
130			Cab (Page 320)	Screens
140			Cab (Page 324)	Door, left side
150			Cab (Page 326)	Interior rear mirror
170			Wiper arm with blade, front (Page 328)	
180			Cab (Page 330)	Electric

Cab Screens

17435



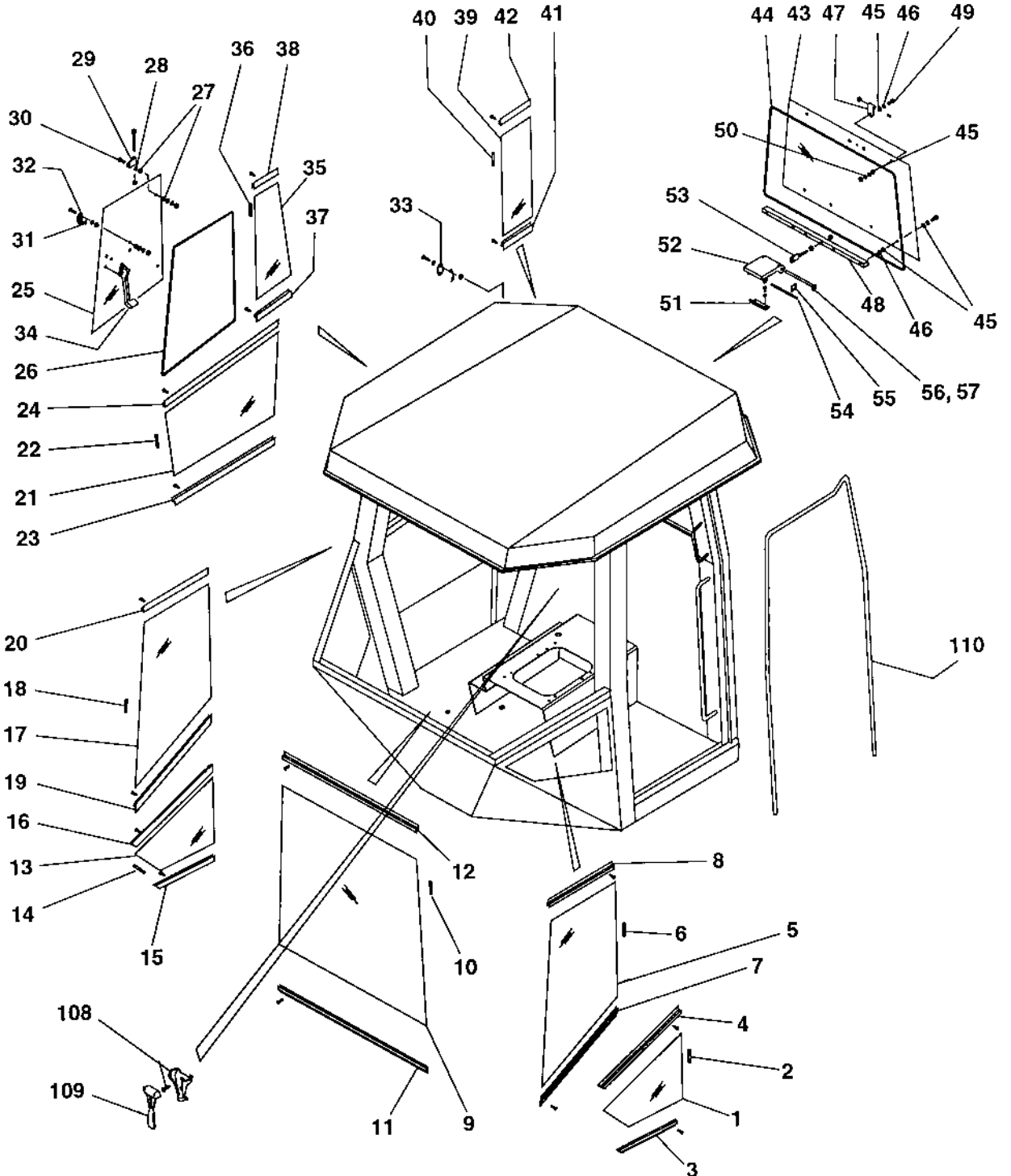
Cab Screens

Item	Part No	Rem	Qty	Description	Code
1	4700937380		1	Screen	
2	4700908545		XL	Seal list	
3	4700935278		1	List	
4	4700935279		1	List	
5	4700937381		1	Screen, left	
6	4700908545		XL	Seal list	
7	4700935280		1	List	
8	4700935281		1	List	
9	4700937382		1	Screen	
10	4700908545	B	1	Seal list	
11	4700935282		1	List	
12	4700935283		1	List	
13	4700937383		1	Screen	
14	4700908545		XL	Seal list	
15	4700935284		1	List	
16	4700935285		1	List	
17	4700937384		1	Screen	
18	4700908545	A	1	Seal list	
19	4700935286		1	List	
20	4700935287		1	List	
21	4700937385		1	Screen	
22	4700908545	A	1	Seal list	
23	4700935288		1	List	
24	4700935289		1	List	
25	4700937386		1	Screen	
26	4700908499	B	1	Rubber list	
27	4700935271		8	Washer, Flexible rubber	
28	4700935272		8	Washer, Black	
29	4700935273		2	Hinge	
30	4700935274		2	Screw	
31	4700935275		1	Rubber washer	
32	4700935276		1	Bracket	
33	4700935277		1	Lock pin	
34	4700935290		1	Window lock, right	
35	4700937387		1	Screen	
36	4700908545	A	1	Seal list	
37	4700935291		1	List	
38	4700935292		1	List	
39	4700937388	A	1	Screen	
40	4700908545	A	1	Seal list	
41	4700935293		1	List	
42	4700935294		1	List	
43	4700937389		1	Screen	
44	4700908499	C	1	Rubber list	
45	4700935271		12	Washer, Flexible rubber	
46	4700935272		12	Washer, Black	
47	4700935273		2	Hinge	
48	4700935295		1	Screen holder	
49	4700935274		6	Screw	
50	4700935296		2	Washer	
51	4700935297		1	Bracket	
52	4700935298		2	Bracket	
53	4700935299		1	Bolt	
54	4700935300		1	Shaft	
55	4700935301		2	Lock	
56	4700935302		1	Rod	

- A) L=1 m
- B) L=2 m
- C) L=3 m

Cab Screens

17435

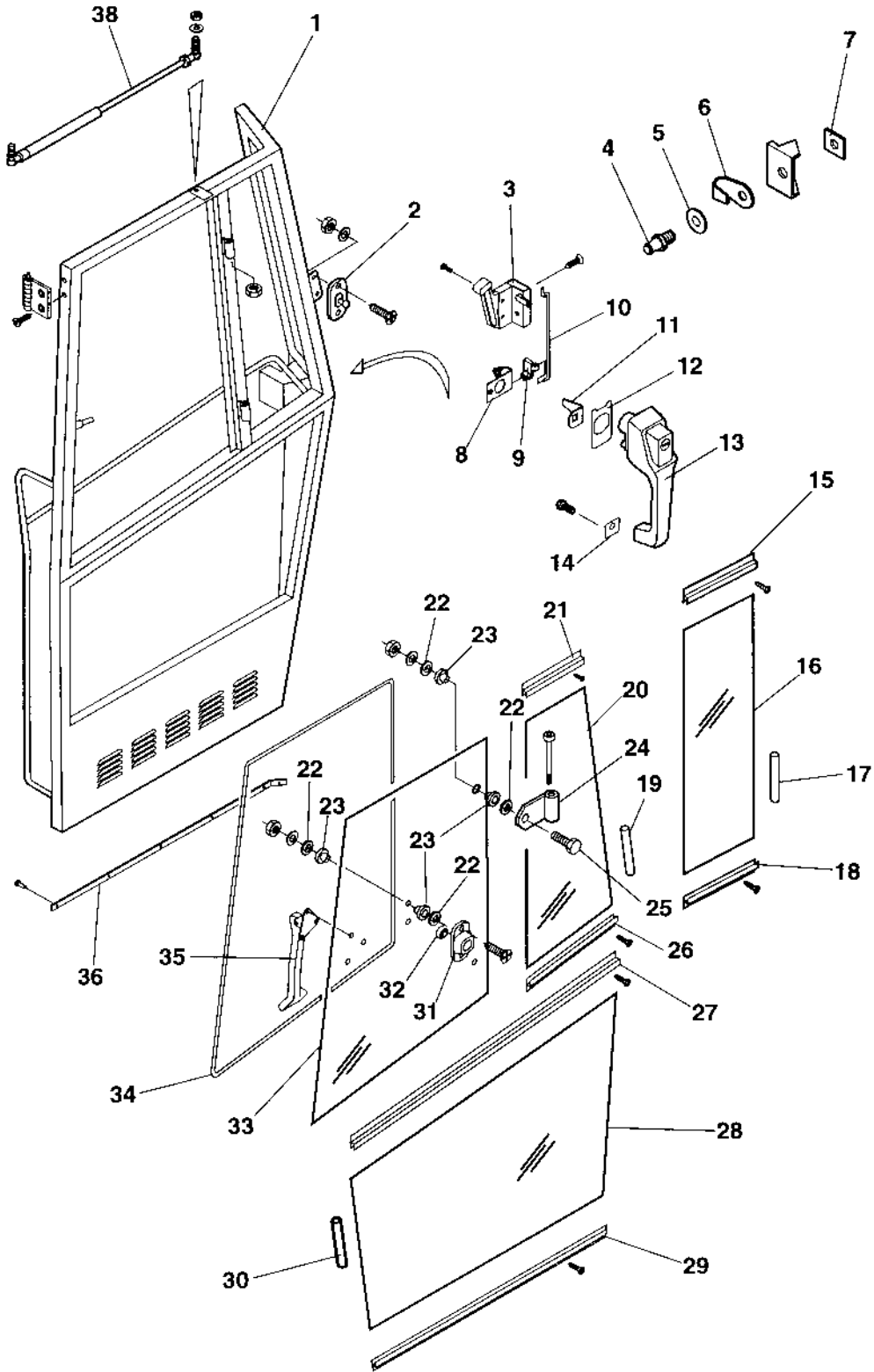


Cab Screens

Item	Part No	Rem	Qty	Description	Code
57	4700935303		1	Ring	
108	4700908506		1	Holder	
109	4700908507		1	Emergency hammer	
110	4700908499	D	1	Rubber list	
D)	L=5 m				

Cab Door, left side

16967-1



Cab Door, left side

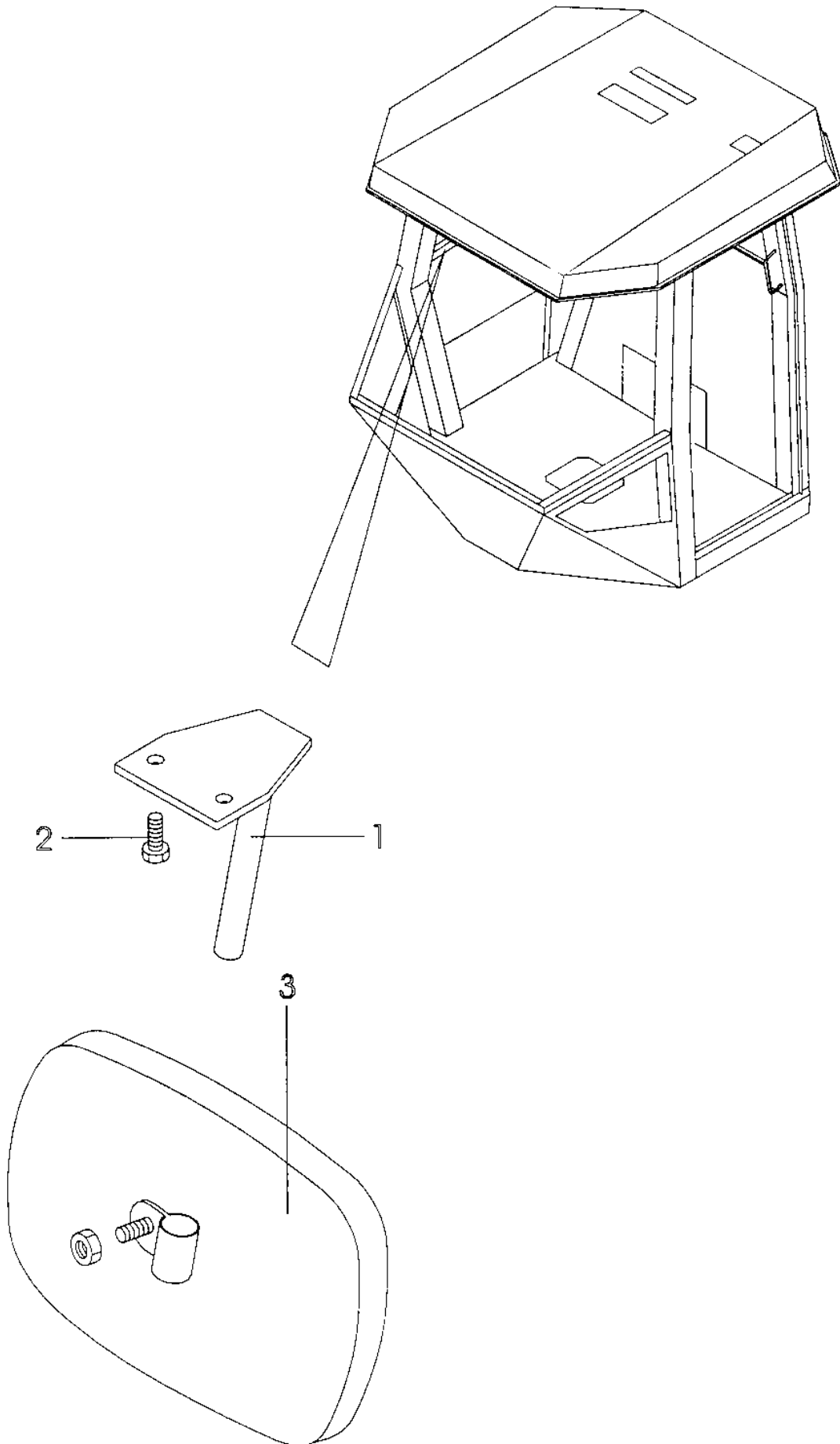
Item	Part No	Rem	Qty	Description	Code
	4700940678		1	Door, cpl	
1	4700938045		1	.Door frame	
2	4700935277		1	.Lock pin	
3	4700938017		1	.Lock	
4	4700908580		1	.Lock pin	
5	4700908581		1	.Washer	
6	4700908582		1	.Cover	
7	4700908583		1	.Bracket	
8	4700935248		1	.Turning mechanism	
9	4700935249		1	.Retainer	
10	4700935250		1	.Rod	
11	4700935247		1	.Leader	
12	4700935246		1	.Seal	
13	4700935244		1	.Door handle with key	
14	4700935245		1	.Seal	
15	4700935268		1	.List	
16	4700937391		1	.Screen	
17	4700908545	A	1	.Seal list	
18	4700935267		1	.List	
19	4700908545	A	1	.Seal list	
20	4700937392		1	.Screen	
21	4700935270		1	.List	
22	4700935272		8	.Washer, Black	
23	4700935271		8	.Washer, Flexible rubber	
24	4700935273		2	.Hinge	
25	4700935274		2	.Screw	
26	4700935269		1	.List	
27	4700935266		1	.List	
28	4700937390		1	.Screen	
29	4700935265		1	.List	
30	4700908545	A	1	.Seal list	
31	4700935276		1	.Bracket	
32	4700935275		1	.Rubber washer	
33	4700937393		1	.Screen	
34	4700908499	B	1	.Rubber list	
35	4700935253		1	.Lock	
36	4700938101		XL	.Brush profile	
38	4700938018		1	.Gas spring	

A) L=1 m

B) L=2 m

Cab Interior rear mirror

16008

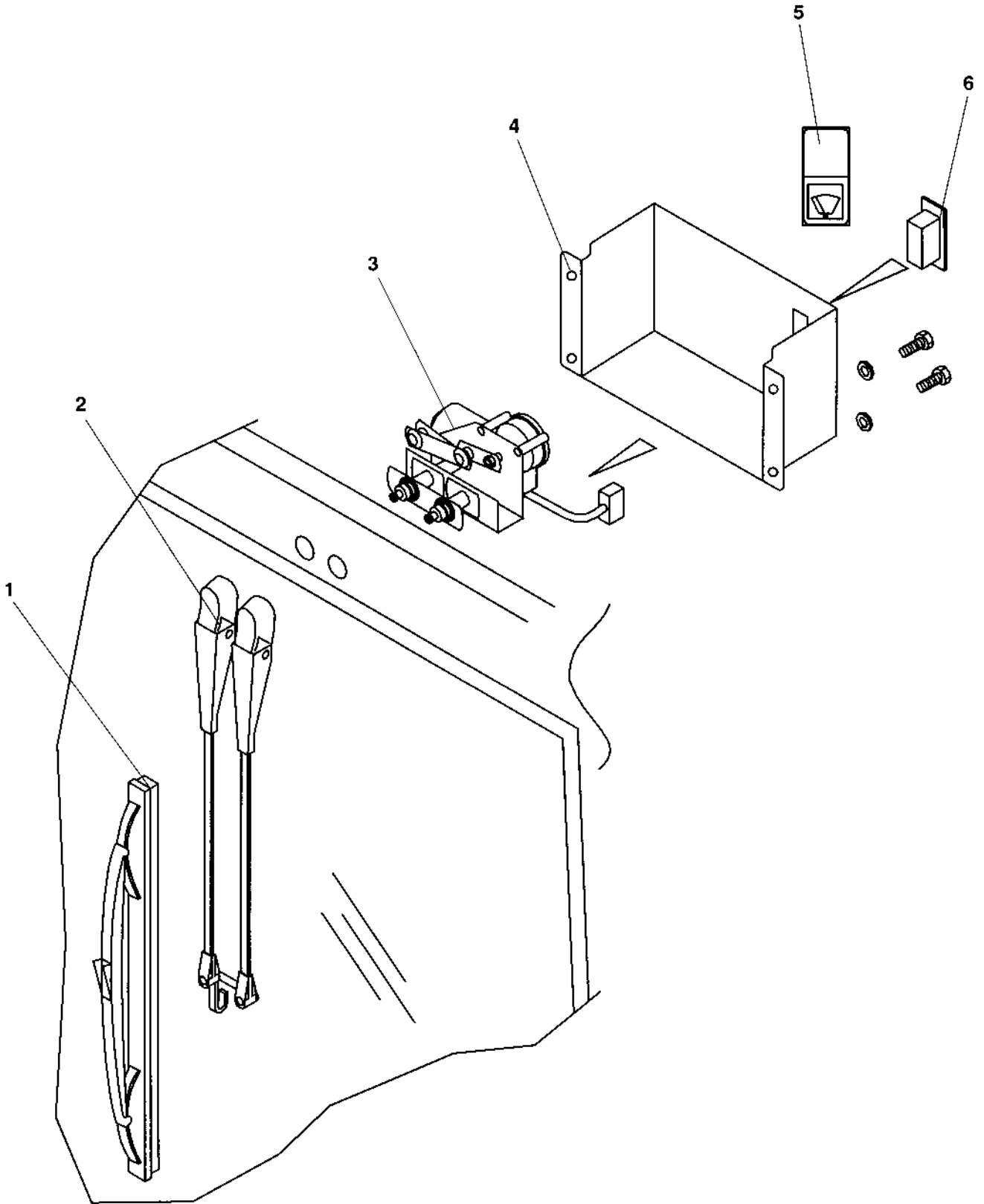


Cab Interior rear mirror

Item	Part No	Rem Qty	Description	Code
1	4700908623	1	Bracket	
2	4700535005	2	Screw	M5x12
3	4700908624	1	Rear mirror	

Wiper arm with blade, front

16968

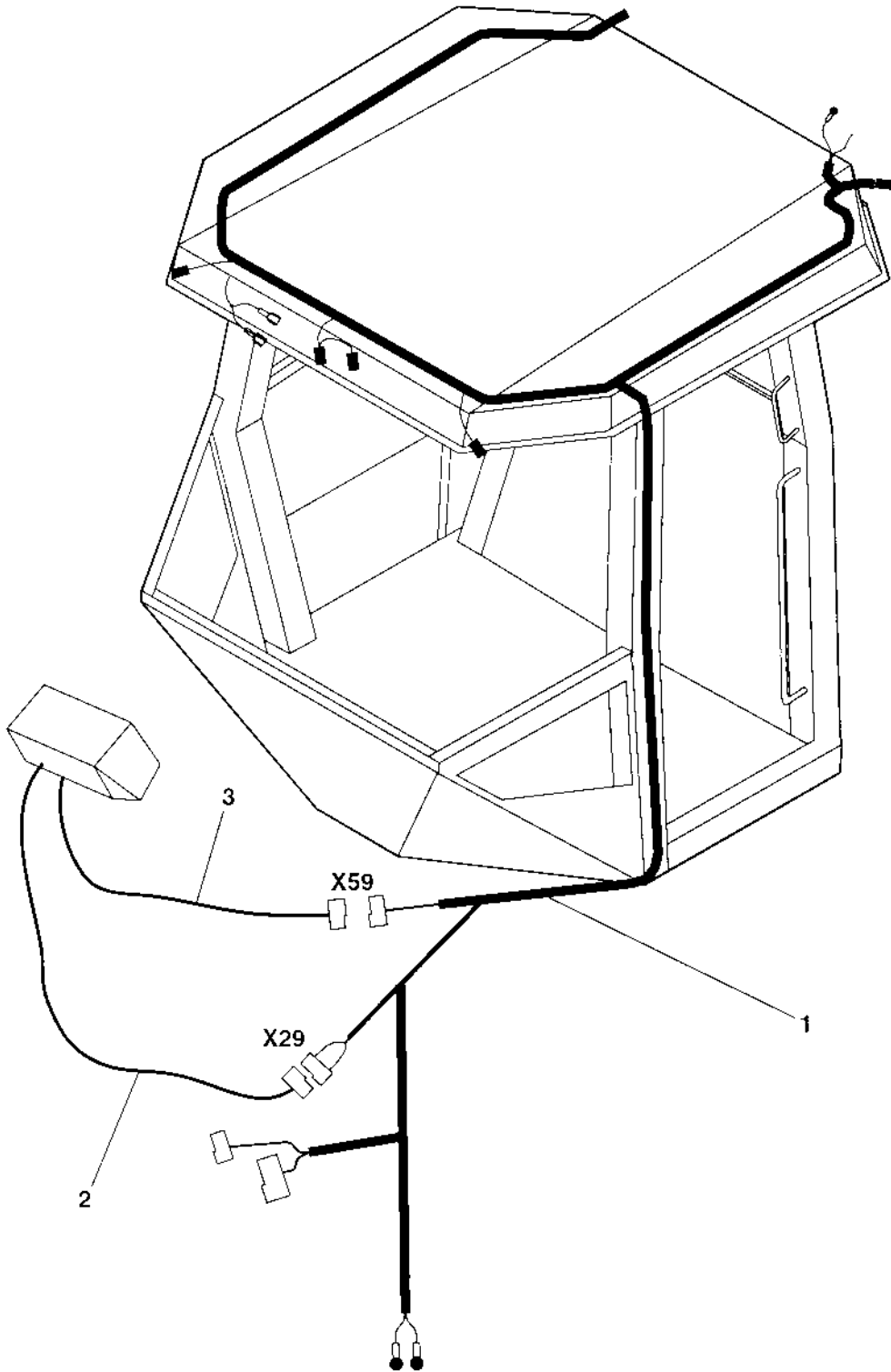


Wiper arm with blade, front

Item	Part No	Rem Qty	Description	Code
1	4700905306	1	Wiper blade	
2	4700905305	1	Wiper arm	
3	4700905304	1	Wiper motor	
4	4700937871	1	Cover	
5	4700908605	1	Symbol, wiper	
6	4700908617	1	Switch	

Cab Electric

17377



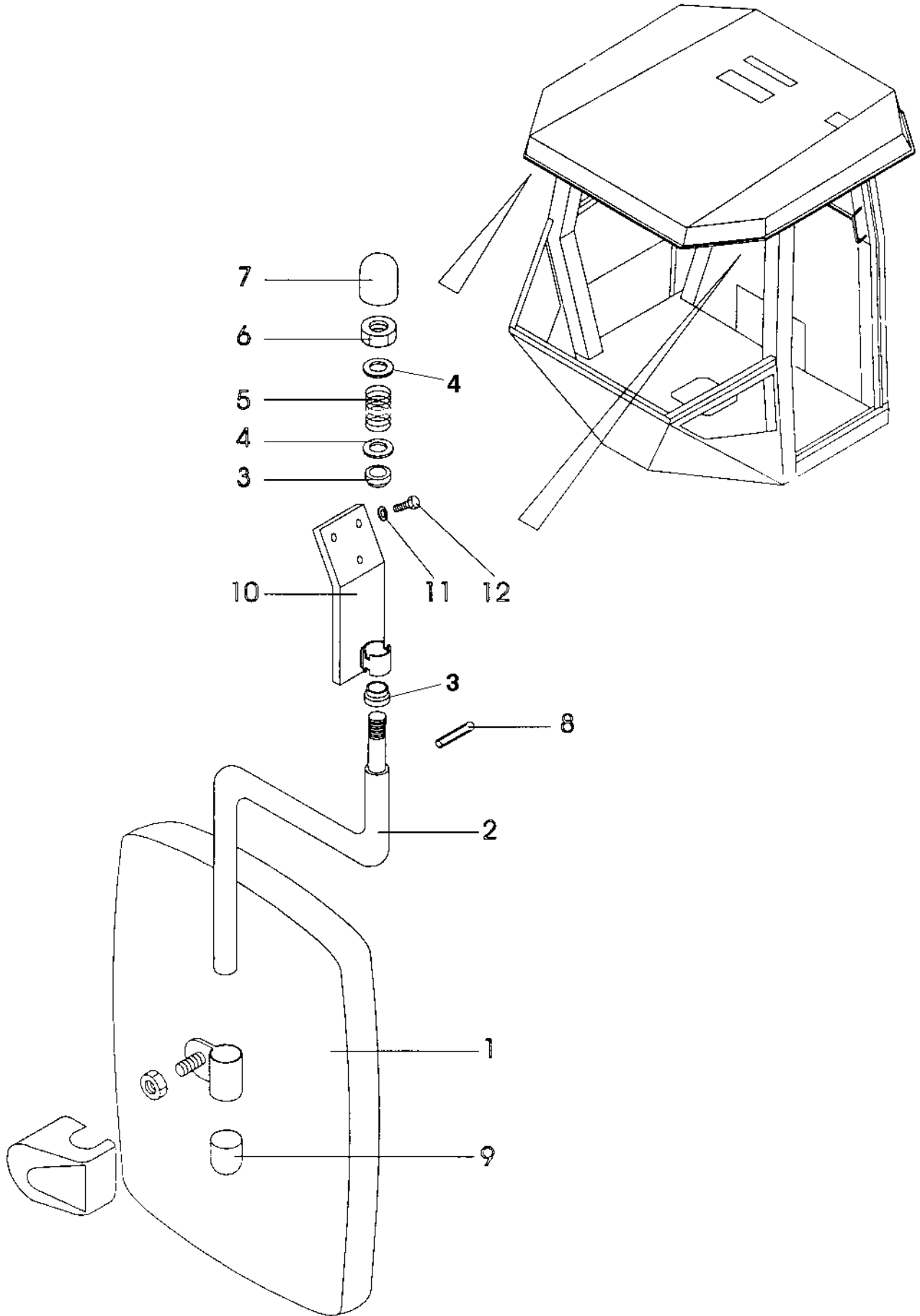
Cab Electric

Item	Part No	Rem	Qty	Description	Code
1	4700937870	A	1	Cable harness	
2	4700384403	B	1	Cable harness	
3	4700384402	C	1	Cable harness	

- A) Main supply
- B) Horn
- C) Windshield wiper

Cab Exterior, rear mirror

16009



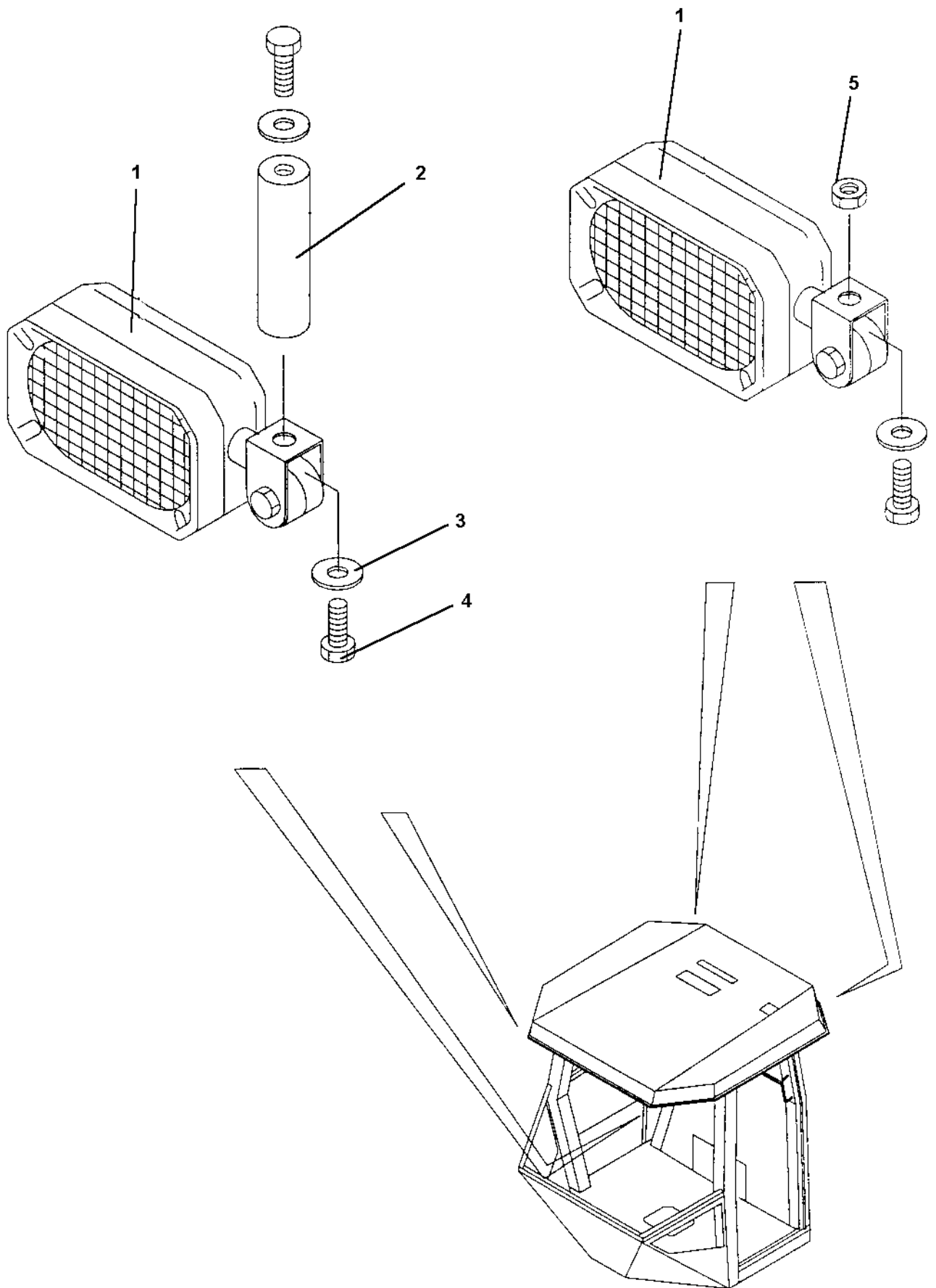
Cab Exterior, rear mirror

Item	Part No	Rem	Qty	Description	Code
1	4700371730	A	2	Rear view mirror, cpl	
	4700908265		1	.Rear view mirror	
2	4700908355		1	.Arm	
3	4700908625		2	.Sleeve	
4	4700904232		2	.Washer	
5	4700908626		1	.Spring	
6	4700586021		1	.Nut	M16
7	4700908627		1	.Cap	
8	4700629066		1	.Spirol pin	
9	4700908628		1	.Cap	
10	4700908361		1	.Bracket	
11	4700904229		6	Washer	8,4x16x1,5
12	4700500019		6	Screw	M8x16H 8.8 A2K

A) Option

Cab Work light

16007A

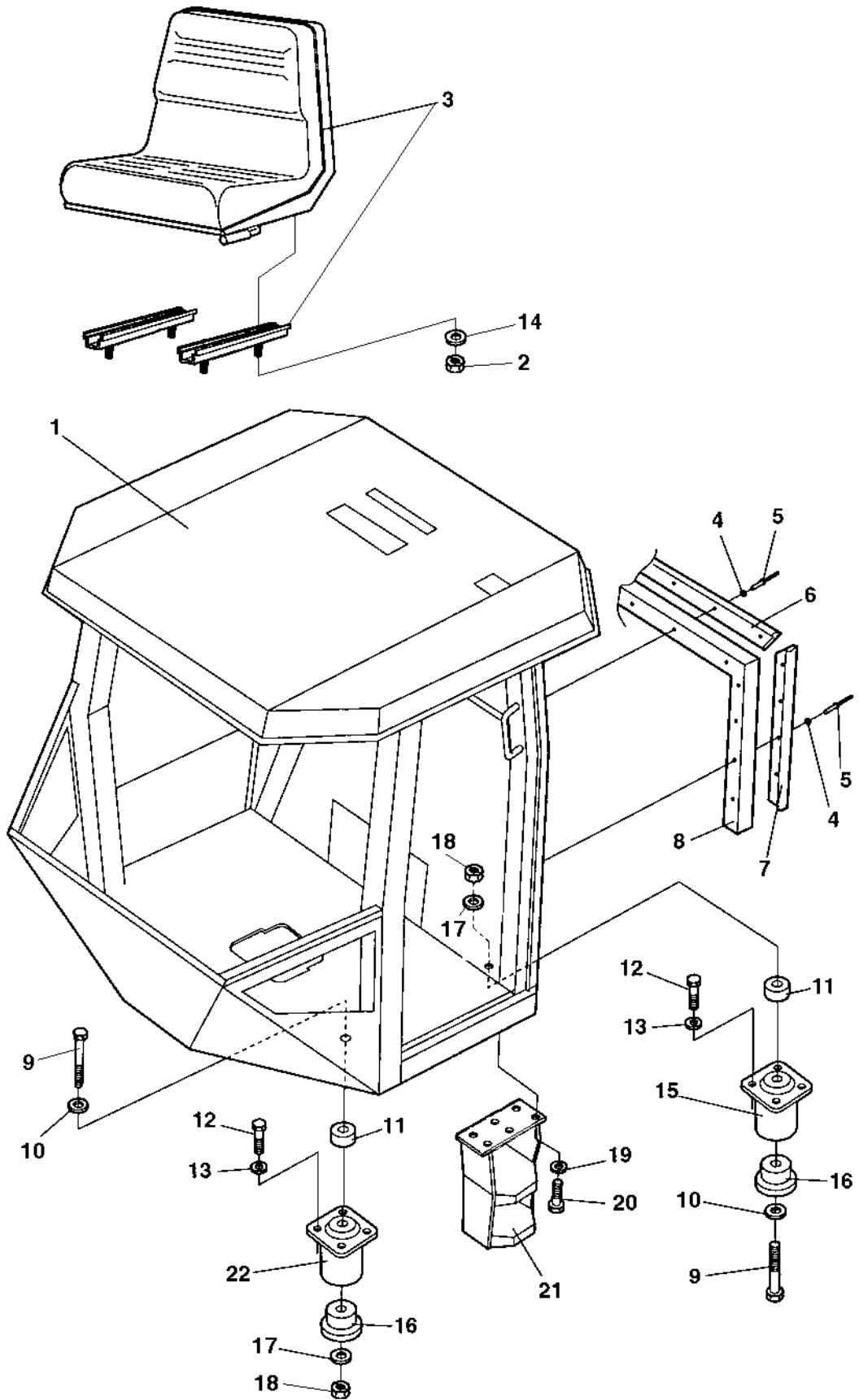


Cab Work light

Item	Part No	Rem Qty	Description	Code
1	4700908267	4	Working light	D
2	4700908359	2	Distance	
3	4700904229	4	Washer	8,4x16x1,5
4	4700500019	4	Screw	M8x16H 8.8 A2K
5	4700586003	2	Lock nut	M8

Cab mounting

18429



Cab mounting

Item	Part No	Rem	Qty	Description		Code
1				Cab (Page 338)	378308	
2	4700570005		4	Nut	M8	
3	4700377556		1	Seat		
	4700377518	D	1	Drivers seat, cpl		
4	4700927974		13	Washer		
5	4700904433		13	Blind rivet		
6	4700372785		1	List		
7	4700382582		2	List		
8	4700372494	A	N	Rubber strip		
9	4700791218		4	Screw	M20x200	
10	4700904233		4	Washer	21x36x3	
11	4700384759		4	Spacer		
12	4700500195		16	Screw		
13	4700904231		16	Washer	13x24x2 300 HV	
14	4700904229		4	Washer	8,4x16x1,5	
15	4700374606	B	2	Shock absorber	Green	D
16	4700372457		4	Back-up ring		
17	4700903290		4	Washer	21x36x6	
18	4700901145		4	Lock nut	M20-10	
19	4700904230		6	Washer		
20	4700500029		6	Screw		
21	4700376255		1	Step		
22	4700374607	C	2	Shock absorber	Yellow	D
23	4700382397		2	Spacer		

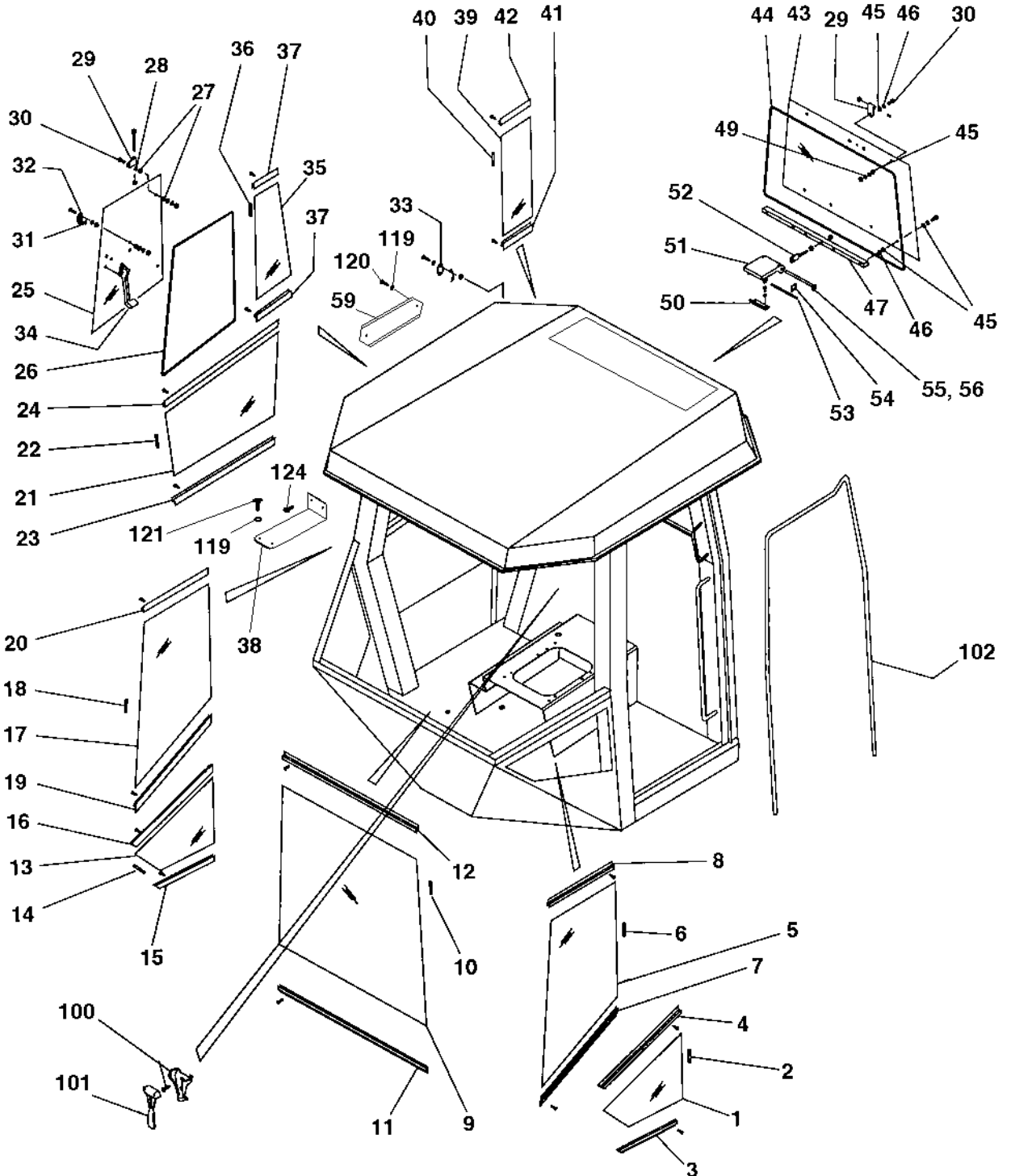
- A) L=2400 mm
- B) Rear
- C) Front
- D) Option

Cab 378308

Item	Part No	Rem Qty	Description	Code
130			Cab (Page 340)	Screens
140			Cab (Page 344)	Door, left side
150			Cab (Page 326)	Interior rear mirror
170			Wiper arm with blade, front (Page 328)	
180			Cab (Page 330)	Electric

Cab Screens

18431



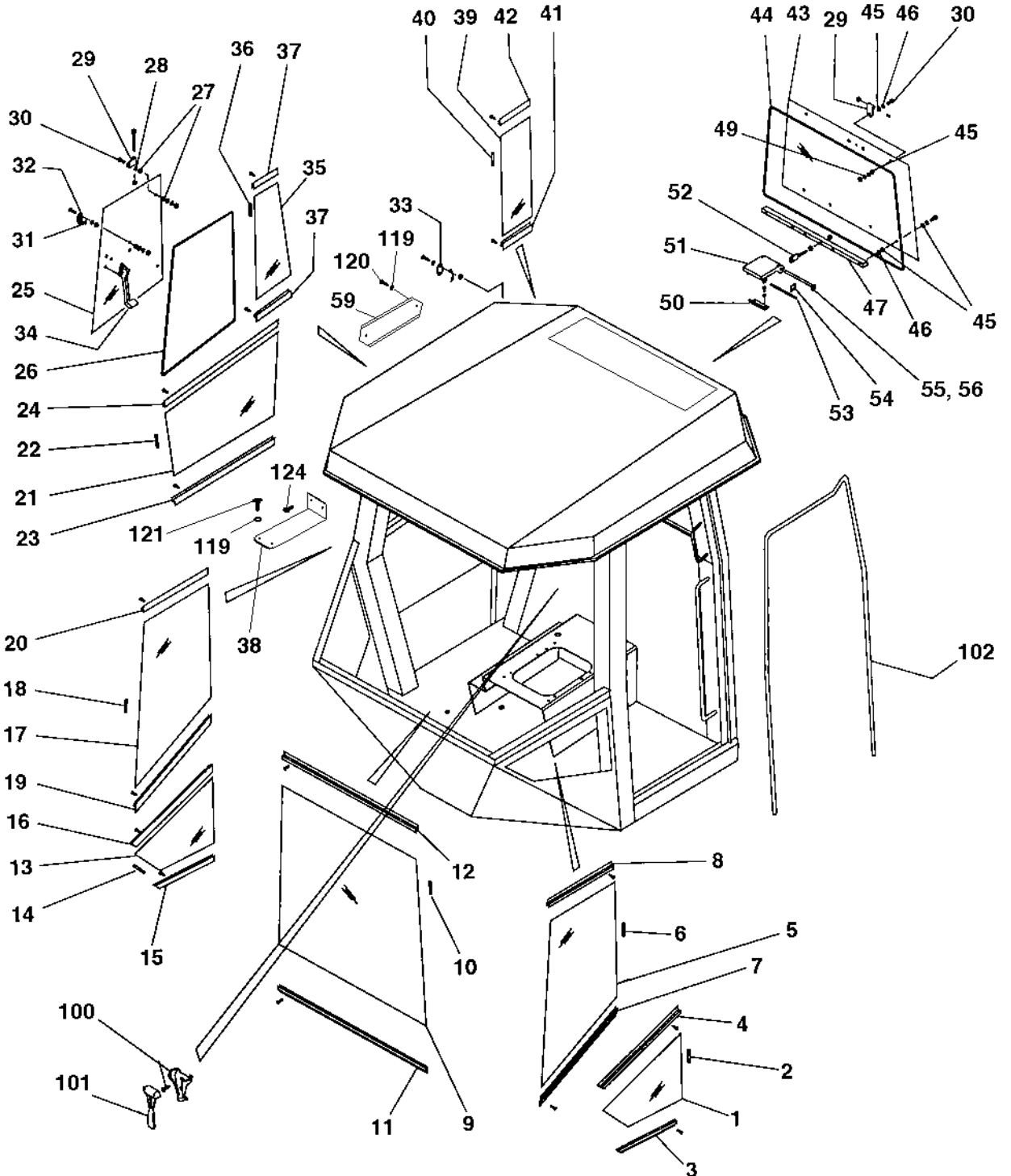
Cab Screens

Item	Part No	Rem	Qty	Description	Code
1	4700937380		1	Screen	
2	4700908545		XL	Seal list	
3	4700935278		1	List	
4	4700935279		1	List	
5	4700937381		1	Screen, left	
6	4700908545		XL	Seal list	
7	4700935280		1	List	
8	4700935281		1	List	
9	4700937382		1	Screen	
10	4700908545	D	1	Seal list	
11	4700935282		1	List	
12	4700935283		1	List	
13	4700937383		1	Screen	
14	4700908545		XL	Seal list	
15	4700935284		1	List	
16	4700935285		1	List	
17	4700937384		1	Screen	
18	4700908545	C	1	Seal list	
19	4700935286		1	List	
20	4700935287		1	List	
21	4700937385		1	Screen	
22	4700908545	A	1	Seal list	
23	4700935288		1	List	
24	4700935289		1	List	
25	4700938290		1	Screen	
26	4700908499	E	1	Rubber list	
27	4700935271		8	Washer, Flexible rubber	
28	4700935272		8	Washer, Black	
29	4700935273		4	Hinge	
30	4700935274		4	Screw	
31	4700935275		1	Rubber washer	
32	4700935276		1	Bracket	
33	4700935277		1	Lock pin	
34	4700935290		1	Window lock, right	
35	4700938291		1	Screen	
36	4700908545	B	1	Seal list	
37	4700935291		1	List	
38	4700379608		1	Cover	
39	4700938292		1	Screen	
40	4700908545	B	1	Seal list	
41	4700935293		1	List	
42	4700938659		1	List	
43	4700937389		1	Screen	
44	4700908499	F	1	Rubber list	
45	4700935271		12	Washer, Flexible rubber	
46	4700935272		12	Washer, Black	
47	4700935295		1	Screen holder	
49	4700935296		2	Washer	
50	4700935297		1	Bracket	
51	4700935298		2	Bracket	
52	4700935299		1	Bolt	
53	4700935300		1	Shaft	
54	4700935301		2	Lock	

- A) L=1100 mm
- B) L=1400 mm
- C) L=1900 mm
- D) L=2100 mm
- E) L=2700 mm
- F) L=3300 mm

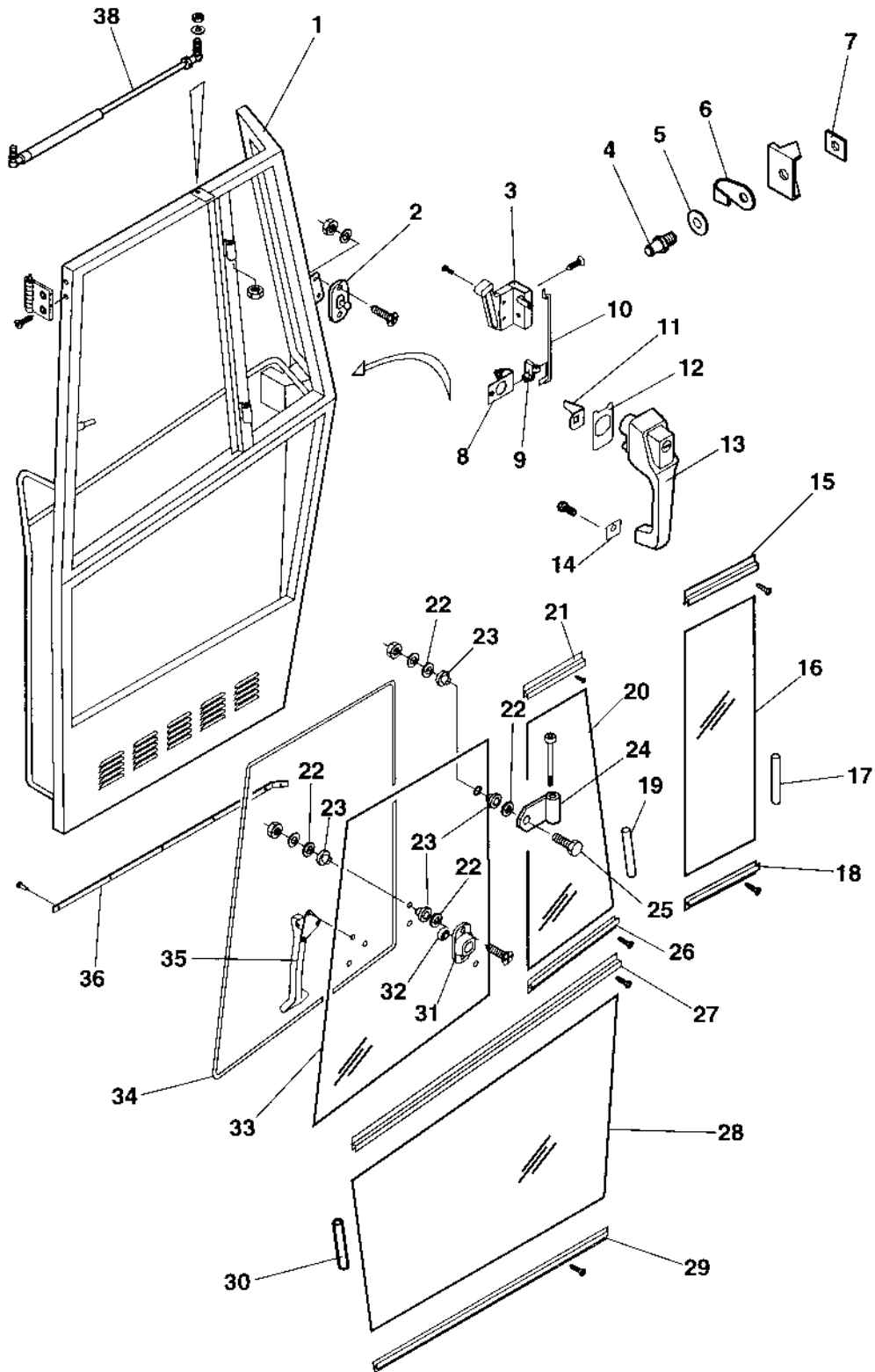
Cab Screens

18431



Cab Screens

Item	Part No	Rem	Qty	Description	Code
55	4700935302		1	Rod	
56	4700935303		1	Ring	
59	4700379236		1	Cover	
100	4700908506		1	Holder	
101	4700908507		1	Emergency hammer	
102	4700908499	G	1	Rubber list	
119	4700904229		16	Washer	8,4x16x1,5
120	4700500019		14	Screw	M8x16H 8.8 A2K
121	4700500053		2	Screw	M8x20H 8.8
124	4700903782		2	Screw	M5x12
G)	L=5 m				



Cab Door, left side

Item	Part No	Rem	Qty	Description	Code
	4700940678		1	Door, cpl	
1	4700390927		1	.Door frame	
2	4700935277		1	.Lock pin	
3	4700938017		1	.Lock	
4	4700908580		1	.Lock pin	
5	4700908581		1	.Washer	
6	4700908582		1	.Cover	
7	4700908583		1	.Bracket	
8	4700935248		1	.Turning mechanism	
9	4700935249		1	.Retainer	
10	4700935250		1	.Rod	
11	4700935247		1	.Leader	
12	4700935246		1	.Seal	
13	4700935244		1	.Door handle with key	
14	4700935245		1	.Seal	
15	4700935268		1	.List	
16	4700937391		1	.Screen	
17	4700908545	A	1	.Seal list	
18	4700935267		1	.List	
19	4700908545	A	1	.Seal list	
20	4700937392		1	.Screen	
21	4700935270		1	.List	
22	4700935272		8	.Washer, Black	
23	4700935271		8	.Washer, Flexible rubber	
24	4700935273		2	.Hinge	
25	4700935274		2	.Screw	
26	4700935269		1	.List	
27	4700935266		1	.List	
28	4700937390		1	.Screen	
29	4700935265		1	.List	
30	4700908545	B	1	.Seal list	
31	4700935276		1	.Bracket	
32	4700935275		1	.Rubber washer	
33	4700937393		1	.Screen	
34	4700908499	C	1	.Rubber list	
35	4700935253		1	.Lock	
36	4700938101		XL	.Brush profile	
38	4700938018		1	.Gas spring	

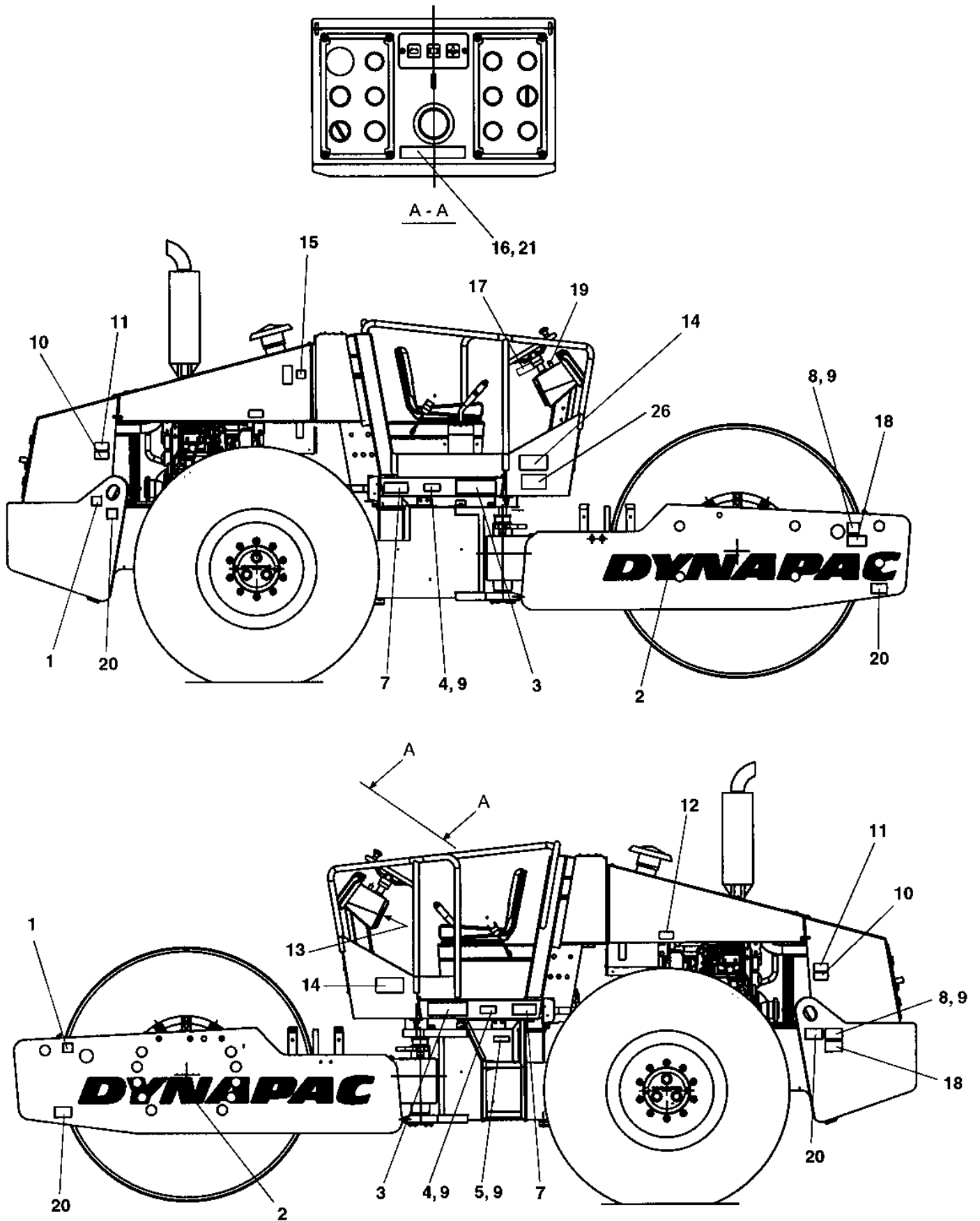
- A) L=1400 mm
- B) L=1100 mm
- C) L=2700 mm

Decals

Item	Part No	Rem Qty	Description	Code
10			Decals (Page 348)	
20			Decals (Page 350)	

Decals

16956-1

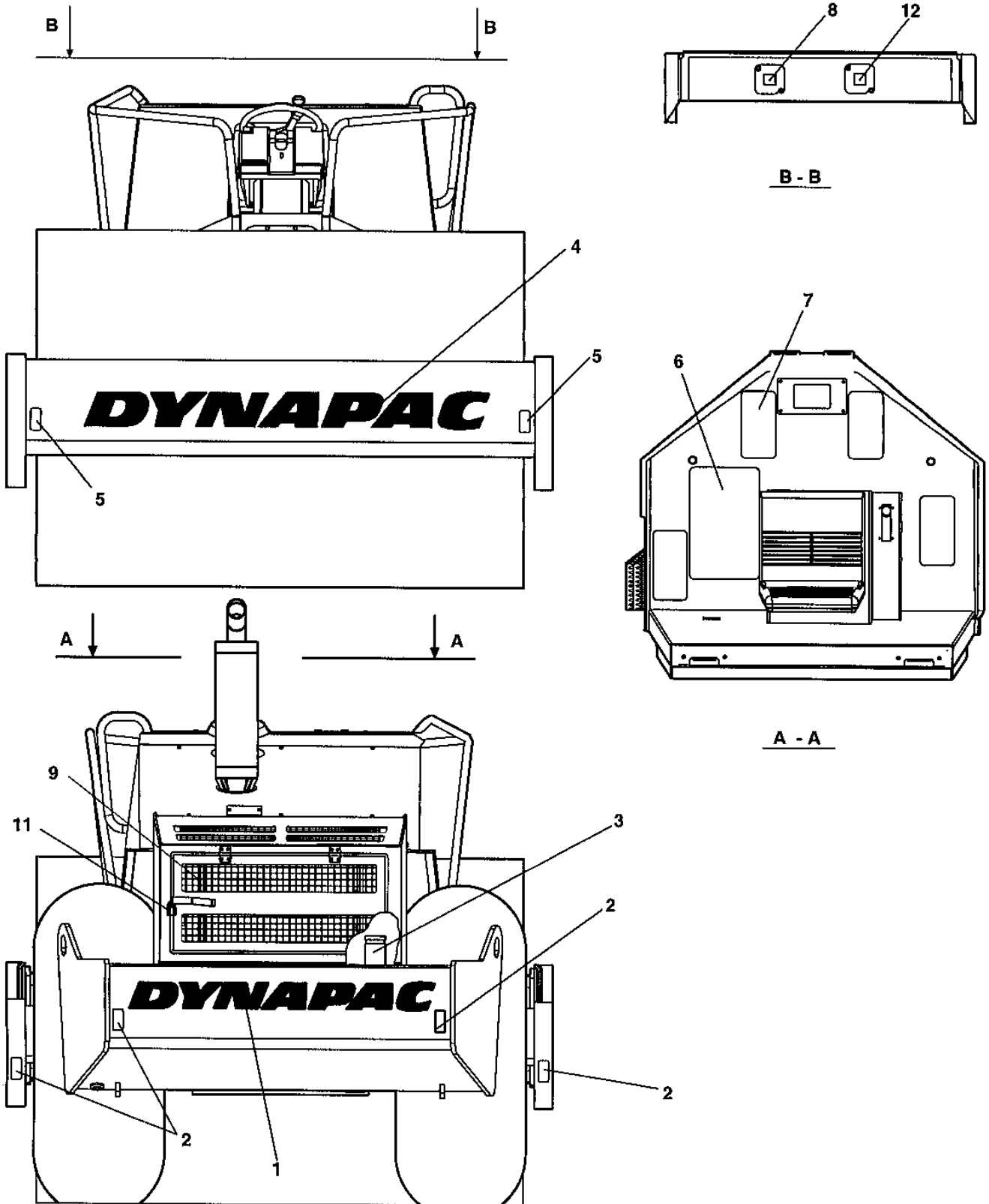


Decals

Item	Part No	Rem Qty	Description	Code
1	4700588176	2	Decal "LIFT POINT"	
2	4700904068	2	Decal "DYNAPAC"	L=1770 mm
3	4700904723	2	Decal "MODEL CODE"	
4	4700377744	2	Reflector, yellow	B
5		C	Product identification plate	B
		A,C	Product identification plate CE	B
		B,C	Product identification plate	B
6	4700902915	4	Screw	
7	4700903459	2	Decal "SAFETY"	
8	4700904870	2	Lifting sign	
9	4700624005	12	Blind rivet	3,2x6,1
10	4700903424	2	Decal "HOT SURFACE"	
11	4700903423	2	Decal "SAFETY"	
12	4700991990	2	Decal "TYRE PRESSURE"	110-150kPA/16-21psi
	4700390900	1	Decal "TYRE PRESSURE"	110kPA/16psi
13	4700903425	1	Decal "SAFETY MANUAL"	
14	4700903422	2	Decal "SAFETY"	
15	4700272373	1	Decal "HYDRAULIC OIL"	
16	47349248SE	1	Decal "WARNING"	Swedish
	47349248EN	1	Decal "WARNING"	English
	47349248DE	1	Decal "WARNING"	German
	47349248IT	1	Decal "WARNING"	Italian
	47349248ES	1	Decal "WARNING"	Spanish
	47349248FR	1	Decal "WARNING"	French
	47349248NO	1	Decal "WARNING"	Norwegian
	47349248DK	1	Decal "WARNING"	Danish
	47349248FI	1	Decal "WARNING"	Finnish
	47349248PT	1	Decal "WARNING"	Portuguese
	47349248NL	1	Decal "WARNING"	Dutch
	47349248GR	1	Decal "WARNING"	Greek
	47349248IS	1	Decal "WARNING"	Icelandic
	47349248CN	1	Decal "WARNING"	Chinese
17	4700384159	1	Instructions	Loading-Unloading
18	4700908229	2	Safety decal	
19	4700358881	1	Pad lock	
20	4700382751	4	Decal "TIE DOWN POINT"	
25	4700791642	1	Decal "WARNING"	Use of starting fluid prohib.
26	4700791279	1	Decal "Sound power level"	109dB
	4700791277	1	Decal "Sound power level"	107dB

- A) With CE-Mark
- B) With "Year of Mfg"
- C) Not available as sparepart

Decals
16957-2

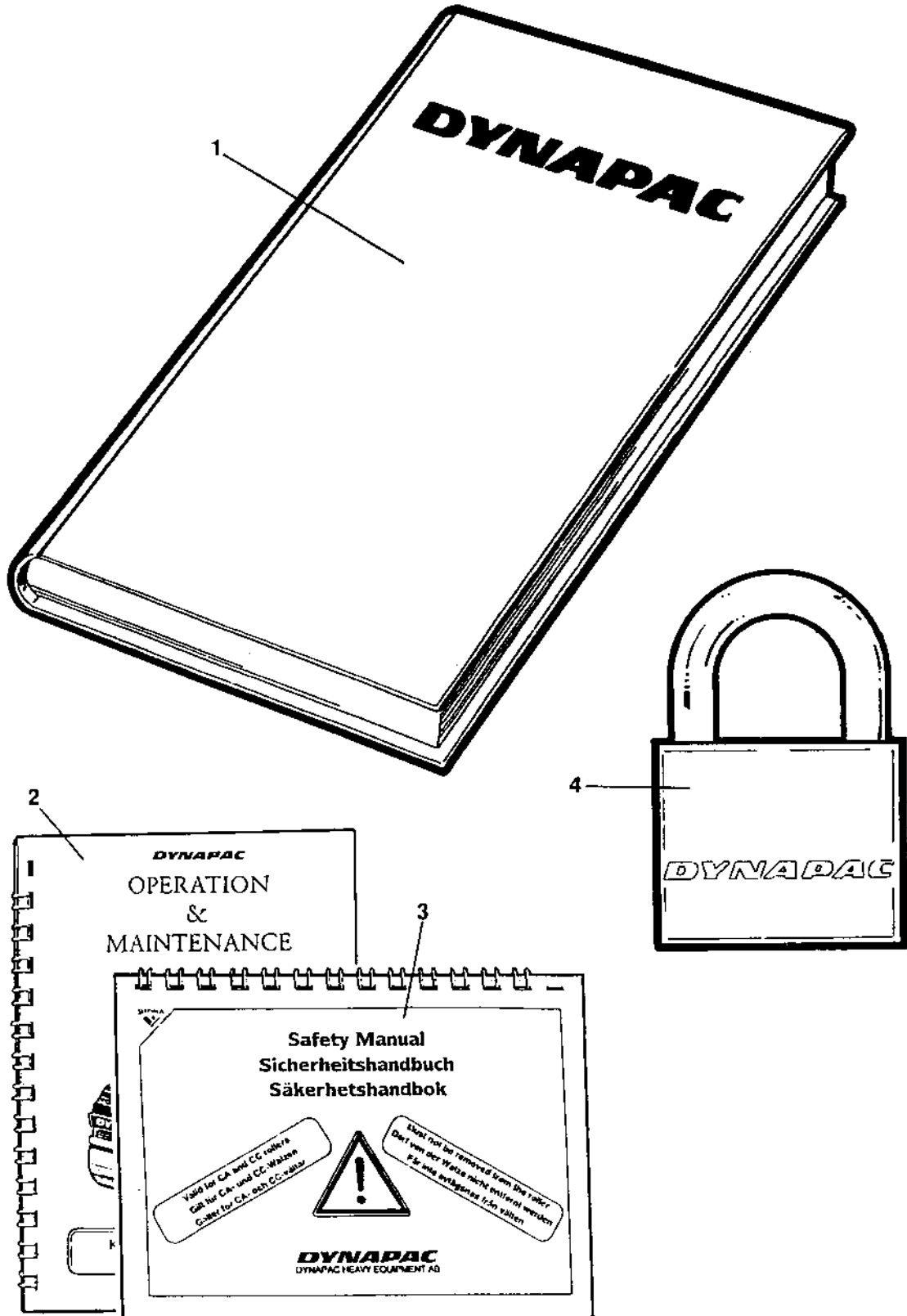


Decals

Item	Part No	Rem Qty	Description	Code
1	4700904098	1	Decal "DYNAPAC" L=1350 mm	
2	4700377742	4	Reflector, red	B
3	4700991658	1	Decal "FUEL"	
4	4700904068	1	Decal "DYNAPAC" L=1770 mm	
5	4700377743	2	Reflector, white	B
6	4700373364	1	Slip protection	
7	4700373363	4	Slip protection	
8	4700272372	1	Decal "HYDRAULIC OIL"	
9	4700904835	1	Decal "BATTERY POWER"	
11	4700358881	1	Pad lock	
12	4700388449	1	Decal "Engine coolant fill"	

Standard equipment

Item	Part No	Rem Qty	Description	Code
100			Standard equipment (Page 354)	



Standard equipment

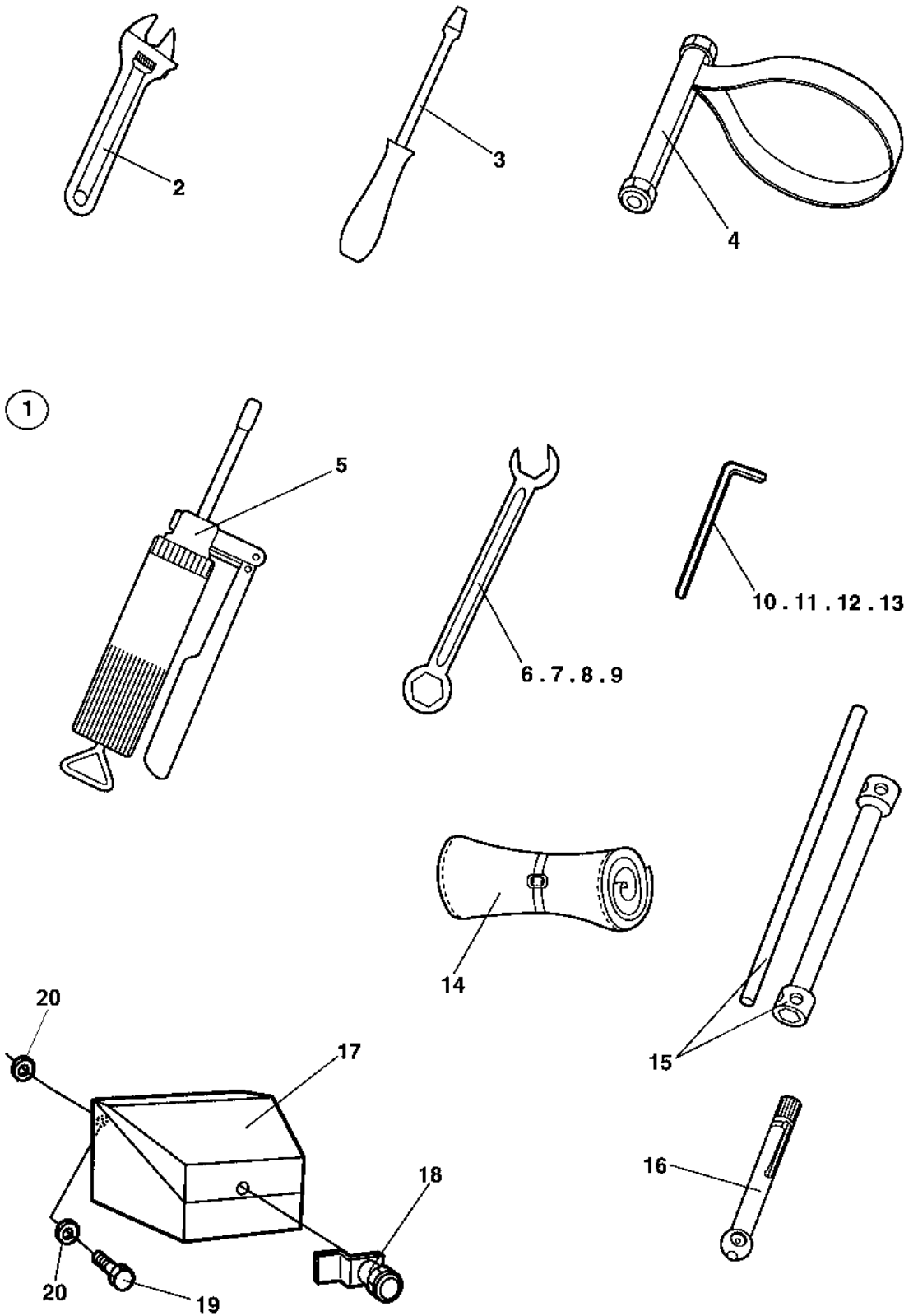
Item	Part No	Rem Qty	Description	Code
1		1	Documentation	ISCA250PD
		1	.Warranty registration card	
		1	.Spare parts catalogue	SCA250PD
		1	.Instruction manual	Cummins 4BTA 3.9 Elite
2		1	.Operation / maintenance instruction	ICA250
3		1	.Safety manual	RSAFE
4	4700358881	1	Pad lock	

Optional equipment

Item	Part No	Rem Qty	Description	Code
10			Tool equipment (Page 358)	
100			Dy-Mic Up to 65X21339 (Page 360)	
110			Dy-Mic From 65X21340 (Page 362)	
120			Air conditioner and heater, Simple cab (Page 364)	
230			Heater (Page 370)	Simple cab

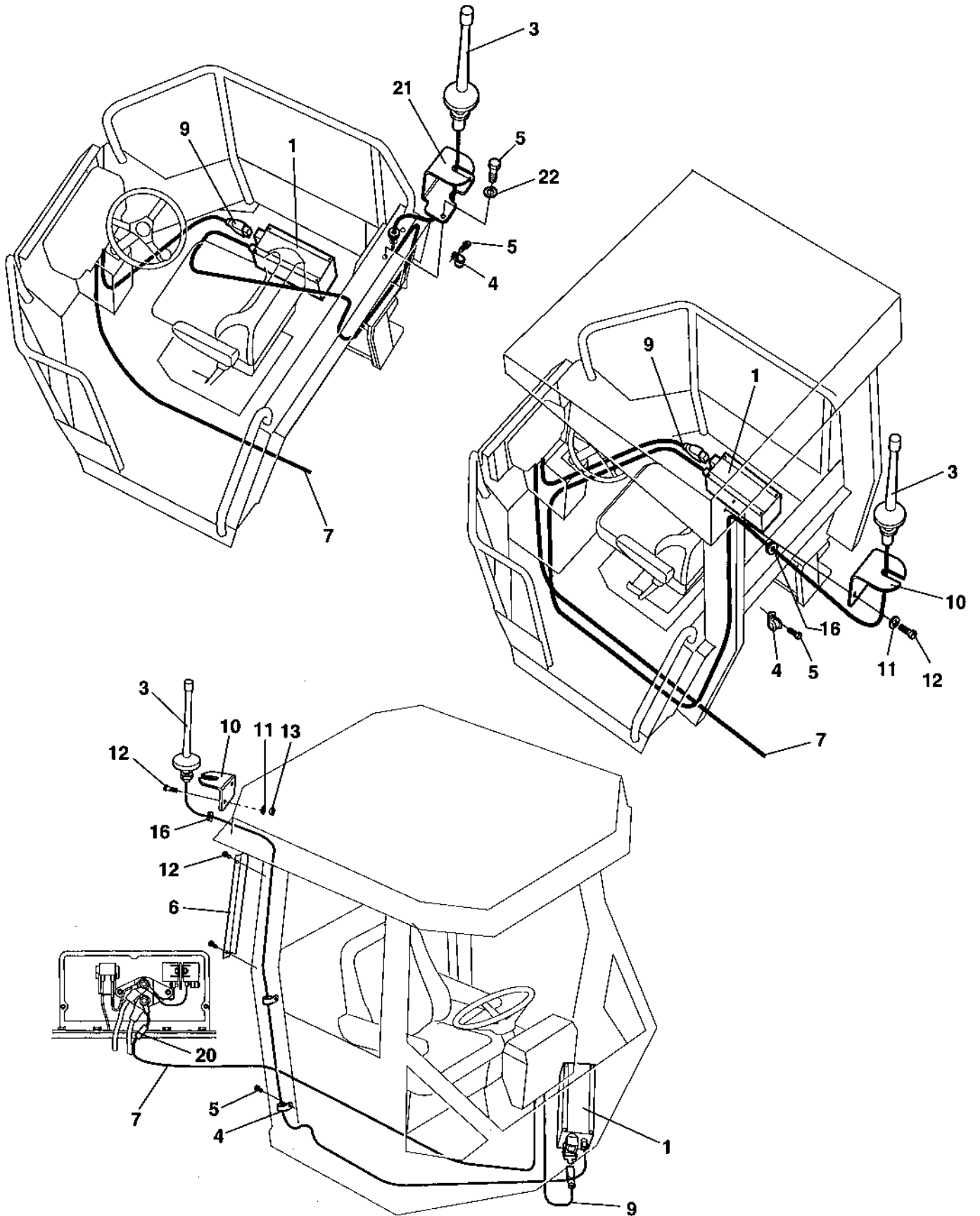
Tool equipment

17111-1



Tool equipment

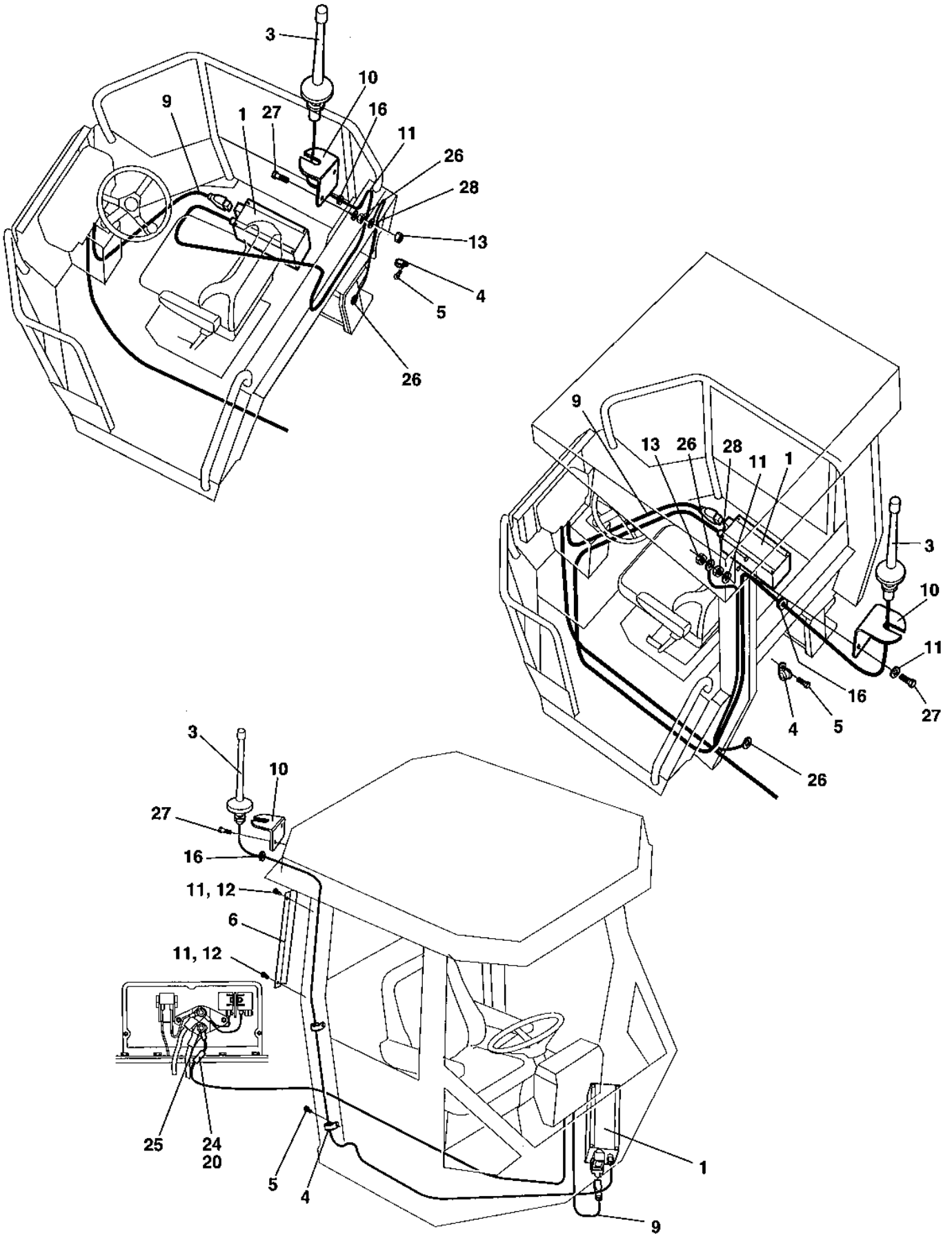
Item	Part No	Rem Qty	Description	Code
1	4700355890	1	Tool set Cpl	
2		1	.Adjustable wrench	
3		1	.Screw driver	
4	4700902610	1	.Belt pliers	
5	4700311016	1	.Grease gun	
6		1	.Open end spanner	10mm
7		1	.Open end spanner	13mm
8		1	.Open end spanner	16mm
9		1	.Open end spanner	18mm
10		1	.Allen wrench	10mm
11		1	.Allen wrench	12mm
12		1	.Allen wrench	6mm
13		1	.Allen wrench	8mm
14		1	.Tool bag	
15		1	.Wheel nut key	30/32mm
16	4700901220	1	.Pressure gauge	
17	4700372837	1	Tool box	
18	4700372658	1	.Lock	
19	4700500021	3	Screw	M8-1,25x25 8.8
20	4700904640	6	Washer	8,4x22x3



Dy-Mic

Item	Part No	Rem Qty	Description	Code
1	4700386390	1	Communicator box	
	4700508002	4	Screw	
3	4700386391	1	Antenna	Cpl
4	4700921039	4	Pipe clamp	
5	4700904415	4	Screw	
6	4700386512	1	Cable holder	
7	4700386533	1	Cable harness	
8	4700930154	3	Contact piece, NC	
9	4700386392	1	Cable harness	
10	4700386506	1	Antenna holder	
11	4700904228	4	Washer	
12	4700500040	4	Screw	M6-1x20 8,8
13	4700586002	2	Lock nut	
16	4700909122	1	Grommet	
17	4700313102	N	Cable ties	
18	4700313041	N	Cable ties	
20	4700901224	1	Fuse	3A
21	4700386507	1	Antenna holder	D
22	4700904281	2	Washer	

Dy-Mic
17823-1

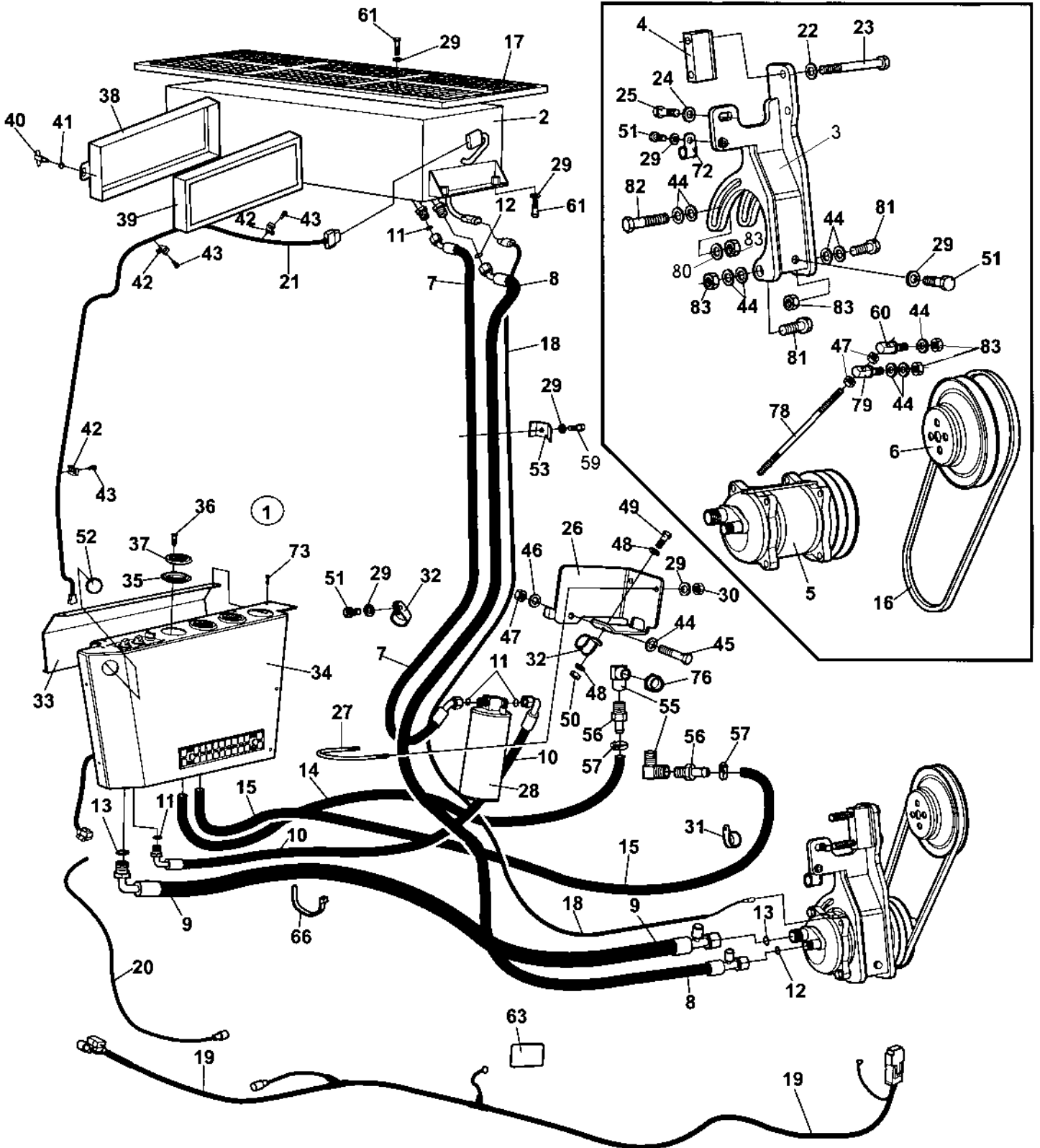


Dy-Mic

Item	Part No	Rem Qty	Description	Code
1	4700386390	1	Communicator box	
	4700508002	4	Screw	
3	4700386391	1	Antenna	Cpl
4	4700921039	4	Pipe clamp	
5	4700904415	4	Screw	
6	4700386512	1	Cable holder	
9	4700386392	1	Cable harness	
10	4700386506	1	Antenna holder	
11	4700904228	2	Washer	
12	4700500040	2	Screw	M6-1x20 8,8
13	4700586002	4	Lock nut	
16	4700909122	1	Grommet	
17	4700313102	N	Cable ties	
18	4700313041	N	Cable ties	
20	4700901224	1	Fuse	3A
24	4700904015	1	Fuse holder	D
25	4700960067	1	Cable clip	
26	4700387797	1	Ground cable	
27	4700541702	2	Screw	M6x12
28	4700570004	1	Nut	M6X1,00 -8 A2K

Air conditioner and heater, Simple cab

18783



Air conditioner and heater, Simple cab

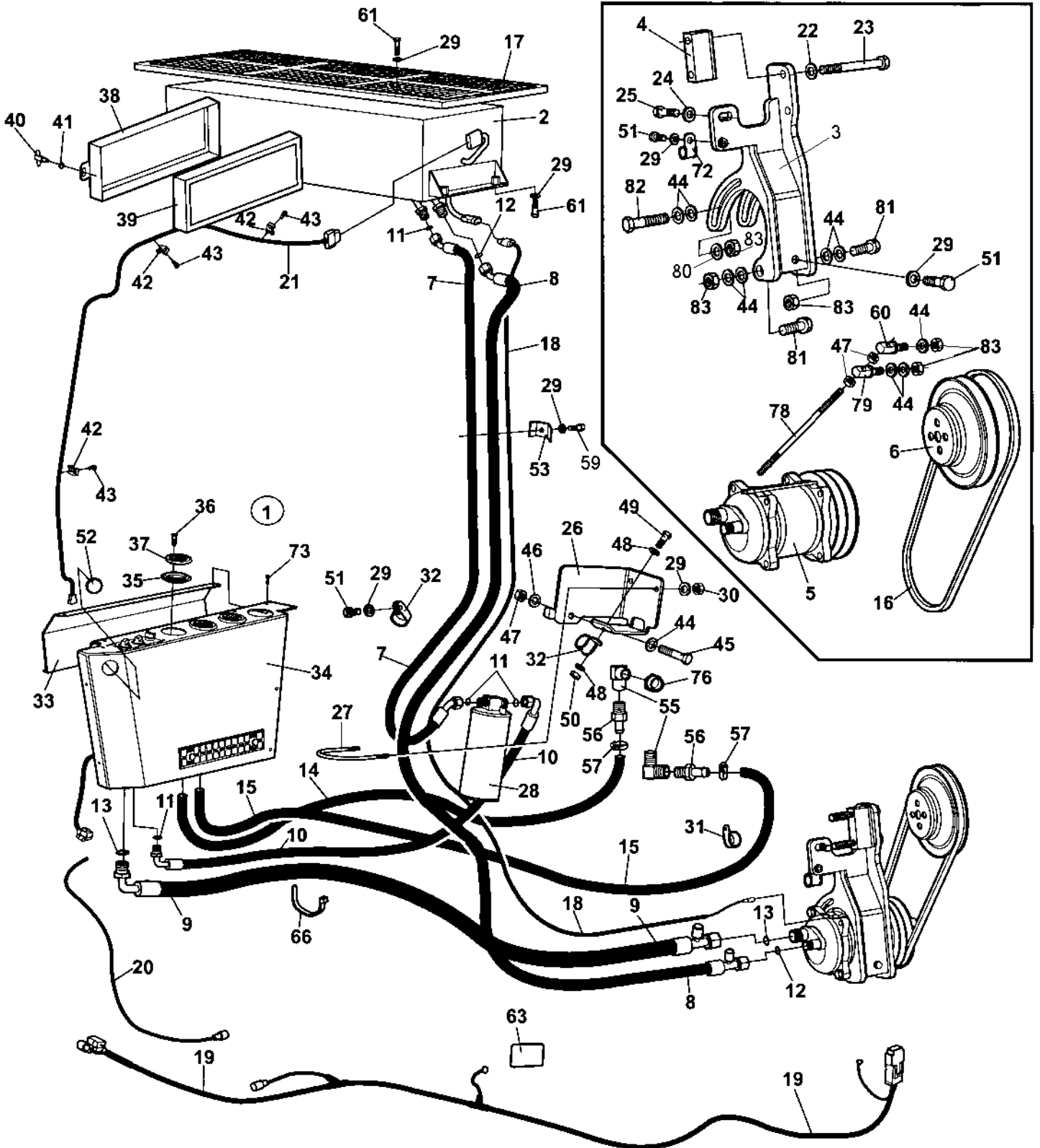
Item	Part No	Rem	Qty	Description	Code
1				Air conditioner and heater unit	
2	4700383413			Condenser, cpl (Page 368)	
3	4700377937		1	Bracket	
4	4700379643		1	Spacer	
5	4700379304		1	Compressor	
6	4700379280		1	Pulley	
7	4700384876		1	Hose	
8	4700379330		1	Hose	
9	4700379331		1	Hose	
10	4700384875		1	Hose	
11	4700384877		4	O-ring	
12	4700384878		2	O-ring	
13	4700384879		2	O-ring	
14	4700937737	A	1XL	Hose	
15	4700937737	B	1XL	Hose	
16	4700902924		1	V-belt	
17	4700384589		1	Cover	
18	4700385908		1	Cable harness	
19	4700387466		1	Cable harness	
20	4700387467		1	Cable harness	
21	4700379275		1	Cable harness	
22	4700904703		2	Washer	
23	4700500122		2	Screw	
24	4700904213		1	Washer	
25	4700903906		1	Screw	
26	4700390483		1	Holder	
27	4700313093		1	Pipe clamp	
28	4700383424		1	Drying filter	
29	4700904229		18	Washer	8,4x16x1,5
30	4700586003		2	Lock nut	M8
31	4700921161		1	Clamp	
32	4700921056		2	Clamp	
33	4700379285		1	Panel	
34	4700379286		1	Panel	
35	4700385443		3	Ring	
36	4700938691		12	Screw	
37	4700385442		3	Air nozzle	
38	4700908501		1	Filter frame	
39	4700908502		1	Filter	A
40	4700908504		2	Handle	
41	4700908503		2	O-ring	
42	4700904543		10	Cable tie holder	
43	4700903852		10	Screw	ST4,2x13
44	4700904230		10	Washer	
45	4700500192		1	Screw	M10x80
46	4700904567		1	Washer	10,5x28x6 HB305
47	4700570006		3	Nut	
48	4700904228		2	Washer	
49	4700500013		1	Screw	M6-1x16 8,8
50	4700570004		1	Nut	M6X1,00 -8 A2K
51	4700500053		3	Screw	M8x20H 8.8
52	4700345870		1	Plug	
53	4700346230		3	Clamp	
55	4700234365		2	Elbow 90	
56	4700387638		2	Hose connection	
57	4700313004		2	Hose clamp	
59	4700500023		3	Screw	M8-1,25x40 8,8
60	4700388470		1	Screw	

A) L=3,600M

B) L=3,600M

Air conditioner and heater, Simple cab

18783

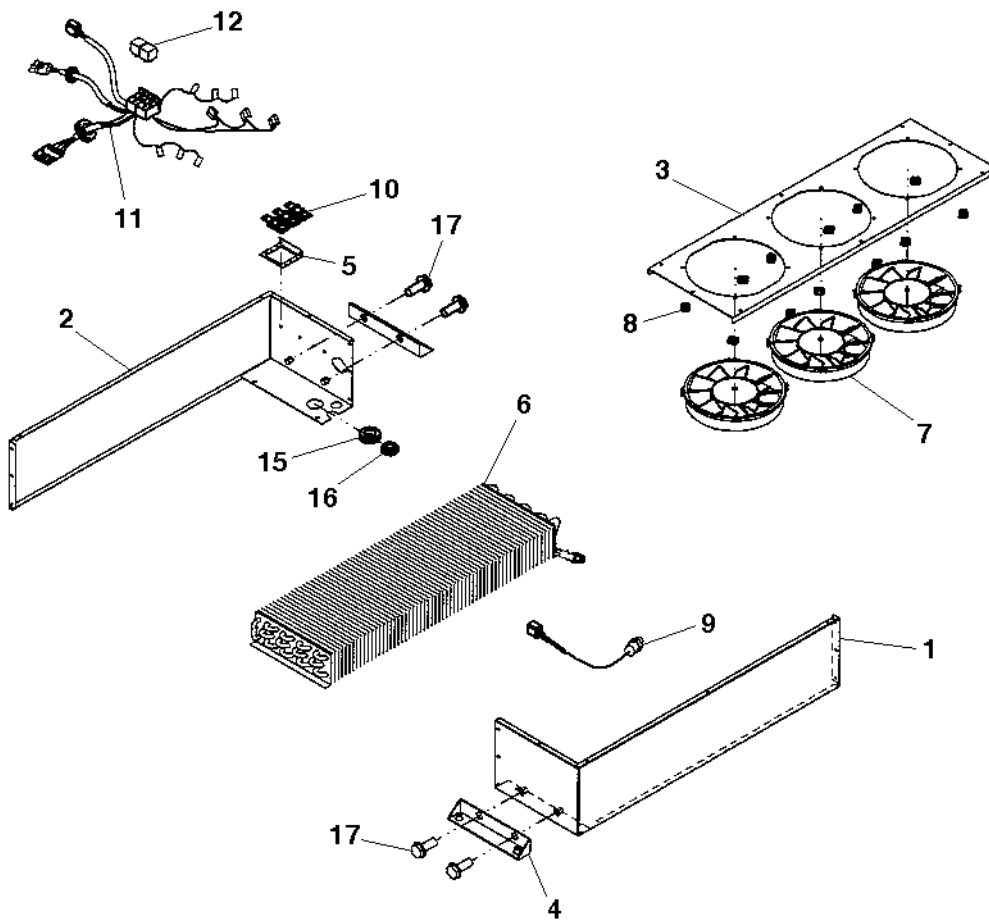


Air conditioner and heater, Simple cab

Item	Part No	Rem Qty	Description	Code
61	4700500022	10	Screw	M8x30H 8.8 A2K
63	4700904165	1	Safety decal	Toxic gases
66	4700313102		Cable ties	
72	4700902558	1	Clamp	
73	4700792248	5	Screw	4,2 X25
76			Not used on this model	
78	4700377965	1	Set screw	
79	4700377378	1	Set screw	
80	4700904557	1	Washer	
81	4700500031	2	Screw	
82	4700500161	1	Screw	
83	4700791172	5	Lock nut	

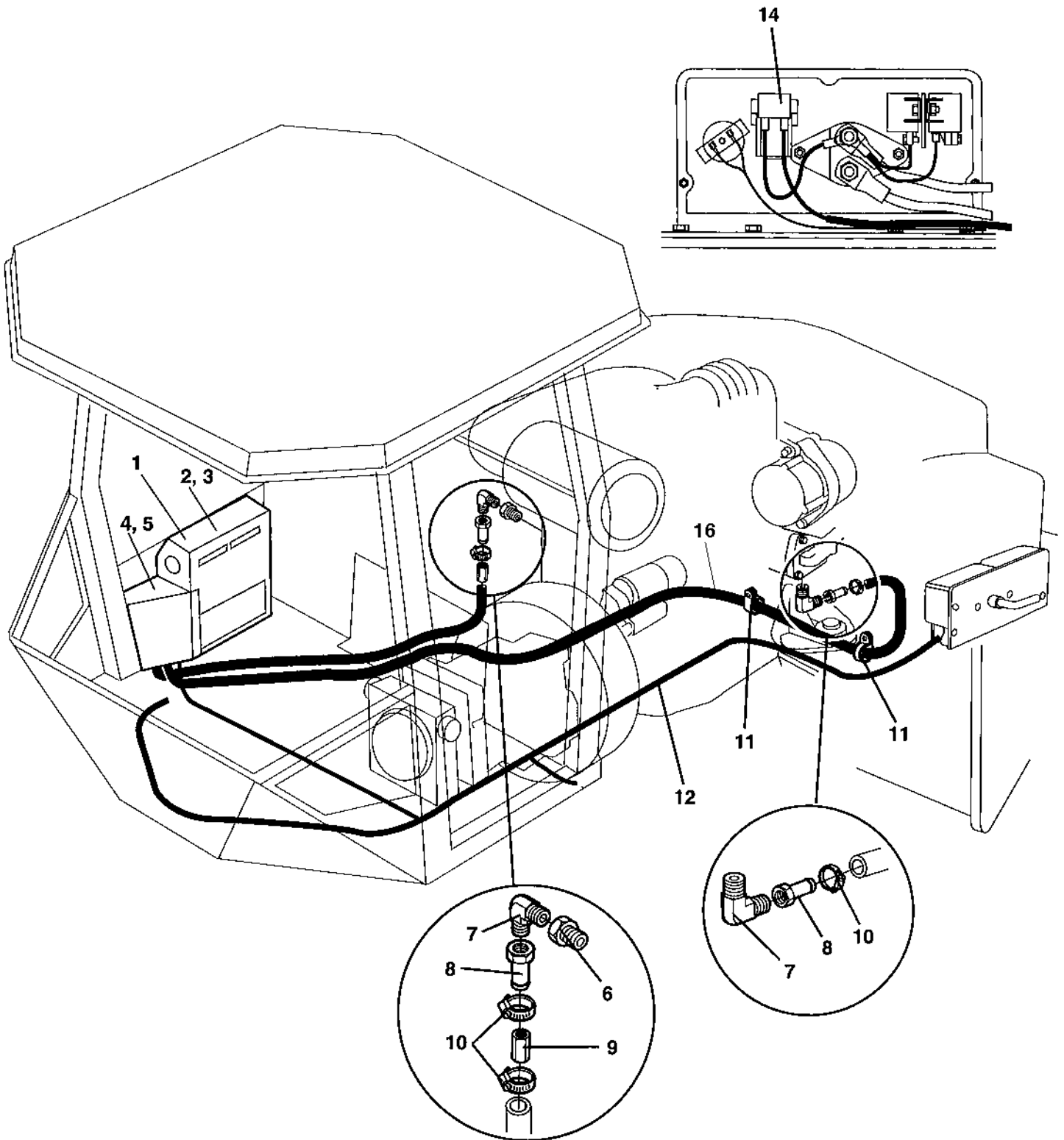
4700383413 Condenser, cpl

18385



4700383413 Condenser, cpl

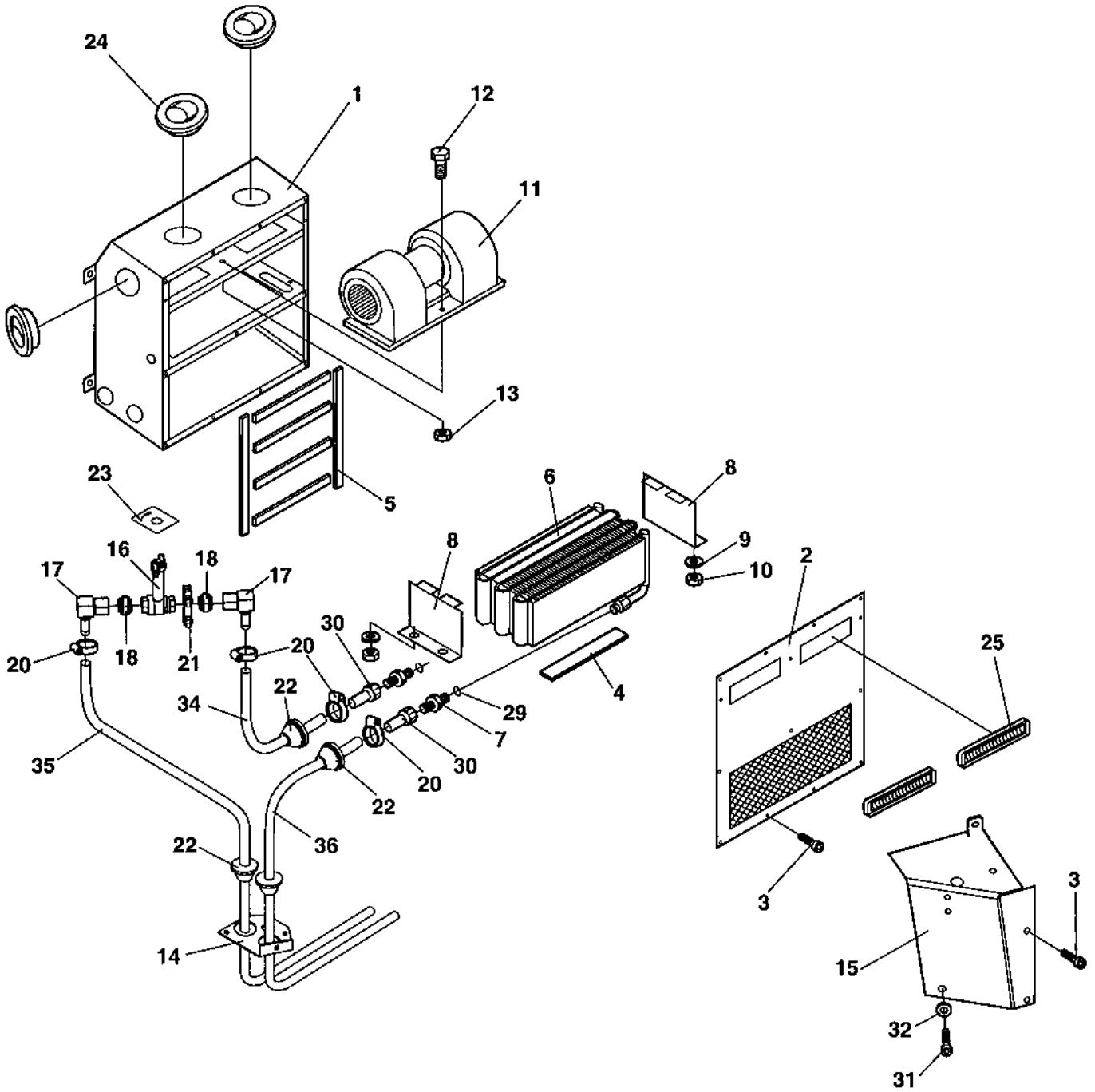
Item	Part No	Rem Qty	Description	Code
1	4700938597	1	Cover	
2	4700938598	1	Cover	
3	4700938599	1	Fan bracket	
4	4700938600	2	Condensor bracket	
5	4700938601	1	Resistor bracket	
6	4700938602	1	Condensor Coil	
7	4700938603	3	Fan	
8	4700938604	12	Clip	
9	4700938605	1	Pressure switch	
10	4700938606	3	Resistor	
11	4700938607	1	Cable harness	
12	4700287598	2	Relay	12V-30A
15	4700938608	1	Grommet	
16	4700938609	1	Grommet	
17	4700901832	4	Screw	



Heater Simple cab

Item	Part No	Rem	Qty	Description	Code
1	4700385222		1	Heater (Page 372)	
2	4700500018		4	Screw	M8-1,25x12 8,8
3	4700904229		4	Washer	8,4x16x1,5
4	4700500013		2	Screw	M6-1x16 8,8
5	4700904228		2	Washer	
6	4700813434		1	Reducer	
7	4700234365		2	Elbow 90	
8	4700814065		2	Hose connection	
9	4700372670		1	Reducer	
10	4700313002		3	Hose clamp	13-20 mm
11	4700921132		2	Clamp	
12	4700387466	A	1	Cable harness	
13	4700387467	A	1	Cable harness	
14	4700904294		1	Fuse	
15	4700313102		N	Cable ties	

A) Item 12 and 13 replaces Cable harness P/N 4700385235.



Item	Part No	Rem	Qty	Description	Code
1	4700938587		1	Heater box	
2	4700938588		1	Cover plate	
3	4700935259		15	Screw	
4	4700908587	A	1	Edge trim	
5	4700935556	B	1	Sealing	
6	4700908585		1	Radiator	
7	4700908589		2	Connector	
8	4700935557		2	Heater element bracket	
9	4700904228		4	Washer	
10	4700570004		4	Nut	M6X1,00 -8 A2K
11	4700908595		1	Fan, cpl	
12	4700500006		1	Screw	M5x16
13	4700586001		1	Lock nut	
14	4700938589		1	Plate	
15	4700938590		1	Control panel	
16	4700937738		1	Ball valve w. lever	
17	4700937742		2	Connector	
18	4700937741		23	Connector	
20	4700313003		4	Hose clamp	D
21	4700923984		1	Clamp	
22	4700908496		1	Grommet	
23	4700938856		1	Cable harness	Work light
24	4700908513		3	Nozzle	
25	4700908598		2	Nozzle	
29	4700908588		2	O-ring	
30	4700935558		2	Adapter	
31	4700500013		1	Screw	M6-1x16 8,8
32	4700904735		1	Washer	
34	4700937737	C	1	Hose	
35	4700937737	D	1	Hose	
36	4700937737	E	1	Hose	
A)	L=2,5 m				
B)	L=1 m				
C)	L=0,7 m				
D)	L=3,6 m				
E)	L=3,6 m				

NUMERICAL INDEX

Part Number	Page	Part Number	Page	Part Number	Page
4700100040	21,41	4700288129	91	4700345870	259,365
4700116041	25,59,67,69,71	4700310008	21	4700345871	21,41
4700160105	25,59,67,69,71	4700311016	359	4700345872	21,41
4700160132	195,201	4700313001	93,103,105,107	4700345873	21,41
4700160269	261,263	4700313002	103,105,107,371	4700345874	21,41
4700160279	213	4700313003	373	4700345875	21,41
4700160358	59	4700313004	365	4700345884	57
4700162008	177,193,195	4700313006	85,91,93	4700345885	57
4700162011	63,65,67,69,71	4700313010	85,91,93	4700345891	33
4700162017	59,63,65,67,69	4700313023	85,91,93	4700346230	365
		4700313035	303	4700347119	31,221,223,225
4700162018	59,67,69,71	4700313041	103,105,107,259		227
4700162024	69		281,283,361,363	4700347512	77,79,287,289
4700162027	63,65,67,69,71	4700313075	85,91		291
4700167023	59,67,69,71	4700313093	115,365	4700348213	281,283
4700167032	21,41	4700313094	111,115	4700348309	99,101
4700202028	43	4700313102	177,193,221,223	4700348331	287,289
4700202041	91,93		225,231,243,245	4700348347	255
4700205027	93		281,283,361,363	4700348481	303
4700211733	135		367,371	4700349435	281,283
4700212336	199	4700330170	93	4700349682	57
4700212339	187	4700330171	93,103,105,107	4700349715	59,67,69,71
4700212373	7,9,11,13,15,17	4700330328	85,91	4700349879	239,241
		4700330333	145,167	4700349880	239,241
4700212530	157	4700330383	83,201	4700355263	261,263
4700212553	141,165	4700334025	201	4700355301	263
4700230277	59	4700334121	201,221,223,225	4700355639	35
4700230515	83		231	4700355676	57
4700232039	239,241	4700334122	201	4700355869	309,311
4700232097	221,223,225,231	4700334132	173,247	4700355890	359
4700232122	201,239	4700334134	213	4700355983	119,121,123,125
4700232210	57,59,63,65,67	4700334135	201		127,129
		4700334138	173,193,195,213	4700356028	63
4700232222	177,193,195	4700334140	177,193,195	4700356029	67
4700233304	239,241	4700334196	243,245	4700356348	243,245
4700234119	213	4700334197	231	4700356500	255
4700234218	221,223,225,231	4700334199	221,223,225,231	4700357138	15,17,239,241
4700234243	177,193,195	4700334205	213,235,237	4700357271	67
4700234254	177	4700334248	177,193	4700357316	293
4700234365	85,91,93,365,371	4700334389	235,237	4700357424	293
4700234382	201	4700334468	177,193,195	4700357425	293
4700234388	243,245	4700334524	237	4700357426	293
4700234619	103,105,107	4700334558	221,223,225,231	4700357427	293
4700234622	243,245	4700335607	257,259	4700357488	31
4700234626	221,223,225,231	4700337042	41	4700357494	303
4700234662	223,225,231	4700337045	21,41	4700357500	301
4700234667	221,223	4700338304	221,223,225,231	4700357501	303
4700234843	235,237	4700340863	203	4700357583	255,257
4700234875	177,193	4700343159	41	4700357585	261,263
4700234888	235,237	4700343318	59,67,69,71	4700357643	289,291,293
4700234909	177,193,195	4700343322	57,59,67,69,71	4700357815	57
4700234958	177,193,195	4700343462	67	4700357855	293,295
4700238158	265,267	4700343550	267	4700358142	293
4700244002	277	4700343744	59,63,65,67,69	4700358143	293
4700244054	103,105,107		71	4700358254	293
4700246069	93	4700343775	31	4700358388	175,179,181,185
4700272372	351	4700343801	57,59		187
4700272373	349	4700344962	35	4700358452	275
4700285909	303	4700345243	177,193,195	4700358881	293,349,351,355
4700285911	303	4700345678	57	4700359550	177,193,195
4700287597	261,263	4700345679	57	4700359551	177,193,195
4700287598	261,263,369	4700345864	33	4700359552	177,193,195

NUMERICAL INDEX

Part Number	Page	Part Number	Page	Part Number	Page
4700359955	59	4700372785	287,289,291,317	4700376255	337
4700359998	317		337	4700376334	31
4700370112	117,119,131	4700372836	281,283	4700376340	43,45,47
4700370229	77,79,81,83	4700372837	359	4700376346	43
4700370231	59,67,69,71	4700372844	31	4700376348	43,45
4700370234	287,317	4700372913	119	4700376349	43,45,47
4700370258	77,79,317	4700372941	117,155	4700376354	43,45,47
4700370365	67	4700372964	311	4700376366	43,45,47
4700370680	119	4700372983	77,79	4700376488	315
4700370766	315	4700372984	77,79	4700376489	315
4700370792	315	4700373016	173,213,281,283	4700376551	37,39
4700370803	315	4700373017	201	4700376622	37,39
4700370840	85,91,93	4700373096	281,283	4700376701	31
4700370938	85	4700373131	119,121	4700376944	53
4700370961	119	4700373140	281,283	4700376945	53
4700370970	119	4700373144	85,91	4700377009	307
4700371179	119	4700373168	119	4700377010	307
4700371277	255	4700373169	119	4700377011	307
4700371326	261,263	4700373176	119,121	4700377012	307
4700371344	261,263	4700373184	269,271,273	4700377014	307
4700371481	77,79	4700373270	173,201,213	4700377015	307
4700371482	77,79	4700373363	351	4700377016	307
4700371509	171,173,175	4700373364	351	4700377018	307
4700371545	171,177,179,181	4700373400	287,289,291	4700377019	305
	183,247	4700373421	41	4700377020	305
4700371669	221,223,225	4700373423	173,213	4700377021	305
4700371728	301	4700373424	201	4700377024	305
4700371730	333	4700373442	57,59	4700377071	279
4700371774	85,91,93	4700373443	57,59	4700377098	115
4700371945	119	4700373460	31,103,105,107	4700377370	91
4700371946	119	4700373574	103,105,107	4700377378	367
4700371947	119	4700373746	313	4700377518	289,337
4700371948	119	4700373747	313	4700377556	289,291,337
4700372029	239	4700373748	313	4700377742	351
4700372044	239	4700373749	313	4700377743	351
4700372048	177	4700373750	313	4700377744	349
4700372087	31	4700373775	91	4700377937	365
4700372224	85	4700373782	77	4700377965	367
4700372229	7,15,17,177,193	4700373906	313	4700378206	31
	195	4700373907	313	4700378210	81
4700372235	173,177,193,195	4700374028	243,245	4700378211	81
4700372348	85	4700374029	269,271,273	4700378213	81
4700372457	317,337	4700374030	269,271,273	4700378214	81
4700372489	315	4700374059	177,193,195	4700378335	295
4700372492	77,79	4700374065	297,299,301	4700378745	259
4700372493	77,79	4700374137	247,249,251	4700378759	307
4700372494	287,289,291,317	4700374398	275	4700379164	83
	337	4700374471	287	4700379236	343
4700372513	221,223,225,231	4700374606	317,337	4700379275	365
4700372514	221,223,225,231	4700374607	317,337	4700379280	365
4700372544	85,91	4700374744	31	4700379285	365
4700372616	297	4700374864	85	4700379286	365
4700372625	221,223,225,231	4700374900	41	4700379304	365
4700372658	359	4700374927	57	4700379330	365
4700372670	371	4700375031	171,221,223,225	4700379331	365
4700372678	315		227	4700379410	123,125,127
4700372743	315	4700375507	297,299,301	4700379411	123,125,127
4700372745	315	4700375999	177,191,193,195	4700379412	123,125,127
4700372757	287,289,291	4700376000	171,221,223,225	4700379413	123,125,127
4700372758	269,271,273		231,233	4700379414	123,125,127
4700372772	77,79,81,83	4700376045	31	4700379482	193,195
4700372784	281	4700376252	287,289,291,317	4700379608	341

NUMERICAL INDEX

Part Number	Page	Part Number	Page	Part Number	Page
4700379630	231	4700381028	67	4700383977	121,123
4700379631	125	4700381033	49	4700383978	121
4700379632	125	4700381081	103	4700383979	121
4700379636	289,291	4700381082	103	4700383980	121
4700379643	365	4700381151	201,205	4700383981	121
4700379691	125	4700381268	297,299,301	4700384066	31
4700379876	65	4700381297	43,45,47	4700384114	57,59,67,69,71
4700379878	69,71	4700381313	85	4700384121	57
4700379880	65,69,71	4700381330	43,45,47,315	4700384159	349
4700380005	43	4700381347	43,45,47	4700384163	271,273
4700380012	43,45,47	4700381348	43,45,47	4700384382	63,67
4700380015	77,79,81,83	4700381351	281,283	4700384402	331
4700380018	59,63,65,67,69	4700381352	315	4700384403	331
	71	4700381353	315	4700384498	21,41
4700380047	43,45	4700381413	85,91,93	4700384589	365
4700380052	49	4700381435	269,271	4700384759	337
4700380053	49	4700381446	43	4700384875	365
4700380057	49	4700381462	271,273	4700384876	365
4700380058	49	4700381634	63,65,67,69,71	4700384877	365
4700380078	203	4700381738	63,67	4700384878	365
4700380087	255	4700381760	65,69,71	4700384879	365
4700380101	77,79,81,83	4700381777	303	4700385222	371,373
4700380109	43,45,47	4700381989	43,45,47	4700385442	365
4700380113	287	4700382093	111,113	4700385443	365
4700380123	287,289,291	4700382259	35	4700385599	265,267
4700380129	287	4700382349	299,301	4700385908	365
4700380145	201,203	4700382392	79,81	4700386006	79,81
4700380157	97,99	4700382393	79,81,83	4700386135	85
4700380158	109	4700382397	287,317,337	4700386272	25
4700380161	97,99	4700382406	45,47	4700386390	361,363
4700380185	75,85,87	4700382411	45,47	4700386391	361,363
4700380208	287,317	4700382429	45	4700386392	361,363
4700380262	103,105	4700382582	287,289,291,317	4700386448	111
4700380277	261,263		337	4700386500	45
4700380278	261,263	4700382719	77	4700386506	361,363
4700380280	255,257	4700382751	349	4700386507	361
4700380281	255,257,261,263	4700382782	261,263	4700386512	361,363
4700380305	91	4700382850	31	4700386533	361
4700380323	63,67	4700383200	315	4700386789	115
4700380365	85	4700383225	315	4700386812	31
4700380366	303	4700383326	281,283	4700386814	45
4700380367	303	4700383413	365,369	4700386815	91
4700380372	85,91	4700383424	365	4700386853	93
4700380462	55,57,59,73	4700383452	281,283	4700386882	105
4700380490	177	4700383705	289,291	4700386943	93
4700380577	247	4700383783	59	4700386999	257,259
4700380700	247	4700383806	75,85,89	4700387085	91,93
4700380717	177,193,195	4700383844	35	4700387089	49
4700380727	287,289,291	4700383856	117,163	4700387090	49
4700380755	43,45,47	4700383857	117,121,123,125	4700387110	91
4700380798	277,279		127,129,139	4700387128	81
4700380799	277	4700383933	121,123,125,127	4700387129	81,83
4700380800	277		129	4700387130	91
4700380830	177,185,187,189	4700383955	121,123,125,127	4700387226	295
	193,247		129	4700387227	295
4700380889	287,317	4700383956	121	4700387239	91
4700380963	313	4700383958	201,211	4700387241	91
4700380964	313	4700383974	121,123,125,127	4700387263	79
4700380967	67		129	4700387264	79
4700380968	31	4700383975	121,123,125,127	4700387265	105
4700380993	21,41		129	4700387419	273
4700381027	59,67,69,71	4700383976	121,123	4700387466	365,371

NUMERICAL INDEX

Part Number	Page	Part Number	Page	Part Number	Page
4700387467	365,371	4700392170	93	4700450066	43,45,47
4700387545	295	4700392283	83	4700450067	43,45,47
4700387638	365	4700392284	83	4700470020	255,257
4700387683	265,267	4700392295	115	4700482010	177
4700387720	295	4700392296	115	4700482056	235,237
4700387728	263	4700392313	93	4700482107	201
4700387797	363	4700392378	93	4700482182	177,193,195
4700387909	79	4700392394	289,291	4700482342	243,245
4700388089	59	4700392507	265	4700482391	177,193,195,213
4700388145	121,123,125,127	4700392747	115	4700482399	235,237
	129	4700392786	47	4700482435	221
4700388146	121,123,125,127	4700392810	99,101	4700482474	237
	129	4700392823	59	4700482516	235
4700388210	281,283	4700392875	291	4700482525	221
4700388211	283	4700392899	305	4700482815	221
4700388449	351	4700392900	305	4700483031	213
4700388470	365	4700392911	47	4700483033	177,247
4700388750	113	4700392912	47	4700483050	221,223,225,231
4700388751	111,113	4700392981	241	4700483109	221,223,225,231
4700388855	83	4700392986	241	4700483119	173
4700389063	59	4700392996	265,267	4700483120	173
4700389171	299	4700393002	117,147	4700483123	177,193,195
4700389175	299,301	4700393085	101	4700483188	243,245
4700389177	299	4700393276	57,59	4700483190	173
4700389178	299	4700393277	57,59	4700483204	243,245
4700389184	301	4700393278	57,59	4700483231	231
4700389577	275	4700393279	57,59	4700483280	231
4700389600	101	4700393388	301	4700483286	201,213
4700389907	37,39	4700393661	115	4700483397	201
4700390083	93	4700393666	101	4700483445	243,245
4700390478	51	4700393705	93	4700483496	223,225
4700390479	51	4700393713	93	4700483497	223,225,231
4700390480	51	4700393772	93	4700483498	223,225,231
4700390481	51	4700393810	259	4700483499	177,193,195
4700390483	365	4700393857	47	4700483500	201
4700390587	129	4700393962	83	4700483501	201
4700390588	129	4700393963	83	4700483517	177,247
4700390589	129	4700394005	83	4700483551	195
4700390590	127,129	4700394071	93	4700483558	193
4700390591	127,129	4700394097	93	4700483999	213
4700390705	107	4700394511	83	4700484234	213
4700390759	129	4700394603	301	4700484235	213
4700390760	129	4700394680	101	4700499266	97,99,101
4700390762	127,129	4700394686	13,15,17,97,99	4700500006	103,105,107,277
4700390771	69		101		373
4700390896	65,69,71	4700394687	15,17,97,99,101	4700500007	295
4700390897	59,69,71	4700394902	221,223,225,231	4700500012	85,91,93,257,271
4700390900	119,349	4700395022	101		273
4700390927	345	4700395384	213,215,217	4700500013	93,259,275,291
4700391195	59	4700395385	195,197,199		297,299,301,303
4700391206	59	4700395386	213,219		365,371,373
4700391379	307	4700395458	59,71	4700500015	297
4700391380	307	4700395552	113	4700500018	41,85,91,93,243
4700391381	307	4700395821	259		245,257,371
4700391382	307	4700396030	57,59	4700500019	59,85,91,93,97
4700391383	307	4700396142	57,59		99,105,221,223
4700391386	307	4700396309	117,169		225,231,239,241
4700391784	295	4700396968	267		259,287,333,335
4700392002	225,229,231	4700397126	31		343
4700392100	229	4700416004	303	4700500021	45,47,85,91,95
4700392103	229	4700416034	297,299,301,303		101,105,107,111
4700392105	229		305		113,177,193,195

NUMERICAL INDEX

Part Number	Page	Part Number	Page	Part Number	Page
4700500021	275,293,297,299 301,303,305,313 359	4700500161 4700500163 4700500165	77,367 63,65,67,69,71 37,39,59	4700586002 4700586003	265,267,279,293 313,361,363 49,77,79,81,83
4700500022	43,45,47,103,105 107,115,313,315 365	4700500184 4700500192 4700500194	255,257 239,365 57,59,77,79,81	4700586011 4700586018	101,259,275,289 291,303,305,313 335,365 45
4700500023	365	4700500195	83,201,281,283	4700586019	77,79,81,83,85
4700500025	259	4700500196	289,291,337		273
4700500028	93,177,193,195 201,213	4700500197	59,67,69 71		57,77,79,81,83
4700500029	31,53,59,93,107 173,287,289,291	4700500210 4700500226	289,291 287	4700586021	307
4700500030	295,317,337 43,45,113,201	4700500228 4700500230	77,79 315	4700588176	333
4700500031	213,241,309	4700500240	53	4700600008	349
4700500032	45,47,85,311,367	4700500263	177,193,195,247	4700600009	221,223,225
4700500033	113,173,201,213	4700500287	41	4700600014	57
4700500035	79,177,257	4700500505	295	4700600016	155
4700500036	81	4700502019	201	4700603009	227,229
4700500037	41,77,79	4700502034	221,223,225	4700603010	315
4700500040	45,47,93,103,255 257,269,271,273 279,293,297,299	4700502059 4700502078 4700502132	213 201 173,177,193,195	4700603018	297,299,301
4700500043	301,361,363	4700508002	247	4700603046	103,105,107
4700500044	31,269,271,273	4700508005	361,363	4700624005	35,57,63,67
4700500046	231	4700508006	317	4700624005	349
4700500047	177,193,195	4700508019	287	4700624016	315
4700500048	43,45,47,79,81	4700508029	67	4700629016	303
4700500051	83,255,257,283		223,225,231	4700629066	333
4700500053	309,311	4700508056	67	4700635061	31,221,223,225
4700500060	57,59,257,259	4700508059	317		227,229
4700500061	43,45,47,49,85	4700508068	307	4700747282	93,103,105,107
4700500067	91,93,101,115	4700508079	79,81,83	4700791119	239,241
4700500070	243,245,255,257	4700508092	305	4700791120	239,241
4700500075	259,265,267,277	4700509025	77,79,81,83	4700791156	59,63,65,67,69
4700500076	279,281,283,287	4700509034	177,193,195		71
4700500077	289,291,343,365	4700513012	47	4700791172	367
4700500079	259	4700513017	295	4700791175	123,125,127,129
4700500082	299	4700527002	57,59	4700791176	123,125,127,129
4700500089	107	4700533001	303	4700791183	259
4700500100	81,83	4700533038	303	4700791185	265,267
4700500101	93,255,257,259	4700533070	263	4700791211	265,267
4700500102	261,263,265,267	4700535005	327	4700791218	337
4700500109	57,63,67	4700541526	281,283	4700791226	289,291
4700500111	31	4700541702	261,263,269,271	4700791277	349
4700500112	281,283,301	4700541703	273,275,293,363	4700791279	349
4700500113	57,59,63,65,67 69,71	4700541705	303	4700791371	257
4700500147	111,113	4700541705	269	4700791475	45,47
4700500149	315	4700570003	255,257	4700791476	295
4700500153	173	4700570004	259,261,263,265	4700791503	257,259
4700500154	35	4700570007	267,303,307,363	4700791517	265
	193,195	4700570016	365,373	4700791573	121,123,125,127
	287	4700570016	255,257,259,337		129
	317	4700573003	239,365	4700791578	265,267
	365	4700573004	59	4700791582	265,267
	43,45,47,67,221	4700586001	33	4700791583	265,267
	223,225,231		297,299,301	4700791584	265,267
	33,35		303	4700791585	265,267
	177		47,259,263,277	4700791587	265,267
	313		305,373	4700791588	265,267
	37,39,83		43,45,47,261,263	4700791597	47
				4700791598	257
				4700791642	349
				4700791647	265
				4700791657	265,267
				4700791723	267

NUMERICAL INDEX

Part Number	Page	Part Number	Page	Part Number	Page
4700791733	267	4700900798	277	4700901987	137,145,153,161
4700791739	267	4700900807	37,57		167
4700791819	213	4700900926	135	4700902123	309,311
4700791823	213	4700900937	157	4700902125	243
4700791924	257	4700900944	157	4700902163	293
4700791927	59	4700900957	143,151,159	4700902164	293
4700792052	259	4700900966	135,143,151,159	4700902166	43,45,47,85,91
4700792081	79,81,83	4700900969	157		93,115,291,295
4700792083	265,267	4700900970	157	4700902183	309
4700792248	367	4700900971	157	4700902184	309
4700792261	123,125,127,129	4700900972	157	4700902185	309
4700792277	257	4700901121	107	4700902186	309
4700792315	265,267	4700901145	77,79,119,121	4700902187	303
4700792320	265,267		123,125,127,129	4700902189	303
4700792339	193,195		131,155,287,289	4700902191	303
4700792413	265,267		291,317,337	4700902192	297
4700792461	265,267	4700901155	201	4700902203	289,291
4700792462	265,267	4700901157	201	4700902223	261,263
4700792463	265,267	4700901190	281,283	4700902224	261,263
4700792464	61	4700901218	119,121,123,125	4700902225	261,263
4700792549	47		127,129	4700902227	269,271,273
4700792661	83	4700901219	119,121	4700902239	121
4700801187	27,57,59	4700901220	359	4700902284	43,255,257
4700801567	255,257	4700901224	279,361,363	4700902285	43,45,47,85,91
4700801630	33	4700901226	261,263		93,103,255,257
4700801631	33,35	4700901227	265,267		259,281,283,299
4700813316	221,223,225	4700901228	265,267	4700902286	95,257,283,287
4700813379	119,121,123	4700901240	261,263	4700902288	281,283
4700813380	119,121,123	4700901328	189,199	4700902337	191
4700813391	31	4700901369	269,271,273	4700902379	45,47,293
4700813434	255,257,259,371	4700901385	203	4700902496	281,283
4700813444	221,223,225,231	4700901386	203	4700902558	105,107,367
4700813499	177,193,213,247	4700901387	203	4700902581	177,193,247,249
4700813500	223,225,231	4700901389	203	4700902610	359
4700813611	181	4700901390	203	4700902624	205,211
4700813618	181	4700901430	205	4700902625	209
4700813738	239	4700901443	119,121,123,125	4700902655	203,205
4700813791	97,99,101		127,129	4700902687	205,211
4700813822	175,179,185,191	4700901444	119,121,123,125	4700902693	209
	249		127,129	4700902695	205,211
4700814065	371	4700901448	77,79	4700902697	209
4700828112	219	4700901449	77,79,81,83	4700902723	209
4700828114	219	4700901452	179,185	4700902724	205,211
4700828138	219	4700901453	175,179,185,249	4700902735	209
4700828139	219	4700901454	179,185	4700902783	209
4700828142	215	4700901455	179,185,197	4700902792	207
4700900188	199	4700901458	179,185,197	4700902811	209
4700900229	177,193,195,213	4700901463	181	4700902856	205,211
4700900247	103	4700901464	181,249	4700902861	233
4700900249	103,105	4700901465	175,181,187	4700902862	233
4700900256	169	4700901466	181,187,199	4700902864	233
4700900430	201	4700901467	175,181,187	4700902895	303
4700900512	213	4700901475	181,187	4700902896	303
4700900552	235,237	4700901476	181,187	4700902915	349
4700900604	247	4700901742	209	4700902919	195,293
4700900775	59,63,65,67,69	4700901766	277	4700902924	365
	71	4700901767	261,263,265,267	4700902926	249
4700900776	23,63,65,67,69		293	4700902928	175,179,185,197
	71	4700901828	67		249
4700900782	23,63,65,67,69	4700901832	369	4700902929	249
	71	4700901834	131,139,155,163	4700902930	249
NI 6 4700900784	23,63,67		169	4700902944	73,249

NUMERICAL INDEX

Part Number	Page	Part Number	Page	Part Number	Page
4700902957	249	4700904005	173,177,193,195	4700904233	337
4700902959	181,249		221,223,225,231	4700904234	33,35,37,39,57
4700902960	249		247		61,231,315
4700902961	249	4700904015	363	4700904241	77,79,81,83,221
4700902984	249	4700904018	255		223,225,231
4700902995	251	4700904020	255,259	4700904281	45,47,103,105
4700902996	249	4700904036	255,257,259		107,257,259,263
4700903053	175	4700904037	255,257		277,295,361
4700903189	69,71	4700904038	259,269,271,273	4700904282	177,193,195
4700903190	69,107	4700904058	173	4700904294	371
4700903192	281,283,291	4700904059	97	4700904314	269,271,273
4700903281	57,59	4700904060	97,99,101	4700904340	313
4700903290	173,287,289,291	4700904068	349,351	4700904379	77,79,81,83
	317,337	4700904098	351	4700904415	361,363
4700903395	303	4700904143	227	4700904433	287,289,291,317
4700903422	349	4700904145	227		337
4700903423	349	4700904165	367	4700904448	255,257
4700903424	349	4700904171	177,193,195	4700904479	57
4700903425	349	4700904177	59	4700904486	85,91,93
4700903436	269,271	4700904180	315	4700904504	43,45,47
4700903457	233	4700904204	77,79,81	4700904543	269,271,365
4700903459	349	4700904206	281,283	4700904551	85,91,93
4700903570	175,179,185,197	4700904213	177,193,195,365	4700904556	101,259,305
4700903571	175,179,181,185	4700904228	45,47,93,255,257	4700904557	31,45,47,85,113
	197		259,261,263,269		367
4700903574	181		271,273,275,279	4700904559	33
4700903576	181		291,293,297,299	4700904562	315
4700903578	181		301,303,313,361	4700904563	307
4700903579	179		363,365,371,373	4700904567	53,239,241,365
4700903580	179,185	4700904229	41,59,79,81,83	4700904584	213
4700903619	227		85,91,93,97,99	4700904586	213
4700903631	255,257,259		105,107,115,177	4700904619	315
4700903632	255,257,259		193,195,201,221	4700904637	77,79,81,83,213
4700903640	255,257,259		223,225,231,239		221,223,225,231
4700903641	257,259		241,243,245,255	4700904638	77,79,81,83,173
4700903714	85,91,93		257,259,265,267		177,193,195,247
4700903727	291		275,277,279,281		257
4700903758	257		283,287,289,291	4700904639	85,91,93,103,255
4700903760	255,259		297,299,301,303		257
4700903768	257,259		305,313,333,335	4700904640	43,45,47,49,77
4700903782	265,267,343		337,343,365,371		79,81,83,85,91
4700903799	303	4700904230	31,43,45,59,77		93,111,113,115
4700903812	221,223,225		79,81,83,85,93		293,315,359
4700903820	261,263		107,111,173,177	4700904653	295
4700903831	221,223,225		193,195,201,213	4700904663	21
4700903838	57		259,269,271,273	4700904695	103,105,107
4700903852	365		287,289,291,295	4700904697	303
4700903877	201		309,311,317,337	4700904703	81,83,213,365
4700903897	277		365	4700904718	49
4700903905	317	4700904231	41,43,45,47,59	4700904723	349
4700903906	365		67,69,71,77,79	4700904734	315
4700903915	85,91		177,201,213,221	4700904735	373
4700903916	85,91		223,225,231,257	4700904737	59,63,65,67,69
4700903919	57,59		259,281,283,287		71
4700903945	307		289,291,317,337	4700904750	257
4700903946	307	4700904232	37,39,57,59,63	4700904767	201
4700903947	307		65,67,69,71,81	4700904773	213
4700903956	265,267		83,201,333	4700904781	201
4700903985	119,121,123,125	4700904233	57,59,77,79,81	4700904793	177,193,195,247
	127,129		83,119,121,123		309
4700904003	201		125,127,129,131	4700904812	303
4700904004	201		287,289,291,317	4700904835	351

NUMERICAL INDEX

Part Number	Page	Part Number	Page	Part Number	Page
4700904846	263	4700908624	327	4700909558	133,141
4700904870	349	4700908625	333	4700909559	133,141
4700904876	109	4700908626	333	4700909560	133,141
4700904910	279	4700908627	333	4700909561	133,141
4700904984	107	4700908628	333	4700909562	133,141
4700905304	329	4700908773	175,181,199	4700909563	133,141
4700905305	329	4700908780	233	4700909564	133
4700905306	329	4700909122	361,363	4700909565	133,141
4700908095	137,161	4700909243	219	4700909566	133,141
4700908136	243,245	4700909252	175	4700909567	133,141,157,165
4700908217	181	4700909253	175	4700909568	133,141,165
4700908229	349	4700909255	175	4700909569	133,141,165
4700908265	333	4700909346	219	4700909570	133,141,165
4700908267	335	4700909349	181	4700909571	133
4700908352	179,185,197	4700909367	181	4700909572	133,141,157,165
4700908355	333	4700909374	179	4700909573	133,157
4700908359	335	4700909381	179	4700909574	133,141,165
4700908361	333	4700909382	185,197	4700909575	133
4700908367	207	4700909386	179,185	4700909576	133,141,157,165
4700908375	209	4700909387	179,185	4700909577	133,157
4700908377	179	4700909388	179,185	4700909578	133,157
4700908378	179	4700909389	179,185	4700909579	133,157
4700908381	205	4700909390	179,185	4700909580	133,141,157,165
4700908383	205,211	4700909391	179,185,197	4700909581	133,141,165
4700908384	209	4700909392	179,185,197	4700909582	131,139,155,163
4700908399	97,99,101	4700909393	179,185	4700909583	131,139,155,163
4700908426	249	4700909398	179,185,197	4700909584	131,139,155,163
4700908427	249	4700909399	181,187,199		169
4700908432	175,179,181,185	4700909407	179	4700909585	137,161
	187,249	4700909417	215	4700909586	137,145,161,167
4700908435	249	4700909428	181,187	4700909587	137,161
4700908443	249	4700909429	181,187,199	4700909588	137,161
4700908447	199	4700909430	181	4700909589	137,161
4700908448	183,187,199	4700909431	181	4700909590	137,161
4700908450	11	4700909432	181,187,199	4700909591	137,161
4700908452	97,99	4700909433	181	4700909592	137,161
4700908461	137,161	4700909434	181	4700909593	137,161
4700908485	133,141,157,165	4700909435	181,187,199	4700909594	137,161
4700908496	373	4700909436	183,187	4700909595	137,161
4700908499	321,323,325,341	4700909469	209,211	4700909596	137,143,145,161
	343,345	4700909514	205,209,211		167
4700908501	365	4700909525	251	4700909597	137,161
4700908502	365	4700909535	287,317	4700909598	137,161
4700908503	365	4700909536	287,317	4700909599	137,161
4700908504	365	4700909537	135,159	4700909601	137,161
4700908506	323,343	4700909538	135,159	4700909602	137,161
4700908507	323,343	4700909539	135,159	4700909603	137,161
4700908513	373	4700909540	135,159	4700909604	137,161
4700908545	321,325,341,345	4700909541	135	4700909605	137,161
4700908580	325,345	4700909542	135	4700909606	137,161
4700908581	325,345	4700909543	135,159	4700909607	137,143,161
4700908582	325,345	4700909544	135,143,151,159	4700909608	137,161
4700908583	325,345	4700909545	135,159	4700909609	137,143,161
4700908585	373	4700909546	135	4700909610	137,161
4700908587	373	4700909547	133	4700909613	135,159
4700908588	373	4700909548	133,157	4700909614	135,159
4700908589	373	4700909549	133	4700909615	135,159
4700908595	373	4700909550	133,141	4700909616	135,143,151,159
4700908598	373	4700909551	133,141	4700909617	135,159
4700908605	329	4700909552	133,141	4700909618	135,143,151,159
4700908617	329	4700909553	133,141	4700909619	135,143,151,159
4700908623	327	4700909555	133,157	4700909620	135,159

NUMERICAL INDEX

Part Number	Page	Part Number	Page	Part Number	Page
4700909621	135	4700927253	205	4700935265	325,345
4700909622	135,143,151,159	4700927278	209	4700935266	325,345
4700909623	135,159	4700927350	203	4700935267	325,345
4700909624	135,143,151,159	4700927354	205	4700935268	325,345
4700909625	135,159	4700927355	205	4700935269	325,345
4700909626	135,143,151,159	4700927358	205,211	4700935270	325,345
4700909630	147	4700927974	287,289,291,317	4700935271	321,325,341,345
4700909641	181		337	4700935272	321,325,341,345
4700909642	181	4700928230	39,61	4700935273	321,325,341,345
4700909643	181	4700928231	61	4700935274	321,325,341,345
4700909727	179,185	4700928381	43	4700935275	321,325,341,345
4700910161	221,223,225,231	4700928497	303	4700935276	321,325,341,345
4700910995	41	4700928830	309,311	4700935277	321,325,341,345
4700911456	261,263	4700928850	57	4700935278	321,341
4700911620	233	4700929013	233	4700935279	321,341
4700921031	255,257,269,271	4700929014	233	4700935280	321,341
	273	4700929023	255,257,259	4700935281	321,341
4700921039	269,271,273,275	4700929123	225,231	4700935282	321,341
	361,363	4700929217	119,121,123,125	4700935283	321,341
4700921050	93,103		127,129,131,155	4700935284	321,341
4700921056	365	4700929226	201,213	4700935285	321,341
4700921072	257,259,269,271	4700929447	25,59,67,69,71	4700935286	321,341
	283	4700929602	293	4700935287	321,341
4700921080	259	4700929612	145,151,153,167	4700935288	321,341
4700921084	93	4700929617	135,143,151,159	4700935289	321,341
4700921104	255,257	4700929624	133,157	4700935290	321,341
4700921116	255,257	4700929625	157,165	4700935291	321,341
4700921132	371	4700929626	157,165	4700935292	321
4700921161	365	4700929628	141,157,165	4700935293	321,341
4700922325	303	4700929629	133,141,157,165	4700935294	321
4700923087	175,179,181,185	4700929630	157,165	4700935295	321,341
	187	4700929631	157,165	4700935296	321,341
4700923342	141,165	4700929638	141,157,165	4700935297	321,341
4700923371	177,193,195	4700929644	133,141,157,165	4700935298	321,341
4700923384	173,177,193,195	4700929648	131,139,147,155	4700935299	321,341
	247		163,169	4700935300	321,341
4700923984	373	4700929712	147	4700935301	321,341
4700923987	297,299,301	4700929863	21	4700935302	321,341
4700924791	313	4700930151	281,283	4700935303	321,343
4700924875	43,45,47,293	4700930153	261,263	4700935394	73
4700925208	41	4700930154	261,263,361	4700935395	73
4700925723	83	4700930163	261,263	4700935413	73
4700925802	269,271,273	4700930182	261,263	4700935414	73
4700925867	57	4700930200	261,263	4700935429	233
4700926214	21,41,221,223	4700932032	261,263	4700935468	233
	225	4700932050	261,263	4700935520	251
4700926354	149	4700935044	81	4700935521	249
4700926356	149	4700935158	205,211	4700935524	249
4700926537	305	4700935164	207	4700935525	249
4700926658	175,249	4700935172	209	4700935526	249
4700926732	137,161	4700935192	211	4700935527	249
4700926736	59,159	4700935218	205	4700935530	249
4700926758	133	4700935219	205,211	4700935531	249
4700926781	137,145,153,161	4700935244	325,345	4700935533	249
	167	4700935245	325,345	4700935536	249
4700926786	149	4700935246	325,345	4700935543	249
4700926810	135,143,159	4700935247	325,345	4700935544	249
4700926846	135	4700935248	325,345	4700935545	249
4700926847	135,143,151,159	4700935249	325,345	4700935556	373
4700926984	85	4700935250	325,345	4700935557	373
4700926985	91,95	4700935253	325,345	4700935558	373
4700927233	307	4700935259	373	4700935605	183

NUMERICAL INDEX

Part Number	Page	Part Number	Page	Part Number	Page
4700935606	135,159	4700936418	205	4700937071	219
4700935613	311	4700936546	179,185	4700937072	219
4700935614	311	4700936547	179,185,197	4700937074	219
4700935619	175,179	4700936548	189,197	4700937075	219
4700935620	179	4700936549	179	4700937077	219
4700935621	175,179	4700936550	179	4700937079	219
4700935622	175,179	4700936551	179,185,197	4700937080	219
4700935623	175	4700936552	179	4700937081	219
4700935624	175	4700936553	179,185,197	4700937084	219
4700935625	175	4700936554	183	4700937086	219
4700935626	175	4700936555	179	4700937150	187,199
4700935629	175	4700936556	179	4700937167	205,207,211
4700935630	175	4700936557	179,185,197	4700937168	205,209,211
4700935631	175	4700936558	179,185	4700937170	207
4700935632	181	4700936559	179,185,197	4700937171	207
4700935633	181	4700936560	179,185,197	4700937172	207
4700935634	181	4700936561	179,185,197	4700937173	207
4700935644	133,141	4700936562	181,187,197	4700937174	207
4700935664	249	4700936563	181,187,191,199	4700937175	207
4700935741	249	4700936564	181,187,199	4700937176	207
4700935749	249	4700936565	181	4700937180	207
4700935750	249	4700936566	181,187,199	4700937181	207
4700935758	77,79,81,83	4700936567	181,187,191,199	4700937182	207
4700935853	175	4700936568	181,187	4700937183	207
4700935855	179	4700936569	181	4700937184	207
4700935856	179,185,197	4700936570	181,187	4700937185	207
4700935857	181,187,199	4700936571	181,187,199	4700937186	207
4700935859	73	4700936572	181	4700937187	207
4700935862	73	4700936576	181	4700937188	207
4700935865	73	4700936577	181	4700937189	207
4700935866	73	4700936579	181	4700937190	207
4700935867	73	4700936580	183	4700937195	205,211
4700935868	73	4700936582	179,185,197	4700937198	205,211
4700935870	73	4700936583	181,187,199	4700937199	205,211
4700935874	73	4700936589	249	4700937200	205,211
4700935875	73	4700936591	249	4700937201	205,211
4700935876	73	4700936592	249	4700937202	209
4700935877	73	4700936593	251	4700937203	209
4700935881	73	4700936613	209	4700937204	209
4700935882	73	4700936614	209	4700937205	209
4700935883	73	4700936621	207	4700937206	209
4700935969	7,11,13,15,17,77 79,81,83	4700936648	205,211	4700937240	209
4700936035	149	4700936673	209	4700937256	203
4700936036	149	4700936674	209	4700937257	203
4700936053	149	4700936677	205	4700937258	203
4700936054	149	4700936678	205	4700937259	203
4700936055	149	4700936679	205	4700937260	203
4700936056	149	4700936683	205	4700937261	203
4700936086	159	4700936684	205	4700937264	203
4700936267	227	4700936685	205	4700937265	203
4700936268	227	4700936686	205,211	4700937265	203
4700936283	287,317	4700936686	205	4700937274	175
4700936288	181	4700936687	205	4700937275	175
4700936307	211	4700936688	205	4700937277	175
4700936308	205,211	4700936688	205	4700937277	175
4700936313	209	4700936803	205,211	4700937278	175
4700936340	205,211	4700936933	215	4700937278	175
4700936370	209	4700937055	221,223,225	4700937279	175
4700936371	205	4700937062	219	4700937280	175
4700936393	205,211	4700937064	219	4700937283	175
4700936394	209	4700937065	219	4700937283	175
		4700937066	219	4700937381	321,341
		4700937066	219	4700937381	321,341
		4700937067	219	4700937382	321,341
		4700937070	219	4700937382	321,341
				4700937383	321,341
				4700937384	321,341

NUMERICAL INDEX

Part Number	Page	Part Number	Page	Part Number	Page
4700937385	321,341	4700938252	187	4700939257	141,165
4700937386	321	4700938253	187,199	4700939258	141,165
4700937387	321	4700938290	341	4700939259	141,165
4700937388	321	4700938291	341	4700939260	141,165
4700937389	321,341	4700938292	341	4700939261	141,165
4700937390	325,345	4700938295	159	4700939262	141
4700937391	325,345	4700938296	143,159	4700939263	145,167
4700937392	325,345	4700938298	159	4700939264	145,167
4700937393	325,345	4700938300	159	4700939265	145,167
4700937394	87,89	4700938514	15,17	4700939266	145,167
4700937531	205,211	4700938516	15,17	4700939267	145,153,167
4700937626	63	4700938517	15,17	4700939268	145,167
4700937627	67	4700938521	5,11	4700939269	145,167
4700937674	203	4700938522	5,15	4700939270	145,153,167
4700937737	365,373	4700938524	5,7	4700939271	145,153,167
4700937738	373	4700938527	5,9	4700939272	145,153,167
4700937741	373	4700938558	19,21	4700939273	145,153,167
4700937742	373	4700938587	373	4700939274	145
4700937857	187,199	4700938588	373	4700939275	145,167
4700937870	331	4700938589	373	4700939276	145,167
4700937871	329	4700938590	373	4700939277	145,167
4700937895	77,79,81	4700938597	369	4700939278	145,153,167
4700937985	205,211	4700938598	369	4700939279	145
4700937986	205,211	4700938599	369	4700939280	143,151
4700937993	203	4700938600	369	4700939281	143
4700937994	205	4700938601	369	4700939282	143,151
4700937995	203	4700938602	369	4700939283	143
4700937998	205,211	4700938603	369	4700939284	143
4700937999	205,211	4700938604	369	4700939285	143,151
4700938001	205,211	4700938605	369	4700939286	143
4700938003	205,211	4700938606	369	4700939287	143
4700938004	205,211	4700938607	369	4700939348	151,153
4700938005	205,211	4700938608	369	4700939349	167
4700938006	205	4700938609	369	4700939350	151,153
4700938014	205,211	4700938659	341	4700939351	167
4700938015	205	4700938691	365	4700939403	107
4700938017	325,345	4700938856	373	4700939404	107
4700938018	325,345	4700938878	19,27	4700939405	107
4700938040	203	4700938891	19,25	4700939489	187,199
4700938041	203	4700938894	19,23	4700939505	79,81,83
4700938042	203	4700938983	143,151	4700939507	105
4700938045	325	4700938984	143,151	4700939727	205
4700938053	87	4700938985	145,167	4700939741	89
4700938054	87	4700938988	149	4700939742	89
4700938055	87	4700938989	141,149,165	4700939743	89
4700938056	87	4700938991	149	4700939744	89
4700938062	233	4700938993	149	4700939745	91
4700938063	233	4700939003	145,153,167	4700939746	91
4700938064	233	4700939009	153	4700940308	207
4700938065	233	4700939010	153	4700940374	307
4700938066	233	4700939014	153	4700940451	265,267
4700938067	233	4700939015	145,153,167	4700940505	211
4700938068	233	4700939016	145,153,167	4700940507	211
4700938069	233	4700939017	145,153,167	4700940675	211
4700938070	233	4700939019	145,153,167	4700940678	325,345
4700938071	233	4700939026	143,151	4700945140	81,83
4700938072	233	4700939035	143,151	4700945160	191
4700938073	233	4700939036	143,151	4700945407	307
4700938074	233	4700939167	211	4700945581	73
4700938075	233	4700939173	211	4700945585	65
4700938101	325,345	4700939255	143	4700945589	69,71
4700938170	187,199	4700939256	143	4700945729	307

NUMERICAL INDEX

Part Number	Page	Part Number	Page	Part Number	Page
4700945757	249				
4700945775	211				
4700945776	211				
4700945777	103,105,107				
4700945822	301				
4700945877	219				
4700945879	219				
4700947680	305				
4700947688	213				
4700950196	5,13				
4700950197	5,17				
4700950283	187,199				
4700950284	187,199				
4700950368	175				
4700950378	191				
4700950382	305				
4700950398	47				
4700950555	169				
4700950556	147				
4700950557	153				
4700950558	151				
4700950559	147				
4700950616	217				
4700950617	215				
4700950618	215				
4700950619	217				
4700950620	217				
4700960067	363				
4700985012	261,263				
4700985125	261,263				
4700985146	261,263				
4700989151	239,241				
4700991658	351				
4700991990	119,349				
4700999011	275				
4700999027	255,257,265,267				
47349248CN	349				
47349248DE	349				
47349248DK	349				
47349248EN	349				
47349248ES	349				
47349248FI	349				
47349248FR	349				
47349248GR	349				
47349248IS	349				
47349248IT	349				
47349248NL	349				
47349248NO	349				
47349248PT	349				
47349248SE	349				
4812110216	273				
4812155075	291				