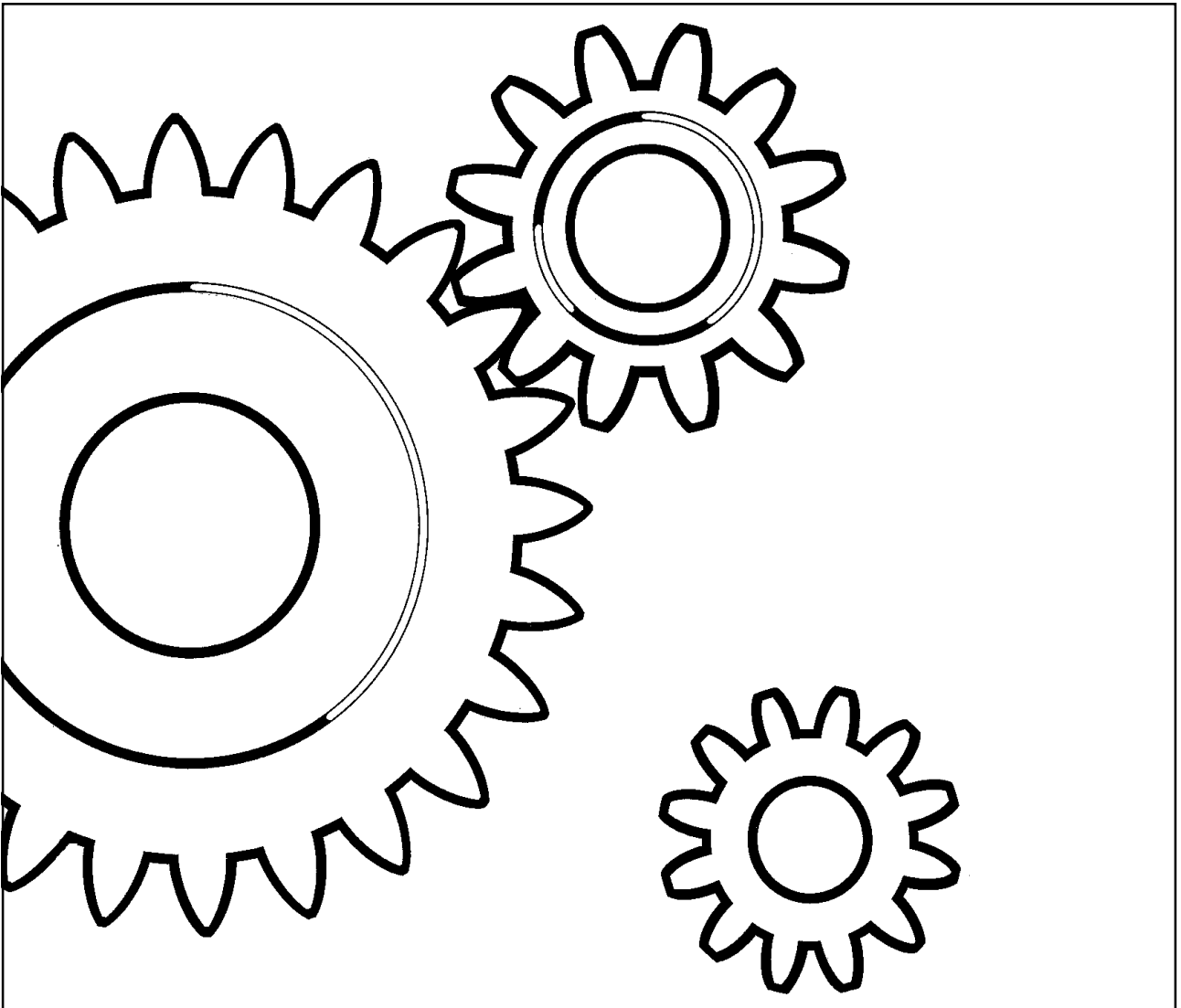


**DYNAPAC**  
**CA250PD**  
**SPARE PARTS**  
**CATALOGUE**  
**SCA250PD-3EN2**



***DYNAPAC***

Part of the Atlas Copco Group

Box504, SE-37123 Karlskrona, Sweden

Phone: +46 455 30 60 00, Fax: +46 455 30 60 10

[www.dynapac.com](http://www.dynapac.com)



# **DYNAPAC**

Part of the Atlas Copco Group

## **Vibratory Roller CA250PD**

### **Spare Parts Catalogue SCA250PD-3EN2**

*Valid from roller serial number:*

*\*65921200\*-*

*Diesel engine:*

*CUMMINS QSB 4.5C*

*Published catalogue issues valid for these rollers:*

<i>Catalogue</i>	<i>Issue date</i>	<i>Valid for serial numbers</i>
<i>SCA250PD-3EN1</i>	<i>2007-05</i>	<i>Replaced by SCA250PD-3EN2</i>
<i>SCA250PD-3EN2</i>	<i>2009-10</i>	<i>*65921200* -</i>



**RESERVDLSBESTÄLLNING**

Följande uppgifter ska lämnas vid beställning av reservdelar för att undvika leveransfel:

1. Maskintyp.
2. Vältens serienummer.
3. Antal av önskad reservdel.
4. Reserdelens artikelnummer.
5. Reservdelens benämning.
6. Måttuppgifter vid beställning av metervara.

**ORDERING SPARE PARTS**

To avoid errors in delivery, please give the following information when ordering spare parts:

1. Type of machine.
2. Roller serial number.
3. Quantity required.
4. Part number.
5. Parts denomination.
6. Dimensions when ordering per length.

**ERSATZTEILBESTELLUNG**

Zur Vermeidung von Fehllieferungen sind bei der Bestellung von Ersatzteilen folgende Angaben zu machen:

1. Maschinentyp.
2. Herstellungsnummer.
3. Bestellmenge. (Quantity)
4. Ersatzteilnummer. (Part N°)
5. Ersatzteilbenennung. (Denomination)
6. Massangaben bei Bestellung von Meterware.

**ORDINI DI RICAMBI**

Per evitare errori nelle consegne di ricambi, Vi preghiamo di comunicarci le seguenti informazioni al momento dell'ordinazione:

1. Tipo di macchina.
2. Numero di serie della macchina.
3. Quantità dei pezzi desiderati. (Quantity)
4. Numero di codice del pezzo. (Part N°)
5. Descrizione del pezzo di ricambio. (Denomination)
6. Misura, in caso di ordine per metro.

**PEDIDO DE RECAMBIOS**

Para evitar errores en las entregas, deberán indicarse los siguientes datos al hacer un pedido de recambios:

1. Tipo de máquina.
2. Número de serie.
3. Cantidad de piezas deseadas. (Quantity)
4. Número de artículo de la pieza de recambio. (Part N°)
5. Denominación de la pieza. (Denomination)
6. Indíquese la medida al solicitar un artículo que se expide por metros.

**COMMANDE DE PIÉCES DE RECHANGE**

Les indications suivantes doivent être fournies lors de la commande de pièces de rechange, afin d'éviter toute erreur de livraison:

1. Type de machine.
2. Numéro de série.
3. Quantité désirée de pièce de rechange. (Quantity)
4. Numéro de la pièce de rechange. (Part N°)
5. Dénomination de la pièce de rechange. (Denomination)
6. Longueur en cas de commande au mètre.

**YOUR AGENT/DEALER:**

## Text pages

The text pages is structured as the picture on the right.

1. This is the remarks for specific items and the descriptions of the remarks is at the bottom of the parts list.

2. Parts indicated by a dot and moved to the right are included when buying the assembled unit above.

3. Spare parts and service code for a specific part, mainly for internal use at Dynapac. "A" = Service part, "B" = Fast moving part, "C" = Suggested exchanged part and "D" = Regular spare part.

<b>DYNAPAC</b>				Metso Dynapac AB	
Cooling system					
Ref. No.	Part No.	Rem.	Qty	Description	Code
1	223047		1	Water cooler	③ C
2	935852		1	Radiator cap	D
3	935851	①	1	Cock	
4	373263	A	1	Radiator hose	D
5	313009		6	Clamp	
6	205058	B	1XL	Rubber clutch	
7	373261	C	1	Radiator hose	D
8			1	Oil cooler	D
9	223289		1	Plate	
10	902166	D	1XL	Edge trim	
11	223287	E	1	Holder	
12	223288	F	1	Holder	
13	908168		1	Fan guard	
14	908170		1	Fan shroud	
15	908171		2	Mounting bar	
16	908169		1	Fan guard	
17	500021		14	Screw	
18	902286		14	Nut	
19	600006		14	Washer	
20	313102		2	Cable strap	

A) Upper  
 B) L=060MM  
 C) Lower  
 D) L=2280MM  
 E) Left  
 F) Right

## Changes

PARTS INFO	SERVICE INFO	GROUP	PAGE	NOTES

## Notes

---

---

---

---

---

---

---

---

---

---

---

---



## PÄRMETIKETT

För att undvika fel vid reservdelsbeställning finns här nedan två etiketter som passar i fickorna på pärmarnas ryggar. På dessa kan man se från vilket vältnummer av aktuell maskin reservdelskatalogen gäller. Gör så här:

1. Tag denna sida ur pärmen.
2. Klipp ut etiketten till **VÄNSTER** (1) och sätt in den i fickan på **DENNA** pärmens rygg.
3. Finns det en etikett till **HÖGER** (2), kan denna användas på pärmen för **FÖREGÅENDE** utgåva av denna katalog.
4. Kasta detta papper.

## KATALOG-BESCHRIFTUNG

Zur Vermeidung von Fehlern bei der Ersatzteilbestellung benutzen Sie bitte die unteren Beschriftungen, um die Kataloge auf der Rückseite zu kennzeichnen. Auf der Beschriftung ist angegeben, für welche Maschinennummern der jeweilige Katalog gültig ist. Ablauf:

1. Nehmen Sie dieses Blatt aus dem Katalog.
2. Schneiden Sie die **LINKE** Beschriftung (1) aus. Schieben Sie die Beschriftung in die tasche auf **DEM** Katalogrücke.
3. Sollte die Beschriftung unten **RECHTS** (2) mitgeliefert werden, kennzeichnen Sie damit bitte die **ÄLTERE** Ausführung dieses Kataloges.
4. Den Rest dieses Blattes bitte vernichten.

## ETIQUETA PARA LA CARPETA

Para evitar errores al pedir repuestos utilicen las etiquetas abajo descritas para identificar los catálogos en la parte trasera de la carpeta. En la etiqueta se ven los números de referencia de la serie para la cual es válido el catálogo. Instrucciones:

1. Quitar esta página de la carpeta.
2. Corta la etiqueta **IZQUIERDA** (1) y ponerla en **ESTA** carpeta en la parte trasera.
3. Si hay una etiqueta en la parte **DERECHA** (2) se puede utilizar en la carpeta para el catálogo que **PRECEDE** a esta.
4. Tirar esta hoja.

## BINDER LABEL

To avoid errors when ordering spare parts use the labels below to identify the catalogues on the back of the binder. The label contain the serial number range for which the catalogue is valid. Do like this:

1. Remove this page from the binder.
2. Cut out the **LEFT** label (1) and put it on **THIS** binders back.
3. If there is a label to the **RIGHT** (2), it can be used on the binder for **PRECEDING** issue of this catalogue.
4. Throw away this paper.

## ETICHETTAPOSTASULRACCOGLITORE

Per evitare errori quando ordinate pezzi di ricambio, usate le etichette in calce che servono ad identificare i cataloghi sul retro del raccoglitore. L'etichetta indica il numero di matricola delle macchine prese in considerazione nel catalogo.

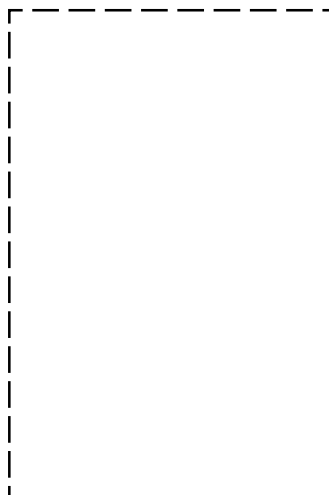
1. Rimuovete questa pagina dal raccoglitore.
2. Ritagliate l'etichetta posta a **SINISTRA** (1) e ponetela sul retro **DEL** raccoglitore.
3. Se trovate anche un'etichetta sulla **DESTRA** (2), ritagliatela e ponetela sul raccoglitore relativo alla **PRECEDENTE** edizione del catalogo.
4. Distruggete questo foglio.

## ETIQUETAGE DU CATALOGUE

Afin d'éviter des erreurs lors de commandes de pièces de rechange, nous vous conseillons d'apposer les marquages ci-dessous à l'arrière du classeur, pour identifier les catalogues. Ce marquage indique les numéros de série pour lesquels le catalogue est adapté. Il convient de procéder de la façon suivante:

1. Retirez cette page du classeur.
2. Découpez l'étiquette de **GAUCHE** (1), et apposez-la à l'arrière de **CE** catalogue.
3. Si il y a une étiquette à **DROITE** (2), vous pourrez l'apposer sur le classeur de l'édition **PRECEDENTE** du catalogue.
4. Détruire cette feuille.

1.







**TABLE OF CONTENTS**

**Page**

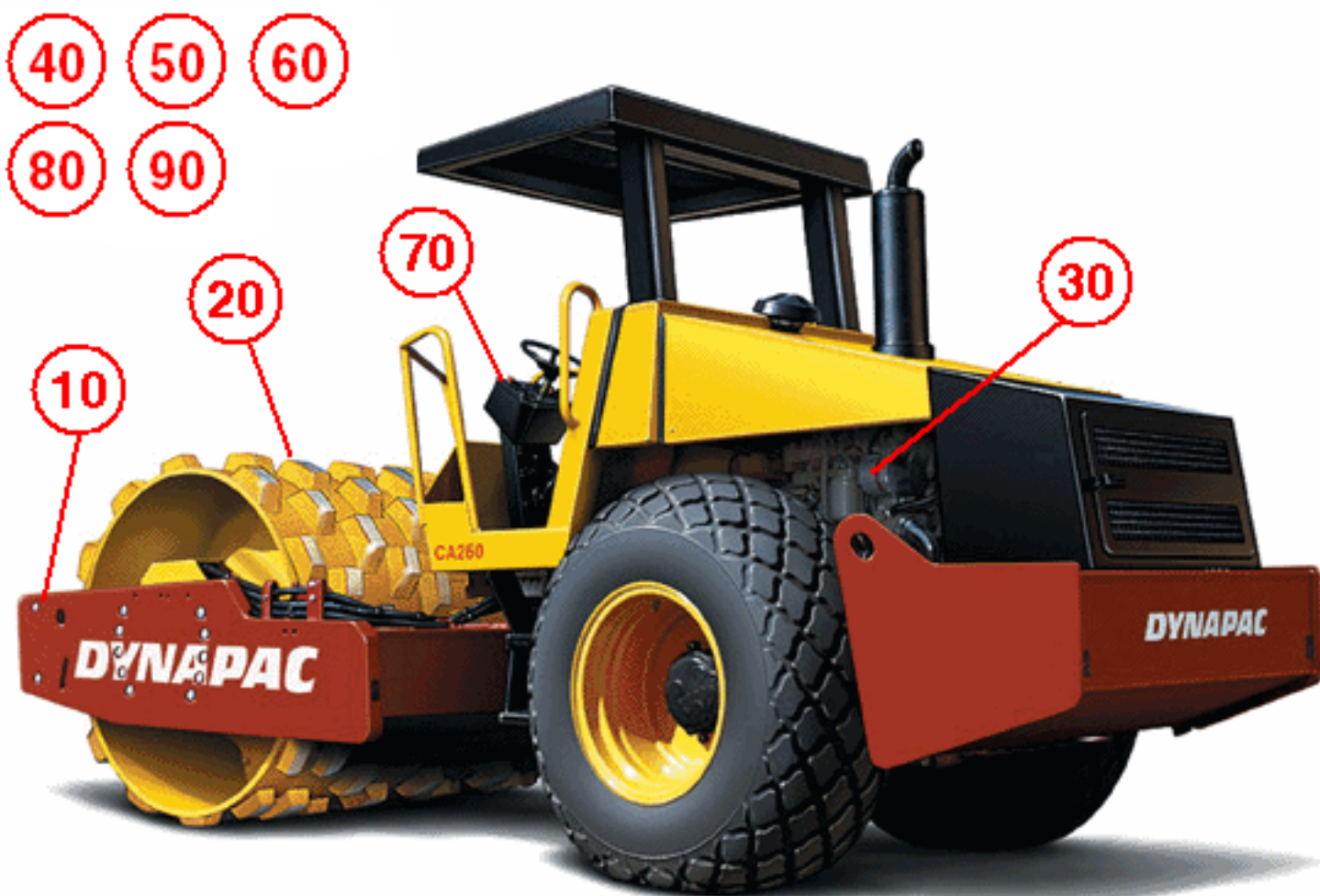
<b>CA250PD SN 65921200 -</b>	<b>2</b>
<b>Service kits</b>	<b>4</b>
4700945845 Service kit 50 h	6
4700945790 Service kit 500 h	8
4700945846 Service kit 1000 h	10
<b>Frame</b>	<b>12</b>
Frames Up to 65X21499	14
Frames From 65X21500	16
Scrapers and beam Up to 65X21499	18
Scrapers and beam From 65X21500	20
Hitch	22
Structure Up to 65X21499	24
Structure From 65X21500	26
Side covers Option Up to 65X21499	30
Noise suppression Option Up to 65X21499	32
<b>Drum</b>	<b>34</b>
Drum Up to 65X21499	36
Drum From 65X21500	38
Drum cartridge Drive side Up to 65X21499	42
Drum cartridge Vibration side Up to 65X21499	44
4700380462 Drum gear	46
4700372987 Drum gear	48
<b>Engine</b>	<b>50</b>
Engine Cummins QSB 4.5 C	52
Cooling system Up to 65X21499	54
Cooling system From 65X21500	56
Combustion air system Up to 65X21499	60
Combustion air system From 65X21500	62
Fuel system Up to 65X21499	64
Fuel system From 65X21500	66
Exhaust system	68
<b>Transmission</b>	<b>70</b>
Rear axle and wheels	72
4700383857 Rear axle Up to 65X21499	74
Differential with limited slip	76
Differential housing and brakes	78
Planet gear	80
4700393002 Rear axle From 65X21500	82
Differential with limited slip	84
Differential housing and brakes	86
Planet gear	88
4700383856 Rear axle No-Spin, Option	90
Differential with No-Spin	92
Differential housing and brakes	78
Planet gear	94
4700396309 Rear axle Option From 65X21500	96
Differential with limited slip	84
Differential housing and brakes	86
Planet gear	88
<b>Hydraulic system</b>	<b>98</b>
Propulsion system, Front	100

**TABLE OF CONTENTS**

**Page**

4700371509	Propulsion motor	102
	Propulsion system, Rear	104
4700380830	Propulsion pump	106
4700375999	Hydraulic motor	112
	Vibration system	114
4700380145	Hydraulic motor, vibration	116
4700383958	Vibration pump	118
4700937167	Rotary group, cpl	120
4700937168	Valve block, cpl	122
	Steering system	124
4700376000	Steering valve	126
4700392002	Steering cylinder	128
	Brake system	130
	Central test panel hydraulic Option	132
<b>Electric system</b>		<b>134</b>
	Electric system Up to 65X21499	136
	Control panel Up to 65X21500	138
	Control panel From 65X21501	140
	Working lights Option Up to 65X21499	142
	Rotating beacon Option	144
	Back-up alarm Option	146
	Compaction meter Option	148
<b>Drivers platform</b>		<b>150</b>
	Drivers platform	152
	Control panel	154
	Forward and reverse control	156
	Forward and reverse control handle	158
	Steering column	160
	Canopy Option	162
	Rops and fops	164
	Cab mounting	166
	Cab 392479	168
	Cab Screens	170
	Cab Door, left side	174
	Cab Interior rear mirror	176
	Wiper arm with blade, front	178
	Cab Electric	180
<b>Decals</b>		<b>182</b>
	Decals	184
	Decals	186
<b>Standard equipment</b>		<b>188</b>
	Standard equipment	190
<b>Optional equipment</b>		<b>192</b>
	Tool equipment	194
	Air conditioner and heater, Simple cab	196
4700383413	Condenser, cpl	200
	Air conditioner and heater unit	202
	Dy-Mic	204
	Heater Simple cab	206
4700379394	Heater box	208





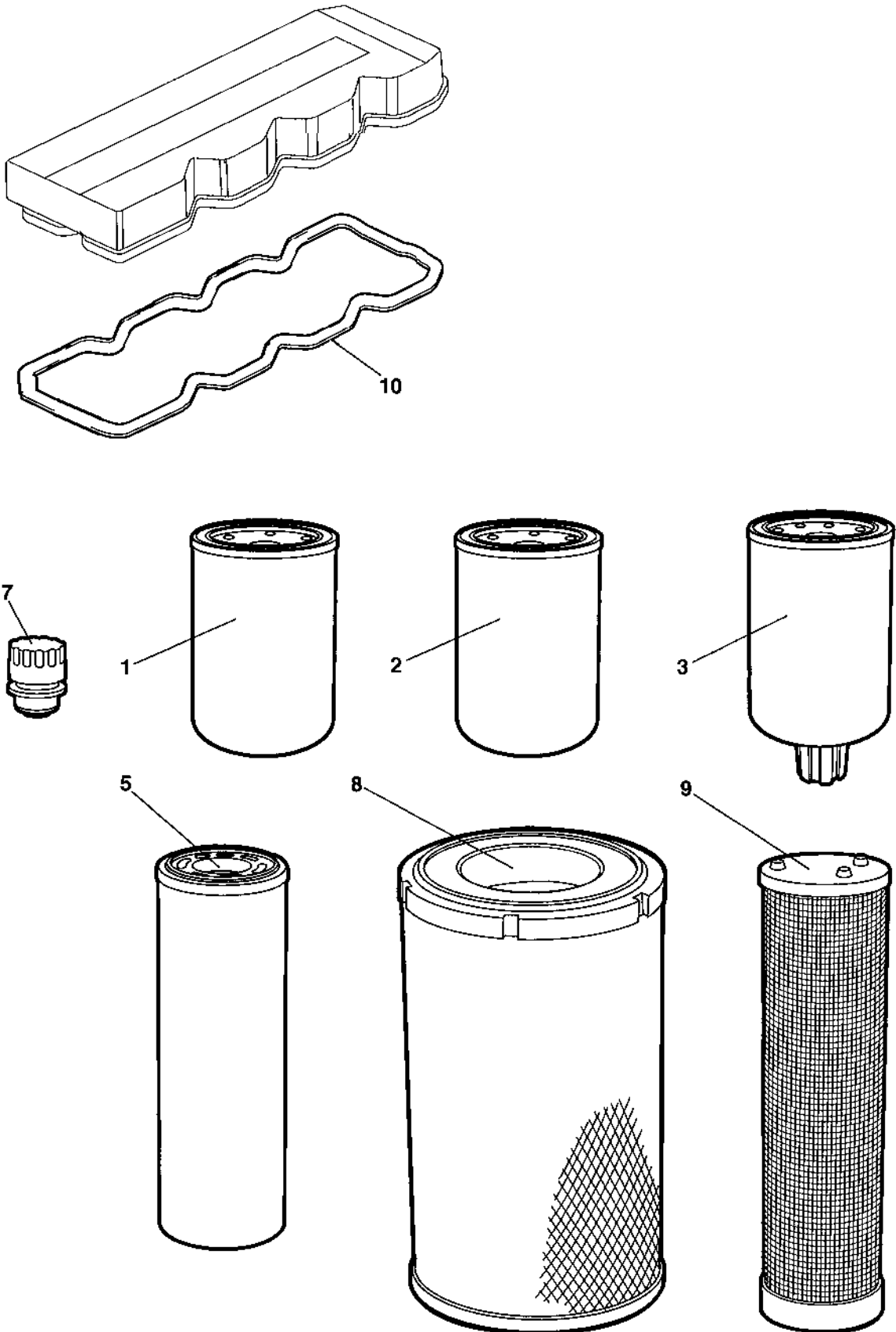
**CA250PD SN 65921200 -**

<b>Item</b>	<b>Part No</b>	<b>Rem Qty</b>	<b>Description</b>	<b>Code</b>
1			Service kits ( Page 4 )	
10			Frame ( Page 12 )	
20			Drum ( Page 34 )	
30			Engine ( Page 50 )	
40			Transmission ( Page 70 )	
50			Hydraulic system ( Page 98 )	
60			Electric system ( Page 134 )	
70			Drivers platform ( Page 150 )	
80			Decals ( Page 182 )	
90			Standard equipment ( Page 188 )	
91			Optional equipment ( Page 192 )	



**Service kits**

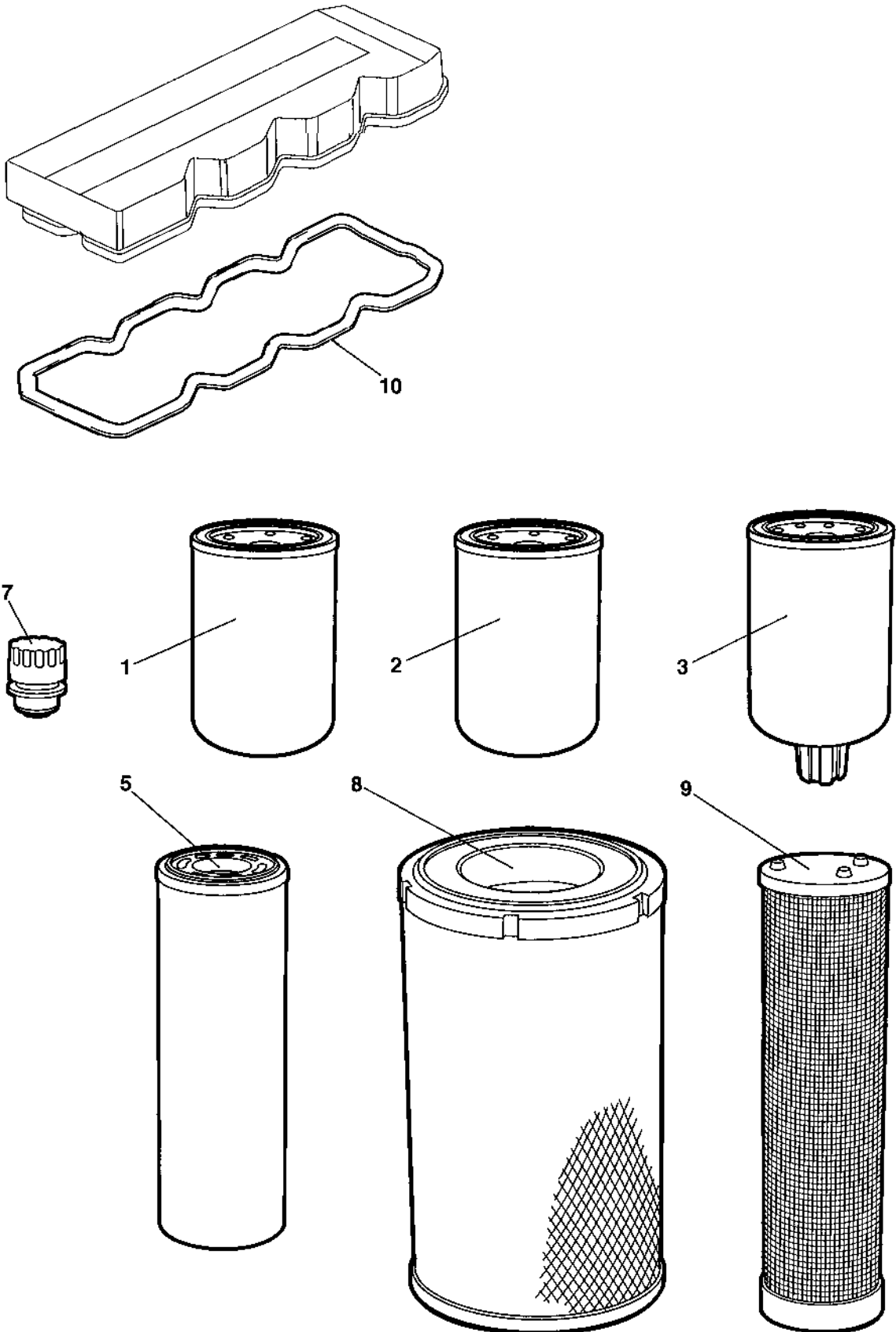
<b>Item</b>	<b>Part No</b>	<b>Rem Qty</b>	<b>Description</b>	<b>Code</b>
10	4700945845		Service kit ( Page 6 )	50 h
20	4700945790		Service kit ( Page 8 )	500 h
30	4700945846		Service kit ( Page 10 )	1000 h





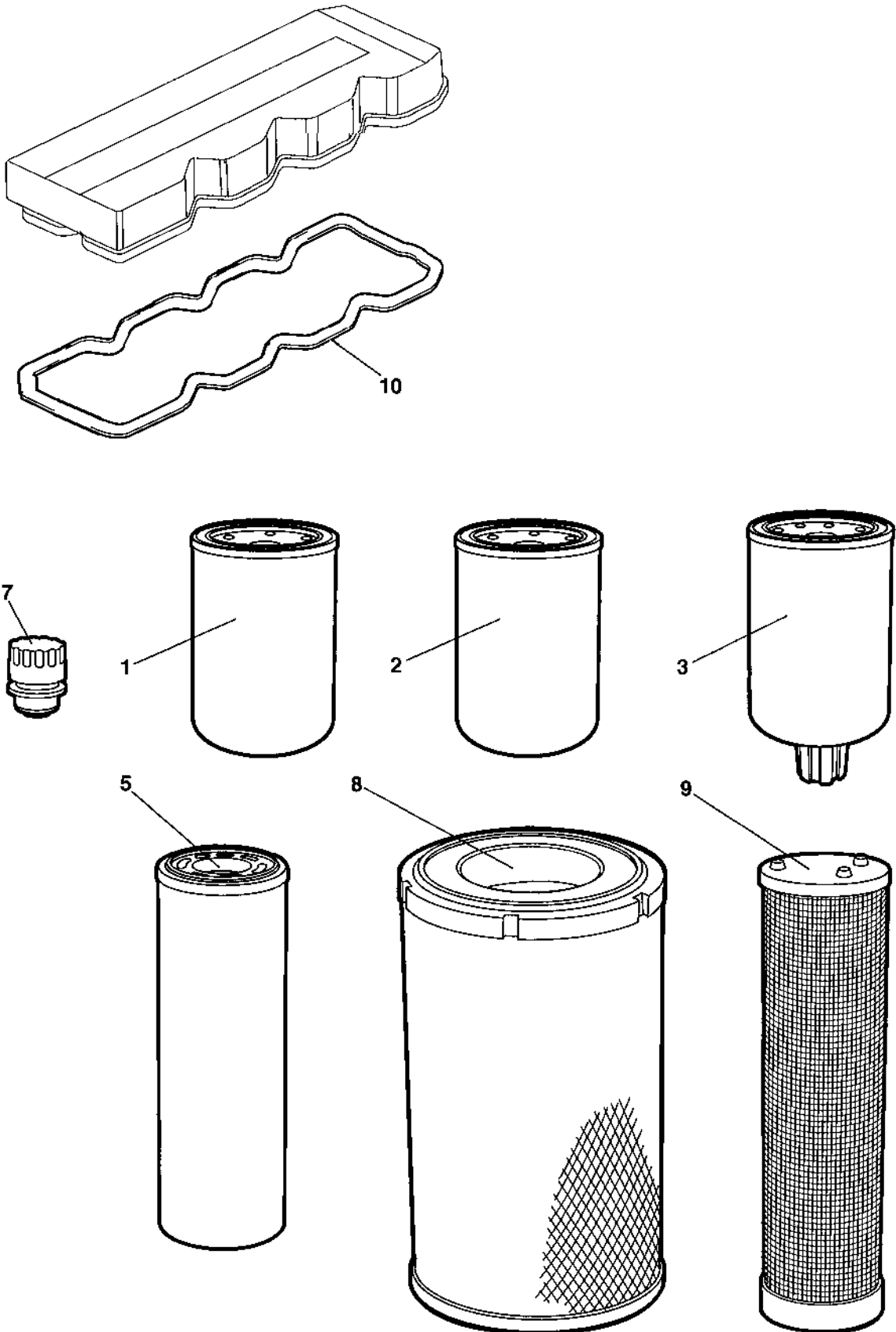
**4700945845 Service kit 50 h**

<b>Item</b>	<b>Part No</b>	<b>Rem Qty</b>	<b>Description</b>	<b>Code</b>
	4700945845		Service kit ( Page 6 )	50 h
1	4700945145	1	Oil filter element	A
2	4700945624	1	Fuel filter element	A
3	4700945147	1	Pre-fuel filter element	A
5	4700372229	1	Hydraulic oil filter element	A



**4700945790 Service kit 500 h**

<b>Item</b>	<b>Part No</b>	<b>Rem Qty</b>	<b>Description</b>		<b>Code</b>
	4700945790		Service kit ( Page 8 )	500 h	
1	4700945145	1	Oil filter element		A
2	4700945624	1	Fuel filter element		A
3	4700945147	1	Pre-fuel filter element		A
8	4700908450	1	Air filter element,	Main	A



**4700945846 Service kit 1000 h**

<b>Item</b>	<b>Part No</b>	<b>Rem</b>	<b>Qty</b>	<b>Description</b>	<b>Code</b>
	4700945846			Service kit ( Page 10 )	1000 h
1	4700945145		1	Oil filter element	A
2	4700945624		1	Fuel filter element	A
3	4700945147		1	Pre-fuel filter element	A
5	4700372229		1	Hydraulic oil filter element	A
7	4700357138	B	1	Ventilating filter	A
8	4700394686		1	Air filter element, main	A
9	4700394687		1	Air filter element, safety	A
10	4700945760		1	Valve cover gasket	A
B)				Ventilated oil filler cap for the hydraulic oil tank	

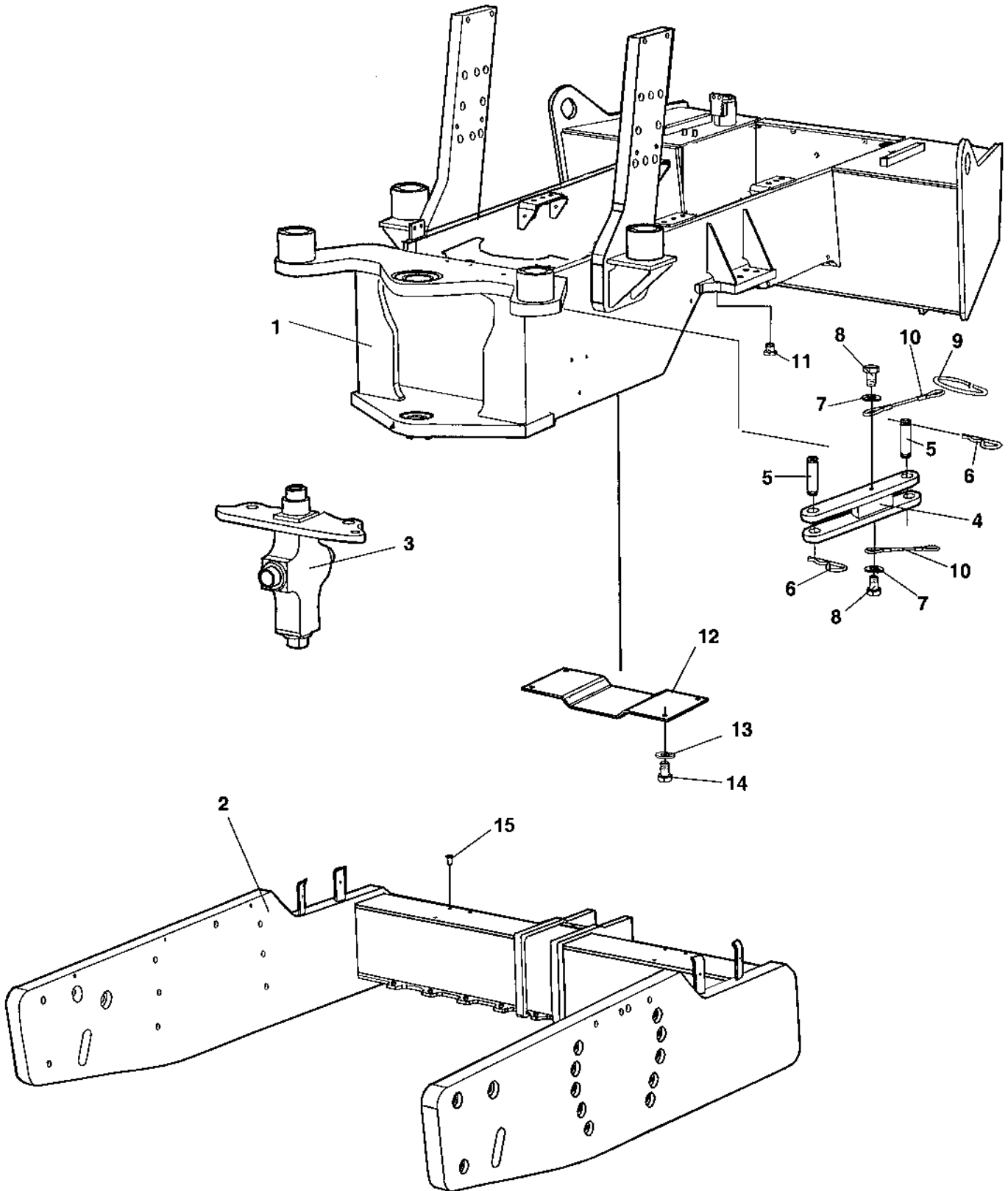


**Frame**

<b>Item</b>	<b>Part No</b>	<b>Rem Qty</b>	<b>Description</b>	<b>Code</b>
10			Frames Up to 65X21499 ( Page 14 )	
11			Frames From 65X21500 ( Page 16 )	
30			Scrapers and beam Up to 65X21499 ( Page 18 )	
35			Scrapers and beam From 65X21500 ( Page 20 )	
60			Hitch ( Page 22 )	
70			Structure Up to 65X21499 ( Page 24 )	
71			Structure From 65X21500 ( Page 26 )	
75			Side covers Up to 65X21499 ( Page 30 )	Option
80			Noise suppression Up to 65X21499 ( Page 32 )	Option

**Frames**

18314





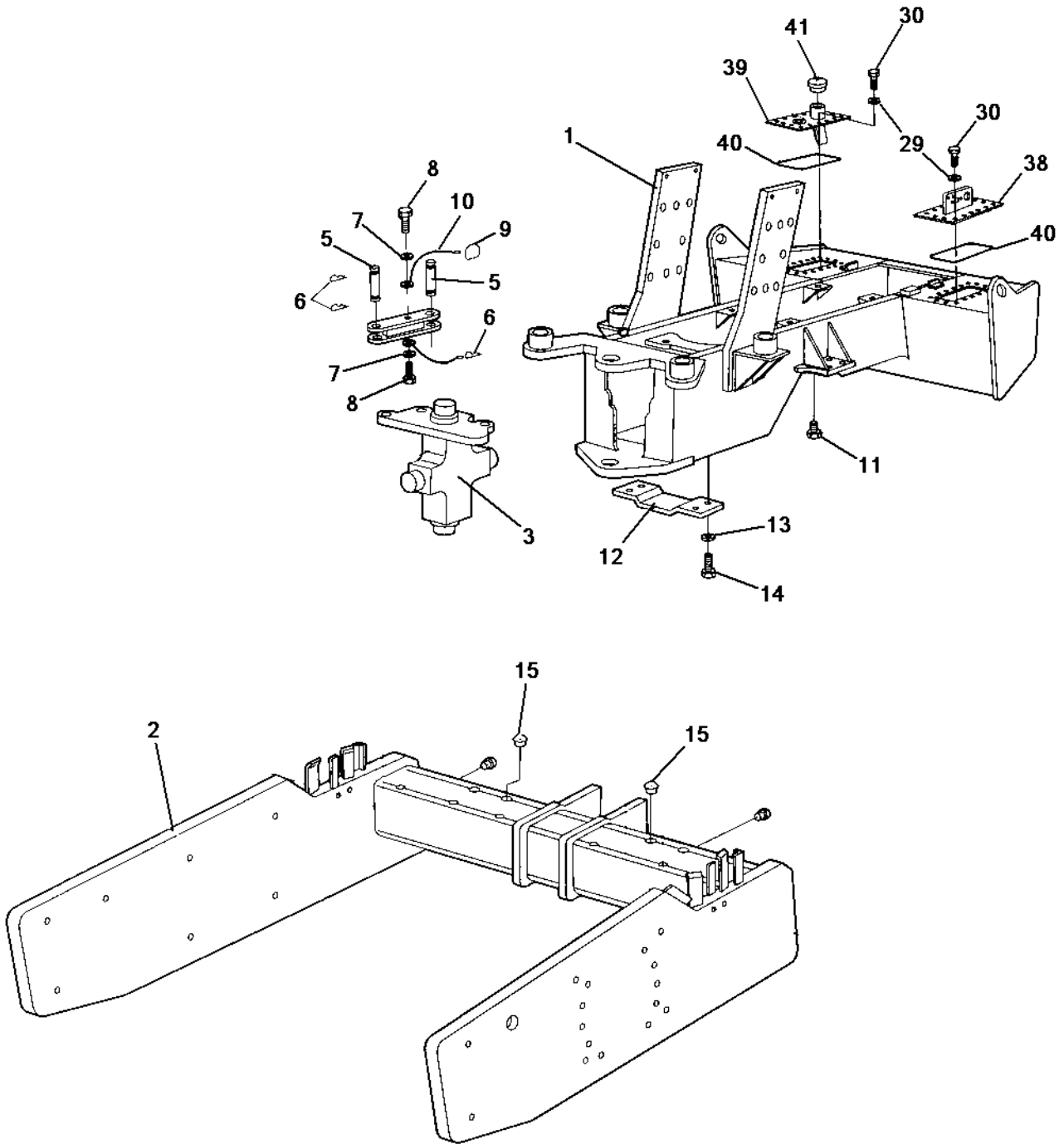
**Frames**

<b>Item</b>	<b>Part No</b>	<b>Rem Qty</b>	<b>Description</b>	<b>Code</b>
1	4700392887	1	Tractor frame	
2	4700376701	1	Drum frame	
3		1	Hitch ( Page 22 )	
4	4700374744	1	Safety rod	
5	4700347119	2	Shaft	C
6	4700635061	3	Hair clip	C
7	4700904230	4	.Steel plain washer	C
8	4700500043	2	Screw	C
9	4700357488	1	Spring	C
10	4700343775	2	Wire	D
11	4700813391	1	Magnetic plug	D
12	4700372087	1	Protective plate	
13	4700904557	4	Steel plain washer	C
14	4700500029	4	Hexagon head screw	C
15	4700902919	6	Plug	

M10x16H 8,8

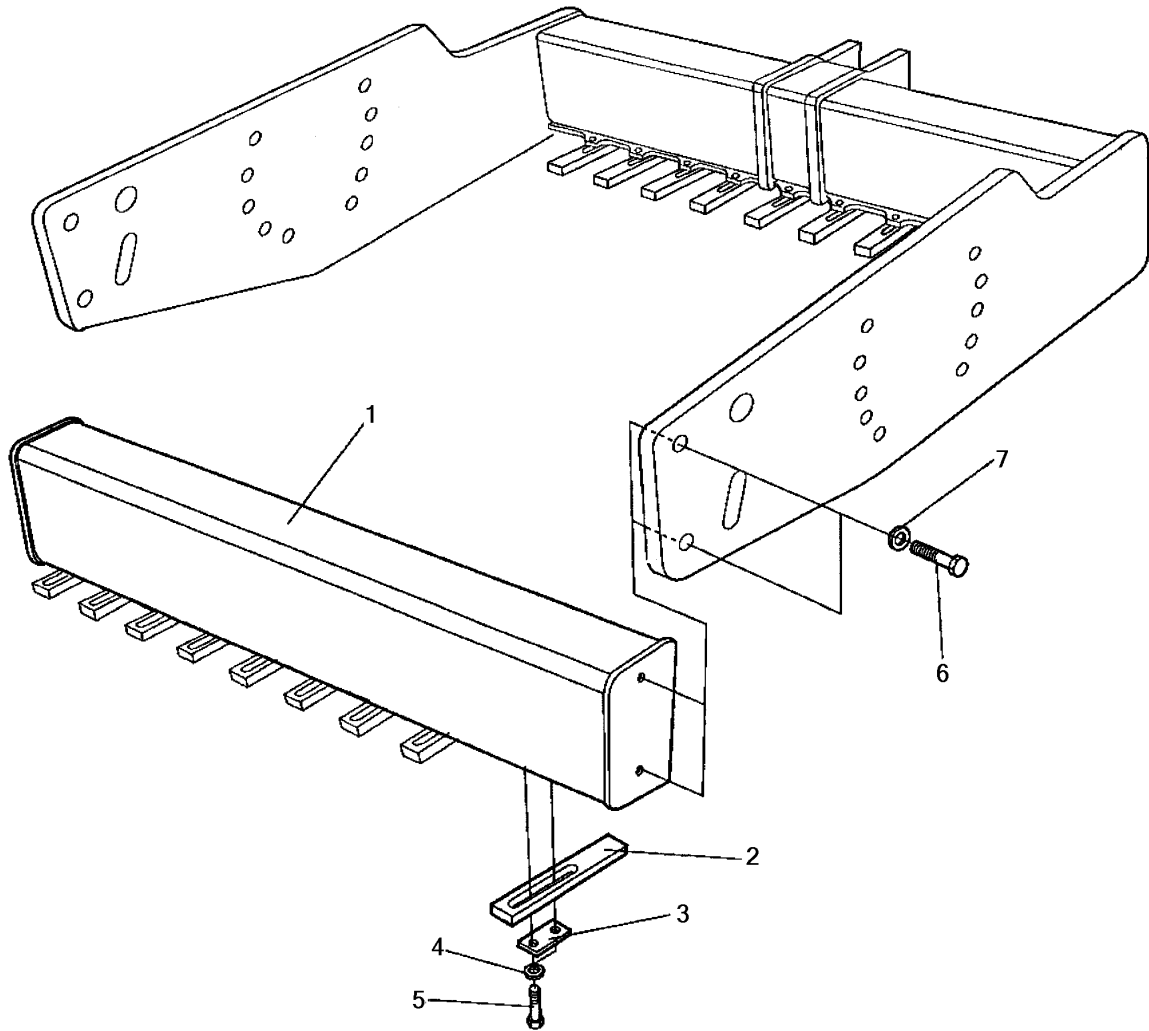
**Frames**

**18930**



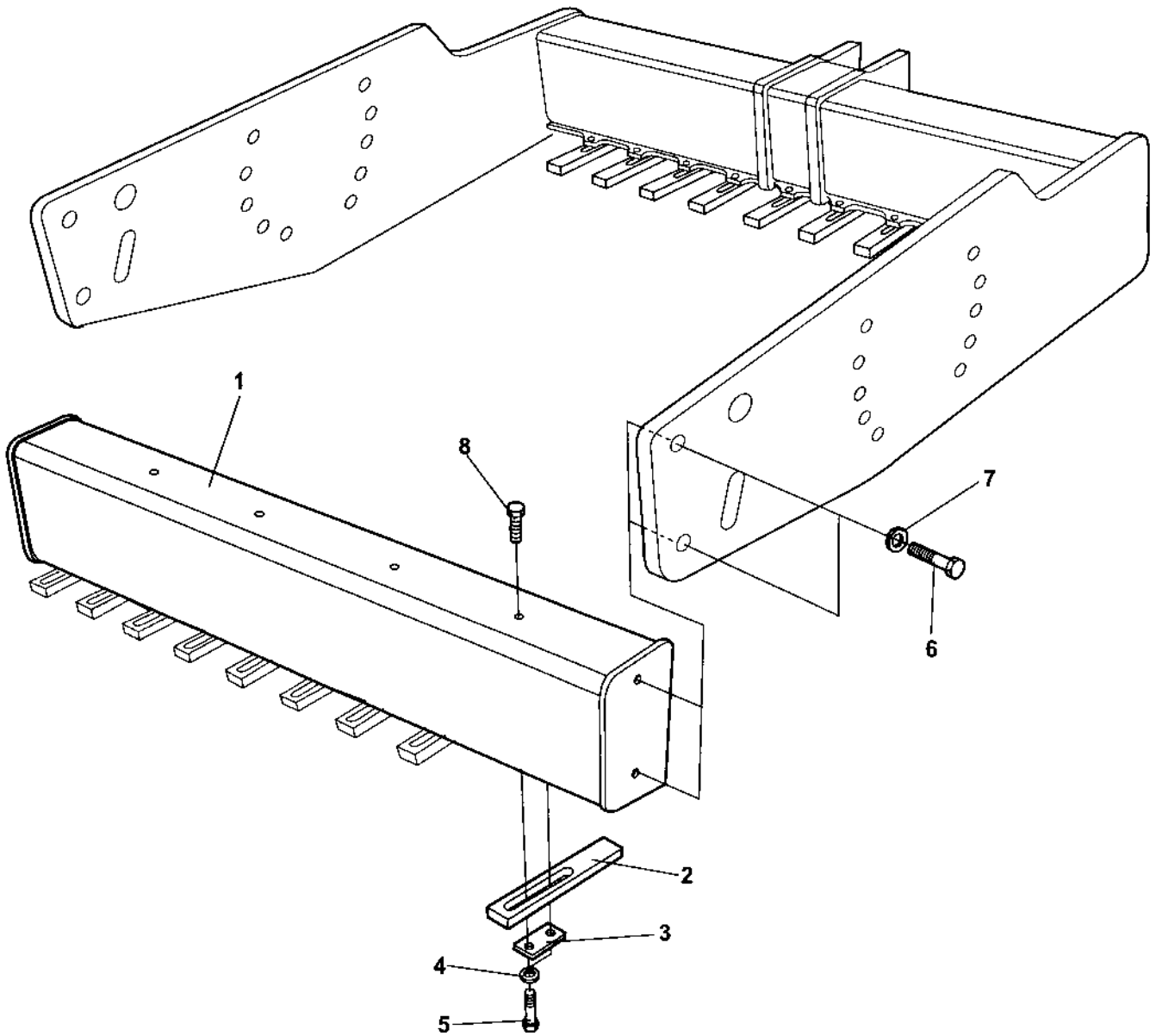
**Frames**

Item	Part No	Rem Qty	Description	Code
1	4700393052	1	Tractor frame	
2	4700397126	1	Drum frame	
3		1	Hitch	
4	4700374744	1	Safety rod	
5	4700347119	2	Shaft	C
6	4700635061	3	Hair clip	C
7	4700904230	4	.Steel plain washer	C
8	4700500043	2	Screw	M10x16H 8,8 C
9	4700357488	1	Spring	C
10	4700343775	2	Wire	D
11	4700813391	1	Magnetic plug	D
12	4700372087	1	Protective plate	
13	4700904557	4	Steel plain washer	C
14	4700500029	4	Hexagon head screw	C
15	4700902919	6	Plug	
29	4700904229	32	Washer	8,4x16x1,5 C
30	4700500188	32	Screw	M8-1,25x14 8,8
38	4700386366	1	Cover	
39	4700397130	1	Cover	
40	4700372709	1	O-ring	D
41	4700373460	1	Fuel cap	D



**Scrapers and beam**

<b>Item</b>	<b>Part No</b>	<b>Rem Qty</b>	<b>Description</b>	<b>Code</b>
1	4700389907	1	Cross beam	
2	4700376551	18	Scrapers tooth	
3	4700376622	18	Holder	
4	4700904232	36	Washer	17x30x3
5	4700500165	36	Screw	M16-2,0x75 8.8
6	4700900807	4	Screw	M24x120 10.9
7	4700904234	4	Washer	25x45x4

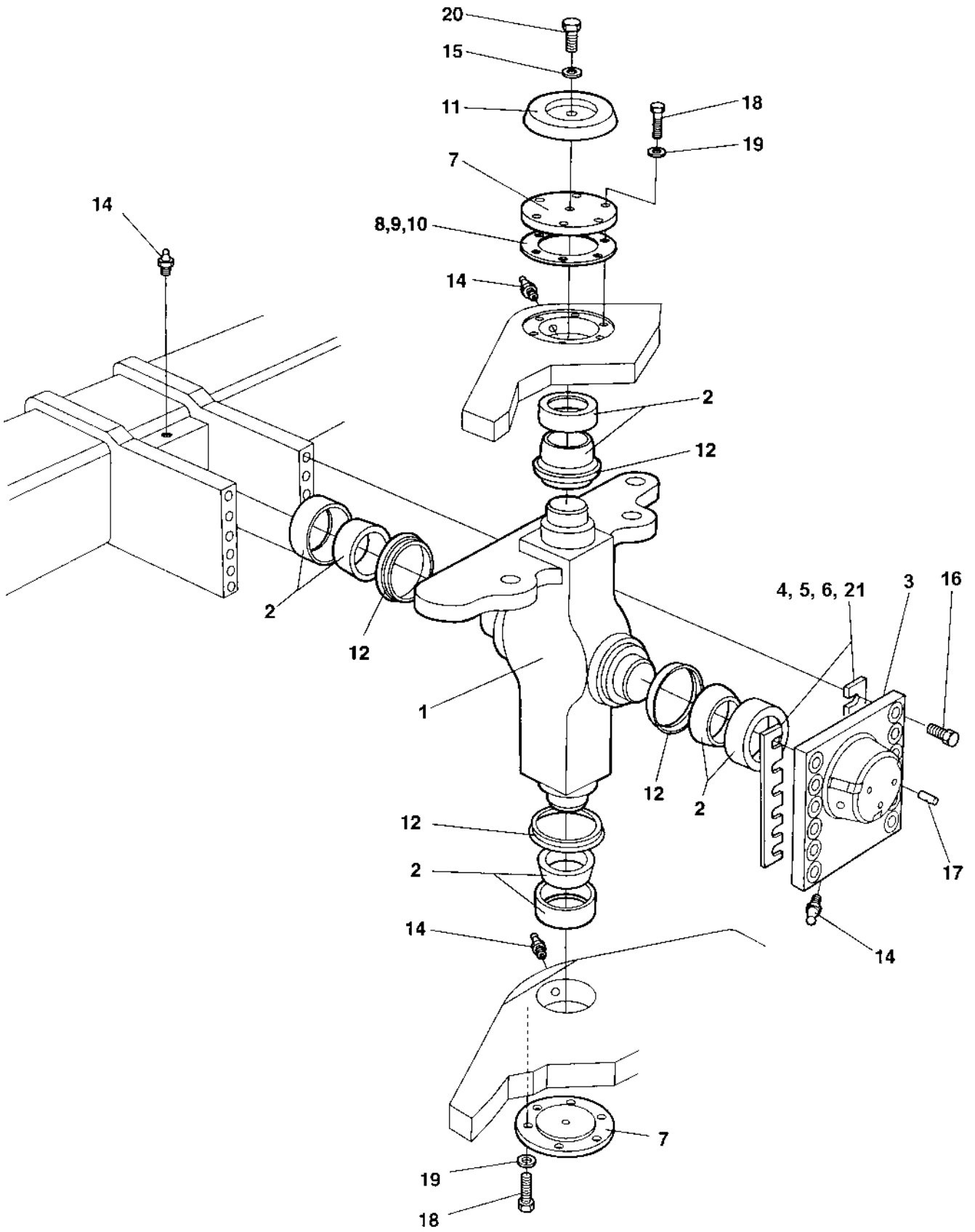


**Scrapers and beam**

<b>Item</b>	<b>Part No</b>	<b>Rem Qty</b>	<b>Description</b>	<b>Code</b>
1	4700389907	1	Cross beam	
2	4700376551	18	Scraper tooth	
3	4700376622	18	Holder	
4	4700904232	36	Washer	C
5	4700500165	36	Screw	M16-2,0x75 8,8
6	4700903792	4	Screw	M24x100 10.9
7	4700904234	4	Washer	25x45x4
8	4700500154	4	Screw	M16-2,0x25 8,8

**Hitch**

**16083**



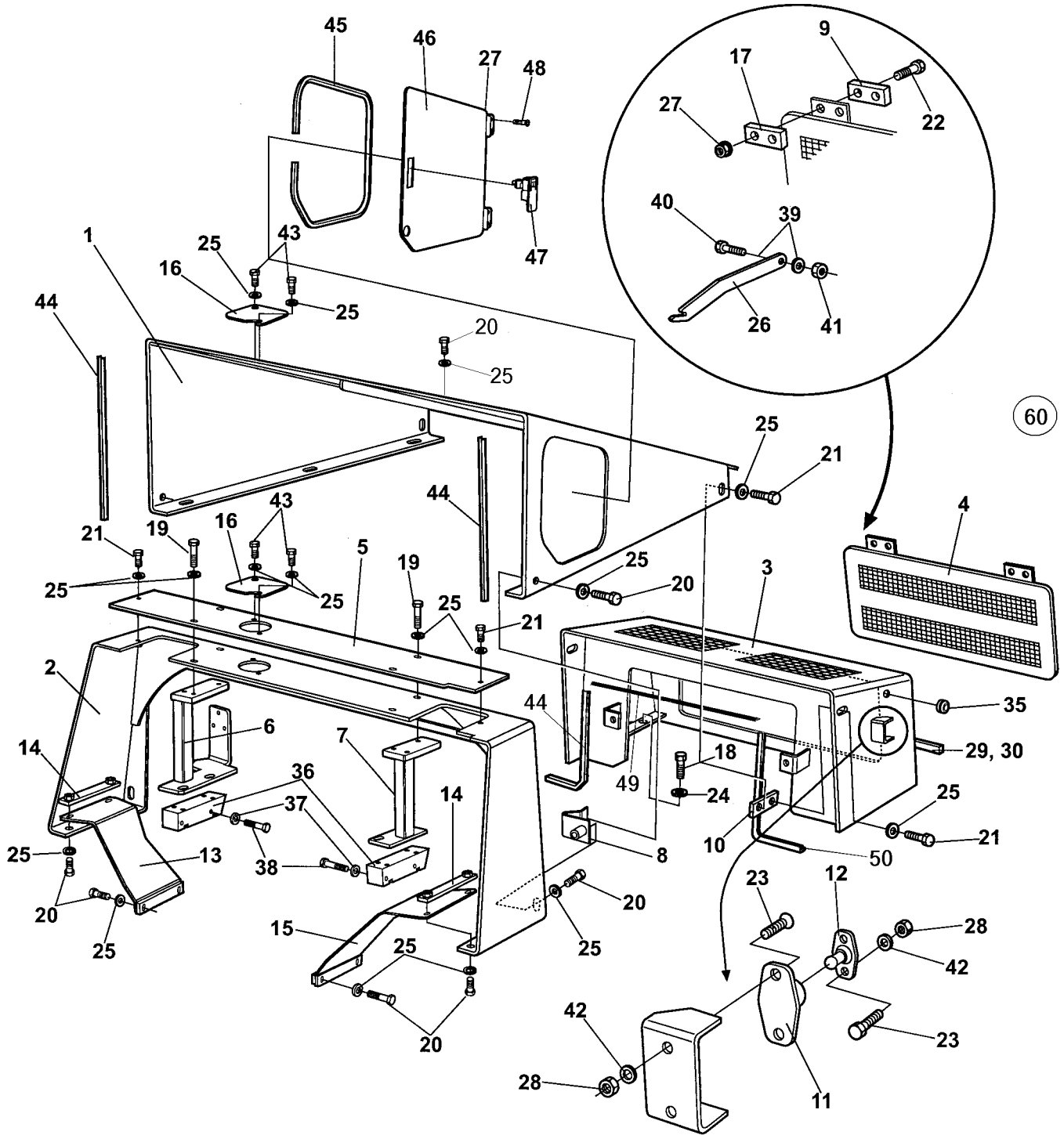


Hitch

Item	Part No	Rem Qty	Description	Code
1	4700374900	1	Hitch	
2	4700100040	4	Axial ball bearing	B
3	4700373421	1	Bearing cover	
4	4700345871	N	Shim	T=1,0 mm C
5	4700345872	N	Shim	T=0,35 mm C
6	4700345873	N	Shim	T=0,10 mm C
7	4700337042	2	Bearing cover	
8	4700337045	N	Shim	T=1,0 mm C
9	4700345874	N	Shim	T=0,35 mm C
10	4700345875	N	Shim	T=0,10 mm C
11	4700343159	1	Cover	
12	4700167032	4	Lip-type oil seal	C
14	4700926214	4	Grease fitting	C
15	4700904229	1	Washer	8,4x16x1,5 C
16	4700500287	12	Screw	M20x80 10,9 C
	4700925208	12	Screw	M20x90 C
17	4700910995	3	Stop screw	C
18	4700500037	12	Screw	C
19	4700904231	12	Washer	13x24x2 300 HV C
20	4700500018	1	Screw	M8-1,25x12 8,8 C
21	4700380993	N	Shim	T = 2,0 mm C
	4700384498	N	Shim	T = 0,15 mm C

Structure

18485-1



Structure

Item	Part No	Rem	Qty	Description	Code
1	4700392911		1	Hood	
2	4700376340		1	Protecting cover	
3	4700392912	H	1	Hood	
4	4700382406	H	1	Rear cover	
5	4700376354		1	Cover	
6	4700392786		1	Holder, right	
7	4700376349		1	Holder, left	
8	4700376366		2	Holder	
9	4700380755	H	2	Holder	
10	4700380109		2	Holder	
11	4700450066	H	2	Door bumper	D
12	4700450067	H	2	Door bumper	A
13	4700381348		1	Holder	
14	4700381330		2	Holder	
15	4700381347		1	Holder	
16	4700381297		2	Cover	
17	4700380012	H	2	Holder	
18	4700500031		4	Screw	C
19	4700500047		4	Hexagon head screw	C
20	4700500022		19	Screw	C
21	4700500053		6	Screw	C
22	4700924875	H	4	Screw	
23	4700904504	H	8	Screw	
24	4700904557		4	Steel plain washer	C
25	4700904640		34	Washer	C
26	4700382411		1	Hook	
27	4700902285	H	8	Hexagon lock nut with flange	C
28	4700586001	H	8	Lock nut	C
29	4700902379	B	1XL	Edge trim	
30	4700902379	C	1XL	Edge trim	
35	4700791475	A	2	Grommet	
36	4700381989		2	Holder	
37	4700904231		4	Washer	
38	4700500133		4	Screw	
39	4700904228		2	Washer	
40	4700500040		1	Screw	
41	4700586002		1	Lock nut	
42	4700904281	H	8	Washer	
43	4700500021		4	Screw	
44	4700902166	E,E	1XL	Edge trim	D
45	4700902379	D	1XL	Edge trim	
46	4700393857		1	Cover	
47	4700792549		1	Lock	
48	4700513012		4	Screw	
49	4700791597	F	1XL	Rubber strip	
50	4700902166	G	1XL	Edge trim	D
60	4700950398	I	1	Engine hood Cpl	

A) With membrane

B) L=0,330M

C) L=0,550M

D) L=1,240M

E) L=0,690M

F) L=0,660M

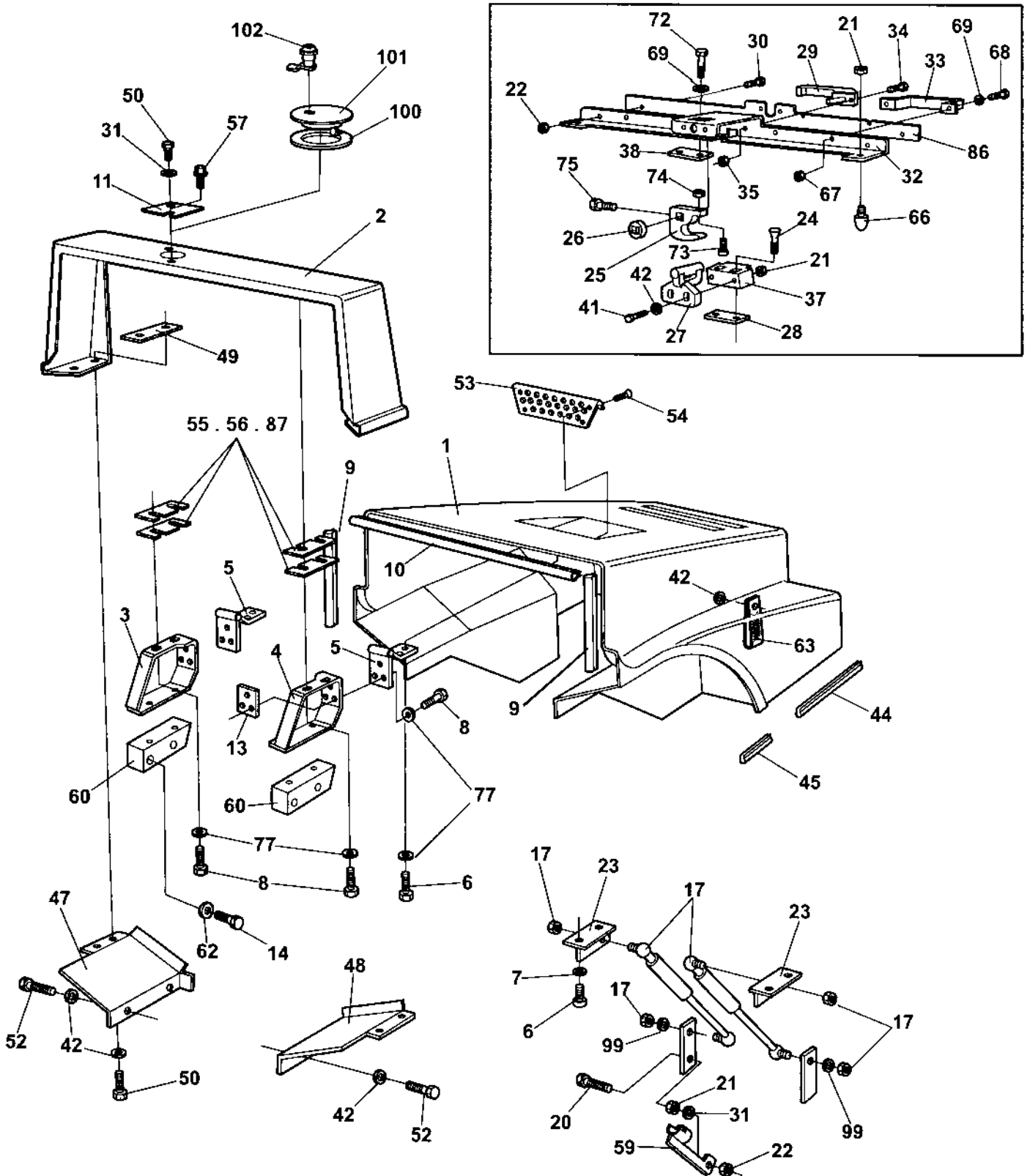
G) L=0,700M

H) Included in item 60 Engine hood Cpl.

I) Consists of all items marked "H".

Structure

18693



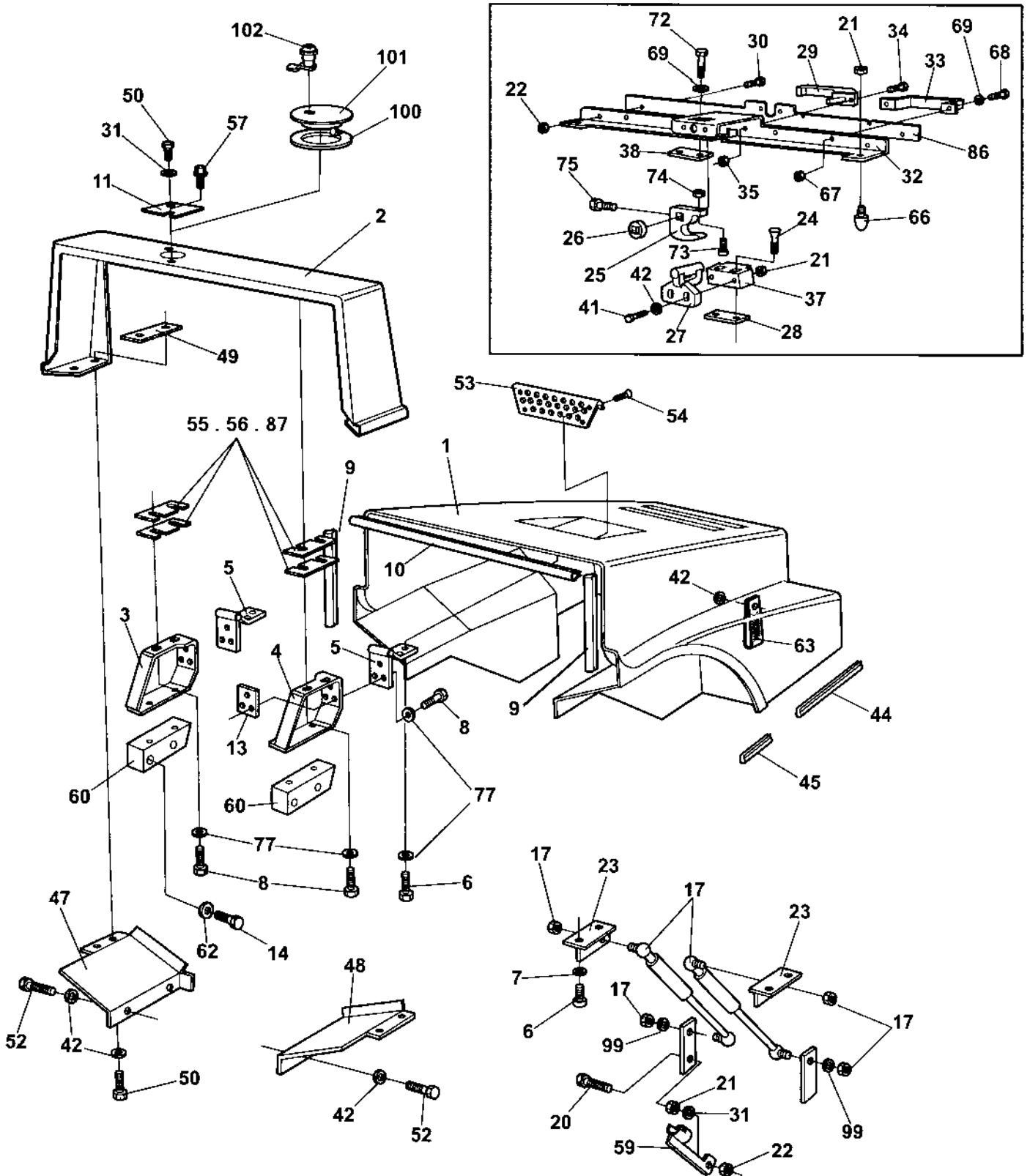
Structure

Item	Part No	Rem	Qty	Description	Code
		1	1		
2	4700385152		1	Protecting cover	
3	4700374797	A	1	Clamp	
4	4700374798	B	1	Clamp	
5	4700371366		2	Hinge	D
6	4700500028		10	Screw	C
7	4700904557		10	Steel plain washer	C
8	4700500030		7	Screw	C
9	4700902166	C	2XL	Edge trim	D
10	4700902166	D	1XL	Edge trim	D
11	4700373955		1	Cover	
13	4700374799		1	Holder plate	
14	4700500133		4	Screw	C
17	4700382384		2	Gas spring	D
	4700382387	R	2	Gas spring	
20	4700904241		1	Screw	C
21	4700570005		5	Nut	M8
22	4700902286		3	Hexagon lock nut with flange	C
23	4700372608		2	Bracket	C
24	4700903732		2	Screw	
25	4700382130		1	Hook	
26	4700382335		1	Spacer sleeve	
27	4700382131		1	Lock clamp	
28	4700380109		1	Holder	
29	4700382165		1	Locking handle	
	4700902866		1	.Key	Marked "455"
30	4700927637		2	Hexagon socket countersunk screw	A
31	4700904556		2	Washer	8,4x16x3,0
32	4700382129		1	Holder plate	C
33	4700904874		1	Grab handle	D
34	4700535011		2	Screw	
35	4700902284		2	Nut	M5
37	4700382132		1	Holder	C
38	4700382336		1	Holder	
41	4700500026		2	Screw	M8-1,25x60 8,8
42	4700904640		11	Washer	8,4x22x3
44	4700902166	G	2XL	Edge trim	C
45	4700902166	H	2XL	Edge trim	D
47	4700373204	I	1	Holder plate	D
48	4700373203	J	1	Holder plate	
49	4700373309		2	Holder plate	
50	4700500021		5	Screw	M8-1,25x25 8.8
52	4700500019		4	Hexagon head screw	C
53	4700372575		1	Grid	
54	4700901767		4	Screw	ST3,5x9,5 Black
55	4700373956	N		Shim	C
56	4700373957	N		Shim	
57	4700500505		1	Screw	M8x20 8.8

- 1) Hood cpl. with Gas springs, Lock, Edge trims, Hinges and Grids.
- A) Right
- B) Left
- C) L = 0.940 m
- D) L = 0.630 m
- G) L = 0.340 m
- H) L = 0.040 m
- I) Right side
- J) Left side
- R) With noise suppression mounted, Option

Structure

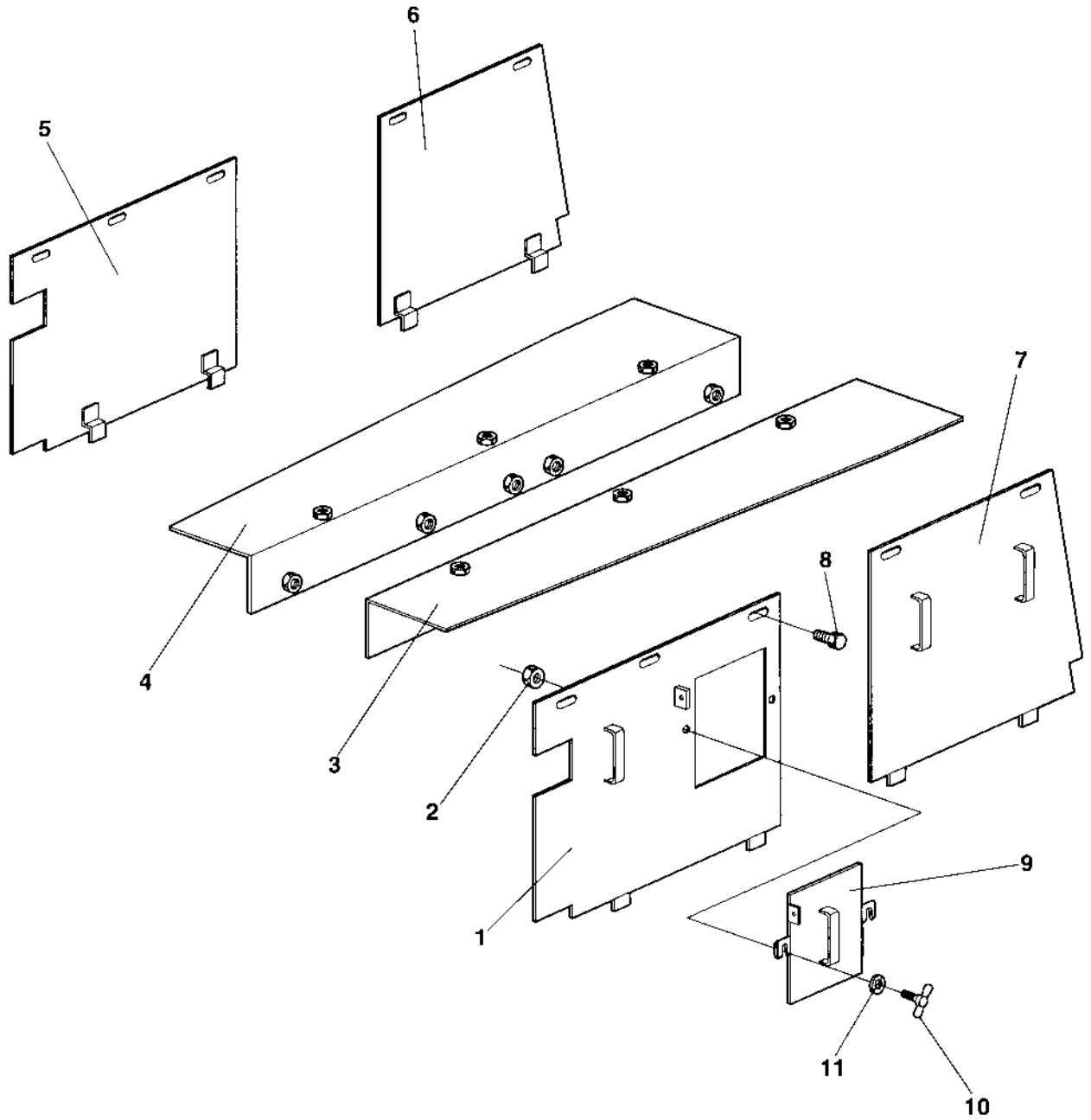
18693



**Structure**

Item	Part No	Rem	Qty	Description	Code
59	4700382382		1	Safety rod	
60	4700381989		2	Holder	
62	4700904231		4	Washer	13x24x2 300 HV C
63	4700374854		1	Grab handle	
66	4700925629		2	Shock absorber	
67	4700902285		2	Hexagon lock nut with flange	C
68	4700500088		2	Screw	M6x40
69	4700904228		4	Washer	6,4x12x1,5 C
72	4700500013		2	Screw	M6-1x16 8,8 C
73	4700500040		1	Screw	M6-1x20 8,8 C
74	4700570004		1	Hexagon nut	C
75	4700500018		1	Screw	M8-1,25x12 8,8 C
77	4700904567		7	Washer	10,5x28x6 HB305 C
86	4700395119		1	Spacer	
87	4812110773		N	Shim	
99	4700904230		2	Steel plain washer	C
100	4700375681	K	1	Gasket	
101	4700375678	K	1	Cover	
102	4700372658	K	1	Lock	D
	4700902866		1	.Key	Marked "455" A

K) Option



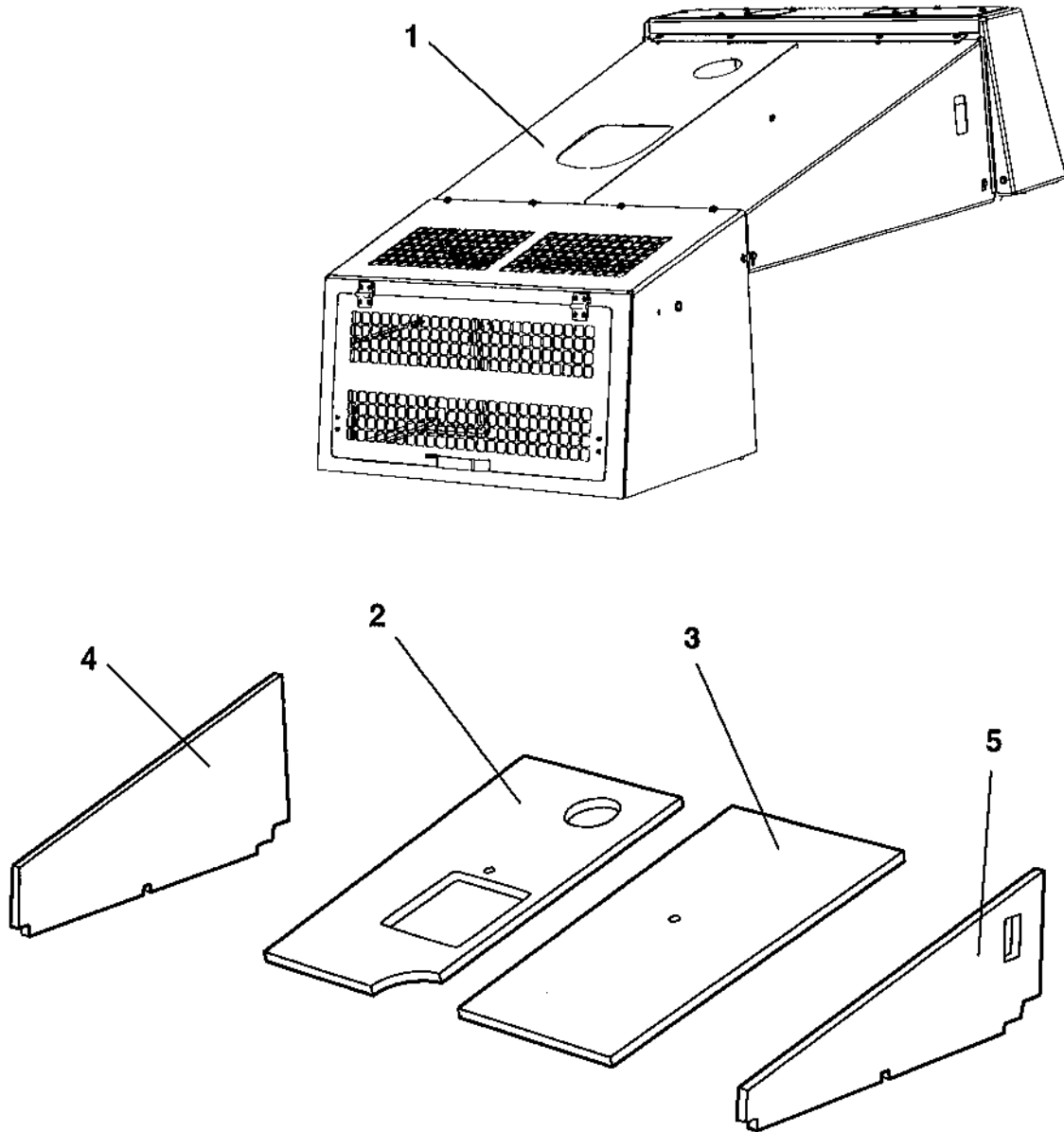


**Side covers Option**

<b>Item</b>	<b>Part No</b>	<b>Rem Qty</b>	<b>Description</b>	<b>Code</b>
1	4700394262	1	Side cover, right	
2	4700586003	2	Lock nut	M8 C
3	4700387089	1	Holder, right	
4	4700387090	1	Holder, left	
5	4700380058	1	Side cover, left	
6	4700380057	1	Side cover, left	
7	4700380052	1	Side cover, right	
8	4700500053	16	Screw	M8x20H 8.8 C
9	4700394264	1	Cover	
10	4700904718	2	Wing screw	C
11	4700904640	18	Washer	8,4x22x3 C

Noise suppression Option

18299



**Noise suppression Option**

<b>Item</b>	<b>Part No</b>	<b>Rem</b>	<b>Qty</b>	<b>Description</b>	<b>Code</b>
1		A	1	Hood	C
2	4700393933	A	1	Noise suppression	
3	4700393932	A	1	Noise suppression	
4	4700390481	A	1	Noise suppression	
5	4700393934	A	1	Noise suppression	

A) Design does not always match picture

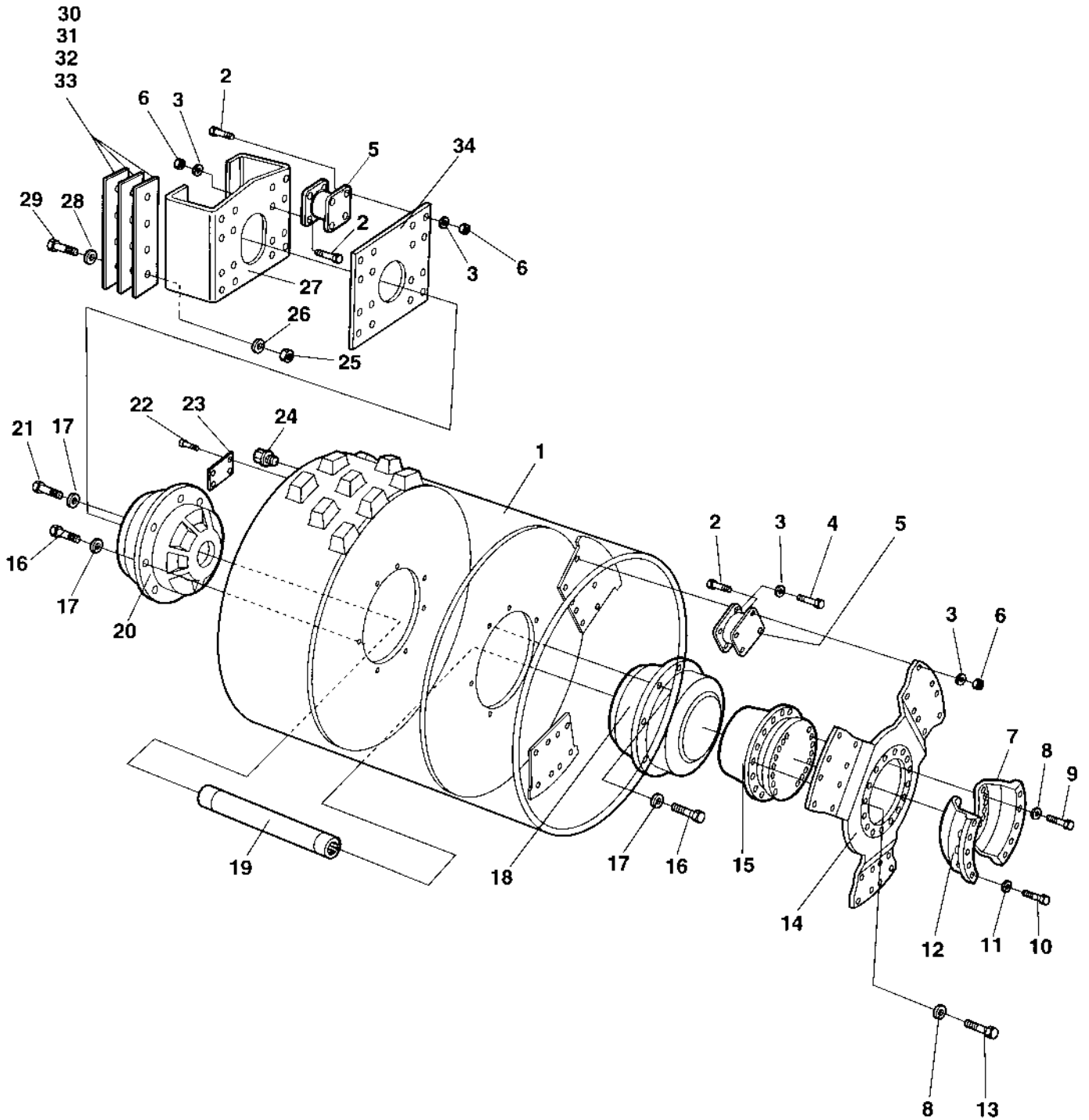


**Drum**

<b>Item</b>	<b>Part No</b>	<b>Rem Qty</b>	<b>Description</b>	<b>Code</b>
10			Drum Up to 65X21499 ( Page 36 )	
11			Drum From 65X21500 ( Page 38 )	
20			Drum cartridge Up to 65X21499 ( Page 42 )	Drive side
30			Drum cartridge Up to 65X21499 ( Page 44 )	Vibration side
40	4700380462		Drum gear ( Page 46 )	C
41	4700372987		Drum gear ( Page 48 )	C

**Drum**

**16960**



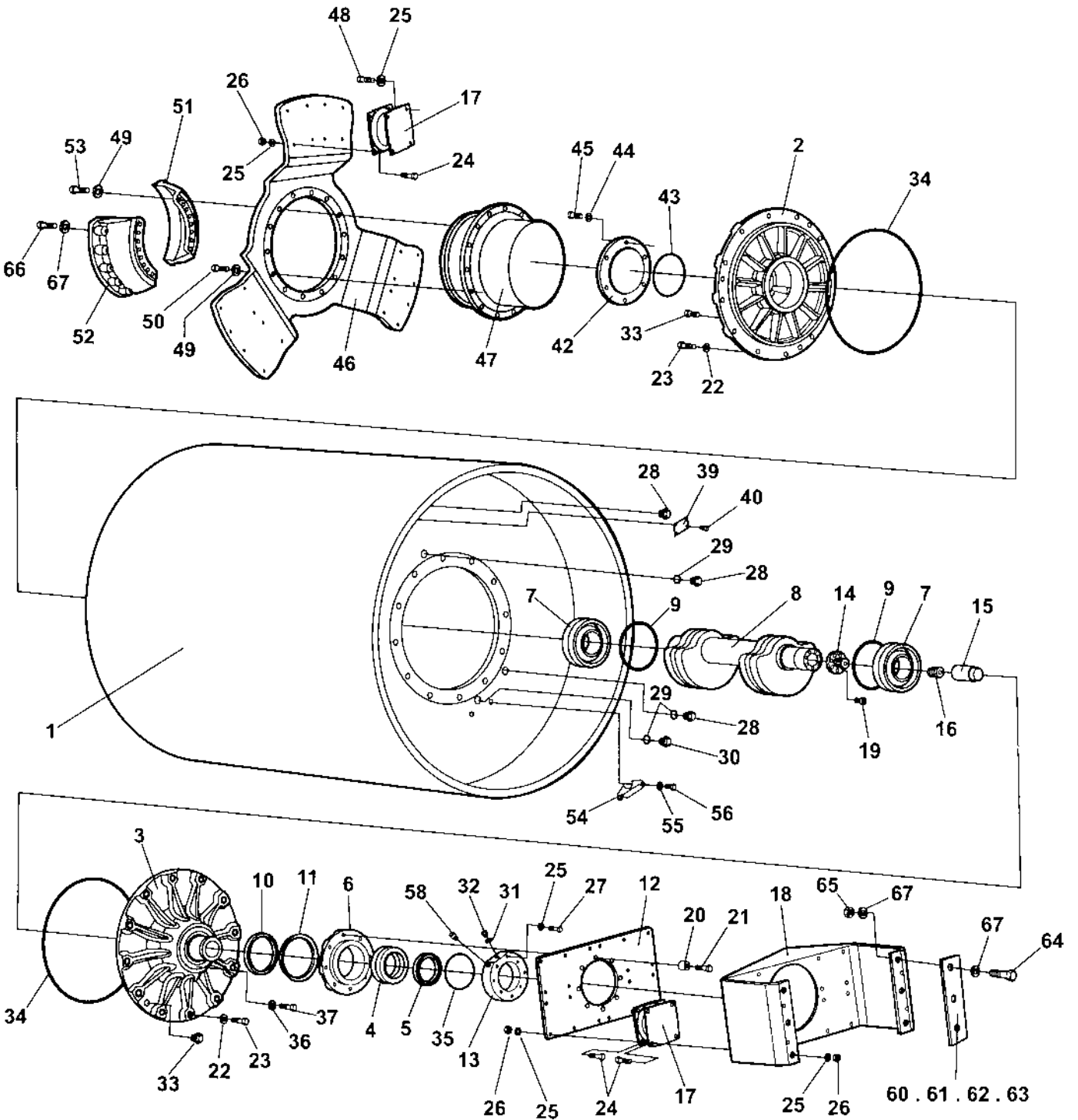
**Drum**

Item	Part No	Rem	Qty	Description	Code
1	4700374927		1	Drum	
2	4700500194		56	Screw	C
3	4700904231		80	Washer	13x24x2 300 HV C
4	4700500051		24	Screw	M12x25H 8.8 A3K C
5	4700801187		10	Shock absorber	B
6	4700570007		56	Hexagon nut	M12 C
7	4700373442	A	1	Gear holder	
8	4700904233		32	Washer	21x36x3 C
9	4700903919		16	Screw	
10	4700904479		10	Screw	M24x110 10,9
11	4700904234		14	Washer	25x45x4 C
12	4700373443	B	1	Gear holder	
13	4700903281		16	Screw	
14	4700396142		1	Drive disc	
15	4700380462		1	Drum gear ( Page 46 )	C
16	4700500082		23	Screw	M16x70 8,8
17	4700904232		26	Washer	C
18			1	Drum cartridge ( Page 42 )	Drive side
19	4700349682		1	Drive shaft	
20			1	Drum cartridge ( Page 44 )	Vibration side
21	4700384121		1	Air breather screw	B
22	4700527002		4	Drive screw	C
23	4700343801		1	Sign plate	D
24	4700232210		1	Plug	
25	4700925867		6	Nut	M20
	4700792464		6	Nut	M24 -10 DIN985
26	4700904233		6	Washer	21x36x3 C
	4700904234		6	Washer	25x45x4 C
27	4700355676		1	Bracket	
	4700396030	C	1	Bracket	
28	4700904233		6	Washer	21x36x3 C
	4700904234		6	Washer	25x45x4 C
29	4700928850		6	Screw	M20-2,5x120 10,9 C
	4700900807		6	Screw	M24x120 10,9
30	4700345678		N	Shim	T = 1,5 mm
	4700393276	C	N	Shim	T = 1,5 mm
31	4700345679		N	Shim	T = 3 mm
	4700393277	C	N	Shim	T = 3 mm
32	4700345884		N	Shim	T = 6 mm
	4700393278	C	N	Shim	T = 6 mm
33	4700345885		N	Shim	T = 8 mm
	4700393279	C	N	Shim	T = 8 mm
34	4700343322		1	Holder plate	

- A) Right
- B) Left
- C) Used together with P/N 4700900807 M24, item 29.

**Drum**

18803





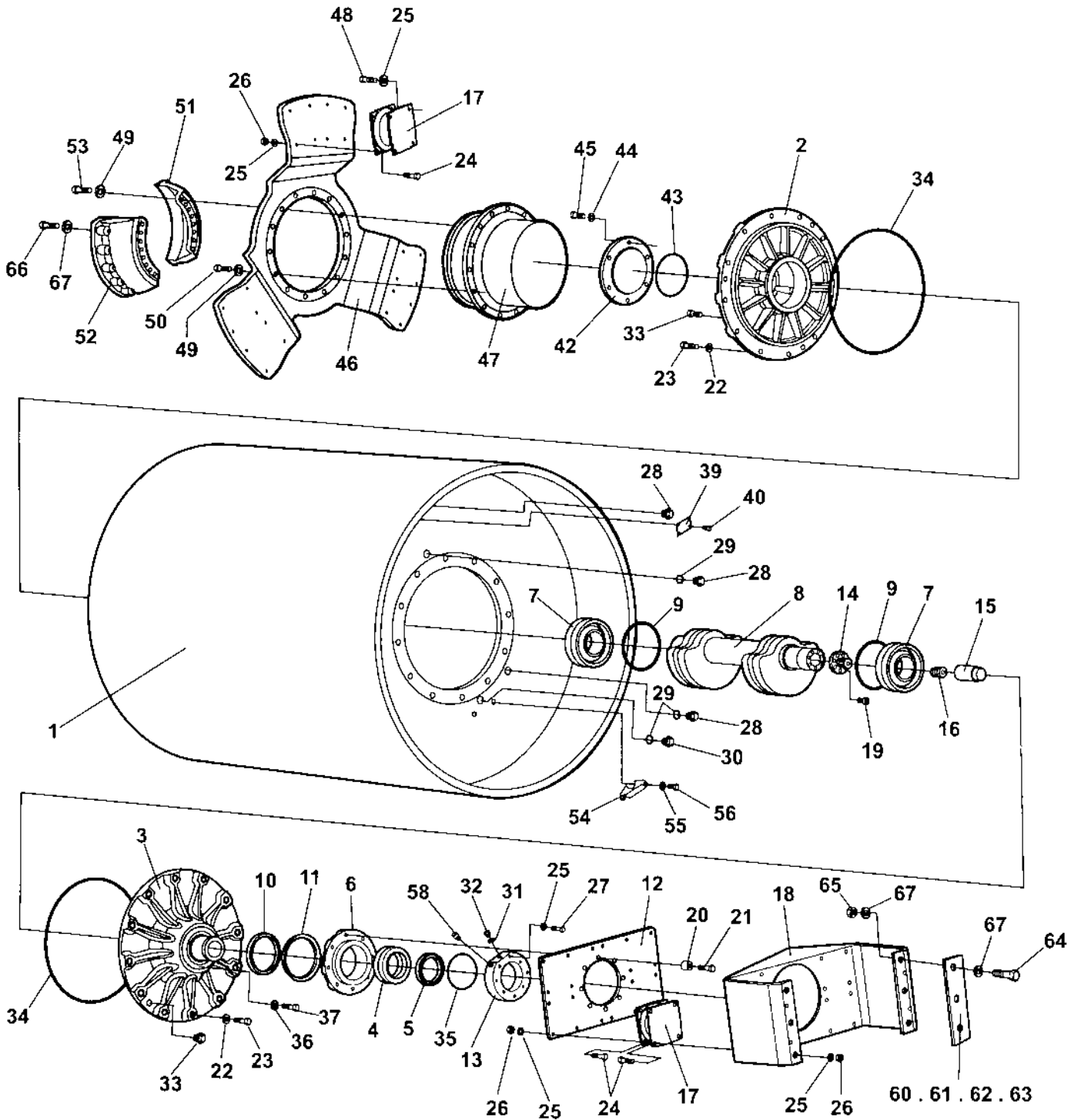
**Drum**

Item	Part No	Rem Qty	Description	Code
1	4700392823	1	Drum	
2	4700389063	1	Bearing housing	
3	4700391206	1	Bearing housing	
4	4700116041	1	Taper roller bearing	B
5	4700390897	1	Shaft nut	C
6	4700343318	1	Bearing housing	D
7	4700388089	2	Bearing	
8	4700391195	1	Eccentric shaft	
9	4700791927	2	Retaining ring	
10	4700167023	1	Seal ring	B
11	4700929447	1	V-ring	B
12	4700343322	1	Holder plate	
13	4700390771	1	Motor adapter	
14	4700380018	1	Splined shaft	
15	4700381027	1	Splined sleeve	C
16	4700349715	1	Spring	C
17	4700801187	10	Shock absorber	B
18	4700396030	1	Bracket	
19	4700791156	8	Screw	M10-1,5x55 12,9
20	4700384114	8	Spacer	
21	4700500082	8	Screw	M16x70 8,8
22	4700904232	24	Washer	C
23	4700500165	24	Screw	M16-2,0x75 8,8
24	4700500194	56	Screw	C
25	4700904231	84	Washer	13x24x2 300 HV
26	4700570007	56	Hexagon nut	M12
27	4700500196	4	Screw	M12-1,75x80 8.8
28	4700232210	3	Plug	C
29	4700162017	3	Seal ring	B
30	4700343744	1	Magnetic plug	C
31	4700162018	1	Sealing	B
32	4700370231	1	Plug	C
33	4700900775	6	Plug	C
34	4700904737	2	O-ring	D
35	4700160105	1	O-ring 70	C
36	4700230277	3	Copper washer	12,2x17,9x1,5
37	4700904177	3	Screw	
39	4700343801	1	Sign plate	D
40	4700527002	4	Drive screw	C
42	4700383783	1	Bearing cover	
43	4700160358	1	O-ring	D
44	4700904230	6	Steel plain washer	C
45	4700500029	6	Hexagon head screw	C
46	4700396142	1	Drive disc	
47	4700380462	1	Drum gear ( Page 46 )	C
48	4700500051	24	Screw	M12x25H 8.8 A3K
49	4700904233	32	Washer	21x36x3
50	4700903281	16	Screw	
51	4700373442	A 1	Gear holder	
52	4700373443	B 1	Gear holder	
53	4700903919	16	Screw	
54	4700359955	1	Drop plate	
55	4700904229	2	Washer	8,4x16x1,5
56	4700500019	2	Hexagon head screw	C
58	4700926736	1	Breather	C
60	4700393276	N	Shim	T = 1,5 mm
61	4700393277	N	Shim	T = 3 mm
62	4700393278	N	Shim	T = 6 mm

A) Right  
B) Left

**Drum**

18803

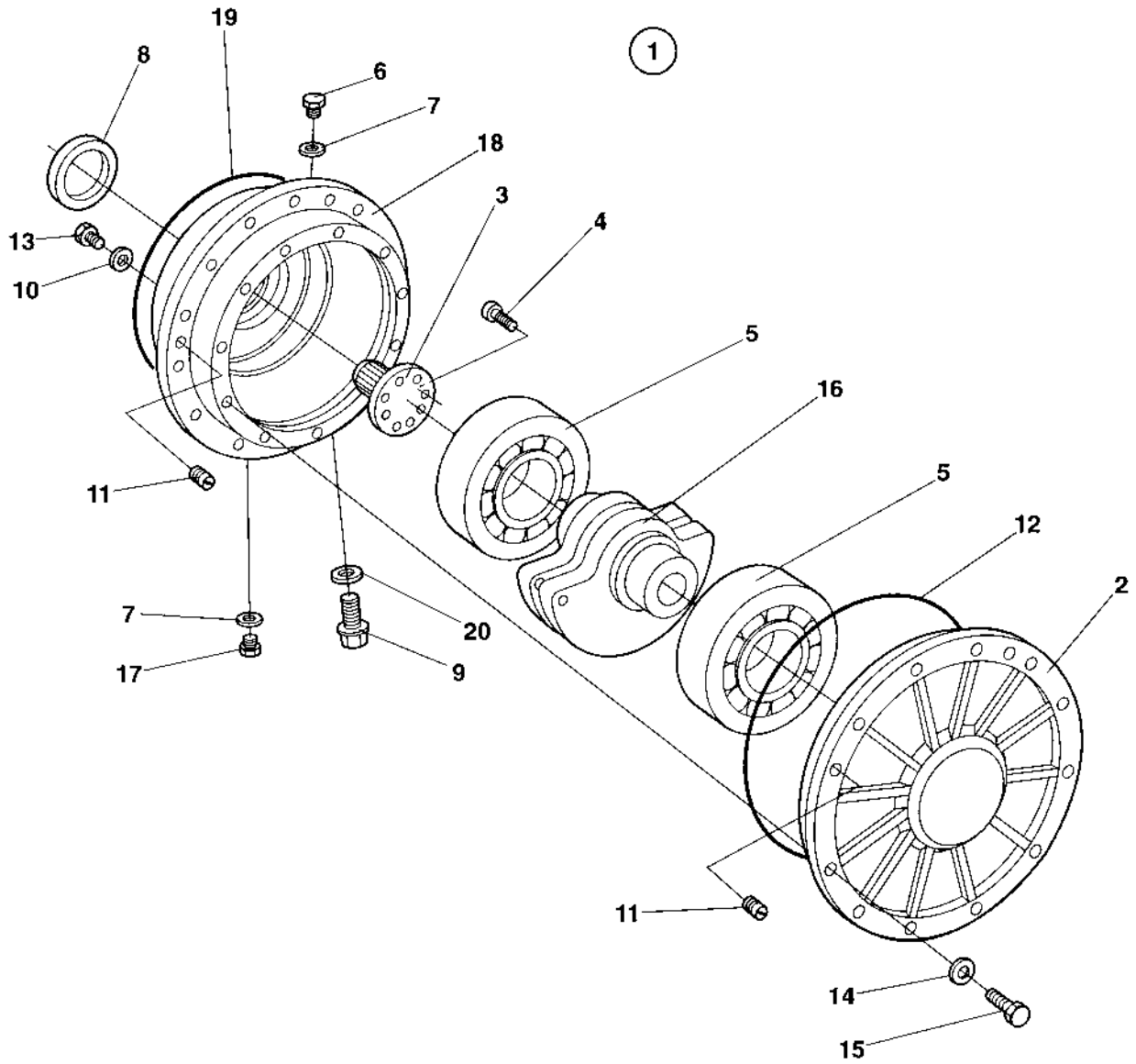


**Drum**

<b>Item</b>	<b>Part No</b>	<b>Rem Qty</b>	<b>Description</b>	<b>Code</b>
63	4700393279	N	Shim	T = 8 mm
64	4700903792	6	Screw	M24x100 10.9
65	4700792464	4	Nut	M24 -10 DIN985
66	4700928231	10	Screw	M24X80 10.9
67	4700904234	22	Washer	25x45x4

**Drum cartridge Drive side**

16963

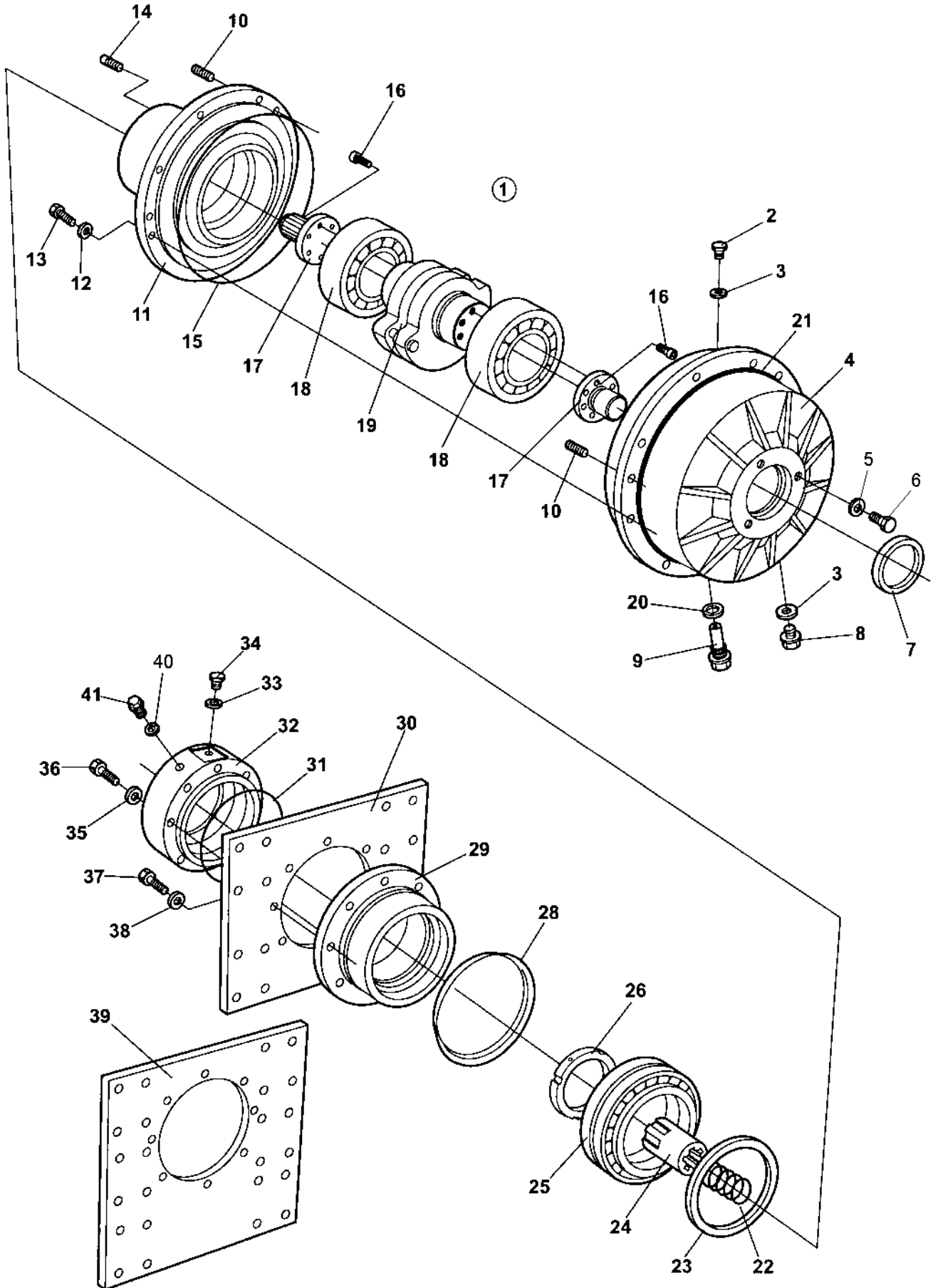


## Drum cartridge Drive side

Item	Part No	Rem Qty	Description	Code
1	4700945585	1	Drum cartridge	
2	4700379876	1	.Bearing housing outer	
3	4700380018	1	.Splined shaft	
4	4700791156	8	.Screw	M10-1,5x55 12,9
5	4700390896	2	.Spherical roller bearing	D
6	4700343744	1	.Magnetic plug	C
7	4700162017	2	.Seal ring	B
8	4700900782	1	.Seal ring	D
9	4700381634	1	.Plug	
10	4700162027	3	.Sealing	B
11	4700900775	6	.Plug	C
12	4700900776	1	.O-ring	D
13	4700500163	3	.Screw	M12x16 C
14	4700904232	12	.Washer	C
15	4700500082	12	.Screw	M16x70 8,8
16	4700381760	1	.Eccentric shaft	
17	4700232210	1	.Plug	
18	4700379880	1	.Bearing housing inner	
19	4700904737	1	.O-ring	D
20	4700162011	1	.Washer, sealing	D

**Drum cartridge Vibration side**

18388-1

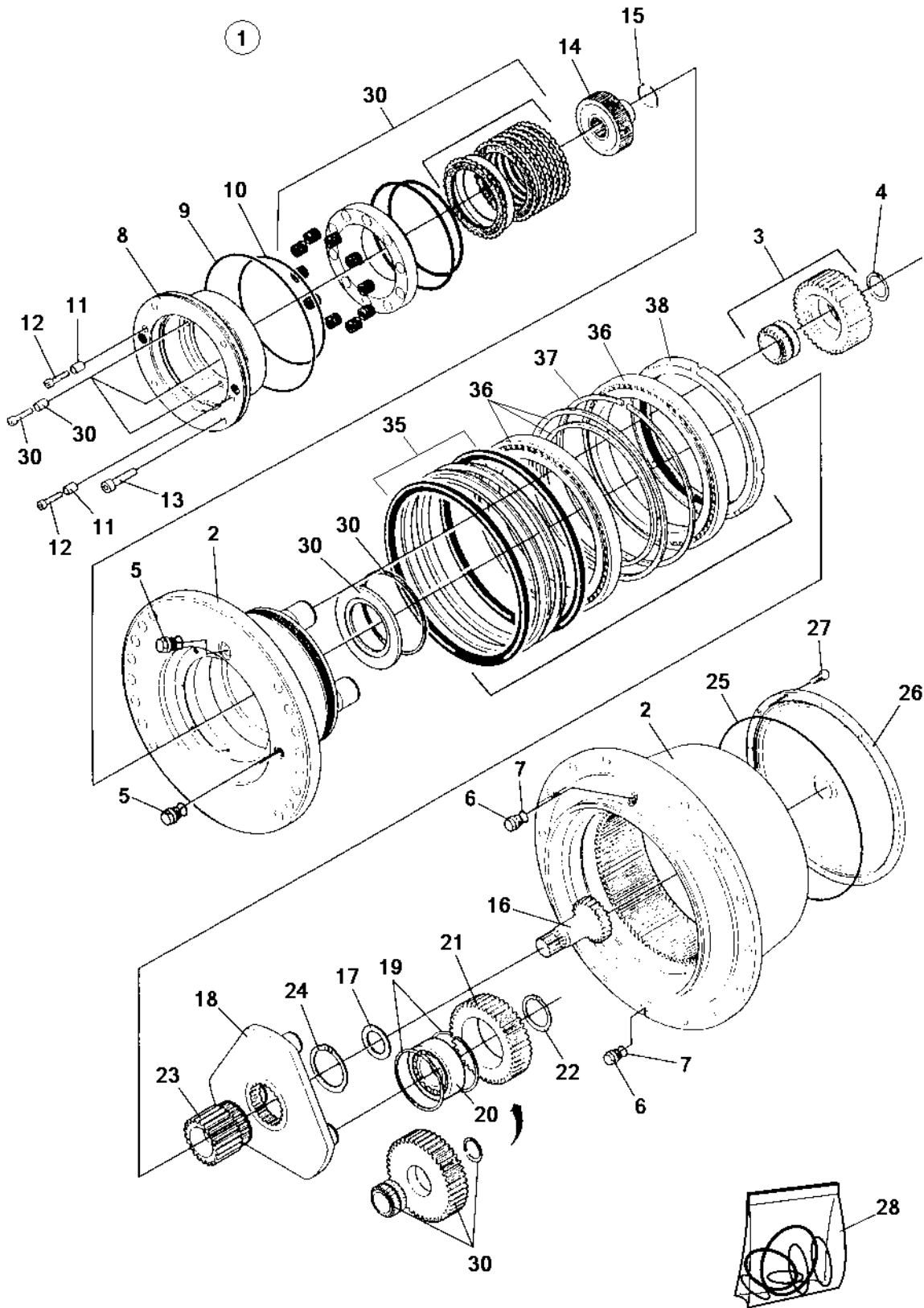


Drum cartridge Vibration side

Item	Part No	Rem Qty	Description	Code
1	4700945589	1	Drum cartridge	
2	4700343744	1	.Magnetic plug	C
3	4700162017	2	.Seal ring	B
4	4700379880	1	.Bearing housing inner	
5	4700162027	3	.Sealing	B
6	4700500163	3	.Screw	C
7	4700900782	1	.Seal ring	D
8	4700232210	1	.Plug	
9	4700381634	1	.Plug	
10	4700900775	6	.Plug	C
11	4700379878	1	.Bearing housing outer	
12	4700904232	12	.Washer	C
13	4700500082	12	.Screw	
14	4700903189	3	.Stop screw	
15	4700900776	1	.O-ring	D
16	4700791156	16	.Screw	
17	4700380018	2	.Splined shaft	
18	4700390896	2	.Spherical roller bearing	D
19	4700381760	1	.Eccentric shaft	
20	4700162011	1	.Washer, sealing	D
21	4700904737	1	O-ring	D
22	4700349715	1	Spring	C
23	4700167023	1	Seal ring	B
24	4700381027	1	Splined sleeve	C
25	4700116041	1	Taper roller bearing	B
26	4700390897	1	Shaft nut	C
28	4700929447	1	V-ring	B
29	4700343318	1	Bearing housing	D
30	4700343322	1	Holder plate	
31	4700160105	1	O-ring 70	C
32	4700390771	1	Motor adapter	
33	4700162018	1	Sealing	B
34	4700370231	1	Plug	C
35	4700904231	4	Washer	
36	4700500196	4	Screw	
37	4700500082	8	Screw	
38	4700384114	8	Spacer	
39			Not used on this model	
40	4700162024	1	Washer, sealing	
41	4700903190	1	Steel plug	

**4700380462 Drum gear**

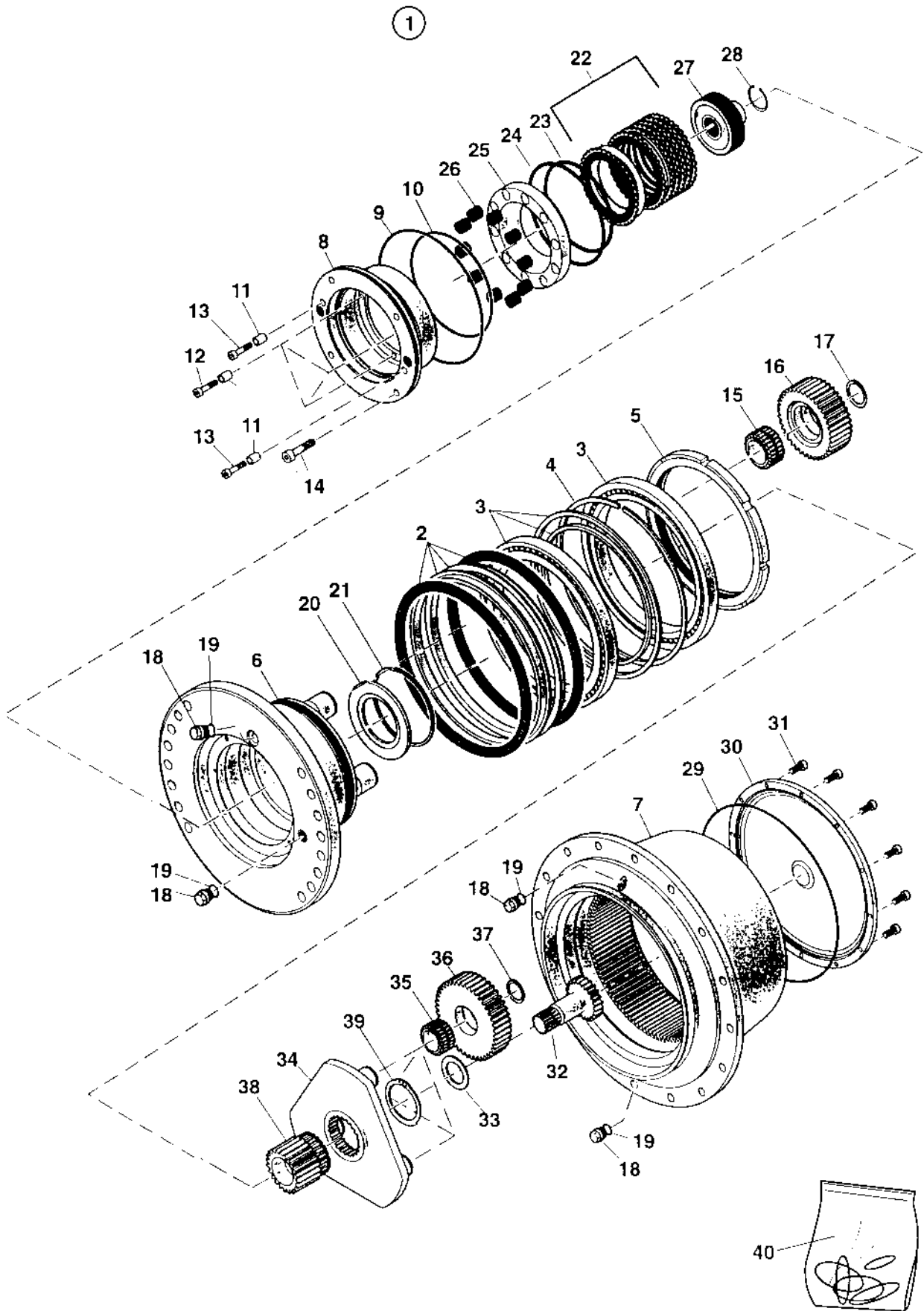
18410





**4700380462 Drum gear**

Item	Part No	Rem Qty	Description	Code
1		1	Drum gear, cpl	
2		1	.Hub	
3		3	.Planet gear	
4		3	.Retaining ring	
5	4700935394	2	.Plug	
6		2	.Plug	
7	4700935395	4	.Seal ring	
8	4700935865	1	.Adapter	
9	4700935866	1	.O-ring	
10	4700935867	1	.O-ring	
11	4700935868	2	.Bushing	
12	4700935870	2	.Screw	
13	4700902944	4	.Screw	
14	4700935874	1	.Coupling	
15	4700935875	1	.Retaining ring	
16	4700935876	1	.Sun wheel	
17	4700935877	1	.Spacer	
18		1	.Planet carrier	
19		6	.Retaining ring	
20		3	.Roller bearing	
21		3	.Planet gear	
22	4700935881	3	.Retaining ring	
23	4700935882	1	.Sun wheel	
24	4700935883	1	.Retaining ring	
25	4700935413	1	.O-ring	
26	4700935414	1	.Cover	
27		12	.Screw	
28	4700945581	1	.Seal kit	
30			Not used on this model	
35	4700935859	1	.Seal	
36		2	.Roller bearing	
37		1	.Spring ring	
38	4700935862	1	.Nut	



**4700372987 Drum gear**

Item	Part No	Rem	Qty	Description	Code
1			1	Drum gear, cpl	
2	4700935859		1	.Seal	
3	4700935860		1	.Roller bearing	
4	4700935861		1	.Spring ring	
5	4700935862		1	.Nut	
6	4700935863		1	.Hub	
7	4700935864		1	.Hollow wheel	
8	4700935865		1	.Adapter	
9	4700935866	A	1	.O-ring	
10	4700935867	A	1	.O-ring	
11	4700935868		5	.Bushing	
12	4700935869		3	.Screw	
13	4700935870		2	.Screw	
14	4700935871		4	.Screw	
15	4700935872		4	.Roller bearing	
16	4700935873		4	.Planet gear	
17	4700935421		4	.Retaining ring	
18	4700935394		4	.Plug	
19	4700935395	A	4	.Seal ring	
20	4700935398		1	.Plate	
21	4700935399		1	.Spring ring	
22	4700935400		1	.Brake disc kit	
23	4700935401	A	1	.O-ring	
24	4700935402	A	1	.O-ring	
25	4700935403		1	.Piston	
26	4700935404		10	.Spring	
27	4700935874		1	.Coupling	
28	4700935875		1	.Retaining ring	
29	4700935413	A	1	.O-ring	
30	4700935414		1	.Cover	
31	4700935415		12	.Screw	
32	4700935876		1	.Sun wheel	
33	4700935877		1	.Spacer	
34	4700935878		1	.Planet carrier	
35	4700935879		3	.Roller bearing	
36	4700935880		3	.Planet gear	
37	4700935881		3	.Retaining ring	
38	4700935882		1	.Sun wheel	
39	4700935883		1	.Retaining ring	
40	4700935380		1	Seal kit	

A) Incl. in item 40

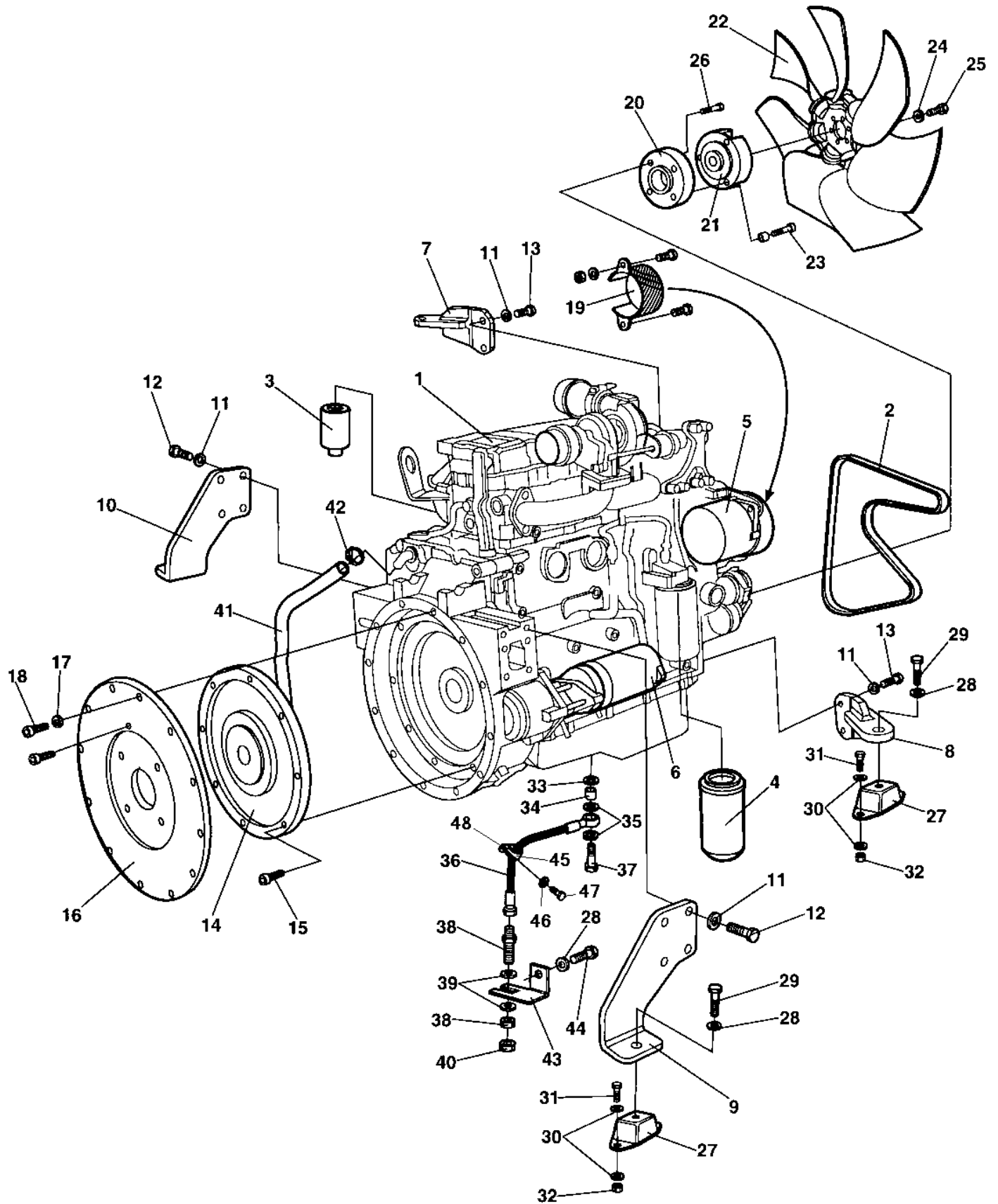


**Engine**

<b>Item</b>	<b>Part No</b>	<b>Rem Qty</b>	<b>Description</b>	<b>Code</b>
10			Engine ( Page 52 )	Cummins QSB 4.5 C
20			Cooling system Up to 65X21499 ( Page 54 )	
25			Cooling system From 65X21500 ( Page 56 )	
30			Combustion air system Up to 65X21499 ( Page 60 )	
35			Combustion air system From 65X21500 ( Page 62 )	
40			Fuel system Up to 65X21499 ( Page 64 )	
45			Fuel system From 65X21500 ( Page 66 )	
50			Exhaust system ( Page 68 )	

**Engine Cummins QSB 4.5 C**

18433

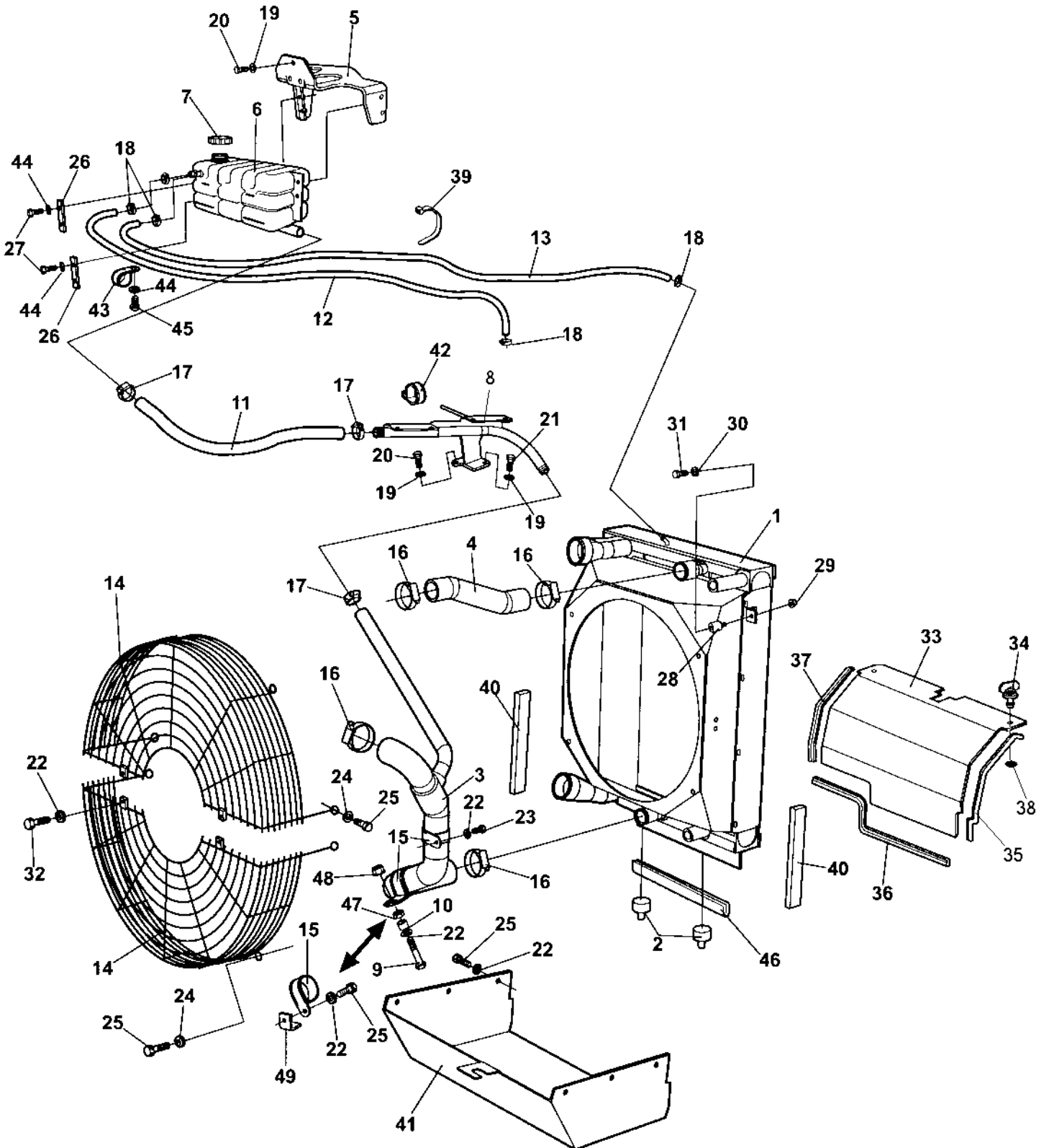


**Engine Cummins QSB 4.5 C**

Item	Part No	Rem Qty	Description	Code
1	4700391663	1	Diesel engine	Cummins QSB 4,5
2	4700945731	1	.V-belt	B
3	4700945624	1	.Fuel filter element	A
4	4700945145	1	.Oil filter element	A
5	4700945140	1	.Alternator	C
6	4700945730	1	.Starter	C
7	4700392283	1	Engine bracket,	Right
8	4700392284	1	Engine bracket,	Left
9	4700393022	1	Engine bracket,	Left
10	4700393021	1	Engine bracket,	Right
11	4700904638	12	Washer	12x22x2
12	4700508079	8	Screw	M12-1,75x35H 8,8
13	4700500194	4	Screw	
14	4700370229	1	Coupling, cpl	
15	4700509025	8	Screw	3/8-16UNCx32 8,8
16	4700372772	1	Bracket	
17	4700904637	12	Washer	
18	4700508029	12	Screw	M10-1,5x30H 8,8
19	4700379163	1	V-belt cover	
20	4700393096	1	Connector	
21	4700382393	1	Fan hub	
22	4700379164	1	Fan	
23	4700792081	3	Socket head cap screw	M12x50 10,9
24	4700904229	6	Washer	8,4x16x1,5
25	4700500047	6	Hexagon head screw	
26	4700792275	4	Socket head cap screw	7/16-20UNFX32 12.9
27	4700387129	4	Shock absorber	
28	4700904232	5	Washer	
29	4700500070	4	Screw	M16x50
30	4700904703	16	Washer	
31	4700500194	8	Screw	
32	4700586019	8	Lock nut	
33	4700330333	1	Copper washer	
34	4700379480	1	Reducer	
35	4700330331	2	Washer	18,2x23,9x1,5
36	4700379621	1	Hydraulic hose	
37	4700904292	1	Hollow screw	
38	4700230515	1	Connector	
39	4700904233	2	Washer	21x36x3
40	4700330383	1	Cap hydraulic	
41	4700791468	1	Hydraulic hose	
42	4700313035	1	Hose clamp	
43	4700388855	1	Bracket	
44	4700500154	1	Screw	M16-2,0x25 8,8
45	4700921028	1	Clamp	
46	4700904228	1	Washer	6,4x12x1,5
47	4700192812	1	Screw	M6x1x20 10.9
48	4700902285	1	Hexagon lock nut with flange	

Cooling system

18702





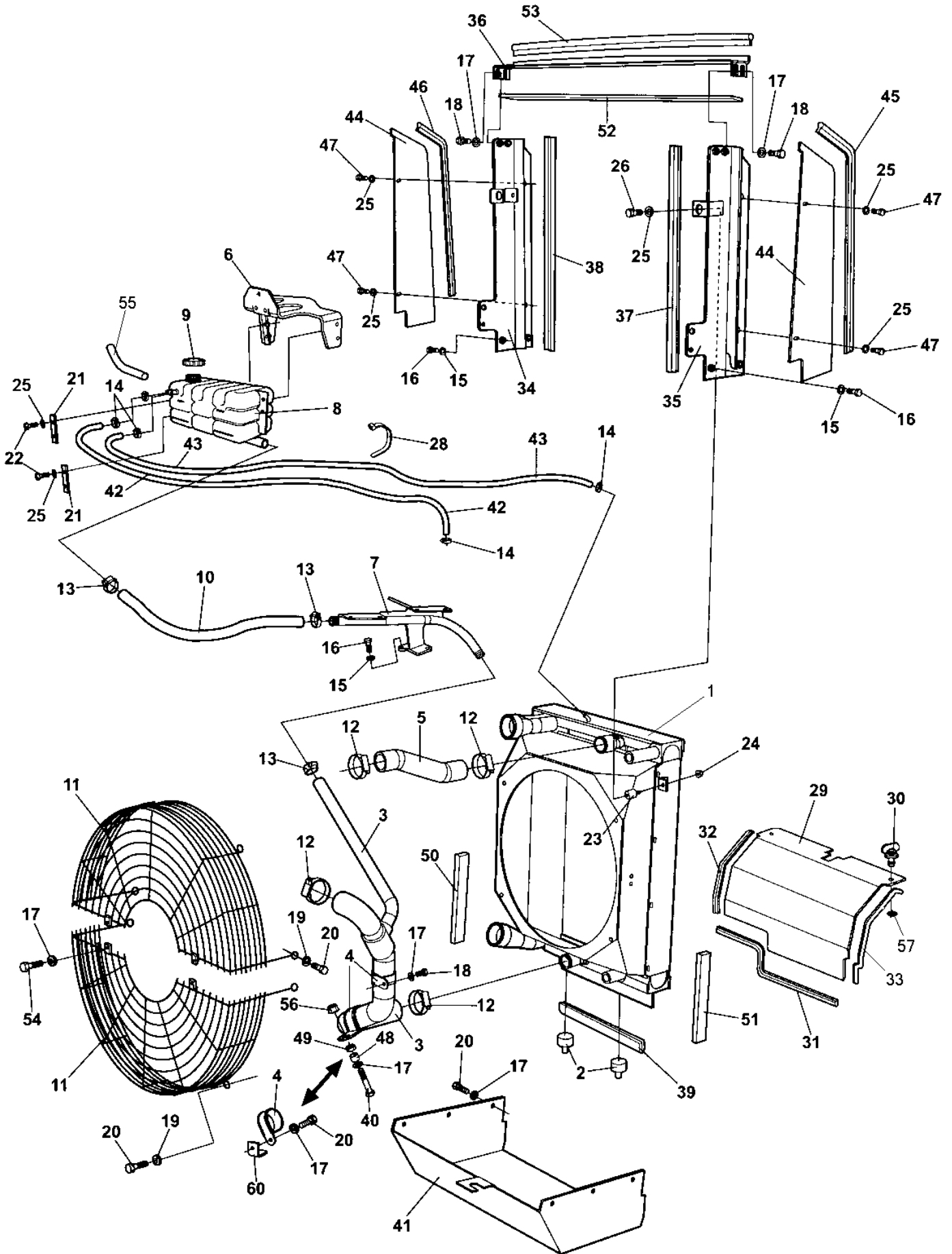
**Cooling system**

Item	Part No	Rem	Qty	Description	Code
1	4700392220		1	Radiator	
	4812155659		1	.Air cooler	
	4812155660		1	.Water cooler	
	4812155661		1	.Oil cooler	
2	4700904551		2	Shock absorber	
3	4700393081		1	Coolant hose	
4	4700392297		1	Coolant hose	
5	4700392170		1	Holder	
6	4700392313		1	Expansion tank	
7	4700903714		1	Cap	
8	4700393062		1	Holder	
9	4700500025		1	Screw	M8-1,25x50 8,8 C
10	4700371767		1	Spacer	C
11	4700205027	A	1XL	Coolant hose	
12	4700246069	B	1XL	Fuel hose	3/8"
13	4700246069	C	1XL	Fuel hose	3/8"
14	4700387085		2	Fan guard	
15	4700904352		2	Clamp	
16	4700313010		4	Hose clamp	
17	4700313006		3	Hose clamp	
18	4700313075		4	Hose clamp	C
19	4700904230		6	Steel plain washer	C
20	4700500028		5	Screw	C
21	4700500048		1	Hexagon head screw	C
22	4700904229		12	Washer	8,4x16x1,5 C
23	4700500019		1	Hexagon head screw	C
24	4700904640		8	Washer	8,4x22x3 C
25	4700500053		15	Screw	M8x20H 8.8 C
26	4700381413		2	Washer	
27	4700500075		4	Screw	M6-1,0x25 8.8 C
28	4700371774		2	Shock absorber	
29	4700902285		2	Hexagon lock nut with flange	C
30	4700904639		2	Washer	6,7x14x1,5 C
31	4700500012		2	Screw	M6x12 C
32	4700500018		2	Screw	M8-1,25x12 8,8 C
33	4700386853		1	Air inlet plate	
34	4700904486		2	Quick lock	
35	4700902166	D	1XL	Edge trim	D
36	4700902166	E	1XL	Edge trim	D
37	4700902166	F	1XL	Edge trim	D
38	4700926985		2	Quick lock washer	C
39	4700313102			Cable ties	
40	4700791597	G	2XL	Rubber strip	
41	4700386943		1	Air leading plate	
42	4700921063		1	Clamp	C
43	4700921084		1	Pipe clamp	
44	4700904228		5	Washer	6,4x12x1,5 C
45	4700500040		1	Screw	M6-1x20 8,8 C
46	4700902166	H	1XL	Edge trim	D
47	4700570005		1	Nut	M8 C
48	4700902286		1	Hexagon lock nut with flange	C
49	4700908136		1	Bracket	

- A) L=0,7 m
- B) L=1,600m
- C) L=2,050 m
- D) L=0,450 m
- E) L=0,690 m
- F) L=0,330 m
- G) L=0,310m
- H) L=0,470m

**Cooling system**

18434-2



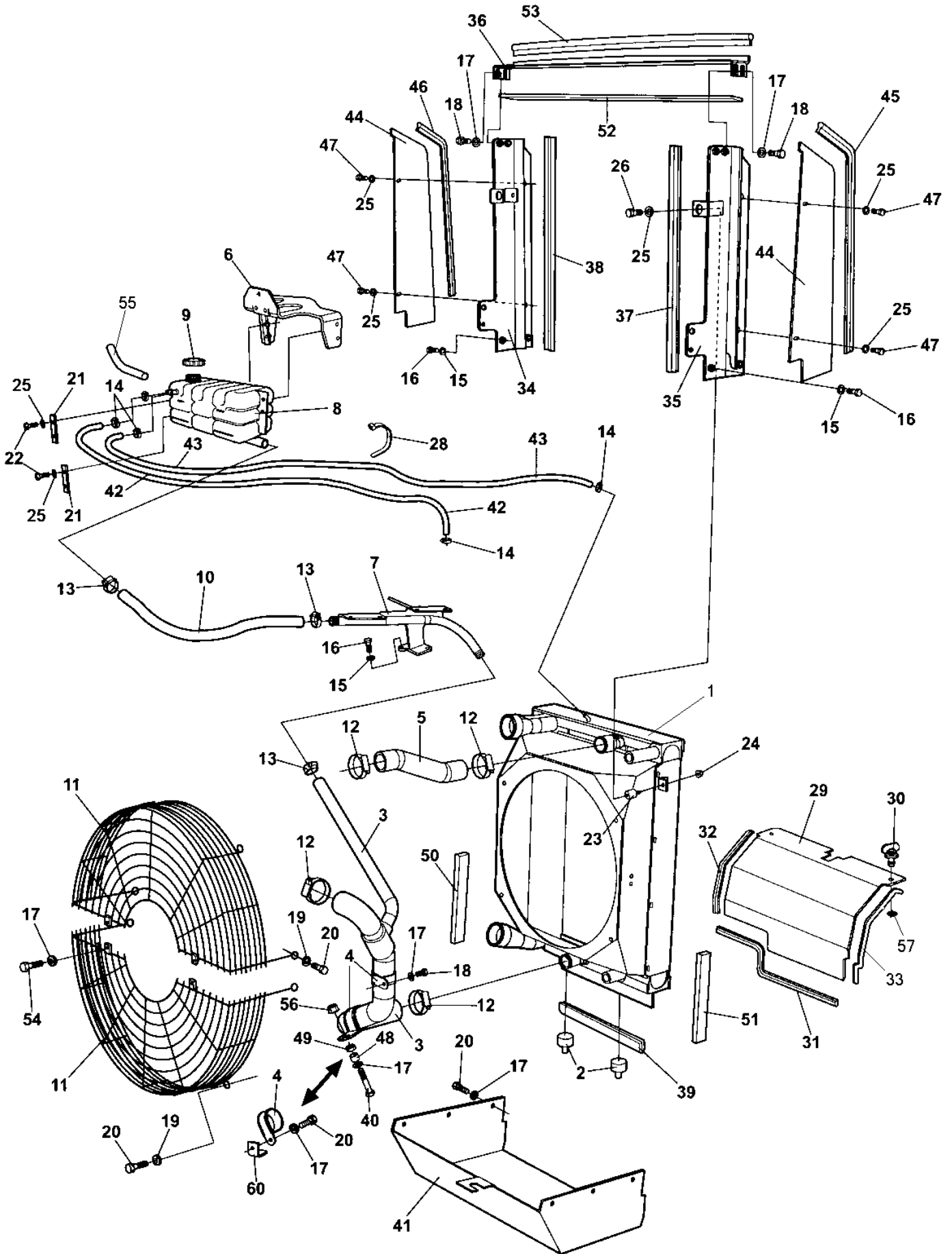
**Cooling system**

Item	Part No	Rem	Qty	Description	Code
1	4700392220		1	Radiator	
	4812155659		1	.Air cooler	
	4812155660		1	.Water cooler	
	4812155661		1	.Oil cooler	
2	4700904551		2	Shock absorber	
3	4700393081		1	Coolant hose	
4	4700904352		2	Clamp	
5	4700392297		1	Coolant hose	
6	4700392170		1	Holder	
7	4700393062		1	Holder	
8	4700392313		1	Expansion tank	
9	4700903714		1	Cap	
10	4700205027	A	1XL	Coolant hose	
11	4700387085		2	Fan guard	
12	4700313010		4	Hose clamp	
13	4700313006		3	Hose clamp	
14	4700313075		4	Hose clamp	C
15	4700904230		7	Steel plain washer	C
16	4700500028		7	Screw	C
17	4700904229		16	Washer	8,4x16x1,5 C
18	4700500019		5	Hexagon head screw	C
19	4700904640		8	Washer	8,4x22x3 C
20	4700500053		15	Screw	M8x20H 8.8 C
21	4700381413		2	Washer	
22	4700500075		4	Screw	M6-1,0x25 8.8 C
23	4700371774		2	Shock absorber	
24	4700902285		2	Hexagon lock nut with flange	C
25	4700904228		10	Washer	6,4x12x1,5 C
26	4700500012		2	Screw	M6x12 C
28	4700313102		N	Cable ties	
29	4700386853		1	Air inlet plate	
30	4700904486		2	Quick lock	
31	4700902166	B	1XL	Edge trim	D
32	4700902166	C	1XL	Edge trim	D
33	4700902166	D	1XL	Edge trim	D
34	4700392714		1	Cooler frame, right	
35	4700392715		1	Cooler frame, left	
36	4700393361		1	Cooler frame, top	
37	4700904076	E	1XL	Edge trim	D
38	4700904076	F	1XL	Edge trim	D
39	4700902166	G	1XL	Edge trim	D
40	4700500025		1	Screw	M8-1,25x50 8,8 C
41	4700386943		1	Air leading plate	
42	4700246069	H	1XL	Fuel hose	3/8"
43	4700246069	I	1XL	Fuel hose	3/8"
44	4700393362		2	Air inlet	

- A) L=0,600M
- B) L=0,690M
- C) L=0,330M
- D) L=0,450M
- E) L=0,500M
- F) L=0,500M
- G) L=0,470M
- H) L=1,500M
- I) L=1,780M

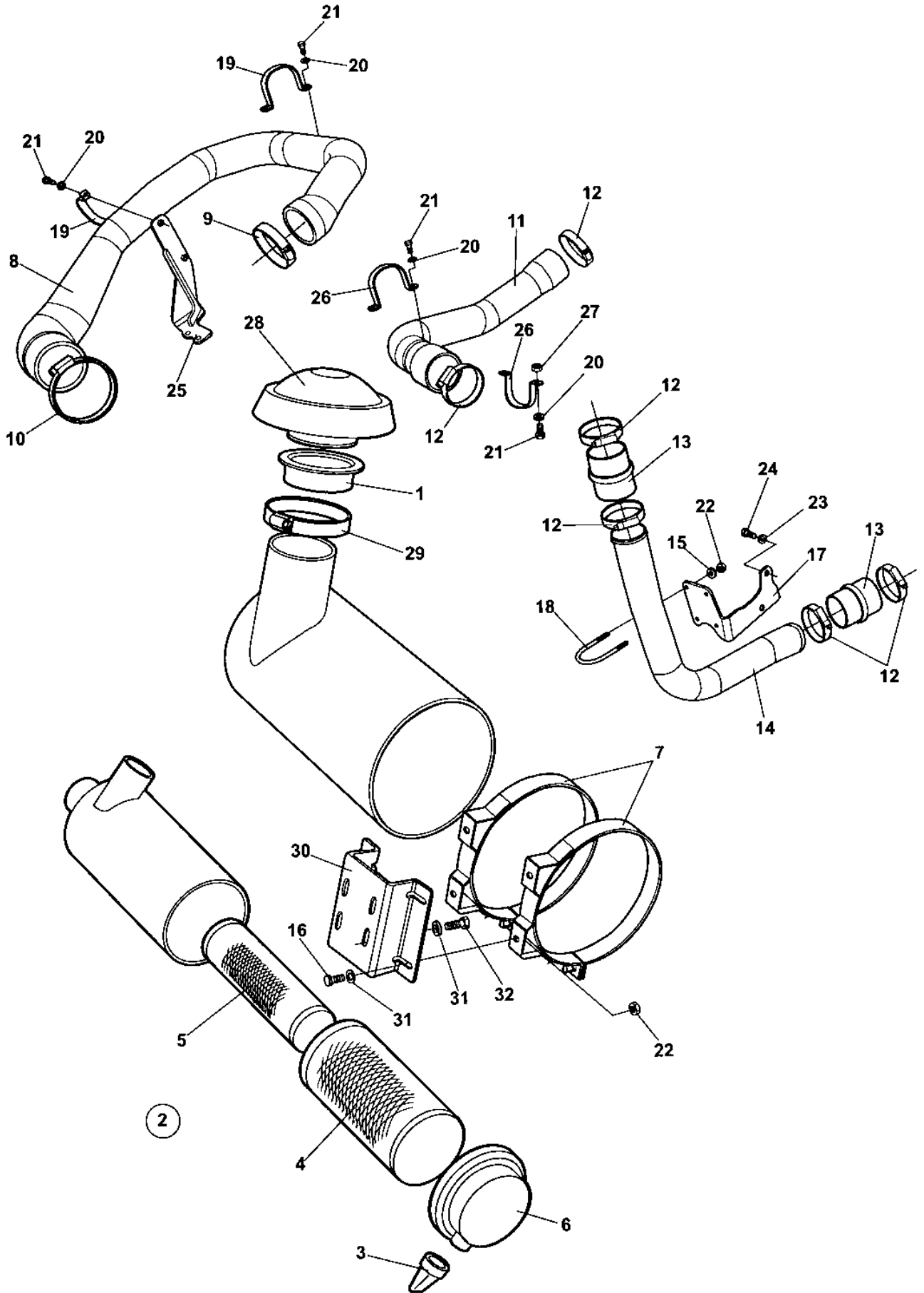
Cooling system

18434-2



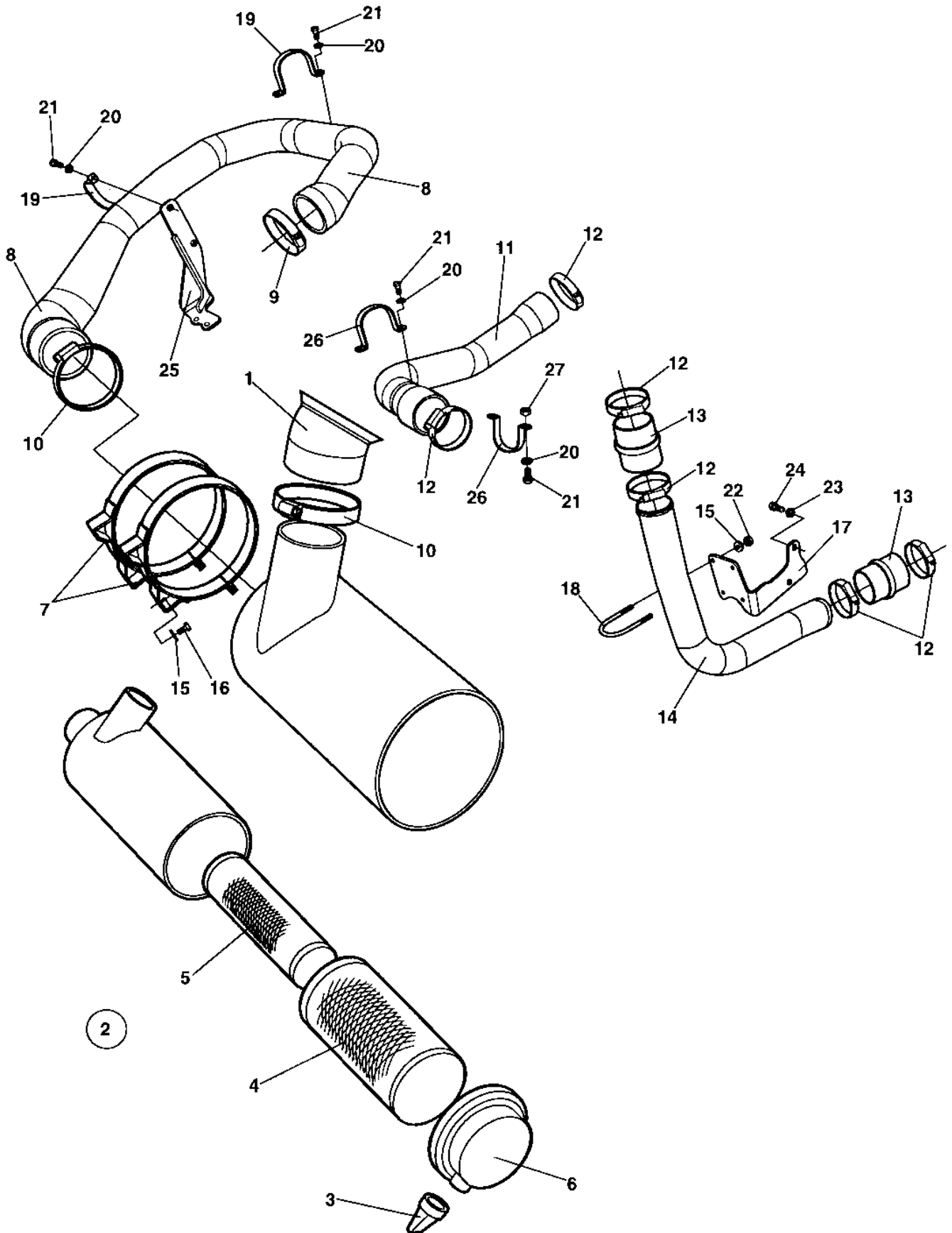
**Cooling system**

Item	Part No	Rem	Qty	Description	Code
45	4700902166	J	1XL	Edge trim	D
46	4700902166	K	1XL	Edge trim	D
47	4700500040		4	Screw	M6-1x20 8,8 C
48	4700371767		1	Spacer	C
49	4700570005		1	Nut	M8 C
50	4700791597	L	1XL	Rubber strip	
51	4700791597	L	1XL	Rubber strip	
52	4700791597	M	1XL	Rubber strip	
53	4700902166	M	1XL	Edge trim	D
54	4700500018		2	Screw	M8-1,25x12 8,8 C
55	4700904623	N	1	Hose guard	L=200 C
56	4700902286		1	Hexagon lock nut with flange	C
57	4700926985		2	Quick lock washer	C
60	4700908136		1	Bracket	
J)	L=0,610M				
K)	L=0,610M				
L)	L=0,310M				
M)	L=0,730M				
N)	L=0,200M				



Combustion air system

Item	Part No	Rem Qty	Description	Code
1	4700348309	1	Rubber bushing	
2	4700393088	1	Air cleaner Cpl	
3	4700908399	1	.Vacuator valve	C
4	4700394686	1	.Air filter element, main	A
5	4700394687	1	.Air filter element, safety	A
6	4700908452	1	.Cover	
7	4700813791	2	Mounting band	D
8	4700393093	1	Air inlet hose	
9	4700392810	1	Hose clamp	
10	4700389600	1	Hose clamp	
11	4700393045	1	Charge air hose	
12	4700386966	6	Hose clamp	2.3/4"-3.5/8"
13	4700385691	2	Air intake hose	
14	4700393058	1	Charge air tube	
15	4700904229	4	Washer	8,4x16x1,5 C
16	4700500021	4	Screw	M8-1,25x25 8.8 C
17	4700393059	1	Holder	
18	4700313093	2	Pipe clamp	C
19	4700392742	2	Clamp	
20	4700904228	8	Washer	6,4x12x1,5 C
21	4700500040	8	Screw	M6-1x20 8,8 C
22	4700586003	8	Lock nut	M8 C
23	4700904231	4	Washer	13x24x2 300 HV C
24	4700500046	2	Screw	M12x025H C
25	4700392741	1	Holder	
26	4700393097	2	Clamp	
27	4700902285	2	Hexagon lock nut with flange	C
28	4700499266	1	Protection cover	D
29	4700904060	1	Hose clamp	C
30	4700393085	1	Filter bracket	
31	4700904556	8	Washer	8,4x16x3,0 C
32	4700500053	4	Screw	M8x20H 8.8 C



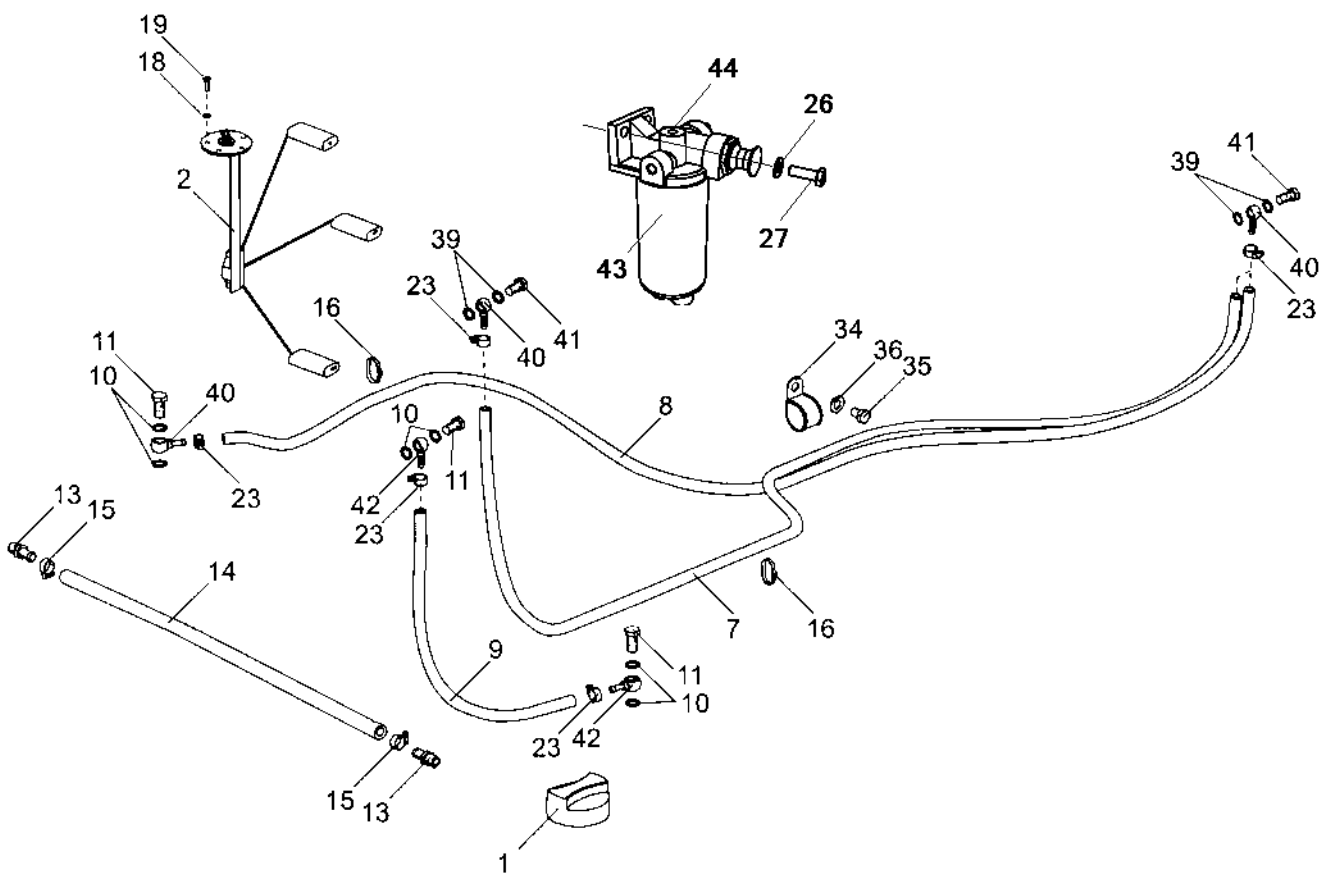


**Combustion air system**

Item	Part No	Rem Qty	Description	Code
1	4700393089	1	Air inlet hose	
2	4700394680	1	Air cleaner Cpl	
3	4700908399	1	.Vacuator valve	C
4	4700394686	1	.Air filter element, main	A
5	4700394687	1	.Air filter element, safety	A
6	4700908452	1	.Cover	
7	4700813791	2	Mounting band	D
8	4700393086	1	Air inlet hose	
9	4700392810	1	Hose clamp	
10	4700389600	2	Hose clamp	
11	4700393045	1	Charge air hose	
12	4700386966	6	Hose clamp	2.3/4"-3.5/8"
13	4700385691	2	Air intake hose	
14	4700393058	1	Charge air tube	
15	4700904229	8	Washer	8,4x16x1,5 C
16	4700500019	4	Hexagon head screw	C
17	4700393059	1	Holder	
18	4700313093	2	Pipe clamp	C
19	4700392742	2	Clamp	
20	4700904228	8	Washer	6,4x12x1,5 C
21	4700500040	8	Screw	M6-1x20 8,8 C
22	4700586003	4	Lock nut	M8 C
23	4700904231	2	Washer	13x24x2 300 HV C
24	4700500046	2	Screw	M12x025H C
25	4700392741	1	Holder	
26	4700393097	2	Clamp	
27	4700902285	2	Hexagon lock nut with flange	C

**Fuel system**

**184820**



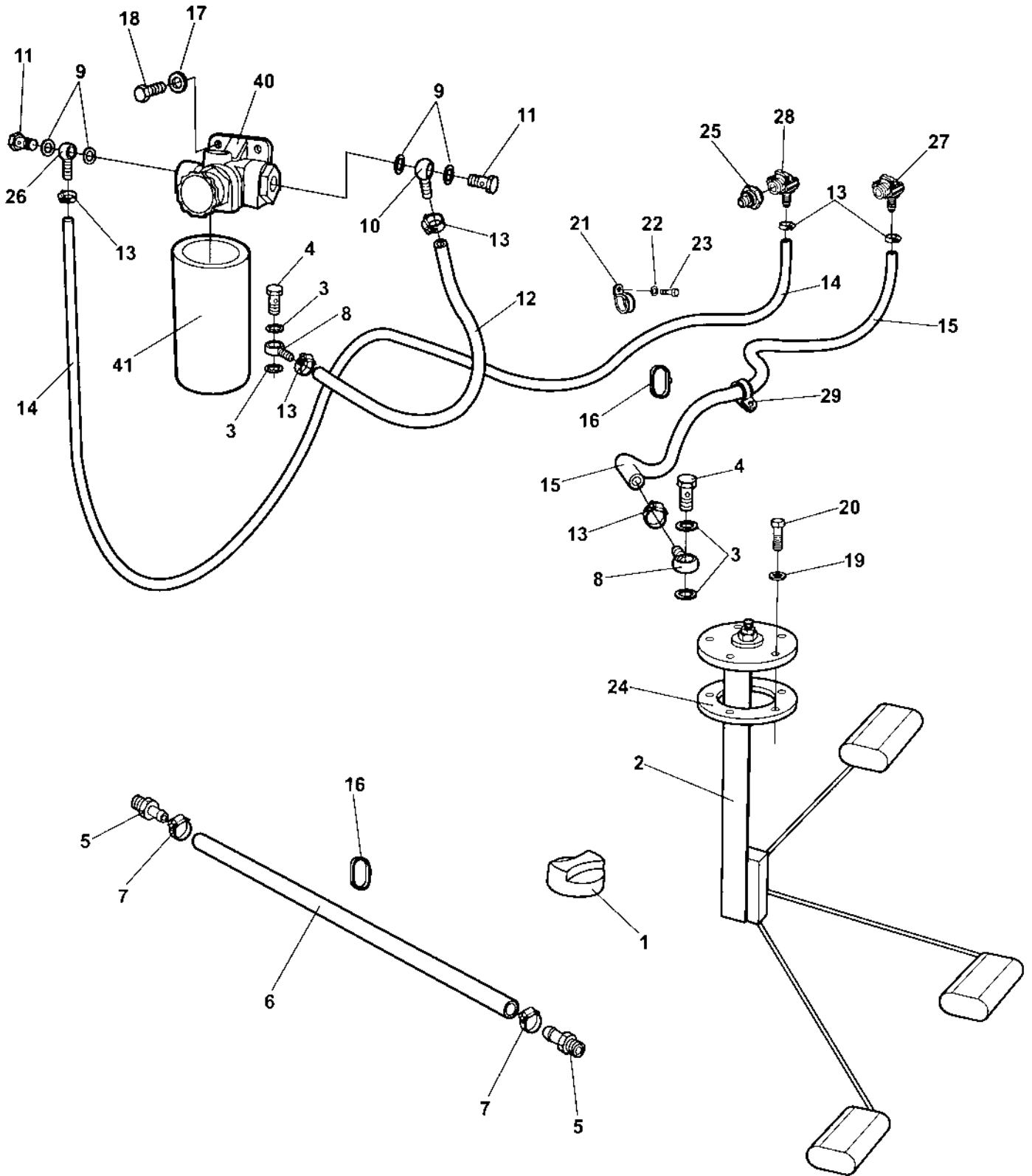
**Fuel system**

Item	Part No	Rem	Qty	Description	Code
1	4700373460		1	Fuel cap	D
2	4700904695		1	Fuel level sender	D
	4700945777		1	Gasket	
7	4700904984	A	1XL	Fuel hose	C
8	4700904984	B	1XL	Fuel hose	C
9	4700904984	C	1XL	Fuel hose	C
10	4700747282		4	Copper washer	
11	4700330171		2	Hollow screw	C
13	4700373574		2	Hose connection	
14	4700244054	D	1XL	Hose reinforced	C
15	4700313002		2	Hose clamp	13-20 mm
16	4700313041		N	Cable ties	
18	4700904281		5	Washer	5,3x10x1 300HV
19	4700500006		5	Screw	M5x16
23	4700313001		6	Hose clamp	
26	4700904230		2	Steel plain washer	
27	4700500029		2	Hexagon head screw	
34	4700921084		1	Pipe clamp	
35	4700500040		1	Screw	M6-1x20 8,8
36	4700904228		1	Washer	6,4x12x1,5
39	4700230277		8	Copper washer	12,2x17,9x1,5
40	4700792251		4	Banjo coupling	M12 Hose 8
41	4700234919		4	Screw	M12-1,5-24-3
42	4700901121		2	Banjo fitting	14x6 Hose 8
43	4700945147		1	Pre-fuel filter element	A
44	4700945538		1	Fuel filter head with hand pump	

- A) L=2,05 m
- B) L=1,85 m
- C) L=0,65 m
- D) L=0,65 m

**Fuel system**

18986

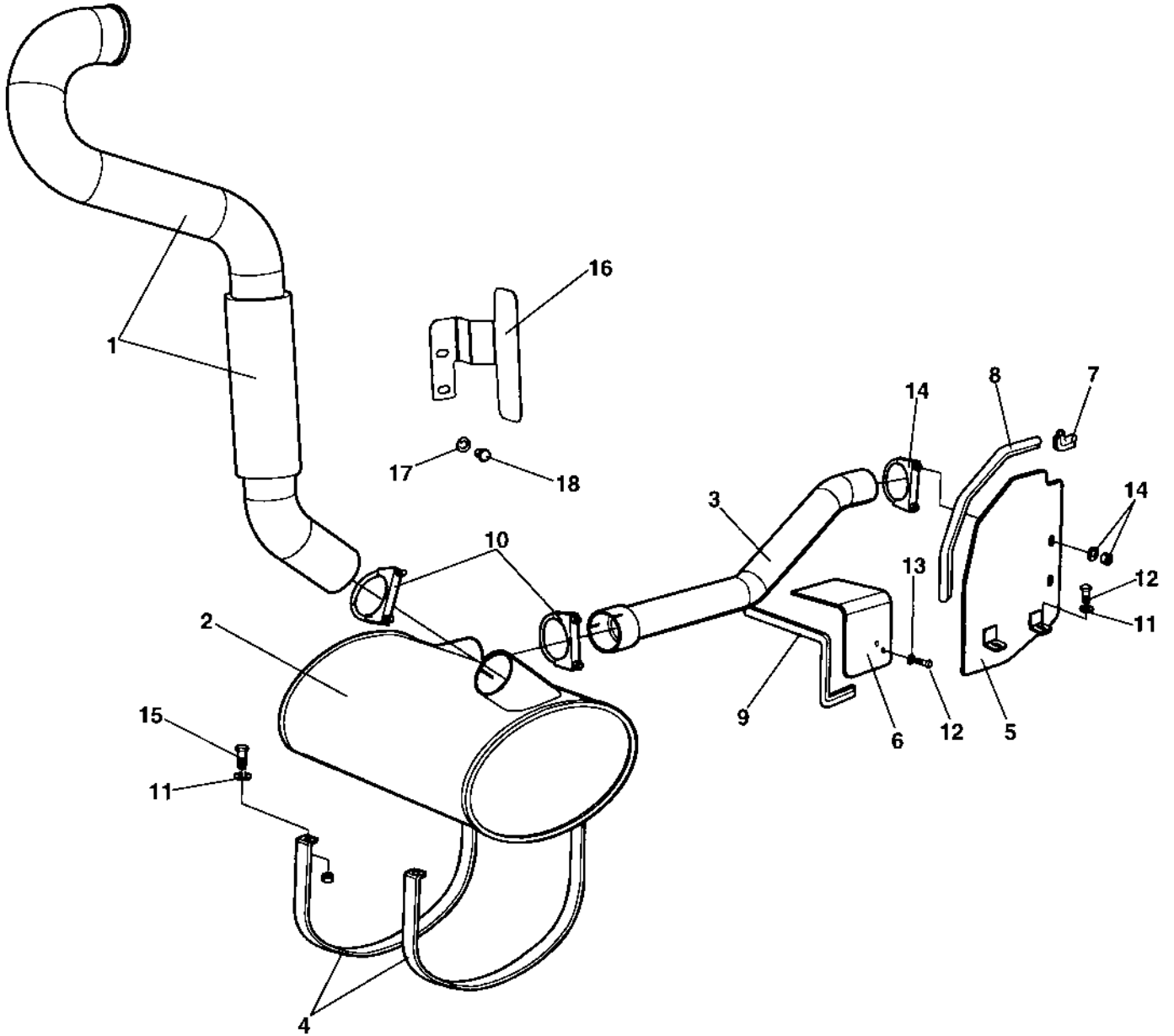


**Fuel system**

Item	Part No	Rem Qty	Description	Code
1	4700373460	1	Fuel cap	D
2	4700904695	1	Fuel level sender	D
3	4700747282	4	Copper washer	
4	4700330171	2	Hollow screw	C
5	4700373574	2	Hose connection	
6	4700244054	A 1XL	Hose reinforced	C
7	4700313002	2	Hose clamp	
8	4700901121	2	Banjo fitting	
9	4700230277	4	Copper washer	
10	4700792251	1	Banjo coupling	
11	4700234919	2	Screw	
12	4700904984	B 1XL	Fuel hose	C
13	4700313001	6	Hose clamp	C
14	4700904985	C 1XL	Fuel hose	C
15	4700904984	D 1XL	Fuel hose	C
16	4700313041	N	Cable ties	
17	4700904230	2	Steel plain washer	C
18	4700500029	2	Hexagon head screw	C
19	4700904281	5	Washer	
20	4700500006	5	Screw	
21	4700921084	1	Pipe clamp	
22	4700904228	1	Washer	
23	4700500013	1	Screw	
24	4700945777	1	Gasket	
25	4700792814	1	Quick connect coupling	
26	4700792808	1	Banjo coupling	
27	4700792526	1	Quick connect coupling	
28	4700792547	1	Quick connect coupling	
29	4700791513	1	Pipe clamp	
40	4700945538	1	Fuel filter head with hand pump	
41	4700945147	1	Pre-fuel filter element	A
A)	L=0,66M			
B)	L=0,65M			
C)	L=2,35M			
D)	L=1,30M			

**Exhaust system**

18436



**Exhaust system**

Item	Part No	Rem Qty	Description	Code
1	4700392294	1	Exhaust pipe	
2	4700392295	1	Muffler	
3	4700392296	1	Exhaust pipe	
4	4700386789	2	Clamp	
5	4700377098	1	Thermal guard	
6	4700392747	1	Thermal guard	
7	4700902166	A 1XL	Edge trim	D
8	4700904076	B 1XL	Edge trim	D
9	4700904076	C 1XL	Edge trim	D
10	4700313094	2	Pipe clamp	C
11	4700904640	6	Washer	8,4x22x3 C
12	4700500053	4	Screw	M8x20H 8.8 C
13	4700904229	4	Washer	8,4x16x1,5 C
14	4700313093	1	Pipe clamp	C
15	4700500022	4	Screw	M8x30H 8.8 A2K C
16	4700396185	1	Thermal guard	
17	4700904231	2	Washer	13x24x2 300 HV C
18	4700500163	2	Screw	M12x16 C

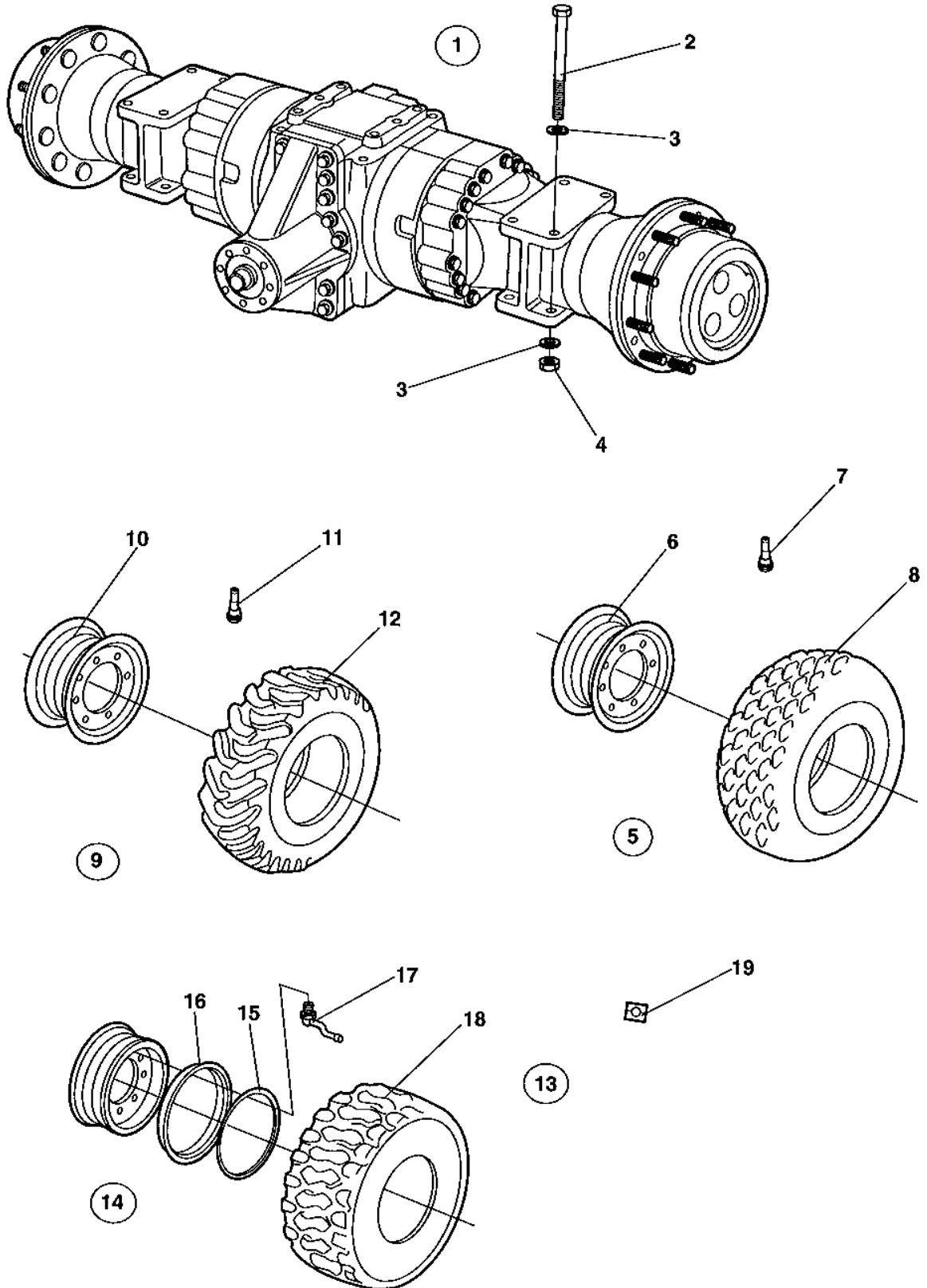
- A) L=0.080M
- B) L=0,410M
- C) L=0,410M





**Transmission**

<b>Item</b>	<b>Part No</b>	<b>Rem Qty</b>	<b>Description</b>	<b>Code</b>
17			Rear axle and wheels ( Page 72 )	
20	4700383857		Rear axle Up to 65X21499 ( Page 74 )	
21	4700393002		Rear axle From 65X21500 ( Page 82 )	
30	4700383856		Rear axle ( Page 90 )	No-Spin, Option
40	4700396309		Rear axle From 65X21500 ( Page 96 )	Option



Rear axle and wheels

Item	Part No	Rem Qty	Description	Code
1	4700383857	1	Rear axle ( Page 74 )	
2	4700929217	8	Screw	
3	4700904233	16	Washer	
4	4700901145	8	Lock nut	
5	4700390590	2	Wheel, cpl	
	4700390762	A	Wheel, cpl	
	4700388145	A,G	Wheel, cpl	
	4700388146	G	Wheel, cpl	
6	4700393335	1	.Rim	
7	4700792261	1	.Air charging valve	
8	4700390591	1	.Tyre	
	4700791573	J,G	.Tyre	
9	4700390588	B	Tractor wheel, cpl	
	4700390587	C	Tractor wheel, cpl	
	4700390759	D	Tractor wheel, cpl	
	4700390760	E	Tractor wheel, cpl	
10	4700393335	1	.Rim	
11	4700792261	1	.Air charging valve	
12	4700390589	1	.Tyre	
13	4700383974	F	Wheel, tubeless, cpl	
	4700383975	K	Wheel, tubeless, cpl	
14	4700383955	1	.Rim cpl	
15	4700901443	1	..Snap ring	
16	4700901444	1	..Side ring	
17	4700791175	1	.Air charging valve	
	4700791176	1	.Valve foot	
18	4700901218	1	.Tyre	
19	4700355983	H	Decal "TYRE PRESSURE"	
	4700903985	I	Decal "SAFETY", "TYRE IN BALLAST"	

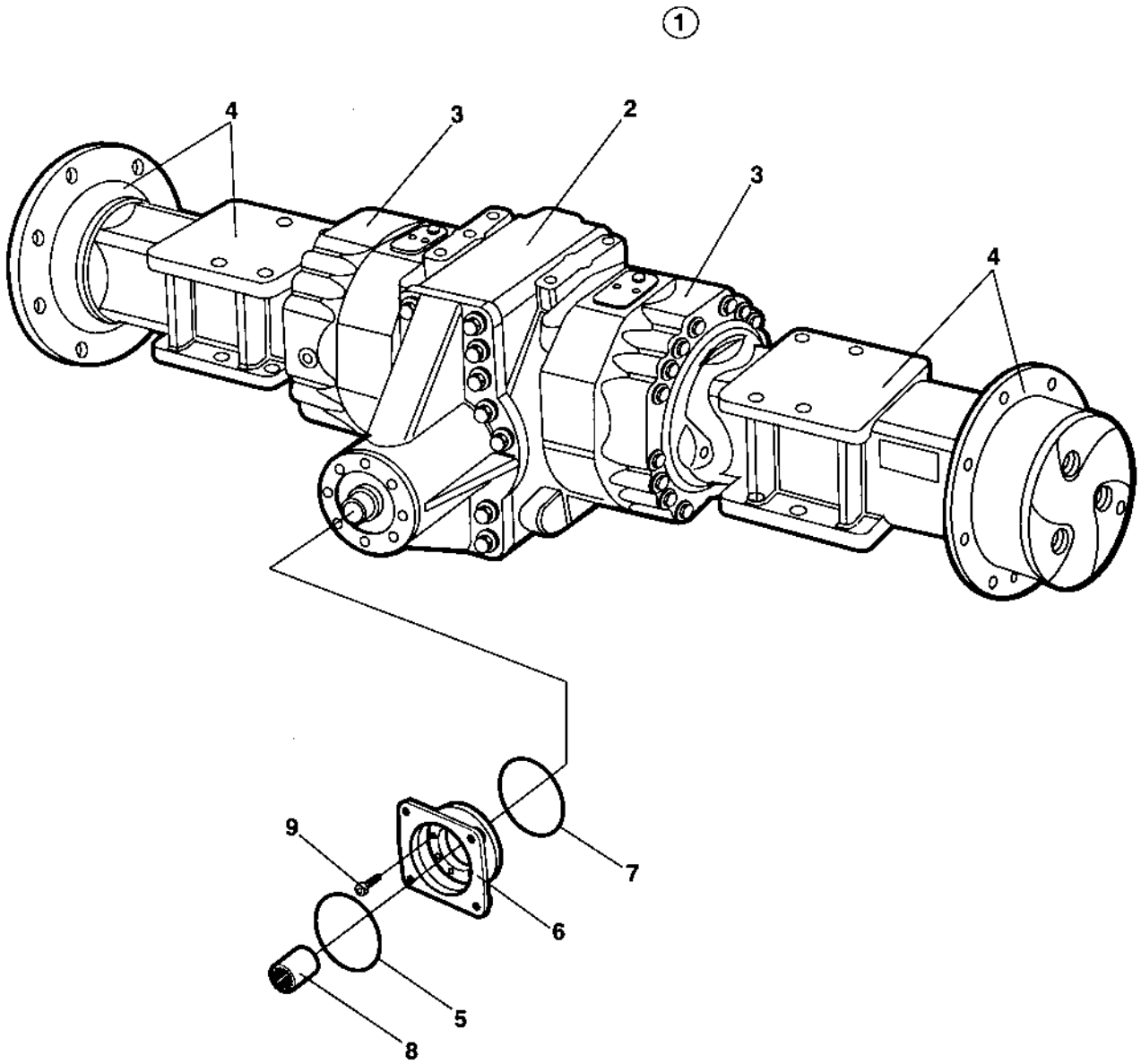
21x36x3  
M20-10

Straight

Straight

200kPa/29psi

- A) Liquidfilled, option.
- B) Left, option.
- C) Right, option.
- D) Liquidfilled tyre, right, option.
- E) Liquidfilled tyre, left, option.
- F) Option, Michelin branded.
- G) For Chinese market only.
- H) Used with item 13, 4700383974. 4700383975.
- I) Used with Liqued filled tyres.
- J) Used together with 4700388145 and 4700388146.
- K) Liquidfilled, option, Michelin branded.

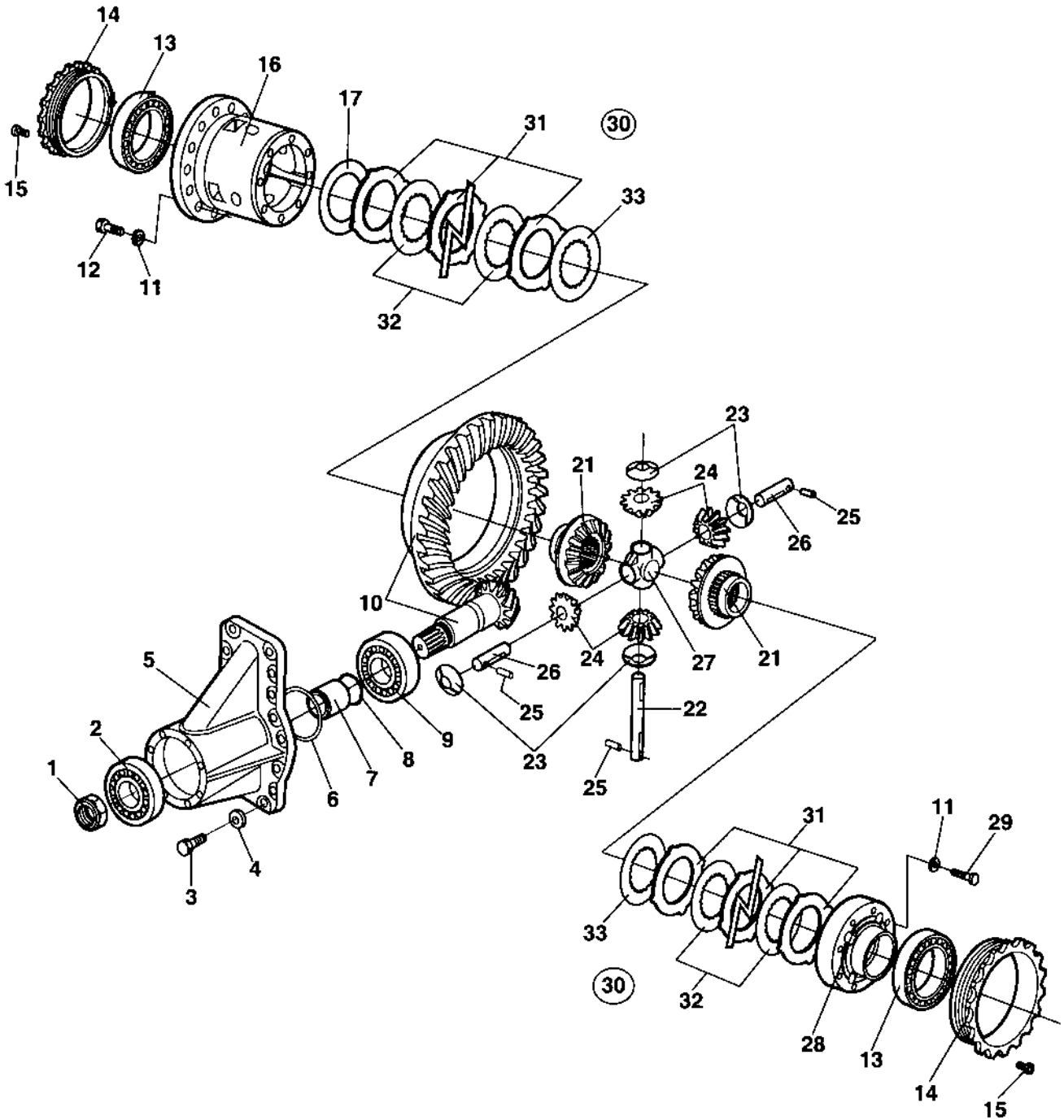


**4700383857 Rear axle**

<b>Item</b>	<b>Part No</b>	<b>Rem Qty</b>	<b>Description</b>	<b>Code</b>
1		1	Rear axle	
2		1	.Differential with limited slip ( Page 76 )	
3		2	.Differential housing and brakes ( Page 78 )	
4		2	.Planet gear ( Page 80 )	
5	4700909584	1	O-ring	D
6	4700909583	1	Flange	
7	4700929648	1	O-ring	D
8	4700901834	1	Splined sleeve	
9	4700909582	8	Screw	

Differential with limited slip

17672

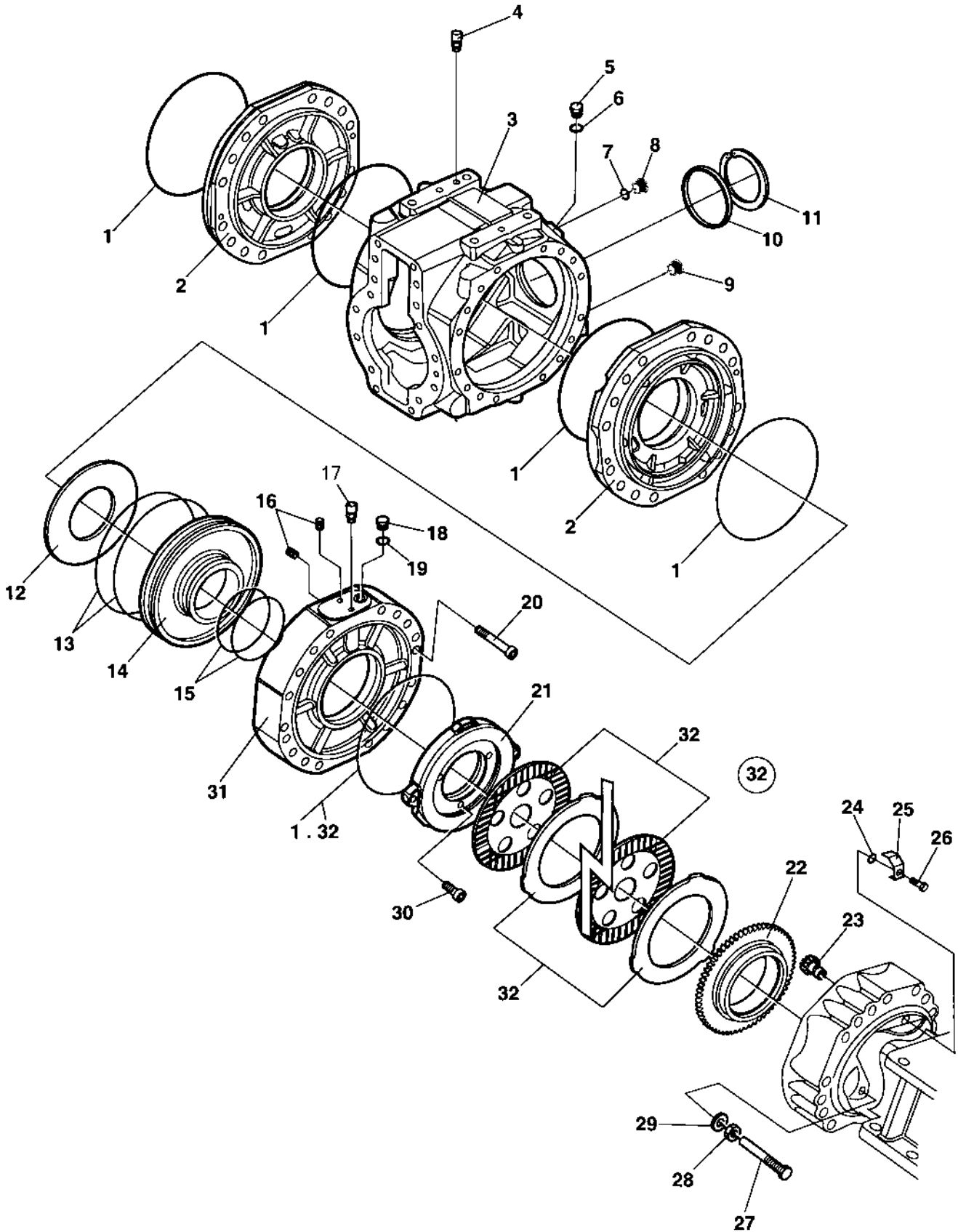


Differential with limited slip

Item	Part No	Rem Qty	Description	Code
1	4700929638	1	Nut	
2	4700909574	1	Roller bearing	
3	4700939257	16	Bolt	
4	4700909572	16	Spring washer	
5	4700908485	1	Housing	
6	4700909568	1	Shim	0,10mm
	4700909569	1	Shim	0,20mm
	4700909570	1	Shim	0,50mm
	4700939258	1	Shim	0,15mm
7	4700909567	1	Spacer	
8	4700939259	1	Shim	0,15mm
	4700909580	1	Shim	0,20mm
	4700909576	1	Shim	0,30mm
	4700929644	1	Shim	0,40mm
	4700939260	1	Shim	0,50mm
9	4700909581	1	Roller bearing	
10	4700212553	1	Bevel gear set	
11	4700929628	16	Washer	
12	4700929629	16	Screw	
13	4700923342	1	Bearing	
14	4700939261	2	Nut	
15	4700938989	2	Screw	
16	4700909550	1	Differential carrier	
17	4700909551	1	Shim	0,30mm
	4700909552	1	Shim	0,40mm
	4700909553	1	Shim	0,10mm
21	4700909558	2	Differential gear	
22	4700909566	1	Shaft	
23	4700909559	4	Friction washer	
24	4700939262	4	Differential pinion	
25	4700909561	3	Rolled pin	
26	4700909560	2	Shaft	
27	4700909565	1	Shaft retainer	
28	4700909562	1	Differential carrier cover	
29	4700909563	8	Screw	
30	4700935644	2	Disc kit	D
31		10	.Limited slip disc	D
32		8	.Limited slip disc	D
33		2	.Limited slip disc	D

**Differential housing and brakes**

17670



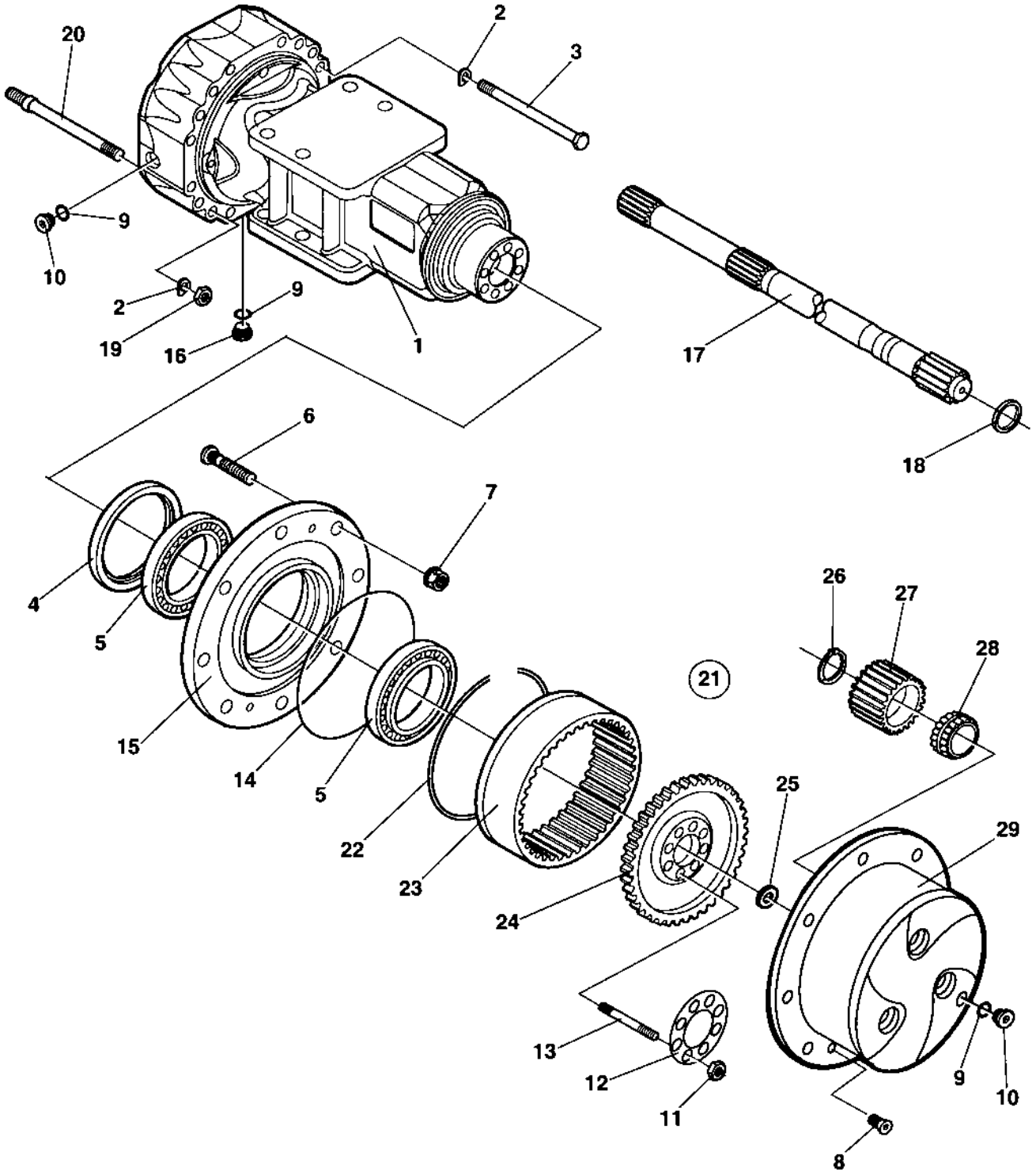


Differential housing and brakes

Item	Part No	Rem Qty	Description	Code
1	4700909609	6	O-ring	D
2	4700939255	2	Cover	
3	4700939256	1	Housing	
4	4700938984	1	Vent nipple	
5	4700909544	2	Screw	
6	4700938983	2	Sealing washer	
7	4700909607	1	Seal	D
8	4700909596	1	Plug	
9	4700926810	1	Magnetic plug	
10	4700938296	1	Plug	
11	4700929617	1	Lock ring	
12	4700909616	2	Spring	
13	4700909618	4	O-ring	D
14	4700939280	2	Piston	
15	4700909619	4	O-ring	D
16	4700939281	4	Bolt	
17	4700938984	2	Vent nipple	
18	4700939282	2	Bolt	
19	4700939036	2	Sealing washer	
20	4700939035	4	Screw	
21	4700939283	2	Disc	
22	4700939285	2	Ring	
23	4700909622	2	Pinion	
24	4700900966	2	O-ring	D
25	4700939286	2	Lock plate	
26	4700909624	2	Screw	
27	4700909626	4	Bolt	
28	4700900957	4	Nut	
29	4700926847	4	Sealing washer	
30	4700939026	6	Screw	
31	4700939287	2	Cover	
32	4700939284	2	Brake disc kit	
		12	.Brake disc	
		12	.Brake disc	
	4700909609	2	.O-ring	D

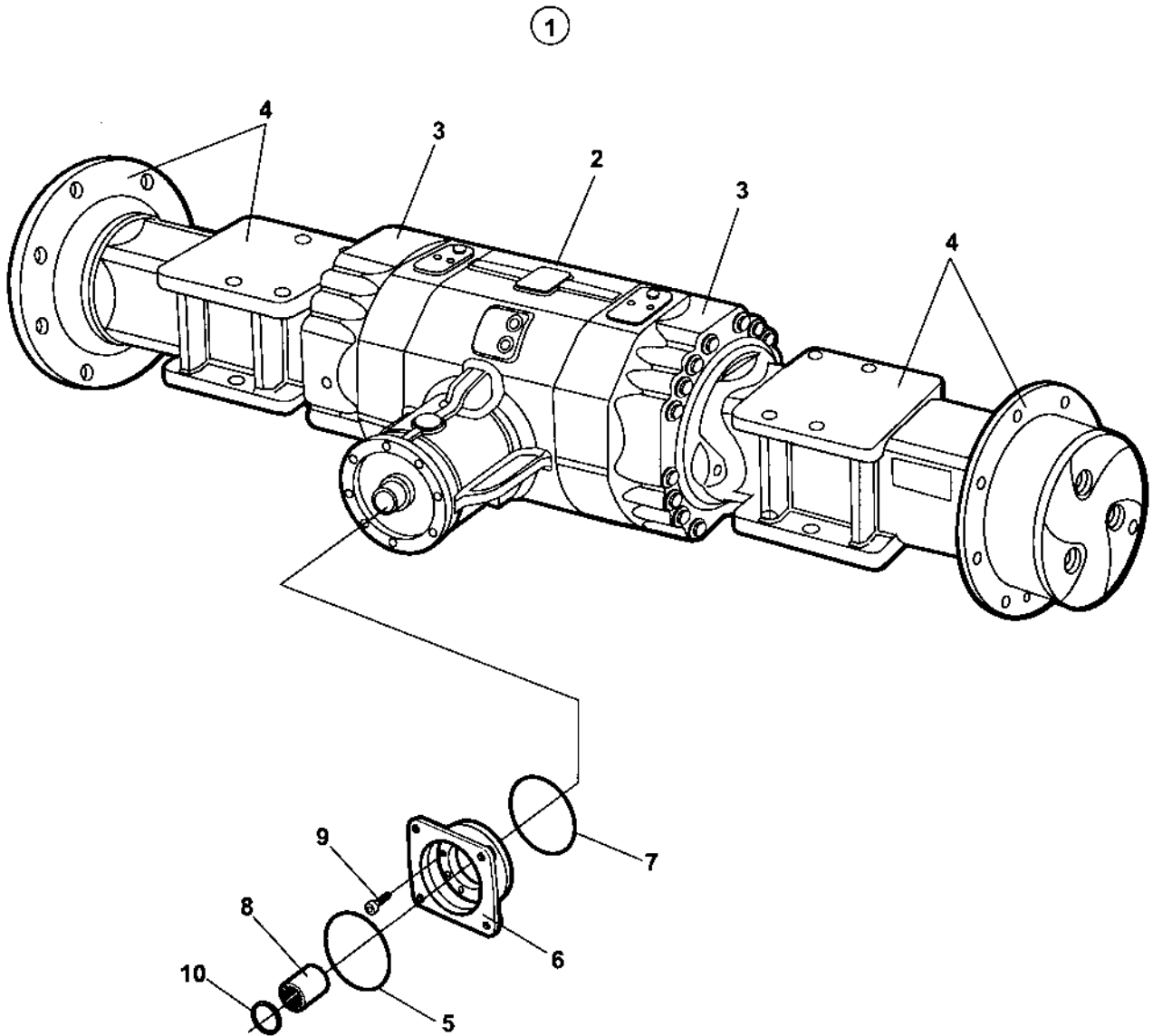
**Planet gear**

17673



**Planet gear**

Item	Part No	Rem Qty	Description	Code
1	4700939263	2	Axle case	
2	4700939003	32	Spring washer	
3	4700939264	24	Bolt	
4	4700939265	2	Seal	
5	4700939266	4	Bearing	
6	4700926781	20	Wheel screw	
7	4700901987	20	Wheel nut	
8	4700939015	4	Screw	
9	4700330333	6	Copper washer	D
10	4700909596	4	Plug	
11	4700939016	20	Nut	
12	4700939275	2	Lock plate	
13	4700939017	20	Stud	
14	4700929612	2	O-ring	
15	4700939276	2	Wheel hub	
16	4700938985	2	Magnetic plug	
17	4700939277	2	Half shaft	
18	4700909586	2	Seal	D
19	4700939019	8	Nut	
20	4700939278	8	Stud	
21	4700939279	2	Planet gear carrier Cpl.	
22	4700939267	2	.Circlip	
23	4700939268	2	.Ring gear	
24	4700939269	2	.Ring gear support	
25	4700939270	2	.Washer	
26	4700939271	6	.Seal	
27	4700939272	6	.Planet gear	
28	4700939273	6	.Bearing	
29	4700939274	2	.Planet gear carrier	

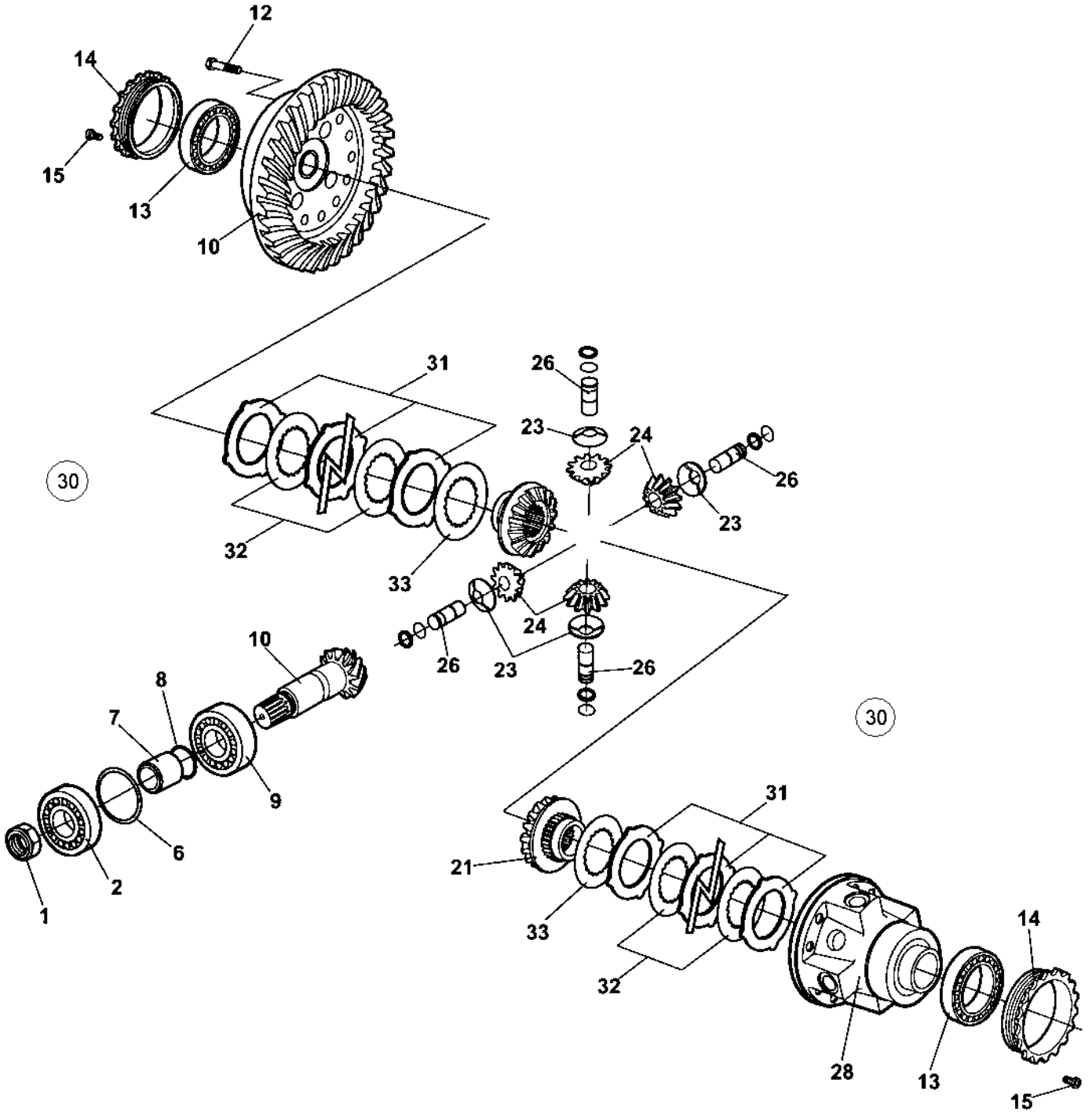


**4700393002 Rear axle**

<b>Item</b>	<b>Part No</b>	<b>Rem Qty</b>	<b>Description</b>	<b>Code</b>
1		1	Rear axle	
2		1	.Differential with limited slip ( Page 84 )	
3		2	.Differential housing and brakes ( Page 86 )	
4		2	.Planet gear ( Page 88 )	
5	4700909630	1	O-ring	D
6	4700950556	1	Flange	
7	4700929648	1	O-ring	D
8	4700950559	1	Splined sleeve	
9	4700929712	8	Screw	
10		1	Circlip	

Differential with limited slip

18841

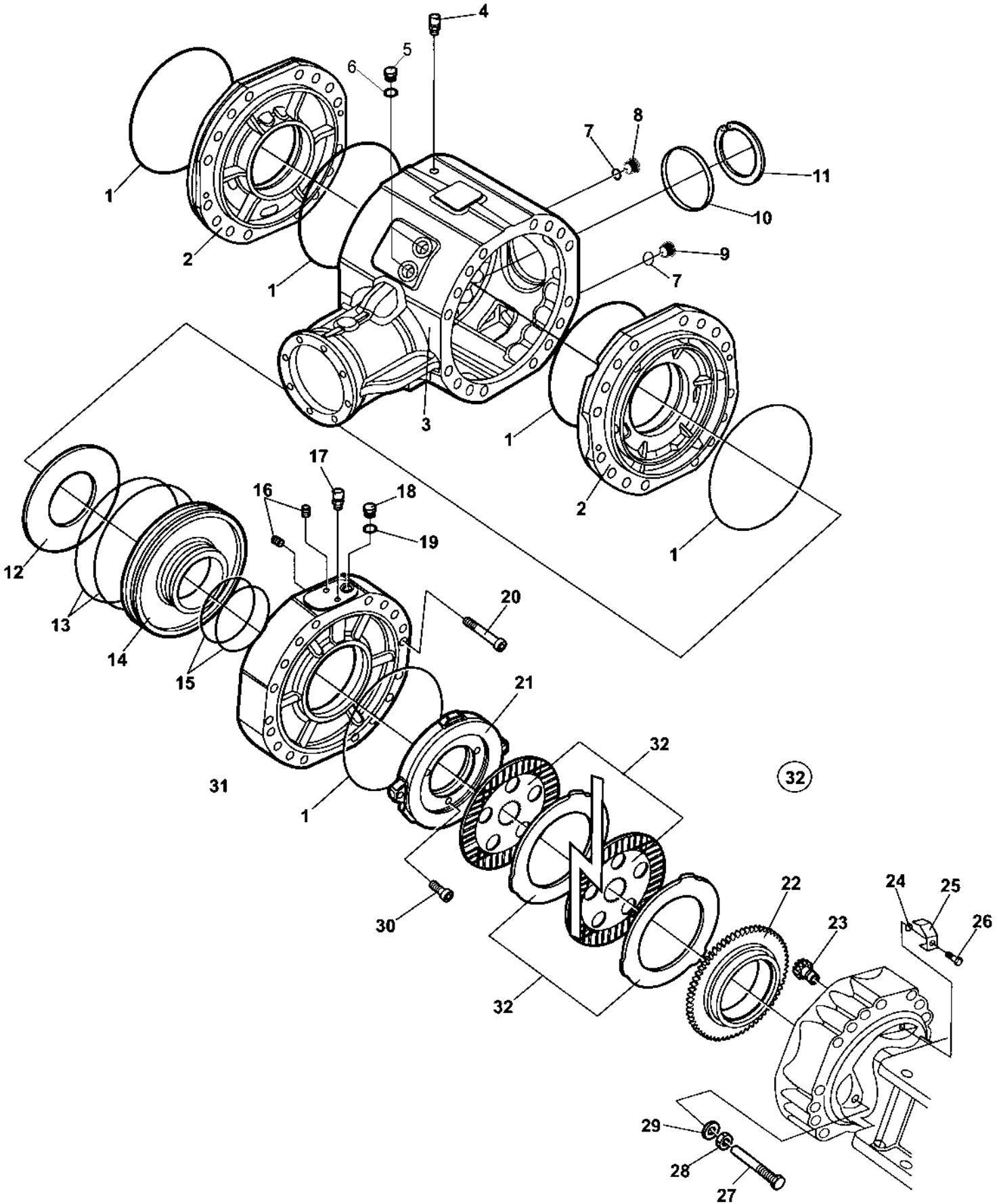


Differential with limited slip

Item	Part No	Rem Qty	Description	Code
1	4700938988	1	Ring nut	
2		1	Roller bearing	
6	4700926354	N	Shim	
	4700926356	N	Shim	
	4700926786	N	Shim	
7		1	Spacer	
8	4700936053	1	Shim	0.15mm
	4700936054	1	Shim	0.20mm
	4700936055	1	Shim	0.40mm
	4700936056	1	Shim	0.50mm
9		1	Roller bearing	
10		1	Bevel gear set	
12	4700938991	16	Screw	
13		1	Bearing	
14		2	Nut	
15	4700938989	2	Screw	
21		2	Differential gear	
23	4700936036	4	Friction washer	
24	4700936035	4	Differential pinion	
26		4	Pin	
28		1	Differential carrier	
30	4700938993	2	Disc kit	D
31		N	.Limited slip disc	D
32		N	.Limited slip disc	D
33		N	.Limited slip disc	D

**Differential housing and brakes**

18842



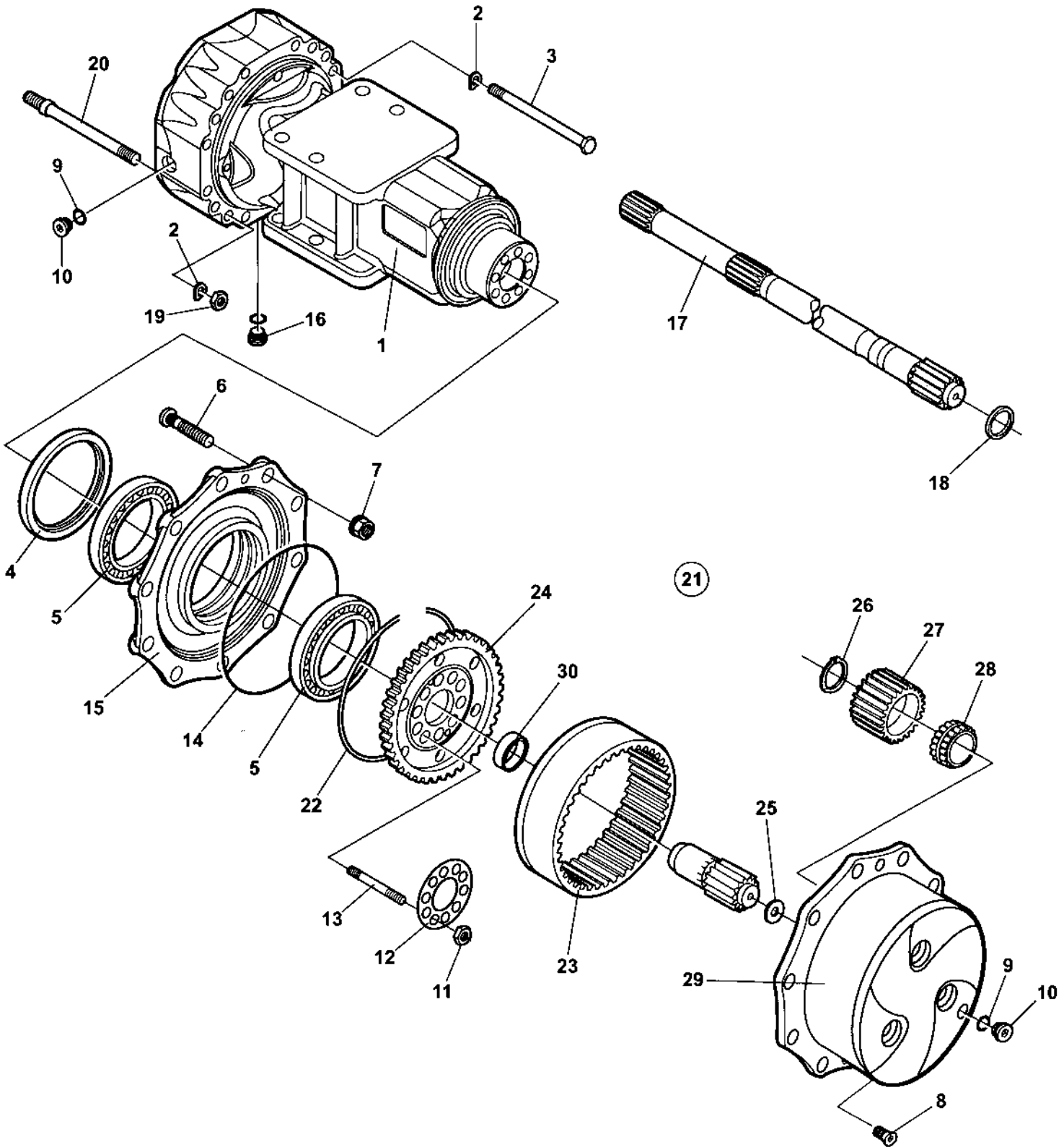


Differential housing and brakes

Item	Part No	Rem Qty	Description	Code
1	4700929612	6	O-ring	
2		2	Cover	
3		1	Housing	
4	4700938984	1	Vent nipple	
5	4700909544	2	Screw	
6	4700938983	2	Sealing washer	
7		2	Seal	
8	4700939348	1	Plug	
9	4700939350	1	Magnetic plug	
10		1	Plug	
11	4700929617	1	Lock ring	
12	4700909616	2	Spring	
13	4700909618	4	O-ring	D
14	4700939280	2	Piston	
15	4700909619	4	O-ring	D
16		4	Bolt	D
17	4700938984	2	Vent nipple	
18	4700939282	2	Bolt	
19	4700939036	2	Sealing washer	
20	4700939035	4	Screw	
21		2	Disc	
22	4700939285	2	Ring	
23	4700909622	2	Pinion	
24	4700900966	2	O-ring	D
25		2	Lock plate	D
26	4700909624	2	Screw	
27	4700909626	4	Bolt	
28	4700900957	4	Nut	
29	4700926847	4	Sealing washer	
30	4700939026	6	Screw	
31		2	Cover	
32	4700950558	2	Brake disc kit	
		10	.Brake disc	
		10	.Brake disc	
	4700929612	2	.O-ring	

**Planet gear**

18840

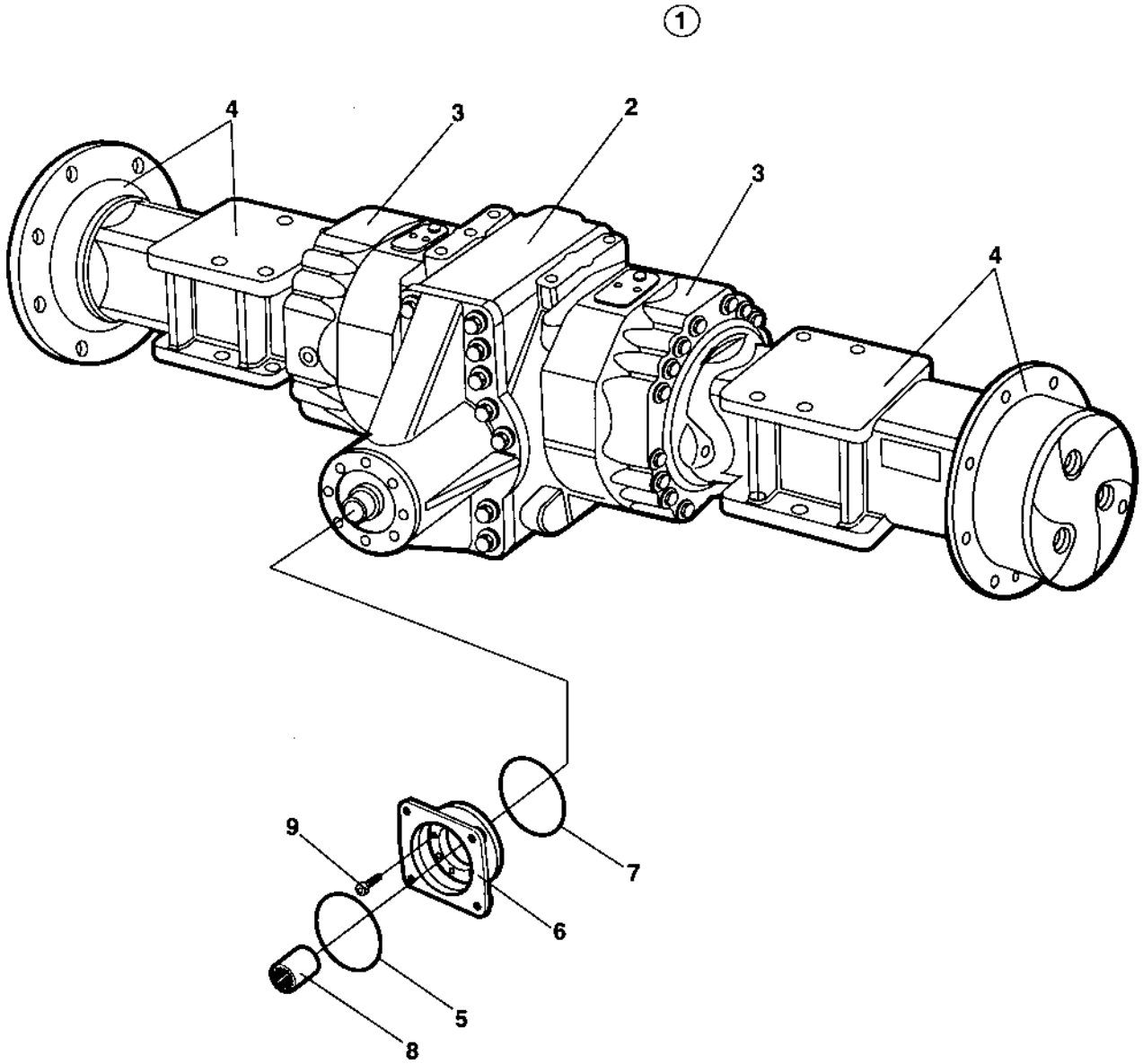


**Planet gear**

<b>Item</b>	<b>Part No</b>	<b>Rem Qty</b>	<b>Description</b>	<b>Code</b>
1		2	Axle case	
2	4700939003	32	Spring washer	
3		24	Bolt	
4		2	Seal	
5	4700939009	4	Bearing	
6	4700926781	20	Wheel screw	
7	4700901987	20	Wheel nut	
8	4700939015	4	Screw	
9		6	Copper washer	
10	4700939348	4	Plug	
11	4700939016	20	Nut	
12	4700939010	2	Lock plate	
13	4700939017	20	Stud	
14	4700929612	2	O-ring	
15		2	Wheel hub	
16	4700939350	2	Magnetic plug	
17		2	Half shaft	
18	4700939014	2	Seal	
19	4700939019	8	Nut	
20	4700939278	8	Stud	
21	4700950557	2	Planet gear carrier Cpl.	
22	4700939267	2	.Circlip	
23		2	.Ring gear	
24		2	.Ring gear support	
25	4700939270	2	.Washer	
26	4700939271	6	.Seal	
27	4700939272	6	.Planet gear	
28	4700939273	6	.Bearing	
29		2	.Planet gear carrier	
30		2	Ring	

**4700383856 Rear axle No-Spin, Option**

17671

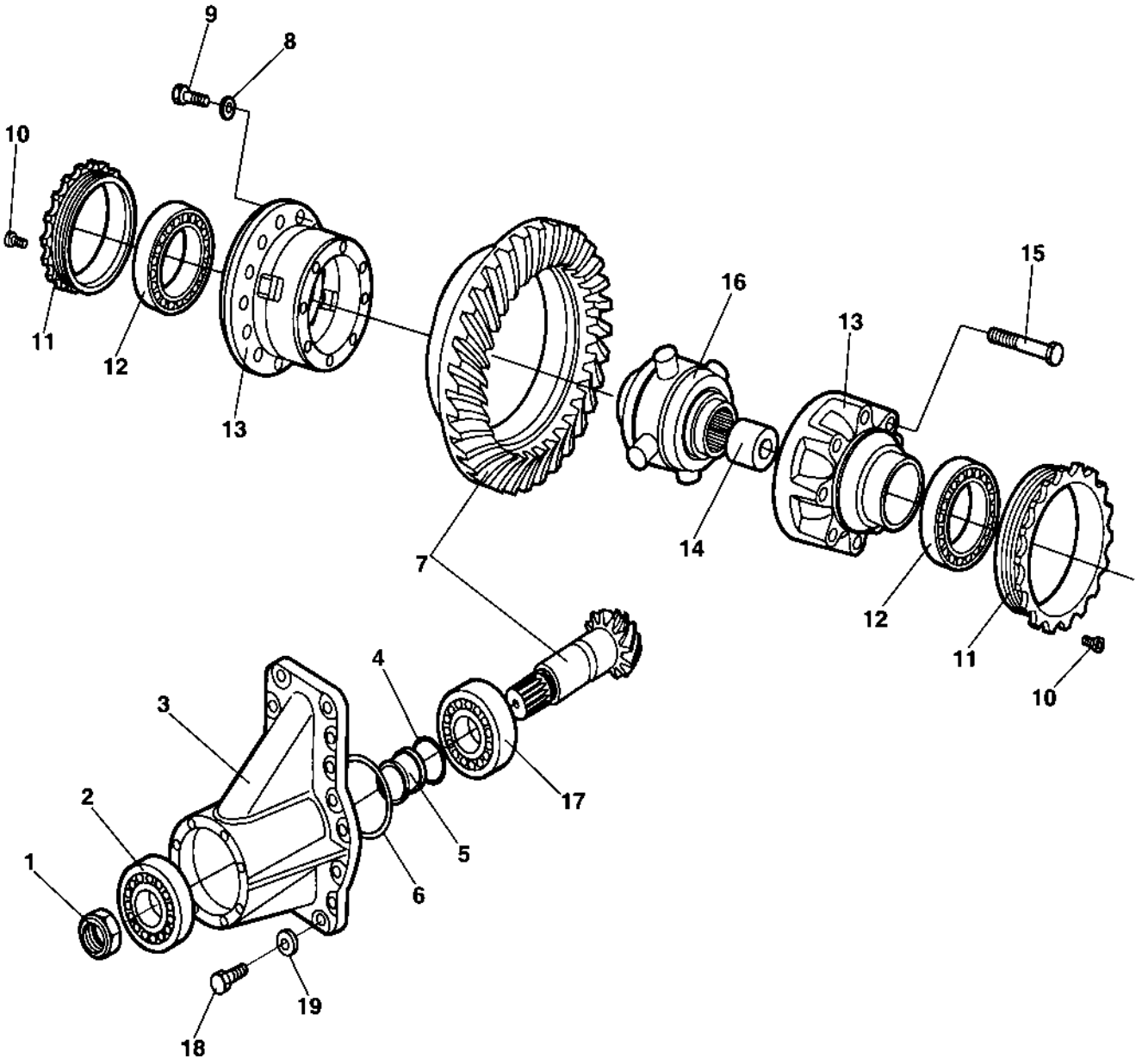


**4700383856 Rear axle No-Spin, Option**

<b>Item</b>	<b>Part No</b>	<b>Rem Qty</b>	<b>Description</b>	<b>Code</b>
1		1	Rear axle	
2		1	.Differential ( Page 92 )	with No-Spin
3		2	.Differential housing and brakes ( Page 78 )	
4		2	.Planet gear ( Page 94 )	
5	4700909584	1	O-ring	D
6	4700909583	1	Flange	
7	4700929648	1	O-ring	D
8	4700901834	1	Splined sleeve	
9	4700909582	8	Screw	

**Differential with No-Spin**

17689

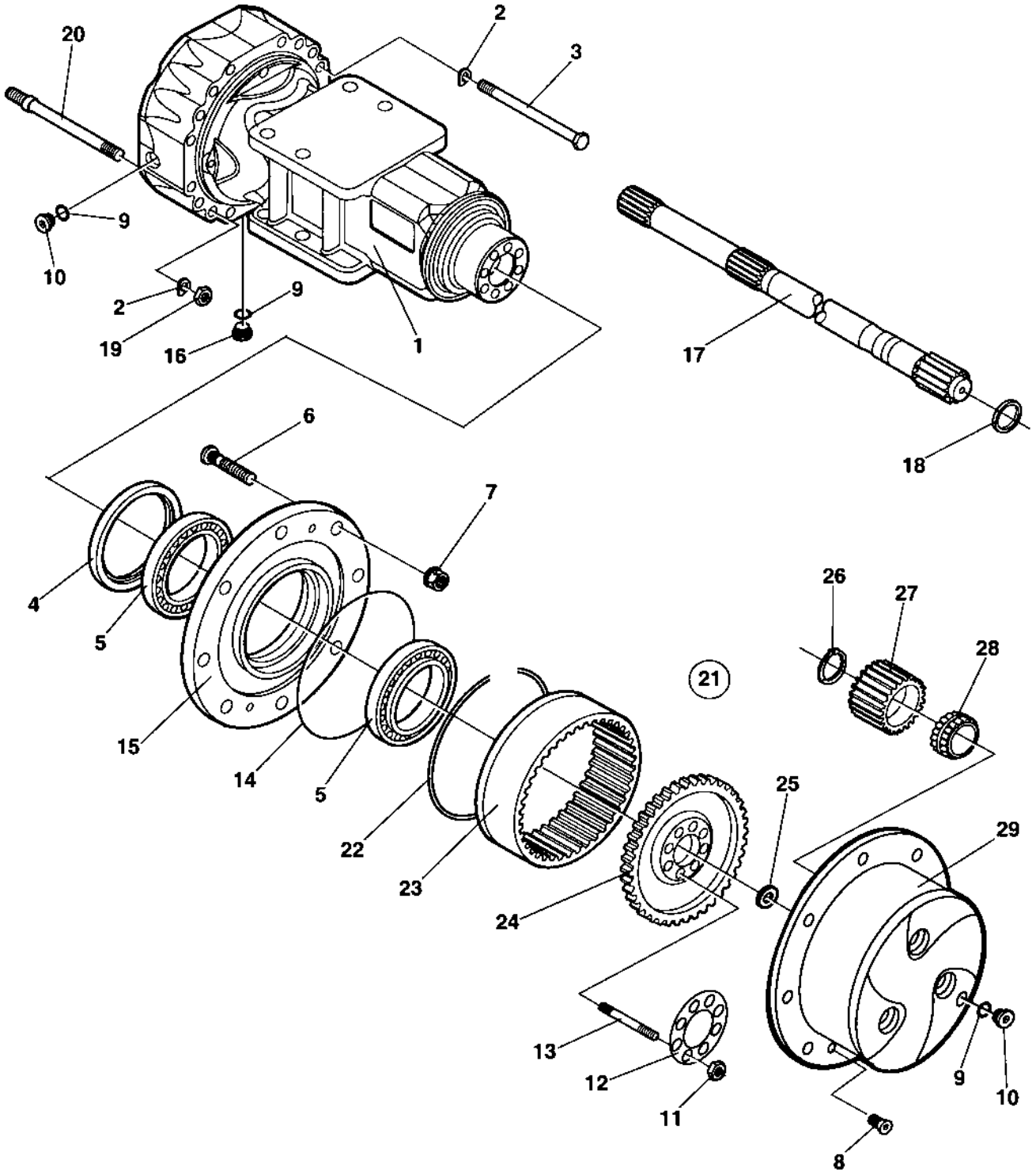


**Differential with No-Spin**

Item	Part No	Rem Qty	Description	Code
1	4700929638	1	Nut	
2	4700909574	1	Roller bearing	
3	4700908485	1	Housing	
4	4700939259	1	Shim	0,15mm
	4700909580	1	Shim	0,20mm
	4700909576	1	Shim	0,30mm
	4700929644	1	Shim	0,40mm
	4700939260	1	Shim	0,50mm
5	4700909567	1	Spacer	
6	4700909568	1	Shim	0,10mm
	4700909569	1	Shim	0,20mm
	4700909570	1	Shim	0,50mm
	4700939258	1	Shim	0,15mm
7	4700212553	1	Bevel gear set	
8	4700929628	16	Washer	
9	4700929629	16	Screw	
10	4700938989	2	Screw	
11	4700939261	2	Nut	
12	4700923342	1	Bearing	
13	4700929630	1	Differential case	
14	4700929631	1	Spacer	
15	4700929625	8	Screw	
16	4700929626	1	Non-spin unit	
17	4700909581	1	Roller bearing	
18	4700939257	16	Bolt	
19	4700909572	16	Spring washer	

**Planet gear**

17673



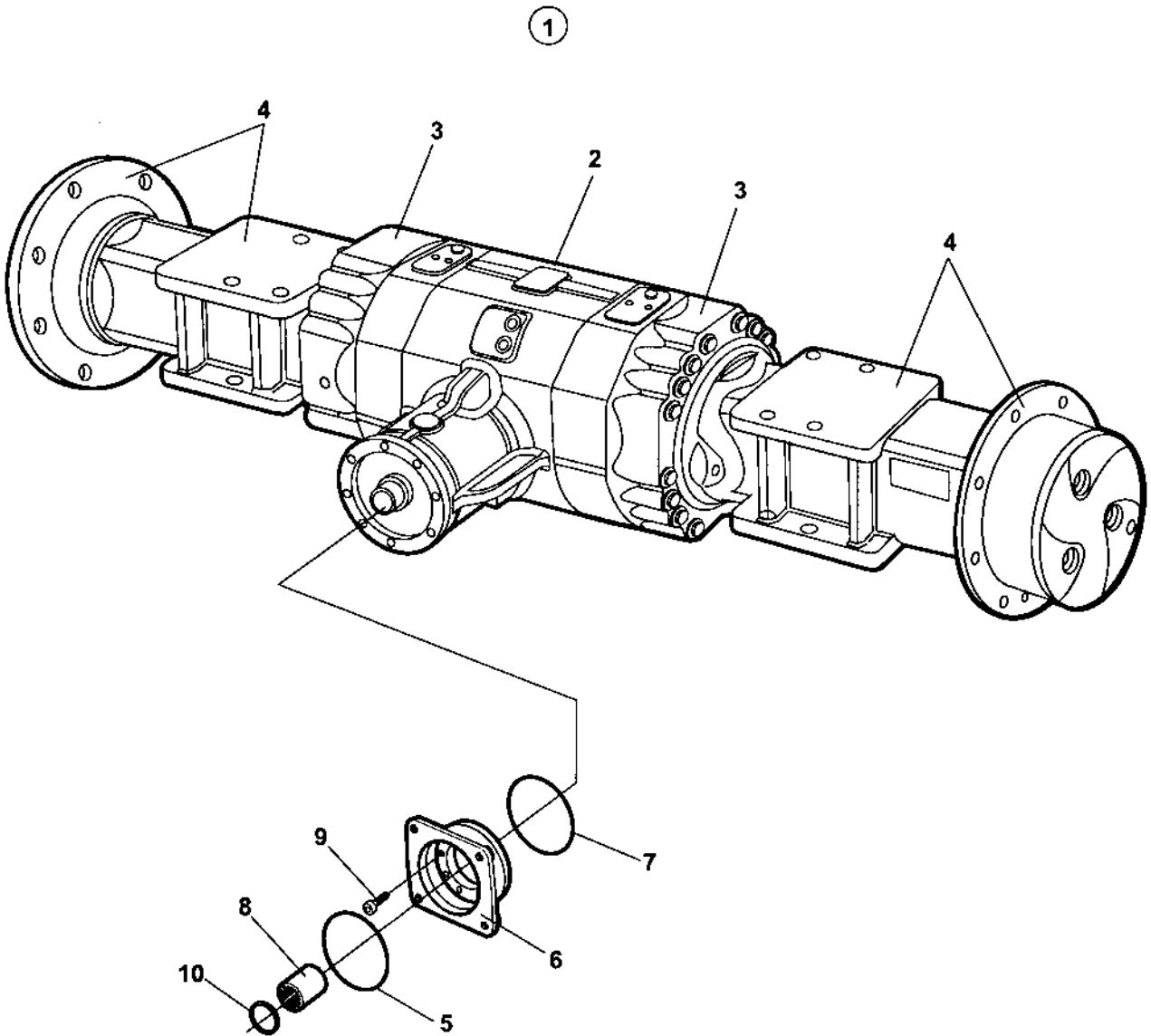


**Planet gear**

Item	Part No	Rem Qty	Description	Code
1	4700939263	2	Axle case	
2	4700939003	32	Spring washer	
3	4700939264	24	Bolt	
4	4700939265	2	Seal	
5	4700939266	4	Bearing	
6	4700926781	20	Wheel screw	
7	4700901987	20	Wheel nut	
8	4700939015	4	Screw	
9	4700330333	6	Copper washer	D
10	4700909596	4	Plug	
11	4700939016	20	Nut	
12	4700939275	2	Lock plate	
13	4700939017	20	Stud	
14	4700929612	2	O-ring	
15	4700939276	2	Wheel hub	
16	4700938985	2	Magnetic plug	
17	4700939277	2	Half shaft	
18	4700909586	2	Seal	D
19	4700939019	8	Nut	
20	4700939278	8	Stud	
21	4700939351	2	Planet gear carrier Cpl.	
22	4700939267	2	.Circlip	
23	4700939268	2	.Ring gear	
24	4700939269	2	.Ring gear support	
25	4700939270	2	.Washer	
26	4700939271	8	.Seal	
27	4700939272	8	.Planet gear	
28	4700939273	8	.Bearing	
29	4700939349	2	.Planet gear carrier	

4700396309 Rear axle Option

18839



**4700396309 Rear axle Option**

<b>Item</b>	<b>Part No</b>	<b>Rem Qty</b>	<b>Description</b>	<b>Code</b>
1		1	Rear axle	
2		1	.Differential with limited slip ( Page 84 )	
3		2	.Differential housing and brakes ( Page 86 )	
4		2	.Planet gear ( Page 88 )	
5	4700909584	1	O-ring	D
6	4700950555	1	Flange	
7	4700929648	1	O-ring	D
8	4700901834	1	Splined sleeve	
9	4700900256	8	Screw	
10		1	Not used on this model	

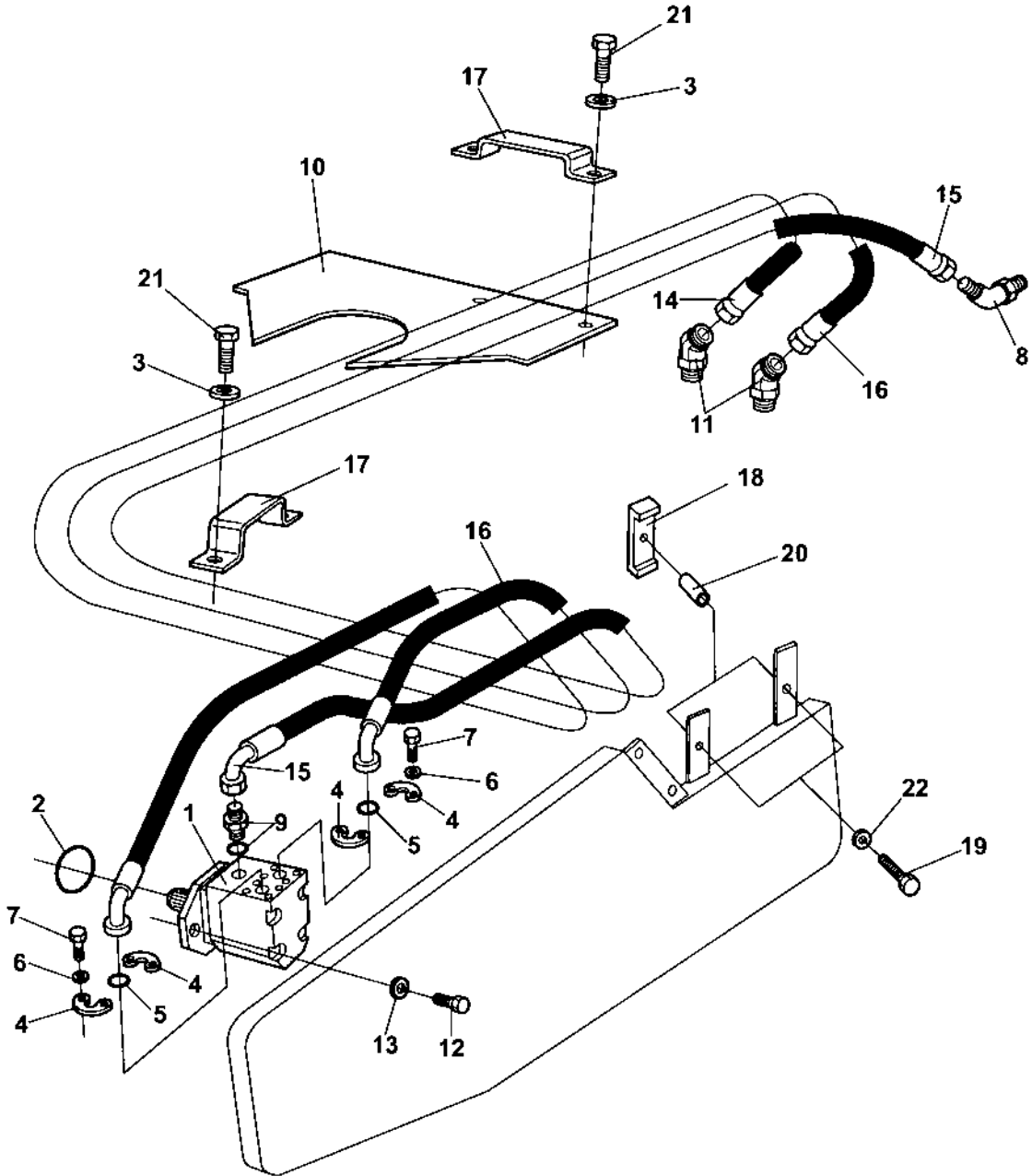


**Hydraulic system**

<b>Item</b>	<b>Part No</b>	<b>Rem Qty</b>	<b>Description</b>	<b>Code</b>
10			Propulsion system, Front ( Page 100 )	
15			Propulsion system, Rear ( Page 104 )	
20			Vibration system ( Page 114 )	
30			Steering system ( Page 124 )	
60			Brake system ( Page 130 )	
70			Central test panel hydraulic ( Page 132 )	Option

**Propulsion system, Front**

16613-1

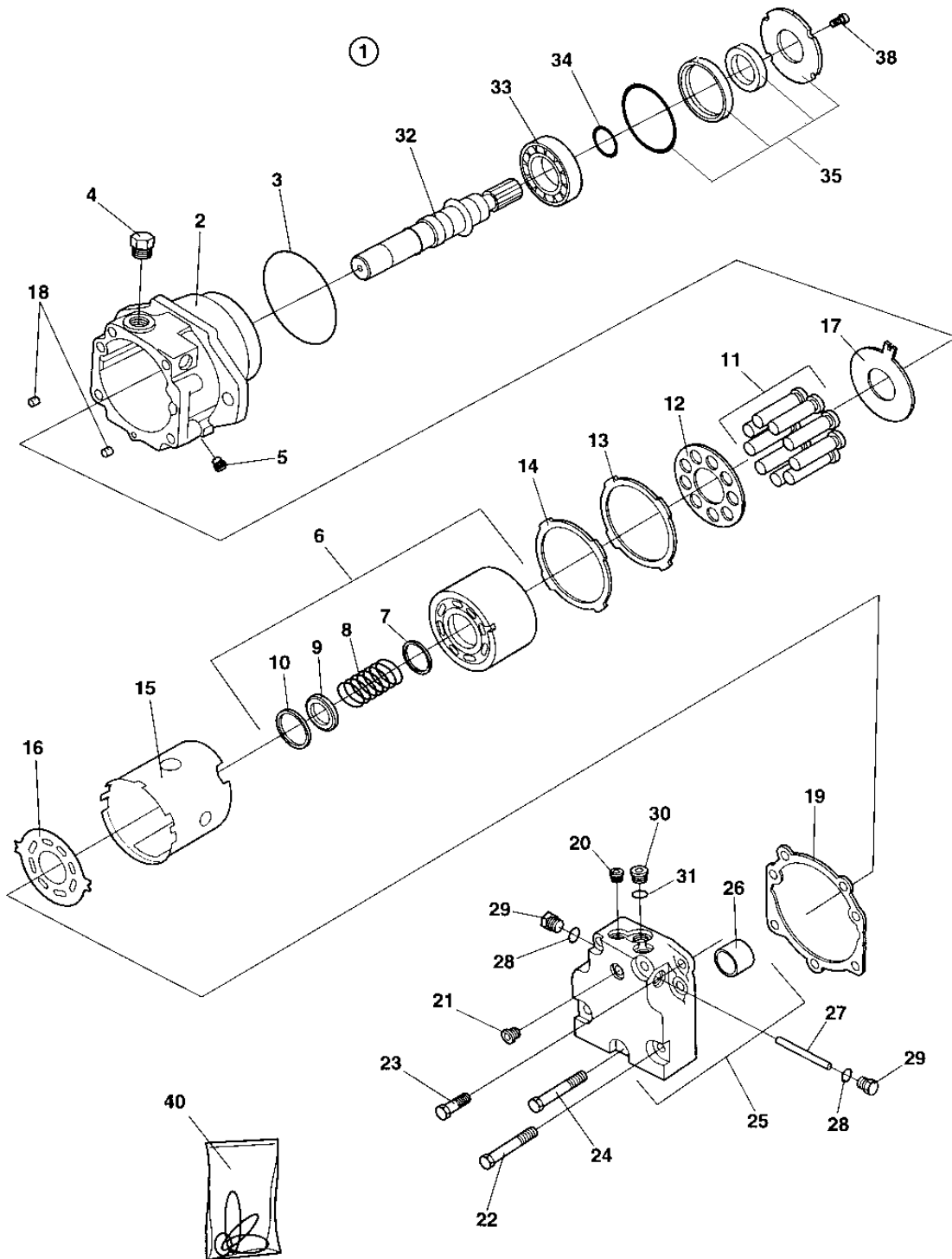


Propulsion system, Front

Item	Part No	Rem Qty	Description	Code
1	4700371509	1	Propulsion motor ( Page 102 )	C
2	4700904058	1	O-ring	
3	4700904230	6	Steel plain washer	C
4	4700923384	4	Flange half	
5	4700904005	2	O-ring	
6	4700904638	8	Washer	
7	4700502132	8	Screw	
			12x22x2	
			UNC 7/16" x 22	
8	4700334132	1	Elbow 45, O-ring	
9	4700334138	1	Adapter	C
10	4700372235	1	Hose guard	
11	4700791230	2	Elbow 45	
12	4700500101	2	Screw	
			M20x50	C
13	4700903290	2	Washer	
			21x36x6	C
14	4700483996	1	Hydraulic hose	
15	4700483190	1	Hydraulic hose	
16	4700483995	1	Hydraulic hose	
17	4700373016	2	Hose clamp	
18	4700373270	2	Hose clamp	
19	4700500032	2	Screw	
			M10 x 55	
20	4700373423	2	Spacer	
21	4700500029	4	Hexagon head screw	C
22	4700904230	2	Steel plain washer	C

**4700371509 Propulsion motor**

16542





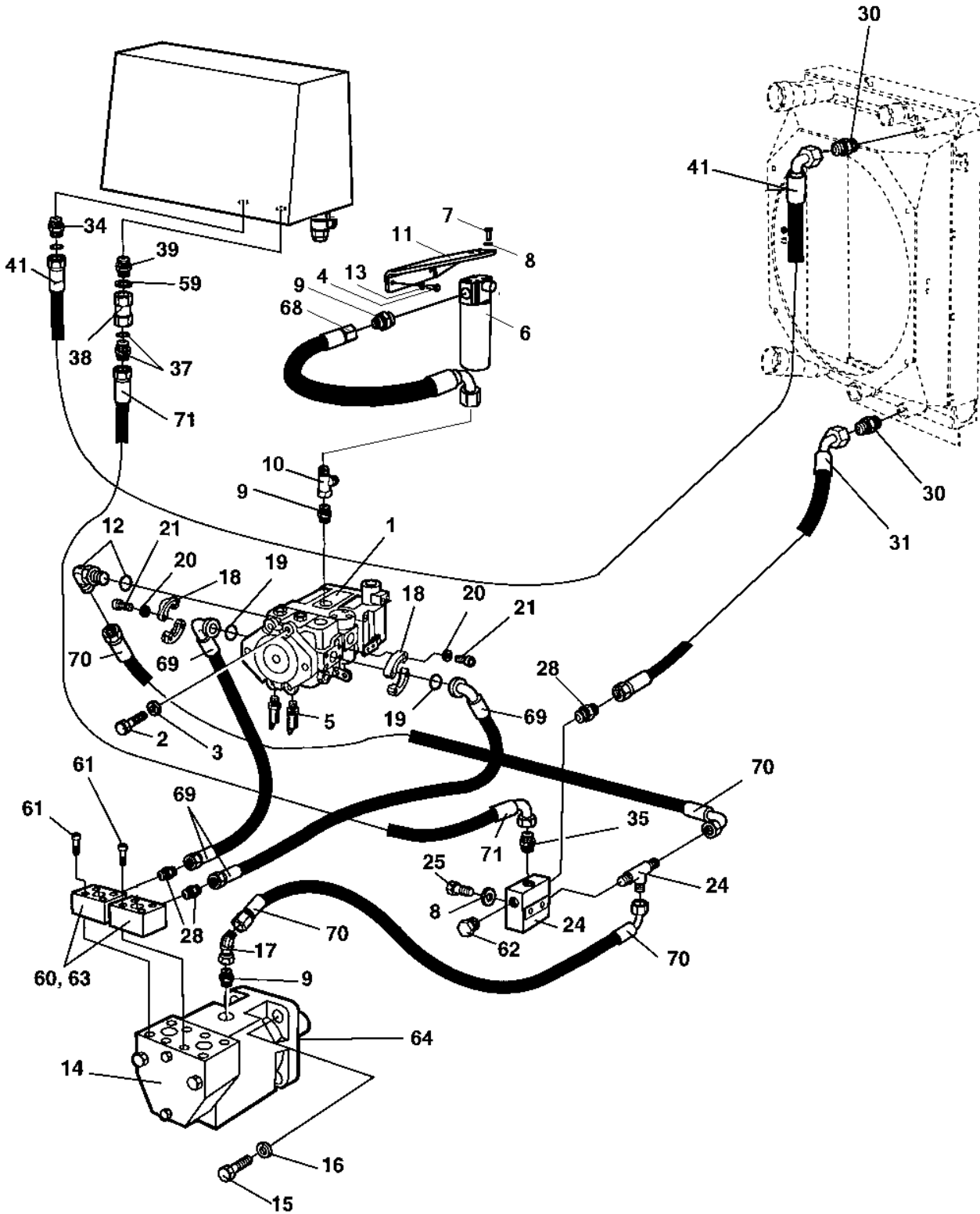
**4700371509 Propulsion motor**

Item	Part No	Rem	Qty	Description	Code
1			1	Hydraulic motor, Cpl	C
2	4700937274		1	.Housing	
3	4700937275	1	1	.O-ring	
4	4700902928		2	.Plug	C
	4700901453	1	2	..O-ring	C
5	4700908432		1	.Plug	C
6	4700937277		1	.Cylinder block, cpl	
7	4700935619		1	..Spacer	
8	4700937278		1	..Spring	
9	4700935621		1	..Spring retainer	
10	4700935622		1	..Ring retainer	
11	4700903570		9	.Piston	D
12	4700903571		1	.Pressure plate	D
13	4700935623		1	.Retainer guide	
14	4700935624		1	.Shim	
15	4700935625		1	.Holder	
16	4700935626		1	.Valve plate	
17	4700937279		1	.Thrust plate	
18	4700813822		2	.Pin	C
19	4700935629	1	1	.Gasket	D
20	4700358388		2	.Plug	
21	4700908432		1	.Plug	C
22	4700909252		4	.Screw	
23	4700909253		2	.Screw	
24	4700935630		1	.Screw	
25	4700937280		1	.End cap, cpl	
26	4700903053		1	..Bushing	
27	4700909255		1	.Spool	
28	4700923087	1	2	.O-ring	C
29	4700358388		2	.Plug	
30	4700935853		1	.Plug	
31	4700926658	1	1	.O-ring	C
32	4700935631		1	.Shaft	
33	4700901465		1	.Bearing	
34	4700901467		1	.Ring	
35	4700950368		1	.Shaft seal kit	
38	4700908773		3	.Screw	C
40	4700937283		1	Seal kit	

1) Includes in item 40, Seal kit

**Propulsion system, Rear**

184910



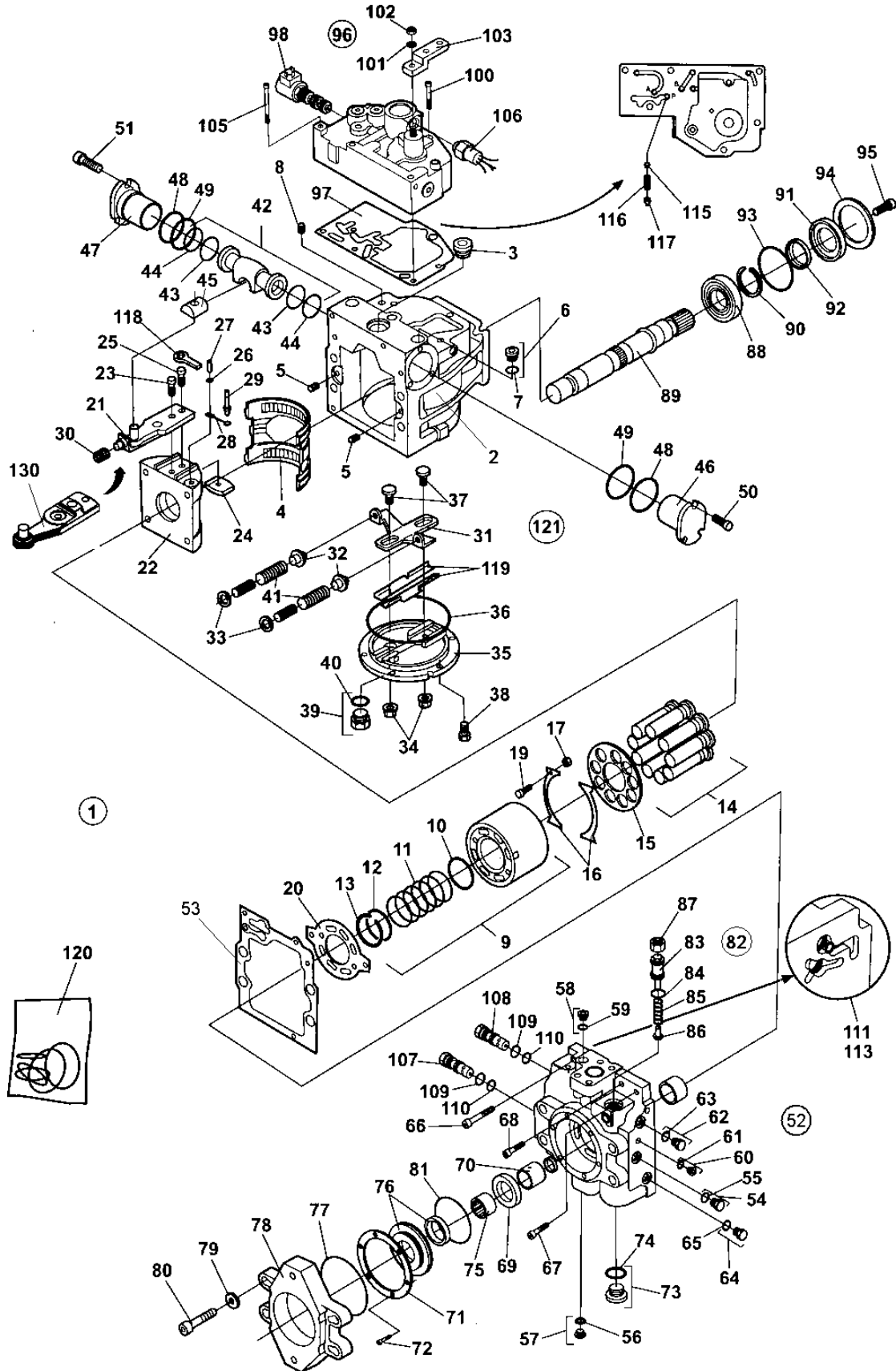
**Propulsion system, Rear**

Item	Part No	Rem	Qty	Description	Code
1	4700380830		1	Propulsion pump ( Page 106 )	C
2	4700500046		4	Screw	M12x025H C
3	4700904213		4	Washer	C
4	4700500021		6	Screw	M8-1,25x25 8.8 C
5	4700900229		2	Measuring nipple	C
6	4700359550		1	Hydraulic oil filter, cpl	Donaldson
	4700359551		1	.Filter head	A
	4700359552		1	.Cleaning filter element	Maximum 50 hours use A
	4700372229	A	1	Hydraulic oil filter element	A
7	4700500028		5	Screw	C
8	4700904230		15	Steel plain washer	C
9	4700334468		3	Adapter	C
10	4700234243		1	T-connector	C
11	4700380490		1	Filter bracket	
12	4700813499		1	Elbow 90, O-ring	
13	4700904229		12	Washer	8,4x16x1,5 C
14	4700375999		1	Hydraulic motor ( Page 112 )	
15	4700500263		4	Screw	M18x60
16	4700904793		8	Washer	19x34x3
17	4700334248		1	Elbow 45, O-ring	C
18	4700923384		8	Flange half	
19	4700904005		4	O-ring	
20	4700904638		16	Washer	12x22x2
21	4700502132		16	Screw	UNC 7/16" x 22
24	4700345243		1	Connection block	
25	4700500109		2	Screw	M10-1,5x65 8,8 C
26	4700234875		1	Tee-connector o-ring	
28	4700792339		2	Straight connector orfs	
30	4700234958		4	Connector	
31	4700483610		1	Hydraulic hose	
34	4700234909		1	Straight connector	
35	4700334138		1	Adapter	C
37	4700923371		1	Adapter	
38	4700374059		1	Check valve	
39	4700904282		1	Adapter	
41	4700484042		1	Hydraulic hose	
44	4700313102		1	Cable ties	
45	4700372235		1	Hose guard	
59	4700162008		1	Seal washer	
60	4700380717		2	Flange coupling	
61	4700509034		8	Screw	
63	4700904171		2	O-ring	
64	4700160132		1	O-ring	124, 50x3, 00 D
68	4700482010		1	Hydraulic hose	D
69	4700483551		2	Hydraulic hose	
70	4700482391		2	Hydraulic hose	
71	4700482182		1	Hydraulic hose	C

A) Spare part for ordinary service

**4700380830 Propulsion pump**

18875



**4700380830 Propulsion pump**

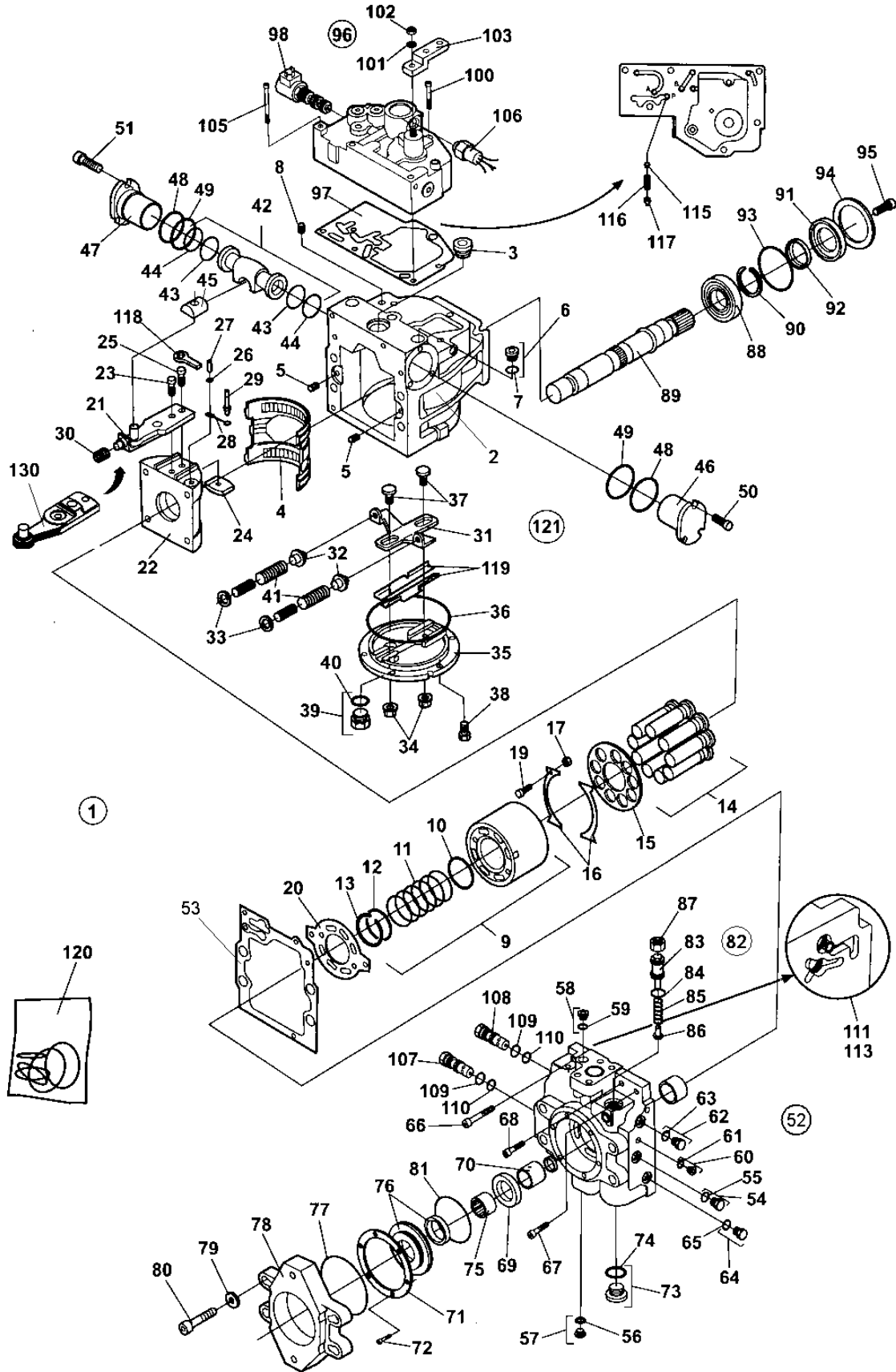
Item	Part No	Rem	Qty	Description	Code
1	4700380830		1	Propulsion pump ( Page 106 )	C
2	4700936546		1	.Housing	
		2	1	.Housing	
3	4700902928		1	.Plug	C
4	4700901452		1	.Bearing	
		2	1	.Bearing	
5	4700813822		2	.Pin	C
6	4700908432		2	.Plug	C
7	4700923087	1	2	..O-ring	C
8	4700901454		3	.Filter element	D
9	4700901455		1	.Cylinder block, cpl	
10			1	..Spacer	
11			1	..Spring	
12			1	..Spring retainer	
13			1	..Ring retainer	
14	4700903570		9	.Piston	D
15	4700903571		1	.Pressure plate	D
16	4700901458		2	.Retainer guide	D
17	4700935856		4	.Spacer	
19	4700909382		4	.Screw	C
20	4700936547		1	.Valve plate	
21	4700909727		1	.Servo arm, cpl	
22			1	.Swash plate	
		2	1	.Swash plate	
23	4700909386		1	.Screw	C
		2	1	.Screw	C
24	4700909387		1	.Guide	
25	4700909388		1	.Screw	C
26	4700909389		1	.Washer	C
27	4700909390		1	.Pin	C
28	4700909391		1	.Link	C
29	4700909392		1	.Pin	C
30	4700909393		1	.Spring	C
31			1	.Lever	C
32			2	.Spring support	C
33			2	.Washer	C
34	4700909398	1	2	.Seal lock nut	B
35			1	.Cover	B
		2	1	.Cover	B
36	4700936551	1	1	.O-ring	
37			2	.Guide post	
38	4700936553		6	.Screw	C
39	4700902928		1	.Plug	C
40	4700901453	1	1	..O-ring	C
41	4700908352		2	.Spring	
42	4700936582		1	.Piston, cpl	
43		1	2	..O-ring	
44		1	2	..Seal ring	
45			1	..Guide	
46	4700903580		1	.Servo	
47	4700903580		1	.Servo	
48	4700936557	1	2	.O-ring	
49	4700936558	1	2	.O-ring	
50	4700936559		3	.Screw	
51	4700936559		3	.Screw	
52	4700936560		1	.End cap, cpl	
53	4700936561	1	1	.Gasket	
54	4700358388		1	.Plug	

1) Included in item 120, Seal kit

2) Valid with item 130

**4700380830 Propulsion pump**

18875



**4700380830 Propulsion pump**

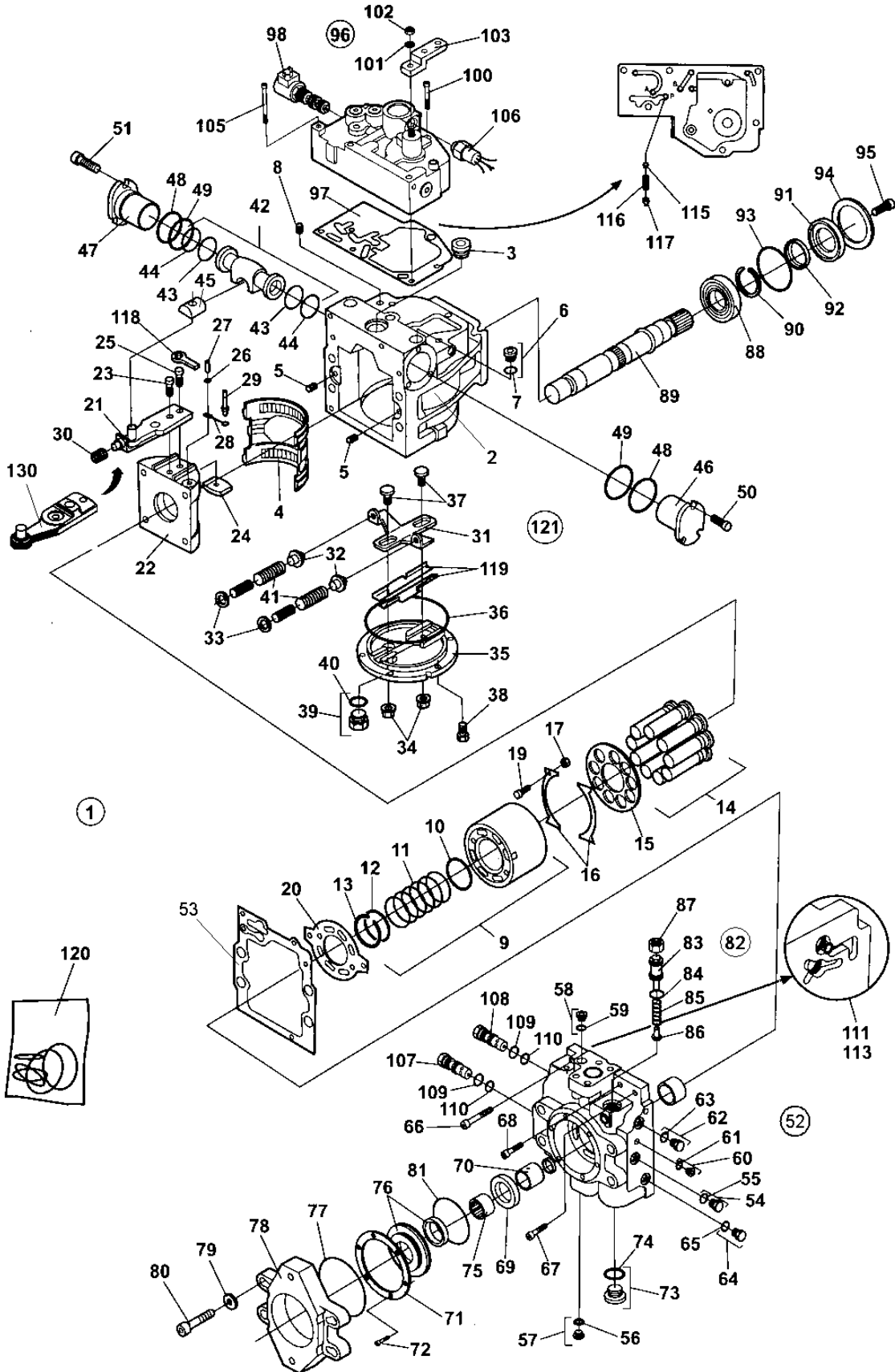
Item	Part No	Rem	Qty	Description	Code
55	4700923087	1	1	..O-ring	C
56	4700908432		1	.Plug	C
57	4700923087	1	1	..O-ring	C
58	4700908432		1	.Plug	C
59	4700923087	1	1	..O-ring	C
60	4700908432		1	.Plug	C
61	4700923087	1	1	..O-ring	C
62	4700358388		1	.Plug	
63	4700923087	1	1	..O-ring	C
64	4700358388		1	.Plug	
65	4700923087	1	1	..O-ring	C
66	4700936562		1	.Screw	
67	4700936563		1	.Screw	
68	4700936564		1	.Screw	
69	4700950283		1	.Spacer	
70	4700950284		1	.Spacer	
71	4700935857		1	.Retaining plate	
72	4700936566		6	.Screw	
73	4700936567		1	.Plug, cpl	
74	4700936568	1	1	..O-ring	
75			1	.Coupling sleeve	
76			1	.Cover assembly	
77	4700909399	1	1	.O-ring	C
78	4700936570		1	.Adapter	
79	4700936571		4	.Washer	
			4	.	
81	4700937150		1	.O-ring	
82	4700936583		1	.Pressure relief valve, cpl	
83			1	..Screw	
84		1	1	..O-ring	
85			1	..Spring	
86			1	..Valve cone	
87			1	..Nut	
88	4700901465		1	.Bearing	
89	4700901466		1	.Shaft	
90	4700901467		1	.Ring	
91			1	.Pressure plate	
92		1	1	.Seal	
		2	1	.Seal	
93		1	1	.O-ring	
94			1	.Retaining plate	
95			3	.Screw	
96	4700938170		1	.Control valve, cpl	
97	4700939489	1	1	..Control valve gasket	
98	4700938252		1	..Solenoid valve	
100			1	..Screw	
101	4700909428		1	..Washer	C
102	4700909429		1	..O-ring	C
103	4700909432		1	..Control lever	D
105	4700937857		5	..Screw	
106	4700938253		1	..Neutral start switch	
107	4700212339		1	.Valve	C
108	4700212339		1	.Valve	C
109		1	2	..O-ring	C
110		1	2	..O-ring	C
111	4700901475		2	.Valve	D
113	4700901476		2	.Plug	D
115	4700909435		1	.Orifice	C

1) Included in item 120, Seal kit

2) Valid with item 130

**4700380830 Propulsion pump**

18875



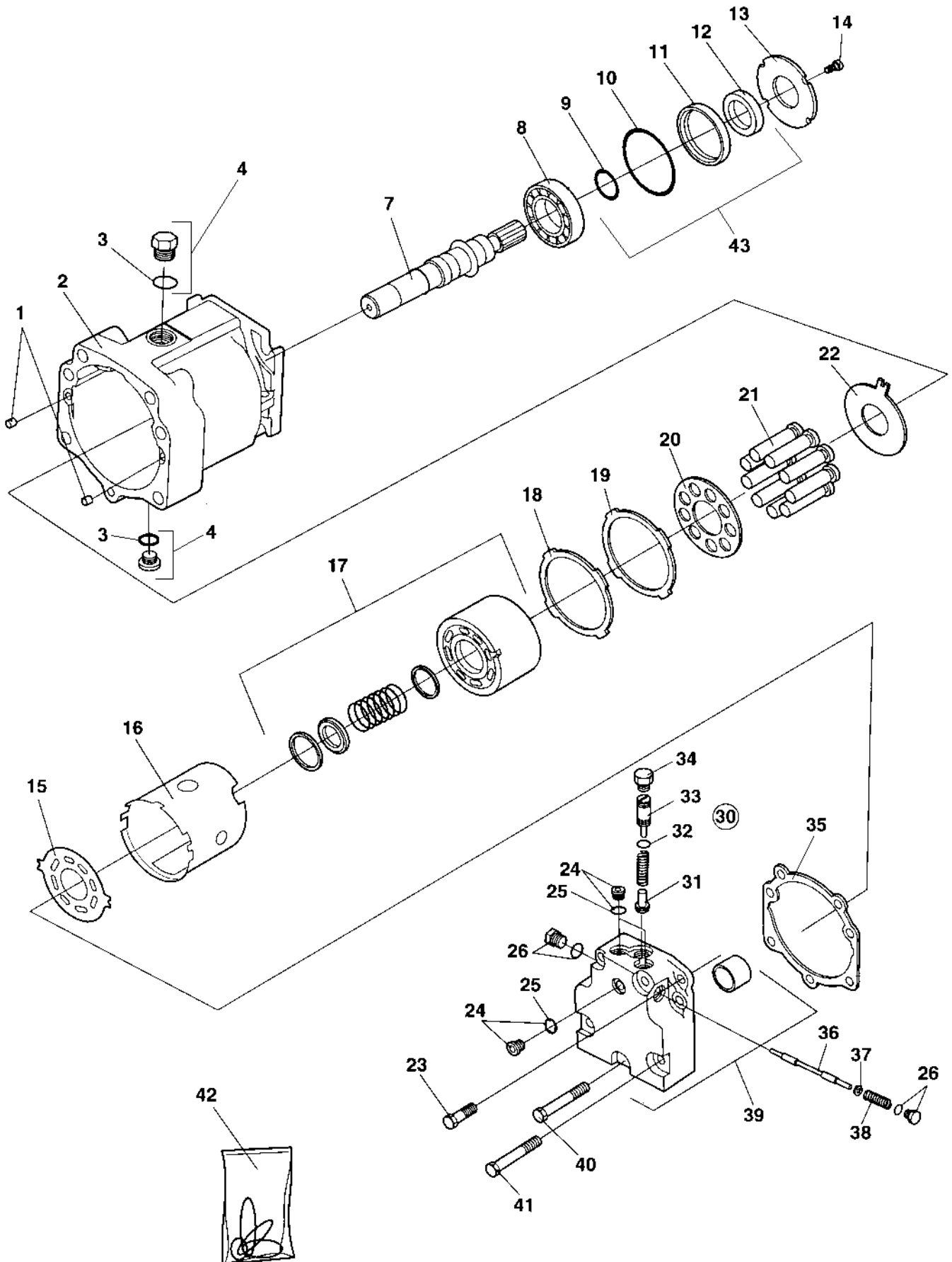


**4700380830 Propulsion pump**

<b>Item</b>	<b>Part No</b>	<b>Rem Qty</b>	<b>Description</b>	<b>Code</b>
116	4700909436	1	.Spring	C
117	4700908448	1	.Spring retainer	C
118		1	.Link	C
119		1	.Guide assy, 1pair	C
120	4700901328	1	.Seal kit	D
121	4700936548	1	.Cover assy	
130		1	.Servo arm	

**4700375999 Hydraulic motor**

18874



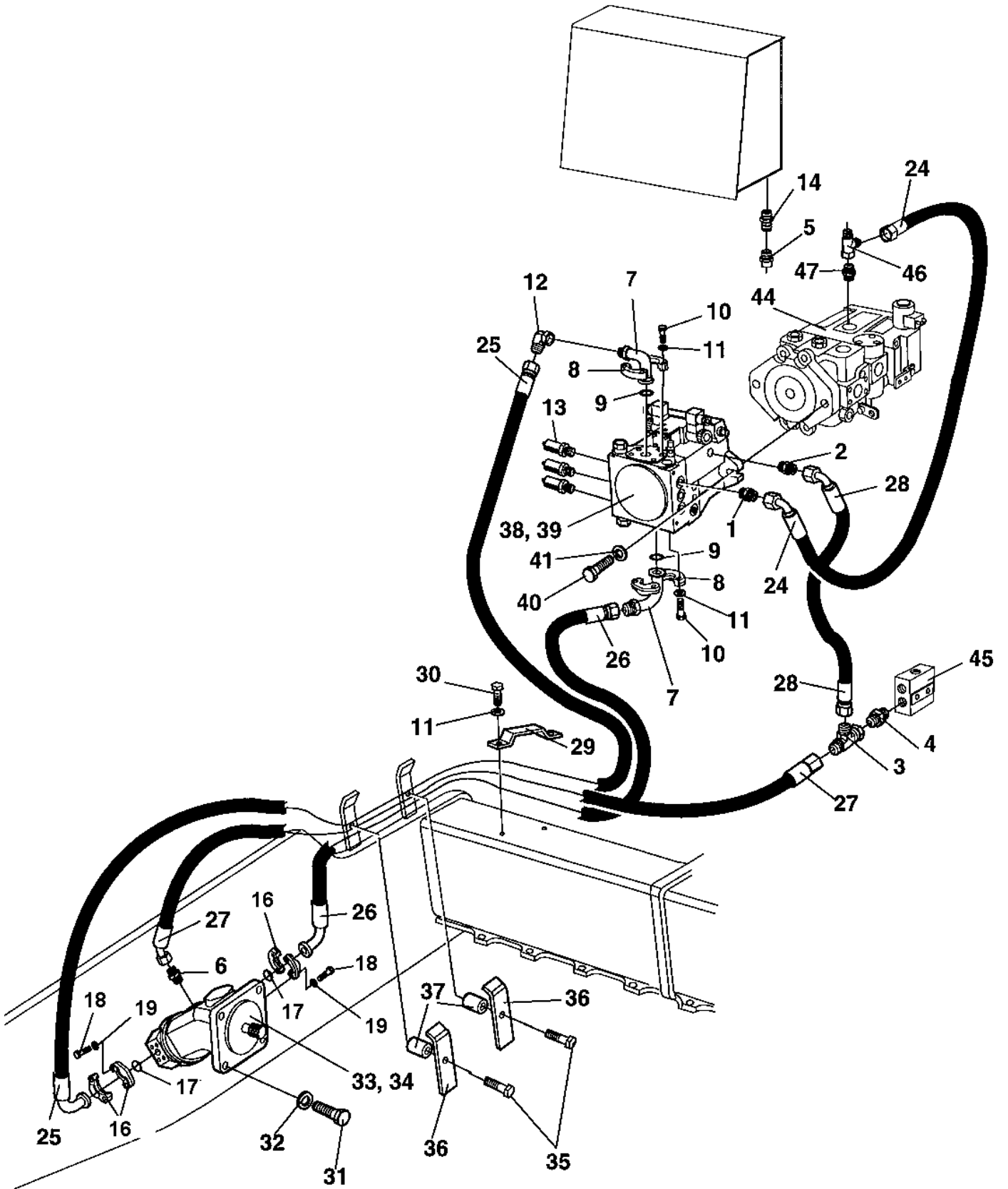
**4700375999 Hydraulic motor**

Item	Part No	Rem	Qty	Description	Code
1	4700813822		2	Pin	C
2			1	Housing	C
3		A	2	O-ring	C
4	4700936567		2	Plug, cpl	
7			1	Shaft	
8			1	Bearing	
9			1	Ring	
10		A	1	O-ring	
11			1	Seal carrier	
12		A	1	Seal	
13			1	Retaining plate	
14	4700936563		3	Screw	
15	4700945160		1	Valve plate	
16			1	Holder	
17			1	Cylinder block, cpl	
18			1	Shim	
19			1	Retainer guide	
20			1	Pressure plate	
21			9	Piston	
22			1	Thrust plate	
23			2	Screw	
24	4700902337		3	Plug, cpl	
25		A	3	O-ring	
26			2	Plug, cpl	
30			1	Valve, cpl	
31			1	Spring collar	
32		A	2	O-ring	
33			1	Adapter	
34			1	Plug	
35		A	1	Gasket	
36			1	Spool	
37			2	Spring washer	
38			2	Spring	
39			1	End cap, cpl	
40			1	Screw	
41			4	Screw	
42	4700950378		1	Seal kit	D
43			1	Shaft seal kit	D

A) Included in item 42

**Vibration system**

18323



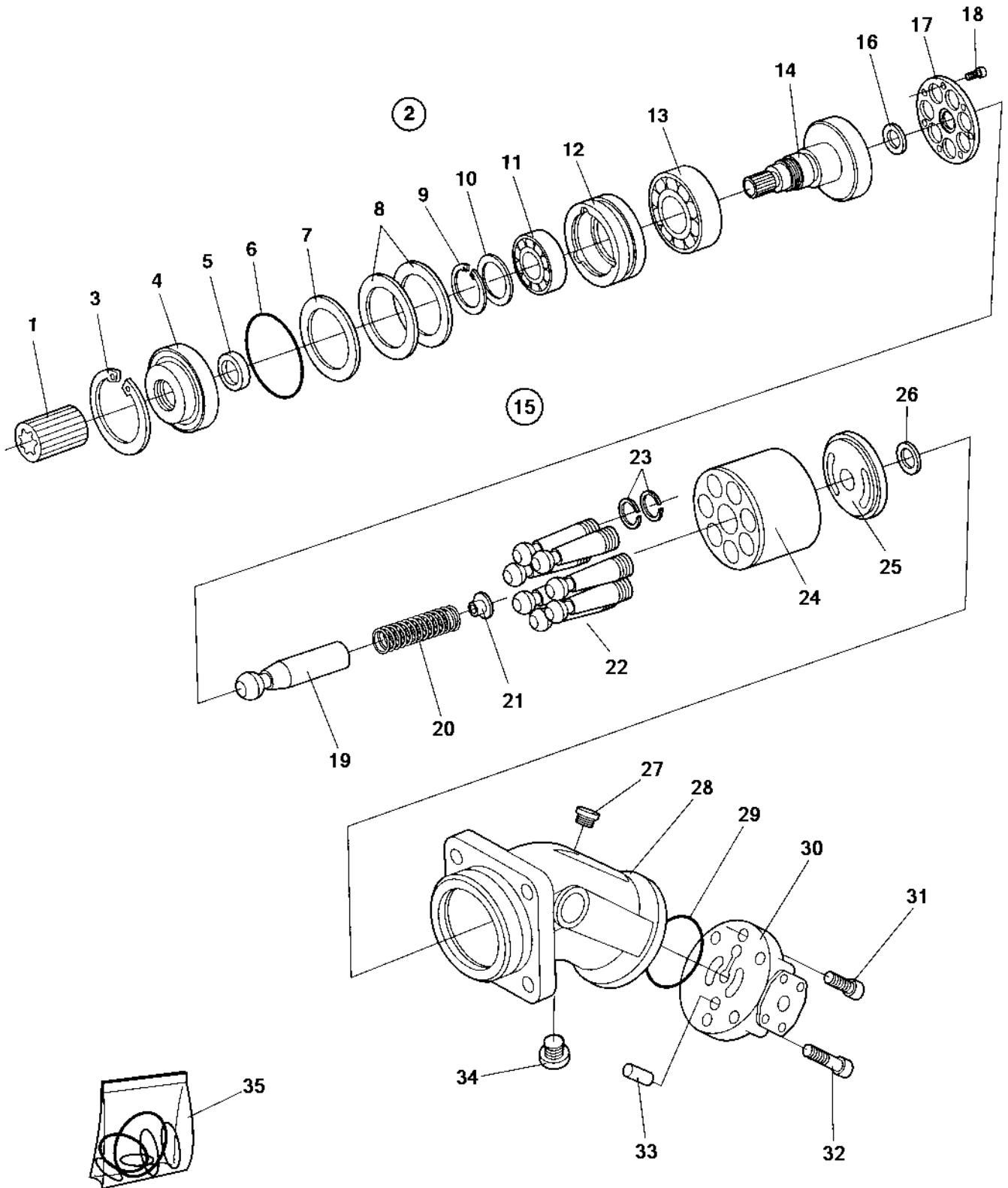
Vibration system

Item	Part No	Rem Qty	Description	Code
1	4700234382	1	Adapter	
2	4700901155	1	Connector	C
3	4700334135	1	Tee-connector	C
4	4700334122	1	Adapter	
5	4700330383	1	Cap hydraulic	
6	4700334121	1	Straight connector	C
7	4700904767	2	Flange adapter	
8	4700929226	4	Flange half	C
9	4700904773	2	O-ring	
10	4700500030	8	Screw	C
11	4700904230	14	Steel plain washer	C
12	4700904781	1	Adapter	C
13	4700901157	3	Measuring nipple	C
14	4700334205	1	Straight connector	
16	4700900430	4	Flange half	C
17	4700904774	2	O-ring	
18	4700502019	8	Screw	
19	4700904229	8	Washer	8,4x16x1,5 C
24	4700483286	1	Hydraulic hose	
25	4700483910	1	Hydraulic hose	
26	4700483911	1	Hydraulic hose	
27	4700483031	1	Hydraulic hose	
28	4700483397	1	Hydraulic hose	
29	4700373017	2	Hose clamp	
30	4700500028	4	Screw	C
31	4700500194	4	Screw	C
32	4700904231	4	Washer	13x24x2 300 HV C
33	4700380145	1	Hydraulic motor, vibration ( Page 116 )	C
34	4700160132	1	O-ring	124, 50x3, 00 D
35	4700500032	2	Screw	M10 x 55
36	4700373270	2	Hose clamp	
37	4700373424	2	Spacer	
38	4700383958	1	Vibration pump ( Page 118 )	C
39	4700903877	1	O-ring	
40	4700502078	2	Screw	
41	4700904232	2	Washer	C
44		A 1	Hydraulic pump	C
45		A 1	Connection block	C
46		A 1	Tee-connector	C
47		A 1	Straight connector	C

A) See section "Hydraulic propulsion"

**4700380145 Hydraulic motor, vibration**

16978



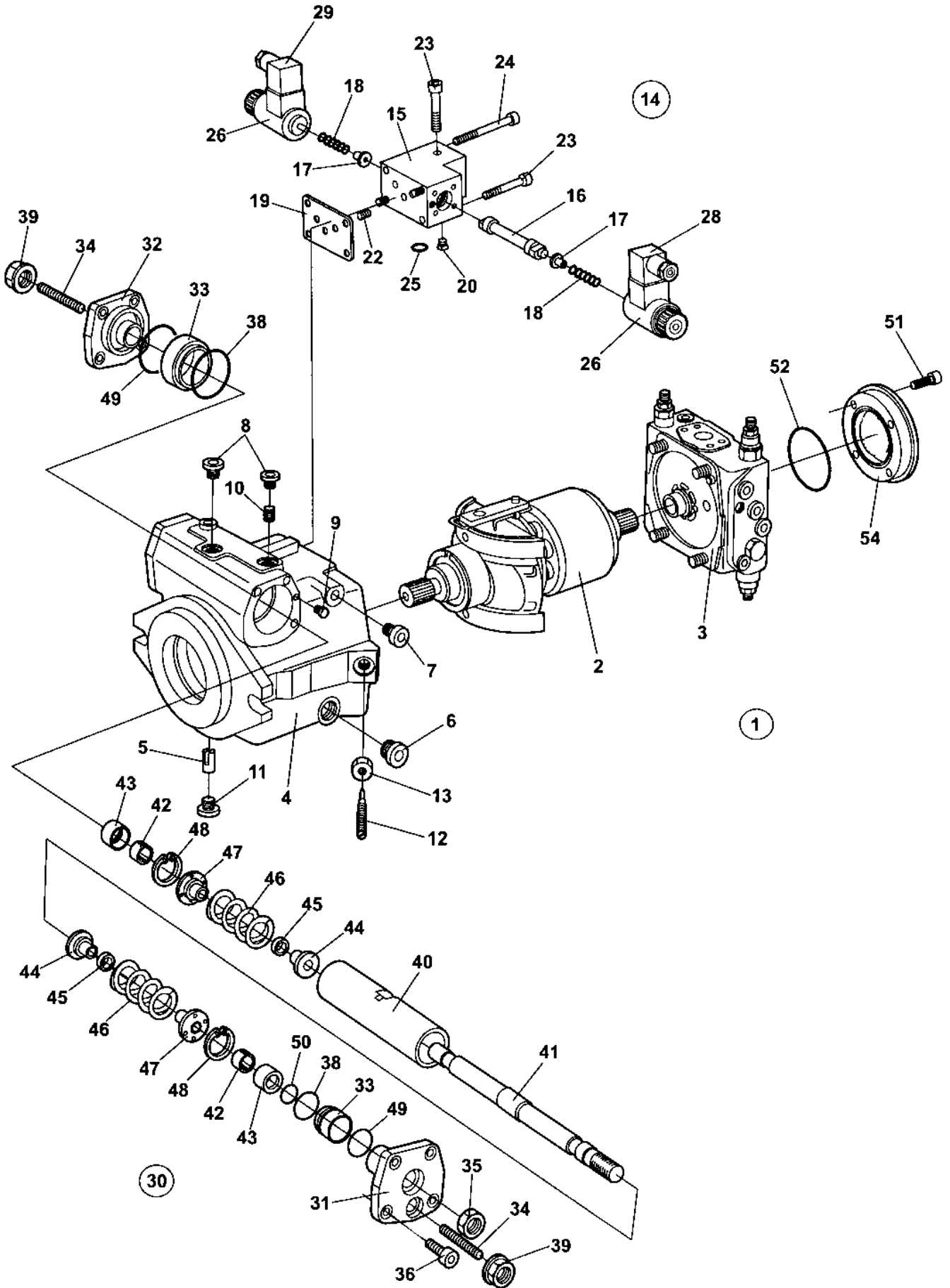
**4700380145 Hydraulic motor, vibration**

Item	Part No	Rem	Qty	Description	Code
			1	Hydraulic motor, vibration	C
1	4700340863		1	..Splined sleeve	D
2	4700380078		1	..Hydraulic motor, vibration	
3	4700901387		1	..Snap ring	
4	4700937261		1	..Cover	
5	4700937264	1	1	..Seal ring	
6	4700937265	1	1	..O-ring	
7	4700901390		1	..Shim	T=0,3 mm
8	4700901389		2	..Shim	T=0,1 mm
9	4700938042		1	..Retaining ring	
10	4700938041		1	..Back-up plate	
11	4700901386		1	..Bearing	
12	4700937260		1	..Bearing ring	
13	4700901385		1	..Bearing	
14	4700938040		1	..Shaft	
15			1	..Rotary group, hydr.section	
16			1	..Washer	
17			1	..Retaining plate	
18			7	..Screw	
19			1	..Pin	
20			1	..Spring	
21			1	..Spring collar	
22			7	..Piston	
			1	...Piston	
23			2	...Sealing ring	
24			1	..Cylinder	
25			1	..Pressure plate	
26			1	..Washer	
27	4700937995		1	..Screw	
28	4700937256		1	..Housing	
29	4700937258	1	1	..O-ring	
30	4700937257		1	..Plate	
31	4700902655		2	..Screw	
32	4700927350		4	..Screw	
33	4700937993		1	..Pin	
34	4700937259	1	1	..Screw	
35	4700937674		1	..Seal kit	

1) Included in seal kit, item 35

**4700383958 Vibration pump**

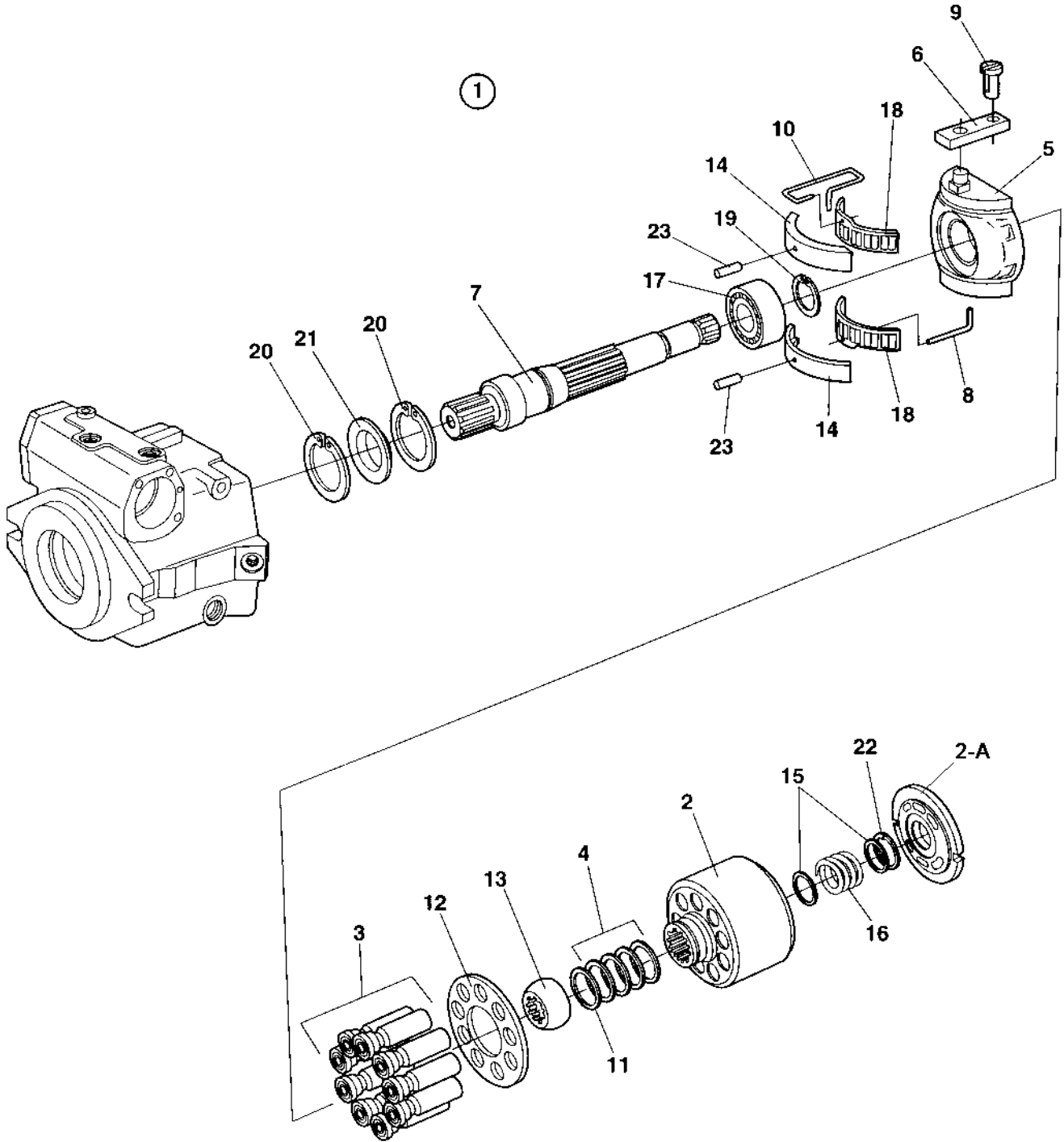
18843





**4700383958 Vibration pump**

Item	Part No	Rem Qty	Description	Code
1		1	Vibration pump	
	4700940675	1	.Seal kit	
2	4700937167	1	.Rotary group, cpl ( Page 120 )	
3	4700937168	1	.Valve block, cpl ( Page 122 )	
4	4700937986	1	.Housing	
5	4700935158	1	.Pin	
6	4700935219	1	.Plug	
7	4700902724	1	.Plug	
8	4700936803	5	.Plug	
9	4700909514	2	.Pin	
10	4700936308	2	.Orifice	
11	4700902624	1	.Screw	
12	4700902687	1	.Pin	
13	4700902695	1	.Nut	
14	4700940507	1	.Control valve, cpl	
15		1	..Housing	
16	4700945775	1	..Piston	
17	4700945776	2	..Spring collar	
18	4700936686	2	..Spring	
19		1	..Gasket	
20		2	..Pin	
22	4700936307	1	..Double break-off pin	D
23	4700927358	3	..Screw	
24	4700908383	2	..Screw	
25		1	..O-ring	
26	4700940505	2	..Solenoid	
28		1	..Socket	
29		1	..Socket	
30	4700937985	1	.Hydraulic control	
31	4700937998	1	..Cover	
32	4700937999	1	..Cover	
33	4700938003	2	..Guide ring	
34	4700937195	2	..Pin	
35	4700936340	1	..Nut	
36	4700902856	8	..Screw	
38	4700938004	2	..O-ring	
39	4700936393	2	..Seal lock nut	
40	4700938005	1	..Piston	
41	4700937198	1	..Rod	
42		2	..Ring	
43	4700938014	2	..Sleeve	
44	4700937199	2	..Spring collar	
45	4700936648	2	..Spacer ring	
46	4700937531	2	..Spring, outer	
	4700937200	2	..Spring, inner	
47	4700937201	2	..Spring collar	
48	4700939167	2	..Retaining ring	
49	4700938001	2	..O-ring	
50	4700909469	1	..O-ring	
51	4700939173	4	.Screw	
52	4700935192	1	.O-ring	
54		1	.Cover	

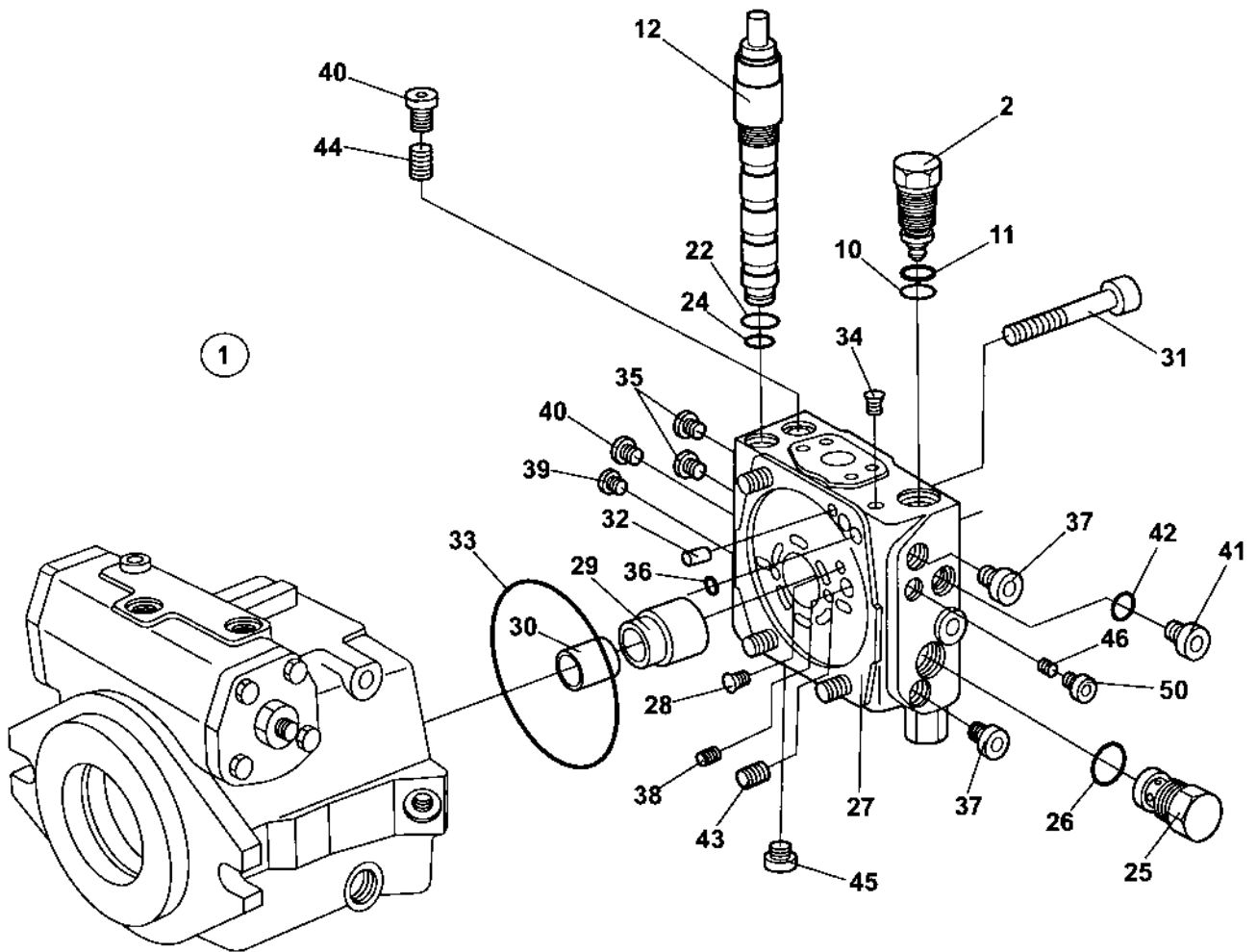


**4700937167 Rotary group, cpl**

<b>Item</b>	<b>Part No</b>	<b>Rem Qty</b>	<b>Description</b>	<b>Code</b>
1		1	Rotary group, cpl	
2	4700937170	1	.Cylinder with control plate	
2-A	4700940308	1	..Control plate	
3	4700937171	9	.Piston	
4	4700937172	1	.Cup springs, cpl	
5	4700937173	1	.Cradle	
6	4700937174	1	.Slide ring	
7	4700908367	1	.Shaft	
8	4700936621	1	.Wire	
9	4700935164	1	.Pin	
10	4700937175	1	.Wire	
11	4700937176	1	.Shim	
12	4700937180	1	.Retaining plate	
13	4700937181	1	.Retaining ball	
14	4700937182	1	.Bearing liner, 1 pair	
15	4700937183	2	.Washer	
16	4700937184	1	.Spring	
17	4700937185	1	.Bearing	
18	4700937186	1	.Cradle bearing assembly, 1 set	
19	4700937187	1	.Retaining ring	
20	4700937188	2	.V-ring	
21	4700937189	1	.Seal ring	
22	4700937190	1	.Retaining ring	
23	4700902792	2	.Pin	

4700937168 Valve block, cpl

18844



4700937168 Valve block, cpl

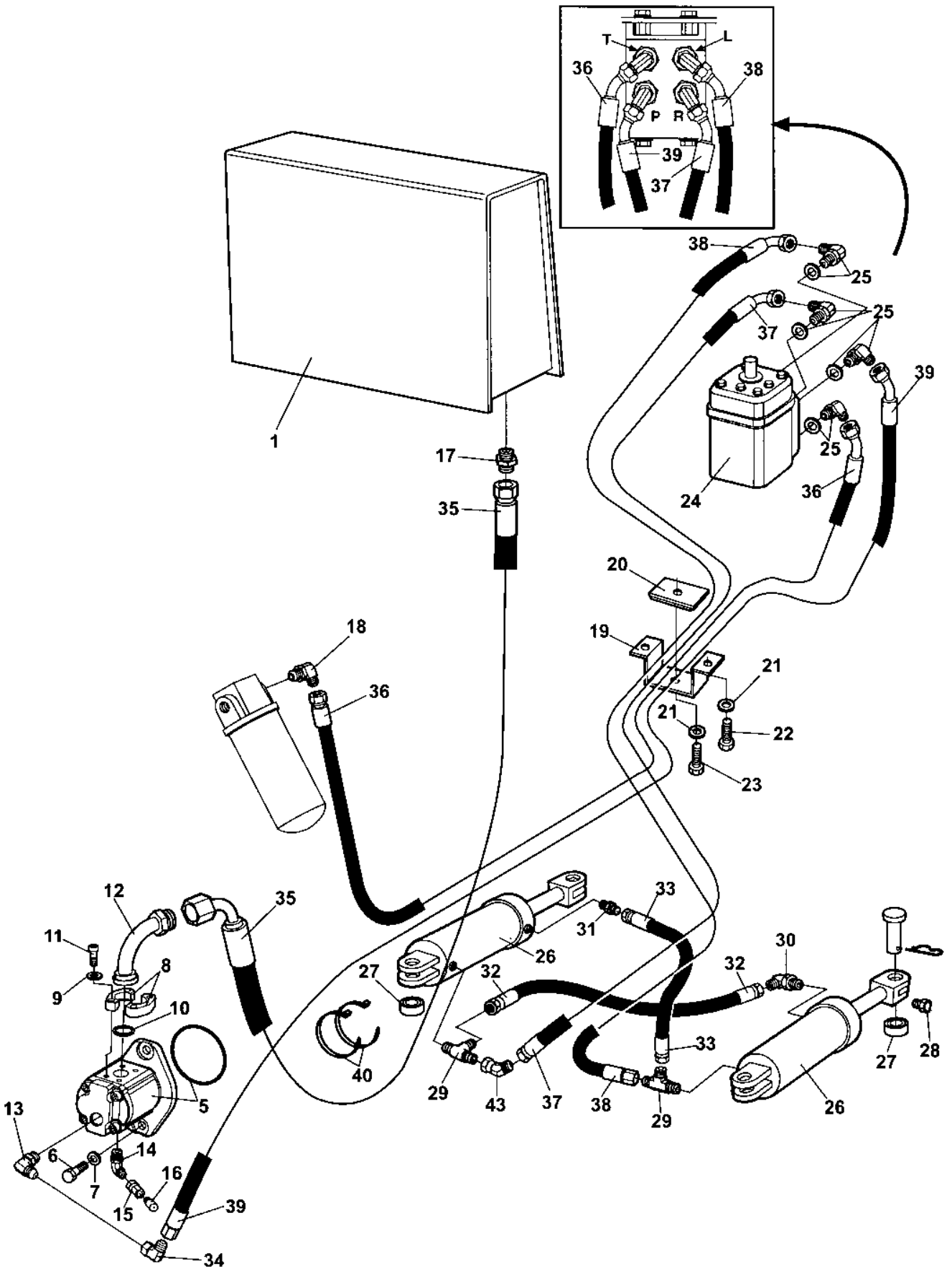
Item	Part No	Rem	Qty	Description	Code
1			1	Valve block, cpl	
2			2	.Relief valve	310 bar
	4700935172		2	.Pressure relief valve	350 bar
			2	.Relief valve	380 bar
	4700937240		2	.Pressure relief valve	440 bar
10	4700927278		1	..O-ring	D
11	4700936673		1	..Back-up ring	
12	4700908375		1	.Valve	
22	4700902783		1	..O-ring	D
24	4700936394		1	..O-ring	
25	4700936674		1	.Pin	
26	4700927278		1	.O-ring	D
27	4700937202	B	1	.Port plate	
	4812155765		1	.Port plate	
28	4700902735		1	.Pin	
29	4700937203		1	.Bush	
30	4700937204		1	.Bearing bushing	
31	4700937205		4	.Screw	
32	4700908384		2	.Pin	
33	4700937206		1	.O-ring	
34	4700909514		3	.Pin	
35	4700936370		2	.Locking screw	
36	4700909469		2	.O-ring	
37	4700902625		2	.Screw	
38	4700901742		1	.Pin	
39	4700902723		1	.Plug	
40	4700902811		3	.Plug	
41	4700902693		1	.Screw	
42	4700927278		1	.O-ring	D
43	4700902697		1	.Screw	
44	4700936613		1	.Locking screw	
45	4700936614		1	.Plug	
46	4700936313		1	.Orifice	
50	4700936370		1	.Locking screw	
	4700935212	A	1	.Pin	

A) Used with Item 27; P/N 4812155765.

B) Replaced by P/N 4812155765.

**Steering system**

18480

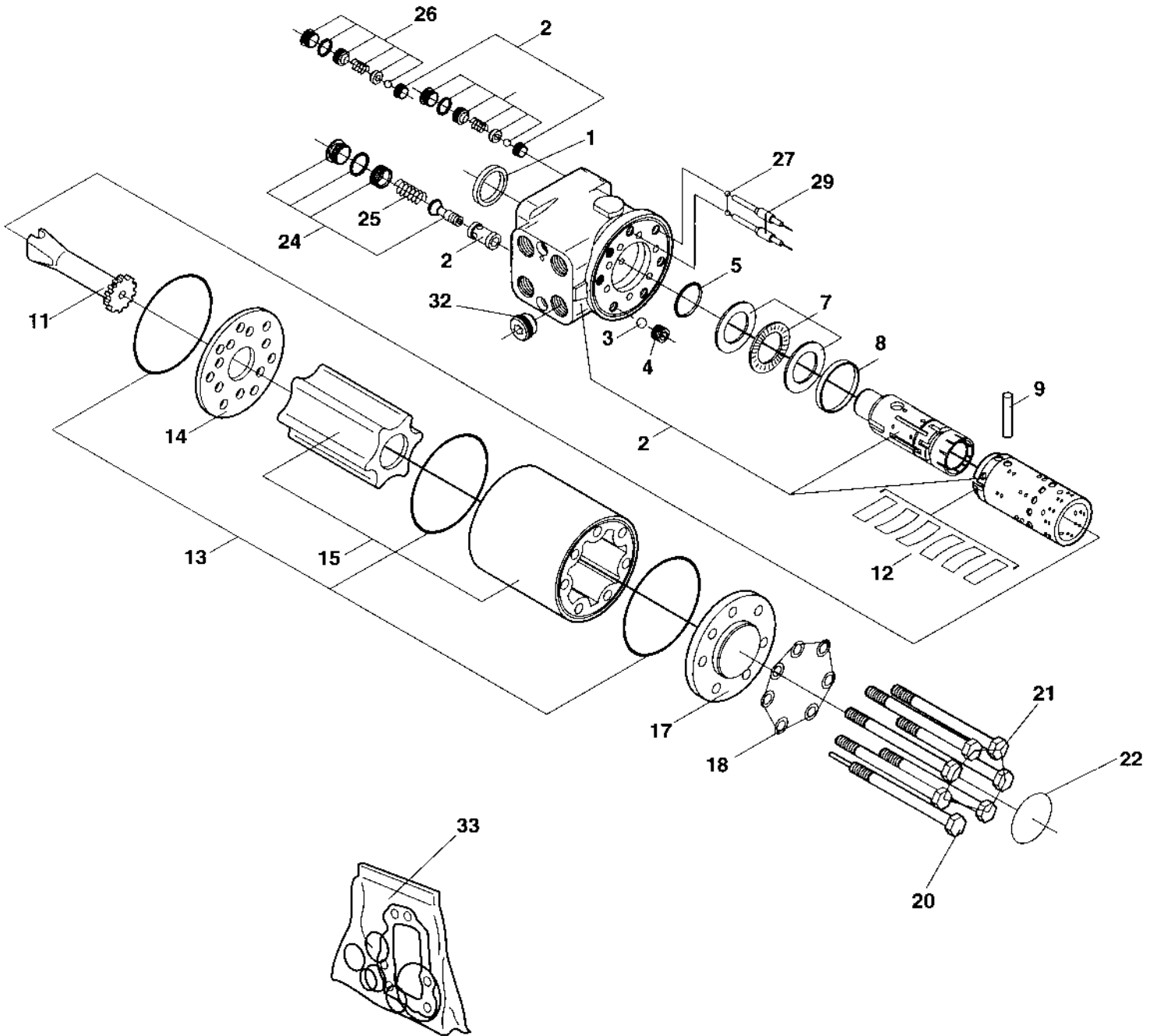


Steering system

Item	Part No	Rem Qty	Description	Code
1			Hydraulic oil tank	
5	4700394905	1	Steering pump	
6	4700500046	2	Screw	M12x025H C
7	4700904231	4	Washer	13x24x2 300 HV C
8	4700232097	2	Flange half	C
9	4700904637	4	Washer	C
10	4700904005	1	O-ring	
11	4700508029	4	Screw	M10-1,5x30H 8,8 C
12	4700379481	1	Connector	
13	4700334558	1	Elbow 90G with O-ring	
14	4700792237	1	Elbow 90, O-ring	
15	4700338304	1	Connector	C
16	4700910161	1	Measuring nipple	C
17	4700234626	1	Adapter	C
18	4700929123	1	Elbow 90, O-ring	C
19	4700372513	1	Hose clamp	
20	4700372514	1	Hose clamp	
21	4700904229	3	Washer	8,4x16x1,5 C
22	4700500019	2	Hexagon head screw	C
23	4700500023	1	Screw	M8-1,25x40 8,8 C
24	4700376000	1	Steering valve ( Page 126 )	
25	4700813444	4	Elbow 90, O-ring	
26	4700392002	2	Steering cylinder ( Page 128 )	C
27	4700379630	4	Radial spherical plain bearing	
28	4700500044	4	Screw	M6x8 C
29	4700234218	2	Tee-connector	C
30	4700813500	1	Elbow 45, O-ring	C
31	4700334121	1	Straight connector	C
32	4700483109	1	Hydraulic hose	C
33	4700483109	1	Hydraulic hose	C
34	4700334197	1	Elbow 90 Up to 65X21500	C
35	4700483049	1	Hydraulic hose	
36	4700483498	1	Hydraulic hose	
37	4700483280	1	Hydraulic hose	
38	4700483497	1	Hydraulic hose	
39	4700483231	1	Hydraulic hose	C
40	4700313102	2	Cable ties	
43	4700234662	1	Elbow 45	C

**4700376000 Steering valve**

17013





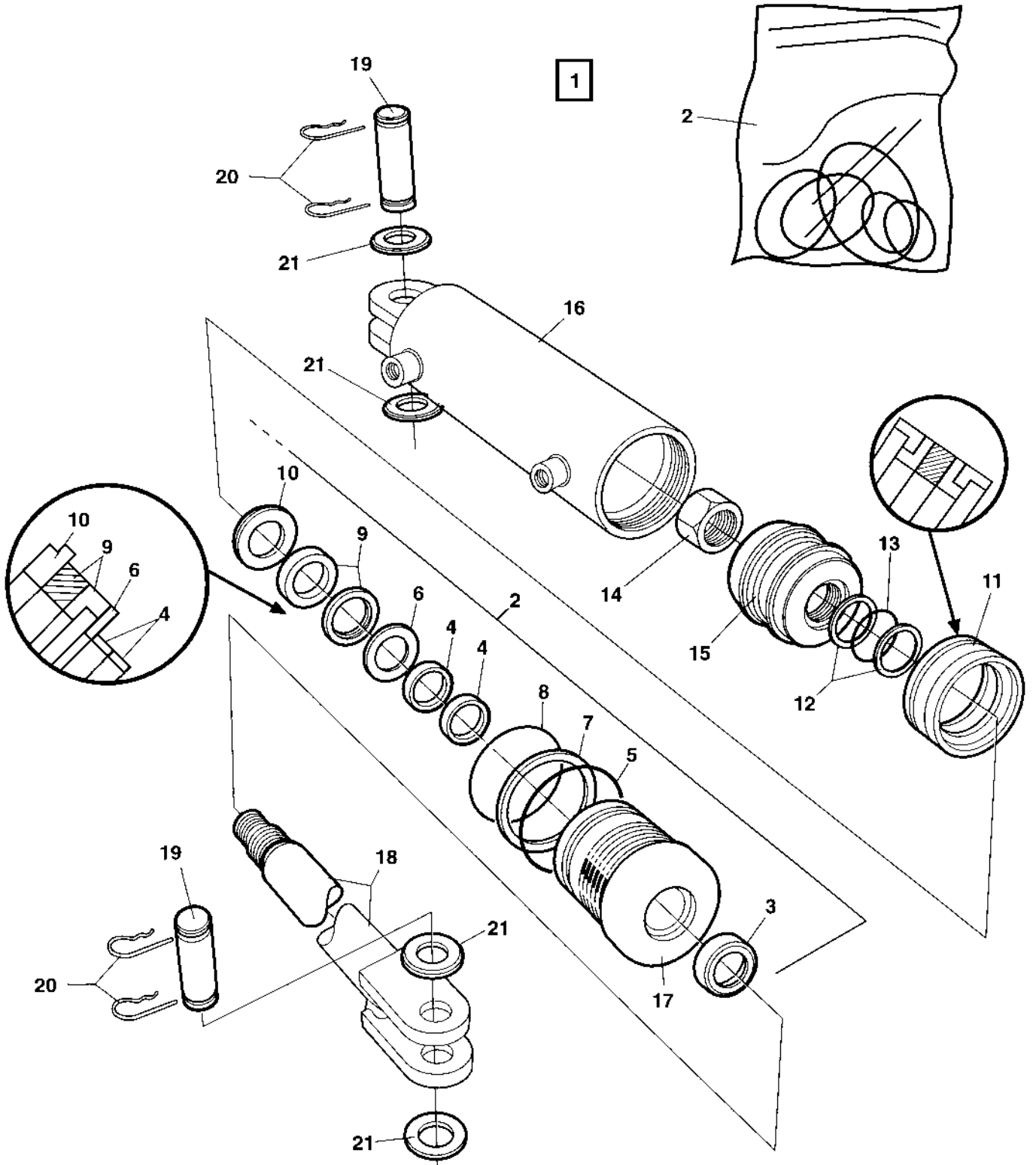
**4700376000 Steering valve**

Item	Part No	Rem	Qty	Description	Code
1	4700938062	A	1	Dust seal ring	
2			1	Housing, spool and sleeve	
3	4700938063		1	Ball	
4	4700938064		1	Threaded bushing	
5	4700908780	A	1	O-ring	
7	4700911620		1	Bearing	B
8	4700938065		1	Ring	
9	4700938066		1	Cross pin	
11	4700902861		1	Cardan shaft	C
12	4700938067		1	Set of springs	
13	4700938068	A	3	O-ring	
14	4700902862		1	Valve plate	C
15	4700903457		1	Gear wheel set	
17	4700938069		1	End cover	
18	4700938070	A	7	Washer	
20	4700938071		1	Screw with pin	
21	4700935468		6	Spring washer	
22	4700938072		1	Name plate	
24	4700938073		1	Pressure relief valve	
25			1	Spring	
26	4700938074		2	Shock valve	
27	4700929013		2	Ball	D
29	4700929014		2	Rolled pin	C
32	4700938075		1	Check valve	
33	4700935429		1	Seal kit	

A) Included in seal kit, item 33

**4700392002 Steering cylinder**

16490

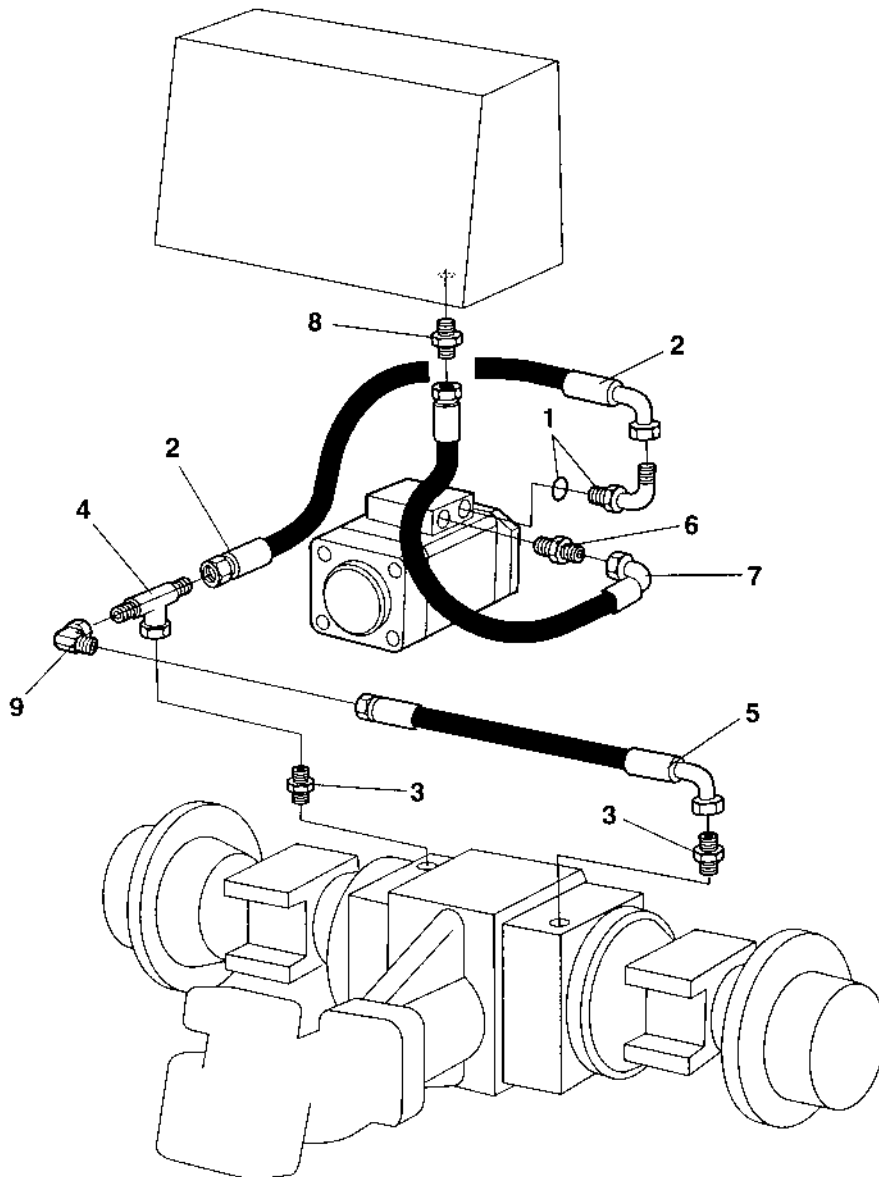


**4700392002 Steering cylinder**

Item	Part No	Rem Qty	Description	Code
1	4700392002	1	Steering cylinder ( Page 128 )	C
2	4700392100	1	.Seal kit	B
3		1	..Seal	B
4		2	..Seal	B
5		1	..O-ring	B
6		1	..Back-up ring	B
7		1	..Back-up ring	B
8		1	..O-ring	B
9		1	..Seal	B
10		1	..Retaining ring	B
11		1	..Seal	B
12		2	..Back-up ring	B
13		1	..O-ring	B
14		1	..Lock nut	B
15		1	.Piston block	B
16		1	.Cylinder	B
17		1	.Steering	B
18	4700392105	1	.Piston rod	C
19	4700392103	2	.Shaft	C
20	4700635061	4	.Hair clip	C
21	4700600016	4	.Washer	C
			26x45x4	

**Brake system**

16621-1

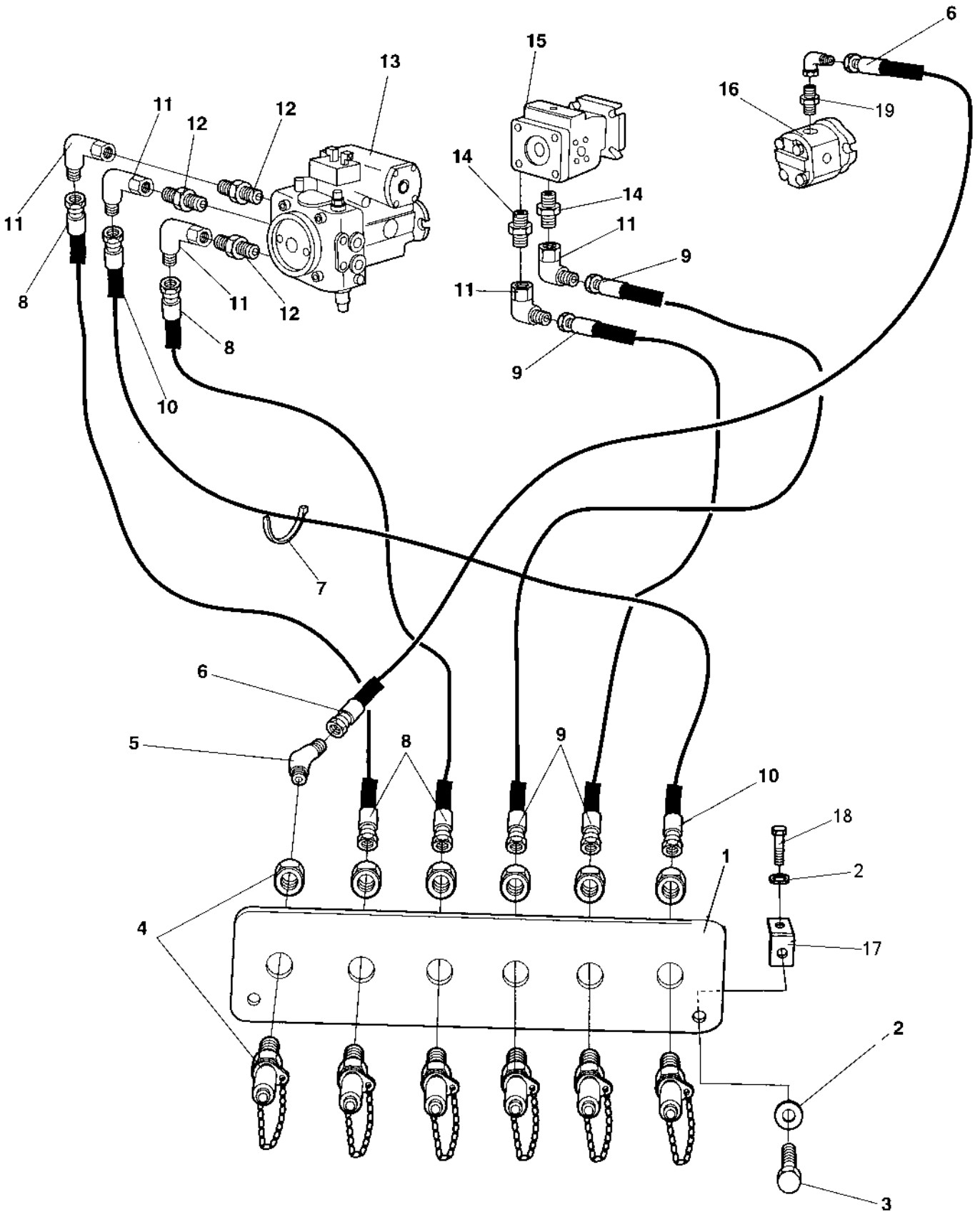


**Brake system**

<b>Item</b>	<b>Part No</b>	<b>Rem Qty</b>	<b>Description</b>	<b>Code</b>
1	4700334389	1	Connector	C
2	4700482056	1	Hydraulic hose	C
3	4700900552	2	Adapter	
4	4700234888	1	Tee-connector	
5	4700482399	1	Hydraulic hose	
6	4700234843	1	Adapter	
7	4700482474	1	Hydraulic hose	
8	4700334205	1	Straight connector	
9	4700334524	1	Connector	C

Central test panel hydraulic Option

16988



Central test panel hydraulic Option

Item	Part No	Rem Qty	Description	Code
1	4700374028	1	Test panel	
2	4700904229	4	Washer	8,4x16x1,5 C
3	4700500053	2	Screw	M8x20H 8.8 C
4	4700356348	6	Measuring nipple	D
5	4700234622	1	Elbow 45	C
6	4700484005	1	Hydraulic hose	
7	4700313102	N	Cable ties	
8	4700483445	2	Hydraulic hose	
9	4700483188	2	Hydraulic hose	
10	4700483445	1	Hydraulic hose	
11	4700334196	5	Elbow 90	C
12	4700902125	3	Connector	
13		1	Vibration pump	
14	4700234388	2	Connector	C
15		1	Propulsion pump	C
16		1	Steering pump	C
17	4700908136	2	Bracket	
18	4700500018	2	Screw	M8-1,25x12 8,8 C
19		1	Connector	C



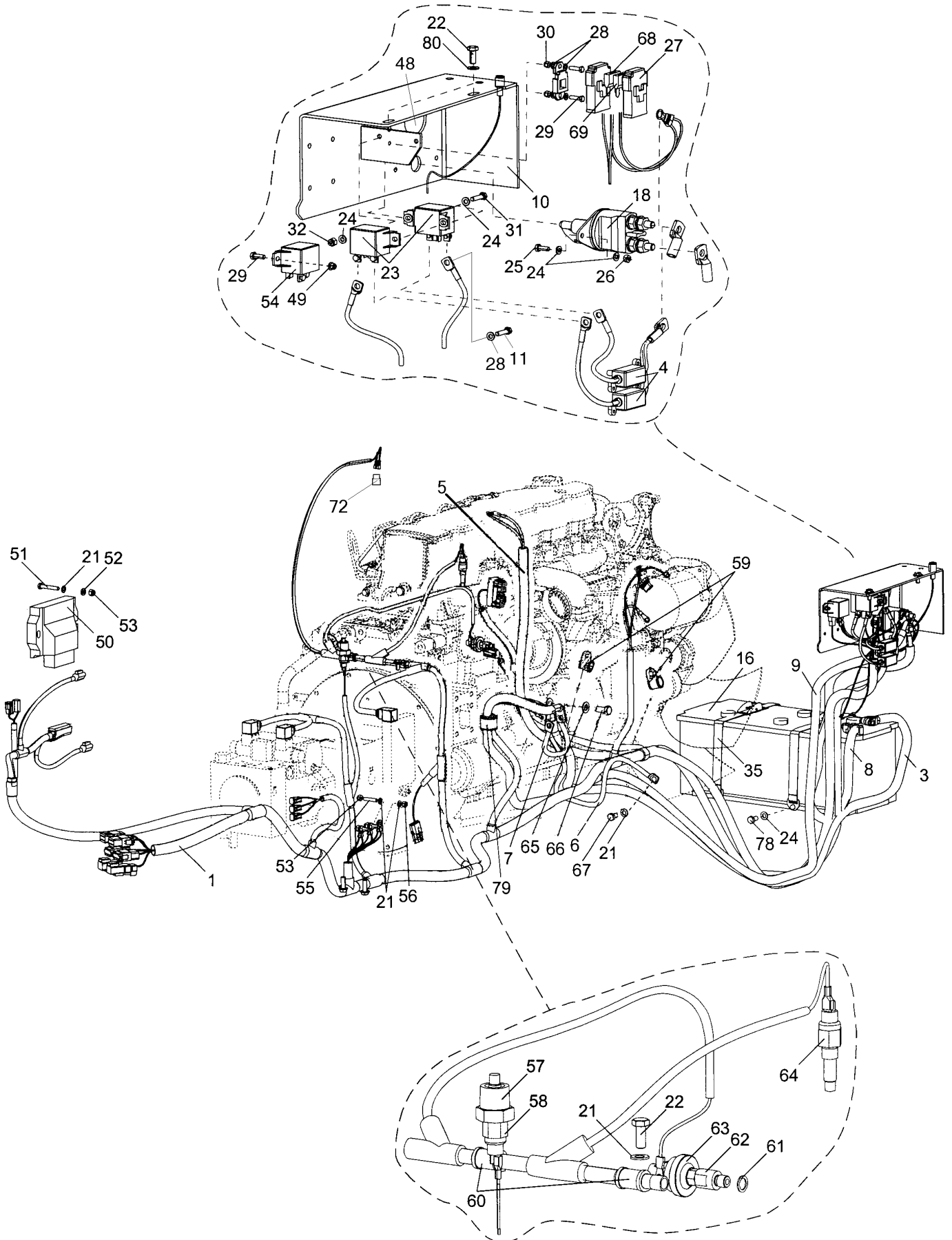


**Electric system**

<b>Item</b>	<b>Part No</b>	<b>Rem Qty</b>	<b>Description</b>	<b>Code</b>
10			Electric system Up to 65X21499 ( Page 136 )	
20			Control panel Up to 65X21500 ( Page 138 )	
25			Control panel From 65X21501 ( Page 140 )	
50			Working lights Up to 65X21499 ( Page 142 )	Option
70			Rotating beacon ( Page 144 )	Option
80			Back-up alarm ( Page 146 )	Option
90			Compaction meter ( Page 148 )	Option

**Electric system**

**18488-1**



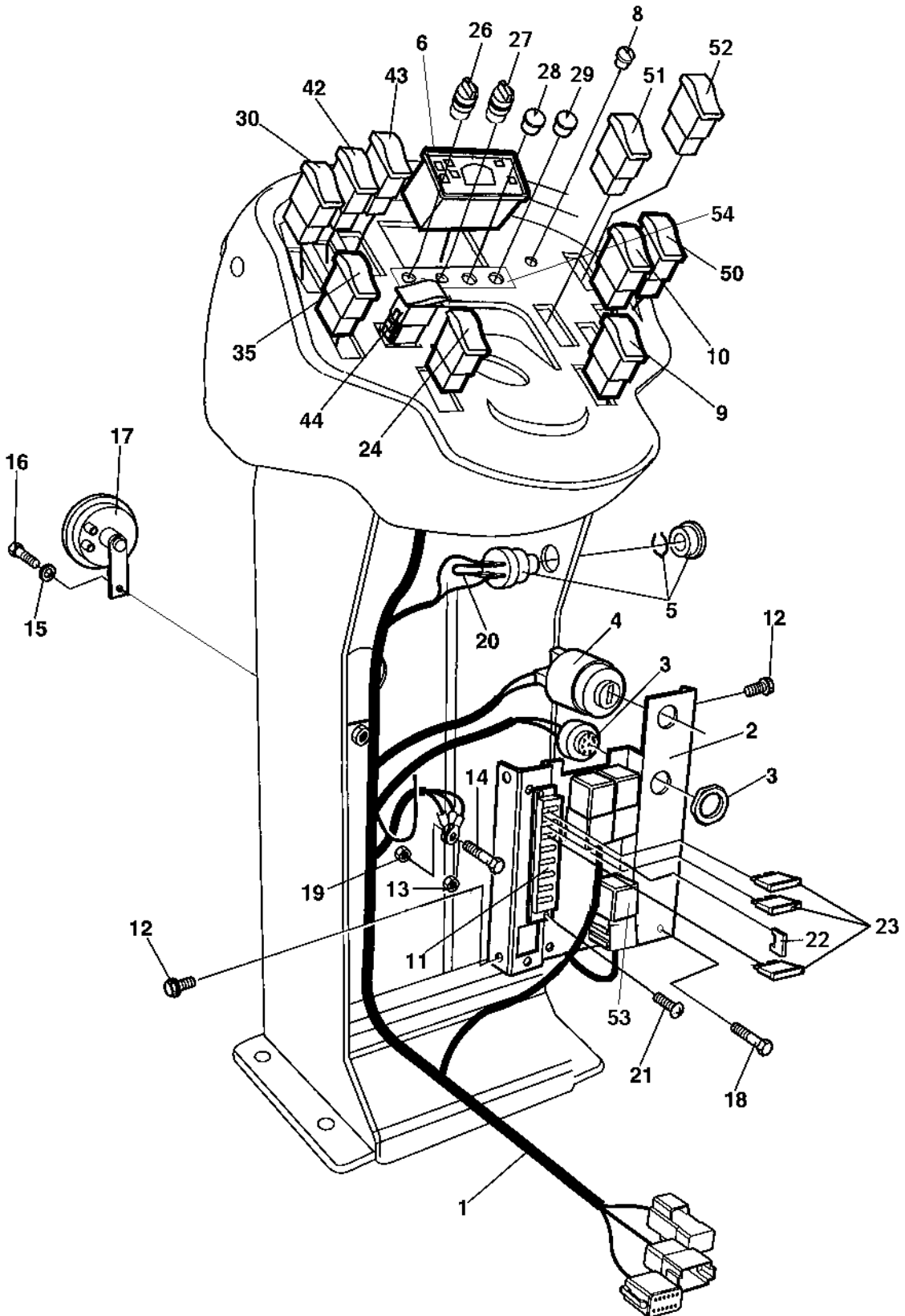
**Electric system**

Item	Part No	Rem Qty	Description	Code
1	4700392506	1	Cable harness engine	
3	4700904020	1	Battery cable	
4	4700387427	1	Cable harness	
	4700791477	1	.Fuse holder	
	4700791479	1	.Fuse, Orange	125A
5	4700392937	1	Cable harness	
6	4700903760	1	Connection cable, coarse	
7	4700335607	1	Connection cable, coarse	B
8	4700791503	1	Battery cable	
9	4700904018	1	Connection cable, coarse	
10	4700386999	1	Holder	
11	4700500004	4	Screw	M5 0,8x12 8,8 C
16	4700470020	1	Battery	
18	4700903640	1	Battery switch	D
21	4700904229	13	Washer	8,4x16x1,5 C
22	4700500053	6	Screw	M8x20H 8.8 C
23	4700791183	2	Relay	D
24	4700904228	8	Washer	6,4x12x1,5 C
25	4700500013	2	Screw	M6-1x16 8,8 C
26	4700570004	3	Hexagon nut	C
27	4700904036	1	Fuse holder	D
28	4700904281	10	Washer	5,3x10x1 300HV C
29	4700500060	4	Screw	M5-0,8x20 8.8 C
30	4700586001	2	Lock nut	C
31	4700500075	3	Screw	M6-1,0x25 8.8 C
32	4700586002	3	Lock nut	M6 -8 C
35	4700389662	2	Strap	
48	4700345870	1	Plug	C
49	4700902284	2	Nut	M5 C
50	4700378745	1	Control unit, ECU	
51	4700500025	2	Screw	M8-1,25x50 8,8 C
52	4700904556	2	Washer	8,4x16x3,0 C
53	4700586003	5	Lock nut	M8 C
54	4700791183	B 1	Relay	D
55	4700903768	3	Threaded stud	C
56	4700570005	3	Nut	M8 C
57	4700813434	1	Reducer	
58	4700903631	1	Temperature sensor	Hydraulic oil B
59	4700960727	2	Clamp	
60	4700921072	2	Clamp	
61	4700902468	1	Connector	
62	4700338304	1	Connector	C
63	4700813462	1	Oil pressure sender	D
64	4700903632	1	Temperature sensor	Engine
65	4700904231	2	Washer	13x24x2 300 HV C
66	4700500051	2	Screw	M12x25H 8.8 A3K C
67	4700500019	1	Hexagon head screw	C
68	4700904038	1	Fuse	40A A
69	4700904037	1	Fuse	30A A
72	4700929023	1	Indicator	B
78	4700500012	1	Screw	M6x12 C
79	4700923008	1	Clamp	
80	4700904230	2	Steel plain washer	C

B) Replaces P/N 4700904448 as Start relay from January 2009.

Control panel

18492-1



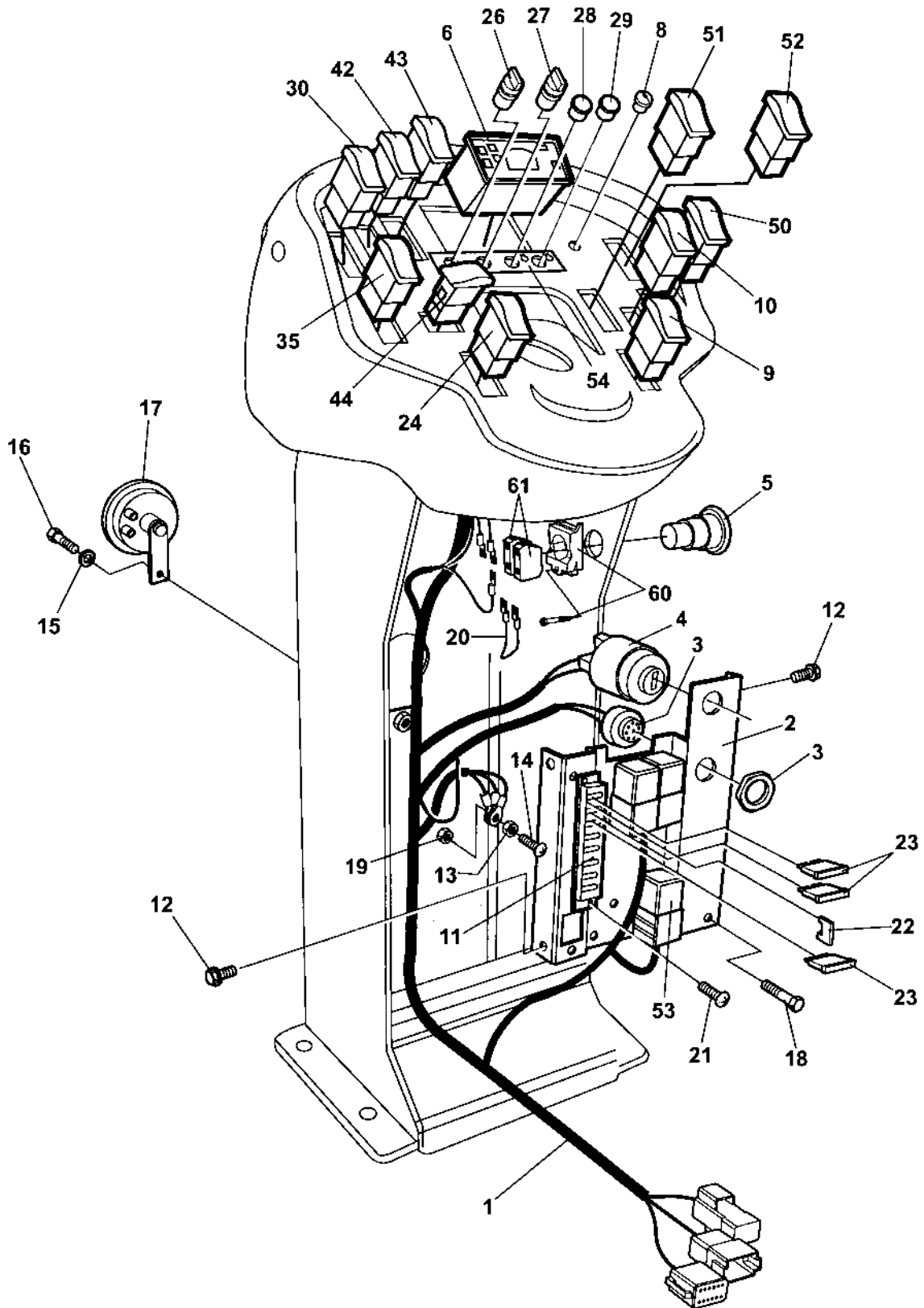
**Control panel**

Item	Part No	Rem	Qty	Description	Code
1	4700392507	B	1	Cable harness	
2	4700387683		1	Distribution control plate	
3	4700385599		1	Buzzer	B
4	4700238158		1	Ignition switch	
	4700940451		1	.Key	
5	4700791647		1	Emergency stop	
6	4700392996		1	Control panel	
8	4700792083	N		Plug	
9	4700792414		1	Switch, RPM	
10	4700792461		1	Switch, vibration	
11	4700791185		1	Fuse box	
12	4700903782		4	Screw	M5x12 C
13	4700570004		3	Hexagon nut	C
14	4700500075		1	Screw	M6-1,0x25 8.8 C
15	4700904229		1	Washer	8,4x16x1,5 C
16	4700500053		1	Screw	M8x20H 8.8 C
17	4700999027		1	Horn	B
18	4700500075		1	Screw	M6-1,0x25 8.8 C
19	4700586002		1	Lock nut	M6 -8 C
20	4700791517		1	Connection cable	
21	4700901767		2	Screw	ST3,5x9,5 Black C
22	4700791211	N		Contact bridge	
23	4700901228	N		Fuse	15A A
	4700901227	N		Fuse	10A A
	4700901225	N		Fuse	5A A
24	4700791582		1	Switch, parking brake	
26	4700792317		1	Switch	
27	4700792318		1	Switch	
28	4700792435		1	Pilot lamp	Red
	4700792432		1	Illuminated block red	
29	4700792319		1	Pilot lamp	Yellow
	4700792315		1	Illuminated block yellow	
30	4700791587	A	1	Switch, working light	
35	4700791585	A	1	Switch, rotating beacon	
42	4700791583	A	1	Switch, driving light	
43	4700791584	A	1	Switch, hazard flashers	
44	4700792413	A	1	Switch, drive direction	
50	4700791588		1	Panel plug	
	4700792463	A	1	Switch, Power distribution	
51	4700791578		1	Switch, horn	
52	4700792462	A	1	Switch, TC & TM	
	4700791657		1	Switch, Hi-Lo Speed	
53	4700903956	A	1	Relay	A
54	4700394061		1	Decal	

- A) Option
- B) Control panel

Control panel

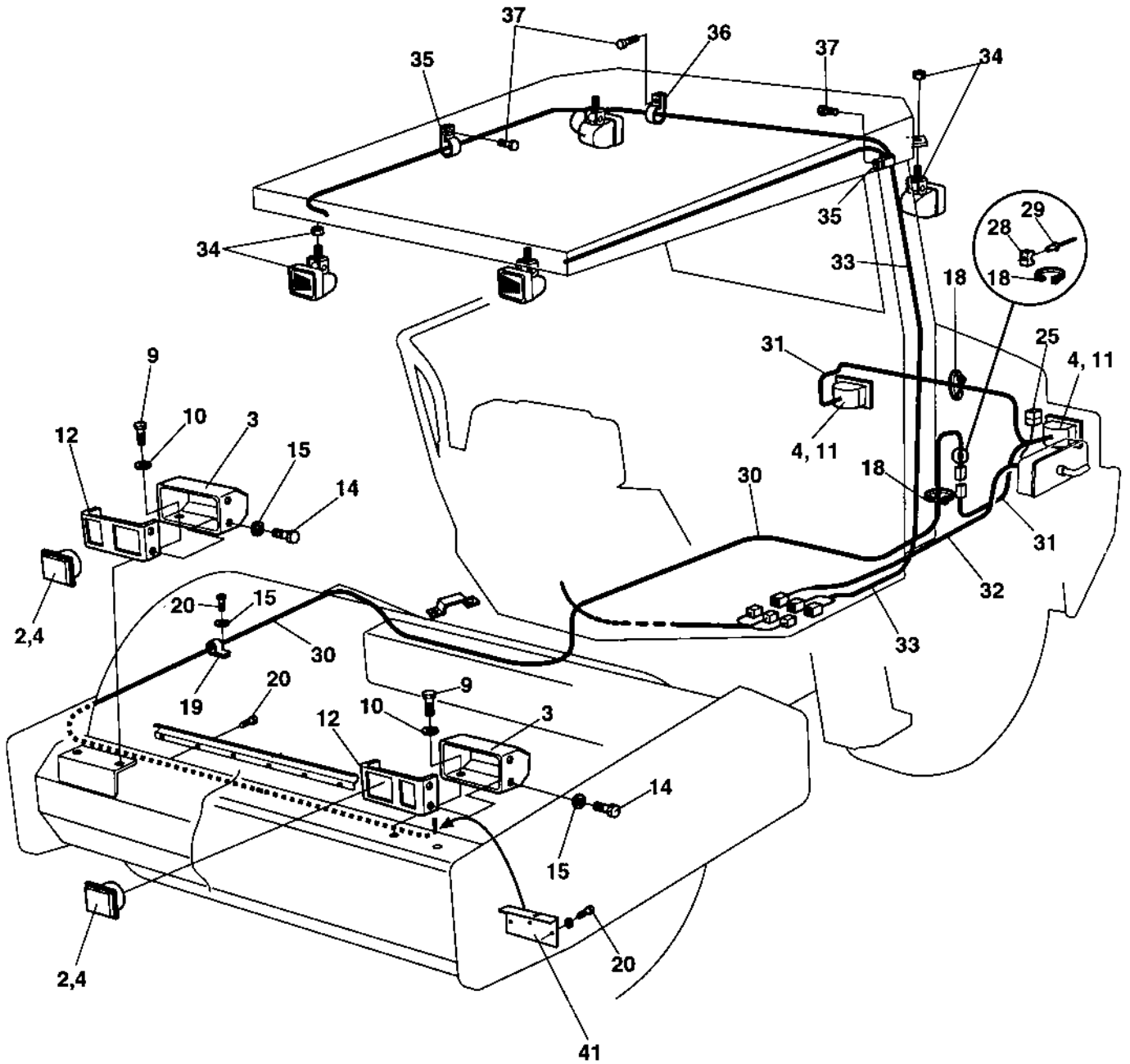
18887



**Control panel**

Item	Part No	Rem	Qty	Description	Code
1	4700396968	B	1	Cable harness	
2	4700387683		1	Distribution control plate	
3	4700385599		1	Buzzer	B
4	4700238158		1	Ignition switch	
	4700940451		1	.Key	
5	4700791739		1	Emergency stop	
6	4700392996		1	Control panel	
8	4700792083	N		Plug	
9	4700792414		1	Switch, RPM	
10	4700792461		1	Switch, vibration	
11	4700791185		1	Fuse box	
12	4700903782		4	Screw	M5x12 C
13	4700570004		3	Hexagon nut	C
14	4700500075		1	Screw	M6-1,0x25 8.8 C
15	4700904229		1	Washer	8,4x16x1,5 C
16	4700500053		1	Screw	M8x20H 8.8 C
17	4700999027		1	Horn	B
18	4700500075		1	Screw	M6-1,0x25 8.8 C
19	4700586002		1	Lock nut	M6 -8 C
20	4700343550		1	Connection cable	B
21	4700901767		2	Screw	ST3,5x9,5 Black C
22	4700791211	N		Contact bridge	
23	4700901228	N		Fuse	15A A
	4700901227	N		Fuse	10A A
	4700901225	N		Fuse	5A A
24	4700791582		1	Switch, parking brake	
26	4700792317		1	Switch	
27	4700792318		1	Switch	
28	4700792435		1	Pilot lamp	Red
	4700792432		1	Illuminated block red	
29	4700792319		1	Pilot lamp	Yellow
	4700792315		1	Illuminated block yellow	
30	4700791587	A	1	Switch, working light	
35	4700791585	A	1	Switch, rotating beacon	
42	4700791583	A	1	Switch, driving light	
43	4700791584	A	1	Switch, hazard flashers	
44	4700792413	A	1	Switch, drive direction	
50	4700791588		1	Panel plug	
	4700792463	A	1	Switch, Power distribution	
51	4700791578		1	Switch, horn	
52	4700792462	A	1	Switch, TC & TM	
	4700791657		1	Switch, Hi-Lo Speed	
53	4700903956	A	1	Relay	A
54	4700394061		1	Decal	
60	4700791733		1	Fixing collar	C
61	4700791723		2	Connector	

- A) Option
- B) Control panel





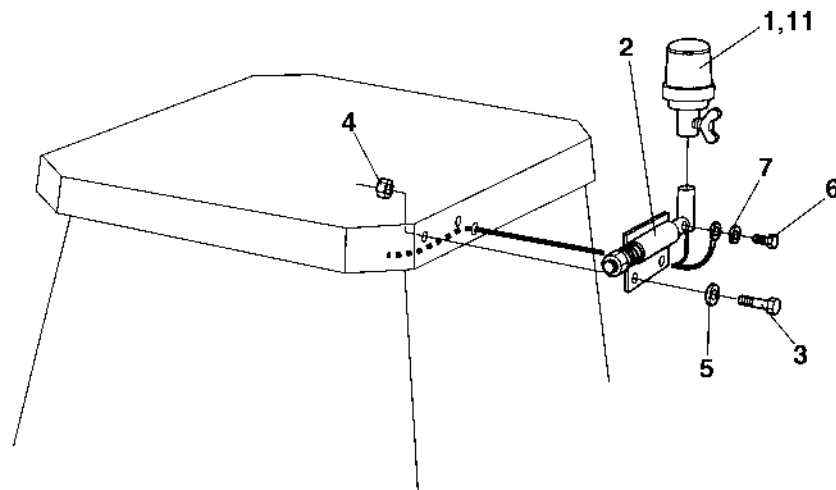
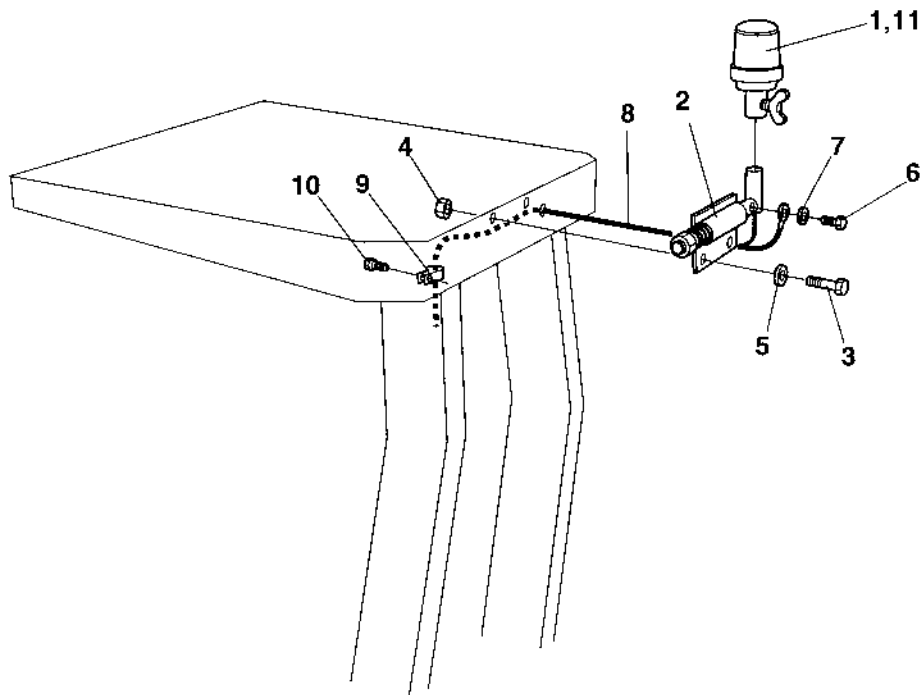
**Working lights Option**

Item	Part No	Rem Qty	Description	Code
2	4700902227	2	Work light	B
3	4700374029	2	Lamp shield	
4	4700901369	4	Bulb	B
9	4700500053	6	Screw	C
10	4700904640	6	Washer	C
11	4700904314	2	Work lamp	B
12	4700374030	2	Bracket	
14	4700500040	8	Screw	C
15	4700904228	11	Washer	C
18	4700925802	7	Cable ties	C
19	4700921039	8	Pipe clamp	C
20	4700500012	3	Screw	C
25	4700904038	1	Fuse	A
28	4700904543	7	Cable tie holder	
29	4700903436	7	Blind rivet	C
30	4700392771	1	Cable harness	
31	4700392856	1	Cable harness	
32	4700373184	1	Cable harness	
33	4700392772	1	Cable harness	
34	4812110216	4	Work lamp	
	4700904230	4	Steel plain washer	C
	4700586018	4	Lock nut	C
35	4700921039	2	Pipe clamp	C
36	4700791341	9	Clamp	
37	4700541702	11	Screw	C
41	4700384163	2	Protection	

Rotating beacon

Option

16981

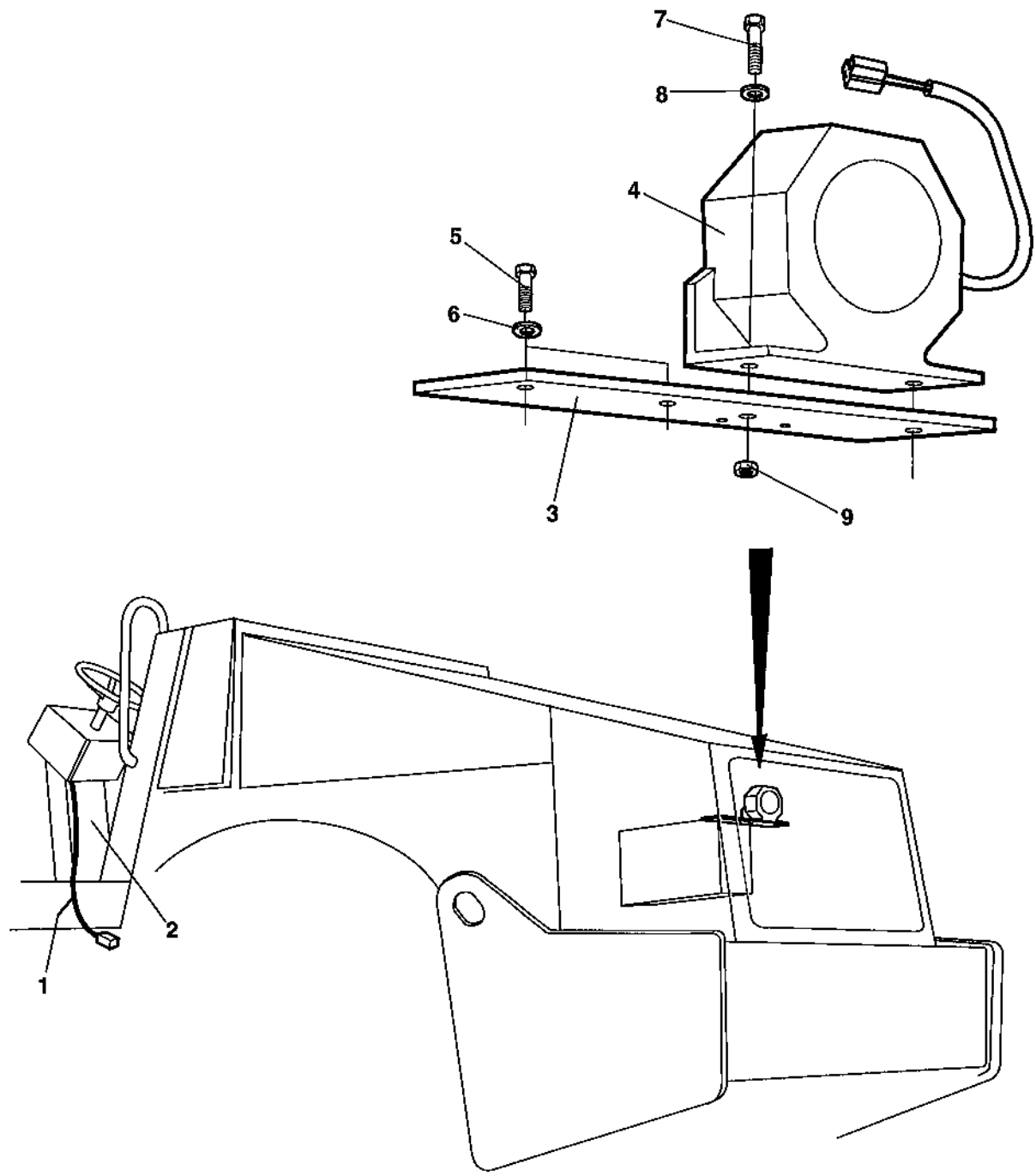


## Rotating beacon

## Option

Item	Part No	Rem	Qty	Description	Code
1	4700999011	1	1	Rotating beacon	B
2	4700358452		1	Lamp holder	D
3	4700500021		2	Screw	C
4	4700586003		2	Lock nut	C
5	4700904229		4	Washer	C
6	4700500013		1	Screw	C
7	4700904228		1	Washer	C
8	4700392773		1	Cable harness	
9	4700921039		1	Pipe clamp	C
10	4700541702		1	Screw	C
11	4700389577	2	1	Rotating beacon	D

- 1) Is replaced by item 11, P/N 4700389577.
- 2) Replaces item 1, P/N 4700999011.



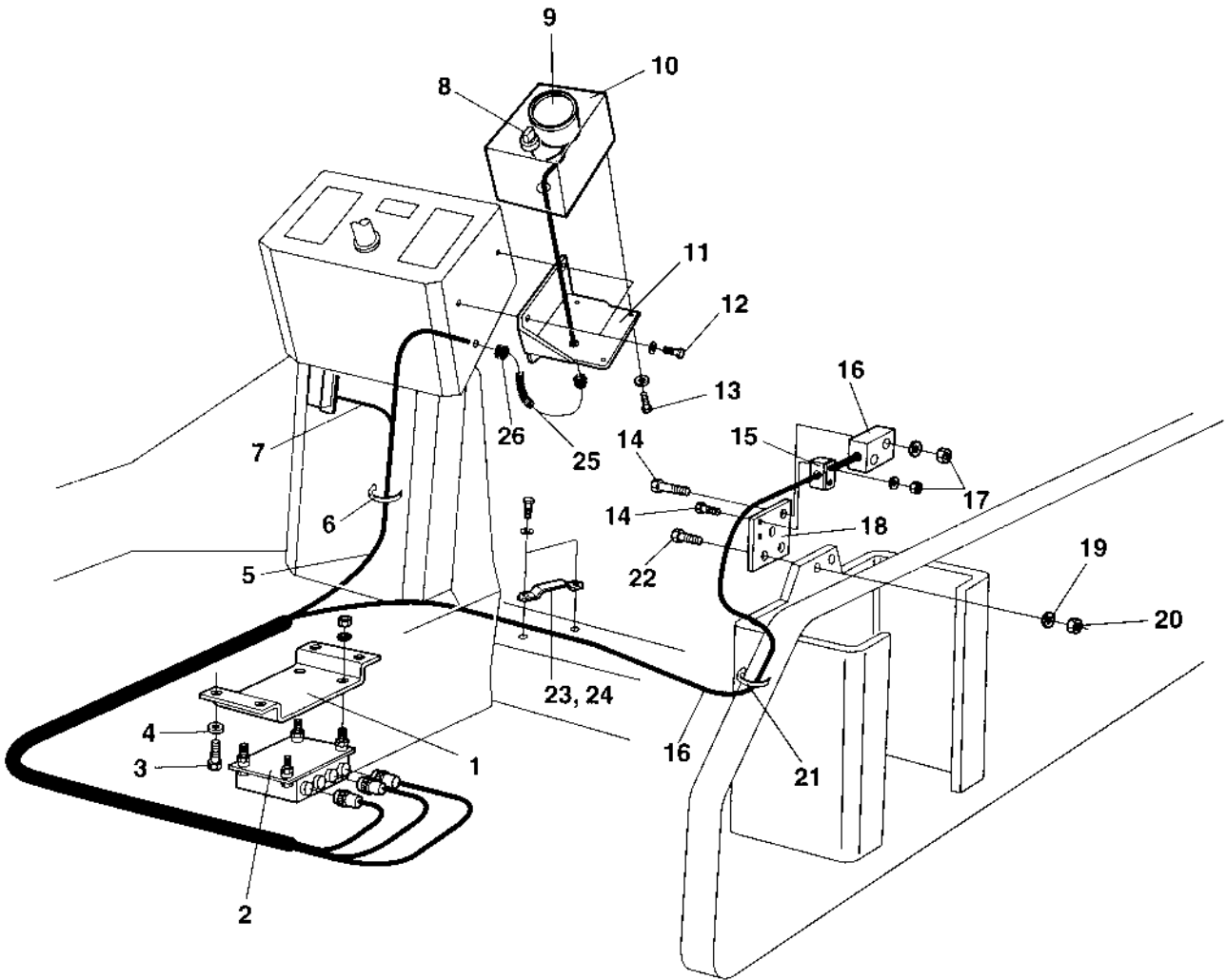
**Back-up alarm Option**

<b>Item</b>	<b>Part No</b>	<b>Rem</b>	<b>Qty</b>	<b>Description</b>	<b>Code</b>
1	4700380798	A	1	Cable harness	
2	4700901224	B	1	Fuse	3A A
3	4700377071		1	Bracket	
4	4700904910		1	Back-up alarm	
5	4700500053		2	Screw	M8x20H 8.8 C
6	4700904229		2	Washer	8,4x16x1,5 C
7	4700500040		2	Screw	M6-1x20 8,8 C
8	4700904228		2	Washer	6,4x12x1,5 C
9	4700902285		2	Hexagon lock nut with flange	C

- A) Is connected to the main wiring harness.  
B) Located in the fusebox on the control panel.

**Compaction meter Option**

17358



Compaction meter Option

Item	Part No	Rem Qty	Description	Code
1	4700372836	1	Bracket	
2	4700388210	1	Processor comp.meter	
3	4700500053	4	Screw	M8x20H 8.8
4	4700904229	4	Washer	8,4x16x1,5
5	4700372784	1	Cable harness	
6	4700313102	N	Cable ties	
7	4700381351	1	Cable harness	
8	4700930151	1	Switch	B
9	4700383452	1	Compaction meter	
10	4700373096	1	Instrument box	
11	4700393543	1	Bracket	
12	4700904206	3	Screw	C
13	4700541526	4	Screw	
14	4700500079	4	Screw	M6-1x50 8,8
15	4700902496	1	Clamp	
16	4700348213	1	Sensor, cpl	
17	4700902285	7	Hexagon lock nut with flange	C
18	4700373140	1	Bracket	
19	4700904231	2	Washer	13x24x2 300 HV
20	4700902288	2	Nut	M12
21	4700313041	N	Cable ties	
22	4700500194	2	Screw	C
23	4700373016	1	Hose clamp	
24	4700349435	1	Rubber part	
25	4700901190	A	Conduit	
26	4700903192	2	Grommet	

A) L=230mm



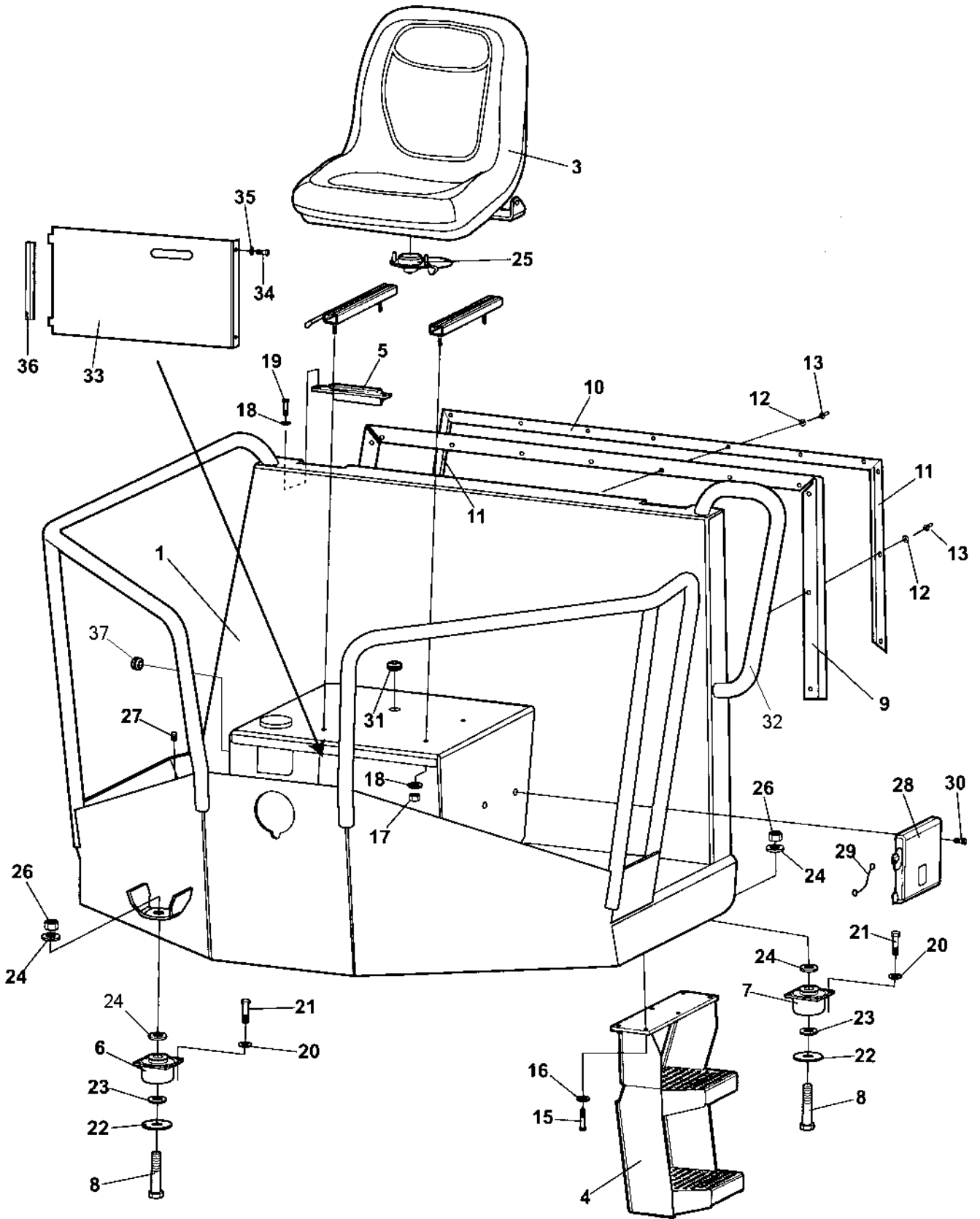


**Drivers platform**

<b>Item</b>	<b>Part No</b>	<b>Rem Qty</b>	<b>Description</b>	<b>Code</b>
10			Drivers platform ( Page 152 )	
20			Control panel ( Page 154 )	
40			Forward and reverse control ( Page 156 )	
52			Steering column ( Page 160 )	
100			Canopy ( Page 162 )	Option
110			Rops and fops ( Page 164 )	
120			Cab mounting ( Page 166 )	
130			Cab ( Page 168 )	392479

**Drivers platform**

18726



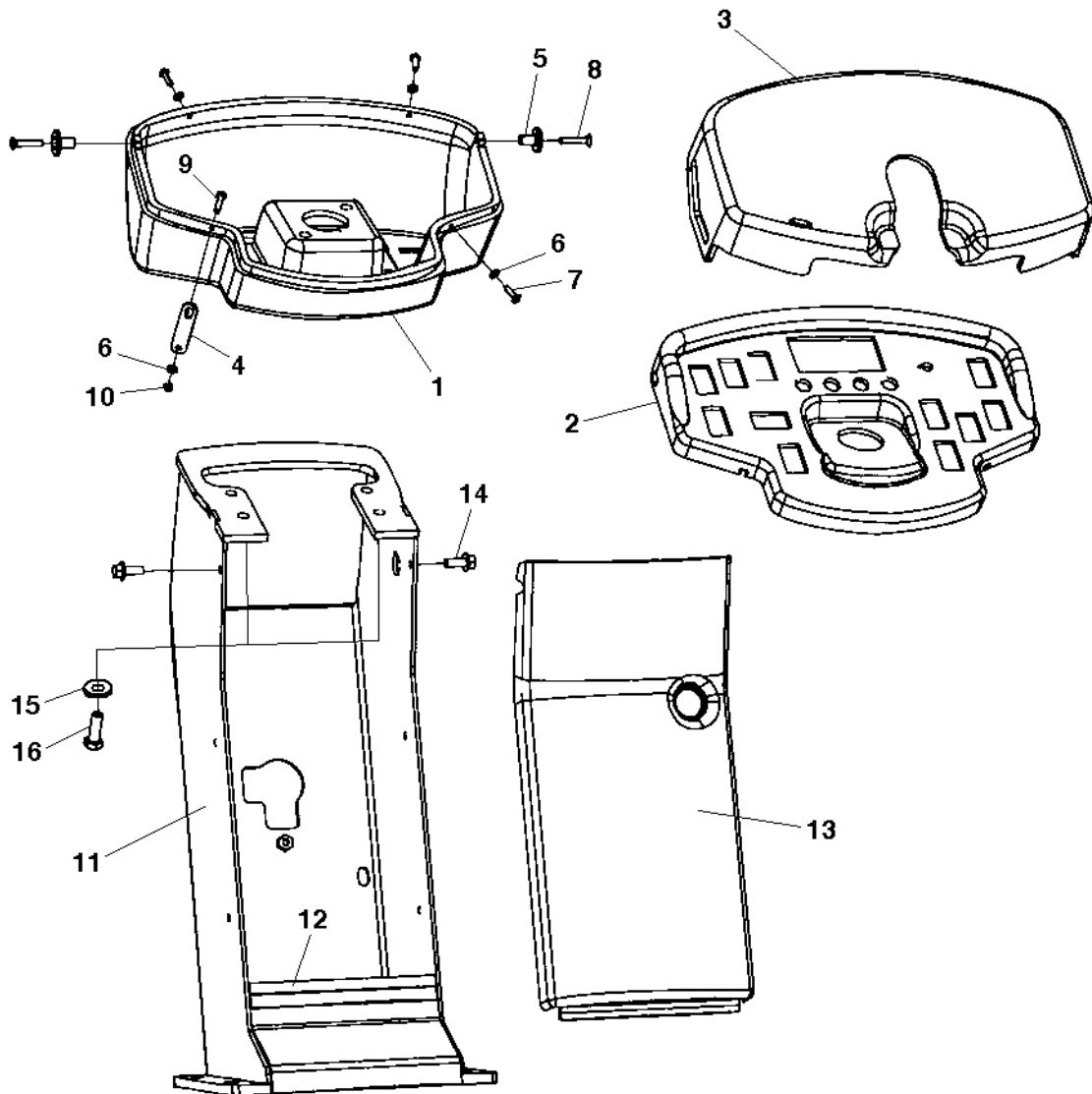
Drivers platform

Item	Part No	Rem	Qty	Description	Code
1	4700392394		1	Platform	
3	4700377556		1	Drivers seat, cpl	
	4700377518	E	1	Drivers seat, cpl	D
	4700348331		1	Seat cover	D
4	4700376252		1	Step	
5	4700380727		2	Cover	
6	4700372757		2	Shock absorber	D
7	4700373400		2	Shock absorber	D
8	4700500210		4	Screw	M20-2,5x100 8.8
9	4700372494	A	1XL	Rubber strip	
10	4700372785		1	List	
11	4700382582		2	List	
12	4700927974		13	Washer	
13	4700904433		13	Blind rivet	
15	4700500029		4	Hexagon head screw	C
16	4700904230		4	Steel plain washer	C
17	4700586003		4	Lock nut	M8 C
18	4700904229		8	Washer	8,4x16x1,5 C
19	4700500053		4	Screw	M8x20H 8.8 C
20	4700904231		16	Washer	13x24x2 300 HV C
21	4700500195		16	Screw	C
22	4700347512		4	Washer	
23	4700903290		4	Washer	21x36x6 C
24	4700904233		8	Washer	21x36x3 C
25	4700379636	C	1	Seat switch	
	4812155075	D	1	Seat switch	
26	4700901145		4	Lock nut	M20-10
27	4700902203		2	Plug	C
28	4700383705		1	Instruction book holder	D
29	4700357643		1	Wire	D
30	4700791226		4	Screw	C
31	4700903192		1	Grommet	
32	4700380123		1	Grab handle	
33	4700392875		1	Cover	
34	4700500013		2	Screw	M6-1x16 8,8 C
35	4700904228		2	Washer	6,4x12x1,5 C
36	4700902166	B	1XL	Edge trim	D
37	4700903727		1	Plug	

- A) L=2,400M
- B) L=0,210M
- C) With bayonet fitting.
- D) With screws.
- E) Option

**Control panel**

18487



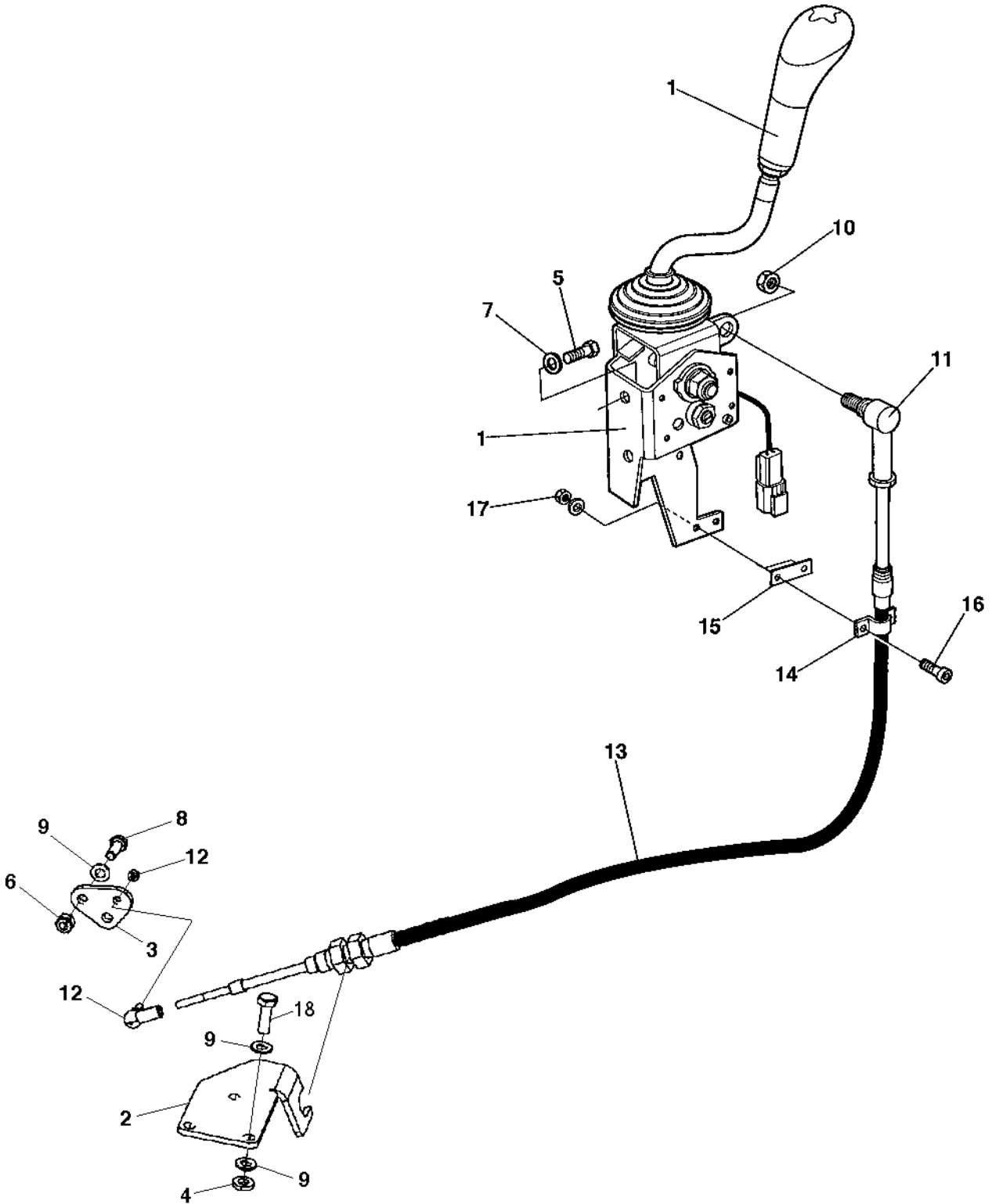
**Control panel**

Item	Part No	Rem Qty	Description	Code
1	4700387720	1	Control panel holder	
2	4700391784	1	Control panel	
3	4700387227	1	Control panel cover	
4	4700387545	1	Latch	
5	4700357855	2	Bushing	C
6	4700904281	4	Washer	5,3x10x1 300HV C
7	4700904653	3	Screw	M5x16 A2-70 C
8	4700513017	2	Screw	M6x30H 10,9
9	4700500007	1	Screw	M5-0,8x22H 8,8
10	4700791476	1	Nut	M5 -8
11	4700378335	1	Control panel column	
12	4700902166	A 1XL	Edge trim	D
13	4700387226	1	Column cover	
14	4700500505	2	Screw	M8x20 8.8
15	4700904230	4	Steel plain washer	C
16	4700500029	4	Hexagon head screw	C

A) L=0,190 m

Forward and reverse control

18489



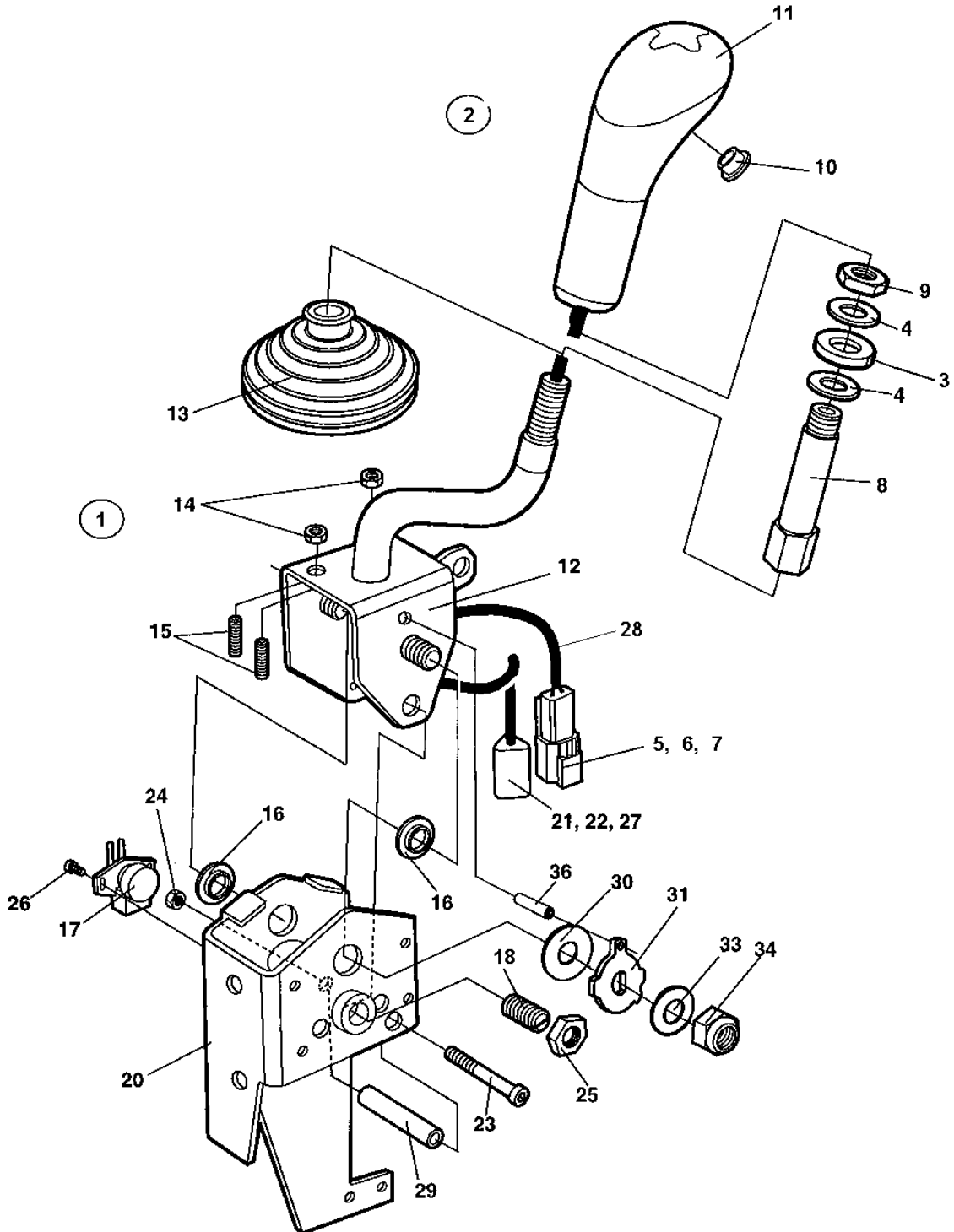
Forward and reverse control

Item	Part No	Rem	Qty	Description	Code
1			1	Forward and reverse control handle ( Page 158 )	
2	4700392899		1	Control bracket	
3	4700392900		1	Control lever	
4	4700904556		3	Washer	8,4x16x3,0 C
5	4700508092		2	Screw	C
6	4700586003		2	Lock nut	M8 C
7	4700904556		2	Washer	8,4x16x3,0 C
8	4700500021		2	Screw	M8-1,25x25 8.8 C
9	4700904229		8	Washer	8,4x16x1,5 C
10	4700586003		1	Lock nut	M8 C
11	4700377019		1	Ball joint	
	4700950382		1	Ball stud	M8
12	4700416034		1	Ball joint	C
13	4700377024	A	1	Cable	Forward/Reverse
14	4700377020		1	Clamp	
15	4700377021		1	Spacer	
16	4700926537		2	Screw	M5-0,8x16H 8,8
17	4700586001		2	Lock nut	C
18	4700947680		3	Screw	M8-1,25x25 10.9

A) L=1900MM

Forward and reverse control handle

18071-2





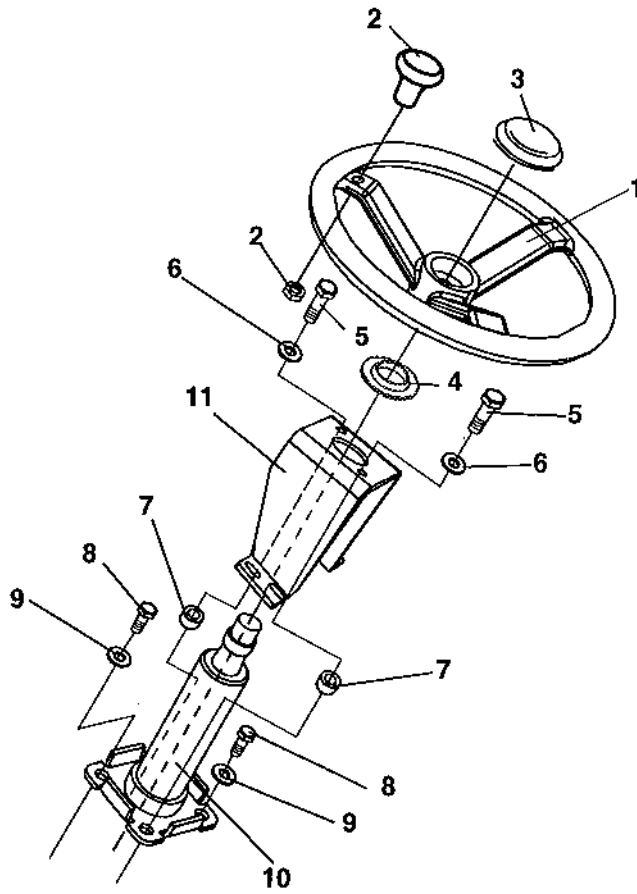
**Forward and reverse control handle**

Item	Part No	Rem	Qty	Description	Code
1	4700945407		1	Lever, cpl	
2	4700940374		1	..Handle kit, cpl	
			1	..Handle	
	4700945729		1	...Push-button switch	
			1	...Cable	
			1	..Lockfluid	
			1	..Service information	
3			1	..Washer	
4			2	..Washer	
5			1	..Connector, receptable	
6			1	..Lock wedge	
7			2	..Pin	
8			1	..Rod	
9			1	..Nut	
10	4700377018		1	..Protection plug	
11	4700378759		1	..Handle top	
12	4700391379		1	..Lever	
13	4700377009		1	..Bellows	
14	4700570004		2	..Hexagon nut	C
15	4700377015		2	..Set screw	
16	4700391381		1	Bushing	
17	4700391382		1	Potentiometer with cable	
18	4700377016		1	Spring loaded pin	
20	4700377010		1	Bracket	
21	4700903945		1	Connector, plug	
22	4700903946		1	Lock wedge	
23	4700508068		1	Screw	
24	4700904563		1	Lock nut	M6 C
25	4700927233		1	Nut	C
26	4700391383		1	Screw	
27	4700903947		3	Pin	
28		B	1	Cable	
29	4700377011		1	Spacer	
30	4700377012		1	Friction washer	
31	4700391380		1	Cam washer	
33	4700377014		1	Spring washer	
34	4700586019		1	Lock nut	C
36	4700391386		1	Spirol pin	

B) Included in potentiometer Pos 17

**Steering column**

18258



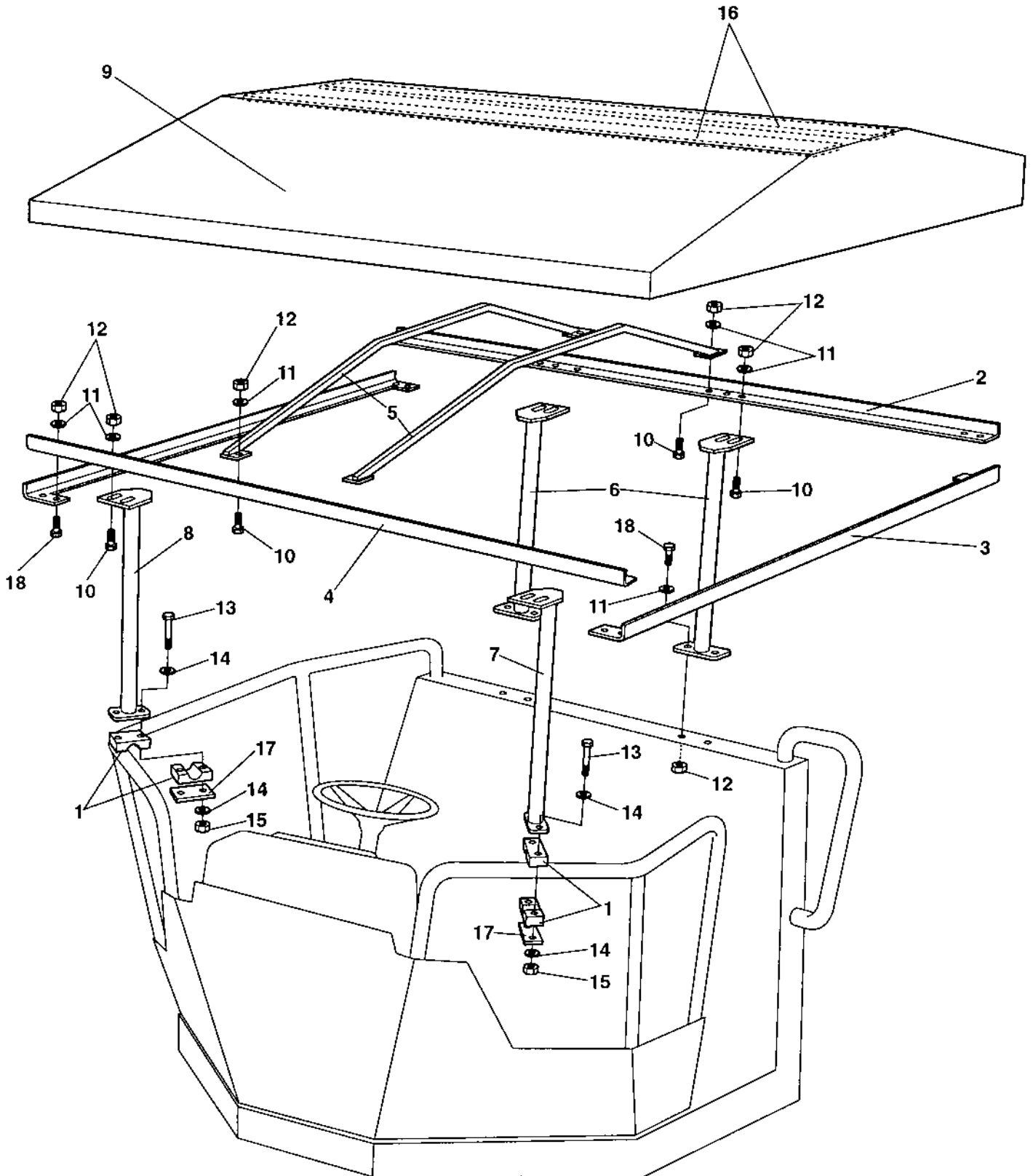
**Steering column**

<b>Item</b>	<b>Part No</b>	<b>Rem</b>	<b>Qty</b>	<b>Description</b>	<b>Code</b>
1	4700372964		1	Steering wheel, cpl	D
2	4700935614		1	.Turning knob	D
3	4700935613		1	.Cover	
4	4700928830		1	Rubber washer	
5	4700500031		2	Screw	C
6	4700904230		2	Steel plain washer	C
7	4700355869		2	Spacer sleeve	
8	4700500048		2	Hexagon head screw	C
9	4700904230		2	Steel plain washer	C
10	4700902123		1	Steering column	
11		A	1	Bracket	

A) Included in control panel

**Canopy Option**

17483

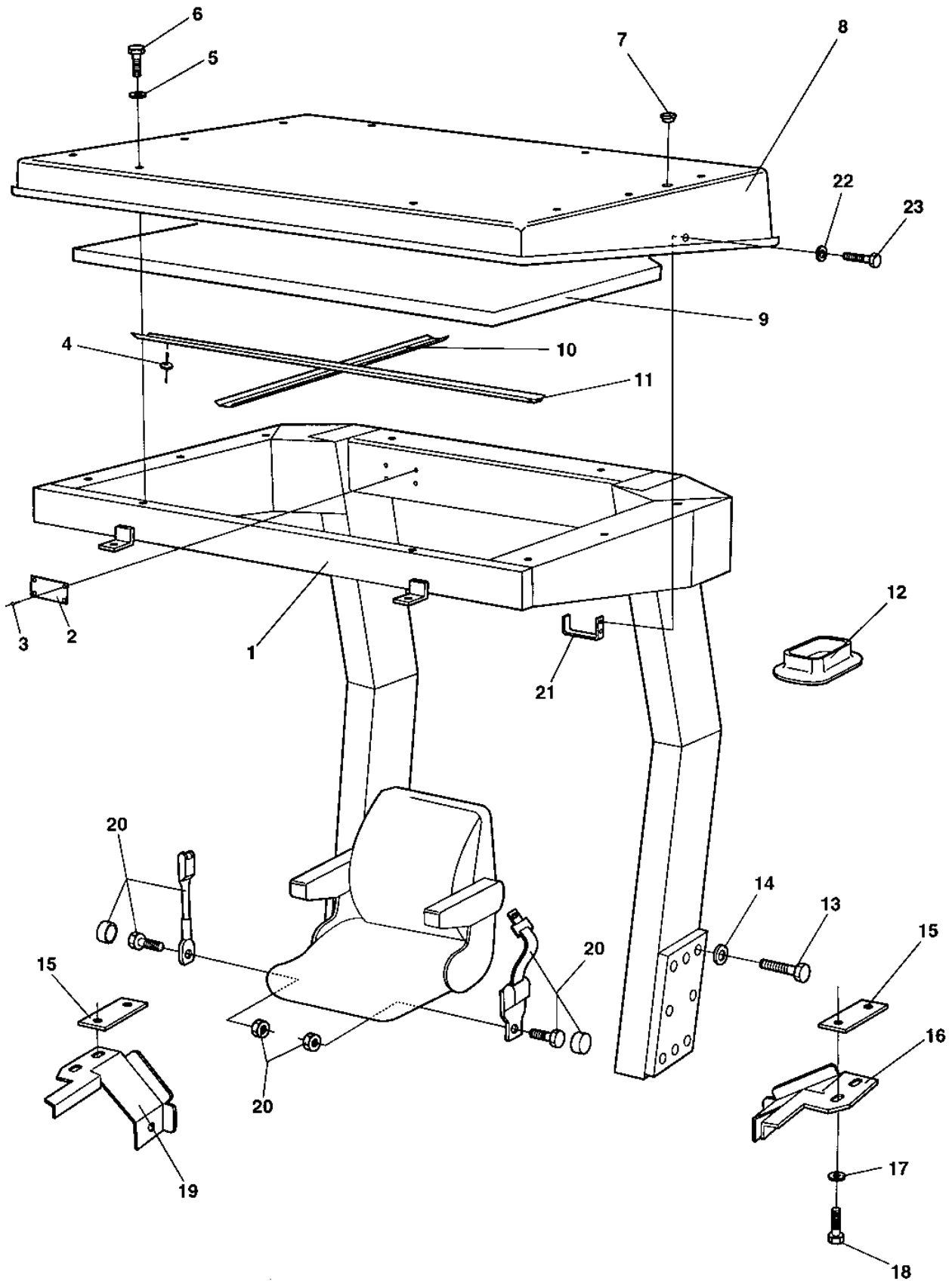


Canopy Option

Item	Part No	Rem Qty	Description	Code
1	4700904340	2	Pipe clamp	
2	4700373746	1	Canopy profile	
3	4700373747	2	Canopy profile	
4	4700373748	1	Canopy profile	
5	4700373749	4	Canopy rib	
6	4700373750	2	Canopy anchor	
7	4700380963	1	Canopy anchor	
8	4700380964	1	Canopy anchor	
9	4700373906	1	Roof	
10	4700500021	16	Screw	M8-1,25x25 8.8 C
11	4700904229	44	Washer	8,4x16x1,5 C
12	4700586003	22	Lock nut	M8 C
13	4700500153	4	Screw	C
14	4700904228	8	Washer	6,4x12x1,5 C
15	4700586002	4	Lock nut	M6 -8 C
16	4700373907	2	Lath	
17	4700924791	2	Cover plate	
18	4700500022	8	Screw	M8x30H 8.8 A2K C

Rops and fops

17526



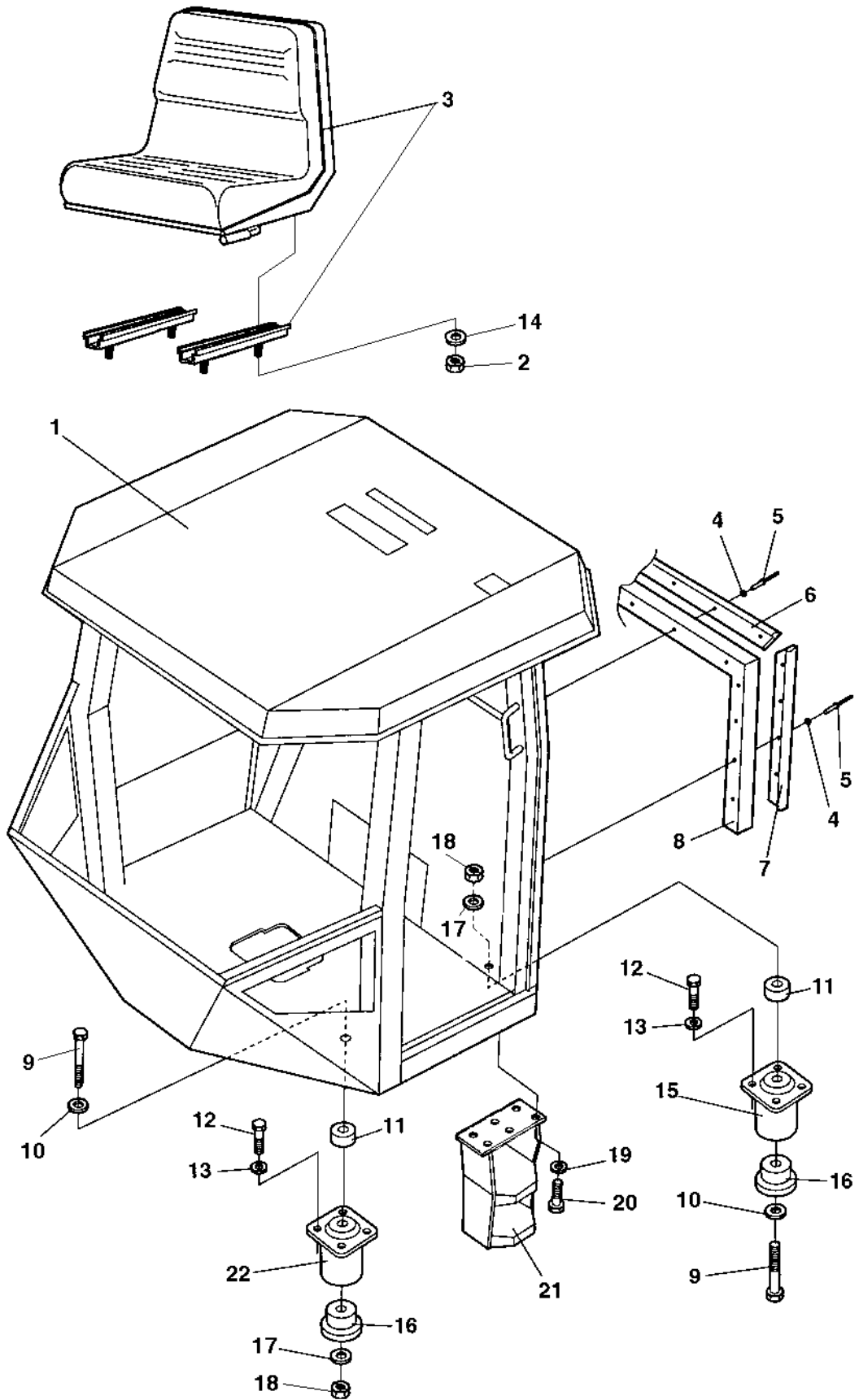
**Rops and fops**

Item	Part No	Rem Qty	Description	Code
1	4700372347	1	Rops	
2	4700370803	1	.Sign, rops	
3	4700624016	4	.Blind rivet	C
4	4700904619	12	Blind rivet	C
5	4700904734	19	Steel plain washer	
6	4700500239	19	Screw	C
7	4700904180	4	Plug	C
8	4700372409	1	Fops roof	
	4700370792	1	.Sign, fops	
	4700624016	4	.Blind rivet	C
9	4700372678	1	Absorbent	
10	4700376489	1	Absorbent holder	
11	4700376488	1	Absorbent holder	D
12	4700372489	2	Rubber seal	
13	4700904562	12	Screw	M24x160 10.9
14	4700904234	12	Washer	25x45x4
15	4700381330	2	Holder	
16	4700381353	1	Holder plate	
17	4700904640	8	Washer	8,4x22x3
18	4700500022	8	Screw	M8x30H 8.8 A2K
19	4700381352	1	Holder plate	
20	4700377677	1	Seat belt	2"
	4700379637	A 1	Seat belt	3"
21	4700383225	2	Hook	
22	4700904734	4	Steel plain washer	
23	4700500100	4	Screw	

A) Option 3"

**Cab mounting**

18429





**Cab mounting**

Item	Part No	Rem	Qty	Description		Code
1				Cab ( Page 168 )	392479	
2	4700570005		4	Nut	M8	C
3	4700377556		1	Drivers seat, cpl		
	4700377518	D	1	Drivers seat, cpl		D
4	4700927974		13	Washer		
5	4700904433		13	Blind rivet		
6	4700372785		1	List		
7	4700382582		2	List		
8	4700372494	A	N	Rubber strip		
9	4700791218		4	Screw	M20x200	
10	4700904233		4	Washer	21x36x3	C
11	4700384759		4	Spacer		
12	4700500195		16	Screw		C
13	4700904231		16	Washer	13x24x2 300 HV	C
14	4700904229		4	Washer	8,4x16x1,5	C
15	4700374606	B	2	Shock absorber	Green	D
16	4700372457		4	Back-up ring		
17	4700903290		4	Washer	21x36x6	C
18	4700901145		4	Lock nut	M20-10	
19	4700904230		6	Steel plain washer		C
20	4700500029		6	Hexagon head screw		C
21	4700376255		1	Step		
22	4700374607	C	2	Shock absorber	Yellow	D
23	4700382397		2	Spacer		

- A) L=2400 mm
- B) Rear
- C) Front
- D) Option

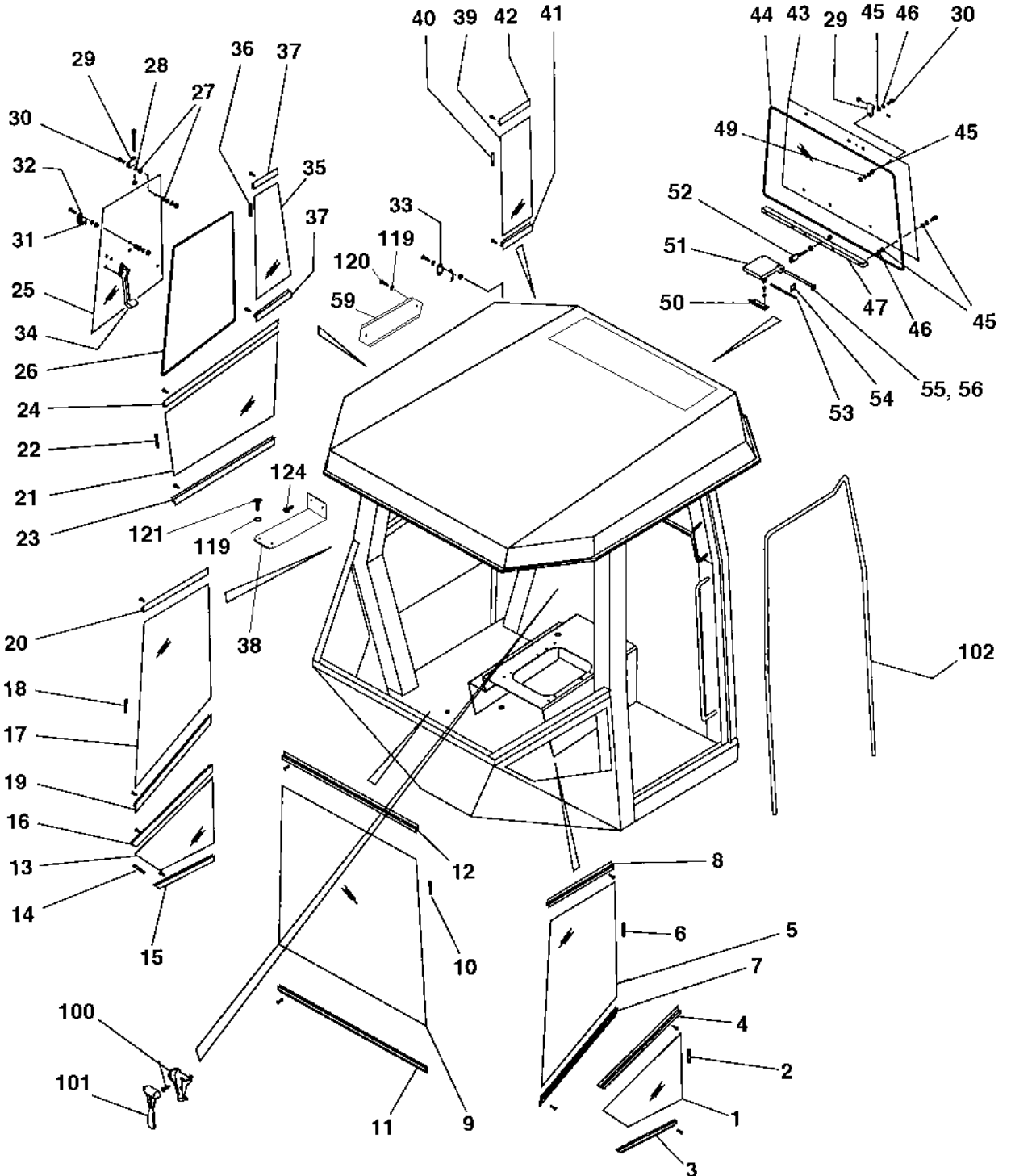


**Cab 392479**

<b>Item</b>	<b>Part No</b>	<b>Rem Qty</b>	<b>Description</b>	<b>Code</b>
130			Cab ( Page 170 )	Screens
140			Cab ( Page 174 )	Door, left side
150			Cab ( Page 176 )	Interior rear mirror
170			Wiper arm with blade, front ( Page 178 )	
180			Cab ( Page 180 )	Electric

**Cab Screens**

18431



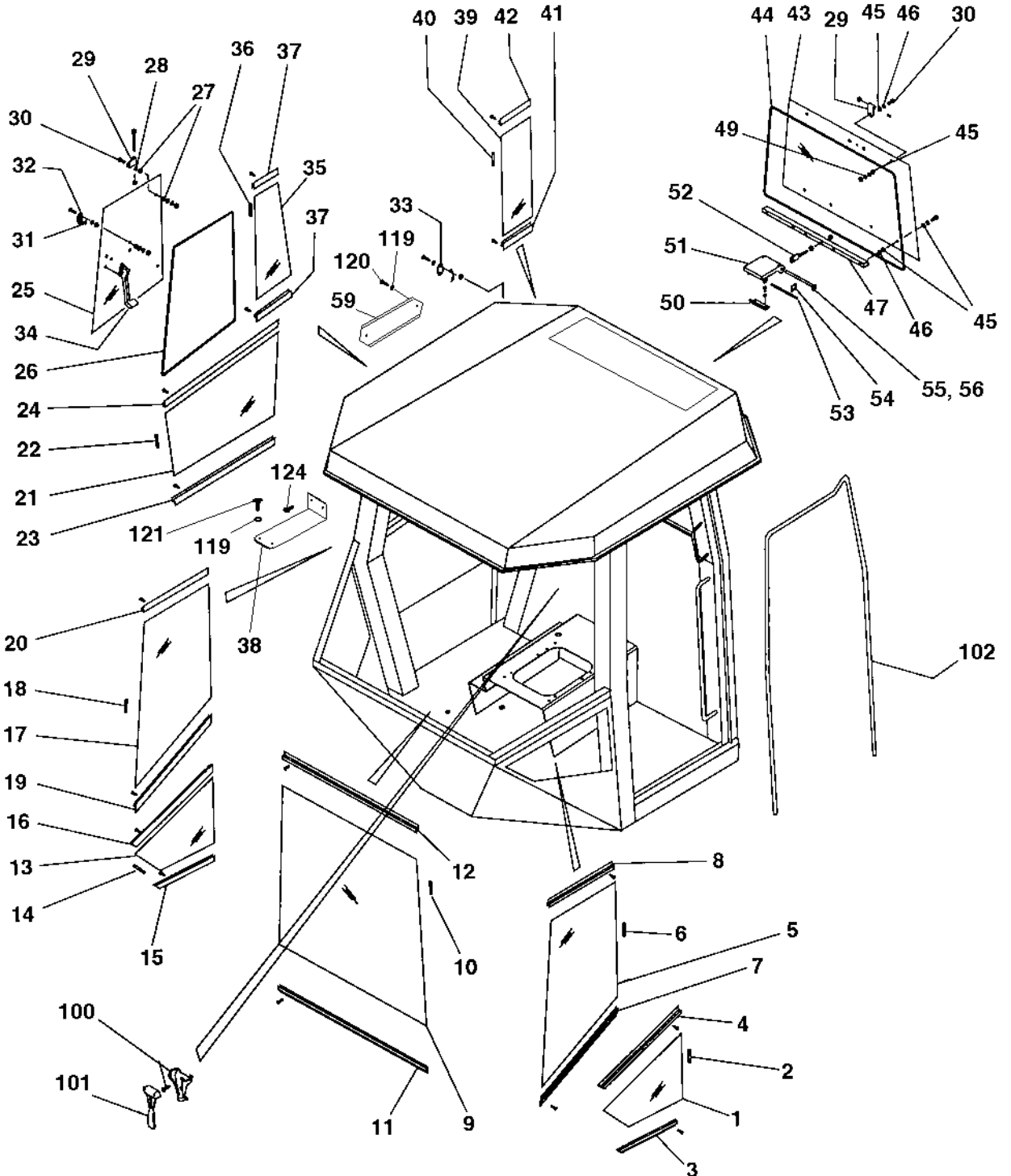
**Cab Screens**

Item	Part No	Rem	Qty	Description	Code
1	4700937380		1	Screen	
2	4700908545		XL	Seal list	B
3	4700935278		1	List	
4	4700935279		1	List	
5	4700937381		1	Screen, left	
6	4700908545		XL	Seal list	B
7	4700935280		1	List	
8	4700935281		1	List	
9	4700937382		1	Screen	
10	4700908545	D	1	Seal list	B
11	4700935282		1	List	
12	4700935283		1	List	
13	4700937383		1	Screen	
14	4700908545		XL	Seal list	B
15	4700935284		1	List	
16	4700935285		1	List	
17	4700937384		1	Screen	
18	4700908545	C	1	Seal list	B
19	4700935286		1	List	
20	4700935287		1	List	
21	4700937385		1	Screen	
22	4700908545	A	1	Seal list	B
23	4700935288		1	List	
24	4700935289		1	List	
25	4700938290		1	Screen	
26	4700908499	E	1	Rubber list	C
27	4700935271		8	Washer, Flexible rubber	
28	4700935272		8	Washer, Black	
29	4700935273		4	Hinge	
30	4700935274		4	Screw	
31	4700935275		1	Rubber washer	
32	4700935276		1	Bracket	
33	4700935277		1	Lock pin	
34	4700935290		1	Window lock, right	
35	4700938291		1	Screen	
36	4700908545	B	1	Seal list	B
37	4700935291		1	List	
38	4700379608		1	Cover	
39	4700938292		1	Screen	
40	4700908545	B	1	Seal list	B
41	4700935293		1	List	
42	4700938659		1	List	
43	4700937389		1	Screen	
44	4700908499	F	1	Rubber list	C
45	4700935271		12	Washer, Flexible rubber	
46	4700935272		12	Washer, Black	
47	4700935295		1	Screen holder	
49	4700935296		2	Washer	
50	4700935297		1	Bracket	
51	4700935298		2	Bracket	
52	4700935299		1	Bolt	
53	4700935300		1	Shaft	
54	4700935301		2	Lock	

- A) L=1100 mm
- B) L=1400 mm
- C) L=1900 mm
- D) L=2100 mm
- E) L=2700 mm
- F) L=3300 mm

**Cab Screens**

18431

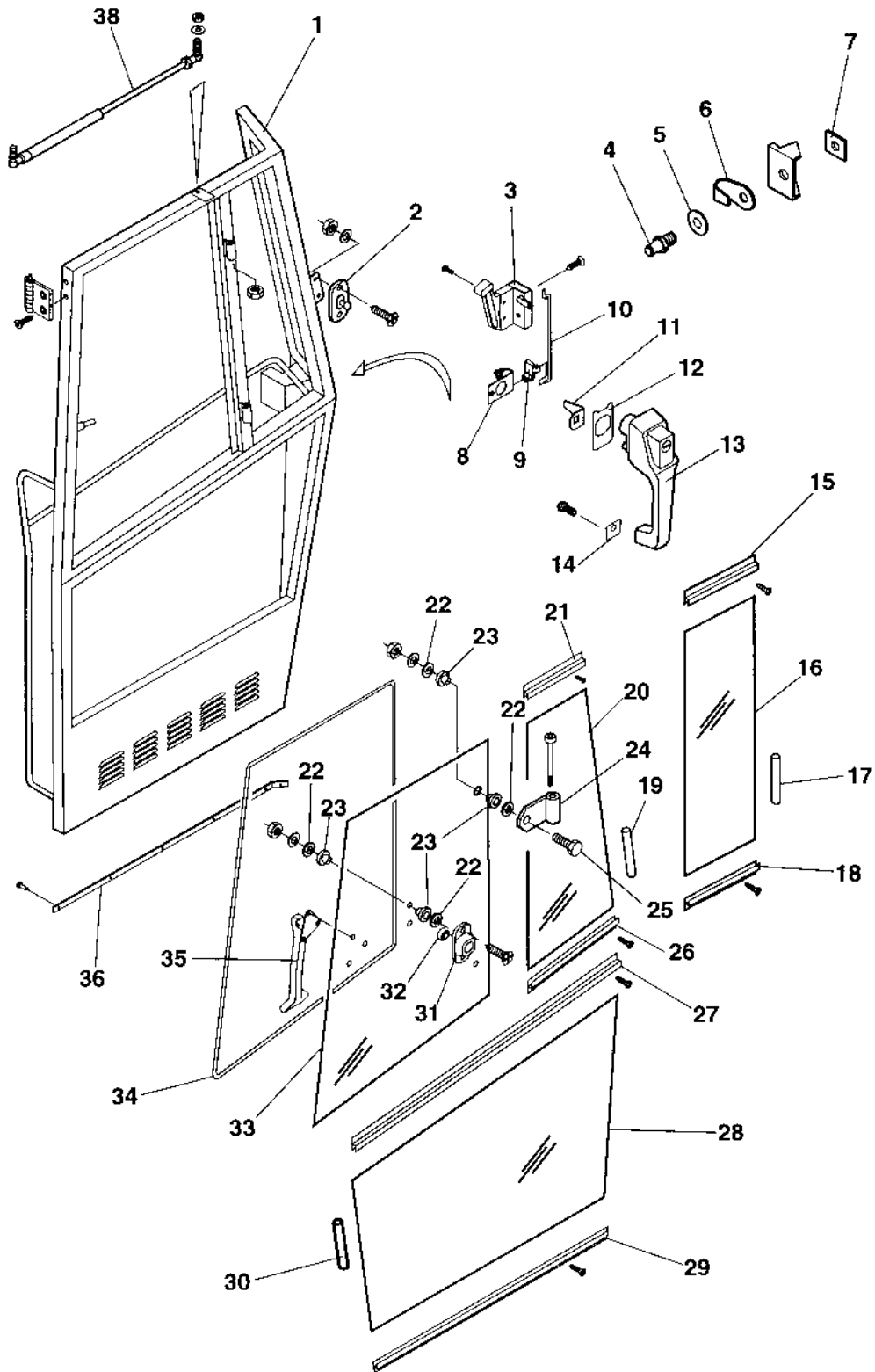


**Cab Screens**

<b>Item</b>	<b>Part No</b>	<b>Rem</b>	<b>Qty</b>	<b>Description</b>	<b>Code</b>
55	4700935302		1	Rod	
56	4700935303		1	Ring	
59	4700379236		1	Cover	
100	4700908506		1	Holder	C
101	4700908507		1	Emergency hammer	D
102	4700908499	G	1	Rubber list	C
119	4700904229		16	Washer	C
120	4700500019		14	Hexagon head screw	C
121	4700500053		2	Screw	C
124	4700903782		2	Screw	C
				8,4x16x1,5	
				M8x20H 8.8	
				M5x12	
G)	L=5 m				

**Cab Door, left side**

16967-1





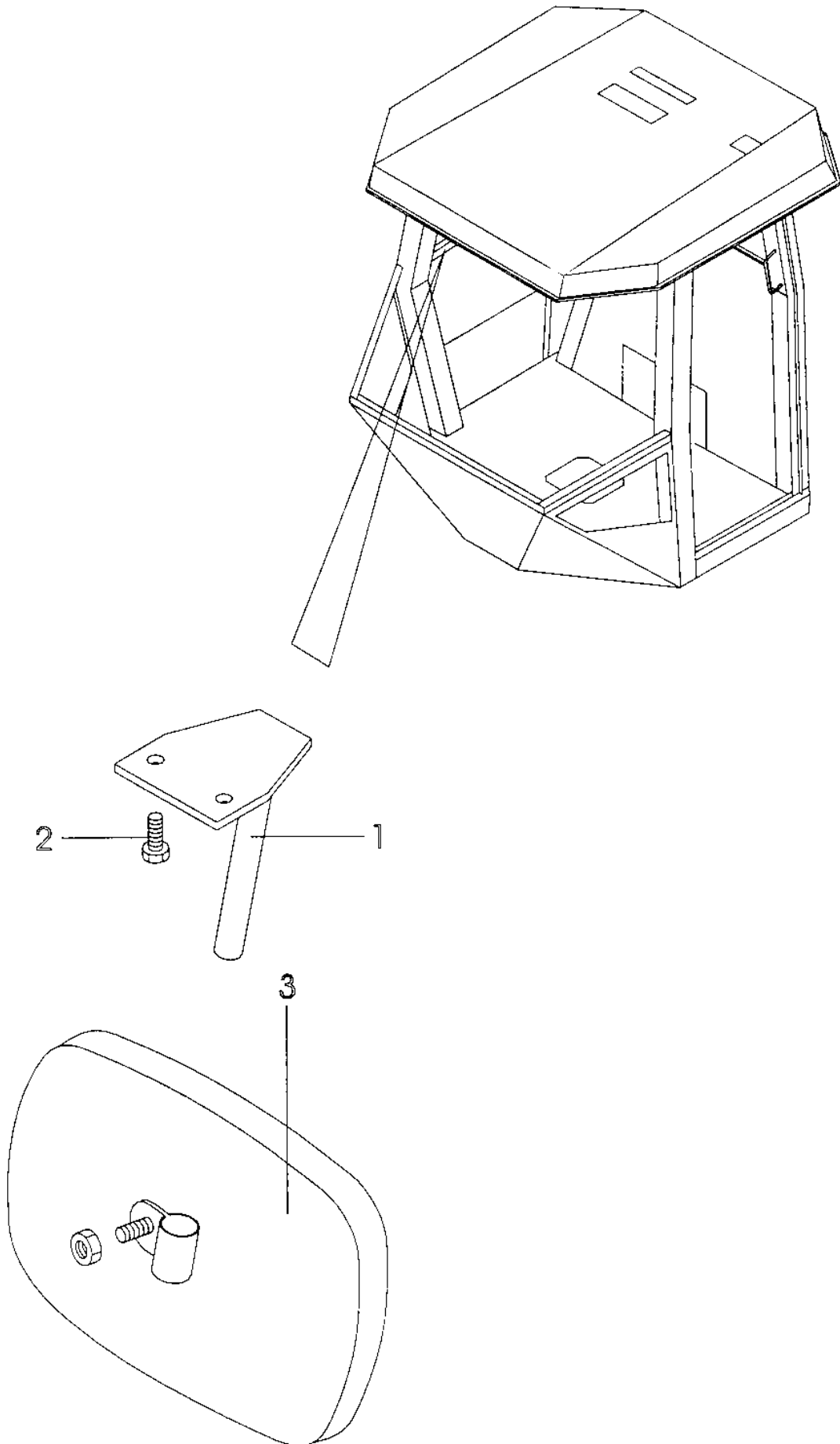
**Cab Door, left side**

Item	Part No	Rem	Qty	Description	Code
	4700940678		1	Door, cpl	
1	4700390927		1	.Door frame	
2	4700935277		1	.Lock pin	
3	4700938017		1	.Lock	
4	4700908580		1	.Lock pin	C
5	4700908581		1	.Washer	
6	4700908582		1	.Cover	
7	4700908583		1	.Bracket	
8	4700935248		1	.Turning mechanism	
9	4700935249		1	.Retainer	
10	4700935250		1	.Rod	
11	4700935247		1	.Leader	
12	4700935246		1	.Seal	
13	4700935244		1	.Door handle with key	D
14	4700935245		1	.Seal	
15	4700935268		1	.List	
16	4700937391		1	.Screen	
17	4700908545	A	1	.Seal list	B
18	4700935267		1	.List	
19	4700908545	A	1	.Seal list	B
20	4700937392		1	.Screen	
21	4700935270		1	.List	
22	4700935272		8	.Washer, Black	
23	4700935271		8	.Washer, Flexible rubber	
24	4700935273		2	.Hinge	
25	4700935274		2	.Screw	
26	4700935269		1	.List	
27	4700935266		1	.List	
28	4700937390		1	.Screen	
29	4700935265		1	.List	
30	4700908545	B	1	.Seal list	B
31	4700935276		1	.Bracket	
32	4700935275		1	.Rubber washer	
33	4700937393		1	.Screen	
34	4700908499	C	1	.Rubber list	C
35	4700935253		1	.Lock	
36	4700938101		XL	.Brush profile	
38	4700938018		1	.Gas spring	

- A) L=1400 mm
- B) L=1100 mm
- C) L=2700 mm

**Cab Interior rear mirror**

**16008**

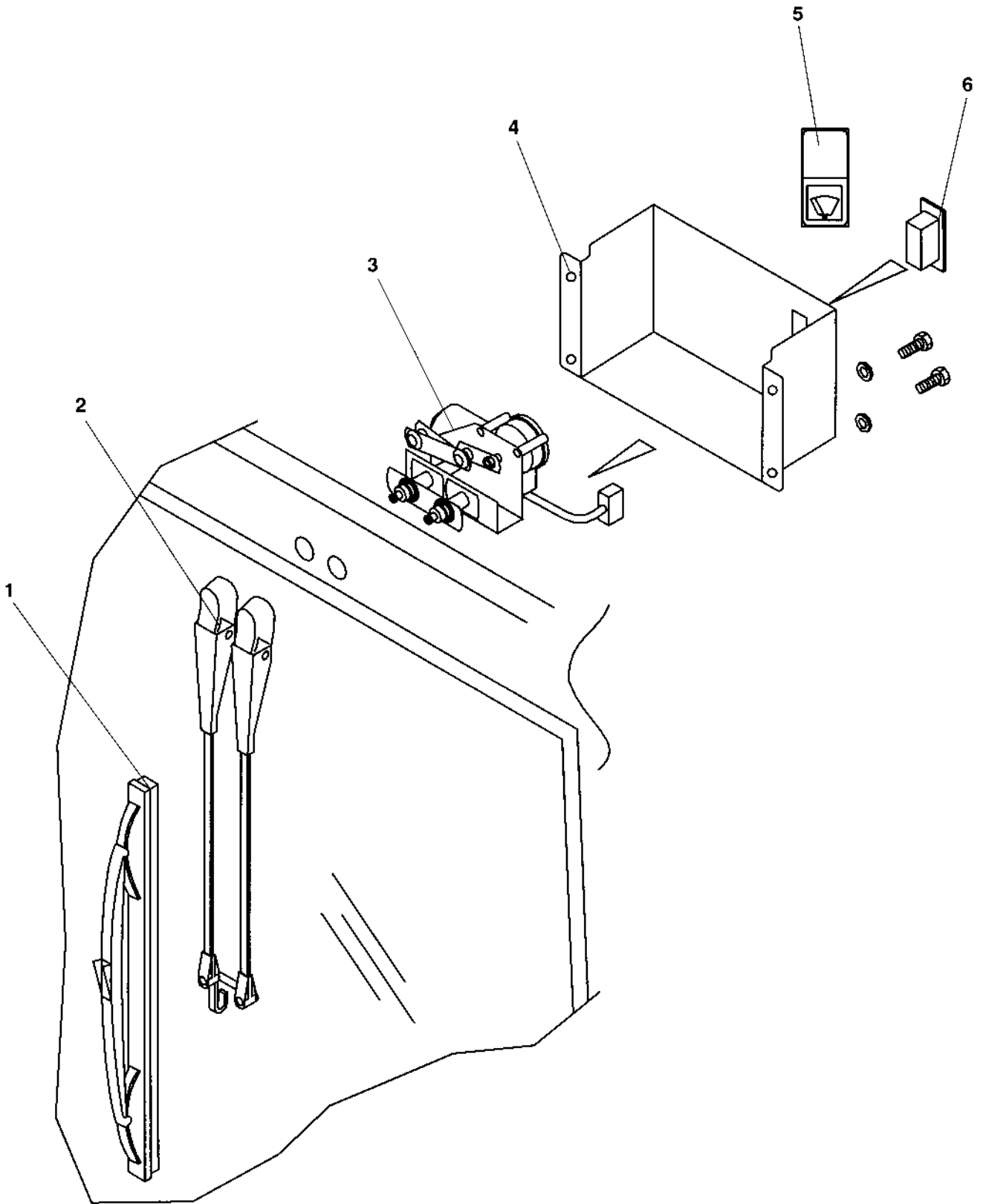


**Cab Interior rear mirror**

<b>Item</b>	<b>Part No</b>	<b>Rem Qty</b>	<b>Description</b>	<b>Code</b>
1	4700908623	1	Bracket	
2	4700535005	2	Screw	M5x12
3	4700908624	1	Rear mirror	C

**Wiper arm with blade, front**

16968

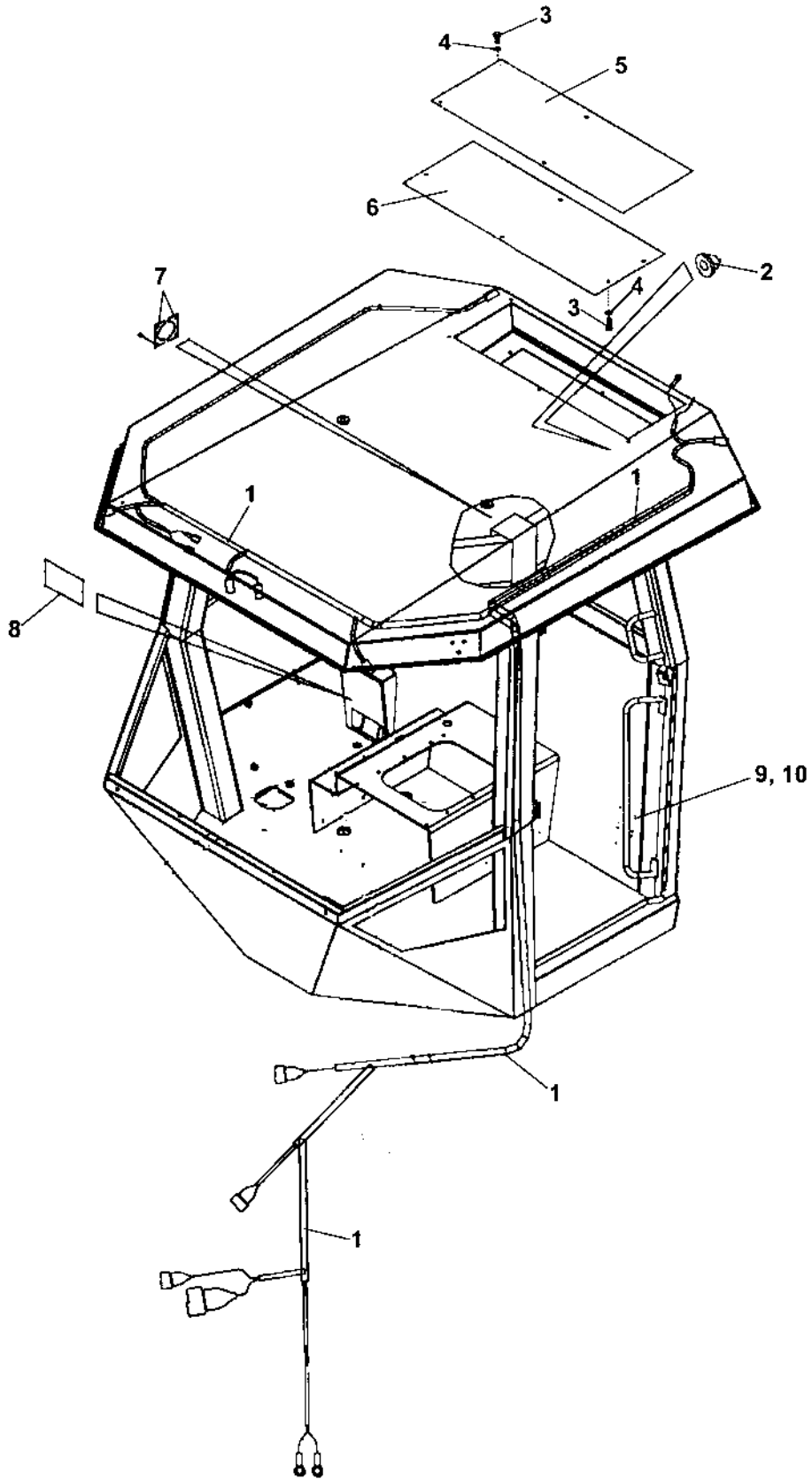


**Wiper arm with blade, front**

<b>Item</b>	<b>Part No</b>	<b>Rem Qty</b>	<b>Description</b>	<b>Code</b>
1	4700905306	1	Wiper blade	
2	4700905305	1	Wiper arm	
3	4700905304	1	Wiper motor	
4	4700937871	1	Cover	
5	4700908605	1	Symbol, wiper	D
6	4700908617	1	Switch	B

**Cab Electric**

18780



**Cab Electric**

<b>Item</b>	<b>Part No</b>	<b>Rem Qty</b>	<b>Description</b>	<b>Code</b>
1	4700937870	1	Cable harness	
2	4700791378	2	Grommet	
3	4700500019	12	Hexagon head screw	C
4	4700904229	12	Washer	C
			8,4x16x1,5	
5	4700938678	1	Cover	
6	4700938679	1	Cover	
7	4700935580	2	Bracket	
8	4700391219	1	Gasket	
9		1	Sign, rops	
10		1	Sign, fops	



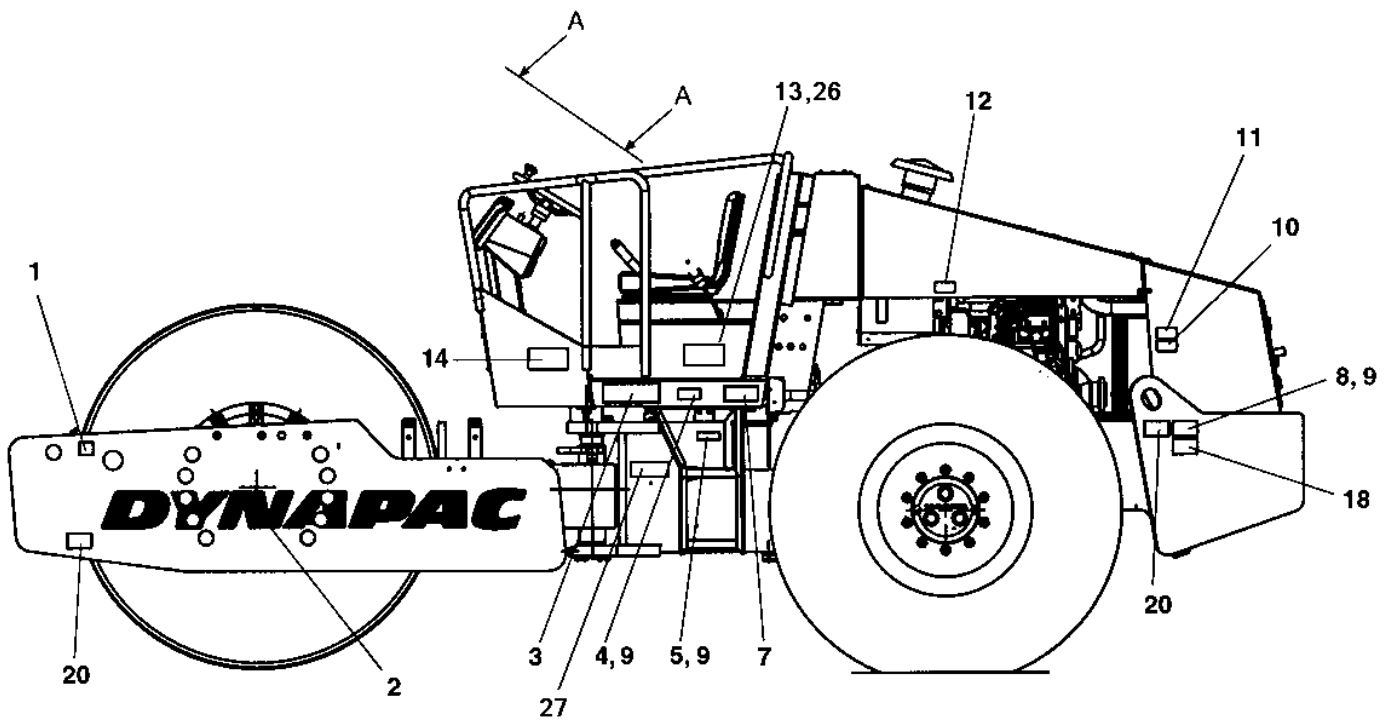
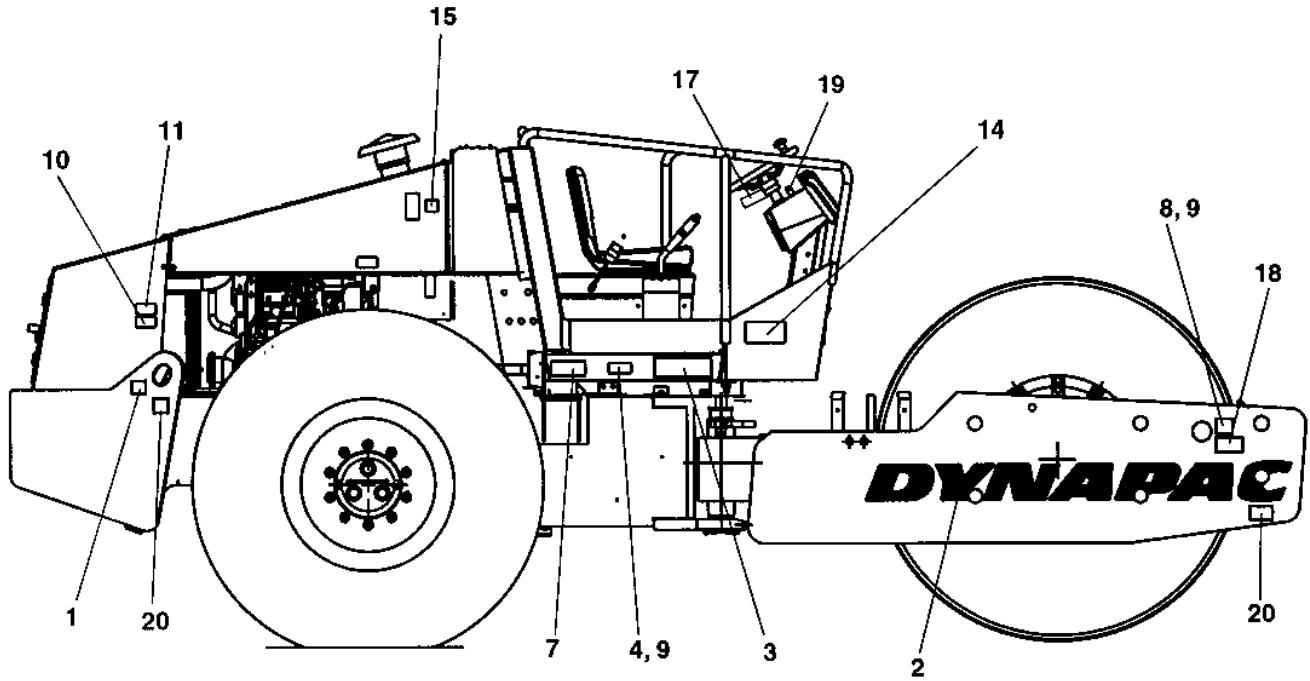


**Decals**

<b>Item</b>	<b>Part No</b>	<b>Rem Qty</b>	<b>Description</b>	<b>Code</b>
10			Decals ( Page 184 )	
20			Decals ( Page 186 )	

Decals

18498

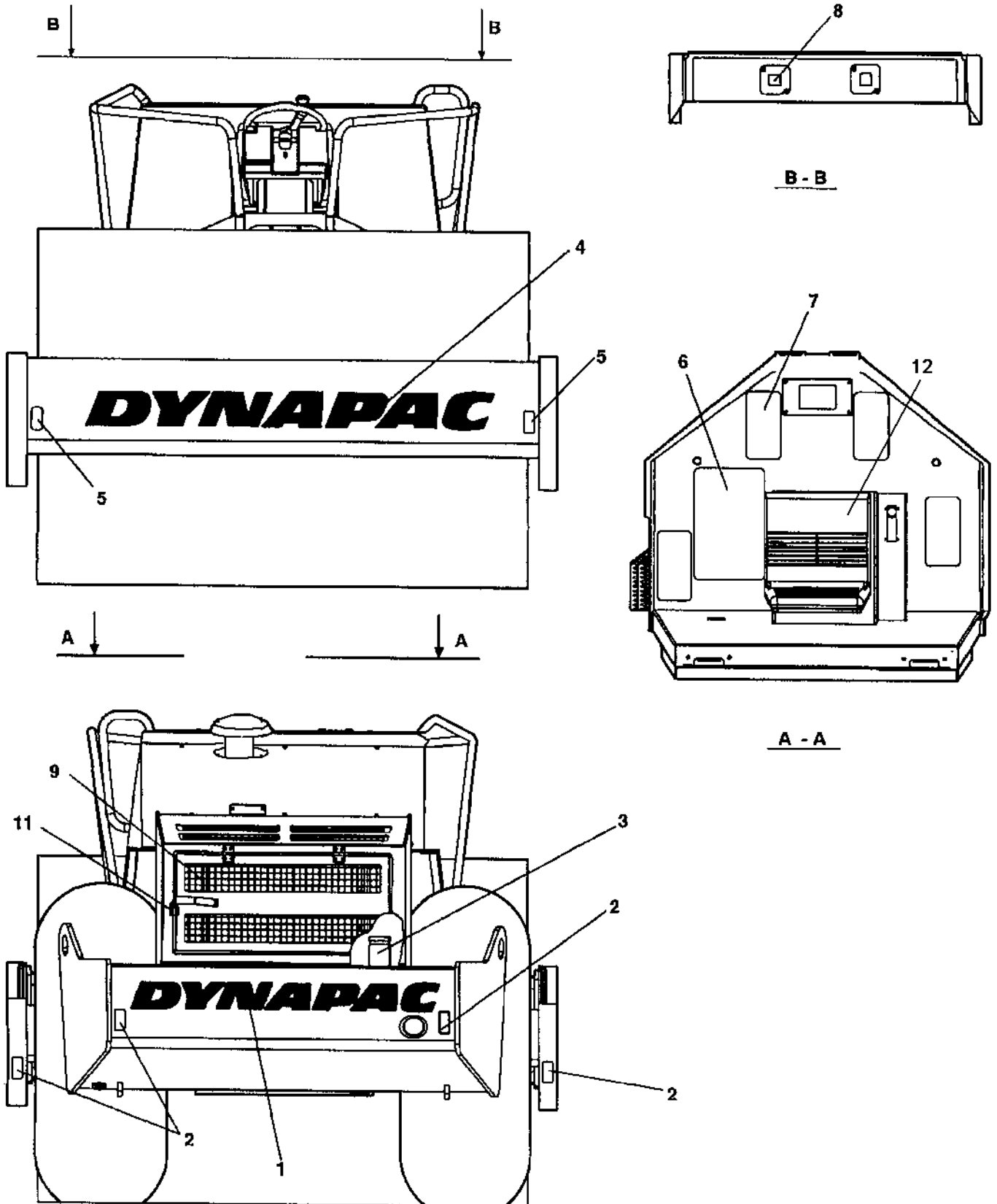


**Decals**

Item	Part No	Rem Qty	Description	Code
1	4700588176	2	Decal "LIFT POINT"	
2	4700904068	2	Decal "DYNAPAC"	L=1770 mm
3	4700904723	2	Decal "MODEL CODE"	
4	4700377744	2	Reflector, yellow	D
5	4700358090	1	Product plate ce	
6	4700902915	4	Screw	
7	4700903459	2	Decal "SAFETY"	D
8	4700904870	2	Lifting sign	D
9	4700624005	12	Blind rivet	C
10	4700903424	2	Decal "HOT SURFACE"	D
11	4700903423	2	Decal "SAFETY"	D
12	4700991990	2	Decal "TYRE PRESSURE"	110-150kPA/16-21psi
	4700390900	1	Decal "TYRE PRESSURE"	110kPA/16psi
13	4700903425	1	Decal "SAFETY MANUAL"	D
14	4700903422	2	Decal "SAFETY"	D
15	4700272373	1	Decal "HYDRAULIC OIL"	D
17	4700384159	1	Instructions	Loading-Unloading
18	4700908229	2	Safety decal	D
19	4700358881	1	Pad lock	D
20	4700382751	4	Decal "TIE DOWN POINT"	D
25	4700791642	1	Decal "WARNING"	Use of starting fluid prohib. D
26	47393692XX	1	Instruction Handbook	
27	47960787XX	1	Product identif. decal "Dynapac"	

Decals

18499



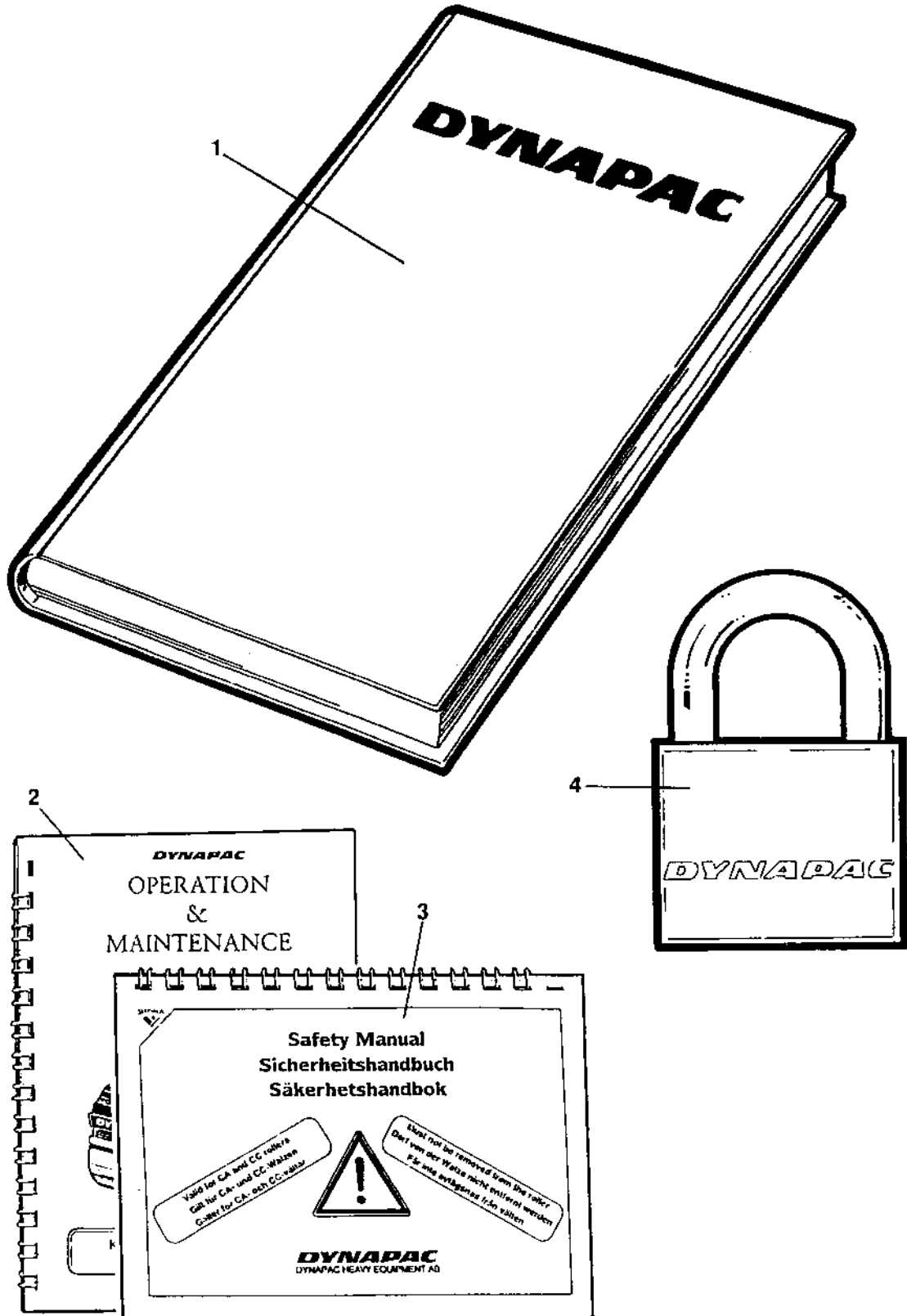
**Decals**

<b>Item</b>	<b>Part No</b>	<b>Rem Qty</b>	<b>Description</b>	<b>Code</b>
1	4700904098	1	Decal "DYNAPAC" L=1350 mm	
2	4700377742	4	Reflector, red	D
3	4700991658	1	Decal "FUEL"	D
4	4700904068	1	Decal "DYNAPAC" L=1770 mm	
5	4700377743	2	Reflector, white	D
6	4700373364	1	Slip protection	
7	4700373363	4	Slip protection	
8	4700272372	1	Decal "HYDRAULIC OIL"	D
9	4700904835	1	Decal "BATTERY POWER"	D
11	4700358881	1	Pad lock	D
12	4700348331	1	Seat cover	D



**Standard equipment**

<b>Item</b>	<b>Part No</b>	<b>Rem Qty</b>	<b>Description</b>	<b>Code</b>
100			Standard equipment ( Page 190 )	





Item	Part No	Rem Qty	Description	Code
1		1	Documentation	ISCA250PD
		1	.Warranty registration card	
		1	.Operation and maintenance	ICA250
		1	.Spare parts catalogue	SCA250PD
		1	.Instruction manual	Cummins QSB 4.5 C
2		1	.Operation / maintenance instruction	I5CA250
3		1	.Safety manual	RSAFE
4	4700358881	1	Pad lock	D

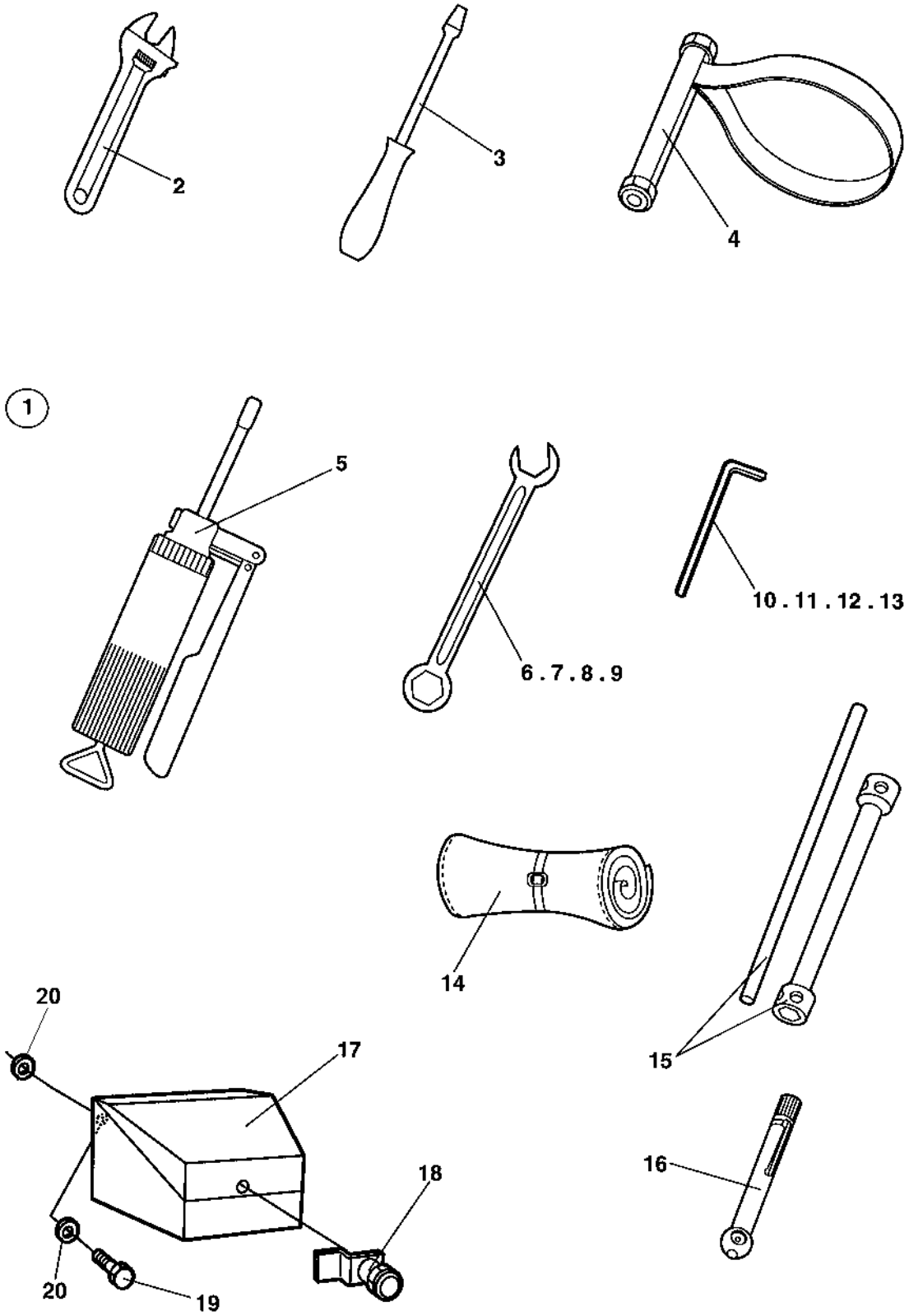


**Optional equipment**

<b>Item</b>	<b>Part No</b>	<b>Rem Qty</b>	<b>Description</b>	<b>Code</b>
10			Tool equipment ( Page 194 )	
85			Air conditioner and heater, Simple cab ( Page 196 )	
86	4700383413		Condenser, cpl ( Page 200 )	
90			Air conditioner and heater unit ( Page 202 )	
100			Dy-Mic ( Page 204 )	
230			Heater ( Page 206 )	Simple cab

Tool equipment

17111-1

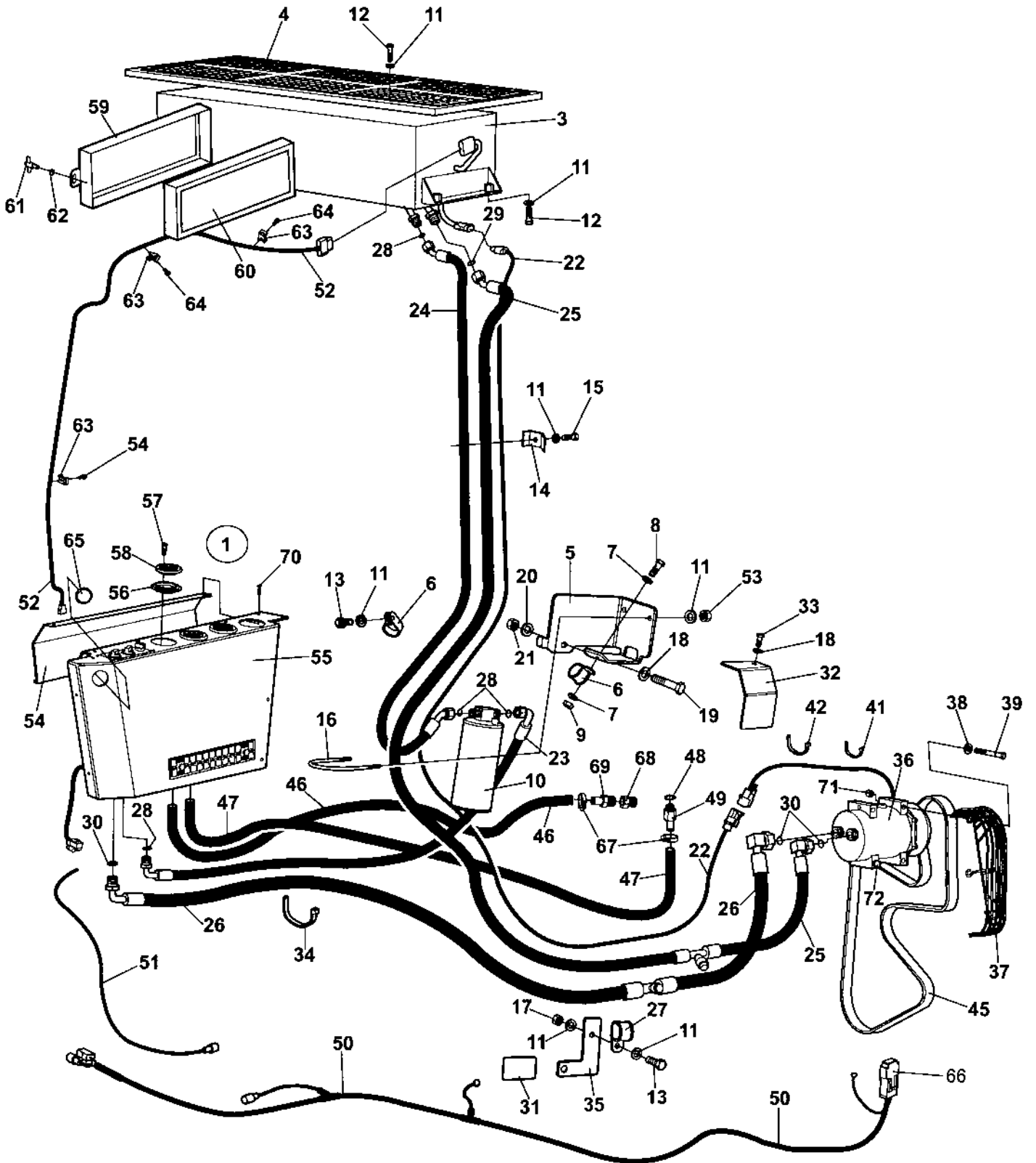


**Tool equipment**

Item	Part No	Rem Qty	Description	Code
1	4700355890	1	Tool set Cpl	
2		1	.Adjustable wrench	
3		1	.Screw driver	
4	4700902610	1	.Belt pliers	D
5	4700311016	1	.Grease gun	D
6		1	.Open end spanner 10mm	D
7		1	.Open end spanner 13mm	D
8		1	.Open end spanner 16mm	D
9		1	.Open end spanner 18mm	D
10		1	.Allen wrench 10mm	D
11		1	.Allen wrench 12mm	D
12		1	.Allen wrench 6mm	D
13		1	.Allen wrench 8mm	D
14		1	.Tool bag	D
15		1	.Wheel nut key 30/32mm	D
16	4700901220	1	.Pressure gauge	B
17	4700372837	1	Tool box	
18	4700372658	1	.Lock	D
19	4700500021	3	Screw M8-1,25x25 8.8	C
20	4700904640	6	Washer 8,4x22x3	C

Air conditioner and heater, Simple cab

18684



**Air conditioner and heater, Simple cab**

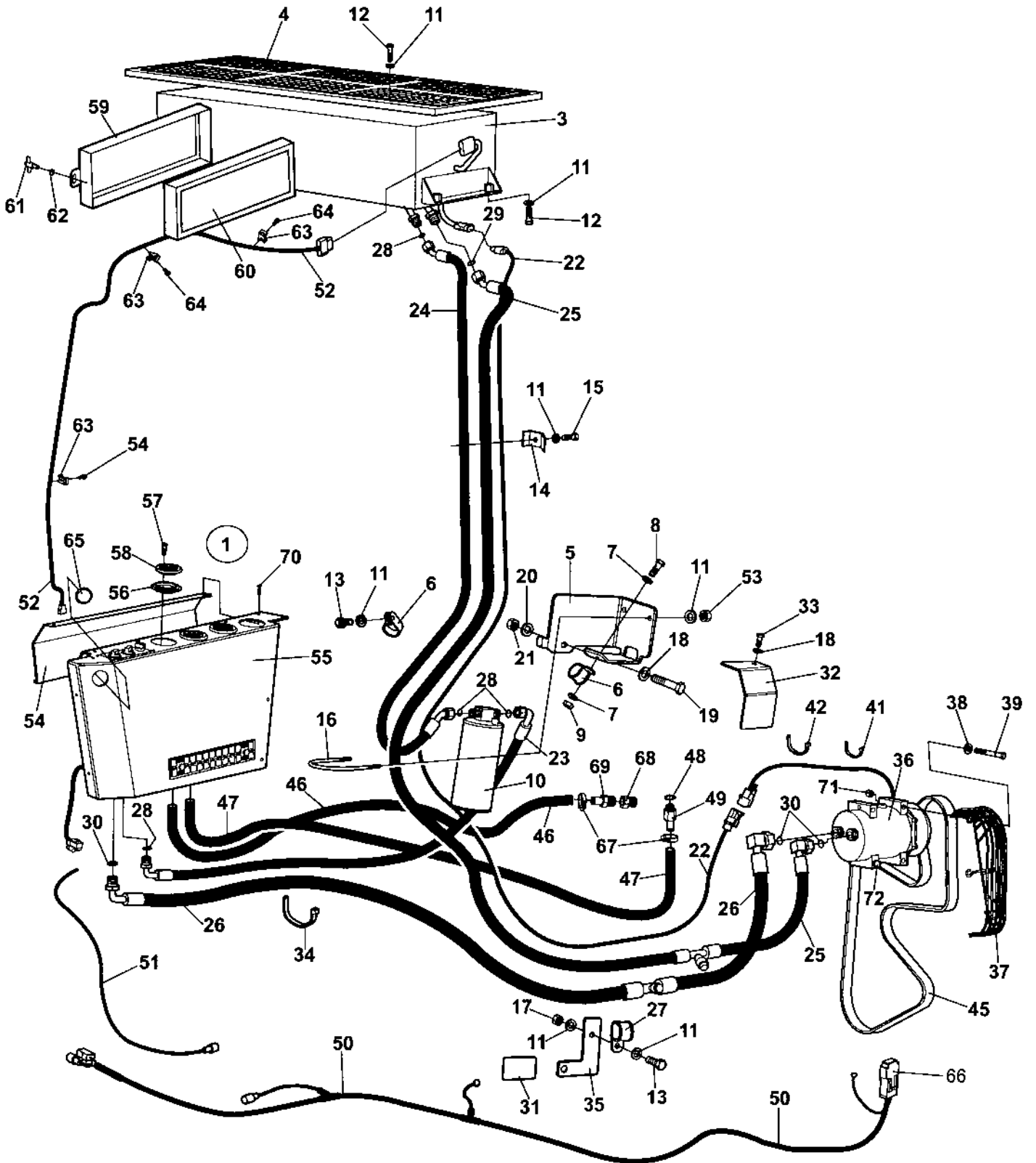
Item	Part No	Rem Qty	Description	Code
1			Air conditioner and heater unit ( Page 202 )	
3	4700383413		Condenser, cpl ( Page 200 )	
4	4700384589	1	Cover	
5	4700393954	1	Holder	
6	4700921056	2	Clamp	C
7	4700904228	2	Washer	6,4x12x1,5 C
8	4700500013	1	Screw	M6-1x16 8,8 C
9	4700570004	1	Hexagon nut	C
10	4700393955	1	Drying filter	
11	4700904229	18	Washer	8,4x16x1,5 C
12	4700500022	10	Screw	M8x30H 8.8 A2K C
13	4700500053	2	Screw	M8x20H 8.8 C
14	4700346230	3	Clamp	
15	4700500023	3	Screw	M8-1,25x40 8,8 C
16	4700313093	1	Pipe clamp	C
17	4700570005	3	Nut	M8 C
18	4700904230	2	Steel plain washer	C
19	4700500192	1	Screw	M10x80 C
20	4700904567	1	Washer	10,5x28x6 HB305 C
21	4700570006	1	Nut	C
22	4700390824	1	Cable harness	
23	4700384875	1	Hose	
24	4700384876	1	Hose	
25	4700393405	1	Hose	
26	4700393406	1	Hose	
27	4700921044	1	Clamp	C
28	4700384877	4	O-ring	C
29	4700384878	1	O-ring	C
30	4700384879	3	O-ring	C
31	4700904165	1	Safety decal	Toxic gases D
32	4700393408	1	Heat protection	
33	4700500048	1	Hexagon head screw	C
34	4700313102		Cable ties	
35	4700393647	1	Holder	
36	4700390823	1	Compressor	
37	4700390529	1	Belt guard	
38	4700904734	2	Steel plain washer	
39	4700500180	2	Screw	C
40	4700792015	1	Conduit	
41	4700313068	1	Cable ties	L=92 mm
42	4700925802	1	Cable ties	L=142 mm C
45		A 1	V-belt	C
46	4700937737	B 1XL	Hose	
47	4700937737	B 1XL	Hose	
48	4700330330	1	Copper washer	
49	4700391303	1	Hose connection	
50	4700387466	1	Cable harness	
51	4700394210	1	Cable harness	
52	4700379275	1	Cable harness	
53	4700586003	2	Lock nut	M8 C
54	4700379285	1	Panel	
55	4700379286	1	Panel	
56	4700385443	3	Ring	
57	4700938691	12	Screw	C
58	4700385442	3	Air nozzle	D
59	4700908501	1	Filter frame	
60	4700908502	1	Filter	A
61	4700908504	2	Handle	D

A) See section "Engine installation".

B) L=3,600M

Air conditioner and heater, Simple cab

18684



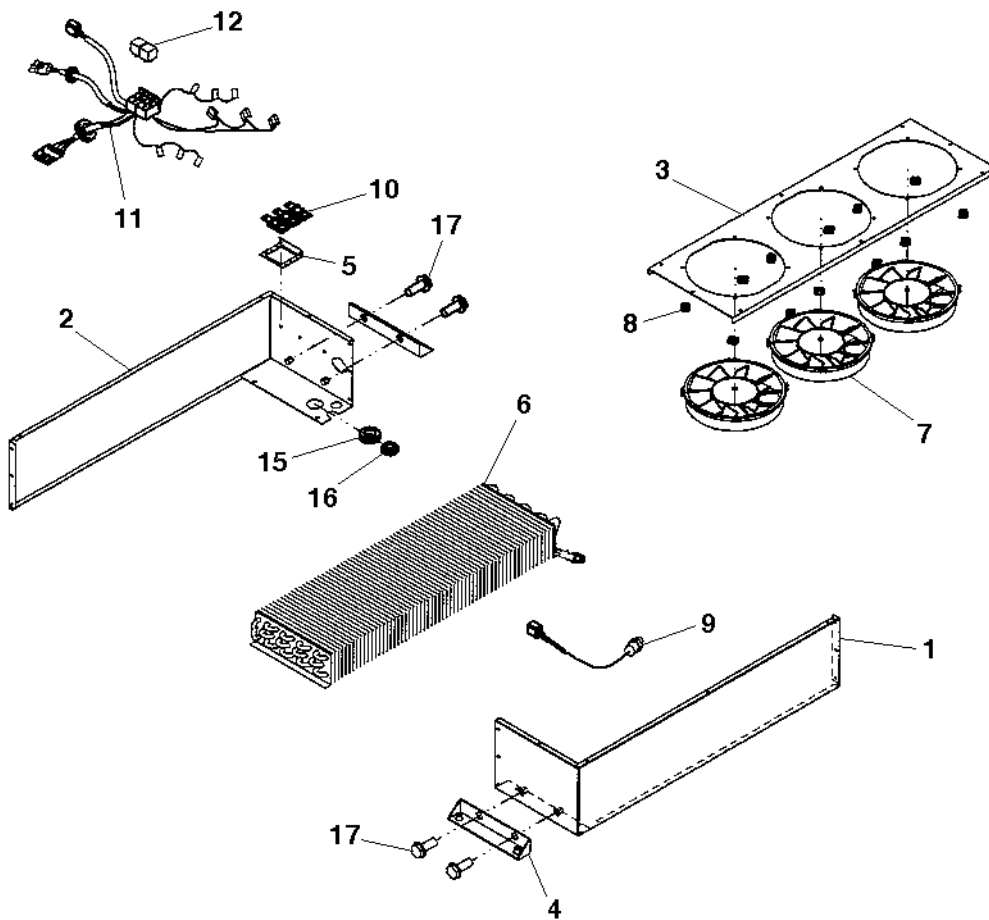


**Air conditioner and heater, Simple cab**

<b>Item</b>	<b>Part No</b>	<b>Rem Qty</b>	<b>Description</b>	<b>Code</b>
62	4700908503	2	O-ring	C
63	4700904543	10	Cable tie holder	
64	4700903852	10	Screw	ST4,2x13 C
65	4700345870	1	Plug	C
66	4700904039	1	Fuse	50A Red High A
67	4700313004	2	Hose clamp	C
68	4700813434	1	Reducer	
69	4700387638	1	Hose connection	
70	4700792248	5	Screw	4,2 X25
71	4700945314	2	Guide ring	
72	4700945315	3	Screw	M8X100

4700383413 Condenser, cpl

18385



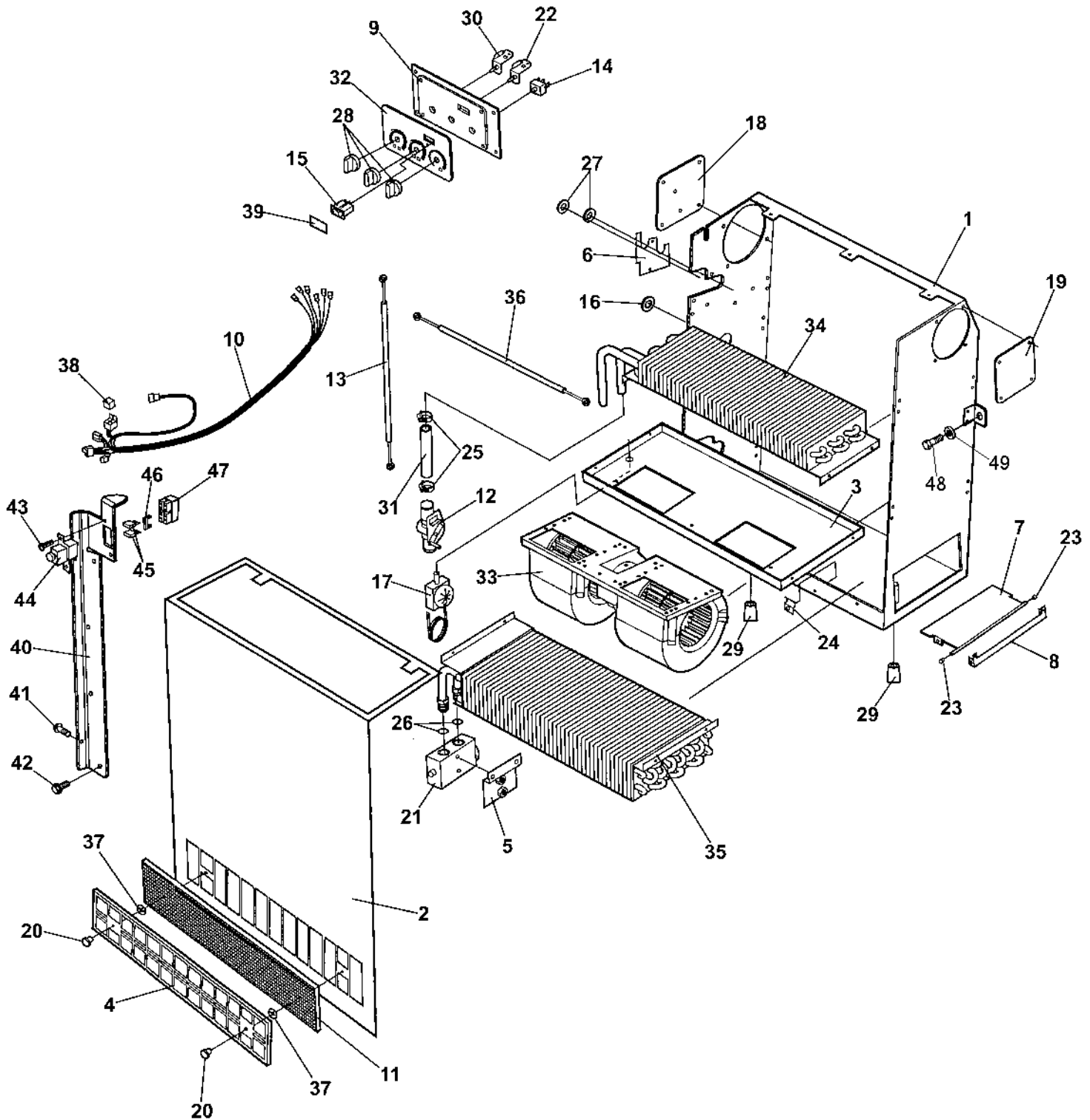
**4700383413 Condenser, cpl**

<b>Item</b>	<b>Part No</b>	<b>Rem Qty</b>	<b>Description</b>	<b>Code</b>
1	4700938597	1	Cover	
2	4700938598	1	Cover	
3	4700938599	1	Fan bracket	D
4	4700938600	2	Condensor bracket	
5	4700938601	1	Resistor bracket	
6	4700938602	1	Condensor Coil	B
7	4700938603	3	Fan	C
8	4700938604	12	Clip	
9	4700938605	1	Pressure switch	B
10	4700938606	3	Resistor	B
11	4700938607	1	Cable harness	
12	4700287598	2	Relay	A
15	4700938608	1	Grommet	C
16	4700938609	1	Grommet	C
17	4700901832	4	Screw	C

12V-30A

**Air conditioner and heater unit**

18681



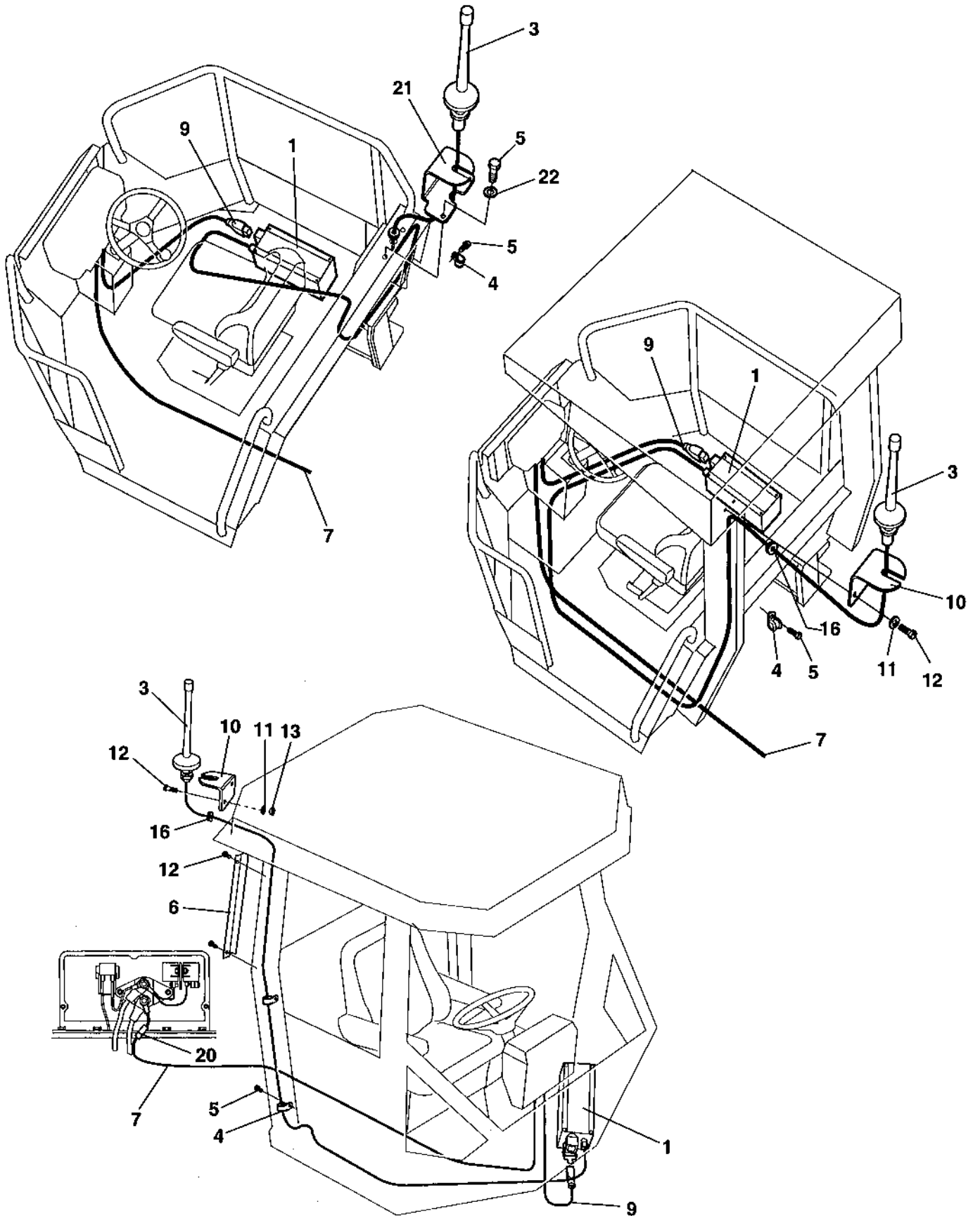
**Air conditioner and heater unit**

Item	Part No	Rem	Qty	Description	Code
1	4700938625		1	Casing	
2	4700938626		1	Cover	
3	4700938627		1	Fan bracket	
4	4700384760		1	Filter grill	
5	4700384177		1	Holder	
6	4700938628		1	Cover	
7	4700938629		1	Cover	
8	4700938630		1	Bracket	
9	4700945174		1	Panel	
10	4700945175		1	Cable harness	
11	4700384761		1	Air filter element	
12	4700939693		1	Heater control valve	
13	4700938645		1	Bowden cable	
14	4700938622		1	Switch	B
15	4700938619		1	Switch	B
16	4700938644		1	Cap	C
17	4700384897		1	Thermostat	B
18	4700945176		1	Cover plate	
19	4700945177		1	Cover plate	
20	4700938634		2	Knob	D
21	4700394176		1	Noise cover	
22	4700938621		2	Rotary control	
23	4700938635		2	Sleeve	
24	4700384880		1	Wire clamp	C
25	4700313003		2	Hose clamp	D
26	4700384878		2	O-ring	C
27	4700384927		2	Grommet	C
28	4700938620		3	Knob	D
29	4700938636		2	Drain valve	C
30	4700385134		2	Lock washer	
31	4700384881		1	Hose	
32	4700945178		1	Panel overlay	
33	4700938638		1	Fan	C
34	4700938639		1	Heater coil	
35	4700383414		1	Evaporator	
36	4700384762		1	Wire	
37	4700939413		2	Star lock	
38	4700287597		1	Relay	A
39	4700938643		1	Plug	C
40	4700379332	A	1	Holder	
41	4700792187	A	2	Screw	M5x14
42	4700541703	A	4	Screw	M6x16
43	4700901767	A	2	Screw	ST3,5x9,5 Black
44	4700792091	A	1	Fuse holder	
45	4700903741	A	2	Fuse	20A Yellow Medium
46	4700901240	A	1	Connector	B
47	4700901699	A	1	Connector	
48	4700500019		5	Hexagon head screw	C
49	4700904229		5	Washer	8,4x16x1,5

A) Only valid for simple cab

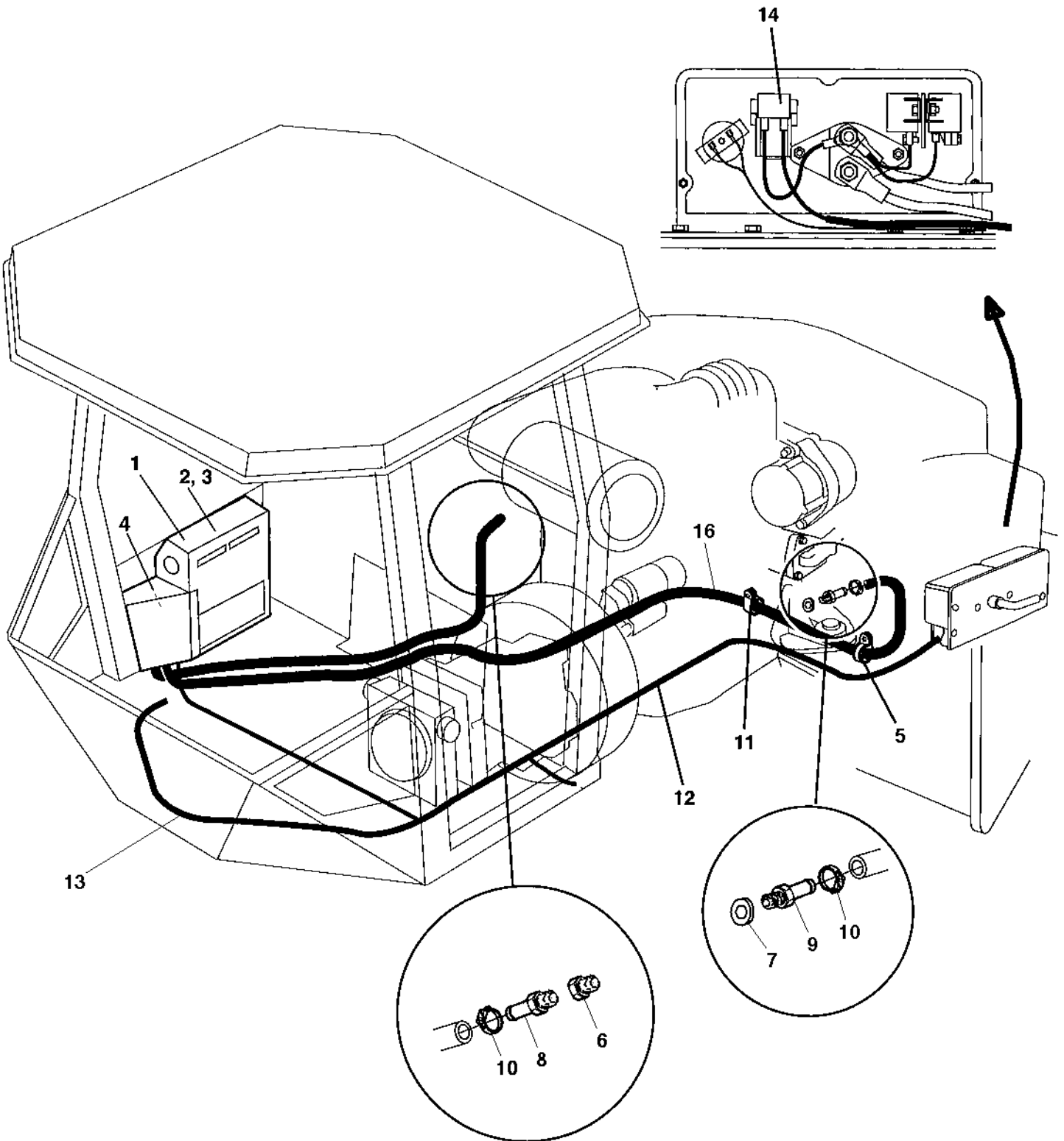
Dy-Mic

17823



**Dy-Mic**

<b>Item</b>	<b>Part No</b>	<b>Rem Qty</b>	<b>Description</b>	<b>Code</b>
1	4700386390	1	Communicator box	
	4700508002	4	Screw	
3	4700386391	1	Antenna	Cpl
4	4700921039	4	Pipe clamp	C
5	4700904415	4	Screw	
6	4700386512	1	Cable holder	
7	4700386533	1	Cable harness	
8	4700930154	3	Contact piece, NC	B
9	4700386392	1	Cable harness	
10	4700386506	1	Antenna holder	
11	4700904228	4	Washer	6,4x12x1,5
12	4700500040	4	Screw	M6-1x20 8,8
13	4700586002	2	Lock nut	M6 -8
16	4700909122	1	Grommet	C
17	4700313102	N	Cable ties	
18	4700313041	N	Cable ties	
20	4700901224	1	Fuse	3A
21	4700386507	1	Antenna holder	
22	4700904281	2	Washer	5,3x10x1 300HV





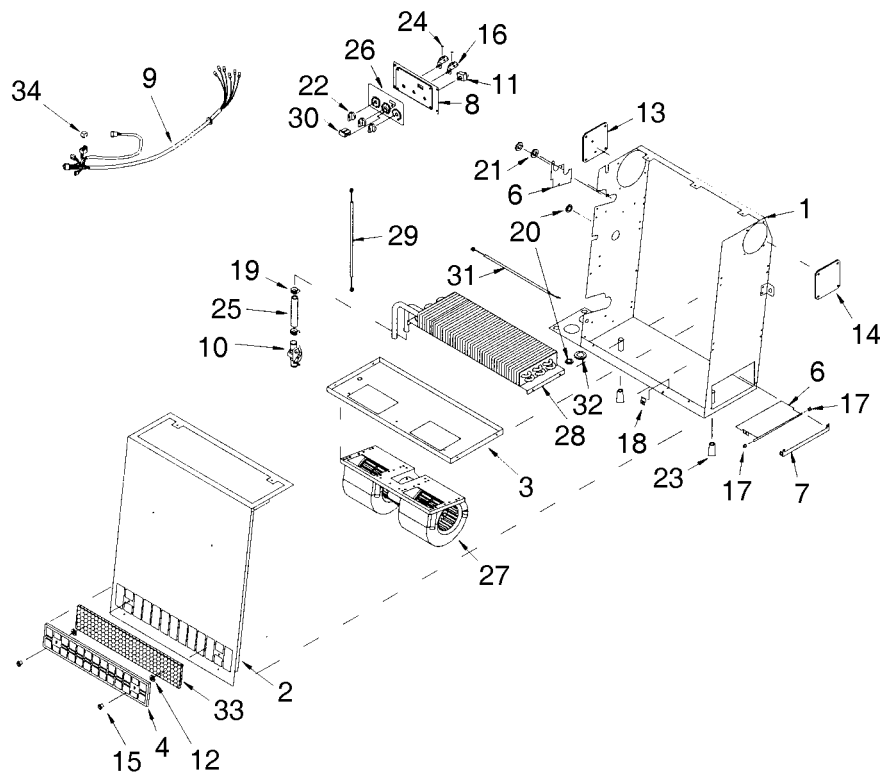
Heater Simple cab

Item	Part No	Rem Qty	Description	Code
1	4700379394	1	Heater box ( Page 208 )	
2	4700500019	6	Hexagon head screw	C
3	4700904229	6	Washer	C
4	4700903741	2	Fuse	A
5	4700921056	1	Clamp	C
6	4700813434	1	Reducer	
7	4700330330	1	Copper washer	
8	4700387638	1	Hose connection	
9	4700391303	1	Hose connection	
10	4700313004	4	Hose clamp	C
11	4700921132	2	Clamp	C
12	4700387466	1	Cable harness	
13	4700394210	1	Cable harness	
14	4700904039	1	Fuse	A
15	4700313102	N	Cable ties	
16	4700937737	A 2XL	Hose	

A) L=3600 mm

**4700379394 Heater box**

**18432**



**4700379394 Heater box**

<b>Item</b>	<b>Part No</b>	<b>Rem</b>	<b>Qty</b>	<b>Description</b>	<b>Code</b>
10	4700939693		1	.Heater control valve	
11	4700938622		1	.Switch	B
16	4700938621		2	.Rotary control	
19	4700313003		2	.Hose clamp	D
24	4700385134		2	.Lock washer	
25	4700384881	A	1	.Hose	
27	4700938638		1	.Fan	C
28	4700938639		1	.Heater coil	
29	4700938645		1	.Bowden cable	
31	4700384762		1	.Wire	
33	4700384761		1	.Air filter element	
34	4700287597		1	.Relay	A

A) L=200 mm



**NUMERICAL INDEX**

Part Number	Page	Part Number	Page	Part Number	Page
4700376551	19	4700313102	133,149,197,205	4700358388	103,107,109
4700376622	19		207	4700358452	145
4700389907	19	4700330171	65,67	4700358881	185,187,191
4700500165	19	4700330330	197,207	4700359550	105
4700900807	19	4700330331	53	4700359551	105
4700904232	19	4700330333	53,81,95	4700359552	105
4700904234	19	4700330383	53,115	4700359955	39
4700100040	23	4700334121	115,125	4700370229	53
4700116041	39,45	4700334122	115	4700370231	39,45
4700160105	39,45	4700334132	101	4700370792	165
4700160132	105,115	4700334135	115	4700370803	165
4700160358	39	4700334138	101,105	4700371366	27
4700162008	105	4700334196	133	4700371509	101,103
4700162011	43,45	4700334197	125	4700371767	55,59
4700162017	39,43,45	4700334205	115,131	4700371774	55,57
4700162018	39,45	4700334248	105	4700372087	15,17
4700162024	45	4700334389	131	4700372229	7,11,105
4700162027	43,45	4700334468	105	4700372235	101,105
4700167023	39,45	4700334524	131	4700372347	165
4700167032	23	4700334558	125	4700372409	165
4700192812	53	4700335607	137	4700372457	167
4700205027	55,57	4700337042	23	4700372489	165
4700212339	109	4700337045	23	4700372494	153,167
4700212553	77,93	4700338304	125,137	4700372513	125
4700230277	39,65,67	4700340863	117	4700372514	125
4700230515	53	4700343159	23	4700372575	27
4700232097	125	4700343318	39,45	4700372608	27
4700232210	37,39,43,45	4700343322	37,39,45	4700372658	29,195
4700234218	125	4700343550	141	4700372678	165
4700234243	105	4700343744	39,43,45	4700372709	17
4700234382	115	4700343775	15,17	4700372757	153
4700234388	133	4700343801	37,39	4700372772	53
4700234622	133	4700345243	105	4700372784	149
4700234626	125	4700345678	37	4700372785	153,167
4700234662	125	4700345679	37	4700372836	149
4700234843	131	4700345870	137,199	4700372837	195
4700234875	105	4700345871	23	4700372964	161
4700234888	131	4700345872	23	4700372987	35,49
4700234909	105	4700345873	23	4700373016	101,149
4700234919	65,67	4700345874	23	4700373017	115
4700234958	105	4700345875	23	4700373096	149
4700238158	139,141	4700345884	37	4700373140	149
4700244054	65,67	4700345885	37	4700373184	143
4700246069	55,57	4700346230	197	4700373203	27
4700272372	187	4700347119	15,17	4700373204	27
4700272373	185	4700347512	153	4700373270	101,115
4700287597	203,209	4700348213	149	4700373309	27
4700287598	201	4700348309	61	4700373363	187
4700311016	195	4700348331	153,187	4700373364	187
4700313001	65,67	4700349435	149	4700373400	153
4700313002	65,67	4700349682	37	4700373421	23
4700313003	203,209	4700349715	39,45	4700373423	101
4700313004	199,207	4700355676	37	4700373424	115
4700313006	55,57	4700355869	161	4700373442	37,39
4700313010	55,57	4700355890	195	4700373443	37,39
4700313035	53	4700355983	73	4700373460	17,65,67
4700313041	65,67,149,205	4700356348	133	4700373574	65,67
4700313068	197	4700357138	11	4700373746	163
4700313075	55,57	4700357488	15,17	4700373747	163
4700313093	61,63,69,197	4700357643	153	4700373748	163
4700313094	69	4700357855	155	4700373749	163
4700313102	55,57,105,125	4700358090	185	4700373750	163

**NUMERICAL INDEX**

Part Number	Page	Part Number	Page	Part Number	Page
4700373906	163	4700379332	203	4700383452	149
4700373907	163	4700379394	207,209	4700383705	153
4700373955	27	4700379480	53	4700383783	39
4700373956	27	4700379481	125	4700383856	71,91
4700373957	27	4700379608	171	4700383857	71,73,75
4700374028	133	4700379621	53	4700383955	73
4700374029	143	4700379630	125	4700383958	115,119
4700374030	143	4700379636	153	4700383974	73
4700374059	105	4700379637	165	4700383975	73
4700374606	167	4700379876	43	4700384114	39,45
4700374607	167	4700379878	45	4700384121	37
4700374744	15,17	4700379880	43,45	4700384159	185
4700374797	27	4700380012	25	4700384163	143
4700374798	27	4700380018	39,43,45	4700384177	203
4700374799	27	4700380052	31	4700384498	23
4700374854	29	4700380057	31	4700384589	197
4700374900	23	4700380058	31	4700384759	167
4700374927	37	4700380078	117	4700384760	203
4700375678	29	4700380109	25,27	4700384761	203,209
4700375681	29	4700380123	153	4700384762	203,209
4700375999	105,113	4700380145	115,117	4700384875	197
4700376000	125,127	4700380462	35,37,39,47	4700384876	197
4700376252	153	4700380490	105	4700384877	197
4700376255	167	4700380717	105	4700384878	197,203
4700376340	25	4700380727	153	4700384879	197
4700376349	25	4700380755	25	4700384880	203
4700376354	25	4700380798	147	4700384881	203,209
4700376366	25	4700380830	105,107,109,111	4700384897	203
4700376488	165	4700380963	163	4700384927	203
4700376489	165	4700380964	163	4700385134	203,209
4700376551	21	4700380993	23	4700385152	27
4700376622	21	4700381027	39,45	4700385442	197
4700376701	15	4700381297	25	4700385443	197
4700377009	159	4700381330	25,165	4700385599	139,141
4700377010	159	4700381347	25	4700385691	61,63
4700377011	159	4700381348	25	4700386366	17
4700377012	159	4700381351	149	4700386390	205
4700377014	159	4700381352	165	4700386391	205
4700377015	159	4700381353	165	4700386392	205
4700377016	159	4700381413	55,57	4700386506	205
4700377018	159	4700381634	43,45	4700386507	205
4700377019	157	4700381760	43,45	4700386512	205
4700377020	157	4700381989	25,29	4700386533	205
4700377021	157	4700382129	27	4700386789	69
4700377024	157	4700382130	27	4700386853	55,57
4700377071	147	4700382131	27	4700386943	55,57
4700377098	69	4700382132	27	4700386966	61,63
4700377518	153,167	4700382165	27	4700386999	137
4700377556	153,167	4700382335	27	4700387085	55,57
4700377677	165	4700382336	27	4700387089	31
4700377742	187	4700382382	27	4700387090	31
4700377743	187	4700382384	27	4700387129	53
4700377744	185	4700382387	27	4700387226	155
4700378335	155	4700382393	53	4700387227	155
4700378745	137	4700382397	167	4700387427	137
4700378759	159	4700382406	25	4700387466	197,207
4700379163	53	4700382411	25	4700387545	155
4700379164	53	4700382582	153,167	4700387638	199,207
4700379236	173	4700382751	185	4700387683	139,141
4700379275	197	4700383225	165	4700387720	155
4700379285	197	4700383413	193,197,201	4700388089	39
4700379286	197	4700383414	203	4700388145	73

**NUMERICAL INDEX**

Part Number	Page	Part Number	Page	Part Number	Page
4700388146	73	4700392810	61,63	4700416034	157
4700388210	149	4700392823	39	4700450066	25
4700388855	53	4700392856	143	4700450067	25
4700389063	39	4700392875	153	4700470020	137
4700389577	145	4700392887	15	4700482010	105
4700389600	61,63	4700392899	157	4700482056	131
4700389662	137	4700392900	157	4700482182	105
4700389907	21	4700392911	25	4700482391	105
4700390481	33	4700392912	25	4700482399	131
4700390529	197	4700392937	137	4700482474	131
4700390587	73	4700392996	139,141	4700483031	115
4700390588	73	4700393002	71,83	4700483049	125
4700390589	73	4700393021	53	4700483109	125
4700390590	73	4700393022	53	4700483188	133
4700390591	73	4700393045	61,63	4700483190	101
4700390759	73	4700393052	17	4700483231	125
4700390760	73	4700393058	61,63	4700483280	125
4700390762	73	4700393059	61,63	4700483286	115
4700390771	39,45	4700393062	55,57	4700483397	115
4700390823	197	4700393081	55,57	4700483445	133
4700390824	197	4700393085	61	4700483497	125
4700390896	43,45	4700393086	63	4700483498	125
4700390897	39,45	4700393088	61	4700483551	105
4700390900	185	4700393089	63	4700483610	105
4700390927	175	4700393093	61	4700483910	115
4700391195	39	4700393096	53	4700483911	115
4700391206	39	4700393097	61,63	4700483995	101
4700391219	181	4700393276	37,39	4700483996	101
4700391303	197,207	4700393277	37,39	4700484005	133
4700391379	159	4700393278	37,39	4700484042	105
4700391380	159	4700393279	37,39	4700499266	61
4700391381	159	4700393335	73	4700500004	137
4700391382	159	4700393361	57	4700500006	65,67
4700391383	159	4700393362	57	4700500007	155
4700391386	159	4700393405	197	4700500012	55,57,137,143
4700391663	53	4700393406	197	4700500013	29,67,137,145
4700391784	155	4700393408	197		153,197
4700392002	125,129	4700393543	149	4700500018	23,29,55,59,133
4700392100	129	4700393647	197	4700500019	27,39,55,57,63
4700392103	129	4700393857	25		125,137,173,181
4700392105	129	4700393932	33		203,207
4700392170	55,57	4700393933	33	4700500021	25,27,61,105,145
4700392220	55,57	4700393934	33		157,163,195
4700392283	53	4700393954	197	4700500022	25,69,163,165
4700392284	53	4700393955	197		197
4700392294	69	4700394061	139,141	4700500023	125,197
4700392295	69	4700394176	203	4700500025	55,57,137
4700392296	69	4700394210	197,207	4700500026	27
4700392297	55,57	4700394262	31	4700500028	27,55,57,105,115
4700392313	55,57	4700394264	31	4700500029	15,17,39,65,67
4700392394	153	4700394680	63		101,153,155,167
4700392506	137	4700394686	11,61,63	4700500030	27,115
4700392507	139	4700394687	11,61,63	4700500031	25,161
4700392714	57	4700394905	125	4700500032	101,115
4700392715	57	4700395119	29	4700500037	23
4700392741	61,63	4700396030	37,39	4700500040	25,29,55,59,61
4700392742	61,63	4700396142	37,39		63,65,143,147
4700392747	69	4700396185	69		205
4700392771	143	4700396309	71,97	4700500043	15,17
4700392772	143	4700396968	141	4700500044	125
4700392773	145	4700397126	17	4700500046	61,63,105,125
4700392786	25	4700397130	17	4700500047	25,53

**NUMERICAL INDEX**

Part Number	Page	Part Number	Page	Part Number	Page
4700500048	55,161,197	4700586019	53,159	4700792462	139,141
4700500051	37,39,137	4700588176	185	4700792463	139,141
4700500053	25,31,55,57,61	4700600016	129	4700792464	37,41
	69,133,137,139	4700624005	185	4700792526	67
	141,143,147,149	4700624016	165	4700792547	67
	153,173,197	4700635061	15,17,129	4700792549	25
4700500060	137	4700747282	65,67	4700792808	67
4700500070	53	4700791156	39,43,45	4700792814	67
4700500075	55,57,137,139	4700791175	73	4700801187	37,39
	141	4700791176	73	4700813391	15,17
4700500079	149	4700791183	137	4700813434	137,199,207
4700500082	37,39,43,45	4700791185	139,141	4700813444	125
4700500088	29	4700791211	139,141	4700813462	137
4700500100	165	4700791218	167	4700813499	105
4700500101	101	4700791226	153	4700813500	125
4700500109	105	4700791230	101	4700813791	61,63
4700500133	25,27	4700791341	143	4700813822	103,107,113
4700500153	163	4700791378	181	4700900229	105
4700500154	21,53	4700791468	53	4700900256	97
4700500163	43,45,69	4700791475	25	4700900430	115
4700500165	21,39	4700791476	155	4700900552	131
4700500180	197	4700791477	137	4700900775	39,43,45
4700500188	17	4700791479	137	4700900776	43,45
4700500192	197	4700791503	137	4700900782	43,45
4700500194	37,39,53,115,149	4700791513	67	4700900807	37
4700500195	153,167	4700791517	139	4700900957	79,87
4700500196	39,45	4700791573	73	4700900966	79,87
4700500210	153	4700791578	139,141	4700901121	65,67
4700500239	165	4700791582	139,141	4700901145	73,153,167
4700500263	105	4700791583	139,141	4700901155	115
4700500287	23	4700791584	139,141	4700901157	115
4700500505	27,155	4700791585	139,141	4700901190	149
4700502019	115	4700791587	139,141	4700901218	73
4700502078	115	4700791588	139,141	4700901220	195
4700502132	101,105	4700791597	25,55,59	4700901224	147,205
4700508002	205	4700791642	185	4700901225	139,141
4700508029	53,125	4700791647	139	4700901227	139,141
4700508068	159	4700791657	139,141	4700901228	139,141
4700508079	53	4700791723	141	4700901240	203
4700508092	157	4700791733	141	4700901328	111
4700509025	53	4700791739	141	4700901369	143
4700509034	105	4700791927	39	4700901385	117
4700513012	25	4700792015	197	4700901386	117
4700513017	155	4700792081	53	4700901387	117
4700527002	37,39	4700792083	139,141	4700901389	117
4700535005	177	4700792091	203	4700901390	117
4700535011	27	4700792187	203	4700901443	73
4700541526	149	4700792237	125	4700901444	73
4700541702	143,145	4700792248	199	4700901452	107
4700541703	203	4700792251	65,67	4700901453	103,107
4700570004	29,137,139,141	4700792261	73	4700901454	107
	159,197	4700792275	53	4700901455	107
4700570005	27,55,59,137,167	4700792315	139,141	4700901458	107
	197	4700792317	139,141	4700901465	103,109
4700570006	197	4700792318	139,141	4700901466	109
4700570007	37,39	4700792319	139,141	4700901467	103,109
4700586001	25,137,157	4700792339	105	4700901475	109
4700586002	25,137,139,141	4700792413	139,141	4700901476	109
	163,205	4700792414	139,141	4700901699	203
4700586003	31,61,63,137,145	4700792432	139,141	4700901742	123
	153,157,163,197	4700792435	139,141	4700901767	27,139,141,203
NI 4 4700586018	143	4700792461	139,141	4700901832	201



**NUMERICAL INDEX**

Part Number	Page	Part Number	Page	Part Number	Page
4700901834	75,91,97	4700903760	137	4700904415	205
4700901987	81,89,95	4700903768	137	4700904433	153,167
4700902123	161	4700903782	139,141,173	4700904479	37
4700902125	133	4700903792	21,41	4700904486	55,57
4700902166	25,27,55,57,59	4700903852	199	4700904504	25
	69,153,155	4700903877	115	4700904543	143,199
4700902203	153	4700903919	37,39	4700904551	55,57
4700902227	143	4700903945	159	4700904556	27,61,137,157
4700902284	27,137	4700903946	159	4700904557	15,17,25,27
4700902285	25,29,53,55,57	4700903947	159	4700904562	165
	61,63,147,149	4700903956	139,141	4700904563	159
4700902286	27,55,59	4700903985	73	4700904567	29,197
4700902288	149	4700904005	101,105,125	4700904619	165
4700902337	113	4700904018	137	4700904623	59
4700902379	25	4700904020	137	4700904637	53,125
4700902468	137	4700904036	137	4700904638	53,101,105
4700902496	149	4700904037	137	4700904639	55
4700902610	195	4700904038	137,143	4700904640	25,27,31,55,57
4700902624	119	4700904039	199,207		69,143,165,195
4700902625	123	4700904058	101	4700904653	155
4700902655	117	4700904060	61	4700904695	65,67
4700902687	119	4700904068	185,187	4700904703	53
4700902693	123	4700904076	57,69	4700904718	31
4700902695	119	4700904098	187	4700904723	185
4700902697	123	4700904165	197	4700904734	165,197
4700902723	123	4700904171	105	4700904737	39,43,45
4700902724	119	4700904177	39	4700904767	115
4700902735	123	4700904180	165	4700904773	115
4700902783	123	4700904206	149	4700904774	115
4700902792	121	4700904213	105	4700904781	115
4700902811	123	4700904228	25,29,53,55,57	4700904793	105
4700902856	119		61,63,65,67,137	4700904835	187
4700902861	127		143,145,147,153	4700904870	185
4700902862	127		163,197,205	4700904874	27
4700902866	27,29	4700904229	17,23,39,53,55	4700904910	147
4700902915	185		57,61,63,69,105	4700904984	65,67
4700902919	15,17		115,125,133,137	4700904985	67
4700902928	103,107		139,141,145,147	4700905304	179
4700902944	47		149,153,157,163	4700905305	179
4700903053	103		167,173,181,197	4700905306	179
4700903189	45		203,207	4700908136	55,59,133
4700903190	45	4700904230	15,17,29,39,55	4700908229	185
4700903192	149,153		57,65,67,101,105	4700908352	107
4700903281	37,39		115,137,143,153	4700908367	121
4700903290	101,153,167		155,161,167,197	4700908375	123
4700903422	185	4700904231	23,25,29,37,39	4700908383	119
4700903423	185		45,61,63,69,115	4700908384	123
4700903424	185		125,137,149,153	4700908399	61,63
4700903425	185		167	4700908432	103,107,109
4700903436	143	4700904232	21,37,39,43,45	4700908448	109
4700903457	127		53,115	4700908450	9
4700903459	185	4700904233	37,39,53,73,153	4700908452	61,63
4700903570	103,107		167	4700908485	77,93
4700903571	103,107	4700904234	21,37,41,165	4700908499	171,173,175
4700903580	107	4700904241	27	4700908501	197
4700903631	137	4700904281	25,65,67,137,155	4700908502	197
4700903632	137		205	4700908503	197
4700903640	137	4700904282	105	4700908504	197
4700903714	55,57	4700904292	53	4700908506	173
4700903727	153	4700904314	143	4700908507	173
4700903732	27	4700904340	163	4700908545	171,175
4700903741	203,207	4700904352	55,57	4700908580	175

**NUMERICAL INDEX**

Part Number	Page	Part Number	Page	Part Number	Page
4700908581	175	4700909619	79,87	4700929631	93
4700908582	175	4700909622	79,87	4700929638	77,93
4700908583	175	4700909624	79,87	4700929644	77,93
4700908605	179	4700909626	79,87	4700929648	75,83,91,97
4700908617	179	4700909630	83	4700929712	83
4700908623	177	4700909727	107	4700930151	149
4700908624	177	4700910161	125	4700930154	205
4700908773	103	4700910995	23	4700935158	119
4700908780	127	4700911620	127	4700935164	121
4700909122	205	4700921028	53	4700935172	123
4700909252	103	4700921039	143,145,205	4700935192	119
4700909253	103	4700921044	197	4700935212	123
4700909255	103	4700921056	197,207	4700935219	119
4700909382	107	4700921063	55	4700935244	175
4700909386	107	4700921072	137	4700935245	175
4700909387	107	4700921084	55,65,67	4700935246	175
4700909388	107	4700921132	207	4700935247	175
4700909389	107	4700923008	137	4700935248	175
4700909390	107	4700923087	103,107,109	4700935249	175
4700909391	107	4700923342	77,93	4700935250	175
4700909392	107	4700923371	105	4700935253	175
4700909393	107	4700923384	101,105	4700935265	175
4700909398	107	4700924791	163	4700935266	175
4700909399	109	4700924875	25	4700935267	175
4700909428	109	4700925208	23	4700935268	175
4700909429	109	4700925629	29	4700935269	175
4700909432	109	4700925802	143,197	4700935270	175
4700909435	109	4700925867	37	4700935271	171,175
4700909436	109	4700926214	23	4700935272	171,175
4700909469	119,123	4700926354	85	4700935273	171,175
4700909514	119,123	4700926356	85	4700935274	171,175
4700909544	79,87	4700926537	157	4700935275	171,175
4700909550	77	4700926658	103	4700935276	171,175
4700909551	77	4700926736	39	4700935277	171,175
4700909552	77	4700926781	81,89,95	4700935278	171
4700909553	77	4700926786	85	4700935279	171
4700909558	77	4700926810	79	4700935280	171
4700909559	77	4700926847	79,87	4700935281	171
4700909560	77	4700926985	55,59	4700935282	171
4700909561	77	4700927233	159	4700935283	171
4700909562	77	4700927278	123	4700935284	171
4700909563	77	4700927350	117	4700935285	171
4700909565	77	4700927358	119	4700935286	171
4700909566	77	4700927637	27	4700935287	171
4700909567	77,93	4700927974	153,167	4700935288	171
4700909568	77,93	4700928231	41	4700935289	171
4700909569	77,93	4700928830	161	4700935290	171
4700909570	77,93	4700928850	37	4700935291	171
4700909572	77,93	4700929013	127	4700935293	171
4700909574	77,93	4700929014	127	4700935295	171
4700909576	77,93	4700929023	137	4700935296	171
4700909580	77,93	4700929123	125	4700935297	171
4700909581	77,93	4700929217	73	4700935298	171
4700909582	75,91	4700929226	115	4700935299	171
4700909583	75,91	4700929447	39,45	4700935300	171
4700909584	75,91,97	4700929612	81,87,89,95	4700935301	171
4700909586	81,95	4700929617	79,87	4700935302	171
4700909596	79,81,95	4700929625	93	4700935303	173
4700909607	79	4700929626	93	4700935380	49
4700909609	79	4700929628	77,93	4700935394	47,49
4700909616	79,87	4700929629	77,93	4700935395	47,49
4700909618	79,87	4700929630	93	4700935398	49

**NUMERICAL INDEX**

Part Number	Page	Part Number	Page	Part Number	Page
4700935399	49	4700936313	123	4700937205	123
4700935400	49	4700936340	119	4700937206	123
4700935401	49	4700936370	123	4700937240	123
4700935402	49	4700936393	119	4700937256	117
4700935403	49	4700936394	123	4700937257	117
4700935404	49	4700936546	107	4700937258	117
4700935413	47,49	4700936547	107	4700937259	117
4700935414	47,49	4700936548	111	4700937260	117
4700935415	49	4700936551	107	4700937261	117
4700935421	49	4700936553	107	4700937264	117
4700935429	127	4700936557	107	4700937265	117
4700935468	127	4700936558	107	4700937274	103
4700935580	181	4700936559	107	4700937275	103
4700935613	161	4700936560	107	4700937277	103
4700935614	161	4700936561	107	4700937278	103
4700935619	103	4700936562	109	4700937279	103
4700935621	103	4700936563	109,113	4700937280	103
4700935622	103	4700936564	109	4700937283	103
4700935623	103	4700936566	109	4700937380	171
4700935624	103	4700936567	109,113	4700937381	171
4700935625	103	4700936568	109	4700937382	171
4700935626	103	4700936570	109	4700937383	171
4700935629	103	4700936571	109	4700937384	171
4700935630	103	4700936582	107	4700937385	171
4700935631	103	4700936583	109	4700937389	171
4700935644	77	4700936613	123	4700937390	175
4700935853	103	4700936614	123	4700937391	175
4700935856	107	4700936621	121	4700937392	175
4700935857	109	4700936648	119	4700937393	175
4700935859	47,49	4700936673	123	4700937531	119
4700935860	49	4700936674	123	4700937674	117
4700935861	49	4700936686	119	4700937737	197,207
4700935862	47,49	4700936803	119	4700937857	109
4700935863	49	4700937150	109	4700937870	181
4700935864	49	4700937167	119,121	4700937871	179
4700935865	47,49	4700937168	119,123	4700937985	119
4700935866	47,49	4700937170	121	4700937986	119
4700935867	47,49	4700937171	121	4700937993	117
4700935868	47,49	4700937172	121	4700937995	117
4700935869	49	4700937173	121	4700937998	119
4700935870	47,49	4700937174	121	4700937999	119
4700935871	49	4700937175	121	4700938001	119
4700935872	49	4700937176	121	4700938003	119
4700935873	49	4700937180	121	4700938004	119
4700935874	47,49	4700937181	121	4700938005	119
4700935875	47,49	4700937182	121	4700938014	119
4700935876	47,49	4700937183	121	4700938017	175
4700935877	47,49	4700937184	121	4700938018	175
4700935878	49	4700937185	121	4700938040	117
4700935879	49	4700937186	121	4700938041	117
4700935880	49	4700937187	121	4700938042	117
4700935881	47,49	4700937188	121	4700938062	127
4700935882	47,49	4700937189	121	4700938063	127
4700935883	47,49	4700937190	121	4700938064	127
4700936035	85	4700937195	119	4700938065	127
4700936036	85	4700937198	119	4700938066	127
4700936053	85	4700937199	119	4700938067	127
4700936054	85	4700937200	119	4700938068	127
4700936055	85	4700937201	119	4700938069	127
4700936056	85	4700937202	123	4700938070	127
4700936307	119	4700937203	123	4700938071	127
4700936308	119	4700937204	123	4700938072	127

**NUMERICAL INDEX**

Part Number	Page	Part Number	Page	Part Number	Page
4700938073	127	4700939035	79,87	4700945407	159
4700938074	127	4700939036	79,87	4700945538	65,67
4700938075	127	4700939167	119	4700945581	47
4700938101	175	4700939173	119	4700945585	43
4700938170	109	4700939255	79	4700945589	45
4700938252	109	4700939256	79	4700945624	7,9,11,53
4700938253	109	4700939257	77,93	4700945729	159
4700938290	171	4700939258	77,93	4700945730	53
4700938291	171	4700939259	77,93	4700945731	53
4700938292	171	4700939260	77,93	4700945760	11
4700938296	79	4700939261	77,93	4700945775	119
4700938597	201	4700939262	77	4700945776	119
4700938598	201	4700939263	81,95	4700945777	65,67
4700938599	201	4700939264	81,95	4700945790	5,9
4700938600	201	4700939265	81,95	4700945845	5,7
4700938601	201	4700939266	81,95	4700945846	5,11
4700938602	201	4700939267	81,89,95	4700947680	157
4700938603	201	4700939268	81,95	4700950283	109
4700938604	201	4700939269	81,95	4700950284	109
4700938605	201	4700939270	81,89,95	4700950368	103
4700938606	201	4700939271	81,89,95	4700950378	113
4700938607	201	4700939272	81,89,95	4700950382	157
4700938608	201	4700939273	81,89,95	4700950398	25
4700938609	201	4700939274	81	4700950555	97
4700938619	203	4700939275	81,95	4700950556	83
4700938620	203	4700939276	81,95	4700950557	89
4700938621	203,209	4700939277	81,95	4700950558	87
4700938622	203,209	4700939278	81,89,95	4700950559	83
4700938625	203	4700939279	81	4700960727	137
4700938626	203	4700939280	79,87	4700991658	187
4700938627	203	4700939281	79	4700991990	185
4700938628	203	4700939282	79,87	4700999011	145
4700938629	203	4700939283	79	4700999027	139,141
4700938630	203	4700939284	79	47393692XX	185
4700938634	203	4700939285	79,87	47960787XX	185
4700938635	203	4700939286	79	4812110216	143
4700938636	203	4700939287	79	4812110773	29
4700938638	203,209	4700939348	87,89	4812155075	153
4700938639	203,209	4700939349	95	4812155659	55,57
4700938643	203	4700939350	87,89	4812155660	55,57
4700938644	203	4700939351	95	4812155661	55,57
4700938645	203,209	4700939413	203	4812155765	123
4700938659	171	4700939489	109		
4700938678	181	4700939693	203,209		
4700938679	181	4700940308	121		
4700938691	197	4700940374	159		
4700938983	79,87	4700940451	139,141		
4700938984	79,87	4700940505	119		
4700938985	81,95	4700940507	119		
4700938988	85	4700940675	119		
4700938989	77,85,93	4700940678	175		
4700938991	85	4700945140	53		
4700938993	85	4700945145	7,9,11,53		
4700939003	81,89,95	4700945147	7,9,11,65,67		
4700939009	89	4700945160	113		
4700939010	89	4700945174	203		
4700939014	89	4700945175	203		
4700939015	81,89,95	4700945176	203		
4700939016	81,89,95	4700945177	203		
4700939017	81,89,95	4700945178	203		
4700939019	81,89,95	4700945314	199		
4700939026	79,87	4700945315	199		