

# Spare Parts Catalogue

## SCA250PD-4EN2

Valid from roller serial number:  
**10000107x0A000001 -**



*Diesel engines:*  
**Cummins 4BTA 3.9C**

*Published catalogue issues valid for these rollers:*

Catalogue	Issue date	Valid for serial numbers
SCA250PD-4EN1	2010-04	Replaced by SCA250PD-4EN2
SCA250PD-4EN2	2011-10	<b>See above</b>



**RESERVDLSBESTÄLLNING**

Följande uppgifter ska lämnas vid beställning av reservdelar för att undvika leveransfel:

1. Maskintyp.
2. Vältens serienummer.
3. Antal av önskad reservdel.
4. Reserdelens artikelnummer.
5. Reservdelens benämning.
6. Måttuppgifter vid beställning av metervara.

**ORDERING SPARE PARTS**

To avoid errors in delivery, please give the following information when ordering spare parts:

1. Type of machine.
2. Roller serial number.
3. Quantity required.
4. Part number.
5. Parts denomination.
6. Dimensions when ordering per length.

**ERSATZTEILBESTELLUNG**

Zur Vermeidung von Fehllieferungen sind bei der Bestellung von Ersatzteilen folgende Angaben zu machen:

1. Maschinentyp.
2. Herstellungsnummer.
3. Bestellmenge. (Quantity)
4. Ersatzteilnummer. (Part N°)
5. Ersatzteilbenennung. (Denomination)
6. Massangaben bei Bestellung von Meterware.

**ORDINI DI RICAMBI**

Per evitare errori nelle consegne di ricambi, Vi preghiamo di comunicarci le seguenti informazioni al momento dell'ordinazione:

1. Tipo di macchina.
2. Numero di serie della macchina.
3. Quantità dei pezzi desiderati. (Quantity)
4. Numero di codice del pezzo. (Part N°)
5. Descrizione del pezzo di ricambio. (Denomination)
6. Misura, in caso di ordine per metro.

**PEDIDO DE RECAMBIOS**

Para evitar errores en las entregas, deberán indicarse los siguientes datos al hacer un pedido de recambios:

1. Tipo de máquina.
2. Número de serie.
3. Cantidad de piezas deseadas. (Quantity)
4. Número de artículo de la pieza de recambio. (Part N°)
5. Denominación de la pieza. (Denomination)
6. Indíquese la medida al solicitar un artículo que se expide por metros.

**COMMANDE DE PIÉCES DE RECHANGE**

Les indications suivantes doivent être fournies lors de la commande de pièces de rechange, afin d'éviter toute erreur de livraison:

1. Type de machine.
2. Numéro de série.
3. Quantité désirée de pièce de rechange. (Quantity)
4. Numéro de la pièce de rechange. (Part N°)
5. Dénomination de la pièce de rechange. (Denomination)
6. Longueur en cas de commande au mètre.

**YOUR AGENT/DEALER:**

## Text pages

The text page is structured as the picture on the right.

1. This is the remarks for specific items and the descriptions of the remarks is at the bottom of the parts list.

2. Parts indicated by a dot and moved to the right are included when buying the assembled unit above.

3. Spare parts Class code for a specific part.

"A" = 3 or more units/year,  
"B" = 2 or more units/year,  
"C" = 1 or more units/year,  
"D" = at least 1 unit/year.

Item	Part No	Rem Qty	Description	Code
	4700396684	1	Engine cover, cpl	
1	4700396607	1	. Cover	3
2	4700902866	1	. Lock	2
	4700902866	1	. Key Marked "455"	A
3	4700624020	4	. Blind rivet	
4	4700379976	1	. Cover	1
5	4700792325	10	. Blind rivet	
7	4700202057	B	1XL . Edge trim	D
8	4700902166	C	1XL . Edge trim	D
9	4700903953	D	1XL . Edge trim	D
11	4700390365	1	. Spacer	
12	4700924875	2	. Screw	
13	4700904228	2	. Washer 6,4x12x1,5	C
14	4700586002	2	. Lock nut M6 -8	C
15	4700390545	1	. Strap	
16	4700904735	1	. Washer	C
17	4700500059	1	. Screw	

1) B) L=0.625m  
C) L=0.6m  
D) L=1.2m

## Changes

PARTS INFO	SERVICE INFO	GROUP	PAGE	NOTES

## Notes

---

---

---

---

---

---

---

---

---

---



## PÄRMETIKETT

För att undvika fel vid reservdelsbeställning finns här nedan två etiketter som passar i fickorna på pärmarnas ryggar. På dessa kan man se från vilket vältnummer av aktuell maskin reservdelskatalogen gäller. Gör så här:

1. Tag denna sida ur pärmen.
2. Klipp ut etiketten till **VÄNSTER** (1) och sätt in den i fickan på **DENNA** pärmens rygg.
3. Finns det en etikett till **HÖGER** (2), kan denna användas på pärmen för **FÖREGÅENDE** utgåva av denna katalog.
4. Kasta detta papper.

## KATALOG-BESCHRIFTUNG

Zur Vermeidung von Fehlern bei der Ersatzteilbestellung benutzen Sie bitte die unteren Beschriftungen, um die Kataloge auf der Rückseite zu kennzeichnen. Auf der Beschriftung ist angegeben, für welche Maschinennummern der jeweilige Katalog gültig ist. Ablauf:

1. Nehmen Sie dieses Blatt aus dem Katalog.
2. Schneiden Sie die **LINKE** Beschriftung (1) aus. Schieben Sie die Beschriftung in die tasche auf **DEM** Katalogrücke.
3. Sollte die Beschriftung unten **RECHTS** (2) mitgeliefert werden, kennzeichnen Sie damit bitte die **ÄLTERE** Ausführung dieses Kataloges.
4. Den Rest dieses Blattes bitte vernichten.

## ETIQUETA PARA LA CARPETA

Para evitar errores al pedir repuestos utilicen las etiquetas abajo descritas para identificar los catálogos en la parte trasera de la carpeta. En la etiqueta se ven los números de referencia de la serie para la cual es válido el catálogo. Instrucciones:

1. Quitar esta página de la carpeta.
2. Corta la etiqueta **IZQUIERDA** (1) y ponerla en **ESTA** carpeta en la parte trasera.
3. Si hay una etiqueta en la parte **DERECHA** (2) se puede utilizar en la carpeta para el catálogo que **PRECEDE** a esta.
4. Tirar esta hoja.

## BINDER LABEL

To avoid errors when ordering spare parts use the labels below to identify the catalogues on the back of the binder. The label contain the serial number range for which the catalogue is valid. Do like this:

1. Remove this page from the binder.
2. Cut out the **LEFT** label (1) and put it on **THIS** binders back.
3. If there is a label to the **RIGHT** (2), it can be used on the binder for **PRECEDING** issue of this catalogue.
4. Throw away this paper.

## ETICHETTAPOSTASULRACCOGLITORE

Per evitare errori quando ordinate pezzi di ricambio, usate le etichette in calce che servono ad identificare i cataloghi sul retro del raccoglitore. L'etichetta indica il numero di matricola delle macchine prese in considerazione nel catalogo.

1. Rimuovete questa pagina dal raccoglitore.
2. Ritagliate l'etichetta posta a **SINISTRA** (1) e ponetela sul retro **DEL** raccoglitore.
3. Se trovate anche un'etichetta sulla **DESTRA** (2), ritagliatela e ponetela sul raccoglitore relativo alla **PRECEDENTE** edizione del catalogo.
4. Distruggete questo foglio.

## ETIQUETAGE DU CATALOGUE

Afin d'éviter des erreurs lors de commandes de pièces de rechange, nous vous conseillons d'apposer les marquages ci-dessous à l'arrière du classeur, pour identifier les catalogues. Ce marquage indique les numéros de série pour lesquels le catalogue est adapté. Il convient de procéder de la façon suivante:

1. Retirez cette page du classeur.
2. Découpez l'étiquette de **GAUCHE** (1), et apposez-la à l'arrière de **CE** catalogue.
3. Si il y a une étiquette à **DROITE** (2), vous pourrez l'apposer sur le classeur de l'édition **PRECEDENTE** du catalogue.
4. Détruire cette feuille.

1 .





**TABLE OF CONTENTS**

	<b>Page</b>
<b>CA250PD SN 10000107x 0A000001 -</b> .....	<b>2</b>
<b>Service kits</b> .....	<b>4</b>
4812156751 Service kit 50 h .....	6
4700938527 Service kit 250/750 h .....	8
4700950196 Service kit 500 h .....	10
4700950197 Service kit 1000 h .....	12
<b>Repair kits</b> .....	<b>14</b>
4700938558 Steering hitch kit .....	16
4700938894 Eccentric shaft kit .....	18
4700938891 Drum rotation kit .....	20
4700938878 Shock absorber kit, drum .....	22
<b>Frame</b> .....	<b>24</b>
Frame .....	26
Scrapers and beam .....	28
Scrapers .....	30
Hitch .....	32
Structure .....	34
Side covers Option .....	36
Noise suppression .....	38
Drum shroud Option .....	40
<b>Drum</b> .....	<b>42</b>
Drum .....	44
4700380462 Drum gear .....	48
4700372987 Drum gear .....	50
<b>Engine</b> .....	<b>52</b>
Engine .....	54
Fan and Fan clutch .....	56
Cooling system .....	58
Combustion air system .....	62
Fuel system .....	64
Exhaust system .....	66
Pre air cleaner Option .....	68
<b>Transmission</b> .....	<b>70</b>
Rear axle and wheels .....	72
4700393002 Rear axle .....	74
Differential with limited slip .....	76
Differential housing and brakes .....	78
Planet gear .....	80

**TABLE OF CONTENTS**

**Page**

4700383856	Rear axle No-Spin, Option .....	82
	Differential with no-spin .....	84
	Differential housing and brakes .....	86
	Planet gear .....	88
4700396309	Rear axle .....	90
	Differential with limited slip .....	76
	Differential housing and brakes .....	78
	Planet gear .....	80
	<b>Hydraulic system .....</b>	<b>92</b>
	Propulsion system, Front .....	94
4700371509	Propulsion motor .....	96
	Propulsion system, Rear .....	98
4700395385	Hydraulic pump .....	100
	Vibration system .....	104
4700395384	Vibration pump .....	106
4700395386	Hydraulic motor, vibration .....	110
	Steering system .....	112
4700376000	Steering valve .....	114
4700392002	Steering cylinder .....	116
	Brake system .....	118
	Hydraulic oil tank .....	120
	Central test panel hydraulic Option .....	122
	Central test panel, Sauer Danfoss Option .....	124
	Central test panel, Rexroth Option .....	126
	<b>Electrical equipment .....</b>	<b>128</b>
	Electric system .....	130
	Control panel .....	132
	Working lights Option .....	134
	Working light rear .....	136
	Rotating beacon           Option .....	138
	Back-up alarm Option .....	140
	Compaction meter Option .....	142
	<b>Drivers platform .....</b>	<b>144</b>
	Drivers platform .....	146
	Control panel .....	148
	Throttle controls .....	150
	Forward and reverse control .....	152
	Forward and reverse control handle .....	154
	Steering column .....	156
	Canopy Option .....	158
	Rops and fops .....	160
	Cab mounting .....	162



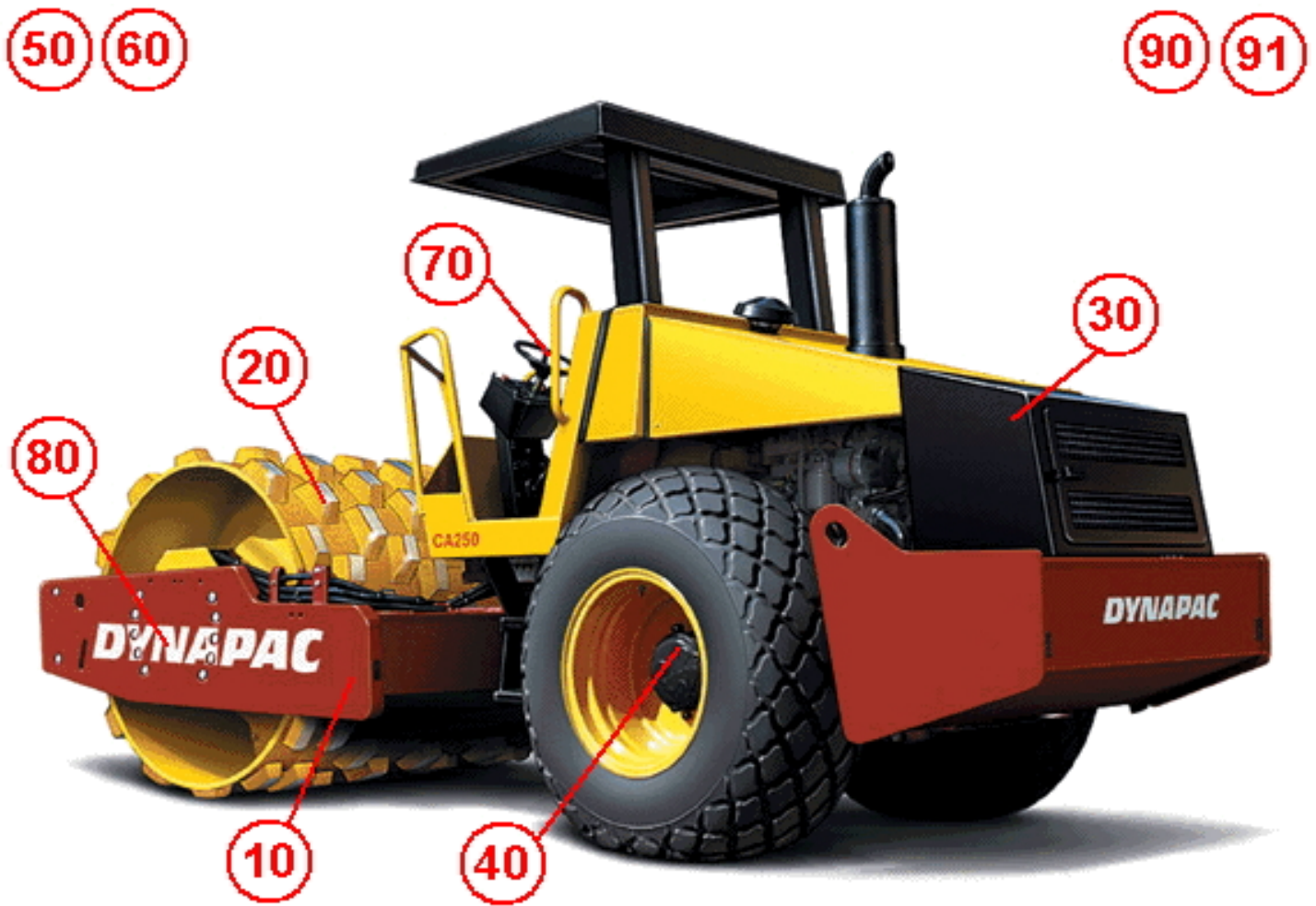
**TABLE OF CONTENTS**

**Page**

Cab 4700378308 .....	164
Cab Screens .....	166
Cab Door, left side .....	170
Cab Interior rear mirror .....	172
Wiper arm with blade, front .....	174
Cab Electric .....	176
Cab Exterior, rear mirror .....	178
Cab Work light .....	180
<b>Decals .....</b>	<b>182</b>
Decals .....	184
Decals .....	186
<b>Standard equipment .....</b>	<b>188</b>
Standard equipment .....	190
<b>Optional equipment .....</b>	<b>192</b>
Tool equipment .....	194
Dy-Mic .....	196
Air conditioner and heater, Simple cab .....	198
Air conditioner and heater unit .....	202
4700383413 Condensor, cpl .....	204
Heater Simple cab .....	206
4700385222 Heater .....	208







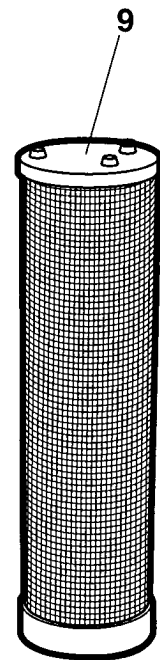
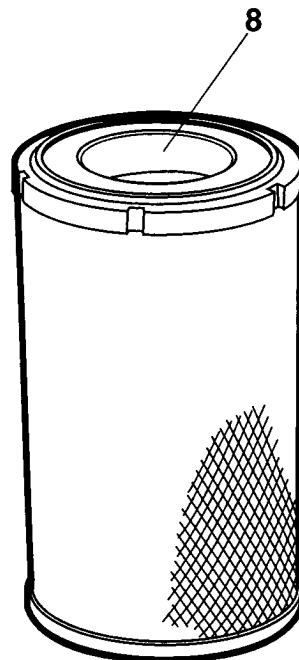
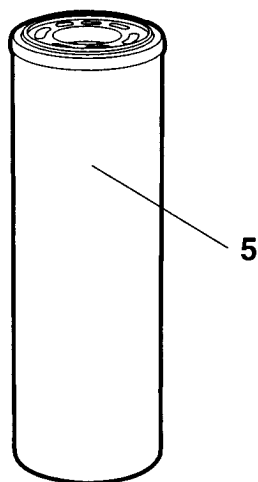
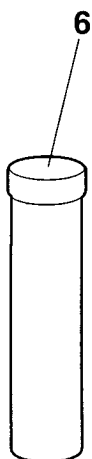
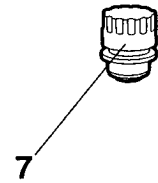
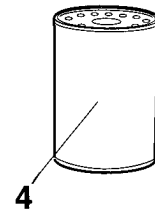
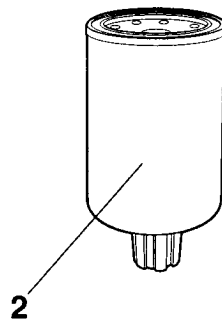
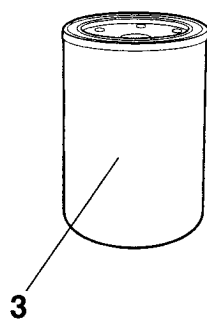
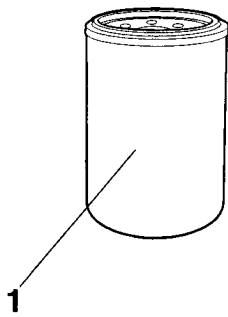
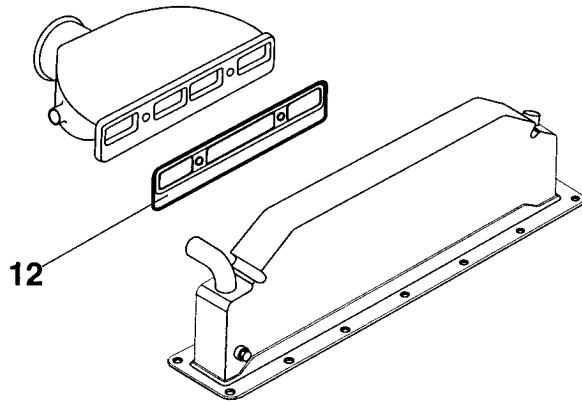
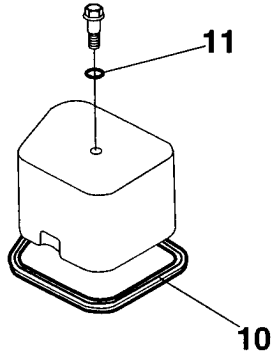
CA250PD SN 10000107x 0A000001 -

Item	Part No	Rem Qty	Description	Code
1			Service kits ( Page 4 )	
2			Repair kits ( Page 14 )	
10			Frame ( Page 24 )	
20			Drum ( Page 42 )	
30			Engine ( Page 52 )	
40			Transmission ( Page 70 )	
50			Hydraulic system ( Page 92 )	
60			Electrical equipment ( Page 128 )	
70			Drivers platform ( Page 144 )	
80			Decals ( Page 182 )	
90			Standard equipment ( Page 188 )	
91			Optional equipment ( Page 192 )	



**Service kits**

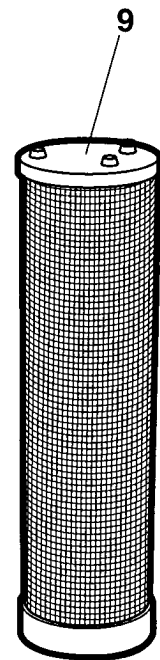
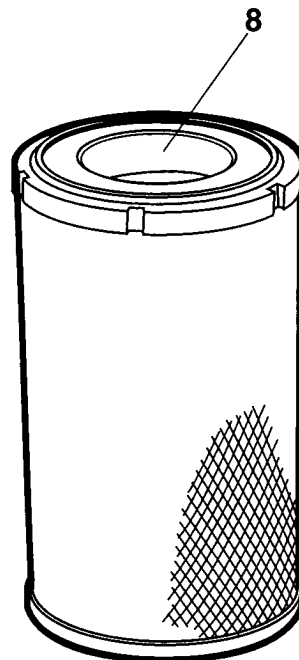
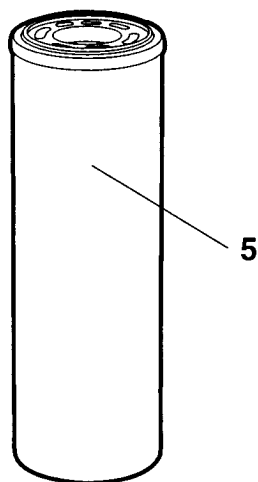
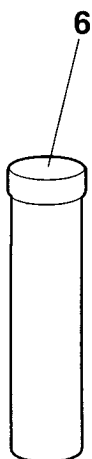
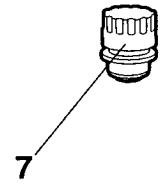
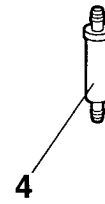
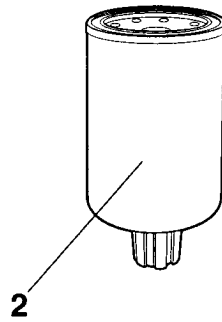
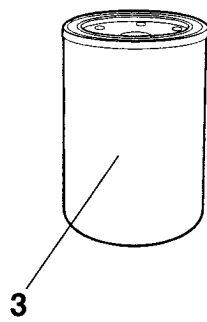
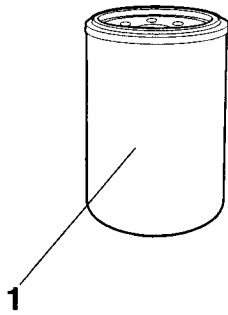
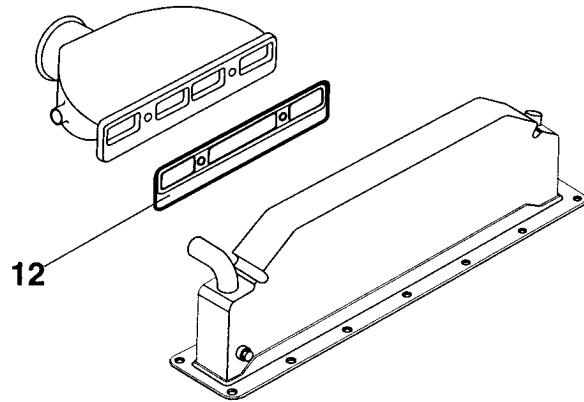
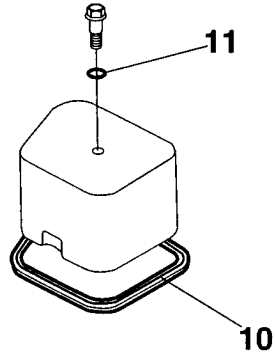
<b>Item</b>	<b>Part No</b>	<b>Rem Qty</b>	<b>Description</b>	<b>Code</b>
1	4812156751		Service kit 50 h ( Page 6 )	
2	4700938527		Service kit 250/750 h ( Page 8 )	
4	4700950196		Service kit 500 h ( Page 10 )	
6	4700950197		Service kit 1000 h ( Page 12 )	





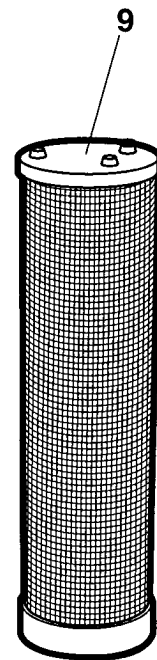
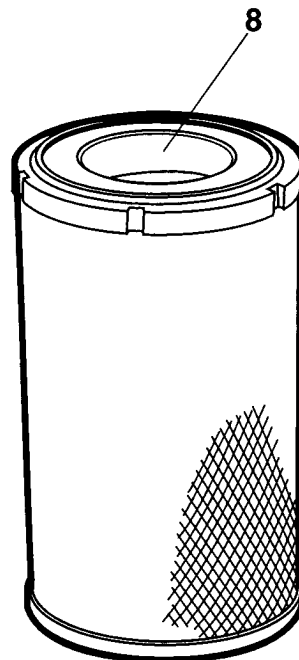
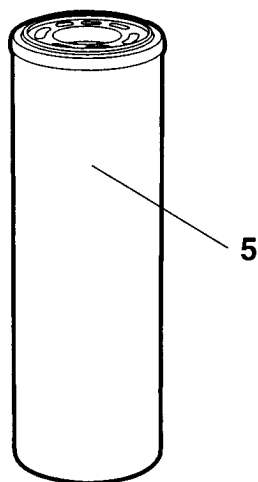
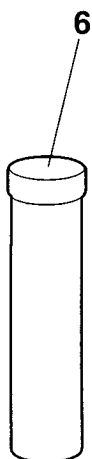
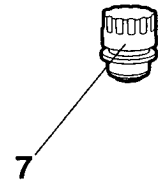
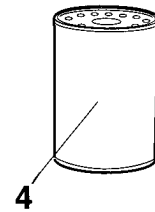
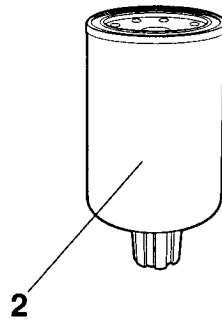
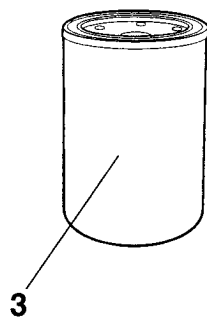
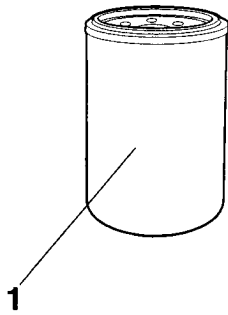
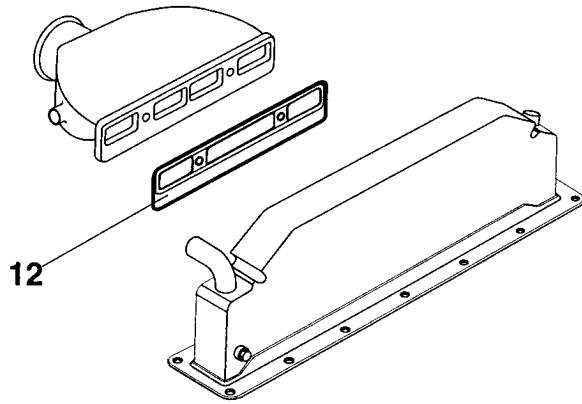
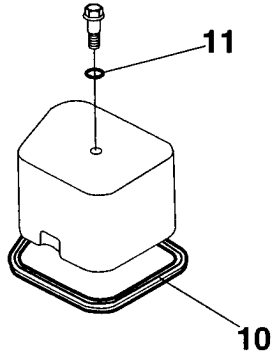
**4812156751 Service kit 50 h**

<b>Item</b>	<b>Part No</b>	<b>Rem Qty</b>	<b>Description</b>	<b>Code</b>
	4812156751		<b>Service kit 50 h ( Page 6 )</b>	
1	4700212373	1	Oil filter	A
2	4700935969	1	Fuel filter w. water separator	A
4	4700939404	1	Pre-fuel filter element	A
5	4700372229	1	Hydraulic oil filter element	A



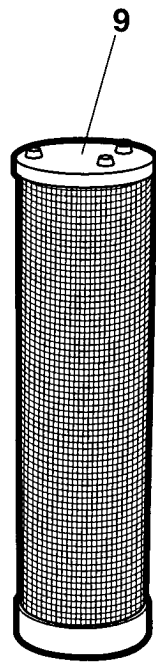
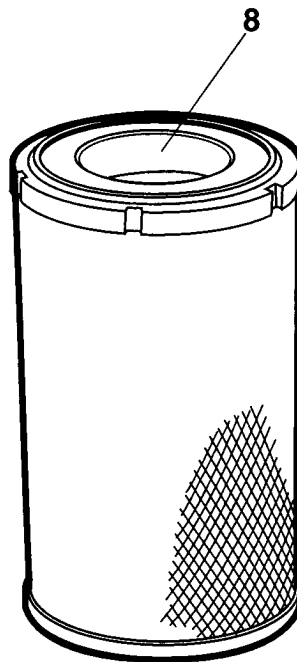
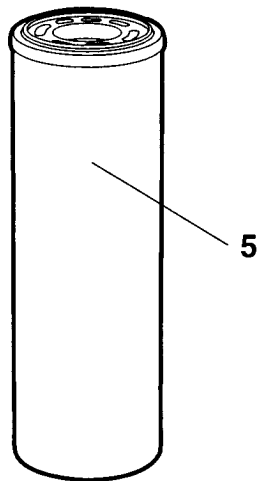
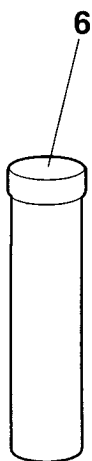
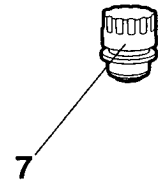
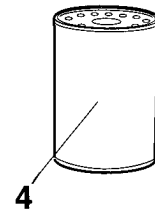
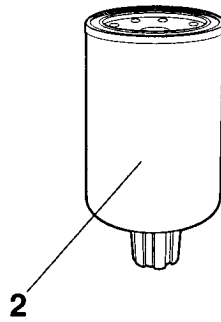
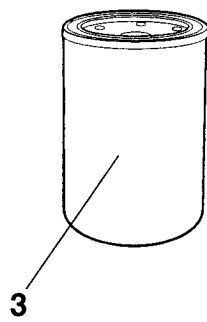
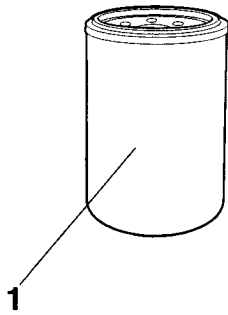
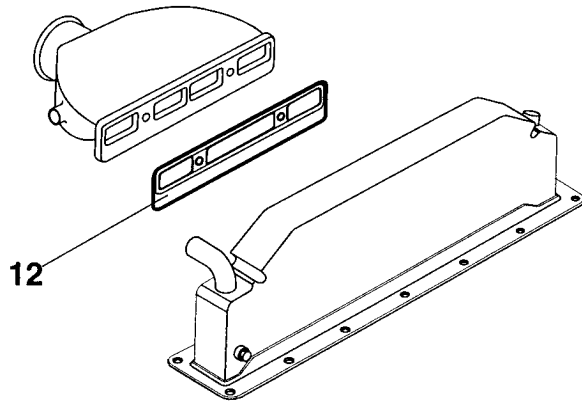
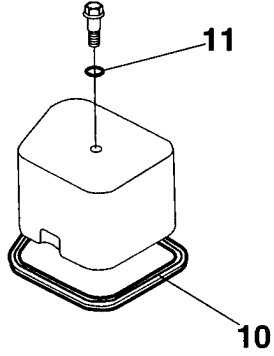
**4700938527 Service kit 250/750 h**

Item	Part No	Rem Qty	Description	Code
	4700938527		<b>Service kit 250/750 h ( Page 8 )</b>	
1	4700212373	1	Oil filter	A



**4700950196 Service kit 500 h**

<b>Item</b>	<b>Part No</b>	<b>Rem Qty</b>	<b>Description</b>	<b>Code</b>
	4700950196		<b>Service kit 500 h ( Page 10 )</b>	
1	4700212373	1	Oil filter	A
2	4700935969	1	Fuel filter w. water separator	A
4	4700939404	1	Pre-fuel filter element	A
8	4700394686	1	Air filter element, main	A



**4700950197 Service kit 1000 h**

Item	Part No	Rem Qty	Description	Code
	4700950197		<b>Service kit 1000 h ( Page 12 )</b>	
1	4700212373	1	Oil filter	A
2	4700935969	1	Fuel filter w. water separator	A
4	4700939404	1	Pre-fuel filter element	A
5	4700372229	1	Hydraulic oil filter element	A
7	4700357138	1	Ventilating filter	A
8	4700394686	1	Air filter element, main	A
9	4700394687	1	Air filter element, safety	A
10	4700938514	4	Valve cover gasket	A
11	4700938516	4	Gasket	A
12	4700938517	1	Gasket, inlet pipe	D



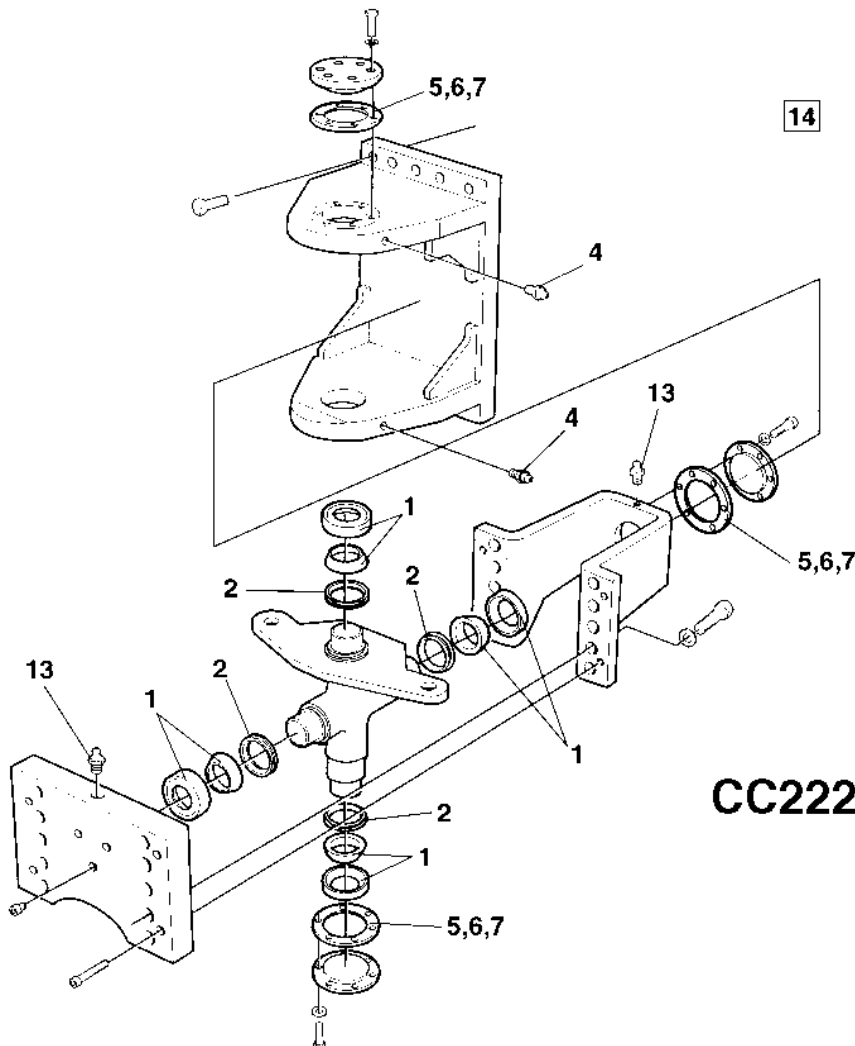
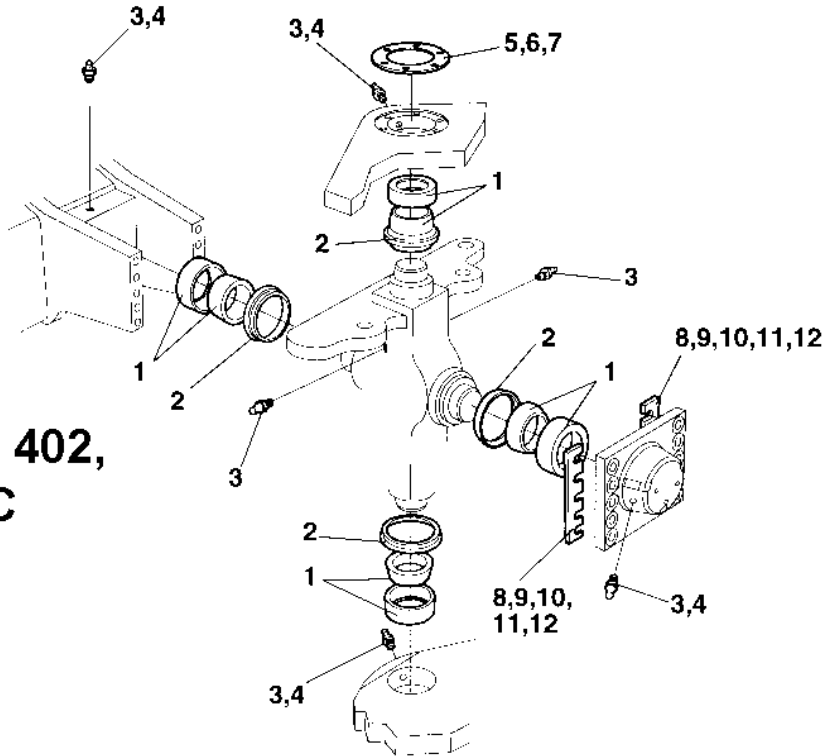


**Repair kits**

<b>Item</b>	<b>Part No</b>	<b>Rem Qty</b>	<b>Description</b>	<b>Code</b>
5	4700938558		Steering hitch kit ( Page 16 )	A
10	4700938894		Eccentric shaft kit ( Page 18 )	
20	4700938891		Drum rotation kit ( Page 20 )	A
30	4700938878		Shock absorber kit, drum ( Page 22 )	

4700938558 Steering hitch kit

**CA150 - 402,  
CC501/C**



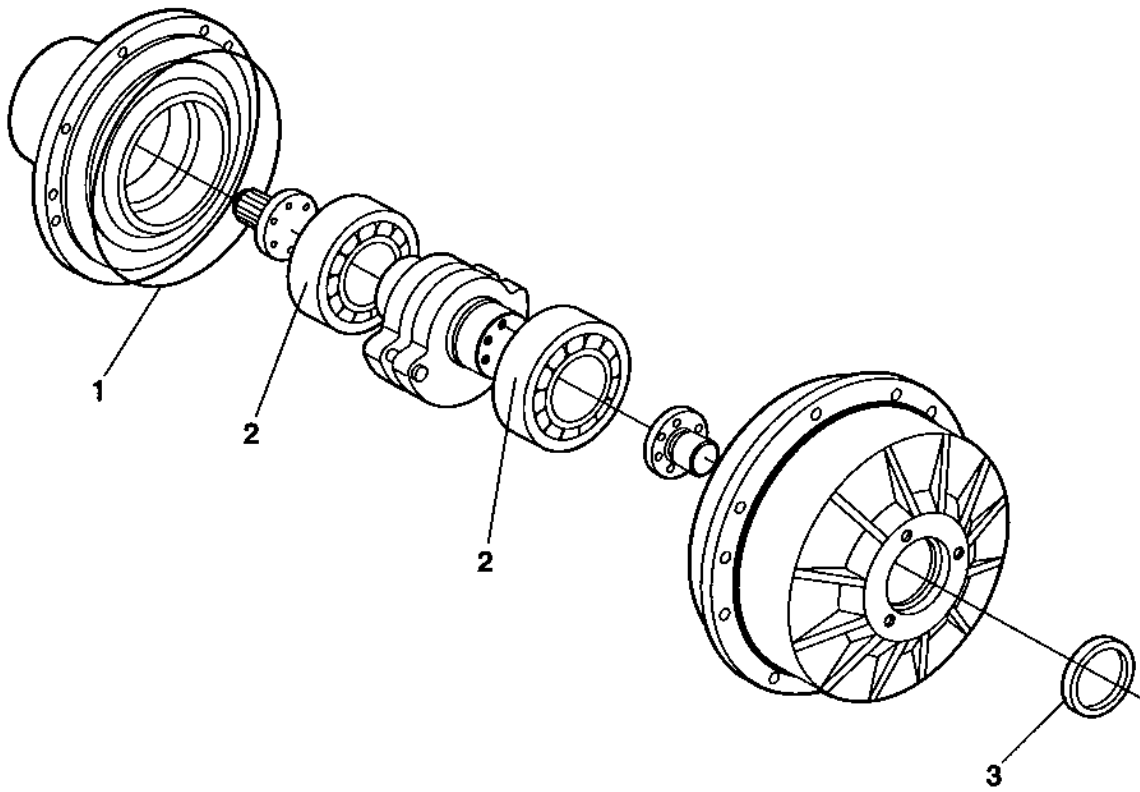
**CC222-622/C**

**4700938558 Steering hitch kit**

Item	Part No	Rem Qty	Description	Code
	4700938558		<b>Steering hitch kit ( Page 16 )</b>	A
1	4700100040	4	Axial ball bearing	B
2	4700167032	4	Lip-type oil seal	C
3	4700310008	2 3	Grease nipple	C
4	4700926214	2	Grease fitting	C
5	4700337045	3	Shim T=1,0 mm	C
6	4700345874	3	Shim T=0,35 mm	C
7	4700345875	3	Shim T=0,10 mm	C
8	4700345871	1 2	Shim T=1,0 mm	C
9	4700345872	1 2	Shim T=0,35 mm	C
10	4700345873	1 2	Shim T=0,10 mm	C
11	4700380993	1 2	Shim T = 2,0 mm	C
12	4700384498	1 2	Shim T = 0,15 mm	C
13	4700929863	3 1	Grease nipple	C
14	4700904663	1	Lube grease " DYNAPAC special approved "	A
15		1	Instructions	

- 1) Valid for CA150-402 and CC501/C
- 2) Valid for CC501/C
- 3) Valid for CC222/232/322/422/432/522/622/C

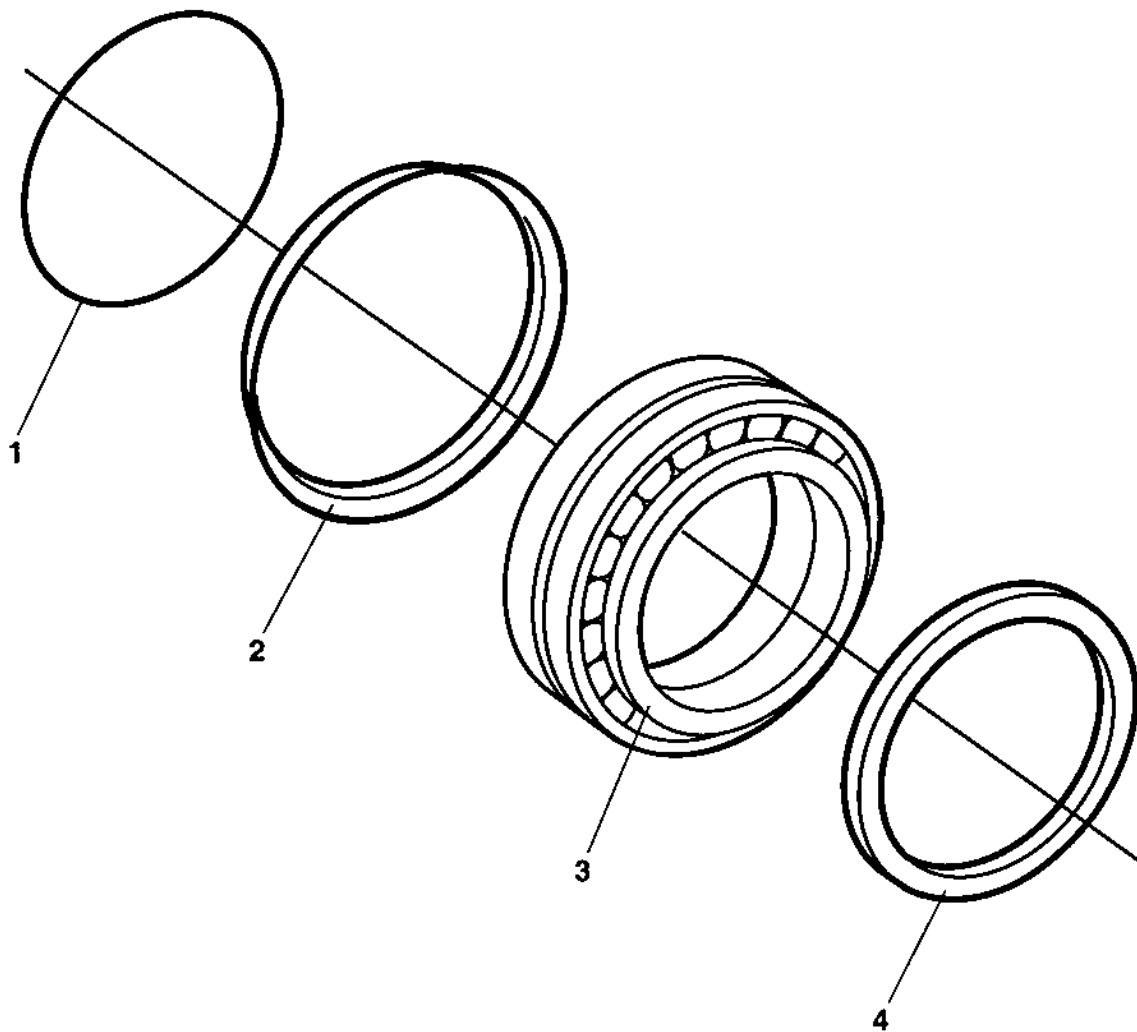
**4700938894 Eccentric shaft kit**



**4700938894 Eccentric shaft kit**

<b>Item</b>	<b>Part No</b>	<b>Rem Qty</b>	<b>Description</b>	<b>Code</b>
	4700938894		<b>Eccentric shaft kit ( Page 18 )</b>	
1	4700900776	1	O-ring	D
2	4700900784	2	Cylinder roller bearing	B
3	4700900782	1	Seal ring	D

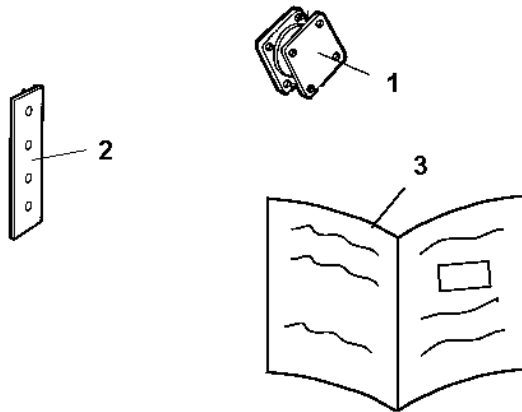
4700938891 Drum rotation kit



**4700938891 Drum rotation kit**

<b>Item</b>	<b>Part No</b>	<b>Rem Qty</b>	<b>Description</b>	<b>Code</b>
	4700938891		<b>Drum rotation kit ( Page 20 )</b>	A
1	4700160105	1	O-ring 70	C
2	4700929447	1	V-ring	B
3	4700116041	1	Taper roller bearing	B
4	4700386272	1	Sealing	B

**4700938878 Shock absorber kit, drum**





**4700938878 Shock absorber kit, drum**

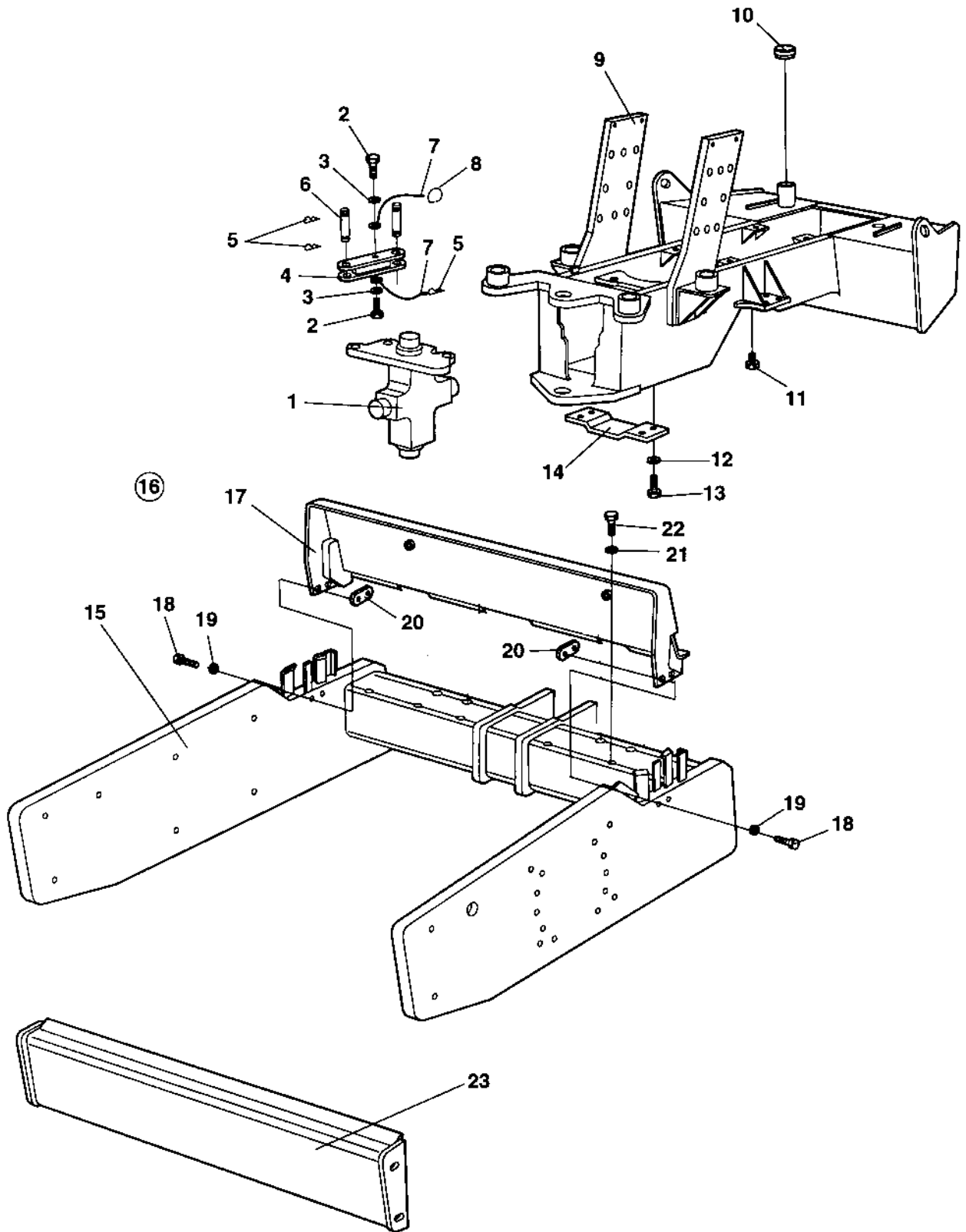
Item	Part No	Rem Qty	Description	Code
	4700938878		<b>Shock absorber kit, drum ( Page 22 )</b>	
1	4700801187	10	Shock absorber	B
2	4700393276	4	Shim T = 1,5 mm	D
3	4812156170	1	Instructions	

**Frame**

**Frame**

<b>Item</b>	<b>Part No</b>	<b>Rem Qty</b>	<b>Description</b>	<b>Code</b>
10			Frame ( Page 26 )	
20			Scrapers and beam ( Page 28 )	
25			Scrapers ( Page 30 )	
30			Hitch ( Page 32 )	
40			Structure ( Page 34 )	
50			Side covers Option ( Page 36 )	
60			Noise suppression ( Page 38 )	
70			Drum shroud Option ( Page 40 )	

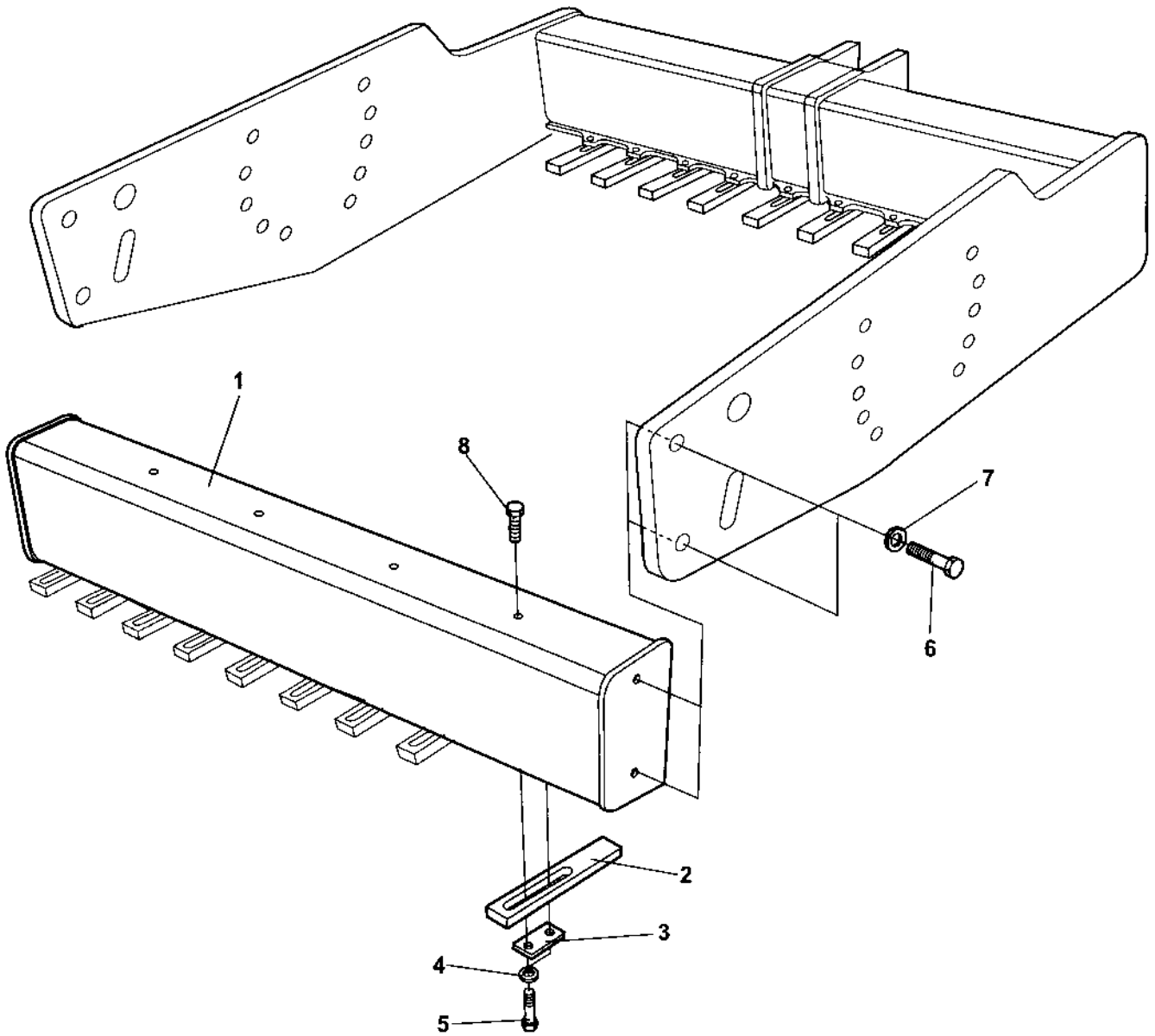
Frame



Frame

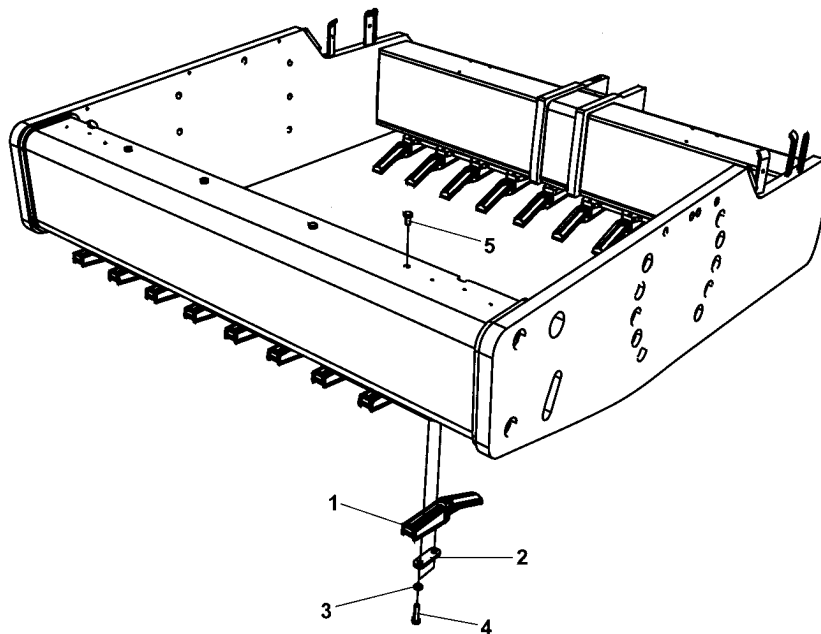
Item	Part No	Rem Qty	Description	Code
1		1	<b>Hitch ( Page 32 )</b>	
2	4700500043	2	Screw M10x16H 8,8	D
3	4700904230	2	Steel plain washer	C
4	4700374744	1	Safety rod	D
5	4700635061	3	Hair clip	B
6	4700347119	2	Shaft	C
7	4700343775	2	Wire	D
8	4700357488	1	Spring	D
9	4700378206	1	Tractor frame	D
10	4700373460	1	Fuel cap	D
11	4700813391	1	Magnetic plug	D
12	4700904557	4	Steel plain washer	C
13	4700500029	4	Hexagon head screw	C
14	4700372087	1	Protective plate	D
15	4700397126	1	Drum frame	D
16		1	Drum shroud, cpl Option	
17		A	. Drum shroud	
18		A	. Screw	
19		A	. Washer	
20		A	. Holder	
21		A	. Washer	
22		A	. Screw	
23		B	Scraper	

- A) For P/N on Drum shroud see section "Drum shroud Option".  
 B) See section "Scraper and beam".



**Scrapers and beam**

<b>Item</b>	<b>Part No</b>	<b>Rem Qty</b>	<b>Description</b>	<b>Code</b>
1	4700389907	1	Cross beam	D
2	4700376551	18	Scraper tooth	B
3	4700376622	18	Holder	D
4	4700904232	36	Washer	C
5	4700500165	36	Screw M16-2,0x75 8,8	D
6	4700928230	4	Screw M24x90 10.9	C
7	4700904234	4	Steel plain washer	C
8	4700500154	4	Screw M16-2,0x25 8,8	

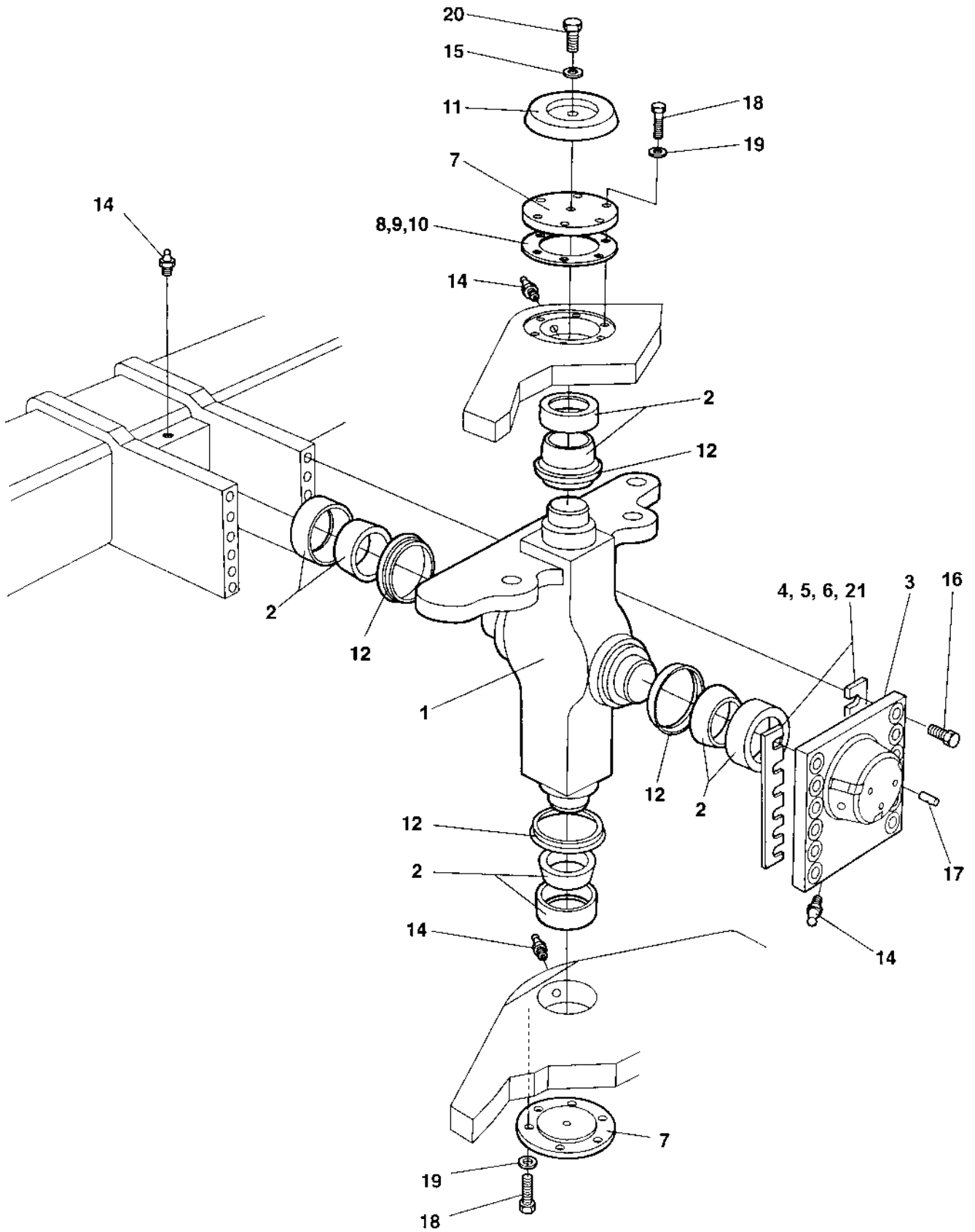




**Scrapers**

<b>Item</b>	<b>Part No</b>	<b>Rem Qty</b>	<b>Description</b>	<b>Code</b>
1	4700397305	18	Scraper tooth	B
2	4812111103	18	Holder	C
3	4700904232	40	Washer	C
4	4700500134	36	Screw	C
5	4700500154	4	Screw M16-2,0x25 8,8	

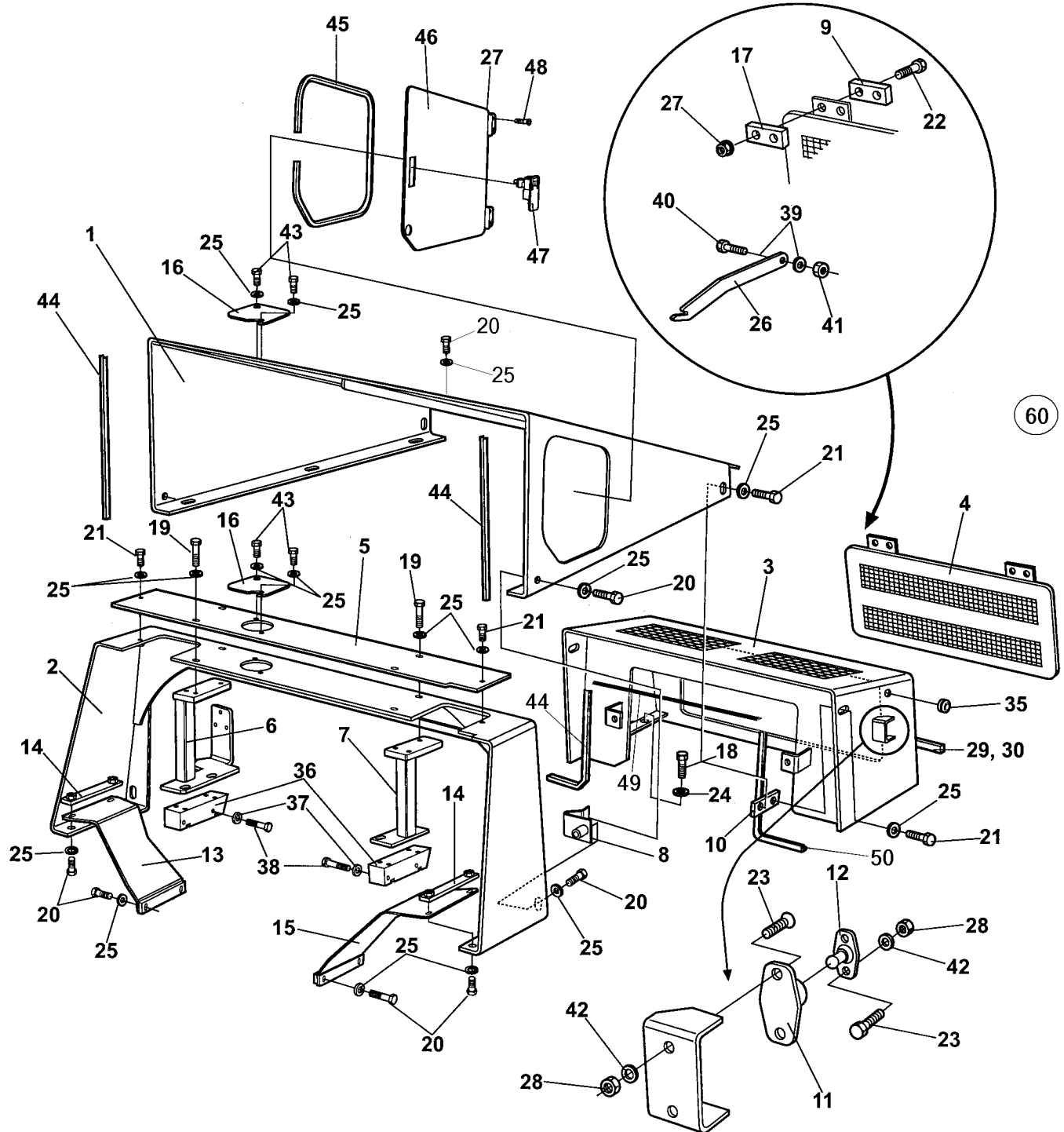
Hitch



Hitch

Item	Part No	Rem Qty	Description	Code
1	4700374900	1	Hitch	D
2	4700100040	4	Axial ball bearing	B
3	4700373421	1	Bearing cover	D
4	4700345871	N	Shim T=1,0 mm	C
5	4700345872	N	Shim T=0,35 mm	C
6	4700345873	N	Shim T=0,10 mm	C
7	4700337042	2	Bearing cover	D
8	4700337045	N	Shim T=1,0 mm	C
9	4700345874	N	Shim T=0,35 mm	C
10	4700345875	N	Shim T=0,10 mm	C
11	4700343159	1	Cover	D
12	4700167032	4	Lip-type oil seal	C
14	4700926214	4	Grease fitting	C
15	4700904229	1	Steel plain washer 8,4x16x1,5	C
16	4700500287	12	Screw M20x80 10,9	C
	4700925208	12	Screw M20x90	D
17	4700910995	3	Stop screw	C
18	4700500037	12	Screw	C
19	4700904231	12	Washer 13x24x2 300 HV	C
20	4700500018	1	Screw M8-1,25x12 8,8	C
21	4700380993	N	Shim T = 2,0 mm	C
	4700384498	N	Shim T = 0,15 mm	C

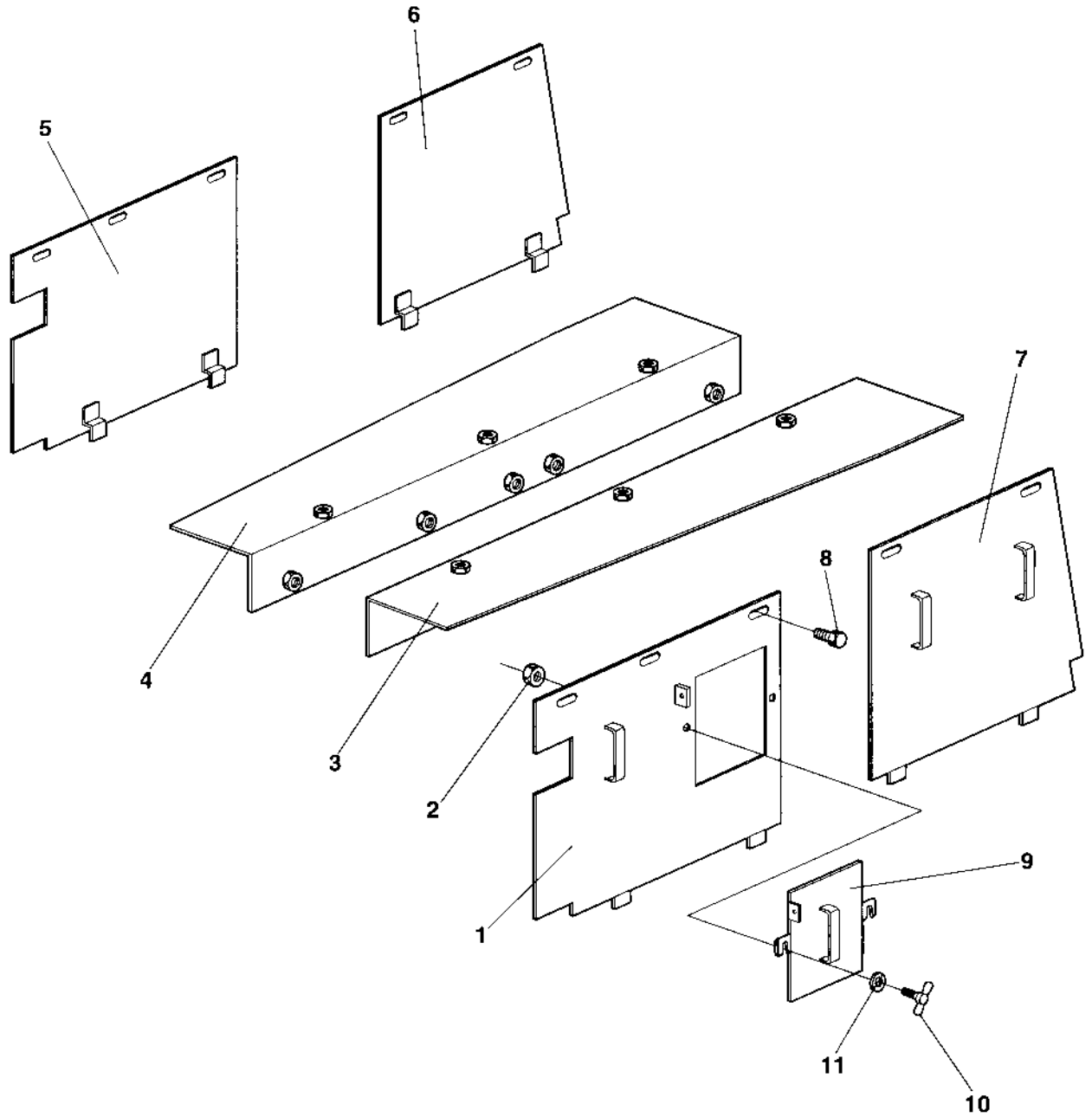
Structure



Structure

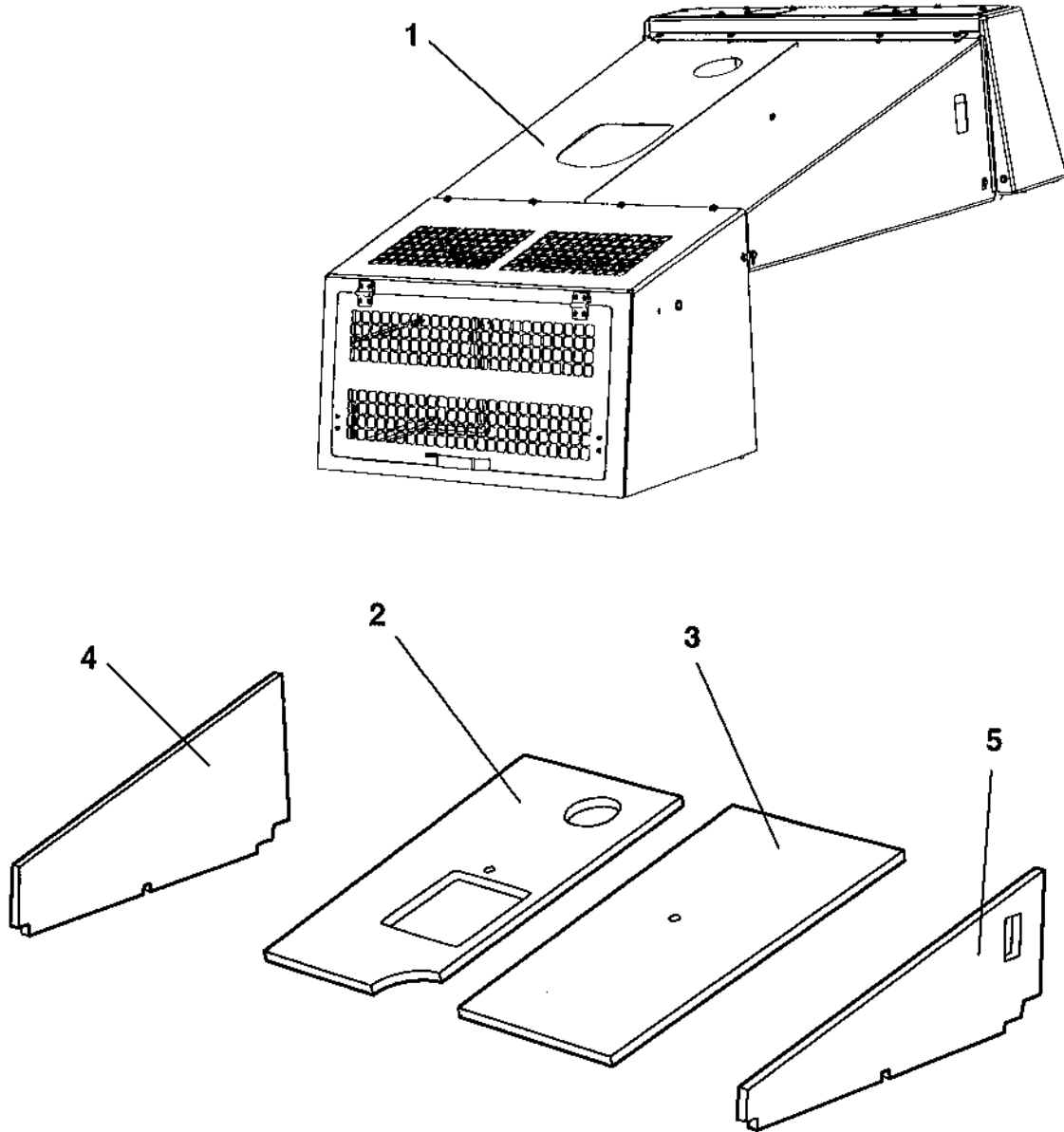
Item	Part No	Rem	Qty	Description	Code
1	4700392911		1	Hood	D
2	4700376340		1	Protecting cover	D
3	4700392912	H	1	Hood	D
4	4700382406	H	1	Rear cover	D
5	4700376354		1	Cover	D
6	4700392786		1	Holder, right	D
7	4700376349		1	Holder, left	D
8	4700376366		2	Holder	D
9	4700380755	H	2	Holder	D
10	4700380109		2	Holder	D
11	4700450066	H	2	Door bumper	D
12	4700450067	H	2	Door bumper	A
13	4700381348		1	Holder	D
14	4700381330		2	Holder	D
15	4700381347		1	Holder	D
16	4700381297		2	Cover	
17	4700380012	H	2	Holder	D
18	4700500031		4	Screw M10x040 8.8	C
19	4700500047		4	Hexagon head screw	C
20	4700500022		19	Screw M8x30H 8.8 A2K	C
21	4700500053		6	Screw M8x20H 8.8	C
22	4700924875	H	4	Screw	D
23	4700904504	H	8	Screw M5 x 18	C
24	4700904557		4	Steel plain washer	C
25	4700904640		34	Washer 8,4x22x3	C
26	4700382411		1	Hook	D
27	4700902285	H	8	Hexagon lock nut with flange	C
28	4700586001	H	8	Lock nut	C
29	4700902379	B	1XL	Edge trim	
30	4700902379	C	1XL	Edge trim	
35	4700791475	A	2	Grommet	D
36	4700381989		2	Holder	D
37	4700904231		4	Washer 13x24x2 300 HV	C
38	4700500133		4	Screw	C
39	4700904228		2	Washer 6,4x12x1,5	C
40	4700500040		1	Screw M6-1x20 8,8	C
41	4700586002		1	Lock nut M6 -8	C
42	4700904281	H	8	Washer 5,3x10x1 300HV	C
43	4700500021		4	Screw M8-1,25x25 8.8	C
44	4700902166	E,E	1XL	Edge trim	D
45	4700902379	D	1XL	Edge trim	
46	4700393857		1	Cover	D
47	4700792549		1	Lock	D
48	4700513012		4	Screw M6x20 10,9	D
49	4700791597	F	1XL	Rubber strip	
50	4700902166	G	1XL	Edge trim	D
60	4700950398	I	1	Engine hood Cpl	D

- A) With membrane
- B) L=0,330M
- C) L=0,550M
- D) L=1,240M
- E) L=0,690M
- F) L=0,660M
- G) L=0,700M
- H) Included in item 60 Engine hood Cpl.
- I) Consists of all items marked "H".



**Side covers Option**

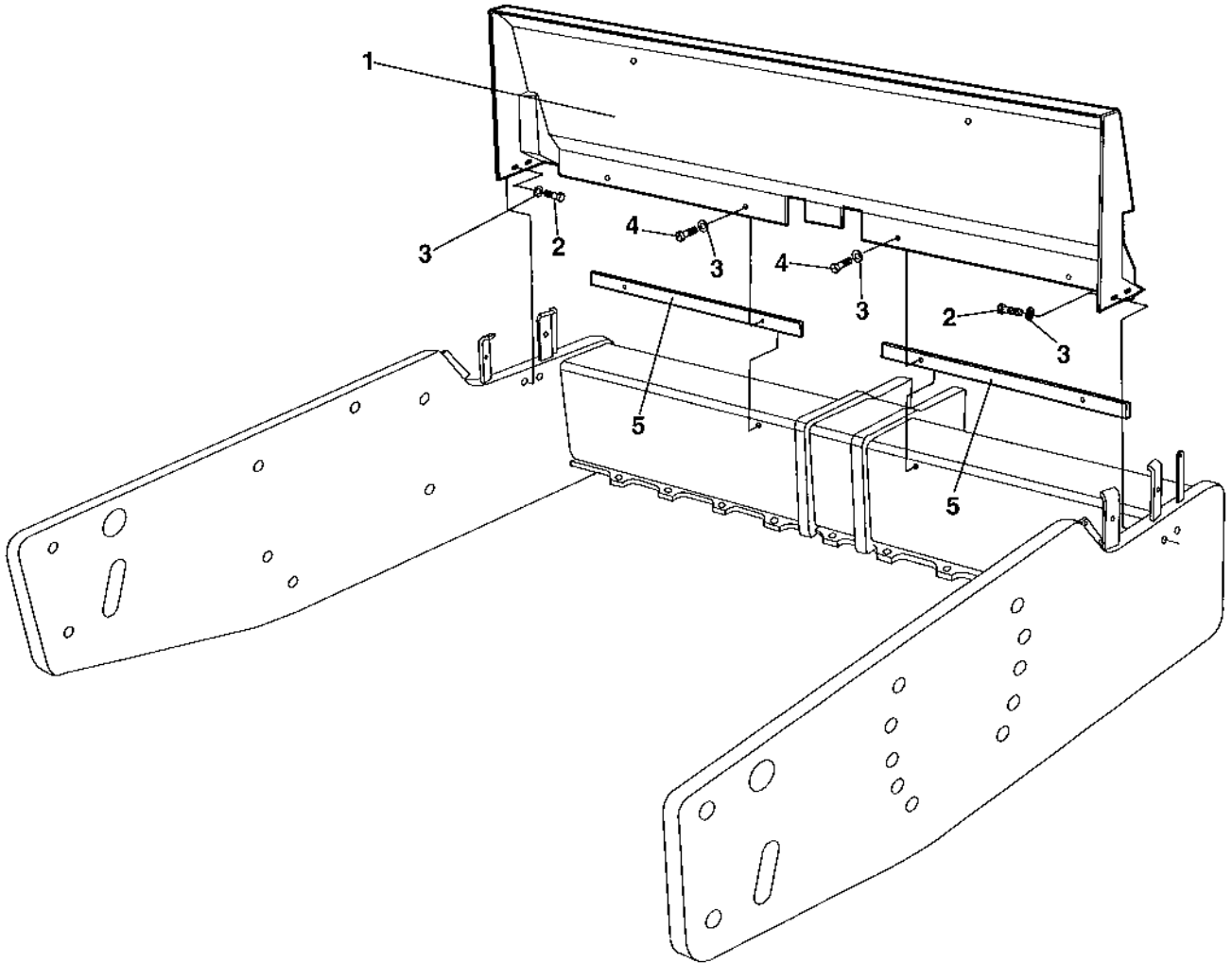
<b>Item</b>	<b>Part No</b>	<b>Rem Qty</b>	<b>Description</b>	<b>Code</b>
1	4700380053	1	Side cover, right	D
2	4700586003	2	Lock nut M8	C
3	4700387089	1	Holder, right	D
4	4700387090	1	Holder, left	D
5	4700380058	1	Side cover, left	D
6	4700380057	1	Side cover, left	D
7	4700380052	1	Side cover, right	D
8	4700500053	16	Screw M8x20H 8.8	C
9	4700381033	1	Cover	D
10	4700904718	2	Wing screw	C
11	4700904640	18	Washer 8,4x22x3	C





Noise suppression

Item	Part No	Rem Qty	Description	Code
1		1	Hood	
2	4700390479	1	Noise suppression	D
3	4700390478	1	Noise suppression	D
4	4700390481	1	Noise suppression	D
5	4700390480	1	Noise suppression	D



**Drum shroud Option**

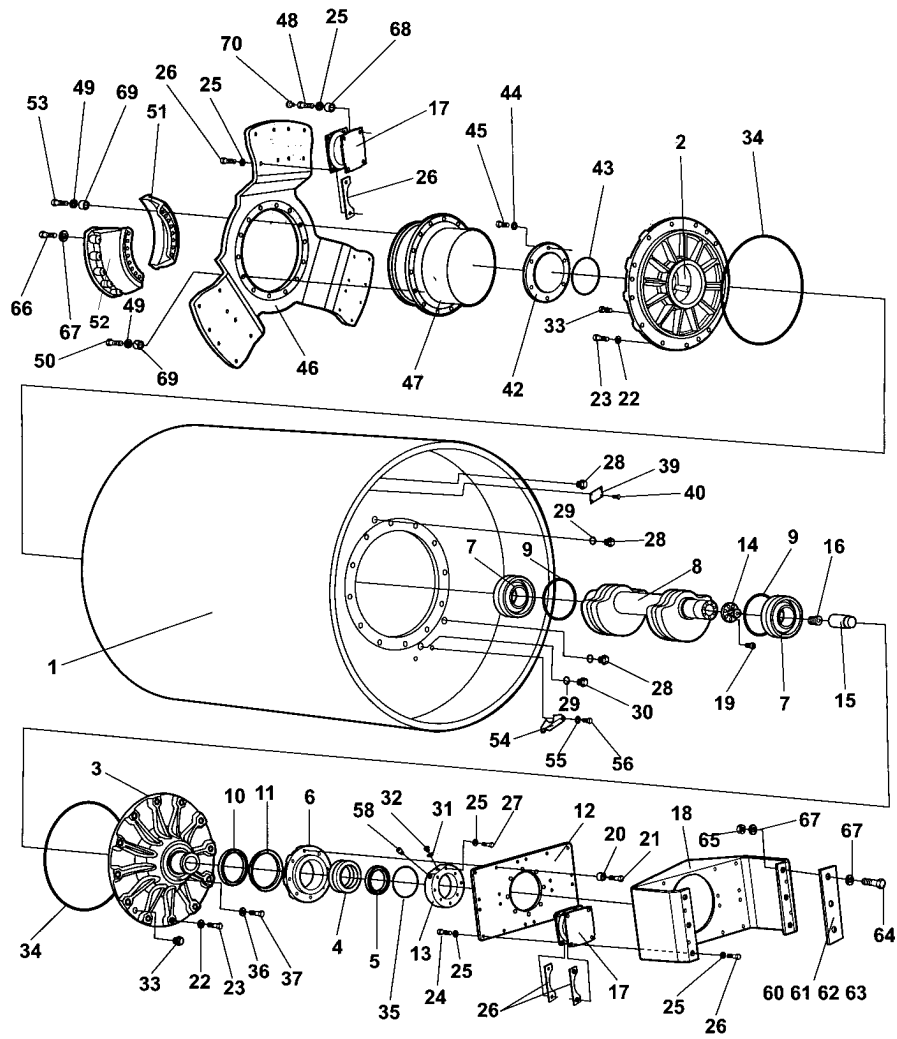
<b>Item</b>	<b>Part No</b>	<b>Rem Qty</b>	<b>Description</b>	<b>Code</b>
1	4700376945	1	Drum shroud	D
2	4700500029	4	Hexagon head screw	C
3	4700904567	8	Washer 10,5x28x6 HB305	C
4	4700500240	4	Screw M10x40H 8,8	D
5	4700376944	2	Spacer	D



**Drum**

<b>Item</b>	<b>Part No</b>	<b>Rem Qty</b>	<b>Description</b>	<b>Code</b>
10			Drum ( Page 44 )	
20	4700380462		Drum gear ( Page 48 )	D
30	4700372987		Drum gear ( Page 50 )	C

Drum

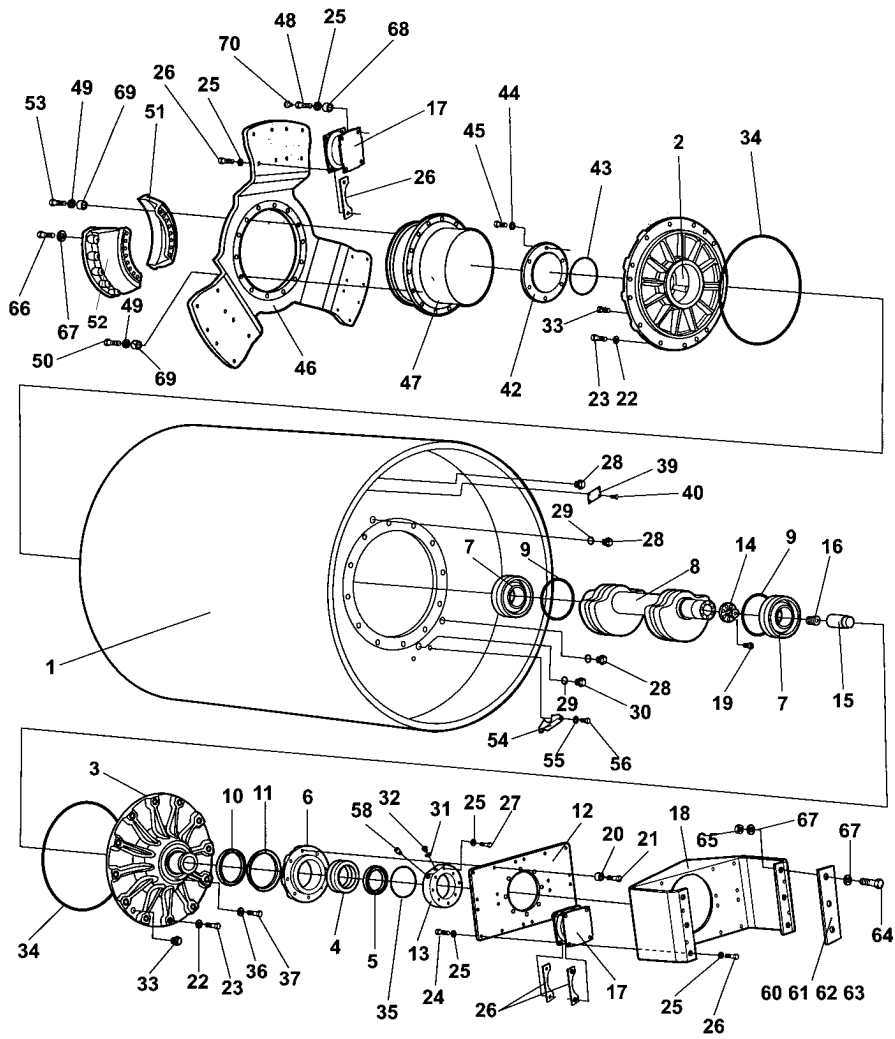


Drum

Item	Part No	Rem Qty	Description	Code
1	4700392823	1	Drum	D
2	4700389063	1	Bearing housing	D
3	4700391206	1	Bearing housing	D
4	4700116041	1	Taper roller bearing	B
5	4812112413	1	Shaft nut	C
6	4700343318	1	Bearing housing	D
7	4700388089	2	Bearing	B
8	4700391195	1	Eccentric shaft	D
9	4700791927	2	Retaining ring	D
10	4700167023	1	Seal ring	B
11	4700929447	1	V-ring	B
12	4700343322	1	Holder plate	D
13	4812110878	1	Motor adapter	
14	4700380018	1	Splined shaft	D
15	4700381027	1	Splined sleeve	D
16	4700349715	1	Spring	D
17	4700801187	10	Shock absorber	B
18	4700396030	1	Bracket	D
19	4700791156	8	Screw M10-1,5x55 12,9	D
20	4700384114	8	Spacer	A
21	4700500082	8	Screw M16x70 8,8	D
22	4700904232	24	Washer	C
23	4700500165	24	Screw M16-2,0x75 8,8	D
24	4812110444	56	Hexagon head screw w Tuflok M12x40H 8.8 A3K	C
25	4700904231	84	Washer 13x24x2 300 HV	C
26	4700383436	28	Holder	D
27	4700500196	4	Screw M12-1,75x80 8.8	D
28	4700232210	3	Plug	B
29	4700162017	3	Seal ring	B
30	4700343744	1	Magnetic plug	C
31	4700162018	1	Sealing	B
32	4700370231	1	Plug	C
33	4700900775	6	Plug	C
34	4700904737	2	O-ring	D
35	4700160105	1	O-ring 70	C
36	4700230277	3	Copper washer 12,2x17,9x1,5	D
37	4700904177	3	Screw	
39	4700343801	1	Sign plate	D
40	4700527002	4	Drive screw	C
42	4700383783	1	Bearing cover	D
43	4700160358	1	O-ring	D
44	4700904230	6	Steel plain washer	C
45	4700500029	6	Hexagon head screw	C
46	4812114420	1	Drive disc	D
47	4700380462	1	<b>Drum gear ( Page 48 )</b>	D
48	4812110640	24	Hexagon socket head cap screw M12x40H 8.8 A3K	C
49	4700904233	32	Washer 21x36x3	C
50	4812110520	16	Screw	D
51	4700373442	A	1 Gear holder	D
52	4700373443	B	1 Gear holder	D
53	4700903919	16	Screw	
54	4700359955	1	Drop plate	D
55	4700904229	2	Steel plain washer 8,4x16x1,5	C
56	4700500019	2	Hexagon head screw M8x16H 8,8	C
58	4700926736	1	Breather	C
60	4700393276	N	Shim T = 1,5 mm	D
61	4700393277	N	Shim T = 3 mm	D
62	4700393278	N	Shim T = 6 mm	D

A) Right  
B) Left

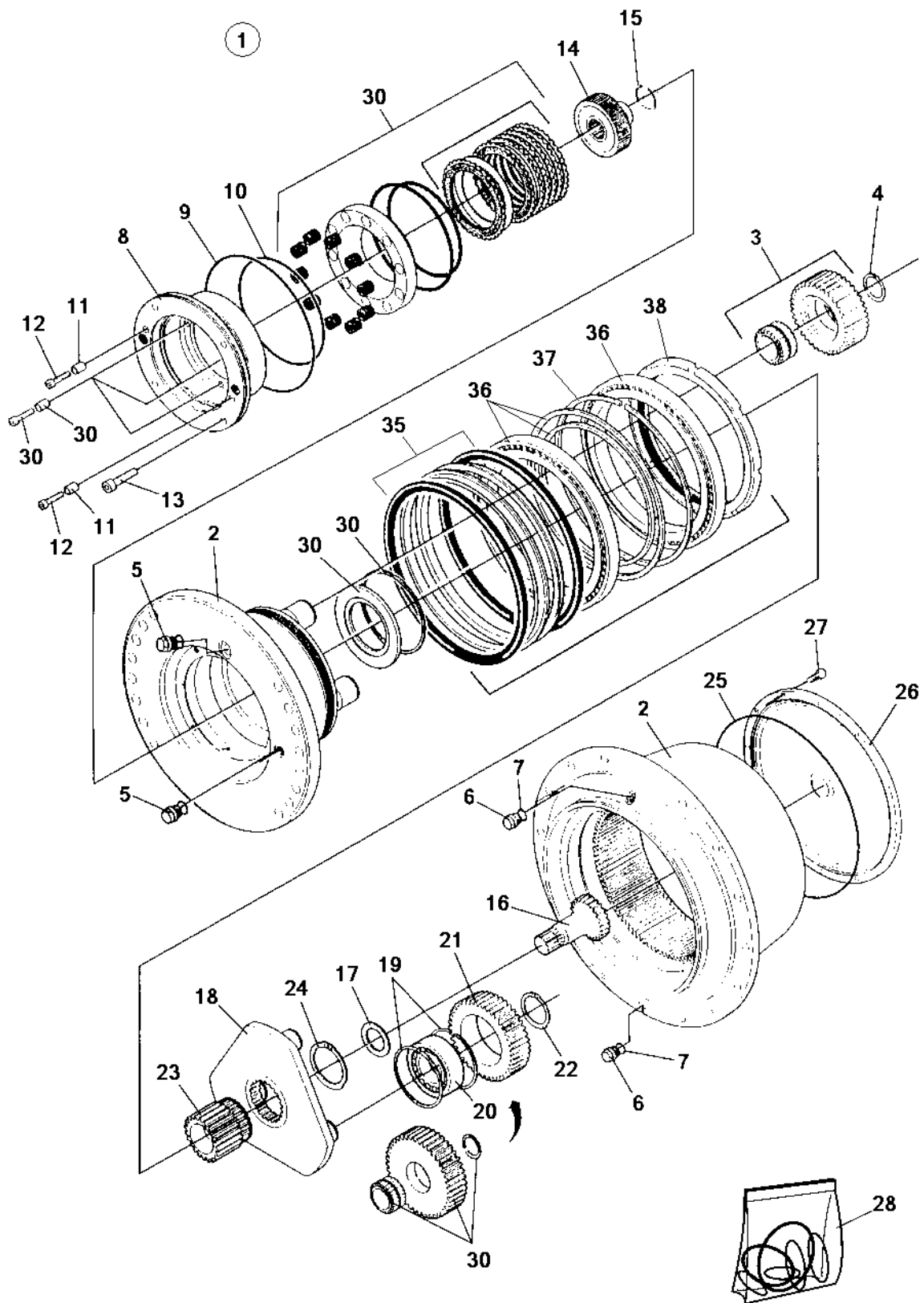
Drum





**Drum**

<b>Item</b>	<b>Part No</b>	<b>Rem Qty</b>	<b>Description</b>	<b>Code</b>
63	4700393279	N	Shim T = 8 mm	D
64	4700903792	6	Screw M24x100 10.9	C
65	4700792464	4	Nut M24 -10 DIN985	D
66	4700928231	10	Screw M24X80 10.9	D
67	4700904234	22	Steel plain washer	C
68	4812110346	24	Spacer	C
69	4812110366	32	Spacer	
70	4811000127	24	Cover cap	B

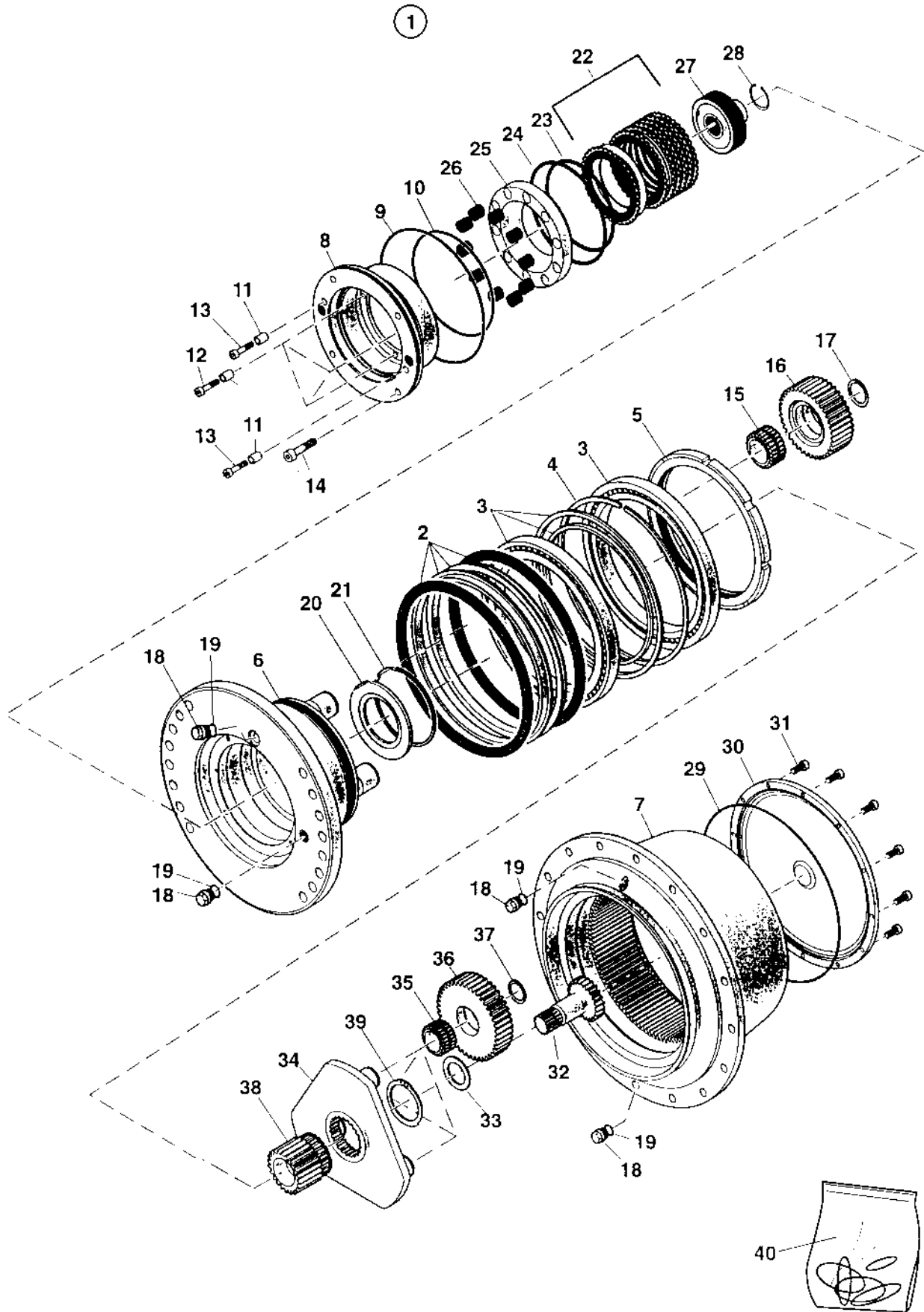


**4700380462 Drum gear**

Item	Part No	Rem Qty	Description	Code
1		1	Drum gear, cpl	
2		1	. Hub	
3		3	. Planet gear	
4		3	. Retaining ring	
5	4700935394	2	. Plug	
6		2	. Plug	
7	4700935395	4	. Seal ring	
8	4700935865	1	. Adapter	
9	4700935866	1	. O-ring	
10	4700935867	1	. O-ring	
11	4700935868	2	. Bushing	
12	4700935870	2	. Screw	
13	4700902944	4	. Screw	
14	4700935874	1	. Coupling	
15	4700935875	A 1	. Retaining ring	
16	4700935876	1	. Sun wheel	
17	4700935877	1	. Spacer	
18		1	. Planet carrier	
19		6	. Retaining ring	
20	4812155788	3	. Roller bearing	B
21		3	. Planet gear	
22	4700935881	3	. Retaining ring	
23	4700935882	1	. Sun wheel	
24	4700935883	1	. Retaining ring	
25	4700935413	1	. O-ring	
26	4700935414	1	. Cover	
27		12	. Screw	
28	4700945581	1	. Seal kit	
30			Not used on this model	
35	4700935859	1	. Seal	
36	4812156168	B 2	. Roller bearing	
37		1	. Spring ring	
38	4700935862	1	. Nut	

A) Only used with Single speed Propulsion motor.

B) Kit, includes 2 pcs



**4700372987 Drum gear**

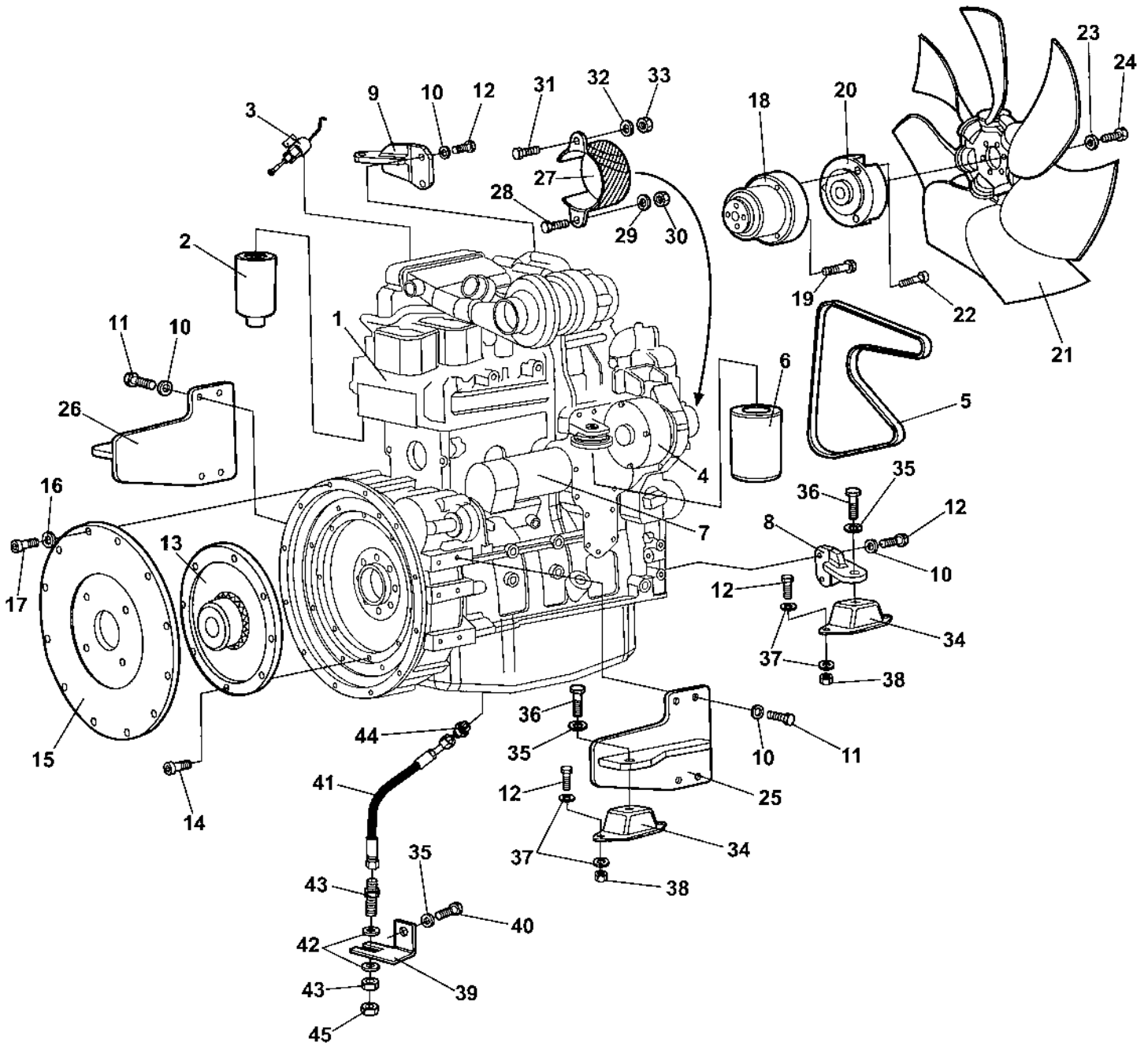
Item	Part No	Rem	Qty	Description	Code
1			1	Drum gear, cpl	
2	4700935859		1	. Seal	
3	4700935860		1	. Roller bearing	
4	4700935861		1	. Spring ring	
5	4700935862		1	. Nut	
6	4700935863		1	. Hub	
7	4700935864		1	. Hollow wheel	
8	4700935865		1	. Adapter	
9	4700935866	A	1	. O-ring	
10	4700935867	A	1	. O-ring	
11	4700935868		5	. Bushing	
12	4700935869		3	. Screw	
13	4700935870		2	. Screw	
14	4700935871	C	4	. Screw	
15	4700935872		4	. Roller bearing	
16	4700935873		4	. Planet gear	
17	4700935421		4	. Retaining ring	
18	4700935394		4	. Plug	
19	4700935395	A	4	. Seal ring	
20	4700935398		1	. Plate	
21	4700935399		1	. Spring ring	
22	4700935400		1	. Brake disc kit	
23	4700935401	A	1	. O-ring	
24	4700935402	A	1	. O-ring	
25	4700935403		1	. Piston	
26	4700935404		10	. Spring	
27	4700935874		1	. Coupling	
28	4700935875	B	1	. Retaining ring	
29	4700935413	A	1	. O-ring	
30	4700935414		1	. Cover	
31	4700935415		12	. Screw	
32	4700935876		1	. Sun wheel	
33	4700935877		1	. Spacer	
34	4700935878		1	. Planet carrier	
35	4700935879		3	. Roller bearing	
36	4700935880		3	. Planet gear	
37	4700935881		3	. Retaining ring	
38	4700935882		1	. Sun wheel	
39	4700935883		1	. Retaining ring	
40	4700935380		1	Seal kit	

- A) Incl. in item 40
- B) Only used with Single speed Propulsion motor.
- C) For Brake release



**Engine**

<b>Item</b>	<b>Part No</b>	<b>Rem Qty</b>	<b>Description</b>	<b>Code</b>
10			Engine ( Page 54 )	
15			Fan and Fan clutch ( Page 56 )	
20			Cooling system ( Page 58 )	
30			Combustion air system ( Page 62 )	
40			Fuel system ( Page 64 )	
50			Exhaust system ( Page 66 )	
60			Pre air cleaner Option ( Page 68 )	

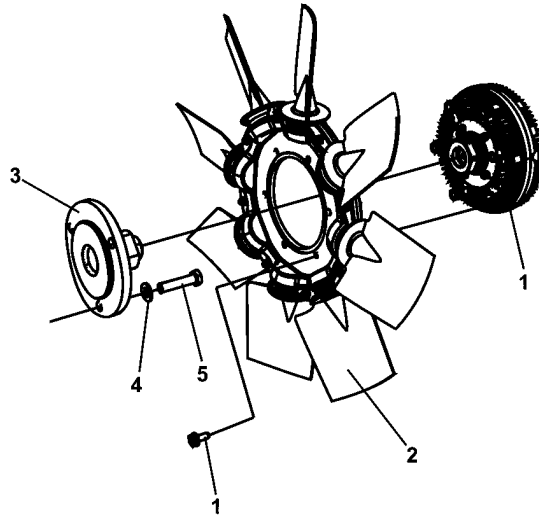




**Engine**

Item	Part No	Rem Qty	Description	Code
1	4700380015	1	Engine Cummins 4BTA 3.9 Elite	D
2	4700935969	1	. Fuel filter w. water separator	A
3	4700935758	1	. Fuel solenoid	D
4	4700945140	1	. Alternator	C
5	4700901449	1	. V-belt	B
6	4700212373	1	. Oil filter	A
7	4700939505	1	. Starter	C
8	4700392283	1	Engine bracket, Right	
9	4700392284	1	Engine bracket, Left	
10	4700904638	12	Washer 12x22x2	C
11	4700508079	8	Screw M12-1,75x35H 8,8	
12	4700500194	12	Screw	C
13	4700370229	1	Coupling, cpl	D
14	4700509025	8	Screw 3/8-16UNCx32 8,8	
15	4700372772	1	Bracket	C
16	4700904637	12	Washer	C
17	4700508029	12	Screw M10-1,5x30H 8,8	C
18	4700394005	1	Connector	D
19	4700792661	4	Screw M12-1,25x80 12,9	D
20		A	Not valid for this model	
21		A	Not valid for this model	
22		A	Not valid for this model	
23		A	Not valid for this model	
24		A	Not valid for this model	
25	4700393962	1	Engine bracket Right	D
26	4700393963	1	Engine bracket Left	D
27	4700380101	1	V-belt cover	D
28	4700904241	1	Screw	C
29	4700904640	1	Washer 8,4x22x3	C
30	4700586003	1	Lock nut M8	C
31	4700904379	1	Screw M10x110H 8,8	
32	4700904230	1	Steel plain washer	C
33	4700586018	1	Hexagon lock nut	C
34	4700387129	4	Shock absorber	D
35	4700904232	5	Washer	C
36	4700500070	4	Screw M16x50	C
37	4700904703	16	Washer	B
38	4700586019	8	Lock nut	C
39	4700388855	1	Bracket	D
40	4700500154	1	Screw M16-2,0x25 8,8	
41	4700394511	1	Oil drain hose	D
42	4700904233	2	Washer 21x36x3	C
43	4700230515	1	Connector	C
44	4700925723	1	Connector	C
45	4700330383	1	Cap hydraulic	

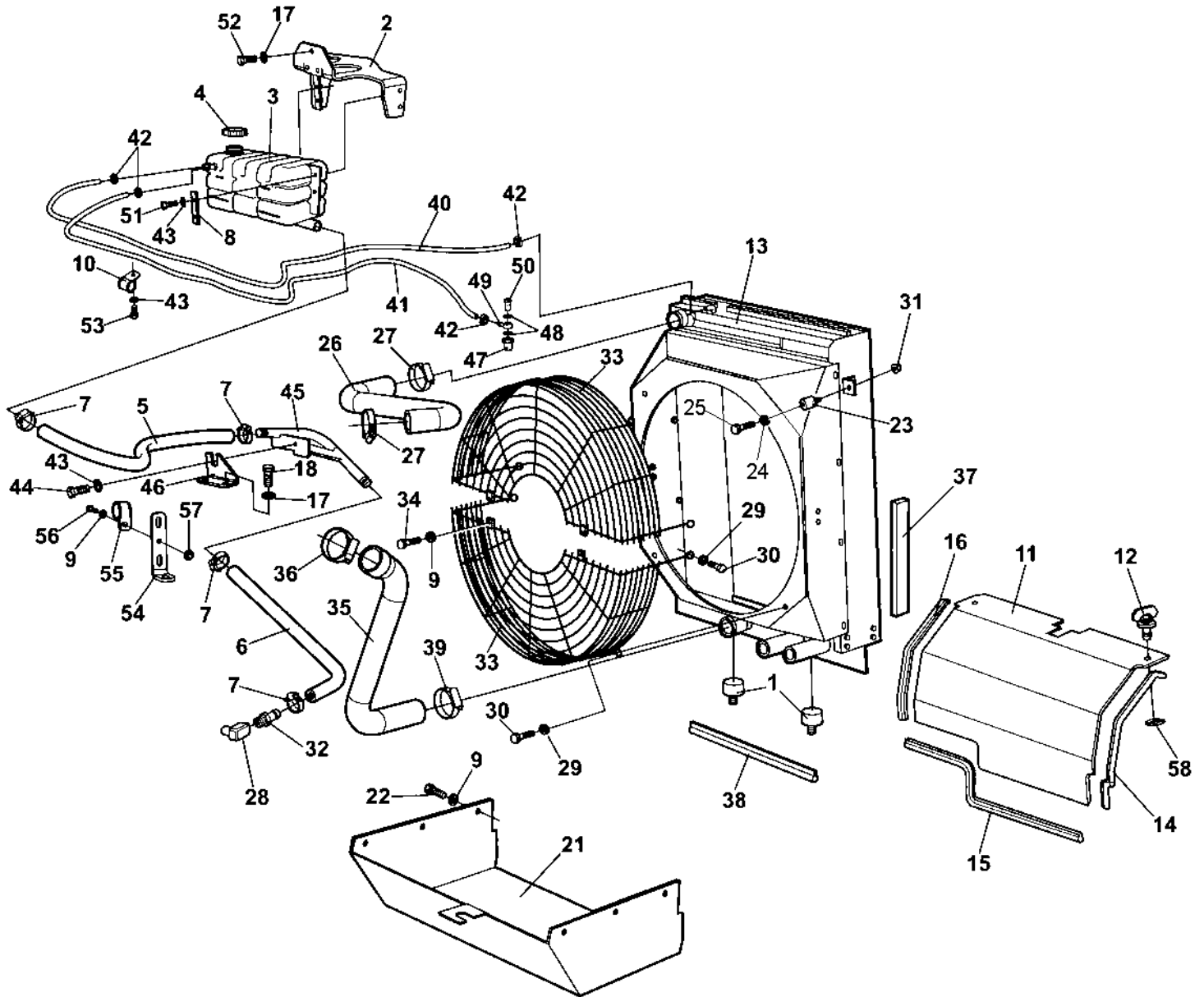
A) See Section "Fan and Fan clutch" .



**Fan and Fan clutch**

Item	Part No	Rem	Qty	Description	Code
1	4700397284	B	1	Fan clutch	D
		A	6	. Screws	
2	4700397285		1	Fan	D
3	4700397216		1	Fan spacer	D
4	4700904231		3	Washer 13x24x2 300 HV	C
5	4700925519		3	Screw M12x55 10.9 GEOMET	D

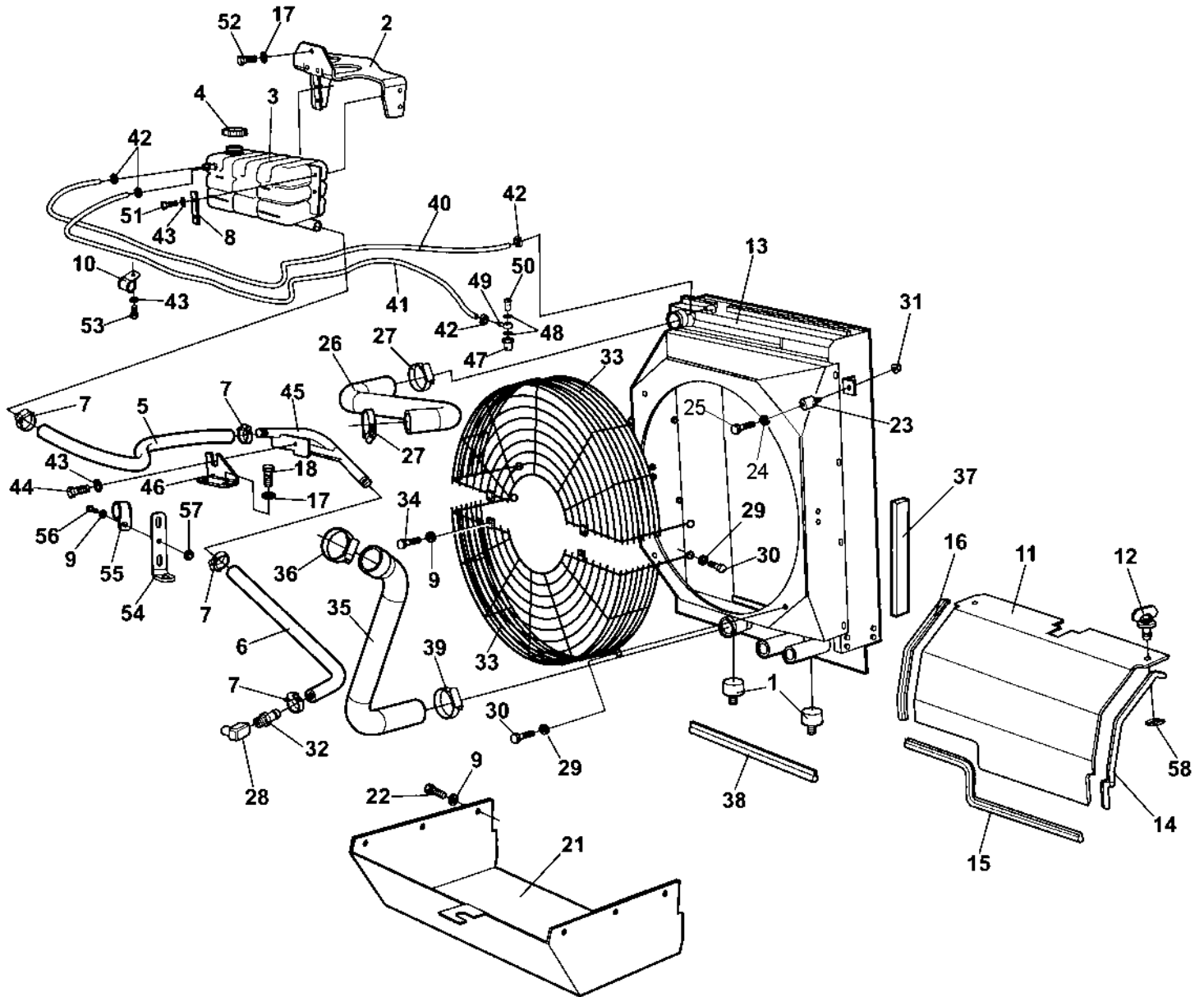
- A) Delivered with Fan clutch
- B) Viscose coupling.



**Cooling system**

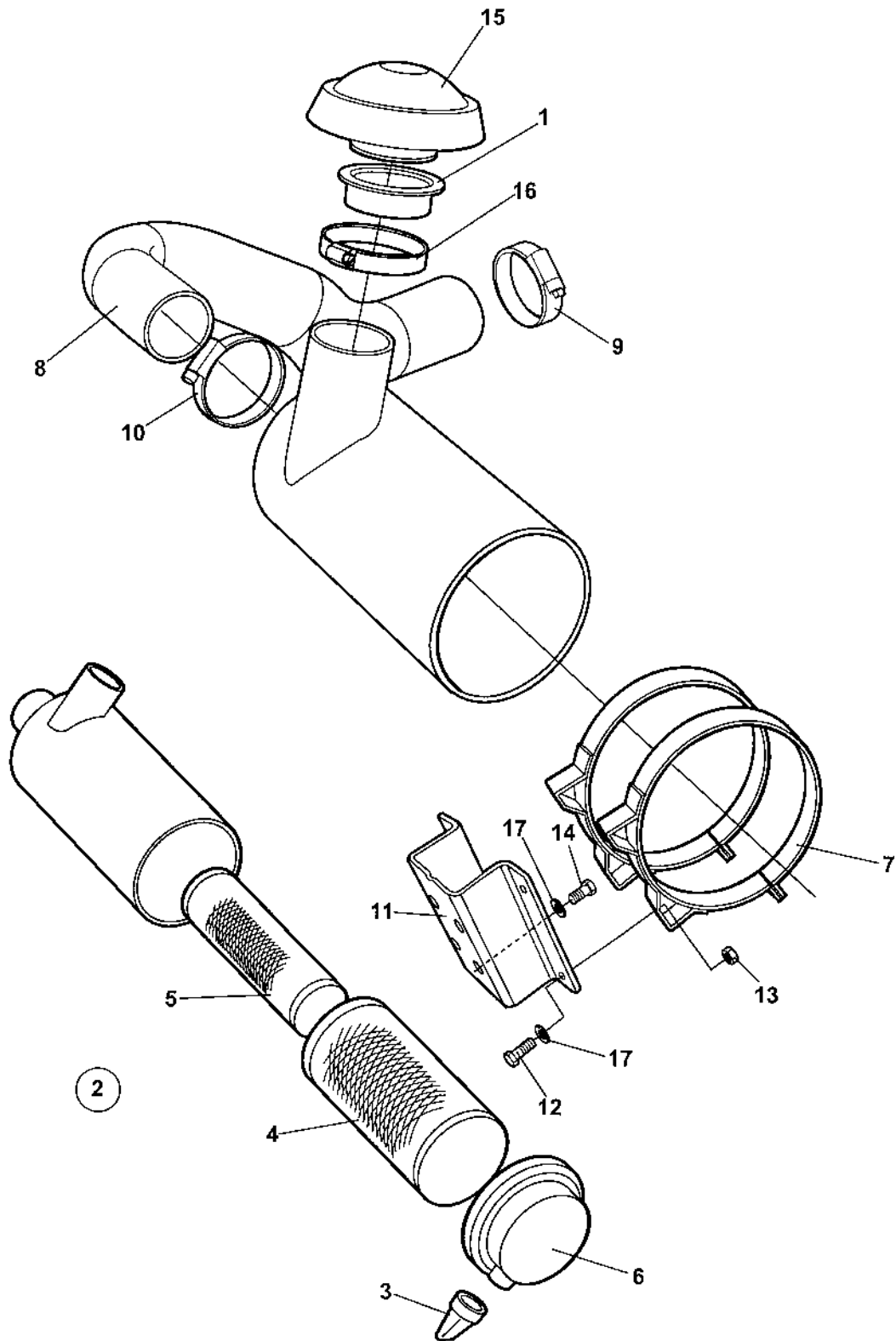
Item	Part No	Rem Qty	Description	Code
1	4700904551	2	Shock absorber	
2	4700392170	1	Holder	D
3	4700392313	1	Expansion tank	
4	4700903714	1	Cap	
5	4700205027	A 1XL	Coolant hose	D
6	4700205027	B 1XL	Coolant hose	D
7	4700313006	4	Hose clamp	D
8	4700381413	2	Washer	
9	4700904229	8	Steel plain washer 8,4x16x1,5	C
10	4700921084	1	Pipe clamp	
11	4700386853	1	Air inlet plate	D
12	4700904486	2	Quick lock	
13	4700394097	1	Radiator	D
14	4700902166	C 1XL	Edge trim	D
15	4700902166	D 1XL	Edge trim	D
16	4700902166	E 1XL	Edge trim	D
17	4700904230	5	Steel plain washer	C
18	4700500028	2	Screw	C
21	4700386943	1	Air leading plate	D
22	4700500053	6	Screw M8x20H 8.8	C
23	4700371774	2	Shock absorber	D
24	4700904639	2	Washer 6,7x14x1,5	C
25	4700500012	2	Screw M6x12	C
26	4700393705	1	Coolant hose	D
27	4700313010	2	Hose clamp	C
28	4700234365	1	Elbow 90	
29	4700904640	8	Washer 8,4x22x3	C
30	4700500019	8	Hexagon head screw M8x16H 8,8	C
31	4700902285	2	Hexagon lock nut with flange	C
32	4700370840	1	Hose connection	D
33	4700387085	2	Fan guard	D
34	4700500018	2	Screw M8-1,25x12 8,8	C
35	4700393713	1	Coolant hose	D
36	4700313023	1	Hose clamp	
37	4700202041	F 1XL	Rubber strip	D
38	4700902166		Edge trim	D
39	4700313010	1	Hose clamp	C
40	4700246069	G 1XL	Fuel hose 3/8"	C
41	4700246069	H 1XL	Fuel hose 3/8"	C
42	4700313001	4	Hose clamp	C
43	4700904228	7	Washer 6,4x12x1,5	C
44	4700500013	2	Screw M6-1x16 8,8	C
45	4700393772	1	Pipe assembly	D
46	4700394071	1	Bracket	D
47	4700392378	1	Connector	D
48	4700747282	2	Copper washer	C
49	4700330170	1	Banjo nipple	D
50	4700330171	1	Hollow screw	C
51	4700500075	4	Screw M6-1,0x25 8.8	C
52	4700500029	3	Hexagon head screw	C
53	4700500040	1	Screw M6-1x20 8,8	C
54	4700390083	1	Holder	D

- A) L=0,95M
- B) 0,570M
- C) L=0,450M
- D) L=0,690M
- E) L=0,330M
- F) L=0,6M
- G) L=1,90M
- H) L=1,90M



**Cooling system**

<b>Item</b>	<b>Part No</b>	<b>Rem Qty</b>	<b>Description</b>	<b>Code</b>
55	4700921050	1	Clamp	C
56	4700500021	1	Screw M8-1,25x25 8.8	C
57	4700902286	1	Hexagon lock nut with flange	C
58	4700926985	2	Quick lock washer	C

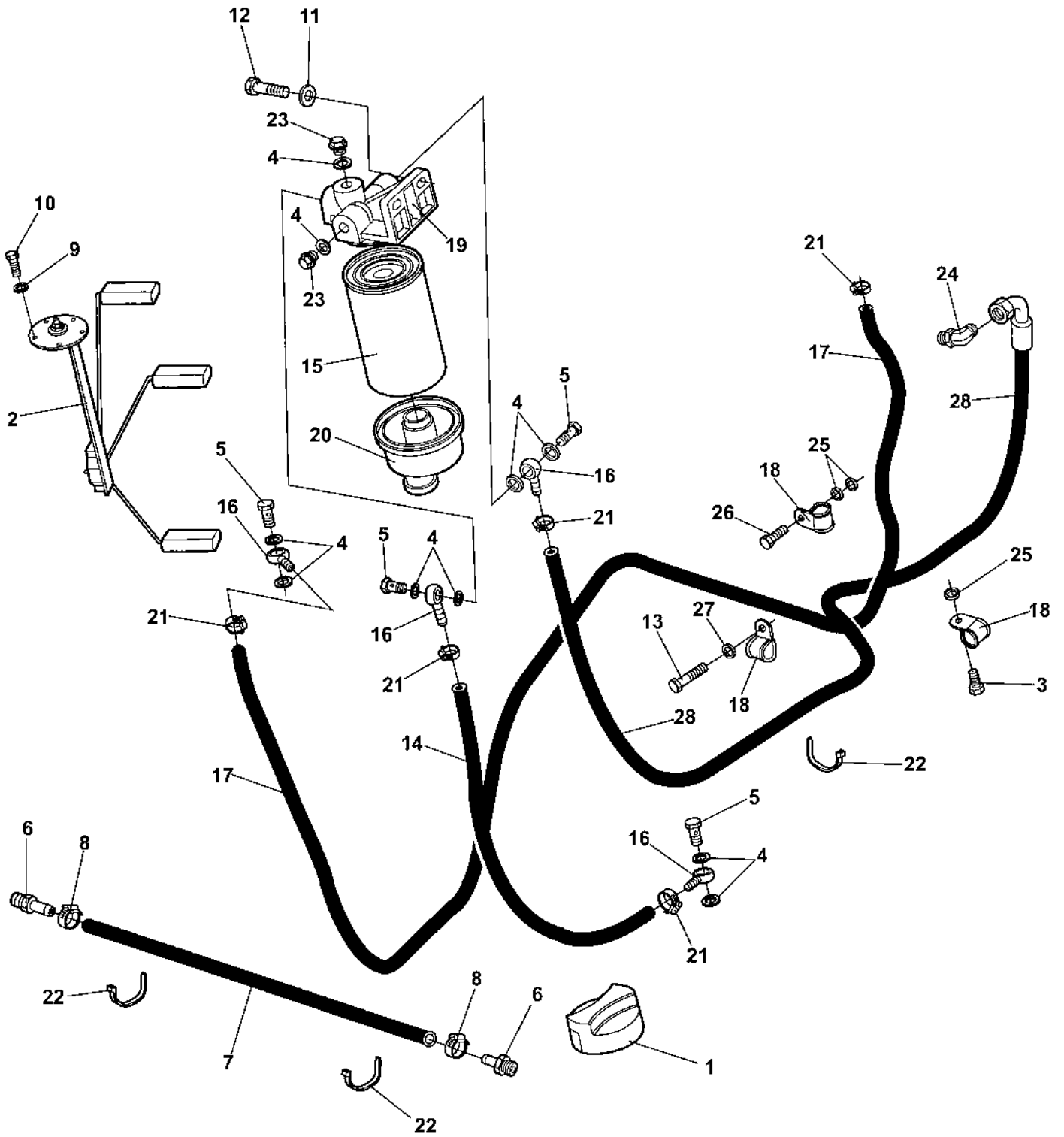




**Combustion air system**

<b>Item</b>	<b>Part No</b>	<b>Rem Qty</b>	<b>Description</b>	<b>Code</b>
1	4700348309	1	Rubber bushing	D
2	4700394680	1	Air cleaner Cpl	D
3	4700908399	1	. Vacuator valve	A
4	4700394686	1	. Air filter element, main	A
5	4700394687	1	. Air filter element, safety	A
6	4700395022	1	. Cover	D
7	4700813791	2	Mounting band	D
8	4700393666	1	Air inlet hose	D
9	4700392810	1	Hose clamp	D
10	4700389600	1	Hose clamp	D
11	4700393085	1	Filter bracket	D
12	4700500021	4	Screw M8-1,25x25 8.8	C
13	4700586003	4	Lock nut M8	C
14	4700500053	4	Screw M8x20H 8.8	C
15	4700499266	1	Protection cover	D
16	4700904060	1	Hose clamp	C
17	4700904556	8	Washer 8,4x16x3,0	C

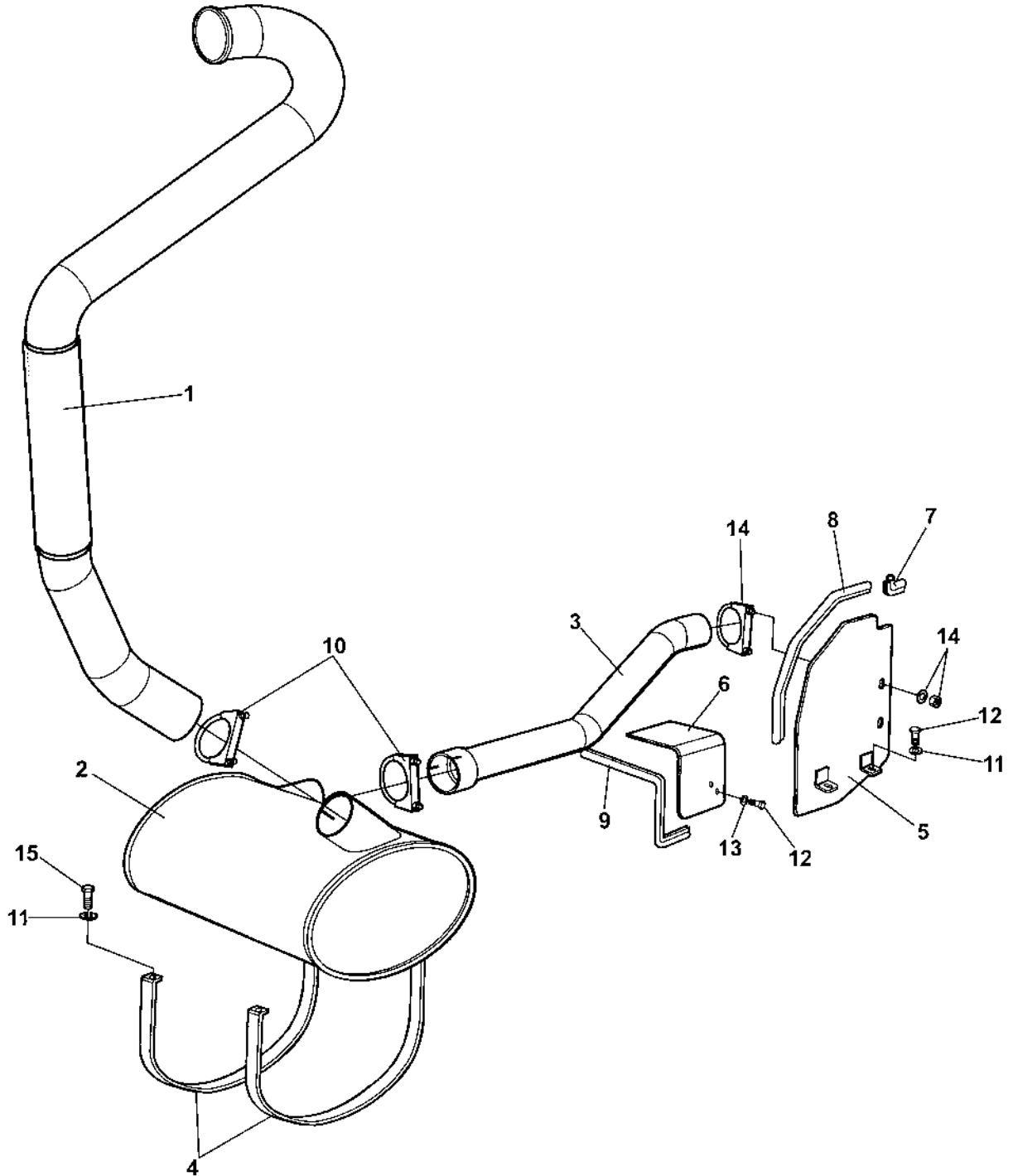
Fuel system



**Fuel system**

Item	Part No	Rem Qty	Description	Code
1	4700373460	1	Fuel cap	D
2	4700904695	1	Fuel level sender	D
	4700945777	1	Gasket	D
3	4700500021	2	Screw M8-1,25x25 8.8	C
4	4700747282	10	Copper washer	C
5	4700330171	4	Hollow screw	C
6	4700373574	2	Hose connection	D
7	4700244054	A	Hose reinforced	C
8	4700313002	2	Hose clamp 13-20 mm	
9	4700904281	5	Washer 5,3x10x1 300HV	C
10	4700500006	5	Screw M5x16	C
11	4700904230	2	Steel plain washer	C
12	4700500029	2	Hexagon head screw	C
13	4700500067	2	Screw M8-1,25x55 8,8	C
14	4700904984	B	Fuel hose	C
	4700904985	B	Fuel hose	C
15	4700939404	1	Pre-fuel filter element	A
16	4700901121	4	Banjo fitting 14x6 Hose 8	D
	4700330170	4	Banjo nipple	D
17	4700904984	C	Fuel hose	C
	4700904985	C	Fuel hose	C
18	4700902558	5	Clamp	D
19	4700939403	1	Filter head	
20	4700939405	1	Bowl	
21	4700313001	5	Hose clamp	C
22	4700313041		Cable ties	B
23	4700903190	2	Steel plug	
24	4700234619	1	Adapter	
25	4700603018	4	Washer 10x18x4	C
26	4700500022	1	Screw M8x30H 8.8 A2K	C
27	4700904229	2	Steel plain washer 8,4x16x1,5	C
28	4700390705	1	Fuel hose	D

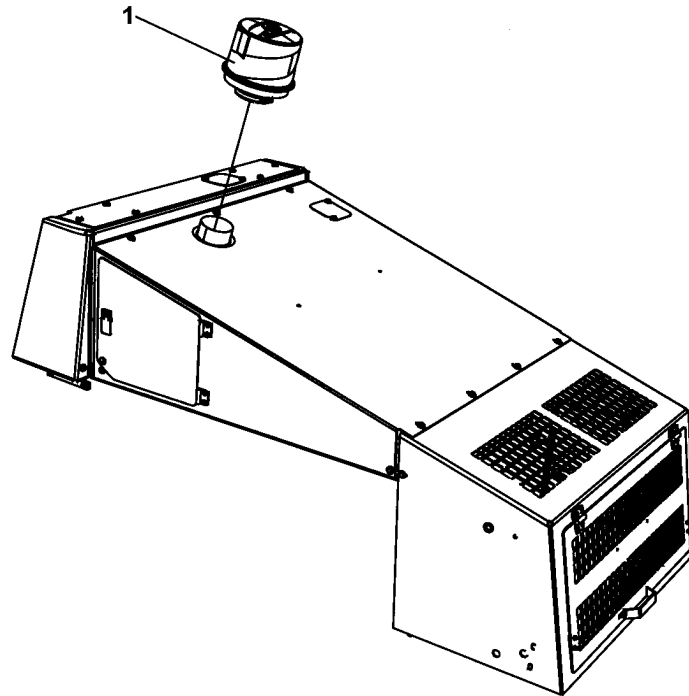
- A) L = 0,64 m
- B) L = 0,55 m
- C) L = 2,12 m



**Exhaust system**

Item	Part No	Rem Qty	Description	Code
1	4700393661	1	Exhaust pipe	D
2	4700392295	1	Muffler	D
3	4700392296	1	Exhaust pipe	D
4	4700386789	2	Clamp	D
5	4700377098	1	Thermal guard	D
6	4700392747	1	Thermal guard	D
7	4700902166	A 1XL	Edge trim	D
8	4700902166	B 1XL	Edge trim	D
9	4700902166	C 1XL	Edge trim	D
10	4700313094	2	Pipe clamp	C
11	4700904640	6	Washer 8,4x22x3	C
12	4700500053	4	Screw M8x20H 8.8	C
13	4700904229	4	Steel plain washer 8,4x16x1,5	C
14	4700313093	1	Pipe clamp	D
15	4700500022	4	Screw M8x30H 8.8 A2K	C

- A) L=0,080M  
B) L=0,410M  
C) L=0,380M



**Pre air cleaner Option**

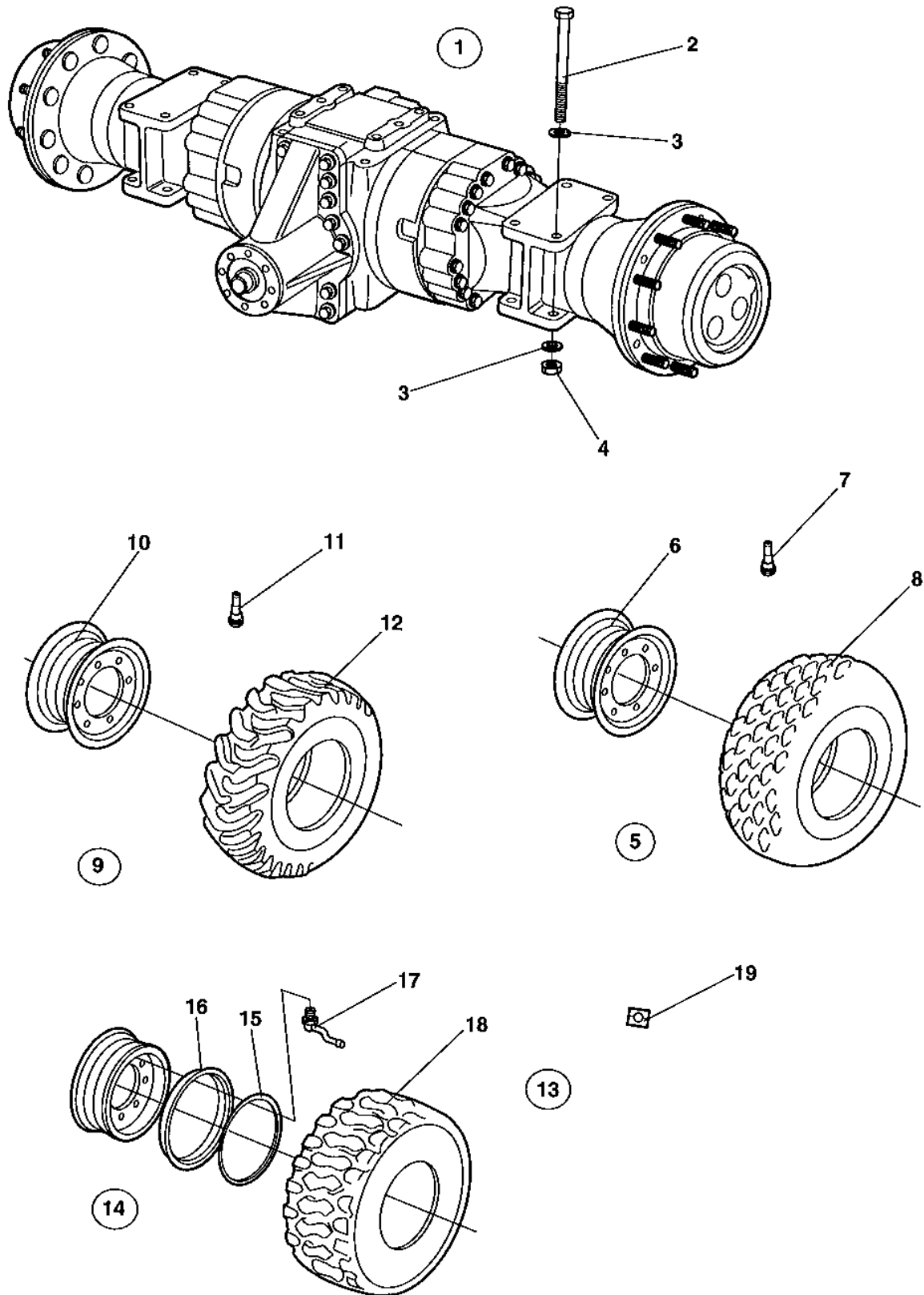
<b>Item</b>	<b>Part No</b>	<b>Rem Qty</b>	<b>Description</b>	<b>Code</b>
1	4700397584	1	Pre air cleaner filter	





**Transmission**

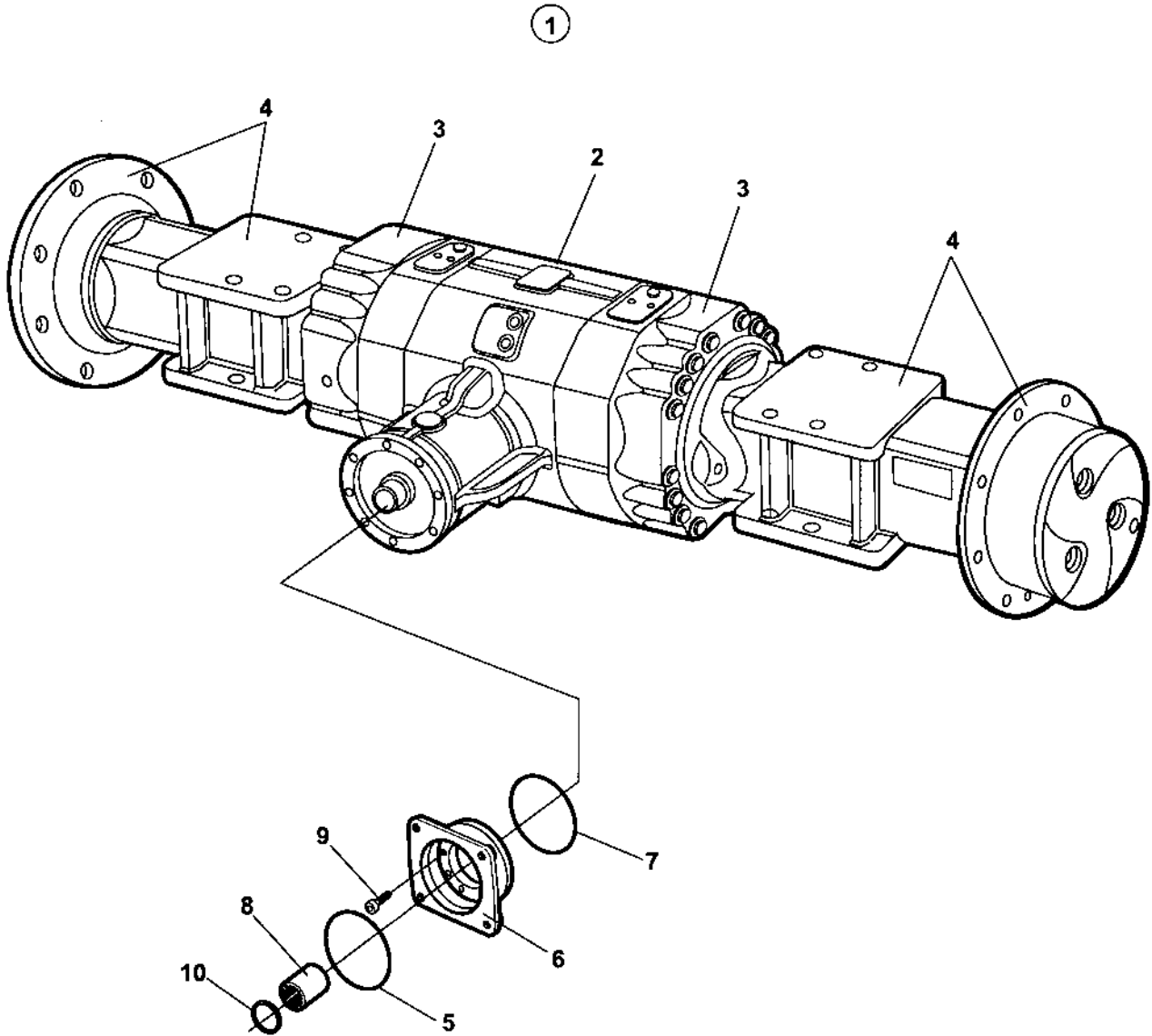
<b>Item</b>	<b>Part No</b>	<b>Rem Qty</b>	<b>Description</b>	<b>Code</b>
10			Rear axle and wheels ( Page 72 )	
27	4700393002		Rear axle ( Page 74 )	
35	4700383856		Rear axle No-Spin, Option ( Page 82 )	
45	4700396309		Rear axle ( Page 90 )	



Rear axle and wheels

Item	Part No	Rem Qty	Description	Code
1	4700383857	1	Rear axle Limited slip	
2	4700929217	8	Screw	D
3	4700904233	16	Washer 21x36x3	C
4	4700901145	8	Lock nut M20-10	
5	4700390590	2	Wheel, cpl	D
	4700390762 A	2	Wheel, cpl	D
	4700388145 A,G	1	Wheel, cpl	D
	4700388146 G	1	Wheel, cpl	D
6	4700393335	1	. Rim	D
7	4700792261	1	. Air charging valve Straight	B
8	4700390591	1	. Tyre	D
	4700791573 J,G	1	. Tyre	D
9	4700390588 B	1	Tractor wheel, cpl	D
	4700390587 C	1	Tractor wheel, cpl	D
	4700390759 D	1	Tractor wheel, cpl	D
	4700390760 E	1	Tractor wheel, cpl	D
10	4700393335	1	. Rim	D
11	4700792261	1	. Air charging valve Straight	B
12	4700390589	1	. Tyre	D
13	4700383974 F	2	Wheel, tubeless, cpl	D
	4700383975 K	2	Wheel, tubeless, cpl	D
14	4700383955	1	. Rim cpl	D
15	4700901443	1	. . Snap ring	
16	4700901444	1	. . Side ring	
17	4700791175	1	. Air charging valve	B
	4700791176	1	. Valve foot	D
18	4700901218	1	. Tyre	D
19	4700355983 H	2	Decal "TYRE PRESSURE" 200kPa/29psi	D
	4700903985 I	2	Decal "SAFETY", "TYRE IN BALLAST"	

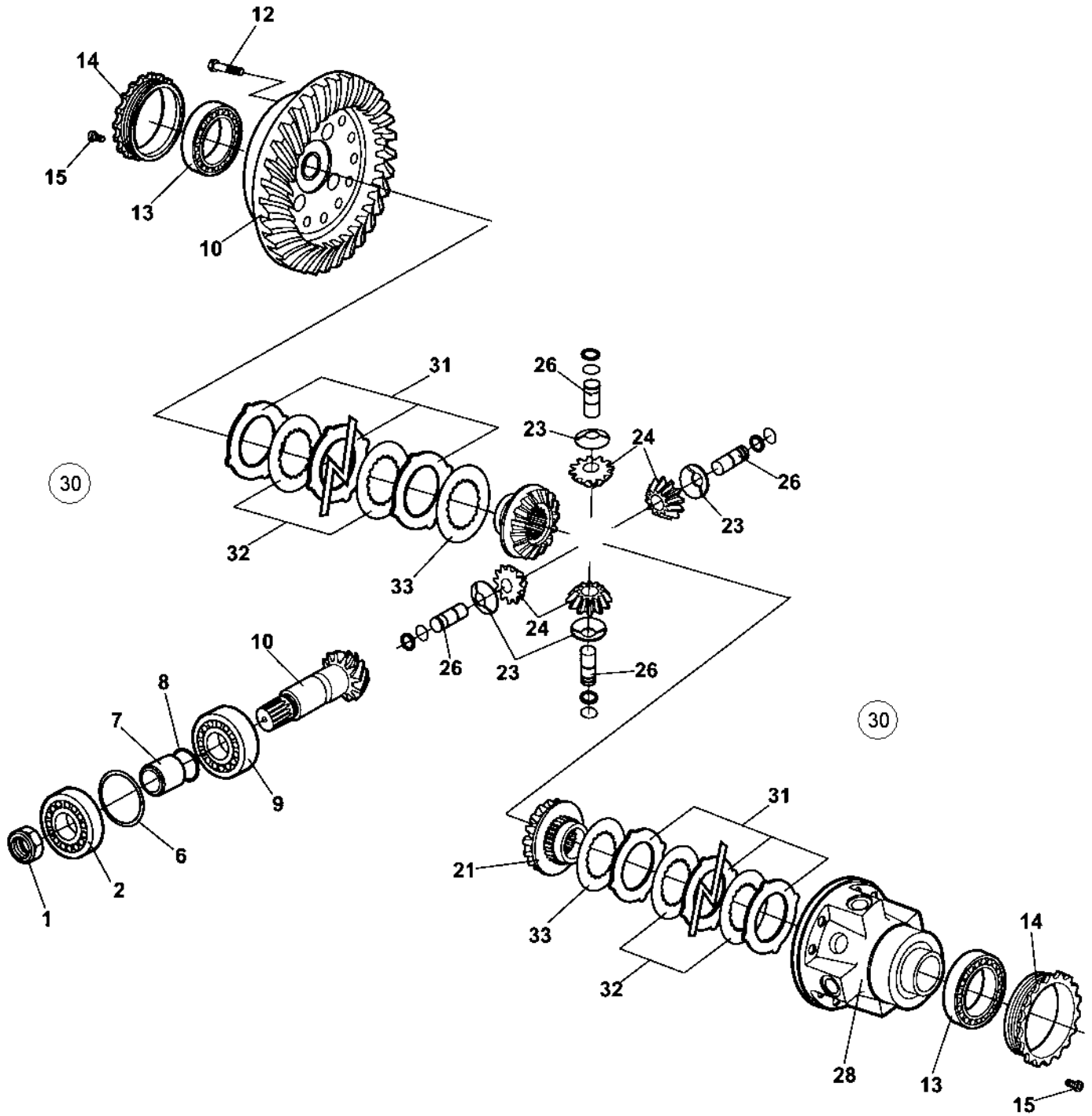
- A) Liquidfilled, option.
- B) Left, option.
- C) Right, option.
- D) Liquidfilled tyre, right, option.
- E) Liquidfilled tyre, left, option.
- F) Option, Michelin branded.
- G) For Chinese market only.
- H) Used with item 13, 4700383974. 4700383975.
- I) Used with Liqued filled tyres.
- J) Used together with 4700388145 and 4700388146.
- K) Liquidfilled, option, Michelin branded.



**4700393002 Rear axle**

Item	Part No	Rem Qty	Description	Code
1		1	Rear axle	
2		1	. Differential with limited slip ( Page 76 )	
3		2	. Differential housing and brakes ( Page 78 )	
4		2	. Planet gear ( Page 80 )	
5	4700909630	1	O-ring	D
6	4700950556	1	Flange	
7	4700929648	1	O-ring	D
8	4700950559	1	Splined sleeve	
9	4700929712	8	Screw	
10		1	Circlip	

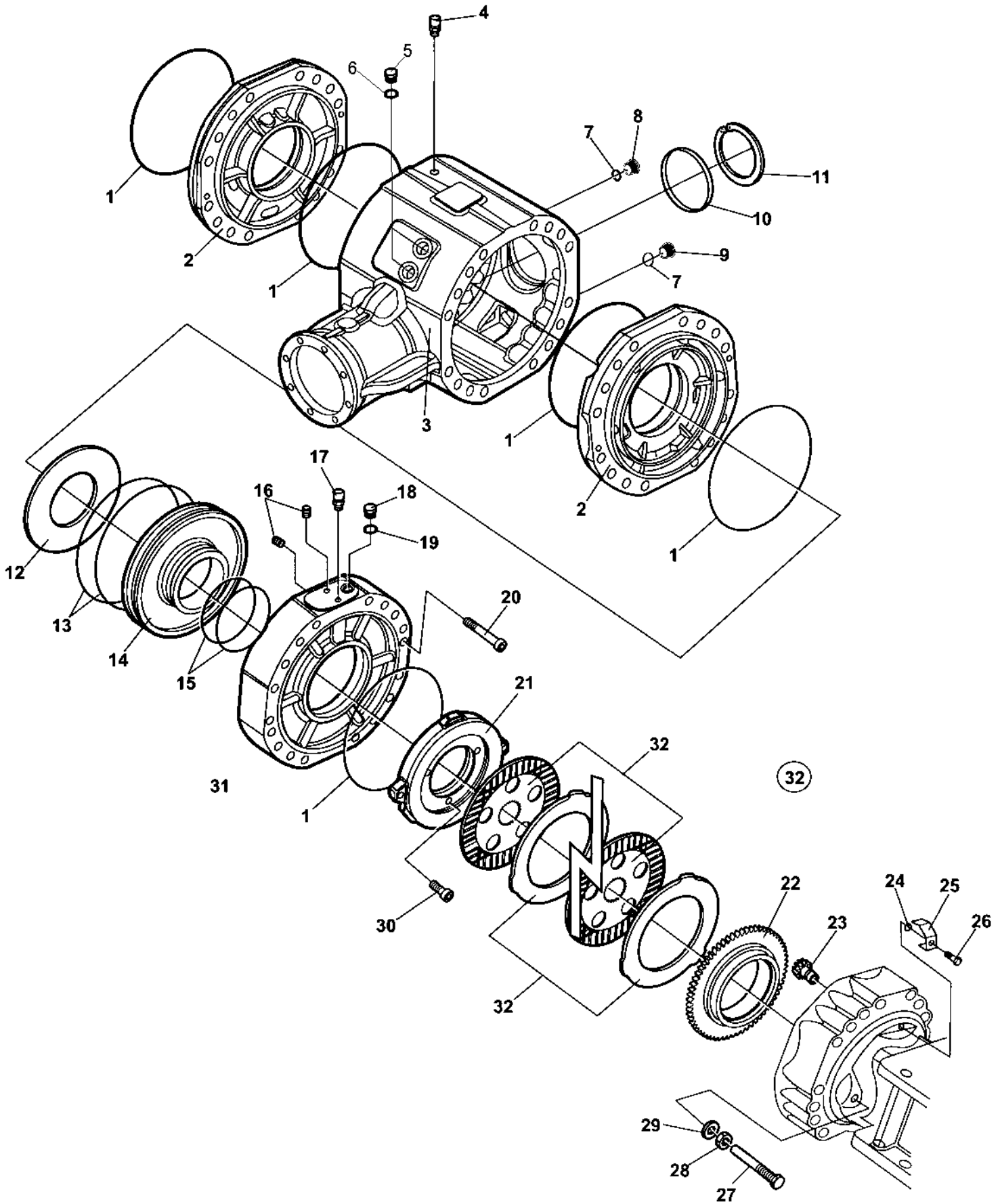
Differential with limited slip



Differential with limited slip

Item	Part No	Rem Qty	Description	Code
1	4700938988	1	Ring nut	
2	4812157360	1	Roller bearing	
6	4700926354	N	Shim	
	4700926356	N	Shim	
	4700926786	N	Shim	
7		1	Spacer	
8	4700936053	1	Shim 0.15mm	
	4700936054	1	Shim 0.20mm	
	4700936055	1	Shim 0.40mm	
	4700936056	1	Shim 0.50mm	
9	4812157361	1	Roller bearing	
10	4812157359	1	Bevel gear set	
12	4700938991	16	Bolt	D
13	4812157358	1	Taper roller bearing	
14		2	Nut	
15	4700938989	2	Bolt	
21		2	Differential gear	
23	4700936036	4	Friction washer	
24	4700936035	4	Differential pinion	
26		4	Pin	
28		1	Differential carrier	
30	4700938993	2	Disc kit	D
31		N	. Limited slip disc	
32		N	. Limited slip disc	
33		N	. Limited slip disc	

Differential housing and brakes

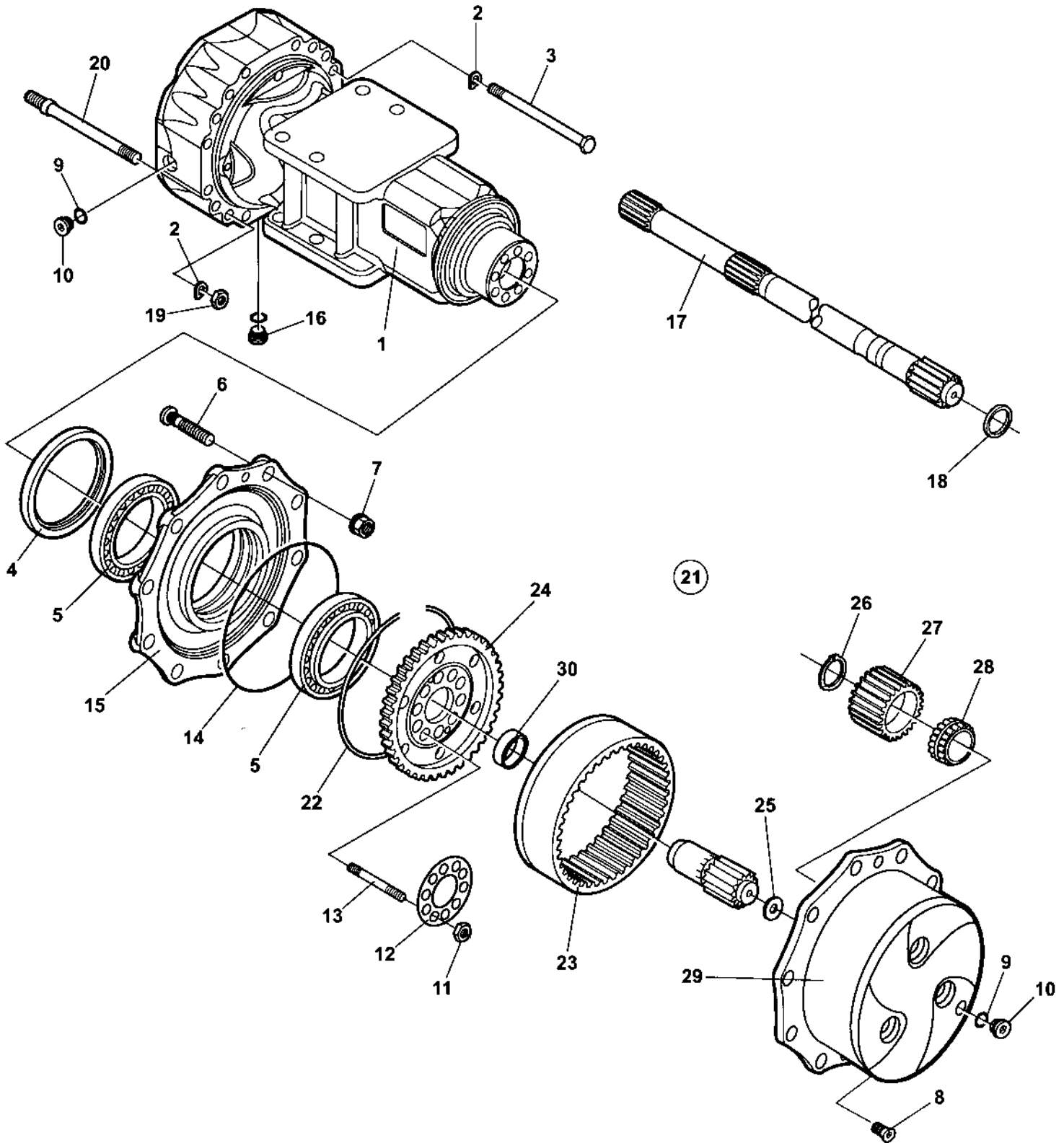




Differential housing and brakes

Item	Part No	Rem Qty	Description	Code
1	4700909609	6	O-ring	D
2		2	Cover	
3		1	Housing	
4	4700938984	1	Vent nipple	
5	4700909544	2	Screw	
6	4700938983	2	Sealing washer	
7		2	Seal	
8	4700939348	1	Plug	
9	4700939350	1	Magnetic plug	
10		1	Plug	
11	4700929617	1	Lock ring	D
12	4700909616	2	Spring	
13	4700909618	4	O-ring	D
14	4700939280	2	Piston	C
15	4700909619	4	O-ring	D
16		4	Bolt	
17	4700938984	2	Vent nipple	
18	4700939282	2	Bolt	
19	4700939036	2	Sealing washer	C
20	4700939035	4	Screw	C
21		2	Disc	
22	4700939285	2	Ring	D
23	4700909622	2	Pinion	D
24	4700900966	2	O-ring	D
25		2	Lock plate	
26	4700909624	2	Screw	C
27	4700909626	4	Bolt	
28	4700900957	4	Nut	D
29	4700926847	4	Sealing washer	
30	4700939026	6	Screw	C
31		2	Cover	
32	4700950558	2	Brake disc kit	
		10	. Brake disc	
		10	. Brake disc	
	4700909609	2	. O-ring	D

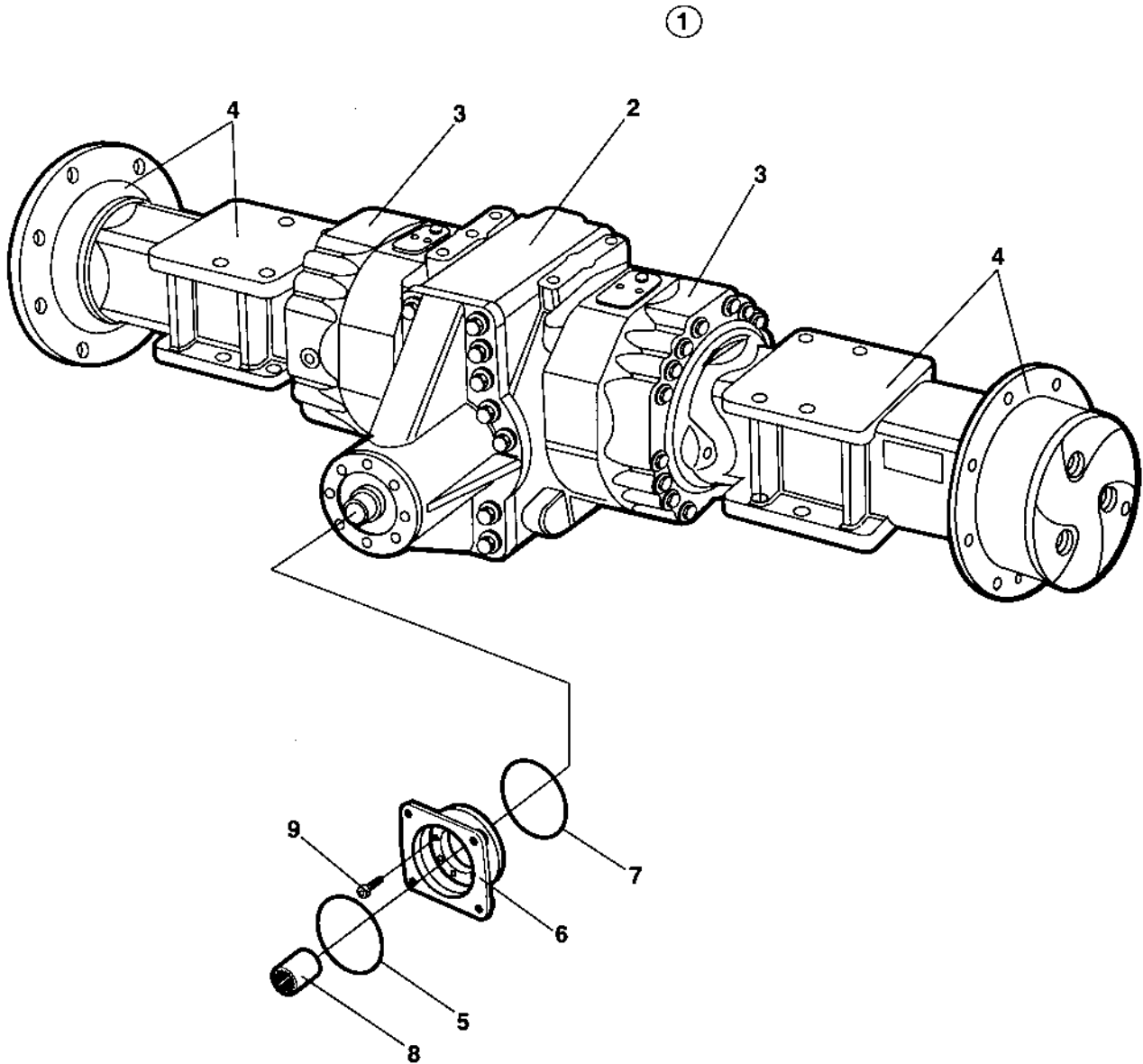
Planet gear



**Planet gear**

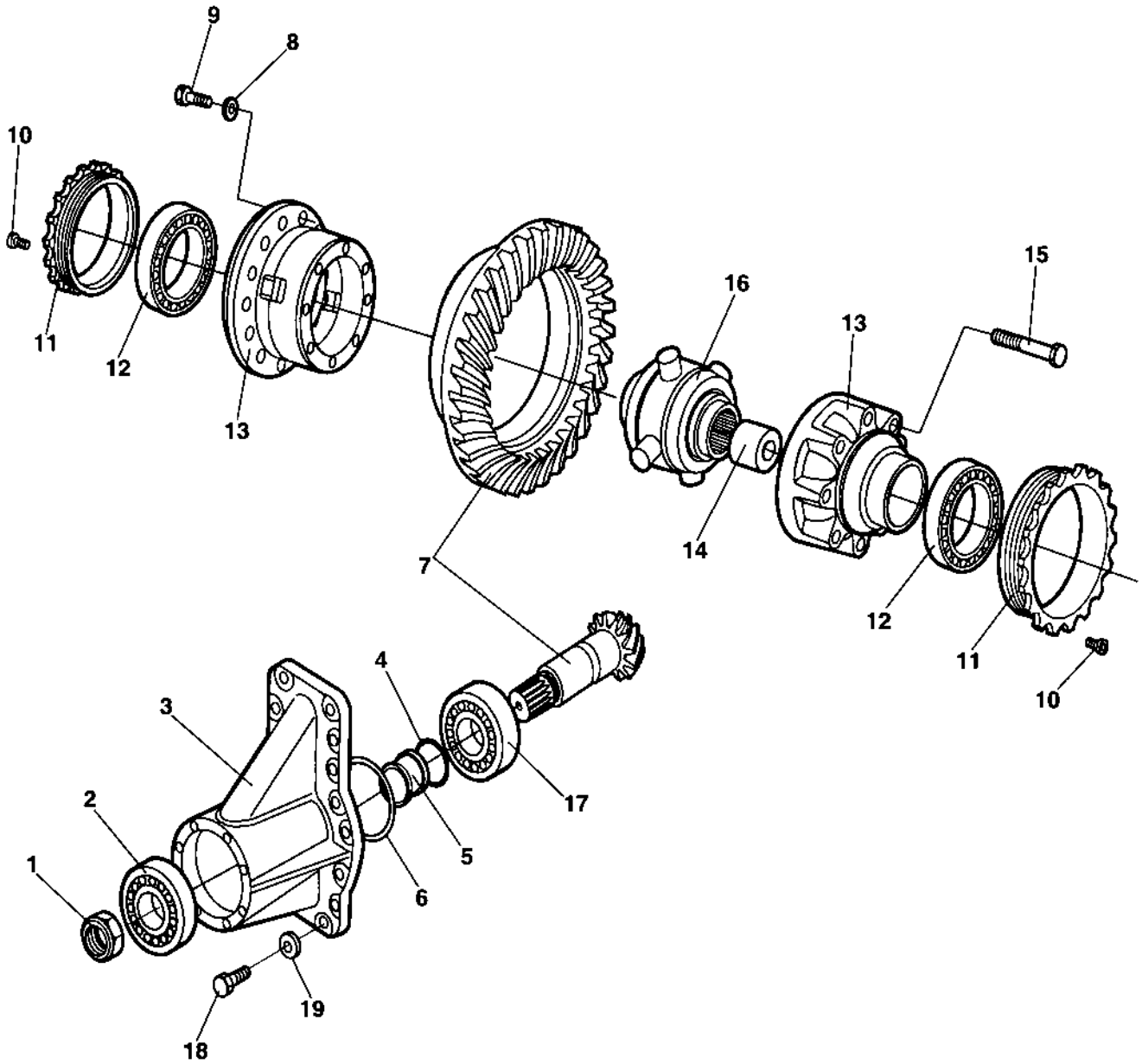
Item	Part No	Rem Qty	Description	Code
1		2	Axle case	
2	4700939003	32	Spring washer	C
3	4812157362	24	Bolt	
4	4812156796	2	Seal	
5	4700939009	4	Bearing	
6	4700926781	20	Wheel screw	
7	4700901987	20	Wheel nut	
8	4700939015	4	Screw	
9		6	Copper washer	
10	4700939348	4	Plug	
11	4700939016	20	Nut	D
12	4700939010	2	Lock plate	
13	4700939017	20	Stud	D
14	4700909609	2	O-ring	D
15	4812157397	2	Wheel hub	
16	4700939350	2	Magnetic plug	
17		2	Half shaft	
18	4700939014	2	Seal	
19	4700939019	8	Nut	D
20	4700939278	8	Stud	D
21	4700950557	2	Planet gear carrier Cpl.	
22	4700939267	2	. Circlip	
23		2	. Ring gear	
24		2	. Ring gear support	
25	4700939270	2	. Washer	
26	4700939271	6	. Seal	
27	4700939272	6	. Planet gear	
28	4700939273	6	. Bearing	
29		2	. Planet gear carrier	
30	4812157398	2	Spacer	

4700383856 Rear axle No-Spin, Option



**4700383856 Rear axle No-Spin, Option**

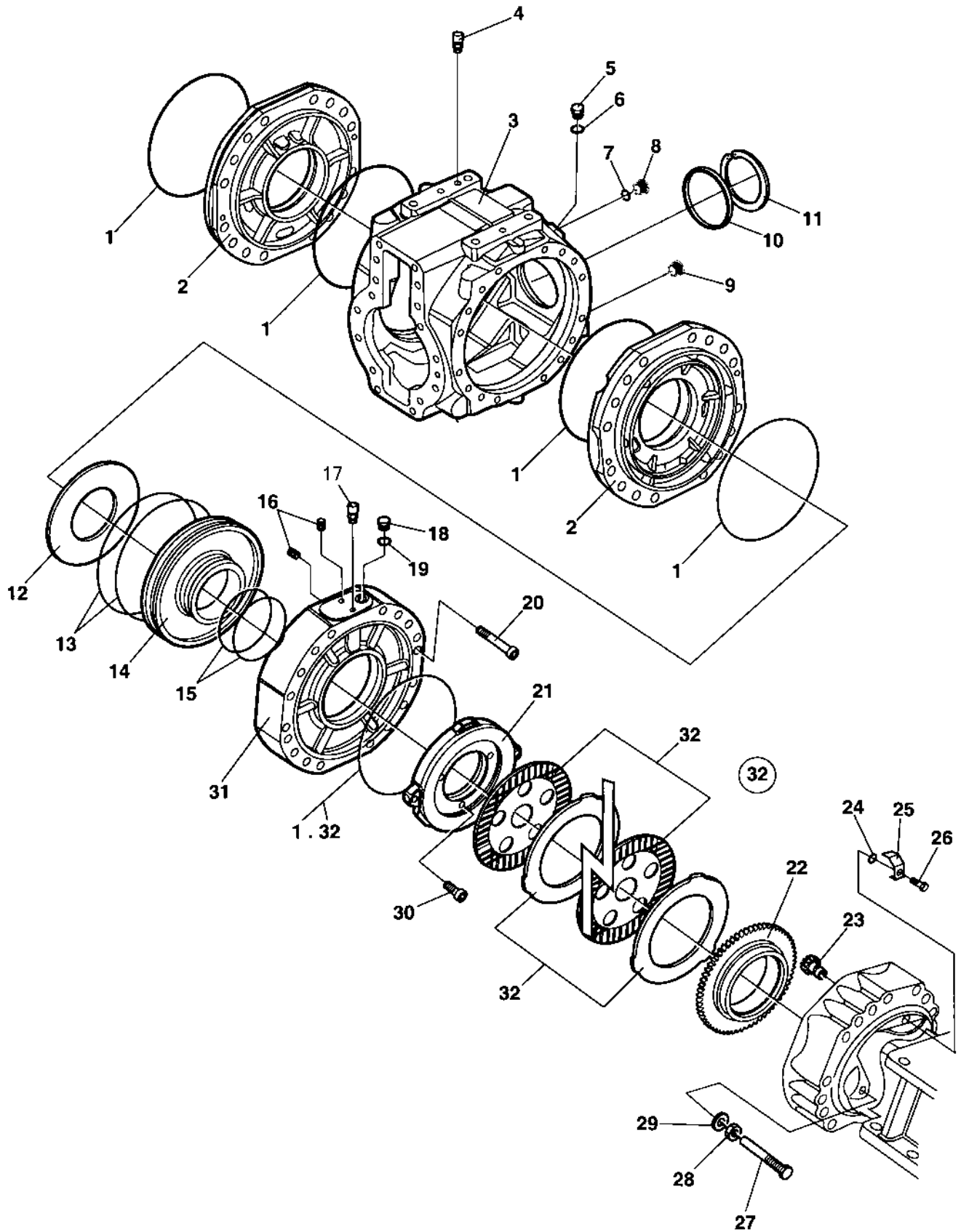
Item	Part No	Rem Qty	Description	Code
1		1	Rear axle	
2		1	. Differential with no-spin ( Page 84 )	
3		2	. Differential housing and brakes ( Page 86 )	
4		2	. Planet gear ( Page 88 )	
5	4700909584	1	O-ring	D
6	4700900255	1	Flange	D
7	4700929648	1	O-ring	D
8	4700901834	1	Splined sleeve	
9	4700909582	8	Screw	



**Differential with no-spin**

Item	Part No	Rem Qty	Description	Code
1	4700929638	1	Nut	D
2	4700909574	1	Tapper roller bearing	
3	4700908485	1	Housing	D
4	4700939259	1	Shim 0,15mm	
	4700909580	1	Shim 0,20mm	
	4700909576	1	Shim 0,30mm	
	4700929644	1	Shim 0,40mm	
	4700939260	1	Shim 0,50mm	
5	4700909567	1	Spacer	
6	4700909568	1	Shim 0,10mm	
	4700909569	1	Shim 0,20mm	
	4700909570	1	Shim 0,50mm	
	4700939258	1	Shim 0,15mm	
7	4700212553	1	Bevel gear set	
9	4700938991	16	Bolt	D
10	4700938989	2	Bolt	
11	4700939261	2	Ring nut	
12	4700923342	1	Tapper roller bearing	
13	4700929630	1	Differential case	D
14	4700929631	1	Spacer	D
15	4812156885	8	Screw	C
16	4700929626	1	Non-spin unit	D
17	4700909581	1	Tapper roller bearing	
18	4812156886	16	Bolt	
19	4700909572	16	Spring washer	

Differential housing and brakes

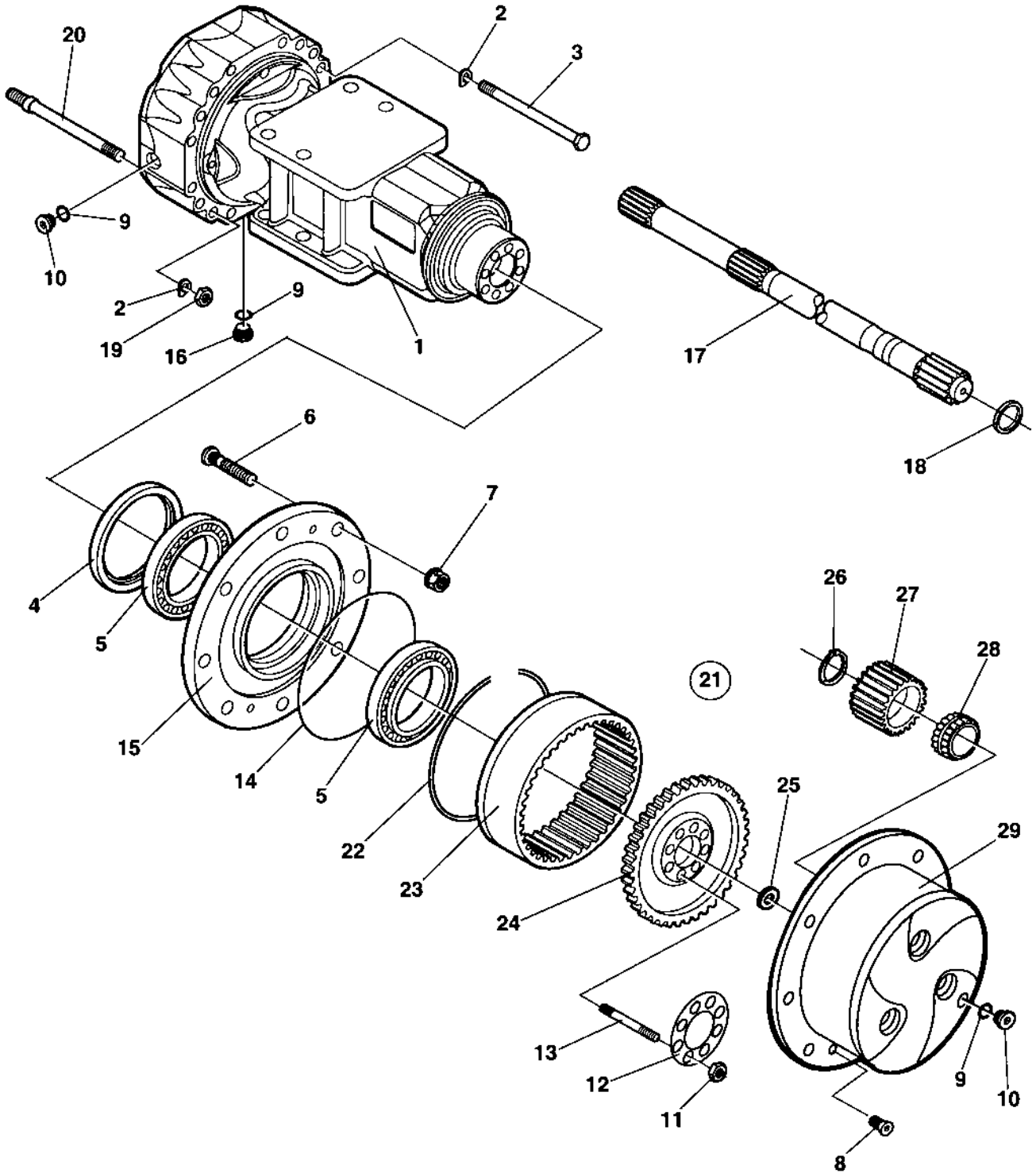




Differential housing and brakes

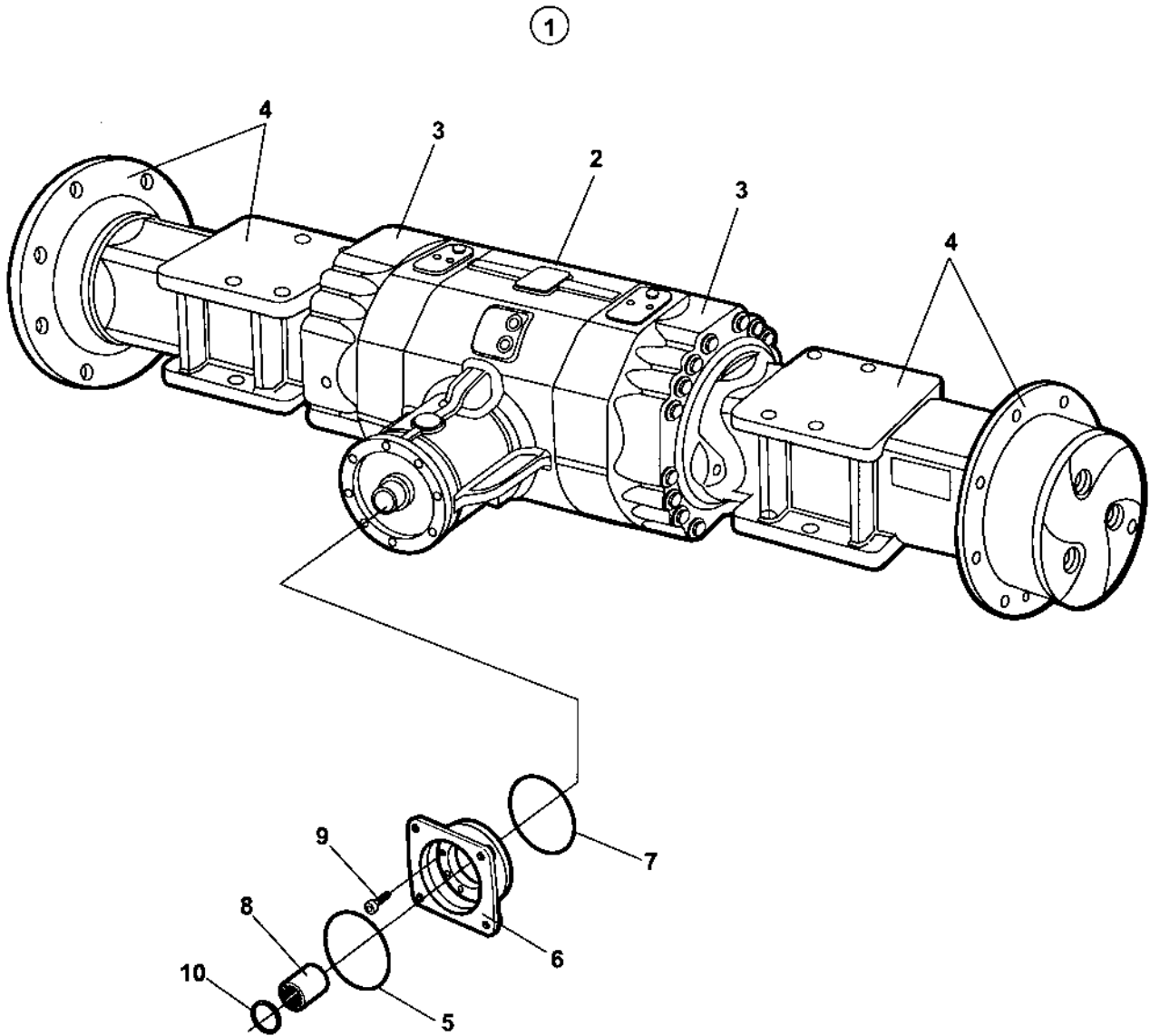
Item	Part No	Rem Qty	Description	Code
1	4700909609	6	O-ring	D
2	4700939255	2	Cover	D
3	4700939256	1	Housing	D
4	4700938984	1	Vent nipple	
5	4700909544	2	Screw	
6	4700938983	2	Sealing washer	
7	4700330333	1	Copper washer	D
8	4700909596	1	Plug	C
9	4700926810	1	Magnetic plug	
10	4700938296	1	Plug	
11	4700929617	1	Lock ring	D
12	4700909616	2	Spring	
13	4700909618	4	O-ring	D
14	4700939280	2	Piston	C
15	4700909619	4	O-ring	D
16	4700939281	4	Bolt	C
17	4700938984	2	Vent nipple	
18	4700939282	2	Bolt	
19	4700939036	2	Sealing washer	C
20	4700939035	4	Screw	C
21	4700939283	2	Disc	C
22	4700939285	2	Ring	D
23	4700909622	2	Pinion	D
24	4700900966	2	O-ring	D
25	4700939286	2	Lock plate	D
26	4700909624	2	Screw	C
27	4700909626	4	Bolt	
28	4700900957	4	Nut	D
29	4700926847	4	Sealing washer	
30	4700939026	6	Screw	C
31	4700939287	2	Cover	C
32	4700939284	2	Brake disc kit	C
		12	. Brake disc	
		12	. Brake disc	
	4700909609	2	. O-ring	D

**Planet gear**



**Planet gear**

Item	Part No	Rem Qty	Description	Code
1	4700939263	2	Axle case	D
2	4700939003	32	Spring washer	C
3	4700939264	24	Bolt	C
4	4700939265	2	Seal	
5	4700939266	4	Bearing	
6	4700926781	20	Wheel screw	
7	4700901987	20	Wheel nut	
8	4700939015	4	Screw	
9	4700330333	6	Copper washer	D
10	4700909596	4	Plug	C
11	4700939016	20	Nut	D
12	4700939275	2	Lock plate	
13	4700939017	20	Stud	D
14	4700909609	2	O-ring	D
15	4700939276	2	Wheel hub	
16	4700939350	2	Magnetic plug	
17	4700939277	2	Half shaft	D
18	4700909586	2	Seal	D
19	4700939019	8	Nut	D
20	4700939278	8	Stud	D
21	4700939351	2	Planet gear carrier Cpl.	D
22	4700939267	2	. Circlip	
23	4700939268	2	. Ring gear	D
24	4700939269	2	. Ring gear support	
25	4700939270	2	. Washer	
26	4700939271	8	. Seal	
27	4700939272	8	. Planet gear	
28	4700939273	8	. Bearing	
29	4700939349	2	. Planet gear carrier Cpl.	



**4700396309 Rear axle**

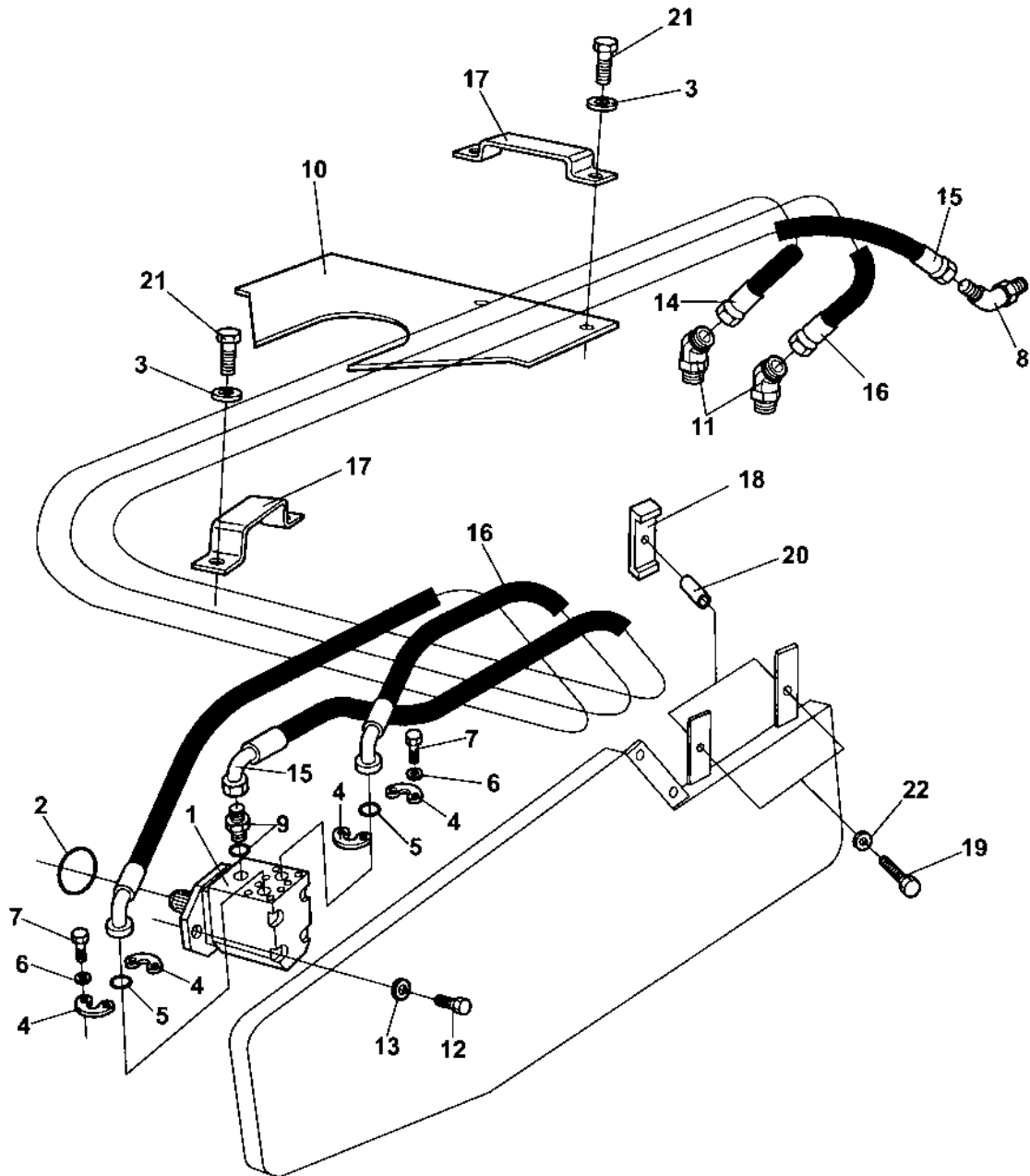
Item	Part No	Rem Qty	Description	Code
1		1	Rear axle	
2		1	. Differential with limited slip ( Page 76 )	
3		2	. Differential housing and brakes ( Page 78 )	
4		2	. Planet gear ( Page 80 )	
5	4700909584	1	O-ring	D
6	4700950555	1	Flange	
7	4700929648	1	O-ring	D
8	4700901834	1	Splined sleeve	
9	4700900256	8	Screw	D
10		1	Not used on this model	



**Hydraulic system**

<b>Item</b>	<b>Part No</b>	<b>Rem Qty</b>	<b>Description</b>	<b>Code</b>
10			Propulsion system, Front ( Page 94 )	
26			Propulsion system, Rear ( Page 98 )	
35			Vibration system ( Page 104 )	
53			Steering system ( Page 112 )	
65			Brake system ( Page 118 )	
69			Hydraulic oil tank ( Page 120 )	
71			Central test panel hydraulic Option ( Page 122 )	
72			Central test panel, Sauer Danfoss Option ( Page 124 )	
73			Central test panel, Rexroth Option ( Page 126 )	

Propulsion system, Front

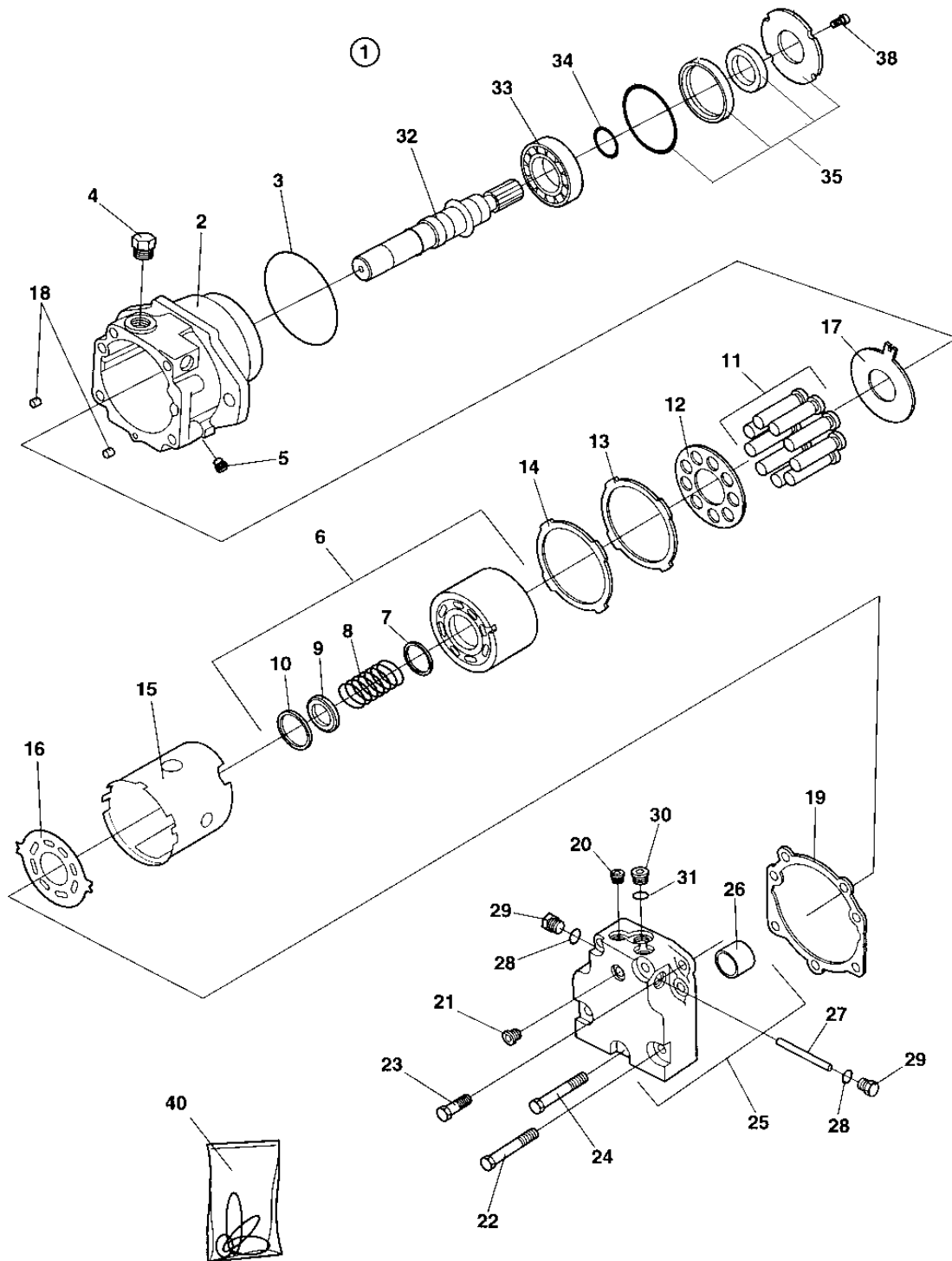




**Propulsion system, Front**

Item	Part No	Rem Qty	Description	Code
1	4700371509	1	<b>Propulsion motor ( Page 96 )</b>	C
2	4700904058	1	O-ring	
3	4700904230	6	Steel plain washer	C
4	4700923384	4	Flange half	C
5	4700904005	2	O-ring	B
6	4700904638	8	Washer 12x22x2	C
7	4700502132	8	Screw UNC 7/16" x 22	D
8	4700334132	1	Elbow 45, O-ring	C
9	4700334138	1	Adapter	C
10	4700372235	1	Hose guard	D
11	4700791230	2	Elbow 45	
12	4700500101	2	Screw M20x50	C
13	4700903290	2	Washer 21x36x6	C
14	4700483996	1	Hydraulic hose	D
15	4700483190	1	Hydraulic hose	D
16	4700483995	1	Hydraulic hose	D
17	4700373016	2	Hose clamp	D
18	4700373270	2	Hose clamp	D
19	4700500033	2	Screw M10-1,5x60 8,8	D
	4700500032	2	Screw M10 x 55	D
20	4700373423	2	Spacer	D
21	4700500029	4	Hexagon head screw	C
22	4700904230	2	Steel plain washer	C

**4700371509 Propulsion motor**

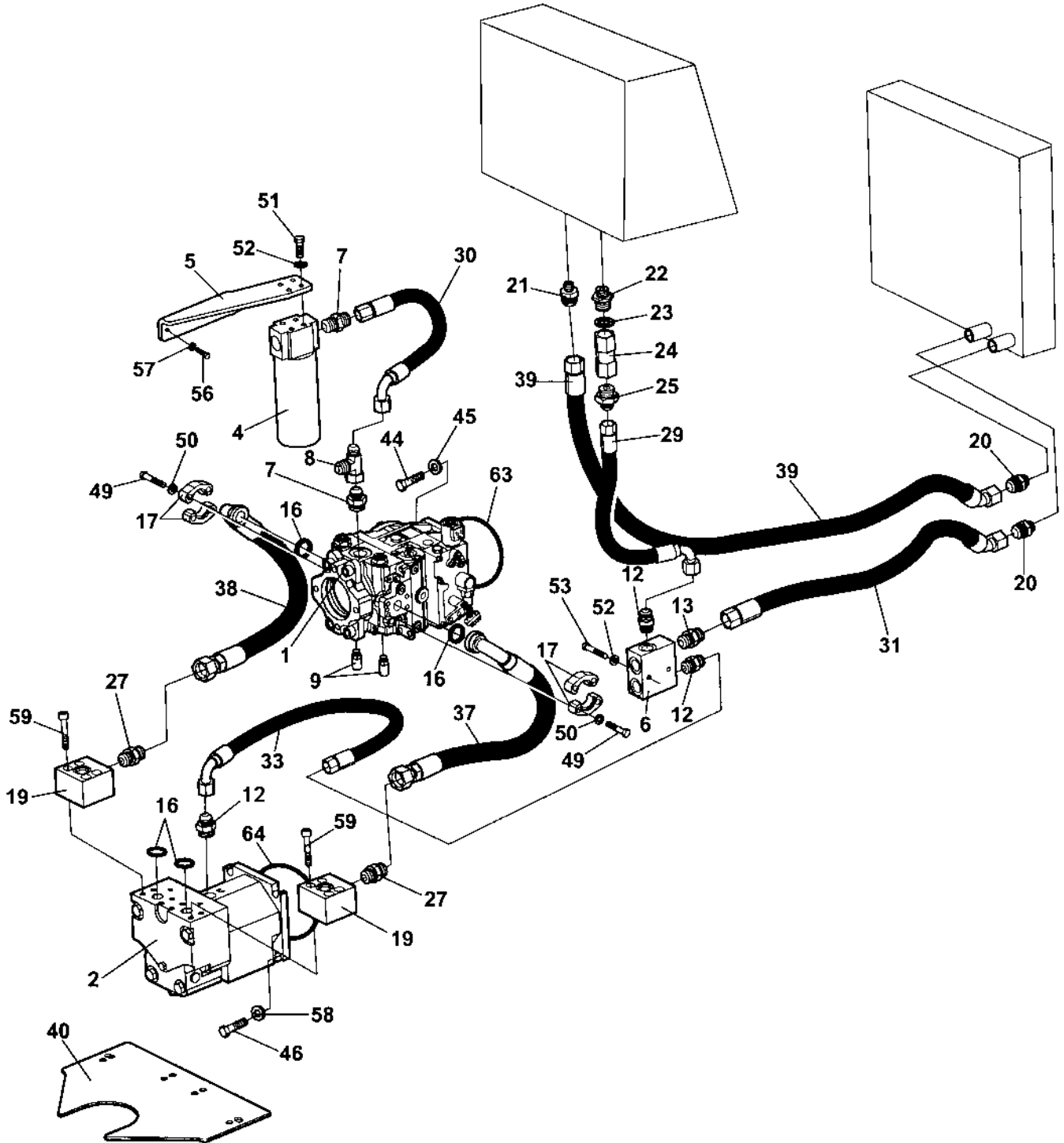


**4700371509 Propulsion motor**

Item	Part No	Rem	Qty	Description	Code
1			1	Hydraulic motor, Cpl	
2	4700937274		1	. Housing	
3	4700937275	1	1	. O-ring	
4	4700902928		2	. Plug	C
	4700901453	1	2	. . O-ring	C
5	4700908432		1	. Plug	C
6	4700937277		1	. Cylinder block, cpl	
7	4700935619		1	. . Spacer	
8	4700937278		1	. . Spring	
9	4700935621		1	. . Spring retainer	
10	4700935622		1	. . Ring retainer	
11	4700903570		9	. Piston	D
12	4700903571		1	. Pressure plate	D
13	4700935623		1	. Retainer guide	
14	4700935624		1	. Shim	
15	4700935625		1	. Holder	
16	4700935626		1	. Valve plate	
17	4700937279		1	. Thrust plate	
18	4700813822		2	. Pin	D
19	4700935629	1	1	. Gasket	D
20	4700358388		2	. Plug	C
21	4700908432		1	. Plug	C
22	4700909252		4	. Screw	
23	4700909253		2	. Screw	
24	4700935630		1	. Screw	
25	4700937280		1	. End cap, cpl	
26	4700903053		1	. . Bushing	
27	4700909255		1	. Spool	
28	4700923087	1	2	. O-ring	C
29	4700358388		2	. Plug	C
30	4700935853		1	. Plug	
31	4700926658	1	1	. O-ring	C
32	4700935631		1	. Shaft	
33	4700901465		1	. Bearing	
34	4700901467		1	. Ring	
35	4700950368		1	. Shaft seal kit	D
38	4700908773		3	. Screw	D
40	4700937283		1	Seal kit	

1) Includes in item 40, Seal kit

Propulsion system, Rear

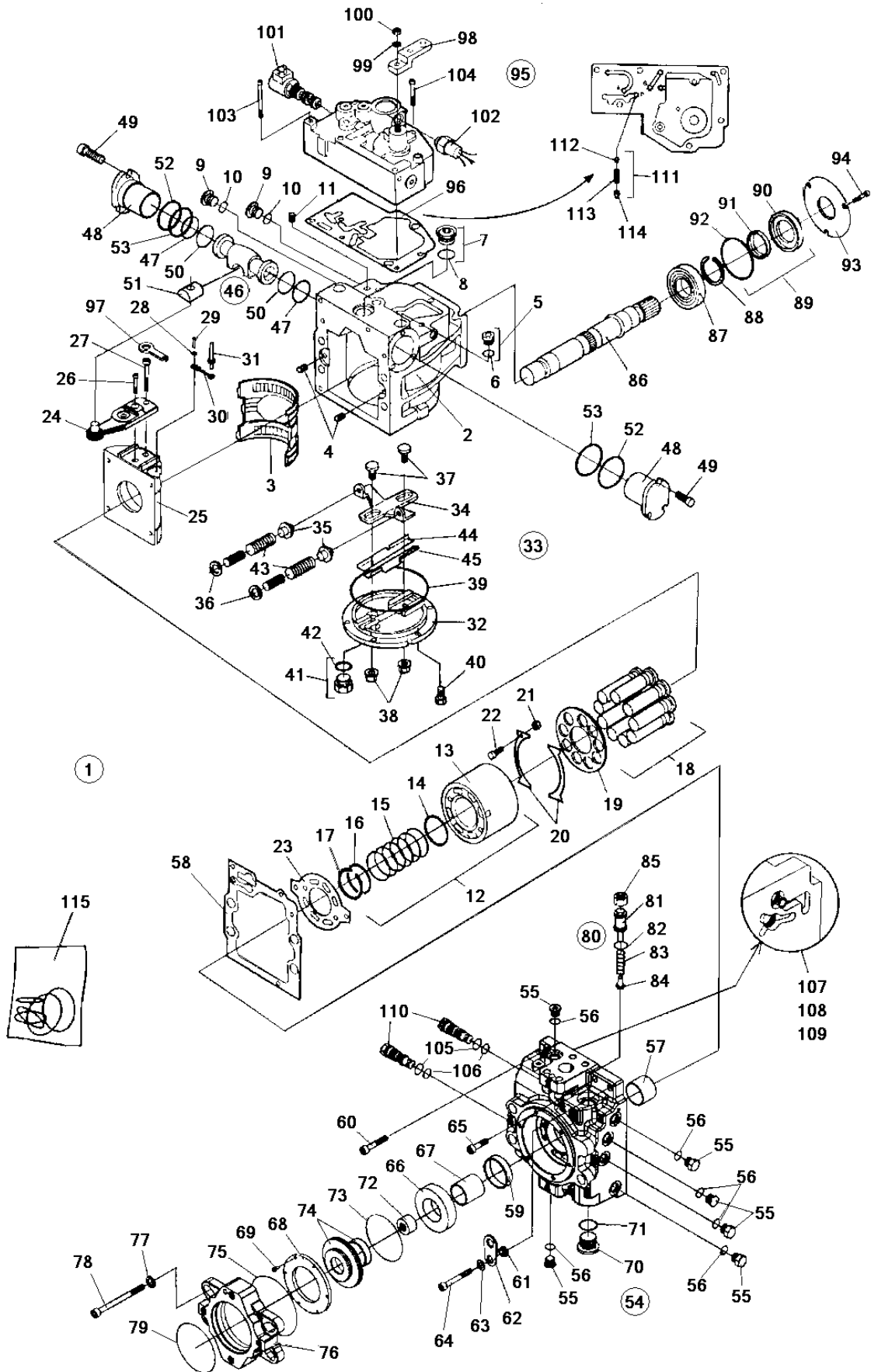


Propulsion system, Rear

Item	Part No	Rem	Qty	Description	Code
1	4700395385		1	<b>Hydraulic pump ( Page 100 )</b>	
2	4700391989	A	1	Hydraulic motor	C
4	4700359550		1	Hydraulic oil filter, cpl	A
	4700359551		1	. Filter head	A
	4700359552		1	. Cleaning filter element Maximum 50 hours use	A
	4700372229	B	1	. Hydraulic oil filter element	A
5	4700379482		1	Filter bracket	D
6	4700345243		1	Connection block	
7	4700334468		2	Adapter	C
8	4700234243		1	T-connector	C
9	4700900229		2	Measuring nipple	C
12	4700334138		3	Adapter	C
13	4700334140		1	Straight conector	
16	4700904005		4	O-ring	B
17	4700923384		4	Flange half	C
19	4700384784		2	Flange coupling	D
20	4700234958		2	Connector	
21	4700234909		1	Straight connector	
22	4700904282		1	Adapter	
23	4700162008		1	Seal washer	B
24	4700374059		1	Check valve	C
25	4700923371		1	Adapter	C
27	4700792339		2	Straight connector orfs	D
29	4700482182		1	Hydraulic hose	D
30	4700482182		1	Hydraulic hose	D
31	4700483123		1	Hydraulic hose	D
33	4700482391		1	Hydraulic hose	D
37	4700483526		1	Hydraulic hose	D
38	4700483526		1	Hydraulic hose	D
39	4700483499		1	Hydraulic hose	D
40	4700372235		1	Hose guard	D
44	4700500046		4	Screw M12x025H	C
45	4700904213		4	Washer	C
46	4700500039		4	Screw M14x35H 8.8 A3K	D
49	4700502132		8	Screw UNC 7/16" x 22	D
50	4700904638		8	Washer 12x22x2	C
51	4700500028		4	Screw	C
52	4700904230		6	Steel plain washer	C
53	4700500109		2	Screw M10-1,5x65 8,8	D
56	4700500021		2	Screw M8-1,25x25 8.8	C
57	4700904229		2	Steel plain washer 8,4x16x1,5	C
58	4700904214		4	Washer 15x30x4 300 HV	C
59	4700900806		8	Screw 7/16 - 14UNC X 64 8.8	D
61	4700902919		3	Plug	
62	4700232222		3	Plug	
63			1	O-ring	
64	4700160132		1	O-ring 124, 50x3, 00	B

- A) Propulsion, Rear axle.
- B) Spare part for ordinary service

4700395385 Hydraulic pump

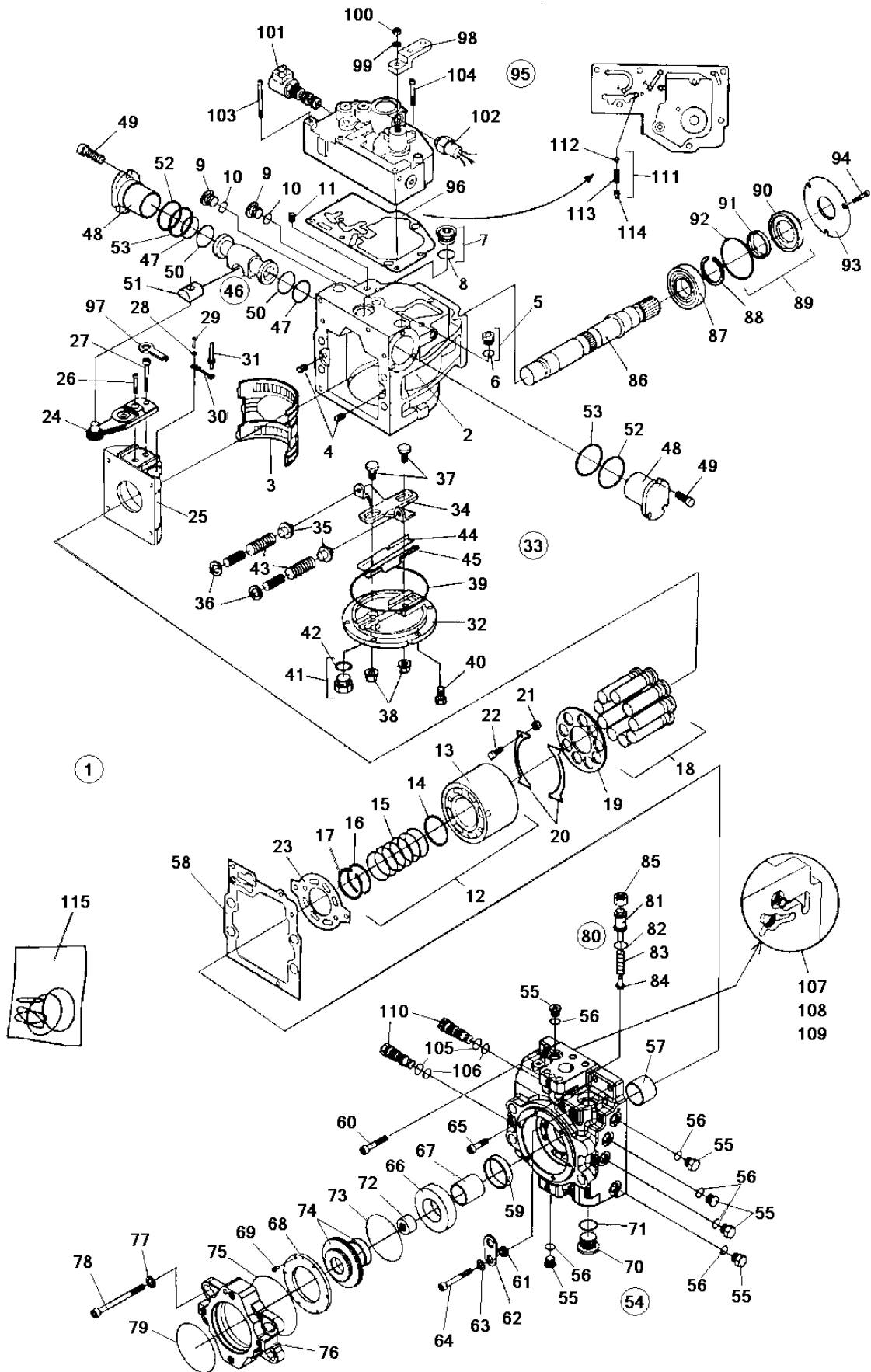


**4700395385 Hydraulic pump**

Item	Part No	Rem	Qty	Description	Code
1	4700395385		1	<b>Hydraulic pump ( Page 100 )</b>	
2			1	. Housing	
3			1	. Bearing	
4			2	. Pin	
5			2	. Plug	
6		A	2	. . O-ring	
7			1	. Plug	
8		A	1	. O-ring	
9			2	. . Plug	
10		A	2	. . O-ring	
11			3	. Filter element	
12	4700901455		1	. Cylinder block, cpl	
13			1	. . Cylinder block	
14			1	. . Ring	
15			1	. . Spring	
16			1	. . Spring retainer	
17			1	. . Ring	
18	4700903570		9	. Piston	D
19	4700903571		1	. Pressure plate	D
20	4700901458		2	. Retainer guide	D
21	4700935856		4	. Spacer	
22	4700909382		4	. Screw	C
23	4700936547		1	. Valve plate	
24			1	. Servo arm	
25			1	. Swash plate	
26			1	. Screw	
27			1	. Screw	
28			1	. Washer	
29			1	. Pin	
30	4700909391		1	. Link	C
31	4700909392		1	. Pin	C
32			1	. Cover	
33	4700936548		1	. Cover assembly	
34			1	. Lever	
35			2	. Spring retainer	
36			2	. Shim	
37			2	. Guide post	
38	4700909398	A	2	. Seal lock nut	B
39	4700936551	A	1	. O-ring	
40	4700936553		6	. Screw	C
41	4700902928		1	. Plug	C
42		A	1	. . O-ring	
43	4700908352		2	. Spring	D
44			1	. Guide	
45			1	. Guide	
46	4700936582		1	. Piston, cpl	
47		A	2	. O-ring	
48			2	. Servo sleeve	
49	4700936559		6	. Screw	
50		A	2	. Piston ring	
51			1	. Guide	
52	4700936557	A	2	. O-ring	
53		A	2	. O-ring	
54	4700936560		1	. End cap, cpl	
55			6	. Plug	
56		A	6	. . O-ring	
57			1	. Bushing	
58	4700936561	A	1	. Gasket	
59			1	. Bearing	

A) Includes in seal kit, item 115

4700395385 Hydraulic pump

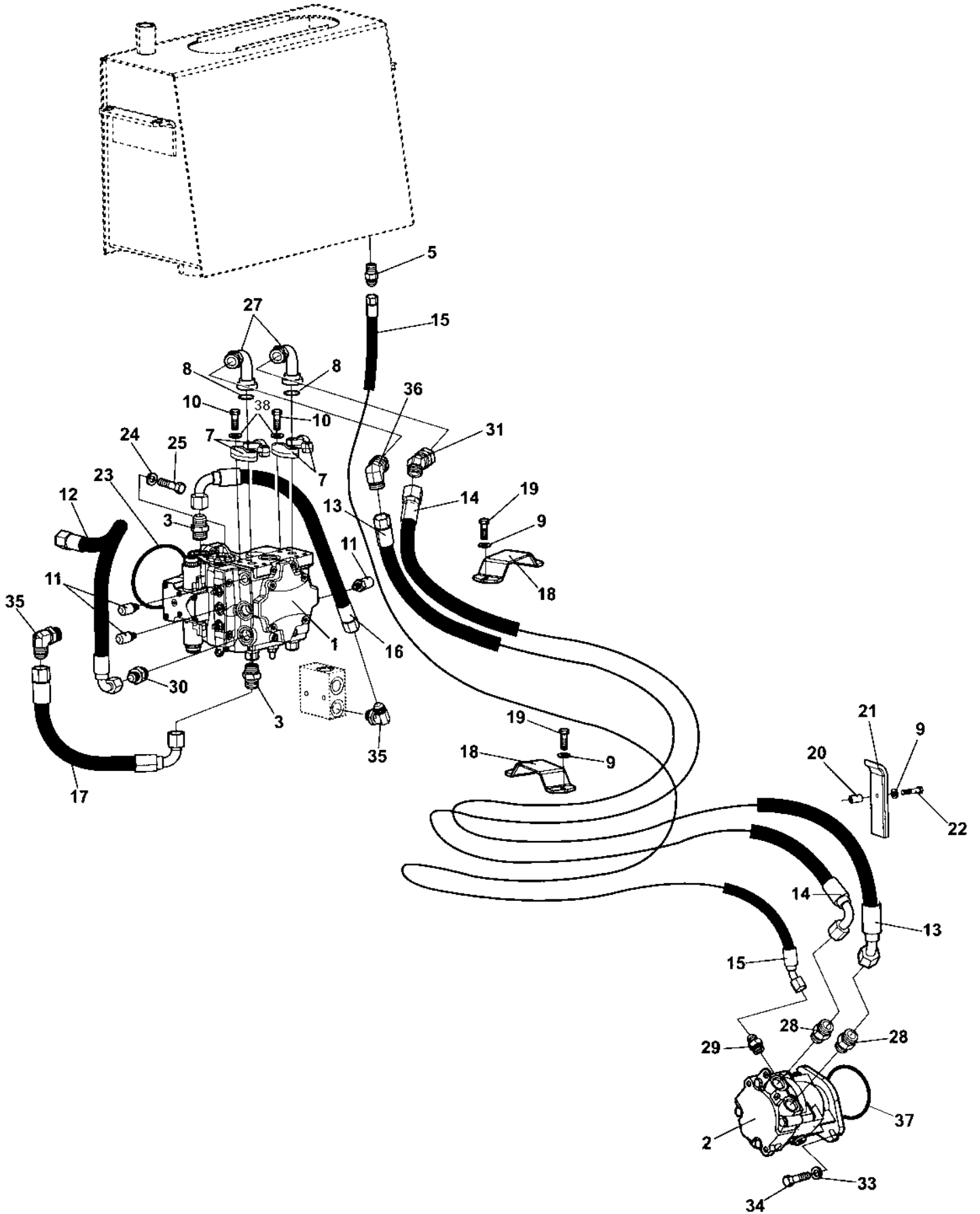




**4700395385 Hydraulic pump**

Item	Part No	Rem Qty	Description	Code
60	4700936562	1	. Screw	
61		1	. Spacer	
62		1	. Lifting bracket	
63	4700900188	1	. Washer	D
64	4700936563	1	. Screw	
65	4700936564	1	. Screw	
66	4700950283	1	. Spacer	D
67	4700950284	1	. Spacer	D
68	4700935857	1	. Retaining plate	
69	4700936566	6	. Screw	
70	4700936567	1	. Plug, cpl	
71		A 1	. . O-ring	
72	4812156460	1	. Coupling	
73	4700937150	A 1	. O-ring	D
74		1	. Cover assembly	
75	4700909399	A 1	. O-ring	C
76	4700937151	1	. Adapter	C
77	4700936571	4	. Washer	
78		4	. Screw	
79	4700937155	A 1	. O-ring	D
80	4700936583	1	. Pressure relief valve, cpl	
81		1	. . Screw	
82		A 1	. . O-ring	
83		1	. . Spring	
84		1	. . Valve cone	
85		1	. . Nut	
86		1	. Bearing	
87	4700901466	1	. Shaft	
88		1	. Snap ring	
89		1	. Shaft seal assy	
90		1	. . Seal	
91		A 1	. . Lip seal	
92		A 1	. . O-ring	
93		1	. Retaining plate	
94	4700908773	3	. Screw	D
95	4700938170	1	. Control valve, cpl	
96	4700939489	A 1	. . Control valve gasket	
97		1	. . Link	
98	4700909432	1	. . Control lever	D
99		1	. . Washer	
100	4700909429	1	. . O-ring	C
101	4700938252	1	. . Solenoid valve	
102	4700938253	1	. . Neutral start switch	
103	4700937857	5	. . Screw	D
104		1	. . Screw	
105		A 2	. O-ring	
106		A 2	. O-ring	
107		2	. Valve	
108		2	. Plug	
109		A 2	. . O-ring	
110		1	. Valve	
111	4700212336	1	. Orifice valve cpl	D
112	4700909435	1	. . Orifice	C
113	4700908447	1	. . Compression spring	D
114	4700908448	1	. . Spring retainer	C
115	4700901328	1	. Seal kit	D

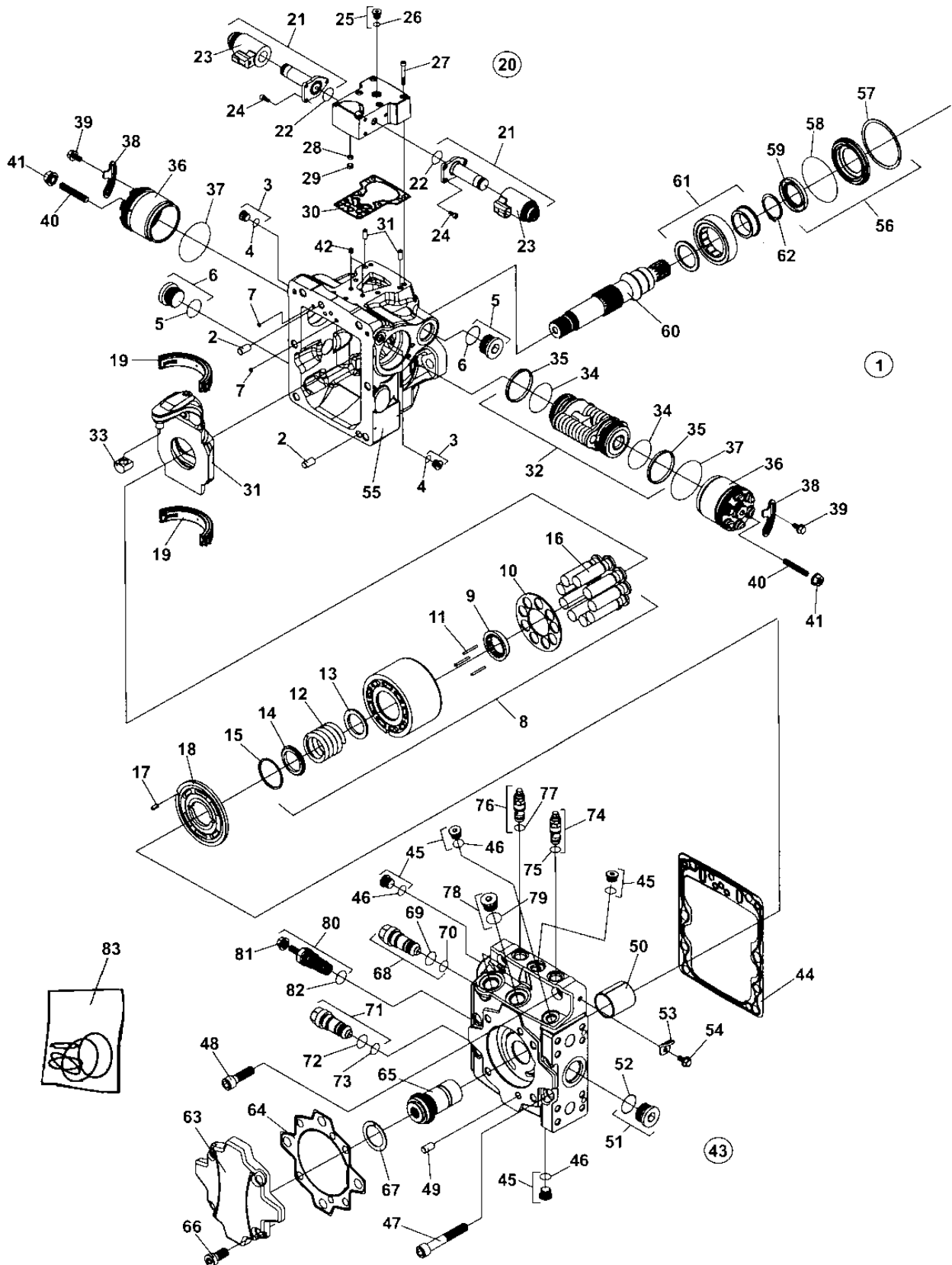
A) Includes in seal kit, item 115



Vibration system

Item	Part No	Rem Qty	Description	Code
1	4700395384	1	<b>Vibration pump ( Page 106 )</b>	
2	4700395386	1	<b>Hydraulic motor, vibration ( Page 110 )</b>	C
	4700355634	1	Splined sleeve	
3	4700334138	2	Adapter	C
5	4700334205	1	Straight connector	D
7	4700929226	4	Flange half	C
8	4700904773	2	O-ring	D
9	4700904230	6	Steel plain washer	C
10	4700500030	8	Screw M10x035H 8.8 A3K	C
11	4700900229	3	Measuring nipple	C
12	4700483286	1	Hydraulic hose	D
13	4700484235	1	Hydraulic hose	D
14	4700484234	1	Hydraulic hose	D
15	4700483031	1	Hydraulic hose	D
16	4700482391	1	Hydraulic hose	D
17	4700483999	1	Hydraulic hose	D
18	4700373016	2	Hose clamp	D
19	4700500028	4	Screw	C
20	4700373423	2	Spacer	D
21	4700373270	2	Hose clamp	D
22	4700500033	2	Screw M10-1,5x60 8,8	D
23	4700900512	1	O-ring	D
	4700160234	1	O-ring 94,9x2,62	D
24	4700904231	2	Washer 13x24x2 300 HV	C
25	4700502059	2	Screw 1/2"-13UNCx1.1/2" 8.8	C
27	4700791819	2	Flange fitting 90	C
28	4700791823	2	Straight connector orfs	
29	4700334134	1	Connector	D
30	4700234119	1	Adapter	
31	4700904586	1	Elbow 45	C
33	4700904703	2	Washer	B
34	4700947688	2	Screw M12x35H	D
35	4700813499	2	Elbow 90, O-ring	D
36	4700904584	1	Elbow connector 90	C
37	4700160279	1	O-ring	C
38	4700904637	8	Washer	C

4700395384 Vibration pump

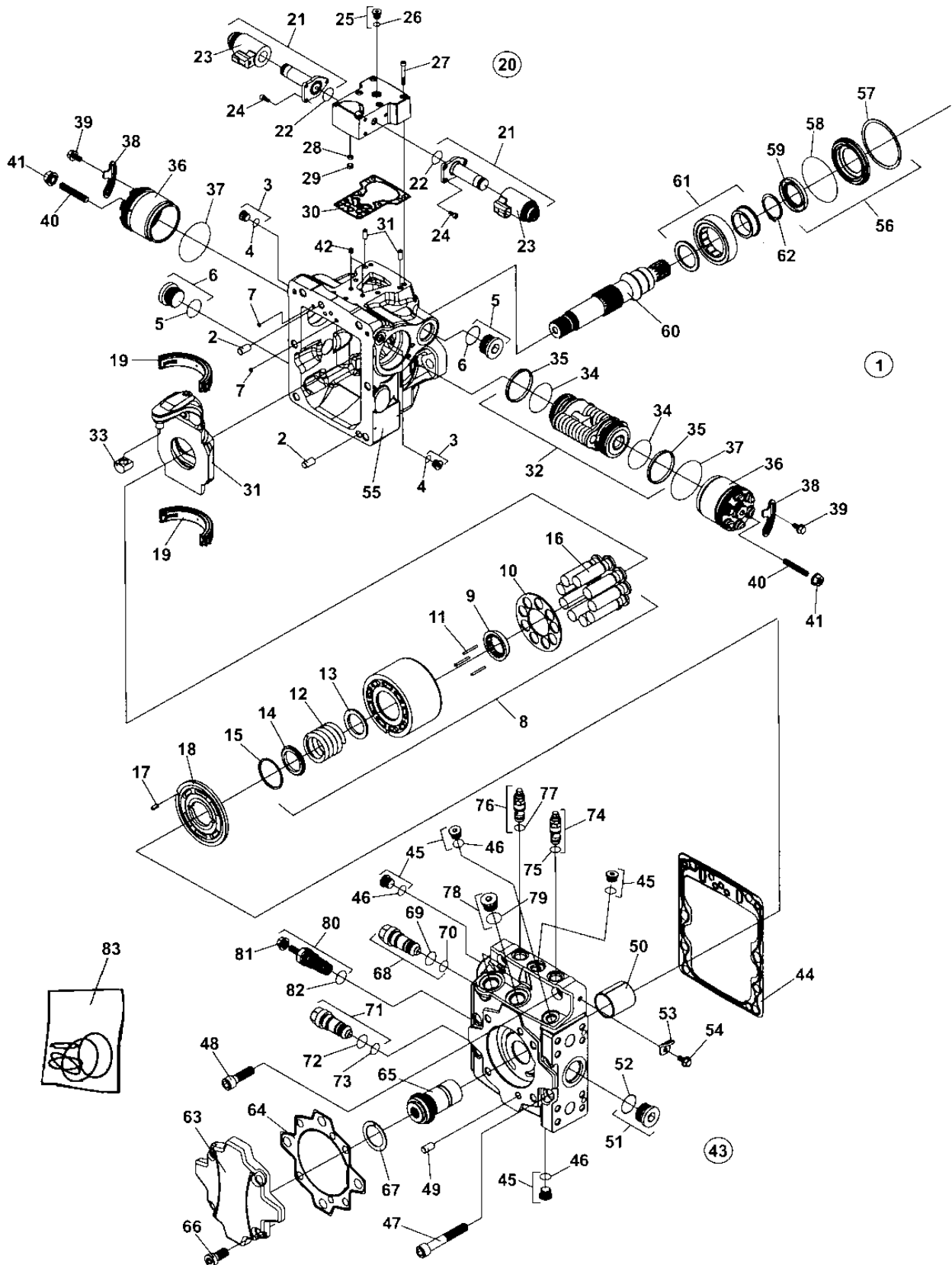


**4700395384 Vibration pump**

Item	Part No	Rem	Qty	Description	Code
1	4700395384		1	<b>Vibration pump ( Page 106 )</b>	
2			2	. Pin	
3			2	. Plug	
4		A	2	. . O-ring	
5			2	. Plug	
6		A	1	. . O-ring	
7			2	. Screen	
8	4700950618		1	. Cylinderblock kit	
9			1	. . Slipper retainer guide	
10			1	. . Pressure plate	
11			3	. . Pin	
12			1	. . Spring	
13			1	. . Washer	
14			1	. . Washer	
15			1	. . Retaining ring	
16			1	. . Piston assembly	
17	4700828142		1	. Spring	D
18			1	. Valve plate	
19			1	. Swashplate bearing kit	
20			1	. Control valve, cpl	
21			2	. . Solenoid valve	
22		A	2	. . O-ring	
23	4700950617		2	. . Coil	
24			6	. . Screw	
25			2	. . Plug	
26			2	. . O-ring	
27			6	. . Screw	
28			1	. . Screw	
29			1	. . Locking ring	
30		A	1	. . Gasket	
31			2	. Dowel pin	
32			1	. Piston, cpl	
33			1	. . Slider	
34		A	2	. . O-ring	
35			2	. . Piston ring	
36			2	. Servo cylinder	
37		A	2	. O-ring	
38			2	. Locking plate	
39			4	. Screw	
40			2	. Screw	
41		A	2	. Seal nut	
42			2	. Orifice	
43			1	. End cap, cpl	
44		A	1	. Gasket	
45			4	. Plug	
46		A	4	. . O-ring	
47	4700909417		1	. Screw	C
48			2	. Screw	
49			2	. Pin	
50			1	. Bearing	
51			1	. Plug	
52		A	1	. . O-ring	
53			2	. Lifting bracket	
54	4700936933		2	. Screw	
55			1	. Housing	
56			1	. Shaft seal kit	
57			1	. . Retaining ring	
58		A	1	. . O-ring	
59		A	1	. . Lip seal	

A) Included in seal kit, item 83

4700395384 Vibration pump

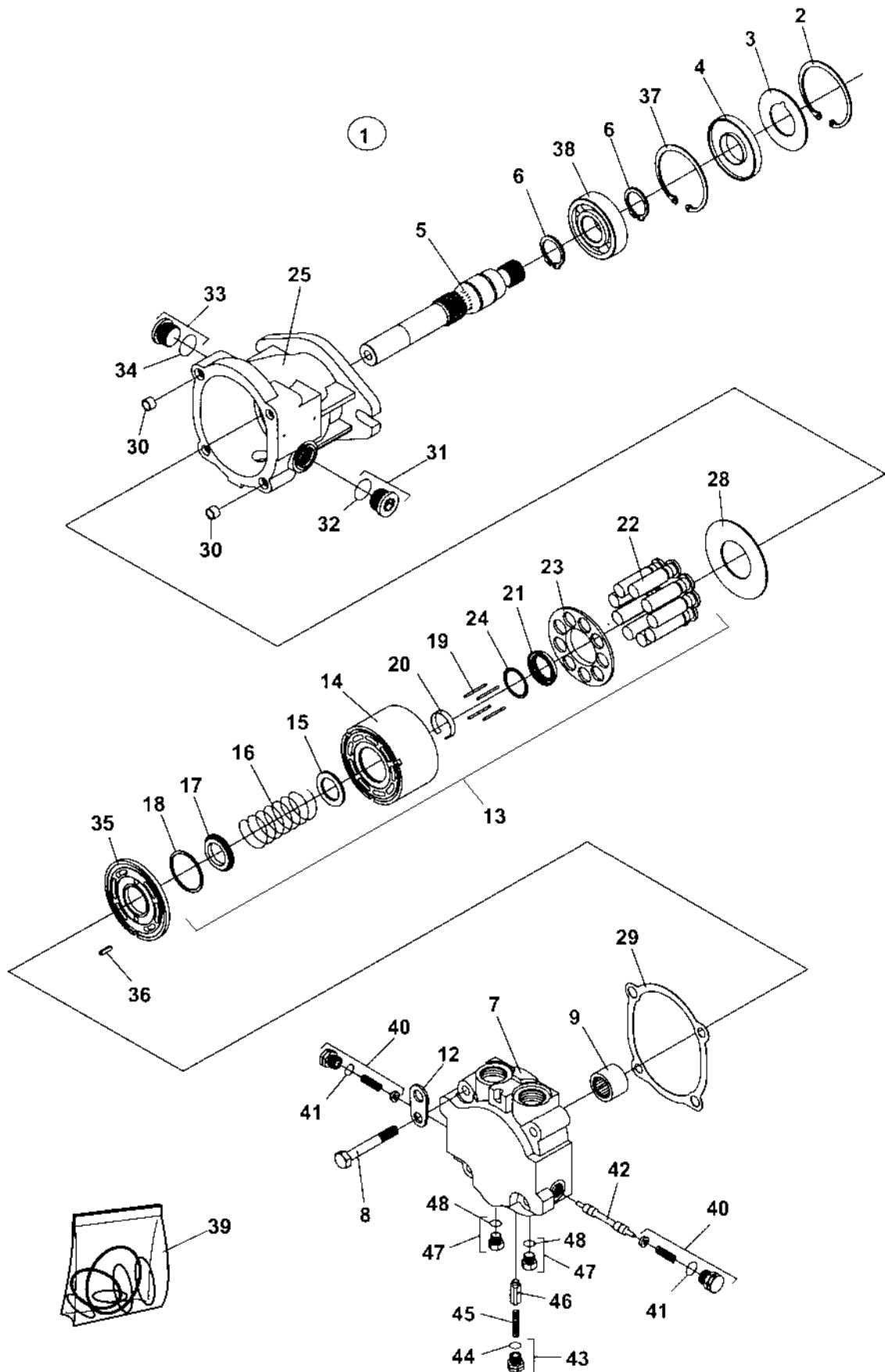


**4700395384 Vibration pump**

Item	Part No	Rem Qty	Description	Code
60		1	. Shaft	
61		1	. Roller bearing	
62		1	. Retaining ring	
63		1	. Adapter	
64	A	1	. Gasket	
65		1	. Coupling	
66		4	. Screw	
67		1	. Thrust plate	
68	4700950619	1	. Pressure relief valve/350 bar	
69	A	1	. . O-ring	
70	A	1	. . O-ring	
71	4700950619	1	. Pressure relief valve/350 bar	
72	A	1	. . O-ring	
73	A	1	. . O-ring	
74	4700950620	1	. Pressure limiter valve/300 bar	
75	A	1	. . O-ring	
76	4700950620	1	. Pressure limiter valve/300 bar	
77	A	1	. . O-ring	
78		2	. Plug	
79	A	2	. . O-ring	
80		1	. Charge relief valve	
81	A	1	. . Seal nut	
82	A	1	. . O-ring	
83	4700950616	1	. Seal kit	

A) Included in seal kit, item 83

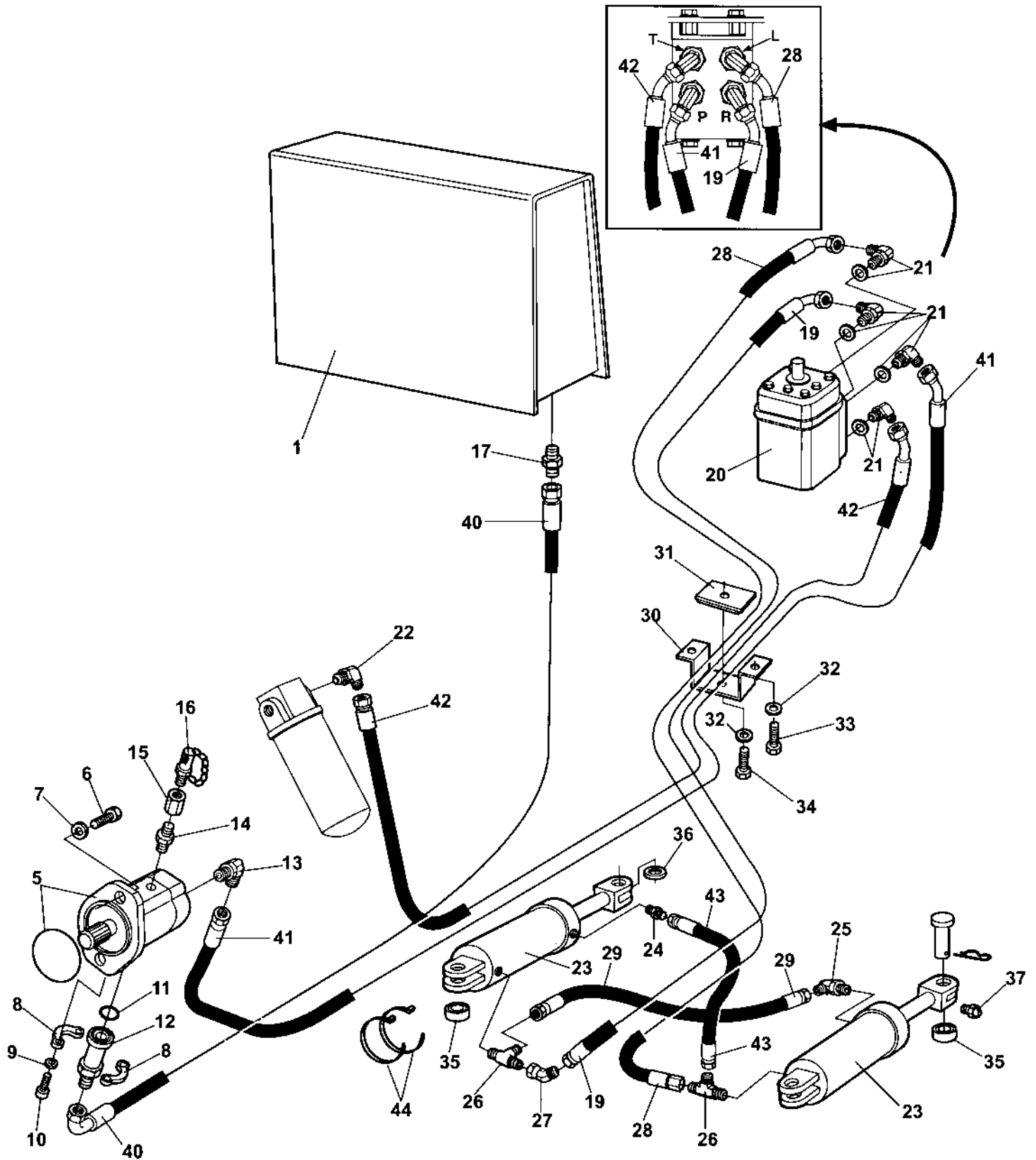
4700395386 Hydraulic motor, vibration





4700395386 Hydraulic motor, vibration

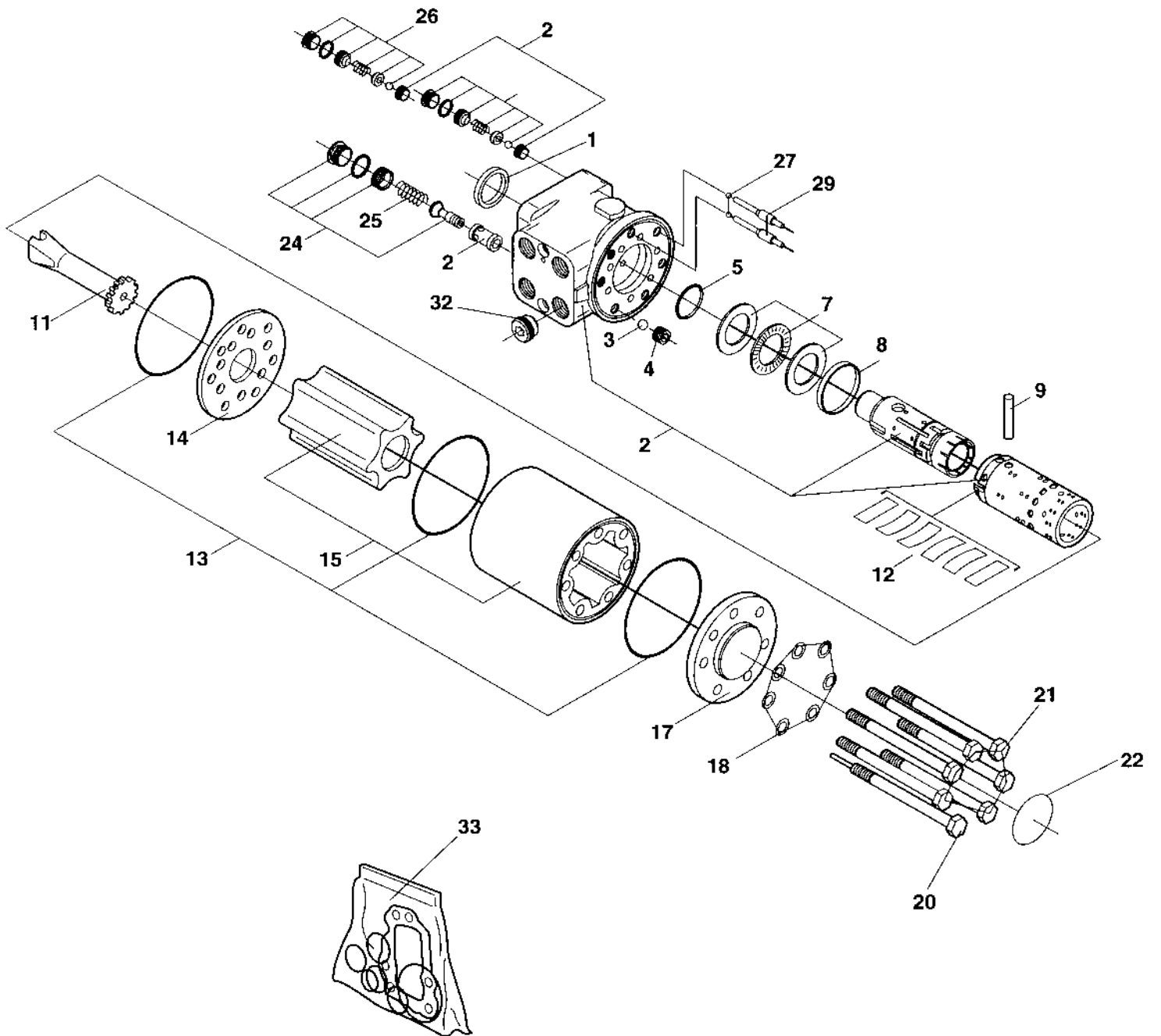
Item	Part No	Rem Qty	Description	Code
1	4700395386	1	<b>Hydraulic motor, vibration ( Page 110 )</b>	C
2	4700828112	1	. Retaining ring	D
3	4700937062	1	. Support washer	D
4	4700945879	1	. Lip seal	D
5		1	. Shaft	
6	4700828114	2	. Retaining ring	D
7	4700937079	1	. End cap	D
8	4700937080	4	. Screw	D
9	4700937081	1	. Needle bearing	D
12		1	. Lifting bracket	
13		1	. Cylinder block, cpl	
14		1	. . Cylinder block	
15	4700937066	1	. . Washer	D
16	4700937067	1	. . Spring	D
17	4700828138	1	. . Spacer	D
18	4700828139	1	. . Retaining ring	D
19	4700937070	4	. . Pin	D
20	4700937071	1	. . Retaining ring	D
21	4700937072	1	. . Retainer guide	D
22		9	. . Piston assembly	
23	4700937074	1	. . Retainer	D
24	4700937077	1	. . Washer	D
25	4700937084	1	. Housing	D
28	4700937065	1	. Thrust plate	D
29	4700937075	1	. Gasket	D
30	4700909346	2	. Pin	C
31	4700909243	1	. Plug	C
32		1	. O-ring	
33	4700909243	1	. Plug	C
34		1	. O-ring	
35		1	. Valve plate	
36	4700937086	1	. Pin	D
37	4700937064	1	. Retaining ring	D
38		1	. Ball bearing	
39	4700945877	1	. Seal kit	
40		2	. Loop flushing plug	
41		2	. . O-ring	
42		1	. Shuttle spool	
43		1	. Plug	
44		1	. . O-ring	
45		1	. Spring	
46		1	. Poppet	
47		2	. Plug	
48		2	. . O-ring	



**Steering system**

Item	Part No	Rem Qty	Description	Code
1		1	<b>Hydraulic oil tank ( Page 120 )</b>	
5	4700394902	1	Hydraulic pump	C
6	4700500133	2	Screw	C
7	4700904231	2	Washer 13x24x2 300 HV	C
8	4700232097	2	Flange half	C
9	4700904637	4	Washer	C
10	4700508029	4	Screw M10-1,5x30H 8,8	C
11	4700904005	1	O-ring	B
12	4700372625	1	Connector	C
13	4700334558	1	Elbow 90G with O-ring	C
14	4700334199	1	Straight o-ring connector	C
15	4700338304	1	Connector	C
16	4700910161	1	Measuring nipple	C
17	4700234626	1	Adapter	C
19	4700483280	1	Hydraulic hose	D
20	4700376000	1	<b>Steering valve ( Page 114 )</b>	
21	4700813444	4	Elbow 90, O-ring	C
22	4700929123	1	Elbow 90, O-ring	D
23	4700392002	2	<b>Steering cylinder ( Page 116 )</b>	C
24	4700334121	1	Straight connector	C
25	4700813500	1	Elbow 45, O-ring	C
26	4700234218	2	Tee-connector	C
27	4700234662	1	Elbow 45	C
28	4700483497	1	Hydraulic hose	D
29	4700483109	1	Hydraulic hose	D
30	4700372513	1	Hose clamp	D
31	4700372514	1	Hose clamp	D
32	4700904229	3	Steel plain washer 8,4x16x1,5	C
33	4700500019	2	Hexagon head screw M8x16H 8,8	C
34	4700904241	1	Screw	C
35	4700379630	4	Radial spherical plain bearing	D
36	4700904234	2	Steel plain washer	C
37	4700500044	2	Screw M6x8	C
38	4700334197	1	Elbow 90	C
40	4700483050	1	Hydraulic hose	D
41	4700483231	1	Hydraulic hose	D
42	4700483498	1	Hydraulic hose	D
43	4700483109	1	Hydraulic hose	D
44	4700313102	1	Cable ties	D

4700376000 Steering valve

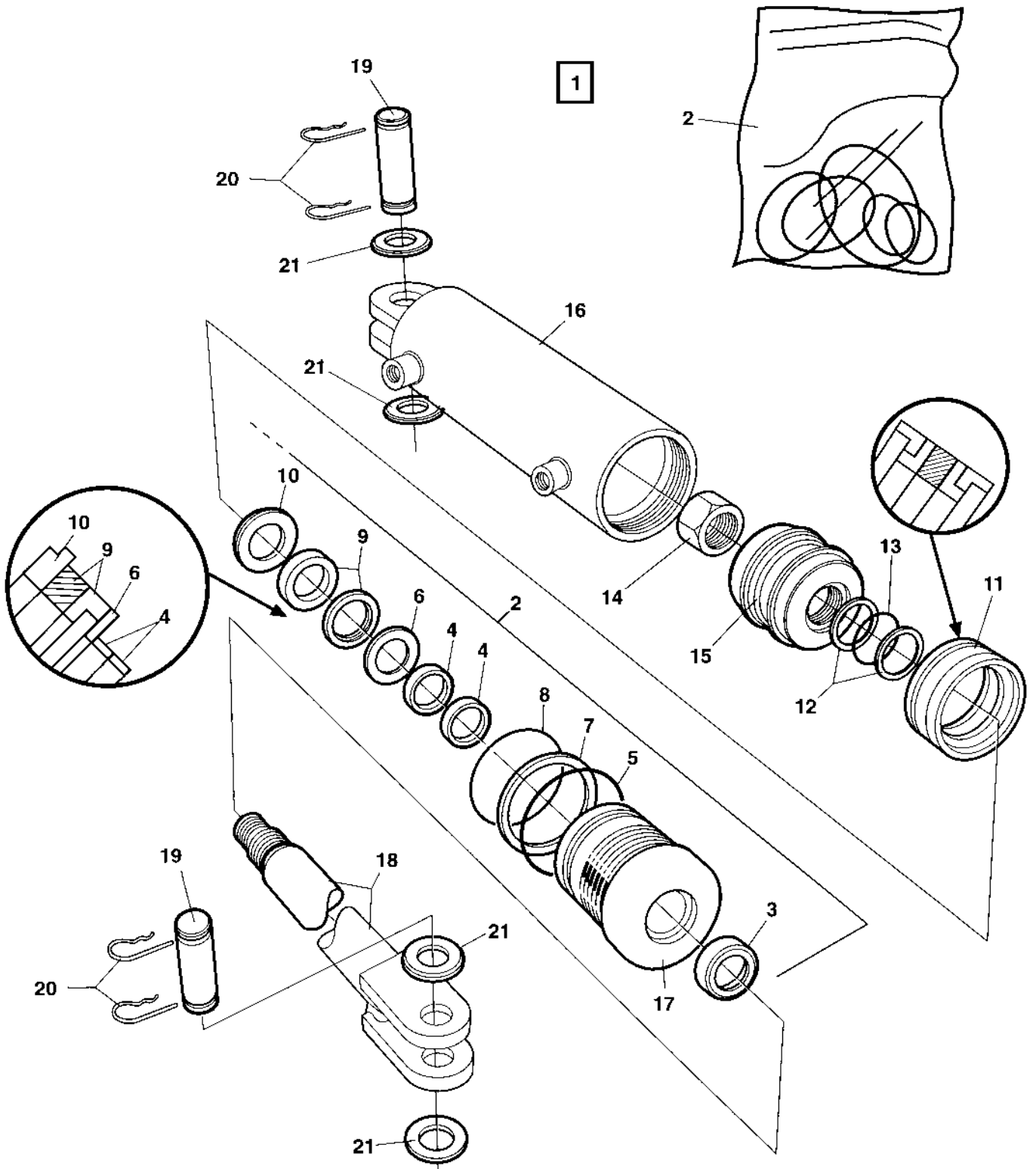


**4700376000 Steering valve**

Item	Part No	Rem	Qty	Description	Code
1	4700938062	A	1	Dust seal ring	
2			1	Housing, spool and sleeve	
3	4700938063		1	Ball	
4	4700938064		1	Threaded bushing	
5	4700908780	A	1	O-ring	D
7	4700911620		1	Bearing	B
8	4700480449		1	Ring	D
9	4700938066		1	Cross pin	
11	4700902861		1	Cardan shaft	C
12	4700938067		1	Set of springs	
13	4700938068	A	3	O-ring	
14	4700902862		1	Valve plate	C
15	4700903457		1	Gear wheel set	D
17	4700938069		1	End cover	
18	4700938070	A	7	Washer	
20	4700938071		1	Screw with pin	
21	4700935468		6	Spring washer	
22	4700938072		1	Name plate	
24	4700938073		1	Pressure relief valve	
25			1	Spring	
26	4700938074		2	Shock valve	
27	4700929013		2	Ball	D
29	4700929014		2	Rolled pin	D
32	4700938075		1	Check valve	
33	4700935429		1	Seal kit	

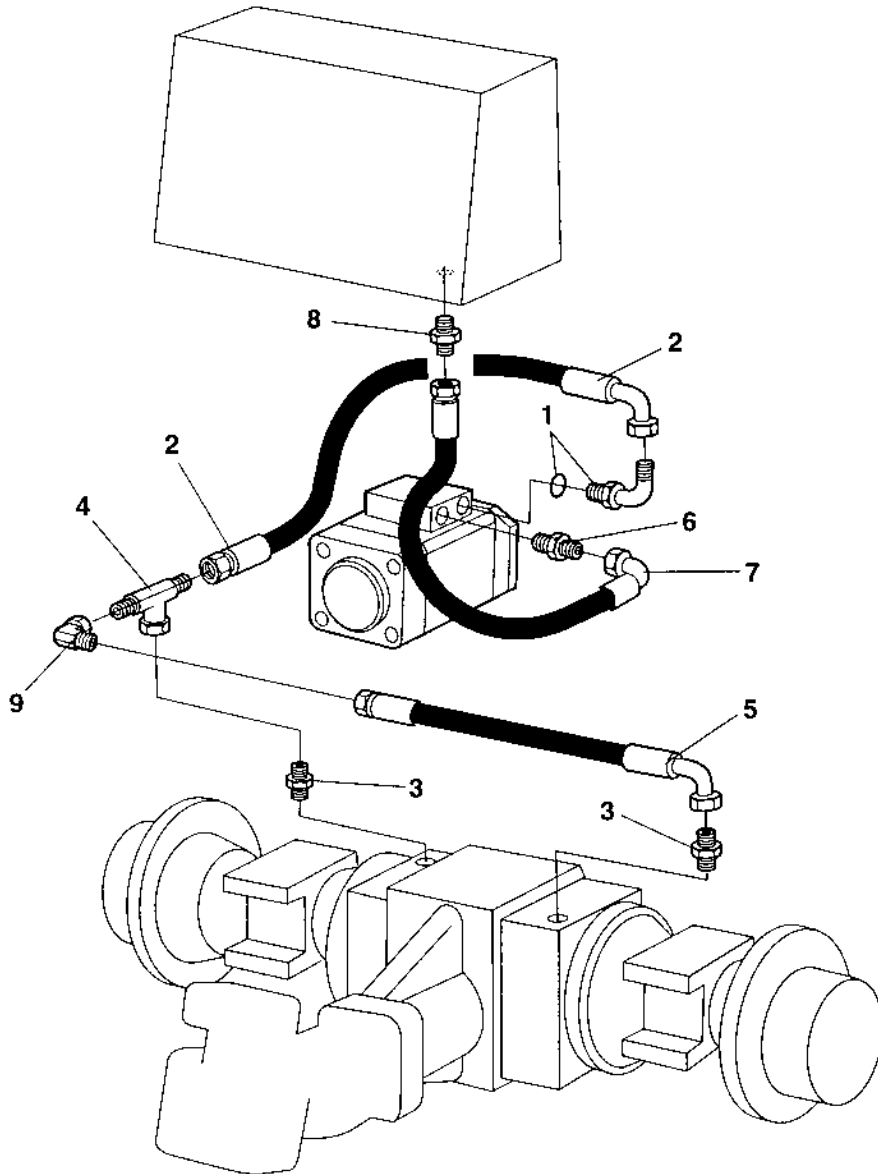
A) Included in seal kit, item 33

4700392002 Steering cylinder



**4700392002 Steering cylinder**

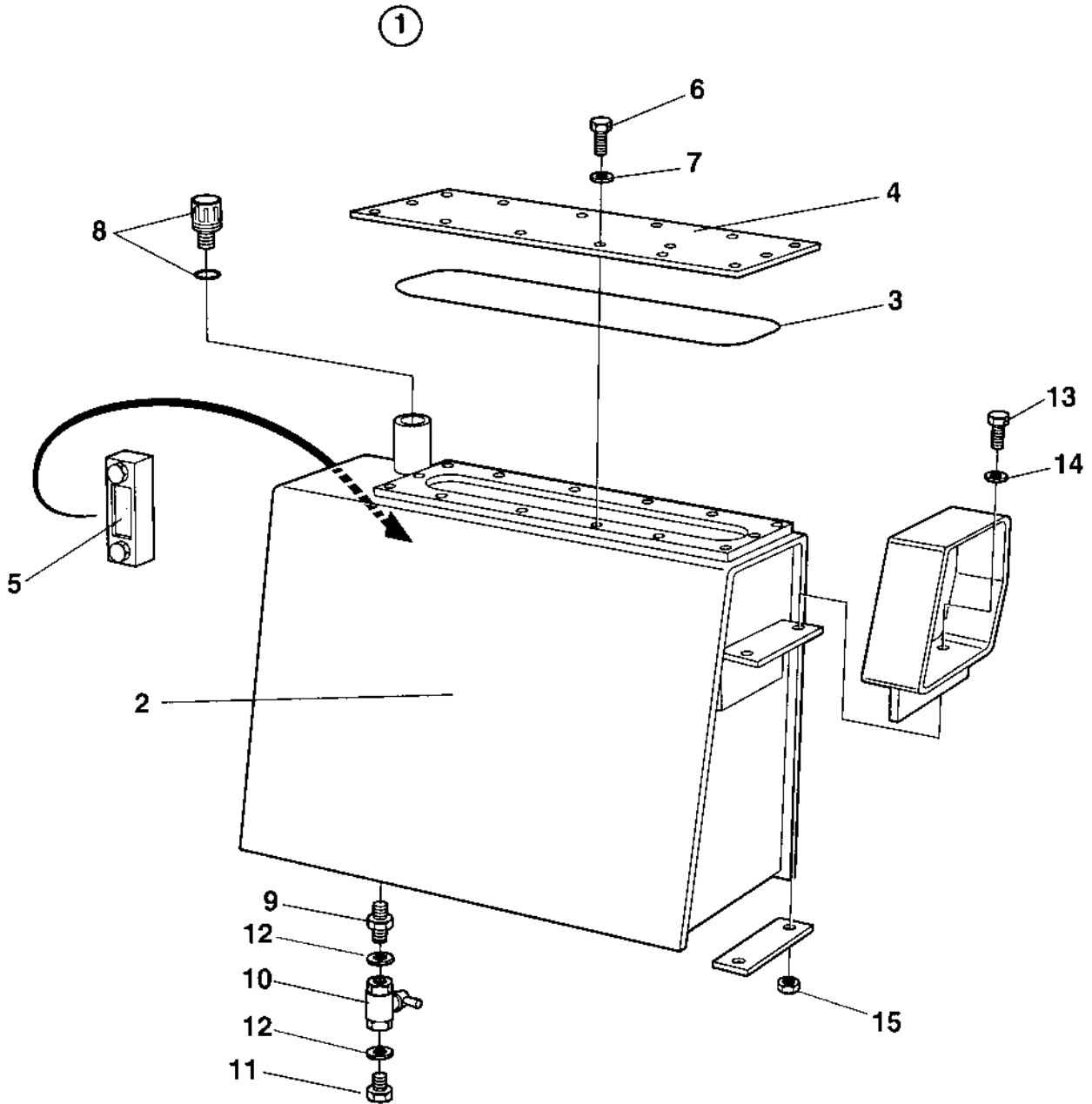
Item	Part No	Rem Qty	Description	Code
1	4700392002	1	<b>Steering cylinder ( Page 116 )</b>	C
2	4700392100	1	. Seal kit	B
3		1	. . Seal	
4		2	. . Seal	
5		1	. . O-ring	
6		1	. . Back-up ring	
7		1	. . Back-up ring	
8		1	. . O-ring	
9		1	. . Seal	
10		1	. . Retaining ring	
11		1	. . Seal	
12		2	. . Back-up ring	
13		1	. . O-ring	
14	4700392104	1	. Lock nut	
15		1	. Piston block	
16		1	. Cylinder	
17		1	. Steering	
18	4700392105	1	. Piston rod	D
19	4700392103	2	. Shaft	C
20	4700635061	4	. Hair clip	B
21	4700600016	4	. Washer 26x45x4	B





**Brake system**

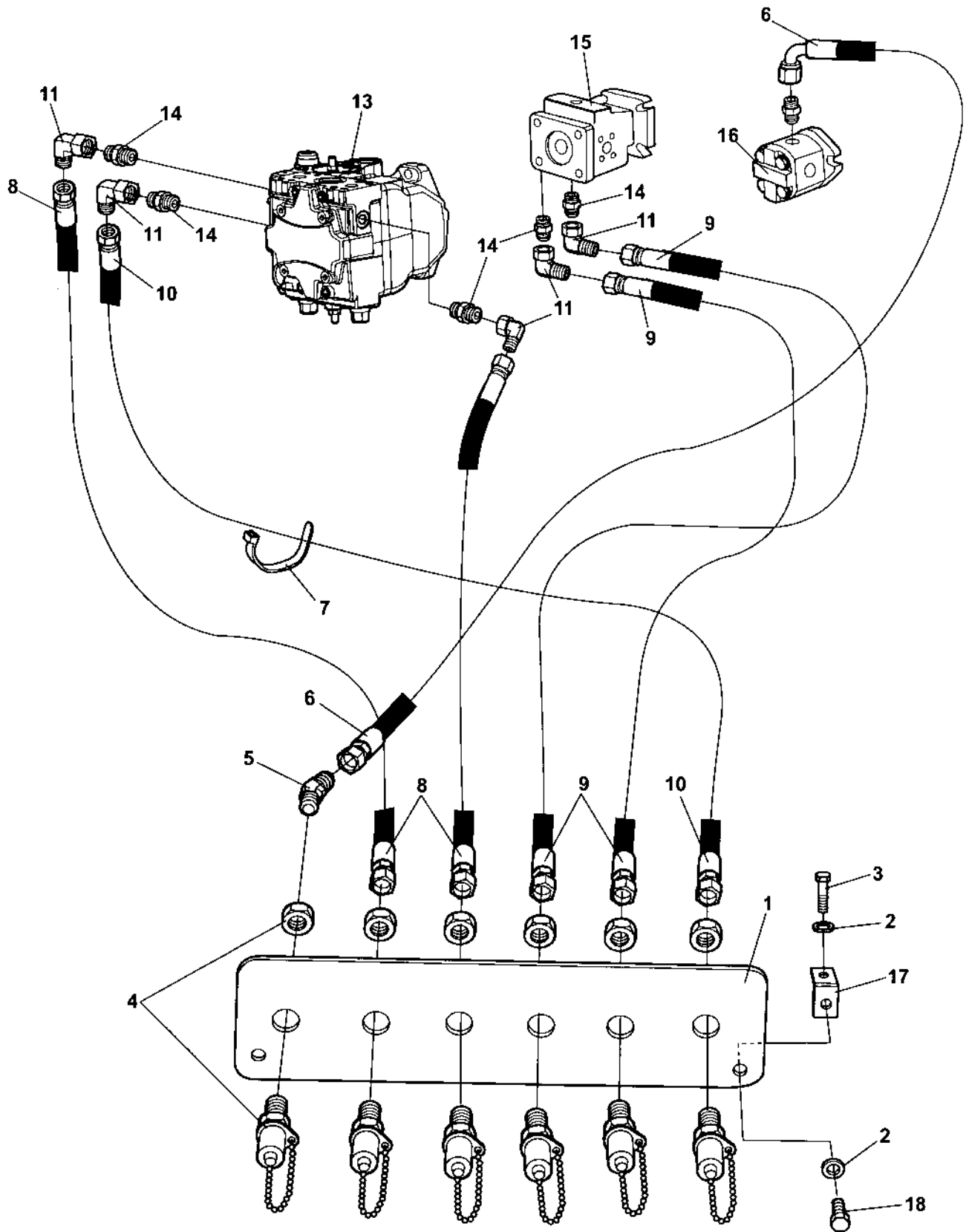
<b>Item</b>	<b>Part No</b>	<b>Rem Qty</b>	<b>Description</b>	<b>Code</b>
1	4700334389	1	Connector	D
2	4700482056	1	Hydraulic hose	D
3	4700900552	2	Adapter	C
4	4700234888	1	Tee-connector	D
5	4700482399	1	Hydraulic hose	D
6	4700234843	1	Adapter	
7	4700482474	1	Hydraulic hose	D
8	4700334205	1	Straight connector	D
9	4700334524	1	Connector	C



## Hydraulic oil tank

Item	Part No	Rem Qty	Description	Code
1	4700392981	1	Hydraulic oil tank, cpl	D
2	4700392986	1	. Hydraulic oil tank	D
3	4700349880	1	. O-ring	C
4	4700349879	1	. Cover	D
5	4700989151	1	. Oil level glass	C
6	4700500019	14	. Hexagon head screw M8x16H 8,8	C
7	4700904229	14	. Steel plain washer 8,4x16x1,5	C
8	4700357138	1	. Ventilating filter	A
9	4700791119	1	. Adapter G3/4	D
10	4700233304	1	. Ball valve	C
11	4700232039	1	. Plug G3/4	C
12	4700791120	2	. Sealing washer	
13	4700500030	4	Screw M10x035H 8.8 A3K	C
14	4700904567	4	Washer 10,5x28x6 HB305	C

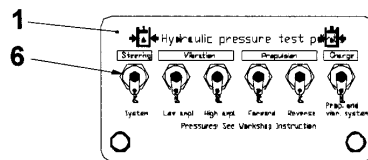
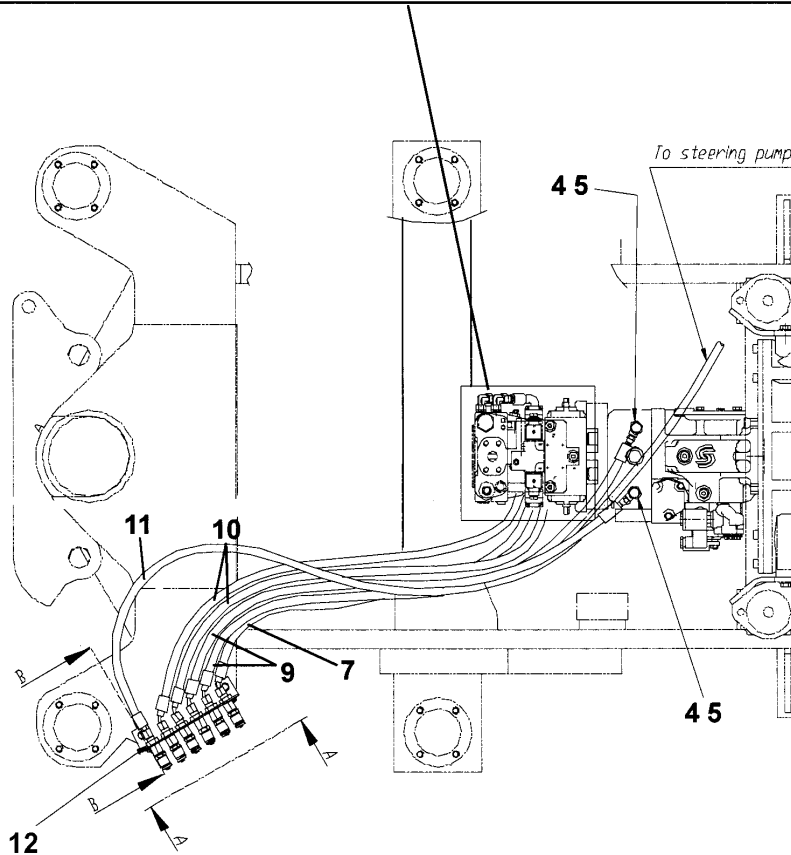
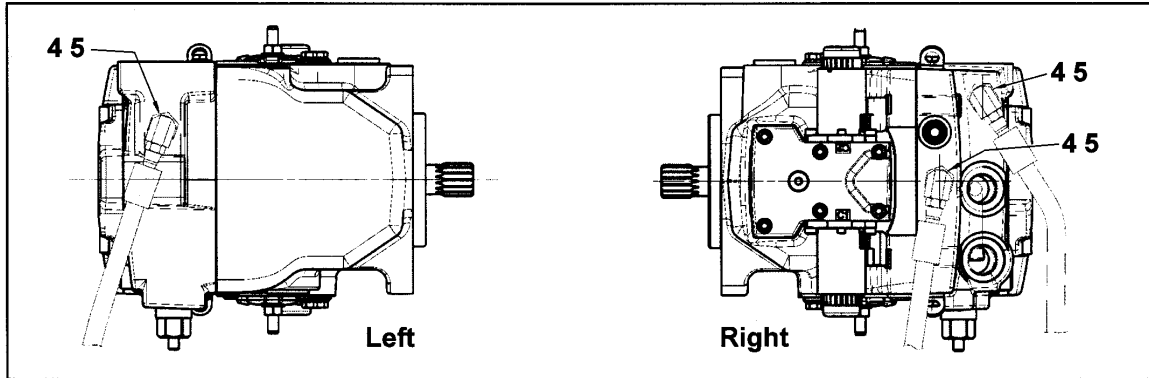
Central test panel hydraulic Option



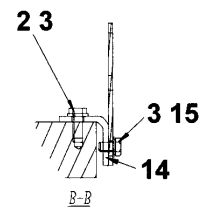
## Central test panel hydraulic Option

Item	Part No	Rem Qty	Description	Code
1	4700374028	1	Test panel	D
2	4700904229	4	Steel plain washer 8,4x16x1,5	C
3	4700500053	2	Screw M8x20H 8.8	C
4	4700356348	6	Measuring nipple	D
5	4700234622	1	Elbow 45	C
6	4700483204	1	Hydraulic hose	D
7	4700313102	N	Cable ties	
8	4700483445	2	Hydraulic hose	D
9	4700483188	2	Hydraulic hose	D
10	4700482342	1	Hydraulic hose	D
11	4700334196	5	Elbow 90	C
13		1	Vibration pump	
14	4700234388	5	Connector	C
15		1	Propulsion pump	
16		1	Steering pump	
17	4700908136	2	Bracket	D
18	4700500018	2	Screw M8-1,25x12 8,8	C

Central test panel, Sauer Danfoss Option



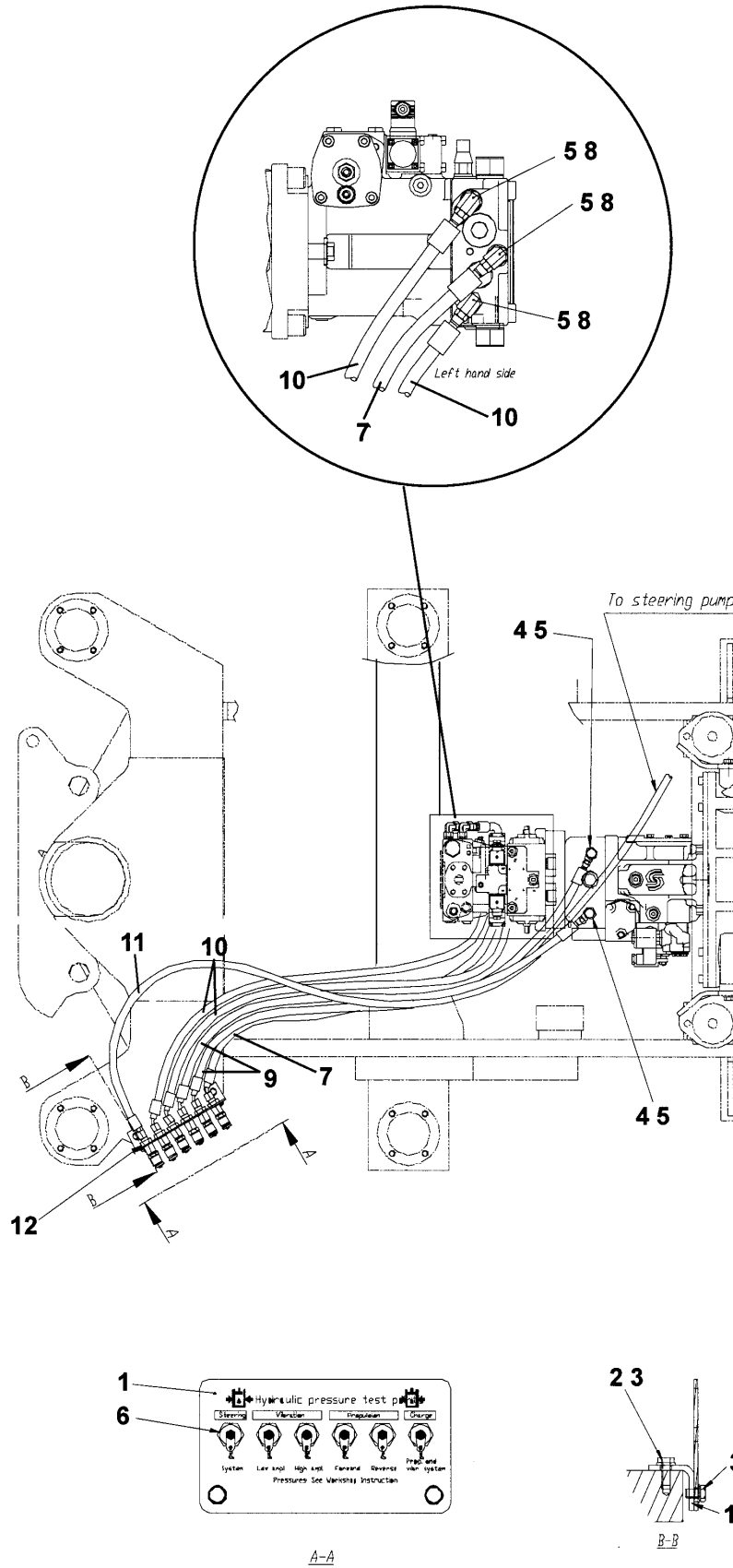
A-A



**Central test panel, Sauer Danfoss Option**

<b>Item</b>	<b>Part No</b>	<b>Rem Qty</b>	<b>Description</b>	<b>Code</b>
1	4812113146	1	Test panel	D
2	4700500053	2	Screw M8x20H 8.8	C
3	4700904229	4	Steel plain washer 8,4x16x1,5	C
4	4700791914	5	Straight connector orfs	D
5	4812113110	5	Elbow 90	D
6	4812110422	6	Measuring nipple	C
7	4811000367	1	Hydraulic hose	
9	4811000329	2	Hydraulic hose	
10	4811000328	2	Hydraulic hose	
11	4811000365	1	Hydraulic hose	
12	4700792450	6	Nut	D
13	4700313102	7	Cable ties	
14	4700908136	2	Bracket	D
15	4700500018	2	Screw M8-1,25x12 8,8	C

Central test panel, Rexroth Option





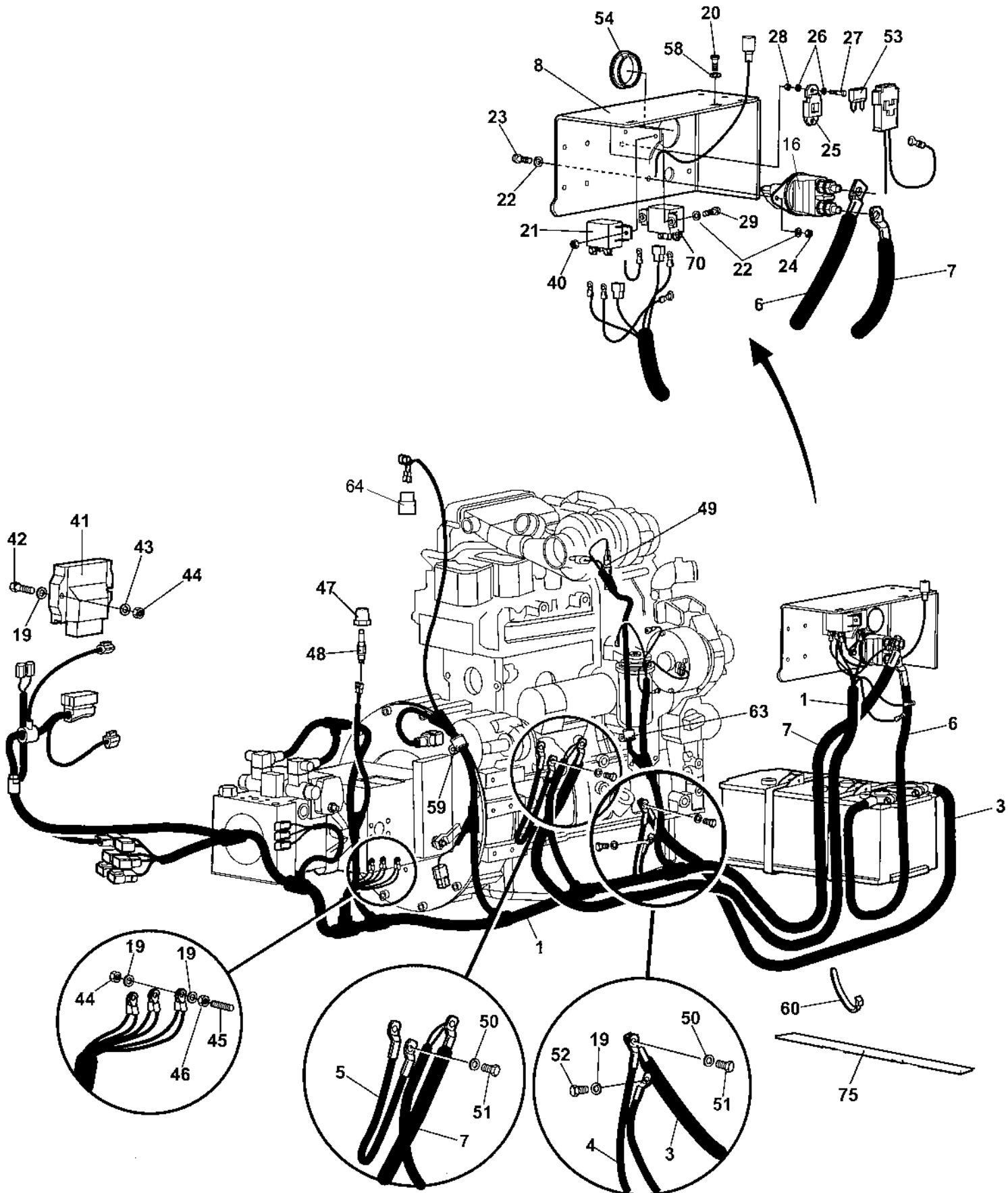
**Central test panel, Rexroth Option**

<b>Item</b>	<b>Part No</b>	<b>Rem Qty</b>	<b>Description</b>	<b>Code</b>
1	4812113146	1	Test panel	D
2	4700500053	2	Screw M8x20H 8.8	C
3	4700904229	4	Steel plain washer 8,4x16x1,5	C
4	4700791914	2	Straight connector orfs	D
5	4812113110	5	Elbow 90	D
6	4812110422	6	Measuring nipple	C
7	4811000367	1	Hydraulic hose	
8	4700791538	3	Straight connector	C
9	4811000329	2	Hydraulic hose	
10	4811000328	2	Hydraulic hose	
11	4811000365	1	Hydraulic hose	
12	4700792450	6	Nut	D
13	4700313102	7	Cable ties	
14	4700908136	2	Bracket	D
15	4700500018	2	Screw M8-1,25x12 8,8	C



**Electrical equipment**

<b>Item</b>	<b>Part No</b>	<b>Rem Qty</b>	<b>Description</b>	<b>Code</b>
10			Electric system ( Page 130 )	
30			Control panel ( Page 132 )	
60			Working lights Option ( Page 134 )	
70			Rotating beacon                      Option ( Page 138 )	
85			Back-up alarm Option ( Page 140 )	
95			Compaction meter Option ( Page 142 )	

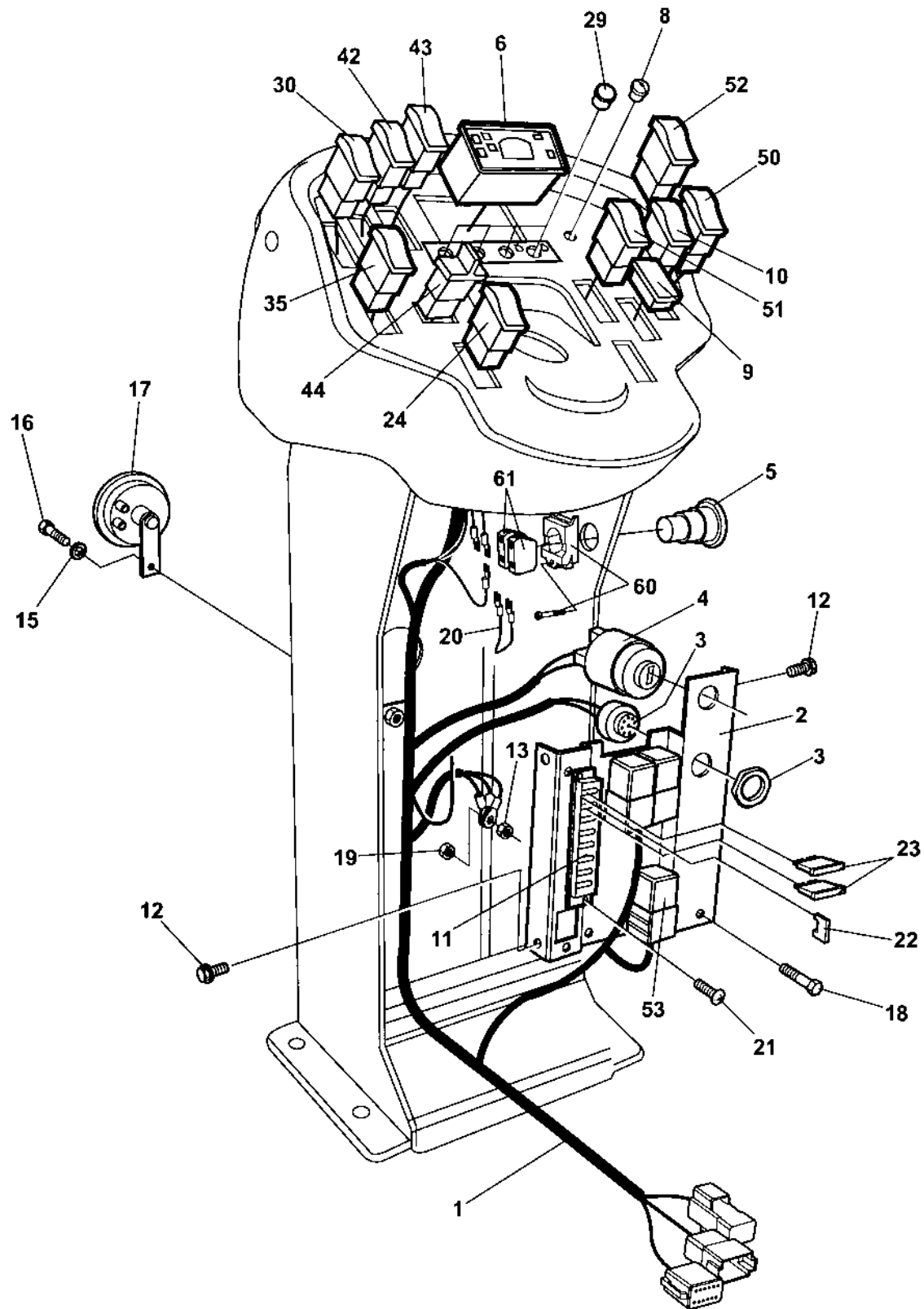


**Electric system**

Item	Part No	Rem	Qty	Description	Code
1	4700395821		1	Cable harness	D
3	4700904020		1	Battery cable	
4	4700903760		1	Connection cable, coarse	
5	4700335607		1	Connection cable, coarse	B
6	4700791503		1	Battery cable	C
7	4700792052		1	Connection cable, coarse	D
8	4700386999		1	Holder	D
16	4700903640		1	Battery switch	D
	4700903641		1	. Key	D
19	4700904229		10	Steel plain washer 8,4x16x1,5	C
20	4700500053		2	Screw M8x20H 8.8	C
21	4700791183	A	1	Relay	A
22	4700904228		6	Washer 6,4x12x1,5	C
23	4700500013		2	Screw M6-1x16 8,8	C
24	4700570004		2	Nut M6X1,00 -8 A2K	C
25	4700904036		1	Fuse holder	D
26	4700904281		4	Washer 5,3x10x1 300HV	C
27	4700500060		2	Screw M5-0,8x20 8.8	C
28	4700586001		2	Lock nut	C
29	4700500075		3	Screw M6-1,0x25 8.8	C
40	4700902285		2	Hexagon lock nut with flange	C
41	4812114386		1	Control unit, ECU	C
42	4700500025		2	Screw M8-1,25x50 8,8	D
43	4700904556		2	Washer 8,4x16x3,0	C
44	4700586003		5	Lock nut M8	C
45	4700903768		3	Threaded stud	C
46	4700570005		3	Nut M8	C
47	4700813434		1	Reducer	C
48	4700903631		1	Temperature sensor Hydraulic oil	B
49	4700903632		1	Temperature sensor Engine	
50	4700904231		2	Washer 13x24x2 300 HV	C
51	4700500051		2	Screw M12x25H 8.8 A3K	C
52	4700500019		1	Hexagon head screw M8x16H 8,8	C
53	4700904038		1	Fuse 40A	A
54	4700345870		1	Plug	C
58	4700904230		2	Steel plain washer	C
59	4700921080		1	Clamp	C
60	4700313041		1	Cable ties	B
63	4700921072		1	Clamp	
64	4700929023		1	Indicator	B
70	4700791183		1	Relay	A
75	4812110818	B	2	Rubber cloth	

- A) Replaces P/N 4700904448 as Start relay from January 2009.
- B) Mounted under the Battery

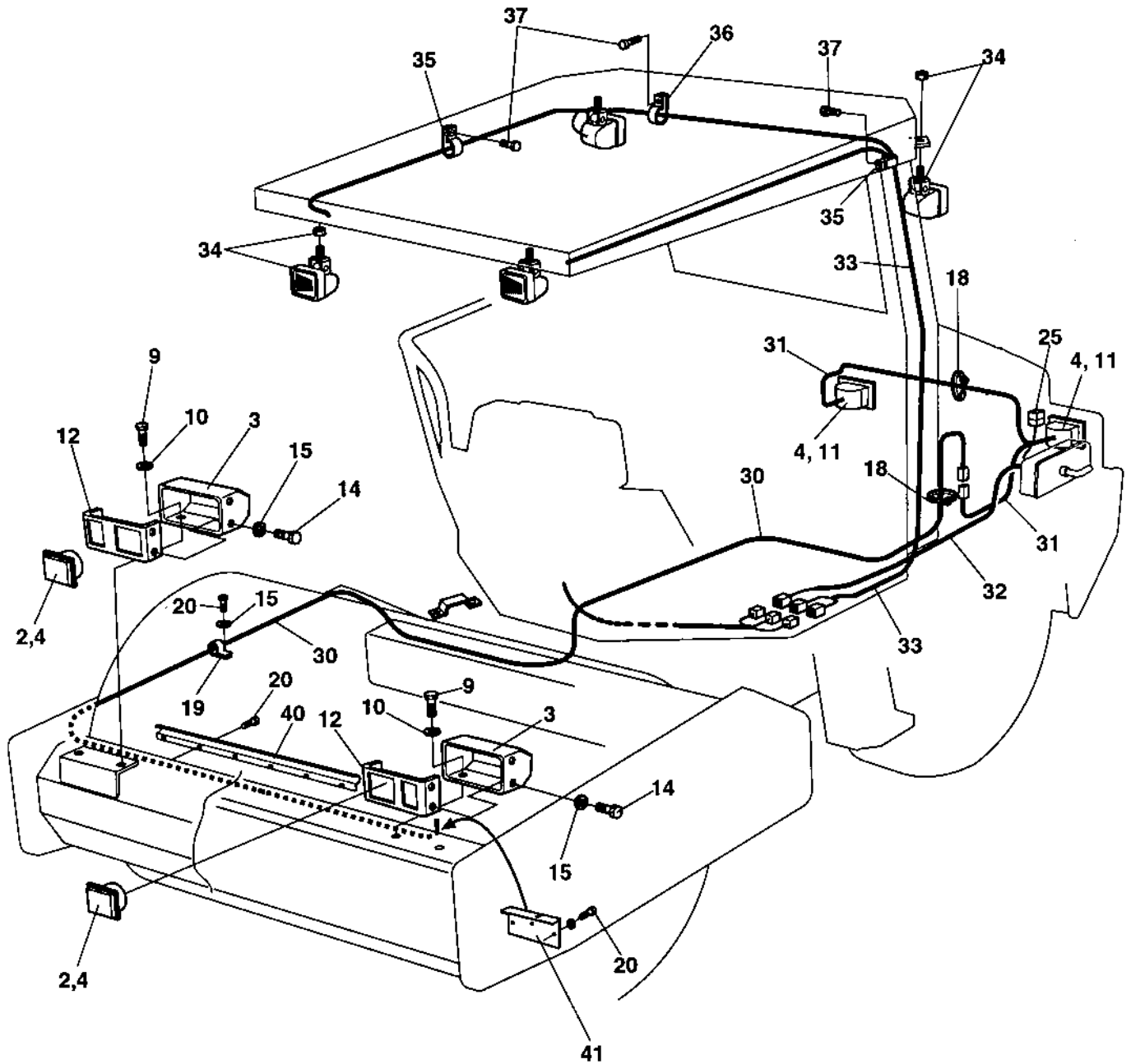
**Control panel**



**Control panel**

Item	Part No	Rem	Qty	Description	Code
1	4700396968	B	1	Cable harness	D
2	4700387683		1	Distribution control plate	D
3	4700385599		1	Buzzer	B
4	4700238158		1	Ignition switch	B
	4700940451		1	. Key	D
5	4700791739		1	Emergency stop	B
6	4700392996		1	Control panel	D
8	4700792083	N		Plug	D
9	4700791588	N		Panel plug	C
10	4700792461		1	Switch, vibration	D
11	4700791185		1	Fuse box	
12	4700903782		4	Screw M5x12	C
13	4700570004		3	Nut M6X1,00 -8 A2K	C
15	4700904229		1	Steel plain washer 8,4x16x1,5	C
16	4700500053		1	Screw M8x20H 8.8	C
17	4700999027		1	Horn	C
18	4700500075		1	Screw M6-1,0x25 8.8	C
19	4700586002		1	Lock nut M6 -8	C
20	4700343550		1	Connection cable	B
21	4700901767		2	Screw ST3,5x9,5 Black	
22	4700791211	N		Contact bridge	C
23	4700901228	N		Fuse 15A	A
	4700901227	N		Fuse 10A	A
24	4700791582		1	Switch, parking brake	B
29	4700792320		4	Plug	D
	4700792315		1	Illuminated block yellow	D
30	4700791587	A	1	Switch, working light	B
35	4700791585	A	1	Switch, rotating beacon	B
42	4700791583	A	1	Switch, driving light	B
43	4700791584	A	1	Switch, hazard flashers	B
44	4700792413	A	1	Switch, drive direction	B
50	4700791588		1	Panel plug	C
	4700792463	A	1	Switch, Power distribution	D
51	4700791578		1	Switch, horn	B
52	4700792462	A	1	Switch, TC & TM	D
	4700791657	A	1	Switch, Hi-Lo Speed	D
53	4700903956	A	1	Relay	A
60	4700791733		1	Fixing collar	C
61	4700791723		2	Connector N/C	B

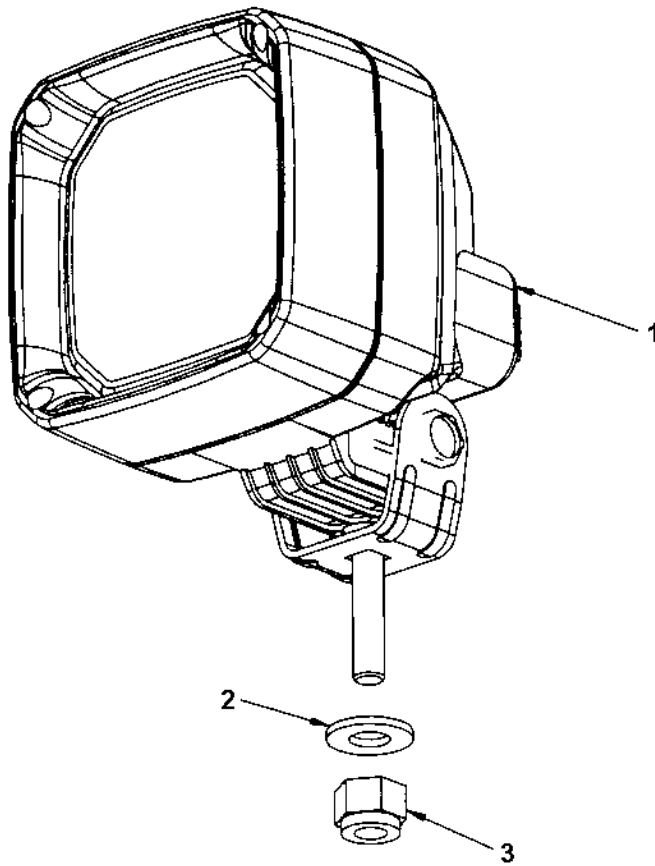
- A) Option
- B) Control panel





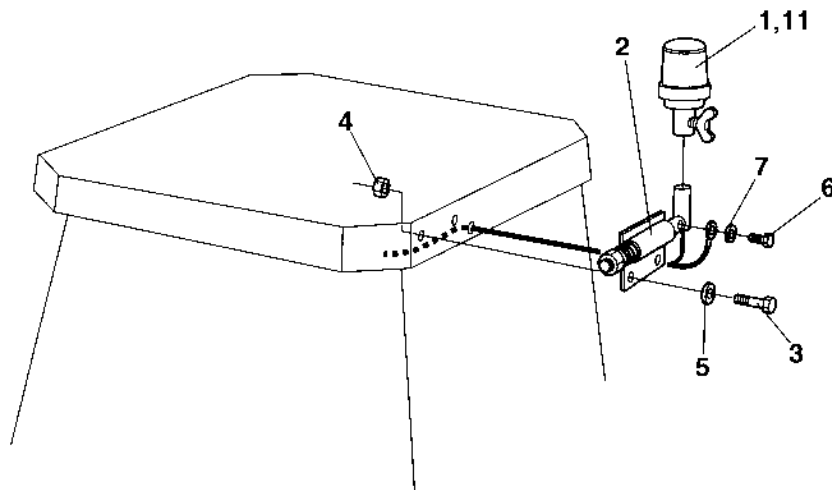
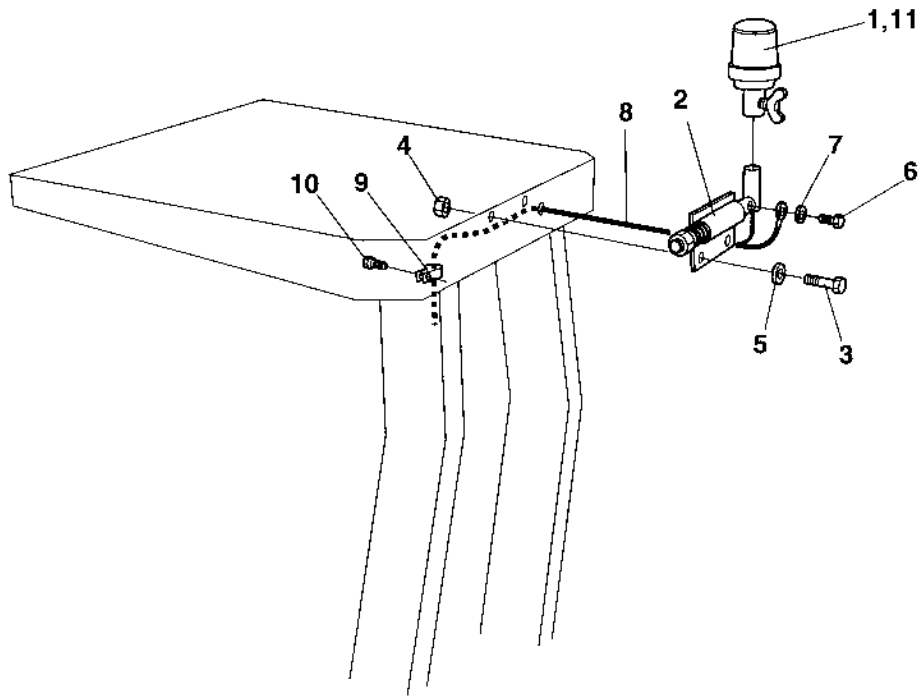
**Working lights Option**

Item	Part No	Rem Qty	Description	Code
2	4700902227	2	Work light	B
3	4700374029	2	Lamp shield	D
4	4700901369	4	Bulb 55w H3	B
9	4700500043	6	Screw M10x16H 8,8	D
10	4700904230	6	Steel plain washer	C
11		2	<b>Working light rear ( Page 136 )</b>	B
12	4700374030	2	Bracket	D
14	4700500040	8	Screw M6-1x20 8,8	C
15	4700904228	13	Washer 6,4x12x1,5	C
18	4700925802	N	Cable ties L=142 mm	C
19	4700921039	8	Pipe clamp	
20	4700500012	8	Screw M6x12	C
25	4700904038	1	Fuse 40A	A
30	4700373184	1	Cable harness	D
31	4700387419	1	Cable harness	D
32	4700373184	1	Cable harness	D
33	4700372758	1	Cable harness	D
34	4812110216	4	Work lamp	C
	4700904230	4	Steel plain washer	C
	4700586018	4	Hexagon lock nut	C
35	4700921039	10	Pipe clamp	
36	4700921031	3	Clamp	C
37	4700541702	13	Screw M6x12	C
40	4700381462	1	Rubber hose	D
41	4700384163	2	Protection	D



**Working light rear**

<b>Item</b>	<b>Part No</b>	<b>Rem Qty</b>	<b>Description</b>	<b>Code</b>
1	4812110216	1	Work lamp	C
2	4700904230	1	Steel plain washer	C
3	4700586018	1	Hexagon lock nut	C

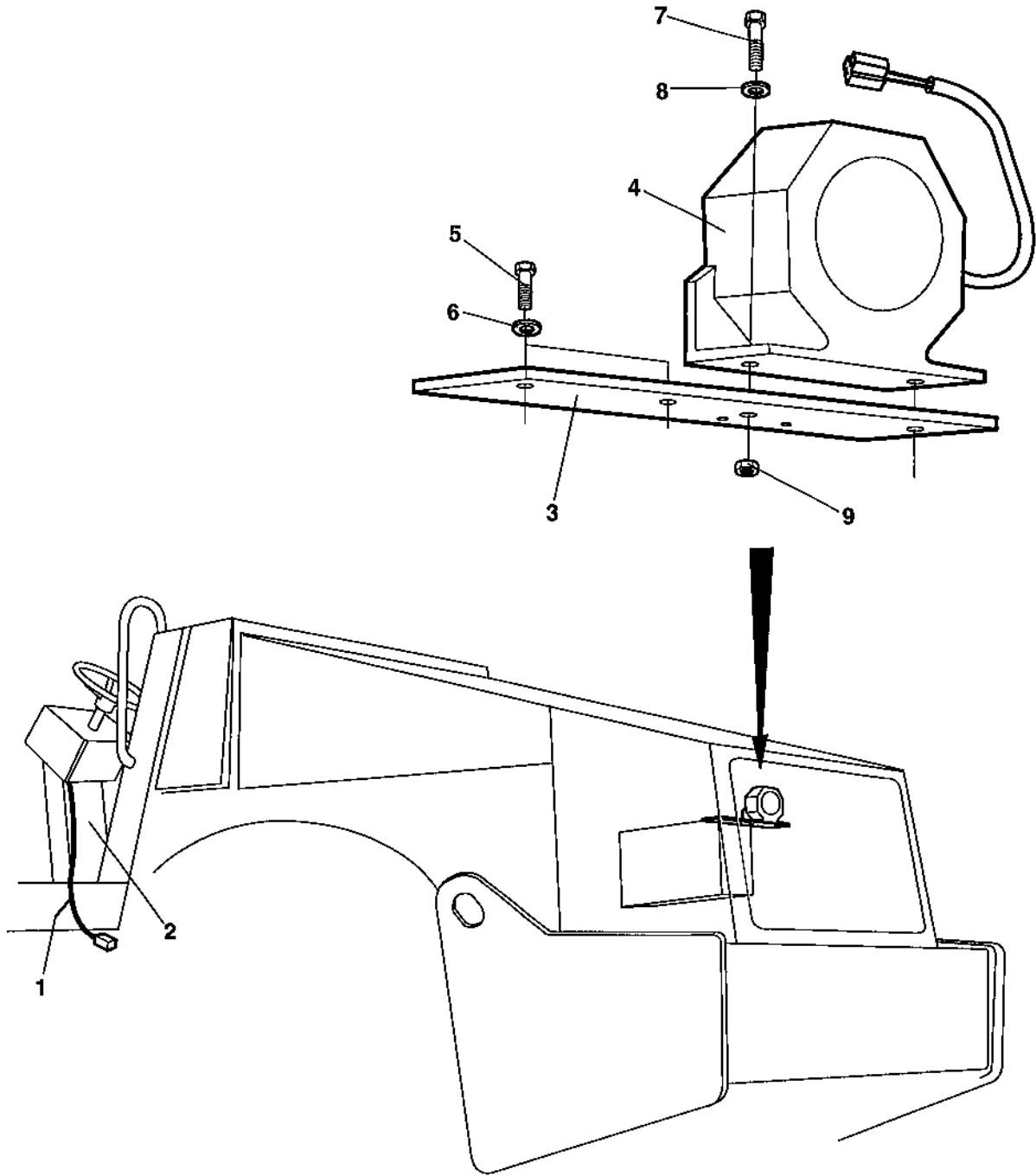


Rotating beacon

Option

Item	Part No	Rem	Qty	Description	Code
1	4700999011	1	1	Rotating beacon	B
2	4700358452		1	Lamp holder	D
3	4700500021		2	Screw M8-1,25x25 8.8	C
4	4700586003		2	Lock nut M8	C
5	4700904229		2	Steel plain washer 8,4x16x1,5	C
6	4700500013		1	Screw M6-1x16 8,8	C
7	4700904228		1	Washer 6,4x12x1,5	C
8	4700374398		1	Cable harness	D
9	4700921039		1	Pipe clamp	
10	4700541702		1	Screw M6x12	C
11	4700389577	2	1	Rotating beacon 12V	B

- 1) Is replaced by item 11, P/N 4700389577
- 2) Replaces item 1, P/N 4700999011

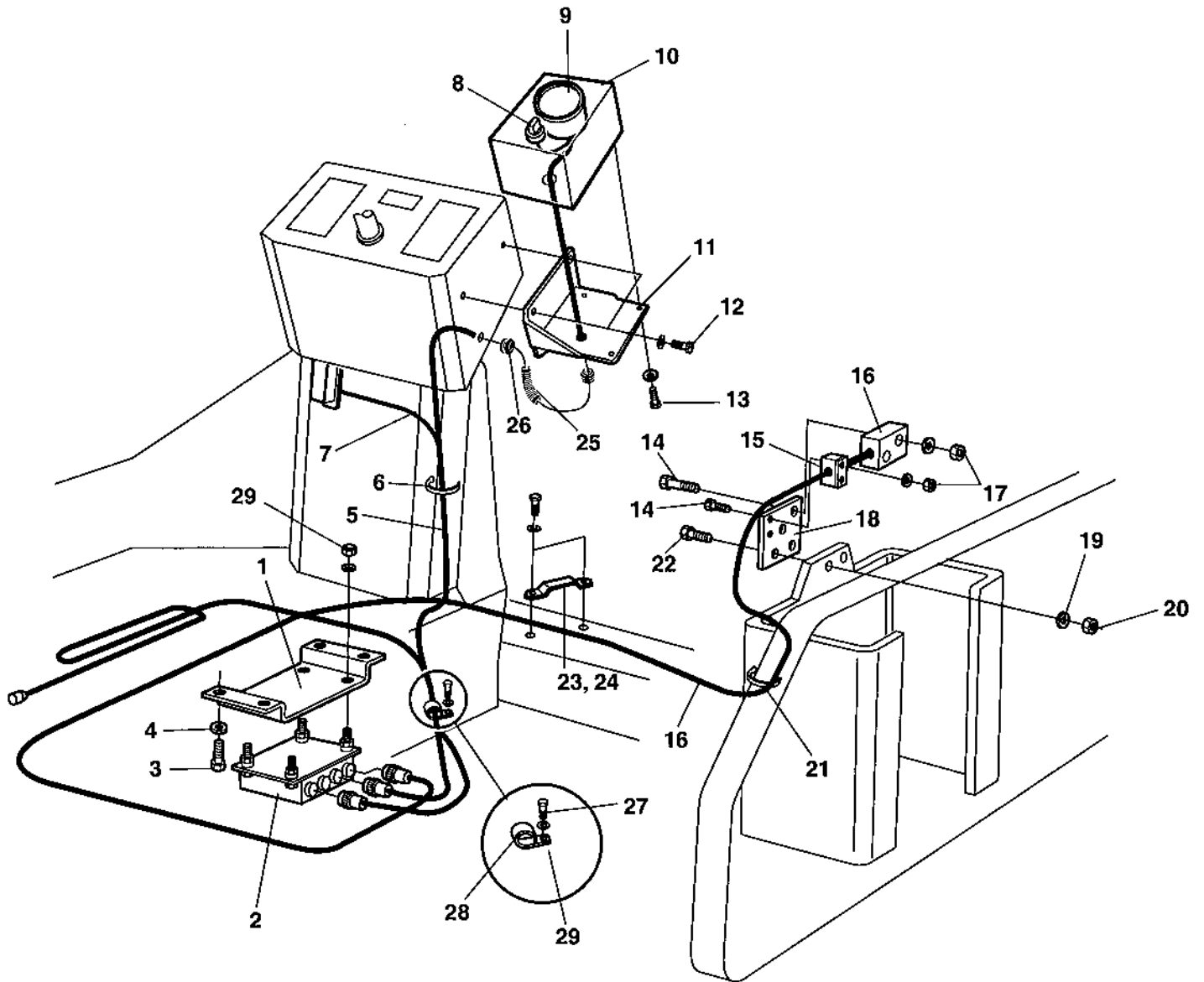


**Back-up alarm Option**

Item	Part No	Rem	Qty	Description	Code
1	4700380798	A	1	Cable harness	D
2	4700901224	B	1	Fuse 3A	A
3	4700377071		1	Bracket	D
4	4700904910		1	Back-up alarm	B
5	4700500053		2	Screw M8x20H 8.8	C
6	4700904229		2	Steel plain washer 8,4x16x1,5	C
7	4700500040		2	Screw M6-1x20 8,8	C
8	4700904228		2	Washer 6,4x12x1,5	C
9	4700586002		2	Lock nut M6 -8	C

- A) Is connected to the main wiring harness.  
B) Located in the fusebox on the control panel.

Compaction meter Option





**Compaction meter Option**

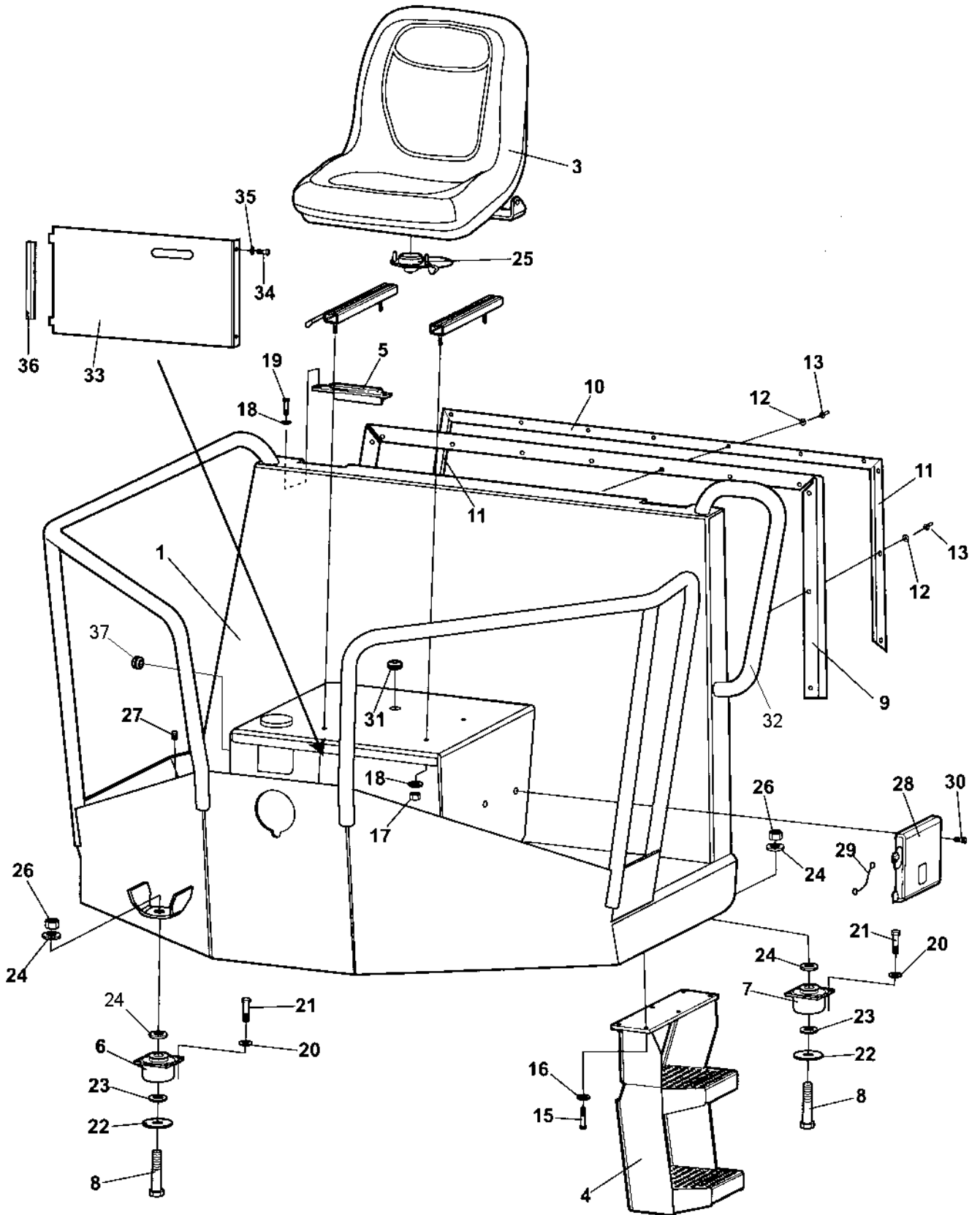
Item	Part No	Rem Qty	Description	Code
1	4700372836	1	Bracket	D
2	4700388210	1	Processor comp.meter	D
3	4700500053	4	Screw M8x20H 8.8	C
4	4700904229	4	Steel plain washer 8,4x16x1,5	C
5	4700388211	1	Cable harness	D
6	4700313102	N	Cable ties	
7	4700381351	1	Cable harness	D
8	4700930151	1	Switch	B
9	4700383452	1	Compaction meter	D
10	4700373096	1	Instrument box	D
11	4700383326	1	Bracket	D
12	4700904206	3	Screw	C
13	4700541526	4	Screw	D
14	4700500079	4	Screw M6-1x50 8,8	C
15	4700902496	1	Clamp	D
16	4700348213	1	Sensor, cpl	C
17	4700902285	7	Hexagon lock nut with flange	C
18	4700373140	1	Bracket	D
19	4700904231	2	Washer 13x24x2 300 HV	C
20	4700902288	2	Nut M12	D
21	4700313041	N	Cable ties	B
22	4700500194	2	Screw	C
23	4700373016	1	Hose clamp	D
24	4700349435	1	Rubber part	D
25	4700901190	A	Conduit	D
26	4700903192	2	Grommet	
27	4700500047	1	Hexagon head screw	C
28	4700921072	1	Clamp	
29	4700902286	5	Hexagon lock nut with flange	C

A) L=230mm



**Drivers platform**

<b>Item</b>	<b>Part No</b>	<b>Rem Qty</b>	<b>Description</b>	<b>Code</b>
10			Drivers platform ( Page 146 )	
20			Control panel ( Page 148 )	
30			Throttle controls ( Page 150 )	
40			Forward and reverse control ( Page 152 )	
50			Steering column ( Page 156 )	
100			Canopy Option ( Page 158 )	
110			Rops and fops ( Page 160 )	
120			Cab mounting ( Page 162 )	
130			Cab 4700378308 ( Page 164 )	
140			Cab Exterior, rear mirror ( Page 178 )	
150			Cab Work light ( Page 180 )	

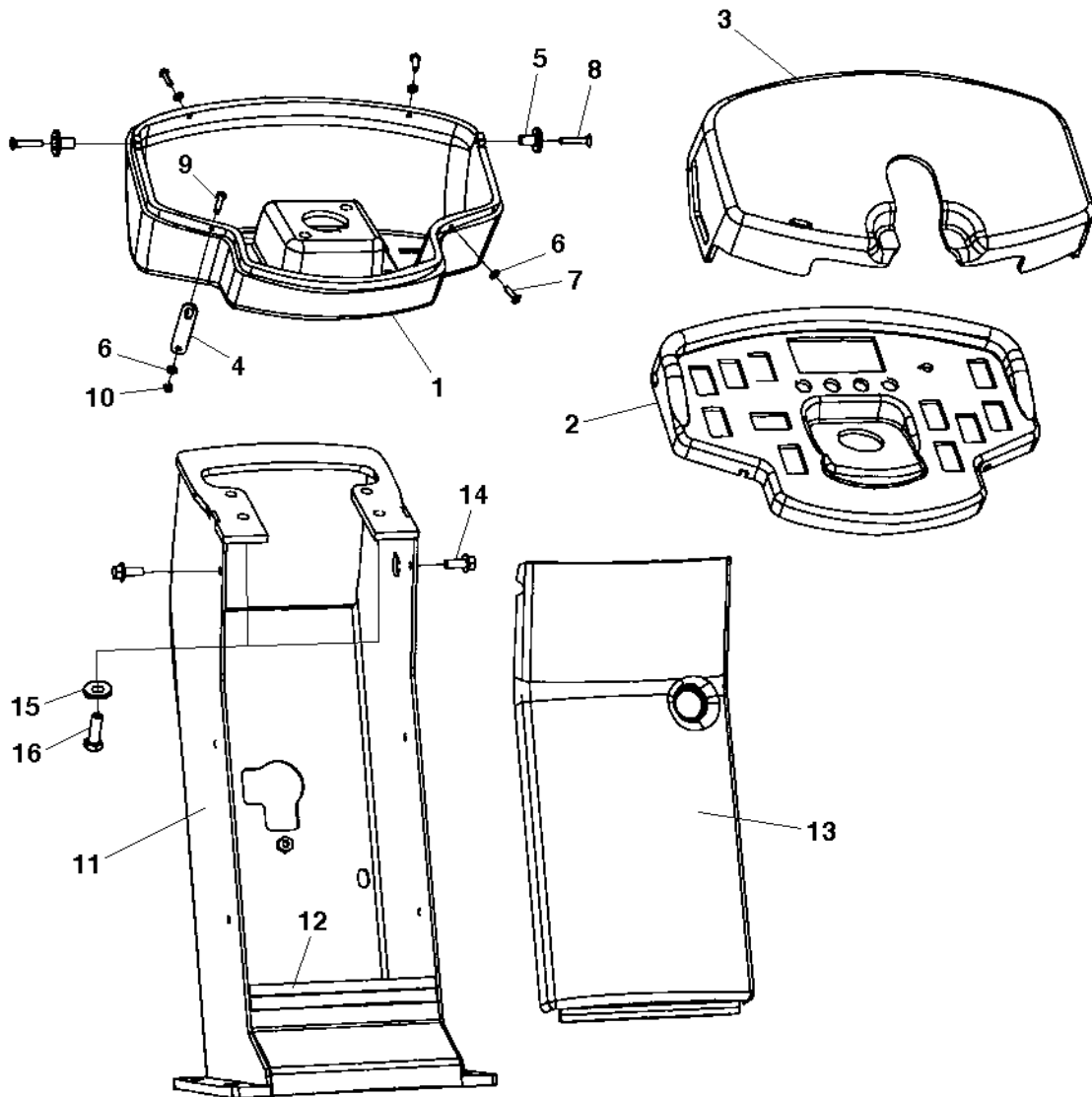


Drivers platform

Item	Part No	Rem	Qty	Description	Code
1	4700392394		1	Platform	
3	4700377556		1	Drivers seat, cpl	D
	4812114466		1	Drivers seat, cpl	
	4700348331		1	Seat cover	D
	4700377518	E	1	Drivers seat, cpl	D
4	4700376252		1	Step	D
5	4700380727		2	Cover	D
6	4700372757		2	Shock absorber	D
7	4700373400		2	Shock absorber	D
8	4700500210		4	Screw M20-2,5x100 8.8	D
	4700500211		4	Screw	C
9	4700372494	A	1XL	Rubber strip	D
10	4700372785		1	List	D
11	4700382582		2	List	D
12	4700927974		13	Washer	C
13	4700904433		13	Blind rivet	
15	4700500029		4	Hexagon head screw	C
16	4700904230		4	Steel plain washer	C
17	4700586003		4	Lock nut M8	C
18	4700904229		8	Steel plain washer 8,4x16x1,5	C
19	4700500053		4	Screw M8x20H 8.8	C
20	4700904231		16	Washer 13x24x2 300 HV	C
21	4700500195		16	Screw	C
22	4700347512		4	Washer	D
23	4700903290		4	Washer 21x36x6	C
	4700903290		8	Washer 21x36x6	C
24	4700904233		8	Washer 21x36x3	C
	4700904233		4	Washer 21x36x3	C
25	4700379636	C	1	Seat switch	B
	4812155075	D	1	Seat switch	B
26	4700901145		4	Lock nut M20-10	
27	4700902203		2	Plug	C
28	4700383705		1	Instruction book holder	D
29	4700357643		1	Wire	D
30	4700791226		4	Screw	C
31	4700903192		1	Grommet	
32	4700380123		1	Grab handle	D
33	4700392875		1	Cover	D
34	4700500013		2	Screw M6-1x16 8,8	C
35	4700904228		2	Washer 6,4x12x1,5	C
36	4700902166	B	1XL	Edge trim	D
37	4700903727		1	Plug	

- A) L=2,400M
- B) L=0,210M
- C) With bayonet fitting.
- D) With screws.
- E) Option

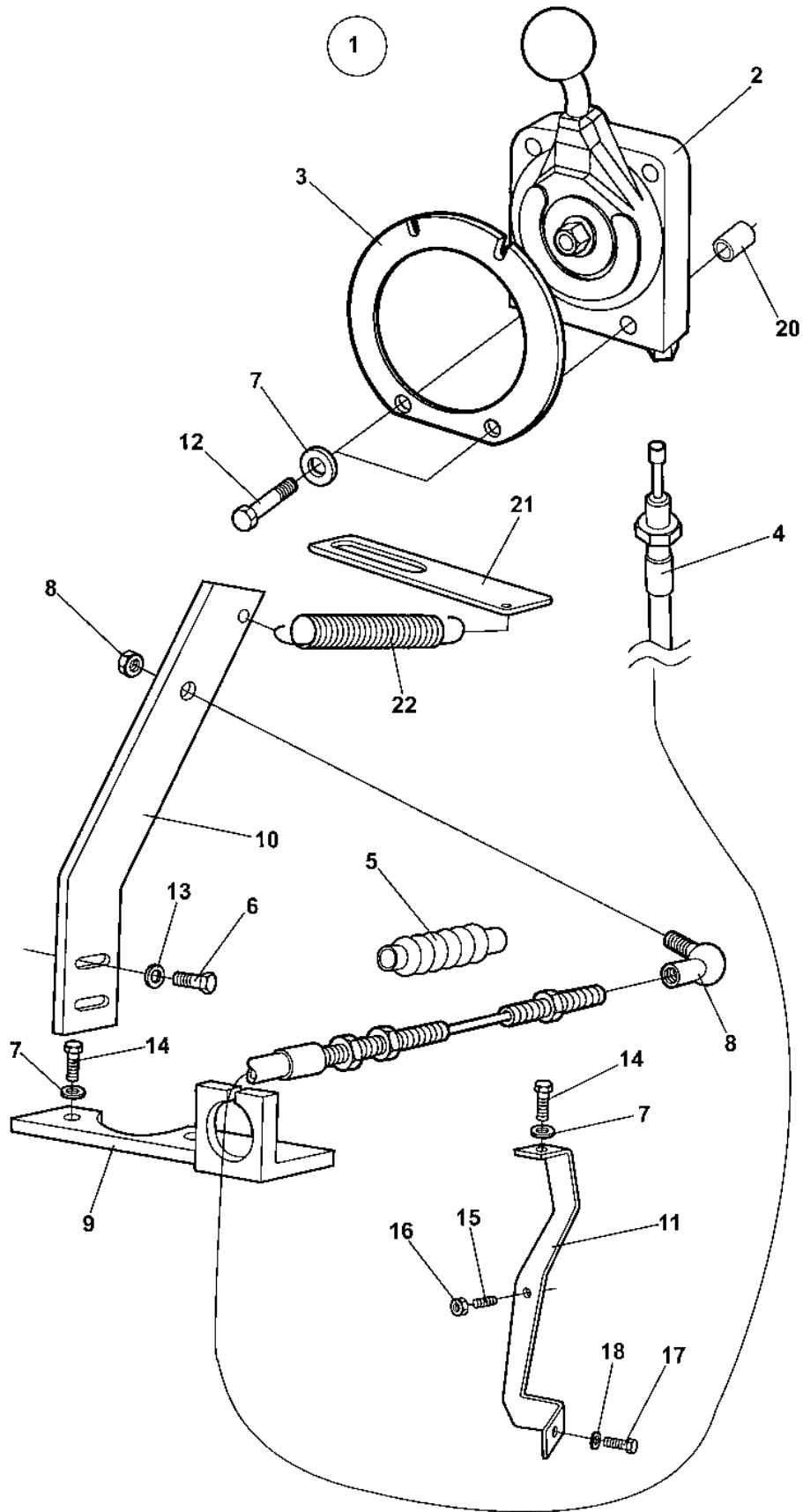
**Control panel**



**Control panel**

Item	Part No	Rem	Qty	Description	Code
1	4700387720		1	Control panel holder	D
2	4700391784		1	Control panel	D
3	4700387227		1	Control panel cover	C
4	4700387545		1	Latch	D
5	4700357855		2	Bushing	C
6	4700904281		4	Washer 5,3x10x1 300HV	C
7	4700904653		3	Screw M5x16 A2-70	C
8	4700513017		2	Screw M6x30H 10,9	C
9	4700500007		1	Screw M5-0,8x22H 8,8	C
10	4700791476		1	Nut M5 -8	C
11	4700378335		1	Control panel column	D
12	4700902166	A	1XL	Edge trim	D
13	4700387226		1	Column cover	C
14	4700500505		2	Screw M8x20 8.8	C
15	4700904230		4	Steel plain washer	C
16	4700500029		4	Hexagon head screw	C

A) L=0,190 m

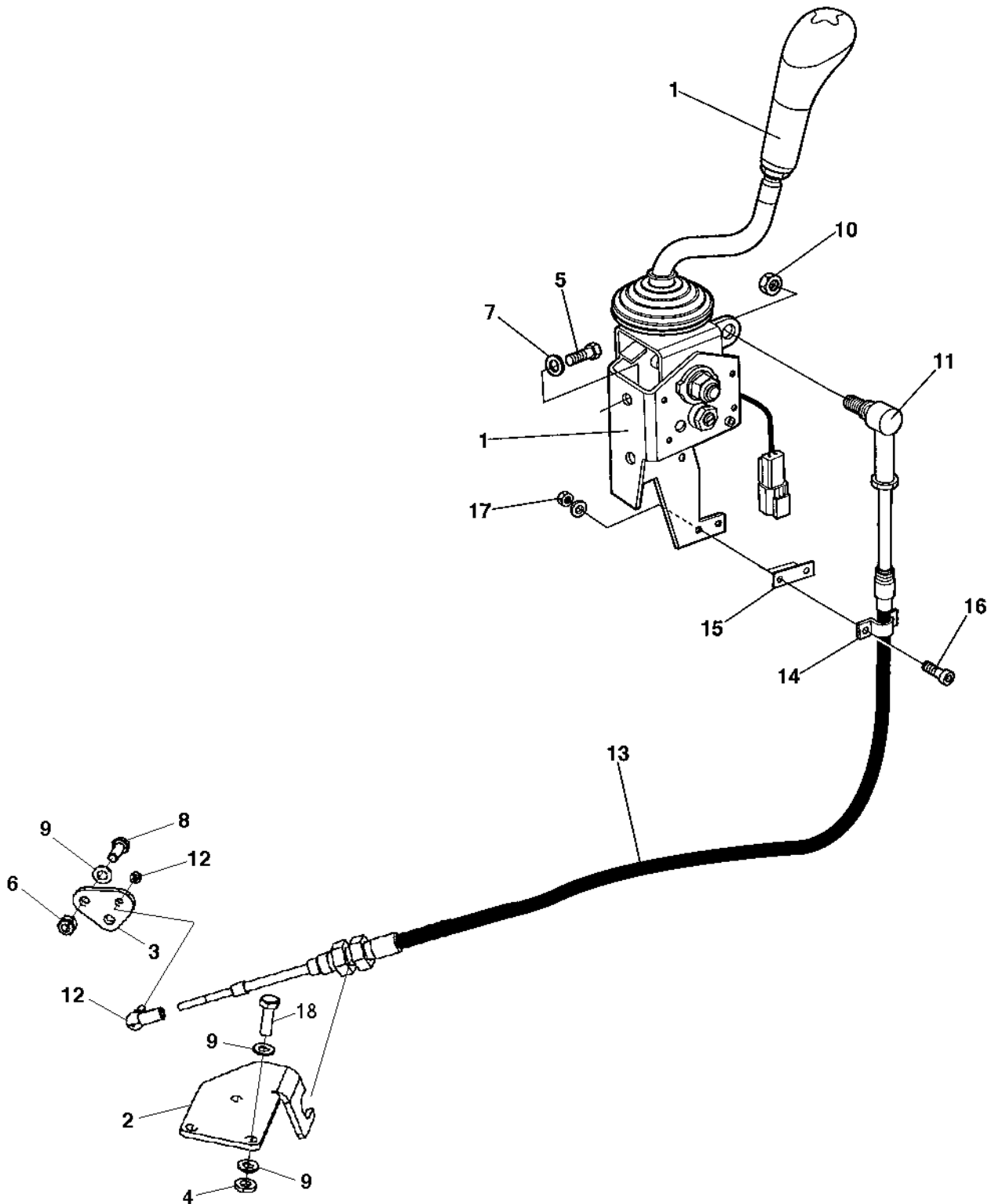




**Throttle controls**

Item	Part No	Rem Qty	Description	Code
1	4700394603	1	Throttle control, cpl	B
2	4700389175	1	. Control	C
3	4700945822	1	. Snap plate	D
4	4700389184	1	. Throttle cable	B
5	4700382349	1	. Bellows	D
6	4700500013	2	Screw M6-1x16 8,8	C
7	4700904228	5	Washer 6,4x12x1,5	C
8	4700416034	1	Ball joint	C
9	4700381268	1	Control bracket	D
10	4700374065	1	Control lever	D
11	4700375507	1	Bracket	D
12	4700500079	2	Screw M6-1x50 8,8	C
13	4700603010	2	Washer 6,4X12X3	C
14	4700500040	3	Screw M6-1x20 8,8	C
15	4700923987	1	Stop screw M6x25	D
16	4700573003	1	Nut M6	D
17	4700500021	1	Screw M8-1,25x25 8.8	C
18	4700904229	1	Steel plain washer 8,4x16x1,5	C
20	4700371728	2	Spacer sleeve	D
21	4700393388	1	Spring holder	D
22	4700357500	1	Spring	D

Forward and reverse control

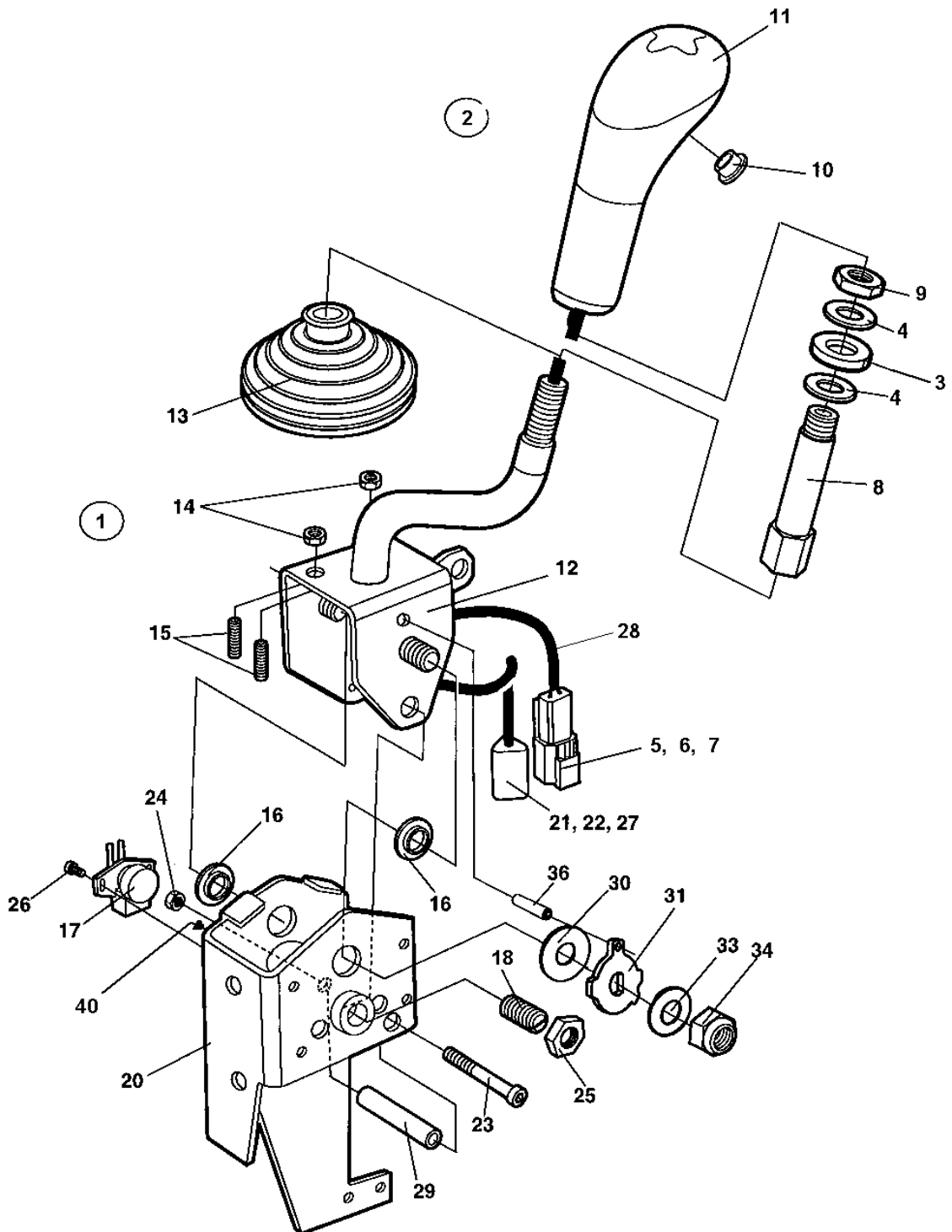


**Forward and reverse control**

Item	Part No	Rem Qty	Description	Code
1		1	<b>Forward and reverse control handle ( Page 154 )</b>	
2	4700392899	1	Control bracket	D
3	4700392900	1	Control lever	D
4	4700904556	3	Washer 8,4x16x3,0	C
5	4700508092	2	Screw	C
6	4700586003	2	Lock nut M8	C
7	4700904556	2	Washer 8,4x16x3,0	C
8	4700500021	2	Screw M8-1,25x25 8.8	C
9	4700904229	8	Steel plain washer 8,4x16x1,5	C
10	4700586003	1	Lock nut M8	C
11	4700377019	1	Ball joint	C
	4700950382	1	Ball stud M8	D
12	4700416034	1	Ball joint	C
13	4700377024	A	Cable Forward/Reverse	B
14	4700377020	1	Clamp	D
15	4700377021	1	Spacer	D
16	4700926537	2	Screw M5-0,8x16H 8,8	
17	4700586001	2	Lock nut	C
18	4700947680	3	Screw M8-1,25x25 10.9	D

A) L=1900MM

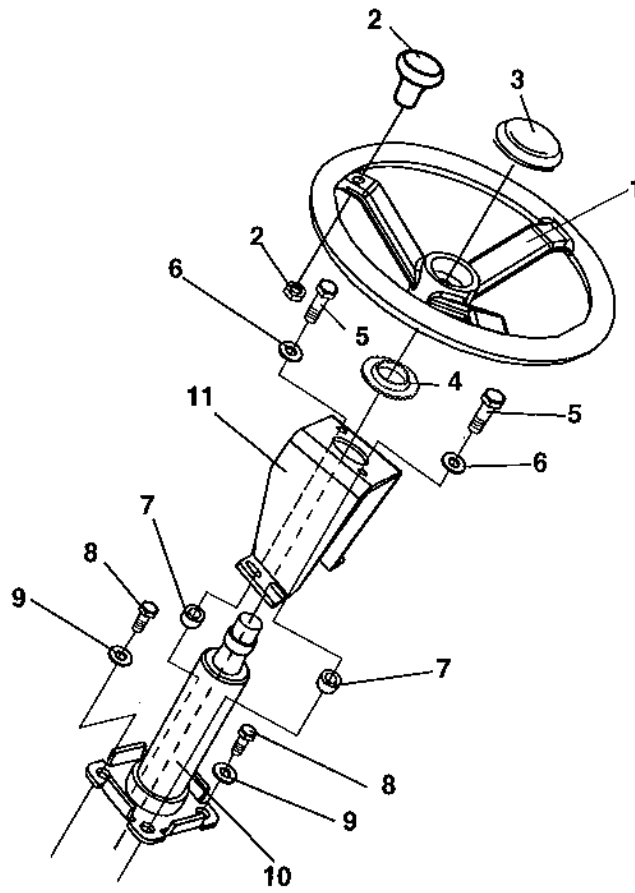
Forward and reverse control handle



Forward and reverse control handle

Item	Part No	Rem Qty	Description	Code
1	4700945407	1	Lever, cpl	D
2	4700940374	1	. Handle kit, cpl	A
		1	. . Handle	
	4700945729	1	. . . Push-button switch	B
		1	. . . Cable	
		1	. . Lock fluid	
		1	. . Service information	
3		1	. . Washer	
4		2	. . Washer	
5		1	. . Connector, receptable	
6		1	. . Lock wedge	
7		2	. . Pin	
8		1	. . Rod	
9		1	. . Nut	
10	4700377018	1	. . Protection plug	D
11	4700378759	1	. . Handle top	D
12	4700391379	1	. Lever	D
13	4700377009	1	. Bellows	C
14	4700570004	2	. Nut M6X1,00 -8 A2K	C
15	4700377015	2	. Set screw	D
16	4700391381	1	Bushing	D
17	4700391382	1	Potentiometer with cable	
18	4700377016	1	Spring loaded pin	D
20	4700377010	1	Bracket	D
21	4700903945	1	Connector, plug	
22	4700903946	1	Lock wedge	
23	4700508068	1	Screw	D
24	4700904563	1	Lock nut M6	C
25	4700927233	1	Nut	C
26	4700391383	1	Screw	D
27	4700903947	3	Pin	
28		B 1	Cable	
29	4700377011	1	Spacer	D
30	4700377012	1	Friction washer	D
31	4700391380	1	Cam washer	D
33	4700377014	1	Spring washer	D
34	4700586019	1	Lock nut	C
36	4700391386	1	Spirol pin	D
40	4700945207	1	Teflon bushing	

B) Included in potentiometer Pos 17

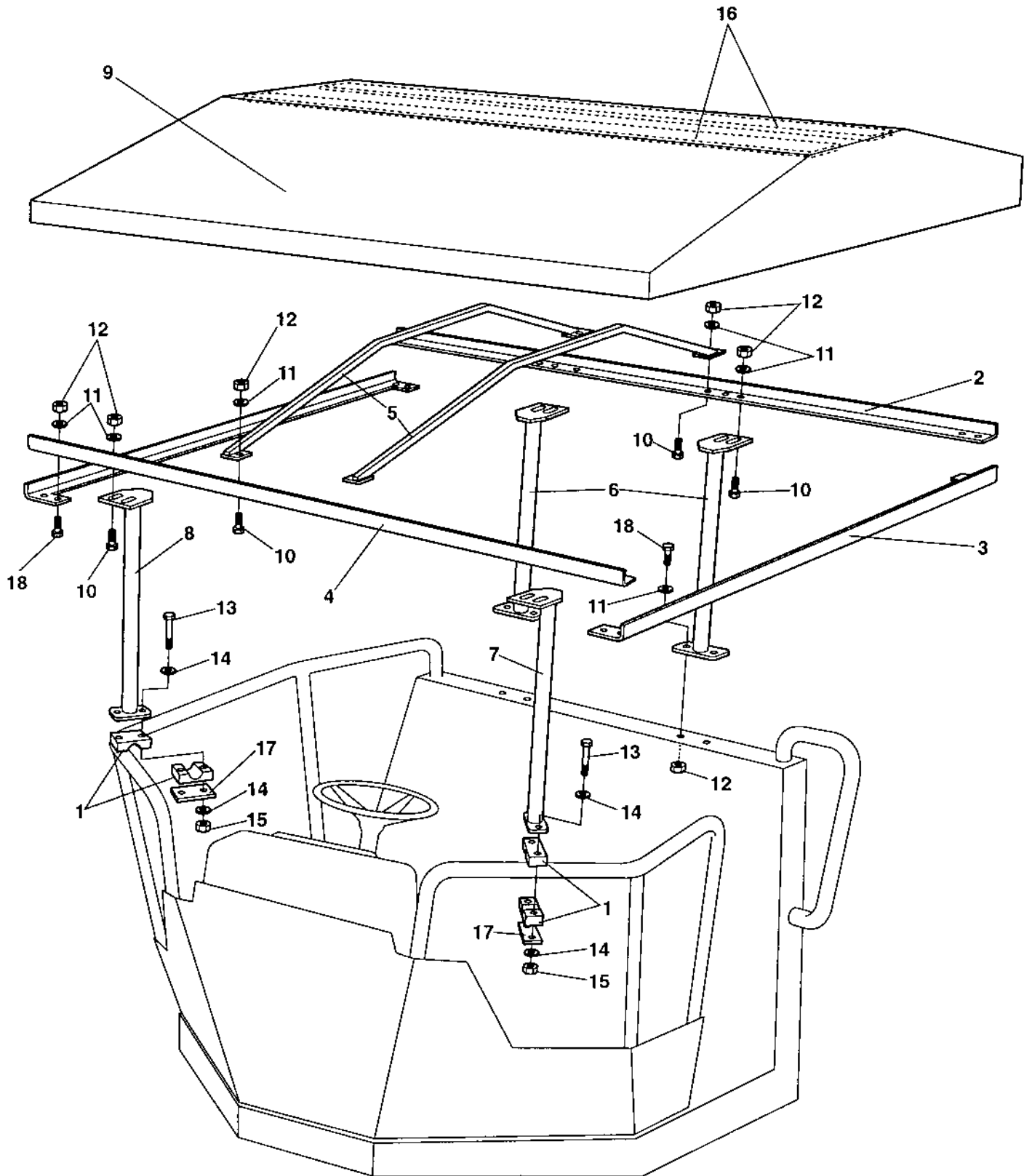


**Steering column**

Item	Part No	Rem	Qty	Description	Code
1	4700372964		1	Steering wheel, cpl	D
2	4700935614		1	. Turning knob	D
3	4700935613		1	. Cover	D
4	4700928830		1	Rubber washer	D
5	4700500031		2	Screw M10x040 8.8	C
6	4700904230		2	Steel plain washer	C
7	4700355869		2	Spacer sleeve	D
8	4700500048		2	Screw M10-1,5x20 8,8	C
9	4700904230		2	Steel plain washer	C
10	4700902123		1	Steering column	C
11		A	1	Bracket	

A) Included in control panel

**Canopy Option**

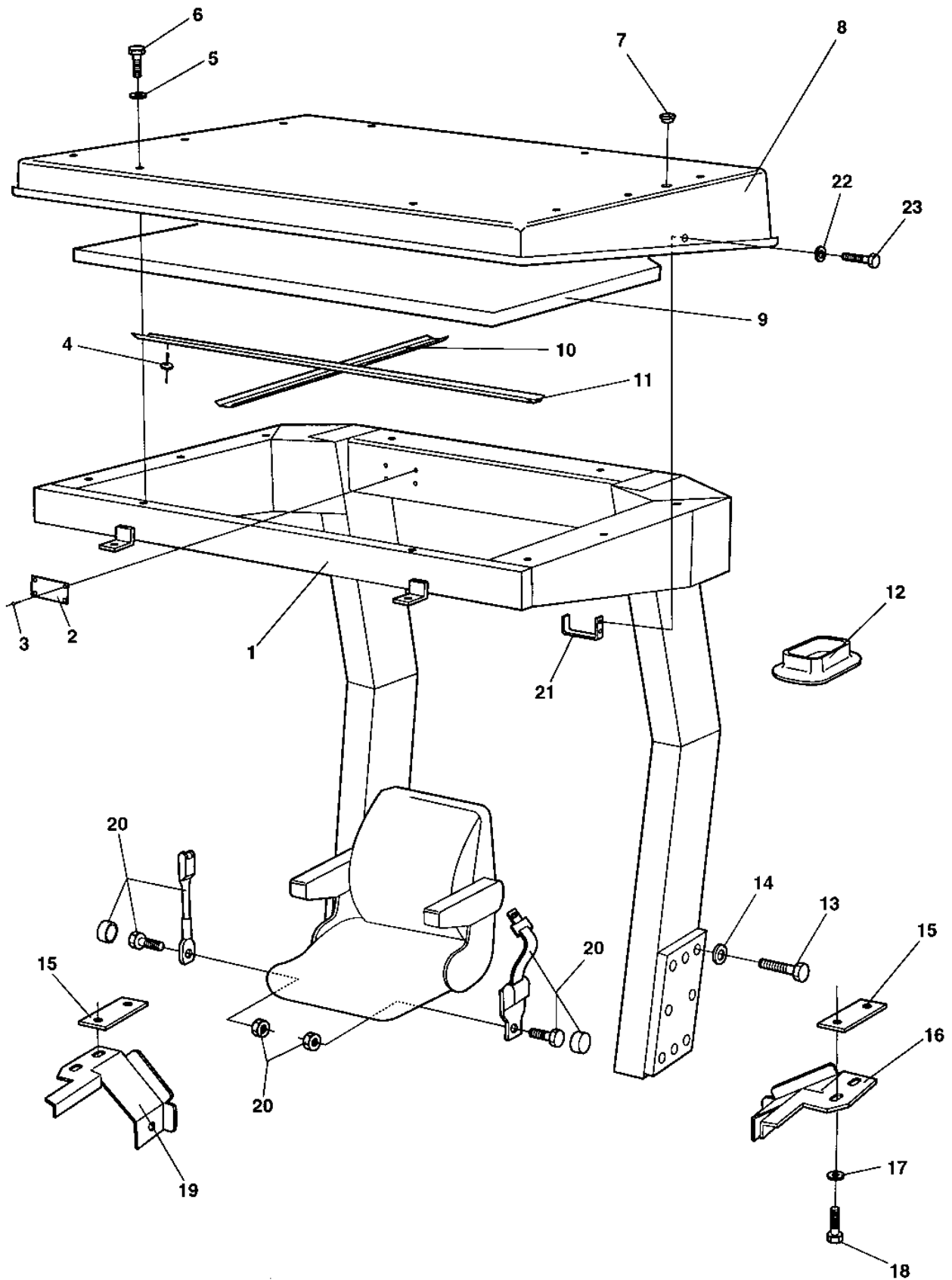




**Canopy Option**

<b>Item</b>	<b>Part No</b>	<b>Rem Qty</b>	<b>Description</b>	<b>Code</b>
1	4700904340	2	Pipe clamp	
2	4700373746	1	Canopy profile	D
3	4700373747	2	Canopy profile	D
4	4700373748	1	Canopy profile	D
5	4700373749	4	Canopy rib	D
6	4700373750	2	Canopy anchor	D
7	4700380963	1	Canopy anchor	D
8	4700380964	1	Canopy anchor	D
9	4700373906	1	Roof	D
10	4700500021	16	Screw M8-1,25x25 8.8	C
11	4700904229	44	Steel plain washer 8,4x16x1,5	C
12	4700586003	22	Lock nut M8	C
13	4700500153	4	Screw	C
14	4700904228	8	Washer 6,4x12x1,5	C
15	4700586002	4	Lock nut M6 -8	C
16	4700373907	2	Lath	D
17	4700924791	2	Cover plate	
18	4700500022	8	Screw M8x30H 8.8 A2K	C

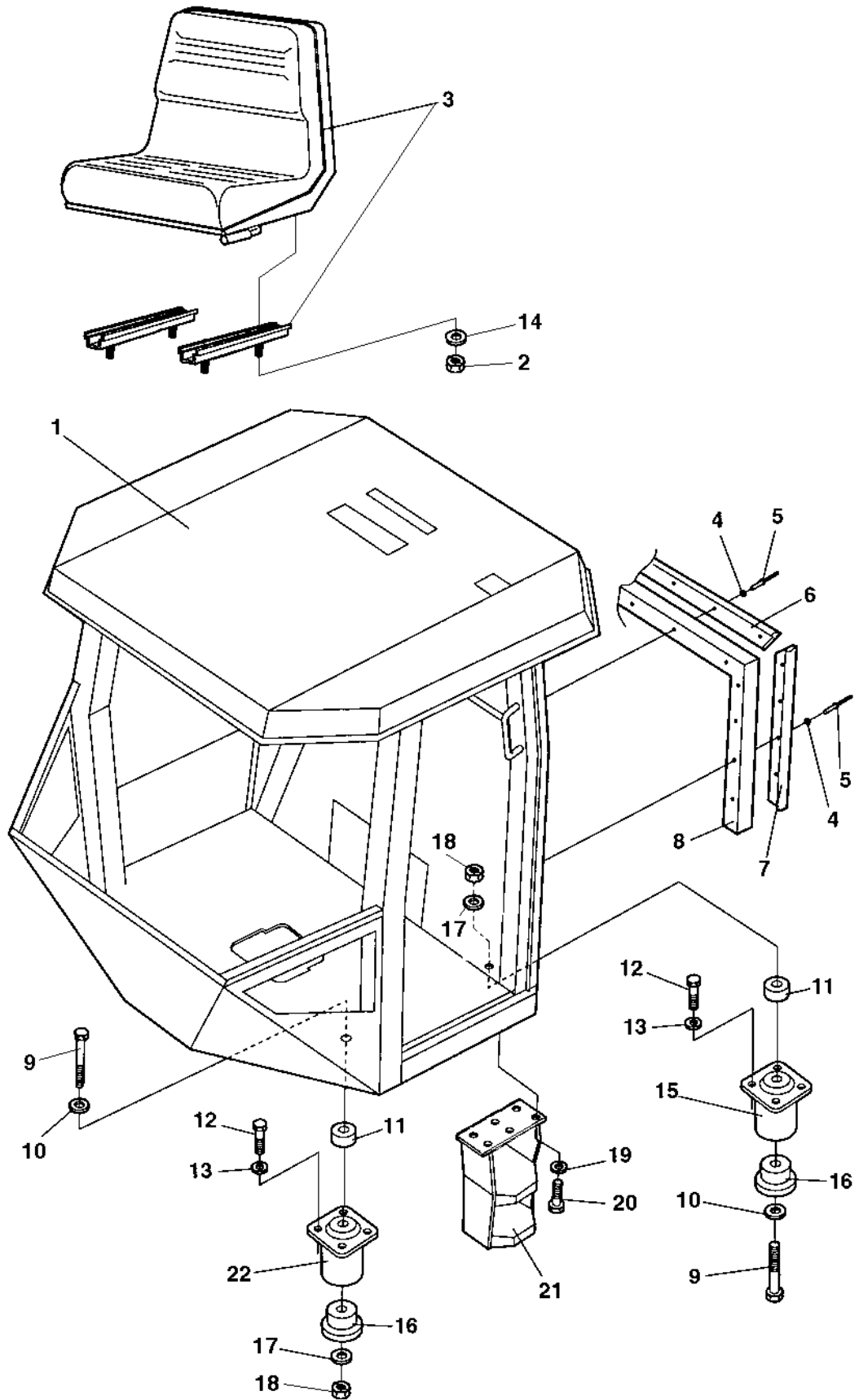
Rops and fops



**Rops and fops**

Item	Part No	Rem Qty	Description	Code
1	4700372743	1	Rops	D
2	4700370803	1	. Sign, rops	D
3	4700624016	4	. Blind rivet	D
4	4700904619	12	Blind rivet	C
5	4700500230	10	Screw M8-1.25x35	
6	4700603009	10	Washer	C
7	4700904180	4	Plug	C
8	4700372745	1	Fops roof	D
	4700370792	1	. Sign, fops	D
	4700624016	4	. Blind rivet	D
9	4700372678	1	Absorbent	D
10	4700376489	1	Absorbent holder	D
11	4700376488	1	Absorbent holder	D
12	4700372489	2	Rubber seal	D
13	4700904562	12	Screw M24x160 10.9	
14	4700904234	12	Steel plain washer	C
15	4700381330	2	Holder	D
16	4700381353	1	Holder plate	D
17	4700904640	8	Washer 8,4x22x3	C
18	4700500022	8	Screw M8x30H 8.8 A2K	C
19	4700381352	1	Holder plate	D
20	4700377677	1	Seat belt 2"	B
	4700383200	A 1	Seat belt 3"	B
21	4700383225	2	Hook	D
22	4700904734	4	Steel plain washer	
23	4700500100	4	Screw	C

A) Option 3"



**Cab mounting**

Item	Part No	Rem	Qty	Description	Code
1				<b>Cab 4700378308 ( Page 164 )</b>	
2	4700570005		4	Nut M8	C
3	4700377556		1	Drivers seat, cpl	D
	4700377518	D	1	Drivers seat, cpl	D
4	4700927974		13	Washer	C
5	4700904433		13	Blind rivet	
6	4700372785		1	List	D
7	4700382582		2	List	D
8	4700372494	A	N	Rubber strip	D
9	4700791218		4	Screw M20x200	D
10	4700904233		4	Washer 21x36x3	C
11	4700384759		4	Spacer	D
12	4700500195		16	Screw	C
13	4700904231		16	Washer 13x24x2 300 HV	C
14	4700904229		4	Steel plain washer 8,4x16x1,5	C
15	4700374606	B	2	Shock absorber Green	D
16	4700372457		4	Back-up ring	C
17	4700903290		4	Washer 21x36x6	C
18	4700901145		4	Lock nut M20-10	
19	4700904230		6	Steel plain washer	C
20	4700500029		6	Hexagon head screw	C
21	4700376255		1	Step	D
22	4700374607	C	2	Shock absorber Yellow	D
23	4700382397		2	Spacer	D

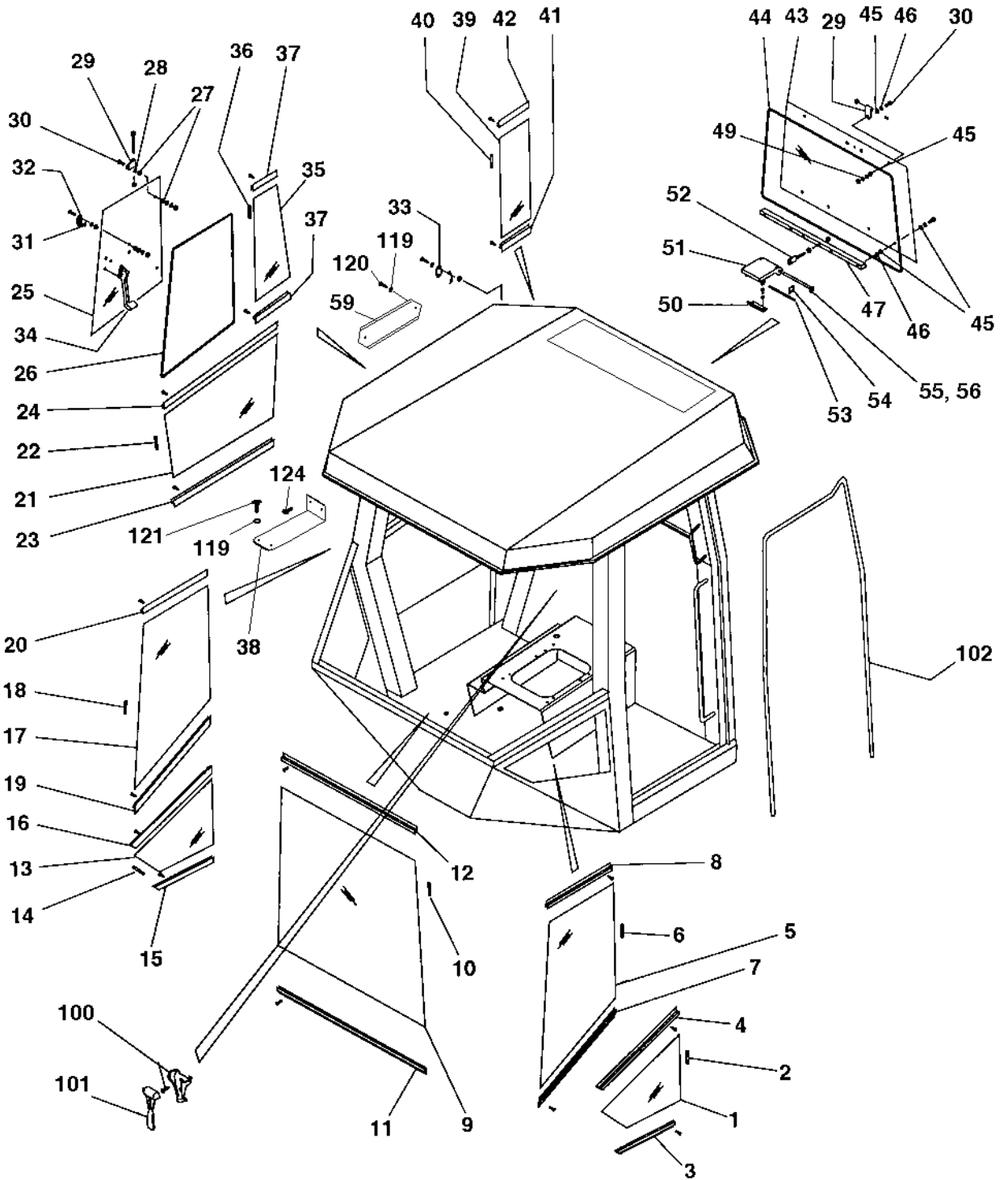
- A) L=2400 mm
- B) Rear
- C) Front
- D) Option



**Cab 4700378308**

<b>Item</b>	<b>Part No</b>	<b>Rem Qty</b>	<b>Description</b>	<b>Code</b>
130			Cab Screens ( Page 166 )	
140			Cab Door, left side ( Page 170 )	
150			Cab Interior rear mirror ( Page 172 )	
170			Wiper arm with blade, front ( Page 174 )	
180			Cab Electric ( Page 176 )	

**Cab Screens**



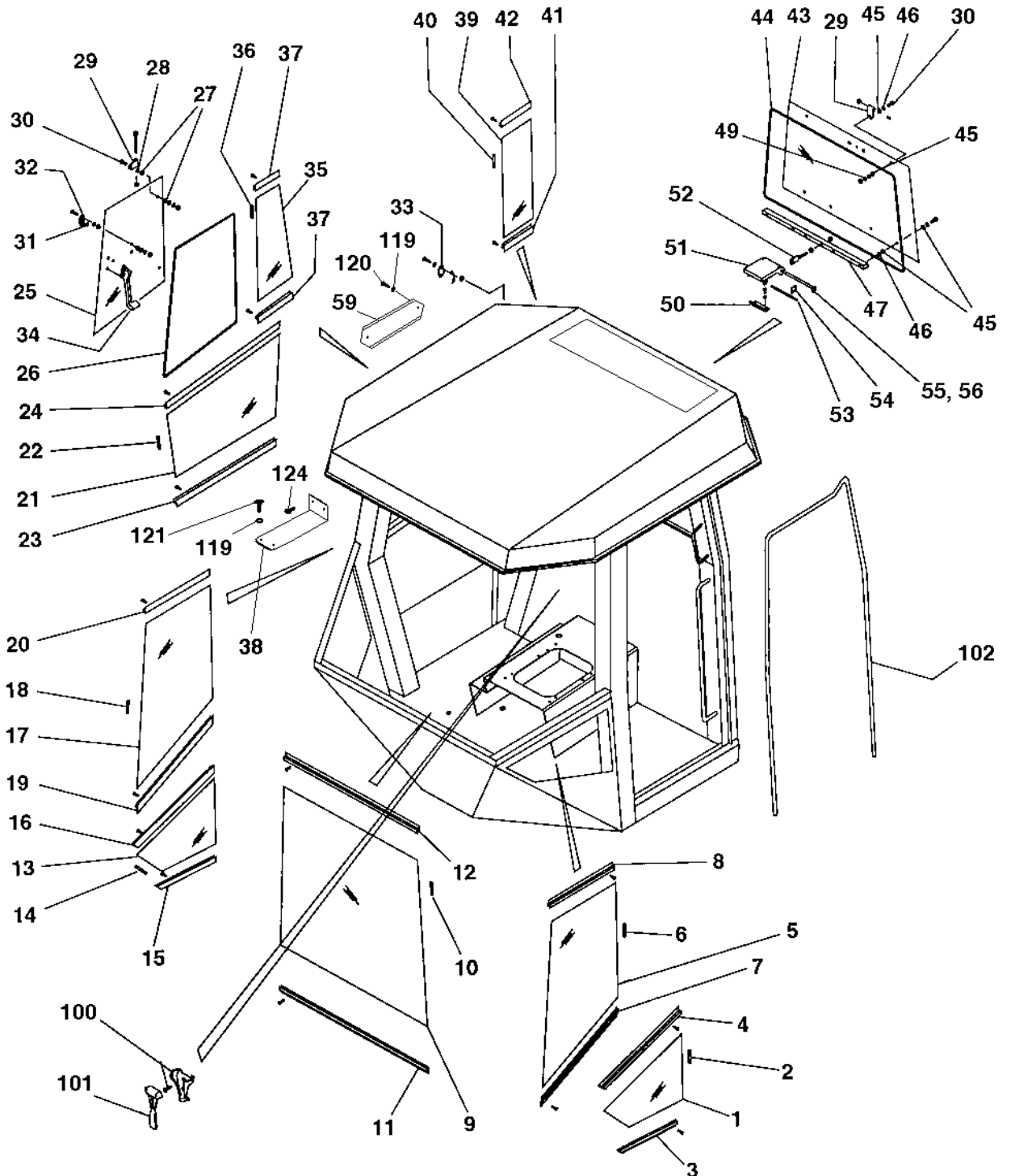


**Cab Screens**

Item	Part No	Rem Qty	Description	Code
1	4700937380	1	Screen	
2	4700908545	XL	Seal list	B
3	4700935278	1	List	
4	4700935279	1	List	
5	4700937381	1	Screen, left	
6	4700908545	XL	Seal list	B
7	4700935280	1	List	
8	4700935281	1	List	
9	4700937382	1	Screen	
10	4700908545	D	Seal list	B
11	4700935282	1	List	
12	4700935283	1	List	
13	4700937383	1	Screen	
14	4700908545	XL	Seal list	B
15	4700935284	1	List	
16	4700935285	1	List	
17	4700937384	1	Screen	
18	4700908545	C	Seal list	B
19	4700935286	1	List	
20	4700935287	1	List	
21	4700937385	1	Screen	
22	4700908545	A	Seal list	B
23	4700935288	1	List	
24	4700935289	1	List	
25	4700938290	1	Screen	
26	4700908499	E	Rubber list	D
27	4700935271	8	Washer, Flexible rubber	
28	4700935272	8	Washer, Black	
29	4700935273	4	Hinge	
30	4700935274	4	Screw	
31	4700935275	1	Rubber washer	
32	4700935276	1	Bracket	
33	4700935277	1	Lock pin	
34	4700935290	1	Window lock, right	
35	4700938291	1	Screen	
36	4700908545	B	Seal list	B
37	4700935291	1	List	
38	4700379608	1	Cover	D
39	4700938292	1	Screen	
40	4700908545	B	Seal list	B
41	4700935293	1	List	
42	4700938659	1	List	
43	4700937389	1	Screen	
44	4700908499	F	Rubber list	D
45	4700935271	12	Washer, Flexible rubber	
46	4700935272	12	Washer, Black	
47	4700935295	1	Screen holder	
49	4700935296	2	Washer	
50	4700935297	1	Bracket	
51	4700935298	2	Bracket	
52	4700935299	1	Bolt	
53	4700935300	1	Shaft	
54	4700935301	2	Lock	

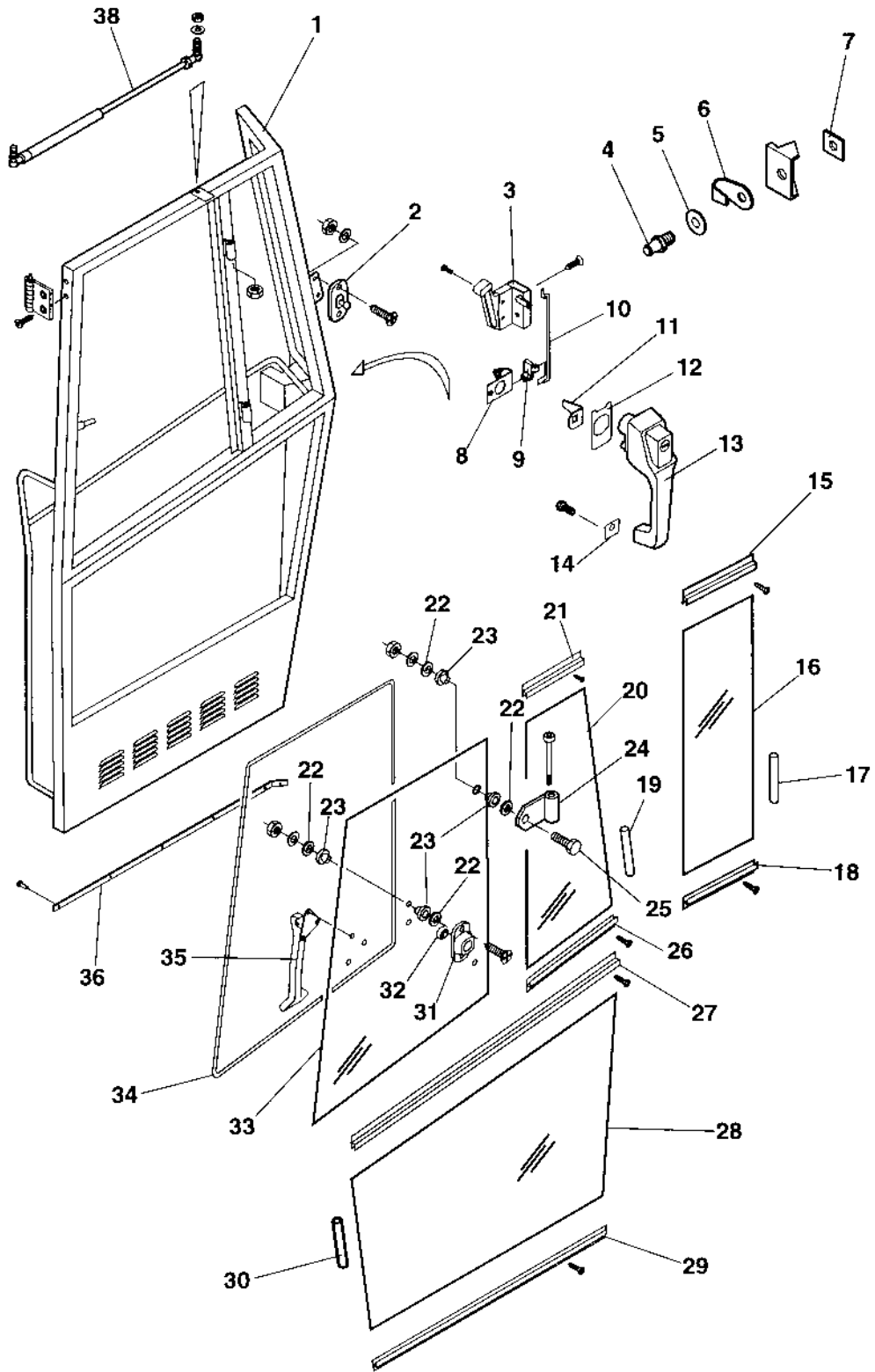
- A) L=1100 mm
- B) L=1400 mm
- C) L=1900 mm
- D) L=2100 mm
- E) L=2700 mm
- F) L=3300 mm

**Cab Screens**



**Cab Screens**

Item	Part No	Rem Qty	Description	Code
55	4700935302	1	Rod	
56	4700935303	1	Ring	
59	4700379236	1	Cover	D
100	4700908506	1	Emergency hammer	D
101	4700908507	1	Holder	D
102	4700908499	G 1	Rubber list	D
119	4700904229	16	Steel plain washer 8,4x16x1,5	C
120	4700500019	14	Hexagon head screw M8x16H 8,8	C
121	4700500053	2	Screw M8x20H 8.8	C
124	4700903782	2	Screw M5x12	C
G)	L=5 m			

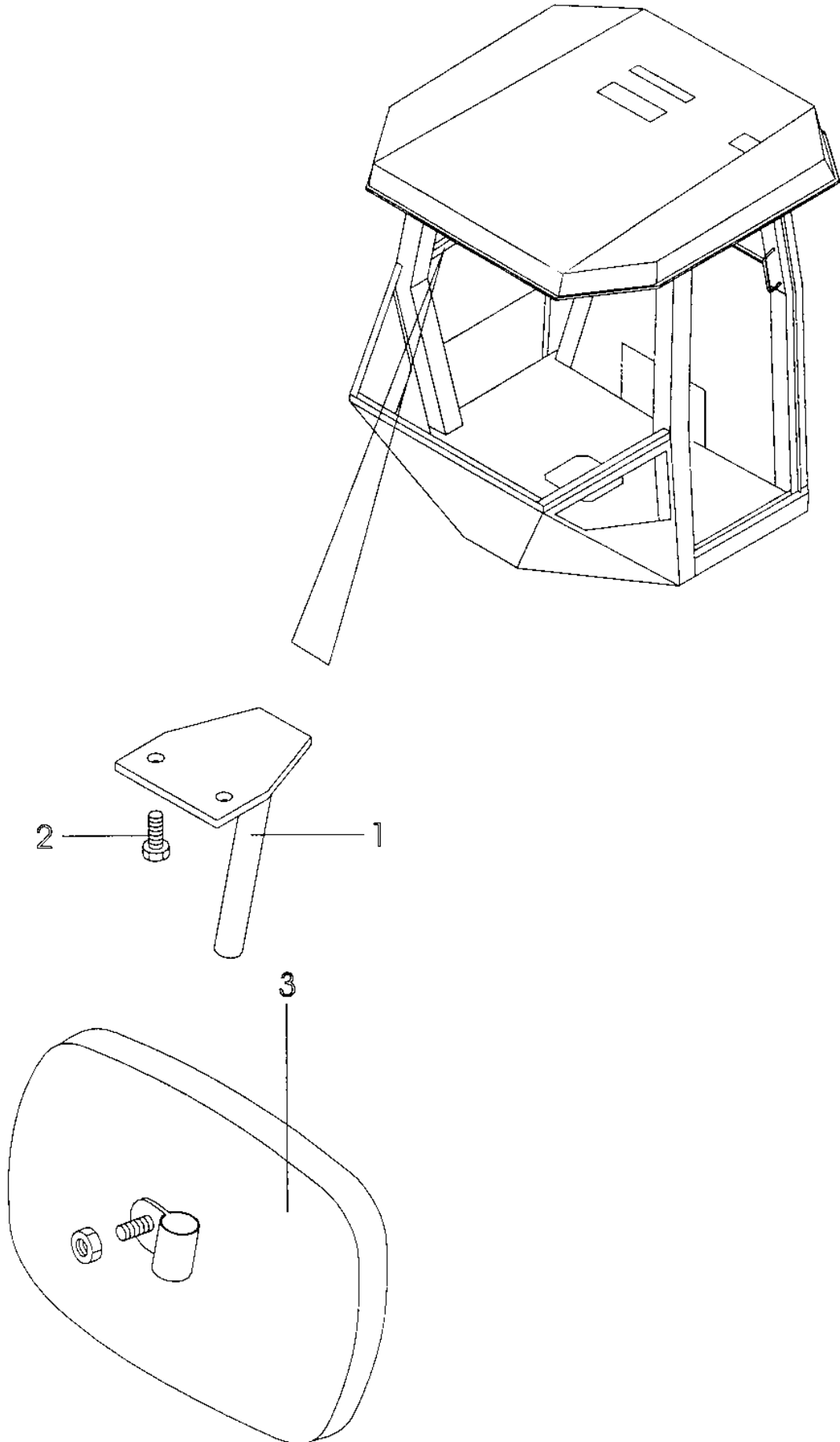


**Cab Door, left side**

Item	Part No	Rem Qty	Description	Code
	4700940678	1	Door, cpl	D
1	4700390927	1	. Door frame	D
2	4700935277	1	. Lock pin	
3	4700938017	1	. Lock	
4	4700908580	1	. Lock pin	C
5	4700908581	1	. Washer	C
6	4700908582	1	. Cover	D
7	4700908583	1	. Bracket	D
8	4700935248	1	. Turning mechanism	
9	4700935249	1	. Retainer	
10	4700935250	1	. Rod	
11	4700935247	1	. Leader	
12	4700935246	1	. Seal	
13	4700935244	1	. Door handle with key	D
14	4700935245	1	. Seal	
15	4700935268	1	. List	
16	4700937391	1	. Screen	
17	4700908545	A 1	. Seal list	B
18	4700935267	1	. List	
19	4700908545	A 1	. Seal list	B
20	4700937392	1	. Screen	
21	4700935270	1	. List	
22	4700935272	8	. Washer, Black	
23	4700935271	8	. Washer, Flexible rubber	
24	4700935273	2	. Hinge	
25	4700935274	2	. Screw	
26	4700935269	1	. List	
27	4700935266	1	. List	
28	4700937390	1	. Screen	
29	4700935265	1	. List	
30	4700908545	B 1	. Seal list	B
31	4700935276	1	. Bracket	
32	4700935275	1	. Rubber washer	
33	4700937393	1	. Screen	
34	4700908499	C 1	. Rubber list	D
35	4700935253	1	. Lock	
36	4700938101	XL	. Brush profile	
38	4700938018	1	. Gas spring	

- A) L=1400 mm
- B) L=1100 mm
- C) L=2700 mm

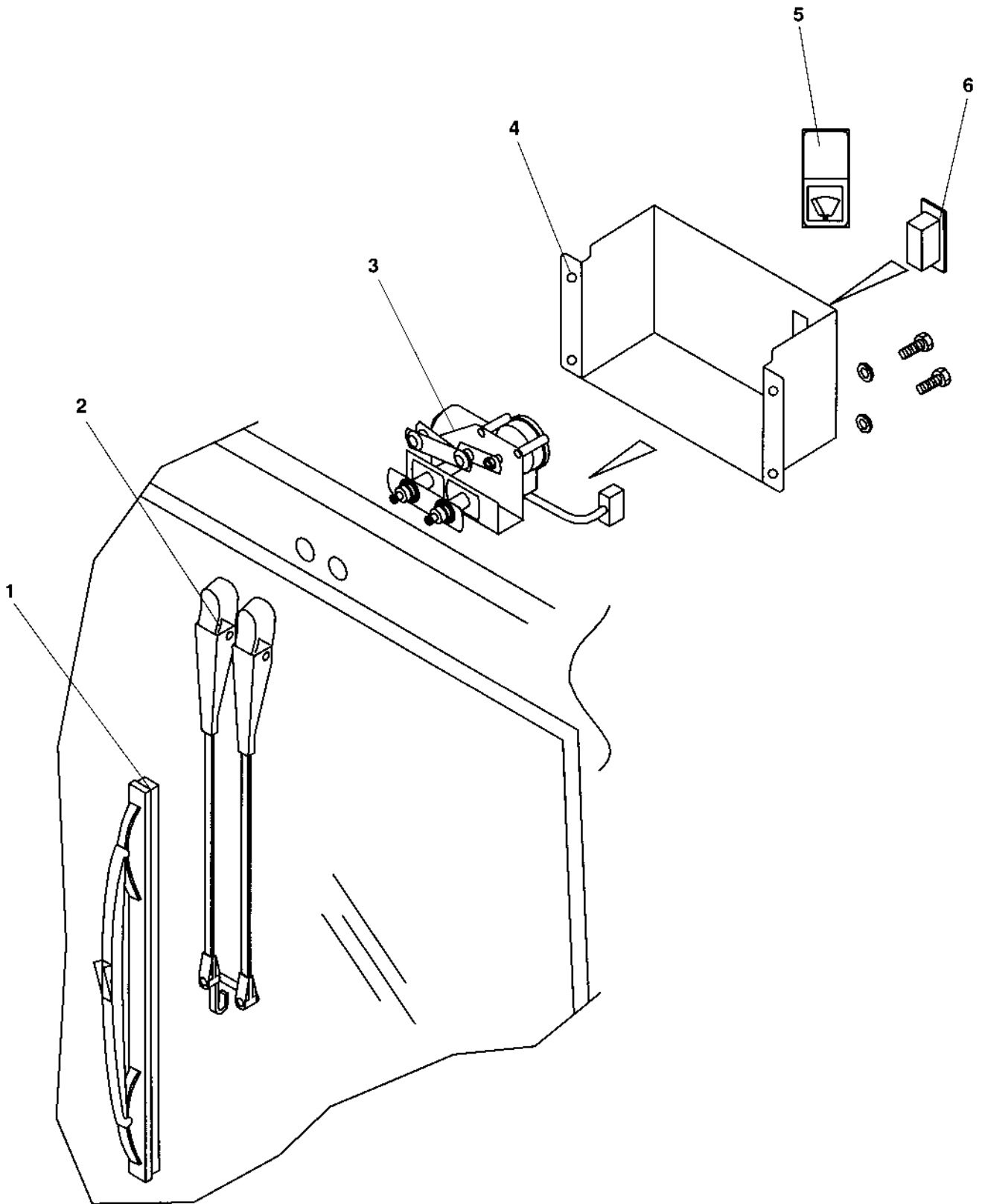
**Cab Interior rear mirror**



**Cab Interior rear mirror**

<b>Item</b>	<b>Part No</b>	<b>Rem Qty</b>	<b>Description</b>	<b>Code</b>
1	4700908623	1	Bracket	D
2	4700535005	2	Screw M5x12	D
3	4700908624	1	Rear mirror	D

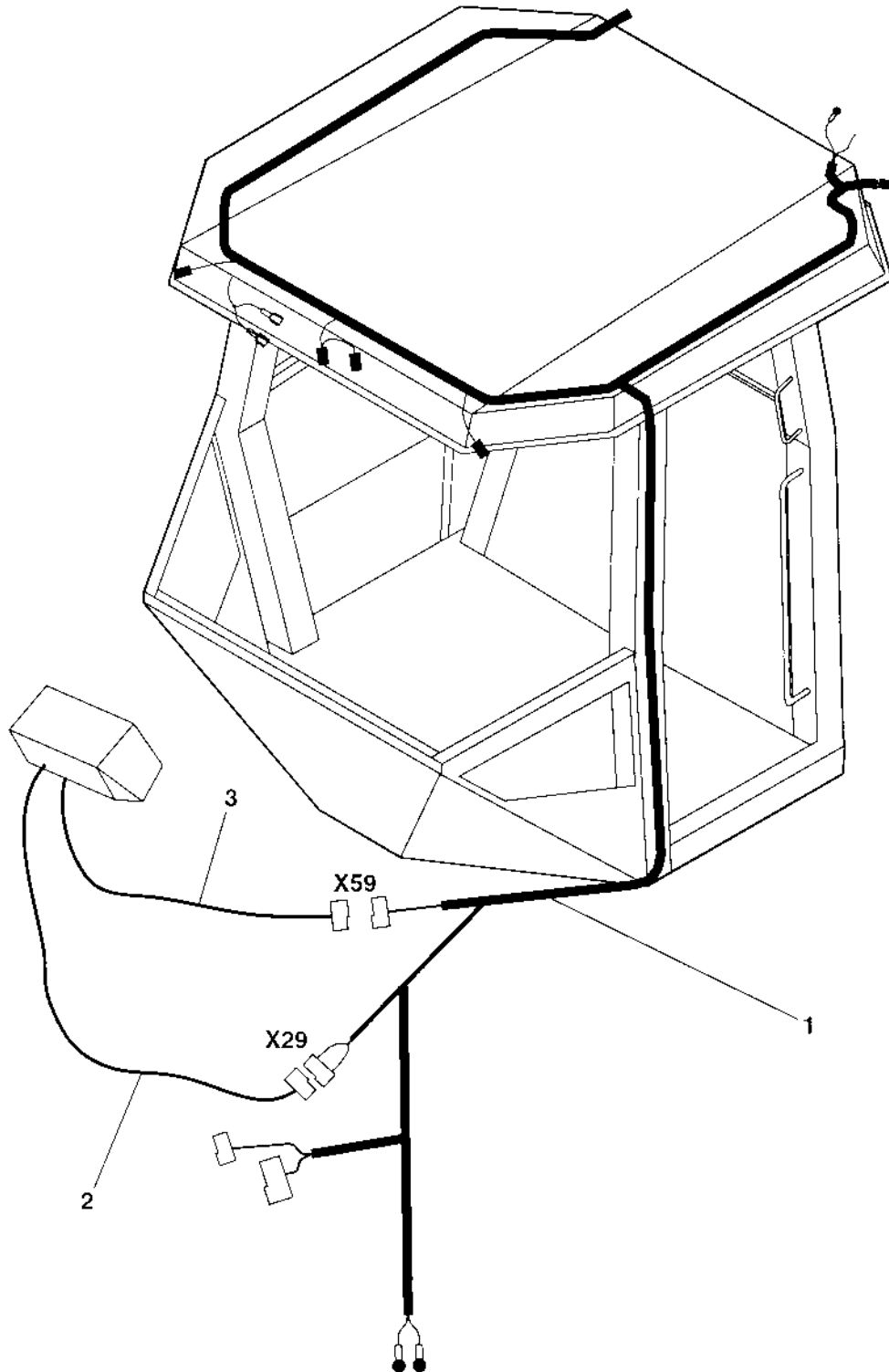
Wiper arm with blade, front





**Wiper arm with blade, front**

<b>Item</b>	<b>Part No</b>	<b>Rem Qty</b>	<b>Description</b>	<b>Code</b>
1	4700905306	1	Wiper blade	B
2	4700905305	1	Wiper arm	C
3	4700905304	1	Wiper motor	C
4	4700937871	1	Cover	D
5	4700908605	1	Symbol, wiper	D
6	4700908617	1	Switch	B

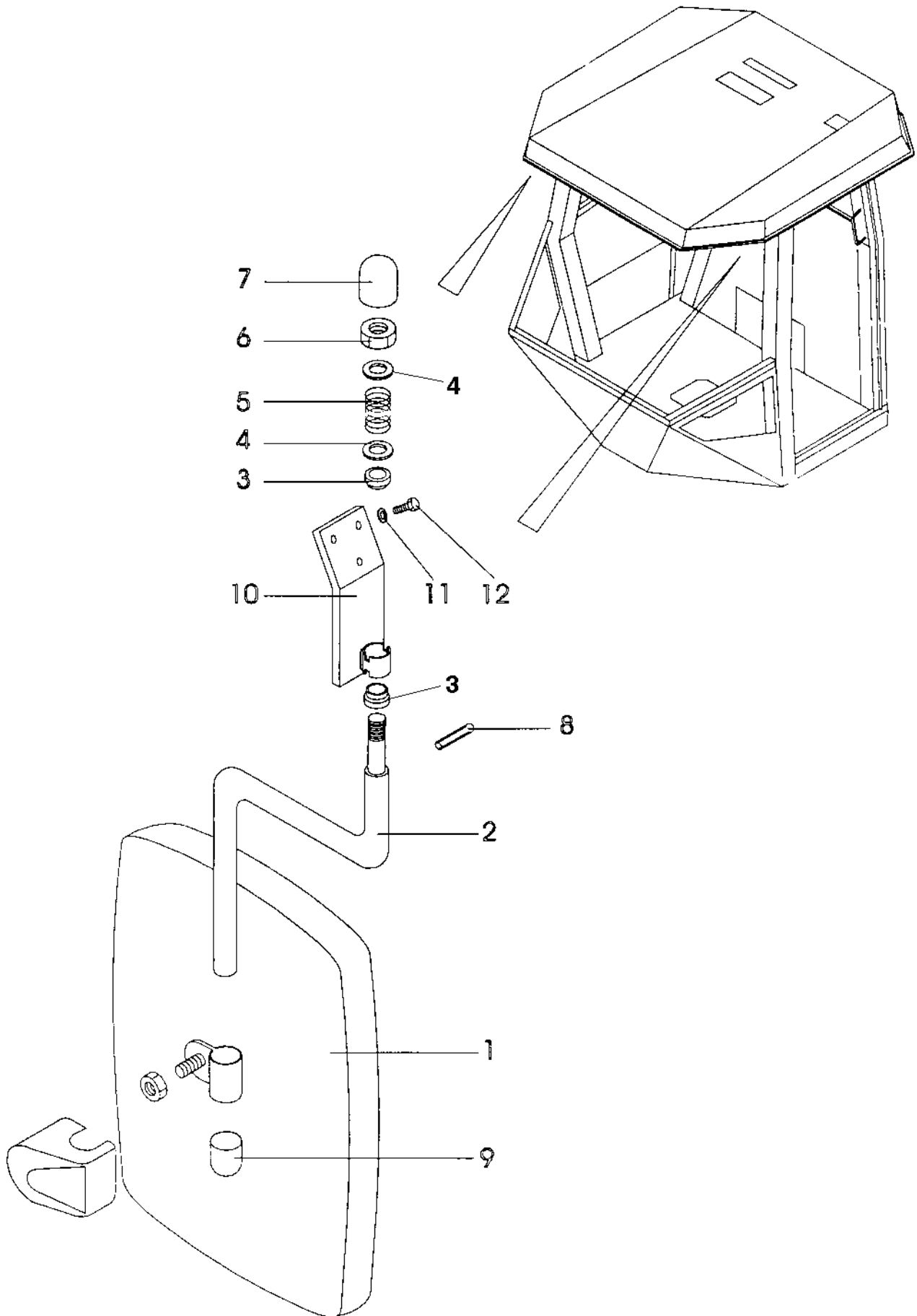


**Cab Electric**

Item	Part No	Rem	Qty	Description	Code
1	4700937870	A	1	Cable harness	D
2	4700384403	B	1	Cable harness	D
3	4700384402	C	1	Cable harness	D

- A) Main supply
- B) Horn
- C) Windshield wiper

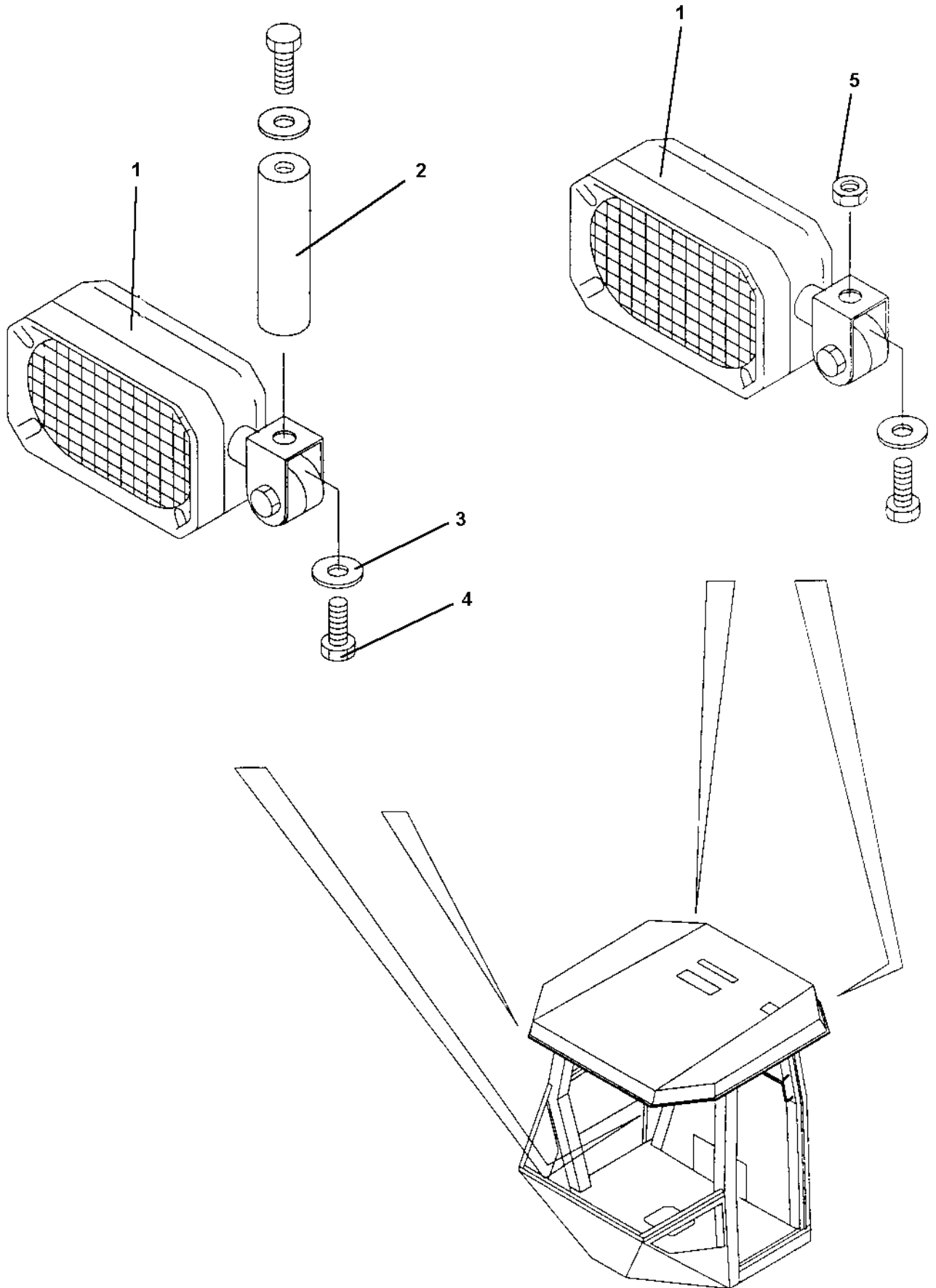
**Cab Exterior, rear mirror**



**Cab Exterior, rear mirror**

Item	Part No	Rem	Qty	Description	Code
1	4700371730	A	2	Rear view mirror, cpl	D
	4700908265		1	. Rear view mirror	D
2	4700908355		1	. Arm	D
3	4700908625		2	. Sleeve	C
4	4700904232		2	. Washer	C
5	4700908626		1	. Spring	D
6	4700586021		1	. Nut M16	
7	4700908627		1	. Cap	C
8	4700629066		1	. Spirol pin	D
9	4700908628		1	. Cap	C
10	4700908361		1	. Bracket	D
11	4700904229		6	Steel plain washer 8,4x16x1,5	C
12	4700500019		6	Hexagon head screw M8x16H 8,8	C

A) Option



**Cab Work light**

<b>Item</b>	<b>Part No</b>	<b>Rem Qty</b>	<b>Description</b>	<b>Code</b>
1	4700908267	4	Working light	B
2	4700908359	2	Distance	D
3	4700904229	4	Steel plain washer 8,4x16x1,5	C
4	4700500019	4	Hexagon head screw M8x16H 8,8	C
5	4700586003	2	Lock nut M8	C

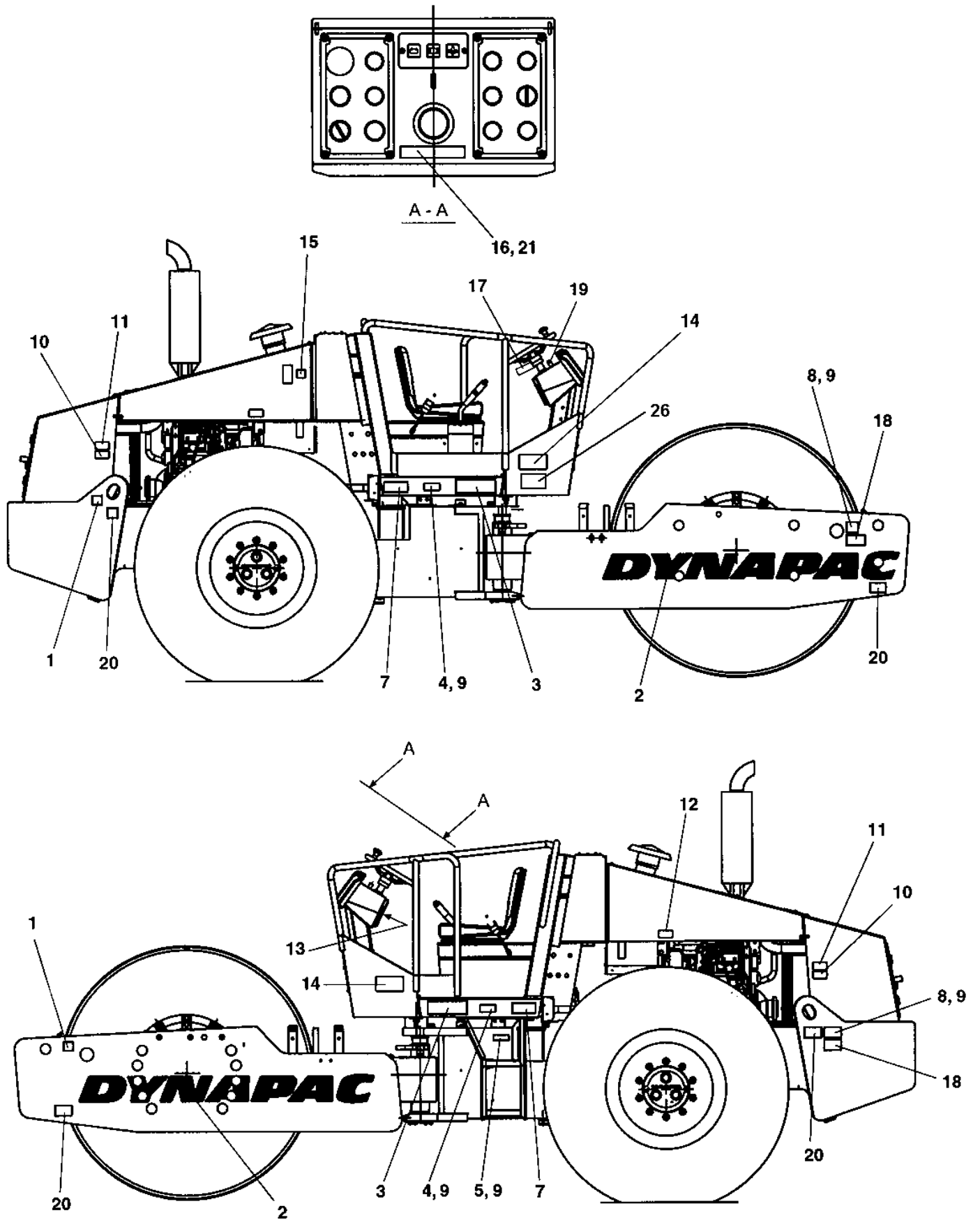




**Decals**

<b>Item</b>	<b>Part No</b>	<b>Rem Qty</b>	<b>Description</b>	<b>Code</b>
10			Decals ( Page 184 )	
20			Decals ( Page 186 )	

Decals

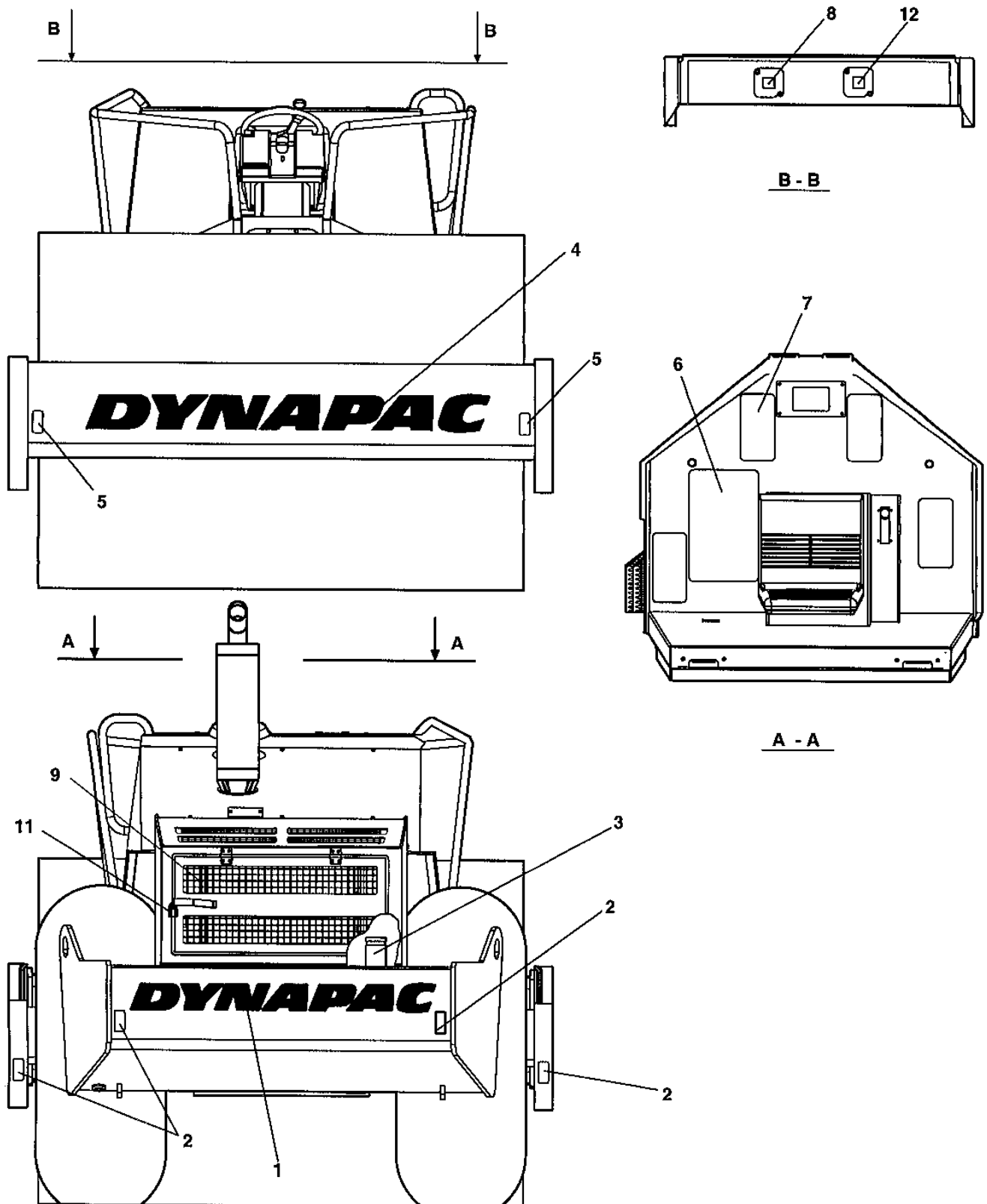


**Decals**

Item	Part No	Rem Qty	Description	Code
1	4700588176	2	Decal "LIFT POINT"	D
2	4700904068	2	Decal "DYNAPAC" L=1770 mm	
3	4700904723	2	Decal "MODEL CODE" White	D
	4700792222	2	Decal "MODEL CODE" Red	D
4	4700377744	2	Reflector, yellow	D
5		C	Product identification plate	
		A,C	Product identification plate CE	
		B,C	Product identification plate	
6	4700902915	4	Screw	
7	4700903459	2	Decal "SAFETY"	D
8	4700904870	2	Lifting sign	D
9	4700624005	12	Blind rivet 3,2x6,1	C
10	4700903424	2	Decal "HOT SURFACE"	D
11	4700903423	2	Decal "SAFETY"	D
12	4700991990	2	Decal "TYRE PRESSURE" 110-150kPA/16-21psi	D
	4700390900	1	Decal "TYRE PRESSURE" 110kPA/16psi	D
13	4700903425	1	Decal "SAFETY MANUAL"	D
14	4700903422	2	Decal "SAFETY"	D
15	4700272373	1	Decal "HYDRAULIC OIL"	D
16	47349248SE	1	Decal "WARNING" Swedish	
	47349248EN	1	Decal "WARNING" English	
	47349248DE	1	Decal "WARNING" German	
	47349248IT	1	Decal "WARNING" Italian	
	47349248ES	1	Decal "WARNING" Spanish	
	47349248FR	1	Decal "WARNING" French	
	47349248NO	1	Decal "WARNING" Norwegian	
	47349248DK	1	Decal "WARNING" Danish	
	47349248FI	1	Decal "WARNING" Finnish	
	47349248PT	1	Decal "WARNING" Portuguese	
	47349248NL	1	Decal "WARNING" Dutch	
	47349248GR	1	Decal "WARNING" Greek	
	47349248IS	1	Decal "WARNING" Icelandic	
	47349248CN	1	Decal "WARNING" Chinese	
17	4700384159	1	Instructions Loading-Unloading	
18	4700908229	2	Safety decal	D
19	4700358881	1	Pad lock	D
20	4700382751	4	Decal "TIE DOWN POINT"	D
25	4700791642	1	Decal "WARNING" Use of starting fluid prohib.	D
26	4700791279	1	Decal "Sound power level" 109dB	D
	4700791277	1	Decal "Sound power level" 107dB	D

- A) With CE-Mark
- B) With "Year of Mfg"
- C) Not available as sparepart

Decals



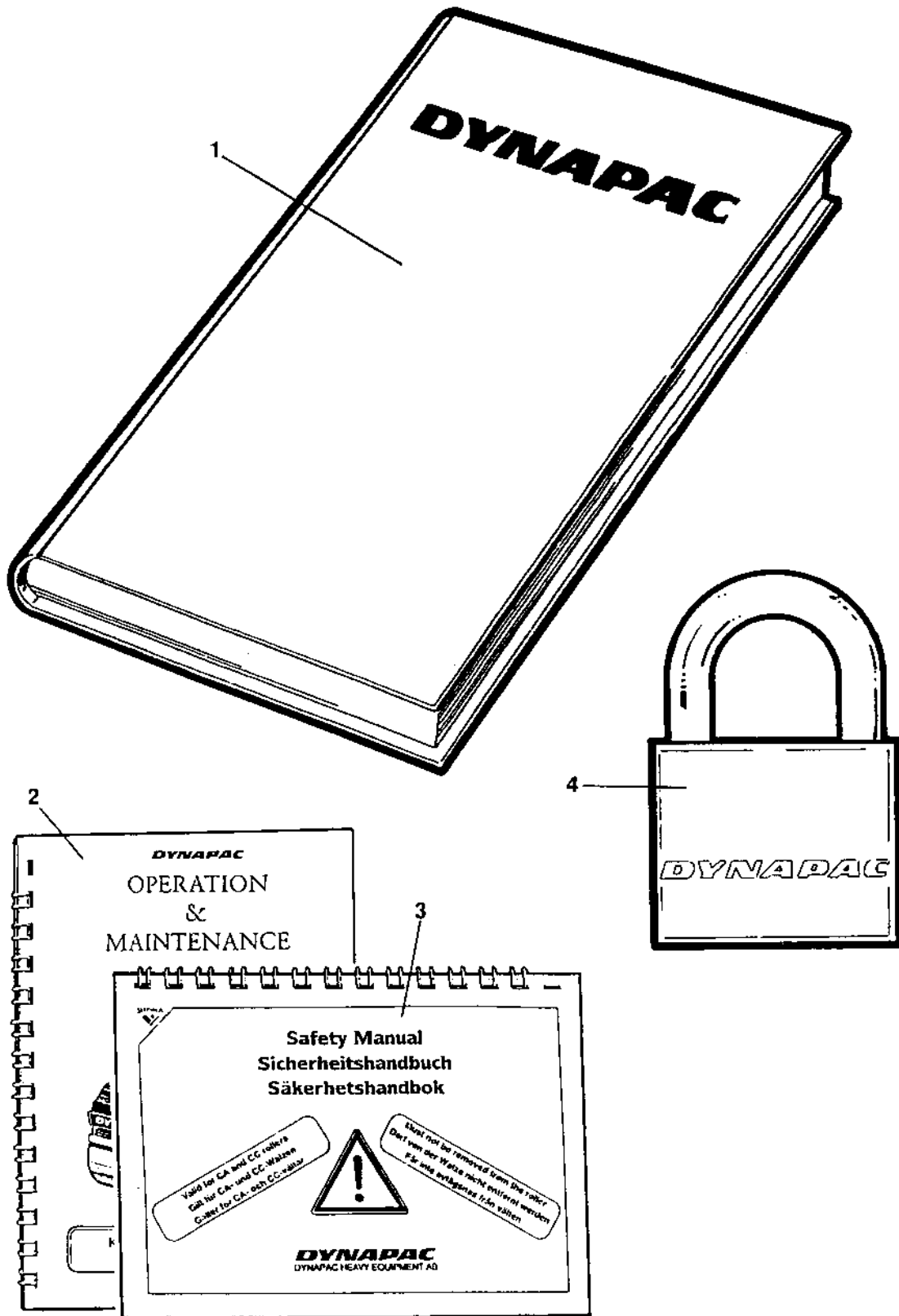
**Decals**

<b>Item</b>	<b>Part No</b>	<b>Rem Qty</b>	<b>Description</b>	<b>Code</b>
1	4700904098	1	Decal "DYNAPAC" L=1350 mm	
2	4700377742	4	Reflector, red	D
3	4700991658	1	Decal "FUEL"	D
4	4700904068	1	Decal "DYNAPAC" L=1770 mm	
5	4700377743	2	Reflector, white	D
6	4700373364	1	Slip protection	D
7	4700373363	4	Slip protection	
8	4700272372	1	Decal "HYDRAULIC OIL"	D
9	4700904835	1	Decal "BATTERY POWER"	D
11	4700358881	1	Pad lock	D
12	4700388449	1	Decal "COOLING LEVEL"	



**Standard equipment**

<b>Item</b>	<b>Part No</b>	<b>Rem Qty</b>	<b>Description</b>	<b>Code</b>
100			Standard equipment ( Page 190 )	





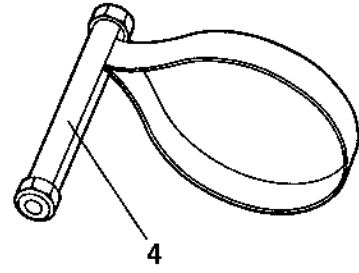
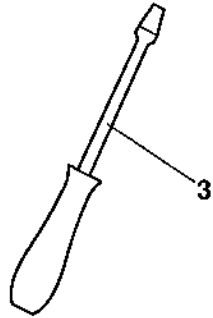
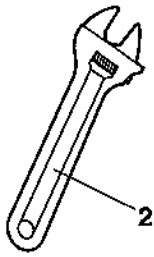
Standard equipment

Item	Part No	Rem Qty	Description	Code
1		1	Documentation ISCA250PD	
		1	. Warranty registration card	
		1	. Spare parts catalogue SCA250PD	
		1	. Instruction manual Cummins 4BTA 3.9 Elite	
2		1	. Operation / maintenance instruction ICA250	
3		1	. Safety manual RSAFE	
4	4700358881	1	Pad lock	D

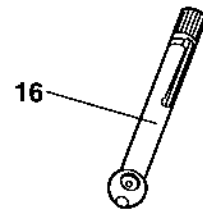
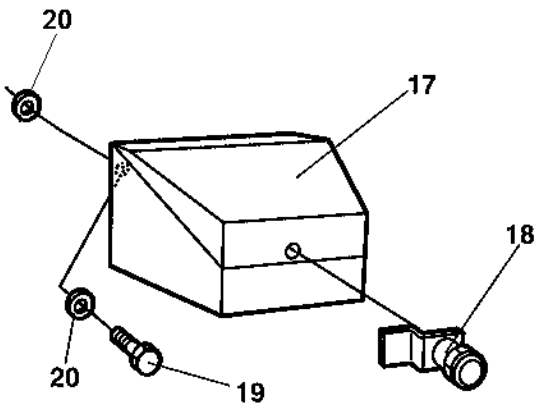
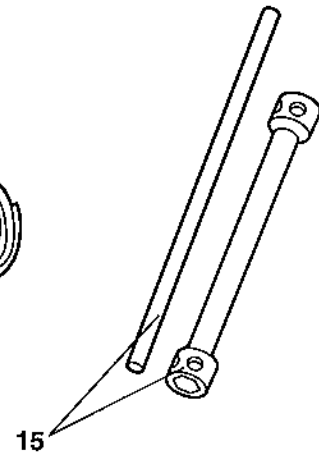
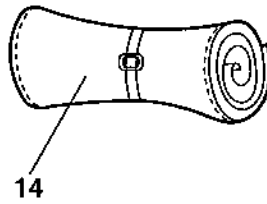
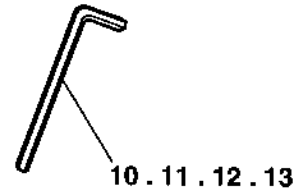
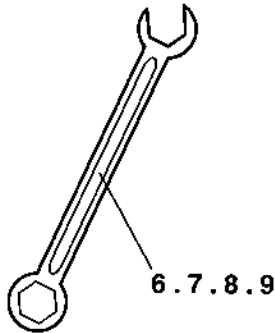
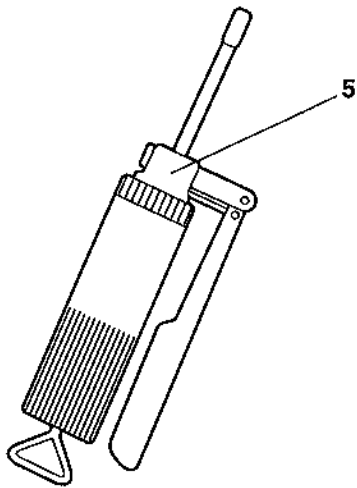


**Optional equipment**

<b>Item</b>	<b>Part No</b>	<b>Rem Qty</b>	<b>Description</b>	<b>Code</b>
10			Tool equipment ( Page 194 )	
110			Dy-Mic ( Page 196 )	
120			Air conditioner and heater, Simple cab ( Page 198 )	
230			Heater Simple cab ( Page 206 )	



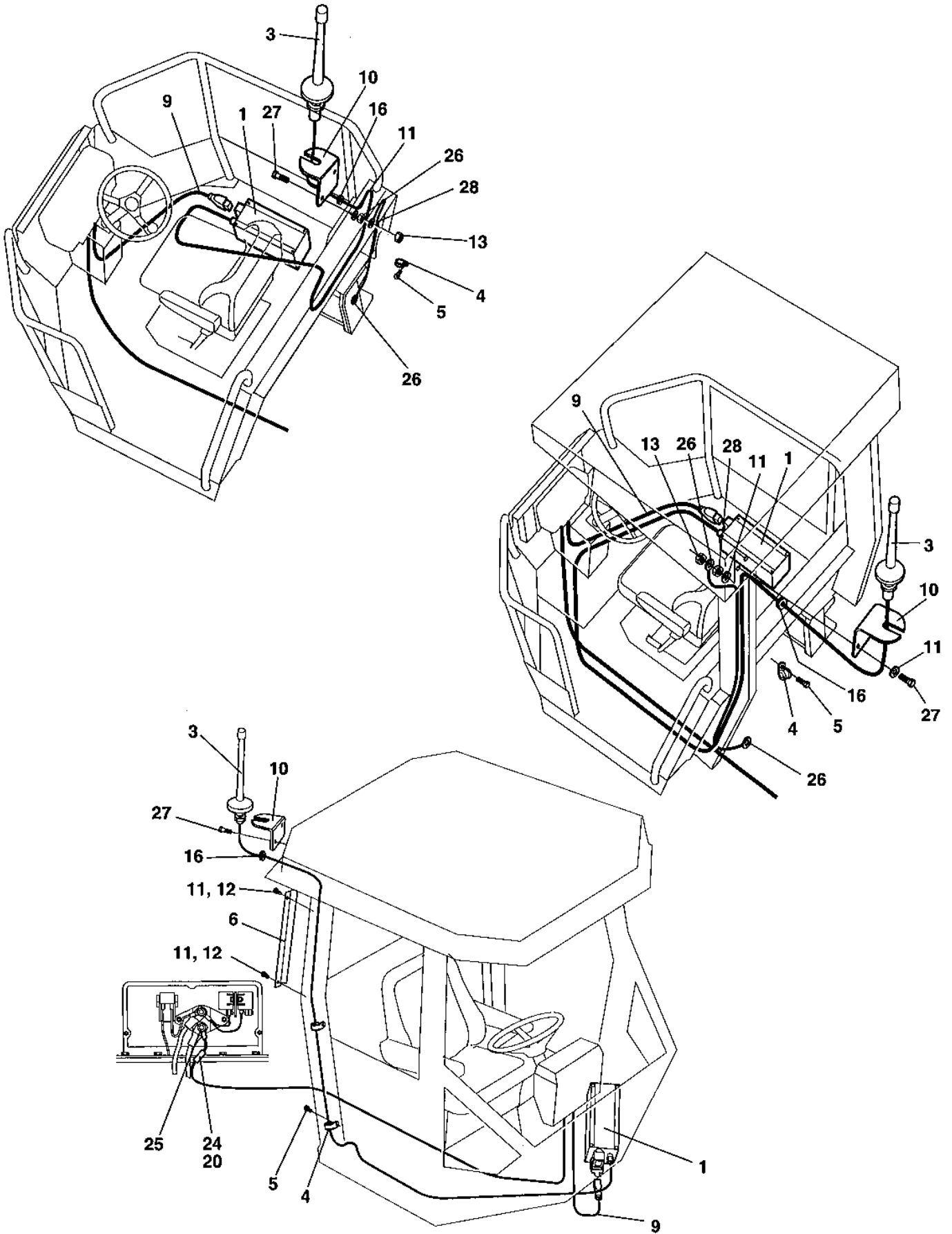
1



## Tool equipment

Item	Part No	Rem Qty	Description	Code
1	4700355890	1	Tool set Cpl	D
2		1	. Adjustable wrench	
3		1	. Screw driver	
4	4700902610	1	. Belt pliers	D
5	4700311016	1	. Grease gun	D
6		1	. Open end spanner 10mm	
7		1	. Open end spanner 13mm	
8		1	. Open end spanner 16mm	
9		1	. Open end spanner 18mm	
10		1	. Allen wrench 10mm	
11		1	. Allen wrench 12mm	
12		1	. Allen wrench 6mm	
13		1	. Allen wrench 8mm	
14		1	. Tool bag	
15		1	. Wheel nut key 30/32mm	
16	4700901220	1	. Pressure gauge	B
17	4700372837	1	Tool box	D
18	4700372658	1	. Lock	D
19	4700500021	3	Screw M8-1,25x25 8.8	C
20	4700904640	6	Washer 8,4x22x3	C

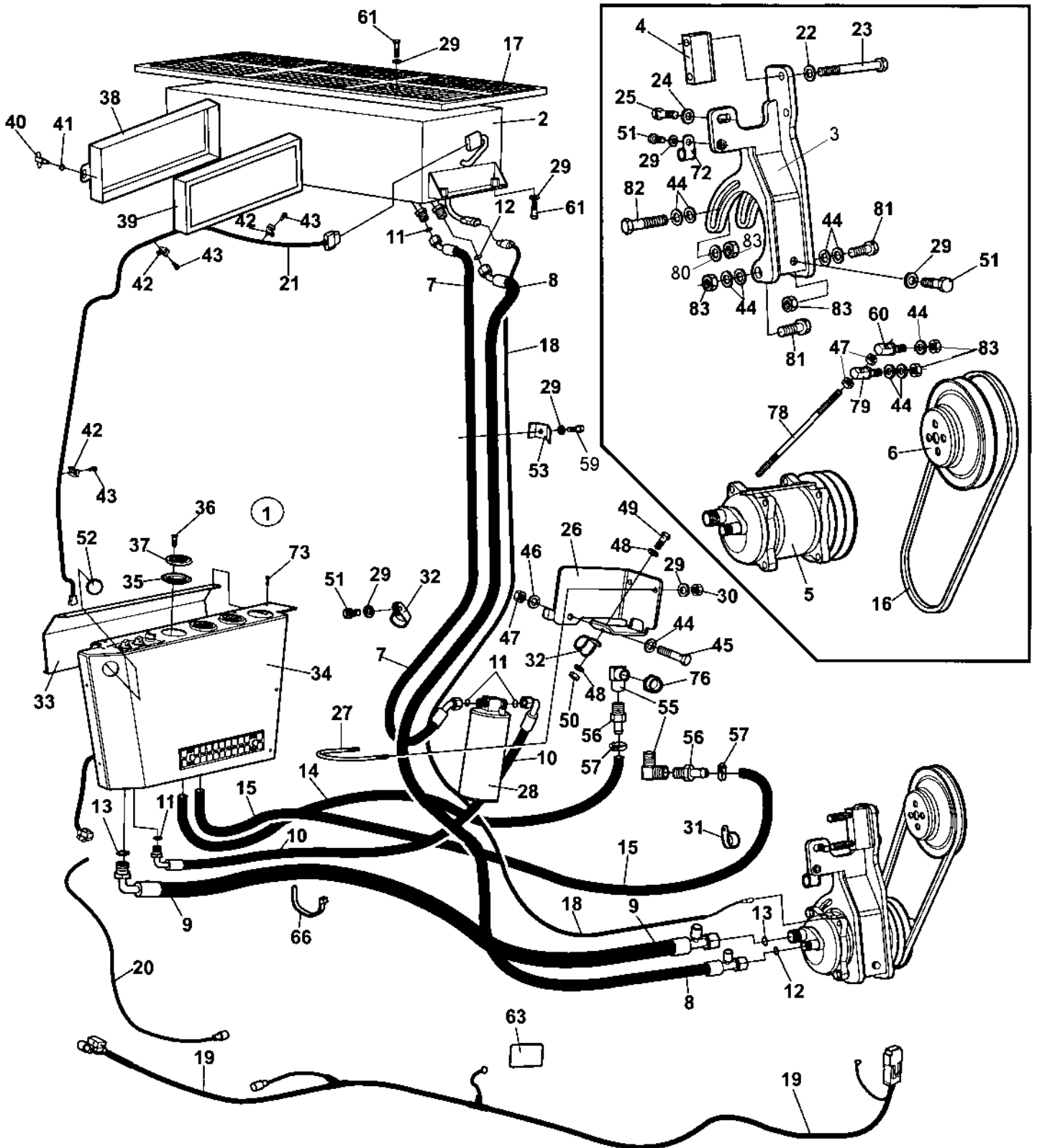
Dy-Mic



**Dy-Mic**

<b>Item</b>	<b>Part No</b>	<b>Rem Qty</b>	<b>Description</b>	<b>Code</b>
1	4700386390	1	Communicator box	D
	4700508002	4	Screw M6x16	D
3	4700386391	1	Antenna Cpl	D
4	4700921039	4	Pipe clamp	
5	4700904415	4	Screw	
6	4700386512	1	Cable holder	D
9	4700386392	1	Cable harness	D
10	4700386506	1	Antenna holder	D
11	4700904228	2	Washer 6,4x12x1,5	C
12	4700500040	2	Screw M6-1x20 8,8	C
13	4700586002	4	Lock nut M6 -8	C
16	4700909122	1	Grommet	C
17	4700313102	N	Cable ties	
18	4700313041	N	Cable ties	B
20	4700901224	1	Fuse 3A	A
24	4700904015	1	Fuse holder	D
25	4700960067	1	Cable clip	
26	4700387797	1	Ground cable	D
27	4700541702	2	Screw M6x12	C
28	4700570004	1	Nut M6X1,00 -8 A2K	C

Air conditioner and heater, Simple cab



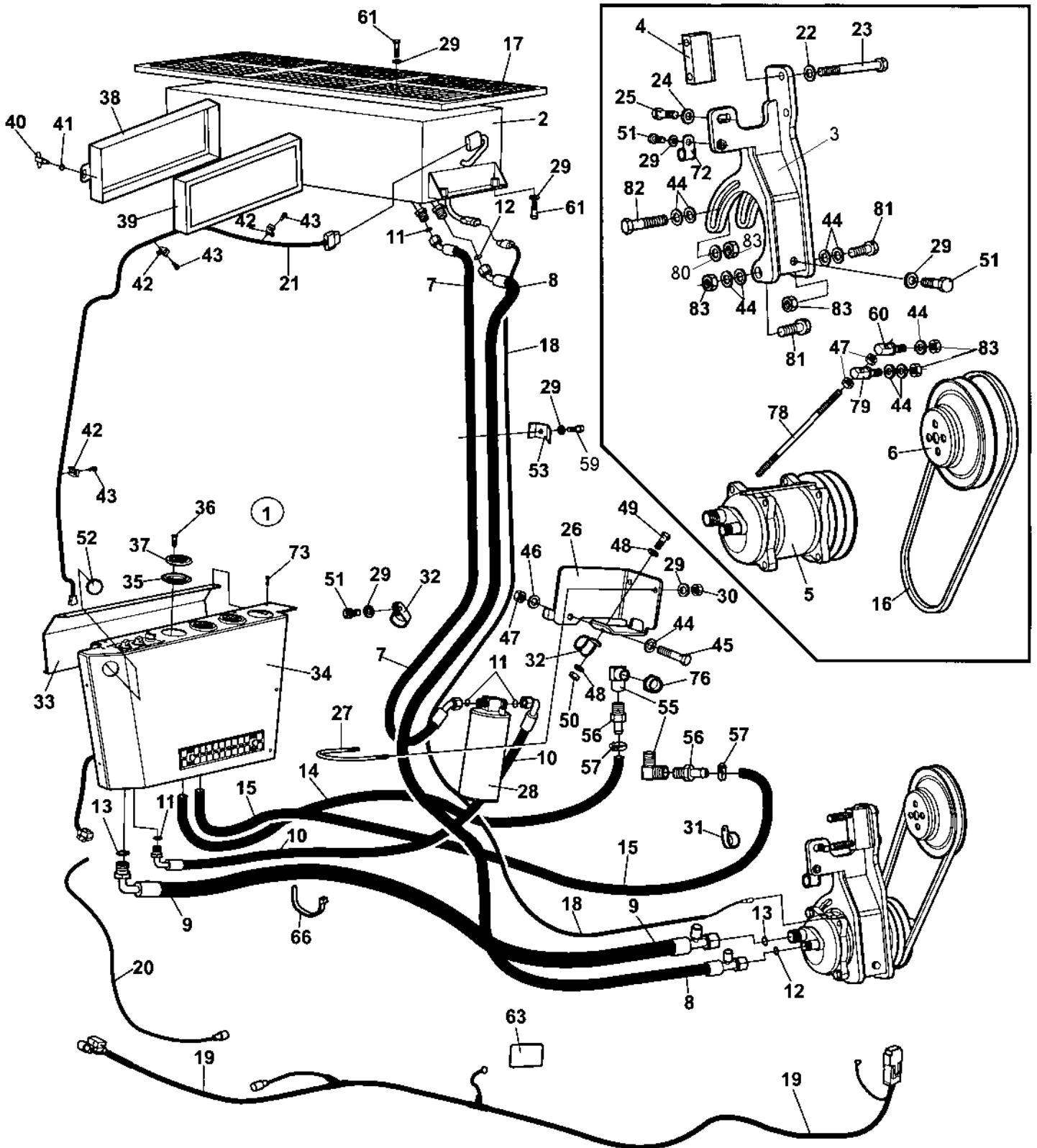


**Air conditioner and heater, Simple cab**

Item	Part No	Rem	Qty	Description	Code
1				<b>Air conditioner and heater unit ( Page 202 )</b>	
2	4700383413			<b>Condensor, cpl ( Page 204 )</b>	
3	4700377937		1	Bracket	D
4	4700379643		1	Spacer	D
5	4700379304		1	Compressor	C
6	4700379280		1	Pulley	C
7	4700384876		1	Hose	C
8	4700379330		1	Hose	D
9	4700379331		1	Hose	D
10	4700384875		1	Hose	C
11	4700384877		4	O-ring Size 6	C
12	4700384878		2	O-ring Size 8	C
13	4700384879		2	O-ring Size 10	C
14	4700937737	A	1XL	Hose	
15	4700937737	B	1XL	Hose	
16	4700902924		1	V-belt	
17	4700384589		1	Cover	D
18	4700385908		1	Cable harness	D
19	4700387466		1	Cable harness	D
20	4700387467		1	Cable harness	D
21	4700379275		1	Cable harness	D
22	4700904703		2	Washer	B
23	4700500122		2	Screw	C
24	4700904213		1	Washer	C
25	4700903906		1	Screw	C
26	4700390483		1	Holder	D
27	4700313093		1	Pipe clamp	D
28	4700383424		1	Drying filter	A
29	4700904229		18	Steel plain washer 8,4x16x1,5	C
30	4700586003		2	Lock nut M8	C
31	4700921161		1	Clamp	C
32	4700921056		2	Clamp	C
33	4700379285		1	Panel	D
34	4700379286		1	Panel	D
35	4700385443		3	Ring	D
36	4700938691		12	Screw	C
37	4700385442		3	Air nozzle	D
38	4700908501		1	Filter frame	D
39	4700908502		1	Filter	A
40	4700908504		2	Handle	D
41	4700908503		2	O-ring	D
42	4700904543		10	Cable tie holder	
43	4700903852		10	Screw ST4,2x13	C
44	4700904230		10	Steel plain washer	C
45	4700500192		1	Screw M10x80	C
46	4700904567		1	Washer 10,5x28x6 HB305	C
47	4700570006		3	Nut	B
48	4700904228		2	Washer 6,4x12x1,5	C
49	4700500013		1	Screw M6-1x16 8,8	C
50	4700570004		1	Nut M6X1,00 -8 A2K	C
51	4700500053		3	Screw M8x20H 8.8	C
52	4700345870		1	Plug	C
53	4700346230		3	Clamp	D
55	4700234365		2	Elbow 90	
56	4700387638		2	Hose connection	
57	4700313004		2	Hose clamp	D
59	4700500023		3	Screw M8-1,25x40 8,8	C
60	4700388470		1	Screw	D

A) L=3,600M  
B) L=3,600M

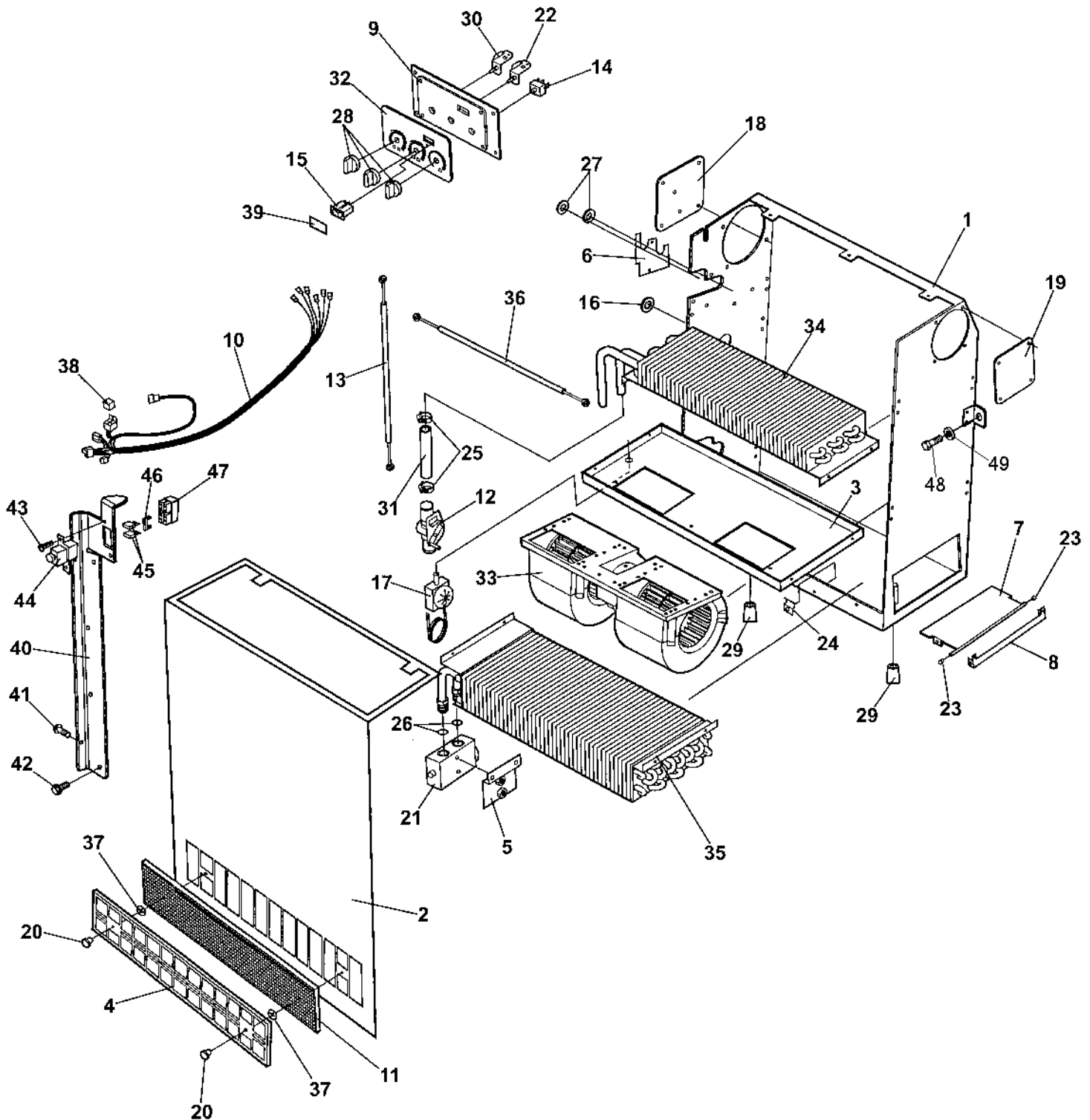
Air conditioner and heater, Simple cab



**Air conditioner and heater, Simple cab**

<b>Item</b>	<b>Part No</b>	<b>Rem Qty</b>	<b>Description</b>	<b>Code</b>
61	4700500022	10	Screw M8x30H 8.8 A2K	C
63	4700904165	1	Safety decal Toxic gases	D
66	4700313102		Cable ties	
72	4700902558	1	Clamp	D
73	4700792248	5	Screw 4,2 X25	D
76			Not used on this model	
78	4700377965	1	Set screw	C
79	4700377378	1	Set screw	D
80	4700904557	1	Steel plain washer	C
81	4700500031	2	Screw M10x040 8.8	C
82	4700500161	1	Hexagon head screw	C
83	4700791172	5	Hexagon lock nut	D

**Air conditioner and heater unit**

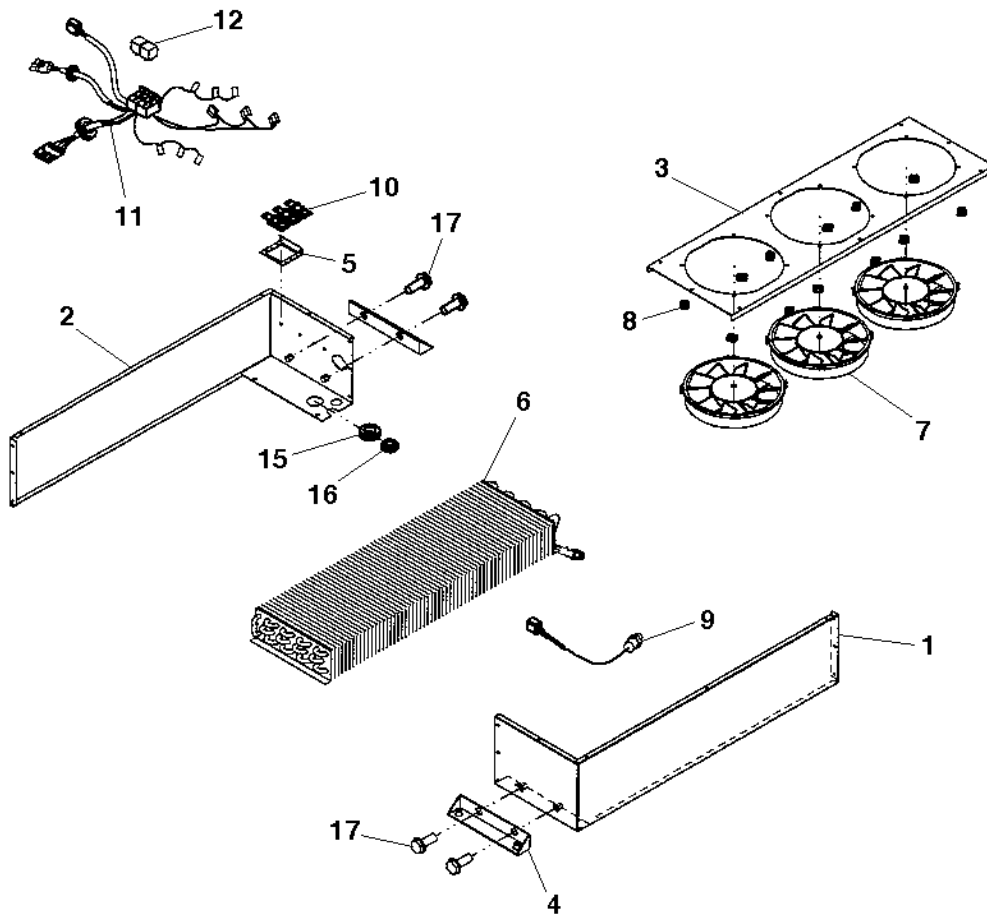


**Air conditioner and heater unit**

Item	Part No	Rem	Qty	Description	Code
1	4700938625		1	Casing	
2	4700938626		1	Cover	
3	4700938627		1	Fan bracket	
4	4700384760		1	Filter grill	D
5	4700384177		1	Holder	D
6	4700938628		1	Cover	
7	4700938629		1	Cover	
8	4700938630		1	Bracket	
9	4700945174		1	Panel	D
10	4700945175		1	Cable harness	D
11	4700384761		1	Air filter element	A
12	4700939693		1	Heater control valve	
13	4700938645		1	Bowden cable	
14	4700938622		1	Switch	B
15	4700938619		1	Switch	B
16	4700938644		1	Cap	C
17	4700384897		1	Thermostat	B
18	4700945176		1	Cover plate	D
19	4700945177		1	Cover plate	D
20	4700938634		2	Knob	D
21	4700384176		1	Expansion valve	C
22	4700938621		2	Rotary control	
23	4700938635		2	Sleeve	
24	4700384880		1	Wire clamp	D
25	4700313003		2	Hose clamp	D
26	4700384878		2	O-ring Size 8	C
27	4700384927		2	Grommet	D
28	4700938620		3	Knob	D
29	4700938636		2	Drain valve	C
30	4700385134		2	Lock washer	D
31	4700384881		1	Hose	D
32	4700945178		1	Panel overlay	D
33	4700938638		1	Fan	C
34	4700938639		1	Heater coil	
35	4700383414		1	Evaporator	D
36	4700384762		1	Wire	D
37	4700939413		2	Star lock	
38	4700287597		1	Relay	D
39	4700938643		1	Plug	C
40	4700379332	A	1	Holder	D
41	4700792187	A	2	Screw M5x14	
42	4700541703	A	4	Screw M6x16	D
43	4700901767	A	2	Screw ST3,5x9,5 Black	
44	4700792091	A	1	Fuse holder	C
45	4700903741	A	2	Fuse 20A Yellow Medium	A
46	4700901240	A	1	Connector	B
47	4700901699	A	1	Connector	D
48	4700500019		5	Hexagon head screw M8x16H 8,8	C
49	4700904229		5	Steel plain washer 8,4x16x1,5	C

A) Only valid for simple cab

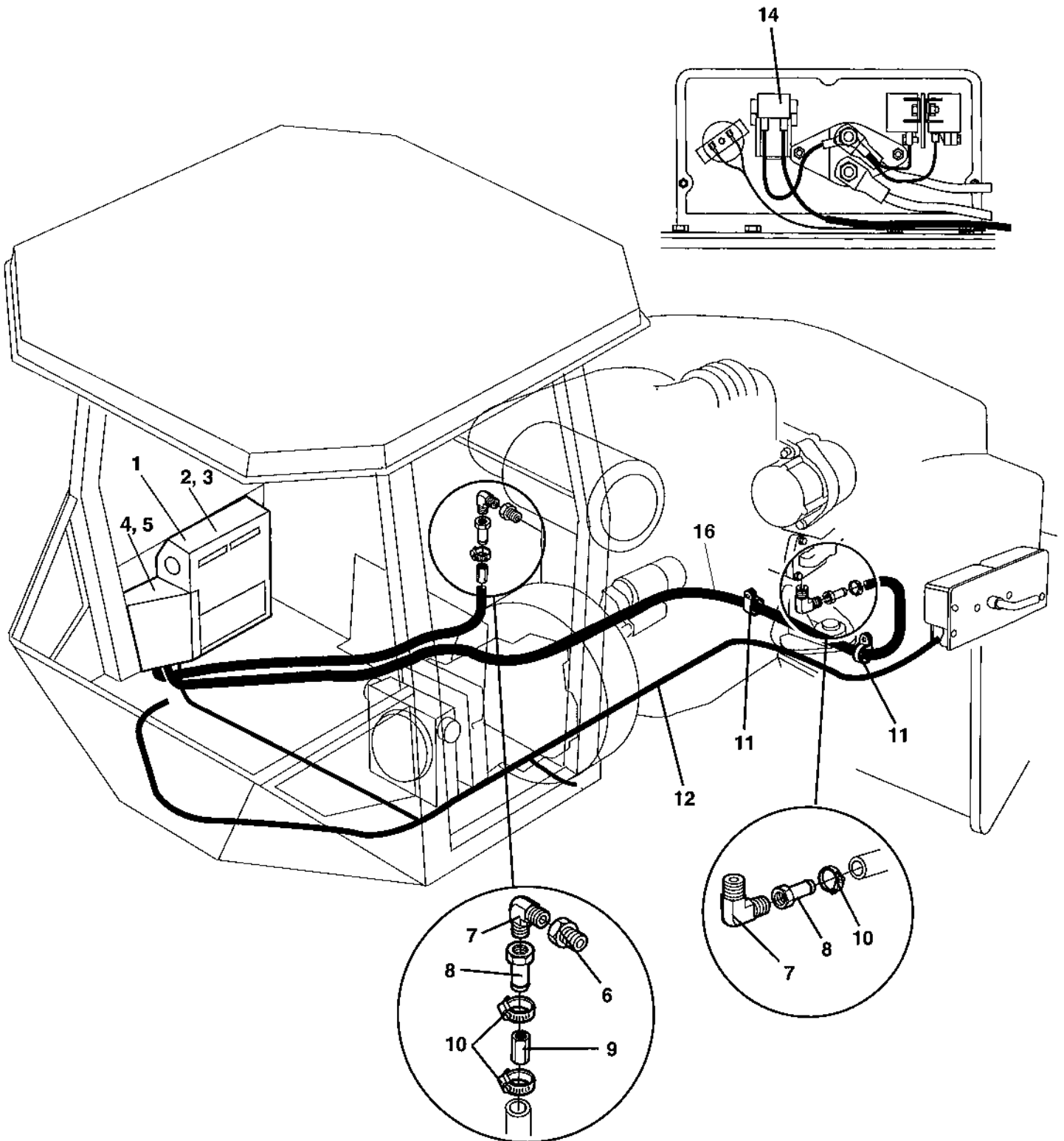
4700383413 Condensator, cpl



**4700383413 Condensor, cpl**

Item	Part No	Rem	Qty	Description	Code
1	4700938597		1	Cover	D
2	4700938598		1	Cover	D
3	4700938599		1	Fan bracket	D
4	4700938600		2	Condensor bracket	D
5	4700938601		1	Resistor bracket	D
6	4700938602		1	Condensor Coil	B
7	4700938603		3	Fan	C
8	4700938604		12	Clip	D
9	4700938605		1	Pressure switch	B
10	4700938606		3	Resistor	B
11	4700938607	A	1	Cable harness	D
	4812155890	B	1	Cable harness	
12	4700287598		2	Relay 12V-30A	A
	4700287598	C	3	Relay 12V-30A	A
15	4700938608		1	Grommet	D
16	4700938609		1	Grommet	
17	4700901832		4	Screw	C

- A) Replaced by Cable harness P/N 4812155890.  
B) Cable harness withh 3 Relays, replaces Cable harness P/N 4700938607.  
C) Used with Cable harness 4812155890.

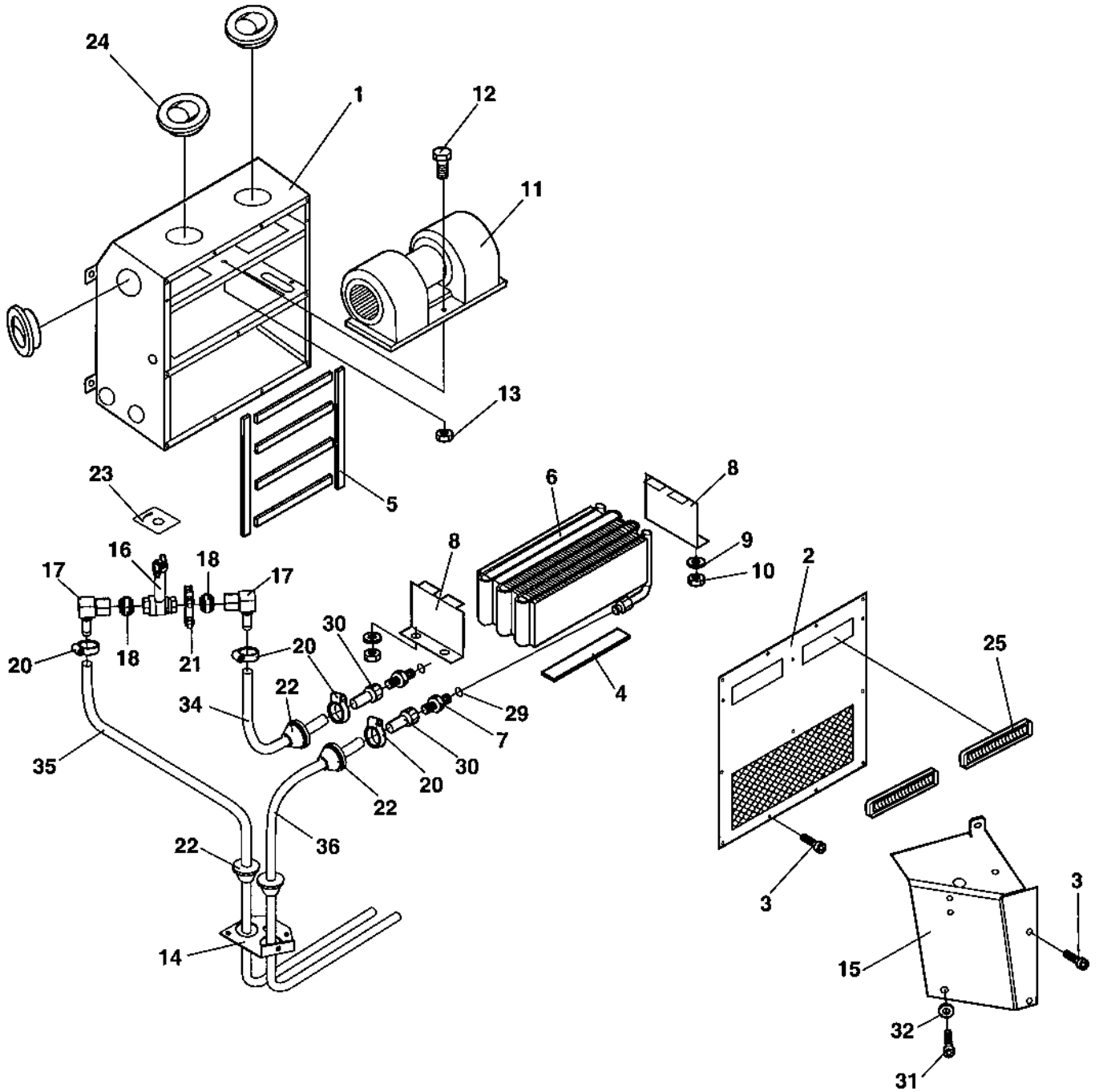




**Heater Simple cab**

Item	Part No	Rem	Qty	Description	Code
1	4700385222	1		<b>Heater ( Page 208 )</b>	
2	4700500018	4		Screw M8-1,25x12 8,8	C
3	4700904229	4		Steel plain washer 8,4x16x1,5	C
4	4700500013	2		Screw M6-1x16 8,8	C
5	4700904228	2		Washer 6,4x12x1,5	C
6	4700813434	1		Reducer	C
7	4700234365	2		Elbow 90	
8	4700814065	2		Hose connection	D
9	4700372670	1		Reducer	D
10	4700313002	3		Hose clamp 13-20 mm	
11	4700921132	2		Clamp	C
12	4700387466	A	1	Cable harness	D
13	4700387467	A	1	Cable harness	D
14	4700904294	1		Fuse	
15	4700313102	N		Cable ties	

A) Item 12 and 13 replaces Cable harness P/N 4700385235.



4700385222 Heater

Item	Part No	Rem Qty	Description	Code
1	4700938587	1	Heater box	D
2	4700938588	1	Cover plate	D
3	4700935259	15	Screw	
4	4700908587	A	Edge trim	D
5	4700935556	B	Sealing	
6	4700908585	1	Radiator	D
7	4700908589	2	Connector	C
8	4700935557	2	Heater element bracket	
9	4700904228	4	Washer 6,4x12x1,5	C
10	4700570004	4	Nut M6X1,00 -8 A2K	C
11	4700908595	1	Fan, cpl	D
12	4700500006	1	Screw M5x16	C
13	4700586001	1	Lock nut	C
14	4700938589	1	Plate	D
15	4700938590	1	Control panel	D
16	4700937738	1	Ball valve w. lever	
17	4700937742	2	Connector	
18	4700937741	23	Connector	
20	4700313003	4	Hose clamp	D
21	4700923984	1	Clamp	C
22	4700908496	1	Grommet	D
23	4700938856	1	Cable harness Work light	D
24	4700908513	3	Nozzle	A
25	4700908598	2	Nozzle	A
29	4700908588	2	O-ring	C
30	4700935558	2	Adapter	
31	4700500013	1	Screw M6-1x16 8,8	C
32	4700904735	1	Washer	C
34	4700937737	C	Hose	
35	4700937737	D	Hose	
36	4700937737	E	Hose	

- A) L=2,5 m
- B) L=1 m
- C) L=0,7 m
- D) L=3,6 m
- E) L=3,6 m



**NUMERICAL INDEX**

Part Number	Page	Part Number	Page	Part Number	Page
4700100040	17,33	4700334121	113	4700370840	59
4700116041	21,45	4700334132	95	4700371509	95,97
4700160105	21,45	4700334134	105	4700371728	151
4700160132	99	4700334138	95,99,105	4700371730	179
4700160234	105	4700334140	99	4700371774	59
4700160279	105	4700334196	123	4700372087	27
4700160358	45	4700334197	113	4700372229	7,13,99
4700162008	99	4700334199	113	4700372235	95,99
4700162017	45	4700334205	105,119	4700372457	163
4700162018	45	4700334389	119	4700372489	161
4700167023	45	4700334468	99	4700372494	147,163
4700167032	17,33	4700334524	119	4700372513	113
4700202041	59	4700334558	113	4700372514	113
4700205027	59	4700335607	131	4700372625	113
4700212336	103	4700337042	33	4700372658	195
4700212373	7,9,11,13,55	4700337045	17,33	4700372670	207
4700212553	85	4700338304	113	4700372678	161
4700230277	45	4700343159	33	4700372743	161
4700230515	55	4700343318	45	4700372745	161
4700232039	121	4700343322	45	4700372757	147
4700232097	113	4700343550	133	4700372758	135
4700232210	45	4700343744	45	4700372772	55
4700232222	99	4700343775	27	4700372785	147,163
4700233304	121	4700343801	45	4700372836	143
4700234119	105	4700345243	99	4700372837	195
4700234218	113	4700345870	131,199	4700372964	157
4700234243	99	4700345871	17,33	4700372987	43,51
4700234365	59,199,207	4700345872	17,33	4700373016	95,105,143
4700234388	123	4700345873	17,33	4700373096	143
4700234619	65	4700345874	17,33	4700373140	143
4700234622	123	4700345875	17,33	4700373184	135
4700234626	113	4700346230	199	4700373270	95,105
4700234662	113	4700347119	27	4700373363	187
4700234843	119	4700347512	147	4700373364	187
4700234888	119	4700348213	143	4700373400	147
4700234909	99	4700348309	63	4700373421	33
4700234958	99	4700348331	147	4700373423	95,105
4700238158	133	4700349435	143	4700373442	45
4700244054	65	4700349715	45	4700373443	45
4700246069	59	4700349879	121	4700373460	27,65
4700272372	187	4700349880	121	4700373574	65
4700272373	185	4700355634	105	4700373746	159
4700287597	203	4700355869	157	4700373747	159
4700287598	205	4700355890	195	4700373748	159
4700310008	17	4700355983	73	4700373749	159
4700311016	195	4700356348	123	4700373750	159
4700313001	59,65	4700357138	13,121	4700373906	159
4700313002	65,207	4700357488	27	4700373907	159
4700313003	203,209	4700357500	151	4700374028	123
4700313004	199	4700357643	147	4700374029	135
4700313006	59	4700357855	149	4700374030	135
4700313010	59	4700358388	97	4700374059	99
4700313023	59	4700358452	139	4700374065	151
4700313041	65,131,143,197	4700358881	185,187,191	4700374398	139
4700313093	67,199	4700359550	99	4700374606	163
4700313094	67	4700359551	99	4700374607	163
4700313102	113,123,125,127 143,197,201,207	4700359552	99	4700374744	27
		4700359955	45	4700374900	33
4700330170	59,65	4700370229	55	4700375507	151
4700330171	59,65	4700370231	45	4700376000	113,115
4700330333	87,89	4700370792	161	4700376252	147
4700330383	55	4700370803	161	4700376255	163

**NUMERICAL INDEX**

Part Number	Page	Part Number	Page	Part Number	Page
4700376340	35	4700380755	35	4700385134	203
4700376349	35	4700380798	141	4700385222	207,209
4700376354	35	4700380963	159	4700385442	199
4700376366	35	4700380964	159	4700385443	199
4700376488	161	4700380993	17,33	4700385599	133
4700376489	161	4700381027	45	4700385908	199
4700376551	29	4700381033	37	4700386272	21
4700376622	29	4700381268	151	4700386390	197
4700376944	41	4700381297	35	4700386391	197
4700376945	41	4700381330	35,161	4700386392	197
4700377009	155	4700381347	35	4700386506	197
4700377010	155	4700381348	35	4700386512	197
4700377011	155	4700381351	143	4700386789	67
4700377012	155	4700381352	161	4700386853	59
4700377014	155	4700381353	161	4700386943	59
4700377015	155	4700381413	59	4700386999	131
4700377016	155	4700381462	135	4700387085	59
4700377018	155	4700381989	35	4700387089	37
4700377019	153	4700382349	151	4700387090	37
4700377020	153	4700382397	163	4700387129	55
4700377021	153	4700382406	35	4700387226	149
4700377024	153	4700382411	35	4700387227	149
4700377071	141	4700382582	147,163	4700387419	135
4700377098	67	4700382751	185	4700387466	199,207
4700377378	201	4700383200	161	4700387467	199,207
4700377518	147,163	4700383225	161	4700387545	149
4700377556	147,163	4700383326	143	4700387638	199
4700377677	161	4700383413	199,205	4700387683	133
4700377742	187	4700383414	203	4700387720	149
4700377743	187	4700383424	199	4700387797	197
4700377744	185	4700383436	45	4700388089	45
4700377937	199	4700383452	143	4700388145	73
4700377965	201	4700383705	147	4700388146	73
4700378206	27	4700383783	45	4700388210	143
4700378335	149	4700383856	71,83	4700388211	143
4700378759	155	4700383857	73	4700388449	187
4700379236	169	4700383955	73	4700388470	199
4700379275	199	4700383974	73	4700388855	55
4700379280	199	4700383975	73	4700389063	45
4700379285	199	4700384114	45	4700389175	151
4700379286	199	4700384159	185	4700389184	151
4700379304	199	4700384163	135	4700389577	139
4700379330	199	4700384176	203	4700389600	63
4700379331	199	4700384177	203	4700389907	29
4700379332	203	4700384402	177	4700390083	59
4700379482	99	4700384403	177	4700390478	39
4700379608	167	4700384498	17,33	4700390479	39
4700379630	113	4700384589	199	4700390480	39
4700379636	147	4700384759	163	4700390481	39
4700379643	199	4700384760	203	4700390483	199
4700380012	35	4700384761	203	4700390587	73
4700380015	55	4700384762	203	4700390588	73
4700380018	45	4700384784	99	4700390589	73
4700380052	37	4700384875	199	4700390590	73
4700380053	37	4700384876	199	4700390591	73
4700380057	37	4700384877	199	4700390705	65
4700380058	37	4700384878	199,203	4700390759	73
4700380101	55	4700384879	199	4700390760	73
4700380109	35	4700384880	203	4700390762	73
4700380123	147	4700384881	203	4700390900	185
4700380462	43,45,49	4700384897	203	4700390927	171
4700380727	147	4700384927	203	4700391195	45

**NUMERICAL INDEX**

Part Number	Page	Part Number	Page	Part Number	Page
4700391206	45	4700395386	105,111	4700500030	105,121
4700391379	155	4700395821	131	4700500031	35,157,201
4700391380	155	4700396030	45	4700500032	95
4700391381	155	4700396309	71,91	4700500033	95,105
4700391382	155	4700396968	133	4700500037	33
4700391383	155	4700397126	27	4700500039	99
4700391386	155	4700397216	57	4700500040	35,59,135,141
4700391784	149	4700397284	57		151,197
4700391989	99	4700397285	57	4700500043	27,135
4700392002	113,117	4700397305	31	4700500044	113
4700392100	117	4700397584	69	4700500046	99
4700392103	117	4700416034	151,153	4700500047	35,143
4700392104	117	4700450066	35	4700500048	157
4700392105	117	4700450067	35	4700500051	131
4700392170	59	4700480449	115	4700500053	35,37,59,63,67
4700392283	55	4700482056	119		123,125,127,131
4700392284	55	4700482182	99		133,141,143,147
4700392295	67	4700482342	123		169,199
4700392296	67	4700482391	99,105	4700500060	131
4700392313	59	4700482399	119	4700500067	65
4700392378	59	4700482474	119	4700500070	55
4700392394	147	4700483031	105	4700500075	59,131,133
4700392747	67	4700483050	113	4700500079	143,151
4700392786	35	4700483109	113	4700500082	45
4700392810	63	4700483123	99	4700500100	161
4700392823	45	4700483188	123	4700500101	95
4700392875	147	4700483190	95	4700500109	99
4700392899	153	4700483204	123	4700500122	199
4700392900	153	4700483231	113	4700500133	35,113
4700392911	35	4700483280	113	4700500134	31
4700392912	35	4700483286	105	4700500153	159
4700392981	121	4700483445	123	4700500154	29,31,55
4700392986	121	4700483497	113	4700500161	201
4700392996	133	4700483498	113	4700500165	29,45
4700393002	71,75	4700483499	99	4700500192	199
4700393085	63	4700483526	99	4700500194	55,143
4700393276	23,45	4700483995	95	4700500195	147,163
4700393277	45	4700483996	95	4700500196	45
4700393278	45	4700483999	105	4700500210	147
4700393279	45	4700484234	105	4700500211	147
4700393335	73	4700484235	105	4700500230	161
4700393388	151	4700499266	63	4700500240	41
4700393661	67	4700500006	65,209	4700500287	33
4700393666	63	4700500007	149	4700500505	149
4700393705	59	4700500012	59,135	4700502059	105
4700393713	59	4700500013	59,131,139,147	4700502132	95,99
4700393772	59		151,199,207,209	4700508002	197
4700393857	35	4700500018	33,59,123,125	4700508029	55,113
4700393962	55		127,207	4700508068	155
4700393963	55	4700500019	45,59,113,121	4700508079	55
4700394005	55		131,169,179,181	4700508092	153
4700394071	59		203	4700509025	55
4700394097	59	4700500021	35,61,63,65,99	4700513012	35
4700394511	55		139,151,153,159	4700513017	149
4700394603	151		195	4700527002	45
4700394680	63	4700500022	35,65,67,159,161	4700535005	173
4700394686	11,13,63		199	4700541526	143
4700394687	13,63	4700500023	199	4700541702	135,139,197
4700394902	113	4700500025	131	4700541703	203
4700395022	63	4700500028	59,99,105	4700570004	131,133,155,197
4700395384	105,107,109	4700500029	27,41,45,59,65		199,209
4700395385	99,101,103		95,147,149,163	4700570005	131,163

**NUMERICAL INDEX**

Part Number	Page	Part Number	Page	Part Number	Page
4700570006	199	4700792248	201	4700901832	205
4700573003	151	4700792261	73	4700901834	83,91
4700586001	35,131,153,209	4700792315	133	4700901987	81,89
4700586002	35,133,141,159	4700792320	133	4700902123	157
	197	4700792339	99	4700902166	35,59,67,147,149
4700586003	37,55,63,131,139	4700792413	133	4700902203	147
	147,153,159,181	4700792450	125,127	4700902227	135
	199	4700792461	133	4700902285	35,59,131,143
4700586018	55,135,137	4700792462	133	4700902286	61,143
4700586019	55,155	4700792463	133	4700902288	143
4700586021	179	4700792464	47	4700902379	35
4700588176	185	4700792549	35	4700902496	143
4700600016	117	4700792661	55	4700902558	65,201
4700603009	161	4700801187	23,45	4700902610	195
4700603010	151	4700813391	27	4700902861	115
4700603018	65	4700813434	131,207	4700902862	115
4700624005	185	4700813444	113	4700902915	185
4700624016	161	4700813499	105	4700902919	99
4700629066	179	4700813500	113	4700902924	199
4700635061	27,117	4700813791	63	4700902928	97,101
4700747282	59,65	4700813822	97	4700902944	49
4700791119	121	4700814065	207	4700903053	97
4700791120	121	4700828112	111	4700903190	65
4700791156	45	4700828114	111	4700903192	143,147
4700791172	201	4700828138	111	4700903290	95,147,163
4700791175	73	4700828139	111	4700903422	185
4700791176	73	4700828142	107	4700903423	185
4700791183	131	4700900188	103	4700903424	185
4700791185	133	4700900229	99,105	4700903425	185
4700791211	133	4700900255	83	4700903457	115
4700791218	163	4700900256	91	4700903459	185
4700791226	147	4700900512	105	4700903570	97,101
4700791230	95	4700900552	119	4700903571	97,101
4700791277	185	4700900775	45	4700903631	131
4700791279	185	4700900776	19	4700903632	131
4700791475	35	4700900782	19	4700903640	131
4700791476	149	4700900784	19	4700903641	131
4700791503	131	4700900806	99	4700903714	59
4700791538	127	4700900957	79,87	4700903727	147
4700791573	73	4700900966	79,87	4700903741	203
4700791578	133	4700901121	65	4700903760	131
4700791582	133	4700901145	73,147,163	4700903768	131
4700791583	133	4700901190	143	4700903782	133,169
4700791584	133	4700901218	73	4700903792	47
4700791585	133	4700901220	195	4700903852	199
4700791587	133	4700901224	141,197	4700903906	199
4700791588	133	4700901227	133	4700903919	45
4700791597	35	4700901228	133	4700903945	155
4700791642	185	4700901240	203	4700903946	155
4700791657	133	4700901328	103	4700903947	155
4700791723	133	4700901369	135	4700903956	133
4700791733	133	4700901443	73	4700903985	73
4700791739	133	4700901444	73	4700904005	95,99,113
4700791819	105	4700901449	55	4700904015	197
4700791823	105	4700901453	97	4700904020	131
4700791914	125,127	4700901455	101	4700904036	131
4700791927	45	4700901458	101	4700904038	131,135
4700792052	131	4700901465	97	4700904058	95
4700792083	133	4700901466	103	4700904060	63
4700792091	203	4700901467	97	4700904068	185,187
4700792187	203	4700901699	203	4700904098	187
4700792222	185	4700901767	133,203	4700904165	201



**NUMERICAL INDEX**

Part Number	Page	Part Number	Page	Part Number	Page
4700904177	45	4700904870	185	4700909429	103
4700904180	161	4700904910	141	4700909432	103
4700904206	143	4700904984	65	4700909435	103
4700904213	99,199	4700904985	65	4700909544	79,87
4700904214	99	4700905304	175	4700909567	85
4700904228	35,59,131,135 139,141,147,151 159,197,199,207 209	4700905305	175	4700909568	85
4700904229	33,45,59,65,67 99,113,121,123 125,127,131,133 139,141,143,147 151,153,159,163 169,179,181,199 203,207	4700905306	175	4700909569	85
		4700908136	123,125,127	4700909570	85
		4700908229	185	4700909572	85
		4700908265	179	4700909574	85
		4700908267	181	4700909576	85
		4700908352	101	4700909580	85
		4700908355	179	4700909581	85
		4700908359	181	4700909582	83
		4700908361	179	4700909584	83,91
		4700908399	63	4700909586	89
4700904230	27,45,55,59,65 95,99,105,131 135,137,147,149 157,163,199	4700908432	97	4700909596	87,89
		4700908447	103	4700909609	79,81,87,89
		4700908448	103	4700909616	79,87
		4700908485	85	4700909618	79,87
4700904231	33,35,45,57,105 113,131,143,147 163	4700908496	209	4700909619	79,87
		4700908499	167,169,171	4700909622	79,87
		4700908501	199	4700909624	79,87
4700904232	29,31,45,55,179	4700908502	199	4700909626	79,87
4700904233	45,55,73,147,163	4700908503	199	4700909630	75
4700904234	29,47,113,161	4700908504	199	4700910161	113
4700904241	55,113	4700908506	169	4700910995	33
4700904281	35,65,131,149	4700908507	169	4700911620	115
4700904282	99	4700908513	209	4700921031	135
4700904294	207	4700908545	167,171	4700921039	135,139,197
4700904340	159	4700908580	171	4700921050	59
4700904379	55	4700908581	171	4700921056	199
4700904415	197	4700908582	171	4700921072	131,143
4700904433	147,163	4700908583	171	4700921080	131
4700904486	59	4700908585	209	4700921084	59
4700904504	35	4700908587	209	4700921132	207
4700904543	199	4700908588	209	4700921161	199
4700904551	59	4700908589	209	4700923087	97
4700904556	63,131,153	4700908595	209	4700923342	85
4700904557	27,35,201	4700908598	209	4700923371	99
4700904562	161	4700908605	175	4700923384	95,99
4700904563	155	4700908617	175	4700923984	209
4700904567	41,121,199	4700908623	173	4700923987	151
4700904584	105	4700908624	173	4700924791	159
4700904586	105	4700908625	179	4700924875	35
4700904619	161	4700908626	179	4700925208	33
4700904637	55,105,113	4700908627	179	4700925519	57
4700904638	55,95,99	4700908628	179	4700925723	55
4700904639	59	4700908773	97,103	4700925802	135
4700904640	35,37,55,59,67 161,195	4700908780	115	4700926214	17,33
		4700909122	197	4700926354	77
4700904653	149	4700909243	111	4700926356	77
4700904663	17	4700909252	97	4700926537	153
4700904695	65	4700909253	97	4700926658	97
4700904703	55,105,199	4700909255	97	4700926736	45
4700904718	37	4700909346	111	4700926781	81,89
4700904723	185	4700909382	101	4700926786	77
4700904734	161	4700909391	101	4700926810	87
4700904735	209	4700909392	101	4700926847	79,87
4700904737	45	4700909398	101	4700926985	61
4700904773	105	4700909399	103	4700927233	155
4700904835	187	4700909417	107	4700927974	147,163

**NUMERICAL INDEX**

Part Number	Page	Part Number	Page	Part Number	Page
4700928230	29	4700935300	167	4700935882	49,51
4700928231	47	4700935301	167	4700935883	49,51
4700928830	157	4700935302	167	4700935969	7,11,13,55
4700929013	115	4700935303	169	4700936035	77
4700929014	115	4700935380	51	4700936036	77
4700929023	131	4700935394	49,51	4700936053	77
4700929123	113	4700935395	49,51	4700936054	77
4700929217	73	4700935398	51	4700936055	77
4700929226	105	4700935399	51	4700936056	77
4700929447	21,45	4700935400	51	4700936547	101
4700929617	79,87	4700935401	51	4700936548	101
4700929626	85	4700935402	51	4700936551	101
4700929630	85	4700935403	51	4700936553	101
4700929631	85	4700935404	51	4700936557	101
4700929638	85	4700935413	49,51	4700936559	101
4700929644	85	4700935414	49,51	4700936560	101
4700929648	75,83,91	4700935415	51	4700936561	101
4700929712	75	4700935421	51	4700936562	101
4700929863	17	4700935429	115	4700936563	103
4700930151	143	4700935468	115	4700936564	103
4700935244	171	4700935556	209	4700936566	103
4700935245	171	4700935557	209	4700936567	103
4700935246	171	4700935558	209	4700936571	103
4700935247	171	4700935613	157	4700936582	101
4700935248	171	4700935614	157	4700936583	103
4700935249	171	4700935619	97	4700936933	107
4700935250	171	4700935621	97	4700937062	111
4700935253	171	4700935622	97	4700937064	111
4700935259	209	4700935623	97	4700937065	111
4700935265	171	4700935624	97	4700937066	111
4700935266	171	4700935625	97	4700937067	111
4700935267	171	4700935626	97	4700937070	111
4700935268	171	4700935629	97	4700937071	111
4700935269	171	4700935630	97	4700937072	111
4700935270	171	4700935631	97	4700937074	111
4700935271	167,171	4700935758	55	4700937075	111
4700935272	167,171	4700935853	97	4700937077	111
4700935273	167,171	4700935856	101	4700937079	111
4700935274	167,171	4700935857	103	4700937080	111
4700935275	167,171	4700935859	49,51	4700937081	111
4700935276	167,171	4700935860	51	4700937084	111
4700935277	167,171	4700935861	51	4700937086	111
4700935278	167	4700935862	49,51	4700937150	103
4700935279	167	4700935863	51	4700937151	103
4700935280	167	4700935864	51	4700937155	103
4700935281	167	4700935865	49,51	4700937274	97
4700935282	167	4700935866	49,51	4700937275	97
4700935283	167	4700935867	49,51	4700937277	97
4700935284	167	4700935868	49,51	4700937278	97
4700935285	167	4700935869	51	4700937279	97
4700935286	167	4700935870	49,51	4700937280	97
4700935287	167	4700935871	51	4700937283	97
4700935288	167	4700935872	51	4700937380	167
4700935289	167	4700935873	51	4700937381	167
4700935290	167	4700935874	49,51	4700937382	167
4700935291	167	4700935875	49,51	4700937383	167
4700935293	167	4700935876	49,51	4700937384	167
4700935295	167	4700935877	49,51	4700937385	167
4700935296	167	4700935878	51	4700937389	167
4700935297	167	4700935879	51	4700937390	171
4700935298	167	4700935880	51	4700937391	171
4700935299	167	4700935881	49,51	4700937392	171

**NUMERICAL INDEX**

Part Number	Page	Part Number	Page	Part Number	Page
4700937393	171	4700938630	203	4700939349	89
4700937737	199,209	4700938634	203	4700939350	79,81,89
4700937738	209	4700938635	203	4700939351	89
4700937741	209	4700938636	203	4700939403	65
4700937742	209	4700938638	203	4700939404	7,11,13,65
4700937857	103	4700938639	203	4700939405	65
4700937870	177	4700938643	203	4700939413	203
4700937871	175	4700938644	203	4700939489	103
4700938017	171	4700938645	203	4700939505	55
4700938018	171	4700938659	167	4700939693	203
4700938062	115	4700938691	199	4700940374	155
4700938063	115	4700938856	209	4700940451	133
4700938064	115	4700938878	15,23	4700940678	171
4700938066	115	4700938891	15,21	4700945140	55
4700938067	115	4700938894	15,19	4700945174	203
4700938068	115	4700938983	79,87	4700945175	203
4700938069	115	4700938984	79,87	4700945176	203
4700938070	115	4700938988	77	4700945177	203
4700938071	115	4700938989	77,85	4700945178	203
4700938072	115	4700938991	77,85	4700945207	155
4700938073	115	4700938993	77	4700945407	155
4700938074	115	4700939003	81,89	4700945581	49
4700938075	115	4700939009	81	4700945729	155
4700938101	171	4700939010	81	4700945777	65
4700938170	103	4700939014	81	4700945822	151
4700938252	103	4700939015	81,89	4700945877	111
4700938253	103	4700939016	81,89	4700945879	111
4700938290	167	4700939017	81,89	4700947680	153
4700938291	167	4700939019	81,89	4700947688	105
4700938292	167	4700939026	79,87	4700950196	5,11
4700938296	87	4700939035	79,87	4700950197	5,13
4700938514	13	4700939036	79,87	4700950283	103
4700938516	13	4700939255	87	4700950284	103
4700938517	13	4700939256	87	4700950368	97
4700938527	5,9	4700939258	85	4700950382	153
4700938558	15,17	4700939259	85	4700950398	35
4700938587	209	4700939260	85	4700950555	91
4700938588	209	4700939261	85	4700950556	75
4700938589	209	4700939263	89	4700950557	81
4700938590	209	4700939264	89	4700950558	79
4700938597	205	4700939265	89	4700950559	75
4700938598	205	4700939266	89	4700950616	109
4700938599	205	4700939267	81,89	4700950617	107
4700938600	205	4700939268	89	4700950618	107
4700938601	205	4700939269	89	4700950619	109
4700938602	205	4700939270	81,89	4700950620	109
4700938603	205	4700939271	81,89	4700960067	197
4700938604	205	4700939272	81,89	4700989151	121
4700938605	205	4700939273	81,89	4700991658	187
4700938606	205	4700939275	89	4700991990	185
4700938607	205	4700939276	89	4700999011	139
4700938608	205	4700939277	89	4700999027	133
4700938609	205	4700939278	81,89	47349248CN	185
4700938619	203	4700939280	79,87	47349248DE	185
4700938620	203	4700939281	87	47349248DK	185
4700938621	203	4700939282	79,87	47349248EN	185
4700938622	203	4700939283	87	47349248ES	185
4700938625	203	4700939284	87	47349248FI	185
4700938626	203	4700939285	79,87	47349248FR	185
4700938627	203	4700939286	87	47349248GR	185
4700938628	203	4700939287	87	47349248IS	185
4700938629	203	4700939348	79,81	47349248IT	185

**NUMERICAL INDEX**

Part Number	Page	Part Number	Page	Part Number	Page
47349248NL	185				
47349248NO	185				
47349248PT	185				
47349248SE	185				
4811000127	47				
4811000328	125,127				
4811000329	125,127				
4811000365	125,127				
4811000367	125,127				
4812110216	135,137				
4812110346	47				
4812110366	47				
4812110422	125,127				
4812110444	45				
4812110520	45				
4812110640	45				
4812110818	131				
4812110878	45				
4812111103	31				
4812112413	45				
4812113110	125,127				
4812113146	125,127				
4812114386	131				
4812114420	45				
4812114466	147				
4812155075	147				
4812155788	49				
4812155890	205				
4812156168	49				
4812156170	23				
4812156460	103				
4812156751	5,7				
4812156796	81				
4812156885	85				
4812156886	85				
4812157358	77				
4812157359	77				
4812157360	77				
4812157361	77				
4812157362	81				
4812157397	81				
4812157398	81				