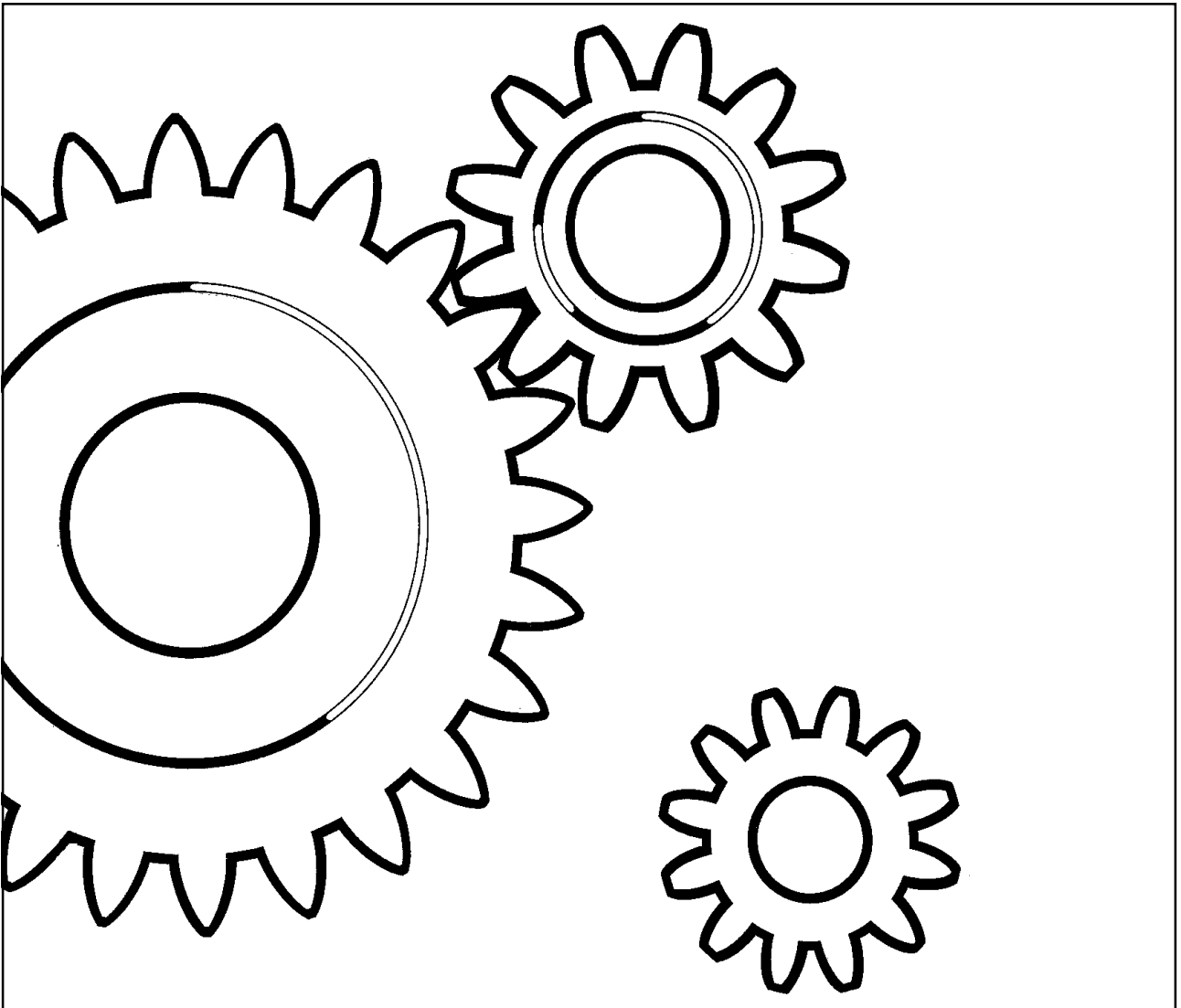


DYNAPAC
CA250PD
SPARE PARTS
CATALOGUE
SCA250PD-US3EN2



DYNAPAC

Part of the Atlas Copco Group

Box504, SE-37123 Karlskrona, Sweden

Phone: +46 455 30 60 00, Fax: +46 455 30 60 10

www.dynapac.com

Vibratory Roller CA250PD

Spare Parts Catalogue SCA250PD-US3EN2

Valid from roller serial number:

**6592US5600* -*

Diesel engine:

CUMMINS QSB 4.5C

Published catalogue issues valid for these rollers:

<i>Catalogue</i>	<i>Issue date</i>	<i>Valid for serial numbers</i>
<i>SCA250PD-US3EN1</i>	<i>2007-06</i>	<i>Replaced by SCA250PD-US3EN2</i>
<i>SCA250PD-US3EN2</i>	<i>2009-04</i>	<i>*6592US5600* -</i>



RESERVDLSBESTÄLLNING

Följande uppgifter ska lämnas vid beställning av reservdelar för att undvika leveransfel:

1. Maskintyp.
2. Vältens serienummer.
3. Antal av önskad reservdel.
4. Reserdelens artikelnummer.
5. Reservdelens benämning.
6. Måttuppgifter vid beställning av metervara.

ORDERING SPARE PARTS

To avoid errors in delivery, please give the following information when ordering spare parts:

1. Type of machine.
2. Roller serial number.
3. Quantity required.
4. Part number.
5. Parts denomination.
6. Dimensions when ordering per length.

ERSATZTEILBESTELLUNG

Zur Vermeidung von Fehllieferungen sind bei der Bestellung von Ersatzteilen folgende Angaben zu machen:

1. Maschinentyp.
2. Herstellungsnummer.
3. Bestellmenge. (Quantity)
4. Ersatzteilnummer. (Part N°)
5. Ersatzteilbenennung. (Denomination)
6. Massangaben bei Bestellung von Meterware.

ORDINI DI RICAMBI

Per evitare errori nelle consegne di ricambi, Vi preghiamo di comunicarci le seguenti informazioni al momento dell'ordinazione:

1. Tipo di macchina.
2. Numero di serie della macchina.
3. Quantità dei pezzi desiderati. (Quantity)
4. Numero di codice del pezzo. (Part N°)
5. Descrizione del pezzo di ricambio. (Denomination)
6. Misura, in caso di ordine per metro.

PEDIDO DE RECAMBIOS

Para evitar errores en las entregas, deberán indicarse los siguientes datos al hacer un pedido de recambios:

1. Tipo de máquina.
2. Número de serie.
3. Cantidad de piezas deseadas. (Quantity)
4. Número de artículo de la pieza de recambio. (Part N°)
5. Denominación de la pieza. (Denomination)
6. Indíquese la medida al solicitar un artículo que se expide por metros.

COMMANDE DE PIECES DE RECHANGE

Les indications suivantes doivent être fournies lors de la commande de pièces de rechange, afin d'éviter toute erreur de livraison:

1. Type de machine.
2. Numéro de série.
3. Quantité désirée de pièce de rechange. (Quantity)
4. Numéro de la pièce de rechange. (Part N°)
5. Dénomination de la pièce de rechange. (Denomination)
6. Longueur en cas de commande au mètre.

YOUR AGENT/DEALER:

Text pages

The text pages is structured as the picture on the right.

1. This is the remarks for specific items and the descriptions of the remarks is at the bottom of the parts list.

2. Parts indicated by a dot and moved to the right are included when buying the assembled unit above.

3. Spare parts and service code for a specific part, mainly for internal use at Dynapac. "A" = Service part, "B" = Fast moving part, "C" = Suggested exchanged part and "D" = Regular spare part.

DYNAPAC				Metso Dynapac AB	
Cooling system					
Ref. No.	Part No.	Rem.	Qty	Description	Code
1	223047		1	Water cooler	③ C
2	935852		1	Radiator cap	D
3	935851	①	1	Cock	
4	373263	A	1	Radiator hose	D
5	313009		6	Clamp	
6	205058	B	1XL	Rubber clutch	
7	373261	C	1	Radiator hose	D
8			1	Oil cooler	D
9	223289		1	Plate	
10	902166	D	1XL	Edge trim	
11	223287	E	1	Holder	
12	223288	F	1	Holder	
13	908168		1	Fan guard	
14	908170		1	Fan shroud	
15	908171		2	Mounting bar	
16	908169		1	Fan guard	
17	500021		14	Screw	
18	902286		14	Nut	
19	600006		14	Washer	
20	313102		2	Cable strap	

① A) Upper
B) L=060MM
C) Lower
D) L=2280MM
E) Left
F) Right

Changes

PARTS INFO	SERVICE INFO	GROUP	PAGE	NOTES

Notes

PÄRMETIKETT

För att undvika fel vid reservdelsbeställning finns här nedan två etiketter som passar i fickorna på pärmarnas ryggar. På dessa kan man se från vilket vältnummer av aktuell maskin reservdelskatalogen gäller. Gör så här:

1. Tag denna sida ur pärmen.
2. Klipp ut etiketten till **VÄNSTER** (1) och sätt in den i fickan på **DENNA** pärmens rygg.
3. Finns det en etikett till **HÖGER** (2), kan denna användas på pärmen för **FÖREGÅENDE** utgåva av denna katalog.
4. Kasta detta papper.

KATALOG-BESCHRIFTUNG

Zur Vermeidung von Fehlern bei der Ersatzteilbestellung benutzen Sie bitte die unteren Beschriftungen, um die Kataloge auf der Rückseite zu kennzeichnen. Auf der Beschriftung ist angegeben, für welche Maschinennummern der jeweilige Katalog gültig ist. Ablauf:

1. Nehmen Sie dieses Blatt aus dem Katalog.
2. Schneiden Sie die **LINKE** Beschriftung (1) aus. Schieben Sie die Beschriftung in die tasche auf **DEM** Katalogrücke.
3. Sollte die Beschriftung unten **RECHTS** (2) mitgeliefert werden, kennzeichnen Sie damit bitte die **ÄLTERE** Ausführung dieses Kataloges.
4. Den Rest dieses Blattes bitte vernichten.

ETIQUETA PARA LA CARPETA

Para evitar errores al pedir repuestos utilicen las etiquetas abajo descritas para identificar los catálogos en la parte trasera de la carpeta. En la etiqueta se ven los números de referencia de la serie para la cual es válido el catálogo. Instrucciones:

1. Quitar esta página de la carpeta.
2. Corta la etiqueta **IZQUIERDA** (1) y ponerla en **ESTA** carpeta en la parte trasera.
3. Si hay una etiqueta en la parte **DERECHA** (2) se puede utilizar en la carpeta para el catálogo que **PRECEDE** a esta.
4. Tirar esta hoja.

BINDER LABEL

To avoid errors when ordering spare parts use the labels below to identify the catalogues on the back of the binder. The label contain the serial number range for which the catalogue is valid. Do like this:

1. Remove this page from the binder.
2. Cut out the **LEFT** label (1) and put it on **THIS** binders back.
3. If there is a label to the **RIGHT** (2), it can be used on the binder for **PRECEDING** issue of this catalogue.
4. Throw away this paper.

ETICHETTAPOSTASULRACCOGLITORE

Per evitare errori quando ordinate pezzi di ricambio, usate le etichette in calce che servono ad identificare i cataloghi sul retro del raccoglitore. L'etichetta indica il numero di matricola delle macchine prese in considerazione nel catalogo.

1. Rimuovete questa pagina dal raccoglitore.
2. Ritagliate l'etichetta posta a **SINISTRA** (1) e ponetela sul retro **DEL** raccoglitore.
3. Se trovate anche un'etichetta sulla **DESTRA** (2), ritagliatela e ponetela sul raccoglitore relativo alla **PRECEDENTE** edizione del catalogo.
4. Distruggete questo foglio.

ETIQUETAGE DU CATALOGUE

Afin d'éviter des erreurs lors de commandes de pièces de rechange, nous vous conseillons d'apposer les marquages ci-dessous à l'arrière du classeur, pour identifier les catalogues. Ce marquage indique les numéros de série pour lesquels le catalogue est adapté. Il convient de procéder de la façon suivante:

1. Retirez cette page du classeur.
2. Découpez l'étiquette de **GAUCHE** (1), et apposez-la à l'arrière de **CE** catalogue.
3. Si il y a une étiquette à **DROITE** (2), vous pourrez l'apposer sur le classeur de l'édition **PRECEDENTE** du catalogue.
4. Détruire cette feuille.

1.



TABLE OF CONTENTS

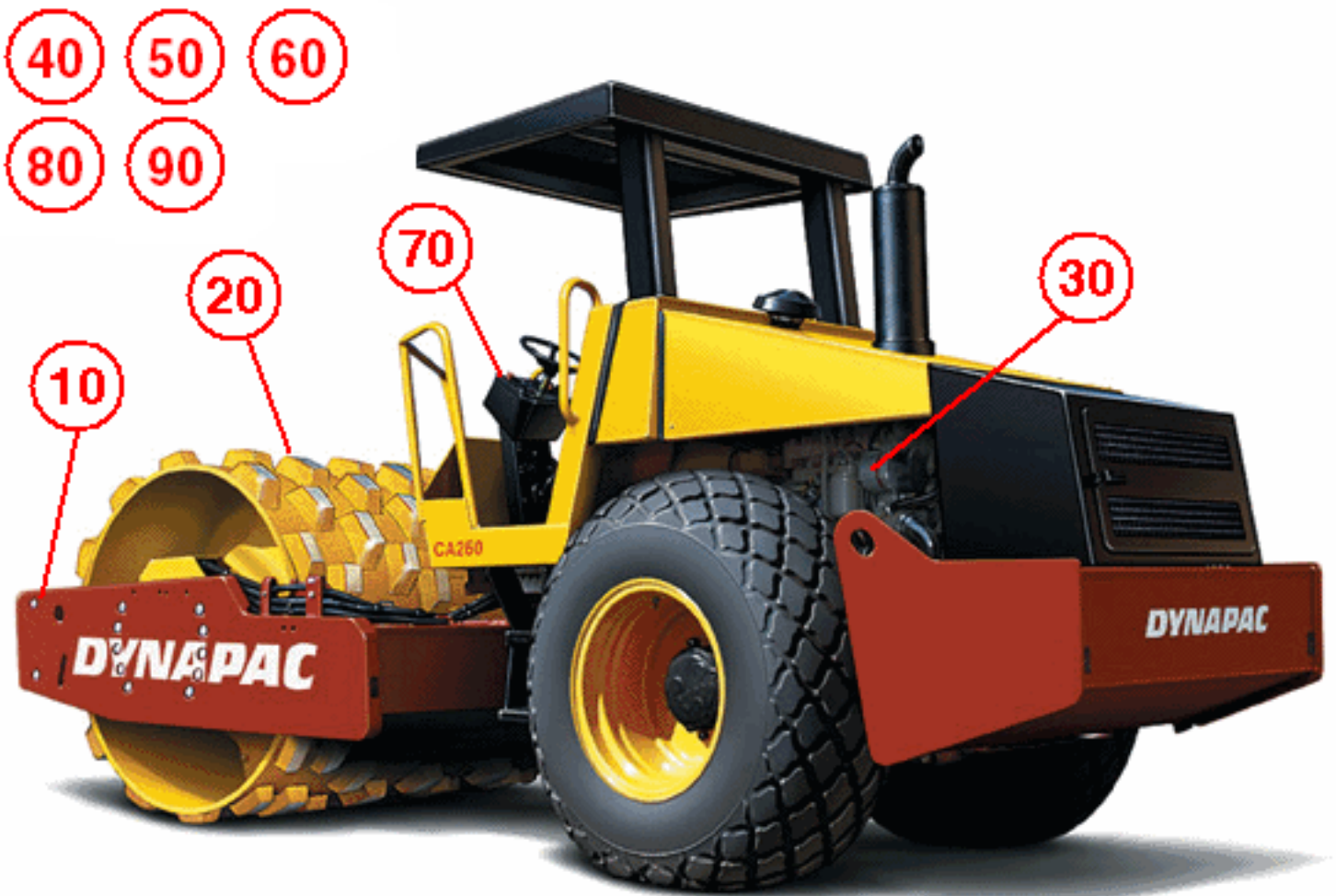
Page

CA250PD SN 6592US5600 -	2
Service kits	4
4700945845 Service kit 50 h	6
4700945790 Service kit 500 h	8
4700945846 Service kit 1000 h	10
Frame	12
Frames	14
Scrapers and beam	16
Hitch	18
Structure	20
Side covers Option	22
Noise suppression Option	24
Drum	26
Drum	28
Drum cartridge Drive side	30
Drum cartridge Vibration side	32
4700380462 Drum gear	34
4700372987 Drum gear	36
Engine	38
Engine Cummins QSB 4.5 C	40
Cooling system	42
Combustion air system	44
Fuel system	46
Exhaust system	48
Transmission	50
Rear axle and wheels	52
4700383857 Rear axle	54
Differential with limited slip	56
Differential housing and brakes	58
Planet gear	60
4700383856 Rear axle No-Spin, Option	62
Differential with No-Spin	64
Differential housing and brakes	58
Planet gear	66
4700393002 Rear axle	68
Differential with limited slip	70
Differential housing and brakes	72
Planet gear	74
4700396309 Rear axle, Option	76
Differential with limited slip	70
Differential housing and brakes	72
Planet gear	74
Hydraulic system	78
Propulsion system, Front	80
Propulsion system, Rear	82
4700380830 Propulsion pump	84
4700375999 Hydraulic motor	90
4700371509 Propulsion motor	92
Vibration system	94
4700380145 Hydraulic motor, vibration	96
4700383958 Vibration pump	98

TABLE OF CONTENTS

Page

4700937167 Rotary group, cpl	100
4700937168 Valve block, cpl	102
Steering system	104
4700376000 Steering valve	106
4700392002 Steering cylinder	108
Brake system	110
Central test panel hydraulic Option	112
Electric system	114
Electric system	116
Control panel	118
Control panel	120
Working lights Option	122
Rotating beacon Option	124
Back-up alarm Option	126
Compaction meter Option	128
Drivers platform	130
Drivers platform	132
Control panel	134
Forward and reverse control	136
Forward and reverse control handle	138
Steering column	140
Canopy Option	142
Rops and fops	144
Cab mounting	146
Cab 392479	148
Cab Screens	150
Cab Door, left side	154
Cab Interior rear mirror	156
Wiper arm with blade, front	158
Cab Electric	160
Decals	162
Decals	164
Decals	166
Standard equipment	168
Standard equipment	170
Optional equipment	172
Tool equipment	174
Air conditioner and heater, Simple cab	176
4700383413 Condenser, cpl	180
Air conditioner and heater unit	182
Dy-Mic	184
Heater Simple cab	186
4700379394 Heater box	188

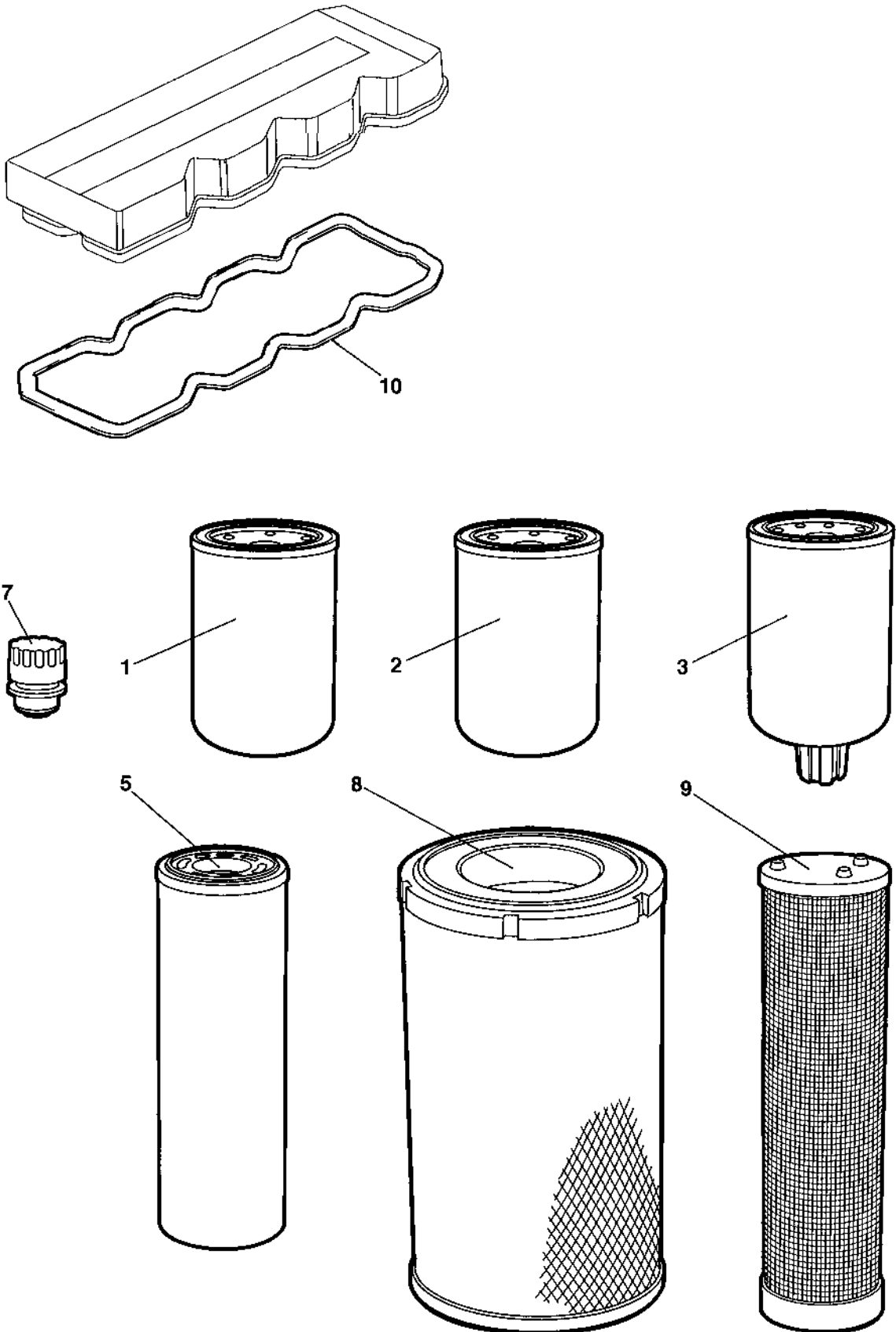


CA250PD SN 6592US5600 -

Item	Part No	Rem Qty	Description	Code
1			Service kits (Page 4)	
10			Frame (Page 12)	
20			Drum (Page 26)	
30			Engine (Page 38)	
40			Transmission (Page 50)	
50			Hydraulic system (Page 78)	
60			Electric system (Page 114)	
70			Drivers platform (Page 130)	
80			Decals (Page 162)	
90			Standard equipment (Page 168)	
91			Optional equipment (Page 172)	

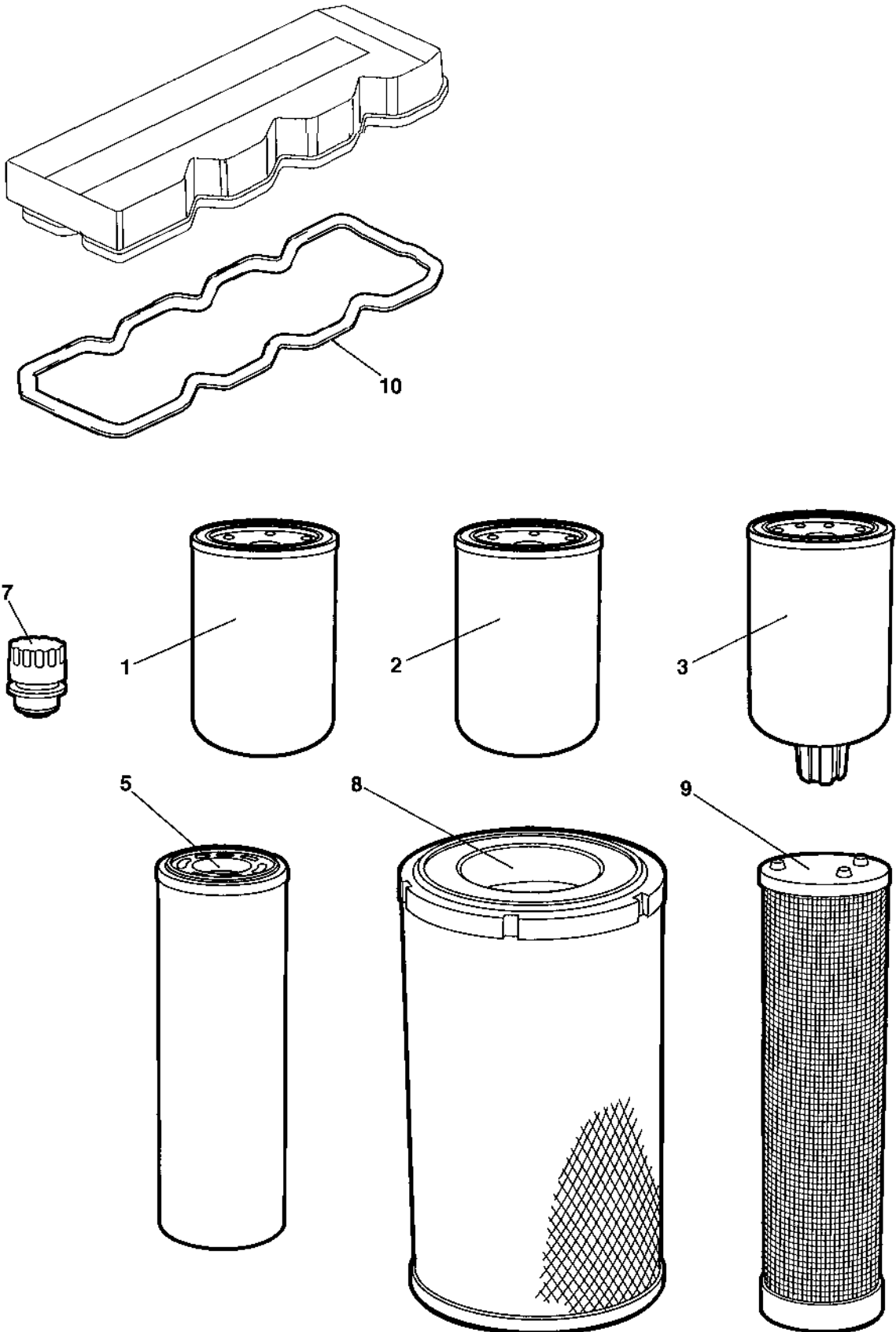
Service kits

Item	Part No	Rem Qty	Description	Code
10	4700945845		Service kit (Page 6)	50 h
20	4700945790		Service kit (Page 8)	500 h
30	4700945846		Service kit (Page 10)	1000 h



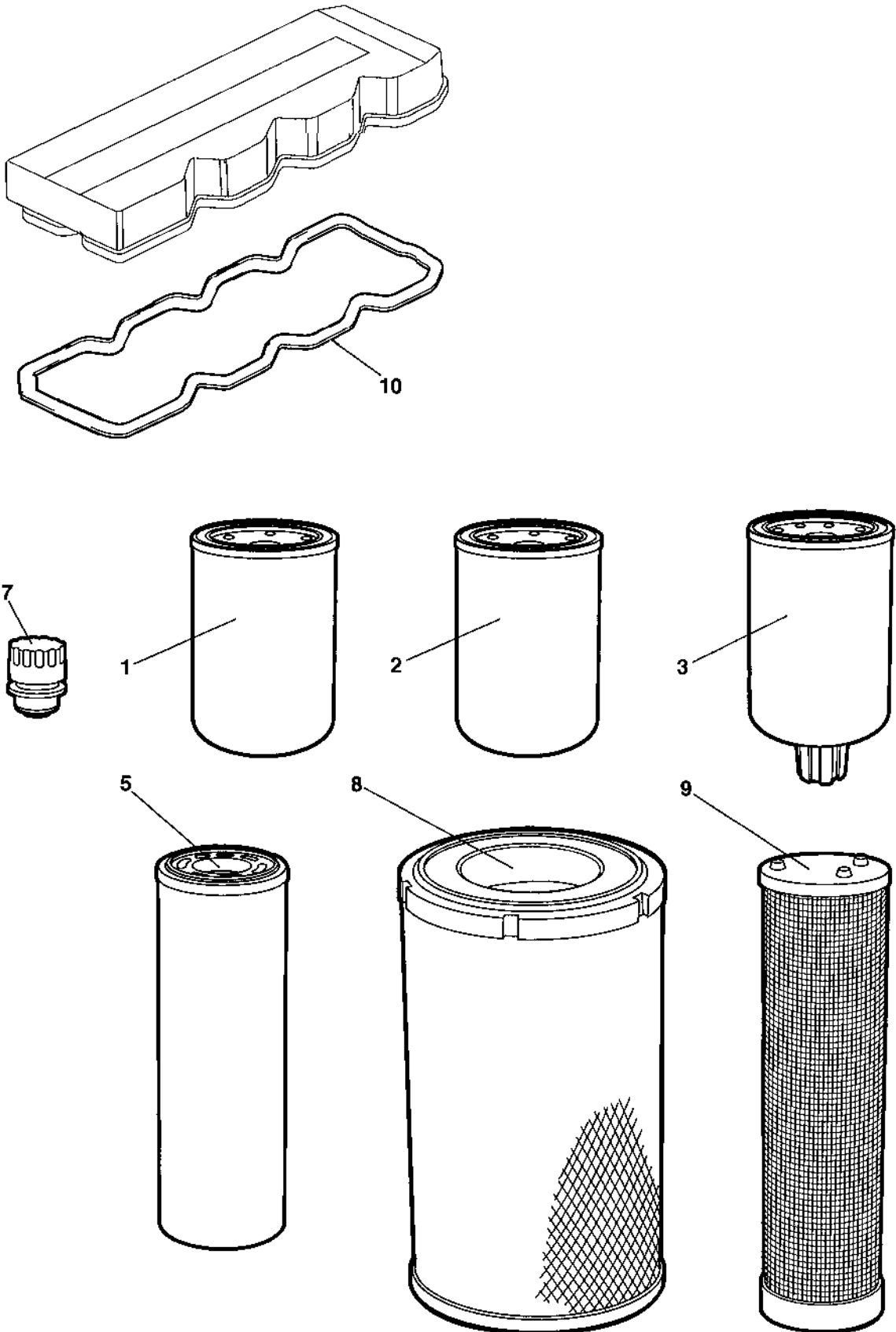
4700945845 Service kit 50 h

Item	Part No	Rem Qty	Description	Code
	4700945845		Service kit (Page 6)	50 h
1	4700945145	1	Oil filter element	A
2	4700945624	1	Fuel filter element	A
3	4700945147	1	Pre-fuel filter element	A
5	4700372229	1	Hydraulic oil filter element	A



4700945790 Service kit 500 h

Item	Part No	Rem Qty	Description		Code
	4700945790		Service kit (Page 8)	500 h	
1	4700945145	1	Oil filter element		A
2	4700945624	1	Fuel filter element		A
3	4700945147	1	Pre-fuel filter element		A
8	4700908450	1	Air filter element,	Main	A



4700945846 Service kit 1000 h

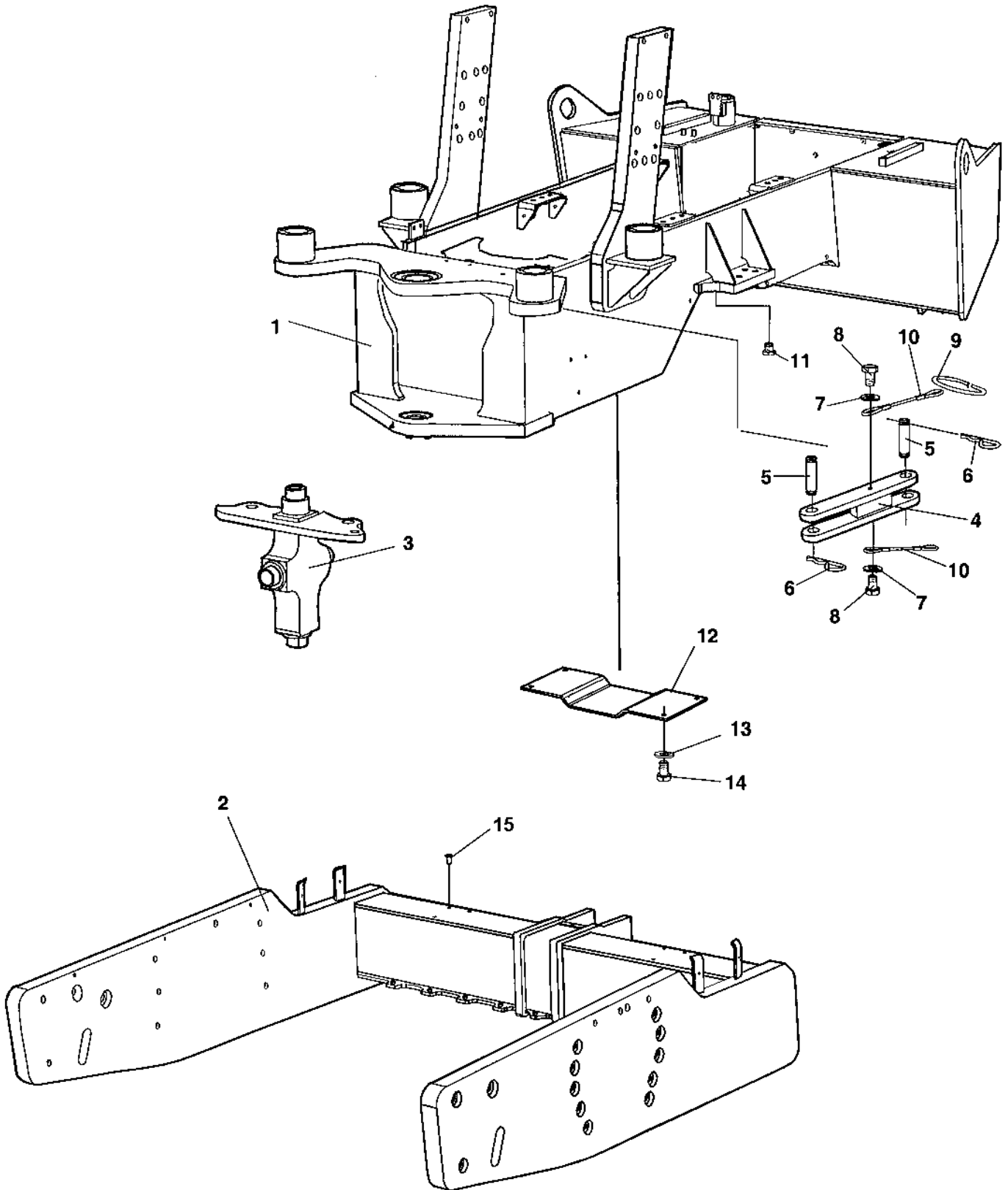
Item	Part No	Rem	Qty	Description	Code
	4700945846			Service kit (Page 10)	1000 h
1	4700945145		1	Oil filter element	A
2	4700945624		1	Fuel filter element	A
3	4700945147		1	Pre-fuel filter element	A
5	4700372229		1	Hydraulic oil filter element	A
7	4700357138	B	1	Ventilating filter	A
8	4700394686		1	Air filter element, main	A
9	4700394687		1	Air filter element, safety	A
10	4700945760		1	Valve cover gasket	A
B)				Ventilated oil filler cap for the hydraulic oil tank	

Frame

Item	Part No	Rem Qty	Description	Code
10			Frames (Page 14)	
30			Scrapers and beam (Page 16)	
60			Hitch (Page 18)	
70			Structure (Page 20)	
75			Side covers (Page 22)	Option
80			Noise suppression (Page 24)	Option

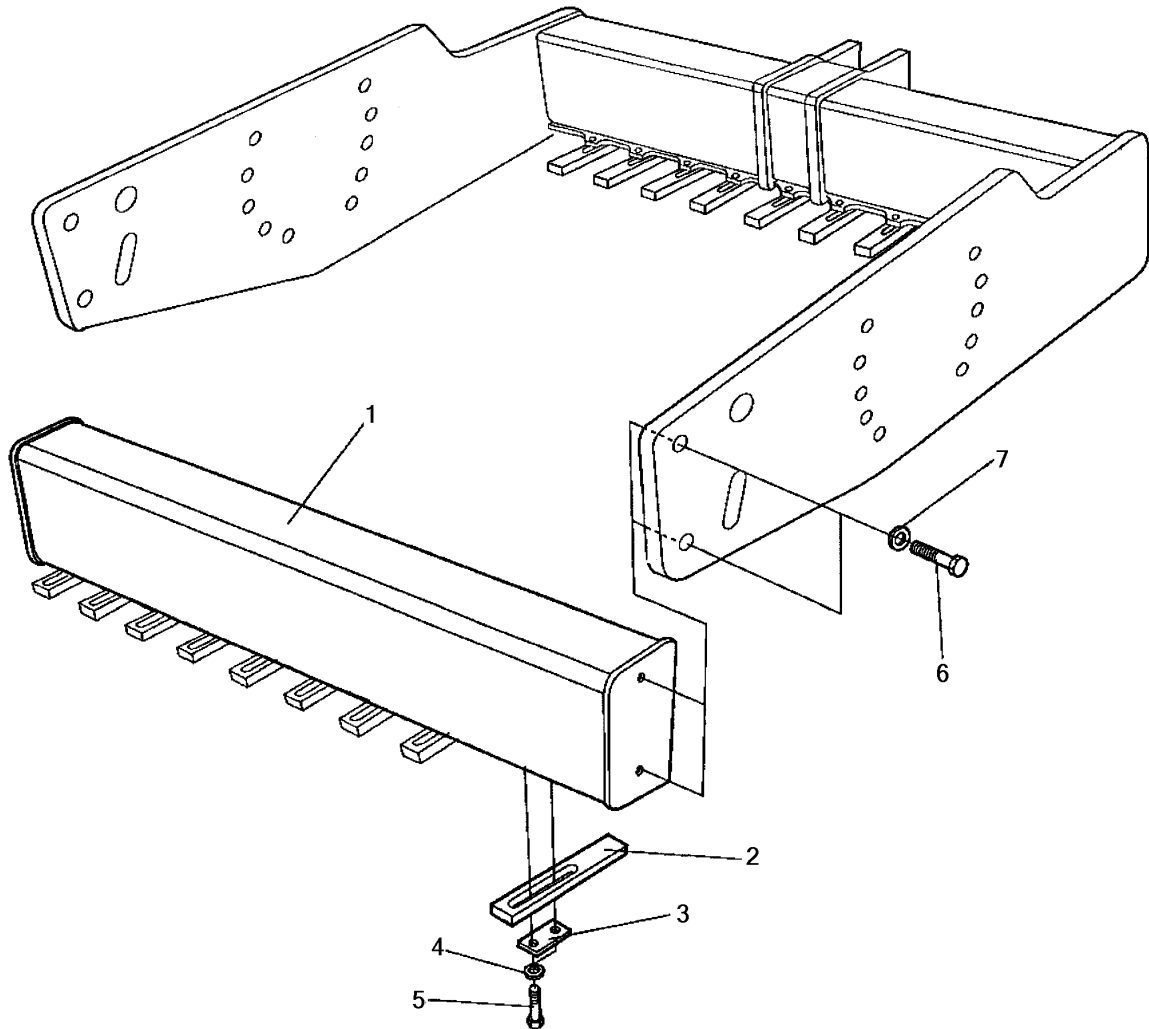
Frames

18314



Frames

Item	Part No	Rem Qty	Description	Code
1	4700392887	1	Tractor frame	
2	4700376701	1	Drum frame	
3		1	Hitch (Page 18)	
4	4700374744	1	Safety rod	
5	4700347119	2	Shaft	D
6	4700635061	3	Hair clip	D
7	4700904230	4	.Washer	
8	4700500043	2	Screw	M10x16H 8,8
9	4700357488	1	Spring	
10	4700343775	2	Wire	
11	4700813391	1	Magnetic plug	D
12	4700372087	1	Protective plate	
13	4700904557	4	Washer	
14	4700500029	4	Screw	
15	4700902919	6	Plug	

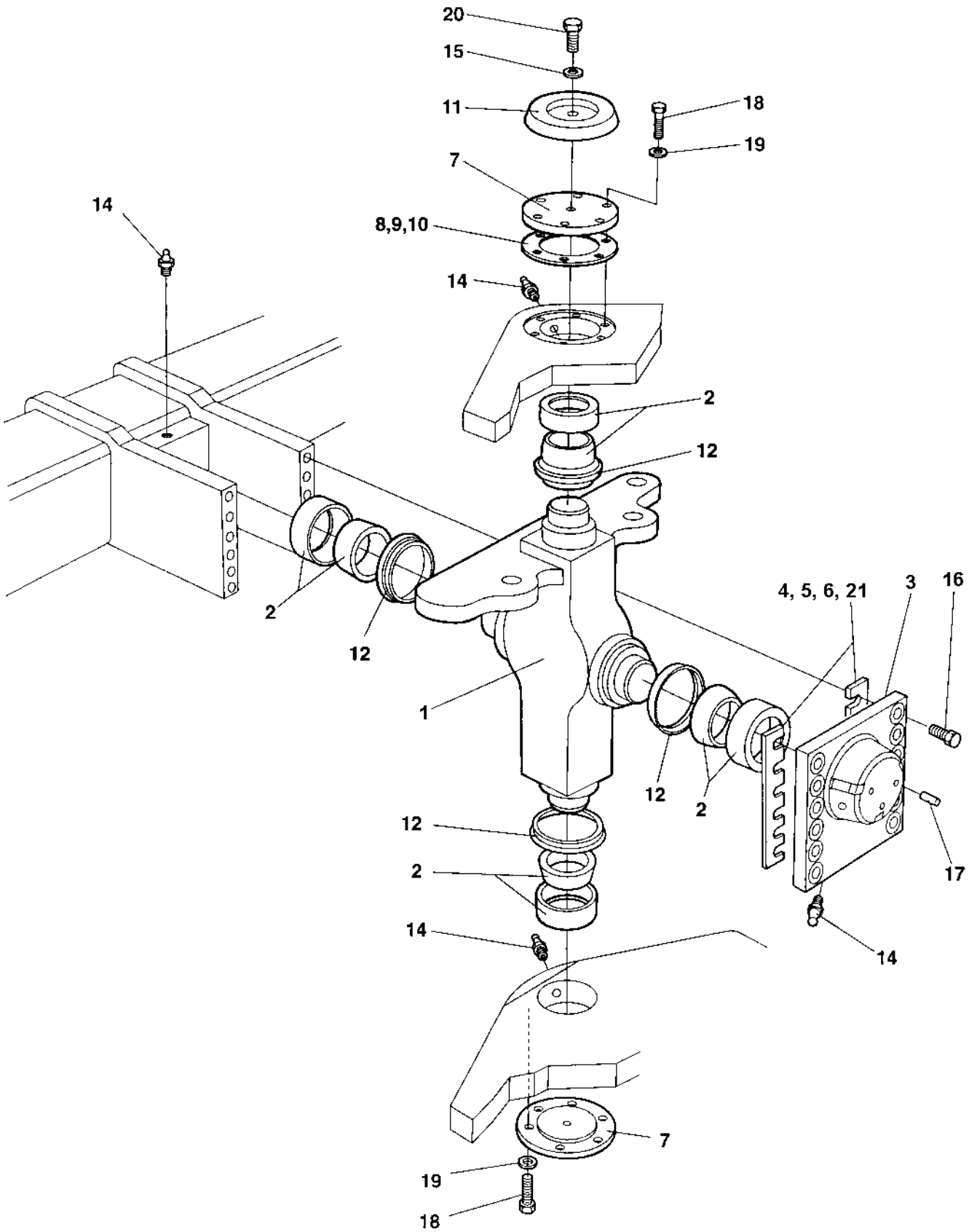


Scrapers and beam

Item	Part No	Rem Qty	Description	Code
1	4700389907	1	Cross beam	
2	4700376551	18	Scrapers tooth	
3	4700376622	18	Holder	
4	4700904232	36	Washer	17x30x3
5	4700500165	36	Screw	M16-2,0x75 8.8
6	4700900807	4	Screw	M24x120 10.9
7	4700904234	4	Washer	25x45x4

Hitch

16083

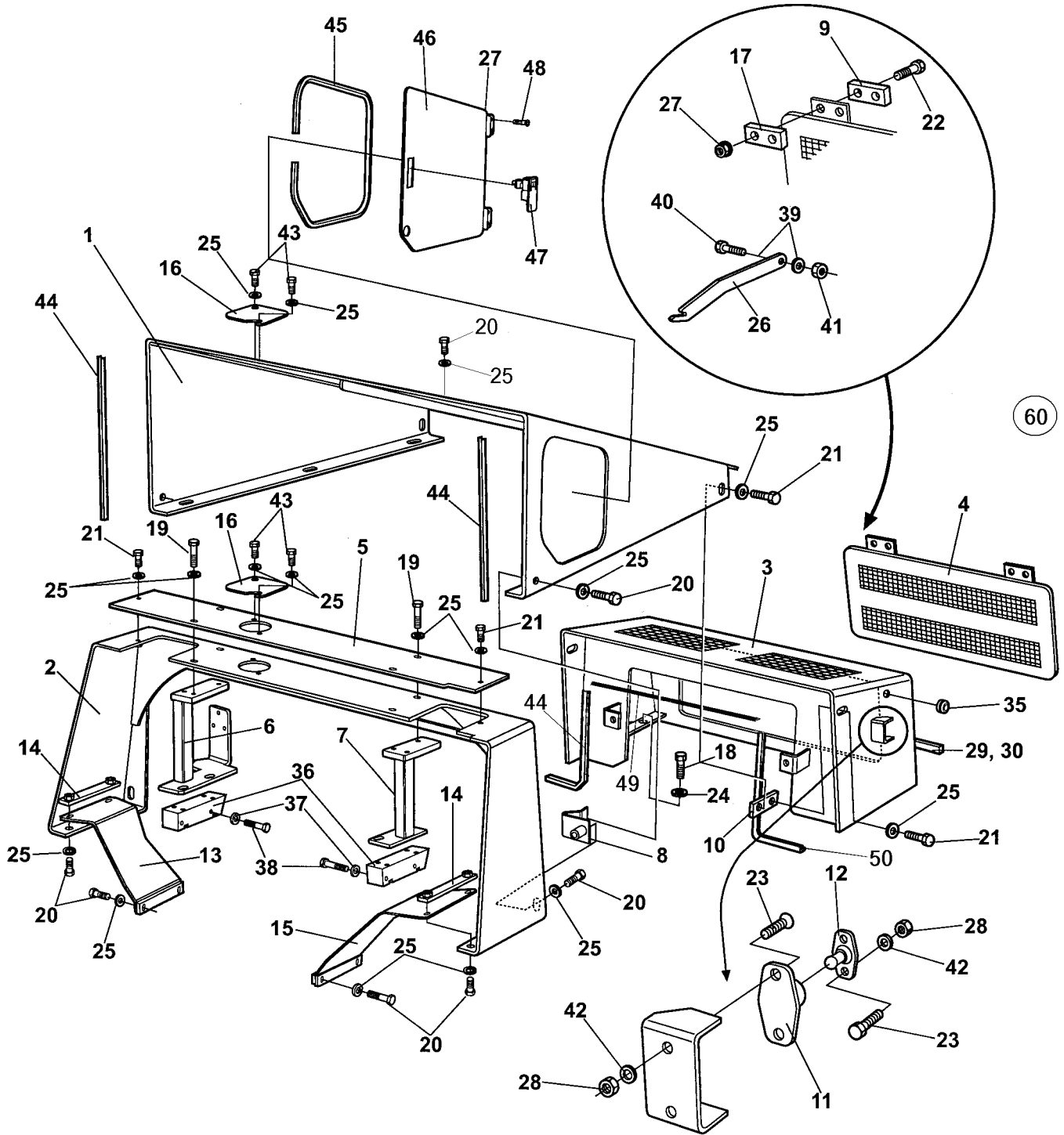


Hitch

Item	Part No	Rem Qty	Description	Code
1	4700374900	1	Hitch	
2	4700100040	4	Axial ball bearing	D
3	4700373421	1	Bearing cover	
4	4700345871	N	Shim	T=1,0 mm D
5	4700345872	N	Shim	T=0,35 mm D
6	4700345873	N	Shim	T=0,10 mm D
7	4700337042	2	Bearing cover	
8	4700337045	N	Shim	T=1,0 mm D
9	4700345874	N	Shim	T=0,35 mm D
10	4700345875	N	Shim	T=0,10 mm D
11	4700343159	1	Cover	
12	4700167032	4	Lip-type oil seal	D
14	4700926214	4	Grease fitting	D
15	4700904229	1	Washer	8,4x16x1,5
16	4700500287	12	Screw	M20x80 10,9
	4700925208	12	Screw	M20x90
17	4700910995	3	Stop screw	
18	4700500037	12	Screw	
19	4700904231	12	Washer	13x24x2 300 HV
20	4700500018	1	Screw	M8-1,25x12 8,8
21	4700380993	N	Shim	T = 2,0 mm D
	4700384498	N	Shim	T = 0,15 mm D

Structure

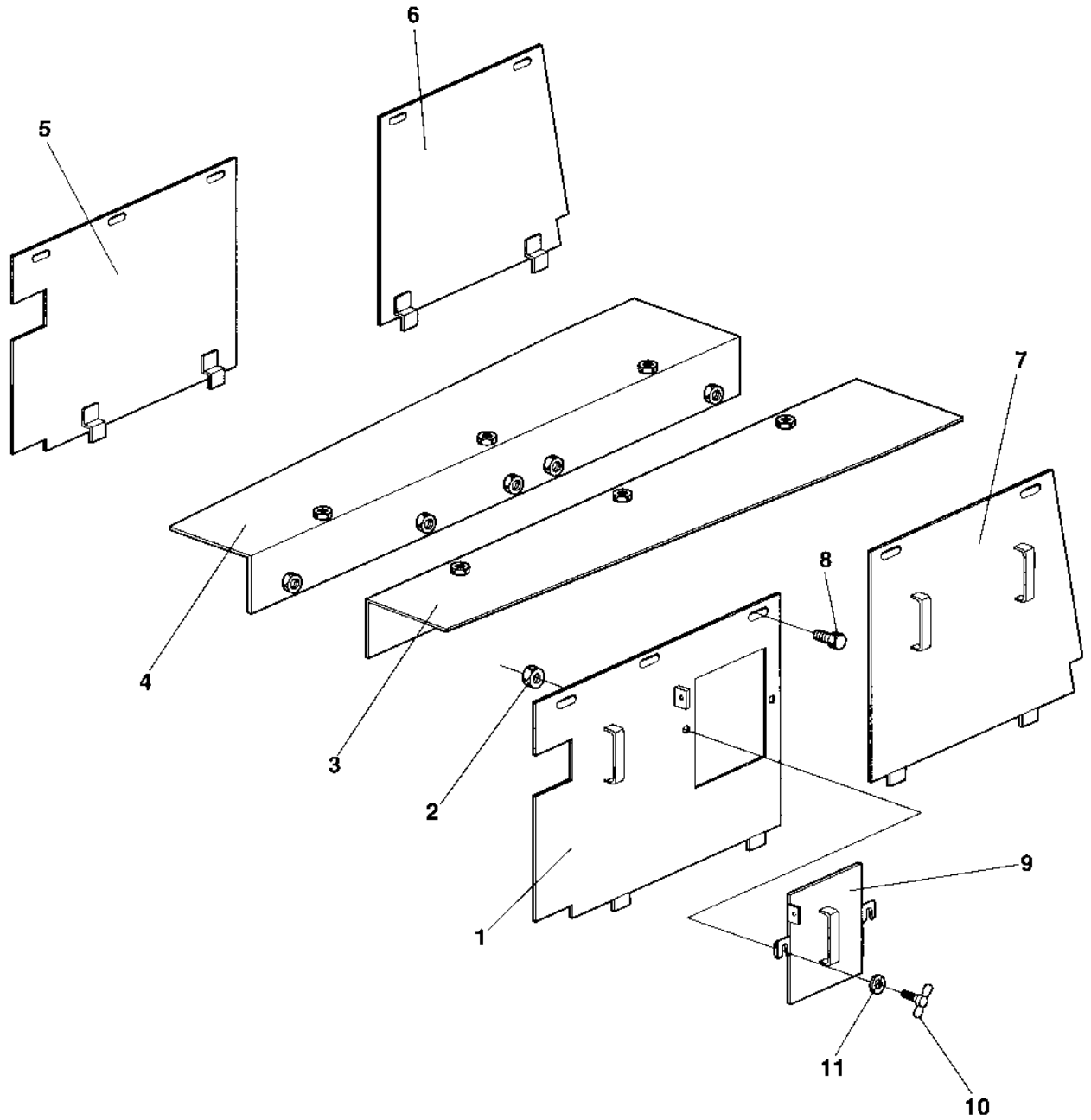
18485-1



Structure

Item	Part No	Rem	Qty	Description	Code
1	4700392911		1	Hood	
2	4700376340		1	Protecting cover	
3	4700392912	H	1	Hood	
4	4700382406	H	1	Rear cover	
5	4700376354		1	Cover	
6	4700392786		1	Holder, right	
7	4700376349		1	Holder, left	
8	4700376366		2	Holder	
9	4700380755	H	2	Holder	
10	4700380109		2	Holder	
11	4700450066	H	2	Door bumper	D
12	4700450067	H	2	Door bumper	D
13	4700381348		1	Holder	
14	4700381330		2	Holder	
15	4700381347		1	Holder	
16	4700381297		2	Cover	
17	4700380012	H	2	Holder	
18	4700500031		4	Screw	
19	4700500047		4	Screw	
20	4700500022		19	Screw	M8x30H 8.8 A2K
21	4700500053		6	Screw	M8x20H 8.8
22	4700924875	H	4	Screw	
23	4700904504	H	8	Screw	M5 x 18
24	4700904557		4	Washer	
25	4700904640		34	Washer	8,4x22x3
26	4700382411		1	Hook	
27	4700902285	H	8	Lock nut	M6
28	4700586001	H	8	Lock nut	
29	4700902379	B	1XL	Edge trim	
30	4700902379	C	1XL	Edge trim	
35	4700791475	A	2	Grommet	
36	4700381989		2	Holder	
37	4700904231		4	Washer	13x24x2 300 HV
38	4700500133		4	Screw	
39	4700904228		2	Washer	
40	4700500040		1	Screw	M6-1x20 8,8
41	4700586002		1	Lock nut	
42	4700904281	H	8	Washer	
43	4700500021		4	Screw	M8-1,25x25 8.8
44	4700902166	E,E	1XL	Edge trim	
45	4700902379	D	1XL	Edge trim	
46	4700393857		1	Cover	
47	4700792549		1	Lock	
48	4700513012		4	Screw	M6x20 10,9
49	4700791597	F	1XL	Rubber strip	
50	4700902166	G	1XL	Edge trim	
60	4700950398	I	1	Engine hood Cpl	

- A) With membrane
- B) L=0,330M
- C) L=0,550M
- D) L=1,240M
- E) L=0,690M
- F) L=0,660M
- G) L=0,700M
- H) Included in item 60 Engine hood Cpl.
- I) Consists of all items marked "H".

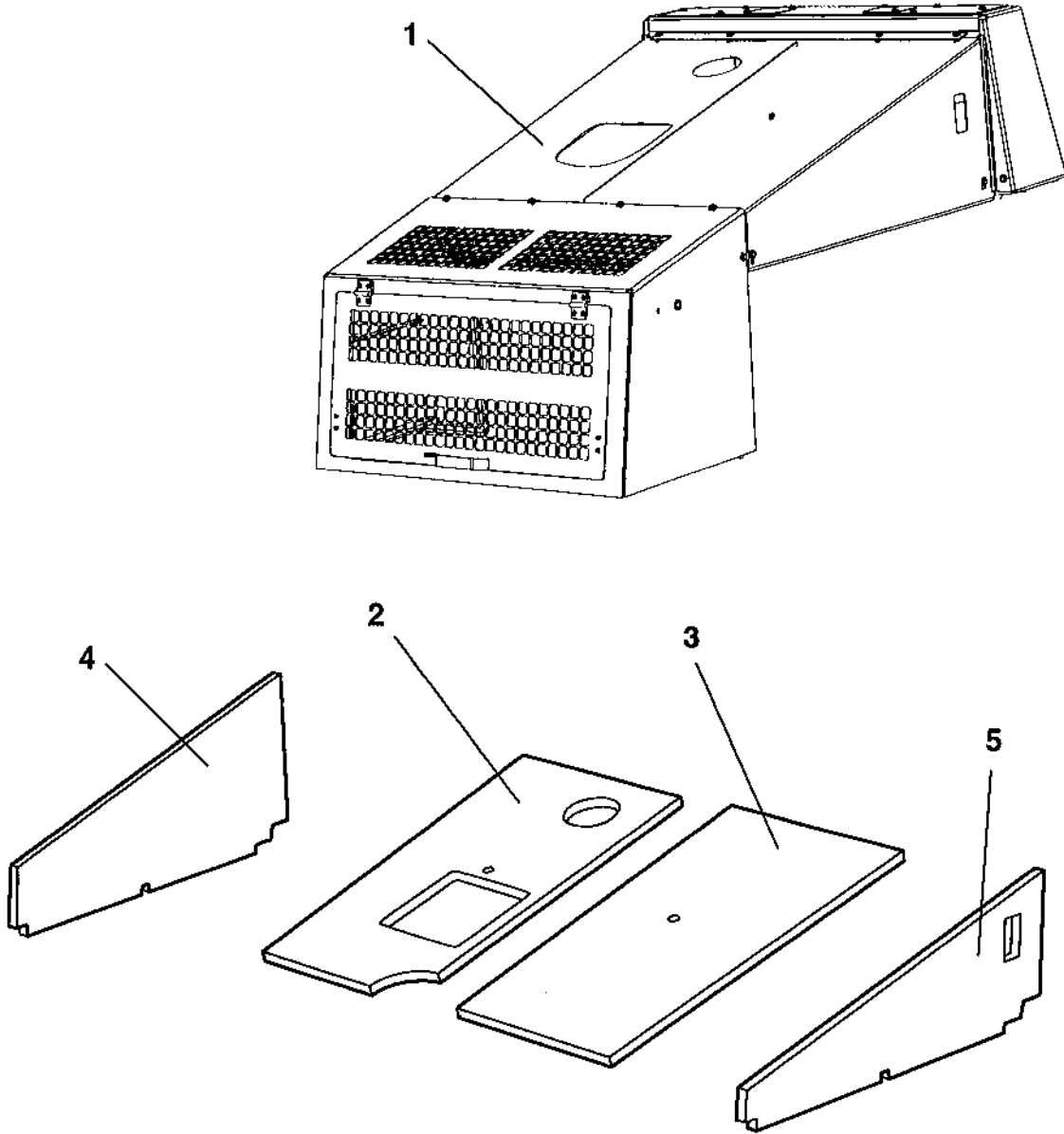


Side covers Option

Item	Part No	Rem Qty	Description	Code
1	4700394262	1	Side cover, right	
2	4700586003	2	Lock nut	M8
3	4700387089	1	Holder, right	
4	4700387090	1	Holder, left	
5	4700380058	1	Side cover, left	
6	4700380057	1	Side cover, left	
7	4700380052	1	Side cover, right	
8	4700500053	16	Screw	M8x20H 8.8
9	4700394264	1	Cover	
10	4700904718	2	Wing screw	
11	4700904640	18	Washer	8,4x22x3

Noise suppression Option

18299



Noise suppression Option

Item	Part No	Rem	Qty	Description	Code
1		A	1	Hood	
2	4700393933	A	1	Noise suppression	
3	4700393932	A	1	Noise suppression	
4	4700390481	A	1	Noise suppression	
5	4700393934	A	1	Noise suppression	

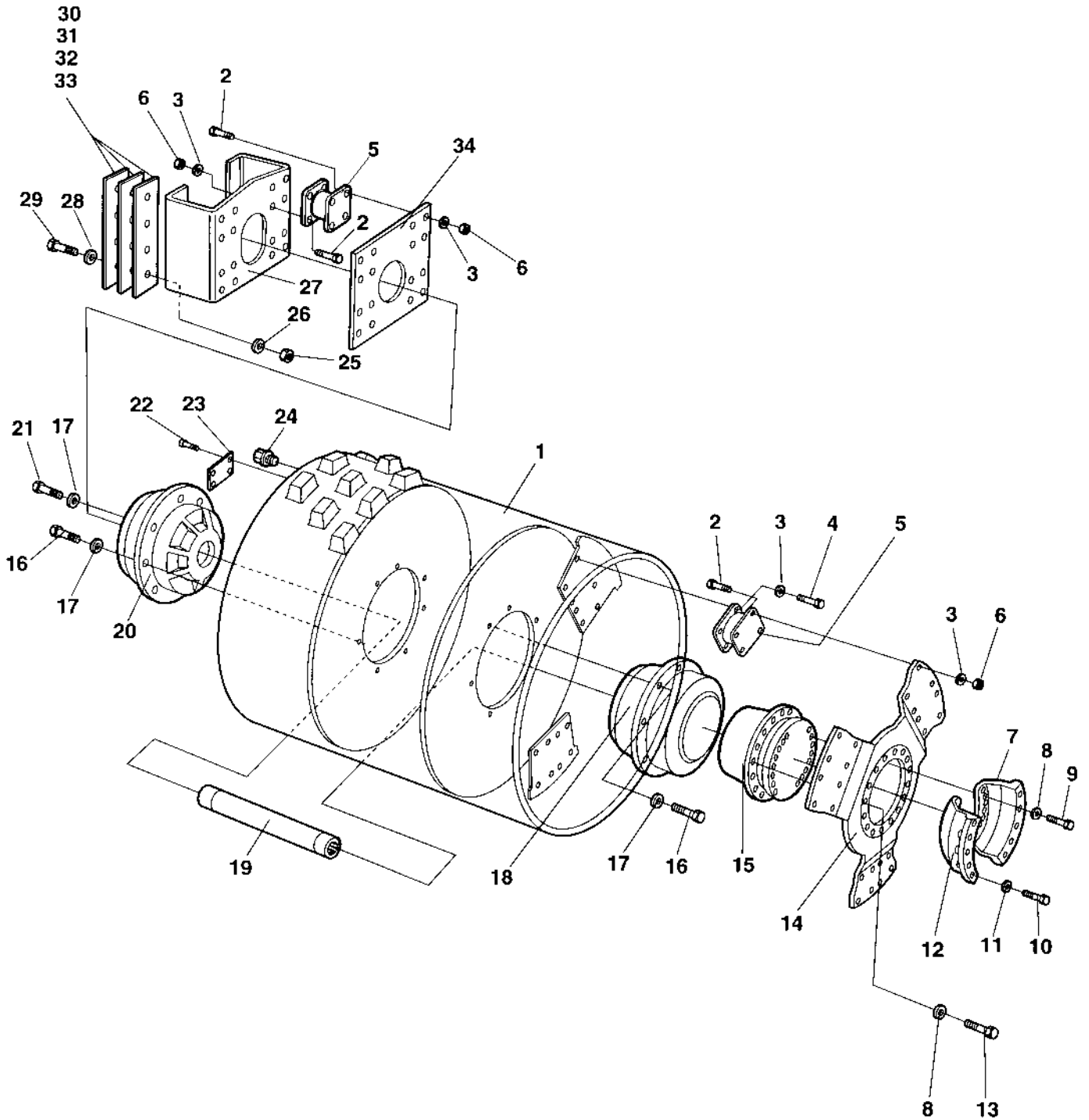
A) Design does not always match picture

Drum

Item	Part No	Rem Qty	Description	Code
10			Drum (Page 28)	
20			Drum cartridge (Page 30)	Drive side
30			Drum cartridge (Page 32)	Vibration side
40	4700380462		Drum gear (Page 34)	C
41	4700372987		Drum gear (Page 36)	C

Drum

16960



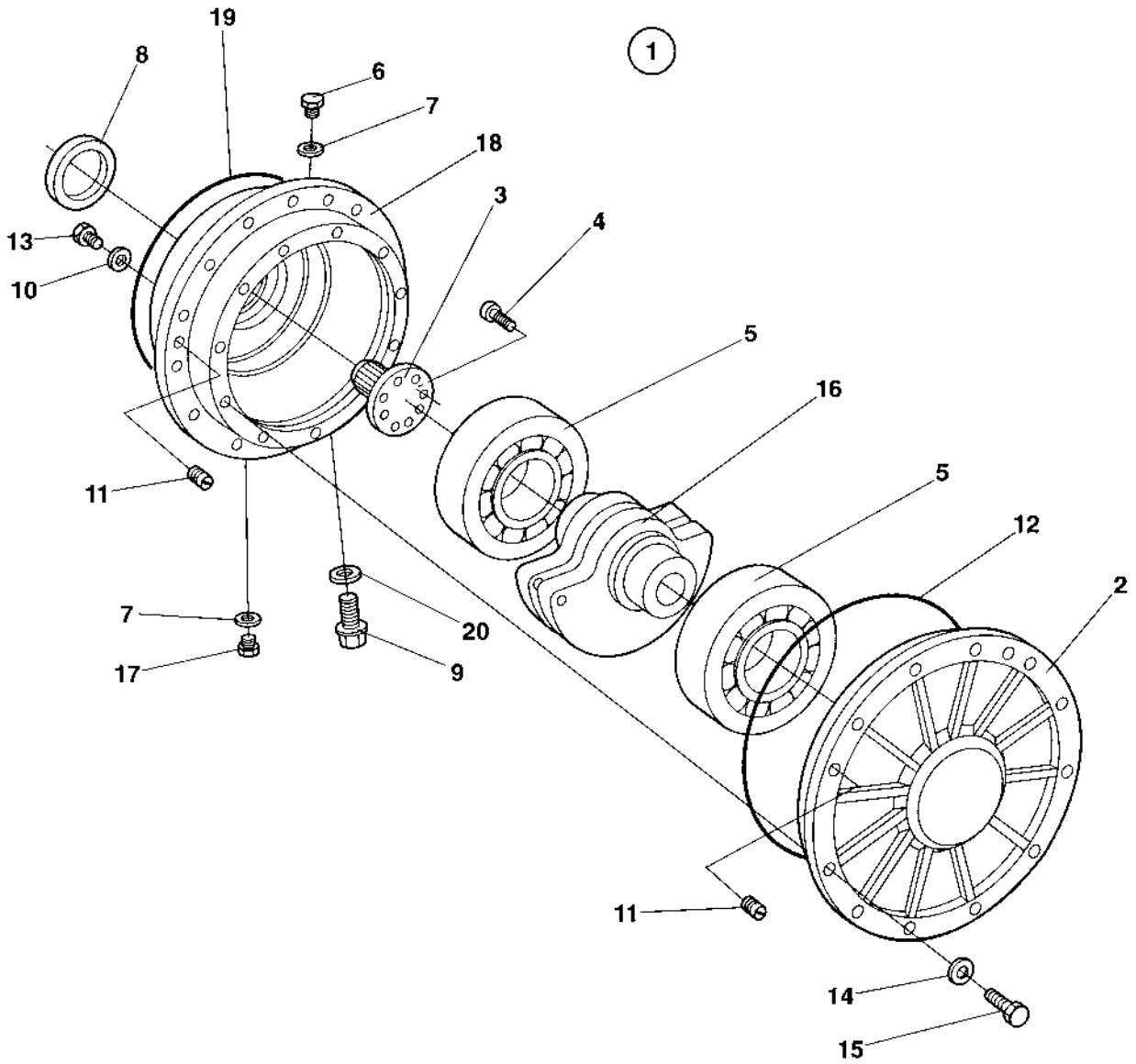
Drum

Item	Part No	Rem	Qty	Description	Code
1	4700374927		1	Drum	
2	4700500194		56	Screw	
3	4700904231		80	Washer	13x24x2 300 HV
4	4700500051		24	Screw	M12x25H 8.8 A3K
5	4700801187		10	Shock absorber	
6	4700570007		56	Hexagon nut	M12
7	4700373442	A	1	Gear holder	
8	4700904233		32	Washer	21x36x3
9	4700903919		16	Screw	
10	4700904479		10	Screw	M24x110 10,9
11	4700904234		14	Washer	25x45x4
12	4700373443	B	1	Gear holder	
13	4700903281		16	Screw	
14	4700396142		1	Drive disc	
15	4700380462		1	Drum gear (Page 34)	
16	4700500082		23	Screw	M16x70
17	4700904232		26	Washer	
18			1	Drum cartridge (Page 30)	Drive side
19	4700349682		1	Drive shaft	
20			1	Drum cartridge (Page 32)	Vibration side
21	4700384121		1	Air breather screw	
22	4700527002		4	Drive screw	
23	4700343801		1	Sign plate	
24	4700232210		1	Plug	
25	4700925867		6	Nut	M20
	4700792464		6	Nut	M24 -10 DIN985
26	4700904233		6	Washer	21x36x3
	4700904234		6	Washer	25x45x4
27	4700355676		1	Bracket	
	4700396030	C	1	Bracket	
28	4700904233		6	Washer	21x36x3
	4700904234		6	Washer	25x45x4
29	4700928850		6	Screw	M20-2,5x120 10,9
	4700900807		6	Screw	M24x120 10,9
30	4700345678		N	Shim	T = 1,5 mm
	4700393276	C	N	Shim	T = 1,5 mm
31	4700345679		N	Shim	T = 3 mm
	4700393277	C	N	Shim	T = 3 mm
32	4700345884		N	Shim	T = 6 mm
	4700393278	C	N	Shim	T = 6 mm
33	4700345885		N	Shim	T = 8 mm
	4700393279	C	N	Shim	T = 8 mm
34	4700343322		1	Holder plate	

- A) Right
- B) Left
- C) Used together with P/N 4700900807 M24, item 29.

Drum cartridge Drive side

16963

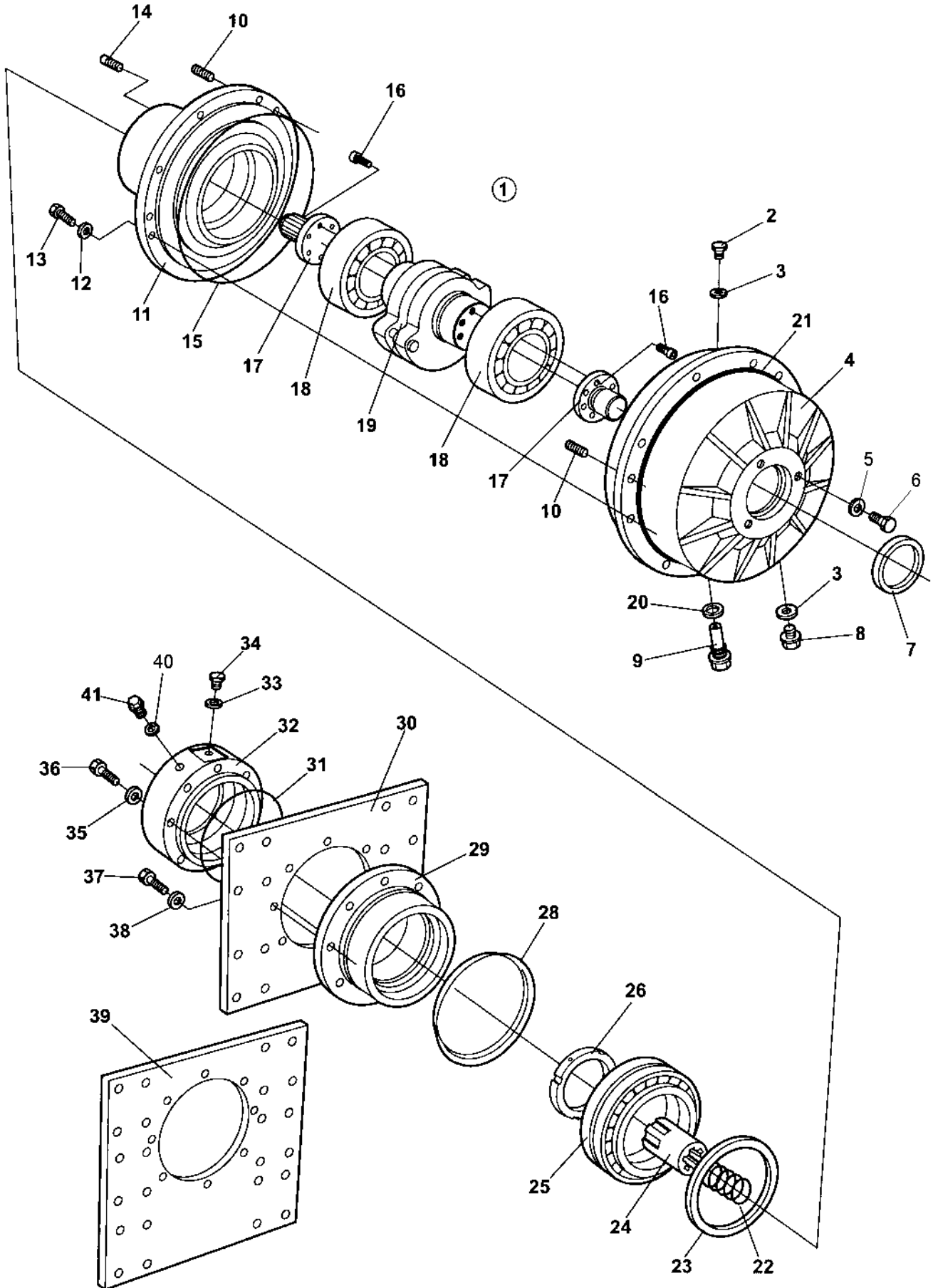


Drum cartridge Drive side

Item	Part No	Rem Qty	Description	Code
1	4700945585	1	Drum cartridge	
2	4700379876	1	.Bearing housing outer	
3	4700380018	1	.Splined shaft	
4	4700791156	8	.Screw	M10-1,5x55 12,9
5	4700390896	2	.Spherical roller bearing	D
6	4700343744	1	.Magnetic plug	D
7	4700162017	2	.Seal ring	D
8	4700900782	1	.Seal ring	D
9	4700381634	1	.Plug	
10	4700162027	3	.Sealing	D
11	4700900775	6	.Plug	
12	4700900776	1	.O-ring	D
13	4700500163	3	.Screw	M12x16
14	4700904232	12	.Washer	
15	4700500082	12	.Screw	M16x70
16	4700381760	1	.Eccentric shaft	
17	4700232210	1	.Plug	
18	4700379880	1	.Bearing housing inner	
19	4700904737	1	.O-ring	D
20	4700162011	1	.Washer, sealing	D

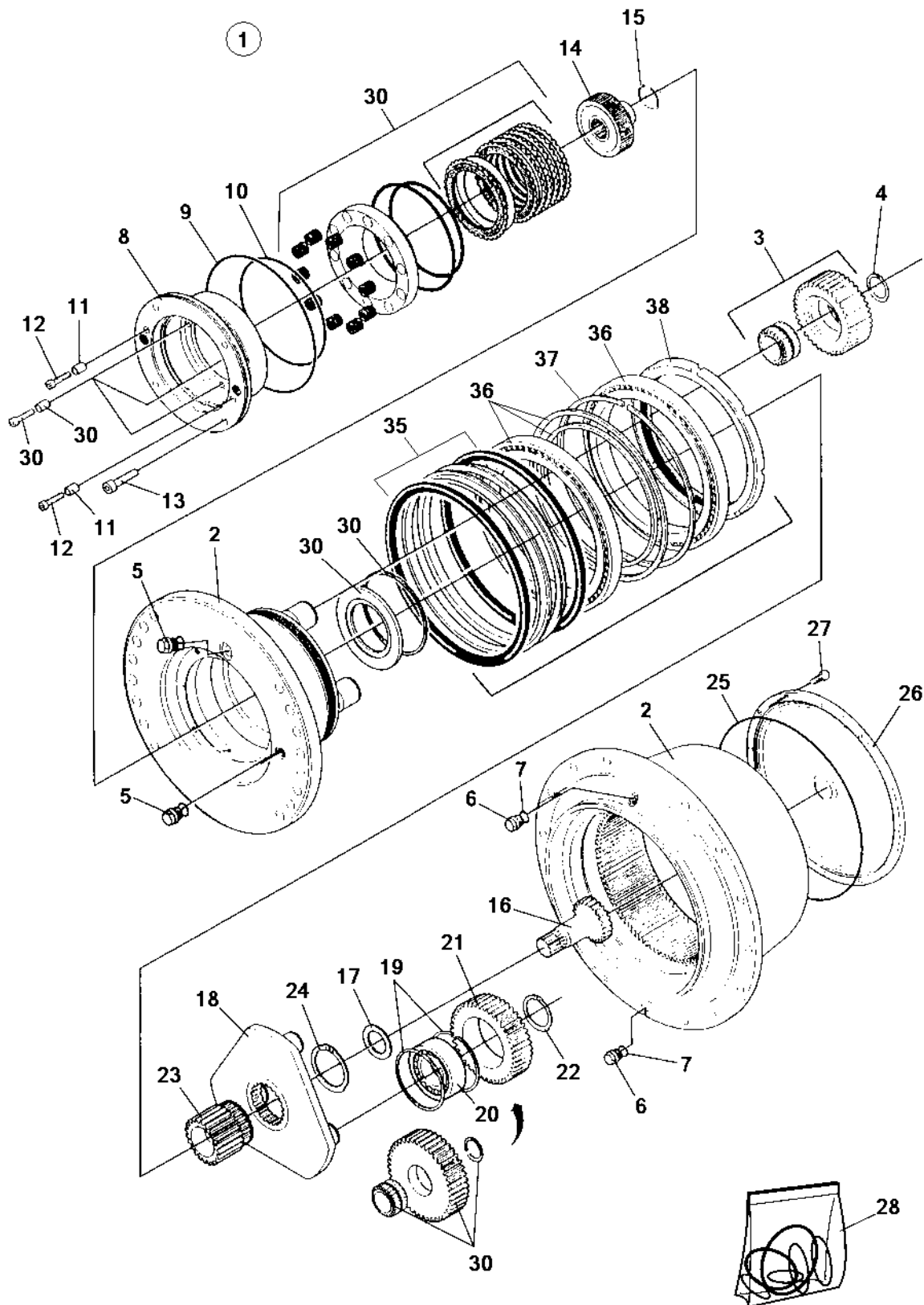
Drum cartridge Vibration side

18388-1



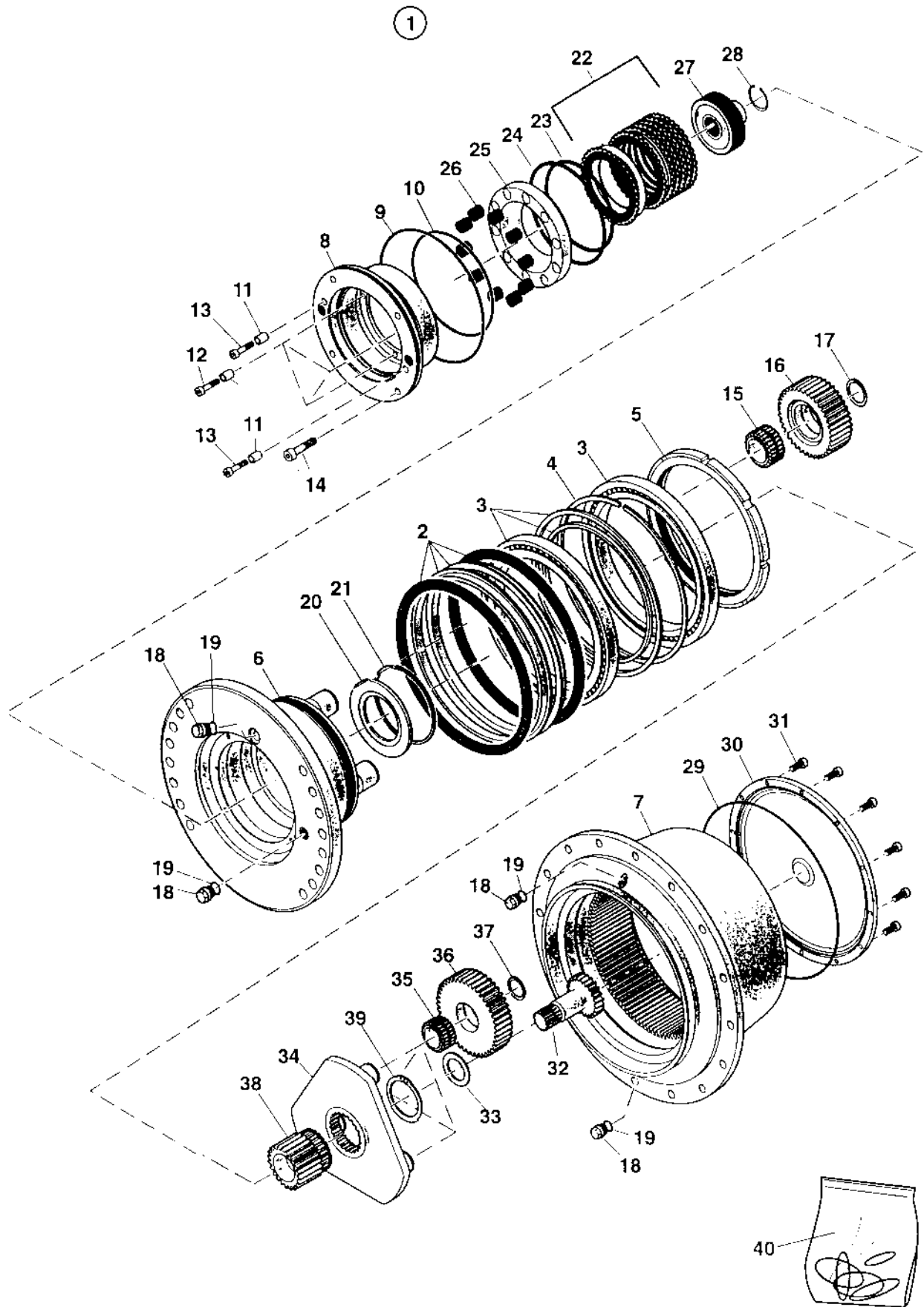
Drum cartridge Vibration side

Item	Part No	Rem Qty	Description	Code
1	4700945589	1	Drum cartridge	
2	4700343744	1	.Magnetic plug	D
3	4700162017	2	.Seal ring	D
4	4700379880	1	.Bearing housing inner	
5	4700162027	3	.Sealing	D
6	4700500163	3	.Screw	M12x16
7	4700900782	1	.Seal ring	D
8	4700232210	1	.Plug	
9	4700381634	1	.Plug	
10	4700900775	6	.Plug	
11	4700379878	1	.Bearing housing outer	
12	4700904232	12	.Washer	
13	4700500082	12	.Screw	M16x70
14	4700903189	3	.Stop screw	
15	4700900776	1	.O-ring	D
16	4700791156	16	.Screw	M10-1,5x55 12,9
17	4700380018	2	.Splined shaft	
18	4700390896	2	.Spherical roller bearing	D
19	4700381760	1	.Eccentric shaft	
20	4700162011	1	.Washer, sealing	D
21	4700904737	1	O-ring	D
22	4700349715	1	Spring	
23	4700167023	1	Seal ring	D
24	4700381027	1	Splined sleeve	
25	4700116041	1	Taper roller bearing	D
26	4700390897	1	Shaft nut	
28	4700929447	1	V-ring	D
29	4700343318	1	Bearing housing	D
30	4700343322	1	Holder plate	
31	4700160105	1	O-ring 70	D
32	4700390771	1	Motor adapter	
33	4700162018	1	Sealing	D
34	4700370231	1	Plug	
35	4700904231	4	Washer	13x24x2 300 HV
36	4700500196	4	Screw	M12-1,75x80 8.8
37	4700500082	8	Screw	M16x70
38	4700384114	8	Spacer	
39			Not used on this model	
40	4700162024	1	Washer, sealing	
41	4700903190	1	Steel plug	



4700380462 Drum gear

Item	Part No	Rem Qty	Description	Code
1		1	Drum gear, cpl	
2		1	.Hub	
3		3	.Planet gear	
4		3	.Retaining ring	
5	4700935394	2	.Plug	
6		2	.Plug	
7	4700935395	4	.Seal ring	
8	4700935865	1	.Adapter	
9	4700935866	1	.O-ring	
10	4700935867	1	.O-ring	
11	4700935868	2	.Bushing	
12	4700935870	2	.Screw	
13	4700902944	4	.Screw	
14	4700935874	1	.Coupling	
15	4700935875	1	.Retaining ring	
16	4700935876	1	.Sun wheel	
17	4700935877	1	.Spacer	
18		1	.Planet carrier	
19		6	.Retaining ring	
20		3	.Roller bearing	
21		3	.Planet gear	
22	4700935881	3	.Retaining ring	
23	4700935882	1	.Sun wheel	
24	4700935883	1	.Retaining ring	
25	4700935413	1	.O-ring	
26	4700935414	1	.Cover	
27		12	.Screw	
28	4700945581	1	.Seal kit	
30			Not used on this model	
35	4700935859	1	.Seal	
36		2	.Roller bearing	
37		1	.Spring ring	
38	4700935862	1	.Nut	



4700372987 Drum gear

Item	Part No	Rem	Qty	Description	Code
1			1	Drum gear, cpl	
2	4700935859		1	.Seal	
3	4700935860		1	.Roller bearing	
4	4700935861		1	.Spring ring	
5	4700935862		1	.Nut	
6	4700935863		1	.Hub	
7	4700935864		1	.Hollow wheel	
8	4700935865		1	.Adapter	
9	4700935866	A	1	.O-ring	
10	4700935867	A	1	.O-ring	
11	4700935868		5	.Bushing	
12	4700935869		3	.Screw	
13	4700935870		2	.Screw	
14	4700935871		4	.Screw	
15	4700935872		4	.Roller bearing	
16	4700935873		4	.Planet gear	
17	4700935421		4	.Retaining ring	
18	4700935394		4	.Plug	
19	4700935395	A	4	.Seal ring	
20	4700935398		1	.Plate	
21	4700935399		1	.Spring ring	
22	4700935400		1	.Brake disc kit	
23	4700935401	A	1	.O-ring	
24	4700935402	A	1	.O-ring	
25	4700935403		1	.Piston	
26	4700935404		10	.Spring	
27	4700935874		1	.Coupling	
28	4700935875		1	.Retaining ring	
29	4700935413	A	1	.O-ring	
30	4700935414		1	.Cover	
31	4700935415		12	.Screw	
32	4700935876		1	.Sun wheel	
33	4700935877		1	.Spacer	
34	4700935878		1	.Planet carrier	
35	4700935879		3	.Roller bearing	
36	4700935880		3	.Planet gear	
37	4700935881		3	.Retaining ring	
38	4700935882		1	.Sun wheel	
39	4700935883		1	.Retaining ring	
40	4700935380		1	Seal kit	

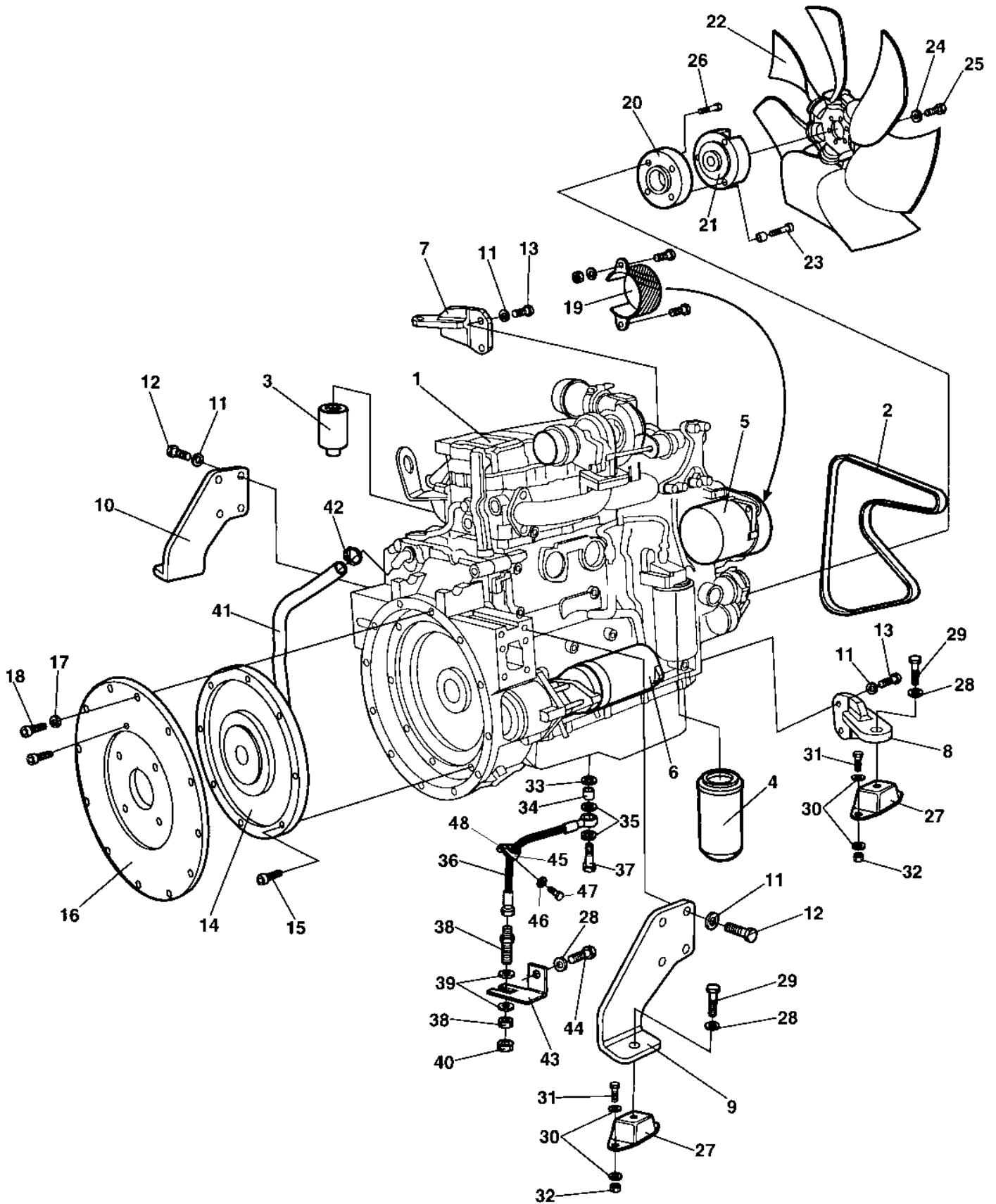
A) Incl. in item 40

Engine

Item	Part No	Rem Qty	Description	Code
10			Engine (Page 40)	Cummins QSB 4.5 C
20			Cooling system (Page 42)	
30			Combustion air system (Page 44)	
40			Fuel system (Page 46)	
50			Exhaust system (Page 48)	

Engine Cummins QSB 4.5 C

18433

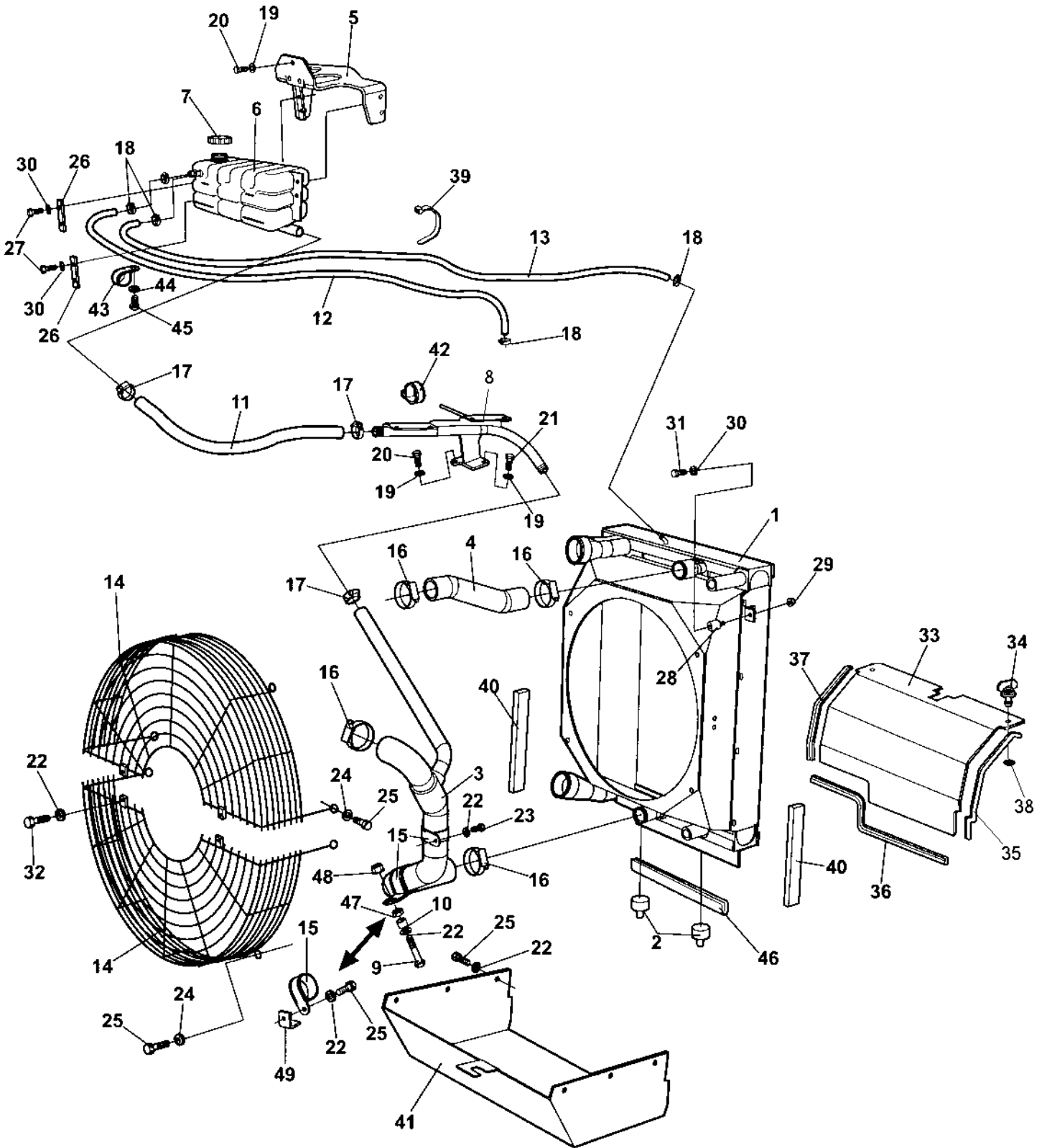


Engine Cummins QSB 4.5 C

Item	Part No	Rem Qty	Description	Code
1	4700391663	1	Diesel engine	Cummins QSB 4,5
2	4700945731	1	.V-belt	B
3	4700945624	1	.Fuel filter element	A
4	4700945145	1	.Oil filter element	A
5	4700945140	1	.Alternator	C
6	4700945730	1	.Starter	C
7	4700392283	1	Engine bracket,	Right
8	4700392284	1	Engine bracket,	Left
9	4700393022	1	Engine bracket,	Left
10	4700393021	1	Engine bracket,	Right
11	4700904638	12	Washer	12x22x2
12	4700508079	8	Screw	M12-1,75x35H 8,8
13	4700500194	4	Screw	
14	4700370229	1	Coupling, cpl	
15	4700509025	8	Screw	3/8-16UNCx32 8,8
16	4700372772	1	Bracket	
17	4700904637	12	Washer	
18	4700508029	12	Screw	M10-1,5x30H 8,8
19	4700379163	1	V-belt cover	
20	4700393096	1	Connector	
21	4700382393	1	Fan hub	
22	4700379164	1	Fan	
23	4700792081	3	Socket head cap screw	M12x50 10,9
24	4700904229	6	Washer	8,4x16x1,5
25	4700500047	6	Screw	
26	4700792275	4	Socket head cap screw	7/16-20UNFX32 12.9
27	4700387129	4	Shock absorber	D
28	4700904232	5	Washer	
29	4700500070	4	Screw	M16x50
30	4700904703	16	Washer	
31	4700500194	8	Screw	
32	4700586019	8	Lock nut	
33	4700330333	1	Copper washer	D
34	4700379480	1	Reducer	
35	4700330331	2	Washer	18,2x23,9x1,5
36	4700379621	1	Hydraulic hose	
37	4700904292	1	Hollow screw	
38	4700230515	1	Connector	
39	4700904233	2	Washer	21x36x3
40	4700330383	1	Cap hydraulic	
41	4700791468	1	Hydraulic hose	
42	4700313035	1	Hose clamp	
43	4700388855	1	Bracket	
44	4700500154	1	Screw	M16-2,0x25 8,8
45	4700921063	1	Clamp	
46	4700904228	1	Washer	
47	4700192812	1	Screw	M6x1x20 10.9
48	4700902285	1	Lock nut	M6

Cooling system

18702



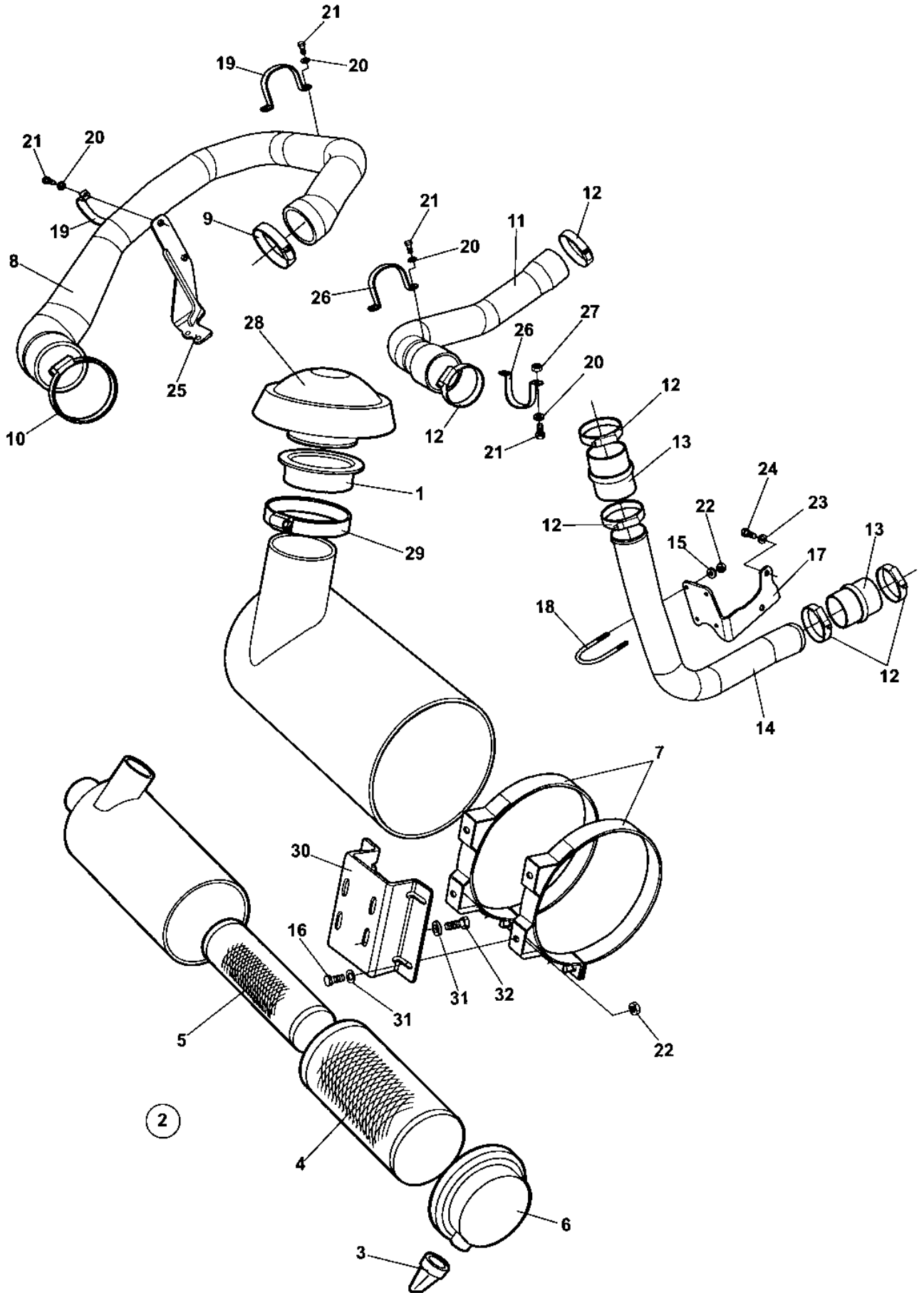
Cooling system

Item	Part No	Rem Qty	Description	Code
1	4700392220	1	Radiator	
2	4700904551	2	Shock absorber	
3	4700393081	1	Coolant hose	
4	4700392297	1	Coolant hose	
5	4700392170	1	Holder	
6	4700392313	1	Expansion tank	
7	4700903714	1	Cap	
8	4700393062	1	Holder	
9	4700500025	1	Screw	M8-1,25x50 8,8
10	4700371767	1	Spacer	
11	4700205027	A 1XL	Coolant hose	
12	4700246069	B 1XL	Fuel hose	3/8"
13	4700246069	C 1XL	Fuel hose	3/8"
14	4700387085	2	Fan guard	
15	4700904352	2	Clamp	
16	4700313010	4	Hose clamp	
17	4700313006	3	Hose clamp	
18	4700313075	4	Hose clamp	
19	4700904230	6	Washer	
20	4700500028	5	Screw	
21	4700500048	1	Screw	M10-1,5x20 8,8
22	4700904229	12	Washer	8,4x16x1,5
23	4700500019	1	Screw	M8x16H 8.8 A2K
24	4700904640	8	Washer	8,4x22x3
25	4700500053	15	Screw	M8x20H 8.8
26	4700381413	2	Washer	
27	4700500075	4	Screw	M6-1,0x25 8.8
28	4700371774	2	Shock absorber	
29	4700902285	2	Lock nut	M6
30	4700904639	6	Washer	6,7x14x1,5
31	4700500012	2	Screw	M6x12
32	4700500018	2	Screw	M8-1,25x12 8,8
33	4700386853	1	Air inlet plate	
34	4700904486	2	Quick lock	
35	4700902166	D 1XL	Edge trim	
36	4700902166	E 1XL	Edge trim	
37	4700902166	F 1XL	Edge trim	
38	4700926985	2	Quick lock washer	
39	4700313102		Cable ties	
40	4700791597	G 2XL	Rubber strip	
41	4700386943	1	Air leading plate	
42	4700921063	1	Clamp	
43	4700921084	1	Pipe clamp	
44	4700904228	1	Washer	
45	4700500040	1	Screw	M6-1x20 8,8
46	4700902166	H 1XL	Edge trim	
47	4700570005	1	Nut	M8
48	4700902286	1	Lock nut	M8
49	4700908136	1	Bracket	

- A) L=0,7 m
- B) L=1,600m
- C) L=2,050 m
- D) L=0,450 m
- E) L=0,690 m
- F) L=0,330 m
- G) L=0,310m
- H) L=0,470m

Combustion air system

18696

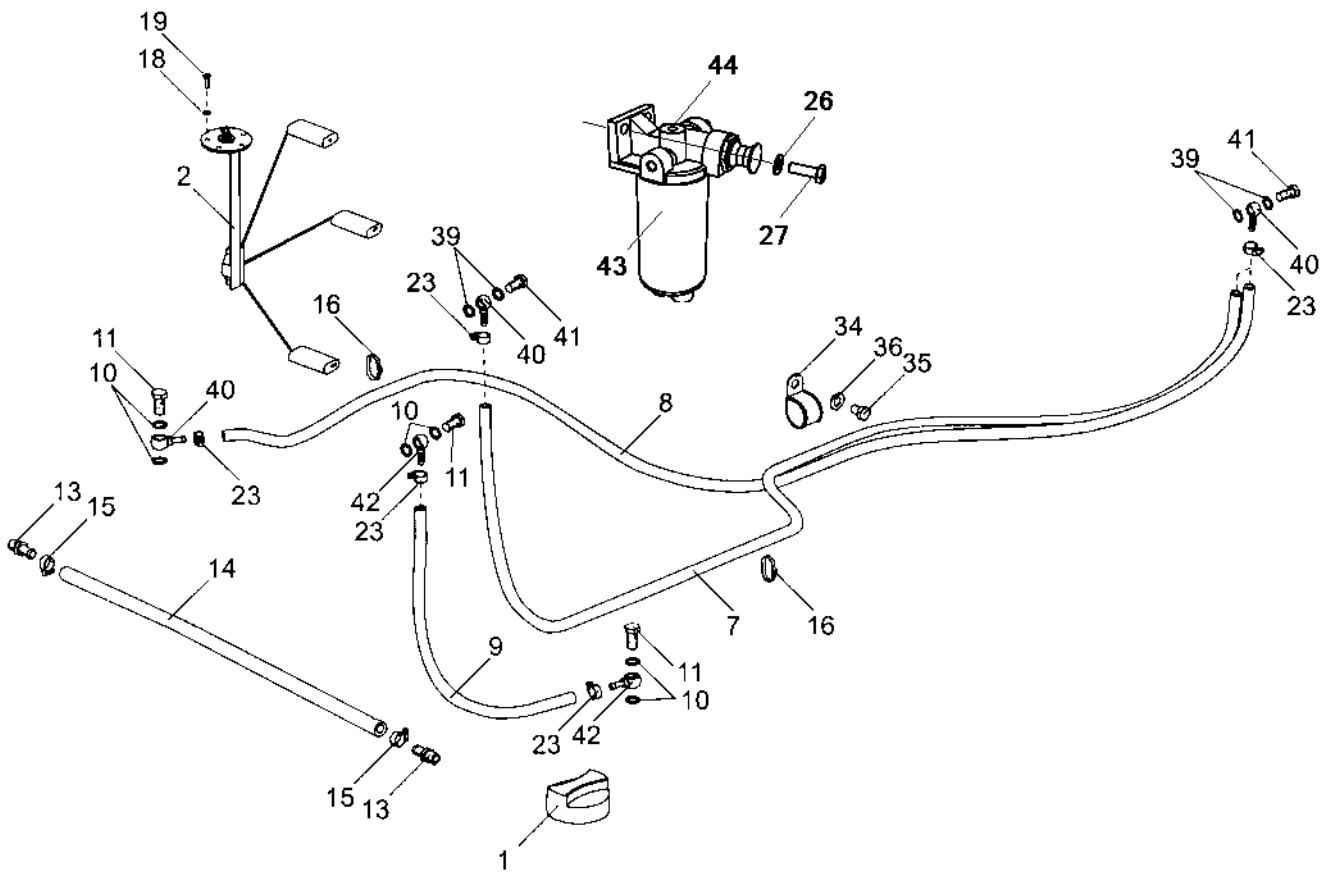


Combustion air system

Item	Part No	Rem Qty	Description	Code
1	4700348309	1	Rubber bushing	
2	4700393088	1	Air cleaner Cpl	
3	4700908399	1	.Vacuator valve	D
4	4700394686	1	.Air filter element, main	A
5	4700394687	1	.Air filter element, safety	A
6	4700908452	1	.Cover	
7	4700813791	2	Mounting band	
8	4700393093	1	Air inlet hose	
9	4700392810	1	Hose clamp	
10	4700389600	1	Hose clamp	
11	4700393045	1	Charge air hose	
12	4700386966	6	Hose clamp	2.3/4"-3.5/8"
13	4700385691	2	Air intake hose	
14	4700393058	1	Charge air tube	
15	4700904229	4	Washer	8,4x16x1,5
16	4700500021	4	Screw	M8-1,25x25 8.8
17	4700393059	1	Holder	
18	4700313093	2	Pipe clamp	
19	4700392742	2	Clamp	
20	4700904228	8	Washer	
21	4700500040	8	Screw	M6-1x20 8,8
22	4700586003	8	Lock nut	M8
23	4700904231	4	Washer	13x24x2 300 HV
24	4700500046	2	Screw	
25	4700392741	1	Holder	
26	4700393097	2	Clamp	
27	4700902285	2	Lock nut	M6
28	4700499266	1	Protection cover	
29	4700904060	1	Hose clamp	
30	4700393085	1	Filter bracket	
31	4700904556	8	Washer	8,4x16x3,0
32	4700500053	4	Screw	M8x20H 8.8

Fuel system

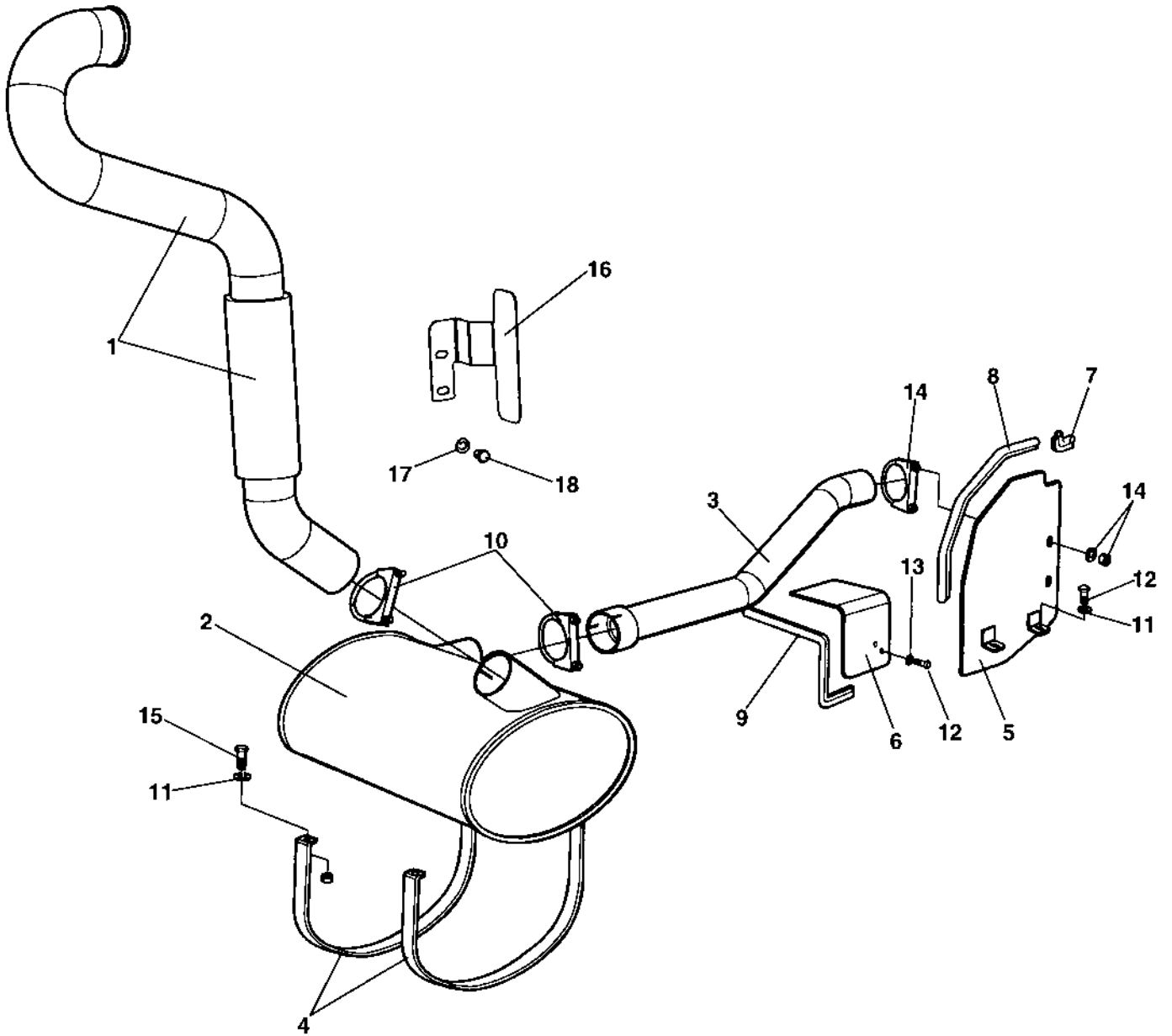
184820



Fuel system

Item	Part No	Rem Qty	Description	Code
1	4700373460	1	Fuel cap	D
2	4700904695	1	Fuel level sender	D
	4700945777	1	Gasket	
7	4700904984	A 1XL	Fuel hose	D
8	4700904984	B 1XL	Fuel hose	D
9	4700904984	C 1XL	Fuel hose	D
10	4700747282	4	Copper washer	
11	4700330171	2	Hollow screw	
13	4700373574	2	Hose connection	
14	4700244054	D 1XL	Hose reinforced	
15	4700313002	2	Hose clamp	13-20 mm
16	4700313041	N	Cable ties	
18	4700904281	5	Washer	
19	4700500006	5	Screw	M5x16
23	4700313001	6	Hose clamp	
26	4700904230	2	Washer	
27	4700500029	2	Screw	
34	4700921084	1	Pipe clamp	
35	4700500040	1	Screw	M6-1x20 8,8
36	4700904228	1	Washer	
39	4700230277	8	Copper washer	12,2x17,9x1,5
40	4700792251	4	Banjo coupling	M12 Hose 8
41	4700234919	4	Screw	M12-1,5-24-3
42	4700901121	2	Banjo fitting	14x6 Hose 8
43	4700945147	1	Pre-fuel filter element	A
44	4700945538	1	Fuel filter head with hand pump	

- A) L=2,05 m
- B) L=1,85 m
- C) L=0,65 m
- D) L=0,65 m



Exhaust system

Item	Part No	Rem Qty	Description	Code
1	4700392294	1	Exhaust pipe	
2	4700392295	1	Muffler	
3	4700392296	1	Exhaust pipe	
4	4700386789	2	Clamp	
5	4700377098	1	Thermal guard	
6	4700392747	1	Thermal guard	
7	4700902166	A 1XL	Edge trim	
8	4700904076	B 1XL	Edge trim	
9	4700904076	C 1XL	Edge trim	
10	4700313094	2	Pipe clamp	
11	4700904640	6	Washer	8,4x22x3
12	4700500053	4	Screw	M8x20H 8.8
13	4700904229	4	Washer	8,4x16x1,5
14	4700313093	1	Pipe clamp	
15	4700500022	4	Screw	M8x30H 8.8 A2K
16	4700396185	1	Thermal guard	
17	4700904231	2	Washer	13x24x2 300 HV
18	4700500163	2	Screw	M12x16

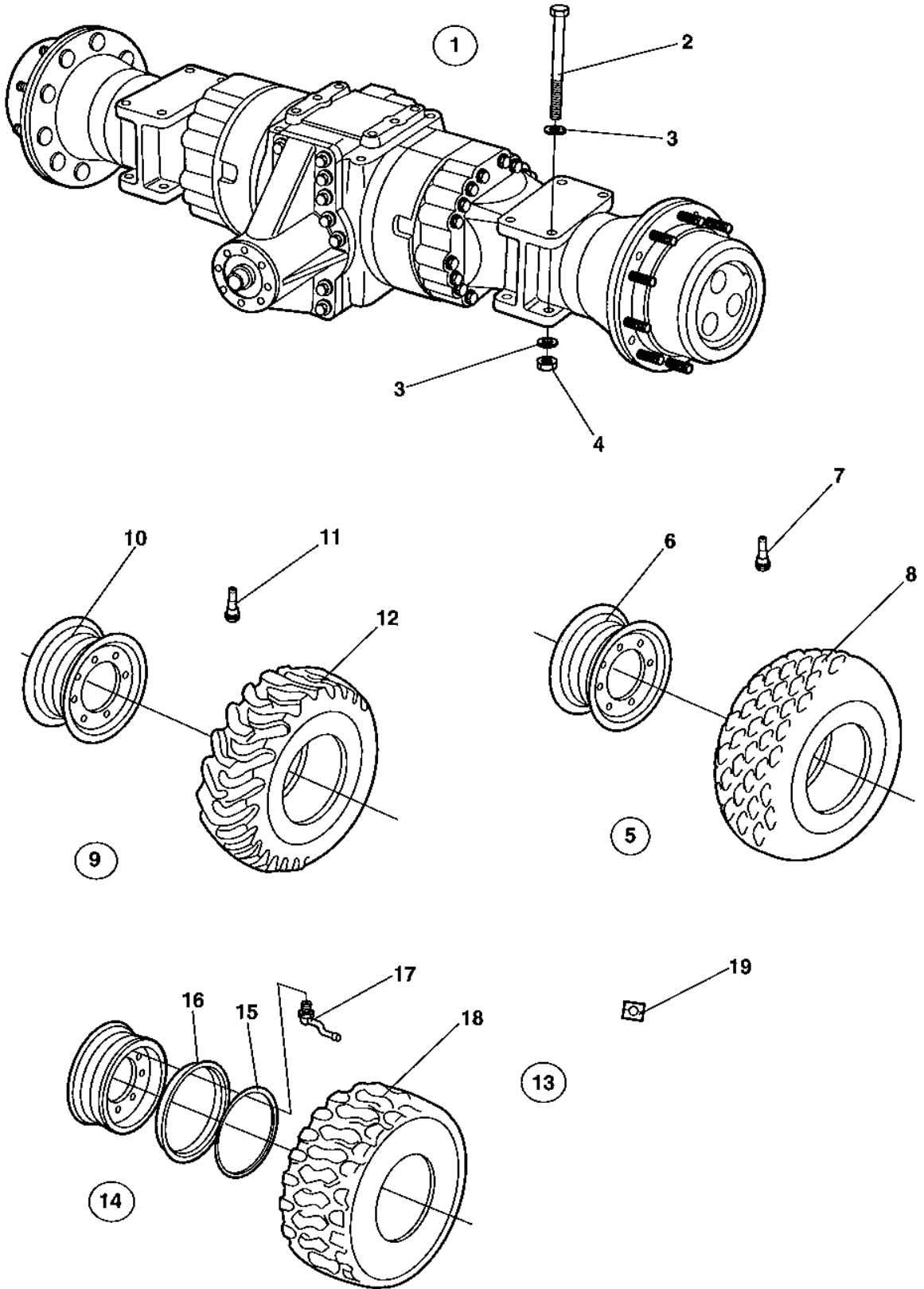
- A) L=0.080M
- B) L=0,410M
- C) L=0,410M

Transmission

Item	Part No	Rem Qty	Description	Code
17			Rear axle and wheels (Page 52)	
20	4700383857		Rear axle (Page 54)	
30	4700383856		Rear axle (Page 62)	No-Spin, Option
35	4700393002		Rear axle (Page 68)	
40	4700396309		Rear axle, Option (Page 76)	

Rear axle and wheels

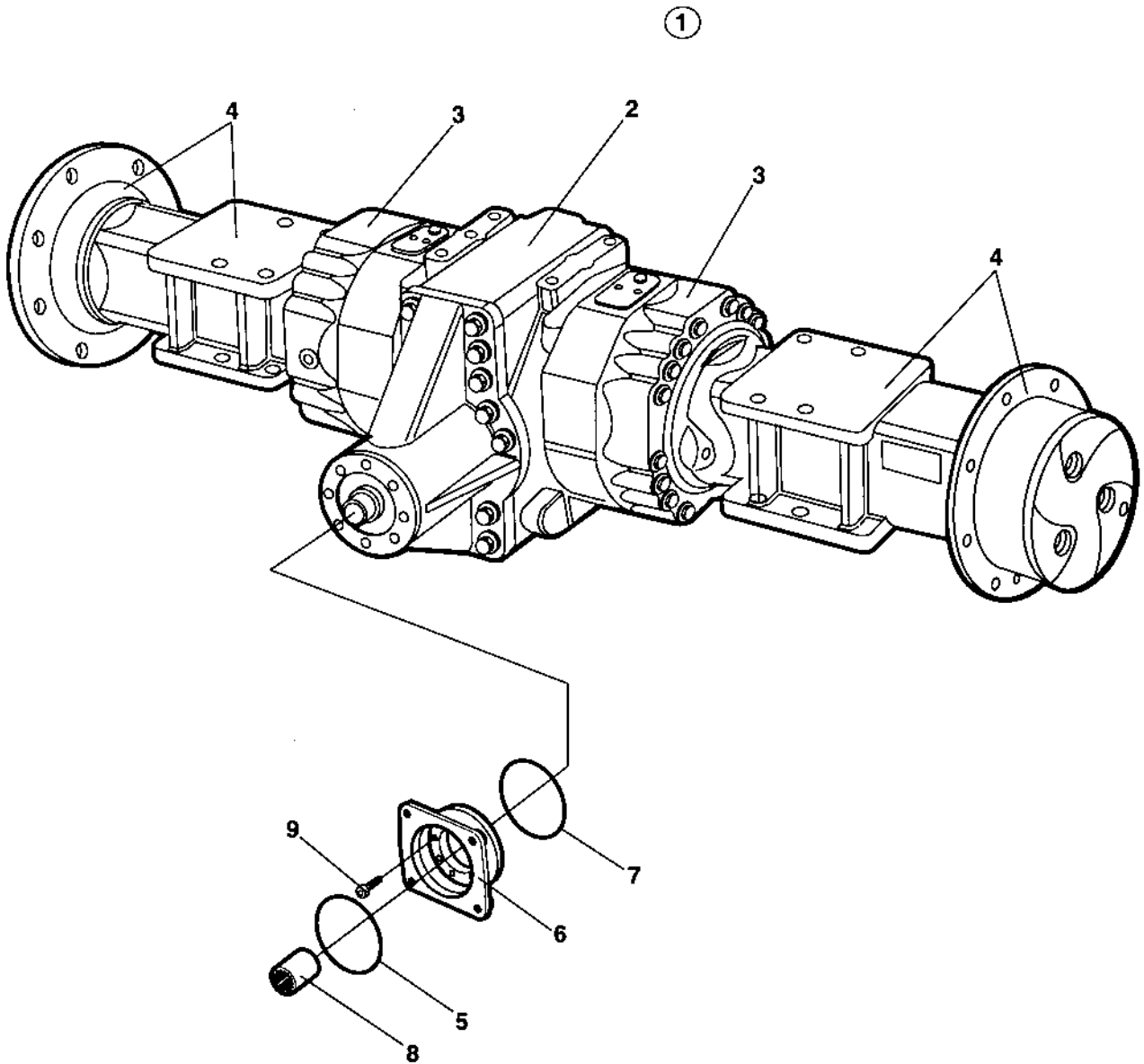
18225-1



Rear axle and wheels

Item	Part No	Rem Qty	Description	Code
1	4700383857	1	Rear axle (Page 54)	
2	4700929217	8	Screw	
3	4700904233	16	Washer	21x36x3
4	4700901145	8	Lock nut	M20-10
5	4700390590	2	Wheel, cpl	
	4700390762	A	Wheel, cpl	
	4700388145	A,G	Wheel, cpl	
	4700388146	G	Wheel, cpl	
6	4700383933	1	.Rim	
7	4700792261	1	.Air charging valve	Straight
8	4700390591	1	.Tyre	B
	4700791573	J,G	.Tyre	D
9	4700390588	B	Tractor wheel, cpl	D
	4700390587	C	Tractor wheel, cpl	
	4700390759	D	Tractor wheel, cpl	
	4700390760	E	Tractor wheel, cpl	
10	4700383933	1	.Rim	
11	4700792261	1	.Air charging valve	Straight
12	4700390589	1	.Tyre	B
13	4700383974	F	Wheel, tubeless, cpl	D
	4700383975	K	Wheel, tubeless, cpl	
14	4700383955	1	.Rim cpl	
15	4700901443	1	..Snap ring	
16	4700901444	1	..Side ring	
17	4700791175	1	.Air charging valve	
	4700791176	1	.Valve foot	
18	4700901218	1	.Tyre	D
19	4700355983	H	Decal "TYRE PRESSURE"	200kPa/29psi
	4700903985	I	Decal "SAFETY", "TYRE IN BALLAST"	

- A) Liquidfilled, option.
- B) Left, option.
- C) Right, option.
- D) Liquidfilled tyre, right, option.
- E) Liquidfilled tyre, left, option.
- F) Option, Michelin branded.
- G) For Chinese market only.
- H) Used with item 13, 4700383974. 4700383975.
- I) Used with Liqued filled tyres.
- J) Used together with 4700388145 and 4700388146.
- K) Liquidfilled, option, Michelin branded.

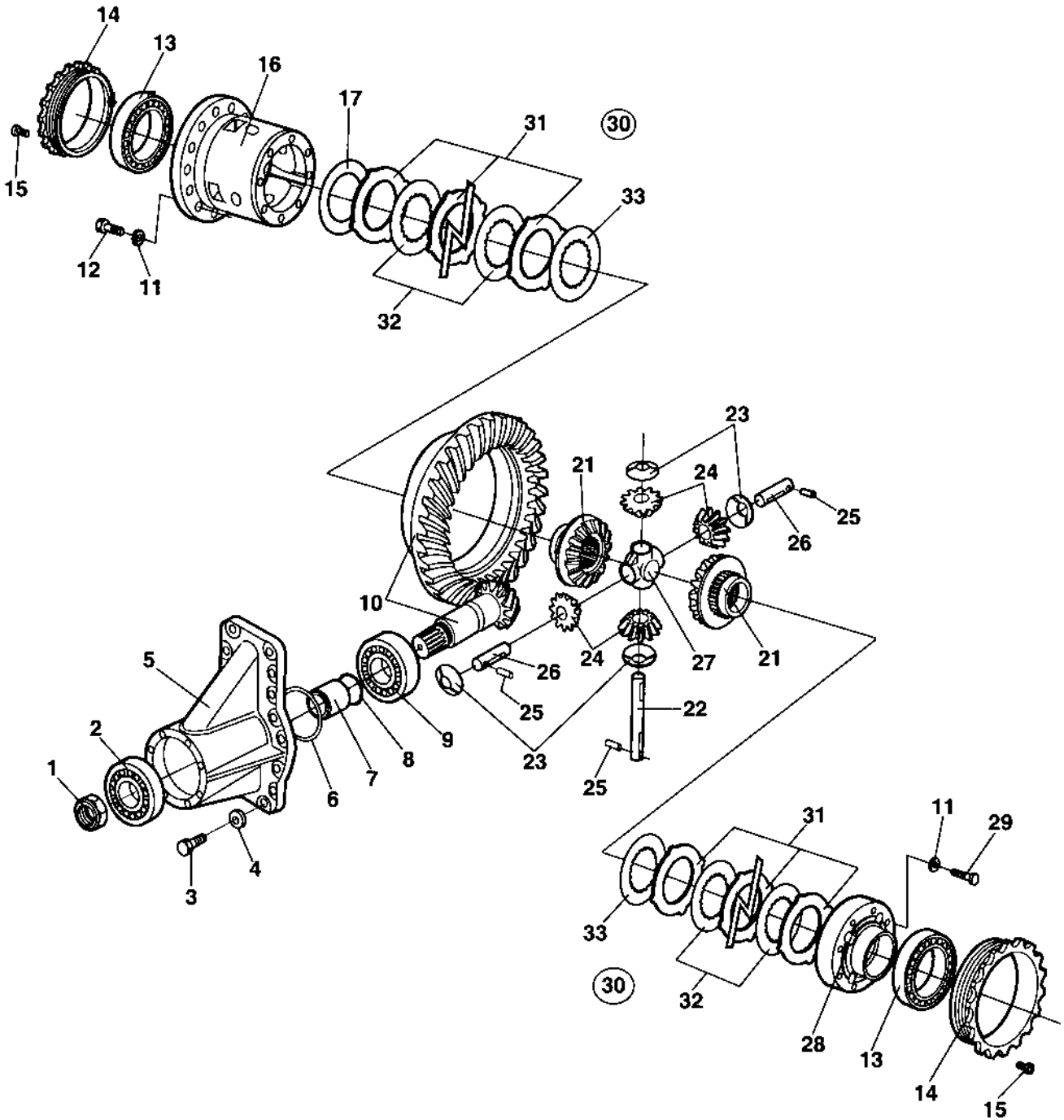


4700383857 Rear axle

Item	Part No	Rem Qty	Description	Code
1		1	Rear axle	
2		1	.Differential with limited slip (Page 56)	
3		2	.Differential housing and brakes (Page 58)	
4		2	.Planet gear (Page 60)	
5	4700909584	1	O-ring	D
6	4700909583	1	Flange	
7	4700929648	1	O-ring	D
8	4700901834	1	Splined sleeve	
9	4700909582	8	Screw	

Differential with limited slip

17672

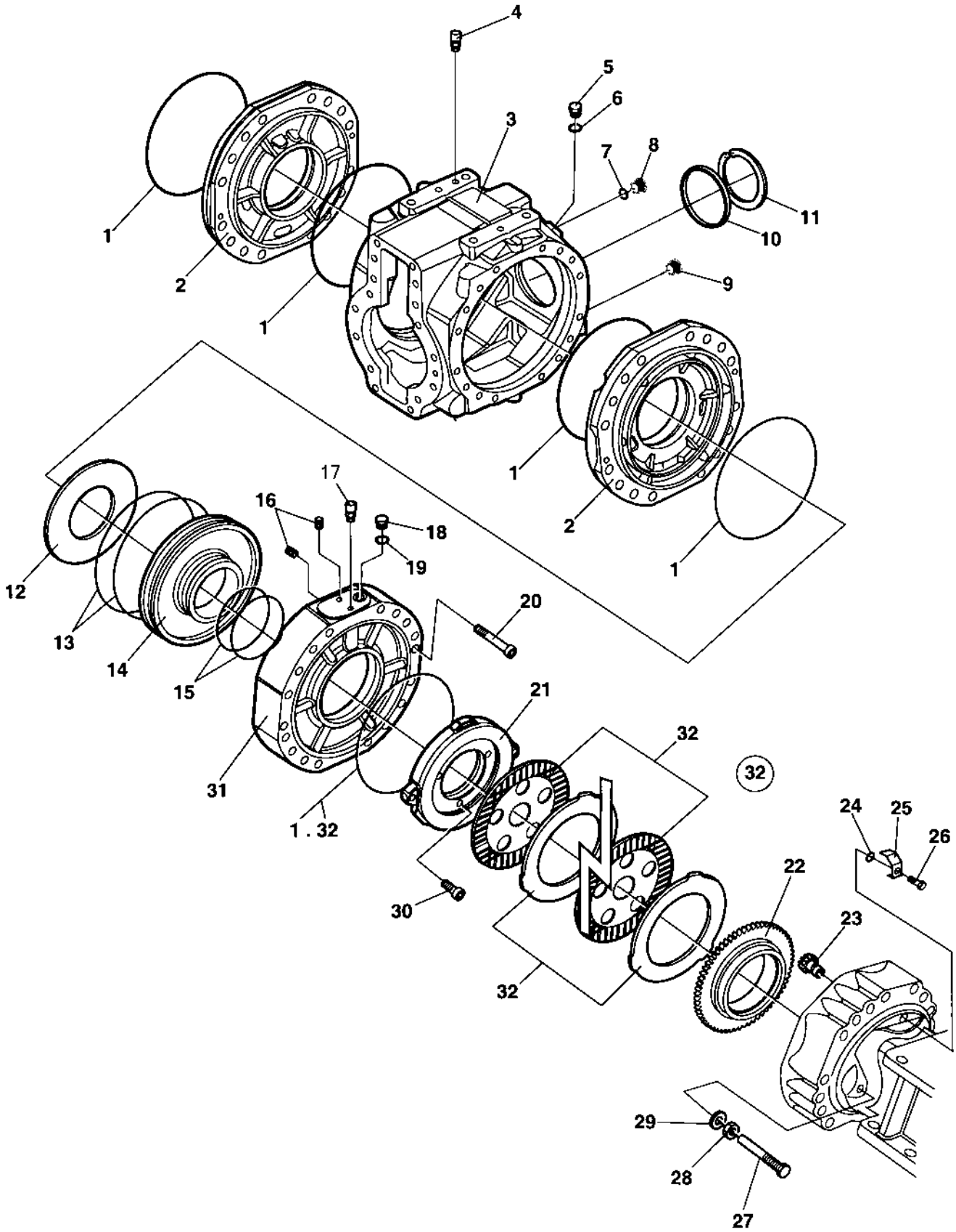


Differential with limited slip

Item	Part No	Rem Qty	Description	Code
1	4700929638	1	Nut	
2	4700909574	1	Roller bearing	
3	4700939257	16	Bolt	
4	4700909572	16	Spring washer	
5	4700908485	1	Housing	
6	4700909568	1	Shim	0,10mm
	4700909569	1	Shim	0,20mm
	4700909570	1	Shim	0,50mm
	4700939258	1	Shim	0,15mm
7	4700909567	1	Spacer	
8	4700939259	1	Shim	0,15mm
	4700909580	1	Shim	0,20mm
	4700909576	1	Shim	0,30mm
	4700929644	1	Shim	0,40mm
	4700939260	1	Shim	0,50mm
9	4700909581	1	Roller bearing	
10	4700212553	1	Bevel gear set	
11	4700929628	16	Washer	
12	4700929629	16	Screw	
13	4700923342	1	Bearing	
14	4700939261	2	Nut	
15	4700938989	2	Screw	
16	4700909550	1	Differential carrier	
17	4700909551	1	Shim	0,30mm
	4700909552	1	Shim	0,40mm
	4700909553	1	Shim	0,10mm
21	4700909558	2	Differential gear	
22	4700909566	1	Shaft	
23	4700909559	4	Friction washer	
24	4700939262	4	Differential pinion	
25	4700909561	3	Rolled pin	
26	4700909560	2	Shaft	
27	4700909565	1	Shaft retainer	
28	4700909562	1	Differential carrier cover	
29	4700909563	8	Screw	
30	4700935644	2	Disc kit	D
31		10	.Limited slip disc	D
32		8	.Limited slip disc	D
33		2	.Limited slip disc	D

Differential housing and brakes

17670

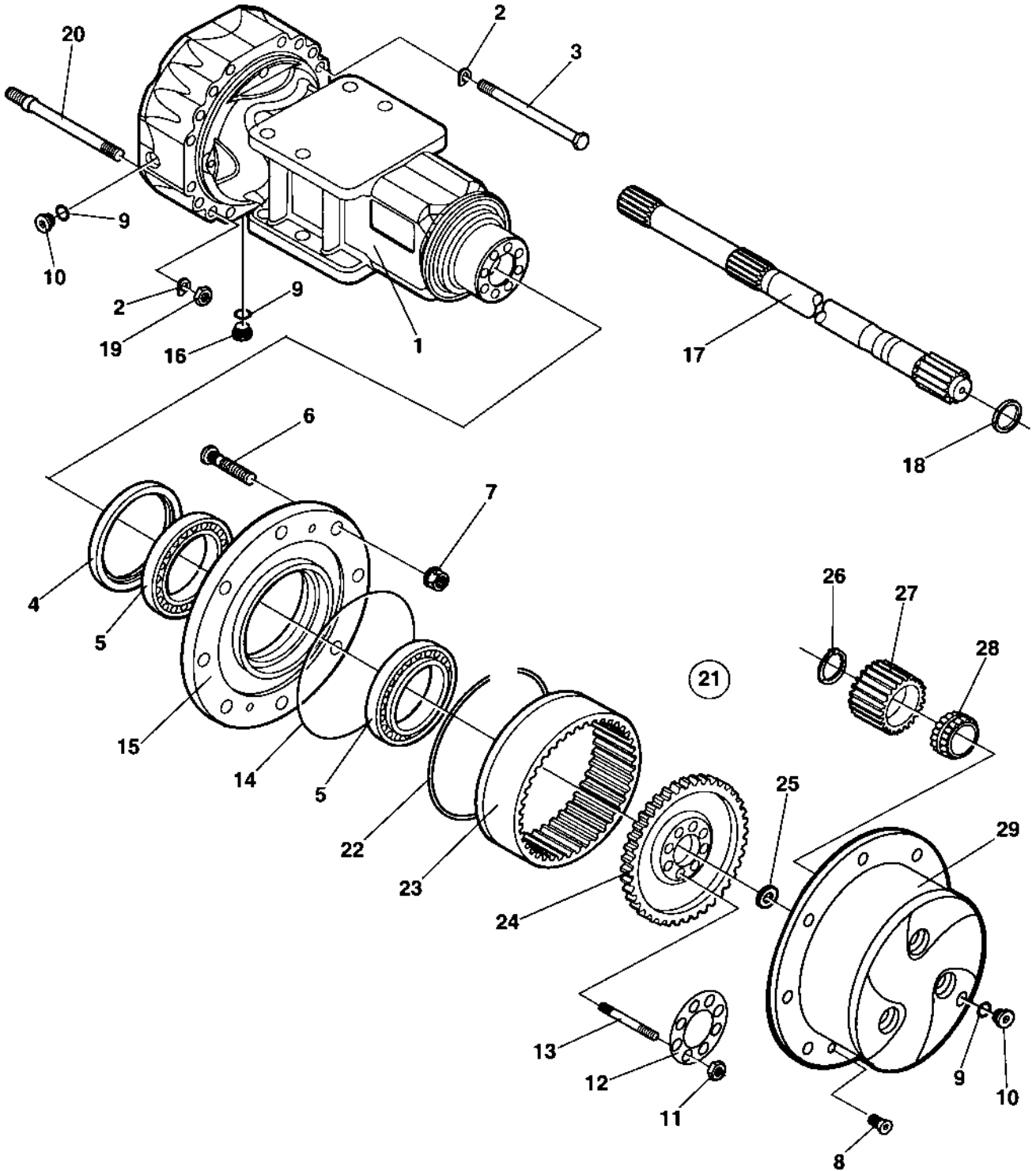


Differential housing and brakes

Item	Part No	Rem Qty	Description	Code
1	4700909609	6	O-ring	D
2	4700939255	2	Cover	
3	4700939256	1	Housing	
4	4700938984	1	Vent nipple	
5	4700909544	2	Screw	
6	4700938983	2	Sealing washer	
7	4700909607	1	Seal	D
8	4700909596	1	Plug	
9	4700926810	1	Magnetic plug	
10	4700938296	1	Plug	
11	4700929617	1	Lock ring	
12	4700909616	2	Spring	
13	4700909618	4	O-ring	D
14	4700939280	2	Piston	
15	4700909619	4	O-ring	D
16	4700939281	4	Bolt	
17	4700938984	2	Vent nipple	
18	4700939282	2	Bolt	
19	4700939036	2	Sealing washer	
20	4700939035	4	Screw	
21	4700939283	2	Disc	
22	4700939285	2	Ring	
23	4700909622	2	Pinion	
24	4700900966	2	O-ring	D
25	4700939286	2	Lock plate	
26	4700909624	2	Screw	
27	4700909626	4	Bolt	
28	4700900957	4	Nut	
29	4700926847	4	Sealing washer	
30	4700939026	6	Screw	
31	4700939287	2	Cover	
32	4700939284	2	Brake disc kit	
		12	.Brake disc	
		12	.Brake disc	
	4700909609	2	.O-ring	D

Planet gear

17673

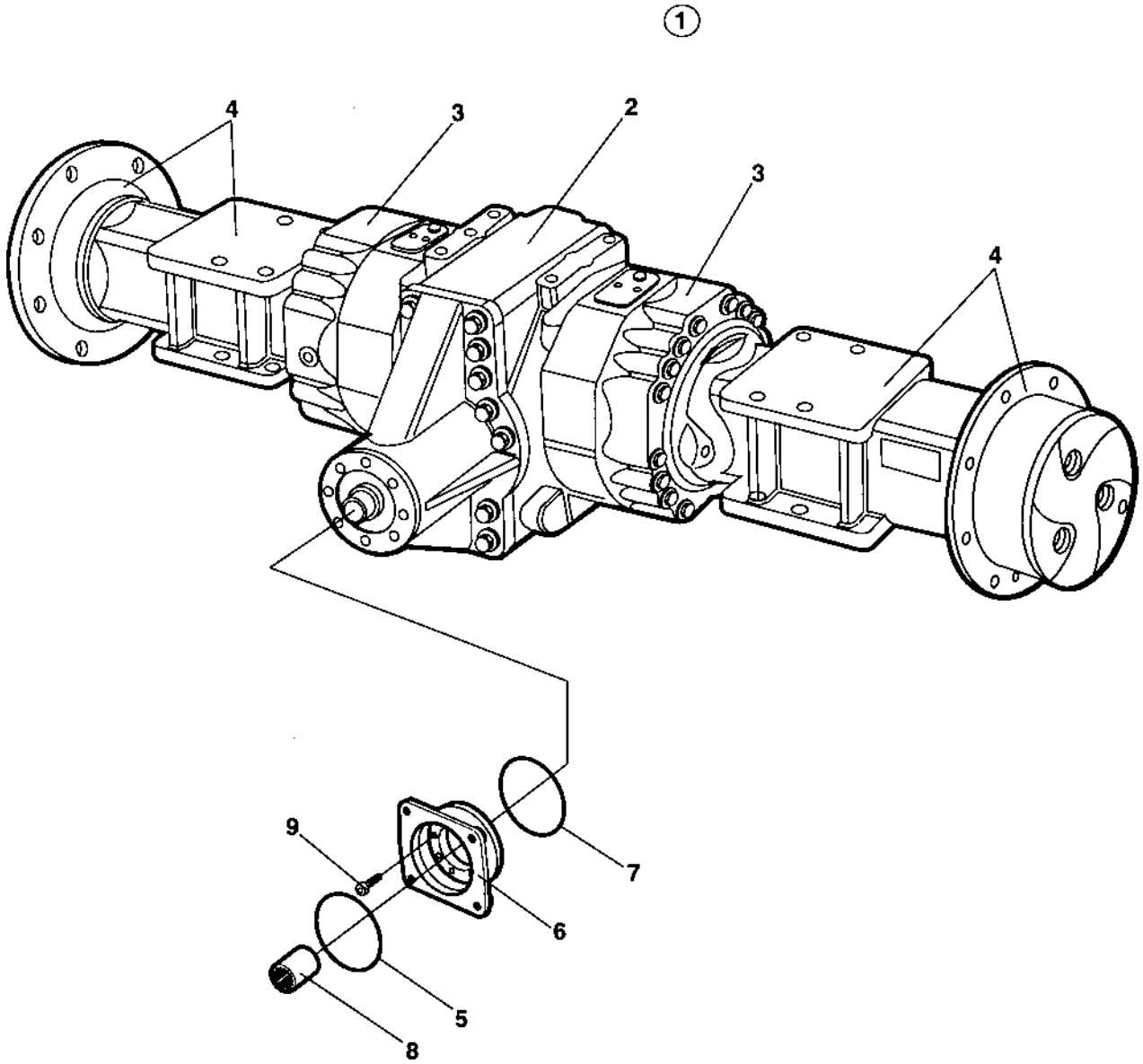


Planet gear

Item	Part No	Rem Qty	Description	Code
1	4700939263	2	Axle case	
2	4700939003	32	Spring washer	
3	4700939264	24	Bolt	
4	4700939265	2	Seal	
5	4700939266	4	Bearing	
6	4700926781	20	Wheel screw	
7	4700901987	20	Wheel nut	
8	4700939015	4	Screw	
9	4700330333	6	Copper washer	D
10	4700909596	4	Plug	
11	4700939016	20	Nut	
12	4700939275	2	Lock plate	
13	4700939017	20	Stud	
14	4700929612	2	O-ring	
15	4700939276	2	Wheel hub	
16	4700938985	2	Magnetic plug	
17	4700939277	2	Half shaft	
18	4700909586	2	Seal	D
19	4700939019	8	Nut	
20	4700939278	8	Stud	
21	4700939279	2	Planet gear carrier Cpl.	
22	4700939267	2	.Circlip	
23	4700939268	2	.Ring gear	
24	4700939269	2	.Ring gear support	
25	4700939270	2	.Washer	
26	4700939271	6	.Seal	
27	4700939272	6	.Planet gear	
28	4700939273	6	.Bearing	
29	4700939274	2	.Planet gear carrier	

4700383856 Rear axle No-Spin, Option

17671

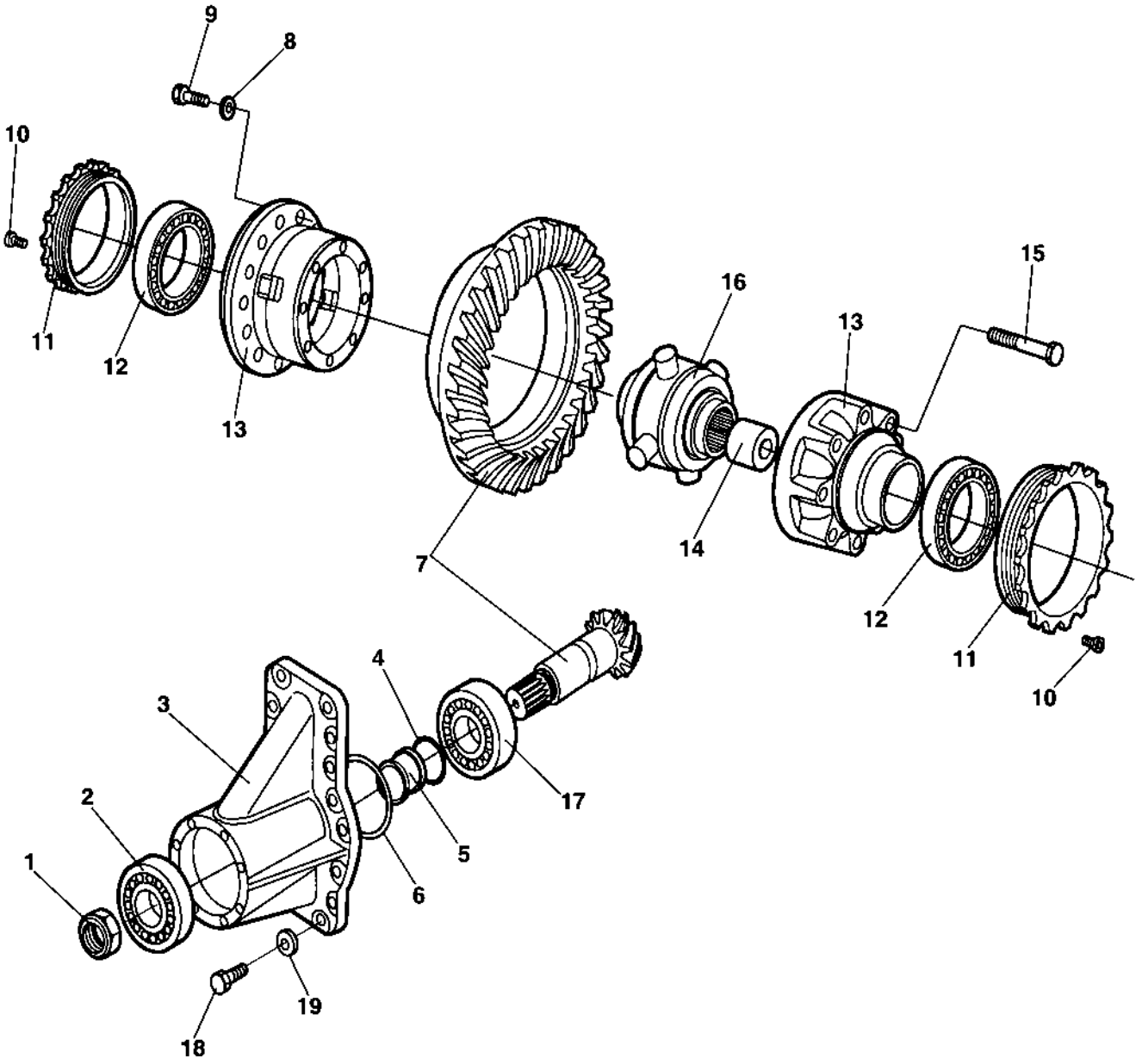


4700383856 Rear axle No-Spin, Option

Item	Part No	Rem Qty	Description	Code
1		1	Rear axle	
2		1	.Differential (Page 64)	with No-Spin
3		2	.Differential housing and brakes (Page 58)	
4		2	.Planet gear (Page 66)	
5	4700909584	1	O-ring	D
6	4700909583	1	Flange	
7	4700929648	1	O-ring	D
8	4700901834	1	Splined sleeve	
9	4700909582	8	Screw	

Differential with No-Spin

17689

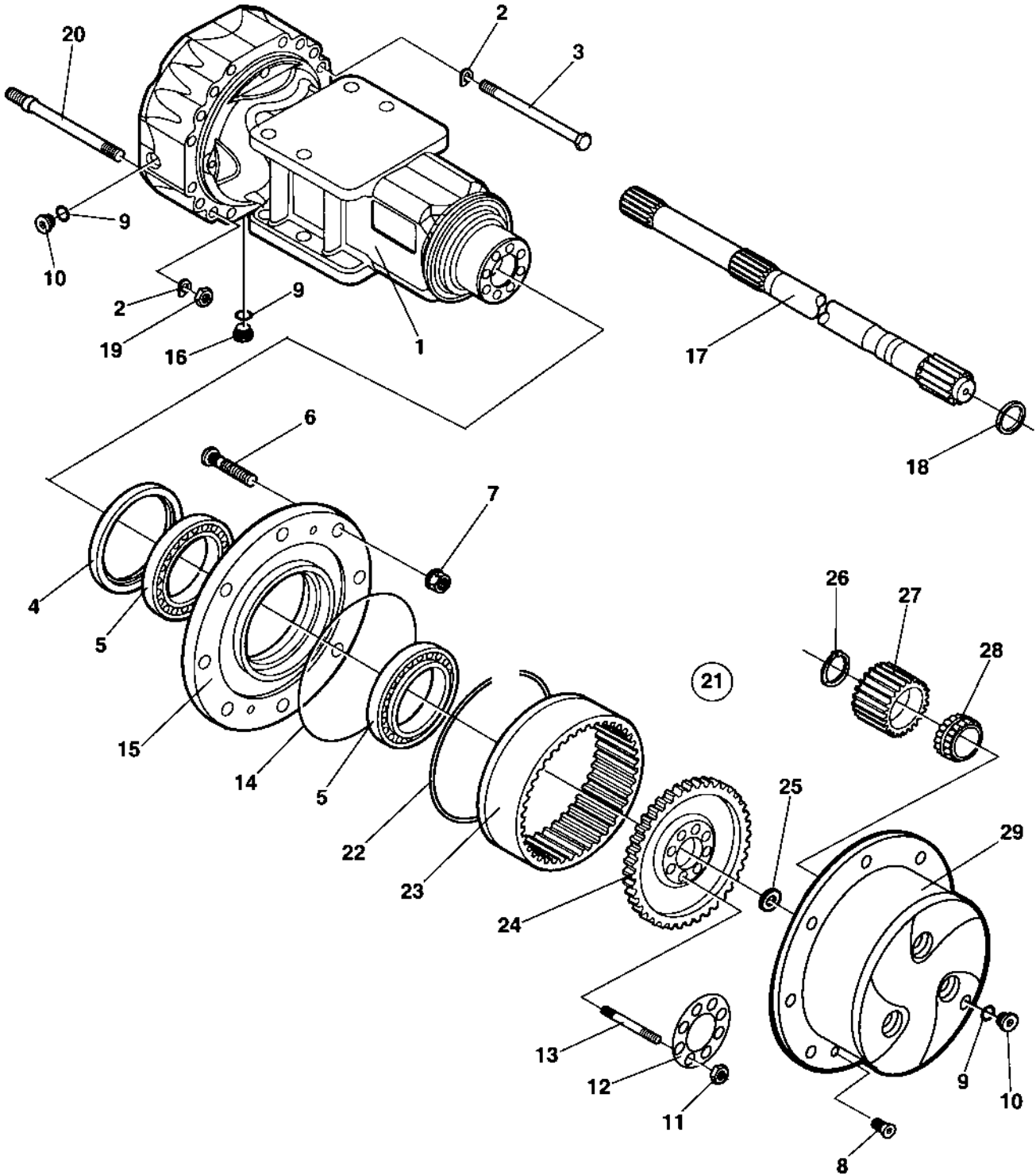


Differential with No-Spin

Item	Part No	Rem Qty	Description	Code
1	4700929638	1	Nut	
2	4700909574	1	Roller bearing	
3	4700908485	1	Housing	
4	4700939259	1	Shim	0,15mm
	4700909580	1	Shim	0,20mm
	4700909576	1	Shim	0,30mm
	4700929644	1	Shim	0,40mm
	4700939260	1	Shim	0,50mm
5	4700909567	1	Spacer	
6	4700909568	1	Shim	0,10mm
	4700909569	1	Shim	0,20mm
	4700909570	1	Shim	0,50mm
	4700939258	1	Shim	0,15mm
7	4700212553	1	Bevel gear set	
8	4700929628	16	Washer	
9	4700929629	16	Screw	
10	4700938989	2	Screw	
11	4700939261	2	Nut	
12	4700923342	1	Bearing	
13	4700929630	1	Differential case	
14	4700929631	1	Spacer	
15	4700929625	8	Screw	
16	4700929626	1	Non-spin unit	
17	4700909581	1	Roller bearing	
18	4700939257	16	Bolt	
19	4700909572	16	Spring washer	

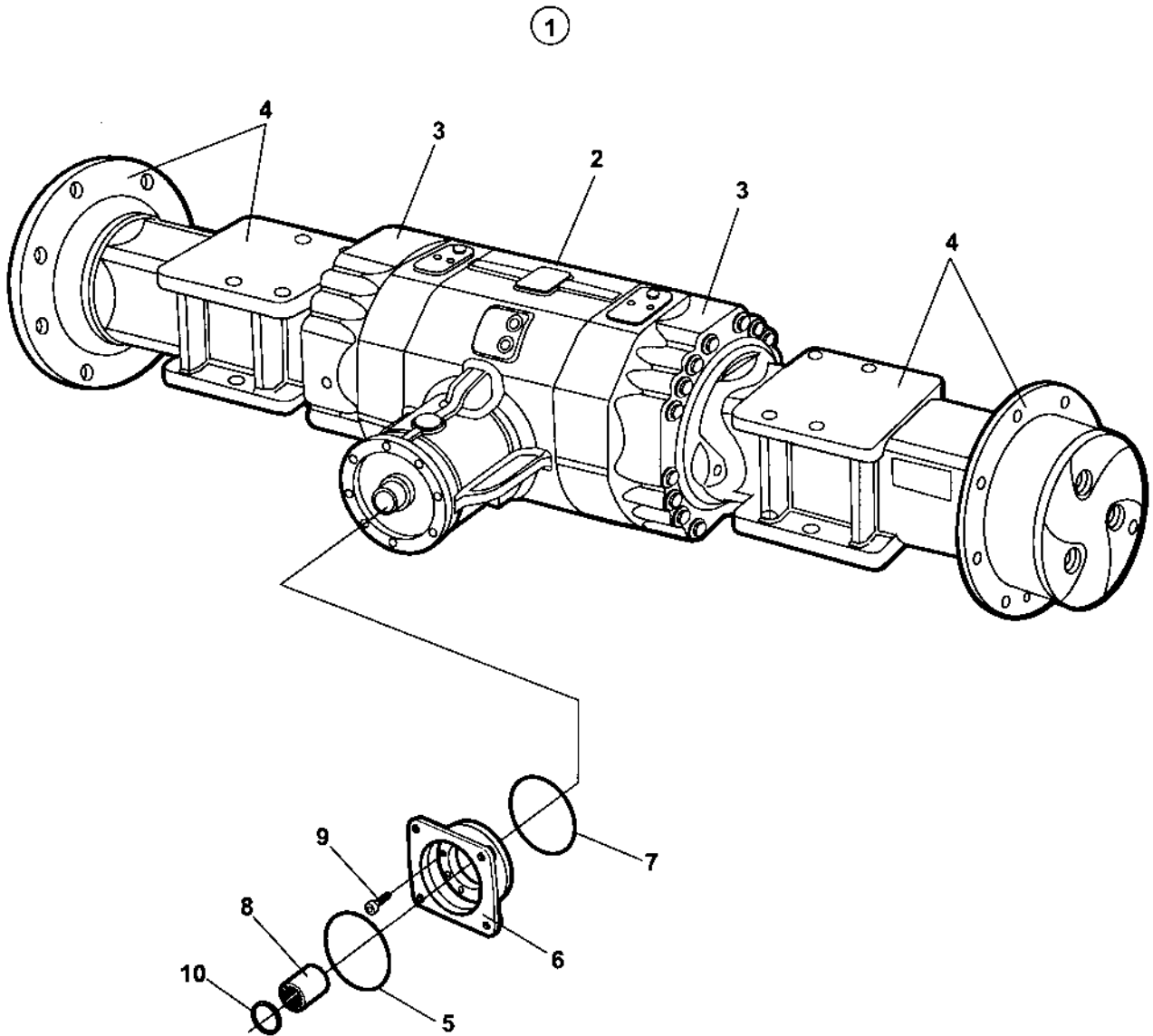
Planet gear

17673



Planet gear

Item	Part No	Rem Qty	Description	Code
1	4700939263	2	Axle case	
2	4700939003	32	Spring washer	
3	4700939264	24	Bolt	
4	4700939265	2	Seal	
5	4700939266	4	Bearing	
6	4700926781	20	Wheel screw	
7	4700901987	20	Wheel nut	
8	4700939015	4	Screw	
9	4700330333	6	Copper washer	D
10	4700909596	4	Plug	
11	4700939016	20	Nut	
12	4700939275	2	Lock plate	
13	4700939017	20	Stud	
14	4700929612	2	O-ring	
15	4700939276	2	Wheel hub	
16	4700938985	2	Magnetic plug	
17	4700939277	2	Half shaft	
18	4700909586	2	Seal	D
19	4700939019	8	Nut	
20	4700939278	8	Stud	
21	4700939351	2	Planet gear carrier Cpl.	
22	4700939267	2	.Circlip	
23	4700939268	2	.Ring gear	
24	4700939269	2	.Ring gear support	
25	4700939270	2	.Washer	
26	4700939271	8	.Seal	
27	4700939272	8	.Planet gear	
28	4700939273	8	.Bearing	
29	4700939349	2	.Planet gear carrier	

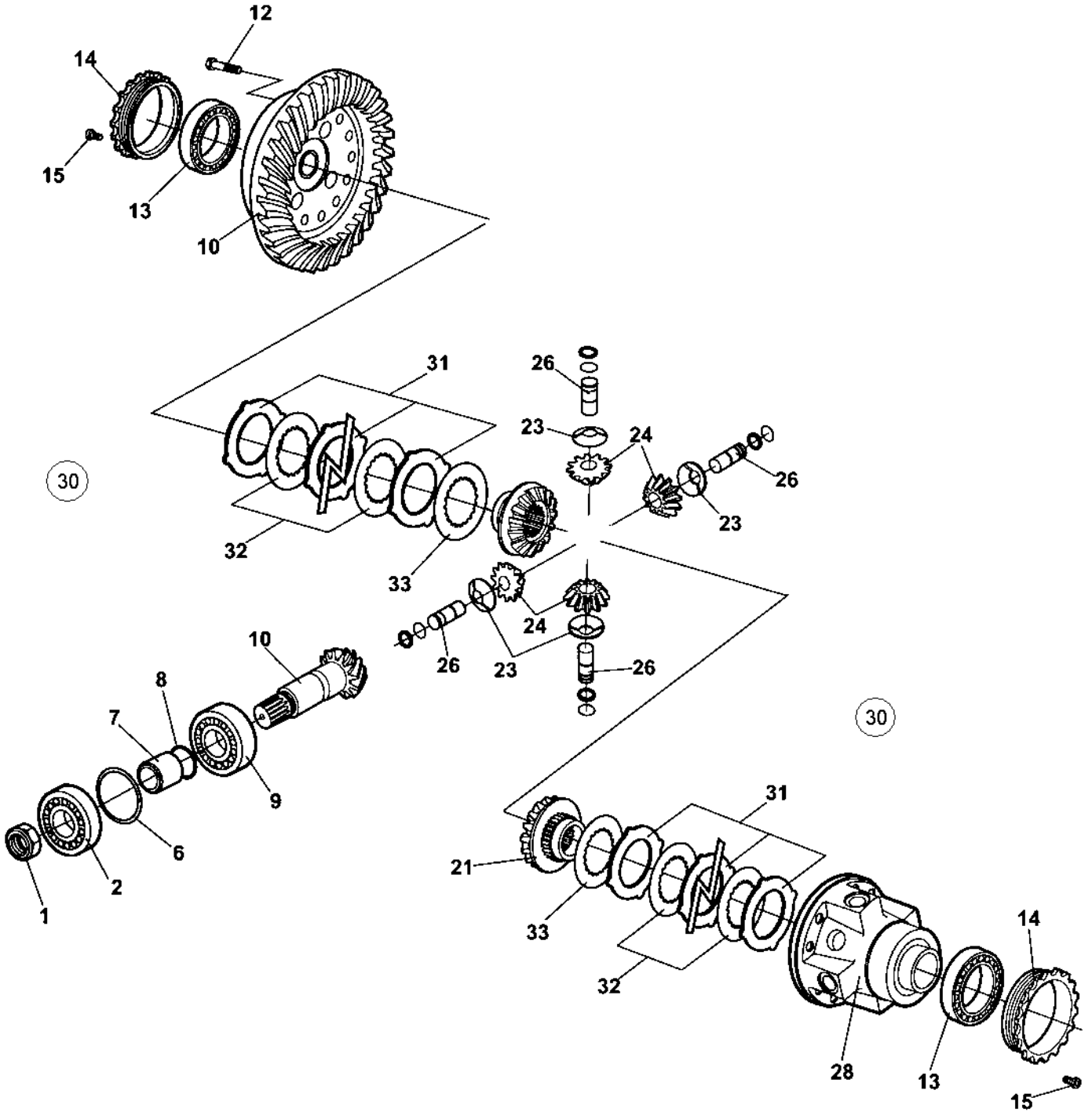


4700393002 Rear axle

Item	Part No	Rem Qty	Description	Code
1		1	Rear axle	
2		1	.Differential with limited slip (Page 70)	
3		2	.Differential housing and brakes (Page 72)	
4		2	.Planet gear (Page 74)	
5	4700909630	1	O-ring	D
6	4700950556	1	Flange	
7	4700929648	1	O-ring	D
8	4700950559	1	Splined sleeve	
9	4700929712	8	Screw	
10		1	Circlip	

Differential with limited slip

18841

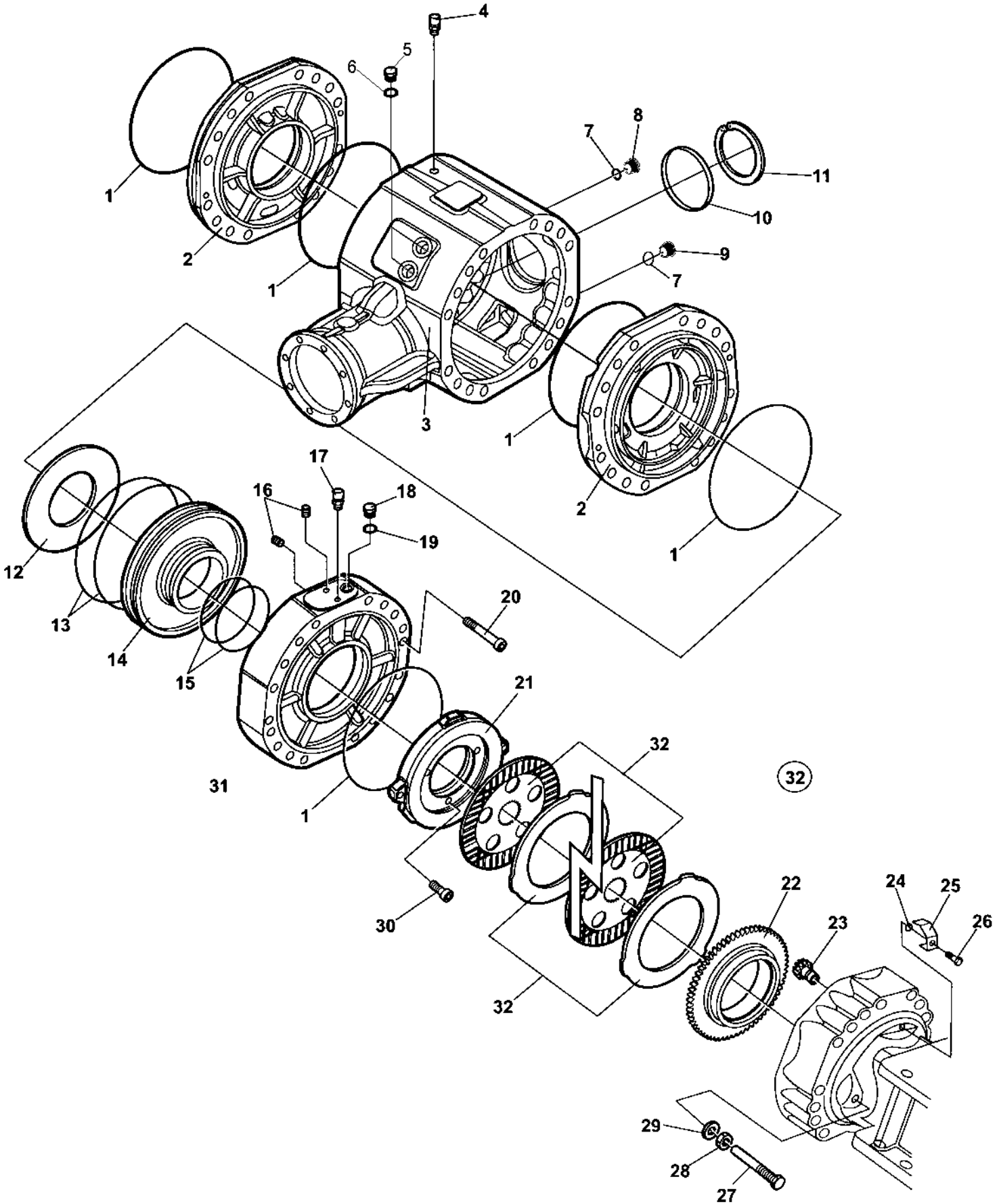


Differential with limited slip

Item	Part No	Rem Qty	Description	Code
1	4700938988	1	Ring nut	
2		1	Roller bearing	
6	4700926354	N	Shim	
	4700926356	N	Shim	
	4700926786	N	Shim	
7		1	Spacer	
8	4700936053	1	Shim	0.15mm
	4700936054	1	Shim	0.20mm
	4700936055	1	Shim	0.40mm
	4700936056	1	Shim	0.50mm
9		1	Roller bearing	
10		1	Bevel gear set	
12	4700938991	16	Screw	
13		1	Bearing	
14		2	Nut	
15	4700938989	2	Screw	
21		2	Differential gear	
23	4700936036	4	Friction washer	
24	4700936035	4	Differential pinion	
26		4	Pin	
28		1	Differential carrier	
30	4700938993	2	Disc kit	D
31		N	.Limited slip disc	D
32		N	.Limited slip disc	D
33		N	.Limited slip disc	D

Differential housing and brakes

18842

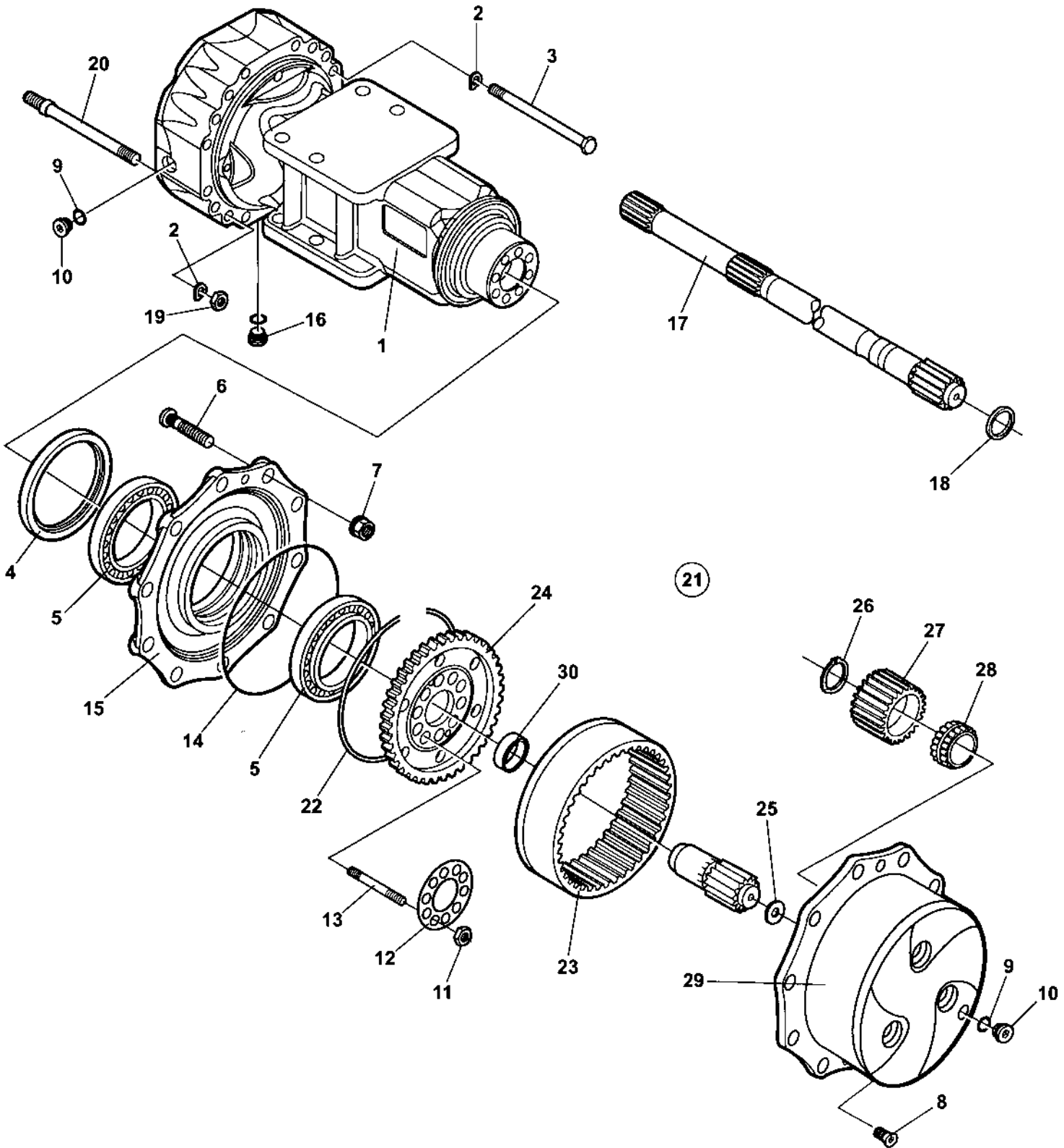


Differential housing and brakes

Item	Part No	Rem Qty	Description	Code
1	4700929612	6	O-ring	
2		2	Cover	
3		1	Housing	
4	4700938984	1	Vent nipple	
5	4700909544	2	Screw	
6	4700938983	2	Sealing washer	
7		2	Seal	
8	4700939348	1	Plug	
9	4700939350	1	Magnetic plug	
10		1	Plug	
11	4700929617	1	Lock ring	
12	4700909616	2	Spring	
13	4700909618	4	O-ring	D
14	4700939280	2	Piston	
15	4700909619	4	O-ring	D
16		4	Bolt	D
17	4700938984	2	Vent nipple	
18	4700939282	2	Bolt	
19	4700939036	2	Sealing washer	
20	4700939035	4	Screw	
21		2	Disc	
22	4700939285	2	Ring	
23	4700909622	2	Pinion	
24	4700900966	2	O-ring	D
25		2	Lock plate	D
26	4700909624	2	Screw	
27	4700909626	4	Bolt	
28	4700900957	4	Nut	
29	4700926847	4	Sealing washer	
30	4700939026	6	Screw	
31		2	Cover	
32	4700950558	2	Brake disc kit	
		10	.Brake disc	
		10	.Brake disc	
	4700929612	2	.O-ring	

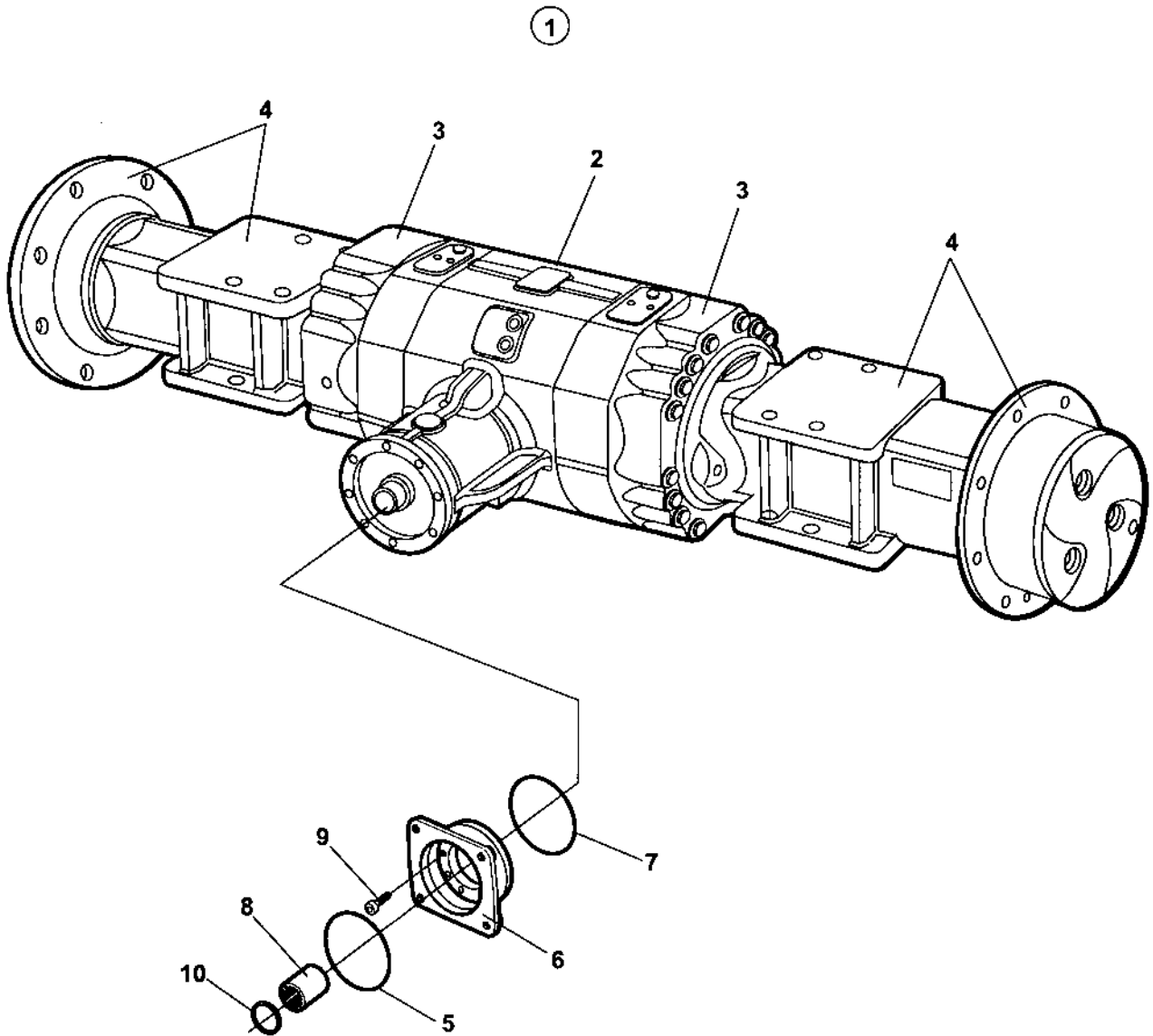
Planet gear

18840



Planet gear

Item	Part No	Rem Qty	Description	Code
1		2	Axle case	
2	4700939003	32	Spring washer	
3		24	Bolt	
4		2	Seal	
5	4700939009	4	Bearing	
6	4700926781	20	Wheel screw	
7	4700901987	20	Wheel nut	
8	4700939015	4	Screw	
9		6	Copper washer	
10	4700939348	4	Plug	
11	4700939016	20	Nut	
12	4700939010	2	Lock plate	
13	4700939017	20	Stud	
14	4700929612	2	O-ring	
15		2	Wheel hub	
16	4700939350	2	Magnetic plug	
17		2	Half shaft	
18	4700939014	2	Seal	
19	4700939019	8	Nut	
20	4700939278	8	Stud	
21	4700950557	2	Planet gear carrier Cpl.	
22	4700939267	2	.Circlip	
23		2	.Ring gear	
24		2	.Ring gear support	
25	4700939270	2	.Washer	
26	4700939271	6	.Seal	
27	4700939272	6	.Planet gear	
28	4700939273	6	.Bearing	
29		2	.Planet gear carrier	
30		2	Ring	



4700396309 Rear axle, Option

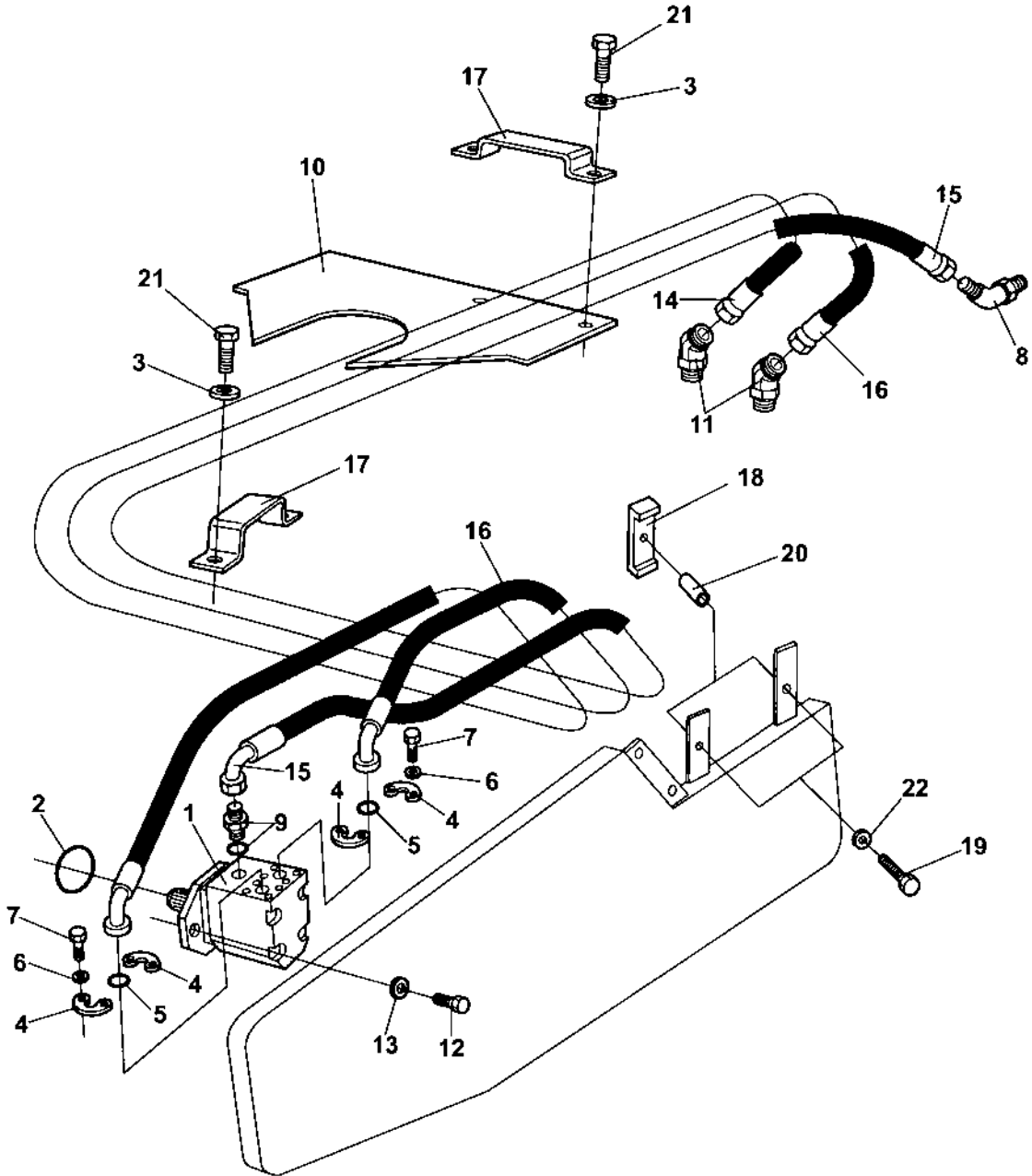
Item	Part No	Rem Qty	Description	Code
1		1	Rear axle	
2		1	.Differential with limited slip (Page 70)	
3		2	.Differential housing and brakes (Page 72)	
4		2	.Planet gear (Page 74)	
5	4700909584	1	O-ring	D
6	4700950555	1	Flange	
7	4700929648	1	O-ring	D
8	4700901834	1	Splined sleeve	
9	4700900256	8	Screw	
10		1	Not used on this model	

Hydraulic system

Item	Part No	Rem Qty	Description	Code
10			Propulsion system, Front (Page 80)	
15			Propulsion system, Rear (Page 82)	
17	4700371509		Propulsion motor (Page 92)	C
20			Vibration system (Page 94)	
30			Steering system (Page 104)	
60			Brake system (Page 110)	
70			Central test panel hydraulic (Page 112)	Option

Propulsion system, Front

16613-1

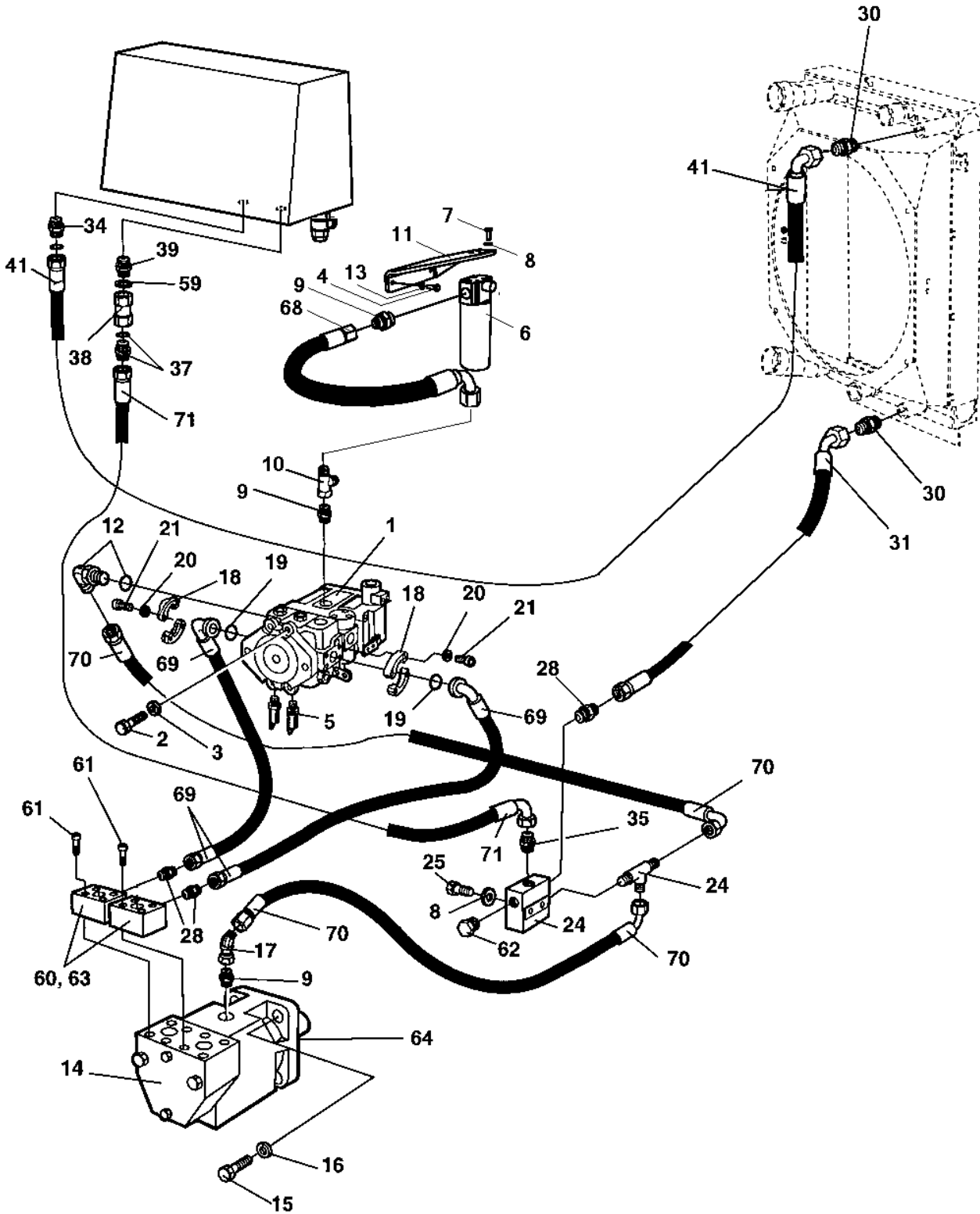


Propulsion system, Front

Item	Part No	Rem Qty	Description	Code
1	4700371509	1	Propulsion motor (Page 92)	C
2	4700904058	1	O-ring	
3	4700904230	6	Washer	
4	4700923384	4	Flange half	
5	4700904005	2	O-ring	
6	4700904638	8	Washer	12x22x2
7	4700502132	8	Screw	UNC 7/16" x 22
8	4700334132	1	Elbow 45, O-ring	
9	4700334138	1	Adapter	
10	4700372235	1	Hose guard	
11	4700791230	2	Elbow 45	
12	4700500101	2	Screw	M20x50
13	4700903290	2	Washer	21x36x6
14	4700483996	1	Hydraulic hose	
15	4700483190	1	Hydraulic hose	
16	4700483995	1	Hydraulic hose	
17	4700373016	2	Hose clamp	
18	4700373270	2	Hose clamp	
19	4700500032	2	Screw	M10 x 55
20	4700373423	2	Spacer	
21	4700500029	4	Screw	
22	4700904230	2	Washer	

Propulsion system, Rear

184910



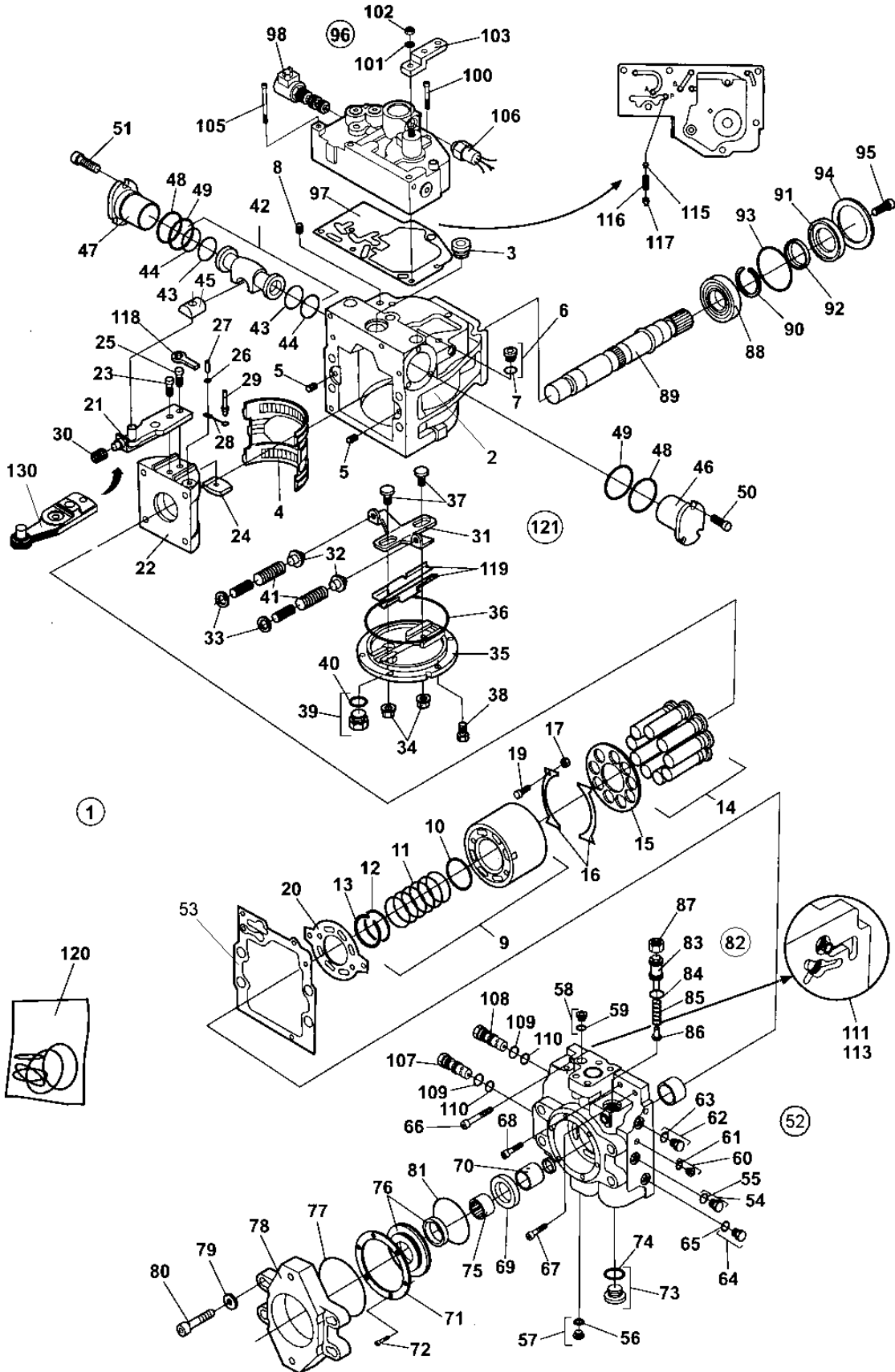
Propulsion system, Rear

Item	Part No	Rem	Qty	Description	Code
1	4700380830		1	Propulsion pump (Page 84)	C
2	4700500046		4	Screw	
3	4700904213		4	Washer	
4	4700500021		6	Screw	M8-1,25x25 8.8
5	4700900229		2	Measuring nipple	D
6	4700359550		1	Hydraulic oil filter, cpl	
	4700359551		1	.Filter head	
	4700359552		1	.Cleaning filter element	Maximum 50 hours use
	4700372229	A	1	Hydraulic oil filter element	A
7	4700500028		5	Screw	
8	4700904230		15	Washer	
9	4700334468		3	Adapter	
10	4700234243		1	T-connector	
11	4700380490		1	Filter bracket	
12	4700813499		1	Elbow 90, O-ring	
13	4700904229		12	Washer	8,4x16x1,5
14	4700375999		1	Hydraulic motor (Page 90)	
15	4700500263		4	Screw	M18x60
16	4700904793		8	Washer	19x34x3
17	4700334248		1	Elbow 45, O-ring	
18	4700923384		8	Flange half	
19	4700904005		4	O-ring	
20	4700904638		16	Washer	12x22x2
21	4700502132		16	Screw	UNC 7/16" x 22
24	4700345243		1	Connection block	
25	4700500109		2	Screw	M10-1,5x65 8,8
26	4700234875		1	Tee-connector o-ring	
28	4700792339		2	Straight connector orfs	
30	4700234958		4	Connector	
31	4700483610		1	Hydraulic hose	
34	4700234909		1	Straight connector	
35	4700334138		1	Adapter	
37	4700923371		1	Adapter	
38	4700374059		1	Check valve	
39	4700904282		1	Adapter	
41	4700484042		1	Hydraulic hose	
44	4700313102		1	Cable ties	
45	4700372235		1	Hose guard	
59	4700162008		1	Seal washer	
60	4700380717		2	Flange coupling	
61	4700509034		8	Screw	
63	4700904171		2	O-ring	
64	4700160132		1	O-ring	124, 50x3, 00
68	4700482010		1	Hydraulic hose	D
69	4700483551		2	Hydraulic hose	D
70	4700482391		2	Hydraulic hose	
71	4700482182		1	Hydraulic hose	D

A) Spare part for ordinary service

4700380830 Propulsion pump

18875



4700380830 Propulsion pump

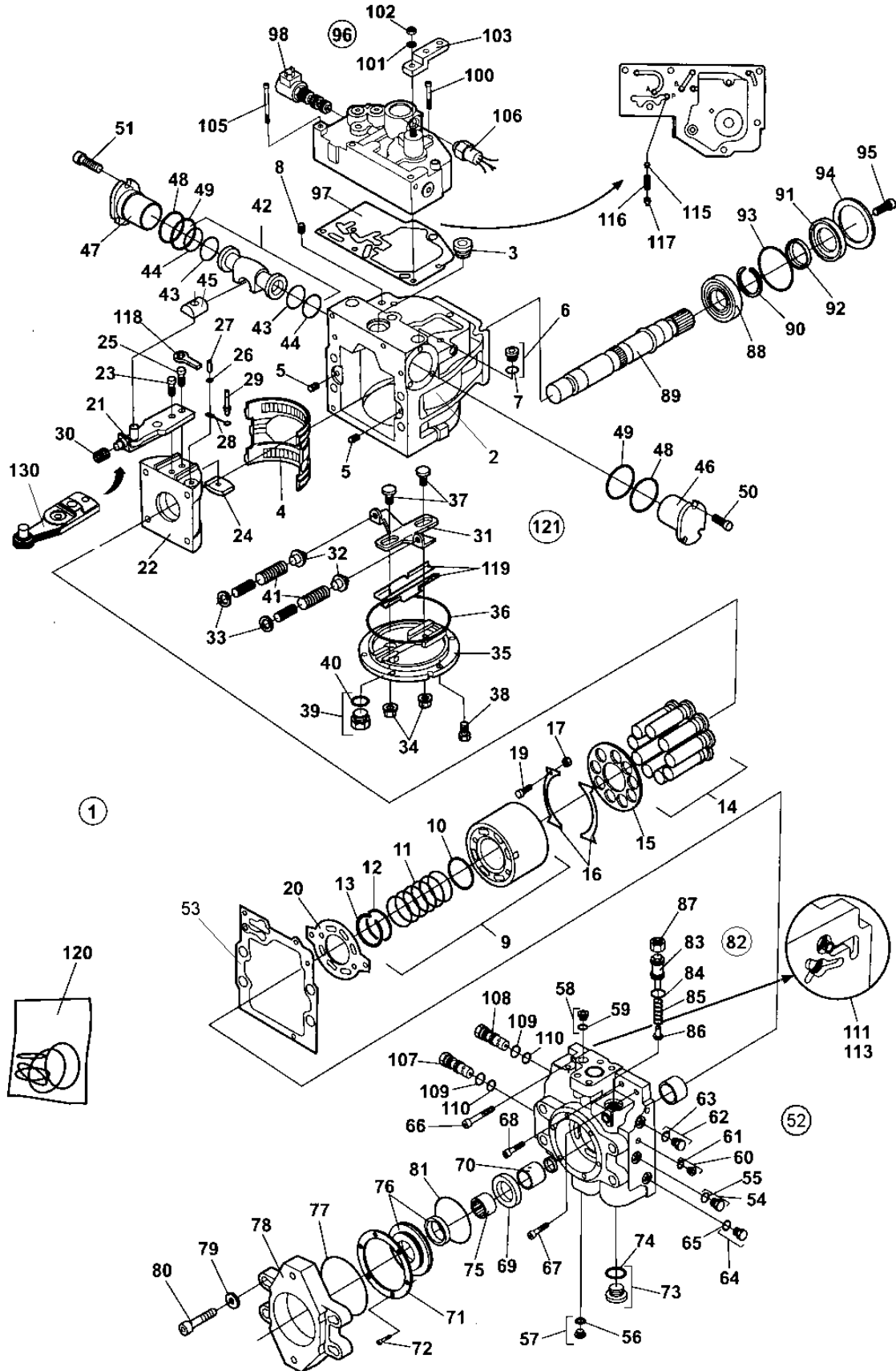
Item	Part No	Rem	Qty	Description	Code
1	4700380830		1	Propulsion pump (Page 84)	C
2	4700936546		1	.Housing	
		2	1	.Housing	
3	4700902928		1	.Plug	
4	4700901452		1	.Bearing	
		2	1	.Bearing	
5	4700813822		2	.Pin	
6	4700908432		2	.Plug	
7	4700923087	1	2	..O-ring	D
8	4700901454		3	.Filter element	D
9	4700901455		1	.Cylinder block, cpl	
10			1	..Spacer	
11			1	..Spring	
12			1	..Spring retainer	
13			1	..Ring retainer	
14	4700903570		9	.Piston	D
15	4700903571		1	.Pressure plate	D
16	4700901458		2	.Retainer guide	D
17	4700935856		4	.Spacer	
19	4700909382		4	.Screw	
20	4700936547		1	.Valve plate	
21	4700909727		1	.Servo arm, cpl	
22			1	.Swash plate	
		2	1	.Swash plate	
23	4700909386		1	.Screw	
		2	1	.Screw	
24	4700909387		1	.Guide	
25	4700909388		1	.Screw	
26	4700909389		1	.Washer	
27	4700909390		1	.Pin	
28	4700909391		1	.Link	
29	4700909392		1	.Pin	
30	4700909393		1	.Spring	
31			1	.Lever	
32			2	.Spring support	
33			2	.Washer	
34	4700909398	1	2	.Seal lock nut	
35			1	.Cover	
		2	1	.Cover	
36	4700936551	1	1	.O-ring	
37			2	.Guide post	
38	4700936553		6	.Screw	
39	4700902928		1	.Plug	
40	4700901453	1	1	..O-ring	
41	4700908352		2	.Spring	
42	4700936582		1	.Piston, cpl	
43		1	2	..O-ring	
44		1	2	..Seal ring	
45			1	..Guide	
46	4700903580		1	.Servo	
47	4700903580		1	.Servo	
48	4700936557	1	2	.O-ring	
49	4700936558	1	2	.O-ring	
50	4700936559		3	.Screw	
51	4700936559		3	.Screw	
52	4700936560		1	.End cap, cpl	
53	4700936561	1	1	.Gasket	
54	4700358388		1	.Plug	

1) Included in item 120, Seal kit

2) Valid with item 130

4700380830 Propulsion pump

18875



4700380830 Propulsion pump

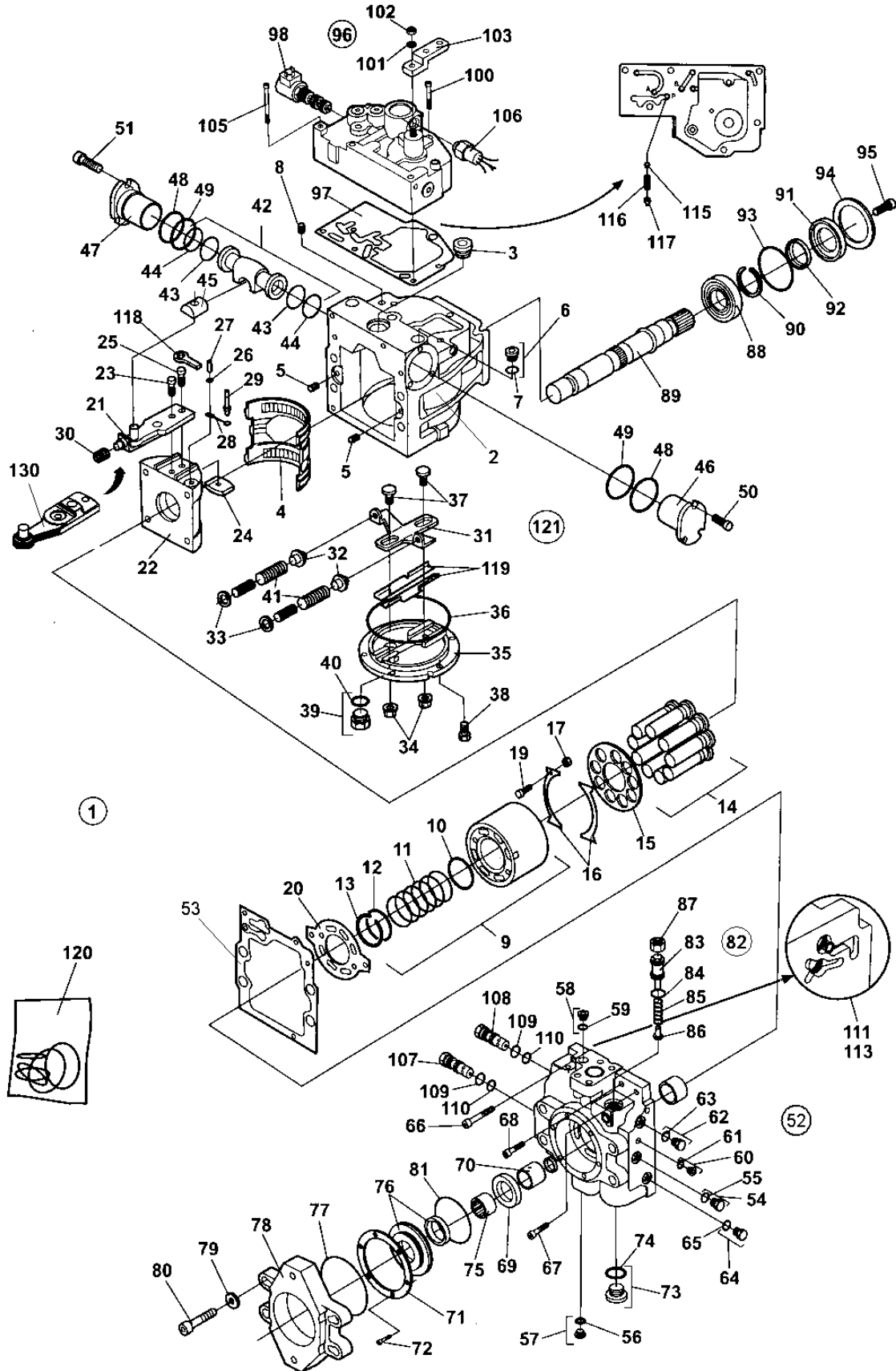
Item	Part No	Rem	Qty	Description	Code
55	4700923087	1	1	..O-ring	D
56	4700908432		1	.Plug	
57	4700923087	1	1	..O-ring	D
58	4700908432		1	.Plug	
59	4700923087	1	1	..O-ring	D
60	4700908432		1	.Plug	
61	4700923087	1	1	..O-ring	D
62	4700358388		1	.Plug	
63	4700923087	1	1	..O-ring	D
64	4700358388		1	.Plug	
65	4700923087	1	1	..O-ring	D
66	4700936562		1	.Screw	
67	4700936563		1	.Screw	
68	4700936564		1	.Screw	
69	4700950283		1	.Spacer	
70	4700950284		1	.Spacer	
71	4700935857		1	.Retaining plate	
72	4700936566		6	.Screw	
73	4700936567		1	.Plug, cpl	
74	4700936568	1	1	..O-ring	
75			1	.Coupling sleeve	
76			1	.Cover assembly	
77	4700909399	1	1	.O-ring	
78	4700936570		1	.Adapter	
79	4700936571		4	.Washer	
			4	.	
81	4700937150		1	.O-ring	
82	4700936583		1	.Pressure relief valve, cpl	
83			1	..Screw	
84		1	1	..O-ring	
85			1	..Spring	
86			1	..Valve cone	
87			1	..Nut	
88	4700901465		1	.Bearing	
89	4700901466		1	.Shaft	
90	4700901467		1	.Ring	
91			1	.Pressure plate	
92		1	1	.Seal	
		2	1	.Seal	
93		1	1	.O-ring	
94			1	.Retaining plate	
95			3	.Screw	
96	4700938170		1	.Control valve, cpl	
97	4700939489	1	1	..Control valve gasket	
98	4700938252		1	..Solenoid valve	
100			1	..Screw	
101	4700909428		1	..Washer	
102	4700909429		1	..O-ring	
103	4700909432		1	..Control lever	
105	4700937857		5	..Screw	
106	4700938253		1	..Neutral start switch	
107	4700212339		1	.Valve	
108	4700212339		1	.Valve	
109		1	2	..O-ring	
110		1	2	..O-ring	
111	4700901475		2	.Valve	D
113	4700901476		2	.Plug	D
115	4700909435		1	.Orifice	

1) Included in item 120, Seal kit

2) Valid with item 130

4700380830 Propulsion pump

18875

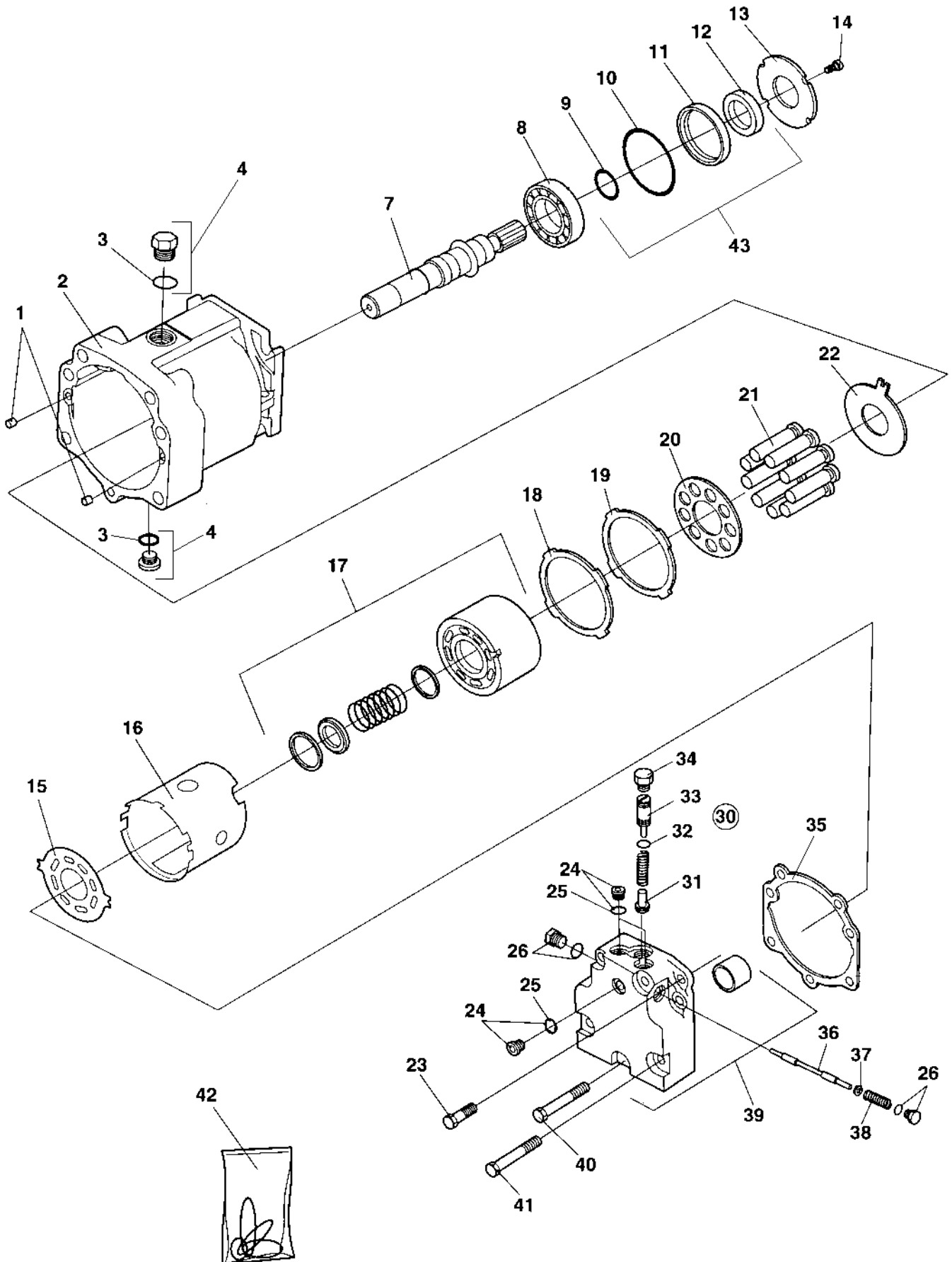


4700380830 Propulsion pump

Item	Part No	Rem Qty	Description	Code
116	4700909436	1	.Spring	
117	4700908448	1	.Spring retainer	
118		1	.Link	
119		1	.Guide assy, 1pair	
120	4700901328	1	.Seal kit	D
121	4700936548	1	.Cover assy	
130		1	.Servo arm	

4700375999 Hydraulic motor

18874



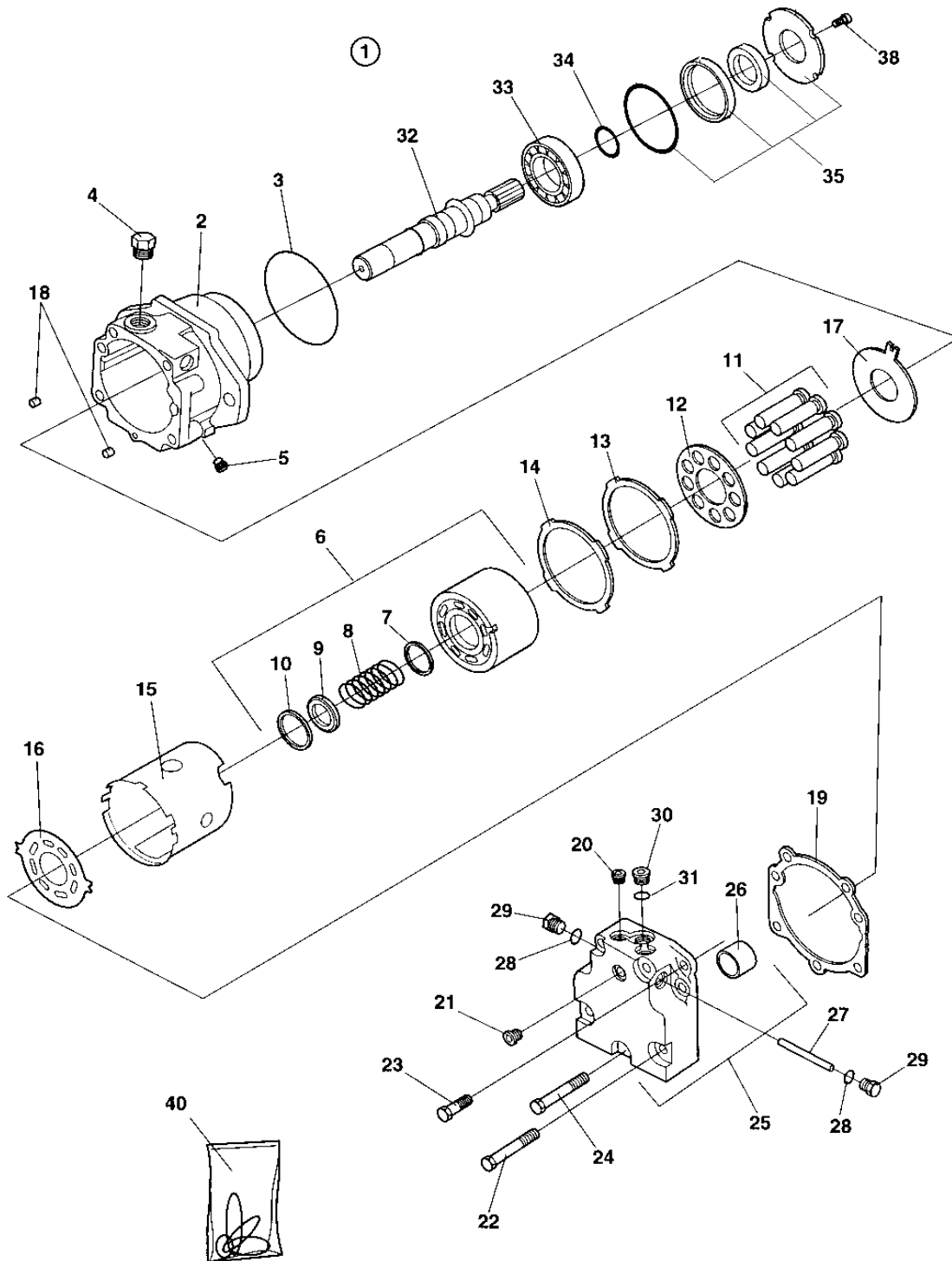
4700375999 Hydraulic motor

Item	Part No	Rem	Qty	Description	Code
1	4700813822		2	Pin	
2			1	Housing	
3		A	2	O-ring	
4	4700936567		2	Plug, cpl	
7			1	Shaft	
8			1	Bearing	
9			1	Ring	
10		A	1	O-ring	
11			1	Seal carrier	
12		A	1	Seal	
13			1	Retaining plate	
14	4700936563		3	Screw	
15	4700945160		1	Valve plate	
16			1	Holder	
17			1	Cylinder block, cpl	
18			1	Shim	
19			1	Retainer guide	
20			1	Pressure plate	
21			9	Piston	
22			1	Thrust plate	
23			2	Screw	
24	4700902337		3	Plug, cpl	
25		A	3	O-ring	
26			2	Plug, cpl	
30			1	Valve, cpl	
31			1	Spring collar	
32		A	2	O-ring	
33			1	Adapter	
34			1	Plug	
35		A	1	Gasket	
36			1	Spool	
37			2	Spring washer	
38			2	Spring	
39			1	End cap, cpl	
40			1	Screw	
41			4	Screw	
42	4700950378		1	Seal kit	D
43			1	Shaft seal kit	D

A) Included in item 42

4700371509 Propulsion motor

16542



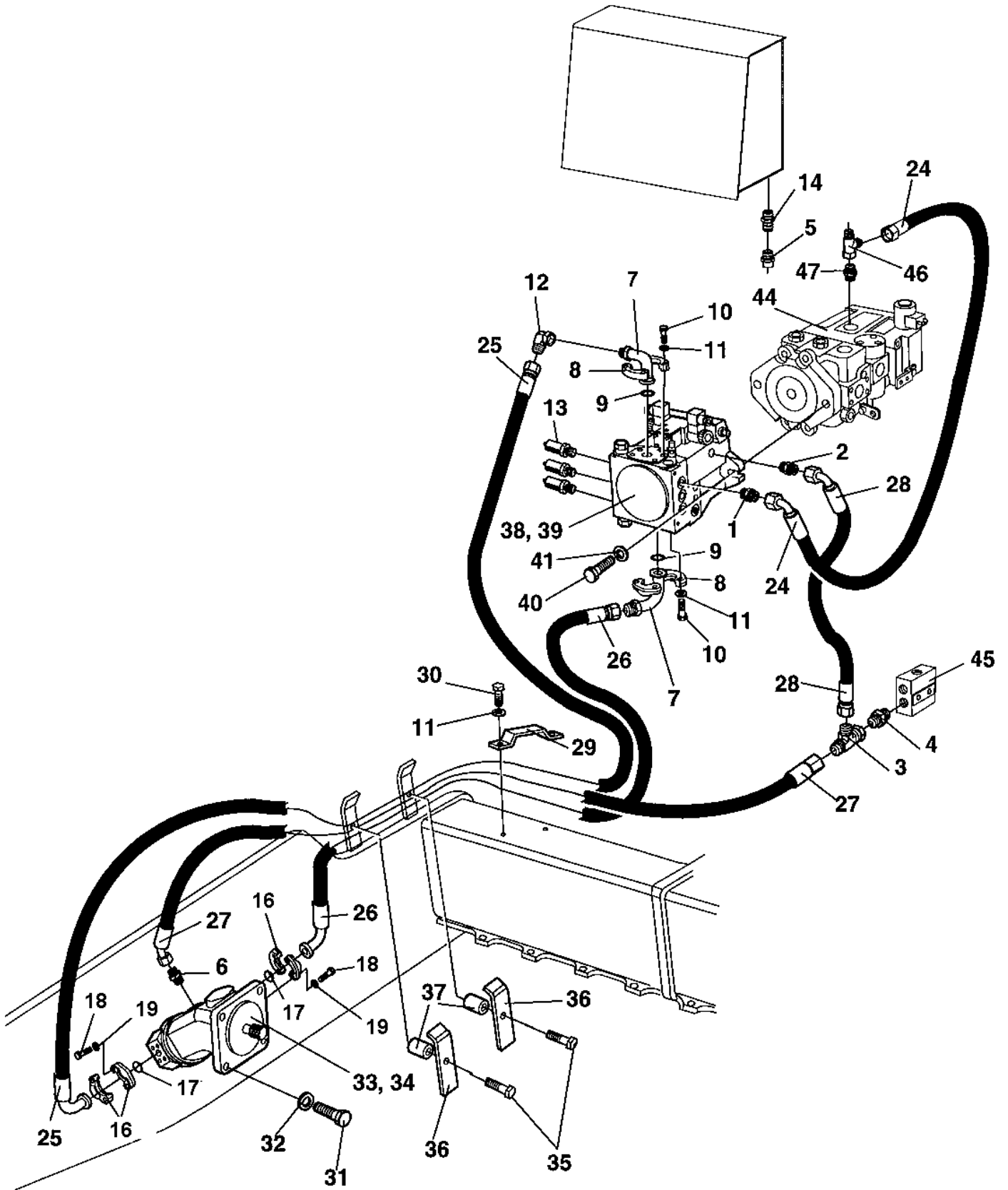
4700371509 Propulsion motor

Item	Part No	Rem	Qty	Description	Code
1			1	Hydraulic motor, Cpl	D
2	4700937274		1	.Housing	
3	4700937275	1	1	.O-ring	
4	4700902928		2	.Plug	
	4700901453	1	2	..O-ring	
5	4700908432		1	.Plug	
6	4700937277		1	.Cylinder block, cpl	
7	4700935619		1	..Spacer	
8	4700937278		1	..Spring	
9	4700935621		1	..Spring retainer	
10	4700935622		1	..Ring retainer	
11	4700903570		9	.Piston	D
12	4700903571		1	.Pressure plate	D
13	4700935623		1	.Retainer guide	
14	4700935624		1	.Shim	
15	4700935625		1	.Holder	
16	4700935626		1	.Valve plate	
17	4700937279		1	.Thrust plate	
18	4700813822		2	.Pin	
19	4700935629	1	1	.Gasket	D
20	4700358388		2	.Plug	
21	4700908432		1	.Plug	
22	4700909252		4	.Screw	
23	4700909253		2	.Screw	
24	4700935630		1	.Screw	
25	4700937280		1	.End cap, cpl	
26	4700903053		1	..Bushing	
27	4700909255		1	.Spool	
28	4700923087	1	2	.O-ring	D
29	4700358388		2	.Plug	
30	4700935853		1	.Plug	
31	4700926658	1	1	.O-ring	D
32	4700935631		1	.Shaft	
33	4700901465		1	.Bearing	
34	4700901467		1	.Ring	
35	4700950368		1	.Shaft seal kit	
38	4700908773		3	.Screw	
40	4700937283		1	Seal kit	

1) Includes in item 40, Seal kit

Vibration system

18323



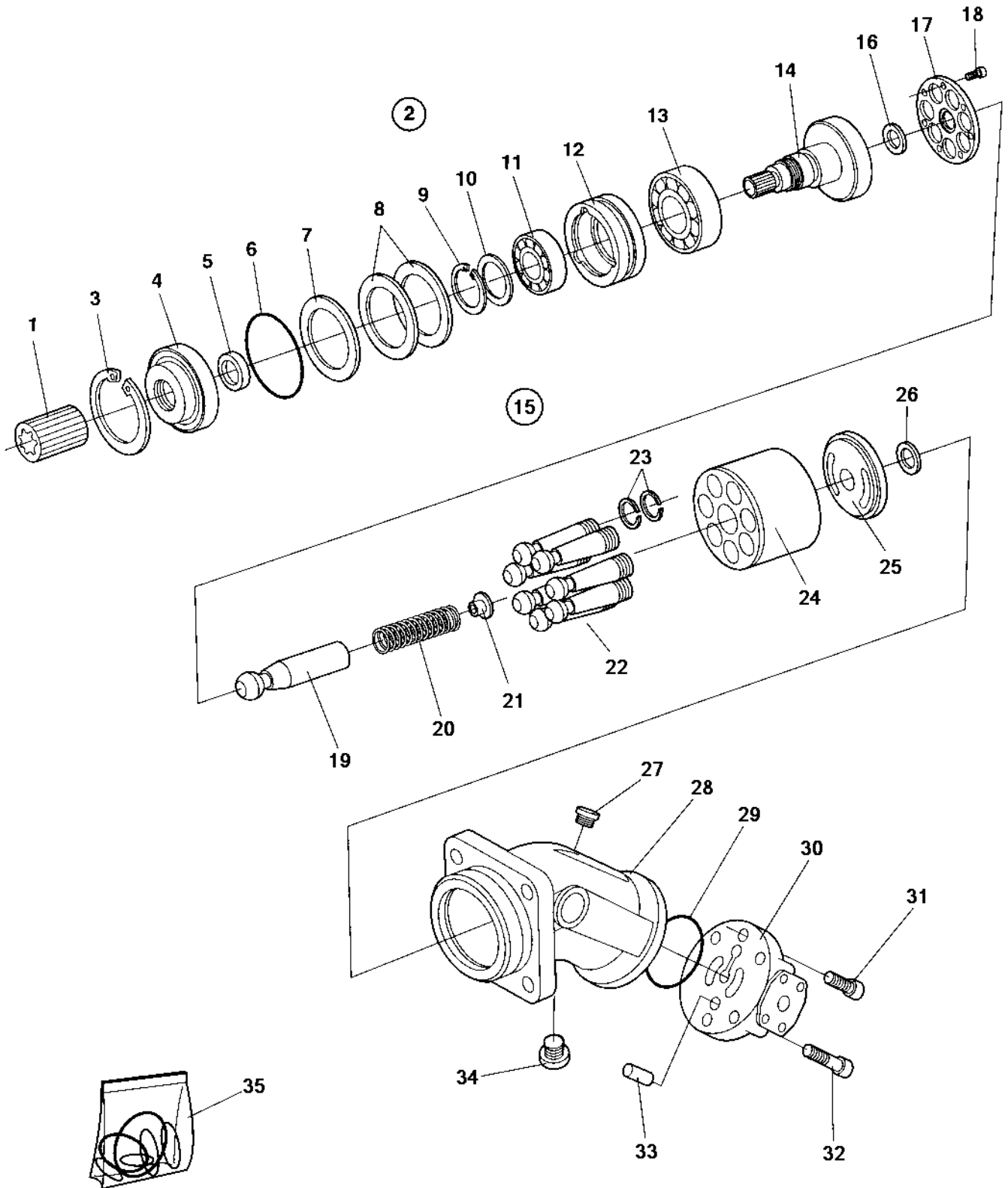
Vibration system

Item	Part No	Rem Qty	Description	Code
1	4700234382	1	Adapter	
2	4700901155	1	Connector	
3	4700334135	1	Tee-connector	
4	4700334122	1	Adapter	
5	4700330383	1	Cap hydraulic	
6	4700334121	1	Straight connector	
7	4700904767	2	Flange adapter	
8	4700929226	4	Flange half	
9	4700904773	2	O-ring	
10	4700500030	8	Screw	
11	4700904230	14	Washer	
12	4700904781	1	Adapter	
13	4700901157	3	Measuring nipple	D
14	4700334205	1	Straight connector	
16	4700900430	4	Flange half	
17	4700904774	2	O-ring	
18	4700502019	8	Screw	
19	4700904229	8	Washer	8,4x16x1,5
24	4700483286	1	Hydraulic hose	
25	4700483910	1	Hydraulic hose	
26	4700483911	1	Hydraulic hose	
27	4700483031	1	Hydraulic hose	
28	4700483397	1	Hydraulic hose	
29	4700373017	2	Hose clamp	
30	4700500028	4	Screw	
31	4700500194	4	Screw	
32	4700904231	4	Washer	13x24x2 300 HV
33	4700380145	1	Hydraulic motor, vibration (Page 96)	C
34	4700160132	1	O-ring	D
35	4700500032	2	Screw	124, 50x3, 00 M10 x 55
36	4700373270	2	Hose clamp	
37	4700373424	2	Spacer	
38	4700383958	1	Vibration pump (Page 98)	C
39	4700903877	1	O-ring	
40	4700502078	2	Screw	
41	4700904232	2	Washer	
44		A	1 Hydraulic pump	
45		A	1 Connection block	
46		A	1 Tee-connector	
47		A	1 Straight connector	

A) See section "Hydraulic propulsion"

4700380145 Hydraulic motor, vibration

16978



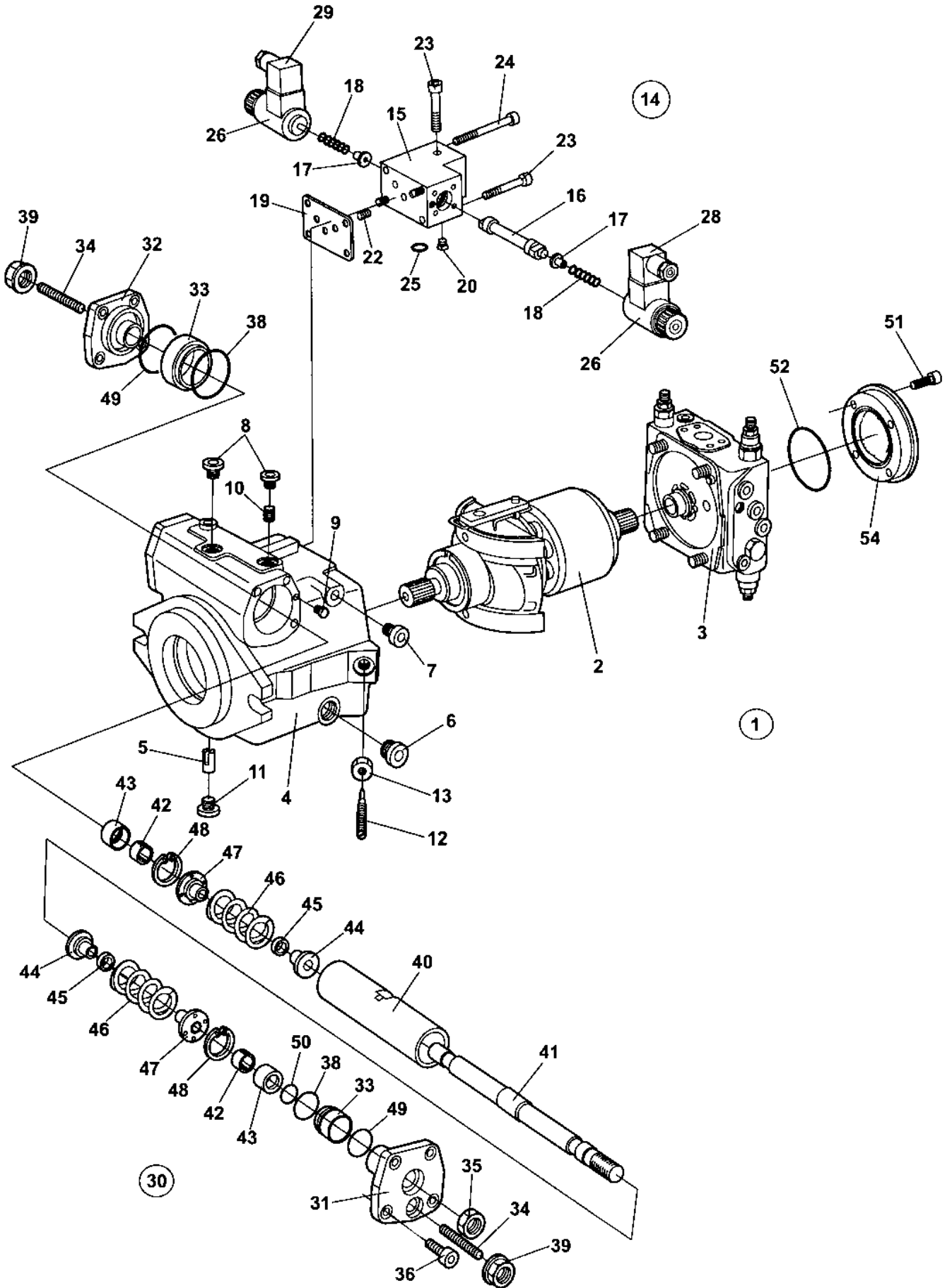
4700380145 Hydraulic motor, vibration

Item	Part No	Rem	Qty	Description	Code
			1	Hydraulic motor, vibration	
1	4700340863		1	..Splined sleeve	D
2	4700380078		1	..Hydraulic motor, vibration	
3	4700901387		1	..Snap ring	
4	4700937261		1	..Cover	
5	4700937264	1	1	..Seal ring	
6	4700937265	1	1	..O-ring	
7	4700901390		1	..Shim	T=0,3 mm
8	4700901389		2	..Shim	T=0,1 mm
9	4700938042		1	..Retaining ring	
10	4700938041		1	..Back-up plate	
11	4700901386		1	..Bearing	
12	4700937260		1	..Bearing ring	
13	4700901385		1	..Bearing	
14	4700938040		1	..Shaft	
15			1	..Rotary group, hydr.section	
16			1	..Washer	
17			1	..Retaining plate	
18			7	..Screw	
19			1	..Pin	
20			1	..Spring	
21			1	..Spring collar	
22			7	..Piston	
			1	...Piston	
23			2	...Sealing ring	
24			1	..Cylinder	
25			1	..Pressure plate	
26			1	..Washer	
27	4700937995		1	..Screw	
28	4700937256		1	..Housing	
29	4700937258	1	1	..O-ring	
30	4700937257		1	..Plate	
31	4700902655		2	..Screw	
32	4700927350		4	..Screw	
33	4700937993		1	..Pin	
34	4700937259	1	1	..Screw	
35	4700937674		1	..Seal kit	

1) Included in seal kit, item 35

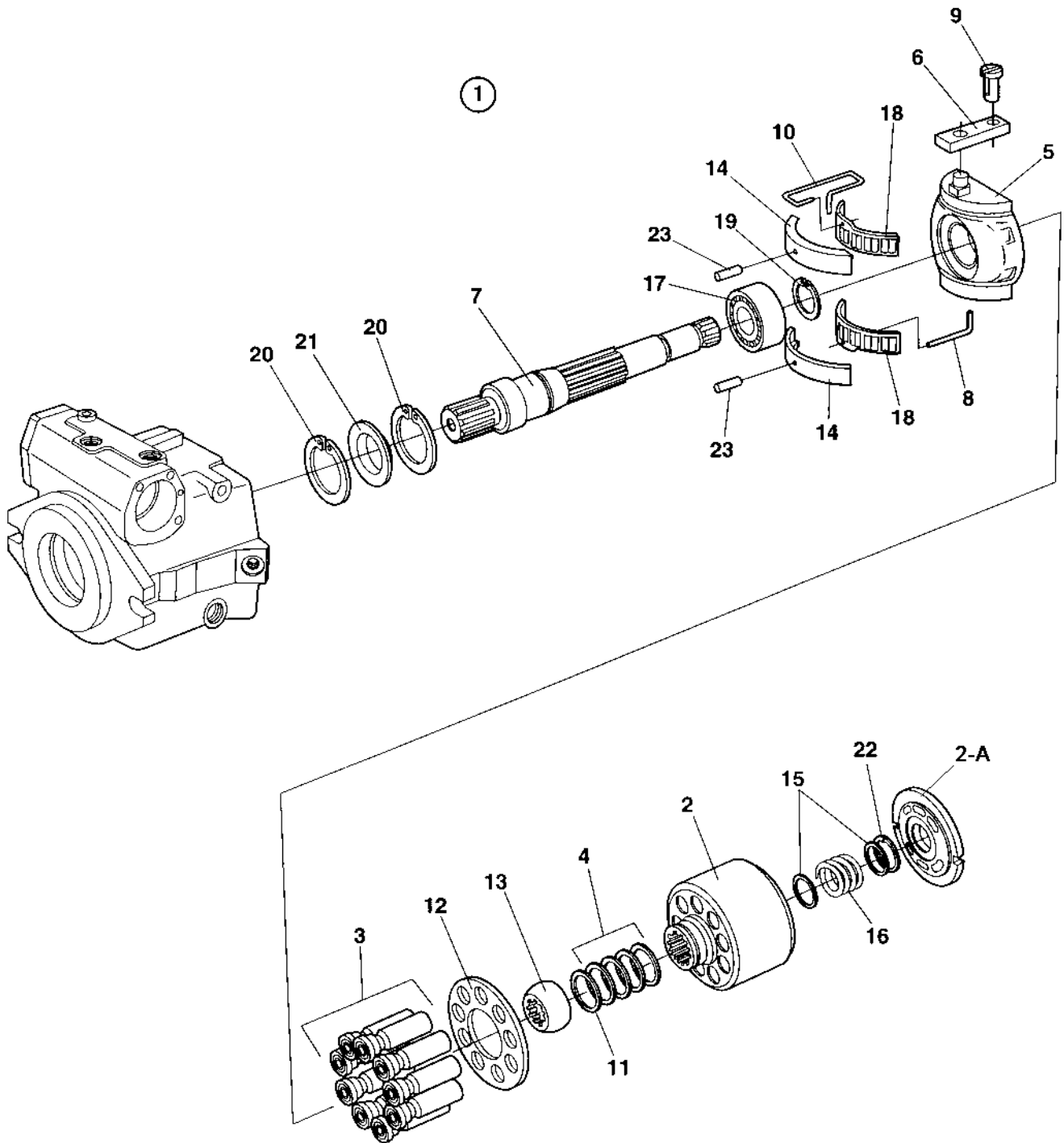
4700383958 Vibration pump

18843



4700383958 Vibration pump

Item	Part No	Rem Qty	Description	Code
1		1	Vibration pump	
	4700940675	1	.Seal kit	
2	4700937167	1	.Rotary group, cpl (Page 100)	
3	4700937168	1	.Valve block, cpl (Page 102)	
4	4700937986	1	.Housing	
5	4700935158	1	.Pin	
6	4700935219	1	.Plug	
7	4700902724	1	.Plug	
8	4700936803	5	.Plug	
9	4700909514	2	.Pin	
10	4700936308	2	.Orifice	
11	4700902624	1	.Screw	
12	4700902687	1	.Pin	
13	4700902695	1	.Nut	
14	4700940507	1	.Control valve, cpl	
15		1	..Housing	
16	4700945775	1	..Piston	
17	4700945776	2	..Spring collar	
18	4700936686	2	..Spring	
19		1	..Gasket	
20		2	..Pin	
22	4700936307	1	..Double break-off pin	D
23	4700927358	3	..Screw	
24	4700908383	2	..Screw	
25		1	..O-ring	
26	4700940505	2	..Solenoid	
28		1	..Socket	
29		1	..Socket	
30	4700937985	1	.Hydraulic control	
31	4700937998	1	..Cover	
32	4700937999	1	..Cover	
33	4700938003	2	..Guide ring	
34	4700937195	2	..Pin	
35	4700936340	1	..Nut	
36	4700902856	8	..Screw	
38	4700938004	2	..O-ring	
39	4700936393	2	..Seal lock nut	
40	4700938005	1	..Piston	
41	4700937198	1	..Rod	
42		2	..Ring	
43	4700938014	2	..Sleeve	
44	4700937199	2	..Spring collar	
45	4700936648	2	..Spacer ring	
46	4700937531	2	..Spring, outer	
	4700937200	2	..Spring, inner	
47	4700937201	2	..Spring collar	
48	4700939167	2	..Retaining ring	
49	4700938001	2	..O-ring	
50	4700909469	1	..O-ring	
51	4700939173	4	.Screw	
52	4700935192	1	.O-ring	
54		1	.Cover	

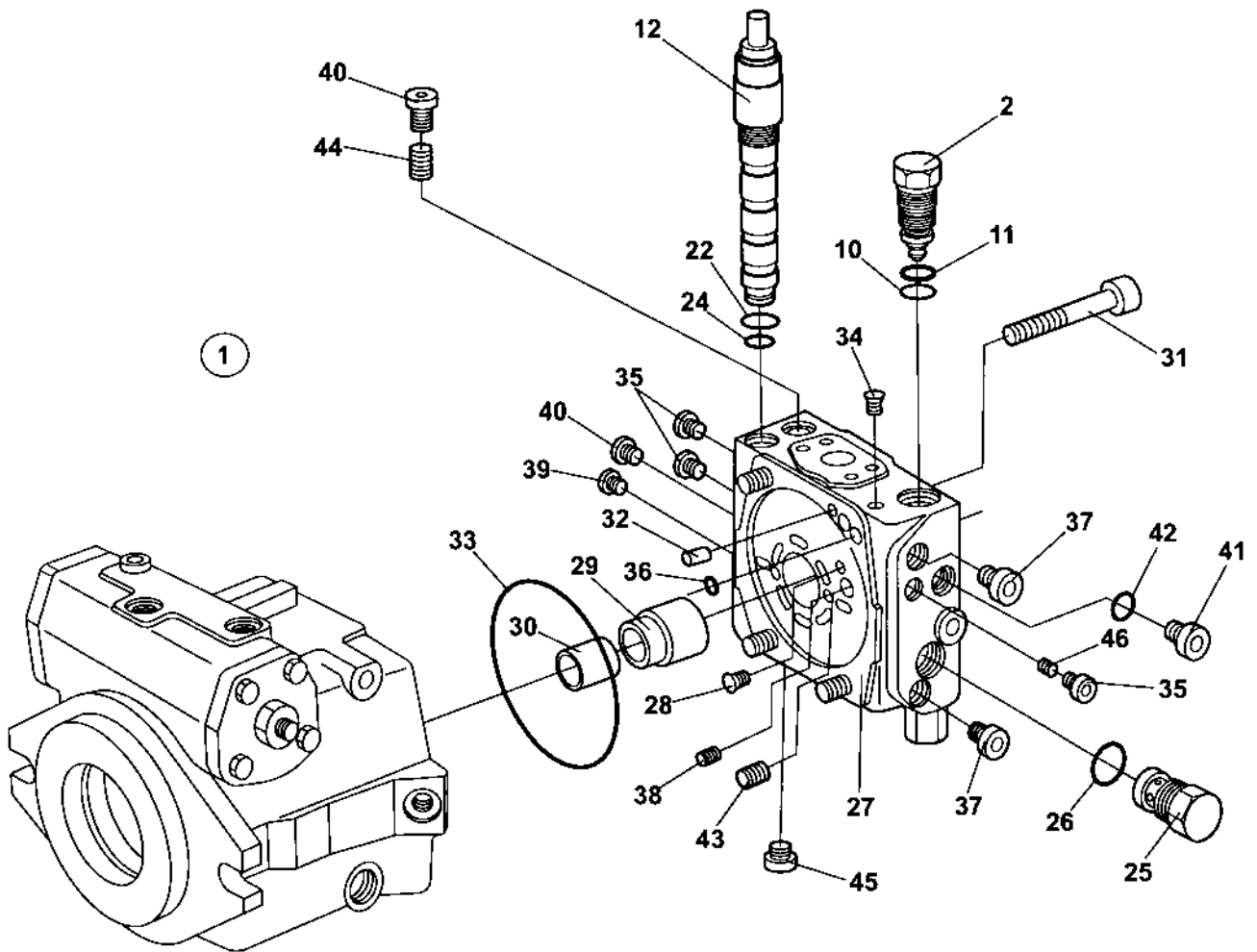


4700937167 Rotary group, cpl

Item	Part No	Rem Qty	Description	Code
1		1	Rotary group, cpl	
2	4700937170	1	.Cylinder with control plate	
2-A	4700940308	1	..Control plate	
3	4700937171	9	.Piston	
4	4700937172	1	.Cup springs, cpl	
5	4700937173	1	.Cradle	
6	4700937174	1	.Slide ring	
7	4700908367	1	.Shaft	
8	4700936621	1	.Wire	
9	4700935164	1	.Pin	
10	4700937175	1	.Wire	
11	4700937176	1	.Shim	
12	4700937180	1	.Retaining plate	
13	4700937181	1	.Retaining ball	
14	4700937182	1	.Bearing liner, 1 pair	
15	4700937183	2	.Washer	
16	4700937184	1	.Spring	
17	4700937185	1	.Bearing	
18	4700937186	1	.Cradle bearing assembly, 1 set	
19	4700937187	1	.Retaining ring	
20	4700937188	2	.V-ring	
21	4700937189	1	.Seal ring	
22	4700937190	1	.Retaining ring	
23	4700902792	2	.Pin	

4700937168 Valve block, cpl

18844

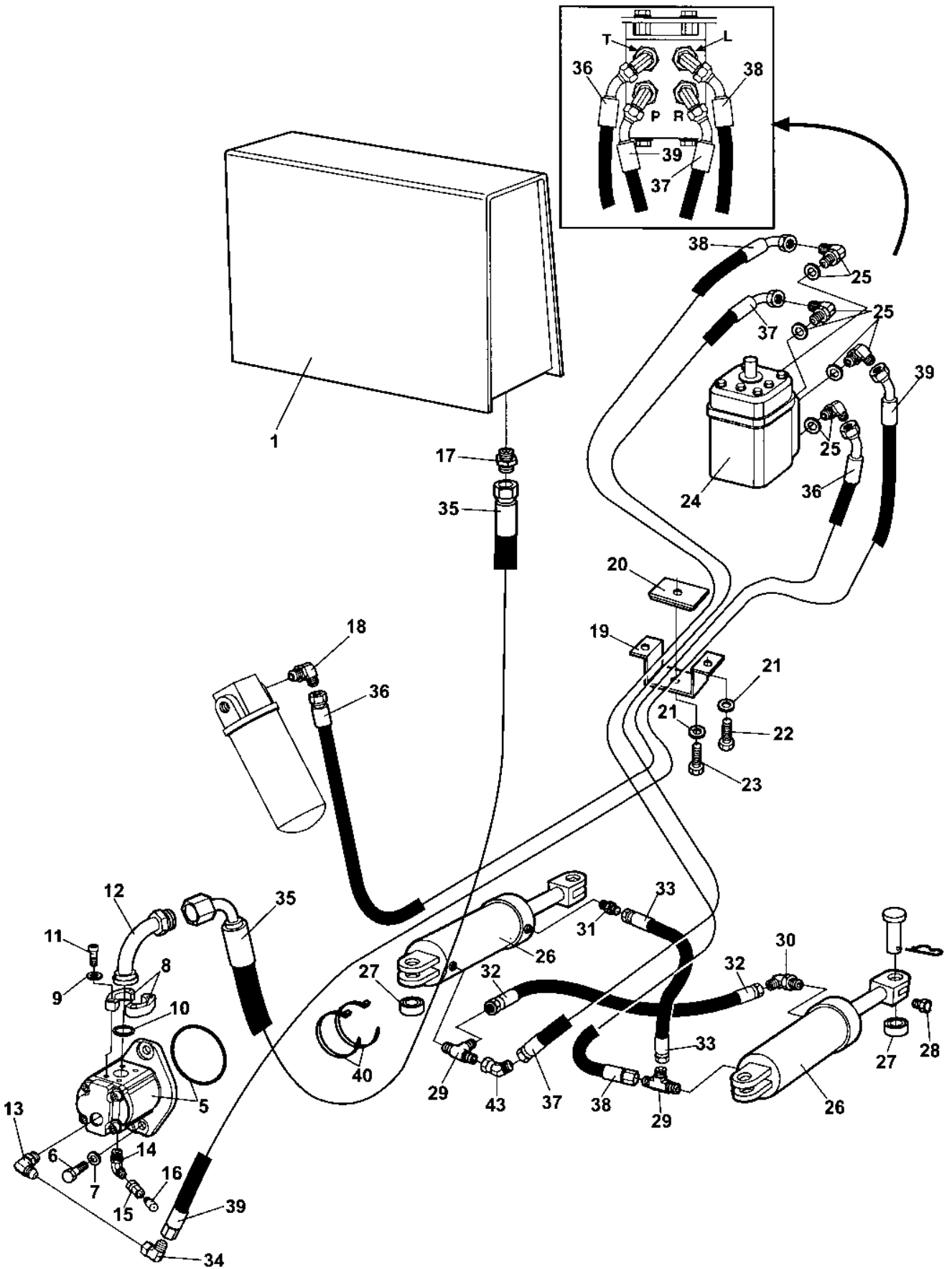


4700937168 Valve block, cpl

Item	Part No	Rem Qty	Description	Code
1		1	Valve block, cpl	
2		2	.Relief valve 310 bar	
	4700935172	2	.Pressure relief valve 350 bar	D
		2	.Relief valve 380 bar	D
	4700937240	2	.Pressure relief valve 440 bar	
10	4700927278	1	..O-ring	D
11	4700936673	1	..Back-up ring	
12	4700908375	1	.Valve	
22	4700902783	1	..O-ring	D
24	4700936394	1	..O-ring	
25	4700936674	1	.Pin	
26	4700927278	1	.O-ring	D
27	4700937202	1	.Port plate	
28	4700902735	1	.Pin	
29	4700937203	1	.Bush	
30	4700937204	1	.Bearing bushing	
31	4700937205	4	.Screw	
32	4700908384	2	.Pin	
33	4700937206	1	.O-ring	
34	4700909514	3	.Pin	
35	4700936370	3	.Locking screw	
36	4700909469	2	.O-ring	
37	4700902625	2	.Screw	
38	4700901742	1	.Pin	
39	4700902723	1	.Plug	
40	4700902811	3	.Plug	
41	4700902693	1	.Screw	
42	4700927278	1	.O-ring	D
43	4700902697	1	.Screw	
44	4700936613	1	.Locking screw	
45	4700936614	1	.Plug	
46	4700936313	1	.Orifice	

Steering system

18480

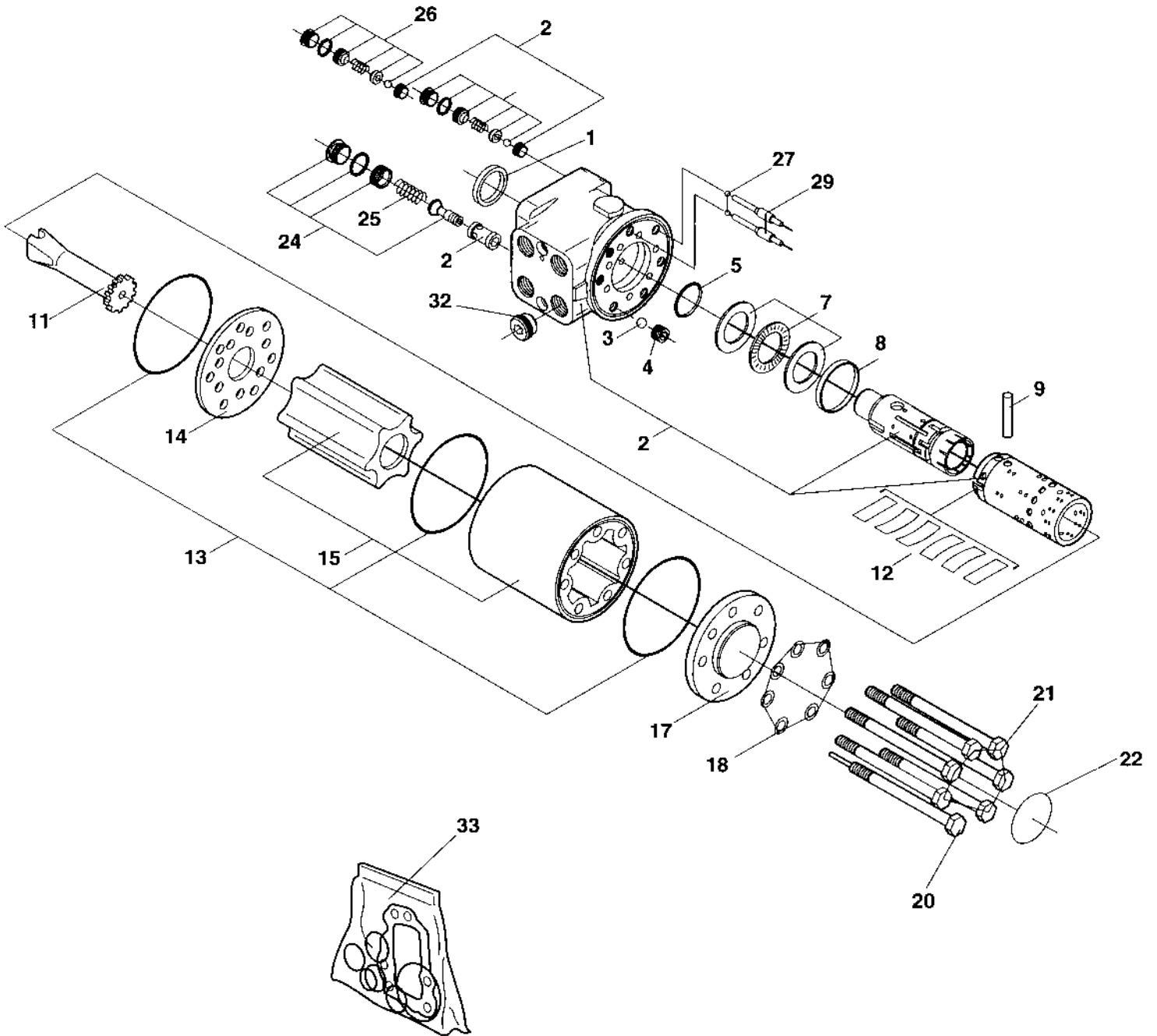


Steering system

Item	Part No	Rem Qty	Description	Code
1			Hydraulic oil tank	
5	4700394905	1	Steering pump	
6	4700500046	2	Screw	
7	4700904231	4	Washer	13x24x2 300 HV
8	4700232097	2	Flange half	D
9	4700904637	4	Washer	
10	4700904005	1	O-ring	
11	4700508029	4	Screw	M10-1,5x30H 8,8
12	4700379481	1	Connector	
13	4700334558	1	Elbow 90G with O-ring	
14	4700792237	1	Elbow 90, O-ring	
15	4700338304	1	Connector	
16	4700910161	1	Measuring nipple	D
17	4700234626	1	Adapter	
18	4700929123	1	Elbow 90, O-ring	
19	4700372513	1	Hose clamp	
20	4700372514	1	Hose clamp	
21	4700904229	3	Washer	8,4x16x1,5
22	4700500019	2	Screw	M8x16H 8.8 A2K
23	4700500023	1	Screw	M8-1,25x40 8,8
24	4700376000	1	Steering valve (Page 106)	
25	4700813444	4	Elbow 90, O-ring	
26	4700392002	2	Steering cylinder (Page 108)	C
27	4700379630	4	Radial spherical plain bearing	
28	4700500044	4	Screw	M6x8
29	4700234218	2	Tee-connector	
30	4700813500	1	Elbow 45, O-ring	
31	4700334121	1	Straight connector	
32	4700483109	1	Hydraulic hose	
33	4700483109	1	Hydraulic hose	
34	4700334197	1	Elbow 90 Up to 78X20400	
35	4700483049	1	Hydraulic hose	
36	4700483498	1	Hydraulic hose	
37	4700483280	1	Hydraulic hose	
38	4700483497	1	Hydraulic hose	
39	4700483231	1	Hydraulic hose	
40	4700313102	2	Cable ties	
43	4700234662	1	Elbow 45	

4700376000 Steering valve

17013



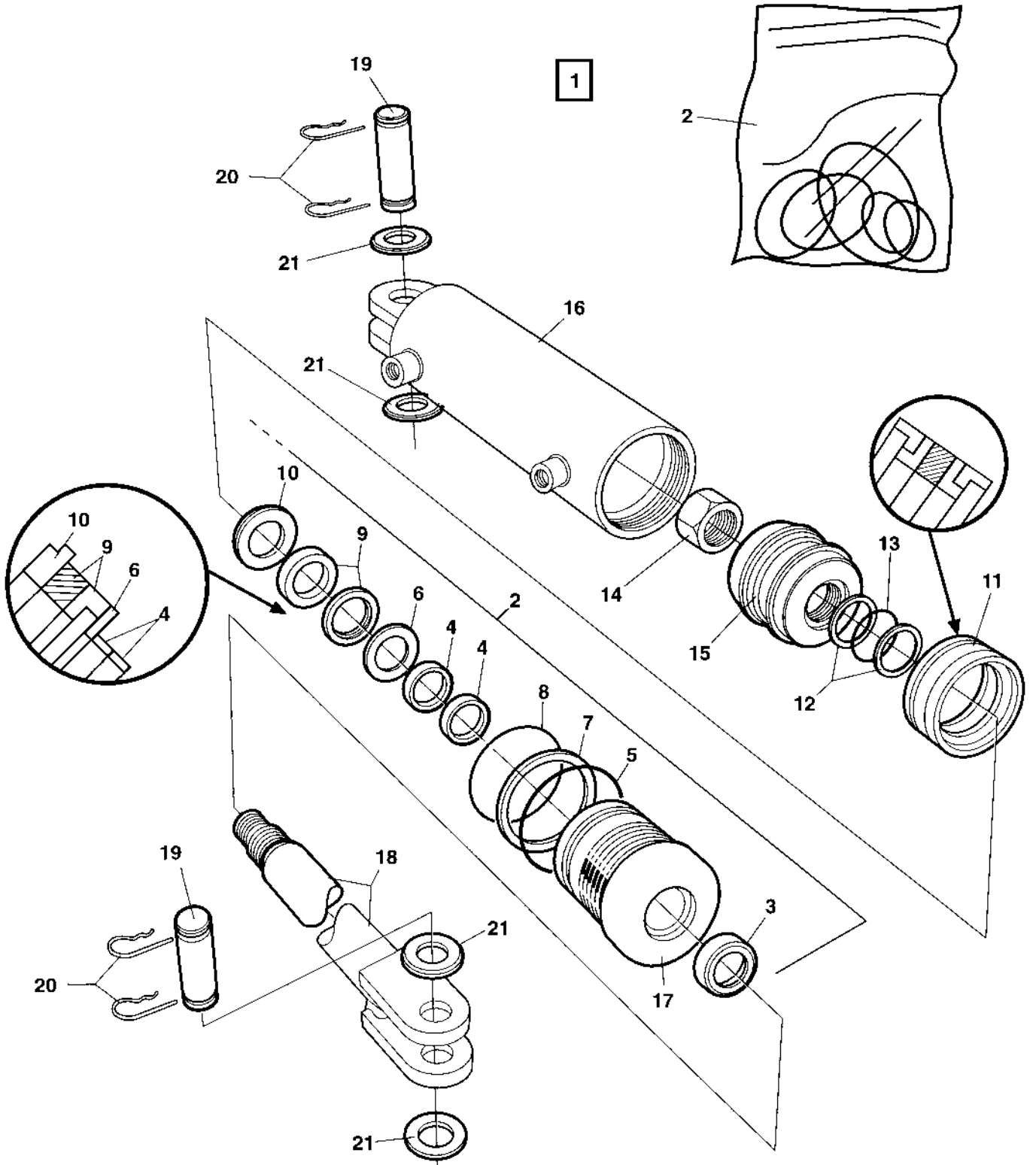
4700376000 Steering valve

Item	Part No	Rem	Qty	Description	Code
1	4700938062	A	1	Dust seal ring	
2			1	Housing, spool and sleeve	
3	4700938063		1	Ball	
4	4700938064		1	Threaded bushing	
5	4700908780	A	1	O-ring	
7	4700911620		1	Bearing	D
8	4700938065		1	Ring	
9	4700938066		1	Cross pin	
11	4700902861		1	Cardan shaft	
12	4700938067		1	Set of springs	
13	4700938068	A	3	O-ring	
14	4700902862		1	Valve plate	
15	4700903457		1	Gear wheel set	
17	4700938069		1	End cover	
18	4700938070	A	7	Washer	
20	4700938071		1	Screw with pin	
21	4700935468		6	Spring washer	
22	4700938072		1	Name plate	
24	4700938073		1	Pressure relief valve	
25	4700902864		1	Spring	
26	4700938074		2	Shock valve	
27	4700929013		2	Ball	
29	4700929014		2	Rolled pin	
32	4700938075		1	Check valve	
33	4700935429		1	Seal kit	

A) Included in seal kit, item 33

4700392002 Steering cylinder

16490

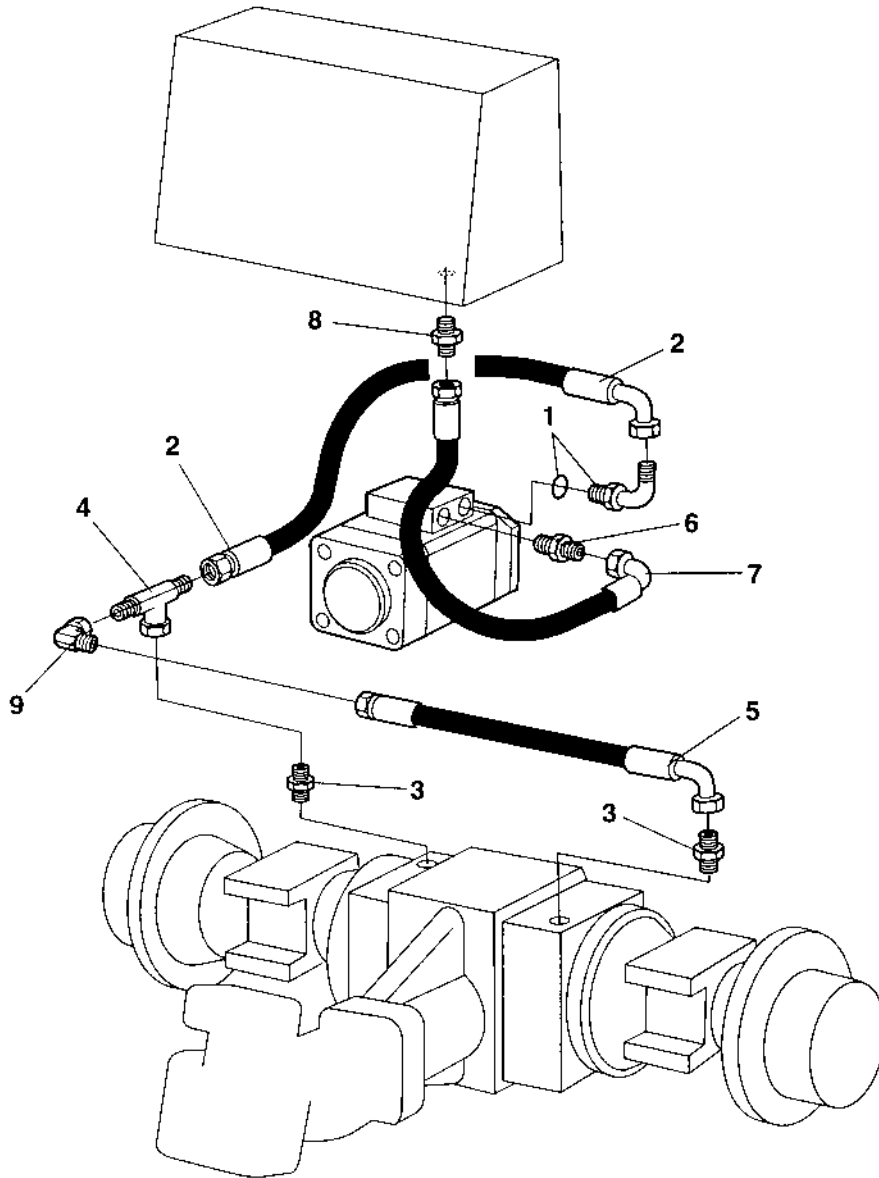


4700392002 Steering cylinder

Item	Part No	Rem Qty	Description	Code
1	4700392002	1	Steering cylinder (Page 108)	C
2	4700392100	1	.Seal kit	
3		1	..Seal	
4		2	..Seal	
5		1	..O-ring	
6		1	..Back-up ring	
7		1	..Back-up ring	
8		1	..O-ring	
9		1	..Seal	
10		1	..Retaining ring	
11		1	..Seal	
12		2	..Back-up ring	
13		1	..O-ring	
14		1	..Lock nut	
15		1	.Piston block	
16		1	.Cylinder	
17		1	.Steering	
18	4700392105	1	.Piston rod	
19	4700392103	2	.Shaft	D
20	4700635061	4	.Hair clip	D
21	4700600016	4	.Washer	
			26x45x4	

Brake system

16621-1

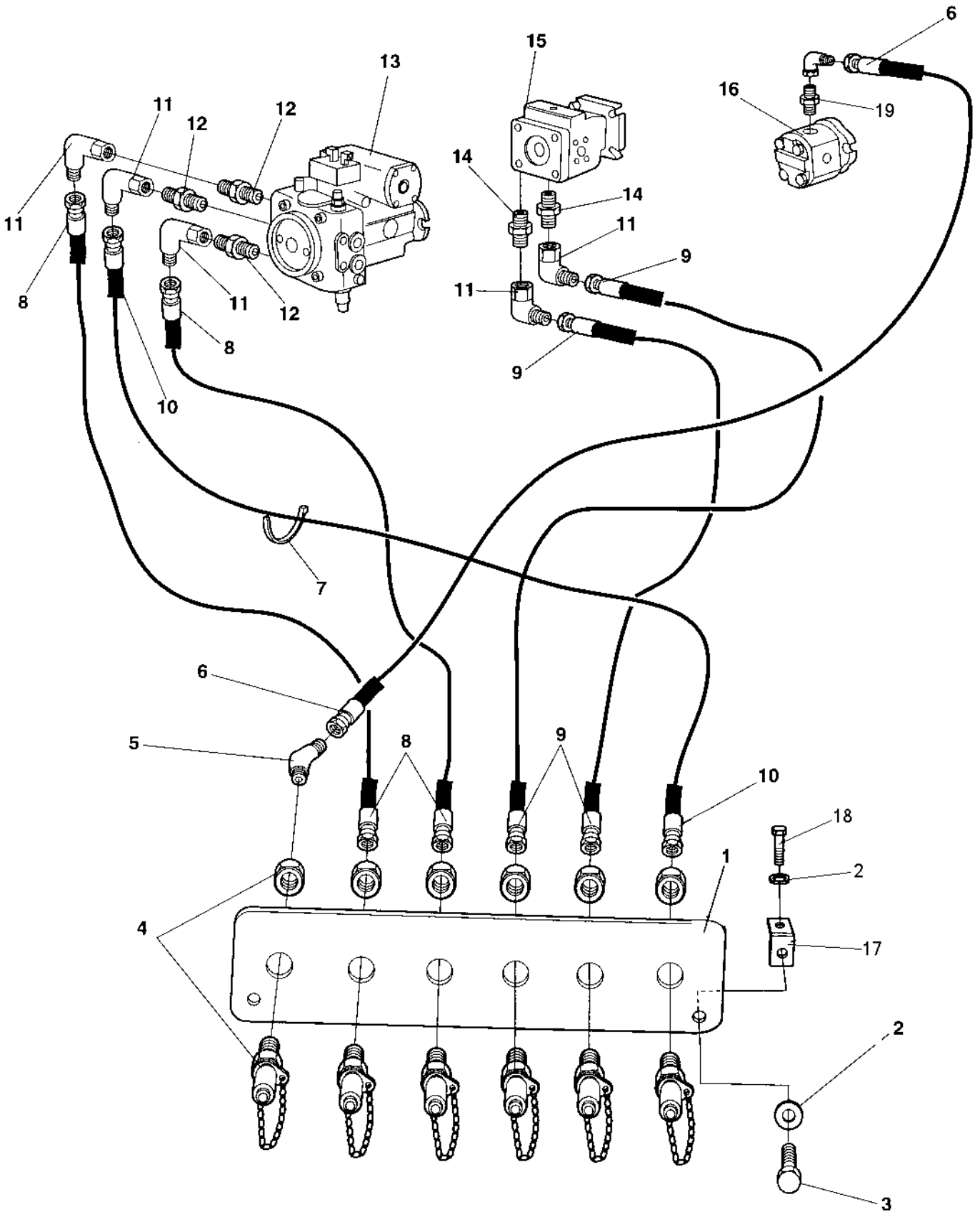


Brake system

Item	Part No	Rem Qty	Description	Code
1	4700334389	1	Connector	
2	4700482056	1	Hydraulic hose	
3	4700900552	2	Adapter	
4	4700234888	1	Tee-connector	
5	4700482399	1	Hydraulic hose	
6	4700234843	1	Adapter	
7	4700482474	1	Hydraulic hose	
8	4700334205	1	Straight connector	
9	4700334524	1	Connector	

Central test panel hydraulic Option

16988



Central test panel hydraulic Option

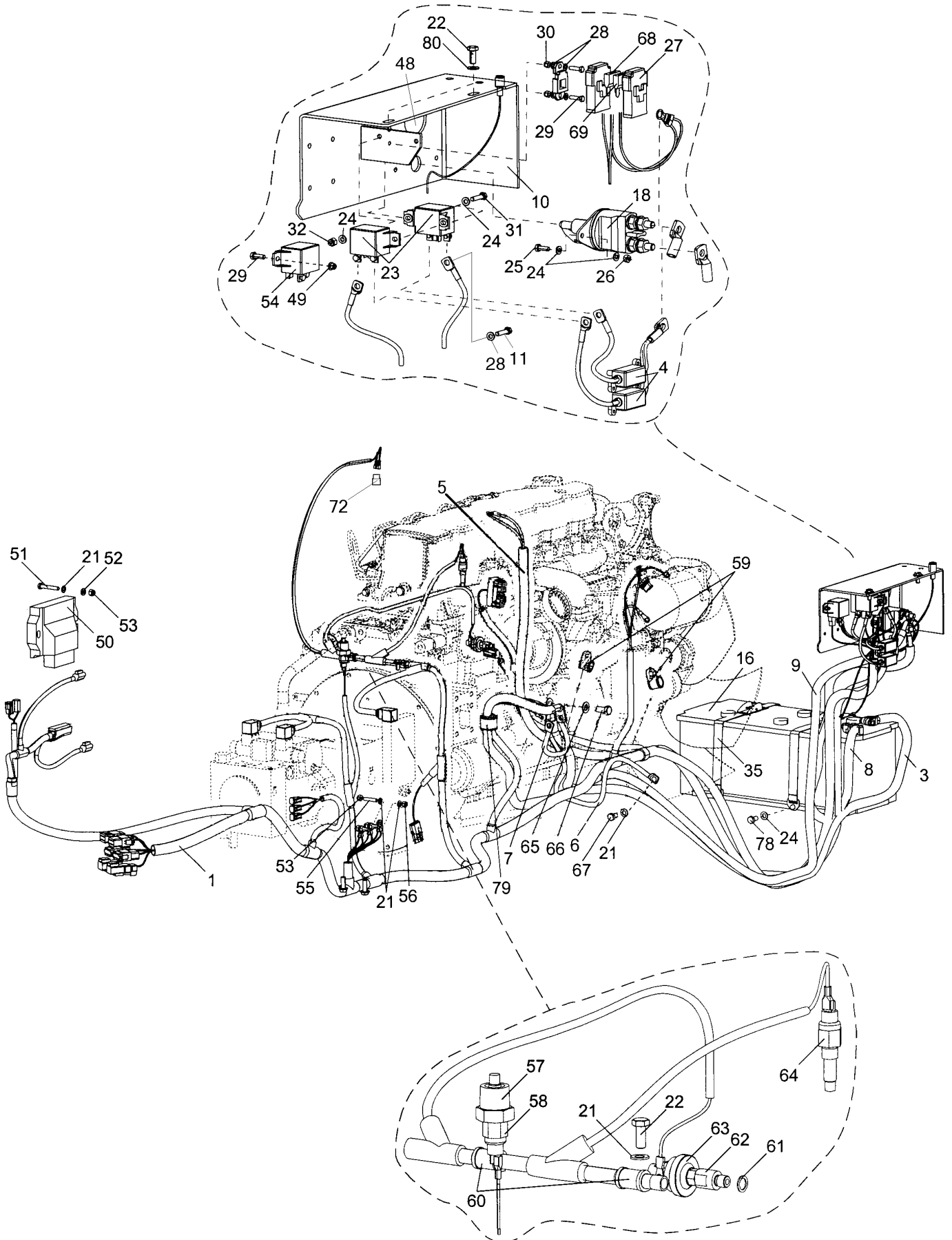
Item	Part No	Rem Qty	Description	Code
1	4700374028	1	Test panel	
2	4700904229	4	Washer	8,4x16x1,5
3	4700500053	2	Screw	M8x20H 8.8
4	4700356348	6	Measuring nipple	D
5	4700234622	1	Elbow 45	
6	4700484005	1	Hydraulic hose	
7	4700313102	N	Cable ties	
8	4700483445	2	Hydraulic hose	
9	4700483188	2	Hydraulic hose	
10	4700483445	1	Hydraulic hose	
11	4700334196	5	Elbow 90	
12	4700902125	3	Connector	
13		1	Vibration pump	
14	4700234388	2	Connector	
15		1	Propulsion pump	
16		1	Steering pump	
17	4700908136	2	Bracket	
18	4700500018	2	Screw	M8-1,25x12 8,8
19		1	Connector	

Electric system

Item	Part No	Rem Qty	Description	Code
10			Electric system (Page 116)	
20			Control panel (Page 118)	
25			Control panel (Page 120)	
50			Working lights (Page 122)	Option
70			Rotating beacon (Page 124)	Option
80			Back-up alarm (Page 126)	Option
90			Compaction meter (Page 128)	Option

Electric system

18488-1



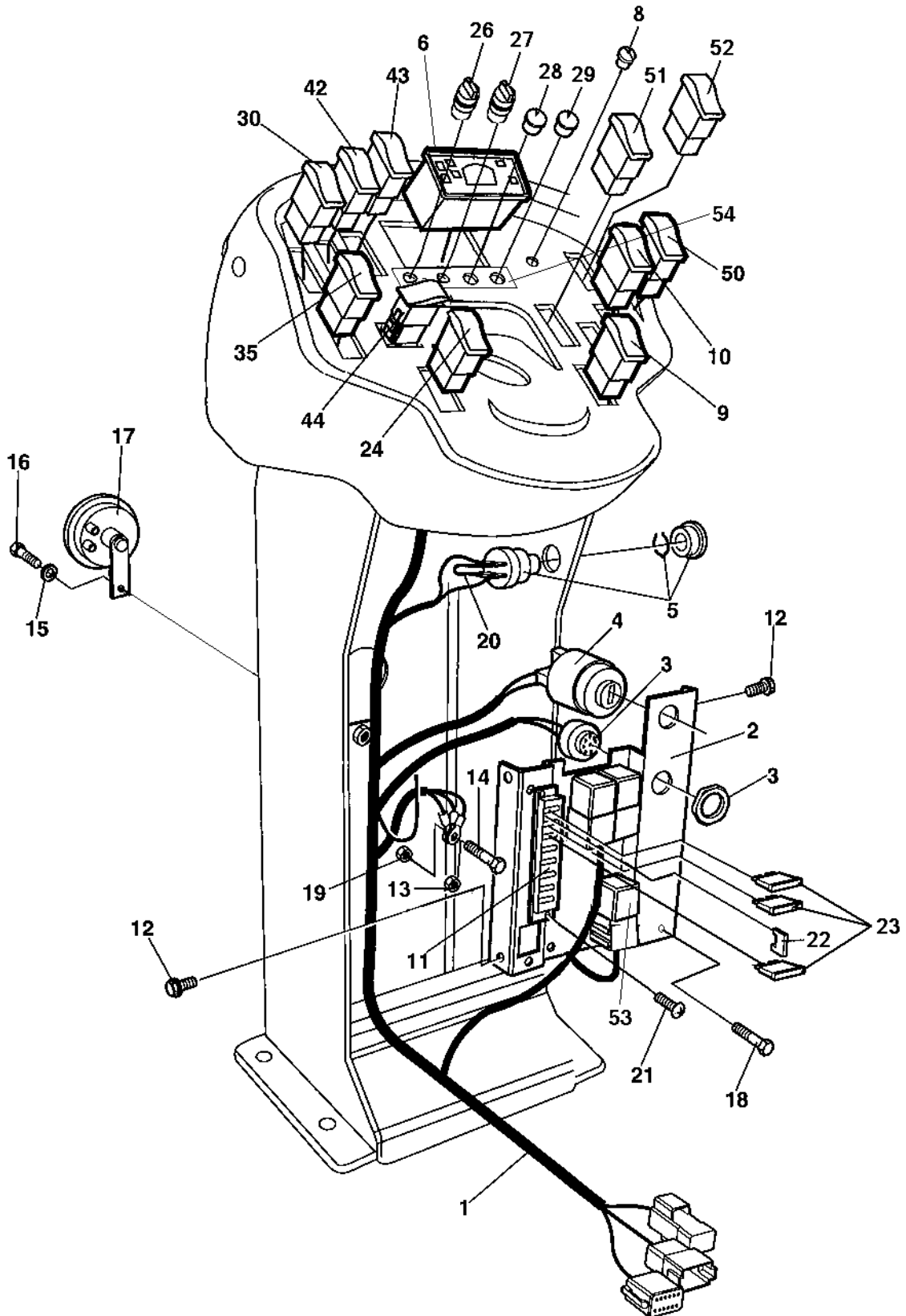
Electric system

Item	Part No	Rem Qty	Description	Code
1	4700392506	1	Cable harness engine	
3	4700904020	1	Battery cable	
4	4700387427	1	Cable harness	
	4700791477	1	.Fuse holder	
	4700791479	1	.Fuse, Orange	125A
5	4700392937	1	Cable harness	
6	4700903760	1	Connection cable, coarse	
7	4700335607	1	Connection cable, coarse	
8	4700791503	1	Battery cable	
9	4700904018	1	Connection cable, coarse	
10	4700386999	1	Holder	
11	4700500004	4	Screw	M5 0,8x12 8,8
16	4700470020	1	Battery	
18	4700903640	1	Battery switch	D
21	4700904229	13	Washer	8,4x16x1,5
22	4700500053	6	Screw	M8x20H 8.8
23	4700791183	2	Relay	D
24	4700904228	8	Washer	
25	4700500013	2	Screw	M6-1x16 8,8
26	4700570004	3	Nut	M6X1,00 -8 A2K
27	4700904036	1	Fuse holder	
28	4700904281	10	Washer	
29	4700500060	4	Screw	M5-0,8x20 8.8
30	4700586001	2	Lock nut	
31	4700500075	3	Screw	M6-1,0x25 8.8
32	4700586002	3	Lock nut	
35	4700389662	2	Strap	
48	4700345870	1	Plug	
49	4700902284	2	Nut	M5
50	4700378745	1	Control unit, ECU	
51	4700500025	2	Screw	M8-1,25x50 8,8
52	4700904556	2	Washer	8,4x16x3,0
53	4700586003	5	Lock nut	M8
54	4700791183	B 1	Relay	D
55	4700903768	3	Threaded stud	
56	4700570005	3	Nut	M8
57	4700813434	1	Reducer	
58	4700903631	1	Temperature sensor	Hydraulic oil
59	4700960727	2	Clamp	D
60	4700921072	2	Clamp	
61	4700902468	1	Connector	
62	4700338304	1	Connector	
63	4700813462	1	Oil pressure sender	D
64	4700903632	1	Temperature sensor	Engine
65	4700904231	2	Washer	13x24x2 300 HV
66	4700500051	2	Screw	M12x25H 8.8 A3K
67	4700500019	1	Screw	M8x16H 8.8 A2K
68	4700904038	1	Fuse	40A
69	4700904037	1	Fuse	30A
72	4700929023	1	Indicator	D
78	4700500012	1	Screw	M6x12
79	4700923008	1	Clamp	
80	4700904230	2	Washer	

B) Replaces P/N 4700904448 as Start relay from January 2009.

Control panel

18492-1



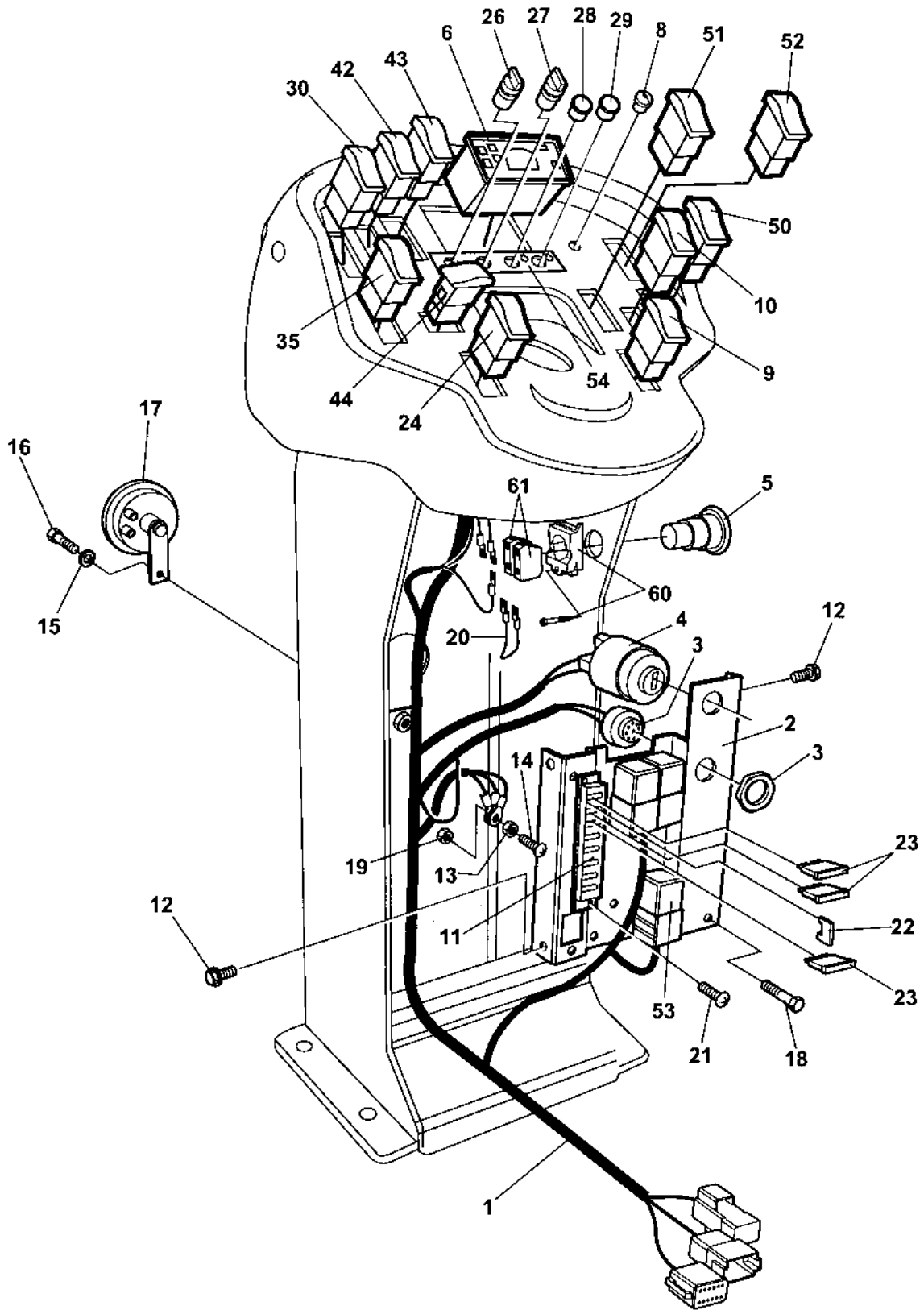
Control panel

Item	Part No	Rem	Qty	Description	Code	
1	4700392507	B	1	Cable harness		
2	4700387683		1	Distribution control plate		
3	4700385599		1	Buzzer		
4	4700238158		1	Ignition switch		
	4700940451		1	.Key		
5	4700791647		1	Emergency stop		
6	4700392996		1	Control panel		
8	4700792083	N		Plug		
9	4700792414		1	Switch, RPM		
10	4700792461		1	Switch, vibration		
11	4700791185		1	Fuse box		
12	4700903782		4	Screw	M5x12	
13	4700570004		3	Nut	M6X1,00 -8 A2K	
14	4700500075		1	Screw	M6-1,0x25 8.8	
15	4700904229		1	Washer	8,4x16x1,5	
16	4700500053		1	Screw	M8x20H 8.8	
17	4700999027		1	Horn		D
18	4700500075		1	Screw	M6-1,0x25 8.8	
19	4700586002		1	Lock nut		
20	4700791517		1	Connection cable		
21	4700901767		2	Screw	ST3,5x9,5 Black	
22	4700791211	N		Contact bridge		
23	4700901228	N		Fuse	15A	
	4700901227	N		Fuse	10A	B
	4700901225	N		Fuse	5A	B
24	4700791582		1	Switch, parking brake		
26	4700792317		1	Switch		
27	4700792318		1	Switch		
28	4700792435		1	Pilot lamp	Red	
	4700792432		1	Illuminated block red		
29	4700792319		1	Pilot lamp	Yellow	
	4700792315		1	Illuminated block yellow		
30	4700791587	A	1	Switch, working light		
35	4700791585	A	1	Switch, rotating beacon		
42	4700791583	A	1	Switch, driving light		
43	4700791584	A	1	Switch, hazard flashers		
44	4700792413	A	1	Switch, drive direction		
50	4700791588		1	Panel plug		
	4700792463	A	1	Switch, Power distribution		
51	4700791578		1	Switch, horn		
52	4700792462	A	1	Switch, TC & TM		
	4700791657		1	Switch, Hi-Lo Speed		
53	4700903956	A	1	Relay		D
54	4700394061		1	Decal		

- A) Option
- B) Control panel

Control panel

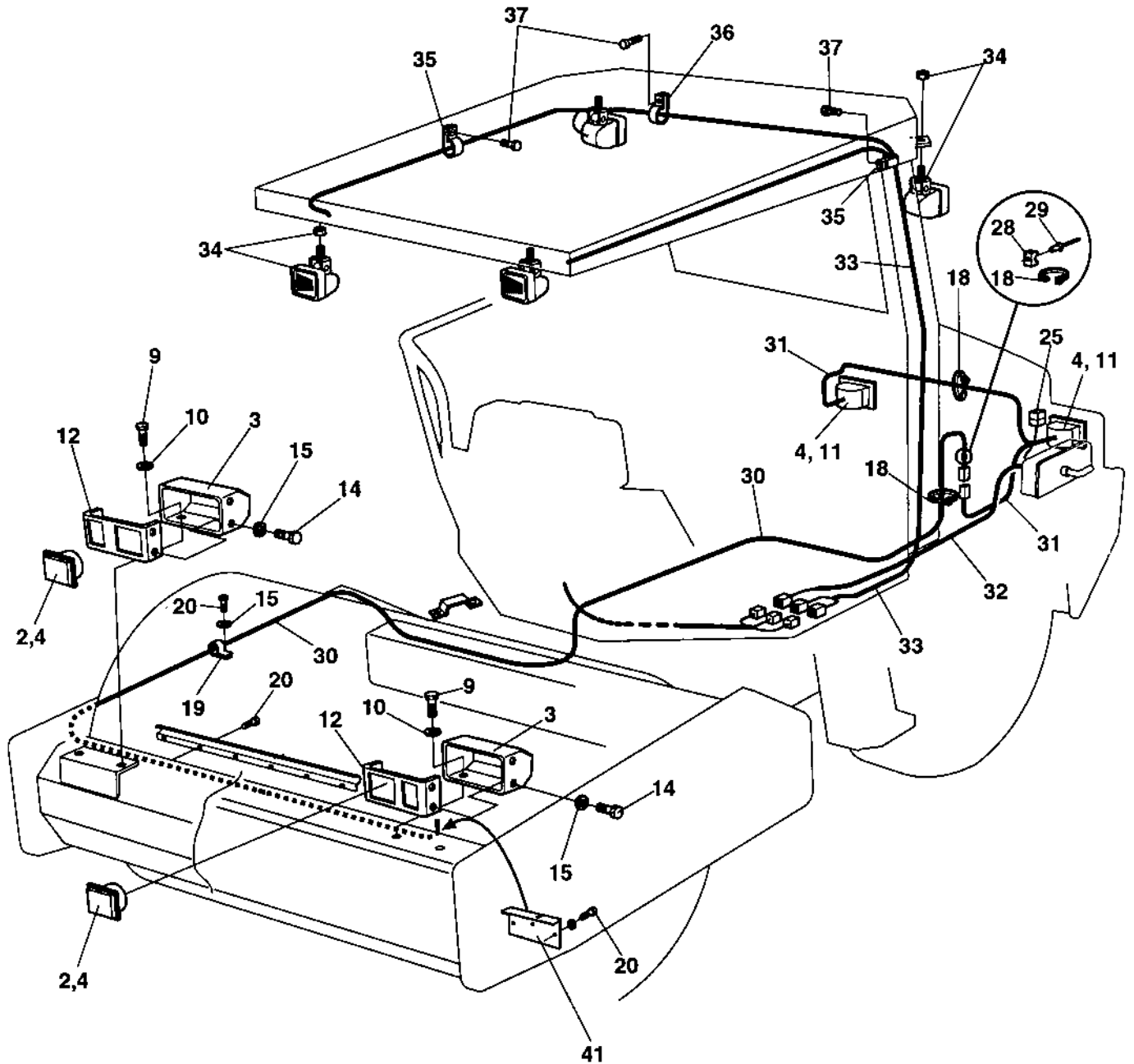
18887



Control panel

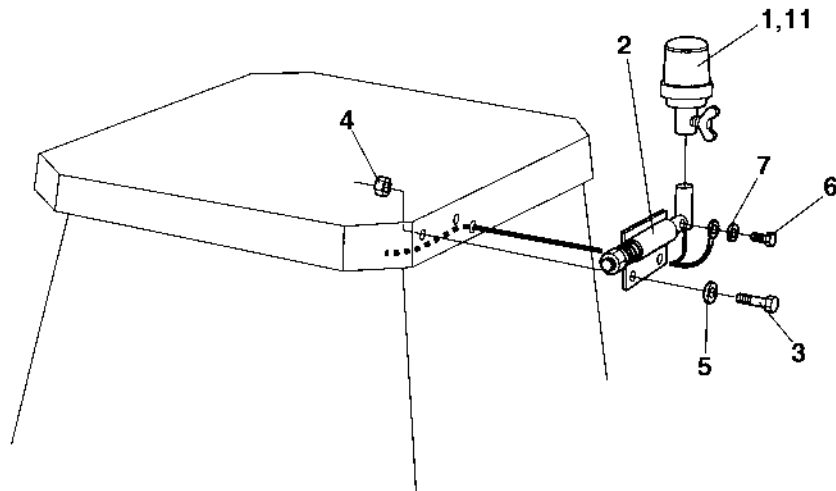
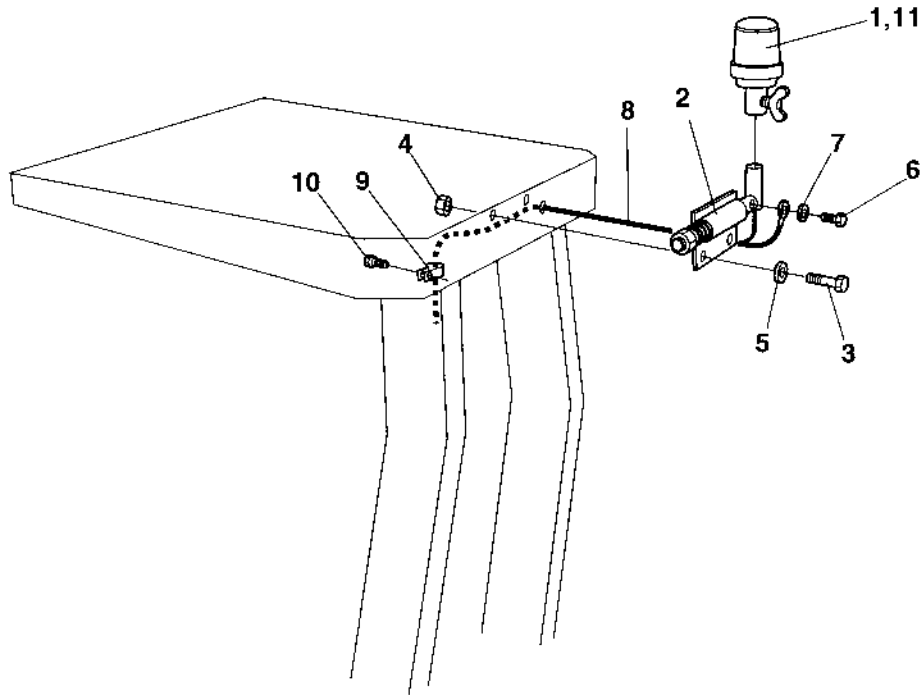
Item	Part No	Rem	Qty	Description	Code	
1	4700396968	B	1	Cable harness		
2	4700387683		1	Distribution control plate		
3	4700385599		1	Buzzer		
4	4700238158		1	Ignition switch		
	4700940451		1	.Key		
5	4700791739		1	Emergency stop		
6	4700392996		1	Control panel		
8	4700792083	N		Plug		
9	4700792414		1	Switch, RPM		
10	4700792461		1	Switch, vibration		
11	4700791185		1	Fuse box		
12	4700903782		4	Screw	M5x12	
13	4700570004		3	Nut	M6X1,00 -8 A2K	
14	4700500075		1	Screw	M6-1,0x25 8.8	
15	4700904229		1	Washer	8,4x16x1,5	
16	4700500053		1	Screw	M8x20H 8.8	
17	4700999027		1	Horn		D
18	4700500075		1	Screw	M6-1,0x25 8.8	
19	4700586002		1	Lock nut		
20	4700343550		1	Connection cable		
21	4700901767		2	Screw	ST3,5x9,5 Black	
22	4700791211	N		Contact bridge		
23	4700901228	N		Fuse	15A	
	4700901227	N		Fuse	10A	B
	4700901225	N		Fuse	5A	B
24	4700791582		1	Switch, parking brake		
26	4700792317		1	Switch		
27	4700792318		1	Switch		
28	4700792435		1	Pilot lamp	Red	
	4700792432		1	Illuminated block red		
29	4700792319		1	Pilot lamp	Yellow	
	4700792315		1	Illuminated block yellow		
30	4700791587	A	1	Switch, working light		
35	4700791585	A	1	Switch, rotating beacon		
42	4700791583	A	1	Switch, driving light		
43	4700791584	A	1	Switch, hazard flashers		
44	4700792413	A	1	Switch, drive direction		
50	4700791588		1	Panel plug		
	4700792463	A	1	Switch, Power distribution		
51	4700791578		1	Switch, horn		
52	4700792462	A	1	Switch, TC & TM		
	4700791657		1	Switch, Hi-Lo Speed		
53	4700903956	A	1	Relay		D
54	4700394061		1	Decal		
60	4700791733		1	Fixing collar		
61	4700791723		2	Connector		

- A) Option
- B) Control panel



Working lights Option

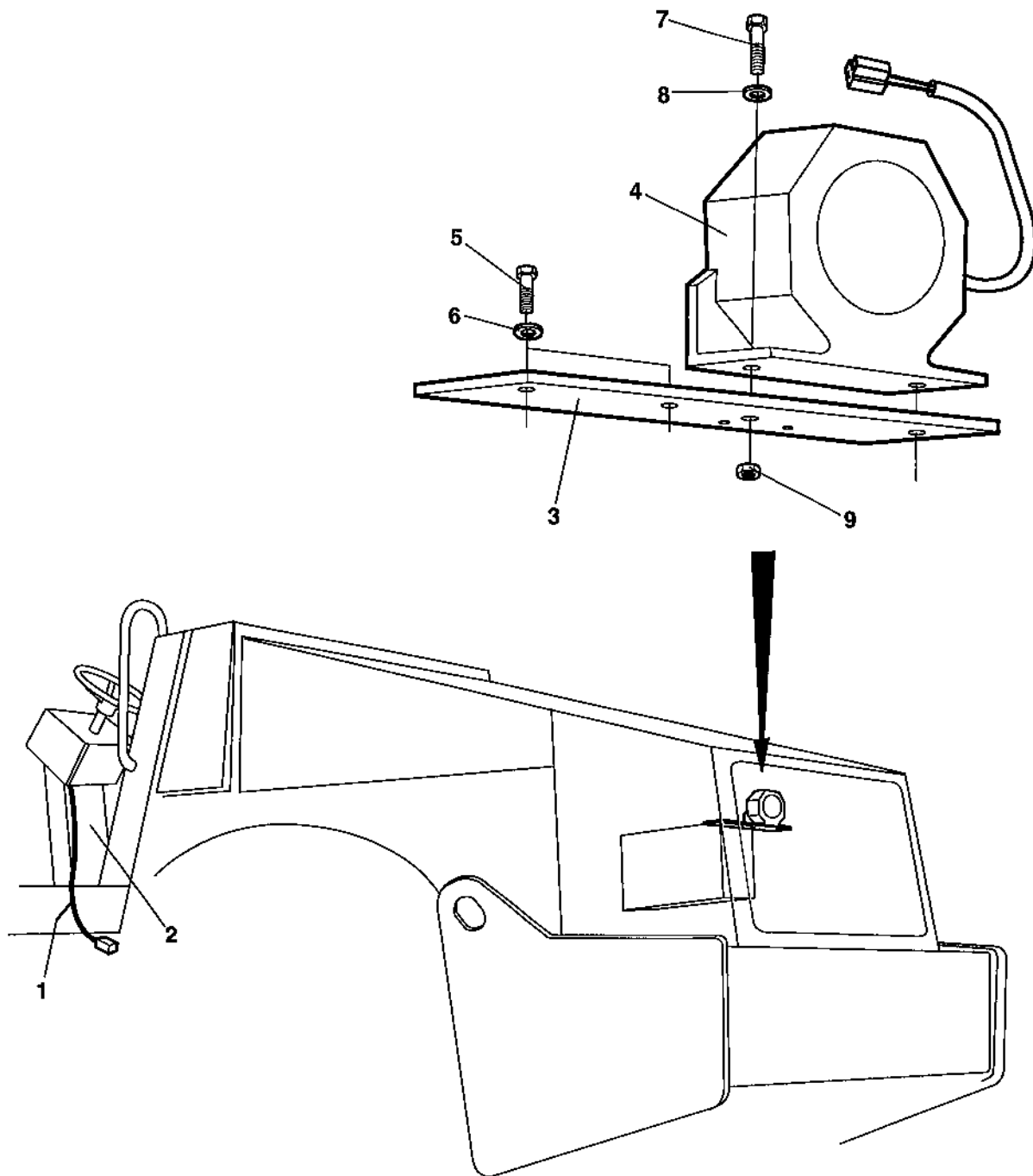
Item	Part No	Rem Qty	Description	Code
2	4700902227	2	Work light	
3	4700374029	2	Lamp shield	
4	4700901369	4	Bulb	B
9	4700500053	6	Screw	55w H3
10	4700904640	6	Washer	M8x20H 8.8
11	4700904314	2	Work lamp	8,4x22x3
12	4700374030	2	Bracket	
14	4700500040	8	Screw	M6-1x20 8,8
15	4700904228	11	Washer	
18	4700925802	7	Cable ties	L=142 mm
19	4700921039	8	Pipe clamp	
20	4700500012	3	Screw	M6x12
25	4700904038	1	Fuse	40A
28	4700904543	7	Cable tie holder	D
29	4700903436	7	Blind rivet	
30	4700392771	1	Cable harness	
31	4700392856	1	Cable harness	
32	4700373184	1	Cable harness	
33	4700392772	1	Cable harness	
34	4812110216	4	Work lamp	
	4700904230	4	Washer	
	4700586018	4	Lock nut	
35	4700921039	2	Pipe clamp	
36	4700791341	9	Clamp	
37	4700541702	11	Screw	M6x12
41	4700384163	2	Protection	



Rotating beacon Option

Item	Part No	Rem	Qty	Description	Code
1	4700999011	1	1	Rotating beacon	D
2	4700358452		1	Lamp holder	
3	4700500021		2	Screw	M8-1,25x25 8.8
4	4700586003		2	Lock nut	M8
5	4700904229		4	Washer	8,4x16x1,5
6	4700500013		1	Screw	M6-1x16 8,8
7	4700904228		1	Washer	
8	4700392773		1	Cable harness	
9	4700921039		1	Pipe clamp	
10	4700541702		1	Screw	M6x12
11	4700389577	2	1	Rotating beacon	D

- 1) Is replaced by item 11, P/N 4700389577.
- 2) Replaces item 1, P/N 4700999011.



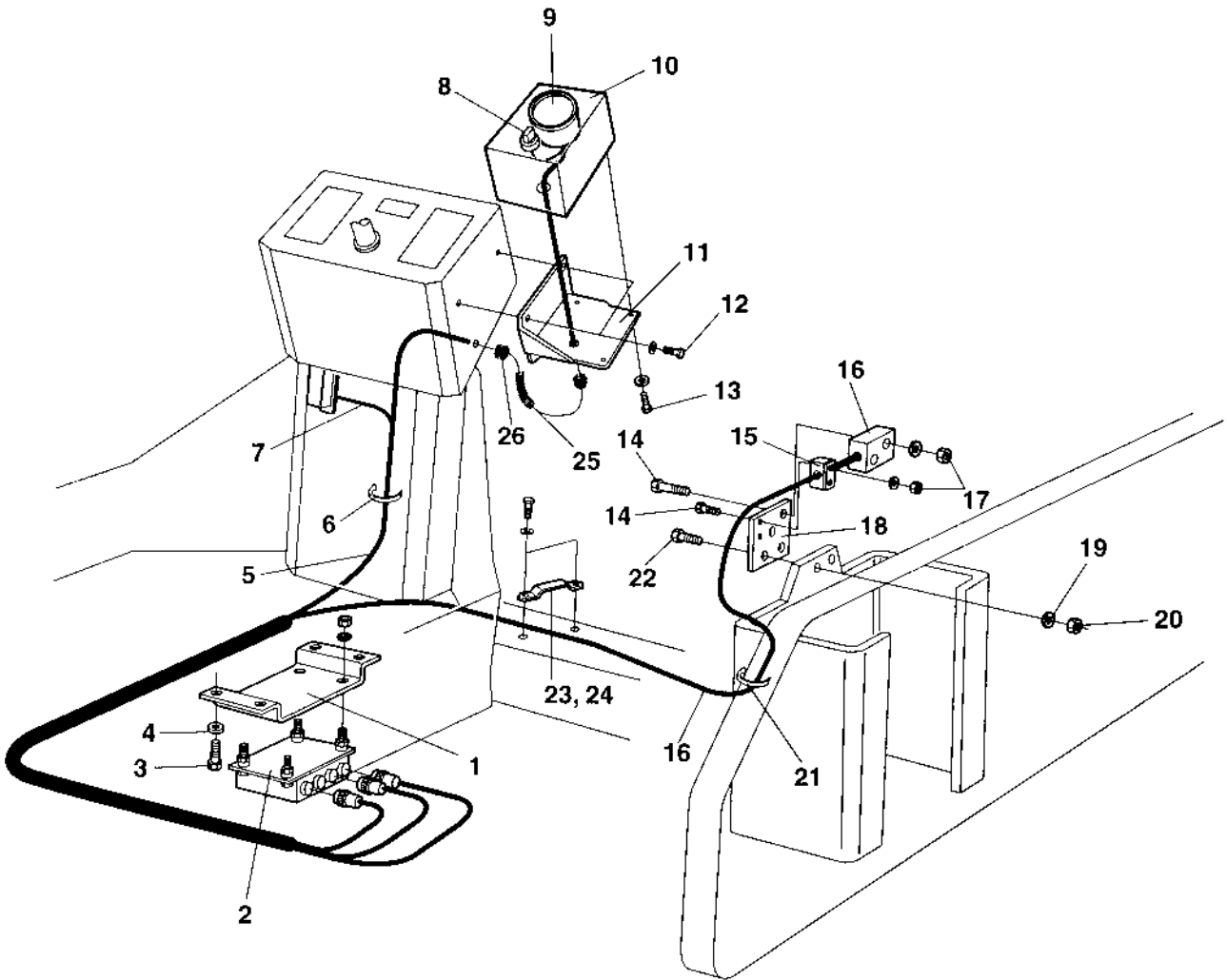
Back-up alarm Option

Item	Part No	Rem	Qty	Description	Code
1	4700380798	A	1	Cable harness	
2	4700901224	B	1	Fuse	3A
3	4700377071		1	Bracket	
4	4700904910		1	Back-up alarm	
5	4700500053		2	Screw	M8x20H 8.8
6	4700904229		2	Washer	8,4x16x1,5
7	4700500040		2	Screw	M6-1x20 8,8
8	4700904228		2	Washer	
9	4700902285		2	Lock nut	M6

- A) Is connected to the main wiring harness.
B) Located in the fusebox on the control panel.

Compaction meter Option

17358



Compaction meter Option

Item	Part No	Rem Qty	Description	Code
1	4700372836	1	Bracket	
2	4700388210	1	Processor comp.meter	
3	4700500053	4	Screw	M8x20H 8.8
4	4700904229	4	Washer	8,4x16x1,5
5	4700372784	1	Cable harness	
6	4700313102	N	Cable ties	
7	4700381351	1	Cable harness	
8	4700930151	1	Switch	D
9	4700383452	1	Compaction meter	
10	4700373096	1	Instrument box	
11	4700393543	1	Bracket	
12	4700904206	3	Screw	
13	4700541526	4	Screw	
14	4700500079	4	Screw	M6-1x50 8,8
15	4700902496	1	Clamp	
16	4700348213	1	Sensor, cpl	
17	4700902285	7	Lock nut	M6
18	4700373140	1	Bracket	
19	4700904231	2	Washer	13x24x2 300 HV
20	4700902288	2	Nut	M12
21	4700313041	N	Cable ties	
22	4700500194	2	Screw	
23	4700373016	1	Hose clamp	
24	4700349435	1	Rubber part	
25	4700901190	A	Conduit	
26	4700903192	2	Grommet	

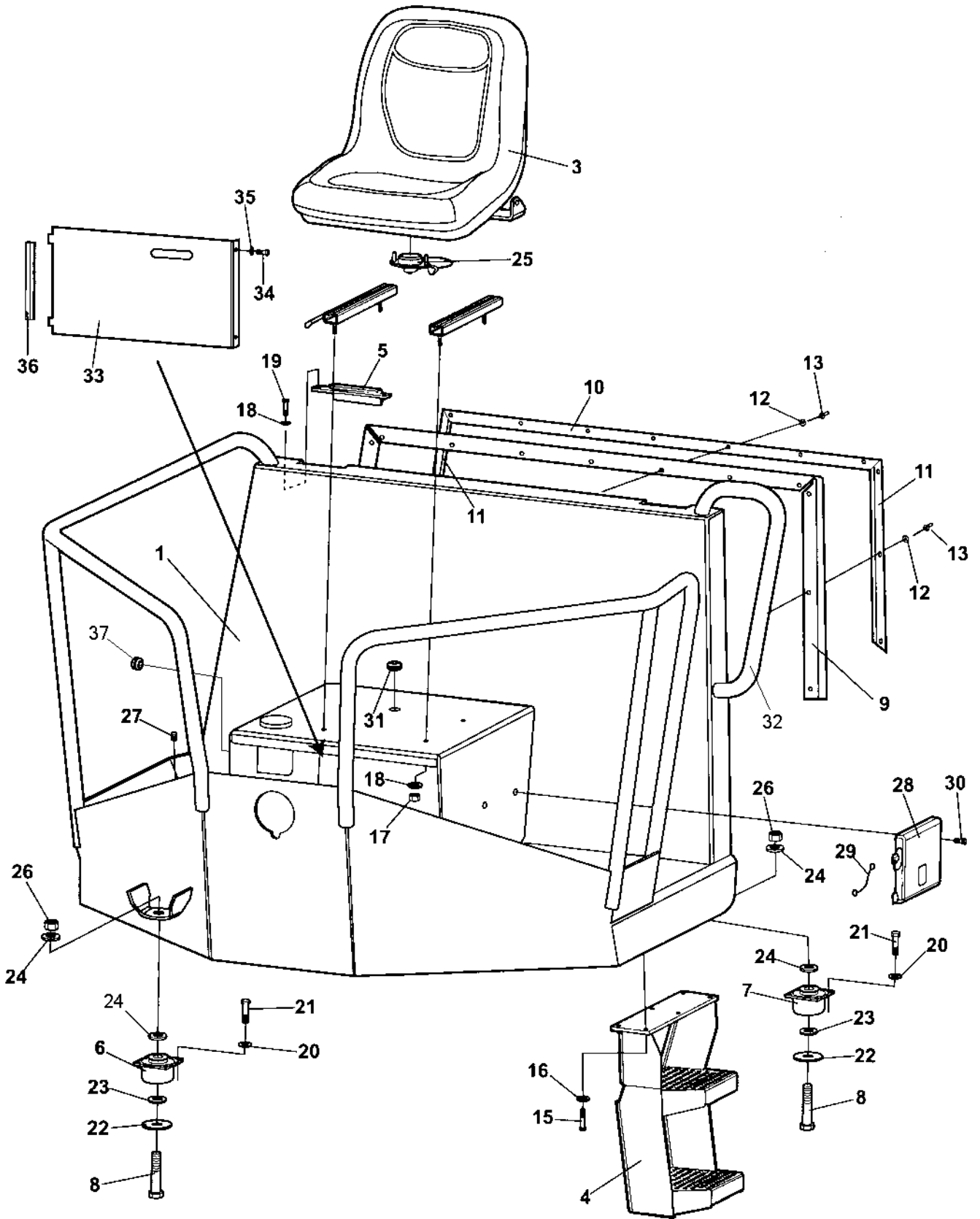
A) L=230mm

Drivers platform

Item	Part No	Rem Qty	Description	Code
10			Drivers platform (Page 132)	
20			Control panel (Page 134)	
40			Forward and reverse control (Page 136)	
52			Steering column (Page 140)	
100			Canopy (Page 142)	Option
110			Rops and fops (Page 144)	
120			Cab mounting (Page 146)	
130			Cab (Page 148)	392479

Drivers platform

18726



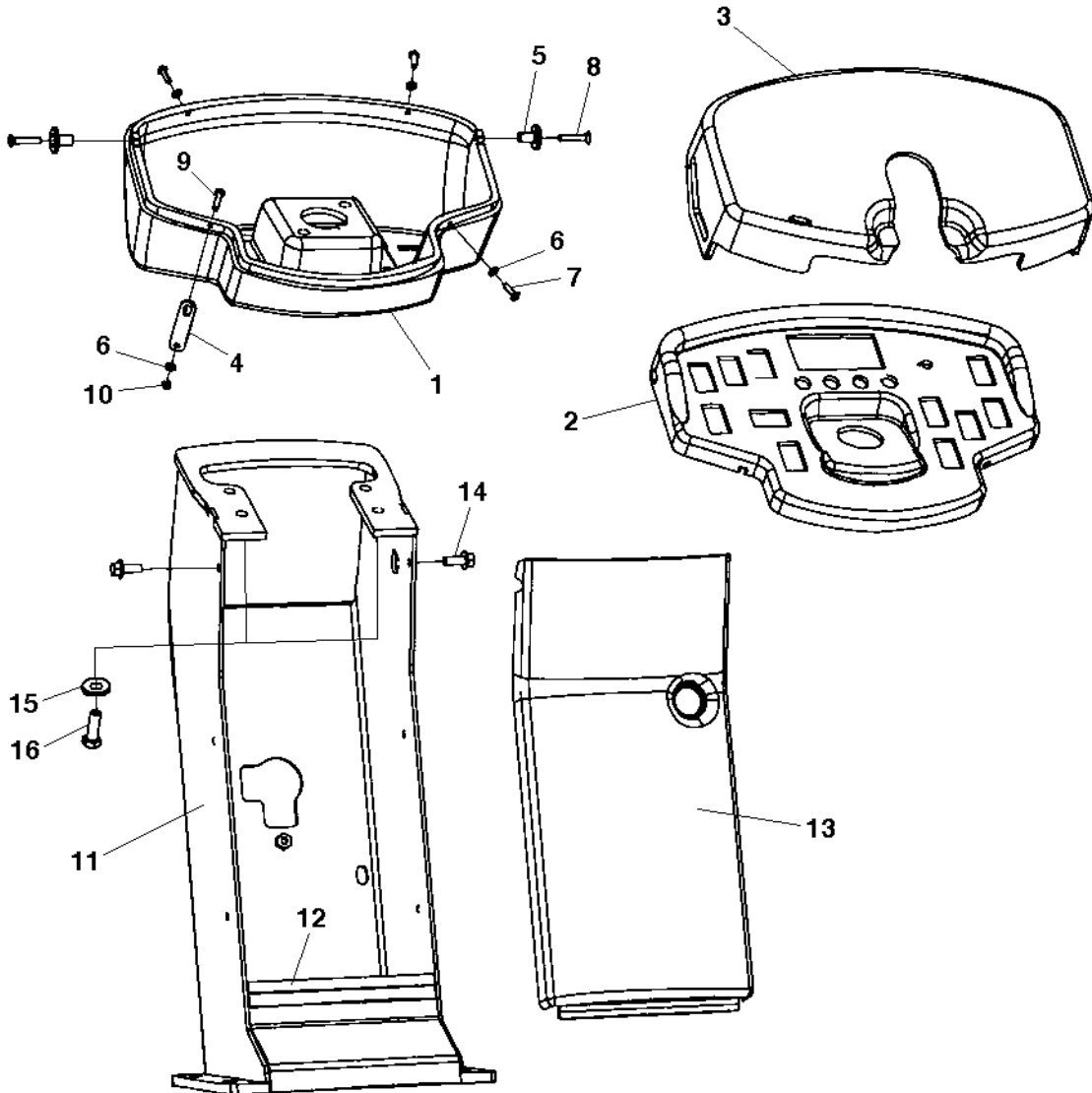
Drivers platform

Item	Part No	Rem	Qty	Description	Code
1	4700392394		1	Platform	
3	4700377556		1	Seat	
4	4700376252		1	Step	
5	4700380727		2	Cover	
6	4700372757		2	Shock absorber	D
7	4700373400		2	Shock absorber	D
8	4700500210		4	Screw	M20-2,5x100 8.8
9	4700372494	A	1XL	Rubber strip	
10	4700372785		1	List	
11	4700382582		2	List	
12	4700927974		13	Washer	
13	4700904433		13	Blind rivet	
15	4700500029		4	Screw	
16	4700904230		4	Washer	
17	4700586003		4	Lock nut	M8
18	4700904229		8	Washer	8,4x16x1,5
19	4700500053		4	Screw	M8x20H 8.8
20	4700904231		16	Washer	13x24x2 300 HV
21	4700500195		16	Screw	
22	4700347512		4	Washer	
23	4700903290		4	Washer	21x36x6
24	4700904233		8	Washer	21x36x3
25	4700379636	C	1	Seat switch	
	4812155075	D	1	Seat switch	
26	4700901145		4	Lock nut	M20-10
27	4700902203		2	Plug	
28	4700383705		1	Instruction book holder	
29	4700357643		1	Wire	
30	4700791226		4	Screw	
31	4700903192		1	Grommet	
32	4700380123		1	Grab handle	
33	4700392875		1	Cover	
34	4700500013		2	Screw	M6-1x16 8,8
35	4700904228		2	Washer	
36	4700902166	B	1XL	Edge trim	
37	4700903727		1	Plug	

- A) L=2,400M
- B) L=0,210M
- C) With bayonet fitting.
- D) With screws.

Control panel

18487



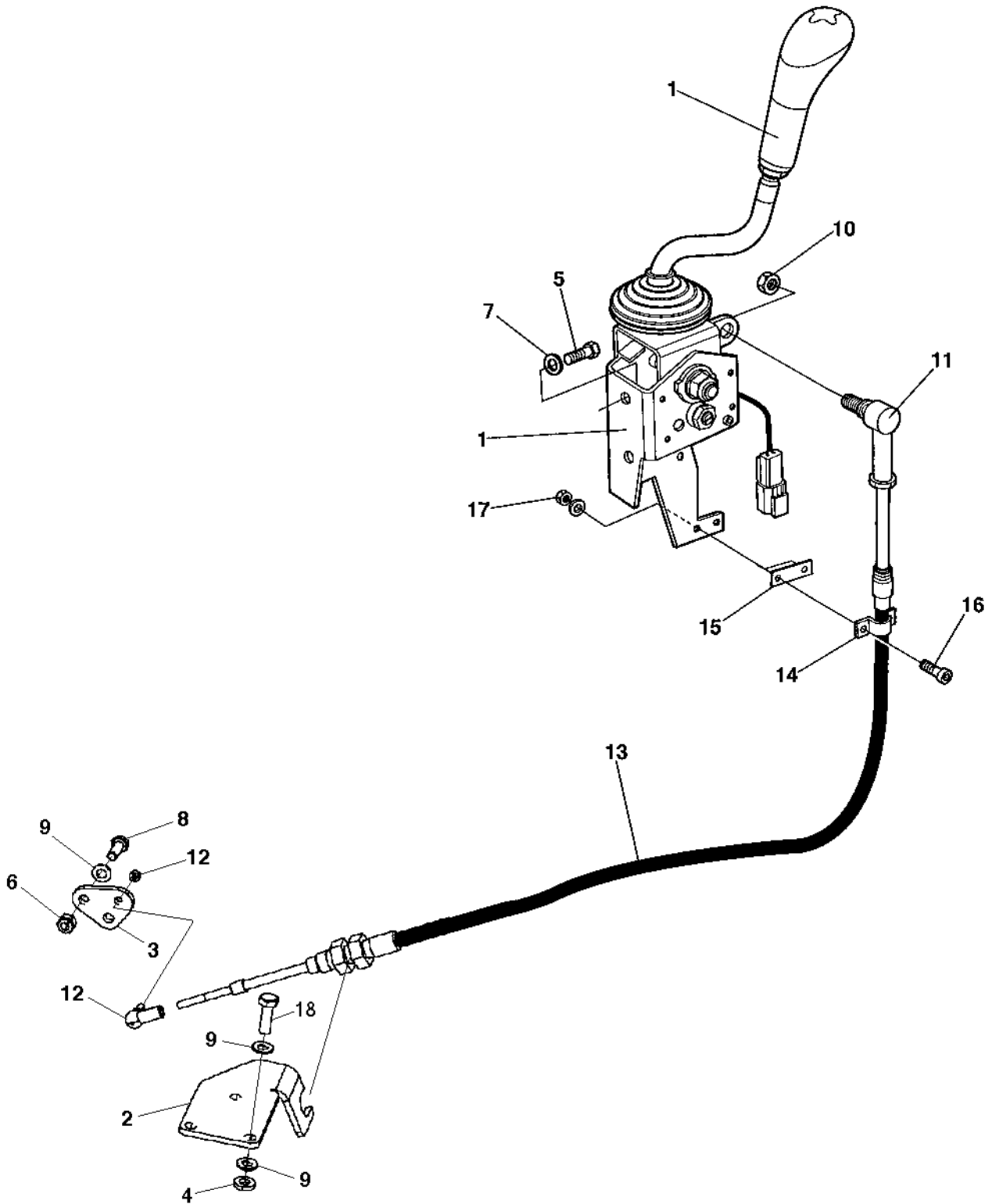
Control panel

Item	Part No	Rem Qty	Description	Code
1	4700387720	1	Control panel holder	
2	4700391784	1	Control panel	
3	4700387227	1	Control panel cover	
4	4700387545	1	Latch	
5	4700357855	2	Bushing	
6	4700904281	4	Washer	
7	4700904653	3	Screw	M5x16 A2-70
8	4700513017	2	Screw	M6x30H 10,9
9	4700500007	1	Screw	M5-0,8x22H 8,8
10	4700791476	1	Nut	M5 -8
11	4700378335	1	Control panel column	
12	4700902166	A 1XL	Edge trim	
13	4700387226	1	Column cover	
14	4700500505	2	Screw	M8x20 8.8
15	4700904230	4	Washer	
16	4700500029	4	Screw	

A) L=0,190 m

Forward and reverse control

18489

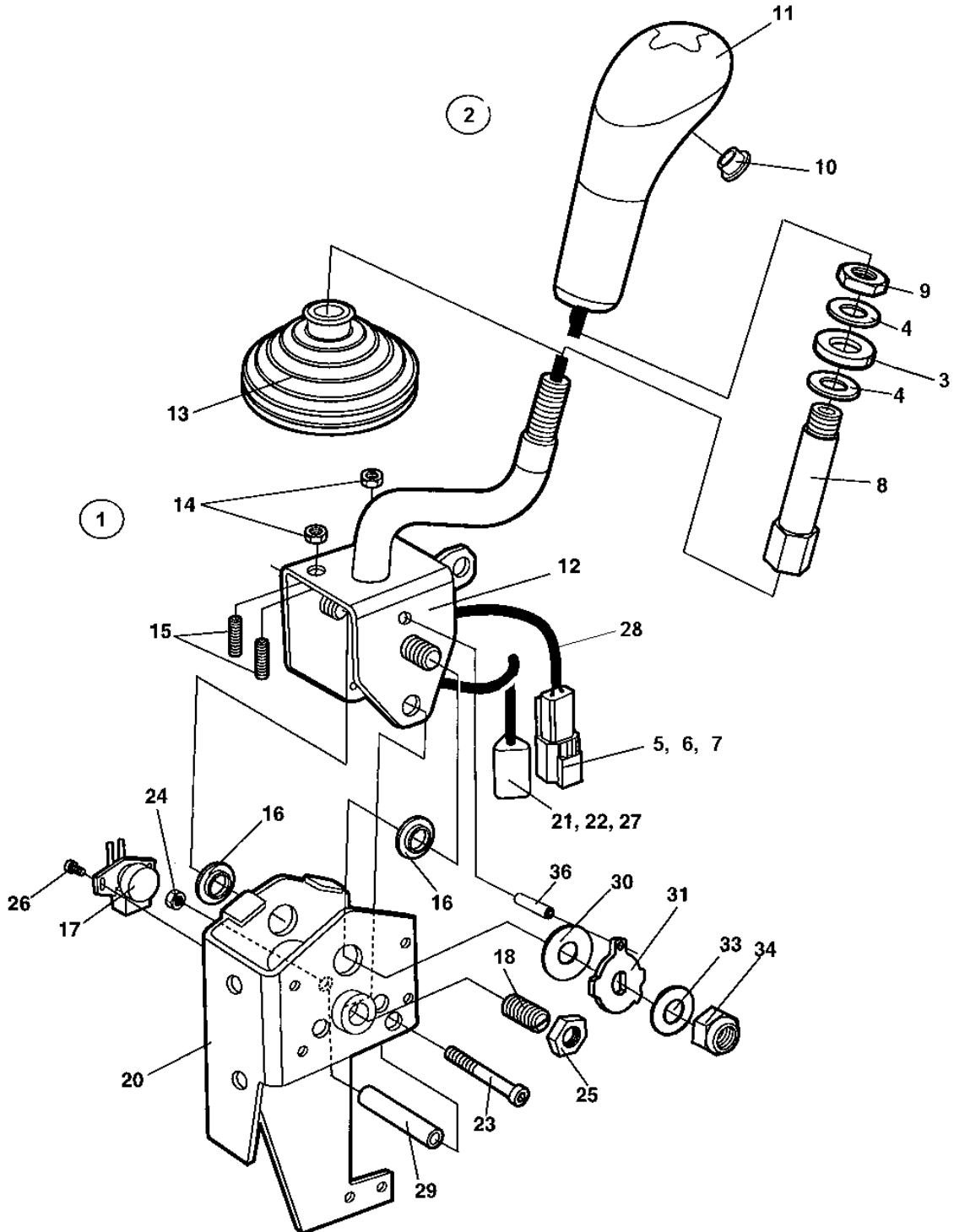


Forward and reverse control

Item	Part No	Rem	Qty	Description	Code
1			1	Forward and reverse control handle (Page 138)	
2	4700392899		1	Control bracket	
3	4700392900		1	Control lever	
4	4700904556		3	Washer	8,4x16x3,0
5	4700508092		2	Screw	
6	4700586003		2	Lock nut	M8
7	4700904556		2	Washer	8,4x16x3,0
8	4700500021		2	Screw	M8-1,25x25 8.8
9	4700904229		8	Washer	8,4x16x1,5
10	4700586003		1	Lock nut	M8
11	4700377019		1	Ball joint	
	4700950382		1	Ball stud	M8
12	4700416034		1	Ball joint	
13	4700377024	A	1	Cable	Forward/Reverse
14	4700377020		1	Clamp	
15	4700377021		1	Spacer	
16	4700926537		2	Screw	M5-0,8x16H 8,8
17	4700586001		2	Lock nut	
18	4700947680		3	Screw	M8-1,25x25 10.9
A)	L=1900MM				

Forward and reverse control handle

18071-2



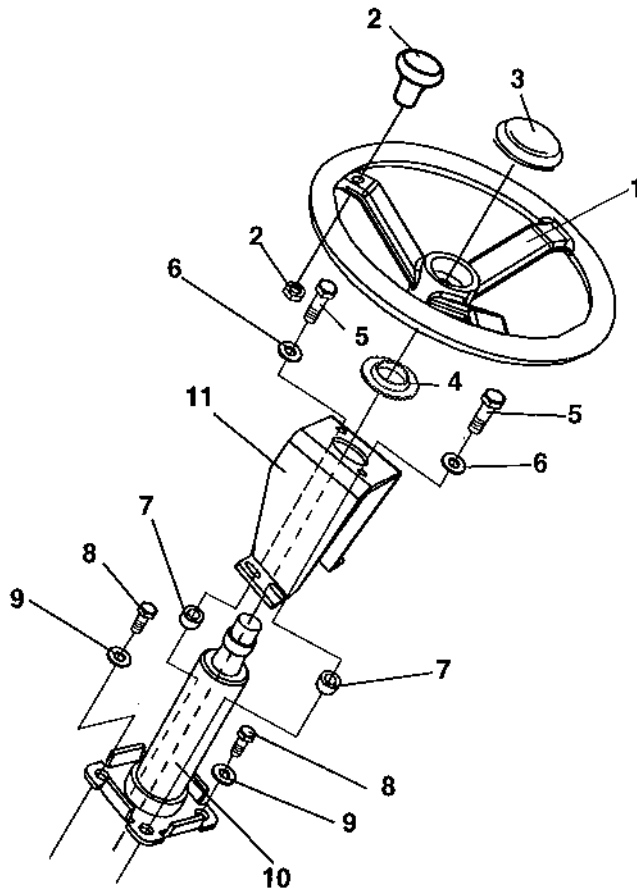
Forward and reverse control handle

Item	Part No	Rem Qty	Description	Code
1	4700945407	1	Lever, cpl	
2	4700940374	1	..Handle kit, cpl	
		1	..Handle	
	4700945729	1	...Push-button switch	
		1	...Cable	
		1	..Lockfluid	
		1	..Service information	
3		1	..Washer	
4		2	..Washer	
5		1	..Connector, receptable	
6		1	..Lock wedge	
7		2	..Pin	
8		1	..Rod	
9		1	..Nut	
10	4700377018	1	..Protection plug	
11	4700378759	1	..Handle top	
12	4700391379	1	.Lever	
13	4700377009	1	.Bellows	
14	4700570004	2	.Nut	M6X1,00 -8 A2K
15	4700377015	2	.Set screw	
16	4700391381	1	Bushing	
17	4700391382	1	Potentiometer with cable	
18	4700377016	1	Spring loaded pin	
20	4700377010	1	Bracket	
21	4700903945	1	Connector, plug	
22	4700903946	1	Lock wedge	
23	4700508068	1	Screw	
24	4700904563	1	Lock nut	M6
25	4700927233	1	Nut	
26	4700391383	1	Screw	
27	4700903947	3	Pin	
28		B 1	Cable	
29	4700377011	1	Spacer	
30	4700377012	1	Friction washer	
31	4700391380	1	Cam washer	
33	4700377014	1	Spring washer	
34	4700586019	1	Lock nut	
36	4700391386	1	Spirol pin	

B) Included in potentiometer Pos 17

Steering column

18258



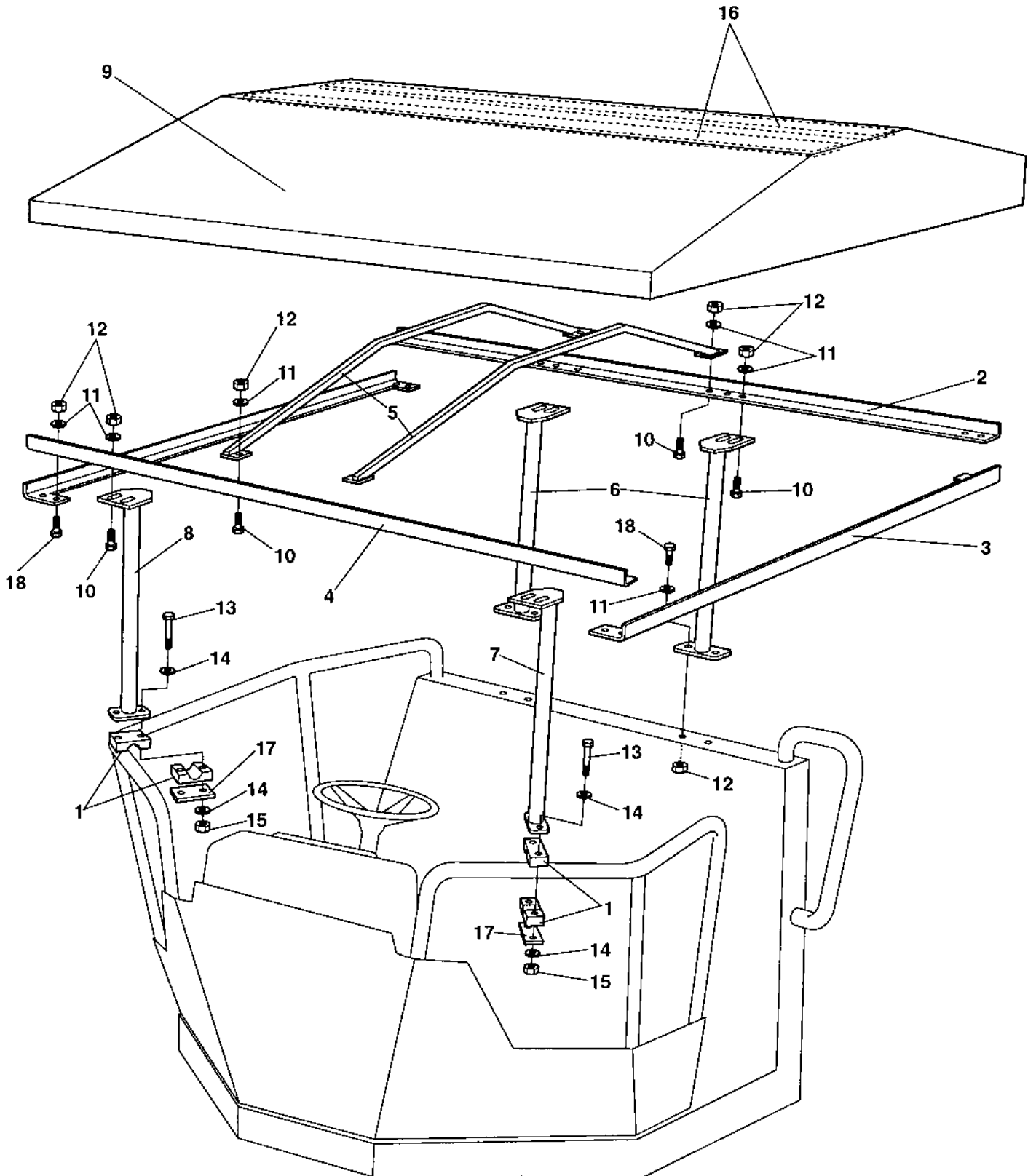
Steering column

Item	Part No	Rem	Qty	Description	Code
1	4700372964		1	Steering wheel, cpl	
2	4700935614		1	.Turning knob	D
3	4700935613		1	.Cover	
4	4700928830		1	Rubber washer	
5	4700500031		2	Screw	
6	4700904230		2	Washer	
7	4700355869		2	Spacer sleeve	
8	4700500048		2	Screw	M10-1,5x20 8,8
9	4700904230		2	Washer	
10	4700902123		1	Steering column	
11		A	1	Bracket	

A) Included in control panel

Canopy Option

17483

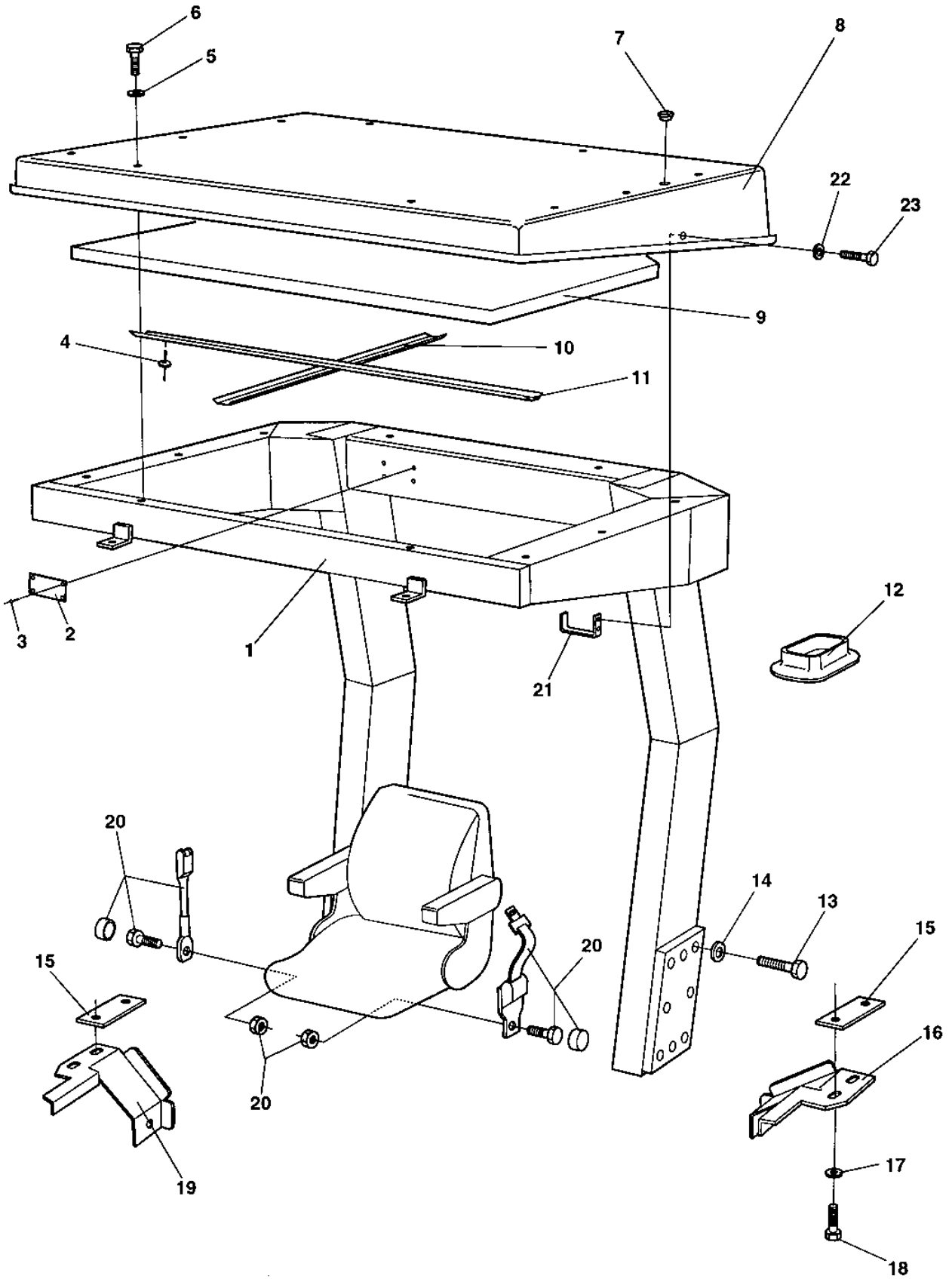


Canopy Option

Item	Part No	Rem Qty	Description	Code
1	4700904340	2	Pipe clamp	
2	4700373746	1	Canopy profile	
3	4700373747	2	Canopy profile	
4	4700373748	1	Canopy profile	
5	4700373749	4	Canopy rib	
6	4700373750	2	Canopy anchor	
7	4700380963	1	Canopy anchor	
8	4700380964	1	Canopy anchor	
9	4700373906	1	Roof	
10	4700500021	16	Screw	M8-1,25x25 8.8
11	4700904229	44	Washer	8,4x16x1,5
12	4700586003	22	Lock nut	M8
13	4700500153	4	Screw	
14	4700904228	8	Washer	
15	4700586002	4	Lock nut	
16	4700373907	2	Lath	
17	4700924791	2	Cover plate	
18	4700500022	8	Screw	M8x30H 8.8 A2K

Rops and fops

17526



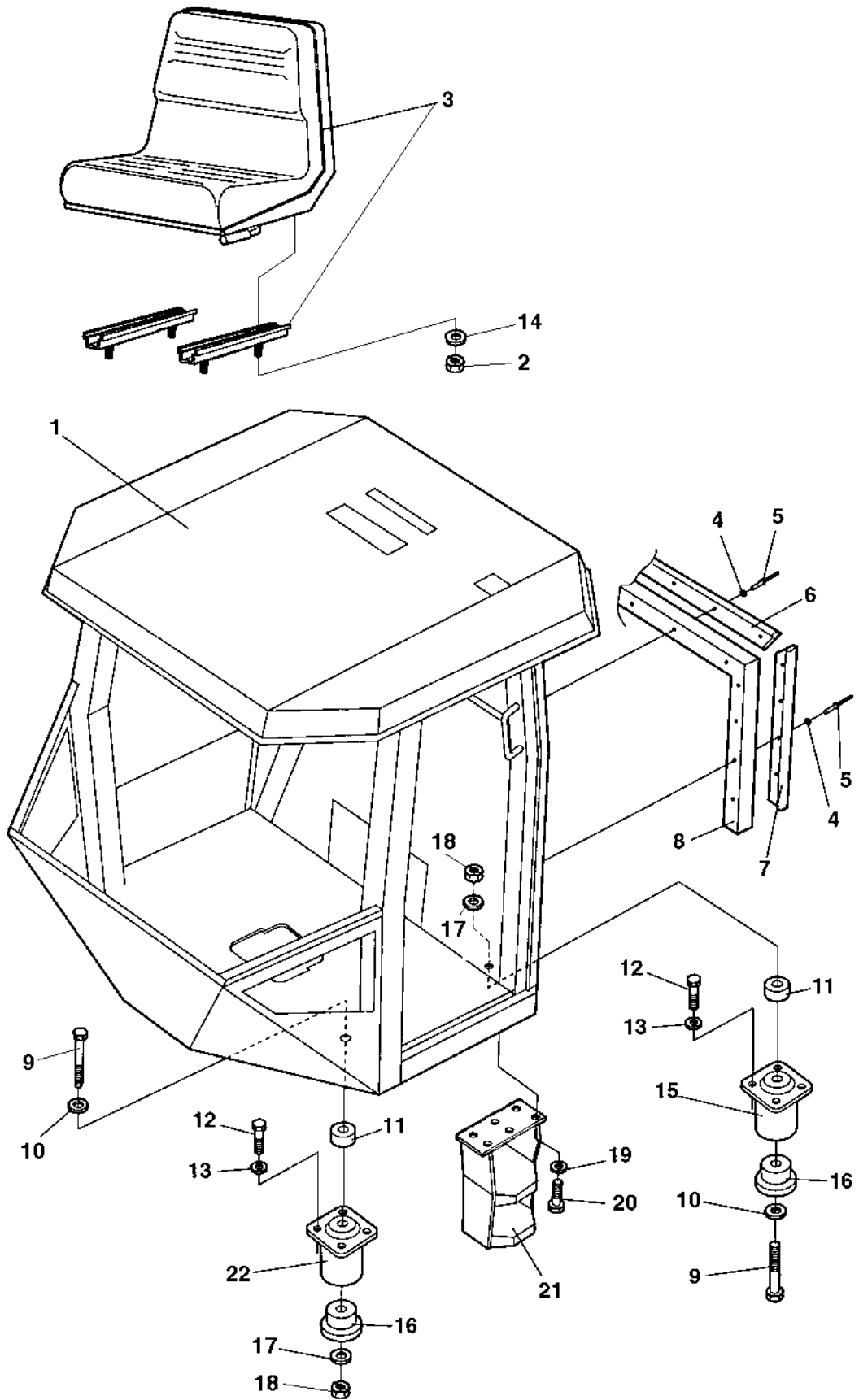
Rops and fops

Item	Part No	Rem Qty	Description	Code
1	4700372347	1	Rops	
2	4700370803	1	.Sign, rops	
3	4700624016	4	.Blind rivet	
4	4700904619	12	Blind rivet	
5	4700904734	19	Washer	8,4x26x4
6	4700500239	19	Screw	
7	4700904180	4	Plug	
8	4700372409	1	Fops roof	
	4700370792	1	.Sign, fops	
	4700624016	4	.Blind rivet	
9	4700372678	1	Absorbent	
10	4700376489	1	Absorbent holder	
11	4700376488	1	Absorbent holder	
12	4700372489	2	Rubber seal	
13	4700904562	12	Screw	
14	4700904234	12	Washer	25x45x4
15	4700381330	2	Holder	
16	4700381353	1	Holder plate	
17	4700904640	8	Washer	8,4x22x3
18	4700500022	8	Screw	M8x30H 8.8 A2K
19	4700381352	1	Holder plate	
20	4700377677	1	Seat belt	2"
	4700379637	A 1	Seat belt	3"
21	4700383225	2	Hook	
22	4700904734	4	Washer	8,4x26x4
23	4700500100	4	Screw	

A) Option 3"

Cab mounting

18429



Cab mounting

Item	Part No	Rem	Qty	Description		Code
1				Cab (Page 148)	392479	
2	4700570005		4	Nut	M8	
3	4700377556		1	Seat		
	4700377518	D	1	Drivers seat, cpl		
4	4700927974		13	Washer		
5	4700904433		13	Blind rivet		
6	4700372785		1	List		
7	4700382582		2	List		
8	4700372494	A	N	Rubber strip		
9	4700791218		4	Screw	M20x200	
10	4700904233		4	Washer	21x36x3	
11	4700384759		4	Spacer		
12	4700500195		16	Screw		
13	4700904231		16	Washer	13x24x2 300 HV	
14	4700904229		4	Washer	8,4x16x1,5	
15	4700374606	B	2	Shock absorber	Green	D
16	4700372457		4	Back-up ring		
17	4700903290		4	Washer	21x36x6	
18	4700901145		4	Lock nut	M20-10	
19	4700904230		6	Washer		
20	4700500029		6	Screw		
21	4700376255		1	Step		
22	4700374607	C	2	Shock absorber	Yellow	D
23	4700382397		2	Spacer		

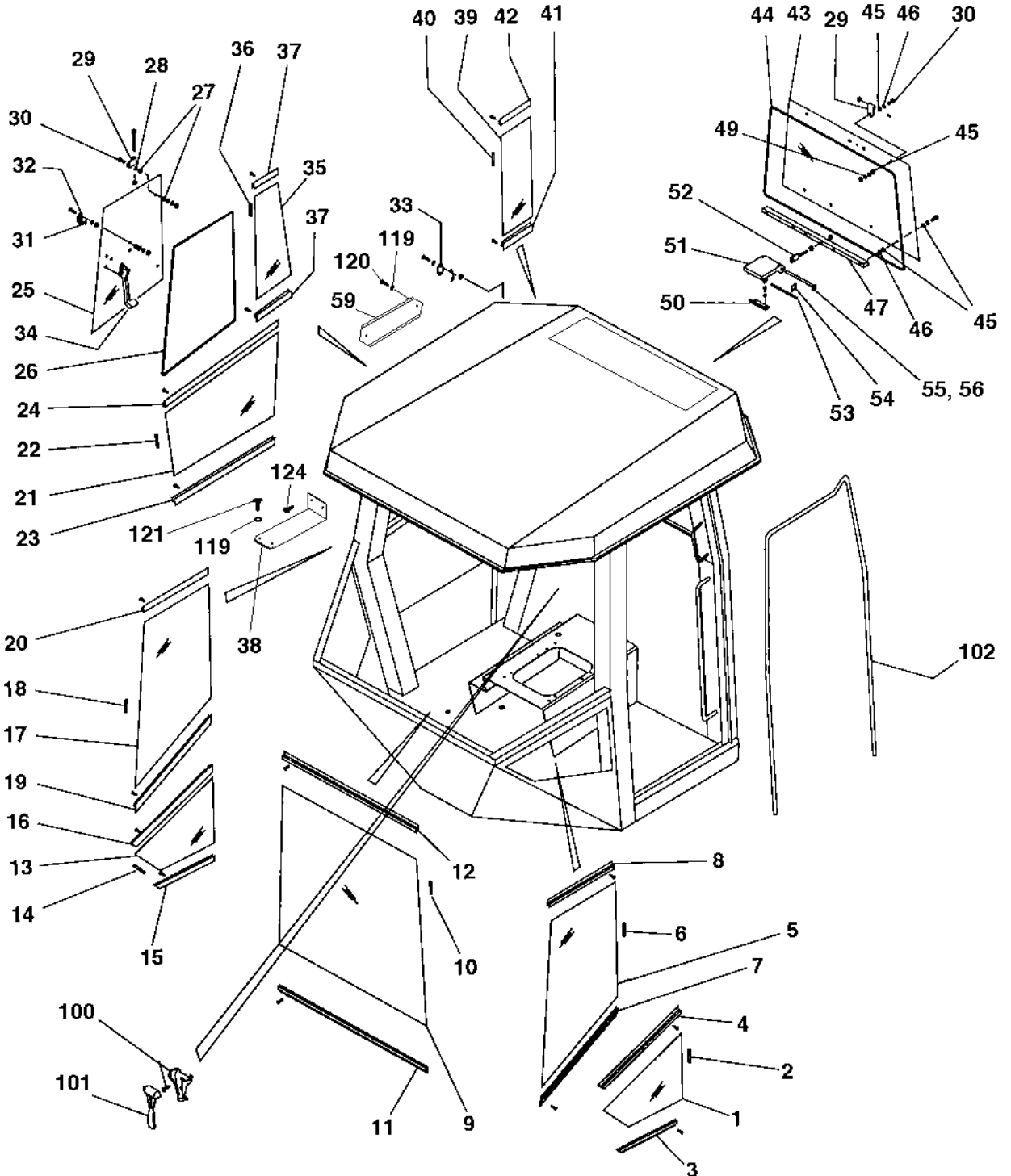
- A) L=2400 mm
- B) Rear
- C) Front
- D) Option

Cab 392479

Item	Part No	Rem Qty	Description	Code
130			Cab (Page 150)	Screens
140			Cab (Page 154)	Door, left side
150			Cab (Page 156)	Interior rear mirror
170			Wiper arm with blade, front (Page 158)	
180			Cab (Page 160)	Electric

Cab Screens

18431



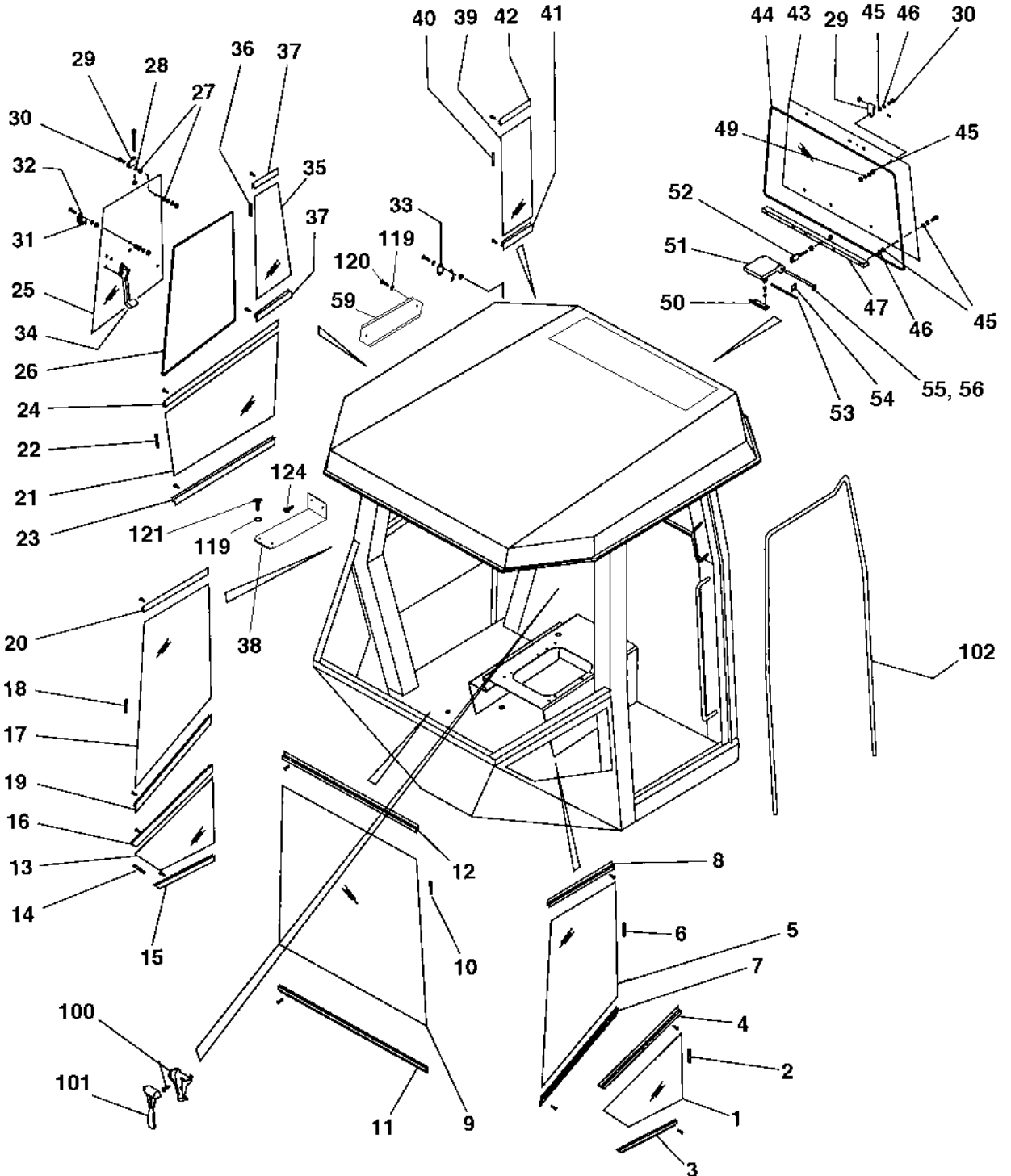
Cab Screens

Item	Part No	Rem	Qty	Description	Code
1	4700937380		1	Screen	
2	4700908545		XL	Seal list	
3	4700935278		1	List	
4	4700935279		1	List	
5	4700937381		1	Screen, left	
6	4700908545		XL	Seal list	
7	4700935280		1	List	
8	4700935281		1	List	
9	4700937382		1	Screen	
10	4700908545	D	1	Seal list	
11	4700935282		1	List	
12	4700935283		1	List	
13	4700937383		1	Screen	
14	4700908545		XL	Seal list	
15	4700935284		1	List	
16	4700935285		1	List	
17	4700937384		1	Screen	
18	4700908545	C	1	Seal list	
19	4700935286		1	List	
20	4700935287		1	List	
21	4700937385		1	Screen	
22	4700908545	A	1	Seal list	
23	4700935288		1	List	
24	4700935289		1	List	
25	4700938290		1	Screen	
26	4700908499	E	1	Rubber list	
27	4700935271		8	Washer, Flexible rubber	
28	4700935272		8	Washer, Black	
29	4700935273		4	Hinge	
30	4700935274		4	Screw	
31	4700935275		1	Rubber washer	
32	4700935276		1	Bracket	
33	4700935277		1	Lock pin	
34	4700935290		1	Window lock, right	
35	4700938291		1	Screen	
36	4700908545	B	1	Seal list	
37	4700935291		1	List	
38	4700379608		1	Cover	
39	4700938292		1	Screen	
40	4700908545	B	1	Seal list	
41	4700935293		1	List	
42	4700938659		1	List	
43	4700937389		1	Screen	
44	4700908499	F	1	Rubber list	
45	4700935271		12	Washer, Flexible rubber	
46	4700935272		12	Washer, Black	
47	4700935295		1	Screen holder	
49	4700935296		2	Washer	
50	4700935297		1	Bracket	
51	4700935298		2	Bracket	
52	4700935299		1	Bolt	
53	4700935300		1	Shaft	
54	4700935301		2	Lock	

- A) L=1100 mm
- B) L=1400 mm
- C) L=1900 mm
- D) L=2100 mm
- E) L=2700 mm
- F) L=3300 mm

Cab Screens

18431

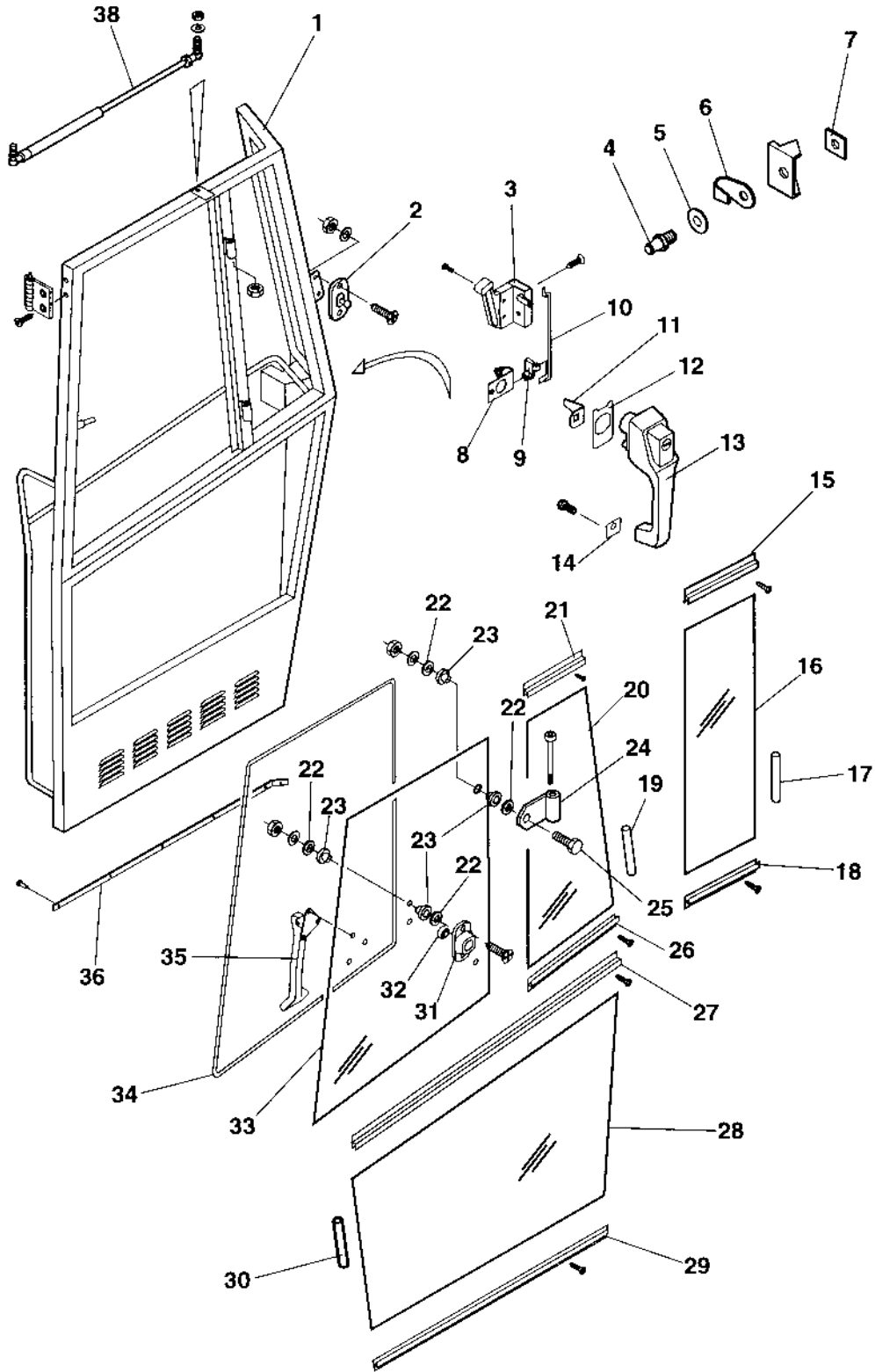


Cab Screens

Item	Part No	Rem	Qty	Description	Code
55	4700935302		1	Rod	
56	4700935303		1	Ring	
59	4700379236		1	Cover	
100	4700908506		1	Holder	
101	4700908507		1	Emergency hammer	
102	4700908499	G	1	Rubber list	
119	4700904229		16	Washer	8,4x16x1,5
120	4700500019		14	Screw	M8x16H 8.8 A2K
121	4700500053		2	Screw	M8x20H 8.8
124	4700903782		2	Screw	M5x12
G)	L=5 m				

Cab Door, left side

16967-1



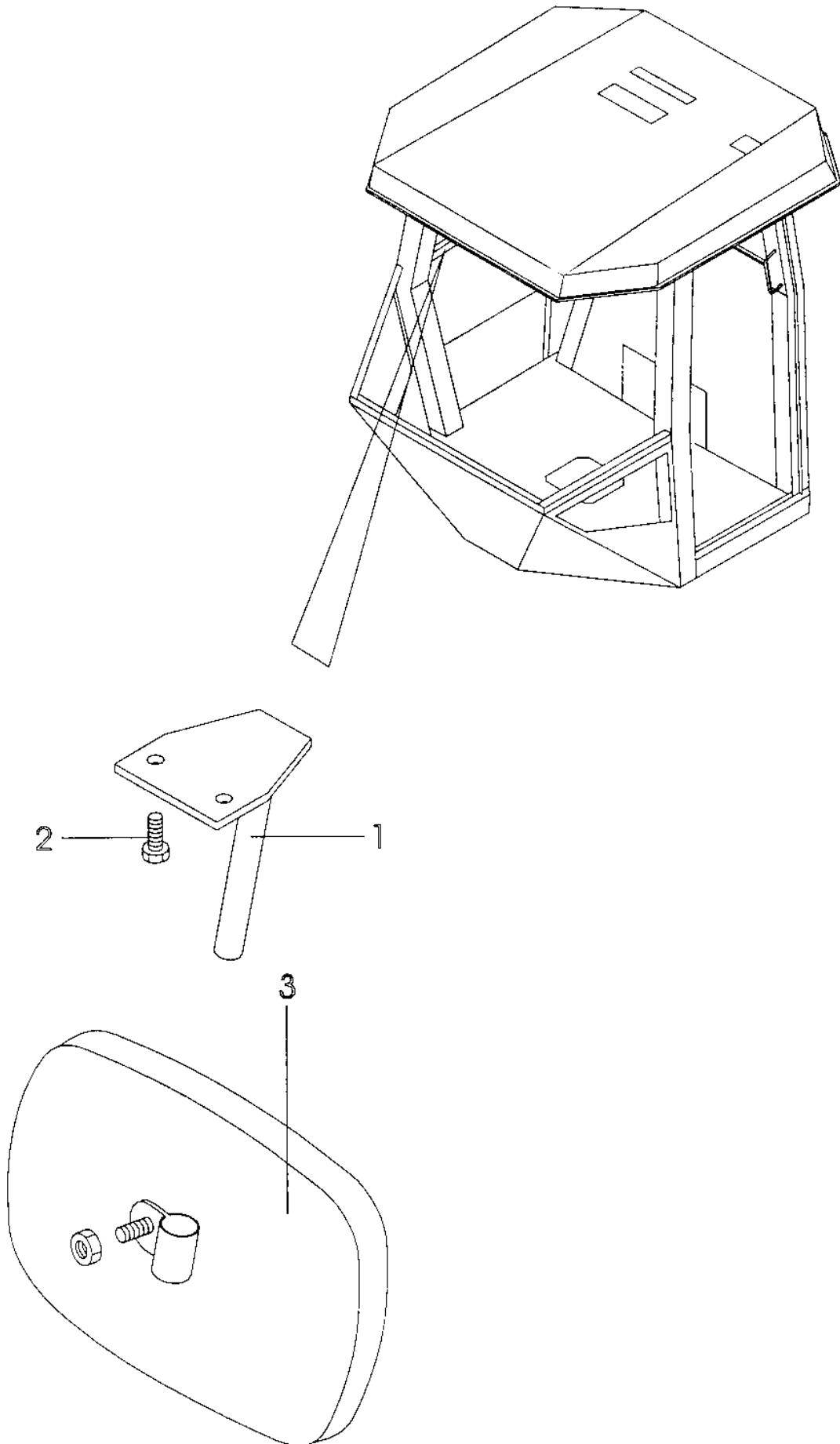
Cab Door, left side

Item	Part No	Rem	Qty	Description	Code
	4700940678		1	Door, cpl	
1	4700390927		1	.Door frame	
2	4700935277		1	.Lock pin	
3	4700938017		1	.Lock	
4	4700908580		1	.Lock pin	
5	4700908581		1	.Washer	
6	4700908582		1	.Cover	
7	4700908583		1	.Bracket	
8	4700935248		1	.Turning mechanism	
9	4700935249		1	.Retainer	
10	4700935250		1	.Rod	
11	4700935247		1	.Leader	
12	4700935246		1	.Seal	
13	4700935244		1	.Door handle with key	
14	4700935245		1	.Seal	
15	4700935268		1	.List	
16	4700937391		1	.Screen	
17	4700908545	A	1	.Seal list	
18	4700935267		1	.List	
19	4700908545	A	1	.Seal list	
20	4700937392		1	.Screen	
21	4700935270		1	.List	
22	4700935272		8	.Washer, Black	
23	4700935271		8	.Washer, Flexible rubber	
24	4700935273		2	.Hinge	
25	4700935274		2	.Screw	
26	4700935269		1	.List	
27	4700935266		1	.List	
28	4700937390		1	.Screen	
29	4700935265		1	.List	
30	4700908545	B	1	.Seal list	
31	4700935276		1	.Bracket	
32	4700935275		1	.Rubber washer	
33	4700937393		1	.Screen	
34	4700908499	C	1	.Rubber list	
35	4700935253		1	.Lock	
36	4700938101		XL	.Brush profile	
38	4700938018		1	.Gas spring	

- A) L=1400 mm
- B) L=1100 mm
- C) L=2700 mm

Cab Interior rear mirror

16008

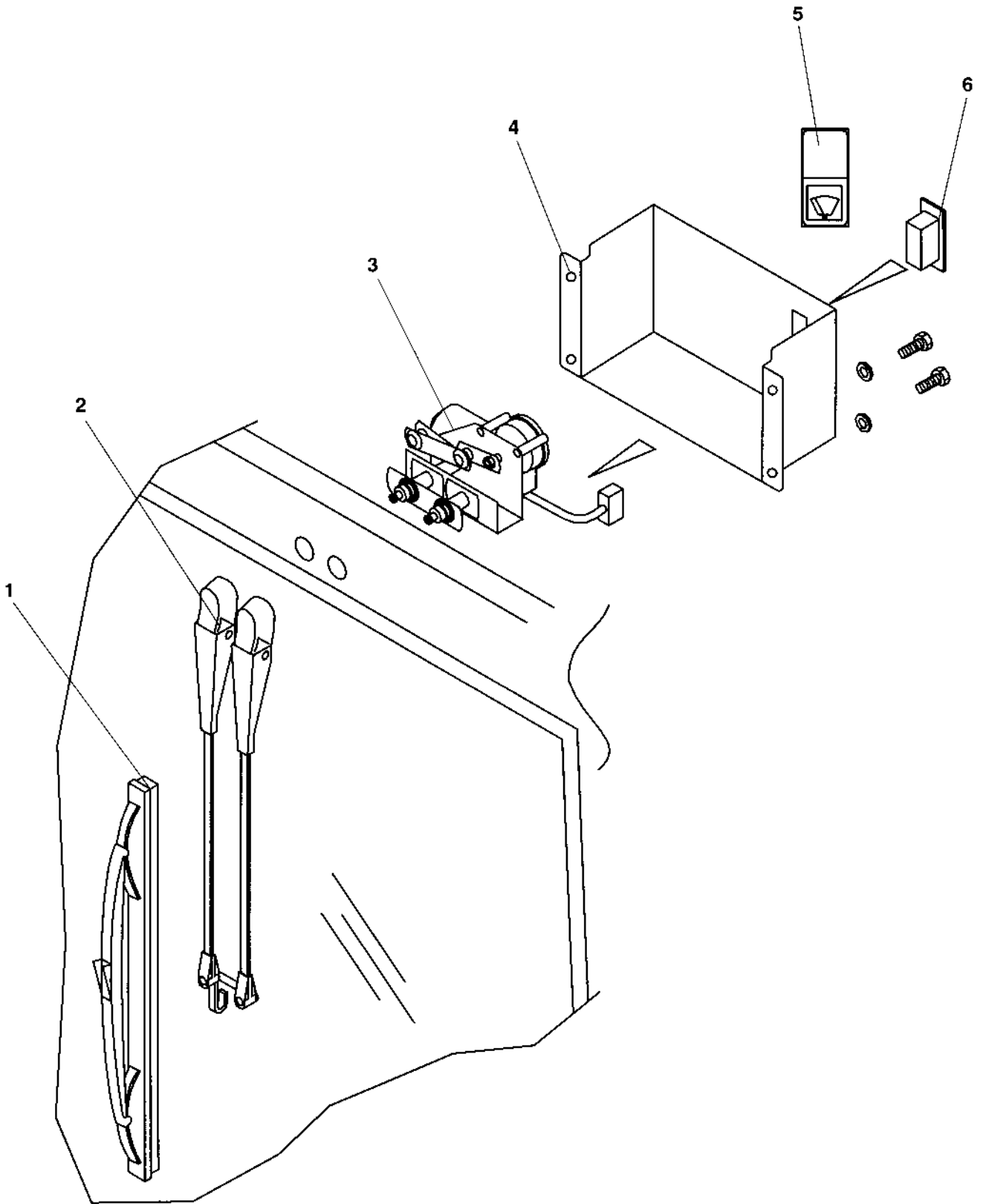


Cab Interior rear mirror

Item	Part No	Rem Qty	Description	Code
1	4700908623	1	Bracket	
2	4700535005	2	Screw	M5x12
3	4700908624	1	Rear mirror	

Wiper arm with blade, front

16968

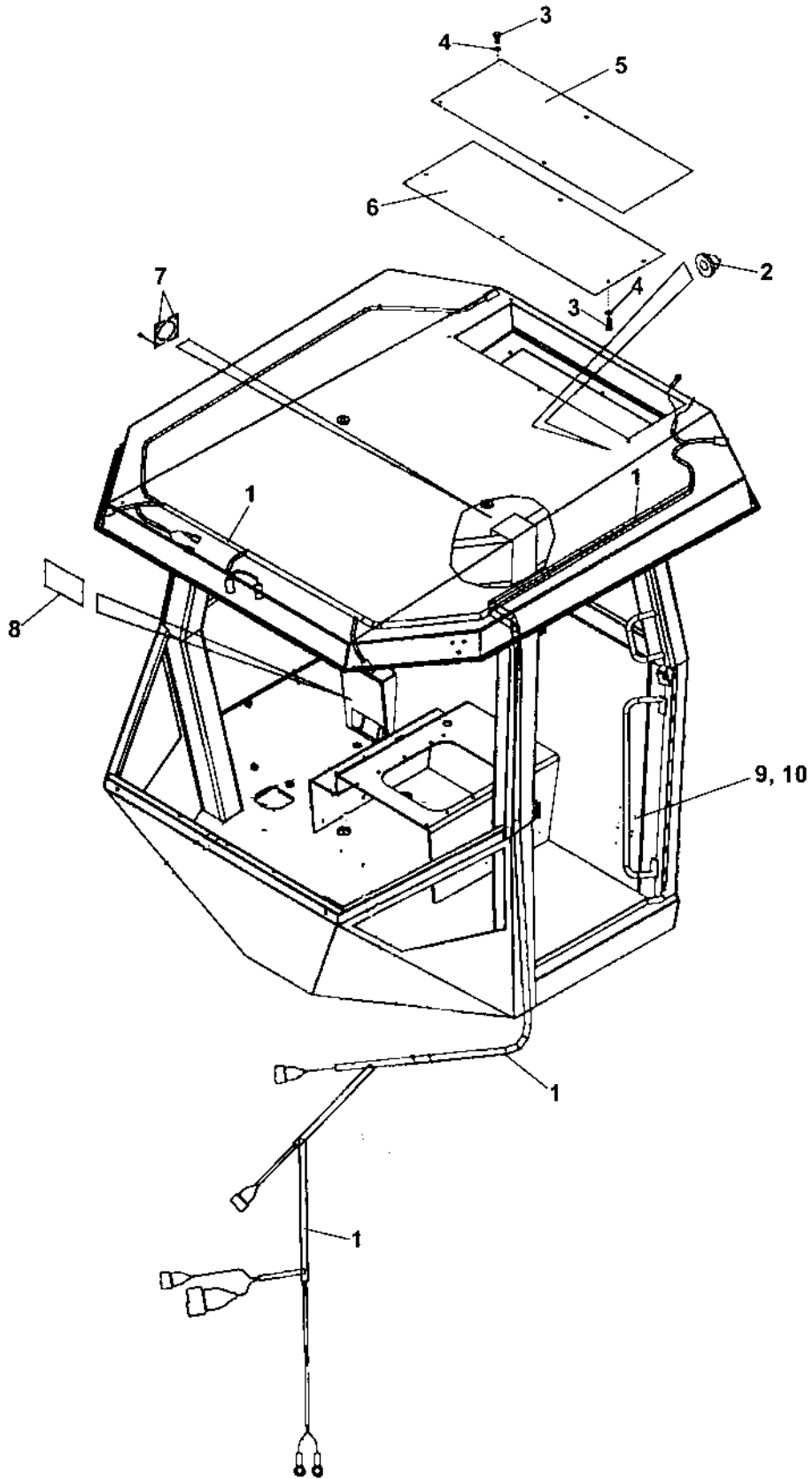


Wiper arm with blade, front

Item	Part No	Rem Qty	Description	Code
1	4700905306	1	Wiper blade	
2	4700905305	1	Wiper arm	
3	4700905304	1	Wiper motor	
4	4700937871	1	Cover	
5	4700908605	1	Symbol, wiper	
6	4700908617	1	Switch	

Cab Electric

18780



Cab Electric

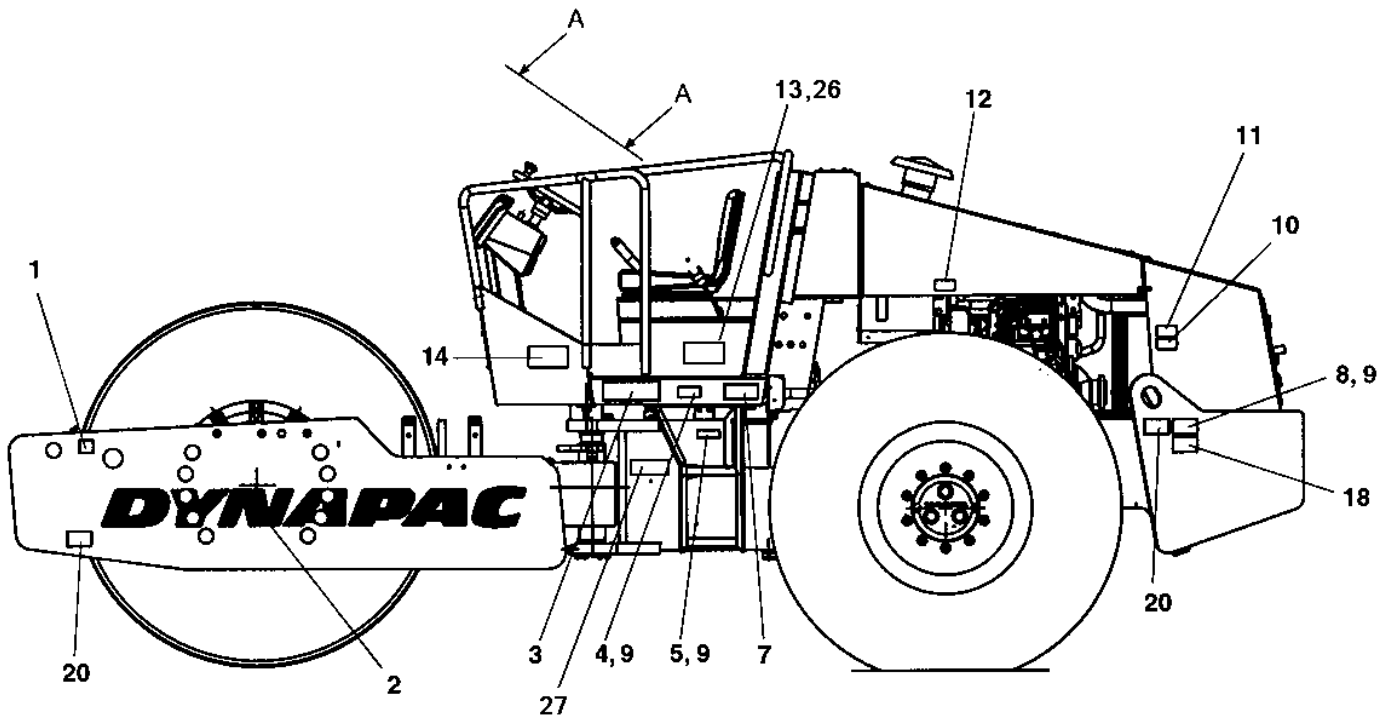
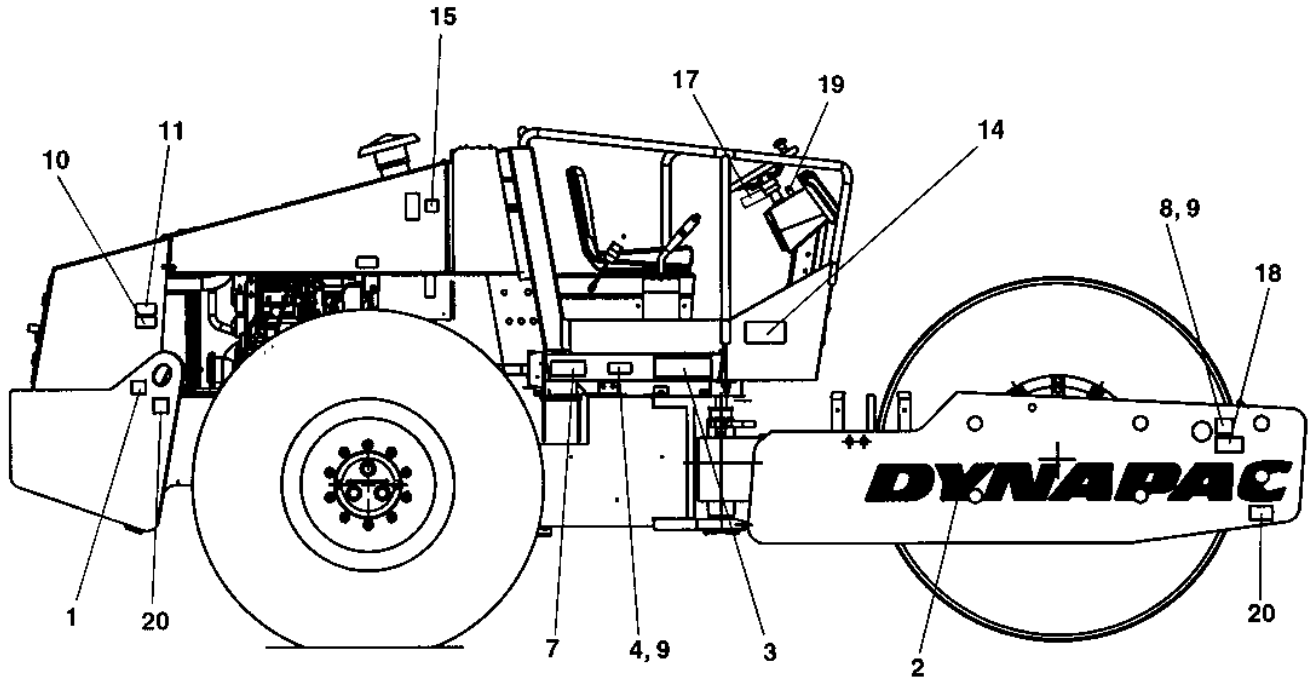
Item	Part No	Rem Qty	Description	Code
1	4700937870	1	Cable harness	
2	4700791378	2	Grommet	
3	4700500019	12	Screw	M8x16H 8.8 A2K
4	4700904229	12	Washer	8,4x16x1,5
5	4700938678	1	Cover	
6	4700938679	1	Cover	
7	4700935580	2	Bracket	
8	4700391219	1	Gasket	
9		1	Sign, rops	
10		1	Sign, fops	

Decals

Item	Part No	Rem Qty	Description	Code
10			Decals (Page 164)	
20			Decals (Page 166)	

Decals

18498

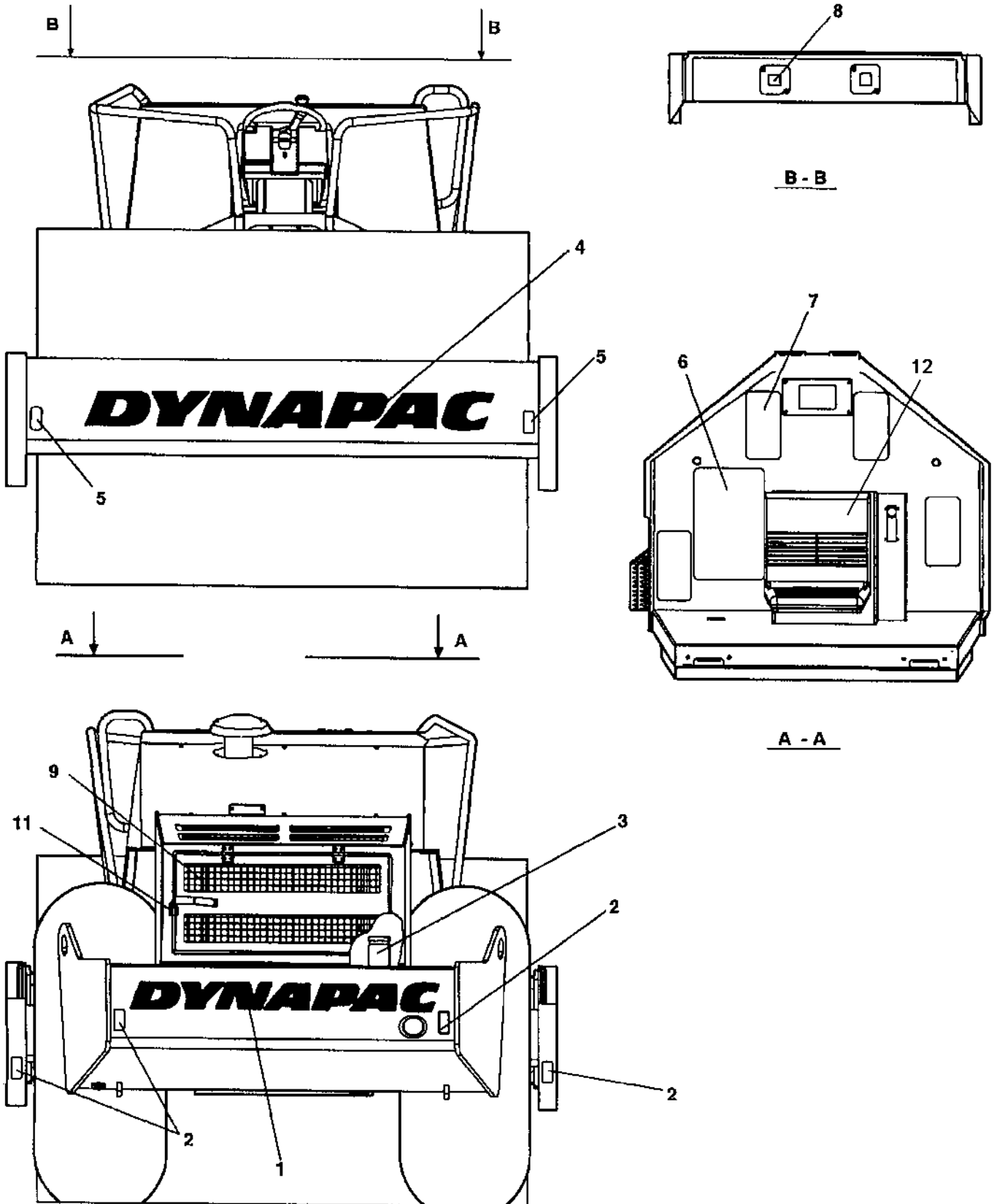


Decals

Item	Part No	Rem Qty	Description	Code
1	4700588176	2	Decal "LIFT POINT"	
2	4700904068	2	Decal "DYNAPAC"	L=1770 mm
3	4700904723	2	Decal "MODEL CODE"	
4	4700377744	2	Reflector, yellow	B
5	4700358090	1	Product plate ce	
6	4700902915	4	Screw	
7	4700903459	2	Decal "SAFETY"	
8	4700904870	2	Lifting sign	
9	4700624005	12	Blind rivet	3,2x6,1
10	4700903424	2	Decal "HOT SURFACE"	
11	4700903423	2	Decal "SAFETY"	
12	4700991990	2	Decal "TYRE PRESSURE"	110-150kPA/16-21psi
	4700390900	1	Decal "TYRE PRESSURE"	110kPA/16psi
13	4700903425	1	Decal "SAFETY MANUAL"	
14	4700903422	2	Decal "SAFETY"	
15	4700272373	1	Decal "HYDRAULIC OIL"	
17	4700384159	1	Instructions	Loading-Unloading
18	4700908229	2	Safety decal	
19	4700358881	1	Pad lock	
20	4700382751	4	Decal "TIE DOWN POINT"	
25	4700791642	1	Decal "WARNING"	Use of starting fluid prohib.
26	47393692XX	1	Instruction Handbook	
27	47960787XX	1	Product identif. decal "Dynapac"	

Decals

18499

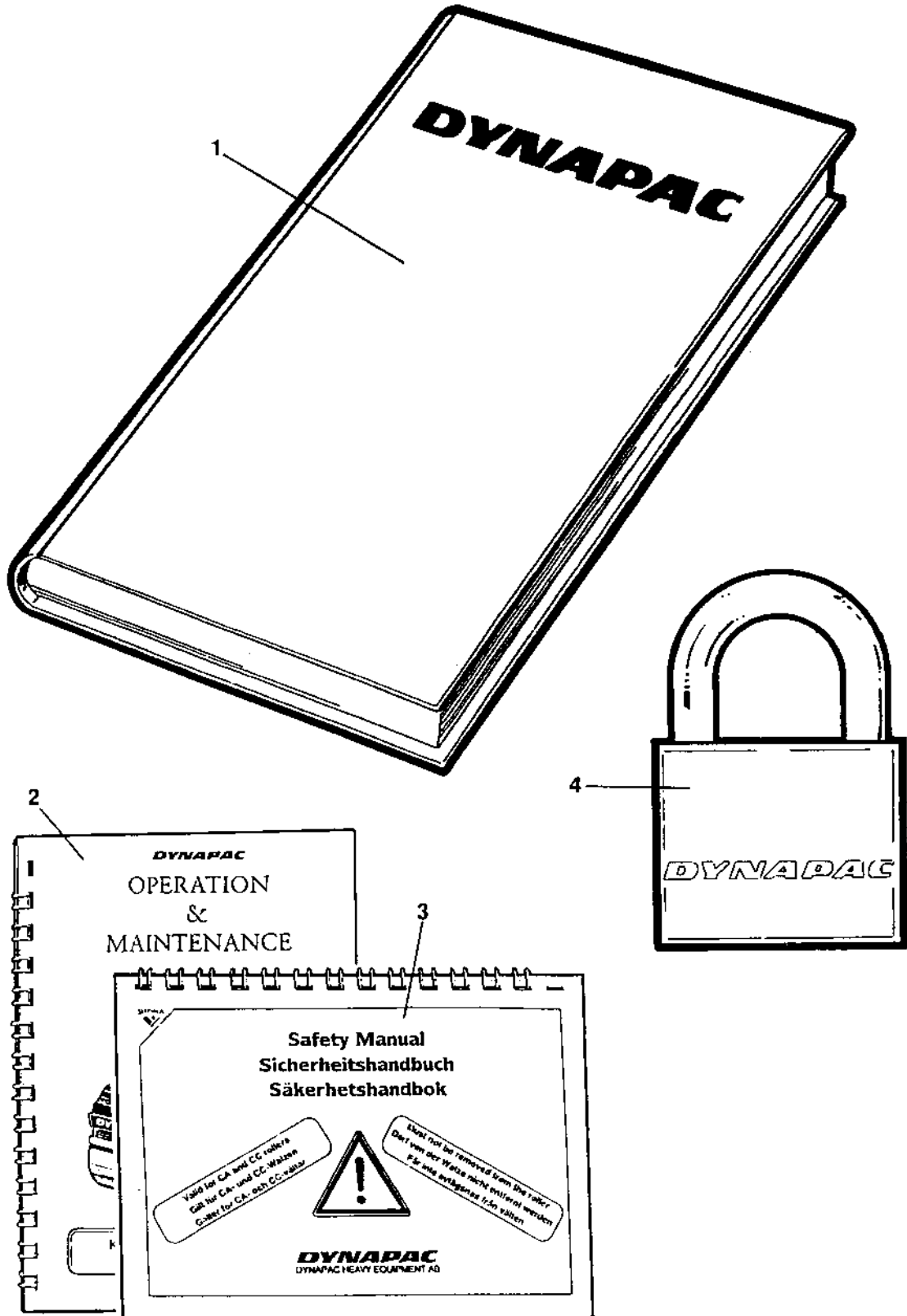


Decals

Item	Part No	Rem Qty	Description	Code
1	4700904098	1	Decal "DYNAPAC" L=1350 mm	
2	4700377742	4	Reflector, red	B
3	4700991658	1	Decal "FUEL"	
4	4700904068	1	Decal "DYNAPAC" L=1770 mm	
5	4700377743	2	Reflector, white	B
6	4700373364	1	Slip protection	
7	4700373363	4	Slip protection	
8	4700272372	1	Decal "HYDRAULIC OIL"	
9	4700904835	1	Decal "BATTERY POWER"	
11	4700358881	1	Pad lock	
12	4700348331	1	Seat cover	D

Standard equipment

Item	Part No	Rem Qty	Description	Code
100			Standard equipment (Page 170)	



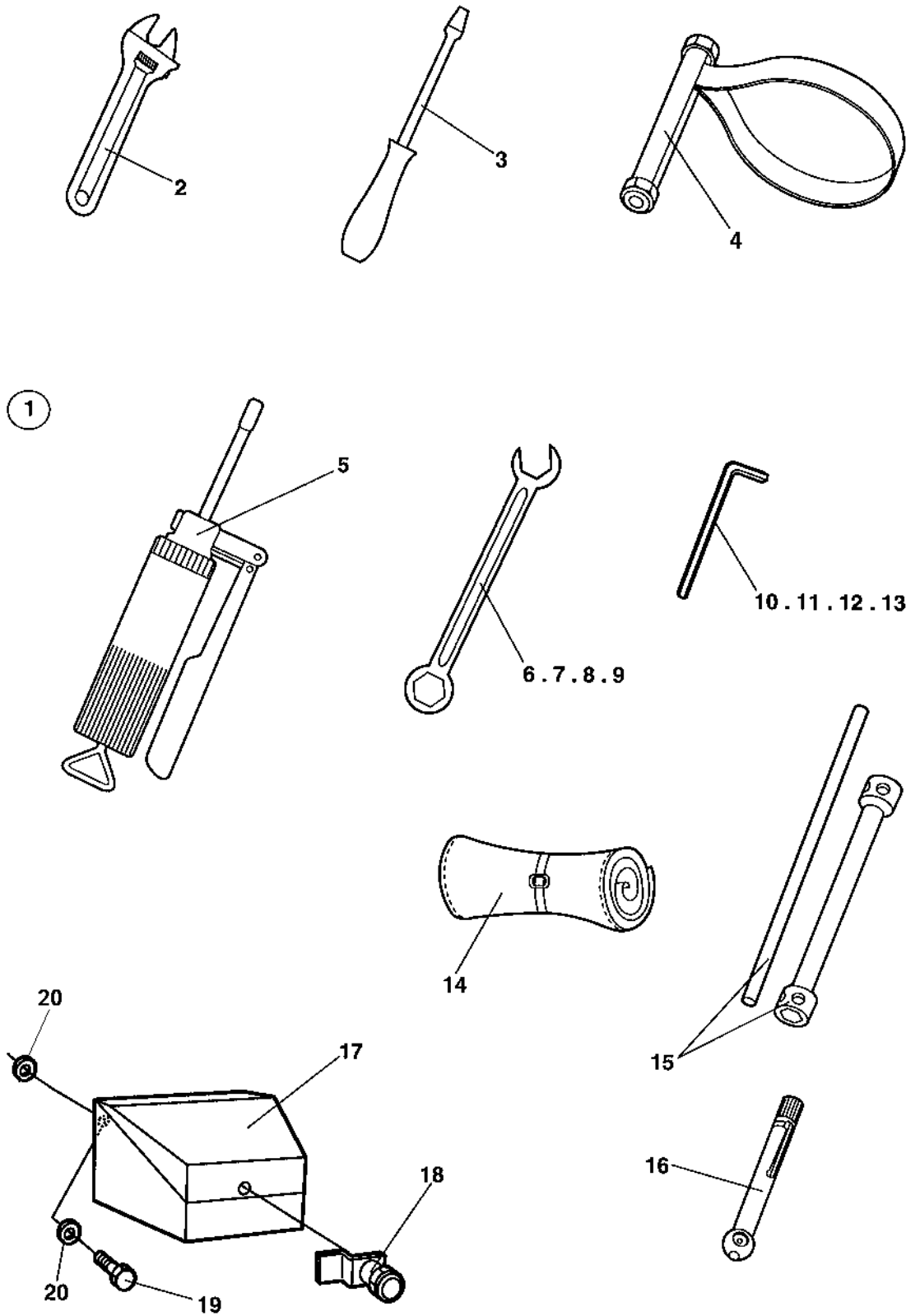
Item	Part No	Rem Qty	Description	Code
1		1	Documentation	ISCA250PD
		1	.Warranty registration card	
		1	.Operation and maintenance	ICA250
		1	.Spare parts catalogue	SCA250PD
		1	.Instruction manual	Cummins QSB 4.5 C
2		1	.Operation / maintenance instruction	I5CA250
3		1	.Safety manual	RSAFE
4	4700358881	1	Pad lock	

Optional equipment

Item	Part No	Rem Qty	Description	Code
10			Tool equipment (Page 174)	
85			Air conditioner and heater, Simple cab (Page 176)	
86	4700383413		Condenser, cpl (Page 180)	
90			Air conditioner and heater unit (Page 182)	
100			Dy-Mic (Page 184)	
230			Heater (Page 186)	Simple cab

Tool equipment

17111-1

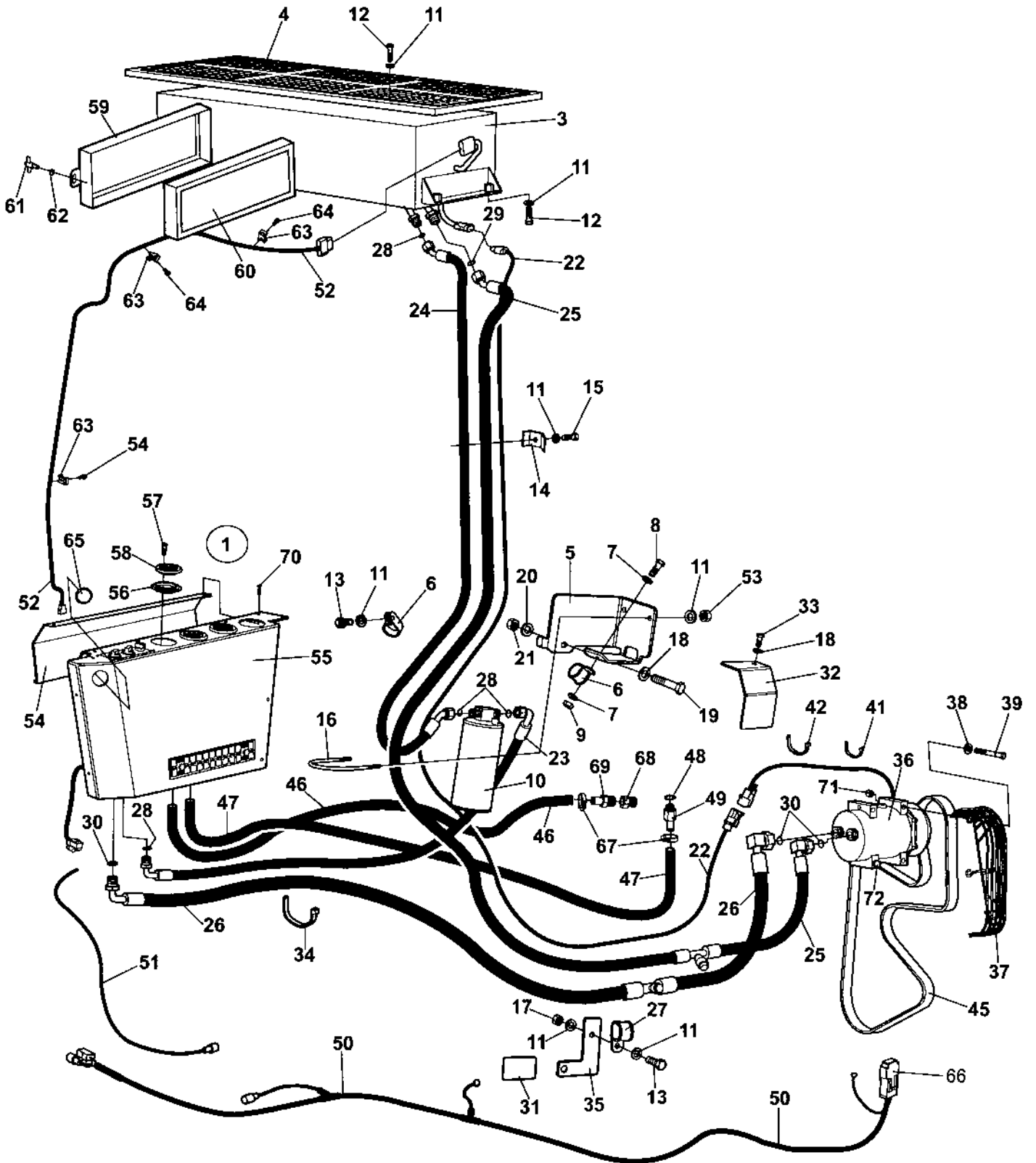


Tool equipment

Item	Part No	Rem Qty	Description	Code
1	4700355890	1	Tool set Cpl	
2		1	.Adjustable wrench	
3		1	.Screw driver	
4	4700902610	1	.Belt pliers	
5	4700311016	1	.Grease gun	
6		1	.Open end spanner	10mm
7		1	.Open end spanner	13mm
8		1	.Open end spanner	16mm
9		1	.Open end spanner	18mm
10		1	.Allen wrench	10mm
11		1	.Allen wrench	12mm
12		1	.Allen wrench	6mm
13		1	.Allen wrench	8mm
14		1	.Tool bag	
15		1	.Wheel nut key	30/32mm
16	4700901220	1	.Pressure gauge	
17	4700372837	1	Tool box	
18	4700372658	1	.Lock	
19	4700500021	3	Screw	M8-1,25x25 8.8
20	4700904640	6	Washer	8,4x22x3

Air conditioner and heater, Simple cab

18684



Air conditioner and heater, Simple cab

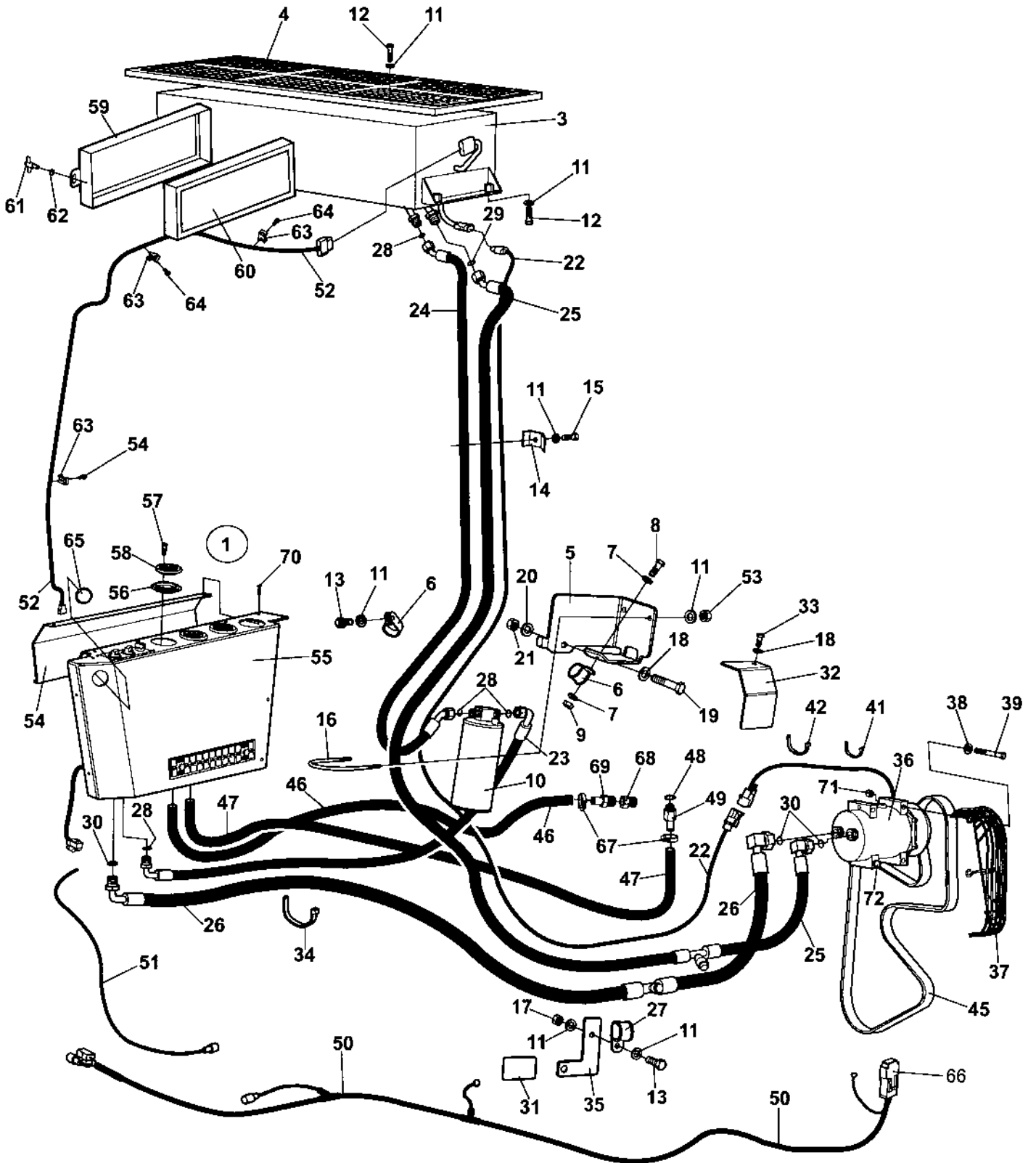
Item	Part No	Rem	Qty	Description	Code
1				Air conditioner and heater unit (Page 182)	
3	4700383413			Condenser, cpl (Page 180)	
4	4700384589		1	Cover	
5	4700393954		1	Holder	
6	4700921056		2	Clamp	
7	4700904228		2	Washer	
8	4700500013		1	Screw	M6-1x16 8,8
9	4700570004		1	Nut	M6X1,00 -8 A2K
10	4700393955		1	Drying filter	
11	4700904229		18	Washer	8,4x16x1,5
12	4700500022		10	Screw	M8x30H 8.8 A2K
13	4700500053		2	Screw	M8x20H 8.8
14	4700346230		3	Clamp	
15	4700500023		3	Screw	M8-1,25x40 8,8
16	4700313093		1	Pipe clamp	
17	4700570005		3	Nut	M8
18	4700904230		2	Washer	
19	4700500192		1	Screw	M10x80
20	4700904567		1	Washer	10,5x28x6 HB305
21	4700570006		1	Nut	
22	4700390824		1	Cable harness	
23	4700384875		1	Hose	
24	4700384876		1	Hose	
25	4700393405		1	Hose	
26	4700393406		1	Hose	
27	4700921044		1	Clamp	
28	4700384877		4	O-ring	
29	4700384878		1	O-ring	
30	4700384879		3	O-ring	
31	4700904165		1	Safety decal	Toxic gases
32	4700393408		1	Heat protection	
33	4700500048		1	Screw	M10-1,5x20 8,8
34	4700313102			Cable ties	
35	4700393647		1	Holder	
36	4700390823		1	Compressor	
37	4700390529		1	Belt guard	
38	4700904734		2	Washer	8,4x26x4
39	4700500180		2	Screw	
40	4700792015		1	Conduit	
41	4700313068		1	Cable ties	L=92 mm
42	4700925802		1	Cable ties	L=142 mm
45		A	1	V-belt	
46	4700937737	B	1XL	Hose	
47	4700937737	B	1XL	Hose	
48	4700330330		1	Seal ring	
49	4700391303		1	Hose connection	
50	4700387466		1	Cable harness	
51	4700394210		1	Cable harness	
52	4700379275		1	Cable harness	
53	4700586003		2	Lock nut	M8
54	4700379285		1	Panel	
55	4700379286		1	Panel	
56	4700385443		3	Ring	
57	4700938691		12	Screw	
58	4700385442		3	Air nozzle	
59	4700908501		1	Filter frame	
60	4700908502		1	Filter	
61	4700908504		2	Handle	

A) See section "Engine installation".

B) L=3,600M

Air conditioner and heater, Simple cab

18684

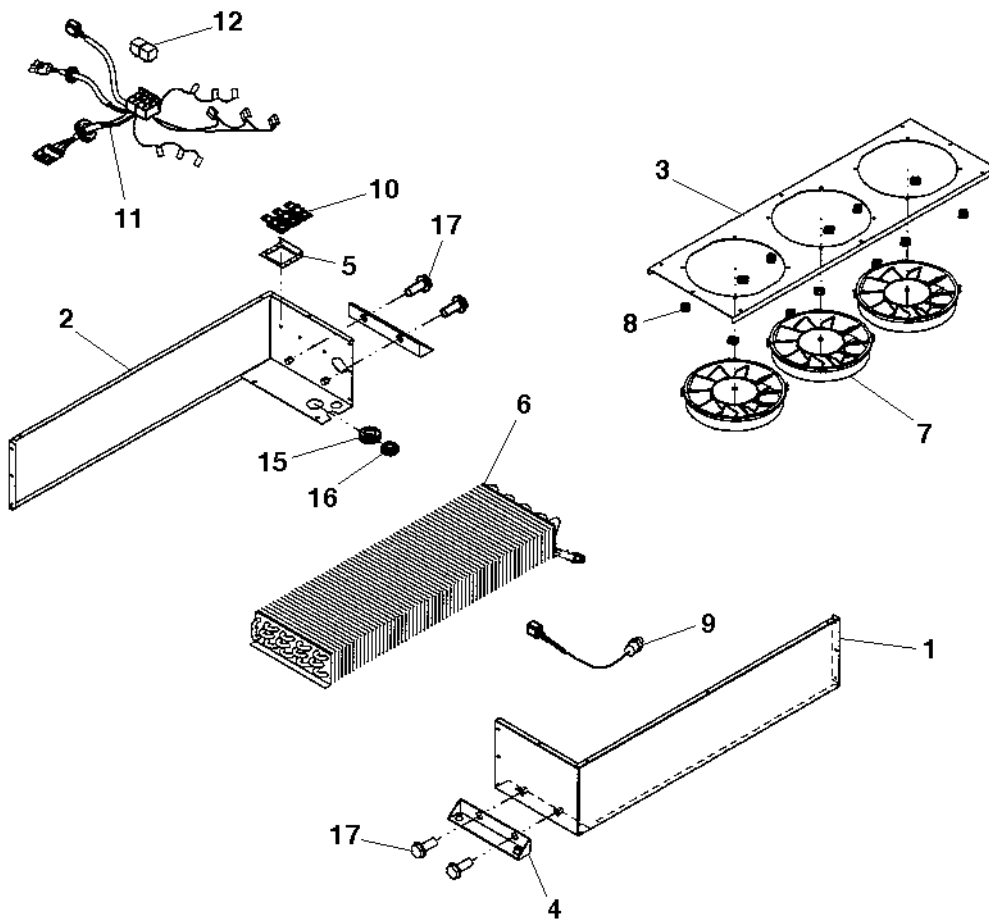


Air conditioner and heater, Simple cab

Item	Part No	Rem Qty	Description	Code
62	4700908503	2	O-ring	
63	4700904543	10	Cable tie holder	
64	4700903852	10	Screw	ST4,2x13
65	4700345870	1	Plug	
66	4700904039	1	Fuse	50A Red High
67	4700313004	2	Hose clamp	D
68	4700813434	1	Reducer	
69	4700387638	1	Hose connection	
70	4700792248	5	Screw	4,2 X25
71	4700945314	2	Guide ring	
72	4700945315	3	Screw	M8X100

4700383413 Condenser, cpl

18385

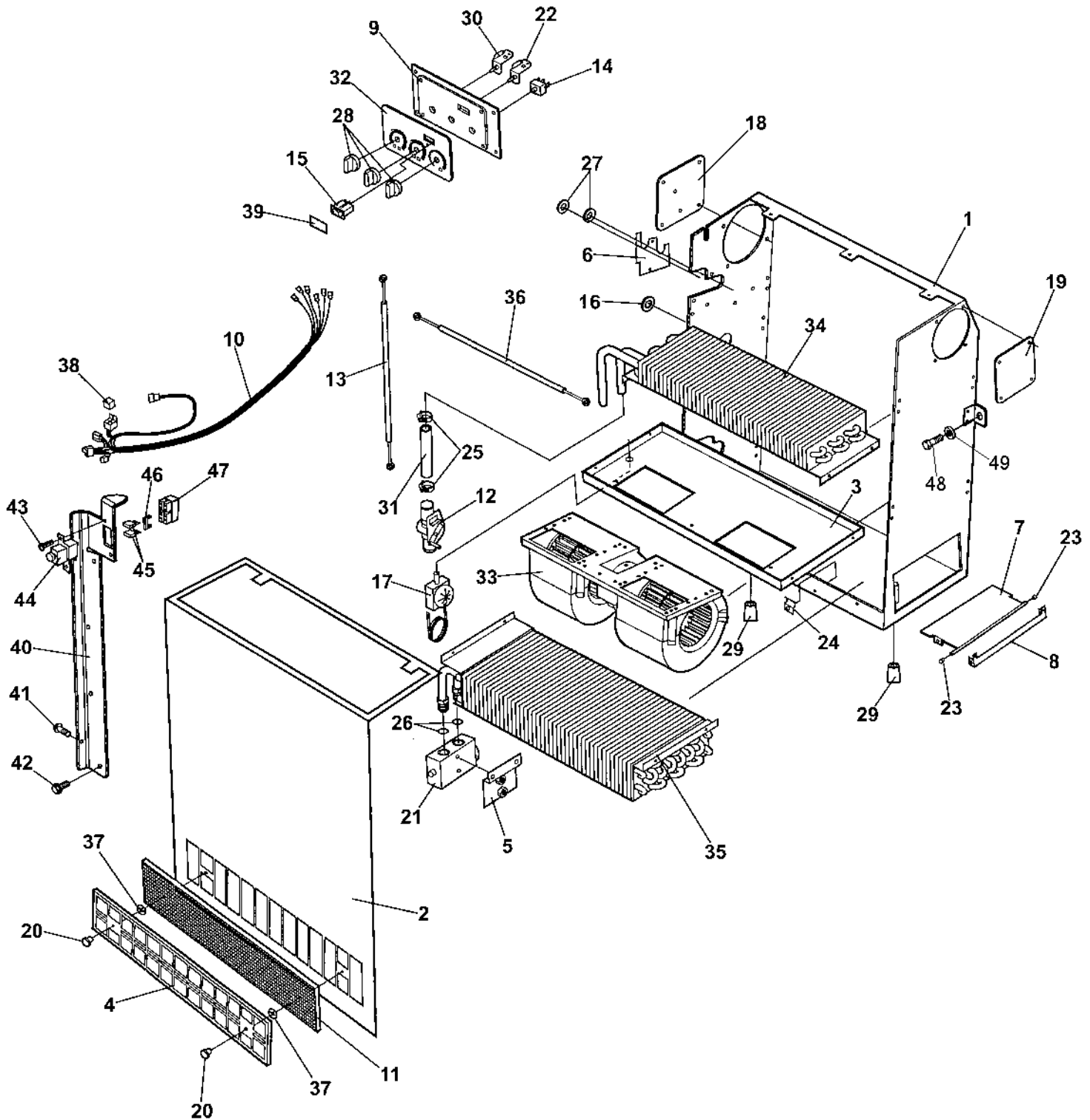


4700383413 Condenser, cpl

Item	Part No	Rem Qty	Description	Code
1	4700938597	1	Cover	
2	4700938598	1	Cover	
3	4700938599	1	Fan bracket	
4	4700938600	2	Condensor bracket	
5	4700938601	1	Resistor bracket	
6	4700938602	1	Condensor Coil	
7	4700938603	3	Fan	
8	4700938604	12	Clip	
9	4700938605	1	Pressure switch	
10	4700938606	3	Resistor	
11	4700938607	1	Cable harness	
12	4700287598	2	Relay	12V-30A
15	4700938608	1	Grommet	
16	4700938609	1	Grommet	
17	4700901832	4	Screw	

Air conditioner and heater unit

18681



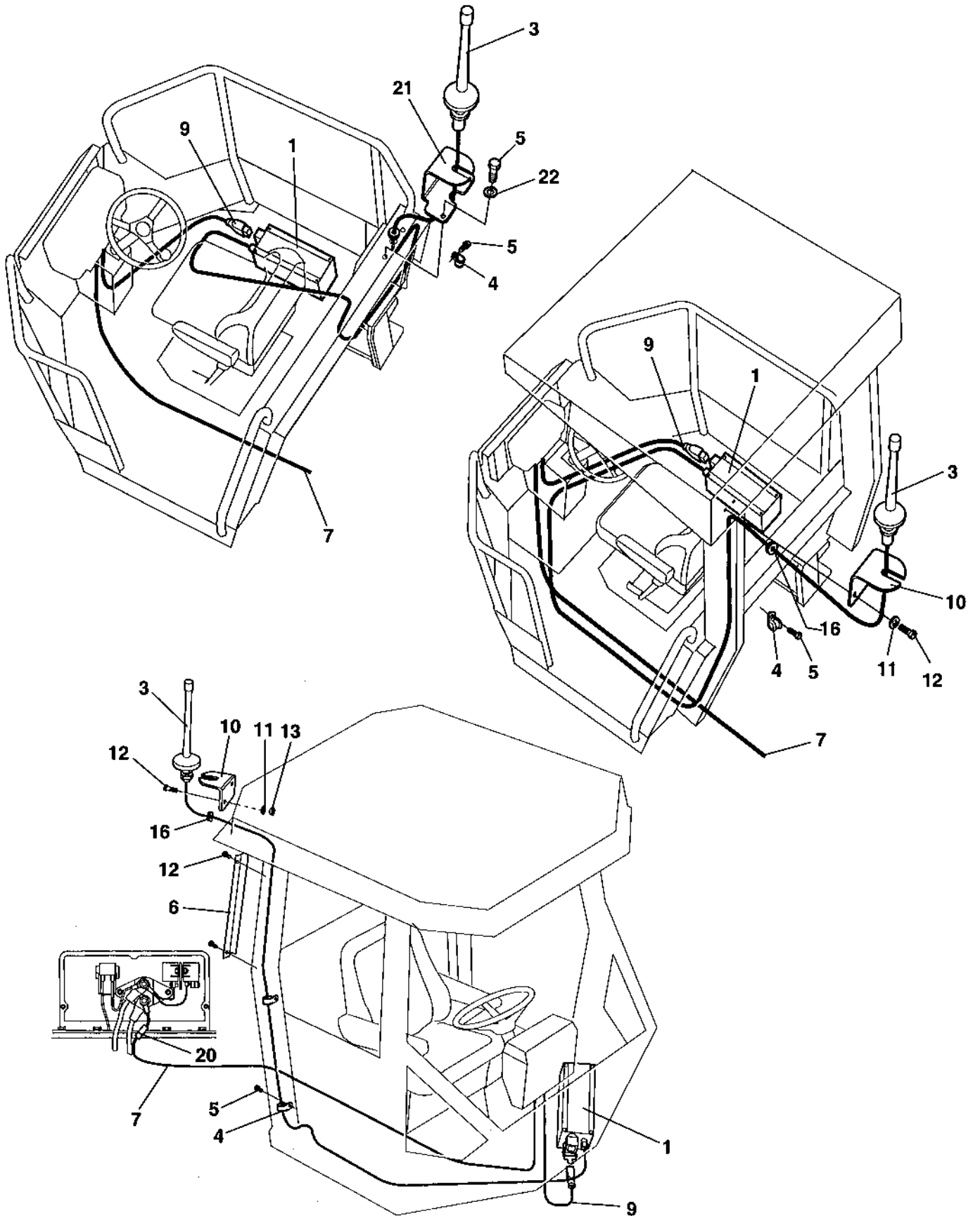
Air conditioner and heater unit

Item	Part No	Rem	Qty	Description	Code
1	4700938625		1	Casing	
2	4700938626		1	Cover	
3	4700938627		1	Fan bracket	
4	4700384760		1	Filter grill	
5	4700384177		1	Holder	
6	4700938628		1	Cover	
7	4700938629		1	Cover	
8	4700938630		1	Bracket	
9	4700945174		1	Panel	
10	4700945175		1	Cable harness	
11	4700384761		1	Air filter element	
12	4700939693		1	Heater control valve	
13	4700938645		1	Bowden cable	
14	4700938622		1	Switch	
15	4700938619		1	Switch	
16	4700938644		1	Cap	
17	4700384897		1	Thermostat	
18	4700945176		1	Cover plate	
19	4700945177		1	Cover plate	
20	4700938634		2	Knob	
21	4700394176		1	Noise cover	
22	4700938621		2	Rotary control	
23	4700938635		2	Sleeve	
24	4700384880		1	Wire clamp	
25	4700313003		2	Hose clamp	D
26	4700384878		2	O-ring	
27	4700384927		2	Grommet	
28	4700938620		3	Knob	
29	4700938636		2	Drain valve	
30	4700385134		2	Lock washer	
31	4700384881		1	Hose	
32	4700945178		1	Panel overlay	
33	4700938638		1	Fan	
34	4700938639		1	Heater coil	
35	4700383414		1	Evaporator	
36	4700384762		1	Wire	
37	4700939413		2	Star lock	
38	4700287597		1	Relay	D
39	4700938643		1	Plug	
40	4700379332	A	1	Holder	
41	4700792187	A	2	Screw	M5x14
42	4700541703	A	4	Screw	M6x16
43	4700901767	A	2	Screw	ST3,5x9,5 Black
44	4700792091	A	1	Fuse holder	
45	4700903741	A	2	Fuse	20A Yellow Medium
46	4700901240	A	1	Connector	
47	4700901699	A	1	Connector	
48	4700500019		5	Screw	M8x16H 8.8 A2K
49	4700904229		5	Washer	8,4x16x1,5

A) Only valid for simple cab

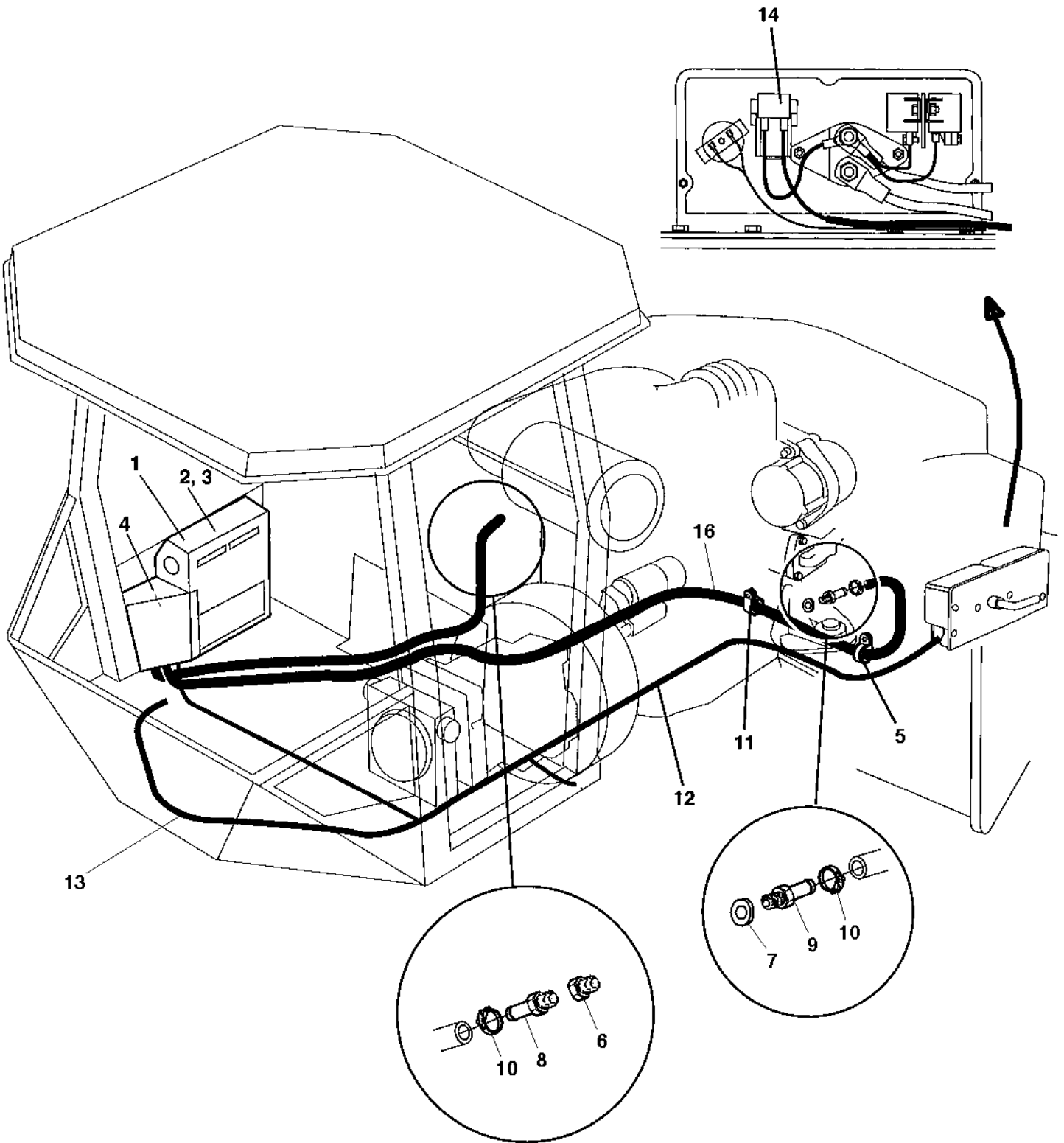
Dy-Mic

17823



Dy-Mic

Item	Part No	Rem Qty	Description	Code
1	4700386390	1	Communicator box	
	4700508002	4	Screw	
3	4700386391	1	Antenna	Cpl
4	4700921039	4	Pipe clamp	
5	4700904415	4	Screw	
6	4700386512	1	Cable holder	
7	4700386533	1	Cable harness	
8	4700930154	3	Contact piece, NC	
9	4700386392	1	Cable harness	
10	4700386506	1	Antenna holder	
11	4700904228	4	Washer	
12	4700500040	4	Screw	M6-1x20 8,8
13	4700586002	2	Lock nut	
16	4700909122	1	Grommet	
17	4700313102	N	Cable ties	
18	4700313041	N	Cable ties	
20	4700901224	1	Fuse	3A
21	4700386507	1	Antenna holder	D
22	4700904281	2	Washer	



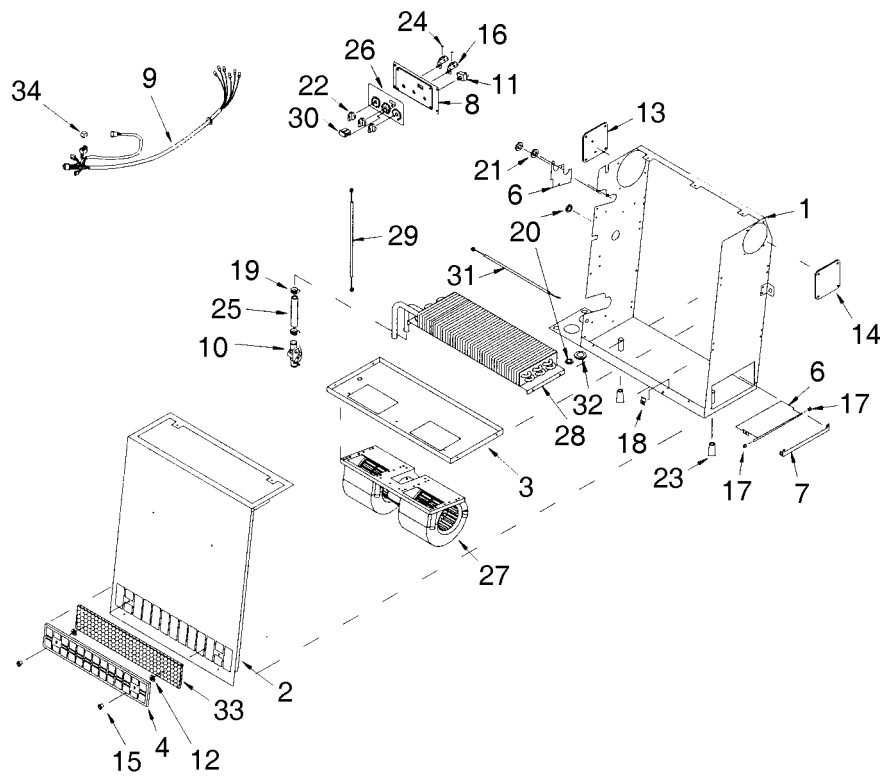
Heater Simple cab

Item	Part No	Rem	Qty	Description		Code
1	4700379394		1	Heater box (Page 188)		
2	4700500019		6	Screw	M8x16H 8.8 A2K	
3	4700904229		6	Washer	8,4x16x1,5	
4	4700903741		2	Fuse	20A Yellow Medium	B
5	4700921056		1	Clamp		
6	4700813434		1	Reducer		
7	4700330330		1	Seal ring		
8	4700387638		1	Hose connection		
9	4700391303		1	Hose connection		
10	4700313004		4	Hose clamp		
11	4700921132		2	Clamp		
12	4700387466		1	Cable harness		
13	4700394210		1	Cable harness		
14	4700904039		1	Fuse	50A Red High	D
15	4700313102		N	Cable ties		
16	4700937737	A	2XL	Hose		

A) L=3600 mm

4700379394 Heater box

18432



4700379394 Heater box

Item	Part No	Rem	Qty	Description	Code
10	4700939693		1	.Heater control valve	
11	4700938622		1	.Switch	
16	4700938621		2	.Rotary control	
19	4700313003		2	.Hose clamp	D
24	4700385134		2	.Lock washer	
25	4700384881	A	1	.Hose	
27	4700938638		1	.Fan	
28	4700938639		1	.Heater coil	
29	4700938645		1	.Bowden cable	
31	4700384762		1	.Wire	
33	4700384761		1	.Air filter element	
34	4700287597		1	.Relay	D

A) L=200 mm

NUMERICAL INDEX

Part Number	Page	Part Number	Page	Part Number	Page
4700376551	17	4700330171	47	4700358881	165,167,171
4700376622	17	4700330330	177,187	4700359550	83
4700389907	17	4700330331	41	4700359551	83
4700500165	17	4700330333	41,61,67	4700359552	83
4700900807	17	4700330383	41,95	4700370229	41
4700904232	17	4700334121	95,105	4700370231	33
4700904234	17	4700334122	95	4700370792	145
4700100040	19	4700334132	81	4700370803	145
4700116041	33	4700334135	95	4700371509	79,81,93
4700160105	33	4700334138	81,83	4700371767	43
4700160132	83,95	4700334196	113	4700371774	43
4700162008	83	4700334197	105	4700372087	15
4700162011	31,33	4700334205	95,111	4700372229	7,11,83
4700162017	31,33	4700334248	83	4700372235	81,83
4700162018	33	4700334389	111	4700372347	145
4700162024	33	4700334468	83	4700372409	145
4700162027	31,33	4700334524	111	4700372457	147
4700167023	33	4700334558	105	4700372489	145
4700167032	19	4700335607	117	4700372494	133,147
4700192812	41	4700337042	19	4700372513	105
4700205027	43	4700337045	19	4700372514	105
4700212339	87	4700338304	105,117	4700372658	175
4700212553	57,65	4700340863	97	4700372678	145
4700230277	47	4700343159	19	4700372757	133
4700230515	41	4700343318	33	4700372772	41
4700232097	105	4700343322	29,33	4700372784	129
4700232210	29,31,33	4700343550	121	4700372785	133,147
4700234218	105	4700343744	31,33	4700372836	129
4700234243	83	4700343775	15	4700372837	175
4700234382	95	4700343801	29	4700372964	141
4700234388	113	4700345243	83	4700372987	27,37
4700234622	113	4700345678	29	4700373016	81,129
4700234626	105	4700345679	29	4700373017	95
4700234662	105	4700345870	117,179	4700373096	129
4700234843	111	4700345871	19	4700373140	129
4700234875	83	4700345872	19	4700373184	123
4700234888	111	4700345873	19	4700373270	81,95
4700234909	83	4700345874	19	4700373363	167
4700234919	47	4700345875	19	4700373364	167
4700234958	83	4700345884	29	4700373400	133
4700238158	119,121	4700345885	29	4700373421	19
4700244054	47	4700346230	177	4700373423	81
4700246069	43	4700347119	15	4700373424	95
4700272372	167	4700347512	133	4700373442	29
4700272373	165	4700348213	129	4700373443	29
4700287597	183,189	4700348309	45	4700373460	47
4700287598	181	4700348331	167	4700373574	47
4700311016	175	4700349435	129	4700373746	143
4700313001	47	4700349682	29	4700373747	143
4700313002	47	4700349715	33	4700373748	143
4700313003	183,189	4700355676	29	4700373749	143
4700313004	179,187	4700355869	141	4700373750	143
4700313006	43	4700355890	175	4700373906	143
4700313010	43	4700355983	53	4700373907	143
4700313035	41	4700356348	113	4700374028	113
4700313041	47,129,185	4700357138	11	4700374029	123
4700313068	177	4700357488	15	4700374030	123
4700313075	43	4700357643	133	4700374059	83
4700313093	45,49,177	4700357855	135	4700374606	147
4700313094	49	4700358090	165	4700374607	147
4700313102	43,83,105,113 129,177,185,187	4700358388 4700358452	85,87,93 125	4700374744 4700374900	15 19

NUMERICAL INDEX

Part Number	Page	Part Number	Page	Part Number	Page
4700374927	29	4700380462	27,29,35	4700385443	177
4700375999	83,91	4700380490	83	4700385599	119,121
4700376000	105,107	4700380717	83	4700385691	45
4700376252	133	4700380727	133	4700386390	185
4700376255	147	4700380755	21	4700386391	185
4700376340	21	4700380798	127	4700386392	185
4700376349	21	4700380830	83,85,87,89	4700386506	185
4700376354	21	4700380963	143	4700386507	185
4700376366	21	4700380964	143	4700386512	185
4700376488	145	4700380993	19	4700386533	185
4700376489	145	4700381027	33	4700386789	49
4700376701	15	4700381297	21	4700386853	43
4700377009	139	4700381330	21,145	4700386943	43
4700377010	139	4700381347	21	4700386966	45
4700377011	139	4700381348	21	4700386999	117
4700377012	139	4700381351	129	4700387085	43
4700377014	139	4700381352	145	4700387089	23
4700377015	139	4700381353	145	4700387090	23
4700377016	139	4700381413	43	4700387129	41
4700377018	139	4700381634	31,33	4700387226	135
4700377019	137	4700381760	31,33	4700387227	135
4700377020	137	4700381989	21	4700387427	117
4700377021	137	4700382393	41	4700387466	177,187
4700377024	137	4700382397	147	4700387545	135
4700377071	127	4700382406	21	4700387638	179,187
4700377098	49	4700382411	21	4700387683	119,121
4700377518	147	4700382582	133,147	4700387720	135
4700377556	133,147	4700382751	165	4700388145	53
4700377677	145	4700383225	145	4700388146	53
4700377742	167	4700383413	173,177,181	4700388210	129
4700377743	167	4700383414	183	4700388855	41
4700377744	165	4700383452	129	4700389577	125
4700378335	135	4700383705	133	4700389600	45
4700378745	117	4700383856	51,63	4700389662	117
4700378759	139	4700383857	51,53,55	4700390481	25
4700379163	41	4700383933	53	4700390529	177
4700379164	41	4700383955	53	4700390587	53
4700379236	153	4700383958	95,99	4700390588	53
4700379275	177	4700383974	53	4700390589	53
4700379285	177	4700383975	53	4700390590	53
4700379286	177	4700384114	33	4700390591	53
4700379332	183	4700384121	29	4700390759	53
4700379394	187,189	4700384159	165	4700390760	53
4700379480	41	4700384163	123	4700390762	53
4700379481	105	4700384177	183	4700390771	33
4700379608	151	4700384498	19	4700390823	177
4700379621	41	4700384589	177	4700390824	177
4700379630	105	4700384759	147	4700390896	31,33
4700379636	133	4700384760	183	4700390897	33
4700379637	145	4700384761	183,189	4700390900	165
4700379876	31	4700384762	183,189	4700390927	155
4700379878	33	4700384875	177	4700391219	161
4700379880	31,33	4700384876	177	4700391303	177,187
4700380012	21	4700384877	177	4700391379	139
4700380018	31,33	4700384878	177,183	4700391380	139
4700380052	23	4700384879	177	4700391381	139
4700380057	23	4700384880	183	4700391382	139
4700380058	23	4700384881	183,189	4700391383	139
4700380078	97	4700384897	183	4700391386	139
4700380109	21	4700384927	183	4700391663	41
4700380123	133	4700385134	183,189	4700391784	135
4700380145	95,97	4700385442	177	4700392002	105,109

NUMERICAL INDEX

Part Number	Page	Part Number	Page	Part Number	Page
4700392100	109	4700394210	177,187	4700500037	19
4700392103	109	4700394262	23	4700500040	21,43,45,47,123
4700392105	109	4700394264	23		127,185
4700392170	43	4700394686	11,45	4700500043	15
4700392220	43	4700394687	11,45	4700500044	105
4700392283	41	4700394905	105	4700500046	45,83,105
4700392284	41	4700396030	29	4700500047	21,41
4700392294	49	4700396142	29	4700500048	43,141,177
4700392295	49	4700396185	49	4700500051	29,117
4700392296	49	4700396309	51,77	4700500053	21,23,43,45,49
4700392297	43	4700396968	121		113,117,119,121
4700392313	43	4700416034	137		123,127,129,133
4700392394	133	4700450066	21		153,177
4700392506	117	4700450067	21	4700500060	117
4700392507	119	4700470020	117	4700500070	41
4700392741	45	4700482010	83	4700500075	43,117,119,121
4700392742	45	4700482056	111	4700500079	129
4700392747	49	4700482182	83	4700500082	29,31,33
4700392771	123	4700482391	83	4700500100	145
4700392772	123	4700482399	111	4700500101	81
4700392773	125	4700482474	111	4700500109	83
4700392786	21	4700483031	95	4700500133	21
4700392810	45	4700483049	105	4700500153	143
4700392856	123	4700483109	105	4700500154	41
4700392875	133	4700483188	113	4700500163	31,33,49
4700392887	15	4700483190	81	4700500180	177
4700392899	137	4700483231	105	4700500192	177
4700392900	137	4700483280	105	4700500194	29,41,95,129
4700392911	21	4700483286	95	4700500195	133,147
4700392912	21	4700483397	95	4700500196	33
4700392937	117	4700483445	113	4700500210	133
4700392996	119,121	4700483497	105	4700500239	145
4700393002	51,69	4700483498	105	4700500263	83
4700393021	41	4700483551	83	4700500287	19
4700393022	41	4700483610	83	4700500505	135
4700393045	45	4700483910	95	4700502019	95
4700393058	45	4700483911	95	4700502078	95
4700393059	45	4700483995	81	4700502132	81,83
4700393062	43	4700483996	81	4700508002	185
4700393081	43	4700484005	113	4700508029	41,105
4700393085	45	4700484042	83	4700508068	139
4700393088	45	4700499266	45	4700508079	41
4700393093	45	4700500004	117	4700508092	137
4700393096	41	4700500006	47	4700509025	41
4700393097	45	4700500007	135	4700509034	83
4700393276	29	4700500012	43,117,123	4700513012	21
4700393277	29	4700500013	117,125,133,177	4700513017	135
4700393278	29	4700500018	19,43,113	4700527002	29
4700393279	29	4700500019	43,105,117,153	4700535005	157
4700393405	177		161,183,187	4700541526	129
4700393406	177	4700500021	21,45,83,125,137	4700541702	123,125
4700393408	177		143,175	4700541703	183
4700393543	129	4700500022	21,49,143,145	4700570004	117,119,121,139
4700393647	177		177		177
4700393857	21	4700500023	105,177	4700570005	43,117,147,177
4700393932	25	4700500025	43,117	4700570006	177
4700393933	25	4700500028	43,83,95	4700570007	29
4700393934	25	4700500029	15,47,81,133,135	4700586001	21,117,137
4700393954	177		147	4700586002	21,117,119,121
4700393955	177	4700500030	95		143,185
4700394061	119,121	4700500031	21,141	4700586003	23,45,117,125
4700394176	183	4700500032	81,95		133,137,143,177

NUMERICAL INDEX

Part Number	Page	Part Number	Page	Part Number	Page
4700586018	123	4700792463	119,121	4700902203	133
4700586019	41,139	4700792464	29	4700902227	123
4700588176	165	4700792549	21	4700902284	117
4700600016	109	4700801187	29	4700902285	21,41,43,45,127
4700624005	165	4700813391	15		129
4700624016	145	4700813434	117,179,187	4700902286	43
4700635061	15,109	4700813444	105	4700902288	129
4700747282	47	4700813462	117	4700902337	91
4700791156	31,33	4700813499	83	4700902379	21
4700791175	53	4700813500	105	4700902468	117
4700791176	53	4700813791	45	4700902496	129
4700791183	117	4700813822	85,91,93	4700902610	175
4700791185	119,121	4700900229	83	4700902624	99
4700791211	119,121	4700900256	77	4700902625	103
4700791218	147	4700900430	95	4700902655	97
4700791226	133	4700900552	111	4700902687	99
4700791230	81	4700900775	31,33	4700902693	103
4700791341	123	4700900776	31,33	4700902695	99
4700791378	161	4700900782	31,33	4700902697	103
4700791468	41	4700900807	29	4700902723	103
4700791475	21	4700900957	59,73	4700902724	99
4700791476	135	4700900966	59,73	4700902735	103
4700791477	117	4700901121	47	4700902783	103
4700791479	117	4700901145	53,133,147	4700902792	101
4700791503	117	4700901155	95	4700902811	103
4700791517	119	4700901157	95	4700902856	99
4700791573	53	4700901190	129	4700902861	107
4700791578	119,121	4700901218	53	4700902862	107
4700791582	119,121	4700901220	175	4700902864	107
4700791583	119,121	4700901224	127,185	4700902915	165
4700791584	119,121	4700901225	119,121	4700902919	15
4700791585	119,121	4700901227	119,121	4700902928	85,93
4700791587	119,121	4700901228	119,121	4700902944	35
4700791588	119,121	4700901240	183	4700903053	93
4700791597	21,43	4700901328	89	4700903189	33
4700791642	165	4700901369	123	4700903190	33
4700791647	119	4700901385	97	4700903192	129,133
4700791657	119,121	4700901386	97	4700903281	29
4700791723	121	4700901387	97	4700903290	81,133,147
4700791733	121	4700901389	97	4700903422	165
4700791739	121	4700901390	97	4700903423	165
4700792015	177	4700901443	53	4700903424	165
4700792081	41	4700901444	53	4700903425	165
4700792083	119,121	4700901452	85	4700903436	123
4700792091	183	4700901453	85,93	4700903457	107
4700792187	183	4700901454	85	4700903459	165
4700792237	105	4700901455	85	4700903570	85,93
4700792248	179	4700901458	85	4700903571	85,93
4700792251	47	4700901465	87,93	4700903580	85
4700792261	53	4700901466	87	4700903631	117
4700792275	41	4700901467	87,93	4700903632	117
4700792315	119,121	4700901475	87	4700903640	117
4700792317	119,121	4700901476	87	4700903714	43
4700792318	119,121	4700901699	183	4700903727	133
4700792319	119,121	4700901742	103	4700903741	183,187
4700792339	83	4700901767	119,121,183	4700903760	117
4700792413	119,121	4700901832	181	4700903768	117
4700792414	119,121	4700901834	55,63,77	4700903782	119,121,153
4700792432	119,121	4700901987	61,67,75	4700903852	179
4700792435	119,121	4700902123	141	4700903877	95
4700792461	119,121	4700902125	113	4700903919	29
4700792462	119,121	4700902166	21,43,49,133,135	4700903945	139

NUMERICAL INDEX

Part Number	Page	Part Number	Page	Part Number	Page
4700903946	139	4700904640	21,23,43,49,123	4700909391	85
4700903947	139		145,175	4700909392	85
4700903956	119,121	4700904653	135	4700909393	85
4700903985	53	4700904695	47	4700909398	85
4700904005	81,83,105	4700904703	41	4700909399	87
4700904018	117	4700904718	23	4700909428	87
4700904020	117	4700904723	165	4700909429	87
4700904036	117	4700904734	145,177	4700909432	87
4700904037	117	4700904737	31,33	4700909435	87
4700904038	117,123	4700904767	95	4700909436	87
4700904039	179,187	4700904773	95	4700909469	99,103
4700904058	81	4700904774	95	4700909514	99,103
4700904060	45	4700904781	95	4700909544	59,73
4700904068	165,167	4700904793	83	4700909550	57
4700904076	49	4700904835	167	4700909551	57
4700904098	167	4700904870	165	4700909552	57
4700904165	177	4700904910	127	4700909553	57
4700904171	83	4700904984	47	4700909558	57
4700904180	145	4700905304	159	4700909559	57
4700904206	129	4700905305	159	4700909560	57
4700904213	83	4700905306	159	4700909561	57
4700904228	21,41,43,45,47	4700908136	43,113	4700909562	57
	117,123,125,127	4700908229	165	4700909563	57
	133,143,177,185	4700908352	85	4700909565	57
4700904229	19,41,43,45,49	4700908367	101	4700909566	57
	83,95,105,113	4700908375	103	4700909567	57,65
	117,119,121,125	4700908383	99	4700909568	57,65
	127,129,133,137	4700908384	103	4700909569	57,65
	143,147,153,161	4700908399	45	4700909570	57,65
	177,183,187	4700908432	85,87,93	4700909572	57,65
4700904230	15,43,47,81,83	4700908448	87	4700909574	57,65
	95,117,123,133	4700908450	9	4700909576	57,65
	135,141,147,177	4700908452	45	4700909580	57,65
4700904231	19,21,29,33,45	4700908485	57,65	4700909581	57,65
	49,95,105,117	4700908499	151,153,155	4700909582	55,63
	129,133,147	4700908501	177	4700909583	55,63
4700904232	29,31,33,41,95	4700908502	177	4700909584	55,63,77
4700904233	29,41,53,133,147	4700908503	177	4700909586	61,67
4700904234	29,145	4700908504	177	4700909596	59,61,67
4700904281	21,47,117,135	4700908506	153	4700909607	59
	185	4700908507	153	4700909609	59
4700904282	83	4700908545	151,155	4700909616	59,73
4700904292	41	4700908580	155	4700909618	59,73
4700904314	123	4700908581	155	4700909619	59,73
4700904340	143	4700908582	155	4700909622	59,73
4700904352	43	4700908583	155	4700909624	59,73
4700904415	185	4700908605	159	4700909626	59,73
4700904433	133,147	4700908617	159	4700909630	69
4700904479	29	4700908623	157	4700909727	85
4700904486	43	4700908624	157	4700910161	105
4700904504	21	4700908773	93	4700910995	19
4700904543	123,179	4700908780	107	4700911620	107
4700904551	43	4700909122	185	4700921039	123,125,185
4700904556	45,117,137	4700909252	93	4700921044	177
4700904557	15,21	4700909253	93	4700921056	177,187
4700904562	145	4700909255	93	4700921063	41,43
4700904563	139	4700909382	85	4700921072	117
4700904567	177	4700909386	85	4700921084	43,47
4700904619	145	4700909387	85	4700921132	187
4700904637	41,105	4700909388	85	4700923008	117
4700904638	41,81,83	4700909389	85	4700923087	85,87,93
4700904639	43	4700909390	85	4700923342	57,65

NUMERICAL INDEX

Part Number	Page	Part Number	Page	Part Number	Page
4700923371	83	4700935269	155	4700935644	57
4700923384	81,83	4700935270	155	4700935853	93
4700924791	143	4700935271	151,155	4700935856	85
4700924875	21	4700935272	151,155	4700935857	87
4700925208	19	4700935273	151,155	4700935859	35,37
4700925802	123,177	4700935274	151,155	4700935860	37
4700925867	29	4700935275	151,155	4700935861	37
4700926214	19	4700935276	151,155	4700935862	35,37
4700926354	71	4700935277	151,155	4700935863	37
4700926356	71	4700935278	151	4700935864	37
4700926537	137	4700935279	151	4700935865	35,37
4700926658	93	4700935280	151	4700935866	35,37
4700926781	61,67,75	4700935281	151	4700935867	35,37
4700926786	71	4700935282	151	4700935868	35,37
4700926810	59	4700935283	151	4700935869	37
4700926847	59,73	4700935284	151	4700935870	35,37
4700926985	43	4700935285	151	4700935871	37
4700927233	139	4700935286	151	4700935872	37
4700927278	103	4700935287	151	4700935873	37
4700927350	97	4700935288	151	4700935874	35,37
4700927358	99	4700935289	151	4700935875	35,37
4700927974	133,147	4700935290	151	4700935876	35,37
4700928830	141	4700935291	151	4700935877	35,37
4700928850	29	4700935293	151	4700935878	37
4700929013	107	4700935295	151	4700935879	37
4700929014	107	4700935296	151	4700935880	37
4700929023	117	4700935297	151	4700935881	35,37
4700929123	105	4700935298	151	4700935882	35,37
4700929217	53	4700935299	151	4700935883	35,37
4700929226	95	4700935300	151	4700936035	71
4700929447	33	4700935301	151	4700936036	71
4700929612	61,67,73,75	4700935302	151	4700936053	71
4700929617	59,73	4700935303	153	4700936054	71
4700929625	65	4700935380	37	4700936055	71
4700929626	65	4700935394	35,37	4700936056	71
4700929628	57,65	4700935395	35,37	4700936307	99
4700929629	57,65	4700935398	37	4700936308	99
4700929630	65	4700935399	37	4700936313	103
4700929631	65	4700935400	37	4700936340	99
4700929638	57,65	4700935401	37	4700936370	103
4700929644	57,65	4700935402	37	4700936393	99
4700929648	55,63,69,77	4700935403	37	4700936394	103
4700929712	69	4700935404	37	4700936546	85
4700930151	129	4700935413	35,37	4700936547	85
4700930154	185	4700935414	35,37	4700936548	89
4700935158	99	4700935415	37	4700936551	85
4700935164	101	4700935421	37	4700936553	85
4700935172	103	4700935429	107	4700936557	85
4700935192	99	4700935468	107	4700936558	85
4700935219	99	4700935580	161	4700936559	85
4700935244	155	4700935613	141	4700936560	85
4700935245	155	4700935614	141	4700936561	85
4700935246	155	4700935619	93	4700936562	87
4700935247	155	4700935621	93	4700936563	87,91
4700935248	155	4700935622	93	4700936564	87
4700935249	155	4700935623	93	4700936566	87
4700935250	155	4700935624	93	4700936567	87,91
4700935253	155	4700935625	93	4700936568	87
4700935265	155	4700935626	93	4700936570	87
4700935266	155	4700935629	93	4700936571	87
4700935267	155	4700935630	93	4700936582	85
4700935268	155	4700935631	93	4700936583	87

NUMERICAL INDEX

Part Number	Page	Part Number	Page	Part Number	Page
4700936613	103	4700937390	155	4700938620	183
4700936614	103	4700937391	155	4700938621	183,189
4700936621	101	4700937392	155	4700938622	183,189
4700936648	99	4700937393	155	4700938625	183
4700936673	103	4700937531	99	4700938626	183
4700936674	103	4700937674	97	4700938627	183
4700936686	99	4700937737	177,187	4700938628	183
4700936803	99	4700937857	87	4700938629	183
4700937150	87	4700937870	161	4700938630	183
4700937167	99,101	4700937871	159	4700938634	183
4700937168	99,103	4700937985	99	4700938635	183
4700937170	101	4700937986	99	4700938636	183
4700937171	101	4700937993	97	4700938638	183,189
4700937172	101	4700937995	97	4700938639	183,189
4700937173	101	4700937998	99	4700938643	183
4700937174	101	4700937999	99	4700938644	183
4700937175	101	4700938001	99	4700938645	183,189
4700937176	101	4700938003	99	4700938659	151
4700937180	101	4700938004	99	4700938678	161
4700937181	101	4700938005	99	4700938679	161
4700937182	101	4700938014	99	4700938691	177
4700937183	101	4700938017	155	4700938893	59,73
4700937184	101	4700938018	155	4700938894	59,73
4700937185	101	4700938040	97	4700938895	61,67
4700937186	101	4700938041	97	4700938898	71
4700937187	101	4700938042	97	4700938899	57,65,71
4700937188	101	4700938062	107	4700938991	71
4700937189	101	4700938063	107	4700938993	71
4700937190	101	4700938064	107	4700939003	61,67,75
4700937195	99	4700938065	107	4700939009	75
4700937198	99	4700938066	107	4700939010	75
4700937199	99	4700938067	107	4700939014	75
4700937200	99	4700938068	107	4700939015	61,67,75
4700937201	99	4700938069	107	4700939016	61,67,75
4700937202	103	4700938070	107	4700939017	61,67,75
4700937203	103	4700938071	107	4700939019	61,67,75
4700937204	103	4700938072	107	4700939026	59,73
4700937205	103	4700938073	107	4700939035	59,73
4700937206	103	4700938074	107	4700939036	59,73
4700937240	103	4700938075	107	4700939167	99
4700937256	97	4700938101	155	4700939173	99
4700937257	97	4700938170	87	4700939255	59
4700937258	97	4700938252	87	4700939256	59
4700937259	97	4700938253	87	4700939257	57,65
4700937260	97	4700938290	151	4700939258	57,65
4700937261	97	4700938291	151	4700939259	57,65
4700937264	97	4700938292	151	4700939260	57,65
4700937265	97	4700938296	59	4700939261	57,65
4700937274	93	4700938597	181	4700939262	57
4700937275	93	4700938598	181	4700939263	61,67
4700937277	93	4700938599	181	4700939264	61,67
4700937278	93	4700938600	181	4700939265	61,67
4700937279	93	4700938601	181	4700939266	61,67
4700937280	93	4700938602	181	4700939267	61,67,75
4700937283	93	4700938603	181	4700939268	61,67
4700937380	151	4700938604	181	4700939269	61,67
4700937381	151	4700938605	181	4700939270	61,67,75
4700937382	151	4700938606	181	4700939271	61,67,75
4700937383	151	4700938607	181	4700939272	61,67,75
4700937384	151	4700938608	181	4700939273	61,67,75
4700937385	151	4700938609	181	4700939274	61
4700937389	151	4700938619	183	4700939275	61,67

NUMERICAL INDEX

Part Number	Page	Part Number	Page	Part Number	Page
4700939276	61,67	4700950557	75		
4700939277	61,67	4700950558	73		
4700939278	61,67,75	4700950559	69		
4700939279	61	4700960727	117		
4700939280	59,73	4700991658	167		
4700939281	59	4700991990	165		
4700939282	59,73	4700999011	125		
4700939283	59	4700999027	119,121		
4700939284	59	47393692XX	165		
4700939285	59,73	47960787XX	165		
4700939286	59	4812110216	123		
4700939287	59	4812155075	133		
4700939348	73,75				
4700939349	67				
4700939350	73,75				
4700939351	67				
4700939413	183				
4700939489	87				
4700939693	183,189				
4700940308	101				
4700940374	139				
4700940451	119,121				
4700940505	99				
4700940507	99				
4700940675	99				
4700940678	155				
4700945140	41				
4700945145	7,9,11,41				
4700945147	7,9,11,47				
4700945160	91				
4700945174	183				
4700945175	183				
4700945176	183				
4700945177	183				
4700945178	183				
4700945314	179				
4700945315	179				
4700945407	139				
4700945538	47				
4700945581	35				
4700945585	31				
4700945589	33				
4700945624	7,9,11,41				
4700945729	139				
4700945730	41				
4700945731	41				
4700945760	11				
4700945775	99				
4700945776	99				
4700945777	47				
4700945790	5,9				
4700945845	5,7				
4700945846	5,11				
4700947680	137				
4700950283	87				
4700950284	87				
4700950368	93				
4700950378	91				
4700950382	137				
4700950398	21				
4700950555	77				
4700950556	69				