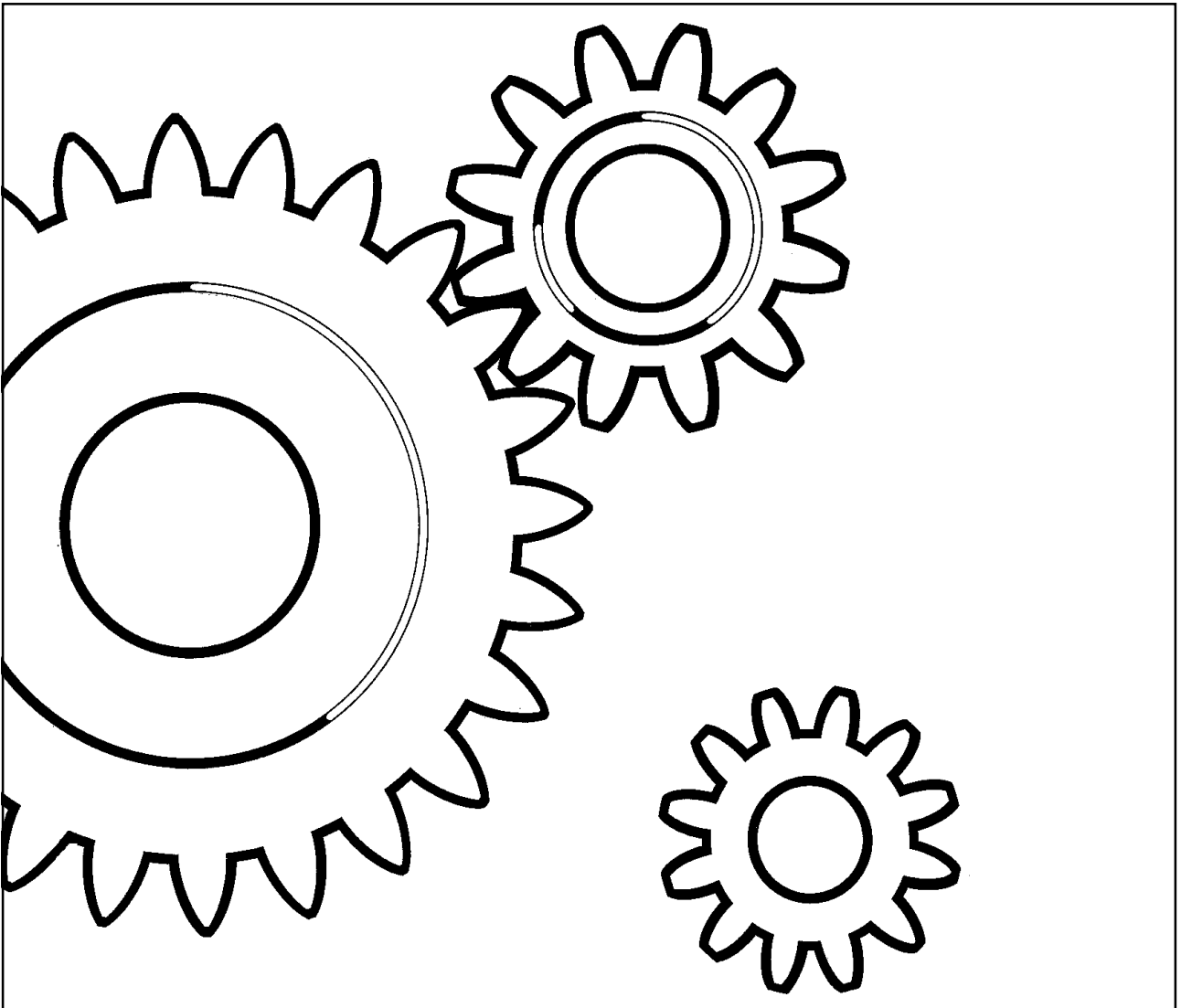


# DYNAPAC CA500PD SPARE PARTS CATALOGUE

SCA500PD-1EN3



***DYNAPAC***

Part of the Atlas Copco Group

Box 504, SE-371 23 Karlskrona, Sweden

Phone: +46 455 30 60 00, Fax: +46 455 30 60 10

[www.dynapac.com](http://www.dynapac.com)



## **Vibratory Roller CA500PD**

### **Spare Parts Catalogue SCA500PD-1EN3**

*Valid from roller serial number:*

*\*79720500\*-*

*Diesel engines:*

*CUMMINS 6BTA 5.9*

*Published catalogue issues valid for these rollers:*

<i>Catalogue</i>	<i>Issue date</i>	<i>Valid for serial numbers</i>
<i>SCA500PD-1EN1</i>	<i>2005-09</i>	<i>Replaced by SCA500PD-1EN2</i>
<i>SCA500PD-1EN2</i>	<i>2008-09</i>	<i>Replaced by SCA500PD-1EN3</i>
<i>SCA500PD-1EN3</i>	<i>2009-04</i>	<i>*7972500*-</i>



**RESERVDLSBESTÄLLNING**

Följande uppgifter ska lämnas vid beställning av reservdelar för att undvika leveransfel:

1. Maskintyp.
2. Vältens serienummer.
3. Antal av önskad reservdel.
4. Reserdelens artikelnummer.
5. Reservdelens benämning.
6. Måttuppgifter vid beställning av metervara.

**ORDERING SPARE PARTS**

To avoid errors in delivery, please give the following information when ordering spare parts:

1. Type of machine.
2. Roller serial number.
3. Quantity required.
4. Part number.
5. Parts denomination.
6. Dimensions when ordering per length.

**ERSATZTEILBESTELLUNG**

Zur Vermeidung von Fehllieferungen sind bei der Bestellung von Ersatzteilen folgende Angaben zu machen:

1. Maschinentyp.
2. Herstellungsnummer.
3. Bestellmenge. (Quantity)
4. Ersatzteilnummer. (Part N°)
5. Ersatzteilbenennung. (Denomination)
6. Massangaben bei Bestellung von Meterware.

**ORDINI DI RICAMBI**

Per evitare errori nelle consegne di ricambi, Vi preghiamo di comunicarci le seguenti informazioni al momento dell'ordinazione:

1. Tipo di macchina.
2. Numero di serie della macchina.
3. Quantità dei pezzi desiderati. (Quantity)
4. Numero di codice del pezzo. (Part N°)
5. Descrizione del pezzo di ricambio. (Denomination)
6. Misura, in caso di ordine per metro.

**PEDIDO DE RECAMBIOS**

Para evitar errores en las entregas, deberán indicarse los siguientes datos al hacer un pedido de recambios:

1. Tipo de máquina.
2. Número de serie.
3. Cantidad de piezas deseadas. (Quantity)
4. Número de artículo de la pieza de recambio. (Part N°)
5. Denominación de la pieza. (Denomination)
6. Indíquese la medida al solicitar un artículo que se expide por metros.

**COMMANDE DE PIÉCES DE RECHANGE**

Les indications suivantes doivent être fournies lors de la commande de pièces de rechange, afin d'éviter toute erreur de livraison:

1. Type de machine.
2. Numéro de série.
3. Quantité désirée de pièce de rechange. (Quantity)
4. Numéro de la pièce de rechange. (Part N°)
5. Dénomination de la pièce de rechange. (Denomination)
6. Longueur en cas de commande au mètre.

**YOUR AGENT/DEALER:**

## Text pages

The text pages is structured as the picture on the right.

1. This is the remarks for specific items and the descriptions of the remarks is at the bottom of the parts list.

2. Parts indicated by a dot and moved to the right are included when buying the assembled unit above.

3. Spare parts and service code for a specific part, mainly for internal use at Dynapac. "A" = Service part, "B" = Fast moving part, "C" = Suggested exchanged part and "D" = Regular spare part.

<b>DYNAPAC</b>					Metso Dynapac AB
Cooling system					
Ref. No.	Part No.	Rem.	Qty	Description	Code
1	223047		1	Water cooler	③ C
2	935852		1	Radiator cap	D
3	935851	①	1	Cock	
4	373263	A	1	Radiator hose	D
5	313009		6	Clamp	
6	205058	B	1XL	Rubber cloth	
7	373261	C	1	Radiator hose	D
8			1	Oil cooler	D
9	223289		1	Plate	
10	902166	D	1XL	Edge trim	
11	223287	E	1	Holder	
12	223288	F	1	Holder	
13	908168		1	Fan guard	
14	908170		1	Fan shroud	
15	908171		2	Mounting bar	
16	908169		1	Fan guard	
17	500021		14	Screw	
18	902286		14	Nut	
19	600006		14	Washer	
20	313102		2	Cable strap	

① A) Upper  
 B) L=060MM  
 C) Lower  
 D) L=2280MM  
 E) Left  
 F) Right

## Changes

PARTS INFO	SERVICE INFO	GROUP	PAGE	NOTES

## Notes

---



---



---



---



---



---



---



---



---



---



## PÄRMETIKETT

För att undvika fel vid reservdelsbeställning finns här nedan två etiketter som passar i fickorna på pärmarnas ryggar. På dessa kan man se från vilket vältnummer av aktuell maskin reservdelskatalogen gäller. Gör så här:

1. Tag denna sida ur pärmen.
2. Klipp ut etiketten till **VÄNSTER** (1) och sätt in den i fickan på **DENNA** pärmens rygg.
3. Finns det en etikett till **HÖGER** (2), kan denna användas på pärmen för **FÖREGÅENDE** utgåva av denna katalog.
4. Kasta detta papper.

## KATALOG-BESCHRIFTUNG

Zur Vermeidung von Fehlern bei der Ersatzteilbestellung benutzen Sie bitte die unteren Beschriftungen, um die Kataloge auf der Rückseite zu kennzeichnen. Auf der Beschriftung ist angegeben, für welche Maschinennummern der jeweilige Katalog gültig ist. Ablauf:

1. Nehmen Sie dieses Blatt aus dem Katalog.
2. Schneiden Sie die **LINKE** Beschriftung (1) aus. Schieben Sie die Beschriftung in die tasche auf **DEM** Katalogrücke.
3. Sollte die Beschriftung unten **RECHTS** (2) mitgeliefert werden, kennzeichnen Sie damit bitte die **ÄLTERE** Ausführung dieses Kataloges.
4. Den Rest dieses Blattes bitte vernichten.

## ETIQUETA PARA LA CARPETA

Para evitar errores al pedir repuestos utilicen las etiquetas abajo descritas para identificar los catálogos en la parte trasera de la carpeta. En la etiqueta se ven los números de referencia de la serie para la cual es válido el catálogo. Instrucciones:

1. Quitar esta página de la carpeta.
2. Corta la etiqueta **IZQUIERDA** (1) y ponerla en **ESTA** carpeta en la parte trasera.
3. Si hay una etiqueta en la parte **DERECHA** (2) se puede utilizar en la carpeta para el catálogo que **PRECEDE** a esta.
4. Tirar esta hoja.

## BINDER LABEL

To avoid errors when ordering spare parts use the labels below to identify the catalogues on the back of the binder. The label contain the serial number range for which the catalogue is valid. Do like this:

1. Remove this page from the binder.
2. Cut out the **LEFT** label (1) and put it on **THIS** binders back.
3. If there is a label to the **RIGHT** (2), it can be used on the binder for **PRECEDING** issue of this catalogue.
4. Throw away this paper.

## ETICHETTAPOSTASULRACCOGLITORE

Per evitare errori quando ordinate pezzi di ricambio, usate le etichette in calce che servono ad identificare i cataloghi sul retro del raccoglitore. L'etichetta indica il numero di matricola delle macchine prese in considerazione nel catalogo.

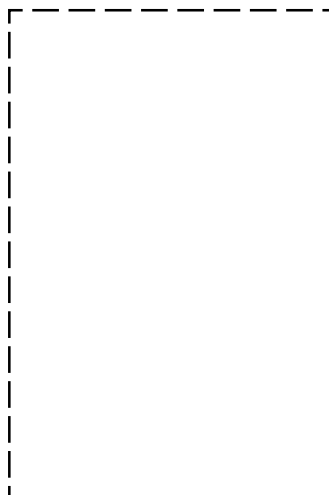
1. Rimuovete questa pagina dal raccoglitore.
2. Ritagliate l'etichetta posta a **SINISTRA** (1) e ponetela sul retro **DEL** raccoglitore.
3. Se trovate anche un'etichetta sulla **DESTRA** (2), ritagliatela e ponetela sul raccoglitore relativo alla **PRECEDENTE** edizione del catalogo.
4. Distruggete questo foglio.

## ETIQUETAGE DU CATALOGUE

Afin d'éviter des erreurs lors de commandes de pièces de rechange, nous vous conseillons d'apposer les marquages ci-dessous à l'arrière du classeur, pour identifier les catalogues. Ce marquage indique les numéros de série pour lesquels le catalogue est adapté. Il convient de procéder de la façon suivante:

1. Retirez cette page du classeur.
2. Découpez l'étiquette de **GAUCHE** (1), et apposez-la à l'arrière de **CE** catalogue.
3. Si il y a une étiquette à **DROITE** (2), vous pourrez l'apposer sur le classeur de l'édition **PRECEDENTE** du catalogue.
4. Détruire cette feuille.

1.







<b>CA500PD SN 79720503 -</b>	<b>2</b>
<b>Service kits</b>	<b>4</b>
4700940322 Service kit 50h	6
4700938528 Service kit 250/750 h	8
4700940323 Service kit 500h Up to 79X20538	10
4700950317 Service kit 500h From 79X20539	12
4700940324 Service kit 1000h Up to 79X20538	14
4700950611 Service kit 1000h From 79X20539	16
<b>Repair kits</b>	<b>18</b>
4700938562 Steering hitch kit	20
4700938894 Eccentric shaft kit	22
4700938891 Drum rotation kit	24
4700938882 Shock absorber kit, drum	26
<b>Frame</b>	<b>28</b>
Frames	30
Scrapers	32
Hitch	34
Structure Up to 79X20538	36
Structure From 79X20539	38
Side covers Option	40
<b>Drum</b>	<b>42</b>
Drum	44
Drum cartridge Vibration side	46
Drum cartridge Vibration side	48
Drum cartridge Drive side	50
Drum cartridge Drive side	52
Drum gear	54
<b>Engine</b>	<b>56</b>
Engine Cummins 6BTA 5.9	58
Cooling system Up to 79X20538	62
4700380403 Radiator Up to 79X20538	66
Cooling system From 79X20539	68
Combustion air system Up to 79X20538	72
Combustion air system From 79X20539	74
Fuel system	76
Exhaust system	78
<b>Transmission</b>	<b>80</b>
Rear axle and wheels Up to 79X20505	82
Rear axle and wheels From 79X20506	84
4700385100 Rear axle	86
Differential with limited slip	88
Differential housing and brakes	90
Planet gear	92
4700383856 Rear axle No-Spin, Option	94
Differential with No-Spin	96
Differential housing and brakes	98
Planet gear	100
<b>Hydraulic system</b>	<b>102</b>
Propulsion system, Front	104
Propulsion system, Rear	106

**TABLE OF CONTENTS**

**Page**

4700380830	Propulsion pump	108
4700373361	Propulsion motor	114
	Vibration system	118
4700383959	Vibration pump	120
	Rotating group, cpl	122
4700936609	Valve block, cpl	124
4700380146	Hydraulic motor, vibration	126
	Steering system	128
4700373006	Steering cylinder Up to 79X20509	130
4700392027	Steering cylinder From 79X20510	132
4700376000	Steering valve	134
	Brake system	136
	Hydraulic oil tank Up to 79X20538	138
	Hydraulic oil tank From 79X20539	140
	Central test panel hydraulic Option	142

**Electrical equipment 144**

Electric system	146
Control panel	148
Working lights Option	150
Rotating beacon Option	152
Back-up alarm Option	154

**Drivers platform 156**

Drivers platform	158
Control panel	160
Throttle control	162
Forward and reverse control	164
Steering column Up to 79X20512	166
Steering column From 79X20513	168
Canopy Option	170
Rops and fops	172
Cab mounting Up to 79X20512	174
Cab 380656 Up to 79X20512	176
Cab Screens	178
Cab Door, left side	182
Cab Interior rear mirror	184
Wiper arm with blade, front	186
Cab Electric	188
Cab mounting From 79X20513	190
Cab 378308 From 79X20513	192
Cab Screens	194
Cab Door, left side	198
Cab Interior rear mirror	184
Wiper arm with blade, front	186
Cab Electric	188
Cab Exterior rear mirror	200
Cab Work light	202

**Decals 204**

Decals	206
Decals	208

**Standard equipment 210**

Standard equipment	212
--------------------	-----

**Optional equipment 214**

Tool equipment	216
Air conditioner and heater, Simple cab	218

**TABLE OF CONTENTS****Page**

4700383413	Condenser, cpl .....	222
	Heater Simple cab .....	224
4700385222	Heater .....	226



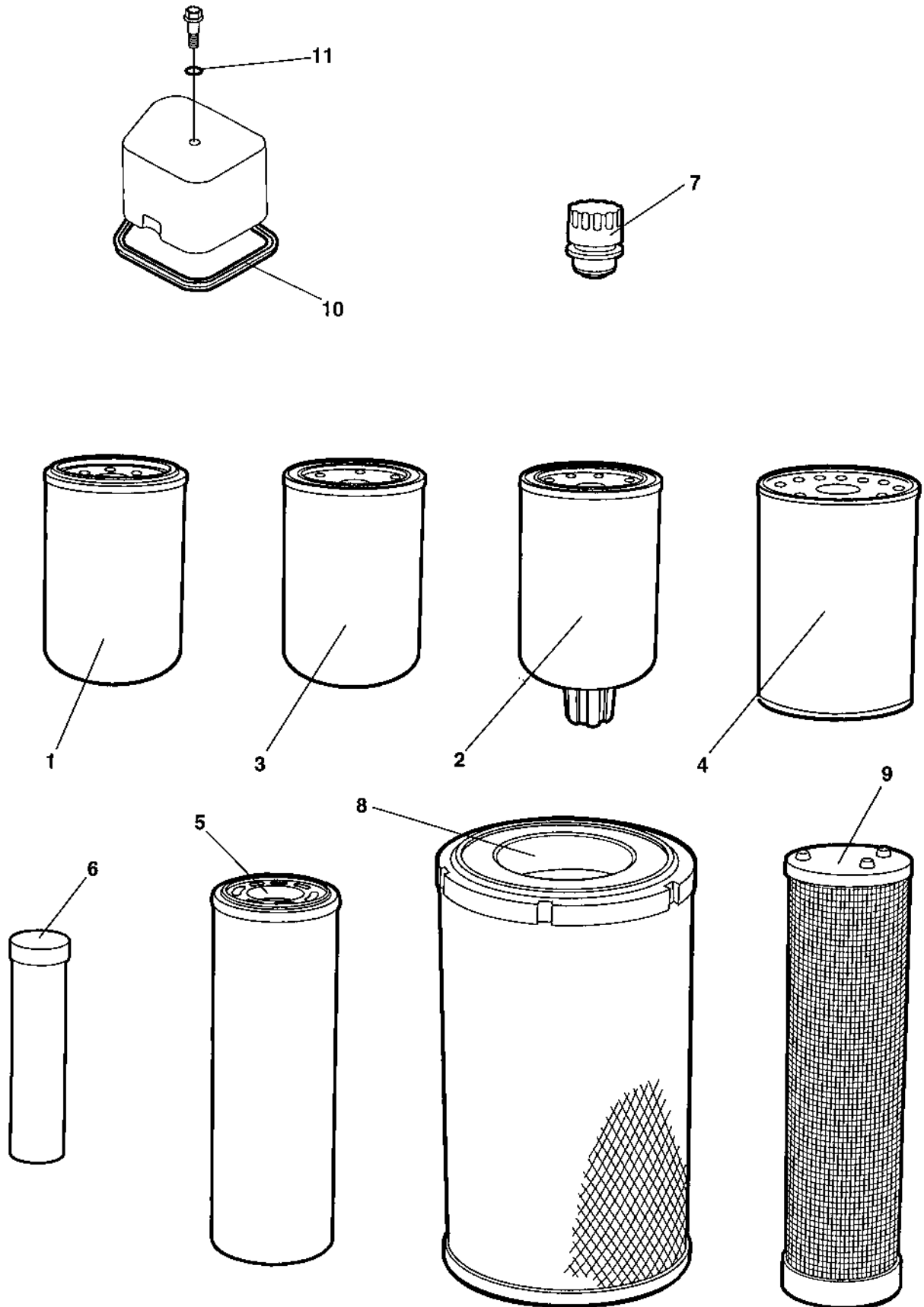
CA500PD SN 79720503 -

Item	Part No	Rem Qty	Description	Code
1			Service kits ( Page 4 )	
2			Repair kits ( Page 18 )	
10			Frame ( Page 28 )	
20			Drum ( Page 42 )	
30			Engine ( Page 56 )	
40			Transmission ( Page 80 )	
50			Hydraulic system ( Page 102 )	
60			Electrical equipment ( Page 144 )	
70			Drivers platform ( Page 156 )	
80			Decals ( Page 204 )	
90			Standard equipment ( Page 210 )	
91			Optional equipment ( Page 214 )	



**Service kits**

<b>Item</b>	<b>Part No</b>	<b>Rem Qty</b>	<b>Description</b>	<b>Code</b>
1	4700940322		Service kit ( Page 6 )	50h
2	4700938528		Service kit ( Page 8 )	250/750 h
3	4700940323		Service kit Up to 79X20538 ( Page 10 )	500h
4	4700950317		Service kit From 79X20539 ( Page 12 )	500h
5	4700940324		Service kit Up to 79X20538 ( Page 14 )	1000h
6	4700950611		Service kit From 79X20539 ( Page 16 )	1000h

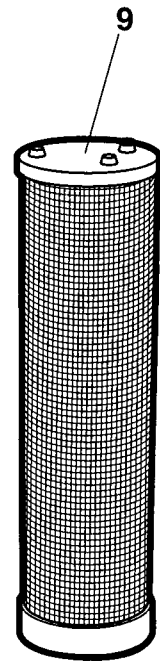
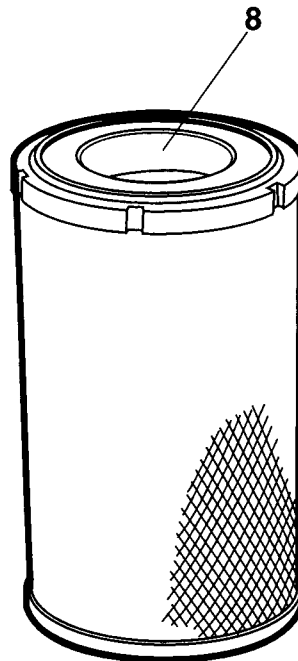
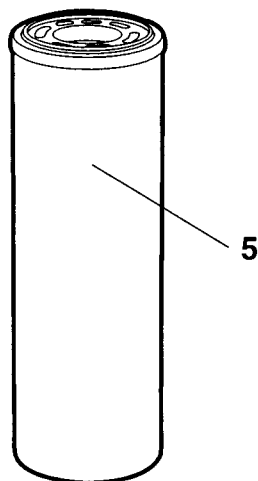
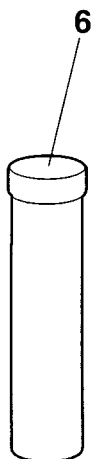
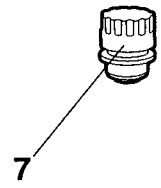
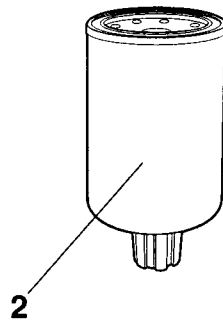
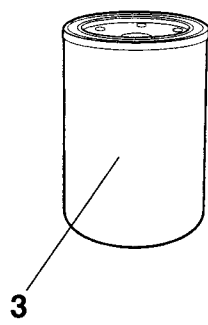
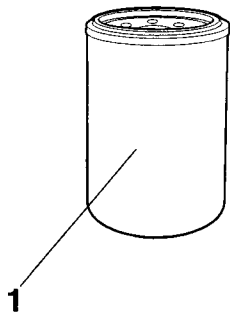
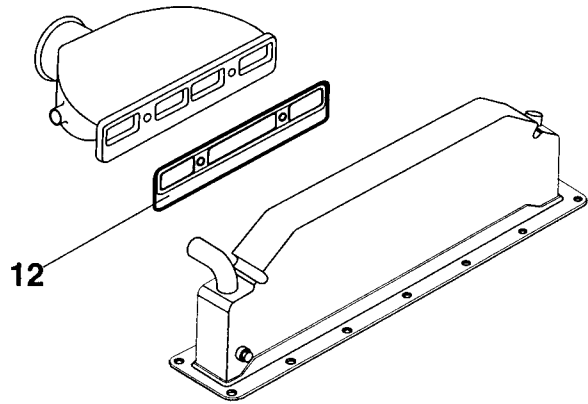
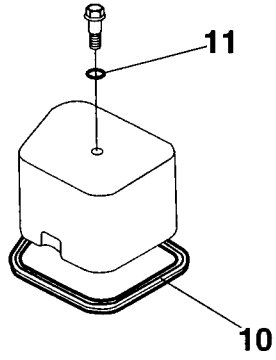




**4700940322 Service kit 50h**

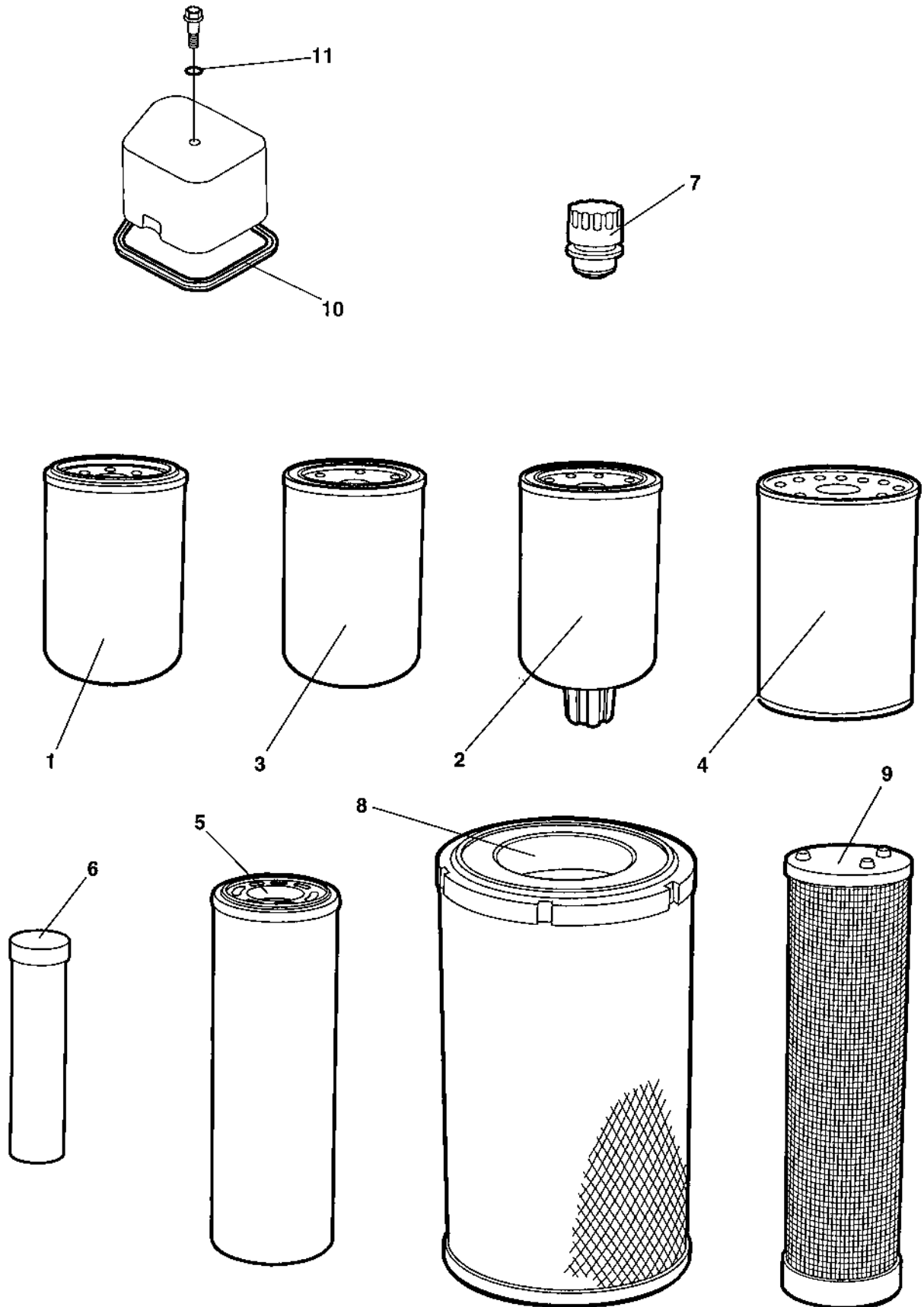
<b>Item</b>	<b>Part No</b>	<b>Rem</b>	<b>Qty</b>	<b>Description</b>	<b>Code</b>
	4700940322			Service kit ( Page 6 )	50h
1	4700212396		1	Oil filter	A
2	4700900827	1	1	Fuel filter	A
3	4700900829		1	Fuel filter	A
4	4700939404	2	1	Fuel filter element	A
5	4700372229		1	Hydraulic oil filter element	A

- 1) With water separator.
- 2) Pre-Fuel filter



**4700938528 Service kit 250/750 h**

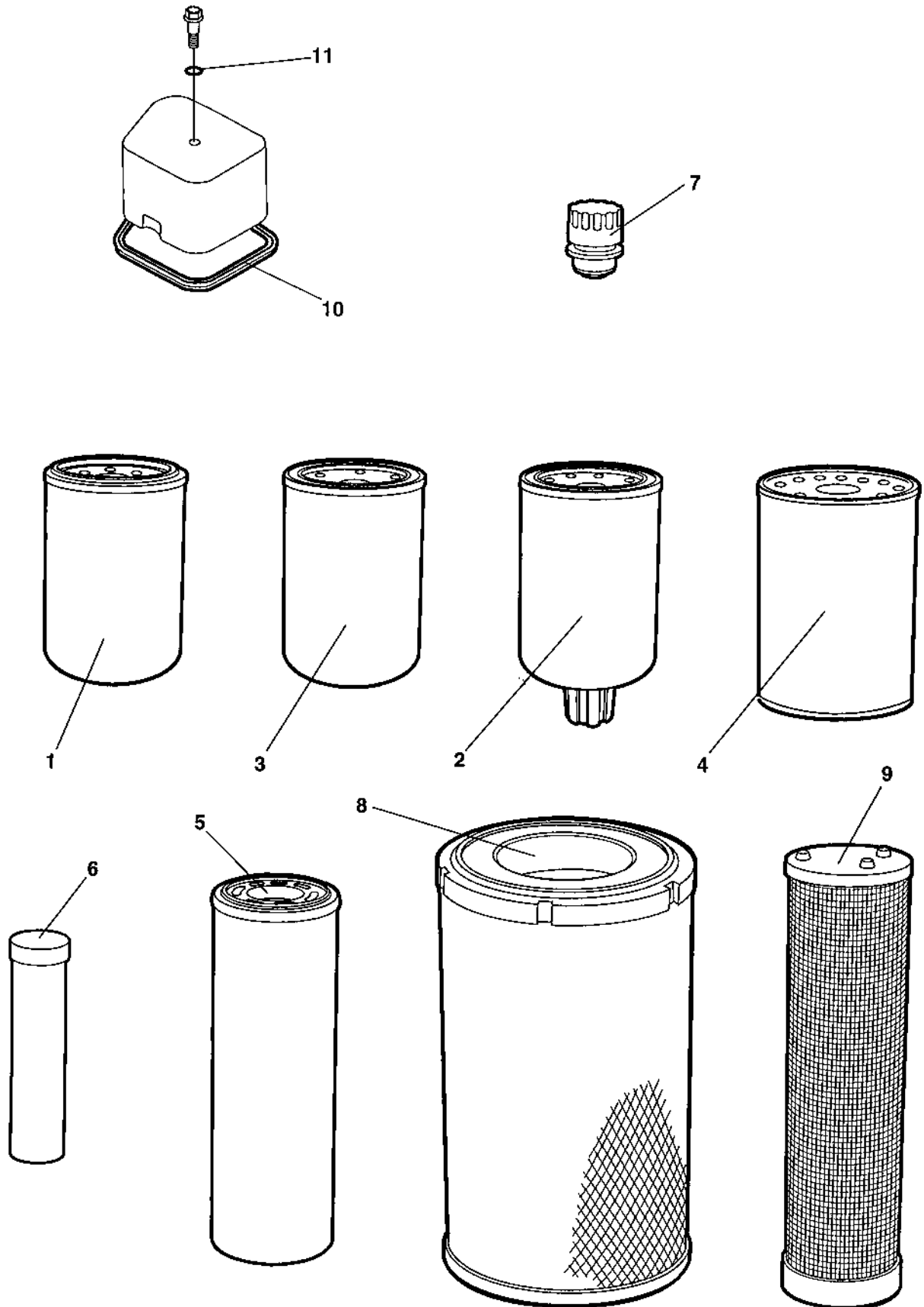
<b>Item</b>	<b>Part No</b>	<b>Rem Qty</b>	<b>Description</b>	<b>Code</b>
	4700938528		Service kit ( Page 8 )	250/750 h
1	4700212396	1	Oil filter	A
6	4700904663	1	Lube grease	" DYNAPAC special approved "



**4700940323 Service kit 500h**

<b>Item</b>	<b>Part No</b>	<b>Rem</b>	<b>Qty</b>	<b>Description</b>		<b>Code</b>
	4700940323			Service kit ( Page 10 )	500h	
1	4700212396		1	Oil filter		A
2	4700900827	1	1	Fuel filter		A
3	4700900829		1	Fuel filter		A
4	4700939404	2	1	Fuel filter element		A
6	4700904663		1	Lube grease	" DYNAPAC special approved "	
8	4700908450	3	1	Air filter element,	Main	A

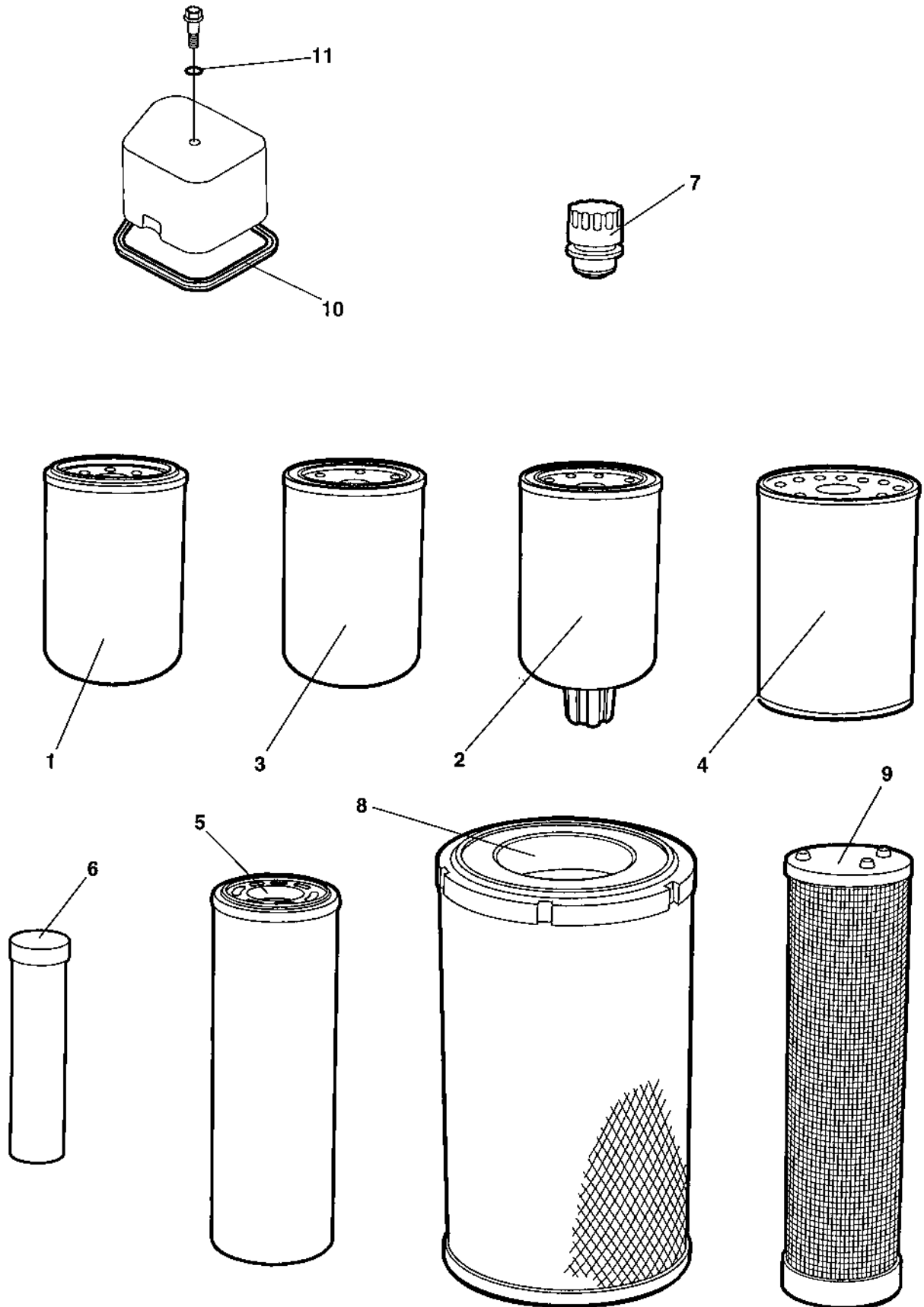
- 1) With water separator.
- 2) Pre-Fuel filter.
- 3) Main.



**4700950317 Service kit 500h**

<b>Item</b>	<b>Part No</b>	<b>Rem</b>	<b>Qty</b>	<b>Description</b>	<b>Code</b>
	4700950317			Service kit ( Page 12 )	500h
1	4700212396		1	Oil filter	A
2	4700900827	1	1	Fuel filter	A
3	4700900829		1	Fuel filter	A
4	4700939404	2	1	Fuel filter element	A
6	4700904663		1	Lube grease	" DYNAPAC special approved "
8	4700394690	3	1	Air filter element, main	A

- 1) With water separator.
- 2) Pre-Fuel filter.
- 3) Main.

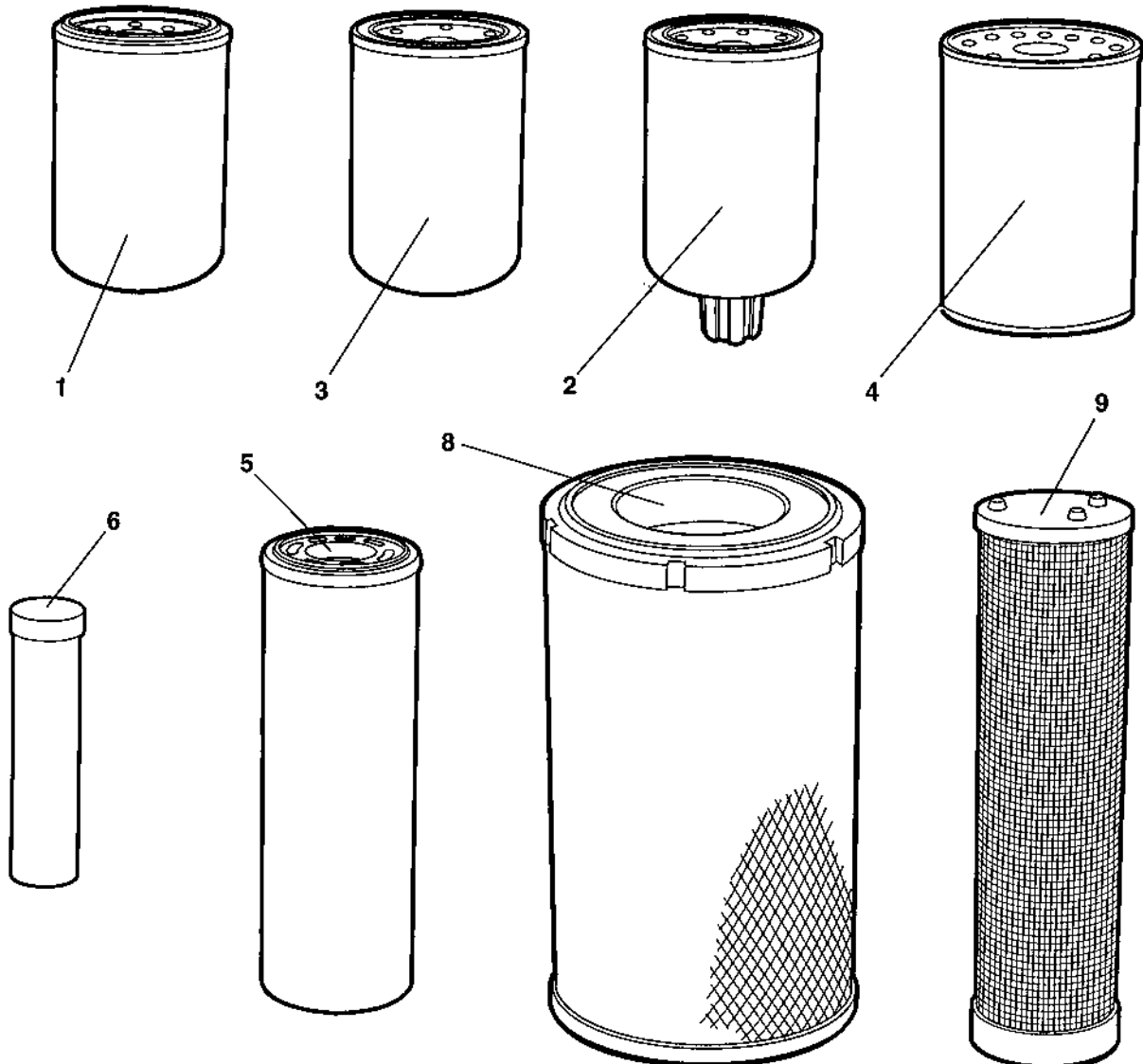
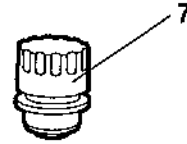
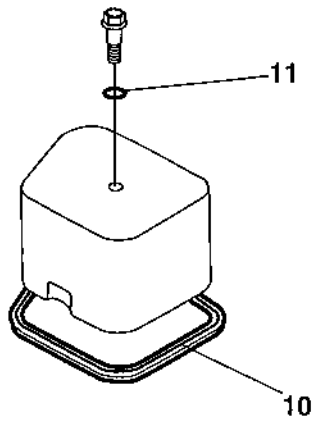




**4700940324 Service kit 1000h**

Item	Part No	Rem	Qty	Description	Code
	4700940324			Service kit ( Page 14 )	1000h
1	4700212396		1	Oil filter	A
2	4700900827	1	1	Fuel filter	A
3	4700900829		1	Fuel filter	A
4	4700939404	2	1	Fuel filter element	A
5	4700372229		1	Hydraulic oil filter element	A
6	4700904663		1	Lube grease	" DYNAPAC special approved "
7	4700357138		1	Ventilating filter	A
8	4700394686	3	1	Air filter element, main	A
9	4700394687	4	1	Air filter element, safety	A
10	4700938514		6	Valve cover gasket	A
11	4700938516		6	Gasket	A

- 1) With water separator.
- 2) Pre-Fuel filter.
- 3) Main.
- 4) Safety.



**4700950611 Service kit 1000h**

<b>Item</b>	<b>Part No</b>	<b>Rem</b>	<b>Qty</b>	<b>Description</b>	<b>Code</b>
	4700940324			Service kit ( Page 14 )	1000h
1	4700212396		1	Oil filter	A
2	4700900827	1	1	Fuel filter	A
3	4700900829		1	Fuel filter	A
4	4700939404	2	1	Fuel filter element	A
5	4700372229		1	Hydraulic oil filter element	A
6	4700904663		1	Lube grease	" DYNAPAC special approved "
7	4700357138		1	Ventilating filter	A
8	4700394690		1	Air filter element, main	A
9	4700394691		1	Air filter element, safety	A
10	4700938514		6	Valve cover gasket	A
11	4700938516		6	Gasket	A

- 1) With water separator.
- 2) Pre-Fuel filter.

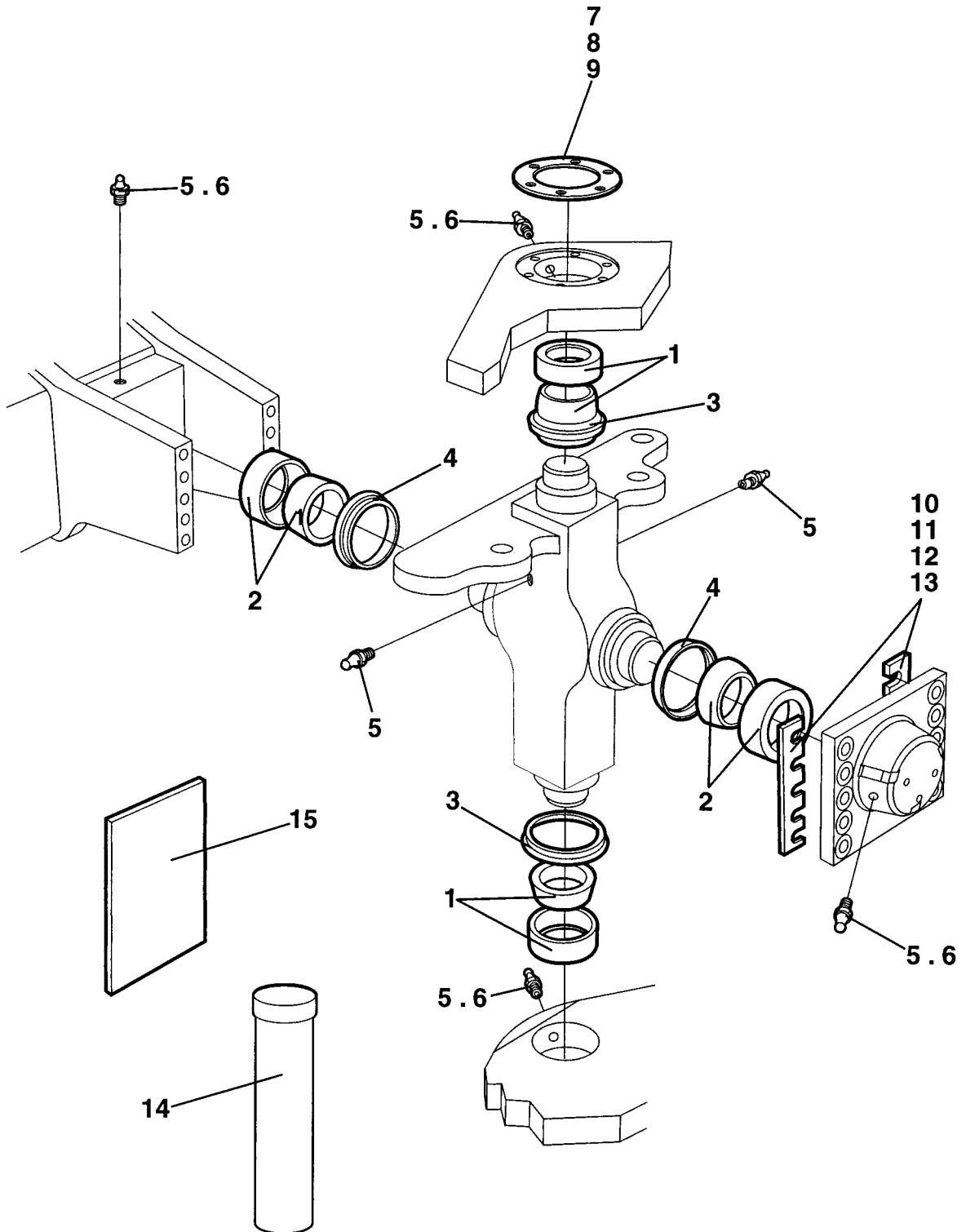


**Repair kits**

<b>Item</b>	<b>Part No</b>	<b>Rem Qty</b>	<b>Description</b>	<b>Code</b>
5	4700938562		Steering hitch kit ( Page 20 )	
10	4700938894		Eccentric shaft kit ( Page 22 )	
20	4700938891		Drum rotation kit ( Page 24 )	
30	4700938882		Shock absorber kit, drum ( Page 26 )	

**4700938562 Steering hitch kit**

17362



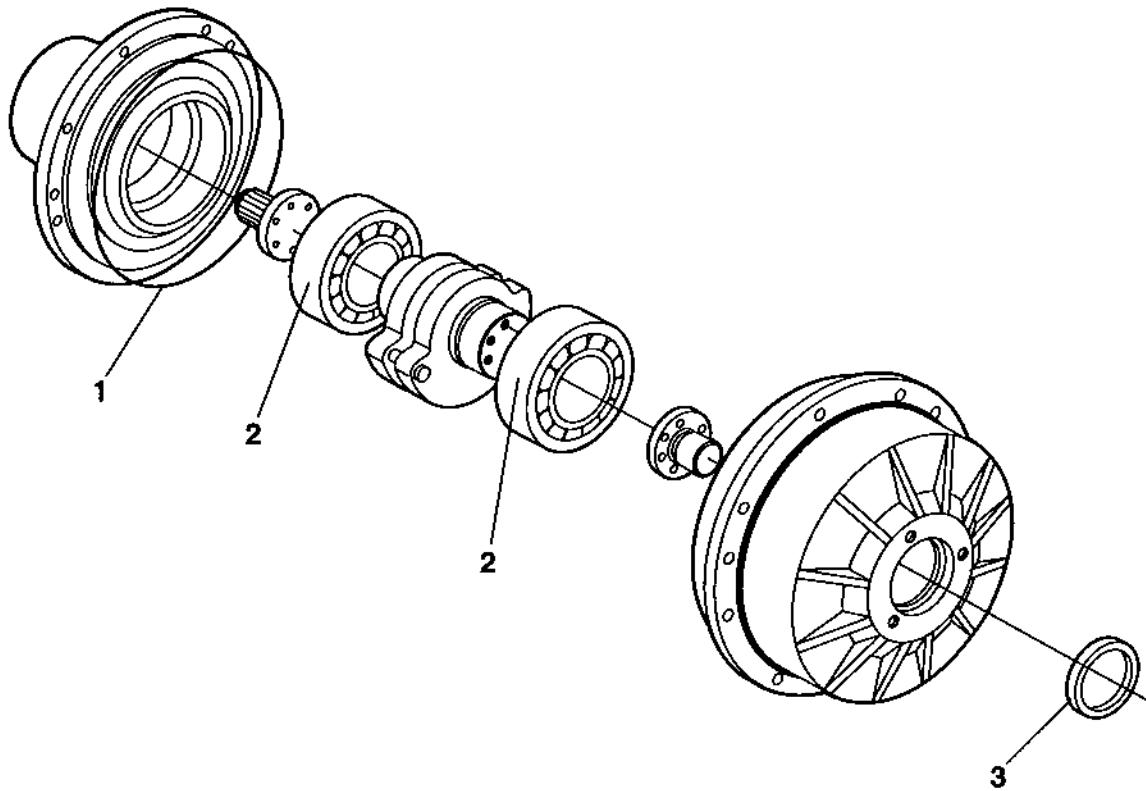
**4700938562 Steering hitch kit**

Item	Part No	Rem	Qty	Description	Code
	4700938562			Steering hitch kit ( Page 20 )	
1	4700100040		2	Axial ball bearing	D
2	4700924620		2	Axial ball bearing	D
3	4700167032		2	Lip-type oil seal	D
4	4700167033		2	Ring	D
5	4700310008	A	3	Grease nipple	D
6	4700926214		2	Grease fitting	D
7	4700337045		2	Shim	T=1,0 mm D
8	4700345874		2	Shim	T=0,35 mm D
9	4700345875		2	Shim	T=0,10 mm D
10	4700337221		2	Shim	T=1,0 mm D
11	D433722101		2	Shim	T=0,35 mm D
12	D433722102		2	Shim	T=0,10 mm D
13	4700384503		2	Shim	T=0,15 mm D
14	4700904663		1	Lube grease	" DYNAPAC special approved "
15			1	Instructions	

A) Valid for CC501/CC722 only.

**4700938894 Eccentric shaft kit**

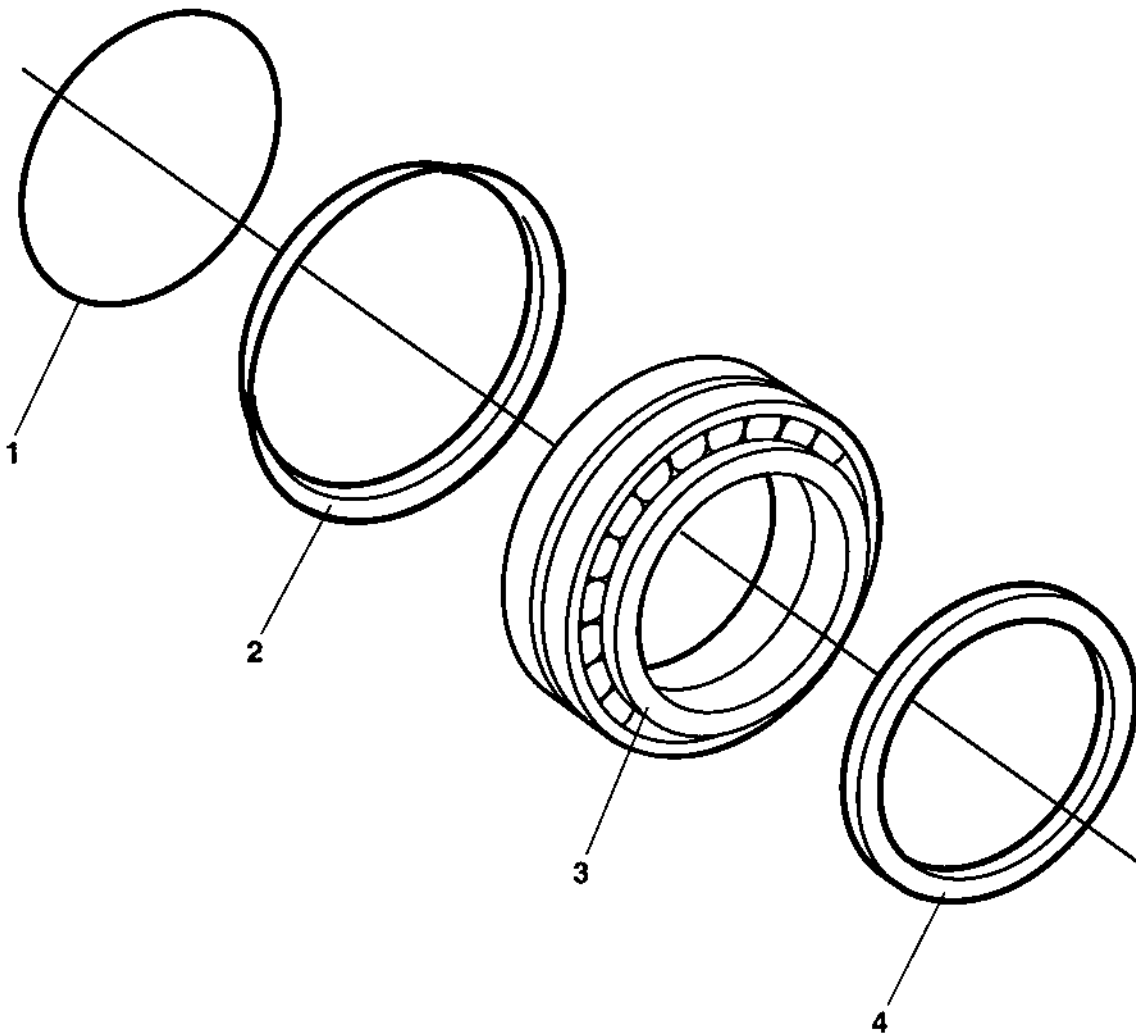
**VALS3**





**4700938894 Eccentric shaft kit**

<b>Item</b>	<b>Part No</b>	<b>Rem Qty</b>	<b>Description</b>	<b>Code</b>
	4700938894		Eccentric shaft kit ( Page 22 )	
1	4700900776	1	O-ring	D
2	4700900784	2	Cylinder roller bearing	
3	4700900782	1	Seal ring	D

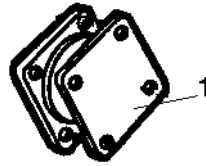


**4700938891 Drum rotation kit**

<b>Item</b>	<b>Part No</b>	<b>Rem Qty</b>	<b>Description</b>	<b>Code</b>
	4700938891		Drum rotation kit ( Page 24 )	
1	4700160105	1	O-ring 70	D
2	4700929447	1	V-ring	D
3	4700116041	1	Taper roller bearing	D
4	4700386272	1	Sealing	D

**4700938882 Shock absorber kit, drum**

**SHOCK ABSORB.**



**4700938882 Shock absorber kit, drum**

<b>Item</b>	<b>Part No</b>	<b>Rem Qty</b>	<b>Description</b>	<b>Code</b>
	4700938882		Shock absorber kit, drum ( Page 26 )	
1	4700358172	18	Shock absorber	B

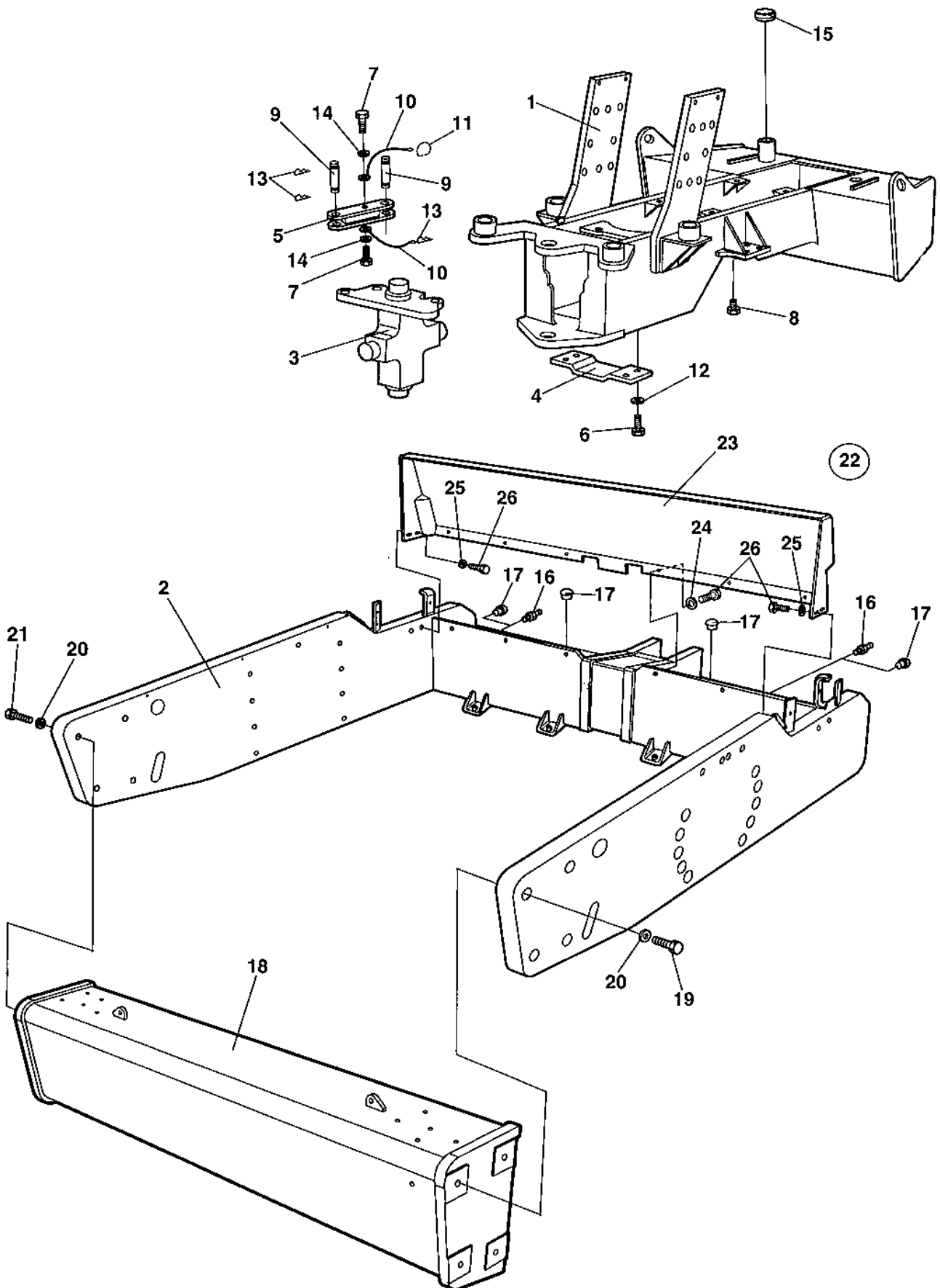


**Frame**

<b>Item</b>	<b>Part No</b>	<b>Rem Qty</b>	<b>Description</b>	<b>Code</b>
10			Frames ( Page 30 )	
20			Scrapers ( Page 32 )	
30			Hitch ( Page 34 )	
40			Structure Up to 79X20538 ( Page 36 )	
45			Structure From 79X20539 ( Page 38 )	
80			Side covers ( Page 40 )	Option

**Frames**

18042





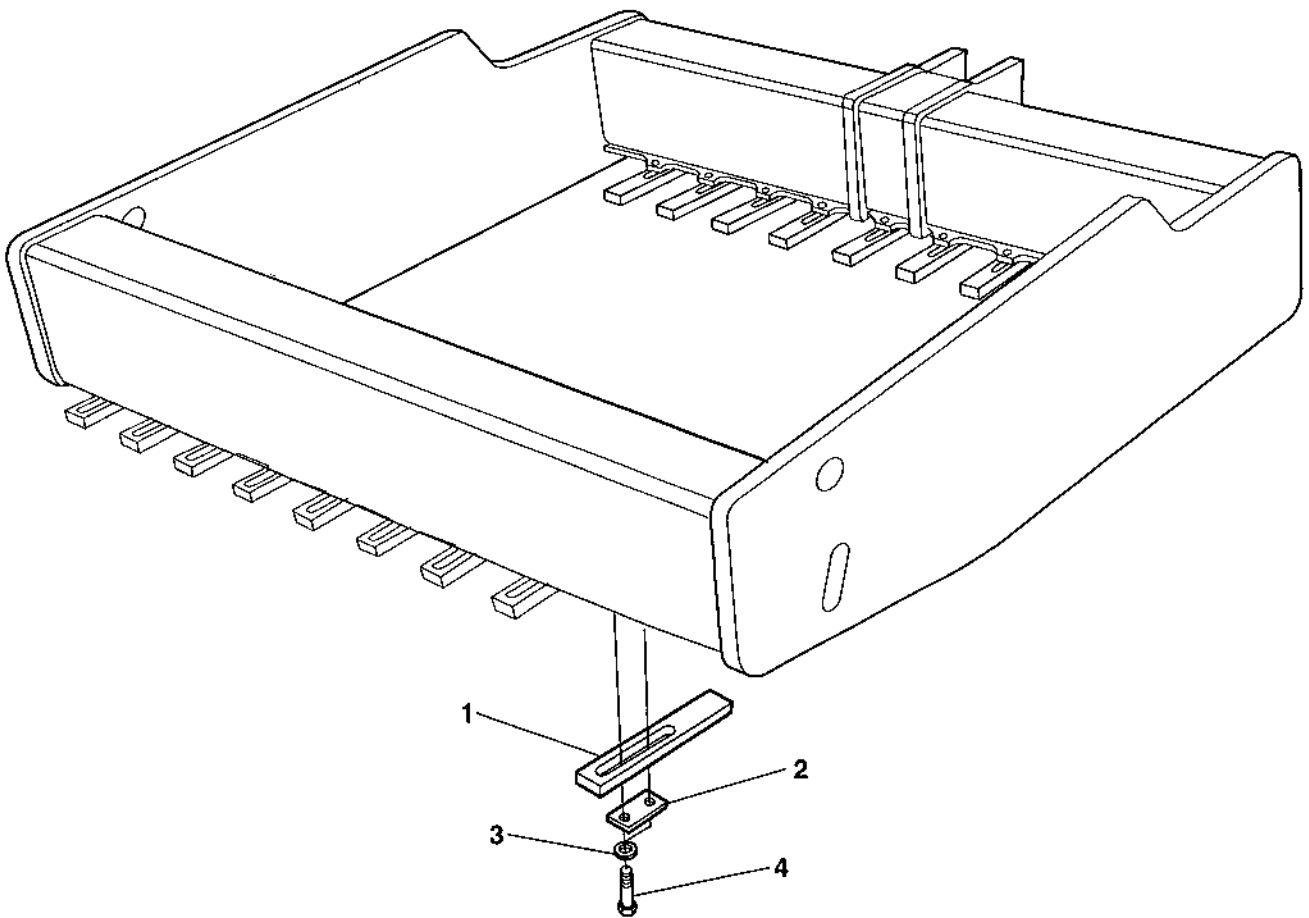
**Frames**

Item	Part No	Rem	Qty	Description	Code
1	4700377092		1	Tractor frame Up to 77X20637	
	4700377092	B	1	Tractor frame From 77X20638	
2	4700376706		1	Drum frame	
3			1	Hitch ( Page 34 )	
4	4700372087		1	Protective plate	
5	4700374744		1	Safety rod	
6	4700500029		4	Screw	
7	4700500043		2	Screw	M10x16H 8,8
8	4700813391		1	Magnetic plug	D
9	4700347119		2	Shaft	D
10	4700343775		2	Wire	
11	4700357488		1	Spring	
12	4700904557		4	Washer	
13	4700635061		3	Hair clip	D
14	4700904230		2	Washer	
15	4700373460		1	Fuel cap	D
	4700380436	A	1	Fuel cap	
16	4700232041		1	Filter plug	D
17	4700902919		4	Plug	
18	4700389912		1	Cross beam	
19	4700925208		4	Screw	M20x90
20	4700904233		8	Washer	21x36x3
21	4700927117		4	Screw	M20x100
22				Drum shroud Cpl, option	
23	4700372169		1	.Drum shroud	
24	4700904230		6	.Washer	
25	4700904567		4	.Washer	10,5x28x6 HB305
26	4700500029		10	.Screw	

- A) For Italy
- B) New cooler bracket

**Scrapers**

18013

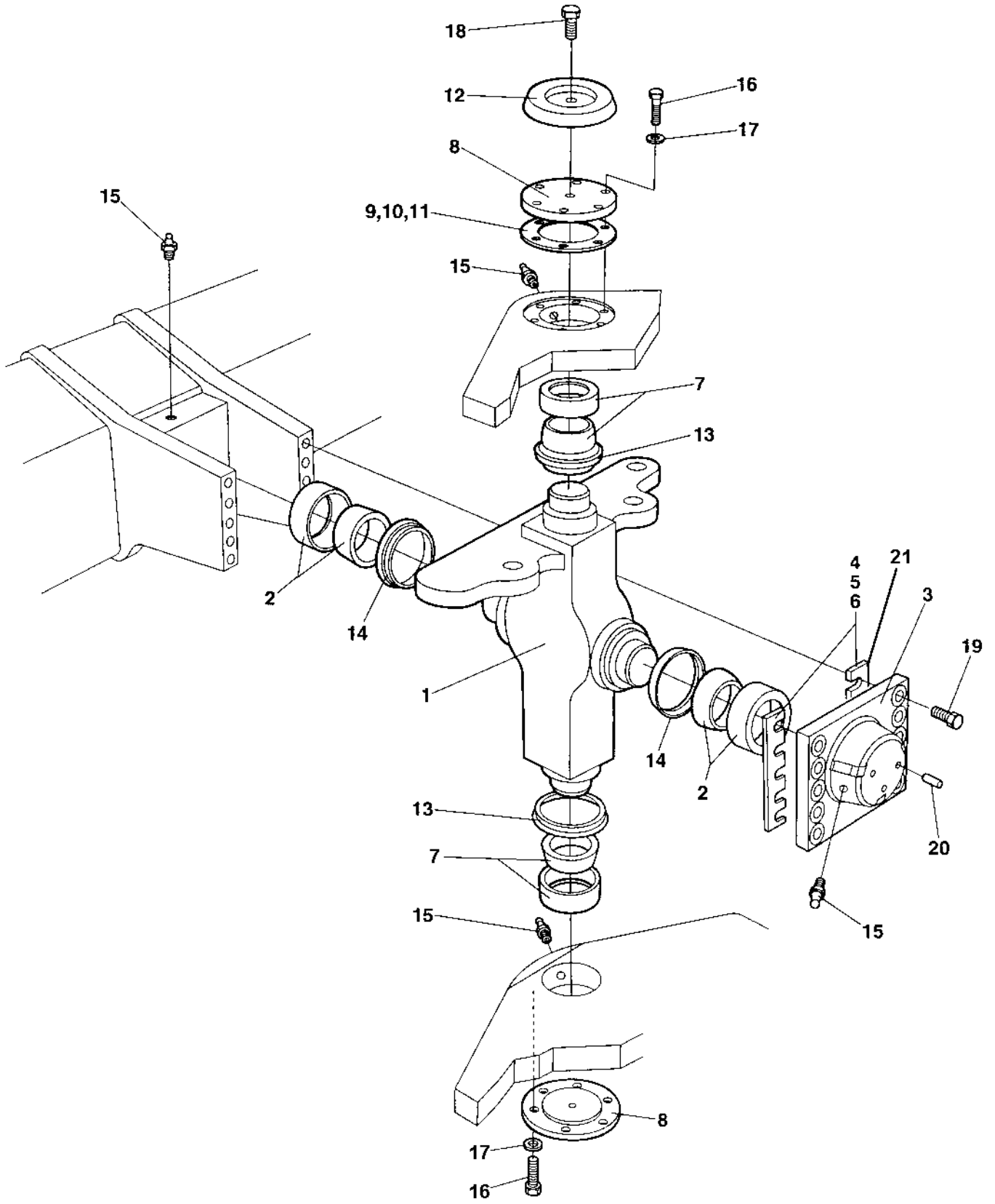


**Scrapers**

<b>Item</b>	<b>Part No</b>	<b>Rem Qty</b>	<b>Description</b>	<b>Code</b>
1	4700376551	18	Scraper tooth	
2	4700376622	18	Holder	
3	4700904232	36	Washer	
4	4700500165	36	Screw	M16-2,0x75 8,8

**Hitch**

**15881**

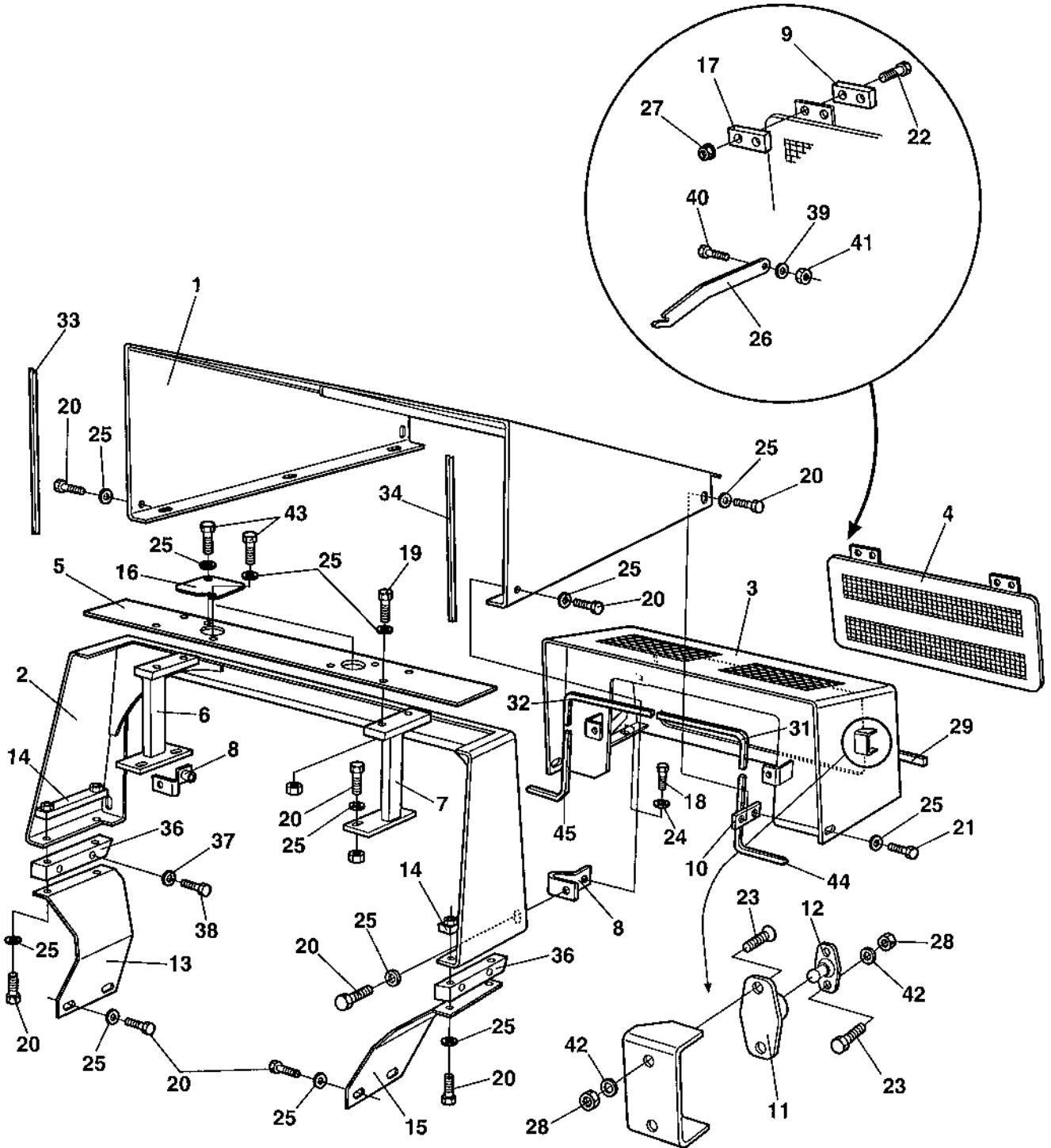


Hitch

Item	Part No	Rem Qty	Description	Code
1	4700374898	1	Hitch	
2	4700924620	2	Axial ball bearing	D
3	4700373123	1	Bearing cover	
4	4700337221	N	Shim	T=1,0 mm D
5	D433722101	N	Shim	T=0,35 mm D
6	D433722102	N	Shim	T=0,10 mm D
7	4700100040	2	Axial ball bearing	D
8	4700337042	2	Bearing cover	
9	4700337045	N	Shim	T=1,0 mm D
10	4700345874	N	Shim	T=0,35 mm D
11	4700345875	N	Shim	T=0,10 mm D
12	4700343159	1	Cover	
13	4700167032	2	Lip-type oil seal	D
14	4700167033	2	Ring	D
15	4700926214	4	Grease fitting	D
16	4700500037	12	Screw	
17	4700904231	12	Washer	13x24x2 300 HV
18	4700500188	1	Screw	M8-1,25x14 8,8
19	4700904479	10	Screw	M24x110 10,9
	4700900807	10	Screw	M24x120 10,9
20	4700910995	3	Stop screw	
21	4700384503	N	Shim	T=0,15 mm D
22	4700904229	1	Washer	8,4x16x1,5

Structure

18045



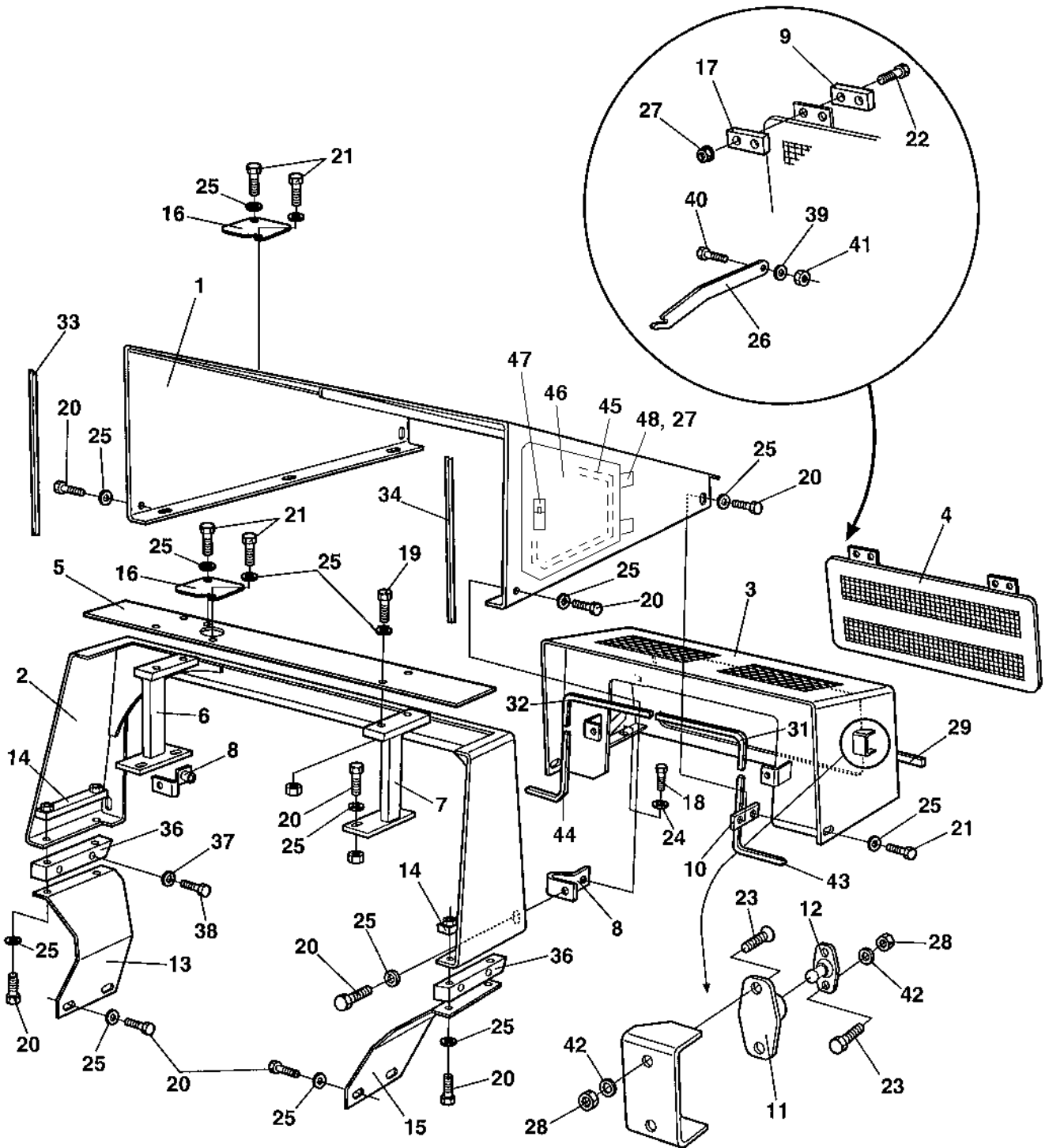
Structure

Item	Part No	Rem	Qty	Description	Code
1	4700376814		1	Hood	
2	4700389882		1	Protecting cover	
3	4700376818		1	Hood	
	4700791475	A	2	Grommet	
4	4700382406		1	Rear cover	
5	4700389904		1	Cover	
6	4700376348		1	Holder, right	
7	4700376349		1	Holder, left	
8	4700376366		2	Holder	
9	4700380755		2	Holder	
10	4700380109		2	Holder	
11	4700450066		2	Door bumper	D
12	4700450067		2	Door bumper	D
13	4700381348		1	Holder	
14	4700381330		2	Holder	
15	4700381347		1	Holder	
16	4700381297		2	Cover	
17	4700380012		2	Holder	
18	4700500031		4	Screw	
19	4700500047		4	Screw	
20	4700500022		20	Screw	M8x30H 8.8 A2K
21	4700500053		6	Screw	M8x20H 8.8
22	4700924875		4	Screw	
23	4700904504		8	Screw	M5 x 18
24	4700904557		4	Washer	
25	4700904640		34	Washer	8,4x22x3
26	4700382411		1	Hook	
27	4700902285		4	Lock nut	M6
28	4700586001		8	Lock nut	
29	4700902379	B	1XL	Edge trim	
30	4700902379	C	1XL	Edge trim	
31	4700902166	D	1XL	Edge trim	
32	4700902166	E	1XL	Edge trim	
33	4700902166	F	1XL	Edge trim	
34	4700902166	G	1XL	Edge trim	
36	4700381989		2	Holder	
37	4700904231		4	Washer	13x24x2 300 HV
38	4700500133		4	Screw	
39	4700904228		2	Washer	
40	4700500040		1	Screw	M6-1x20 8,8
41	4700586002		1	Lock nut	
42	4700904281		8	Washer	
43	4700500021		4	Screw	M8-1,25x25 8.8
44	4700902166	H	1XL	Edge trim	
45	4700902166	I	1XL	Edge trim	

- A) With membrane
- B) L=0,330 m
- C) L=0,550 m
- D) L=0,550 m
- E) L=0,300 m
- F) L=0,460 m
- G) L=0,460 m
- H) L=0,580 m
- I) L=0,550 m

Structure

18485

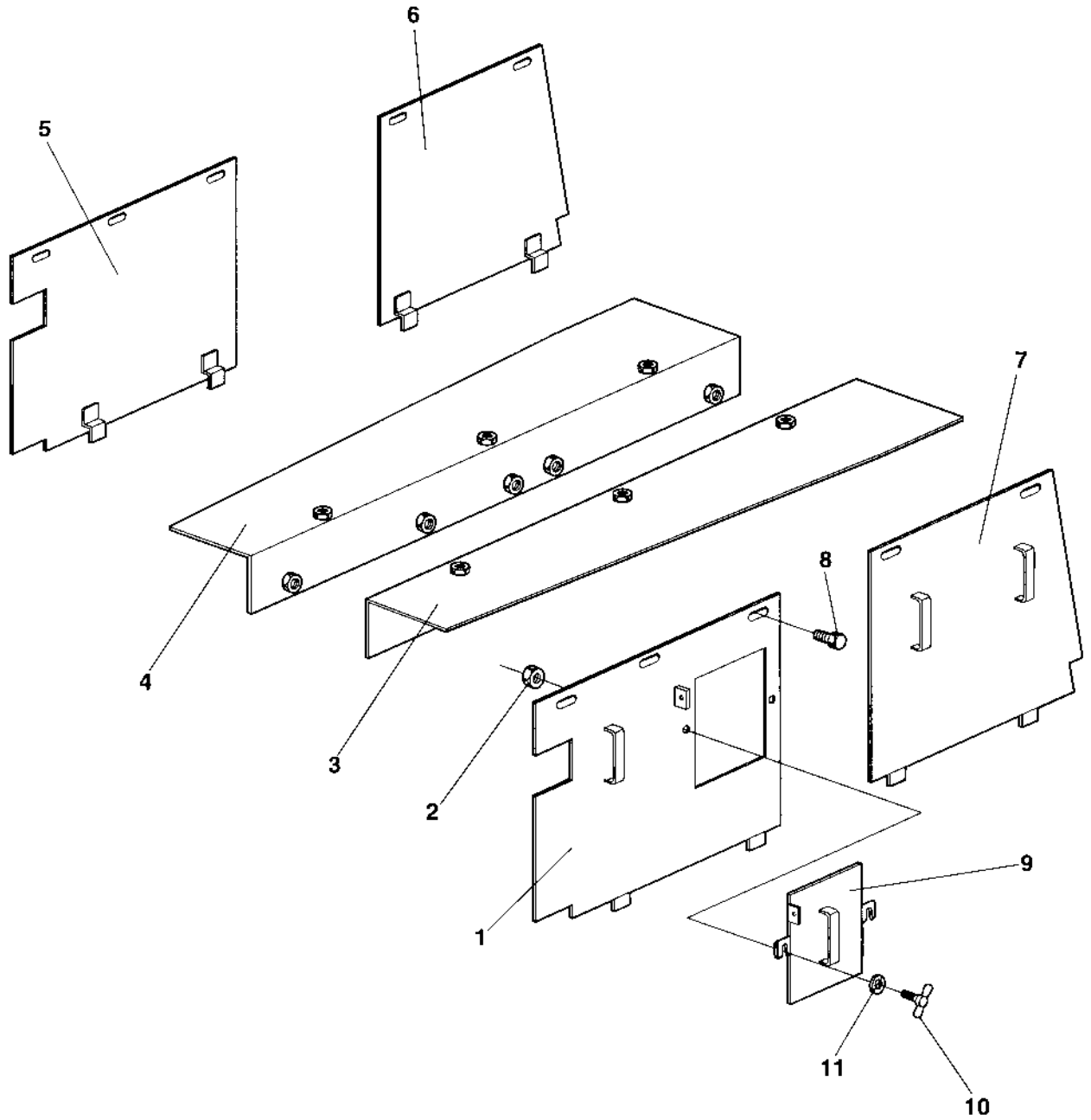




Structure

Item	Part No	Rem Qty	Description	Code
1	4700392784	1	Hood	
2	4700376340	1	Protecting cover	
3	4700376818	1	Hood	
	4700791475	A 2	Grommet	
4	4700382406	1	Rear cover	
5	4700376354	1	Cover	
6	4700392786	1	Holder, right	
7	4700376349	1	Holder, left	
8	4700376366	2	Holder	
9	4700380755	2	Holder	
10	4700380109	2	Holder	
11	4700450066	2	Door bumper	D
12	4700450067	2	Door bumper	D
13	4700381348	1	Holder	
14	4700381330	2	Holder	
15	4700381347	1	Holder	
16	4700381297	2	Cover	
17	4700380012	2	Holder	
18	4700500031	4	Screw	
19	4700500047	4	Screw	
20	4700500022	20	Screw	M8x30H 8.8 A2K
21	4700500053	10	Screw	M8x20H 8.8
22	4700924875	4	Screw	
23	4700904504	8	Screw	M5 x 18
24	4700904557	4	Washer	
25	4700904640	34	Washer	8,4x22x3
26	4700382411	1	Hook	
27	4700902285	8	Lock nut	M6
28	4700586001	8	Lock nut	
29	4700902379	B 1XL	Edge trim	
30	4700902379	C 1XL	Edge trim	
31	4700902166	D 1XL	Edge trim	
32	4700902166	E 1XL	Edge trim	
33	4700902166	F 1XL	Edge trim	
34	4700902166	G 1XL	Edge trim	
35	4700791475	2	Grommet	
36	4700381989	2	Holder	
37	4700904231	4	Washer	13x24x2 300 HV
38	4700500133	4	Screw	
39	4700904228	2	Washer	
40	4700500040	1	Screw	M6-1x20 8,8
41	4700586002	1	Lock nut	
42	4700904281	8	Washer	
43	4700902166	H 1XL	Edge trim	
44	4700902166	C 1XL	Edge trim	
45	4700202028	J 1XL	Edge trim	
46	4700393857	1	Cover	
47	4700792549	1	Lock	
48	4700513012	4	Screw	M6x20 10,9

- A) With membrane
- B) L=0,330 m
- C) L=0,550 m
- D) L=0,560 m
- E) L=0,310 m
- F) L=0,460 m
- G) L=0,460 m
- H) L=0,580 m
- J) L=1,120 m



**Side covers Option**

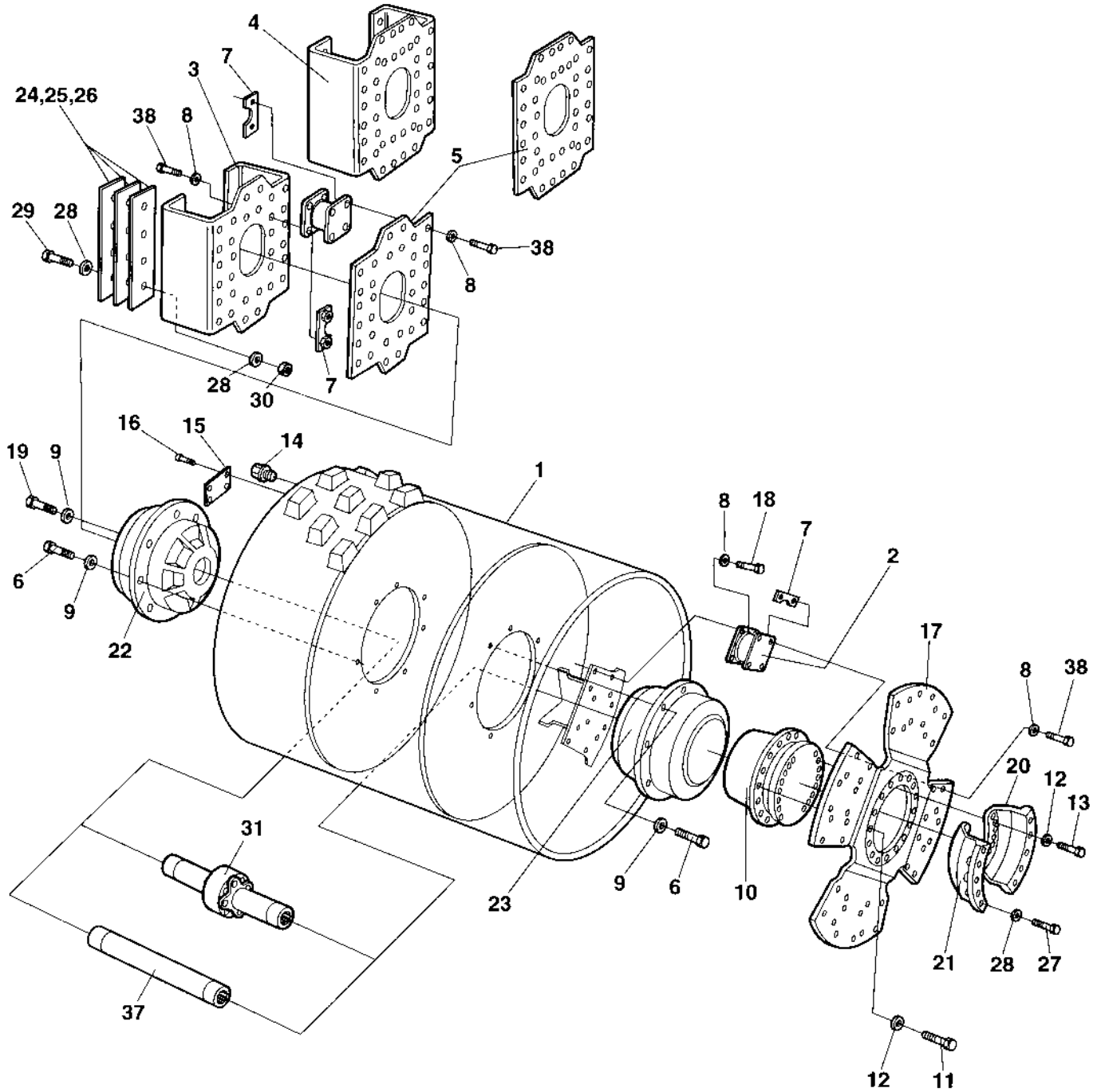
<b>Item</b>	<b>Part No</b>	<b>Rem Qty</b>	<b>Description</b>	<b>Code</b>
1	4700377167	1	Side cover, right	
2	4700586003	2	Lock nut	M8
3	4700377144	1	Holder, right	
4	4700377145	1	Holder, left	
5	4700377169	1	Side cover, left	
6	4700377168	1	Side cover, left	
7	4700377166	1	Side cover, right	
8	4700500053	18	Screw	M8x20H 8.8
9	4700381033	1	Cover	
10	4700904718	2	Wing screw	
11	4700904640	20	Washer	8,4x22x3



**Drum**

<b>Item</b>	<b>Part No</b>	<b>Rem Qty</b>	<b>Description</b>	<b>Code</b>
10			Drum ( Page 44 )	
20			Drum cartridge ( Page 46 )	Vibration side
21			Drum cartridge ( Page 48 )	Vibration side
30			Drum cartridge ( Page 50 )	Drive side
31			Drum cartridge ( Page 52 )	Drive side
40			Drum gear ( Page 54 )	

**Drum**  
15959-1



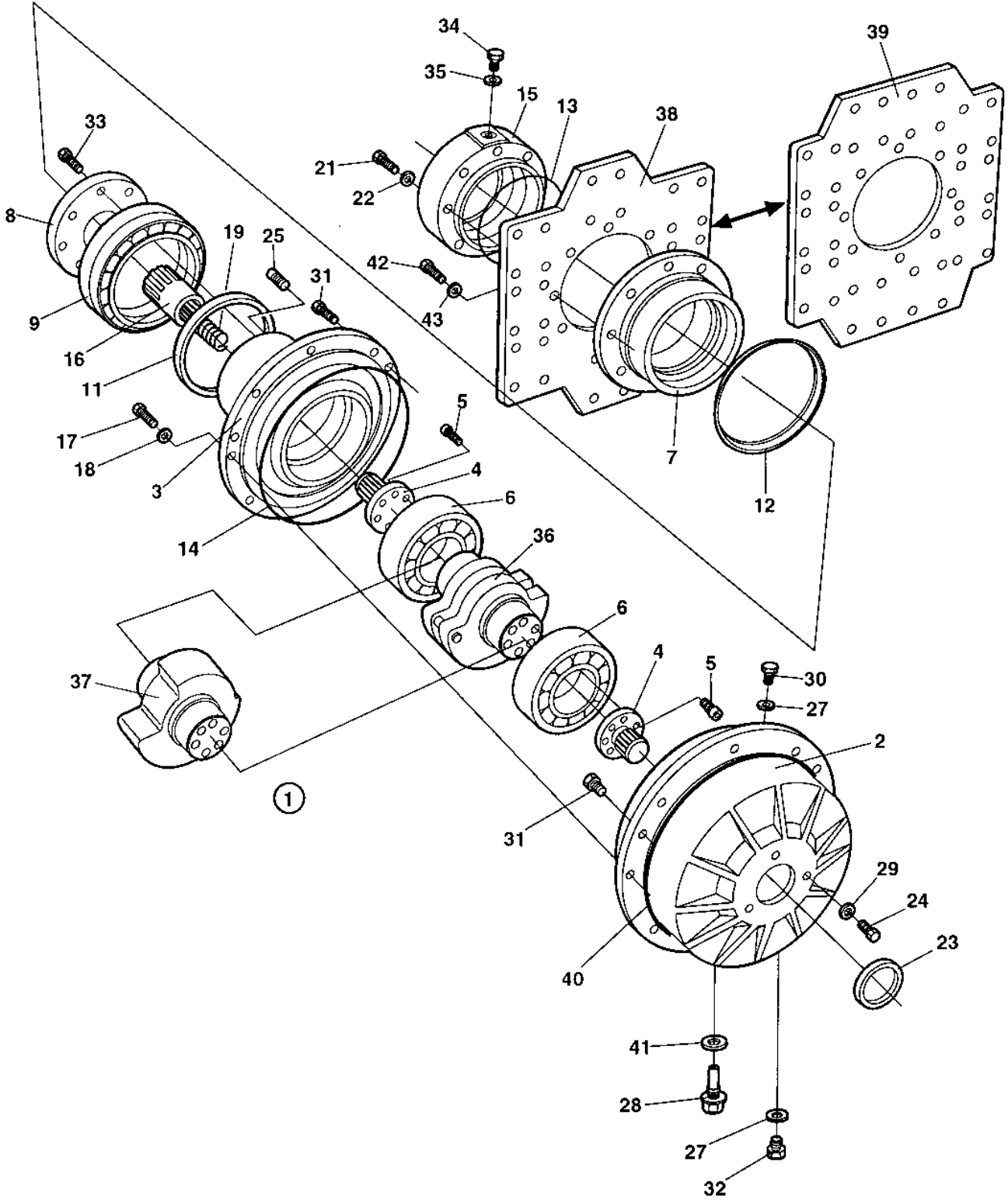
**Drum**

Item	Part No	Rem	Qty	Description	Code
1	4700373769		1	Drum	
2	4700358172		18	Shock absorber	B
3	4700370020		1	Holder plate	
4				Not used on this model	
5	4700370019		1	Holder plate	
6	4700500082		23	Screw	M16x70
7	4700374728		52	Holder	
8	4700904232		144	Washer	
9	4700384114		24	Spacer	
	4700904232		24	Washer	
10			1	Drum gear ( Page 54 )	
11	4700903281		16	Screw	
12	4700904233		32	Washer	21x36x3
13	4700903919		16	Screw	
14	4700232210		1	Plug	
15	4700343801		1	Sign plate	
16	4700527002		4	Drive screw	
17	4700373770		1	Drive disc	
18	4700500057		40	Screw	M16-2x30 8,8
19	4700384121		1	Air breather screw	B
20	4700373442	A	1	Gear holder	
21	4700373443	B	1	Gear holder	
22				Drum cartridge ( Page 46 )	Vibration side
				Drum cartridge ( Page 48 )	Vibration side
23				Drum cartridge ( Page 50 )	Drive side
				Drum cartridge ( Page 52 )	Drive side
24	4700349971	N		Shim	T=5 mm
25	4700349972	N		Shim	T=3 mm
26	4700349973	N		Shim	T=1 mm
27	4700500152		10	Screw	
28	4700904234		26	Washer	25x45x4
29	4700925671		8	Screw	M24-3,0x140 8,8
30	4700586023		8	Nut	M24-8 DIN985
37	4700349682		1	Drive shaft	
38	4700500070		104	Screw	M16x50

- A) Right
- B) Left

**Drum cartridge Vibration side**

17317





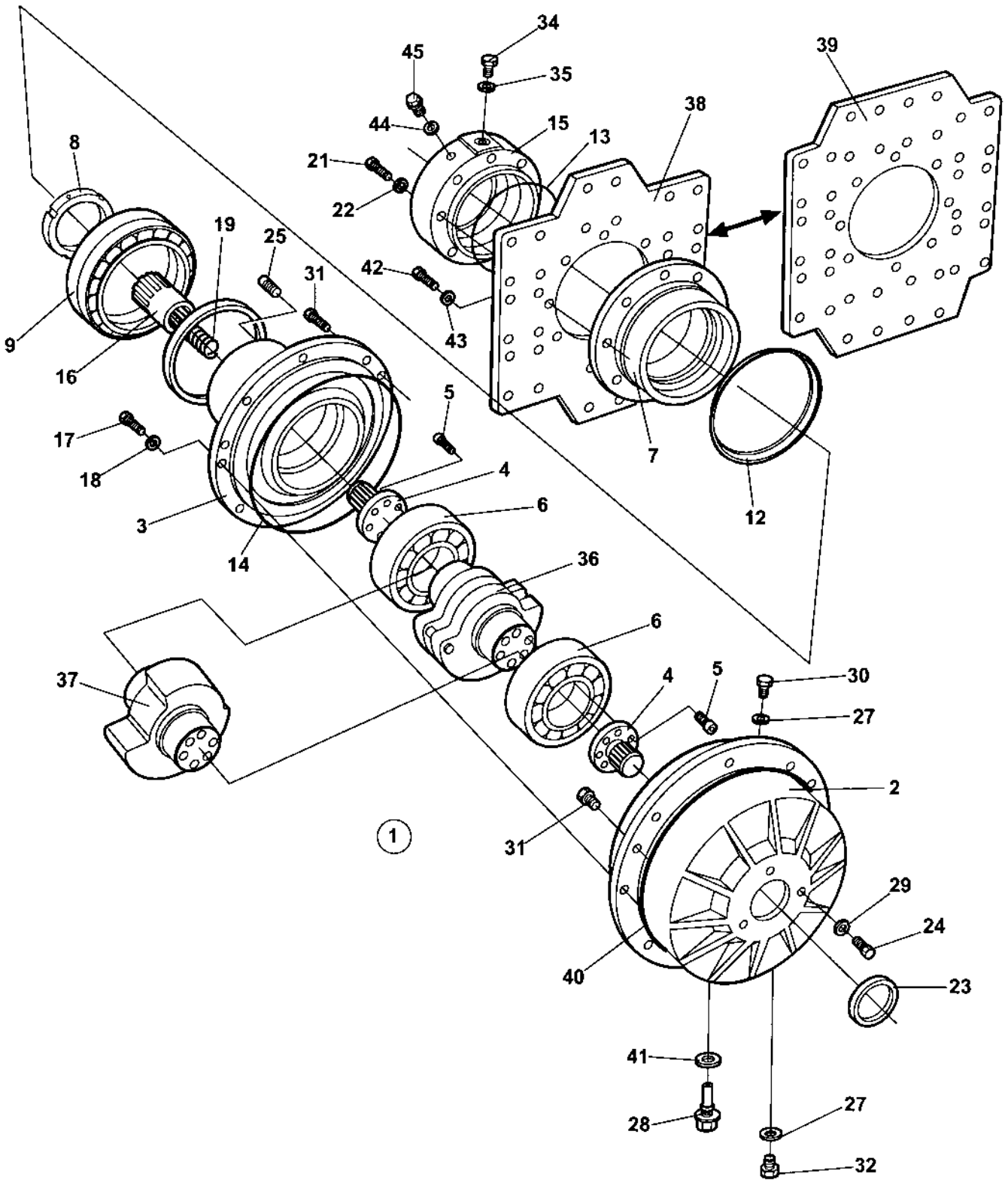
**Drum cartridge Vibration side**

Item	Part No	Rem	Qty	Description	Code
1	4700938649		1	Drum cartridge	
2	4700384382	2	1	Bearing housing inner	
3	4700356029	2	1	Bearing housing outer	
4	4700380018	2	2	Splined shaft	
5	4700791156	2	16	Screw	M10-1,5x55 12,9
6	4700900784	2	2	Cylinder roller bearing	
7	4700343318		1	Bearing housing	D
8	4700381028		1	Bearing cover	
9	4700116041		1	Taper roller bearing	D
11	4700167023		1	Seal ring	D
12	4700929447		1	V-ring	D
13	4700160105		1	O-ring 70	D
14	4700900776	2	1	O-ring	D
15	4700380967		1	Motor adapter	
16	4700381027		1	Splined sleeve	
17	4700500082	2	12	Screw	M16x70
18	4700904232	2	12	Washer	
19	4700349715		1	Spring	
21	4700500196		4	Screw	M12-1,75x80 8.8
22	4700904231		4	Washer	13x24x2 300 HV
23	4700900782	2	1	Seal ring	D
24	4700500163	2	3	Screw	M12x16
25	4700901828		6	Set screw	
27	4700162017	2	2	Seal ring	D
28	4700381634	2	1	Plug	
29	4700162027	2	3	Sealing	D
30	4700343744	2	1	Magnetic plug	D
31	4700900775	2	6	Plug	
32	4700232210	2	1	Plug	
33	4700791933		8	Screw	M8x40
34	4700370231		1	Plug	
35	4700162018		1	Sealing	D
36			1	Not used on this model	D
37	4700385049	2	1	Eccentric	
38	4700370019		1	Holder plate Model CA512 D/PD	
39				Not used on this model	
40	4700904737		1	O-ring	D
41	4700162011		1	Washer, sealing	D
42	4700500082		8	Screw	M16x70
43	4700384114		8	Spacer	

2) Included in complete drum cartridge, item 1

**Drum cartridge Vibration side**

18389-1



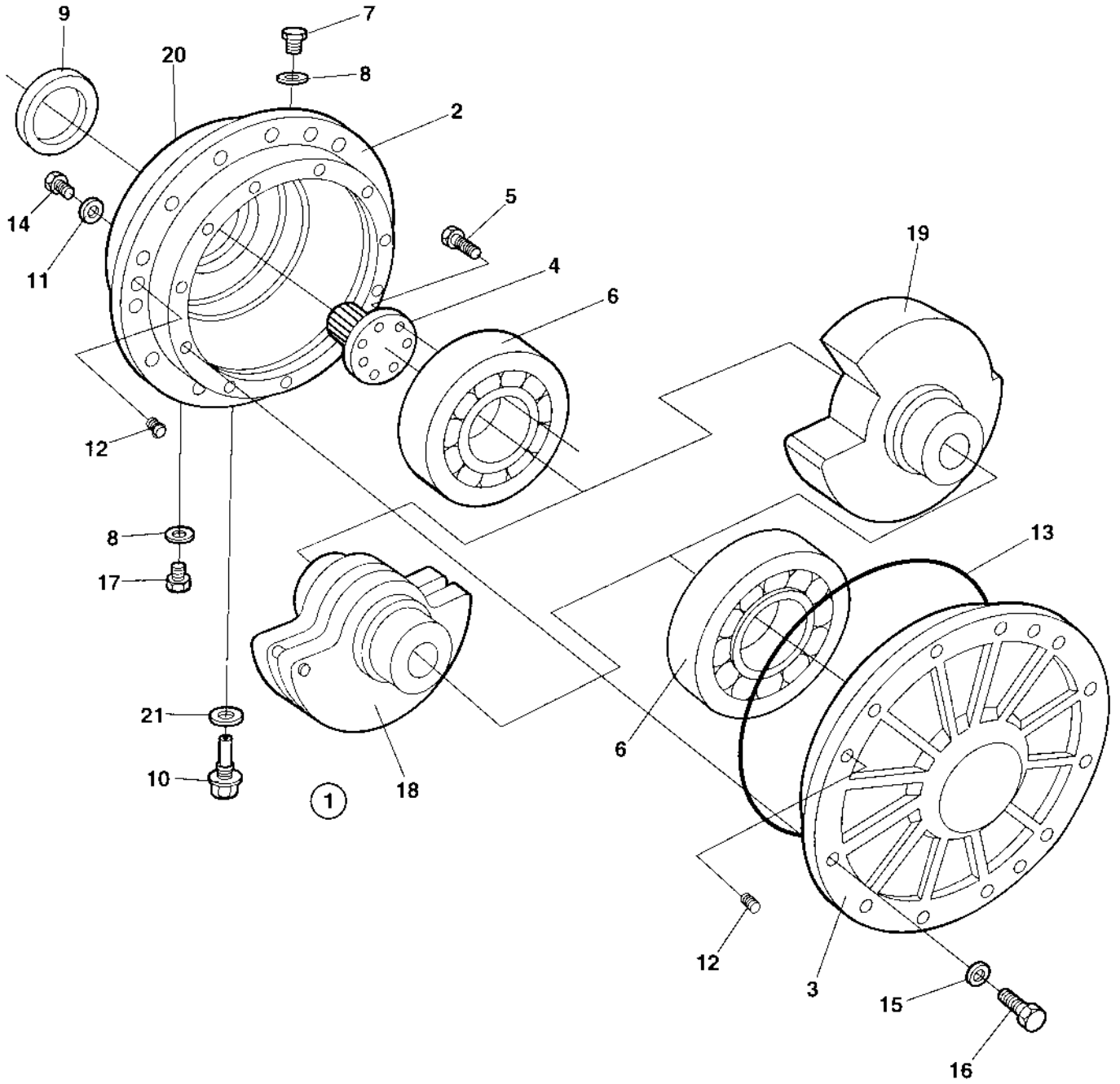
**Drum cartridge Vibration side**

Item	Part No	Rem	Qty	Description	Code
1	4700945592		1	Drum cartridge	
2	4700379880	2	1	Bearing housing inner	
3	4700379878	2	1	Bearing housing outer	
4	4700380018	2	2	Splined shaft	
5	4700791156	2	16	Screw	M10-1,5x55 12,9
6	4700390896	2	2	Spherical roller bearing	D
7	4700343318		1	Bearing housing	D
8	4700390897		1	Shaft nut	
9	4700116041		1	Taper roller bearing	D
11	4700167023		1	Seal ring	D
12	4700929447		1	V-ring	D
13	4700160105		1	O-ring 70	D
14	4700900776	2	1	O-ring	D
15	4700390771		1	Motor adapter	
16	4700381027		1	Splined sleeve	
17	4700500082	2	12	Screw	M16x70
18	4700904232	2	12	Washer	
19	4700349715		1	Spring	
21	4700500196		4	Screw	M12-1,75x80 8.8
22	4700904231		4	Washer	13x24x2 300 HV
23	4700900782	2	1	Seal ring	D
24	4700500163	2	3	Screw	M12x16
25	4700903189	2	3	Stop screw	
27	4700162017	2	2	Seal ring	D
28	4700381634	2	1	Plug	
29	4700162027	2	3	Sealing	D
30	4700343744	2	1	Magnetic plug	D
31	4700900775	2	6	Plug	
32	4700232210	2	1	Plug	
34	4700370231		1	Plug	
35	4700162018		1	Sealing	D
36			1	Not used on this model	D
37	4700385049	2	1	Eccentric	
38	4700370019		1	Holder plate Model CA512 D/PD	
39				Not used on this model	
40	4700904737		1	O-ring	D
41	4700162011		1	Washer, sealing	D
42	4700500082		8	Screw	M16x70
43	4700384114		8	Spacer	
44	4700162024		1	Washer, sealing	
45	4700903190		1	Steel plug	

2) Included in complete drum cartridge, item 1

**Drum cartridge Drive side**

17318

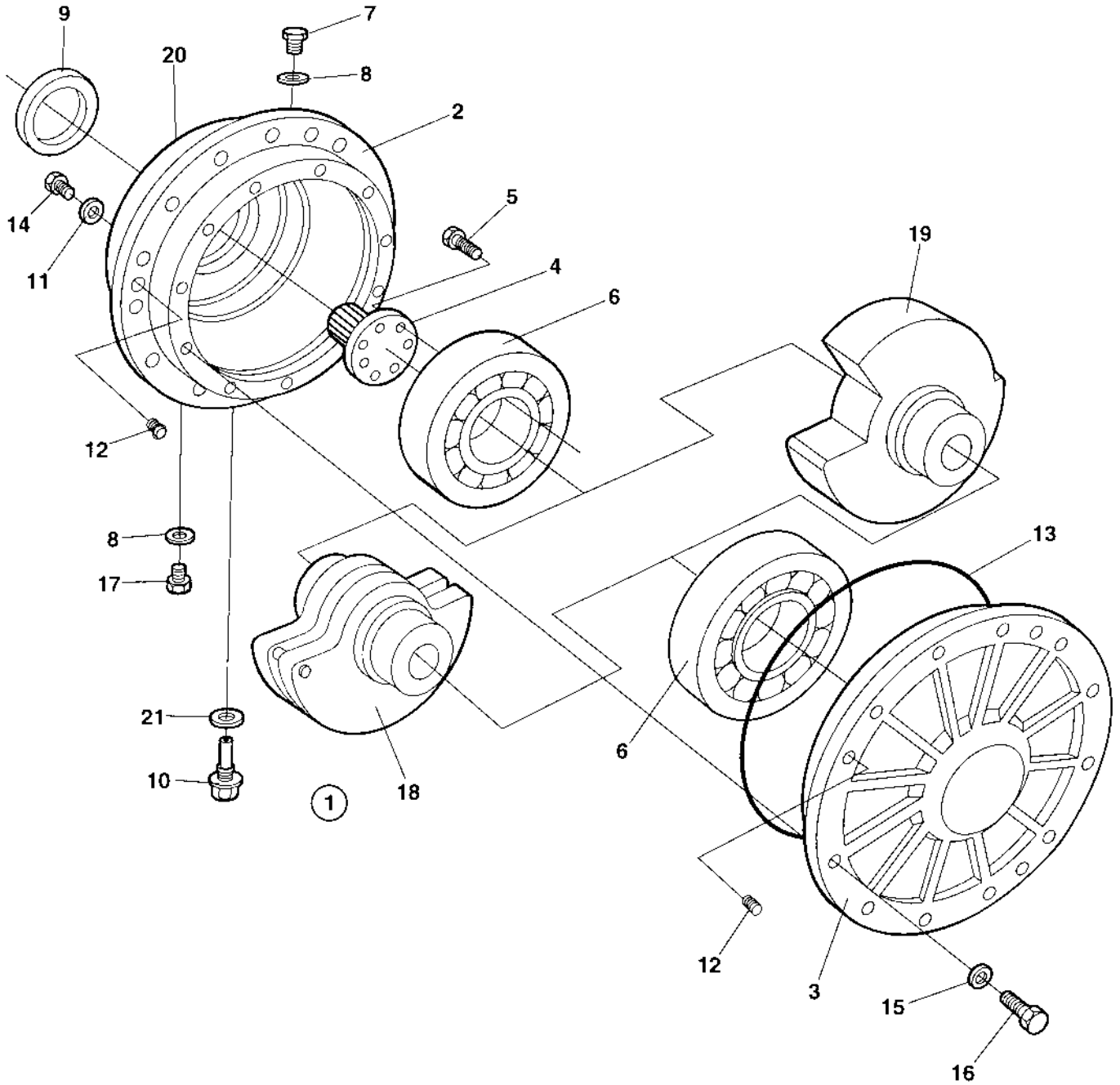


Drum cartridge Drive side

Item	Part No	Rem Qty	Description	Code
1	4700938650	1	Drum cartridge	
2	4700384382	1	.Bearing housing inner	
3	4700356028	1	.Bearing housing outer	
4	4700380018	1	.Splined shaft	
5	4700791156	8	.Screw	M10-1,5x55 12,9
6	4700900784	2	.Cylinder roller bearing	
7	4700343744	1	.Magnetic plug	D
8	4700162017	2	.Seal ring	D
9	4700900782	1	.Seal ring	D
10	4700381634	1	.Plug	
11	4700162027	3	.Sealing	D
12	4700900775	6	.Plug	
13	4700900776	1	.O-ring	D
14	4700500163	3	.Screw	M12x16
15	4700904232	12	.Washer	
16	4700500082	12	.Screw	M16x70
17	4700232210	1	.Plug	
18		1	.Not used on this model	
19	4700385049	1	.Eccentric	
20	4700904737	1	.O-ring	D
21	4700162011	1	.Washer, sealing	D

**Drum cartridge Drive side**

17318

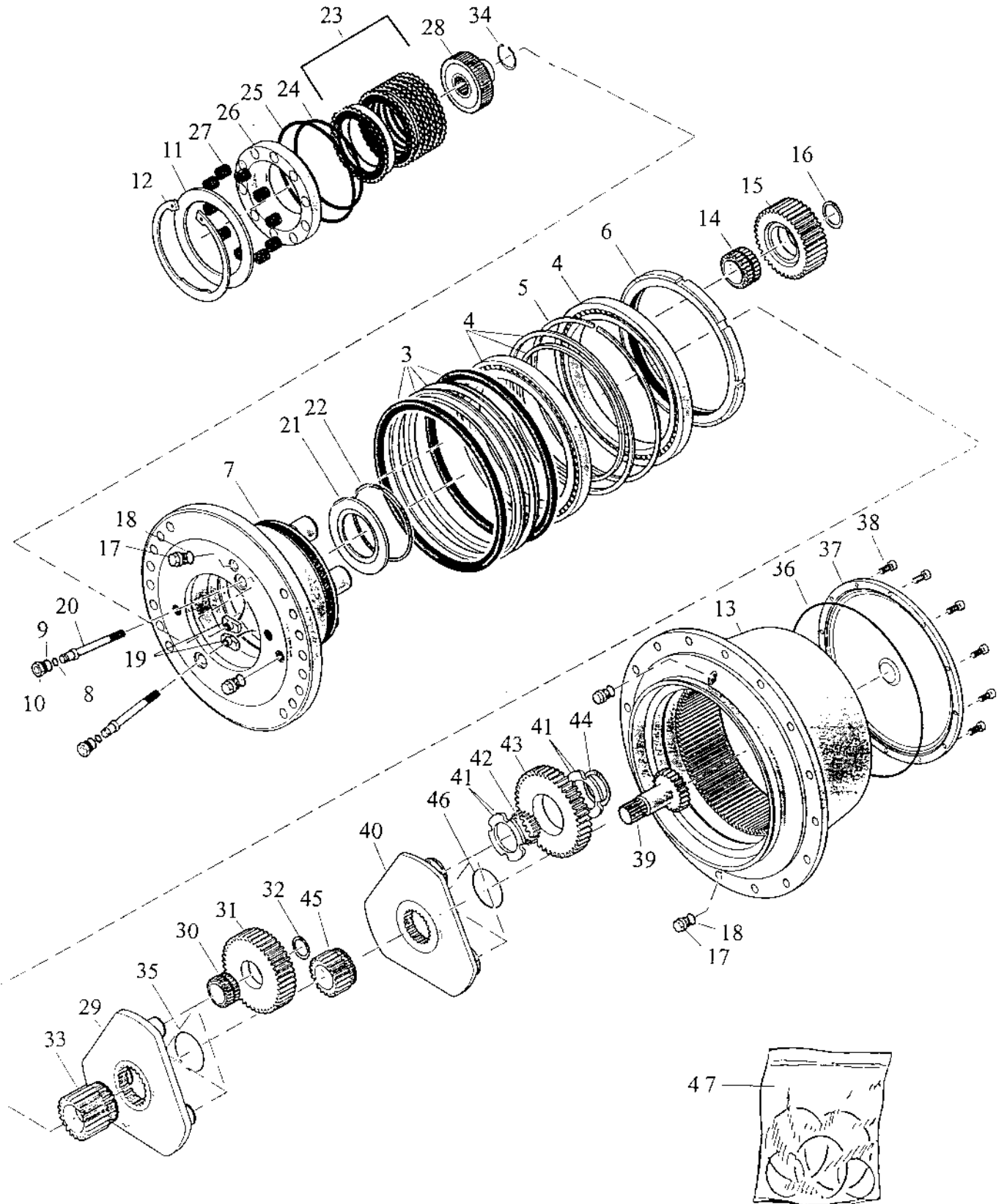


Drum cartridge Drive side

Item	Part No	Rem Qty	Description	Code
1	4700945586	1	Drum cartridge	
2	4700379880	1	.Bearing housing inner	
3	4700379876	1	.Bearing housing outer	
4	4700380018	1	.Splined shaft	
5	4700791156	8	.Screw	M10-1,5x55 12,9
6	4700390896	2	.Spherical roller bearing	D
7	4700343744	1	.Magnetic plug	D
8	4700162017	2	.Seal ring	D
9	4700900782	1	.Seal ring	D
10	4700381634	1	.Plug	
11	4700162027	3	.Sealing	D
12	4700900775	6	.Plug	
13	4700900776	1	.O-ring	D
14	4700500163	3	.Screw	M12x16
15	4700904232	12	.Washer	
16	4700500082	12	.Screw	M16x70
17	4700232210	1	.Plug	
18		1	.Not used on this model	
19	4700385049	1	.Eccentric	
20	4700904737	1	.O-ring	D
21	4700162011	1	.Washer, sealing	D

**Drum gear**

15958





**Drum gear**

Item	Part No	Rem	Qty	Description	Code
1	4700371512		1	Drum gear	
3	4700935381		1	.Seal	
4	4700935382		1	.Roller bearing	
5		B	NA	.Spring ring	
6		B	NA	.Nut	
7		B	NA	.Hub	
8	4700935386	A	2	.O-ring	
9	4700813618	A	2	.O-ring	D
10	4700935387		2	.Plug	
11	4700935388		1	.Support plate	
12	4700935389		1	.Retaining ring	
13		B	NA	.Hollow wheel	
14		B	NA	.Roller bearing	
15		B	NA	.Planet gear	
16		B	NA	.Retaining ring	
17	4700935394		4	.Plug	
18	4700935395	A	4	.Seal ring	
19	4700935396		2	.Setting lug	
20	4700935397		2	.Spindle bolt	
21		B	NA	.Plate	
22		B	NA	.Spring ring	
23	4700935400		1	.Brake disc kit	
24	4700935401	A	1	.O-ring	
25	4700935402	A	1	.O-ring	
26	4700935403		1	.Piston	
27	4700935404		10	.Spring	
28	4700935405		1	.Coupling	
29		B	NA	.Planet carrier	
30		B	NA	.Roller bearing	
31		B	NA	.Planet gear	
32		B	NA	.Retaining ring	
33		B	NA	.Sun wheel	
34	4700935411		1	.Retaining ring	
35		B	NA	.Spring ring	
36	4700935413	A	1	.O-ring	
37	4700935414		1	.Cover	
38	4700935415		12	.Screw	
39		B	NA	.Sun wheel	
40		B	NA	.Planet carrier	
41		B	NA	.Plate	
42		B	NA	.Needle roller bearing	
43		B	NA	.Planet gear	
44		B	NA	.Retaining ring	
45		B	NA	.Sun wheel	
46		B	NA	.Spring ring	
47	4700935380		1	Seal kit	

- A) Incl. in item 47
- B) Not available as spare part.

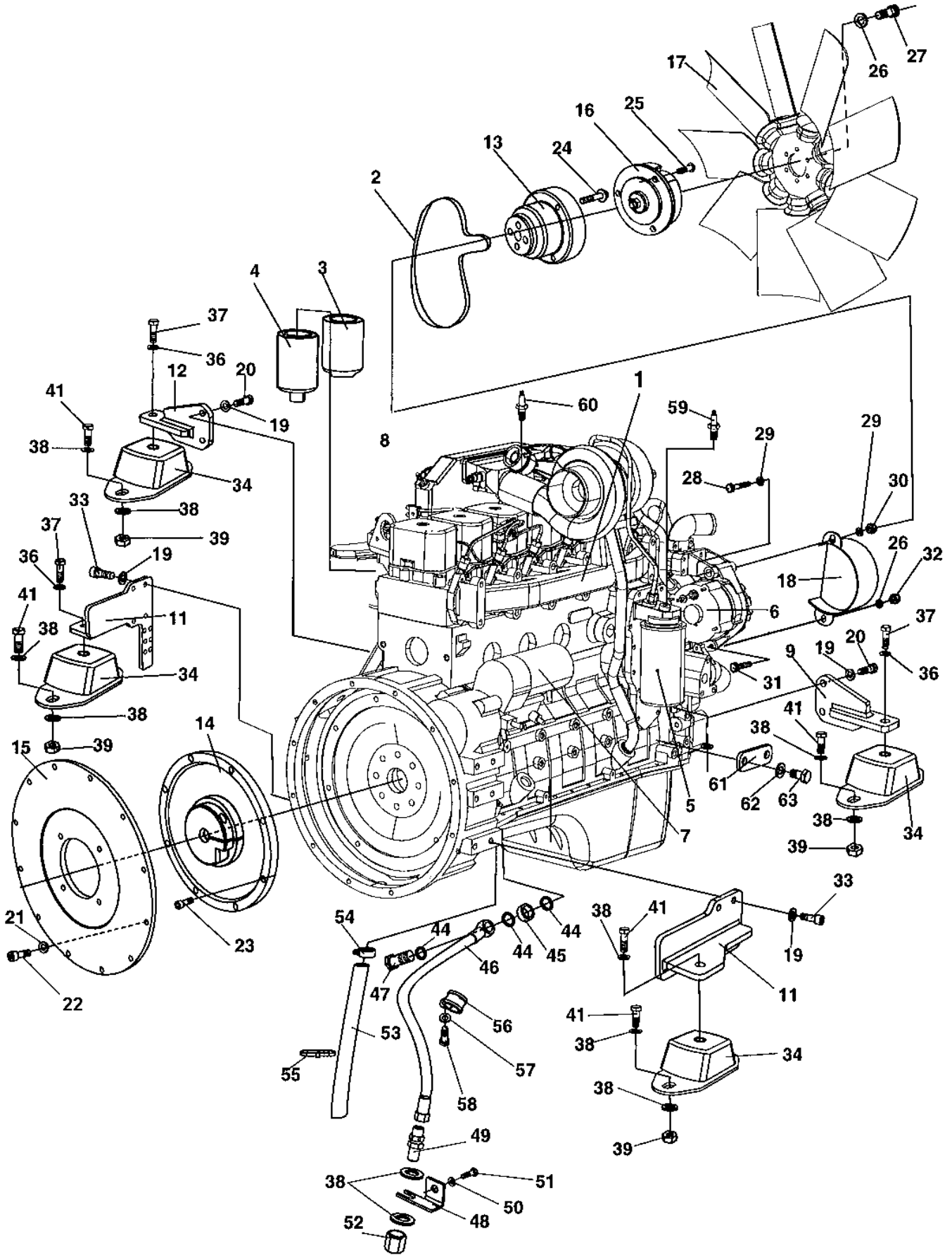


**Engine**

<b>Item</b>	<b>Part No</b>	<b>Rem Qty</b>	<b>Description</b>	<b>Code</b>
12			Engine ( Page 58 )	Cummins 6BTA 5.9
20			Cooling system Up to 79X20538 ( Page 62 )	
23	4700380403		Radiator Up to 79X20538 ( Page 66 )	C
25			Cooling system From 79X20539 ( Page 68 )	
30			Combustion air system Up to 79X20538 ( Page 72 )	
35			Combustion air system From 79X20539 ( Page 74 )	
40			Fuel system ( Page 76 )	
50			Exhaust system ( Page 78 )	

**Engine Cummins 6BTA 5.9**

18220



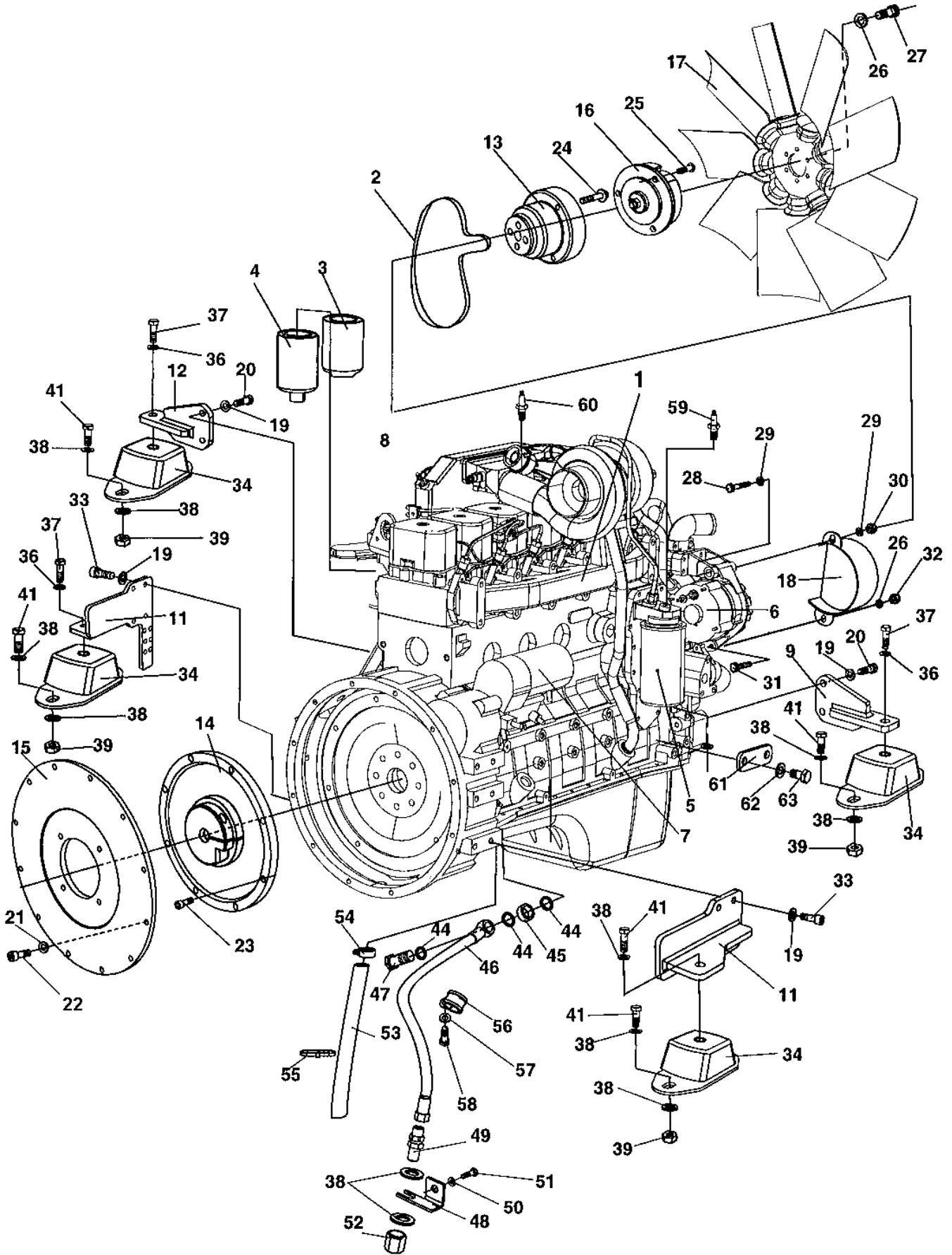
Engine Cummins 6BTA 5.9

Item	Part No	Rem	Qty	Description	Code
1	4700376983		1	Diesel engine	6BTA 5.9
2	4700901449		1	.V-belt	B
3	4700900829		1	.Fuel filter	A
4	4700900827	A	1	.Fuel filter	A
5	4700212396		1	.Oil filter	A
6	4700935950	H	1	.Alternator Up to ECN 05223	
	4700945140		1	.Alternator From ECN 05223	C
7	4700939504		1	.Starter	
8	4700940269		1	.Fuel solenoid	
9	4700378211		1	Engine bracket	
10	4700378210		1	Engine bracket	
11	4700378213		1	Engine bracket	
12	4700378211		1	Engine bracket	
13	4700382391		1	Connector	
14	4700371620		1	Coupling	
15	4700372772		1	Bracket	
16	4700382394		1	Fan hub	
17	4700386007		1	Fan	
18	4700386688		1	Protecting cover	
19	4700904638		13	Washer	12x22x2
20	4700500194		4	Screw	
21	4700904637		12	Washer	
22	4700508029		12	Screw	M10-1,5x30H 8,8
23	4700509025		8	Screw	3/8-16UNCx32 8,8
24	4700791306		4	Screw	M12-1,25x60 12,9
25	4700792081		3	Socket head cap screw	M12x50 10,9
26	4700904229		7	Washer	8,4x16x1,5
27	4700500047		6	Screw	
28	4700904379		1	Screw	M10x110H 8,8
29	4700904230		1	Washer	
30	4700586018		1	Lock nut	
31	4700500239		1	Screw	
32	4700586003		1	Lock nut	M8
33	4700508079		8	Screw	M12-1,75x35H 8,8
34	4700387128		4	Shock absorber	
36	4700904232		5	Washer	
37	4700500070		4	Screw	M16x50
38	4700904233		2	Washer	21x36x3
39	4700586019		8	Lock nut	
40	4700904703		8	Washer	
41	4700500194		8	Screw	
42	4700586019		8	Lock nut	
44	4700330331		3	Washer	18,2x23,9x1,5
45	4700371727		1	Sleeve	
46	4700389138		1	Hydraulic hose	
47	4700747691		1	Hollow screw	
48	4700388855		1	Bracket	
49	4700230515		1	Connector	
50	4700904232		1	Washer	
51	4700500154		1	Screw	M16-2,0x25 8,8
52	4700330383		1	Cap hydraulic	
53	4700791468		1	Hydraulic hose	
54	4700313004		1	Hose clamp	
55	4700925802		N	Cable ties	L=142 mm
56	4700921063		1	Clamp	
57	4700904228		1	Washer	
58	4700500013		1	Screw	M6-1x16 8,8
59	4700935044		1	Oil pressure sensor	D

- A) With water separator  
H) Replaced by Alternator kit P/N 4700945181.

**Engine Cummins 6BTA 5.9**

18220

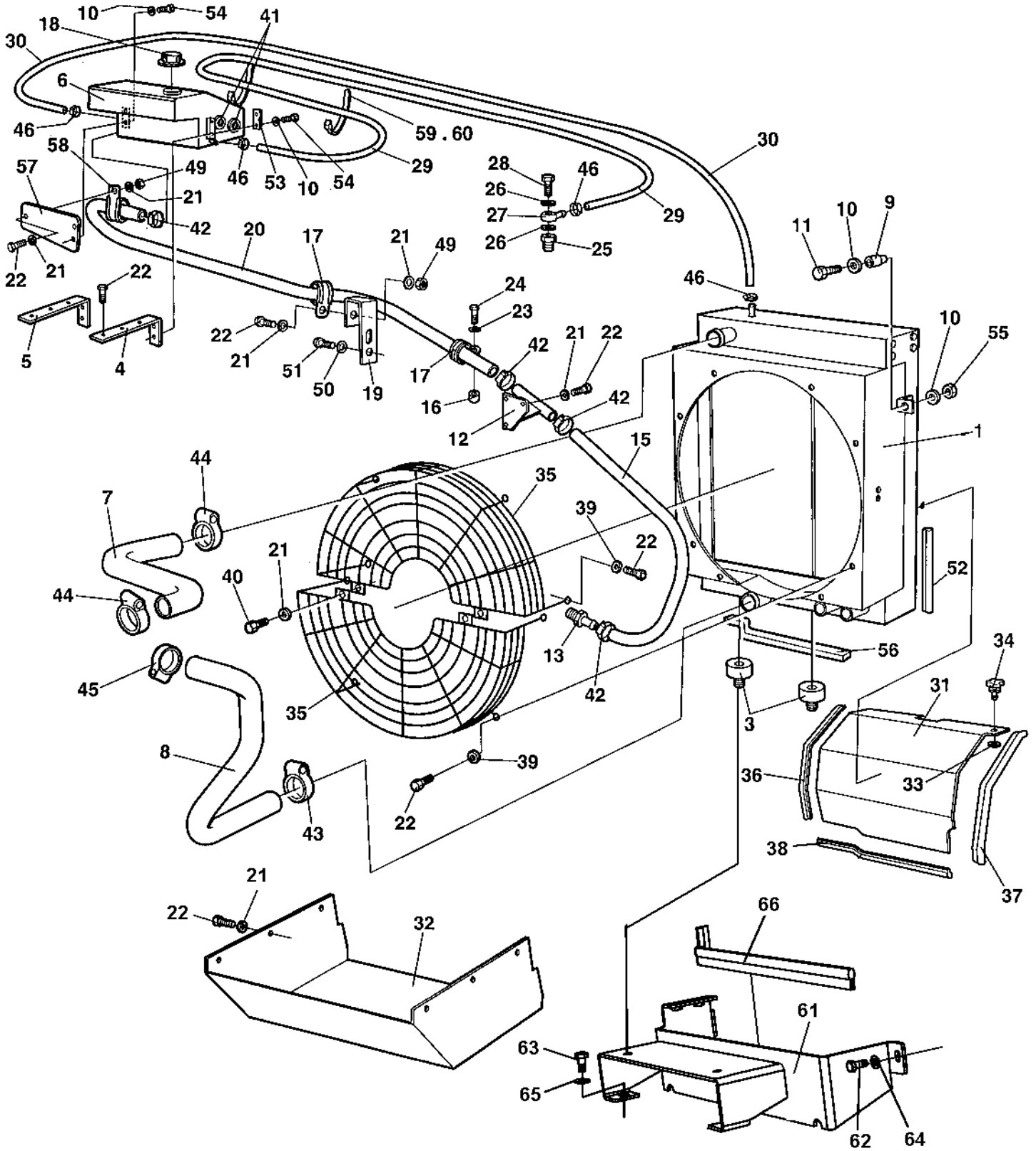


**Engine Cummins 6BTA 5.9**

<b>Item</b>	<b>Part No</b>	<b>Rem Qty</b>	<b>Description</b>	<b>Code</b>
60	4700903632	1	Temperature sensor	Engine
61	4700378214	1	Cable holder	
62	4700904638	1	Washer	12x22x2
63	4700500036	1	Screw	

**Cooling system**

18037





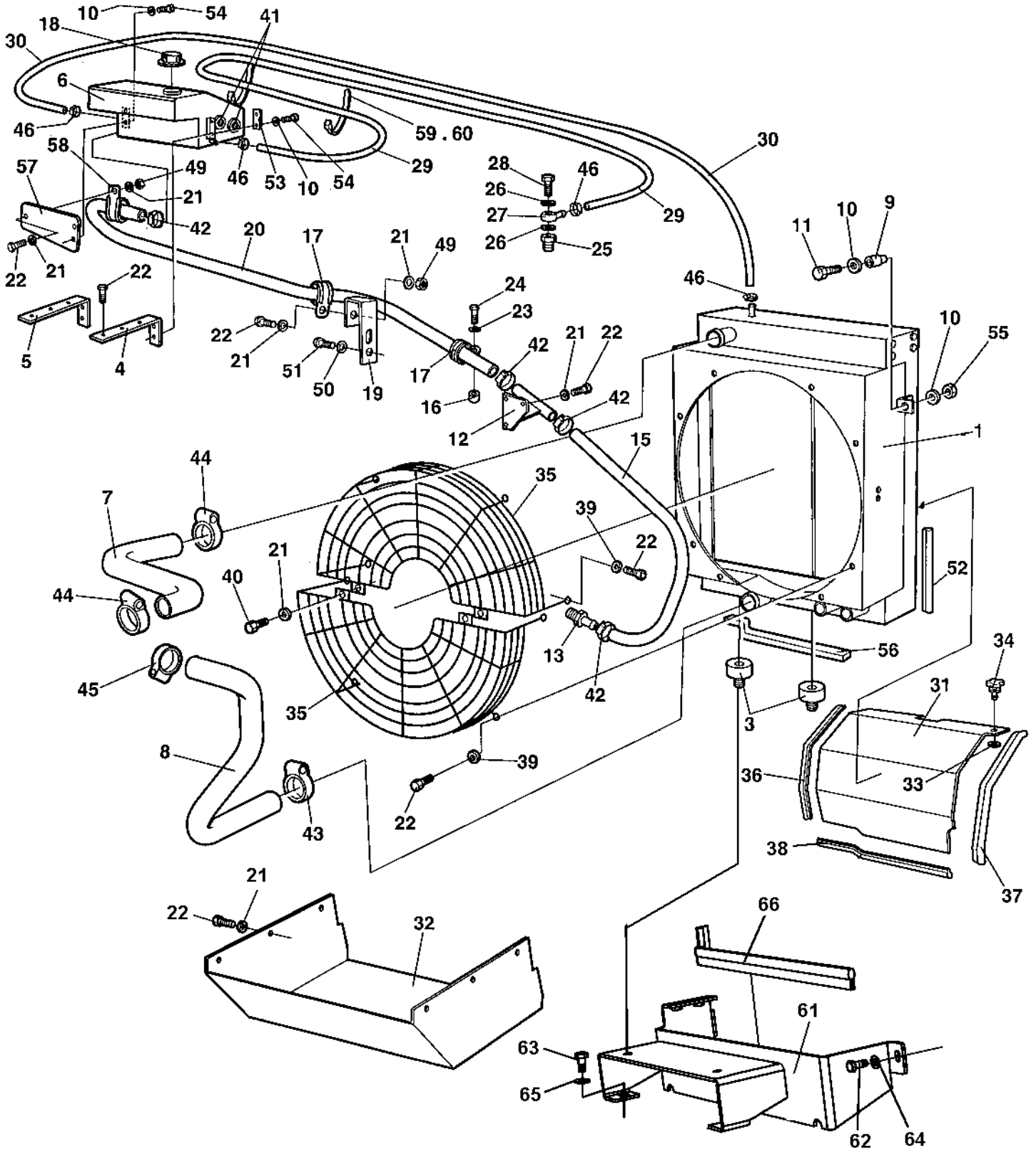
**Cooling system**

Item	Part No	Rem Qty	Description	Code
1	4700380403	1	Radiator ( Page 66 )	C
3	4700904551	2	Shock absorber	
4	4700386850	1	Bracket	
5	4700386851	1	Bracket	
6	4700386848	1	Expansion tank	
7	4700371601	1	Coolant hose	
8	4700377161	1	Coolant hose	
9	4700371774	2	Shock absorber	
10	4700904228	8	Washer	
11	4700500012	2	Screw	M6x12
12	4700388728	1	Bracket	
13	4700370840	1	Hose connection	
15	4700377237	1	Coolant hose	
16	4700371767	1	Spacer	
17	4700921099	2	Clamp	
18	4700903714	1	Cap	
19	4700376561	1	Bracket	
20	4700376573	1	Coolant hose	
21	4700904229	15	Washer	8,4x16x1,5
22	4700500053	24	Screw	M8x20H 8.8
23	4700904230	1	Washer	
24	4700500029	1	Screw	
25	4700372544	1	Connector	
26	4700330328	2	Copper washer	10x14x1
27	4700903916	1	Banjo coupling	
28	4700903915	1	Hollow screw	
29	4700387218	A 1XL	Rubber hose	
30	4700387218	A 1XL	Rubber hose	
31	4700386699	1	Air inlet	
32	4700388732	1	Air leading plate	
33	4700926985	2	Quick lock washer	
34	4700904486	2	Quick lock	
35	4700387085	2	Fan guard	
36	4700902166	B 1XL	Edge trim	
37	4700902166	C 1XL	Edge trim	
38	4700902166	D 1XL	Edge trim	
39	4700904640	8	Washer	8,4x22x3
40	4700500018	2	Screw	M8-1,25x12 8,8
41	4700372597	2	Level glass	
42	4700313006	4	Hose clamp	
43	4700313010	1	Hose clamp	
44	4700313010	2	Hose clamp	
45	4700313023	1	Hose clamp	
46	4700313075	4	Hose clamp	
49	4700570005	2	Nut	M8
50	4700904281	2	Washer	
51	4700500008	2	Screw	M5-0,8x30 8,8
52	4700202041	E 1XL	Rubber strip	
53	4700381413	1	Washer	
54	4700500040	4	Screw	M6-1x20 8,8
55	4700586002	2	Lock nut	
56	4700902166	F 1XL	Edge trim	
57	4700377571	1	Holder	
58	4700921050	1	Clamp	

- A) L=2,0 M
- B) L=0,345 M
- C) L=0,30 M
- D) L=0,620
- E) L=0,640 M
- F) L=0,50 M

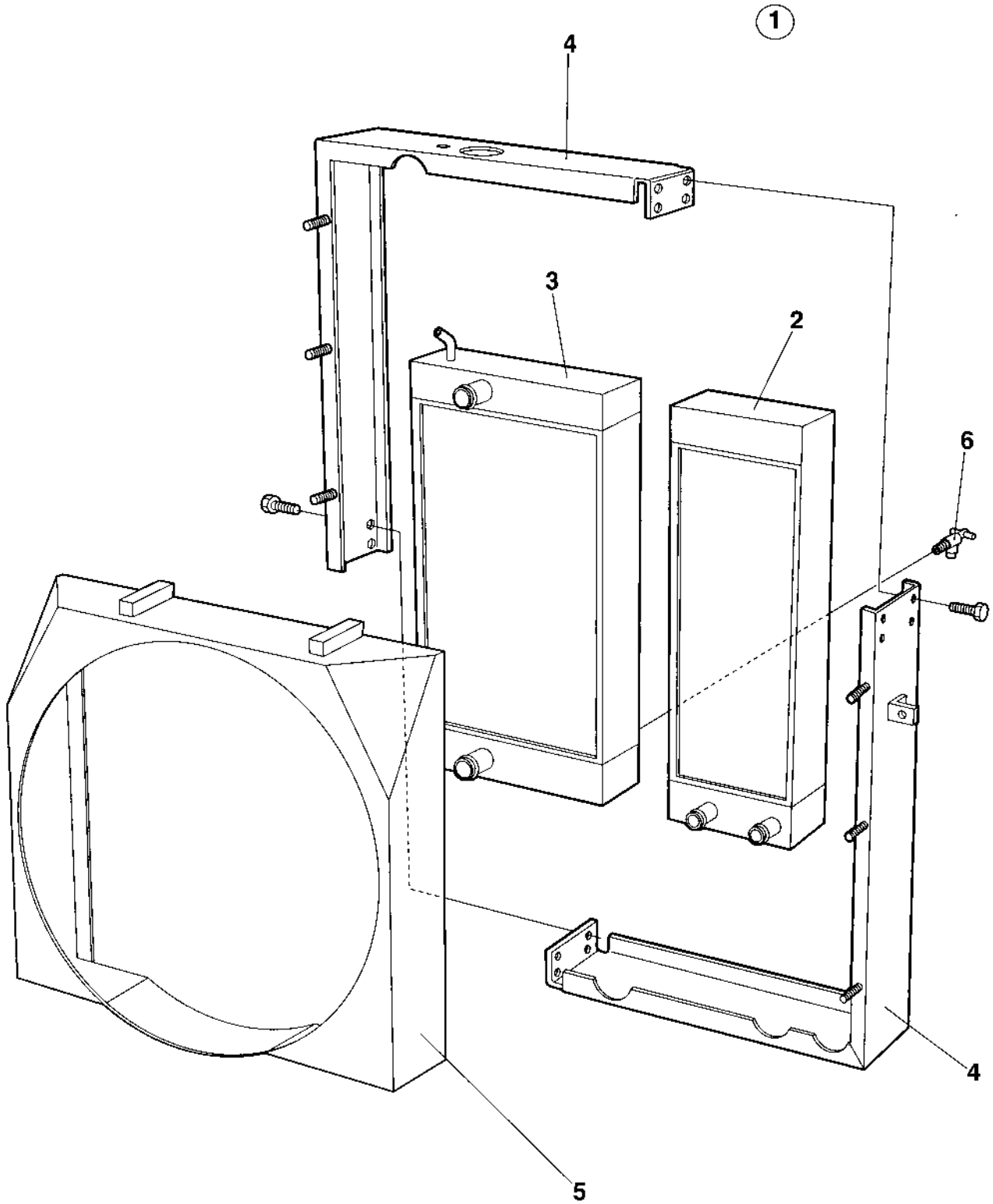
**Cooling system**

18037



**Cooling system**

<b>Item</b>	<b>Part No</b>	<b>Rem Qty</b>	<b>Description</b>	<b>Code</b>
59	4700313068	0	Cable ties	L=92 mm
60	4700313041	0	Cable ties	
61	4700390798	1	Cooler bracket	
62	4700500053	2	Screw	M8x20H 8.8
63	4700500027	2	Screw	M10-1,55x22 8.8
64	4700904229	2	Washer	8,4x16x1,5
65	4700904230	1	Washer	
66	4700902166	1	Edge trim	

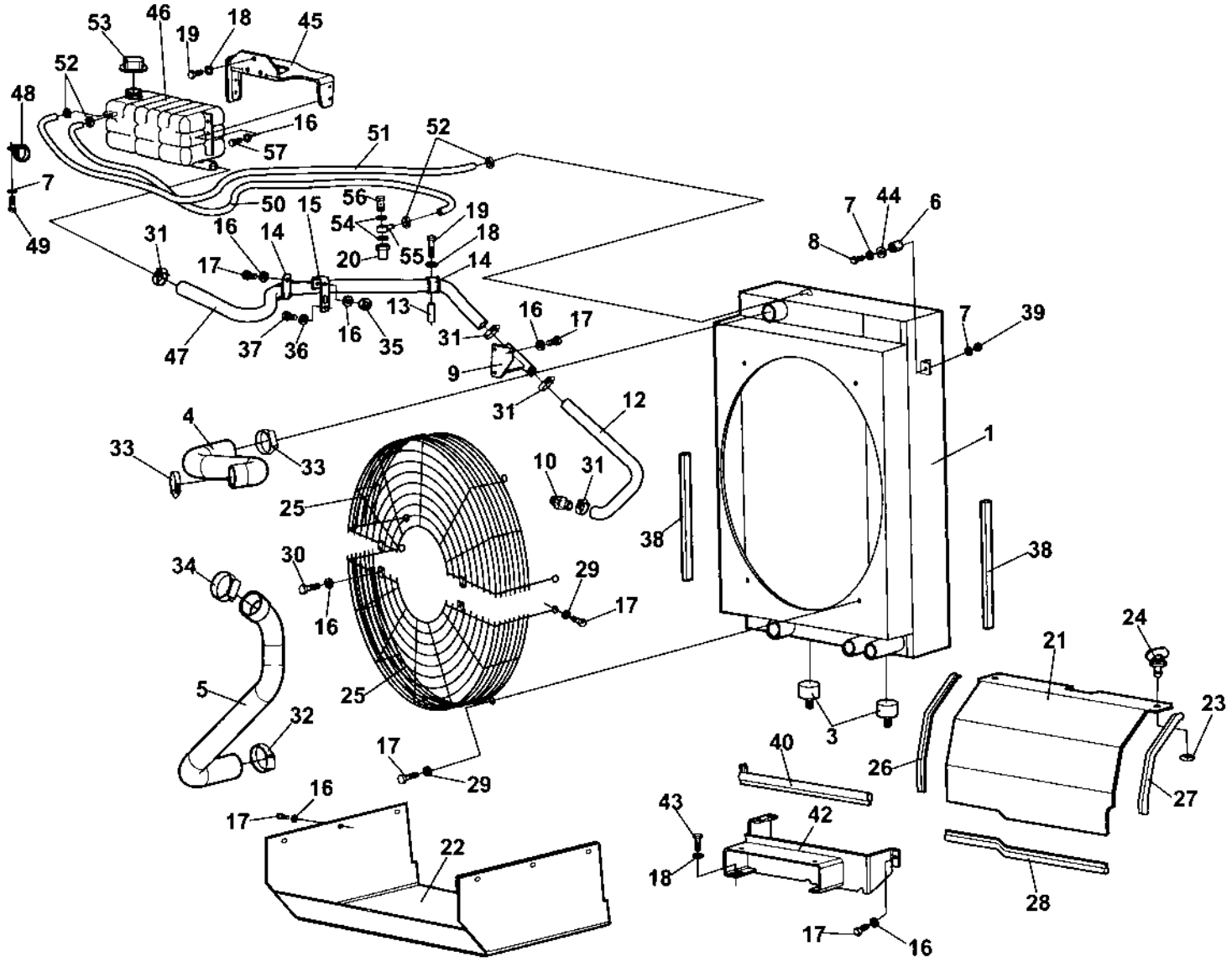


**4700380403 Radiator**

Item	Part No	Rem Qty	Description	Code
1		1	Radiator, cpl	
2	4700936707	1	.Oil cooler	
3	4700936708	1	.Water cooler	
4	4700937947	1	.Frame	
5	4700937948	1	.Fan cover	
6	4700937394	1	.Drain cock	

**Cooling system**

18709



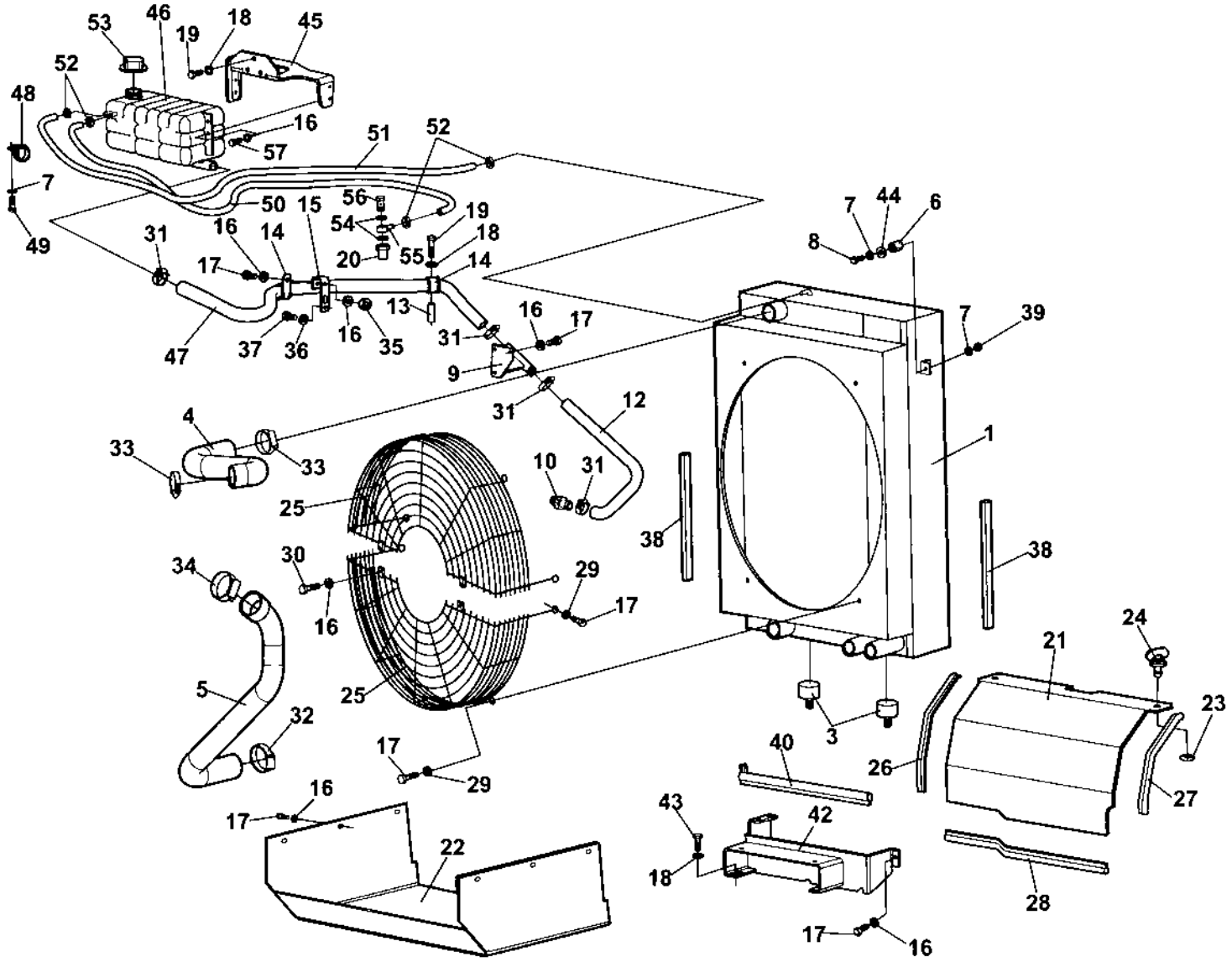
**Cooling system**

Item	Part No	Rem Qty	Description	Code
1	4700394765	1	Radiator	
3	4700904551	2	Shock absorber	
4	4700371602	1	Coolant hose	
5	4700377161	1	Coolant hose	
6	4700371774	2	Shock absorber	
7	4700904228	5	Washer	
8	4700500012	2	Screw	M6x12
9	4700388728	1	Bracket	
10	4700370840	1	Hose connection	
12	4700377237	1	Coolant hose	
13	4700357833	1	Spacer	
14	4700921099	2	Clamp	
15	4700376561	1	Bracket	
16	4700904229	19	Washer	8,4x16x1,5
17	4700500053	20	Screw	M8x20H 8.8
18	4700904230	6	Washer	
19	4700500029	4	Screw	
20	4700392378	1	Connector	
21	4700386699	1	Air inlet	
22	4700388732	1	Air leading plate	
23	4700926985	2	Quick lock washer	
24	4700904486	2	Quick lock	
25	4700387085	2	Fan guard	
26	4700902166	A 1XL	Edge trim	
27	4700902166	B 1XL	Edge trim	
28	4700902166	C 1XL	Edge trim	
29	4700904640	8	Washer	8,4x22x3
30	4700500018	2	Screw	M8-1,25x12 8,8
31	4700313006	4	Hose clamp	
32	4700313010	1	Hose clamp	
33	4700313010	2	Hose clamp	
34	4700313023	1	Hose clamp	
35	4700570005	1	Nut	M8
36	4700904281	2	Washer	
37	4700500008	2	Screw	M5-0,8x30 8,8
38	4700202041	D 2XL	Rubber strip	
39	4700586002	2	Lock nut	
40	4700902166	E 1XL	Edge trim	
41	4700313041		Cable ties	
42	4700390798	1	Cooler bracket	
43	4700500027	2	Screw	M10-1,55x22 8.8
44	4700904735	2	Washer	
45	4700392170	1	Holder	
46	4700392313	1	Expansion tank	
47	4700205027	F 1XL	Coolant hose	
48	4700921084	1	Pipe clamp	
49	4700500040	1	Screw	M6-1x20 8,8
50	4700246069	G 1XL	Fuel hose	3/8"
51	4700246069	H 1XL	Fuel hose	3/8"
52	4700313001	4	Hose clamp	
53	4700903714	1	Cap	
54	4700747282	2	Copper washer	

- A) L=0,345M
- B) L=0,300M
- C) L=0,620M
- D) L=0,320M
- E) L=0,500M
- F) L=1,470M
- G) L=1,980M
- H) L=2,160M

**Cooling system**

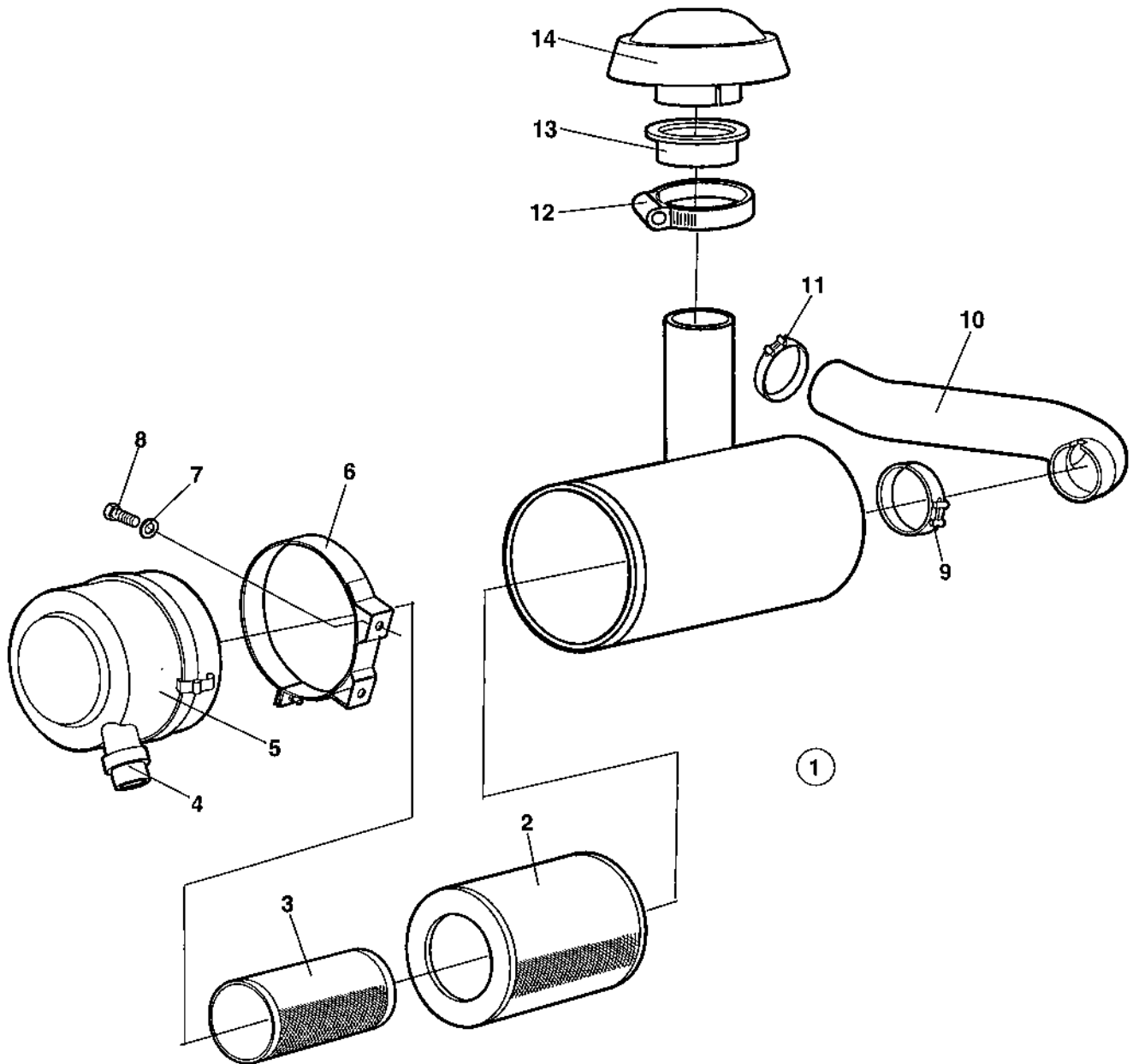
18709





**Cooling system**

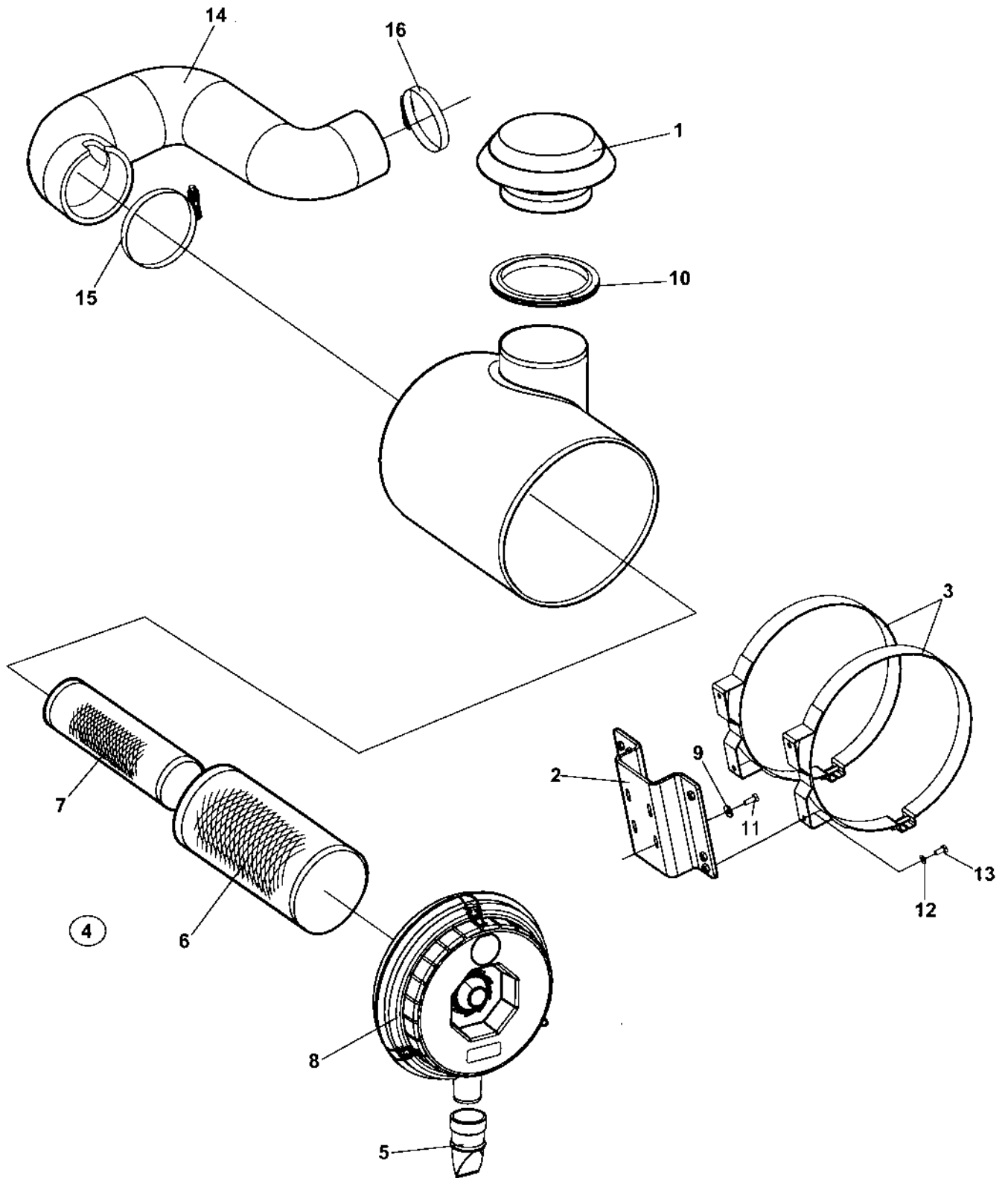
<b>Item</b>	<b>Part No</b>	<b>Rem Qty</b>	<b>Description</b>	<b>Code</b>
55	4700330170	1	Banjo nipple	
56	4700330171	1	Hollow screw	
57	4700500021	4	Screw	M8-1,25x25 8.8



**Combustion air system**

<b>Item</b>	<b>Part No</b>	<b>Rem</b>	<b>Qty</b>	<b>Description</b>	<b>Code</b>
1	4700380161		1	Air cleaner	
2	4700394686	A	1	.Air filter element, main	A
3	4700394687	B	1	.Air filter element, safety	A
4	4700908399		1	.Vacuator valve	D
5	4700908452		1	.Cover	
6	4700813791		2	Mounting band	
7	4700904229		4	Washer	8,4x16x1,5
8	4700500019		4	Screw	M8x16H 8.8 A2K
9	4700389600		1	Hose clamp	
10	4700377142		1	Air inlet hose	
11			1	Hose clamp	
12	4700904060		1	Hose clamp	
13	4700348309		1	Rubber bushing	
14	4700499266		1	Protection cover	

- A) Main  
B) Safety

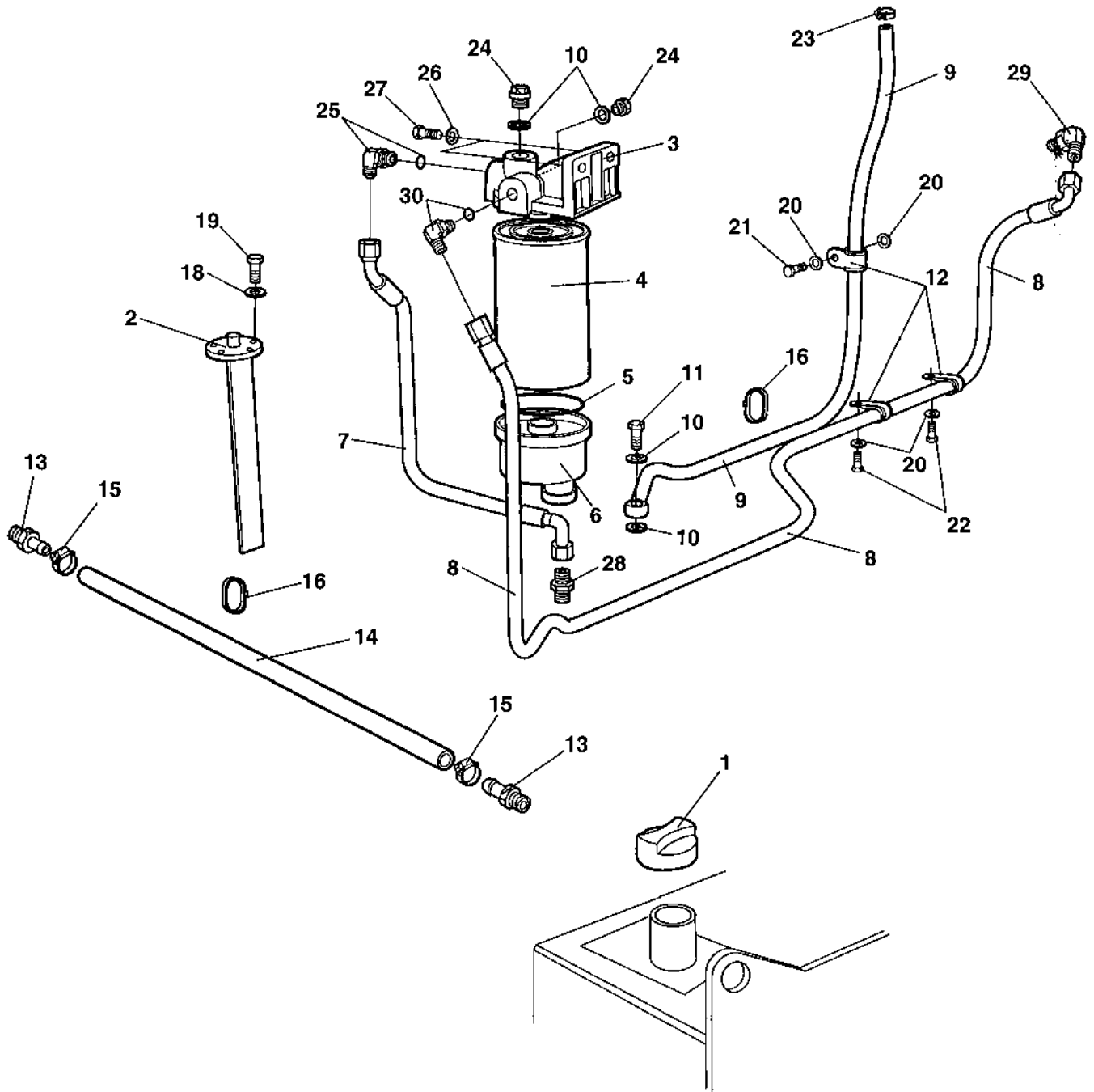


**Combustion air system**

Item	Part No	Rem	Qty	Description	Code
1	4700900170		1	Air inlet hood	D
2	4700392985		1	Filter bracket	
3	4700802550		2	Band, mounting	
4	4700394683		1	Air cleaner, cpl	
5	4700908399		1	.Vacuator valve	D
6	4700394690		1	.Air filter element, main	A
7	4700394691		1	.Air filter element, safety	A
8	4700396080		1	.Cover	
9	4700904640		4	Washer	8,4x22x3
10	4700902166	A	1XL	Edge trim	
11	4700500053		4	Screw	M8x20H 8.8
12	4700904229		4	Washer	8,4x16x1,5
13	4700500019		4	Screw	M8x16H 8.8 A2K
14	4700394738		1	Air inlet hose	
15	4700379214		1	Hose clamp	
16	4700389600		1	Hose clamp	
A)	L=0,520M				

**Fuel system**

18040

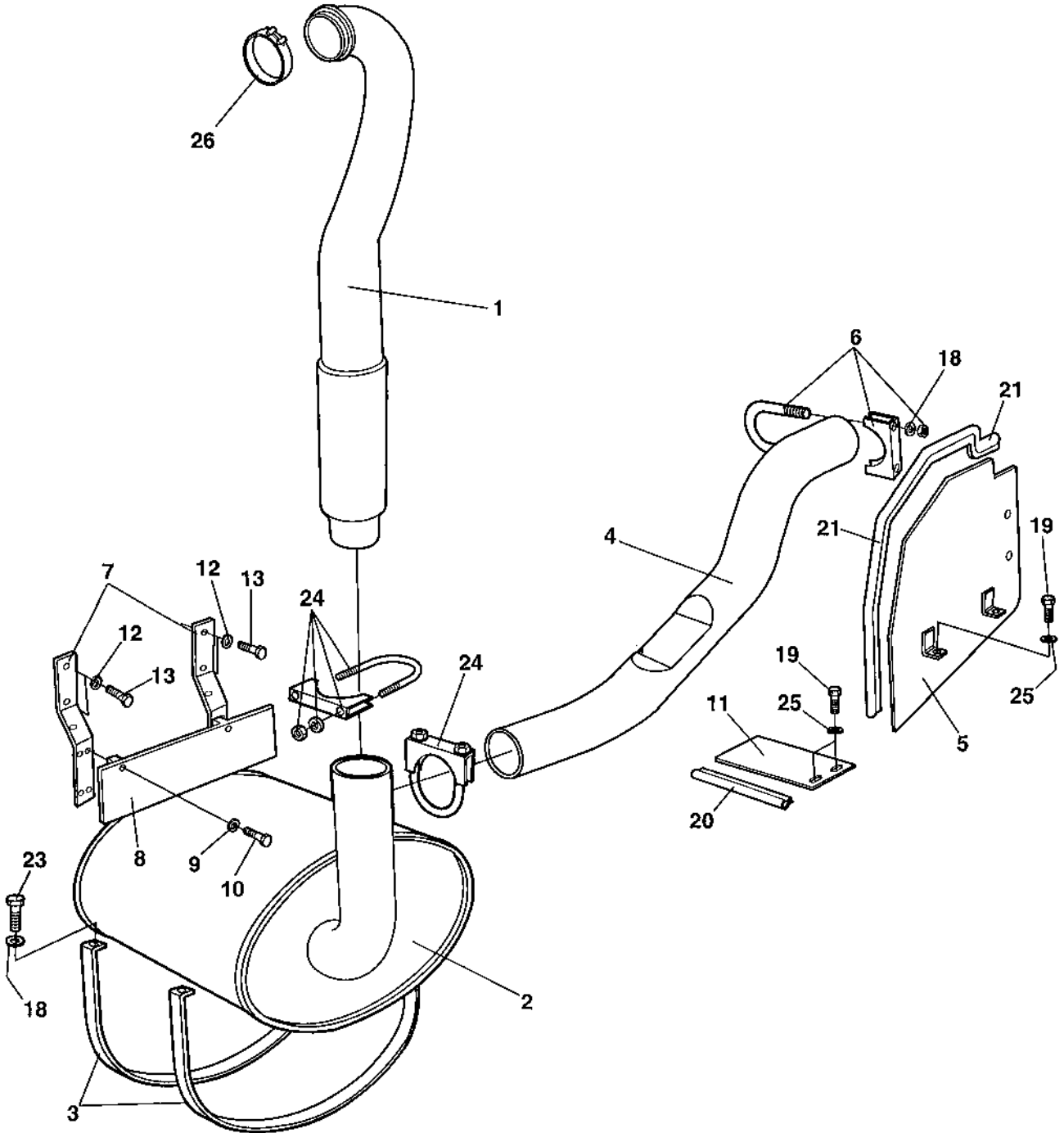


**Fuel system**

Item	Part No	Rem Qty	Description	Code
1	4700373460	1	Fuel cap	D
2	4700904695	1	Fuel level sender	D
	4700945777	1	Gasket	
3	4700939403	1	Filter head	
4	4700939404	1	Fuel filter element	A
5		1	O-ring	A
6	4700939405	1	Bowl	
7	4700355446	1	Fuel hose	D
8	4700377234	1	Fuel hose	
9	4700380262	1	Fuel hose	
10	4700747282	4	Copper washer	
11	4700330171	1	Hollow screw	
12	4700902558	3	Clamp	
13	4700373574	2	Hose connection	
14	4700244054	1	Hose reinforced	
15	4700313002	2	Hose clamp	13-20 mm
16	4700313041	N	Cable ties	
18	4700904281	5	Washer	
19	4700500006	5	Screw	M5x16
20	4700603018	4	Washer	10x18x4
21	4700500022	1	Screw	M8x30H 8.8 A2K
22	4700500021	2	Screw	M8-1,25x25 8.8
23	4700313001	1	Hose clamp	
24	4700903190	2	Steel plug	
25	4700925631	1	Elbow adapter	
26	4700904230	2	Washer	
27	4700500029	2	Screw	
28	4700334463	1	Connector	
29	4700813435	1	Elbow 90	
30	4700904979	1	Elbow	

**Exhaust system**

18039





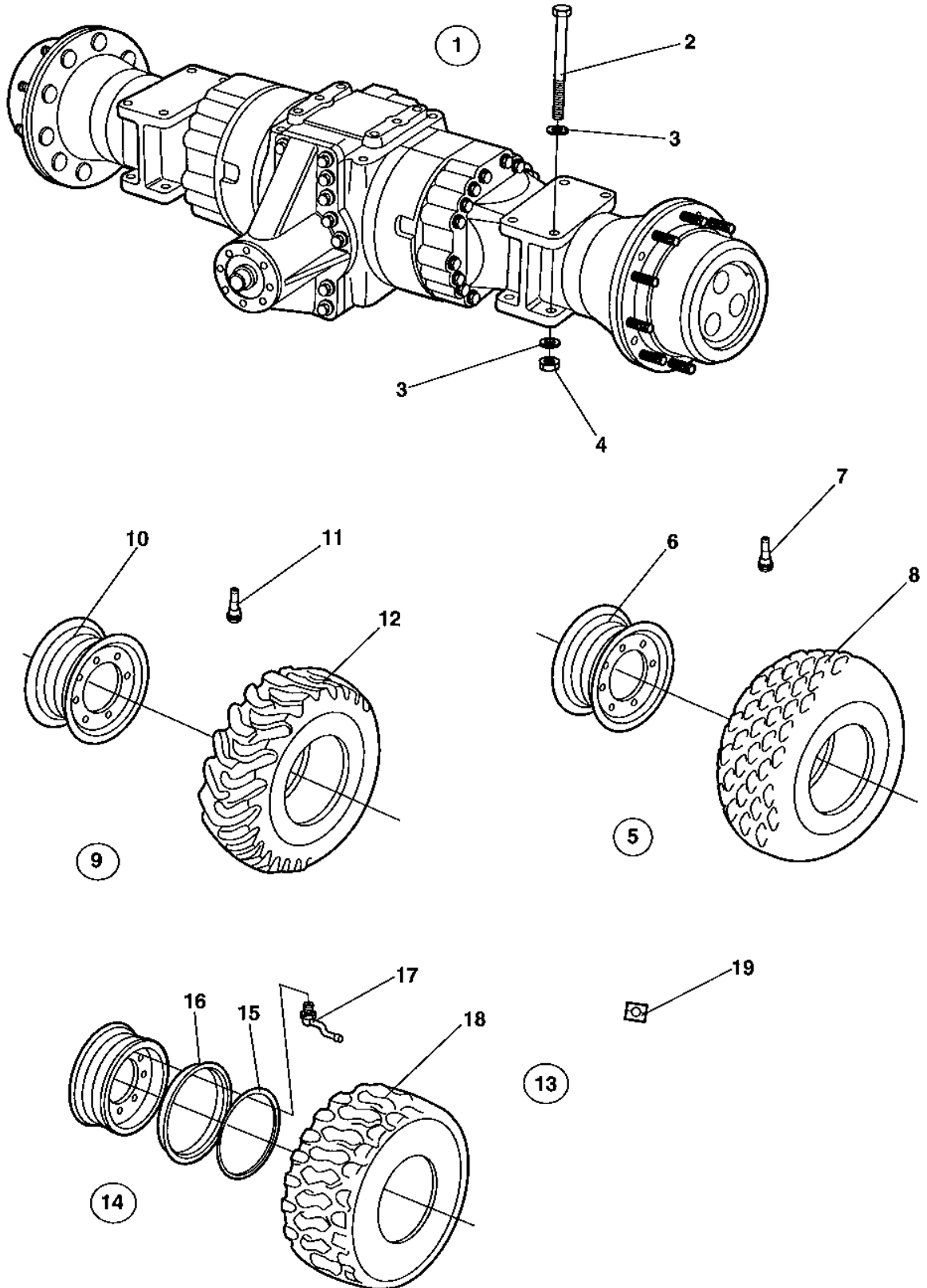
**Exhaust system**

Item	Part No	Rem	Qty	Description	Code
1	4700386774		1	Exhaust hose	
2	4700388650		1	Muffler	
3	4700388800		2	Clamp	
4	4700387699		1	Exhaust pipe	
5	4700376619		1	Thermal guard	
6	4700313093		1	Pipe clamp	
7	4700386152		2	Hose clamp	
8	4700386153		1	Thermal guard	
9	4700904228		2	Washer	
10	4700500015		2	Screw	M6-1x30 8,8
11	4700377285		1	Thermal guard	
12	4700904231		4	Washer	13x24x2 300 HV
13	4700500046		4	Screw	
18	4700904229		6	Washer	8,4x16x1,5
19	4700500053		4	Screw	M8x20H 8.8
20	4700902166	A	1XL	Edge trim	
21	4700902166	B	1XL	Edge trim	
23	4700904241		4	Screw	
24	4700927857		2	Pipe clamp	
25	4700904640		4	Washer	8,4x22x3
26			1	Clamp	
A)	L=0,140 M				
B)	L=0,540 M				



**Transmission**

<b>Item</b>	<b>Part No</b>	<b>Rem Qty</b>	<b>Description</b>	<b>Code</b>
16			Rear axle and wheels Up to 79X20505 ( Page 82 )	
17			Rear axle and wheels From 79X20506 ( Page 84 )	
21	4700385100		Rear axle ( Page 86 )	
70	4700383856		Rear axle ( Page 94 )	No-Spin, Option



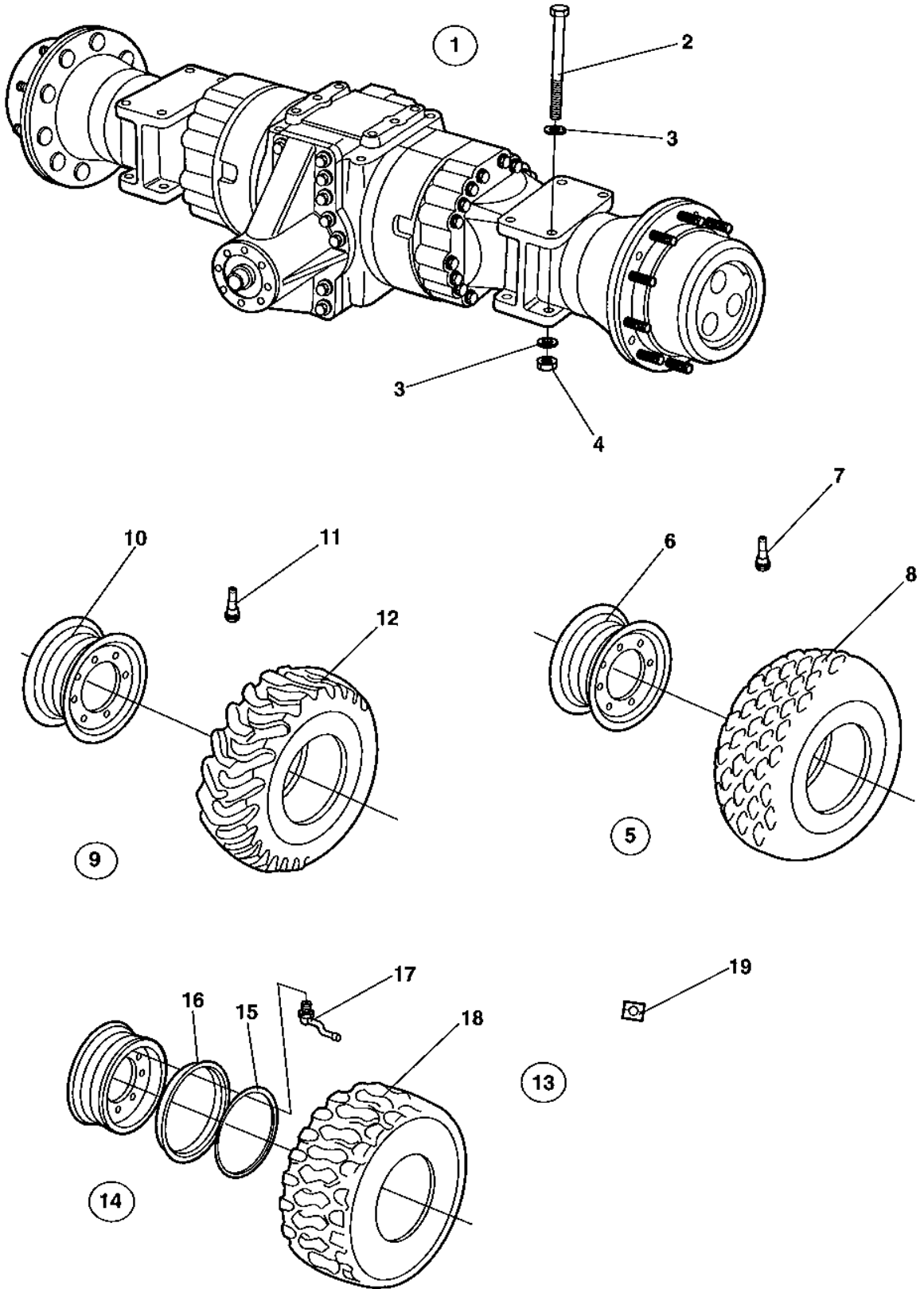
Rear axle and wheels

Item	Part No	Rem	Qty	Description	Code
1	4700385100		1	Rear axle ( Page 86 )	
2	4700929217		8	Screw	
3	4700904233		16	Washer	21x36x3
4	4700901145		8	Lock nut	M20-10
5	4700379631		2	Wheel, cpl	
	4700379691	A	2	Wheel, cpl	
	4700388145	A,J	2	Wheel, cpl	
	4700388146	A,J	2	Wheel, cpl	
6	4700383933		1	.Rim	
7	4700792261		1	.Air charging valve	Straight
8	4700379632		1	.Tyre	
	4700791573	K	1	.Tyre	
9	4700379412	B	1	Tractor wheel, cpl	
	4700379411	C	1	Tractor wheel, cpl	
	4700379413	D	1	Tractor wheel, cpl	
	4700379414	E	1	Tractor wheel, cpl	
10	4700383933		1	.Rim	
11	4700792261		1	.Air charging valve	Straight
12	4700379410		1	.Tyre	
13	4700383974	L	2	Wheel, tubeless, cpl	
	4700383975	F	2	Wheel, tubeless, cpl	
14	4700383955		1	.Rim cpl	
15	4700901443		1	..Snap ring	
16	4700901444		1	..Side ring	
17	4700791175		1	.Air charging valve	
	4700791176		1	.Valve foot	
18	4700901218		1	.Tyre	
19	4700355983	H	2	Decal "TYRE PRESSURE"	200kPa/29psi
	4700903985	I	2	Decal "SAFETY", "TYRE IN BALLAST"	

- A) Liquidfilled tyres, option.
- B) Left, option.
- C) Right, option.
- D) Liquidfilled tyres, right, option.
- E) Liquidfilled tyres, left, option.
- F) Option, Liquidfilled tyres.
- H) Used with item 13 4700383974 and 4700383975.
- I) Used with Liquid filled tyres.
- J) For Chinese market.
- K) Used with 4700388145 and 4700388146.
- L) Option, Michelin branded.

Rear axle and wheels

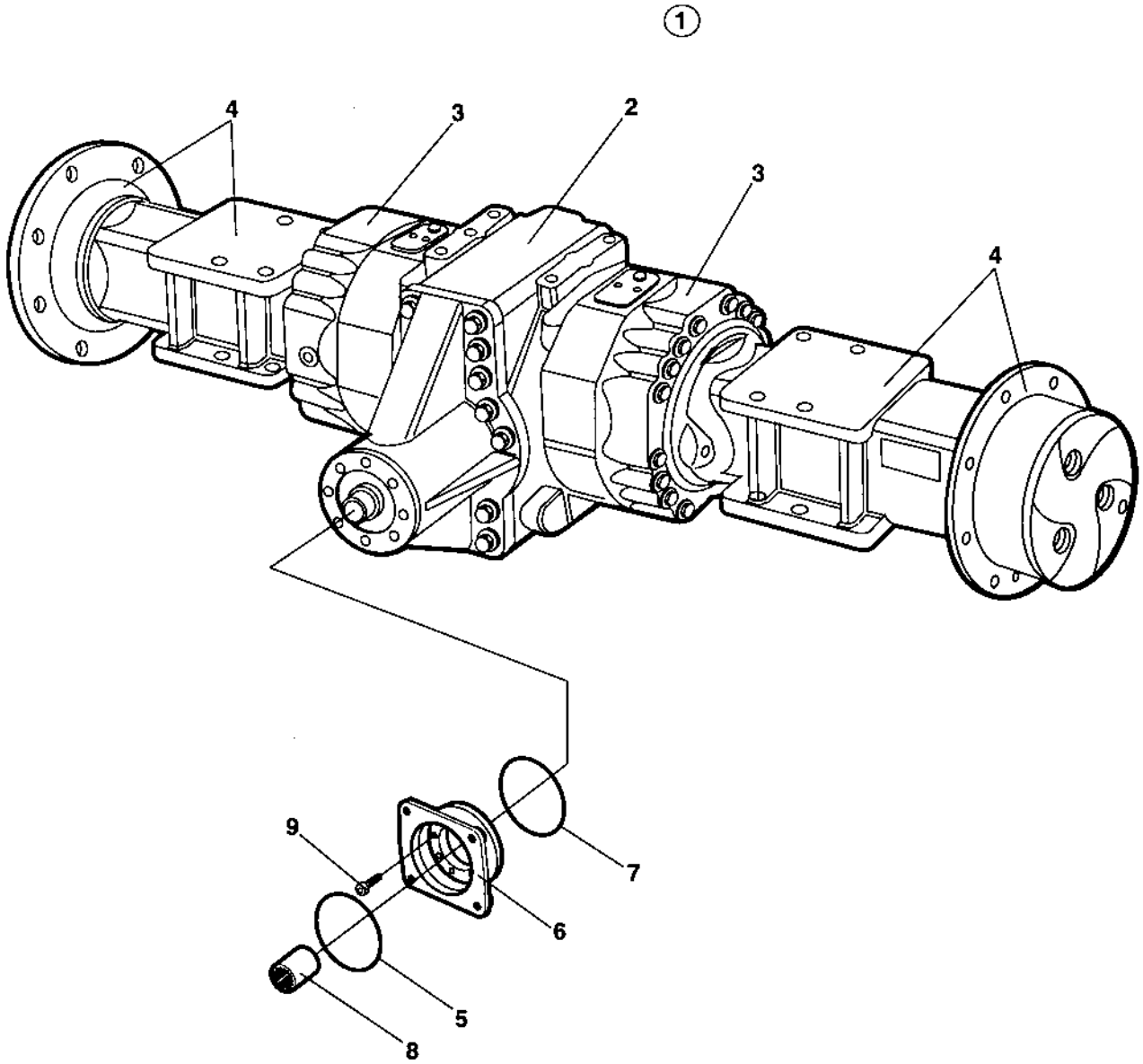
18225-1



Rear axle and wheels

Item	Part No	Rem	Qty	Description	Code
1	4700385100		1	Rear axle ( Page 86 )	
2	4700929217		8	Screw	
3	4700904233		16	Washer	21x36x3
4	4700901145		8	Lock nut	M20-10
5	4700390590		2	Wheel, cpl	
	4700390762	A	2	Wheel, cpl	
	4700388145	A,J	2	Wheel, cpl	
	4700388146	A,J	2	Wheel, cpl	
6	4700383933		1	.Rim	
7	4700792261		1	.Air charging valve	Straight
8	4700390591		1	.Tyre	
	4700791573	K	1	.Tyre	
9	4700390588	B	1	Tractor wheel, cpl	
	4700390587	C	1	Tractor wheel, cpl	
	4700390759	D	1	Tractor wheel, cpl	
	4700390760	E	1	Tractor wheel, cpl	
10	4700383933		1	.Rim	
11	4700792261		1	.Air charging valve	Straight
12	4700390589		1	.Tyre	
13	4700383974	L	2	Wheel, tubeless, cpl	
	4700383975	F	2	Wheel, tubeless, cpl	
14	4700383955		1	.Rim cpl	
15	4700901443		1	..Snap ring	
16	4700901444		1	..Side ring	
17	4700791175		1	.Air charging valve	
	4700791176		1	.Valve foot	
18	4700901218		1	.Tyre	
19	4700355983	H	2	Decal "TYRE PRESSURE"	200kPa/29psi
	4700903985	I	2	Decal "SAFETY", "TYRE IN BALLAST"	

- A) Liquidfilled tyres, option.
- B) Left, option.
- C) Right, option.
- D) Liquidfilled tyres, right, option.
- E) Liquidfilled tyres, left, option.
- F) Option, Liquidfilled tyres.
- H) Used with item 13 4700383974 and 4700383975.
- I) Used with Liquid filled tyres.
- J) For Chinese market.
- K) Used with 4700388145 and 4700388146.
- L) Option, Michelin branded.



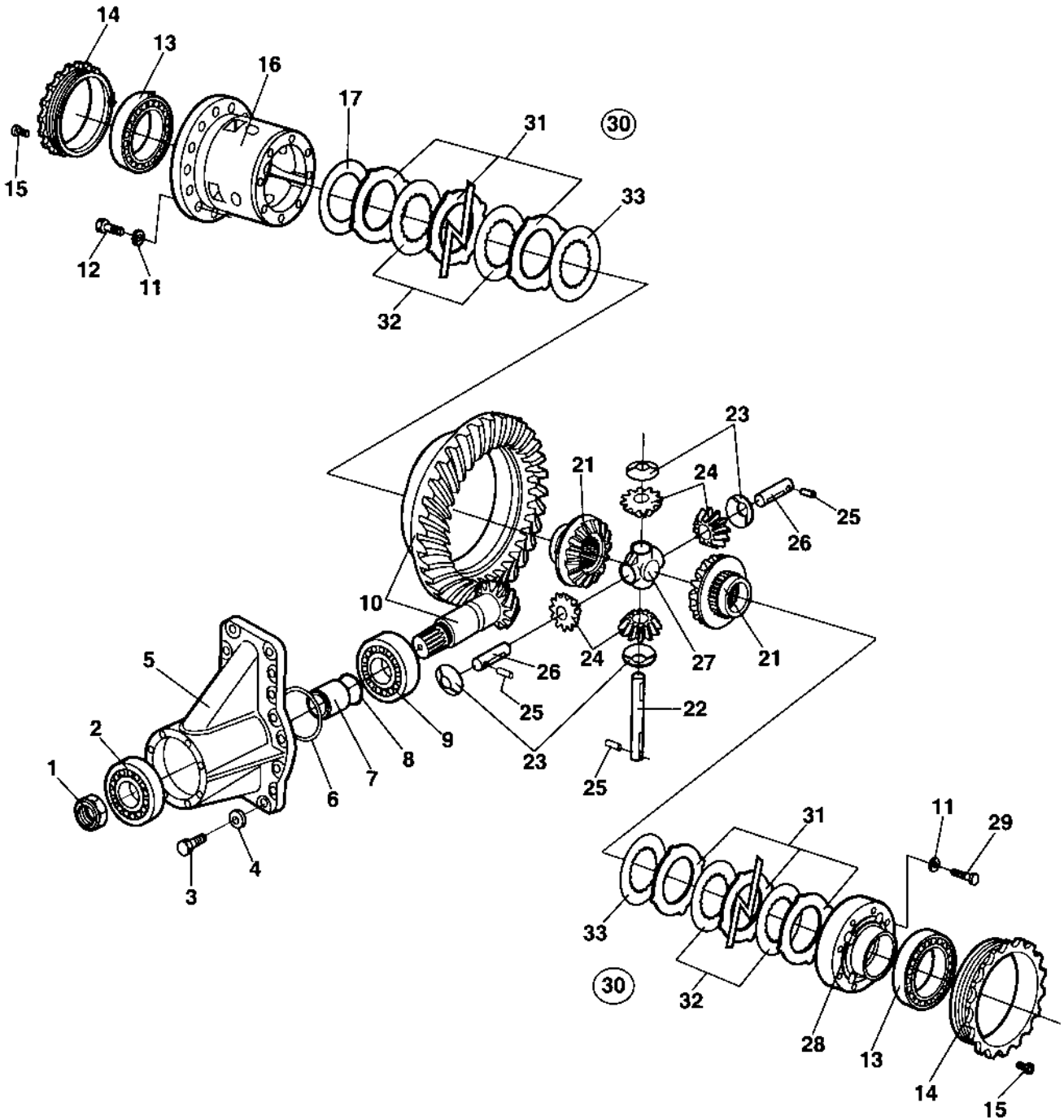


**4700385100 Rear axle**

<b>Item</b>	<b>Part No</b>	<b>Rem Qty</b>	<b>Description</b>	<b>Code</b>
1		1	Rear axle	
2		1	.Differential with limited slip ( Page 88 )	
3		2	.Differential housing and brakes ( Page 90 )	
4		2	.Planet gear ( Page 92 )	
5	4700909584	1	O-ring	D
6	4700909583	1	Flange	
7	4700929648	1	O-ring	D
8	4700901834	1	Splined sleeve	
9	4700909582	8	Screw	

Differential with limited slip

17672

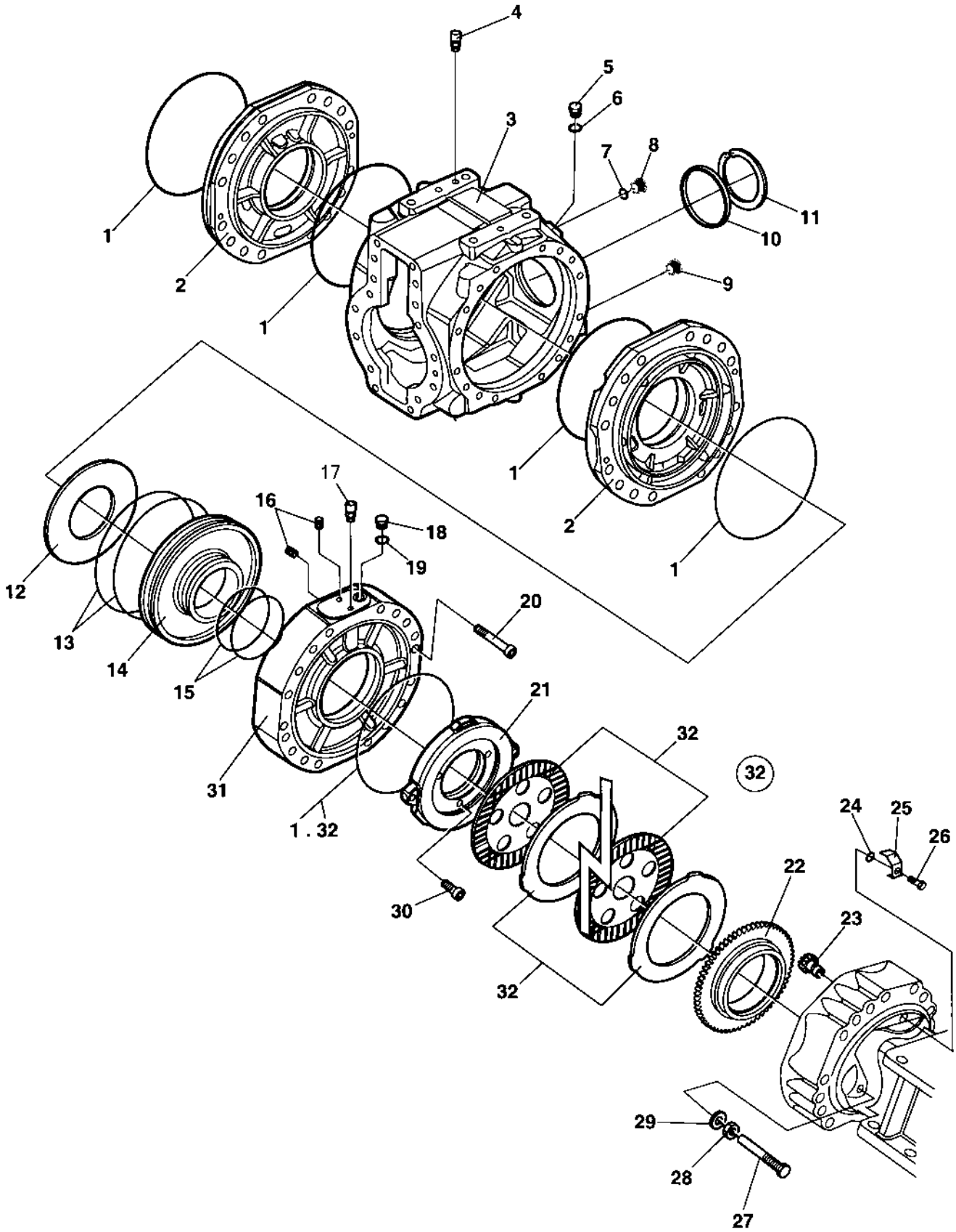


Differential with limited slip

Item	Part No	Rem Qty	Description	Code
1	4700929638	1	Nut	
2	4700909574	1	Roller bearing	
3	4700939257	16	Bolt	
4	4700909572	16	Spring washer	
5	4700908485	1	Housing	
6	4700909568	1	Shim	0,10mm
	4700909569	1	Shim	0,20mm
	4700909570	1	Shim	0,50mm
	4700939258	1	Shim	0,15mm
7	4700909567	1	Spacer	
8	4700939259	1	Shim	0,15mm
	4700909580	1	Shim	0,20mm
	4700909576	1	Shim	0,30mm
	4700929644	1	Shim	0,40mm
	4700939260	1	Shim	0,50mm
9	4700909581	1	Roller bearing	
10	4700212553	1	Bevel gear set	
11	4700929628	16	Washer	
12	4700929629	16	Screw	
13	4700923342	1	Bearing	
14	4700939261	2	Nut	
15	4700938989	2	Screw	
16	4700909550	1	Differential carrier	
17	4700909551	1	Shim	0,30mm
	4700909552	1	Shim	0,40mm
	4700909553	1	Shim	0,10mm
21	4700909558	2	Differential gear	
22	4700909566	1	Shaft	
23	4700909559	4	Friction washer	
24	4700939262	4	Differential pinion	
25	4700909561	3	Rolled pin	
26	4700909560	2	Shaft	
27	4700909565	1	Shaft retainer	
28	4700909562	1	Differential carrier cover	
29	4700909563	8	Screw	
30	4700935644	2	Disc kit	D
31		10	.Limited slip disc	D
32		8	.Limited slip disc	D
33		2	.Limited slip disc	D

**Differential housing and brakes**

17670



Differential housing and brakes

Item	Part No	Rem Qty	Description	Code
1	4700909609	6	O-ring	D
2	4700939255	2	Cover	
3	4700939256	1	Housing	
4	4700938984	1	Vent nipple	
5	4700909544	2	Screw	
6	4700938983	2	Sealing washer	
7		0	Not used on this model	
8	4700939348	1	Plug	
9	4700926810	1	Magnetic plug	
10	4700938296	1	Plug	
11	4700929617	1	Lock ring	
12	4700909616	2	Spring	
13	4700909618	4	O-ring	D
14	4700939280	2	Piston	
15	4700909619	4	O-ring	D
16	4700939281	4	Bolt	
17	4700938984	2	Vent nipple	
18	4700939282	2	Bolt	
19	4700939036	2	Sealing washer	
20	4700939035	4	Screw	
21	4700939283	2	Disc	
22	4700939285	2	Ring	
23	4700909622	2	Pinion	
24	4700900966	2	O-ring	D
25	4700939286	2	Lock plate	
26	4700909624	2	Screw	
27	4700909626	4	Bolt	
28	4700900957	4	Nut	
29	4700926847	4	Sealing washer	
30	4700939026	6	Screw	
31	4700939287	2	Cover	
32	4700939284	2	Brake disc kit	
		12	.Brake disc	
		12	.Brake disc	
	4700909609	2	.O-ring	D

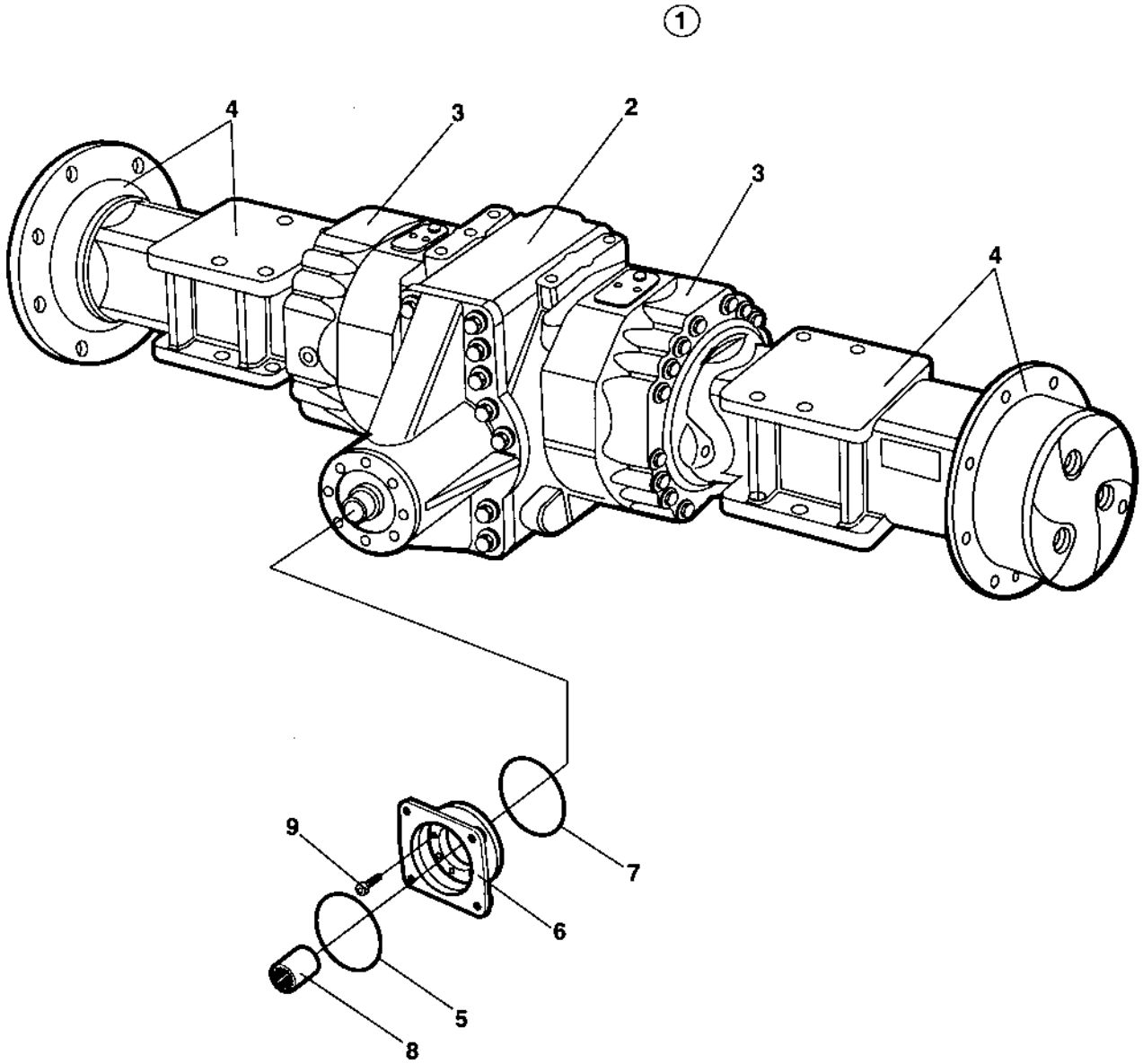


**Planet gear**

<b>Item</b>	<b>Part No</b>	<b>Rem Qty</b>	<b>Description</b>	<b>Code</b>
1	4700939263	2	Axle case	
2	4700939003	32	Spring washer	
3	4700939264	24	Bolt	
4	4700939265	2	Seal	
5	4700939266	4	Bearing	
6	4700926781	20	Wheel screw	
7	4700901987	20	Wheel nut	
8	4700939015	4	Screw	
9		0	Not used on this model	
10	4700939348	4	Plug	
11	4700939016	20	Nut	
12	4700939275	2	Lock plate	
13	4700939017	20	Stud	
14	4700929612	2	O-ring	
15	4700939276	2	Wheel hub	
16	4700939350	2	Magnetic plug	
17	4700939277	2	Half shaft	
18	4700909586	2	Seal	D
19	4700939019	8	Nut	
20	4700939278	8	Stud	
21	4700939351	2	Planet gear carrier Cpl.	
22	4700939267	2	.Circlip	
23	4700939268	2	.Ring gear	
24	4700939269	2	.Ring gear support	
25	4700939270	2	.Washer	
26	4700939271	8	.Seal	
27	4700939272	8	.Planet gear	
28	4700939273	8	.Bearing	
29	4700939349	2	.Planet gear carrier	

4700383856 Rear axle No-Spin, Option

17671



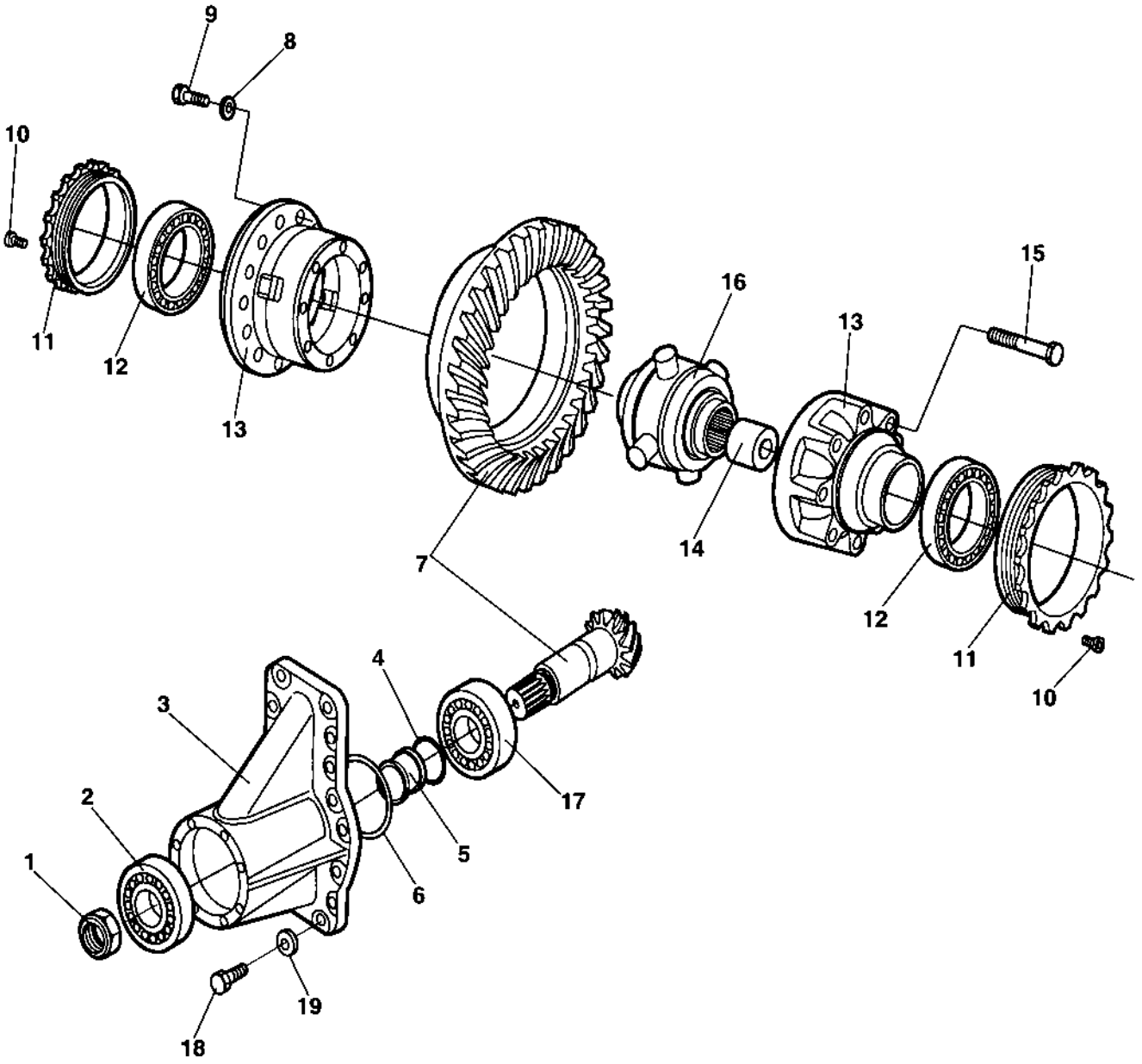


**4700383856 Rear axle No-Spin, Option**

<b>Item</b>	<b>Part No</b>	<b>Rem Qty</b>	<b>Description</b>	<b>Code</b>
1		1	Rear axle	
2		1	.Differential ( Page 96 )	with No-Spin
3		2	.Differential housing and brakes ( Page 98 )	
4		2	.Planet gear ( Page 100 )	
5	4700909584	1	O-ring	D
6	4700909583	1	Flange	
7	4700929648	1	O-ring	D
8	4700901834	1	Splined sleeve	
9	4700909582	8	Screw	

**Differential with No-Spin**

17689

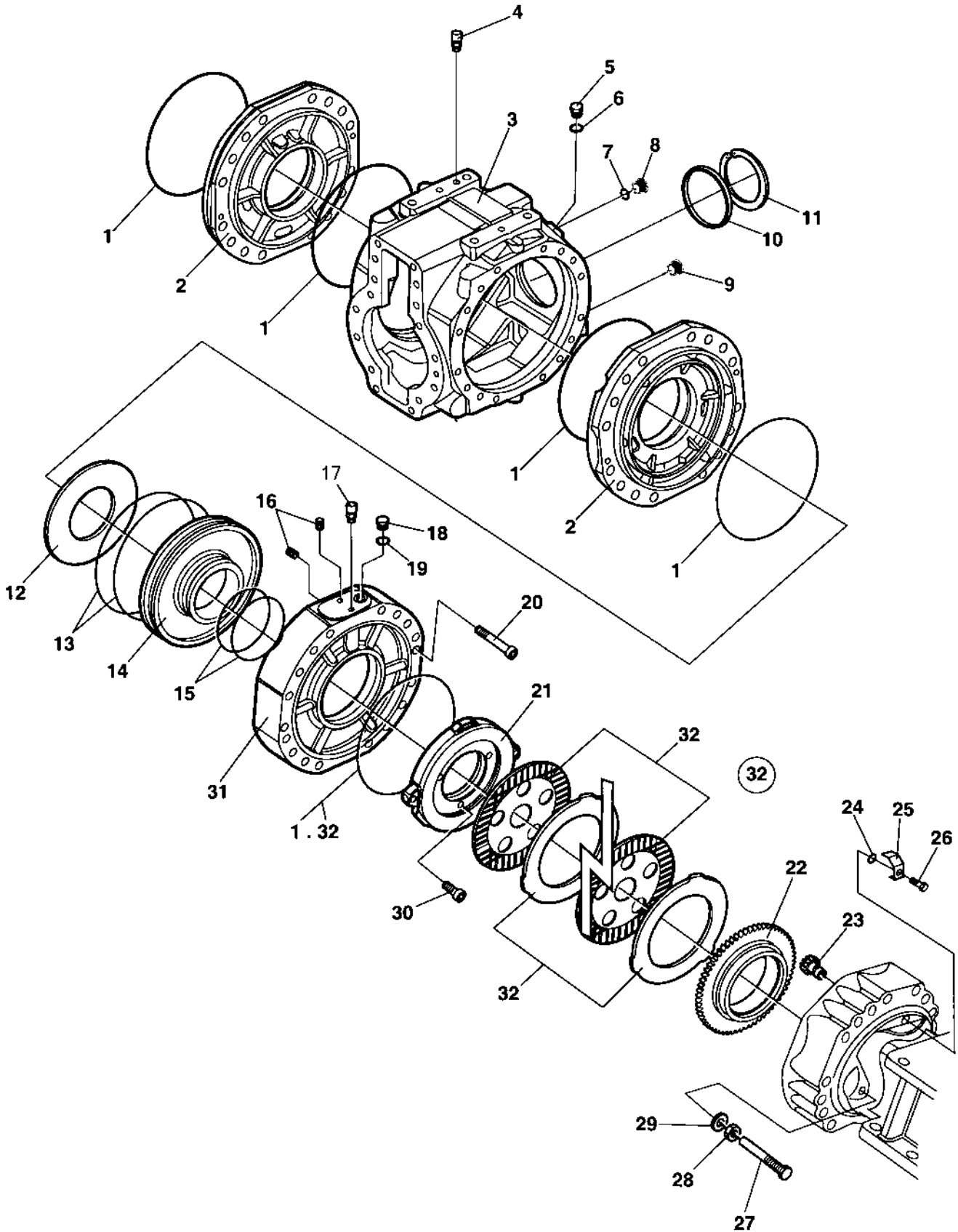


**Differential with No-Spin**

Item	Part No	Rem Qty	Description	Code
1	4700929638	1	Nut	
2	4700909574	1	Roller bearing	
3	4700908485	1	Housing	
4	4700939259	1	Shim	0,15mm
	4700909580	1	Shim	0,20mm
	4700909576	1	Shim	0,30mm
	4700929644	1	Shim	0,40mm
	4700939260	1	Shim	0,50mm
5	4700909567	1	Spacer	
6	4700909568	1	Shim	0,10mm
	4700909569	1	Shim	0,20mm
	4700909570	1	Shim	0,50mm
	4700939258	1	Shim	0,15mm
7	4700212553	1	Bevel gear set	
8	4700929628	16	Washer	
9	4700929629	16	Screw	
10	4700938989	2	Screw	
11	4700939261	2	Nut	
12	4700923342	1	Bearing	
13	4700929630	1	Differential case	
14	4700929631	1	Spacer	
15	4700929625	8	Screw	
16	4700929626	1	Non-spin unit	
17	4700909581	1	Roller bearing	
18	4700939257	16	Bolt	
19	4700909572	16	Spring washer	

**Differential housing and brakes**

17670

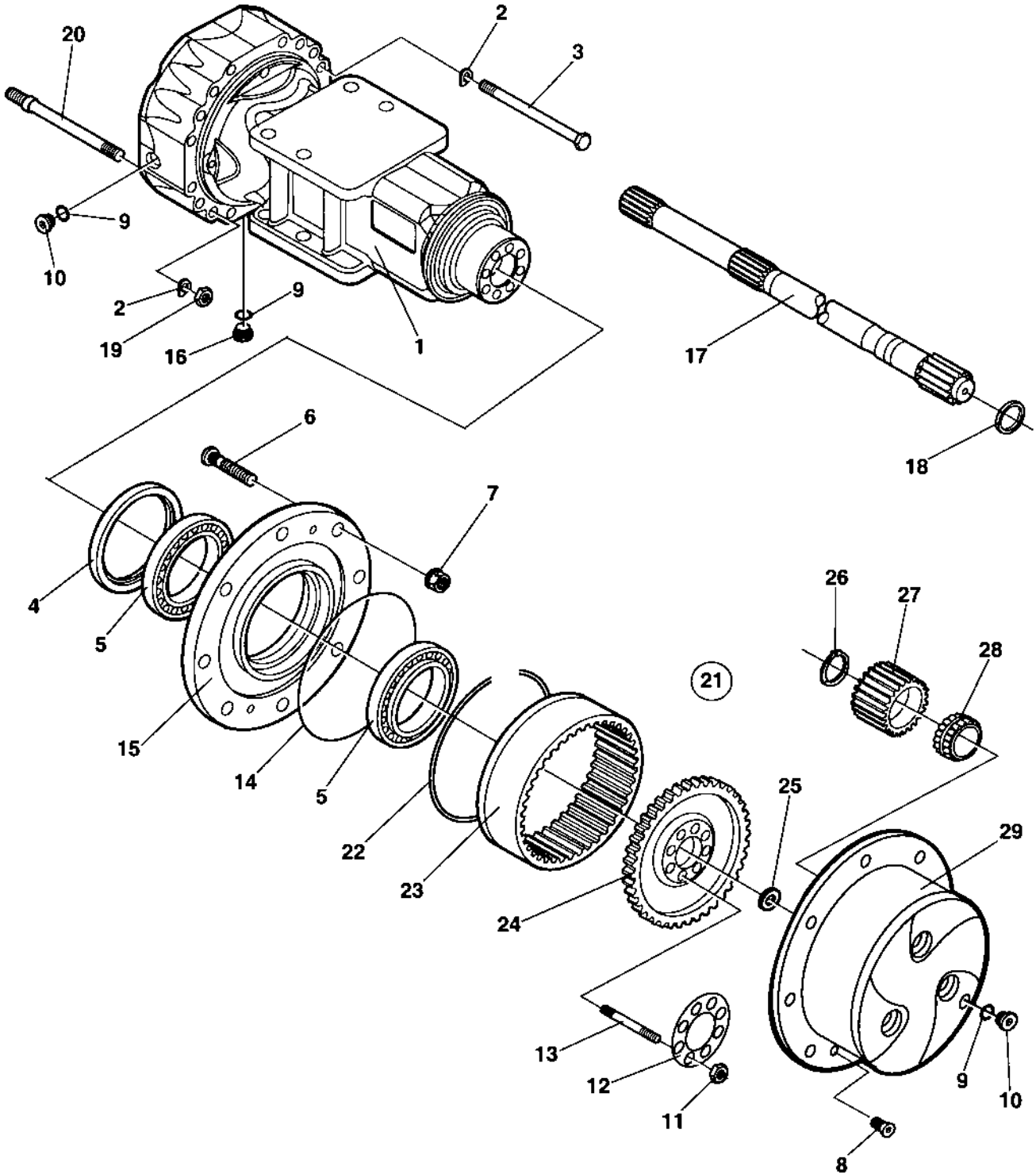


Differential housing and brakes

Item	Part No	Rem Qty	Description	Code
1	4700909609	6	O-ring	D
2	4700939255	2	Cover	
3	4700939256	1	Housing	
4	4700938984	1	Vent nipple	
5	4700909544	2	Screw	
6	4700938983	2	Sealing washer	
7	4700909607	1	Seal	D
8	4700909596	1	Plug	
9	4700926810	1	Magnetic plug	
10	4700938296	1	Plug	
11	4700929617	1	Lock ring	
12	4700909616	2	Spring	
13	4700909618	4	O-ring	D
14	4700939280	2	Piston	
15	4700909619	4	O-ring	D
16	4700939281	4	Bolt	
17	4700938984	2	Vent nipple	
18	4700939282	2	Bolt	
19	4700939036	2	Sealing washer	
20	4700939035	4	Screw	
21	4700939283	2	Disc	
22	4700939285	2	Ring	
23	4700909622	2	Pinion	
24	4700900966	2	O-ring	D
25	4700939286	2	Lock plate	
26	4700909624	2	Screw	
27	4700909626	4	Bolt	
28	4700900957	4	Nut	
29	4700926847	4	Sealing washer	
30	4700939026	6	Screw	
31	4700939287	2	Cover	
32	4700939284	2	Brake disc kit	
		12	.Brake disc	
		12	.Brake disc	
	4700909609	2	.O-ring	D

**Planet gear**

17673



**Planet gear**

Item	Part No	Rem Qty	Description	Code
1	4700939263	2	Axle case	
2	4700939003	32	Spring washer	
3	4700939264	24	Bolt	
4	4700939265	2	Seal	
5	4700939266	4	Bearing	
6	4700926781	20	Wheel screw	
7	4700901987	20	Wheel nut	
8	4700939015	4	Screw	
9	4700330333	6	Copper washer	D
10	4700909596	4	Plug	
11	4700939016	20	Nut	
12	4700939275	2	Lock plate	
13	4700939017	20	Stud	
14	4700929612	2	O-ring	
15	4700939276	2	Wheel hub	
16	4700938985	2	Magnetic plug	
17	4700939277	2	Half shaft	
18	4700909586	2	Seal	D
19	4700939019	8	Nut	
20	4700939278	8	Stud	
21	4700939351	2	Planet gear carrier Cpl.	
22	4700939267	2	.Circlip	
23	4700939268	2	.Ring gear	
24	4700939269	2	.Ring gear support	
25	4700939270	2	.Washer	
26	4700939271	8	.Seal	
27	4700939272	8	.Planet gear	
28	4700939273	8	.Bearing	
29	4700939349	2	.Planet gear carrier	



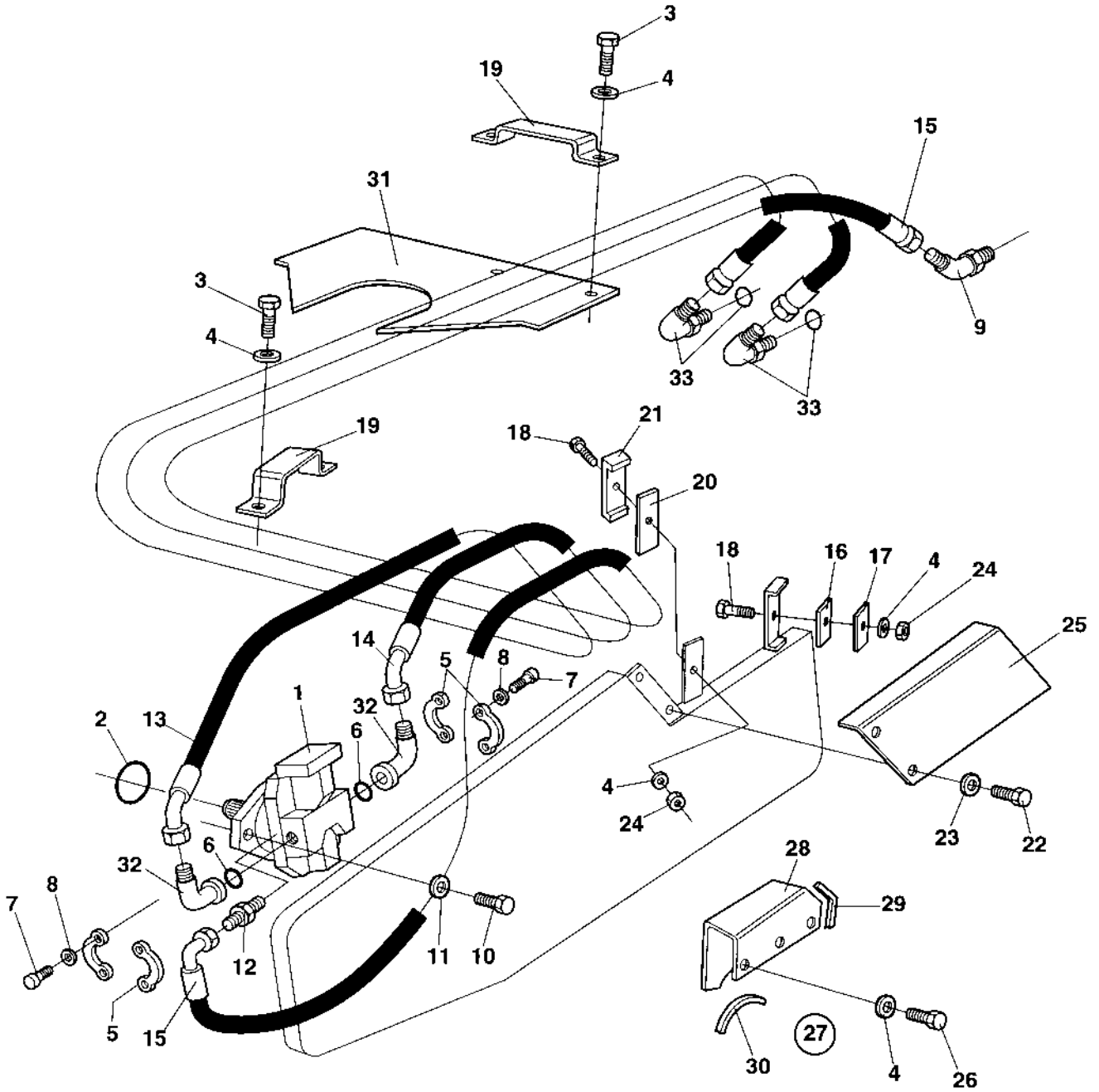


**Hydraulic system**

<b>Item</b>	<b>Part No</b>	<b>Rem Qty</b>	<b>Description</b>	<b>Code</b>
10			Propulsion system, Front ( Page 104 )	
15			Propulsion system, Rear ( Page 106 )	
20			Vibration system ( Page 118 )	
30			Steering system ( Page 128 )	
40			Brake system ( Page 136 )	
45			Hydraulic oil tank Up to 79X20538 ( Page 138 )	
46			Hydraulic oil tank From 79X20539 ( Page 140 )	
50			Central test panel hydraulic ( Page 142 )	Option

**Propulsion system, Front**

16019

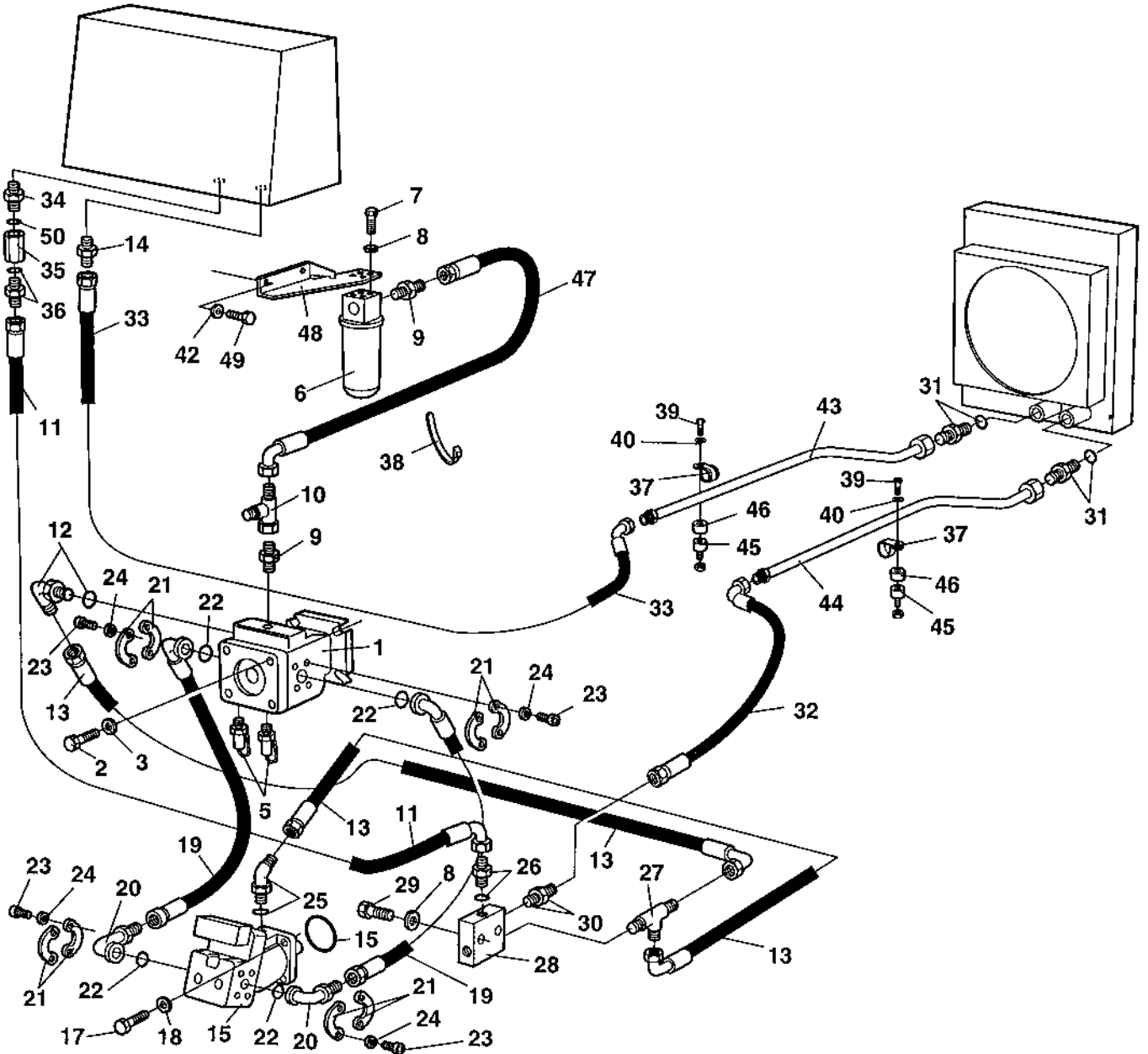


Propulsion system, Front

Item	Part No	Rem Qty	Description	Code
1	4700389564	1	Propulsion motor	
2	4700160272	1	O-ring	
3	4700500028	4	Screw	
4	4700904230	9	Washer	
5	4700923384	4	Flange half	
6	4700904005	2	O-ring	
7	4700502132	8	Screw	UNC 7/16" x 22
8	4700904638	8	Washer	12x22x2
9	4700334132	1	Elbow 45, O-ring	
10	4700500101	2	Screw	M20x50
11	4700903290	2	Washer	21x36x6
12	4700334138	1	Adapter	
13	4700483028	1	Hydraulic hose	
14	4700483029	1	Hydraulic hose	
15	4700483022	1	Hydraulic hose	
16	4700372580	1	Rubber part	
17	4700372578	1	Hose clamp	
18	4700500092	2	Screw	
19	4700349909	2	Hose clamp	
20	4700372580	1	Rubber part	
21	4700372586	1	Hose clamp	
22			Not used on this model	
23			Not used on this model	
24	4700586018	2	Lock nut	
25			Not used on this model	
26	4700500192	3	Screw	M10x80
27	4700394646	1	Protecting cover	
28	4700394650	1	.Protecting cover	
29	4700287724	N	.Edge trim	
30	4700902166	N	.Edge trim	
31	4700372235	1	Hose guard	
32	4700903750	2	Elbow	
33	4700813499	2	Elbow 90, O-ring	

**Propulsion system, Rear**

18046



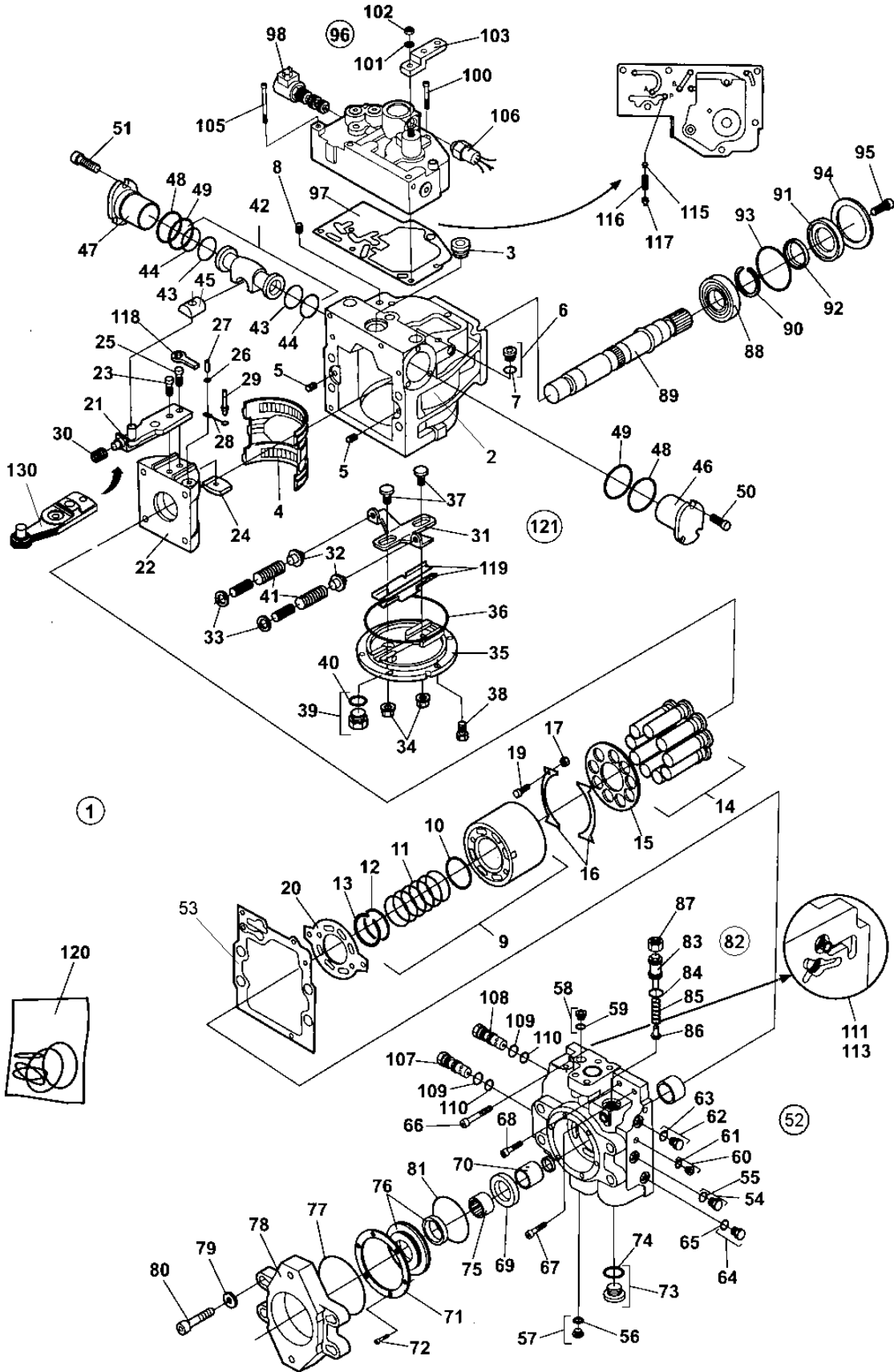
**Propulsion system, Rear**

Item	Part No	Rem	Qty	Description	Code
1	4700380830		1	Propulsion pump ( Page 108 )	C
2	4700500037		4	Screw Up to 79X20509	
	4700500046		4	Screw From 79X20510	
3	4700615045		4	Conical spring washer Up to 79X20509	
	4700904213		4	Washer From 79X20510	
5	4700900229		2	Measuring nipple	D
6	4700359550		1	Hydraulic oil filter, cpl	
	4700359551		1	.Filter head	
	4700359552		1	.Cleaning filter element	Maximum 50 hours use
	4700372229	A	1	Hydraulic oil filter element	A
7	4700500028		4	Screw	
8	4700904230		6	Washer	
9	4700334468		2	Adapter	
10	4700234243		1	T-connector	
11	4700482182		1	Hydraulic hose	D
12	4700813499		1	Elbow 90, O-ring	
13	4700482391		2	Hydraulic hose	
14	4700234909		1	Straight connector	
15	4700373361		1	Propulsion motor ( Page 114 )	C
	4700902581		1	.O-ring	D
17	4700500263		4	Screw	M18x60
18	4700604012		4	Washer Up to 79X20509	19,3x31,3x4
	4700904793		4	Washer From 79X20510	19x34x3
19	4700483033		2	Hydraulic hose	
20	4700900604		2	Adapter	
21	4700923384		8	Flange half	
22	4700904005		4	O-ring	
23	4700502132		16	Screw	UNC 7/16" x 22
24	4700904638		16	Washer	12x22x2
25	4700334132		1	Elbow 45, O-ring	
26	4700334138		1	Adapter	
27	4700234875		1	Tee-connector o-ring	
28	4700345243		1	Connection block	
29	4700500033		2	Screw	M10-1,5x60 8,8
30	4700334140		1	Adapter	
31	4700792039		2	Adapter	
32	4700483128		1	Hydraulic hose	
33	4700482741		1	Hydraulic hose	
34	4700904282		1	Adapter	
35	4700374059		1	Check valve	
36	4700923371		1	Adapter	
37	4700921084		4	Pipe clamp	
38	4700313102		N	Cable ties	
39	4700500061		4	Screw	M6-1X35 8,8
40	4700904735		4	Washer	
41	4700500019		4	Screw	M8x16H 8.8 A2K
42	4700904229		2	Washer	8,4x16x1,5
43	4700377225		1	Pipe	
44	4700377226		1	Pipe	
45	4700281783		4	Shock absorber	
46	4700357278		4	Spacer sleeve	
47	4700482010		1	Hydraulic hose	D
48	4700380490		1	Filter bracket	
49	4700500021		2	Screw	M8-1,25x25 8.8
50	4700162008		1	Seal washer	

A) Spare part for ordinary service

**4700380830 Propulsion pump**

18875



**4700380830 Propulsion pump**

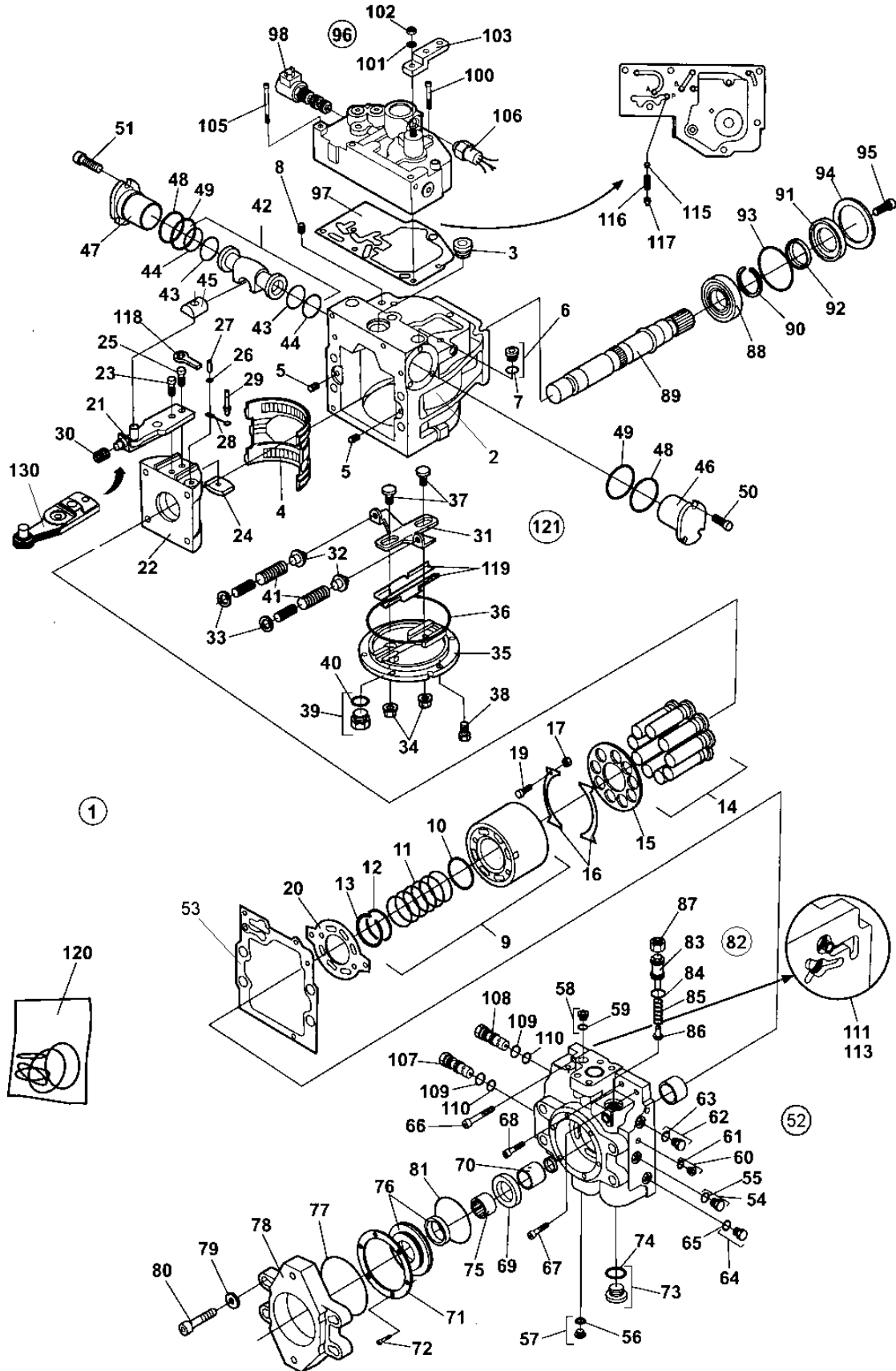
Item	Part No	Rem	Qty	Description	Code
1	4700380830		1	Propulsion pump ( Page 108 )	C
2	4700936546		1	.Housing	
		2	1	.Housing	
3	4700902928		1	.Plug	
4	4700901452		1	.Bearing	
		2	1	.Bearing	
5	4700813822		2	.Pin	
6	4700908432		2	.Plug	
7	4700923087	1	2	..O-ring	D
8	4700901454		3	.Filter element	D
9	4700901455		1	.Cylinder block, cpl	
10			1	..Spacer	
11			1	..Spring	
12			1	..Spring retainer	
13			1	..Ring retainer	
14	4700903570		9	.Piston	D
15	4700903571		1	.Pressure plate	D
16	4700901458		2	.Retainer guide	D
17	4700935856		4	.Spacer	
19	4700909382		4	.Screw	
20	4700936547		1	.Valve plate	
21	4700909727		1	.Servo arm, cpl	
22			1	.Swash plate	
		2	1	.Swash plate	
23	4700909386		1	.Screw	
		2	1	.Screw	
24	4700909387		1	.Guide	
25	4700909388		1	.Screw	
26	4700909389		1	.Washer	
27	4700909390		1	.Pin	
28	4700909391		1	.Link	
29	4700909392		1	.Pin	
30	4700909393		1	.Spring	
31			1	.Lever	
32			2	.Spring support	
33			2	.Washer	
34	4700909398	1	2	.Seal lock nut	
35			1	.Cover	
		2	1	.Cover	
36	4700936551	1	1	.O-ring	
37			2	.Guide post	
38	4700936553		6	.Screw	
39	4700902928		1	.Plug	
40	4700901453	1	1	..O-ring	
41	4700908352		2	.Spring	
42	4700936582		1	.Piston, cpl	
43		1	2	..O-ring	
44		1	2	..Seal ring	
45			1	..Guide	
46	4700903580		1	.Servo	
47	4700903580		1	.Servo	
48	4700936557	1	2	.O-ring	
49	4700936558	1	2	.O-ring	
50	4700936559		3	.Screw	
51	4700936559		3	.Screw	
52	4700936560		1	.End cap, cpl	
53	4700936561	1	1	.Gasket	
54	4700358388		1	.Plug	

1) Included in item 120, Seal kit

2) Valid with item 130

**4700380830 Propulsion pump**

18875





**4700380830 Propulsion pump**

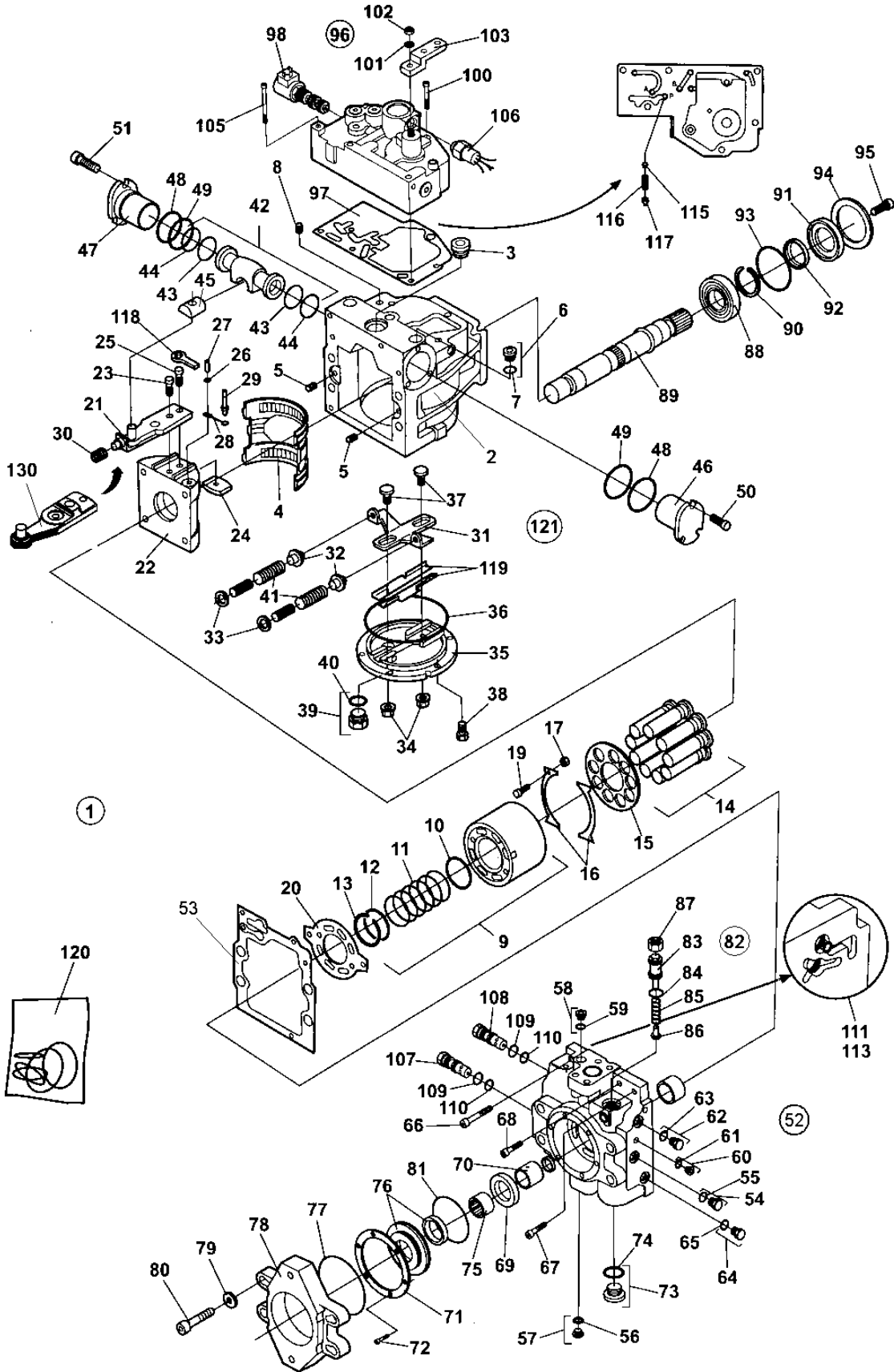
Item	Part No	Rem	Qty	Description	Code
55	4700923087	1	1	..O-ring	D
56	4700908432		1	.Plug	
57	4700923087	1	1	..O-ring	D
58	4700908432		1	.Plug	
59	4700923087	1	1	..O-ring	D
60	4700908432		1	.Plug	
61	4700923087	1	1	..O-ring	D
62	4700358388		1	.Plug	
63	4700923087	1	1	..O-ring	D
64	4700358388		1	.Plug	
65	4700923087	1	1	..O-ring	D
66	4700936562		1	.Screw	
67	4700936563		1	.Screw	
68	4700936564		1	.Screw	
69	4700950283		1	.Spacer	
70	4700950284		1	.Spacer	
71	4700935857		1	.Retaining plate	
72	4700936566		6	.Screw	
73	4700936567		1	.Plug, cpl	
74	4700936568	1	1	..O-ring	
75			1	.Coupling sleeve	
76			1	.Cover assembly	
77	4700909399	1	1	.O-ring	
78	4700936570		1	.Adapter	
79	4700936571		4	.Washer	
			4	.	
81	4700937150		1	.O-ring	
82	4700936583		1	.Pressure relief valve, cpl	
83			1	..Screw	
84		1	1	..O-ring	
85			1	..Spring	
86			1	..Valve cone	
87			1	..Nut	
88	4700901465		1	.Bearing	
89	4700901466		1	.Shaft	
90	4700901467		1	.Ring	
91			1	.Pressure plate	
92		1	1	.Seal	
		2	1	.Seal	
93		1	1	.O-ring	
94			1	.Retaining plate	
95			3	.Screw	
96	4700938170		1	.Control valve, cpl	
97	4700939489	1	1	..Control valve gasket	
98	4700938252		1	..Solenoid valve	
100			1	..Screw	
101	4700909428		1	..Washer	
102	4700909429		1	..O-ring	
103	4700909432		1	..Control lever	
105	4700937857		5	..Screw	
106	4700938253		1	..Neutral start switch	
107	4700212339		1	.Valve	
108	4700212339		1	.Valve	
109		1	2	..O-ring	
110		1	2	..O-ring	
111	4700901475		2	.Valve	D
113	4700901476		2	.Plug	D
115	4700909435		1	.Orifice	

1) Included in item 120, Seal kit

2) Valid with item 130

**4700380830 Propulsion pump**

18875

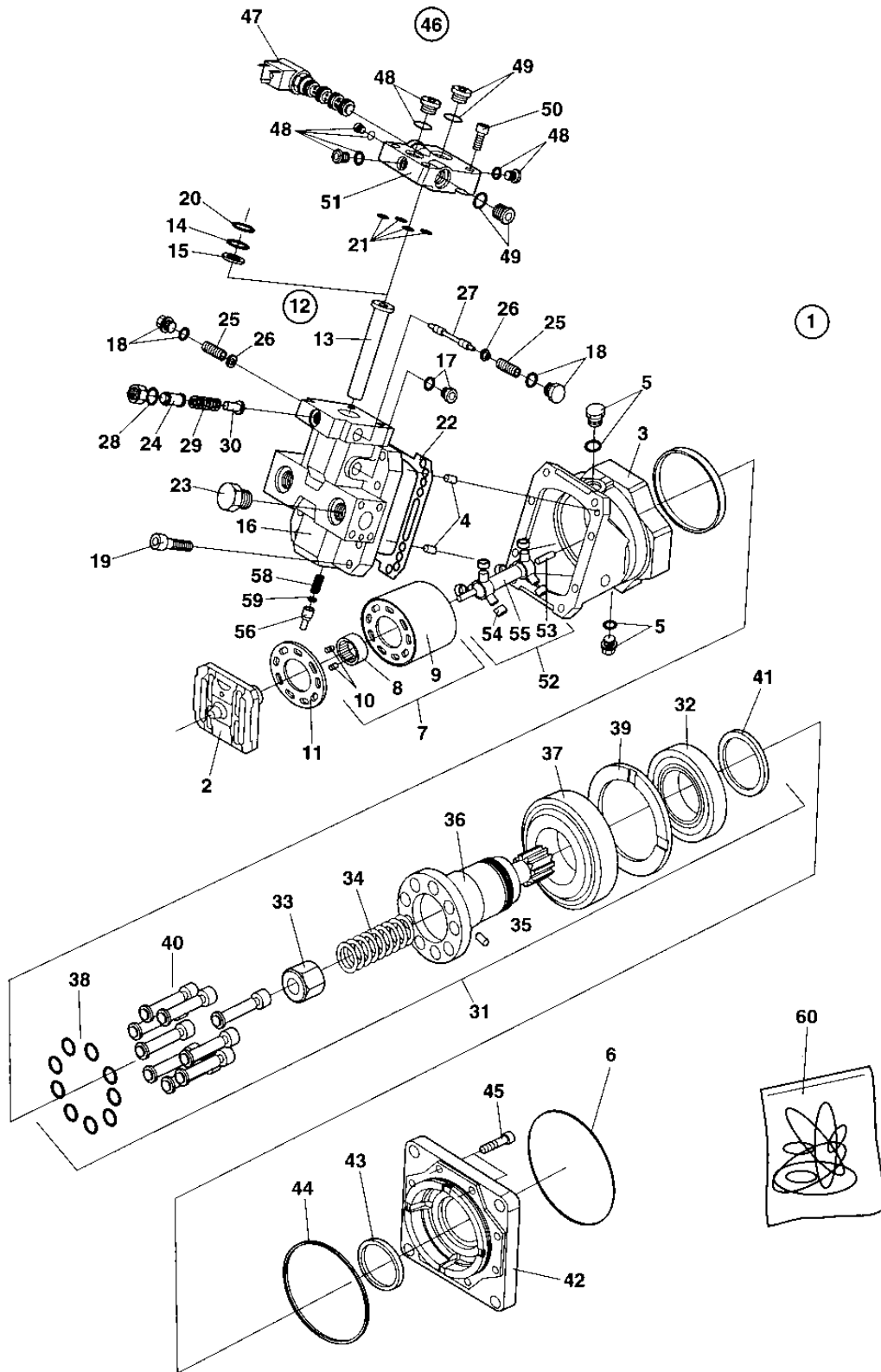


**4700380830 Propulsion pump**

<b>Item</b>	<b>Part No</b>	<b>Rem Qty</b>	<b>Description</b>	<b>Code</b>
116	4700909436	1	.Spring	
117	4700908448	1	.Spring retainer	
118		1	.Link	
119		1	.Guide assy, 1pair	
120	4700901328	1	.Seal kit	D
121	4700936548	1	.Cover assy	
130		1	.Servo arm	

4700373361 Propulsion motor

16654



**4700373361 Propulsion motor**

Item	Part No	Rem	Qty	Description	Code
1			1	Hydraulic motor, Cpl	
2	4700935521		1	.Valve segment	
3	4700908422		1	.Housing	
4	4700813822		2	.Pin	
5	4700902928		2	.Plug	
	4700901453	1	2	..O-ring	
6	4700902581	1	1	.O-ring	D
7	4700902929		1	.Cylinder block	
8			1	..Bush	
9			1	..Cylinder block	
10			2	..Pin	
11	4700902930		1	.Bearing plate	D
12	4700935527		1	.Piston assembly	
13	4700935526		1	..Piston	
14	4700935525	1	1	..O-ring	D
15	4700935524	1	1	..Seal plug	D
16	4700935530		1	.End cap	
17	4700908432		1	.Plug	
18	4700935741		2	.Plug, cpl	
19	4700902944		8	.Screw	
20	4700935531	1	1	.O-ring	D
21	4700908443	1	5	.Rect. seal	
22	4700908427	1	1	.Gasket	D
23	4700902928		2	.Plug	
	4700901453	1	2	..O-ring	
24			1	.Adapter	
25	4700935749		2	.Spring	
26	4700935750		2	.Spring retainer	
27	4700935533		1	.Spool	
28	4700813618	1	1	.O-ring	D
29			1	.Spring	D
30			1	.Valve cone	D
31	4700902960		1	.Shaft, cpl	
32			1	..Roller bearing	
33			1	..Spring guide	
34			1	..Spring	
35			1	..Pin	
36			1	..Shaft	
37			1	..Roller bearing	
38			9	..Piston ring	
39			1	..Spacer	
40			9	..Piston	
41			1	..Nut	
42	4700902961		1	.Flange	
43	4700935536		1	.Shaft seal	55x75x12 D
	4700945757	1	1	.Shaft seal	55x70x7 D
44	4700935664	1	1	.O-ring	D
45	4700902962		8	.Screw	
46	4700935543		1	.Electric hydraulic control	
47	4700908435		1	..Solenoid valve assy	
48	4700908426		4	..Plug, cpl	
49	4700908432		2	..Plug	
50	4700935544		4	..Screw	
51	4700935545		1	..Valve housing	
52	4700902984		1	.Shaft, cpl	
53			2	..Pin	
54			6	..Roller	
55			1	..Shaft	
56	4700902996		1	.Cap	

1) Included in seal kit item 60



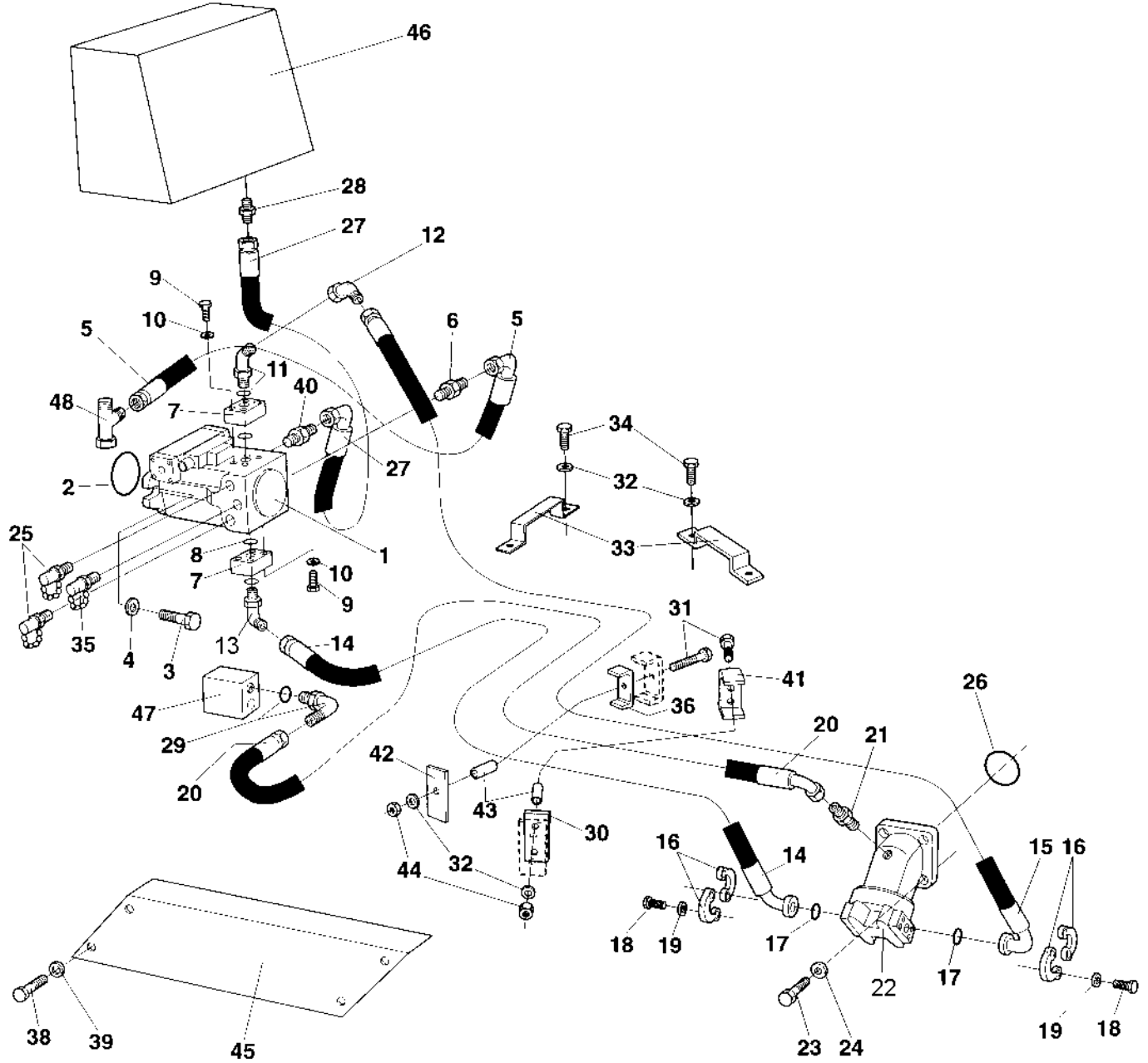
**4700373361 Propulsion motor**

Item	Part No	Rem	Qty	Description	Code
57	4700936593		2	.Orifice	
58	4700937363		1	.Shaft	
59	4700909525	1	1	.Nut	
60	4700935520		1	Seal kit	D

1) Included in seal kit item 60

Vibration system

16020

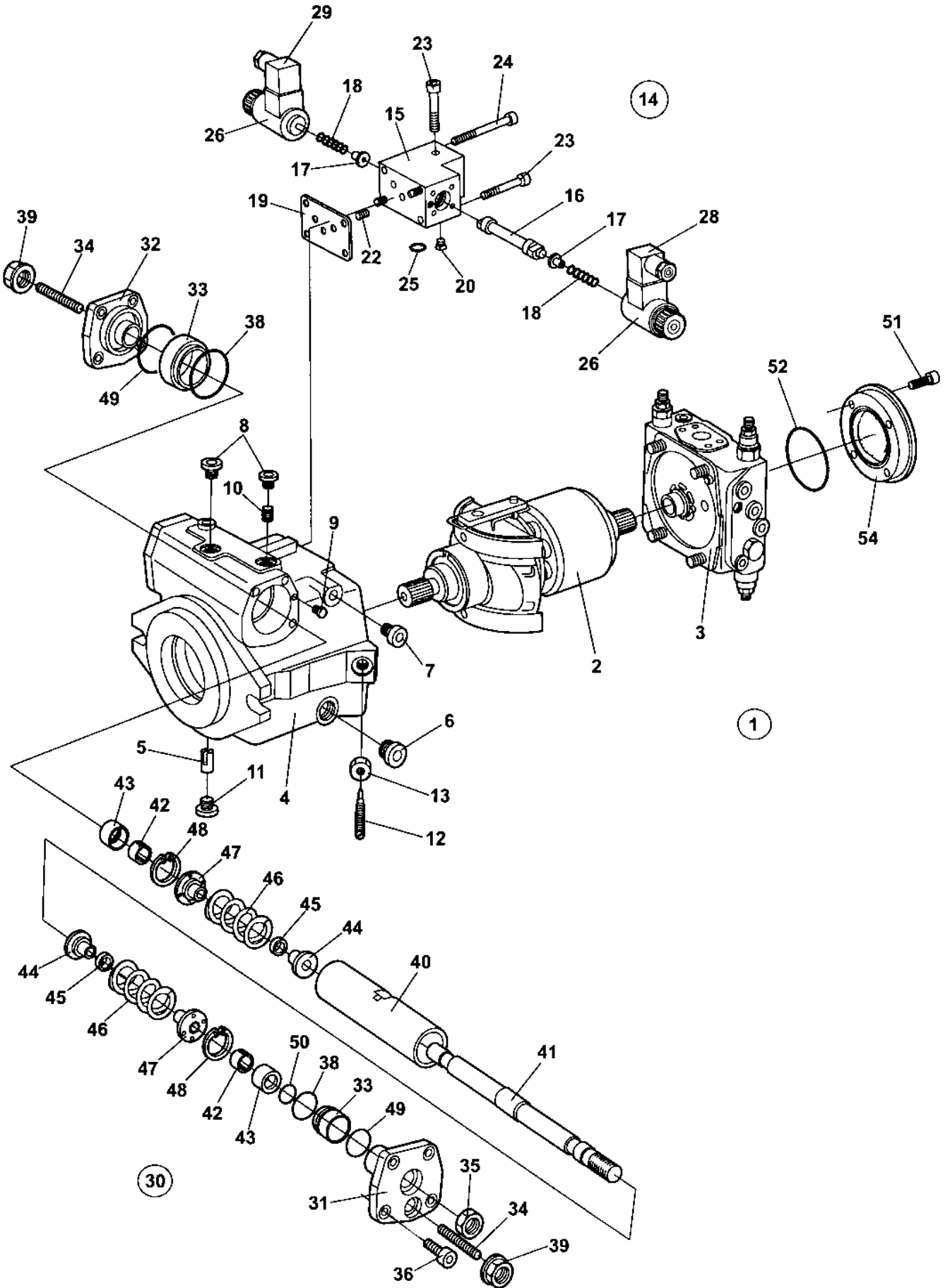




Vibration system

Item	Part No	Rem Qty	Description	Code
1	4700383959	1	Vibration pump ( Page 120 )	C
2	4700903877	1	O-ring	
3	4700502078	2	Screw	
4	4700904232	2	Washer	
5	4700483023	1	Hydraulic hose	
6	4700234382	1	Adapter	
7	4700345234	2	Flange coupling	
8	4700904773	2	O-ring	
9	4700508080	8	Screw	
10	4700604007	8	Spring washer	
11	4700234354	1	Adapter with O-ring	
12	4700334239	1	Elbow 90	
13	4700334163	1	Adapter	
14	4700483035	1	Hydraulic hose	
15	4700483034	1	Hydraulic hose	
16	4700923384	4	Flange half	
17	4700904005	2	O-ring	
18	4700502132	8	Screw	UNC 7/16" x 22
19	4700904638	8	Washer	12x22x2
20	4700483031	1	Hydraulic hose	
21	4700334121	1	Straight connector	
22	4700380146	1	Hydraulic motor, vibration ( Page 126 )	C
23	4700500194	4	Screw	
24	4700904231	4	Washer	13x24x2 300 HV
25	4700901157	2	Measuring nipple	D
26	4700160132	1	O-ring	124, 50x3, 00
27	4700483024	1	Hydraulic hose	
28	4700334205	1	Straight connector	
29	4700334419	1	Elbow 90, O-ring	
30	4700372580	1	Rubber part	
31	4700500192	3	Screw	M10x80
32	4700904230	7	Washer	
33	4700372018	2	Hose clamp	
34	4700500028	4	Screw	
35	4700902115	1	Measuring nipple	D
36	4700372581	1	Rubber part	
38			Not used on this model	
39			Not used on this model	
40	4700901155	1	Connector	
41	4700374217	1	Hose clamp	
42	4700372578	1	Hose clamp	
43	4700373112	3	Spacer	
44	4700506018	3	Nut	
45			Not used on this model	
46		1	Hydraulic oil tank Up to ECN07503 ( Page 138 ) Hydraulic oil tank From ECN07503 ( Page 140 )	
47		A	1 Connection block	
48		A	1 Adapter	

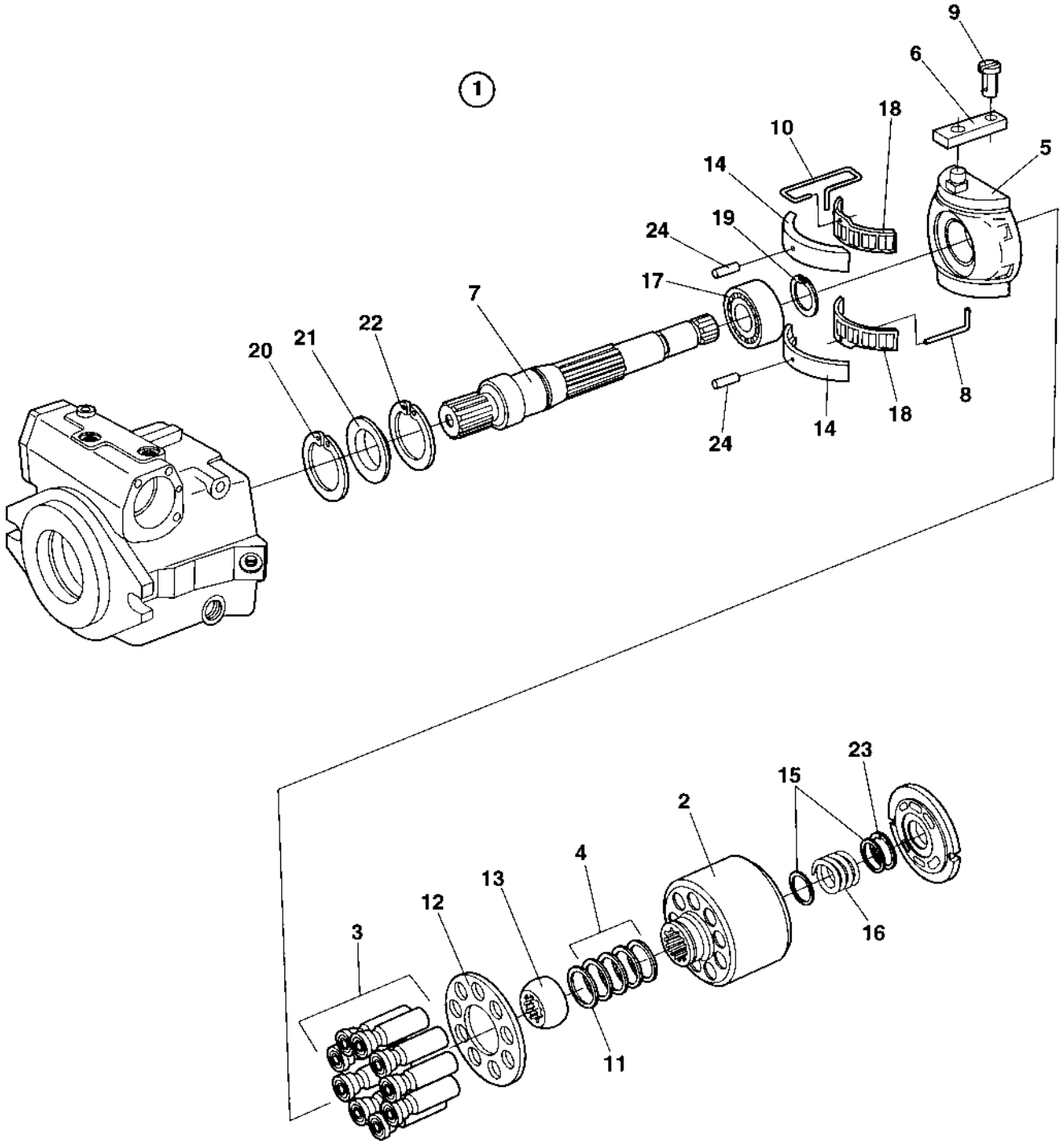
A) See section: Propulsion system Rear.



**4700383959 Vibration pump**

Item	Part No	Rem	Qty	Description	Code
1			1	Vibration pump, cpl	
	4700940676		1	.Seal kit	
2			1	.Rotating group, cpl ( Page 122 )	
3	4700936609		1	.Valve block, cpl ( Page 124 )	
4			1	.Housing	
5	4700936612		1	.Pin	
6	4700935219	1	1	.Plug	
7	4700902724	1	2	.Plug	
8	4700902625	1	3	.Screw	
9	4700909514		2	.Pin	
10	4700936308		2	.Orifice	
11	4700902624	1	1	.Screw	
12	4700902687		1	.Pin	
13	4700902695	1	1	.Nut	
14	4700940507		1	.Control valve, cpl	
15			1	..Housing	
16	4700945775		1	..Piston	
17	4700945776		2	..Spring collar	
18	4700936686		2	..Spring	
19		1	1	..Gasket	
20			2	..Pin	
22	4700936307		1	..Double break-off pin	D
23	4700936689		3	..Screw	
24	4700908383		2	..Screw	
25		1	1	..O-ring	
26	4700940505		2	..Solenoid	
28			1	..Socket	
29			1	..Socket	
30			1	.Hydraulic control, cpl	
31			1	..Cover	
32			1	..Cover	
33			2	..Guide ring	
34	4700936642		2	..Pin	
35	4700902638		1	..Nut	
36	4700902752		8	..Screw	
38		1	2	..Seal ring	
39	4700936644	1	2	..Nut	
40			1	..Piston	
41	4700936646		1	..Rod	
42			2	..Ring	
43	4700938014		2	..Sleeve	
44	4700936647		2	..Spring collar	
45	4700936648		2	..Spacer ring	
46	4700936654		2	..Spring	
47	4700936655		2	..Spring collar	
48	4700936656		2	..Retaining ring	
49	4700936643	1	2	..O-ring	
50	4700909469		1	.O-ring	
51	4700939173		4	.Screw	
52	4700935192	1	1	.O-ring	
54			1	Cover	

1) Included in seal kit



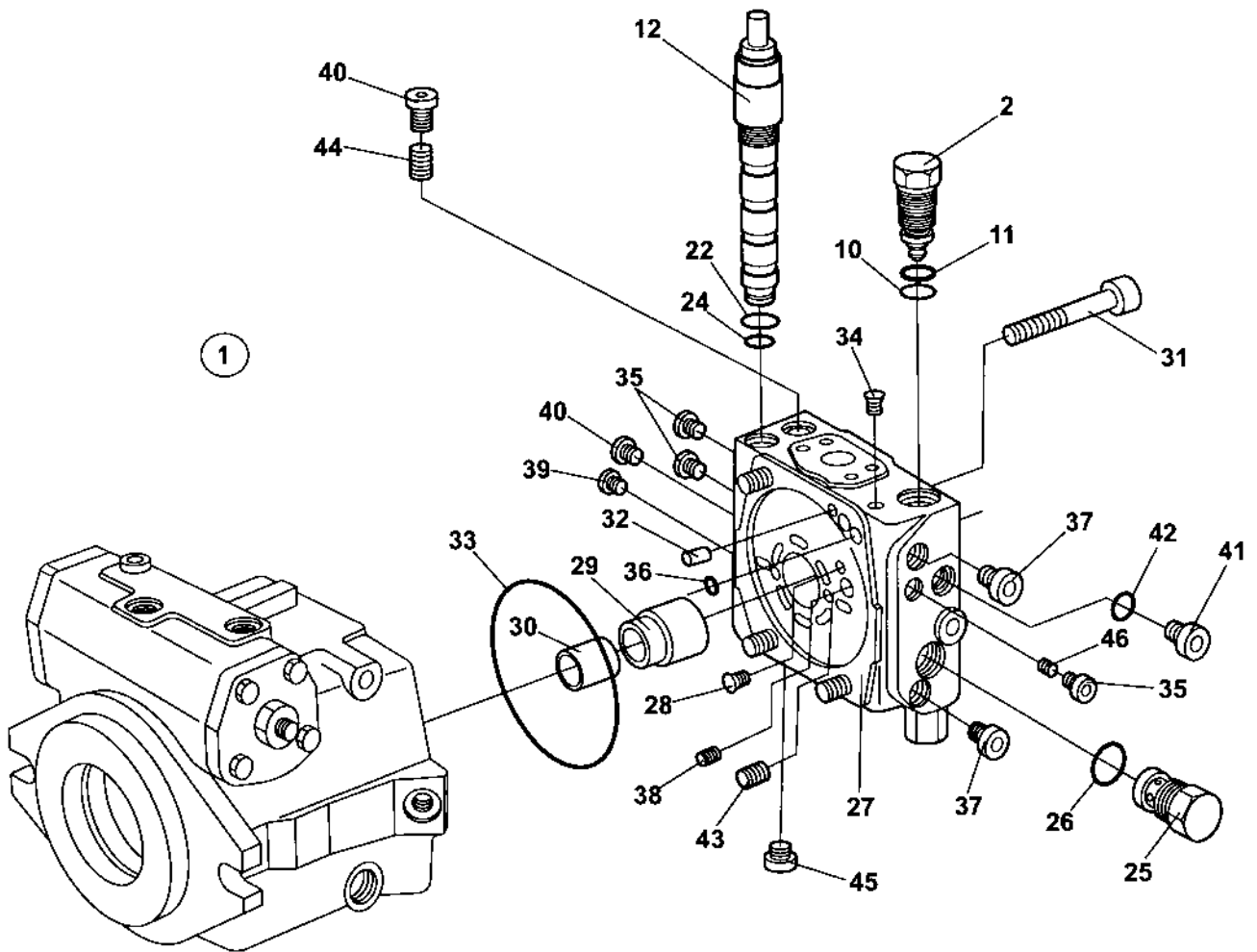
Rotating group, cpl

Item	Part No	Rem Qty	Description	Code
1		1	Rotating group, cpl	
2		1	.Cylinder with control plate	
3	4700936616	9	.Piston	
4	4700936617	1	.Cup spring stack	
5	4700936618	1	.Cradle	
6	4700936619	1	.Slide ring	
7	4700936620	1	.Shaft	
8	4700936621	1	.Wire	
9	4700935164	1	.Pin	
10	4700936622	1	.Wire	
11	4700936623	1	.Shim	
12	4700936627	1	.Retaining plate	
13	4700936628	1	.Retaining ball	
14		1	.Bearing liner, 1 pair	
15	4700936630	2	.Washer	
16	4700936631	1	.Pressure spring	
17	4700936632	1	.Bearing	
18	4700936633	1	.Cradle bearing assembly, 1 set	
19	4700937187	1	.Retaining ring	
20	4700936634	1	.Retaining ring	
21		1	.Seal ring	
22	4700936636	1	.Retaining ring	
23	4700936637	1	.Retaining ring	
24		2	.Pin	

1) Includes in seal kit

4700936609 Valve block, cpl

18844



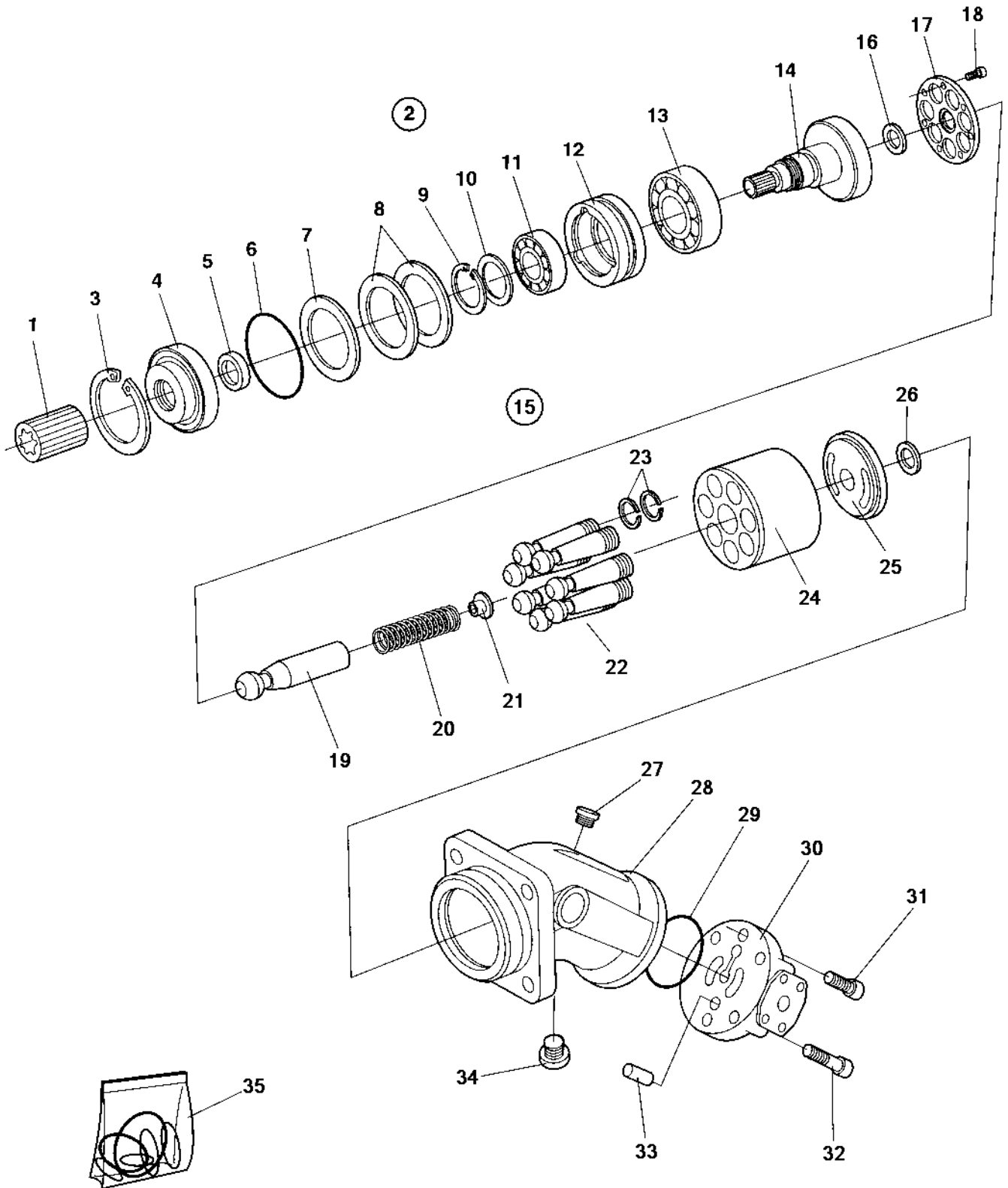
**4700936609 Valve block, cpl**

Item	Part No	Rem	Qty	Description	Code
1			1	Valve block, cpl	
2			2	.Pressure relief valve, cpl	310 bar
	4700935172		2	.Pressure relief valve	350 bar
	4700936657		2	.Pressure relief valve	380 bar
	4700937240		2	.Pressure relief valve	440 bar
	4700950635		1	.Pressure relief valve	430 bar
10	4700902814	1	1	..O-ring	D
11	4700936673	1	1	..Back-up ring	
12	4700936659		1	.Pressure override valve, cpl	
22	4700902783	1	1	..O-ring	D
24	4700936394	1	1	..O-ring	
25	4700936658		1	.Locking set	
26	4700902814	1	1	.O-ring	D
27	4700936660		1	.Port plate	
28			1	.Pin	
29	4700936661		1	.Bushing	
30	4700936662		1	.Bearing bush	
31	4700936663		4	.Screw	
32	4700936664		2	.Pin	
33	4700936665	1	1	.O-ring	
34	4700909514		3	.Pin	
35	4700936370	1	3	.Locking screw	
36	4700909469	1	2	.O-ring	
37	4700902625	1	2	.Screw	
38			1	.Pin	
39	4700902625	1	1	.Screw	
40	4700902811	1	3	.Plug	
41	4700936304		1	.Locking screw	
42	4700936305	1	1	.O-ring	
43	4700902697		1	.Screw	
44	4700936613		1	.Locking screw	
45	4700936614	1	1	.Plug	
46	4700936313		1	.Orifice	

1) Includes in seal kit

**4700380146 Hydraulic motor, vibration**

16978





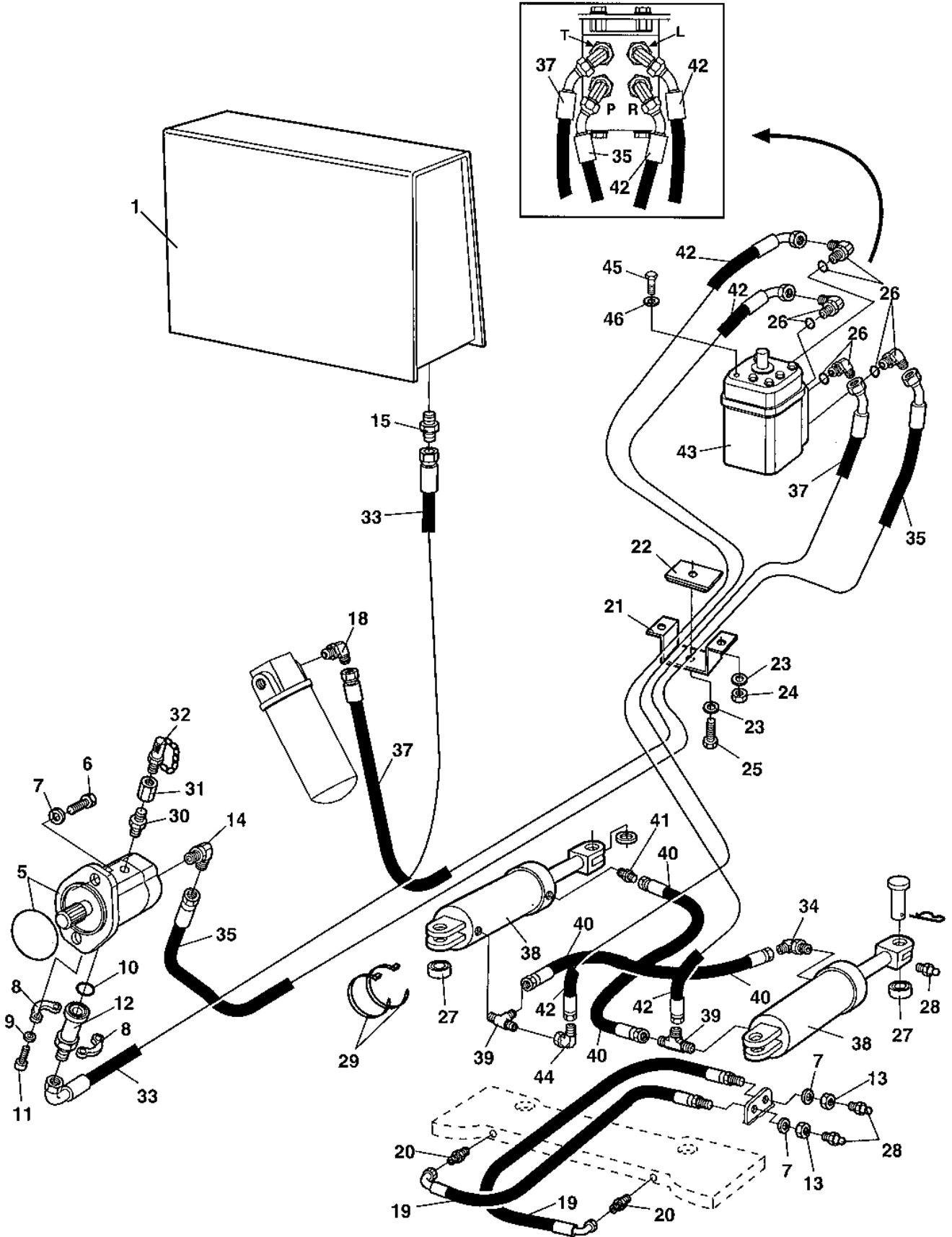
**4700380146 Hydraulic motor, vibration**

Item	Part No	Rem	Qty	Description	Code
1	4700340863		1	..Splined sleeve	D
2	4700380079		1	..Hydraulic motor, vibration	
3			1	..Snap ring	
4			1	..Cover	
5	4700945880	1	1	..Seal ring	
6		1	1	..O-ring	
7	4700902265		1	..Shim	T=0,3 mm
8	4700902264		2	..Shim	T=0,1mm
9			1	..Retaining ring	
10			1	..Back-up plate	
11	4700902261		1	..Bearing	
12			1	..Bearing ring	
13	4700902260		1	..Bearing	
14			1	..Shaft	
15			1	..Rotary group, hydr.section	
16			1	..Washer	
17			1	..Retaining plate	
18			7	..Screw	
19			1	..Pin	
20			1	..Spring	
21			1	..Spring collar	
22			7	..Piston	
			1	...Piston	
23			2	...Sealing ring	
24			1	..Cylinder	
25			1	..Pressure plate	
26			1	..Washer	
27			1	..Screw	
28			1	..Housing	
29		1	1	..O-ring	
30			1	..Plate	
31			2	..Screw	
32			4	..Screw	
33			1	..Pin	
34	4700937259	1	1	..Screw	
35	4700937675		1	Seal kit	

1) Included in seal kit, item 34

**Steering system**

18047

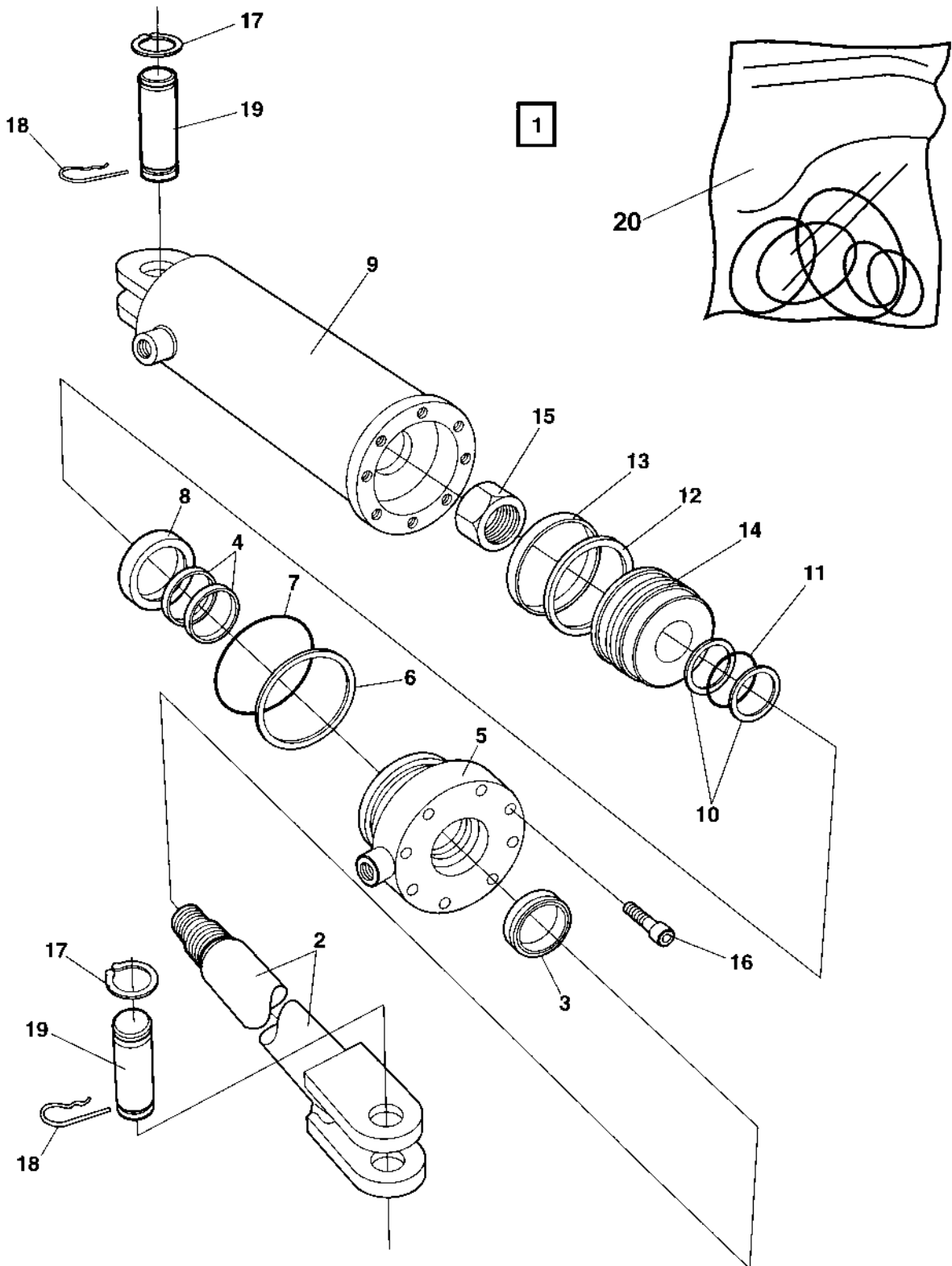


Steering system

Item	Part No	Rem Qty	Description	Code
1			Hydraulic oil tank Up to 79X20538 ( Page 138 ) Hydraulic oil tank From 79X20539 ( Page 140 )	
5	4700394902	1	Hydraulic pump	
	4700937055	1	.O-ring	
6	4700500133	2	Screw	
7	4700904231	4	Washer	13x24x2 300 HV
8	4700232097	2	Flange half	D
9	4700904637	4	Washer	
10	4700904005	1	O-ring	
11	4700508029	4	Screw	M10-1,5x30H 8,8
12	4700372625	1	Connector	
13	4700903831	2	Nut	
14	4700334558	1	Elbow 90G with O-ring	
15	4700234626	1	Adapter	
17	4700570006	4	Nut	
18	4700929123	1	Elbow 90, O-ring	
19	4700903812	2	Hydraulic hose	
20	4700371669	2	Straight connector	
21	4700372513	1	Hose clamp	
22	4700372514	1	Hose clamp	
23	4700904229	3	Washer	8,4x16x1,5
24	4700586003	2	Lock nut	M8
25	4700500023	1	Screw	M8-1,25x40 8,8
26	4700813444	4	Elbow 90, O-ring	
27	4700813316	4	Ball bushing	D
28	4700926214	4	Grease fitting	D
29	4700313102	N	Cable ties	
30	4700334199	1	Straight o-ring connector	
31	4700338304	1	Connector	
32	4700910161	1	Measuring nipple	D
33	4700483049	1	Hydraulic hose	
34	4700813500	1	Elbow 45, O-ring	
35	4700483697	1	Hydraulic hose	
37	4700483498	1	Hydraulic hose	
38	4700373006	2	Steering cylinder Up to 79X20509 ( Page 130 )	
	4700392027	2	Steering cylinder From 79X20510 ( Page 132 )	
39	4700234218	2	Tee-connector	
40	4700483109	2	Hydraulic hose	
41	4700334121	1	Straight connector	
42	4700483497	2	Hydraulic hose	
43	4700376000	1	Steering valve ( Page 134 )	
44	4700234662	1	Elbow 45	
45	4700502034	4	Screw	UNC 3/8 - 16
46	4700600008	4	Washer	

**4700373006 Steering cylinder**

16489



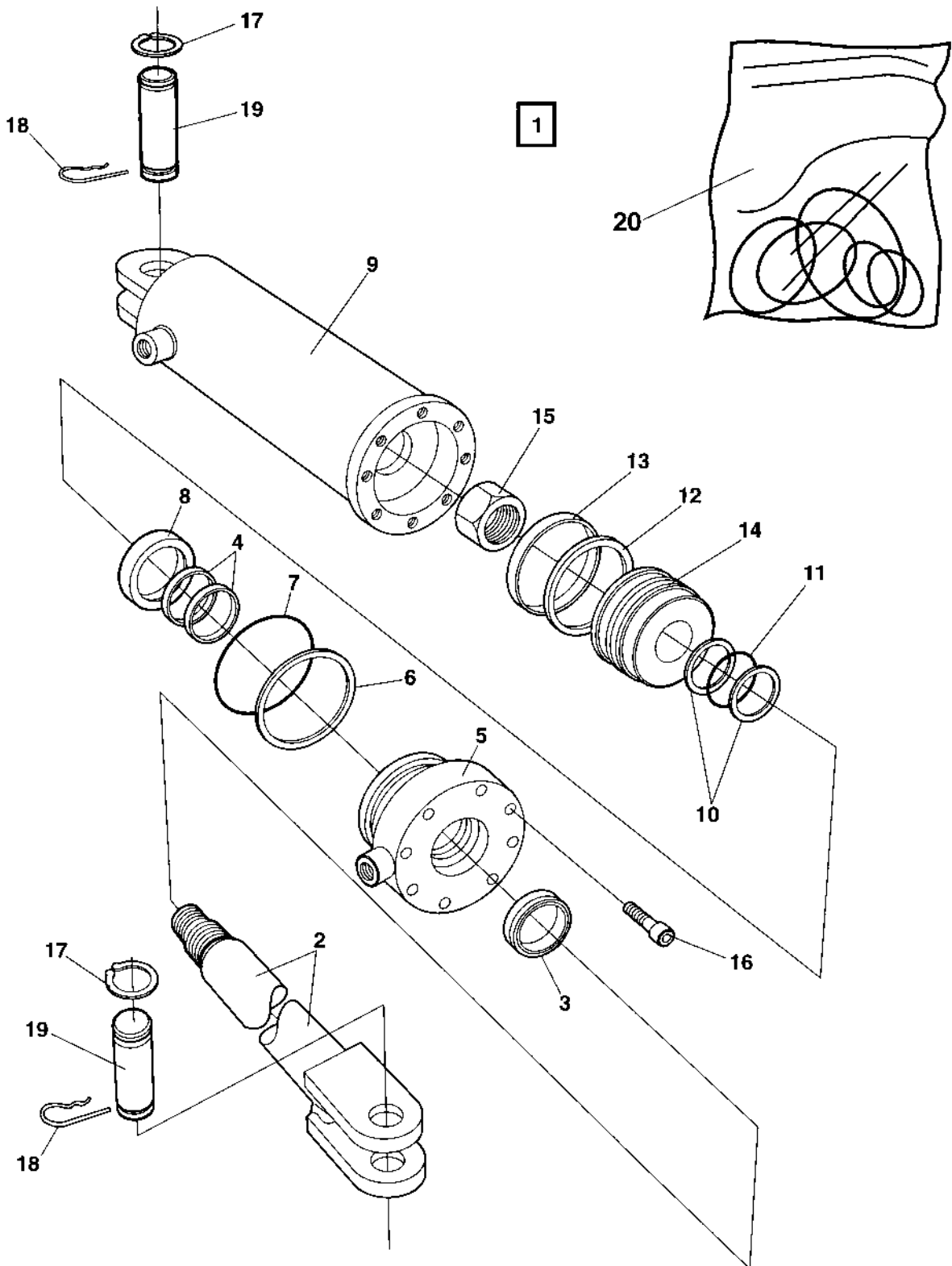
**4700373006 Steering cylinder**

Item	Part No	Rem	Qty	Description	Code
1			1	Steering cylinder, cpl	
2	4700935841		1	.Piston rod	
3		A	1	.Shear wiper	
4		A	2	.Guide ring	
5	4700935842		1	.Guide	
6		A	1	.Back-up ring	
7		A	1	.O-ring	
8		A	1	.Piston rod seal	
9	4700935843		1	.Cylinder tube	
10		A	2	.Back-up ring	
11		A	1	.O-ring	
12		A	1	.Piston seal	
13		A	1	.Guide ring	
14	4700935844		1	.Piston block	
15		A	1	.Lock nut	
16	4700904385		8	.Screw	
17	4700935845		2	.Snap ring	
18	4700909762		2	.Hair pin	
19	4700935846		2	.Shaft	
20	4700935847		1	.Seal kit	

A) Includes in seal kit item 20.

**4700392027 Steering cylinder**

16489



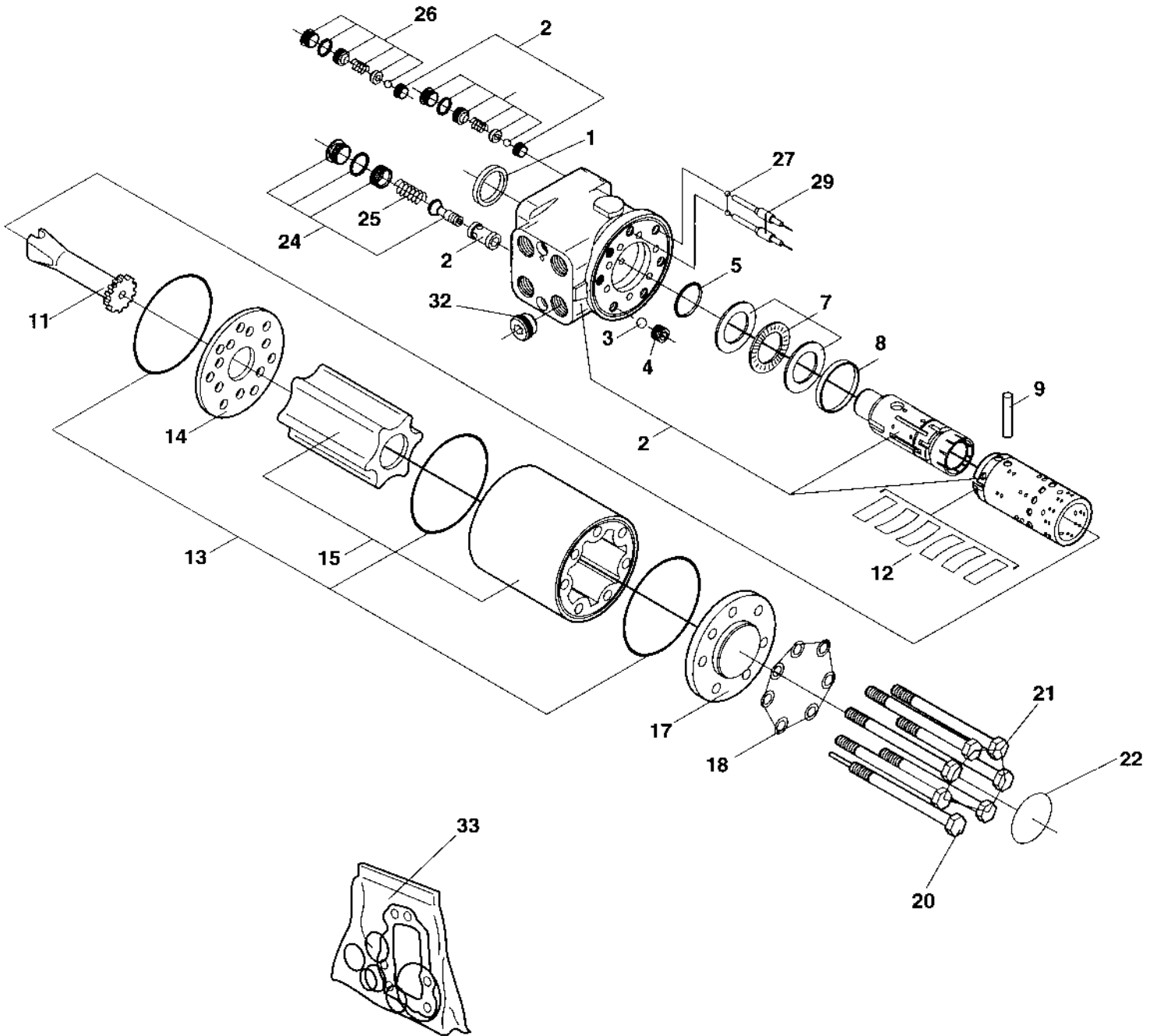
**4700392027 Steering cylinder**

Item	Part No	Rem	Qty	Description	Code
1	4700392027		1	Steering cylinder ( Page 132 )	
2	4700392110		1	.Piston rod	
3		A	1	.Shear wiper	
4		A	2	.Guide ring	
5			1	.Guide	
6		A	1	.Back-up ring	
7		A	1	.O-ring	
8		A	1	.Piston rod seal	
9			1	.Cylinder tube	
10		A	2	.Back-up ring	
11		A	1	.O-ring	
12		A	1	.Piston seal	
13		A	1	.Guide ring	
14			1	.Piston block	
15	4700392109	A	1	.Lock nut	
16	4700904385		8	.Screw	
17	4700392107		2	.Snap ring	
18	4700635061		2	.Hair clip	D
19	4700392108		2	.Shaft	
20	4700392106		1	Seal kit	

A) Includes in seal kit item 20.

**4700376000 Steering valve**

17013





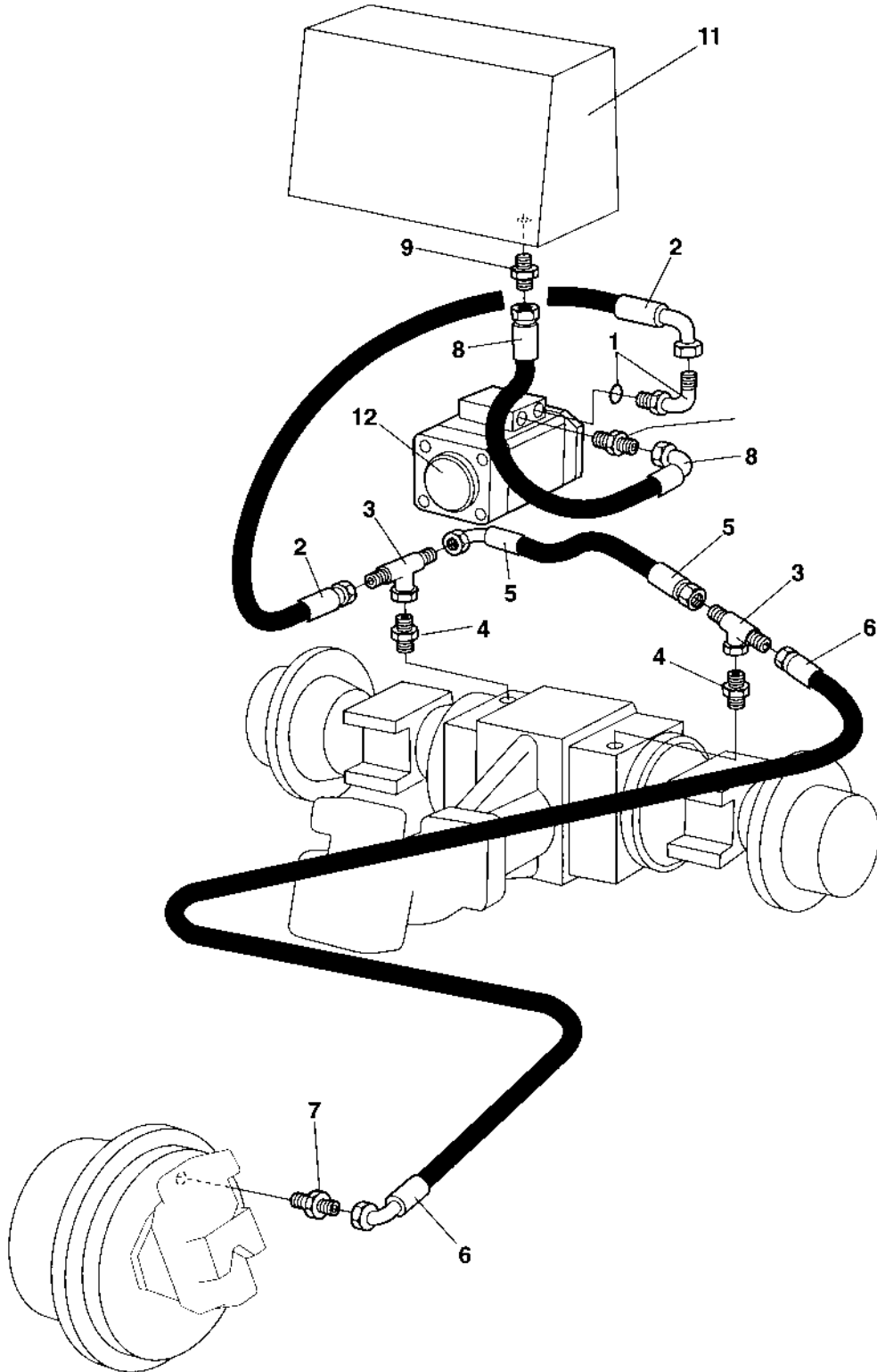
**4700376000 Steering valve**

Item	Part No	Rem	Qty	Description	Code
1	4700938062	A	1	Dust seal ring	
2			1	Housing, spool and sleeve	
3	4700938063		1	Ball	
4	4700938064		1	Threaded bushing	
5	4700908780	A	1	O-ring	
7	4700911620		1	Bearing	D
8	4700938065		1	Ring	
9	4700938066		1	Cross pin	
11	4700902861		1	Cardan shaft	
12	4700938067		1	Set of springs	
13	4700938068	A	3	O-ring	
14	4700902862		1	Valve plate	
15	4700903457		1	Gear wheel set	
17	4700938069		1	End cover	
18	4700938070	A	7	Washer	
20	4700938071		1	Screw with pin	
21	4700935468		6	Spring washer	
22	4700938072		1	Name plate	
24	4700938073		1	Pressure relief valve	
25	4700902864		1	Spring	
26	4700938074		2	Shock valve	
27	4700929013		2	Ball	
29	4700929014		2	Rolled pin	
32	4700938075		1	Check valve	
33	4700935429		1	Seal kit	

A) Included in seal kit, item 33

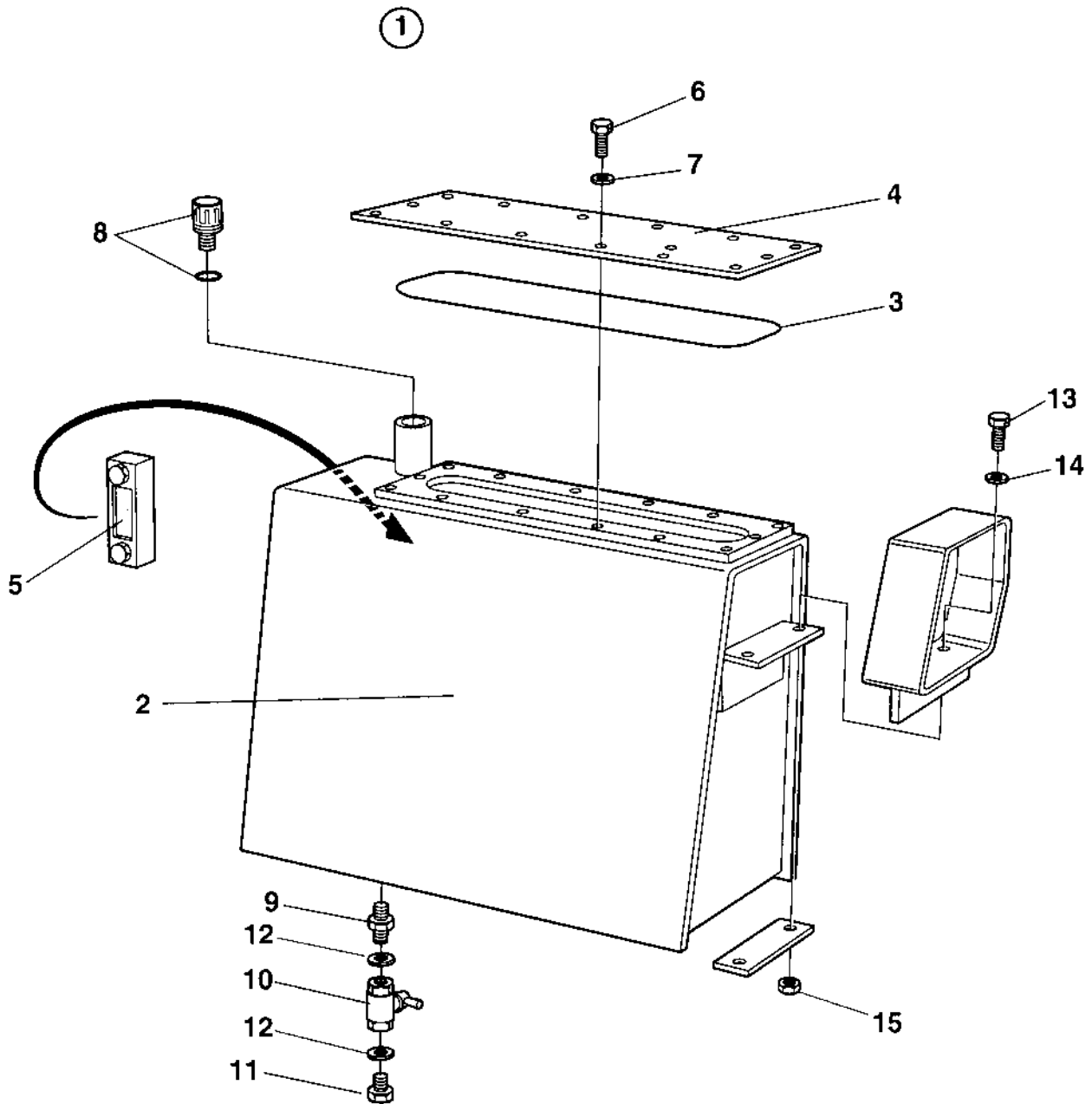
**Brake system**

16022



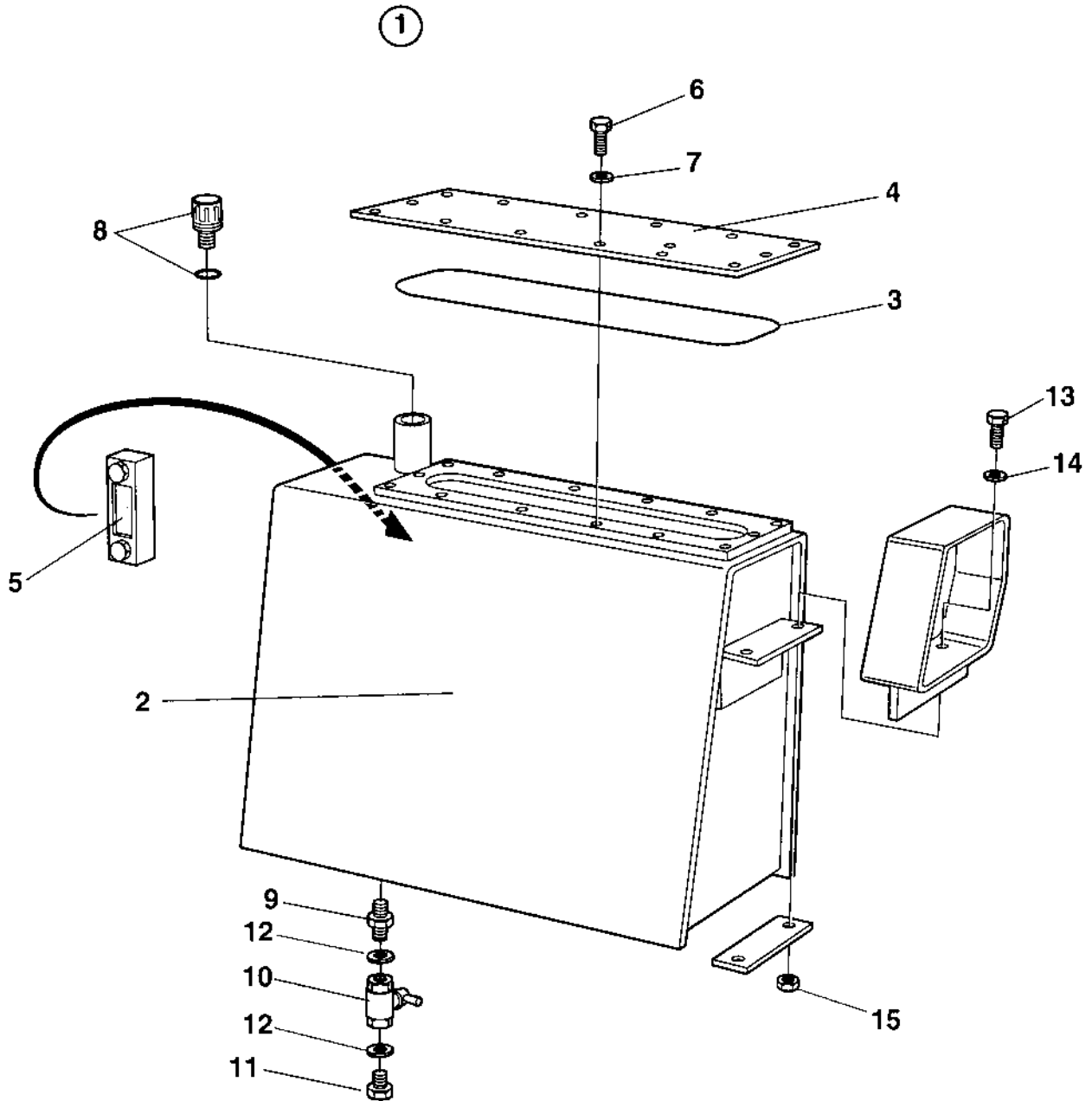
**Brake system**

<b>Item</b>	<b>Part No</b>	<b>Rem Qty</b>	<b>Description</b>	<b>Code</b>
1	4700334389	1	Connector	
2	4700482056	1	Hydraulic hose	
3	4700234888	2	Tee-connector	
4	4700900552	2	Adapter	
5	4700482399	1	Hydraulic hose	
6	4700483040	1	Hydraulic hose	
7	4700925723	1	Connector	
8	4700482516	1	Hydraulic hose	
9	4700334205	1	Straight connector	
10	4700234843	1	Adapter	
11		1	Hydraulic oil tank	
12		1	Propulsion pump	



## Hydraulic oil tank

Item	Part No	Rem Qty	Description	Code
1	4700372044	1	Hydraulic oil tank, cpl	
2	4700372029	1	.Hydraulic oil tank	
3	4700349880	1	.O-ring	
4	4700349879	1	.Cover	
5	4700989151	1	.Oil level glass	D
6	4700500019	14	.Screw	M8x16H 8.8 A2K
7	4700904229	14	.Washer	8,4x16x1,5
8	4700357138	1	.Ventilating filter	
9	4700791119	1	.Adapter	G3/4
10	4700233304	1	.Ball valve	
11	4700232039	1	.Plug	G3/4
12	4700791120	2	.Sealing washer	
13	4700500192	4	Screw	M10x80
14	4700904567	4	Washer	10,5x28x6 HB305
16	4700570006	4	Nut	

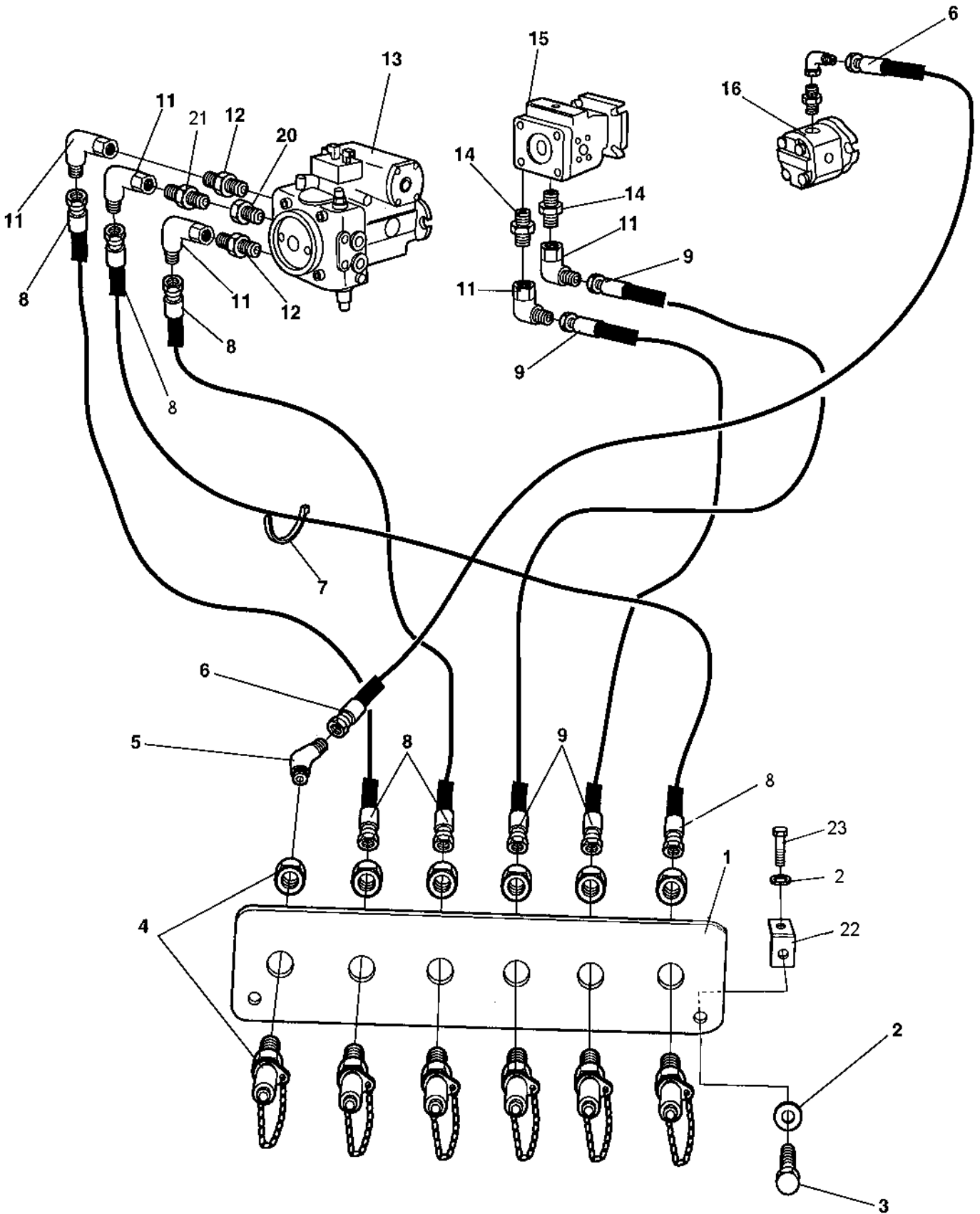


## Hydraulic oil tank

Item	Part No	Rem Qty	Description	Code
1	4700392981	1	Hydraulic oil tank, cpl	
2	4700392986	1	.Hydraulic oil tank	
3	4700349880	1	.O-ring	
4	4700349879	1	.Cover	
5	4700989151	1	.Oil level glass	D
6	4700500019	14	.Screw	M8x16H 8.8 A2K
7	4700904229	14	.Washer	8,4x16x1,5
8	4700357138	1	.Ventilating filter	
9	4700791119	1	.Adapter	G3/4
10	4700233304	1	.Ball valve	
11	4700232039	1	.Plug	G3/4
12	4700791120	2	.Sealing washer	
13	4700500030	4	Screw	
14	4700904567	4	Washer	10,5x28x6 HB305

Central test panel hydraulic Option

18194





## Central test panel hydraulic Option

Item	Part No	Rem Qty	Description	Code
1	4700374028	1	Test panel	
2	4700904229	4	Washer	8,4x16x1,5
3	4700500053	2	Screw	M8x20H 8.8
4	4700356348	6	Measuring nipple	D
5	4700234622	1	Elbow 45	
6	4700483204	1	Hydraulic hose	
7	4700313102	N	Cable ties	
8	4700483445	3	Hydraulic hose	
9	4700483188	2	Hydraulic hose	
11	4700334196	5	Elbow 90	
12	4700902125	2	Connector	
13		1	Vibration pump	
14	4700234388	2	Connector	
15		1	Propulsion pump	
16		1	Steering pump	
20	4700334523	1	Reducing	
21	4700334463	1	Connector	
22	4700908136	2	Bracket	
23	4700500018	2	Screw	M8-1,25x12 8,8

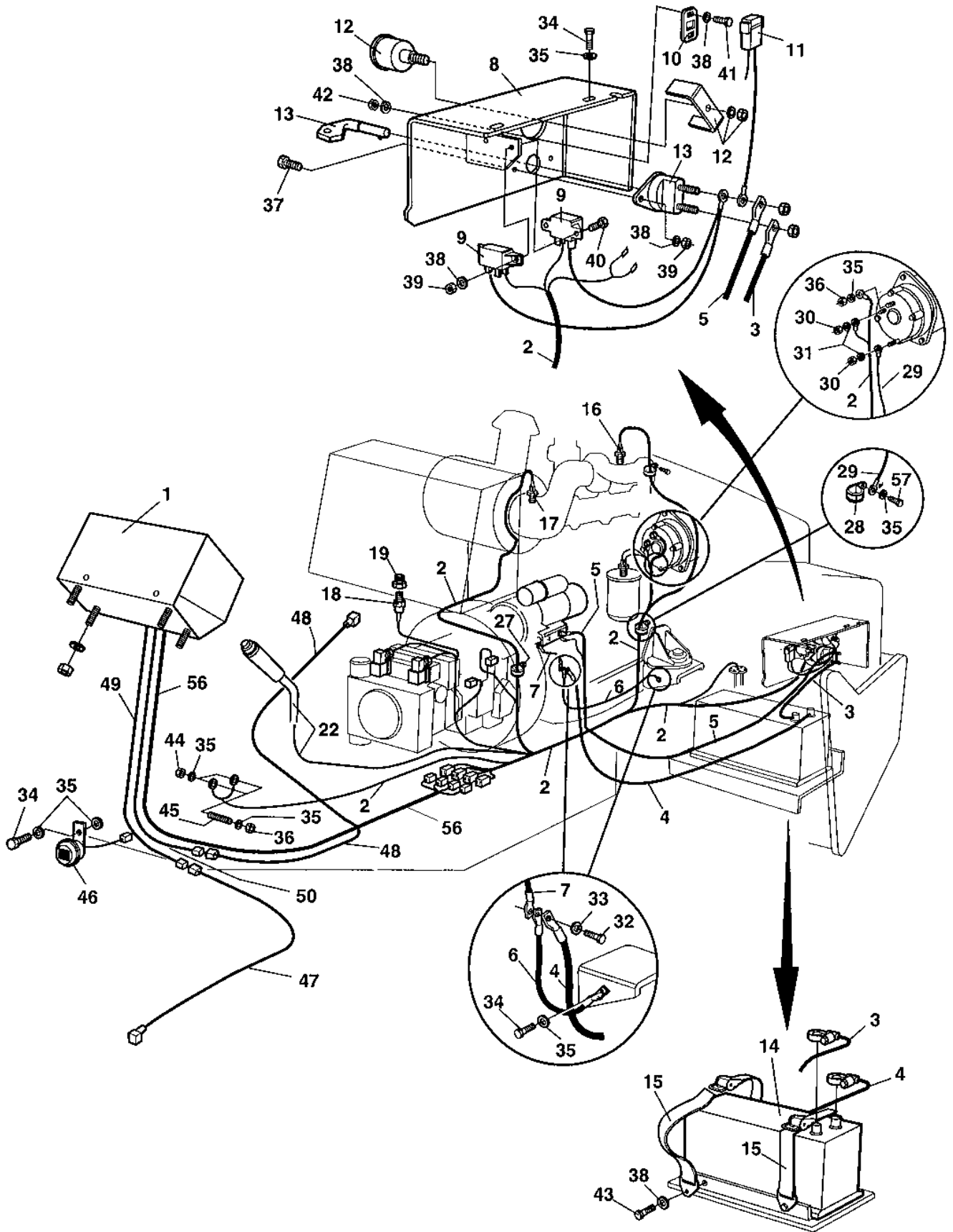


**Electrical equipment**

<b>Item</b>	<b>Part No</b>	<b>Rem Qty</b>	<b>Description</b>	<b>Code</b>
10			Electric system ( Page 146 )	
20			Control panel ( Page 148 )	
30			Working lights ( Page 150 )	Option
70			Rotating beacon ( Page 152 )	Option
85			Back-up alarm ( Page 154 )	Option

Electric system

18043



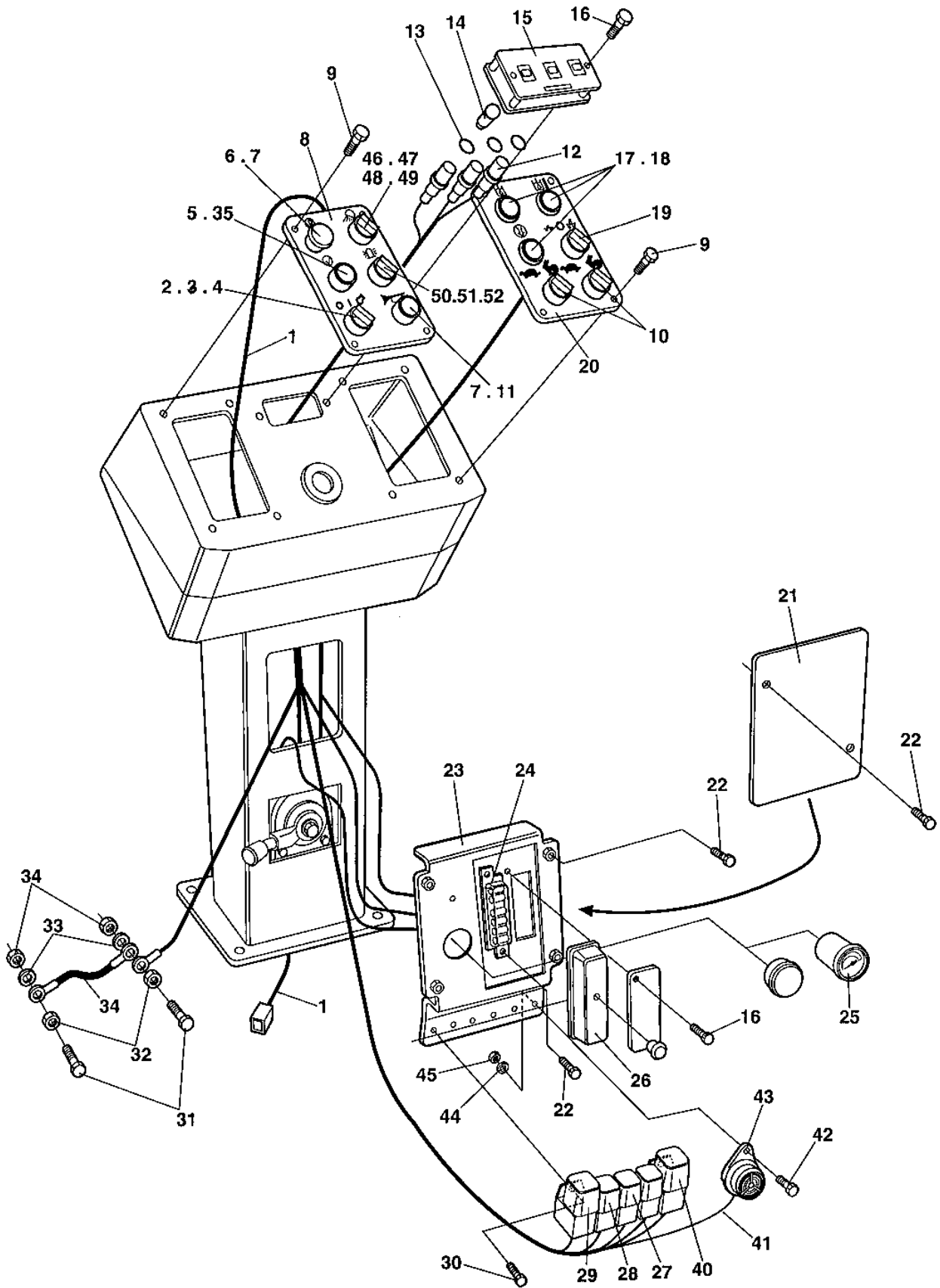
**Electric system**

Item	Part No	Rem	Qty	Description	Code
1			1	Control panel ( Page 148 )	
2	4700377274	A	1	Cable harness	
3	4700791503		1	Battery cable	
4	4700791511		1	Battery cable	
5	4700792052		1	Connection cable, coarse	
6	4700791510		1	Connection cable, coarse	
7	4700791595		1	Connection cable, coarse	
8	4700386999		1	Holder	
9	4700791183	H	2	Relay	D
10	4700904036		1	Fuse holder	
11	4700904037		1	Fuse	30A
12	4700801567		1	Hour meter	D
13	4700903640		1	Battery switch	D
	4700903641		1	.Key	D
14	4700470021		1	Battery	
15	4700791371		2	Strap	
16	4700903632		1	Temperature sensor	Engine
17	4700929023		1	Indicator	D
18	4700813434		1	Reducer	
19	4700903631		1	Temperature sensor	Hydraulic oil
22	4700357583		1	Cable harness	
27	4700921104		1	Clamp	
28	4700921116		1	Clamp	
29	4700791924		1	Connection cable	
	4700792277		1	Connection cable	
30	4700570003		2	Nut	M5
31	4700904281		2	Washer	
32	4700500035		1	Screw	M12x020H
33	4700904638		1	Washer	12x22x2
34	4700500053		5	Screw	M8x20H 8.8
35	4700904229		10	Washer	8,4x16x1,5
36	4700570005		3	Nut	M8
37	4700500040		2	Screw	M6-1x20 8,8
38	4700904639		10	Washer	6,7x14x1,5
39	4700902285		4	Lock nut	M6
40	4700500075		2	Screw	M6-1,0x25 8.8
41	4700500184		2	Screw	M5-0,8x14 8,8
42	4700902284		2	Nut	M5
43	4700500012		4	Screw	M6x12
44	4700902286		2	Lock nut	M8
45	4700903768		2	Threaded stud	
46	4700999027		1	Horn	D
47	4700380549	B	1	Cable harness	
48	4700380577	C	1	Cable harness	
49	4700380699	D	1	Cable harness	
50	4700380700	E	1	Cable harness	
56	4700380281	F	1	Cable harness	
57		G	1	Screw	

- A) Main Cable harness.
- B) Drum drive.
- C) Rear axle.
- D) Control panel, Drum drive
- E) Control panel, Rear axle.
- F) Main harness, control panel.
- G) Existing on engine
- H) Replaces P/N 4700904448 as Start relay from January 2009.

Control panel

18044



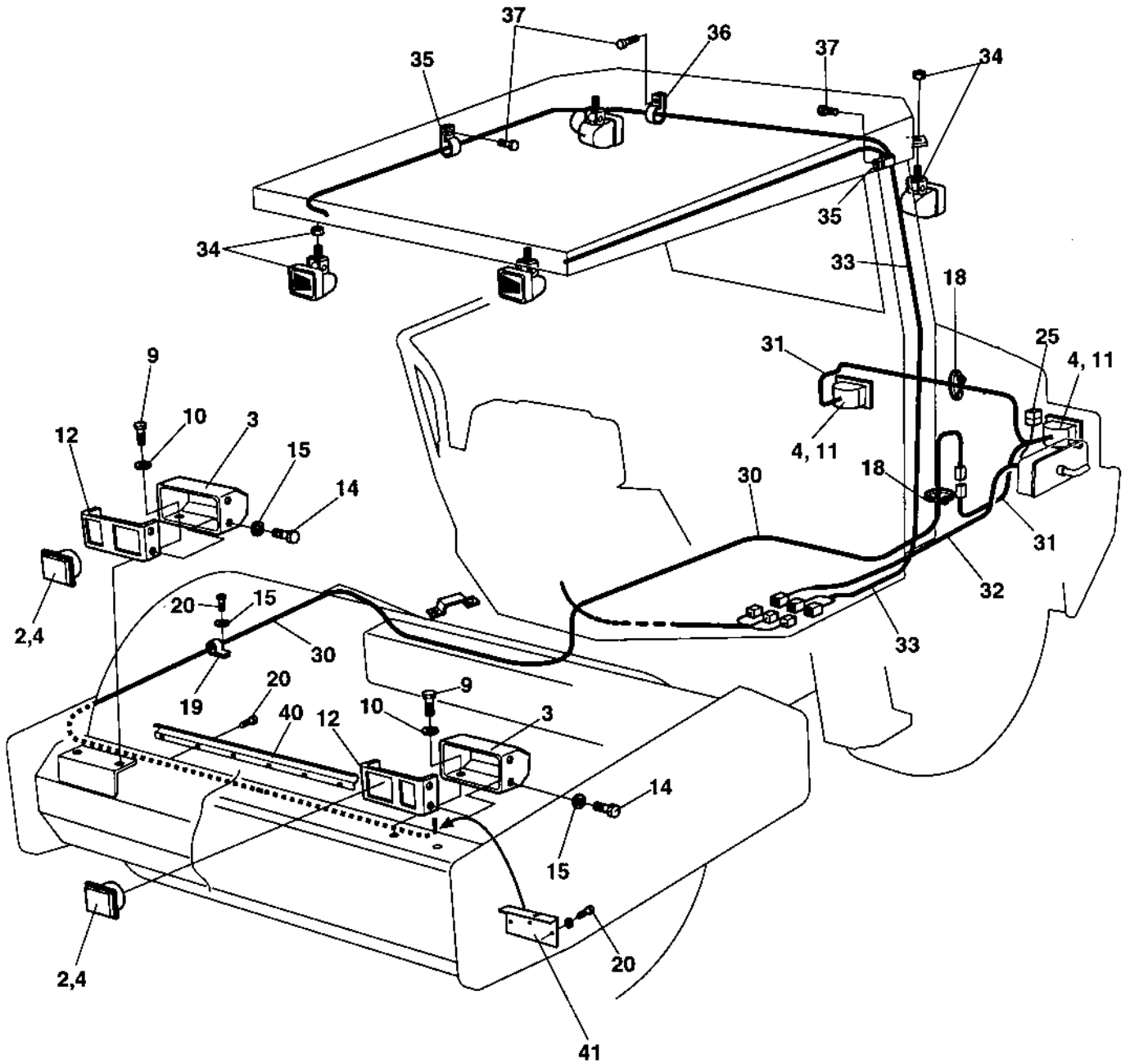
**Control panel**

Item	Part No	Rem	Qty	Description	Code
1	4700380281		1	Cable harness	
2	4700932050	E	1	Switch	
3	4700930154		1	Contact piece, NC	
4	4700930182		1	Contact block	
5	4700932032		1	Push button	
6	4700930200		1	Emergency stop	
7	4700930163		3	Contact piece, NO	D
8	4700380278		1	Control panel left	
9	4700902224		8	Screw	M6x10
10	4700930151	D	2	Switch	
11	4700932032		1	Push button	
12	4700902225		3	Lamp socket	2-POL
13	4700160269		3	O-ring	
14	4700985125		3	Bulb	12V
15	4700357585		1	Display panel	
16	4700901767		6	Screw	ST3,5x9,5 Black
17	4700985146		3	Pilot lamp cpl	Red
18	4700985012		3	Bulb	
19	4700930153		1	Switch	
20	4700380277		1	Control panel right	
21	4700371344		1	Cover	
22	4700541702		6	Screw	M6x12
23	4700371326		1	Distribution control plate	
24	4700901226		5	Fuse	7.5A
25	4700355263		1	Fuel gauge	
26	4700903820		2	Fuse box	
	4700909527		1	.Cover	
	4700901240		6	Connector	
27	4700287597		1	Relay	
28	4700287598		1	Relay	12V-30A
29	4700382782		1	Relay, VBS	
30	4700902223		3	Screw	
31	4700500075		2	Screw	M6-1,0x25 8.8
32	4700586002		2	Lock nut	
33	4700904228		2	Washer	
34	4700570004		2	Nut	M6X1,00 -8 A2K
35	4700930163		1	Contact piece, NO	
40	4700904846	A	1	Delay relay	
41	4700387728	A	1	Cable harness	
42	4700533070	A	1	Screw	
43	4700355301	A	1	Buzzer	
44	4700904281	A	2	Washer	
45	4700586001	A	1	Lock nut	
46	4700930166	B	1	Switch	
47	4700930162	B	1	Connector	
48	4700930163	B	1	Contact piece, NO	
49	4700985012	B	1	Bulb	
50	4700930166	C	1	Switch	
51	4700930165	C	1	Contact block	
52	4700985012	C	1	Bulb	

- A) Interlock, Option
- B) Lights, Option
- C) Rotating beacon, Option
- D) Speed
- E) Ignition

**Working lights Option**

16982-2



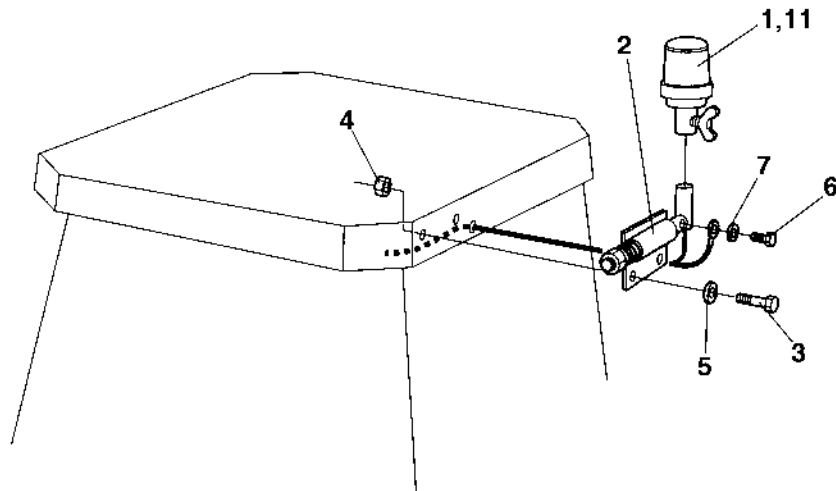
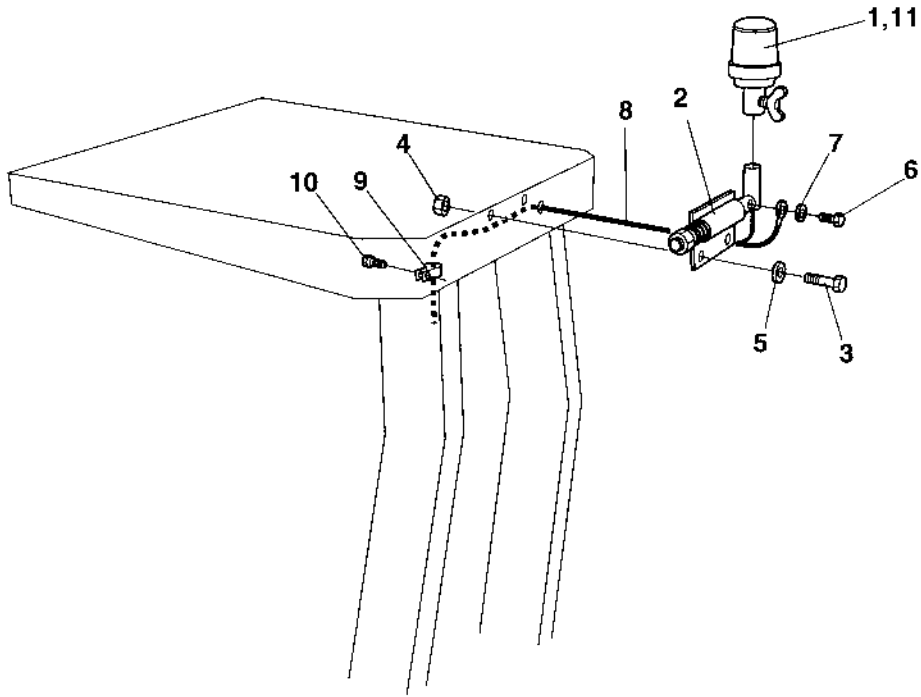


Working lights Option

Item	Part No	Rem Qty	Description	Code
2	4700902227	2	Work light	
3	4700374029	2	Lamp shield	
4	4700901369	4	Bulb	B
9	4700500043	6	Screw	55w H3 M10x16H 8,8
10	4700904230	6	Washer	
11	4700904314	2	Work lamp	
12	4700374030	2	Bracket	
14	4700500040	8	Screw	M6-1x20 8,8
15	4700904228	13	Washer	
18	4700925802	N	Cable ties	L=142 mm
19	4700921039	8	Pipe clamp	
20	4700500012	8	Screw	M6x12
25	4700904038	1	Fuse	40A
30	4700373184	1	Cable harness	D
31	4700387419	1	Cable harness	
32	4700373184	1	Cable harness	
33	4700372758	1	Cable harness	
34	4812110216	4	Work lamp	
	4700904230	4	Washer	
	4700586018	4	Lock nut	
35	4700921039	10	Pipe clamp	
36	4700921031	3	Clamp	
37	4700541702	13	Screw	M6x12
40	4700381462	1	Rubber hose	
41	4700384163	2	Protection	

**Rotating beacon Option**

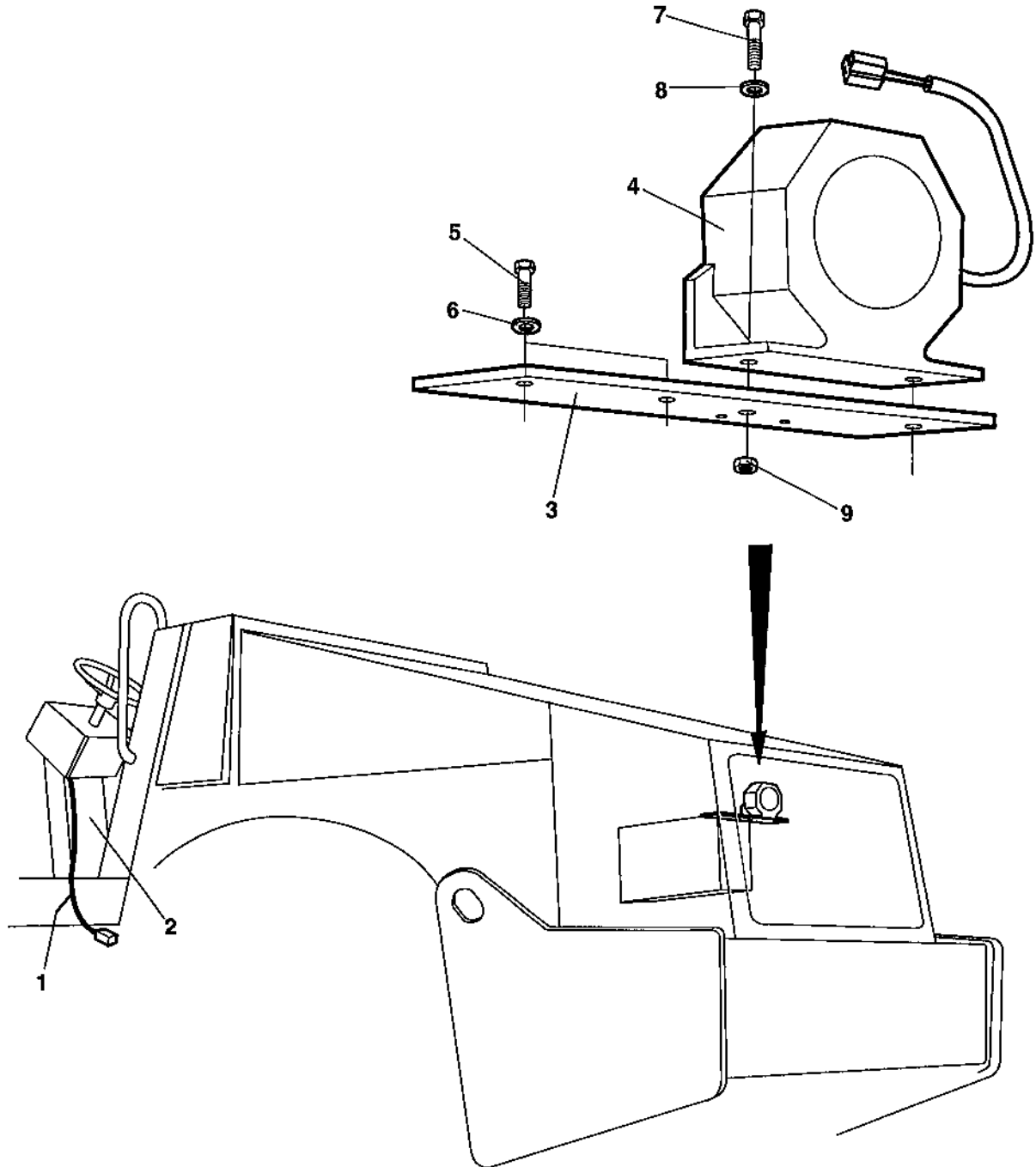
16981



**Rotating beacon Option**

Item	Part No	Rem	Qty	Description	Code
1	4700999011	1	1	Rotating beacon	D
2	4700358452		1	Lamp holder	
3	4700500021		2	Screw	M8-1,25x25 8.8
4	4700586003		2	Lock nut	M8
5	4700904229		2	Washer	8,4x16x1,5
6	4700500013		1	Screw	M6-1x16 8,8
7	4700904228		1	Washer	
8	4700374398		1	Cable harness	
9	4700921039		1	Pipe clamp	
10	4700541702		1	Screw	M6x12
11	4700389577	2	1	Rotating beacon	D

- 1) Is replaced by item 11, P/N 4700389577
- 2) Replaces item 1, P/N 4700999011



**Back-up alarm Option**

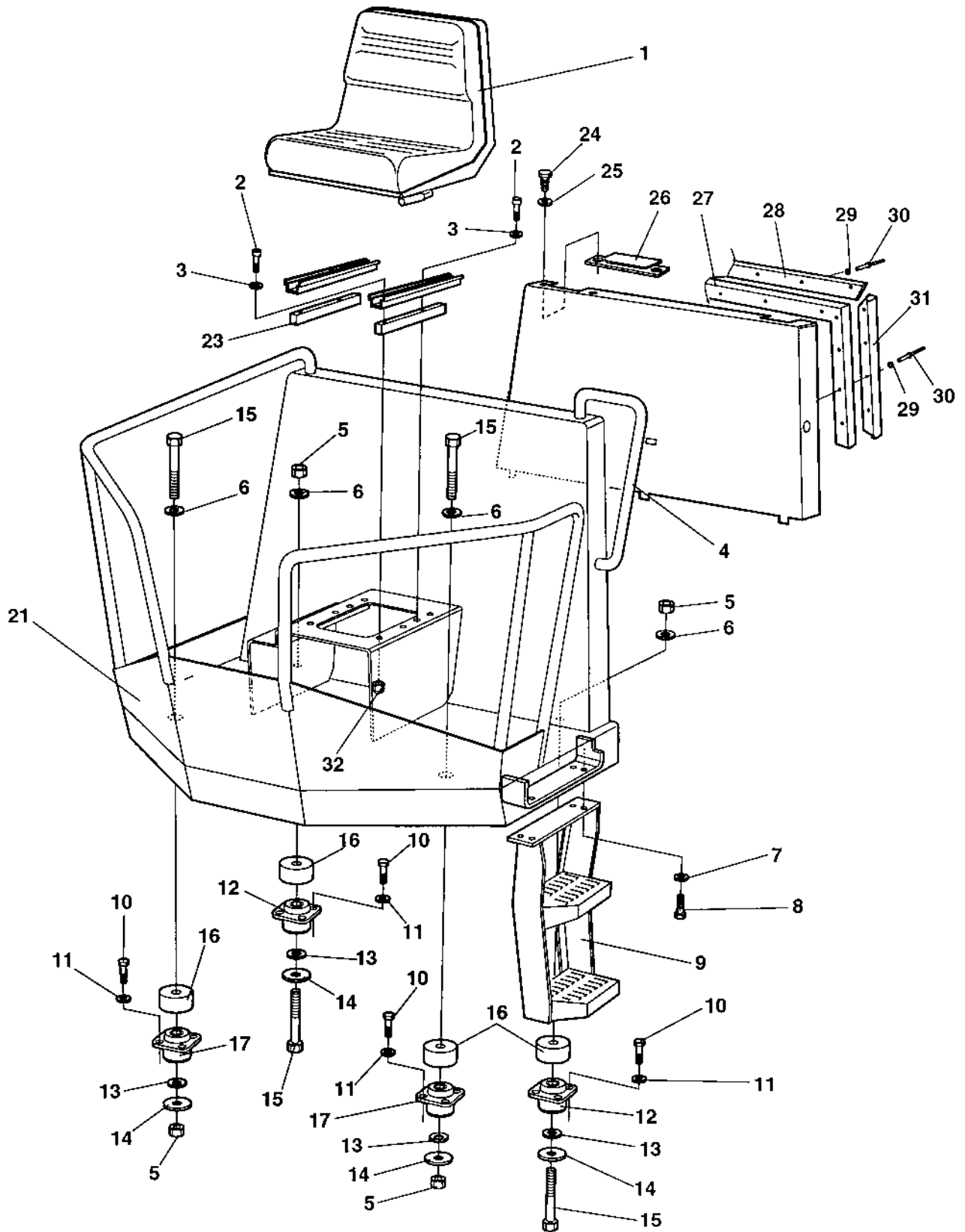
<b>Item</b>	<b>Part No</b>	<b>Rem</b>	<b>Qty</b>	<b>Description</b>	<b>Code</b>
1	4700380798	A	1	Cable harness	
2	4700901224	B	1	Fuse	3A D
3	4700377071		1	Bracket	
4	4700904910		1	Back-up alarm	
5	4700500053		2	Screw	M8x20H 8.8
6	4700904229		2	Washer	8,4x16x1,5
7	4700500040		2	Screw	M6-1x20 8,8
8	4700904228		2	Washer	
9	4700586002		2	Lock nut	

- A) Is connected to the main wiring harness.  
B) Located in the fusebox on the control panel.



**Drivers platform**

<b>Item</b>	<b>Part No</b>	<b>Rem Qty</b>	<b>Description</b>	<b>Code</b>
10			Drivers platform ( Page 158 )	
20			Control panel ( Page 160 )	
30			Throttle control ( Page 162 )	
40			Forward and reverse control ( Page 164 )	
50			Steering column Up to 79X20512 ( Page 166 )	
52			Steering column From 79X20513 ( Page 168 )	
100			Canopy ( Page 170 )	Option
110			Rops and fops ( Page 172 )	
120			Cab mounting Up to 79X20512 ( Page 174 )	
130			Cab Up to 79X20512 ( Page 176 )	380656
140			Cab mounting From 79X20513 ( Page 190 )	
150			Cab From 79X20513 ( Page 192 )	378308
160			Cab ( Page 200 )	Exterior rear mirror
180			Cab ( Page 202 )	Work light





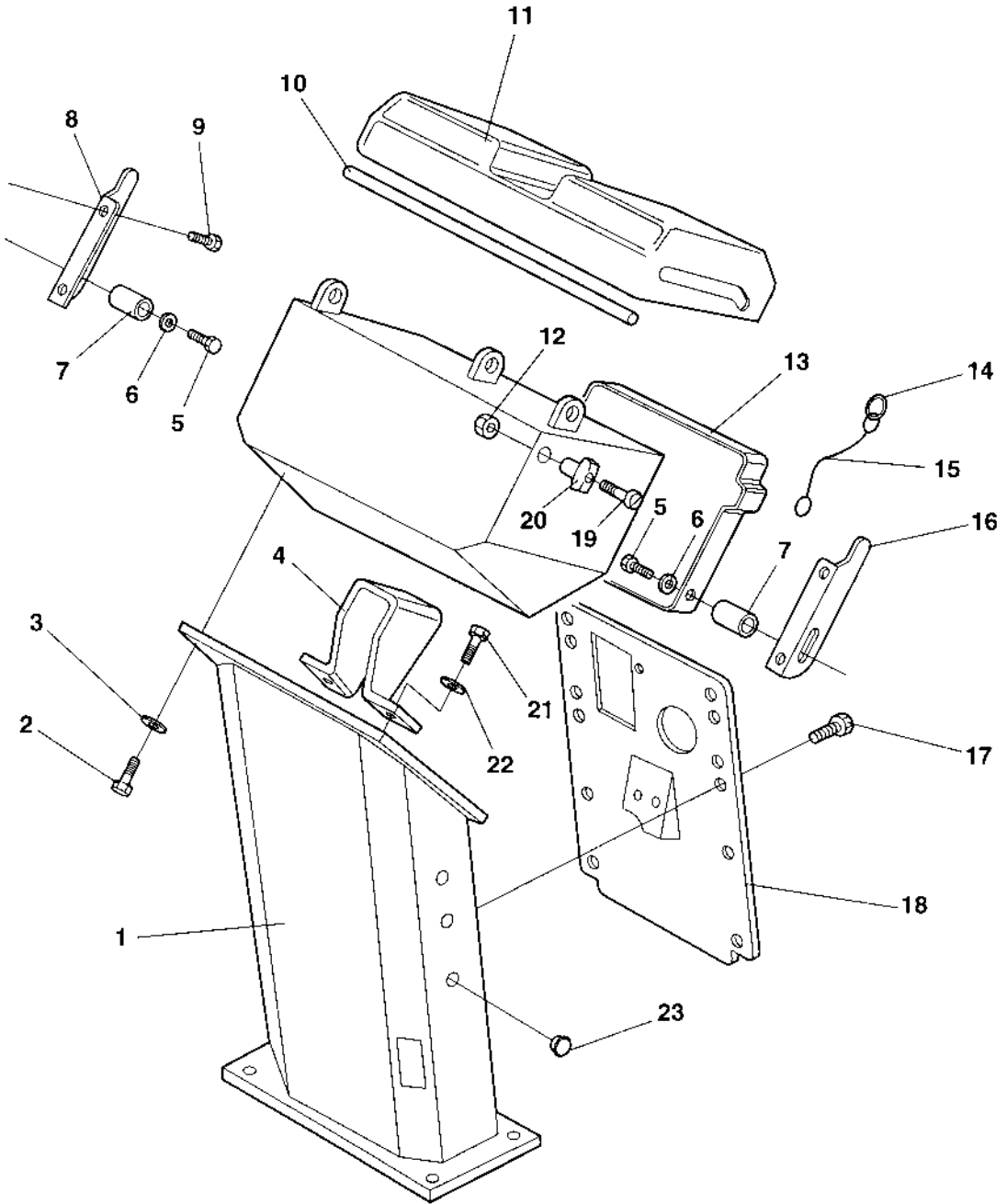
**Drivers platform**

Item	Part No	Rem	Qty	Description	Code
1	4700380208		1	Drivers seat, cpl	
	4700348331		1	Seat cover	D
	4700370234	A	1	Drivers seat	
	4700936283		1	.Seat switch	D
	4700380889		1	.Cable harness	
	4700909535	B,C	1	.Sliding rail	Left D
	4700909536	D	1	.Sliding rail	Right D
2	4700508006		4	Screw	
3	4700904229		4	Washer	8,4x16x1,5
4	4700380123	F	1	Grab handle	
5	4700901145		4	Lock nut	M20-10
6	4700904233		4	Washer	21x36x3
7	4700904230		8	Washer	
8	4700500029		4	Screw	
9	4700376252		1	Step	
10	4700500111		16	Screw	M12x55 8,8
11	4700904231		16	Washer	13x24x2 300 HV
12	4700372757		2	Shock absorber	
13	4700903290		4	Washer	21x36x6
14	4700347512		4	Washer	
15	4700500226		4	Screw	M20-2.5x180 8,8
16	4700374471		4	Spacer	
17	4700373400		2	Shock absorber	
21	4700380113		1	Platform	
23	4700382397		2	Spacer	
24	4700500053		4	Screw	M8x20H 8,8
25	4700904229		8	Washer	8,4x16x1,5
26	4700380727		2	Cover	
27	4700372494	E	1	Rubber strip	
28	4700372785		1	List	
29	4700927974		13	Washer	
30	4700904433		13	Blind rivet	
31	4700382582		2	List	
32	4700902286		2	Lock nut	M8

- A) Option
- B) With handle
- C) Left
- D) Right
- E) L=2,4 M
- F) Welded with platform 4700380113

**Control panel**

17263



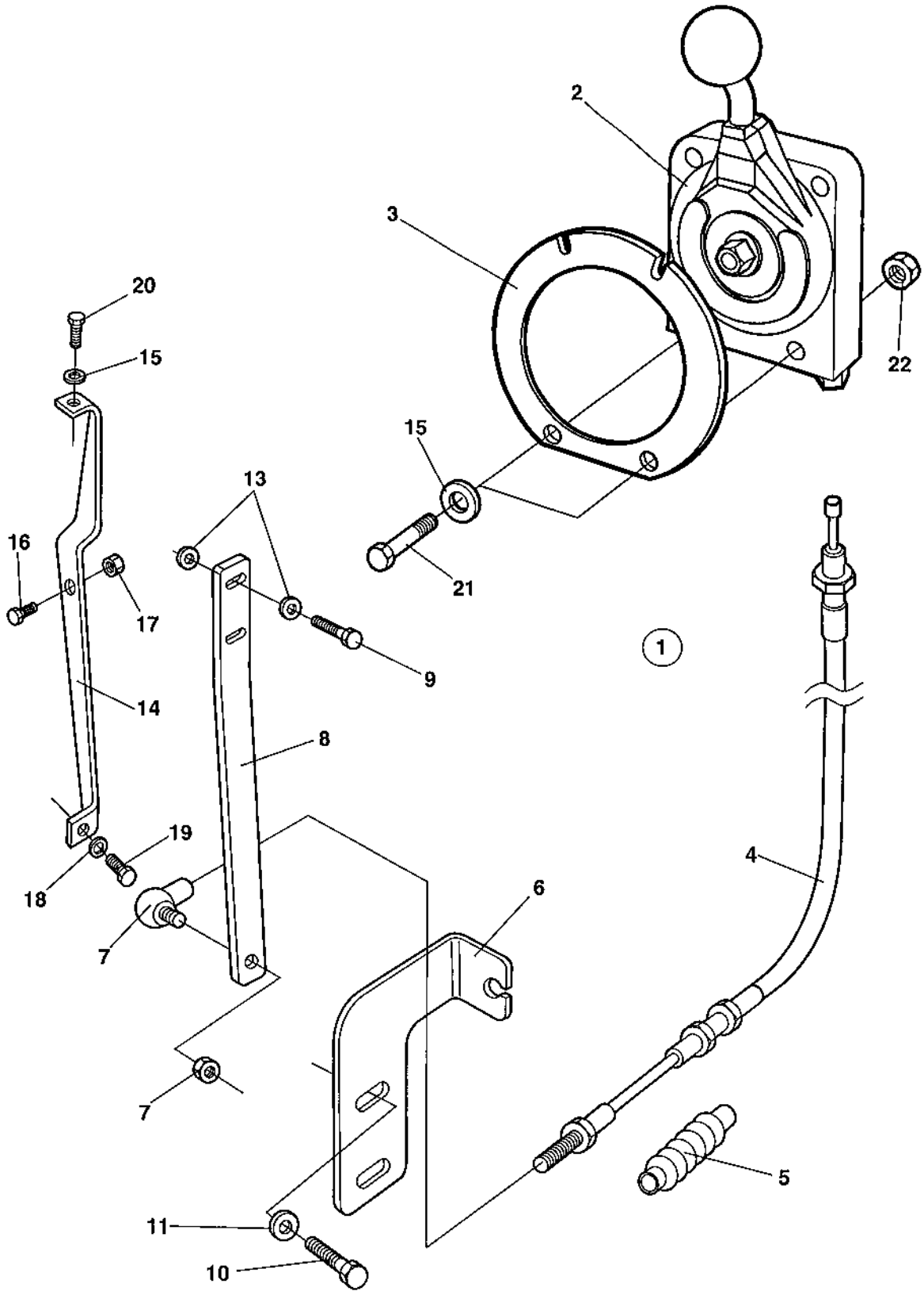
**Control panel**

Item	Part No	Rem Qty	Description	Code
1	4700358142	1	Control panel	
2	4700500040	4	Screw	M6-1x20 8,8
3	4700904228	4	Washer	
4	4700357316	1	Bracket	
5	4700902164	2	Screw	
6	4700929602	4	Washer	
7	4700902163	2	Parallel pin	
8	4700357427	1	Cover holder	
9	4700901767	4	Screw	ST3,5x9,5 Black
10	4700902379	A 1	Edge trim	
11	4700357424	1	Cover	
	4700358881	1	Pad lock	
12	4700586002	2	Lock nut	
13	4700357425	1	Instruction book holder	
14	4700358254	1	Key-ring	
15	4700357643	1	Wire	
16	4700357426	1	Cover holder	
17	4700541702	8	Screw	M6x12
18	4700358143	1	Cover	
19	4700924875	2	Screw	
20	4700357855	2	Bushing	
21	4700500021	4	Screw	M8-1,25x25 8.8
22	4700904640	4	Washer	8,4x22x3
23	4700902919	4	Plug	

A) L=350 mm

**Throttle control**

18041



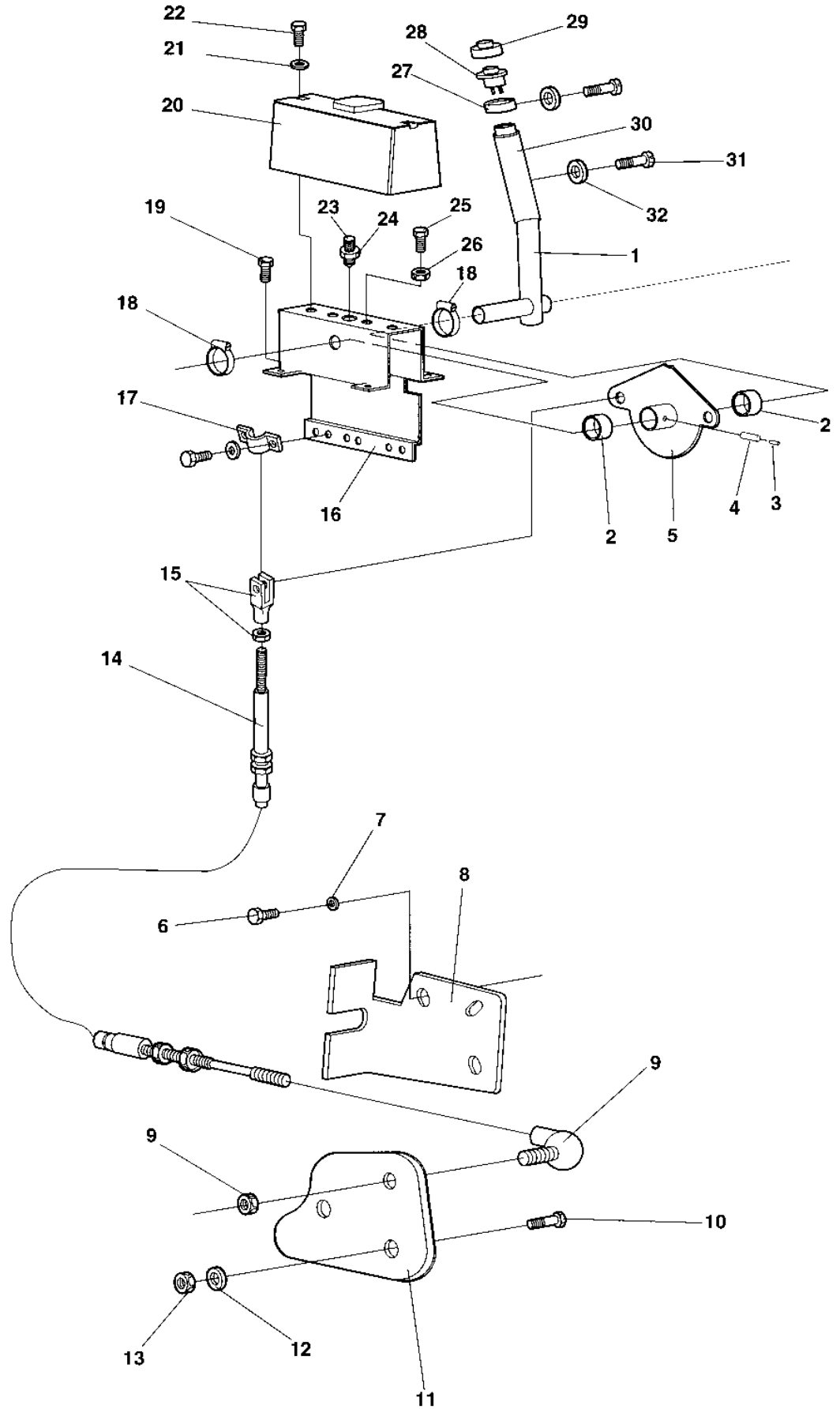
**Throttle control**

Item	Part No	Rem	Qty	Description	Code
1	4700389170		1	Throttle control, cpl	
2	4700389175		1	.Control	
3	4700389177		1	.Snap plate	
4	4700389184	A	1	.Throttle cable	D
5	4700382349		1	.Bellows	
6	4700371657		1	Control bracket	
7	4700416034		1	Ball joint	D
8	4700371658		1	Control lever	
9	4700500013		2	Screw	M6-1x16 8,8
10	4700500046		2	Screw	
11	4700904703		2	Washer	
13	4700603010		4	Washer	6,4X12X3
14	4700375507		1	Bracket	
15	4700904228		3	Washer	
16	4700923987		1	Stop screw	M6x25
17	4700573003		1	Nut	M6
18	4700904229		1	Washer	8,4x16x1,5
19	4700500021		1	Screw	M8-1,25x25 8.8
20	4700500040		1	Screw	M6-1x20 8,8
21	4700500061		2	Screw	M6-1X35 8,8
22	4700902285		2	Lock nut	M6

A) L=3040MM

Forward and reverse control

16947

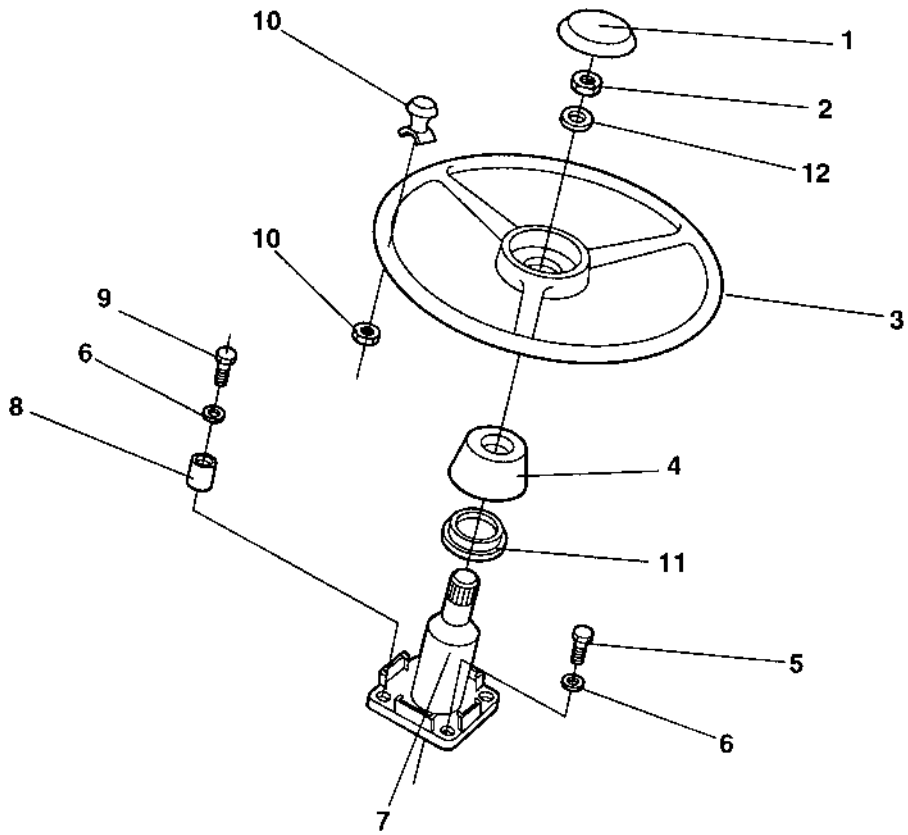


Forward and reverse control

Item	Part No	Rem Qty	Description	Code
1	4700357501	1	Control lever	
2	4700902187	2	Bearing	
3	4700903395	1	Spirol pin	
4	4700629016	1	Expanding	
5	4700902895	1	Cam disc	
6	4700904812	3	Screw	M6x65
7	4700904228	3	Washer	
8	4700381777	1	Control bracket	
9	4700416034	1	Ball joint	D
10	4700500021	2	Screw	M8-1,25x25 8.8
11	4700380366	1	Control bracket	
12	4700904229	2	Washer	8,4x16x1,5
13	4700586003	2	Lock nut	M8
14	4700902191	1	Control cable	D
15	4700416004	1	Fork	
16	4700902896	1	Framing	
17	4700902189	1	Bracket	
18	4700313035	2	Hose clamp	
19	4700541703	4	Screw	M6x16
20	4700357494	1	Cover	
21	4700904228	2	Washer	
22	4700500013	2	Screw	M6-1x16 8,8
23	4700922325	1	Spring ball plunger	D
24	4700573004	1	Nut	
25	4700533038	2	Screw	
26	4700570004	2	Nut	M6X1,00 -8 A2K
27	4700285911	1	Bushing	D
28	4700928497	1	Push button	D
29	4700348481	1	Cover	D
30	4700285909	1	Grab handle	D
31	4700533001	3	Screw	
32	4700904697	3	Washer	3,2x6x0,5

**Steering column**

16953-2



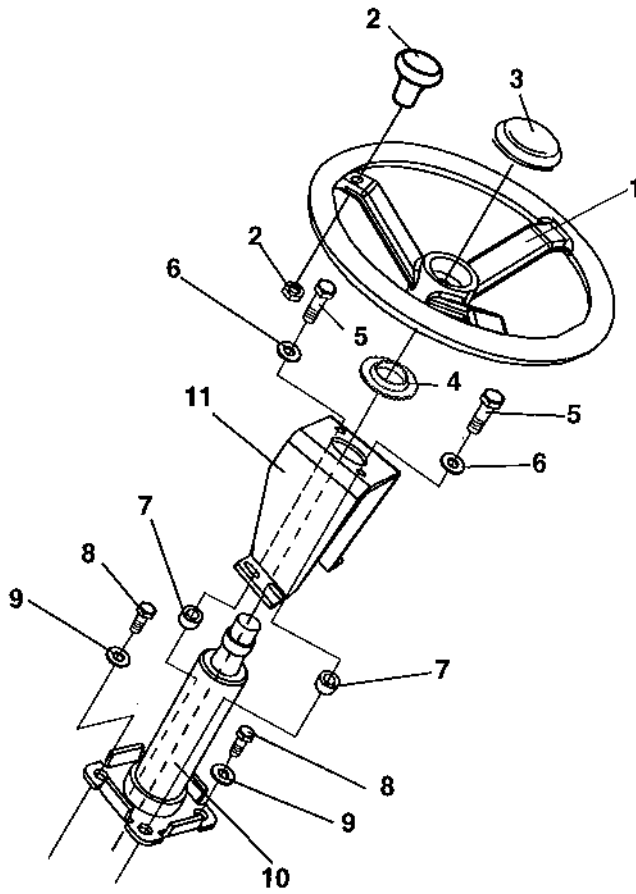


**Steering column**

Item	Part No	Rem Qty	Description	Code
1	4700902186	1	Cover plate	
2		1	Nut	
3	4700902183	1	Steering wheel	
4	4700902185	1	Insert adapter	
5	4700500048	2	Screw	M10-1,5x20 8,8
6	4700904230	4	Washer	
7	4700902123	1	Steering column	
8	4700355869	2	Spacer sleeve	
9	4700500030	2	Screw	
10	4700902184	1	Turning knob	D
11	4700928830	1	Rubber washer	
12	4700904793	1	Washer	19x34x3

**Steering column**

18258



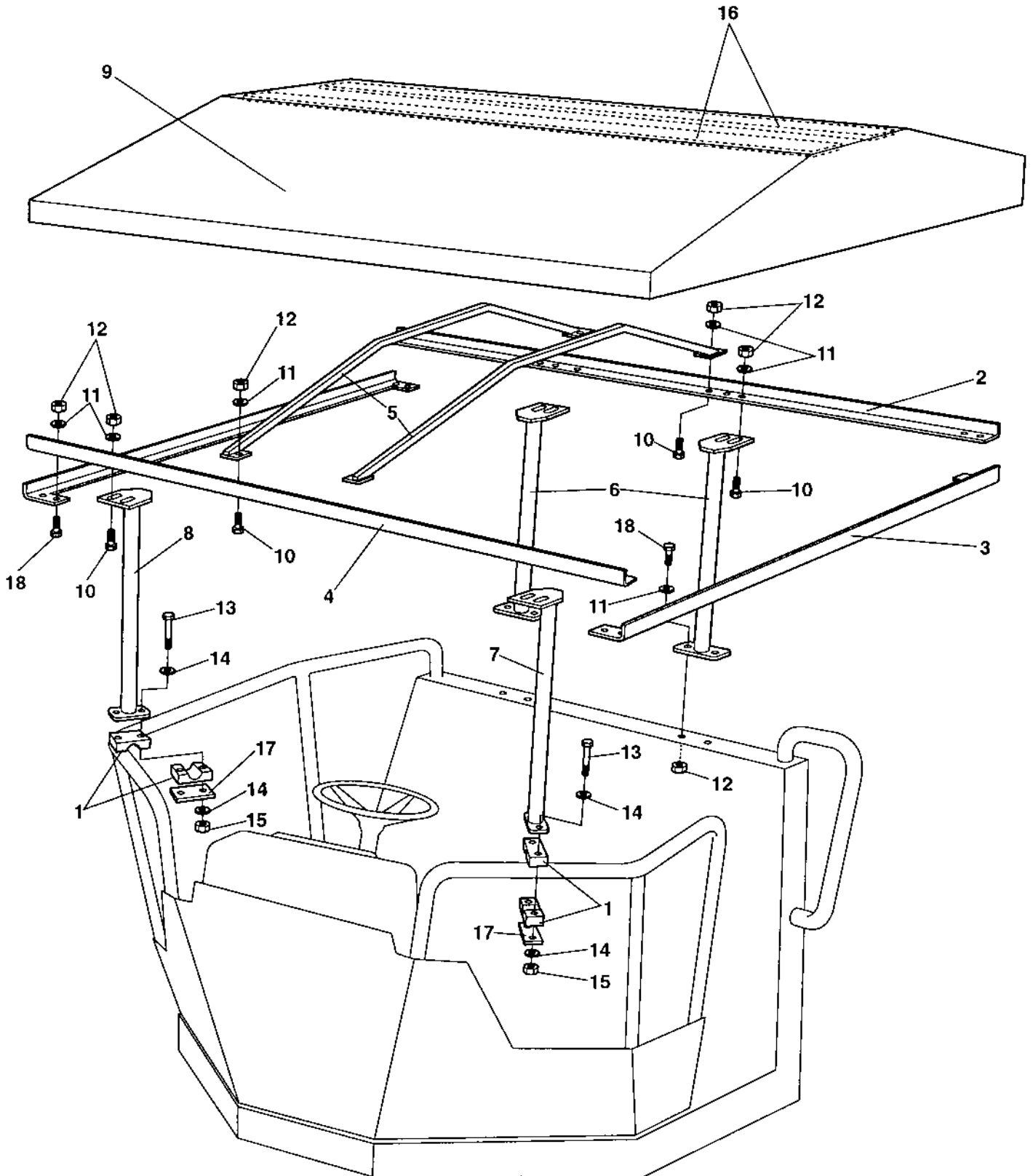
**Steering column**

<b>Item</b>	<b>Part No</b>	<b>Rem</b>	<b>Qty</b>	<b>Description</b>	<b>Code</b>
1	4700372964		1	Steering wheel, cpl	
2	4700935614		1	.Turning knob	D
3	4700935613		1	.Cover	
4	4700928830		1	Rubber washer	
5	4700500030		2	Screw	
6	4700904230		2	Washer	
7	4700355869		2	Spacer sleeve	
8	4700500048		2	Screw	M10-1,5x20 8,8
9	4700904230		4	Washer	
10	4700902123		1	Steering column	
11		A	1	Bracket	

A) Included in control panel

**Canopy Option**

17483



**Canopy Option**

<b>Item</b>	<b>Part No</b>	<b>Rem Qty</b>	<b>Description</b>	<b>Code</b>
1	4700904340	2	Pipe clamp	
2	4700373746	1	Canopy profile	
3	4700373747	2	Canopy profile	
4	4700373748	1	Canopy profile	
5	4700373749	4	Canopy rib	
6	4700373750	2	Canopy anchor	
7	4700380963	1	Canopy anchor	
8	4700380964	1	Canopy anchor	
9	4700373906	1	Roof	
10	4700500021	16	Screw	M8-1,25x25 8.8
11	4700904229	44	Washer	8,4x16x1,5
12	4700586003	22	Lock nut	M8
13	4700500153	4	Screw	
14	4700904228	8	Washer	
15	4700586002	4	Lock nut	
16	4700373907	2	Lath	
17	4700924791	2	Cover plate	
18	4700500022	8	Screw	M8x30H 8.8 A2K

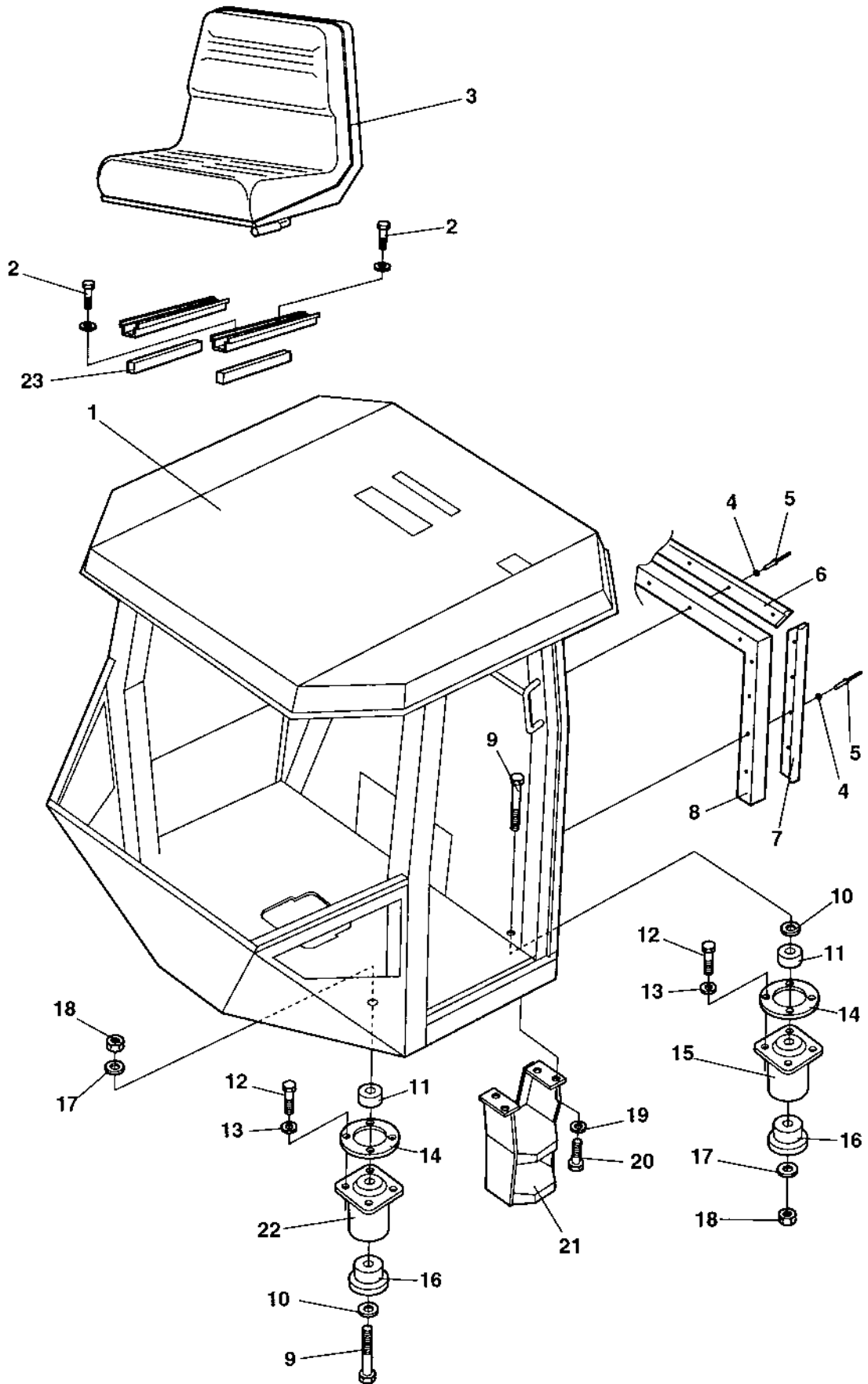


**Rops and fops**

Item	Part No	Rem Qty	Description	Code
1	4700372347	1	Rops	
2	4700370803	1	.Sign, rops	
3	4700624016	4	.Blind rivet	
4	4700904619	12	Blind rivet	
5	4700904734	10	Washer	8,4x26x4
6	4700500239	10	Screw	
7	4700904180	4	Plug	
8	4700372409	1	Fops roof	
	4700370792	1	.Sign, fops	
	4700624016	4	.Blind rivet	
9	4700372678	1	Absorbent	
10	4700376489	1	Absorbent holder	
11	4700376488	1	Absorbent holder	
12	4700372489	2	Rubber seal	
13	4700904562	16	Screw	
14	4700904234	16	Washer	25x45x4
15			Not used on this model	
16	4700381353	1	Holder plate	
17			Not used on this model	
18			Not used on this model	
19	4700381352	1	Holder plate	
20	4700370766	1	Seat belt	
	4700383200	A 1	Seat belt	3"
21	4700383951	2	Hook	
22	4700904734	4	Washer	8,4x26x4
23	4700500100	4	Screw	
A)	Option 3"			

**Cab mounting**

16966-1





**Cab mounting**

Item	Part No	Rem	Qty	Description		Code
1				Cab ( Page 176 )	380656	
2	4700508005	H	4	Screw		
	4700508059	I	4	Screw	M8x65	
3	4700380208		1	Drivers seat, cpl		
	4700370234	D	1	Drivers seat		
	4700936283		1	.Seat switch		D
	4700380889		1	.Cable harness		
	4700909535	E,F	1	.Sliding rail	Left	D
	4700909536	G	1	.Sliding rail	Right	D
4	4700927974		13	Washer		
5	4700904433		13	Blind rivet		
6	4700372785		1	List		
7	4700382582		2	List		
8	4700372494	A	N	Rubber strip		
9	4700903905		4	Screw		
10	4700904233		4	Washer	21x36x3	
11	4700370258		4	Spacer washer		
12	4700500121		16	Screw	M12x65 8,8	
13	4700904231		16	Washer	13x24x2 300 HV	
14	4700359998		4	Back-up ring		
15	4700374606	B	2	Shock absorber	Green	D
16	4700372457		4	Back-up ring		
17	4700903290		4	Washer	21x36x6	
18	4700901145		4	Lock nut	M20-10	
19	4700904230		4	Washer		
20	4700500029		4	Screw		
21	4700376252		1	Step		
22	4700374607	C	2	Shock absorber	Yellow	D
23	4700382397		2	Spacer		
A)	L=2400 mm					
B)	Rear					
C)	Front					
D)	Option					
E)	With handle					
F)	Left					
G)	Right					
H)	Without Ref. 23					
I)	With Ref. 23					

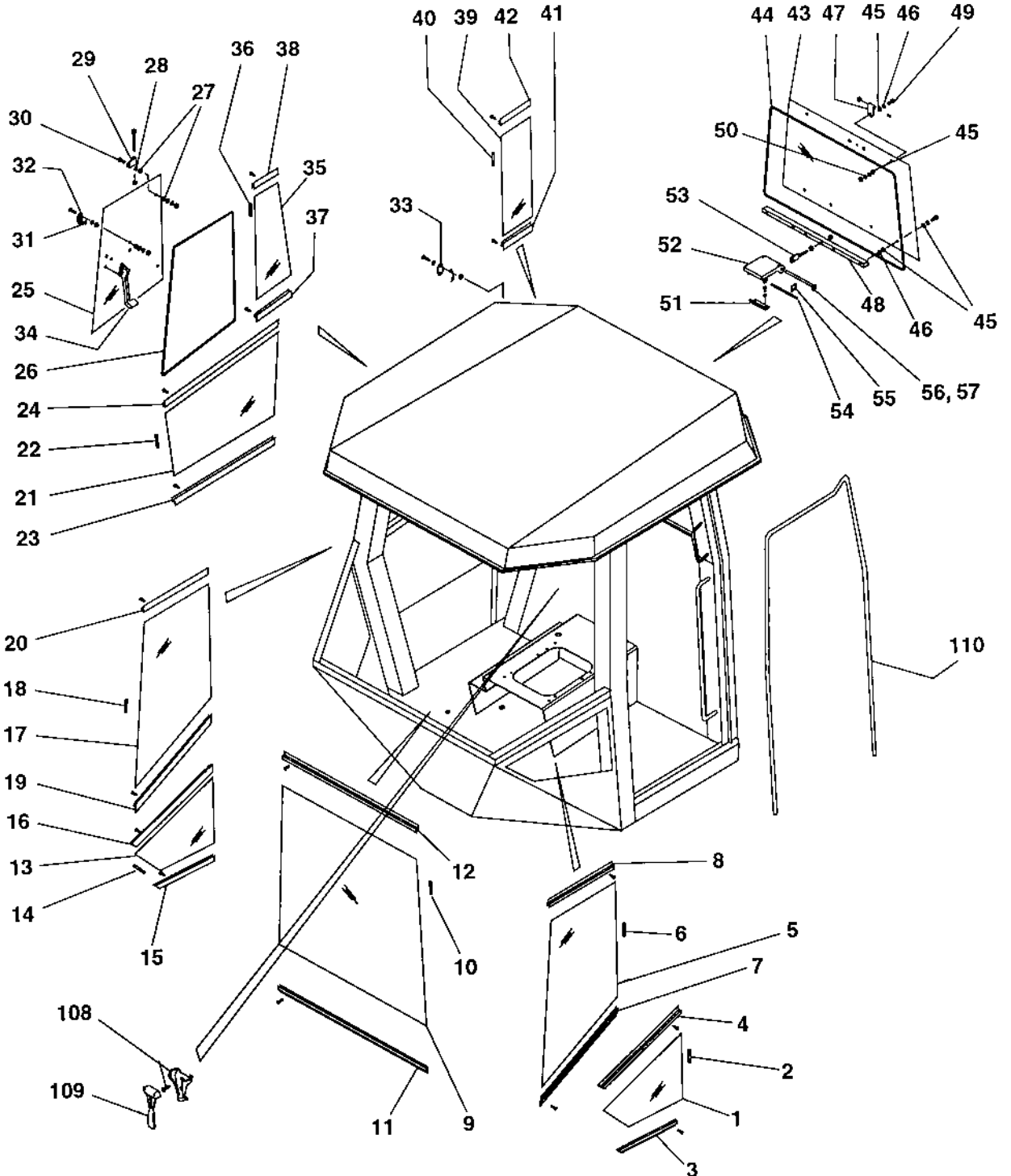


**Cab 380656**

<b>Item</b>	<b>Part No</b>	<b>Rem Qty</b>	<b>Description</b>	<b>Code</b>
130			Cab ( Page 178 )	Screens
140			Cab ( Page 182 )	Door, left side
150			Cab ( Page 184 )	Interior rear mirror
170			Wiper arm with blade, front ( Page 186 )	
180			Cab ( Page 188 )	Electric

**Cab Screens**

17435



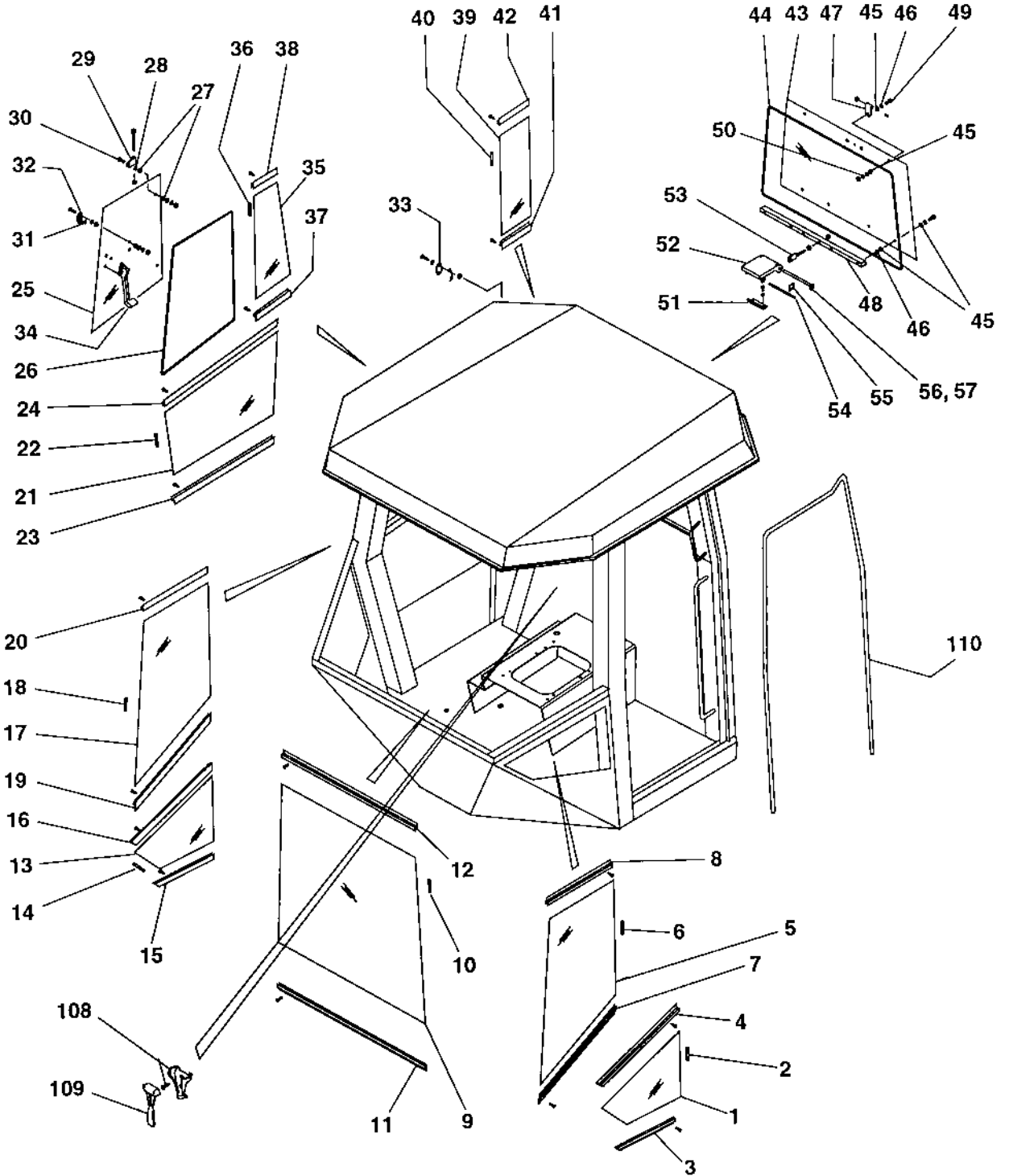
**Cab Screens**

Item	Part No	Rem	Qty	Description	Code
1	4700937380		1	Screen	
2	4700908545		XL	Seal list	
3	4700935278		1	List	
4	4700935279		1	List	
5	4700937381		1	Screen, left	
6	4700908545		XL	Seal list	
7	4700935280		1	List	
8	4700935281		1	List	
9	4700937382		1	Screen	
10	4700908545	B	1	Seal list	
11	4700935282		1	List	
12	4700935283		1	List	
13	4700937383		1	Screen	
14	4700908545		XL	Seal list	
15	4700935284		1	List	
16	4700935285		1	List	
17	4700937384		1	Screen	
18	4700908545	A	1	Seal list	
19	4700935286		1	List	
20	4700935287		1	List	
21	4700937385		1	Screen	
22	4700908545	A	1	Seal list	
23	4700935288		1	List	
24	4700935289		1	List	
25	4700937386		1	Screen	
26	4700908499	B	1	Rubber list	
27	4700935271		8	Washer, Flexible rubber	
28	4700935272		8	Washer, Black	
29	4700935273		2	Hinge	
30	4700935274		2	Screw	
31	4700935275		1	Rubber washer	
32	4700935276		1	Bracket	
33	4700935277		1	Lock pin	
34	4700935290		1	Window lock, right	
35	4700937387		1	Screen	
36	4700908545	A	1	Seal list	
37	4700935291		1	List	
38	4700935292		1	List	
39	4700937388	A	1	Screen	
40	4700908545	A	1	Seal list	
41	4700935293		1	List	
42	4700935294		1	List	
43	4700937389		1	Screen	
44	4700908499	C	1	Rubber list	
45	4700935271		12	Washer, Flexible rubber	
46	4700935272		12	Washer, Black	
47	4700935273		2	Hinge	
48	4700935295		1	Screen holder	
49	4700935274		6	Screw	
50	4700935296		2	Washer	
51	4700935297		1	Bracket	
52	4700935298		2	Bracket	
53	4700935299		1	Bolt	
54	4700935300		1	Shaft	
55	4700935301		2	Lock	
56	4700935302		1	Rod	

- A) L=1 m
- B) L=2 m
- C) L=3 m

**Cab Screens**

17435



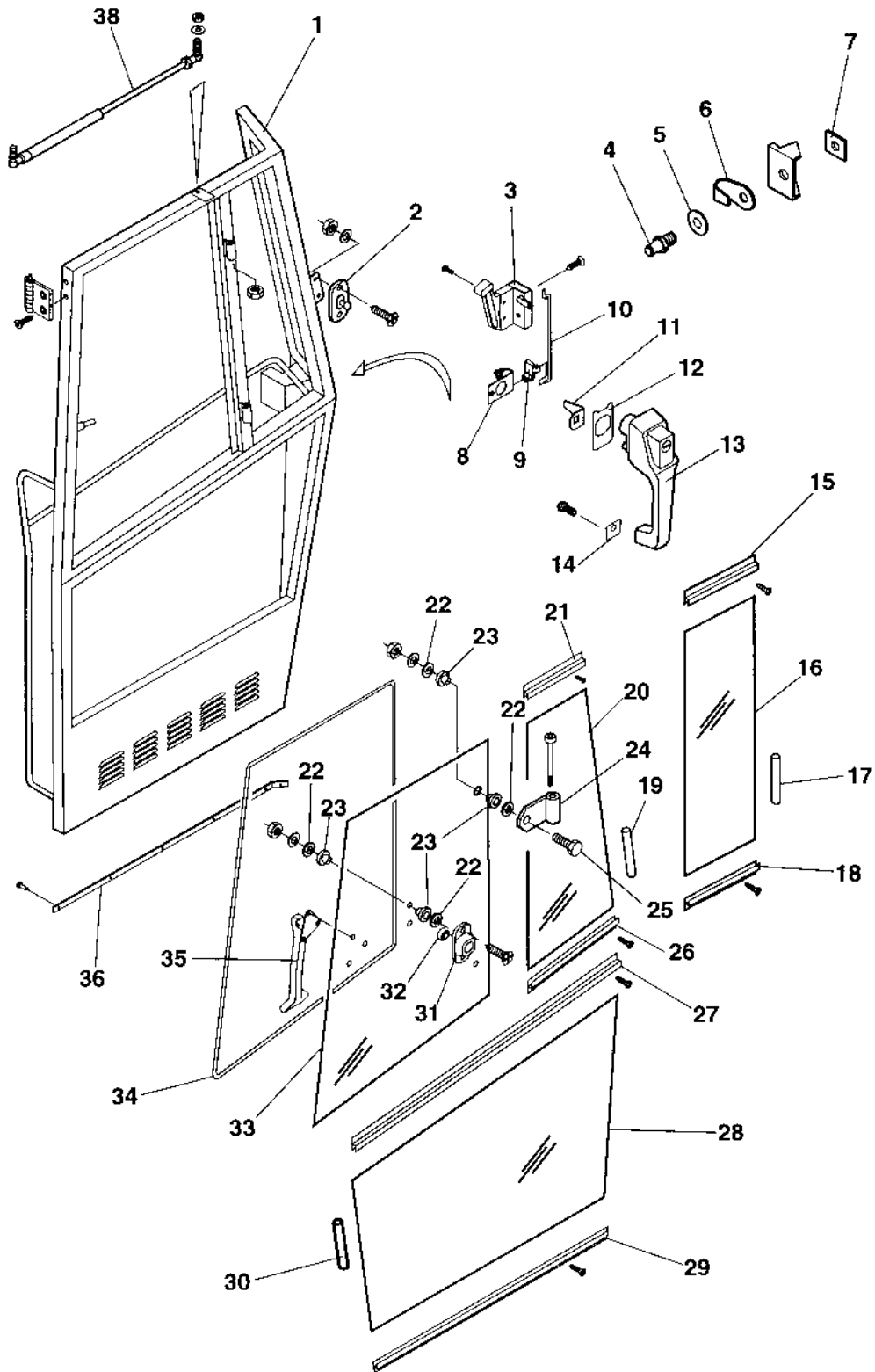
**Cab Screens**

<b>Item</b>	<b>Part No</b>	<b>Rem</b>	<b>Qty</b>	<b>Description</b>	<b>Code</b>
57	4700935303		1	Ring	
108	4700908506		1	Holder	
109	4700908507		1	Emergency hammer	
110	4700908499	D	1	Rubber list	

D) L=5 m

**Cab Door, left side**

16967-1





**Cab Door, left side**

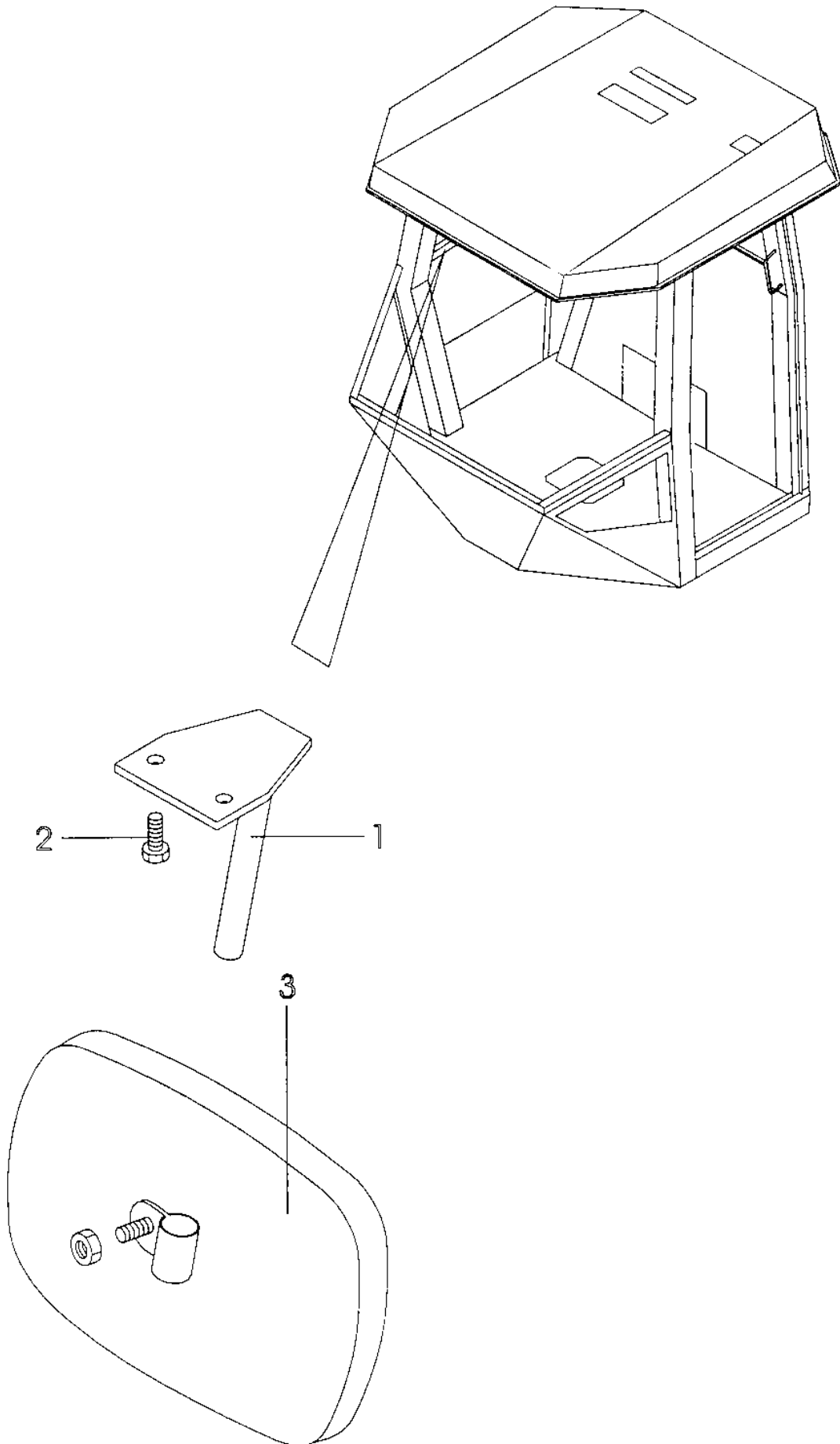
Item	Part No	Rem	Qty	Description	Code
	4700940678		1	Door, cpl	
1	4700938045		1	.Door frame	
2	4700935277		1	.Lock pin	
3	4700938017		1	.Lock	
4	4700908580		1	.Lock pin	
5	4700908581		1	.Washer	
6	4700908582		1	.Cover	
7	4700908583		1	.Bracket	
8	4700935248		1	.Turning mechanism	
9	4700935249		1	.Retainer	
10	4700935250		1	.Rod	
11	4700935247		1	.Leader	
12	4700935246		1	.Seal	
13	4700935244		1	.Door handle with key	
14	4700935245		1	.Seal	
15	4700935268		1	.List	
16	4700937391		1	.Screen	
17	4700908545	A	1	.Seal list	
18	4700935267		1	.List	
19	4700908545	A	1	.Seal list	
20	4700937392		1	.Screen	
21	4700935270		1	.List	
22	4700935272		8	.Washer, Black	
23	4700935271		8	.Washer, Flexible rubber	
24	4700935273		2	.Hinge	
25	4700935274		2	.Screw	
26	4700935269		1	.List	
27	4700935266		1	.List	
28	4700937390		1	.Screen	
29	4700935265		1	.List	
30	4700908545	A	1	.Seal list	
31	4700935276		1	.Bracket	
32	4700935275		1	.Rubber washer	
33	4700937393		1	.Screen	
34	4700908499	B	1	.Rubber list	
35	4700935253		1	.Lock	
36	4700938101		XL	.Brush profile	
38	4700938018		1	.Gas spring	

A) L=1 m

B) L=2 m

**Cab Interior rear mirror**

**16008**

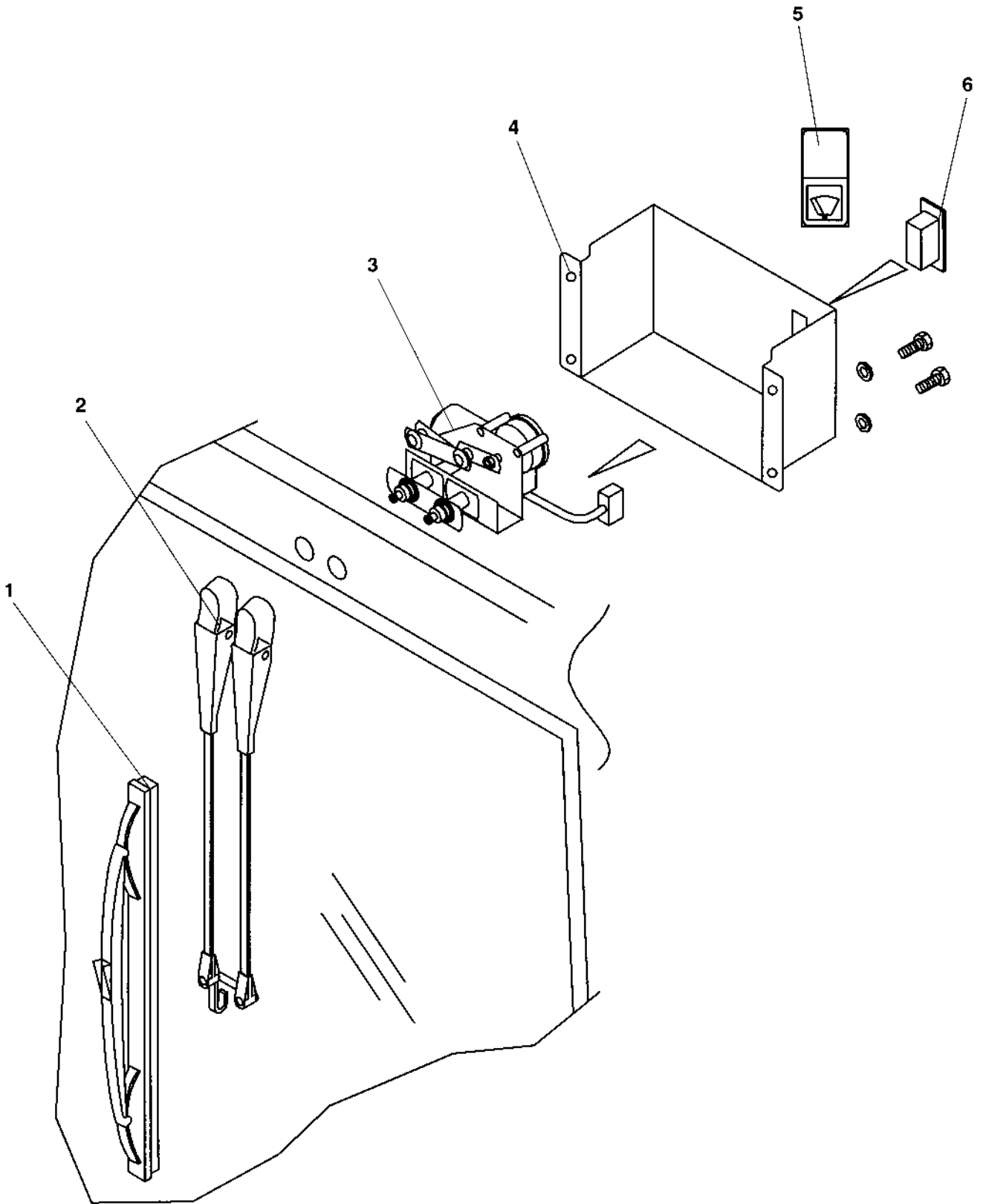


**Cab Interior rear mirror**

<b>Item</b>	<b>Part No</b>	<b>Rem Qty</b>	<b>Description</b>	<b>Code</b>
1	4700908623	1	Bracket	
2	4700535005	2	Screw	M5x12
3	4700908624	1	Rear mirror	

Wiper arm with blade, front

16968

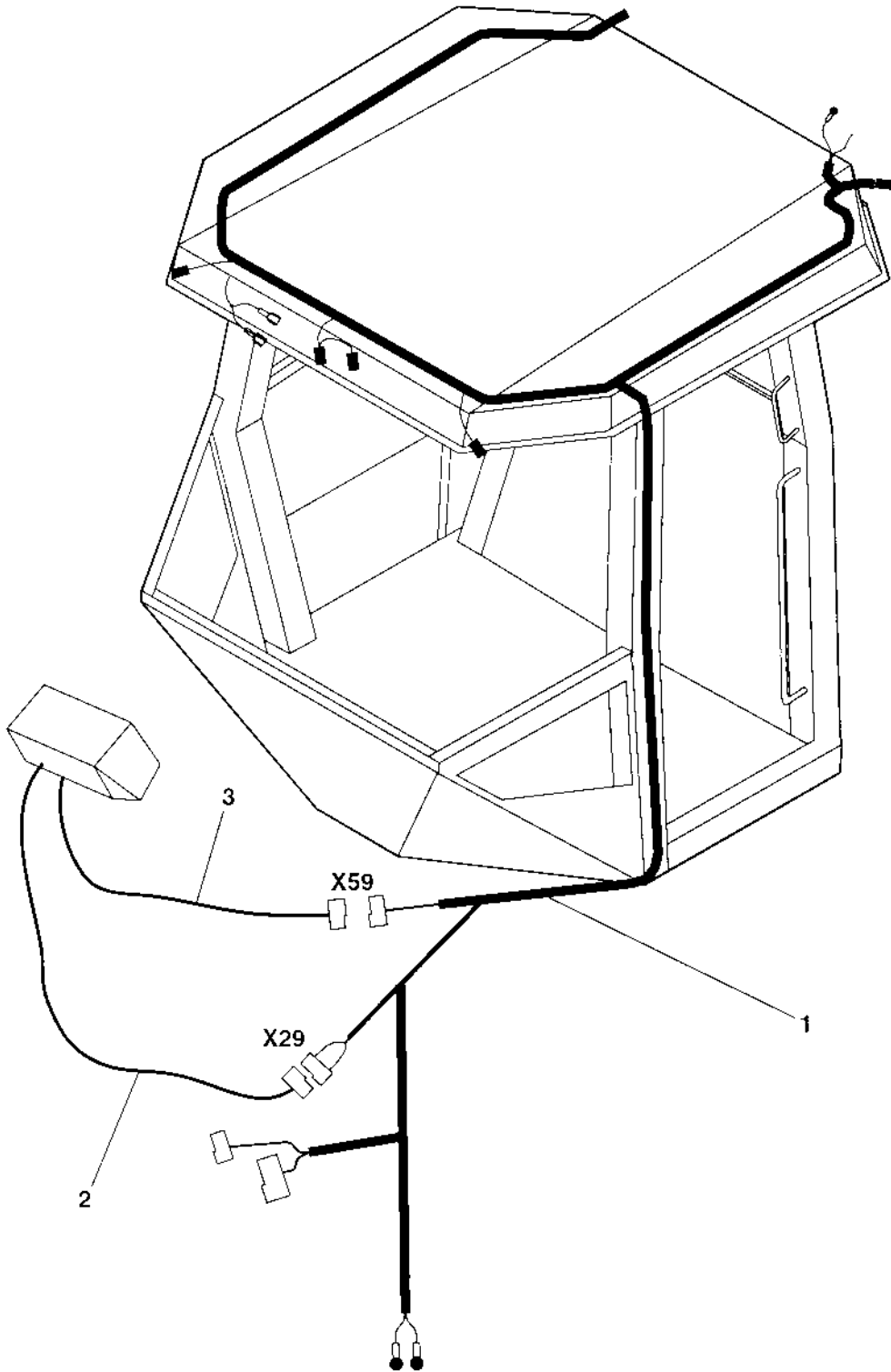


**Wiper arm with blade, front**

<b>Item</b>	<b>Part No</b>	<b>Rem Qty</b>	<b>Description</b>	<b>Code</b>
1	4700905306	1	Wiper blade	
2	4700905305	1	Wiper arm	
3	4700905304	1	Wiper motor	
4	4700937871	1	Cover	
5	4700908605	1	Symbol, wiper	
6	4700908617	1	Switch	

**Cab Electric**

17377



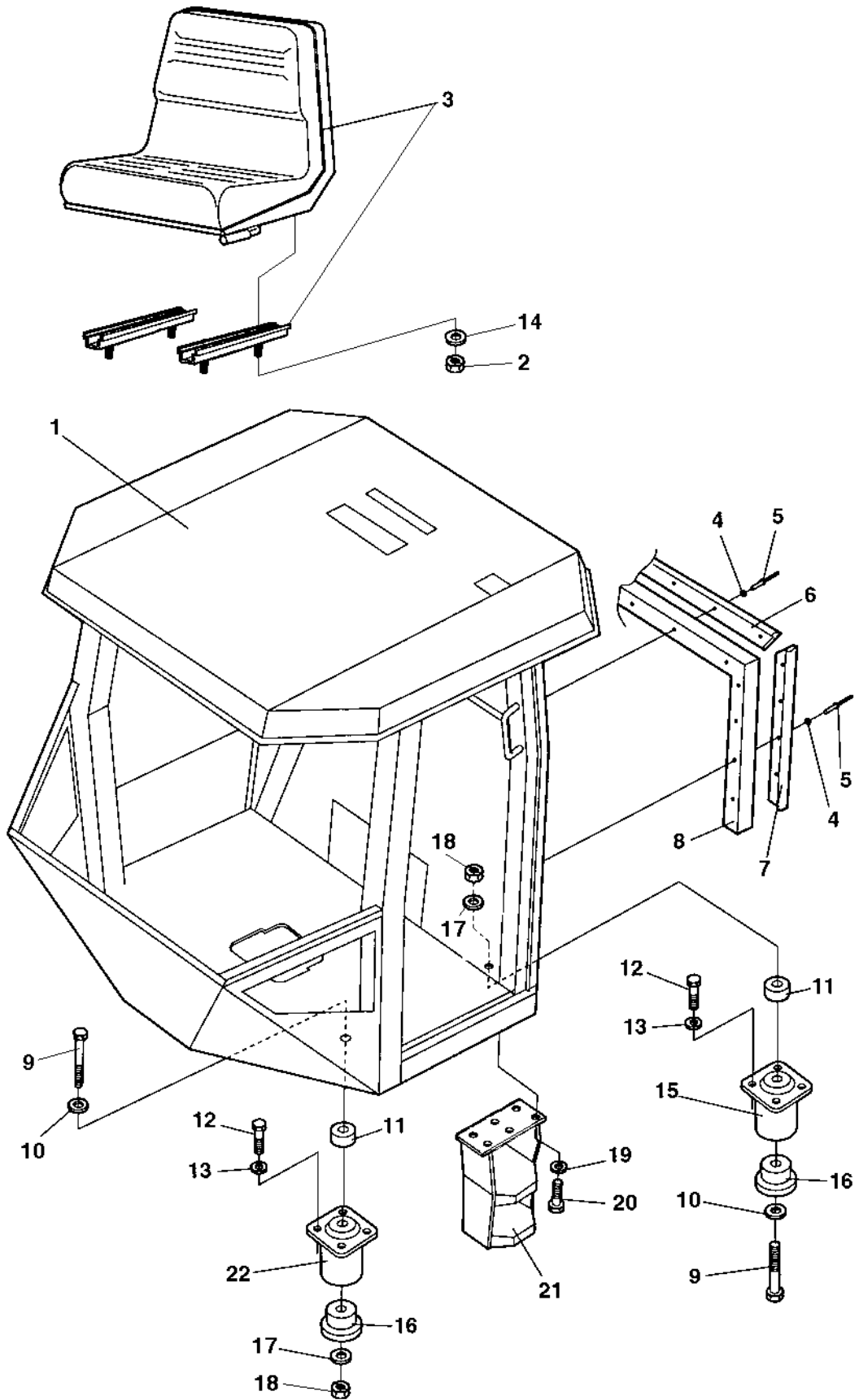
**Cab Electric**

<b>Item</b>	<b>Part No</b>	<b>Rem</b>	<b>Qty</b>	<b>Description</b>	<b>Code</b>
1	4700937870	A	1	Cable harness	
2	4700384403	B	1	Cable harness	
3	4700384402	C	1	Cable harness	

- A) Main supply
- B) Horn
- C) Windshield wiper

**Cab mounting**

18429





**Cab mounting**

Item	Part No	Rem	Qty	Description		Code
1				Cab ( Page 192 )	378308	
2	4700570005		4	Nut	M8	
3	4700377556		1	Seat		
	4700377518	D	1	Drivers seat, cpl		
4	4700927974		13	Washer		
5	4700904433		13	Blind rivet		
6	4700372785		1	List		
7	4700382582		2	List		
8	4700372494	A	N	Rubber strip		
9	4700791218		4	Screw	M20x200	
10	4700904233		4	Washer	21x36x3	
11	4700384759		4	Spacer		
12	4700500195		16	Screw		
13	4700904231		16	Washer	13x24x2 300 HV	
14	4700904229		4	Washer	8,4x16x1,5	
15	4700374606	B	2	Shock absorber	Green	D
16	4700372457		4	Back-up ring		
17	4700903290		4	Washer	21x36x6	
18	4700901145		4	Lock nut	M20-10	
19	4700904230		6	Washer		
20	4700500029		6	Screw		
21	4700376255		1	Step		
22	4700374607	C	2	Shock absorber	Yellow	D
23	4700382397		2	Spacer		

- A) L=2400 mm
- B) Rear
- C) Front
- D) Option

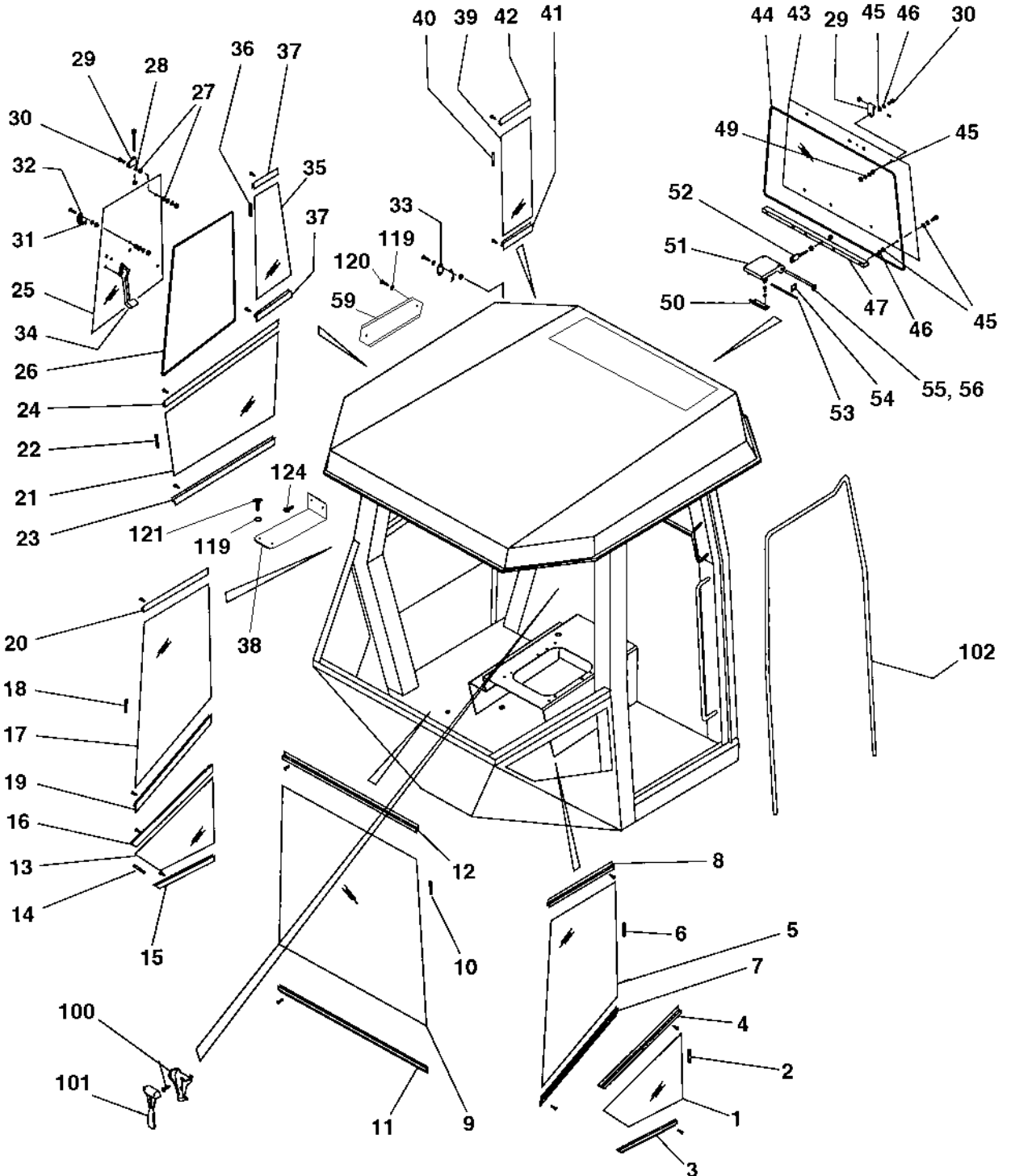


**Cab 378308**

<b>Item</b>	<b>Part No</b>	<b>Rem Qty</b>	<b>Description</b>	<b>Code</b>
130			Cab ( Page 194 )	Screens
140			Cab ( Page 198 )	Door, left side
150			Cab ( Page 184 )	Interior rear mirror
170			Wiper arm with blade, front ( Page 186 )	
180			Cab ( Page 188 )	Electric

**Cab Screens**

18431



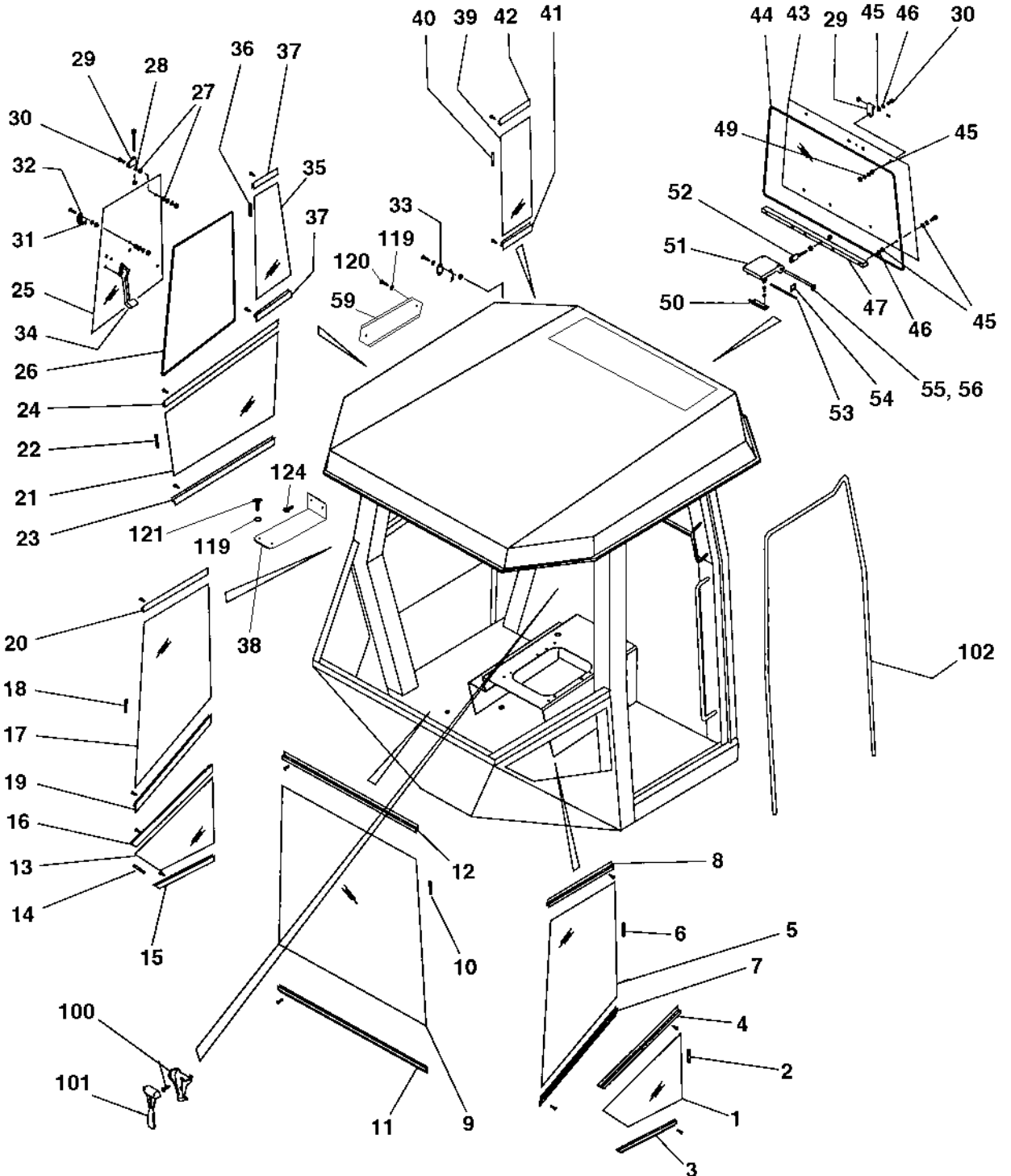
**Cab Screens**

Item	Part No	Rem	Qty	Description	Code
1	4700937380		1	Screen	
2	4700908545		XL	Seal list	
3	4700935278		1	List	
4	4700935279		1	List	
5	4700937381		1	Screen, left	
6	4700908545		XL	Seal list	
7	4700935280		1	List	
8	4700935281		1	List	
9	4700937382		1	Screen	
10	4700908545	D	1	Seal list	
11	4700935282		1	List	
12	4700935283		1	List	
13	4700937383		1	Screen	
14	4700908545		XL	Seal list	
15	4700935284		1	List	
16	4700935285		1	List	
17	4700937384		1	Screen	
18	4700908545	C	1	Seal list	
19	4700935286		1	List	
20	4700935287		1	List	
21	4700937385		1	Screen	
22	4700908545	A	1	Seal list	
23	4700935288		1	List	
24	4700935289		1	List	
25	4700938290		1	Screen	
26	4700908499	E	1	Rubber list	
27	4700935271		8	Washer, Flexible rubber	
28	4700935272		8	Washer, Black	
29	4700935273		4	Hinge	
30	4700935274		4	Screw	
31	4700935275		1	Rubber washer	
32	4700935276		1	Bracket	
33	4700935277		1	Lock pin	
34	4700935290		1	Window lock, right	
35	4700938291		1	Screen	
36	4700908545	B	1	Seal list	
37	4700935291		1	List	
38	4700379608		1	Cover	
39	4700938292		1	Screen	
40	4700908545	B	1	Seal list	
41	4700935293		1	List	
42	4700938659		1	List	
43	4700937389		1	Screen	
44	4700908499	F	1	Rubber list	
45	4700935271		12	Washer, Flexible rubber	
46	4700935272		12	Washer, Black	
47	4700935295		1	Screen holder	
49	4700935296		2	Washer	
50	4700935297		1	Bracket	
51	4700935298		2	Bracket	
52	4700935299		1	Bolt	
53	4700935300		1	Shaft	
54	4700935301		2	Lock	

- A) L=1100 mm
- B) L=1400 mm
- C) L=1900 mm
- D) L=2100 mm
- E) L=2700 mm
- F) L=3300 mm

**Cab Screens**

18431

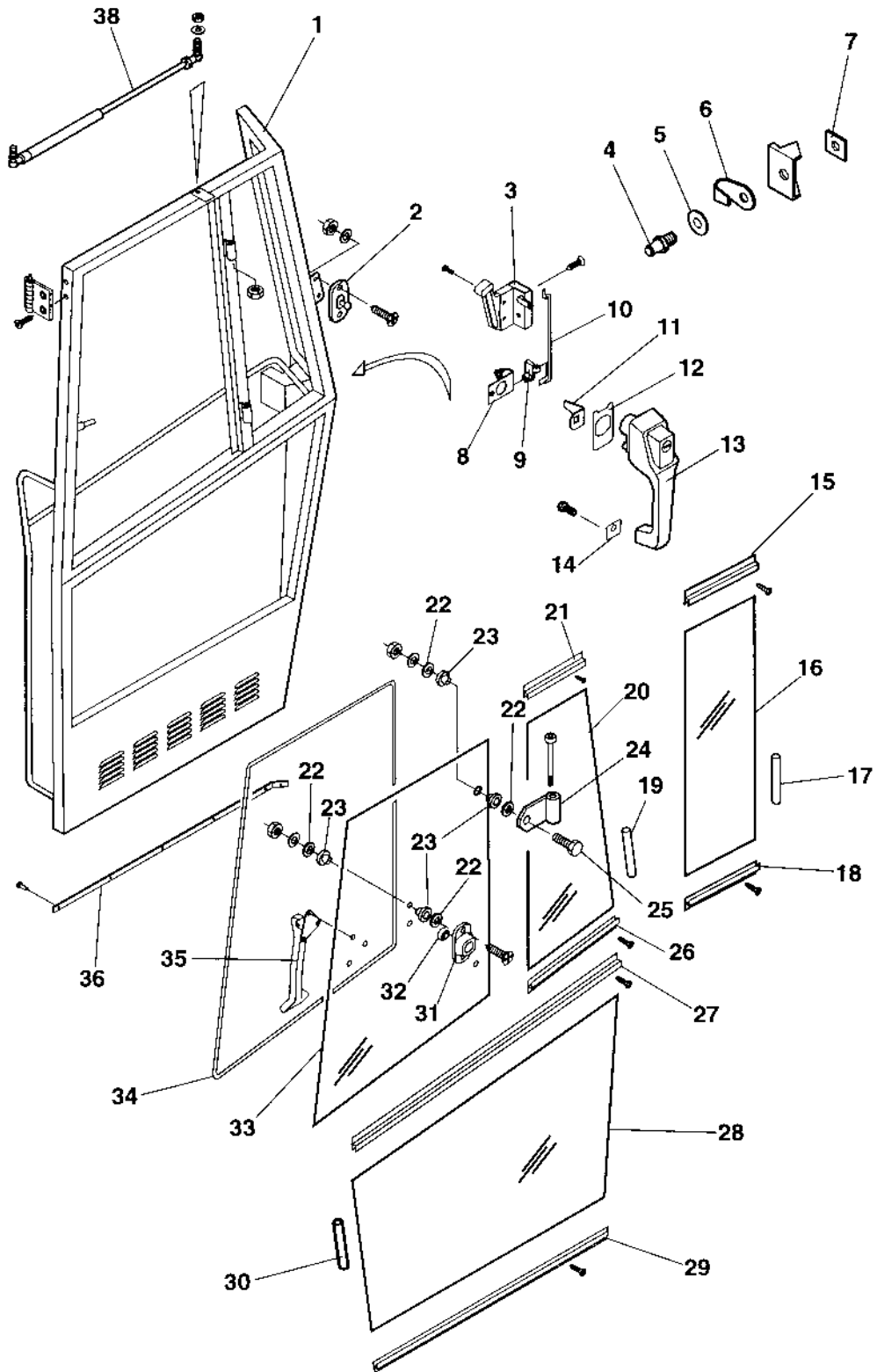


**Cab Screens**

Item	Part No	Rem	Qty	Description	Code
55	4700935302		1	Rod	
56	4700935303		1	Ring	
59	4700379236		1	Cover	
100	4700908506		1	Holder	
101	4700908507		1	Emergency hammer	
102	4700908499	G	1	Rubber list	
119	4700904229		16	Washer	8,4x16x1,5
120	4700500019		14	Screw	M8x16H 8.8 A2K
121	4700500053		2	Screw	M8x20H 8.8
124	4700903782		2	Screw	M5x12
G)	L=5 m				

**Cab Door, left side**

16967-1





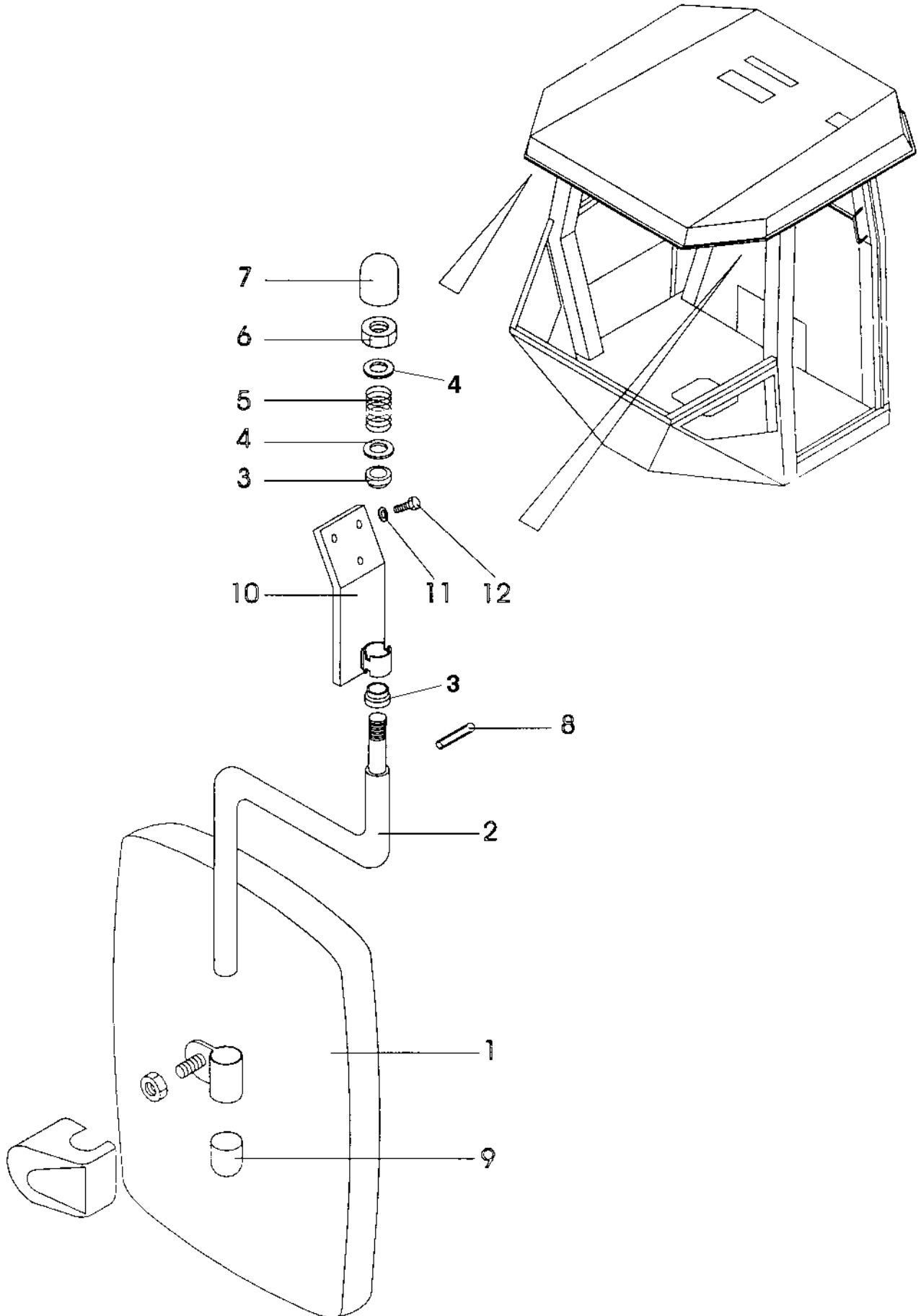
**Cab Door, left side**

Item	Part No	Rem	Qty	Description	Code
	4700940678		1	Door, cpl	
1	4700390927		1	.Door frame	
2	4700935277		1	.Lock pin	
3	4700938017		1	.Lock	
4	4700908580		1	.Lock pin	
5	4700908581		1	.Washer	
6	4700908582		1	.Cover	
7	4700908583		1	.Bracket	
8	4700935248		1	.Turning mechanism	
9	4700935249		1	.Retainer	
10	4700935250		1	.Rod	
11	4700935247		1	.Leader	
12	4700935246		1	.Seal	
13	4700935244		1	.Door handle with key	
14	4700935245		1	.Seal	
15	4700935268		1	.List	
16	4700937391		1	.Screen	
17	4700908545	A	1	.Seal list	
18	4700935267		1	.List	
19	4700908545	A	1	.Seal list	
20	4700937392		1	.Screen	
21	4700935270		1	.List	
22	4700935272		8	.Washer, Black	
23	4700935271		8	.Washer, Flexible rubber	
24	4700935273		2	.Hinge	
25	4700935274		2	.Screw	
26	4700935269		1	.List	
27	4700935266		1	.List	
28	4700937390		1	.Screen	
29	4700935265		1	.List	
30	4700908545	B	1	.Seal list	
31	4700935276		1	.Bracket	
32	4700935275		1	.Rubber washer	
33	4700937393		1	.Screen	
34	4700908499	C	1	.Rubber list	
35	4700935253		1	.Lock	
36	4700938101		XL	.Brush profile	
38	4700938018		1	.Gas spring	

- A) L=1400 mm
- B) L=1100 mm
- C) L=2700 mm

**Cab Exterior rear mirror**

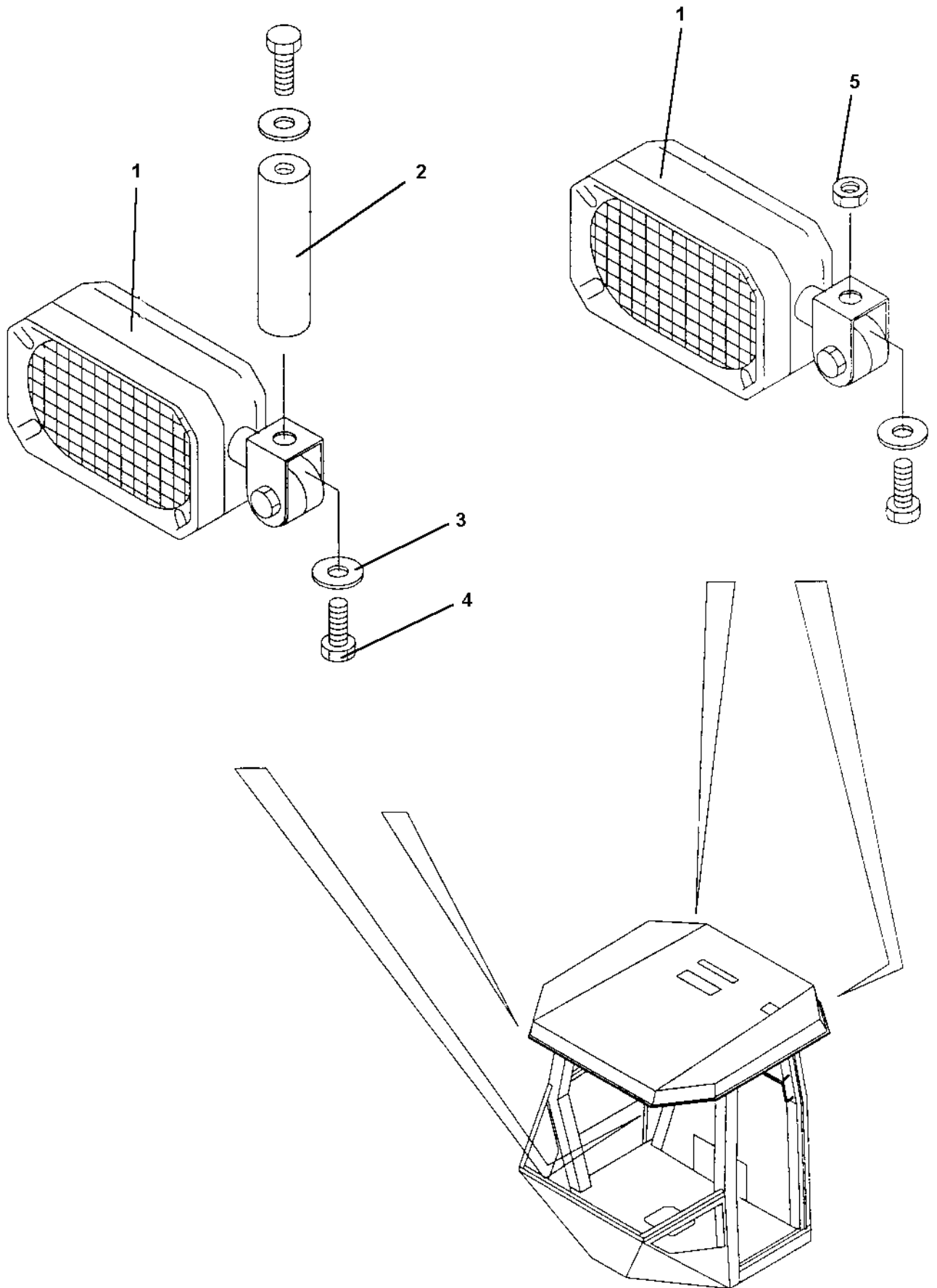
**16009**



**Cab Exterior rear mirror**

Item	Part No	Rem	Qty	Description	Code
	4700371730	A	2	Rear view mirror, cpl	
1	4700908265		1	.Rear view mirror	
2	4700908355		1	.Arm	
3	4700908625		1	.Sleeve	
4	4700904232		1	.Washer	
5	4700908626		1	.Spring	
6	4700586021		1	.Nut	M16
7	4700908627		1	.Cap	
8	4700629066		1	.Spirol pin	
9	4700908628		1	.Cap	
10	4700908361		1	.Bracket	
11	4700904229		6	Washer	8,4x16x1,5
12	4700500019		6	Screw	M8x16H 8.8 A2K

A) Option



**Cab Work light**

Item	Part No	Rem Qty	Description	Code
1	4700908267	4	Working light	D
2	4700908359	2	Distance	
3	4700904229	4	Washer	8,4x16x1,5
4	4700500019	4	Screw	M8x16H 8.8 A2K
5	4700586003	2	Lock nut	M8

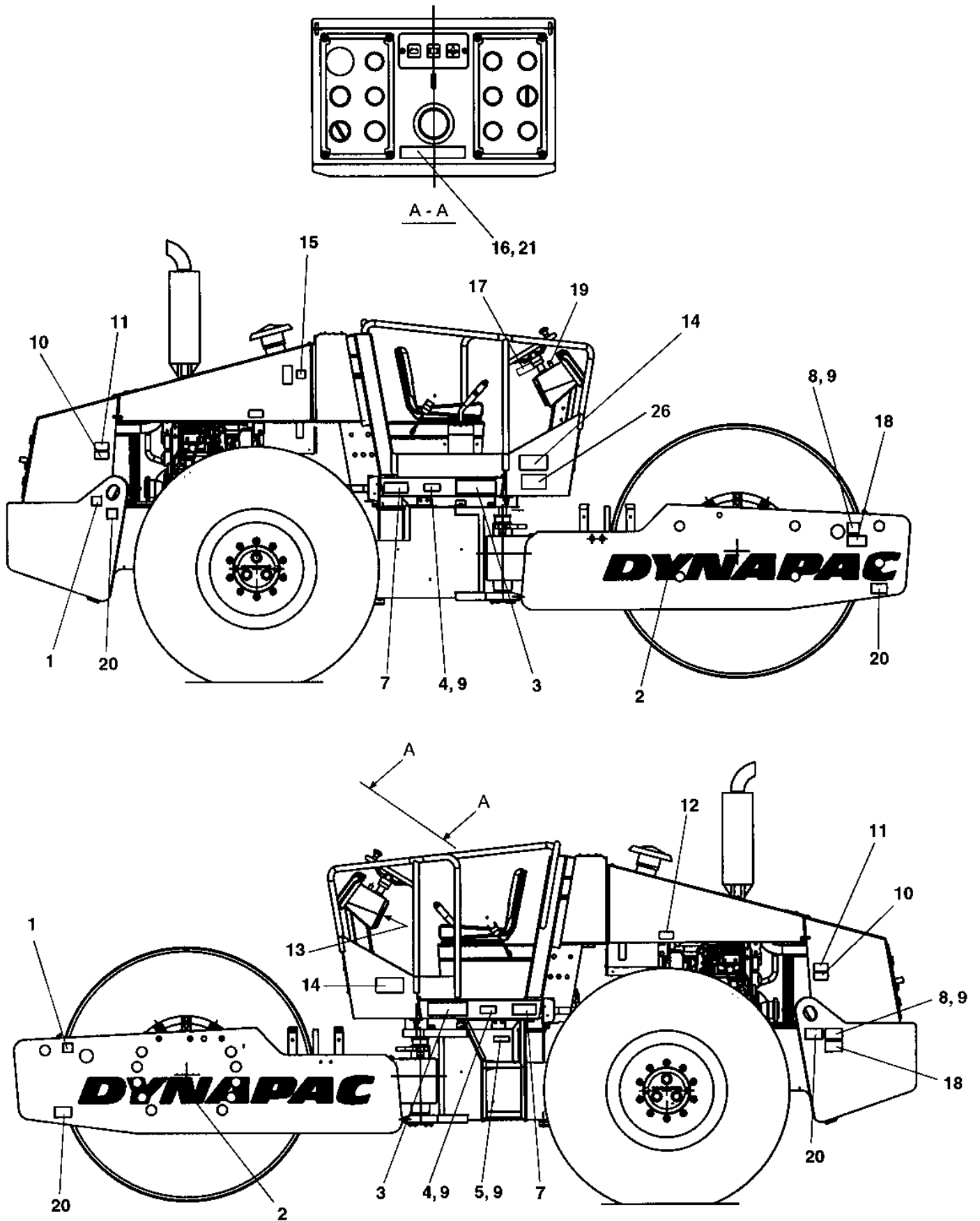


**Decals**

<b>Item</b>	<b>Part No</b>	<b>Rem Qty</b>	<b>Description</b>	<b>Code</b>
10			Decals ( Page 206 )	
20			Decals ( Page 208 )	
		1		

Decals

16956-1

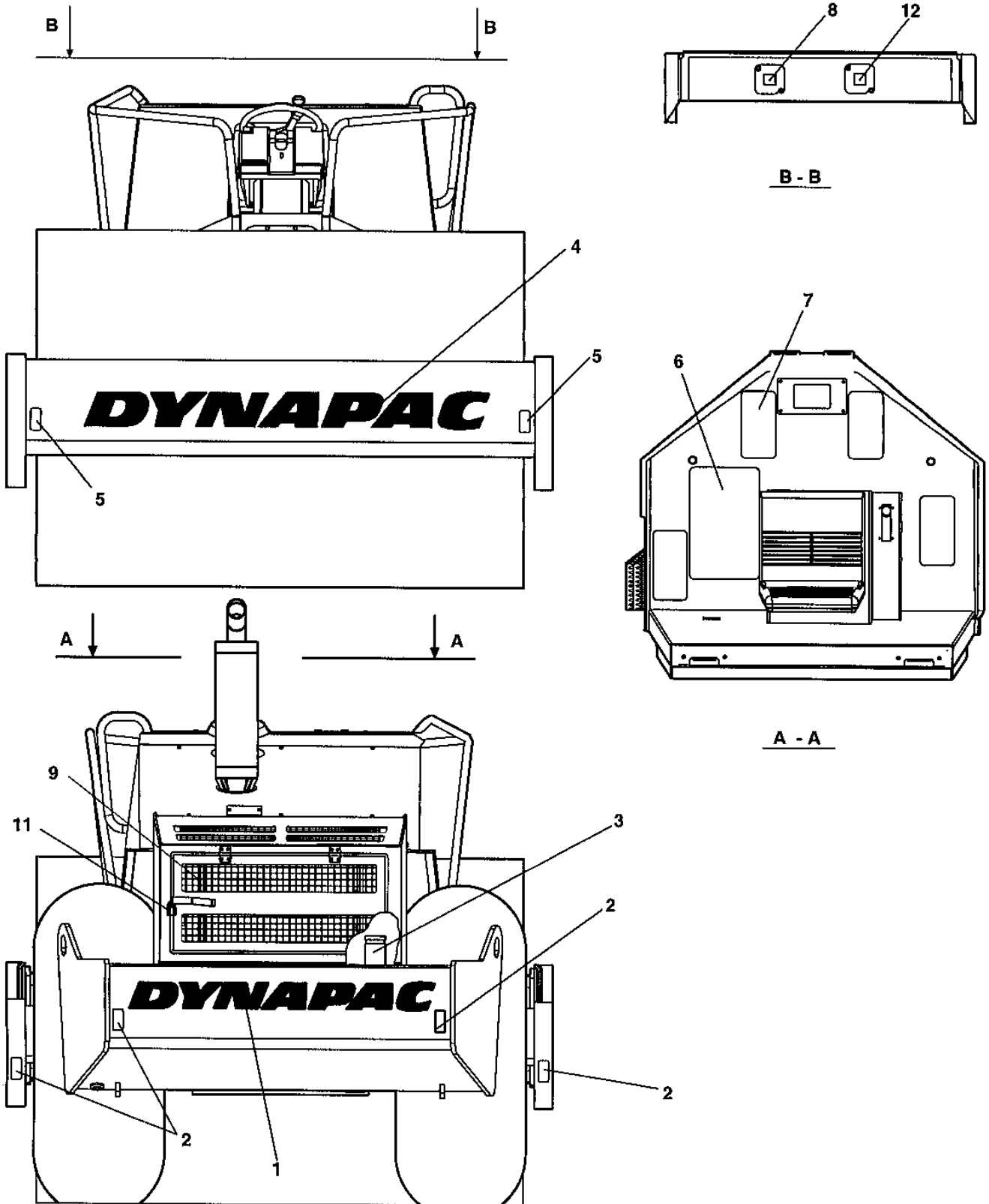




**Decals**

Item	Part No	Rem Qty	Description	Code
1	4700588176	2	Decal "LIFT POINT"	
2	4700904068	3	Decal "DYNAPAC"	L=1770 mm
3		2	Decal "MODEL CODE"	
4	4700377744	2	Reflector, yellow	B
5	47960787SE	1	Product identification plate	
7	4700903459	2	Decal "SAFETY"	
8	4700904870	2	Lifting sign	
9	4700624005	12	Blind rivet	3,2x6,1
10	4700903424	2	Decal "HOT SURFACE"	
11	4700903423	2	Decal "SAFETY"	
12	4700991990	2	Decal "TYRE PRESSURE"	110-150kPA/16-21psi
	4700390900	1	Decal "TYRE PRESSURE"	110kPA/16psi
13	4700903425	1	Decal "SAFETY MANUAL"	
14	4700903422	2	Decal "SAFETY"	
15	4700272373	1	Decal "HYDRAULIC OIL"	
16	47386084SE	1	Warning plate	Swedish
	47386084EN	1	Warning plate	English
	47386084DE	1	Warning plate	German
	47386084IT	1	Warning plate	Italian
	47386084ES	1	Warning plate	Spanish
	47386084FR	1	Warning plate	French
	47386084NO	1	Warning plate	Norwegian
	47386084DK	1	Warning plate	Danish
	47386084FI	1	Warning plate	Finnish
	47386084PT	1	Warning plate	Portuguese
	47386084NL	1	Warning plate	Dutch
	47386084GR	1	Warning plate	Greek
	47386084IS	1	Warning plate	Icelandic
	47386084CN	1	Warning plate	Chinese
	47386084BR	1	Warning plate	Brazil
17	4700384159	1	Instructions	Loading-Unloading
18	4700908229	2	Safety decal	
19	4700358881	1	Pad lock	
20	4700382751	4	Decal "TIE DOWN POINT"	
21	4700624017	2	Blind rivet	

**Decals**  
16957-2

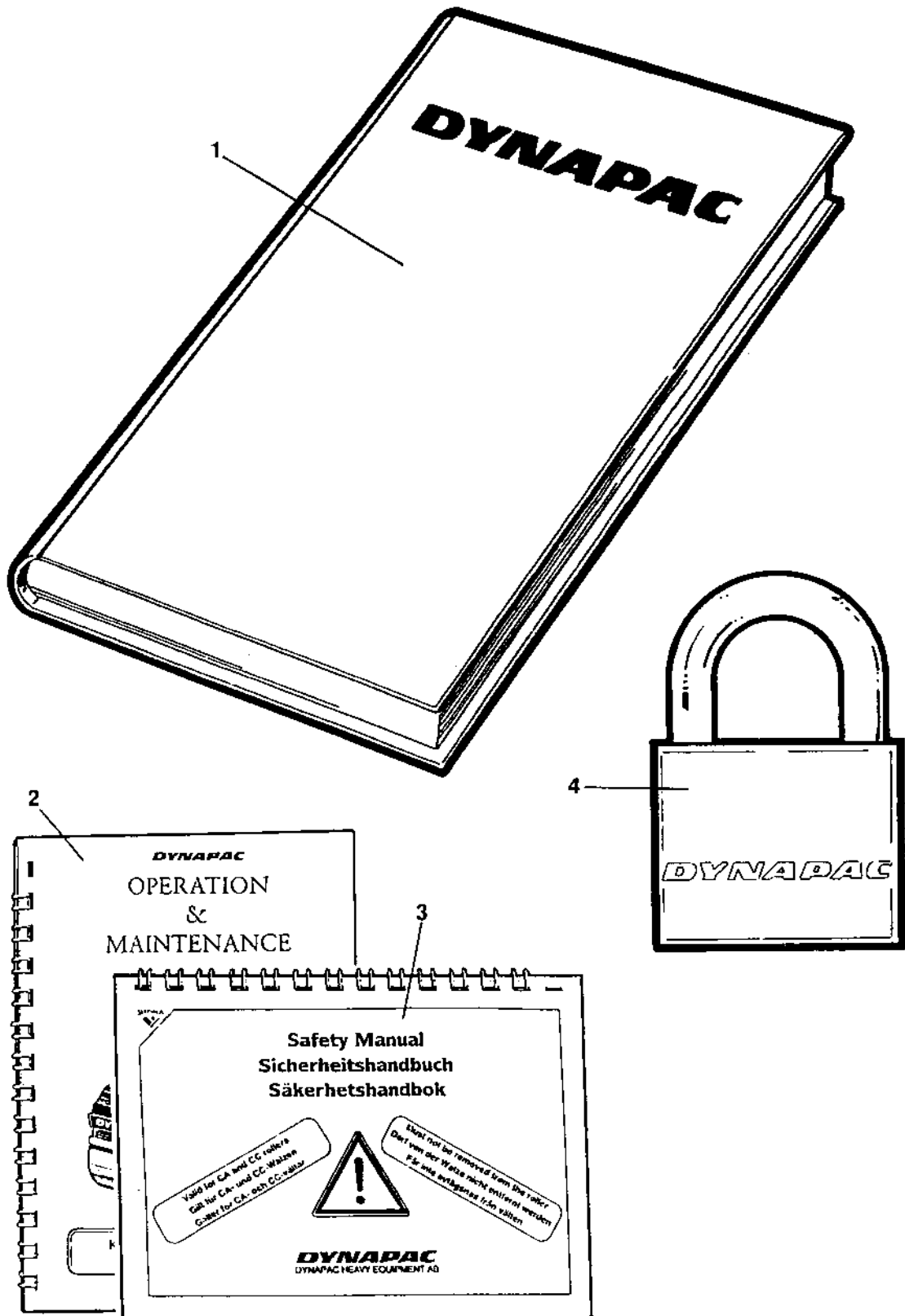


**Decals**

<b>Item</b>	<b>Part No</b>	<b>Rem Qty</b>	<b>Description</b>	<b>Code</b>
1	4700904069	1	Decal "DYNAPAC" L=760 mm	
2	4700377742	4	Reflector, red	B
3	4700991658	1	Decal "FUEL"	
4	4700904068	1	Decal "DYNAPAC" L=1770 mm	
5	4700377743	2	Reflector, white	B
6	4700373364	1	Slip protection	
7	4700373363	4	Slip protection	
8	4700272372	1	Decal "HYDRAULIC OIL"	
9	4700904835	1	Decal "BATTERY POWER"	
11	4700358881	1	Pad lock	
12	4700388449	1	Decal "Engine coolant fill"	



<b>Item</b>	<b>Part No</b>	<b>Rem Qty</b>	<b>Description</b>	<b>Code</b>
10			Standard equipment ( Page 212 )	



<b>Item</b>	<b>Part No</b>	<b>Rem Qty</b>	<b>Description</b>	<b>Code</b>
1		1	Documentation	OMS500PD
		1	.Warranty registration card	
		1	.Operation instruction	O500
		1	.Maintenance instruction	M500
		1	.Spare parts catalogue	SCA500PD
		1	.Instruction manual	Cummins 6BTA 5.9
2		1	.Operation / maintenance instruction	OM500
3		1	.Safety manual	RSAFE
4	4700358881	1	Pad lock	



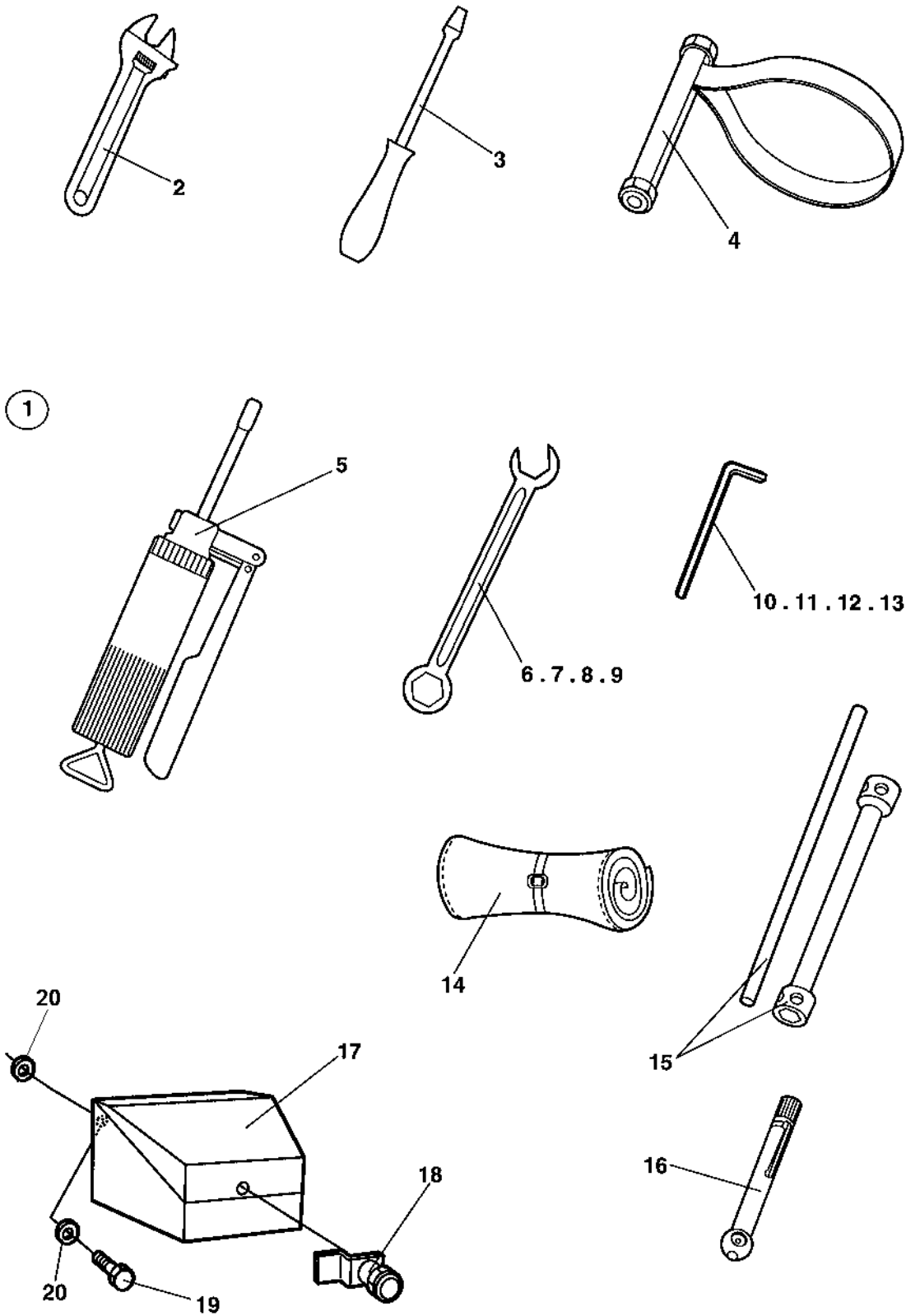


**Optional equipment**

<b>Item</b>	<b>Part No</b>	<b>Rem Qty</b>	<b>Description</b>	<b>Code</b>
10			Tool equipment ( Page 216 )	
120			Air conditioner and heater, Simple cab ( Page 218 )	
230			Heater ( Page 224 )	Simple cab

Tool equipment

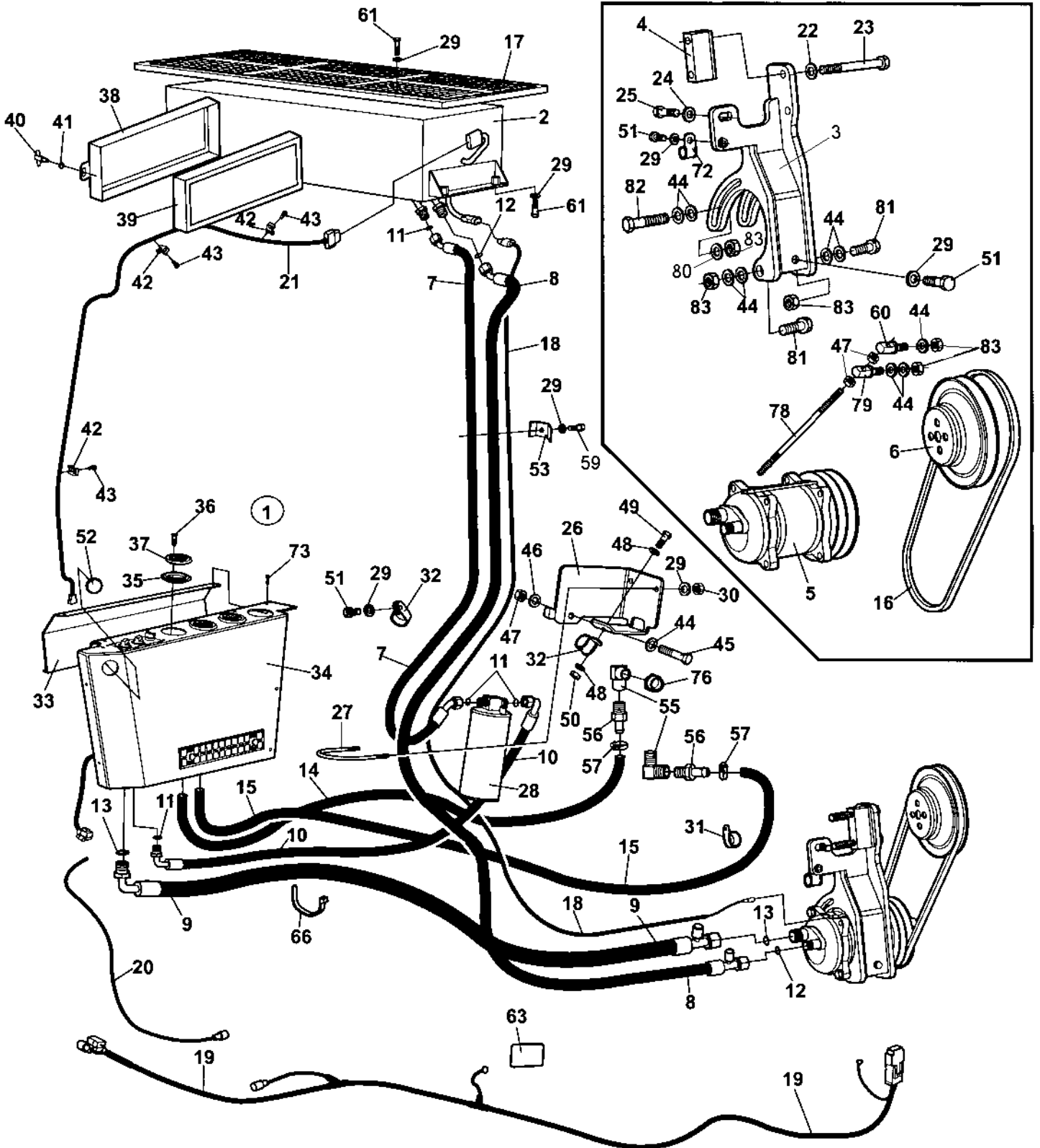
17111-1



**Tool equipment**

Item	Part No	Rem Qty	Description	Code
1	4700355890	1	Tool set Cpl	
2		1	.Adjustable wrench	
3		1	.Screw driver	
4	4700902610	1	.Belt pliers	
5	4700311016	1	.Grease gun	
6		1	.Open end spanner	10mm
7		1	.Open end spanner	13mm
8		1	.Open end spanner	16mm
9		1	.Open end spanner	18mm
10		1	.Allen wrench	10mm
11		1	.Allen wrench	12mm
12		1	.Allen wrench	6mm
13		1	.Allen wrench	8mm
14		1	.Tool bag	
15		1	.Wheel nut key	30/32mm
16	4700901220	1	.Pressure gauge	
17	4700372837	1	Tool box	
18	4700372658	1	.Lock	
19	4700500021	3	Screw	M8-1,25x25 8.8
20	4700904640	6	Washer	8,4x22x3

**Air conditioner and heater, Simple cab**  
18783



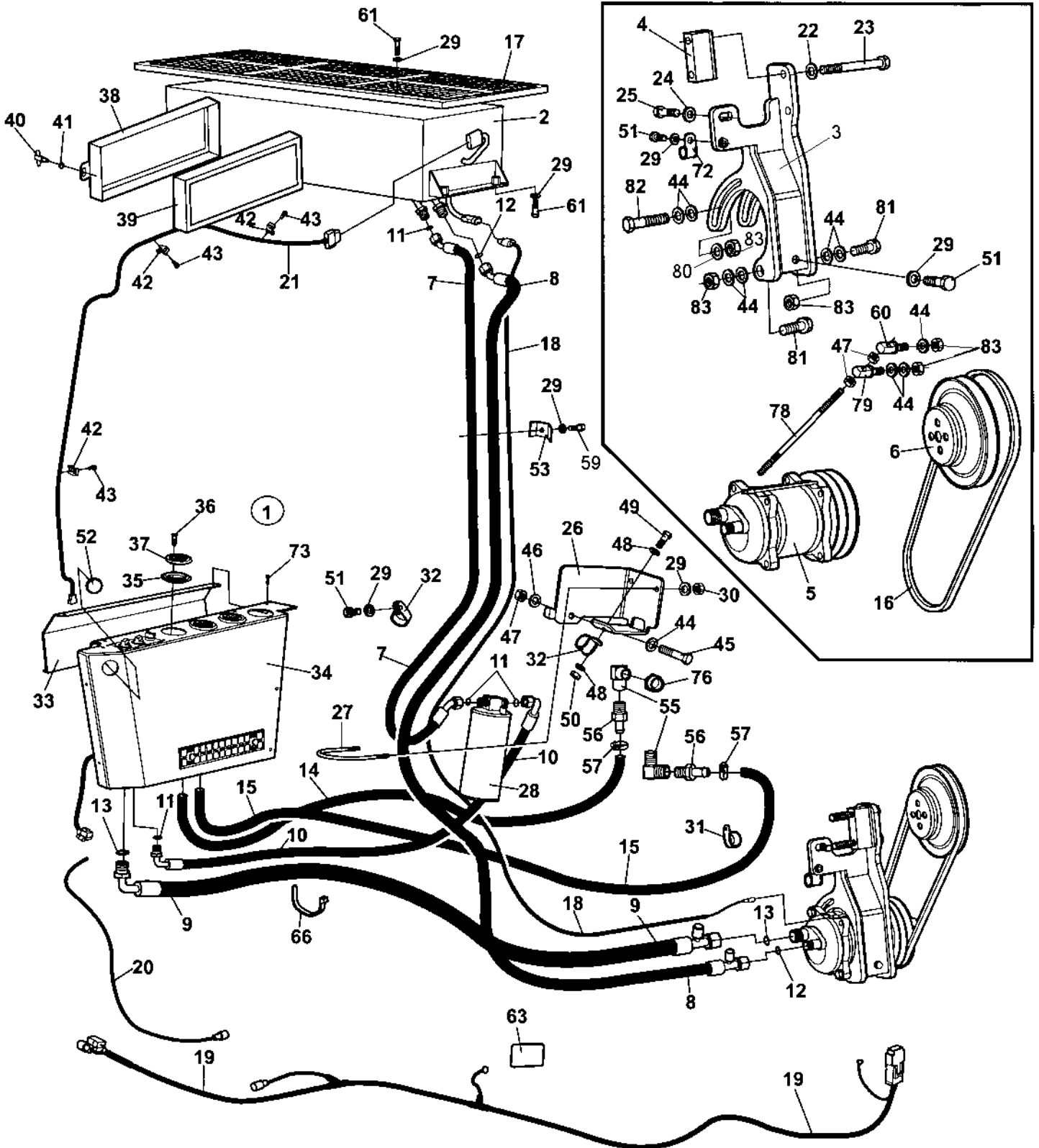
**Air conditioner and heater, Simple cab**

Item	Part No	Rem	Qty	Description	Code
1				Air conditioner and heater unit	
2	4700383413			Condenser, cpl ( Page 222 )	
3	4700377937		1	Bracket	
4	4700377966		1	Spacer	
5	4700379304		1	Compressor	
6	4700379280		1	Pulley	
7	4700384876		1	Hose	
8	4700379330		1	Hose	
9	4700379331		1	Hose	
10	4700384875		1	Hose	
11	4700384877		4	O-ring	
12	4700384878		2	O-ring	
13	4700384879		2	O-ring	
14	4700937737	A	1XL	Hose	
15	4700937737	B	1XL	Hose	
16	4700902924		1	V-belt	
17	4700384589		1	Cover	
18	4700385908		1	Cable harness	
19	4700387466		1	Cable harness	
20	4700387467		1	Cable harness	
21	4700379275		1	Cable harness	
22	4700904703		2	Washer	
23	4700500122		2	Screw	
24	4700904213		1	Washer	
25	4700903906		1	Screw	
26	4700390483		1	Holder	
27	4700313093		1	Pipe clamp	
28	4700383424		1	Drying filter	
29	4700904229		18	Washer	8,4x16x1,5
30	4700586003		2	Lock nut	M8
31	4700921161		1	Clamp	
32	4700921056		2	Clamp	
33	4700379285		1	Panel	
34	4700379286		1	Panel	
35	4700385443		3	Ring	
36	4700938691		12	Screw	
37	4700385442		3	Air nozzle	
38	4700908501		1	Filter frame	
39	4700908502		1	Filter	A
40	4700908504		2	Handle	
41	4700908503		2	O-ring	
42	4700904543		10	Cable tie holder	
43	4700903852		10	Screw	ST4,2x13
44	4700904230		10	Washer	
45	4700500192		1	Screw	M10x80
46	4700904567		1	Washer	10,5x28x6 HB305
47	4700570006		3	Nut	
48	4700904228		2	Washer	
49	4700500013		1	Screw	M6-1x16 8,8
50	4700570004		1	Nut	M6X1,00 -8 A2K
51	4700500053		3	Screw	M8x20H 8.8
52	4700345870		1	Plug	
53	4700346230		3	Clamp	
55	4700234365		2	Elbow 90	
56	4700387638		2	Hose connection	
57	4700313004		2	Hose clamp	
59	4700500023		3	Screw	M8-1,25x40 8,8
60	4700388470		1	Screw	

A) L=3,600M  
B) L=3,600M

Air conditioner and heater, Simple cab

18783

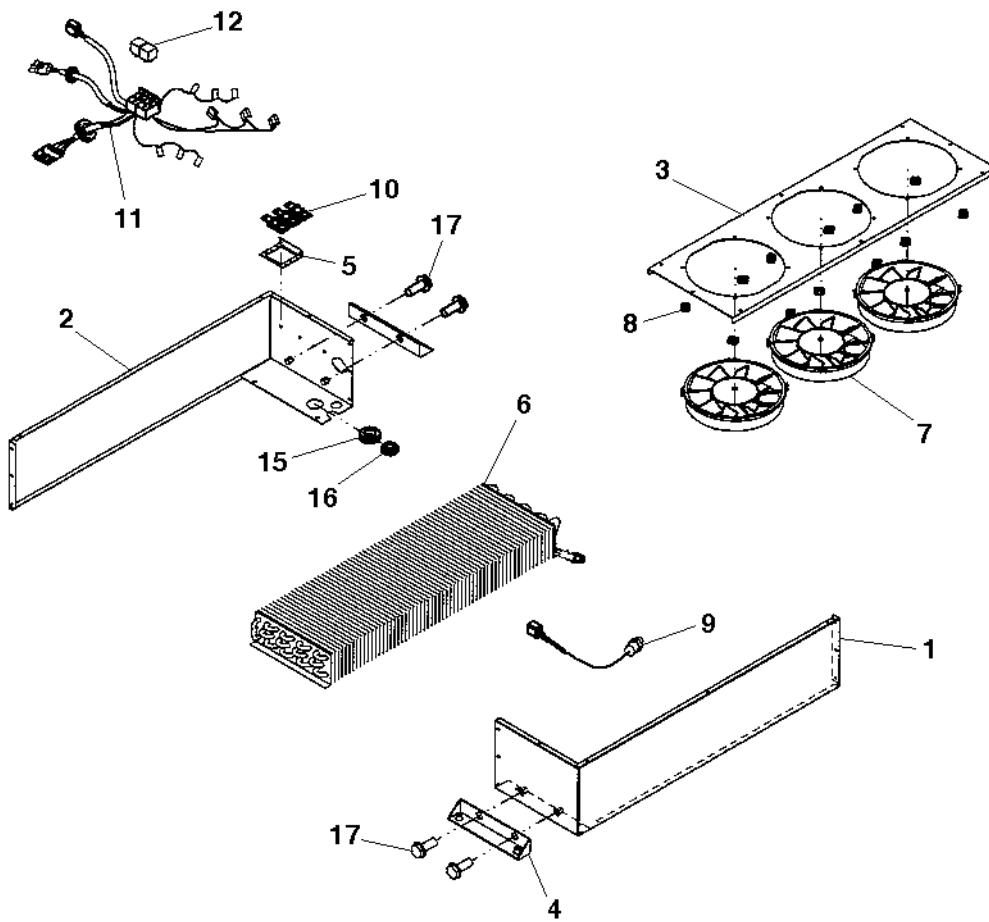


**Air conditioner and heater, Simple cab**

<b>Item</b>	<b>Part No</b>	<b>Rem Qty</b>	<b>Description</b>	<b>Code</b>
61	4700500022	10	Screw	M8x30H 8.8 A2K
63	4700904165	1	Safety decal	Toxic gases
66	4700313102		Cable ties	
72	4700902558	1	Clamp	
73	4700792248	5	Screw	4,2 X25
76	4700813434	1	Reducer	
78	4700377965	1	Set screw	
79	4700377378	1	Set screw	
80	4700904557	1	Washer	
81	4700500031	2	Screw	
82	4700500161	1	Screw	
83	4700791172	5	Lock nut	

4700383413 Condenser, cpl

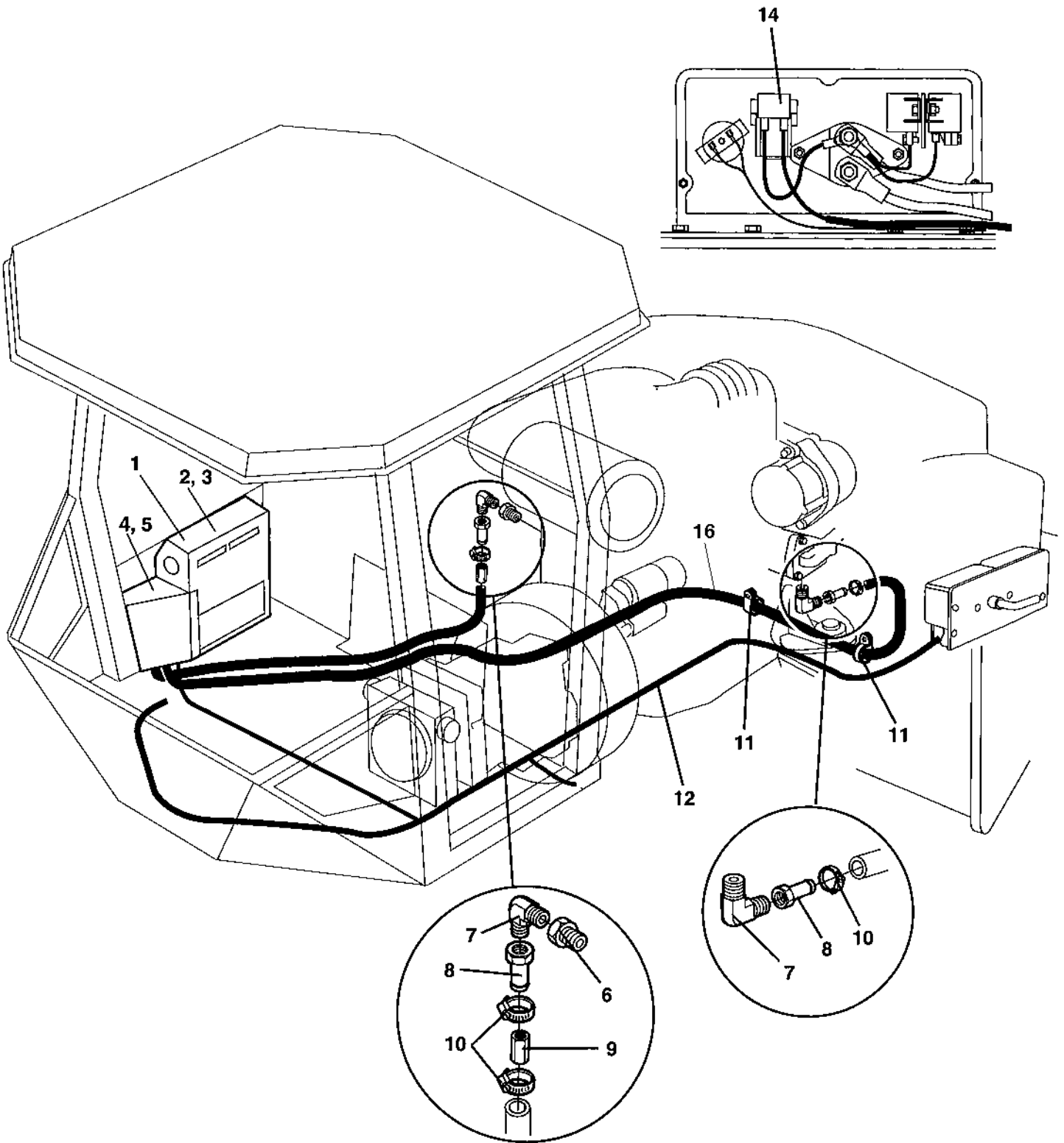
18385





**4700383413 Condenser, cpl**

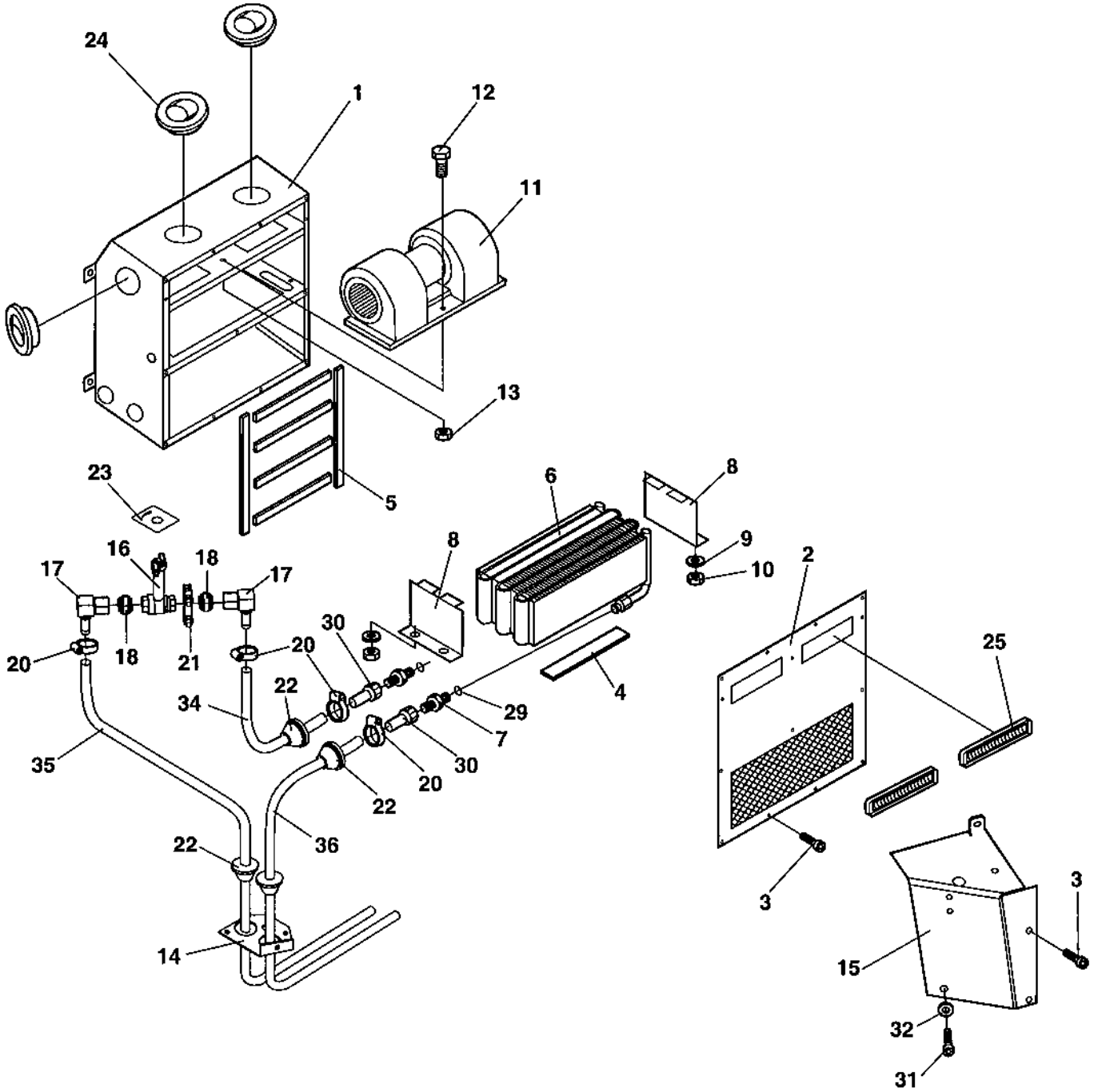
<b>Item</b>	<b>Part No</b>	<b>Rem Qty</b>	<b>Description</b>	<b>Code</b>
1	4700938597	1	Cover	
2	4700938598	1	Cover	
3	4700938599	1	Fan bracket	
4	4700938600	2	Condensor bracket	
5	4700938601	1	Resistor bracket	
6	4700938602	1	Condensor Coil	
7	4700938603	3	Fan	
8	4700938604	12	Clip	
9	4700938605	1	Pressure switch	
10	4700938606	3	Resistor	
11	4700938607	1	Cable harness	
12	4700287598	2	Relay	12V-30A
15	4700938608	1	Grommet	
16	4700938609	1	Grommet	
17	4700901832	4	Screw	



**Heater Simple cab**

<b>Item</b>	<b>Part No</b>	<b>Rem</b>	<b>Qty</b>	<b>Description</b>	<b>Code</b>
1	4700385222		1	Heater ( Page 226 )	
2	4700500018		4	Screw	M8-1,25x12 8,8
3	4700904229		4	Washer	8,4x16x1,5
4	4700500013		2	Screw	M6-1x16 8,8
5	4700904228		2	Washer	
6	4700813434		1	Reducer	
7	4700234365		2	Elbow 90	
8	4700814065		2	Hose connection	
9	4700372670		1	Reducer	
10	4700313002		3	Hose clamp	13-20 mm
11	4700921132		2	Clamp	
12	4700387466	A	1	Cable harness	
13	4700387467	A	1	Cable harness	
14	4700904294		1	Fuse	
15	4700313102	N		Cable ties	

A) Item 12 and 13 replaces Cable harness P/N 4700385235.



**4700385222 Heater**

Item	Part No	Rem	Qty	Description	Code
1	4700938587		1	Heater box	
2	4700938588		1	Cover plate	
3	4700935259		15	Screw	
4	4700908587	A	1	Edge trim	
5	4700935556	B	1	Sealing	
6	4700908585		1	Radiator	
7	4700908589		2	Connector	
8	4700935557		2	Heater element bracket	
9	4700904228		4	Washer	
10	4700570004		4	Nut	M6X1,00 -8 A2K
11	4700908595		1	Fan, cpl	
12	4700500006		1	Screw	M5x16
13	4700586001		1	Lock nut	
14	4700938589		1	Plate	
15	4700938590		1	Control panel	
16	4700937738		1	Ball valve w. lever	
17	4700937742		2	Connector	
18	4700937741		23	Connector	
20	4700313003		4	Hose clamp	D
21	4700923984		1	Clamp	
22	4700908496		1	Grommet	
23	4700938856		1	Cable harness	Work light
24	4700908513		3	Nozzle	
25	4700908598		2	Nozzle	
29	4700908588		2	O-ring	
30	4700935558		2	Adapter	
31	4700500013		1	Screw	M6-1x16 8,8
32	4700904735		1	Washer	
34	4700937737	C	1	Hose	
35	4700937737	D	1	Hose	
36	4700937737	E	1	Hose	
A)	L=2,5 m				
B)	L=1 m				
C)	L=0,7 m				
D)	L=3,6 m				
E)	L=3,6 m				



**NUMERICAL INDEX**

Part Number	Page	Part Number	Page	Part Number	Page
4700100040	21,35	4700313068	63	4700356029	47
4700116041	25,47,49	4700313075	63	4700356348	143
4700160105	25,47,49	4700313093	79,219	4700357138	15,17,139,141
4700160132	119	4700313102	107,129,143,221	4700357278	107
4700160269	149		225	4700357316	161
4700160272	105	4700330170	69	4700357424	161
4700162008	107	4700330171	71,77	4700357425	161
4700162011	47,49,51,53	4700330328	63	4700357426	161
4700162017	47,49,51,53	4700330331	59	4700357427	161
4700162018	47,49	4700330333	101	4700357488	31
4700162024	49	4700330383	59	4700357494	165
4700162027	47,49,51,53	4700334121	119,129	4700357501	165
4700167023	47,49	4700334132	105,107	4700357583	147
4700167032	21,35	4700334138	105,107	4700357585	149
4700167033	21,35	4700334140	107	4700357643	161
4700202028	39	4700334163	119	4700357833	69
4700202041	63,69	4700334196	143	4700357855	161
4700205027	69	4700334199	129	4700358142	161
4700212339	111	4700334205	119,137	4700358143	161
4700212396	7,9,11,13,15,17	4700334239	119	4700358172	27,45
	59	4700334389	137	4700358254	161
4700212553	89,97	4700334419	119	4700358388	109,111
4700230515	59	4700334463	77,143	4700358452	153
4700232039	139,141	4700334468	107	4700358881	161,207,209,213
4700232041	31	4700334523	143	4700359550	107
4700232097	129	4700334558	129	4700359551	107
4700232210	45,47,49,51,53	4700337042	35	4700359552	107
4700233304	139,141	4700337045	21,35	4700359998	175
4700234218	129	4700337221	21,35	4700370019	45,47,49
4700234243	107	4700338304	129	4700370020	45
4700234354	119	4700340863	127	4700370231	47,49
4700234365	219,225	4700343159	35	4700370234	159,175
4700234382	119	4700343318	47,49	4700370258	175
4700234388	143	4700343744	47,49,51,53	4700370766	173
4700234622	143	4700343775	31	4700370792	173
4700234626	129	4700343801	45	4700370803	173
4700234662	129	4700345234	119	4700370840	63,69
4700234843	137	4700345243	107	4700371326	149
4700234875	107	4700345870	219	4700371344	149
4700234888	137	4700345874	21,35	4700371512	55
4700234909	107	4700345875	21,35	4700371601	63
4700244054	77	4700346230	219	4700371602	69
4700246069	69	4700347119	31	4700371620	59
4700272372	209	4700347512	159	4700371657	163
4700272373	207	4700348309	73	4700371658	163
4700281783	107	4700348331	159	4700371669	129
4700285909	165	4700348481	165	4700371727	59
4700285911	165	4700349682	45	4700371730	201
4700287597	149	4700349715	47,49	4700371767	63
4700287598	149,223	4700349879	139,141	4700371774	63,69
4700287724	105	4700349880	139,141	4700372018	119
4700310008	21	4700349909	105	4700372029	139
4700311016	217	4700349971	45	4700372044	139
4700313001	69,77	4700349972	45	4700372087	31
4700313002	77,225	4700349973	45	4700372169	31
4700313003	227	4700355263	149	4700372229	7,15,17,107
4700313004	59,219	4700355301	149	4700372235	105
4700313006	63,69	4700355446	77	4700372347	173
4700313010	63,69	4700355869	167,169	4700372409	173
4700313023	63,69	4700355890	217	4700372457	175,191
4700313035	165	4700355983	83,85	4700372489	173
4700313041	65,69,77	4700356028	51	4700372494	159,175,191

**NUMERICAL INDEX**

Part Number	Page	Part Number	Page	Part Number	Page
4700372513	129	4700376551	33	4700380079	127
4700372514	129	4700376561	63,69	4700380109	37,39
4700372544	63	4700376573	63	4700380113	159
4700372578	105,119	4700376619	79	4700380123	159
4700372580	105,119	4700376622	33	4700380146	119,127
4700372581	119	4700376706	31	4700380161	73
4700372586	105	4700376814	37	4700380208	159,175
4700372597	63	4700376818	37,39	4700380262	77
4700372625	129	4700376983	59	4700380277	149
4700372658	217	4700377071	155	4700380278	149
4700372670	225	4700377092	31	4700380281	147,149
4700372678	173	4700377142	73	4700380366	165
4700372757	159	4700377144	41	4700380403	57,63,67
4700372758	151	4700377145	41	4700380436	31
4700372772	59	4700377161	63,69	4700380490	107
4700372785	159,175,191	4700377166	41	4700380549	147
4700372837	217	4700377167	41	4700380577	147
4700372964	169	4700377168	41	4700380699	147
4700373006	129,131	4700377169	41	4700380700	147
4700373112	119	4700377225	107	4700380727	159
4700373123	35	4700377226	107	4700380755	37,39
4700373184	151	4700377234	77	4700380798	155
4700373361	107,115,117	4700377237	63,69	4700380830	107,109,111,113
4700373363	209	4700377274	147	4700380889	159,175
4700373364	209	4700377285	79	4700380963	171
4700373400	159	4700377378	221	4700380964	171
4700373442	45	4700377518	191	4700380967	47
4700373443	45	4700377556	191	4700381027	47,49
4700373460	31,77	4700377571	63	4700381028	47
4700373574	77	4700377742	209	4700381033	41
4700373746	171	4700377743	209	4700381297	37,39
4700373747	171	4700377744	207	4700381330	37,39
4700373748	171	4700377937	219	4700381347	37,39
4700373749	171	4700377965	221	4700381348	37,39
4700373750	171	4700377966	219	4700381352	173
4700373769	45	4700378210	59	4700381353	173
4700373770	45	4700378211	59	4700381413	63
4700373906	171	4700378213	59	4700381462	151
4700373907	171	4700378214	61	4700381634	47,49,51,53
4700374028	143	4700379214	75	4700381777	165
4700374029	151	4700379236	197	4700381989	37,39
4700374030	151	4700379275	219	4700382349	163
4700374059	107	4700379280	219	4700382391	59
4700374217	119	4700379285	219	4700382394	59
4700374398	153	4700379286	219	4700382397	159,175,191
4700374471	159	4700379304	219	4700382406	37,39
4700374606	175,191	4700379330	219	4700382411	37,39
4700374607	175,191	4700379331	219	4700382582	159,175,191
4700374728	45	4700379410	83	4700382751	207
4700374744	31	4700379411	83	4700382782	149
4700374898	35	4700379412	83	4700383200	173
4700375507	163	4700379413	83	4700383413	219,223
4700376000	129,135	4700379414	83	4700383424	219
4700376252	159,175	4700379608	195	4700383856	81,95
4700376255	191	4700379631	83	4700383933	83,85
4700376340	39	4700379632	83	4700383951	173
4700376348	37	4700379691	83	4700383955	83,85
4700376349	37,39	4700379876	53	4700383959	119,121
4700376354	39	4700379878	49	4700383974	83,85
4700376366	37,39	4700379880	49,53	4700383975	83,85
4700376488	173	4700380012	37,39	4700384114	45,47,49
4700376489	173	4700380018	47,49,51,53	4700384121	45



**NUMERICAL INDEX**

Part Number	Page	Part Number	Page	Part Number	Page
4700384159	207	4700390589	85	4700483128	107
4700384163	151	4700390590	85	4700483188	143
4700384382	47,51	4700390591	85	4700483204	143
4700384402	189	4700390759	85	4700483445	143
4700384403	189	4700390760	85	4700483497	129
4700384503	21,35	4700390762	85	4700483498	129
4700384589	219	4700390771	49	4700483697	129
4700384759	191	4700390798	65,69	4700499266	73
4700384875	219	4700390896	49,53	4700500006	77,227
4700384876	219	4700390897	49	4700500008	63,69
4700384877	219	4700390900	207	4700500012	63,69,147,151
4700384878	219	4700390927	199	4700500013	59,153,163,165
4700384879	219	4700392027	129,133		219,225,227
4700385049	47,49,51,53	4700392106	133	4700500015	79
4700385100	81,83,85,87	4700392107	133	4700500018	63,69,143,225
4700385222	225,227	4700392108	133	4700500019	73,75,107,139
4700385442	219	4700392109	133		141,197,201,203
4700385443	219	4700392110	133	4700500021	37,71,77,107,153
4700385908	219	4700392170	69		161,163,165,171
4700386007	59	4700392313	69		217
4700386152	79	4700392378	69	4700500022	37,39,77,171,219
4700386153	79	4700392784	39	4700500023	129,219
4700386272	25	4700392786	39	4700500027	65,69
4700386688	59	4700392981	141	4700500028	105,107,119
4700386699	63,69	4700392985	75	4700500029	31,63,69,77,159
4700386774	79	4700392986	141		175,191
4700386848	63	4700393857	39	4700500030	141,167,169
4700386850	63	4700394646	105	4700500031	37,39,221
4700386851	63	4700394650	105	4700500033	107
4700386999	147	4700394683	75	4700500035	147
4700387085	63,69	4700394686	15,73	4700500036	61
4700387128	59	4700394687	15,73	4700500037	35,107
4700387218	63	4700394690	13,17,75	4700500040	37,39,63,69,147
4700387419	151	4700394691	17,75		151,155,161,163
4700387466	219,225	4700394738	75	4700500043	31,151
4700387467	219,225	4700394765	69	4700500046	79,107,163
4700387638	219	4700394902	129	4700500047	37,39,59
4700387699	79	4700396080	75	4700500048	167,169
4700387728	149	4700416004	165	4700500053	37,39,41,63,65
4700388145	83,85	4700416034	163,165		69,75,79,143,147
4700388146	83,85	4700450066	37,39		155,159,197,219
4700388449	209	4700450067	37,39	4700500057	45
4700388470	219	4700470021	147	4700500061	107,163
4700388650	79	4700482010	107	4700500070	45,59
4700388728	63,69	4700482056	137	4700500075	147,149
4700388732	63,69	4700482182	107	4700500082	45,47,49,51,53
4700388800	79	4700482391	107	4700500092	105
4700388855	59	4700482399	137	4700500100	173
4700389138	59	4700482516	137	4700500101	105
4700389170	163	4700482741	107	4700500111	159
4700389175	163	4700483022	105	4700500121	175
4700389177	163	4700483023	119	4700500122	219
4700389184	163	4700483024	119	4700500133	37,39,129
4700389564	105	4700483028	105	4700500152	45
4700389577	153	4700483029	105	4700500153	171
4700389600	73,75	4700483031	119	4700500154	59
4700389882	37	4700483033	107	4700500161	221
4700389904	37	4700483034	119	4700500163	47,49,51,53
4700389912	31	4700483035	119	4700500165	33
4700390483	219	4700483040	137	4700500184	147
4700390587	85	4700483049	129	4700500188	35
4700390588	85	4700483109	129	4700500192	105,119,139,219

**NUMERICAL INDEX**

Part Number	Page	Part Number	Page	Part Number	Page
4700500194	59,119	4700791218	191	4700901455	109
4700500195	191	4700791306	59	4700901458	109
4700500196	47,49	4700791371	147	4700901465	111
4700500226	159	4700791468	59	4700901466	111
4700500239	59,173	4700791475	37,39	4700901467	111
4700500263	107	4700791503	147	4700901475	111
4700502034	129	4700791510	147	4700901476	111
4700502078	119	4700791511	147	4700901767	149,161
4700502132	105,107,119	4700791573	83,85	4700901828	47
4700506018	119	4700791595	147	4700901832	223
4700508005	175	4700791924	147	4700901834	87,95
4700508006	159	4700791933	47	4700901987	93,101
4700508029	59,129	4700792039	107	4700902115	119
4700508059	175	4700792052	147	4700902123	167,169
4700508079	59	4700792081	59	4700902125	143
4700508080	119	4700792248	221	4700902163	161
4700509025	59	4700792261	83,85	4700902164	161
4700513012	39	4700792277	147	4700902166	37,39,63,65,69
4700527002	45	4700792549	39		75,79,105
4700533001	165	4700801567	147	4700902183	167
4700533038	165	4700802550	75	4700902184	167
4700533070	149	4700813316	129	4700902185	167
4700535005	185	4700813391	31	4700902186	167
4700541702	149,151,153,161	4700813434	147,221,225	4700902187	165
4700541703	165	4700813435	77	4700902189	165
4700570003	147	4700813444	129	4700902191	165
4700570004	149,165,219,227	4700813499	105,107	4700902223	149
4700570005	63,69,147,191	4700813500	129	4700902224	149
4700570006	129,139,219	4700813618	55,115	4700902225	149
4700573003	163	4700813791	73	4700902227	151
4700573004	165	4700813822	109,115	4700902260	127
4700586001	37,39,149,227	4700814065	225	4700902261	127
4700586002	37,39,63,69,149	4700900170	75	4700902264	127
	155,161,171	4700900229	107	4700902265	127
4700586003	41,59,129,153	4700900552	137	4700902284	147
	165,171,203,219	4700900604	107	4700902285	37,39,147,163
4700586018	59,105,151	4700900775	47,49,51,53	4700902286	147,159
4700586019	59	4700900776	23,47,49,51,53	4700902379	37,39,161
4700586021	201	4700900782	23,47,49,51,53	4700902558	77,221
4700586023	45	4700900784	23,47,51	4700902581	107,115
4700588176	207	4700900807	35	4700902610	217
4700600008	129	4700900827	7,11,13,15,17,59	4700902624	121
4700603010	163	4700900829	7,11,13,15,17,59	4700902625	121,125
4700603018	77	4700900957	91,99	4700902638	121
4700604007	119	4700900966	91,99	4700902687	121
4700604012	107	4700901145	83,85,159,175	4700902695	121
4700615045	107		191	4700902697	125
4700624005	207	4700901155	119	4700902724	121
4700624016	173	4700901157	119	4700902752	121
4700624017	207	4700901218	83,85	4700902783	125
4700629016	165	4700901220	217	4700902811	125
4700629066	201	4700901224	155	4700902814	125
4700635061	31,133	4700901226	149	4700902861	135
4700747282	69,77	4700901240	149	4700902862	135
4700747691	59	4700901328	113	4700902864	135
4700791119	139,141	4700901369	151	4700902895	165
4700791120	139,141	4700901443	83,85	4700902896	165
4700791156	47,49,51,53	4700901444	83,85	4700902919	31,161
4700791172	221	4700901449	59	4700902924	219
4700791175	83,85	4700901452	109	4700902928	109,115
4700791176	83,85	4700901453	109,115	4700902929	115
4700791183	147	4700901454	109	4700902930	115

**NUMERICAL INDEX**

Part Number	Page	Part Number	Page	Part Number	Page
4700902944	115	4700904230	175,191,219	4700908399	73,75
4700902960	115	4700904231	35,37,39,47,49	4700908422	115
4700902961	115		79,119,129,159	4700908426	115
4700902962	115		175,191	4700908427	115
4700902984	115	4700904232	33,45,47,49,51	4700908432	109,111,115
4700902996	115		53,59,119,201	4700908435	115
4700903189	49	4700904233	31,45,59,83,85	4700908443	115
4700903190	49,77		159,175,191	4700908448	111
4700903281	45	4700904234	45,173	4700908450	11
4700903290	105,159,175,191	4700904241	79	4700908452	73
4700903395	165	4700904281	37,39,63,69,77	4700908485	89,97
4700903422	207		147,149	4700908496	227
4700903423	207	4700904282	107	4700908499	179,181,183,195
4700903424	207	4700904294	225		197,199
4700903425	207	4700904314	151	4700908501	219
4700903457	135	4700904340	171	4700908502	219
4700903459	207	4700904379	59	4700908503	219
4700903570	109	4700904385	131,133	4700908504	219
4700903571	109	4700904433	159,175,191	4700908506	181,197
4700903580	109	4700904479	35	4700908507	181,197
4700903631	147	4700904486	63,69	4700908513	227
4700903632	59,147	4700904504	37,39	4700908545	179,183,195,199
4700903640	147	4700904543	219	4700908580	183,199
4700903641	147	4700904551	63,69	4700908581	183,199
4700903714	63,69	4700904557	31,37,39,221	4700908582	183,199
4700903750	105	4700904562	173	4700908583	183,199
4700903768	147	4700904567	31,139,141,219	4700908585	227
4700903782	197	4700904619	173	4700908587	227
4700903812	129	4700904637	59,129	4700908588	227
4700903820	149	4700904638	59,61,105,107	4700908589	227
4700903831	129		119,147	4700908595	227
4700903852	219	4700904639	147	4700908598	227
4700903877	119	4700904640	37,39,41,63,69	4700908605	187
4700903905	175		75,79,161,217	4700908617	187
4700903906	219	4700904663	9,11,13,15,17,21	4700908623	185
4700903915	63	4700904695	77	4700908624	185
4700903916	63	4700904697	165	4700908625	201
4700903919	45	4700904703	59,163,219	4700908626	201
4700903985	83,85	4700904718	41	4700908627	201
4700904005	105,107,119,129	4700904734	173	4700908628	201
4700904036	147	4700904735	69,107,227	4700908780	135
4700904037	147	4700904737	47,49,51,53	4700909382	109
4700904038	151	4700904773	119	4700909386	109
4700904060	73	4700904793	107,167	4700909387	109
4700904068	207,209	4700904812	165	4700909388	109
4700904069	209	4700904835	209	4700909389	109
4700904165	221	4700904846	149	4700909390	109
4700904180	173	4700904870	207	4700909391	109
4700904213	107,219	4700904910	155	4700909392	109
4700904228	37,39,59,63,69	4700904979	77	4700909393	109
		4700905304	187	4700909398	109
		4700905305	187	4700909399	111
		4700905306	187	4700909428	111
4700904229	35,59,63,65,69	4700908136	143	4700909429	111
		4700908229	207	4700909432	111
		4700908265	201	4700909435	111
		4700908267	203	4700909436	111
		4700908352	109	4700909469	121,125
		4700908355	201	4700909514	121,125
4700904230	31,59,63,65,69	4700908359	203	4700909525	117
		4700908361	201	4700909527	149
		4700908383	121	4700909535	159,175

**NUMERICAL INDEX**

Part Number	Page	Part Number	Page	Part Number	Page
4700909536	159,175	4700925208	31	4700935269	183,199
4700909544	91,99	4700925631	77	4700935270	183,199
4700909550	89	4700925671	45	4700935271	179,183,195,199
4700909551	89	4700925723	137	4700935272	179,183,195,199
4700909552	89	4700925802	59,151	4700935273	179,183,195,199
4700909553	89	4700926214	21,35,129	4700935274	179,183,195,199
4700909558	89	4700926781	93,101	4700935275	179,183,195,199
4700909559	89	4700926810	91,99	4700935276	179,183,195,199
4700909560	89	4700926847	91,99	4700935277	179,183,195,199
4700909561	89	4700926985	63,69	4700935278	179,195
4700909562	89	4700927117	31	4700935279	179,195
4700909563	89	4700927857	79	4700935280	179,195
4700909565	89	4700927974	159,175,191	4700935281	179,195
4700909566	89	4700928497	165	4700935282	179,195
4700909567	89,97	4700928830	167,169	4700935283	179,195
4700909568	89,97	4700929013	135	4700935284	179,195
4700909569	89,97	4700929014	135	4700935285	179,195
4700909570	89,97	4700929023	147	4700935286	179,195
4700909572	89,97	4700929123	129	4700935287	179,195
4700909574	89,97	4700929217	83,85	4700935288	179,195
4700909576	89,97	4700929447	25,47,49	4700935289	179,195
4700909580	89,97	4700929602	161	4700935290	179,195
4700909581	89,97	4700929612	93,101	4700935291	179,195
4700909582	87,95	4700929617	91,99	4700935292	179
4700909583	87,95	4700929625	97	4700935293	179,195
4700909584	87,95	4700929626	97	4700935294	179
4700909586	93,101	4700929628	89,97	4700935295	179,195
4700909596	99,101	4700929629	89,97	4700935296	179,195
4700909607	99	4700929630	97	4700935297	179,195
4700909609	91,99	4700929631	97	4700935298	179,195
4700909616	91,99	4700929638	89,97	4700935299	179,195
4700909618	91,99	4700929644	89,97	4700935300	179,195
4700909619	91,99	4700929648	87,95	4700935301	179,195
4700909622	91,99	4700930151	149	4700935302	179,195
4700909624	91,99	4700930153	149	4700935303	179,197
4700909626	91,99	4700930154	149	4700935380	55
4700909727	109	4700930162	149	4700935381	55
4700909762	131	4700930163	149	4700935382	55
4700910161	129	4700930165	149	4700935386	55
4700910995	35	4700930166	149	4700935387	55
4700911620	135	4700930182	149	4700935388	55
4700921031	151	4700930200	149	4700935389	55
4700921039	151,153	4700932032	149	4700935394	55
4700921050	63	4700932050	149	4700935395	55
4700921056	219	4700935044	59	4700935396	55
4700921063	59	4700935164	123	4700935397	55
4700921084	69,107	4700935172	125	4700935400	55
4700921099	63,69	4700935192	121	4700935401	55
4700921104	147	4700935219	121	4700935402	55
4700921116	147	4700935244	183,199	4700935403	55
4700921132	225	4700935245	183,199	4700935404	55
4700921161	219	4700935246	183,199	4700935405	55
4700922325	165	4700935247	183,199	4700935411	55
4700923087	109,111	4700935248	183,199	4700935413	55
4700923342	89,97	4700935249	183,199	4700935414	55
4700923371	107	4700935250	183,199	4700935415	55
4700923384	105,107,119	4700935253	183,199	4700935429	135
4700923984	227	4700935259	227	4700935468	135
4700923987	163	4700935265	183,199	4700935520	117
4700924620	21,35	4700935266	183,199	4700935521	115
4700924791	171	4700935267	183,199	4700935524	115
4700924875	37,39,161	4700935268	183,199	4700935525	115

**NUMERICAL INDEX**

Part Number	Page	Part Number	Page	Part Number	Page
4700935526	115	4700936616	123	4700937737	219,227
4700935527	115	4700936617	123	4700937738	227
4700935530	115	4700936618	123	4700937741	227
4700935531	115	4700936619	123	4700937742	227
4700935533	115	4700936620	123	4700937857	111
4700935536	115	4700936621	123	4700937870	189
4700935543	115	4700936622	123	4700937871	187
4700935544	115	4700936623	123	4700937947	67
4700935545	115	4700936627	123	4700937948	67
4700935556	227	4700936628	123	4700938014	121
4700935557	227	4700936630	123	4700938017	183,199
4700935558	227	4700936631	123	4700938018	183,199
4700935613	169	4700936632	123	4700938045	183
4700935614	169	4700936633	123	4700938062	135
4700935644	89	4700936634	123	4700938063	135
4700935664	115	4700936636	123	4700938064	135
4700935741	115	4700936637	123	4700938065	135
4700935749	115	4700936642	121	4700938066	135
4700935750	115	4700936643	121	4700938067	135
4700935841	131	4700936644	121	4700938068	135
4700935842	131	4700936646	121	4700938069	135
4700935843	131	4700936647	121	4700938070	135
4700935844	131	4700936648	121	4700938071	135
4700935845	131	4700936654	121	4700938072	135
4700935846	131	4700936655	121	4700938073	135
4700935847	131	4700936656	121	4700938074	135
4700935856	109	4700936657	125	4700938075	135
4700935857	111	4700936658	125	4700938101	183,199
4700935950	59	4700936659	125	4700938170	111
4700936283	159,175	4700936660	125	4700938252	111
4700936304	125	4700936661	125	4700938253	111
4700936305	125	4700936662	125	4700938290	195
4700936307	121	4700936663	125	4700938291	195
4700936308	121	4700936664	125	4700938292	195
4700936313	125	4700936665	125	4700938296	91,99
4700936370	125	4700936673	125	4700938514	15,17
4700936394	125	4700936686	121	4700938516	15,17
4700936546	109	4700936689	121	4700938528	5,9
4700936547	109	4700936707	67	4700938562	19,21
4700936548	113	4700936708	67	4700938587	227
4700936551	109	4700937055	129	4700938588	227
4700936553	109	4700937150	111	4700938589	227
4700936557	109	4700937187	123	4700938590	227
4700936558	109	4700937240	125	4700938597	223
4700936559	109	4700937259	127	4700938598	223
4700936560	109	4700937363	117	4700938599	223
4700936561	109	4700937380	179,195	4700938600	223
4700936562	111	4700937381	179,195	4700938601	223
4700936563	111	4700937382	179,195	4700938602	223
4700936564	111	4700937383	179,195	4700938603	223
4700936566	111	4700937384	179,195	4700938604	223
4700936567	111	4700937385	179,195	4700938605	223
4700936568	111	4700937386	179	4700938606	223
4700936570	111	4700937387	179	4700938607	223
4700936571	111	4700937388	179	4700938608	223
4700936582	109	4700937389	179,195	4700938609	223
4700936583	111	4700937390	183,199	4700938649	47
4700936593	115	4700937391	183,199	4700938650	51
4700936609	121,125	4700937392	183,199	4700938659	195
4700936612	121	4700937393	183,199	4700938691	219
4700936613	125	4700937394	67	4700938856	227
4700936614	125	4700937675	127	4700938882	19,27

**NUMERICAL INDEX**

Part Number	Page	Part Number	Page	Part Number	Page
4700938891	19,25	4700940678	183,199		
4700938894	19,23	4700945140	59		
4700938983	91,99	4700945586	53		
4700938984	91,99	4700945592	49		
4700938985	101	4700945757	115		
4700938989	89,97	4700945775	121		
4700939003	93,101	4700945776	121		
4700939015	93,101	4700945777	77		
4700939016	93,101	4700945880	127		
4700939017	93,101	4700950283	111		
4700939019	93,101	4700950284	111		
4700939026	91,99	4700950317	5,13		
4700939035	91,99	4700950611	5,17		
4700939036	91,99	4700950635	125		
4700939173	121	4700985012	149		
4700939255	91,99	4700985125	149		
4700939256	91,99	4700985146	149		
4700939257	89,97	4700989151	139,141		
4700939258	89,97	4700991658	209		
4700939259	89,97	4700991990	207		
4700939260	89,97	4700999011	153		
4700939261	89,97	4700999027	147		
4700939262	89	47386084BR	207		
4700939263	93,101	47386084CN	207		
4700939264	93,101	47386084DE	207		
4700939265	93,101	47386084DK	207		
4700939266	93,101	47386084EN	207		
4700939267	93,101	47386084ES	207		
4700939268	93,101	47386084FI	207		
4700939269	93,101	47386084FR	207		
4700939270	93,101	47386084GR	207		
4700939271	93,101	47386084IS	207		
4700939272	93,101	47386084IT	207		
4700939273	93,101	47386084NL	207		
4700939275	93,101	47386084NO	207		
4700939276	93,101	47386084PT	207		
4700939277	93,101	47386084SE	207		
4700939278	93,101	47960787SE	207		
4700939280	91,99	4812110216	151		
4700939281	91,99	D433722101	21,35		
4700939282	91,99	D433722102	21,35		
4700939283	91,99				
4700939284	91,99				
4700939285	91,99				
4700939286	91,99				
4700939287	91,99				
4700939348	91,93				
4700939349	93,101				
4700939350	93				
4700939351	93,101				
4700939403	77				
4700939404	7,11,13,15,17,77				
4700939405	77				
4700939489	111				
4700939504	59				
4700940269	59				
4700940322	5,7				
4700940323	5,11				
4700940324	5,15,17				
4700940505	121				
4700940507	121				
4700940676	121				