

Vibratory Roller
CA500PD

DYNAPAC
Part of the Atlas Copco Group

Spare Parts Catalogue

SCA500PD-2EN1

Valid from roller serial number:
10000119x0A000001 -



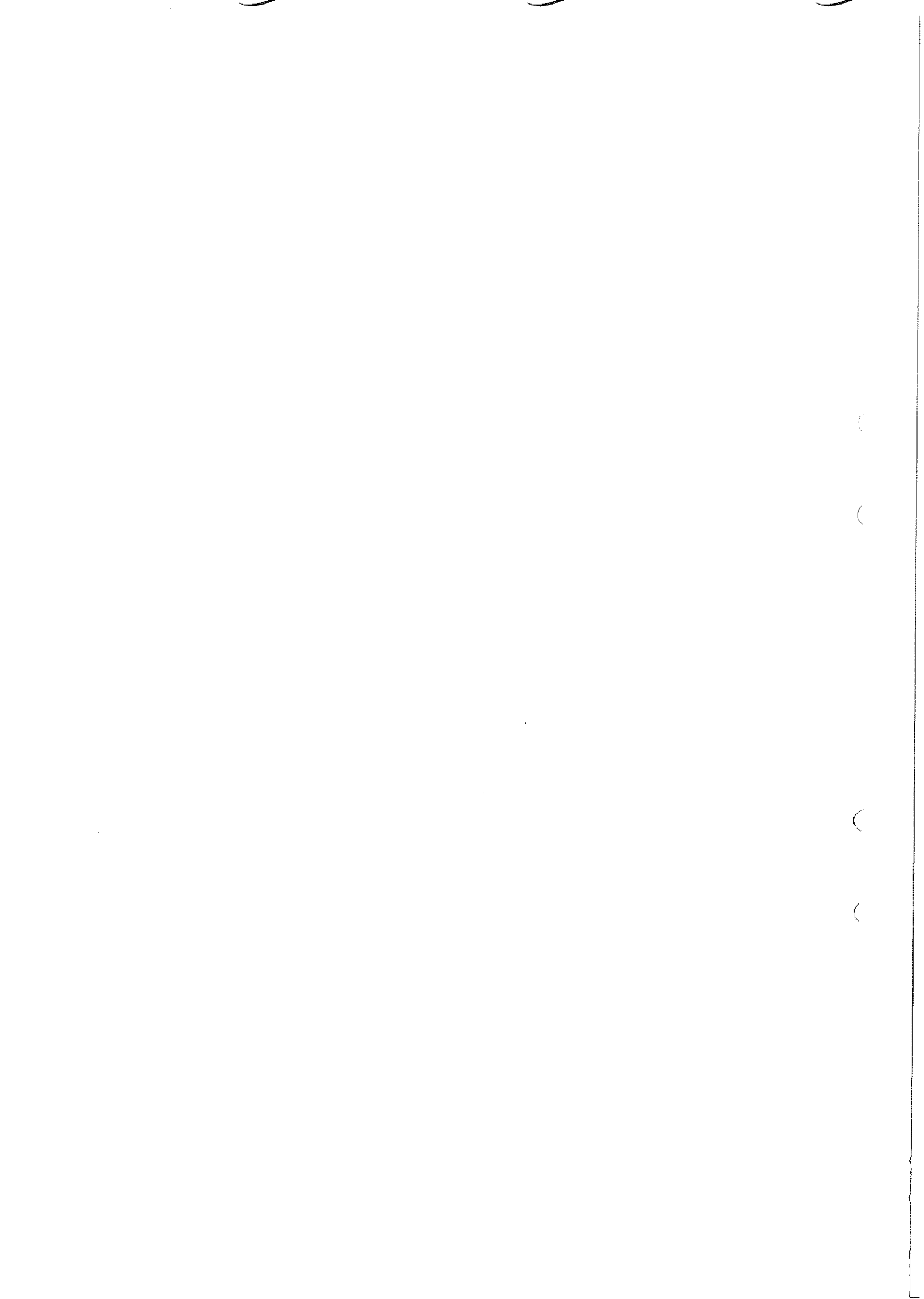
Diesel engines:
Cummins 6BTA 5.9

Published catalogue issues valid for these rollers:

Catalogue	Issue date	Valid for serial numbers
SCA500PD-2EN1	2010-03	10000119x0A000001 -



We reserve the right to change specifications without notice.
Printed in Sweden.



RESERVDELSBESTÄLLNING

Följande uppgifter ska lämnas vid beställning av reservdelar för att undvika leveransfel:

1. Maskintyp.
2. Vältens serienummer.
3. Antal av önskad reservdel.
4. Reserdelens artikelnummer.
5. Reservdelens benämning.
6. Måttuppgifter vid beställning av metervara.

ORDERING SPARE PARTS

To avoid errors in delivery, please give the following information when ordering spare parts:

1. Type of machine.
2. Roller serial number.
3. Quantity required.
4. Part number.
5. Parts denomination.
6. Dimensions when ordering per length.

ERSATZTEILBESTELLUNG

Zur Vermeidung von Fehllieferungen sind bei der Bestellung von Ersatzteilen folgende Angaben zu machen:

1. Maschinentyp.
2. Herstellungsnummer.
3. Bestellmenge. (Quantity)
4. Ersatzteilnummer. (Part N°)
5. Ersatzteilbenennung. (Denomination)
6. Massangaben bei Bestellung von Meterware.

ORDINI DI RICAMBI

Per evitare errori nelle consegne di ricambi, Vi preghiamo di comunicarci le seguenti informazioni al momento dell'ordinazione:

1. Tipo di macchina.
2. Numero di serie della macchina.
3. Quantità dei pezzi desiderati. (Quantity)
4. Numero di codice del pezzo. (Part N°)
5. Descrizione del pezzo di ricambio. (Denomination)
6. Misura, in caso di ordine per metro.

PEDIDO DE RECAMBIOS

Para evitar errores en las entregas, deberán indicarse los siguientes datos al hacer un pedido de recambios:

1. Tipo de máquina.
2. Número de serie.
3. Cantidad de piezas deseadas. (Quantity)
4. Número de artículo de la pieza de recambio. (Part N°)
5. Denominación de la pieza. (Denomination)
6. Indíquese la medida al solicitar un artículo que se expide por metros.

COMMANDE DE PIÉCES DE RECHANGE

Les indications suivantes doivent être fournies lors de la commande de pièces de rechange, afin d'éviter toute erreur de livraison:

1. Type de machine.
2. Numéro de série.
3. Quantité désirée de pièce de rechange. (Quantity)
4. Numéro de la pièce de rechange. (Part N°)
5. Dénomination de la pièce de rechange. (Denomination)
6. Longueur en cas de commande au mètre.

YOUR AGENT/DEALER:

Text pages

The text pages is structured as the picture on the right.

1. This is the remarks for specific items and the descriptions of the remarks is at the bottom of the parts list.
2. Parts indicated by a dot and moved to the right are included when buying the assembled unit above.
3. Spare parts and service code for a specific part, mainly for internal use at Dynapac. "A" = Service part, "B" = Fast moving part, "C" = Suggested exchanged part and "D" = Regular spare part.

DYNAPAC				Metso Dynapac AB	
Cooling system					
Ref. No.	Part No.	Rem.	Qty	Description	Code
1	223047		1	Water cooler	③ C
2	935852		1	Radiator cap	D
3	935851	①	1	Cock	D
4	373263	A	1	Radiator hose	D
5	313009		6	Clamp	
6	205058	B	1XL	Rubber cloth	
7	373261	C	1	Radiator hose	D
8			1	Oil cooler	D
9	223289		1	Plate	D
10	902166	D	1XL	Edge trim	
11	223287	E	1	Holder	
12	223288	F	1	Holder	
13	908168		1	Fan guard	
14	908170		1	Fan shroud	
15	908171		2	Mounting bar	
16	908169		1	Fan guard	
17	500021		14	Screw	
18	902266		14	Nut	
19	600006		14	Washer	
20	313102		2	Cable strap	

A) Upper
 B) L=060MM
 C) Lower
 D) L=2280MM
 E) Left
 F) Right

Changes

PARTS INFO	SERVICE INFO	GROUP	PAGE	NOTES

Notes

PÄRMETIKETT

För att undvika fel vid reservdelsbeställning finns här nedan två etiketter som passar i fickorna på pärmarnas ryggar. På dessa kan man se från vilket vältnummer av aktuell maskin reservdelskatalogen gäller. Gör så här:

1. Tag denna sida ur pärmen.
2. Klipp ut etiketten till **VÄNSTER** (1) och sätt in den i fickan på **DENNA** pärmens rygg.
3. Finns det en etikett till **HÖGER** (2), kan denna användas på pärmen för **FÖREGÅENDE** utgåva av denna katalog.
4. Kasta detta papper.

KATALOG-BESCHRIFTUNG

Zur Vermeidung von Fehlern bei der Ersatzteilbestellung benutzen Sie bitte die unteren Beschriftungen, um die Kataloge auf der Rückseite zu kennzeichnen. Auf der Beschriftung ist angegeben, für welche Maschinennummern der jeweilige Katalog gültig ist. Ablauf:

1. Nehmen Sie dieses Blatt aus dem Katalog.
2. Schneiden Sie die **LINKE** Beschriftung (1) aus. Schieben Sie die Beschriftung in die tasche auf **DEM** Katalogrücke.
3. Sollte die Beschriftung unten **RECHTS** (2) mitgeliefert werden, kennzeichnen Sie damit bitte die **ÄLTERE** Ausführung dieses Kataloges.
4. Den Rest dieses Blattes bitte vernichten.

ETIQUETA PARA LA CARPETA

Para evitar errores al pedir repuestos utilicen las etiquetas abajo descritas para identificar los catálogos en la parte trasera de la carpeta. En la etiqueta se ven los números de referencia de la serie para la cual es válido el catálogo. Instrucciones:

1. Quitar esta página de la carpeta.
2. Corta la etiqueta **IZQUIERDA** (1) y ponerla est **ESTA** carpeta en la parte trasera.
3. Si hay una etiqueta en la parte **DERECHA** (2) se puede utilizar en la carpeta para el catálogo que **PRECEDE** a esta.
4. Tirar esta hoja.

BINDER LABEL

To avoid errors when ordering spare parts use the labels below to identify the catalogues on the back of the binder. The label contain the serial number range for which the catalogue is valid. Do like this:

1. Remove this page from the binder.
2. Cut out the **LEFT** label (1) and put it on **THIS** binders back.
3. If there is a label to the **RIGHT** (2), it can be used on the binder for **PRECEDING** issue of this catalogue.
4. Throw away this paper.

ETICHETTAPOSTASULRACCOGLITORE

Per evitare errori quando ordinate pezzi di ricambio, usate le etichette in calce che servono ad identificare i cataloghi sul retro del raccoglitore. L'etichetta indica il numero di matricola delle macchine prese in considerazione nel catalogo.

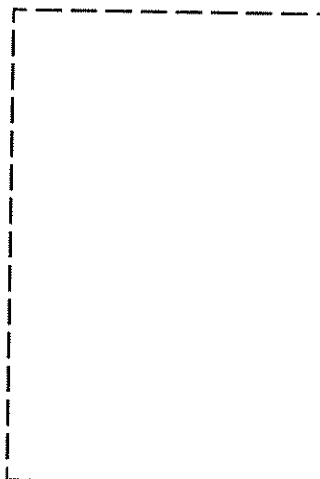
1. Rimuovete questa pagina dal raccoglitore.
2. Ritagliate l'etichetta posta a **SINISTRA** (1) e ponetela sul retro **DEL** raccoglitore.
3. Se trovate anche un'etichetta sulla **DESTRA** (2), ritagliatela e ponetela sul raccoglitore relativo alla **PRECEDENTE** edizione del catalogo.
4. Distruggete questo foglio.

ETIQUETAGE DU CATALOGUE

Afin d'éviter des erreurs lors de commandes de pièces de rechange, nous vous conseillons d'apposer les marquages ci-dessous à l'arrière du classeur, pour identifier les catalogues. Ce marquage indique les numéros de série pour lesquels le catalogue est adapté. Il convient de procéder de la façon suivante:

1. Retirez cette page du classeur.
2. Découpez l'étiquette de **GAUCHE** (1), et apposez-la à l'arrière de **CE** catalogue.
3. Si il y a une étiquette à **DROITE** (2), vous pourrez l'apposer sur le classeur de l'edition **PRECEDENTE** du catalogue.
4. Détruire cetta feuille.

1.



○

○

○

○

TABLE OF CONTENTS

	Page
CA500PD SN 10000119x 0A000001 -	2
Service kits	4
4700940322 Service kit 50h	6
4700938528 Service kit 250/750 h	8
4700950317 Service kit 500h	10
4700950611 Service kit 1000h	12
Repair kits	14
4700938562 Steering hitch kit	16
4700945657 Eccentric shaft kit	18
4700938891 Drum rotation kit	20
4700938882 Shock absorber kit, drum	22
4700940662 F/R control button kit	24
Frame	26
Frames	28
Scrapers	30
Hitch	32
Structure	34
Side covers Option	36
Drum	38
Drum	40
Drum cartridge Vibration side	42
Drum cartridge Drive side	44
Drum gear	46
Engine	48
Engine Cummins 6BTA 5.9	50
Cooling system	54
Combustion air system	58
Fuel system	60
Exhaust system	62
Transmission	64
Rear axle and wheels	66
4700385100 Rear axle Limited slip	68
Differential with limited slip	70
Differential housing and brakes	72
Planet gear	74
4700383856 Rear axle No-Spin, Option	76
Differential with No-Spin	78
Differential housing and brakes	80
Planet gear	82
Hydraulic system	84
Propulsion system, Front	86
Propulsion system, Rear	88
4700380830 Propulsion pump	90
4700373361 Propulsion motor	96
Vibration system	100
4700383959 Vibration pump	102
Rotating group, cpl	104
4700936609 Valve block, cpl	106
4700380146 Hydraulic motor, vibration	108
Steering system	110

TABLE OF CONTENTS

Page

4700392027	Steering cylinder	112
4700376000	Steering valve	114
	Brake system	116
	Hydraulic oil tank	118
	Central test panel hydraulic Option	120
Electrical equipment		122
	Electric system	124
	Control panel	126
	Working lights Option	128
	Rotating beacon Option	130
	Back-up alarm Option	132
Drivers platform		134
	Drivers platform	136
	Control panel	138
	Throttle control	140
	Forward and reverse control	142
	Steering column	144
	Canopy Option	146
	Rops and fops	148
	Cab mounting	150
	Cab 4700378308	152
	Cab Screens	154
	Cab Door, left side	158
	Cab Interior rear mirror	160
	Wiper arm with blade, front	162
	Cab Electric	164
	Cab Exterior rear mirror	166
	Cab Work light	168
Decals		170
	Decals	172
	Decals	174
Standard equipment		176
	Standard equipment	178
Optional equipment		180
	Tool equipment	182
	Air conditioner and heater, Simple cab	184
4700383413	Condenser, cpl	188
	Heater Simple cab	190
4700385222	Heater	192

(

(

(

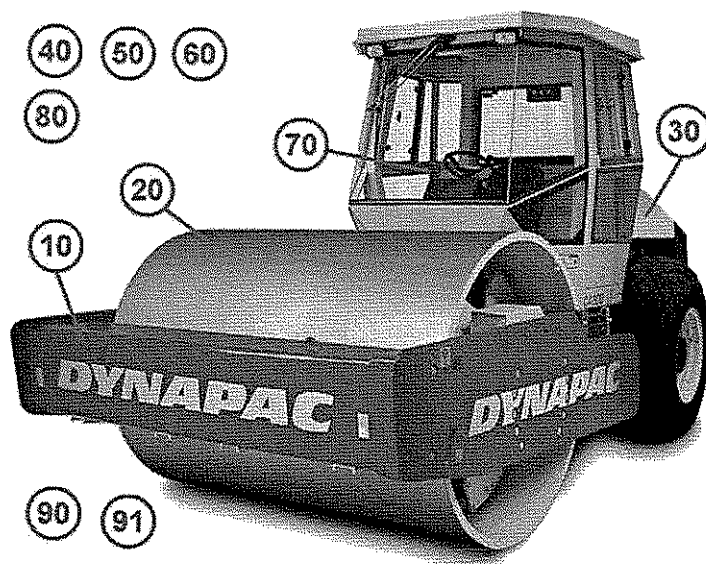
(

2

3

4

5

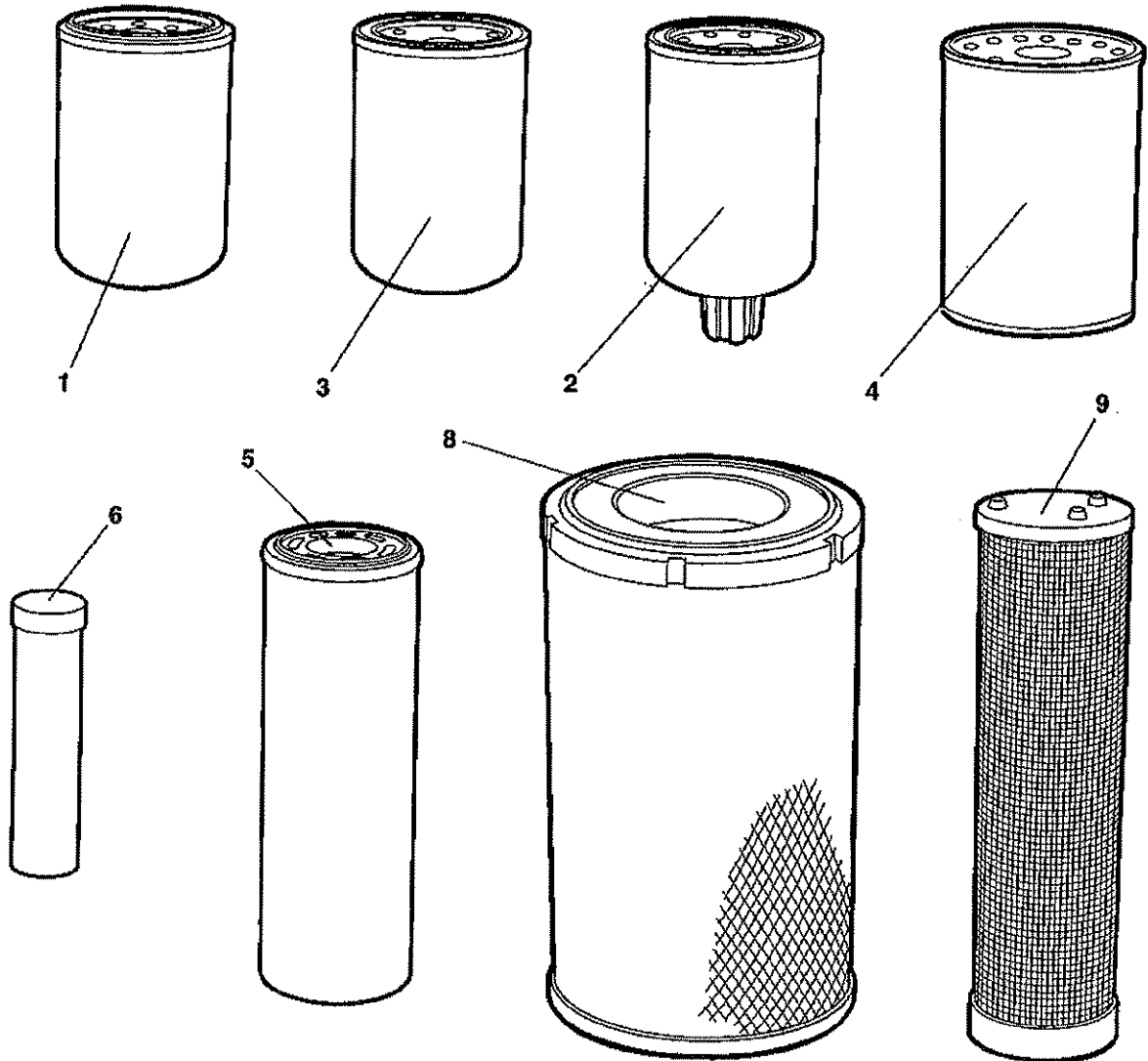
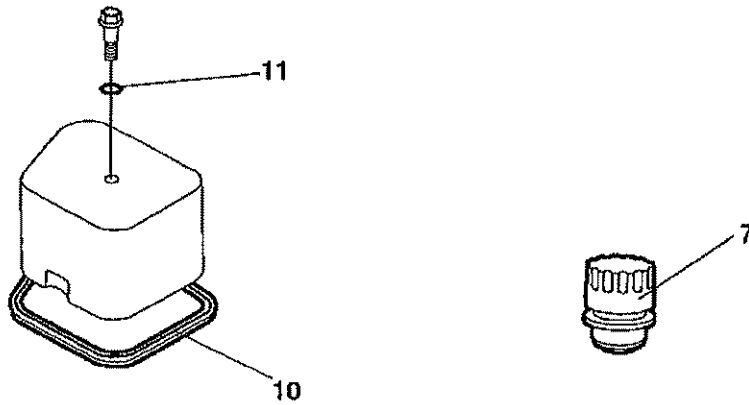


CA500PD SN 10000119x 0A000001 -

Item	Part No	Rem Qty	Description	Code
1			Service kits (Page 4)	
2			Repair kits (Page 14)	
10			Frame (Page 26)	
20			Drum (Page 38)	
30			Engine (Page 48)	
40			Transmission (Page 64)	
50			Hydraulic system (Page 84)	
60			Electrical equipment (Page 122)	
70			Drivers platform (Page 134)	
80			Decals (Page 170)	
90			Standard equipment (Page 176)	
91			Optional equipment (Page 180)	

Service kits

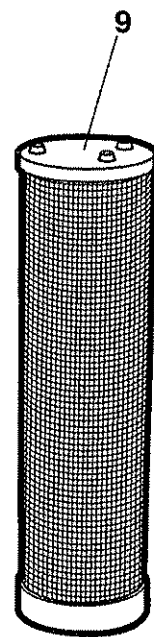
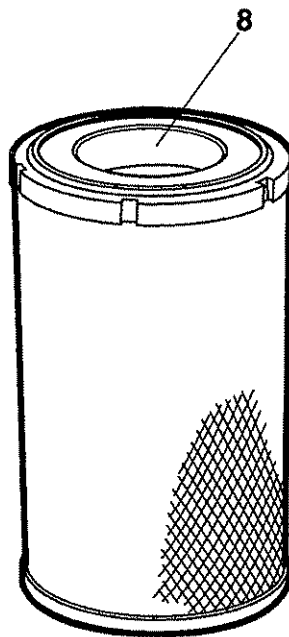
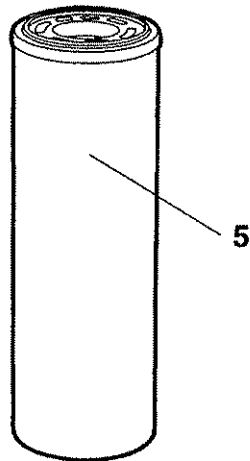
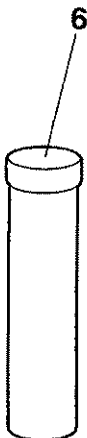
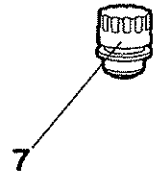
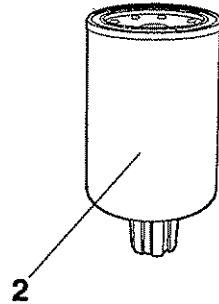
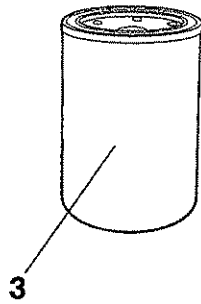
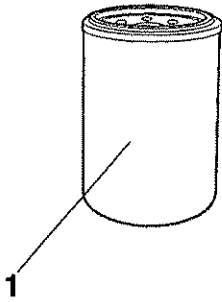
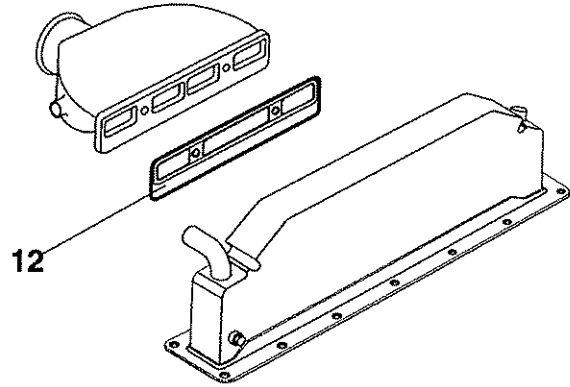
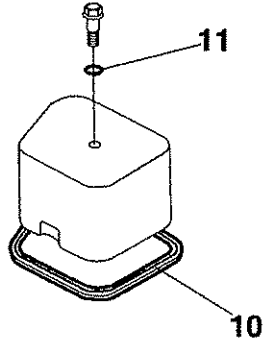
Item	Part No	Rem Qty	Description	Code
1	4700940322		Service kit 50h (Page 6)	
2	4700938528		Service kit 250/750 h (Page 8)	
4	4700950317		Service kit 500h (Page 10)	
6	4700950611		Service kit 1000h (Page 12)	



4700940322 Service kit 50h

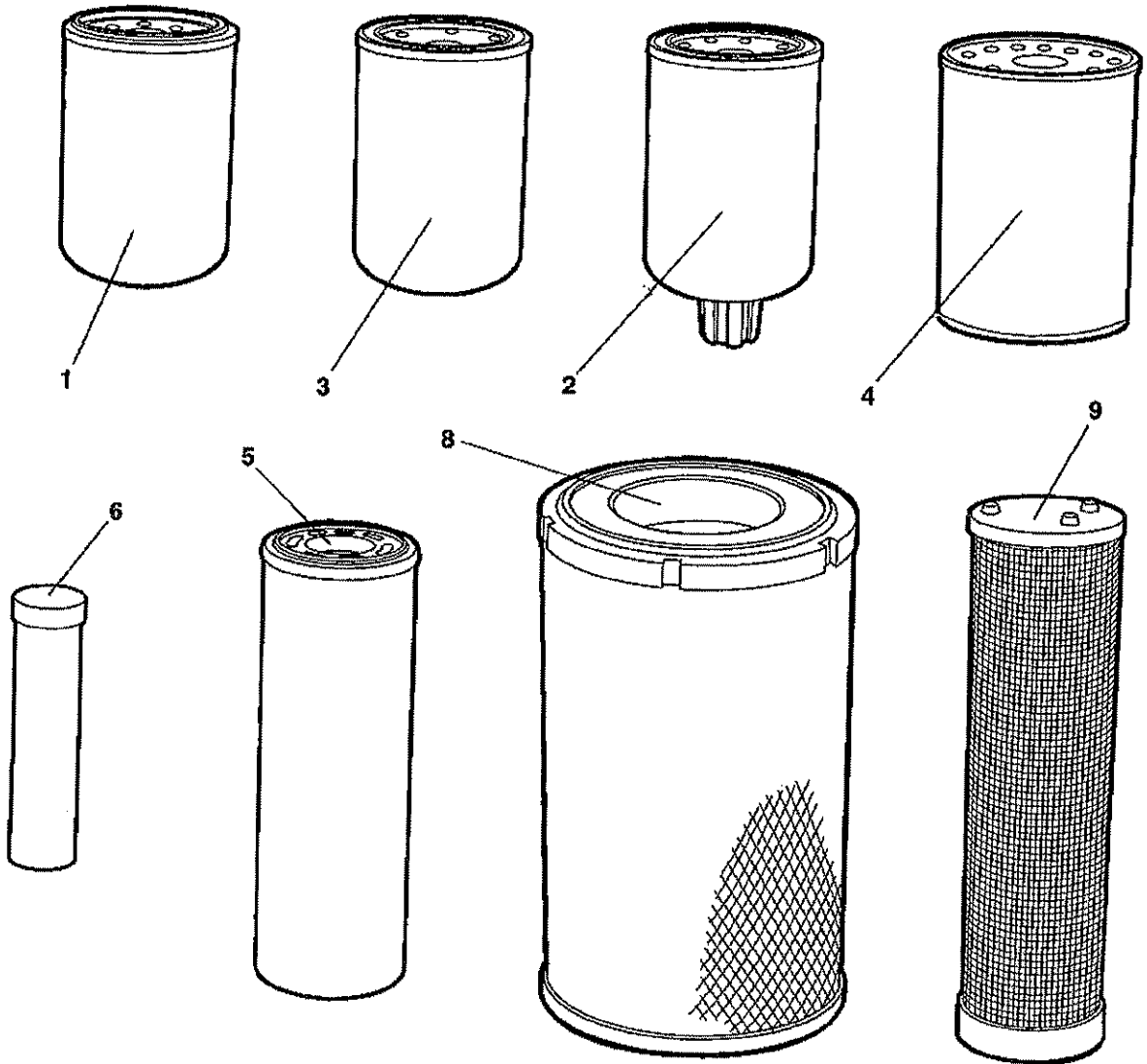
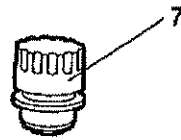
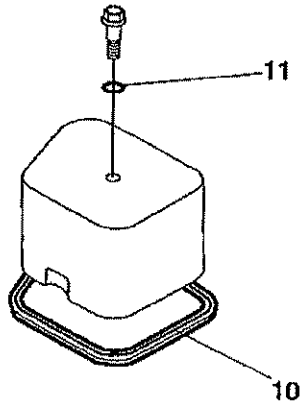
Item	Part No	Rem Qty	Description	Code
	4700940322		Service kit 50h (Page 6)	
1	4700212396	1	Oil filter	A
2	4700900827	1	Fuel filter	A
3	4700900829	1	Fuel filter	A
4	4700939404	2	Fuel filter element	A
5	4700372229	1	Hydraulic oil filter element	A

- 1) With water separator.
- 2) Pre-Fuel filter

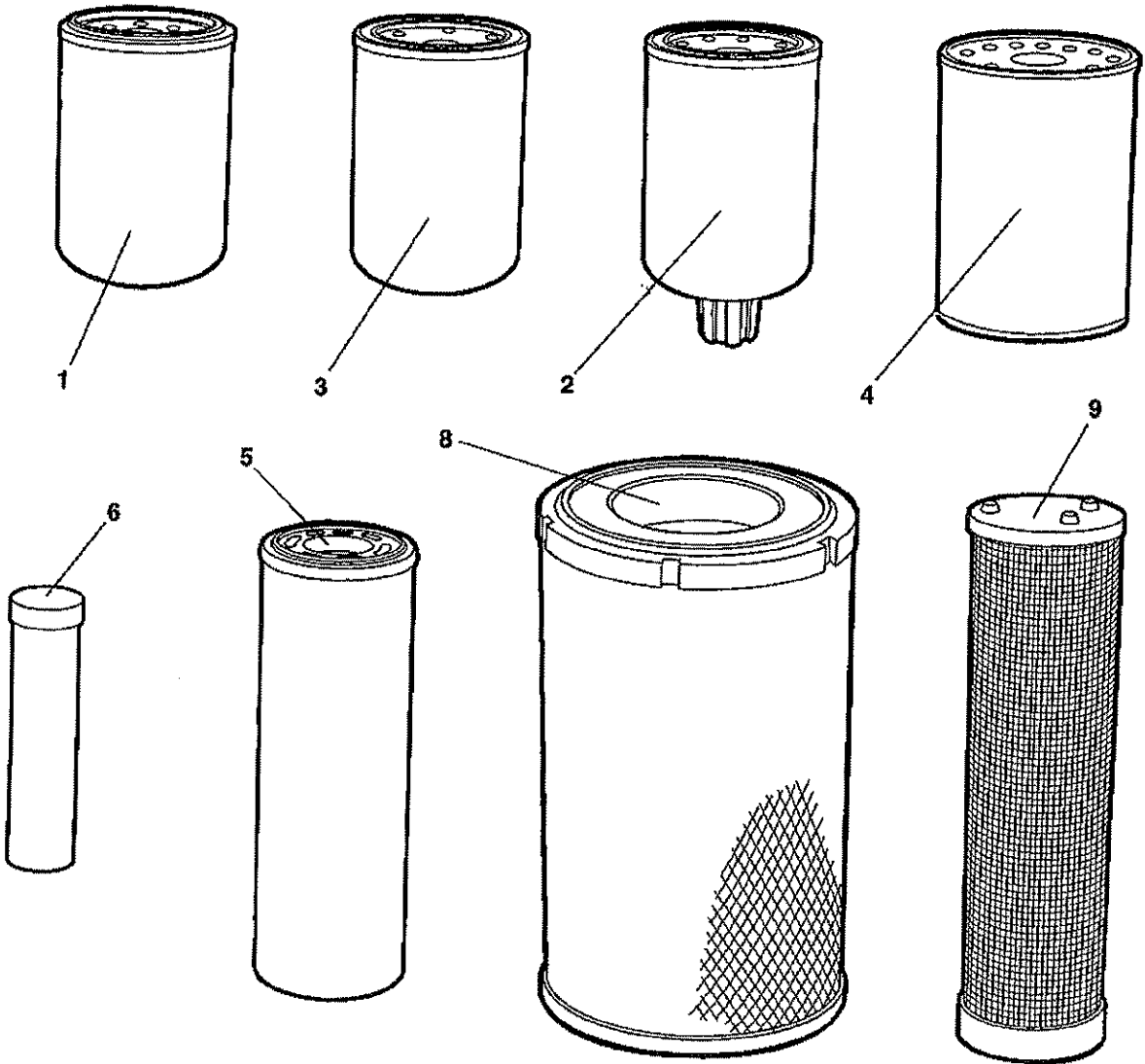
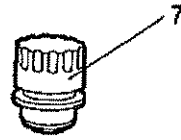
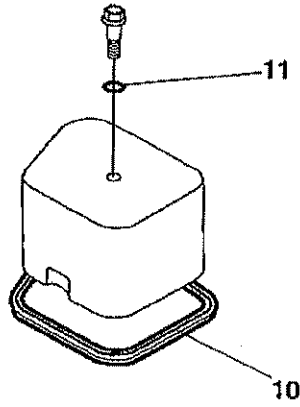


4700938528 Service kit 250/750 h

Item	Part No	Rem Qty	Description	Code
	4700938528		Service kit 250/750 h (Page 8)	
1	4700212396	1	Oil filter	A
6	4700904663	1	Lube grease " DYNAPAC special approved "	A



Item	Part No	Rem	Qty	Description	Code
	4700950317			Service kit 500h (Page 10)	
1	4700212396		1	Oil filter	A
2	4700900827	1	1	Fuel filter	A
3	4700900829		1	Fuel filter	A
4	4700939404	2	1	Fuel filter element	A
6	4700904663		1	Lube grease " DYNAPAC special approved "	A
8	4700394690	3	1	Air filter element, main	A
1)	With water separator.				
2)	Pre-Fuel filter.				
3)	Main.				



4700950611 Service kit 1000h

Item	Part No	Rem	Qty	Description	Code
	4700950611			Service kit 1000h (Page 12)	
1	4700212396		1	Oil filter	A
2	4700900827	1	1	Fuel filter	A
3	4700900829		1	Fuel filter	A
4	4700939404	2	1	Fuel filter element	A
5	4700372229		1	Hydraulic oil filter element	A
6	4700904663		1	Lube grease " DYNAPAC special approved "	A
7	4700357138		1	Ventilating filter	A
8	4700394690		1	Air filter element, main	A
9	4700394691		1	Air filter element, safety	A
10	4700938514		6	Valve cover gasket	A
11	4700938516		6	Gasket	A

- 1) With water separator.
- 2) Pre-Fuel filter.

(

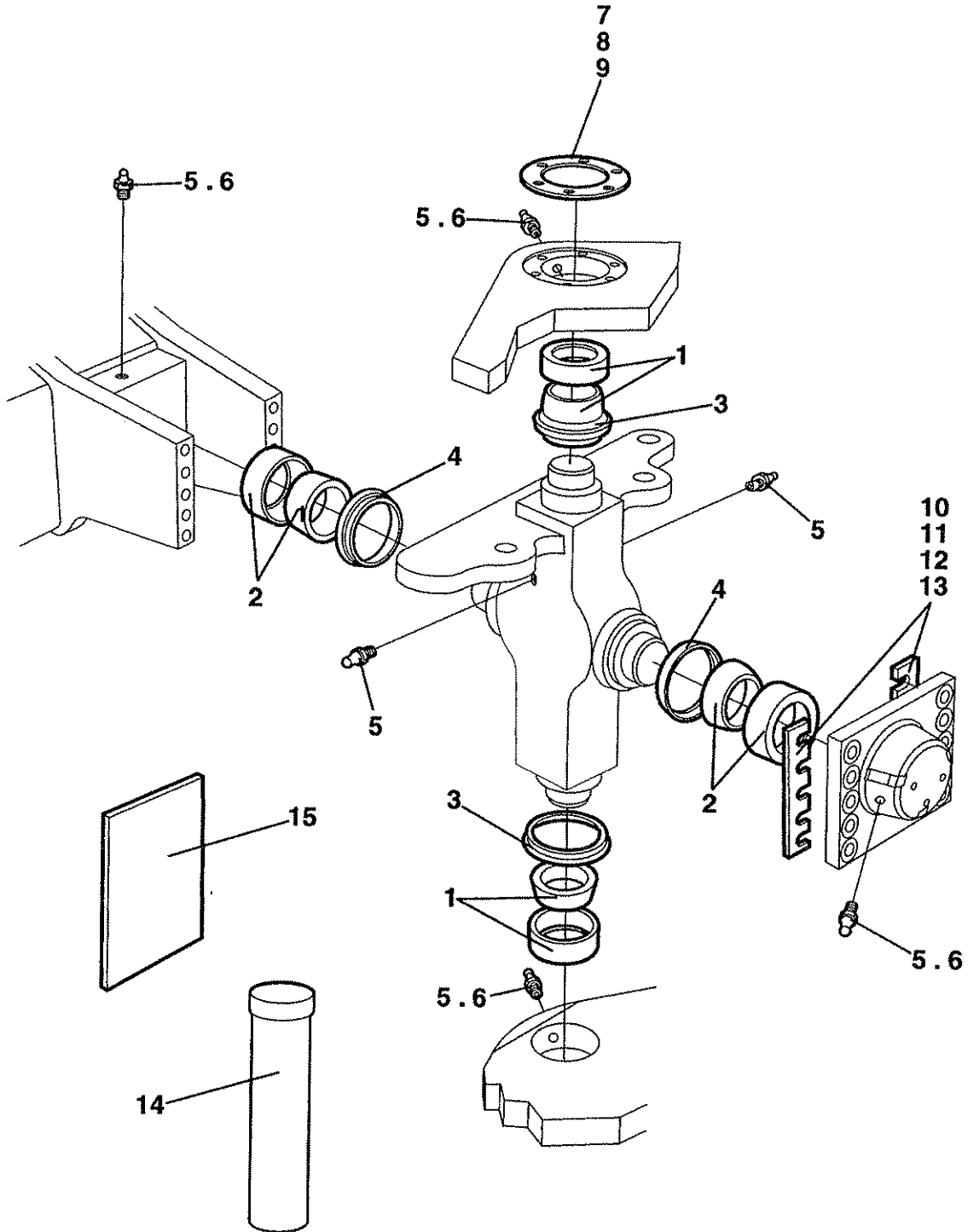
(

(

(

Repair kits

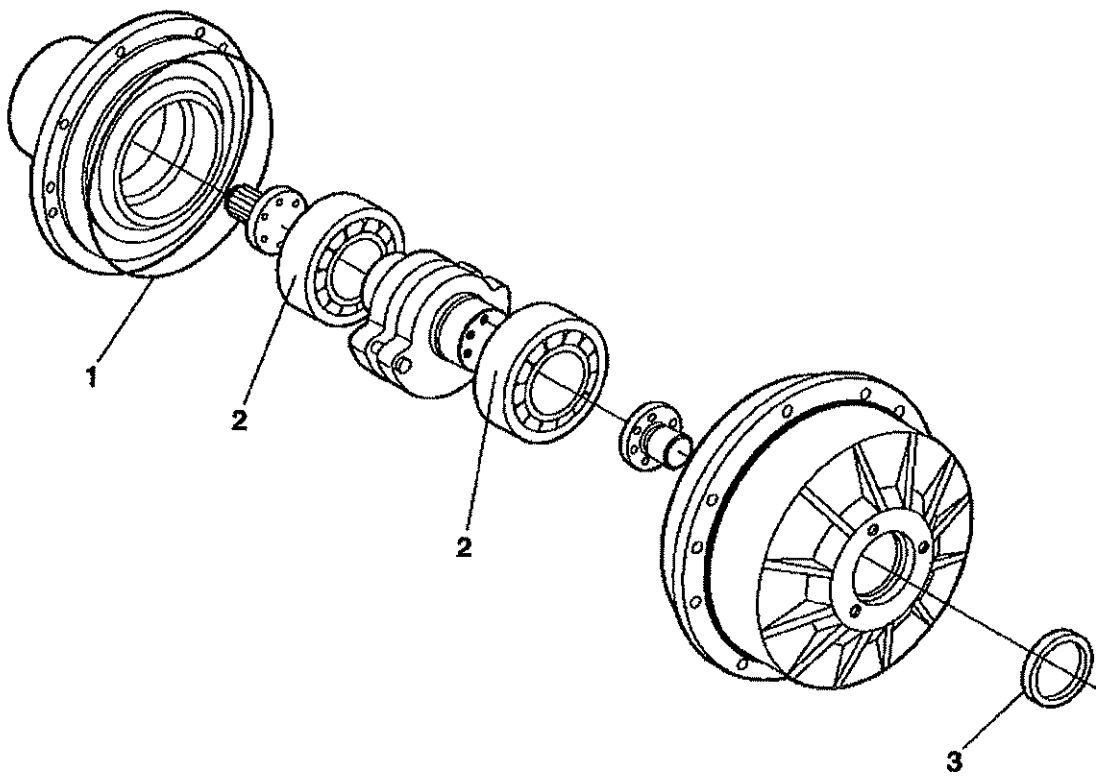
Item	Part No	Rem Qty	Description	Code
5	4700938562		Steering hitch kit (Page 16)	
10	4700945657		Eccentric shaft kit (Page 18)	
20	4700938891		Drum rotation kit (Page 20)	A
30	4700938882		Shock absorber kit, drum (Page 22)	
40	4700940662		F/R control button kit (Page 24)	



4700938562 Steering hitch kit

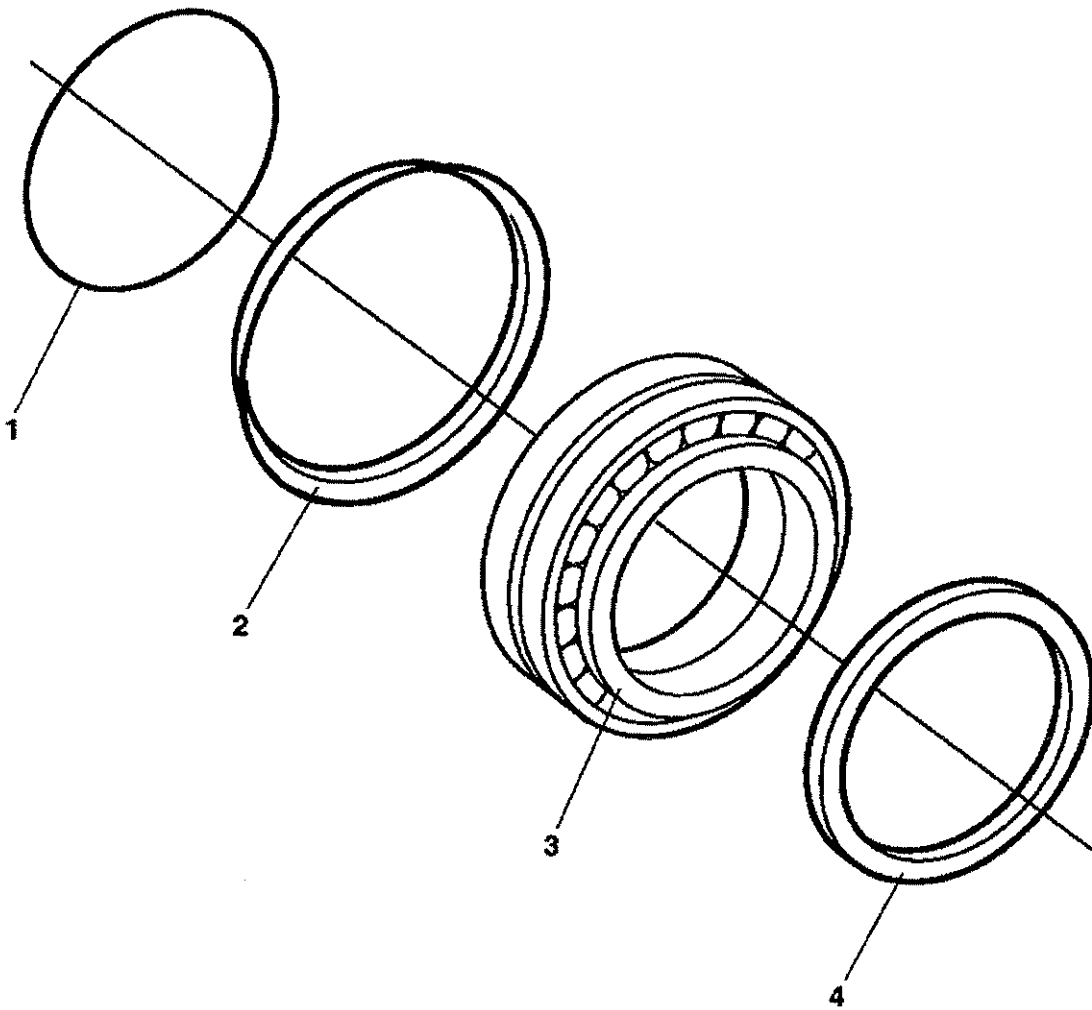
Item	Part No	Rem Qty	Description	Code
	4700938562		Steering hitch kit (Page 16)	
1	4700100040	2	Axial ball bearing	B
2	4700924620	2	Axial ball bearing	D
3	4700167032	2	Lip-type oil seal	C
4	4700167033	2	Ring	D
5	4700310008	A 3	Grease nipple	C
6	4700926214	2	Grease fitting	C
7	4700337045	2	Shim T=1,0 mm	C
8	4700345874	2	Shim T=0,35 mm	C
9	4700345875	2	Shim T=0,10 mm	C
10	4700337221	2	Shim T=1,0 mm	D
11	D433722101	2	Shim T=0,35 mm	D
12	D433722102	2	Shim T=0,10 mm	D
13	4700384503	2	Shim T=0,15 mm	D
14	4700904663	1	Lube grease " DYNAPAC special approved "	A
15		1	Instructions	A

A) Valid for CC501/CC722 only.



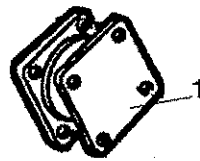
4700945657 Eccentric shaft kit

Item	Part No	Rem Qty	Description	Code
	4700945657		Eccentric shaft kit (Page 18)	D
1	4700900776	1	O-ring	D
2	4700390896	2	Spherical roller bearing	D
3	4700900782	1	Seal ring	D



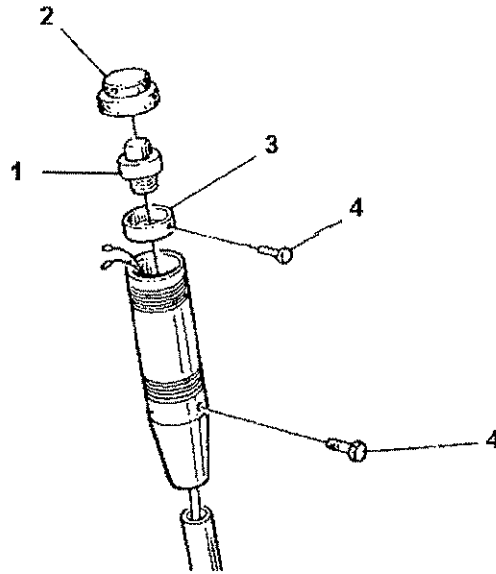
4700938891 Drum rotation kit

Item	Part No	Rem Qty	Description	Code
	4700938891		Drum rotation kit (Page 20)	A
1	4700160105	1	O-ring 70	C
2	4700929447	1	V-ring	B
3	4700116041	1	Taper roller bearing	B
4	4700386272	1	Sealing	B



4700938882 Shock absorber kit, drum

Item	Part No	Rem Qty	Description	Code
	4700938882		Shock absorber kit, drum (Page 22)	
1	4700358172	18	Shock absorber	B



4700940662 F/R control button kit

Item	Part No	Rem Qty	Description	Code
1	4700928497	1	Push button	D
2	4700348481	1	Cover	B
3	4700285911	1	Bushing	D
4	4700533001	3	Screw	

(

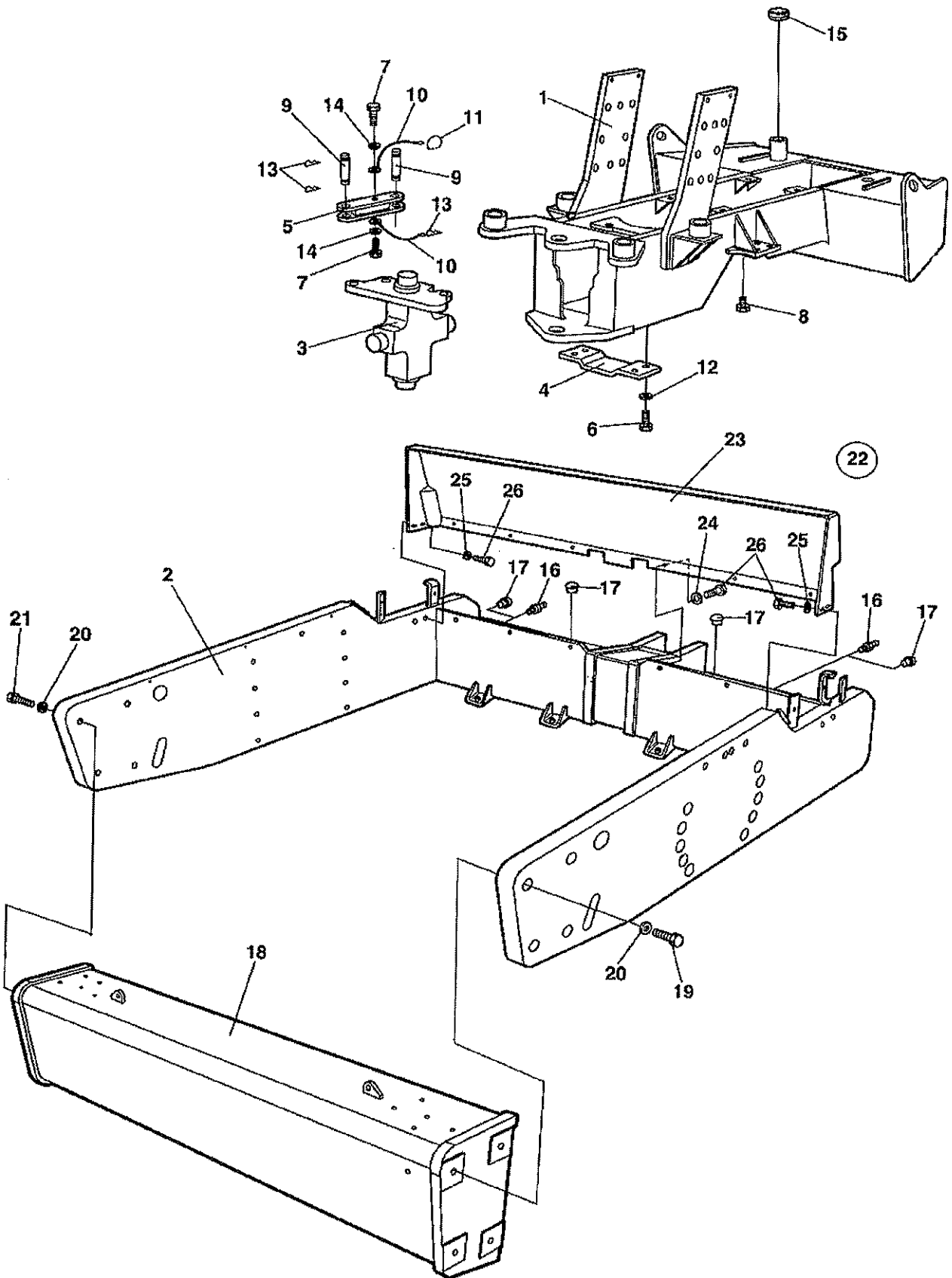
(

(

(

Frame

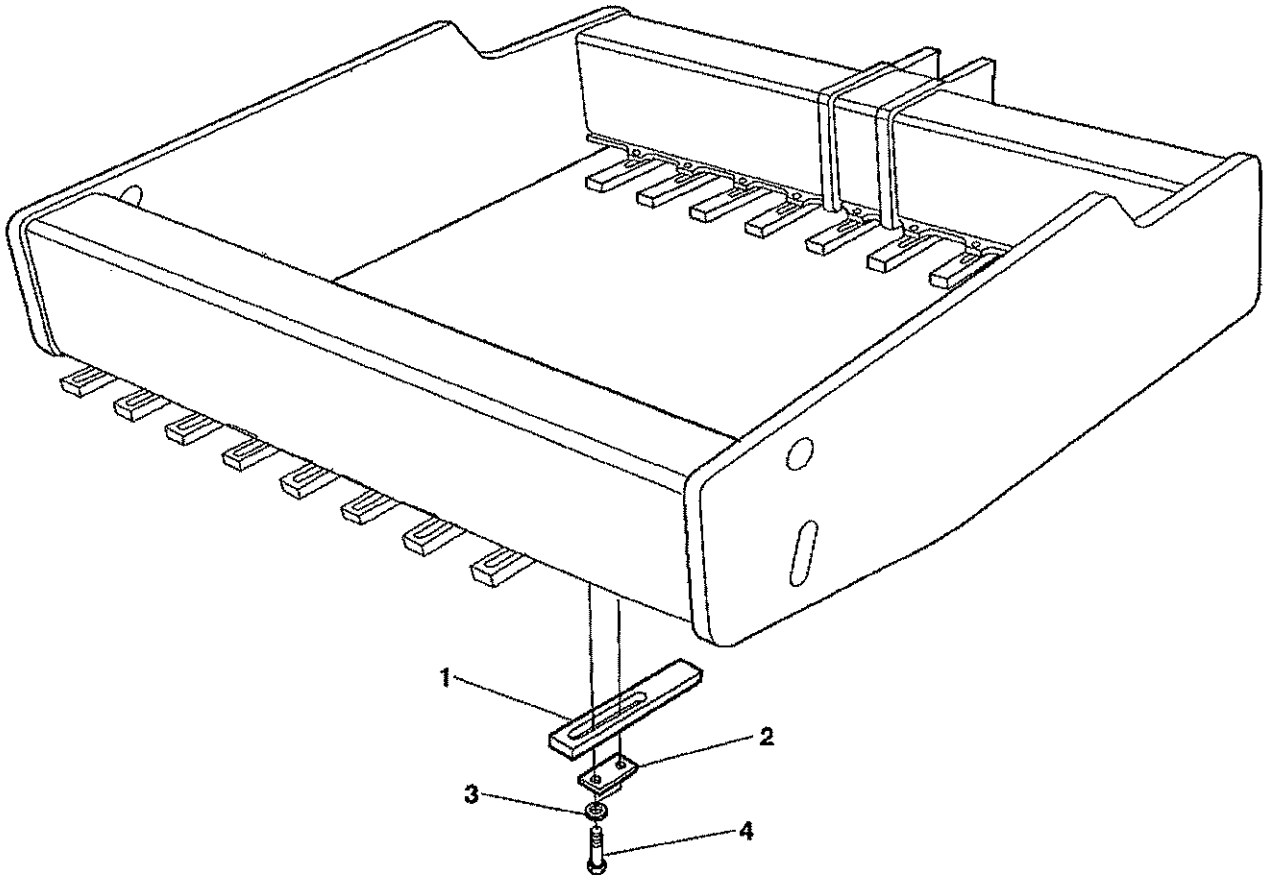
Item	Part No	Rem Qty	Description	Code
10			Frames (Page 28)	
20			Scrapers (Page 30)	
30			Hitch (Page 32)	
45			Structure (Page 34)	
80			Side covers Option (Page 36)	



Frames

Item	Part No	Rem Qty	Description	Code
1	4700377092	1	Tractor frame	
2	4700379289	1	Drum frame	
3		1	Hitch (Page 32)	
4	4700372087	1	Protective plate	
5	4700374744	1	Safety rod	
6	4700500029	4	Hexagon head screw	C
7	4700500043	2	Screw M10x16H 8,8	C
8	4700813391	1	Magnetic plug	D
9	4700347119	2	Shaft	C
10	4700343775	2	Wire	D
11	4700357488	1	Spring	C
12	4700904557	4	Steel plain washer	
13	4700635061	3	Hair clip	C
14	4700904230	2	Steel plain washer	
15	4700373460	1	Fuel cap	D
	4700380436	A 1	Fuel cap	
16	4700232041	1	Filter plug	D
17	4700902919	4	Plug	
18	4700389912	1	Cross beam	
19	4700925208	4	Screw M20x90	C
20	4700904233	8	Steel plain washer	
21	4700927117	4	Screw M20x100	
22			Drum shroud Cpl, option	
23	4700372169	1	.Drum shroud	
24	4700904230	6	.Steel plain washer	
25	4700904567	4	.Washer 10,5x28x6 HB305	C
26	4700500029	10	.Hexagon head screw	C

A) For Italy

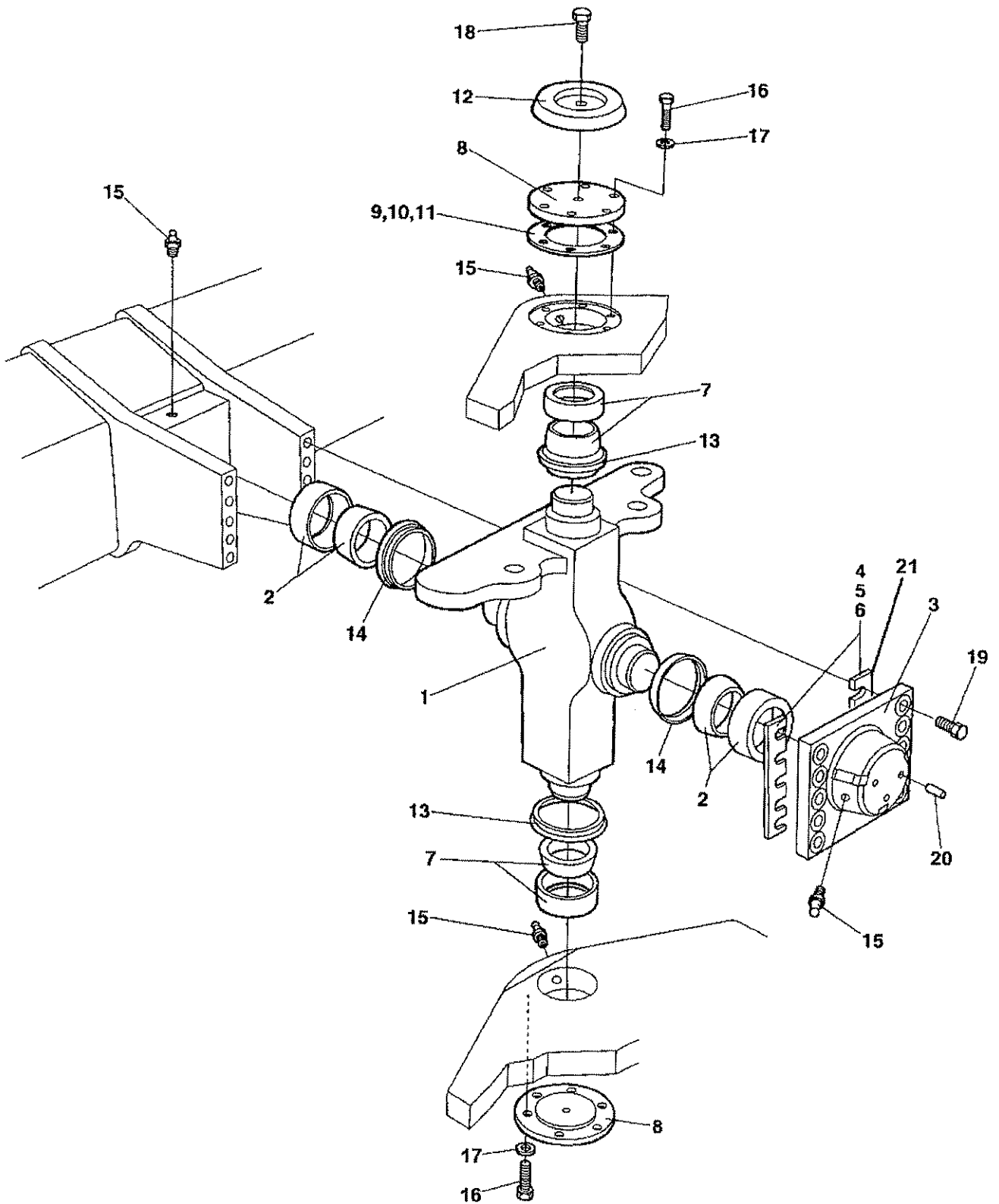


Scrapers

Item	Part No	Rem Qty	Description	Code
1	4700376551	18	Scraper tooth	
2	4700376622	18	Holder	
3	4700904232	36	Washer	C
4	4700500165	36	Screw M16-2,0x75 8,8	

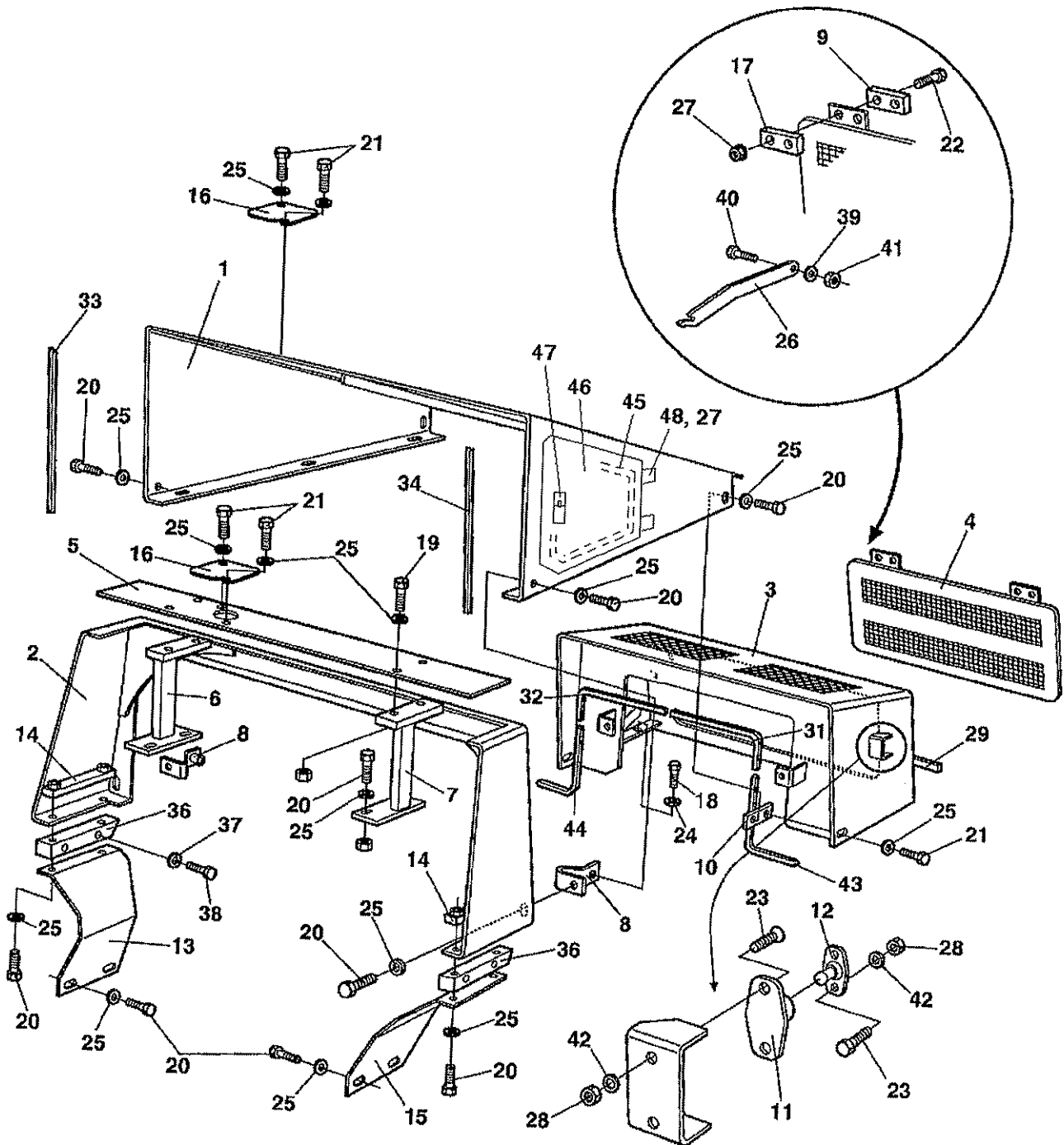
Hitch

15881



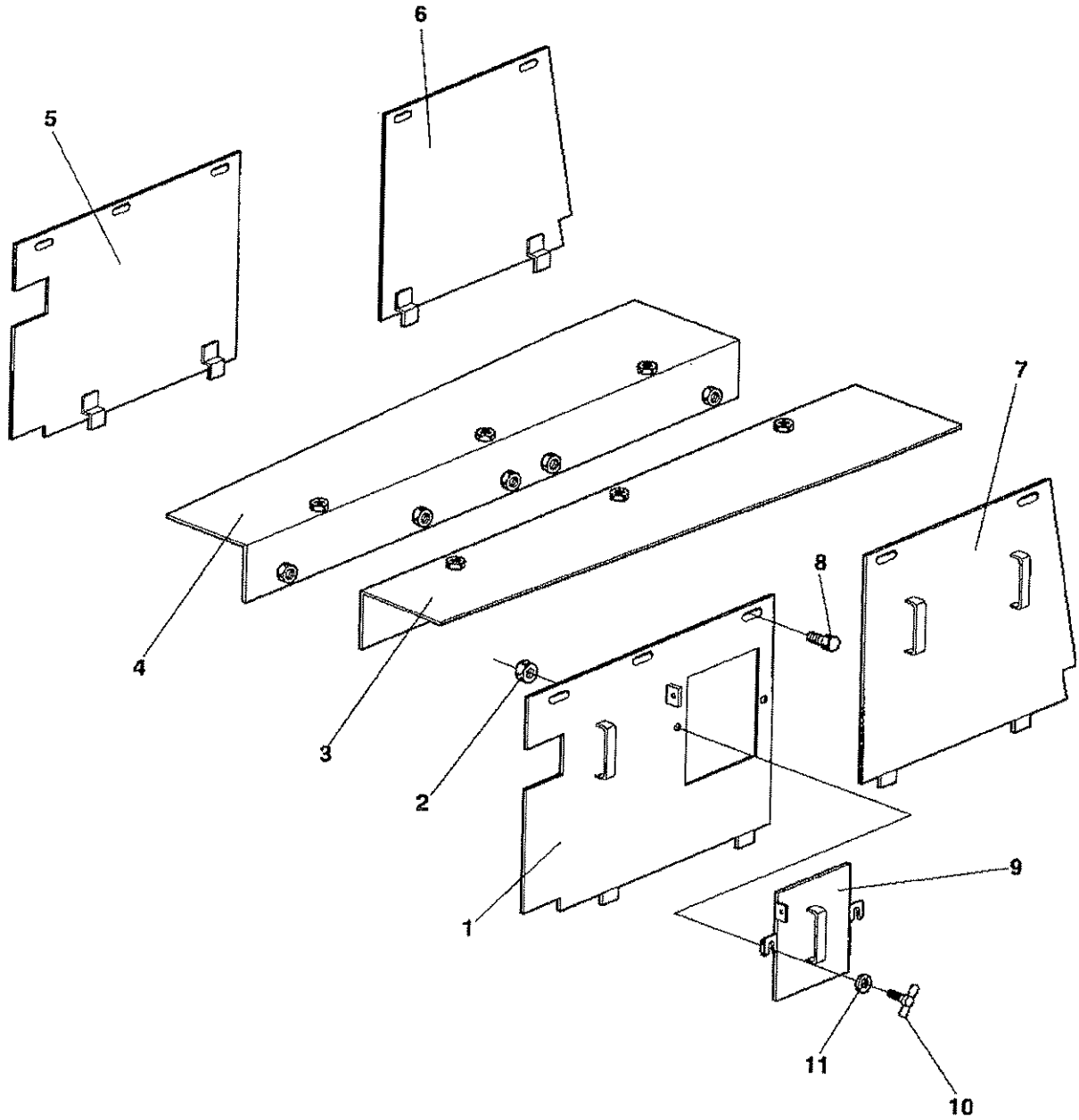
Hitch

Item	Part No	Rem Qty	Description	Code
1	4700374898	1	Hitch	D
2	4700924620	2	Axial ball bearing	
3	4700373123	1	Bearing cover	D
4	4700337221	N	Shim T=1,0 mm	D
5	D433722101	N	Shim T=0,35 mm	D
6	D433722102	N	Shim T=0,10 mm	B
7	4700100040	2	Axial ball bearing	
8	4700337042	2	Bearing cover	C
9	4700337045	N	Shim T=1,0 mm	C
10	4700345874	N	Shim T=0,35 mm	C
11	4700345875	N	Shim T=0,10 mm	C
12	4700343159	1	Cover	C
13	4700167032	2	Lip-type oil seal	D
14	4700167033	2	Ring	C
15	4700926214	4	Grease fitting	C
16	4700500037	12	Screw	
17	4700904231	12	Steel plain washer	
18	4700500188	1	Screw M8-1,25x14 8,8	
19	4700904479	10	Screw M24x110 10,9	
	4700900807	10	Screw M24x120 10,9	
20	4700910995	3	Stop screw	C
21	4700384503	N	Shim T=0,15 mm	D
22	4700904229	1	Washer 8,4x16x1,5	



Item	Part No	Rem	Qty	Description	Code
1	4700392784		1	Hood	
2	4700376340		1	Protecting cover	
3	4700376818		1	Hood	
	4700791475	A	2	Grommet	
4	4700382406		1	Rear cover	
5	4700376354		1	Cover	
6	4700392786		1	Holder, right	
7	4700376349		1	Holder, left	
8	4700376366		2	Holder	
9	4700380755		2	Holder	
10	4700380109		2	Holder	D
11	4700450066		2	Door bumper	A
12	4700450067		2	Door bumper	
13	4700381348		1	Holder	
14	4700381330		2	Holder	
15	4700381347		1	Holder	
16	4700381297		2	Cover	
17	4700380012		2	Holder	
18	4700500031		4	Screw	C
19	4700500047		4	Hexagon head screw	C
20	4700500022		20	Screw M8x30H 8.8 A2K	C
21	4700500053		10	Screw M8x20H 8.8	C
22	4700924875		4	Screw	
23	4700904504		8	Screw M5 x 18	
24	4700904557		4	Steel plain washer	
25	4700904640		34	Washer 8,4x22x3	
26	4700382411		1	Hook	
27	4700902285		8	Nut	C
28	4700586001		8	Lock nut	C
29	4700902379	B	1XL	Edge trim	
30	4700902379	C	1XL	Edge trim	D
31	4700902166	D	1XL	Edge trim	D
32	4700902166	E	1XL	Edge trim	D
33	4700902166	F	1XL	Edge trim	D
34	4700902166	G	1XL	Edge trim	D
35	4700791475		2	Grommet	
36	4700381989		2	Holder	
37	4700904231		4	Steel plain washer	C
38	4700500133		4	Screw	
39	4700904228		2	Washer 6,4x12x1,5	C
40	4700500040		1	Screw M6-1x20 8,8	
41	4700586002		1	Lock nut M6 -8	C
42	4700904281		8	Washer 5,3x10x1 300HV	D
43	4700902166	H	1XL	Edge trim	D
44	4700902166	C	1XL	Edge trim	D
45	4700202028	J	1XL	Edge trim	
46	4700393857		1	Cover	
47	4700792549		1	Lock	C
48	4700513012		4	Screw M6x20 10,9	

- A) With membrane
- B) L=0,330 m
- C) L=0,550 m
- D) L=0,560 m
- E) L=0,310 m
- F) L=0,460 m
- G) L=0,460 m
- H) L=0,580 m
- J) L=1,120 m



Side covers Option

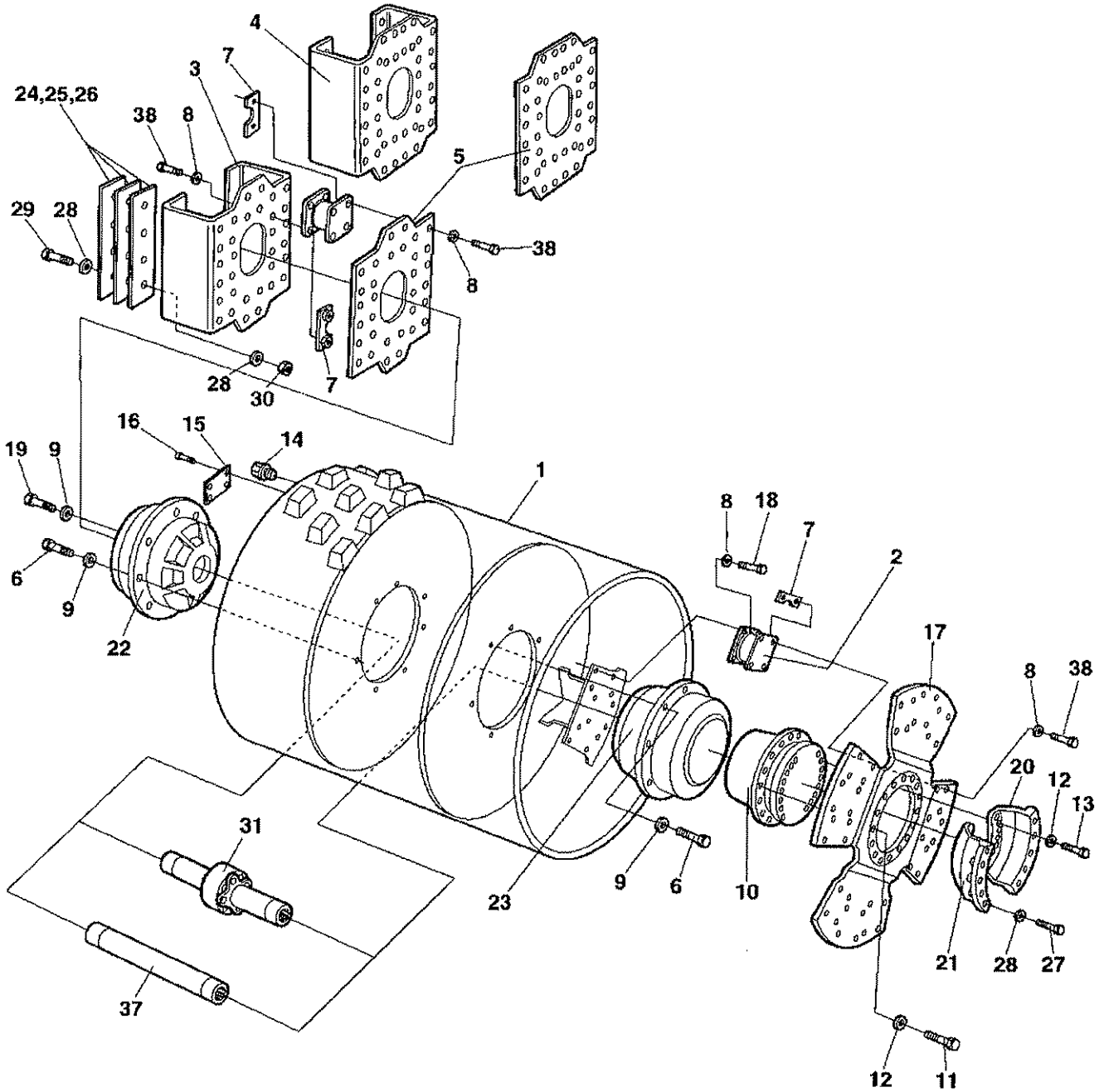
Item	Part No	Rem Qty	Description	Code
1	4700377167	1	Side cover, right	
2	4700586003	2	Lock nut M8	C
3	4700377144	1	Holder, right	
4	4700377145	1	Holder, left	
5	4700377169	1	Side cover, left	
6	4700377168	1	Side cover, left	
7	4700377166	1	Side cover, right	
8	4700500053	18	Screw M8x20H 8.8	C
9	4700381033	1	Cover	
10	4700904718	2	Wing screw	C
11	4700904640	20	Washer 8,4x22x3	

Drum

Item	Part No	Rem Qty	Description	Code
10			Drum (Page 40)	
21			Drum cartridge Vibration side (Page 42)	
31			Drum cartridge Drive side (Page 44)	
40			Drum gear (Page 46)	

Drum

15959-1

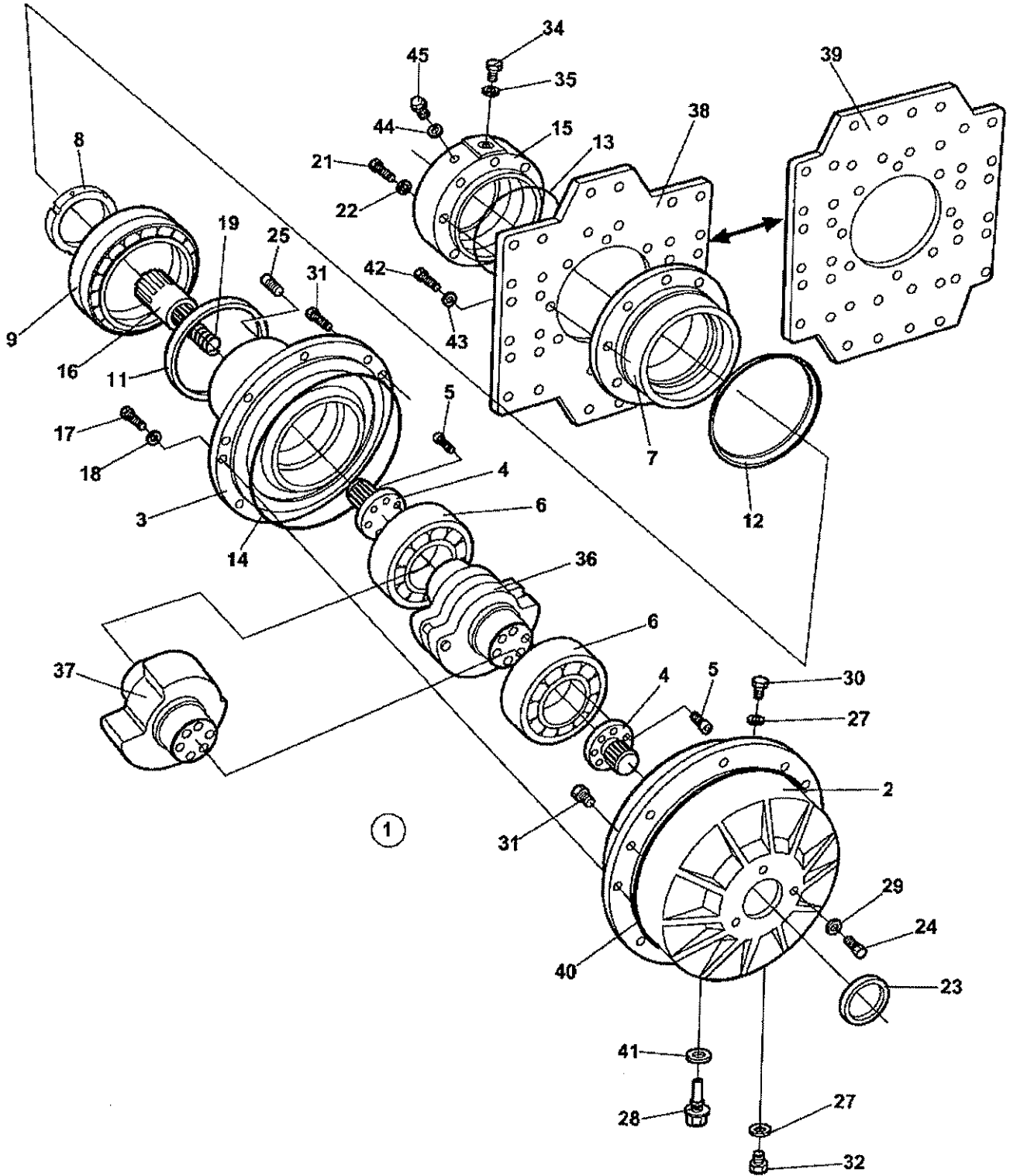


Drum

Item	Part No	Rem Qty	Description	Code
1	4700373769	1	Drum	B
2	4700358172	18	Shock absorber	
3	4700370020	1	Holder plate	
4			Not used on this model	
5	4700370019	1	Holder plate	
6	4700500082	23	Screw M16x70 8,8	
7	4700374728	52	Holder	
8	4700904232	144	Washer	C
9	4700384114	24	Spacer	
	4700904232	24	Washer	C
10		1	Drum gear (Page 46)	
11	4700903281	16	Screw	
12	4700904233	32	Steel plain washer	
13	4700903919	16	Screw	
14	4700232210	1	Plug	
15	4700343801	1	Sign plate	D
16	4700527002	4	Drive screw	C
17	4700373770	1	Drive disc	
18	4700500057	40	Screw M16-2x30 8,8	
19	4700384121	1	Air breather screw	B
20	4700373442	A 1	Gear holder	
21	4700373443	B 1	Gear holder	
22			Drum cartridge Vibration side (Page 42)	
23			Drum cartridge Drive side (Page 44)	
24	4700349971	N	Shim T=5 mm	
25	4700349972	N	Shim T=3 mm	
26	4700349973	N	Shim T=1 mm	
27	4700500152	10	Screw	
28	4700904234	26	Steel plain washer	C
29	4700925671	8	Screw M24-3,0x140 8,8	
30	4700586023	8	Nut M24-8 DIN985	
37	4700349682	1	Drive shaft	
38	4700500070	104	Screw M16x50	C

- A) Right
- B) Left

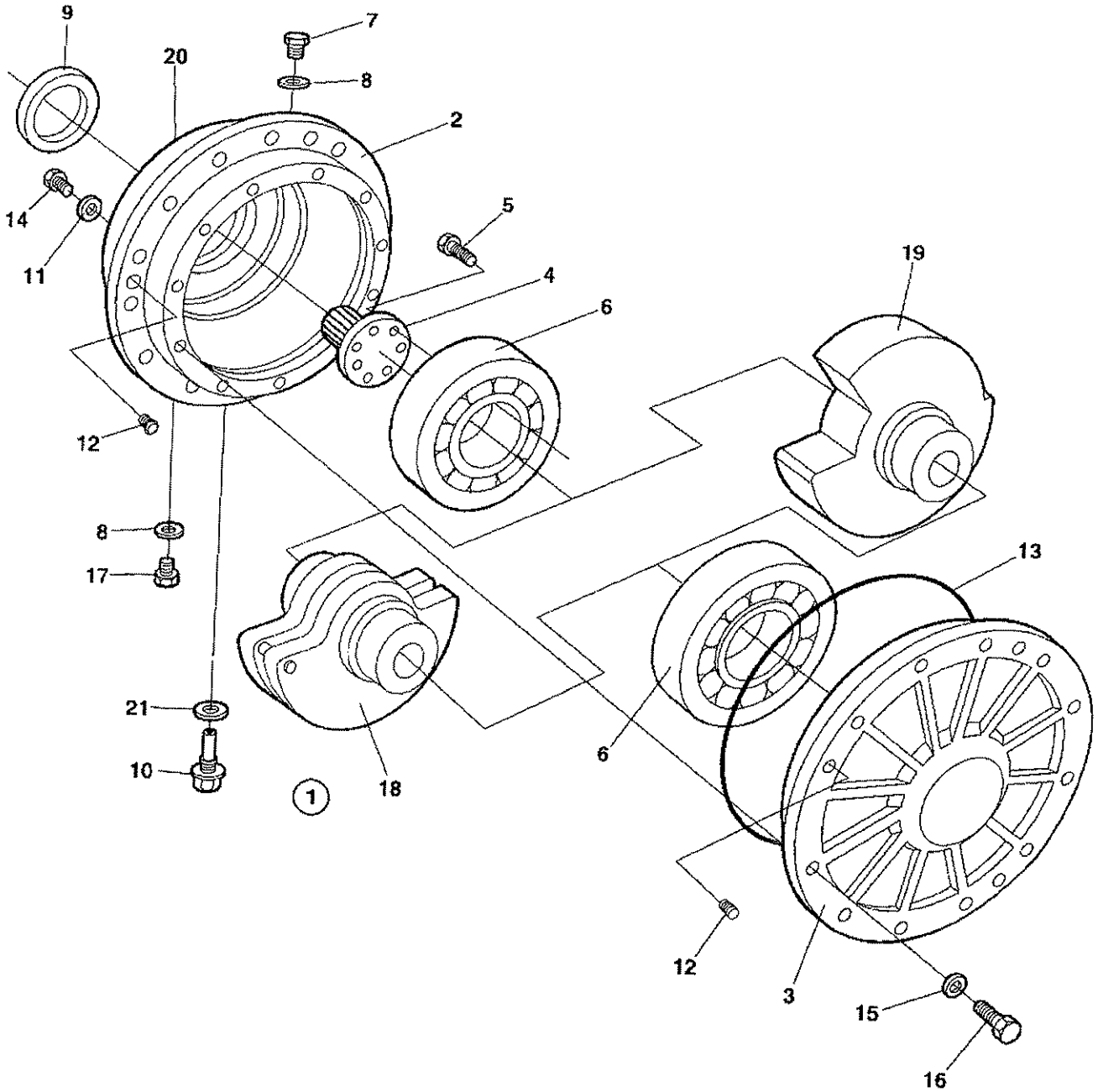
Drum cartridge Vibration side
18389-1



Drum cartridge Vibration side

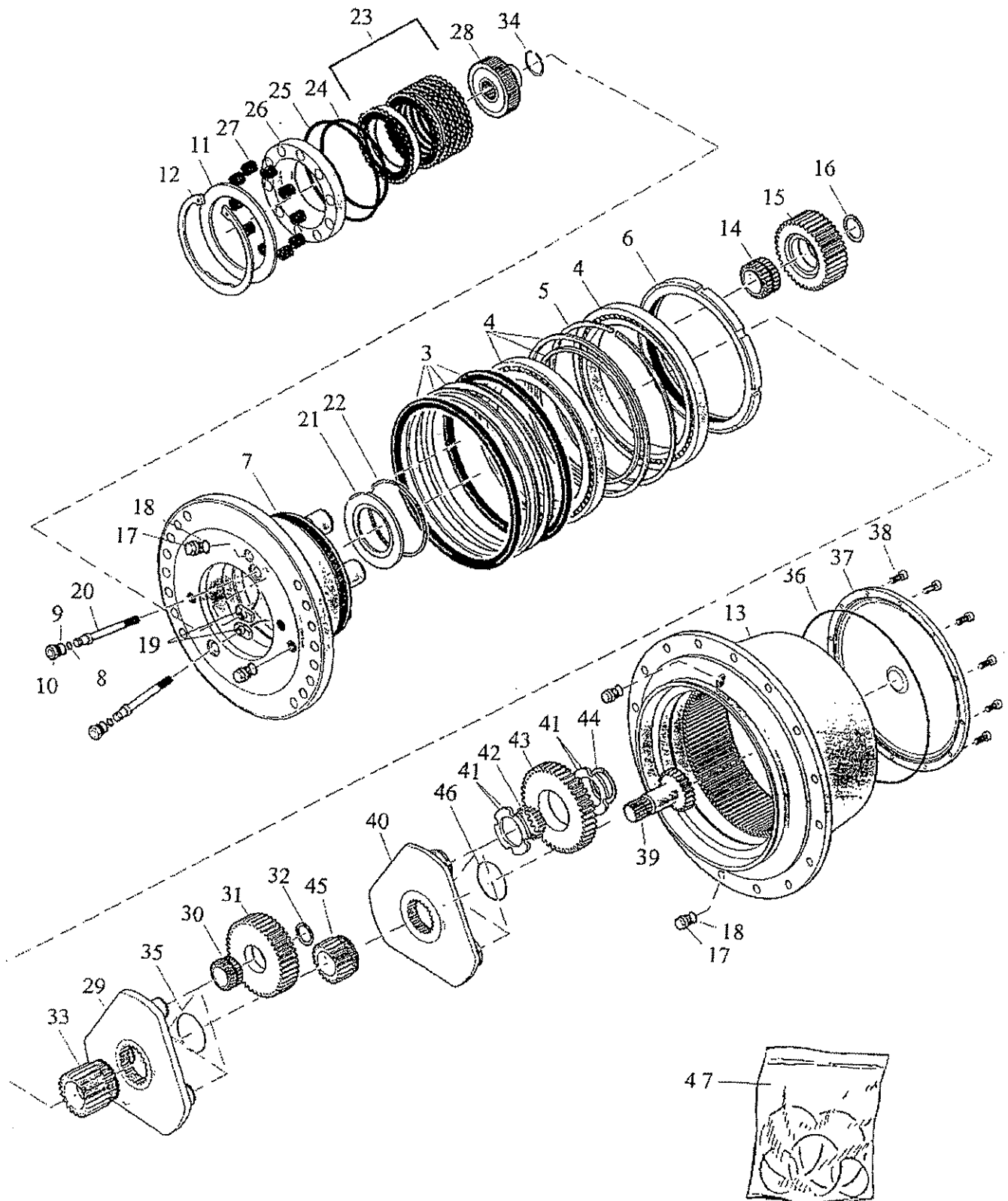
Item	Part No	Rem	Qty	Description	Code
1	4700945592		1	Drum cartridge	
2	4700379880	2	1	Bearing housing inner	
3	4700379878	2	1	Bearing housing outer	
4	4700380018	2	2	Splined shaft	
5	4700791156	2	16	Screw M10-1,5x55 12,9	D
6	4700390896	2	2	Spherical roller bearing	D
7	4700343318		1	Bearing housing	C
8	4812111094		1	Shaft nut	B
9	4700116041		1	Taper roller bearing	B
11	4700167023		1	Seal ring	B
12	4700929447		1	V-ring	C
13	4700160105		1	O-ring 70	D
14	4700900776	2	1	O-ring	
15	4812110860		1	Motor adapter	C
16	4700381027		1	Splined sleeve	
17	4700500082	2	12	Screw M16x70 8,8	C
18	4700904232	2	12	Washer	C
19	4700349715		1	Spring	C
21	4700500196		4	Screw M12-1,75x80 8.8	
22	4700904231		4	Steel plain washer	D
23	4700900782	2	1	Seal ring	C
24	4700500163	2	3	Screw M12x16	
25	4700903189	2	3	Stop screw	B
27	4700162017	2	2	Seal ring	
28	4700381634	2	1	Plug	B
29	4700162027	2	3	Sealing	C
30	4700343744	2	1	Magnetic plug	C
31	4700900775	2	6	Plug	
32	4700232210	2	1	Plug	C
34	4700370231		1	Plug	B
35	4700162018		1	Sealing	B
36			1	Not used on this model	
37	4700385049	2	1	Eccentric	
38	4700370019		1	Holder plate Model CA512 D/PD	
39				Not used on this model	
40	4700904737		1	O-ring	D
41	4700162011		1	Washer, sealing	
42	4700500082		8	Screw M16x70 8,8	
43	4700384114		8	Spacer	
44	4700162024		1	Washer, sealing	
45	4700903190		1	Steel plug	

2) Included in complete drum cartridge, item 1



Drum cartridge Drive side

Item	Part No	Rem Qty	Description	Code
1	4700945586	1	Drum cartridge	
2	4700379880	1	.Bearing housing inner	
3	4700379876	1	.Bearing housing outer	
4	4700380018	1	.Splined shaft	
5	4700791156	8	.Screw M10-1,5x55 12,9	D
6	4700390896	2	.Spherical roller bearing	C
7	4700343744	1	.Magnetic plug	B
8	4700162017	2	.Seal ring	D
9	4700900782	1	.Seal ring	
10	4700381634	1	.Plug	B
11	4700162027	3	.Sealing	C
12	4700900775	6	.Plug	D
13	4700900776	1	.O-ring	C
14	4700500163	3	.Screw M12x16	C
15	4700904232	12	.Washer	
16	4700500082	12	.Screw M16x70 8,8	
17	4700232210	1	.Plug	
18		1	.Not used on this model	
19	4700385049	1	.Eccentric	D
20	4700904737	1	.O-ring	D
21	4700162011	1	.Washer, sealing	



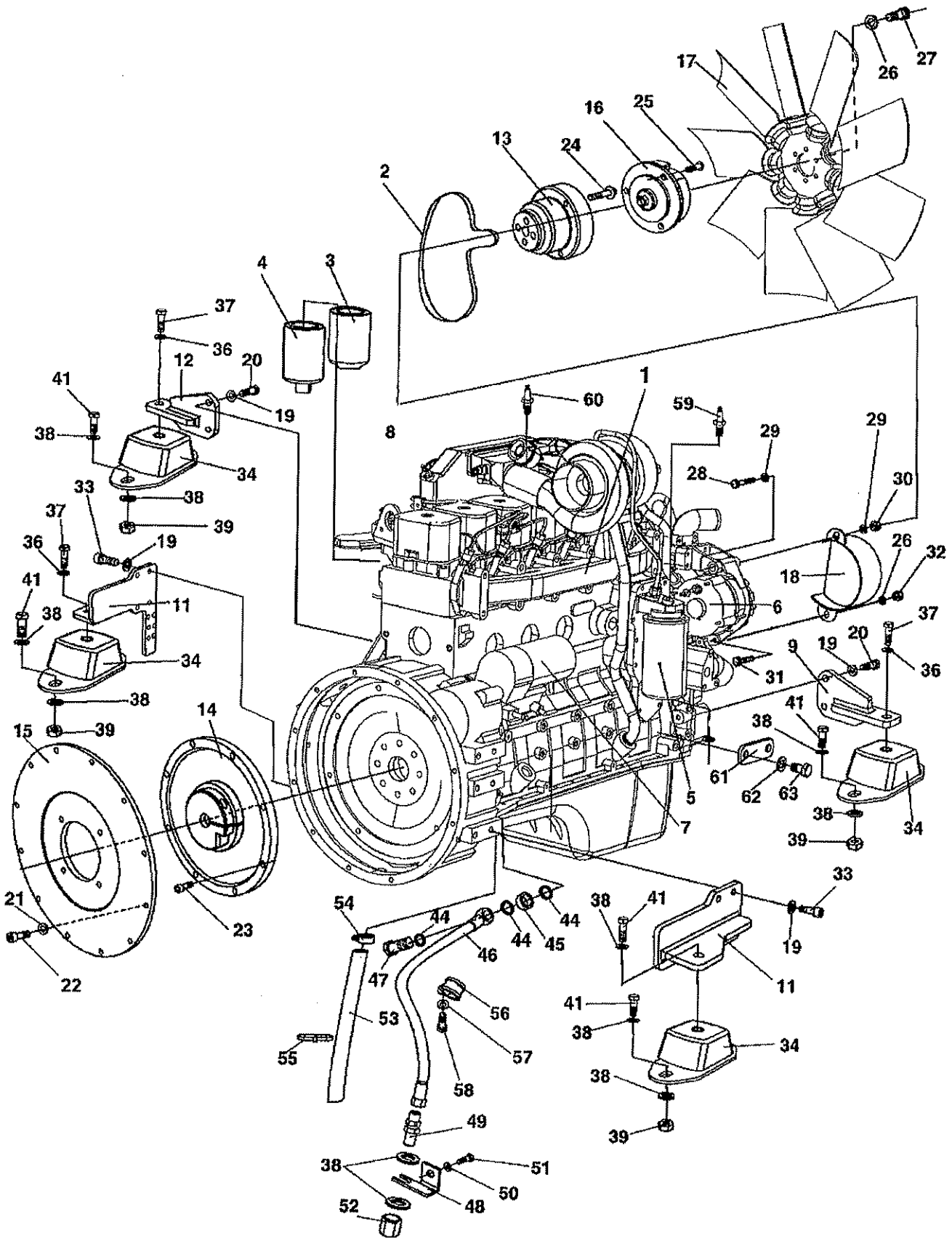
Drum gear

Item	Part No	Rem	Qty	Description	Code
1	4700371512		1	Drum gear	
3	4700935381		1	.Seal	
4	4700935382		1	.Roller bearing	
5		B	NA	.Spring ring	
6		B	NA	.Nut	
7		B	NA	.Hub	
8	4700935386	A	2	.O-ring	
9	4700813618	A	2	.O-ring	C
10	4700935387		2	.Plug	
11	4700935388		1	.Support plate	
12	4700935389		1	.Retaining ring	
13		B	NA	.Hollow wheel	
14		B	NA	.Roller bearing	
15		B	NA	.Planet gear	
16		B	NA	.Reaining ring	
17	4700935394		4	.Plug	
18	4700935395	A	4	.Seal ring	
19	4700935396		2	.Setting lug	
20	4700935397		2	.Spindle bolt	
21		B	NA	.Plate	
22		B	NA	.Spring ring	
23	4700935400		1	.Brake disc kit	
24	4700935401	A	1	.O-ring	
25	4700935402	A	1	.O-ring	
26	4700935403		1	.Piston	
27	4700935404		10	.Spring	
28	4700935405		1	.Coupling	
29		B	NA	.Planet carrier	
30		B	NA	.Roller bearing	
31		B	NA	.Planet gear	
32		B	NA	.Retaining ring	
33		B	NA	.Sun wheel	
34	4700935411		1	.Retaining ring	
35		B	NA	.Spring ring	
36	4700935413	A	1	.O-ring	
37	4700935414		1	.Cover	
38	4700935415		12	.Screw	
39		B	NA	.Sun wheel	
40		B	NA	.Planet carrier	
41		B	NA	.Plate	
42		B	NA	.Needle roller bearing	
43		B	NA	.Planet gear	
44		B	NA	.Retaining ring	
45		B	NA	.Sun wheel	
46		B	NA	.Spring ring	
47	4700935380		1	Seal kit	

- A) Incl. in item 47
- B) Not available as spare part.

Engine

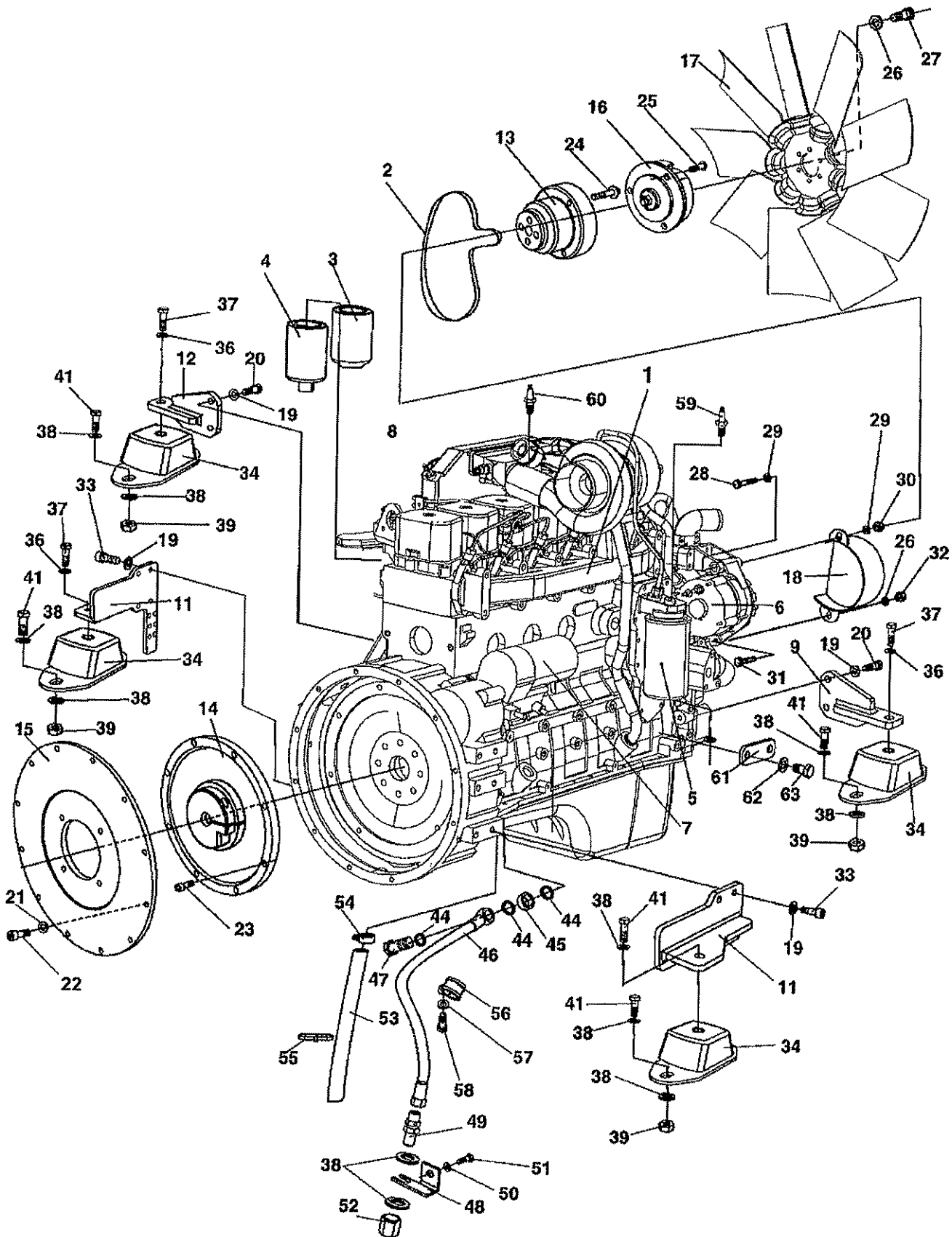
Item	Part No	Rem Qty	Description	Code
12			Engine Cummins 6BTA 5.9 (Page 50)	
25			Cooling system (Page 54)	
35			Combustion air system (Page 58)	
40			Fuel system (Page 60)	
50			Exhaust system (Page 62)	



Engine Cummins 6BTA 5.9

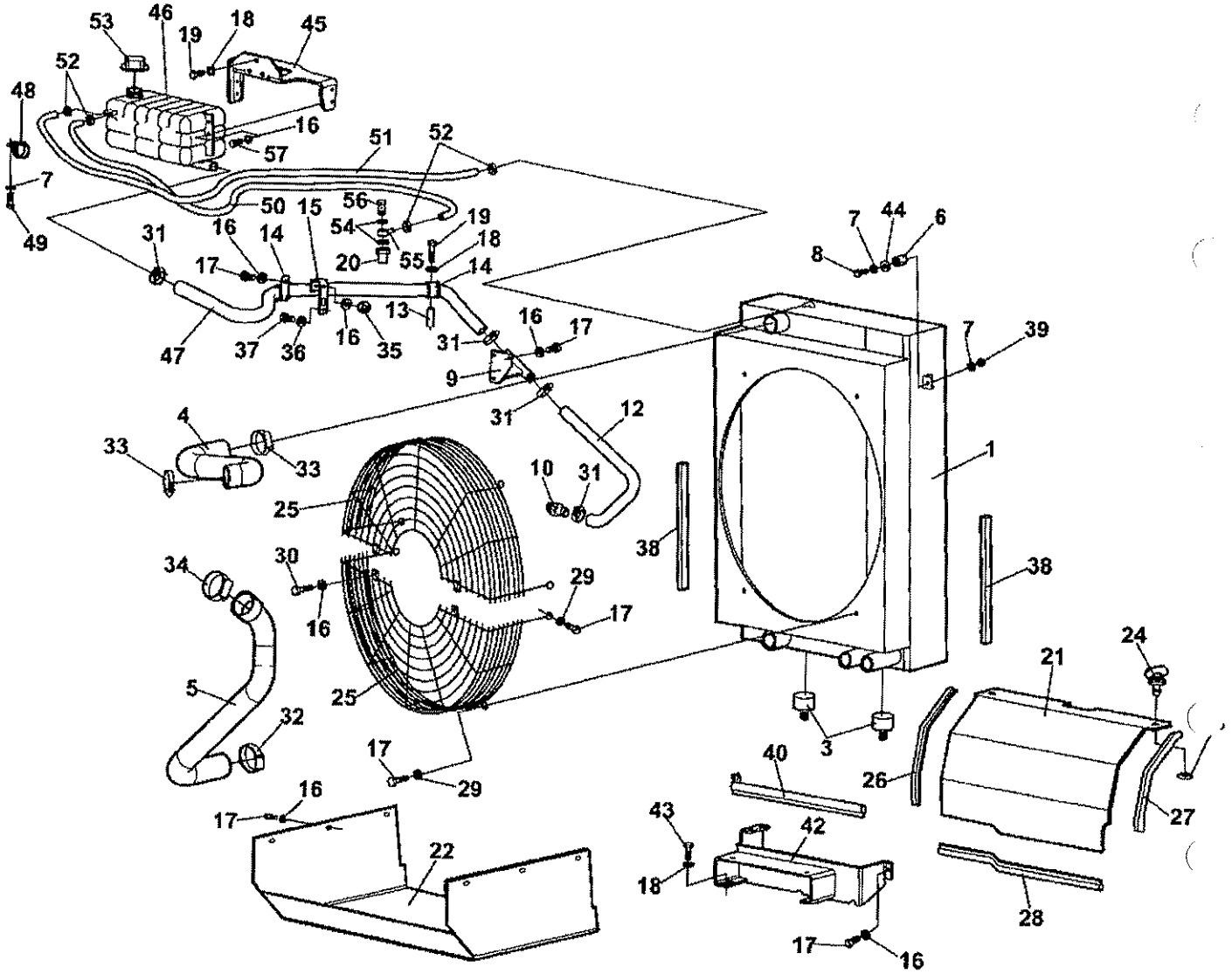
Item	Part No	Rem	Qty	Description	Code
1	4700376983		1	Diesel engine 6BTA 5.9	
2	4700901449		1	.V-belt	B
3	4700900829		1	.Fuel filter	A
4	4700900827	A	1	.Fuel filter	A
5	4700212396		1	.Oil filter	A
6	4700945140		1	.Alternator	C
7	4700939504		1	.Starter	
8	4700940269		1	.Fuel solenoid	
9	4700378211		1	Engine bracket	
10	4700378210		1	Engine bracket	
11	4700378213		1	Engine bracket	
12	4700378211		1	Engine bracket	
13	4700382391		1	Connector	
14	4700371620		1	Coupling	
15	4700372772		1	Bracket	
16	4700382394		1	Fan hub	
17	4700386007		1	Fan	
18	4700386688		1	Protecting cover	
19	4700904638		13	Washer 12x22x2	
20	4700500194		4	Screw	C
21	4700904637		12	Washer	C
22	4700508029		12	Screw M10-1,5x30H 8,8	C
23	4700509025		8	Screw 3/8-16UNCx32 8,8	
24	4700791306		4	Screw M12-1,25x60 12,9	
25	4700792081		3	Socket head cap screw M12x50 10,9	
26	4700904229		7	Washer 8,4x16x1,5	
27	4700500047		6	Hexagon head screw	C
28	4700904379		1	Screw M10x110H 8,8	
29	4700904230		1	Steel plain washer	
30	4700586018		1	Lock nut	C
31	4700500239		1	Screw	C
32	4700586003		1	Lock nut M8	C
33	4700508079		8	Screw M12-1,75x35H 8,8	
34	4700387128		4	Shock absorber	
36	4700904232		5	Washer	C
37	4700500070		4	Screw M16x50	C
38	4700904233		2	Steel plain washer	
39	4700586019		8	Lock nut	
40	4700904703		8	Washer	C
41	4700500194		8	Screw	C
42	4700586019		8	Lock nut	
44	4700330331		3	Washer 18,2x23,9x1,5	C
45	4700371727		1	Sleeve	C
46	4700389138		1	Hydraulic hose	
47	4700747691		1	Hollow screw	C
48	4700388855		1	Bracket	
49	4700230515		1	Connector	C
50	4700904232		1	Washer	C
51	4700500154		1	Screw M16-2,0x25 8,8	
52	4700330383		1	Cap hydraulic	
53	4700791468		1	Hydraulic hose	
54	4700313004		1	Hose clamp	C
55	4700925802	N		Cable ties L=142 mm	C
56	4700921028		1	Clamp	C
57	4700904228		1	Washer 6,4x12x1,5	
58	4700500013		1	Screw M6-1x16 8,8	C
59	4700935044		1	Oil pressure sensor	D
60	4700903632		1	Temperature sensor Engine	
61	4700378214		1	Cable holder	

A) With water separator



Engine Cummins 6BTA 5.9

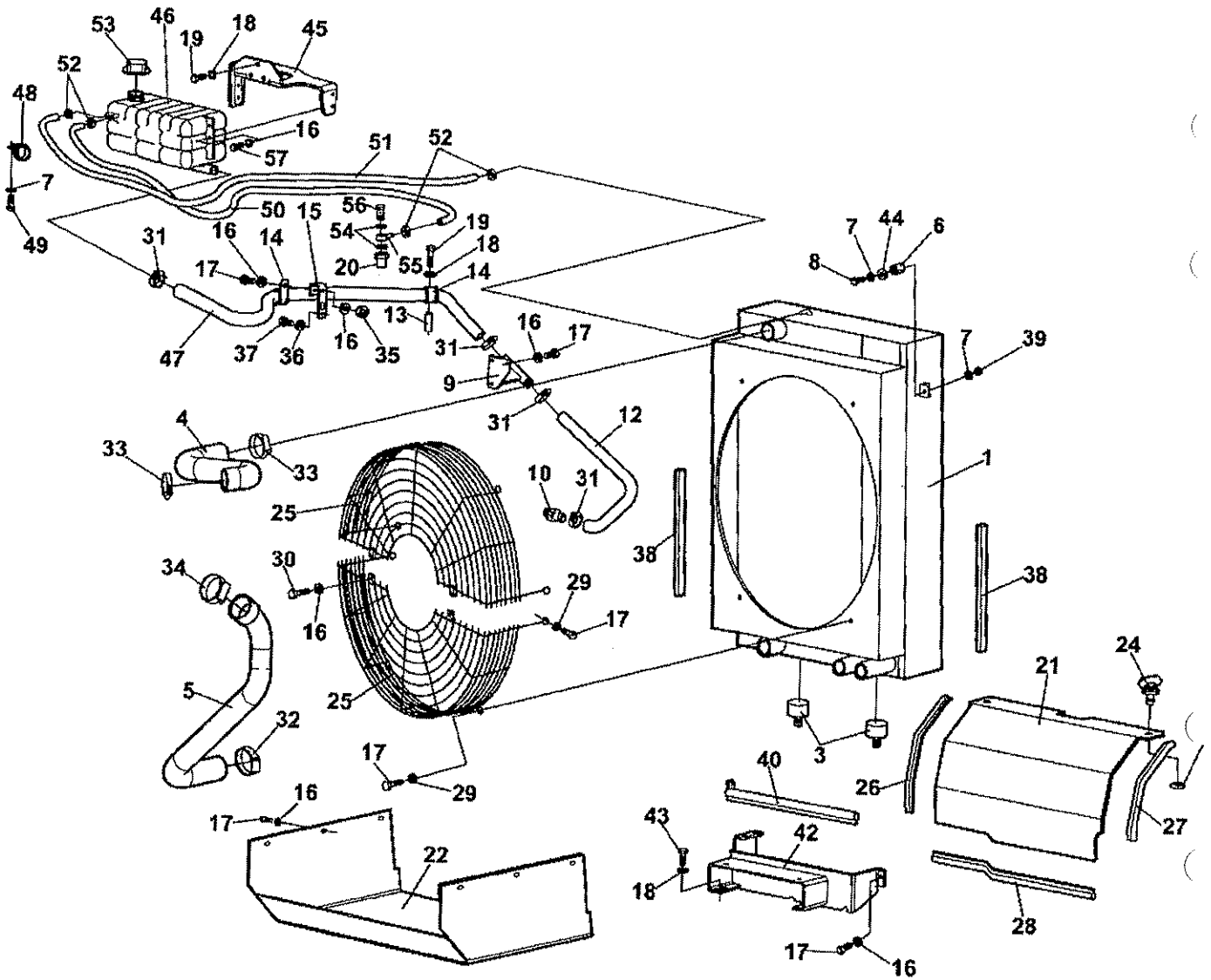
Item	Part No	Rem Qty	Description	Code
62	4700904638	1	Washer 12x22x2	
63	4700500036	1	Screw	



Cooling system

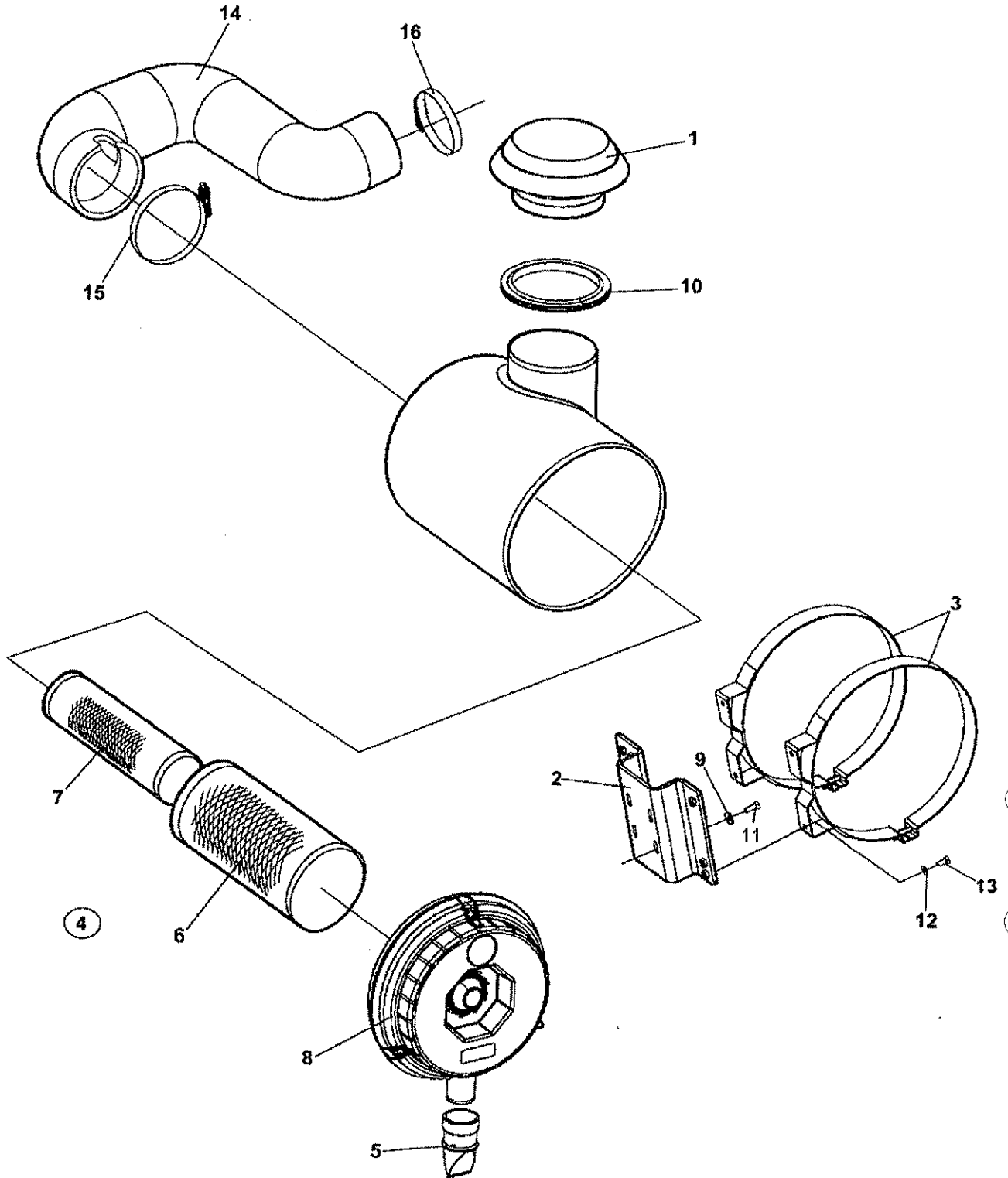
Item	Part No	Rem Qty	Description	Code
1	4700394765	1	Radiator	
3	4700904551	2	Shock absorber	
4	4700371602	1	Coolant hose	
5	4700377161	1	Coolant hose	
6	4700371774	2	Shock absorber	
7	4700904228	5	Washer 6,4x12x1,5	C
8	4700500012	2	Screw M6x12	
9	4700388728	1	Bracket	
10	4700370840	1	Hose connection	
12	4700377237	1	Coolant hose	
13	4700357833	1	Spacer	
14	4700921099	2	Clamp	
15	4700376561	1	Bracket	
16	4700904229	19	Washer 8,4x16x1,5	C
17	4700500053	20	Screw M8x20H 8.8	
18	4700904230	6	Steel plain washer	C
19	4700500029	4	Hexagon head screw	
20	4700392378	1	Connector	
21	4700386699	1	Air inlet	
22	4700388732	1	Air leading plate	C
23	4700926985	2	Quick lock washer	
24	4700904486	2	Quick lock	
25	4700387085	2	Fan guard	D
26	4700902166	A 1XL	Edge trim	D
27	4700902166	B 1XL	Edge trim	D
28	4700902166	C 1XL	Edge trim	D
29	4700904640	8	Washer 8,4x22x3	C
30	4700500018	2	Screw M8-1,25x12 8,8	
31	4700313006	4	Hose clamp	C
32	4700313010	1	Hose clamp	C
33	4700313010	2	Hose clamp	
34	4700313023	1	Hose clamp	C
35	4700570005	1	Nut M8	C
36	4700904281	2	Washer 5,3x10x1 300HV	C
37	4700500008	2	Screw M5-0,8x30 8,8	D
38	4700202041	D 2XL	Rubber strip	
39	4700586002	2	Lock nut M6 -8	D
40	4700902166	E 1XL	Edge trim	
41	4700313041		Cable ties	
42	4700390798	1	Cooler bracket	C
43	4700500027	2	Screw M10-1,55x22 8.8	C
44	4700904735	2	Washer	
45	4700392170	1	Holder	
46	4700392313	1	Expansion tank	
47	4700205027	F 1XL	Coolant hose	
48	4700921084	1	Pipe clamp	C
49	4700500040	1	Screw M6-1x20 8,8	
50	4700246069	G 1XL	Fuel hose 3/8"	
51	4700246069	H 1XL	Fuel hose 3/8"	
52	4700313001	4	Hose clamp	
53	4700903714	1	Cap	
54	4700747282	2	Copper washer	

- A) L=0,345M
- B) L=0,300M
- C) L=0,620M
- D) L=0,320M
- E) L=0,500M
- F) L=1,470M
- G) L=1,980M
- H) L=2,160M



Cooling system

Item	Part No	Rem Qty	Description	Code
55	4700330170	1	Banjo nipple	C
56	4700330171	1	Hollow screw	
57	4700500021	4	Screw M8-1,25x25 8.8	



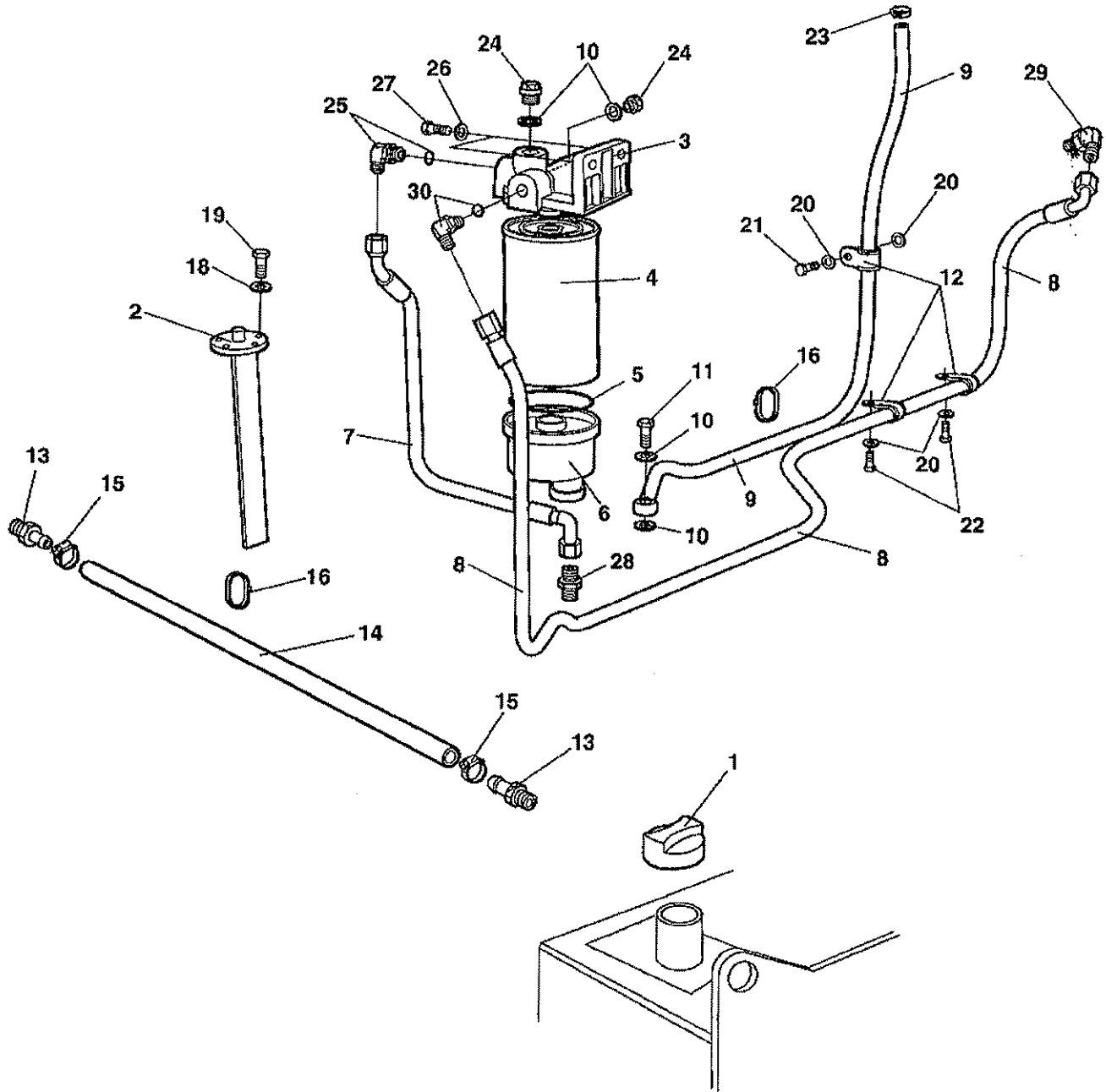
Combustion air system

Item	Part No	Rem	Qty	Description	Code
1	4700900170		1	Air inlet hood	D
2	4700392985		1	Filter bracket	
3	4700802550		2	Band, mounting	
4	4700394683		1	Air cleaner, cpl	
5	4700908399		1	.Vacuator valve	C
6	4700394690		1	.Air filter element, main	A
7	4700394691		1	.Air filter element, safety	A
8	4700396080		1	.Cover	
9	4700904640		4	Washer 8,4x22x3	
10	4700902166	A	1XL	Edge trim	D
11	4700500053		4	Screw M8x20H 8.8	C
12	4700904229		4	Washer 8,4x16x1,5	
13	4700500019		4	Screw M8x16H 8.8 A2K	C
14	4700394738		1	Air inlet hose	
15	4700379214		1	Hose clamp	
16	4700389600		1	Hose clamp	

A) L=0,520M

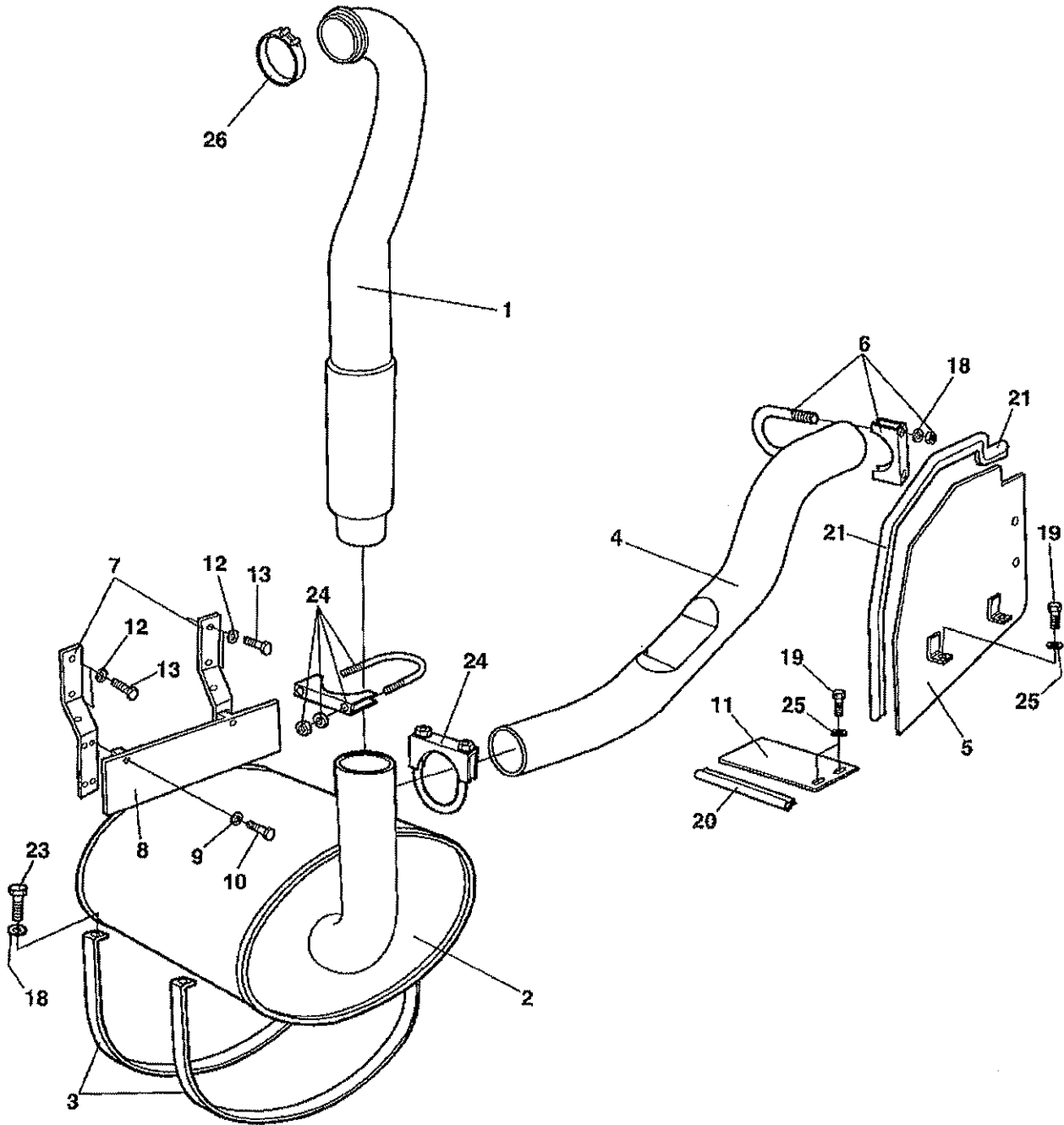
Fuel system

18040



Fuel system

Item	Part No	Rem Qty	Description	Code
1	4700373460	1	Fuel cap	D
2	4700904695	1	Fuel level sender	D
	4700945777	1	Gasket	
3	4700939403	1	Filter head	
4	4700939404	1	Fuel filter element	A
5		1	O-ring	A
6	4700939405	1	Bowl	
7	4700355446	1	Fuel hose	D
8	4700377234	1	Fuel hose	
9	4700380262	1	Fuel hose	
10	4700747282	4	Copper washer	
11	4700330171	1	Hollow screw	C
12	4700902558	3	Clamp	
13	4700373574	2	Hose connection	
14	4700244054	1	Hose reinforced	C
15	4700313002	2	Hose clamp 13-20 mm	
16	4700313041	N	Cable ties	
18	4700904281	5	Washer 5,3x10x1 300HV	C
19	4700500006	5	Screw M5x16	C
20	4700603018	4	Washer 10x18x4	
21	4700500022	1	Screw M8x30H 8.8 A2K	C
22	4700500021	2	Screw M8-1,25x25 8.8	
23	4700313001	1	Hose clamp	
24	4700903190	2	Steel plug	
25	4700925631	1	Elbow adapter	
26	4700904230	2	Steel plain washer	
27	4700500029	2	Hexagon head screw	C
28	4700334463	1	Connector	C
29	4700813435	1	Elbow 90	
30	4700904979	1	Elbow	

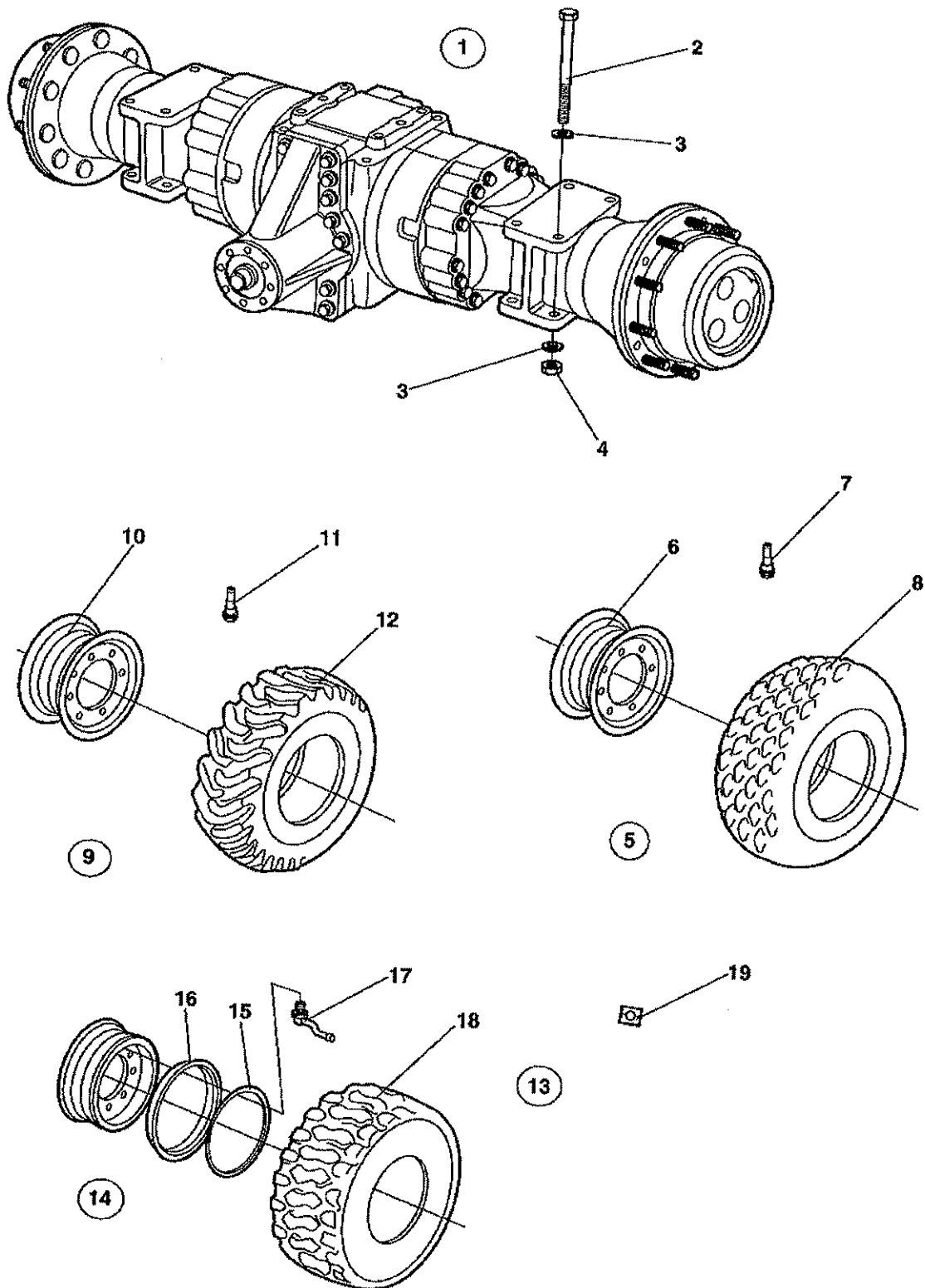


Exhaust system

Item	Part No	Rem	Qty	Description	Code
1	4700386774		1	Exhaust hose	
2	4700388650		1	Muffler	
3	4700388800		2	Clamp	
4	4700387699		1	Exhaust pipe	
5	4700376619		1	Thermal guard	
6	4700313093		1	Pipe clamp	C
7	4700386152		2	Hose clamp	
8	4700386153		1	Thermal guard	
9	4700904228		2	Washer 6,4x12x1,5	
10	4700500015		2	Screw M6-1x30 8,8	C
11	4700377285		1	Thermal guard	
12	4700904231		4	Steel plain washer	C
13	4700500046		4	Screw M12x025H	C
18	4700904229		6	Washer 8,4x16x1,5	
19	4700500053		4	Screw M8x20H 8,8	C
20	4700902166	A	1XL	Edge trim	D
21	4700902166	B	1XL	Edge trim	D
23	4700904241		4	Screw	C
24	4700927857		2	Pipe clamp	
25	4700904640		4	Washer 8,4x22x3	
26			1	Clamp	
A)	L=0,140 M				
B)	L=0,540 M				

Transmission

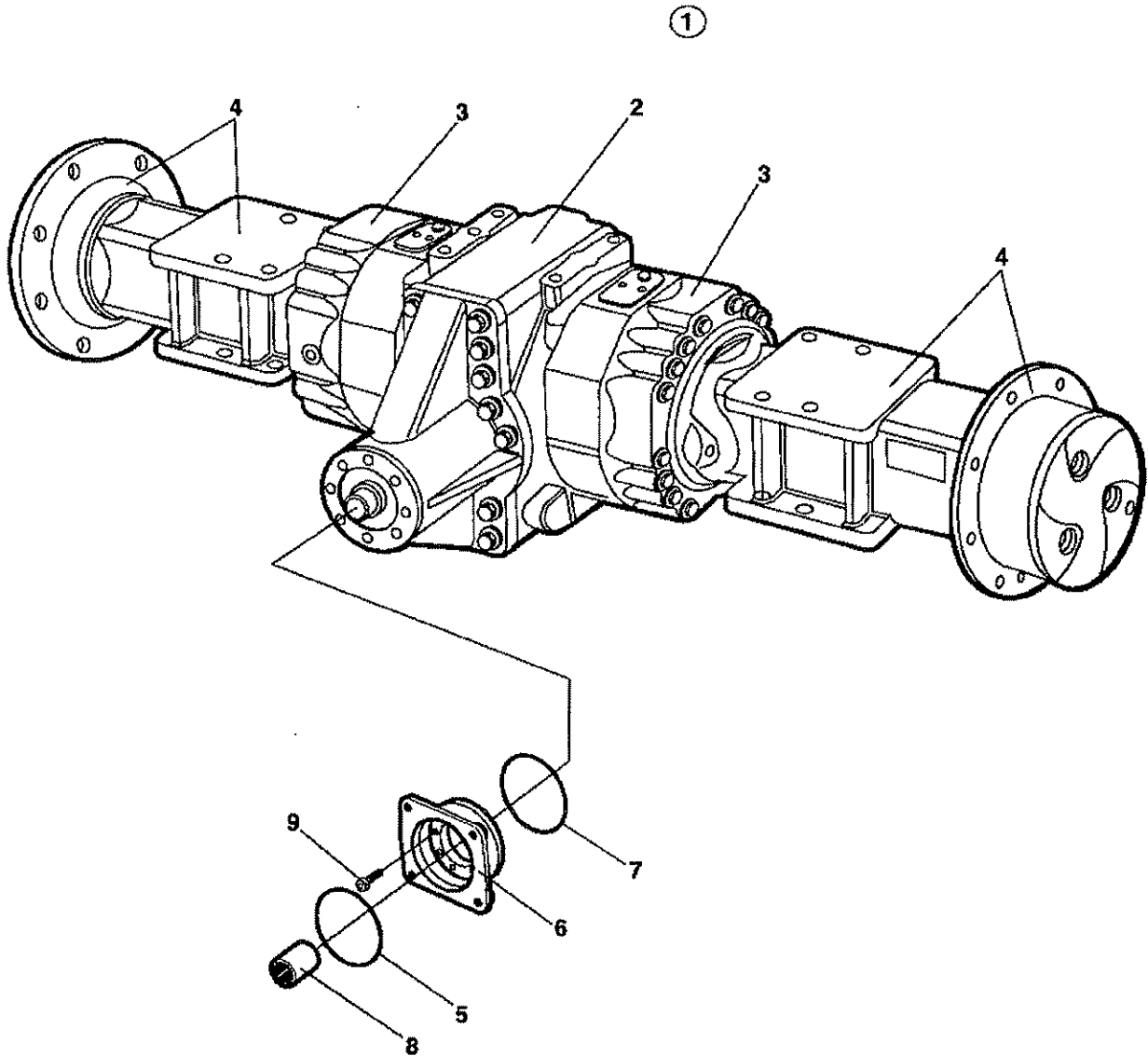
Item	Part No	Rem Qty	Description	Code
17			Rear axle and wheels (Page 66)	
21	4700385100		Rear axle Limited slip (Page 68)	
70	4700383856		Rear axle No-Spin, Option (Page 76)	



Rear axle and wheels

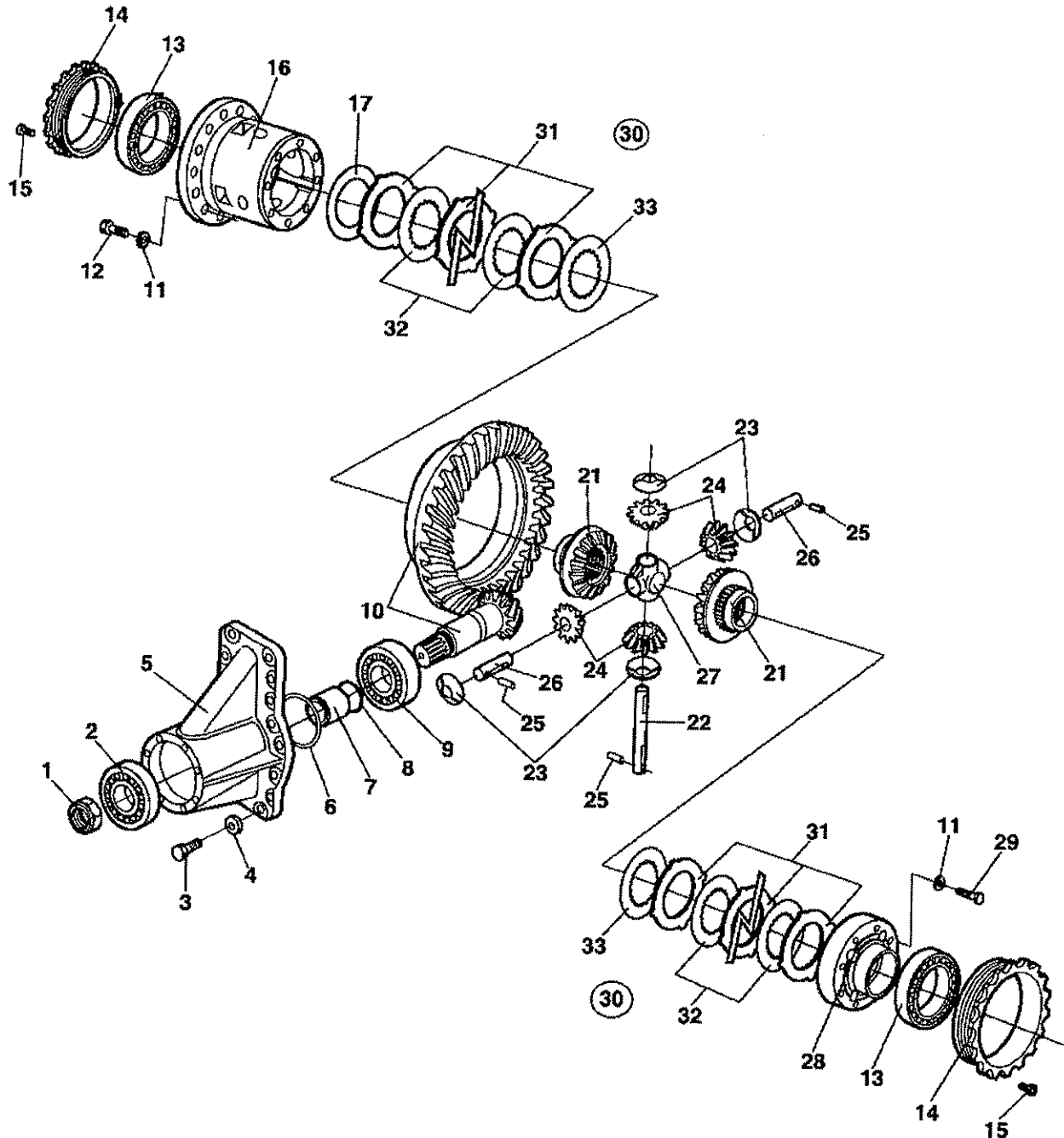
Item	Part No	Rem	Qty	Description	Code
1	4700385100		1	Rear axle Limited slip (Page 68)	
2	4700929217		8	Screw	
3	4700904233		16	Steel plain washer	
4	4700901145		8	Lock nut M20-10	
5	4700390590		2	Wheel, cpl	
	4700390762	A	2	Wheel, cpl	
	4700388145	A,J	2	Wheel, cpl	
	4700388146	A,J	2	Wheel, cpl	
6	4700393335		1	.Rim	
7	4700792261		1	.Air charging valve Straight	B
8	4700390591		1	.Tyre	D
	4700791573	K	1	.Tyre	D
9	4700390588	B	1	Tractor wheel, cpl	
	4700390587	C	1	Tractor wheel, cpl	
	4700390759	D	1	Tractor wheel, cpl	
	4700390760	E	1	Tractor wheel, cpl	
10	4700393335		1	.Rim	
11	4700792261		1	.Air charging valve Straight	B
12	4700390589		1	.Tyre	D
13	4700383974	L	2	Wheel, tubeless, cpl	
	4700383975	F	2	Wheel, tubeless, cpl	
14	4700383955		1	.Rim cpl	
15	4700901443		1	..Snap ring	
16	4700901444		1	..Side ring	
17	4700791175		1	.Air charging valve	
	4700791176		1	.Valve foot	
18	4700901218		1	.Tyre	D
19	4700355983	H	2	Decal "TYRE PRESSURE" 200kPa/29psi	D
	4700903985	I	2	Decal "SAFETY", "TYRE IN BALLAST"	

- A) Liquidfilled tyres, option.
- B) Left, option.
- C) Right, option.
- D) Liquidfilled tyres, right, option.
- E) Liquidfilled tyres, left, option.
- F) Option, Liquidfilled tyres.
- H) Used with item 13 4700383974 and 4700383975.
- I) Used with Liquid filled tyres.
- J) For Chinese market.
- K) Used with 4700388145 and 4700388146.
- L) Option, Michelin branded.



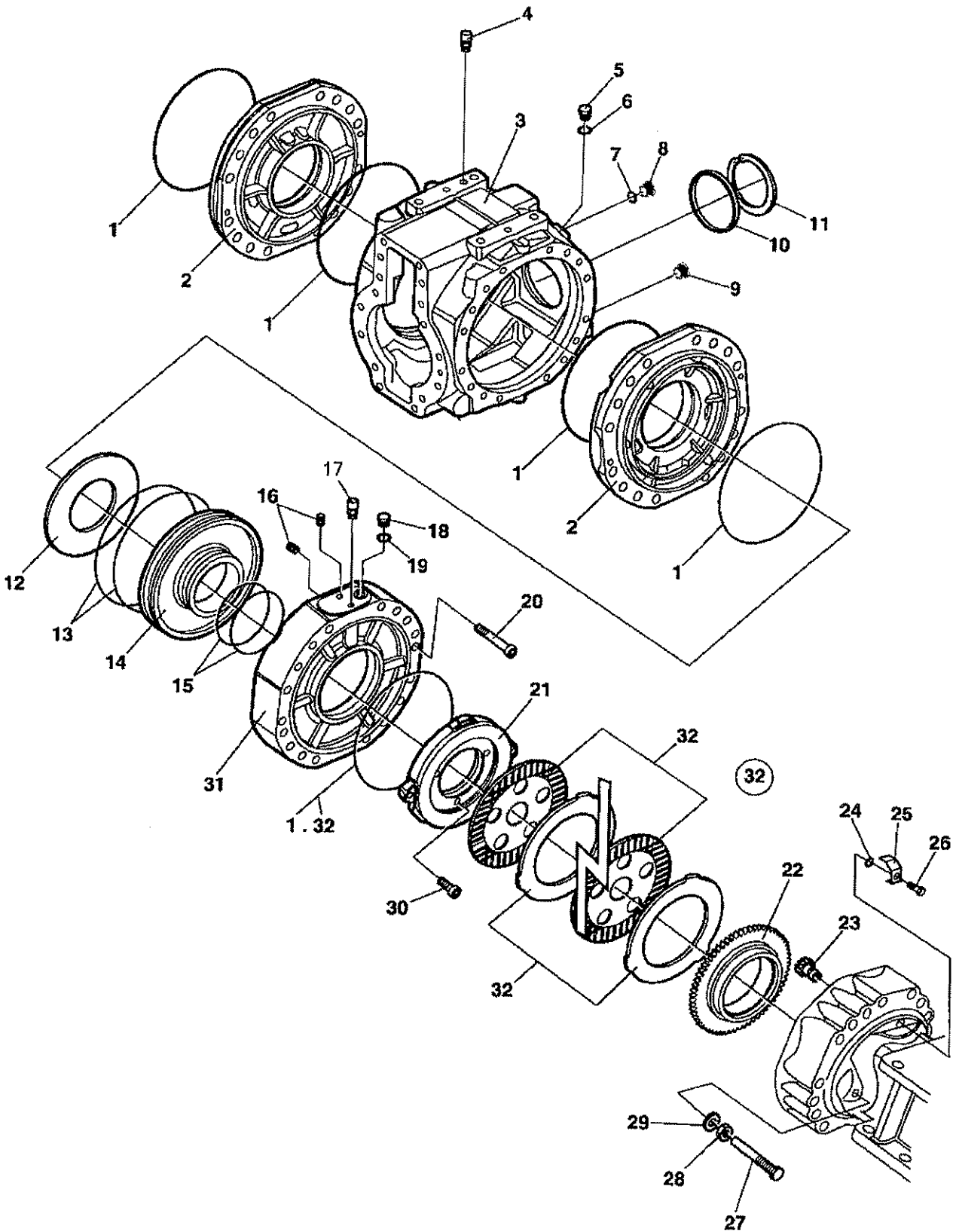
4700385100 Rear axle Limited slip

Item	Part No	Rem Qty	Description	Code
1		1	Rear axle	
2		1	.Differential with limited slip (Page 70)	
3		2	.Differential housing and brakes (Page 72)	
4		2	.Planet gear (Page 74)	
5	4700909584	1	O-ring	D
6	4700909583	1	Flange	
7	4700929648	1	O-ring	D
8	4700901834	1	Splined sleeve	
9	4700909582	8	Screw	



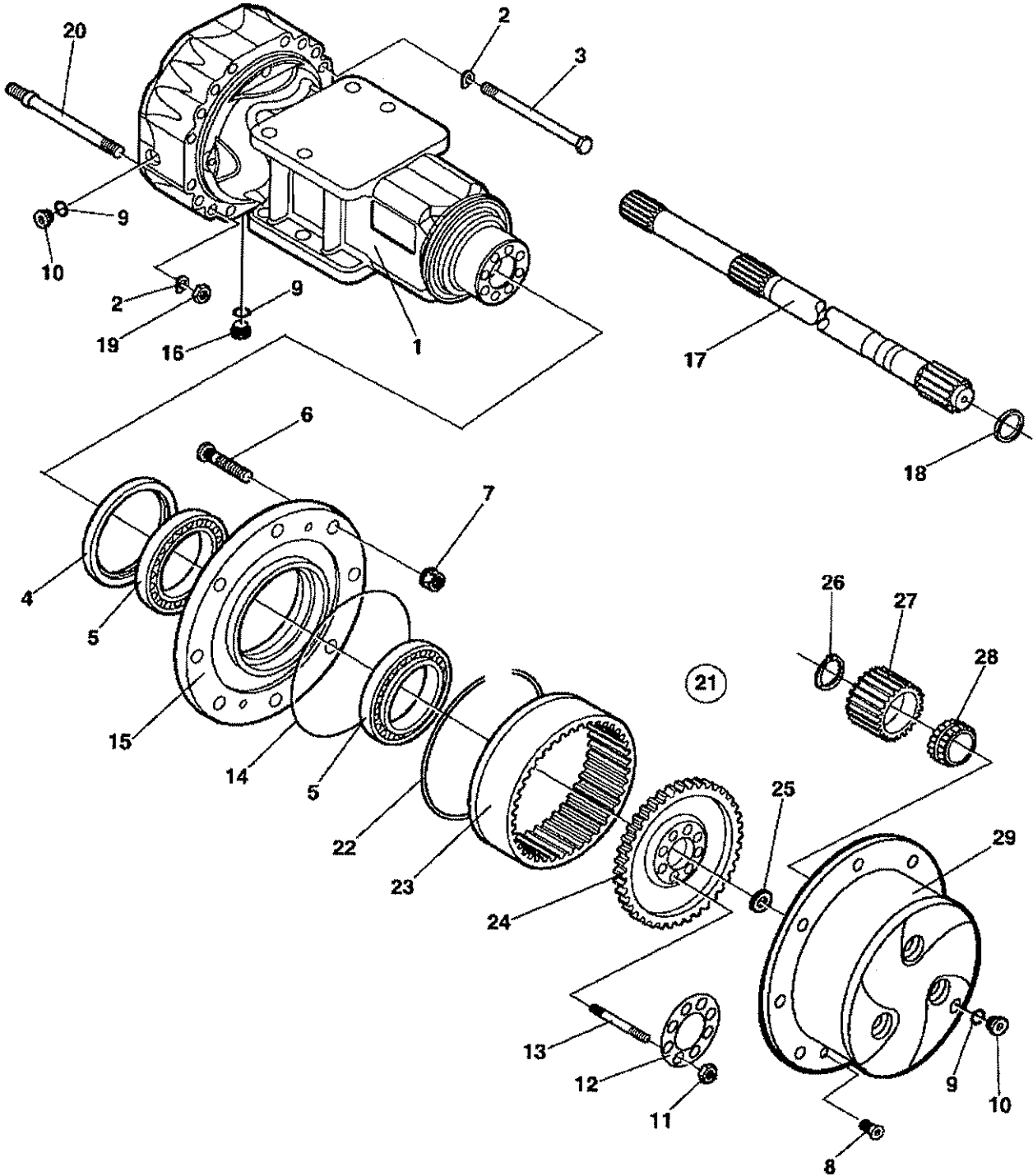
Differential with limited slip

Item	Part No	Rem Qty	Description	Code
1	4700929638	1	Nut	
2	4700909574	1	Roller bearing	
3	4700939257	16	Bolt	
4	4700909572	16	Spring washer	
5	4700908485	1	Housing	
6	4700909568	1	Shim 0,10mm	
	4700909569	1	Shim 0,20mm	
	4700909570	1	Shim 0,50mm	
	4700939258	1	Shim 0,15mm	
7	4700909567	1	Spacer	
8	4700939259	1	Shim 0,15mm	
	4700909580	1	Shim 0,20mm	
	4700909576	1	Shim 0,30mm	
	4700929644	1	Shim 0,40mm	
	4700939260	1	Shim 0,50mm	
9	4700909581	1	Roller bearing	
10	4700212553	1	Bevel gear set	
11	4700929628	16	Washer	
12	4700929629	16	Screw	
13	4700923342	1	Bearing	
14	4700939261	2	Nut	
15	4700938989	2	Screw	
16	4700909550	1	Differential carrier	
17	4700909551	1	Shim 0,30mm	
	4700909552	1	Shim 0,40mm	
	4700909553	1	Shim 0,10mm	
21	4700909558	2	Differential gear	
22	4700909566	1	Shaft	
23	4700909559	4	Friction washer	
24	4700939262	4	Differential pinion	
25	4700909561	3	Rolled pin	
26	4700909560	2	Shaft	
27	4700909565	1	Shaft retainer	
28	4700909562	1	Differential carrier cover	
29	4700909563	8	Screw	
30	4700935644	2	Disc kit	D
31		10	.Limited slip disc	D
32		8	.Limited slip disc	D
33		2	.Limited slip disc	D



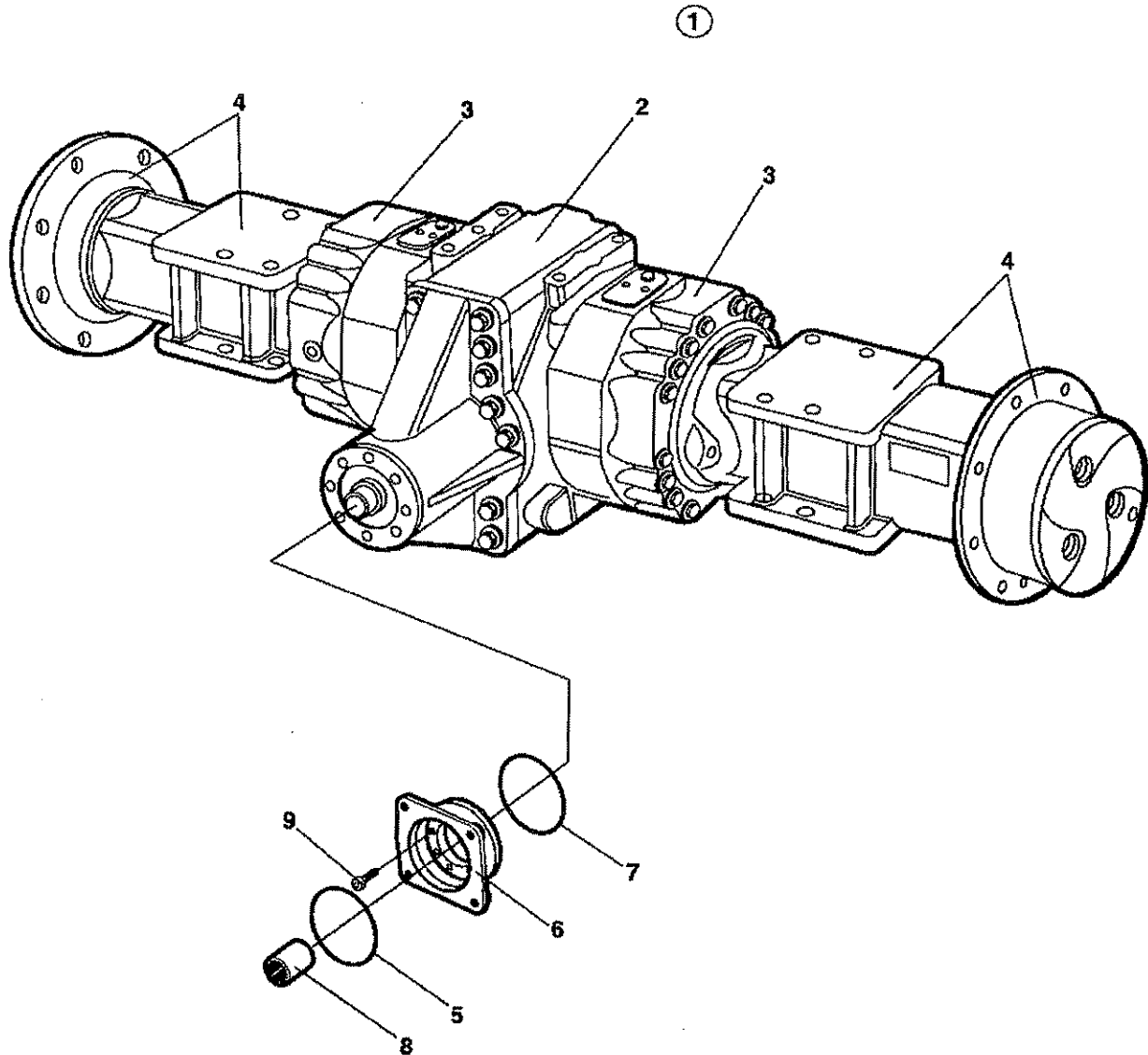
Differential housing and brakes

Item	Part No	Rem Qty	Description	Code
1	4700909609	6	O-ring	D
2	4700939255	2	Cover	
3	4700939256	1	Housing	
4	4700938984	1	Vent nipple	
5	4700909544	2	Screw	
6	4700938983	2	Sealing washer	
7		0	Not used on this model	
8	4700939348	1	Plug	
9	4700926810	1	Magnetic plug	
10	4700938296	1	Plug	
11	4700929617	1	Lock ring	
12	4700909616	2	Spring	
13	4700909618	4	O-ring	D
14	4700939280	2	Piston	
15	4700909619	4	O-ring	D
16	4700939281	4	Bolt	
17	4700938984	2	Vent nipple	
18	4700939282	2	Bolt	
19	4700939036	2	Sealing washer	
20	4700939035	4	Screw	
21	4700939283	2	Disc	
22	4700939285	2	Ring	
23	4700909622	2	Pinion	
24	4700900966	2	O-ring	D
25	4700939286	2	Lock plate	
26	4700909624	2	Screw	
27	4700909626	4	Bolt	
28	4700900957	4	Nut	
29	4700926847	4	Sealing washer	
30	4700939026	6	Screw	
31	4700939287	2	Cover	
32	4700939284	2	Brake disc kit	
		12	.Brake disc	
		12	.Brake disc	
	4700909609	2	.O-ring	D



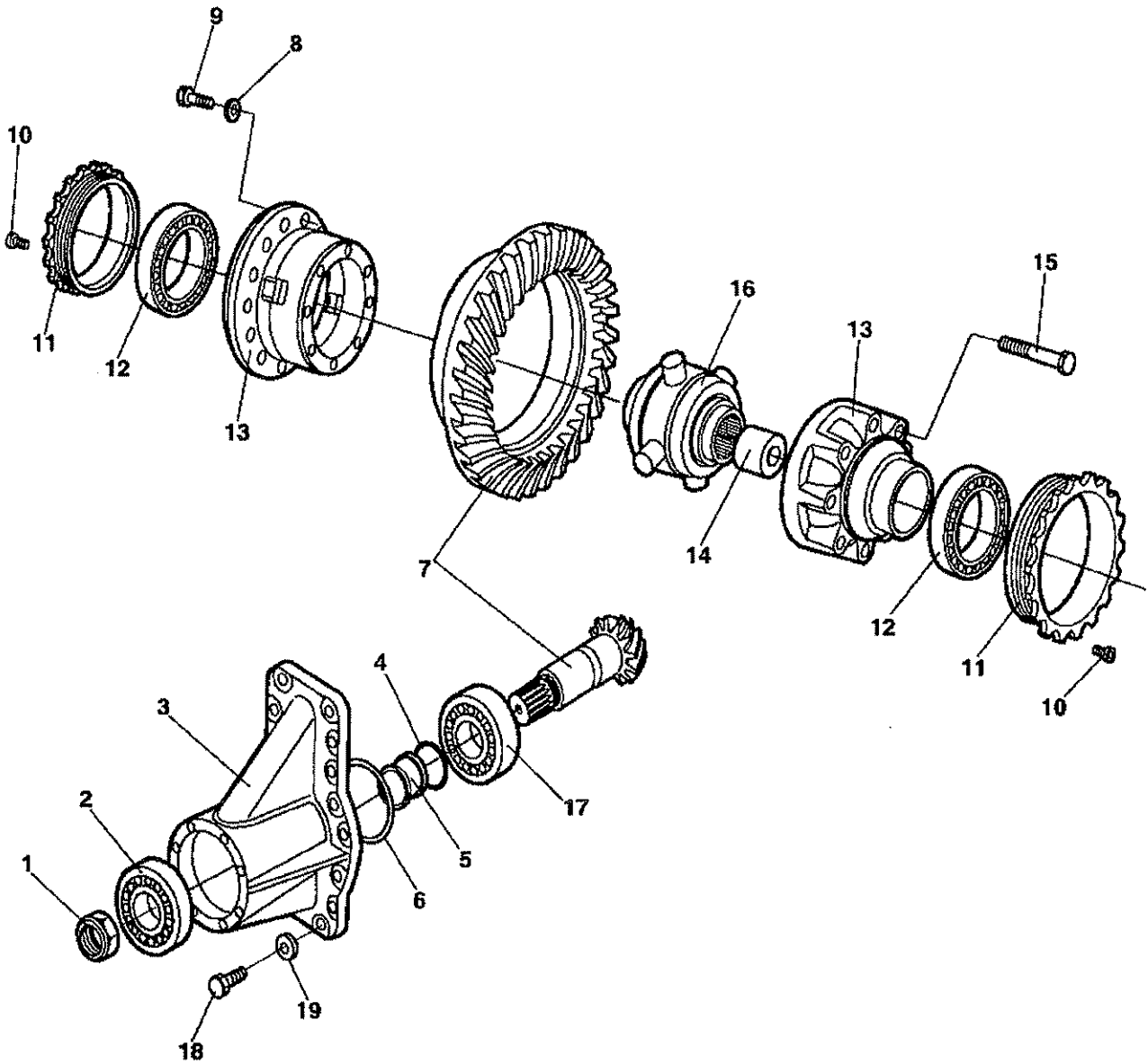
Planet gear

Item	Part No	Rem Qty	Description	Code
1	4700939263	2	Axle case	
2	4700939003	32	Spring washer	
3	4700939264	24	Bolt	
4	4700939265	2	Seal	
5	4700939266	4	Bearing	
6	4700926781	20	Wheel screw	
7	4700901987	20	Wheel nut	
8	4700939015	4	Screw	
9		0	Not used on this model	
10	4700939348	4	Plug	
11	4700939016	20	Nut	
12	4700939275	2	Lock plate	
13	4700939017	20	Stud	
14	4700929612	2	O-ring	
15	4700939276	2	Wheel hub	
16	4700939350	2	Magnetic plug	
17	4700939277	2	Half shaft	
18	4700909586	2	Seal	D
19	4700939019	8	Nut	
20	4700939278	8	Stud	
21	4700939351	2	Planet gear carrier Cpl.	
22	4700939267	2	.Circlip	
23	4700939268	2	.Ring gear	
24	4700939269	2	.Ring gear support	
25	4700939270	2	.Washer	
26	4700939271	8	.Seal	
27	4700939272	8	.Planet gear	
28	4700939273	8	.Bearing	
29	4700939349	2	.Planet gear carrier	



4700383856 Rear axle No-Spin, Option

Item	Part No	Rem Qty	Description	Code
1		1	Rear axle	
2		1	.Differential with No-Spin (Page 78)	
3		2	.Differential housing and brakes (Page 80)	
4		2	.Planet gear (Page 82)	
5	4700909584	1	O-ring	D
6	4700909583	1	Flange	
7	4700929648	1	O-ring	D
8	4700901834	1	Splined sleeve	
9	4700909582	8	Screw	

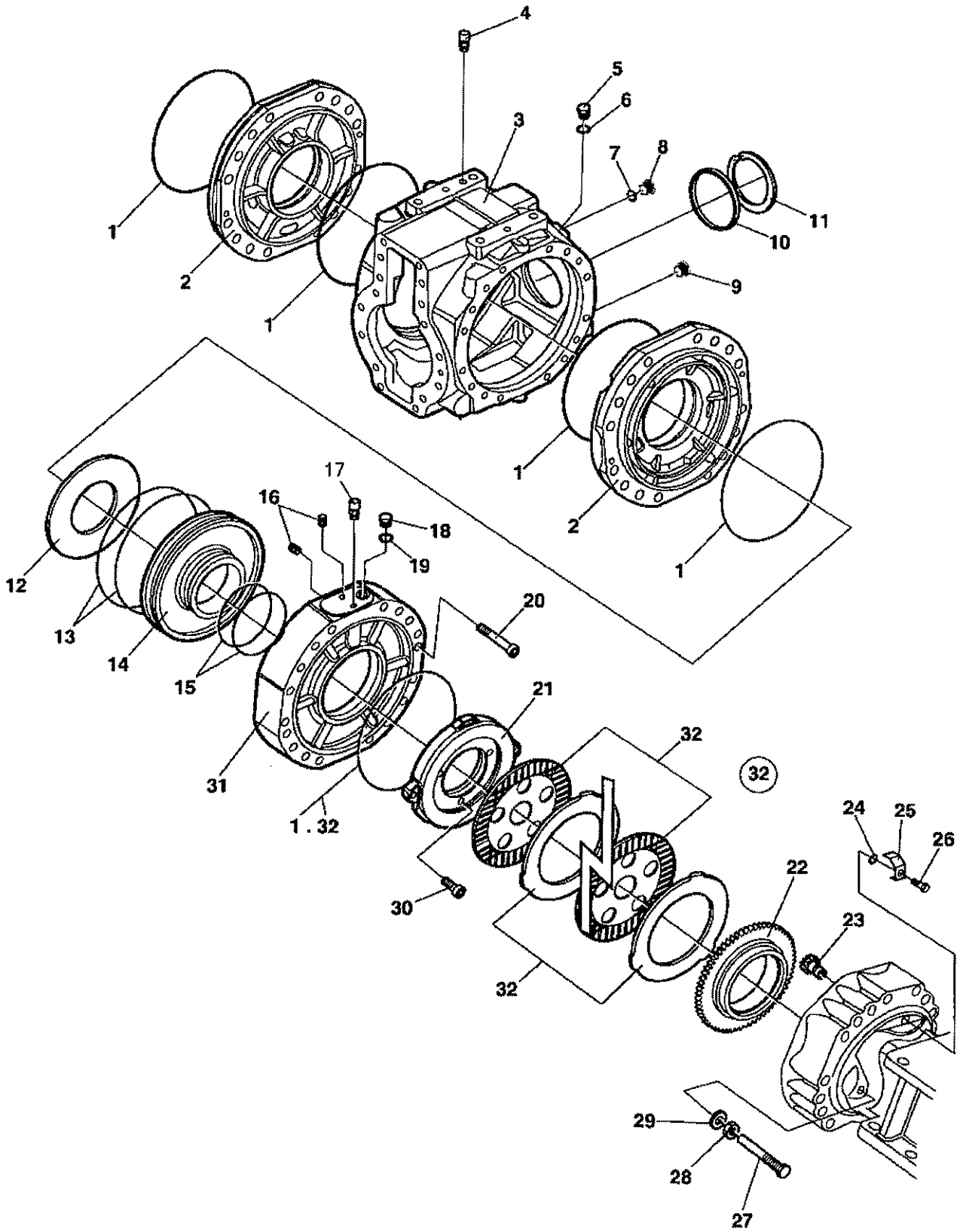


Differential with No-Spin

Item	Part No	Rem Qty	Description	Code
1	4700929638	1	Nut	
2	4700909574	1	Roller bearing	
3	4700908485	1	Housing	
4	4700939259	1	Shim	0,15mm
	4700909580	1	Shim	0,20mm
	4700909576	1	Shim	0,30mm
	4700929644	1	Shim	0,40mm
	4700939260	1	Shim	0,50mm
5	4700909567	1	Spacer	
6	4700909568	1	Shim	0,10mm
	4700909569	1	Shim	0,20mm
	4700909570	1	Shim	0,50mm
	4700939258	1	Shim	0,15mm
7	4700212553	1	Bevel gear set	
8	4700929628	16	Washer	
9	4700929629	16	Screw	
10	4700938989	2	Screw	
11	4700939261	2	Nut	
12	4700923342	1	Bearing	
13	4700929630	1	Differential case	
14	4700929631	1	Spacer	
15	4700929625	8	Screw	
16	4700929626	1	Non-spin unit	
17	4700909581	1	Roller bearing	
18	4700939257	16	Bolt	
19	4700909572	16	Spring washer	

Differential housing and brakes

17670

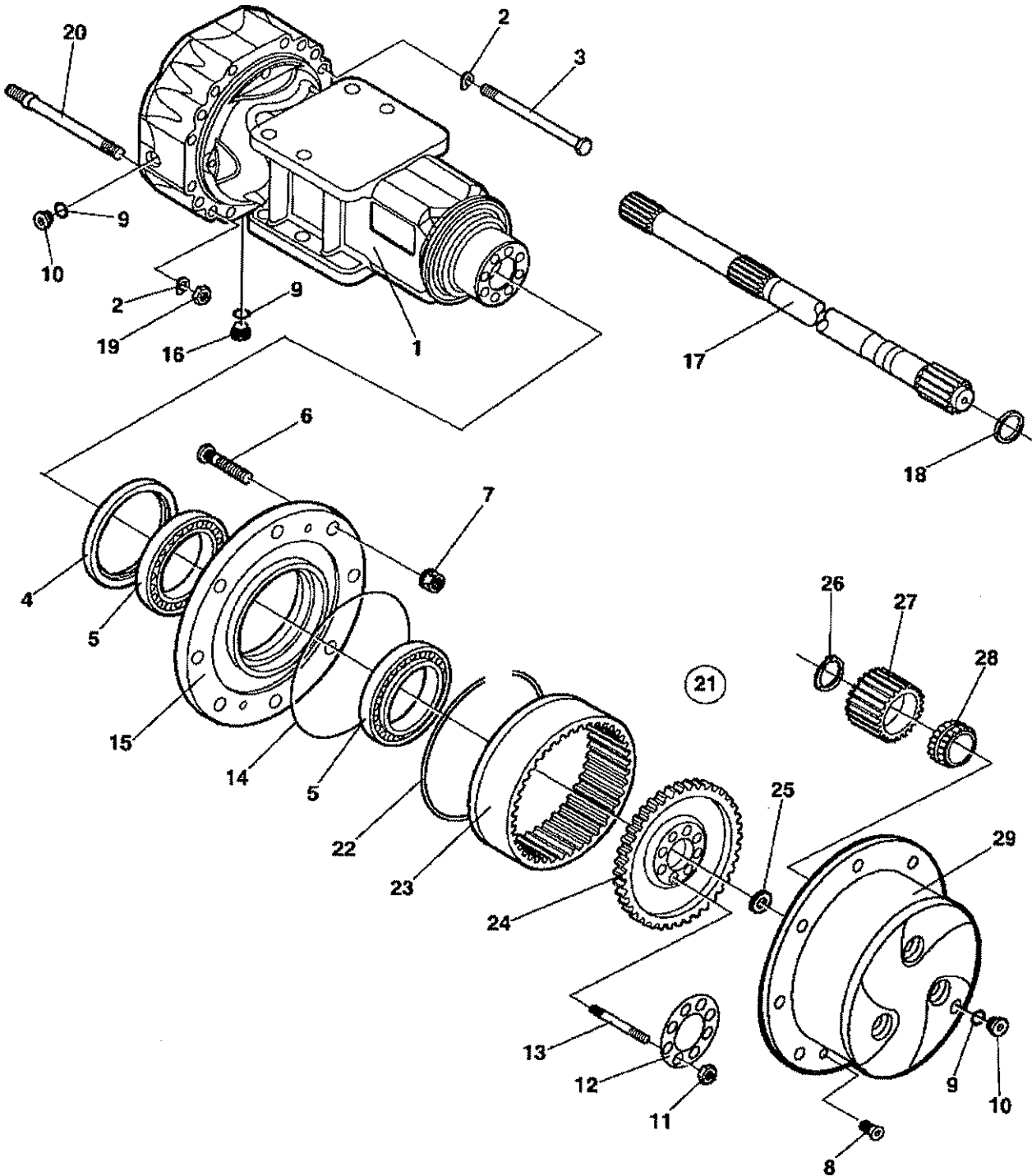


Differential housing and brakes

Item	Part No	Rem Qty	Description	Code
1	4700909609	6	O-ring	D
2	4700939255	2	Cover	
3	4700939256	1	Housing	
4	4700938984	1	Vent nipple	
5	4700909544	2	Screw	
6	4700938983	2	Sealing washer	
7	4700909607	1	Seal	D
8	4700909596	1	Plug	
9	4700926810	1	Magnetic plug	
10	4700938296	1	Plug	
11	4700929617	1	Lock ring	
12	4700909616	2	Spring	
13	4700909618	4	O-ring	D
14	4700939280	2	Piston	
15	4700909619	4	O-ring	D
16	4700939281	4	Bolt	
17	4700938984	2	Vent nipple	
18	4700939282	2	Bolt	
19	4700939036	2	Sealing washer	
20	4700939035	4	Screw	
21	4700939283	2	Disc	
22	4700939285	2	Ring	
23	4700909622	2	Pinion	
24	4700900966	2	O-ring	D
25	4700939286	2	Lock plate	
26	4700909624	2	Screw	
27	4700909626	4	Bolt	
28	4700900957	4	Nut	
29	4700926847	4	Sealing washer	
30	4700939026	6	Screw	
31	4700939287	2	Cover	
32	4700939284	2	Brake disc kit	
		12	.Brake disc	
		12	.Brake disc	
	4700909609	2	.O-ring	D

Planet gear

17673



Planet gear

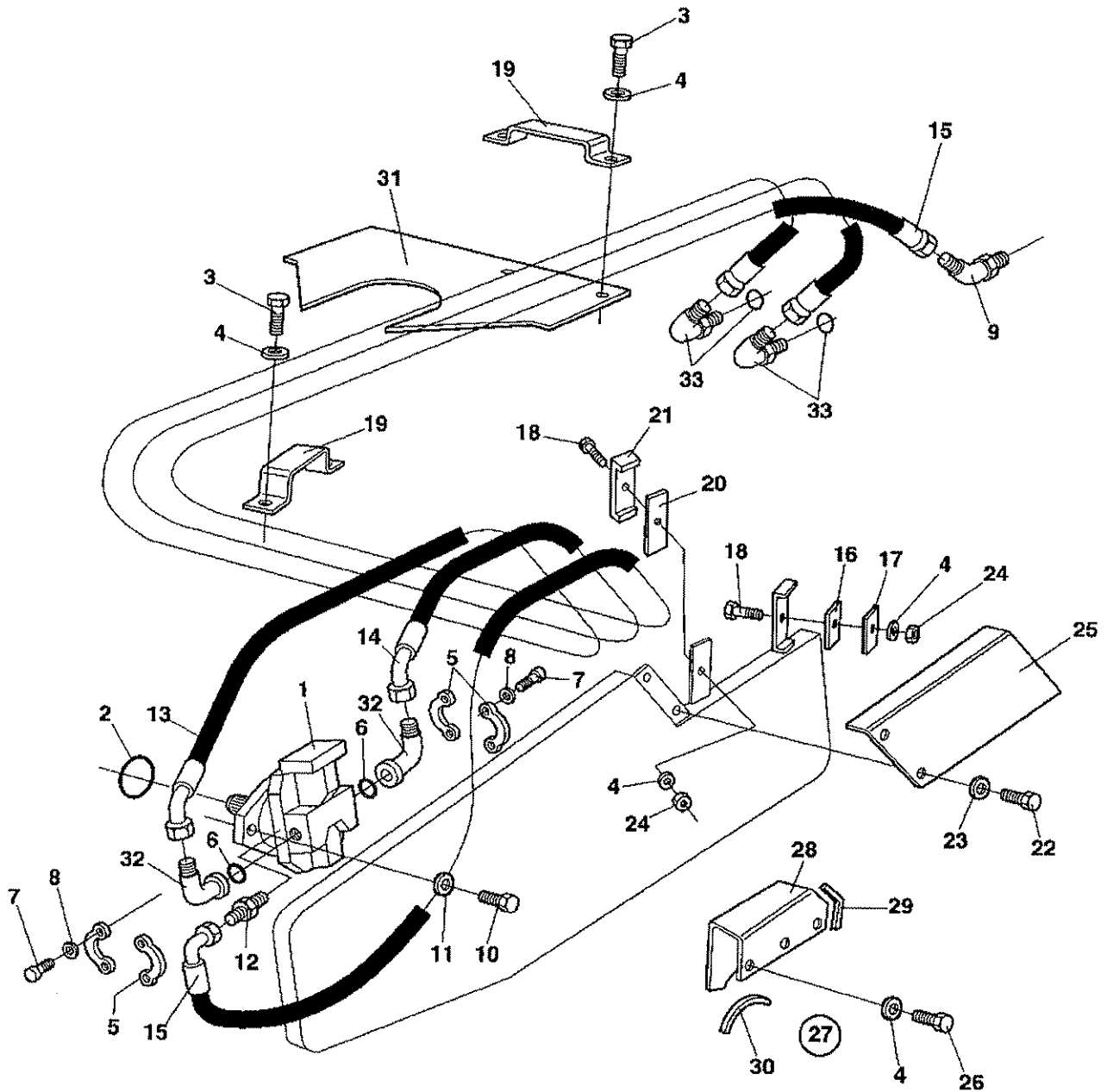
Item	Part No	Rem Qty	Description	Code
1	4700939263	2	Axle case	
2	4700939003	32	Spring washer	
3	4700939264	24	Bolt	
4	4700939265	2	Seal	
5	4700939266	4	Bearing	
6	4700926781	20	Wheel screw	
7	4700901987	20	Wheel nut	
8	4700939015	4	Screw	
9	4700330333	6	Copper washer	D
10	4700909596	4	Plug	
11	4700939016	20	Nut	
12	4700939275	2	Lock plate	
13	4700939017	20	Stud	
14	4700929612	2	O-ring	
15	4700939276	2	Wheel hub	
16	4700938985	2	Magnetic plug	
17	4700939277	2	Half shaft	
18	4700909586	2	Seal	D
19	4700939019	8	Nut	
20	4700939278	8	Stud	
21	4700939351	2	Planet gear carrier Cpl.	
22	4700939267	2	.Circlip	
23	4700939268	2	.Ring gear	
24	4700939269	2	.Ring gear support	
25	4700939270	2	.Washer	
26	4700939271	8	.Seal	
27	4700939272	8	.Planet gear	
28	4700939273	8	.Bearing	
29	4700939349	2	.Planet gear carrier	

Hydraulic system

Item	Part No	Rem Qty	Description	Code
10			Propulsion system, Front (Page 86)	
15			Propulsion system, Rear (Page 88)	
20			Vibration system (Page 100)	
30			Steering system (Page 110)	
40			Brake system (Page 116)	
46			Hydraulic oil tank (Page 118)	
50			Central test panel hydraulic Option (Page 120)	

Propulsion system, Front

16019

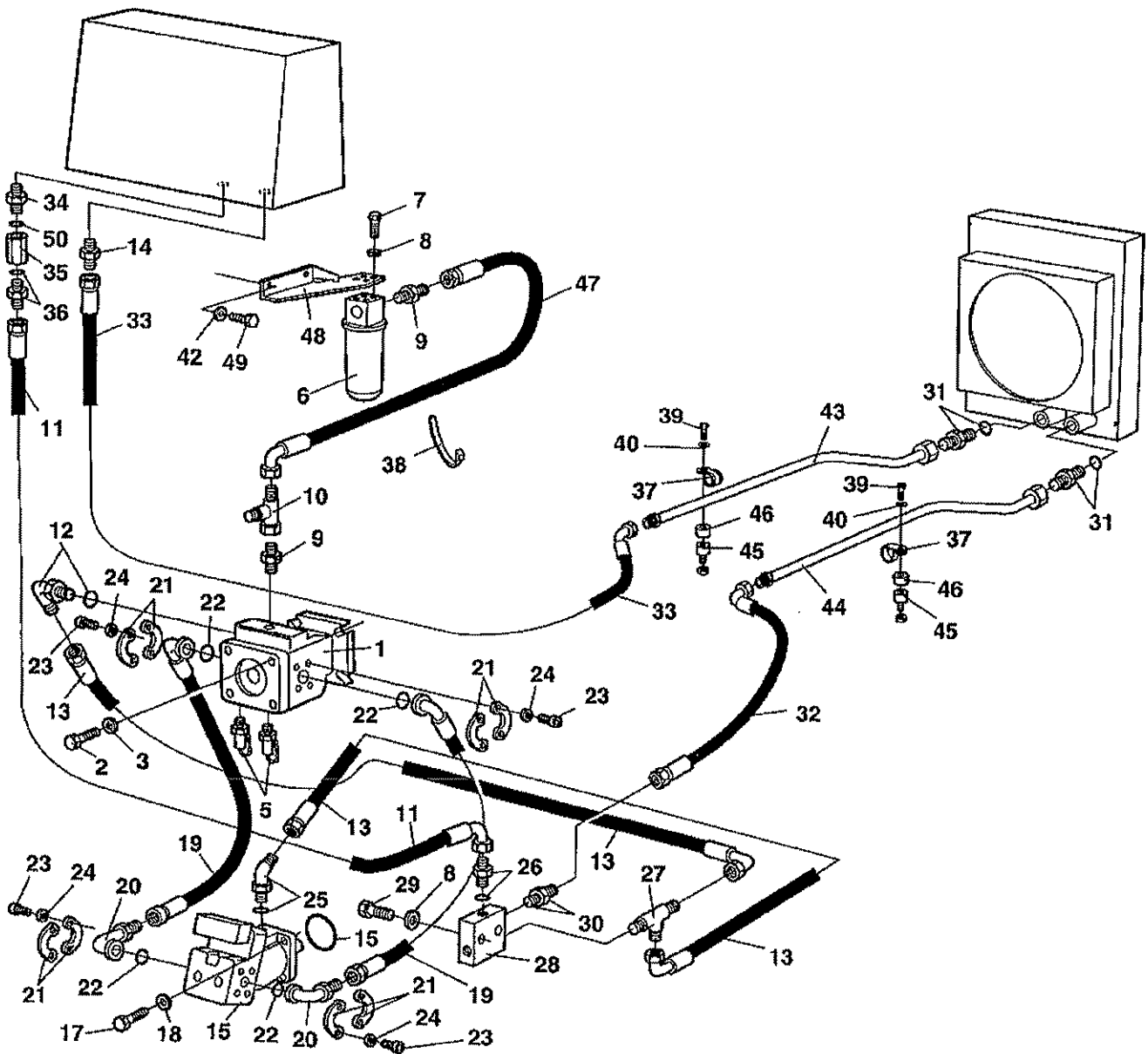


Propulsion system, Front

Item	Part No	Rem Qty	Description	Code
1	4700389564	1	Propulsion motor	
2	4700160272	1	O-ring	
3	4700500028	4	Screw	
4	4700904230	9	Steel plain washer	
5	4700923384	4	Flange half	
6	4700904005	2	O-ring	
7	4700502132	8	Screw UNC 7/16" x 22	
8	4700904638	8	Washer 12x22x2	
9	4700334132	1	Elbow 45, O-ring	
10	4700500101	2	Screw M20x50	C
11	4700903290	2	Washer 21x36x6	
12	4700334138	1	Adapter	C
13	4700483028	1	Hydraulic hose	
14	4700483029	1	Hydraulic hose	
15	4700483022	1	Hydraulic hose	
16	4700372580	1	Rubber part	
17	4700372578	1	Hose clamp	
18	4700500092	2	Screw	
19	4700349909	2	Hose clamp	
20	4700372580	1	Rubber part	
21	4700372586	1	Hose clamp	
22			Not used on this model	
23			Not used on this model	
24	4700586018	2	Lock nut	C
25			Not used on this model	C
26	4700500192	3	Screw M10x80	C
27	4700394646	1	Protecting cover	
28	4700394650	1	.Protecting cover	
29	4700287724	N	.Edge trim	
30	4700902166	N	.Edge trim	D
31	4700372235	1	Hose guard	
32	4700903750	2	Elbow	
33	4700813499	2	Elbow 90, O-ring	

Propulsion system, Rear

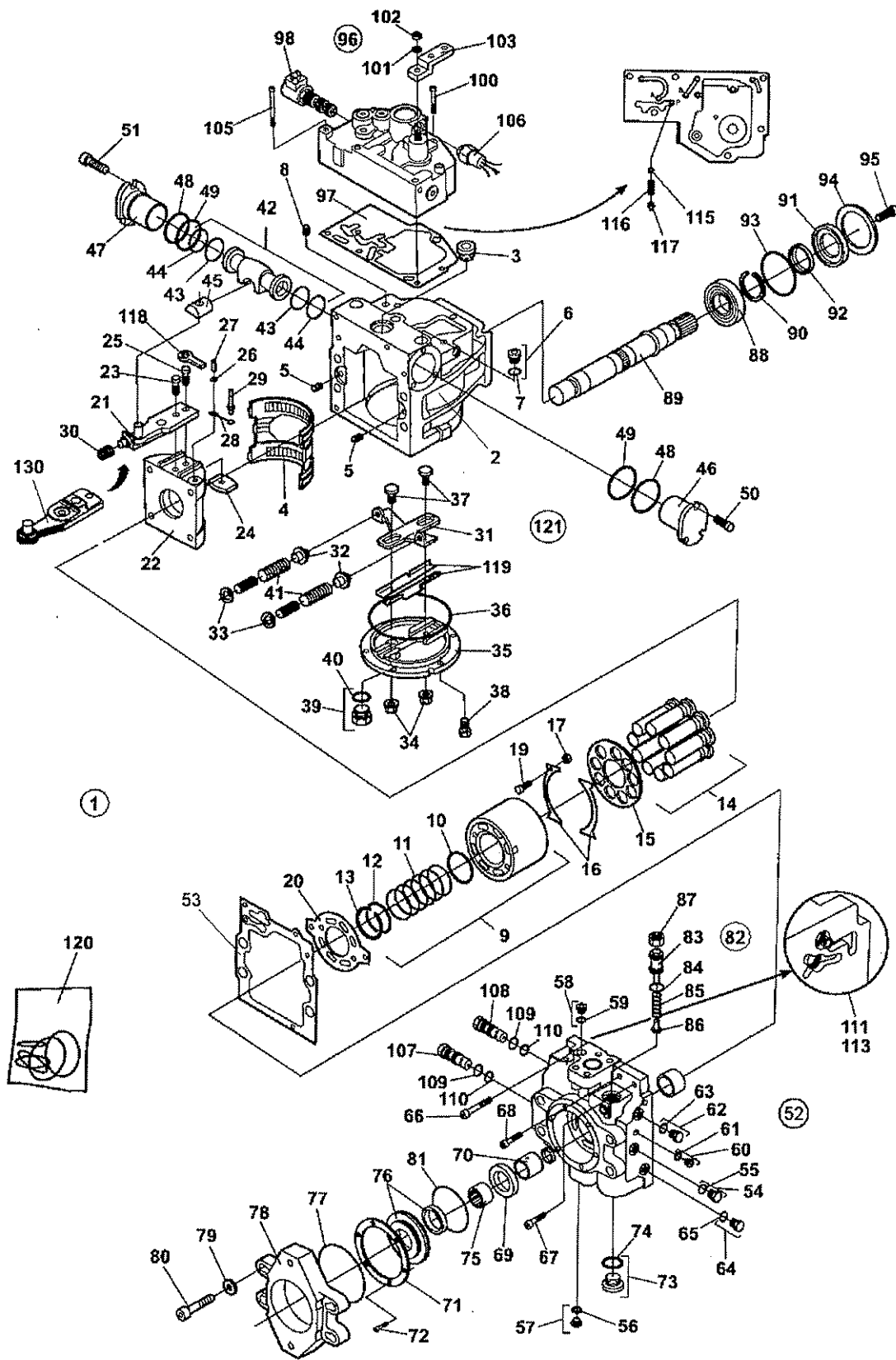
18046



Propulsion system, Rear

Item	Part No	Rem	Qty	Description	Code
1	4700380830		1	Propulsion pump (Page 90)	C
2	4700500046		4	Screw M12x025H	C
3	4700904213		4	Washer	C
5	4700900229		2	Measuring nipple	C
6	4700359550		1	Hydraulic oil filter, cpl Donaldson	
	4700359551		1	.Filter head	A
	4700359552		1	.Cleaning filter element Maximum 50 hours use	A
	4700372229	A	1	Hydraulic oil filter element	A
7	4700500028		4	Screw	
8	4700904230		6	Steel plain washer	
9	4700334468		2	Adapter	C
10	4700234243		1	T-connector	C
11	4700482182		1	Hydraulic hose	C
12	4700813499		1	Elbow 90, O-ring	
13	4700482391		2	Hydraulic hose	
14	4700234909		1	Straight connector	
15	4700373361		1	Propulsion motor (Page 96)	C
	4700902581		1	.O-ring	D
17	4700500263		4	Screw M18x60	
18	4700904793		4	Washer 19x34x3	
19	4700483033		2	Hydraulic hose	
20	4700900604		2	Adapter	
21	4700923384		8	Flange half	
22	4700904005		4	O-ring	
23	4700502132		16	Screw UNC 7/16" x 22	
24	4700904638		16	Washer 12x22x2	
25	4700334132		1	Elbow 45, O-ring	
26	4700334138		1	Adapter	C
27	4700234875		1	Tee-connector o-ring	
28	4700345243		1	Connection block	
29	4700500033		2	Screw M10-1,5x60 8,8	
30	4700334140		1	Adapter	
31	4700792039		2	Adapter	
32	4700483128		1	Hydraulic hose	
33	4700482741		1	Hydraulic hose	
34	4700904282		1	Adapter	
35	4700374059		1	Check valve	
36	4700923371		1	Adapter	
37	4700921084		4	Pipe clamp	
38	4700313102		N	Cable ties	
39	4700500061		4	Screw M6-1X35 8,8	C
40	4700904735		4	Washer	C
41	4700500019		4	Screw M8x16H 8.8 A2K	C
42	4700904229		2	Washer 8,4x16x1,5	
43	4700377225		1	Pipe	
44	4700377226		1	Pipe	
45	4700281783		4	Shock absorber	
46	4700357278		4	Spacer sleeve	
47	4700482010		1	Hydraulic hose	D
48	4700380490		1	Filter bracket	
49	4700500021		2	Screw M8-1,25x25 8.8	
50	4700162008		1	Seal washer	

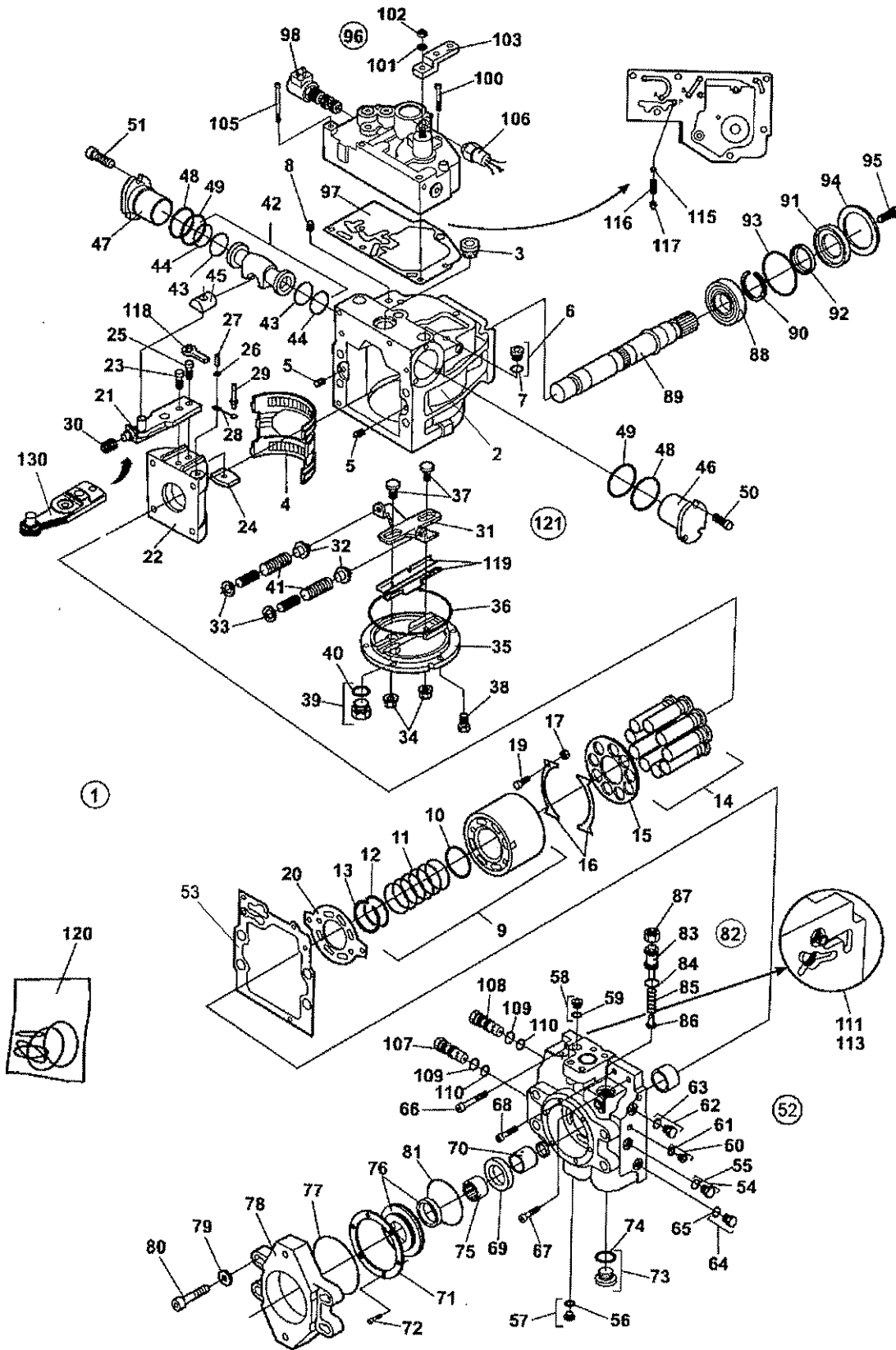
A) Spare part for ordinary service



4700380830 Propulsion pump

Item	Part No	Rem Qty	Description	Code
1	4700380830	1	Propulsion pump (Page 90)	C
2	4700936546	1	.Housing	
		2	1 .Housing	
3	4700902928	1	.Plug	C
4	4700901452	1	.Bearing	
		2	1 .Bearing	
5	4700813822	2	.Pin	C
6	4700908432	2	.Plug	C
7	4700923087	1	2 ..O-ring	C
8	4700901454	3	.Filter element	D
9	4700901455	1	.Cylinder block, cpl	
10		1	..Spacer	
11		1	..Spring	
12		1	..Spring retainer	
13		1	..Ring retainer	
14	4700903570	9	.Piston	D
15	4700903571	1	.Pressure plate	D
16	4700901458	2	.Retainer guide	D
17	4700935856	4	.Spacer	
19	4700909382	4	.Screw	C
20	4700936547	1	.Valve plate	
21	4700909727	1	.Servo arm, cpl	
22		1	.Swash plate	
		2	1 .Swash plate	
23	4700909386	1	.Screw	C
		2	1 .Screw	C
24	4700909387	1	.Guide	
25	4700909388	1	.Screw	C
26	4700909389	1	.Washer	C
27	4700909390	1	.Pin	C
28	4700909391	1	.Link	C
29	4700909392	1	.Pin	C
30	4700909393	1	.Spring	C
31		1	.Lever	C
32		2	.Spring support	C
33		2	.Washer	C
34	4700909398	1	2 .Seal lock nut	B
35		1	.Cover	B
		2	1 .Cover	B
36	4700936551	1	1 .O-ring	
37		2	.Guide post	
38	4700936553	6	.Screw	C
39	4700902928	1	.Plug	C
40	4700901453	1	1 ..O-ring	C
41	4700908352	2	.Spring	
42	4700936582	1	.Piston, cpl	
43		1	2 ..O-ring	
44		1	2 ..Seal ring	
45		1	..Guide	
46	4700903580	1	.Servo	
47	4700903580	1	.Servo	
48	4700936557	1	2 .O-ring	
49	4700936558	1	2 .O-ring	
50	4700936559	3	.Screw	
51	4700936559	3	.Screw	
52	4700936560	1	.End cap, cpl	
53	4700936561	1	1 .Gasket	
54	4700358388	1	.Plug	

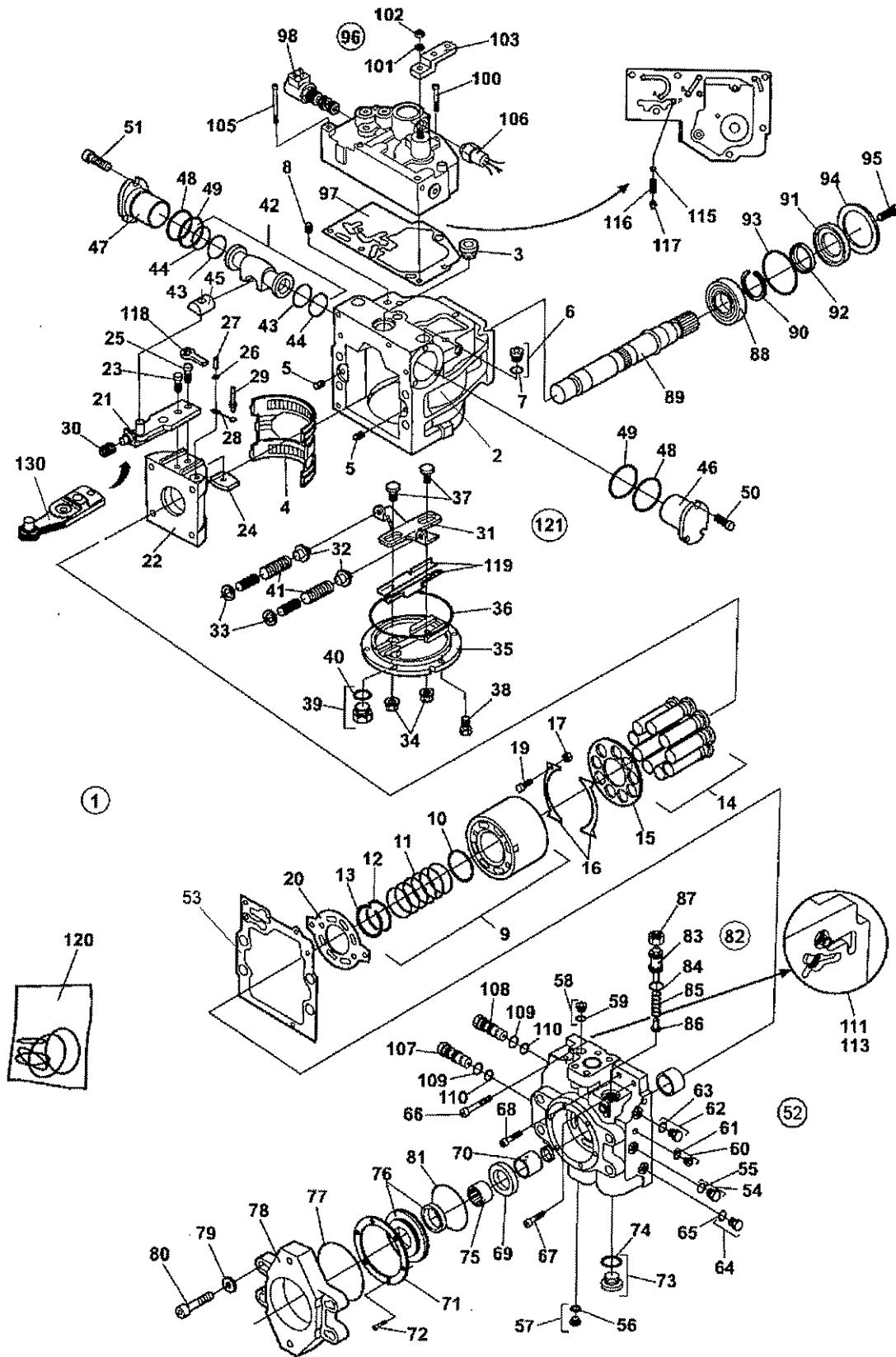
1) Included in item 120, Seal kit
2) Valid with item 130



4700380830 Propulsion pump

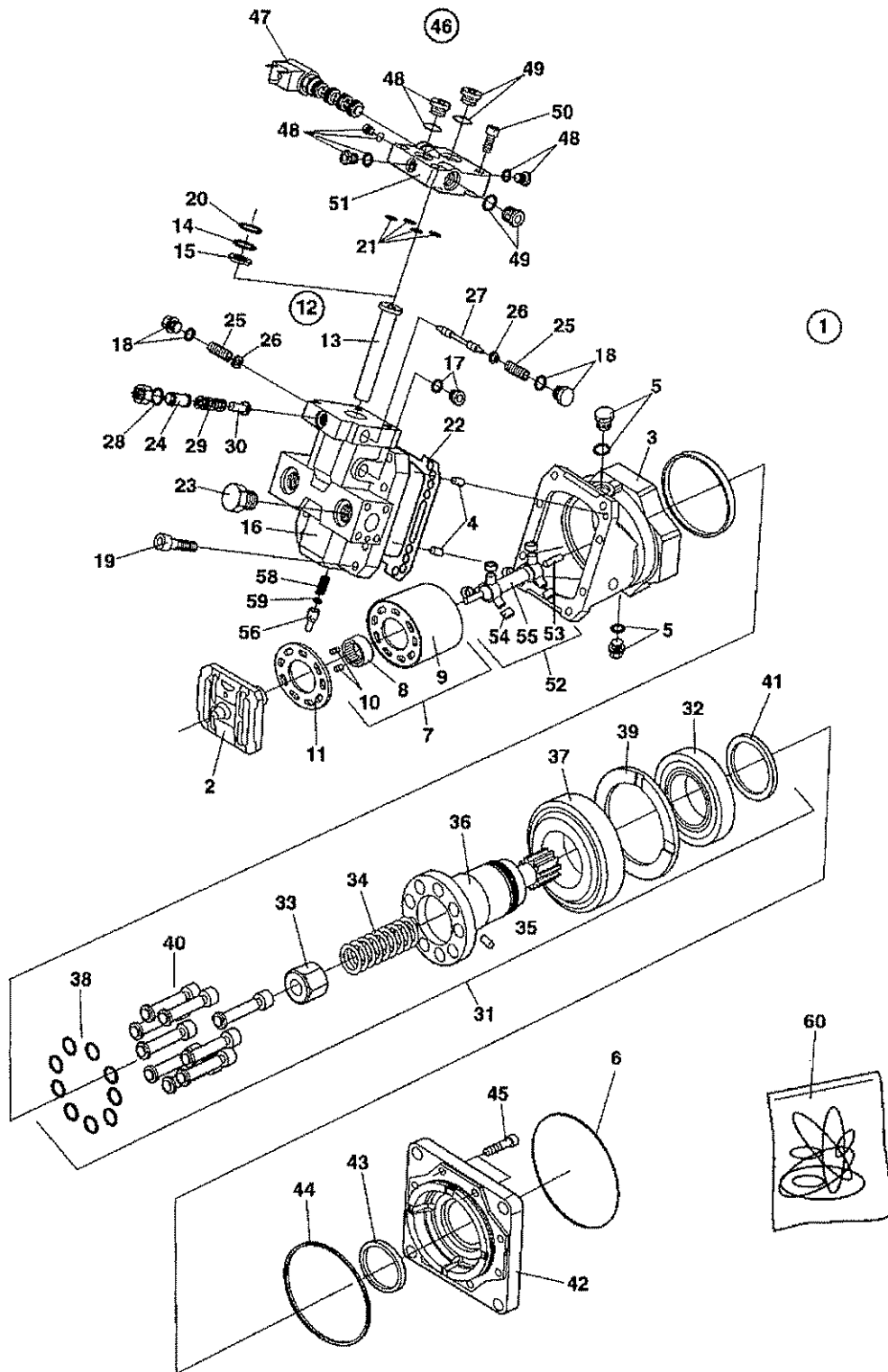
Item	Part No	Rem	Qty	Description	Code
55	4700923087	1	1	..O-ring	C
56	4700908432		1	.Plug	C
57	4700923087	1	1	..O-ring	C
58	4700908432		1	.Plug	C
59	4700923087	1	1	..O-ring	C
60	4700908432		1	.Plug	C
61	4700923087	1	1	..O-ring	C
62	4700358388		1	.Plug	
63	4700923087	1	1	..O-ring	C
64	4700358388		1	.Plug	
65	4700923087	1	1	..O-ring	C
66	4700936562		1	.Screw	
67	4700936563		1	.Screw	
68	4700936564		1	.Screw	
69	4700950283		1	.Spacer	
70	4700950284		1	.Spacer	
71	4700935857		1	.Retaining plate	
72	4700936566		6	.Screw	
73	4700936567		1	.Plug, cpl	
74	4700936568	1	1	..O-ring	
75			1	.Coupling sleeve	
76			1	.Cover assembly	
77	4700909399	1	1	.O-ring	C
78	4700936570		1	.Adapter	
79	4700936571		4	.Washer	
			4	.	
81	4700937150		1	.O-ring	
82	4700936583		1	.Pressure relief valve, cpl	
83			1	..Screw	
84		1	1	..O-ring	
85			1	..Spring	
86			1	..Valve cone	
87			1	..Nut	
88	4700901465		1	.Bearing	
89	4700901466		1	.Shaft	
90	4700901467		1	.Ring	
91			1	.Pressure plate	
92		1	1	.Seal	
		2	1	.Seal	
93		1	1	.O-ring	
94			1	.Retaining plate	
95			3	.Screw	
96	4700938170		1	.Control valve, cpl	
97	4700939489	1	1	..Control valve gasket	
98	4700938252		1	..Solenoid valve	
100			1	..Screw	
101	4700909428		1	..Washer	C
102	4700909429		1	..O-ring	C
103	4700909432		1	..Control lever	D
105	4700937857		5	..Screw	
106	4700938253		1	..Neutral start switch	
107	4700212339		1	.Valve	C
108	4700212339		1	.Valve	C
109		1	2	..O-ring	C
110		1	2	..O-ring	C
111	4700901475		2	.Valve	D
113	4700901476		2	.Plug	D
115	4700909435		1	.Orifice	C

1) Included in item 120, Seal kit
2) Valid with item 130



4700380830 Propulsion pump

Item	Part No	Rem Qty	Description	Code
116	4700909436	1	.Spring	C
117	4700908448	1	.Spring retainer	C
118		1	.Link	C
119		1	.Guide assy, 1pair	C
120	4700901328	1	.Seal kit	D
121	4700936548	1	.Cover assy	
130		1	.Servo arm	



4700373361 Propulsion motor

Item	Part No	Rem	Qty	Description	Code
1			1	Hydraulic motor, Cpl	
2	4700935521		1	.Valve segment	
3	4700908422		1	.Housing	
4	4700813822		2	.Pin	C
5	4700902928		2	.Plug	C
	4700901453	1	2	..O-ring	C
6	4700902581	1	1	.O-ring	D
7	4700902929		1	.Cylinder block	
8			1	..Bush	
9			1	..Cylinder block	
10			2	..Pin	
11	4700902930		1	.Bearing plate	D
12	4700935527		1	.Piston assembly	
13	4700935526		1	..Piston	
14	4700935525	1	1	..O-ring	D
15	4700935524	1	1	..Seal plug	D
16	4700935530		1	.End cap	
17	4700908432		1	.Plug	C
18	4700935741		2	.Plug, cpl	
19	4700902944		8	.Screw	
20	4700935531	1	1	.O-ring	D
21	4700908443	1	5	.Rect. seal	
22	4700908427	1	1	.Gasket	D
23	4700902928		2	.Plug	C
	4700901453	1	2	..O-ring	C
24			1	.Adapter	C
25	4700935749		2	.Spring	
26	4700935750		2	.Spring retainer	
27	4700935533		1	.Spool	
28	4700813618	1	1	.O-ring	C
29			1	.Spring	C
30			1	.Valve cone	C
31	4700902960		1	.Shaft, cpl	
32			1	..Roller bearing	
33			1	..Spring guide	
34			1	..Spring	
35			1	..Pin	
36			1	..Shaft	
37			1	..Roller bearing	
38			9	..Piston ring	
39			1	..Spacer	
40			9	..Piston	
41			1	..Nut	
42	4700902961		1	.Flange	
43	4700935536		1	.Shaft seal 55x75x12	D
	4700945757	1	1	.Shaft seal 55x70x7	D
44	4700935664	1	1	.O-ring	D
45	4700902962		8	.Screw	
46	4700935543		1	.Electric hydraulic control	
47	4700908435		1	..Solenoid valve assy	
48	4700908426		4	..Plug, cpl	
49	4700908432		2	..Plug	C
50	4700935544		4	..Screw	
51	4700935545		1	..Valve housing	
52	4700902984		1	.Shaft, cpl	
53			2	..Pin	
54			6	..Roller	
55			1	..Shaft	
56	4700902996		1	.Cap	

1) Included in seal kit item 60

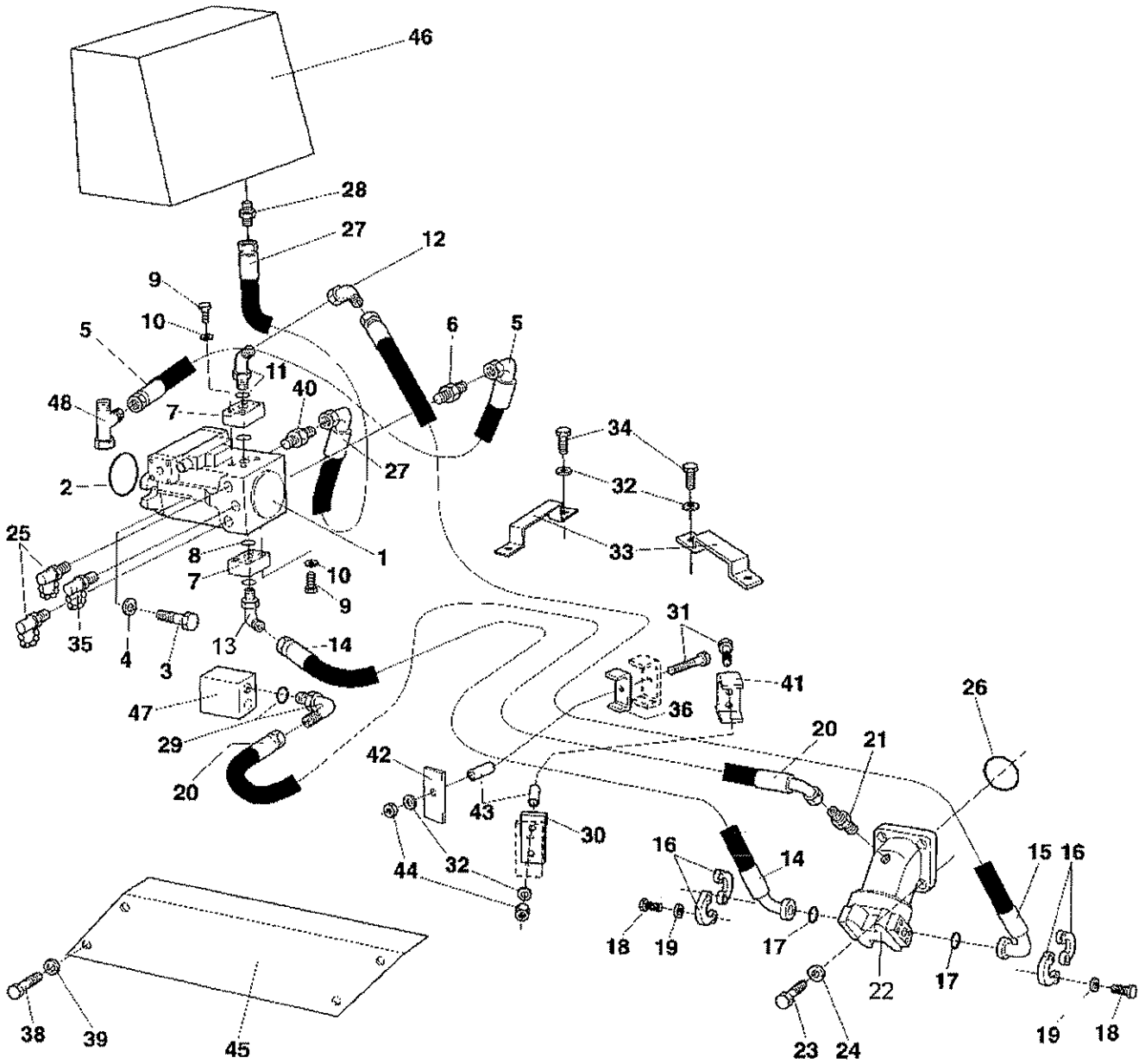
4700373361 Propulsion motor

Item	Part No	Rem Qty	Description	Code
57	4700936593	2	.Orifice	
58	4700937363	1	.Shaft	
59	4700909525	1 1	.Nut	
60	4700935520	1	Seal kit	D

1) Included in seal kit item 60

Vibration system

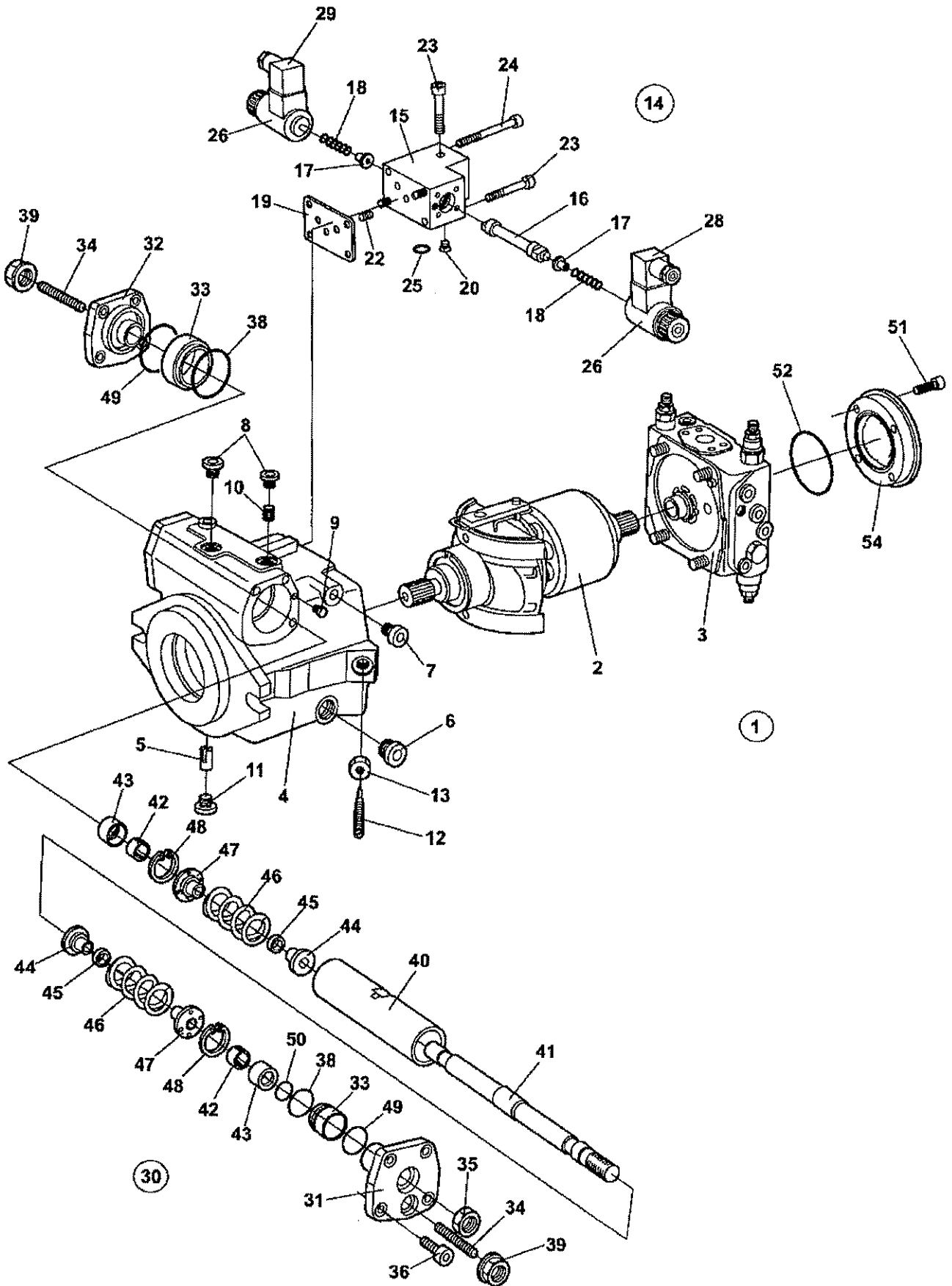
16020



Vibration system

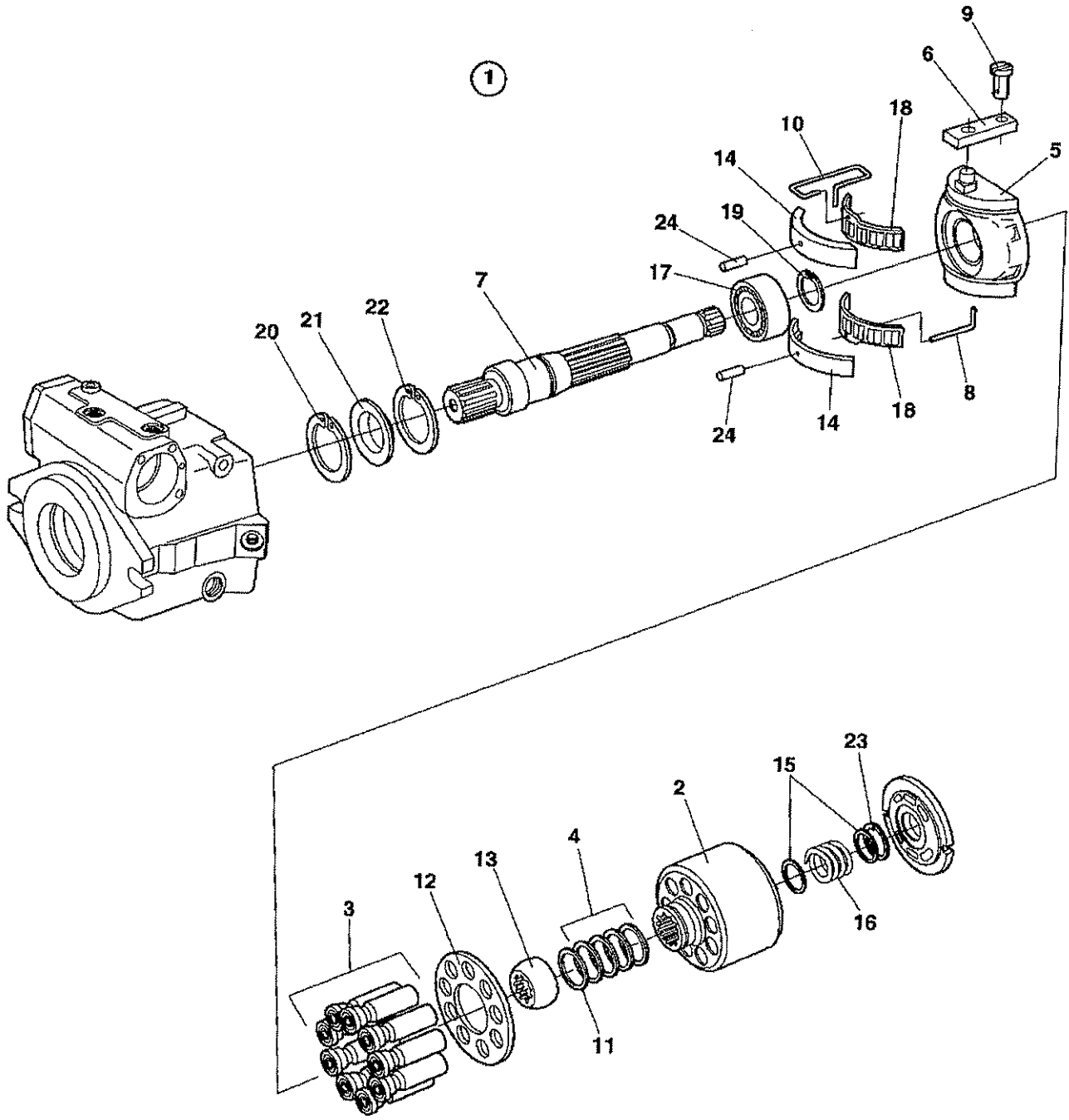
Item	Part No	Rem Qty	Description	Code
1	4700383959	1	Vibration pump (Page 102)	C
2	4700903877	1	O-ring	
3	4700502078	2	Screw	
4	4700904232	2	Washer	C
5	4700483023	1	Hydraulic hose	
6	4700234382	1	Adapter	
7	4700345234	2	Flange coupling	
8	4700904773	2	O-ring	
9	4700508080	8	Screw	
10	4700604007	8	Spring washer	
11	4700234354	1	Adapter with O-ring	
12	4700334239	1	Elbow 90	
13	4700334163	1	Adapter	
14	4700483035	1	Hydraulic hose	
15	4700483034	1	Hydraulic hose	
16	4700923384	4	Flange half	
17	4700904005	2	O-ring	
18	4700502132	8	Screw UNC 7/16" x 22	
19	4700904638	8	Washer 12x22x2	
20	4700483031	1	Hydraulic hose	
21	4700334121	1	Straight connector	C
22	4700380146	1	Hydraulic motor, vibration (Page 108)	C
23	4700500194	4	Screw	C
24	4700904231	4	Steel plain washer	
25	4700901157	2	Measuring nipple	C
26	4700160132	1	O-ring 124, 50x3, 00	D
27	4700483024	1	Hydraulic hose	
28	4700334205	1	Straight connector	
29	4700334419	1	Elbow 90, O-ring	
30	4700372580	1	Rubber part	
31	4700500192	3	Screw M10x80	C
32	4700904230	7	Steel plain washer	
33	4700372018	2	Hose clamp	
34	4700500028	4	Screw	
35	4700902115	1	Measuring nipple	C
36	4700372581	1	Rubber part	
38			Not used on this model	
39			Not used on this model	
40	4700901155	1	Connector	C
41	4700374217	1	Hose clamp	
42	4700372578	1	Hose clamp	
43	4700373112	3	Spacer	
44	4700506018	3	Nut	
45			Not used on this model	
46			Hydraulic oil tank (Page 118)	
47		A 1	Connection block	
48		A 1	Adapter	

A) See section: Propulsion system Rear.



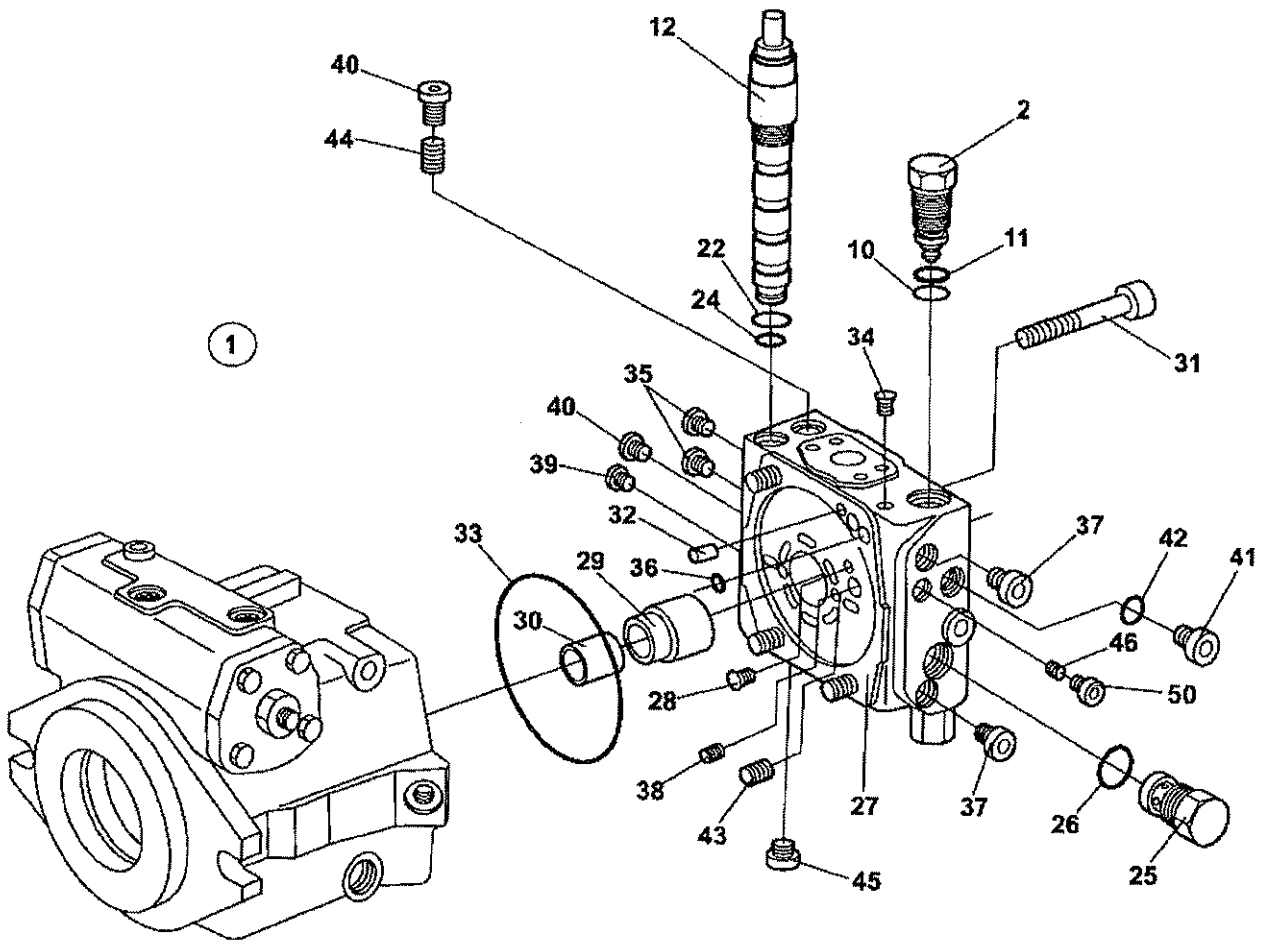
Item	Part No	Rem	Qty	Description	Code
1			1	Vibration pump, cpl	
	4700940676		1	.Seal kit	
2			1	.Rotating group, cpl (Page 104)	
3	4700936609		1	.Valve block, cpl (Page 106)	
4			1	.Housing	
5	4700936612		1	.Pin	
6	4700935219	1	1	.Plug	
7	4700902724	1	2	.Plug	
8	4700902625	1	3	.Screw	
9	4700909514		2	.Pin	
10	4700936308		2	.Orifice	
11	4700902624	1	1	.Screw	
12	4700902687		1	.Pin	
13	4700902695	1	1	.Nut	
14	4700940507		1	.Control valve, cpl	
15			1	..Housing	
16	4700945775		1	..Piston	
17	4700945776		2	..Spring collar	
18	4700936686		2	..Spring	
19		1	1	..Gasket	
20			2	..Pin	
22	4700936307		1	..Double break-off pin	D
23	4700936689		3	..Screw	
24	4700908383		2	..Screw	
25		1	1	..O-ring	
26	4700940505		2	..Solenoid	
28			1	..Socket	
29			1	..Socket	
30			1	.Hydraulic control, cpl	
31			1	..Cover	
32			1	..Cover	
33			2	..Guide ring	
34	4700936642		2	..Pin	
35	4700902638		1	..Nut	
36	4700902752		8	..Screw	
38		1	2	..Seal ring	
39	4700936644	1	2	..Nut	
40			1	..Piston	
41	4700936646		1	..Rod	
42			2	..Ring	
43	4700938014		2	..Sleeve	
44	4700936647		2	..Spring collar	
45	4700936648		2	..Spacer ring	
46	4700936654		2	..Spring	
47	4700936655		2	..Spring collar	
48	4700936656		2	..Retaining ring	
49	4700936643	1	2	..O-ring	
50	4700909469		1	.O-ring	
51	4700939173		4	.Screw	
52	4700935192	1	1	.O-ring	
54			1	Cover	

1) Included in seal kit



Item	Part No	Rem Qty	Description	Code
1		1	Rotating group, cpl	
2		1	.Cylinder with control plate	
3	4700936616	9	.Piston	
4	4700936617	1	.Cup spring stack	
5	4700936618	1	.Cradle	
6	4700936619	1	.Slide ring	
7	4700936620	1	.Shaft	
8	4700936621	1	.Wire	
9	4700935164	1	.Pin	
10	4700936622	1	.Wire	
11	4700936623	1	.Shim	
12	4700936627	1	.Retaining plate	
13	4700936628	1	.Retaining ball	
14	4700936629	1	.Bearing liner, 1 pair	
15	4700936630	2	.Washer	
16	4700936631	1	.Pressure spring	
17	4700936632	1	.Bearing	
18	4700936633	1	.Cradle bearing assembly, 1 set	
19	4700937187	1	.Retaining ring	
20	4700936634	1	.Retaining ring	
21		1	.Seal ring	
22	4700936636	1	.Retaining ring	
23	4700936637	1	.Retaining ring	
24		2	.Pin	

1) Includes in seal kit



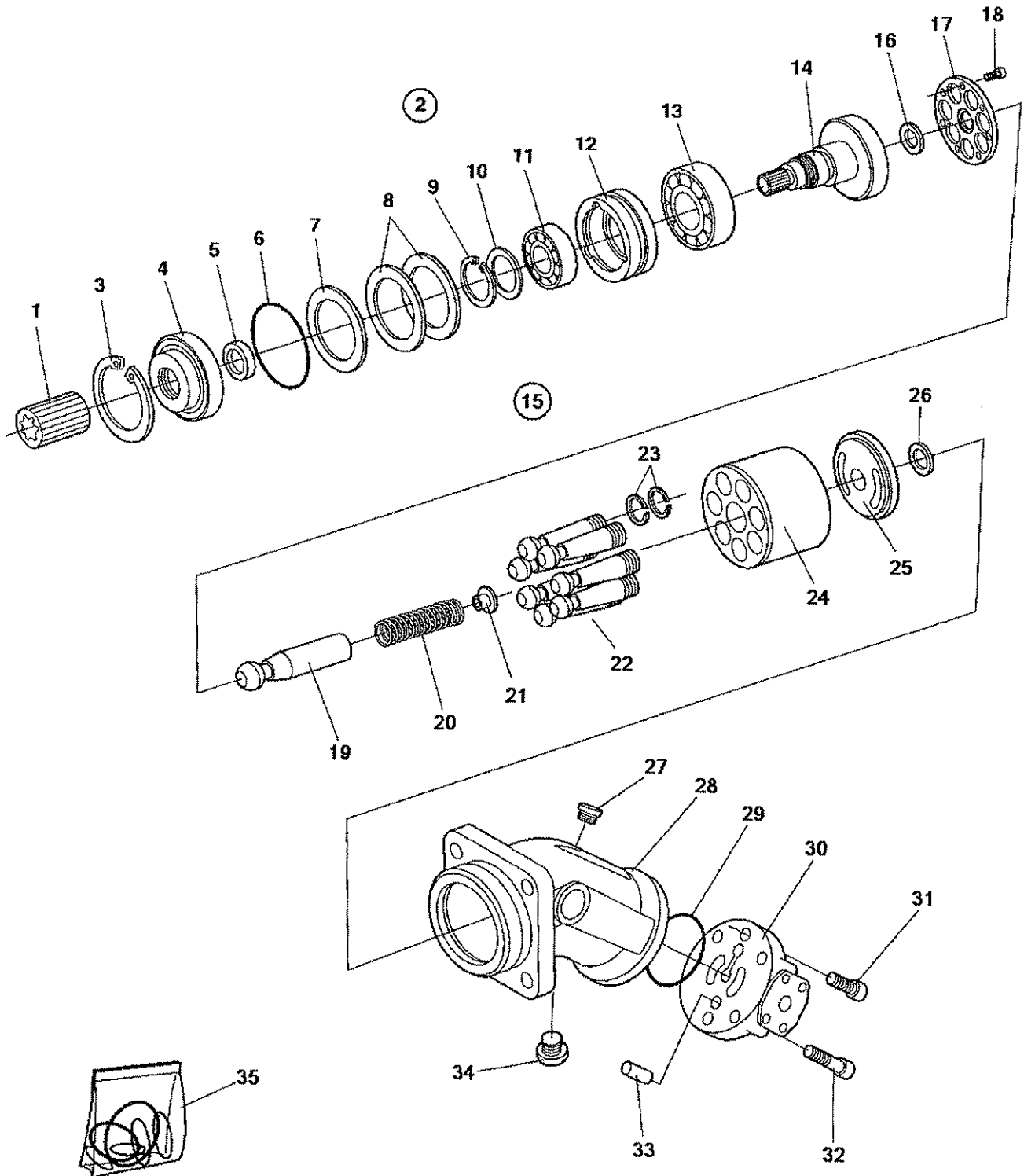
4700936609 Valve block, cpl

Item	Part No	Rem	Qty	Description	Code
1			1	Valve block, cpl	
2			2	.Pressure relief valve, cpl 310 bar	
	4700935172		2	.Pressure relief valve 350 bar	D
	4700936657		2	.Pressure relief valve 380 bar	
	4700937240		2	.Pressure relief valve 440 bar	
	4700950635		1	.Pressure relief valve 430 bar	
10	4700902814	1	1	.O-ring	D
11	4700936673	1	1	.Back-up ring	
12	4700936659		1	.Pressure override valve, cpl	
22	4700902783	1	1	.O-ring	D
24	4700936394	1	1	.O-ring	
25	4700936658		1	.Locking set	
26	4700902814	1	1	.O-ring	D
27	4700936660	B	1	.Port plate	
	4812155764		1	.Port plate	
28			1	.Pin	
29	4700936661		1	.Bushing	
30	4700936662		1	.Bearing bush	
31	4700936663		4	.Screw	
32	4700936664		2	.Pin	
33	4700936665	1	1	.O-ring	
34	4700909514		3	.Pin	
35	4700936370	1	2	.Locking screw	
36	4700909469	1	2	.O-ring	
37	4700902625	1	2	.Screw	
38			1	.Pin	
39	4700902625	1	1	.Screw	
40	4700902811	1	3	.Plug	
41	4700936304		1	.Locking screw	
42	4700936305	1	1	.O-ring	
43	4700902697		1	.Screw	
44	4700936613		1	.Locking screw	
45	4700936614	1	1	.Plug	
46	4700936313		1	.Orifice	
50	4700936370		1	.Locking screw	
	4700935212	A	1	.Pin	

1) Includes in seal kit

A) Used with item 27, P/N 4812155764.

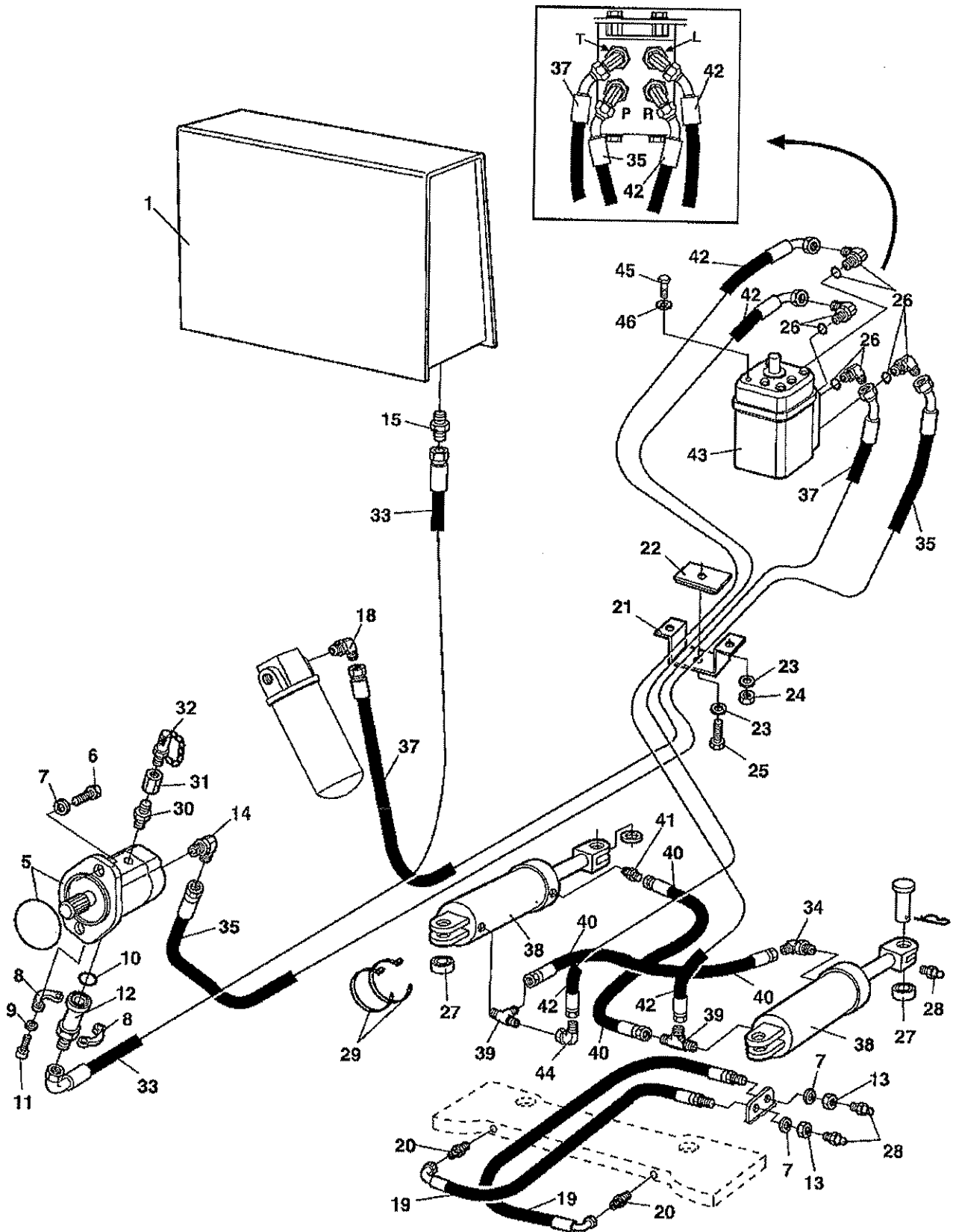
B) Replaced by P/N 4812155764.



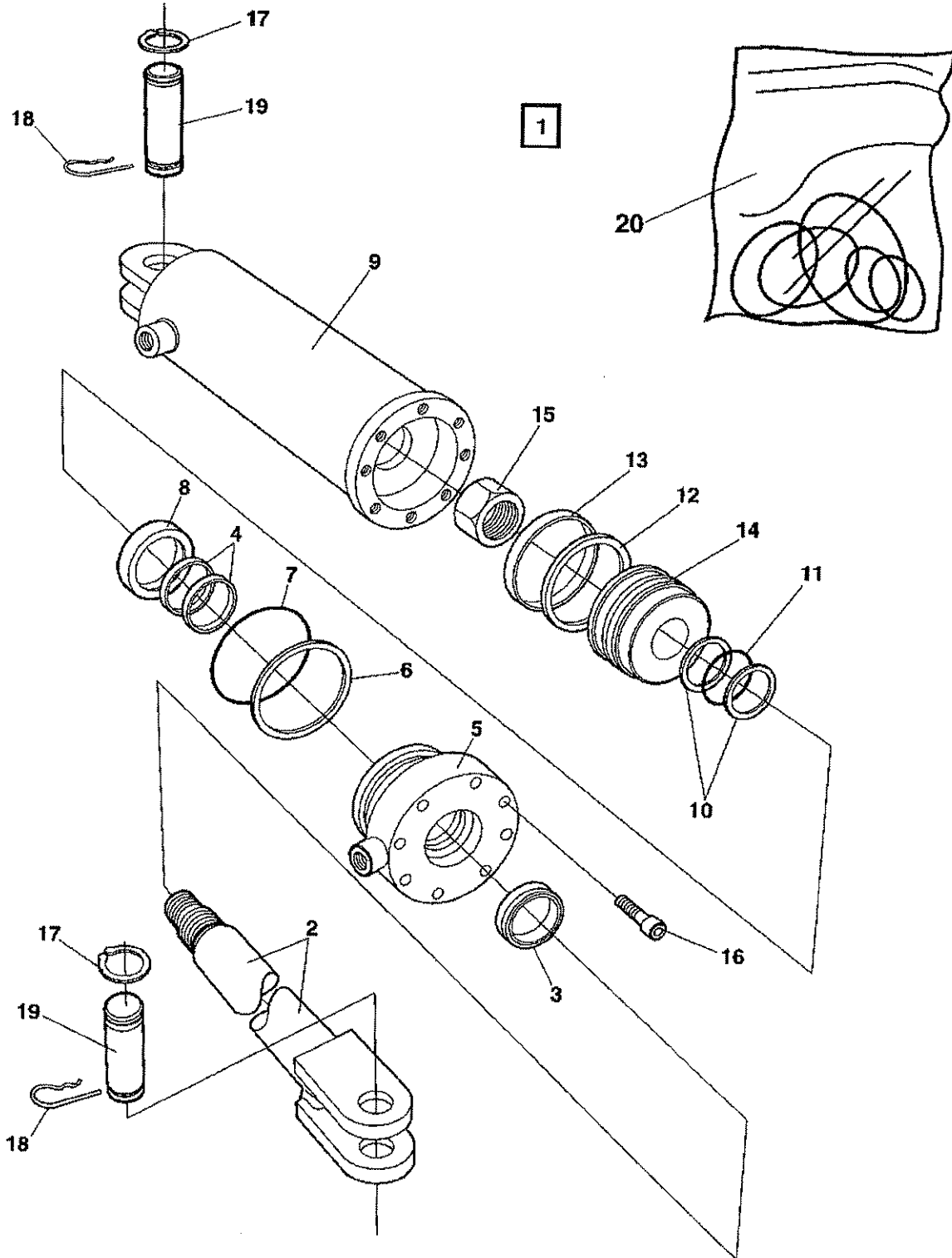
4700380146 Hydraulic motor, vibration

Item	Part No	Rem	Qty	Description	Code
1	4700340863		1	..Splined sleeve	D
2	4700380079		1	..Hydraulic motor, vibration	
3			1	..Snap ring	
4			1	..Cover	
5	4700945880	1	1	..Seal ring	
6		1	1	..O-ring	
7	4700902265		1	..Shim T=0,3 mm	
8	4700902264		2	..Shim T=0,1mm	
9			1	..Retaining ring	
10			1	..Back-up plate	
11	4700902261		1	..Bearing	
12			1	..Bearing ring	
13	4700902260		1	..Bearing	
14			1	..Shaft	
15			1	..Rotary group, hydr.section	
16			1	..Washer	
17			1	..Retaining plate	
18			7	..Screw	
19			1	..Pin	
20			1	..Spring	
21			1	..Spring collar	
22			7	..Piston	
			1	...Piston	
23			2	...Sealing ring	
24			1	..Cylinder	
25			1	..Pressure plate	
26			1	..Washer	
27			1	..Screw	
28			1	..Housing	
29		1	1	..O-ring	
30			1	..Plate	
31			2	..Screw	
32			4	..Screw	
33			1	..Pin	
34	4700937259	1	1	..Screw	
35	4700937675		1	Seal kit	

1) Included in seal kit, item 34

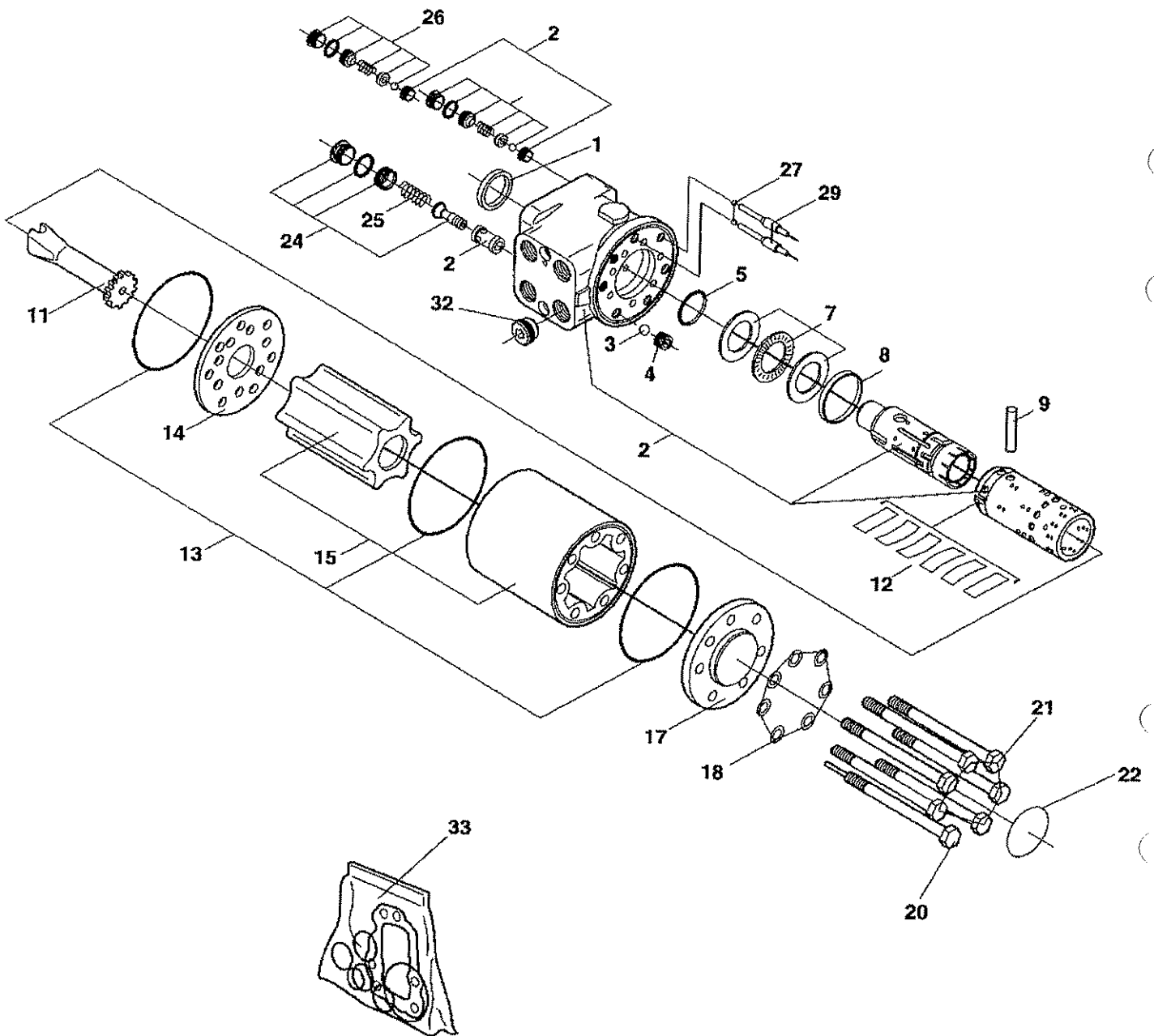


Item	Part No	Rem Qty	Description	Code
1			Hydraulic oil tank (Page 118)	
5	4700394902	1	Hydraulic pump	
	4700937055	1	.O-ring	
6	4700500133	2	Screw	C
7	4700904231	4	Steel plain washer	
8	4700232097	2	Flange half	C
9	4700904637	4	Washer	C
10	4700904005	1	O-ring	
11	4700508029	4	Screw M10-1,5x30H 8,8	C
12	4700372625	1	Connector	
13	4700903831	2	Nut	C
14	4700334558	1	Elbow 90G with O-ring	
15	4700234626	1	Adapter	C
17	4700570006	4	Nut	C
18	4700929123	1	Elbow 90, O-ring	C
19	4700903812	2	Hydraulic hose	C
20	4700371669	2	Straight connector	C
21	4700372513	1	Hose clamp	
22	4700372514	1	Hose clamp	
23	4700904229	3	Washer 8,4x16x1,5	
24	4700586003	2	Lock nut M8	C
25	4700500023	1	Screw M8-1,25x40 8,8	C
26	4700813444	4	Elbow 90, O-ring	
27	4700813316	4	Ball bushing	C
28	4700926214	4	Grease fitting	C
29	4700313102	N	Cable ties	
30	4700334199	1	Straight o-ring connector	C
31	4700338304	1	Connector	C
32	4700910161	1	Measuring nipple	C
33	4700483049	1	Hydraulic hose	
34	4700813500	1	Elbow 45, O-ring	C
35	4700483697	1	Hydraulic hose	
37	4700483498	1	Hydraulic hose	
38	4700392027	2	Steering cylinder (Page 112)	
39	4700234218	2	Tee-connector	C
40	4700483109	2	Hydraulic hose	C
41	4700334121	1	Straight connector	C
42	4700483497	2	Hydraulic hose	
43	4700376000	1	Steering valve (Page 114)	
44	4700234662	1	Elbow 45	C
45	4700502034	4	Screw UNC 3/8 - 16	
46	4700600008	4	Washer	C



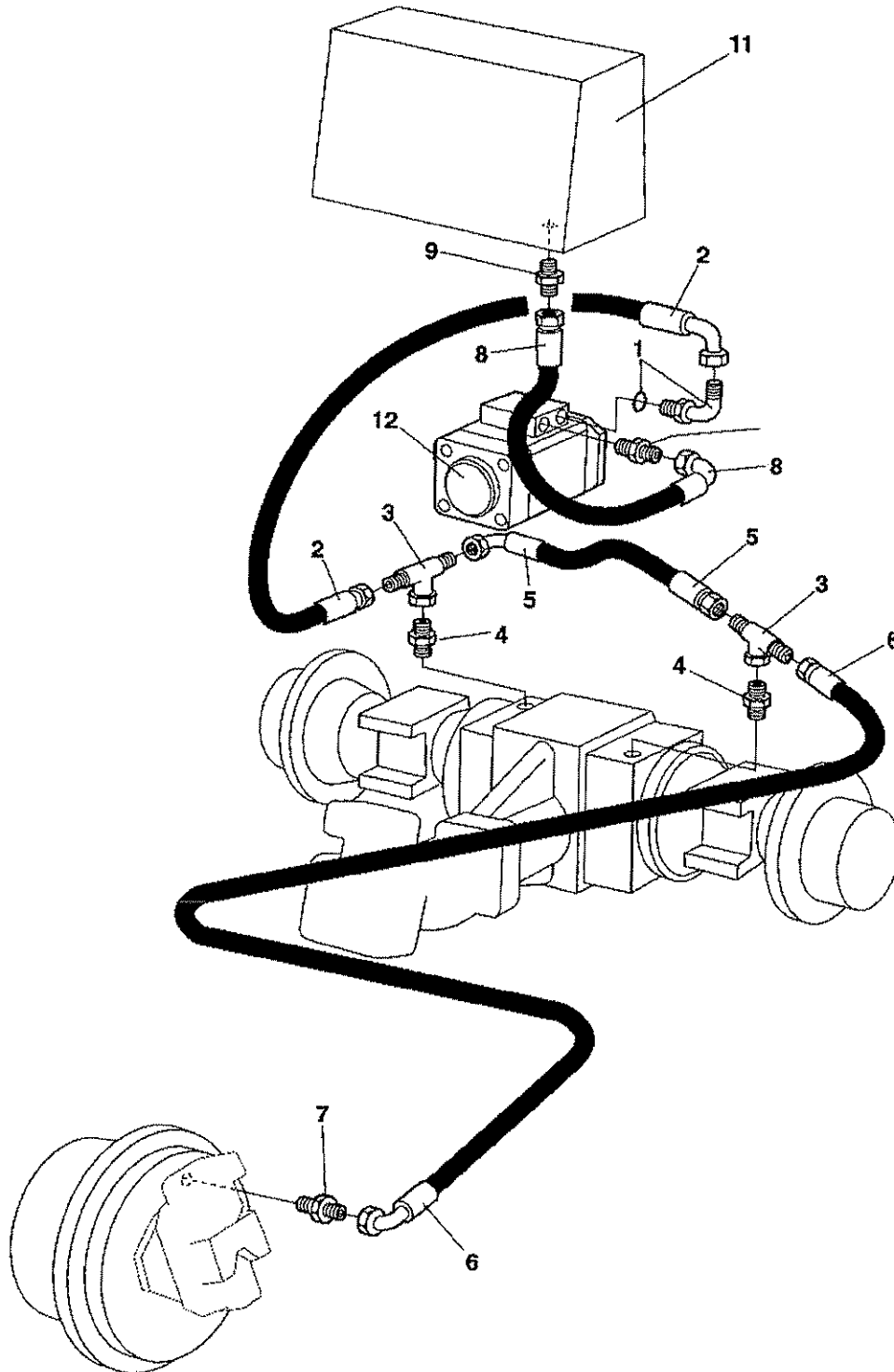
Item	Part No	Rem	Qty	Description	Code
1	4700392027		1	Steering cylinder (Page 112)	
2	4700392110		1	.Piston rod	
3		A	1	.Shear wiper	
4		A	2	.Guide ring	
5			1	.Guide	
6		A	1	.Back-up ring	
7		A	1	.O-ring	
8		A	1	.Piston rod seal	
9			1	.Cylinder tube	
10		A	2	.Back-up ring	
11		A	1	.O-ring	
12		A	1	.Piston seal	
13		A	1	.Guide ring	
14			1	.Piston block	
15	4700392109	A	1	.Lock nut	
16	4700904385		8	.Screw	
17	4700392107		2	.Snap ring	
18	4700635061		2	.Hair clip	C
19	4700392108		2	.Shaft	
20	4700392106		1	Seal kit	

A) Includes in seal kit item 20.



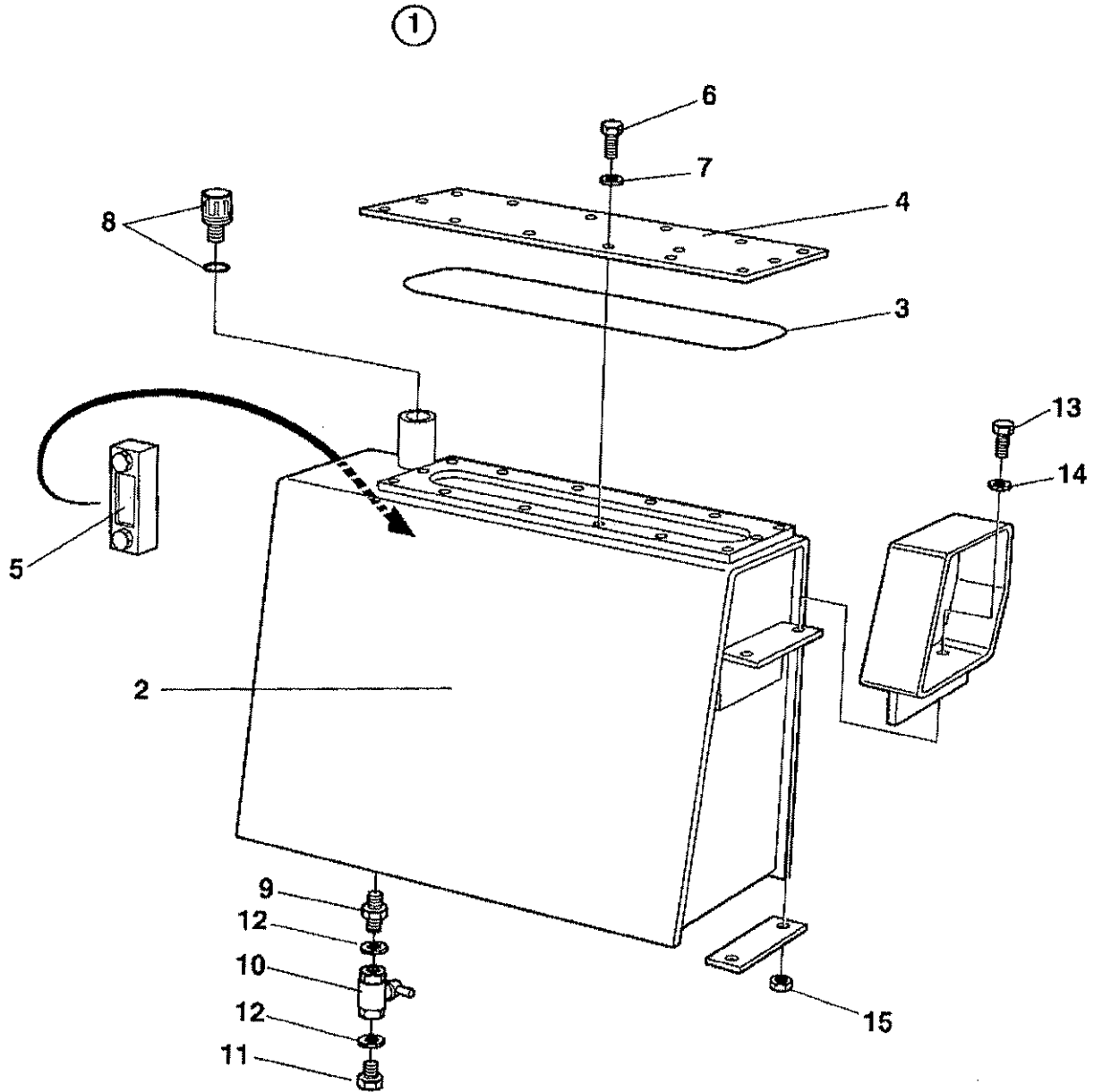
Item	Part No	Rem	Qty	Description	Code
1	4700938062	A	1	Dust seal ring	
2			1	Housing, spool and sleeve	
3	4700938063		1	Ball	
4	4700938064		1	Threaded bushing	
5	4700908780	A	1	O-ring	
7	4700911620		1	Bearing	B
8	4700938065		1	Ring	
9	4700938066		1	Cross pin	
11	4700902861		1	Cardan shaft	C
12	4700938067		1	Set of springs	
13	4700938068	A	3	O-ring	C
14	4700902862		1	Valve plate	
15	4700903457		1	Gear wheel set	
17	4700938069		1	End cover	
18	4700938070	A	7	Washer	
20	4700938071		1	Screw with pin	
21	4700935468		6	Spring washer	
22	4700938072		1	Name plate	
24	4700938073		1	Pressure relief valve	
25			1	Spring	
26	4700938074		2	Shock valve	
27	4700929013		2	Ball	D
29	4700929014		2	Rolled pin	C
32	4700938075		1	Check valve	
33	4700935429		1	Seal kit	

A) Included in seal kit, item 33



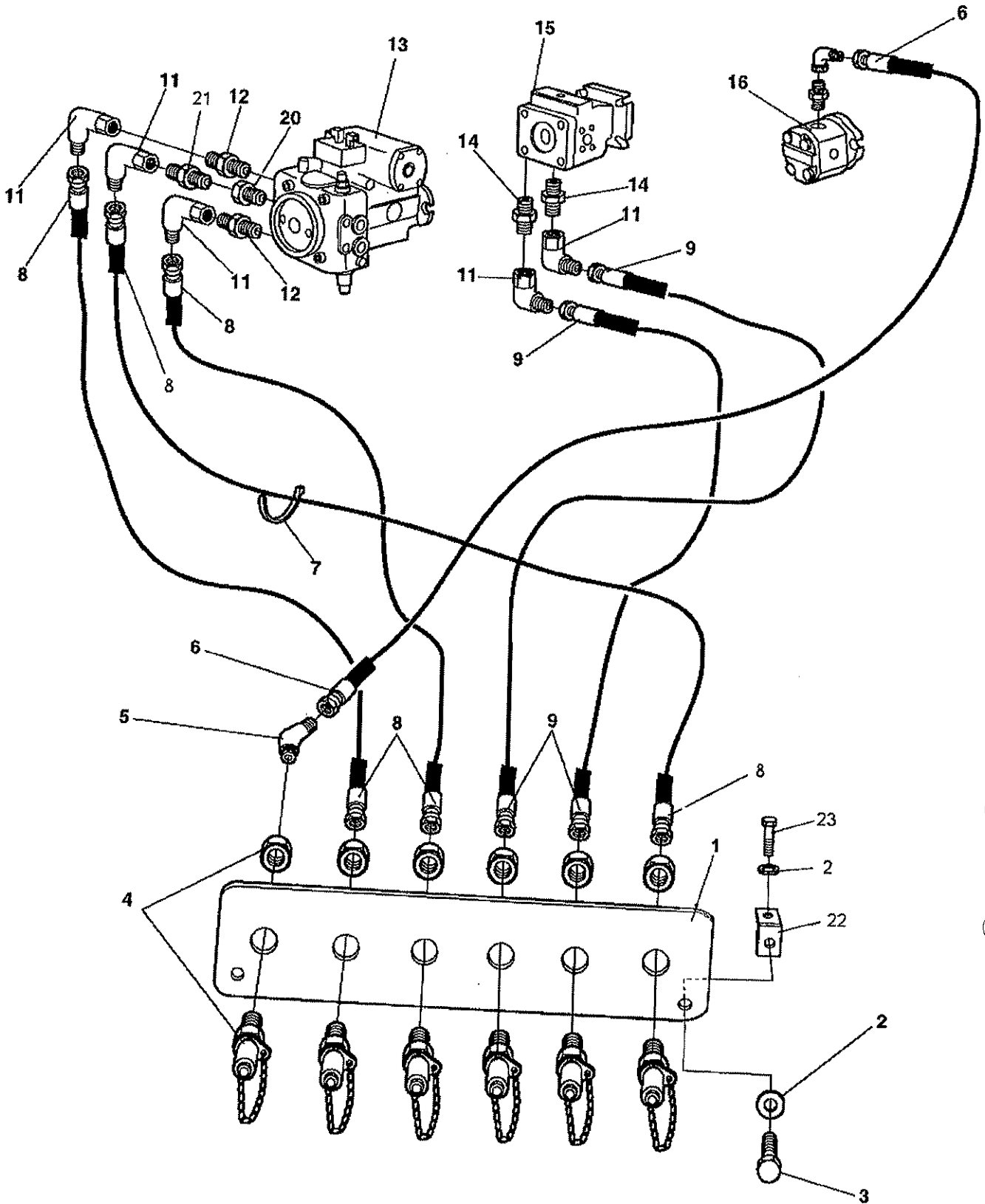
Brake system

Item	Part No	Rem Qty	Description	Code
1	4700334389	1	Connector	C
2	4700482056	1	Hydraulic hose	C
3	4700234888	2	Tee-connector	
4	4700900552	2	Adapter	
5	4700482399	1	Hydraulic hose	
6	4700483040	1	Hydraulic hose	
7	4700925723	1	Connector	C
8	4700482516	1	Hydraulic hose	
9	4700334205	1	Straight connector	
10	4700234843	1	Adapter	
11		1	Hydraulic oil tank	
12		1	Propulsion pump	



Hydraulic oil tank

Item	Part No	Rem Qty	Description	Code
1	4700392981	1	Hydraulic oil tank, cpl	
2	4700392986	1	.Hydraulic oil tank	C
3	4700349880	1	.O-ring	
4	4700349879	1	.Cover	C
5	4700989151	1	.Oil level glass	C
6	4700500019	14	.Screw M8x16H 8.8 A2K	
7	4700904229	14	.Washer 8,4x16x1,5	A
8	4700357138	1	.Ventilating filter	
9	4700791119	1	.Adapter G3/4	
10	4700233304	1	.Ball valve	
11	4700232039	1	.Plug G3/4	
12	4700791120	2	.Sealing washer	
13	4700500030	4	Hexagon head screw	
14	4700904567	4	Washer 10,5x28x6 HB305	C

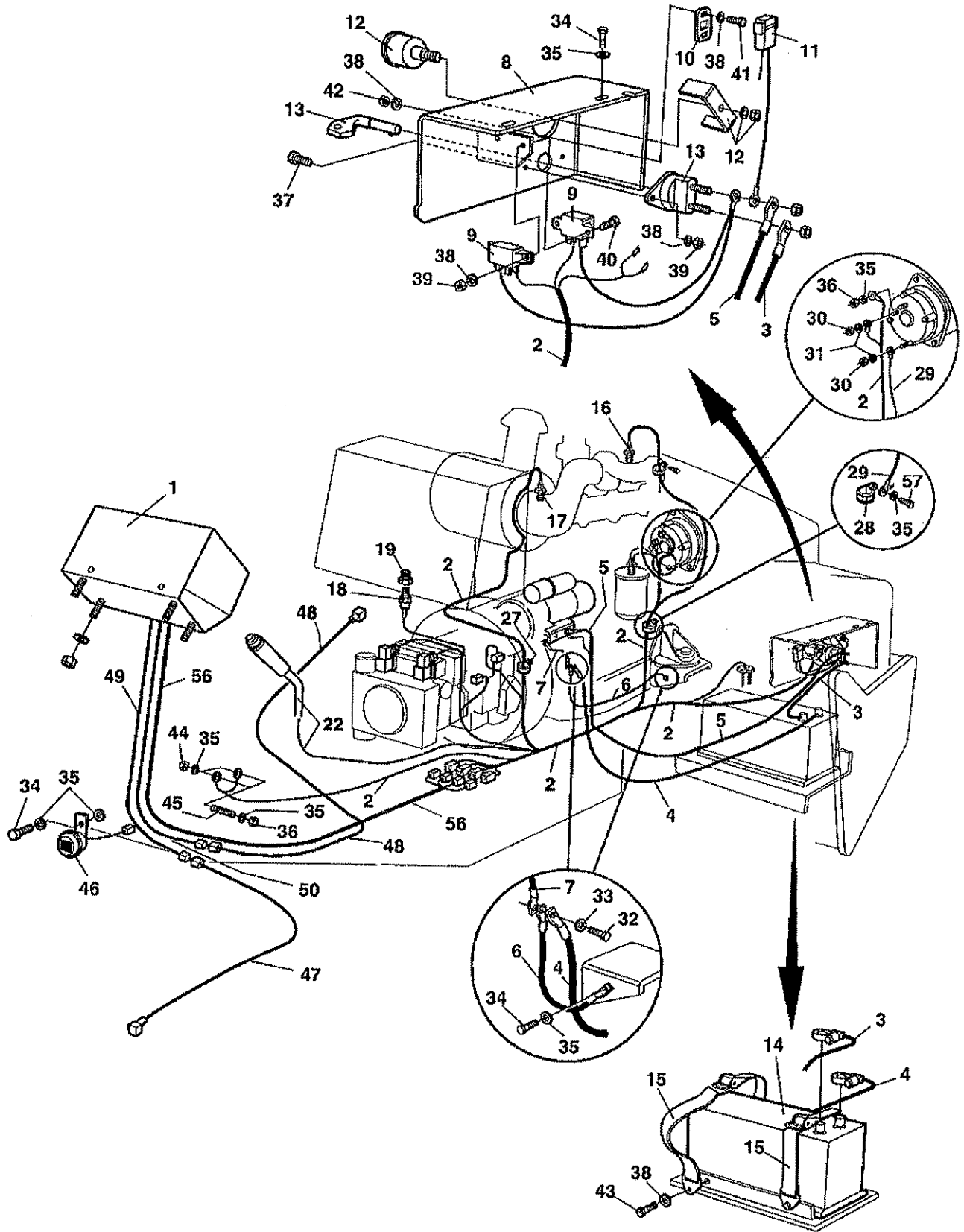


Central test panel hydraulic Option

Item	Part No	Rem Qty	Description	Code
1	4700374028	1	Test panel	
2	4700904229	4	Washer 8,4x16x1,5	
3	4700500053	2	Screw M8x20H 8.8	C
4	4700356348	6	Measuring nipple	D
5	4700234622	1	Elbow 45	C
6	4700483204	1	Hydraulic hose	
7	4700313102	N	Cable ties	
8	4700483445	3	Hydraulic hose	
9	4700483188	2	Hydraulic hose	
11	4700334196	5	Elbow 90	C
12	4700902125	2	Connector	
13		1	Vibration pump	
14	4700234388	2	Connector	C
15		1	Propulsion pump	C
16		1	Steering pump	C
20	4700334523	1	Reducing	
21	4700334463	1	Connector	C
22	4700908136	2	Bracket	
23	4700500018	2	Screw M8-1,25x12 8,8	C

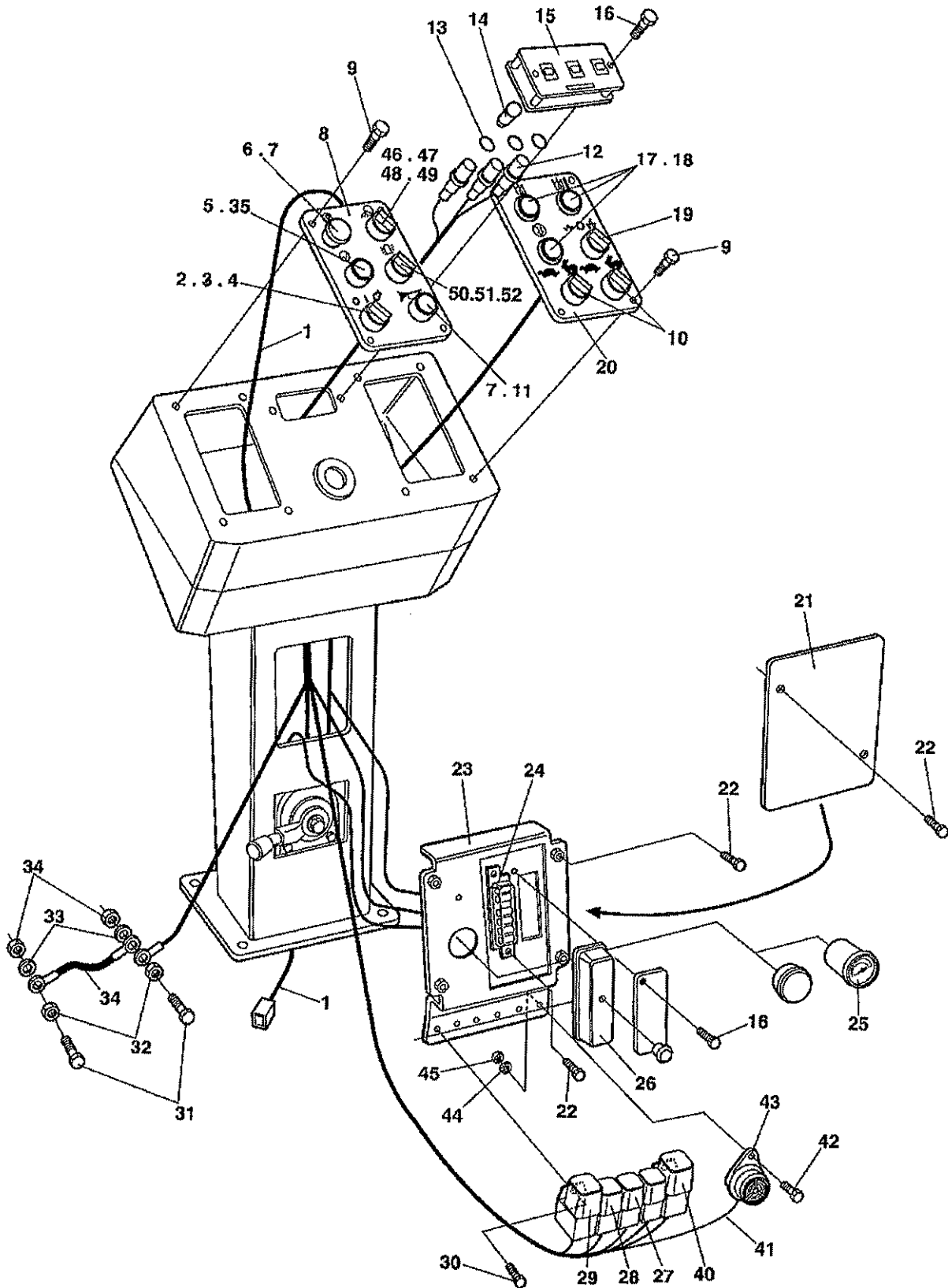
Electrical equipment

Item	Part No	Rem Qty	Description	Code
10			Electric system (Page 124)	
20			Control panel (Page 126)	
30			Working lights Option (Page 128)	
70			Rotating beacon Option (Page 130)	
85			Back-up alarm Option (Page 132)	



Item	Part No	Rem	Qty	Description	Code
1			1	Control panel (Page 126)	
2	4700377274	A	1	Cable harness	
3	4700791503		1	Battery cable	
4	4700791511		1	Battery cable	
5	4700792052		1	Connection cable, coarse	
6	4700791510		1	Connection cable, coarse	
7	4700791595		1	Connection cable, coarse	
8	4700386999		1	Holder	
9	4700791183	H	2	Relay	D
10	4700904036		1	Fuse holder	A
11	4700904037		1	Fuse 30A	D
12	4700801567		1	Hour meter	D
13	4700903640		1	Battery switch	D
	4700903641		1	.Key	
14	4700470021		1	Battery	
15	4700791371		2	Strap	
16	4700903632		1	Temperature sensor Engine	
17	4700929023		1	Indicator	B
18	4700813434		1	Reducer	
19	4700903631		1	Temperature sensor Hydraulic oil	B
22	4700357583		1	Cable harness	
27	4700921104		1	Clamp	C
28	4700921116		1	Clamp	
29	4700791924		1	Connection cable	
	4700792277		1	Connection cable	
30	4700570003		2	Nut M5	C
31	4700904281		2	Washer 5,3x10x1 300HV	C
32	4700500035		1	Screw M12x020H	
33	4700904638		1	Washer 12x22x2	
34	4700500053		5	Screw M8x20H 8.8	C
35	4700904229		10	Washer 8,4x16x1,5	
36	4700570005		3	Nut M8	C
37	4700500040		2	Screw M6-1x20 8,8	C
38	4700904639		10	Washer 6,7x14x1,5	C
39	4700902285		4	Nut	C
40	4700500075		2	Screw M6-1,0x25 8.8	
41	4700500184		2	Screw M5-0,8x14 8,8	
42	4700902284		2	Nut M5	C
43	4700500012		4	Screw M6x12	C
44	4700902286		2	Hexagon lock nut with flange	C
45	4700903768		2	Threaded stud	C
46	4700999027		1	Horn	B
47	4700380549	B	1	Cable harness	
48	4700380577	C	1	Cable harness	
49	4700380699	D	1	Cable harness	
50	4700380700	E	1	Cable harness	
56	4700380281	F	1	Cable harness	
57		G	1	Screw	

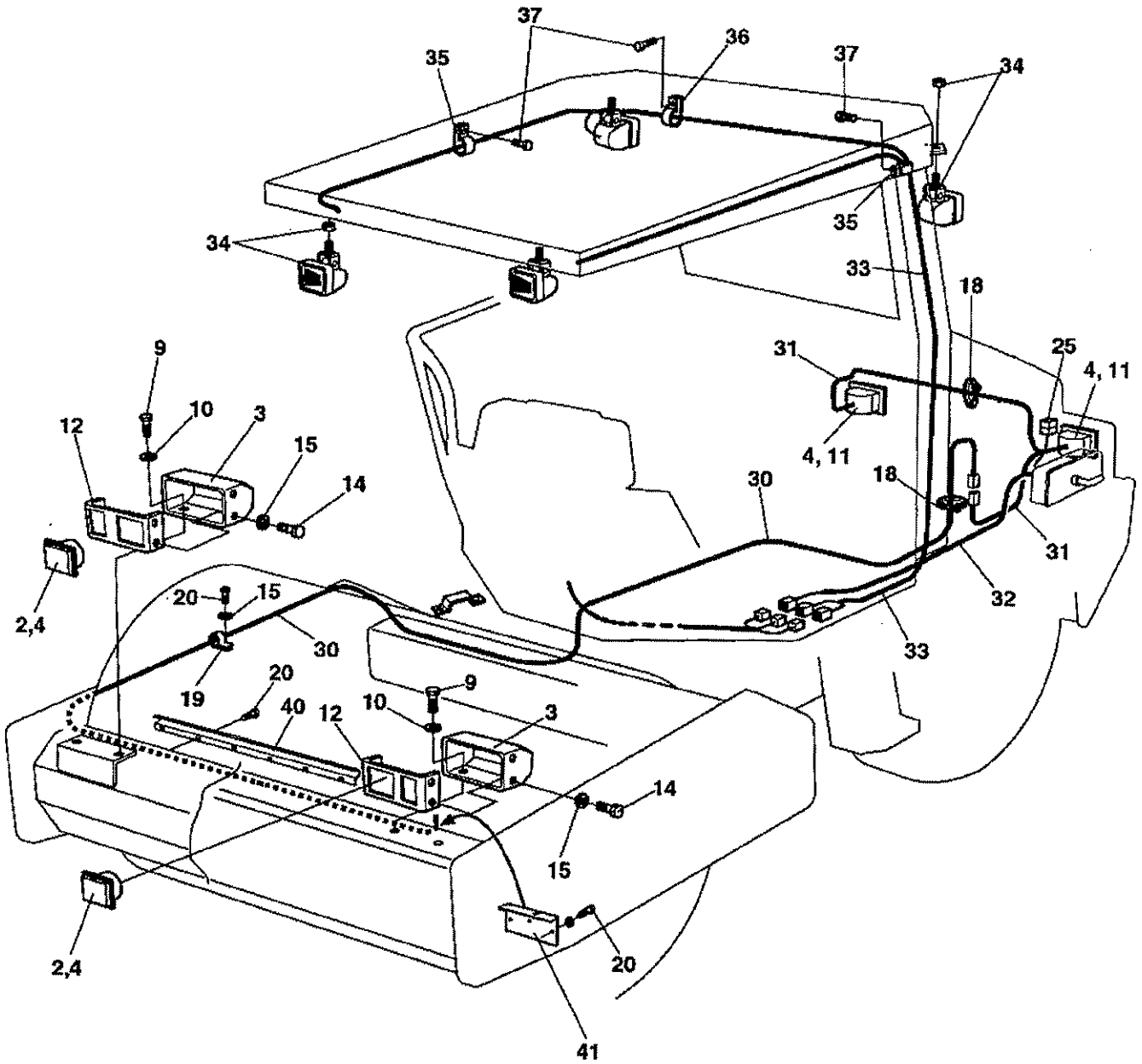
- A) Main Cable harness.
- B) Drum drive.
- C) Rear axle.
- D) Control panel, Drum drive
- E) Control panel, Rear axle.
- F) Main harness, control panel.
- G) Existing on engine
- H) Replaces P/N 4700904448 as Start relay from January 2009.



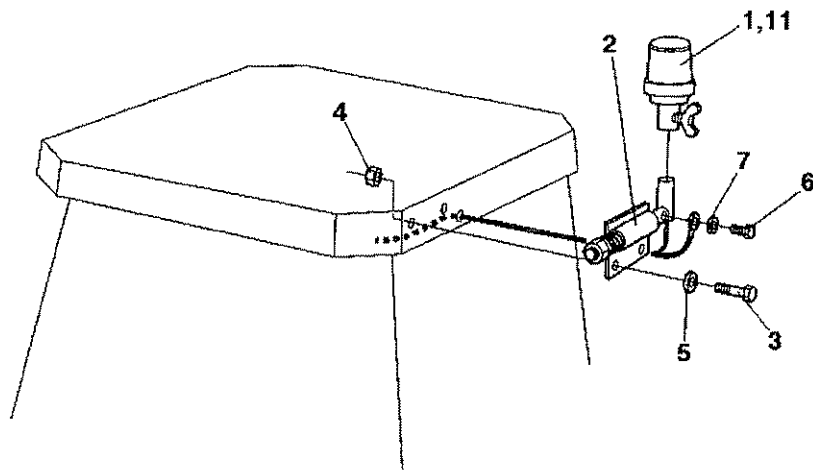
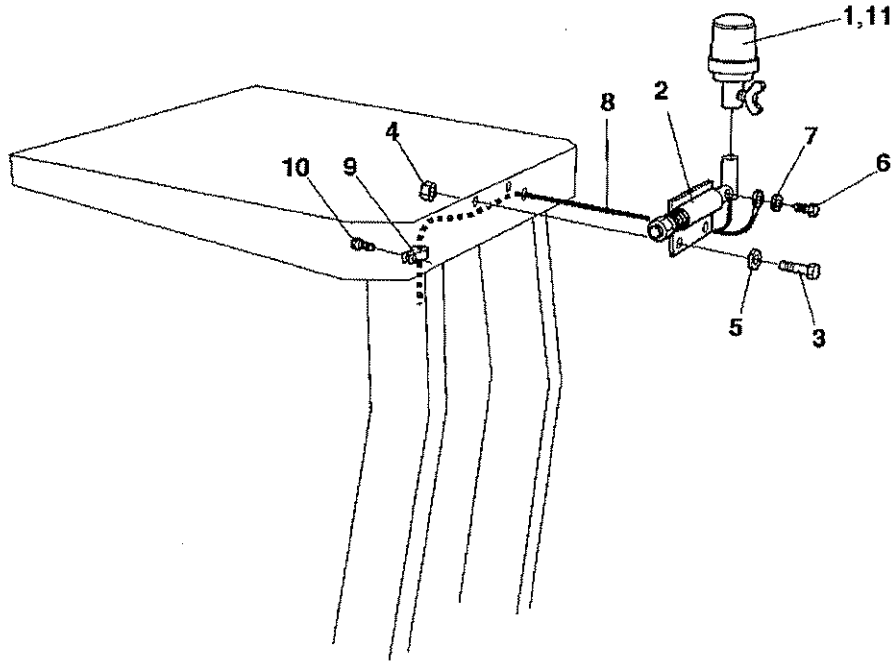
Control panel

Item	Part No	Rem	Qty	Description	Code
1	4700380281		1	Cable harness	B
2	4700932050	E	1	Switch	B
3	4700930154		1	Contact piece, NC	
4	4700930182		1	Contact block	
5	4700932032		1	Push button	B
6	4700930200		1	Emergency stop	B
7	4700930163		3	Contact piece, NO	B
8	4700380278		1	Control panel left	
9	4700902224		8	Screw M6x10	
10	4700930151	D	2	Switch	B
11	4700932032		1	Push button	B
12	4700902225		3	Lamp socket 2-POL	
13	4700160269		3	O-ring	
14	4700985125		3	Bulb 12V	B
15	4700357585		1	Display panel	
16	4700901767		6	Screw ST3,5x9,5 Black	
17	4700985146		3	Pilot lamp cpl Red	B
18	4700985012		3	Bulb	B
19	4700930153		1	Switch	D
20	4700380277		1	Control panel right	
21	4700371344		1	Cover	
22	4700541702		6	Screw M6x12	C
23	4700371326		1	Distribution control plate	
24	4700901226		5	Fuse 7.5A	A
25	4700355263		1	Fuel gauge	D
26	4700903820		2	Fuse box	D
	4700909527		1	.Cover	
	4700901240		6	Connector	B
27	4700287597		1	Relay	D
28	4700287598		1	Relay 12V-30A	A
29	4700382782		1	Relay, VBS	A
30	4700902223		3	Screw	C
31	4700500075		2	Screw M6-1,0x25 8.8	
32	4700586002		2	Lock nut M6 -8	
33	4700904228		2	Washer 6,4x12x1,5	
34	4700570004		2	Nut M6X1,00 -8 A2K	
35	4700930163		1	Contact piece, NO	B
40	4700904846	A	1	Delay relay	
41	4700387728	A	1	Cable harness	
42	4700533070	A	1	Screw	
43	4700355301	A	1	Buzzer	B
44	4700904281	A	2	Washer 5,3x10x1 300HV	C
45	4700586001	A	1	Lock nut	C
46	4700930166	B	1	Switch	B
47	4700930162	B	1	Connector	B
48	4700930163	B	1	Contact piece, NO	B
49	4700985012	B	1	Bulb	B
50	4700930166	C	1	Switch	B
51	4700930165	C	1	Contact block	B
52	4700985012	C	1	Bulb	B

- A) Interlock, Option
- B) Lights, Option
- C) Rotating beacon, Option
- D) Speed
- E) Ignition



Item	Part No	Rem Qty	Description	Code
2	4700902227	2	Work light	B
3	4700374029	2	Lamp shield	
4	4700901369	4	Bulb 55w H3	B
9	4700500043	6	Screw M10x16H 8,8	C
10	4700904230	6	Steel plain washer	
11	4700904314	2	Work lamp	B
12	4700374030	2	Bracket	
14	4700500040	8	Screw M6-1x20 8,8	C
15	4700904228	13	Washer 6,4x12x1,5	
18	4700925802	N	Cable ties L=142 mm	C
19	4700921039	8	Pipe clamp	C
20	4700500012	8	Screw M6x12	C
25	4700904038	1	Fuse 40A	A
30	4700373184	1	Cable harness	
31	4700387419	1	Cable harness	
32	4700373184	1	Cable harness	
33	4700372758	1	Cable harness	
34	4812110216	4	Work lamp	
	4700904230	4	Steel plain washer	
	4700586018	4	Lock nut	C
35	4700921039	10	Pipe clamp	C
36	4700921031	3	Clamp	C
37	4700541702	13	Screw M6x12	C
40	4700381462	1	Rubber hose	
41	4700384163	2	Protection	



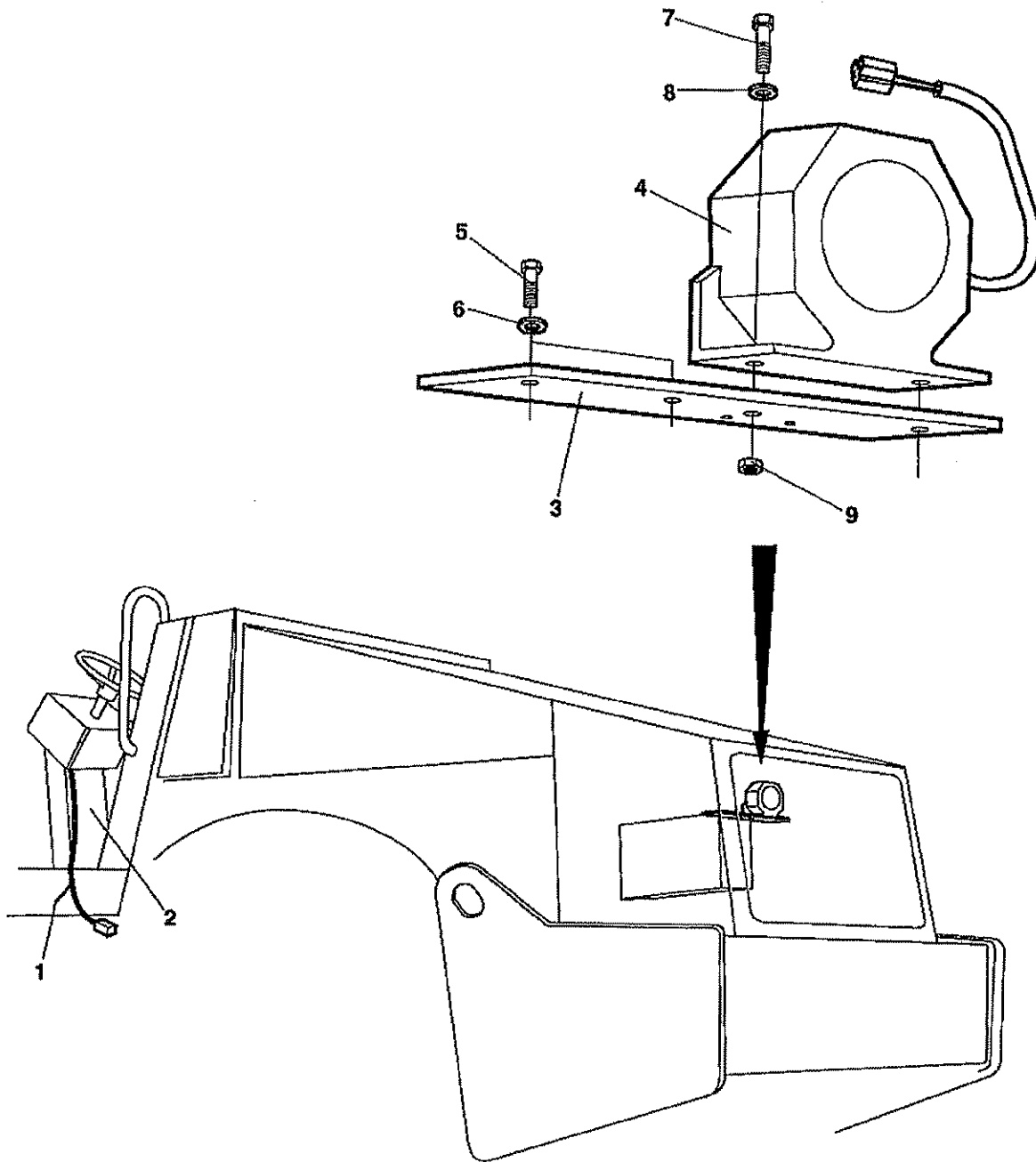
Rotating beacon

Option

Item	Part No	Rem	Qty	Description	Code
1	4700999011	1	1	Rotating beacon	B
2	4700358452		1	Lamp holder	D
3	4700500021		2	Screw M8-1,25x25 8.8	
4	4700586003		2	Lock nut M8	C
5	4700904229		2	Washer 8,4x16x1,5	
6	4700500013		1	Screw M6-1x16 8,8	C
7	4700904228		1	Washer 6,4x12x1,5	
8	4700374398		1	Cable harness	
9	4700921039		1	Pipe clamp	C
10	4700541702		1	Screw M6x12	C
11	4700389577	2	1	Rotating beacon	D

1) Is replaced by item 11, P/N 4700389577

2) Replaces item 1, P/N 4700999011



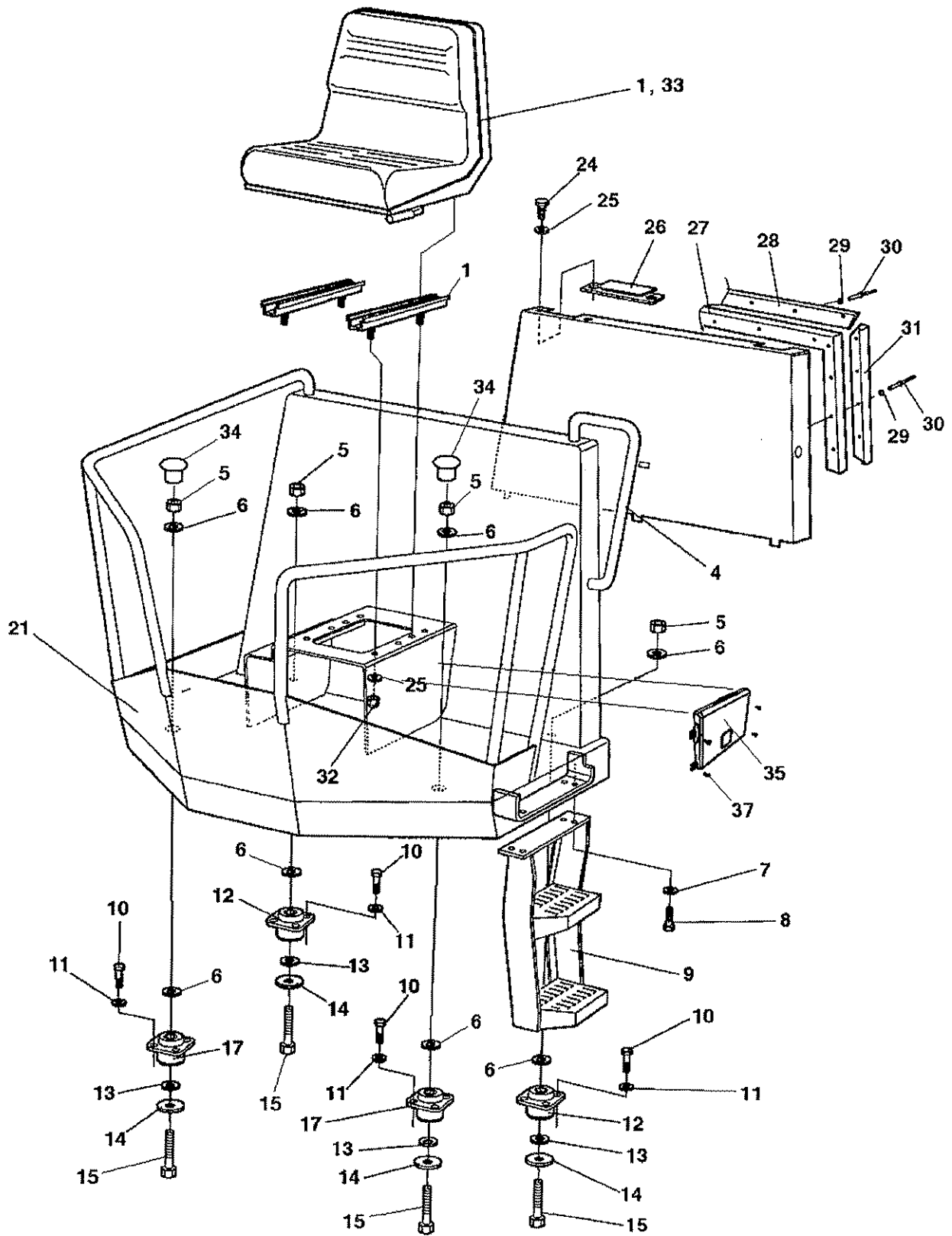
Back-up alarm Option

Item	Part No	Rem	Qty	Description	Code
1	4700380798	A	1	Cable harness	A
2	4700901224	B	1	Fuse 3A	
3	4700377071		1	Bracket	
4	4700904910		1	Back-up alarm	
5	4700500053		2	Screw M8x20H 8.8	C
6	4700904229		2	Washer 8,4x16x1,5	
7	4700500040		2	Screw M6-1x20 8,8	C
8	4700904228		2	Washer 6,4x12x1,5	
9	4700586002		2	Lock nut M6 -8	

- A) Is connected to the main wiring harness.
B) Located in the fusebox on the control panel.

Drivers platform

Item	Part No	Rem Qty	Description	Code
10			Drivers platform (Page 136)	
20			Control panel (Page 138)	
30			Throttle control (Page 140)	
40			Forward and reverse control (Page 142)	
52			Steering column (Page 144)	
100			Canopy Option (Page 146)	
110			Rops and fops (Page 148)	
140			Cab mounting (Page 150)	
150			Cab 4700378308 (Page 152)	
160			Cab Exterior rear mirror (Page 166)	
180			Cab Work light (Page 168)	



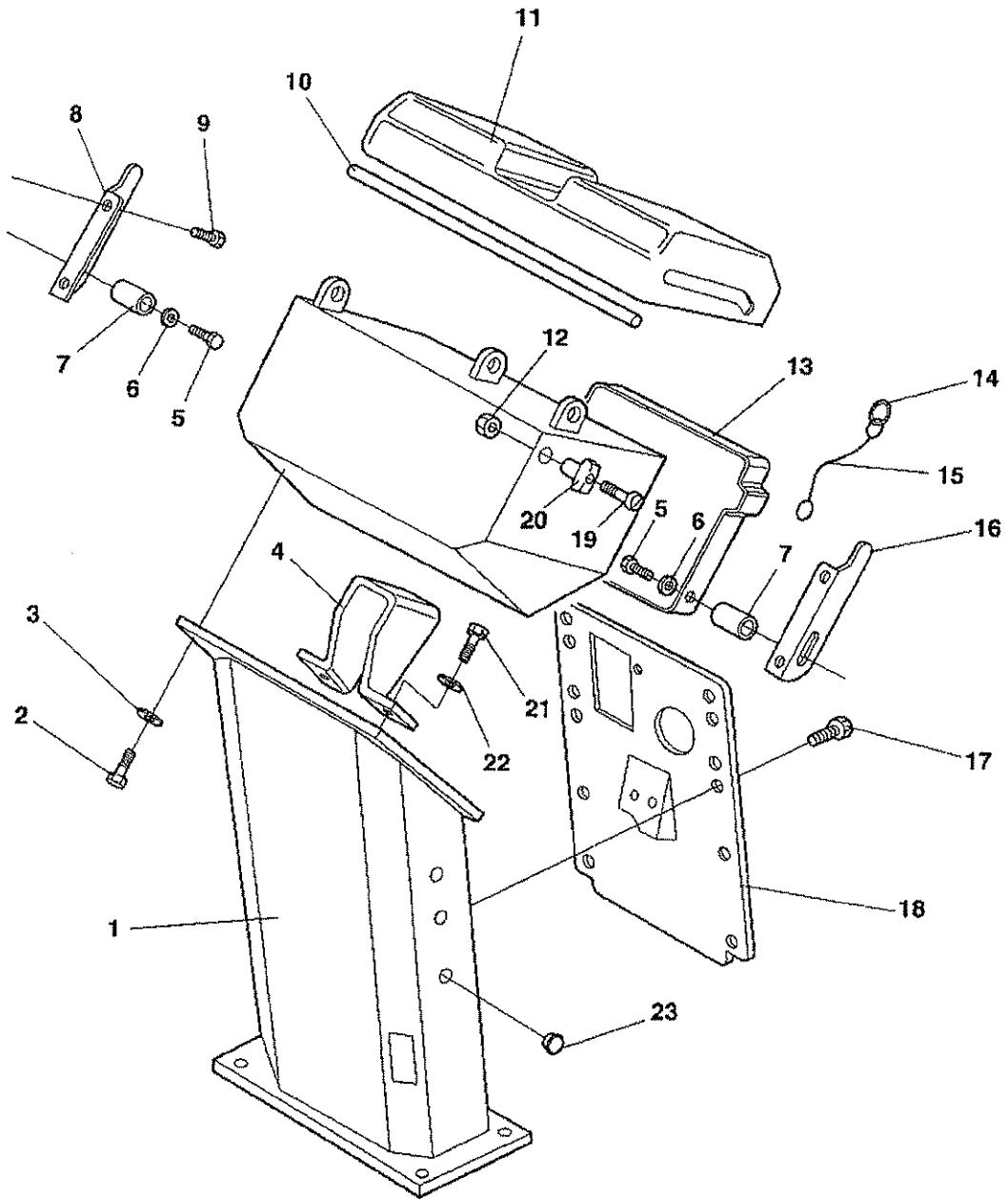
Drivers platform

Item	Part No	Rem	Qty	Description	Code
1	4700377556		1	Drivers seat, cpl	
	4700377518	A	1	Drivers seat, cpl	D
	4700348331		1	Seat cover	D
4	4700380123	F	1	Grab handle	
5	4700901145		4	Lock nut M20-10	
6	4700904233		8	Steel plain washer	
7	4700904230		8	Steel plain washer	
8	4700500029		4	Hexagon head screw	C
9	4700376252		1	Step	
10	4700500195		16	Screw	C
11	4700904231		16	Steel plain washer	
12	4700372757		2	Shock absorber	D
13	4700903290		4	Washer 21x36x6	
14	4700347512		4	Washer	
15	4700500210		4	Screw M20-2,5x100 8.8	
16	4700374471		4	Spacer	
17	4700373400		2	Shock absorber	D
21	4700380113		1	Platform	
24	4700500053		4	Screw M8x20H 8.8	C
25	4700904229		8	Washer 8,4x16x1,5	
26	4700380727		2	Cover	
27	4700372494	E	1	Rubber strip	
28	4700372785		1	List	
29	4700927974		13	Washer	
30	4700904433		13	Blind rivet	
31	4700382582		2	List	
32	4700570003		4	Nut M5	C
33	4700379636	H	1	Seat switch	
	4812155075	I	1	Seat switch	
34	4700902203		2	Plug	C
35				Not used on this model	C
37				Not used on this model	C

- A) Option
- E) L=2,4 M
- F) Welded with platform 4700380113.
- H) With bayonet fitting.
- I) With screws.

Control panel

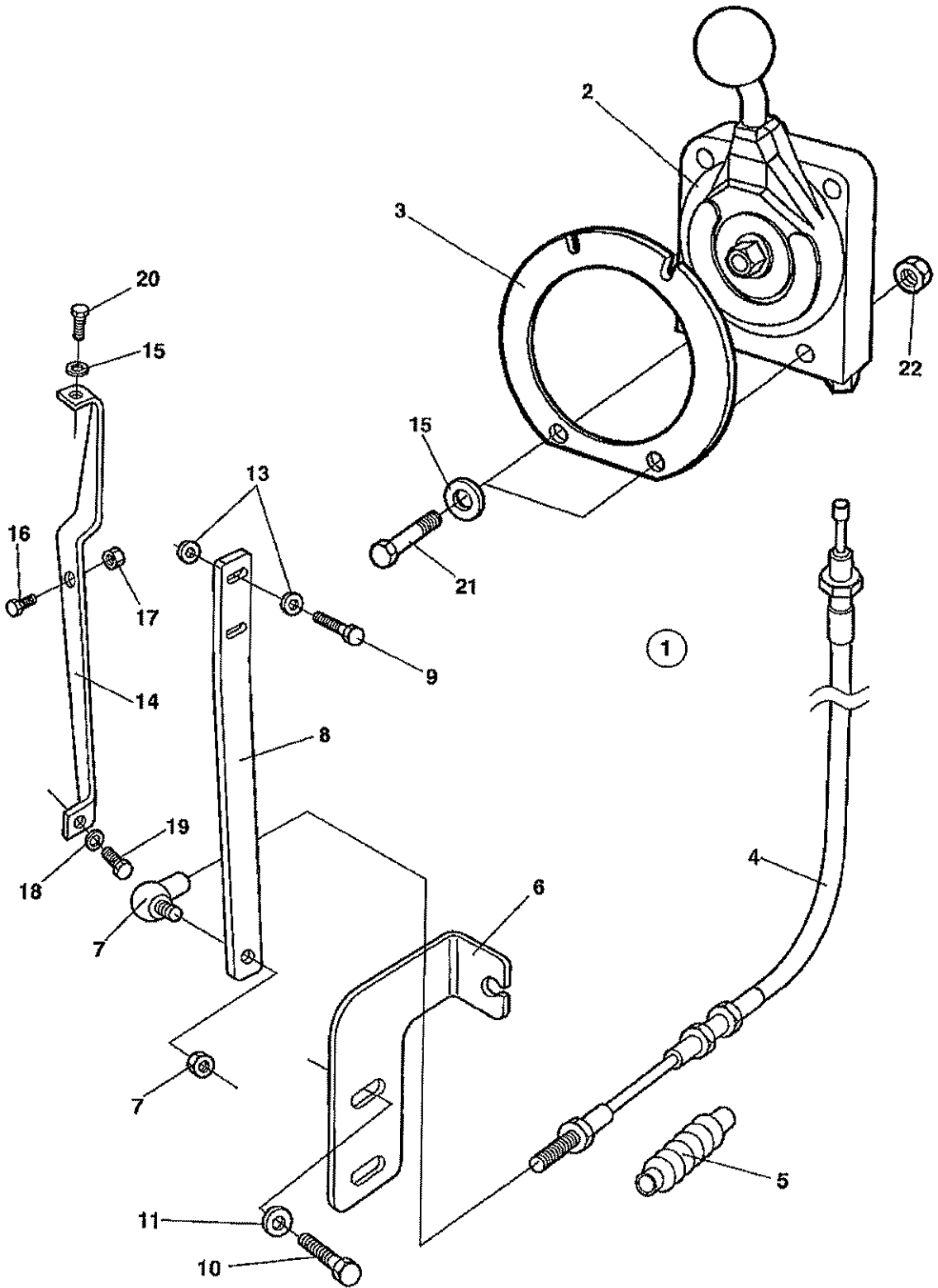
17263



Control panel

Item	Part No	Rem Qty	Description	Code
1	4700358142	1	Control panel	
2	4700500040	4	Screw M6-1x20 8,8	C
3	4700904228	4	Washer 6,4x12x1,5	
4	4700357316	1	Bracket	
5	4700902164	2	Screw	C
6	4700929602	4	Washer	
7	4700902163	2	Parallel pin	C
8	4700357427	1	Cover holder	D
9	4700901767	4	Screw ST3,5x9,5 Black	
10	4700902379	A 1	Edge trim	
11	4700357424	1	Cover	
	4700358881	1	Pad lock	D
12	4700586002	2	Lock nut M6 -8	
13	4700357425	1	Instruction book holder	D
14	4700358254	1	Key-ring	
15	4700357643	1	Wire	D
16	4700357426	1	Cover holder	D
17	4700541702	8	Screw M6x12	C
18	4700358143	1	Cover	
19	4700924875	2	Screw	
20	4700357855	2	Bushing	C
21	4700500021	4	Screw M8-1,25x25 8.8	
22	4700904640	4	Washer 8,4x22x3	
23	4700902919	4	Plug	

A) L=350 mm



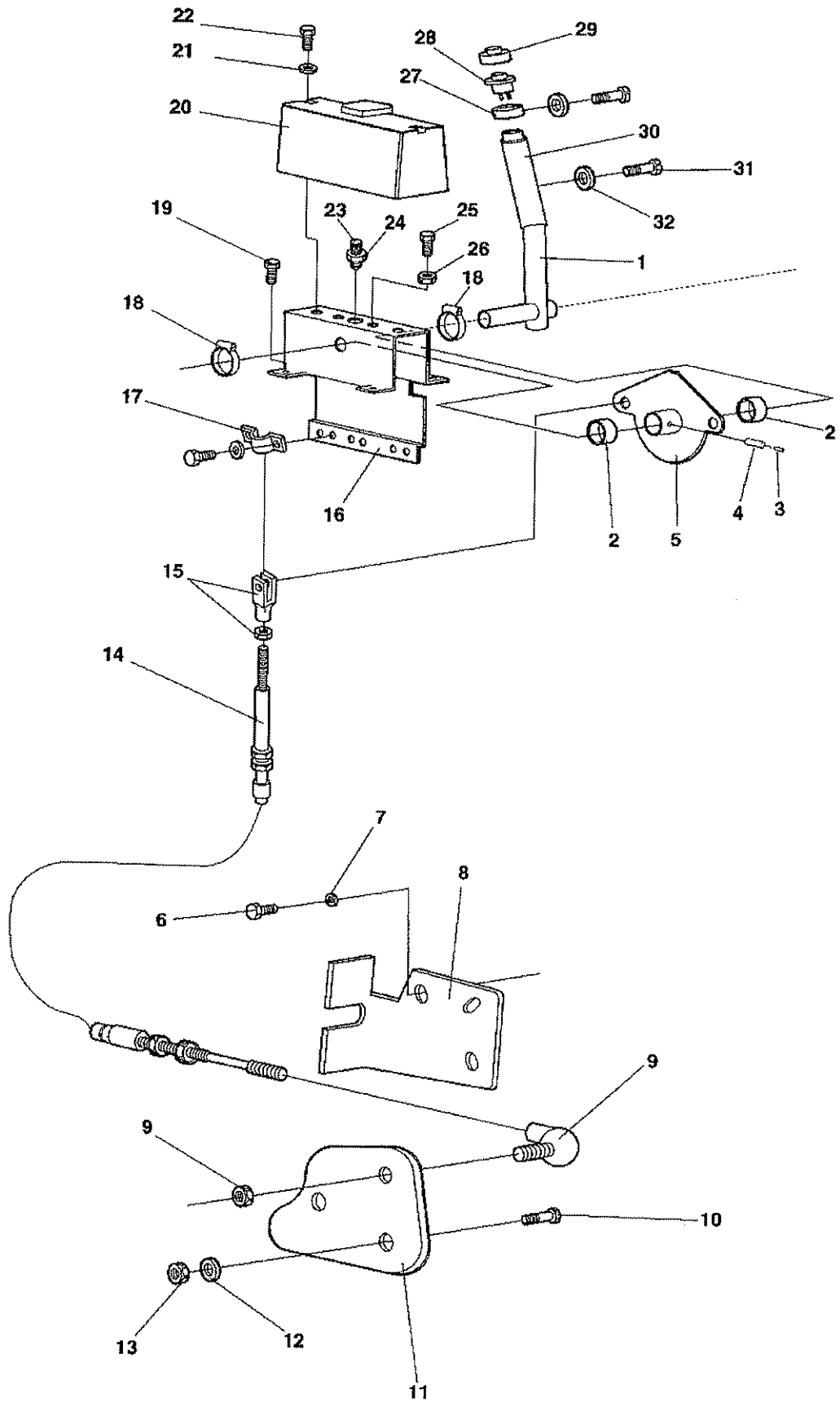
Throttle control

Item	Part No	Rem Qty	Description	Code
1	4700389170	1	Throttle control, cpl	B
2	4700389175	1	.Control	C
3	4700389177	1	.Snap plate	D
4	4700389184	A 1	.Throttle cable	B
5	4700382349	1	.Bellows	C
6	4700371657	1	Control bracket	
7	4700416034	1	Ball joint	C
8	4700371658	1	Control lever	
9	4700500013	2	Screw M6-1x16 8,8	C
10	4700500046	2	Screw M12x025H	C
11	4700904703	2	Washer	C
13	4700603010	4	Washer 6,4X12X3	
14	4700375507	1	Bracket	
15	4700904228	3	Washer 6,4x12x1,5	
16	4700923987	1	Stop screw M6x25	
17	4700573003	1	Nut M6	
18	4700904229	1	Washer 8,4x16x1,5	
19	4700500021	1	Screw M8-1,25x25 8.8	
20	4700500040	1	Screw M6-1x20 8,8	C
21	4700500061	2	Screw M6-1X35 8,8	C
22	4700902285	2	Nut	C

A) L=3040MM

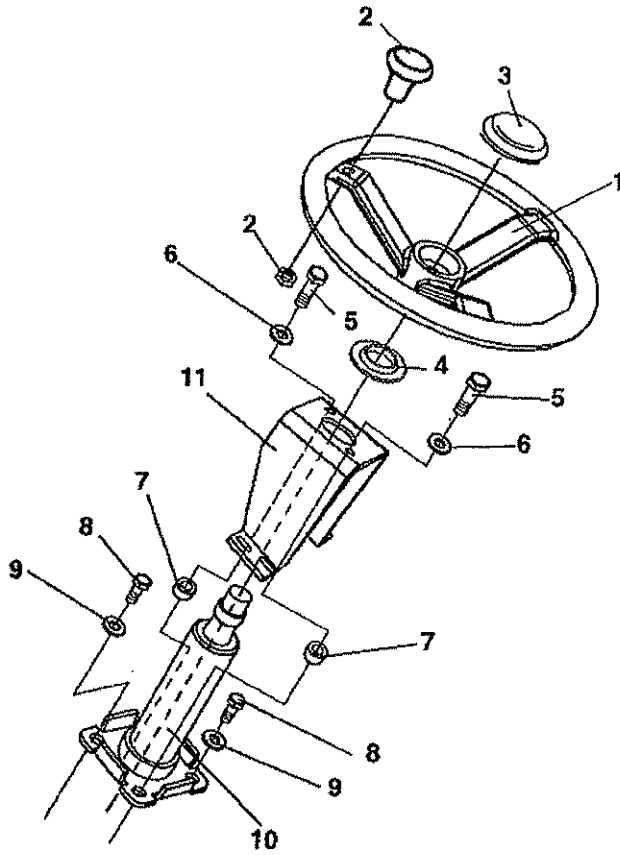
Forward and reverse control

16947



Forward and reverse control

Item	Part No	Rem Qty	Description	Code
1	4700357501	1	Control lever	
2	4700902187	2	Bearing	
3	4700903395	1	Spirol pin	C
4	4700629016	1	Expanding	C
5	4700902895	1	Cam disc	
6	4700904812	3	Screw M6x65	C
7	4700904228	3	Washer 6,4x12x1,5	
8	4700381777	1	Control bracket	
9	4700416034	1	Ball joint	C
10	4700500021	2	Screw M8-1,25x25 8.8	
11	4700380366	1	Control bracket	
12	4700904229	2	Washer 8,4x16x1,5	
13	4700586003	2	Lock nut M8	C
14	4700902191	1	Control cable	D
15	4700416004	1	Fork	C
16	4700902896	1	Framing	
17	4700902189	1	Bracket	
18	4700313035	2	Hose clamp	
19	4700541703	4	Screw M6x16	C
20	4700357494	1	Cover	
21	4700904228	2	Washer 6,4x12x1,5	
22	4700500013	2	Screw M6-1x16 8,8	C
23	4700922325	1	Spring ball plunger	C
24	4700573004	1	Nut	C
25	4700533038	2	Screw	
26	4700570004	2	Nut M6X1,00 -8 A2K	
27	4700285911	1	Bushing	D
28	4700928497	1	Push button	D
29	4700348481	1	Cover	B
30	4700285909	1	Grab handle	D
31	4700533001	3	Screw	
32	4700904697	3	Washer 3,2x6x0,5	



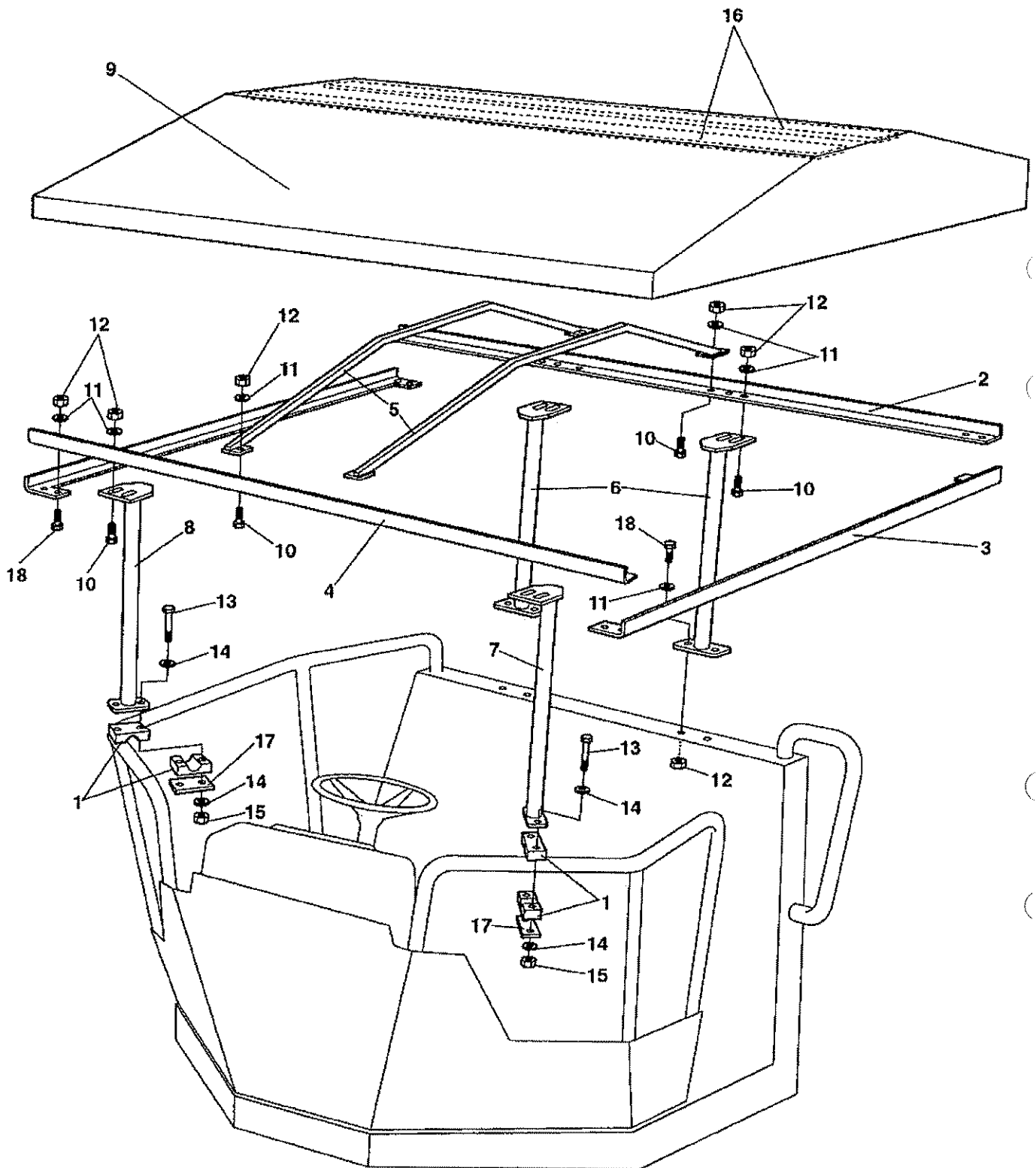
Steering column

Item	Part No	Rem Qty	Description	Code
1	4700372964	1	Steering wheel, cpl	D
2	4700935614	1	.Turning knob	D
3	4700935613	1	.Cover	
4	4700928830	1	Rubber washer	
5	4700500030	2	Hexagon head screw	
6	4700904230	2	Steel plain washer	
7	4700355869	2	Spacer sleeve	
8	4700500048	2	Screw M10-1,5x20 8,8	
9	4700904230	4	Steel plain washer	
10	4700902123	1	Steering column	
11		A 1	Bracket	

A) Included in control panel

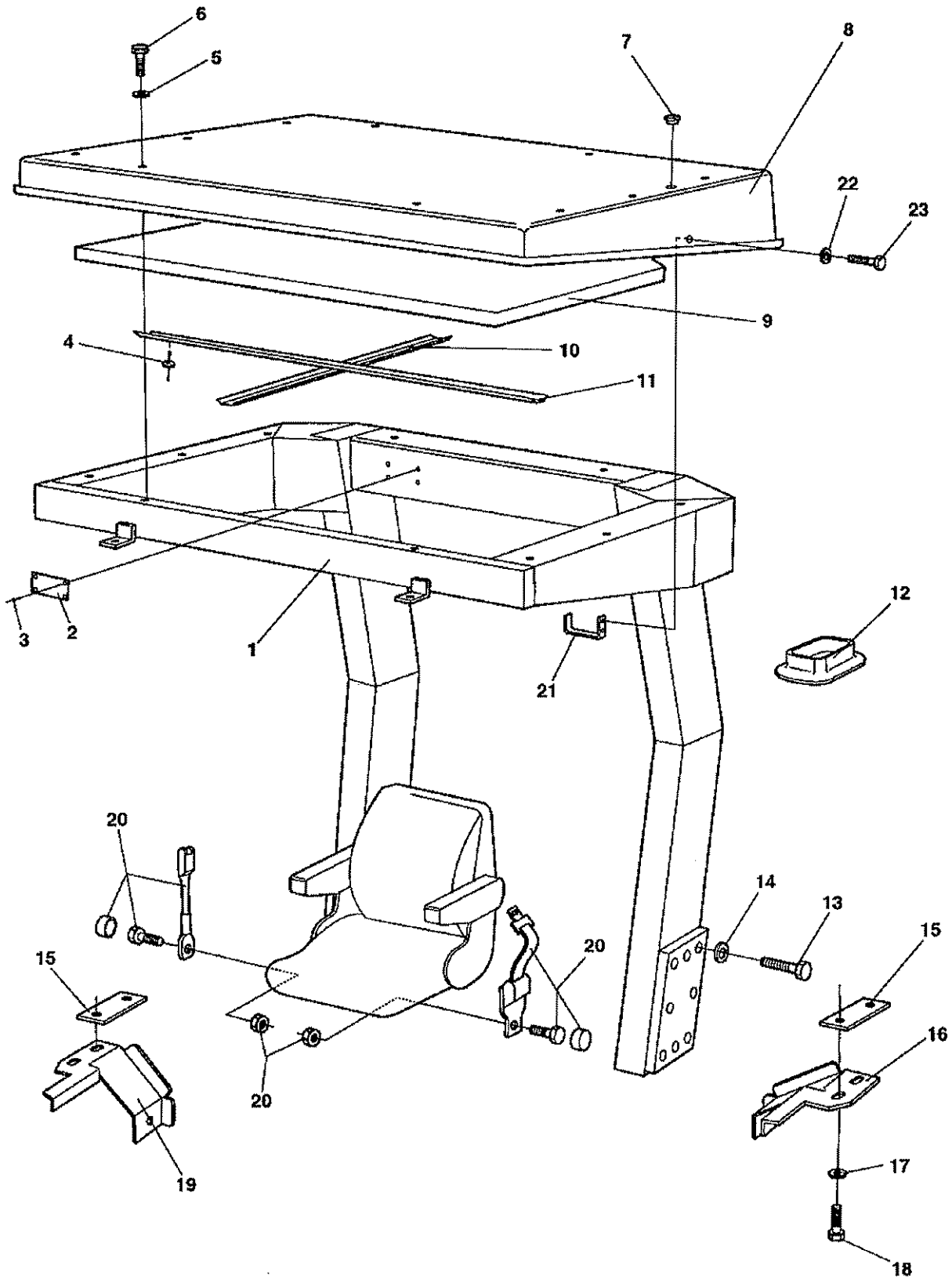
Canopy Option

17483



Canopy Option

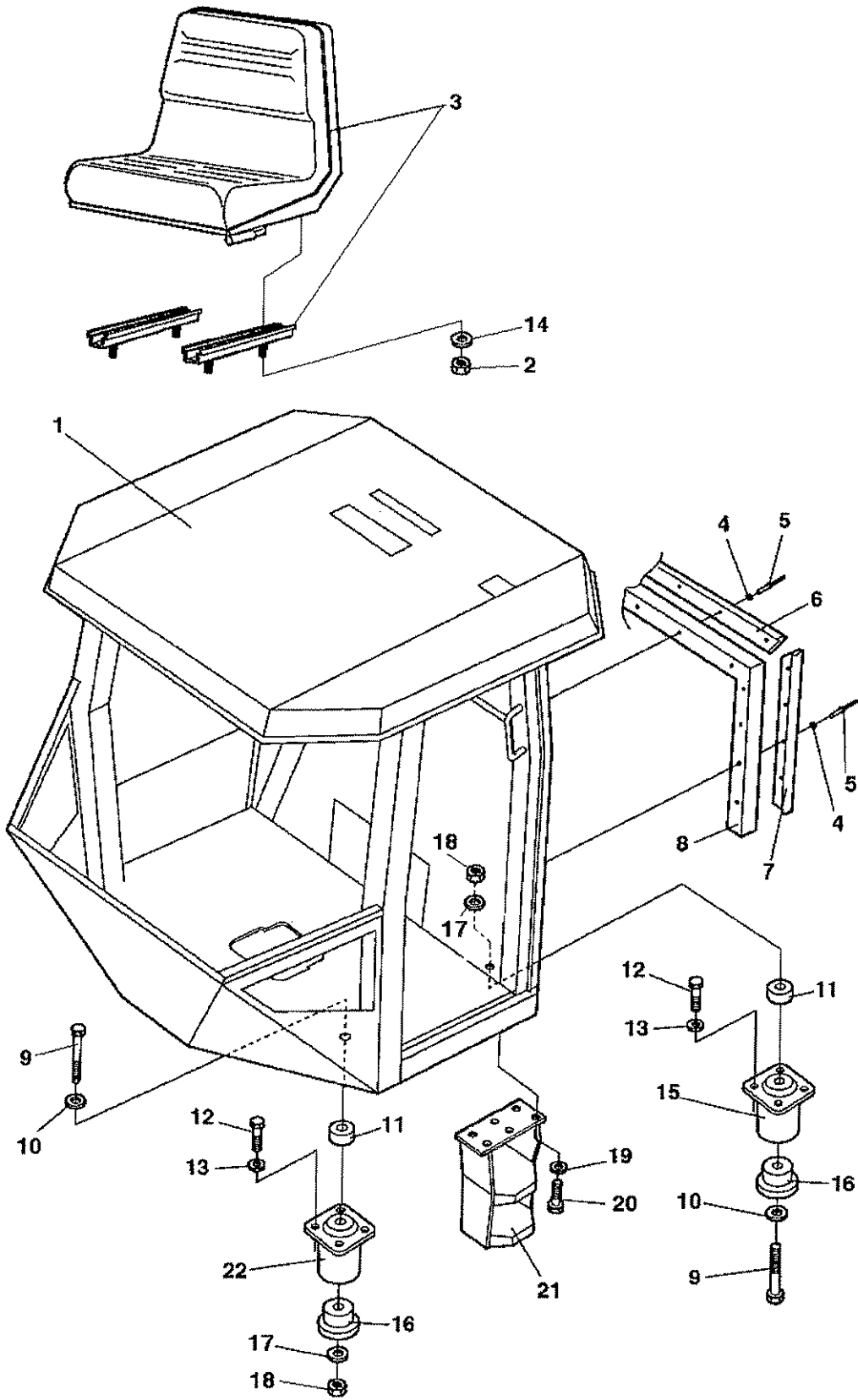
Item	Part No	Rem Qty	Description	Code
1	4700904340	2	Pipe clamp	
2	4700373746	1	Canopy profile	
3	4700373747	2	Canopy profile	
4	4700373748	1	Canopy profile	
5	4700373749	4	Canopy rib	
6	4700373750	2	Canopy anchor	
7	4700380963	1	Canopy anchor	
8	4700380964	1	Canopy anchor	
9	4700373906	1	Roof	
10	4700500021	16	Screw M8-1,25x25 8.8	
11	4700904229	44	Washer 8,4x16x1,5	
12	4700586003	22	Lock nut M8	C
13	4700500153	4	Screw	C
14	4700904228	8	Washer 6,4x12x1,5	
15	4700586002	4	Lock nut M6 -8	
16	4700373907	2	Lath	
17	4700924791	2	Cover plate	
18	4700500022	8	Screw M8x30H 8.8 A2K	C



Rops and fops

Item	Part No	Rem Qty	Description	Code
1	4700372347	1	Rops	
2	4700370803	1	.Sign, rops	
3	4700624016	4	.Blind rivet	C
4	4700904619	12	Blind rivet	C
5	4700904734	10	Washer 8,4x26x4	
6	4700500239	10	Screw	C
7	4700904180	4	Plug	C
8	4700372409	1	Fops roof	
	4700370792	1	.Sign, fops	
	4700624016	4	.Blind rivet	C
9	4700372678	1	Absorbent	
10	4700376489	1	Absorbent holder	
11	4700376488	1	Absorbent holder	D
12	4700372489	2	Rubber seal	
13	4700904562	16	Screw M24x160 10.9	
14	4700904234	16	Steel plain washer	C
15			Not used on this model	C
16	4700381353	1	Holder plate	
17			Not used on this model	
18			Not used on this model	
19	4700381352	1	Holder plate	
20	4700370766	1	Seat belt	B
	4700383200	A 1	Seat belt 3"	B
21	4700383951	2	Hook	
22	4700904734	4	Washer 8,4x26x4	
23	4700500100	4	Screw	

A) Option 3"

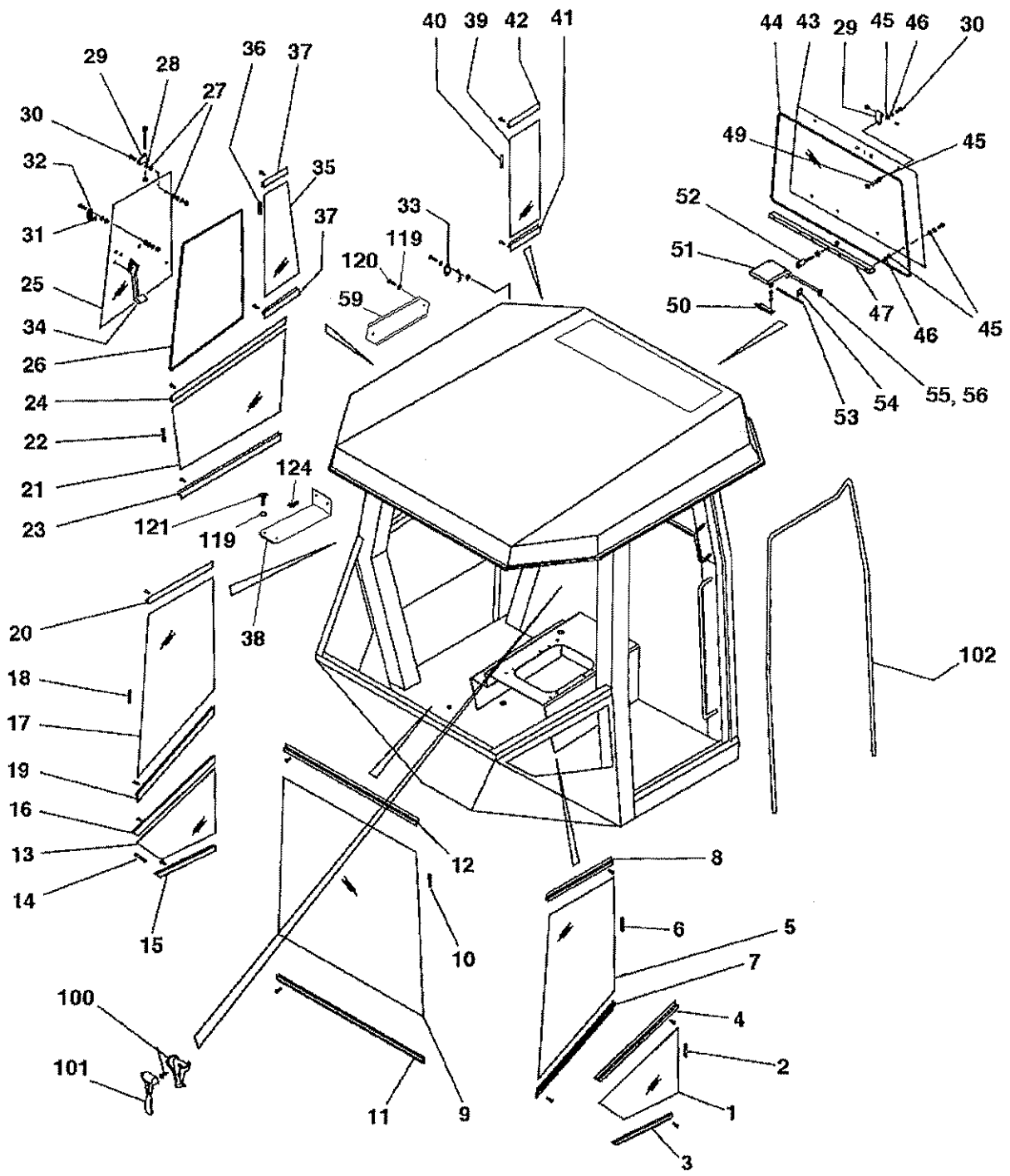


Cab mounting

Item	Part No	Rem	Qty	Description	Code
1				Cab 4700378308 (Page 152)	
2	4700570005		4	Nut M8	C
3	4700377556		1	Drivers seat, cpl	
	4700377518	D	1	Drivers seat, cpl	D
4	4700927974		13	Washer	
5	4700904433		13	Blind rivet	
6	4700372785		1	List	
7	4700382582		2	List	
8	4700372494	A	N	Rubber strip	
9	4700791218		4	Screw M20x200	
10	4700904233		4	Steel plain washer	
11	4700384759		4	Spacer	
12	4700500195		16	Screw	C
13	4700904231		16	Steel plain washer	
14	4700904229		4	Washer 8,4x16x1,5	
15	4700374606	B	2	Shock absorber Green	D
16	4700372457		4	Back-up ring	
17	4700903290		4	Washer 21x36x6	
18	4700901145		4	Lock nut M20-10	
19	4700904230		6	Steel plain washer	
20	4700500029		6	Hexagon head screw	C
21	4700376252		1	Step	
22	4700374607	C	2	Shock absorber Yellow	D
23	4700382397		2	Spacer	

- A) L=2400 mm
- B) Rear
- C) Front
- D) Option

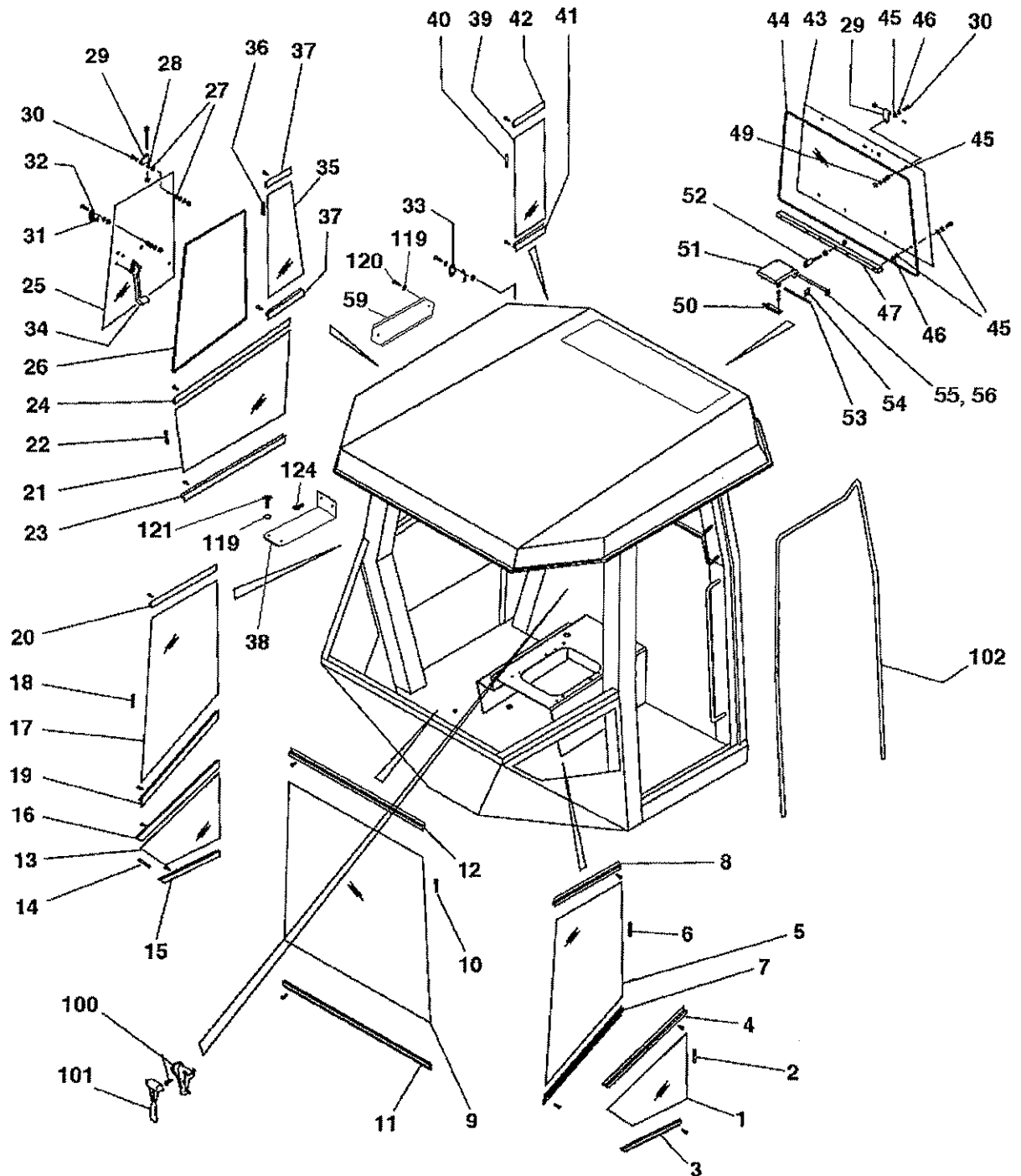
Item	Part No	Rem Qty	Description	Code
130			Cab Screens (Page 154)	
140			Cab Door, left side (Page 158)	
150			Cab Interior rear mirror (Page 160)	
170			Wiper arm with blade, front (Page 162)	
180			Cab Electric (Page 164)	



Cab Screens

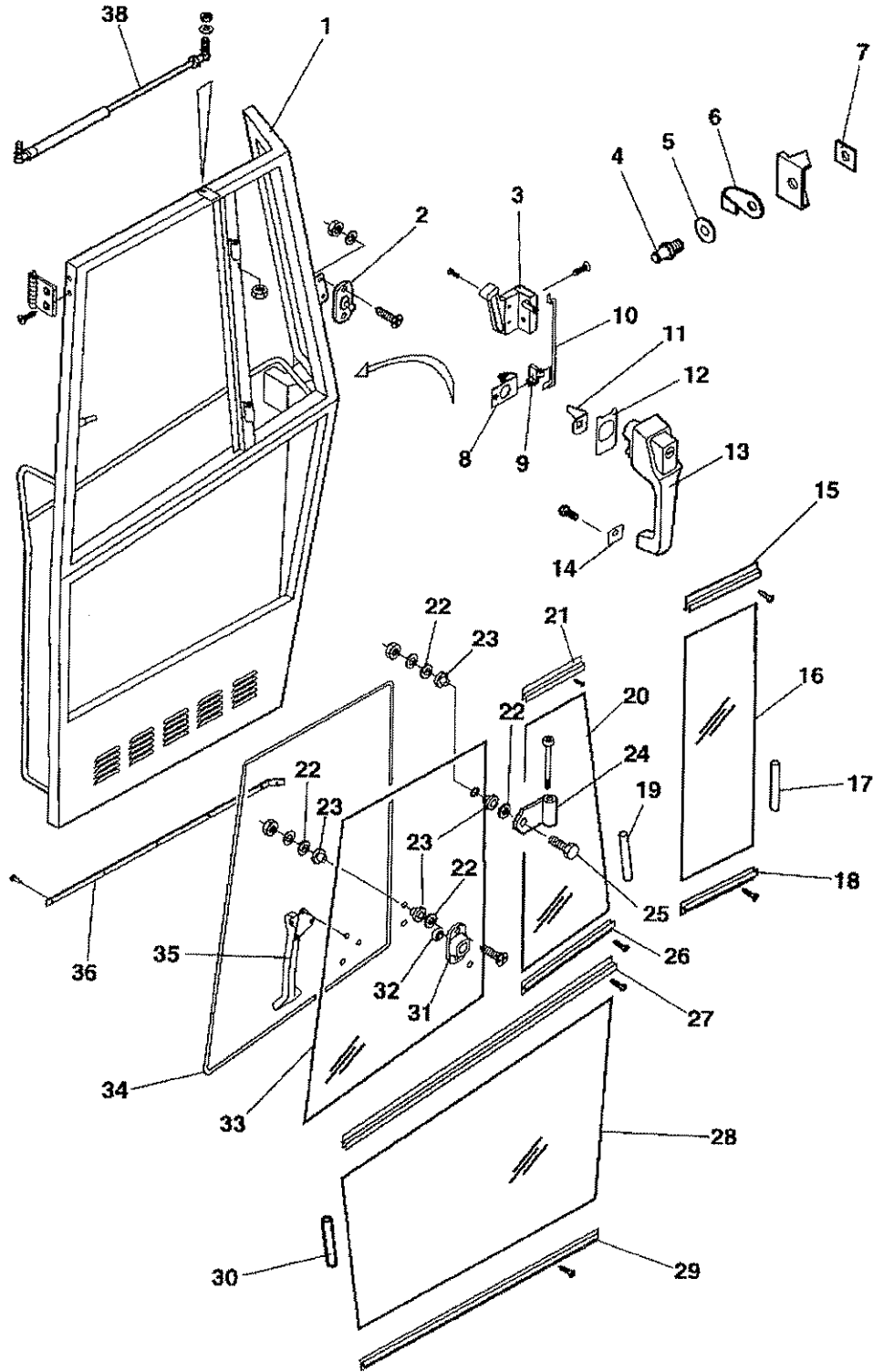
Item	Part No	Rem Qty	Description	Code
1	4700937380	1	Screen	
2	4700908545	XL	Seal list	B
3	4700935278	1	List	
4	4700935279	1	List	
5	4700937381	1	Screen, left	
6	4700908545	XL	Seal list	B
7	4700935280	1	List	
8	4700935281	1	List	
9	4700937382	1	Screen	
10	4700908545	D 1	Seal list	B
11	4700935282	1	List	
12	4700935283	1	List	
13	4700937383	1	Screen	
14	4700908545	XL	Seal list	B
15	4700935284	1	List	
16	4700935285	1	List	
17	4700937384	1	Screen	
18	4700908545	C 1	Seal list	B
19	4700935286	1	List	
20	4700935287	1	List	
21	4700937385	1	Screen	
22	4700908545	A 1	Seal list	B
23	4700935288	1	List	
24	4700935289	1	List	
25	4700938290	1	Screen	
26	4700908499	E 1	Rubber list	C
27	4700935271	8	Washer, Flexible rubber	
28	4700935272	8	Washer, Black	
29	4700935273	4	Hinge	
30	4700935274	4	Screw	
31	4700935275	1	Rubber washer	
32	4700935276	1	Bracket	
33	4700935277	1	Lock pin	
34	4700935290	1	Window lock, right	
35	4700938291	1	Screen	
36	4700908545	B 1	Seal list	B
37	4700935291	1	List	
38	4700379608	1	Cover	
39	4700938292	1	Screen	
40	4700908545	B 1	Seal list	B
41	4700935293	1	List	
42	4700938659	1	List	
43	4700937389	1	Screen	
44	4700908499	F 1	Rubber list	C
45	4700935271	12	Washer, Flexible rubber	
46	4700935272	12	Washer, Black	
47	4700935295	1	Screen holder	
49	4700935296	2	Washer	
50	4700935297	1	Bracket	
51	4700935298	2	Bracket	
52	4700935299	1	Bolt	
53	4700935300	1	Shaft	
54	4700935301	2	Lock	

- A) L=1100 mm
- B) L=1400 mm
- C) L=1900 mm
- D) L=2100 mm
- E) L=2700 mm
- F) L=3300 mm



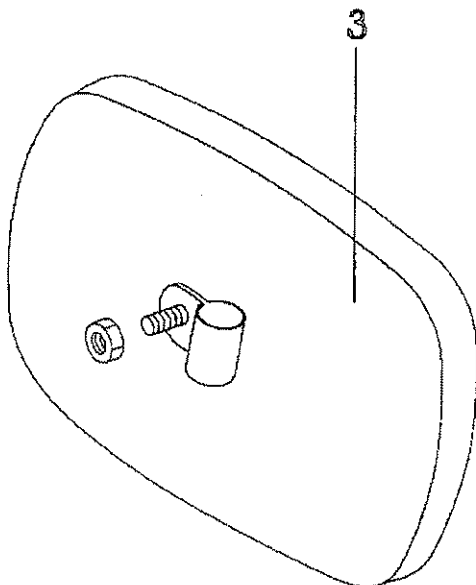
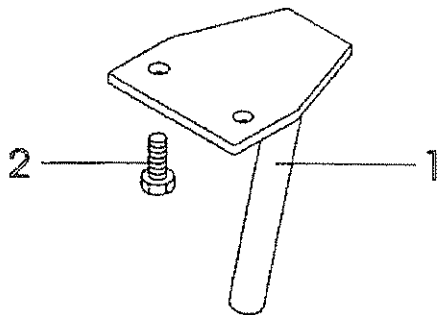
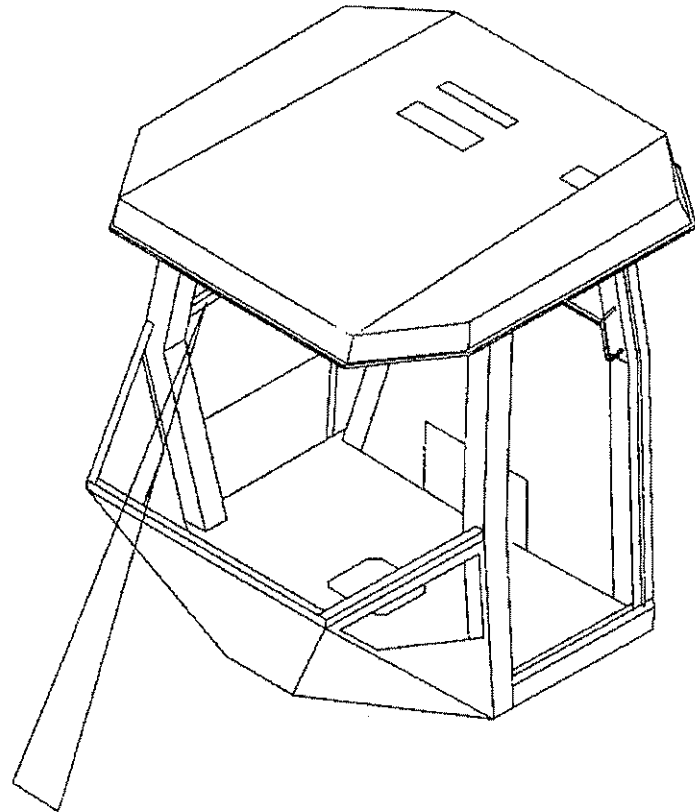
Cab Screens

Item	Part No	Rem Qty	Description	Code
55	4700935302	1	Rod	
56	4700935303	1	Ring	
59	4700379236	1	Cover	
100	4700908506	1	Holder	C
101	4700908507	1	Emergency hammer	D
102	4700908499	G 1	Rubber list	C
119	4700904229	16	Washer 8,4x16x1,5	
120	4700500019	14	Screw M8x16H 8.8 A2K	C
121	4700500053	2	Screw M8x20H 8.8	C
124	4700903782	2	Screw M5x12	C
G)	L=5 m			



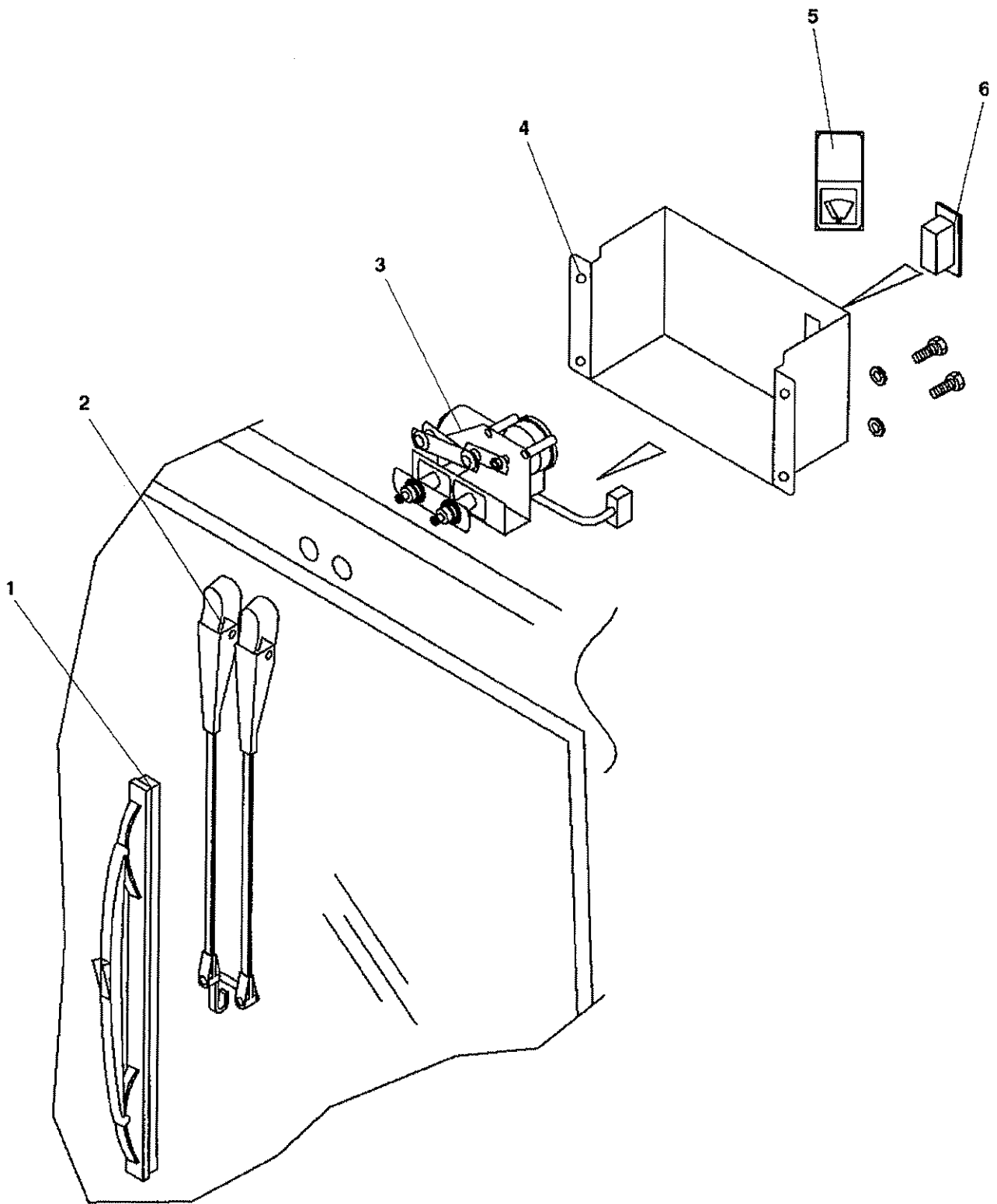
Item	Part No	Rem	Qty	Description	Code
	4700940678		1	Door, cpl	
1	4700390927		1	.Door frame	
2	4700935277		1	.Lock pin	
3	4700938017		1	.Lock	
4	4700908580		1	.Lock pin	C
5	4700908581		1	.Washer	
6	4700908582		1	.Cover	
7	4700908583		1	.Bracket	
8	4700935248		1	.Turning mechanism	
9	4700935249		1	.Retainer	
10	4700935250		1	.Rod	
11	4700935247		1	.Leader	
12	4700935246		1	.Seal	
13	4700935244		1	.Door handle with key	D
14	4700935245		1	.Seal	
15	4700935268		1	.List	
16	4700937391		1	.Screen	
17	4700908545	A	1	.Seal list	B
18	4700935267		1	.List	
19	4700908545	A	1	.Seal list	B
20	4700937392		1	.Screen	
21	4700935270		1	.List	
22	4700935272		8	.Washer, Black	
23	4700935271		8	.Washer, Flexible rubber	
24	4700935273		2	.Hinge	
25	4700935274		2	.Screw	
26	4700935269		1	.List	
27	4700935266		1	.List	
28	4700937390		1	.Screen	
29	4700935265		1	.List	
30	4700908545	B	1	.Seal list	B
31	4700935276		1	.Bracket	
32	4700935275		1	.Rubber washer	
33	4700937393		1	.Screen	
34	4700908499	C	1	.Rubber list	C
35	4700935253		1	.Lock	
36	4700938101		XL	.Brush profile	
38	4700938018		1	.Gas spring	

- A) L=1400 mm
 B) L=1100 mm
 C) L=2700 mm



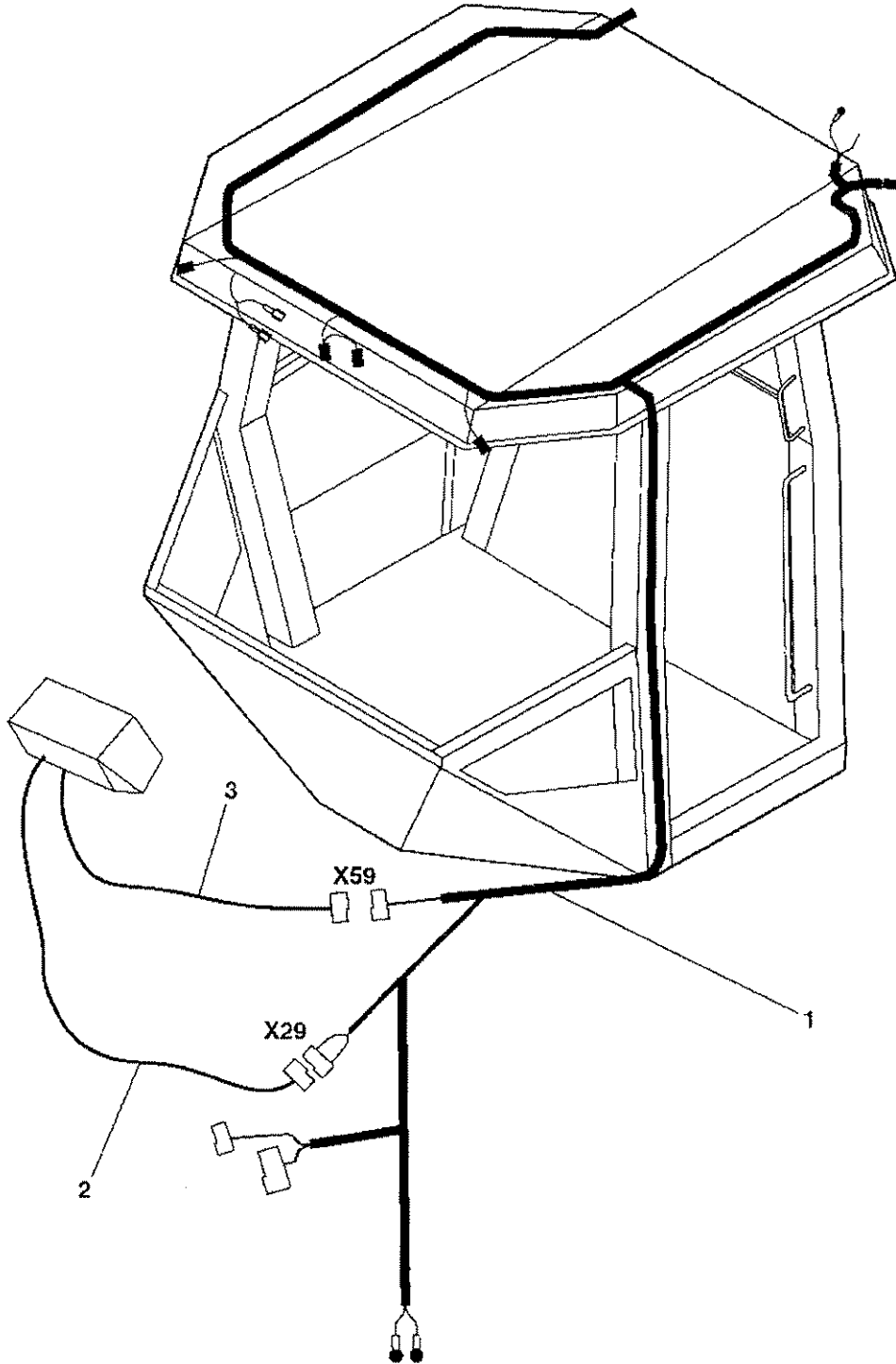
Cab Interior rear mirror

Item	Part No	Rem Qty	Description	Code
1	4700908623	1	Bracket	
2	4700535005	2	Screw M5x12	C
3	4700908624	1	Rear mirror	C



Wiper arm with blade, front

Item	Part No	Rem Qty	Description	Code
1	4700905306	1	Wiper blade	
2	4700905305	1	Wiper arm	
3	4700905304	1	Wiper motor	
4	4700937871	1	Cover	
5	4700908605	1	Symbol, wiper	D
6	4700908617	1	Switch	B

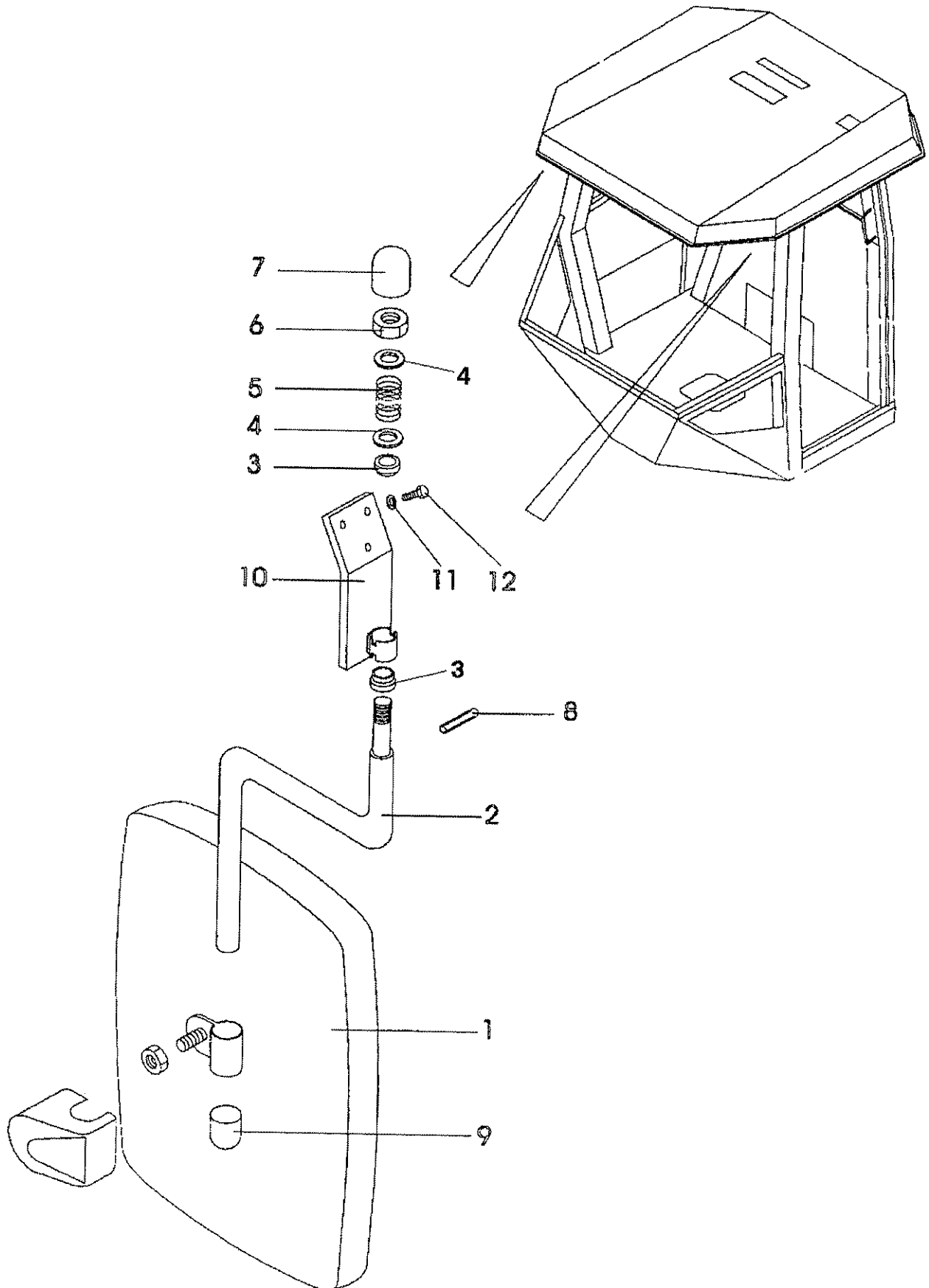


Cab Electric

Item	Part No	Rem	Qty	Description	Code
1	4700937870	A	1	Cable harness	
2	4700384403	B	1	Cable harness	
3	4700384402	C	1	Cable harness	

- A) Main supply
- B) Horn
- C) Windshield wiper

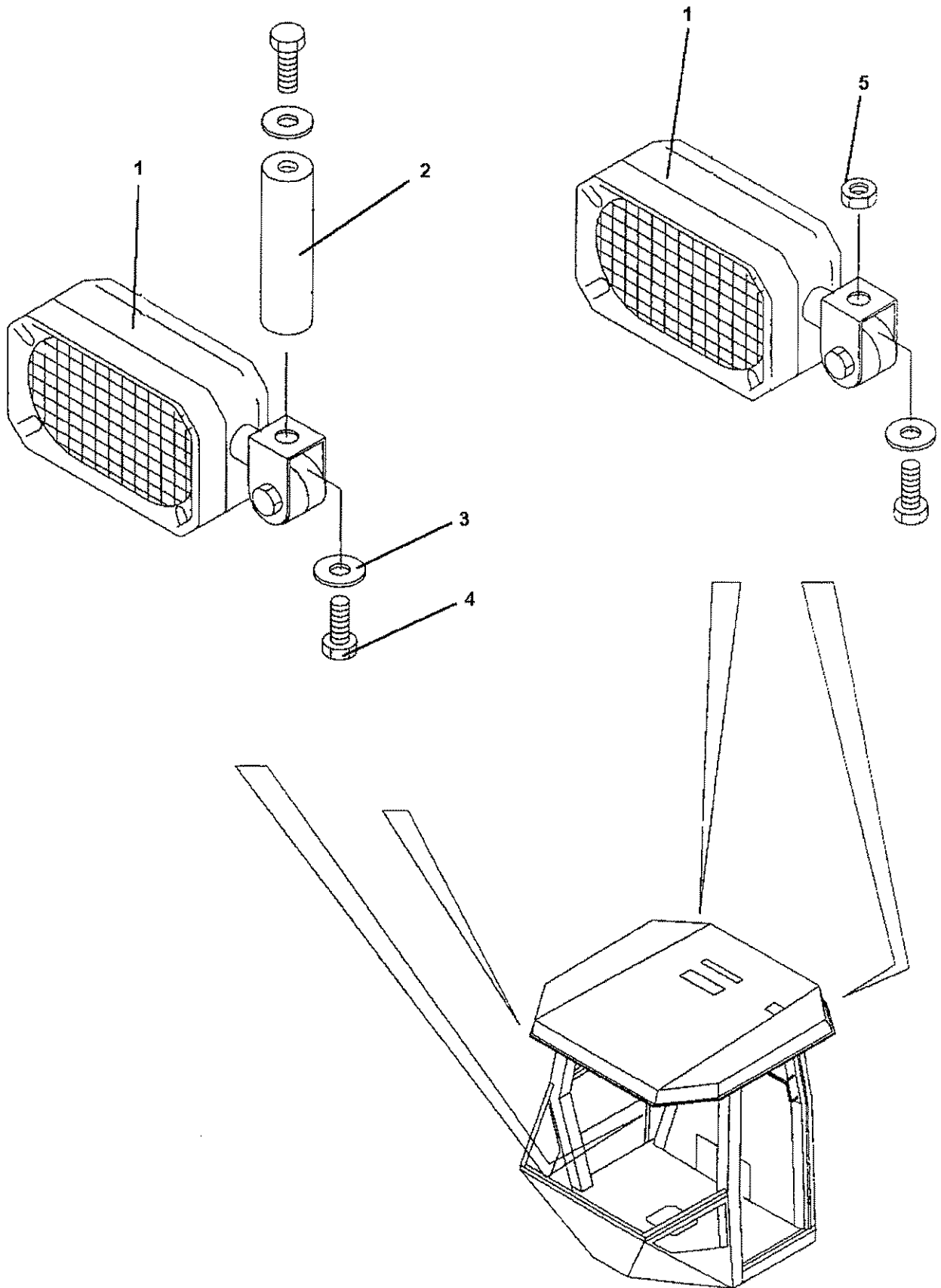
Cab Exterior rear mirror
16009



Cab Exterior rear mirror

Item	Part No	Rem	Qty	Description	Code
	4700371730	A	2	Rear view mirror, cpl	C
1	4700908265		1	.Rear view mirror	C
2	4700908355		1	.Arm	D
3	4700908625		1	.Sleeve	C
4	4700904232		1	.Washer	C
5	4700908626		1	.Spring	C
6	4700586021		1	.Nut M16	
7	4700908627		1	.Cap	
8	4700629066		1	.Spirol pin	C
9	4700908628		1	.Cap	C
10	4700908361		1	.Bracket	
11	4700904229		6	Washer 8,4x16x1,5	
12	4700500019		6	Screw M8x16H 8.8 A2K	C

A) Option



Item	Part No	Rem Qty	Description	Code
1	4700908267	4	Working light	B
2	4700908359	2	Distance	D
3	4700904229	4	Washer 8,4x16x1,5	
4	4700500019	4	Screw M8x16H 8.8 A2K	C
5	4700586003	2	Lock nut M8	C

(

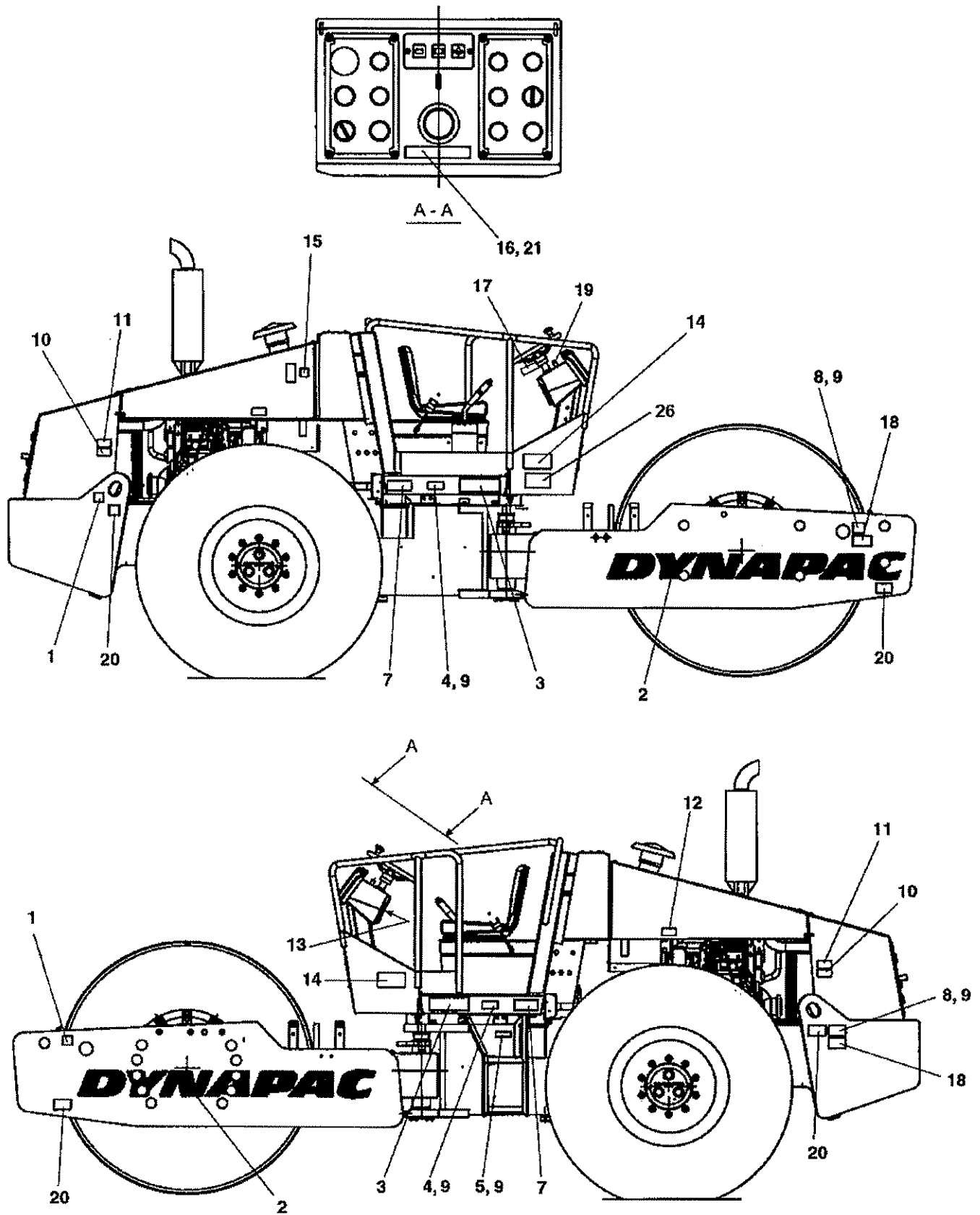
(

(

(

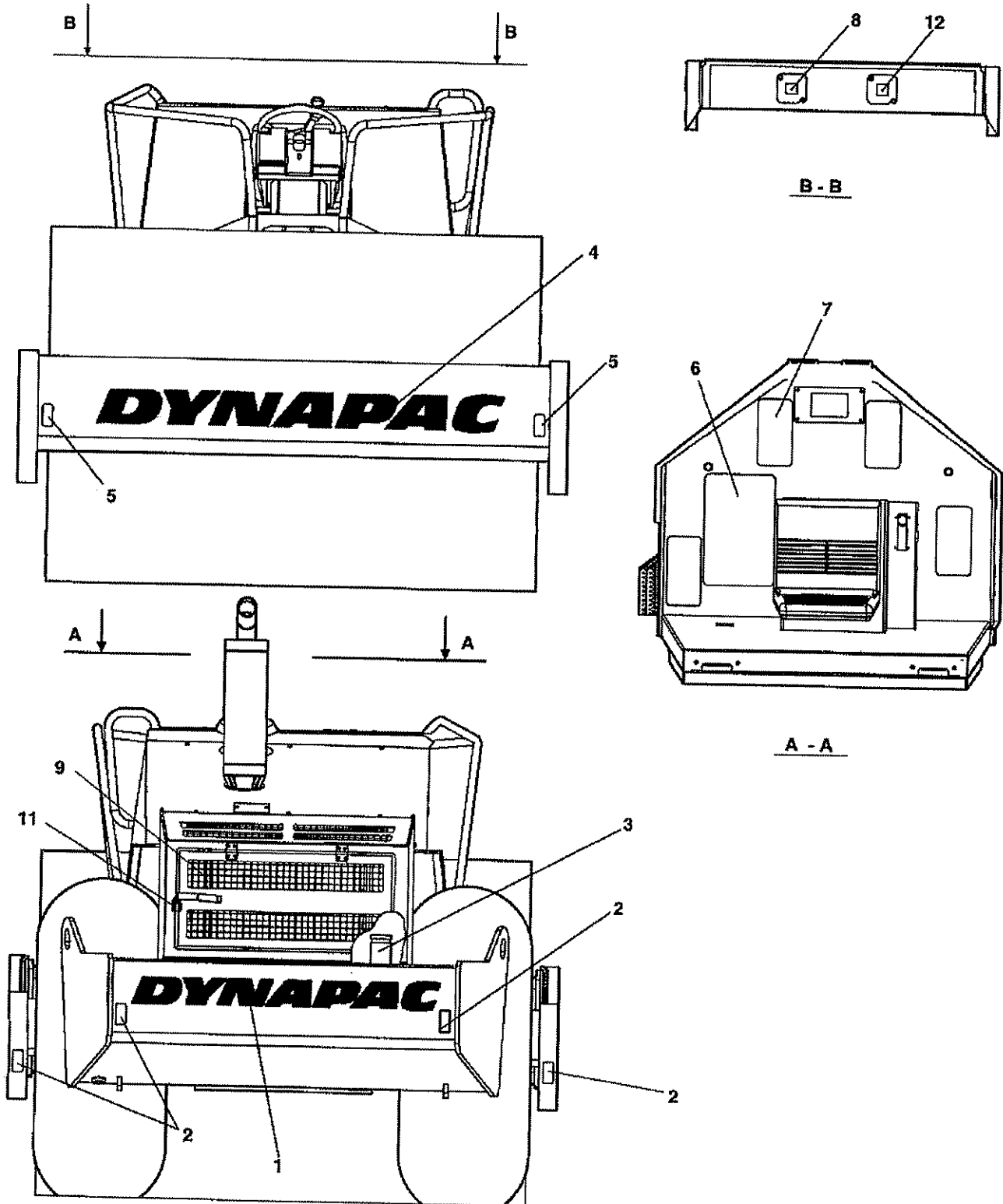
Decals

<u>Item</u>	<u>Part No</u>	<u>Rem Qty</u>	<u>Description</u>	<u>Code</u>
10			Decals (Page 172)	
20		1	Decals (Page 174)	



Decals

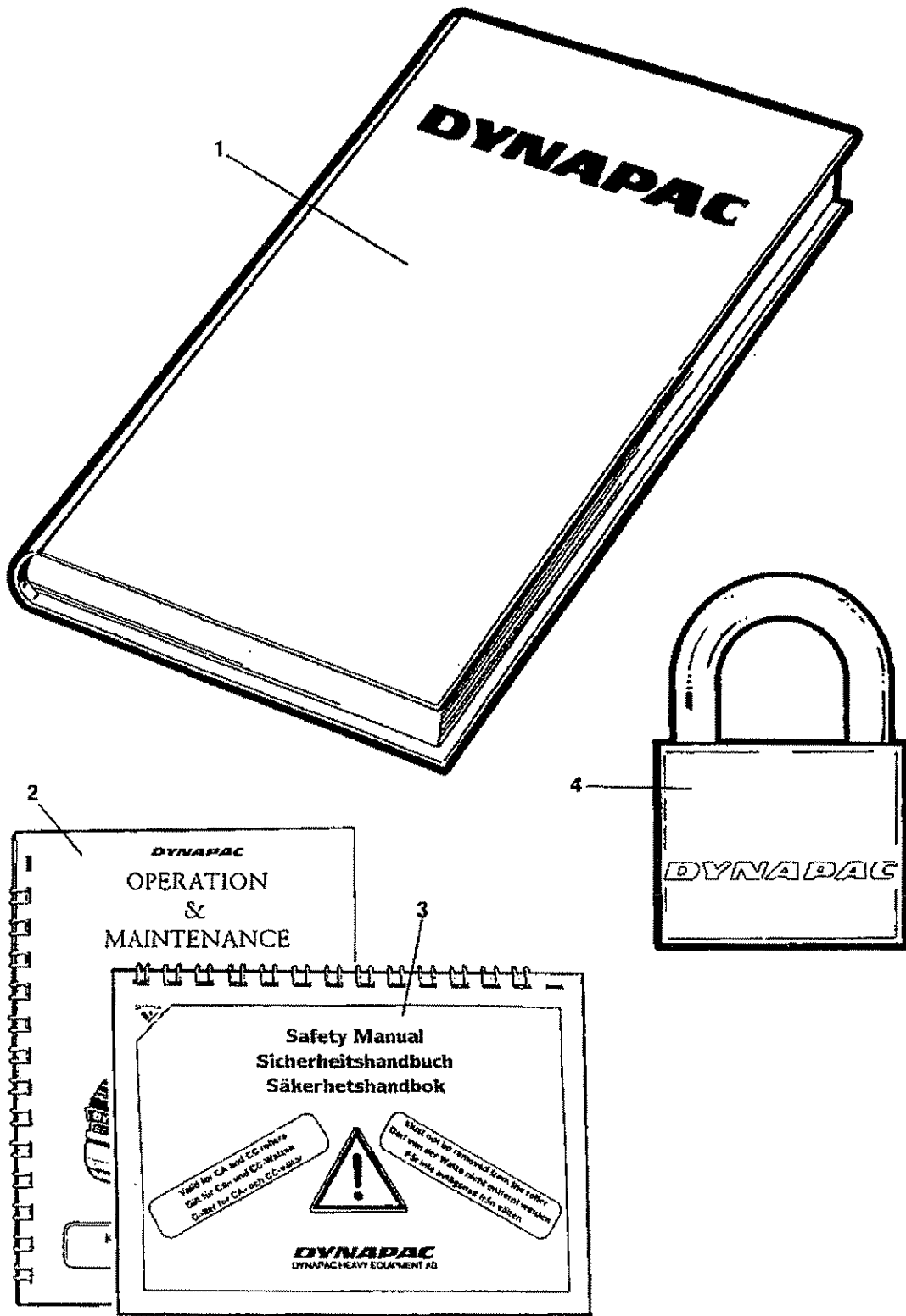
Item	Part No	Rem Qty	Description	Code
1	4700588176	2	Decal "LIFT POINT"	
2	4700904068	3	Decal "DYNAPAC" L=1770 mm	
3		2	Decal "MODEL CODE"	
4	4700377744	2	Reflector, yellow	D
5	47960787SE	1	Product identification plate	
7	4700903459	2	Decal "SAFETY"	D
8	4700904870	2	Lifting sign	D
9	4700624005	12	Blind rivet 3,2x6,1	C
10	4700903424	2	Decal "HOT SURFACE"	D
11	4700903423	2	Decal "SAFETY"	D
12	4700991990	2	Decal "TYRE PRESSURE" 110-150kPA/16-21psi	
	4700390900	1	Decal "TYRE PRESSURE" 110kPA/16psi	
13	4700903425	1	Decal "SAFETY MANUAL"	D
14	4700903422	2	Decal "SAFETY"	D
15	4700272373	1	Decal "HYDRAULIC OIL"	D
16	47386084SE	1	Warning plate Swedish	
	47386084EN	1	Warning plate English	
	47386084DE	1	Warning plate German	
	47386084IT	1	Warning plate Italian	
	47386084ES	1	Warning plate Spanish	
	47386084FR	1	Warning plate French	
	47386084NO	1	Warning plate Norwegian	
	47386084DK	1	Warning plate Danish	
	47386084FI	1	Warning plate Finnish	
	47386084PT	1	Warning plate Portuguese	
	47386084NL	1	Warning plate Dutch	
	47386084GR	1	Warning plate Greek	
	47386084IS	1	Warning plate Icelandic	
	47386084CN	1	Warning plate Chinese	
	47386084BR	1	Warning plate Brazil	
17	4700384159	1	Instructions Loading-Unloading	
18	4700908229	2	Safety decal	D
19	4700358881	1	Pad lock	D
20	4700382751	4	Decal "TIE DOWN POINT"	D
21	4700624017	2	Blind rivet	C



Decals

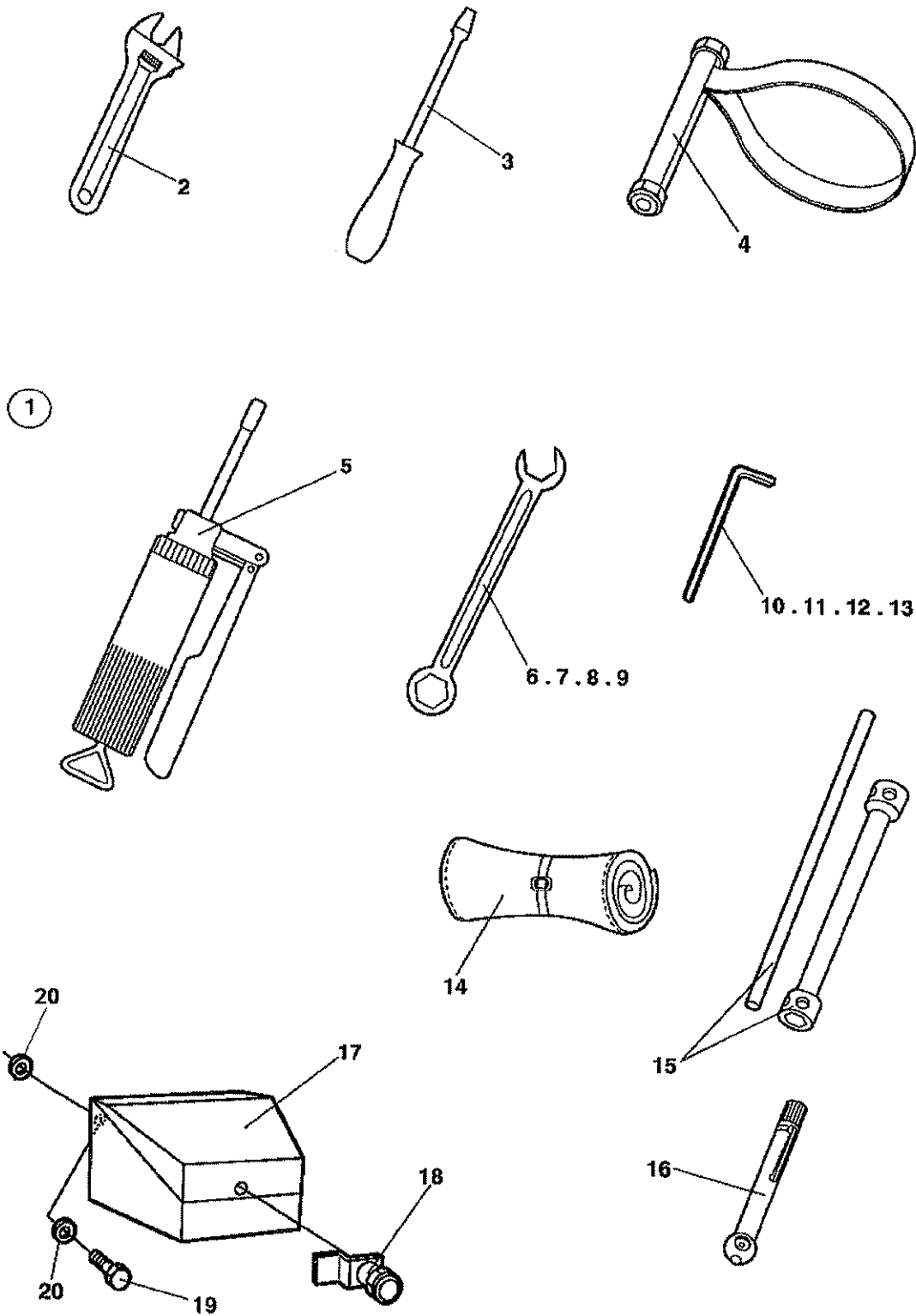
Item	Part No	Rem Qty	Description	Code
1	4700904069	1	Decal "DYNAPAC" L=760 mm	D
2	4700377742	4	Reflector, red	D
3	4700991658	1	Decal "FUEL"	D
4	4700904068	1	Decal "DYNAPAC" L=1770 mm	
5	4700377743	2	Reflector, white	D
6	4700373364	1	Slip protection	
7	4700373363	4	Slip protection	
8	4700272372	1	Decal "HYDRAULIC OIL"	D
9	4700904835	1	Decal "BATTERY POWER"	D
11	4700358881	1	Pad lock	D
12	4700388449	1	Decal "Engine coolant fill"	

Item	Part No	Rem Qty	Description	Code
10			Standard equipment (Page 178)	



Item	Part No	Rem Qty	Description	Code
1		1	Documentation OMS500PD	
		1	.Warranty registration card	
		1	.Operation instruction O500	
		1	.Maintenance instruction M500	
		1	.Spare parts catalogue SCA500PD	
		1	.Instruction manual Cummins 6BTA 5.9	
2		1	.Operation / maintenance instruction OM500	
3		1	.Safety manual RSAFE	
4	4700358881	1	Pad lock	D

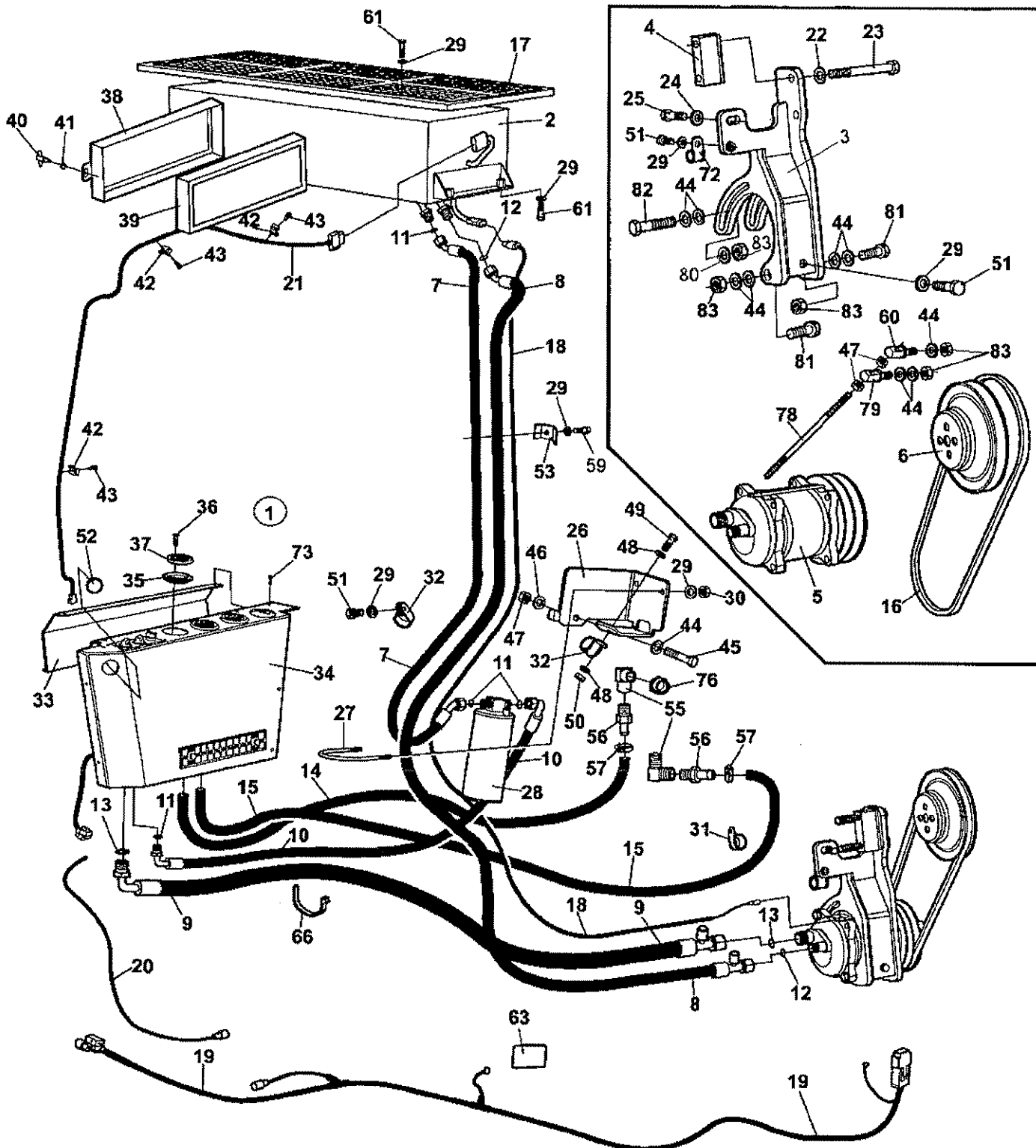
<u>Item</u>	<u>Part No</u>	<u>Rem Qty</u>	<u>Description</u>	<u>Code</u>
10			Tool equipment (Page 182)	
120			Air conditioner and heater, Simple cab (Page 184)	
230			Heater Simple cab (Page 190)	



Item	Part No	Rem Qty	Description	Code
1	4700355890	1	Tool set Cpl	
2		1	.Adjustable wrench	
3		1	.Screw driver	
4	4700902610	1	.Belt pliers	D
5	4700311016	1	.Grease gun	D
6		1	.Open end spanner 10mm	D
7		1	.Open end spanner 13mm	D
8		1	.Open end spanner 16mm	D
9		1	.Open end spanner 18mm	D
10		1	.Allen wrench 10mm	D
11		1	.Allen wrench 12mm	D
12		1	.Allen wrench 6mm	D
13		1	.Allen wrench 8mm	D
14		1	.Tool bag	D
15		1	.Wheel nut key 30/32mm	D
16	4700901220	1	.Pressure gauge	B
17	4700372837	1	Tool box	
18	4700372658	1	.Lock	D
19	4700500021	3	Screw M8-1,25x25 8.8	
20	4700904640	6	Washer 8,4x22x3	

Air conditioner and heater, Simple cab

18783

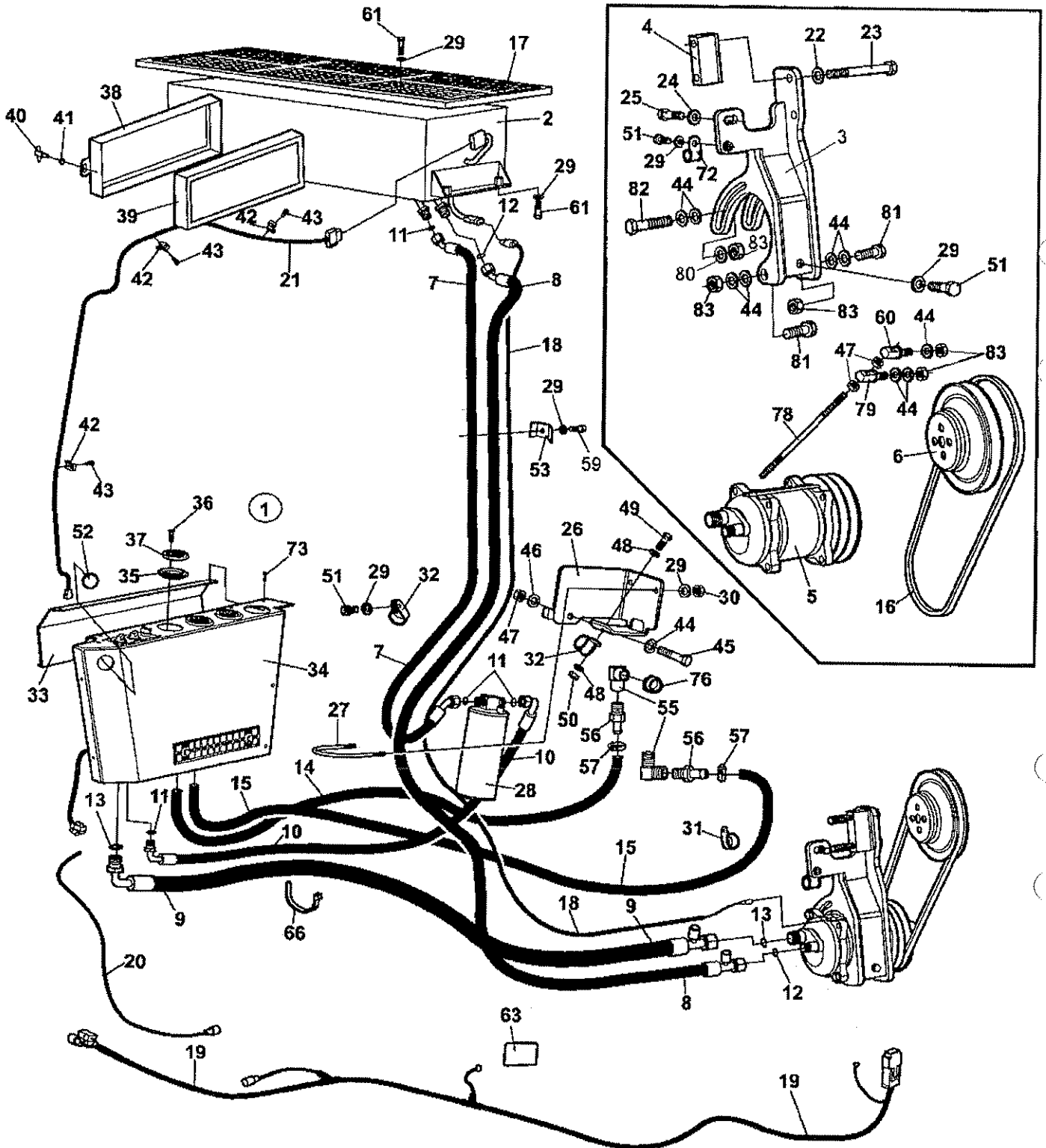


Air conditioner and heater, Simple cab

Item	Part No	Rem	Qty	Description	Code
1				Air conditioner and heater unit	
2	4700383413			Condenser, cpl (Page 188)	
3	4700377937		1	Bracket	
4	4700377966		1	Spacer	
5	4700379304		1	Compressor	
6	4700379280		1	Pulley	
7	4700384876		1	Hose	
8	4700379330		1	Hose	
9	4700379331		1	Hose	
10	4700384875		1	Hose	
11	4700384877		4	O-ring	C
12	4700384878		2	O-ring	C
13	4700384879		2	O-ring	C
14	4700937737	A	1XL	Hose	
15	4700937737	B	1XL	Hose	
16	4700902924		1	V-belt	
17	4700384589		1	Cover	
18	4700385908		1	Cable harness	C
19	4700387466		1	Cable harness	
20	4700387467		1	Cable harness	
21	4700379275		1	Cable harness	
22	4700904703		2	Washer	C
23	4700500122		2	Screw	C
24	4700904213		1	Washer	C
25	4700903906		1	Screw	
26	4700390483		1	Holder	
27	4700313093		1	Pipe clamp	C
28	4700383424		1	Drying filter	A
29	4700904229		18	Washer 8,4x16x1,5	
30	4700586003		2	Lock nut M8	C
31	4700921161		1	Clamp	C
32	4700921056		2	Clamp	C
33	4700379285		1	Panel	
34	4700379286		1	Panel	
35	4700385443		3	Ring	
36	4700938691		12	Screw	C
37	4700385442		3	Air nozzle	D
38	4700908501		1	Filter frame	
39	4700908502		1	Filter	A
40	4700908504		2	Handle	D
41	4700908503		2	O-ring	C
42	4700904543		10	Cable tie holder	
43	4700903852		10	Screw ST4,2x13	C
44	4700904230		10	Steel plain washer	
45	4700500192		1	Screw M10x80	C
46	4700904567		1	Washer 10,5x28x6 HB305	C
47	4700570006		3	Nut	C
48	4700904228		2	Washer 6,4x12x1,5	
49	4700500013		1	Screw M6-1x16 8,8	C
50	4700570004		1	Nut M6X1,00 -8 A2K	
51	4700500053		3	Screw M8x20H 8.8	C
52	4700345870		1	Plug	C
53	4700346230		3	Clamp	
55	4700234365		2	Elbow 90	
56	4700387638		2	Hose connection	
57	4700313004		2	Hose clamp	C
59	4700500023		3	Screw M8-1,25x40 8,8	C
60	4700388470		1	Screw	C

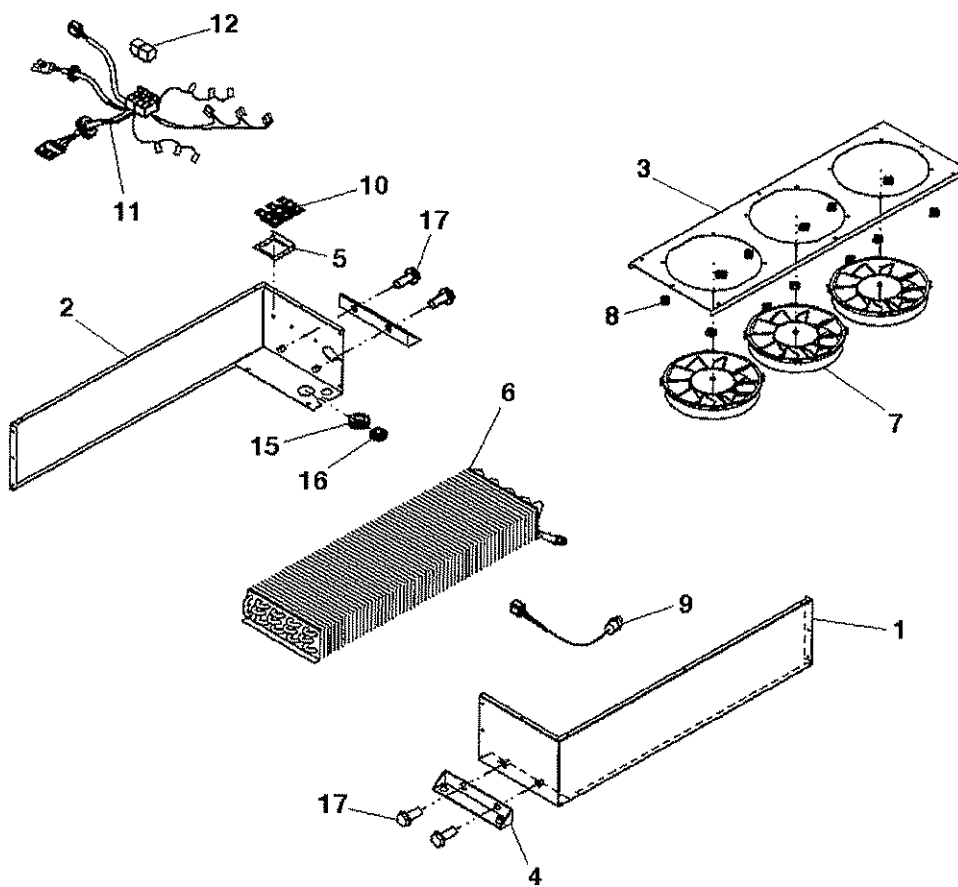
A) L=3,600M
B) L=3,600M

Air conditioner and heater, Simple cab
18783



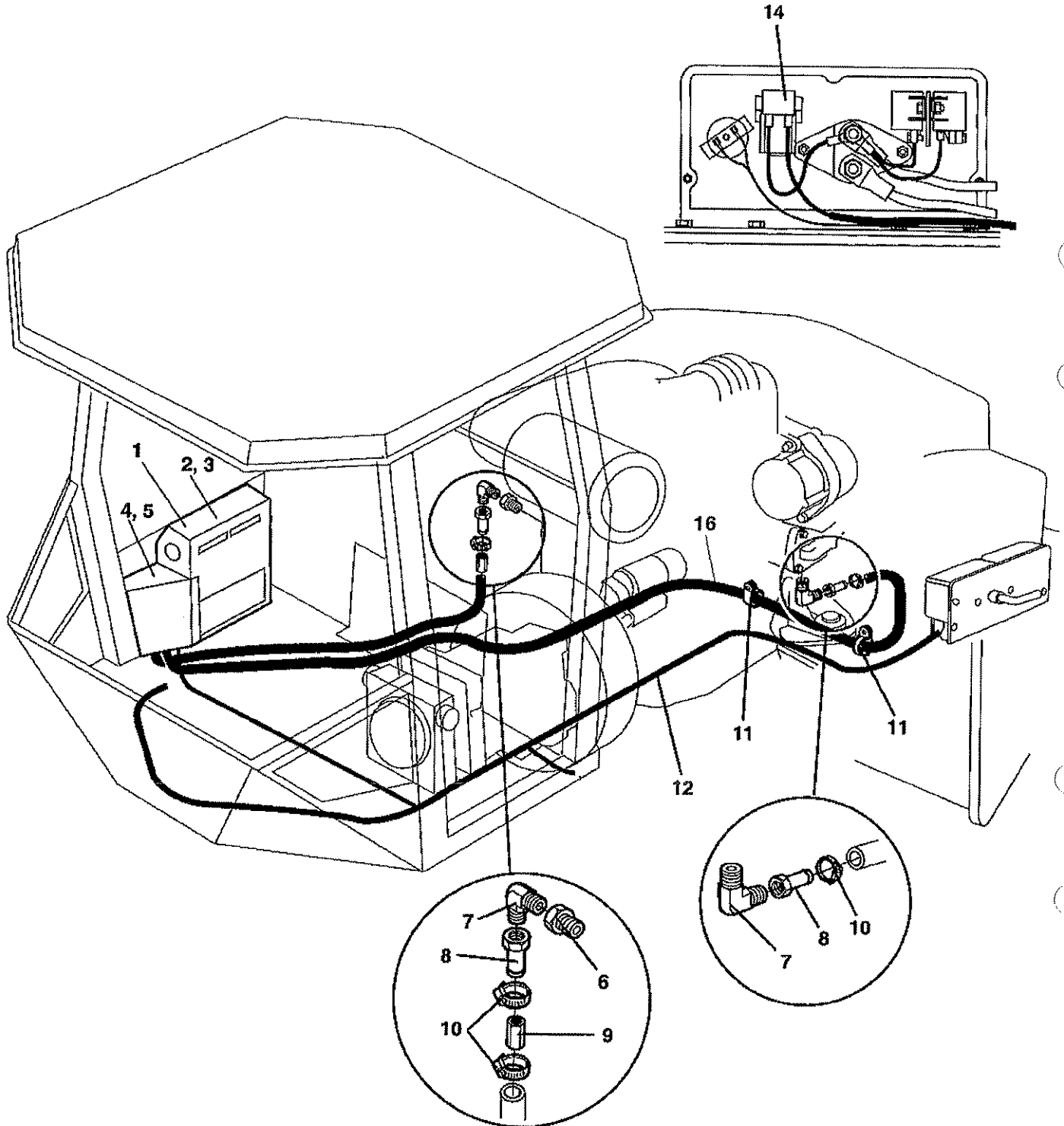
Air conditioner and heater, Simple cab

Item	Part No	Rem Qty	Description	Code
61	4700500022	10	Screw M8x30H 8.8 A2K	C
63	4700904165	1	Safety decal Toxic gases	D
66	4700313102		Cable ties	
72	4700902558	1	Clamp	
73	4700792248	5	Screw 4,2 X25	
76	4700813434	1	Reducer	
78	4700377965	1	Set screw	C
79	4700377378	1	Set screw	
80	4700904557	1	Steel plain washer	
81	4700500031	2	Screw	C
82	4700500161	1	Hexagon head screw	C
83	4700791172	5	Hexagon lock nut	C



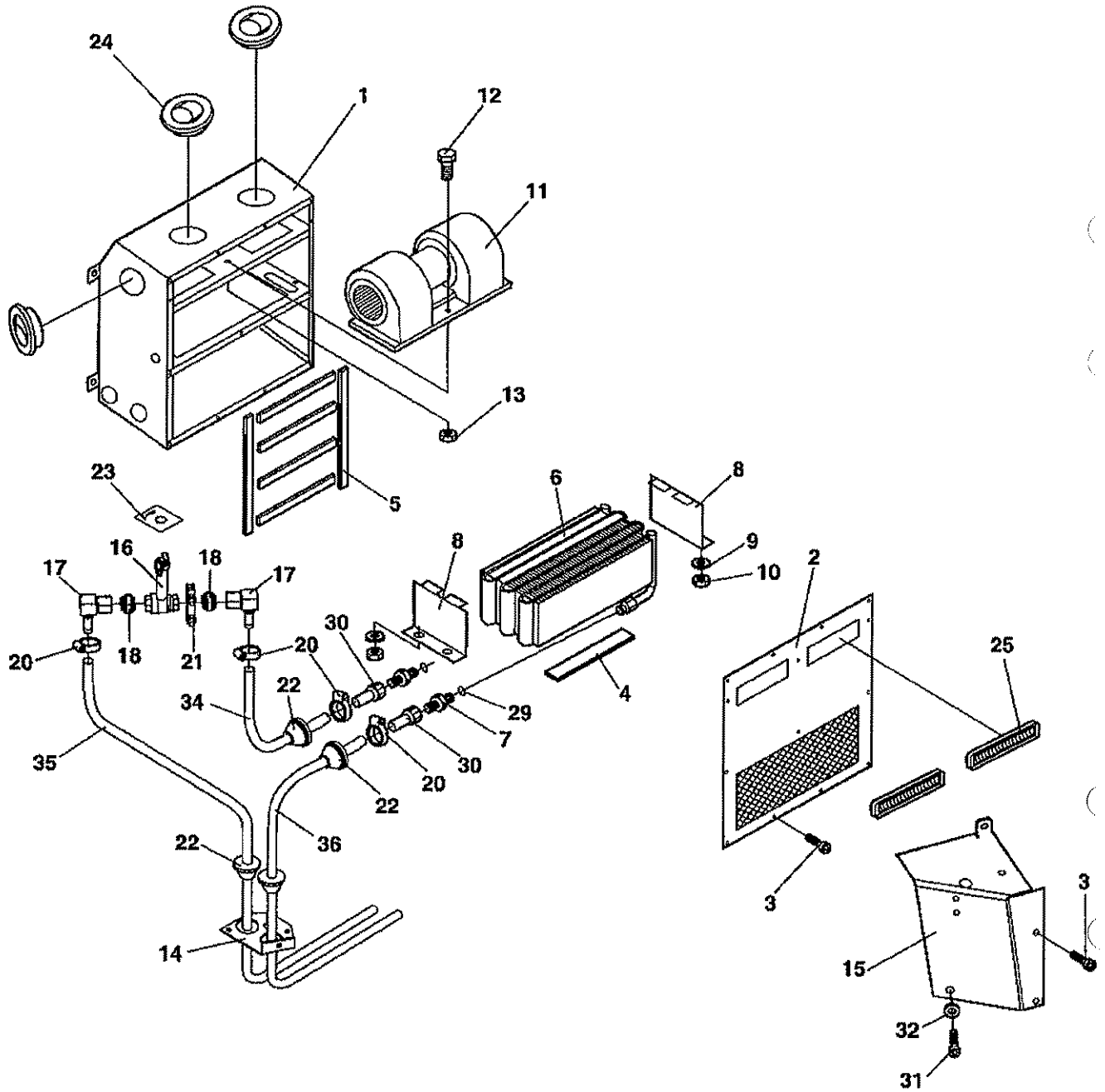
4700383413 Condenser, cpl

Item	Part No	Rem Qty	Description	Code
1	4700938597	1	Cover	
2	4700938598	1	Cover	
3	4700938599	1	Fan bracket	D
4	4700938600	2	Condensor bracket	
5	4700938601	1	Resistor bracket	
6	4700938602	1	Condensor Coil	B
7	4700938603	3	Fan	C
8	4700938604	12	Clip	
9	4700938605	1	Pressure switch	B
10	4700938606	3	Resistor	B
11	4700938607	1	Cable harness	
12	4700287598	2	Relay 12V-30A	A
15	4700938608	1	Grommet	C
16	4700938609	1	Grommet	
17	4700901832	4	Screw	C



Item	Part No	Rem Qty	Description	Code
1	4700385222	1	Heater (Page 192)	
2	4700500018	4	Screw M8-1,25x12 8,8	C
3	4700904229	4	Washer 8,4x16x1,5	
4	4700500013	2	Screw M6-1x16 8,8	C
5	4700904228	2	Washer 6,4x12x1,5	
6	4700813434	1	Reducer	
7	4700234365	2	Elbow 90	
8	4700814065	2	Hose connection	
9	4700372670	1	Reducer	
10	4700313002	3	Hose clamp 13-20 mm	
11	4700921132	2	Clamp	C
12	4700387466	A 1	Cable harness	
13	4700387467	A 1	Cable harness	
14	4700904294	1	Fuse	
15	4700313102	N	Cable ties	

A) Item 12 and 13 replaces Cable harness P/N 4700385235.



Item	Part No	Rem	Qty	Description	Code
1	4700938587		1	Heater box	
2	4700938588		1	Cover plate	
3	4700935259		15	Screw	
4	4700908587	A	1	Edge trim	D
5	4700935556	B	1	Sealing	
6	4700908585		1	Radiator	D
7	4700908589		2	Connector	C
8	4700935557		2	Heater element bracket	
9	4700904228		4	Washer 6,4x12x1,5	
10	4700570004		4	Nut M6X1,00 -8 A2K	
11	4700908595		1	Fan, cpl	D
12	4700500006		1	Screw M5x16	C
13	4700586001		1	Lock nut	C
14	4700938589		1	Plate	
15	4700938590		1	Control panel	
16	4700937738		1	Ball valve w. lever	
17	4700937742		2	Connector	
18	4700937741		23	Connector	
20	4700313003		4	Hose clamp	D
21	4700923984		1	Clamp	C
22	4700908496		1	Grommet	C
23	4700938856		1	Cable harness Work light	C
24	4700908513		3	Nozzle	A
25	4700908598		2	Nozzle	A
29	4700908588		2	O-ring	C
30	4700935558		2	Adapter	
31	4700500013		1	Screw M6-1x16 8,8	C
32	4700904735		1	Washer	C
34	4700937737	C	1	Hose	
35	4700937737	D	1	Hose	
36	4700937737	E	1	Hose	

- A) L=2,5 m
- B) L=1 m
- C) L=0,7 m
- D) L=3,6 m
- E) L=3,6 m

(

(

(

(

NUMERICAL INDEX

Part Number	Page	Part Number	Page	Part Number	Page
4700100040	17,33	4700313102	89,111,121,187	4700357426	139
4700116041	21,43		191	4700357427	139
4700160105	21,43	4700330170	55	4700357488	29
4700160132	101	4700330171	57,61	4700357494	143
4700160269	127	4700330331	51	4700357501	143
4700160272	87	4700330333	83	4700357583	125
4700162008	89	4700330383	51	4700357585	127
4700162011	43,45	4700334121	101,111	4700357643	139
4700162017	43,45	4700334132	87,89	4700357833	55
4700162018	43	4700334138	87,89	4700357855	139
4700162024	43	4700334140	89	4700358142	139
4700162027	43,45	4700334163	101	4700358143	139
4700167023	43	4700334196	121	4700358172	23,41
4700167032	17,33	4700334199	111	4700358254	139
4700167033	17,33	4700334205	101,117	4700358388	91,93
4700202028	35	4700334239	101	4700358452	131
4700202041	55	4700334389	117	4700358881	139,173,175,179
4700205027	55	4700334419	101	4700359550	89
4700212339	93	4700334463	61,121	4700359551	89
4700212396	7,9,11,13,51	4700334468	89	4700359552	89
4700212553	71,79	4700334523	121	4700370019	41,43
4700230515	51	4700334558	111	4700370020	41
4700232039	119	4700337042	33	4700370231	43
4700232041	29	4700337045	17,33	4700370766	149
4700232097	111	4700337221	17,33	4700370792	149
4700232210	41,43,45	4700338304	111	4700370803	149
4700233304	119	4700340863	109	4700370840	55
4700234218	111	4700343159	33	4700371326	127
4700234243	89	4700343318	43	4700371344	127
4700234354	101	4700343744	43,45	4700371512	47
4700234365	185,191	4700343775	29	4700371602	55
4700234382	101	4700343801	41	4700371620	51
4700234388	121	4700345234	101	4700371657	141
4700234622	121	4700345243	89	4700371658	141
4700234626	111	4700345870	185	4700371669	111
4700234662	111	4700345874	17,33	4700371727	51
4700234843	117	4700345875	17,33	4700371730	167
4700234875	89	4700346230	185	4700371774	55
4700234888	117	4700347119	29	4700372018	101
4700234909	89	4700347512	137	4700372087	29
4700244054	61	4700348331	137	4700372169	29
4700246069	55	4700348481	25,143	4700372229	7,13,89
4700272372	175	4700349682	41	4700372235	87
4700272373	173	4700349715	43	4700372347	149
4700281783	89	4700349879	119	4700372409	149
4700285909	143	4700349880	119	4700372457	151
4700285911	25,143	4700349909	87	4700372489	149
4700287597	127	4700349971	41	4700372494	137,151
4700287598	127,189	4700349972	41	4700372513	111
4700287724	87	4700349973	41	4700372514	111
4700310008	17	4700355263	127	4700372578	87,101
4700311016	183	4700355301	127	4700372580	87,101
4700313001	55,61	4700355446	61	4700372581	101
4700313002	61,191	4700355869	145	4700372586	87
4700313003	193	4700355890	183	4700372625	111
4700313004	51,185	4700355983	67	4700372658	183
4700313006	55	4700356348	121	4700372670	191
4700313010	55	4700357138	13,119	4700372678	149
4700313023	55	4700357278	89	4700372757	137
4700313035	143	4700357316	139	4700372758	129
4700313041	55,61	4700357424	139	4700372772	51
4700313093	63,185	4700357425	139	4700372785	137,151

NUMERICAL INDEX

Part Number	Page	Part Number	Page	Part Number	Page
4700372837	183	4700377274	125	4700381462	129
4700372964	145	4700377285	63	4700381634	43,45
4700373112	101	4700377378	187	4700381777	143
4700373123	33	4700377518	137,151	4700381989	35
4700373184	129	4700377556	137,151	4700382349	141
4700373361	89,97,99	4700377742	175	4700382391	51
4700373363	175	4700377743	175	4700382394	51
4700373364	175	4700377744	173	4700382397	151
4700373400	137	4700377937	185	4700382406	35
4700373442	41	4700377965	187	4700382411	35
4700373443	41	4700377966	185	4700382582	137,151
4700373460	29,61	4700378210	51	4700382751	173
4700373574	61	4700378211	51	4700382782	127
4700373746	147	4700378213	51	4700383200	149
4700373747	147	4700378214	51	4700383413	185,189
4700373748	147	4700379214	59	4700383424	185
4700373749	147	4700379236	157	4700383856	65,77
4700373750	147	4700379275	185	4700383951	149
4700373769	41	4700379280	185	4700383955	67
4700373770	41	4700379285	185	4700383959	101,103
4700373906	147	4700379286	185	4700383974	67
4700373907	147	4700379289	29	4700383975	67
4700374028	121	4700379304	185	4700384114	41,43
4700374029	129	4700379330	185	4700384121	41
4700374030	129	4700379331	185	4700384159	173
4700374059	89	4700379608	155	4700384163	129
4700374217	101	4700379636	137	4700384402	165
4700374398	131	4700379876	45	4700384403	165
4700374471	137	4700379878	43	4700384503	17,33
4700374606	151	4700379880	43,45	4700384589	185
4700374607	151	4700380012	35	4700384759	151
4700374728	41	4700380018	43,45	4700384875	185
4700374744	29	4700380079	109	4700384876	185
4700374898	33	4700380109	35	4700384877	185
4700375507	141	4700380113	137	4700384878	185
4700376000	111,115	4700380123	137	4700384879	185
4700376252	137,151	4700380146	101,109	4700385049	43,45
4700376340	35	4700380262	61	4700385100	65,67,69
4700376349	35	4700380277	127	4700385222	191,193
4700376354	35	4700380278	127	4700385442	185
4700376366	35	4700380281	125,127	4700385443	185
4700376488	149	4700380366	143	4700385908	185
4700376489	149	4700380436	29	4700386007	51
4700376551	31	4700380490	89	4700386152	63
4700376561	55	4700380549	125	4700386153	63
4700376619	63	4700380577	125	4700386272	21
4700376622	31	4700380699	125	4700386688	51
4700376818	35	4700380700	125	4700386699	55
4700376983	51	4700380727	137	4700386774	63
4700377071	133	4700380755	35	4700386999	125
4700377092	29	4700380798	133	4700387085	55
4700377144	37	4700380830	89,91,93,95	4700387128	51
4700377145	37	4700380963	147	4700387419	129
4700377161	55	4700380964	147	4700387466	185,191
4700377166	37	4700381027	43	4700387467	185,191
4700377167	37	4700381033	37	4700387638	185
4700377168	37	4700381297	35	4700387699	63
4700377169	37	4700381330	35	4700387728	127
4700377225	89	4700381347	35	4700388145	67
4700377226	89	4700381348	35	4700388146	67
4700377234	61	4700381352	149	4700388449	175
4700377237	55	4700381353	149	4700388470	185

NUMERICAL INDEX

Part Number	Page	Part Number	Page	Part Number	Page
4700388650	63	4700482516	117	4700500152	41
4700388728	55	4700482741	89	4700500153	147
4700388732	55	4700483022	87	4700500154	51
4700388800	63	4700483023	101	4700500161	187
4700388855	51	4700483024	101	4700500163	43,45
4700389138	51	4700483028	87	4700500165	31
4700389170	141	4700483029	87	4700500184	125
4700389175	141	4700483031	101	4700500188	33
4700389177	141	4700483033	89	4700500192	87,101,185
4700389184	141	4700483034	101	4700500194	51,101
4700389564	87	4700483035	101	4700500195	137,151
4700389577	131	4700483040	117	4700500196	43
4700389600	59	4700483049	111	4700500210	137
4700389912	29	4700483109	111	4700500239	51,149
4700390483	185	4700483128	89	4700500263	89
4700390587	67	4700483188	121	4700502034	111
4700390588	67	4700483204	121	4700502078	101
4700390589	67	4700483445	121	4700502132	87,89,101
4700390590	67	4700483497	111	4700506018	101
4700390591	67	4700483498	111	4700508029	51,111
4700390759	67	4700483697	111	4700508079	51
4700390760	67	4700500006	61,193	4700508080	101
4700390762	67	4700500008	55	4700509025	51
4700390798	55	4700500012	55,125,129	4700513012	35
4700390896	19,43,45	4700500013	51,131,141,143	4700527002	41
4700390900	173		185,191,193	4700533001	25,143
4700390927	159	4700500015	63	4700533038	143
4700392027	111,113	4700500018	55,121,191	4700533070	127
4700392106	113	4700500019	59,89,119,157	4700535005	161
4700392107	113		167,169	4700541702	127,129,131,139
4700392108	113	4700500021	57,61,89,131,139	4700541703	143
4700392109	113		141,143,147,183	4700570003	125,137
4700392110	113	4700500022	35,61,147,185	4700570004	127,143,185,193
4700392170	55	4700500023	111,185	4700570005	55,125,151
4700392313	55	4700500027	55	4700570006	111,185
4700392378	55	4700500028	87,89,101	4700573003	141
4700392784	35	4700500029	29,55,61,137,151	4700573004	143
4700392786	35	4700500030	119,145	4700586001	35,127,193
4700392981	119	4700500031	35,187	4700586002	35,55,127,133
4700392985	59	4700500033	89		139,147
4700392986	119	4700500035	125	4700586003	37,51,111,131
4700393335	67	4700500036	53		143,147,169,185
4700393857	35	4700500037	33	4700586018	51,87,129
4700394646	87	4700500040	35,55,125,129	4700586019	51
4700394650	87		133,139,141	4700586021	167
4700394683	59	4700500043	29,129	4700586023	41
4700394690	11,13,59	4700500046	63,89,141	4700588176	173
4700394691	13,59	4700500047	35,51	4700600008	111
4700394738	59	4700500048	145	4700603010	141
4700394765	55	4700500053	35,37,55,59,63	4700603018	61
4700394902	111		121,125,133,137	4700604007	101
4700396080	59		157,185	4700624005	173
4700416004	143	4700500057	41	4700624016	149
4700416034	141,143	4700500061	89,141	4700624017	173
4700450066	35	4700500070	41,51	4700629016	143
4700450067	35	4700500075	125,127	4700629066	167
4700470021	125	4700500082	41,43,45	4700635061	29,113
4700482010	89	4700500092	87	4700747282	55,61
4700482056	117	4700500100	149	4700747691	51
4700482182	89	4700500101	87	4700791119	119
4700482391	89	4700500122	185	4700791120	119
4700482399	117	4700500133	35,111	4700791156	43,45

NUMERICAL INDEX

Part Number	Page	Part Number	Page	Part Number	Page
4700791172	187	4700901455	91	4700903189	43
4700791175	67	4700901458	91	4700903190	43,61
4700791176	67	4700901465	93	4700903281	41
4700791183	125	4700901466	93	4700903290	87,137,151
4700791218	151	4700901467	93	4700903395	143
4700791306	51	4700901475	93	4700903422	173
4700791371	125	4700901476	93	4700903423	173
4700791468	51	4700901767	127,139	4700903424	173
4700791475	35	4700901832	189	4700903425	173
4700791503	125	4700901834	69,77	4700903457	115
4700791510	125	4700901987	75,83	4700903459	173
4700791511	125	4700902115	101	4700903570	91
4700791573	67	4700902123	145	4700903571	91
4700791595	125	4700902125	121	4700903580	91
4700791924	125	4700902163	139	4700903631	125
4700792039	89	4700902164	139	4700903632	51,125
4700792052	125	4700902166	35,55,59,63,87	4700903640	125
4700792081	51	4700902187	143	4700903641	125
4700792248	187	4700902189	143	4700903714	55
4700792261	67	4700902191	143	4700903750	87
4700792277	125	4700902203	137	4700903768	125
4700792549	35	4700902223	127	4700903782	157
4700801567	125	4700902224	127	4700903812	111
4700802550	59	4700902225	127	4700903820	127
4700813316	111	4700902227	129	4700903831	111
4700813391	29	4700902260	109	4700903852	185
4700813434	125,187,191	4700902261	109	4700903877	101
4700813435	61	4700902264	109	4700903906	185
4700813444	111	4700902265	109	4700903919	41
4700813499	87,89	4700902284	125	4700903985	67
4700813500	111	4700902285	35,125,141	4700904005	87,89,101,111
4700813618	47,97	4700902286	125	4700904036	125
4700813822	91,97	4700902379	35,139	4700904037	125
4700814065	191	4700902558	61,187	4700904038	129
4700900170	59	4700902581	89,97	4700904068	173,175
4700900229	89	4700902610	183	4700904069	175
4700900552	117	4700902624	103	4700904165	187
4700900604	89	4700902625	103,107	4700904180	149
4700900775	43,45	4700902638	103	4700904213	89,185
4700900776	19,43,45	4700902687	103	4700904228	35,51,55,63,127
4700900782	19,43,45	4700902695	103		129,131,133,139
4700900807	33	4700902697	107		141,143,147,185
4700900827	7,11,13,51	4700902724	103		191,193
4700900829	7,11,13,51	4700902752	103	4700904229	33,51,55,59,63
4700900957	73,81	4700902783	107		89,111,119,121
4700900966	73,81	4700902811	107		125,131,133,137
4700901145	67,137,151	4700902814	107		141,143,147,151
4700901155	101	4700902861	115		157,167,169,185
4700901157	101	4700902862	115		191
4700901218	67	4700902895	143	4700904230	29,51,55,61,87
4700901220	183	4700902896	143		89,101,129,137
4700901224	133	4700902919	29,139		145,151,185
4700901226	127	4700902924	185	4700904231	33,35,43,63,101
4700901240	127	4700902928	91,97		111,137,151
4700901328	95	4700902929	97	4700904232	31,41,43,45,51
4700901369	129	4700902930	97		101,167
4700901443	67	4700902944	97	4700904233	29,41,51,67,137
4700901444	67	4700902960	97		151
4700901449	51	4700902961	97	4700904234	41,149
4700901452	91	4700902962	97	4700904241	63
4700901453	91,97	4700902984	97	4700904281	35,55,61,125,127
4700901454	91	4700902996	97	4700904282	89

NUMERICAL INDEX

Part Number	Page	Part Number	Page	Part Number	Page
4700904294	191	4700908504	185	4700909574	71,79
4700904314	129	4700908506	157	4700909576	71,79
4700904340	147	4700908507	157	4700909580	71,79
4700904379	51	4700908513	193	4700909581	71,79
4700904385	113	4700908545	155,159	4700909582	69,77
4700904433	137,151	4700908580	159	4700909583	69,77
4700904479	33	4700908581	159	4700909584	69,77
4700904486	55	4700908582	159	4700909586	75,83
4700904504	35	4700908583	159	4700909596	81,83
4700904543	185	4700908585	193	4700909607	81
4700904551	55	4700908587	193	4700909609	73,81
4700904557	29,35,187	4700908588	193	4700909616	73,81
4700904562	149	4700908589	193	4700909618	73,81
4700904567	29,119,185	4700908595	193	4700909619	73,81
4700904619	149	4700908598	193	4700909622	73,81
4700904637	51,111	4700908605	163	4700909624	73,81
4700904638	51,87,89,101,125	4700908617	163	4700909626	73,81
4700904639	125	4700908623	161	4700909727	91
4700904640	35,37,55,59,63	4700908624	161	4700910161	111
	139,183	4700908625	167	4700910995	33
4700904663	9,11,13,17	4700908626	167	4700911620	115
4700904695	61	4700908627	167	4700921028	51
4700904697	143	4700908628	167	4700921031	129
4700904703	51,141,185	4700908780	115	4700921039	129,131
4700904718	37	4700909382	91	4700921056	185
4700904734	149	4700909386	91	4700921084	55,89
4700904735	55,89,193	4700909387	91	4700921099	55
4700904737	43,45	4700909388	91	4700921104	125
4700904773	101	4700909389	91	4700921116	125
4700904793	89	4700909390	91	4700921132	191
4700904812	143	4700909391	91	4700921161	185
4700904835	175	4700909392	91	4700922325	143
4700904846	127	4700909393	91	4700923087	91,93
4700904870	173	4700909398	91	4700923342	71,79
4700904910	133	4700909399	93	4700923371	89
4700904979	61	4700909428	93	4700923384	87,89,101
4700905304	163	4700909429	93	4700923984	193
4700905305	163	4700909432	93	4700923987	141
4700905306	163	4700909435	93	4700924620	17,33
4700908136	121	4700909436	93	4700924791	147
4700908229	173	4700909469	103,107	4700924875	35,139
4700908265	167	4700909514	103,107	4700925208	29
4700908267	169	4700909525	99	4700925631	61
4700908352	91	4700909527	127	4700925671	41
4700908355	167	4700909544	73,81	4700925723	117
4700908359	169	4700909550	71	4700925802	51,129
4700908361	167	4700909551	71	4700926214	17,33,111
4700908383	103	4700909552	71	4700926781	75,83
4700908399	59	4700909553	71	4700926810	73,81
4700908422	97	4700909558	71	4700926847	73,81
4700908426	97	4700909559	71	4700926985	55
4700908427	97	4700909560	71	4700927117	29
4700908432	91,93,97	4700909561	71	4700927857	63
4700908435	97	4700909562	71	4700927974	137,151
4700908443	97	4700909563	71	4700928497	25,143
4700908448	93	4700909565	71	4700928830	145
4700908485	71,79	4700909566	71	4700929013	115
4700908496	193	4700909567	71,79	4700929014	115
4700908499	155,157,159	4700909568	71,79	4700929023	125
4700908501	185	4700909569	71,79	4700929123	111
4700908502	185	4700909570	71,79	4700929217	67
4700908503	185	4700909572	71,79	4700929447	21,43

NUMERICAL INDEX

Part Number	Page	Part Number	Page	Part Number	Page
4700929602	139	4700935289	155	4700936305	107
4700929612	75,83	4700935290	155	4700936307	103
4700929617	73,81	4700935291	155	4700936308	103
4700929625	79	4700935293	155	4700936313	107
4700929626	79	4700935295	155	4700936370	107
4700929628	71,79	4700935296	155	4700936394	107
4700929629	71,79	4700935297	155	4700936546	91
4700929630	79	4700935298	155	4700936547	91
4700929631	79	4700935299	155	4700936548	95
4700929638	71,79	4700935300	155	4700936551	91
4700929644	71,79	4700935301	155	4700936553	91
4700929648	69,77	4700935302	155	4700936557	91
4700930151	127	4700935303	157	4700936558	91
4700930153	127	4700935380	47	4700936559	91
4700930154	127	4700935381	47	4700936560	91
4700930162	127	4700935382	47	4700936561	91
4700930163	127	4700935386	47	4700936562	93
4700930165	127	4700935387	47	4700936563	93
4700930166	127	4700935388	47	4700936564	93
4700930182	127	4700935389	47	4700936566	93
4700930200	127	4700935394	47	4700936567	93
4700932032	127	4700935395	47	4700936568	93
4700932050	127	4700935396	47	4700936570	93
4700935044	51	4700935397	47	4700936571	93
4700935164	105	4700935400	47	4700936582	91
4700935172	107	4700935401	47	4700936583	93
4700935192	103	4700935402	47	4700936593	97
4700935212	107	4700935403	47	4700936609	103,107
4700935219	103	4700935404	47	4700936612	103
4700935244	159	4700935405	47	4700936613	107
4700935245	159	4700935411	47	4700936614	107
4700935246	159	4700935413	47	4700936616	105
4700935247	159	4700935414	47	4700936617	105
4700935248	159	4700935415	47	4700936618	105
4700935249	159	4700935429	115	4700936619	105
4700935250	159	4700935468	115	4700936620	105
4700935253	159	4700935520	99	4700936621	105
4700935259	193	4700935521	97	4700936622	105
4700935265	159	4700935524	97	4700936623	105
4700935266	159	4700935525	97	4700936627	105
4700935267	159	4700935526	97	4700936628	105
4700935268	159	4700935527	97	4700936629	105
4700935269	159	4700935530	97	4700936630	105
4700935270	159	4700935531	97	4700936631	105
4700935271	155,159	4700935533	97	4700936632	105
4700935272	155,159	4700935536	97	4700936633	105
4700935273	155,159	4700935543	97	4700936634	105
4700935274	155,159	4700935544	97	4700936636	105
4700935275	155,159	4700935545	97	4700936637	105
4700935276	155,159	4700935556	193	4700936642	103
4700935277	155,159	4700935557	193	4700936643	103
4700935278	155	4700935558	193	4700936644	103
4700935279	155	4700935613	145	4700936646	103
4700935280	155	4700935614	145	4700936647	103
4700935281	155	4700935644	71	4700936648	103
4700935282	155	4700935664	97	4700936654	103
4700935283	155	4700935741	97	4700936655	103
4700935284	155	4700935749	97	4700936656	103
4700935285	155	4700935750	97	4700936657	107
4700935286	155	4700935856	91	4700936658	107
4700935287	155	4700935857	93	4700936659	107
4700935288	155	4700936304	107	4700936660	107

NUMERICAL INDEX

Part Number	Page	Part Number	Page	Part Number	Page
4700936661	107	4700938587	193	4700939284	73,81
4700936662	107	4700938588	193	4700939285	73,81
4700936663	107	4700938589	193	4700939286	73,81
4700936664	107	4700938590	193	4700939287	73,81
4700936665	107	4700938597	189	4700939348	73,75
4700936673	107	4700938598	189	4700939349	75,83
4700936686	103	4700938599	189	4700939350	75
4700936689	103	4700938600	189	4700939351	75,83
4700937055	111	4700938601	189	4700939403	61
4700937150	93	4700938602	189	4700939404	7,11,13,61
4700937187	105	4700938603	189	4700939405	61
4700937240	107	4700938604	189	4700939489	93
4700937259	109	4700938605	189	4700939504	51
4700937363	99	4700938606	189	4700940269	51
4700937380	155	4700938607	189	4700940322	5,7
4700937381	155	4700938608	189	4700940505	103
4700937382	155	4700938609	189	4700940507	103
4700937383	155	4700938659	155	4700940662	15,25
4700937384	155	4700938691	185	4700940676	103
4700937385	155	4700938856	193	4700940678	159
4700937389	155	4700938882	15,23	4700945140	51
4700937390	159	4700938891	15,21	4700945586	45
4700937391	159	4700938983	73,81	4700945592	43
4700937392	159	4700938984	73,81	4700945657	15,19
4700937393	159	4700938985	83	4700945757	97
4700937675	109	4700938989	71,79	4700945775	103
4700937737	185,193	4700939003	75,83	4700945776	103
4700937738	193	4700939015	75,83	4700945777	61
4700937741	193	4700939016	75,83	4700945880	109
4700937742	193	4700939017	75,83	4700950283	93
4700937857	93	4700939019	75,83	4700950284	93
4700937870	165	4700939026	73,81	4700950317	5,11
4700937871	163	4700939035	73,81	4700950611	5,13
4700938014	103	4700939036	73,81	4700950635	107
4700938017	159	4700939173	103	4700985012	127
4700938018	159	4700939255	73,81	4700985125	127
4700938062	115	4700939256	73,81	4700985146	127
4700938063	115	4700939257	71,79	4700989151	119
4700938064	115	4700939258	71,79	4700991658	175
4700938065	115	4700939259	71,79	4700991990	173
4700938066	115	4700939260	71,79	4700999011	131
4700938067	115	4700939261	71,79	4700999027	125
4700938068	115	4700939262	71	47386084BR	173
4700938069	115	4700939263	75,83	47386084CN	173
4700938070	115	4700939264	75,83	47386084DE	173
4700938071	115	4700939265	75,83	47386084DK	173
4700938072	115	4700939266	75,83	47386084EN	173
4700938073	115	4700939267	75,83	47386084ES	173
4700938074	115	4700939268	75,83	47386084FI	173
4700938075	115	4700939269	75,83	47386084FR	173
4700938101	159	4700939270	75,83	47386084GR	173
4700938170	93	4700939271	75,83	47386084IS	173
4700938252	93	4700939272	75,83	47386084IT	173
4700938253	93	4700939273	75,83	47386084NL	173
4700938290	155	4700939275	75,83	47386084NO	173
4700938291	155	4700939276	75,83	47386084PT	173
4700938292	155	4700939277	75,83	47386084SE	173
4700938296	73,81	4700939278	75,83	47960787SE	173
4700938514	13	4700939280	73,81	4812110216	129
4700938516	13	4700939281	73,81	4812110860	43
4700938528	5,9	4700939282	73,81	4812111094	43
4700938562	15,17	4700939283	73,81	4812155075	137

NUMERICAL INDEX

Part Number	Page	Part Number	Page	Part Number	Page
4812155764	107				
D433722101	17,33				
D433722102	17,33				