

Spare Parts Catalogue

SCA500PD-2EN2

Valid from roller serial number:
1000119x0A000001 -



Diesel engines:
Cummins 6BTA 5.9

Published catalogue issues valid for these rollers:

Catalogue	Issue date	Valid for serial numbers
SCA500PD-2EN1	2010-03	Replaced by SCA500PD-2EN2
SCA500PD-2EN2	2011-10	See above



RESERVDLSBESTÄLLNING

Följande uppgifter ska lämnas vid beställning av reservdelar för att undvika leveransfel:

1. Maskintyp.
2. Vältens serienummer.
3. Antal av önskad reservdel.
4. Reserdelens artikelnummer.
5. Reservdelens benämning.
6. Måttuppgifter vid beställning av metervara.

ORDERING SPARE PARTS

To avoid errors in delivery, please give the following information when ordering spare parts:

1. Type of machine.
2. Roller serial number.
3. Quantity required.
4. Part number.
5. Parts denomination.
6. Dimensions when ordering per length.

ERSATZTEILBESTELLUNG

Zur Vermeidung von Fehllieferungen sind bei der Bestellung von Ersatzteilen folgende Angaben zu machen:

1. Maschinentyp.
2. Herstellungsnummer.
3. Bestellmenge. (Quantity)
4. Ersatzteilnummer. (Part N°)
5. Ersatzteilbenennung. (Denomination)
6. Massangaben bei Bestellung von Meterware.

ORDINI DI RICAMBI

Per evitare errori nelle consegne di ricambi, Vi preghiamo di comunicarci le seguenti informazioni al momento dell'ordinazione:

1. Tipo di macchina.
2. Numero di serie della macchina.
3. Quantità dei pezzi desiderati. (Quantity)
4. Numero di codice del pezzo. (Part N°)
5. Descrizione del pezzo di ricambio. (Denomination)
6. Misura, in caso di ordine per metro.

PEDIDO DE RECAMBIOS

Para evitar errores en las entregas, deberán indicarse los siguientes datos al hacer un pedido de recambios:

1. Tipo de máquina.
2. Número de serie.
3. Cantidad de piezas deseadas. (Quantity)
4. Número de artículo de la pieza de recambio. (Part N°)
5. Denominación de la pieza. (Denomination)
6. Indíquese la medida al solicitar un artículo que se expide por metros.

COMMANDE DE PIÉCES DE RECHANGE

Les indications suivantes doivent être fournies lors de la commande de pièces de rechange, afin d'éviter toute erreur de livraison:

1. Type de machine.
2. Numéro de série.
3. Quantité désirée de pièce de rechange. (Quantity)
4. Numéro de la pièce de rechange. (Part N°)
5. Dénomination de la pièce de rechange. (Denomination)
6. Longueur en cas de commande au mètre.

YOUR AGENT/DEALER:

Text pages

The text pages are structured as the picture on the right.

1. This is the remarks for specific items and the descriptions of the remarks is at the bottom of the parts list.

2. Parts indicated by a dot and moved to the right are included when buying the assembled unit above.

3. Spare parts Class code for a specific part.
 "A" = 3 or more units/year,
 "B" = 2 or more units/year,
 "C" = 1 or more units/year,
 "D" = at least 1 unit/year.

Dynapac Compaction Equipment AB

DYNAPAC
Part of the Atlas Copco Group

Engine cover, left

Item	Part No	Rem Qty	Description	Code
	4700396684	1	Engine cover, cpl	
1		1	. Cover	③
2	4700396607	1	. Lock	
	4700902866	1	. Key Marked "455"	A
3	4700624020	4	. Blind rivet	
4	4700379976	① 1	. Cover	
5	4700792325	10	. Blind rivet	
7	4700202057	B	1XL . Edge trim	D
8	4700902166	C	1XL . Edge trim	D
9	4700903953	D	1XL . Edge trim	D
11	4700390365	1	. Spacer	
12	4700924875	2	. Screw	
13	4700904228	2	. Washer 6,4x12x1,5	C
14	4700586002	2	. Lock nut M6 -8	C
15	4700390545	1	. Strap	
16	4700904735	1	. Washer	C
17	4700500059	1	. Screw	

① B) L=0.625m
 C) L=0.6m
 D) L=1.2m

Changes

PARTS INFO	SERVICE INFO	GROUP	PAGE	NOTES

Notes

PÄRMETIKETT

För att undvika fel vid reservdelsbeställning finns här nedan två etiketter som passar i fickorna på pärmarnas ryggar. På dessa kan man se från vilket vältnummer av aktuell maskin reservdelskatalogen gäller. Gör så här:

1. Tag denna sida ur pärmen.
2. Klipp ut etiketten till **VÄNSTER** (1) och sätt in den i fickan på **DENNA** pärmens rygg.
3. Finns det en etikett till **HÖGER** (2), kan denna användas på pärmen för **FÖREGÅENDE** utgåva av denna katalog.
4. Kasta detta papper.

KATALOG-BESCHRIFTUNG

Zur Vermeidung von Fehlern bei der Ersatzteilbestellung benutzen Sie bitte die unteren Beschriftungen, um die Kataloge auf der Rückseite zu kennzeichnen. Auf der Beschriftung ist angegeben, für welche Maschinennummern der jeweilige Katalog gültig ist. Ablauf:

1. Nehmen Sie dieses Blatt aus dem Katalog.
2. Schneiden Sie die **LINKE** Beschriftung (1) aus. Schieben Sie die Beschriftung in die tasche auf **DEM** Katalogrücke.
3. Sollte die Beschriftung unten **RECHTS** (2) mitgeliefert werden, kennzeichnen Sie damit bitte die **ÄLTERE** Ausführung dieses Kataloges.
4. Den Rest dieses Blattes bitte vernichten.

ETIQUETA PARA LA CARPETA

Para evitar errores al pedir repuestos utilicen las etiquetas abajo descritas para identificar los catálogos en la parte trasera de la carpeta. En la etiqueta se ven los números de referencia de la serie para la cual es válido el catálogo. Instrucciones:

1. Quitar esta página de la carpeta.
2. Corta la etiqueta **IZQUIERDA** (1) y ponerla en **ESTA** carpeta en la parte trasera.
3. Si hay una etiqueta en la parte **DERECHA** (2) se puede utilizar en la carpeta para el catálogo que **PRECEDE** a esta.
4. Tirar esta hoja.

BINDER LABEL

To avoid errors when ordering spare parts use the labels below to identify the catalogues on the back of the binder. The label contain the serial number range for which the catalogue is valid. Do like this:

1. Remove this page from the binder.
2. Cut out the **LEFT** label (1) and put it on **THIS** binders back.
3. If there is a label to the **RIGHT** (2), it can be used on the binder for **PRECEDING** issue of this catalogue.
4. Throw away this paper.

ETICHETTAPOSTASULRACCOGLITORE

Per evitare errori quando ordinate pezzi di ricambio, usate le etichette in calce che servono ad identificare i cataloghi sul retro del raccoglitore. L'etichetta indica il numero di matricola delle macchine prese in considerazione nel catalogo.

1. Rimuovete questa pagina dal raccoglitore.
2. Ritagliate l'etichetta posta a **SINISTRA** (1) e ponetela sul retro **DEL** raccoglitore.
3. Se trovate anche un'etichetta sulla **DESTRA** (2), ritagliatela e ponetela sul raccoglitore relativo alla **PRECEDENTE** edizione del catalogo.
4. Distruggete questo foglio.

ETIQUETAGE DU CATALOGUE

Afin d'éviter des erreurs lors de commandes de pièces de rechange, nous vous conseillons d'apposer les marquages ci-dessous à l'arrière du classeur, pour identifier les catalogues. Ce marquage indique les numéros de série pour lesquels le catalogue est adapté. Il convient de procéder de la façon suivante:

1. Retirez cette page du classeur.
2. Découpez l'étiquette de **GAUCHE** (1), et apposez-la à l'arrière de **CE** catalogue.
3. Si il y a une étiquette à **DROITE** (2), vous pourrez l'apposer sur le classeur de l'édition **PRECEDENTE** du catalogue.
4. Détruire cette feuille.

1 .

**CA500PD**

Catalogue SCA500PD-2EN2
Valid from serial number:
10000119x0A000001-

TABLE OF CONTENTS

Page

CA500PD SN 10000119x 0A000001 -	2
Service kits	4
4700940322 Service kit 50h	6
4700938528 Service kit 250/750 h	8
4700950317 Service kit 500h	10
4700950611 Service kit 1000h	12
Repair kits	14
4700938562 Steering hitch kit	16
4700945657 Eccentric shaft kit	18
4700938891 Drum rotation kit	20
4700938882 Shock absorber kit, drum	22
4700940662 F/R control button kit	24
Frame	26
Frames	28
Scrapers	30
Scrapers	32
Heavy duty scraper Option	34
Hitch	36
Structure	38
Side covers Option	40
Drum	42
Drum	44
Drum cartridge Vibration side	46
Drum cartridge Drive side	48
Drum gear	50
Engine	52
Engine Cummins 6BTA 5.9	54
Fan and Fan clutch	58
Cooling system	60
Combustion air system	64
Fuel system	66
Exhaust system	68
Transmission	70
Rear axle and wheels	72
4700385100 Rear axle Limited slip	74
Differential with limited slip	76
Differential housing and brakes	78
Planet gear	80

TABLE OF CONTENTS

Page

4700383856	Rear axle No-Spin, Option	82
	Differential with no-spin	84
	Differential housing and brakes	86
	Planet gear	88
	Hydraulic system	90
	Propulsion system, Front	92
	Propulsion system, Rear	94
4700380830	Propulsion pump	96
4700373361	Propulsion motor	102
	Vibration system	106
4700383959	Vibration pump	108
	Rotating group, cpl	110
4700936609	Valve block, cpl	112
4700380146	Hydraulic motor, vibration	114
	Steering system	116
4700392027	Steering cylinder	118
4700376000	Steering valve	120
	Brake system	122
	Hydraulic oil tank	124
	Central test panel hydraulic Option	126
	Central test panel hydraulic Option	128
	Electrical equipment	130
	Electric system	132
	Control panel	134
	Working lights Option	136
	Rotating beacon Option	138
	Back-up alarm Option	140
	Drivers platform	142
	Drivers platform	144
	Control panel	146
	Throttle control	148
	Forward and reverse control	150
	Steering column	152
	Canopy Option	154
	Rops and fops	156
	Cab mounting	158
	Cab 4700378308	160
	Cab Screens	162
	Cab Door, left side	166
	Cab Interior rear mirror	168
	Wiper arm with blade, front	170
	Cab Electric	172

TABLE OF CONTENTS

Page

Cab Exterior rear mirror	174
Cab Work light	176
Decals	178
Decals	180
Decals	182
Standard equipment	184
Standard equipment	186
Optional equipment	188
Tool equipment	190
Air conditioner and heater, Simple cab	192
4700383413 Condensor, cpl	196
Heater Simple cab	198
4700385222 Heater	200

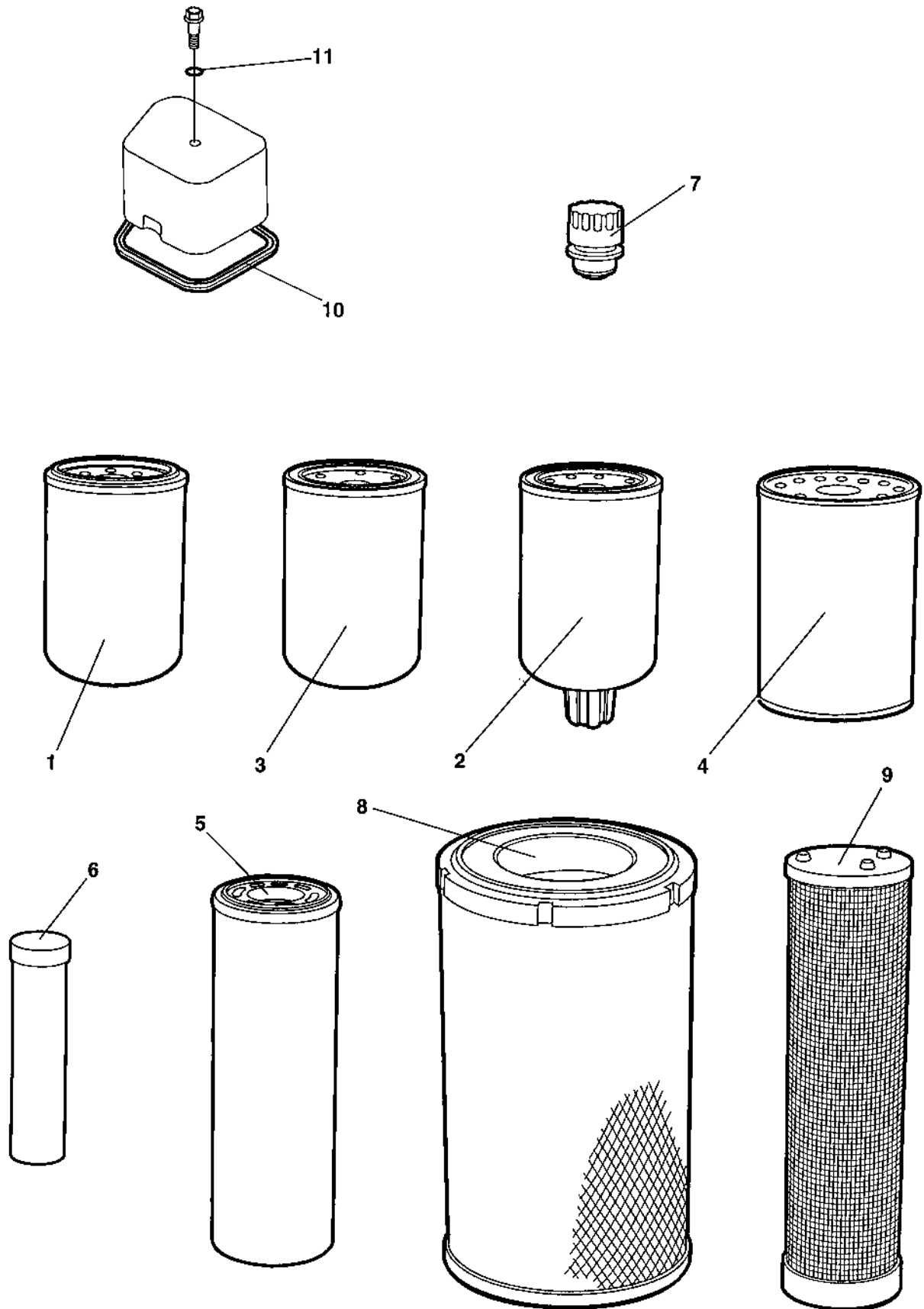


CA500PD SN 10000119x 0A000001 -

Item	Part No	Rem Qty	Description	Code
1			Service kits (Page 4)	
2			Repair kits (Page 14)	
10			Frame (Page 26)	
20			Drum (Page 42)	
30			Engine (Page 52)	
40			Transmission (Page 70)	
50			Hydraulic system (Page 90)	
60			Electrical equipment (Page 130)	
70			Drivers platform (Page 142)	
80			Decals (Page 178)	
90			Standard equipment (Page 184)	
91			Optional equipment (Page 188)	

Service kits

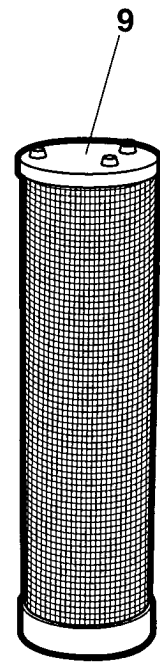
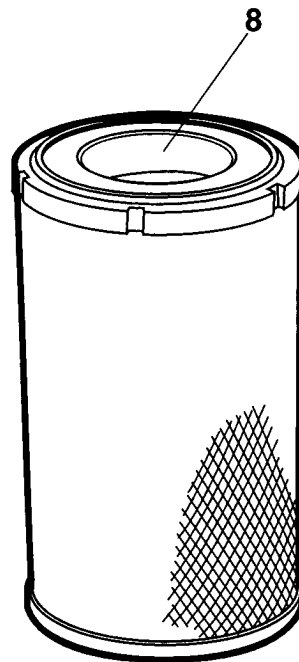
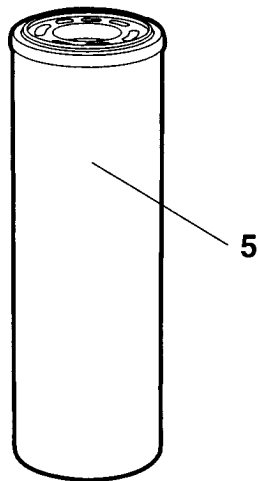
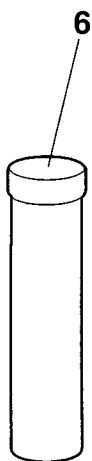
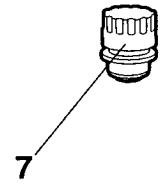
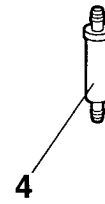
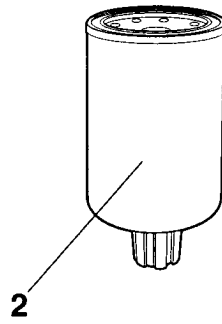
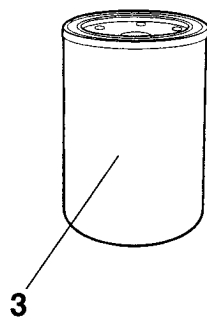
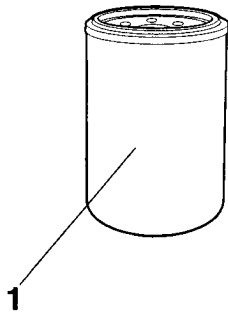
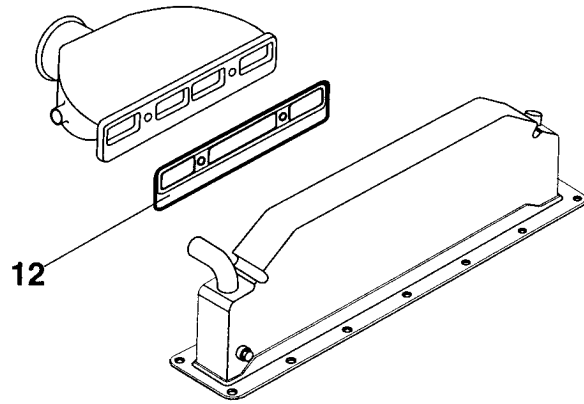
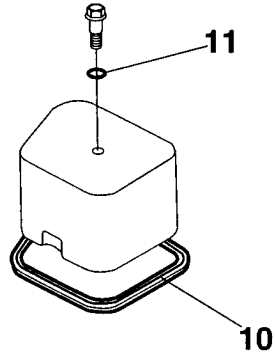
Item	Part No	Rem Qty	Description	Code
1	4700940322		Service kit 50h (Page 6)	
2	4700938528		Service kit 250/750 h (Page 8)	
4	4700950317		Service kit 500h (Page 10)	
6	4700950611		Service kit 1000h (Page 12)	



4700940322 Service kit 50h

Item	Part No	Rem	Qty	Description	Code
	4700940322			Service kit 50h (Page 6)	
1	4700212396		1	Oil filter	A
2	4700900827	1	1	Fuel filter	A
3	4700900829		1	Fuel filter	A
4	4700939404	2	1	Pre-fuel filter element	A
5	4700372229		1	Hydraulic oil filter element	A

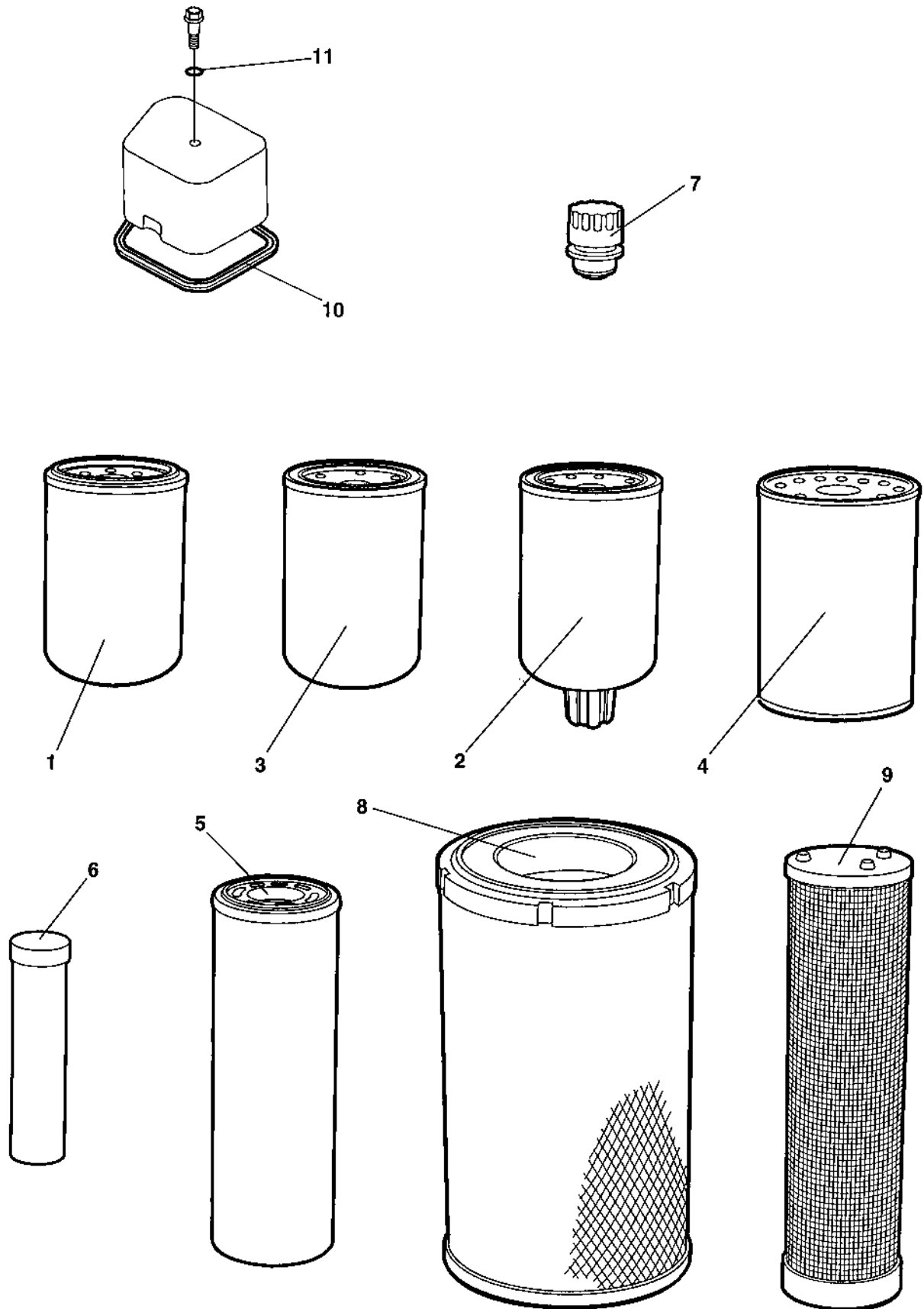
- 1) With water separator.
- 2) Pre-Fuel filter



4700938528 Service kit 250/750 h

Item	Part No	Rem Qty	Description	Code
	4700938528		Service kit 250/750 h (Page 8)	
1	4700212396	1	Oil filter	A

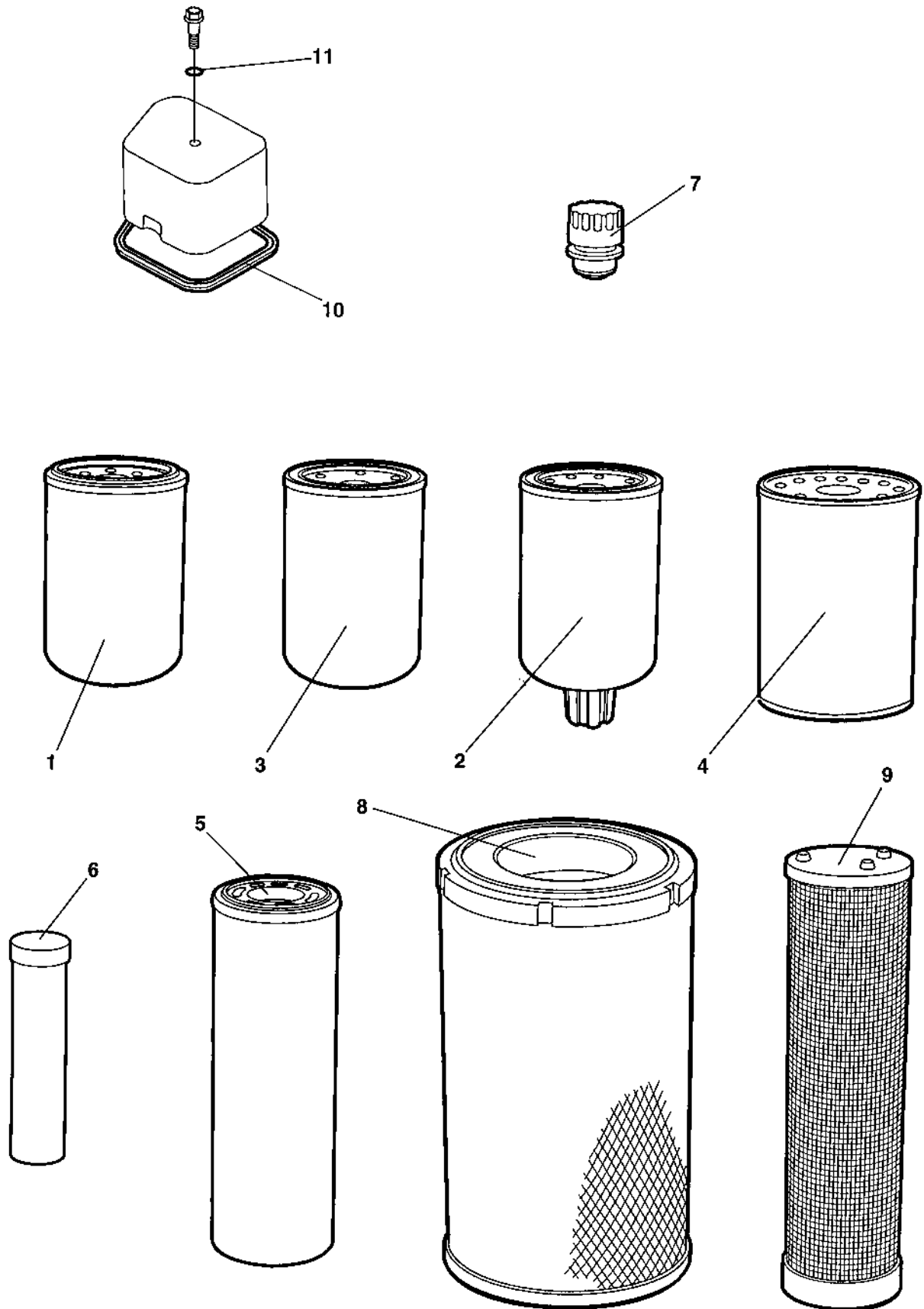
4700950317 Service kit 500h



4700950317 Service kit 500h

Item	Part No	Rem	Qty	Description	Code
	4700950317			Service kit 500h (Page 10)	
1	4700212396		1	Oil filter	A
2	4700900827	1	1	Fuel filter	A
3	4700900829		1	Fuel filter	A
4	4700939404		1	Pre-fuel filter element	A
8	4700394690		1	Air filter element, main	A

1) With water separator.



4700950611 Service kit 1000h

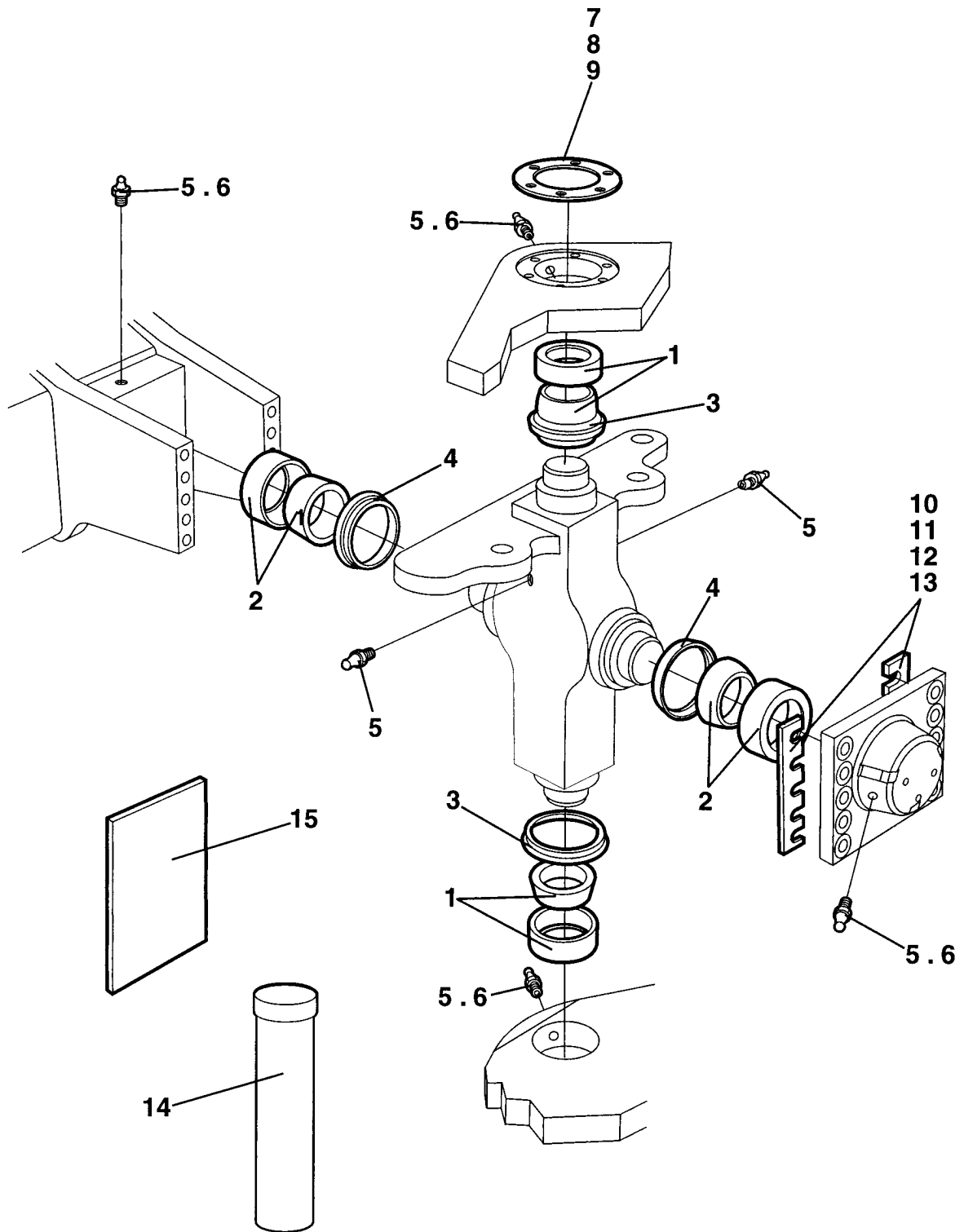
Item	Part No	Rem	Qty	Description	Code
	4700950611			Service kit 1000h (Page 12)	
1	4700212396		1	Oil filter	A
2	4700900827	1	1	Fuel filter	A
3	4700900829		1	Fuel filter	A
4	4700939404	2	1	Pre-fuel filter element	A
5	4700372229		1	Hydraulic oil filter element	A
7	4700357138		1	Ventilating filter	A
8	4700394690		1	Air filter element, main	A
9	4700394691		1	Air filter element, safety	A
10	4700938514		6	Valve cover gasket	A
11	4700938516		6	Gasket	A

- 1) With water separator.
- 2) Pre-Fuel filter.

Repair kits

Item	Part No	Rem Qty	Description	Code
5	4700938562		Steering hitch kit (Page 16)	
10	4700945657		Eccentric shaft kit (Page 18)	
20	4700938891		Drum rotation kit (Page 20)	A
30	4700938882		Shock absorber kit, drum (Page 22)	
40	4700940662		F/R control button kit (Page 24)	

4700938562 Steering hitch kit

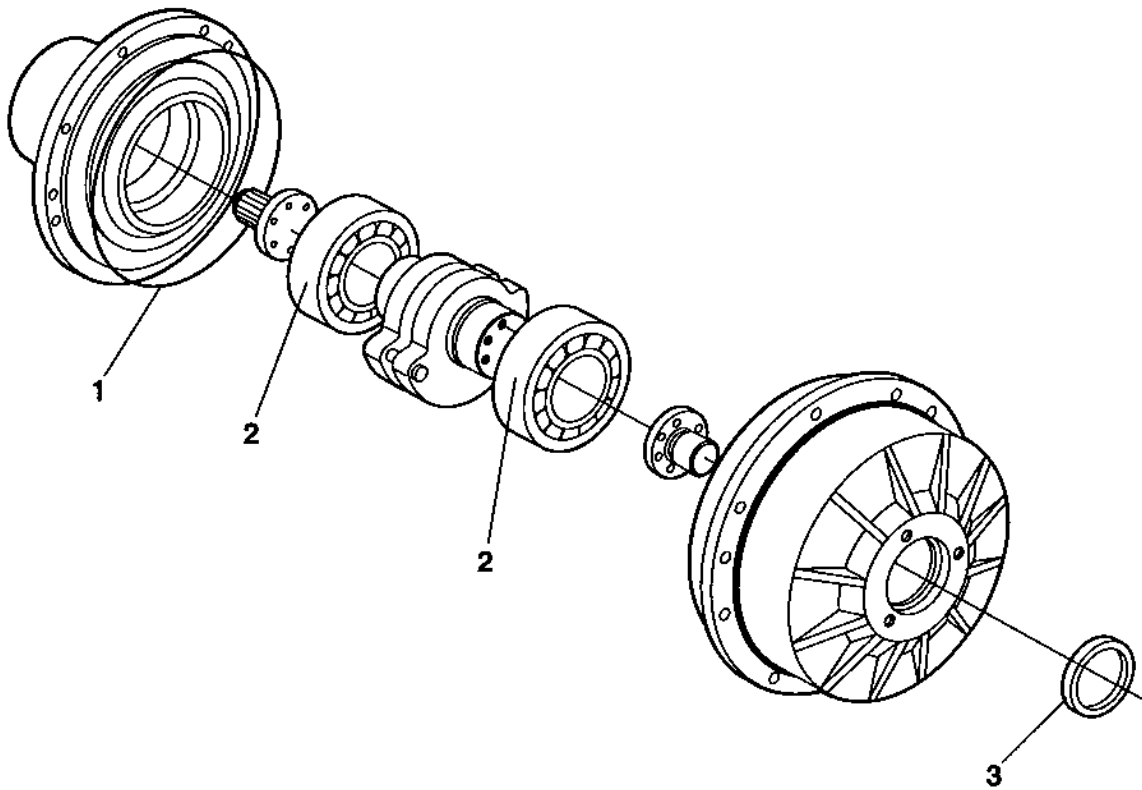


4700938562 Steering hitch kit

Item	Part No	Rem Qty	Description	Code
	4700938562		Steering hitch kit (Page 16)	
1	4700100040	2	Axial ball bearing	B
2	4700924620	2	Axial ball bearing	D
3	4700167032	2	Lip-type oil seal	C
4	4700167033	2	Ring	D
5	4700310008	A 3	Grease nipple	C
6	4700926214	2	Grease fitting	C
7	4700337045	2	Shim T=1,0 mm	C
8	4700345874	2	Shim T=0,35 mm	C
9	4700345875	2	Shim T=0,10 mm	C
10	4700337221	2	Shim T=1,0 mm	C
11	D433722101	2	Shim T=0,35 mm	D
12	D433722102	2	Shim T=0,10 mm	D
13	4700384503	2	Shim T=0,15 mm	C
14	4700904663	1	Lube grease " DYNAPAC special approved "	A
15		1	Instructions	

A) Valid for CC501/CC722 only.

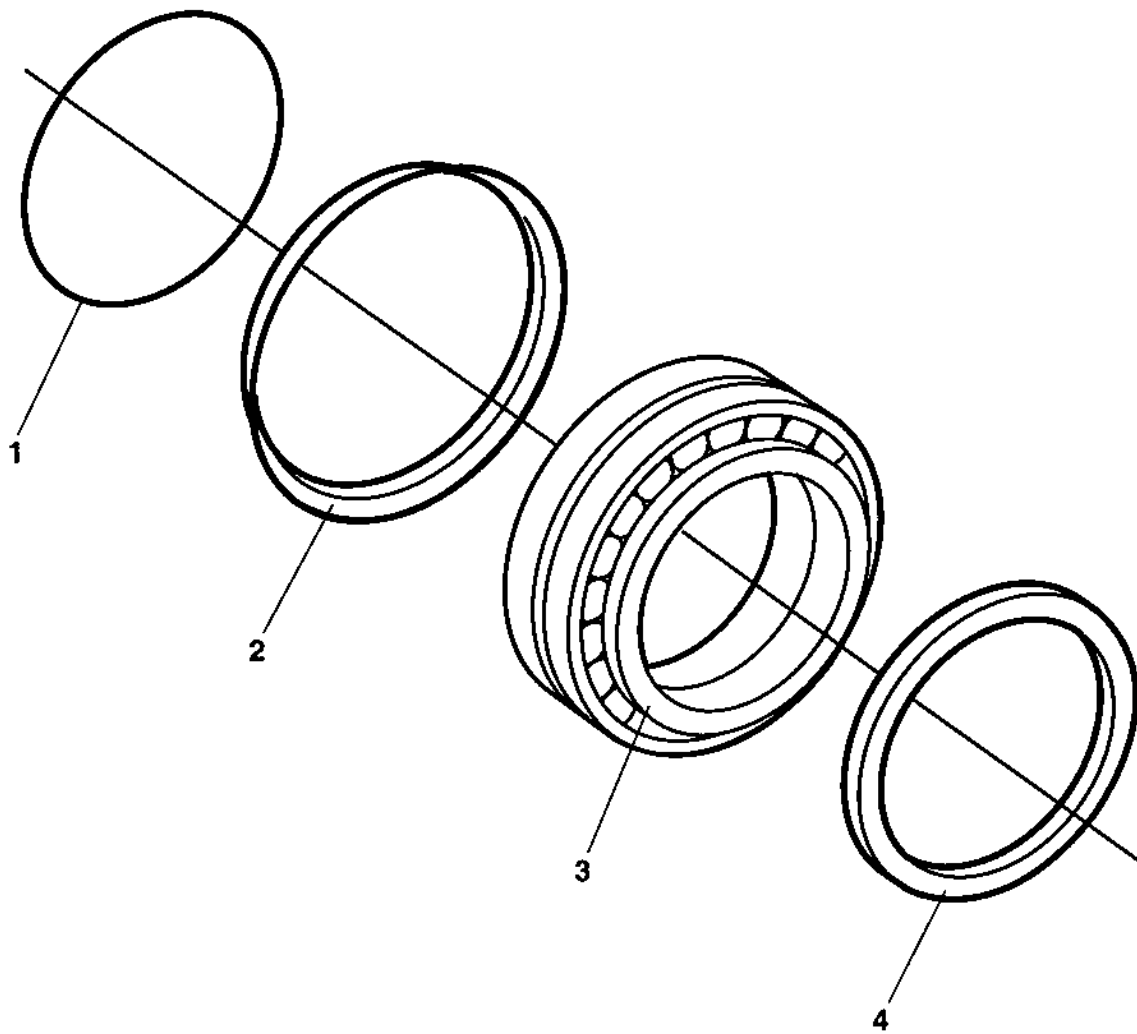
4700945657 Eccentric shaft kit



4700945657 Eccentric shaft kit

Item	Part No	Rem Qty	Description	Code
	4700945657		Eccentric shaft kit (Page 18)	
1	4700900776	1	O-ring	D
2	4700390896	2	Spherical roller bearing	B
3	4700900782	1	Seal ring	D

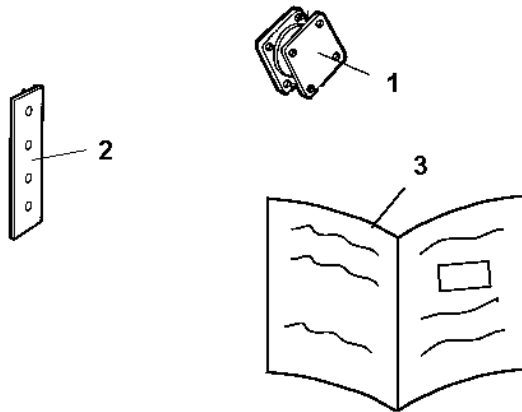
4700938891 Drum rotation kit



4700938891 Drum rotation kit

Item	Part No	Rem Qty	Description	Code
	4700938891		Drum rotation kit (Page 20)	A
1	4700160105	1	O-ring 70	C
2	4700929447	1	V-ring	B
3	4700116041	1	Taper roller bearing	B
4	4700386272	1	Sealing	B

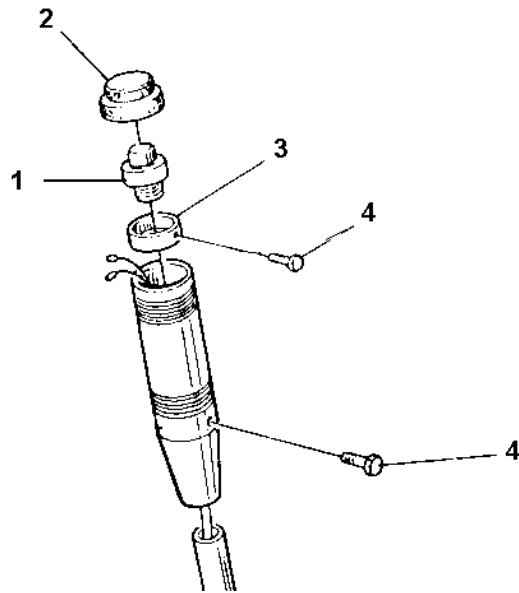
4700938882 Shock absorber kit, drum



4700938882 Shock absorber kit, drum

Item	Part No	Rem Qty	Description	Code
	4700938882		Shock absorber kit, drum (Page 22)	
1	4700358172	18	Shock absorber	B
2	4700393276	4	Shim T = 1,5 mm	D
3	4812156170	1	Instructions	

4700940662 F/R control button kit



4700940662 F/R control button kit

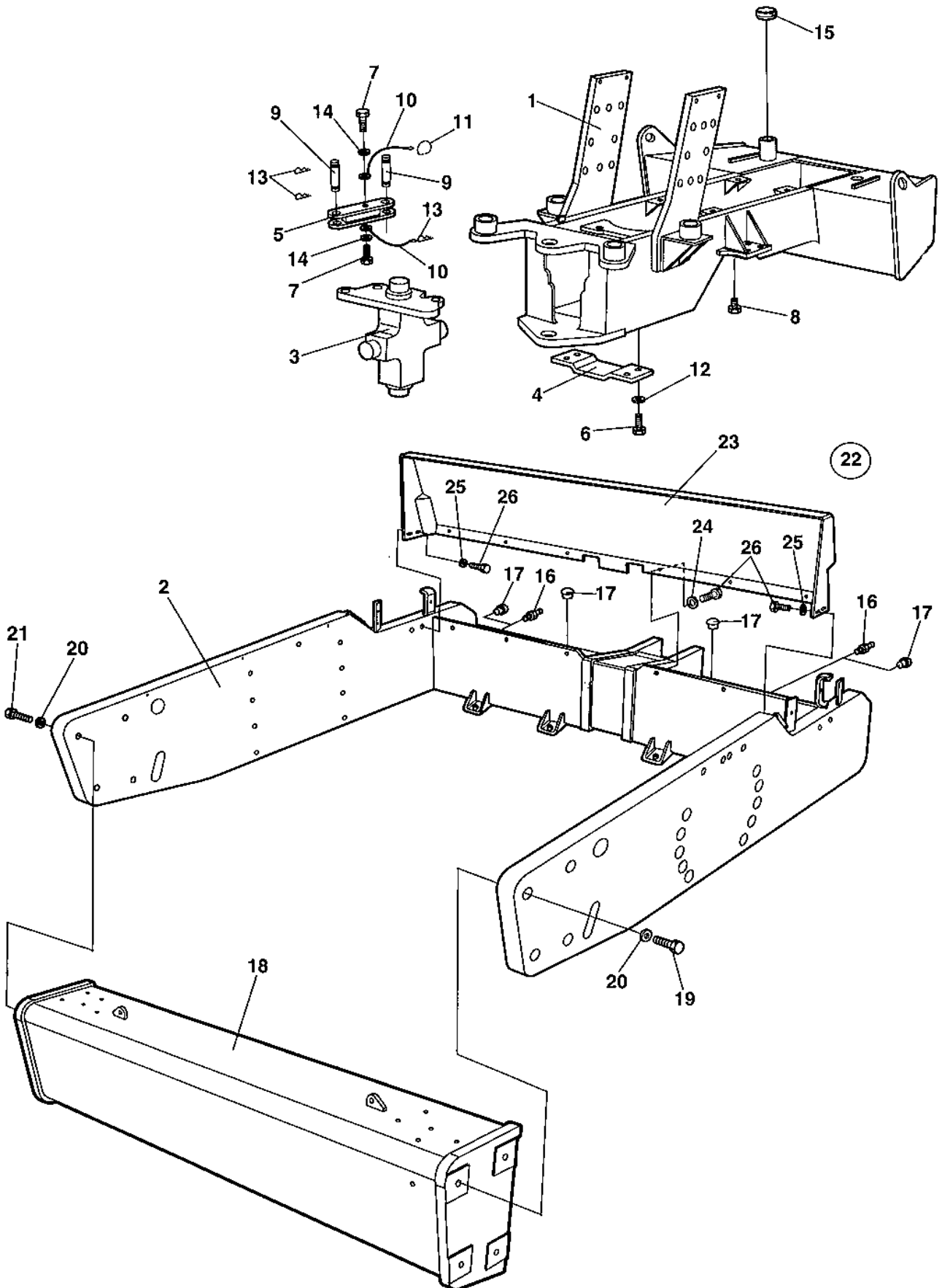
Item	Part No	Rem Qty	Description	Code
1	4700928497	1	Push button	B
2	4700348481	1	Cover	B
3	4700285911	1	Bushing	D
4	4700533001	3	Screw	D

Frame

Frame

Item	Part No	Rem Qty	Description	Code
10			Frames (Page 28)	
20			Scrapers (Page 30)	
25			Scrapers (Page 32)	
27			Heavy duty scraper Option (Page 34)	
30			Hitch (Page 36)	
45			Structure (Page 38)	
80			Side covers Option (Page 40)	

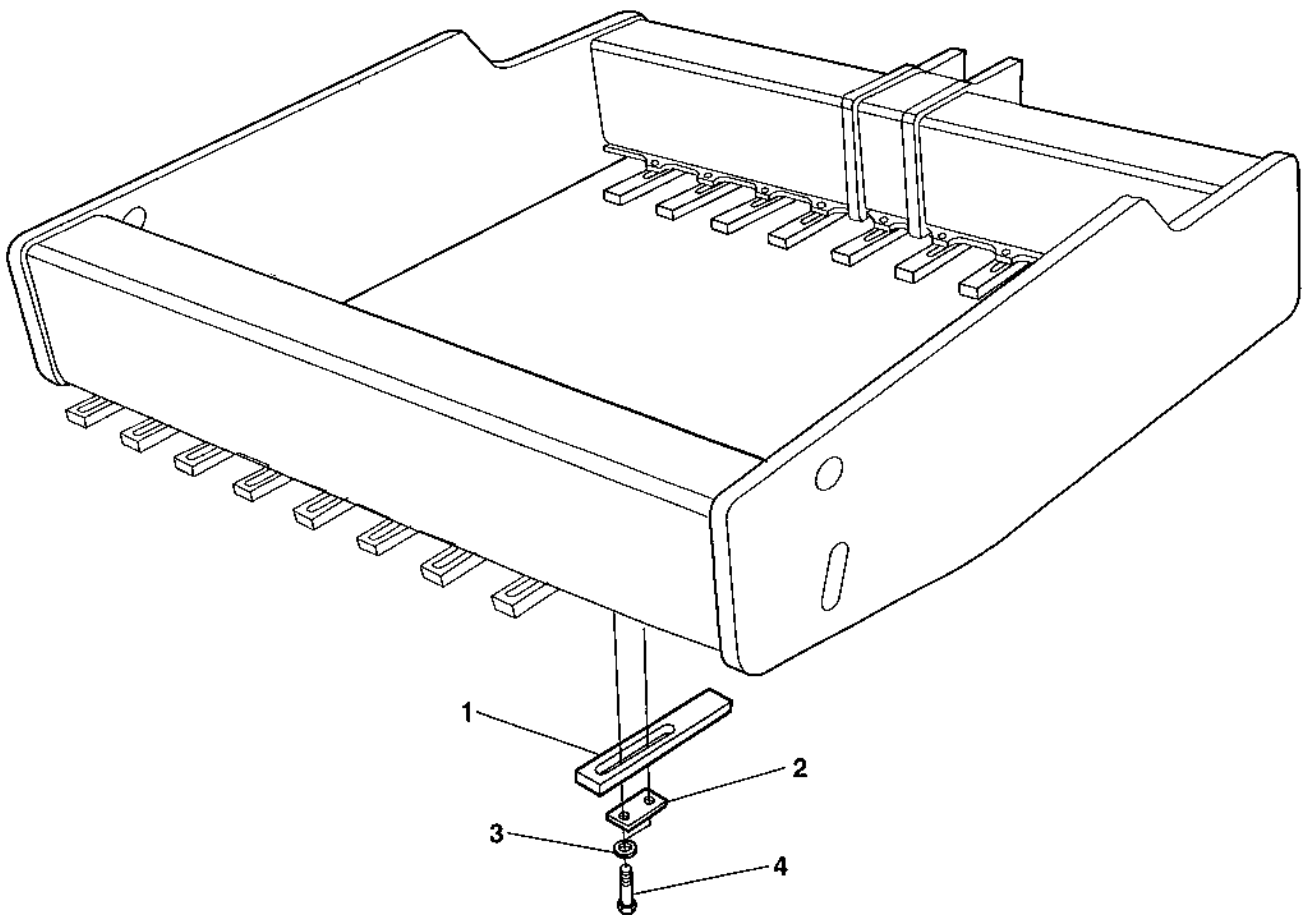
Frames



Frames

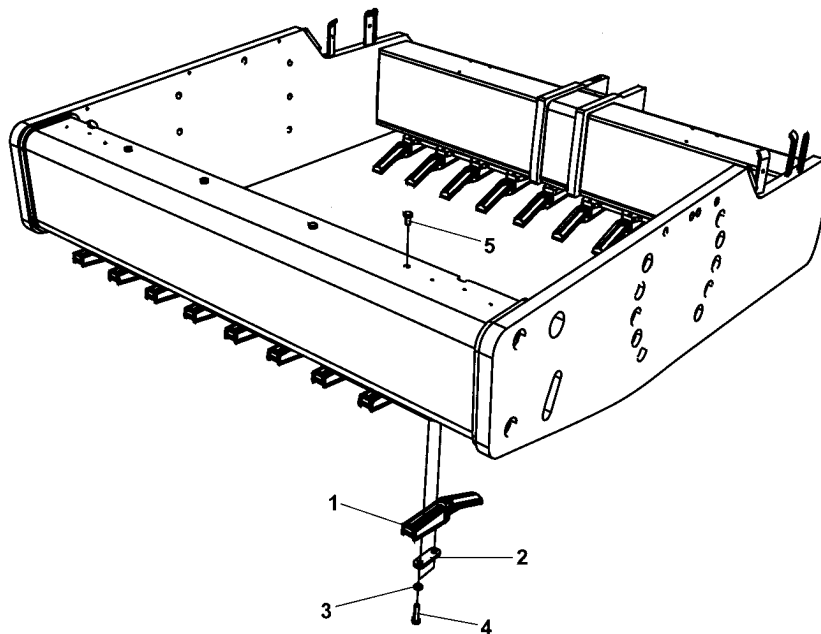
Item	Part No	Rem Qty	Description	Code
1	4700377092	1	Tractor frame	D
2	4700379289	1	Drum frame	D
3		1	Hitch (Page 36)	
4	4700372087	1	Protective plate	D
5	4700374744	1	Safety rod	D
6	4700500029	4	Hexagon head screw	C
7	4700500043	2	Screw M10x16H 8,8	D
8	4700813391	1	Magnetic plug	D
9	4700347119	2	Shaft	C
10	4700343775	2	Wire	D
11	4700357488	1	Spring	D
12	4700904557	4	Steel plain washer	C
13	4700635061	3	Hair clip	B
14	4700904230	2	Steel plain washer	C
15	4700373460	1	Fuel cap	D
	4700380436	A 1	Fuel cap	D
16	4700232041	1	Filter plug	D
17	4700902919	4	Plug	
18	4700389912	1	Cross beam	D
19	4700925208	4	Screw M20x90	D
20	4700904233	8	Washer 21x36x3	C
21	4700927117	4	Screw M20x100	D
22			Drum shroud Cpl, option	
23	4700372169	1	. Drum shroud	D
24	4700904230	6	. Steel plain washer	C
25	4700904567	4	. Washer 10,5x28x6 HB305	C
26	4700500029	10	. Hexagon head screw	C

A) For Italy



Scrapers

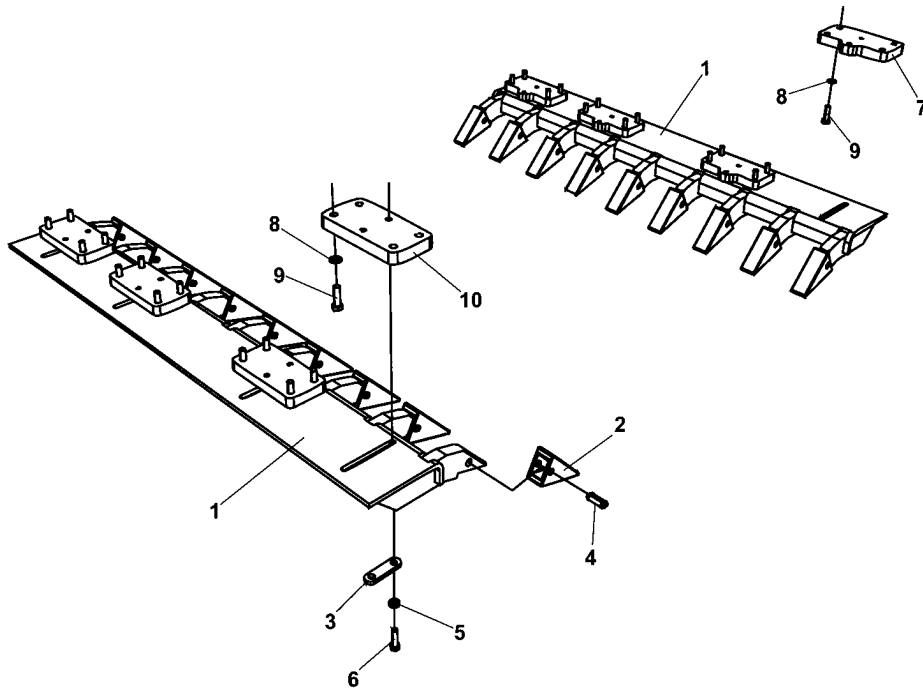
Item	Part No	Rem Qty	Description	Code
1	4700376551	18	Scraper tooth	B
2	4700376622	18	Holder	D
3	4700904232	36	Washer	C
4	4700500165	36	Screw M16-2,0x75 8,8	D



Scrapers

Item	Part No	Rem Qty	Description	Code
1	4700397305	18	Scraper tooth	B
2	4812111103	18	Holder	C
3	4700904232	40	Washer	C
4	4700500134	36	Screw	C
5	4700500154	4	Screw M16-2,0x25 8,8	

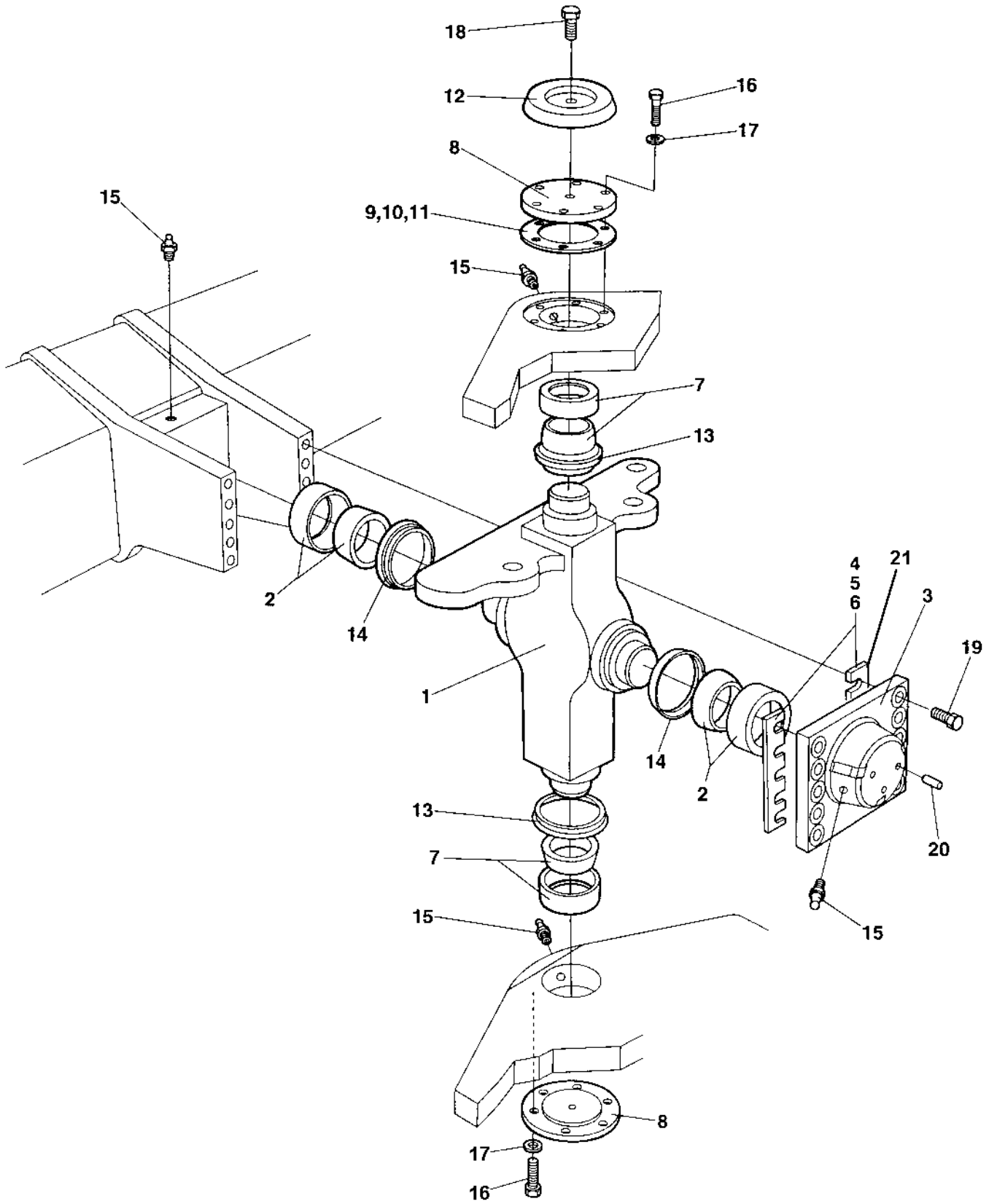
Heavy duty scraper Option



Heavy duty scraper Option

Item	Part No	Rem Qty	Description	Code
1	4812114496	2	PD-scraper	
2	4700383844	18	Tooth	B
3	4812111103	8	Holder	C
4	4700801631	18	Flexible pin 56,5x40	D
5	4700904558	16	Washer 17X30X6 300HV	C
6	4700947698	16	Screw M16x55 10.9	C
7	4812114929	4	Adapter plate	
8	4700904232	32	Washer	C
9	4700500123	32	Screw M16x35	D
10	4812114929	4	Adapter plate	

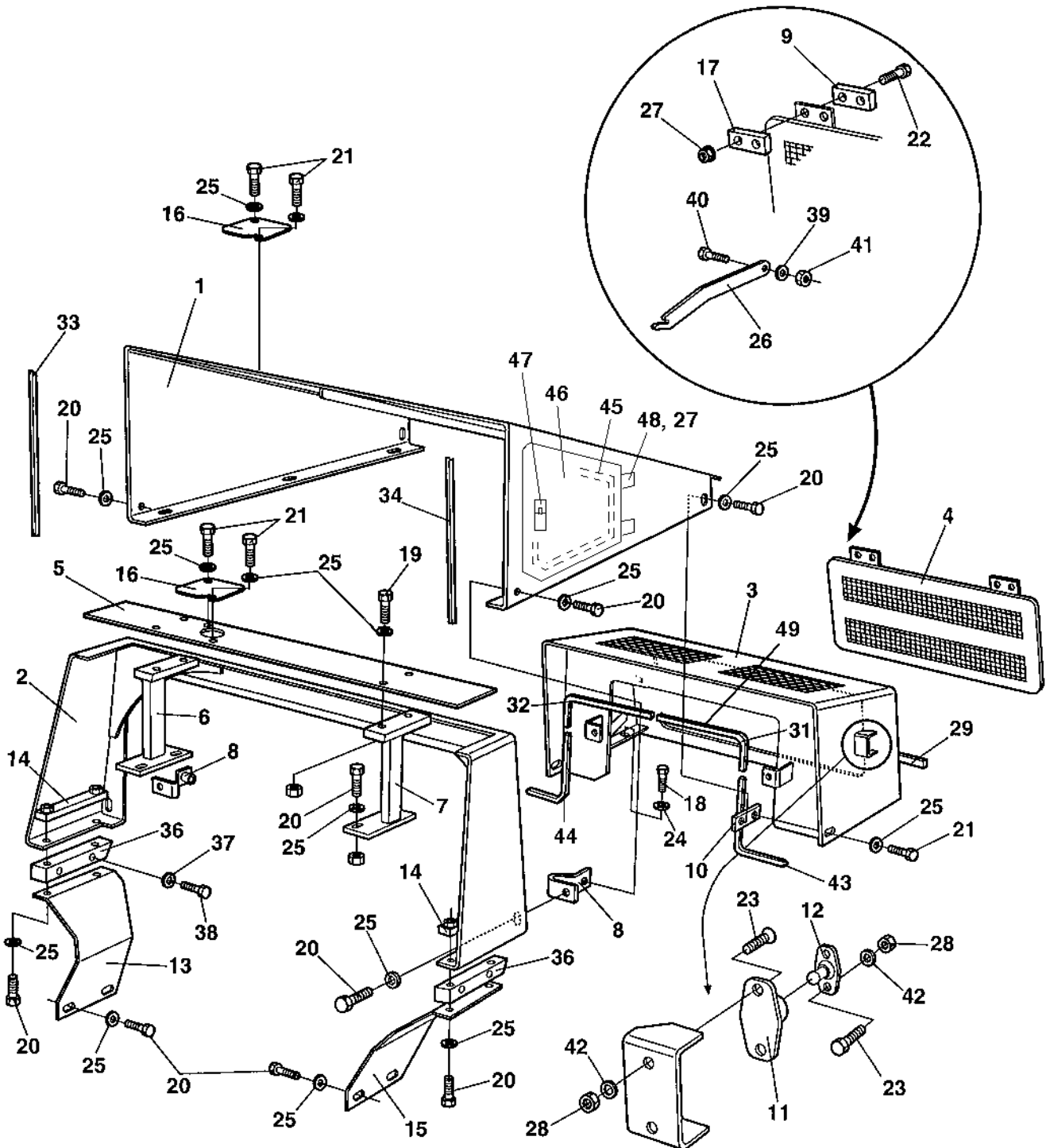
Hitch



Hitch

Item	Part No	Rem Qty	Description	Code
1	4700374898	1	Hitch	D
2	4700924620	2	Axial ball bearing	D
3	4700373123	1	Bearing cover	D
4	4700337221	N	Shim T=1,0 mm	C
5	D433722101	N	Shim T=0,35 mm	D
6	D433722102	N	Shim T=0,10 mm	D
7	4700100040	2	Axial ball bearing	B
8	4700337042	2	Bearing cover	D
9	4700337045	N	Shim T=1,0 mm	C
10	4700345874	N	Shim T=0,35 mm	C
11	4700345875	N	Shim T=0,10 mm	C
12	4700343159	1	Cover	D
13	4700167032	2	Lip-type oil seal	C
14	4700167033	2	Ring	D
15	4700926214	4	Grease fitting	C
16	4700500037	12	Screw	C
17	4700904231	12	Washer 13x24x2 300 HV	C
18	4700500188	1	Screw M8-1,25x14 8,8	D
19	4700904479	10	Screw M24x110 10,9	
	4700900807	10	Screw M24x120 10,9	D
20	4700910995	3	Stop screw	C
21	4700384503	N	Shim T=0,15 mm	C
22	4700904229	1	Steel plain washer 8,4x16x1,5	C

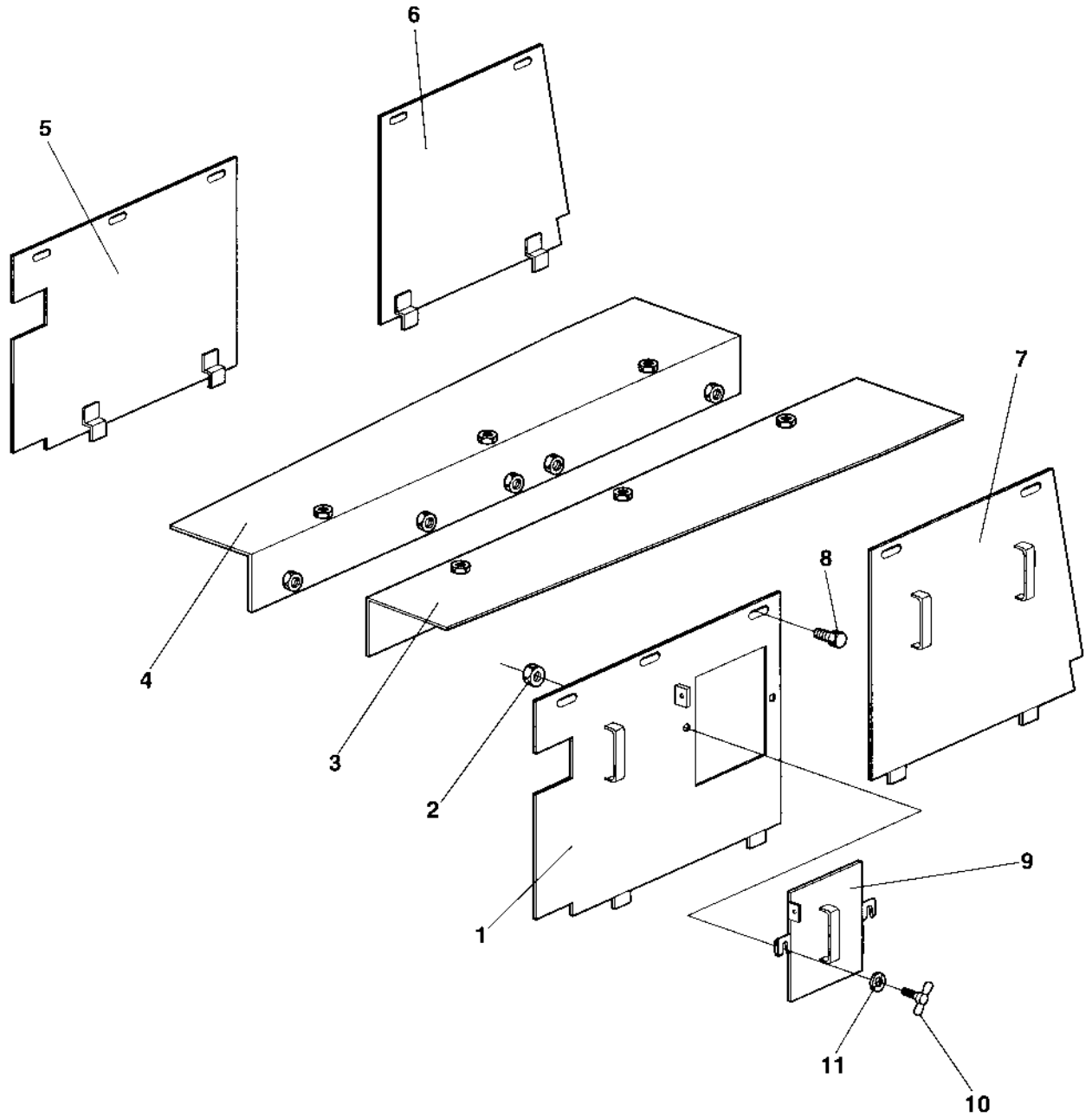
Structure



Structure

Item	Part No	Rem Qty	Description	Code
1	4700392784	1	Hood	D
2	4700376340	1	Protecting cover	D
3	4700376818	1	Hood	D
	4700791475	A 2	Grommet	D
4	4700382406	1	Rear cover	D
5	4700376354	1	Cover	D
6	4700392786	1	Holder, right	D
7	4700376349	1	Holder, left	D
8	4700376366	2	Holder	D
9	4700380755	2	Holder	D
10	4700380109	2	Holder	D
11	4700450066	2	Door bumper	D
12	4700450067	2	Door bumper	A
13	4700381348	1	Holder	D
14	4700381330	2	Holder	D
15	4700381347	1	Holder	D
16	4700381297	2	Cover	
17	4700380012	2	Holder	D
18	4700500031	4	Screw M10x040 8.8	C
19	4700500047	4	Hexagon head screw	C
20	4700500022	20	Screw M8x30H 8.8 A2K	C
21	4700500053	10	Screw M8x20H 8.8	C
22	4700924875	4	Screw	D
23	4700904504	8	Screw M5 x 18	C
24	4700904557	4	Steel plain washer	C
25	4700904640	34	Washer 8,4x22x3	C
26	4700382411	1	Hook	D
27	4700902285	8	Hexagon lock nut with flange	C
28	4700586001	8	Lock nut	C
29	4700902379	B 1XL	Edge trim	
30	4700902379	C 1XL	Edge trim	
31	4700902166	D 1XL	Edge trim	D
32	4700902166	E 1XL	Edge trim	D
33	4700902166	F 1XL	Edge trim	D
34	4700902166	G 1XL	Edge trim	D
35	4700791475	2	Grommet	D
36	4700381989	2	Holder	D
37	4700904231	4	Washer 13x24x2 300 HV	C
38	4700500133	4	Screw	C
39	4700904228	2	Washer 6,4x12x1,5	C
40	4700500040	1	Screw M6-1x20 8,8	C
41	4700586002	1	Lock nut M6 -8	C
42	4700904281	8	Washer 5,3x10x1 300HV	C
43	4700902166	H 1XL	Edge trim	D
44	4700902166	C 1XL	Edge trim	D
45	4700202028	J 1XL	Edge trim	D
46	4700393857	1	Cover	D
47	4700792549	1	Lock	D
48	4700513012	4	Screw M6x20 10,9	D
49	4700792258	I 1XL	Edge trim	D

- A) With membrane
- B) L=0,330 m
- C) L=0,550 m
- D) L=0,110 m
- E) L=0,110 m
- F) L=0,460 m
- G) L=0,460 m
- H) L=0,580 m
- I) L=0,670 m
- J) L=1,120 m



Side covers Option

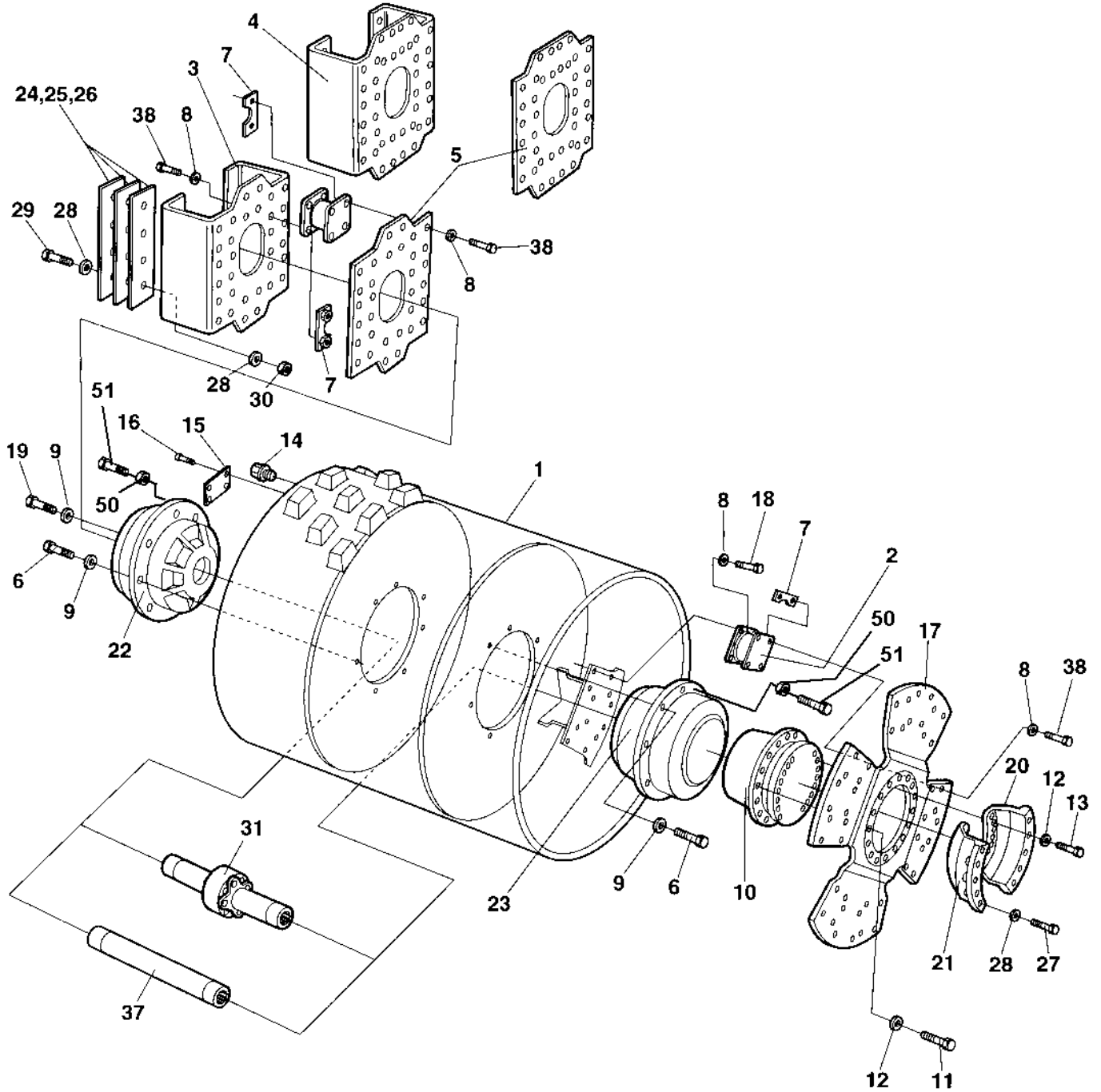
Item	Part No	Rem	Qty	Description	Code
1	4700377167	A	1	Side cover, right	D
	4700397121	B	1	Side cover, right	D
2	4700586003		2	Lock nut M8	C
3	4700377144		1	Holder, right	D
4	4700377145		1	Holder, left	D
5	4700377169		1	Side cover, left	D
6	4700377168		1	Side cover, left	D
7	4700377166		1	Side cover, right	D
8	4700500053		18	Screw M8x20H 8.8	C
9	4700381033	C	1	Cover	D
	4700394264	D	1	Cover	D
10	4700904718		2	Wing screw	C
11	4700904640		20	Washer 8,4x22x3	C

- A) Used with Item 9, P/N 4700381033.
- B) Used with Item 9, P/N 4700394264.
- C) Narrow version 185 x 280 MM (W x H)
- D) Wide version 300 x 280 MM (W x H)

Drum

Item	Part No	Rem Qty	Description	Code
10			Drum (Page 44)	
21			Drum cartridge Vibration side (Page 46)	
31			Drum cartridge Drive side (Page 48)	
40			Drum gear (Page 50)	

Drum

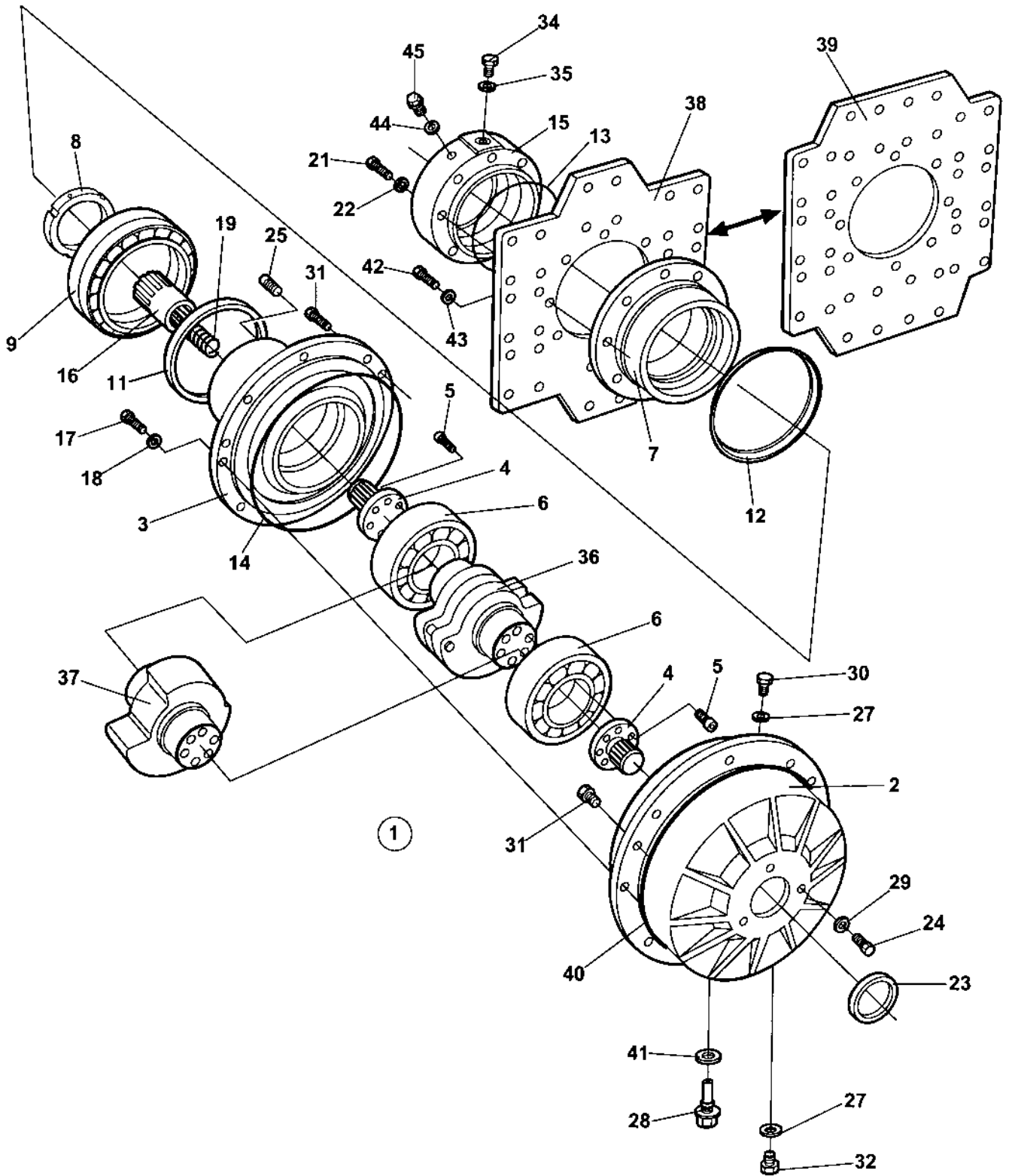


Drum

Item	Part No	Rem Qty	Description	Code
1	4700373769	1	Drum	D
2	4700358172	18	Shock absorber	B
3	4700370020	1	Holder plate	D
4			Not used on this model	
5	4700370019	1	Holder plate	D
6	4700500082	23	Screw M16x70 8,8	D
7	4700374728	52	Holder	D
8	4700904232	144	Washer	C
9	4700384114	24	Spacer	A
	4700904232	24	Washer	C
10		1	Drum gear (Page 50)	
11	4700903281	16	Screw	
12	4700904233	32	Washer 21x36x3	C
13	4700903919	16	Screw	
14	4700232210	1	Plug	B
15	4700343801	1	Sign plate	D
16	4700527002	4	Drive screw	C
17	4700373770	1	Drive disc	D
18	4700500057	40	Screw M16-2x30 8,8	D
19	4700384121	1	Air breather screw	B
20	4700373442	A 1	Gear holder	D
21	4700373443	B 1	Gear holder	D
22			Drum cartridge Vibration side (Page 46)	
23			Drum cartridge Drive side (Page 48)	
24	4700349971	N	Shim T=5 mm	C
25	4700349972	N	Shim T=3 mm	C
26	4700349973	N	Shim T=1 mm	C
27	4700500152	10	Screw	D
28	4700904234	26	Steel plain washer	C
29	4700925671	8	Screw M24-3,0x140 8,8	D
30	4700586023	8	Nut M24-8 DIN985	D
37	4700349682	1	Drive shaft	D
38	4700500070	104	Screw M16x50	C
50	4700384114	24	Spacer	A
51	4700500134	24	Screw	C

- A) Right
- B) Left

Drum cartridge Vibration side

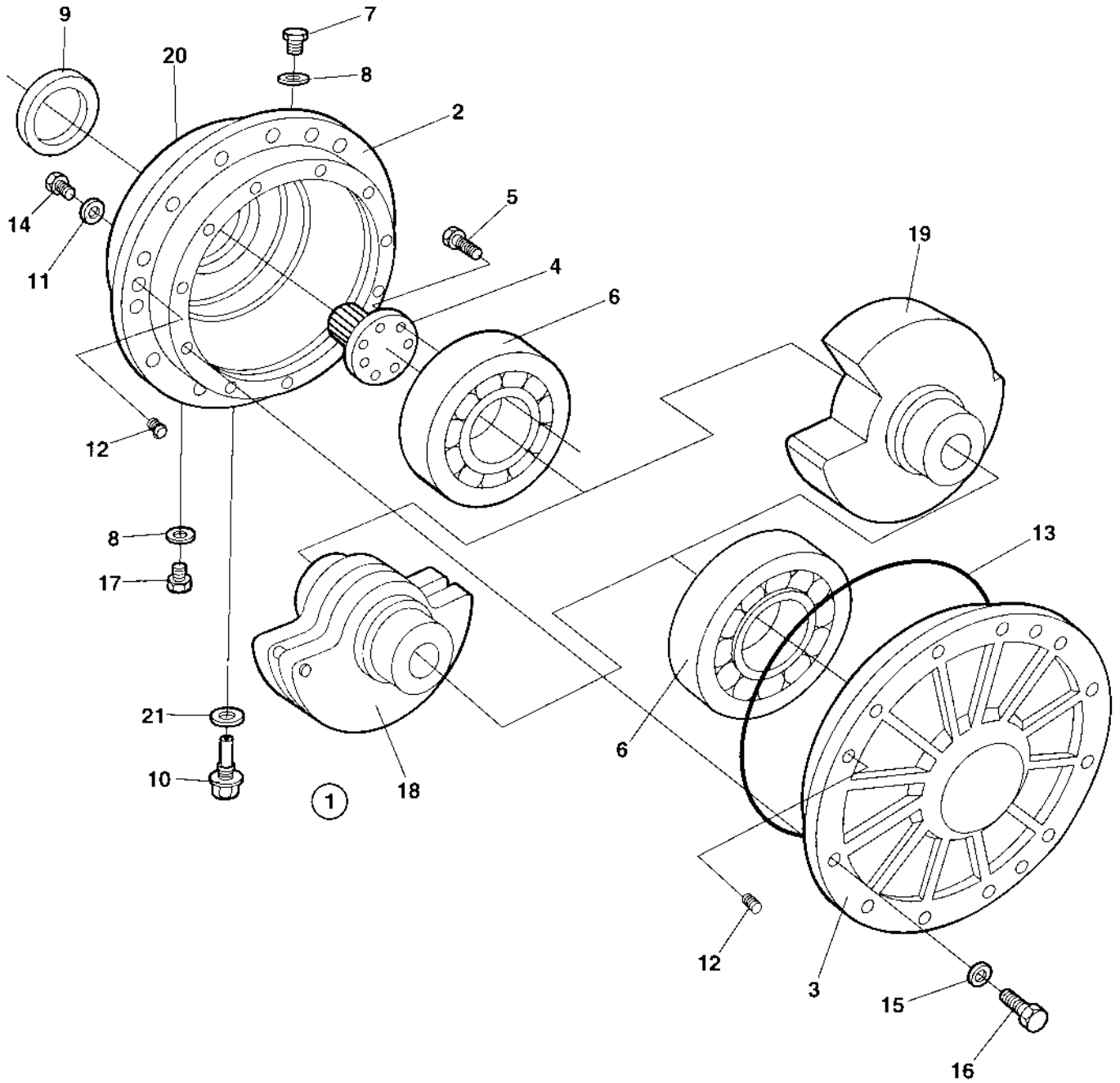


Drum cartridge Vibration side

Item	Part No	Rem	Qty	Description	Code
1	4700945592	1		Drum cartridge	D
2	4700392420	2	1	Bearing housing inner	D
3	4700379878	2	1	Bearing housing outer	D
4	4700380018	2	2	Splined shaft	D
5	4700791156	2	16	Screw M10-1,5x55 12,9	D
6	4700390896	2	2	Spherical roller bearing	B
7	4700343318	1		Bearing housing	D
8	4812112413	1		Shaft nut	C
9	4700116041	1		Taper roller bearing	B
11	4700167023	1		Seal ring	B
12	4700929447	1		V-ring	B
13	4700160105	1		O-ring 70	C
14	4700900776	2	1	O-ring	D
15	4812110860	1		Motor adapter	
16	4700381027	1		Splined sleeve	D
17	4700500082	2	12	Screw M16x70 8,8	D
18	4700904232	2	12	Washer	C
19	4700349715	1		Spring	D
21	4700500196	4		Screw M12-1,75x80 8.8	D
22	4700904231	4		Washer 13x24x2 300 HV	C
23	4700900782	2	1	Seal ring	D
24	4700500163	2	3	Screw M12x16	D
25	4700903189	2	3	Stop screw	
27	4700162017	2	2	Seal ring	B
28	4700381634	2	1	Plug	C
29	4700162027	2	3	Sealing	B
30	4700343744	2	1	Magnetic plug	C
31	4700900775	2	6	Plug	C
32	4700232210	2	1	Plug	B
34	4700370231	1		Plug	C
35	4700162018	1		Sealing	B
36		1		Not used on this model	
37	4812112748	2	1	Eccentric shaft	
38	4700370019	1		Holder plate Model CA512 D/PD	D
39				Not used on this model	
40	4700904737	1		O-ring	D
41	4700162011	1		Washer, sealing	D
42	4700500082	8		Screw M16x70 8,8	D
43	4700384114	8		Spacer	A
44	4700162024	1		Washer, sealing	D
45	4700903190	1		Steel plug	

2) Included in complete drum cartridge, item 1

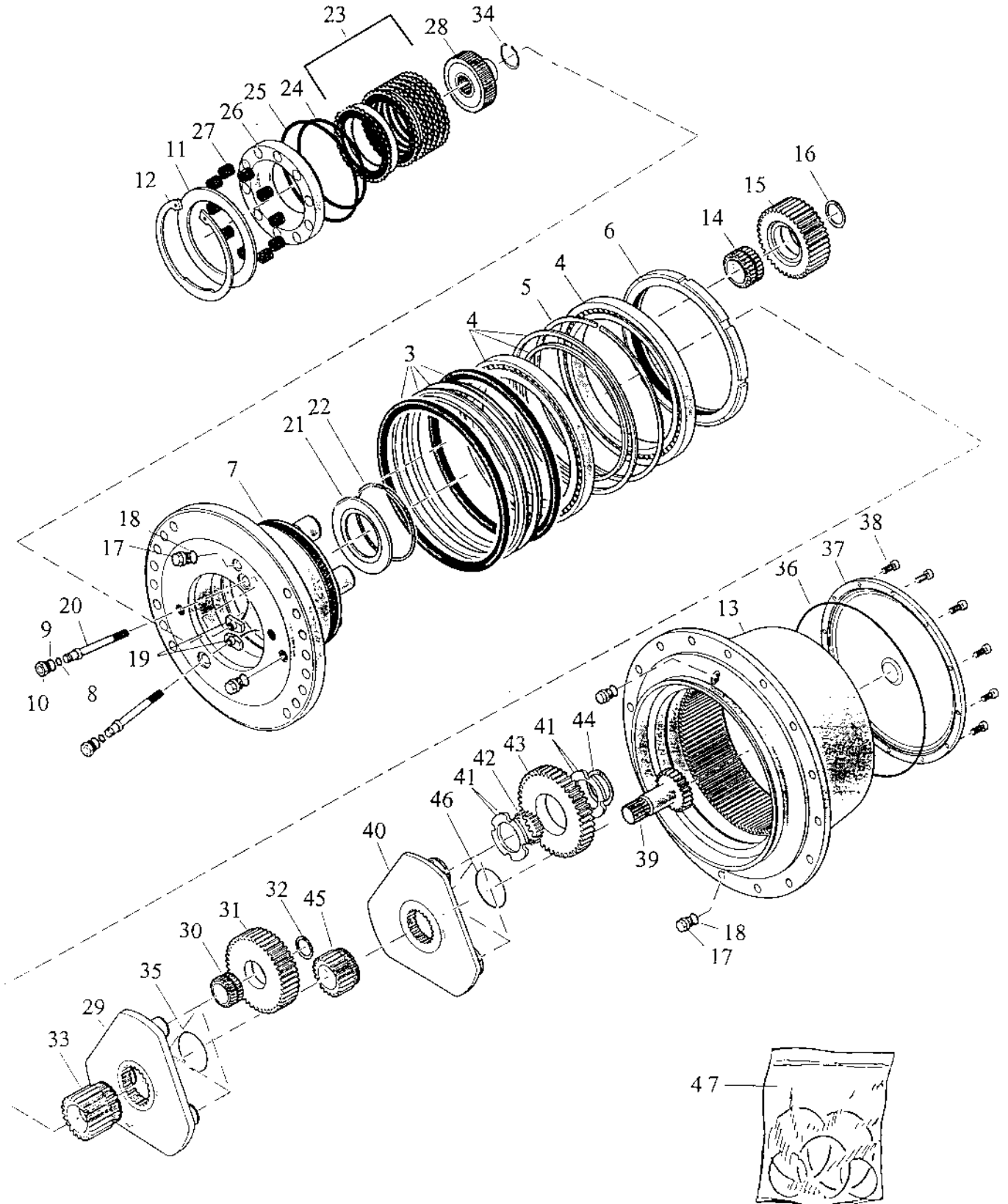
Drum cartridge Drive side



Drum cartridge Drive side

Item	Part No	Rem Qty	Description	Code
1	4700945586	1	Drum cartridge	D
2	4700392420	1	. Bearing housing inner	D
3	4700379876	1	. Bearing housing outer	D
4	4700380018	1	. Splined shaft	D
5	4700791156	8	. Screw M10-1,5x55 12,9	D
6	4700390896	2	. Spherical roller bearing	B
7	4700343744	1	. Magnetic plug	C
8	4700162017	2	. Seal ring	B
9	4700900782	1	. Seal ring	D
10	4700381634	1	. Plug	C
11	4700162027	3	. Sealing	B
12	4700900775	6	. Plug	C
13	4700900776	1	. O-ring	D
14	4700500163	3	. Screw M12x16	D
15	4700904232	12	. Washer	C
16	4700500082	12	. Screw M16x70 8,8	D
17	4700232210	1	. Plug	B
18		1	. Not used on this model	
19	4812112748	1	. Eccentric shaft	
20	4700904737	1	. O-ring	D
21	4700162011	1	. Washer, sealing	D

Drum gear



Drum gear

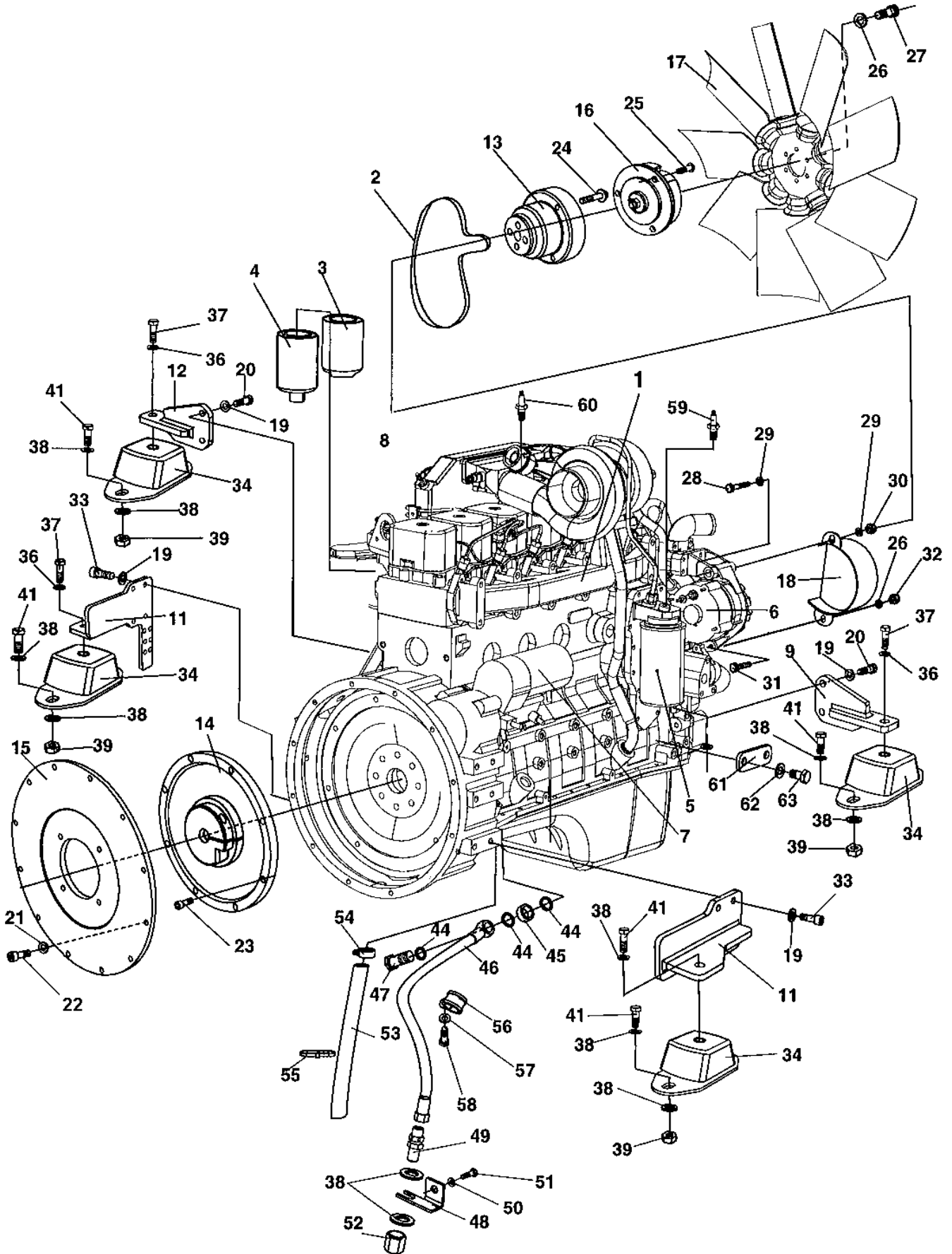
Item	Part No	Rem	Qty	Description	Code
1	4700371512		1	Drum gear	D
3	4700935381		1	. Seal	
4	4700935382		1	. Roller bearing	
5		B	NA	. Spring ring	
6		B	NA	. Nut	
7		B	NA	. Hub	
8	4700935386	A	2	. O-ring	
9	4700813618	A	2	. O-ring	C
10	4700935387		2	. Plug	
11	4700935388		1	. Support plate	
12	4700935389		1	. Retaining ring	
13		B	NA	. Hollow wheel	
14		B	NA	. Roller bearing	
15		B	NA	. Planet gear	
16		B	NA	. Reaining ring	
17	4700935394		4	. Plug	
18	4700935395	A	4	. Seal ring	
19	4700935396		2	. Setting lug	
20	4700935397		2	. Spindle bolt	
21		B	NA	. Plate	
22		B	NA	. Spring ring	
23	4700935400		1	. Brake disc kit	
24	4700935401	A	1	. O-ring	
25	4700935402	A	1	. O-ring	
26	4700935403		1	. Piston	
27	4700935404		10	. Spring	
28	4700935405		1	. Coupling	
29		B	NA	. Planet carrier	
30		B	NA	. Roller bearing	
31		B	NA	. Planet gear	
32		B	NA	. Retaining ring	
33		B	NA	. Sun wheel	
34	4700935411		1	. Retaining ring	
35		B	NA	. Spring ring	
36	4700935413	A	1	. O-ring	
37	4700935414		1	. Cover	
38	4700935415		12	. Screw	
39		B	NA	. Sun wheel	
40		B	NA	. Planet carrier	
41		B	NA	. Plate	
42		B	NA	. Needle roller bearing	
43		B	NA	. Planet gear	
44		B	NA	. Retaining ring	
45		B	NA	. Sun wheel	
46		B	NA	. Spring ring	
47	4700935380		1	Seal kit	

- A) Incl. in item 47
- B) Not available as spare part.

Engine

Item	Part No	Rem Qty	Description	Code
12			Engine Cummins 6BTA 5.9 (Page 54)	
15			Fan and Fan clutch (Page 58)	
25			Cooling system (Page 60)	
35			Combustion air system (Page 64)	
40			Fuel system (Page 66)	
50			Exhaust system (Page 68)	

Engine Cummins 6BTA 5.9



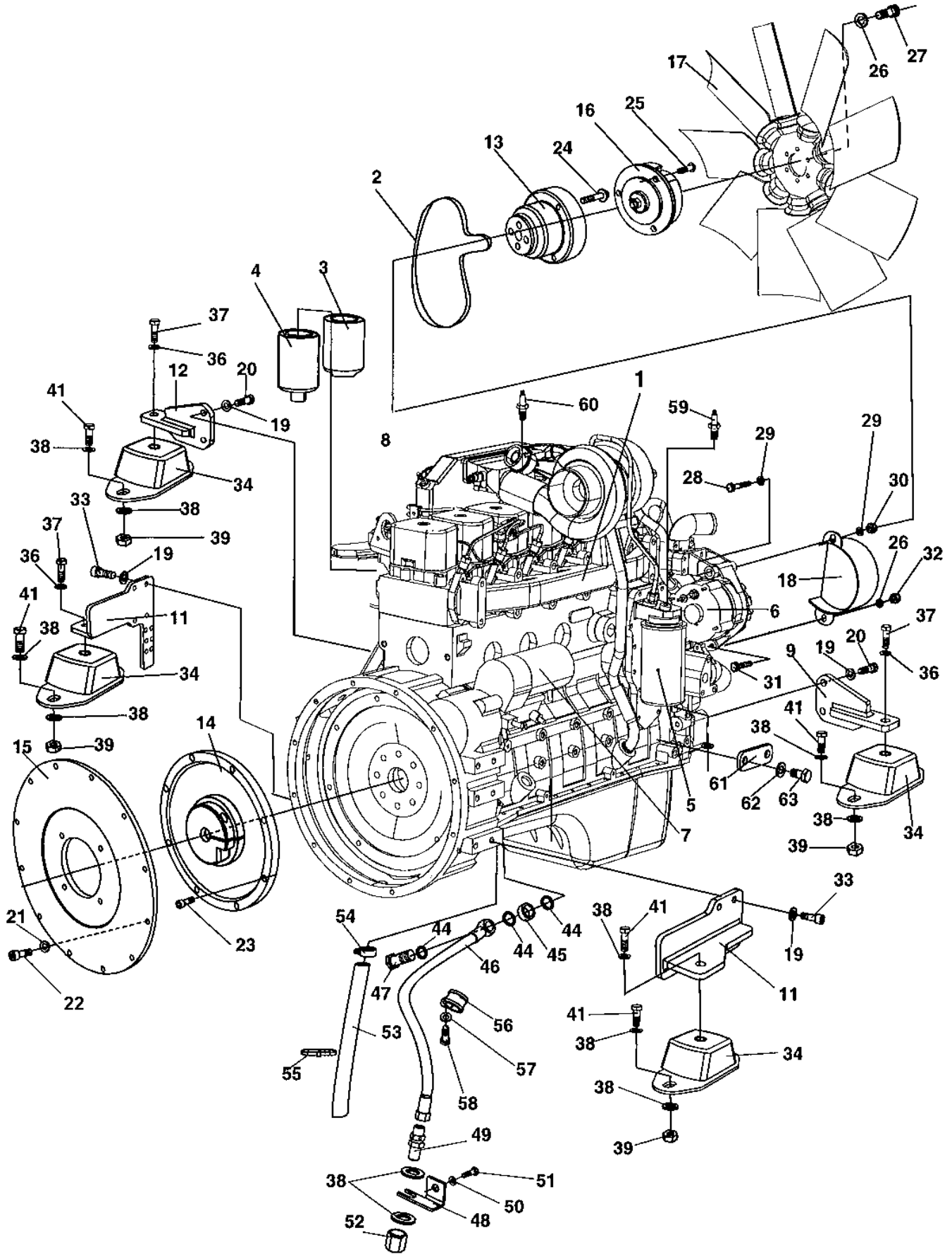
Engine Cummins 6BTA 5.9

Item	Part No	Rem Qty	Description	Code
1	4700376983	1	Diesel engine 6BTA 5.9	D
2	4700901449	1	. V-belt	B
3	4700900829	1	. Fuel filter	A
4	4700900827	A 1	. Fuel filter	A
5	4700212396	1	. Oil filter	A
6	4700945140	1	. Alternator	C
7	4700939504	1	. Starter	
8	4700940269	1	. Fuel solenoid	B
9	4700378211	1	Engine bracket	D
10	4700378210	1	Engine bracket	D
11	4700378213	1	Engine bracket	D
12	4700378211	1	Engine bracket	D
13	4700382391	1	Connector	C
14	4700371620	1	Coupling	D
15	4700372772	1	Bracket	C
16		2	Not valid fro this model	
17		2	Not valid fro this model	
18	4700386688	1	Protecting cover	D
19	4700904638	13	Washer 12x22x2	C
20	4700500194	4	Screw	C
21	4700904637	12	Washer	C
22	4700508029	12	Screw M10-1,5x30H 8,8	C
23	4700509025	8	Screw 3/8-16UNCx32 8,8	
24	4700791306	4	Screw M12-1,25x60 12,9	D
25		2	Not valid fro this model	
26		2	Not valid fro this model	
27		2	Not valid fro this model	
28	4700904379	1	Screw M10x110H 8,8	
29	4700904230	1	Steel plain washer	C
30	4700586018	1	Hexagon lock nut	C
31	4700500239	1	Screw M8x50H 8,8	C
32	4700586003	1	Lock nut M8	C
33	4700508079	8	Screw M12-1,75x35H 8,8	
34	4700387128	4	Shock absorber	
36	4700904232	5	Washer	C
37	4700500070	4	Screw M16x50	C
38	4700904233	2	Washer 21x36x3	C
39	4700586019	8	Lock nut	C
40	4700904703	8	Washer	B
41	4700500194	8	Screw	C
42	4700586019	8	Lock nut	C
44	4700330331	3	Washer 18,2x23,9x1,5	C
45	4700371727	1	Sleeve	C
46	4700389138	1	Hydraulic hose	D
47	4700747691	1	Hollow screw	C
48	4700388855	1	Bracket	D
49	4700230515	1	Connector	C
50	4700904232	1	Washer	C
51	4700500154	1	Screw M16-2,0x25 8,8	
52	4700330383	1	Cap hydraulic	
53	4700791468	1	Hydraulic hose	D
54	4700313004	1	Hose clamp	D
55	4700925802	N	Cable ties L=142 mm	C
56	4700921028	1	Clamp	C
57	4700904228	1	Washer 6,4x12x1,5	C
58	4700500013	1	Screw M6-1x16 8,8	C
59	4700935044	1	Oil pressure sensor	D
60	4700903632	1	Temperature sensor Engine	

2) See Section "Fan and Fan clutch" .

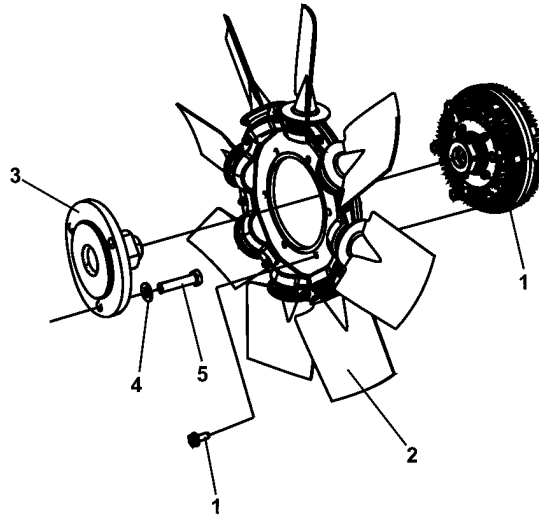
A) With water separator

Engine Cummins 6BTA 5.9



Engine Cummins 6BTA 5.9

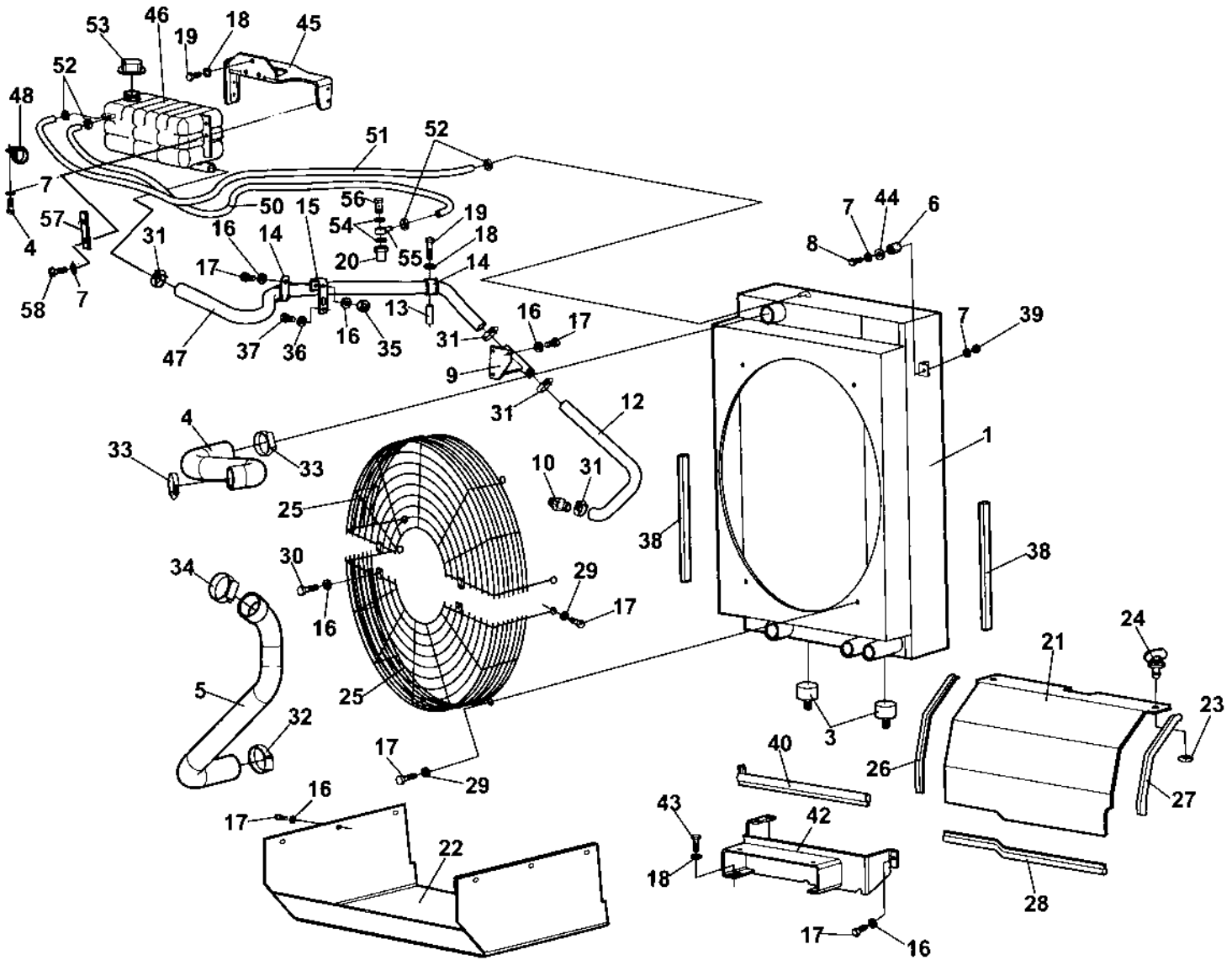
Item	Part No	Rem Qty	Description	Code
61	4700378214	1	Cable holder	D
62	4700904638	1	Washer 12x22x2	C
63	4700500036	1	Screw	



Fan and Fan clutch

Item	Part No	Rem	Qty	Description	Code
1	4700397284	B	1	Fan clutch	D
		A	6	. Screws	
2	4700397285		1	Fan	D
3	4700397217		1	Fan spacer	D
4	4700904231		3	Washer 13x24x2 300 HV	C
5	4700925519		3	Screw M12x55 10.9 GEOMET	D

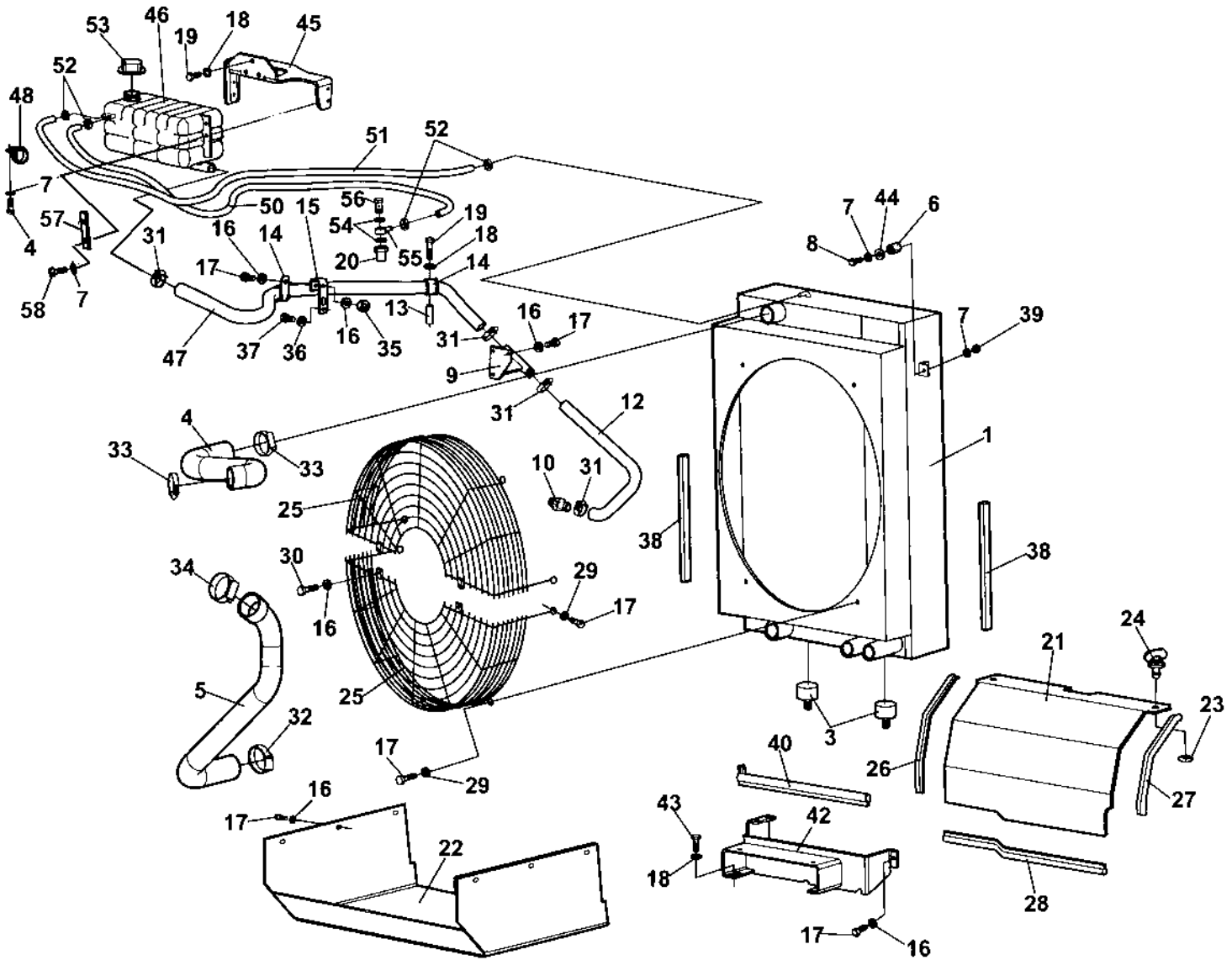
- A) Delivered with Fan clutch
- B) Viscose coupling.



Cooling system

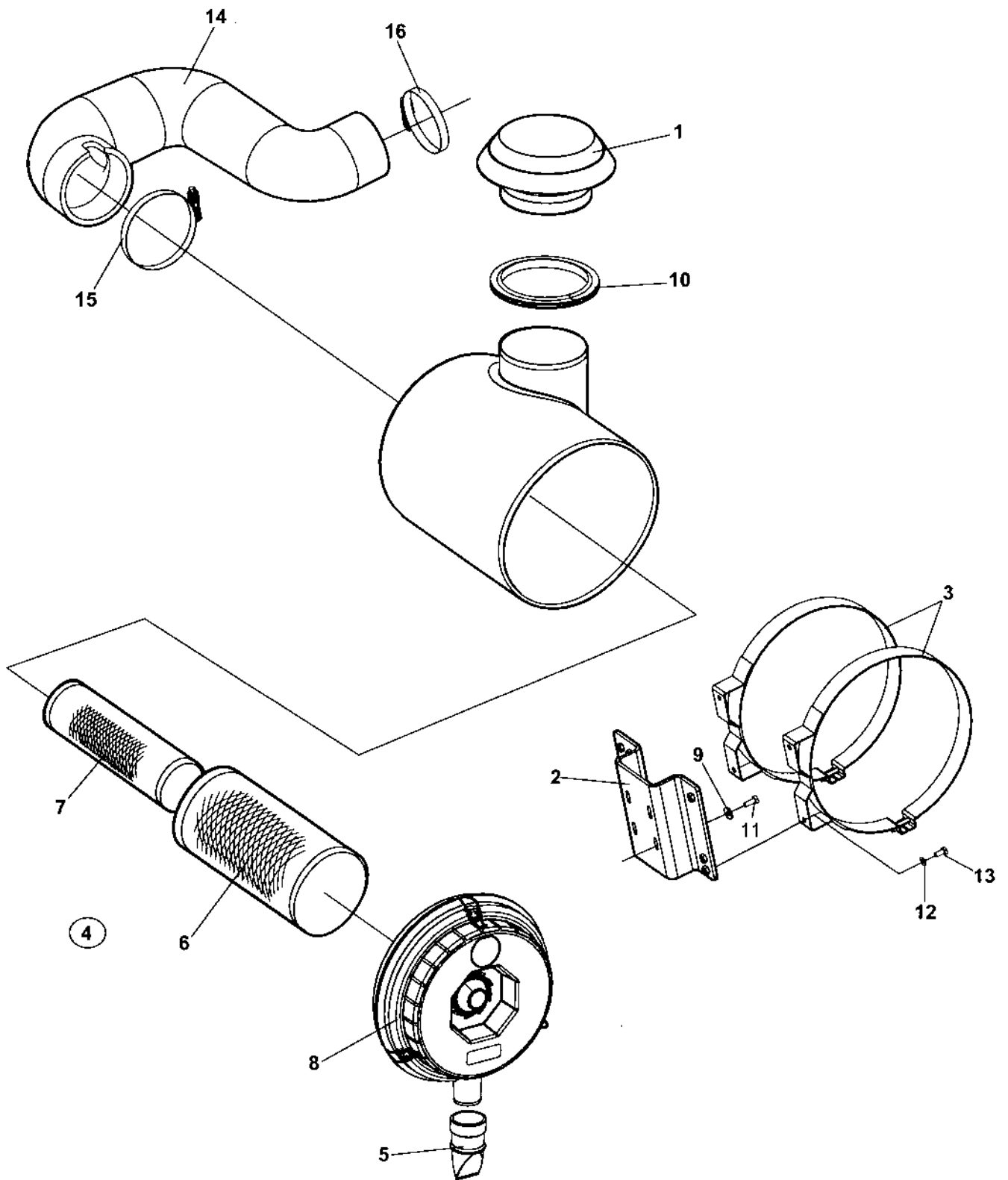
Item	Part No	Rem	Qty	Description	Code
1	4700394765		1	Radiator	D
	4812156166		1	. Water cooler	
	4812156167		1	. Oil cooler	
3	4700904551		2	Shock absorber	
4	4700371602		1	Coolant hose	D
5	4700377161		1	Coolant hose	D
6	4700371774		2	Shock absorber	D
7	4700904228		9	Washer 6,4x12x1,5	C
8	4700500012		2	Screw M6x12	C
9	4700388728		1	Bracket	D
10	4700370840		1	Hose connection	D
12	4700377237		1	Coolant hose	D
13	4700357833		1	Spacer	D
14	4700921099		2	Clamp	
15	4700376561		1	Bracket	D
16	4700904229		19	Steel plain washer 8,4x16x1,5	C
17	4700500053		20	Screw M8x20H 8.8	C
18	4700904230		6	Steel plain washer	C
19	4700500029		4	Hexagon head screw	C
20	4700392378		1	Connector	D
21	4700386699		1	Air inlet	D
22	4700388732		1	Air leading plate	D
23	4700926985		2	Quick lock washer	C
24	4700904486		2	Quick lock	
25	4700387085		2	Fan guard	D
26	4700902166	A	1XL	Edge trim	D
27	4700902166	B	1XL	Edge trim	D
28	4700902166	C	1XL	Edge trim	D
29	4700904640		8	Washer 8,4x22x3	C
30	4700500018		2	Screw M8-1,25x12 8,8	C
31	4700313006		4	Hose clamp	D
32	4700313010		1	Hose clamp	C
33	4700313010		2	Hose clamp	C
34	4700313023		1	Hose clamp	
35	4700570005		1	Nut M8	C
36	4700904281		2	Washer 5,3x10x1 300HV	C
37	4700500008		2	Screw M5-0,8x30 8,8	D
38	4700202041	D	2XL	Rubber strip	D
39	4700586002		2	Lock nut M6 -8	C
40	4700902166	E	1XL	Edge trim	D
41	4700313041			Cable ties	B
42	4700390798		1	Cooler bracket	D
43	4700500027		2	Screw M10-1,55x22 8.8	D
44	4700904735		2	Washer	C
45	4700392170		1	Holder	D
46	4700392313		1	Expansion tank	
47	4700205027	F	1XL	Coolant hose	D
48	4700921084		1	Pipe clamp	
49	4700500040		1	Screw M6-1x20 8,8	C
50	4700246069	G	1XL	Fuel hose 3/8"	C
51	4700246069	H	1XL	Fuel hose 3/8"	C
52	4700313001		4	Hose clamp	C

- A) L=0,345M
- B) L=0,300M
- C) L=0,620M
- D) L=0,320M
- E) L=0,500M
- F) L=1,470M
- G) L=1,980M
- H) L=2,160M



Cooling system

Item	Part No	Rem Qty	Description	Code
53	4700903714	1	Cap	
54	4700747282	2	Copper washer	C
55	4700330170	1	Banjo nipple	D
56	4700330171	1	Hollow screw	C
57	4700381413	2	Washer	
58	4700500075	4	Screw M6-1,0x25 8.8	C

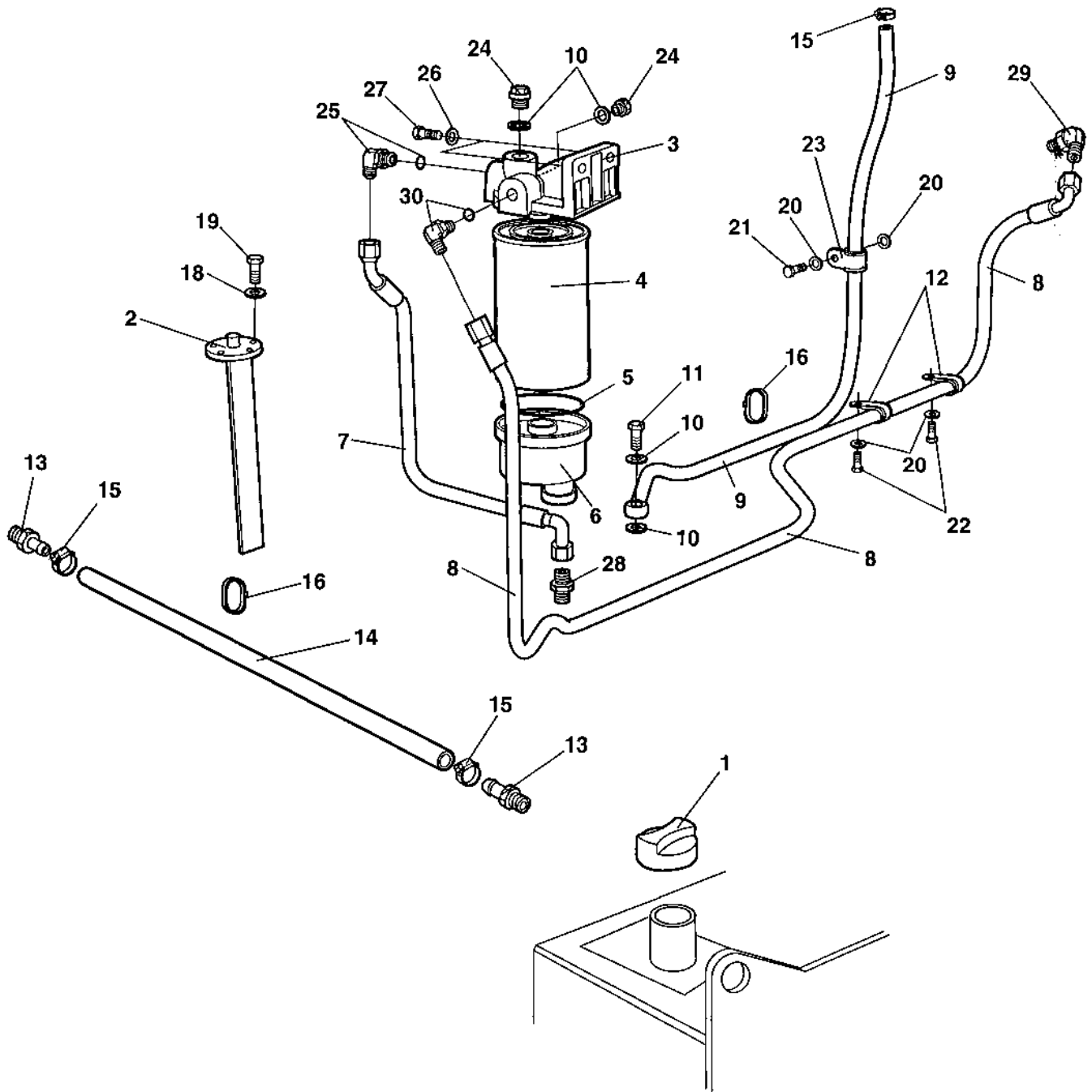


Combustion air system

Item	Part No	Rem	Qty	Description	Code
1	4700900170		1	Air inlet hood	D
2	4700392985		1	Filter bracket	D
3	4700802550		2	Band, mounting	D
4	4700394683		1	Air cleaner, cpl	D
5	4700908399		1	. Vacuator valve	A
6	4700394690		1	. Air filter element, main	A
7	4700394691		1	. Air filter element, safety	A
8	4700396080		1	. Cover	D
9	4700904640		4	Washer 8,4x22x3	C
10	4700902166	A	1XL	Edge trim	D
11	4700500053		4	Screw M8x20H 8.8	C
12	4700904229		4	Steel plain washer 8,4x16x1,5	C
13	4700500019		4	Hexagon head screw M8x16H 8,8	C
14	4700394738		1	Air inlet hose	D
15	4700379214		1	Hose clamp	D
16	4700389600		1	Hose clamp	D

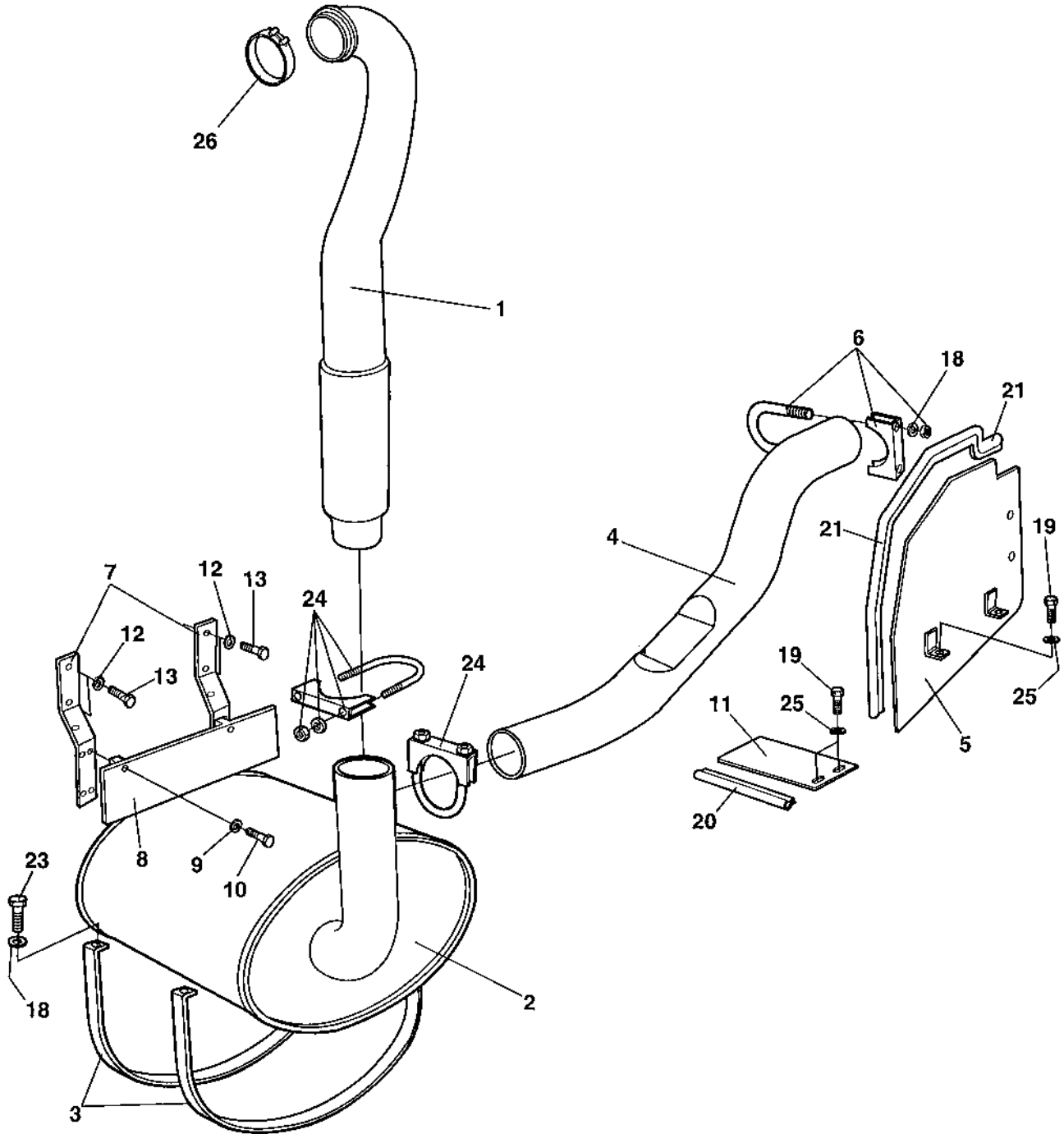
A) L=0,520M

Fuel system



Fuel system

Item	Part No	Rem Qty	Description	Code
1	4700373460	1	Fuel cap	D
2	4700904695	1	Fuel level sender	D
	4700945777	1	Gasket	D
3	4700939403	1	Filter head	
4	4700939404	1	Pre-fuel filter element	A
5		1	O-ring	
6	4700939405	1	Bowl	
7	4700355446	1	Fuel hose	D
8	4700377234	1	Fuel hose	D
9	4700380262	1	Fuel hose	D
10	4700747282	4	Copper washer	C
11	4700330171	1	Hollow screw	C
12	4700960727	3	Clamp	
13	4700373574	2	Hose connection	D
14	4700244054	1	Hose reinforced	C
15	4700313002	3	Hose clamp 13-20 mm	
16	4700313041	N	Cable ties	B
18	4700904281	5	Washer 5,3x10x1 300HV	C
19	4700500006	5	Screw M5x16	C
20	4700603018	4	Washer 10x18x4	C
21	4700500022	1	Screw M8x30H 8.8 A2K	C
22	4700500021	2	Screw M8-1,25x25 8.8	C
23	4700904346	1	Clamp	D
24	4700903190	2	Steel plug	
25	4700925631	1	Elbow adapter	C
26	4700904230	2	Steel plain washer	C
27	4700500029	2	Hexagon head screw	C
28	4700334463	1	Connector	B
29	4700813435	1	Elbow 90	C
30	4700904979	1	Elbow	D



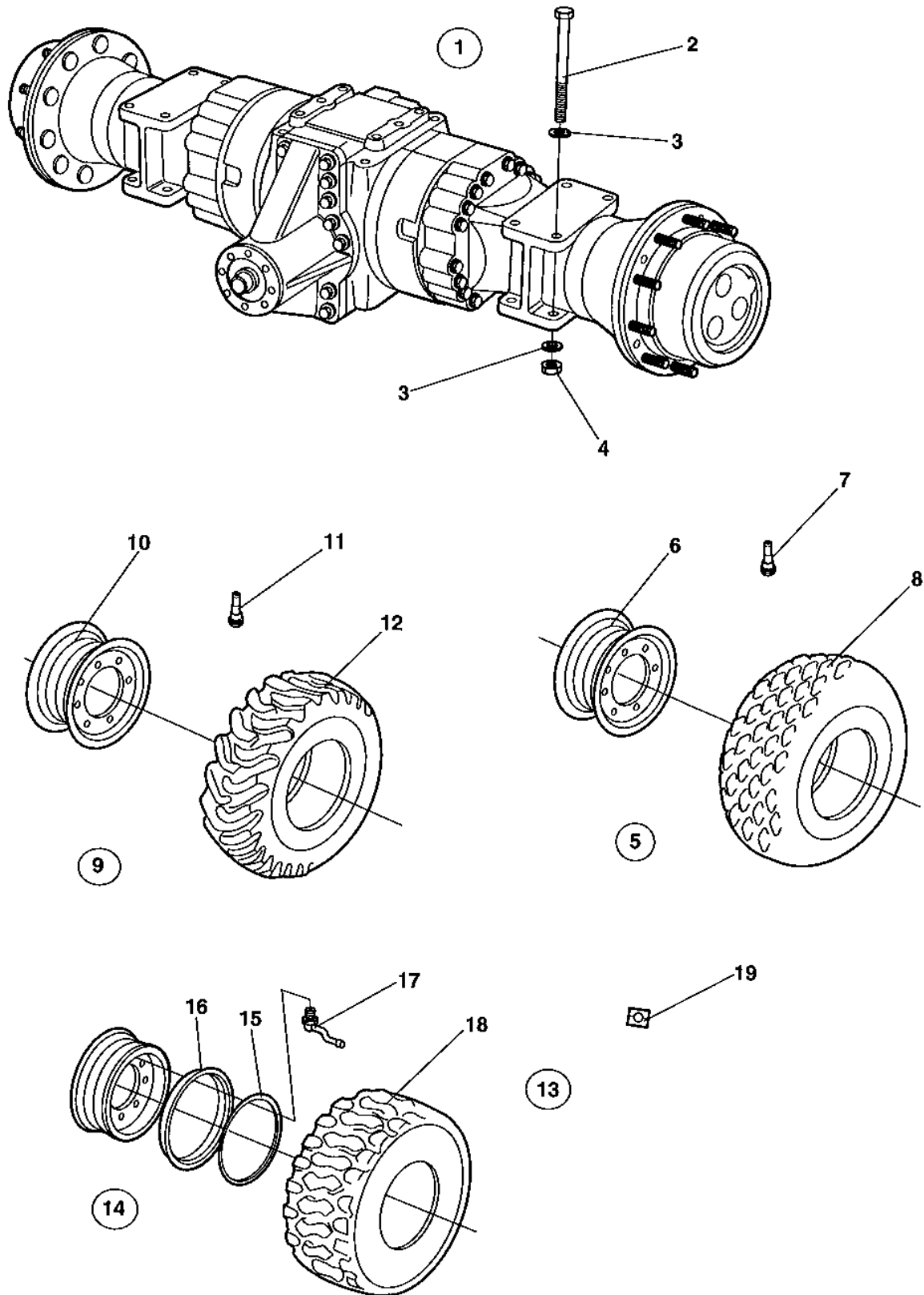
Exhaust system

Item	Part No	Rem	Qty	Description	Code
1	4700386774		1	Exhaust hose	D
2	4700388650		1	Muffler	D
3	4700388800		2	Clamp	D
4	4700387699		1	Exhaust pipe	D
5	4700376619		1	Thermal guard	D
6	4700313093		1	Pipe clamp	D
7	4700386152		2	Hose clamp	D
8	4700386153		1	Thermal guard	D
9	4700904228		2	Washer 6,4x12x1,5	C
10	4700500015		2	Screw M6X30 8.8	C
11	4700377285		1	Thermal guard	D
12	4700904231		4	Washer 13x24x2 300 HV	C
13	4700500046		4	Screw M12x025H	C
18	4700904229		6	Steel plain washer 8,4x16x1,5	C
19	4700500053		4	Screw M8x20H 8.8	C
20	4700902166	A	1XL	Edge trim	D
21	4700902166	B	1XL	Edge trim	D
23	4700904241		4	Screw	C
24	4700927857		2	Pipe clamp	D
25	4700904640		4	Washer 8,4x22x3	C
26			1	Clamp	

- A) L=0,140 M
- B) L=0,540 M

Transmission

Item	Part No	Rem Qty	Description	Code
17			Rear axle and wheels (Page 72)	
21	4700385100		Rear axle Limited slip (Page 74)	
70	4700383856		Rear axle No-Spin, Option (Page 82)	

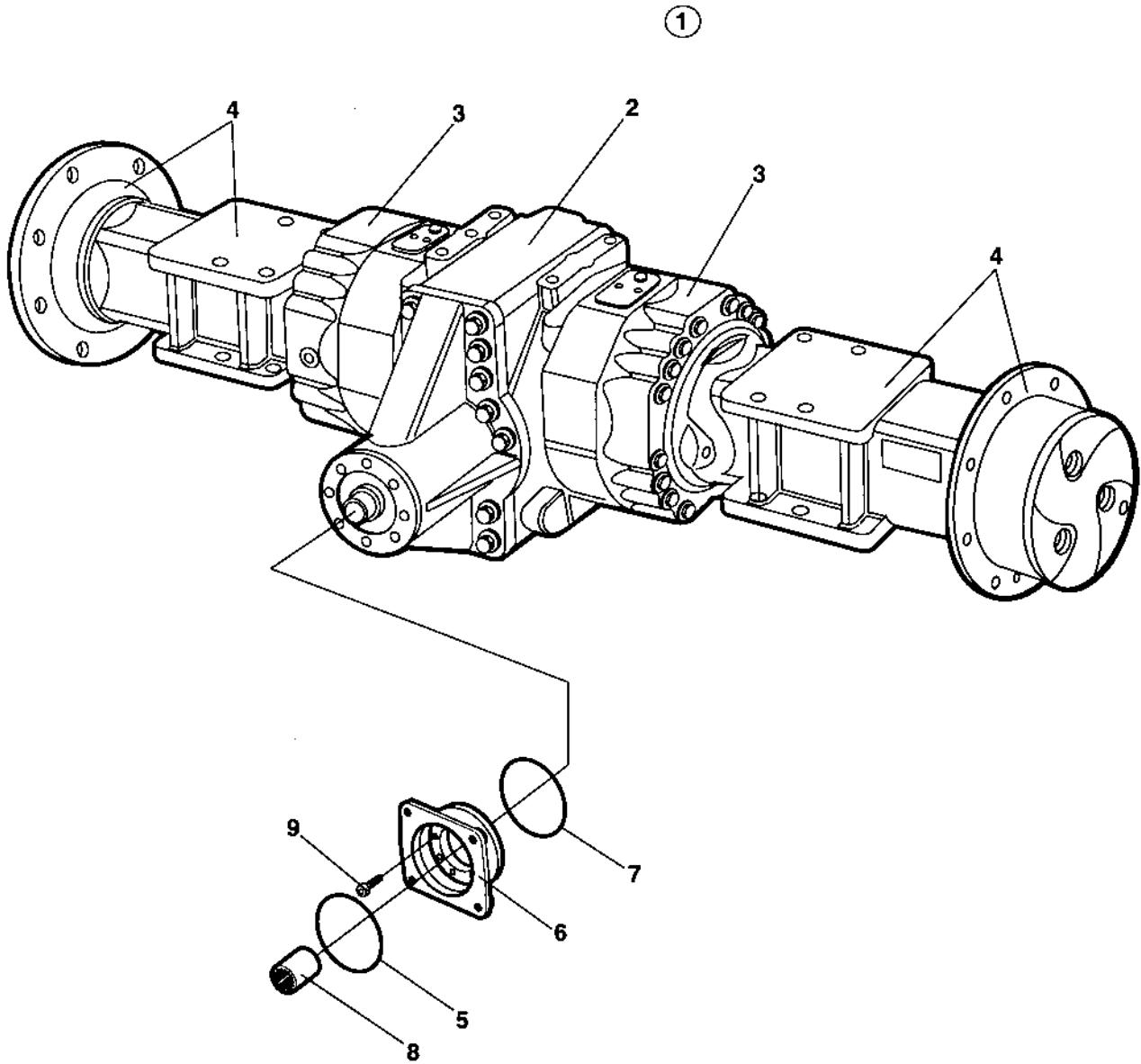


Rear axle and wheels

Item	Part No	Rem Qty	Description	Code
1	4700385100	1	Rear axle Limited slip (Page 74)	
2	4700929217	8	Screw	D
3	4700904233	16	Washer 21x36x3	C
4	4700901145	8	Lock nut M20-10	
5	4700390590	2	Wheel, cpl	D
	4700390762 A	2	Wheel, cpl	D
	4700388145 A,J	2	Wheel, cpl	D
	4700388146 A,J	2	Wheel, cpl	D
6	4700393335	1	. Rim	D
7	4700792261	1	. Air charging valve Straight	B
8	4700390591	1	. Tyre	D
	4700791573 K	1	. Tyre	D
9	4700390588 B	1	Tractor wheel, cpl	D
	4700390587 C	1	Tractor wheel, cpl	D
	4700390759 D	1	Tractor wheel, cpl	D
	4700390760 E	1	Tractor wheel, cpl	D
10	4700393335	1	. Rim	D
11	4700792261	1	. Air charging valve Straight	B
12	4700390589	1	. Tyre	D
13	4700383974 L	2	Wheel, tubeless, cpl	D
	4700383975 F	2	Wheel, tubeless, cpl	D
14	4700383955	1	. Rim cpl	D
15	4700901443	1	. . Snap ring	
16	4700901444	1	. . Side ring	
17	4700791175	1	. Air charging valve	B
	4700791176	1	. Valve foot	D
18	4700901218	1	. Tyre	D
19	4700355983 H	2	Decal "TYRE PRESSURE" 200kPa/29psi	D
	4700903985 I	2	Decal "SAFETY", "TYRE IN BALLAST"	

- A) Liquidfilled tyres, option.
- B) Left, option.
- C) Right, option.
- D) Liquidfilled tyres, right, option.
- E) Liquidfilled tyres, left, option.
- F) Option, Liquidfilled tyres.
- H) Used with item 13 4700383974 and 4700383975.
- I) Used with Liquid filled tyres.
- J) For Chinese market.
- K) Used with 4700388145 and 4700388146.
- L) Option, Michelin branded.

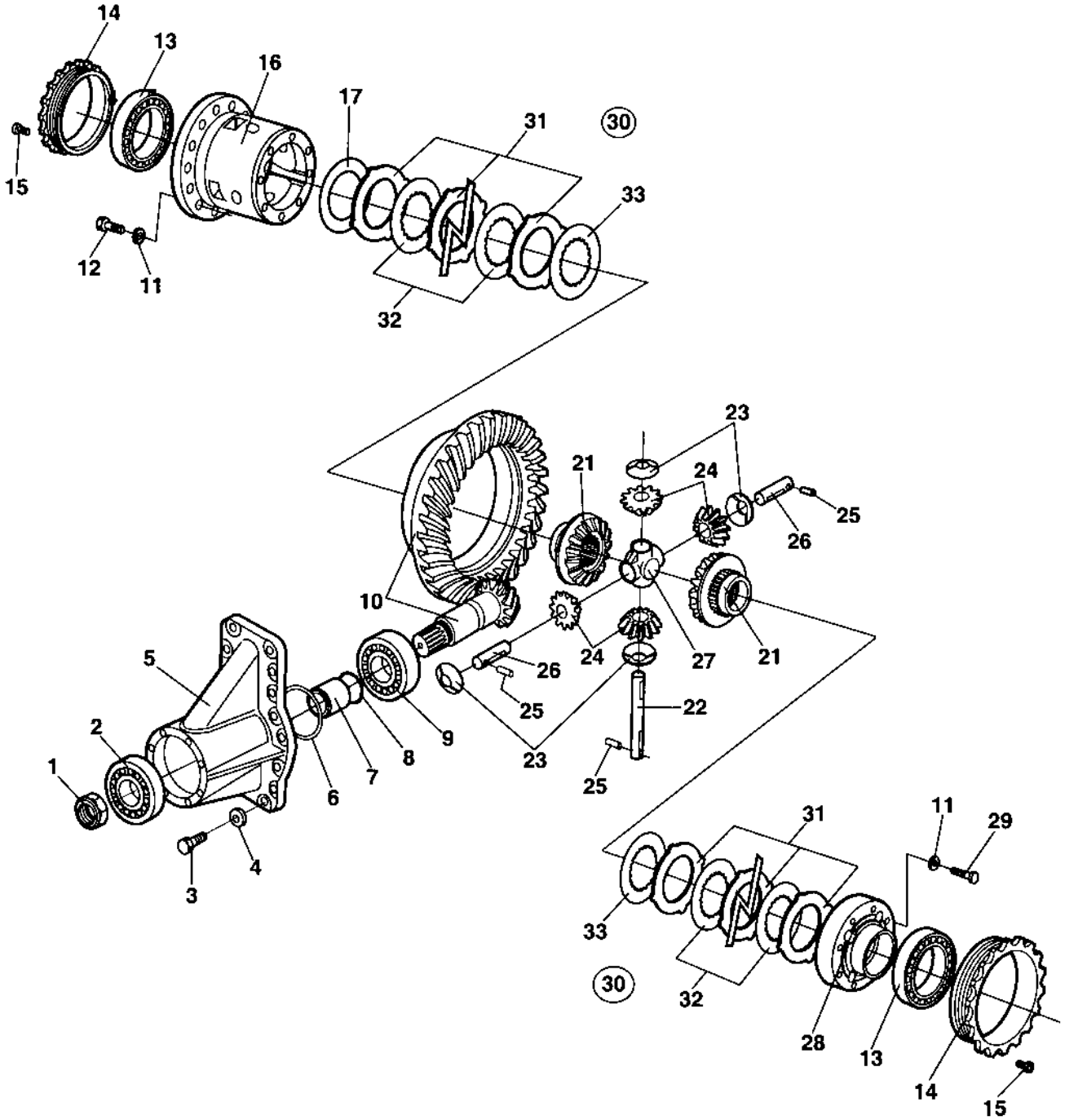
4700385100 Rear axle Limited slip



4700385100 Rear axle Limited slip

Item	Part No	Rem Qty	Description	Code
1		1	Rear axle	
2		1	. Differential with limited slip (Page 76)	
3		2	. Differential housing and brakes (Page 78)	
4		2	. Planet gear (Page 80)	
5	4700909584	1	O-ring	D
6	4700900255	1	Flange	D
7	4700929648	1	O-ring	D
8	4700901834	1	Splined sleeve	
9	4700909582	8	Screw	

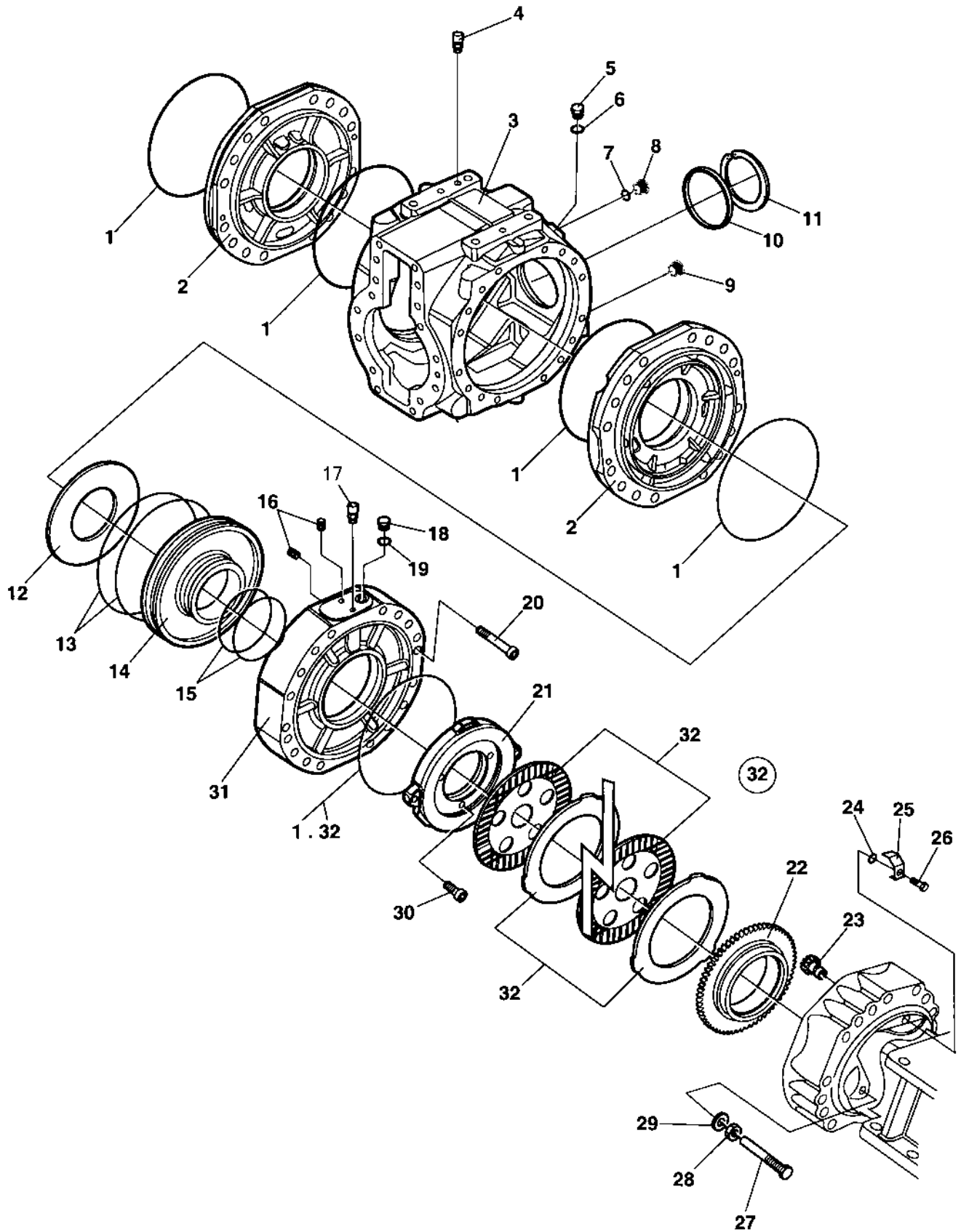
Differential with limited slip



Differential with limited slip

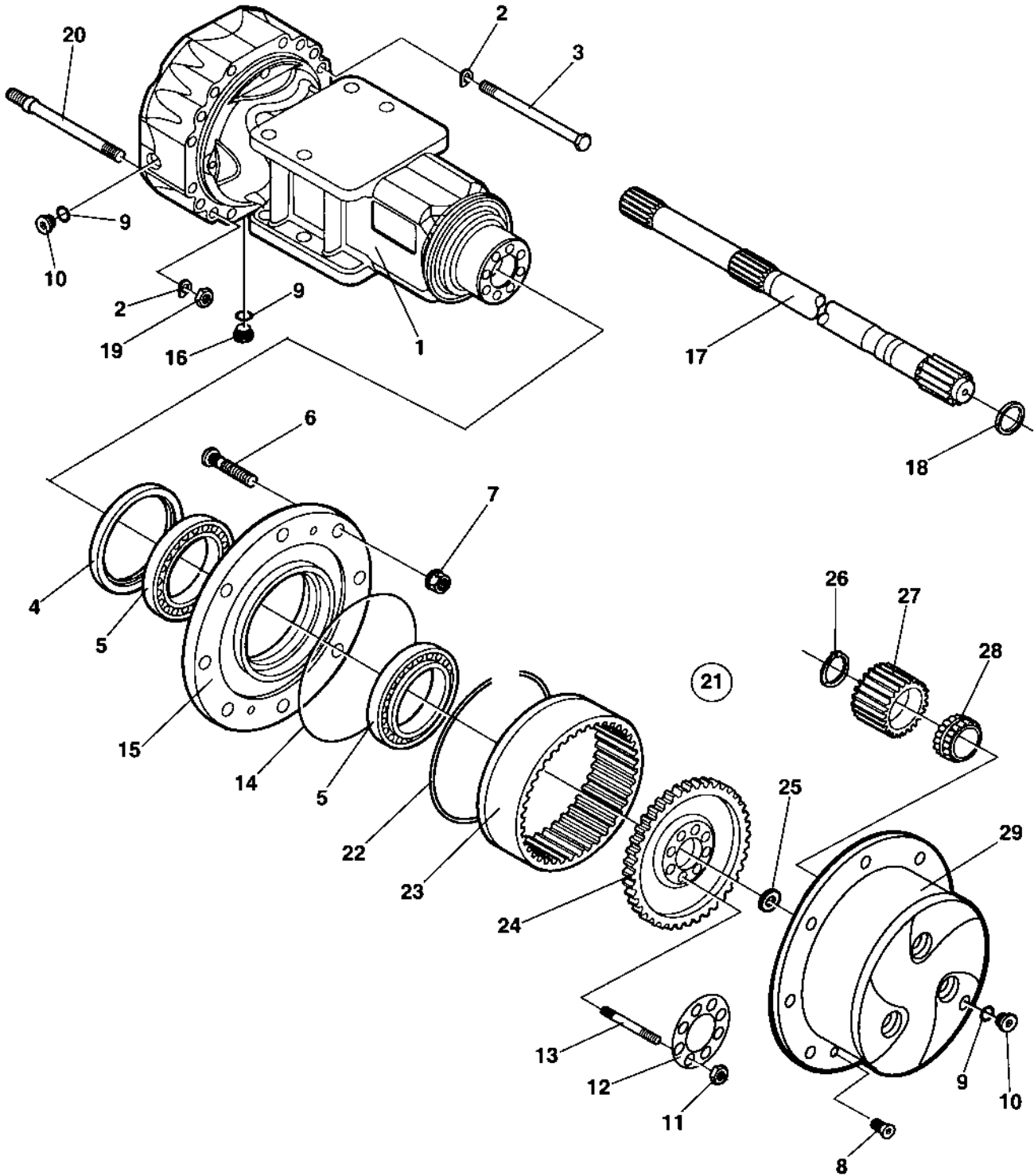
Item	Part No	Rem Qty	Description	Code
1	4700929638	1	Nut	D
2	4700909574	1	Tapper roller bearing	
3	4700939257	16	Bolt	
4	4700909572	16	Spring washer	
5	4700908485	1	Housing	D
6	4700909568	1	Shim 0,10mm	
	4700909569	1	Shim 0,20mm	
	4700909570	1	Shim 0,50mm	
	4700939258	1	Shim 0,15mm	
7	4700909567	1	Spacer	
8	4700939259	1	Shim 0,15mm	
	4700909580	1	Shim 0,20mm	
	4700909576	1	Shim 0,30mm	
	4700929644	1	Shim 0,40mm	
	4700939260	1	Shim 0,50mm	
9	4700909581	1	Tapper roller bearing	
10	4700212553	1	Bevel gear set	
11	4700929628	16	Washer	C
12	4700929629	16	Screw	D
13	4700923342	1	Tapper roller bearing	
14	4700939261	2	Ring nut	
15	4700938989	2	Bolt	
16	4700909550	1	Differential carrier	D
17	4700909551	1	Shim 0,30mm	
	4700909552	1	Shim 0,40mm	
	4700909553	1	Shim 0,10mm	
21	4700909558	2	Differential side gear	
22	4700909566	1	Shaft	
23	4700909559	4	Friction washer	
24	4700939262	4	Differential pinion	
25	4700909561	3	Roll pin	
26	4700909560	2	Shaft	
27	4700909565	1	Shaft retainer	
28	4700909562	1	Differential carrier cover	
29	4700909563	8	Screw	
30	4700935644	2	Disc kit	D
31		10	. Limited slip disc	
32		8	. Limited slip disc	
33		2	. Limited slip disc	

Differential housing and brakes



Differential housing and brakes

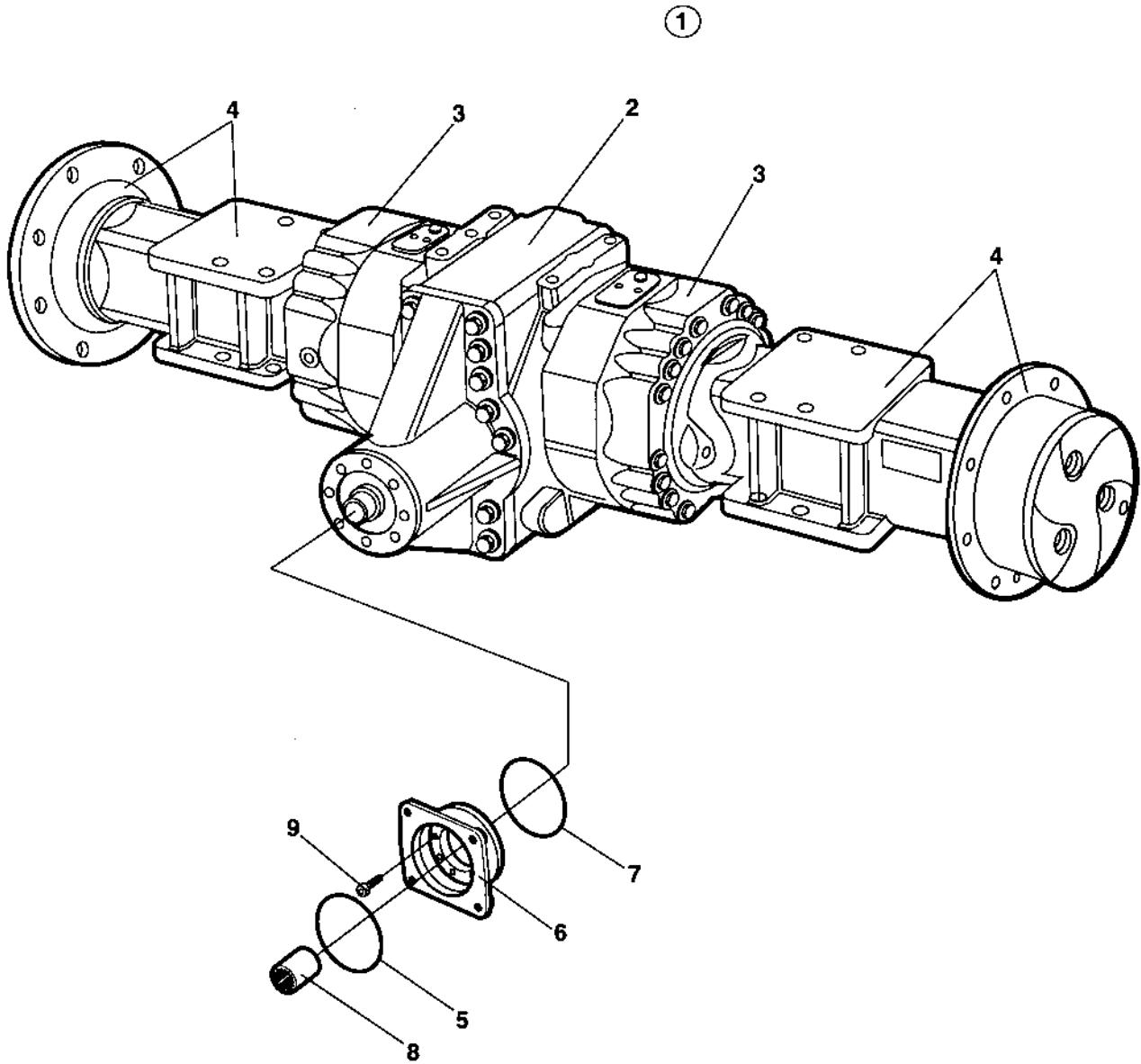
Item	Part No	Rem Qty	Description	Code
1	4700909609	6	O-ring	D
2	4700939255	2	Cover	D
3	4700939256	1	Housing	D
4	4700938984	1	Vent nipple	
5	4700909544	2	Screw	
6	4700938983	2	Sealing washer	
7		0	Not used on this model	
8	4700939348	1	Plug	
9	4700926810	1	Magnetic plug	
10	4700938296	1	Plug	
11	4700929617	1	Lock ring	D
12	4700909616	2	Spring	
13	4700909618	4	O-ring	D
14	4700939280	2	Piston	C
15	4700909619	4	O-ring	D
16	4700939281	4	Bolt	C
17	4700938984	2	Vent nipple	
18	4700939282	2	Bolt	
19	4700939036	2	Sealing washer	C
20	4700939035	4	Screw	C
21	4700939283	2	Disc	C
22	4700939285	2	Ring	D
23	4700909622	2	Pinion	D
24	4700900966	2	O-ring	D
25	4700939286	2	Lock plate	D
26	4700909624	2	Screw	C
27	4700909626	4	Bolt	
28	4700900957	4	Nut	D
29	4700926847	4	Sealing washer	
30	4700939026	6	Screw	C
31	4700939287	2	Cover	C
32	4700939284	2	Brake disc kit	C
		12	. Brake disc	
		12	. Brake disc	
	4700909609	2	. O-ring	D



Planet gear

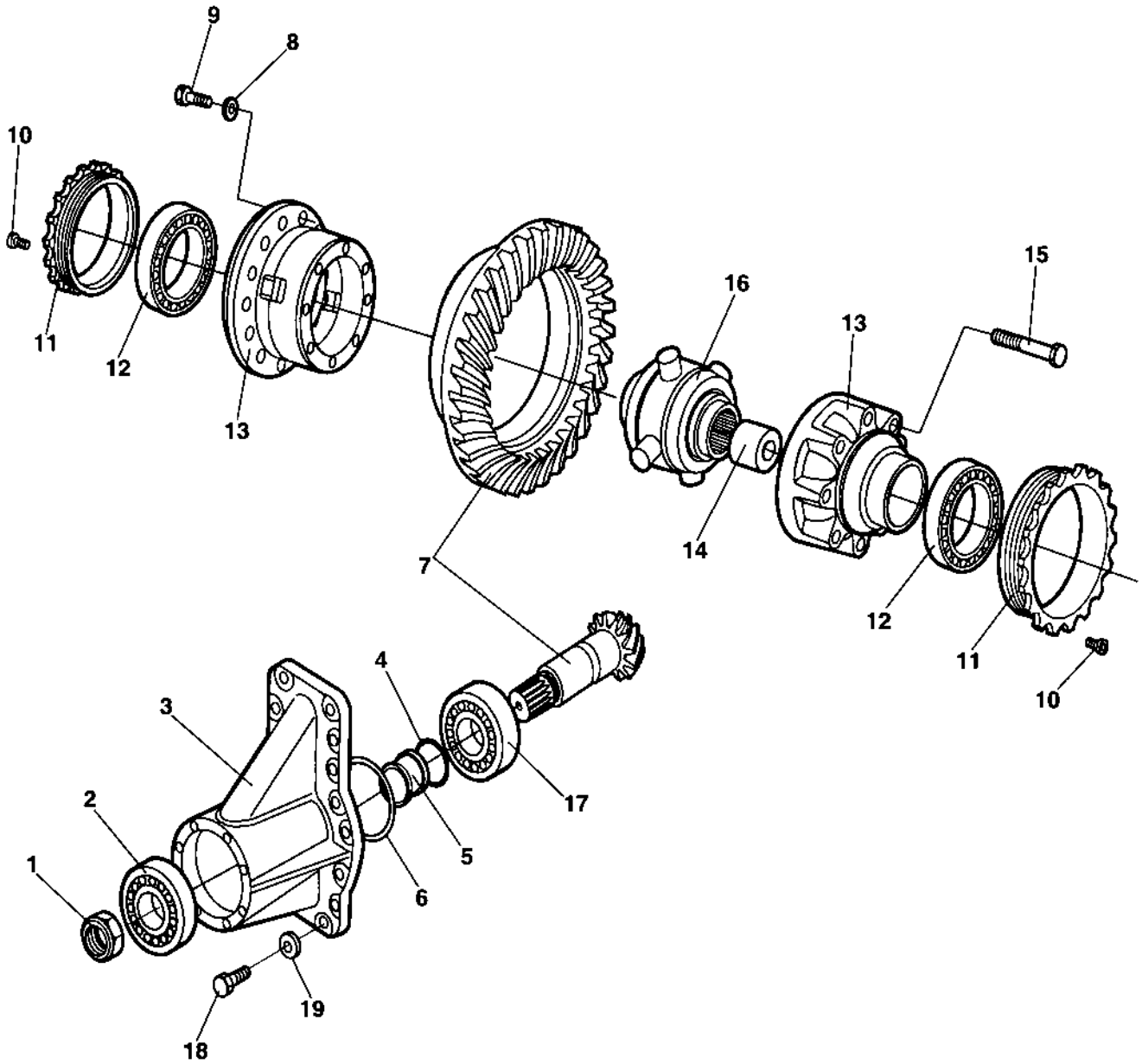
Item	Part No	Rem Qty	Description	Code
1	4700939263	2	Axle case	D
2	4700939003	32	Spring washer	C
3	4700939264	24	Bolt	C
4	4700939265	2	Seal	
5	4700939266	4	Bearing	
6	4700926781	20	Wheel screw	
7	4700901987	20	Wheel nut	
8	4700939015	4	Screw	
9		0	Not used on this model	
10	4700939348	4	Plug	
11	4700939016	20	Nut	D
12	4700939275	2	Lock plate	
13	4700939017	20	Stud	D
14	4700909609	2	O-ring	D
15	4700939276	2	Wheel hub	
16	4700939350	2	Magnetic plug	
17	4700939277	2	Half shaft	D
18	4700909586	2	Seal	D
19	4700939019	8	Nut	D
20	4700939278	8	Stud	D
21	4700939351	2	Planet gear carrier Cpl.	D
22	4700939267	2	. Circlip	
23	4700939268	2	. Ring gear	D
24	4700939269	2	. Ring gear support	
25	4700939270	2	. Washer	
26	4700939271	8	. Seal	
27	4700939272	8	. Planet gear	
28	4700939273	8	. Bearing	
29	4700939349	2	. Planet gear carrier Cpl.	

4700383856 Rear axle No-Spin, Option



4700383856 Rear axle No-Spin, Option

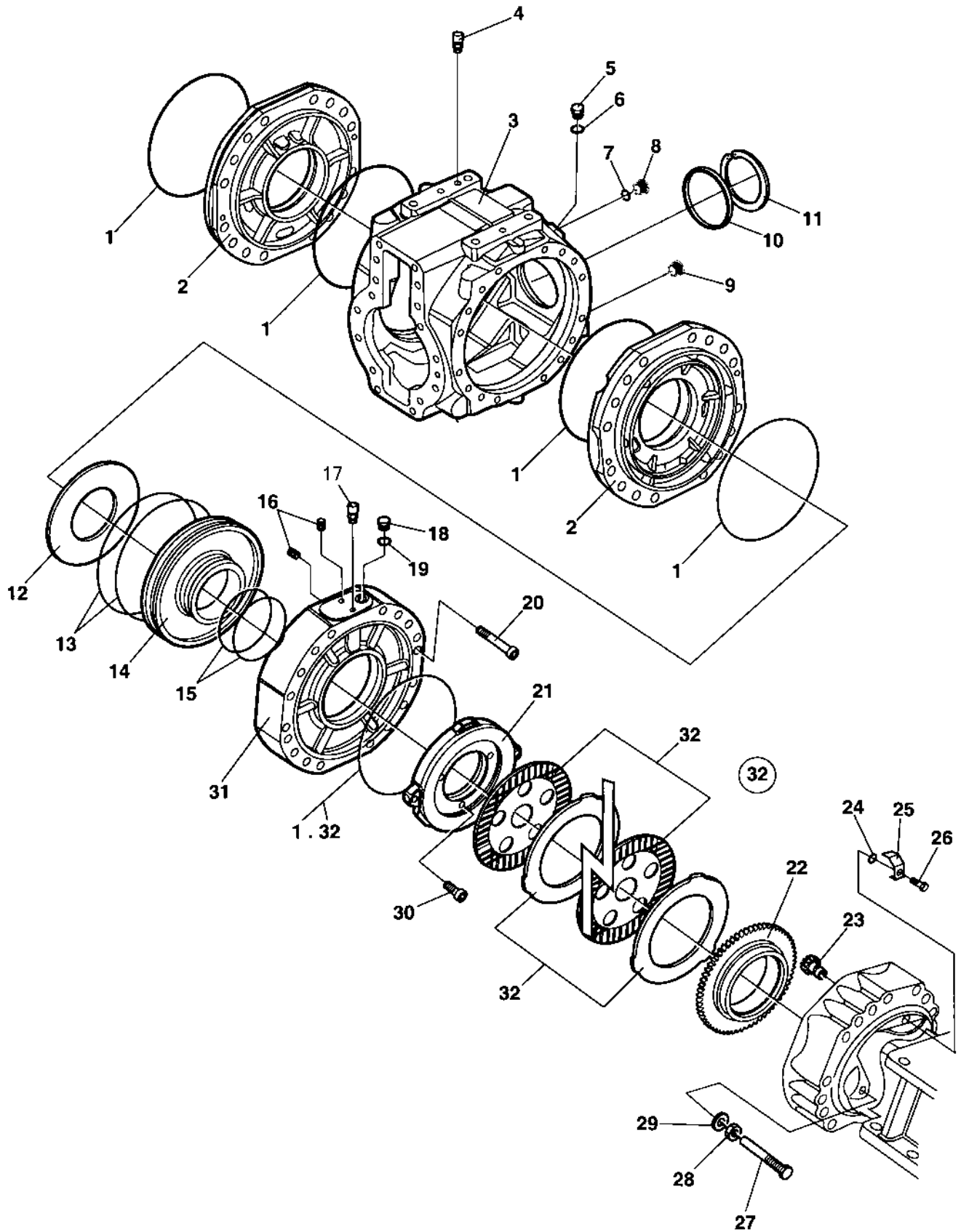
Item	Part No	Rem Qty	Description	Code
1		1	Rear axle	
2		1	. Differential with no-spin (Page 84)	
3		2	. Differential housing and brakes (Page 86)	
4		2	. Planet gear (Page 88)	
5	4700909584	1	O-ring	D
6	4700900255	1	Flange	D
7	4700929648	1	O-ring	D
8	4700901834	1	Splined sleeve	
9	4700909582	8	Screw	



Differential with no-spin

Item	Part No	Rem Qty	Description	Code
1	4700929638	1	Nut	D
2	4700909574	1	Tapper roller bearing	
3	4700908485	1	Housing	D
4	4700939259	1	Shim 0,15mm	
	4700909580	1	Shim 0,20mm	
	4700909576	1	Shim 0,30mm	
	4700929644	1	Shim 0,40mm	
	4700939260	1	Shim 0,50mm	
5	4700909567	1	Spacer	
6	4700909568	1	Shim 0,10mm	
	4700909569	1	Shim 0,20mm	
	4700909570	1	Shim 0,50mm	
	4700939258	1	Shim 0,15mm	
7	4700212553	1	Bevel gear set	
9	4700938991	16	Bolt	D
10	4700938989	2	Bolt	
11	4700939261	2	Ring nut	
12	4700923342	1	Tapper roller bearing	
13	4700929630	1	Differential case	D
14	4700929631	1	Spacer	D
15	4812156885	8	Screw	C
16	4700929626	1	Non-spin unit	D
17	4700909581	1	Tapper roller bearing	
18	4812156886	16	Bolt	
19	4700909572	16	Spring washer	

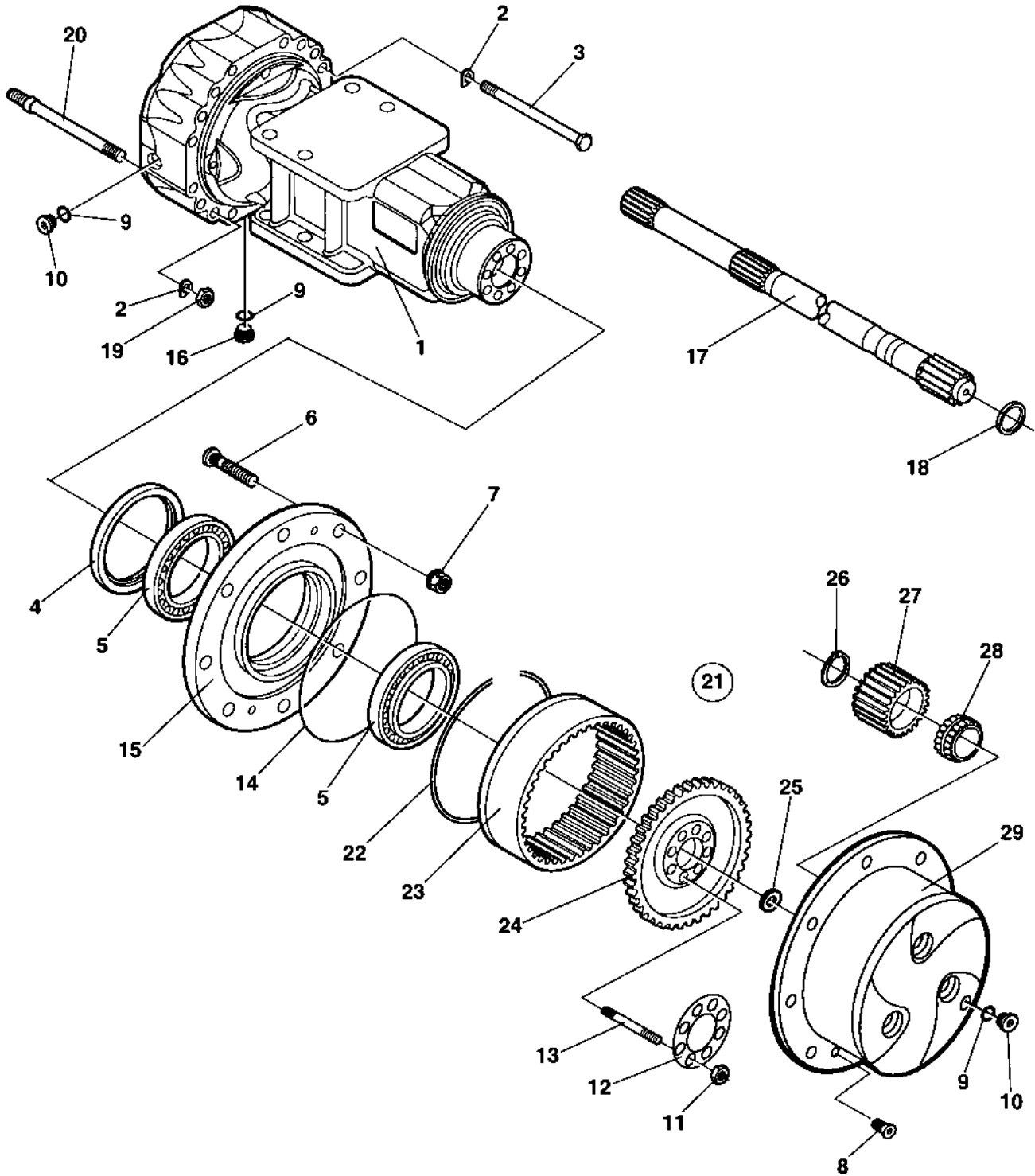
Differential housing and brakes



Differential housing and brakes

Item	Part No	Rem Qty	Description	Code
1	4700909609	6	O-ring	D
2	4700939255	2	Cover	D
3	4700939256	1	Housing	D
4	4700938984	1	Vent nipple	
5	4700909544	2	Screw	
6	4700938983	2	Sealing washer	
7	4700330333	1	Copper washer	D
8	4700909596	1	Plug	C
9	4700926810	1	Magnetic plug	
10	4700938296	1	Plug	
11	4700929617	1	Lock ring	D
12	4700909616	2	Spring	
13	4700909618	4	O-ring	D
14	4700939280	2	Piston	C
15	4700909619	4	O-ring	D
16	4700939281	4	Bolt	C
17	4700938984	2	Vent nipple	
18	4700939282	2	Bolt	
19	4700939036	2	Sealing washer	C
20	4700939035	4	Screw	C
21	4700939283	2	Disc	C
22	4700939285	2	Ring	D
23	4700909622	2	Pinion	D
24	4700900966	2	O-ring	D
25	4700939286	2	Lock plate	D
26	4700909624	2	Screw	C
27	4700909626	4	Bolt	
28	4700900957	4	Nut	D
29	4700926847	4	Sealing washer	
30	4700939026	6	Screw	C
31	4700939287	2	Cover	C
32	4700939284	2	Brake disc kit	C
		12	. Brake disc	
		12	. Brake disc	
	4700909609	2	. O-ring	D

Planet gear



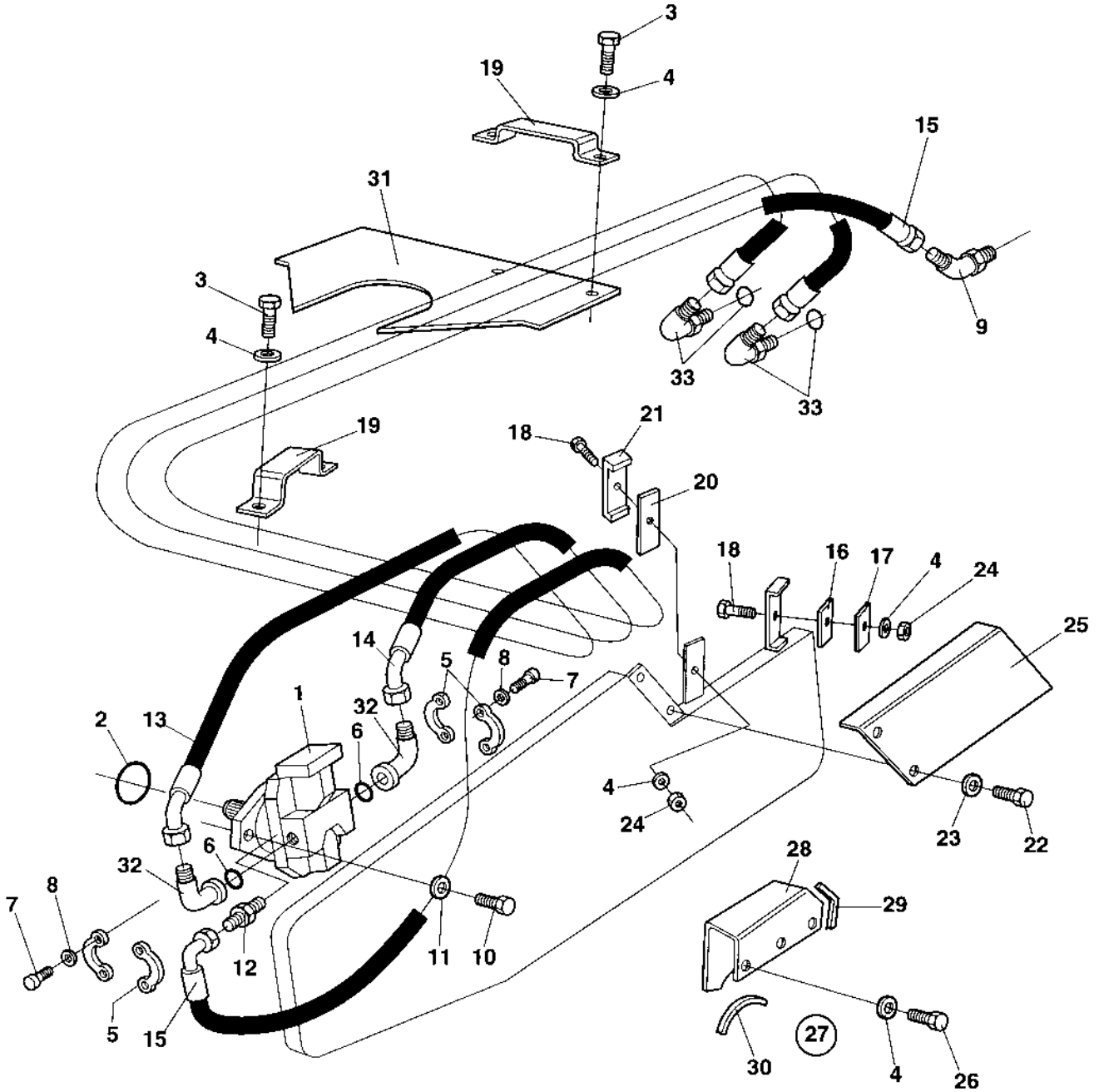
Planet gear

Item	Part No	Rem Qty	Description	Code
1	4700939263	2	Axle case	D
2	4700939003	32	Spring washer	C
3	4700939264	24	Bolt	C
4	4700939265	2	Seal	
5	4700939266	4	Bearing	
6	4700926781	20	Wheel screw	
7	4700901987	20	Wheel nut	
8	4700939015	4	Screw	
9	4700330333	6	Copper washer	D
10	4700909596	4	Plug	C
11	4700939016	20	Nut	D
12	4700939275	2	Lock plate	
13	4700939017	20	Stud	D
14	4700909609	2	O-ring	D
15	4700939276	2	Wheel hub	
16	4700939350	2	Magnetic plug	
17	4700939277	2	Half shaft	D
18	4700909586	2	Seal	D
19	4700939019	8	Nut	D
20	4700939278	8	Stud	D
21	4700939351	2	Planet gear carrier Cpl.	D
22	4700939267	2	. Circlip	
23	4700939268	2	. Ring gear	D
24	4700939269	2	. Ring gear support	
25	4700939270	2	. Washer	
26	4700939271	8	. Seal	
27	4700939272	8	. Planet gear	
28	4700939273	8	. Bearing	
29	4700939349	2	. Planet gear carrier Cpl.	

Hydraulic system

Item	Part No	Rem Qty	Description	Code
10			Propulsion system, Front (Page 92)	
15			Propulsion system, Rear (Page 94)	
20			Vibration system (Page 106)	
30			Steering system (Page 116)	
40			Brake system (Page 122)	
46			Hydraulic oil tank (Page 124)	
50			Central test panel hydraulic Option (Page 126)	
51			Central test panel hydraulic Option (Page 128)	

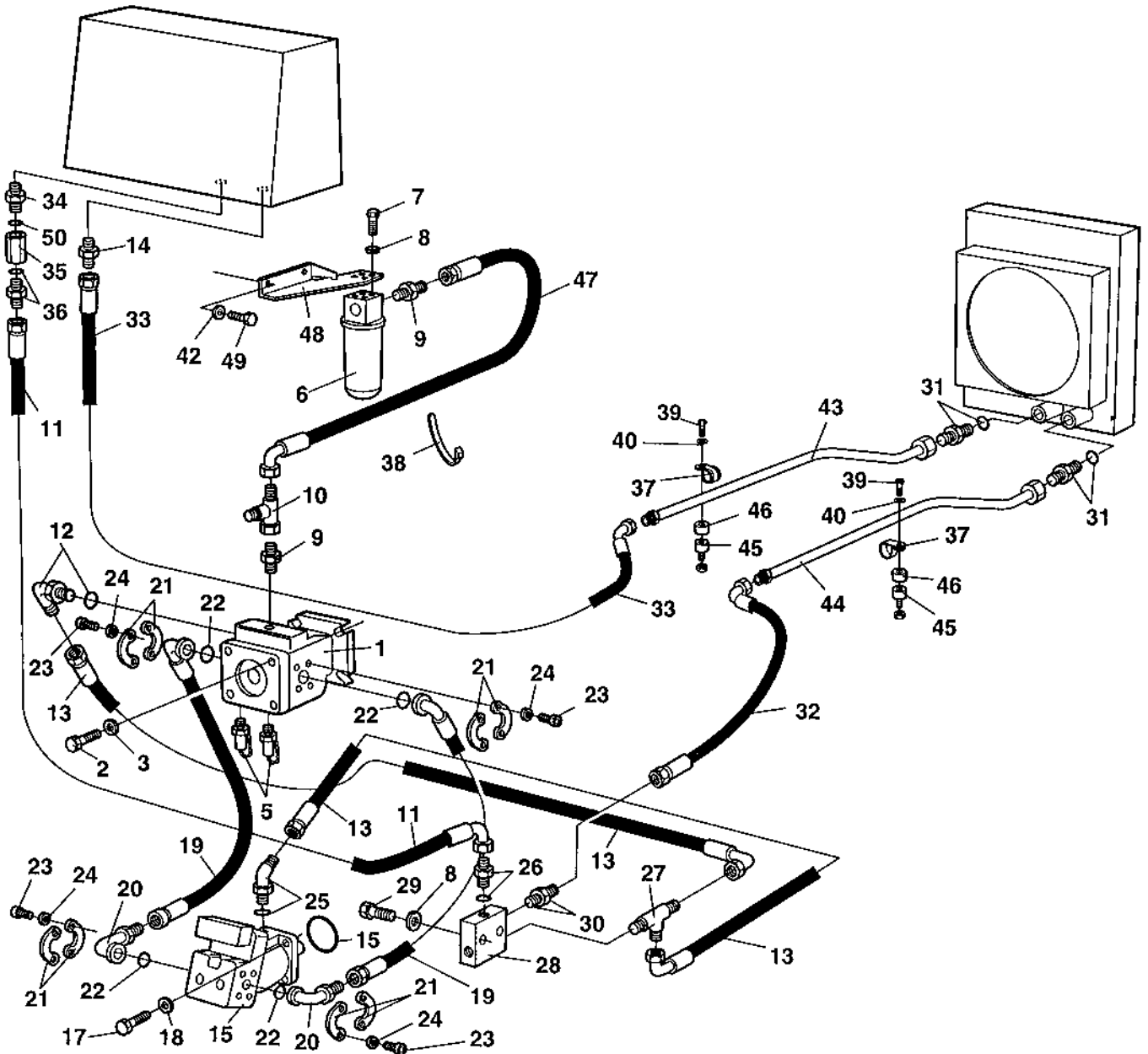
Propulsion system, Front



Propulsion system, Front

Item	Part No	Rem Qty	Description	Code
1	4700389564	1	Propulsion motor	C
2	4700160272	1	O-ring	D
3	4700500028	4	Screw	C
4	4700904230	9	Steel plain washer	C
5	4700923384	4	Flange half	C
6	4700904005	2	O-ring	B
7	4700502132	8	Screw UNC 7/16" x 22	D
8	4700904638	8	Washer 12x22x2	C
9	4700334132	1	Elbow 45, O-ring	C
10	4700500101	2	Screw M20x50	C
11	4700903290	2	Washer 21x36x6	C
12	4700334138	1	Adapter	C
13	4700483028	1	Hydraulic hose	D
14	4700483029	1	Hydraulic hose	D
15	4700483022	1	Hydraulic hose	D
16	4700372580	1	Rubber part	D
17	4700372578	1	Hose clamp	D
18	4700500092	2	Screw	D
19	4700349909	2	Hose clamp	D
20	4700372580	1	Rubber part	D
21	4700372586	1	Hose clamp	D
22			Not used on this model	
23			Not used on this model	
24	4700586018	2	Hexagon lock nut	C
25			Not used on this model	
26	4700500192	3	Screw M10x80	C
27	4700394646	1	Protecting cover	D
28	4700394650	1	. Protecting cover	D
29	4700287724	N	. Edge trim	
30	4700902166	N	. Edge trim	D
31	4700372235	1	Hose guard	D
32	4700903750	2	Elbow	
33	4700813499	2	Elbow 90, O-ring	D

Propulsion system, Rear

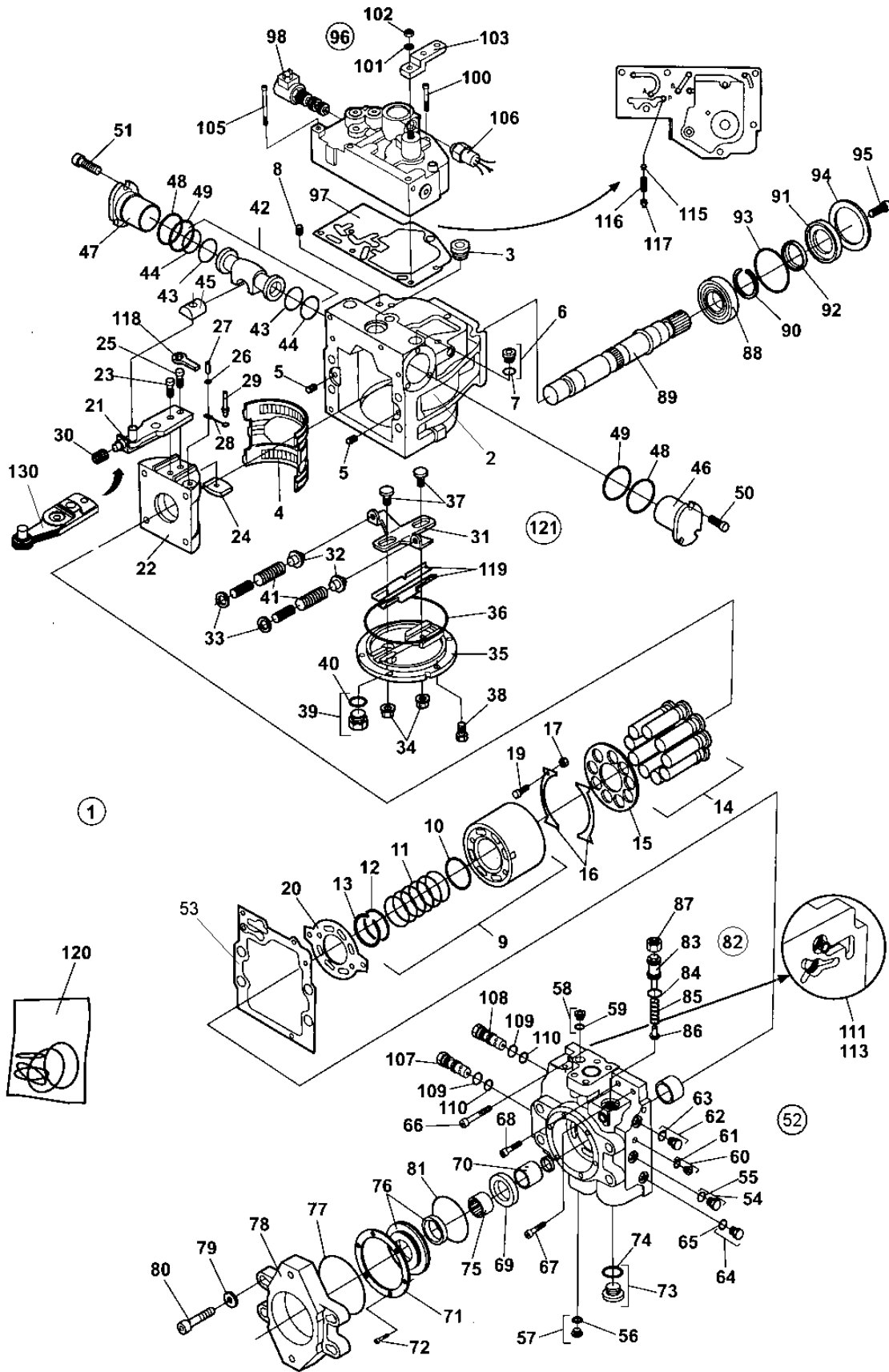


Propulsion system, Rear

Item	Part No	Rem Qty	Description	Code
1	4700380830	1	Propulsion pump (Page 96)	C
2	4700500046	4	Screw M12x025H	C
3	4700904213	4	Washer	C
5	4700900229	2	Measuring nipple	C
6	4700359550	1	Hydraulic oil filter, cpl	A
	4700359551	1	. Filter head	A
	4700359552	1	. Cleaning filter element Maximum 50 hours use	A
	4700372229	A 1	Hydraulic oil filter element	A
7	4700500028	4	Screw	C
8	4700904230	6	Steel plain washer	C
9	4700334468	2	Adapter	C
10	4700234243	1	T-connector	C
11	4700482182	1	Hydraulic hose	D
12	4700813499	1	Elbow 90, O-ring	D
13	4700482391	2	Hydraulic hose	D
14	4700234909	1	Straight connector	
15	4700373361	1	Propulsion motor (Page 102)	C
	4700902581	1	. O-ring	D
17	4700500263	4	Screw M18x60	D
18	4700904793	4	Washer 19x34x3	C
19	4700483033	2	Hydraulic hose	D
20	4700900604	2	Adapter	C
21	4700923384	8	Flange half	C
22	4700904005	4	O-ring	B
23	4700502132	16	Screw UNC 7/16" x 22	D
24	4700904638	16	Washer 12x22x2	C
25	4700334132	1	Elbow 45, O-ring	C
26	4700334138	1	Adapter	C
27	4700234875	1	Tee-connector o-ring	
28	4700345243	1	Connection block	
29	4700500033	2	Screw M10-1,5x60 8,8	D
30	4700334140	1	Straight conector	
31	4700792039	2	Adapter	D
32	4700483128	1	Hydraulic hose	D
33	4700482741	1	Hydraulic hose	D
34	4700904282	1	Adapter	
35	4700374059	1	Check valve	C
36	4700923371	1	Adapter	C
37	4700921084	4	Pipe clamp	
38	4700313102	N	Cable ties	
39	4700500061	4	Screw M6-1X35 8,8	C
40	4700904735	4	Washer	C
41	4700500019	4	Hexagon head screw M8x16H 8,8	C
42	4700904229	2	Steel plain washer 8,4x16x1,5	C
43	4700377225	1	Pipe	D
44	4700377226	1	Pipe	D
45	4700281783	4	Shock absorber	
46	4700357278	4	Spacer sleeve	D
47	4700482010	1	Hydraulic hose	D
48	4700380490	1	Filter bracket	D
49	4700500021	2	Screw M8-1,25x25 8.8	C
50	4700162008	1	Seal washer	B

A) Spare part for ordinary service

4700380830 Propulsion pump



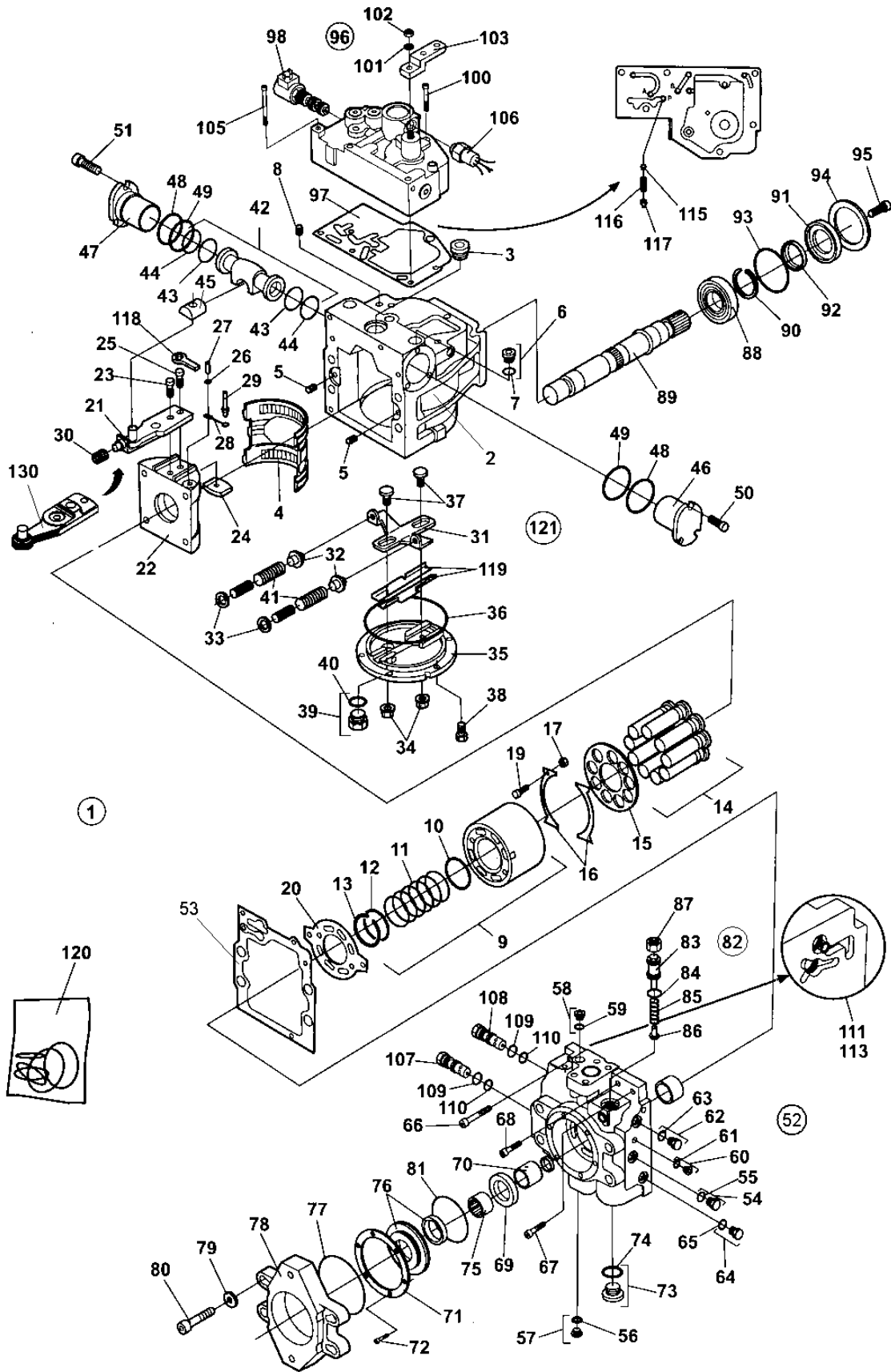
4700380830 Propulsion pump

Item	Part No	Rem	Qty	Description	Code
1	4700380830		1	Propulsion pump (Page 96)	C
2	4700936546		1	. Housing	
	4812156652	2	1	. Housing	
3	4700902928		1	. Plug	C
4	4700901452		1	. Bearing	
		2	1	. Bearing	
5	4700813822		2	. Pin	D
6	4700908432		2	. Plug	C
7	4700923087	1	2	. . O-ring	C
8	4700901454		3	. Filter element	D
9	4700901455		1	. Cylinder block, cpl	
10			1	. . Spacer	
11			1	. . Spring	
12			1	. . Spring retainer	
13			1	. . Ring retainer	
14	4700903570		9	. Piston	D
15	4700903571		1	. Pressure plate	D
16	4700901458		2	. Retainer guide	D
17	4700935856		4	. Spacer	
19	4700909382		4	. Screw	C
20	4700936547		1	. Valve plate	
21	4700909727		1	. Servo arm, cpl	
22			1	. Swash plate	
		2	1	. Swash plate	
23	4700909386		1	. Screw	C
		2	1	. Screw	
24	4700909387		1	. Guide	
25	4700909388		1	. Screw	C
26	4700909389		1	. Washer	C
27	4700909390		1	. Pin	C
28	4700909391		1	. Link	C
29	4700909392		1	. Pin	C
30	4700909393		1	. Spring	C
31			1	. Lever	
32			2	. Spring support	
33			2	. Washer	
34	4700909398	1	2	. Seal lock nut	B
35			1	. Cover	
		2	1	. Cover	
36	4700936551	1	1	. O-ring	
37			2	. Guide post	
38	4700936553		6	. Screw	C
39	4700902928		1	. Plug	C
40	4700901453	1	1	. . O-ring	C
41	4700908352		2	. Spring	D
42	4700936582		1	. Piston, cpl	
43		1	2	. . O-ring	
44		1	2	. . Seal ring	
45			1	. . Guide	
46	4700903580		1	. Servo	
47	4700903580		1	. Servo	
48	4700936557	1	2	. O-ring	
49	4700936558	1	2	. O-ring	
50	4700936559		3	. Screw	
51	4700936559		3	. Screw	
52	4700936560		1	. End cap, cpl	
53	4700936561	1	1	. Gasket	
54	4700358388		1	. Plug	C

1) Included in item 120, Seal kit

2) Valid with item 130

4700380830 Propulsion pump



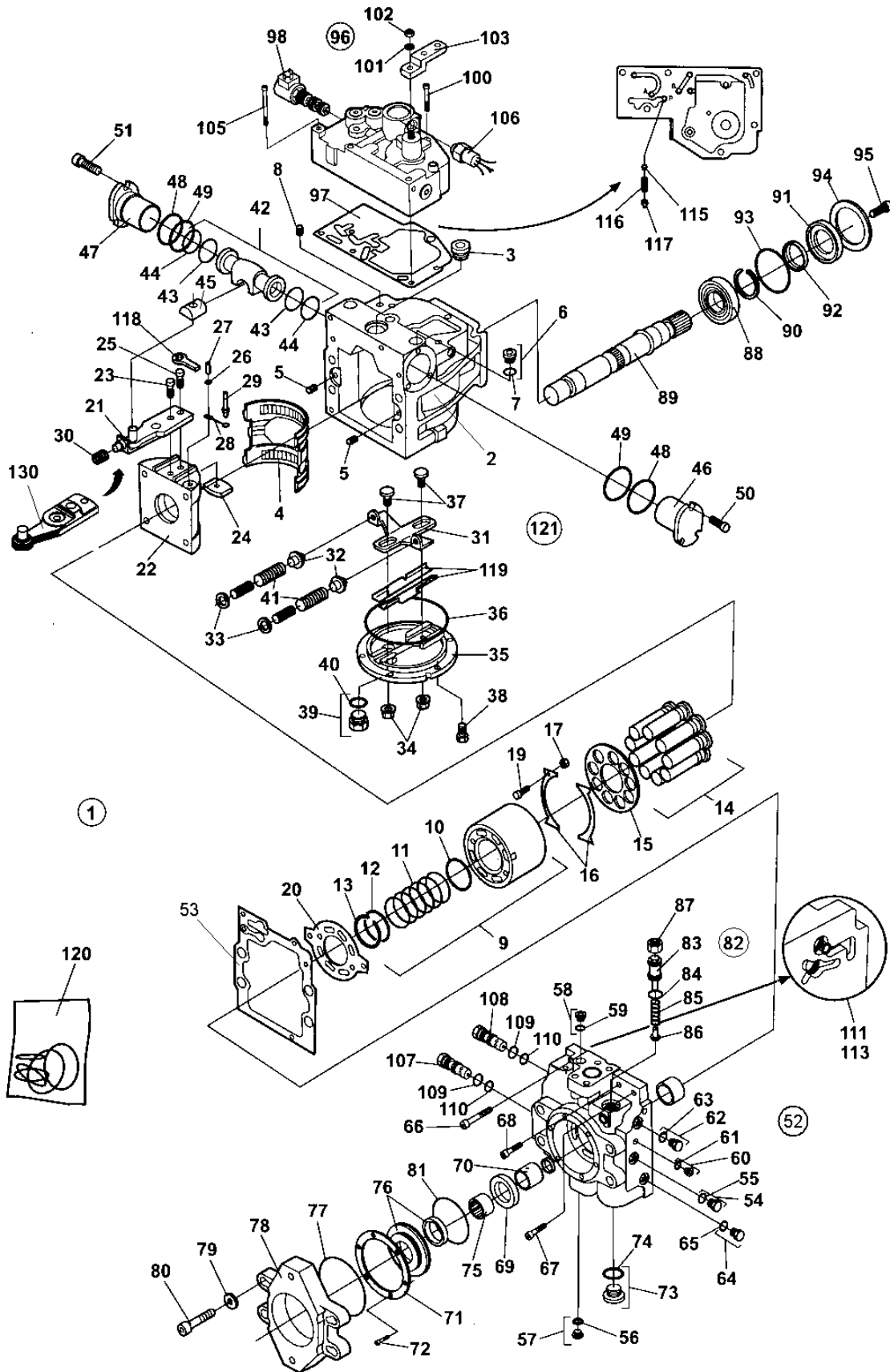
4700380830 Propulsion pump

Item	Part No	Rem	Qty	Description	Code
55	4700923087	1	1	. . O-ring	C
56	4700908432		1	. Plug	C
57	4700923087	1	1	. . O-ring	C
58	4700908432		1	. Plug	C
59	4700923087	1	1	. . O-ring	C
60	4700908432		1	. Plug	C
61	4700923087	1	1	. . O-ring	C
62	4700358388		1	. Plug	C
63	4700923087	1	1	. . O-ring	C
64	4700358388		1	. Plug	C
65	4700923087	1	1	. . O-ring	C
66	4700936562		1	. Screw	
67	4700936563		1	. Screw	
68	4700936564		1	. Screw	
69	4700950283		1	. Spacer	D
70	4700950284		1	. Spacer	D
71	4700935857		1	. Retaining plate	
72	4700936566		6	. Screw	
73	4700936567		1	. Plug, cpl	
74	4700936568	1	1	. . O-ring	
75	4812156072		1	. Coupling sleeve	
76			1	. Not used on this model	
77	4700909399	1	1	. O-ring	C
78	4700936570		1	. Adapter	
79	4700936571		4	. Washer	
			4	.	
81	4700937150		1	. O-ring	D
82	4700936583		1	. Pressure relief valve, cpl	
83			1	. . Screw	
84		1	1	. . O-ring	
85			1	. . Spring	
86			1	. . Valve cone	
87			1	. . Nut	
88	4700901465		1	. Bearing	
89	4700901466		1	. Shaft	
90	4700901467		1	. Ring	
91			1	. Pressure plate	
92		1	1	. Seal	
		2	1	. Seal	
93		1	1	. O-ring	
94			1	. Retaining plate	
95			3	. Screw	
96	4700938170		1	. Control valve, cpl	
97	4700939489	1	1	. . Control valve gasket	
98	4700938252		1	. . Solenoid valve	
100			1	. . Screw	
101	4700909428		1	. . Washer	C
102	4700909429		1	. . O-ring	C
103	4700909432		1	. . Control lever	D
105	4700937857		5	. . Screw	D
106	4700938253		1	. . Neutral start switch	
107	4700212339		1	. Valve	C
108	4700212339		1	. Valve	C
109		1	2	. . O-ring	
110		1	2	. . O-ring	
111	4700901475		2	. Valve	D
113	4700901476		2	. Plug	D
115	4700909435		1	. Orifice	C

1) Included in item 120, Seal kit

2) Valid with item 130

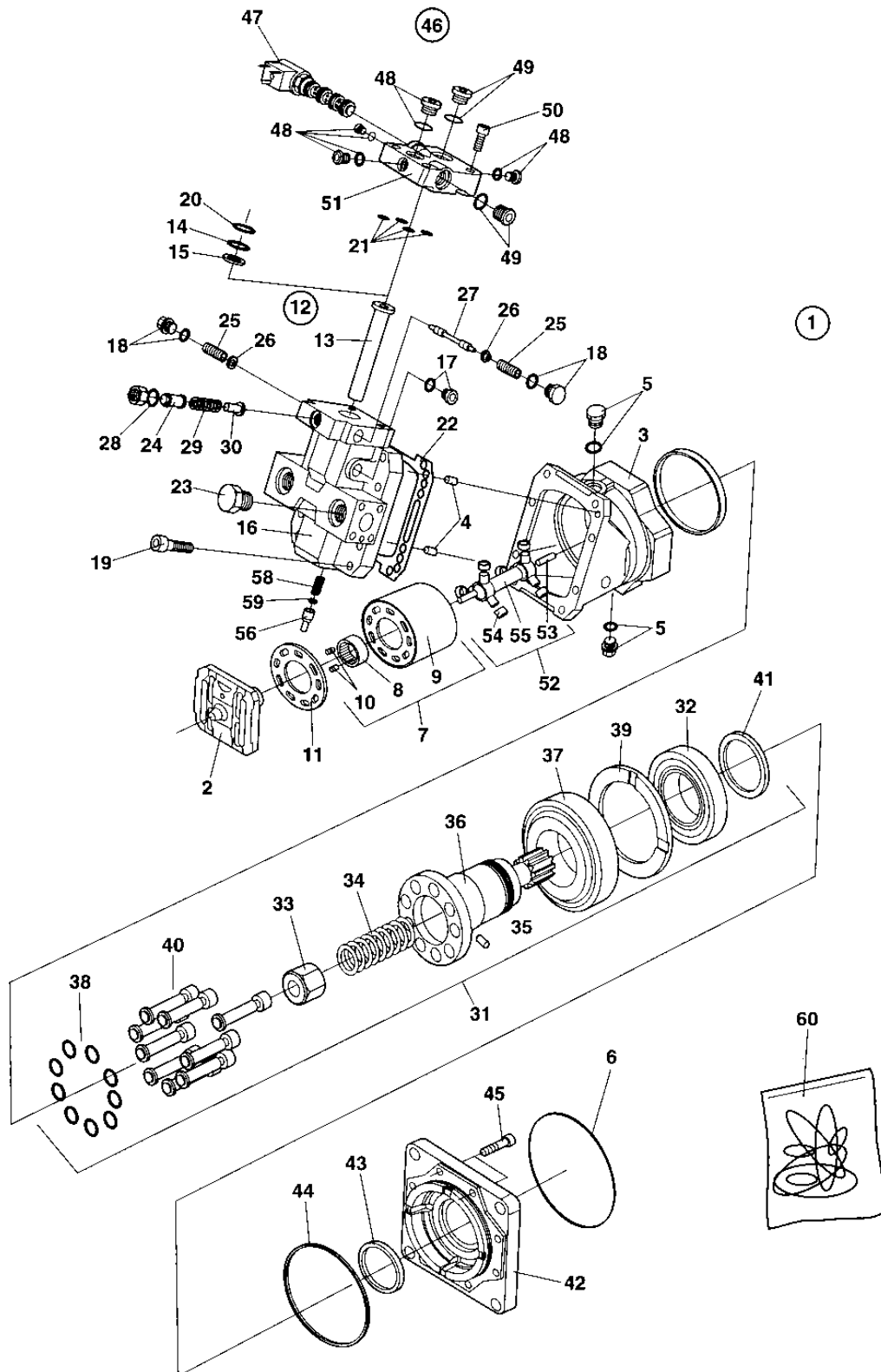
4700380830 Propulsion pump



4700380830 Propulsion pump

Item	Part No	Rem Qty	Description	Code
116	4700909436	1	. Spring	C
117	4700908448	1	. Spring retainer	C
118		1	. Link	
119		1	. Guide assy, 1pair	
120	4700901328	1	. Seal kit	D
121	4700936548	1	. Cover assembly	
130		1	. Servo arm	

4700373361 Propulsion motor

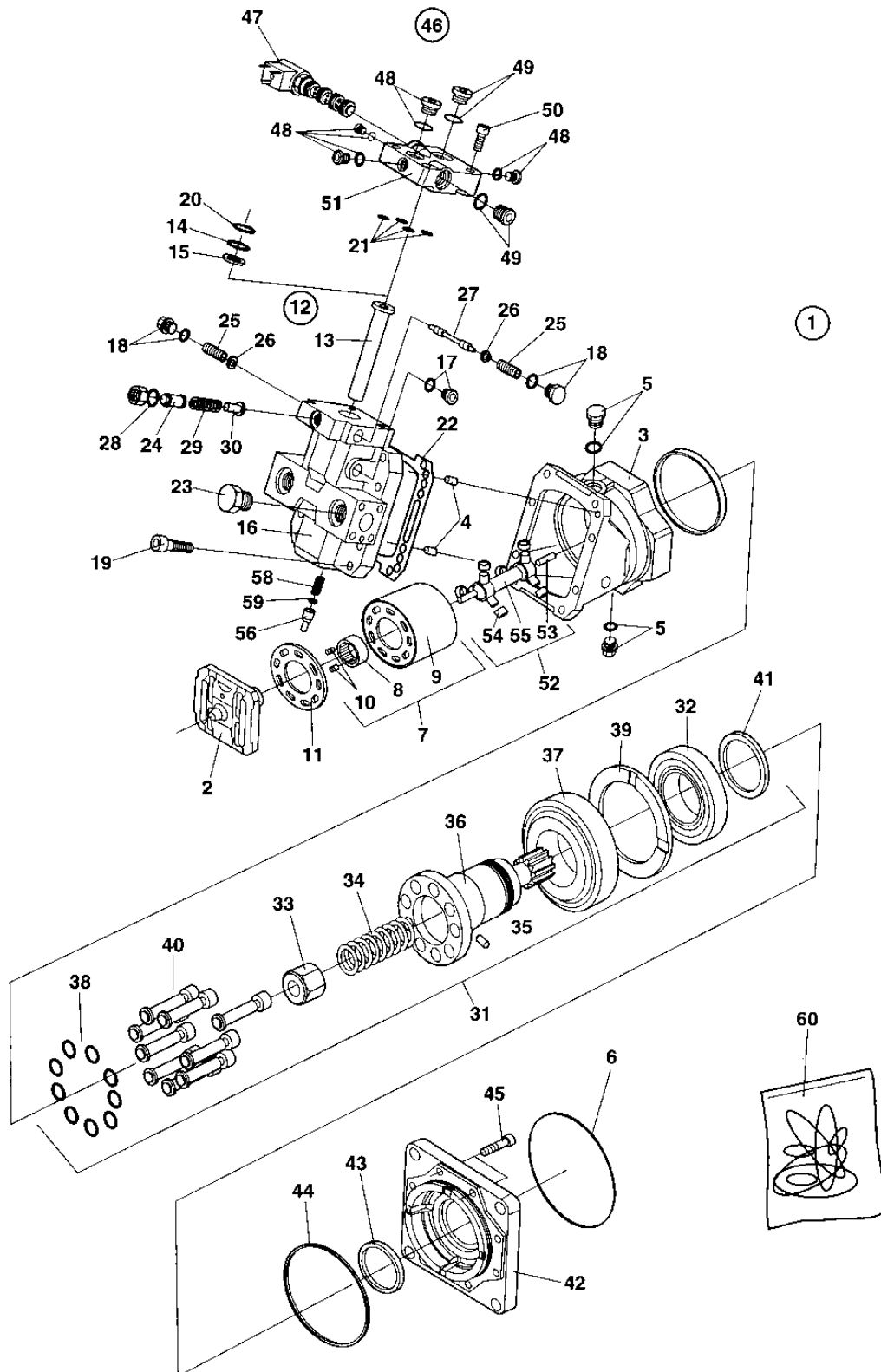


4700373361 Propulsion motor

Item	Part No	Rem Qty	Description	Code
1		1	Hydraulic motor, Cpl	
2	4700935521	1	. Valve segment	
3	4700908422	1	. Housing	D
4	4700813822	2	. Pin	D
5	4700902928	2	. Plug	C
	4700901453	1 2	. . O-ring	C
6	4700902581	1 1	. O-ring	D
7	4700902929	1	. Cylinder block	
8		1	. . Bush	
9		1	. . Cylinder block	
10		2	. . Pin	
11	4700902930	1	. Bearing plate	
12	4700935527	1	. Piston assembly	
13	4700935526	1	. . Piston	
14	4700935525	1 1	. . O-ring	D
15	4700935524	1 1	. . Seal plug	D
16	4700935530	1	. End cap	
17	4700908432	1	. Plug	C
18	4700935741	2	. Plug, cpl	
19	4700902944	8	. Screw	
20	4700935531	1 1	. O-ring	D
21	4700908443	1 5	. Rect. seal	D
22	4700908427	1 1	. Gasket	D
23	4700902928	2	. Plug	C
	4700901453	1 2	. . O-ring	C
24		1	. Adapter	
25	4700935749	2	. Spring	
26	4700935750	2	. Spring retainer	
27	4700935533	1	. Spool	
28	4700813618	1 1	. O-ring	C
29		1	. Spring	
30		1	. Valve cone	
31	4700902960	1	. Shaft, cpl	
32		1	. . Roller bearing	
33		1	. . Spring guide	
34		1	. . Spring	
35		1	. . Pin	
36		1	. . Shaft	
37		1	. . Roller bearing	
38		9	. . Piston ring	
39		1	. . Spacer	
40		9	. . Piston	
41		1	. . Nut	
42	4700902961	1	. Flange	
43	4700935536	1	. Shaft seal 55x75x12	D
	4700945757	1 1	. Shaft seal 55x70x7	
44	4700935664	1 1	. O-ring	D
45	4700902962	8	. Screw	
46	4700935543	1	. Electric hydraulic control	
47	4700908435	1	. . Solenoid valve assy	C
48	4700908426	4	. . Plug, cpl	D
49	4700908432	2	. . Plug	C
50	4700935544	4	. . Screw	
51	4700935545	1	. . Valve housing	
52	4700902984	1	. Shaft, cpl	
53		2	. . Pin	
54		6	. . Roller	
55		1	. . Shaft	
56	4700902996	1	. Plastic cap, green	

1) Included in seal kit item 60

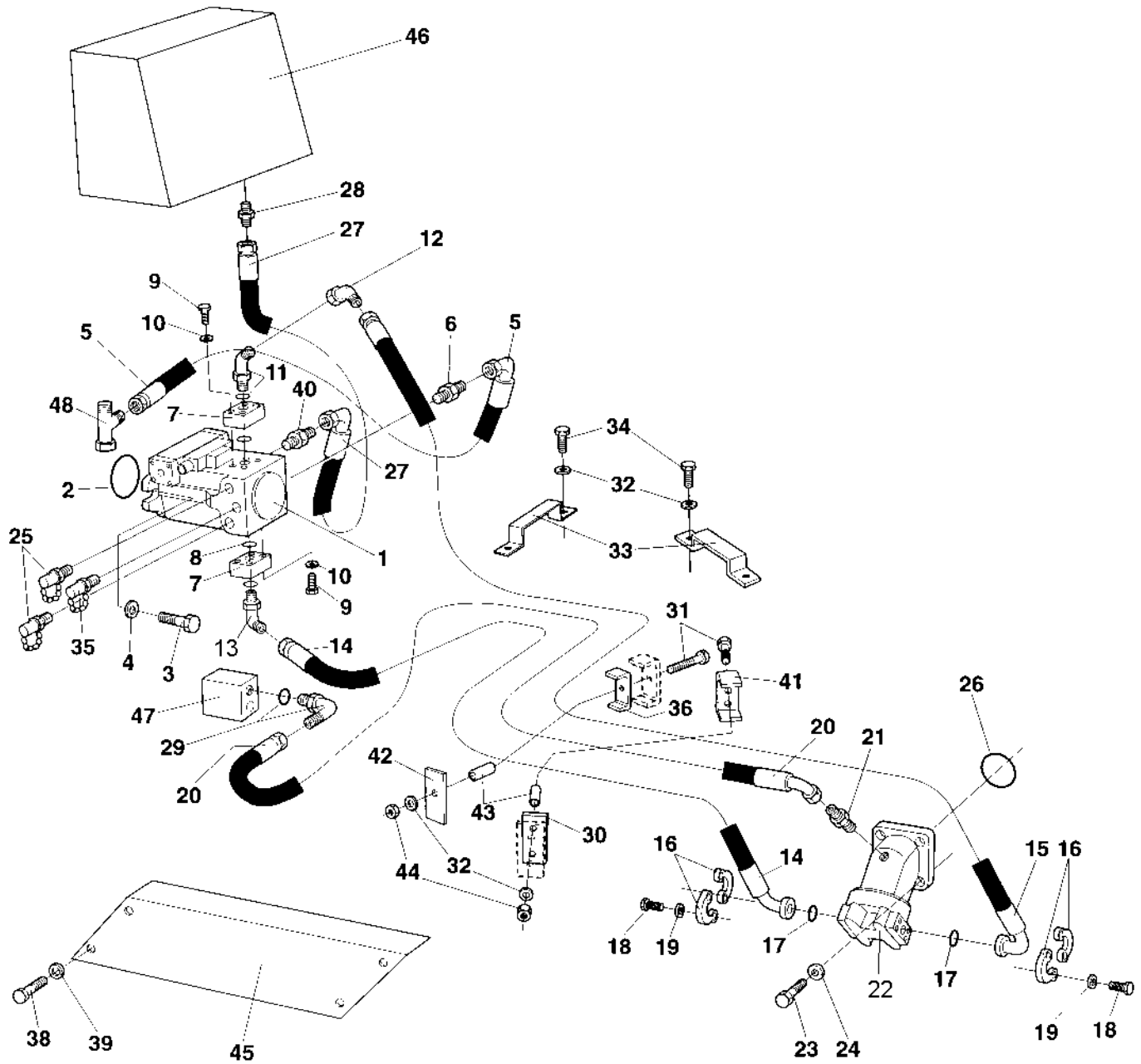
4700373361 Propulsion motor



4700373361 Propulsion motor

Item	Part No	Rem	Qty	Description	Code
57	4700936593		2	. Orifice	
58	4700937363		1	. Shaft	
59	4700909525	1	1	. Seal nut	
60	4700935520		1	Seal kit	D

1) Included in seal kit item 60

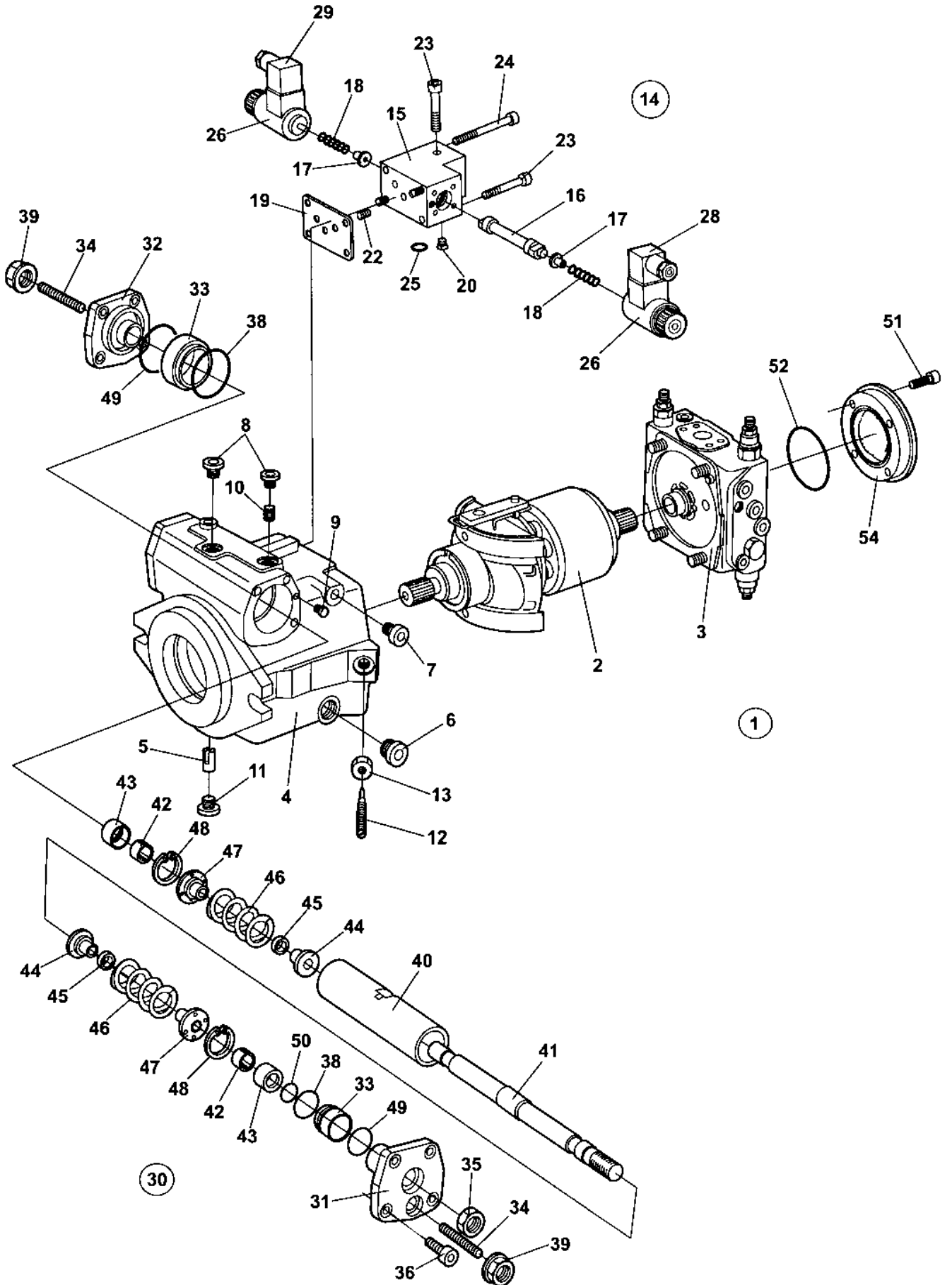


Vibration system

Item	Part No	Rem Qty	Description	Code
1	4700383959	1	Vibration pump (Page 108)	C
2	4700903877	1	O-ring 126,72x1,78	
3	4700502078	2	Screw	D
4	4700904232	2	Washer	C
5	4700483023	1	Hydraulic hose	D
6	4700234382	1	Adapter	
7	4700345234	2	Flange coupling	C
8	4700904773	2	O-ring	D
9	4700508080	8	Screw	
10	4700604007	8	Spring washer	D
11	4700234354	1	Adapter with O-ring	
12	4700334239	1	Elbow 90	
13	4700334163	1	Adapter	
14	4700483035	1	Hydraulic hose	D
15	4700483034	1	Hydraulic hose	D
16	4700923384	4	Flange half	C
17	4700904005	2	O-ring	B
18	4700502132	8	Screw UNC 7/16" x 22	D
19	4700904638	8	Washer 12x22x2	C
20	4700483031	1	Hydraulic hose	D
21	4700334121	1	Straight connector	C
22	4700380146	1	Hydraulic motor, vibration (Page 114)	C
23	4700500194	4	Screw	C
24	4700904231	4	Washer 13x24x2 300 HV	C
25	4700901157	2	Measuring nipple	C
26	4700160132	1	O-ring 124, 50x3, 00	B
27	4700483024	1	Hydraulic hose	D
28	4700334205	1	Straight connector	D
29	4700334419	1	Elbow 90, O-ring	D
30	4700372580	1	Rubber part	D
31	4700500192	3	Screw M10x80	C
32	4700904230	7	Steel plain washer	C
33	4700372018	2	Hose clamp	D
34	4700500028	4	Screw	C
35	4700902115	1	Measuring nipple	C
36	4700372581	1	Rubber part	D
38			Not used on this model	
39			Not used on this model	
40	4700901155	1	Connector	C
41	4700374217	1	Hose clamp	D
42	4700372578	1	Hose clamp	D
43	4700373112	3	Spacer	D
44	4700506018	3	Nut	D
45			Not used on this model	
46			Hydraulic oil tank (Page 124)	
47		A	1 Connection block	
48		A	1 Adapter	

A) See section: Propulsion system Rear.

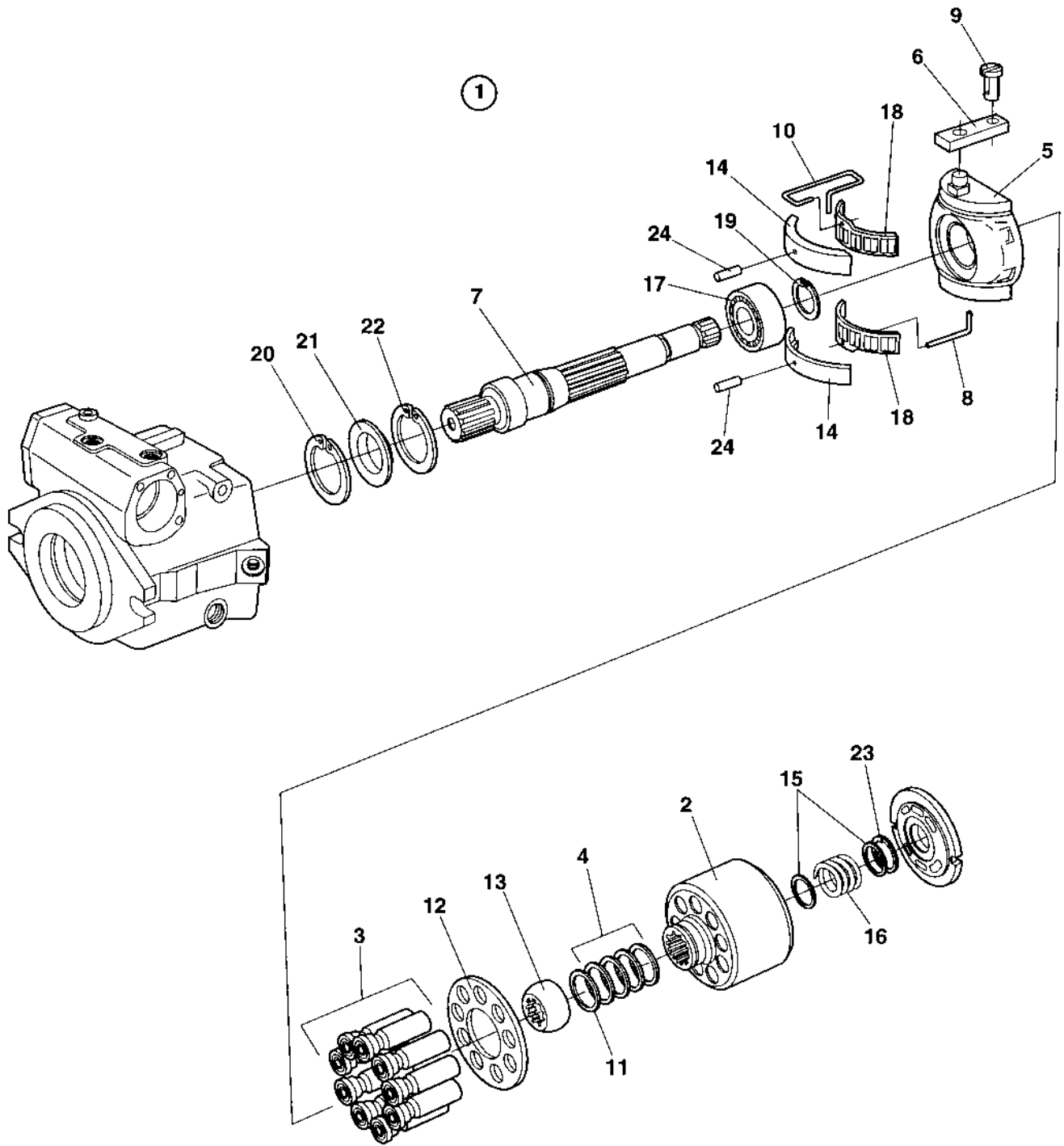
4700383959 Vibration pump



4700383959 Vibration pump

Item	Part No	Rem Qty	Description	Code
1		1	Vibration pump, cpl	
	4700940676	1	. Seal kit	B
2		1	. Rotating group, cpl (Page 110)	
3	4700936609	1	. Valve block, cpl (Page 112)	
4		1	. Housing	
5	4700936612	1	. Pin	
6	4700935219	1	. Plug	
7	4700902724	1	. Plug	
8	4700902625	1	. Plug	
9	4700909514	2	. Double break-off pin	
10	4700936308	2	. Orifice	
11	4700902624	1	. Screw	
12	4700902687	1	. Pin	
13	4700902695	1	. Nut	
14	4700940507	1	. Control valve, cpl	C
15		1	. . Housing	
16	4700945775	1	. . Piston	D
17	4700945776	2	. . Spring collar	D
18	4700936686	2	. . Spring	
19		1	. . Gasket	
20		2	. . Pin	
22	4700909514	1	. . Double break-off pin	
23	4700936689	3	. . Screw	
24	4700908383	2	. . Screw	D
25		1	. . O-ring	
26	4700940505	2	. . Solenoid	B
28		1	. . Socket	
29		1	. . Socket	
30		1	. Hydraulic control, cpl	
31		1	. . Cover	
32		1	. . Cover	
33		2	. . Guide ring	
34	4700936642	2	. . Pin	
35	4700902638	1	. . Nut	
36	4700902752	8	. . Screw	
38		1	. . Seal ring	
39	4700936644	1	. . Nut	
40		1	. . Piston	
41	4700936646	1	. . Rod	
42		2	. . Ring	
43	4700938014	2	. . Sleeve	
44	4700936647	2	. . Spring collar	
45	4700936648	2	. . Spacer ring	
46	4700936654	2	. . Spring	
47	4700936655	2	. . Spring collar	
48	4700936656	2	. . Retaining ring	
49	4700936643	1	. . O-ring	
50	4700909469	1	. O-ring	
51	4700939173	4	. Screw	
52	4700935192	1	. O-ring	
54		1	Cover	

1) Included in seal kit

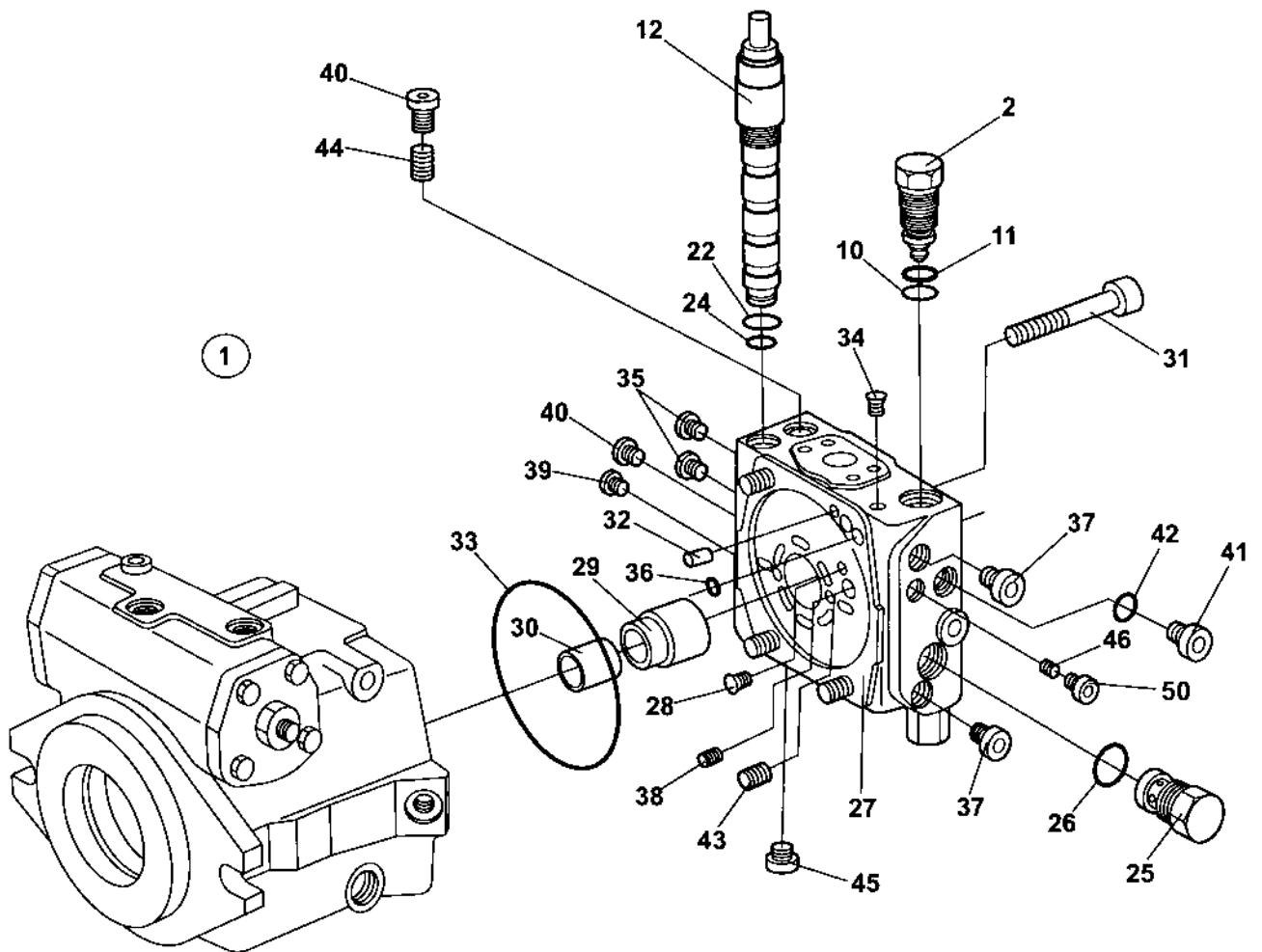


Rotating group, cpl

Item	Part No	Rem Qty	Description	Code
1		1	Rotating group, cpl	
2	4812156977	1	. Cylinder	
	4812156978	1	. Control plate	
3	4700936616	9	. Piston	
4	4700936617	1	. Cup spring stack	
5	4700936618	1	. Cradle	
6	4700936619	1	. Slide ring	
7	4700936620	1	. Shaft	
8	4700936621	1	. Wire	
9	4700935164	1	. Pin	
10	4700936622	1	. Wire	
11	4700936623	1	. Shim	
12	4700936627	1	. Retaining plate	
13	4700936628	1	. Retaining ball	
14	4700936629	1	. Bearing liner, 1 pair	
15	4700936630	2	. Washer	
16	4700936631	1	. Pressure spring	
17	4700936632	1	. Bearing	
18	4700936633	1	. Cradle bearing assembly, 1 set	
19	4700937187	1	. Retaining ring	
20	4700936634	1	. Retaining ring	
21		1	. Seal ring	
22	4700936636	1	. Retaining ring	
23	4700936637	1	. Retaining ring	
24		2	. Pin	

1) Includes in seal kit

4700936609 Valve block, cpl

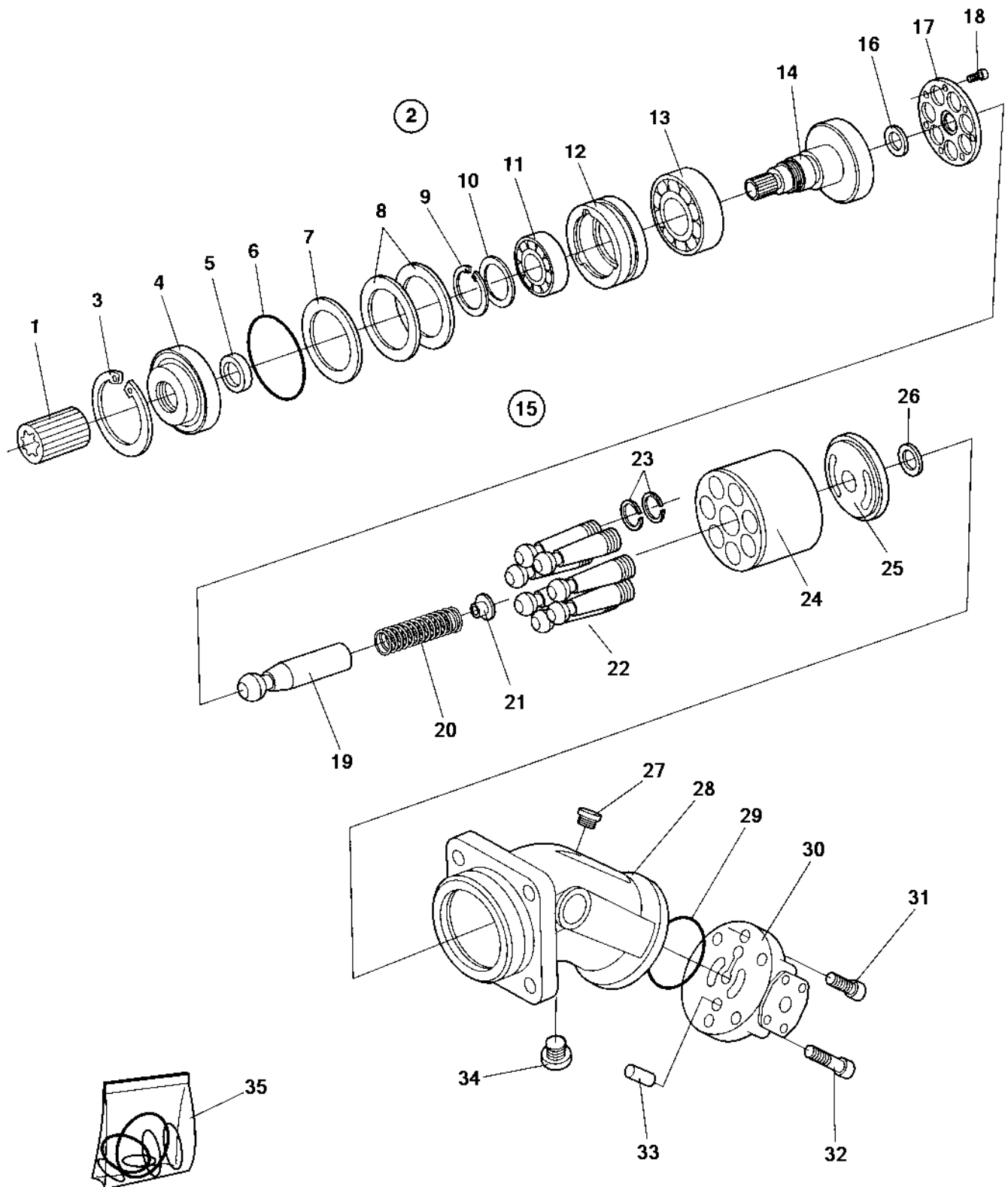


4700936609 Valve block, cpl

Item	Part No	Rem	Qty	Description	Code
1			1	Valve block, cpl	
2			2	. Pressure relief valve, cpl 310 bar	
	4700935172		2	. Pressure relief valve 350 bar	D
	4700936657		2	. Pressure relief valve 380 bar	
	4700937240		2	. Pressure relief valve 440 bar	
	4700950635		1	. Pressure relief valve 430 bar	
10	4700902814	1	1	. . O-ring	D
11	4700936673	1	1	. . Back-up ring	
12	4700936659		1	. Pressure override valve, cpl	
22	4700902783	1	1	. . O-ring	
24	4700936394	1	1	. . O-ring	
25	4700936658		1	. Locking set	
26	4700902814	1	1	. O-ring	D
27	4700936660	B	1	. Port plate	
	4812155764		1	. Port plate	D
28			1	. Pin	
29	4700936661		1	. Bushing	
30	4700936662		1	. Bearing bush	
31	4700936663		4	. Screw	
32	4700936664		2	. Pin	
33	4700936665	1	1	. O-ring	
34	4700909514		3	. Double break-off pin	
35	4700936370	1	2	. Locking screw	
36	4700909469	1	2	. O-ring	
37	4700902625	1	2	. Plug	
38			1	. Pin	
39	4700902625	1	1	. Plug	
40	4700902811	1	3	. Plug	D
41	4700936304		1	. Locking screw	
42	4700936305	1	1	. O-ring	
43	4700902697		1	. Screw	
44	4700936613		1	. Locking screw	
45	4700936614	1	1	. Plug	
46	4700936313		1	. Orifice	
50	4700936370		1	. Locking screw	
	4700935212	A	1	. Pin	

- 1) Includes in seal kit
- A) Used with item 27, P/N 4812155764.
- B) Replaced by P/N 4812155764.

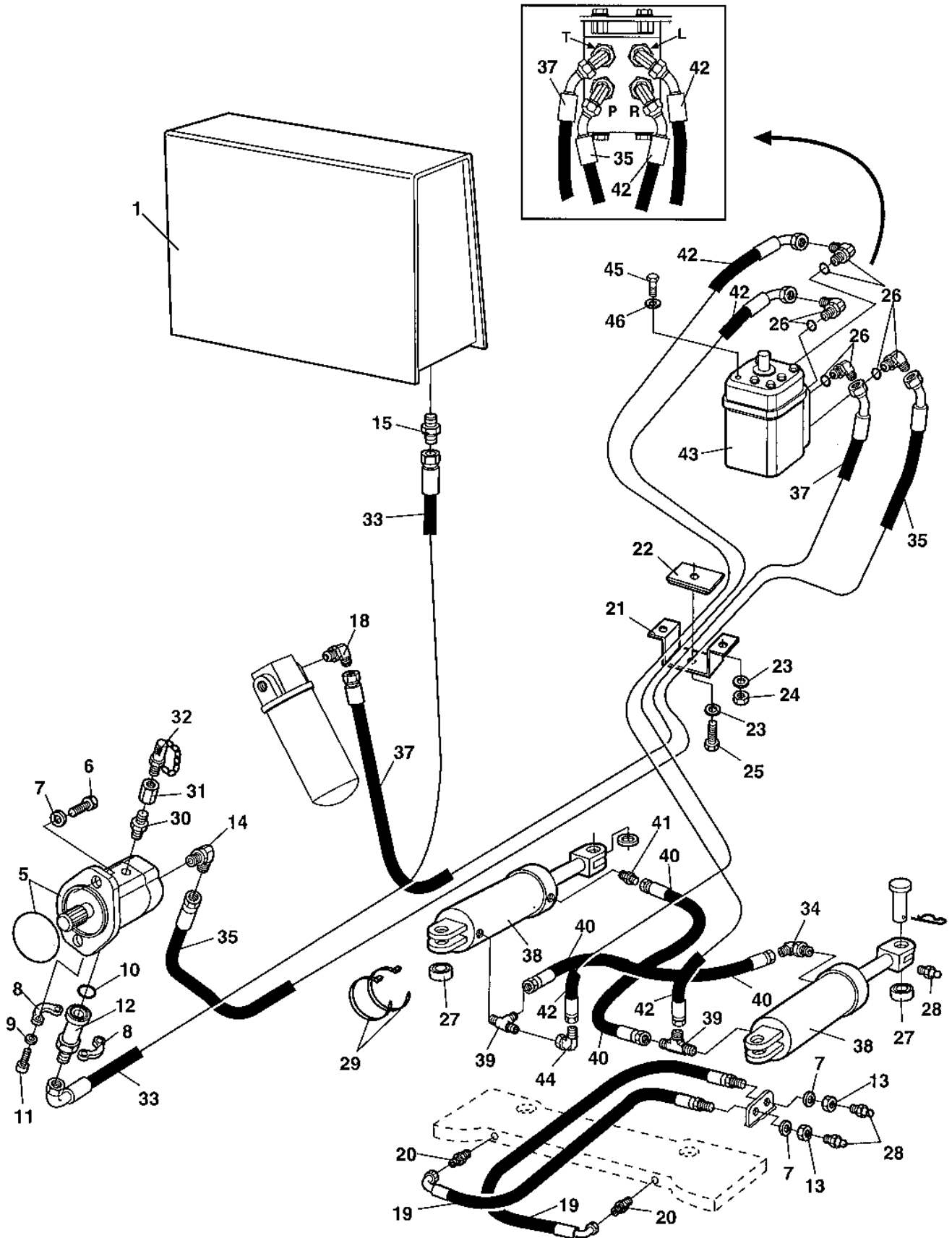
4700380146 Hydraulic motor, vibration



4700380146 Hydraulic motor, vibration

Item	Part No	Rem	Qty	Description	Code
1	4700340863		1	. Splined sleeve	D
2	4700380079		1	. Hydraulic motor, vibration	C
3			1	.. Snap ring	
4	4812156092		1	.. Cover	
5	4700945880	1	1	.. Seal ring	D
6		1	1	.. O-ring	
7	4700902265		1	.. Shim T=0,3 mm	D
8	4700902264		2	.. Shim T=0,1mm	D
9			1	.. Retaining ring	
10			1	.. Back-up plate	
11	4700902261		1	.. Bearing	D
12			1	.. Bearing ring	
13	4700902260		1	.. Bearing	D
14			1	.. Shaft	
15			1	. Rotary group, hydr.section	
16			1	.. Washer	
17			1	.. Retaining plate	
18			7	.. Screw	
19			1	.. Pin	
20			1	.. Spring	
21			1	.. Spring collar	
22			7	.. Piston	
			1	... Piston	
23			2	... Sealing ring	
24			1	.. Cylinder	
25			1	.. Pressure plate	
26			1	.. Washer	
27			1	.. Screw	
28			1	.. Housing	
29		1	1	.. O-ring	
30			1	.. Plate	
31			2	.. Screw	
32			4	.. Screw	
33			1	.. Pin	
34	4700937259	1	1	.. Screw	
35	4700937675		1	Seal kit	

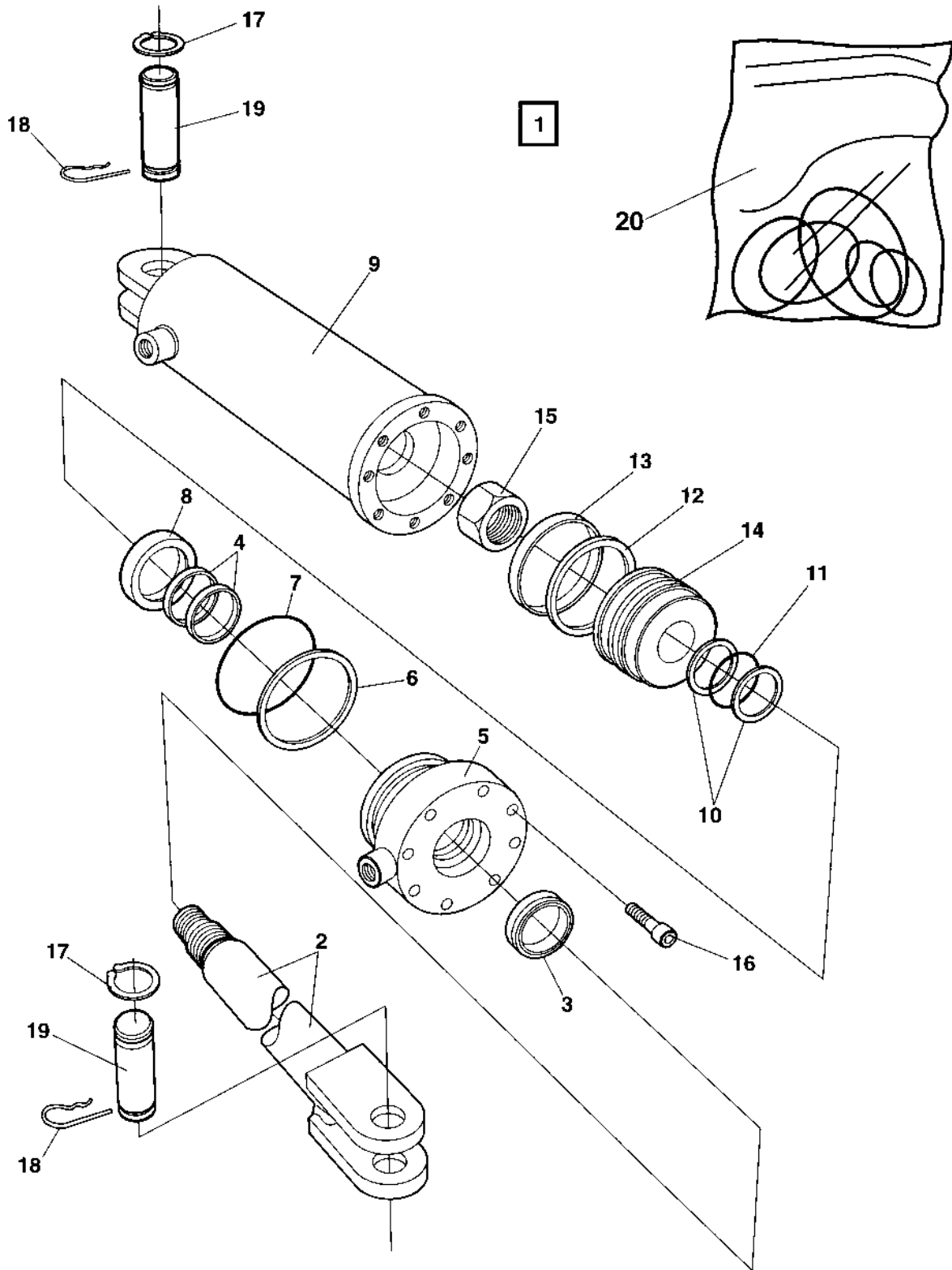
1) Included in seal kit, item 34



Steering system

Item	Part No	Rem Qty	Description	Code
1			Hydraulic oil tank (Page 124)	
5	4700394902	1	Hydraulic pump	C
	4700937055	1	. O-ring	D
	4700950580	1	Seal kit	D
6	4700500133	2	Screw	C
7	4700904231	4	Washer 13x24x2 300 HV	C
8	4700232097	2	Flange half	C
9	4700904637	4	Washer	C
10	4700904005	1	O-ring	B
11	4700508029	4	Screw M10-1,5x30H 8,8	C
12	4700372625	1	Connector	C
13	4700903831	2	Nut	C
14	4700334558	1	Elbow 90G with O-ring	C
15	4700234626	1	Adapter	C
17	4700570006	4	Nut	B
18	4700929123	1	Elbow 90, O-ring	D
19	4700903812	2	Hydraulic hose	C
20	4700371669	2	Straight connector	C
21	4700372513	1	Hose clamp	D
22	4700372514	1	Hose clamp	D
23	4700904229	3	Steel plain washer 8,4x16x1,5	C
24	4700586003	2	Lock nut M8	C
25	4700500023	1	Screw M8-1,25x40 8,8	C
26	4700813444	4	Elbow 90, O-ring	C
27	4700813316	4	Ball bushing	C
28	4700926214	4	Grease fitting	C
29	4700313102	N	Cable ties	
30	4700334199	1	Straight o-ring connector	C
31	4700338304	1	Connector	C
32	4700910161	1	Measuring nipple	C
33	4700483049	1	Hydraulic hose	D
34	4700813500	1	Elbow 45, O-ring	C
35	4700483697	1	Hydraulic hose	D
37	4700483498	1	Hydraulic hose	D
38	4700392027	2	Steering cylinder (Page 118)	
39	4700234218	2	Tee-connector	C
40	4700483109	2	Hydraulic hose	D
41	4700334121	1	Straight connector	C
42	4700483497	2	Hydraulic hose	D
43	4700376000	1	Steering valve (Page 120)	
44	4700234662	1	Elbow 45	C
45	4700502034	4	Screw UNC 3/8 - 16	D
46	4700600008	4	Washer	C

4700392027 Steering cylinder

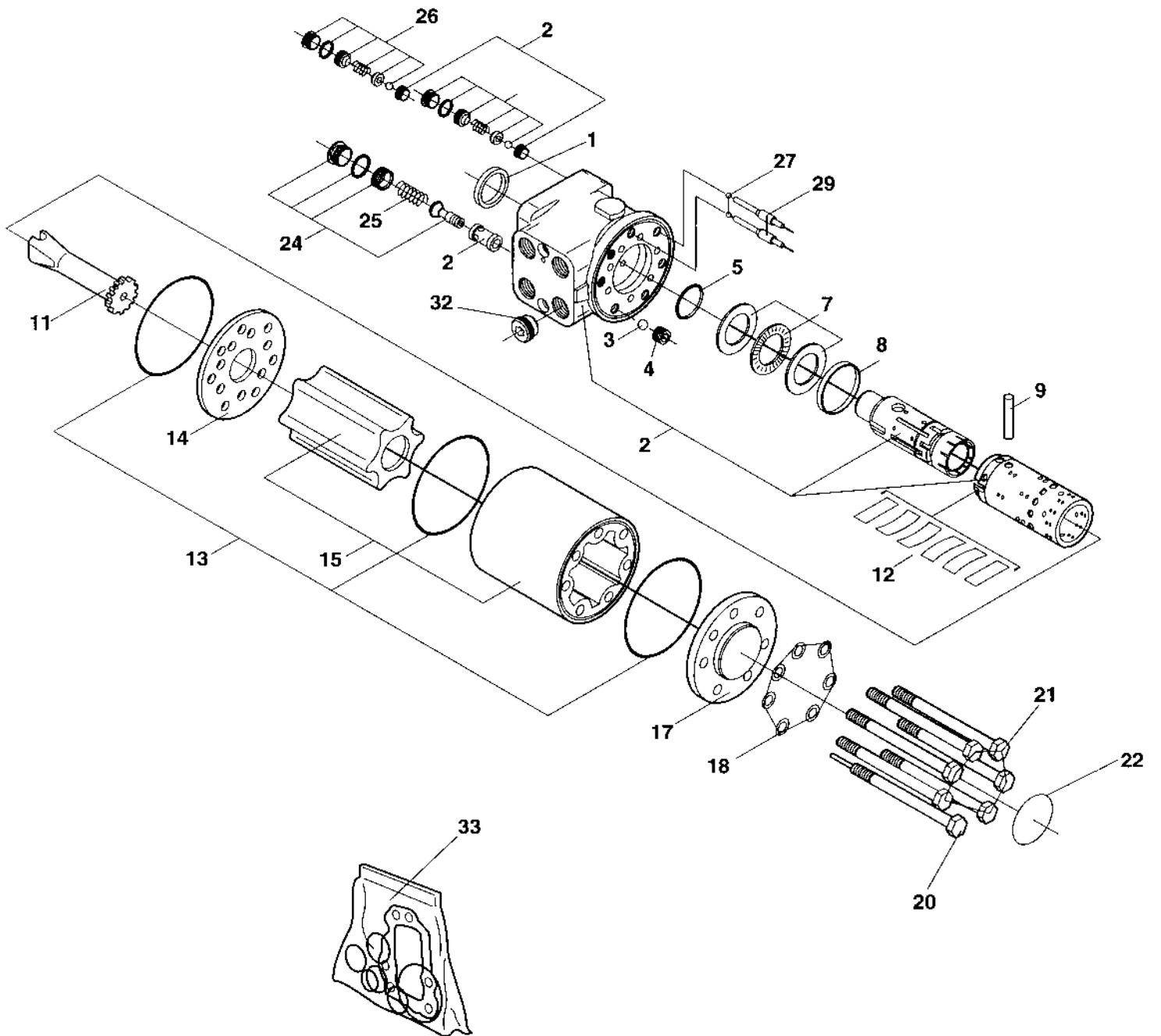


4700392027 Steering cylinder

Item	Part No	Rem	Qty	Description	Code
1	4700392027		1	Steering cylinder (Page 118)	
2	4700392110		1	. Piston rod	D
3		A	1	. Shear wiper	
4		A	2	. Guide ring	
5			1	. Guide	
6		A	1	. Back-up ring	
7		A	1	. O-ring	
8		A	1	. Piston rod seal	
9			1	. Cylinder tube	
10		A	2	. Back-up ring	
11		A	1	. O-ring	
12		A	1	. Piston seal	
13		A	1	. Guide ring	
14			1	. Piston block	
15	4700392109	A	1	. Lock nut	D
16	4700904385		8	. Screw	
17	4700392107		2	. Snap ring	D
18	4700635061		2	. Hair clip	B
19	4700392108		2	. Shaft	C
20	4700392106		1	Seal kit	D

A) Includes in seal kit item 20.

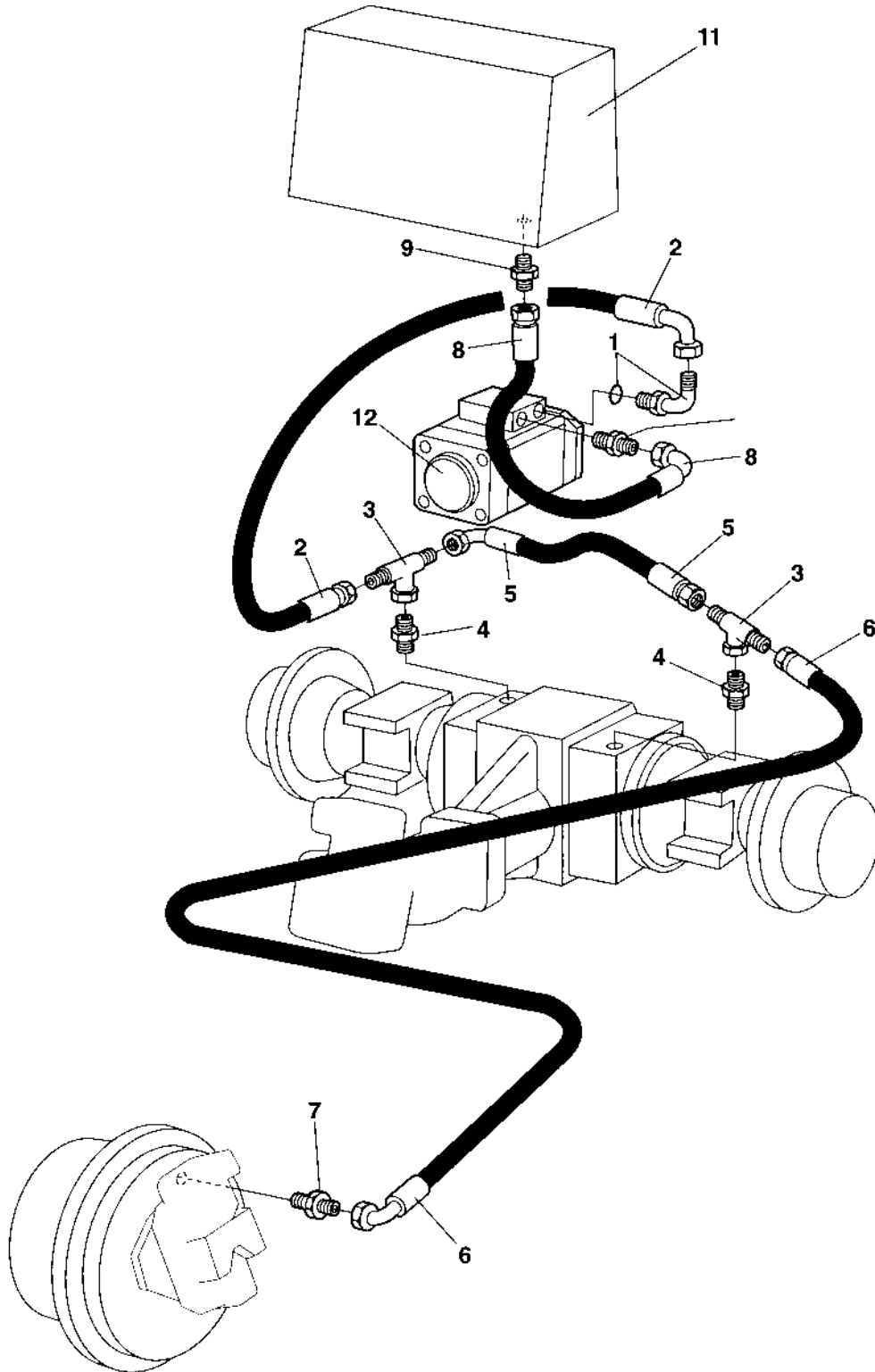
4700376000 Steering valve



4700376000 Steering valve

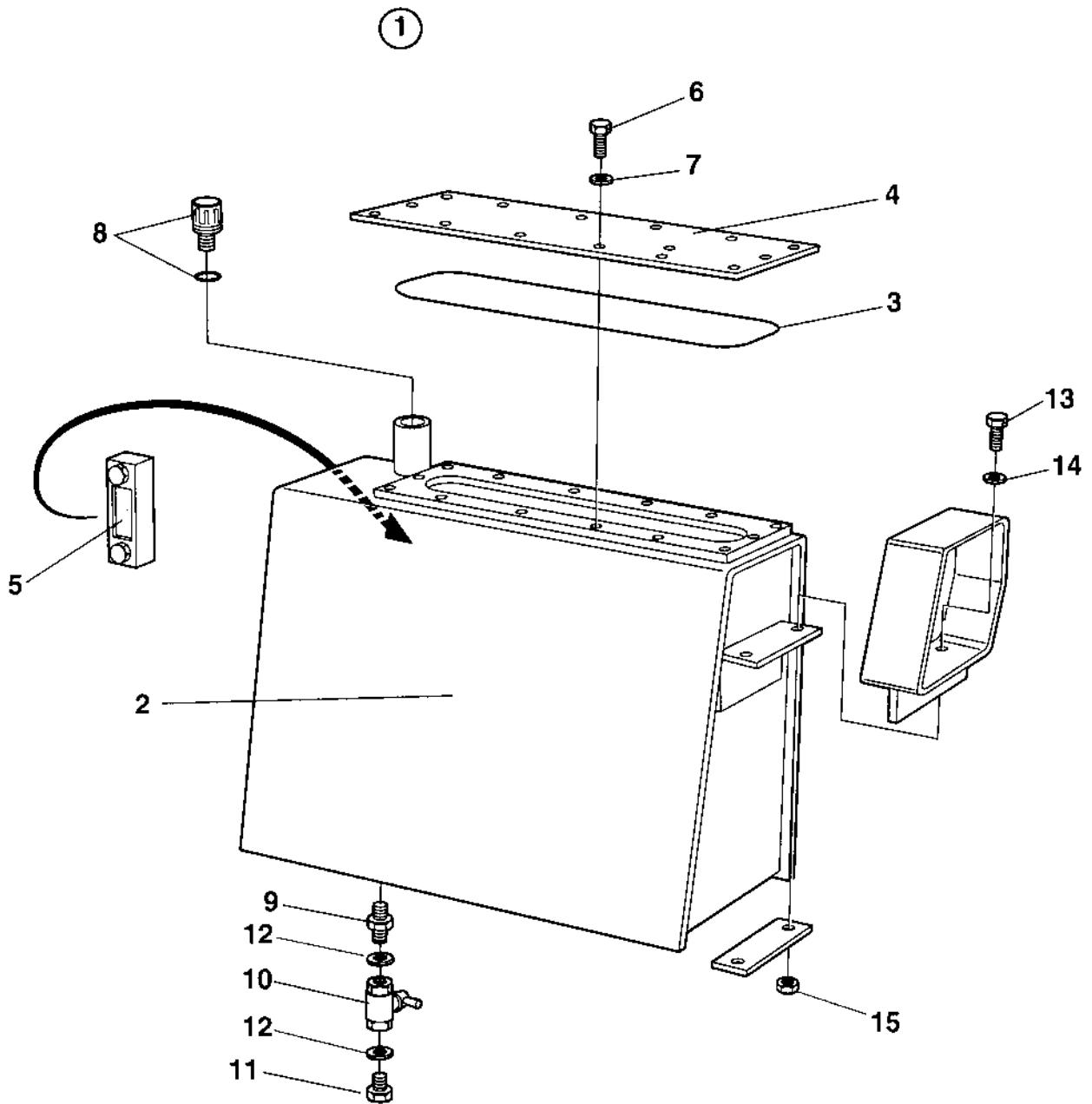
Item	Part No	Rem	Qty	Description	Code
1	4700938062	A	1	Dust seal ring	
2			1	Housing, spool and sleeve	
3	4700938063		1	Ball	
4	4700938064		1	Threaded bushing	
5	4700908780	A	1	O-ring	D
7	4700911620		1	Bearing	B
8	4700480449		1	Ring	D
9	4700938066		1	Cross pin	
11	4700902861		1	Cardan shaft	C
12	4700938067		1	Set of springs	
13	4700938068	A	3	O-ring	
14	4700902862		1	Valve plate	C
15	4700903457		1	Gear wheel set	D
17	4700938069		1	End cover	
18	4700938070	A	7	Washer	
20	4700938071		1	Screw with pin	
21	4700935468		6	Spring washer	
22	4700938072		1	Name plate	
24	4700938073		1	Pressure relief valve	
25			1	Spring	
26	4700938074		2	Shock valve	
27	4700929013		2	Ball	D
29	4700929014		2	Rolled pin	D
32	4700938075		1	Check valve	
33	4700935429		1	Seal kit	

A) Included in seal kit, item 33



Brake system

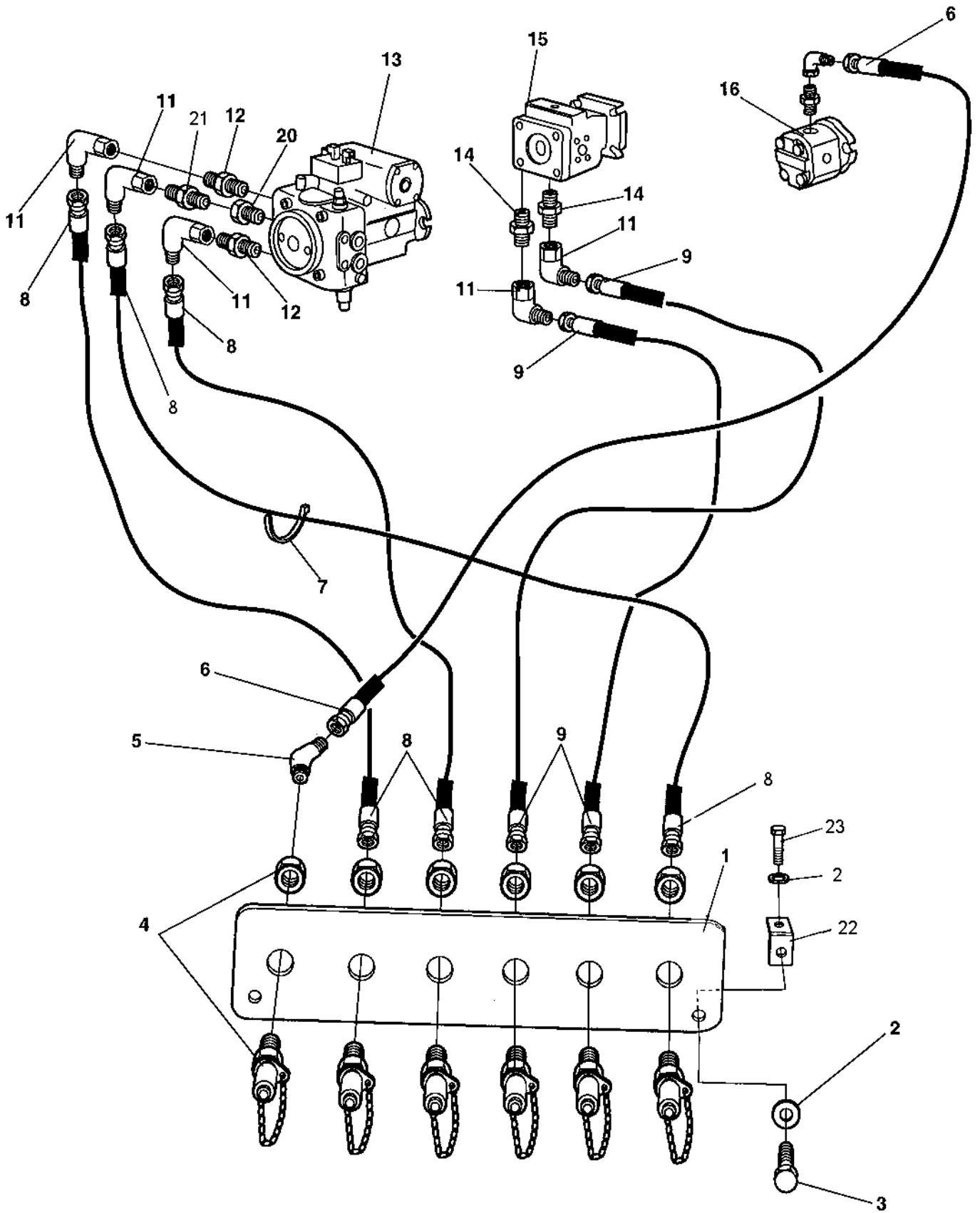
Item	Part No	Rem Qty	Description	Code
1	4700334389	1	Connector	D
2	4700482056	1	Hydraulic hose	D
3	4700234888	2	Tee-connector	D
4	4700900552	2	Adapter	C
5	4700482399	1	Hydraulic hose	D
6	4700483040	1	Hydraulic hose	D
7	4700925723	1	Connector	C
8	4700482516	1	Hydraulic hose	D
9	4700334205	1	Straight connector	D
10	4700234843	1	Adapter	
11		1	Hydraulic oil tank	
12		1	Propulsion pump	



Hydraulic oil tank

Item	Part No	Rem Qty	Description	Code
1	4700392981	1	Hydraulic oil tank, cpl	D
2	4700392986	1	. Hydraulic oil tank	D
3	4700349880	1	. O-ring	C
4	4700349879	1	. Cover	D
5	4700989151	1	. Oil level glass	C
6	4700500019	14	. Hexagon head screw M8x16H 8,8	C
7	4700904229	14	. Steel plain washer 8,4x16x1,5	C
8	4700357138	1	. Ventilating filter	A
9	4700791119	1	. Adapter G3/4	D
10	4700233304	1	. Ball valve	C
11	4700232039	1	. Plug G3/4	C
12	4700791120	2	. Sealing washer	
13	4700500030	4	Screw M10x035H 8.8 A3K	C
14	4700904567	4	Washer 10,5x28x6 HB305	C

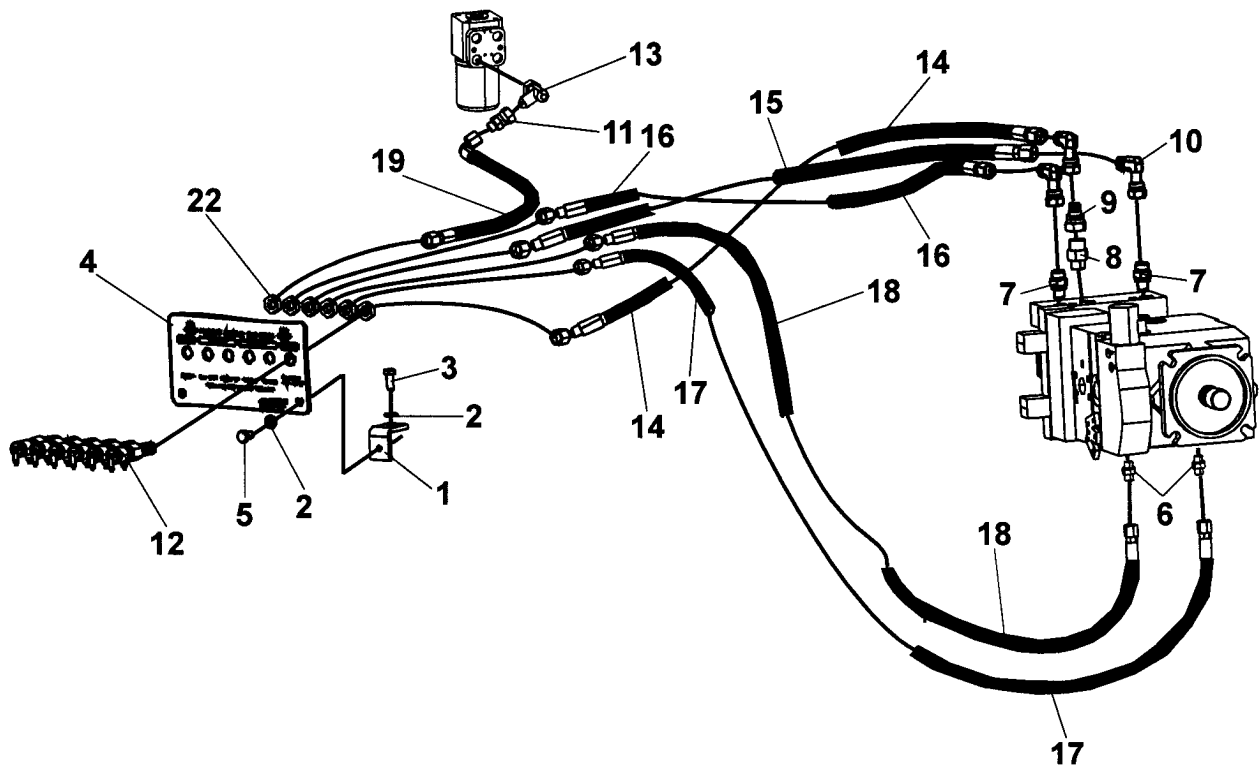
Central test panel hydraulic Option



Central test panel hydraulic Option

Item	Part No	Rem Qty	Description	Code
1	4700374028	1	Test panel	D
2	4700904229	4	Steel plain washer 8,4x16x1,5	C
3	4700500053	2	Screw M8x20H 8.8	C
4	4700356348	6	Measuring nipple	D
5	4700234622	1	Elbow 45	C
6	4700483204	1	Hydraulic hose	D
7	4700313102	N	Cable ties	
8	4700483445	3	Hydraulic hose	D
9	4700483188	2	Hydraulic hose	D
11	4700334196	5	Elbow 90	C
12	4700902125	2	Connector	
13		1	Vibration pump	
14	4700234388	2	Connector	C
15		1	Propulsion pump	
16		1	Steering pump	
20	4700334523	1	Reducing	C
21	4700334463	1	Connector	B
22	4700908136	2	Bracket	D
23	4700500018	2	Screw M8-1,25x12 8,8	C

Central test panel hydraulic Option

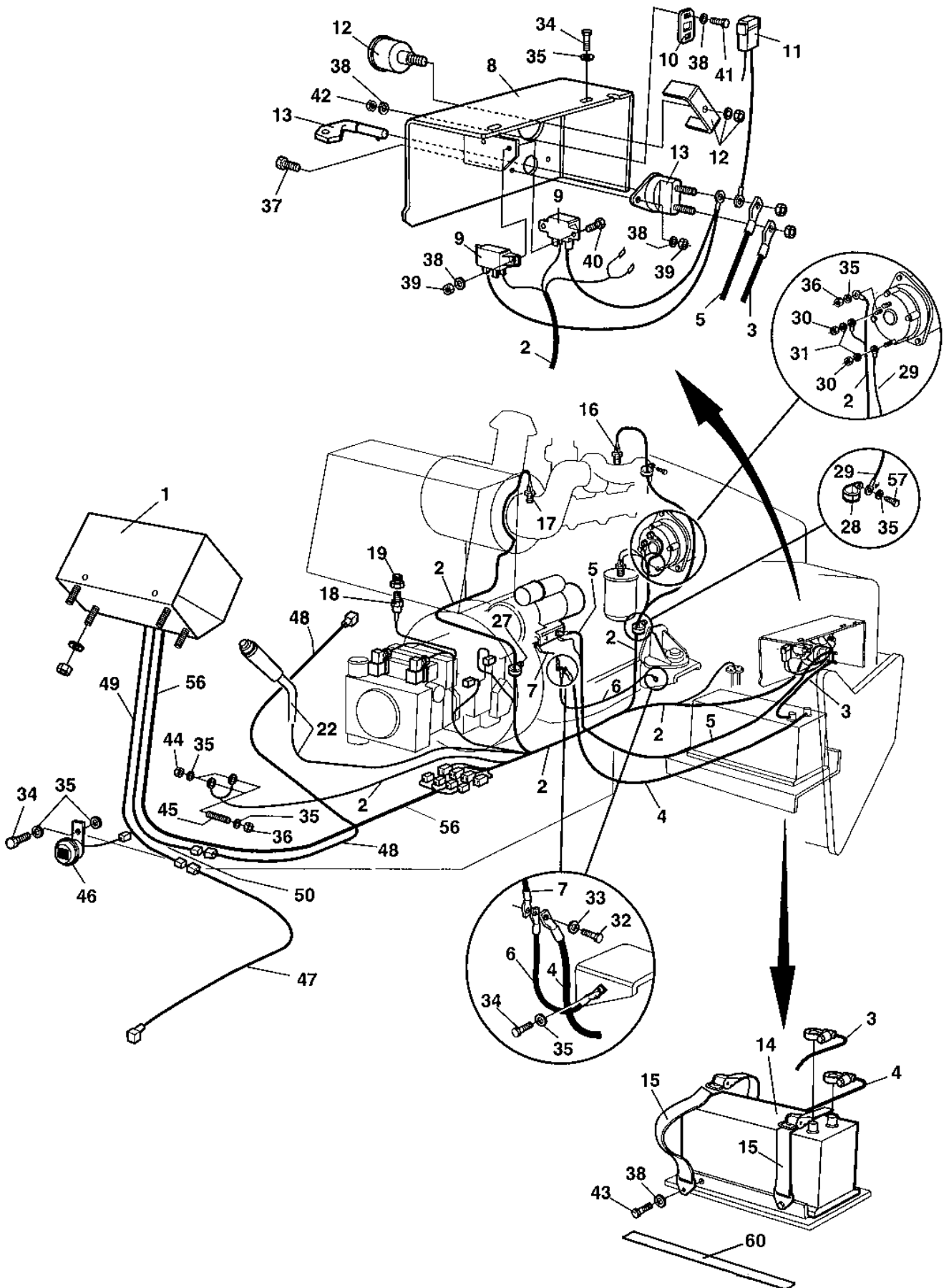


Central test panel hydraulic Option

Item	Part No	Rem Qty	Description	Code
1	4700908136	2	Bracket	D
2	4700904229	4	Steel plain washer 8,4x16x1,5	C
3	4700500053	2	Screw M8x20H 8.8	C
4	4812113146	1	Test panel	D
5	4700500018	2	Screw M8-1,25x12 8,8	C
6	4700791914	2	Straight connector orfs	D
7	4700791538	2	Straight connector	C
8	4700791537	1	Straight connector	C
9			Not used on this model	
10	4812113110	5	Elbow 90	D
11			Not used on this model	
12	4812110422	6	Measuring nipple	C
13	4700334135	1	Tee-connector	C
14	4811000328	1	Hydraulic hose	
15	4811000328	1	Hydraulic hose	
16	4811000328	1	Hydraulic hose	
17	4811000329	1	Hydraulic hose	
18	4811000329	1	Hydraulic hose	
19	4811000365	1	Hydraulic hose	
22	4700792450	6	Nut	D

Electrical equipment

Item	Part No	Rem Qty	Description	Code
10			Electric system (Page 132)	
20			Control panel (Page 134)	
30			Working lights Option (Page 136)	
70			Rotating beacon Option (Page 138)	
85			Back-up alarm Option (Page 140)	

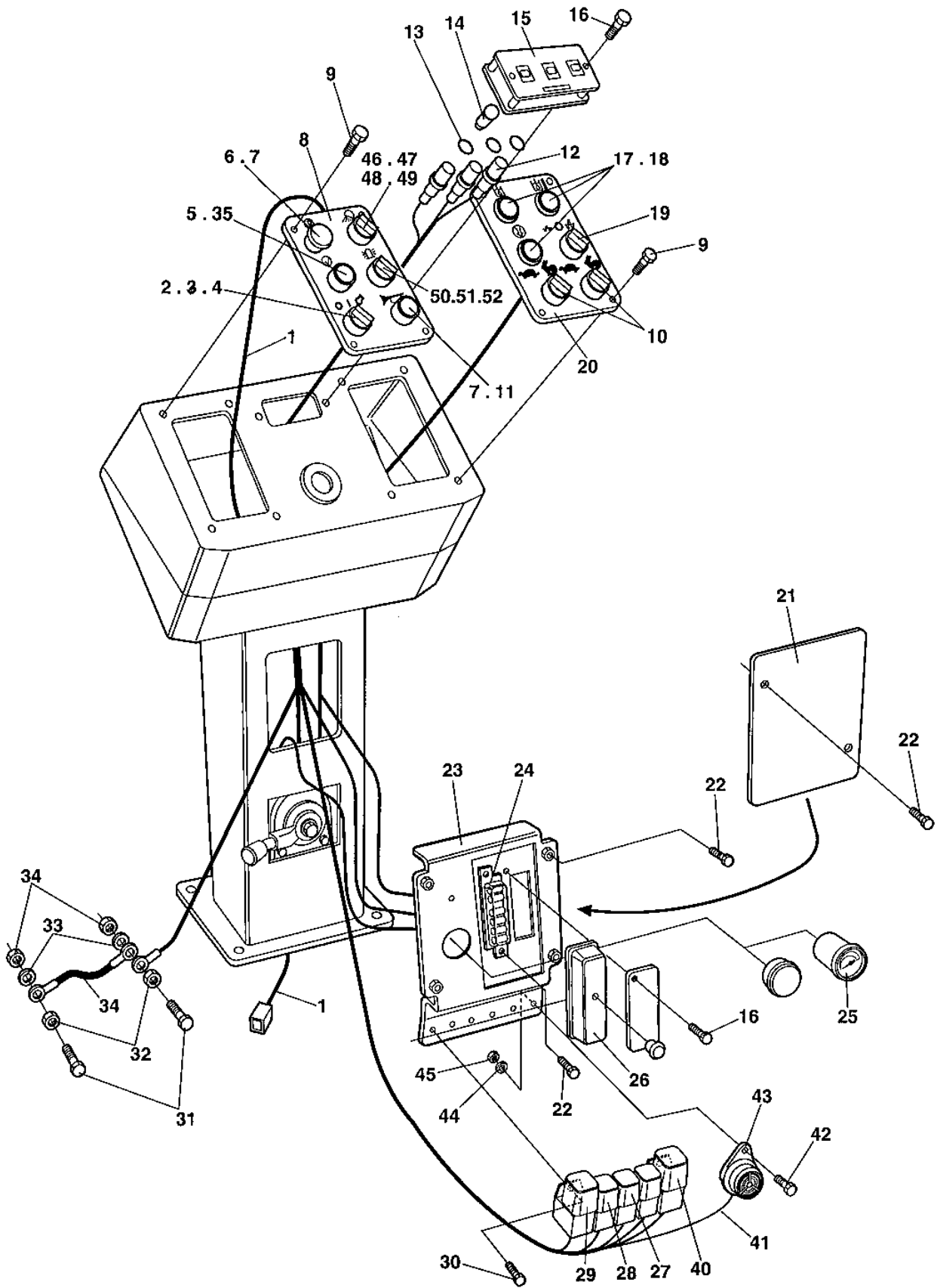


Electric system

Item	Part No	Rem	Qty	Description	Code
1			1	Control panel (Page 134)	
2	4700377274	A	1	Cable harness	D
3	4700791503		1	Battery cable	C
4	4700791511		1	Battery cable	D
5	4700792052		1	Connection cable, coarse	D
6	4700791510		1	Connection cable, coarse	D
7	4700791595		1	Connection cable, coarse	D
8	4700386999		1	Holder	D
9	4700791183	H	2	Relay	A
10	4700904036		1	Fuse holder	D
11	4700904037		1	Fuse 30A	A
12	4700801567		1	Hour meter	D
13	4700903640		1	Battery switch	D
	4700903641		1	. Key	D
14	4700950339		1	Battery	D
15	4700791371		2	Strap	D
16	4700903632		1	Temperature sensor Engine	
17	4700929023		1	Indicator	B
18	4700813434		1	Reducer	C
19	4700903631		1	Temperature sensor Hydraulic oil	B
22	4700357583		1	Cable harness	D
27	4700921104		1	Clamp	C
28	4700921116		1	Clamp	
29	4700791924		1	Connection cable	D
	4700792277		1	Connection cable	D
30	4700570003		2	Nut M5	C
31	4700904281		2	Washer 5,3x10x1 300HV	C
32	4700500035		1	Screw M12x020H	
33	4700904638		1	Washer 12x22x2	C
34	4700500053		5	Screw M8x20H 8.8	C
35	4700904229		10	Steel plain washer 8,4x16x1,5	C
36	4700570005		3	Nut M8	C
37	4700500040		2	Screw M6-1x20 8,8	C
38	4700904639		10	Washer 6,7x14x1,5	C
39	4700902285		4	Hexagon lock nut with flange	C
40	4700500075		2	Screw M6-1,0x25 8.8	C
41	4700500184		2	Screw M5-0,8x14 8,8	D
42	4700902284		2	Nut M5	C
43	4700500012		4	Screw M6x12	C
44	4700902286		2	Hexagon lock nut with flange	C
45	4700903768		2	Threaded stud	C
46	4700999027		1	Horn	C
47	4700380549	B	1	Cable harness	D
48	4700380577	C	1	Cable harness	D
49	4700380699	D	1	Cable harness	D
50	4700380700	E	1	Cable harness	D
56	4700380281	F	1	Cable harness	D
57		G	1	Screw	
60	4812110818		2	Rubber cloth	

- A) Main Cable harness.
- B) Drum drive.
- C) Rear axle.
- D) Control panel, Drum drive
- E) Control panel, Rear axle.
- F) Main harness, control panel.
- G) Existing on engine
- H) Replaces P/N 4700904448 as Start relay from January 2009.

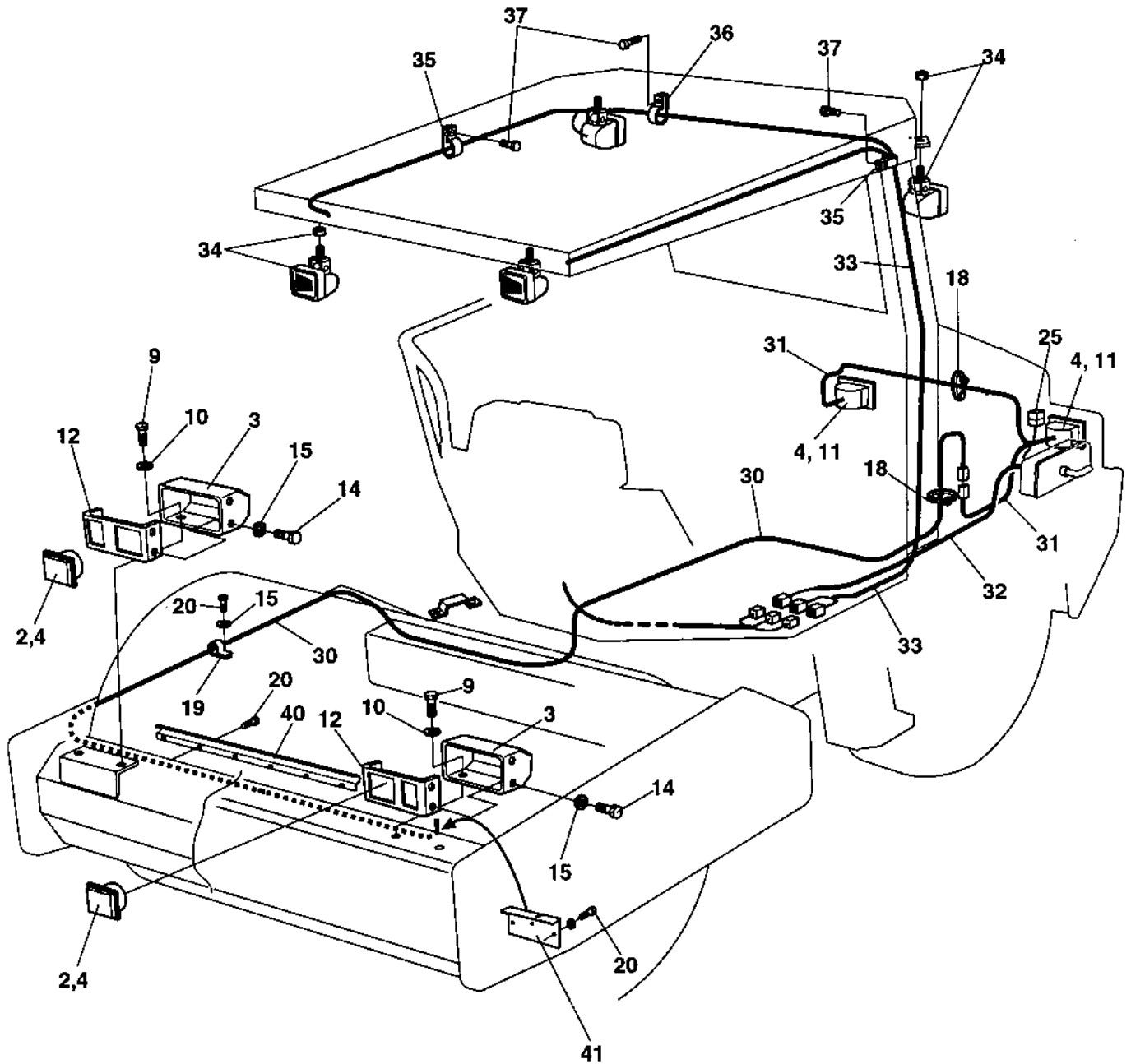
Control panel



Control panel

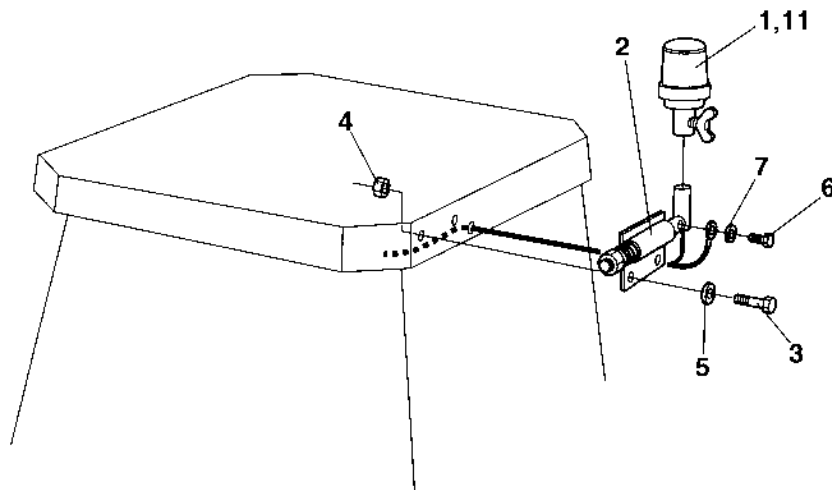
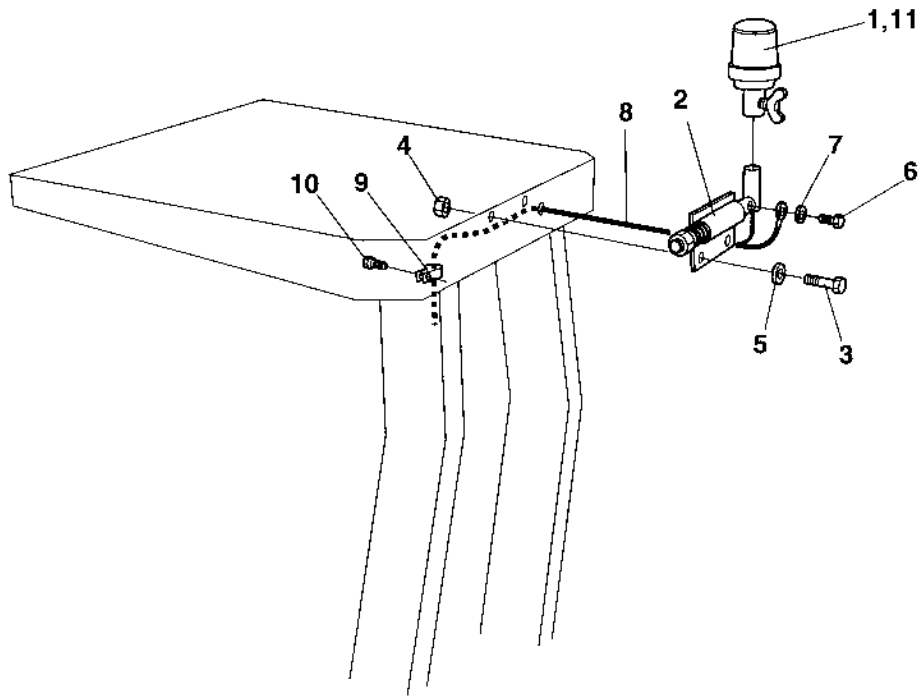
Item	Part No	Rem	Qty	Description	Code
1	4700380281		1	Cable harness	D
2	4700932050	E	1	Switch	B
3	4700930154		1	Contact piece, NC	B
4	4700930182		1	Contact block	
5	4700932032		1	Push button	B
6	4700930200		1	Emergency stop	B
7	4700930163		3	Contact piece, NO	B
8	4700380278		1	Control panel left	D
9	4700902224		8	Screw M6x10	D
10	4700930151	D	2	Switch	B
11	4700932032		1	Push button	B
12	4700902225		3	Lamp socket 2-POL	D
13	4700160269		3	O-ring	D
14	4700985125		3	Bulb 12V	B
15	4700357585		1	Display panel	D
16	4700901767		6	Screw ST3,5x9,5 Black	
17	4700985146		3	Pilot lamp cpl Red	B
18	4700985012		3	Bulb	B
19	4700930153		1	Switch	D
20	4700380277		1	Control panel right	D
21	4700371344		1	Cover	D
22	4700541702		6	Screw M6x12	C
23	4700371326		1	Distribution control plate	D
24	4700901226		5	Fuse 7,5A	
25	4700355263		1	Fuel gauge	B
26	4700903820		2	Fuse box	D
	4700909527		1	. Cover	
	4700901240		6	Connector	B
27	4700287597		1	Relay	D
28	4700287598		1	Relay 12V-30A	A
29	4700382782		1	Relay, VBS	A
30	4700902223		3	Screw	D
31	4700500075		2	Screw M6-1,0x25 8.8	C
32	4700586002		2	Lock nut M6 -8	C
33	4700904228		2	Washer 6,4x12x1,5	C
34	4700570004		2	Nut M6X1,00 -8 A2K	C
35	4700930163		1	Contact piece, NO	B
40	4700904846	A	1	Delay relay	A
41	4700387728	A	1	Cable harness	D
42	4700533070	A	1	Screw	D
43	4700355301	A	1	Buzzer	B
44	4700904281	A	2	Washer 5,3x10x1 300HV	C
45	4700586001	A	1	Lock nut	C
46	4700930166	B	1	Switch	B
47	4700930162	B	1	Connector	B
48	4700930163	B	1	Contact piece, NO	B
49	4700985012	B	1	Bulb	B
50	4700930166	C	1	Switch	B
51	4700930165	C	1	Contact block	B
52	4700985012	C	1	Bulb	B

- A) Interlock, Option
- B) Lights, Option
- C) Rotating beacon, Option
- D) Speed
- E) Ignition



Working lights Option

Item	Part No	Rem Qty	Description	Code
2	4700902227	2	Work light	B
3	4700374029	2	Lamp shield	D
4	4700901369	4	Bulb 55w H3	B
9	4700500043	6	Screw M10x16H 8,8	D
10	4700904230	6	Steel plain washer	C
11	4700904314	2	Work lamp	B
12	4700374030	2	Bracket	D
14	4700500040	8	Screw M6-1x20 8,8	C
15	4700904228	13	Washer 6,4x12x1,5	C
18	4700925802	N	Cable ties L=142 mm	C
19	4700921039	8	Pipe clamp	
20	4700500012	8	Screw M6x12	C
25	4700904038	1	Fuse 40A	A
30	4700373184	1	Cable harness	D
31	4700387419	1	Cable harness	D
32	4700373184	1	Cable harness	D
33	4700372758	1	Cable harness	D
34	4812110216	4	Work lamp	C
	4700904230	4	Steel plain washer	C
	4700586018	4	Hexagon lock nut	C
35	4700921039	10	Pipe clamp	
36	4700921031	3	Clamp	C
37	4700541702	13	Screw M6x12	C
40	4700381462	1	Rubber hose	D
41	4700384163	2	Protection	D

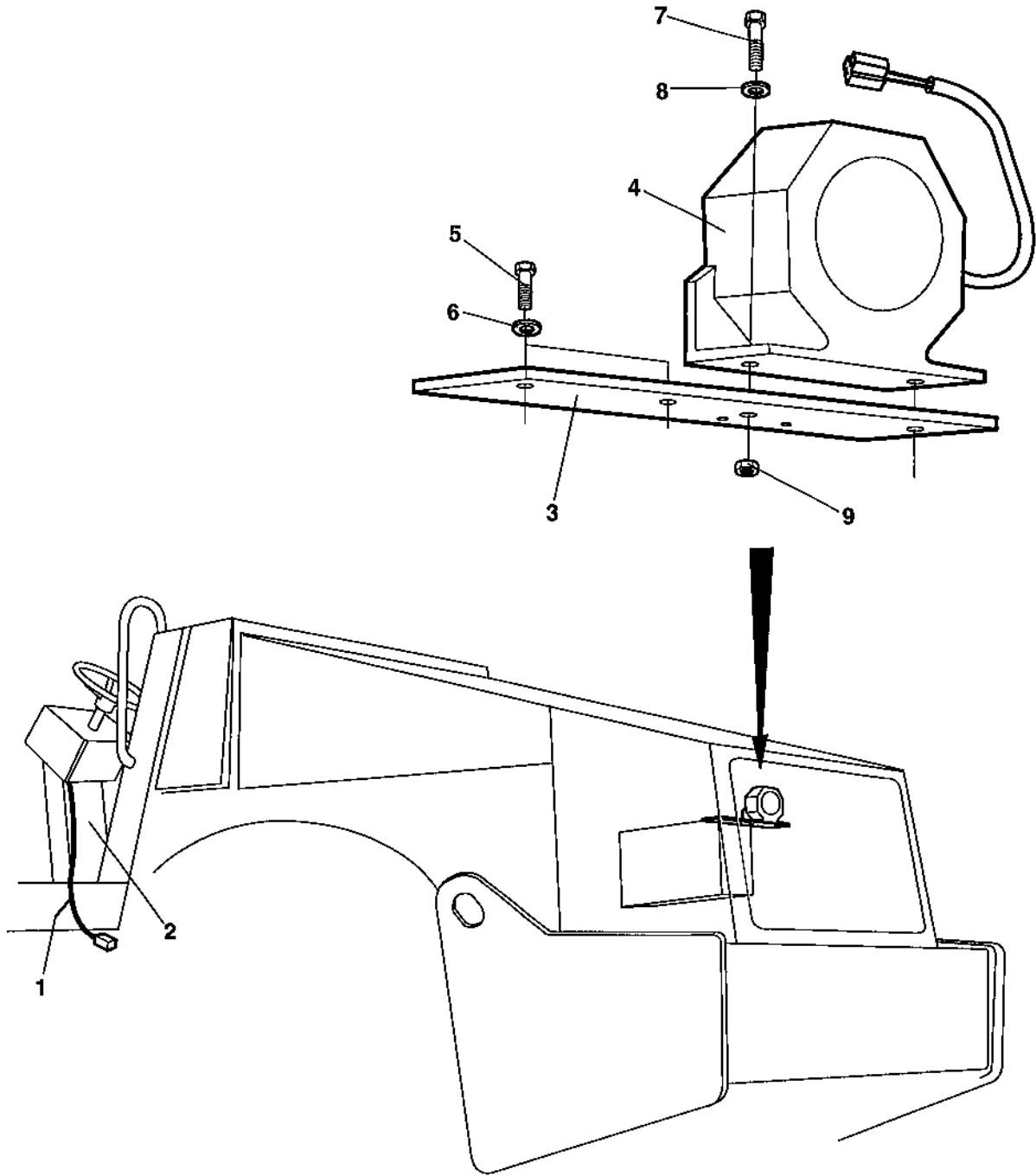


Rotating beacon

Option

Item	Part No	Rem	Qty	Description	Code
1	4700999011	1	1	Rotating beacon	B
2	4700358452		1	Lamp holder	D
3	4700500021		2	Screw M8-1,25x25 8.8	C
4	4700586003		2	Lock nut M8	C
5	4700904229		2	Steel plain washer 8,4x16x1,5	C
6	4700500013		1	Screw M6-1x16 8,8	C
7	4700904228		1	Washer 6,4x12x1,5	C
8	4700374398		1	Cable harness	D
9	4700921039		1	Pipe clamp	
10	4700541702		1	Screw M6x12	C
11	4700389577	2	1	Rotating beacon 12V	B

- 1) Is replaced by item 11, P/N 4700389577
- 2) Replaces item 1, P/N 4700999011



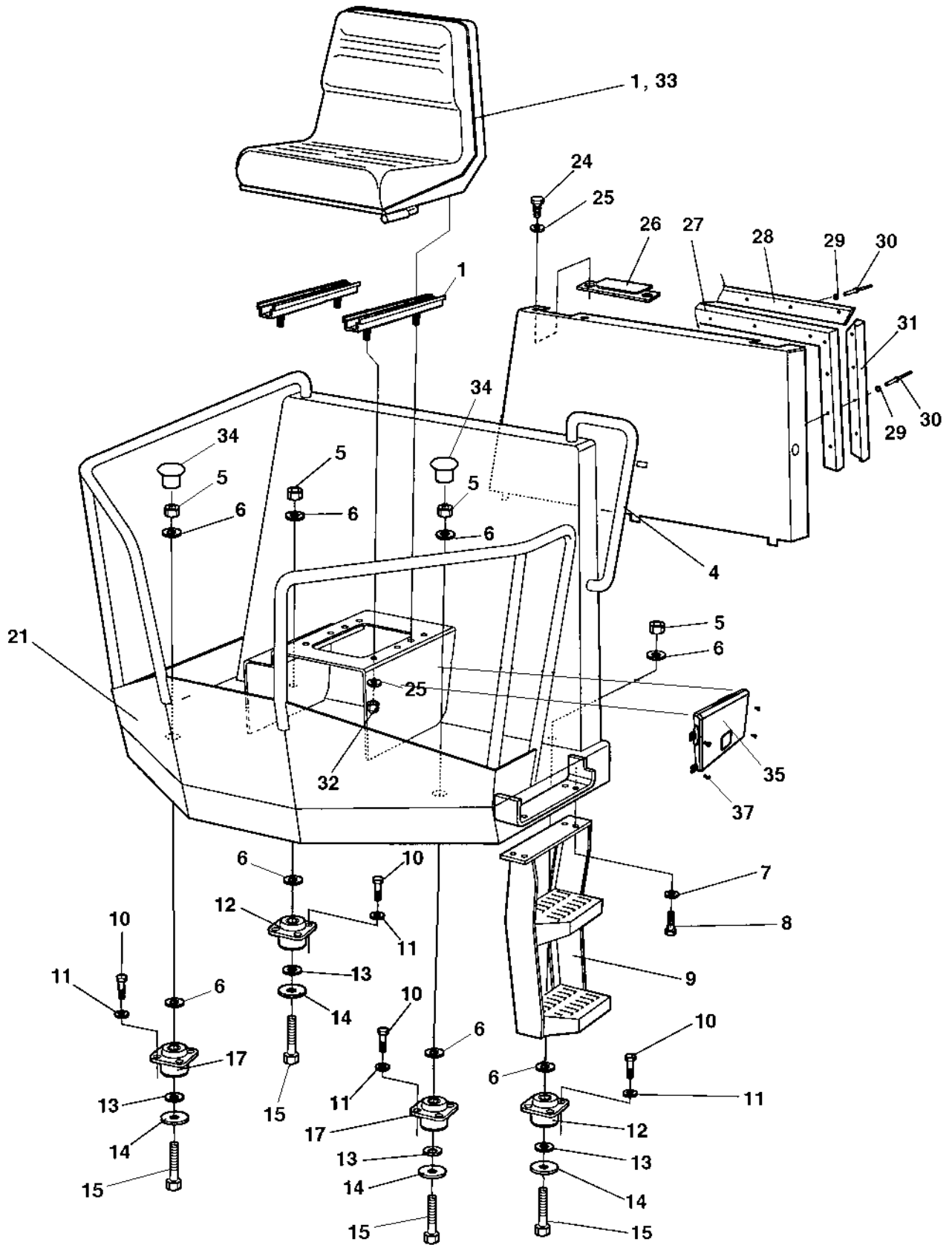
Back-up alarm Option

Item	Part No	Rem	Qty	Description	Code
1	4700380798	A	1	Cable harness	D
2	4700901224	B	1	Fuse 3A	A
3	4700377071		1	Bracket	D
4	4700904910		1	Back-up alarm	B
5	4700500053		2	Screw M8x20H 8.8	C
6	4700904229		2	Steel plain washer 8,4x16x1,5	C
7	4700500040		2	Screw M6-1x20 8,8	C
8	4700904228		2	Washer 6,4x12x1,5	C
9	4700586002		2	Lock nut M6 -8	C

- A) Is connected to the main wiring harness.
B) Located in the fusebox on the control panel.

Drivers platform

Item	Part No	Rem Qty	Description	Code
10			Drivers platform (Page 144)	
20			Control panel (Page 146)	
30			Throttle control (Page 148)	
40			Forward and reverse control (Page 150)	
52			Steering column (Page 152)	
100			Canopy Option (Page 154)	
110			Rops and fops (Page 156)	
140			Cab mounting (Page 158)	
150			Cab 4700378308 (Page 160)	
160			Cab Exterior rear mirror (Page 174)	
180			Cab Work light (Page 176)	

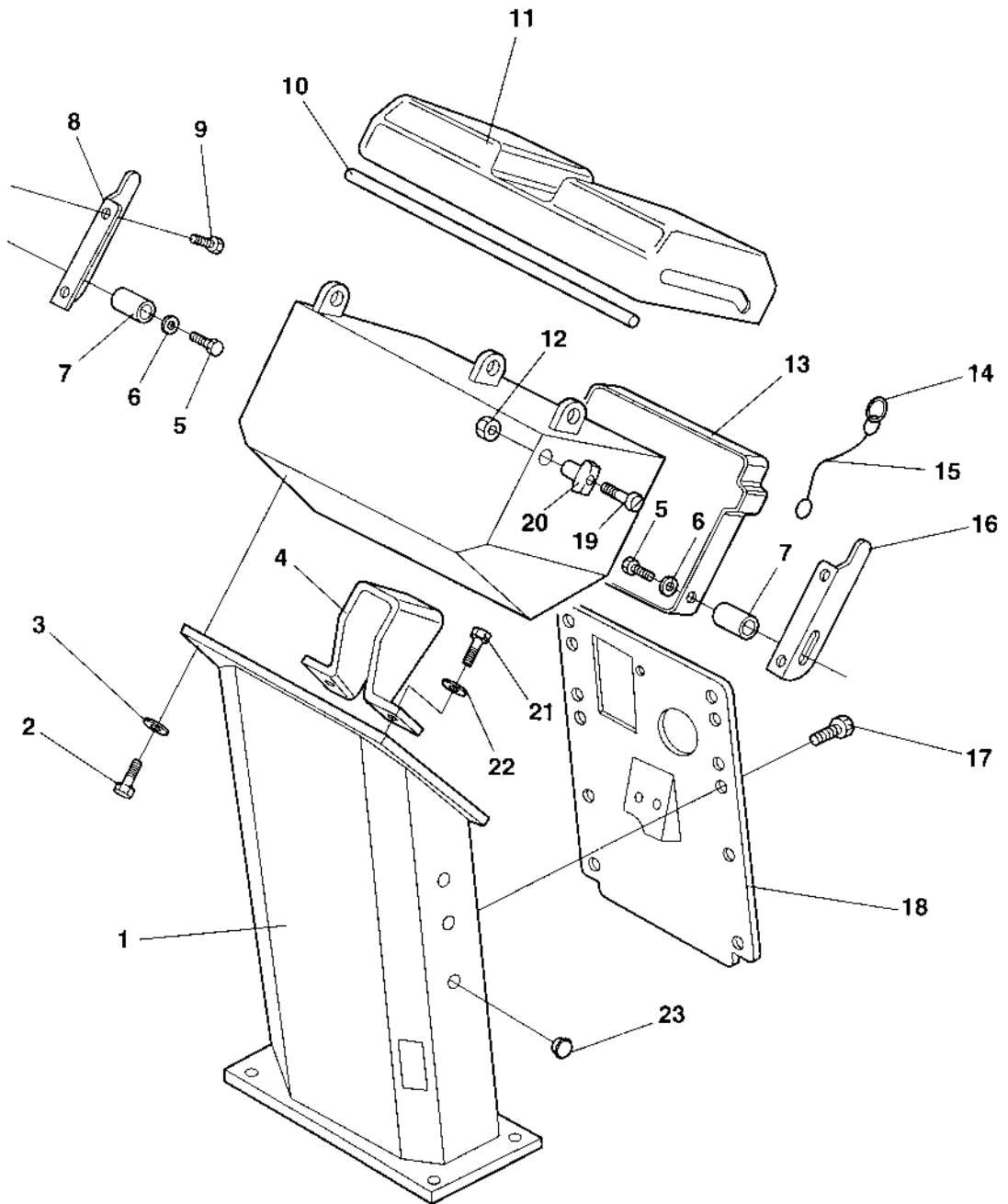


Drivers platform

Item	Part No	Rem Qty	Description	Code
1	4700377556	1	Drivers seat, cpl	D
	4812114466	1	Drivers seat, cpl	
	4700377518	A 1	Drivers seat, cpl	D
	4700348331	1	Seat cover	D
4	4700380123	F 1	Grab handle	D
5	4700901145	4	Lock nut M20-10	
6	4700904233	8	Washer 21x36x3	C
	4700904233	4	Washer 21x36x3	C
7	4700904230	8	Steel plain washer	C
8	4700500029	4	Hexagon head screw	C
9	4700376252	1	Step	D
10	4700500195	16	Screw	C
11	4700904231	16	Washer 13x24x2 300 HV	C
12	4700372757	2	Shock absorber	D
13	4700903290	4	Washer 21x36x6	C
	4700903290	8	Washer 21x36x6	C
14	4700347512	4	Washer	D
15	4700500210	4	Screw M20-2,5x100 8.8	D
	4700500211	4	Screw	C
16	4700374471	4	Spacer	D
17	4700373400	2	Shock absorber	D
21	4700380113	1	Platform	
24	4700500053	4	Screw M8x20H 8.8	C
25	4700904229	8	Steel plain washer 8,4x16x1,5	C
26	4700380727	2	Cover	D
27	4700372494	E 1	Rubber strip	D
28	4700372785	1	List	D
29	4700927974	13	Washer	C
30	4700904433	13	Blind rivet	
31	4700382582	2	List	D
32	4700570003	4	Nut M5	C
33	4700379636	H 1	Seat switch	B
	4812155075	I 1	Seat switch	B
34	4700902203	2	Plug	C
35			Not used on this model	
37			Not used on this model	

- A) Option
- E) L=2,4 M
- F) Welded with platform 4700380113.
- H) With bayonet fitting.
- I) With screws.

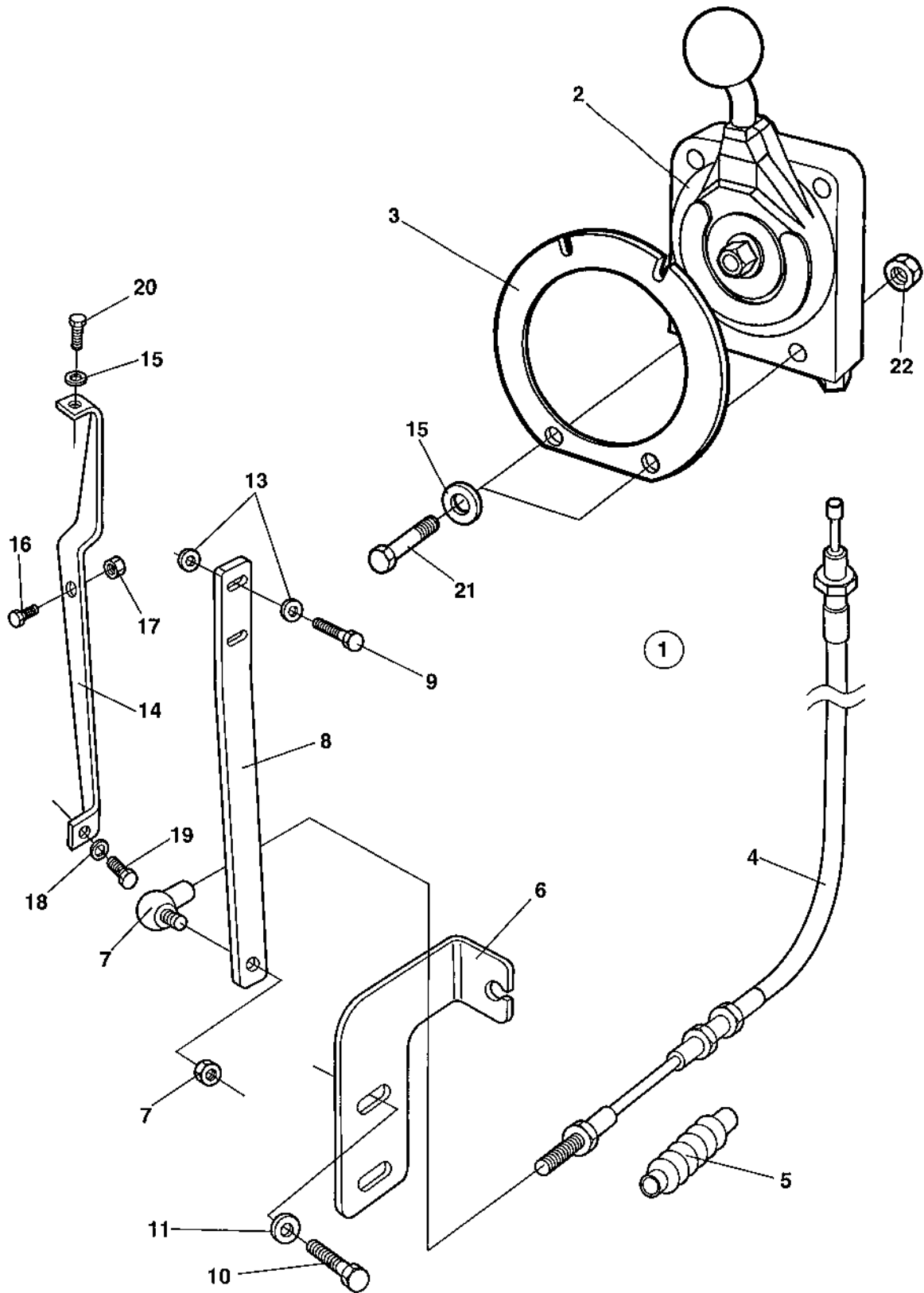
Control panel



Control panel

Item	Part No	Rem Qty	Description	Code
1	4700358142	1	Control panel	D
2	4700500040	4	Screw M6-1x20 8,8	C
3	4700904228	4	Washer 6,4x12x1,5	C
4	4700357316	1	Bracket	D
5	4700902164	2	Screw	D
6	4700929602	4	Washer	C
7	4700902163	2	Parallel pin	C
8	4700357427	1	Cover holder	D
9	4700901767	4	Screw ST3,5x9,5 Black	
10	4700902379	A	Edge trim	
11	4700357424	1	Cover	D
	4700358881	1	Pad lock	D
12	4700586002	2	Lock nut M6 -8	C
13	4700357425	1	Instruction book holder	D
14	4700358254	1	Key-ring	
15	4700357643	1	Wire	D
16	4700357426	1	Cover holder	D
17	4700541702	8	Screw M6x12	C
18	4700358143	1	Cover	D
19	4700924875	2	Screw	D
20	4700357855	2	Bushing	C
21	4700500021	4	Screw M8-1,25x25 8.8	C
22	4700904640	4	Washer 8,4x22x3	C
23	4700902919	4	Plug	

A) L=350 mm

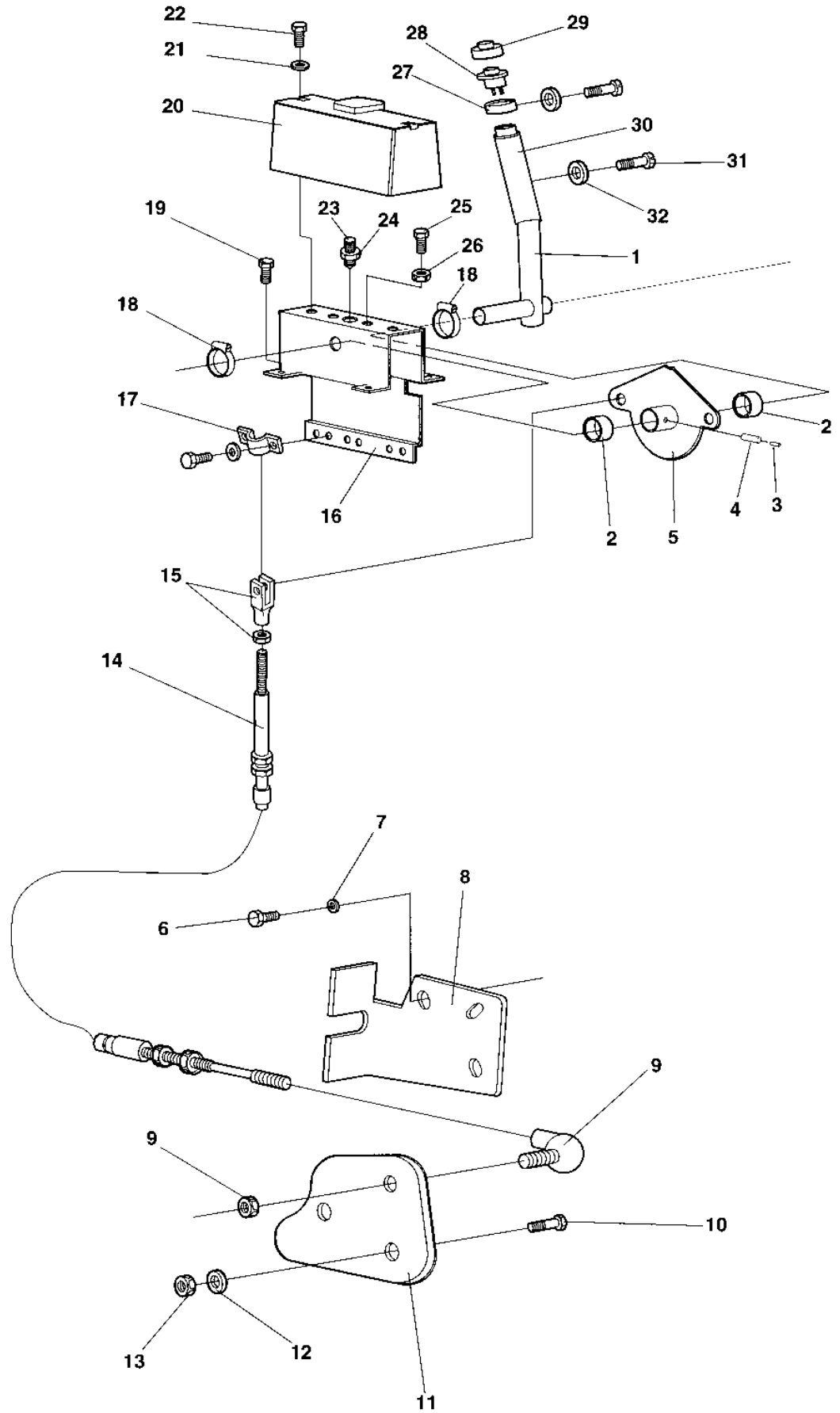


Throttle control

Item	Part No	Rem Qty	Description	Code
1	4700389170	1	Throttle control, cpl	B
2	4700389175	1	. Control	C
3	4700389177	1	. Snap plate	D
4	4700389184	A 1	. Throttle cable	B
5	4700382349	1	. Bellows	D
6	4700371657	1	Control bracket	D
7	4700416034	1	Ball joint	C
8	4700371658	1	Control lever	D
9	4700500013	2	Screw M6-1x16 8,8	C
10	4700500046	2	Screw M12x025H	C
11	4700904703	2	Washer	B
13	4700603010	4	Washer 6,4X12X3	C
14	4700375507	1	Bracket	D
15	4700904228	3	Washer 6,4x12x1,5	C
16	4700923987	1	Stop screw M6x25	D
17	4700573003	1	Nut M6	D
18	4700904229	1	Steel plain washer 8,4x16x1,5	C
19	4700500021	1	Screw M8-1,25x25 8.8	C
20	4700500040	1	Screw M6-1x20 8,8	C
21	4700500061	2	Screw M6-1X35 8,8	C
22	4700902285	2	Hexagon lock nut with flange	C

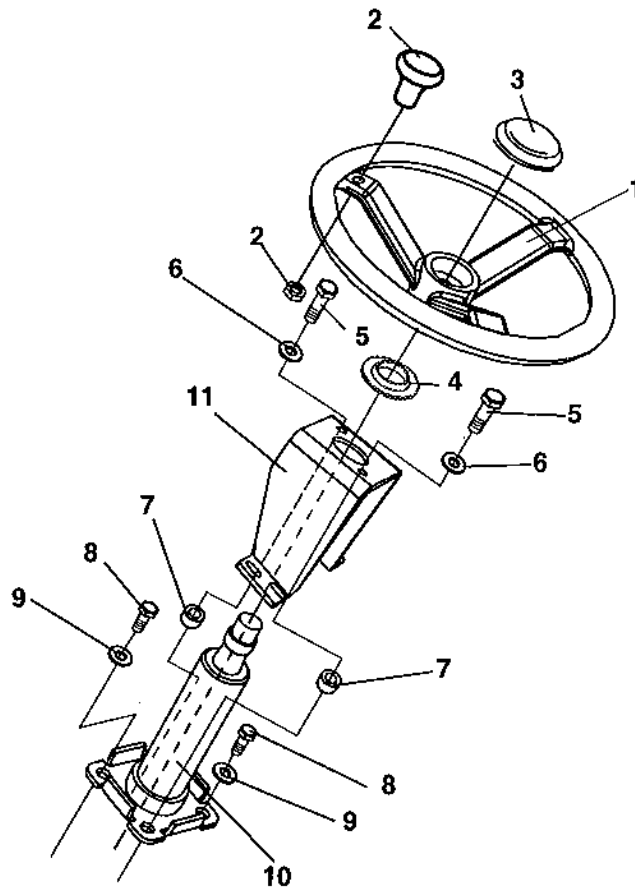
A) L=3040MM

Forward and reverse control



Forward and reverse control

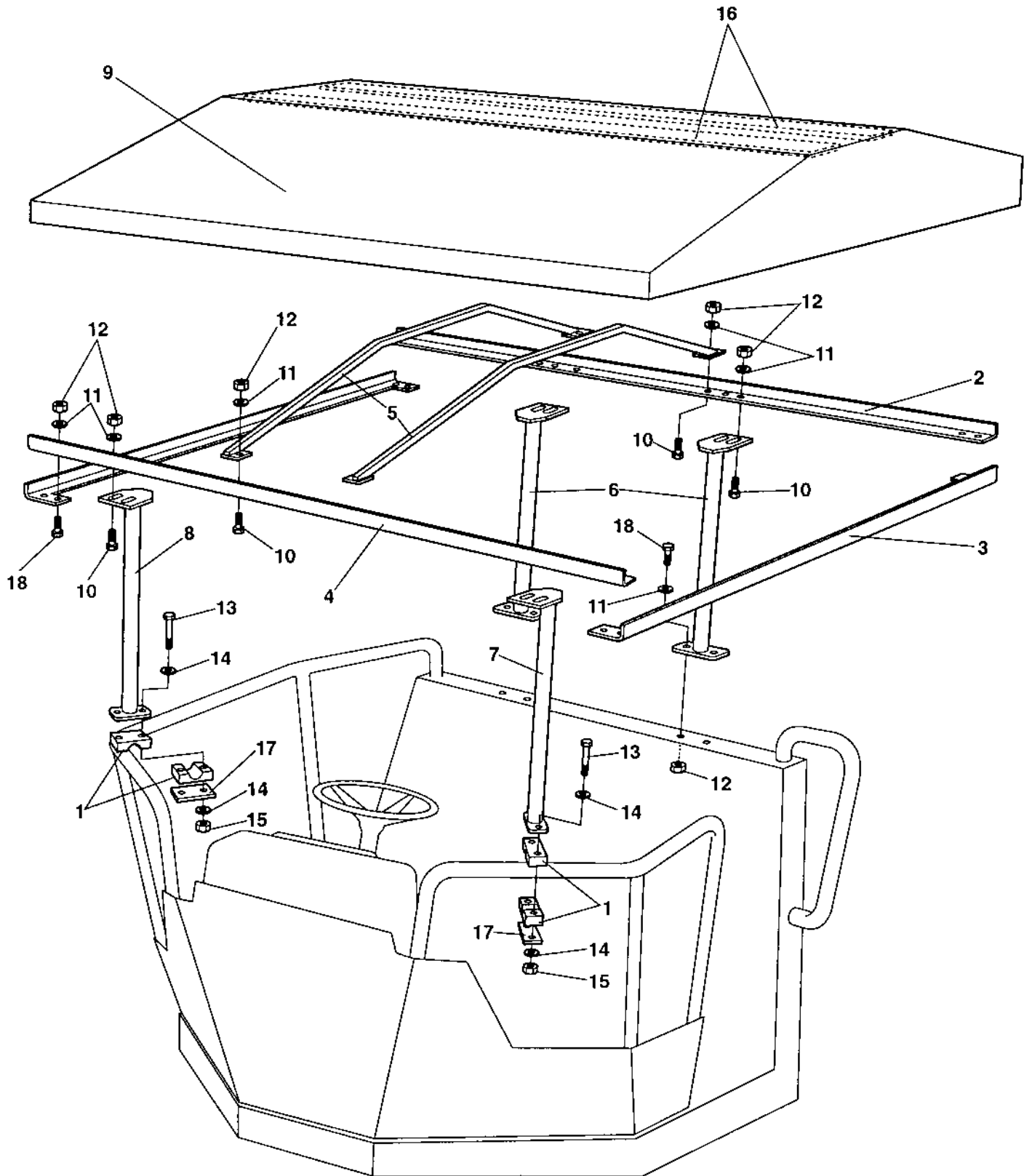
Item	Part No	Rem Qty	Description	Code
1	4700357501	1	Control lever	D
2	4700902187	2	Bearing	D
3	4700903395	1	Spirol pin	D
4	4700629016	1	Expanding	C
5	4700902895	1	Cam disc	
6	4700904812	3	Screw M6x65	D
7	4700904228	3	Washer 6,4x12x1,5	C
8	4700381777	1	Control bracket	D
9	4700416034	1	Ball joint	C
10	4700500021	2	Screw M8-1,25x25 8.8	C
11	4700380366	1	Control bracket	D
12	4700904229	2	Steel plain washer 8,4x16x1,5	C
13	4700586003	2	Lock nut M8	C
14	4700902191	1	Control cable	D
15	4700416004	1	Fork	C
16	4700902896	1	Framing	
17	4700902189	1	Bracket	D
18	4700313035	2	Hose clamp	D
19	4700541703	4	Screw M6x16	D
20	4700357494	1	Cover	D
21	4700904228	2	Washer 6,4x12x1,5	C
22	4700500013	2	Screw M6-1x16 8,8	C
23	4700922325	1	Spring ball plunger	C
24	4700573004	1	Nut	C
25	4700533038	2	Screw	D
26	4700570004	2	Nut M6X1,00 -8 A2K	C
27	4700285911	1	Bushing	D
28	4700928497	1	Push button	B
29	4700348481	1	Cover	B
30	4700285909	1	Grab handle	D
31	4700533001	3	Screw	D
32	4700904697	3	Washer 3,2x6x0,5	C



Steering column

Item	Part No	Rem	Qty	Description	Code
1	4700372964		1	Steering wheel, cpl	D
2	4700935614		1	. Turning knob	D
3	4700935613		1	. Cover	D
4	4700928830		1	Rubber washer	D
5	4700500030		2	Screw M10x035H 8.8 A3K	C
6	4700904230		2	Steel plain washer	C
7	4700355869		2	Spacer sleeve	D
8	4700500048		2	Screw M10-1,5x20 8,8	C
9	4700904230		4	Steel plain washer	C
10	4700902123		1	Steering column	C
11		A	1	Bracket	

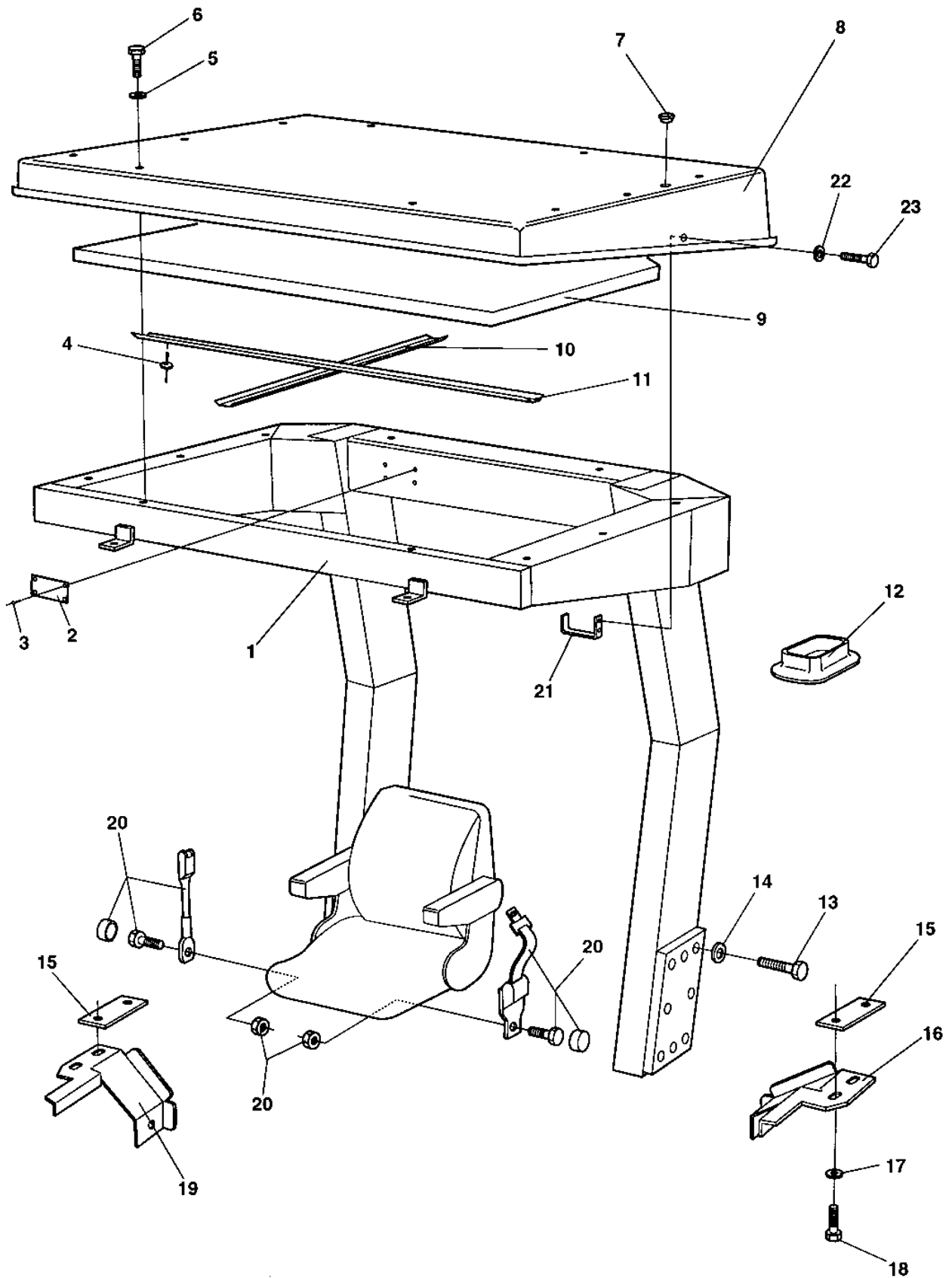
A) Included in control panel



Canopy Option

Item	Part No	Rem Qty	Description	Code
1	4700904340	2	Pipe clamp	
2	4700373746	1	Canopy profile	D
3	4700373747	2	Canopy profile	D
4	4700373748	1	Canopy profile	D
5	4700373749	4	Canopy rib	D
6	4700373750	2	Canopy anchor	D
7	4700380963	1	Canopy anchor	D
8	4700380964	1	Canopy anchor	D
9	4700373906	1	Roof	D
10	4700500021	16	Screw M8-1,25x25 8.8	C
11	4700904229	44	Steel plain washer 8,4x16x1,5	C
12	4700586003	22	Lock nut M8	C
13	4700500153	4	Screw	C
14	4700904228	8	Washer 6,4x12x1,5	C
15	4700586002	4	Lock nut M6 -8	C
16	4700373907	2	Lath	D
17	4700924791	2	Cover plate	
18	4700500022	8	Screw M8x30H 8.8 A2K	C

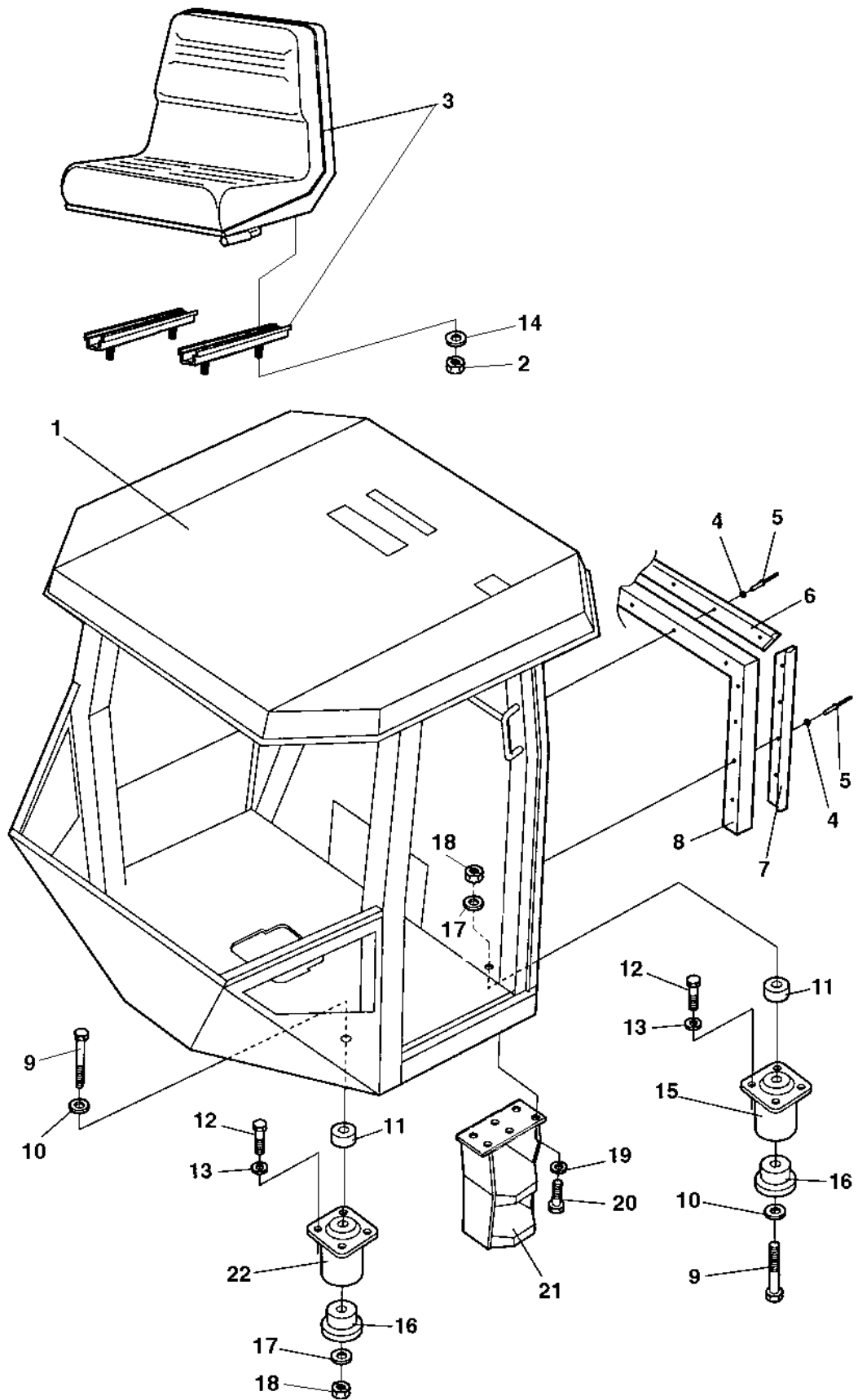
Rops and fops



Rops and fops

Item	Part No	Rem Qty	Description	Code
1	4700372347	1	Rops	D
2	4700370803	1	. Sign, rops	D
3	4700624016	4	. Blind rivet	D
4	4700904619	12	Blind rivet	C
5	4700904734	10	Steel plain washer	
6	4700500239	10	Screw M8x50H 8,8	C
7	4700904180	4	Plug	C
8	4700372409	1	Fops roof	D
	4700370792	1	. Sign, fops	D
	4700624016	4	. Blind rivet	D
9	4700372678	1	Absorbent	D
10	4700376489	1	Absorbent holder	D
11	4700376488	1	Absorbent holder	D
12	4700372489	2	Rubber seal	D
13	4700904562	16	Screw M24x160 10.9	
14	4700904234	16	Steel plain washer	C
15			Not used on this model	
16	4700381353	1	Holder plate	D
17			Not used on this model	
18			Not used on this model	
19	4700381352	1	Holder plate	D
20	4700377677	1	Seat belt 2"	B
	4700383200	A 1	Seat belt 3"	B
21	4700383951	2	Hook	D
22	4700904734	4	Steel plain washer	
23	4700500100	4	Screw	C

A) Option 3"



Cab mounting

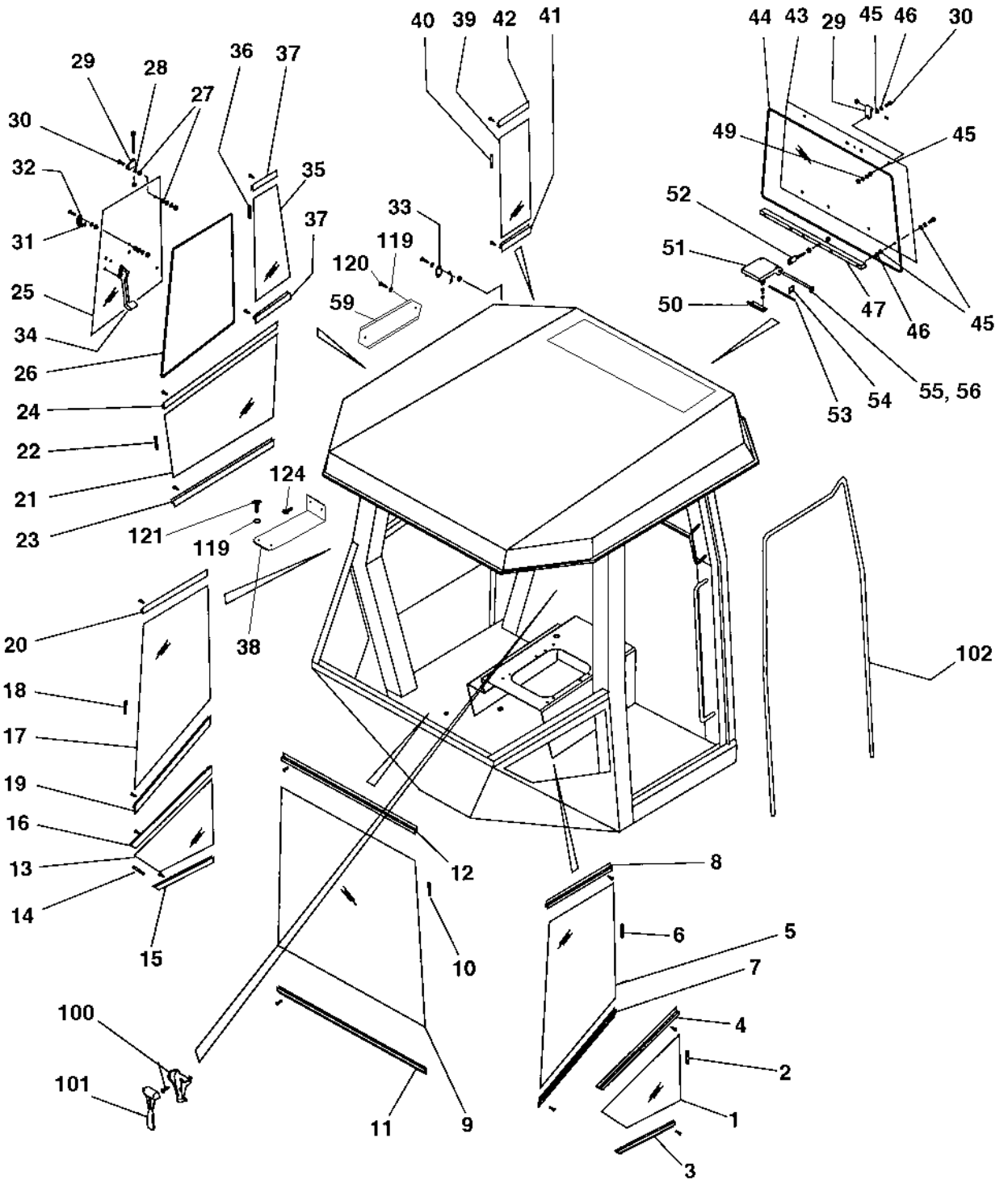
Item	Part No	Rem	Qty	Description	Code
1				Cab 4700378308 (Page 160)	
2	4700570005		4	Nut M8	C
3	4700377556		1	Drivers seat, cpl	D
	4700377518	D	1	Drivers seat, cpl	D
4	4700927974		13	Washer	C
5	4700904433		13	Blind rivet	
6	4700372785		1	List	D
7	4700382582		2	List	D
8	4700372494	A	N	Rubber strip	D
9	4700791218		4	Screw M20x200	D
10	4700904233		4	Washer 21x36x3	C
11	4700384759		4	Spacer	D
12	4700500195		16	Screw	C
13	4700904231		16	Washer 13x24x2 300 HV	C
14	4700904229		4	Steel plain washer 8,4x16x1,5	C
15	4700374606	B	2	Shock absorber Green	D
16	4700372457		4	Back-up ring	C
17	4700903290		4	Washer 21x36x6	C
18	4700901145		4	Lock nut M20-10	
19	4700904230		6	Steel plain washer	C
20	4700500029		6	Hexagon head screw	C
21	4700376252		1	Step	D
22	4700374607	C	2	Shock absorber Yellow	D
23	4700382397		2	Spacer	D

- A) L=2400 mm
- B) Rear
- C) Front
- D) Option

Cab 4700378308

Item	Part No	Rem Qty	Description	Code
130			Cab Screens (Page 162)	
140			Cab Door, left side (Page 166)	
150			Cab Interior rear mirror (Page 168)	
170			Wiper arm with blade, front (Page 170)	
180			Cab Electric (Page 172)	

Cab Screens

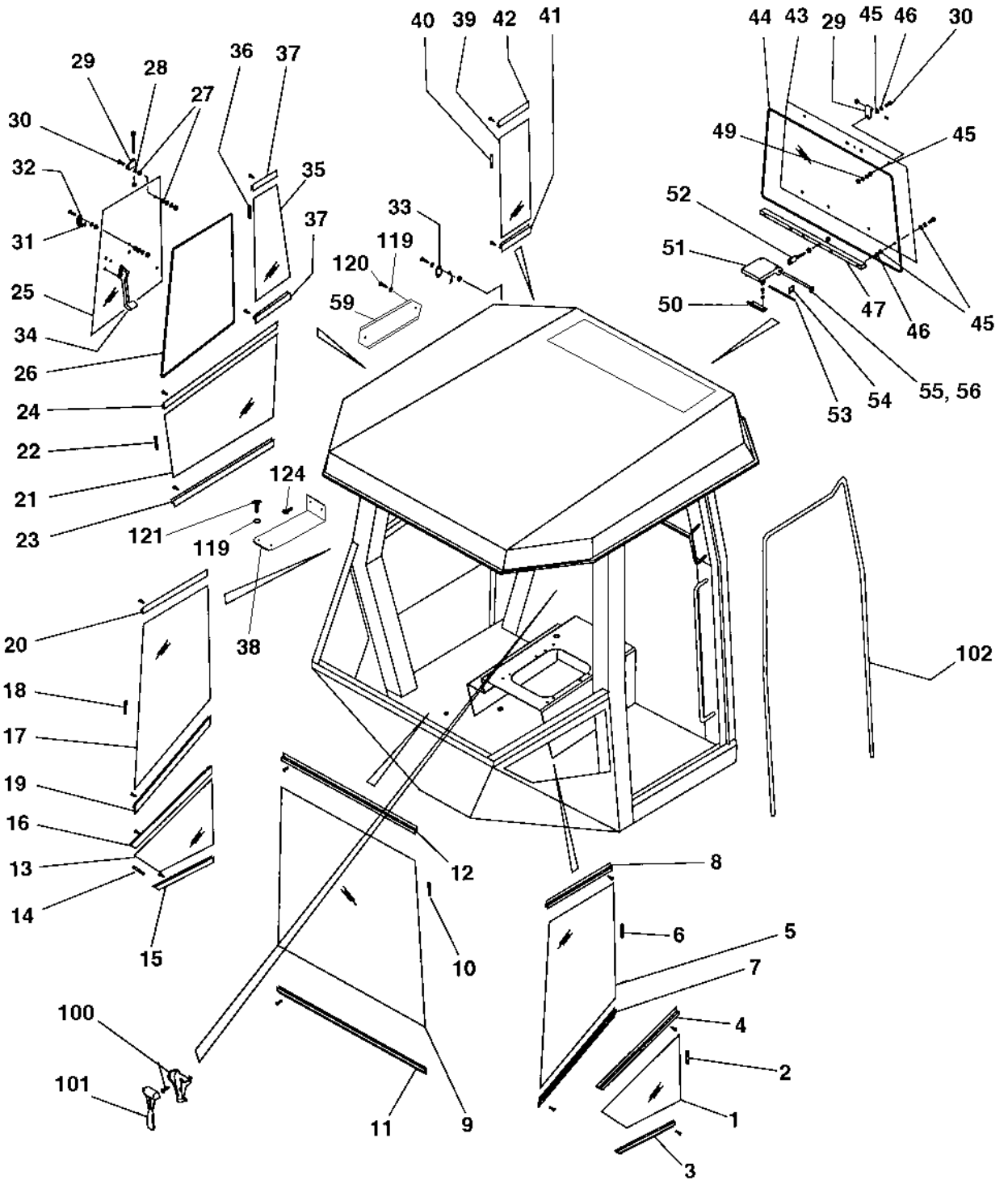


Cab Screens

Item	Part No	Rem Qty	Description	Code
1	4700937380	1	Screen	
2	4700908545	XL	Seal list	B
3	4700935278	1	List	
4	4700935279	1	List	
5	4700937381	1	Screen, left	
6	4700908545	XL	Seal list	B
7	4700935280	1	List	
8	4700935281	1	List	
9	4700937382	1	Screen	
10	4700908545	D	Seal list	B
11	4700935282	1	List	
12	4700935283	1	List	
13	4700937383	1	Screen	
14	4700908545	XL	Seal list	B
15	4700935284	1	List	
16	4700935285	1	List	
17	4700937384	1	Screen	
18	4700908545	C	Seal list	B
19	4700935286	1	List	
20	4700935287	1	List	
21	4700937385	1	Screen	
22	4700908545	A	Seal list	B
23	4700935288	1	List	
24	4700935289	1	List	
25	4700938290	1	Screen	
26	4700908499	E	Rubber list	D
27	4700935271	8	Washer, Flexible rubber	
28	4700935272	8	Washer, Black	
29	4700935273	4	Hinge	
30	4700935274	4	Screw	
31	4700935275	1	Rubber washer	
32	4700935276	1	Bracket	
33	4700935277	1	Lock pin	
34	4700935290	1	Window lock, right	
35	4700938291	1	Screen	
36	4700908545	B	Seal list	B
37	4700935291	1	List	
38	4700379608	1	Cover	D
39	4700938292	1	Screen	
40	4700908545	B	Seal list	B
41	4700935293	1	List	
42	4700938659	1	List	
43	4700937389	1	Screen	
44	4700908499	F	Rubber list	D
45	4700935271	12	Washer, Flexible rubber	
46	4700935272	12	Washer, Black	
47	4700935295	1	Screen holder	
49	4700935296	2	Washer	
50	4700935297	1	Bracket	
51	4700935298	2	Bracket	
52	4700935299	1	Bolt	
53	4700935300	1	Shaft	
54	4700935301	2	Lock	

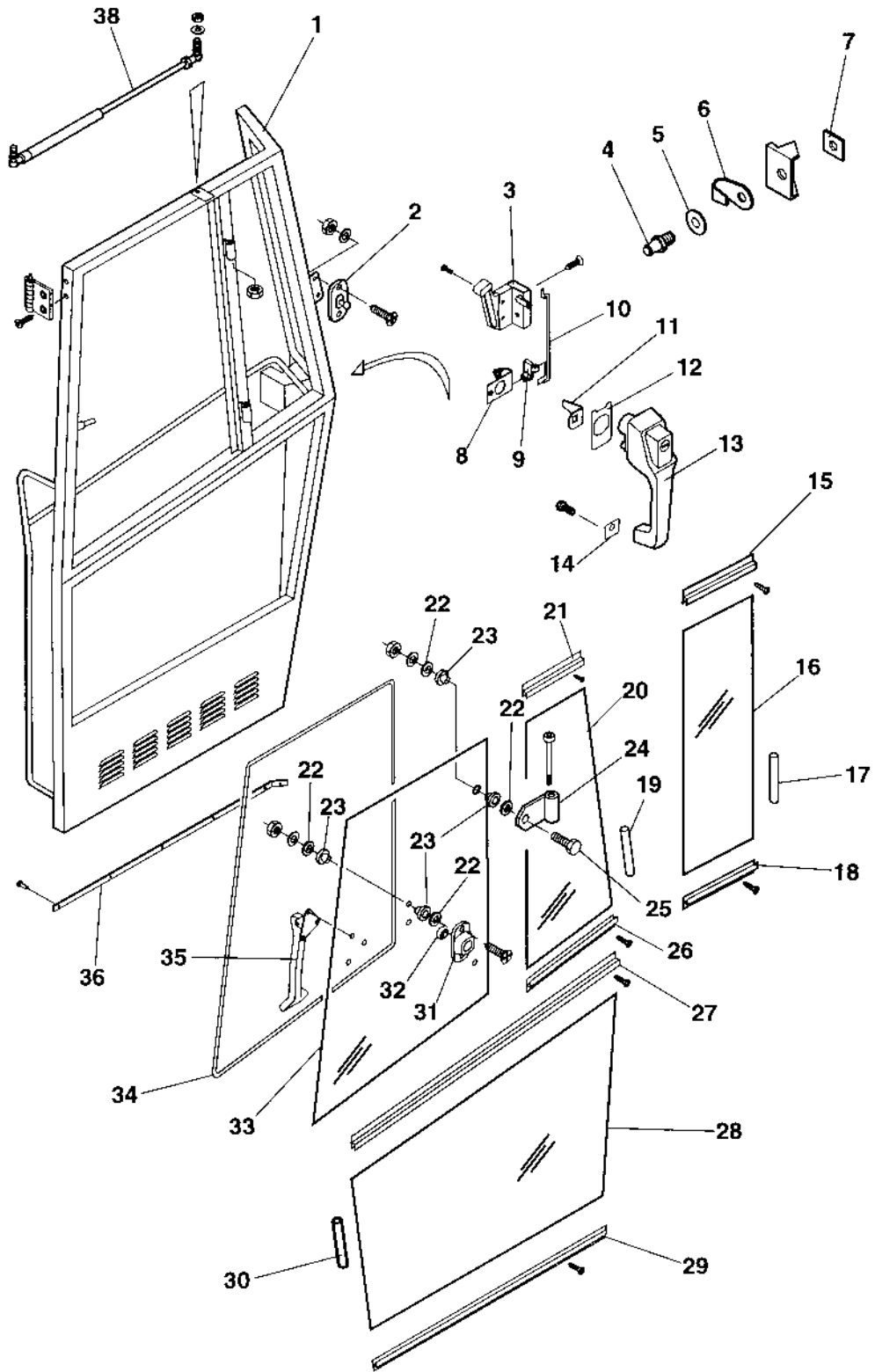
- A) L=1100 mm
- B) L=1400 mm
- C) L=1900 mm
- D) L=2100 mm
- E) L=2700 mm
- F) L=3300 mm

Cab Screens



Cab Screens

Item	Part No	Rem Qty	Description	Code
55	4700935302	1	Rod	
56	4700935303	1	Ring	
59	4700379236	1	Cover	D
100	4700908506	1	Emergency hammer	D
101	4700908507	1	Holder	D
102	4700908499	G 1	Rubber list	D
119	4700904229	16	Steel plain washer 8,4x16x1,5	C
120	4700500019	14	Hexagon head screw M8x16H 8,8	C
121	4700500053	2	Screw M8x20H 8.8	C
124	4700903782	2	Screw M5x12	C
G)	L=5 m			

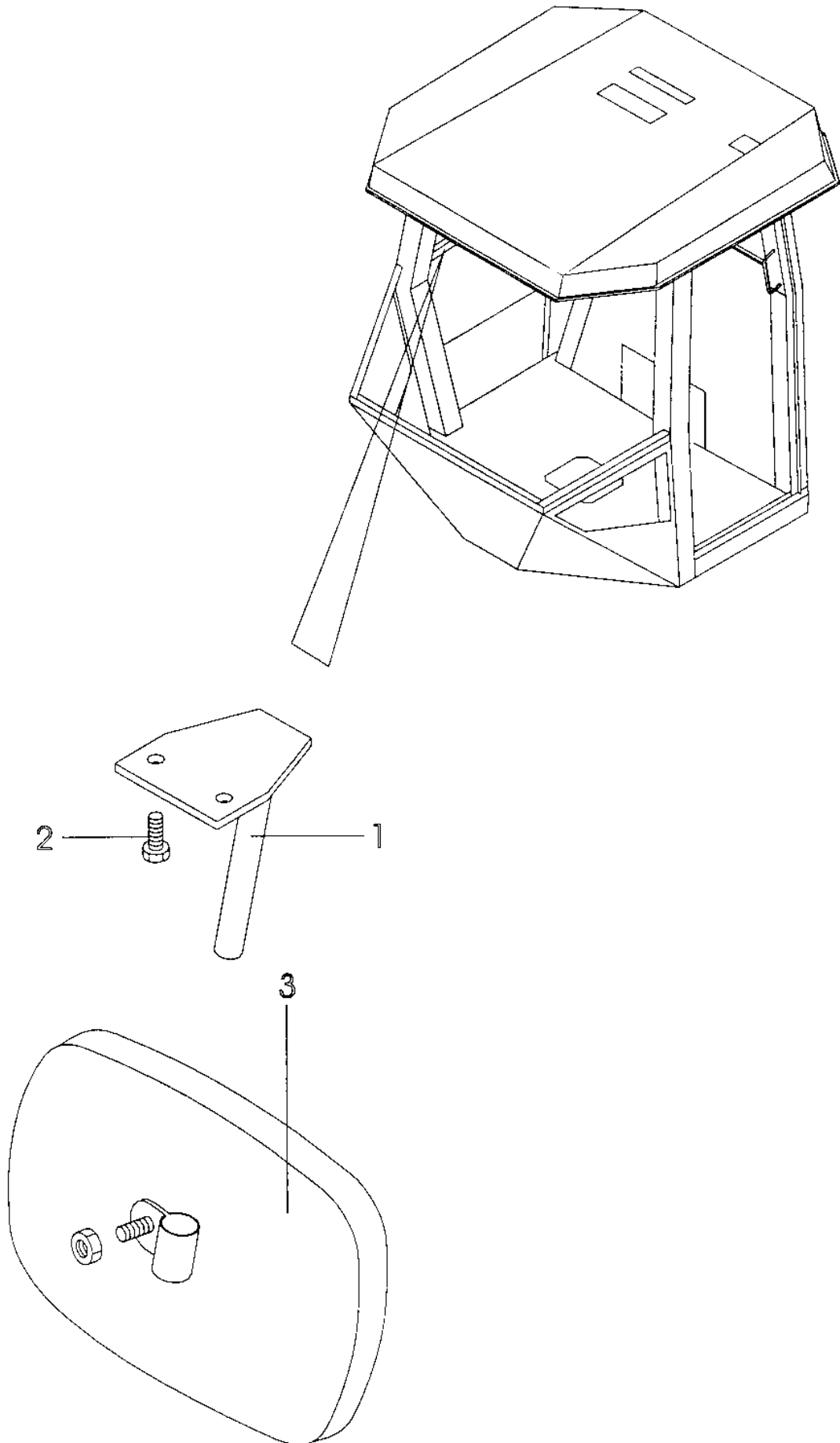


Cab Door, left side

Item	Part No	Rem Qty	Description	Code
	4700940678	1	Door, cpl	D
1	4700390927	1	. Door frame	D
2	4700935277	1	. Lock pin	
3	4700938017	1	. Lock	
4	4700908580	1	. Lock pin	C
5	4700908581	1	. Washer	C
6	4700908582	1	. Cover	D
7	4700908583	1	. Bracket	D
8	4700935248	1	. Turning mechanism	
9	4700935249	1	. Retainer	
10	4700935250	1	. Rod	
11	4700935247	1	. Leader	
12	4700935246	1	. Seal	
13	4700935244	1	. Door handle with key	D
14	4700935245	1	. Seal	
15	4700935268	1	. List	
16	4700937391	1	. Screen	
17	4700908545	A 1	. Seal list	B
18	4700935267	1	. List	
19	4700908545	A 1	. Seal list	B
20	4700937392	1	. Screen	
21	4700935270	1	. List	
22	4700935272	8	. Washer, Black	
23	4700935271	8	. Washer, Flexible rubber	
24	4700935273	2	. Hinge	
25	4700935274	2	. Screw	
26	4700935269	1	. List	
27	4700935266	1	. List	
28	4700937390	1	. Screen	
29	4700935265	1	. List	
30	4700908545	B 1	. Seal list	B
31	4700935276	1	. Bracket	
32	4700935275	1	. Rubber washer	
33	4700937393	1	. Screen	
34	4700908499	C 1	. Rubber list	D
35	4700935253	1	. Lock	
36	4700938101	XL	. Brush profile	
38	4700938018	1	. Gas spring	

- A) L=1400 mm
- B) L=1100 mm
- C) L=2700 mm

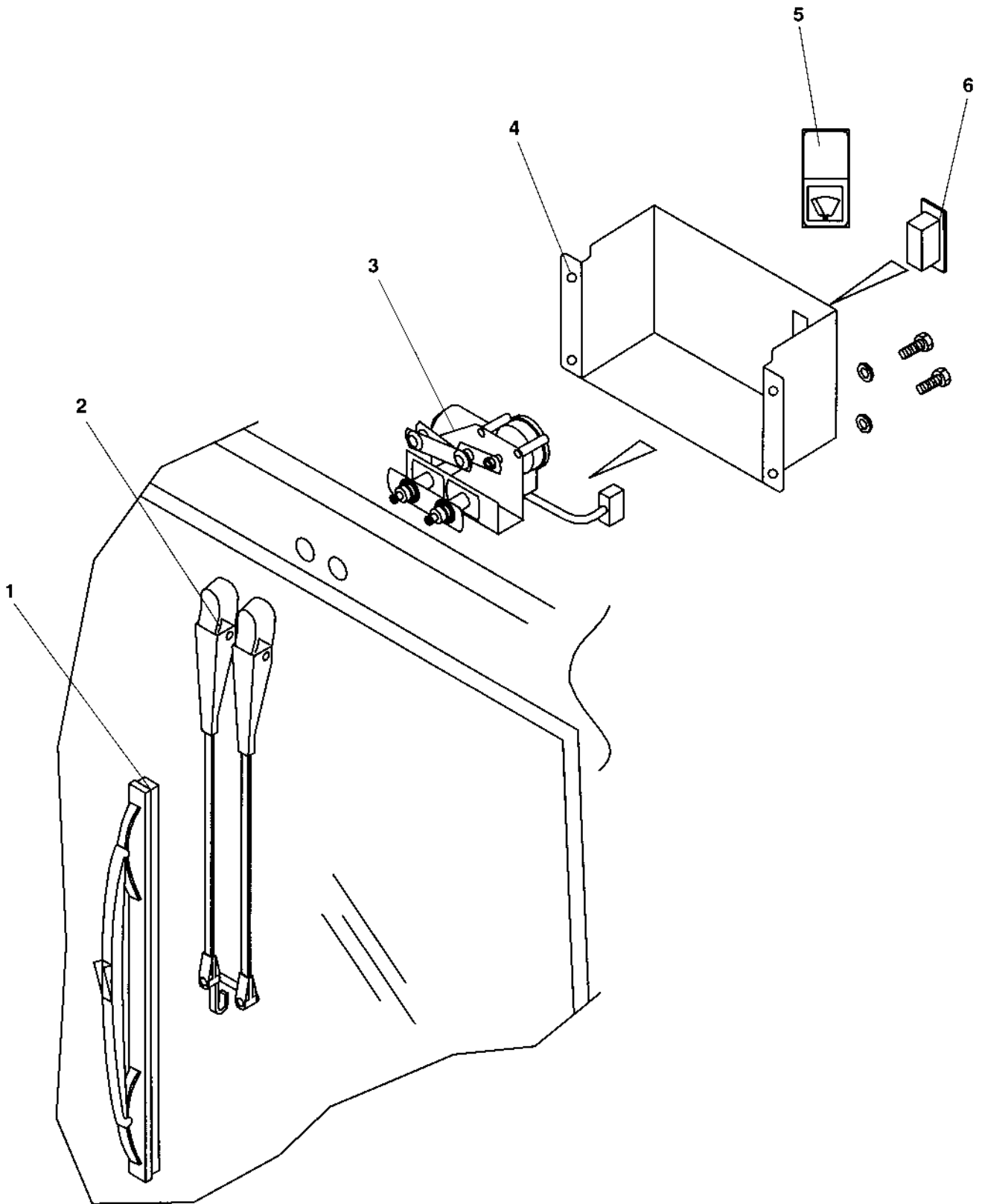
Cab Interior rear mirror



Cab Interior rear mirror

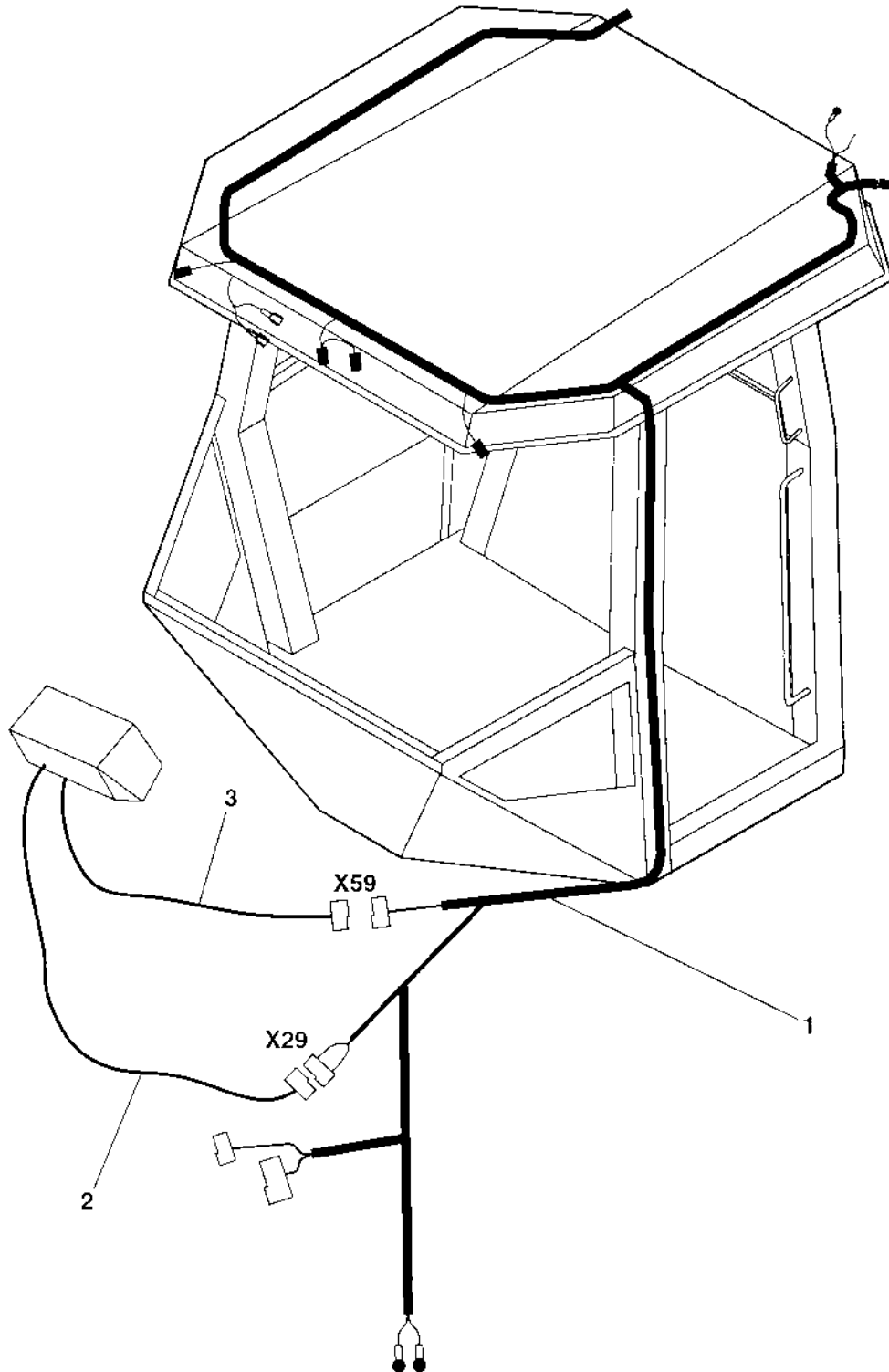
Item	Part No	Rem Qty	Description	Code
1	4700908623	1	Bracket	D
2	4700535005	2	Screw M5x12	D
3	4700908624	1	Rear mirror	D

Wiper arm with blade, front



Wiper arm with blade, front

Item	Part No	Rem Qty	Description	Code
1	4700905306	1	Wiper blade	B
2	4700905305	1	Wiper arm	C
3	4700905304	1	Wiper motor	C
4	4700937871	1	Cover	D
5	4700908605	1	Symbol, wiper	D
6	4700908617	1	Switch	B

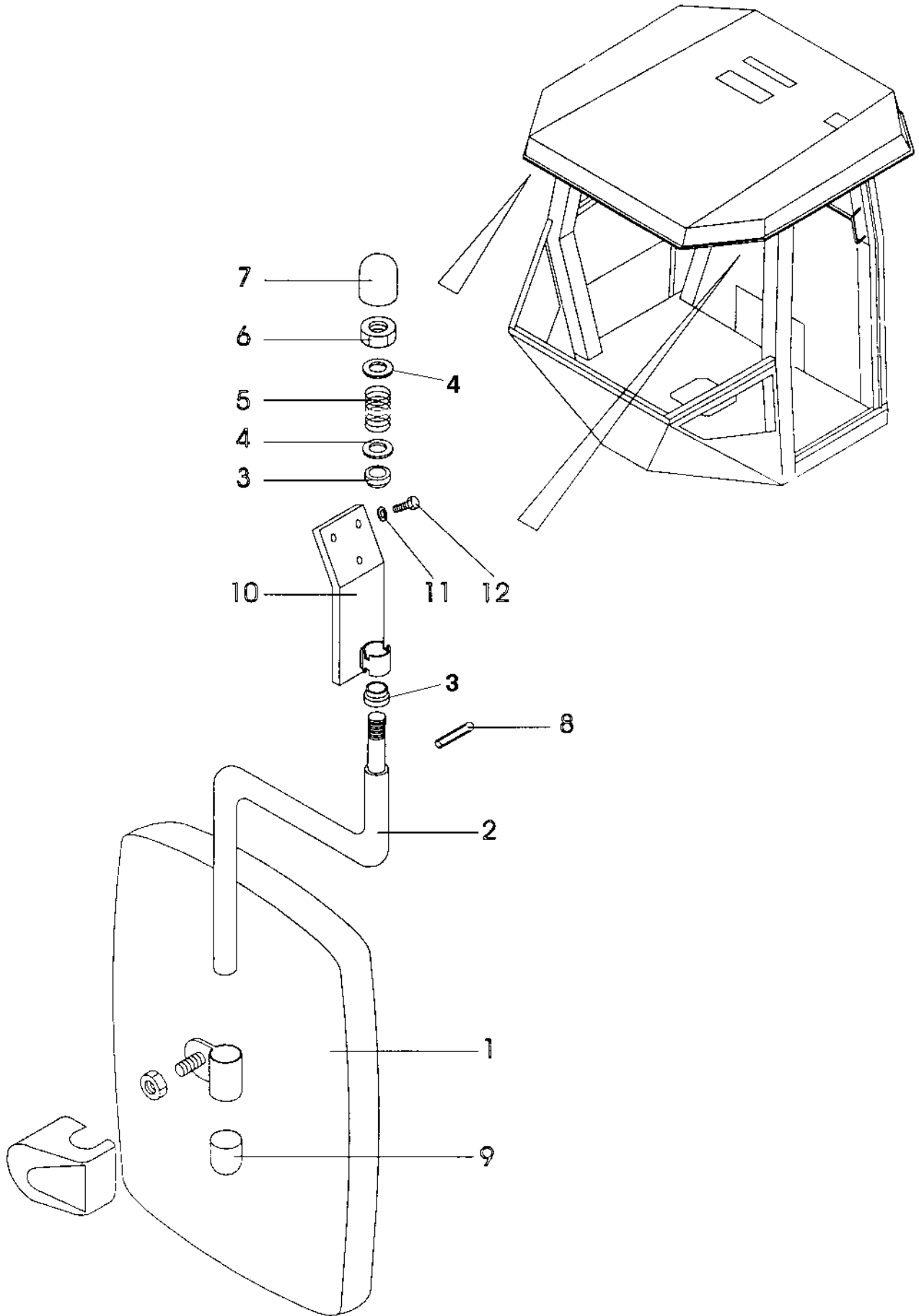


Cab Electric

Item	Part No	Rem	Qty	Description	Code
1	4700937870	A	1	Cable harness	D
2	4700384403	B	1	Cable harness	D
3	4700384402	C	1	Cable harness	D

- A) Main supply
- B) Horn
- C) Windshield wiper

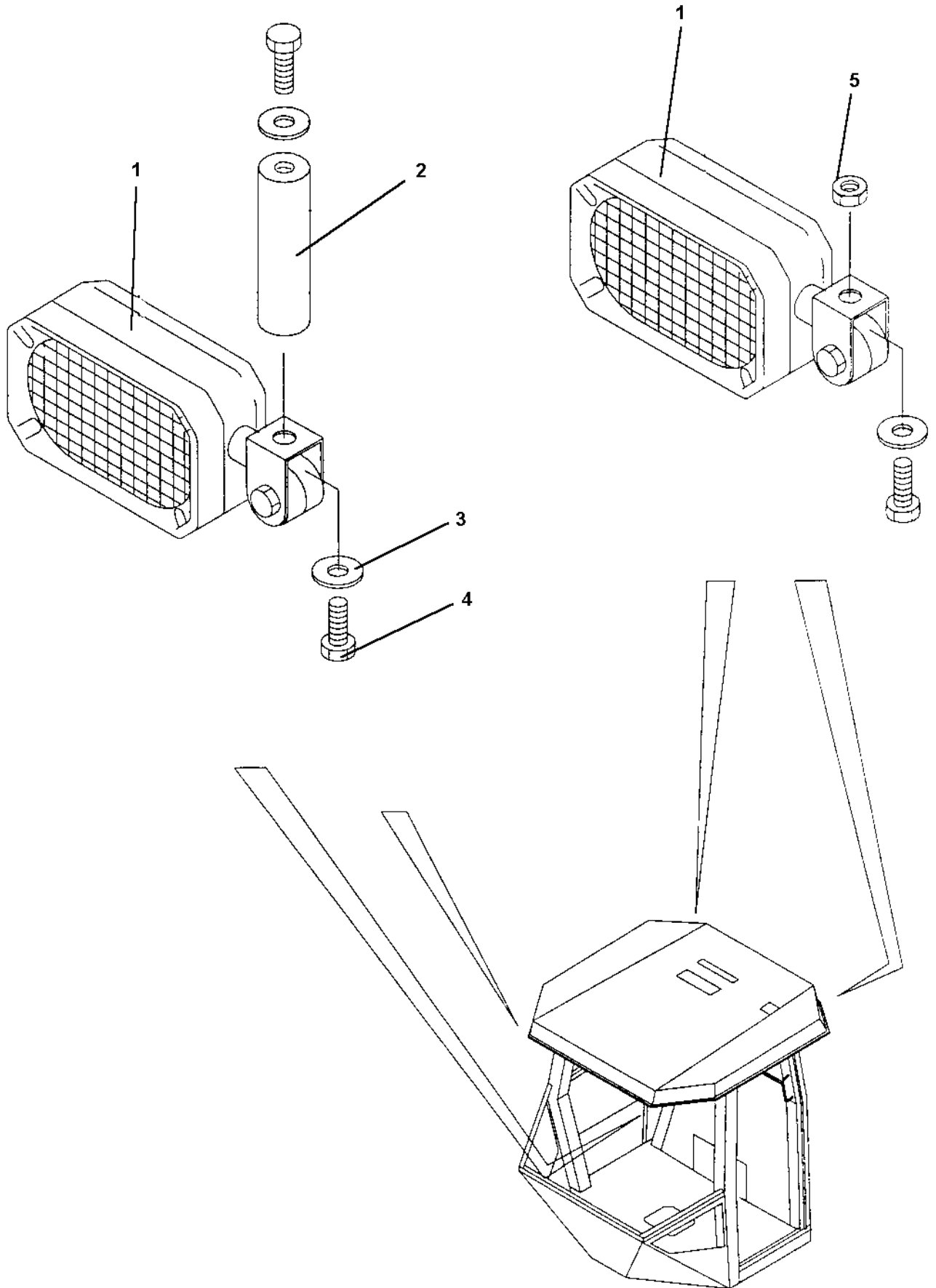
Cab Exterior rear mirror



Cab Exterior rear mirror

Item	Part No	Rem	Qty	Description	Code
	4700371730	A	2	Rear view mirror, cpl	D
1	4700908265		1	. Rear view mirror	D
2	4700908355		1	. Arm	D
3	4700908625		1	. Sleeve	C
4	4700904232		1	. Washer	C
5	4700908626		1	. Spring	D
6	4700586021		1	. Nut M16	
7	4700908627		1	. Cap	C
8	4700629066		1	. Spirol pin	D
9	4700908628		1	. Cap	C
10	4700908361		1	. Bracket	D
11	4700904229		6	Steel plain washer 8,4x16x1,5	C
12	4700500019		6	Hexagon head screw M8x16H 8,8	C

A) Option



Cab Work light

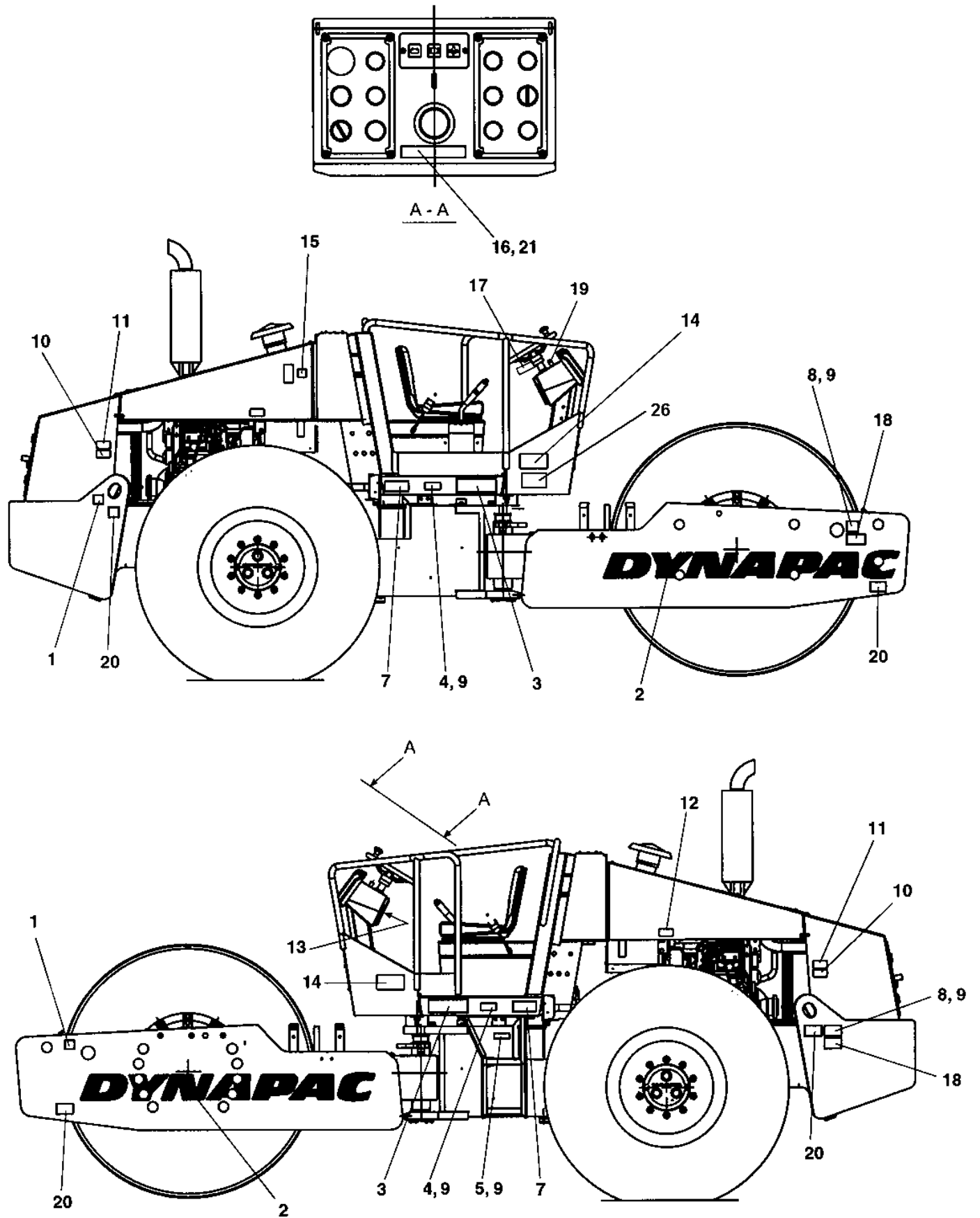
Item	Part No	Rem Qty	Description	Code
1	4700908267	4	Working light	B
2	4700908359	2	Distance	D
3	4700904229	4	Steel plain washer 8,4x16x1,5	C
4	4700500019	4	Hexagon head screw M8x16H 8,8	C
5	4700586003	2	Lock nut M8	C

Decals

Decals

Item	Part No	Rem Qty	Description	Code
10			Decals (Page 180)	
20			Decals (Page 182)	
		1		

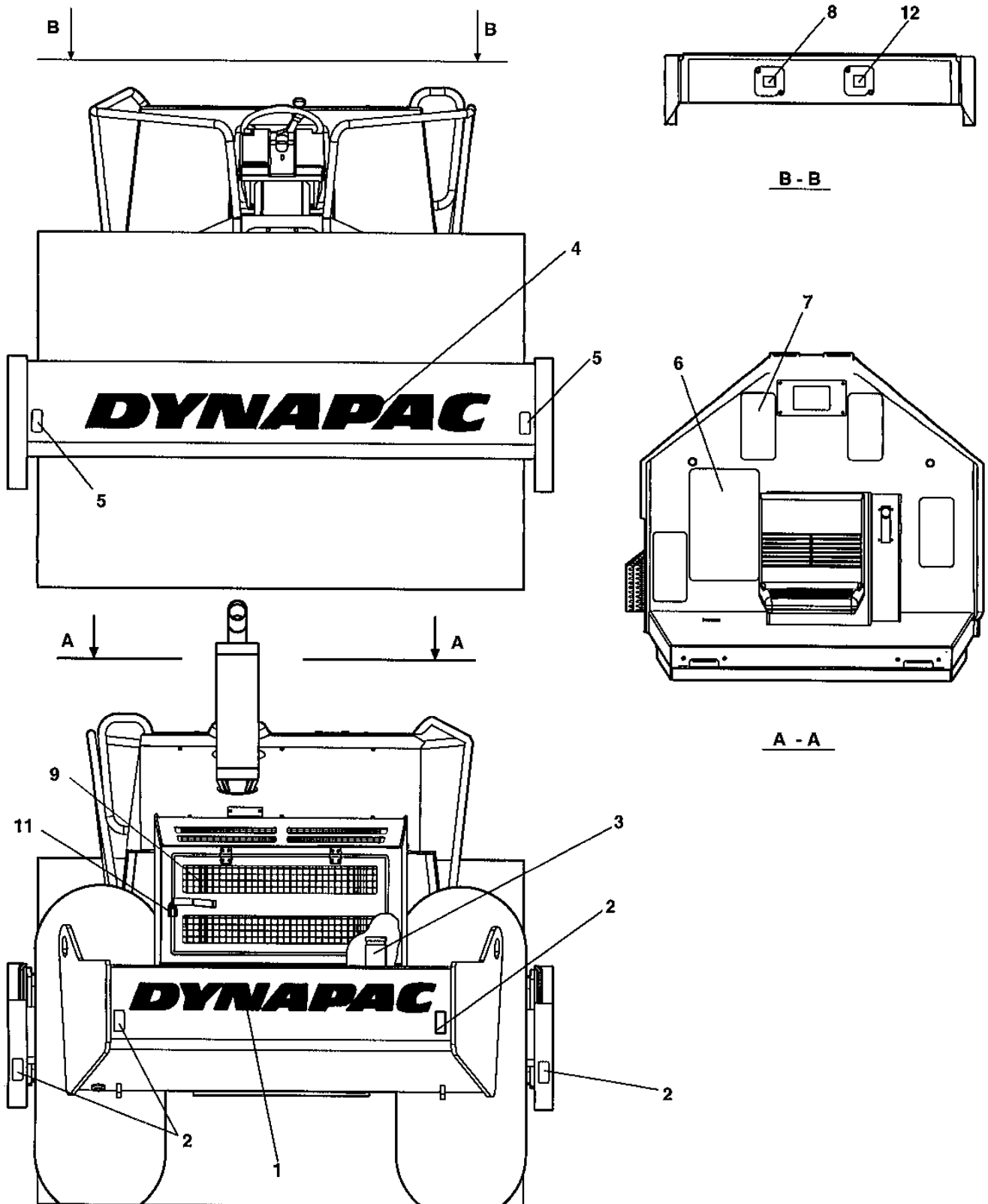
Decals



Decals

Item	Part No	Rem Qty	Description	Code
1	4700588176	2	Decal "LIFT POINT"	D
2	4700904068	3	Decal "DYNAPAC" L=1770 mm	
3	4700792241	2	Cable tie and holder	
	4700792242	2	Decal "MODEL CODE" Red	D
4	4700377744	2	Reflector, yellow	D
5	47960787SE	1	Product identification plate	
7	4700903459	2	Decal "SAFETY"	D
8	4700904870	2	Lifting sign	D
9	4700624005	12	Blind rivet 3,2x6,1	C
10	4700903424	2	Decal "HOT SURFACE"	D
11	4700903423	2	Decal "SAFETY"	D
12	4700991990	2	Decal "TYRE PRESSURE" 110-150kPA/16-21psi	D
	4700390900	1	Decal "TYRE PRESSURE" 110kPA/16psi	D
13	4700903425	1	Decal "SAFETY MANUAL"	D
14	4700903422	2	Decal "SAFETY"	D
15	4700272373	1	Decal "HYDRAULIC OIL"	D
16	47386084SE	1	Warning plate Swedish	
	47386084EN	1	Warning plate English	
	47386084DE	1	Warning plate German	
	47386084IT	1	Warning plate Italian	
	47386084ES	1	Warning plate Spanish	
	47386084FR	1	Warning plate French	
	47386084NO	1	Warning plate Norwegian	
	47386084DK	1	Warning plate Danish	
	47386084FI	1	Warning plate Finnish	
	47386084PT	1	Warning plate Portuguese	
	47386084NL	1	Warning plate Dutch	
	47386084GR	1	Warning plate Greek	
	47386084IS	1	Warning plate Icelandic	
	47386084CN	1	Warning plate Chinese	
	47386084BR	1	Warning plate Brazil	
17	4700384159	1	Instructions Loading-Unloading	
18	4700908229	2	Safety decal	D
19	4700358881	1	Pad lock	D
20	4700382751	4	Decal "TIE DOWN POINT"	D
21	4700624017	2	Blind rivet	D

Decals

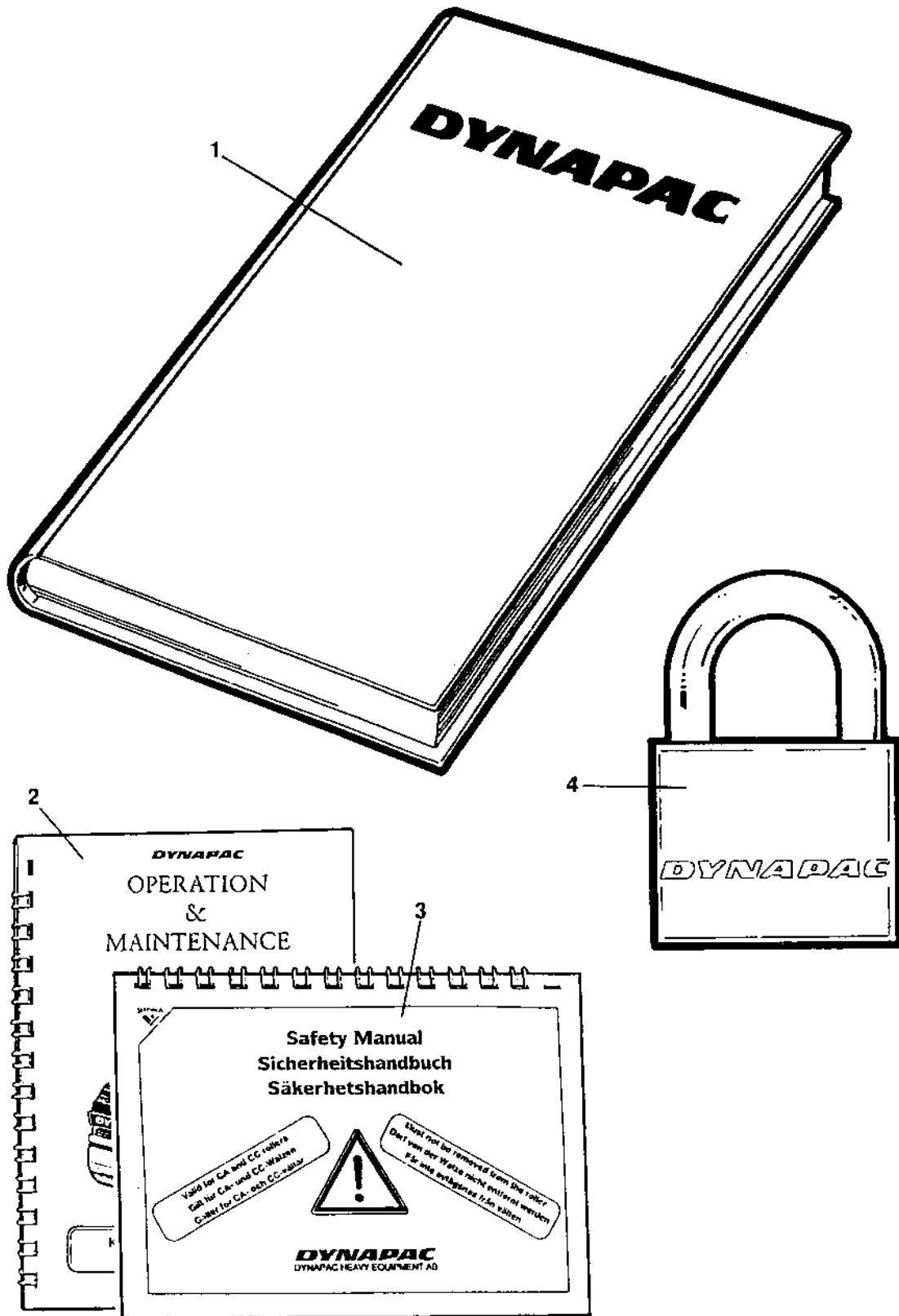


Decals

Item	Part No	Rem Qty	Description	Code
1	4700904069	1	Decal "DYNAPAC" L=760 mm	D
2	4700377742	4	Reflector, red	D
3	4700991658	1	Decal "FUEL"	D
4	4700904068	1	Decal "DYNAPAC" L=1770 mm	
5	4700377743	2	Reflector, white	D
6	4700373364	1	Slip protection	D
7	4700373363	4	Slip protection	
8	4700272372	1	Decal "HYDRAULIC OIL"	D
9	4700904835	1	Decal "BATTERY POWER"	D
11	4700358881	1	Pad lock	D
12	4700388449	1	Decal "COOLING LEVEL"	

Standard equipment

Item	Part No	Rem Qty	Description	Code
10			Standard equipment (Page 186)	

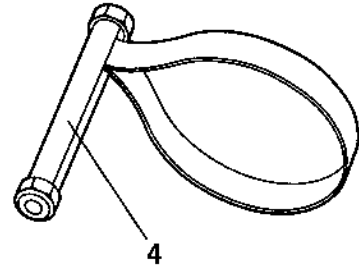
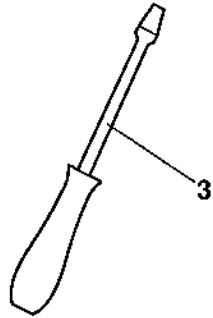
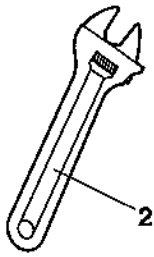


Standard equipment

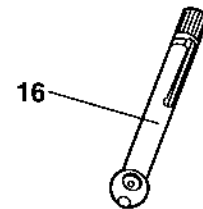
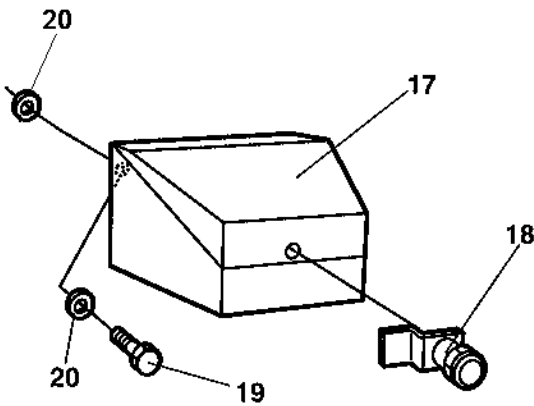
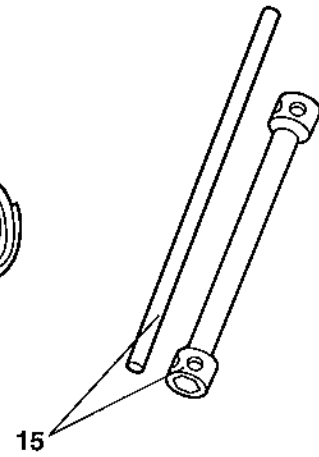
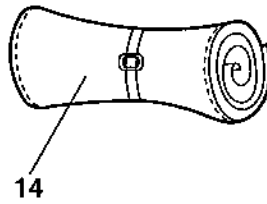
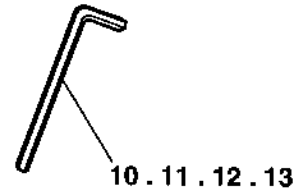
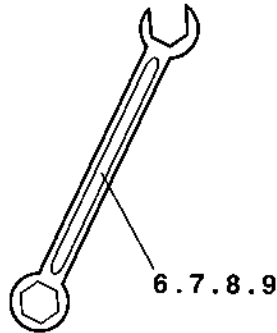
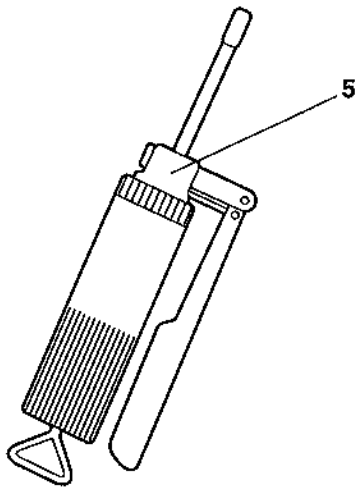
Item	Part No	Rem Qty	Description	Code
1		1	Documentation OMS500PD	
		1	. Warranty registration card	
		1	. Operation instruction O500	
		1	. Maintenance instruction M500	
		1	. Spare parts catalogue SCA500PD	
		1	. Instruction manual Cummins 6BTA 5.9	
2		1	. Operation / maintenance instruction OM500	
3		1	. Safety manual RSAFE	
4	4700358881	1	Pad lock	D

Optional equipment

Item	Part No	Rem Qty	Description	Code
10			Tool equipment (Page 190)	
120			Air conditioner and heater, Simple cab (Page 192)	
230			Heater Simple cab (Page 198)	



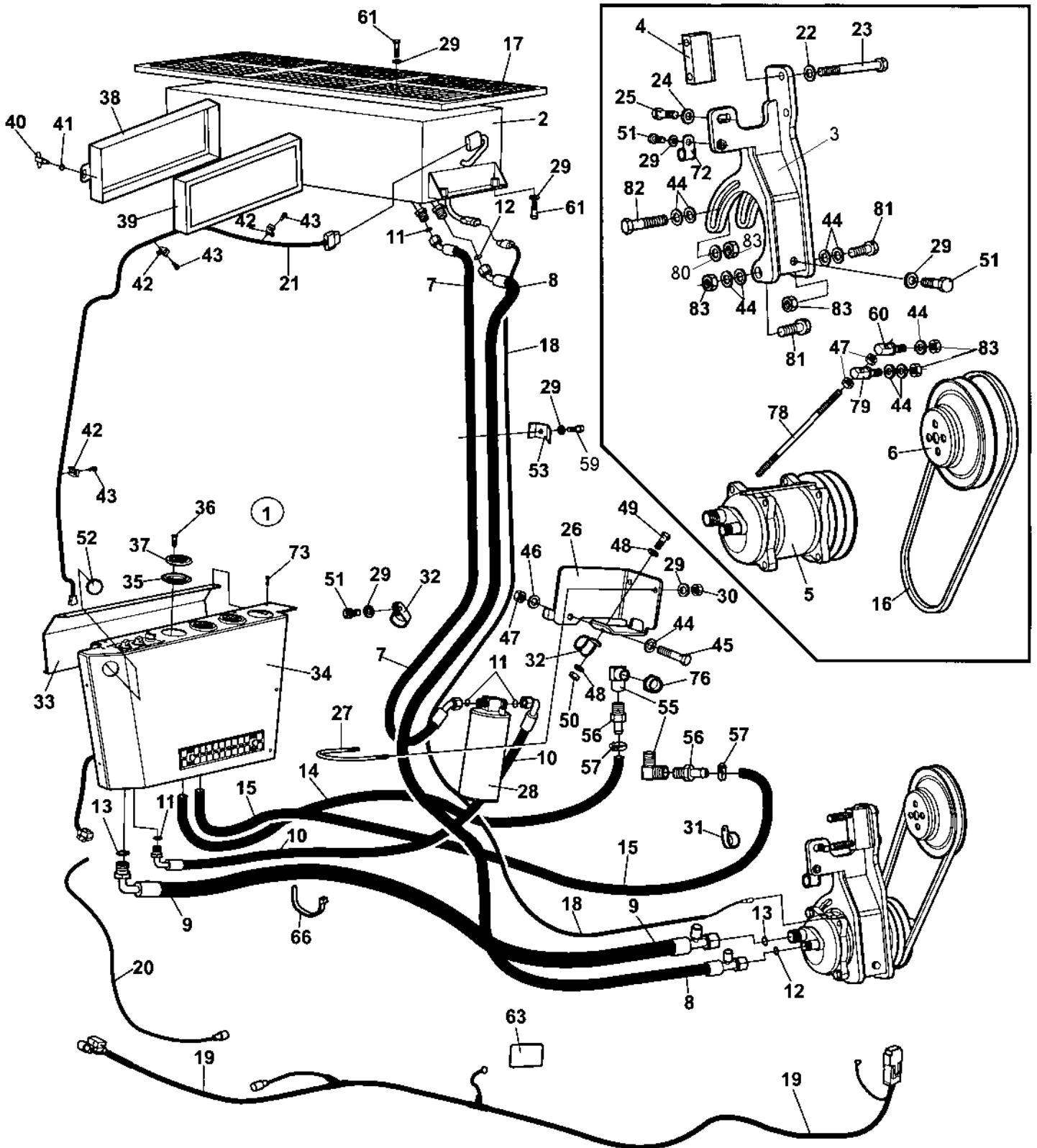
1



Tool equipment

Item	Part No	Rem Qty	Description	Code
1	4700355890	1	Tool set Cpl	D
2		1	. Adjustable wrench	
3		1	. Screw driver	
4	4700902610	1	. Belt pliers	D
5	4700311016	1	. Grease gun	D
6		1	. Open end spanner 10mm	
7		1	. Open end spanner 13mm	
8		1	. Open end spanner 16mm	
9		1	. Open end spanner 18mm	
10		1	. Allen wrench 10mm	
11		1	. Allen wrench 12mm	
12		1	. Allen wrench 6mm	
13		1	. Allen wrench 8mm	
14		1	. Tool bag	
15		1	. Wheel nut key 30/32mm	
16	4700901220	1	. Pressure gauge	B
17	4700372837	1	Tool box	D
18	4700372658	1	. Lock	D
19	4700500021	3	Screw M8-1,25x25 8.8	C
20	4700904640	6	Washer 8,4x22x3	C

Air conditioner and heater, Simple cab

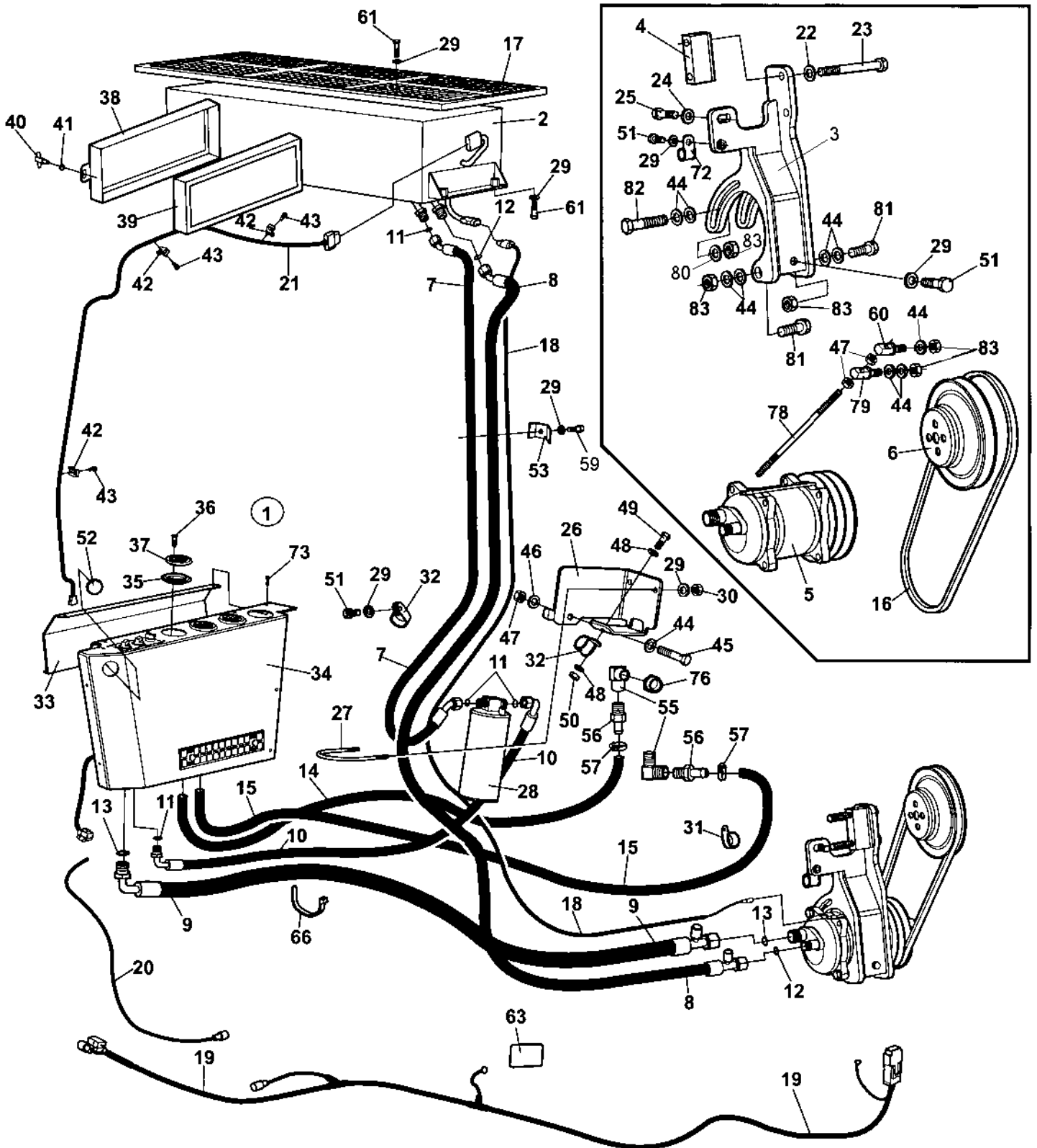


Air conditioner and heater, Simple cab

Item	Part No	Rem	Qty	Description	Code
1				Air conditioner and heater unit	
2	4700383413			Condensor, cpl (Page 196)	
3	4700377937		1	Bracket	D
4	4700377966		1	Spacer	D
5	4700379304		1	Compressor	C
6	4700379280		1	Pulley	C
7	4700384876		1	Hose	C
8	4700379330		1	Hose	D
9	4700379331		1	Hose	D
10	4700384875		1	Hose	C
11	4700384877		4	O-ring Size 6	C
12	4700384878		2	O-ring Size 8	C
13	4700384879		2	O-ring Size 10	C
14	4700937737	A	1XL	Hose	
15	4700937737	B	1XL	Hose	
16	4700902924		1	V-belt	
17	4700384589		1	Cover	D
18	4700385908		1	Cable harness	D
19	4700387466		1	Cable harness	D
20	4700387467		1	Cable harness	D
21	4700379275		1	Cable harness	D
22	4700904703		2	Washer	B
23	4700500122		2	Screw	C
24	4700904213		1	Washer	C
25	4700903906		1	Screw	C
26	4700390483		1	Holder	D
27	4700313093		1	Pipe clamp	D
28	4700383424		1	Drying filter	A
29	4700904229		18	Steel plain washer 8,4x16x1,5	C
30	4700586003		2	Lock nut M8	C
31	4700921161		1	Clamp	C
32	4700921056		2	Clamp	C
33	4700379285		1	Panel	D
34	4700379286		1	Panel	D
35	4700385443		3	Ring	D
36	4700938691		12	Screw	C
37	4700385442		3	Air nozzle	D
38	4700908501		1	Filter frame	D
39	4700908502		1	Filter	A
40	4700908504		2	Handle	D
41	4700908503		2	O-ring	D
42	4700904543		10	Cable tie holder	
43	4700903852		10	Screw ST4,2x13	C
44	4700904230		10	Steel plain washer	C
45	4700500192		1	Screw M10x80	C
46	4700904567		1	Washer 10,5x28x6 HB305	C
47	4700570006		3	Nut	B
48	4700904228		2	Washer 6,4x12x1,5	C
49	4700500013		1	Screw M6-1x16 8,8	C
50	4700570004		1	Nut M6X1,00 -8 A2K	C
51	4700500053		3	Screw M8x20H 8.8	C
52	4700345870		1	Plug	C
53	4700346230		3	Clamp	D
55	4700234365		2	Elbow 90	
56	4700387638		2	Hose connection	
57	4700313004		2	Hose clamp	D
59	4700500023		3	Screw M8-1,25x40 8,8	C
60	4700388470		1	Screw	D

A) L=3,600M
B) L=3,600M

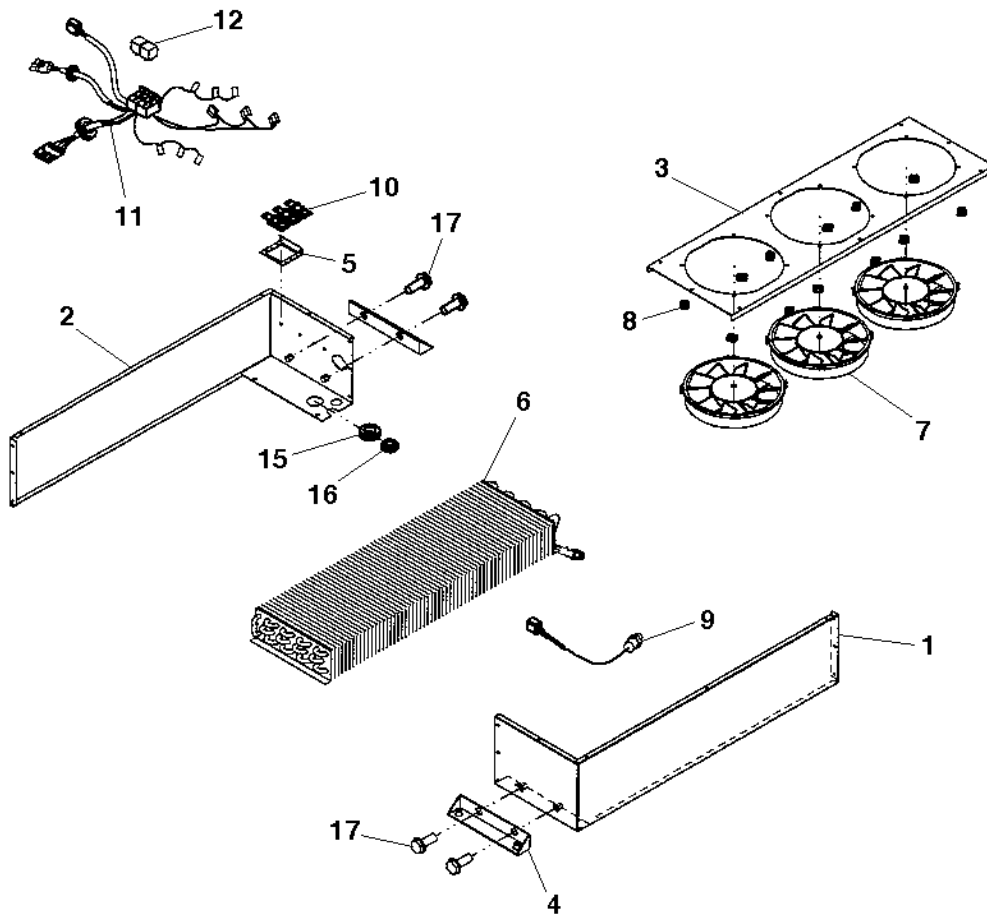
Air conditioner and heater, Simple cab



Air conditioner and heater, Simple cab

Item	Part No	Rem Qty	Description	Code
61	4700500022	10	Screw M8x30H 8.8 A2K	C
63	4700904165	1	Safety decal Toxic gases	D
66	4700313102		Cable ties	
72	4700902558	1	Clamp	D
73	4700792248	5	Screw 4,2 X25	D
76	4700813434	1	Reducer	C
78	4700377965	1	Set screw	C
79	4700377378	1	Set screw	D
80	4700904557	1	Steel plain washer	C
81	4700500031	2	Screw M10x040 8.8	C
82	4700500161	1	Hexagon head screw	C
83	4700791172	5	Hexagon lock nut	D

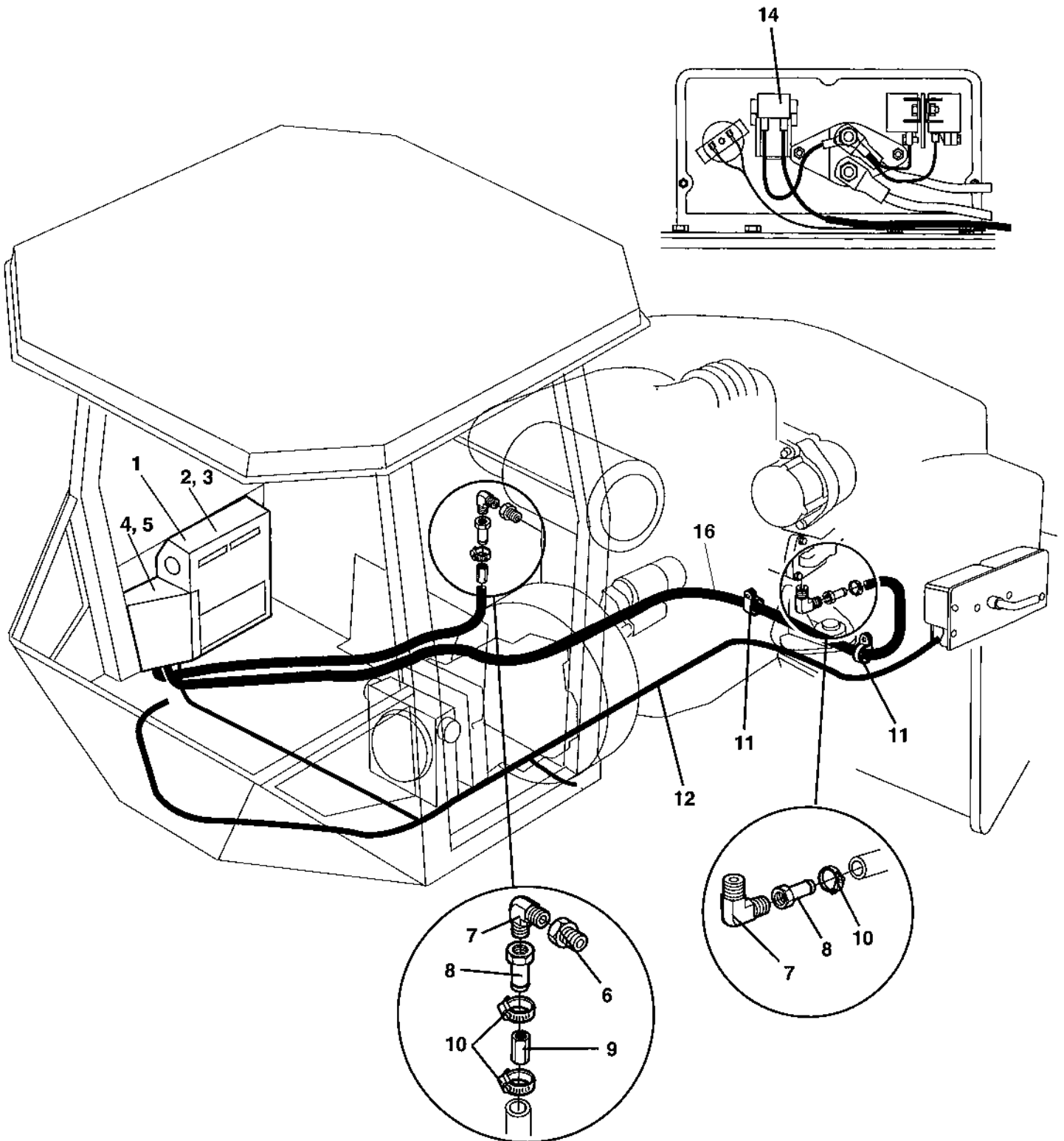
4700383413 Condensor, cpl



4700383413 Condensor, cpl

Item	Part No	Rem	Qty	Description	Code
1	4700938597		1	Cover	D
2	4700938598		1	Cover	D
3	4700938599		1	Fan bracket	D
4	4700938600		2	Condensor bracket	D
5	4700938601		1	Resistor bracket	D
6	4700938602		1	Condensor Coil	B
7	4700938603		3	Fan	C
8	4700938604		12	Clip	D
9	4700938605		1	Pressure switch	B
10	4700938606		3	Resistor	B
11	4700938607	A	1	Cable harness	D
	4812155890	B	1	Cable harness	
12	4700287598		2	Relay 12V-30A	A
	4700287598	C	3	Relay 12V-30A	A
15	4700938608		1	Grommet	D
16	4700938609		1	Grommet	
17	4700901832		4	Screw	C

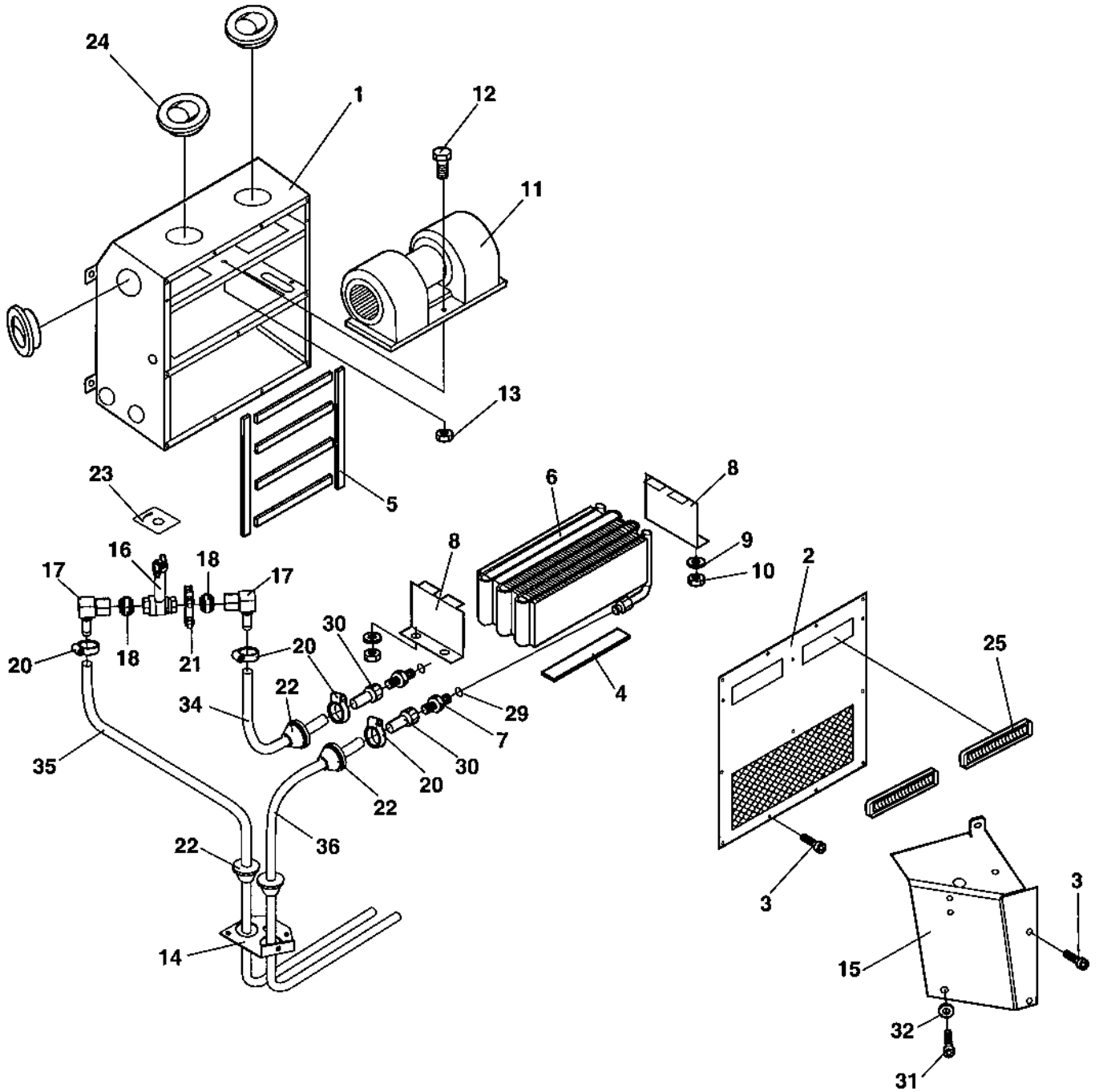
- A) Replaced by Cable harness P/N 4812155890.
- B) Cable harness withh 3 Relays, replaces Cable harness P/N 4700938607.
- C) Used with Cable harness 4812155890.



Heater Simple cab

Item	Part No	Rem	Qty	Description	Code
1	4700385222	1		Heater (Page 200)	
2	4700500018	4		Screw M8-1,25x12 8,8	C
3	4700904229	4		Steel plain washer 8,4x16x1,5	C
4	4700500013	2		Screw M6-1x16 8,8	C
5	4700904228	2		Washer 6,4x12x1,5	C
6	4700813434	1		Reducer	C
7	4700234365	2		Elbow 90	
8	4700814065	2		Hose connection	D
9	4700372670	1		Reducer	D
10	4700313002	3		Hose clamp 13-20 mm	
11	4700921132	2		Clamp	C
12	4700387466	A	1	Cable harness	D
13	4700387467	A	1	Cable harness	D
14	4700904294	1		Fuse	
15	4700313102	N		Cable ties	

A) Item 12 and 13 replaces Cable harness P/N 4700385235.



4700385222 Heater

Item	Part No	Rem Qty	Description	Code
1	4700938587	1	Heater box	D
2	4700938588	1	Cover plate	D
3	4700935259	15	Screw	
4	4700908587	A	Edge trim	D
5	4700935556	B	Sealing	
6	4700908585	1	Radiator	D
7	4700908589	2	Connector	C
8	4700935557	2	Heater element bracket	
9	4700904228	4	Washer 6,4x12x1,5	C
10	4700570004	4	Nut M6X1,00 -8 A2K	C
11	4700908595	1	Fan, cpl	D
12	4700500006	1	Screw M5x16	C
13	4700586001	1	Lock nut	C
14	4700938589	1	Plate	D
15	4700938590	1	Control panel	D
16	4700937738	1	Ball valve w. lever	
17	4700937742	2	Connector	
18	4700937741	23	Connector	
20	4700313003	4	Hose clamp	D
21	4700923984	1	Clamp	C
22	4700908496	1	Grommet	D
23	4700938856	1	Cable harness Work light	D
24	4700908513	3	Nozzle	A
25	4700908598	2	Nozzle	A
29	4700908588	2	O-ring	C
30	4700935558	2	Adapter	
31	4700500013	1	Screw M6-1x16 8,8	C
32	4700904735	1	Washer	C
34	4700937737	C	Hose	
35	4700937737	D	Hose	
36	4700937737	E	Hose	

- A) L=2,5 m
- B) L=1 m
- C) L=0,7 m
- D) L=3,6 m
- E) L=3,6 m

NUMERICAL INDEX

Part Number	Page	Part Number	Page	Part Number	Page
4700100040	17,37	4700313102	95,117,127,195	4700357425	147
4700116041	21,47		199	4700357426	147
4700160105	21,47	4700330170	63	4700357427	147
4700160132	107	4700330171	63,67	4700357488	29
4700160269	135	4700330331	55	4700357494	151
4700160272	93	4700330333	87,89	4700357501	151
4700162008	95	4700330383	55	4700357583	133
4700162011	47,49	4700334121	107,117	4700357585	135
4700162017	47,49	4700334132	93,95	4700357643	147
4700162018	47	4700334135	129	4700357833	61
4700162024	47	4700334138	93,95	4700357855	147
4700162027	47,49	4700334140	95	4700358142	147
4700167023	47	4700334163	107	4700358143	147
4700167032	17,37	4700334196	127	4700358172	23,45
4700167033	17,37	4700334199	117	4700358254	147
4700202028	39	4700334205	107,123	4700358388	97,99
4700202041	61	4700334239	107	4700358452	139
4700205027	61	4700334389	123	4700358881	147,181,183,187
4700212339	99	4700334419	107	4700359550	95
4700212396	7,9,11,13,55	4700334463	67,127	4700359551	95
4700212553	77,85	4700334468	95	4700359552	95
4700230515	55	4700334523	127	4700370019	45,47
4700232039	125	4700334558	117	4700370020	45
4700232041	29	4700337042	37	4700370231	47
4700232097	117	4700337045	17,37	4700370792	157
4700232210	45,47,49	4700337221	17,37	4700370803	157
4700233304	125	4700338304	117	4700370840	61
4700234218	117	4700340863	115	4700371326	135
4700234243	95	4700343159	37	4700371344	135
4700234354	107	4700343318	47	4700371512	51
4700234365	193,199	4700343744	47,49	4700371602	61
4700234382	107	4700343775	29	4700371620	55
4700234388	127	4700343801	45	4700371657	149
4700234622	127	4700345234	107	4700371658	149
4700234626	117	4700345243	95	4700371669	117
4700234662	117	4700345870	193	4700371727	55
4700234843	123	4700345874	17,37	4700371730	175
4700234875	95	4700345875	17,37	4700371774	61
4700234888	123	4700346230	193	4700372018	107
4700234909	95	4700347119	29	4700372087	29
4700244054	67	4700347512	145	4700372169	29
4700246069	61	4700348331	145	4700372229	7,13,95
4700272372	183	4700348481	25,151	4700372235	93
4700272373	181	4700349682	45	4700372347	157
4700281783	95	4700349715	47	4700372409	157
4700285909	151	4700349879	125	4700372457	159
4700285911	25,151	4700349880	125	4700372489	157
4700287597	135	4700349909	93	4700372494	145,159
4700287598	135,197	4700349971	45	4700372513	117
4700287724	93	4700349972	45	4700372514	117
4700310008	17	4700349973	45	4700372578	93,107
4700311016	191	4700355263	135	4700372580	93,107
4700313001	61	4700355301	135	4700372581	107
4700313002	67,199	4700355446	67	4700372586	93
4700313003	201	4700355869	153	4700372625	117
4700313004	55,193	4700355890	191	4700372658	191
4700313006	61	4700355983	73	4700372670	199
4700313010	61	4700356348	127	4700372678	157
4700313023	61	4700357138	13,125	4700372757	145
4700313035	151	4700357278	95	4700372758	137
4700313041	61,67	4700357316	147	4700372772	55
4700313093	69,193	4700357424	147	4700372785	145,159

NUMERICAL INDEX

Part Number	Page	Part Number	Page	Part Number	Page
4700372837	191	4700377274	133	4700381413	63
4700372964	153	4700377285	69	4700381462	137
4700373112	107	4700377378	195	4700381634	47,49
4700373123	37	4700377518	145,159	4700381777	151
4700373184	137	4700377556	145,159	4700381989	39
4700373361	95,103,105	4700377677	157	4700382349	149
4700373363	183	4700377742	183	4700382391	55
4700373364	183	4700377743	183	4700382397	159
4700373400	145	4700377744	181	4700382406	39
4700373442	45	4700377937	193	4700382411	39
4700373443	45	4700377965	195	4700382582	145,159
4700373460	29,67	4700377966	193	4700382751	181
4700373574	67	4700378210	55	4700382782	135
4700373746	155	4700378211	55	4700383200	157
4700373747	155	4700378213	55	4700383413	193,197
4700373748	155	4700378214	55	4700383424	193
4700373749	155	4700379214	65	4700383844	35
4700373750	155	4700379236	165	4700383856	71,83
4700373769	45	4700379275	193	4700383951	157
4700373770	45	4700379280	193	4700383955	73
4700373906	155	4700379285	193	4700383959	107,109
4700373907	155	4700379286	193	4700383974	73
4700374028	127	4700379289	29	4700383975	73
4700374029	137	4700379304	193	4700384114	45,47
4700374030	137	4700379330	193	4700384121	45
4700374059	95	4700379331	193	4700384159	181
4700374217	107	4700379608	163	4700384163	137
4700374398	139	4700379636	145	4700384402	173
4700374471	145	4700379876	49	4700384403	173
4700374606	159	4700379878	47	4700384503	17,37
4700374607	159	4700380012	39	4700384589	193
4700374728	45	4700380018	47,49	4700384759	159
4700374744	29	4700380079	115	4700384875	193
4700374898	37	4700380109	39	4700384876	193
4700375507	149	4700380113	145	4700384877	193
4700376000	117,121	4700380123	145	4700384878	193
4700376252	145,159	4700380146	107,115	4700384879	193
4700376340	39	4700380262	67	4700385100	71,73,75
4700376349	39	4700380277	135	4700385222	199,201
4700376354	39	4700380278	135	4700385442	193
4700376366	39	4700380281	133,135	4700385443	193
4700376488	157	4700380366	151	4700385908	193
4700376489	157	4700380436	29	4700386152	69
4700376551	31	4700380490	95	4700386153	69
4700376561	61	4700380549	133	4700386272	21
4700376619	69	4700380577	133	4700386688	55
4700376622	31	4700380699	133	4700386699	61
4700376818	39	4700380700	133	4700386774	69
4700376983	55	4700380727	145	4700386999	133
4700377071	141	4700380755	39	4700387085	61
4700377092	29	4700380798	141	4700387128	55
4700377144	41	4700380830	95,97,99,101	4700387419	137
4700377145	41	4700380963	155	4700387466	193,199
4700377161	61	4700380964	155	4700387467	193,199
4700377166	41	4700381027	47	4700387638	193
4700377167	41	4700381033	41	4700387699	69
4700377168	41	4700381297	39	4700387728	135
4700377169	41	4700381330	39	4700388145	73
4700377225	95	4700381347	39	4700388146	73
4700377226	95	4700381348	39	4700388449	183
4700377234	67	4700381352	157	4700388470	193
4700377237	61	4700381353	157	4700388650	69

NUMERICAL INDEX

Part Number	Page	Part Number	Page	Part Number	Page
4700388728	61	4700450067	39	4700500075	63,133,135
4700388732	61	4700480449	121	4700500082	45,47,49
4700388800	69	4700482010	95	4700500092	93
4700388855	55	4700482056	123	4700500100	157
4700389138	55	4700482182	95	4700500101	93
4700389170	149	4700482391	95	4700500122	193
4700389175	149	4700482399	123	4700500123	35
4700389177	149	4700482516	123	4700500133	39,117
4700389184	149	4700482741	95	4700500134	33,45
4700389564	93	4700483022	93	4700500152	45
4700389577	139	4700483023	107	4700500153	155
4700389600	65	4700483024	107	4700500154	33,55
4700389912	29	4700483028	93	4700500161	195
4700390483	193	4700483029	93	4700500163	47,49
4700390587	73	4700483031	107	4700500165	31
4700390588	73	4700483033	95	4700500184	133
4700390589	73	4700483034	107	4700500188	37
4700390590	73	4700483035	107	4700500192	93,107,193
4700390591	73	4700483040	123	4700500194	55,107
4700390759	73	4700483049	117	4700500195	145,159
4700390760	73	4700483109	117	4700500196	47
4700390762	73	4700483128	95	4700500210	145
4700390798	61	4700483188	127	4700500211	145
4700390896	19,47,49	4700483204	127	4700500239	55,157
4700390900	181	4700483445	127	4700500263	95
4700390927	167	4700483497	117	4700502034	117
4700392027	117,119	4700483498	117	4700502078	107
4700392106	119	4700483697	117	4700502132	93,95,107
4700392107	119	4700500006	67,201	4700506018	107
4700392108	119	4700500008	61	4700508029	55,117
4700392109	119	4700500012	61,133,137	4700508079	55
4700392110	119	4700500013	55,139,149,151	4700508080	107
4700392170	61		193,199,201	4700509025	55
4700392313	61	4700500015	69	4700513012	39
4700392378	61	4700500018	61,127,129,199	4700527002	45
4700392420	47,49	4700500019	65,95,125,165	4700533001	25,151
4700392784	39		175,177	4700533038	151
4700392786	39	4700500021	67,95,139,147	4700533070	135
4700392981	125		149,151,155,191	4700535005	169
4700392985	65	4700500022	39,67,155,193	4700541702	135,137,139,147
4700392986	125	4700500023	117,193	4700541703	151
4700393276	23	4700500027	61	4700570003	133,145
4700393335	73	4700500028	93,95,107	4700570004	135,151,193,201
4700393857	39	4700500029	29,61,67,145,159	4700570005	61,133,159
4700394264	41	4700500030	125,153	4700570006	117,193
4700394646	93	4700500031	39,195	4700573003	149
4700394650	93	4700500033	95	4700573004	151
4700394683	65	4700500035	133	4700586001	39,135,201
4700394690	11,13,65	4700500036	57	4700586002	39,61,135,141
4700394691	13,65	4700500037	37		147,155
4700394738	65	4700500040	39,61,133,137	4700586003	41,55,117,139
4700394765	61		141,147,149		151,155,177,193
4700394902	117	4700500043	29,137	4700586018	55,93,137
4700396080	65	4700500046	69,95,149	4700586019	55
4700397121	41	4700500047	39	4700586021	175
4700397217	59	4700500048	153	4700586023	45
4700397284	59	4700500053	39,41,61,65,69	4700588176	181
4700397285	59		127,129,133,141	4700600008	117
4700397305	33		145,165,193	4700603010	149
4700416004	151	4700500057	45	4700603018	67
4700416034	149,151	4700500061	95,149	4700604007	107
4700450066	39	4700500070	45,55	4700624005	181

NUMERICAL INDEX

Part Number	Page	Part Number	Page	Part Number	Page
4700624016	157	4700900957	79,87	4700902783	113
4700624017	181	4700900966	79,87	4700902811	113
4700629016	151	4700901145	73,145,159	4700902814	113
4700629066	175	4700901155	107	4700902861	121
4700635061	29,119	4700901157	107	4700902862	121
4700747282	63,67	4700901218	73	4700902895	151
4700747691	55	4700901220	191	4700902896	151
4700791119	125	4700901224	141	4700902919	29,147
4700791120	125	4700901226	135	4700902924	193
4700791156	47,49	4700901240	135	4700902928	97,103
4700791172	195	4700901328	101	4700902929	103
4700791175	73	4700901369	137	4700902930	103
4700791176	73	4700901443	73	4700902944	103
4700791183	133	4700901444	73	4700902960	103
4700791218	159	4700901449	55	4700902961	103
4700791306	55	4700901452	97	4700902962	103
4700791371	133	4700901453	97,103	4700902984	103
4700791468	55	4700901454	97	4700902996	103
4700791475	39	4700901455	97	4700903189	47
4700791503	133	4700901458	97	4700903190	47,67
4700791510	133	4700901465	99	4700903281	45
4700791511	133	4700901466	99	4700903290	93,145,159
4700791537	129	4700901467	99	4700903395	151
4700791538	129	4700901475	99	4700903422	181
4700791573	73	4700901476	99	4700903423	181
4700791595	133	4700901767	135,147	4700903424	181
4700791914	129	4700901832	197	4700903425	181
4700791924	133	4700901834	75,83	4700903457	121
4700792039	95	4700901987	81,89	4700903459	181
4700792052	133	4700902115	107	4700903570	97
4700792241	181	4700902123	153	4700903571	97
4700792242	181	4700902125	127	4700903580	97
4700792248	195	4700902163	147	4700903631	133
4700792258	39	4700902164	147	4700903632	55,133
4700792261	73	4700902166	39,61,65,69,93	4700903640	133
4700792277	133	4700902187	151	4700903641	133
4700792450	129	4700902189	151	4700903714	61
4700792549	39	4700902191	151	4700903750	93
4700801567	133	4700902203	145	4700903768	133
4700801631	35	4700902223	135	4700903782	165
4700802550	65	4700902224	135	4700903812	117
4700813316	117	4700902225	135	4700903820	135
4700813391	29	4700902227	137	4700903831	117
4700813434	133,195,199	4700902260	115	4700903852	193
4700813435	67	4700902261	115	4700903877	107
4700813444	117	4700902264	115	4700903906	193
4700813499	93,95	4700902265	115	4700903919	45
4700813500	117	4700902284	133	4700903985	73
4700813618	51,103	4700902285	39,133,149	4700904005	93,95,107,117
4700813822	97,103	4700902286	133	4700904036	133
4700814065	199	4700902379	39,147	4700904037	133
4700900170	65	4700902558	195	4700904038	137
4700900229	95	4700902581	95,103	4700904068	181,183
4700900255	75,83	4700902610	191	4700904069	183
4700900552	123	4700902624	109	4700904165	195
4700900604	95	4700902625	109,113	4700904180	157
4700900775	47,49	4700902638	109	4700904213	95,193
4700900776	19,47,49	4700902687	109	4700904228	39,55,61,69,135
4700900782	19,47,49	4700902695	109		137,139,141,147
4700900807	37	4700902697	113		149,151,155,193
4700900827	7,11,13,55	4700902724	109		199,201
4700900829	7,11,13,55	4700902752	109	4700904229	37,61,65,69,95

NUMERICAL INDEX

Part Number	Page	Part Number	Page	Part Number	Page
4700904229	117,125,127,129 133,139,141,145 149,151,155,159 165,175,177,193 199	4700908265	175	4700909514	109,113
4700904230	29,55,61,67,93 95,107,137,145 153,159,193	4700908267	177	4700909525	105
4700904231	37,39,47,59,69 107,117,145,159	4700908352	97	4700909527	135
4700904232	31,33,35,45,47 49,55,107,175	4700908355	175	4700909544	79,87
4700904233	29,45,55,73,145 159	4700908359	177	4700909550	77
4700904234	45,157	4700908361	175	4700909551	77
4700904241	69	4700908383	109	4700909552	77
4700904281	39,61,67,133,135	4700908399	65	4700909553	77
4700904282	95	4700908422	103	4700909558	77
4700904294	199	4700908426	103	4700909559	77
4700904314	137	4700908427	103	4700909560	77
4700904340	155	4700908432	97,99,103	4700909561	77
4700904346	67	4700908435	103	4700909562	77
4700904379	55	4700908443	103	4700909563	77
4700904385	119	4700908448	99	4700909565	77
4700904433	145,159	4700908485	77,85	4700909566	77
4700904479	37	4700908496	201	4700909567	77,85
4700904486	61	4700908499	163,165,167	4700909568	77,85
4700904504	39	4700908501	193	4700909569	77,85
4700904543	193	4700908502	193	4700909570	77,85
4700904551	61	4700908503	193	4700909572	77,85
4700904557	29,39,195	4700908504	193	4700909574	77,85
4700904558	35	4700908506	165	4700909576	77,85
4700904562	157	4700908507	165	4700909580	77,85
4700904567	29,125,193	4700908513	201	4700909581	77,85
4700904619	157	4700908545	163,167	4700909582	75,83
4700904637	55,117	4700908580	167	4700909584	75,83
4700904638	55,57,93,95,107 133	4700908581	167	4700909586	81,89
4700904639	133	4700908582	167	4700909596	87,89
4700904640	39,41,61,65,69 147,191	4700908583	167	4700909609	79,81,87,89
4700904663	17	4700908585	201	4700909616	79,87
4700904695	67	4700908587	201	4700909618	79,87
4700904697	151	4700908588	201	4700909619	79,87
4700904703	55,149,193	4700908589	201	4700909622	79,87
4700904718	41	4700908595	201	4700909624	79,87
4700904734	157	4700908598	201	4700909626	79,87
4700904735	61,95,201	4700908605	171	4700909727	97
4700904737	47,49	4700908617	171	4700910161	117
4700904773	107	4700908623	169	4700910995	37
4700904793	95	4700908624	169	4700911620	121
4700904812	151	4700908625	175	4700921028	55
4700904835	183	4700908626	175	4700921031	137
4700904846	135	4700908627	175	4700921039	137,139
4700904870	181	4700908628	175	4700921056	193
4700904910	141	4700908780	121	4700921084	61,95
4700904979	67	4700909382	97	4700921099	61
4700905304	171	4700909386	97	4700921104	133
4700905305	171	4700909387	97	4700921116	133
4700905306	171	4700909388	97	4700921132	199
4700908136	127,129	4700909389	97	4700921161	193
4700908229	181	4700909390	97	4700922325	151
		4700909391	97	4700923087	97,99
		4700909392	97	4700923342	77,85
		4700909393	97	4700923371	95
		4700909398	97	4700923384	93,95,107
		4700909399	99	4700923984	201
		4700909428	99	4700923987	149
		4700909429	99	4700924620	17,37
		4700909432	99	4700924791	155
		4700909435	99	4700924875	39,147
		4700909436	99	4700925208	29
		4700909469	109,113	4700925519	59

NUMERICAL INDEX

Part Number	Page	Part Number	Page	Part Number	Page
4700925631	67	4700935271	163,167	4700935533	103
4700925671	45	4700935272	163,167	4700935536	103
4700925723	123	4700935273	163,167	4700935543	103
4700925802	55,137	4700935274	163,167	4700935544	103
4700926214	17,37,117	4700935275	163,167	4700935545	103
4700926781	81,89	4700935276	163,167	4700935556	201
4700926810	79,87	4700935277	163,167	4700935557	201
4700926847	79,87	4700935278	163	4700935558	201
4700926985	61	4700935279	163	4700935613	153
4700927117	29	4700935280	163	4700935614	153
4700927857	69	4700935281	163	4700935644	77
4700927974	145,159	4700935282	163	4700935664	103
4700928497	25,151	4700935283	163	4700935741	103
4700928830	153	4700935284	163	4700935749	103
4700929013	121	4700935285	163	4700935750	103
4700929014	121	4700935286	163	4700935856	97
4700929023	133	4700935287	163	4700935857	99
4700929123	117	4700935288	163	4700936304	113
4700929217	73	4700935289	163	4700936305	113
4700929447	21,47	4700935290	163	4700936308	109
4700929602	147	4700935291	163	4700936313	113
4700929617	79,87	4700935293	163	4700936370	113
4700929626	85	4700935295	163	4700936394	113
4700929628	77	4700935296	163	4700936546	97
4700929629	77	4700935297	163	4700936547	97
4700929630	85	4700935298	163	4700936548	101
4700929631	85	4700935299	163	4700936551	97
4700929638	77,85	4700935300	163	4700936553	97
4700929644	77,85	4700935301	163	4700936557	97
4700929648	75,83	4700935302	163	4700936558	97
4700930151	135	4700935303	165	4700936559	97
4700930153	135	4700935380	51	4700936560	97
4700930154	135	4700935381	51	4700936561	97
4700930162	135	4700935382	51	4700936562	99
4700930163	135	4700935386	51	4700936563	99
4700930165	135	4700935387	51	4700936564	99
4700930166	135	4700935388	51	4700936566	99
4700930182	135	4700935389	51	4700936567	99
4700930200	135	4700935394	51	4700936568	99
4700932032	135	4700935395	51	4700936570	99
4700932050	135	4700935396	51	4700936571	99
4700935044	55	4700935397	51	4700936582	97
4700935164	111	4700935400	51	4700936583	99
4700935172	113	4700935401	51	4700936593	103
4700935192	109	4700935402	51	4700936609	109,113
4700935212	113	4700935403	51	4700936612	109
4700935219	109	4700935404	51	4700936613	113
4700935244	167	4700935405	51	4700936614	113
4700935245	167	4700935411	51	4700936616	111
4700935246	167	4700935413	51	4700936617	111
4700935247	167	4700935414	51	4700936618	111
4700935248	167	4700935415	51	4700936619	111
4700935249	167	4700935429	121	4700936620	111
4700935250	167	4700935468	121	4700936621	111
4700935253	167	4700935520	105	4700936622	111
4700935259	201	4700935521	103	4700936623	111
4700935265	167	4700935524	103	4700936627	111
4700935266	167	4700935525	103	4700936628	111
4700935267	167	4700935526	103	4700936629	111
4700935268	167	4700935527	103	4700936630	111
4700935269	167	4700935530	103	4700936631	111
4700935270	167	4700935531	103	4700936632	111

NUMERICAL INDEX

Part Number	Page	Part Number	Page	Part Number	Page
4700936633	111	4700938072	121	4700939266	81,89
4700936634	111	4700938073	121	4700939267	81,89
4700936636	111	4700938074	121	4700939268	81,89
4700936637	111	4700938075	121	4700939269	81,89
4700936642	109	4700938101	167	4700939270	81,89
4700936643	109	4700938170	99	4700939271	81,89
4700936644	109	4700938252	99	4700939272	81,89
4700936646	109	4700938253	99	4700939273	81,89
4700936647	109	4700938290	163	4700939275	81,89
4700936648	109	4700938291	163	4700939276	81,89
4700936654	109	4700938292	163	4700939277	81,89
4700936655	109	4700938296	79,87	4700939278	81,89
4700936656	109	4700938514	13	4700939280	79,87
4700936657	113	4700938516	13	4700939281	79,87
4700936658	113	4700938528	5,9	4700939282	79,87
4700936659	113	4700938562	15,17	4700939283	79,87
4700936660	113	4700938587	201	4700939284	79,87
4700936661	113	4700938588	201	4700939285	79,87
4700936662	113	4700938589	201	4700939286	79,87
4700936663	113	4700938590	201	4700939287	79,87
4700936664	113	4700938597	197	4700939348	79,81
4700936665	113	4700938598	197	4700939349	81,89
4700936673	113	4700938599	197	4700939350	81,89
4700936686	109	4700938600	197	4700939351	81,89
4700936689	109	4700938601	197	4700939403	67
4700937055	117	4700938602	197	4700939404	7,11,13,67
4700937150	99	4700938603	197	4700939405	67
4700937187	111	4700938604	197	4700939489	99
4700937240	113	4700938605	197	4700939504	55
4700937259	115	4700938606	197	4700940269	55
4700937363	105	4700938607	197	4700940322	5,7
4700937380	163	4700938608	197	4700940505	109
4700937381	163	4700938609	197	4700940507	109
4700937382	163	4700938659	163	4700940662	15,25
4700937383	163	4700938691	193	4700940676	109
4700937384	163	4700938856	201	4700940678	167
4700937385	163	4700938882	15,23	4700945140	55
4700937389	163	4700938891	15,21	4700945586	49
4700937390	167	4700938983	79,87	4700945592	47
4700937391	167	4700938984	79,87	4700945657	15,19
4700937392	167	4700938989	77,85	4700945757	103
4700937393	167	4700938991	85	4700945775	109
4700937675	115	4700939003	81,89	4700945776	109
4700937737	193,201	4700939015	81,89	4700945777	67
4700937738	201	4700939016	81,89	4700945880	115
4700937741	201	4700939017	81,89	4700947698	35
4700937742	201	4700939019	81,89	4700950283	99
4700937857	99	4700939026	79,87	4700950284	99
4700937870	173	4700939035	79,87	4700950317	5,11
4700937871	171	4700939036	79,87	4700950339	133
4700938014	109	4700939173	109	4700950580	117
4700938017	167	4700939255	79,87	4700950611	5,13
4700938018	167	4700939256	79,87	4700950635	113
4700938062	121	4700939257	77	4700960727	67
4700938063	121	4700939258	77,85	4700985012	135
4700938064	121	4700939259	77,85	4700985125	135
4700938066	121	4700939260	77,85	4700985146	135
4700938067	121	4700939261	77,85	4700989151	125
4700938068	121	4700939262	77	4700991658	183
4700938069	121	4700939263	81,89	4700991990	181
4700938070	121	4700939264	81,89	4700999011	139
4700938071	121	4700939265	81,89	4700999027	133

NUMERICAL INDEX

Part Number	Page	Part Number	Page	Part Number	Page
47386084BR	181				
47386084CN	181				
47386084DE	181				
47386084DK	181				
47386084EN	181				
47386084ES	181				
47386084FI	181				
47386084FR	181				
47386084GR	181				
47386084IS	181				
47386084IT	181				
47386084NL	181				
47386084NO	181				
47386084PT	181				
47386084SE	181				
47960787SE	181				
4811000328	129				
4811000329	129				
4811000365	129				
4812110216	137				
4812110422	129				
4812110818	133				
4812110860	47				
4812111103	33,35				
4812112413	47				
4812112748	47,49				
4812113110	129				
4812113146	129				
4812114466	145				
4812114496	35				
4812114929	35				
4812155075	145				
4812155764	113				
4812155890	197				
4812156072	99				
4812156092	115				
4812156166	61				
4812156167	61				
4812156170	23				
4812156652	97				
4812156885	85				
4812156886	85				
4812156977	111				
4812156978	111				
D433722101	17,37				
D433722102	17,37				