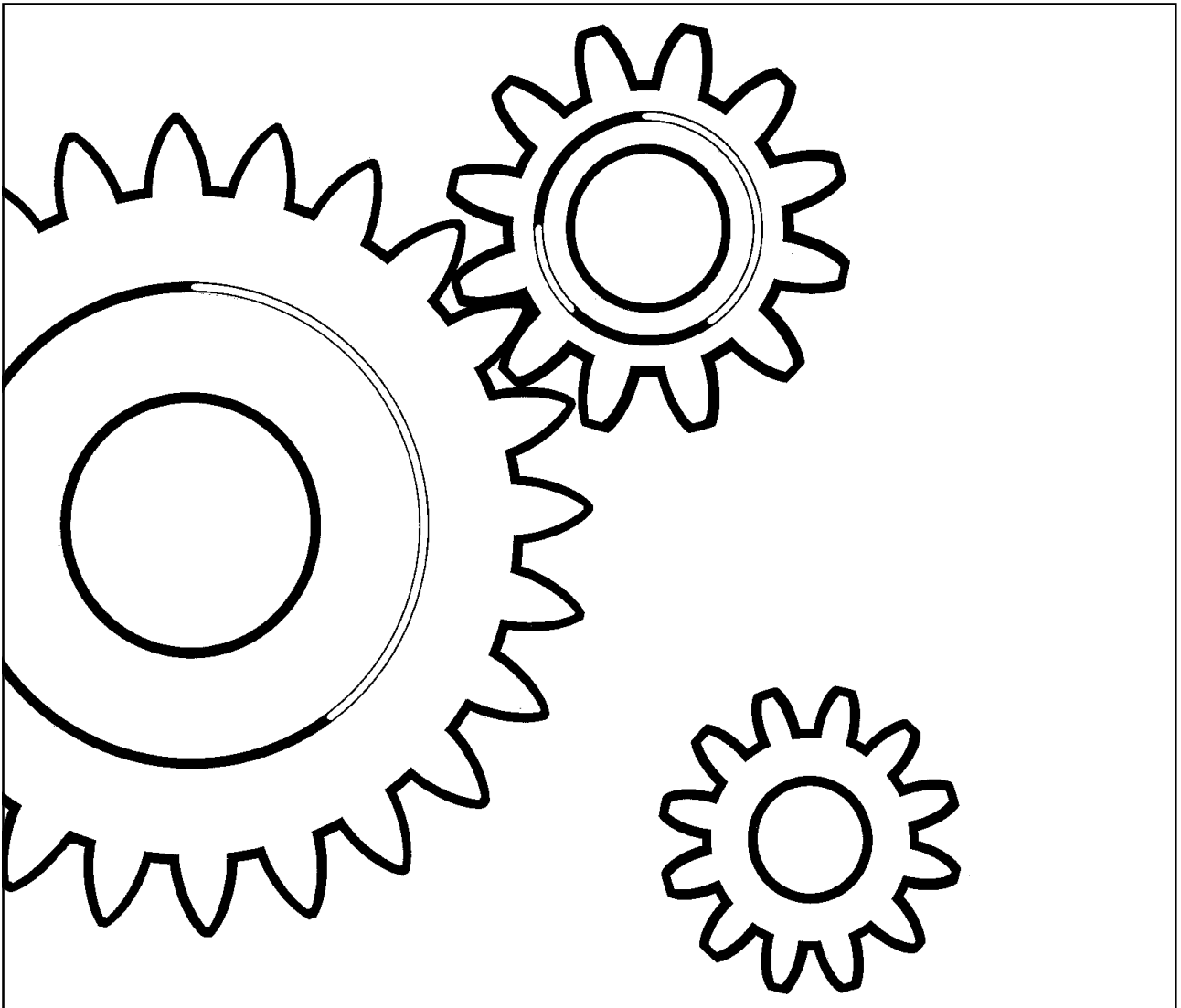


DYNAPAC
CC322
SPARE PARTS
CATALOGUE
SCC322-2EN4



DYNAPAC

Box 504, SE-371 23 Karlskrona, Sweden
Phone: +46 455 30 60 00, Fax: +46 455 30 60 10
www.dynapac.com

Vibratory Tandem Roller CC322

Spare Parts Catalogue SCC322-2EN4

Valid from roller serial number:

**62110600* -*

Diesel engines:

DEUTZ BF04L 2011

Published catalogue issues valid for these rollers:

| <i>Catalogue</i> | <i>Issue date</i> | <i>Valid for serial numbers</i> |
|--------------------|-------------------|---------------------------------|
| <i>SCC322-2EN1</i> | <i>2004-01</i> | <i>Replaced by SCC322-2EN2</i> |
| <i>SCC322-2EN2</i> | <i>2004-12</i> | <i>Replaced by SCC322-2EN3</i> |
| <i>SCC322-2EN3</i> | <i>2005-10</i> | <i>Replaced by SCC322-2EN4</i> |
| <i>SCC322-2EN4</i> | <i>2006-04</i> | <i>See above</i> |



RESERVDLSBESTÄLLNING

Följande uppgifter ska lämnas vid beställning av reservdelar för att undvika leveransfel:

1. Maskintyp.
2. Vältensserienummer.
3. Antal av önskad reservdel.
4. Reserdelens artikelnummer.
5. Reservdelens benämning.
6. Måttuppgifter vid beställning av metervara.

ERSATZTEILBESTELLUNG

Zur Vermeidung von Fehllieferungen sind bei der Bestellung von Ersatzteilen folgende Angaben zu machen:

1. Maschinentyp.
2. Herstellungsnummer.
3. Bestellmenge. (Quantity)
4. Ersatzteilnummer. (Part N°)
5. Ersatzteilbenennung. (Denomination)
6. Massangaben bei Bestellung von Meterware.

PEDIDO DE RECAMBIOS

Para evitar errores en las entregas, deberán indicarse los siguientes datos al hacer un pedido de recambios:

1. Tipo de máquina.
2. Número de serie.
3. Cantidad de piezas deseadas. (Quantity)
4. Número de artículo de la pieza de recambio. (Part N°)
5. Denominación de la pieza. (Denomination)
6. Indíquese la medida al solicitar un artículo que se expide por metros.

ORDERING SPARE PARTS

To avoid errors in delivery, please give the following information when ordering spare parts:

1. Type of machine.
2. Roller serial number.
3. Quantity required.
4. Part number.
5. Parts denomination.
6. Dimensions when ordering per length.

ORDINI DI RICAMBI

Per evitare errori nelle consegne di ricambi, Vi preghiamo di comunicarci le seguenti informazioni al momento dell'ordinazione:

1. Tipo di macchina.
2. Numero di serie della macchina.
3. Quantità dei pezzi desiderati. (Quantity)
4. Numero di codice del pezzo. (Part N°)
5. Descrizione del pezzo di ricambio. (Denomination)
6. Misura, in caso di ordine per metro.

COMMANDE DE PIÈCES DE RECHANGE

Les indications suivantes doivent être fournies lors de la commande de pièces de rechange, afin d'éviter toute erreur de livraison:

1. Type de machine.
2. Numéro de série.
3. Quantité désirée de pièce de rechange. (Quantity)
4. Numéro de la pièce de rechange. (Part N°)
5. Dénomination de la pièce de rechange. (Denomination)
6. Longueur en cas de commande au mètre.

YOUR AGENT/DEALER:

PÄRMETIKETT

För att undvika fel vid reservdelsbeställning finns här nedan två etiketter som passar i fickorna på pärmarnas ryggar. På dessa kan man se från vilket vältnummer av aktuell maskin reservdelskatalogen gäller. Gör så här:

1. Tag denna sida ur pärmen.
2. Klipp ut etiketten till **VÄNSTER** (1) och sätt in den i fickan på **DENNA** pärmens rygg.
3. Finns det en etikett till **HÖGER** (2), kan denna användas på pärmen för **FÖREGÅENDE** utgåva av denna katalog.
4. Kasta detta papper.

KATALOG-BESCHRIFTUNG

Zur Vermeidung von Fehlern bei der Ersatzteilbestellung benutzen Sie bitte die unteren Beschriftungen, um die Kataloge auf der Rückseite zu kennzeichnen. Auf der Beschriftung ist angegeben, für welche Maschinennummern der jeweilige Katalog gültig ist. Ablauf:

1. Nehmen Sie dieses Blatt aus dem Katalog.
2. Schneiden Sie die **LINKE** Beschriftung (1) aus. Schieben Sie die Beschriftung in die tasche auf **DEM** Katalogrücke.
3. Sollte die Beschriftung unten **RECHTS** (2) mitgeliefert werden, kennzeichnen Sie damit bitte die **ÄLTERE** Ausführung dieses Kataloges.
4. Den Rest dieses Blattes bitte vernichten.

ETIQUETA PARA LA CARPETA

Para evitar errores al pedir repuestos utilicen las etiquetas abajo descritas para identificar los catálogos en la parte trasera de la carpeta. En la etiqueta se ven los números de referencia de la serie para la cual es válido el catálogo. Instrucciones:

1. Quitar esta página de la carpeta.
2. Corta la etiqueta **IZQUIERDA** (1) y ponerla en **ESTA** carpeta en la parte trasera.
3. Si hay una etiqueta en la parte **DERECHA** (2) se puede utilizar en la carpeta para el catálogo que **PRECEDE** a esta.
4. Tirar esta hoja.

BINDER LABEL

To avoid errors when ordering spare parts use the labels below to identify the catalogues on the back of the binder. The label contain the serial number range for which the catalogue is valid. Do like this:

1. Remove this page from the binder.
2. Cut out the **LEFT** label (1) and put it on **THIS** binders back.
3. If there is a label to the **RIGHT** (2), it can be used on the binder for **PRECEDING** issue of this catalogue.
4. Throw away this paper.

ETICHETTAPOSTASULRACCOGLITORE

Per evitare errori quando ordinate pezzi di ricambio, usate le etichette in calce che servono ad identificare i cataloghi sul retro del raccoglitore. L'etichetta indica il numero di matricola delle macchine prese in considerazione nel catalogo.

1. Rimuovete questa pagina dal raccoglitore.
2. Ritagliate l'etichetta posta a **SINISTRA** (1) e ponetela sul retro **DEL** raccoglitore.
3. Se trovate anche un'etichetta sulla **DESTRA** (2), ritagliatela e ponetela sul raccoglitore relativo alla **PRECEDENTE** edizione del catalogo.
4. Distruggete questo foglio.

ETIQUETAGE DU CATALOGUE

Afin d'éviter des erreurs lors de commandes de pièces de rechange, nous vous conseillons d'apposer les marquages ci-dessous à l'arrière du classeur, pour identifier les catalogues. Ce marquage indique les numéros de série pour lesquels le catalogue est adapté. Il convient de procéder de la façon suivante:

1. Retirez cette page du classeur.
2. Découpez l'étiquette de **GAUCHE** (1), et apposez-la à l'arrière de **CE** catalogue.
3. Si il y a une étiquette à **DROITE** (2), vous pourrez l'apposer sur le classeur de l'edition **PRECEDENTE** du catalogue.
4. Détruire cette feuille.

1.



| | |
|---|-----------|
| CC322 SN 62110600- | 2 |
| Service kits | 4 |
| Service kits | 6 |
| 940237 Service kit 50h, Deutz BF4L 2011 | 8 |
| 940238 Service kit 500h, Deutz BF4L2011/BF4M2011 | 10 |
| 940239 Service kit 1000h, Deutz BF4L 2011 | 12 |
| Repair kits | 14 |
| Repair kits | 16 |
| 938901 Eccentric shaft kit | 18 |
| 938891 Drum rotation kit | 20 |
| 938917 Scraper kit CC322/422/432 | 22 |
| 938880 Shock absorber kit, drum | 24 |
| 938558 Steering hitch kit | 26 |
| Frame | 28 |
| Frames | 30 |
| Covers, ladders | 32 |
| Scrapers Standard Up to 62110636 | 34 |
| Scrapers Standard From 62110637 | 36 |
| Scrapers, spring loaded Foldable Up to 62110636 | 38 |
| Scrapers, spring loaded, front drum From 62110637 | 40 |
| Scrapers, spring loaded, rear drum From 62110637 | 44 |
| Articulated link | 46 |
| Structure Up to 62110699 | 48 |
| Structure From 62110700 | 52 |
| Noise suppression Left hood | 56 |
| Sprinkler system Tanks | 58 |
| Sprinkler system, front Up to 62110636 | 62 |
| Sprinkler system, front From 62110637 | 66 |
| Sprinkler system, rear Up to 62110636 | 70 |
| Sprinkler system, rear From 62110637 | 74 |
| Drum | 78 |
| Drum | 80 |
| Engine | 84 |
| Diesel engine Deutz BF04L 2011 | 86 |
| Intake system | 88 |
| Fuel system | 90 |
| Exhaust system | 92 |
| Hydraulic system | 94 |
| Propulsion system Pump | 96 |
| Propulsion system Motors | 100 |
| 376374 Hydraulic pump Propulsion and vibration | 102 |
| Hydraulic pump Propulsion pump | 104 |
| Valve block Middle part | 108 |
| Hydraulic pump Vibration pump | 110 |
| Hydraulic motors Propulsion | 112 |
| Shut-off valve For towing, option | 114 |
| Vibration system Pump | 116 |
| Vibration system Motors | 120 |
| 359140 Valve Vibration | 122 |

| | | |
|--------|--------------------------------------|-----|
| 374494 | Oil cooler cpl | 124 |
| | Steering system Up to 62110642 | 126 |
| | Steering system From 62110643 | 130 |
| 374027 | Hydraulic pump Steering | 134 |
| 359139 | Pilot valve | 136 |
| 375031 | Hydraulic cylinder | 138 |
| | Offset drum Option | 140 |
| 380780 | Direction control valve | 142 |
| 373403 | Cylinder Offset drum | 144 |
| | Brake system | 146 |

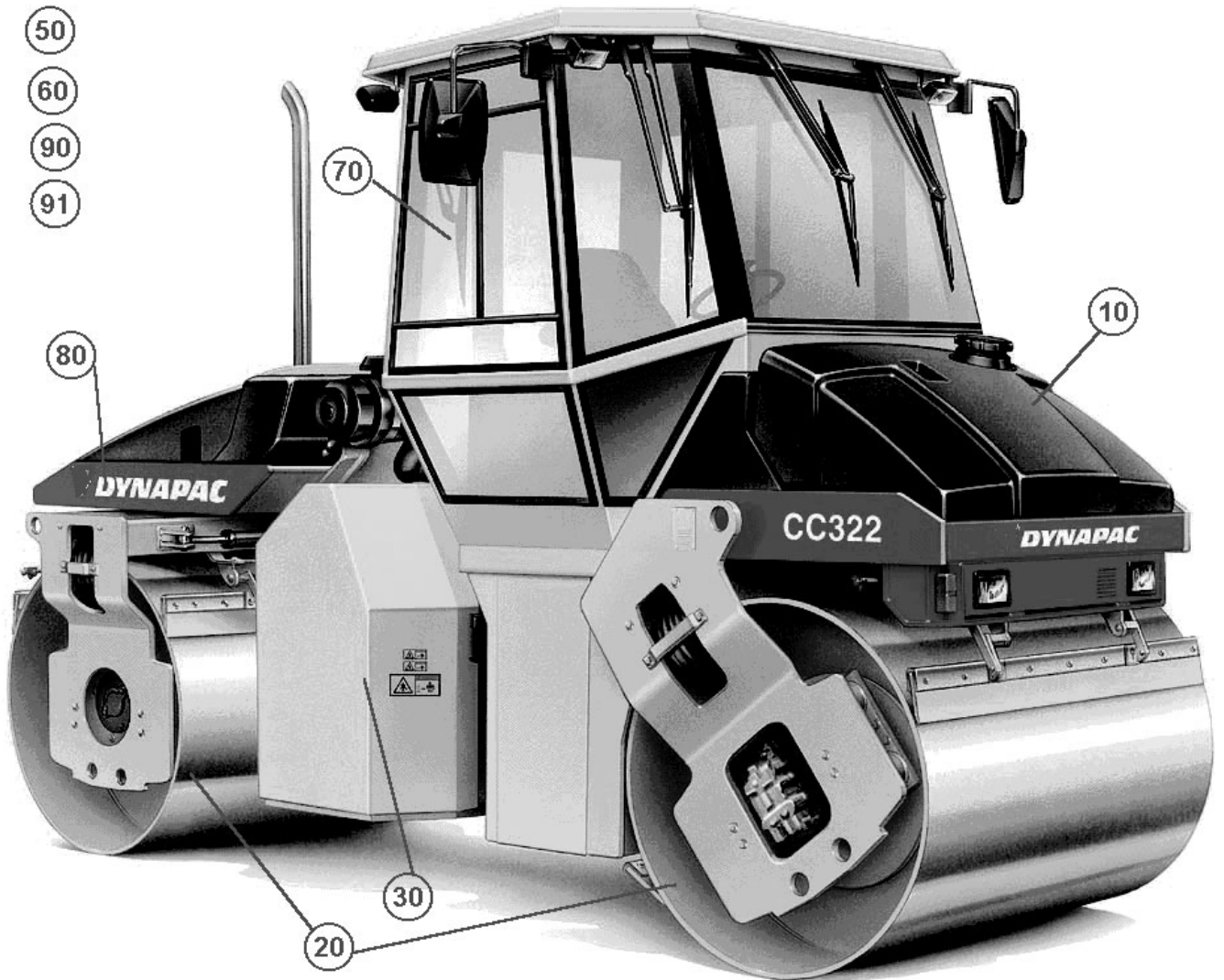
Electrical equipment **148**

| | | |
|--|---|-----|
| | Electrical equipment | 150 |
| | Electrical equipment Additional for cab | 154 |
| | Electric battery switch | 156 |
| | Instrument box | 158 |
| | Instrument panel, main | 160 |
| | Speed and frequency Sensors | 162 |
| | Instrument panel Upper left | 164 |
| | Instrument panel Upper right | 166 |
| | Instrument panel Lower left | 168 |
| | Instrument panel Lower right | 170 |
| | Instrument panel Relay, fuses | 172 |
| | Emergency stop panel | 176 |
| | Driving lights Direction & licenseplate light | 178 |
| | Working lights with/without Rops | 180 |
| | Protection cover, Head light | 182 |
| | Working lights, cab | 184 |
| | Rotating beacon | 186 |
| | Tachograph | 188 |
| | Offset drum Electrical equipment | 190 |

Drivers platform **192**

| | | |
|--------|--|-----|
| | Drivers platform | 194 |
| | Drivers platform For cab | 196 |
| | Drivers seat, turn-over | 198 |
| | Drivers seat Turn-over in cab | 200 |
| 359918 | Steering column | 202 |
| | Cross sliding Controls | 204 |
| | Cross sliding Carrier | 206 |
| | Forward and reverse control | 208 |
| | Speed limiter Option | 210 |
| | Engine controls | 212 |
| | Rear mirror | 214 |
| | Rops and fops With seat belt | 216 |
| | Canopy | 218 |
| | Cab, asymmetric | 220 |
| | Cab, interior | 222 |
| | Cab, screens | 224 |
| | Cab, inside panels | 226 |
| | Cab, wipers, right side | 228 |
| | Cab, wipers, front and rear | 230 |
| | Cab, door, left side | 232 |
| | Cab, door, left side (3-split) | 234 |
| | Cab, heater and, fan system | 236 |
| 385769 | Heater unit | 238 |
| | Cab, roof mounted, electrical switches | 240 |
| | Cab, symmetric | 242 |

| | | |
|--------|--|------------|
| | Cab Interior | 244 |
| | Cab Screens | 246 |
| | Cab Inside panels | 248 |
| | Cab, wipers, front and rear | 230 |
| | Cab, door, left side | 232 |
| | Cab, door, left side (3-split) | 234 |
| | Cab, heater and, fan system | 236 |
| 385769 | Heater unit | 238 |
| | Cab, roof mounted, electrical switches | 240 |
| | Cab, equipment | 250 |
| | Cab, water tank wipers | 252 |
| | Exterior rear mirrors | 254 |
| | Radio and cassette/cd player | 256 |
| | Plates and decals | 258 |
| | Plates and decals | 260 |
| | Standard equipment | 264 |
| | Standard equipment | 266 |
| | Optional equipment | 268 |
| | Eyelet | 270 |
| | Sign Slow moving vehicle | 272 |
| | Edge cutter cpl | 274 |
| | Edge cutter | 276 |
| | Edge cutter Hydraulics without offset | 278 |
| | Edge cutter Hydraulics with offset | 280 |
| | Edge cutter Sprinkler system | 282 |
| | Air conditioner assembly | 284 |
| | Condensor assembly | 286 |
| 385766 | Heater/AC unit | 288 |
| | Roof hatch | 290 |
| | Tool equipment | 292 |
| | Asphalt temperature meter | 294 |

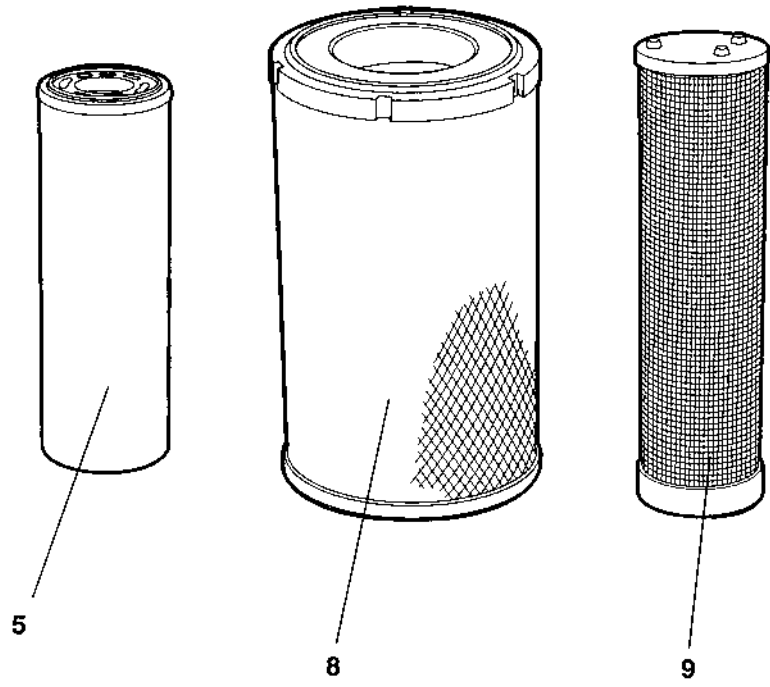
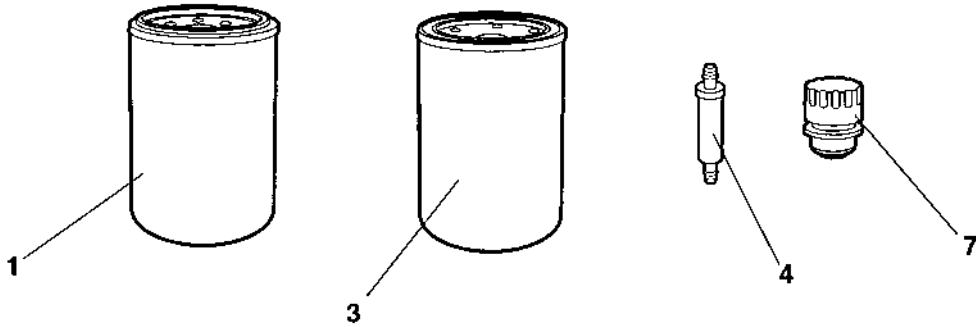
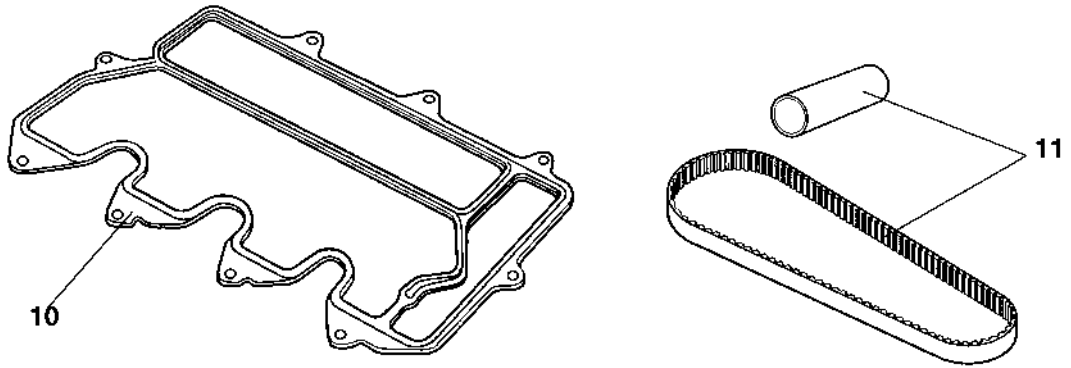


| Ref. No. | Part No. | Rem. | Qty | Description | Code |
|----------|----------|------|-----|-----------------------------------|------|
| | | | | Service kits (Page 4) | |
| | | | | Repair kits (Page 14) | |
| 10 | | | | Frame (Page 28) | |
| 20 | | | | Drum (Page 78) | |
| 30 | | | | Engine (Page 84) | |
| 50 | | | | Hydraulic system (Page 94) | |
| 60 | | | | Electrical equipment (Page 148) | |
| 70 | | | | Drivers platform (Page 192) | |
| 80 | | | | Plates and decals (Page 258) | |
| 90 | | | | Standard equipment (Page 264) | |
| 91 | | | | Optional equipment (Page 268) | |

| Ref. No. | Part No. | Rem. | Qty | Description | Code |
|----------|----------|------|-----|-------------------------|------|
| -1 | | | | Service kits (Page 6) | |

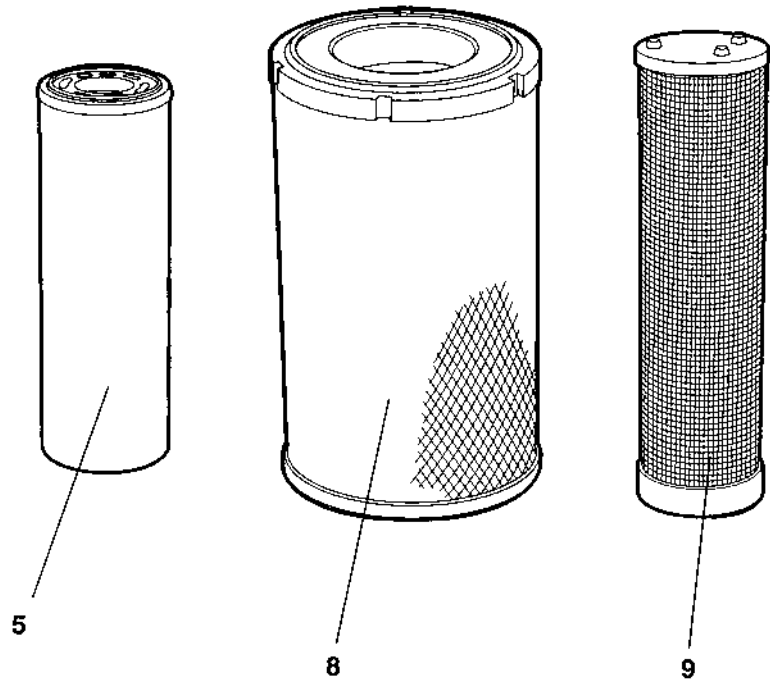
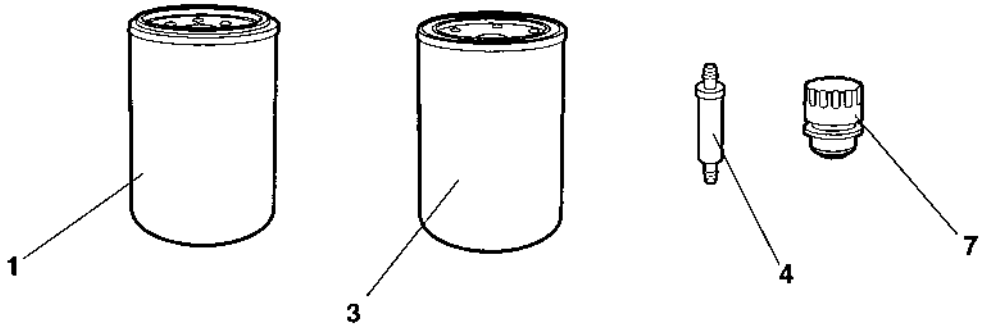
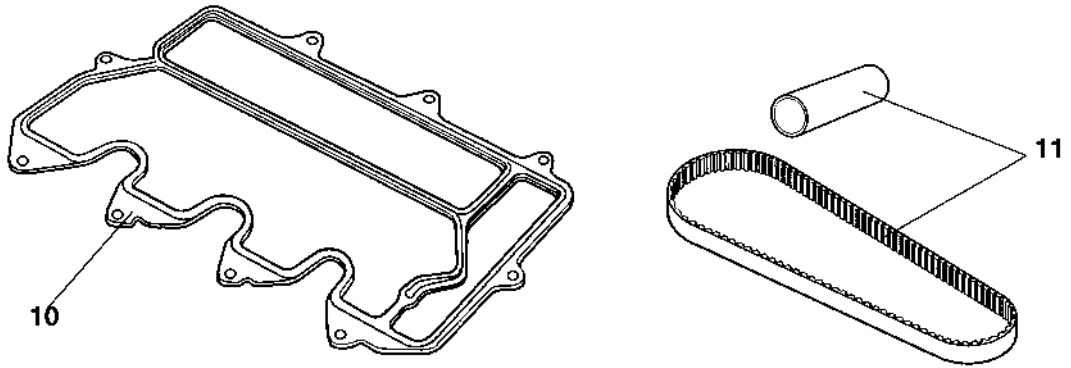
Service kits

| Ref. No. | Part No. | Rem. | Qty | Description | Code |
|----------|----------|------|-----|---|------|
| 1 | 940237 | | | Service kit 50h, Deutz BF4L 2011 (Page 8) | |
| 2 | 940238 | | | Service kit 500h, Deutz BF4L2011/BF4M2011 (Page 10) | |
| 3 | 940239 | | | Service kit 1000h, Deutz BF4L 2011 (Page 12) | |



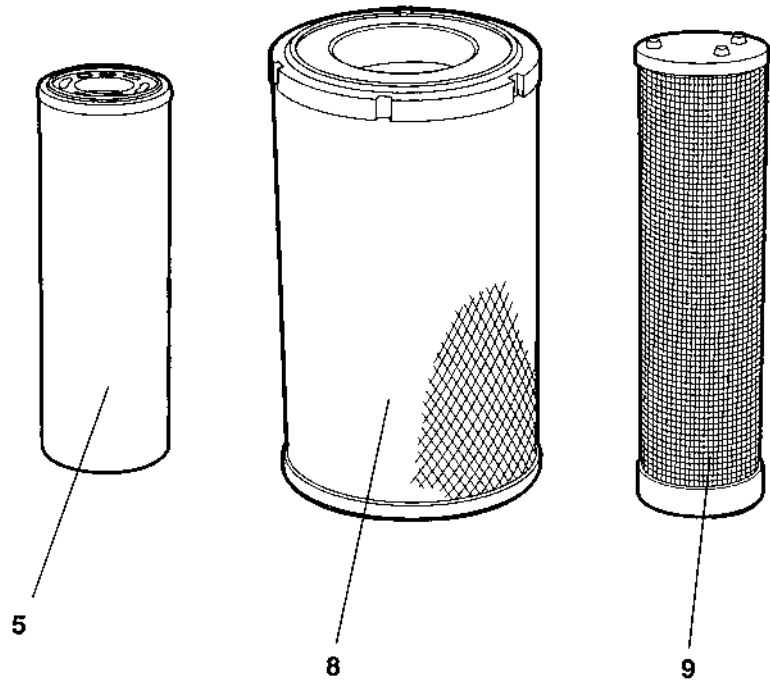
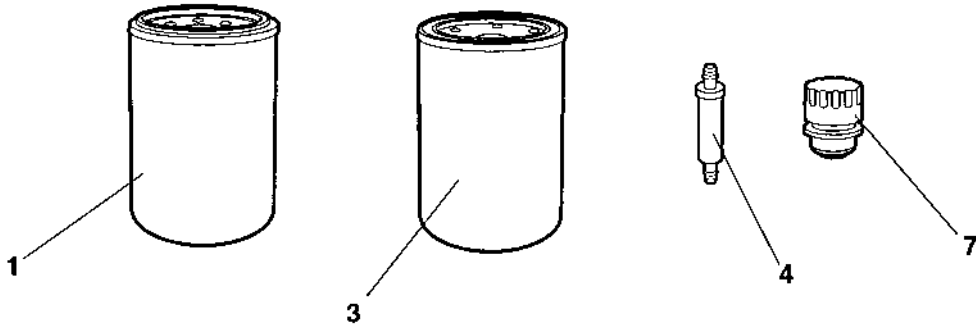
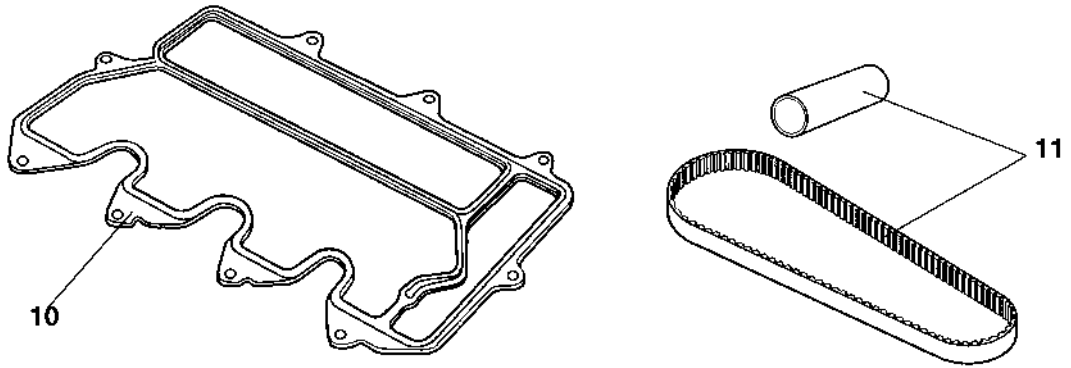
940237 Service kit 50h, Deutz BF4L 2011

| Ref. No. | Part No. | Rem. | Qty | Description | Code |
|----------|----------|------|-----|------------------------------|------|
| 1 | 939515 | | 1 | Oil filter | |
| 3 | 903938 | | 1 | Fuel filter | |
| 4 | 929322 | | 1 | Fuel strainer | |
| 5 | 372229 | | 1 | Hydraulic oil filter element | |



940238 Service kit 500h, Deutz BF4L2011/BF4M2011

| Ref. No. | Part No. | Rem. | Qty | Description | Code |
|----------|----------|------|-----|-------------|------|
| 1 | 939515 | | 1 | Oil filter | |



940239 Service kit 1000h, Deutz BF4L 2011

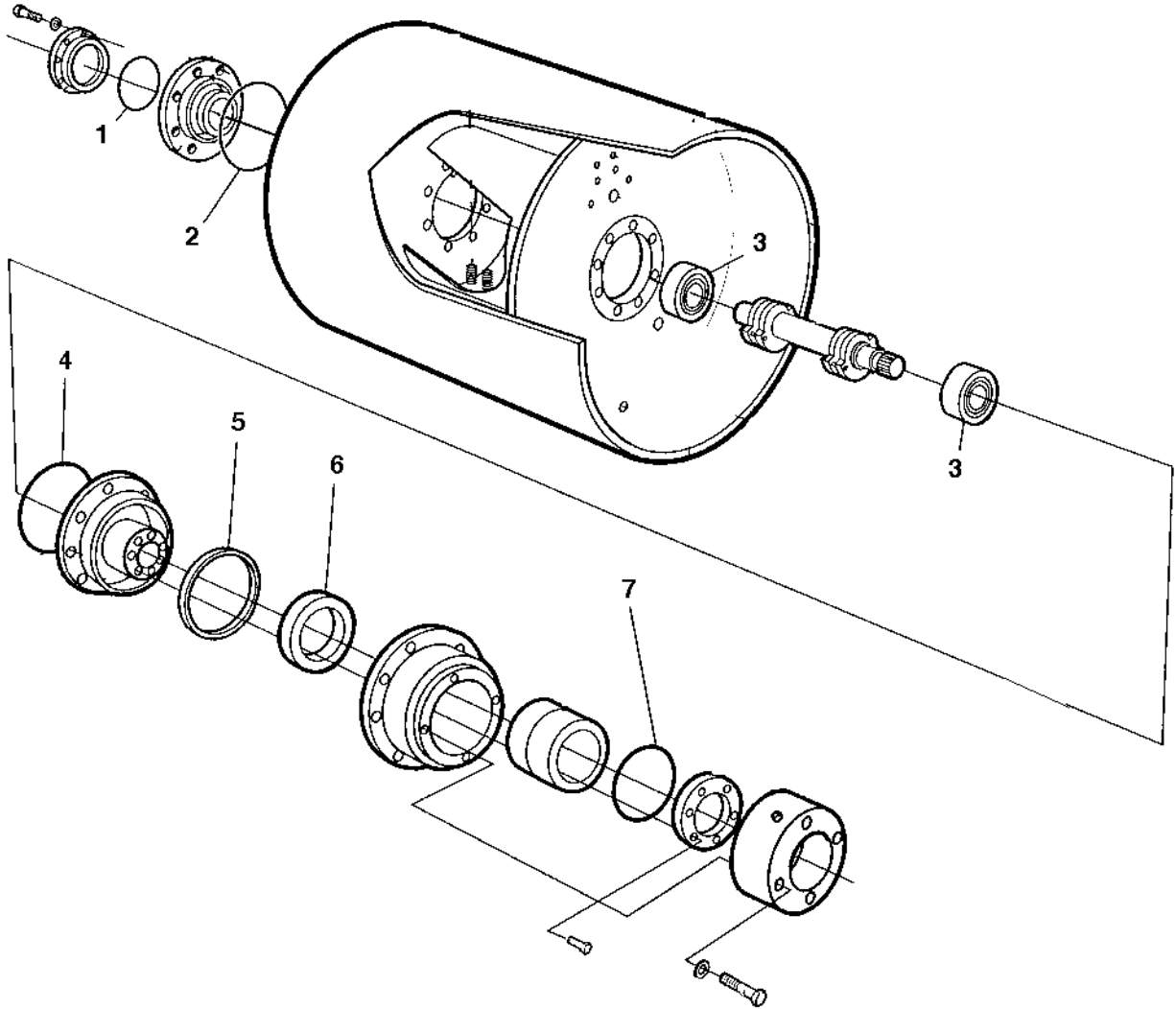
| Ref. No. | Part No. | Rem. | Qty | Description | Code |
|----------|----------|------|-----|------------------------------|------|
| 1 | 939515 | | 1 | Oil filter | |
| 3 | 903938 | | 1 | Fuel filter | |
| 4 | 929322 | | 1 | Fuel strainer | |
| 5 | 372229 | | 1 | Hydraulic oil filter element | |
| 7 | 357138 | | 1 | Ventilating filter | |
| 8 | 908400 | | 1 | Main filter | |
| 9 | 908401 | | 1 | Safety filter | |
| 10 | 940235 | | 1 | Valve cover gasket | |

Repair kits

| Ref. No. | Part No. | Rem. | Qty | Description | Code |
|----------|----------|------|-----|-------------------------|------|
| -1 | | | | Repair kits (Page 16) | |

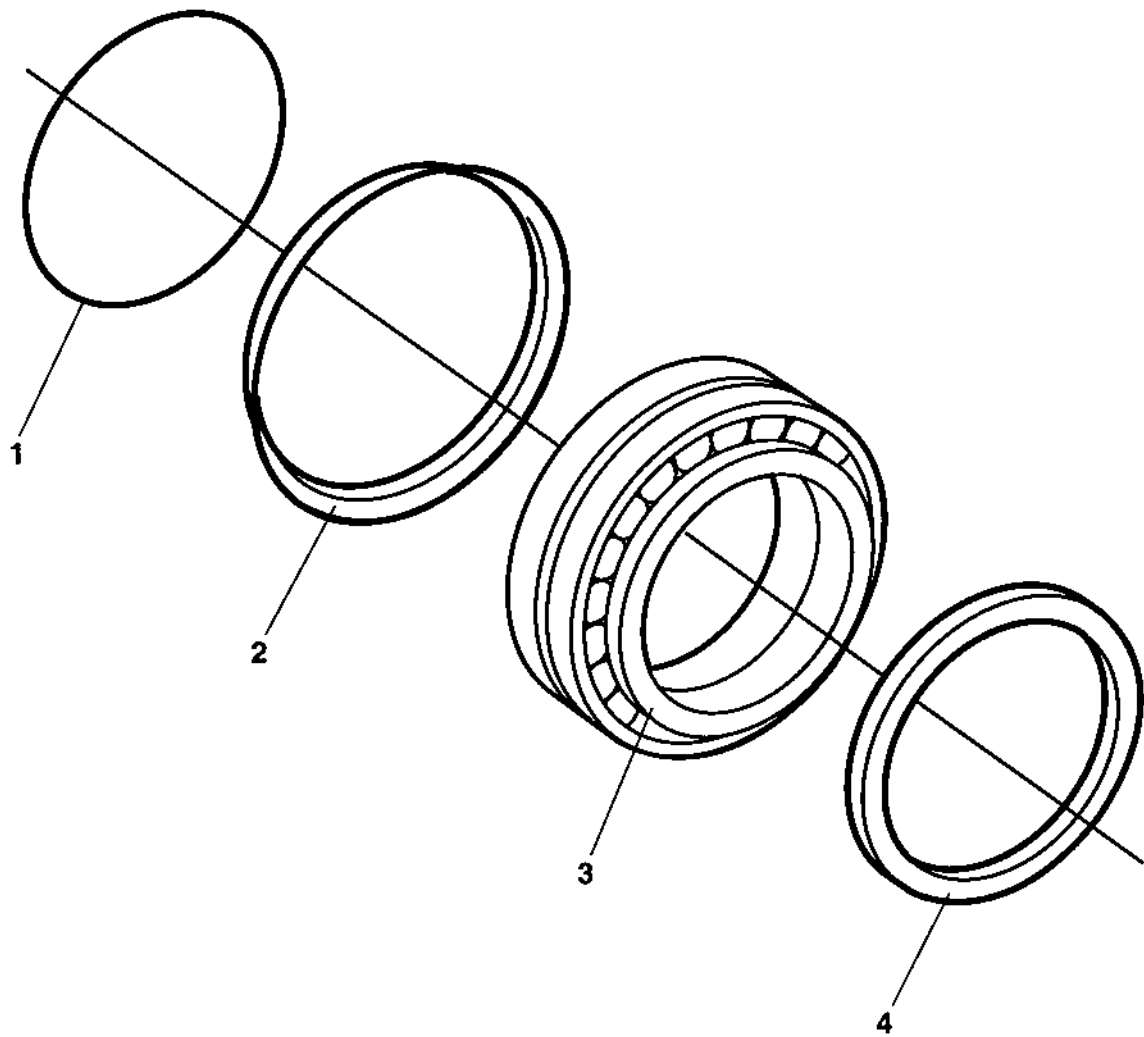
Repair kits

| Ref. No. | Part No. | Rem. | Qty | Description | Code |
|----------|----------|------|-----|---------------------------------------|------|
| 1 | 938901 | | 2 | Eccentric shaft kit (Page 18) | |
| 2 | 938891 | | 2 | Drum rotation kit (Page 20) | |
| 3 | 938917 | | | Scraper kit CC322/422/432 (Page 22) | |
| 4 | 938880 | | 2 | Shock absorber kit, drum (Page 24) | |
| 5 | 938558 | | | Steering hitch kit (Page 26) | |



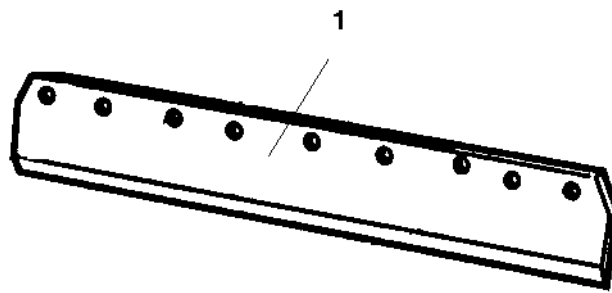
938901 Eccentric shaft kit

| Ref. No. | Part No. | Rem. | Qty | Description | Code |
|----------|----------|------|-----|--------------------------|------|
| 1 | 160105 | | 1 | O-ring | |
| 2 | 160344 | | 1 | O-ring | |
| 3 | 114060 | | 2 | Spherical roller bearing | |
| 4 | 160344 | | 1 | O-ring | |
| 5 | 929447 | | 1 | V-ring | |
| 6 | 167023 | | 1 | Seal ring | |
| 7 | 160105 | | 1 | O-ring | |



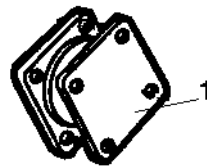
938891 Drum rotation kit

| Ref. No. | Part No. | Rem. | Qty | Description | Code |
|----------|----------|------|-----|----------------------|------|
| 1 | 160105 | | 1 | O-ring | |
| 2 | 929447 | | 1 | V-ring | |
| 3 | 116041 | | 1 | Taper roller bearing | |
| 4 | 167023 | | 1 | Seal ring | |



938917 Scraper kit CC322/422/432

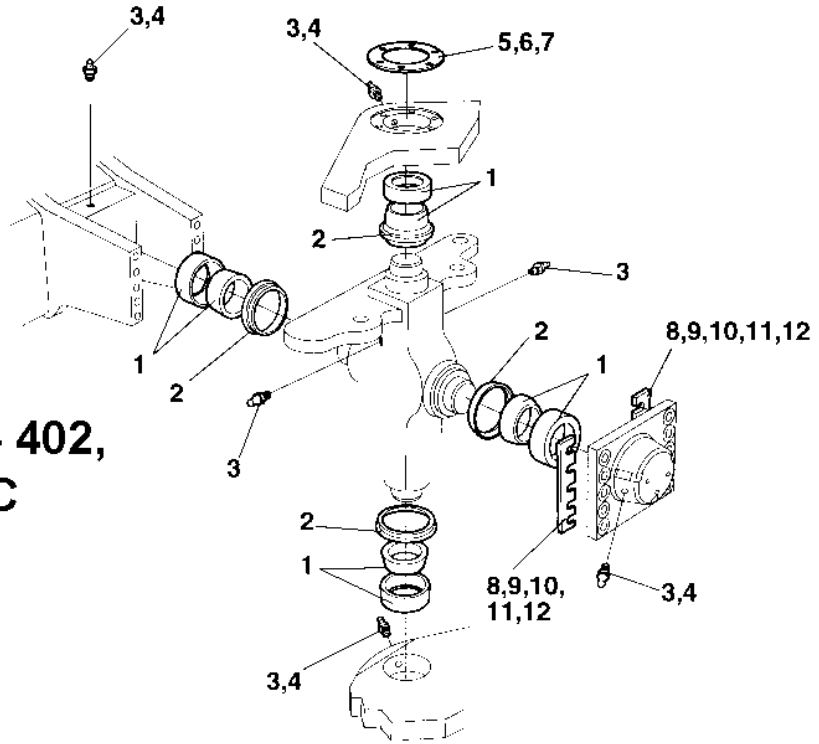
| Ref. No. | Part No. | Rem. | Qty | Description | Code |
|----------|----------|------|-----|-------------|------|
| 1 | 374362 | | 4 | Scraper | |



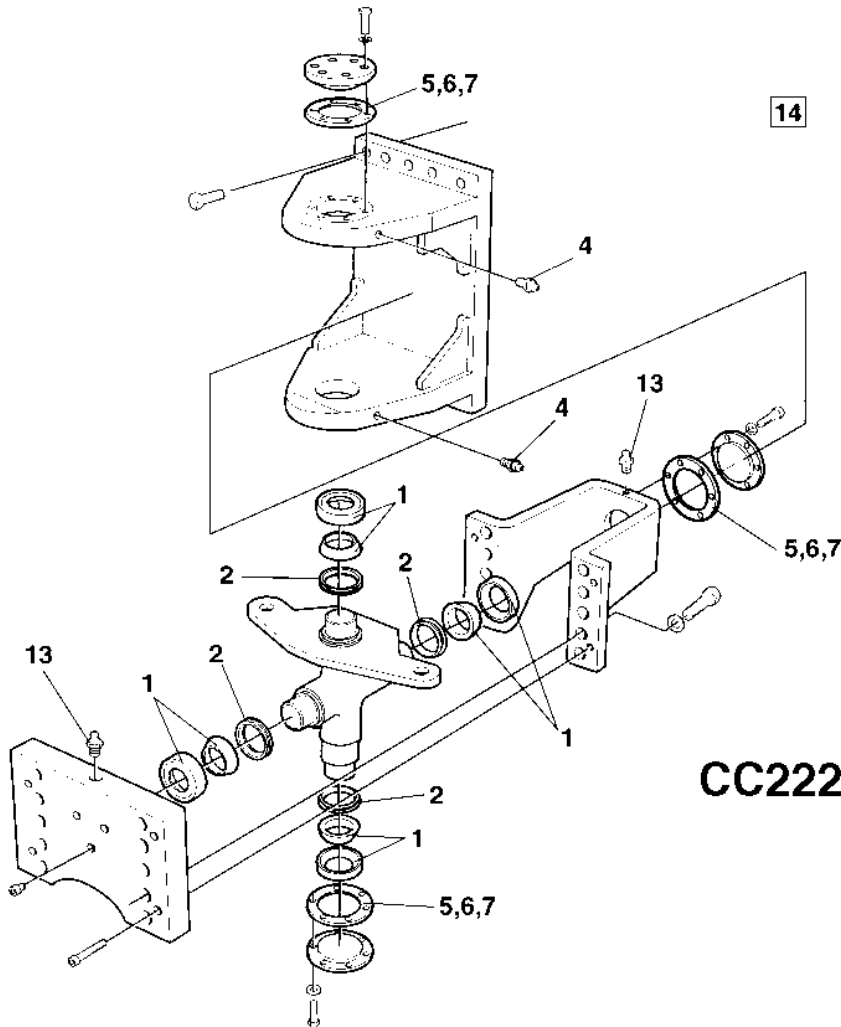
938880 Shock absorber kit, drum

| Ref. No. | Part No. | Rem. | Qty | Description | Code |
|----------|----------|------|-----|----------------|------|
| 1 | 450122 | | 10 | Shock absorber | |

**CA150 - 402,
CC501/C**



14



CC222-622/C

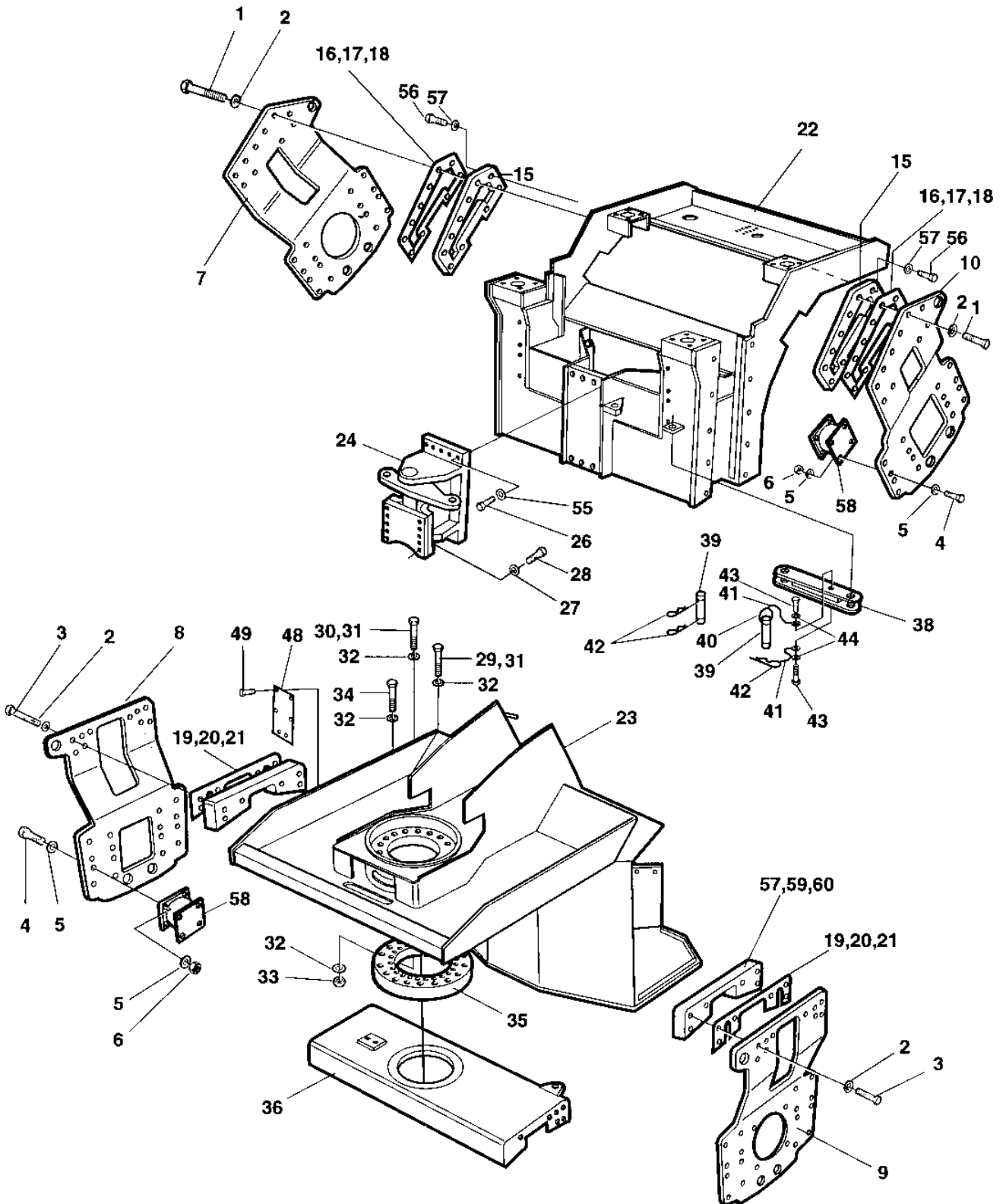
938558 Steering hitch kit

| Ref. No. | Part No. | Rem. | Qty | Description | Code |
|----------|----------|------|-----|--|------|
| 1 | 100040 | | 4 | Axial ball bearing | |
| 2 | 167032 | | 4 | Lip-type oil seal | |
| 3 | 310008 | 2 | 3 | Grease nipple | |
| 4 | 926214 | | 2 | Grease fitting | |
| 5 | 337045 | | 3 | Shim T=1,0 mm | |
| 6 | 345874 | | 3 | Shim T=0,35 mm | |
| 7 | 345875 | | 3 | Shim T=0,10 mm | |
| 8 | 345871 | 1 | 2 | Shim T=1,0 mm | |
| 9 | 345872 | 1 | 2 | Shim T=0,35 mm | |
| 10 | 345873 | 1 | 2 | Shim T=0,10 mm | |
| 11 | 380993 | 1 | 2 | Shim T = 2,0 mm | |
| 12 | 384498 | 1 | 2 | Shim T = 0,15 mm | |
| 13 | 929863 | 3 | 1 | Grease nipple | |
| 14 | 904663 | | 1 | Lube grease " DYNAPAC special approved " | |
| 15 | | | 1 | Instructions | |

- 1) Valid for CA152-402 and CC501/C
- 2) Valid for CC501/C
- 3) Valid for CC222/232/322/422/432/522/622/C

Frame

| Ref. No. | Part No. | Rem. | Qty | Description | Code |
|----------|----------|------|-----|---|------|
| 10 | | | | Frames (Page 30) | |
| 15 | | | | Covers, ladders (Page 32) | |
| 20 | | | | Scrapers Standard Up to 62110636 (Page 34) | |
| | | | | Scrapers Standard From 62110637 (Page 36) | |
| 30 | | | | Scrapers, spring loaded Foldable Up to 62110636 (Page 38) | |
| | | | | Scrapers, spring loaded, front drum From 62110637 (Page 40) | |
| | | | | Scrapers, spring loaded, rear drum From 62110637 (Page 44) | |
| 40 | | | | Articulated link (Page 46) | |
| 50 | | | | Structure Up to 62110699 (Page 48) | |
| | | | | Structure From 62110700 (Page 52) | |
| 58 | | | | Noise suppression Left hood (Page 56) | |
| 60 | | | | Sprinkler system Tanks (Page 58) | |
| 70 | | | | Sprinkler system, front Up to 62110636 (Page 62) | |
| | | | | Sprinkler system, front From 62110637 (Page 66) | |
| 80 | | | | Sprinkler system, rear Up to 62110636 (Page 70) | |
| | | | | Sprinkler system, rear From 62110637 (Page 74) | |



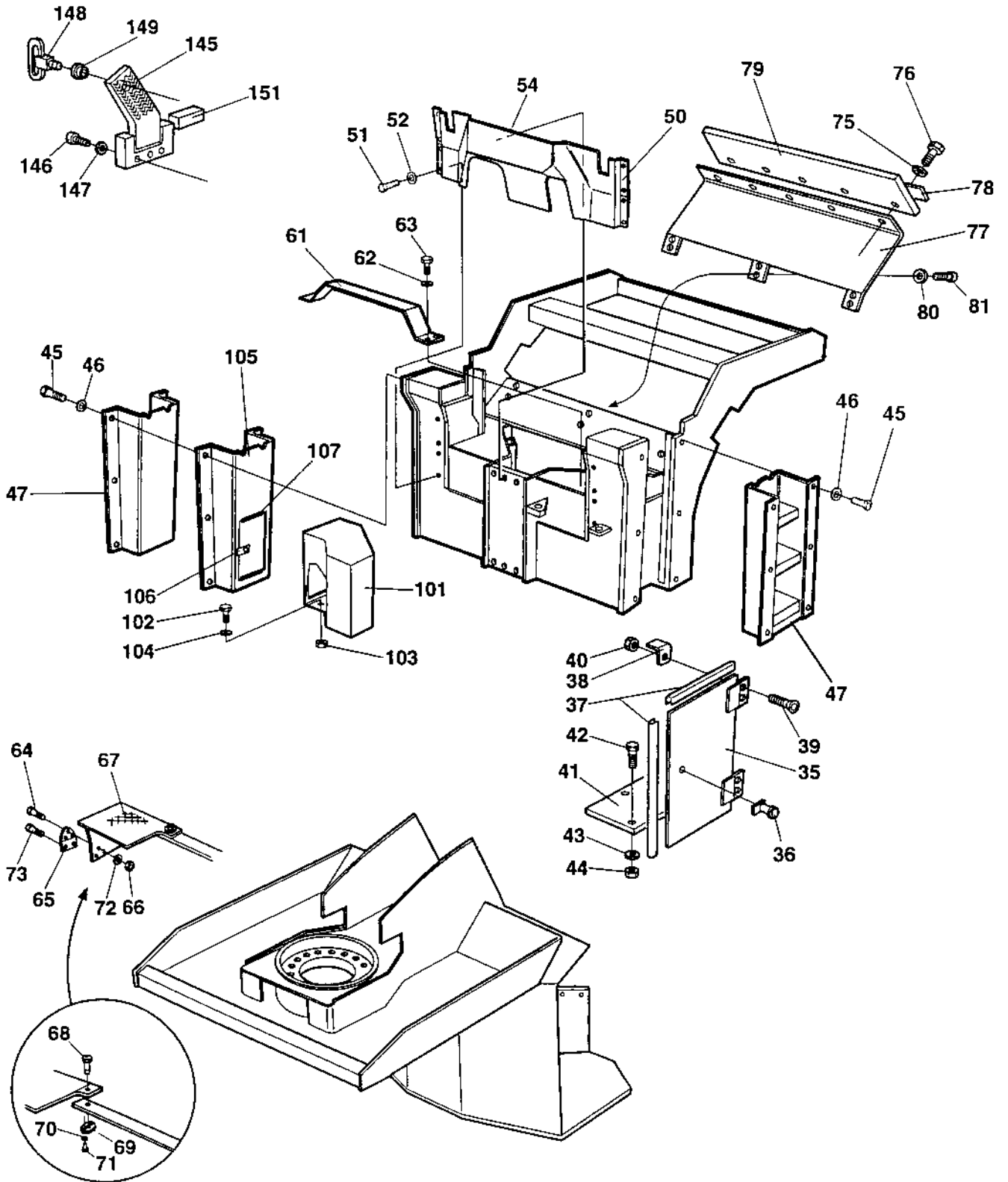
Frames

| Ref. No. | Part No. | Rem. | Qty | Description | Code |
|----------|----------|------|-----|------------------------------|------|
| 1 | 904330 | | 20 | Screw | |
| 2 | 904232 | | 40 | Washer 17x30x3 | |
| 3 | 500074 | | 20 | Screw | |
| | 500085 | A | 20 | Screw | |
| 4 | 500111 | | 32 | Screw M12x55 8,8 | |
| 5 | 904231 | | 64 | Washer 13x24x2 | |
| 6 | 383436 | | 32 | Holder | |
| 7 | 359509 | B | 1 | Fork | |
| 8 | 359507 | C | 1 | Fork | |
| 9 | 359508 | D | 1 | Fork | |
| 10 | 359510 | E | 1 | Fork | |
| 15 | 374373 | | 2 | Spacer block | |
| 16 | 359512 | | N | Shim T=5 mm | |
| 17 | 359513 | | N | Shim T=3 mm | |
| 18 | 359514 | | N | Shim T=1mm | |
| 19 | 359515 | | N | Shim T=5 mm | |
| 20 | 359516 | | N | Shim T=3 mm | |
| 21 | 359517 | | N | Shim T=1mm | |
| 22 | 359232 | G | 1 | Frame | |
| 23 | 376537 | H | 1 | Frame | |
| 24 | | | 1 | Articulated link (Page 46) | |
| 26 | 925208 | | 10 | Screw M20x90 | |
| 27 | 904233 | | 10 | Washer 21x36x3 | |
| 28 | 928850 | | 10 | Screw M20-2,5x120 10,9 | |
| 29 | 500175 | | 18 | Screw M12x60 10,9 | |
| 30 | 904703 | | 10 | Washer 13x24x4 | |
| 31 | | | | Not used on this model | |
| 32 | 903844 | | 66 | Washer | |
| 33 | 500104 | | 10 | Screw | |
| 34 | 500269 | | 24 | Screw M12-1,75x50 10,9 | |
| 35 | 359314 | | 1 | Spacer ring | |
| | | | 1 | Bearing, offset | |
| 36 | 373220 | | 1 | Yoke Up to 62110642 | |
| | 377513 | | 1 | Yoke From 62110643 | |
| 38 | 359589 | | 1 | Safety rod | |
| 39 | 347119 | | 2 | Shaft | |
| 40 | 357488 | | 1 | Spring | |
| 41 | 343775 | | 2 | Wire | |
| 42 | 635061 | | 3 | Hair clip | |
| 43 | 500191 | | 2 | Screw M10x14 | |
| 44 | 904230 | | 2 | Washer 10,5x22x2 | |
| 48 | 359588 | | 1 | Cover | |
| 49 | 904357 | | 6 | Screw | |
| 55 | 903290 | | 10 | Washer 21x36x6 | |
| 56 | 904331 | | 4 | Screw | |
| 57 | 904230 | | 8 | Washer 10,5x22x2 | |
| 58 | | | 20 | Shock absorber | |
| 59 | 374374 | | 1 | Spacer block | |
| 60 | 500055 | | 4 | Screw | |

- A) More then 5mm shim
- B) Front left hand
- C) Rear left hand
- D) Rear right hand
- E) Front right hand
- G) Front
- H) Rear

Covers, ladders

17498



Covers, ladders

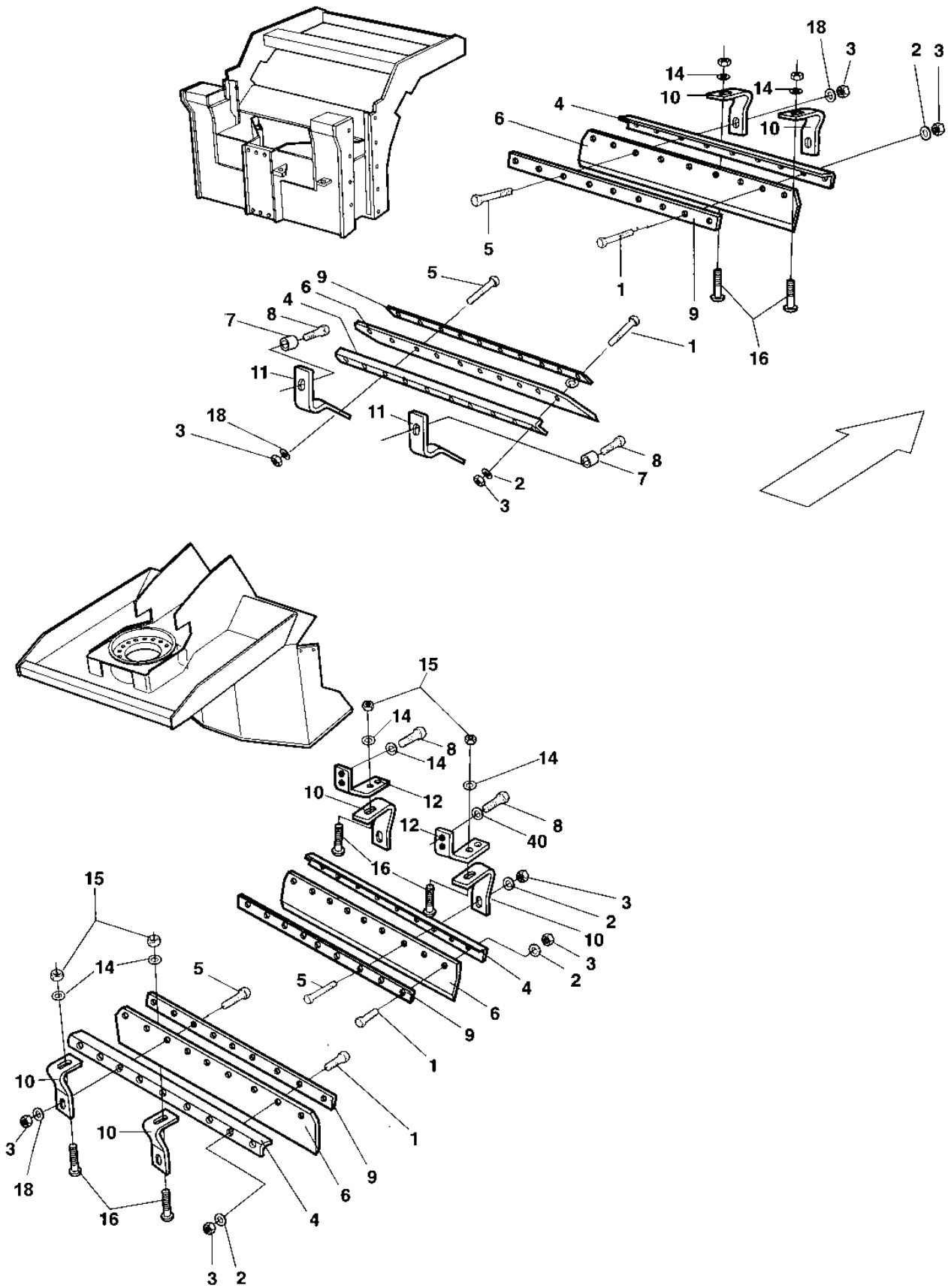
| Ref. No. | Part No. | Rem. | Qty | Description | Code |
|----------|----------|------|-----|-----------------------|------|
| 35 | 372698 | | 1 | Door | |
| | 386037 | | 1 | Door with storage | |
| 36 | 372658 | | 1 | Lock | |
| | 902866 | | 1 | .Key Marked "455" | |
| 37 | 202028 | B | 2XL | Edge trim | |
| 38 | 372699 | | 2 | Spacer | |
| 39 | 513028 | | 4 | Screw | |
| 40 | 586002 | | 4 | Lock nut M6 | |
| 41 | 372832 | | 1 | Cover | |
| 42 | 500040 | | 3 | Screw M6-1x20 8,8 | |
| 43 | 904228 | | 3 | Washer 6,4x12x1,5 | |
| 44 | 570004 | | 3 | Nut M6 | |
| 45 | 500053 | | 12 | Screw M8-1,25x20 8,8 | |
| 46 | 791304 | | 12 | Washer | |
| 47 | 359583 | | 2 | Ladder | |
| 50 | 384907 | | 1 | Cover | |
| 51 | 500040 | | 8 | Screw M6-1x20 8,8 | |
| 52 | 904639 | | 8 | Washer 6,7x14x1,5 | |
| 54 | 902166 | C | 1XL | Edge trim | |
| 61 | 359565 | | 1 | Cover plate | |
| 62 | 600008 | | 4 | Washer | |
| 63 | 500043 | | 4 | Screw M10x16H 8,8 | |
| 64 | 513008 | | 6 | Screw | |
| 65 | 928041 | | 2 | Hinge | |
| 66 | 570004 | | 6 | Nut M6 | |
| 67 | 372867 | | 1 | Step | |
| 68 | 903733 | | 1 | Quick lock | |
| 69 | 926985 | | 1 | Quick lock washer | |
| 70 | 900569 | | 2 | Washer | |
| 71 | 791709 | | 2 | Pop rivet | |
| 72 | 904228 | | 6 | Washer 6,4x12x1,5 | |
| 73 | 904718 | | 4 | Wing screw | |
| 75 | 904556 | | 5 | Washer 8,4x16x3,0 | |
| 76 | 500053 | | 5 | Screw M8-1,25x20 8,8 | |
| 77 | 373124 | | 1 | Cover | |
| 78 | 373130 | | 1 | Holder plate | |
| 79 | 373129 | | 1 | Rubber protection | |
| 80 | 904557 | | 6 | Washer 10,5x22x4 | |
| 81 | 500028 | | 6 | Screw M10-1,5x25 8,8 | |
| 101 | 370688 | | 1 | Tool box | |
| 102 | 500015 | | 3 | Screw M6-1x30 8,8 | |
| 103 | 586002 | | 3 | Lock nut M6 | |
| 104 | 615076 | | 3 | Washer 7,0x25x1,5 | |
| 105 | 373152 | | 1 | Ladder | |
| 106 | 372658 | | 1 | Lock | |
| | 902866 | | 1 | .Key Marked "455" | |
| 107 | 202028 | F | 1XL | Edge trim | |
| 145 | 370686 | G | 1 | Step | |
| 146 | 500030 | | 3 | Screw M10-1,5x35H 8,8 | |
| 147 | 603023 | | 3 | Washer M10,5x22x4 | |
| 148 | 475064 | | 1 | Lock | |
| 149 | 927233 | | 1 | Nut | |
| 151 | 370820 | | 1 | Rubber cloth | |

B) L=1,4 m

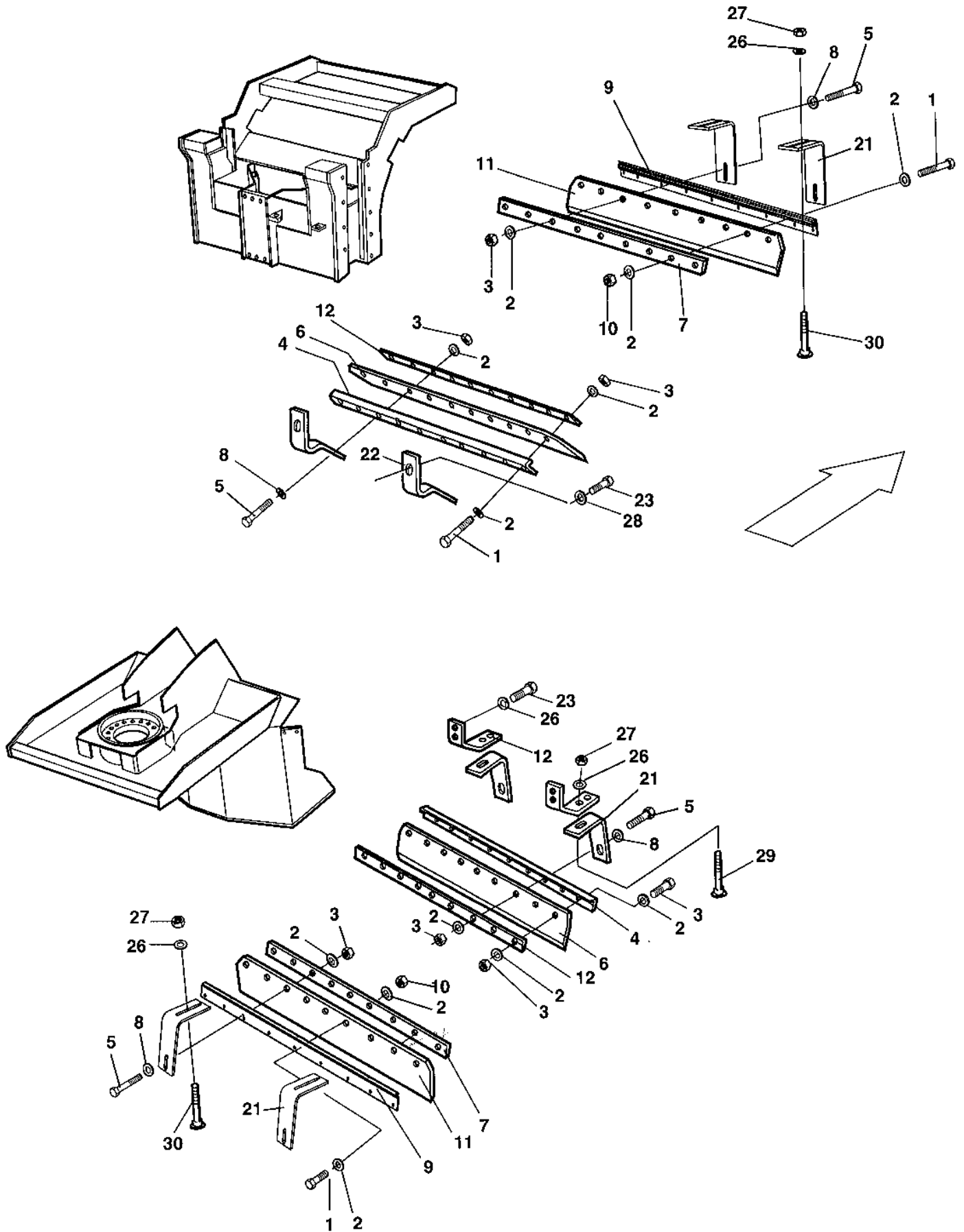
C) Length as required

F) L=1,0 m

G) Front left

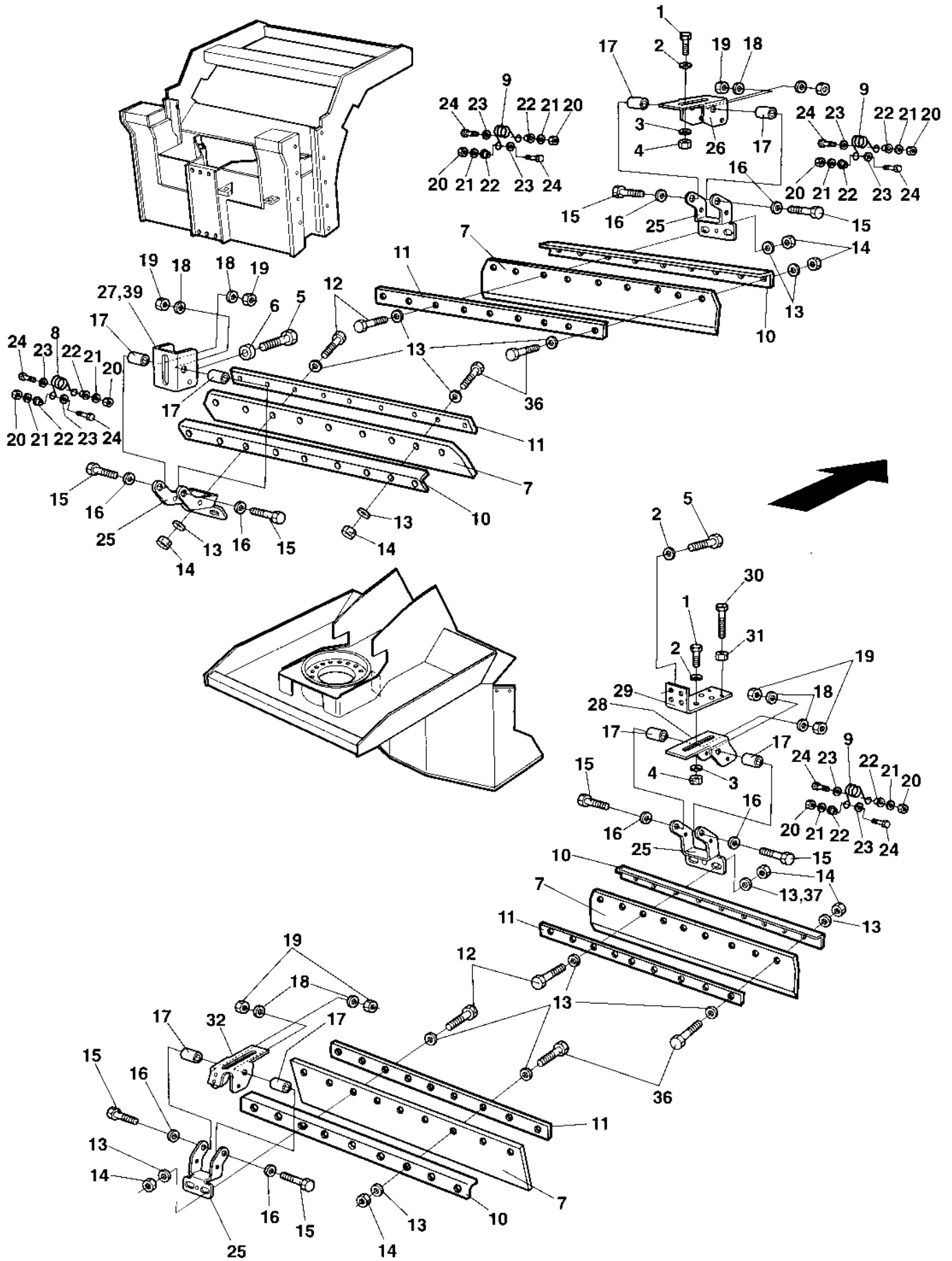


| Ref. No. | Part No. | Rem. | Qty | Description | Code |
|----------|----------|------|-----|----------------------|------|
| 1 | 904342 | | 28 | Screw M12x45 | |
| 2 | 904231 | | 28 | Washer 13x24x2 | |
| 3 | 586019 | | 36 | Lock nut M12 | |
| 4 | 374357 | | 4 | Scraper bracket | |
| 5 | 904343 | | 8 | Screw | |
| 6 | 374362 | | 4 | Scraper | |
| 7 | 359434 | | 4 | Spacer sleeve | |
| 8 | 500031 | | 8 | Screw M10-1,5x40 8,8 | |
| 9 | 374358 | | 4 | Scraper bracket | |
| 10 | 359453 | | 6 | Scraper bracket | |
| 11 | 359454 | | 2 | Scraper bracket | |
| 12 | 359455 | | 2 | Scraper bracket | |
| 14 | 904230 | | 16 | Washer 10,5x22x2 | |
| 15 | 570006 | | 12 | Nut M10 | |
| 16 | 903744 | | 8 | Carriage screw | |
| 17 | 904341 | | 4 | Carriage screw | |
| 18 | 603012 | | 8 | Washer | |



| Ref. No. | Part No. | Rem. | Qty | Description | Code |
|----------|----------|------|-----|--------------------------------|------|
| 1 | 500056 | | 28 | Screw M12x45 8,8 | |
| 2 | 904231 | | 64 | Washer 13x24x2 | |
| 3 | 586019 | | 22 | Lock nut M12 | |
| 4 | 388646 | | 2 | Scraper bracket | |
| 5 | 500049 | | 8 | Screw M12-1,75x60 8.8 | |
| 6 | 388648 | | 2 | Scraper | |
| 7 | 370100 | 2 | 2 | Scraper bracket Up to 62110699 | |
| | 388646 | | 2 | Scraper bracket From 62110700 | |
| 8 | 904703 | | 8 | Washer 13x24x4 | |
| 9 | 388483 | 2 | 2 | Sprinkler pipe Up to 62110699 | |
| | 376736 | | 2 | Sprinkler pipe From 62110700 | |
| 10 | 791963 | | 14 | Lock nut M12 | |
| 11 | 374362 | 2 | 2 | Scraper Up to 62110699 | |
| | 388648 | | 2 | Scraper From 62110700 | |
| 12 | 388488 | | 2 | Bracket | |
| 21 | 377078 | 1 | 6 | Scraper bracket Up to 62110699 | |
| | 378396 | | 6 | Scraper bracket From 62110700 | |
| 22 | 359454 | | 2 | Scraper bracket | |
| 23 | 500031 | | 12 | Screw M10-1,5x40 8,8 | |
| 24 | 359455 | | 2 | Scraper bracket | |
| 26 | 904230 | | 16 | Washer 10,5x22x2 | |
| 27 | 570006 | | 12 | Nut M10 | |
| 28 | 359434 | | 4 | Spacer sleeve | |
| 29 | 904341 | | 4 | Carriage screw | |
| 30 | 903744 | | 8 | Carriage screw | |

- 1) Exchangeable with replacement of both brackets on each scraper.
- 2) Exchangeable with replacement of all together (item 7,9,11) for each scraper.

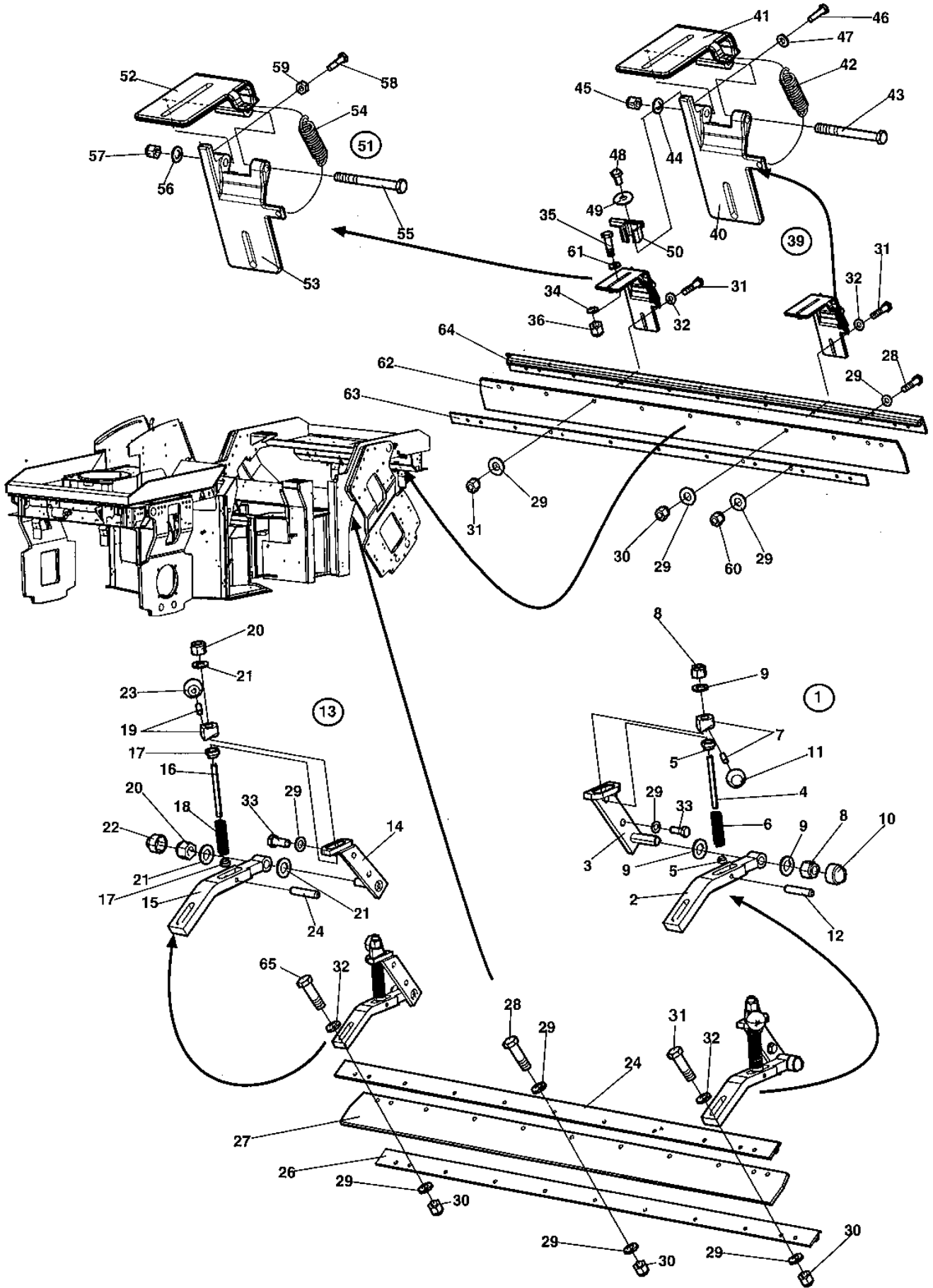


Scrapers, spring loaded Foldable

| Ref. No. | Part No. | Rem. | Qty | Description | Code |
|----------|----------|------|-----|-----------------------|------|
| 1 | 500030 | | 12 | Screw M10-1,5x35H 8,8 | |
| 2 | 904230 | | 16 | Washer 10,5x22x2 | |
| 3 | 904557 | | 12 | Washer 10,5x22x4 | |
| 4 | 570006 | | 12 | Nut M10 | |
| 5 | 500031 | | 8 | Screw M10-1,5x40 8,8 | |
| 6 | 380812 | | 4 | Spacer sleeve | |
| 7 | 374362 | | 4 | Scraper | |
| 8 | 371468 | | 8 | Spring | |
| 9 | 371914 | | 8 | Spring | |
| 10 | 383945 | | 4 | Scraper bracket | |
| 11 | 383946 | | 4 | Scraper bracket | |
| 12 | 500111 | | 8 | Screw M12x55 8,8 | |
| 13 | 904231 | | 70 | Washer 13x24x2 | |
| 14 | 586019 | | 36 | Lock nut M12 | |
| 15 | 500109 | | 16 | Screw M10-1,5x65 8,8 | |
| 16 | 904557 | | 16 | Washer 10,5x22x4 | |
| 17 | 380691 | | 16 | Shaft | |
| 18 | 904230 | | 16 | Washer 10,5x22x2 | |
| 19 | 586018 | | 16 | Lock nut M10 | |
| 20 | 586002 | | 32 | Lock nut M6 | |
| 21 | 904228 | | 32 | Washer 6,4x12x1,5 | |
| 22 | 371469 | | 32 | Spacer ring | |
| 23 | 928381 | | 32 | Washer 6,4x18x1,6 | |
| 24 | 500075 | | 32 | Screw M6-1,0x25 8.8 | |
| 25 | 380661 | | 8 | Scraper bracket | |
| 26 | 371546 | | 2 | Bracket | |
| 27 | 371466 | | 2 | Bracket | |
| 28 | 376074 | | 2 | Bracket | |
| 29 | 373819 | | 2 | Bracket | |
| 30 | 500031 | | 2 | Screw M10-1,5x40 8,8 | |
| 31 | 570006 | | 2 | Nut M10 | |
| 32 | 376075 | | 2 | Bracket | |
| 36 | 500195 | | 26 | Screw M12-1,75x50 8.8 | |
| 37 | 904703 | | 2 | Washer 13x24x4 | |
| 39 | 383408 | | N | Shim | |

Scrapers, spring loaded, front drum

18182-1



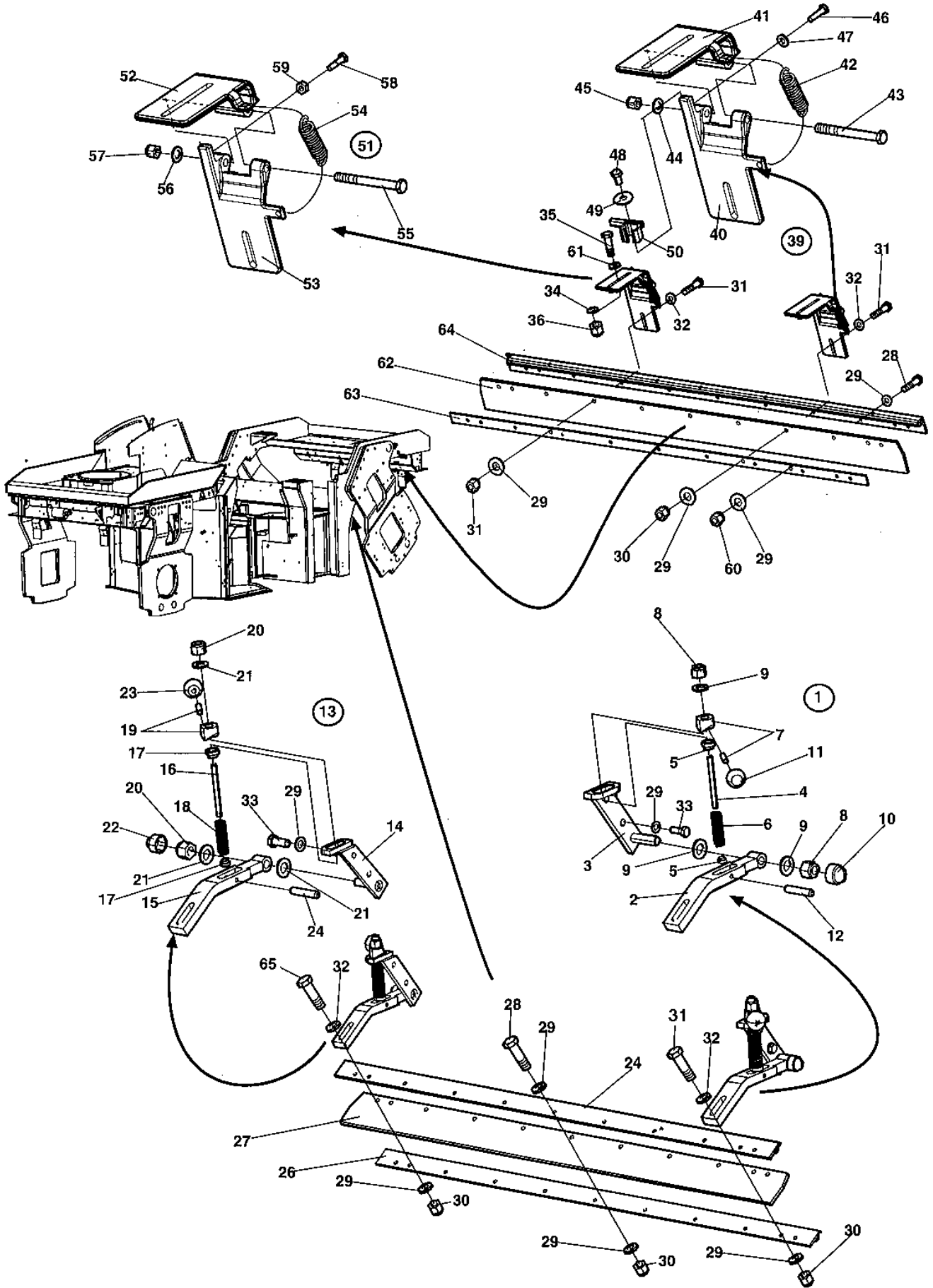
Scrapers, spring loaded, front drum

| Ref. No. | Part No. | Rem. | Qty | Description | Code |
|----------|----------|------|-----|------------------------|------|
| 1 | 388355 | 1 | 1 | Scraper bracket | |
| | 376725 | 2 | 1 | Scraper bracket | |
| 2 | | | 1 | .Bracket | |
| 3 | | | 1 | .Bracket | |
| 4 | 376728 | | 1 | .Shaft | |
| 5 | 388344 | | 2 | .Guide | |
| 6 | 388345 | | 1 | .Spring | |
| 7 | 376729 | | 1 | .Release device | |
| 8 | 586021 | | 2 | .Nut M16 | |
| 9 | 904232 | | 3 | .Washer 17x30x3 | |
| 10 | 791755 | | 1 | .Nut protection | |
| 11 | 312005 | | 1 | .Ball knob | |
| 12 | 792129 | | 1 | .Pin | |
| 13 | 388340 | 3 | 1 | Scraper bracket | |
| | 376726 | 4 | 1 | Scraper bracket | |
| 14 | | | 1 | .Scraper bracket | |
| 15 | | | 1 | .Scraper bracket | |
| 16 | 376728 | | 1 | .Shaft | |
| 17 | 388344 | | 2 | .Guide | |
| 18 | 388345 | | 1 | .Spring | |
| 19 | 376729 | | 1 | .Release device | |
| 20 | 586021 | | 2 | .Nut M16 | |
| 21 | 904232 | | 3 | .Washer 17x30x3 | |
| 22 | 791755 | | 1 | .Nut protection | |
| 23 | 312005 | | 1 | .Ball knob | |
| 24 | 792129 | | 1 | .Pin | |
| 25 | 388646 | | 1 | Scraper bracket | |
| 26 | 388647 | | 2 | Scraper bracket | |
| 27 | 388648 | | 2 | Scraper | |
| 28 | 500056 | | 18 | Screw M12x45 8,8 | |
| 29 | 904231 | | 44 | Washer 13x24x2 | |
| 30 | 586019 | | 13 | Lock nut M12 | |
| 31 | 500049 | | 2 | Screw M12-1,75x60 8.8 | |
| 32 | 904703 | | 4 | Washer 13x24x4 | |
| 33 | 500046 | | 4 | Screw M12x30H 8,8 FZB | |
| 34 | 904557 | | 4 | Washer 10,5x22x4 | |
| 35 | 500031 | | 4 | Screw M10-1,5x40 8,8 | |
| 36 | 570006 | | 4 | Nut M10 | |
| 39 | 387690 | | 1 | Scraper bracket, cpl | |
| 40 | | | 1 | .Scraper bracket | |
| 41 | | | 1 | .Scraper bracket | |
| 42 | 390809 | | 1 | .Extension spring | |
| 43 | 500267 | | 1 | .Screw M12x120 8,8 FZB | |
| 44 | 904231 | | 1 | .Washer 13x24x2 | |
| 45 | 586019 | | 1 | .Lock nut M12 | |
| 46 | 500240 | | 1 | .Screw M10x40H 8,8 | |
| 47 | 570006 | | 1 | .Nut M10 | |
| 48 | 500003 | | 1 | .Screw | |
| 49 | 928381 | | 1 | .Washer 6,4x18x1,6 | |
| 50 | 388490 | | 1 | .Release device | |
| 51 | 387693 | | 1 | Scraper bracket, cpl | |
| 52 | | | 1 | .Scraper bracket | |
| 53 | | | 1 | .Scraper bracket | |
| 54 | 390809 | | 1 | .Extension spring | |
| 55 | 500267 | | 1 | .Screw M12x120 8,8 FZB | |
| 56 | 904231 | | 1 | .Washer 13x24x2 | |
| 57 | 586019 | | 1 | .Lock nut M12 | |

- 1) Replaced bu PN 376725.
- 2) Replaces PN 388355.
- 3) Replaced by PN 376726.
- 4) Replaces PN 388340.

Scrapers, spring loaded, front drum

18182-1

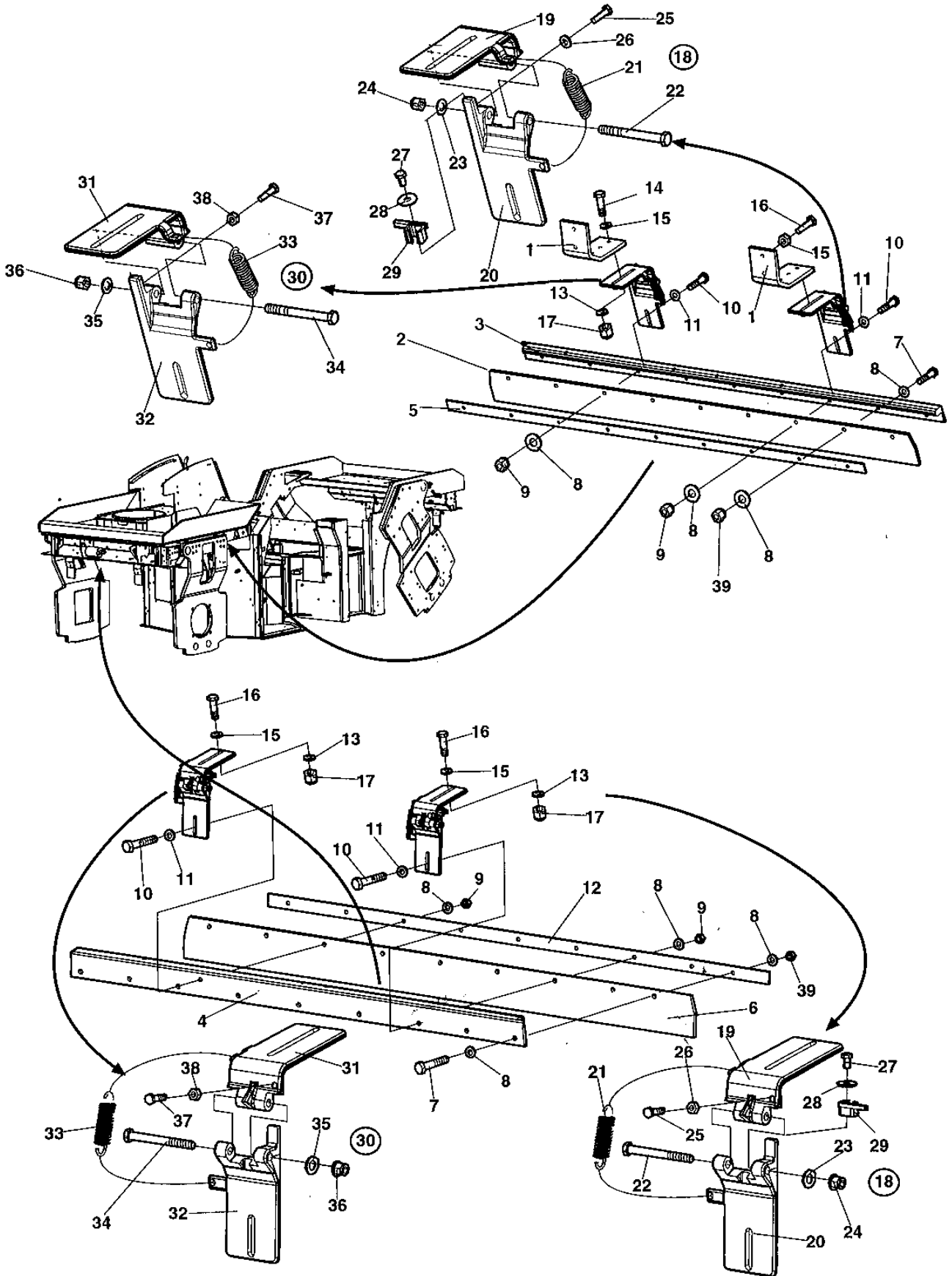


Scrapers, spring loaded, front drum

| Ref. No. | Part No. | Rem. | Qty | Description | Code |
|----------|----------|------|-----|--------------------|------|
| 58 | 500240 | | 1 | .Screw M10x40H 8,8 | |
| 59 | 570006 | | 1 | .Nut M10 | |
| 60 | 791963 | | 9 | Lock nut M12 | |
| 61 | 904230 | | 4 | Washer 10,5x22x2 | |
| 62 | 374362 | | 1 | Scraper | |
| 63 | 370100 | | 1 | Scraper bracket | |
| 64 | 388483 | | 1 | Sprinkler pipe | |
| 65 | 500133 | | 2 | Screw M12x70 | |

Scrapers, spring loaded, rear drum

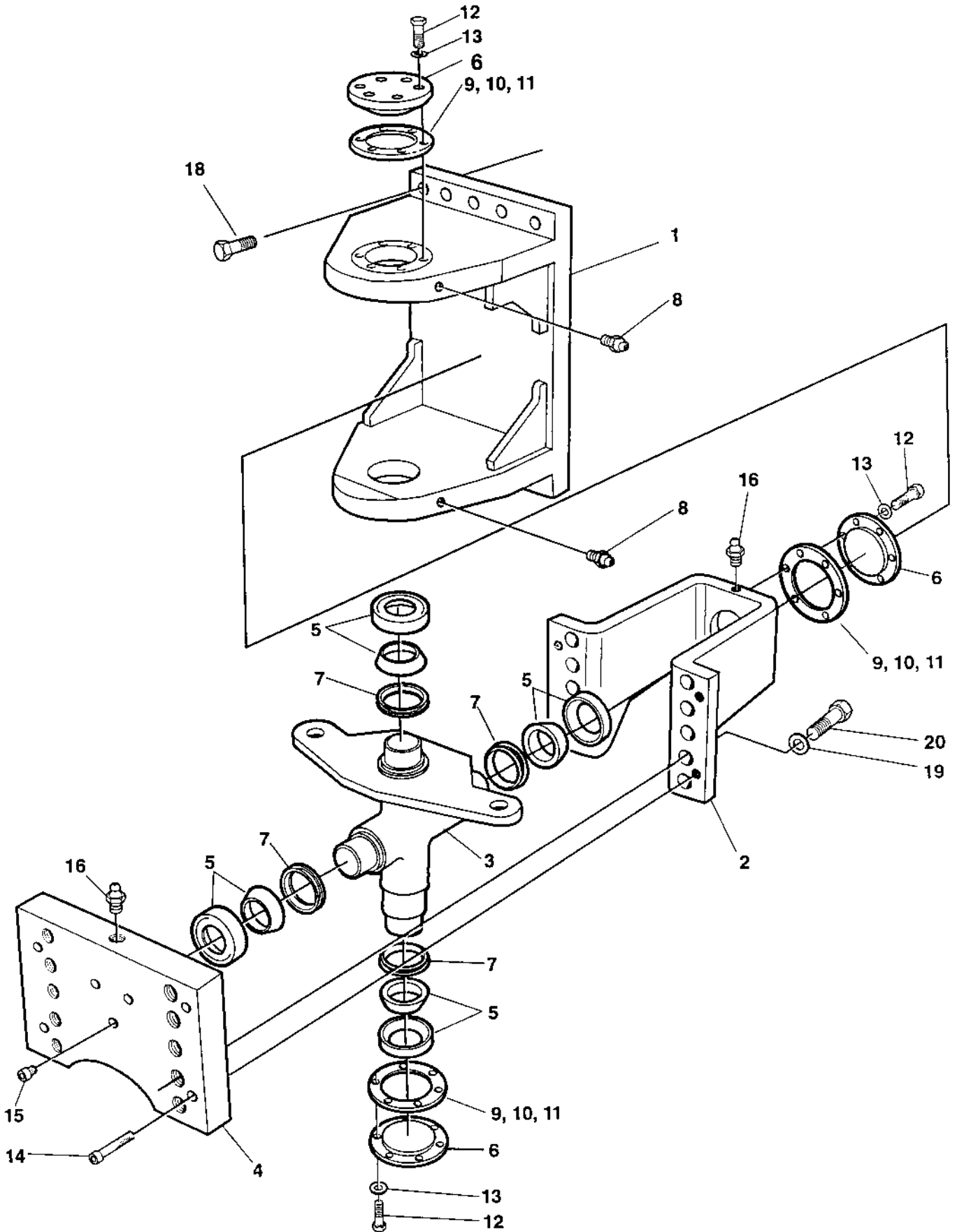
18177-1



Scrapers, spring loaded, rear drum

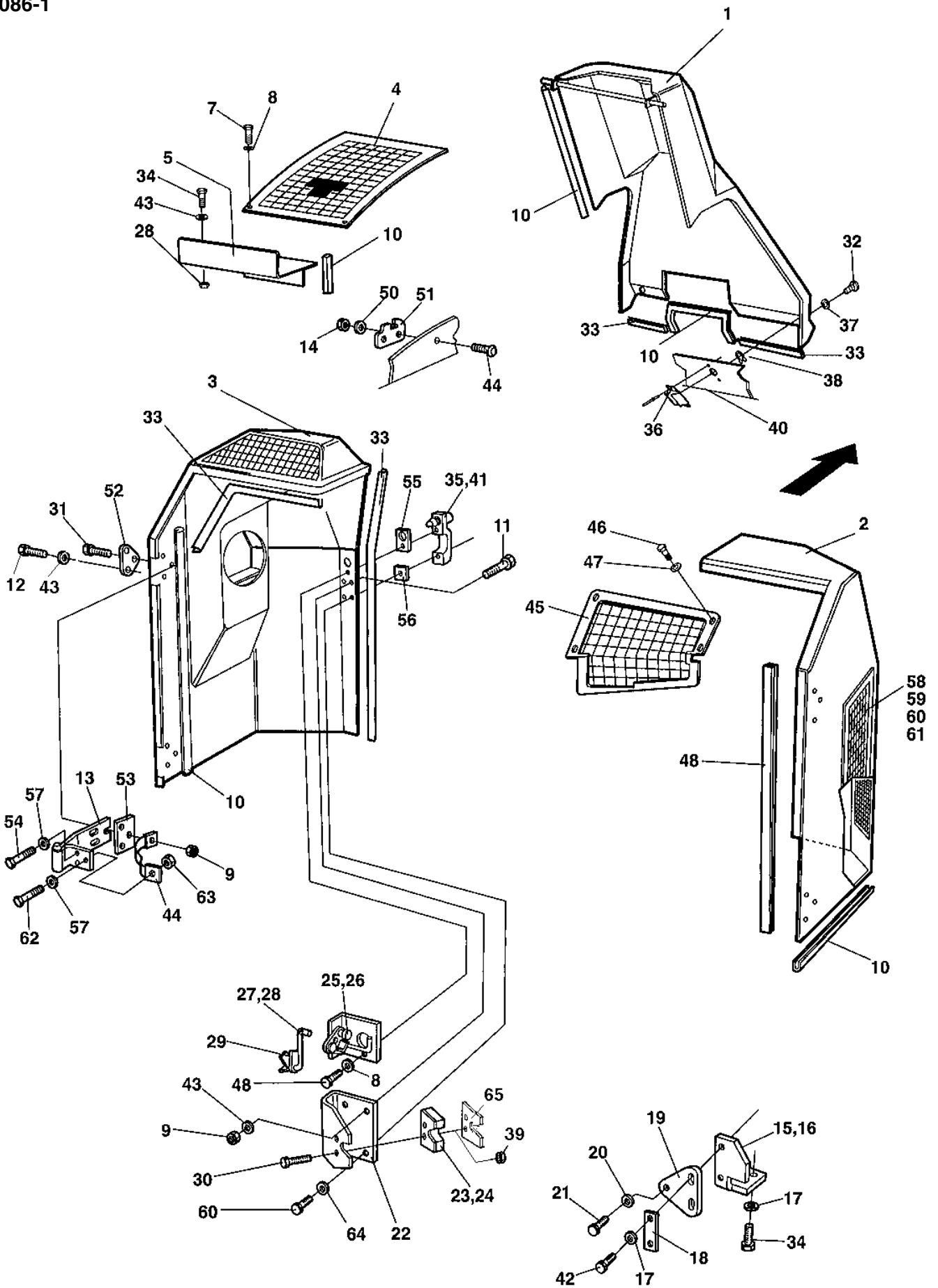
| Ref. No. | Part No. | Rem. | Qty | Description | Code |
|----------|----------|------|-----|--------------------------------|------|
| 1 | 359455 | | 2 | Scraper bracket | |
| 2 | 388648 | | 1 | Scraper | |
| 3 | 388646 | | 1 | Scraper bracket | |
| 4 | 388483 | 1 | 1 | Sprinkler pipe Up to 62110699 | |
| | 376736 | | 1 | Sprinkler pipe From 62110700 | |
| 5 | 388647 | | 1 | Scraper bracket | |
| 6 | 374362 | 1 | 1 | Scraper Up to 62110699 | |
| | 388648 | | 1 | Scraper From 62110700 | |
| 7 | 500056 | | 18 | Screw M12x45 8,8 | |
| 8 | 904231 | | 40 | Washer 13x24x2 | |
| 9 | 586019 | | 13 | Lock nut M12 | |
| 10 | 500049 | | 4 | Screw M12-1,75x60 8.8 | |
| 11 | 904703 | | 4 | Washer 13x24x4 | |
| 12 | 370100 | 1 | 1 | Scraper bracket Up to 62110699 | |
| | 388647 | | 1 | Scraper bracket From 62110700 | |
| 13 | 904557 | | 8 | Washer 10,5x22x4 | |
| 14 | 500161 | | 4 | Screw M10-1,5x45 8,8 | |
| 15 | 904230 | | 12 | Washer 10,5x22x2 | |
| 16 | 500031 | | 8 | Screw M10-1,5x40 8,8 | |
| 17 | 570006 | | 8 | Nut M10 | |
| 18 | 387690 | | 2 | Scraper bracket, cpl | |
| 19 | | | 1 | .Scraper bracket | |
| 20 | | | 1 | .Scraper bracket | |
| 21 | 390809 | | 1 | .Extension spring | |
| 22 | 500267 | | 1 | .Screw M12x120 8,8 FZB | |
| 23 | 904231 | | 1 | .Washer 13x24x2 | |
| 24 | 586019 | | 1 | .Lock nut M12 | |
| 25 | 500240 | | 1 | .Screw M10x40H 8,8 | |
| 26 | 570006 | | 1 | .Nut M10 | |
| 27 | 500003 | | 1 | .Screw | |
| 28 | 928381 | | 1 | .Washer 6,4x18x1,6 | |
| 29 | 388490 | | 1 | .Release device | |
| 30 | 387693 | | 2 | Scraper bracket, cpl | |
| 31 | | | 1 | .Scraper bracket | |
| 32 | | | 1 | .Scraper bracket | |
| 33 | 390809 | | 1 | .Extension spring | |
| 34 | 500267 | | 1 | .Screw M12x120 8,8 FZB | |
| 35 | 904231 | | 1 | .Washer 13x24x2 | |
| 36 | 586019 | | 1 | .Lock nut M12 | |
| 37 | 500240 | | 1 | .Screw M10x40H 8,8 | |
| 38 | 570006 | | 1 | .Nut M10 | |
| 39 | 791963 | | 9 | Lock nut M12 | |

1) Interchangeable when replacement of item 4,6 and 12 together.



Articulated link

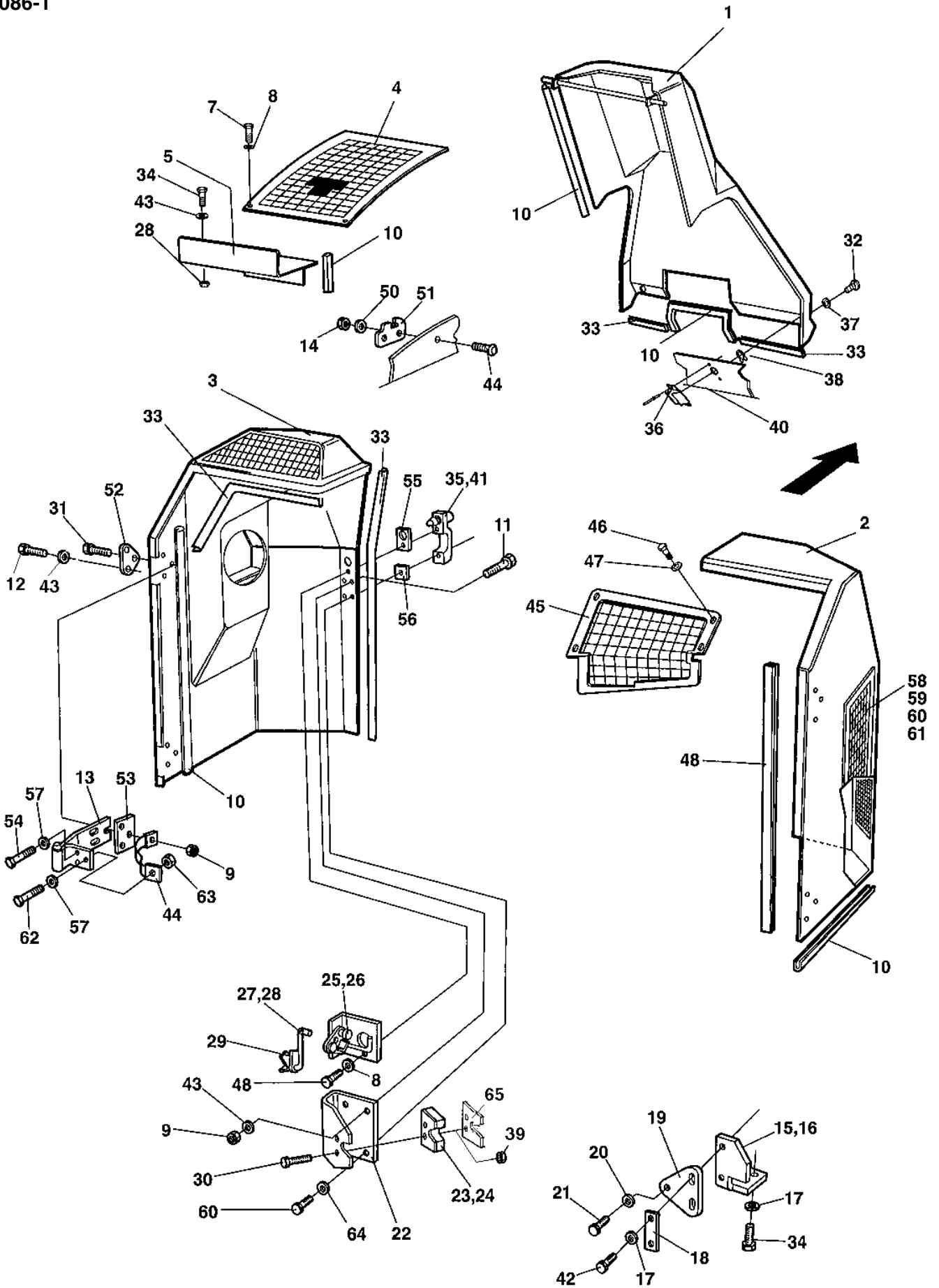
| Ref. No. | Part No. | Rem. | Qty | Description | Code |
|----------|----------|------|-----|-----------------------|------|
| 1 | 375659 | | 1 | Hitch link | |
| 2 | 359131 | | 1 | Hitch link | |
| 3 | 359591 | | 1 | Hitch | |
| 4 | 375661 | | 1 | Hitch bracket | |
| 5 | 100040 | | 4 | Axial ball bearing | |
| 6 | 337042 | | 3 | Bearing cover | |
| 7 | 167032 | | 4 | Lip-type oil seal | |
| 8 | 926214 | | 2 | Grease fitting | |
| 9 | 337045 | N | | Shim T=1,0 mm | |
| 10 | 345874 | N | | Shim T=0,35 mm | |
| 11 | 345875 | N | | Shim T=0,10 mm | |
| 12 | 500037 | | 18 | Screw M12-1,75x35 8,8 | |
| 13 | 904231 | | 18 | Washer 13x24x2 | |
| 14 | 508042 | | 4 | Screw | |
| 15 | 910995 | | 3 | Stop screw | |
| 16 | 929863 | | 2 | Grease nipple | |
| 18 | | | 10 | Screw | |
| 19 | | | 10 | Washer | |
| 20 | | | 10 | Screw | |



Structure

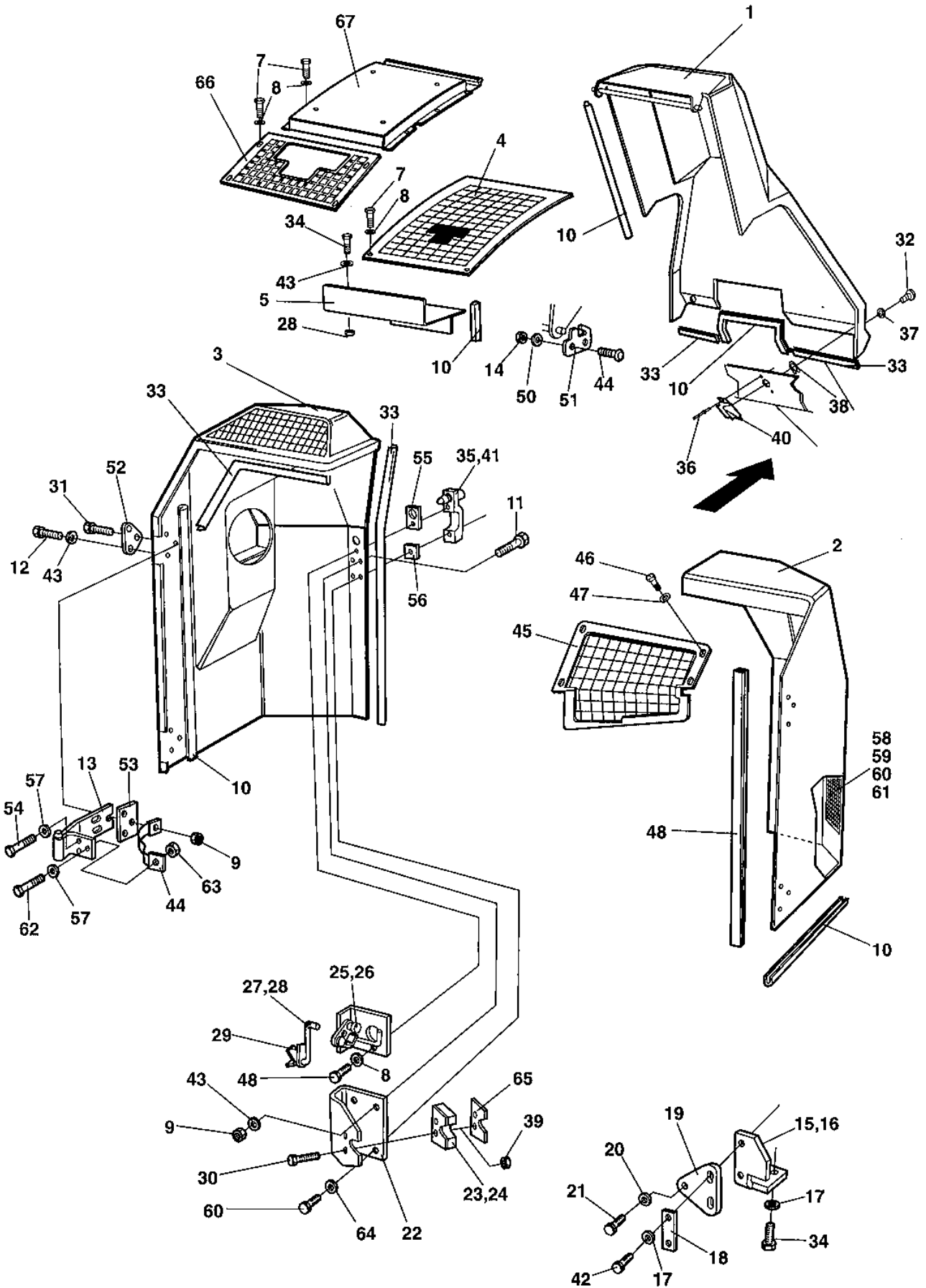
| Ref. No. | Part No. | Rem. | Qty | Description | Code |
|----------|----------|------|-----|----------------------|------|
| 1 | 386994 | | 1 | Cover | |
| 2 | 939710 | A | 1 | Engine hood, cpl | |
| 3 | 939711 | B | 1 | Engine hood, cpl | |
| | 387087 | | 1 | .Grid | |
| | 901767 | | 6 | .Screw | |
| 4 | 374495 | | 1 | Grid | |
| 5 | 375252 | | 1 | Cover plate | |
| 6 | 902166 | C | 1XL | Edge trim | |
| 7 | 500013 | | 10 | Screw M6-1x16 8,8 | |
| 8 | 904228 | | 12 | Washer 6,4x12x1,5 | |
| 9 | 586003 | | 10 | Lock nut M8 | |
| 10 | 902166 | C | 6XL | Edge trim | |
| 11 | 902520 | | 6 | Screw | |
| 12 | 500047 | | 8 | Screw M8-1,25x35 8,8 | |
| 13 | 381675 | | 4 | Hinge | |
| 14 | 586002 | | 4 | Lock nut M6 | |
| 15 | 372898 | A | 1 | Bracket | |
| 16 | 372894 | B | 1 | Bracket | |
| 17 | 904734 | | 8 | Washer 8,4x26x4 | |
| 18 | 371523 | | 2 | Bracket | |
| 19 | 372893 | | 2 | Bracket | |
| 20 | 387487 | | 2 | Locking pin | |
| 21 | 904231 | | 2 | Washer 13x24x2 | |
| 22 | 371659 | | 2 | Bracket | |
| 23 | 371380 | E | 1 | Lock | |
| 24 | 371381 | F | 1 | Lock | |
| 25 | 371449 | F | 1 | Lock device | |
| 26 | 371450 | E | 1 | Lock device | |
| 27 | 371451 | E | 1 | Coupling link | |
| 28 | 371452 | F | 1 | Coupling link | |
| 29 | 371569 | | 2 | Lock device | |
| 30 | 535053 | | 4 | Screw | |
| 31 | 500024 | | 4 | Screw M8x45 | |
| 32 | 903340 | | 2 | Trunnion | |
| 33 | 202057 | C | 4XL | Edge trim | |
| 34 | 500053 | | 8 | Screw M8-1,25x20 8,8 | |
| 35 | 371389 | E | 1 | Grab handle | |
| | 902866 | | 1 | .Key Marked "455" | |
| 36 | 923253 | | 4 | Rivet | |
| 37 | 903341 | | 2 | Washer | |
| 38 | 903857 | | 2 | Washer | |
| 39 | 902284 | | 4 | Nut M5 | |
| 40 | 903344 | | 2 | Lock | |
| 41 | 371390 | F | 1 | Grab handle | |
| | 902866 | | 1 | .Key Marked "455" | |
| 42 | 500021 | | 4 | Screw M8-1,25x25 8,8 | |
| 43 | 904229 | | 20 | Washer 8,4x16x1,5 | |
| 44 | 373422 | | 4 | Metal strapping | |
| 45 | 380162 | | 1 | Grid | |
| 46 | 500012 | | 4 | Screw M6x12 | |
| 47 | 904735 | | 4 | Washer | |
| 48 | 287724 | C | 2XL | Edge trim | |
| 49 | 903856 | | 4 | Bolt M06x30 | |
| 50 | 904735 | | 4 | Washer | |
| 51 | 372126 | | 2 | Cover holder | |
| 52 | 372675 | | 4 | Washer | |

- A) Right
- B) Left
- C) Length as required
- E) Right hood
- F) Left hood



Structure

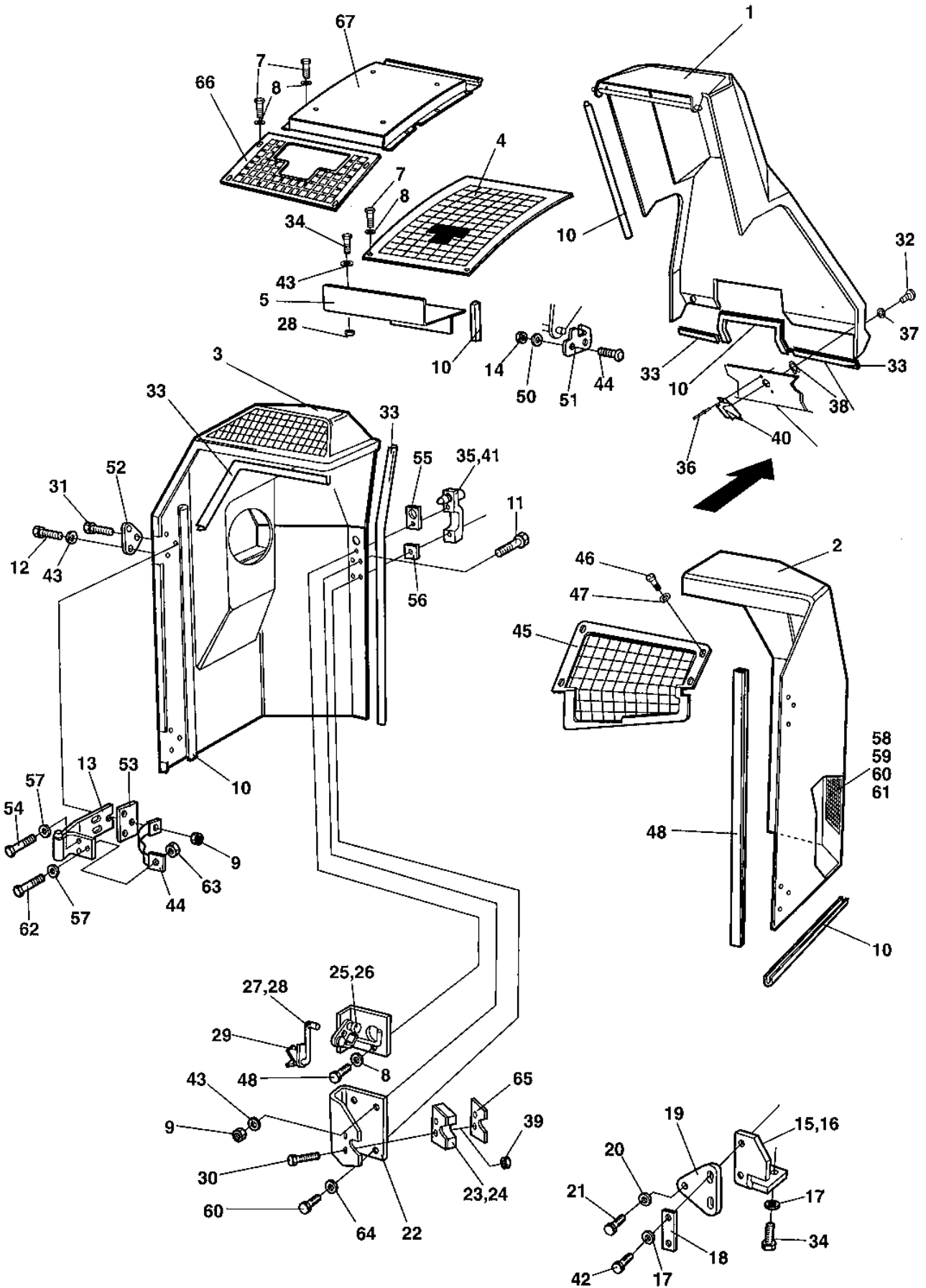
| Ref. No. | Part No. | Rem. | Qty | Description | Code |
|----------|----------|------|-----|----------------------|------|
| 53 | 372566 | | 4 | Bracket | |
| 54 | 500021 | | 8 | Screw M8-1,25x25 8,8 | |
| 55 | 903937 | | 2 | Rubber gasket | |
| 56 | 903936 | | 2 | Rubber gasket | |
| 57 | 904556 | | 12 | Washer 8,4x16x3,0 | |
| 58 | 374496 | | 2 | Grid | |
| 59 | 904228 | | 24 | Washer 6,4x12x1,5 | |
| 60 | 500075 | | 16 | Screw M6-1,0x25 8.8 | |
| 61 | 586002 | | 12 | Lock nut M6 | |
| 62 | 500022 | | 4 | Screw M8-1,25x30 8,8 | |
| 63 | 570005 | | 4 | Nut M8 | |
| 64 | 904639 | | 2 | Washer 6,7x14x1,5 | |
| 65 | 388026 | | 2 | Guide | |



Structure

| Ref. No. | Part No. | Rem. | Qty | Description | Code |
|----------|----------|------|-----|---------------------------------------|------|
| 1 | 386994 | | 1 | Cover | |
| | 945231 | | 1 | Center cover w absorbent, cpl CE-2006 | |
| 2 | 945227 | A | 1 | Engine hood, cpl | |
| | 945229 | A | 1 | Engine hood w absorbent, cpl CE-2006 | |
| 3 | 945228 | B | 1 | Engine hood, cpl | |
| | 945230 | B | 1 | Engine hood w absorbent, cpl CE-2006 | |
| | 387087 | | 1 | .Grid | |
| | 901767 | | 6 | .Screw | |
| 4 | 374495 | | 1 | Grid | |
| 5 | 375252 | | 1 | Cover plate | |
| 6 | 902166 | C | 1XL | Edge trim | |
| 7 | 500013 | | 10 | Screw M6-1x16 8,8 | |
| 8 | 904228 | | 12 | Washer 6,4x12x1,5 | |
| 9 | 586003 | | 10 | Lock nut M8 | |
| 10 | 902166 | C | 6XL | Edge trim | |
| 11 | 902520 | | 6 | Screw | |
| 12 | 500047 | | 8 | Screw M8-1,25x35 8,8 | |
| 13 | 381675 | | 4 | Hinge | |
| 14 | 586002 | | 4 | Lock nut M6 | |
| 15 | 372898 | A | 1 | Bracket | |
| 16 | 372894 | B | 1 | Bracket | |
| 17 | 904734 | | 8 | Washer 8,4x26x4 | |
| 18 | 371523 | | 2 | Bracket | |
| 19 | 372893 | | 2 | Bracket | |
| 20 | 387487 | | 2 | Locking pin | |
| 21 | 904231 | | 2 | Washer 13x24x2 | |
| 22 | 371659 | | 2 | Bracket | |
| 23 | 371380 | E | 1 | Lock | |
| 24 | 371381 | F | 1 | Lock | |
| 25 | 371449 | F | 1 | Lock device | |
| 26 | 371450 | E | 1 | Lock device | |
| 27 | 371451 | E | 1 | Coupling link | |
| 28 | 371452 | F | 1 | Coupling link | |
| 29 | 371569 | | 2 | Lock device | |
| 30 | 535053 | | 4 | Screw | |
| 31 | 500024 | | 4 | Screw M8x45 | |
| 32 | 903340 | | 2 | Trunnion | |
| 33 | 202057 | C | 4XL | Edge trim | |
| 34 | 500053 | | 8 | Screw M8-1,25x20 8,8 | |
| 35 | 371389 | E | 1 | Grab handle | |
| | 902866 | | 1 | .Key Marked "455" | |
| 36 | 923253 | | 4 | Rivet | |
| 37 | 903341 | | 2 | Washer | |
| | 904076 | | 1XL | .Edge trim | |
| 38 | 903857 | | 2 | Washer | |
| 39 | 902284 | | 4 | Nut M5 | |
| 40 | 903344 | | 2 | Lock | |
| 41 | 371390 | F | 1 | Grab handle | |
| | 902866 | | 1 | .Key Marked "455" | |
| 42 | 500021 | | 4 | Screw M8-1,25x25 8,8 | |
| 43 | 904229 | | 20 | Washer 8,4x16x1,5 | |
| 44 | 373422 | | 4 | Metal strapping | |
| 45 | 380162 | | 1 | Grid | |
| 46 | 500012 | | 4 | Screw M6x12 | |
| 47 | 904735 | | 4 | Washer | |
| 48 | 287724 | C | 2XL | Edge trim | |

- A) Right
- B) Left
- C) Length as required
- E) Right hood
- F) Left hood

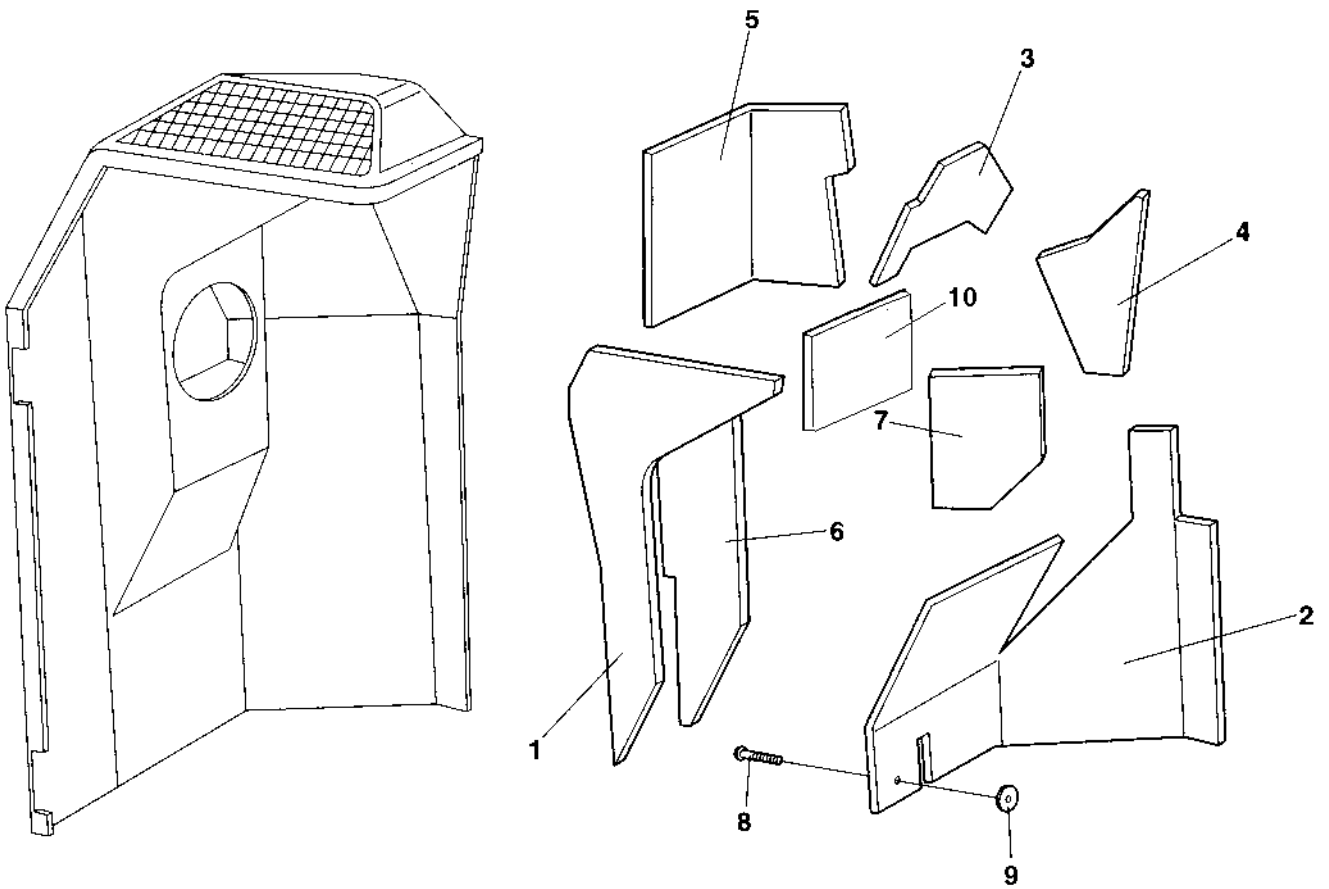


Structure

| Ref. No. | Part No. | Rem. | Qty | Description | Code |
|----------|----------|------|-----|---------------------------|------|
| 49 | 903856 | | 4 | Bolt M06x30 | |
| 50 | 904735 | | 4 | Washer | |
| 51 | 372126 | | 2 | Cover holder | |
| 52 | 372675 | | 4 | Washer | |
| 53 | 372566 | | 4 | Bracket | |
| 54 | 500021 | | 8 | Screw M8-1,25x25 8,8 | |
| 55 | 903937 | | 2 | Rubber gasket | |
| 56 | 903936 | | 2 | Rubber gasket | |
| 57 | 904556 | | 12 | Washer 8,4x16x3,0 | |
| 58 | 374496 | | 1 | Grid | |
| 59 | 904228 | | 12 | Washer 6,4x12x1,5 | |
| 60 | 500075 | | 10 | Screw M6-1,0x25 8.8 | |
| 61 | 586002 | | 6 | Lock nut M6 | |
| 62 | 500022 | | 4 | Screw M8-1,25x30 8,8 | |
| 63 | 570005 | | 4 | Nut M8 | |
| 64 | 904639 | | 2 | Washer 6,7x14x1,5 | |
| 65 | 388026 | | 2 | Guide | |
| 66 | 379509 | | 1 | Grid CE-2006 | |
| 67 | 378973 | | 1 | Exhaust hood, cpl CE-2006 | |
| | 378849 | | 1 | .Absorbent | |
| | 904209 | | 4 | .Screw | |
| | 373476 | | 4 | .Washer | |
| | 904076 | | 1XL | .Edge trim | |

Noise suppression Left hood

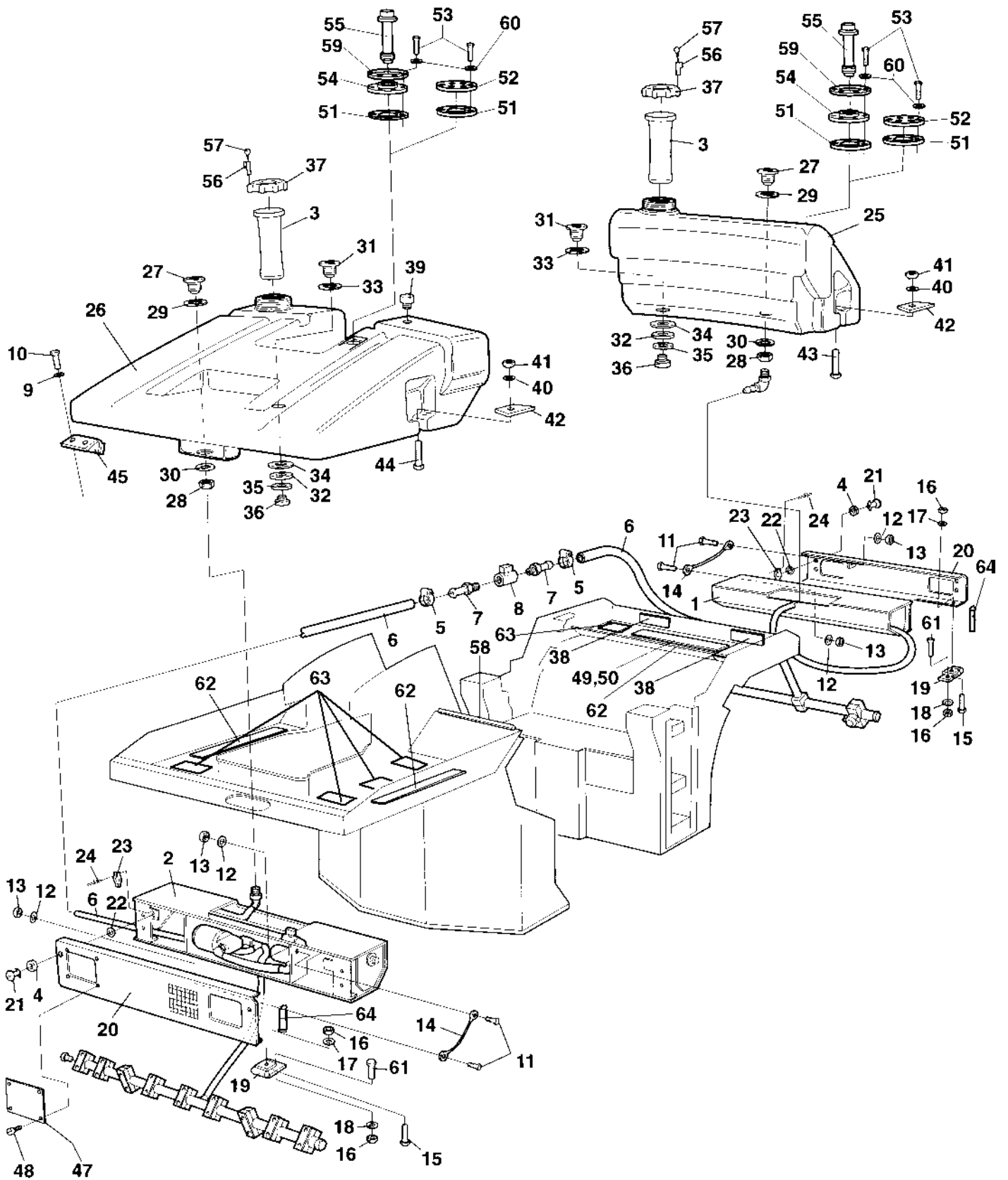
17260



Noise suppression Left hood

| Ref. No. | Part No. | Rem. | Qty | Description | Code |
|----------|----------|------|-----|-------------------|------|
| 1 | 374787 | | 1 | Absorbent | |
| 2 | 374788 | | 1 | Absorbent | |
| 3 | 374789 | | 1 | Absorbent | |
| 4 | 374790 | | 1 | Absorbent | |
| 5 | 374978 | | 1 | Absorbent | |
| 6 | 374979 | | 1 | Absorbent | |
| 7 | 373187 | | 1 | Absorbent | |
| 8 | 904209 | | 16 | Screw | |
| 9 | 373476 | | 18 | Washer | |
| 10 | 379457 | | 1 | Absorbent CE-2006 | |

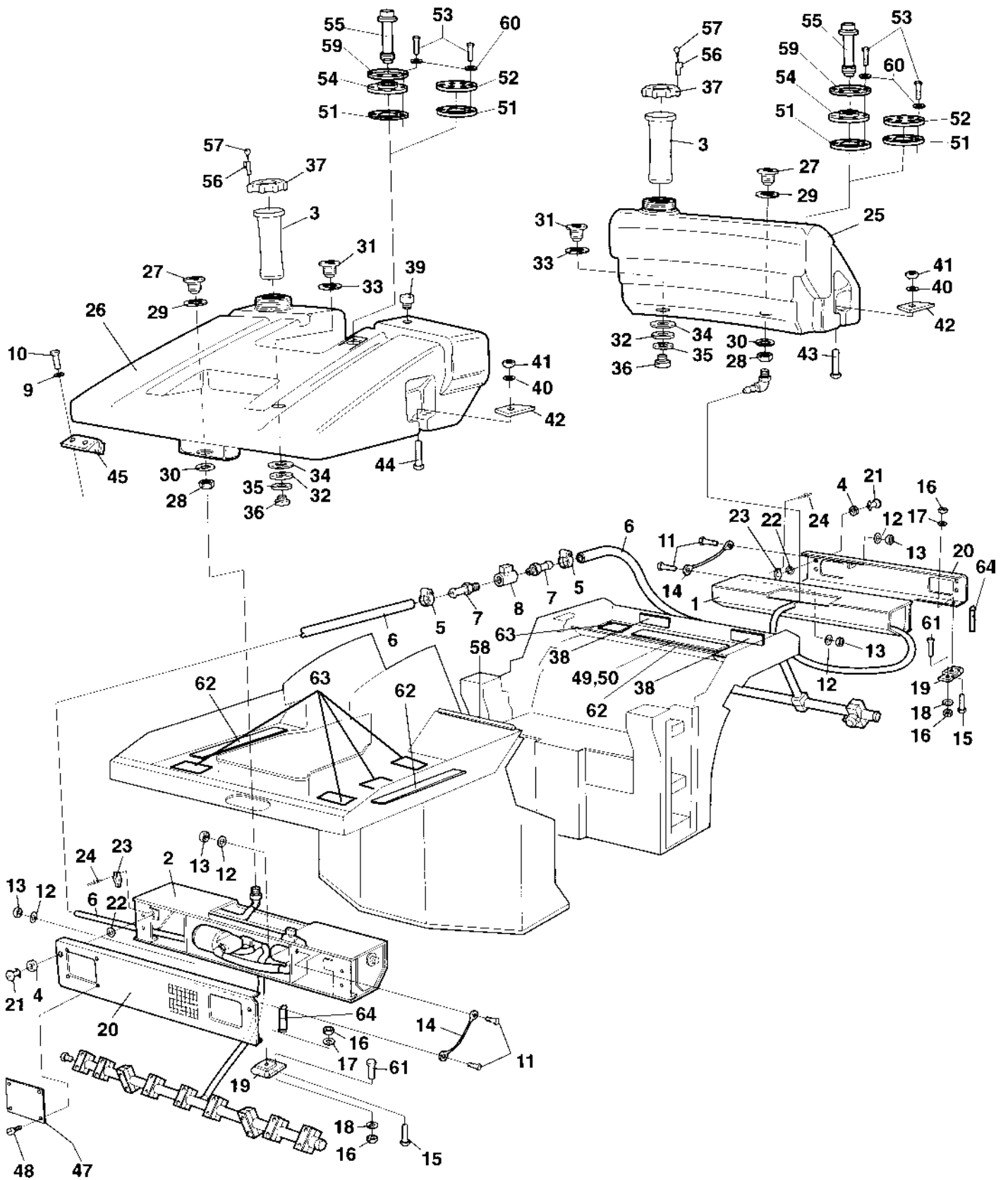
18278



| Ref. No. | Part No. | Rem. | Qty | Description | Code |
|----------|----------|------|-----|--|------|
| 1 | | | 1 | Sprinkler system, front Up to 62110636 (Page 62) | |
| | | | 1 | Sprinkler system, front From 62110637 (Page 66) | |
| 2 | | | 1 | Sprinkler system, rear Up to 62110636 (Page 70) | |
| | | | 1 | Sprinkler system, rear From 62110637 (Page 74) | |
| 3 | 358846 | | 2 | Strainer | |
| 4 | 904913 | | 4 | Washer Neopren | |
| 5 | 313001 | | 2 | Hose clamp | |
| 6 | 244054 | E | 2XL | Hose reinforced 0,66M | |
| 7 | 924544 | | 2 | Hose connection | |
| 8 | 925599 | | 1 | Valve | |
| 9 | 904556 | | 4 | Washer 8,4x16x3,0 | |
| 10 | 500022 | | 4 | Screw M8-1,25x30 8,8 | |
| 11 | 500053 | | 4 | Screw M8-1,25x20 8,8 | |
| 12 | 904229 | | 4 | Washer 8,4x16x1,5 | |
| 13 | 586003 | | 4 | Lock nut M8 | |
| 14 | 381619 | | 2 | Wire | |
| 15 | 513012 | | 8 | Screw | |
| 16 | 586002 | | 20 | Lock nut M6 | |
| 17 | 928467 | | 8 | Washer | |
| 18 | 904228 | | 12 | Washer 6,4x12x1,5 | |
| 19 | 928041 | | 4 | Hinge | |
| 20 | 385339 | | 2 | Cover | |
| 21 | 904914 | | 4 | Tap | |
| 22 | 903342 | | 4 | Retaining ring | |
| 23 | 903344 | | 4 | Lock | |
| 24 | 923253 | | 8 | Rivet | |
| 25 | 359001 | A | 1 | Water tank | |
| 26 | 359002 | B | 1 | Water tank | |
| | 902916 | 3 | 1 | .Adapter kit | |
| 27 | | | 1 | ..Connector | |
| 28 | | | 1 | ..Nut | |
| 29 | | | 1 | ..Sealing | |
| 30 | | | 1 | ..Washer | |
| | 902917 | 3 | 1 | .Adapter kit | |
| 31 | | | 1 | ..Connector | |
| 32 | | | 1 | ..Nut | |
| 33 | | | 1 | ..Sealing | |
| 34 | | | 1 | ..Washer | |
| | 902918 | 3 | 1 | .Plug kit | |
| 35 | | | 1 | ..Gasket | |
| 36 | | | 1 | ..Plug | |
| 37 | 359003 | 3 | 1 | .Cap | |
| 38 | 202041 | F | 2XL | Rubber strip | |
| 39 | 357138 | | 1 | Ventilating filter | |
| 40 | 904232 | | 4 | Washer 17x30x3 | |
| 41 | 570008 | | 4 | Nut M16 -8 | |
| 42 | 359444 | | 4 | Holder, cpl | |
| 43 | 904405 | | 2 | Screw | |
| 44 | 903523 | | 2 | Screw | |
| 45 | 359446 | | 2 | Holder | |
| 47 | 374545 | | 4 | Cover | |
| 48 | 902223 | | 16 | Screw | |
| 49 | 382337 | | 3 | Rubber cloth | |

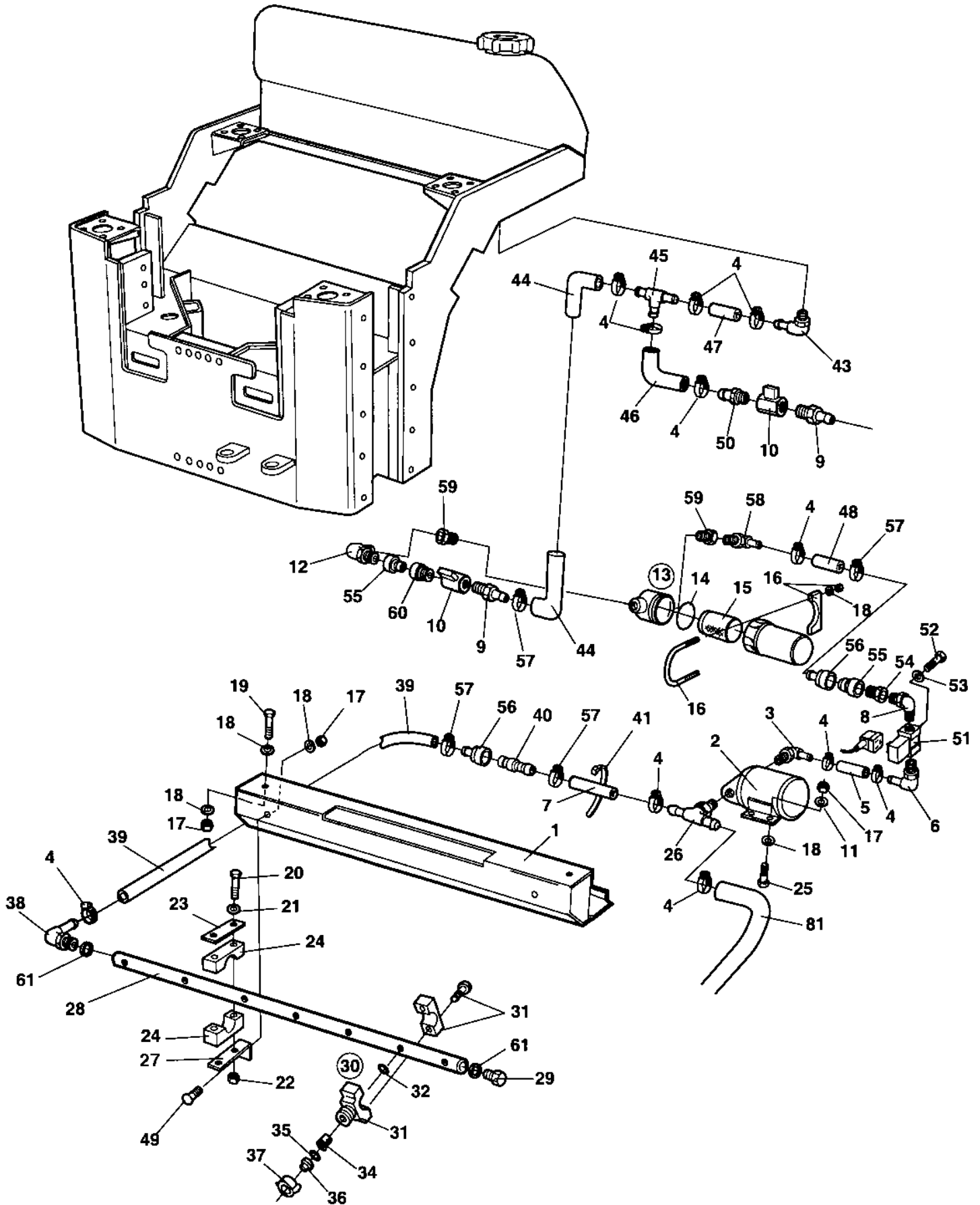
- 3) Included in both sprinkling tanks, item 25 & 26
A) Front
B) Rear
E) Length as required
F) L=645 mm

18278



| Ref. No. | Part No. | Rem. | Qty | Description | Code |
|----------|----------|------|-----|-----------------------------|------|
| 50 | 904901 | | 3 | Tape | |
| 51 | 370746 | | 2 | Gasket | |
| 52 | 370747 | | 2 | Cover | |
| 53 | 904206 | | 10 | Screw | |
| 54 | 370745 | C | 2 | Flange, cpl Gasket included | |
| 55 | 382157 | C | 2 | Level sender | |
| 56 | 370699 | C | 2 | Lock | |
| 57 | | D | 1 | .Key | |
| 58 | 202043 | E | 2XL | Rubber strip | |
| 59 | 372718 | | 2 | Lid | |
| 60 | 904228 | | 10 | Washer 6,4x12x1,5 | |
| 61 | 928784 | | 12 | Screw | |
| 62 | 381666 | | 4 | Cellular plastic sheet | |
| 63 | 381665 | | 7 | Cellular plastic sheet | |
| 64 | 297018 | E | 4XL | Rubber strip | |

- C) Option
- D) 2 pcs incl. in 56
- E) Length as required



38 26 34

| Ref. No. | Part No. | Rem. | Qty | Description | Code |
|----------|----------|------|-----|------------------------|------|
| 1 | 382425 | | 1 | Sprinkler box | |
| 2 | 383697 | 3 | 1 | Water pump | |
| 3 | 923734 | | 1 | Hose connection | |
| 4 | 313002 | | 11 | Hose clamp | |
| 5 | 904878 | B | 1XL | Hose reinforced | |
| 6 | 901431 | | 1 | Hose connection | |
| 7 | 904878 | A | 1XL | Hose reinforced | |
| 8 | 791134 | | 1 | Elbow 90 | |
| 9 | 924544 | | 2 | Hose connection | |
| 10 | 925599 | | 2 | Valve | |
| 11 | 904556 | | 4 | Washer 8,4x16x3,0 | |
| 12 | 901298 | | 1 | Connector | |
| 13 | 791130 | | 1 | Strainer cpl | |
| 14 | 938307 | | 1 | .O-ring | |
| 15 | 938306 | | 1 | .Strainer | |
| 16 | 313036 | | 1 | Clamp | |
| 17 | 570005 | | 12 | Nut M8 | |
| 18 | 904229 | | 12 | Washer 8,4x16x1,5 | |
| 19 | 500022 | | 6 | Screw M8-1,25x30 8,8 | |
| 20 | 500016 | | 4 | Screw M6-1,0x55 8,8 | |
| 21 | 904228 | | 4 | Washer 6,4x12x1,5 | |
| 22 | 586002 | | 4 | Lock nut M6 | |
| 23 | 923859 | | 2 | Cover plate | |
| 24 | 923876 | | 2 | Clamp | |
| 25 | 500053 | | 4 | Screw M8-1,25x20 8,8 | |
| 26 | 903626 | | 1 | Connector | |
| 27 | 382752 | | 2 | Bracket | |
| 28 | 382776 | | 1 | Sprinkler pipe | |
| 29 | 384775 | | 1 | Plug | |
| 30 | 382586 | | 7 | Sprinkler, cpl | |
| 31 | 923680 | | 1 | .Nozzle clamp | |
| 32 | 923962 | | 1 | .O-ring | |
| 34 | 499444 | | 1 | .Strainer | |
| 35 | 904116 | | 1 | .Gasket | |
| 36 | 903540 | | 1 | .Nozzle body Green | |
| 37 | 923681 | | 1 | .Quick coupling, black | |
| 38 | 923684 | | 1 | Hose connection | |
| 39 | 904878 | M | 1XL | Hose reinforced | |
| 40 | 791127 | | 1 | Quick coupling | |
| 41 | 313041 | | N | Cable ties L=186 mm | |
| 43 | 924996 | | 1 | Hose connection | |
| | 924544 | 4 | 1 | Hose connection | |
| 44 | 904878 | E | 1XL | Hose reinforced | |
| | 904878 | J,4 | 1XL | Hose reinforced | |
| 45 | 923735 | | 1 | Hose connection | |
| 46 | 904878 | F | 1XL | Hose reinforced | |
| 47 | 904878 | G | 1XL | Hose reinforced | |
| | 904878 | K,4 | 1XL | Hose reinforced | |

3) New version with Cannon connection

4) Valid for rollers with eyelet.

A) L=0,52 m

B) L=0,20 m

E) L=0,08 m

F) L=0,78 m

G) L=0,17 m

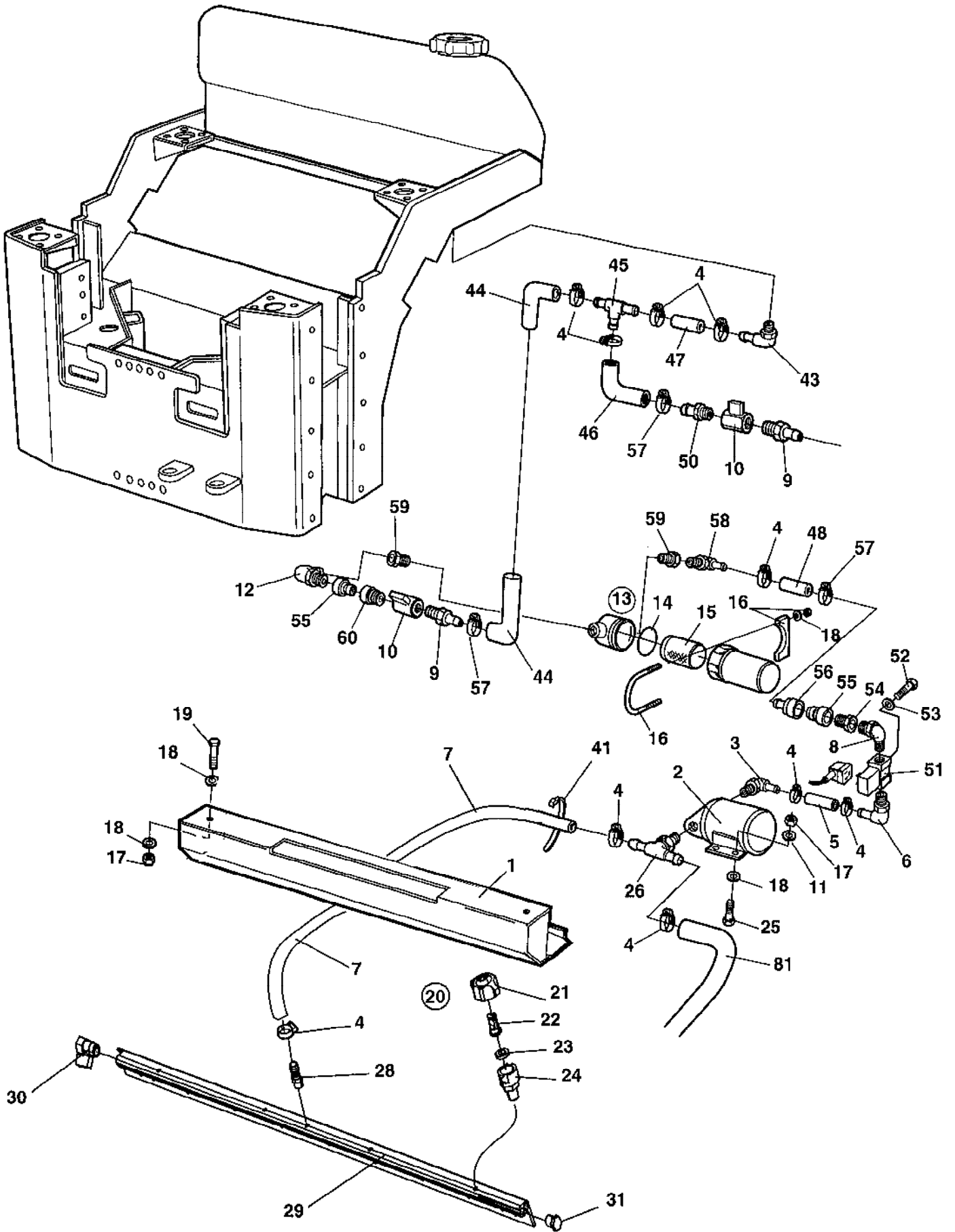
J) L=0,40 m

K) L=0,12 m

M) L=0,45 m

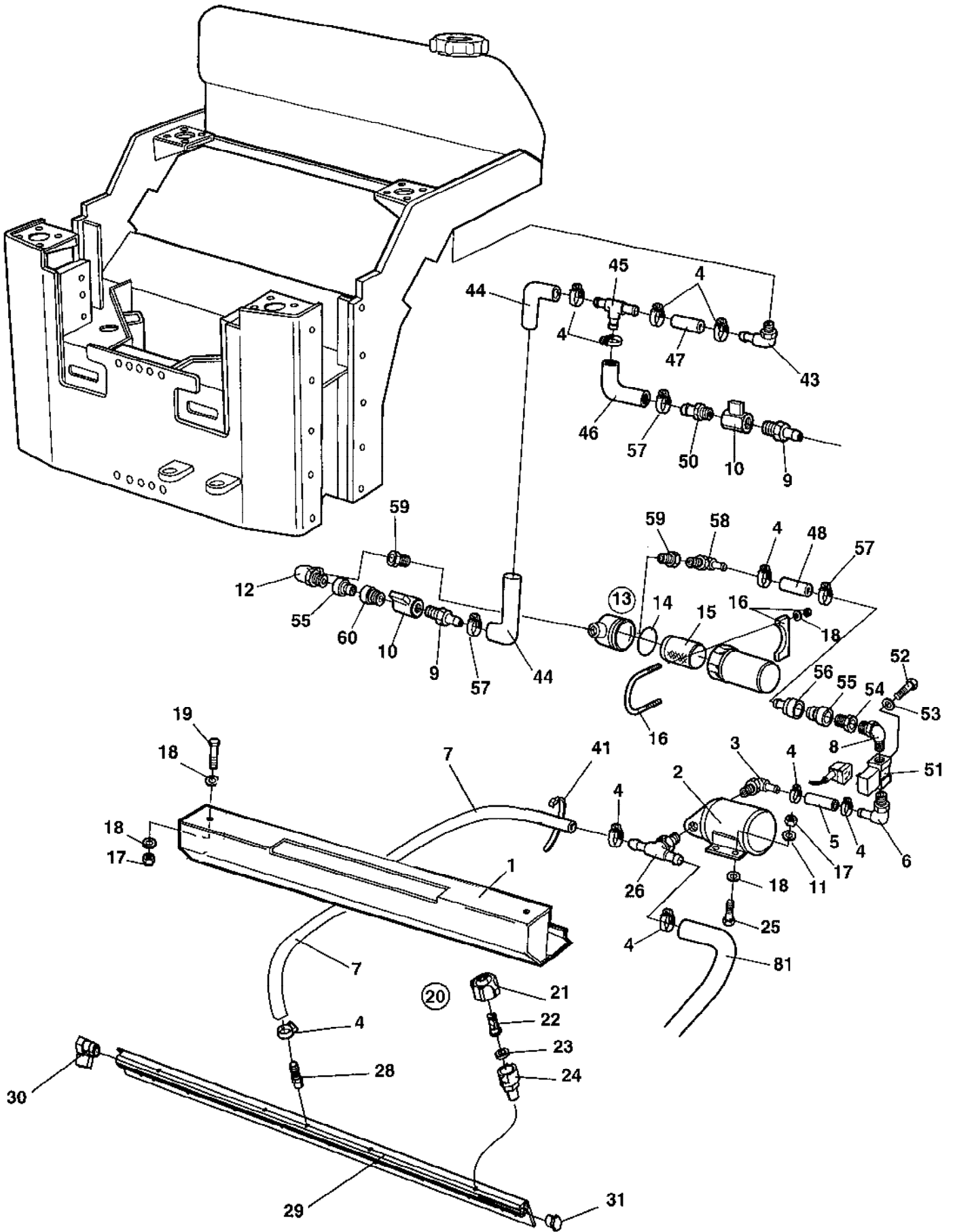
| Ref. No. | Part No. | Rem. | Qty | Description | Code |
|----------|----------|------|-----|------------------------|------|
| 48 | 904878 | H | 1XL | Hose reinforced | |
| | 904878 | L,4 | 1XL | Hose reinforced | |
| 49 | 929191 | | 2 | Bolt | |
| 50 | 924544 | | 1 | Hose connection | |
| 51 | 287713 | | 1 | Solenoid valve | |
| 52 | 500002 | | 2 | Screw M4-0,7x12H 8.8 | |
| 53 | 904698 | | 2 | Washer 4,3x8x0,8 | |
| 54 | 791135 | | 1 | Connector | |
| 55 | 791128 | | 2 | Quick coupling | |
| 56 | 791126 | | 2 | Quick coupling | |
| 57 | 814071 | | 4 | Hose clamp | |
| 58 | 924996 | | 1 | Hose connection | |
| 59 | 903886 | | 2 | Adapter | |
| 60 | 791125 | | 1 | Quick coupling | |
| 61 | 903769 | | 2 | Sealing | |
| 80 | | I | 1 | Sprinkling tank, front | |
| 81 | | I | 1 | Plastic hose | |

- 4) Valid for rollers with eyelet.
- H) L=0,53 m
- I) See sprinkler systems, tanks
- L) L=0,60 m



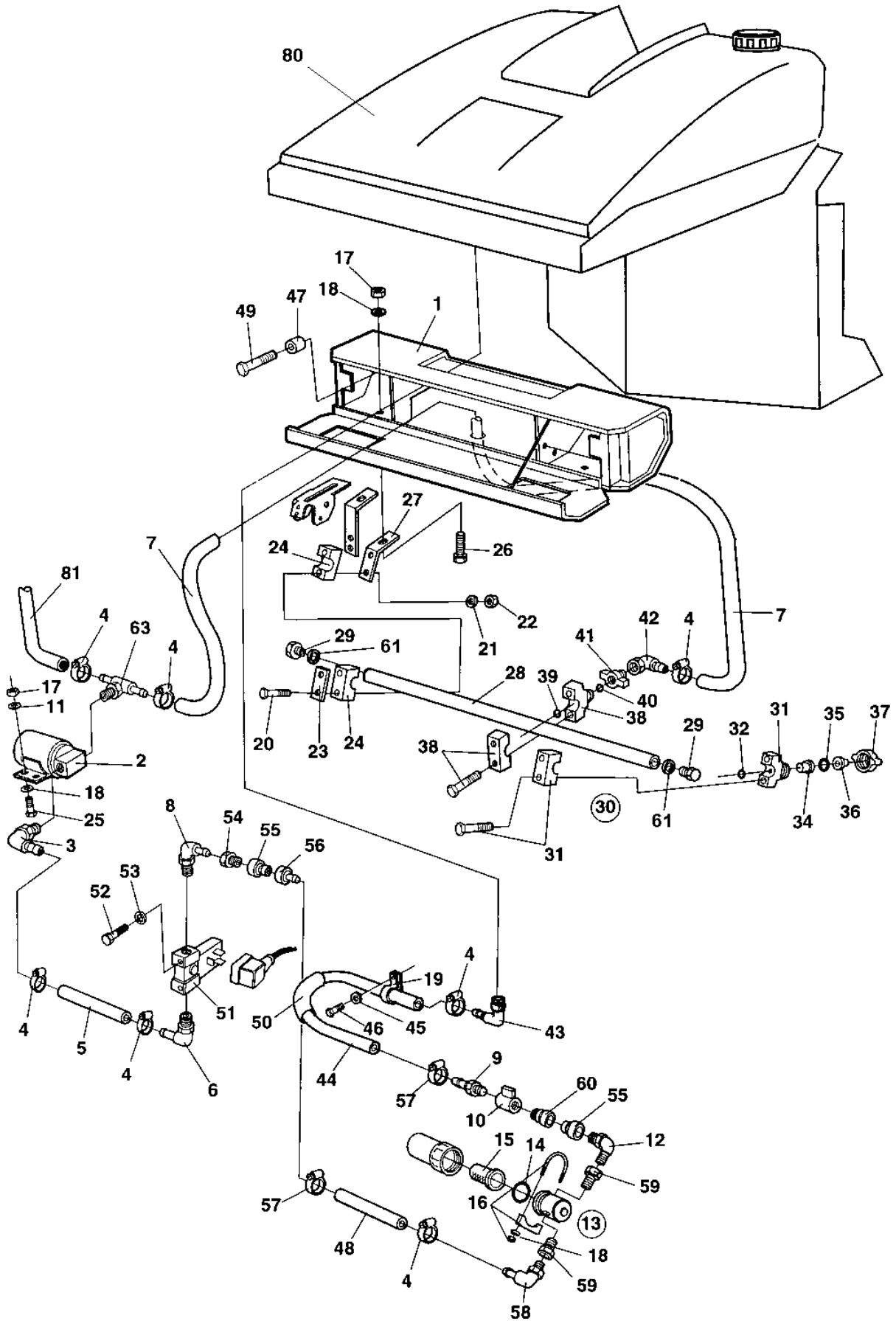
| Ref. No. | Part No. | Rem. | Qty | Description | Code |
|----------|----------|------|-----|----------------------------------|------|
| 1 | 382425 | | 1 | Sprinkler box | |
| 2 | 383697 | 3 | 1 | Water pump | |
| 3 | 923734 | | 1 | Hose connection | |
| 4 | 313002 | | 10 | Hose clamp | |
| 5 | 904878 | B | 1XL | Hose reinforced | |
| 6 | 901431 | | 1 | Hose connection | |
| 7 | 904878 | A | 1XL | Hose reinforced | |
| 8 | 791134 | | 1 | Elbow 90 | |
| 9 | 924544 | | 2 | Hose connection | |
| 10 | 925599 | | 2 | Valve | |
| 11 | 904556 | | 4 | Washer 8,4x16x3,0 | |
| 12 | 901298 | | 1 | Connector | |
| 13 | 791130 | | 1 | Strainer cpl | |
| 14 | 938307 | | 1 | .O-ring | |
| 15 | 938306 | | 1 | .Strainer | |
| 16 | 313036 | | 1 | Clamp | |
| 17 | 570005 | | 12 | Nut M8 | |
| 18 | 904229 | | 12 | Washer 8,4x16x1,5 | |
| 19 | 500022 | | 6 | Screw M8-1,25x30 8,8 | |
| 20 | 376873 | | 3 | Spraying nozzle, cpl | |
| 21 | 376875 | | 1 | .Retainer | |
| 22 | 376877 | | 1 | .Nozzle and strainer, yellow 0.8 | |
| | 390615 | | 1 | .Nozzle and strainer, blue 1.0 | |
| | 390616 | | 1 | .Nozzle and strainer, red 1.2 | |
| | 390619 | | 1 | .Nozzle and strainer, brown 1.3 | |
| 23 | 376876 | | 1 | .Gasket | |
| 24 | 376874 | | 1 | .Housing | |
| 25 | 500020 | | 4 | Screw M8-1,25x22 8,8 | |
| 26 | 903626 | | 1 | Connector | |
| 27 | 382752 | | 2 | Bracket | |
| 28 | 791977 | | 1 | Hose connection | |
| 29 | | 2 | 1 | Sprinkler pipe/bracket | |
| 30 | 233215 | | 1 | Ball valve | |
| 31 | 791974 | | 1 | Plug threaded | |
| 41 | 313041 | | N | Cable ties L=186 mm | |
| 43 | 924996 | | 1 | Hose connection | |
| | 924544 | | 1 | Hose connection | |
| 44 | 904878 | E | 1XL | Hose reinforced | |
| | 904878 | J,4 | 1XL | Hose reinforced | |
| 45 | 923735 | | 1 | Hose connection | |
| 46 | 904878 | F | 1XL | Hose reinforced | |
| 47 | 904878 | G | 1XL | Hose reinforced | |
| | 904878 | K,4 | 1XL | Hose reinforced | |
| 48 | 904878 | H | 1XL | Hose reinforced | |
| | 904878 | L,4 | 1XL | Hose reinforced | |
| 50 | 924544 | | 1 | Hose connection | |
| 51 | 287713 | | 1 | Solenoid valve | |
| 52 | 500002 | | 2 | Screw M4-0,7x12H 8.8 | |

- 2) See section for scrapers.
 3) New version with Cannon connection
 4) Valid for rollers with eyelet.
 A) L=0,38 m
 B) L=0,20 m
 E) L=0,08 m
 F) L=0,78 m
 G) L=0,17 m
 H) L=0,53 m
 J) L=0,40 m
 K) L=0,12 m
 L) L=0,60 m



| Ref. No. | Part No. | Rem. | Qty | Description | Code |
|----------|----------|------|-----|------------------------|------|
| 53 | 904698 | | 2 | Washer 4,3x8x0,8 | |
| 54 | 791135 | | 1 | Connector | |
| 55 | 791128 | | 2 | Quick coupling | |
| 56 | 791126 | | 1 | Quick coupling | |
| 57 | 814071 | | 3 | Hose clamp | |
| 58 | 924996 | | 1 | Hose connection | |
| 59 | 903886 | | 2 | Adapter | |
| 60 | 791125 | | 1 | Quick coupling | |
| 80 | | I | 1 | Sprinkling tank, front | |
| 81 | | I | 1 | Plastic hose | |

I) See sprinkler systems, tanks



| Ref. No. | Part No. | Rem. | Qty | Description | Code |
|----------|----------|------|-----|------------------------|------|
| 1 | 382639 | | | Sprinkler box | |
| 2 | 383697 | 3 | 1 | Water pump | |
| 3 | 923734 | | 1 | Hose connection | |
| 4 | 313002 | | 7 | Hose clamp | |
| 5 | 904878 | B | 1XL | Hose reinforced | |
| 6 | 901431 | | 1 | Hose connection | |
| 7 | 904878 | A | 1XL | Hose reinforced | |
| 8 | 791134 | | 1 | Elbow 90 | |
| 9 | 924544 | | 1 | Hose connection | |
| 10 | 925599 | | 1 | Valve | |
| 11 | 904556 | | 4 | Washer 8,4x16x3,0 | |
| 12 | 901298 | | 1 | Connector | |
| 13 | 791130 | | 1 | Strainer cpl | |
| 14 | 938307 | | 1 | .O-ring | |
| 15 | 938306 | | 1 | .Strainer | |
| 16 | 313036 | | 1 | Clamp | |
| 17 | 570005 | | 10 | Nut M8 | |
| 18 | 904229 | | 9 | Washer 8,4x16x1,5 | |
| 19 | 921047 | | 1 | Clamp | |
| 20 | 500016 | | 4 | Screw M6-1,0x55 8,8 | |
| 21 | 904228 | | 4 | Washer 6,4x12x1,5 | |
| 22 | 586002 | | 4 | Lock nut M6 | |
| 23 | 923859 | | 2 | Cover plate | |
| 24 | 923876 | | 2 | Clamp | |
| 25 | 500053 | | 4 | Screw M8-1,25x20 8,8 | |
| 26 | 929191 | | 3 | Bolt | |
| 27 | 384820 | | 2 | Bracket | |
| 28 | 381886 | | 1 | Sprinkler pipe | |
| | 382915 | 1 | 1 | Sprinkler pipe | |
| 29 | 384775 | | 2 | Plug | |
| 30 | 382586 | | 7 | Sprinkler, cpl | |
| 31 | 923680 | | 1 | .Nozzle clamp | |
| 32 | 923962 | | 1 | ..O-ring | |
| 34 | 499444 | | 1 | .Strainer | |
| 35 | 904116 | | 1 | .Gasket | |
| 36 | 903540 | | 1 | .Nozzle body Green | |
| 37 | 923681 | | 1 | .Quick coupling, black | |
| 38 | 923680 | | 1 | Nozzle clamp | |
| 39 | 923962 | | 1 | .O-ring | |
| 40 | 904116 | | 1 | Gasket | |
| 41 | 929419 | | 1 | Coupling | |
| 42 | 901431 | | 1 | Hose connection | |
| 43 | 924996 | | 1 | Hose connection | |
| 44 | 904878 | D | 1XL | Hose reinforced | |
| 45 | 904281 | | 1 | Washer 5,3x10x1 | |
| 46 | 500041 | | 1 | Screw | |
| 47 | 359434 | | 8 | Spacer sleeve | |
| 48 | 904878 | E | 1XL | Hose reinforced | |
| 49 | 500031 | | 8 | Screw M10-1,5x40 8,8 | |
| 50 | 901191 | F | 1XL | Protective hose | |
| 51 | 287713 | | 1 | Solenoid valve | |
| 52 | 500002 | | 2 | Screw M4-0,7x12H 8.8 | |

1) Valid for rollers with spring loaded scrapers, foldable.

3) New version with Cannon connection

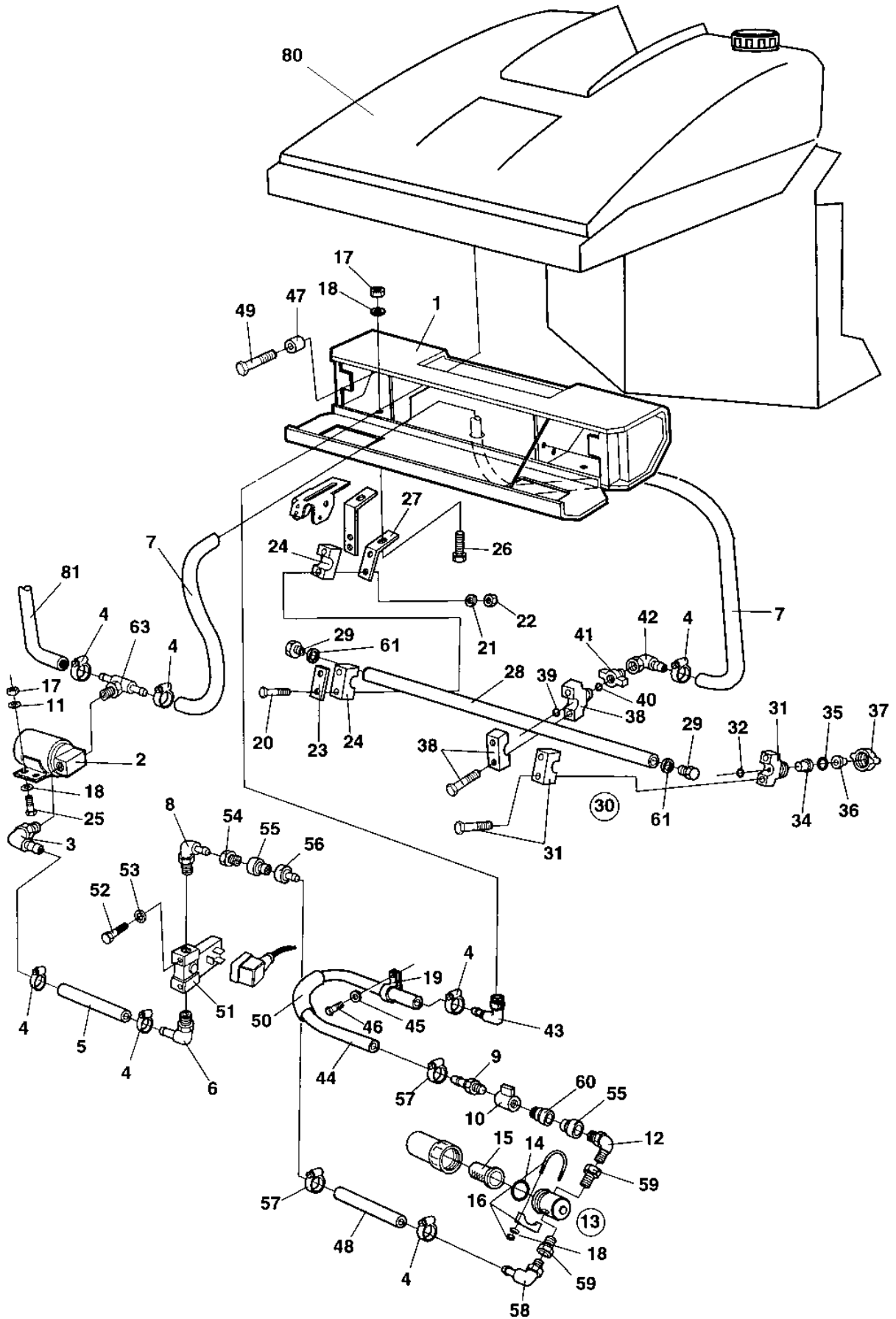
A) L=0,30 m

B) L=0,20 m

D) L=0,65 m

E) L=0,53 m

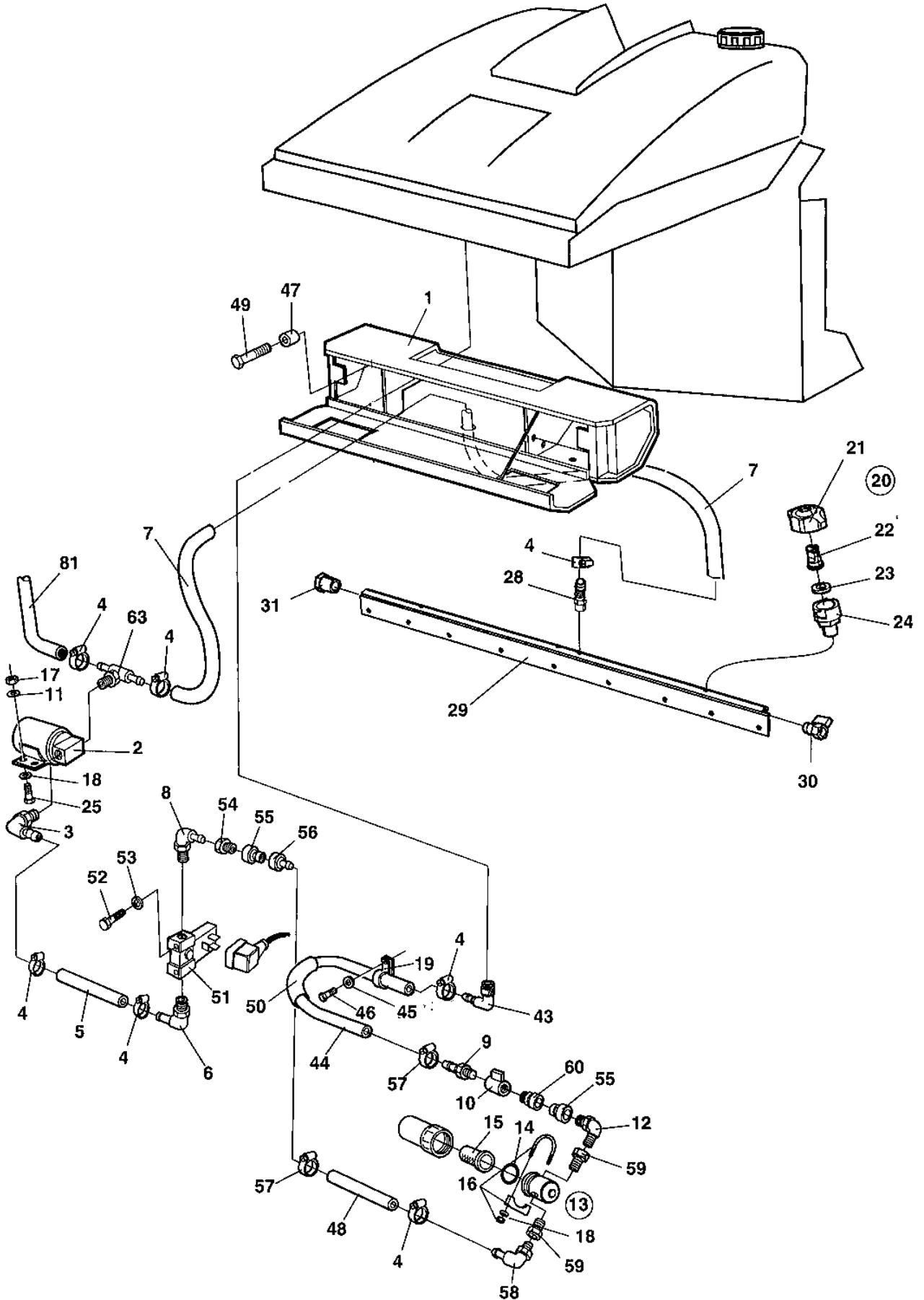
F) L=0,60 m



| Ref. No. | Part No. | Rem. | Qty | Description | Code |
|----------|----------|------|-----|-----------------------|------|
| 53 | 904698 | | 2 | Washer 4,3x8x0,8 | |
| 54 | 791135 | | 1 | Connector | |
| 55 | 791128 | | 2 | Quick coupling | |
| 56 | 791126 | | 1 | Quick coupling | |
| 57 | 814071 | | 2 | Hose clamp | |
| 58 | 924996 | | 1 | Hose connection | |
| 59 | 903886 | | 2 | Adapter | |
| 60 | 791125 | | 1 | Quick coupling | |
| 61 | 903769 | | 2 | Sealing | |
| 63 | 903626 | | 1 | Connector | |
| 80 | | H | 1 | Sprinkling tank, rear | |
| 81 | | H | 1 | Plastic hose | |

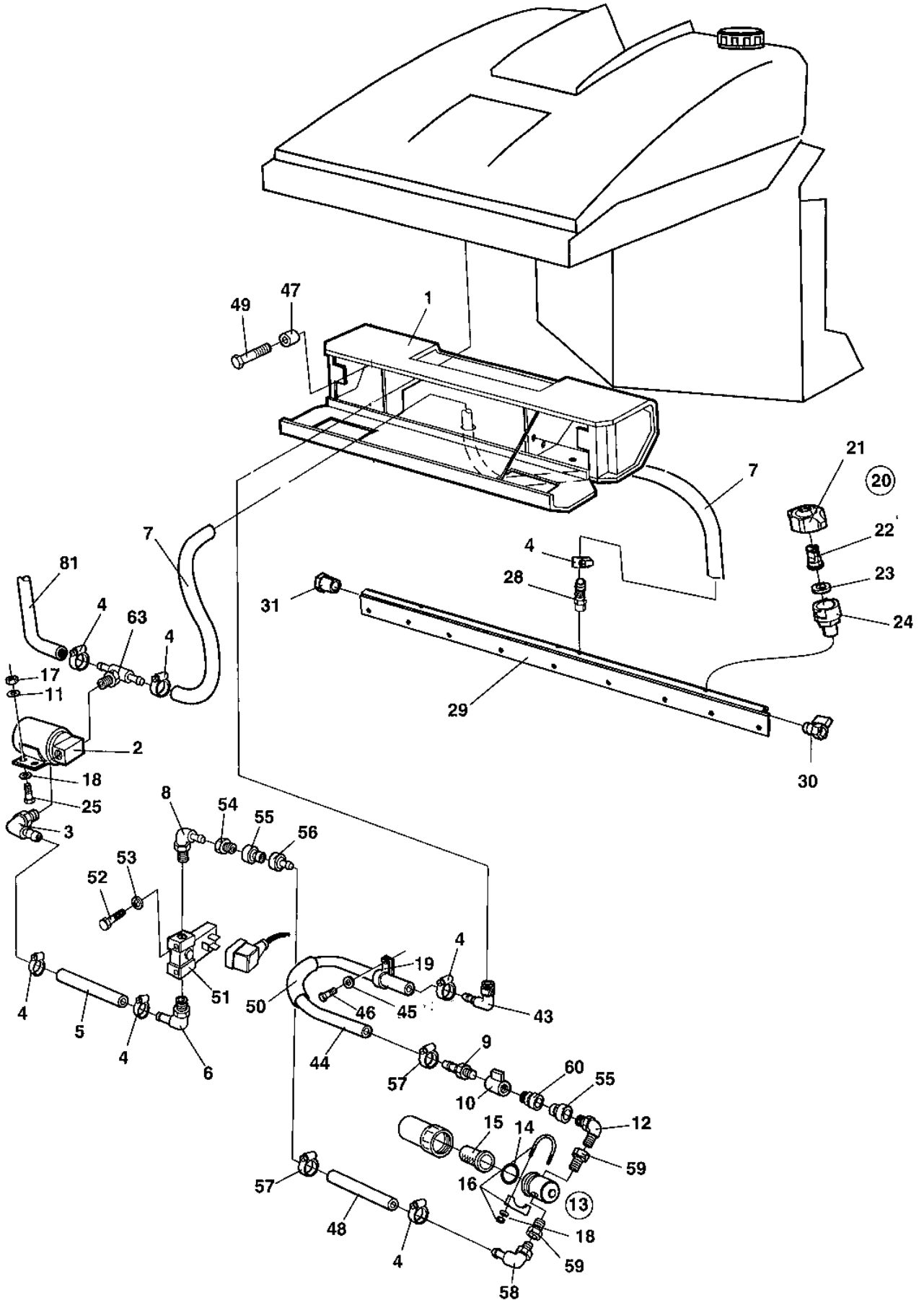
H) See Sprinkler systems, tanks

18175



| Ref. No. | Part No. | Rem. | Qty | Description | Code |
|----------|----------|------|-----|----------------------------------|------|
| 1 | 382425 | | | Sprinkler box | |
| 2 | 383697 | 3 | 1 | Water pump | |
| 3 | 923734 | | 1 | Hose connection | |
| 4 | 313002 | | 7 | Hose clamp | |
| 5 | 904878 | B | 1XL | Hose reinforced | |
| 6 | 901431 | | 1 | Hose connection | |
| 7 | 904878 | A | 1XL | Hose reinforced | |
| 8 | 791134 | | 1 | Elbow 90 | |
| 9 | 924544 | | 1 | Hose connection | |
| 10 | 925599 | | 1 | Valve | |
| 11 | 904556 | | 4 | Washer 8,4x16x3,0 | |
| 12 | 901298 | | 1 | Connector | |
| 13 | 791130 | | 1 | Strainer cpl | |
| 14 | 938307 | | 1 | .O-ring | |
| 15 | 938306 | | 1 | .Strainer | |
| 16 | 313036 | | 1 | Clamp | |
| 17 | 570005 | | 10 | Nut M8 | |
| 18 | 904229 | | 9 | Washer 8,4x16x1,5 | |
| 19 | 921047 | | 1 | Clamp | |
| 20 | 376873 | | 3 | Spraying nozzle, cpl | |
| 21 | 376875 | | 1 | .Retainer | |
| 22 | 376877 | | 1 | .Nozzle and strainer, yellow 0.8 | |
| | 390615 | | 1 | .Nozzle and strainer, blue 1.0 | |
| | 390616 | | 1 | .Nozzle and strainer, red 1.2 | |
| | 390619 | | 1 | .Nozzle and strainer, brown 1.3 | |
| 23 | 376876 | | 1 | .Gasket | |
| 24 | 376874 | | 1 | .Housing | |
| 25 | 500020 | | 4 | Screw M8-1,25x22 8,8 | |
| 26 | 929191 | | 3 | Bolt | |
| 28 | 791977 | | 1 | Hose connection | |
| 29 | | 1 | 1 | Sprinkler pipe/bracket | |
| 30 | 233215 | | 1 | Ball valve | |
| 31 | 791974 | | 1 | Plug threaded | |
| 43 | 924996 | | 1 | Hose connection | |
| 44 | 904878 | D | 1XL | Hose reinforced | |
| 45 | 904281 | | 1 | Washer 5,3x10x1 | |
| 46 | 500041 | | 1 | Screw | |
| 47 | 359434 | | 8 | Spacer sleeve | |
| 48 | 904878 | E | 1XL | Hose reinforced | |
| 49 | 500031 | | 8 | Screw M10-1,5x40 8,8 | |
| 50 | 901191 | F | 1XL | Protective hose | |
| 51 | 287713 | | 1 | Solenoid valve | |
| 52 | 500002 | | 2 | Screw M4-0,7x12H 8.8 | |
| 53 | 904698 | | 2 | Washer 4,3x8x0,8 | |
| 54 | 791135 | | 1 | Connector | |
| 55 | 791128 | | 2 | Quick coupling | |
| 56 | 791126 | | 1 | Quick coupling | |
| 57 | 814071 | | 2 | Hose clamp | |
| 58 | 924996 | | 1 | Hose connection | |
| 59 | 903886 | | 2 | Adapter | |
| 60 | 791125 | | 1 | Quick coupling | |
| 61 | 903769 | | 2 | Sealing | |
| 63 | 903626 | | 1 | Connector | |

- 1) See section for scrapers.
- 3) New version with Cannon connection
- A) L=0,28 m
- B) L=0,20 m
- D) L=0,65 m
- E) L=0,53 m
- F) L=0,60 m

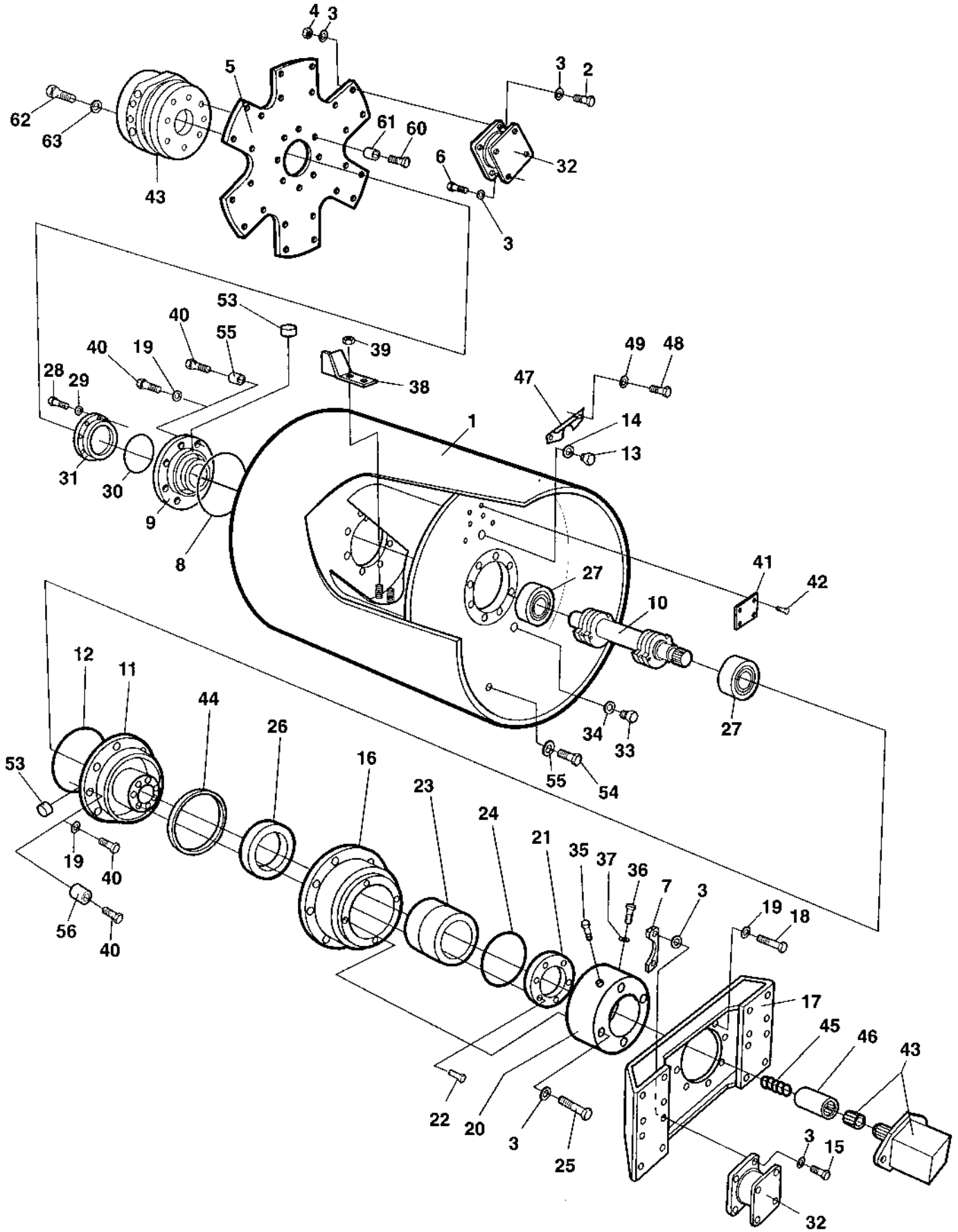


| Ref. No. | Part No. | Rem. | Qty | Description | Code |
|----------|------------------------------|------|-----|-----------------------|------|
| 80 | | H | 1 | Sprinkling tank, rear | |
| 81 | | H | 1 | Plastic hose | |
| H) | See Sprinkler systems, tanks | | | | |

| Ref. No. | Part No. | Rem. | Qty | Description | Code |
|----------|----------|------|-----|------------------|------|
| 10 | | | | Drum (Page 80) | |

Drum

15661-3



Drum

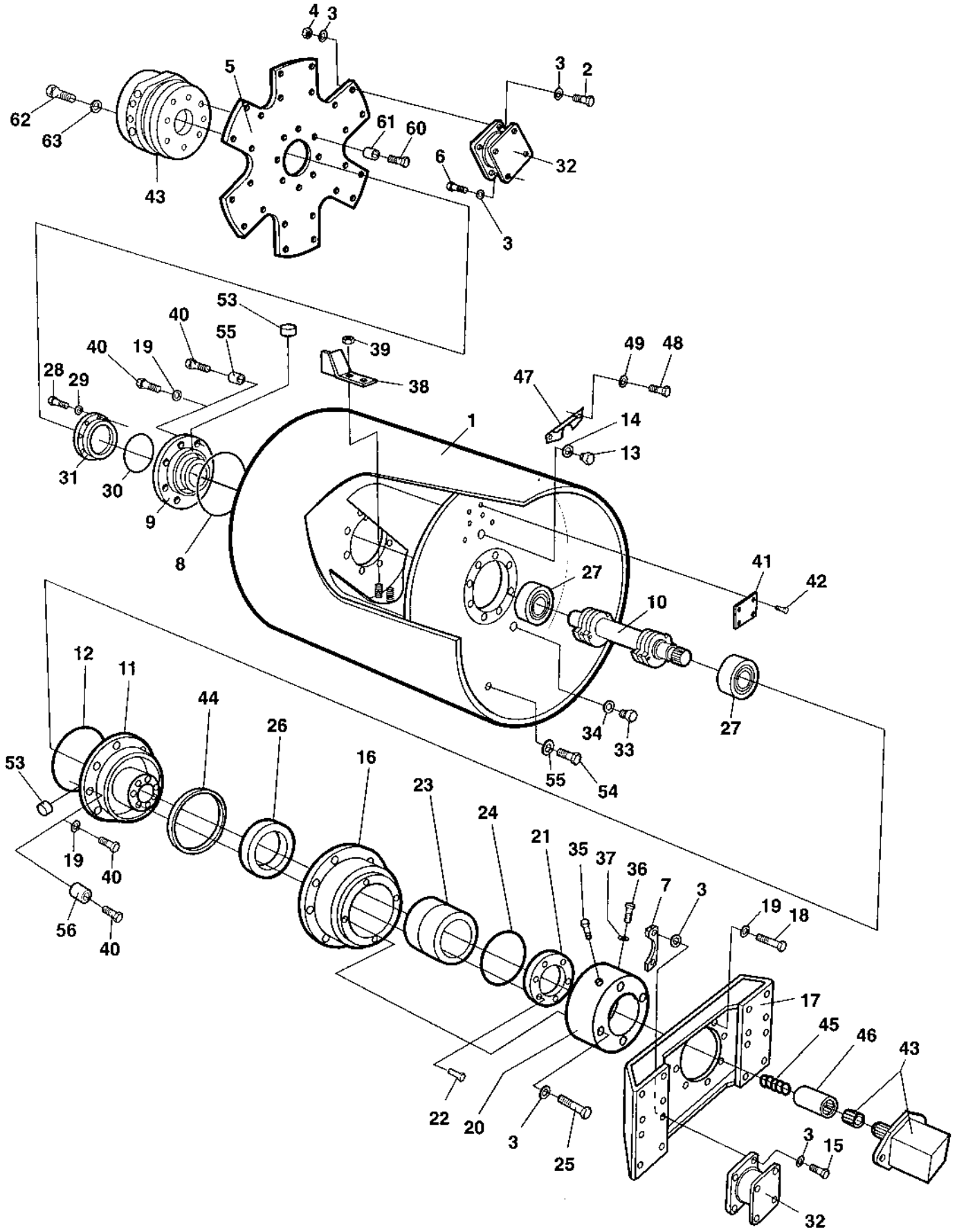
| Ref. No. | Part No. | Rem. | Qty | Description | Code |
|----------|----------|------|-----|--|------|
| | | | | The quantity is valid for one (1) drum | |
| 1 | 374202 | | 1 | Drum | |
| 2 | 500195 | | 24 | Screw M12-1,75x50 8.8 | |
| 3 | 904231 | | 108 | Washer 13x24x2 | |
| 4 | 586019 | | 24 | Lock nut M12 | |
| 5 | 386352 | | 1 | Drive disc | |
| 6 | 508084 | | 24 | Screw | |
| 7 | 383436 | | 8 | Holder | |
| 8 | 160344 | | 1 | O-ring | |
| 9 | 374840 | | 1 | Bearing housing | |
| 10 | 374205 | | 1 | Eccentric shaft Up to 62110699 | |
| | 379559 | | 1 | Eccentric shaft From 62110700 | |
| 11 | 374837 | | 1 | Bearing housing | |
| 12 | 160344 | | 1 | O-ring | |
| 13 | 343744 | | 1 | Magnetic plug M30 | |
| 14 | 162017 | | 1 | Seal ring M30 | |
| 15 | 500195 | | 16 | Screw M12-1,75x50 8.8 | |
| 16 | 343318 | | 1 | Bearing housing | |
| 17 | 372119 | | 1 | Holder plate | |
| 18 | 500076 | | 8 | Screw M16x55 | |
| 19 | 600011 | | 16 | Washer | |
| 20 | 384397 | | 1 | Connector | |
| 21 | 381028 | | 1 | Bearing cover | |
| 22 | 791933 | | 8 | Screw M8x40 | |
| 23 | 116041 | | 1 | Taper roller bearing | |
| 24 | 160105 | | 1 | O-ring | |
| 25 | 500133 | | 4 | Screw M12x70 | |
| 26 | 386272 | | 1 | Sealing | |
| 27 | 114060 | | 2 | Spherical roller bearing | |
| 28 | 500028 | | 6 | Screw M10-1,5x25 8,8 | |
| 29 | 904230 | | 6 | Washer 10,5x22x2 | |
| 30 | 160105 | | 1 | O-ring | |
| 31 | 343321 | | 1 | Bearing cover | |
| 32 | 450122 | | 10 | Shock absorber | |
| 33 | 344196 | | 1 | Plug M12 | |
| 34 | 162027 | | 1 | Sealing M12 | |
| 35 | 926736 | | 1 | Breather M14 | |
| 36 | 370231 | | 1 | Plug | |
| 37 | 162018 | | 1 | Sealing | |
| 38 | | 3 | N/A | Blade | |
| 39 | | | 12 | Nut | |
| 40 | 500093 | | 16 | Screw M16x40 | |
| | 500070 | | 16 | Screw M16x50 | |
| 41 | 343801 | | 1 | Sign plate | |
| 42 | 527002 | | 4 | Drive screw | |
| 43 | | | N | Hydraulic details | |
| 44 | 929447 | | 1 | V-ring | |
| 45 | 349715 | | 1 | Spring | |
| 46 | 381027 | | 1 | Splined sleeve | |
| 47 | 359955 | | 1 | Drop plate | |
| 48 | 904229 | | 2 | Washer 8,4x16x1,5 | |
| 49 | 500019 | | 2 | Screw M8-1,25x16 8.8 | |
| 53 | 900775 | A | 6 | Plug | |
| 54 | | | | Not used on this model | |
| 55 | | | | Not used on this model | |
| 56 | 371727 | | 16 | Sleeve | |
| 60 | 903546 | | 8 | Screw | |
| 61 | 359578 | | 8 | Spacer | |
| 62 | 928445 | | 4 | Screw | |

3) Now welded into drumshell.

A) Plastic

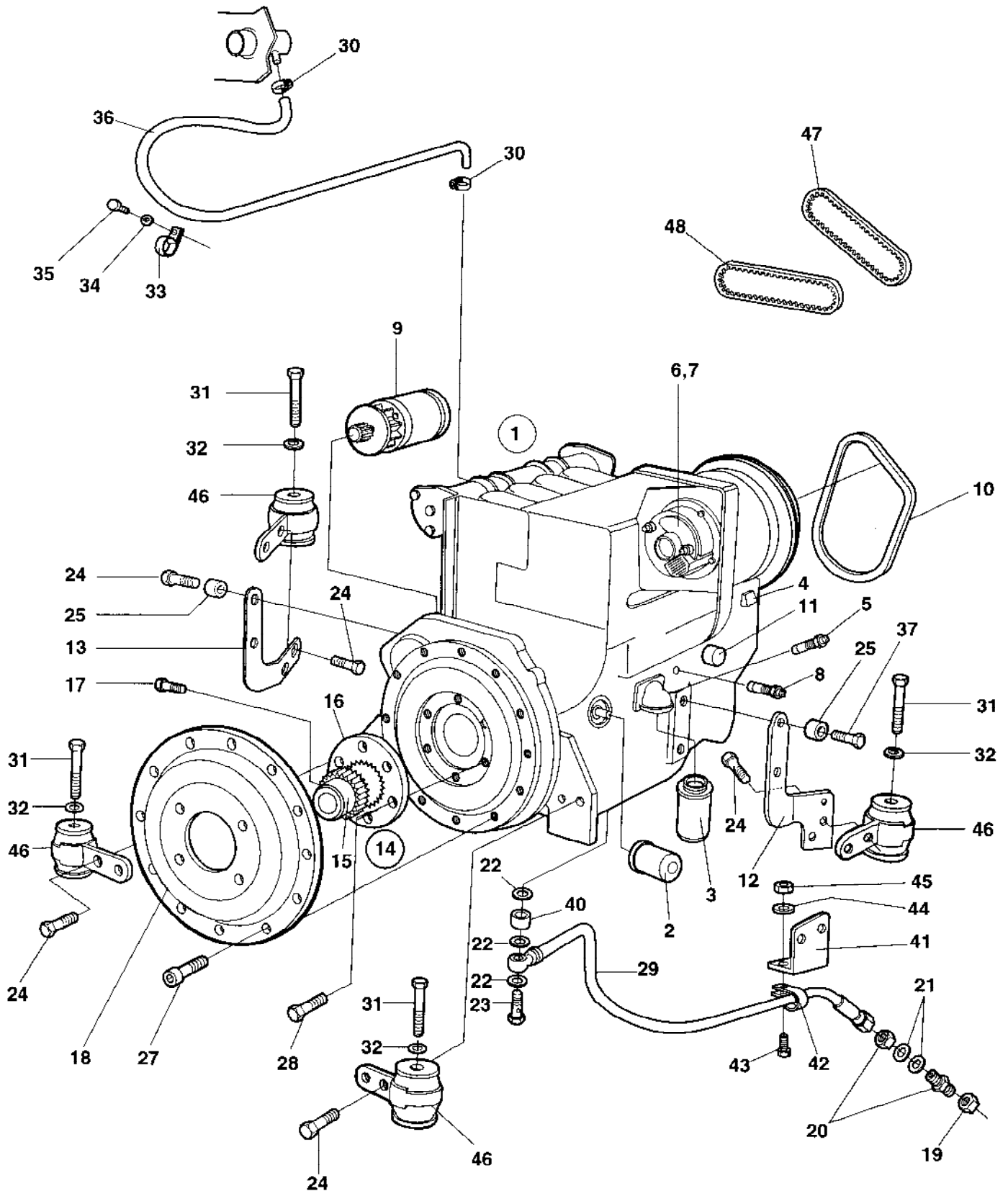
Drum

15661-3



| Ref. No. | Part No. | Rem. | Qty | Description | Code |
|----------|----------|------|-----|-------------|------|
| 63 | 903838 | | 4 | Washer | |

| Ref. No. | Part No. | Rem. | Qty | Description | Code |
|----------|----------|------|-----|--|------|
| 10 | | | | Diesel engine Deutz BF04L 2011 (Page 86) | |
| 20 | | | | Intake system (Page 88) | |
| 30 | | | | Fuel system (Page 90) | |
| 40 | | | | Exhaust system (Page 92) | |



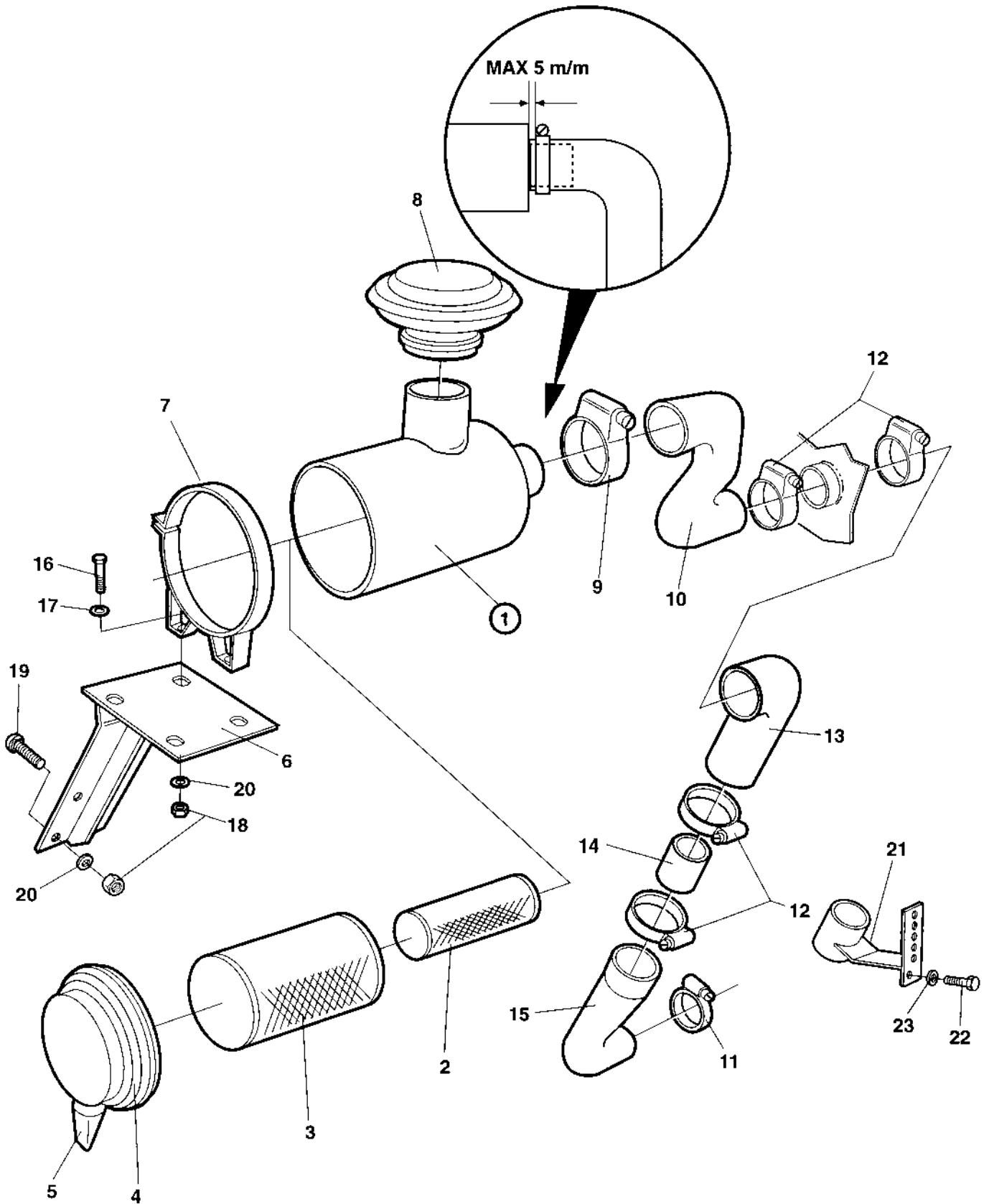
Diesel engine Deutz BF04L 2011

| Ref. No. | Part No. | Rem. | Qty | Description | Code |
|----------|----------|------|-----|----------------------------|------|
| 1 | 388502 | | 1 | Diesel engine | |
| 2 | 939515 | | 1 | .Oil filter | |
| 3 | 903938 | | 1 | .Fuel filter | |
| 4 | 909369 | | 1 | .Solenoid | |
| 5 | 908295 | | 1 | .Oil temp guard | |
| 6 | 939837 | | 1 | .Alternator | |
| 7 | 939478 | | 1 | ..Charging regulator | |
| | 940222 | | 1 | ..Charging regulator 13.8V | |
| 8 | 939838 | | 1 | .Oil pressure switch | |
| 9 | 940980 | | 1 | .Starter | |
| 10 | 939839 | | 1 | .V-belt | |
| 11 | 936147 | A | 1 | .Strainer | |
| 12 | 382351 | B | 1 | Engine bracket | |
| 13 | 372869 | C | 1 | Engine bracket | |
| 14 | 359402 | | 1 | Coupling, cpl | |
| 15 | | | 1 | .Hub | |
| 16 | 902843 | | 1 | .Flange | |
| 17 | 508095 | | 1 | .Screw | |
| 18 | 359403 | | 1 | Pump bracket | |
| 19 | 330383 | | 1 | Cap hydraulic | |
| 20 | 230515 | | 1 | Connector | |
| 21 | 904233 | | 2 | Washer 21x36x3 | |
| 22 | 330331 | | 3 | Washer 18,2x23,9x1,5 | |
| 23 | 747691 | | 1 | Hollow screw | |
| 24 | 500274 | | 10 | Screw | |
| 25 | 357275 | | 4 | Steel tube part | |
| 27 | 508096 | | 9 | Screw M10-1,5x25H 8,8 | |
| 28 | 500021 | | 6 | Screw M8-1,25x25 8,8 | |
| 29 | 372791 | D | 1 | Hydraulic hose | |
| 30 | 313002 | | 2 | Hose clamp | |
| 31 | 500122 | | 4 | Screw | |
| 32 | 904231 | | 4 | Washer 13x24x2 | |
| 33 | 921132 | | 1 | Clamp | |
| 34 | 904229 | | 1 | Washer 8,4x16x1,5 | |
| 35 | 500019 | | 1 | Screw M8-1,25x16 8.8 | |
| 36 | 791969 | | 1 | Hose | |
| 37 | 500050 | | 2 | Screw | |
| 40 | 372588 | | 1 | Spacer | |
| 41 | 372792 | | 1 | Bracket | |
| 42 | 921063 | | 1 | Clamp | |
| 43 | 500040 | | 1 | Screw M6-1x20 8,8 | |
| 44 | 570004 | | 1 | Nut M6 | |
| 45 | 904228 | | 1 | Washer 6,4x12x1,5 | |
| 46 | 903320 | G | 4 | Shock absorber | |
| 47 | 935339 | G,H | 1 | Toothed belt kit | |
| 48 | 939840 | G | 1 | Toothed belt | |

- A) Fuel lift pump
 B) Front
 C) Rear
 D) Engine oil drain
 G) Included in item 1
 H) Belt and roller

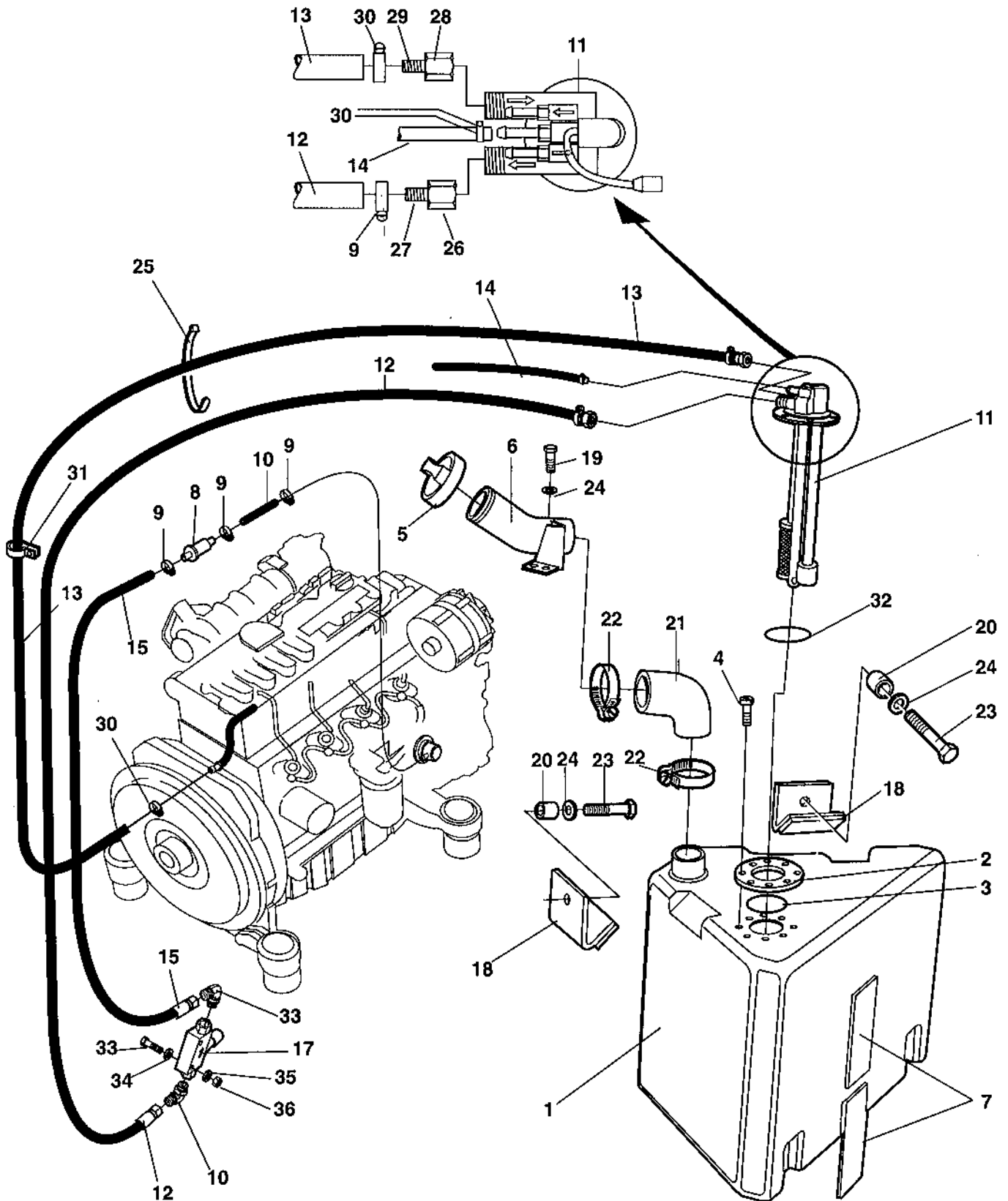
Intake system

17154



Intake system

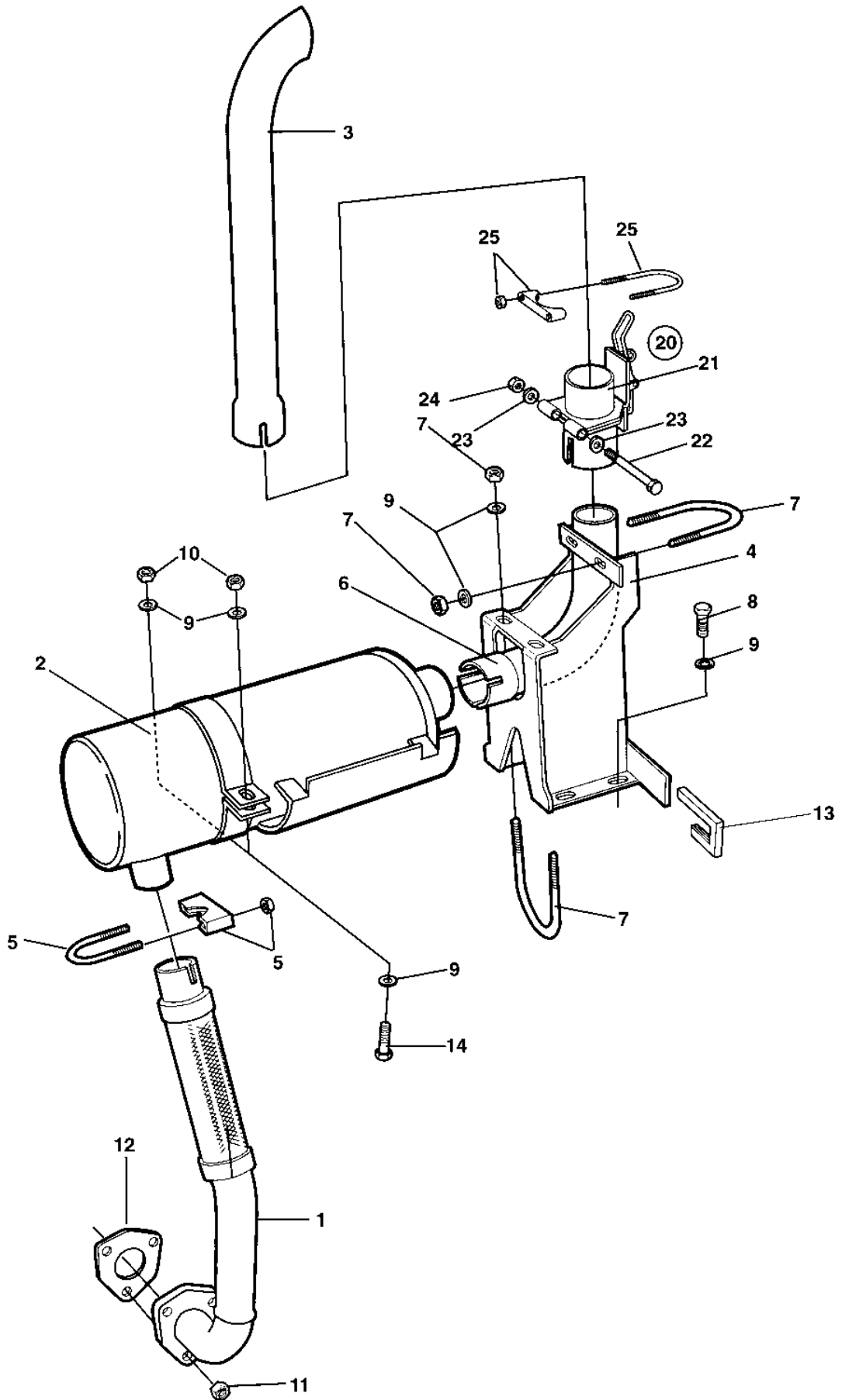
| Ref. No. | Part No. | Rem. | Qty | Description | Code |
|----------|----------|------|-----|------------------------|------|
| 1 | 370878 | | 1 | Air cleaner, cpl | |
| 2 | 908401 | | 1 | .Safety filter | |
| 3 | 908400 | | 1 | .Main filter | |
| 4 | 908452 | | 1 | .Cover | |
| 5 | 908399 | | 1 | .Vacuator valve | |
| 6 | 373890 | | 1 | Bracket | |
| 7 | 813791 | | 2 | Mounting band | |
| 8 | 499266 | | 1 | Protection cover | |
| 9 | 904060 | | 1 | Hose clamp | |
| 10 | 373523 | | 1 | Hose | |
| 11 | 904104 | | 1 | Clamp | |
| 12 | 904059 | | 4 | Hose clamp | |
| 13 | 377379 | | 1 | Rubber hose | |
| 14 | | | | Not used on this model | |
| 15 | 359502 | | 1 | Rubber hose | |
| 16 | 500029 | | 4 | Screw M10-1,5x30 8,8 | |
| 17 | 904637 | | 4 | Washer 10x18x2 | |
| 18 | 586018 | | 8 | Lock nut M10 | |
| 19 | 903744 | | 4 | Carriage screw | |
| 20 | 904557 | | 8 | Washer 10,5x22x4 | |
| 21 | 382118 | | 1 | Hose holder | |
| 22 | 500053 | | 1 | Screw M8-1,25x20 8,8 | |
| 23 | 904556 | | 1 | Washer 8,4x16x3,0 | |



Fuel system

| Ref. No. | Part No. | Rem. | Qty | Description | Code |
|----------|----------|------|-----|------------------------|------|
| 1 | 359522 | | 1 | Fuel tank | |
| 2 | 380447 | | 1 | Flange 2 mm | |
| 3 | 160058 | | 1 | O-ring | |
| 4 | 792274 | | 8 | Screw M6x14 | |
| 5 | 373304 | | 1 | Cap | |
| | 902866 | | 1 | .Key Marked "455" | |
| 6 | 373302 | | 1 | Filling pipe | |
| 7 | 357459 | | 11 | Rubber cloth | |
| 8 | 929322 | | 1 | Fuel strainer | |
| 9 | 313001 | | 5 | Hose clamp | |
| 10 | 904985 | E | 1XL | Fuel hose | |
| 11 | 386058 | | 1 | Level sender | |
| 12 | 377699 | 2 | 1 | Fuel hose | |
| 13 | 904984 | G | 1XL | Fuel hose | |
| 14 | 371254 | H | 1 | Plastic hose | |
| 15 | 377673 | 2 | 1 | Fuel hose | |
| 16 | 791431 | 2 | 2 | Elbow 90, O-ring | |
| 17 | 940259 | 1,2 | 1 | Fuel supply pump | |
| 18 | 359618 | | 2 | Holder | |
| 19 | 500048 | | 2 | Screw M10-1,5x20 8,8 | |
| 20 | 359434 | | 2 | Spacer sleeve | |
| 21 | 359390 | | 1 | Rubber hose | |
| 22 | 313038 | | 2 | Hose clamp | |
| 23 | 500030 | | 2 | Screw M10-1,5x35H 8,8 | |
| 24 | 904230 | | 4 | Washer 10,5x22x2 | |
| 25 | 925802 | N | | Cable ties L=142 mm | |
| 26 | 903685 | | 1 | Hose connection socket | |
| 27 | 903683 | | 1 | Hose connection | |
| 28 | 903684 | | 1 | Hose connection socket | |
| 29 | 904211 | | 1 | Hose connection | |
| 30 | 313075 | | 1 | Hose clamp | |
| 31 | 921080 | | 1 | Clamp | |
| 32 | 904707 | | 1 | O-ring | |
| 33 | 500016 | 2 | 2 | Screw M6-1,0x55 8,8 | |
| 34 | 904228 | 2 | 4 | Washer 6,4x12x1,5 | |
| 35 | 904735 | 2 | 2 | Washer | |
| 36 | 586002 | 2 | 2 | Lock nut M6 | |

- 1) Now delivered with engine.
 2) Included in modification kit PN 377717.
 E) L=0,05 m
 G) L=1,55 m, return
 H) L=450 mm, breather



Exhaust system

| Ref. No. | Part No. | Rem. | Qty | Description | Code |
|----------|----------|------|-----|--------------------------|------|
| 1 | 359497 | | 1 | Exhaust pipe | |
| 2 | 370765 | | 1 | Muffler | |
| 3 | 370491 | | 1 | Exhaust pipe | |
| 4 | 359490 | | 1 | Bracket | |
| 5 | 313036 | | 1 | Clamp | |
| 6 | 370618 | | 1 | Exhaust pipe | |
| 7 | 313094 | | 2 | Pipe clamp | |
| 8 | 500053 | | 4 | Screw M8-1,25x20 8,8 | |
| 9 | 904556 | | 12 | Washer 8,4x16x3,0 | |
| 10 | 586003 | | 2 | Lock nut M8 | |
| 11 | 570005 | | 3 | Nut M8 | |
| 12 | 359500 | | 1 | Gasket | |
| 13 | 902166 | A | 1XL | Edge trim | |
| 14 | 500022 | | 2 | Screw M8-1,25x30 8,8 | |
| 20 | 373694 | B | 1 | Hinged exhaust pipe, cpl | |
| 21 | | | 1 | .Hinged exhaust pipe | |
| 22 | 500267 | | 1 | .Screw M12x120 8,8 FZB | |
| 23 | 904231 | | 2 | .Washer 13x24x2 | |
| 24 | 586019 | | 1 | .Lock nut M12 | |
| 25 | 313094 | | 1 | Pipe clamp | |

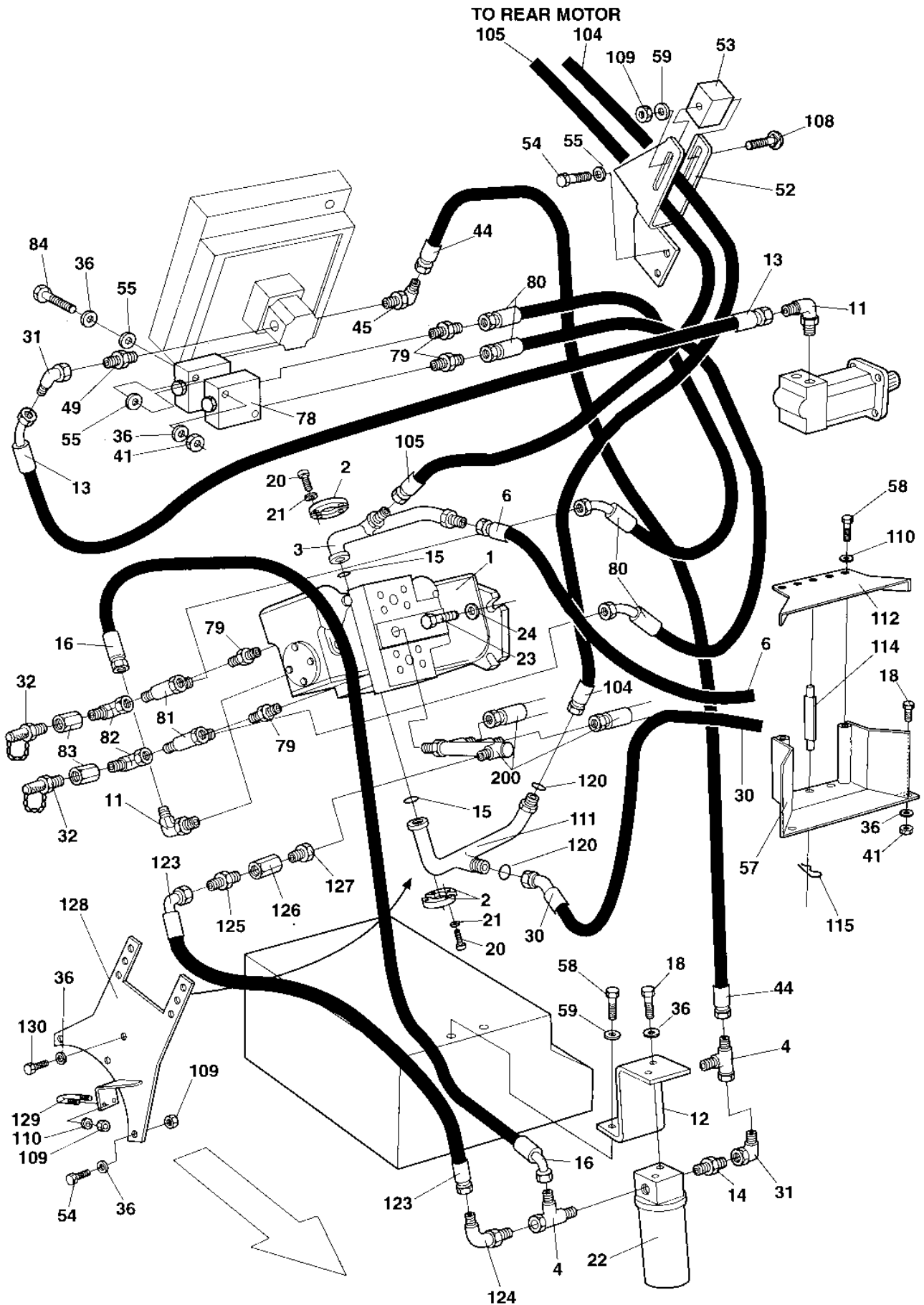
A) L=750 mm

B) Option

Hydraulic system

| Ref. No. | Part No. | Rem. | Qty | Description | Code |
|----------|----------|------|-----|--|------|
| 202 | | | | Propulsion system Pump (Page 96) | |
| 207 | | | | Propulsion system Motors (Page 100) | |
| 240 | 376374 | | 1 | Hydraulic pump Propulsion and vibration (Page 102) | |
| 249 | | | | Hydraulic motors Propulsion (Page 112) | |
| 280 | | | | Shut-off valve For towing, option (Page 114) | |
| 402 | | | | Vibration system Pump (Page 116) | |
| 406 | | | | Vibration system Motors (Page 120) | |
| 460 | 359140 | | | Valve Vibration (Page 122) | |
| 480 | 374494 | | | Oil cooler cpl (Page 124) | |
| 600 | | | | Steering system Up to 62110642 (Page 126) | |
| | | | | Steering system From 62110643 (Page 130) | |
| 620 | 374027 | | 1 | Hydraulic pump Steering (Page 134) | |
| 640 | 359139 | | | Pilot valve (Page 136) | |
| 650 | 375031 | | | Hydraulic cylinder (Page 138) | |
| 670 | | | | Offset drum Option (Page 140) | |
| 672 | 380780 | | 1 | Direction control valve (Page 142) | |
| 675 | 373403 | | | Cylinder Offset drum (Page 144) | |
| 800 | | | | Brake system (Page 146) | |

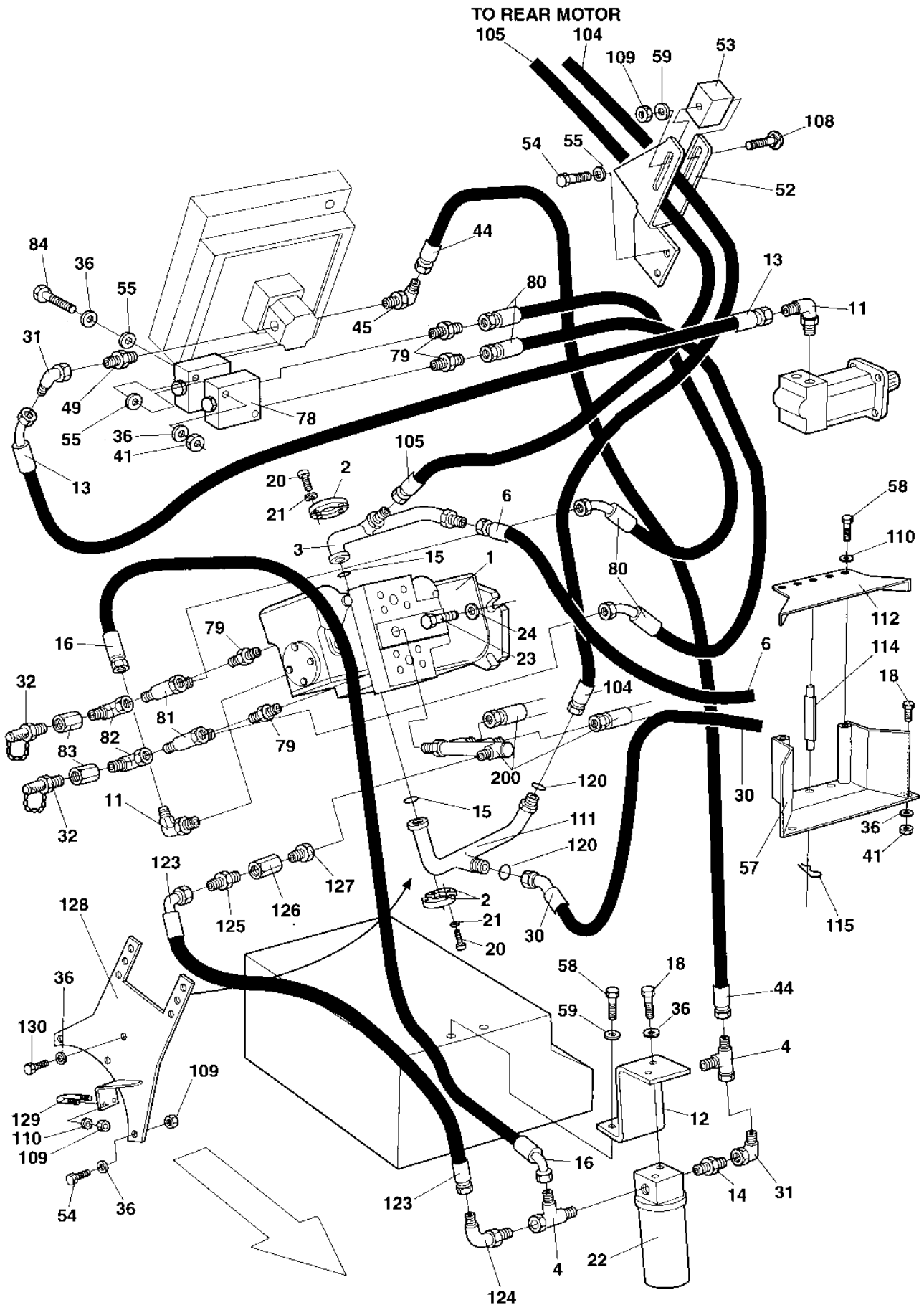
17333



| Ref. No. | Part No. | Rem. | Qty | Description | Code |
|----------|-----------|------|-----|--|------|
| 1 | 376374 | | 1 | Hydraulic pump Propulsion and vibration (Page 102) | |
| 2 | 929226 | | 4 | Flange half | |
| 3 | 382113 | | 1 | Connector | |
| 4 | 234243 | | 2 | T-connector | |
| 6 | 483486 | | 1 | Hydraulic hose | |
| 11 | 334604 | | 2 | Connector | |
| 12 | 359557 | | 1 | Holder plate | |
| 13 | 483493 | | 1 | Hydraulic hose | |
| 14 | 334468 | | 1 | Adapter | |
| 15 | 904004 | | 2 | O-ring | |
| 16 | 483071 | | 1 | Hydraulic hose | |
| 18 | 500028 | | 4 | Screw M10-1,5x25 8,8 | |
| 20 | 502037 | | 8 | Screw 3/8"-16UNCx1.1/2" 8.8 | |
| 21 | 904637 | | 8 | Washer 10x18x2 | |
| 22 | | | 1 | Hydraulic oil filter | |
| | 359551 | | 1 | .Filter head | |
| | 372229 | A | 1 | .Hydraulic oil filter element | |
| | 359552 | B | 1 | Cleaning filter element Maximum 50 hours use | |
| 23 | 500194 | | 4 | Screw M12x40H 8.8 | |
| 24 | 904213 | | 4 | Washer 13x30x4 | |
| 30 | 483322 | | 1 | Hydraulic hose | |
| 31 | 334155 | | 1 | Connector | |
| 32 | 910161 | | 2 | Measuring nipple Up to 62110688 | |
| | 923405 | | 2 | Measuring nipple From 62110689 | |
| 36 | 904230 | | 14 | Washer 10,5x22x2 | |
| 41 | 570006 | | 4 | Nut M10 | |
| 44 | 482955 | | 1 | Hydraulic hose | |
| 45 | 334237 | | 1 | Adapter | |
| 49 | 904110 | | 1 | Connector | |
| 52 | 382232 | | 1 | Hose clamp | |
| 53 | 372912 | | 1 | Hose clamp | |
| 54 | 500029 | | 7 | Screw M10-1,5x30 8,8 | |
| 55 | 904557 | | 6 | Washer 10,5x22x4 | |
| 57 | 374163 | | 1 | Hose clamp | |
| 58 | 500021 | | 4 | Screw M8-1,25x25 8,8 | |
| 59 | 904640 | | 3 | Washer 8,4x22x3 | |
| 78 | 378354 | | 1 | Flushing valve | |
| | 160188 | C | 5 | .O-ring | |
| 79 | 234233 | | 4 | Adapter Up to 62110688 | |
| | 791409 | | 4 | Straight connector orfs From 62110689 | |
| 80 | 483484 | | 2 | Hydraulic hose Up to 62110688 | |
| | 483905 | | 2 | Hydraulic hose From 62110689 | |
| 81 | 334234 | | 2 | Tee-connector Up to 62110688 | |
| | 791414 | | 2 | T-connection, O-ring with swivel From 62110689 | |
| 82 | 334524 | | 2 | Connector Up to 62110688 | |
| | 791401 | | 2 | Elbow 90, O-ring with swivel From 62110689 | |
| 83 | 433830401 | | 2 | Connector Up to 62110688 | |
| | 791847 | | 2 | Straight connector From 62110689 | |
| 84 | 500077 | | 2 | Screw | |
| 104 | 483372 | | 1 | Hydraulic hose | |
| 105 | 382153 | | 1 | Hydraulic hose | |
| 108 | 903989 | | 1 | Bolt | |
| 109 | 570005 | | 3 | Nut M8 | |
| 110 | 904229 | | 4 | Washer 8,4x16x1,5 | |
| 111 | 375272 | | 1 | Connector | |
| 112 | 374165 | | 1 | Cover | |
| 114 | 374200 | | 3 | Spacer | |
| 115 | 924585 | | 3 | Cotter pin | |

- A) Replacement
- B) Cleaning
- C) For plugs

17333



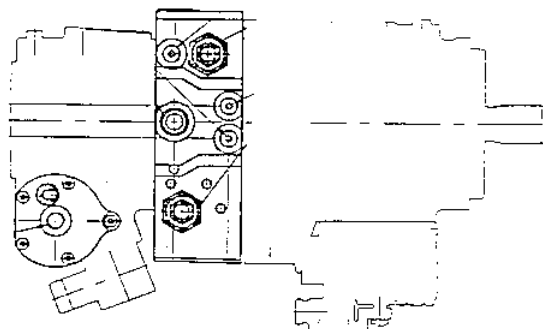
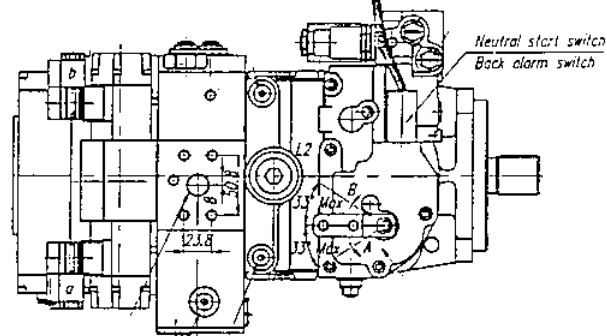
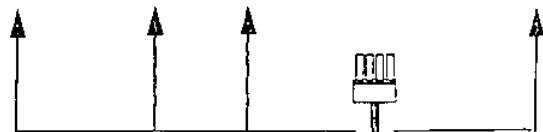
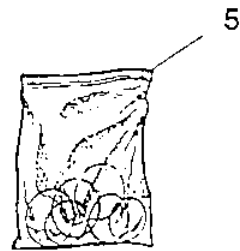
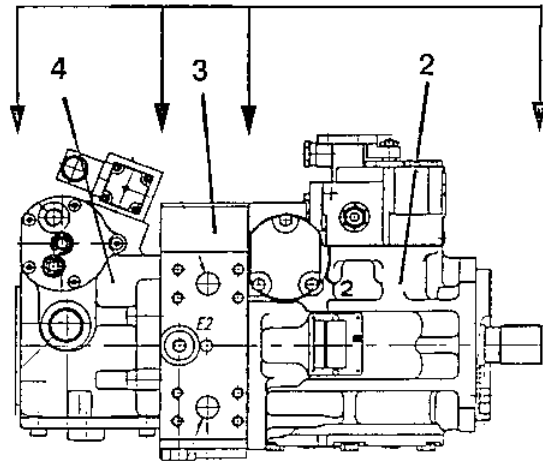
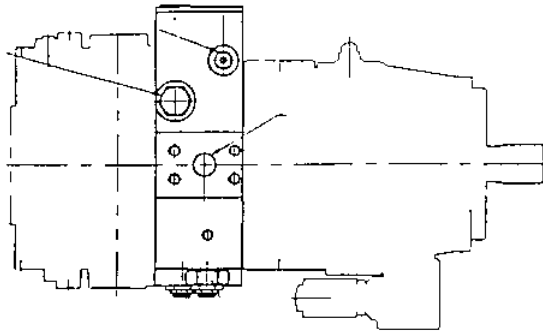
Propulsion system Pump

| Ref. No. | Part No. | Rem. | Qty | Description | Code |
|----------|----------|------|-----|----------------------|------|
| 120 | 904010 | | 2 | O-ring | |
| 123 | 482182 | | 1 | Hydraulic hose | |
| 124 | 234810 | | 1 | Elbow 90, O-ring | |
| 125 | 334156 | | 1 | Adapter | |
| 126 | 903774 | | 1 | Check valve | |
| 127 | 330438 | | 1 | Straight connector | |
| 128 | 382057 | | 1 | Bracket | |
| 129 | 904845 | | 1 | U-bolt | |
| 130 | 500091 | | 1 | Screw M10-1,5x50 8,8 | |
| 200 | | | 0 | Existing parts | |

Propulsion system Motors

| Ref. No. | Part No. | Rem. | Qty | Description | Code |
|----------|----------|------|-----|----------------------------|------|
| 6 | | | 1 | 1 Hydraulic hose | |
| 7 | 901155 | | 2 | Connector | |
| 9 | 483237 | | 1 | Hydraulic hose | |
| 10 | 375562 | | 1 | Hydraulic motor Propulsion | |
| | 938080 | 4 | 1 | Seal kit | |
| | 376790 | | 1 | Hydraulic motor Propulsion | |
| 19 | 513014 | | 4 | Screw M10-1,5x30 10.9 | |
| 25 | | 2 | | Screw | |
| 26 | | 2 | | Washer | |
| 27 | | 2 | | Screw | |
| 28 | | 2 | | Spacer | |
| 30 | | 1 | 1 | Hydraulic hose | |
| 33 | 343872 | | 3 | Hose clamp | |
| 34 | 335914 | | 3 | Cover plate | |
| 35 | 904056 | | 4 | Stud | |
| 36 | 904230 | | 6 | Washer 10,5x22x2 | |
| 37 | 343732 | | 3 | Hose clamp | |
| 38 | 801198 | | 2 | Elbow 90 | |
| 40 | 903524 | | 2 | Bolt | |
| 41 | 570006 | | 6 | Nut M10 | |
| 42 | 375563 | | 1 | Hydraulic motor Propulsion | |
| | 938080 | 4 | 1 | Seal kit | |
| | 376791 | | 1 | Hydraulic motor Propulsion | |
| 43 | 375276 | | 4 | Connector | |
| 50 | 359725 | | 2 | Hose clamp | |
| 51 | 359559 | | 2 | Hose clamp | |
| 76 | 313102 | | N | Cable ties | |
| 85 | | 3 | 2 | Cover plate | |
| 86 | | | | Not used on this model | |
| 87 | | | | Not used on this model | |
| 89 | 370641 | | 2 | Hose shields | |
| 91 | 904586 | | 4 | Elbow 45 | |
| 103 | 483239 | | 1 | Hydraulic hose | |
| 104 | | 1 | 1 | Hydraulic hose | |
| 105 | | 1 | 1 | Hydraulic hose | |
| 118 | 901301 | | 2 | Seal ring | |
| 120 | 904010 | | 4 | O-ring | |
| 121 | 376452 | | 1 | Protector | |
| 122 | 358230 | | 2 | Spacer sleeve | |

- 1) See section " Propulsion system, pump "
- 2) See section " Drum "
- 3) Included on hydraulic motors 375562 and 375563
- 4) For hydraulic motors 375562 and 375563 up to motor SN SH0343.

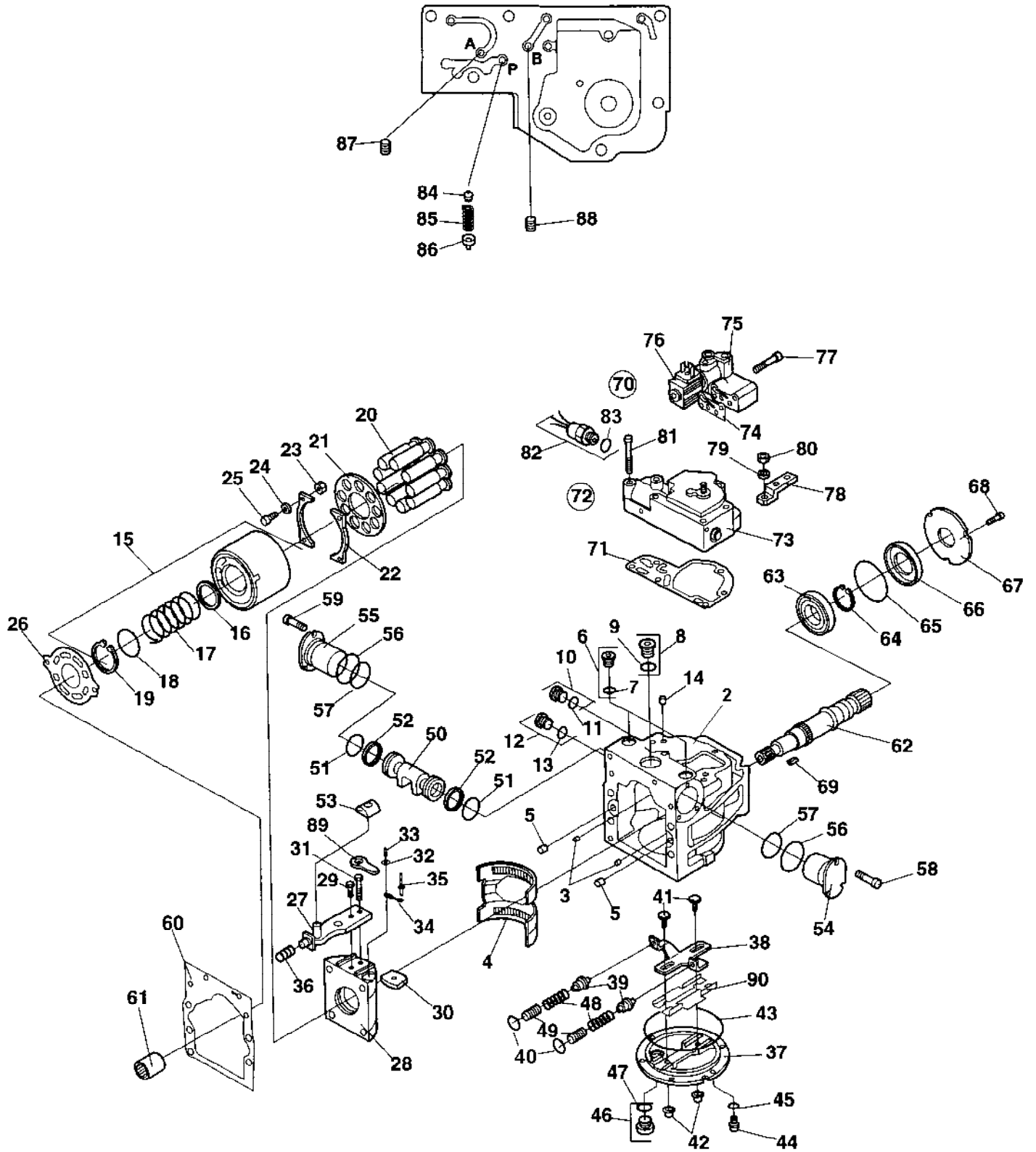


376374 Hydraulic pump Propulsion and vibration

| Ref. No. | Part No. | Rem. | Qty | Description | Code |
|-----------------|-----------------|-------------|------------|--|-------------|
| 1 | | | 1 | Hydraulic pump, Cpl Propulsion and Vibration | |
| 2 | | | 1 | .Hydraulic pump Propulsion pump (Page 104) | |
| 3 | | | 1 | .Valve block Middle part (Page 108) | |
| 4 | | | 1 | .Hydraulic pump Vibration pump (Page 110) | |
| 5 | 908454 | | 1 | .Gasket kit | |

Hydraulic pump Propulsion pump

16942



Hydraulic pump Propulsion pump

| Ref. No. | Part No. | Rem. | Qty | Description | Code |
|----------|----------|------|-----|----------------------|------|
| 1 | | 1 | 1 | Hydraulic pump | |
| 2 | 909373 | | 1 | .Housing | |
| 3 | 909374 | | 2 | .Pin | |
| 4 | 901718 | | 1 | .Bearing | |
| 5 | 481131 | | 2 | .Pin | |
| 6 | 909375 | | 2 | .Plug, cpl | |
| 7 | 909349 | 2 | 1 | ..O-ring | |
| 8 | 902928 | | 1 | .Plug | |
| 9 | 901453 | 2 | 1 | ..O-ring | |
| 10 | 908432 | | 1 | .Plug | |
| 11 | 923087 | 2 | 1 | ..O-ring | |
| 12 | 908432 | | 1 | .Plug | |
| 13 | 923087 | 2 | 1 | ..O-ring | |
| 14 | 901454 | | 1 | .Filter element | |
| 15 | 212353 | | 1 | .Rotating group, cpl | |
| 16 | 909376 | | 1 | ..Spacer | |
| 17 | 909377 | | 1 | ..Spring | |
| 18 | 909378 | | 1 | ..Spring retainer | |
| 19 | 909379 | | 1 | ..Retainer ring | |
| 20 | 901720 | | 9 | .Piston | |
| 21 | 901721 | | 1 | .Pressure plate | |
| 22 | 901722 | | 2 | .Retainer guide | |
| 23 | 909380 | | 4 | .Spacer | |
| 24 | 909381 | | 4 | .Washer | |
| 25 | 909382 | | 4 | .Screw | |
| 26 | 937136 | | 1 | .Valve plate | |
| 27 | 909384 | | 1 | .Servo arm, cpl | |
| 28 | 909385 | | 1 | .Swash plate | |
| 29 | 909386 | | 1 | .Screw | |
| 30 | 909387 | | 1 | .Guide | |
| 31 | 909388 | | 1 | .Screw | |
| 32 | 909389 | | 1 | .Washer | |
| 33 | 909390 | | 1 | .Pin | |
| 34 | 909391 | | 1 | .Link | |
| 35 | | | 1 | .Pin | |
| 36 | 909393 | | 1 | .Spring | |
| 37 | 937138 | | 1 | .Cover | |
| 38 | 909395 | | 1 | .Lever | |
| 39 | 909396 | | 2 | .Spring retainer | |
| 40 | 908378 | | 2 | .Washer | |
| 41 | 909397 | | 2 | .Guide post | |
| 42 | 909398 | 2 | 2 | .Seal lock nut | |
| 43 | 909399 | 2 | 1 | .O-ring | |
| 44 | 936553 | | 6 | .Screw | |
| 45 | 909401 | | 6 | .Washer | |
| 46 | 902928 | | 1 | .Plug | |
| 47 | 901453 | 2 | 1 | ..O-ring | |
| 48 | 909402 | | 2 | .Spring | |
| 49 | 909403 | | 2 | .Spring | |
| 50 | 909404 | | 1 | .Piston | |
| 51 | 909405 | 2 | 2 | .O-ring | |
| 52 | 909406 | 2 | 2 | .Piston ring | |
| 53 | | | 1 | .Block slider | |
| 54 | 909408 | | 1 | .Servo sleeve | |
| 55 | 909408 | | 1 | .Servo sleeve | |
| 56 | 909409 | 2 | 2 | .O-ring | |

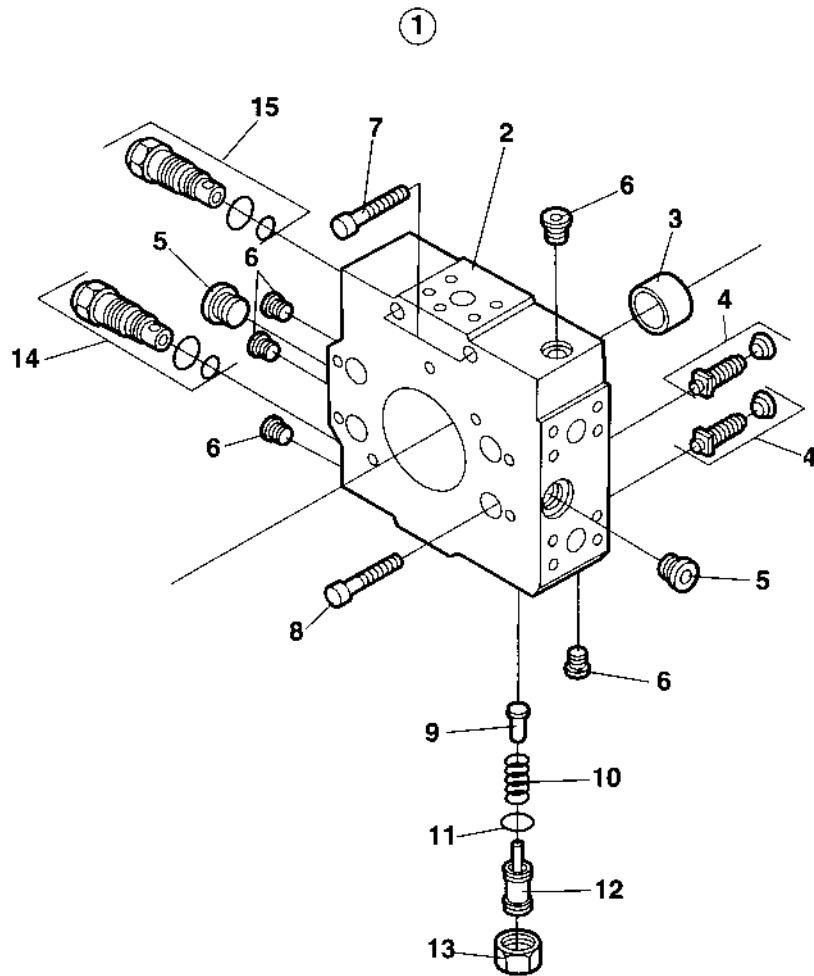
- 1) This pump is an integrated part of pump PN 376374
 2) Seals included in seal kit for cpl pump, PN 376374

Hydraulic pump Propulsion pump

| Ref. No. | Part No. | Rem. | Qty | Description | Code |
|----------|----------|------|-----|------------------------|------|
| 57 | 909410 | 2 | 2 | .O-ring | |
| 58 | 909411 | | 3 | .Screw | |
| 59 | 909411 | | 3 | .Screw | |
| 60 | 909414 | 2 | 1 | .Gasket | |
| 61 | 909416 | | 1 | .Sleeve | |
| 62 | 909422 | | 1 | .Shaft | |
| 63 | 901725 | | 1 | .Bearing | |
| 64 | 901727 | | 1 | .Snap ring | |
| 65 | 909257 | 2 | 1 | .O-ring | |
| 66 | 909256 | | 1 | .Seal carrier | |
| 67 | 901728 | | 1 | .Carrier seal | |
| 68 | 908773 | | 3 | .Screw | |
| 69 | 909446 | | 1 | .Spring | |
| 70 | 909424 | | 1 | .Control valve, cpl | |
| 71 | 909425 | 2 | 1 | ..Gasket | |
| 72 | 908445 | | 1 | ..Control valve, assy | |
| 73 | | | 1 | ...Valve | |
| 74 | 909430 | 2 | 1 | ...Gasket | |
| 75 | 909652 | | 1 | ...Valve | |
| 76 | 909641 | | 1 |Solenoid valve | |
| | 909642 | | 1 |Solenoid | |
| | 909643 | | 1 |Seal kit | |
| 77 | 909431 | | 2 | ...Screw | |
| 78 | 909432 | | 1 | ..Control lever | |
| 79 | 909428 | | 1 | ..Washer | |
| 80 | 909429 | | 1 | ..Nut | |
| 81 | 909434 | | 6 | ..Screw | |
| 82 | 909367 | A | 1 | ..Neutral start switch | |
| 83 | 909433 | | 1 | ...O-ring | |
| 84 | 909435 | | 1 | ..Orifice | |
| 85 | 909436 | | 1 | ..Spring | |
| 86 | 908448 | | 1 | ..Spring retainer | |
| 87 | 908449 | | 1 | ..Orifice | |
| 88 | 908449 | | 1 | ..Orifice | |
| 89 | 909426 | | 1 | .Link | |
| 90 | 937139 | | 1 | .Guide assy. | |

2) Seals included in seal kit for cpl pump, PN 376374

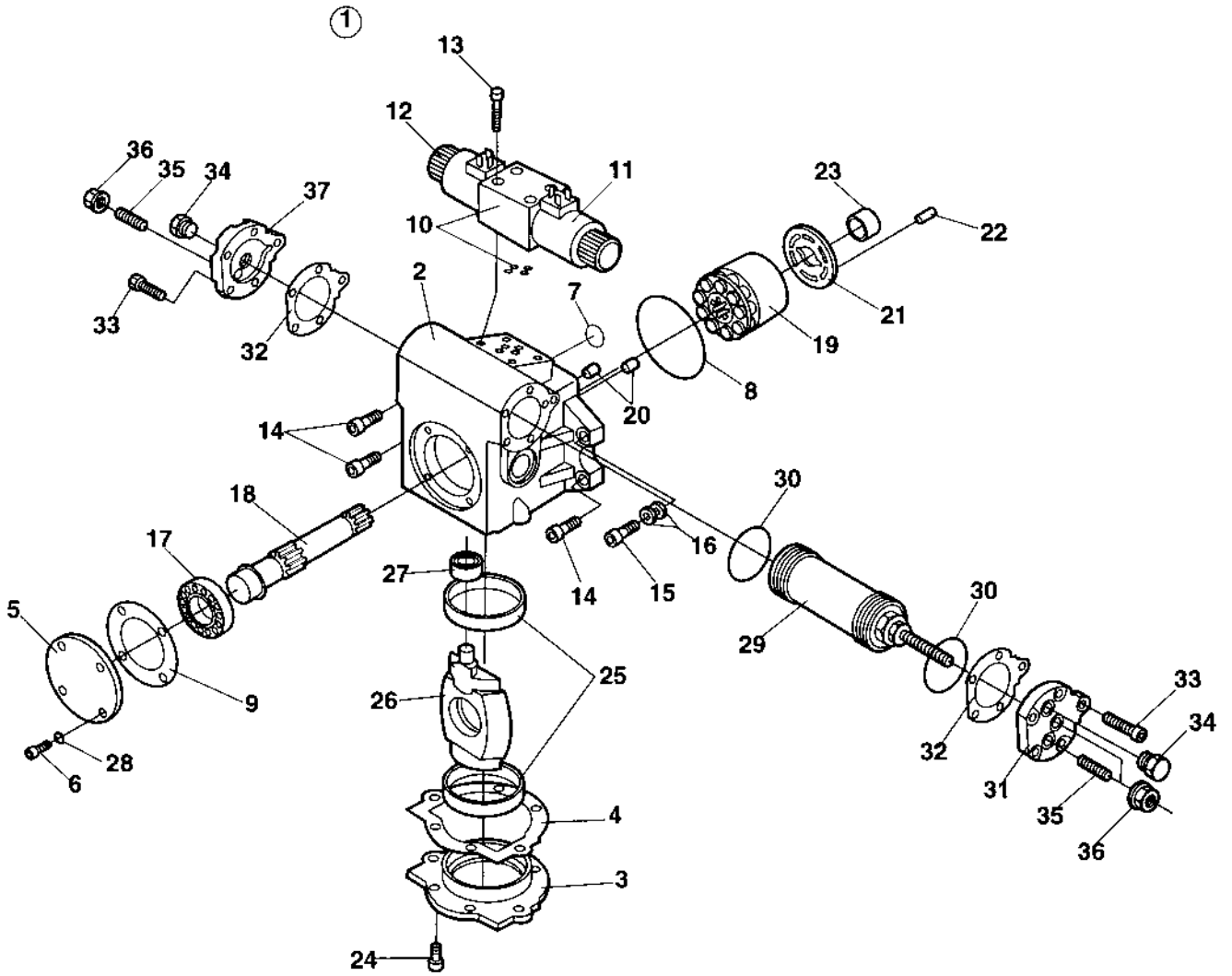
A) And back-up alarm



Valve block Middle part

| Ref. No. | Part No. | Rem. | Qty | Description | Code |
|----------|----------|------|-----|------------------------|------|
| 1 | | 1 | 1 | Valve block, cpl | |
| 2 | 909412 | | 1 | .Valve block | |
| 3 | 909413 | | 1 | .Bushing | |
| 4 | 908455 | | 2 | .Relief valve | |
| 5 | 909243 | | 2 | .Plug | |
| 6 | 908432 | | 5 | .Plug | |
| 7 | 909415 | | 2 | .Screw | |
| 8 | 909417 | | 4 | .Screw | |
| 9 | | | 1 | .Valve cone | |
| 10 | 901463 | | 1 | .Spring | |
| 11 | 813618 | 2 | 1 | .O-ring | |
| 12 | 908428 | | 1 | .Adjustable screw, cpl | |
| 13 | 902959 | | 1 | .Nut | |
| 14 | 212339 | | 1 | .Valve | |
| 15 | 212339 | | 1 | .Valve | |
| 16 | 909417 | | 4 | Screw | |
| 17 | 909415 | | 2 | Screw | |

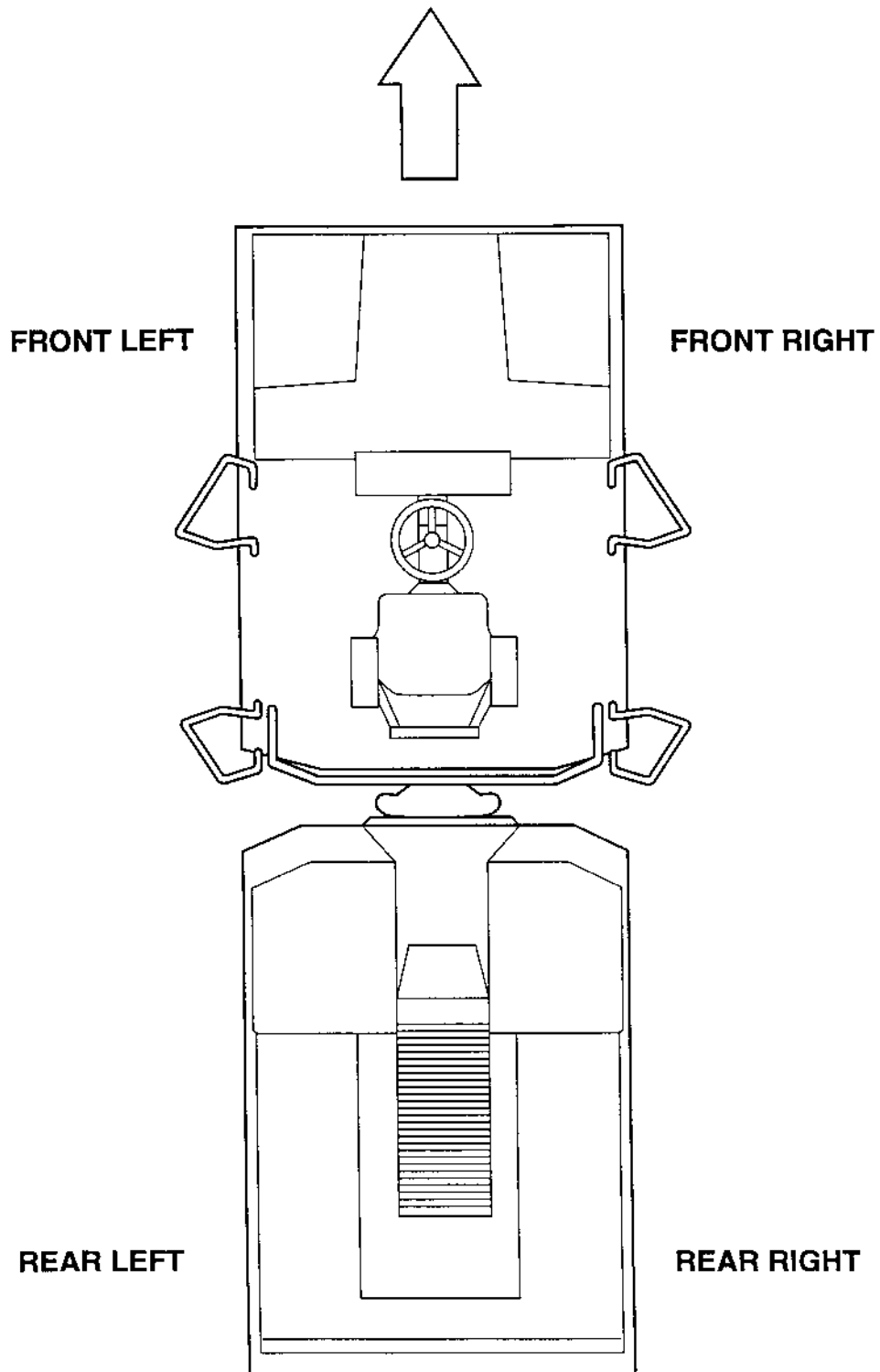
- 1) This valve block is an integrated part of pump Pn 376374
- 2) Seals included in seal kit for cpl pump PN 376374



Hydraulic pump Vibration pump

| Ref. No. | Part No. | Rem. | Qty | Description | Code |
|----------|----------|------|-----|---------------------------|------|
| 1 | | 1 | 1 | Hydraulic pump, vibration | |
| 2 | 909438 | | 1 | .Housing | |
| 3 | 909439 | | 1 | .Cover | |
| 4 | 909440 | 2 | 1 | .Gasket | |
| 5 | 909471 | | 1 | .Valve plate | |
| 6 | 909442 | | 4 | .Screw | |
| 7 | 910706 | 2 | 1 | .O-ring | |
| 8 | 909485 | 2 | 1 | .O-ring | |
| 9 | | 2 | 1 | .Gasket | |
| 10 | 909215 | | 1 | .Solenoid valve | |
| | 910706 | | 4 | ..O-ring | |
| 11 | 909638 | | 2 | ..Solenoid | |
| 12 | 909644 | | 2 | ..Nut | |
| 13 | 927510 | | 4 | .Screw | |
| 14 | 902940 | | 3 | .Screw | |
| 15 | 902977 | | 1 | .Screw | |
| 16 | 909445 | | 2 | .Washer | |
| 17 | 909448 | | 1 | .Bearing | |
| 18 | 909447 | | 1 | .Shaft | |
| 19 | 909238 | | 1 | .Cylinder block, cpl | |
| 20 | 481131 | | 2 | .Pin | |
| 21 | 909471 | | 1 | .Valve plate | |
| 22 | 909450 | | 1 | .Pin | |
| 23 | 909344 | | 1 | .Needle roller bearing | |
| 24 | 908773 | | 6 | .Screw | |
| 25 | 909449 | | 2 | .Needle roller bearing | |
| 26 | 909477 | | 1 | .Swash plate | |
| 27 | 909472 | | 1 | .Needle roller bearing | |
| 28 | 909475 | 2 | 1 | .Sealing ring | |
| 29 | 909473 | | 1 | .Piston, cpl | |
| 30 | | | 2 | .Seal ring | |
| 31 | 909476 | | 1 | .Cover | |
| 32 | 908772 | 2 | 2 | .Gasket | |
| 33 | 908773 | | 10 | .Screw | |
| 34 | 908432 | | 2 | .Plug | |
| 35 | | | 2 | .Headless screw | |
| 36 | 908774 | 2 | 2 | .Nut | |
| 37 | 908771 | | 1 | .Cover | |
| 50 | 908457 | | 1 | .Orifice 0.6 | |

- 1) This pump is an integrated part of pump PN 376374
- 2) Seals included in seal kit for cpl pump PN 376374

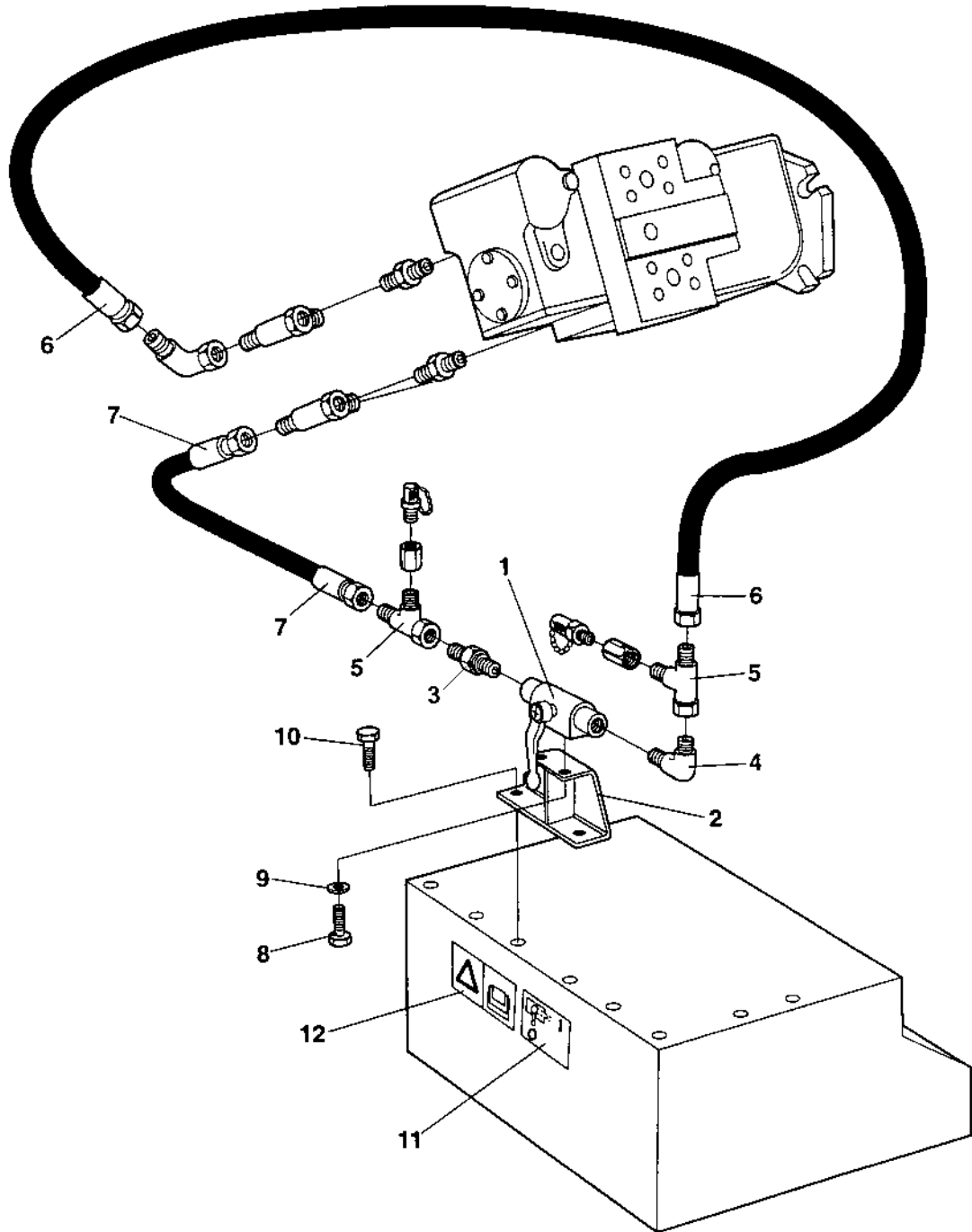


Hydraulic motors Propulsion

| Ref. No. | Part No. | Rem. | Qty | Description | Code |
|----------|------------|------|-----|----------------------------|------|
| | 375562 | A | 1 | Hydraulic motor Propulsion | |
| A | 376790 | A | 1 | Hydraulic motor Propulsion | |
| | 375563 | B | 1 | Hydraulic motor Propulsion | |
| B | 376791 | B | 1 | Hydraulic motor Propulsion | |
| A) | Front left | | | | |
| B) | Rear right | | | | |

Shut-off valve For towing, option

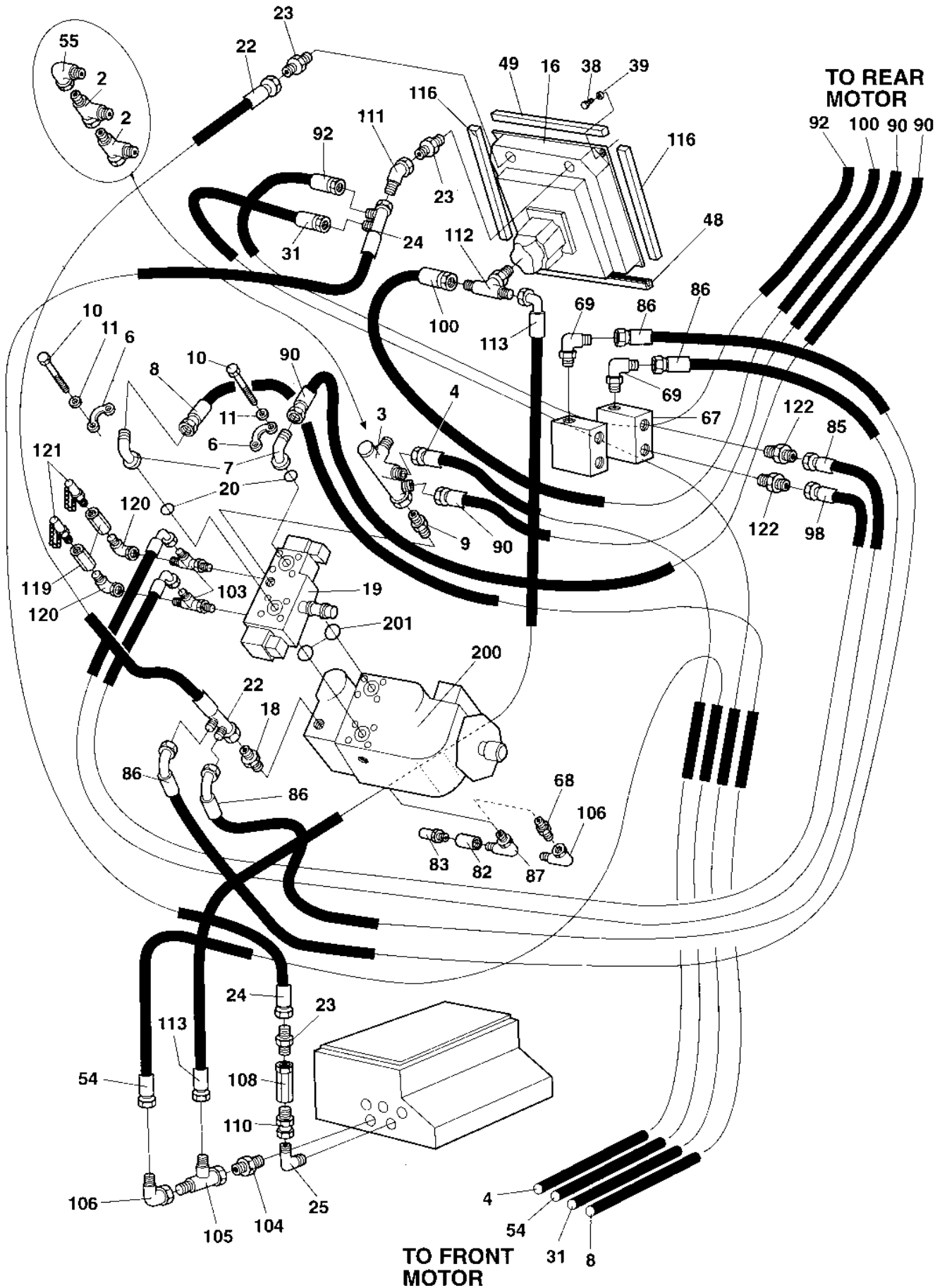
16086



Shut-off valve For towing, option

| Ref. No. | Part No. | Rem. | Qty | Description | Code |
|----------|----------|------|-----|------------------------|------|
| 1 | 344138 | | 1 | Ball valve | |
| 2 | 373920 | | 1 | Bracket | |
| 3 | 234840 | | 1 | Connector | |
| 4 | 234340 | | 1 | Elbow 90 | |
| 5 | 334234 | | 2 | Tee-connector | |
| 6 | 483234 | | 1 | Hydraulic hose | |
| 7 | 483235 | | 1 | Hydraulic hose | |
| 8 | 500004 | | 2 | Screw M5 0,8x12 8,8 | |
| 9 | 904281 | | 2 | Washer 5,3x10x1 | |
| 10 | 500021 | | 2 | Screw M8-1,25x25 8,8 | |
| 11 | 374101 | | 1 | Decal "SHUT-OFF VALVE" | |
| 12 | 903459 | | 1 | Decal "SAFETY" | |

17060-2



| Ref. No. | Part No. | Rem. | Qty | Description | Code |
|----------|-----------|------|-----|----------------------------------|------|
| 2 | 234243 | | 2 | T-connector | |
| 3 | 382418 | 1,2 | 1 | Connector | |
| 4 | 483240 | | 1 | Hydraulic hose | |
| 6 | 929226 | | 4 | Flange half | |
| 7 | 900455 | | 2 | Flange adapter | |
| 8 | 483141 | | 1 | Hydraulic hose | |
| 9 | 334158 | | 1 | Adapter | |
| | 385538 | | 1 | Connector | |
| 10 | 502047 | | 8 | Screw | |
| 11 | 904637 | | 8 | Washer 10x18x2 | |
| 16 | 374494 | | 1 | Oil cooler cpl (Page 124) | |
| 18 | 334138 | | 1 | Adapter | |
| 19 | 359140 | | 1 | Valve Vibration (Page 122) | |
| 20 | 904004 | | 2 | O-ring | |
| 22 | 375283 | | 1 | Hydraulic hose | |
| 23 | 334156 | | 3 | Adapter | |
| 24 | 375284 | | 1 | Hydraulic hose | |
| 25 | 334128 | | 1 | Elbow 90G | |
| 31 | 482905 | | 1 | Hydraulic hose | |
| 38 | 500021 | | 2 | Screw M8-1,25x25 8,8 | |
| 39 | 904556 | | 2 | Washer 8,4x16x3,0 | |
| 48 | 902379 | A | 1XL | Edge trim | |
| 49 | 297018 | A | 1XL | Rubber strip | |
| 54 | 483241 | C | 1 | Hydraulic hose | |
| 55 | 334155 | | 1 | Connector | |
| 67 | 378354 | | 1 | Flushing valve | |
| 68 | 234233 | | 1 | Adapter | |
| 69 | 334445 | | 2 | Connector | |
| 82 | 433830401 | | 1 | Connector | |
| 83 | 910161 | | 1 | Measuring nipple | |
| 85 | 482968 | | 1 | Hydraulic hose Up to 62110688 | |
| | 483800 | | 1 | Hydraulic hose From 62110689 | |
| 86 | 482982 | | 2 | Hydraulic hose | |
| 87 | 334389 | | 1 | Connector | |
| 90 | 483246 | | 2 | Hydraulic hose | |
| 92 | 483153 | | 1 | Hydraulic hose | |
| 98 | 483140 | | 1 | Hydraulic hose Up to 62110688 | |
| | 483802 | | 1 | Hydraulic hose From 62110689 | |
| 100 | 483153 | D | 1 | Hydraulic hose | |
| 103 | 234746 | | 2 | Connector Up to 62110688 | |
| | 791746 | | 1 | Tee-connector From 62110689 | |
| 104 | 234349 | | 1 | Connector | |
| 105 | 334234 | | 1 | Tee-connector | |
| 106 | 334524 | | 2 | Connector | |
| | 334524 | | 1 | Connector | |
| 108 | 903774 | | 1 | Check valve | |
| 110 | 330438 | | 1 | Straight connector | |
| 111 | 334248 | | 1 | Elbow 45 | |
| 112 | 334564 | | 1 | Connector | |
| 113 | 483409 | | 1 | Hydraulic hose | |
| 116 | 904726 | B | 2XL | Rubber strip | |
| 119 | 433830401 | | 2 | Connector Up to 62110688 | |
| | 791847 | | 2 | Straight connector From 62110689 | |

1) Can be replaced by PN 234243 x2, PN 334155 x1 and PN 385538 x1.

2) Replaced as spare part.

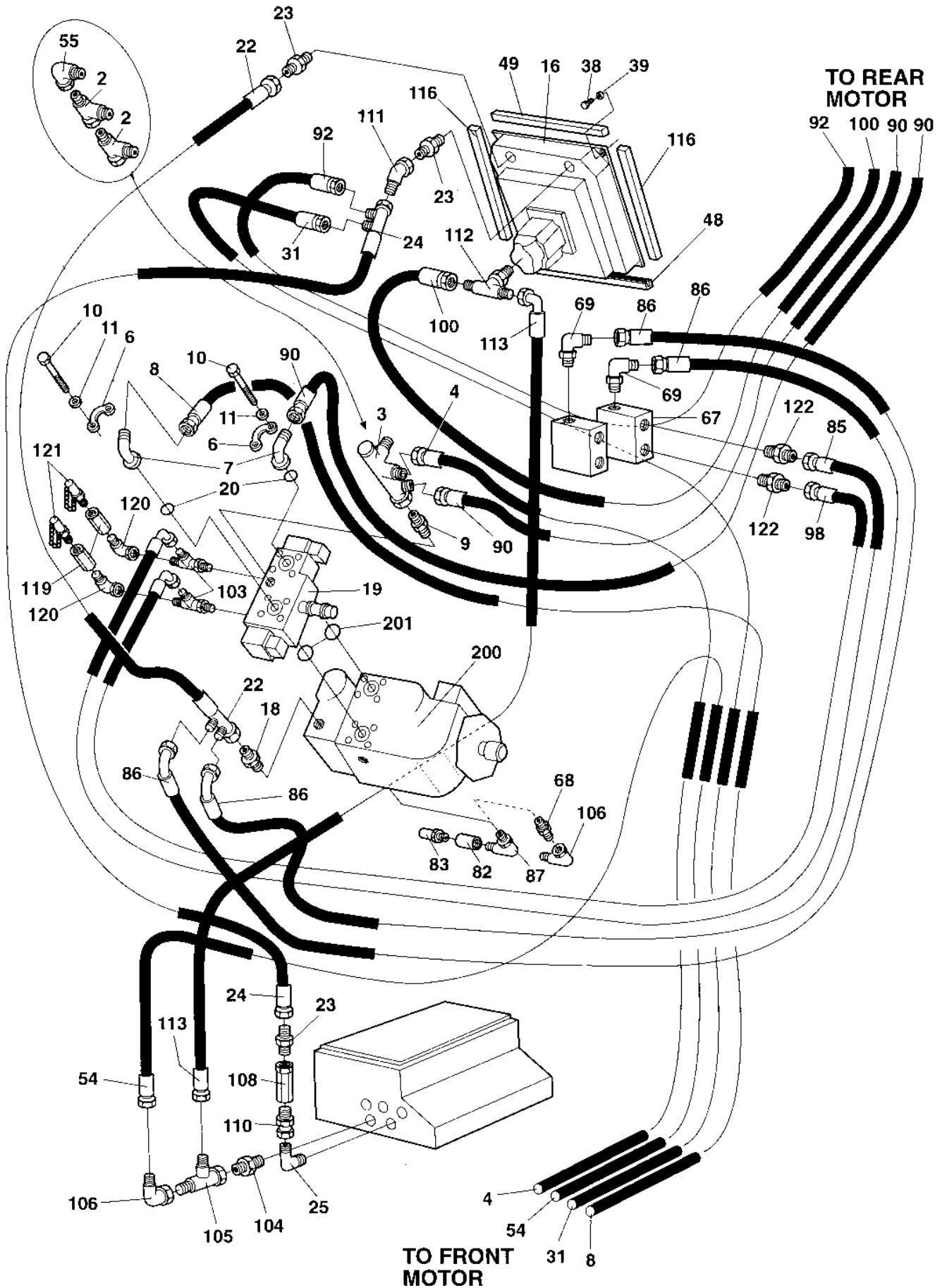
A) L=0.385 m

B) L=0.35 m

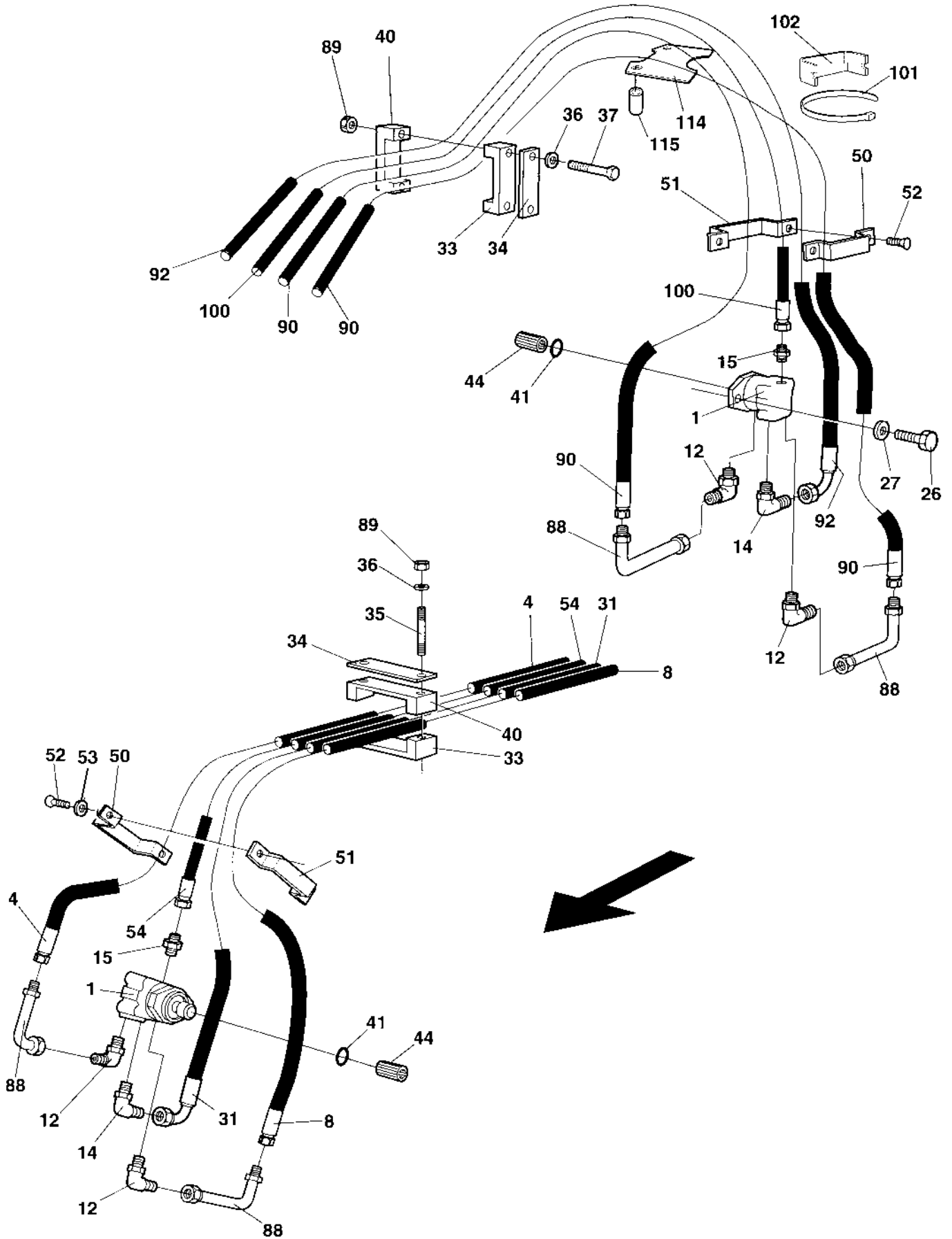
C) Front motor

D) Rear motor

17060-2



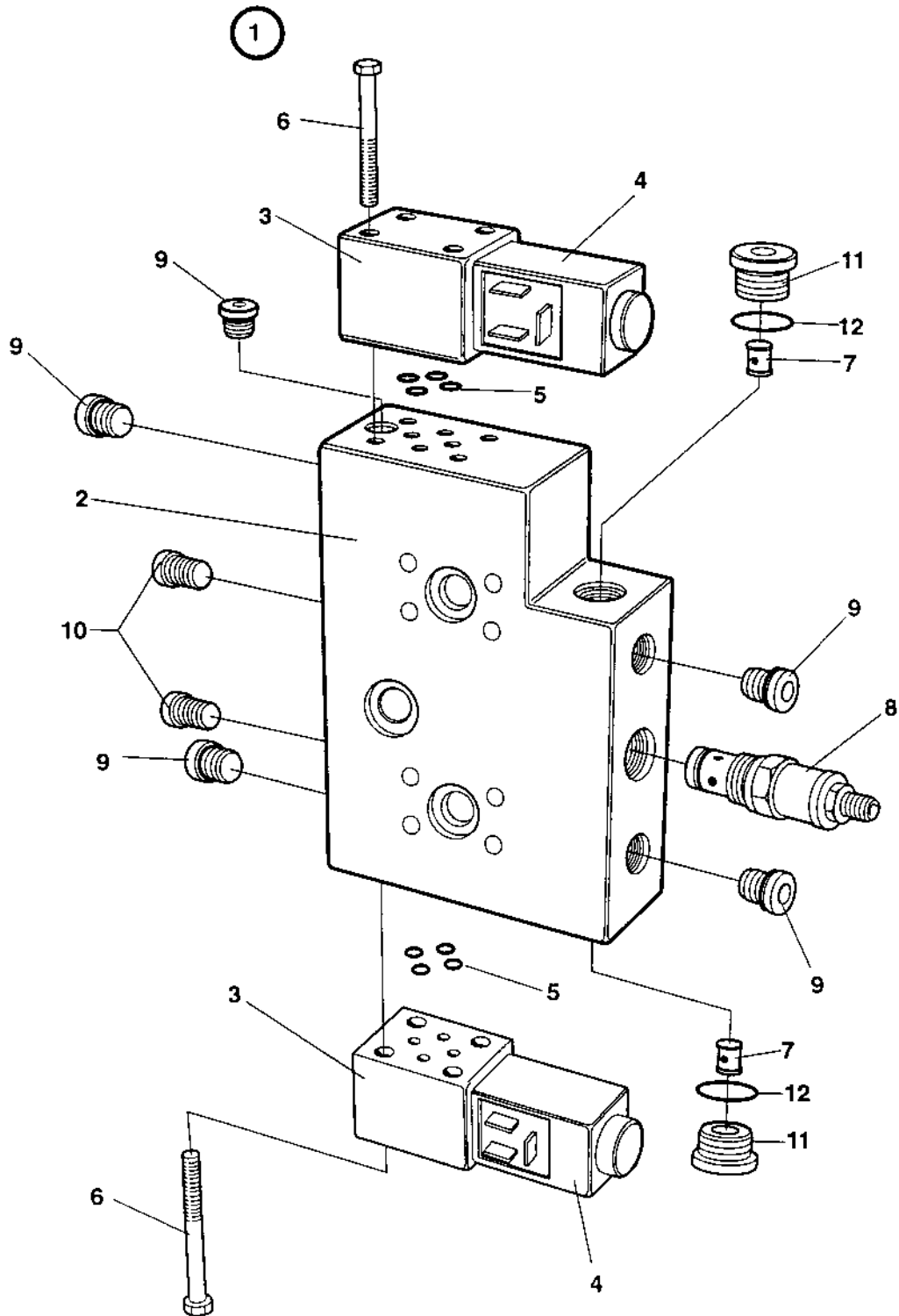
| Ref. No. | Part No. | Rem. | Qty | Description | Code |
|----------|--------------------------|------|-----|--|------|
| 120 | 334524 | | 2 | Connector Up to 62110688 | |
| | 791401 | | 2 | Elbow 90, O-ring with swivel From 62110689 | |
| 121 | 910161 | | 2 | Measuring nipple Up to 62110688 | |
| | 923405 | | 2 | Measuring nipple From 62110689 | |
| 122 | 234233 | | 2 | Adapter Up to 62110688 | |
| | 791409 | | 2 | Straight connector orfs From 62110689 | |
| 200 | | E | 1 | Pump | |
| 201 | 909230 | | 2 | O-ring | |
| E) | Incl. in propulsion pump | | | | |



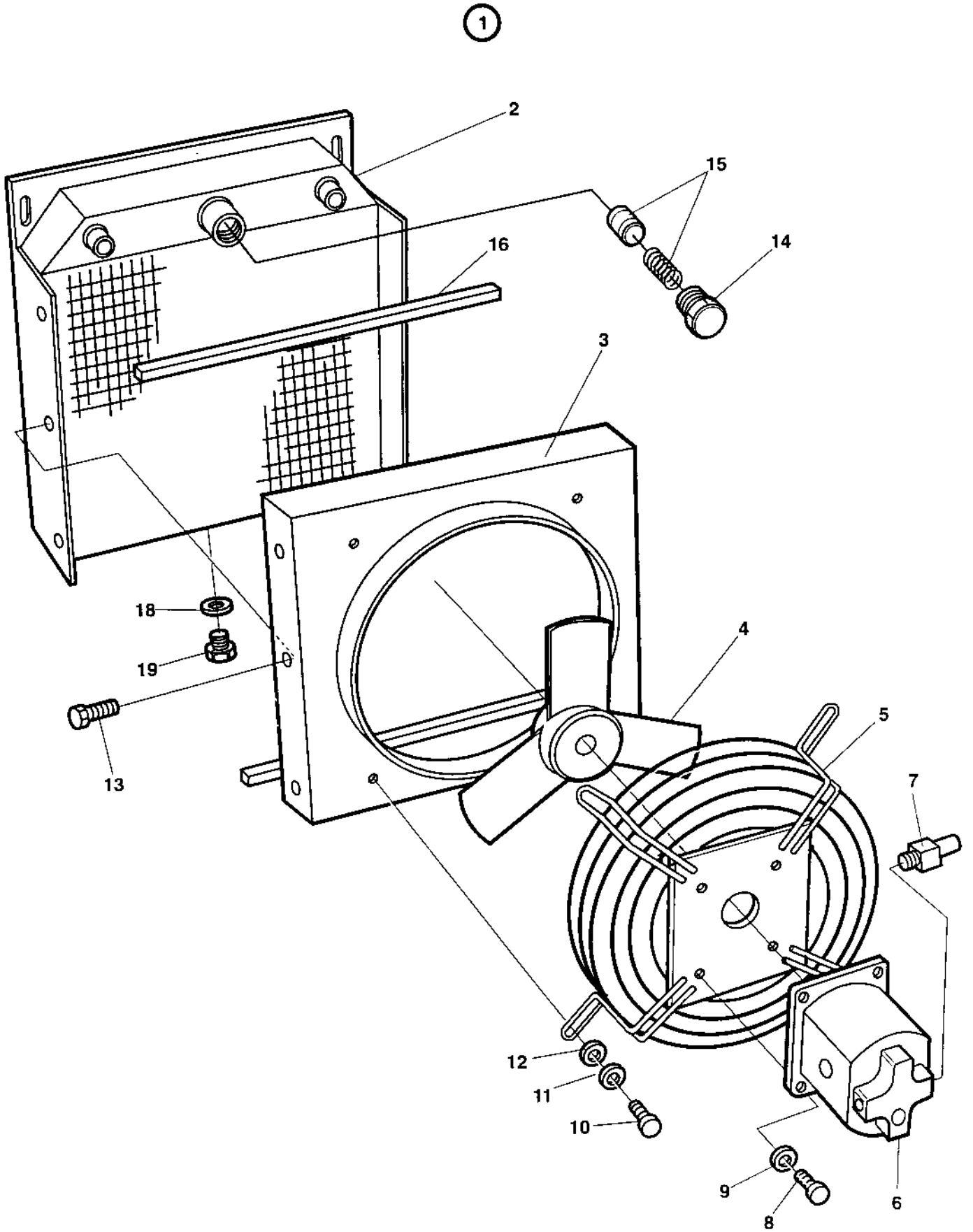
Vibration system Motors

| Ref. No. | Part No. | Rem. | Qty | Description | Code |
|----------|----------|------|-----|---------------------------|------|
| 1 | 374359 | | 2 | Hydraulic motor Vibration | |
| 4 | | 1 | 1 | Hydraulic hose | |
| 8 | | 1 | 1 | Hydraulic hose | |
| 12 | 334118 | | 4 | Elbow 90 with O-ring | |
| 14 | 813444 | | 2 | Elbow 90, O-ring | |
| 15 | 334121 | | 2 | Straight connector | |
| 26 | 500046 | | 4 | Screw M12x30H 8,8 FZB | |
| 27 | 904213 | | 4 | Washer 13x30x4 | |
| 31 | | 1 | 1 | Hydraulic hose | |
| 33 | 343872 | | 3 | Hose clamp | |
| 34 | 335914 | | 3 | Cover plate | |
| 35 | 904056 | | 4 | Stud | |
| 36 | 904230 | | 6 | Washer 10,5x22x2 | |
| 37 | 903524 | | 2 | Bolt | |
| 40 | 343872 | | 3 | Hose clamp | |
| 41 | 160279 | | 2 | O-ring | |
| 44 | 340862 | | 2 | Splined sleeve | |
| 50 | 383460 | | 2 | Hose clamp | |
| 51 | 383462 | | 2 | Hose clamp | |
| 52 | 500030 | | 4 | Screw M10-1,5x35H 8,8 | |
| 53 | 904557 | | 4 | Washer 10,5x22x4 | |
| 54 | | 1 | 1 | Hydraulic hose | |
| 88 | 372682 | | 4 | Connector | |
| 89 | 570006 | | 6 | Nut M10 | |
| 90 | | 1 | 2 | Hydraulic hose | |
| 92 | | 1 | 1 | Hydraulic hose | |
| 100 | | 1 | 1 | Hydraulic hose | |
| 101 | 313102 | | N | Cable ties | |
| 102 | 370641 | | 1 | Hose shields | |
| 114 | 376452 | | 1 | Protector | |
| 115 | 358230 | | 2 | Spacer sleeve | |

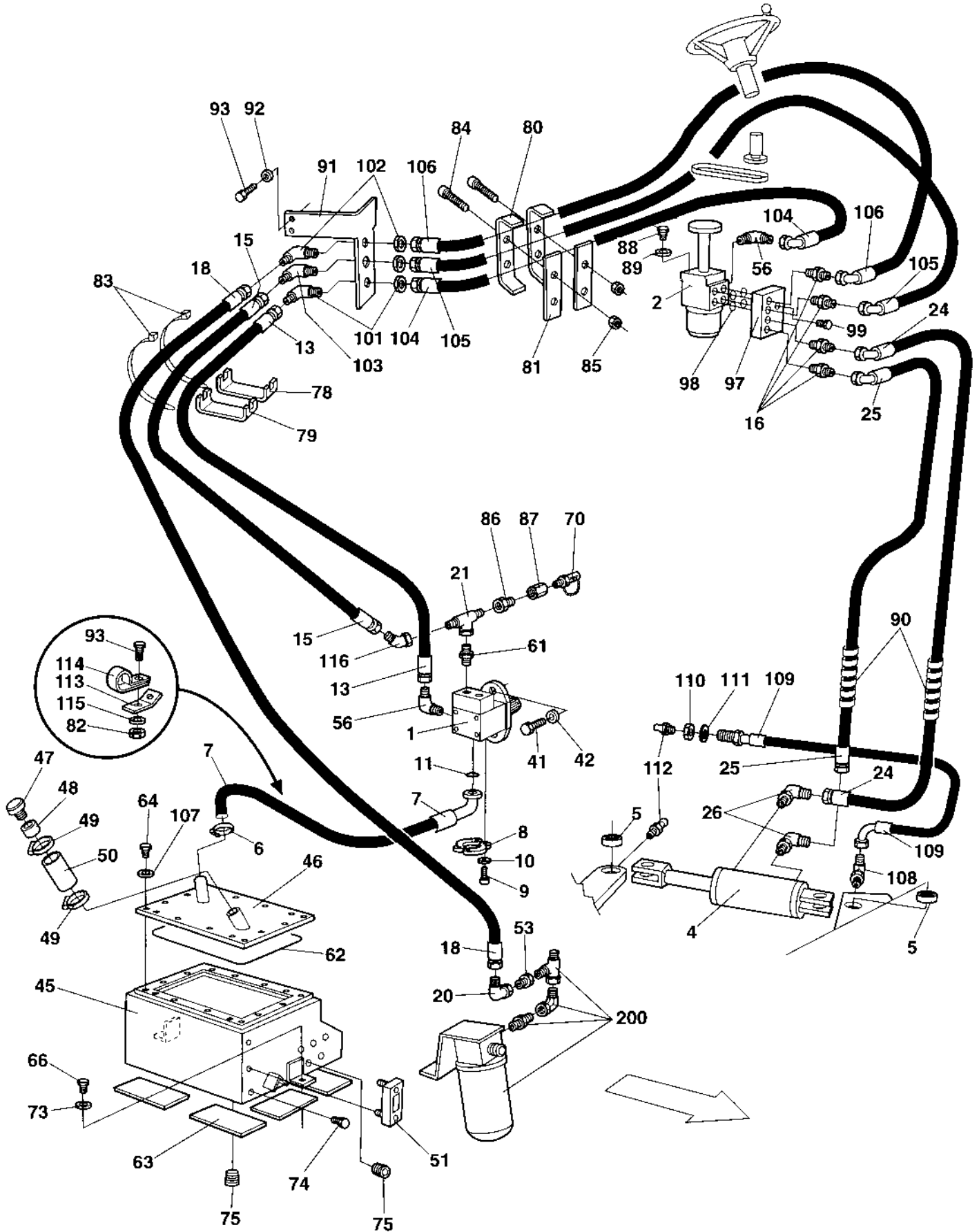
1) See section " Vibration system, pump "



| Ref. No. | Part No. | Rem. | Qty | Description | Code |
|----------|----------|------|-----|------------------------|------|
| 1 | | | 1 | Valve, cpl Vibration | |
| 2 | 909201 | | 1 | .Valve block | |
| 3 | 909202 | | 2 | .Solenoid valve | |
| 4 | 909203 | | 1 | ..Solenoid | |
| 5 | 909208 | | 8 | .O-ring | |
| 6 | 909204 | | 8 | .Screw | |
| 7 | 909205 | | 2 | .Check valve | |
| 8 | 909206 | | 1 | .Pressure relief valve | |
| 9 | 909207 | | 5 | .Plug with sealing | |
| 10 | 902937 | | 2 | .Plug | |
| 11 | 909217 | | 2 | .Plug | |
| 12 | 909216 | | 2 | .O-ring | |



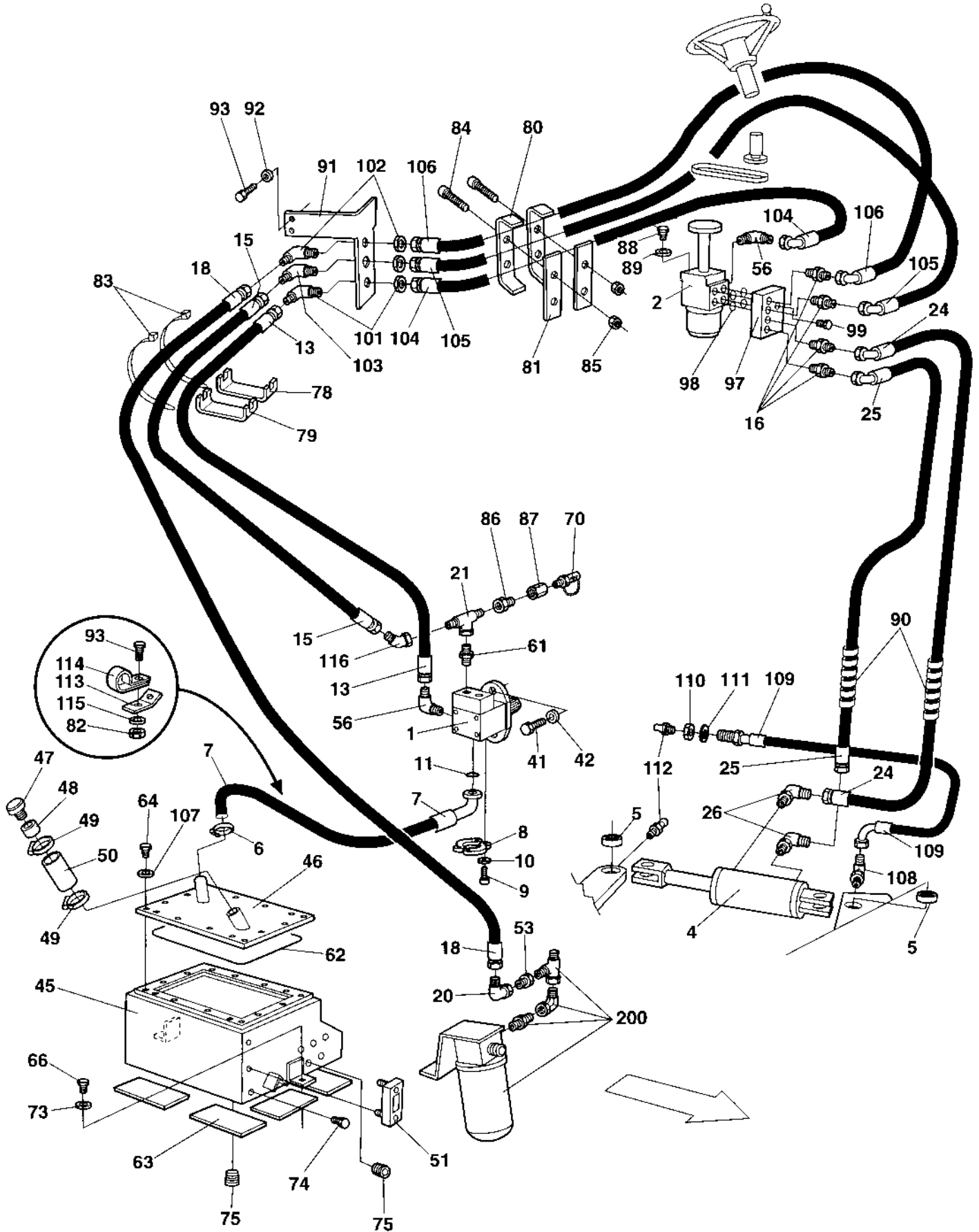
| Ref. No. | Part No. | Rem. | Qty | Description | Code |
|----------|----------|------|-----|------------------|------|
| 1 | | | 1 | Oil cooler cpl | |
| 2 | 935780 | | 1 | .Oil cooler | |
| 3 | 935782 | | 1 | .Fan shroud | |
| 4 | 935781 | | 1 | .Fan | |
| 5 | 359223 | | 1 | .Grid | |
| 6 | 359226 | | 1 | .Hydraulic motor | |
| | 902882 | | 1 | ..Seal kit | |
| | 935783 | | 1 | ..Key | |
| 7 | | | 1 | ..Valve | |
| 8 | | | 4 | .Screw | |
| 9 | | | 4 | .Washer | |
| 10 | | | 4 | .Screw | |
| 11 | | | 4 | .Washer | |
| 12 | | | 4 | .Washer | |
| 13 | | | 6 | .Screw | |
| 14 | 359225 | | 1 | .Plug | |
| 15 | 359224 | | 1 | .Valve | |
| 16 | | | 1 | .Rubber seal | |
| 18 | 160024 | | 1 | .O-ring | |
| 19 | 332038 | | 1 | .Plug | |



Steering system

| Ref. No. | Part No. | Rem. | Qty | Description | Code |
|----------|-----------|------|-----|--------------------------------------|------|
| 1 | 374027 | | 1 | Hydraulic pump Steering (Page 134) | |
| 2 | 359139 | | 1 | Pilot valve (Page 136) | |
| 4 | 375031 | | 1 | Hydraulic cylinder (Page 138) | |
| 5 | 813316 | | 2 | Ball bushing | |
| 6 | 923378 | | 1 | Hose clamp | |
| 7 | 376040 | | 1 | Hydraulic hose | |
| 8 | 232119 | | 2 | Split flange | |
| 9 | 500029 | | 4 | Screw M10-1,5x30 8,8 | |
| 10 | 904637 | | 4 | Washer 10x18x2 | |
| 11 | 813443 | | 1 | O-ring | |
| 13 | 482473 | | 1 | Hydraulic hose | |
| 15 | 482990 | | 1 | Hydraulic hose | |
| 16 | 924731 | | 4 | Connector | |
| 18 | 482995 | | 1 | Hydraulic hose | |
| 20 | 334524 | A | 1 | Connector | |
| 21 | 234953 | | 1 | Tee-connector | |
| 24 | 482917 | | 1 | Hydraulic hose | |
| 25 | 482918 | | 1 | Hydraulic hose | |
| 26 | 334420 | | 2 | Elbow 90 | |
| 41 | 508096 | | 2 | Screw M10-1,5x25H 8,8 | |
| 42 | 904637 | | 2 | Washer 10x18x2 | |
| 45 | 359632 | | 1 | Hydraulic oil tank | |
| 46 | 359639 | | 1 | Cover | |
| 47 | 357138 | | 1 | Ventilating filter | |
| 48 | 357139 | | 1 | Connector | |
| 49 | 313008 | | 2 | Hose clamp | |
| 50 | 205067 | C | 1XL | Rubber hose | |
| 51 | 989151 | | 1 | Oil level glass | |
| 53 | 929122 | | 1 | Reducing | |
| 56 | 334203 | | 2 | Elbow 90, O-ring | |
| 61 | 334121 | | 1 | Straight connector | |
| 62 | 357141 | | 1 | O-ring | |
| 63 | 357459 | | 6 | Rubber cloth | |
| 64 | 500053 | | 14 | Screw M8-1,25x20 8,8 | |
| 66 | 500028 | | 2 | Screw M10-1,5x25 8,8 | |
| 70 | 910161 | | 1 | Measuring nipple | |
| 73 | 904567 | | 2 | Washer 10,5x28x6 | |
| 74 | 232122 | | 1 | Plug 3/4NPTF | |
| 75 | 892446 | | 2 | Plug | |
| 78 | 359647 | D | N | Hose clamp | |
| 79 | 359648 | E | N | Hose clamp | |
| 80 | 359649 | | 2 | Hose clamp | |
| 81 | 359650 | | 2 | Hose clamp | |
| 82 | 902286 | | 1 | Lock nut M8 | |
| 83 | 313102 | | N | Cable ties | |
| 84 | 500061 | | 4 | Screw M6-1X35 8,8 | |
| 85 | 902285 | | 4 | Lock nut M6 | |
| 86 | 334461 | | 1 | Reducing | |
| 87 | 433830401 | | 1 | Connector | |
| 88 | 502036 | | 4 | Screw 3/8"-16UNCx11/4"8.8 | |
| 89 | 904567 | | 4 | Washer 10,5x28x6 | |
| 90 | 903082 | G | 2XL | Hose shield | |
| 91 | 371519 | | 1 | Holder plate | |
| 92 | 904556 | | 1 | Washer 8,4x16x3,0 | |
| 93 | 500021 | | 3 | Screw M8-1,25x25 8,8 | |
| 97 | 370155 | | 1 | Valve block | |

- A) At filter
 C) L=0,250 m
 D) 106/30/18 mm
 E) 90/30/20 mm
 G) L=0,350 m



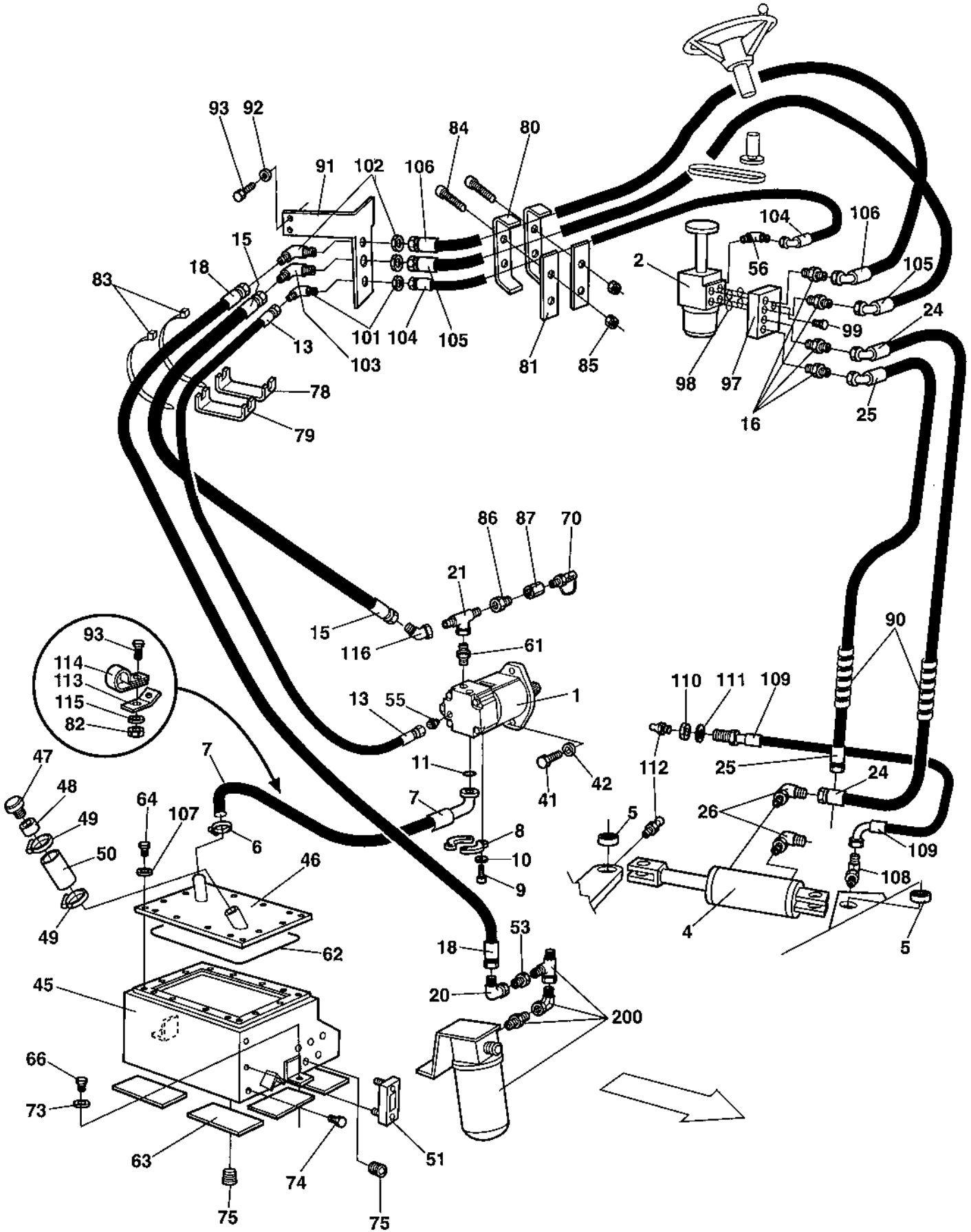
Steering system

| Ref. No. | Part No. | Rem. | Qty | Description | Code |
|----------|----------|------|-----|--------------------|------|
| 98 | 160287 | | 4 | O-ring | |
| 99 | 903773 | | 2 | Screw M10x1x50 8,8 | |
| 101 | 235002 | | 1 | Connector | |
| 102 | 904115 | | 1 | Bulkhead elbow | |
| 103 | 234512 | | 1 | Bulkhead union | |
| 104 | 482257 | | 1 | Hydraulic hose | |
| 105 | 482992 | | 1 | Hydraulic hose | |
| 106 | 482993 | | 1 | Hydraulic hose | |
| 107 | 603009 | | 14 | Washer | |
| 108 | 371669 | | 1 | Straight connector | |
| 109 | 903812 | | 1 | Hydraulic hose | |
| 110 | 903831 | | 1 | Nut M12 | |
| 111 | 904231 | | 1 | Washer 13x24x2 | |
| 112 | 926214 | | 2 | Grease fitting | |
| 113 | 372680 | | 1 | Bracket | |
| 114 | 921119 | | 1 | Pipe clamp | |
| 115 | 904229 | | 1 | Washer 8,4x16x1,5 | |
| 116 | 234662 | | 1 | Elbow 45 | |
| 200 | | | | Existing parts | |

Steering system

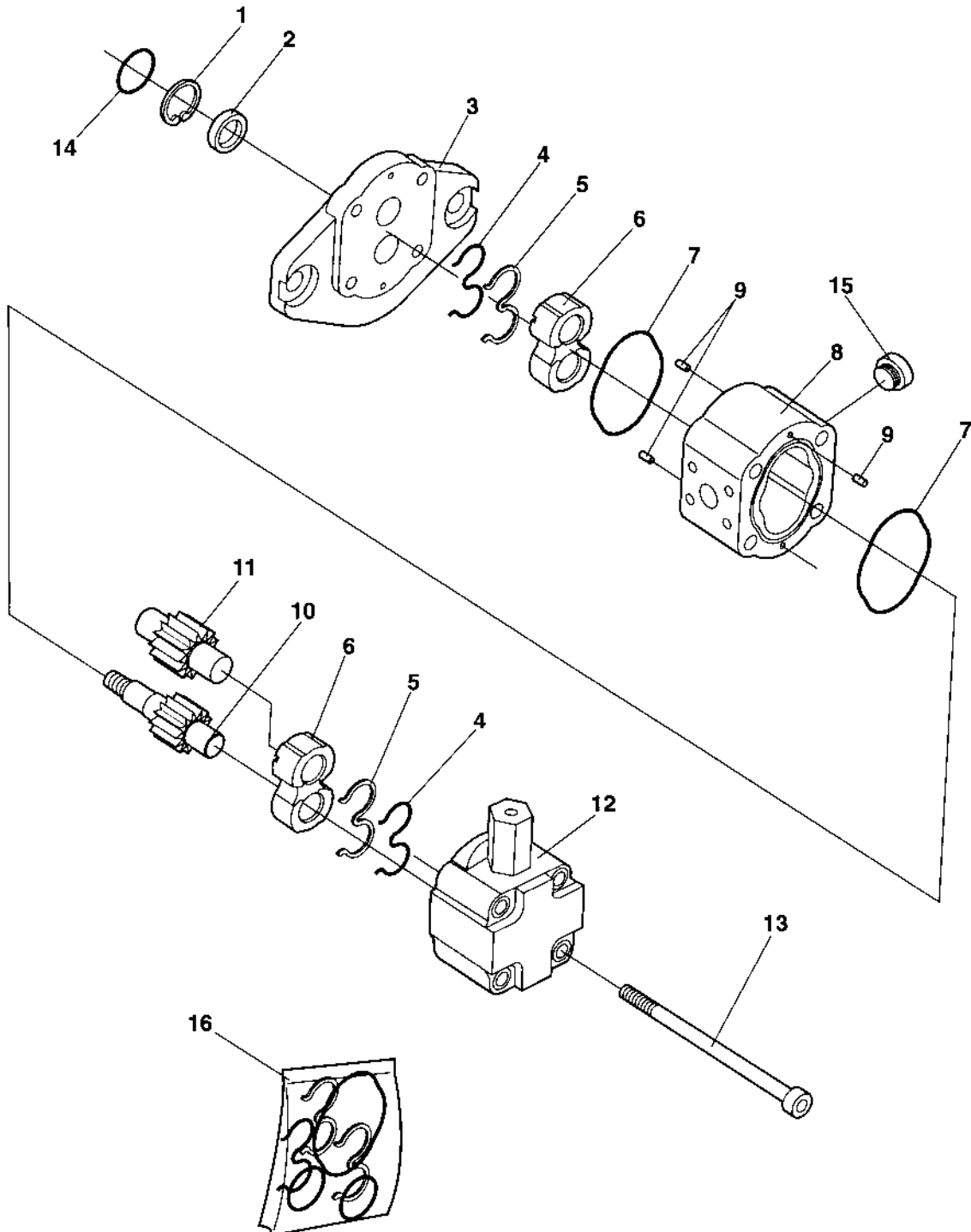
| Ref. No. | Part No. | Rem. | Qty | Description | Code |
|----------|-----------|------|-----|---------------------------------|------|
| 1 | 376916 | | 1 | Hydraulic pump | |
| 2 | 359139 | | 1 | Pilot valve (Page 136) | |
| 4 | 375031 | | 1 | Hydraulic cylinder (Page 138) | |
| 5 | 813316 | | 2 | Ball bushing | |
| 6 | 923378 | | 1 | Hose clamp | |
| 7 | 376040 | | 1 | Hydraulic hose | |
| 8 | 232119 | | 2 | Split flange | |
| 9 | 500029 | | 4 | Screw M10-1,5x30 8,8 | |
| 10 | 904637 | | 4 | Washer 10x18x2 | |
| 11 | 813443 | | 1 | O-ring | |
| 13 | 483698 | | 1 | Hydraulic hose | |
| 15 | 482990 | | 1 | Hydraulic hose | |
| 16 | 924731 | | 4 | Connector | |
| 18 | 482995 | | 1 | Hydraulic hose | |
| 20 | 334524 | A | 1 | Connector | |
| 21 | 234953 | | 1 | Tee-connector | |
| 24 | 482917 | | 1 | Hydraulic hose | |
| 25 | 482918 | | 1 | Hydraulic hose | |
| 26 | 334420 | | 2 | Elbow 90 | |
| 41 | 508096 | | 2 | Screw M10-1,5x25H 8,8 | |
| 42 | 904637 | | 2 | Washer 10x18x2 | |
| 45 | 359632 | | 1 | Hydraulic oil tank | |
| 46 | 359639 | | 1 | Cover | |
| 47 | 357138 | | 1 | Ventilating filter | |
| 48 | 357139 | | 1 | Connector | |
| 49 | 313008 | | 2 | Hose clamp | |
| 50 | 205067 | C | 1XL | Rubber hose | |
| 51 | 989151 | | 1 | Oil level glass | |
| 53 | 929122 | | 1 | Reducing | |
| 55 | 334143 | | 1 | Straight connector | |
| 56 | 334203 | | 1 | Elbow 90, O-ring | |
| 61 | 334121 | | 1 | Straight connector | |
| 62 | 357141 | | 1 | O-ring | |
| 63 | 357459 | | 6 | Rubber cloth | |
| 64 | 500053 | | 14 | Screw M8-1,25x20 8,8 | |
| 66 | 500028 | | 2 | Screw M10-1,5x25 8,8 | |
| 70 | 910161 | | 1 | Measuring nipple | |
| 73 | 904567 | | 2 | Washer 10,5x28x6 | |
| 74 | 232122 | | 1 | Plug 3/4NPTF | |
| 75 | 892446 | | 2 | Plug | |
| 78 | 359647 | D | N | Hose clamp | |
| 79 | 359648 | E | N | Hose clamp | |
| 80 | 359649 | | 2 | Hose clamp | |
| 81 | 359650 | | 2 | Hose clamp | |
| 82 | 902286 | | 1 | Lock nut M8 | |
| 83 | 313102 | | N | Cable ties | |
| 84 | 500061 | | 4 | Screw M6-1X35 8,8 | |
| 85 | 902285 | | 4 | Lock nut M6 | |
| 86 | 334461 | | 1 | Reducing | |
| 87 | 433830401 | | 1 | Connector | |
| 88 | 502036 | | 4 | Screw 3/8"-16UNCx11/4"8.8 | |
| 89 | 904567 | | 4 | Washer 10,5x28x6 | |
| 90 | 903082 | G | 2XL | Hose shield | |
| 91 | 371519 | | 1 | Holder plate | |
| 92 | 904556 | | 1 | Washer 8,4x16x3,0 | |
| 93 | 500021 | | 3 | Screw M8-1,25x25 8,8 | |

- A) At filter
 C) L=0,250 m
 D) 106/30/18 mm
 E) 90/30/20 mm
 G) L=0,350 m



Steering system

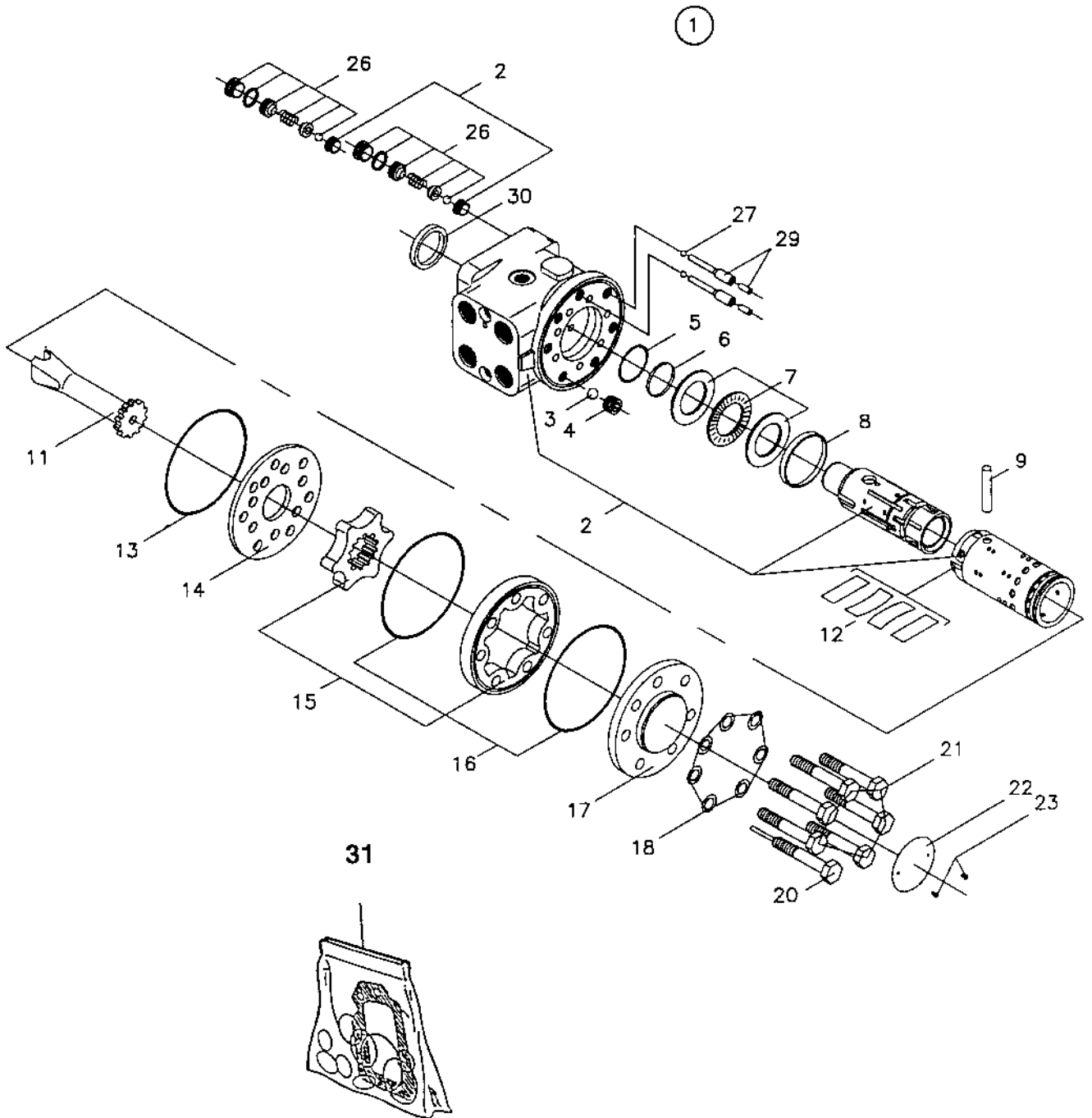
| Ref. No. | Part No. | Rem. | Qty | Description | Code |
|----------|----------|------|-----|--------------------|------|
| 97 | 370155 | | 1 | Valve block | |
| 98 | 160287 | | 4 | O-ring | |
| 99 | 903773 | | 2 | Screw M10x1x50 8,8 | |
| 101 | 235002 | | 1 | Connector | |
| 102 | 904115 | | 1 | Bulkhead elbow | |
| 103 | 234512 | | 1 | Bulkhead union | |
| 104 | 482257 | | 1 | Hydraulic hose | |
| 105 | 482992 | | 1 | Hydraulic hose | |
| 106 | 482993 | | 1 | Hydraulic hose | |
| 107 | 603009 | | 14 | Washer | |
| 108 | 371669 | | 1 | Straight connector | |
| 109 | 903812 | | 1 | Hydraulic hose | |
| 110 | 903831 | | 1 | Nut M12 | |
| 111 | 904231 | | 1 | Washer 13x24x2 | |
| 112 | 926214 | | 2 | Grease fitting | |
| 113 | 372680 | | 1 | Bracket | |
| 114 | 921119 | | 1 | Pipe clamp | |
| 115 | 904229 | | 1 | Washer 8,4x16x1,5 | |
| 116 | 234662 | | 1 | Elbow 45 | |
| 200 | | | | Existing parts | |



374027 Hydraulic pump Steering

| Ref. No. | Part No. | Rem. | Qty | Description | Code |
|----------|----------|------|-----|--------------------|------|
| | | | 1 | Steering pump, cpl | |
| 1 | | | 1 | .Snap ring | |
| 2 | | 1 | 1 | .Shaft seal | |
| 3 | | | 1 | .Flange | |
| 4 | | 1 | 2 | .Back-up ring | |
| 5 | | 1 | 2 | .Seal | |
| 6 | | | 2 | .Bushing | |
| 7 | | 1 | 2 | .O-ring | |
| 8 | | | 1 | .Housing | |
| 9 | | | 3 | .Pin | |
| 10 | | | 1 | .Drive shaft | |
| 11 | | | 1 | .Gear | |
| 12 | | | 1 | .Cover | |
| 13 | | | 4 | .Screw | |
| 14 | | 1 | 1 | .O-ring | |
| 15 | | | 1 | .Plug | |
| 16 | 937813 | | 1 | Seal kit | |

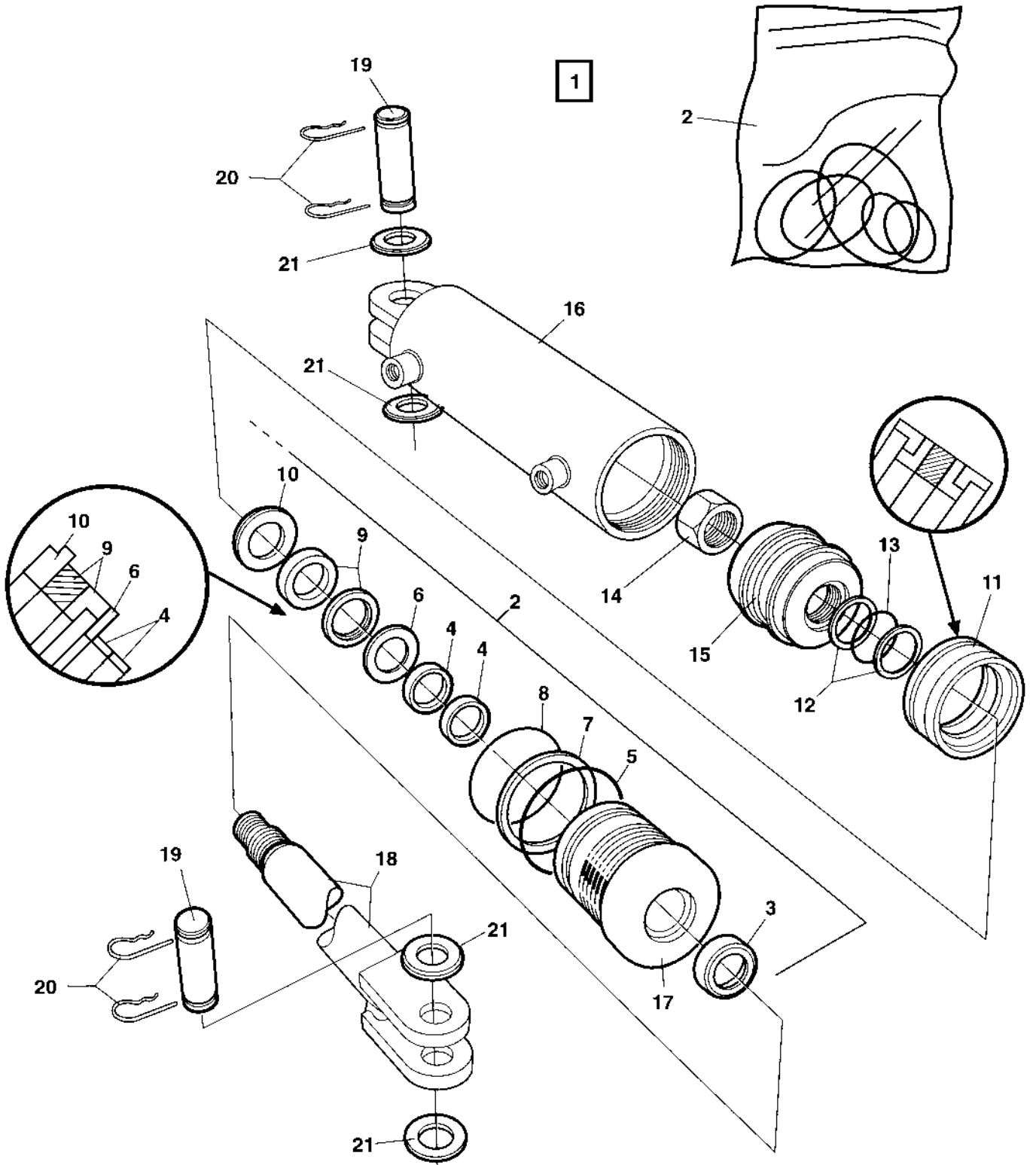
1) Included in seal kit item 16.



359139 Pilot valve

| Ref. No. | Part No. | Rem. | Qty | Description | Code |
|----------|----------|------|-----|----------------------------|------|
| 1 | | | 1 | Pilot valve, cpl | |
| 2 | | | 1 | .Housing, cpl | |
| 3 | 480468 | | 1 | .Ball | |
| 4 | 480446 | | 1 | .Threaded bushing | |
| 5 | | 1 | 1 | .O-ring | |
| 6 | | 1 | 1 | .Seal ring | |
| 7 | 911620 | | 1 | .Bearing | |
| 8 | 480449 | | 1 | .Ring | |
| 9 | 480447 | | 1 | .Cross pin | |
| 11 | 902861 | | 1 | .Cardan shaft | |
| 12 | 909211 | | 1 | .Set of springs | |
| 13 | | 1 | 1 | .O-ring | |
| 14 | 902862 | | 1 | .Valve plate | |
| 15 | 909212 | | 1 | .Gear wheel set | |
| 16 | | 1 | 2 | .O-ring | |
| 17 | 480450 | | 1 | .End cap | |
| 18 | | 1 | 7 | .Washer | |
| 20 | 909213 | | 1 | .Screw with pin | |
| 21 | 909214 | | 6 | .Screw | |
| 22 | | | 1 | .Plate | |
| 23 | | | 2 | .Screw | |
| 26 | 929012 | | 2 | .Shock valve 22,5-24,0 MPa | |
| 27 | 929013 | | 2 | .Ball | |
| 29 | 929014 | | 2 | .Rolled pin | |
| 30 | | 1 | 1 | .Dust seal ring | |
| 31 | 480457 | | 1 | .Spare parts kit | |

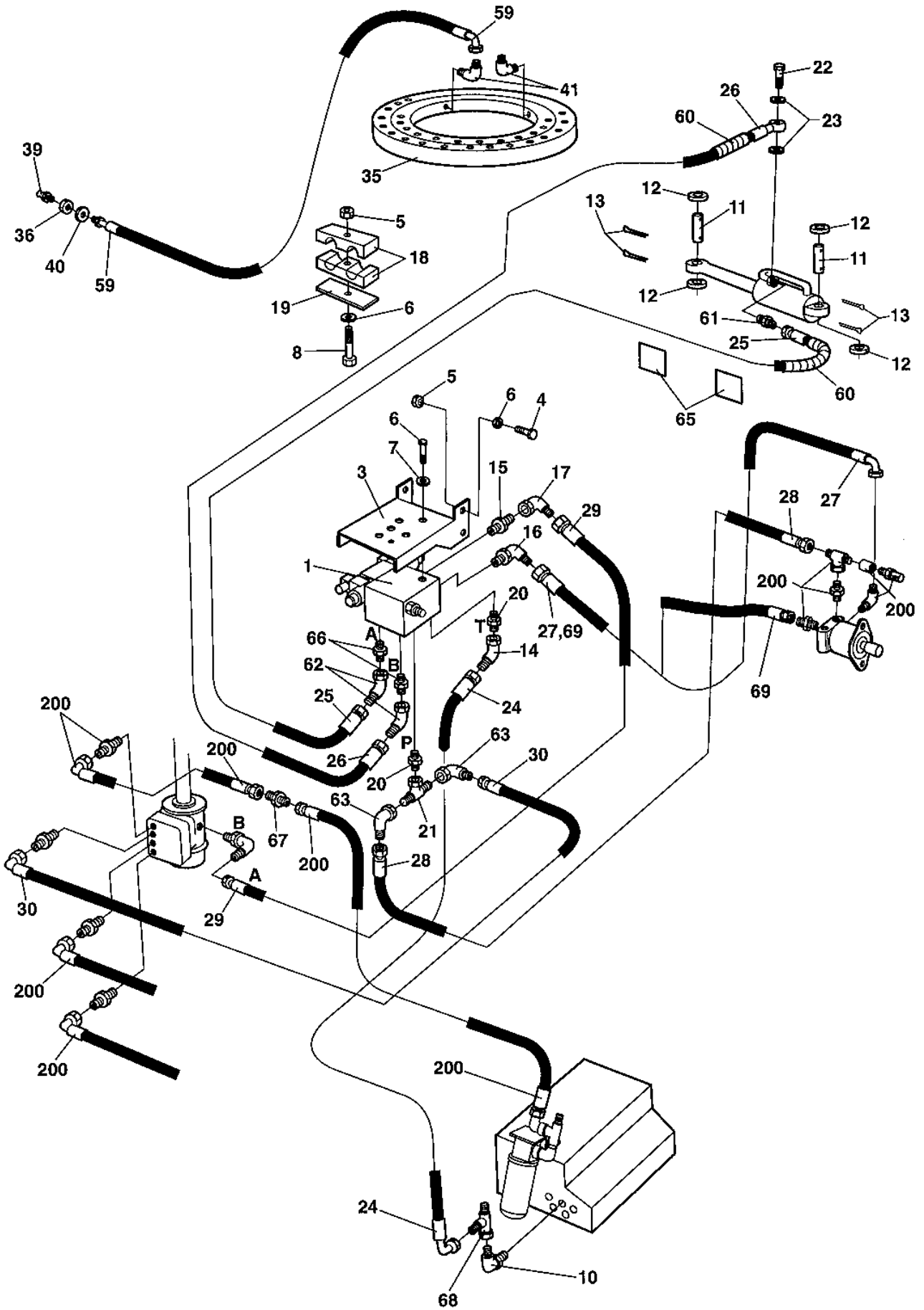
1) Includes in seal kit item 31.



375031 Hydraulic cylinder

| Ref. No. | Part No. | Rem. | Qty | Description | Code |
|----------|----------|------|-----|------------------------|------|
| 1 | | | 1 | Steering cylinder, cpl | |
| 2 | 904145 | | 1 | .Seal kit | |
| 3 | | | 1 | ..Seal | |
| 4 | | | 2 | ..Seal | |
| 5 | | | 1 | ..O-ring | |
| 6 | | | 1 | ..Back-up ring | |
| 7 | | | 1 | ..Back-up ring | |
| 8 | | | 1 | ..O-ring | |
| 9 | | | 1 | ..Seal | |
| 10 | | | 1 | ..Retaining ring | |
| 11 | | | 1 | ..Seal | |
| 12 | | | 2 | ..Back-up ring | |
| 13 | | | 1 | ..O-ring | |
| 14 | | | 1 | ..Lock nut | |
| 15 | 904143 | | 1 | .Piston block | |
| 16 | 936267 | | 1 | .Cylinder | |
| 17 | 903619 | | 1 | .Steering | |
| 18 | 936268 | | 1 | .Piston rod | |
| 19 | 347119 | | 2 | .Shaft | |
| 20 | 635061 | | 4 | .Hair clip | |
| 21 | 600016 | | 4 | .Washer 26x45x4 | |

17255-1

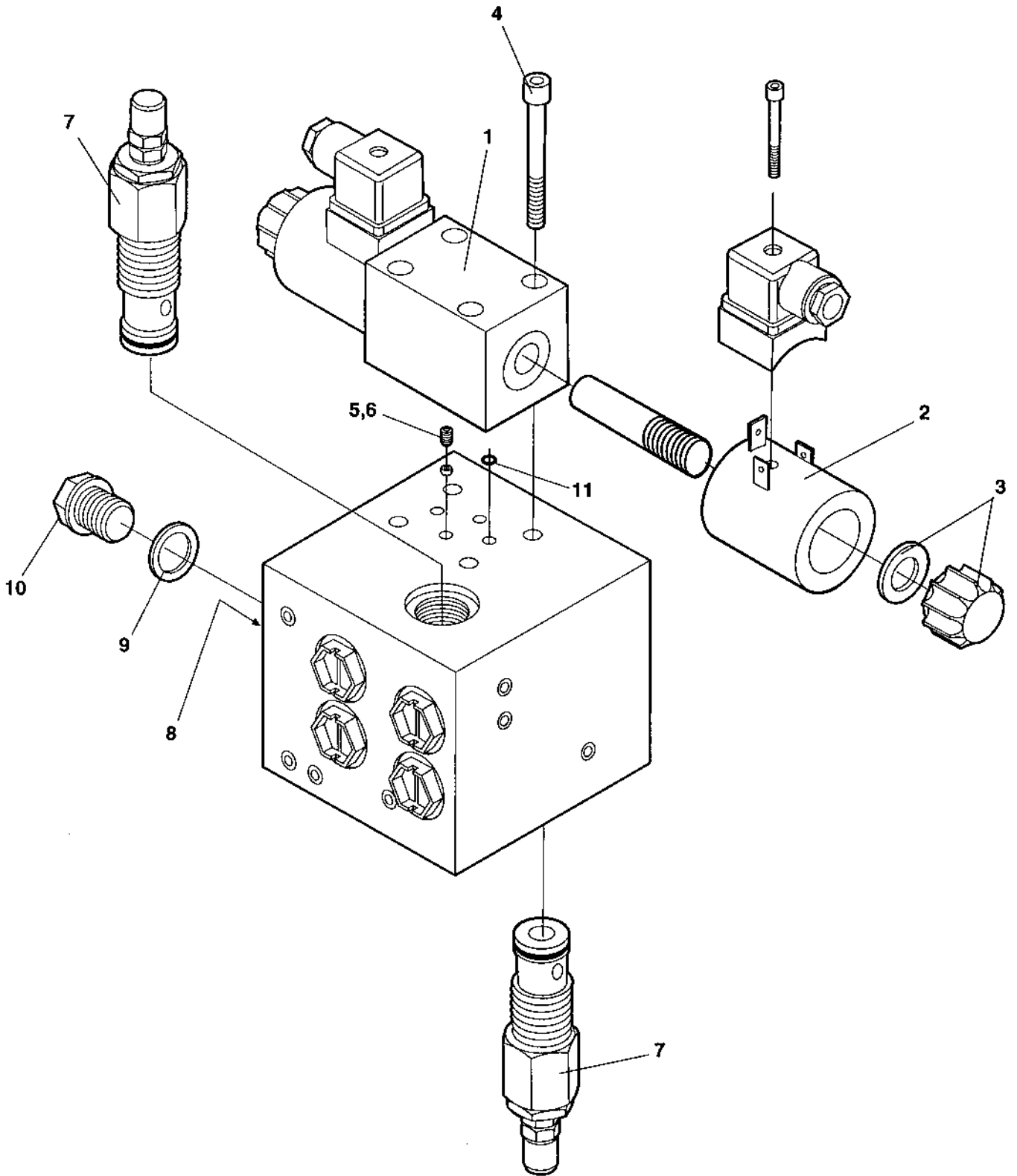


| Ref. No. | Part No. | Rem. | Qty | Description | Code |
|----------|----------|------|-----|--------------------------------------|------|
| 1 | 380780 | 4 | 1 | Direction control valve (Page 142) | |
| | 377432 | 5 | 1 | Direction control valve | |
| 3 | 381029 | | 1 | Holder plate | |
| 4 | 500021 | | 4 | Screw M8-1,25x25 8,8 | |
| 5 | 570005 | | 5 | Nut M8 | |
| 6 | 904229 | | 8 | Washer 8,4x16x1,5 | |
| 7 | 500053 | | 3 | Screw M8-1,25x20 8,8 | |
| 8 | 500068 | | 1 | Screw M08x65 | |
| 9 | 373403 | 2 | 1 | Cylinder Offset drum (Page 144) | |
| | 377584 | 3 | 1 | Cylinder | |
| 10 | | | 1 | Existing | |
| 11 | 357419 | | 2 | Shaft | |
| 12 | 600016 | | 4 | Washer 26x45x4 | |
| 13 | 630019 | | 4 | Cotter pin | |
| 14 | 234662 | | 1 | Elbow 45 | |
| 15 | 234388 | | 1 | Connector | |
| 16 | 234850 | | 1 | Elbow 90, O-ring | |
| 17 | 334196 | | 1 | Elbow 90 | |
| 18 | 904871 | | 1 | Pipe clamp | |
| 19 | 904872 | | 1 | Cover plate | |
| 20 | 334121 | | 2 | Straight connector | |
| 21 | 234953 | | 1 | Tee-connector | |
| 22 | 330171 | | 2 | Hollow screw | |
| 23 | 162024 | | 2 | Washer, sealing | |
| 24 | 483411 | | 1 | Hydraulic hose | |
| 25 | 483513 | | 1 | Hydraulic hose | |
| 26 | 359768 | | 1 | Hydraulic hose | |
| 27 | 482472 | | 1 | Hydraulic hose | |
| 28 | 483231 | | 1 | Hydraulic hose | |
| 29 | 482064 | | 1 | Hydraulic hose | |
| 30 | 482940 | | 1 | Hydraulic hose | |
| 35 | 359192 | | 1 | Bearing | |
| 36 | 903831 | | 4 | Nut M12 | |
| 39 | 926214 | | 4 | Grease fitting | |
| 40 | 904231 | | 4 | Washer 13x24x2 | |
| 41 | 373183 | | 4 | Elbow 90 | |
| 59 | 903813 | | 4 | Hydraulic hose | |
| 60 | 903082 | | NXL | Hose shield | |
| 61 | 334236 | | 1 | Adapter | |
| 62 | 801781 | | 2 | Connector | |
| 63 | 334197 | | 2 | Elbow 90 | |
| 65 | 903422 | | 2 | Decal "SAFETY" | |
| 66 | 924731 | | 2 | Connector | |
| 67 | 925762 | | 1 | Adapter | |
| 68 | 334135 | | 1 | T-connector | |
| 69 | 483699 | | 1 | Hydraulic hose | |
| 200 | | 1 | | Existing parts | |

- 1) See section "Steering system".
- 2) Replaced by PN 377584.
- 3) Replaces PN 373403.
- 4) Replaced by PN 377432.
- 5) Replaces PN 380780.

380780 Direction control valve

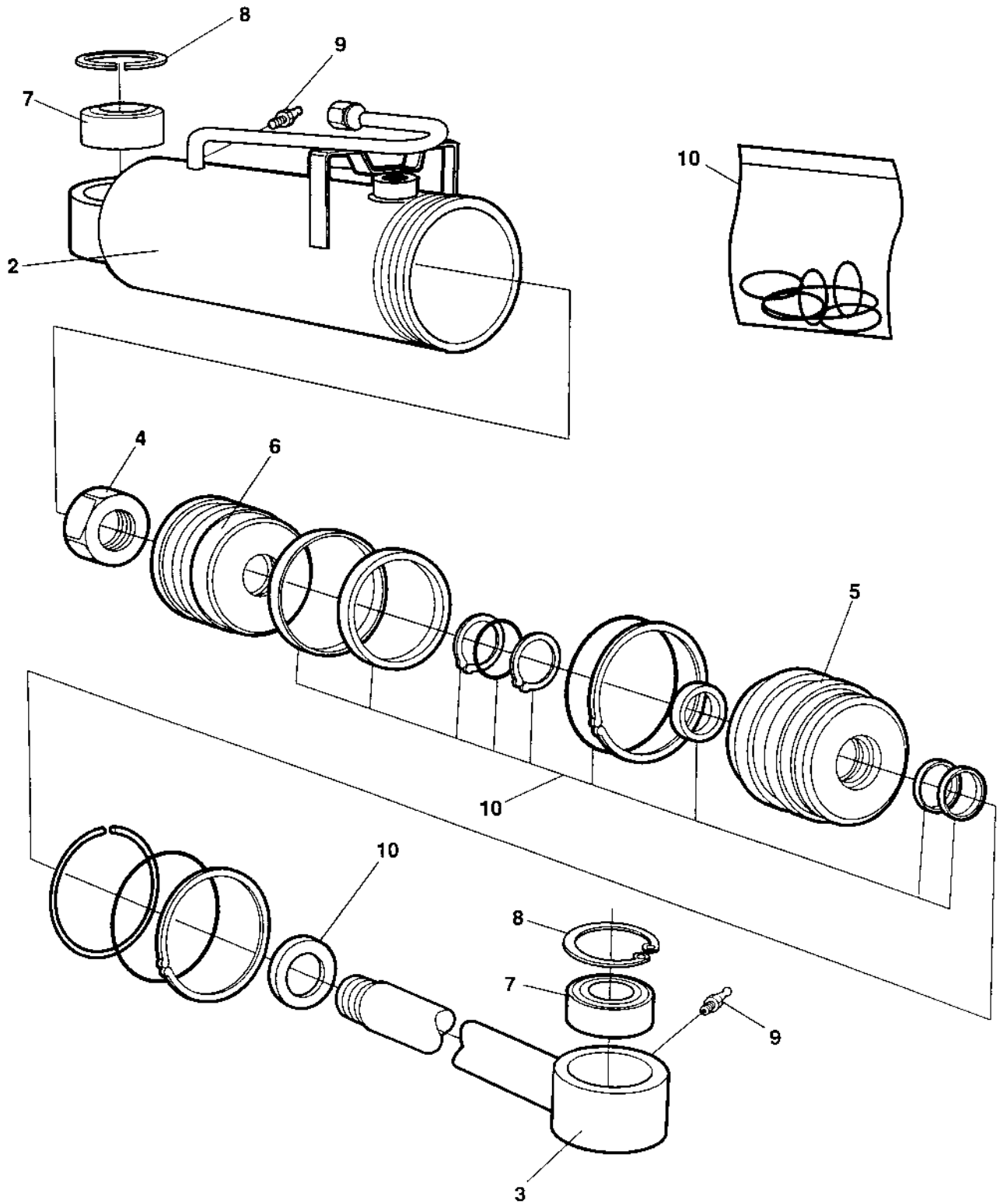
17257



380780 Direction control valve

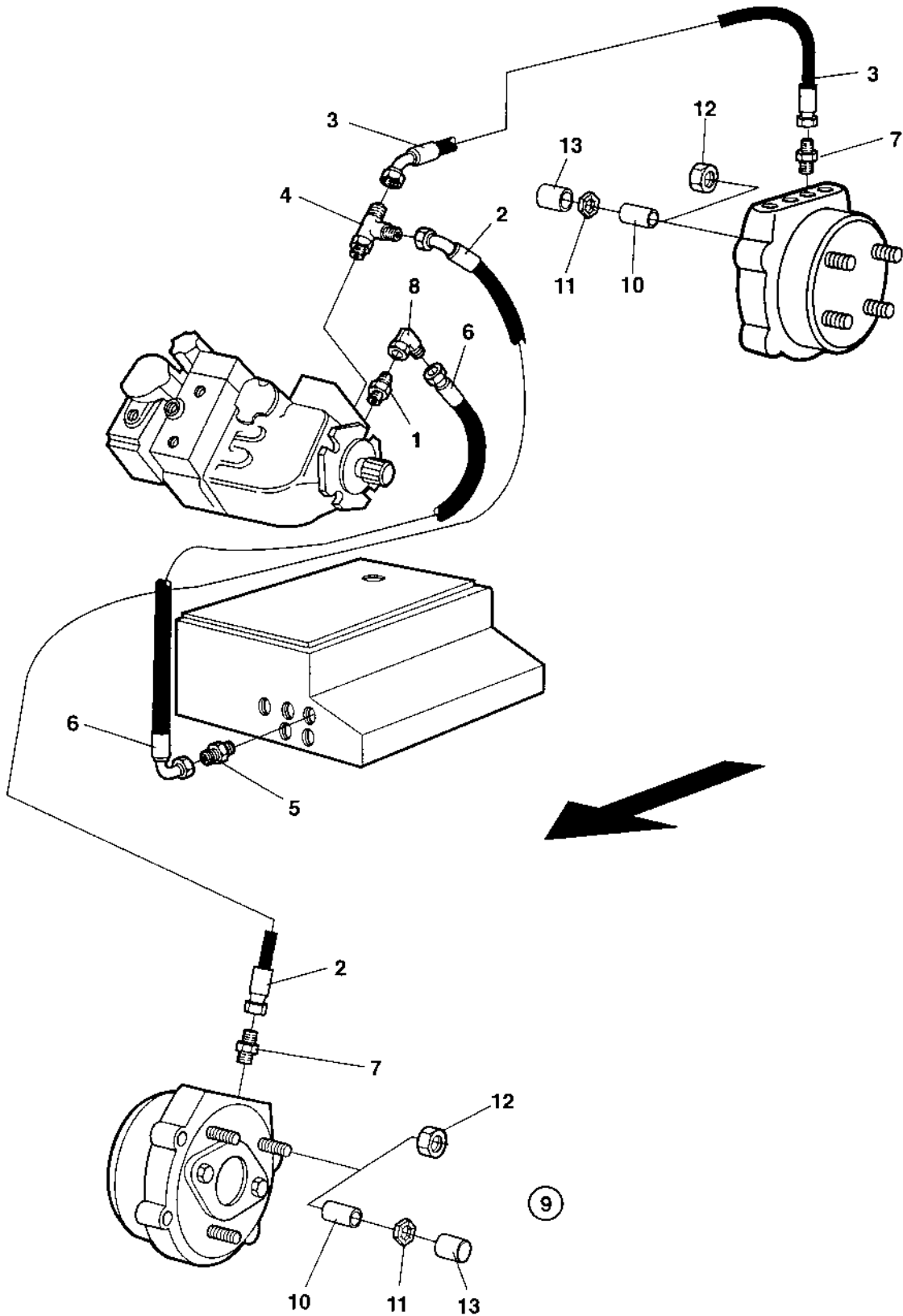
| Ref. No. | Part No. | Rem. | Qty | Description | Code |
|----------|----------|------|-----|-------------------------|------|
| | | | 1 | Valve, cpl | |
| 1 | 937800 | | 1 | .Valve | |
| 2 | 937801 | | 2 | .Coil | |
| 3 | 937802 | | 2 | .Nut incl. seal | |
| 4 | 937803 | | 4 | .Screw | |
| 5 | 937804 | | 1 | .Orifice 1,5 mm | |
| 6 | | | 1 | .Not used on this model | |
| 7 | 937806 | | 2 | .Overcenter valve | |
| 8 | 937807 | | 2 | .Shuttle valve | |
| 9 | 937808 | | 2 | .Copper washer | |
| 10 | 937809 | | 2 | .Plug | |
| 11 | 937810 | | 4 | .O-ring | |

1



373403 Cylinder Offset drum

| Ref. No. | Part No. | Rem. | Qty | Description | Code |
|----------|----------|------|-----|-------------------------|------|
| 1 | | | 1 | Hydraulic cylinder, cpl | |
| 2 | | | 1 | .Cylinder | |
| 3 | | | 1 | .Piston rod | |
| 4 | | | 1 | .Cylinder nut | |
| 5 | | | 1 | .Gland | |
| 6 | | | 1 | .Piston | |
| 7 | 238272 | | 2 | .Slide bearing | |
| 8 | 151012 | | 2 | .Retaining ring | |
| 9 | 926214 | | 2 | .Grease fitting | |
| 10 | 904164 | | 1 | .Seal kit | |

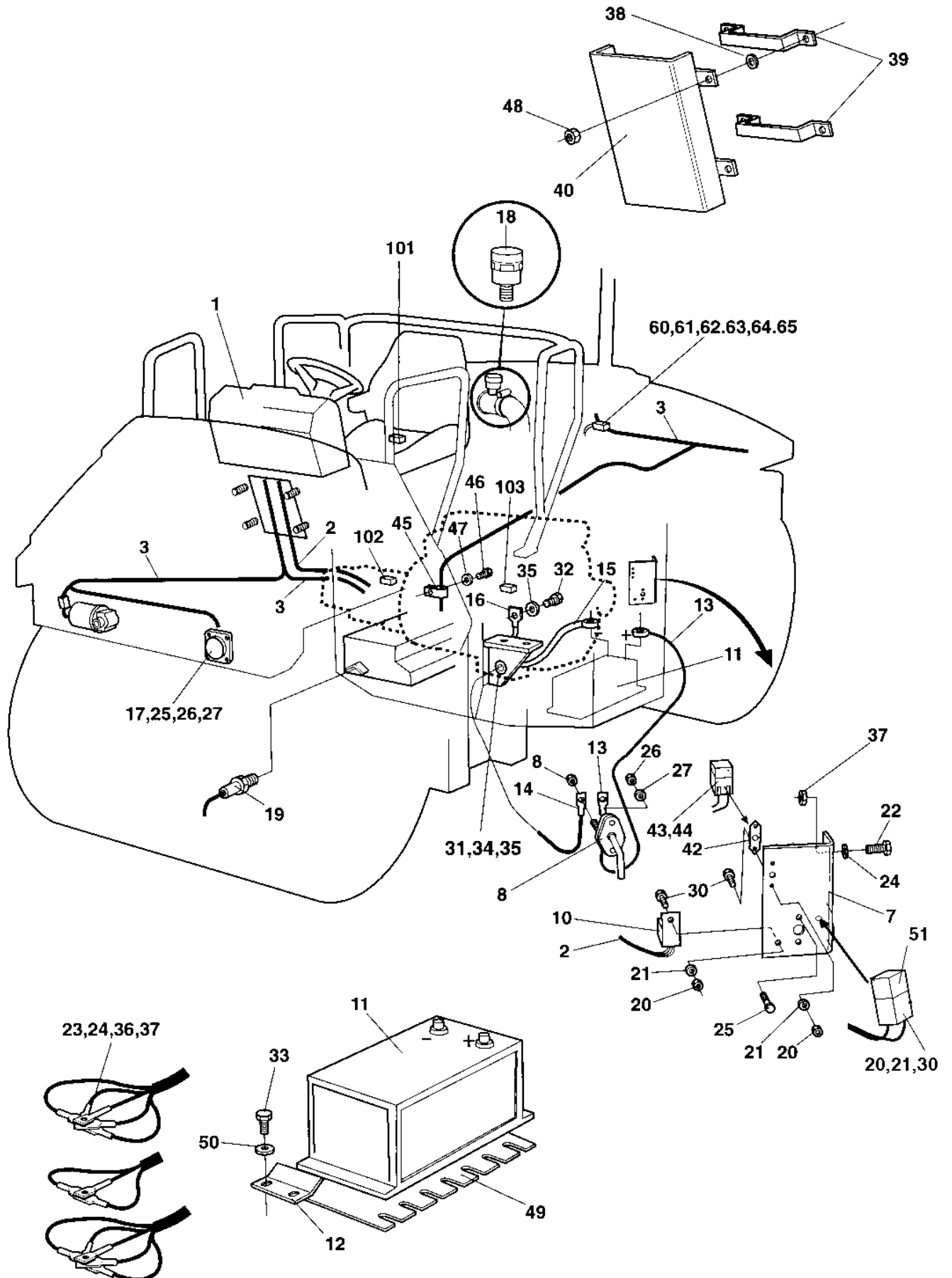


Brake system

| Ref. No. | Part No. | Rem. | Qty | Description | Code |
|----------|----------|------|-----|----------------------------------|------|
| 1 | 234233 | | 1 | Adapter | |
| 2 | 483244 | | 1 | Hydraulic hose | |
| 3 | 483245 | | 1 | Hydraulic hose | |
| 4 | 234746 | | 1 | Connector | |
| 5 | 234349 | | 1 | Connector | |
| 6 | 482782 | | 1 | Hydraulic hose | |
| 7 | 925723 | | 2 | Connector | |
| 8 | 334524 | | 1 | Connector | |
| 9 | 372439 | 1 | 1 | Brake release kit Up to 62110340 | |
| 10 | 372423 | | 6 | .Rubber sleeve | |
| 11 | 904051 | | 6 | .Lock washer | |
| 12 | 570007 | A | 6 | .Lock nut M12 | |
| 13 | 904138 | | 6 | .Protection cap | |

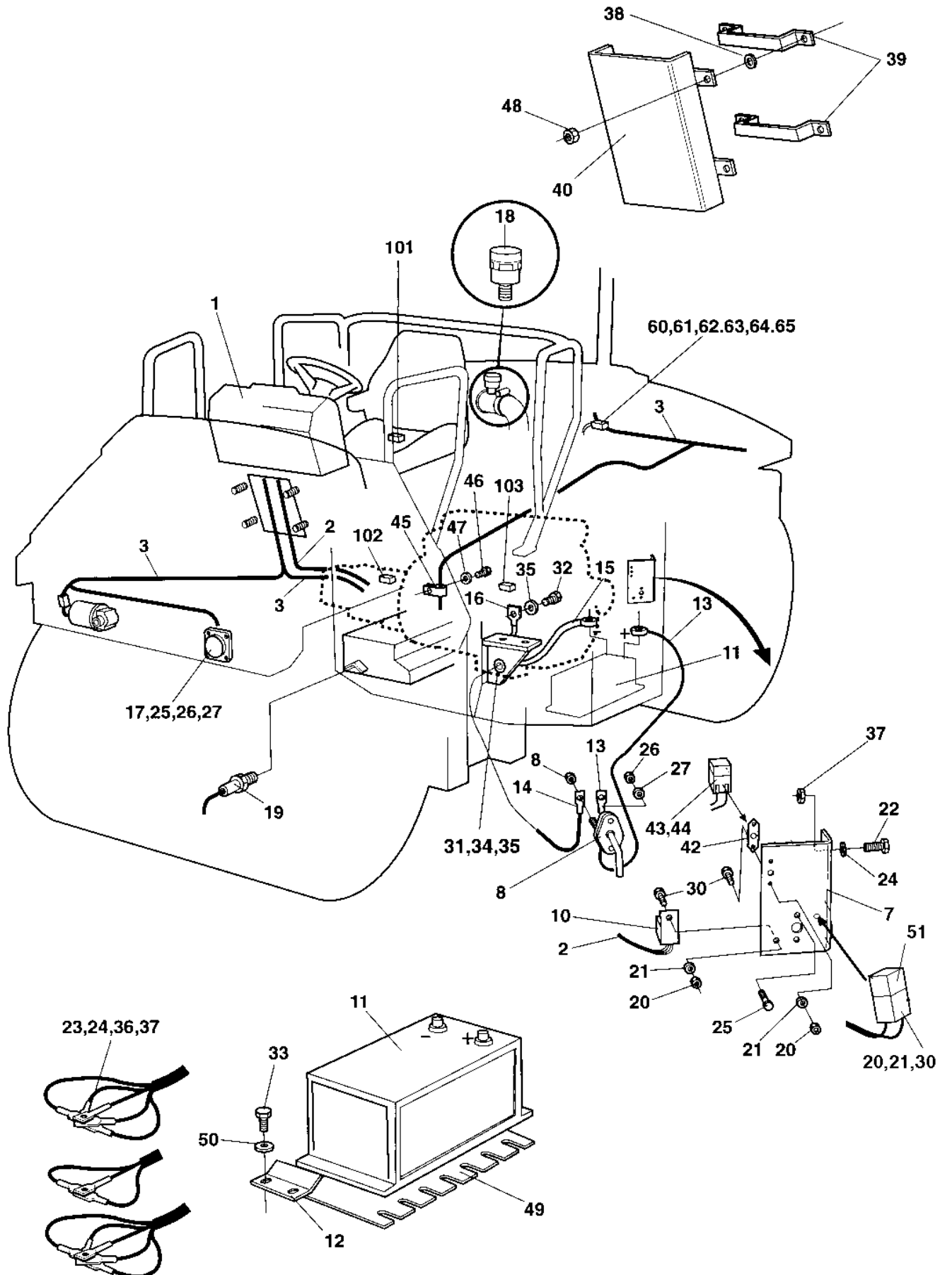
- 1) Only for hydraulic motors PN 358999 and 359000.
A) For brake release

| Ref. No. | Part No. | Rem. | Qty | Description | Code |
|----------|----------|------|-----|--|------|
| 100 | | | | Electrical equipment (Page 150) | |
| 150 | | | | Electrical equipment Additional for cab (Page 154) | |
| 175 | | | | Electric battery switch (Page 156) | |
| 200 | | | | Instrument box (Page 158) | |
| 300 | | | | Instrument panel, main (Page 160) | |
| 305 | | | | Speed and frequency Sensors (Page 162) | |
| 325 | | | | Instrument panel Upper left (Page 164) | |
| 350 | | | | Instrument panel Upper right (Page 166) | |
| 375 | | | | Instrument panel Lower left (Page 168) | |
| 400 | | | | Instrument panel Lower right (Page 170) | |
| 450 | | | | Instrument panel Relay, fuses (Page 172) | |
| 500 | | | | Emergency stop panel (Page 176) | |
| 601 | | | | Driving lights Direction & licenseplate light (Page 178) | |
| 604 | | | | Working lights with/without Rops (Page 180) | |
| 605 | | | | Protection cover, Head light (Page 182) | |
| 610 | | | | Working lights, cab (Page 184) | |
| 620 | | | | Rotating beacon (Page 186) | |
| 630 | | | | Tachograph (Page 188) | |
| 800 | | | | Offset drum Electrical equipment (Page 190) | |

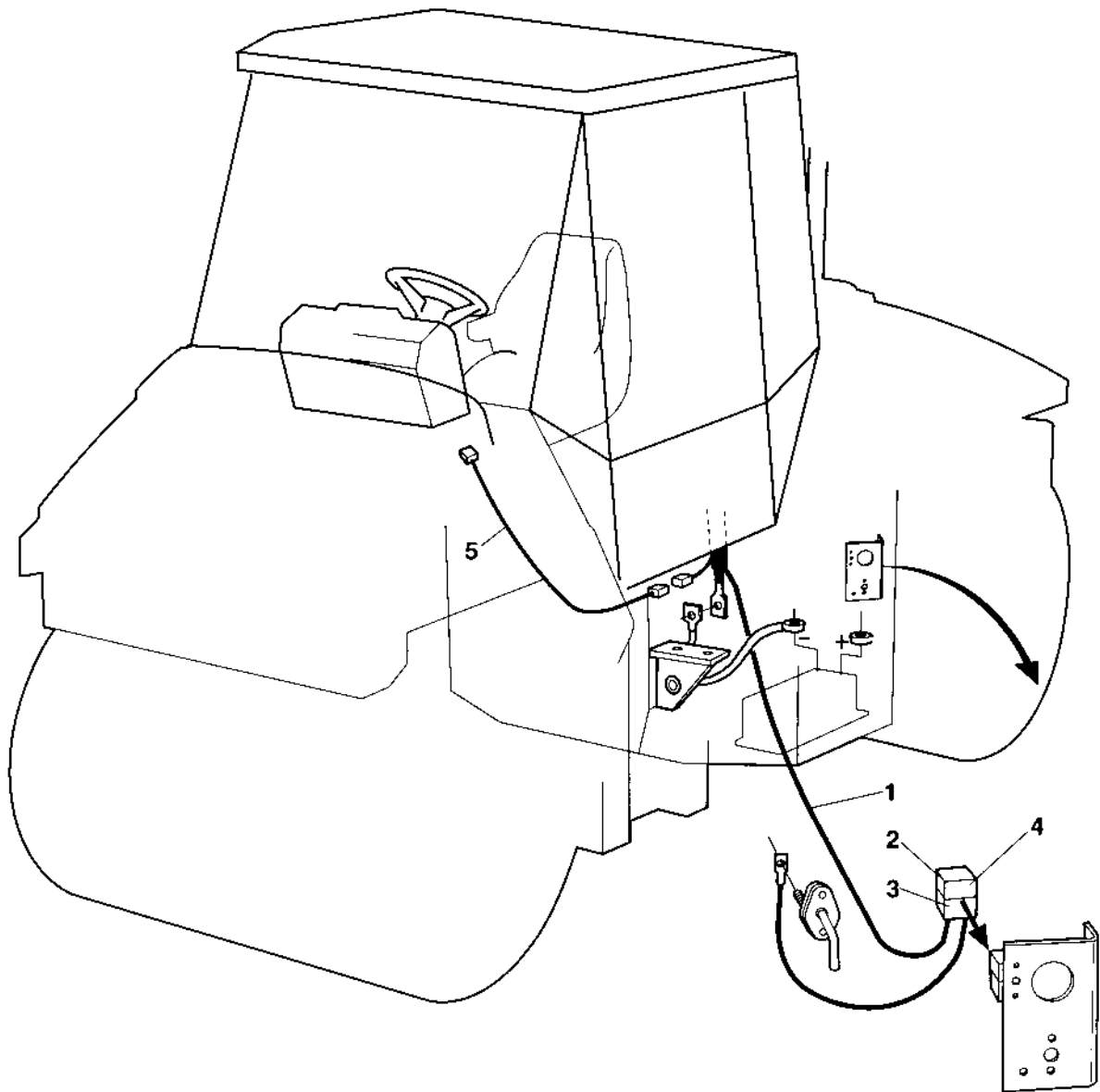


| Ref. No. | Part No. | Rem. | Qty | Description | Code |
|----------|----------|------|-----|----------------------------------|------|
| 1 | | | 1 | Instrument panel | |
| 2 | 377356 | | 1 | Cable harness | |
| 3 | 384100 | | 1 | Cable harness | |
| 7 | 372999 | | 1 | Holder plate | |
| 8 | 930150 | | 1 | Battery switch | |
| | 928021 | | 1 | .Key | |
| 10 | 287597 | A | 1 | Relay | |
| 11 | 470021 | | 1 | Battery | |
| 12 | 382267 | | 1 | Battery holder | |
| 13 | 348136 | | 1 | Battery cable (+) | |
| 14 | 370076 | | 1 | Cable | |
| 15 | 348303 | | 1 | Battery cable (-) | |
| 16 | 335607 | | 1 | Ground cable | |
| 17 | 999027 | | 2 | Horn | |
| 18 | 929023 | B | 1 | Indicator | |
| 19 | 903631 | C | 1 | Temperature sensor Hydraulic oil | |
| 20 | 586001 | | 4 | Lock nut M5 | |
| 21 | 904281 | | 6 | Washer 5,3x10x1 | |
| 22 | 500022 | | 2 | Screw M8-1,25x30 8,8 | |
| 23 | 586003 | | 3 | Lock nut M8 | |
| 24 | 904229 | | 5 | Washer 8,4x16x1,5 | |
| 25 | 500040 | | 4 | Screw M6-1x20 8,8 | |
| 26 | 586002 | | 8 | Lock nut M6 | |
| 27 | 904228 | | 8 | Washer 6,4x12x1,5 | |
| 30 | 500060 | | 3 | Screw M5-0,8x20 8.8 | |
| 31 | 500105 | | 1 | Hexagon screw | |
| 32 | 500028 | | 1 | Screw M10-1,5x25 8,8 | |
| 33 | 500053 | | 2 | Screw M8-1,25x20 8,8 | |
| 34 | 586018 | | 1 | Lock nut M10 | |
| 35 | 904230 | | 3 | Washer 10,5x22x2 | |
| 36 | 500239 | | 3 | Screw M8-1.25x50 | |
| 37 | 570005 | | 4 | Nut M8 | |
| 38 | 904044 | | 4 | Washer | |
| 39 | 372775 | | 2 | Cable holder | |
| 40 | 372774 | | 1 | Casing | |
| 42 | 904036 | | 1 | Fuse holder | |
| 43 | 904032 | D | 1 | Fuse holder | |
| 44 | 904037 | | 1 | Fuse 30A | |
| 45 | 921104 | | 1 | Clamp | |
| 46 | 500028 | | 1 | Screw M10-1,5x25 8,8 | |
| 47 | 904637 | | 1 | Washer 10x18x2 | |
| 48 | 902286 | | 4 | Lock nut M8 | |
| 49 | 382266 | | 1 | Battery insulation | |
| 50 | 904556 | | 2 | Washer 8,4x16x3,0 | |
| 51 | 939958 | | 1 | Relay | |
| 60 | 900798 | E | 1 | Buzzer | |
| | 903241 | E | 1 | Back-up alarm 97 dB | |
| 61 | 926611 | | 2 | Screw | |
| 62 | 586001 | | 2 | Lock nut M5 | |
| 63 | 904281 | | 2 | Washer 5,3x10x1 | |
| 64 | 901766 | | 1 | Connector 2-POL | |
| 65 | 960273 | | 2 | Terminal | |

- A) Start
- B) Air filter
- C) Hydraulic oil
- D) In cable harness
- E) Option



| Ref. No. | Part No. | Rem. | Qty | Description | Code |
|----------|----------------------------------|------|-----|----------------------|------|
| 65 | 960275 | G | 2 | Terminal | |
| 101 | | 1 | 1 | Seat switch | |
| 102 | | F | 1 | Neutral start switch | |
| 103 | | 2 | 1 | Stop solenoid | |
| 1) | See section " Drivers platform " | | | | |
| 2) | See section " Engine " | | | | |
| F) | See propulsion pump | | | | |
| G) | For 97dB Backalarm | | | | |

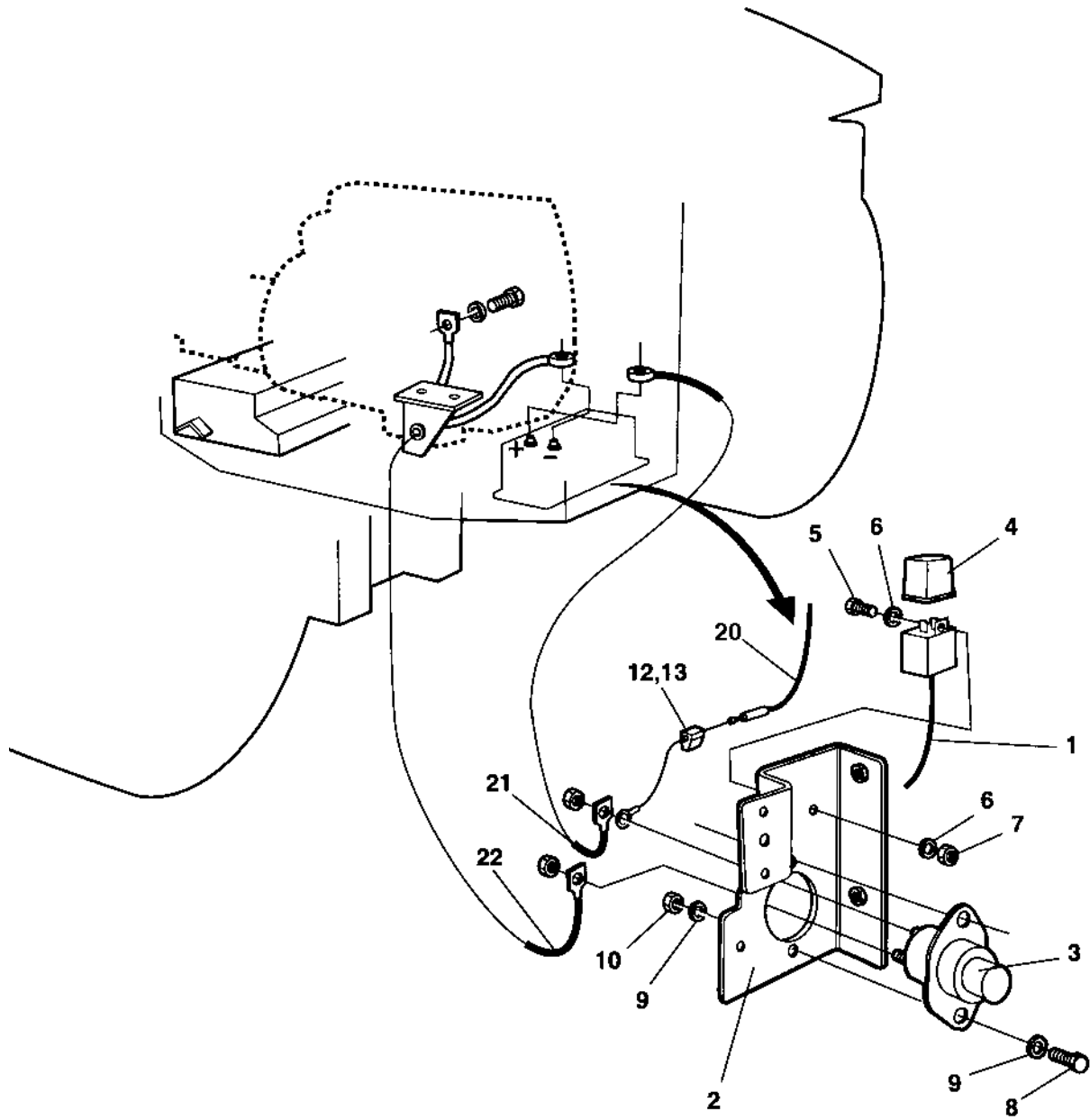


Electrical equipment Additional for cab

| Ref. No. | Part No. | Rem. | Qty | Description | Code |
|----------|----------|------|-----|---------------|------|
| 1 | 382838 | A | 1 | Cable harness | |
| 2 | 904032 | B | 1 | .Fuse holder | |
| 3 | 904031 | B | 2 | .Terminal | |
| 4 | 904041 | | 1 | Fuse 70A | |
| 5 | 381893 | | 1 | Cable harness | |

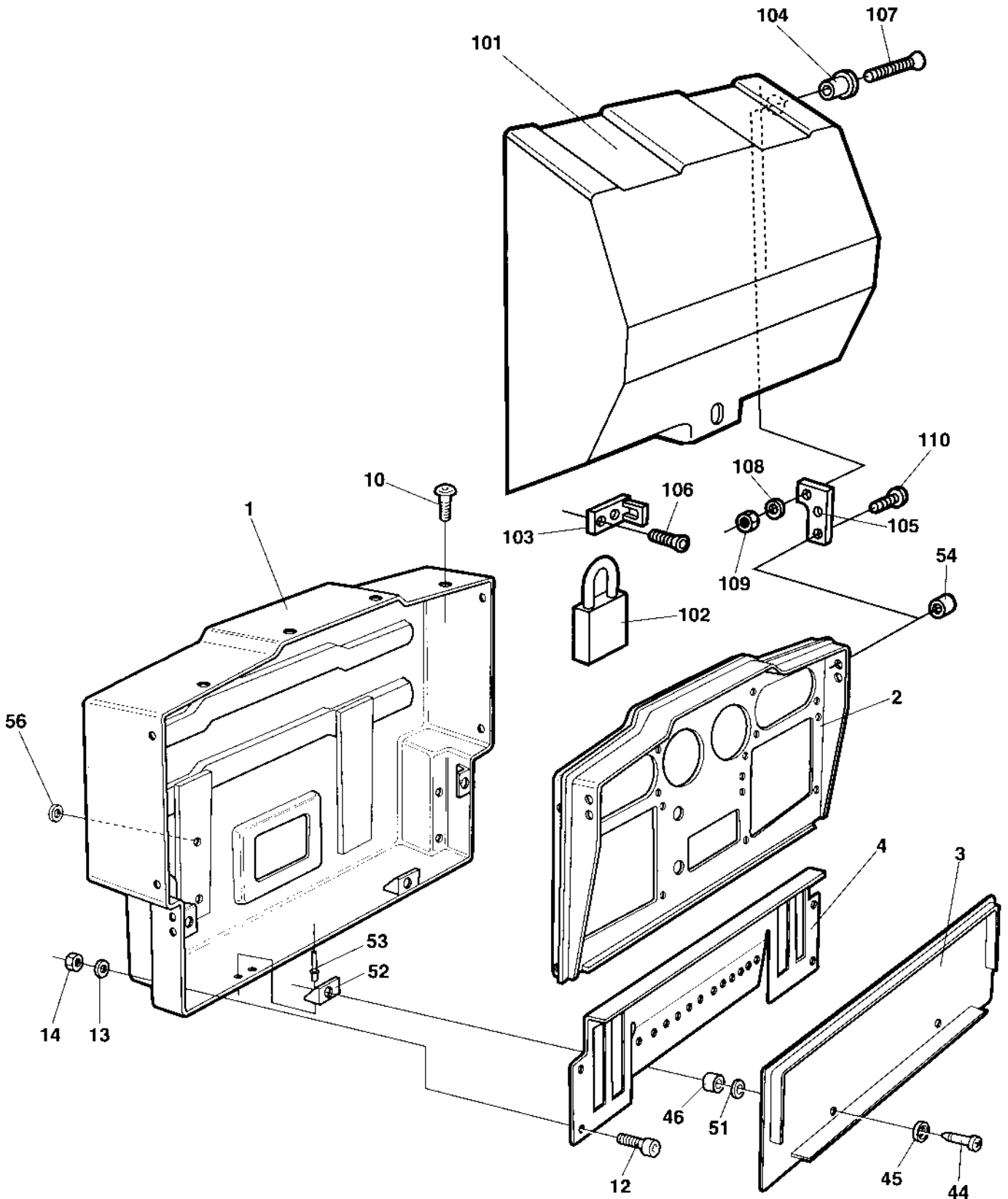
A) Cabin main support

B) Incl in item 1



| Ref. No. | Part No. | Rem. | Qty | Description | Code |
|----------|----------|------|-----|-------------------------|------|
| 1 | 384038 | | 1 | Cable harness | |
| | 357562 | | 1 | Relay holder | |
| 2 | 384055 | | 1 | Holder plate | |
| 3 | 791077 | | 1 | Electric battery switch | |
| 4 | 287597 | | 1 | Relay | |
| 5 | 508020 | | 1 | Screw M5x20 | |
| 6 | 904281 | | 2 | Washer 5,3x10x1 | |
| 7 | 586001 | | 1 | Lock nut M5 | |
| 8 | 500021 | | 2 | Screw M8-1,25x25 8,8 | |
| 9 | 904229 | | 4 | Washer 8,4x16x1,5 | |
| 10 | 570005 | | 2 | Nut M8 | |
| 12 | 904015 | | 1 | Fuse holder | |
| 13 | 901226 | | 1 | Fuse 7.5A | |
| 20 | | 1 | 1 | Cable harness | |
| 21 | | 1 | 1 | Battery cable | |
| 22 | | 1 | 1 | Battery cable | |

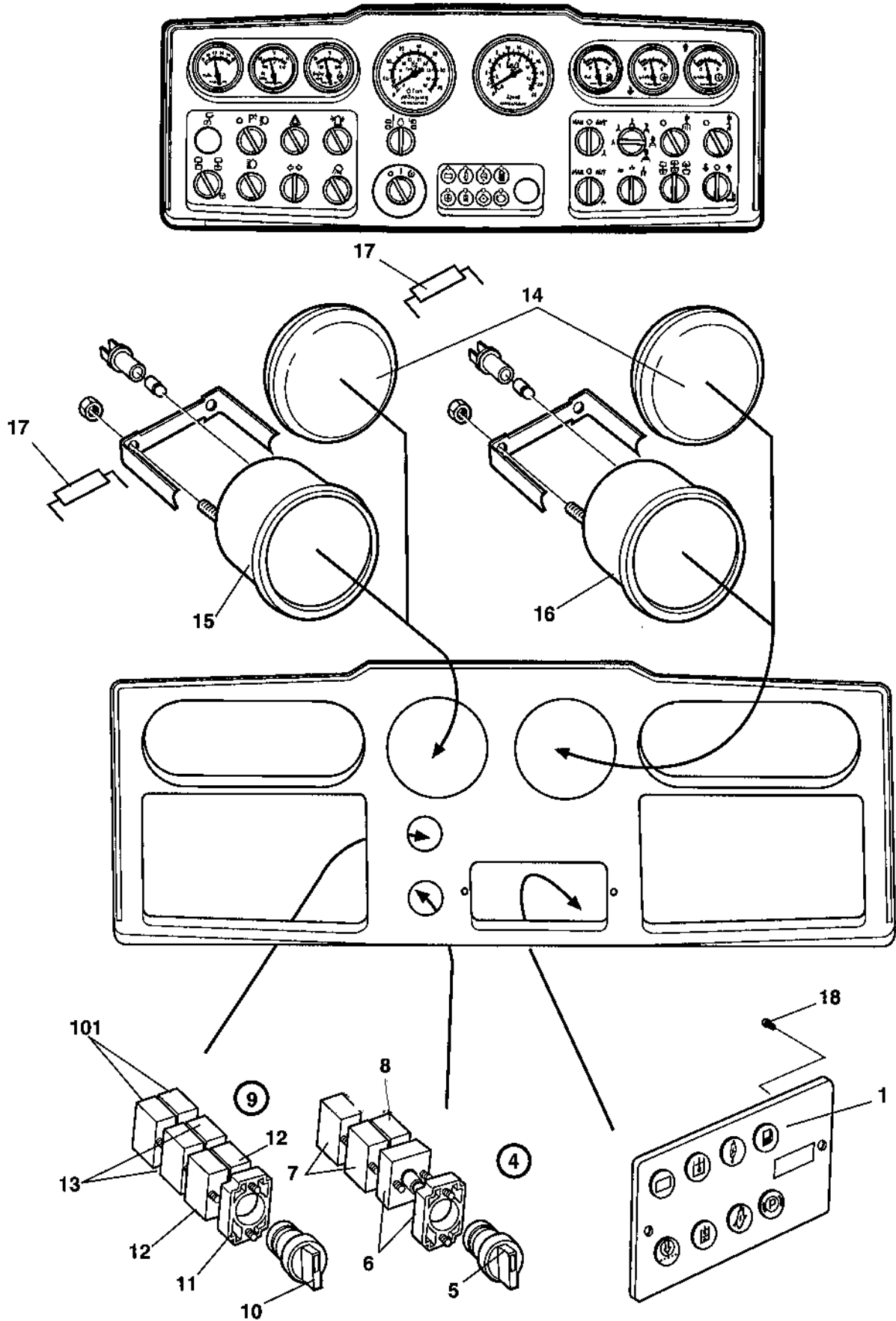
1) See section " Electrical equipment ".



Instrument box

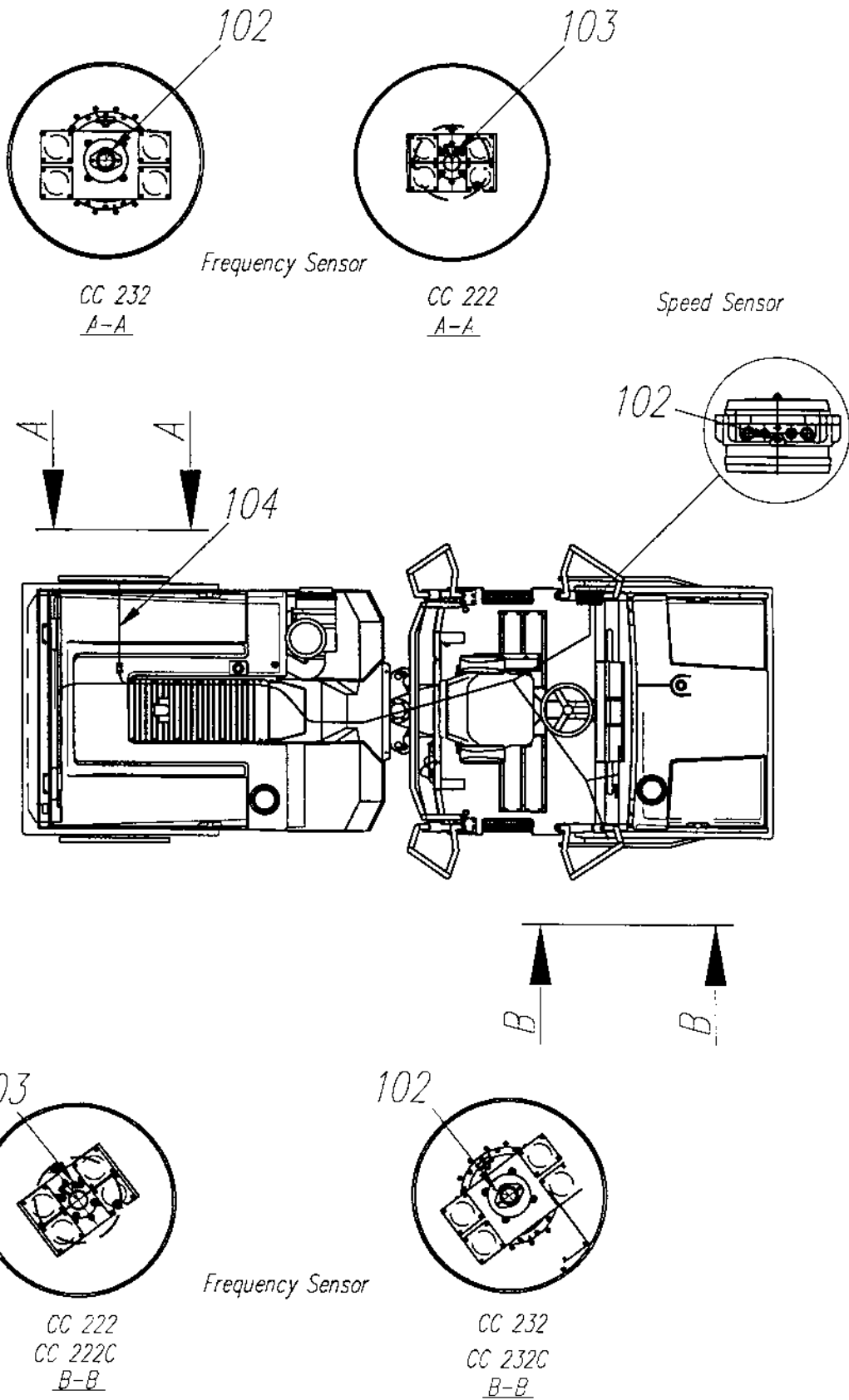
| Ref. No. | Part No. | Rem. | Qty | Description | Code |
|----------|----------|------|-----|----------------------------|------|
| 1 | 374105 | | 1 | Instrument box | |
| 2 | 374379 | | 1 | Control panel | |
| 3 | 359845 | | 1 | Cover | |
| 4 | 370165 | | 1 | Relay bracket | |
| 10 | 903658 | | 8 | Screw M5x10 | |
| 12 | 500040 | | 4 | Screw M6-1x20 8,8 | |
| 13 | 904228 | | 4 | Washer 6,4x12x1,5 | |
| 14 | 902285 | | 4 | Lock nut M6 | |
| 44 | 903599 | | 4 | Trunnion | |
| 45 | 903600 | | 4 | Rubber washer | |
| 46 | 903601 | | 4 | Washer | |
| 51 | 903678 | | 4 | Rubber washer | |
| 52 | 903602 | 1 | 4 | Lock device | |
| 53 | 903436 | 1 | 8 | Blind rivet | |
| 54 | 903653 | | 4 | Plug | |
| 56 | 903961 | | 4 | Washer | |
| 100 | | | 1 | Control panel cover Option | |
| 101 | 372103 | | 1 | .Cover | |
| 102 | 358881 | | 1 | .Pad lock | |
| 103 | 372104 | | 1 | .Eyelet | |
| 104 | 357855 | | 2 | .Bushing | |
| 105 | 372105 | | 2 | .Bracket | |
| 106 | 904207 | | 2 | .Screw | |
| 107 | 904208 | | 2 | .Screw | |
| 108 | 904228 | | 2 | .Washer 6,4x12x1,5 | |
| 109 | 586002 | | 2 | .Lock nut M6 | |
| 110 | 903658 | | 4 | .Screw M5x10 | |

1) Included in cpl. Instrument box, item 1.



| Ref. No. | Part No. | Rem. | Qty | Description | Code |
|----------|----------|------|-----|--------------------------------|------|
| 1 | 380660 | | 1 | Display | |
| 4 | | B | 1 | Switch, cpl | |
| 5 | 791489 | | 1 | .Switch | |
| 6 | 903875 | | 1 | .Flange with light | |
| | 985012 | | 1 | Bulb | |
| 7 | 930154 | | 2 | .Contact piece, NC | |
| 8 | 930163 | | 1 | .Contact piece, NO | |
| 9 | | C | 1 | Switch, cpl | |
| 10 | 932058 | | 1 | .Switch | |
| 11 | 903876 | | 1 | .Connector | |
| 12 | 930163 | | 2 | .Contact piece, NO | |
| 13 | 930154 | | 2 | .Contact piece, NC | |
| 14 | 345139 | | 2 | Hole plug | |
| 15 | 378035 | | 1 | Tachometer and frequency meter | |
| | | | 1 | Bulb | |
| | | D | 1 | Sensor | |
| 16 | 359347 | | 1 | Speedometer | |
| | | | 1 | Bulb | |
| | | D | 1 | Sensor | |
| 17 | 357526 | | 3 | Resistor | |
| 18 | 903657 | | 2 | Screw | |
| 101 | 930163 | E | 2 | Contact piece, NO | |

- B) Start
- C) Freq/tacho selector
- D) See speed and frequency sensors
- E) Option tachograph



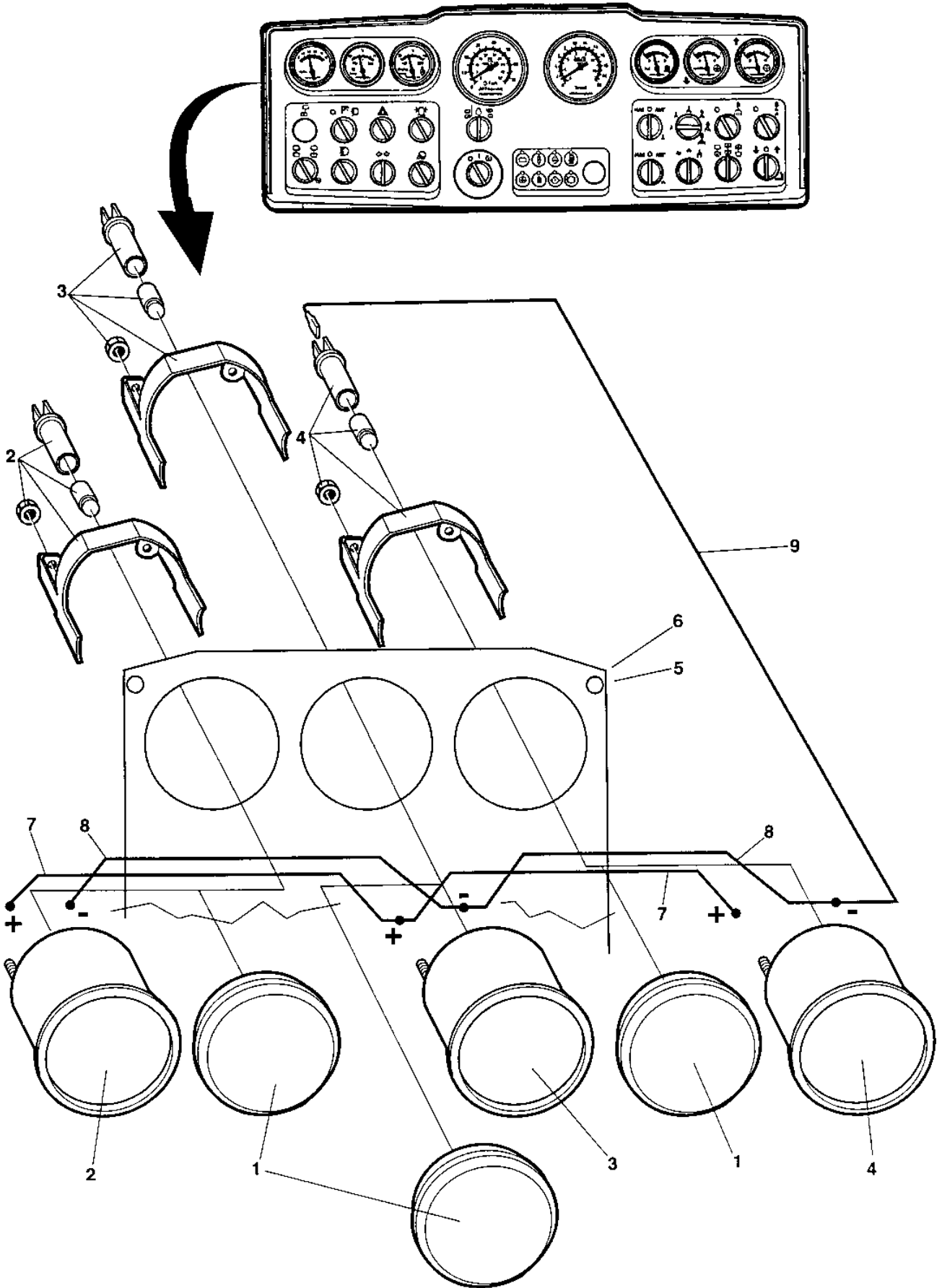
Speed and frequency Sensors

| Ref. No. | Part No. | Rem. | Qty | Description | Code |
|-----------------|-----------------|-------------|------------|--------------------|-------------|
| 102 | 372576 | 1 | 1 | Sensor M12-1 | |
| 103 | 372618 | 1 | 2 | Sensor 3/4-16 | |
| 104 | 376177 | | 1 | Cable harness | |

- 1) Please read your workshop manual for adjustment of the sensors

Instrument panel Upper left

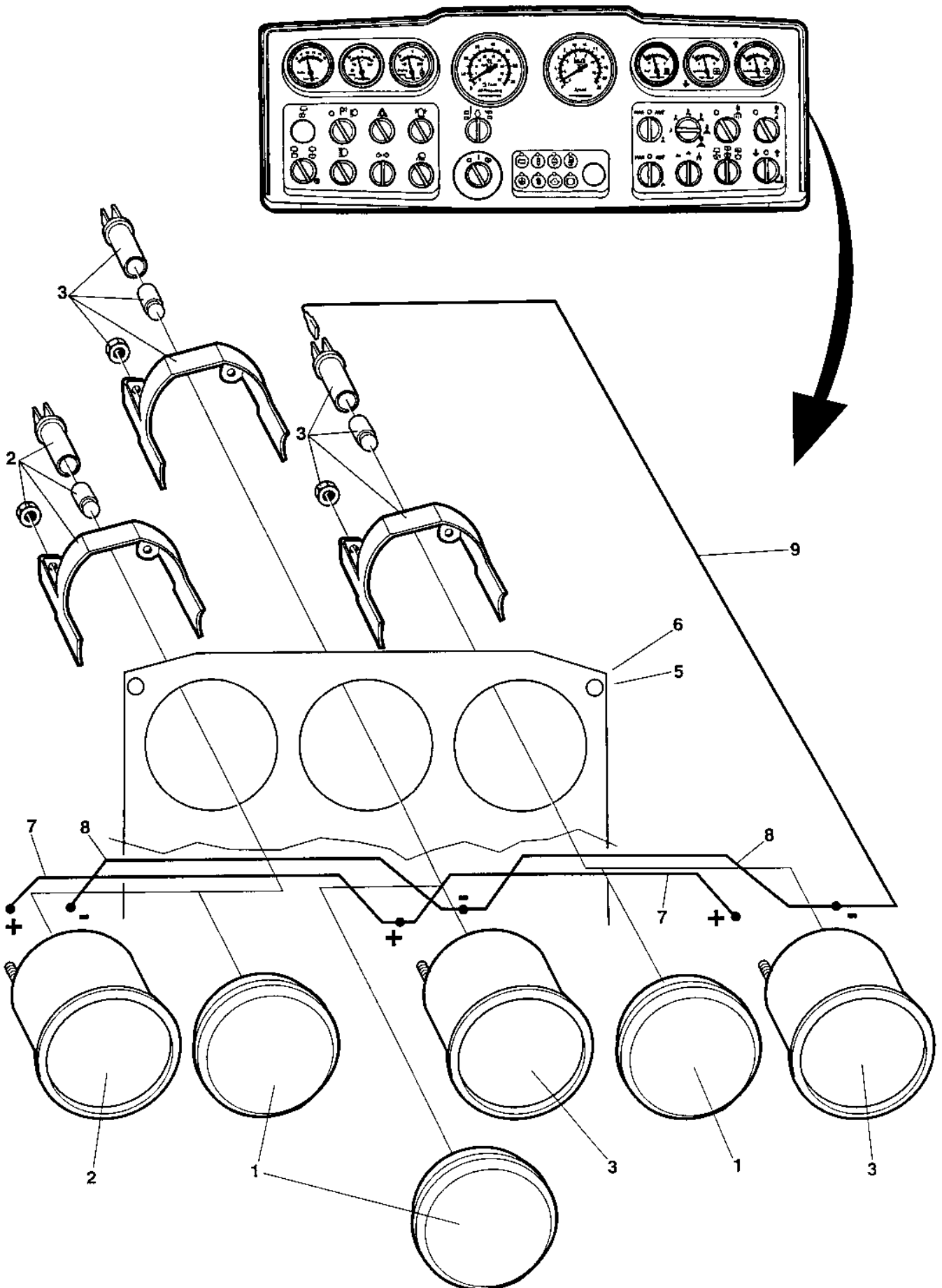
15708-2



Instrument panel Upper left

| Ref. No. | Part No. | Rem. | Qty | Description | Code |
|----------|----------|------|-----|--|------|
| 1 | 345870 | | 3 | Plug | |
| 2 | 359340 | | 1 | Volt meter | |
| | 355258 | | 1 | .Lamp holder | |
| | 985012 | | 1 | .Bulb | |
| 3 | 359341 | A | 1 | Temperature meter hydraulic oil Option | |
| | 355258 | | 1 | .Lamp holder | |
| | 985012 | | 1 | .Bulb | |
| | | 1 | 1 | Temperature sender | |
| 4 | 359342 | B | 1 | Water temperature gauge | |
| | 355258 | | 1 | .Lamp holder | |
| | 985012 | | 1 | .Bulb | |
| | | 2 | 1 | Temperature sender | |
| 5 | | 3 | 1 | Control panel plate | |
| 6 | 903657 | | 2 | Screw | |
| 7 | 343550 | | 2 | Connection cable | |
| 8 | 903927 | | 2 | Cable | |
| 9 | 904016 | | 3 | Cable | |

- 1) See section " Electrical equipment "
- 2) See section " Engine "
- 3) See section " Instrument panel, lower left "
- A) Hydraulic oil
- B) Engine oil



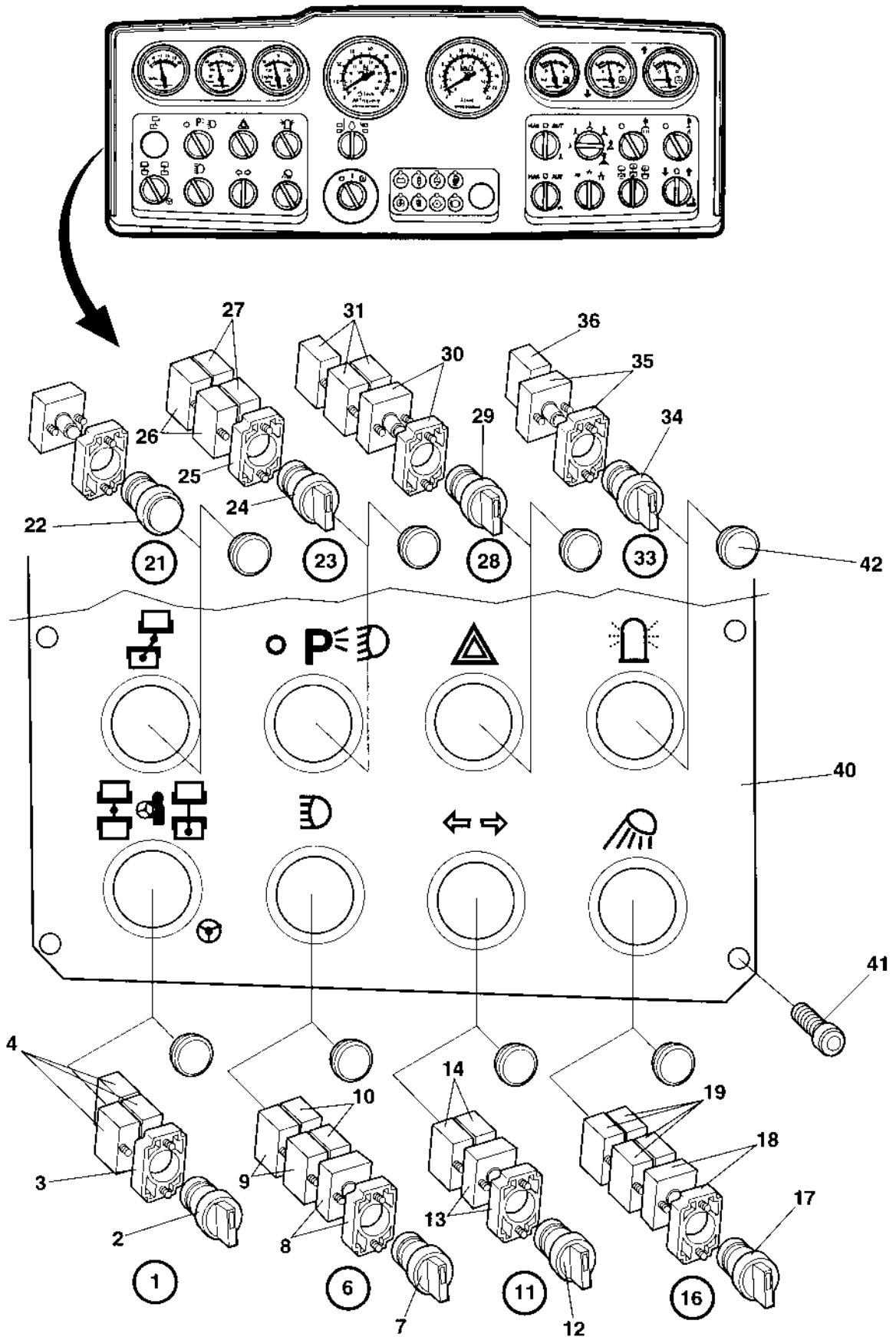
Instrument panel Upper right

| Ref. No. | Part No. | Rem. | Qty | Description | Code |
|----------|----------|------|-----|---------------------|------|
| 1 | 345870 | | 1 | Plug | |
| 2 | 359343 | | 1 | Fuel gauge | |
| | 355258 | | 1 | .Lamp holder | |
| | 985012 | | 1 | .Bulb | |
| | | 1 | 1 | Fuel level sender | |
| 3 | 359344 | A | 2 | Water gauge | |
| | 355258 | | 1 | .Lamp holder | |
| | 985012 | | 1 | .Bulb | |
| | | 2 | 2 | Water level sender | |
| 5 | | 3 | 1 | Control panel plate | |
| 6 | 903657 | | 2 | Screw | |
| 7 | 343550 | | 2 | Connection cable | |
| 8 | 903927 | | 2 | Cable | |
| 9 | 904016 | | 3 | Cable | |

- 1) See section " Fuel system "
- 2) See section " Sprinkler system, tanks "
- 3) See section " Instrument panel, lower right "
- A) Sprinkler tanks

Instrument panel Lower left

15706-3



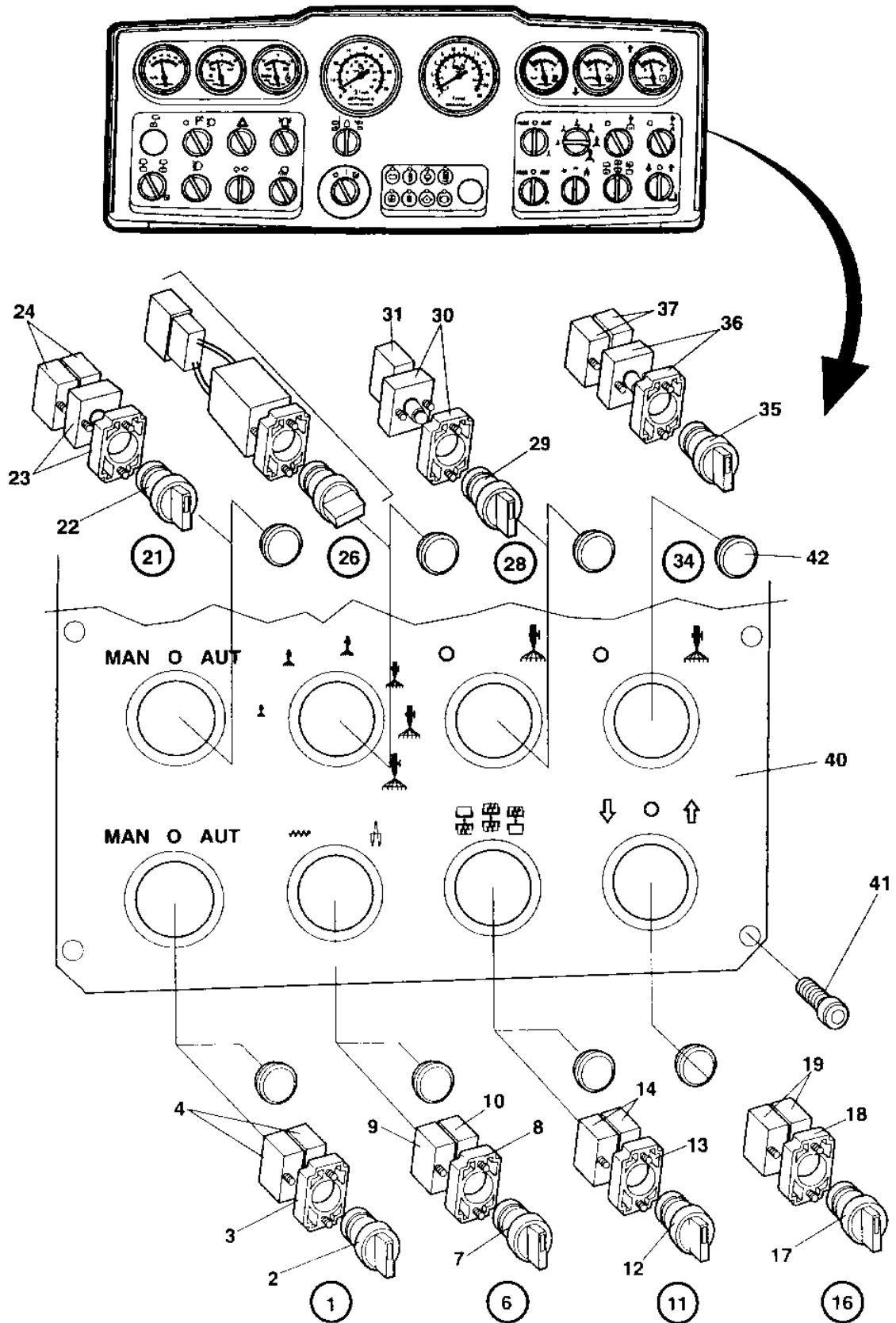
Instrument panel Lower left

| Ref. No. | Part No. | Rem. | Qty | Description | Code |
|----------|----------|------|-----|----------------------------------|------|
| 1 | | | 1 | Switch, cpl Artic/pivot steering | |
| 2 | 930192 | 1 | 1 | .Switch | |
| | 932058 | 2 | 1 | .Switch | |
| 3 | 903876 | | 1 | .Connector | |
| 4 | 930163 | 1 | 2 | .Contact piece, NO | |
| | 930163 | 2 | 3 | .Contact piece, NO | |
| 6 | | | 1 | Switch, cpl Main beam | |
| 7 | 932057 | C | 1 | Switch | |
| 8 | 903875 | | 1 | .Flange with light | |
| | 985012 | | 1 | Bulb | |
| 9 | 930154 | | 2 | .Contact piece, NC | |
| 10 | 930163 | | 2 | .Contact piece, NO | |
| 11 | | | 1 | Switch, cpl Direction indicator | |
| 12 | 930161 | E | 1 | .Switch | |
| 13 | 903875 | | 1 | .Flange with light | |
| | 985012 | | 1 | Bulb | |
| 14 | 930163 | | 2 | .Contact piece, NO | |
| 16 | | | 1 | Switch, cpl Working light | |
| 17 | 930166 | O | 1 | .Switch | |
| 18 | 903875 | | 1 | .Flange with light | |
| | 985012 | | 1 | Bulb | |
| 19 | 930163 | | 4 | .Contact piece, NO | |
| 21 | 932059 | G | 1 | Pilot lamp cpl Yellow | |
| | 985012 | | 1 | Bulb | |
| 22 | 903716 | | 1 | .Lamp glass Yellow | |
| 23 | | | 1 | Switch, cpl Parking/dipped beam | |
| 24 | 932058 | I | 1 | .Switch | |
| 25 | 903876 | | 1 | .Connector | |
| 26 | 930154 | | 2 | .Contact piece, NC | |
| 27 | 930163 | | 2 | .Contact piece, NO | |
| 28 | | | 1 | Switch, cpl Hazard flasher | |
| 29 | 932056 | K | 1 | .Switch | |
| 30 | 903875 | | 1 | .Flange with light | |
| | 985012 | | 1 | Bulb | |
| 31 | 930163 | | 3 | .Contact piece, NO | |
| 33 | | | 1 | Switch, cpl Rotating beacon | |
| 34 | 930166 | O | 1 | .Switch | |
| 35 | 903875 | | 1 | .Flange with light | |
| | 985012 | | 1 | Bulb | |
| 36 | 930163 | | 1 | .Contact piece, NO | |
| 40 | 381561 | | 1 | Control panel plate | |
| 41 | 903657 | | 4 | Screw | |
| 42 | 911456 | N | N | Hole plug | |

- 1) Two fixed positions.
 2) Three fixed positions.
 C) Blue
 E) Green
 G) Drum position
 I) Black
 K) Red
 N) Quantity as required
 O) Yellow

Instrument panel Lower right

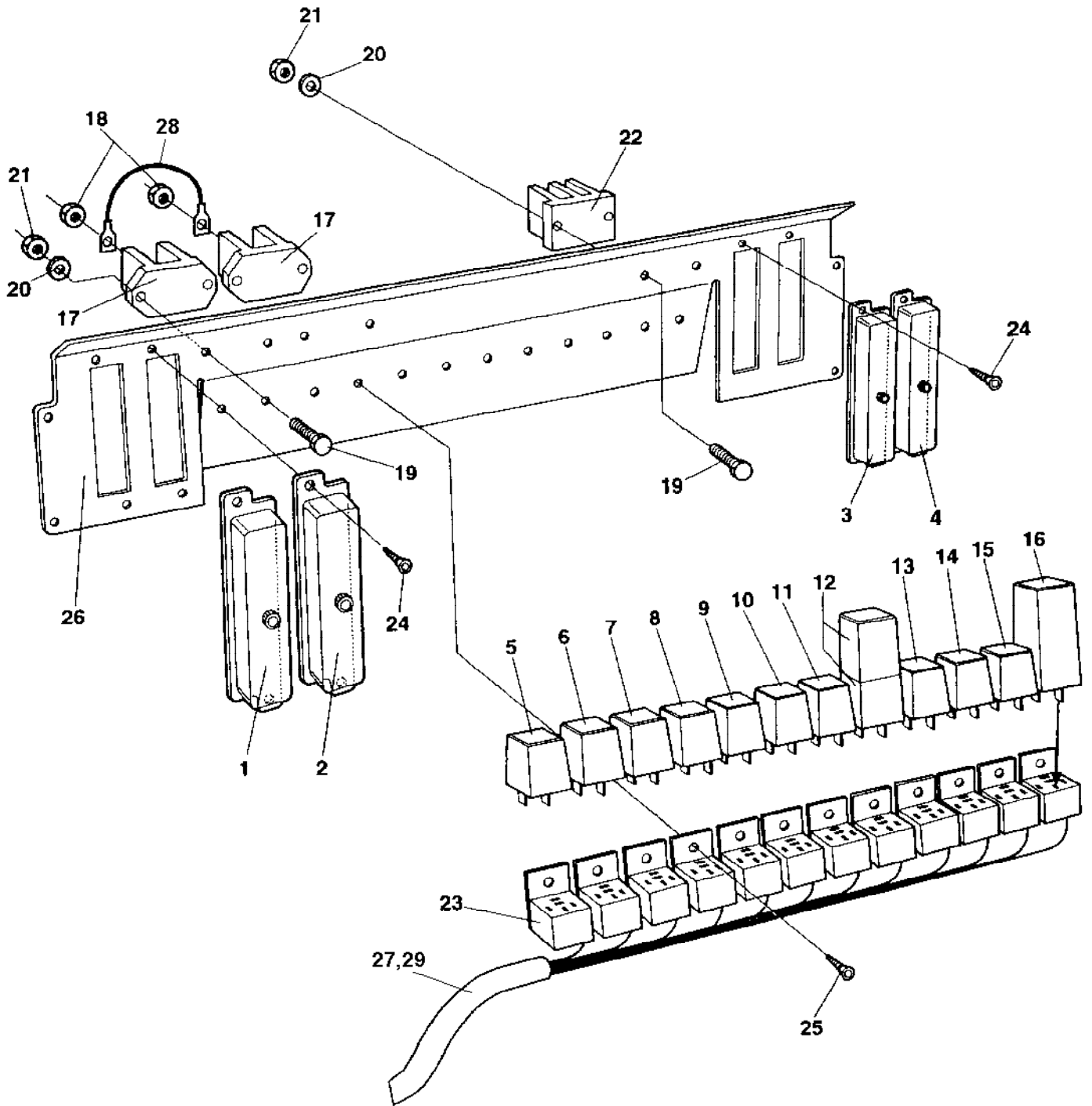
15707-1



Instrument panel Lower right

| Ref. No. | Part No. | Rem. | Qty | Description | Code |
|----------|----------|------|-----|---------------------|------|
| 1 | | A | 1 | Switch, cpl | |
| 2 | 932058 | B | 1 | .Switch | |
| 3 | 903876 | | 1 | .Connector | |
| 4 | 930163 | | 2 | .Contact piece, NO | |
| 6 | | C | 1 | Switch, cpl | |
| 7 | 930192 | B | 1 | .Switch | |
| 8 | 903876 | | 1 | .Connector | |
| 9 | 930163 | | 1 | .Contact piece, NO | |
| 10 | 930154 | | 1 | .Contact piece, NC | |
| 11 | | D | 1 | Switch, cpl | |
| 12 | 932058 | B | 1 | .Switch | |
| 13 | 903876 | | 1 | .Connector | |
| 14 | 930163 | | 2 | .Contact piece, NO | |
| 16 | | E | 1 | Switch, cpl | |
| 17 | 925713 | B | 1 | .Switch | |
| 18 | 903876 | | 1 | .Connector | |
| 19 | 930163 | | 2 | .Contact piece, NO | |
| 21 | | F | 1 | Switch, cpl | |
| 22 | 926989 | G | 1 | .Switch | |
| 23 | 903875 | | 1 | .Flange with light | |
| | 985012 | | 1 | .Bulb | |
| 24 | 930163 | | 2 | .Contact piece, NO | |
| 26 | 370644 | H | 1 | Switch, cpl | |
| 28 | | I | 1 | Switch, cpl | |
| 29 | 932057 | G | 1 | Switch | |
| 30 | 903875 | | 1 | .Flange with light | |
| | 985012 | | 1 | .Bulb | |
| 31 | 930163 | | 1 | .Contact piece, NO | |
| 34 | | J | 1 | Switch, cpl | |
| 35 | 932057 | G | 1 | .Switch | |
| 36 | 903875 | | 1 | .Flange with light | |
| | 985012 | | 1 | .Bulb | |
| 37 | 930163 | | 2 | .Contact piece, NO | |
| 40 | 373582 | | 1 | Control panel plate | |
| 41 | 903657 | | 4 | Screw | |
| 42 | 911456 | | 8 | Hole plug | |

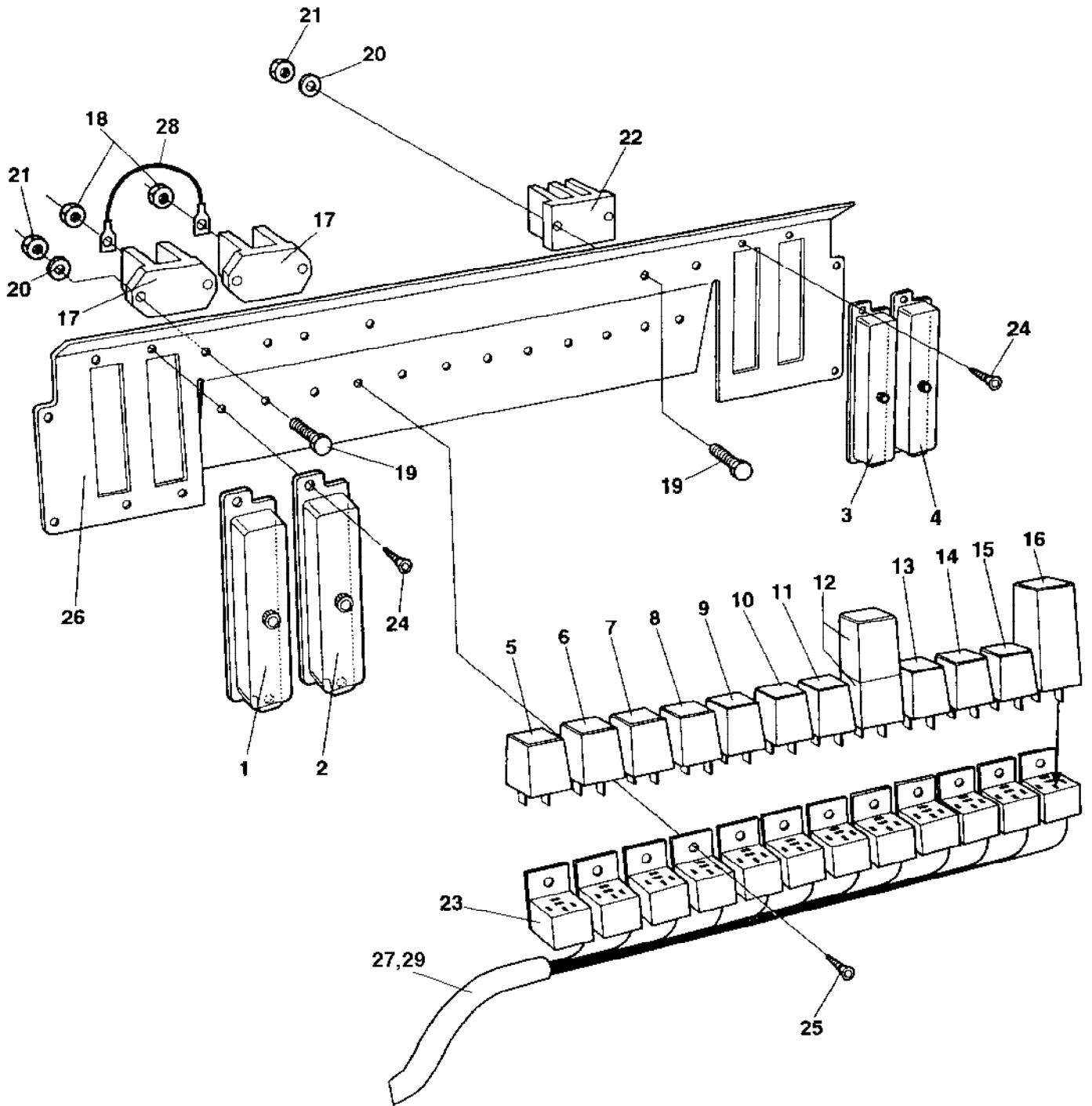
- A) Vibration manual/automatic
- B) Black
- C) Amplitude selector
- D) Vibration selector
- E) Edge cut. up/down
- F) Sprinkler manual/automatic
- G) Blue
- H) Sprinkler timer, used together with relay PN374213
- I) Sprinkler tyres
- J) Sprinkler edge cut.



Instrument panel Relay, fuses

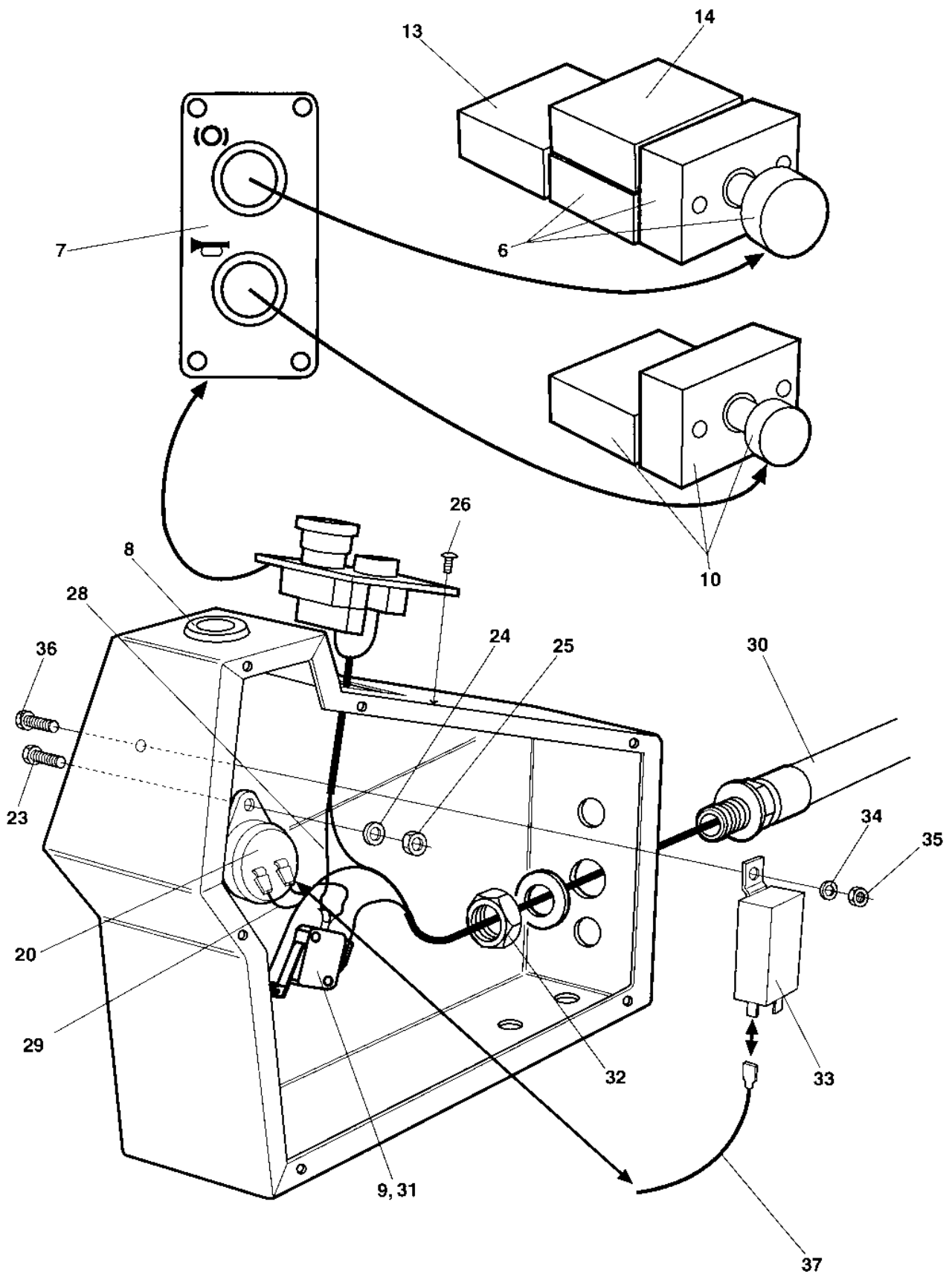
| Ref. No. | Part No. | Rem. | Qty | Description | Code |
|----------|----------|------|-----|------------------------|------|
| 1 | 901256 | A | 1 | Fuse box | |
| | 908110 | | 1 | .Cover | |
| | 901224 | B | N | Fuse 3A | |
| | 901225 | B | N | Fuse 5A | |
| | 901226 | B | N | Fuse 7.5A | |
| | 901227 | B | N | Fuse 10A | |
| | 901228 | B | N | Fuse 15A | |
| | 903741 | B | N | Fuse 20A | |
| | 901229 | B | N | Fuse 25A | |
| 2 | 901256 | | 1 | Fuse box | |
| | 901240 | | 1 | Connector | |
| 3 | 901256 | | 1 | Fuse box | |
| 4 | 901256 | | 1 | Fuse box | |
| 5 | 287597 | C | 1 | Relay | |
| 6 | 904989 | D | 1 | Flash relay Option | |
| 7 | 287597 | E | 1 | Relay | |
| 8 | 287597 | F | 1 | Relay | |
| 9 | 287597 | G | 1 | Relay | |
| 10 | | | | Not used on this model | |
| 11 | 287598 | I | 1 | Relay 12V-30A | |
| 12 | 287597 | J | 1 | Relay | |
| | 374213 | K | 1 | Time relay | |
| 13 | 287598 | L | 1 | Relay 12V-30A | |
| 14 | 287597 | M | 1 | Relay | |
| 15 | 287597 | N | 1 | Relay | |
| | 903956 | N,3 | 1 | Relay | |
| 16 | 382782 | | 1 | Relay, VBS | |
| 17 | 903627 | | 2 | Junction block | |
| 18 | 570004 | | 2 | Nut M6 | |
| 19 | 503016 | | 6 | Screw | |
| 20 | 600002 | | 6 | Washer | |
| 21 | 923976 | | 6 | Nut | |
| 22 | 903625 | | 1 | Junction block | |
| 23 | | P | 12 | Relay holder | |
| 24 | 901767 | | 8 | Screw | |
| 25 | 902223 | | 12 | Screw | |
| 26 | | 1 | 1 | Plate | |
| 27 | 377357 | | 1 | Cable harness | |

- 1) See section " Instrument box "
- 3) New version of relay. Used together with Cable harness PN 378134.
- A) Without fuses
- B) As required
- C) Main, lights
- D) Direction indicator
- E) Brake light
- F) Reversing alarm
- G) Fuel level
- I) Horn
- J) Sprinkler
- K) Sprinkler, timer, used together with timer switch PN370644
- L) Main
- M) AVC
- N) Neutral start
- P) In cable harnesses



Instrument panel Relay, fuses

| Ref. No. | Part No. | Rem. | Qty | Description | Code |
|----------|---|------|-----|---------------|------|
| 27 | 378134 | 2 | 1 | Cable harness | |
| | 378135 | 4 | 1 | Cable harness | |
| 28 | 903970 | | 1 | Cable | |
| 29 | 378694 | 4 | 1 | Cable harness | |
| 2) | Can replace PN 377357 together with modif. kit PN 378136. (kit includes new relay 903956, item 15) | | | | |
| 4) | PN 378135 and PN 378694 can replace PN 378134. | | | | |

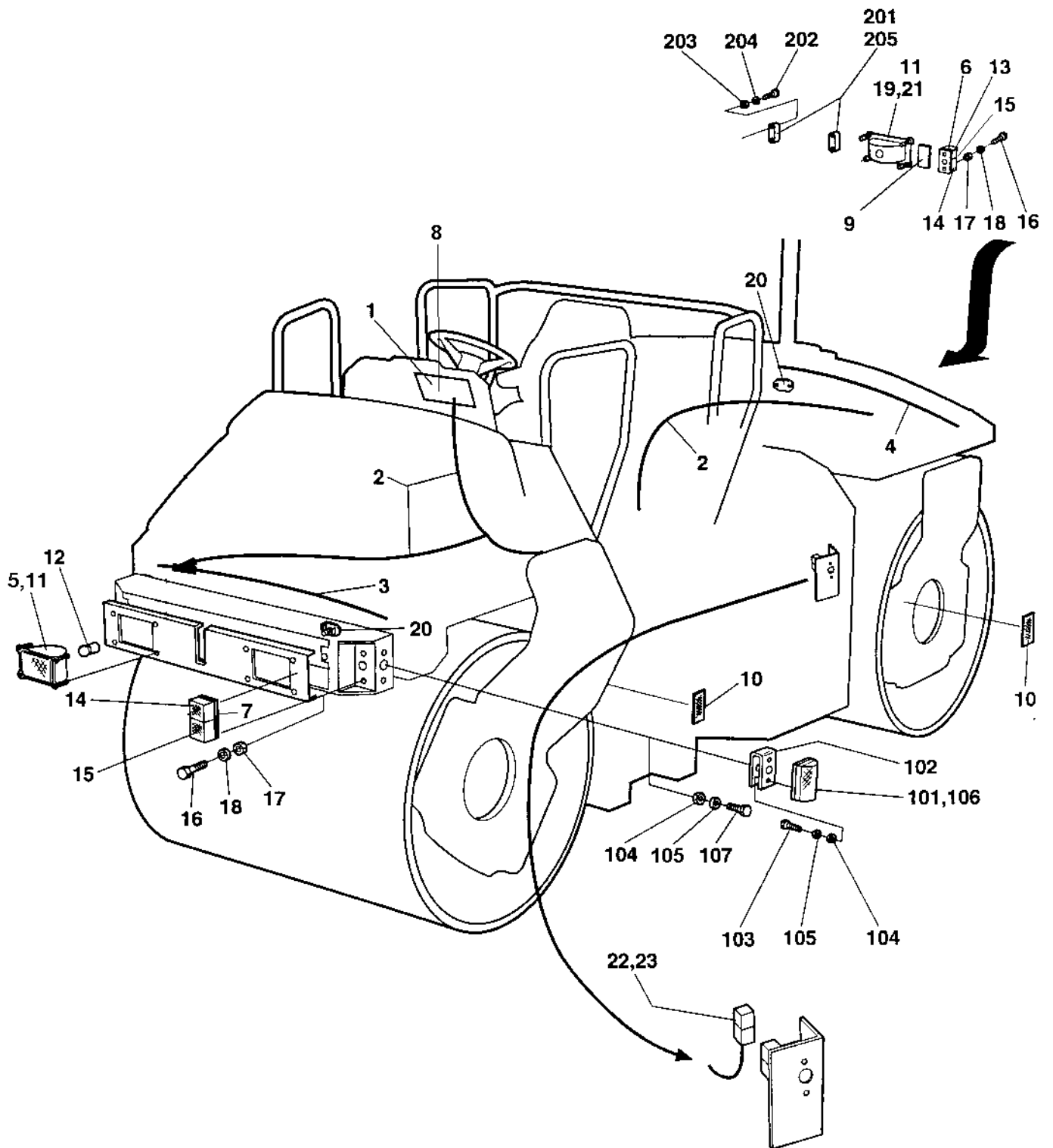


| Ref. No. | Part No. | Rem. | Qty | Description | Code |
|----------|----------|------|-----|---------------------|------|
| 6 | 930200 | | 1 | Emergency stop | |
| | 930154 | | 1 | .Contact piece, NC | |
| 7 | 359941 | | 1 | Control panel plate | |
| 8 | 911456 | | 1 | Hole plug | |
| 9 | 902528 | | 1 | Micro switch | |
| 10 | 932032 | A | 1 | Push button | |
| | 930163 | | 1 | .Contact piece, NO | |
| 13 | 930154 | | 1 | Contact piece, NC | |
| 14 | 930163 | | 1 | Contact piece, NO | |
| 20 | 355301 | | 1 | Buzzer | |
| 23 | 500086 | | 1 | Screw | |
| 24 | 904698 | | 1 | Washer 4,3x8x0,8 | |
| 25 | 570002 | | 1 | Nut M4 | |
| 26 | 904206 | | 4 | Screw | |
| 28 | 904597 | | 1 | Cable | |
| 29 | 960792 | | 1 | Cable | |
| 30 | 376395 | | 1 | Cable harness | |
| 31 | 900528 | | 2 | Screw | |
| 32 | 791253 | | 1 | Nut | |
| 33 | 904704 | B | 1 | Relay | |
| 34 | 904228 | B | 1 | Washer 6,4x12x1,5 | |
| 35 | 586002 | B | 1 | Lock nut M6 | |
| 36 | 904206 | B | 1 | Screw | |
| 37 | 380708 | B | 1 | Cable harness | |

- A) Horn
- B) Interlock, Option

Driving lights Direction & licenseplate light

17044



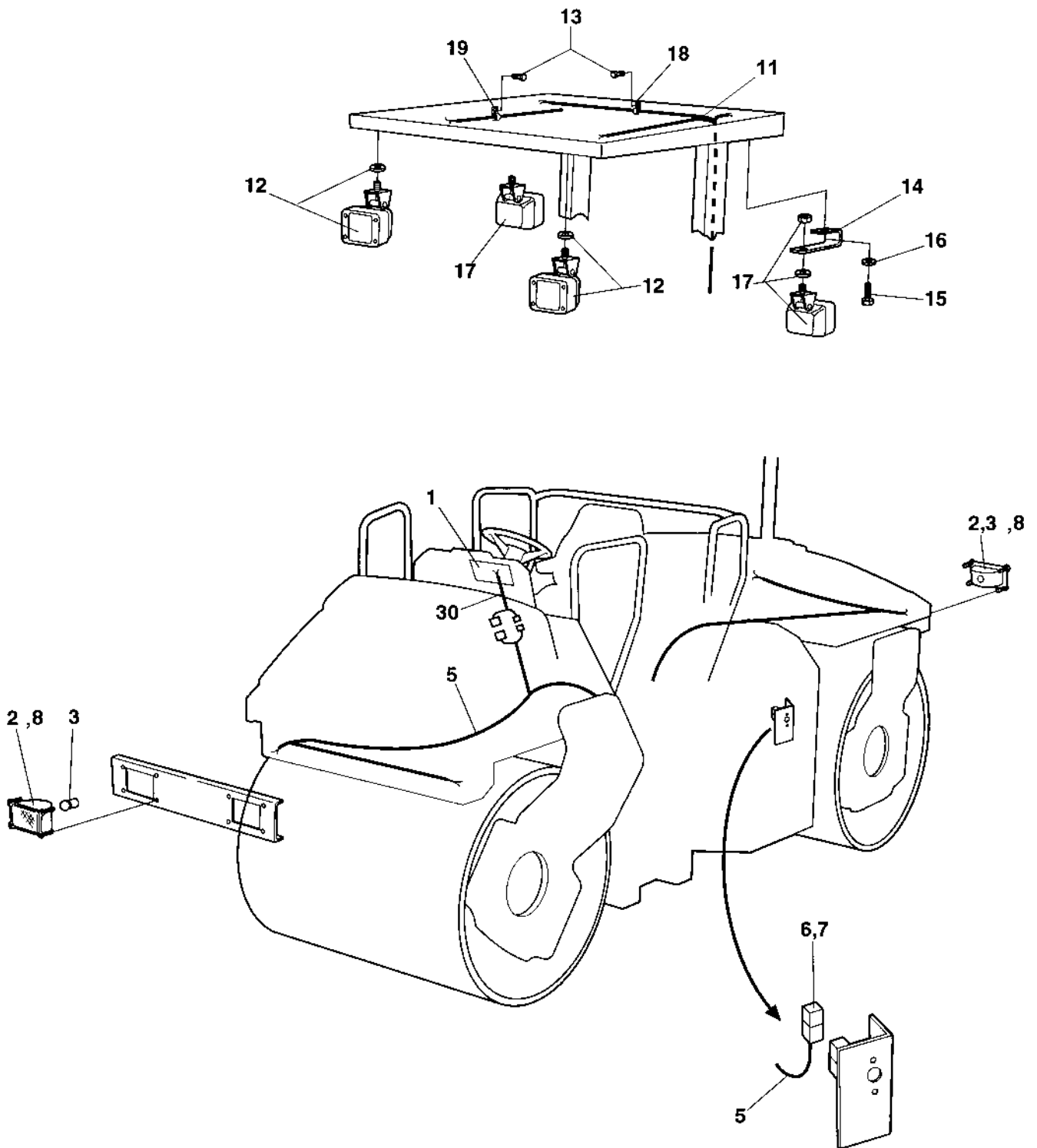
Driving lights Direction & licenseplate light

| Ref. No. | Part No. | Rem. | Qty | Description | Code |
|----------|----------|------|-----|--|------|
| | | | 1 | Driving lights | |
| 1 | | | 1 | Instrument panel Lower left (Page 168) | |
| 2 | 376178 | | 1 | Cable harness | |
| 3 | 376179 | | 1 | Cable harness | |
| 4 | 376180 | | 1 | Cable harness | |
| 5 | 902066 | A | 2 | Headlight | |
| | 904313 | B | 2 | Headlight | |
| 6 | 904317 | C,F | 1 | Direction lamp | |
| | 937108 | | 1 | .Lamp glass | |
| | 904318 | C,G | 1 | Direction lamp | |
| | 937109 | | 1 | .Lamp glass | |
| 7 | 904315 | D,H | 1 | Direction lamp | |
| | 937106 | | 1 | .Lamp glass | |
| | 904316 | D,I | 1 | Direction lamp | |
| | 937107 | | 1 | .Lamp glass | |
| 8 | 385264 | | 1 | Cable harness | |
| 9 | 901182 | | 2 | Reflector, red | |
| 10 | 901183 | | 4 | Reflector, yellow | |
| 11 | 791389 | | 8 | Drive screw | |
| 12 | 900790 | | 2 | Bulb 60/55w H4 | |
| 13 | 928502 | | 2 | Bulb 21w | |
| 14 | 928502 | | 4 | Bulb 21w | |
| 15 | 985014 | | 4 | Bulb 5w | |
| 16 | 533030 | | 8 | Screw | |
| 17 | 586001 | | 8 | Lock nut M5 | |
| 18 | 601001 | | 8 | Washer | |
| 19 | 902227 | | 2 | Work light | |
| 20 | 903627 | | 2 | Junction block | |
| 21 | 901369 | | 2 | Bulb 55w H3 | |
| 22 | 904032 | E | 1 | Fuse holder | |
| 23 | 904039 | | 1 | Fuse 50A | |
| 101 | 902064 | | 2 | Direction lights | |
| 102 | 371185 | | 2 | Bracket | |
| 103 | 926611 | | 4 | Screw | |
| 104 | 586001 | | 8 | Lock nut M5 | |
| 105 | 904281 | | 8 | Washer 5,3x10x1 | |
| 106 | 985013 | | 2 | Bulb 12V,5W | |
| 107 | 500006 | | 4 | Screw M5x16 | |
| 201 | 929455 | | 2 | Licence plate light | |
| 202 | 533038 | | 4 | Screw | |
| 203 | 586002 | | 4 | Lock nut M6 | |
| 204 | 904228 | | 4 | Washer 6,4x12x1,5 | |
| 205 | 985013 | | 2 | Bulb 12V,5W | |

- A) Right asym
- B) Left asym
- C) Yellow/red
- D) Yellow/white
- E) Incl in item 2
- F) Rear, left
- G) Rear, right
- H) Front, left
- I) Front, right

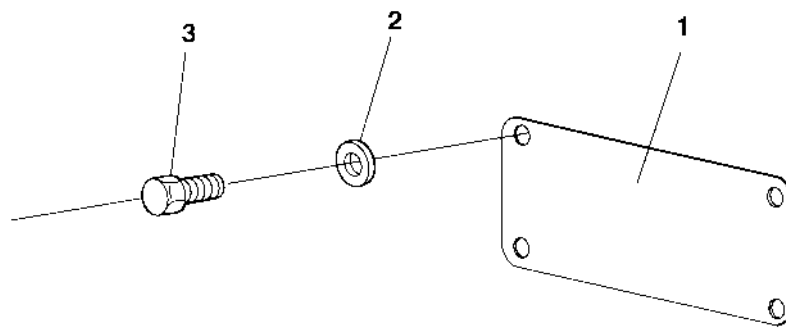
Working lights with/without Rops

16970



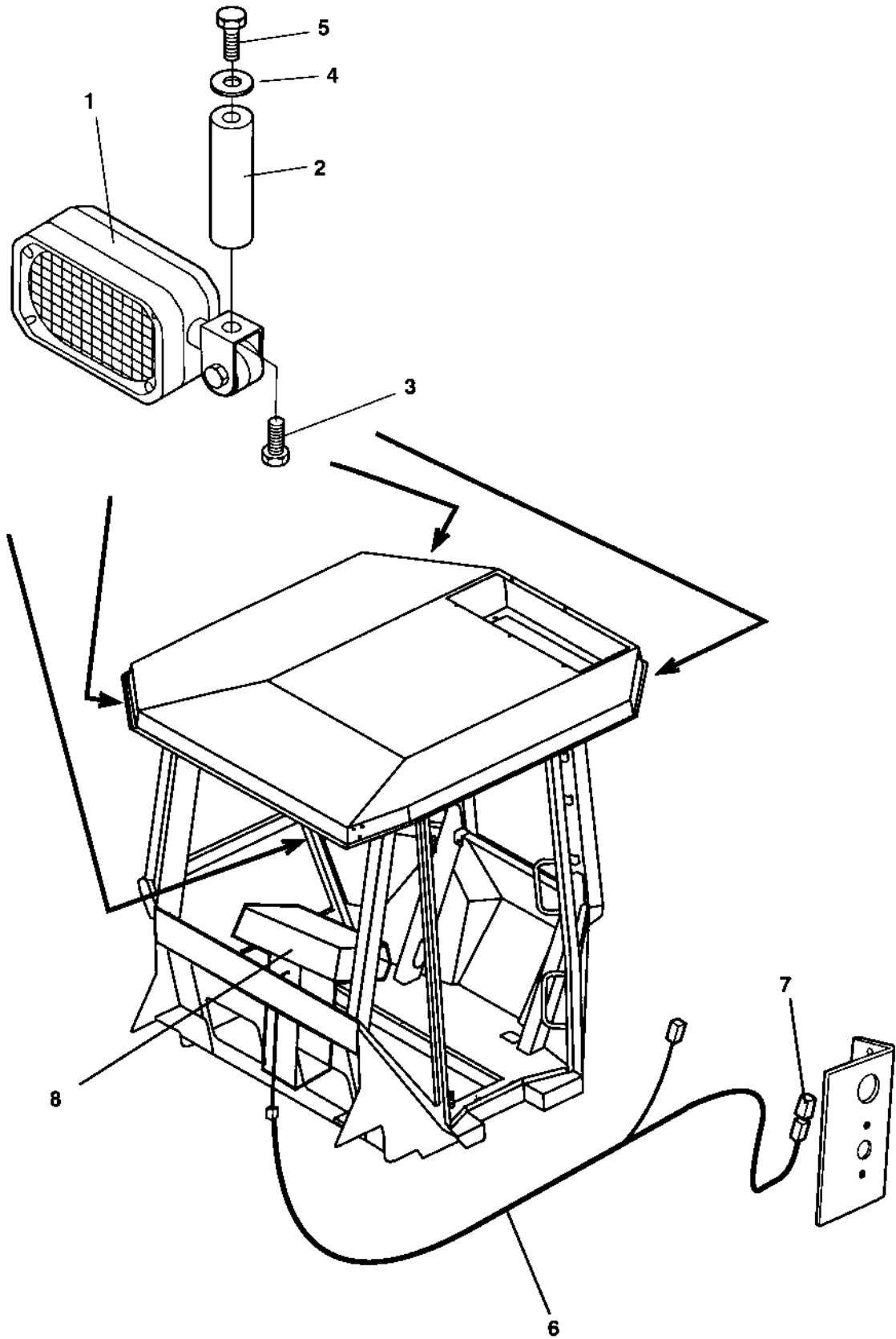
Working lights with/without Rops

| Ref. No. | Part No. | Rem. | Qty | Description | Code |
|----------|----------|------|-----|-----------------------|------|
| | | | | Working light | |
| 1 | | | 1 | .Control panel | |
| 2 | 902227 | | 4 | .Work light | |
| 3 | 901369 | | 4 | .Bulb 55w H3 | |
| 5 | 376182 | | 1 | .Cable harness | |
| 6 | 904032 | | 1 | ..Fuse holder | |
| 7 | 904038 | | 1 | .Fuse 40A | |
| 8 | 791389 | | 8 | .Drive screw | |
| | | | | Working light, rops | |
| 11 | 376187 | | 1 | .Cable harness | |
| 12 | 904314 | | 2 | .Work lamp | |
| 13 | 541702 | | 11 | .Screw M6x12 | |
| 14 | 376466 | | 2 | .Bracket | |
| 15 | 500021 | | 2 | .Screw M8-1,25x25 8,8 | |
| 16 | 904229 | | 2 | .Washer 8,4x16x1,5 | |
| 17 | 904314 | | 2 | .Work lamp | |
| 18 | 921031 | | 5 | .Clamp | |
| 19 | 921039 | | 6 | .Pipe clamp | |
| 30 | 385264 | | 1 | Cable harness | |



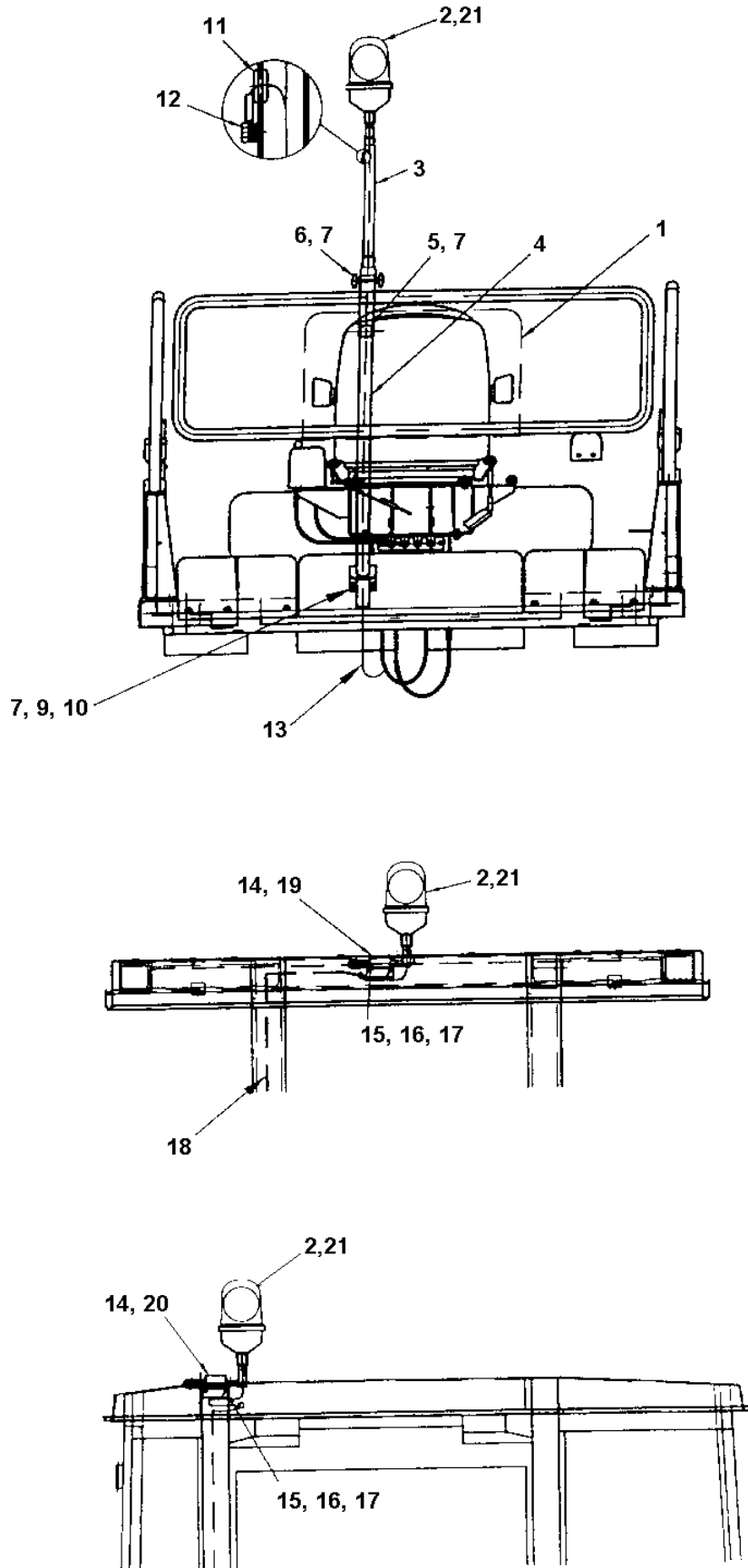
Protection cover, Head light

| Ref. No. | Part No. | Rem. | Qty | Description | Code |
|----------|----------|------|-----|------------------|------|
| 1 | 374756 | | 1 | Protecting cover | |
| 2 | 904281 | | 4 | Washer 5,3x10x1 | |
| 3 | 791916 | | 4 | Screw | |



| Ref. No. | Part No. | Rem. | Qty | Description | Code |
|----------|----------|------|-----|----------------------|------|
| 1 | 908267 | | 4 | Working light | |
| 2 | 908359 | | 4 | Distance | |
| 3 | 500019 | | 4 | Screw M8-1,25x16 8.8 | |
| 4 | 904229 | | 4 | Washer 8,4x16x1,5 | |
| 5 | 500019 | | 4 | Screw M8-1,25x16 8.8 | |
| 6 | 376175 | 1 | 1 | Cable harness | |
| 7 | 904037 | 1 | 1 | Fuse 30A | |
| 8 | | | | Control panel | |

1) When no driving lights.



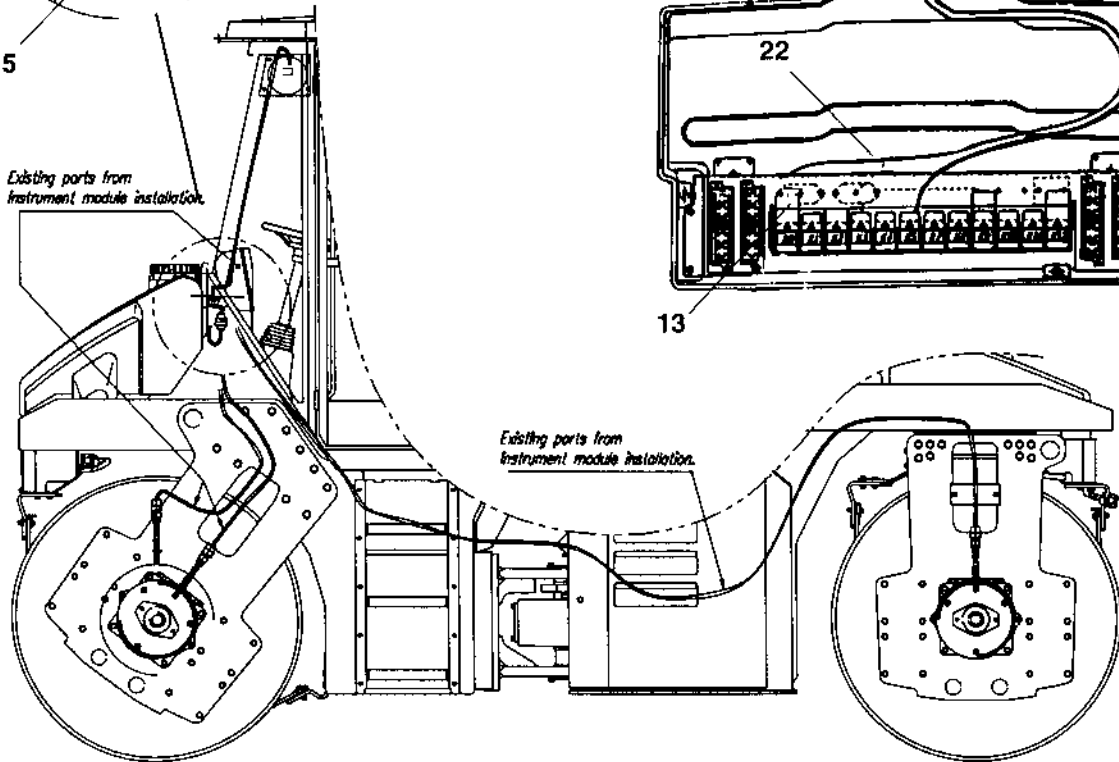
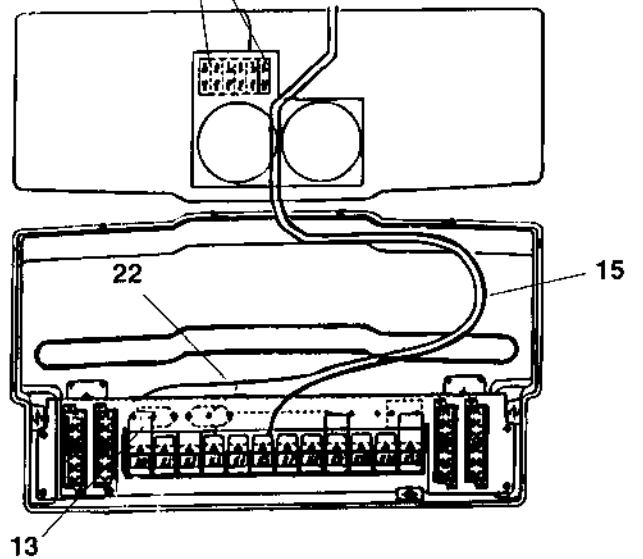
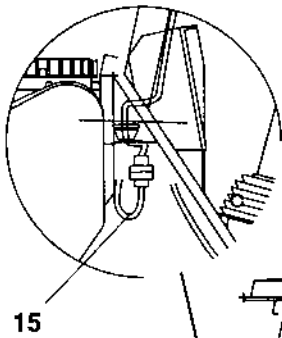
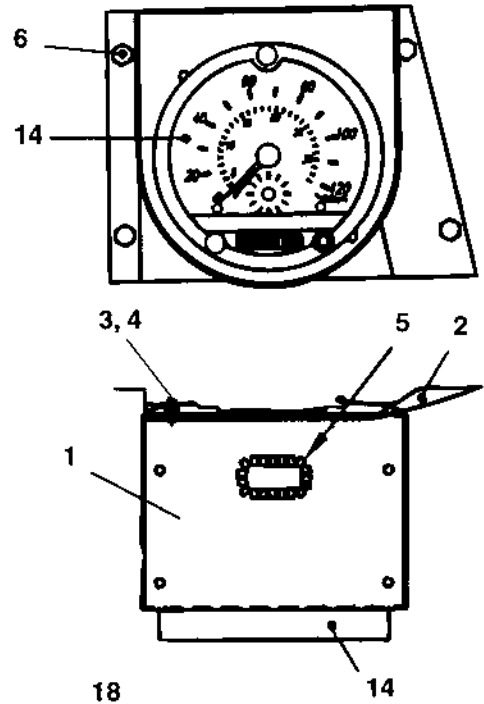
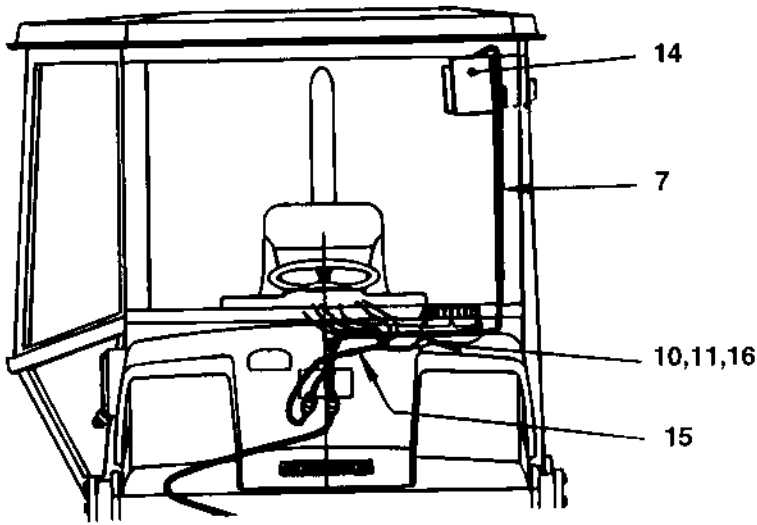
Rotating beacon

| Ref. No. | Part No. | Rem. | Qty | Description | Code |
|----------|----------|------|-----|--|------|
| | | | | Std, rops, cab, cab with AC | |
| 1 | | | 1 | Instrument panel Lower left (Page 168) | |
| 2 | 389577 | A | 1 | Rotating beacon | |
| 3 | 371017 | B | 1 | Lamp holder | |
| 4 | 371016 | C | 1 | Lamp holder | |
| 5 | 371058 | | 1 | Nut | |
| 6 | 371665 | | 2 | Hand knob | |
| 7 | 904229 | | 7 | Washer 8,4x16x1,5 | |
| | 904229 | 1 | 2 | Washer 8,4x16x1,5 | |
| 9 | 500021 | | 4 | Screw M8-1,25x25 8,8 | |
| | 500021 | 1 | 2 | Screw M8-1,25x25 8,8 | |
| 10 | 570005 | | 4 | Nut M8 | |
| 11 | 909152 | | 1 | Rubber grommet | |
| 12 | 500044 | | 1 | Screw M6x8 | |
| 13 | 376184 | | 1 | Cable harness | |
| 14 | 358452 | 2 | 1 | Lamp holder | |
| 15 | 500021 | 2 | 2 | Screw M8-1,25x25 8,8 | |
| 16 | 586003 | 2 | 2 | Lock nut M8 | |
| 17 | 904229 | 2 | 2 | Washer 8,4x16x1,5 | |
| 18 | 376184 | 3 | 1 | Cable harness | |
| 19 | 372674 | 3 | 1 | Spacer | |
| 20 | 371364 | D | 1 | Lamp holder | |

- 1) For machines with Cab.
- 2) For machines with Rops or Cab.
- 3) For machines with Rops.
- A) Orange
- B) Upper
- C) Lower
- D) Cab with AC

Tachograph

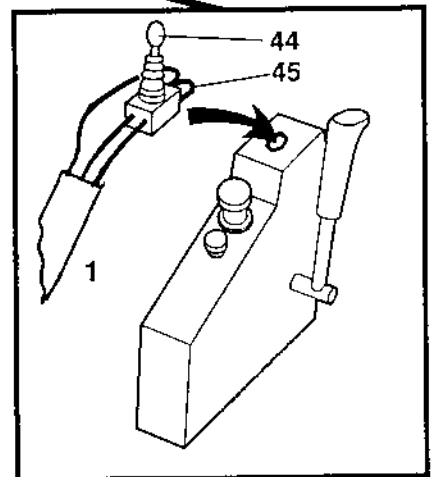
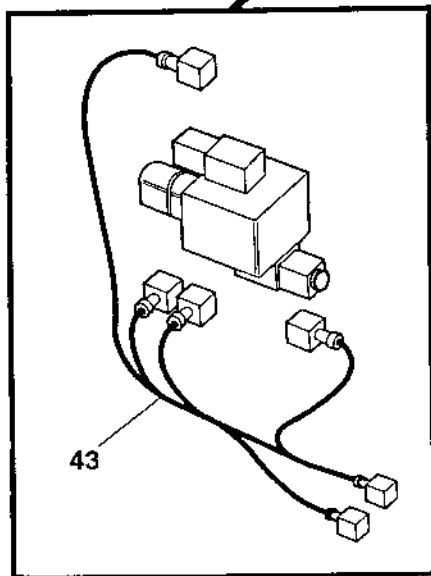
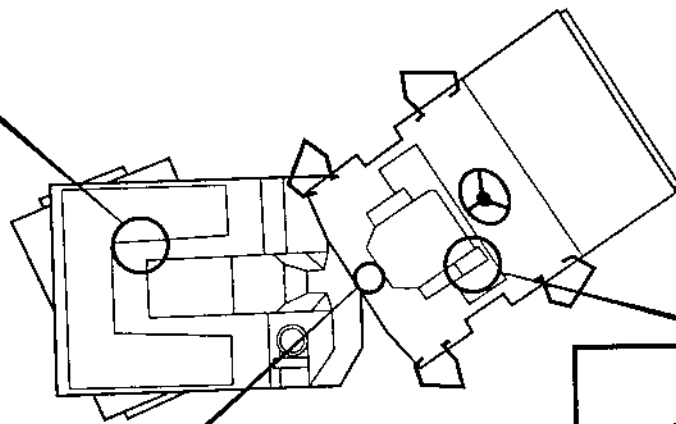
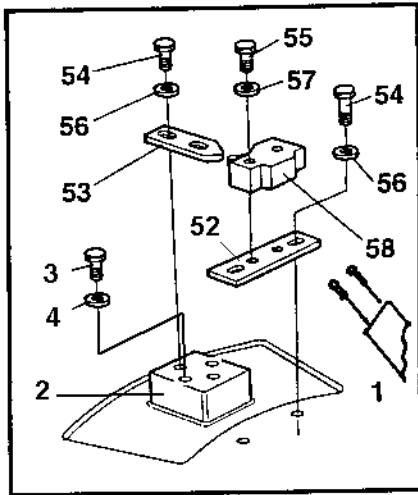
17589



Tachograph

| Ref. No. | Part No. | Rem. | Qty | Description | Code |
|----------|----------|------|-----|---------------------|------|
| 1 | 371885 | | 1 | Instrument box | |
| 2 | 370425 | | 1 | Support | |
| 3 | 586002 | | 2 | Lock nut M6 | |
| 4 | 928381 | | 2 | Washer 6,4x18x1,6 | |
| 5 | 900904 | A | 1XL | Grommet | |
| 6 | 541703 | | 4 | Screw M6x16 | |
| 7 | 385406 | | 1 | Cable harness | |
| 10 | 901765 | B | 1 | Connector 2-POL | |
| 11 | 901766 | B | 1 | Connector 2-POL | |
| 13 | 791166 | | 1 | Frequency converter | |
| 14 | 901209 | | 1 | Tachograph | |
| 15 | 387498 | B | 1 | Cable harness | |
| | 377760 | C | 1 | Cable harness | |
| 16 | 903824 | | 1 | Terminal | |
| 18 | 930163 | | 2 | Contact piece, NO | |
| 22 | 387497 | B | 1 | Cable harness | |

- A) L=200 mm
B) PN 377760 can replace item 10,11,15 and 22.
C) Replaces item 10,11,15 and 22.



Offset drum Electrical equipment

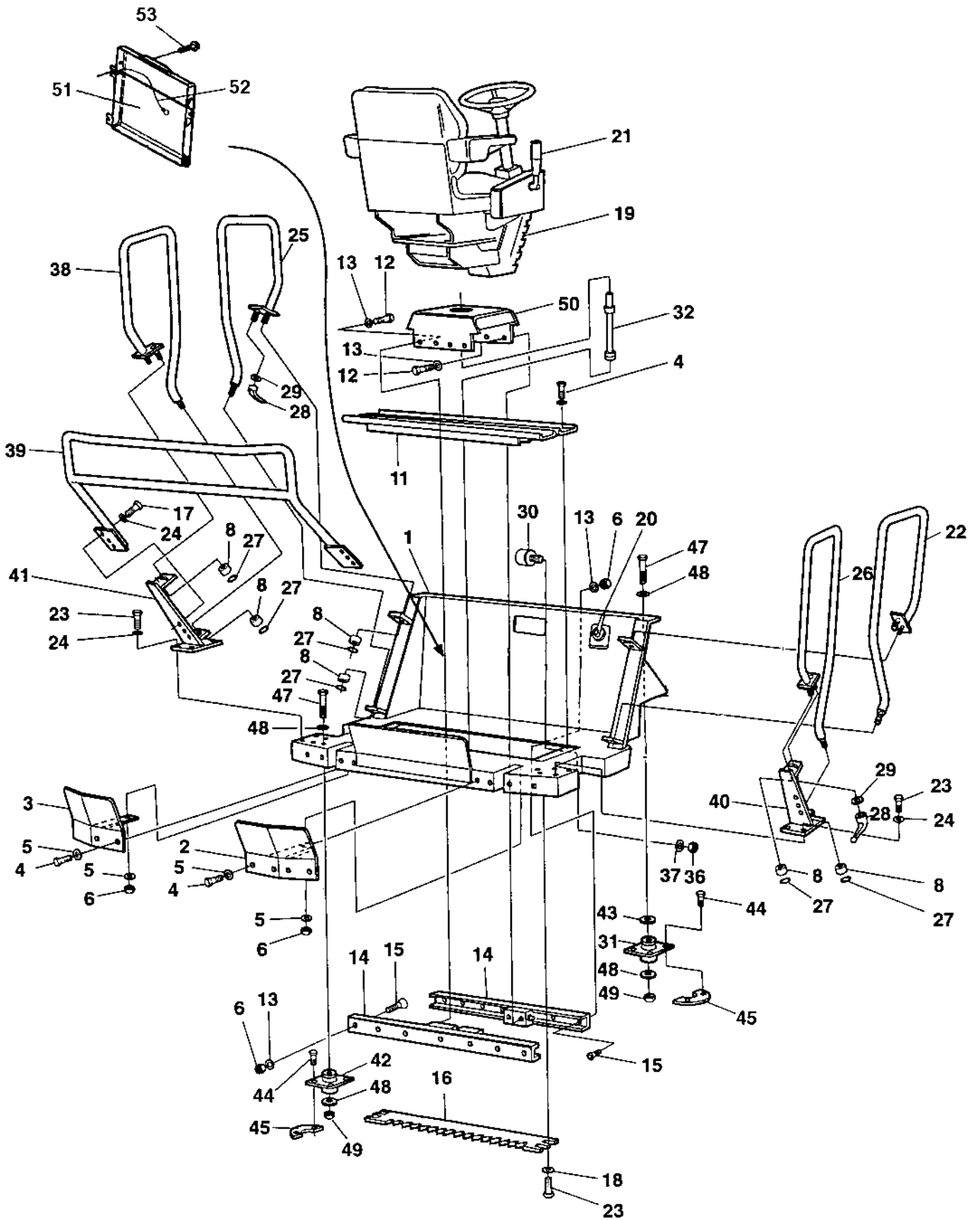
| Ref. No. | Part No. | Rem. | Qty | Description | Code |
|----------|----------|------|-----|-------------------|------|
| 1 | | A | | Cable harness | |
| 2 | 377514 | B | 1 | Bracket | |
| 3 | 508056 | | 2 | Screw M8x40 | |
| 4 | 904229 | | 2 | Washer 8,4x16x1,5 | |
| 43 | 381556 | | 1 | Cable harness | |
| 44 | 903582 | | 1 | Joystick | |
| 45 | 343550 | | 2 | Connection cable | |
| 52 | 359775 | | 1 | Holder plate | |
| 53 | 359776 | | 1 | Cam | |
| 54 | 500040 | | 4 | Screw M6-1x20 8,8 | |
| 55 | 533050 | | 2 | Screw | |
| 56 | 904228 | | 4 | Washer 6,4x12x1,5 | |
| 57 | 904697 | | 2 | Washer 3,2x6x0,5 | |
| 58 | 930046 | | 1 | Micro switch | |

A) Existing

B) Welded on earlier machines.

Drivers platform

| Ref. No. | Part No. | Rem. | Qty | Description | Code |
|----------|----------|------|-----|--|------|
| 10 | | | | Drivers platform (Page 194) | |
| 15 | | | | Drivers platform For cab (Page 196) | |
| 20 | | | | Drivers seat, turn-over (Page 198) | |
| 25 | | | | Drivers seat Turn-over in cab (Page 200) | |
| 30 | 359918 | | | Steering column (Page 202) | |
| 35 | | | | Cross sliding Controls (Page 204) | |
| 40 | | | | Cross sliding Carrier (Page 206) | |
| 50 | | | | Forward and reverse control (Page 208) | |
| 52 | | | | Speed limiter Option (Page 210) | |
| 60 | | | | Engine controls (Page 212) | |
| 80 | | | | Rear mirror (Page 214) | |
| 90 | | | | Rops and fops With seat belt (Page 216) | |
| 95 | | | | Canopy (Page 218) | |
| 99 | | | | Cab, asymmetric (Page 220) | |
| 100 | | | | Cab, symmetric (Page 242) | |
| 105 | | | | Cab, equipment (Page 250) | |
| 110 | | | | Cab, water tank wipers (Page 252) | |
| 115 | | | | Exterior rear mirrors (Page 254) | |
| 120 | | | | Radio and cassette/cd player (Page 256) | |



Drivers platform

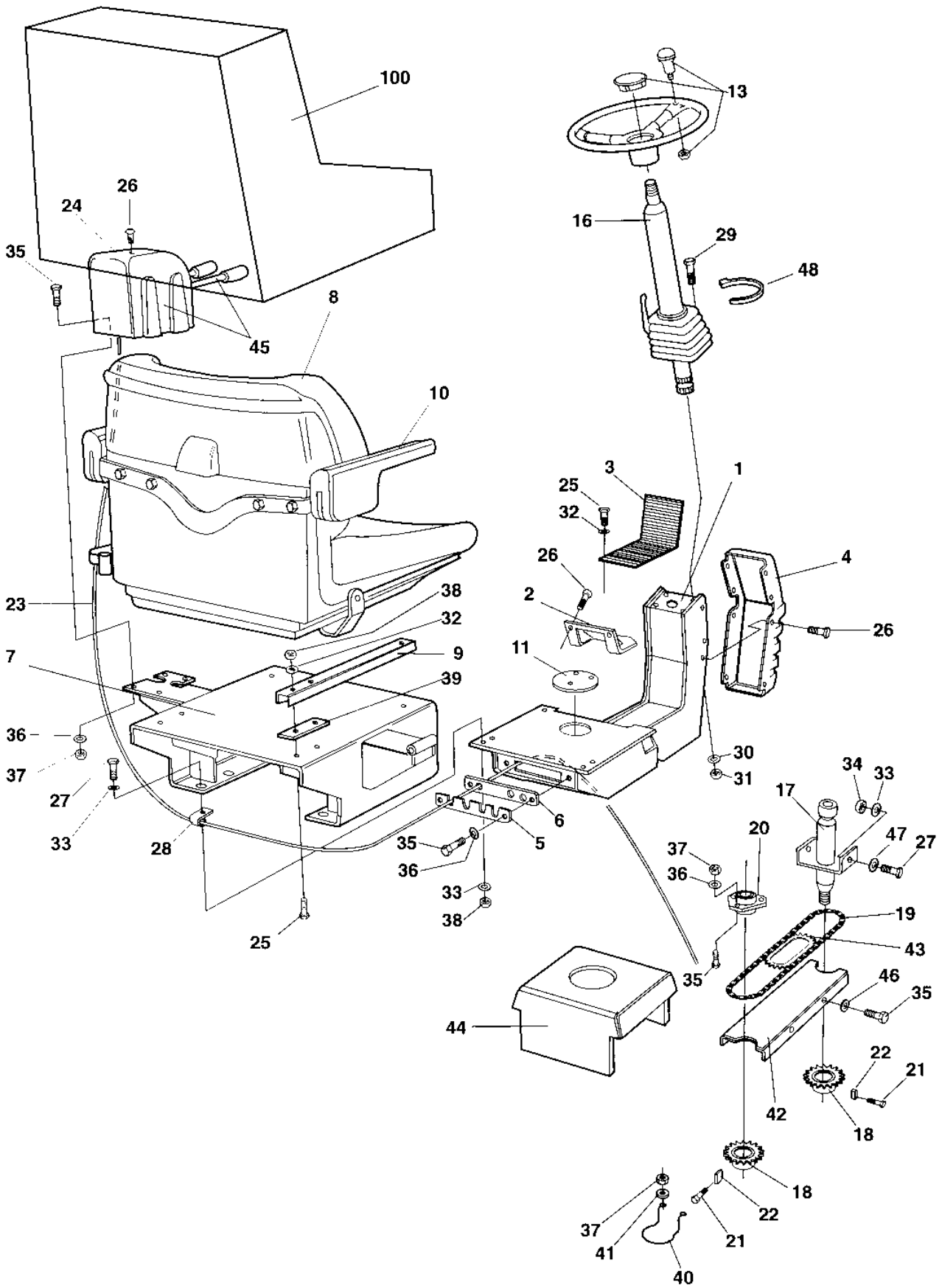
| Ref. No. | Part No. | Rem. | Qty | Description | Code |
|----------|----------|------|-----|--|------|
| 1 | 370175 | | 1 | Platform | |
| 2 | 370275 | A | 1 | Operator protection | |
| 3 | 370276 | B | 1 | Operator protection | |
| 4 | 500019 | | 14 | Screw M8-1,25x16 8.8 | |
| 5 | 904229 | | 16 | Washer 8,4x16x1,5 | |
| 6 | 570005 | | 15 | Nut M8 | |
| 8 | 370375 | | 8 | Bushing | |
| 11 | 370278 | | 2 | Cover | |
| 12 | 500021 | | 6 | Screw M8-1,25x25 8,8 | |
| 13 | 603019 | | 19 | Washer | |
| 14 | 359418 | C | 1 | Linear bearing | |
| 15 | 513013 | | 13 | Screw | |
| 16 | 359885 | | 1 | Locking rail | |
| 17 | 500028 | | 6 | Screw M10-1,5x25 8,8 | |
| 18 | 603023 | | 4 | Washer M10,5x22x4 | |
| 19 | | | 1 | Drivers seat, turn-over (Page 198) | |
| 20 | | | 1 | Engine controls (Page 212) | |
| 21 | | | 1 | Forward and reverse control (Page 208) | |
| 22 | 372091 | D | 1 | Hand rail, right | |
| 23 | 500029 | | 12 | Screw M10-1,5x30 8,8 | |
| 24 | 904230 | | 14 | Washer 10,5x22x2 | |
| 25 | 372092 | D | 1 | Hand rail, left | |
| 26 | 372093 | F | 1 | Hand rail, right | |
| 27 | 603009 | | 4 | Washer | |
| 28 | 370160 | | 4 | Locking lever | |
| 29 | 370286 | | 4 | Washer | |
| 30 | 359887 | H | 2 | Shock absorber | |
| 31 | 370255 | D | 2 | Shock absorber | |
| 32 | 370287 | | 1 | Shaft | |
| 35 | 500075 | | 6 | Screw M6-1,0x25 8.8 | |
| 36 | 570004 | | 2 | Nut M6 | |
| 37 | 904228 | | 2 | Washer 6,4x12x1,5 | |
| 38 | 372094 | F | 1 | Hand rail, left | |
| 39 | 370289 | F | 1 | Hand rail | |
| 40 | 370294 | A | 1 | Holder | |
| 41 | 370298 | B | 1 | Holder | |
| 42 | 370254 | F | 2 | Shock absorber | |
| 43 | 370258 | | 2 | Spacer washer | |
| 44 | 500037 | | 16 | Screw M12-1,75x35 8,8 | |
| 45 | 372704 | | 8 | Holder | |
| 47 | 500228 | | 4 | Screw M20-2,5x120 8,8 | |
| 48 | 600014 | | 8 | Washer | |
| 49 | 586022 | | 4 | Lock nut M20-8 | |
| 50 | | | 1 | Cross sliding Carrier (Page 206) | |
| 51 | 383705 | | 1 | Instruction book holder | |
| 52 | 357643 | | 1 | Wire | |
| 53 | 791226 | | 1 | Screw | |

- A) Right
- B) Left
- C) One pair
- D) Front
- F) Rear
- H) For carrier stop

| Ref. No. | Part No. | Rem. | Qty | Description | Code |
|----------|----------|------|-----|--|------|
| 1 | | | 1 | Cab, interior | |
| 2 | | | 1 | Cross sliding Carrier (Page 206) | |
| 3 | 359418 | | 1 | Linear bearing | |
| 4 | 500021 | | 6 | Screw M8-1,25x25 8,8 | |
| 5 | 359885 | | 1 | Locking rail | |
| 6 | 513013 | | 13 | Screw | |
| 7 | 500029 | | 4 | Screw M10-1,5x30 8,8 | |
| 8 | 904557 | | 7 | Washer 10,5x22x4 | |
| 9 | | | 1 | Drivers seat Turn-over in cab (Page 200) | |
| 10 | 359887 | A | 2 | Shock absorber | |
| 11 | 359888 | | 2 | Shock absorber Blue | |
| 12 | 359889 | | 1 | Shaft | |
| 13 | 570005 | | 13 | Nut M8 | |
| 14 | 904556 | | 19 | Washer 8,4x16x3,0 | |
| 19 | | | 1 | Forward and reverse control (Page 208) | |
| 20 | 359892 | | 2 | Cover plate | |
| 21 | 500019 | | 22 | Screw M8-1,25x16 8.8 | |
| 22 | 904229 | | 22 | Washer 8,4x16x1,5 | |
| 25 | 359894 | | 2 | Shock absorber | |
| 26 | 359895 | | 6 | Brush profile | |
| 27 | 903731 | | 40 | Blind rivet | |
| 28 | 903290 | | 4 | Washer 21x36x6 | |
| 29 | 359998 | | 4 | Back-up ring | |
| 30 | 924823 | | 4 | Screw M20-2.5X160 | |
| 31 | 904233 | | 4 | Washer 21x36x3 | |
| 32 | 586022 | | 4 | Lock nut M20-8 | |
| 33 | 500194 | | 16 | Screw M12x40H 8.8 | |
| 35 | 372704 | | 8 | Holder | |
| 37 | 370662 | | 1 | Spacer | |
| 38 | 373227 | B | 1 | Spacer | |
| 39 | 500013 | | 1 | Screw M6-1x16 8,8 | |
| 47 | 371621 | | 1 | Bellows | |
| 48 | 313041 | | 4 | Cable ties L=186 mm | |
| 49 | 904698 | | 11 | Washer 4,3x8x0,8 | |
| 50 | 624004 | | 11 | Pop rivet | |
| 51 | 371129 | | 1 | Noise suppression box, cpl | |
| 52 | 371395 | | 1 | .Cover | |
| 53 | 600004 | | 6 | .Washer | |
| 54 | 500012 | | 6 | .Screw M6x12 | |
| 55 | 371396 | | 1 | .Cover | |
| 56 | 371599 | | 1 | .Cover | |
| 57 | 513008 | | 11 | .Screw | |
| 58 | 385932 | C | 1 | Spacer bracket | |
| 59 | 603009 | | 1 | Washer | |
| 60 | 500047 | | 1 | Screw M8-1,25x35 8,8 | |
| 61 | 904556 | | 1 | Washer 8,4x16x3,0 | |

- A) For carrier stop
 B) For asymmetric cab.
 C) For symmetric cab.

17142

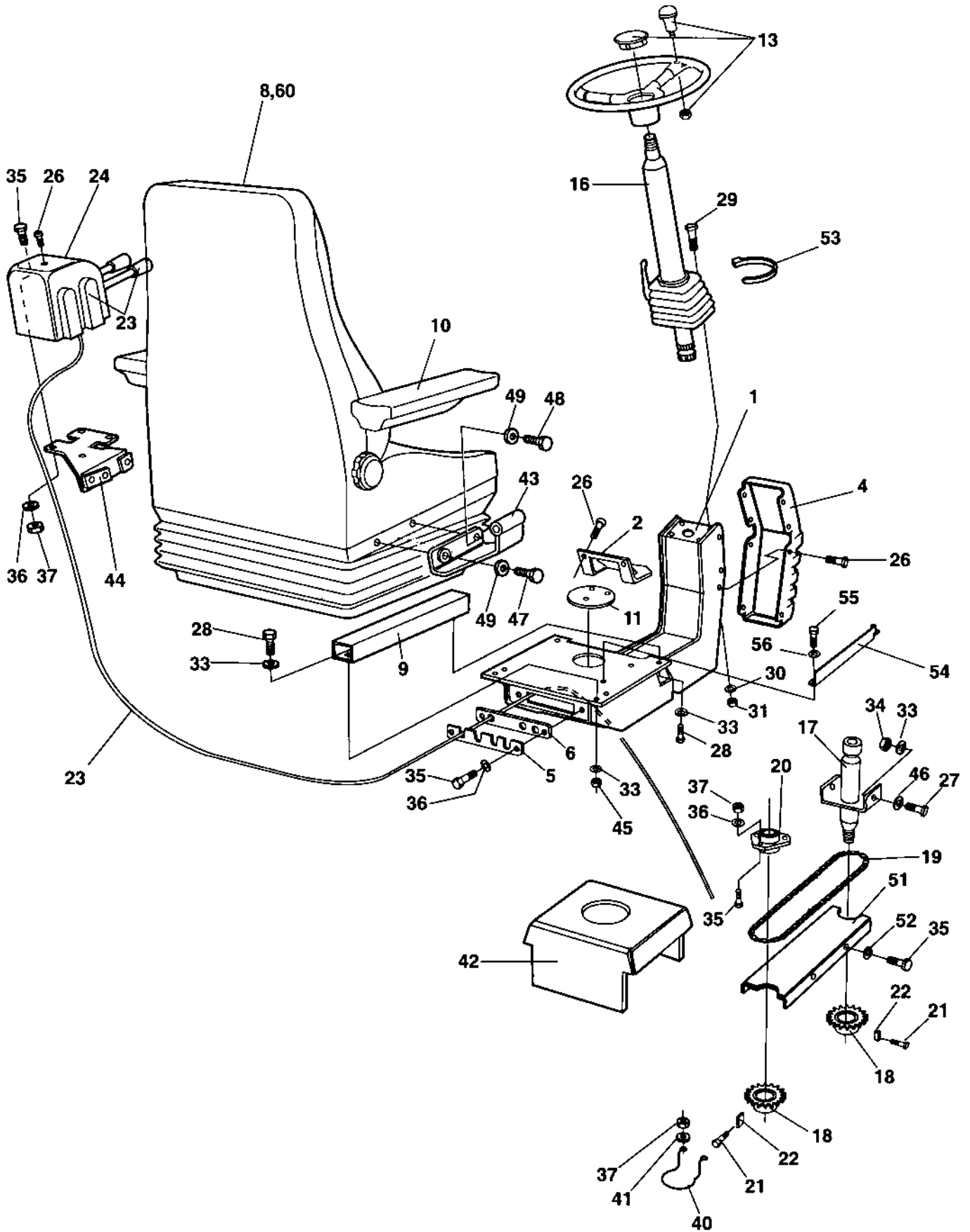


| Ref. No. | Part No. | Rem. | Qty | Description | Code |
|----------|----------|------|-----|-------------------------------------|------|
| 1 | 359900 | | 1 | Seat frame | |
| 2 | 381400 | | 1 | Bearing cover | |
| 3 | | | | Not used on this model | |
| 4 | 359574 | | 1 | Cover | |
| 5 | 359914 | | 1 | Cover | |
| 6 | 359915 | | 1 | Grommet | |
| 7 | 370211 | | 1 | Seat frame | |
| 8 | 370234 | | 1 | Drivers seat | |
| | 936283 | | 1 | .Seat switch | |
| 9 | 909535 | B,C | 1 | .Sliding rail | |
| | 909536 | D | 1 | .Sliding rail, cpl | |
| 10 | 372696 | C | 1 | Arm rest | |
| | 372697 | D | 1 | Arm rest | |
| 11 | 359920 | | 1 | Plug | |
| 13 | 372964 | | 1 | Steering wheel, cpl | |
| | | | 1 | .Steering wheel and knob | |
| | 935614 | | 1 | .Turning knob | |
| | 935613 | | 1 | .Cover | |
| 16 | 359918 | | 1 | Steering column (Page 202) | |
| 17 | 359919 | | 1 | Shaft | |
| 18 | 359916 | | 2 | Chain wheel | |
| 19 | 359921 | | 1 | Chain | |
| 20 | 903917 | | 1 | Bearing outer | |
| | 903918 | | 1 | Bearing inner | |
| 21 | 516051 | | 2 | Set screw | |
| 22 | 350009 | | 2 | Flat key | |
| 23 | | | 1 | Cross sliding Controls (Page 204) | |
| 24 | 359419 | | 1 | Control cover | |
| 25 | 500053 | | 6 | Screw M8-1,25x20 8,8 | |
| 26 | 904206 | | 16 | Screw | |
| 27 | 500021 | | 8 | Screw M8-1,25x25 8,8 | |
| 28 | 921104 | | 2 | Clamp | |
| 29 | 500028 | | 3 | Screw M10-1,5x25 8,8 | |
| 30 | 904557 | | 3 | Washer 10,5x22x4 | |
| 31 | 570006 | | 3 | Nut M10 | |
| 32 | 904556 | | 6 | Washer 8,4x16x3,0 | |
| 33 | 904229 | | 14 | Washer 8,4x16x1,5 | |
| 34 | 586003 | | 2 | Lock nut M8 | |
| 35 | 500040 | | 10 | Screw M6-1x20 8,8 | |
| 36 | 904228 | | 7 | Washer 6,4x12x1,5 | |
| 37 | 586002 | | 7 | Lock nut M6 | |
| 38 | 570005 | | 10 | Nut M8 | |
| 39 | 370235 | | 2 | Holder plate | |
| 40 | 372672 | | 1 | Chain guard | |
| 41 | 603001 | | 2 | Washer TB6,7x14x3 | |
| 42 | 381403 | | 1 | Chain supporter | |
| 43 | | | | Not used on this model | |
| 44 | | | 1 | Cross sliding Carrier (Page 206) | |
| 45 | | | 1 | Cross sliding Controls (Page 204) | |
| 46 | 904735 | | 4 | Washer | |
| 47 | 904231 | | 2 | Washer 13x24x2 | |
| 48 | 313041 | | 1 | Cable ties L=186 mm | |
| 100 | 348331 | A | 1 | Seat cover | |

- A) Option
- B) With handle
- C) Left
- D) Right

Drivers seat Turn-over in cab

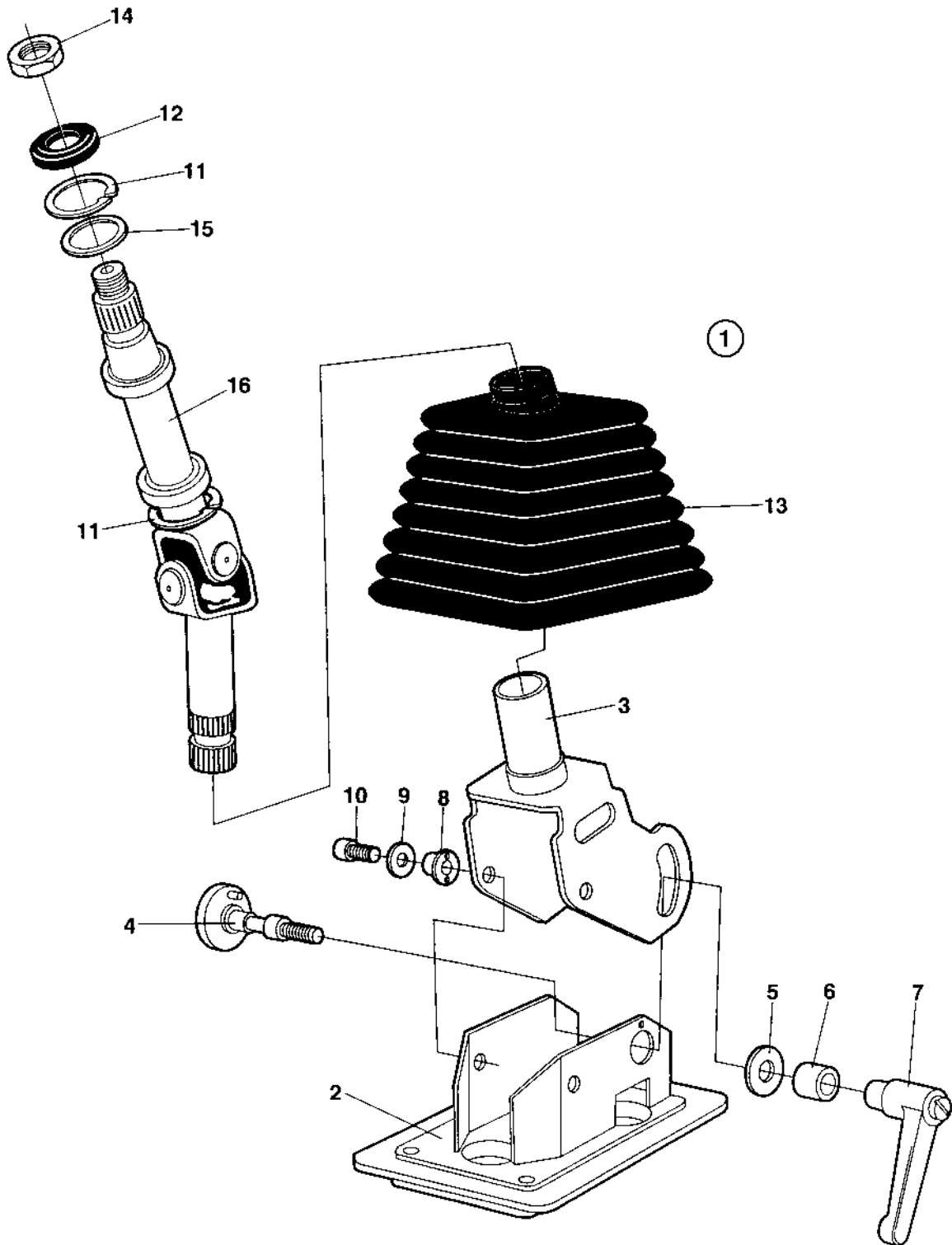
17627-1



Drivers seat Turn-over in cab

| Ref. No. | Part No. | Rem. | Qty | Description | Code |
|----------|----------|------|-----|-------------------------------------|------|
| 1 | 359900 | | 1 | Seat frame | |
| 2 | 381400 | | 1 | Bearing cover | |
| 4 | 359574 | | 1 | Cover | |
| 5 | 359914 | | 1 | Cover | |
| 6 | 359915 | | 1 | Grommet | |
| 8 | 359917 | A | 1 | Drivers seat | |
| | 937892 | | 1 | .Seat switch | |
| 9 | | B | 1 | .Slide rail | |
| 10 | 937620 | | 1 | .Arm rest, right | |
| | 937621 | | 1 | .Arm rest, left | |
| 11 | 359920 | | 1 | Plug | |
| 13 | 372964 | | 1 | Steering wheel, cpl | |
| | | | 1 | .Steering wheel and knob | |
| | 935614 | | 1 | ..Turning knob | |
| | 935613 | | 1 | .Cover | |
| 16 | 359918 | | 1 | Steering column (Page 202) | |
| 17 | 359919 | | 1 | Shaft | |
| 18 | 359916 | | 2 | Chain wheel | |
| 19 | 359921 | | 1 | Chain | |
| 20 | 903917 | | 1 | Bearing outer | |
| | 903918 | | 1 | Bearing inner | |
| 21 | 516051 | | 2 | Set screw | |
| 22 | 350009 | | 2 | Flat key | |
| 23 | | | 1 | Cross sliding Controls (Page 204) | |
| 24 | 359419 | | 1 | Control cover | |
| 26 | 904206 | | 16 | Screw | |
| 27 | 500021 | | 2 | Screw M8-1,25x25 8,8 | |
| 28 | 500053 | | 6 | Screw M8-1,25x20 8,8 | |
| 29 | 500028 | | 3 | Screw M10-1,5x25 8,8 | |
| 30 | 904557 | | 3 | Washer 10,5x22x4 | |
| 31 | 570006 | | 3 | Nut M10 | |
| 33 | 904229 | | 8 | Washer 8,4x16x1,5 | |
| 34 | 586003 | | 2 | Lock nut M8 | |
| 35 | 500040 | | 10 | Screw M6-1x20 8,8 | |
| 36 | 904228 | | 7 | Washer 6,4x12x1,5 | |
| 37 | 586002 | | 7 | Lock nut M6 | |
| 40 | 372672 | | 1 | Chain guard | |
| 41 | 603001 | | 2 | Washer TB6,7x14x3 | |
| 42 | | | 1 | Cross sliding Carrier (Page 206) | |
| 43 | 359971 | | 1 | Control cable holder | |
| 44 | 359972 | | 1 | Control cable holder | |
| 45 | 570005 | | 4 | Nut M8 | |
| 46 | 904734 | | 2 | Washer 8,4x26x4 | |
| 47 | 903914 | | 2 | Screw | |
| 48 | 500031 | | 2 | Screw M10-1,5x40 8,8 | |
| 49 | 904230 | | 4 | Washer 10,5x22x2 | |
| 51 | 381403 | | 1 | Chain supporter | |
| 52 | 904735 | | 4 | Washer | |
| 53 | 313041 | | 1 | Cable ties L=186 mm | |
| 54 | 386128 | | 1 | Stop | |
| 55 | 541703 | | 2 | Screw M6x16 | |
| 56 | 904228 | | 4 | Washer 6,4x12x1,5 | |
| 60 | 383200 | C | 1 | Safety belt 3" | |

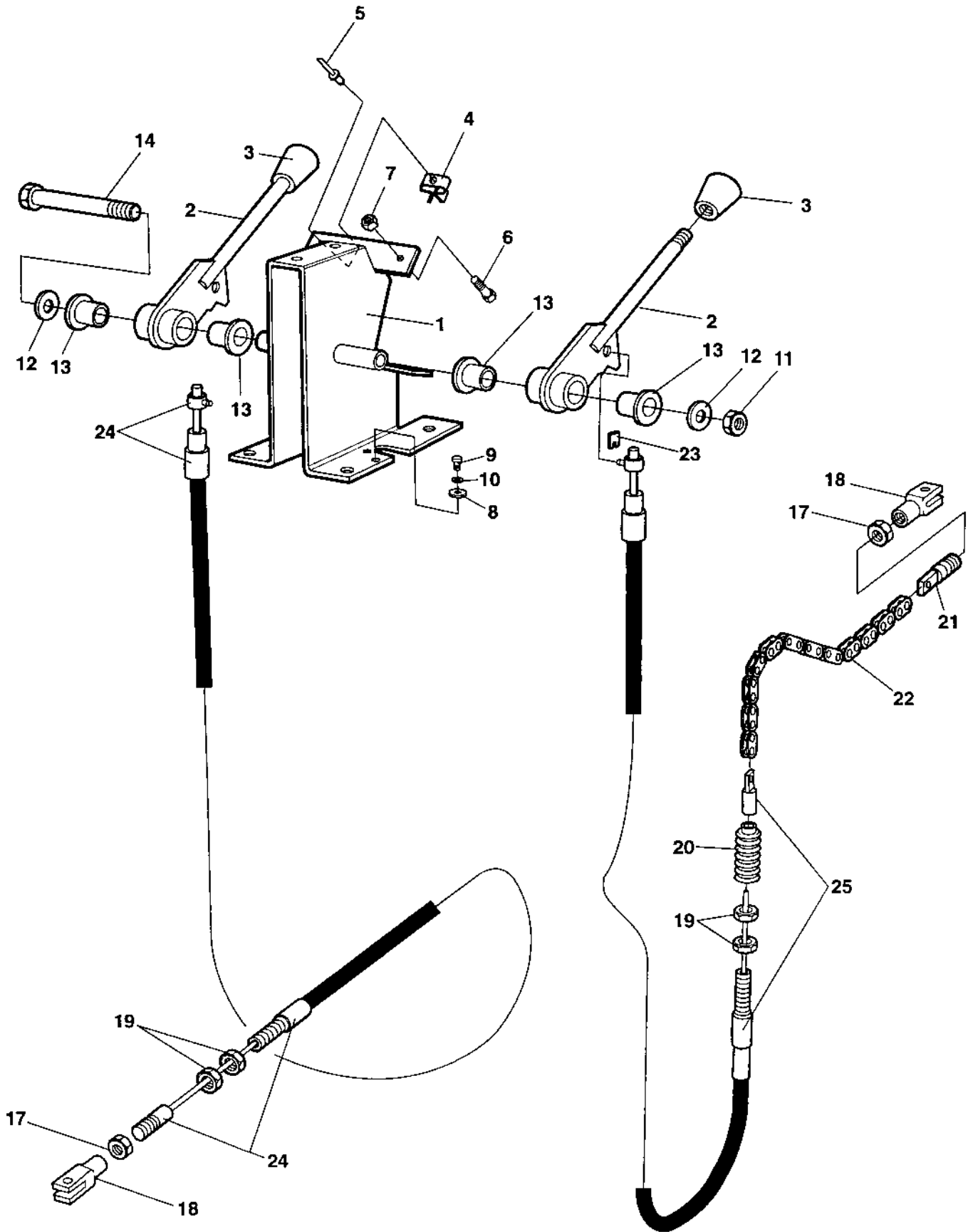
- A) With seat belt
- B) One pair
- C) Option, 3"



| Ref. No. | Part No. | Rem. | Qty | Description | Code |
|----------|----------|------|-----|----------------------|------|
| 1 | | | 1 | Steering column, cpl | |
| 2 | 935229 | A | 1 | .Frame | |
| 3 | 935230 | B | 1 | .Frame | |
| 4 | 935231 | | 1 | .Screw | |
| 5 | 935232 | | 1 | .Washer | |
| 6 | 935233 | | 1 | .Sleeve | |
| 7 | 935234 | | 1 | .Lever | |
| 8 | 935235 | | 2 | .Washer | |
| 9 | 935236 | | 2 | .Washer | |
| 10 | 935237 | | 2 | .Screw | |
| 11 | 935238 | | 2 | .Retainer ring | |
| 12 | 935239 | | 1 | .Seal | |
| 13 | 935240 | | 1 | .Bellows | |
| 14 | 935241 | | 1 | .Nut | |
| 15 | 935242 | | 1 | .Washer | |
| 16 | 935243 | | 1 | .Cardan shaft | |

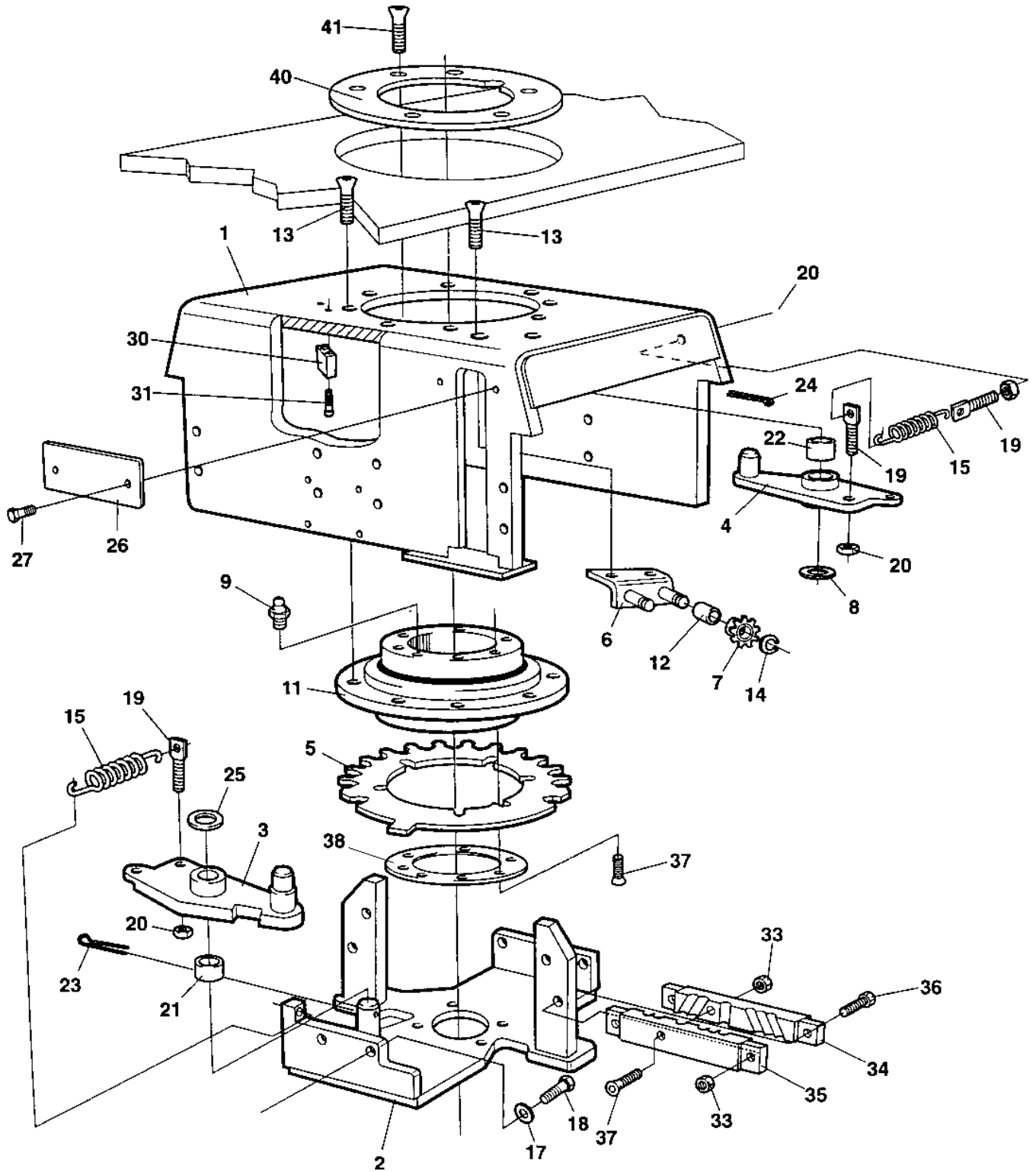
- A) Lower
- B) Upper

16119



| Ref. No. | Part No. | Rem. | Qty | Description | Code |
|----------|----------|------|-----|-------------------|------|
| 1 | 935771 | | 1 | Framing | |
| 2 | 909745 | | 2 | Lever | |
| 3 | 908190 | | 2 | Ball knob | |
| 4 | 908189 | | 1 | Lever lock | |
| 5 | | | 1 | Rivet | |
| 6 | 500001 | | 1 | Screw | |
| 7 | 923976 | | 1 | Nut | |
| 8 | 909746 | | 2 | Washer | |
| 9 | 533024 | | 2 | Screw | |
| 10 | 615041 | | 2 | Washer 5,3x11 | |
| 11 | 586002 | | 1 | Lock nut M6 | |
| 12 | 928381 | | 2 | Washer 6,4x18x1,6 | |
| 13 | 908187 | | 4 | Plain bearing | |
| 14 | 500169 | | 1 | Screw | |
| 17 | 570004 | A | 2 | Nut M6 | |
| 18 | 416004 | A | 2 | Fork | |
| 19 | 927233 | B | 4 | Nut | |
| 20 | 908184 | C | 1 | Protection bellow | |
| 21 | 359822 | | 1 | Spring holder | |
| 22 | 359924 | | 1 | Chain with links | |
| 23 | 937958 | B | 1 | Clips | |
| 24 | 935773 | E | 1 | Cable, cpl | |
| 25 | 935772 | D | 1 | Cable, cpl | |

- A) Incl in item 24
- B) Incl in item 24,25
- C) Incl in item 25
- D) Sliding
- E) Turning

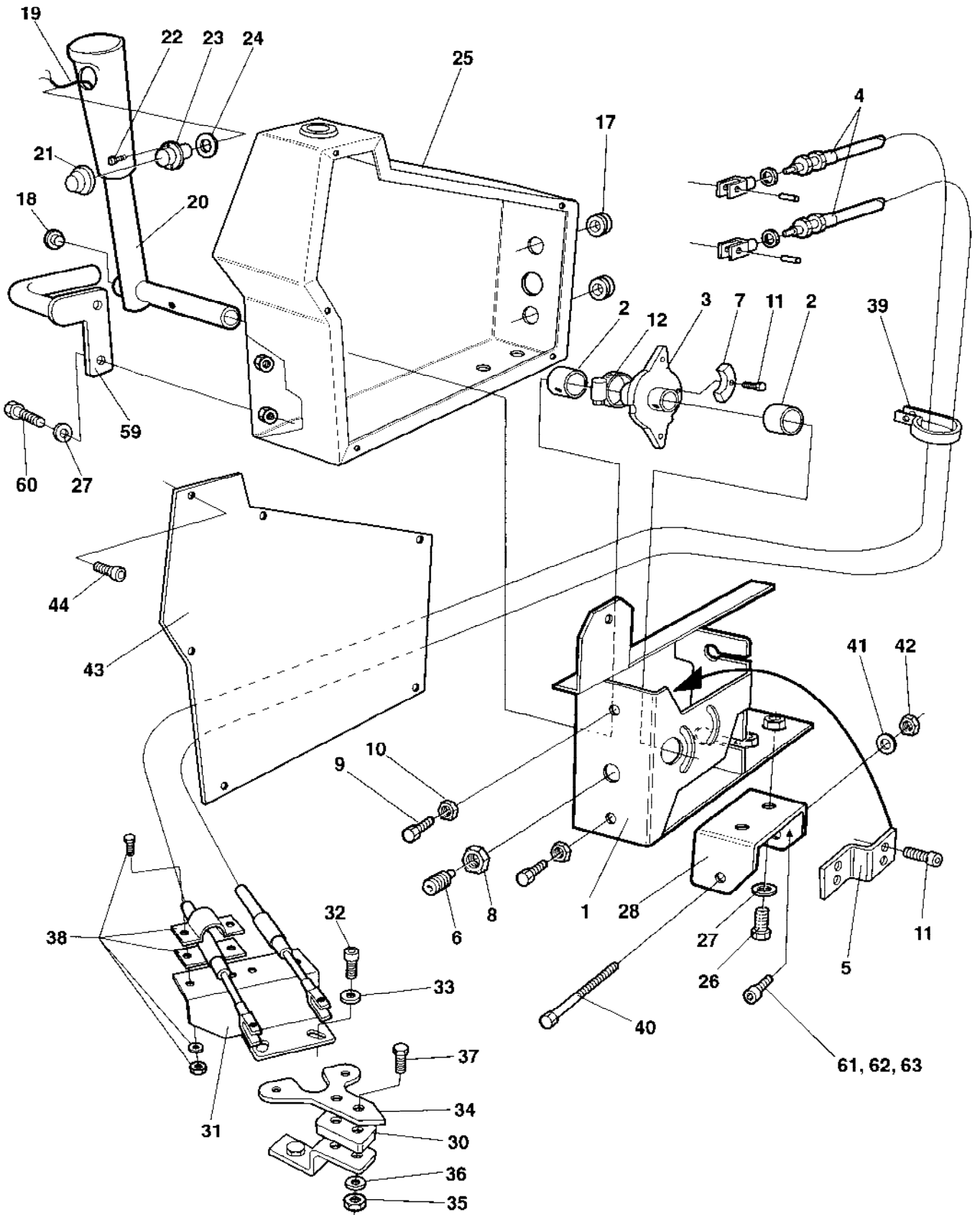


| Ref. No. | Part No. | Rem. | Qty | Description | Code |
|----------|----------|------|-----|----------------------|------|
| 1 | 359788 | | 1 | Carrier | |
| 2 | 359733 | | 1 | Bracket | |
| 3 | 371101 | A | 1 | Coupling link | |
| 4 | 374417 | B | 1 | Coupling link | |
| 5 | 370955 | | 1 | Locking disc | |
| 6 | 359810 | | 1 | Control bracket | |
| 7 | 359813 | | 2 | Chain wheel | |
| 8 | 904231 | | 1 | Washer 13x24x2 | |
| 9 | 926214 | | 1 | Grease fitting | |
| 11 | 359125 | | 1 | Ball bearing | |
| 12 | 359816 | | 2 | Bushing | |
| 13 | 513003 | | 10 | Screw | |
| 14 | 359817 | | 2 | Retaining ring | |
| 15 | 359043 | | 2 | Spring | |
| 17 | 904556 | | 10 | Washer 8,4x16x3,0 | |
| 18 | 500021 | | 4 | Screw M8-1,25x25 8,8 | |
| 19 | 359818 | | 3 | Spring collar | |
| 20 | 573008 | | 3 | Nut M8 | |
| 21 | 359819 | | 1 | Bushing | |
| 22 | 359820 | | 1 | Bushing | |
| 23 | 630008 | A | 1 | Pin | |
| 24 | 630035 | B | 1 | Split pin | |
| 25 | 904232 | | 1 | Washer 17x30x3 | |
| 26 | 359815 | | 1 | Cover | |
| 27 | 926220 | | 2 | Screw | |
| 30 | 359893 | C | 1 | Stop | |
| 31 | 508056 | C | 2 | Screw M8x40 | |
| 33 | 570005 | | 5 | Nut M8 | |
| 34 | 372960 | | 1 | Clamp | |
| 35 | 372959 | | 1 | Clamp | |
| 36 | 500022 | | 4 | Screw M8-1,25x30 8,8 | |
| 37 | 902520 | | 7 | Screw | |
| 38 | 372966 | | 1 | Lock ring | |
| 40 | 372965 | | 1 | Lock ring | |
| 41 | 902520 | | 6 | Screw | |

- A) For sliding
- B) For turning
- C) Only cab

Forward and reverse control

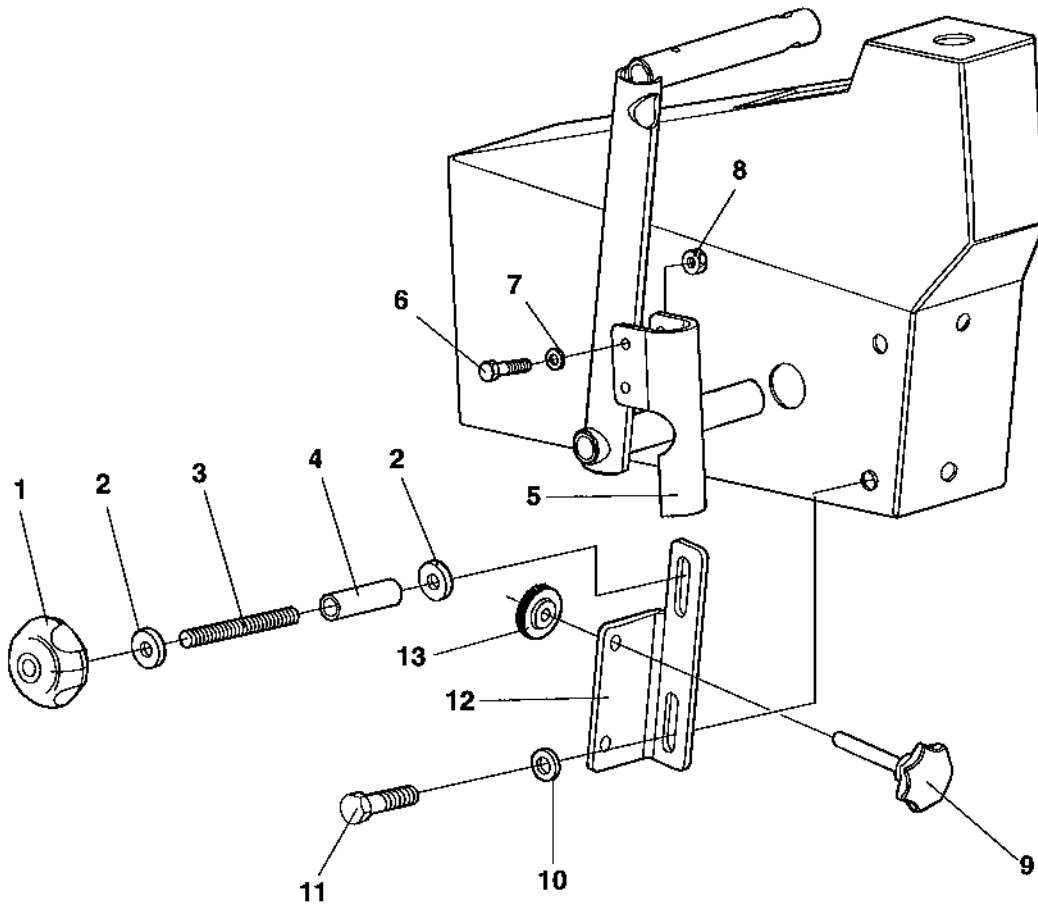
16126-1



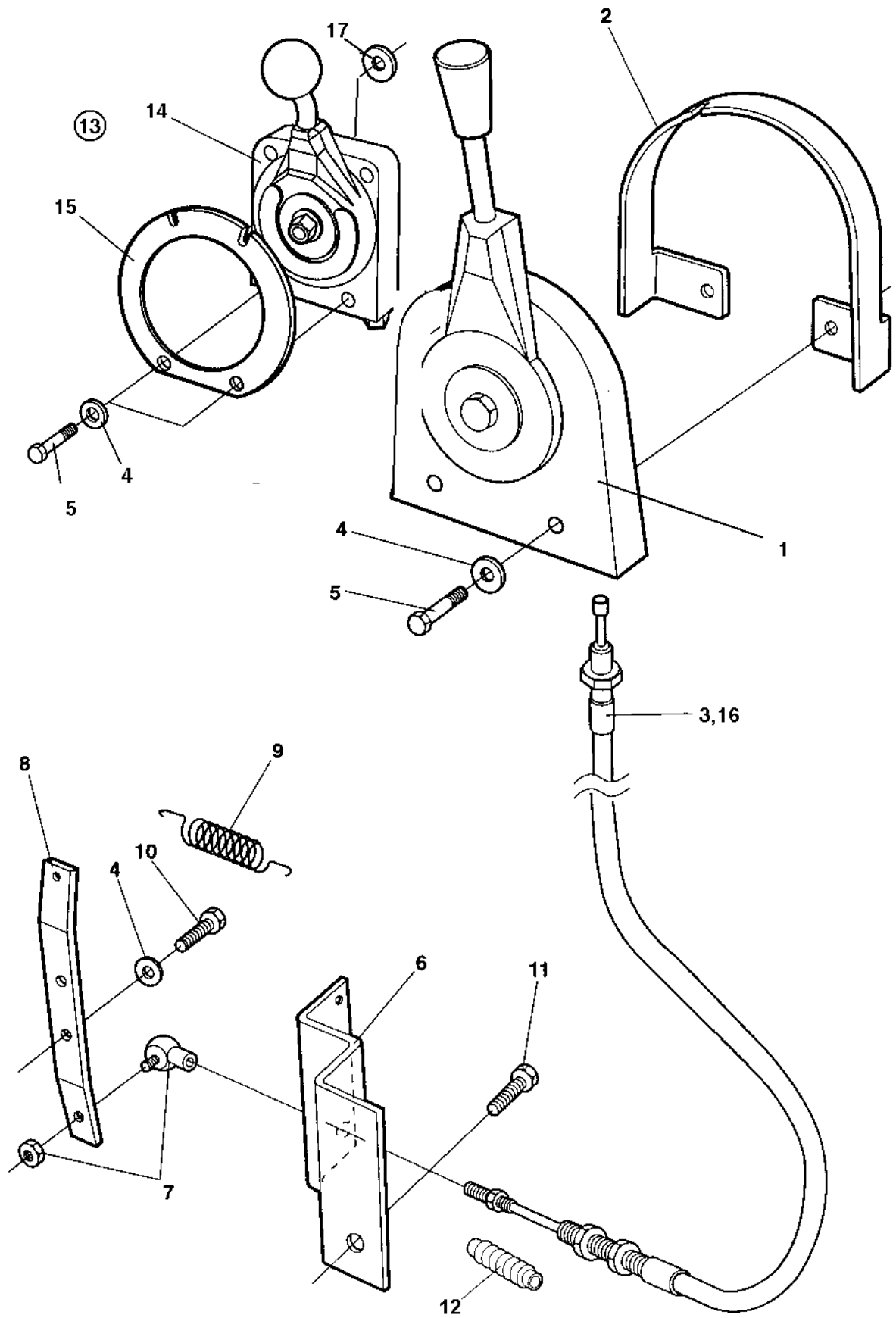
Forward and reverse control

| Ref. No. | Part No. | Rem. | Qty | Description | Code |
|----------|----------|------|-----|-----------------------|------|
| 1 | 909747 | | 1 | Framing | |
| 2 | 908200 | | 2 | Bearing | |
| 3 | 909748 | | 1 | Cam disc | |
| 4 | 909749 | A | 2 | Cable | |
| | 570004 | | 1 | .Nut M6 | |
| | 908193 | | 1 | .Fork | |
| 5 | 909751 | | 1 | Bracket | |
| 6 | 922325 | | 1 | Spring ball plunger | |
| 7 | 909750 | | 1 | Cam | |
| 8 | 573004 | | 1 | Nut | |
| 9 | 533038 | | 2 | Screw | |
| 10 | 573004 | | 2 | Nut | |
| 11 | 533010 | | 1 | Screw | |
| 12 | 313147 | | 1 | Hose clip | |
| 17 | 909122 | | 2 | Grommet | |
| 18 | 902203 | | 1 | Plug | |
| 19 | 376396 | | 1 | Cable harness | |
| 20 | 359575 | | 1 | Control lever | |
| 21 | 348481 | | 1 | Cover | |
| 22 | 371009 | | 2 | Screw | |
| 23 | 928497 | | 1 | Push button | |
| 24 | 359940 | | 1 | Washer | |
| 25 | 359928 | | 1 | Control cover | |
| 26 | 500053 | | 2 | Screw M8-1,25x20 8,8 | |
| 27 | 904229 | | 2 | Washer 8,4x16x1,5 | |
| 28 | 381676 | | 1 | Bracket | |
| 30 | 371507 | D | 1 | Spacer | |
| 31 | 359932 | | 1 | Control bracket | |
| 32 | 903799 | | 3 | Screw M6 x 70 | |
| 33 | 904228 | | 3 | Washer 6,4x12x1,5 | |
| 34 | 359931 | | 1 | Control bracket | |
| 35 | 586003 | | 2 | Lock nut M8 | |
| 36 | 904229 | | 4 | Washer 8,4x16x1,5 | |
| 37 | 500023 | | 2 | Screw M8-1,25x40 8,8 | |
| 38 | 465013 | | 2 | Clamp | |
| 39 | 921104 | | 1 | Clamp | |
| 40 | 500198 | | 1 | Screw | |
| 41 | 904231 | | 1 | Washer 13x24x2 | |
| 42 | 586019 | | 1 | Lock nut M12 | |
| 43 | 359929 | | 1 | Cover | |
| 44 | 903658 | | 6 | Screw M5x10 | |
| 59 | 373177 | B | 1 | Yoke | |
| 60 | 570019 | B | 2 | Screw | |
| 61 | 508092 | | 1 | Screw M8-1,25x20H 8,8 | |
| 62 | 904229 | | 2 | Washer 8,4x16x1,5 | |
| 63 | 586003 | | 1 | Lock nut M8 | |

- A) Forward and reverse
 B) Not for cab
 D) Only on early machines.



| Ref. No. | Part No. | Rem. | Qty | Description | Code |
|----------|----------|------|-----|----------------------|------|
| 1 | 904290 | | 1 | Hand knob | |
| 2 | 904640 | | 2 | Washer 8,4x22x3 | |
| 3 | 791313 | | 1 | Threaded stud M8x85 | |
| 4 | 386003 | | 1 | Spacer sleeve | |
| 5 | 386002 | | 1 | Lever holder | |
| 6 | 500186 | | 2 | Screw M6-1x45 8,8 | |
| 7 | 904228 | | 4 | Washer 6,4x12x1,5 | |
| 8 | 586002 | | 2 | Lock nut M6 | |
| 9 | 791314 | | 1 | Handle knob | |
| 10 | 904556 | | 1 | Washer 8,4x16x3,0 | |
| 11 | 500053 | | 1 | Screw M8-1,25x20 8,8 | |
| 12 | 385994 | | 1 | Bracket | |
| 13 | 791312 | | 2 | Letter nut | |



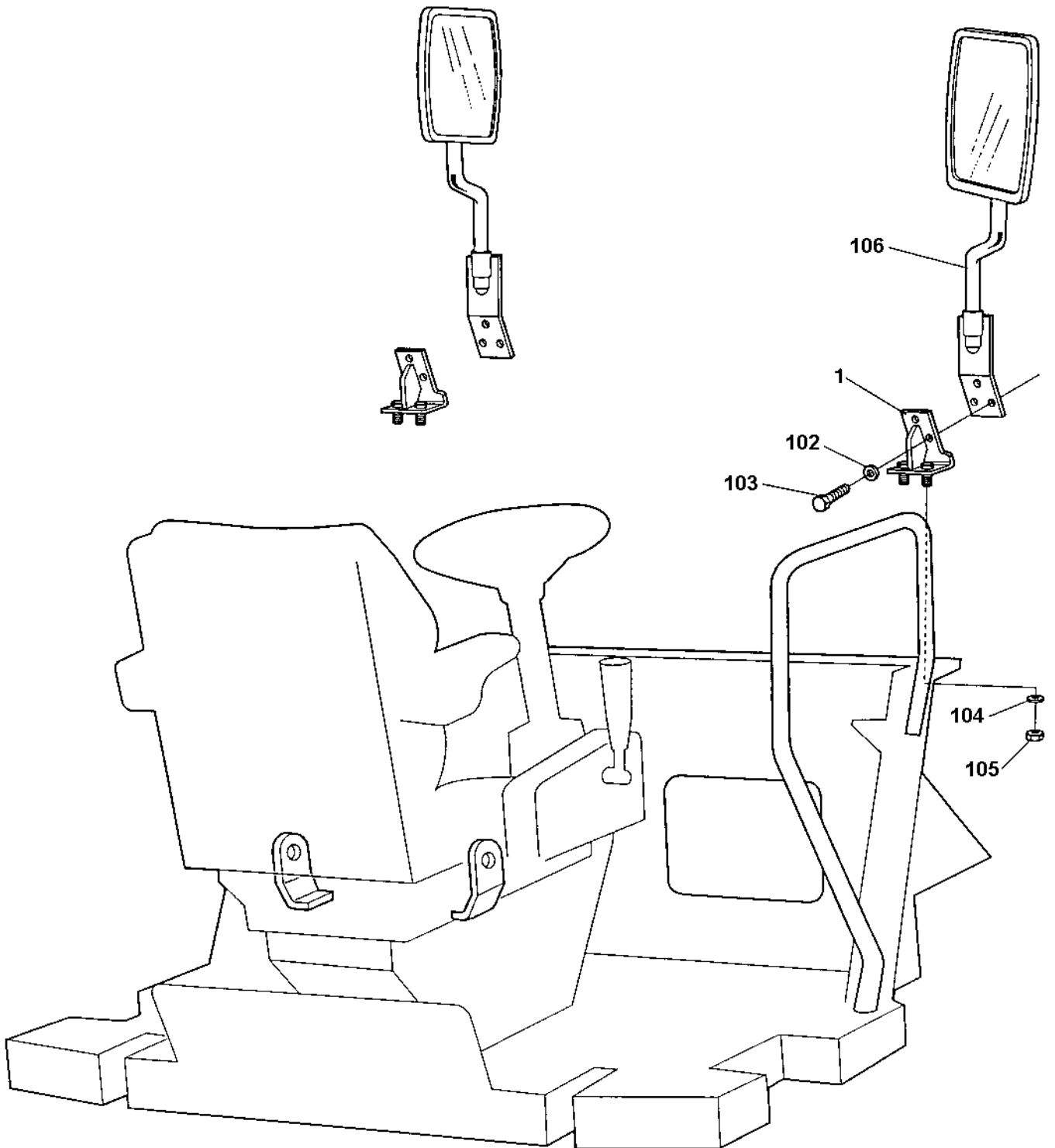
Engine controls

| Ref. No. | Part No. | Rem. | Qty | Description | Code |
|----------|----------|------|-----|-----------------------|------|
| 1 | 382213 | | 1 | Control | |
| 2 | 382225 | | 1 | Yoke | |
| 3 | 370096 | | 1 | Cable | |
| 4 | 904228 | | 4 | Washer 6,4x12x1,5 | |
| 5 | 500015 | | 2 | Screw M6-1x30 8,8 | |
| 6 | 359936 | | 1 | Control bracket | |
| 7 | 416034 | | 1 | Ball joint | |
| 8 | 357498 | | 1 | Control lever | |
| 9 | 357500 | | 1 | Spring | |
| 10 | 500013 | | 2 | Screw M6-1x16 8,8 | |
| 11 | | A | 2 | Screw | |
| 12 | 382349 | B | 1 | Bellows | |
| 13 | 389170 | | 1 | Throttle control, cpl | |
| 14 | 389175 | | 1 | .Control | |
| 15 | 389177 | | 1 | .Snap plate | |
| 16 | 389184 | | 1 | .Throttle cable | |
| 17 | 904735 | | 2 | Washer | |

- A) For engine bracket
B) Included in complete control.

Rear mirror

15889

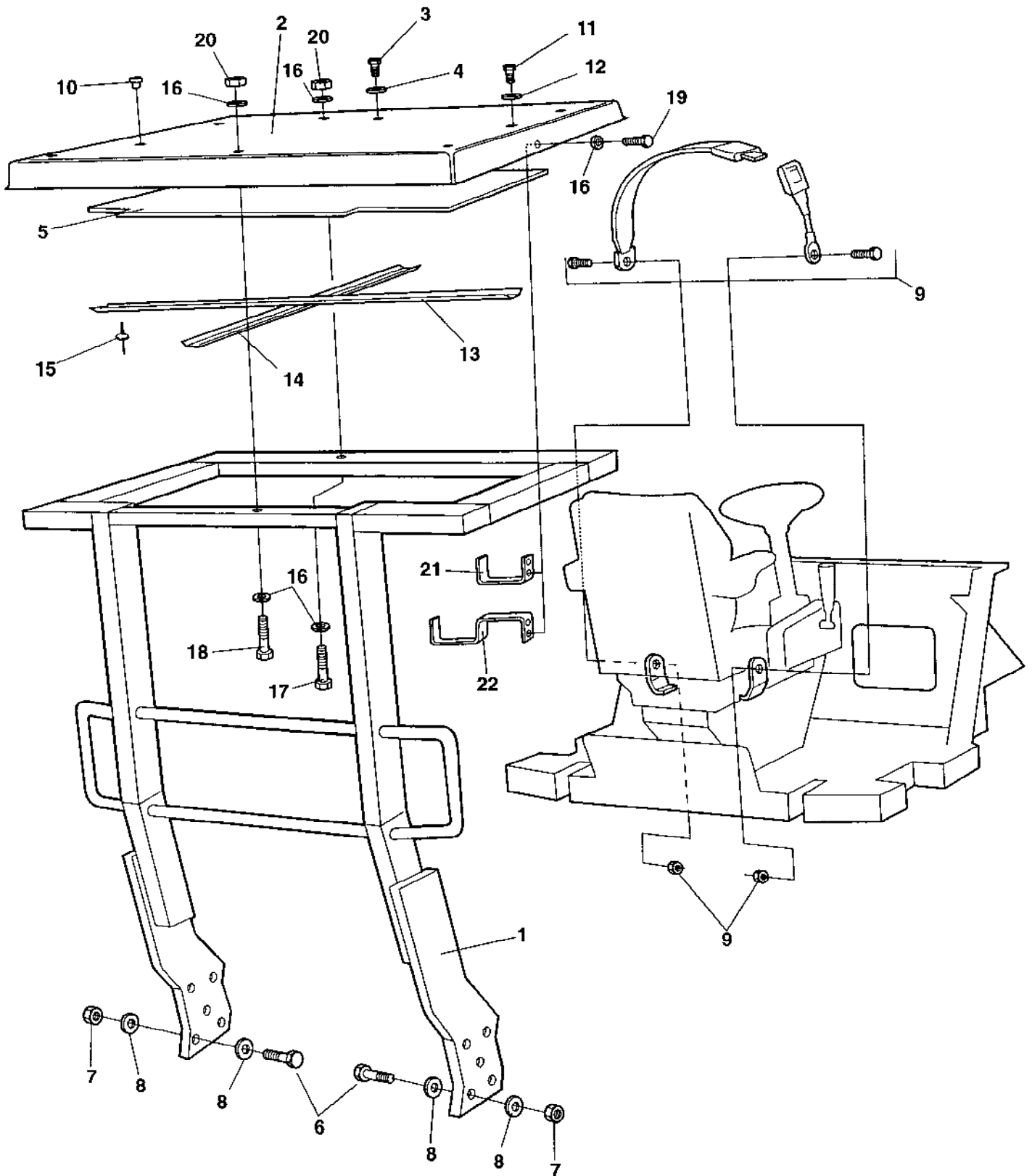


Rear mirror

| Ref. No. | Part No. | Rem. | Qty | Description | Code |
|----------|----------|------|-----|-------------------------------------|------|
| | | | 1 | Rear mirror Option | |
| 1 | 371819 | | 2 | .Bracket | |
| 102 | 600006 | | 6 | .Washer | |
| 103 | 500053 | | 6 | .Screw M8-1,25x20 8,8 | |
| 104 | 600008 | | 4 | .Washer | |
| 105 | 586018 | | 4 | .Lock nut M10 | |
| 106 | | | 2 | .Exterior rear mirrors (Page 254) | |

Rops and fops With seat belt

17496



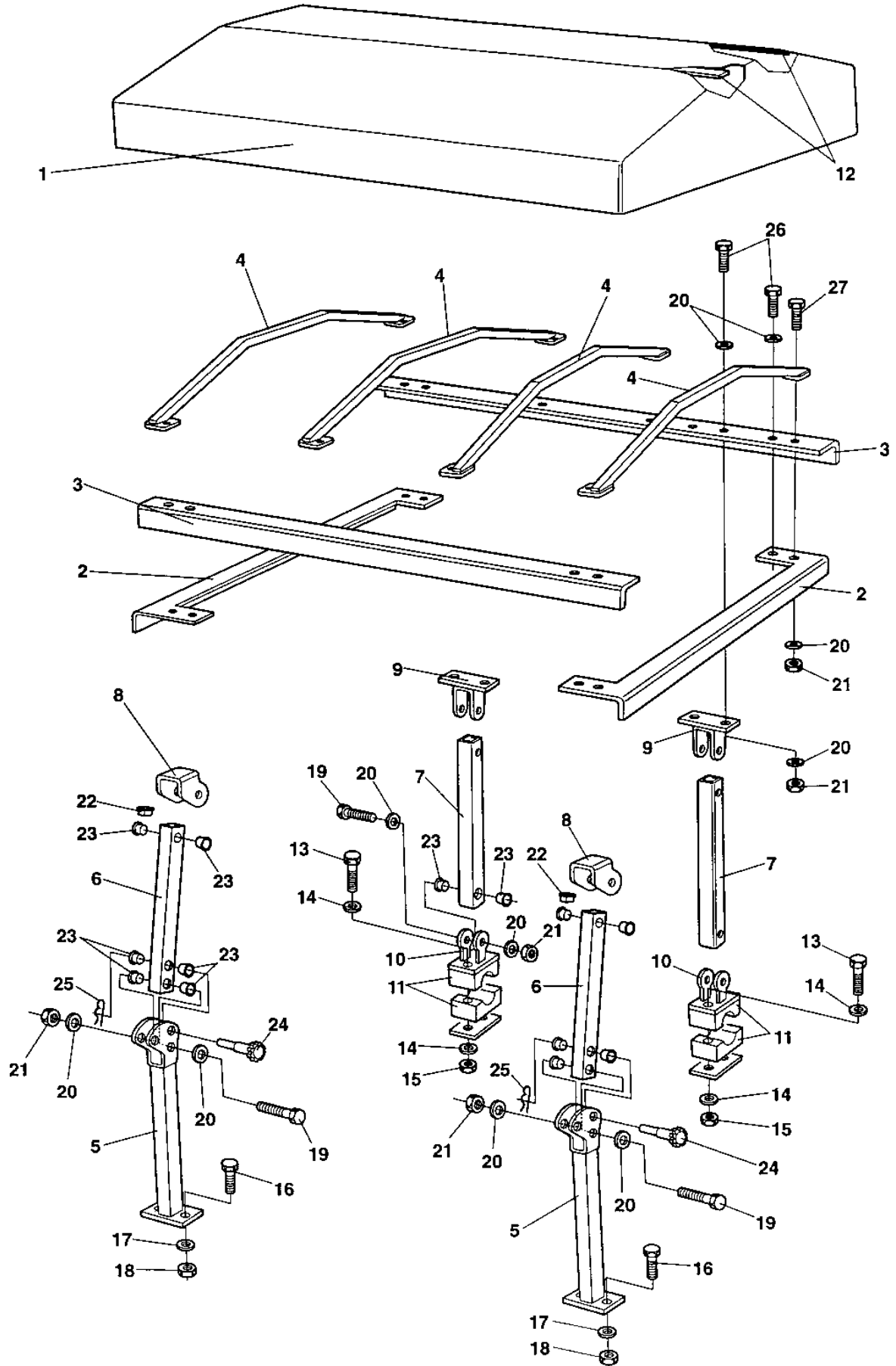
Rops and fops With seat belt

| Ref. No. | Part No. | Rem. | Qty | Description | Code |
|----------|----------|------|-----|------------------------|------|
| 1 | 370329 | | 1 | Rops | |
| 2 | 370343 | | 1 | Rops roof | |
| | 370349 | | 1 | Fops roof | |
| 3 | | | | Not used on this model | |
| 4 | | | | Not used on this model | |
| 5 | 372631 | | 1 | Insulating material | |
| 6 | 903792 | | 10 | Screw | |
| 7 | 903736 | | 10 | Nut | |
| 8 | 904234 | | 20 | Washer 25x45x4 | |
| 9 | 370766 | | 1 | Safety belt | |
| | 383200 | B | 1 | Safety belt 3" | |
| 10 | 904180 | A | 2 | Plug | |
| 11 | 500047 | | 10 | Screw M8-1,25x35 8,8 | |
| 12 | 904734 | | 10 | Washer 8,4x26x4 | |
| 13 | 380176 | | 1 | Absorbent holder | |
| 14 | 376488 | | 1 | Absorbent holder | |
| 15 | 904619 | | 12 | Blind rivet | |
| 16 | 904734 | | 10 | Washer 8,4x26x4 | |
| 17 | 500170 | | 2 | Screw | |
| 18 | 500180 | | 1 | Screw | |
| 19 | 500019 | | 4 | Screw M8-1,25x16 8.8 | |
| 20 | 586003 | | 3 | Lock nut M8 | |
| 21 | 383898 | C | 2 | Hook | |
| 22 | 383900 | D | 2 | Hook | |

- A) For lifting holes
B) Option, 3"
C) Valid for Rops.
D) Valid for Fops.

Canopy

16116



Canopy

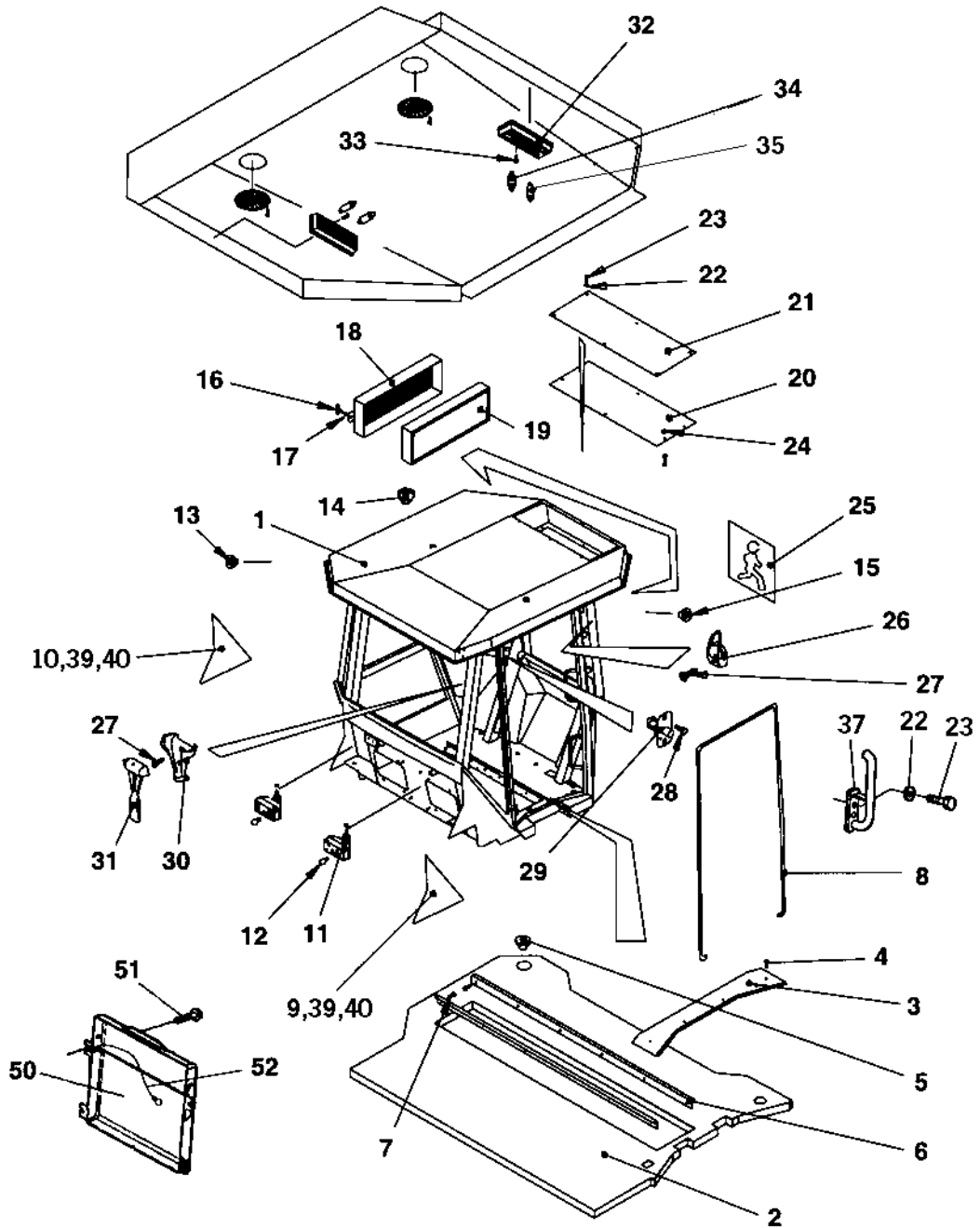
| Ref. No. | Part No. | Rem. | Qty | Description | Code |
|----------|----------|------|-----|-----------------------|------|
| 1 | 373906 | | 1 | Roof | |
| 2 | 373747 | | 2 | Canopy profile | |
| 3 | 374024 | | 2 | Canopy profile | |
| 4 | 373749 | | 4 | Canopy rib | |
| 5 | 373968 | | 2 | Support, lower front | |
| 6 | 373986 | | 2 | Support, upper front | |
| 7 | 373987 | | 2 | Support, rear | |
| 8 | 374002 | | 2 | Link, upper front | |
| 9 | 374003 | | 2 | Link, upper rear | |
| 10 | 374004 | | 2 | Link, lower rear | |
| 11 | 371034 | | 2 | Clamp | |
| 12 | 373907 | | 2 | Lath | |
| 13 | 500153 | | 4 | Screw | |
| 14 | 600004 | | 8 | Washer | |
| 15 | 586002 | | 4 | Lock nut M6 | |
| 16 | 500030 | | 4 | Screw M10-1,5x35H 8,8 | |
| 17 | 600008 | | 4 | Washer | |
| 18 | 902287 | | 4 | Nut | |
| 19 | 500189 | | 8 | Screw | |
| 20 | 600006 | | 56 | Washer | |
| 21 | 586003 | | 28 | Lock nut M8 | |
| 22 | 904288 | | 8 | Plug | |
| 23 | 904287 | | 20 | Plastic bushing | |
| 24 | 374066 | | 2 | Handle | |
| 25 | 924585 | | 2 | Cotter pin | |
| 26 | 500021 | | 16 | Screw M8-1,25x25 8,8 | |
| 27 | 500022 | | 4 | Screw M8-1,25x30 8,8 | |

Cab, asymmetric

| Ref. No. | Part No. | Rem. | Qty | Description | Code |
|----------|----------|------|-----|---|------|
| 1 | | | | Cab, interior (Page 222) | |
| 2 | | | | Cab, screens (Page 224) | |
| 3 | | | | Cab, inside panels (Page 226) | |
| 4 | | | | Cab, wipers, right side (Page 228) | |
| 5 | | | | Cab, wipers, front and rear (Page 230) | |
| 6 | | | | Cab, door, left side (Page 232) | |
| | | | | Cab, door, left side (3-split) (Page 234) | |
| 7 | | | | Cab, heater and, fan system (Page 236) | |
| 8 | | | | Cab, roof mounted, electrical switches (Page 240) | |

Cab, interior

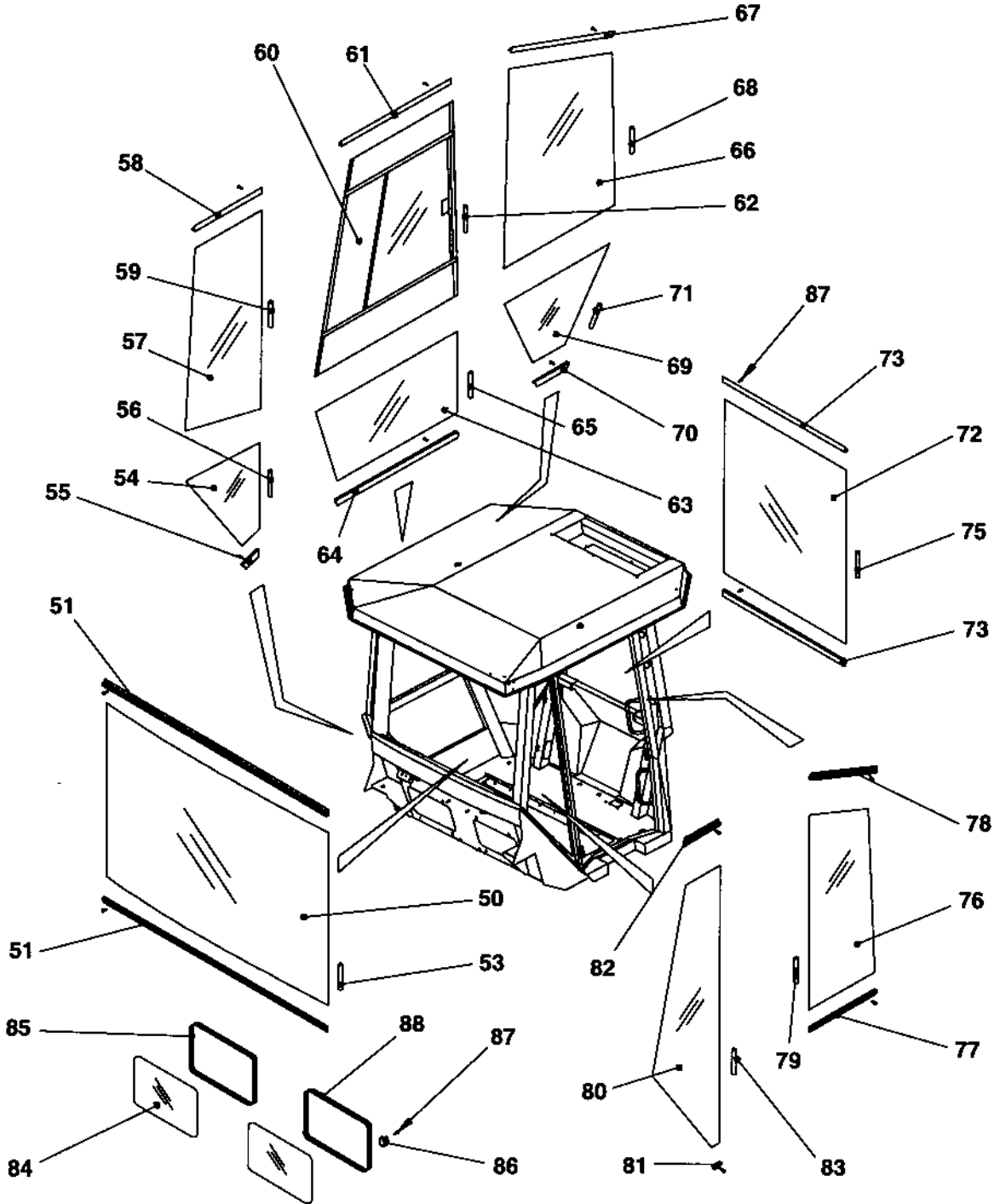
18275



Cab, interior

| Ref. No. | Part No. | Rem. | Qty | Description | Code |
|-----------------|-----------------|-------------|------------|-------------------------|-------------|
| 1 | 385735 | | 1 | Cab, cpl | |
| 2 | 908509 | | 1 | .Floor carpet | |
| 3 | 908511 | | 1 | .List left | |
| 4 | 903808 | | 4 | .Screw | |
| 5 | 908512 | | 1 | .Cover | |
| 6 | 908510 | | 2 | .List | |
| 7 | 535005 | | 12 | .Screw M5x12 | |
| 8 | 938842 | A | 1XL | .Sealing strip | |
| 9 | 938843 | | 1 | .Black sticker | |
| | 940848 | | 1 | .Side plate | |
| 10 | 938844 | | 1 | .Black sticker | |
| | 940849 | | 1 | .Side plate | |
| 11 | 908268 | | 2 | .Work light | |
| 12 | 938845 | | 2 | .Bulb 10W 12V | |
| 13 | 938660 | | 8 | .Grommet | |
| 14 | 908497 | | 12 | .Grommet | |
| 15 | 909510 | | 3 | .Grommet | |
| 16 | 908504 | | 4 | .Handle | |
| 17 | 908503 | | 4 | .O-ring | |
| 18 | 938846 | | 2 | .Filter housing | |
| 19 | 938847 | | 2 | .Air filter | |
| 20 | 938678 | | 1 | .Cover | |
| 21 | 938679 | | 1 | .Cover | |
| 22 | 936277 | | 14 | .Washer | |
| 23 | 500053 | | 14 | .Screw M8-1,25x20 8,8 | |
| 24 | 586003 | | 8 | .Lock nut M8 | |
| 25 | 935589 | | 1 | .Decal | |
| 26 | 908505 | | 1 | .Hook | |
| 27 | 938676 | | 4 | .Screw | |
| 28 | 901315 | | 2 | .Screw | |
| 29 | 908500 | | 1 | .Door switch | |
| 30 | 908506 | | 1 | .Holder | |
| 31 | 908507 | | 1 | .Emergency hammer | |
| 32 | 908515 | | 2 | .Inner light | |
| 33 | 541535 | | 4 | .Screw | |
| 34 | 985051 | | 4 | .Bulb 12V,10W | |
| 35 | 985013 | | 2 | .Bulb 12V,5W | |
| 37 | 370806 | | 1 | .Grab handle | |
| 39 | 904228 | | 5 | .Washer 6,4x12x1,5 | |
| 40 | 500040 | | 5 | .Screw M6-1x20 8,8 | |
| 50 | 383705 | | 1 | Instruction book holder | |
| 51 | 791226 | | 4 | Screw | |
| 52 | 357643 | | 1 | Wire | |

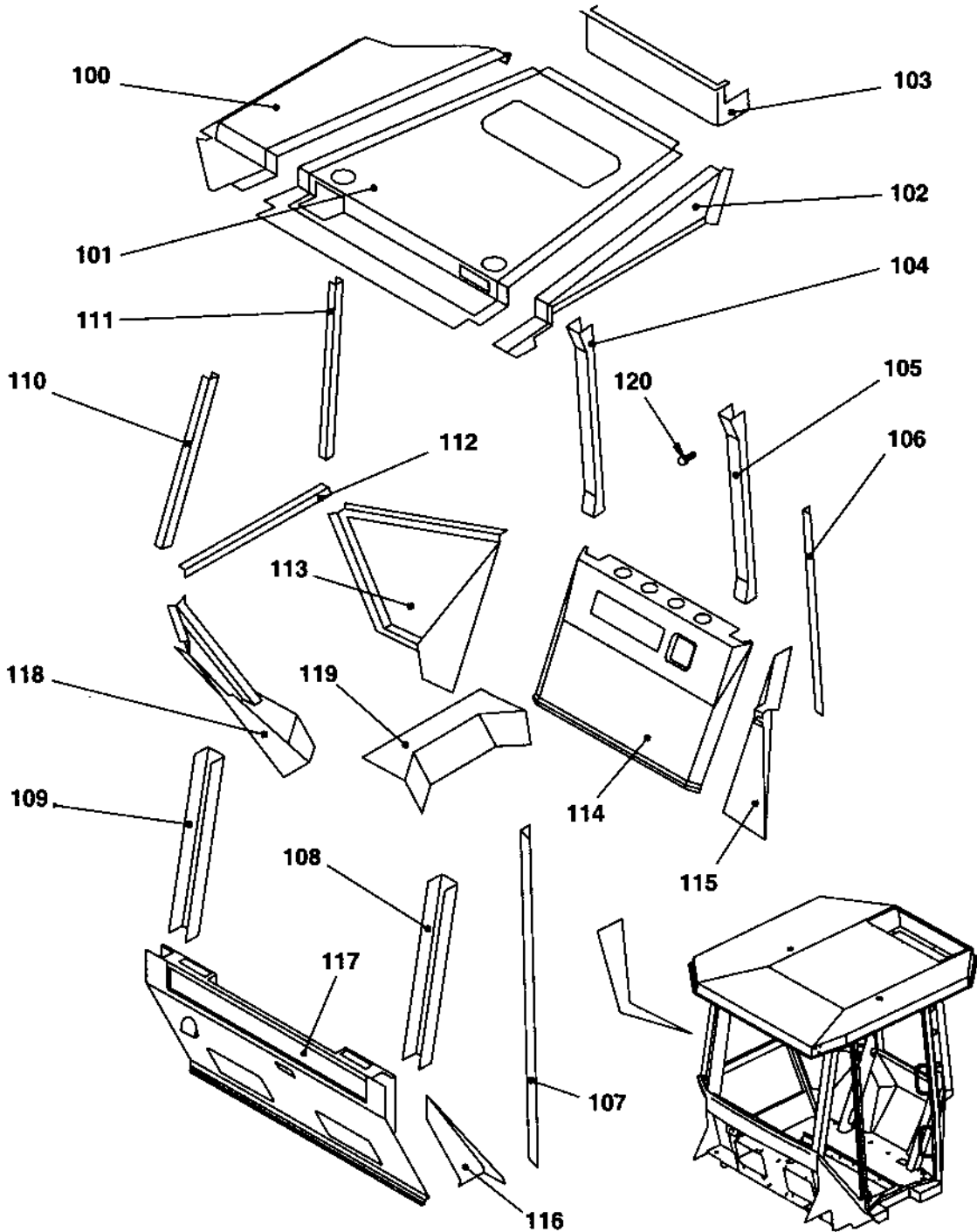
A) L=5,0 m



Cab, screens

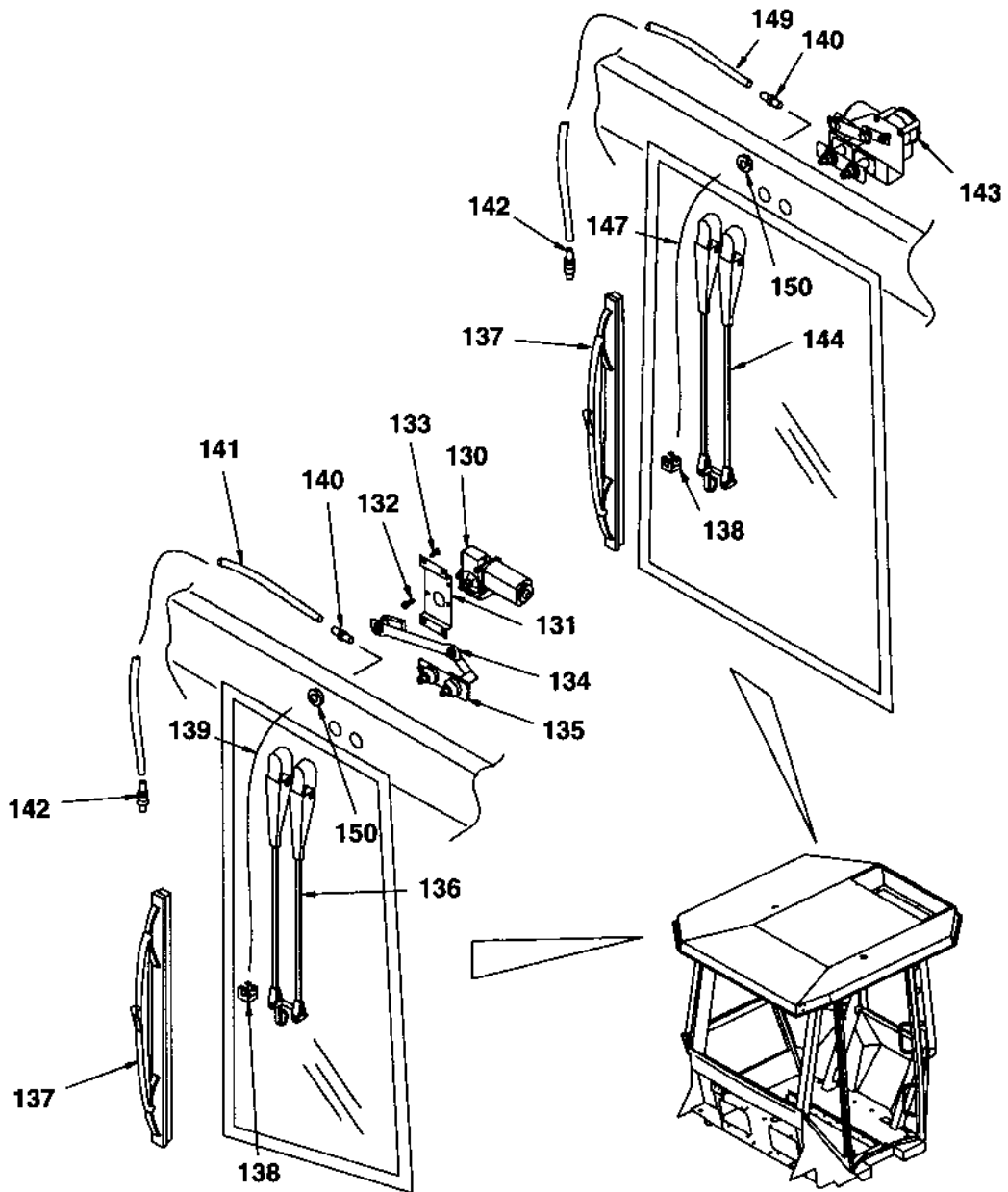
| Ref. No. | Part No. | Rem. | Qty | Description | Code |
|----------|----------|------|-----|-----------------------|------|
| | | | | Cab, cpl | |
| 50 | 937395 | | 1 | .Front screen Green | |
| 51 | 908546 | | 1 | .List | |
| 53 | 938834 | A | 1XL | .Sealing strip | |
| 54 | 937398 | | 1 | .Screen Green | |
| 55 | 908549 | | 1 | .List | |
| 56 | 938834 | B | 1XL | .Sealing strip | |
| 57 | 937397 | | 1 | .Screen Green | |
| 58 | 908548 | | 1 | .List | |
| 59 | 938834 | C | 1XL | .Sealing strip | |
| 60 | 937399 | | 1 | .Screen sliding Green | |
| 61 | 908550 | | 1 | .List | |
| 62 | 938834 | D | 1XL | .Sealing strip | |
| 63 | 937400 | | 1 | .Screen Green | |
| 64 | 908551 | | 1 | .List | |
| 65 | 938834 | A | 1XL | .Sealing strip | |
| 66 | 938565 | | 1 | .Screen | |
| 67 | 938835 | | 1 | .List | |
| 68 | 938834 | E | 1XL | .Sealing strip | |
| 69 | 937402 | | 1 | .Screen Green | |
| 70 | 908553 | | 1 | .List | |
| 71 | 938834 | B | 1XL | .Sealing strip | |
| 72 | 937403 | | 1 | .Screen Green | |
| 73 | 908764 | | 2 | .List | |
| 75 | 938834 | A | 1XL | .Sealing strip | |
| 76 | 938566 | | 1 | .Screen Green | |
| 77 | 908556 | | 1 | .List | |
| 78 | 938836 | | 1 | .List | |
| 79 | 938834 | F | 1XL | .Sealing strip | |
| 80 | 937405 | | 1 | .Screen Green | |
| 81 | 908993 | | 1 | .List | |
| 82 | 908557 | | 1 | .List | |
| 83 | 938834 | G | 1XL | .Sealing strip | |
| 84 | 938567 | | 1 | .Screen Green | |
| 85 | 938837 | H | 1XL | .Sealing strip | |
| 86 | 938838 | | 8 | .List | |
| 87 | 937932 | | 57 | .Screw | |
| 88 | 938837 | H | 1XL | .Sealing strip | |

- A) L=1,8 m
- B) L=1,6 m
- C) L=2,4 m
- D) L=2,9 m
- E) L=2,5 m
- F) L=2,1 m
- G) L=3,0 m
- H) L=1,3 m



Cab, inside panels

| Ref. No. | Part No. | Rem. | Qty | Description | Code |
|----------|----------|------|-----|-------------|------|
| | | | | Cab, cpl | |
| 100 | 938806 | | 2 | .Panel | |
| 101 | 938807 | | 1 | .Panel | |
| 102 | 938808 | | 1 | .Panel | |
| 103 | 938809 | | 1 | .Panel | |
| 104 | 938810 | | 1 | .Panel | |
| 105 | 938811 | | 1 | .Panel | |
| 106 | 908535 | | 1 | .Panel | |
| 107 | 908536 | | 1 | .Panel | |
| 108 | 908529 | | 1 | .Panel | |
| 109 | 908530 | | 1 | .Panel | |
| 110 | 908531 | | 1 | .Panel | |
| 111 | 908532 | | 1 | .Panel | |
| 112 | 908540 | | 1 | .Panel | |
| 113 | 908542 | | 1 | .Panel | |
| 114 | 938812 | | 1 | .Panel | |
| 115 | 908544 | | 1 | .Panel | |
| 116 | 908537 | | 1 | .Panel | |
| 117 | 938813 | | 1 | .Panel | |
| 118 | 908539 | | 1 | .Panel | |
| 119 | 908541 | | 1 | .Panel | |
| 120 | 938677 | | 50 | .Screw | |

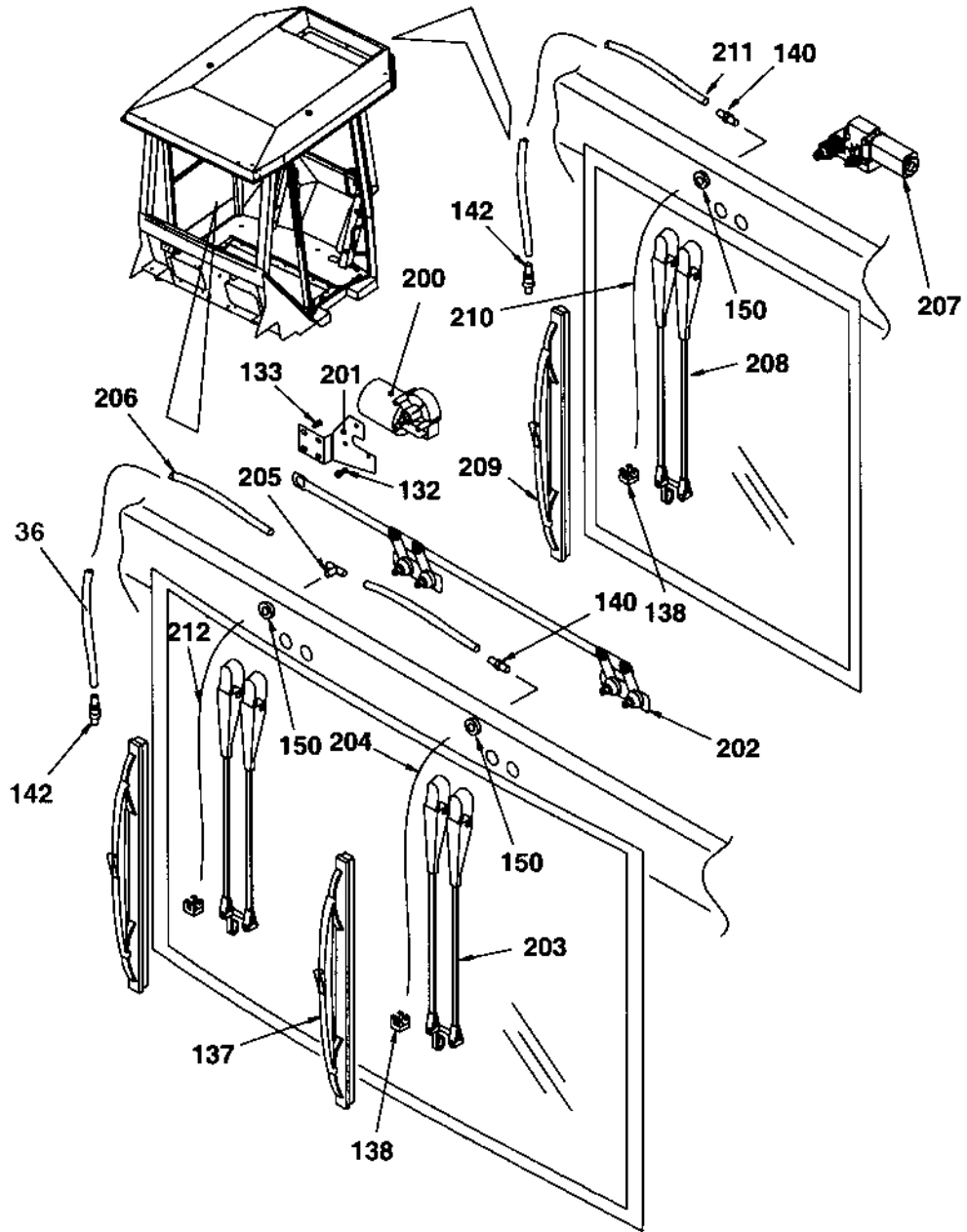


| Ref. No. | Part No. | Rem. | Qty | Description | Code |
|----------|----------|------|-----|---------------------|------|
| | | | | Cab, cpl | |
| 130 | 908269 | | 1 | .Wiper motor | |
| 131 | 908565 | | 1 | .Bracket | |
| 132 | 500012 | | 3 | .Screw M6x12 | |
| 133 | 541702 | | 4 | .Screw M6x12 | |
| 134 | 908363 | | 1 | .Transmission | |
| 135 | 908364 | | 1 | .Intermediate shaft | |
| 136 | 908270 | | 1 | .Wiper arm | |
| 137 | 908271 | | 2 | .Wiper blade | |
| 138 | 908559 | | 2 | .Nozzle | |
| 139 | 908560 | A | 1XL | .Rubber hose | |
| 140 | 908561 | | 2 | .Grommet | |
| 141 | 908563 | B | 1XL | .Plastic hose | |
| 142 | 908564 | | 2 | .Check valve | |
| 143 | 908281 | | 1 | .Wiper motor | |
| 144 | 908282 | | 1 | .Wiper arm | |
| 147 | 908560 | A | 1XL | .Rubber hose | |
| 149 | 908563 | B | 1XL | .Plastic hose | |
| 150 | 908496 | | 4 | .Grommet | |

A) L=1,0 m
B) L=6,0 m

Cab, wipers, front and rear

17615

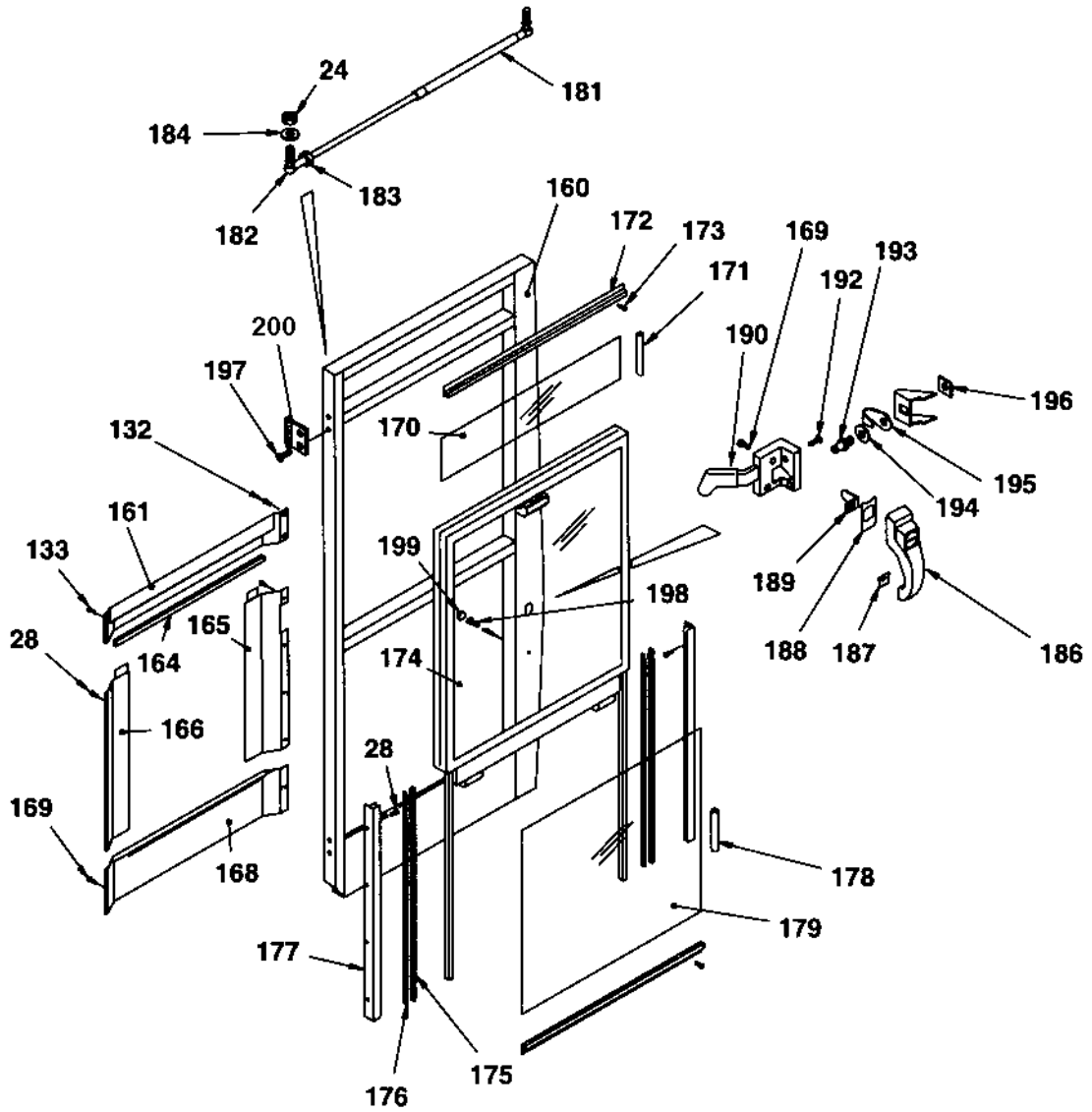


Cab, wipers, front and rear

| Ref. No. | Part No. | Rem. | Qty | Description | Code |
|----------|----------|------|-----|---------------|------|
| | | | 1 | Cab, cpl | |
| 36 | 903082 | C | 1XL | .Hose shield | |
| 132 | 500012 | | 3 | .Screw M6x12 | |
| 133 | 541702 | | 4 | .Screw M6x12 | |
| 137 | 908271 | | 2 | .Wiper blade | |
| 138 | 908559 | | 3 | .Nozzle | |
| 140 | 908561 | | 2 | .Grommet | |
| 142 | 908564 | | 2 | .Check valve | |
| 150 | 908496 | | 3 | .Grommet | |
| 200 | 908272 | | 1 | .Wiper motor | |
| 201 | 908558 | | 1 | .Bracket | |
| 202 | 908362 | | 1 | .Transmission | |
| 203 | 908273 | | 2 | .Wiper arm | |
| 204 | 908560 | A | 1XL | .Rubber hose | |
| 205 | 908562 | | 1 | .T-connection | |
| 206 | 908563 | B | 1XL | .Plastic hose | |
| 207 | 908278 | | 1 | .Wiper motor | |
| 208 | 908279 | | 1 | .Wiper arm | |
| 209 | 908280 | | 1 | .Wiper blade | |
| 210 | 908560 | A | 1XL | .Rubber hose | |
| 211 | 908563 | B | 1XL | .Plastic hose | |
| 212 | 908560 | A | 1XL | .Rubber hose | |
| A) | L=1,0 m | | | | |
| B) | L=6,0 m | | | | |
| C) | L=1,8 m | | | | |

Cab, door, left side

17616



Cab, door, left side

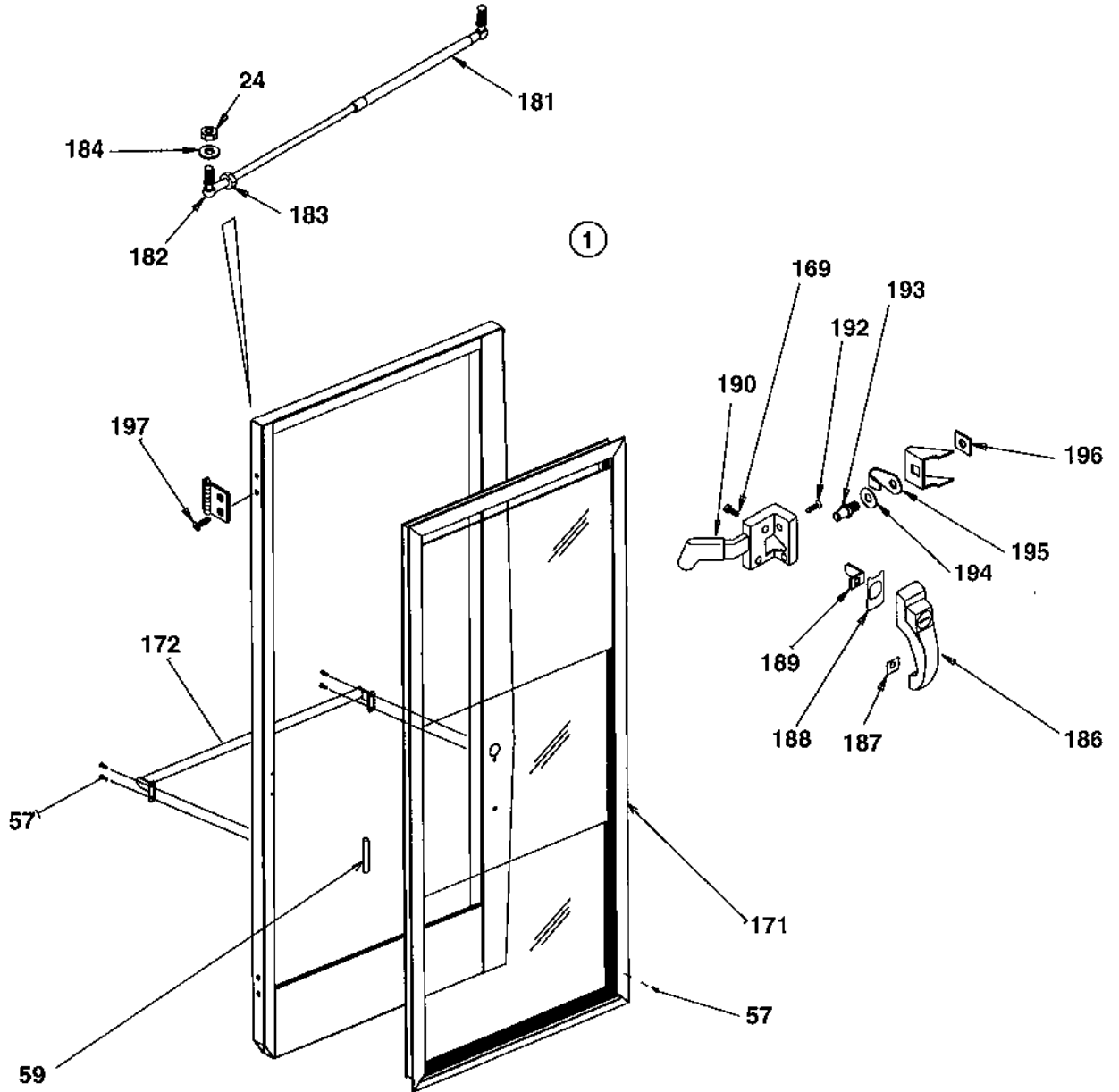
| Ref. No. | Part No. | Rem. | Qty | Description | Code |
|----------|----------|------|-----|-----------------------|------|
| | | | 1 | Cab, cpl | |
| | 936897 | | 1 | Door, cpl | |
| 24 | 586003 | | 2 | .Lock nut M8 | |
| 28 | 901315 | | 16 | .Screw | |
| 132 | 500012 | | 2 | .Screw M6x12 | |
| 133 | 541702 | | 2 | .Screw M6x12 | |
| 160 | 908566 | | 1 | .Door frame, left | |
| 161 | 908567 | | 1 | .Cover | |
| 164 | 908568 | A | 1XL | .Edge trim | |
| 165 | 908569 | | 1 | .Cover | |
| 166 | 908570 | | 1 | .Cover | |
| 168 | 908571 | | 1 | .Cover | |
| 169 | 903805 | | 8 | .Screw | |
| 170 | 937406 | | 1 | .Screen Green | |
| 171 | 908545 | B | 1XL | .Seal list | |
| 172 | 908572 | | 1 | .List | |
| 173 | 903782 | | 10 | .Screw | |
| 174 | 937407 | E | 1 | .Screen Green | |
| | 939469 | | 1 | ..Handle | |
| 175 | 908573 | C | 1XL | .Sealing | |
| 176 | 908574 | C | 1XL | .Sealing | |
| 177 | 908575 | | 2 | .Slide bar | |
| 178 | 908545 | D | 1XL | .Seal list | |
| 179 | 937408 | | 1 | .Screen Green | |
| 181 | 908284 | | 1 | .Gas spring | |
| | 908354 | 1 | 1 | .Mounting kit | |
| 182 | 908576 | | 1 | .Ball joint | |
| 183 | 570005 | | 1 | .Nut M8 | |
| 184 | 904229 | | 2 | .Washer 8,4x16x1,5 | |
| 186 | 935244 | | 1 | .Door handle with key | |
| | 902866 | | 1 | ..Key Marked "455" | |
| 187 | 908577 | | 1 | .Washer | |
| 188 | 908578 | | 1 | .Washer | |
| 189 | 908579 | | 1 | .Leader | |
| 190 | 908287 | | 1 | .Lock | |
| 192 | 903802 | | 2 | .Screw | |
| 193 | 908580 | | 1 | .Lock pin | |
| 194 | 908581 | | 1 | .Washer | |
| 195 | 908582 | | 1 | .Cover | |
| 196 | 908583 | | 1 | .Bracket | |
| 197 | 513025 | | 4 | .Screw | |
| 198 | 508001 | | 1 | .Screw | |
| 199 | 908584 | | 1 | .Rubber seal | |
| 200 | 937056 | | 2 | .Hinge, cpl | |

1) Includes item 24, 182,183 and 184.

- A) L=0,7 m
- B) L=1,0 m
- C) L=1,4 m
- D) L=1,8 m
- E) Up-down

Cab, door, left side (3-split)

18167



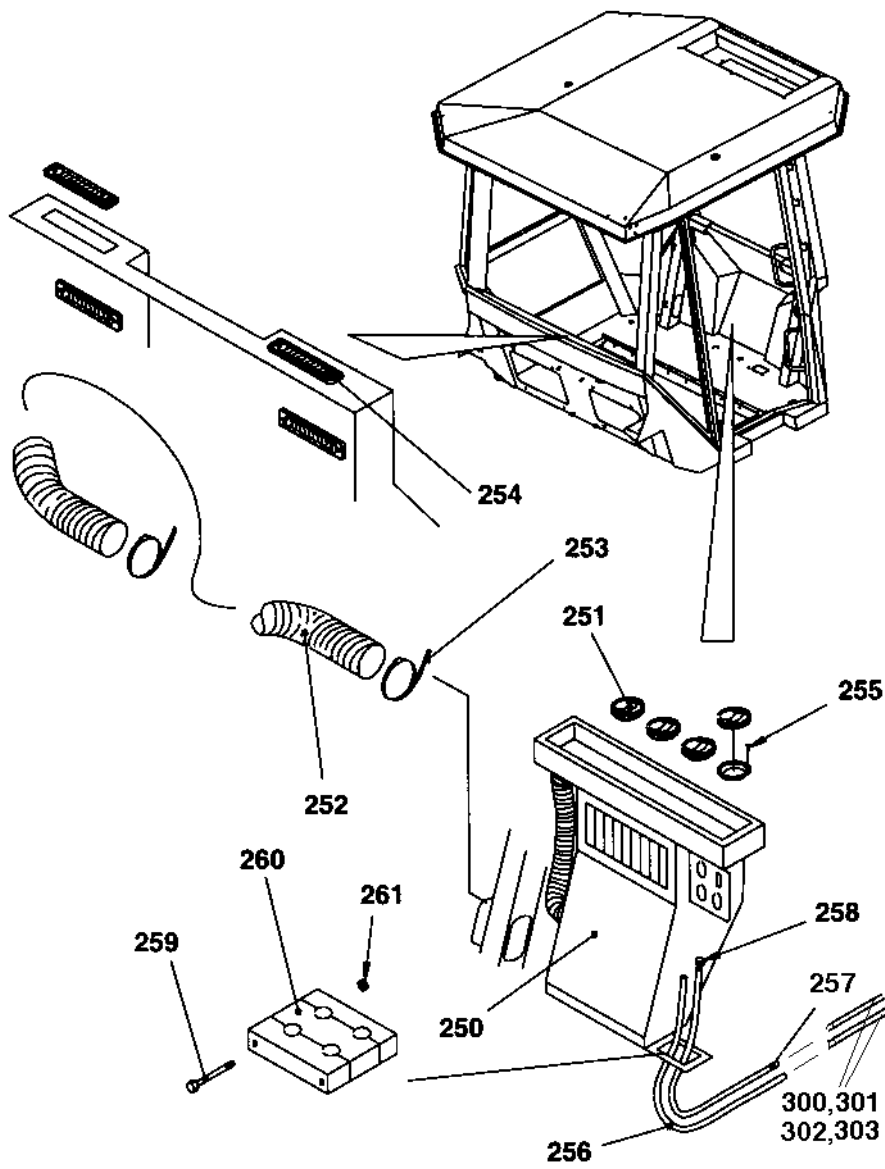
Cab, door, left side (3-split)

| Ref. No. | Part No. | Rem. | Qty | Description | Code |
|----------|----------|------|-----|------------------------|------|
| | | | 1 | Cab, cpl | |
| 1 | 940395 | | 1 | ..Door, cpl | |
| 24 | 586003 | | 2 | ..Lock nut M8 | |
| 57 | 940389 | | 16 | ..Screw | |
| 59 | 940391 | A | 1XL | ..List | |
| 169 | 903805 | | 8 | ..Screw | |
| 171 | 940394 | | 1 | ..Door window | |
| | 945264 | | 1 | ...Screen cpl, top | |
| | 945265 | | 1 | ...Screen cpl, middle | |
| | 945266 | | 1 | ...Screen cpl, bottom | |
| 172 | 940392 | | 1 | ..Handle | |
| 181 | 908284 | | 1 | ..Gas spring | |
| | 908354 | 1 | 1 | ..Mounting kit | |
| 182 | 908576 | | 1 | ..Ball joint | |
| 183 | 570005 | | 1 | ..Nut M8 | |
| 184 | 904229 | | 2 | ..Washer 8,4x16x1,5 | |
| 186 | 935244 | | 1 | ..Door handle with key | |
| | 902866 | | 1 | ...Key Marked "455" | |
| 187 | 908577 | | 1 | ..Washer | |
| 188 | 908578 | | 1 | ..Washer | |
| 189 | 908579 | | 1 | ..Leader | |
| 190 | 908287 | | 1 | ..Lock | |
| 192 | 903802 | | 2 | ..Screw | |
| 193 | 908580 | | 1 | ..Lock pin | |
| 194 | 908581 | | 1 | ..Washer | |
| 195 | 908582 | | 1 | ..Cover | |
| 196 | 908583 | | 1 | ..Bracket | |
| 197 | 513025 | | 4 | ..Screw | |

- 1) Includes item 24, 182,183 and 184.
A) L=3,9 m

Cab, heater and, fan system

17618



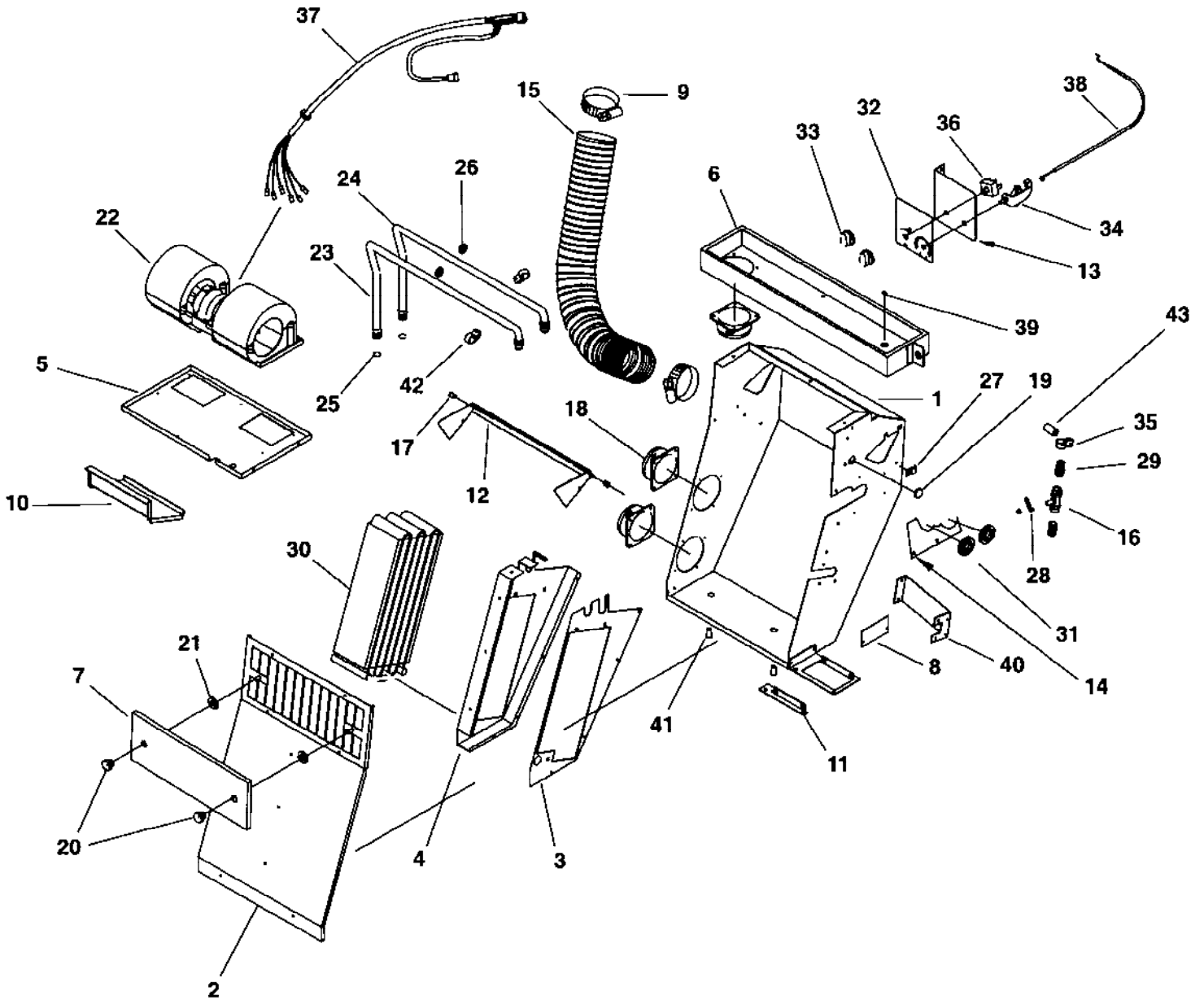
Cab, heater and, fan system

| Ref. No. | Part No. | Rem. | Qty | Description | Code |
|----------|----------|------|-----|---------------------------|------|
| | | | 1 | Cab, cpl | |
| 250 | 385769 | | 1 | .Heater unit (Page 238) | |
| 251 | 385442 | | 4 | .Air nozzle | |
| 252 | 908599 | A | 1XL | .Hose | |
| 253 | 908600 | | 2 | .Clamp | |
| 254 | 908598 | | 4 | .Nozzle | |
| 255 | 938691 | | 16 | .Screw | |
| 256 | 938872 | B | 1XL | .Hose | |
| 257 | 938873 | C | 1XL | .Hose | |
| 258 | 938874 | | 2 | .Clamp | |
| 259 | 500153 | | 2 | .Screw | |
| 260 | 938871 | | 1 | .Hose clamp | |
| 261 | 570004 | | 2 | .Nut M6 | |
| 300 | 370761 | | 2 | Hose | |
| 301 | 747691 | | 2 | Hollow screw | |
| 302 | 330331 | | 6 | Washer 18,2x23,9x1,5 | |
| 303 | 371727 | | 4 | Sleeve | |

A) L=1,50 m

B) L=2,75 m

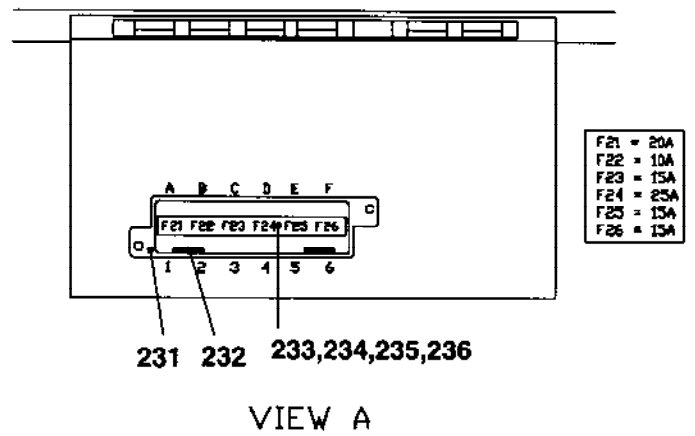
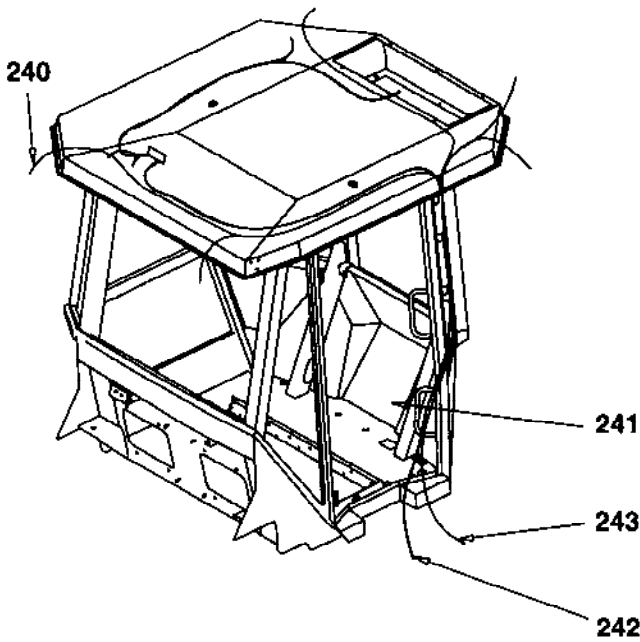
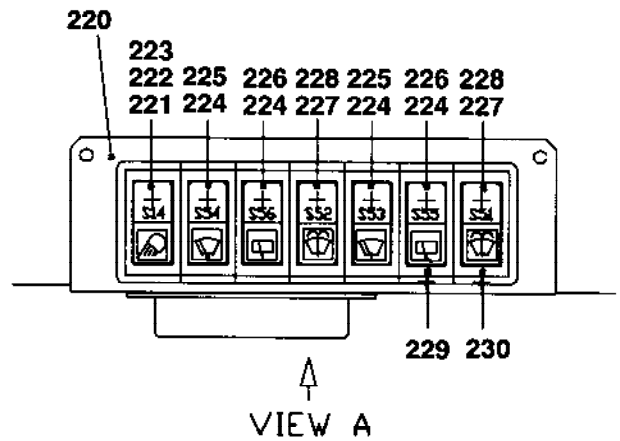
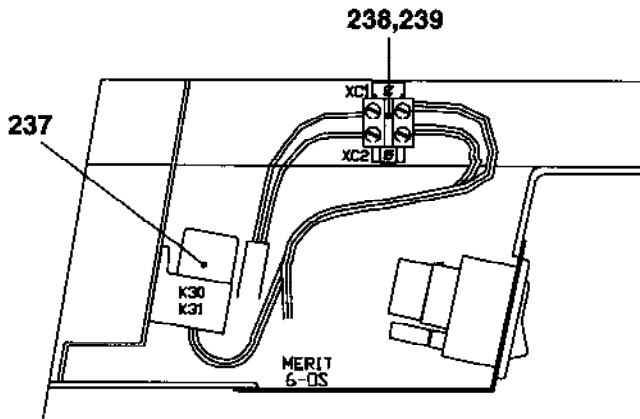
C) L=2,90 m



| Ref. No. | Part No. | Rem. | Qty | Description | Code |
|----------|----------|------|-----|----------------------|------|
| 1 | 938938 | | 1 | Casing | |
| 2 | 938939 | | 1 | Cover | |
| 3 | 938940 | | 1 | Coil bracket | |
| 4 | 938941 | | 1 | Coil bracket | |
| 5 | 938942 | | 1 | Blower bracket | |
| 6 | 938943 | | 1 | Air distributor | |
| 7 | 938864 | | 1 | Recirculation cover | |
| 8 | 938865 | | 1 | Block valve cover | |
| 9 | 938789 | | 2 | Clamp | |
| 10 | 938945 | | 1 | Air channel | |
| 11 | 938779 | | 1 | Hose bracket | |
| 12 | 938780 | | 1 | Flapper | |
| 13 | 938781 | | 1 | Control panel | |
| 14 | 938946 | | 1 | Cover plate | |
| 15 | 938783 | | 1 | Air duct | |
| 16 | 938953 | | 1 | Heater valve | |
| 17 | 938784 | | 2 | Bushing | |
| 18 | 938632 | | 3 | Hose adapter | |
| 19 | 938644 | | 1 | Cap | |
| 20 | 938634 | | 2 | Knob | |
| 21 | 938611 | | 2 | Star lock | |
| 22 | 938638 | | 1 | Fan | |
| 23 | 938947 | | 1 | Copper tube | |
| 24 | 938948 | | 1 | Copper tube | |
| 25 | 384878 | | 2 | O-ring | |
| 26 | 384927 | | 2 | Grommet | |
| 27 | 384880 | | 1 | Wire clamp | |
| 28 | 938949 | | 1 | Arm | |
| 29 | 938950 | | 2 | Fitting | |
| 30 | 384133 | | 1 | Coil | |
| 31 | 938608 | | 2 | Grommet | |
| 32 | 938955 | | 1 | Overlay | |
| 33 | 938620 | | 2 | Knob | |
| 34 | 938788 | | 1 | Rotary control | |
| 35 | 938951 | | 1 | Clamp | |
| 36 | 938622 | | 1 | Switch | |
| 37 | 938647 | | 1 | Cable harness | |
| 38 | 938954 | | 1 | Bowden cable | |
| 39 | 938867 | | 1 | Hole plug | |
| 40 | 938944 | | 1 | Heater valve bracket | |
| 41 | 938636 | | 2 | Drain valve | |
| 42 | 938790 | | 2 | Clamp | |
| 43 | 938952 | | 1 | Spacer | |

Cab, roof mounted, electrical switches

17617



Cab, roof mounted, electrical switches

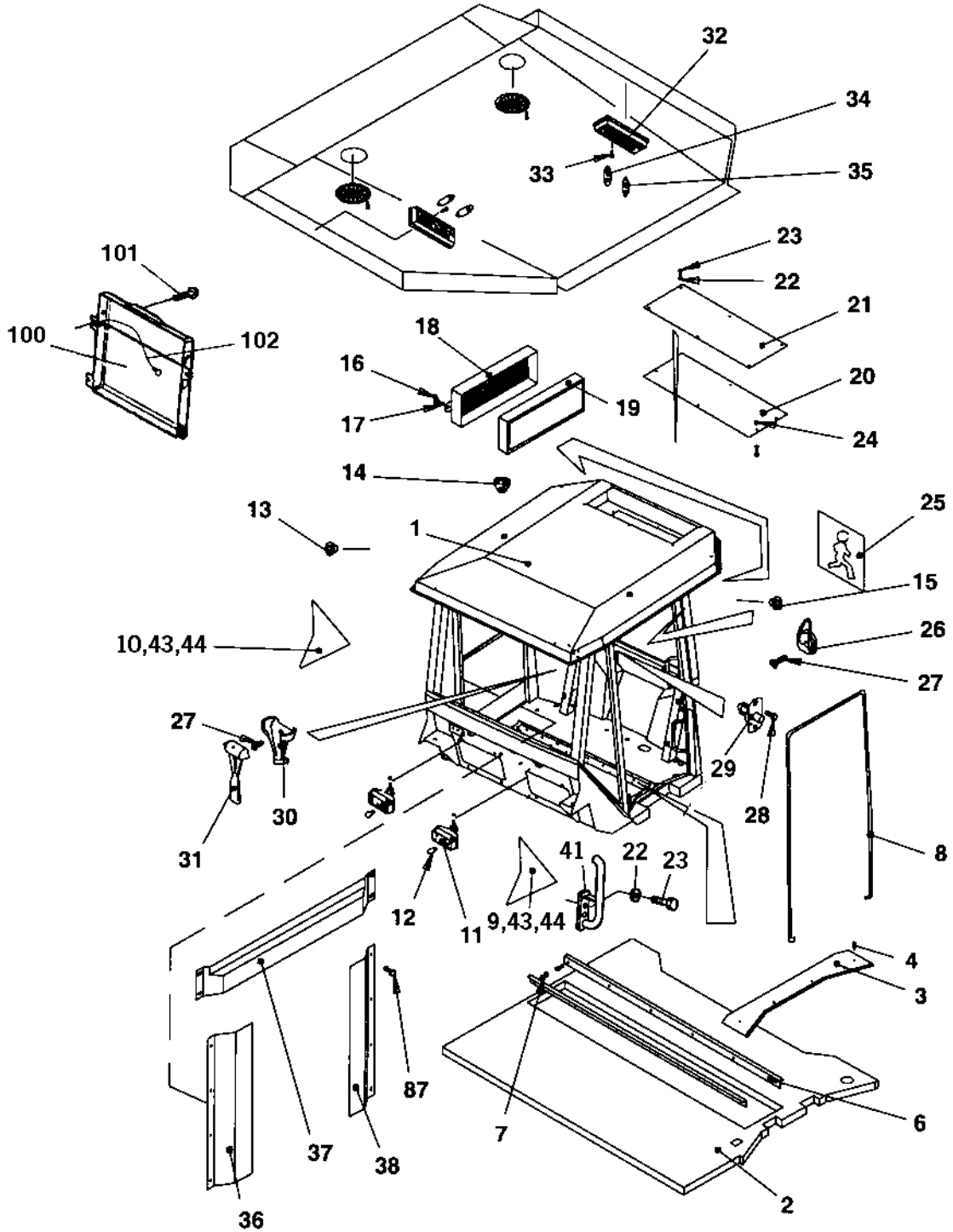
| Ref. No. | Part No. | Rem. | Qty | Description | Code |
|----------|----------|------|-----|---------------------------|------|
| | | | 1 | Cab, cpl | |
| 220 | 908611 | | 1 | .Bracket | |
| 221 | 908602 | | 1 | .Switch | |
| 222 | 908604 | | 1 | .Symbol work lights | |
| 223 | 908608 | | 1 | .Socket with bulb | |
| 224 | 908617 | | 4 | .Switch | |
| 225 | 908605 | | 2 | .Symbol wiper | |
| 226 | 938687 | | 2 | .Symbol wiper | |
| 227 | 908603 | | 2 | .Switch | |
| 228 | 908618 | | 2 | .Symbol washer | |
| 229 | 908606 | | 5 | .Modular panel | |
| 230 | 908610 | | 2 | .Modular panel | |
| 231 | 908613 | | 1 | .Fuse box | |
| 232 | 901240 | | 2 | .Connector | |
| 233 | 901228 | | 3 | .Fuse 15A | |
| 234 | 903741 | | 1 | .Fuse 20A | |
| 235 | 901227 | | 1 | .Fuse 10A | |
| 236 | 901229 | | 1 | .Fuse 25A | |
| 237 | 287597 | | 2 | .Relay | |
| 238 | 908614 | | 1 | .Terminal block | |
| 239 | 938853 | | 2 | .End latch | |
| 240 | 938029 | | 1 | .Cable harness | |
| 241 | 938854 | | 1 | .Cable harness Roof | |
| 242 | 938855 | | 1 | .Cable harness Feed | |
| 243 | 938856 | | 1 | .Cable harness Work light | |

Cab, symmetric

| Ref. No. | Part No. | Rem. | Qty | Description | Code |
|----------|----------|------|-----|---|------|
| 1 | | | | Cab Interior (Page 244) | |
| 2 | | | | Cab Screens (Page 246) | |
| 3 | | | | Cab Inside panels (Page 248) | |
| 4 | | | | Cab, wipers, front and rear (Page 230) | |
| 6 | | | | Cab, door, left side (Page 232) | |
| | | | | Cab, door, left side (3-split) (Page 234) | |
| 7 | | | | Cab, heater and, fan system (Page 236) | |
| 8 | | | | Cab, roof mounted, electrical switches (Page 240) | |

Cab Interior

18276



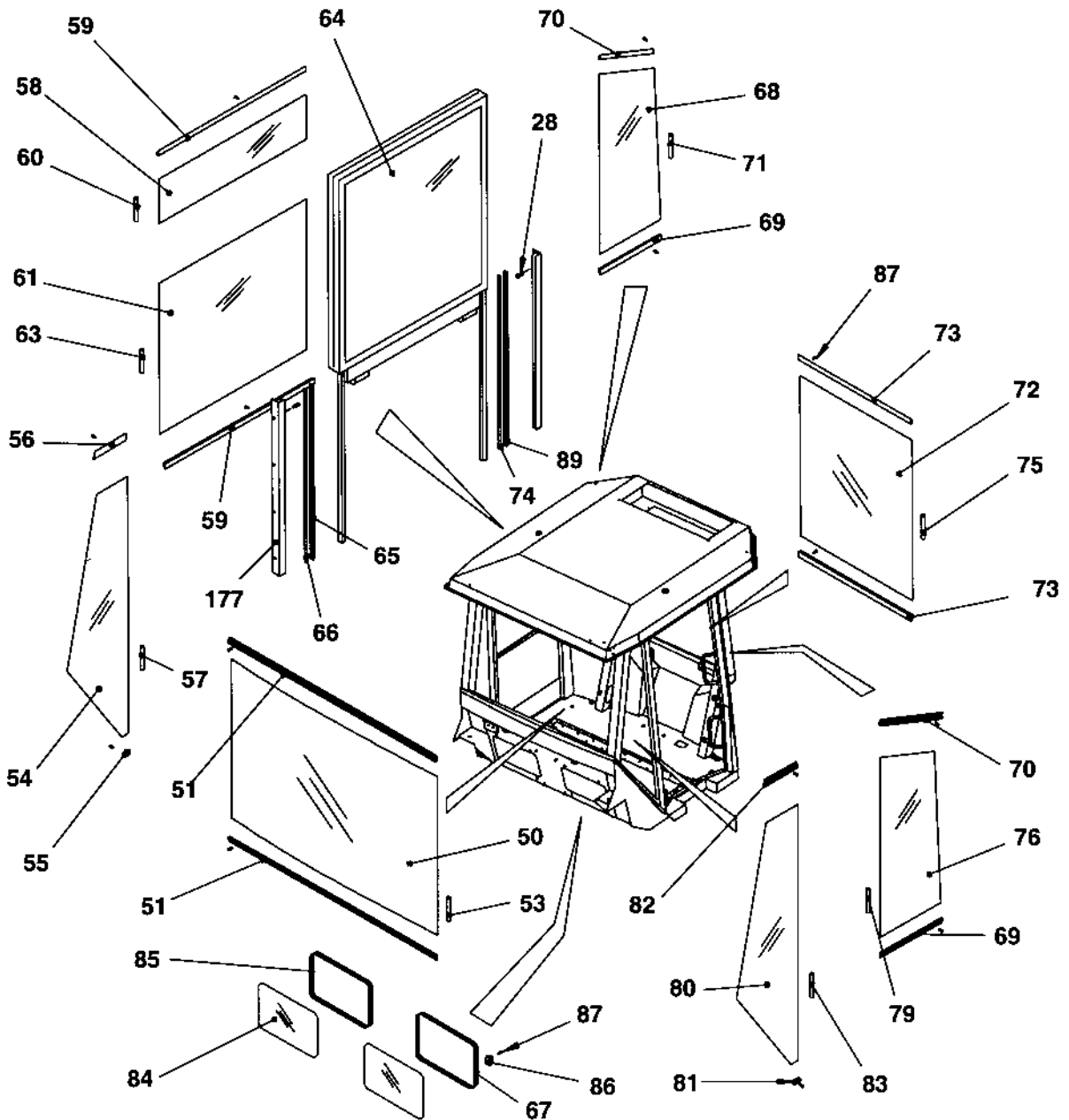
Cab Interior

| Ref. No. | Part No. | Rem. | Qty | Description | Code |
|----------|----------|------|-----|-------------------------|------|
| 1 | 385736 | | 1 | Cab, cpl | |
| 2 | 938848 | | 1 | .Floor mat | |
| 3 | 908511 | | 1 | .List left | |
| 4 | 903808 | | 4 | .Screw | |
| 6 | 908510 | | 2 | .List | |
| 7 | 535005 | | 12 | .Screw M5x12 | |
| 8 | 938842 | A | 1XL | .Sealing strip | |
| 9 | 938843 | | 1 | .Black sticker | |
| | 940848 | | 1 | .Side plate | |
| 10 | 938844 | | 1 | .Black sticker | |
| | 940849 | | 1 | .Side plate | |
| 11 | 908268 | | 2 | .Work light | |
| 12 | 938845 | | 2 | .Bulb 10W 12V | |
| 13 | 938660 | | 8 | .Grommet | |
| 14 | 908497 | | 12 | .Grommet | |
| 15 | 909510 | | 3 | .Grommet | |
| 16 | 908504 | | 4 | .Handle | |
| 17 | 908503 | | 4 | .O-ring | |
| 18 | 938846 | | 2 | .Filter housing | |
| 19 | 938847 | | 2 | .Air filter | |
| 20 | 938678 | | 1 | .Cover | |
| 21 | 938679 | | 1 | .Cover | |
| 22 | 936277 | | 14 | .Washer | |
| 23 | 500053 | | 14 | .Screw M8-1,25x20 8,8 | |
| 24 | 586003 | | 6 | .Lock nut M8 | |
| 25 | 935589 | | 1 | .Decal | |
| 26 | 908505 | | 1 | .Hook | |
| 27 | 938676 | | 4 | .Screw | |
| 28 | 901315 | | 2 | .Screw | |
| 29 | 908500 | | 1 | .Door switch | |
| 30 | 908506 | | 1 | .Holder | |
| 31 | 908507 | | 1 | .Emergency hammer | |
| 32 | 908515 | | 2 | .Inner light | |
| 33 | 541535 | | 4 | .Screw | |
| 34 | 985051 | | 4 | .Bulb 12V,10W | |
| 35 | 985013 | | 2 | .Bulb 12V,5W | |
| 36 | 938850 | | 1 | .Cover plate | |
| 37 | 938851 | | 1 | .Cover plate | |
| 38 | 938852 | | 1 | .Cover plate | |
| 41 | 370806 | | 1 | .Grab handle | |
| 43 | 904228 | | 5 | .Washer 6,4x12x1,5 | |
| 44 | 500040 | | 5 | .Screw M6-1x20 8,8 | |
| 87 | 937932 | | 12 | .Screw | |
| 100 | 383705 | | 1 | Instruction book holder | |
| 101 | 791226 | | 4 | Screw | |
| 102 | 357643 | | 1 | Wire | |

A) L=5,0 m

Cab Screens

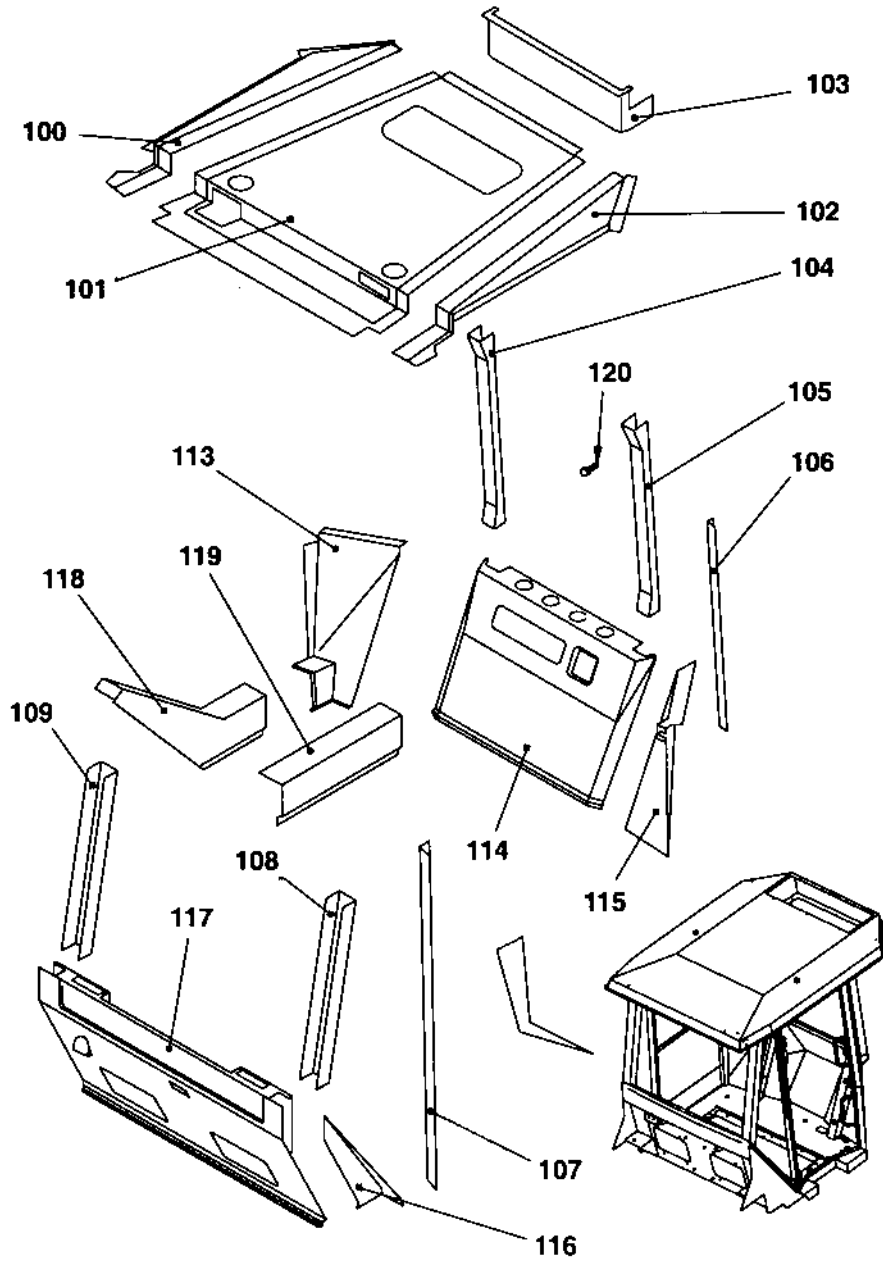
17613



Cab Screens

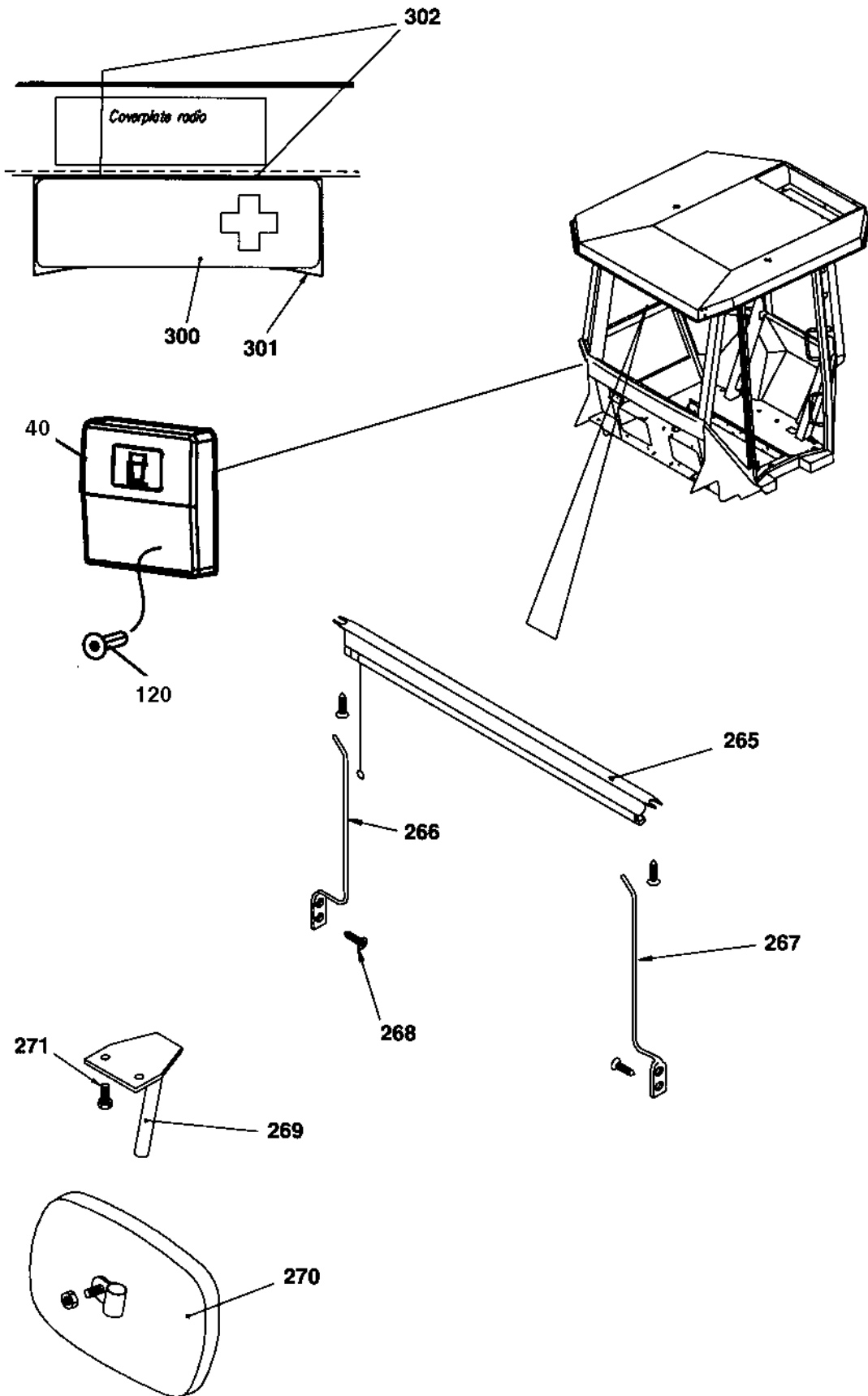
| Ref. No. | Part No. | Rem. | Qty | Description | Code |
|----------|----------|------|-----|---------------------|------|
| | | | 1 | Cab, cpl | |
| 28 | 901315 | | 8 | .Screw | |
| 50 | 937395 | | 1 | .Front screen Green | |
| 51 | 908546 | | 2 | .List | |
| 53 | 938834 | A | 1XL | .Sealing strip | |
| 54 | 938616 | | 1 | .Screen Green | |
| 55 | 938839 | | 1 | .List | |
| 56 | 938840 | | 1 | .List | |
| 57 | 938834 | B | 1XL | .Sealing strip | |
| 58 | 938614 | | 1 | .Screen Green | |
| 59 | 938841 | | 2 | .List | |
| 60 | 938834 | C | 1XL | .Sealing strip | |
| 61 | 938613 | | 1 | .Screen Green | |
| 63 | 938834 | A | 1XL | .Sealing strip | |
| 64 | 938612 | | 1 | .Screen Green | |
| 65 | 908573 | D | 1XL | .Sealing | |
| 66 | 908574 | D | 1XL | .Sealing | |
| 67 | 938837 | E | 1XL | .Sealing strip | |
| 68 | 938615 | | 1 | .Screen Green | |
| 69 | 908556 | | 2 | .List | |
| 70 | 938836 | | 2 | .List | |
| 71 | 938834 | F | 1XL | .Sealing strip | |
| 72 | 937403 | | 1 | .Screen Green | |
| 73 | 908764 | | 2 | .List | |
| 74 | 908573 | D | 1XL | .Sealing | |
| 75 | 938834 | A | 1XL | .Sealing strip | |
| 76 | 938566 | | 1 | .Screen Green | |
| 79 | 938834 | G | 1XL | .Sealing strip | |
| 80 | 937405 | | 1 | .Screen Green | |
| 81 | 908993 | | 1 | .List | |
| 82 | 908557 | | 1 | .List | |
| 83 | 938834 | B | 1XL | .Sealing strip | |
| 84 | 938567 | | 2 | .Screen Green | |
| 85 | 938837 | E | 1XL | .Sealing strip | |
| 86 | 938838 | | 8 | .List | |
| 87 | 937932 | | 48 | .Screw | |
| 89 | 908574 | D | 1XL | .Sealing | |
| 177 | 908575 | | 2 | .Slide bar | |

- A) L=1,8 m
- B) L=3,0 m
- C) L=1,0 m
- D) L=1,4 m
- E) L=1,3 m
- F) L=2,5 m
- G) L=2,1 m



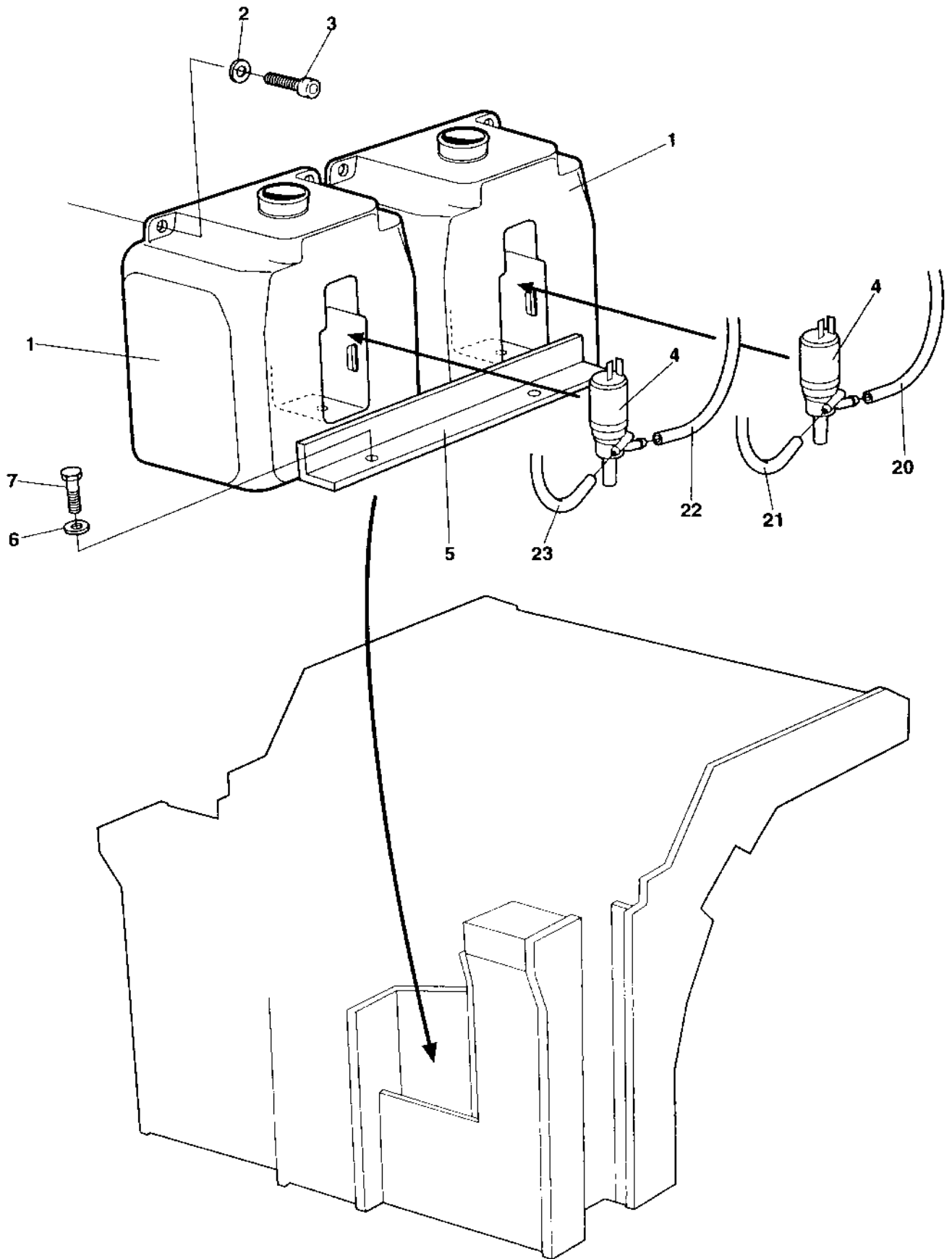
Cab Inside panels

| Ref. No. | Part No. | Rem. | Qty | Description | Code |
|----------|----------|------|-----|-------------|------|
| | | | 1 | Cab, cpl | |
| 100 | 938814 | | 1 | .Panel | |
| 101 | 938807 | | 1 | .Panel | |
| 102 | 938808 | | 1 | .Panel | |
| 103 | 938809 | | 1 | .Panel | |
| 104 | 938810 | | 1 | .Panel | |
| 105 | 938811 | | 1 | .Panel | |
| 106 | 908535 | | 1 | .Panel | |
| 107 | 908536 | | 1 | .Panel | |
| 108 | 908529 | | 1 | .Panel | |
| 109 | 938815 | | 1 | .Panel | |
| 113 | 938816 | | 1 | .Panel | |
| 114 | 938812 | | 1 | .Panel | |
| 115 | 908544 | | 1 | .Panel | |
| 116 | 908537 | | 1 | .Panel | |
| 117 | 938813 | | 1 | .Panel | |
| 118 | 938817 | | 1 | .Panel | |
| 119 | 938818 | | 1 | .Panel | |
| 120 | 938677 | | 50 | .Screw | |



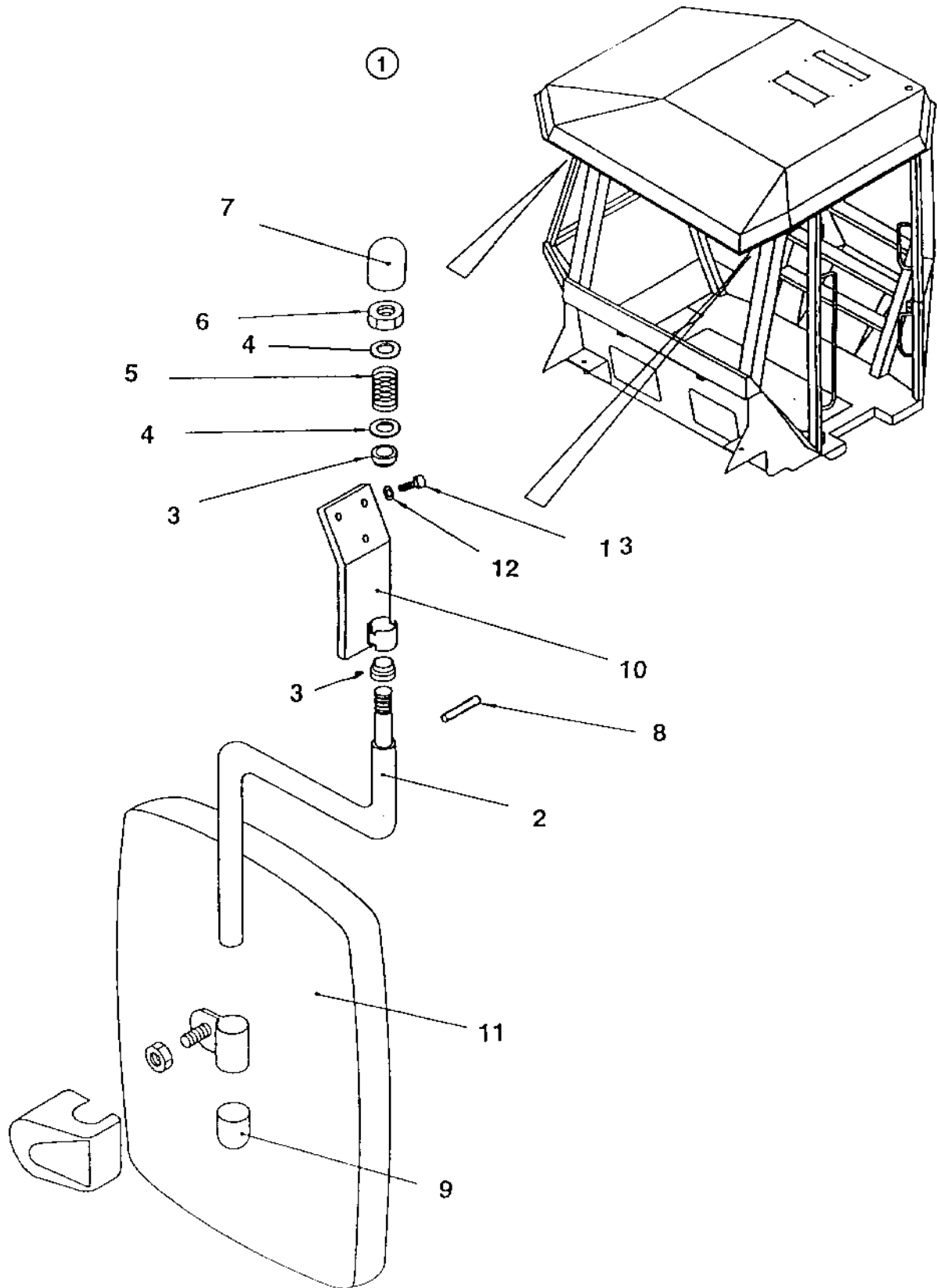
Cab, equipment

| Ref. No. | Part No. | Rem. | Qty | Description | Code |
|----------|----------|------|-----|----------------------|------|
| | | | | Cab, cpl | |
| 40 | 377255 | | 1 | .Cup holder | |
| 120 | 938677 | | 6 | .Screw | |
| 265 | 908356 | | 1 | .Sun curtain | |
| 266 | 908358 | | 1 | .Bar | |
| 267 | 908357 | | 1 | .Bar | |
| 268 | 903803 | | 4 | .Screw | |
| 269 | 908623 | | 1 | .Bracket | |
| 270 | 908624 | | 1 | .Rear mirror | |
| 271 | 513008 | | 1 | .Screw | |
| 300 | 902508 | | 1 | First aid kit | |
| 301 | 371837 | | 1 | Holder | |
| 302 | 903969 | | 4 | Screw ST4,8x19 Black | |



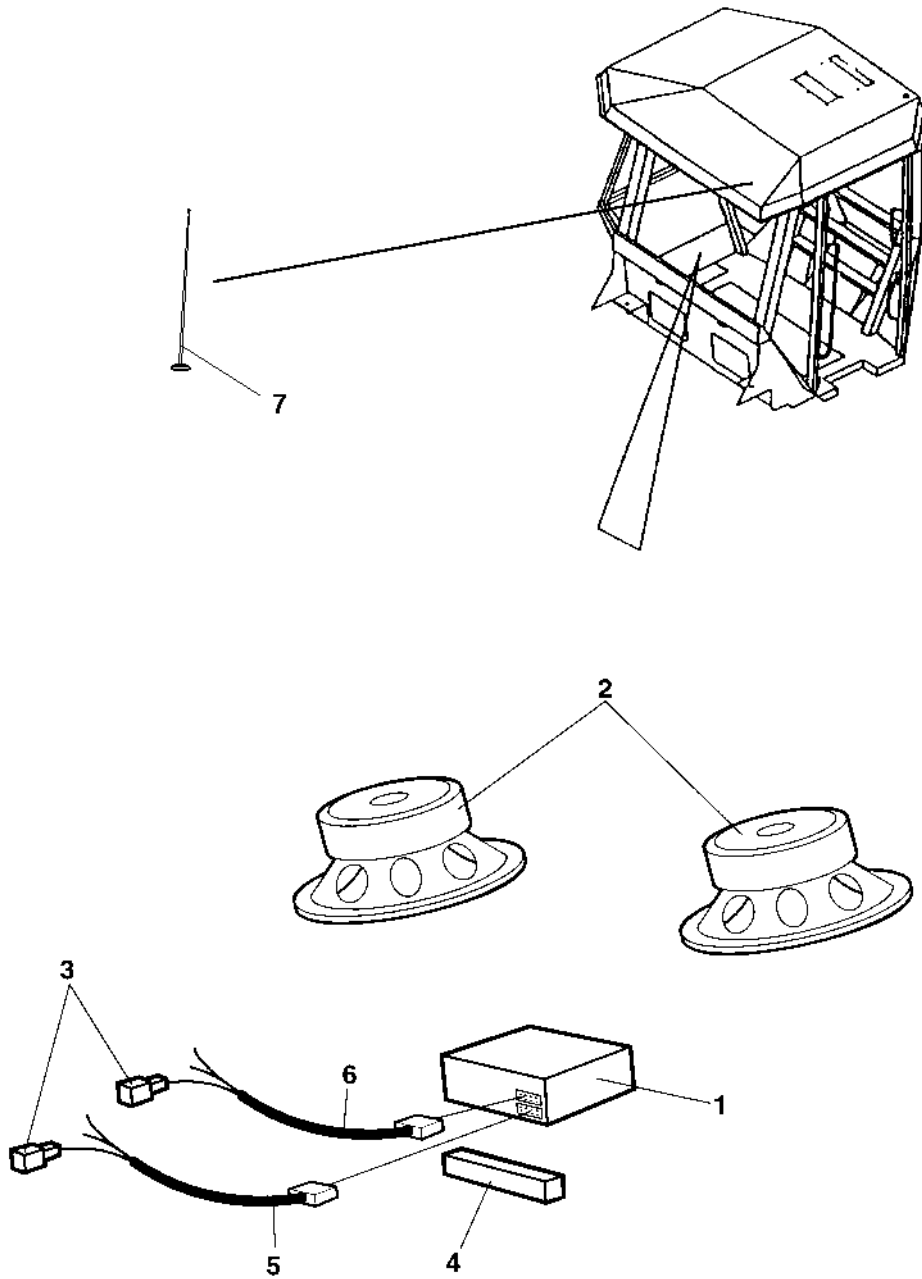
| Ref. No. | Part No. | Rem. | Qty | Description | Code |
|----------|----------|------|-----|---------------------|------|
| 1 | 900998 | A,1 | 2 | Water reservoir | |
| | 900998 | A,2 | 1 | Water reservoir | |
| 2 | 904228 | 1 | 4 | Washer 6,4x12x1,5 | |
| | 904228 | 2 | 2 | Washer 6,4x12x1,5 | |
| 3 | 500075 | 1 | 4 | Screw M6-1,0x25 8.8 | |
| | 500075 | 2 | 2 | Screw M6-1,0x25 8.8 | |
| 4 | 900999 | 1 | 2 | Pump | |
| | 900999 | 2 | 1 | Pump | |
| 5 | 371960 | | 1 | Bracket | |
| 6 | 904228 | | 2 | Washer 6,4x12x1,5 | |
| 7 | 500013 | | 2 | Screw M6-1x16 8,8 | |
| 20 | | B | 1 | Hose | |
| 21 | | C | 1 | Hose | |
| 22 | | D | 1 | Hose | |
| 23 | | E | 1 | Hose | |

- 1) Valid for asymmetric cab.
- 2) Valid for symmetric cab.
- A) Windshield washer
- B) Forward center
- C) Rear center
- D) Forward right
- E) Rear right



| Ref. No. | Part No. | Rem. | Qty | Description | Code |
|----------|----------|------|-----|----------------------|------|
| 1 | 371730 | A | 1 | Rear mirror | |
| 2 | 908355 | | 1 | .Arm | |
| 3 | 908625 | | 2 | .Sleeve | |
| 4 | 904232 | | 2 | .Washer 17x30x3 | |
| 5 | 908626 | | 1 | .Spring | |
| 6 | 586021 | | 1 | .Nut M16 | |
| 7 | 908627 | | 1 | .Cap | |
| 8 | 629066 | | 1 | .Spirol pin | |
| 9 | 908623 | | 1 | .Bracket | |
| 10 | 908361 | | 1 | .Bracket | |
| 11 | 908265 | | 1 | .Mirror glass | |
| 12 | 904229 | | 6 | Washer 8,4x16x1,5 | |
| 13 | 500019 | | 6 | Screw M8-1,25x16 8.8 | |

A) Option



Radio and cassette/cd player

| Ref. No. | Part No. | Rem. | Qty | Description | Code |
|----------|----------|------|-----|---------------------------|------|
| 1 | 904939 | | 1 | Radio and cassette player | |
| | 791967 | | 1 | Radio and cd player | |
| 2 | 791968 | A | 1 | Loud speakers | |
| 4 | 202043 | C | 1XL | Rubber strip | |
| 7 | 937165 | 1 | 1 | Antenna | |

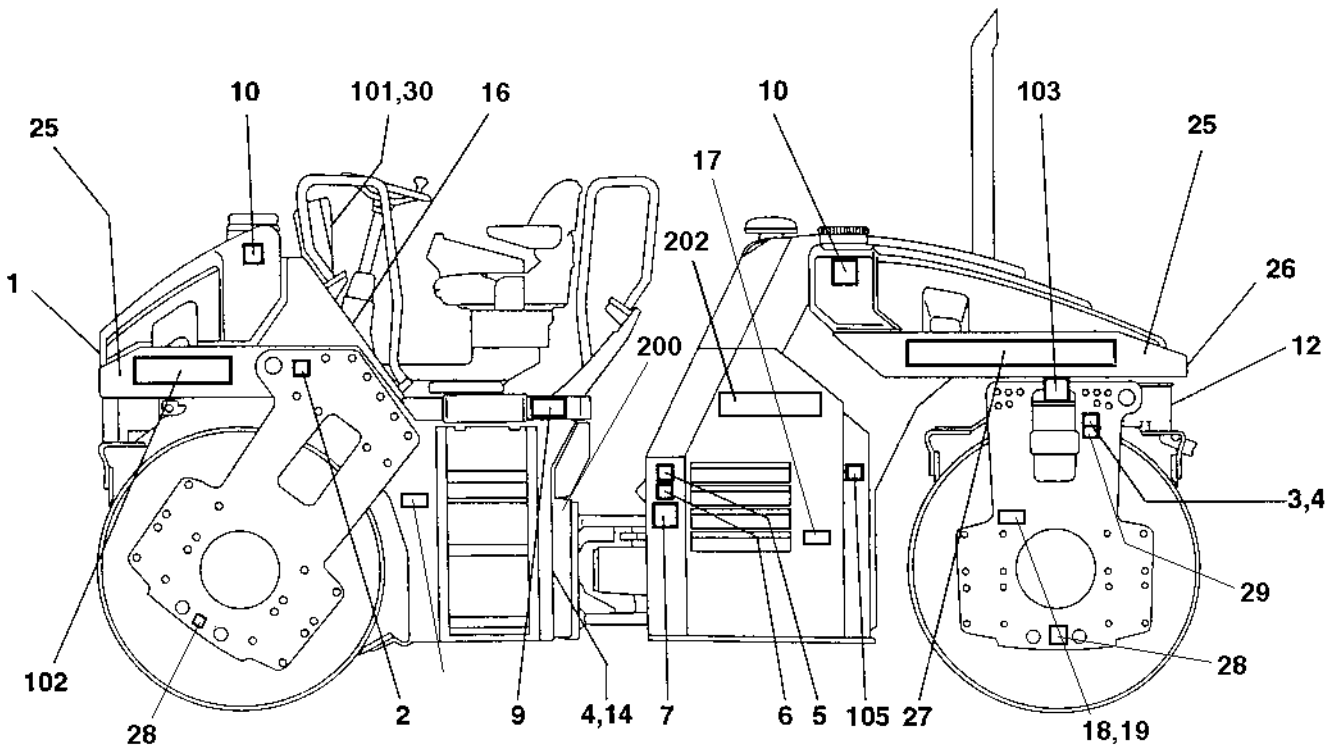
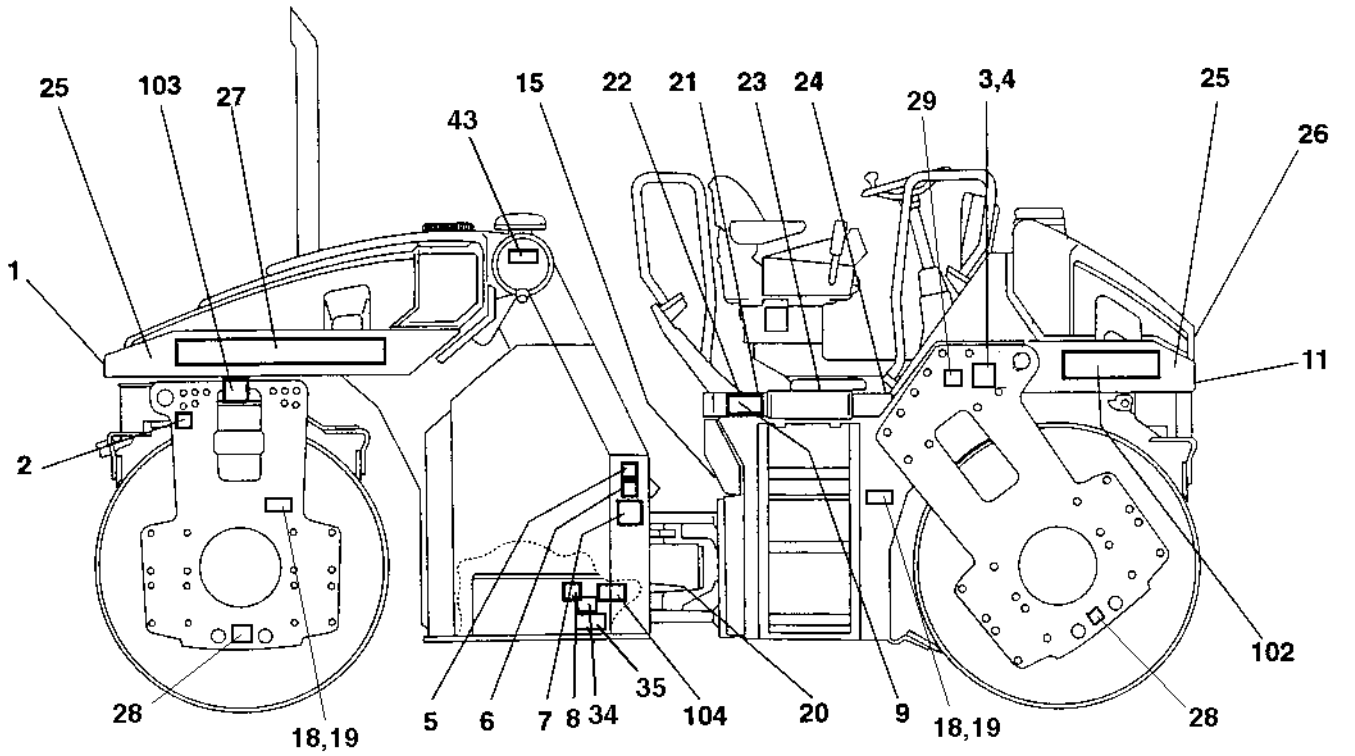
1) Included in cab.

A) 2 pcs

C) L=0,2 m

Plates and decals

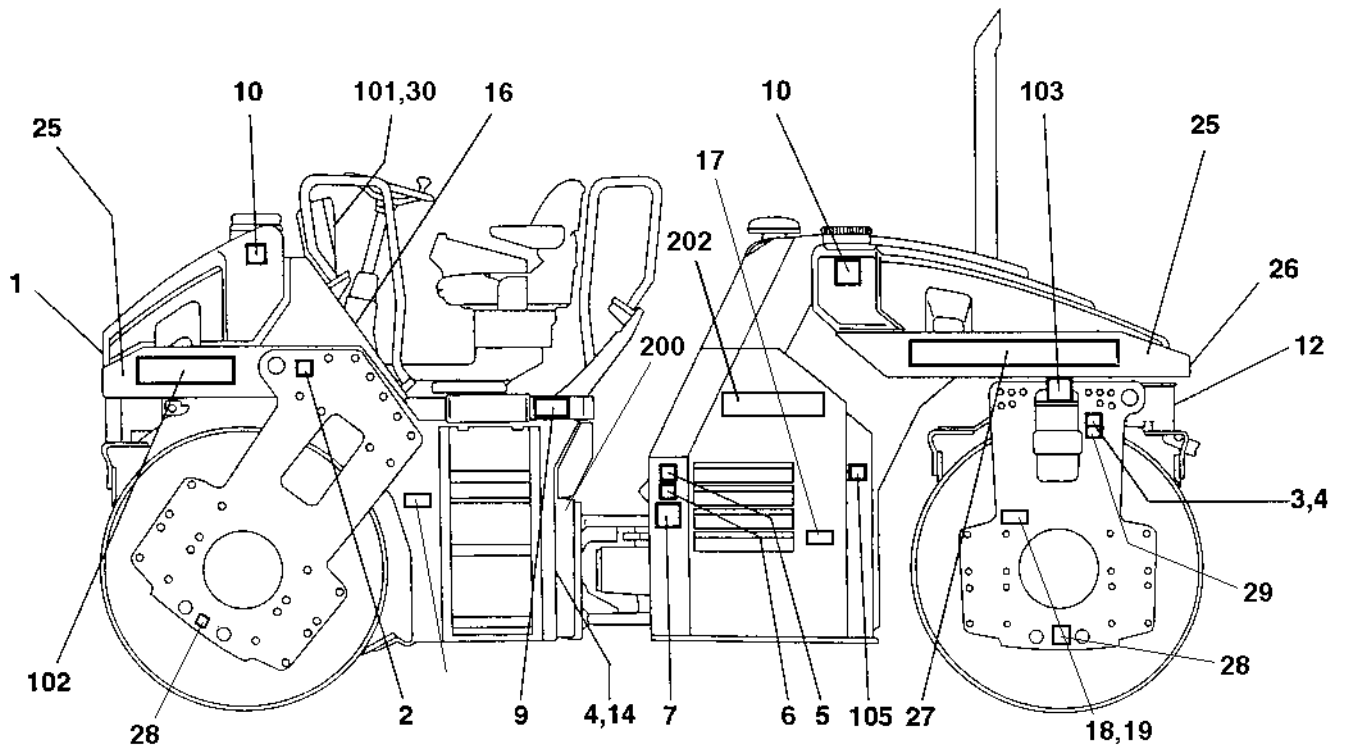
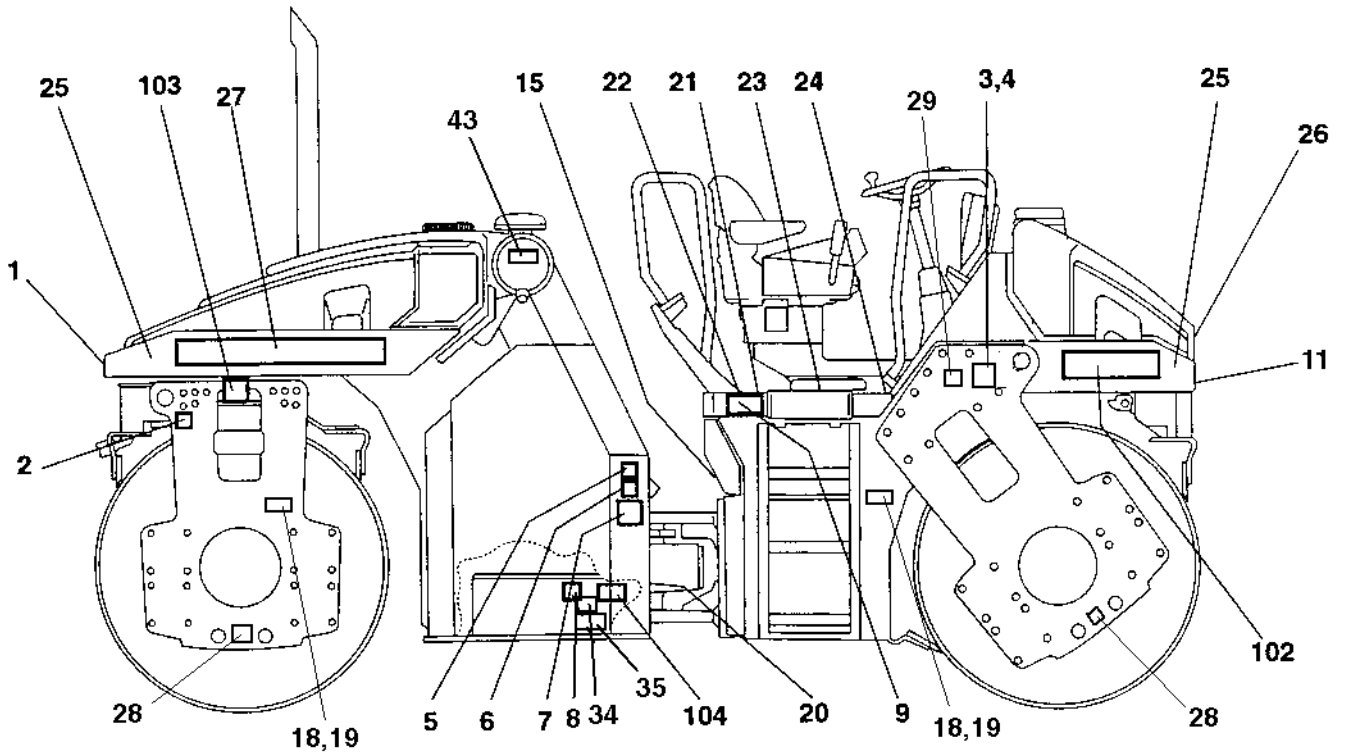
| Ref. No. | Part No. | Rem. | Qty | Description | Code |
|----------|----------|------|-----|--------------------------------|------|
| 10 | | | | Plates and decals (Page 260) | |



Plates and decals

| Ref. No. | Part No. | Rem. | Qty | Description | Code |
|----------|----------|------|-----|---|------|
| 1 | 904092 | | 2 | Decal "DYNAPAC" L=590 mm | |
| 2 | 357587 | | 2 | Decal "LIFT POINT" | |
| 3 | 904870 | | 2 | Lifting sign | |
| 4 | 624005 | | 12 | Blind rivet 3,2x6,1 | |
| 5 | 903424 | B | 2 | Decal "HOT SURFACE" | |
| 6 | 903423 | C | 2 | Decal "SAFETY" | |
| 7 | 903422 | D | 2 | Decal "SAFETY" | |
| 8 | 272372 | | 1 | Decal "HYDRAULIC OIL" | |
| 9 | 903459 | E | 2 | Decal "SAFETY" | |
| 10 | 991657 | | 2 | Decal "WATER" | |
| 11 | 377743 | | 2 | Reflector, white | |
| 12 | 377742 | | 2 | Reflector, red | |
| 14 | | | 1 | Product identification plate | |
| | | | 1 | Product identification plate CE | |
| 15 | 991658 | | 1 | Decal "FUEL" | |
| 16 | 903425 | | 1 | Decal "SAFETY MANUAL" | |
| 17 | 904835 | | 1 | Decal "BATTERY POWER" | |
| 18 | 377744 | | 4 | Reflector, yellow | |
| 20 | 272373 | | 1 | Decal "HYDRAULIC OIL" | |
| 21 | 370058 | I | 6 | Protection | |
| 22 | 370057 | J | 1 | Slip protection | |
| 23 | 370059 | K | 2 | Slip protection | |
| 24 | 370056 | L | 1 | Slip protection | |
| 25 | 370085 | M | 4XL | Decal "RED" W=200 mm | |
| 26 | 357592 | M | 2XL | Decal "RED" W=148 mm | |
| 27 | 904069 | | 2 | Decal "DYNAPAC" L=760 mm | |
| 28 | 382751 | | 4 | Decal "TIE DOWN POINT" | |
| 29 | 908229 | | 2 | Safety decal | |
| 30 | 624017 | | 2 | Blind rivet | |
| 43 | 791642 | | 1 | Decal "WARNING" Use of starting fluid prohib. | |
| 101 | 386084SE | | 1 | Warning plate Swedish | |
| | 386084EN | | 1 | Warning plate English | |
| | 386084DE | | 1 | Warning plate German | |
| | 386084IT | | 1 | Warning plate Italian | |
| | 386084ES | | 1 | Warning plate Spanish | |
| | 386084FR | | 1 | Warning plate French | |
| | 386084NO | | 1 | Warning plate Norwegian | |
| | 386084DK | | 1 | Warning plate Danish | |
| | 386084FI | | 1 | Warning plate Finnish | |
| | 386084PT | | 1 | Warning plate Portuguese | |
| | 386084NL | | 1 | Warning plate Dutch | |
| | 386084GR | | 1 | Warning plate Greek | |
| | 386084IS | | 1 | Warning plate Icelandic | |
| | 386084CN | | 1 | Warning plate Chinese | |
| | 386084BR | | 1 | Warning plate Brazil | |
| 102 | 904327 | | 2 | Decal "MODEL CODE" CC322 | |
| 103 | | | | Not used on this model | |
| 104 | 843317 | V | 1 | Decal "HAND PUMP" English | |
| | 357899 | V | 1 | Decal "HAND PUMP" Swedish | |
| | 357900 | V | 1 | Decal "HAND PUMP" German | |

- B) Hot surface
- C) Engine fan
- D) Hazard area
- E) Read instruction manual
- I) Small
- J) Rear
- K) Middle
- L) Front
- M) Length as required
- V) Engine wheel brake rel.

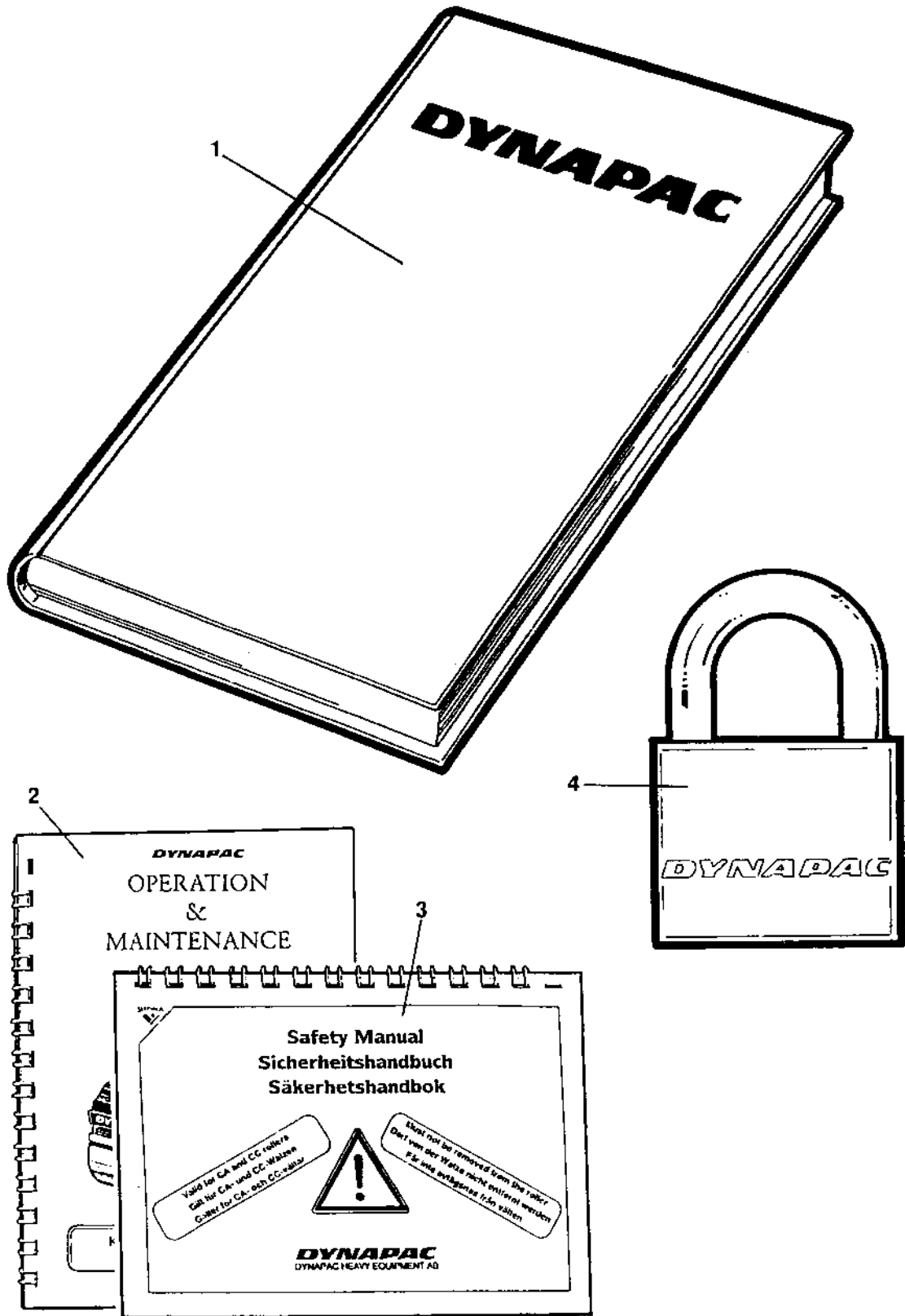


Plates and decals

| Ref. No. | Part No. | Rem. | Qty | Description | Code |
|----------|----------|------|-----|---------------------------------|------|
| 104 | 357901 | V | 1 | Decal "HAND PUMP" Italian | |
| | 357902 | V | 1 | Decal "HAND PUMP" Spanish | |
| | 359703 | V | 1 | Decal "HAND PUMP" French | |
| 105 | 903422 | D,W | 1 | Decal "SAFETY" | |
| 200 | 791279 | | 1 | Decal "Sound power level" 109dB | |
| | 791276 | | 1 | Decal "Sound power level" 106dB | |

- D) Hazard area
- V) Engine wheel brake rel.
- W) With offset drum

| Ref. No. | Part No. | Rem. | Qty | Description | Code |
|----------|----------|------|-----|---------------------------------|------|
| 1 | | | | Standard equipment (Page 266) | |

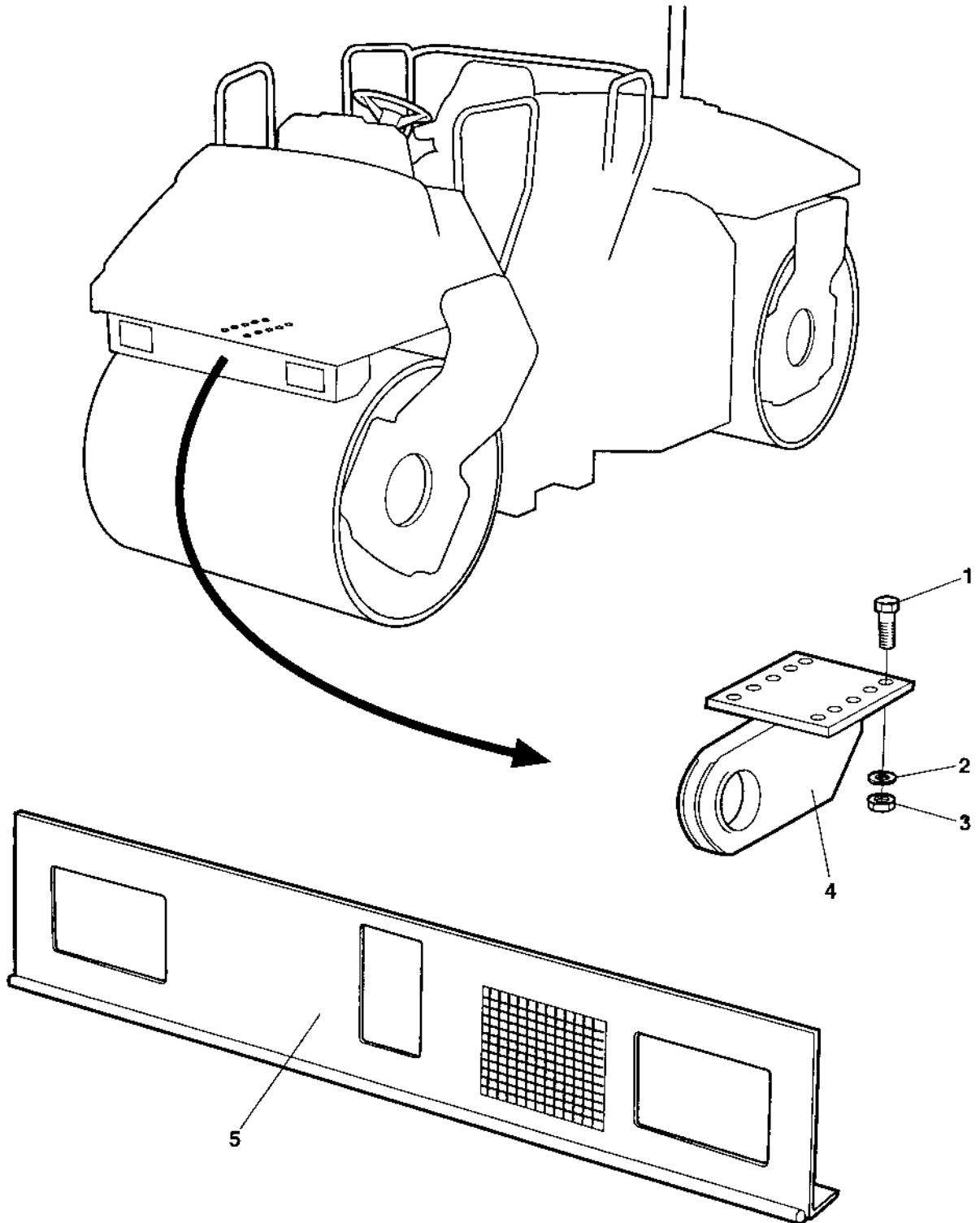


| Ref. No. | Part No. | Rem. | Qty | Description | Code |
|----------|----------|------|-----|--|------|
| 1 | | | 1 | Documentation OMS322 | |
| | | | 1 | .Warranty registration card | |
| | | | 1 | .Operating instruction O322 | |
| | | | 1 | .Maintenance instruction M322 | |
| | | | 1 | .Spare parts catalogue SCC322 | |
| | | | 1 | .Instruction manual Deutz BF4L 2011 | |
| 2 | | | 1 | .Operating / maintenance instruction OM222 | |
| 3 | | | 1 | .Safety manual RSAFE | |
| 4 | 358881 | | 1 | Pad lock | |

| Ref. No. | Part No. | Rem. | Qty | Description | Code |
|----------|----------|------|-----|--|------|
| 10 | | | | Eyelet (Page 270) | |
| 15 | | | | Sign Slow moving vehicle (Page 272) | |
| 20 | | | | Edge cutter cpl (Page 274) | |
| 50 | | | | Air conditioner assembly (Page 284) | |
| 110 | | | | Roof hatch (Page 290) | |
| 120 | | | | Tool equipment (Page 292) | |
| 300 | | | | Asphalt temperature meter (Page 294) | |

Eyelet

15714-1

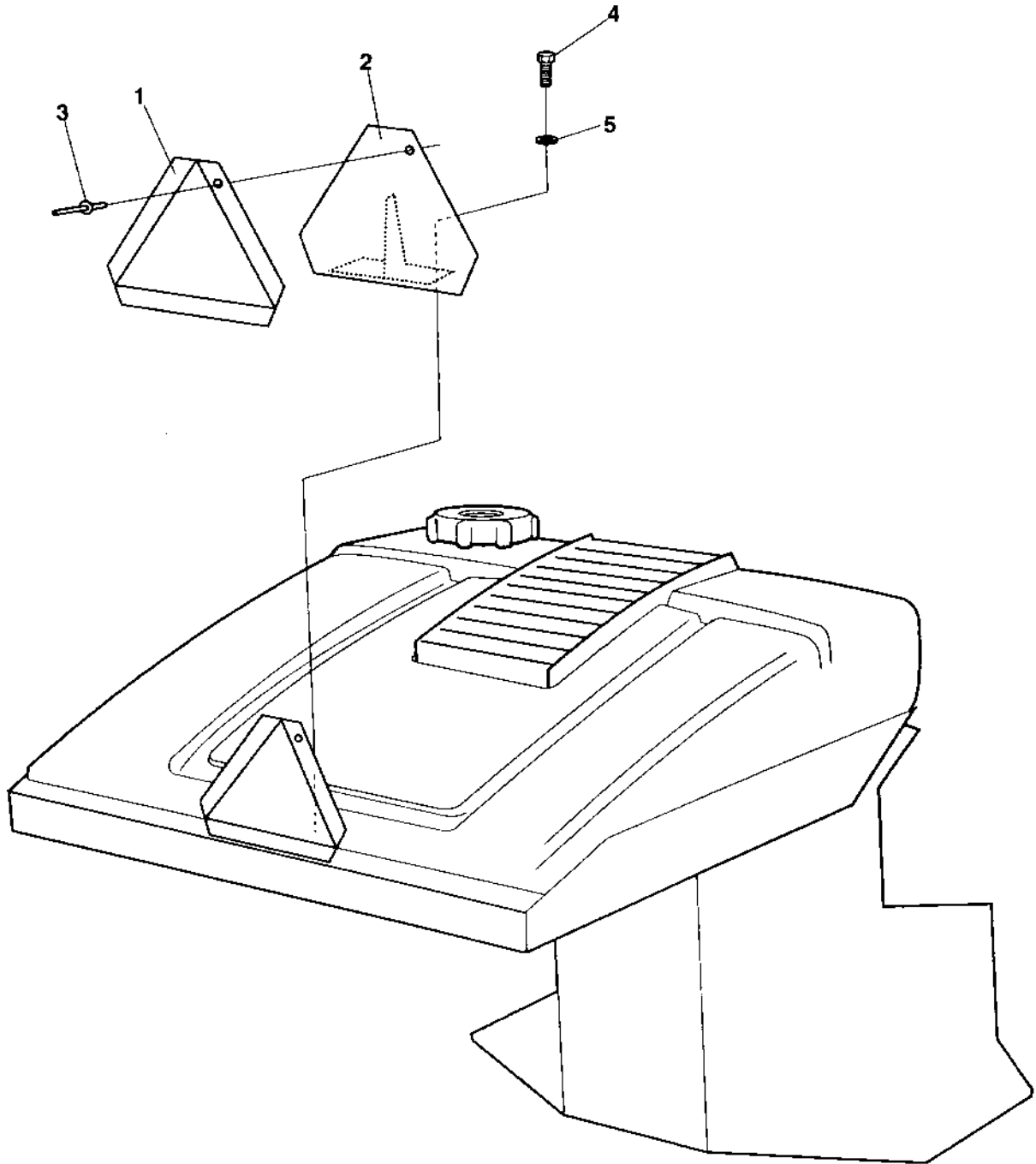


Eyelet

| Ref. No. | Part No. | Rem. | Qty | Description | Code |
|----------|----------|------|-----|----------------|------|
| 1 | 947689 | | 10 | Screw | |
| 2 | 904231 | | 10 | Washer 13x24x2 | |
| 3 | 928849 | | 10 | Nut | |
| 4 | 371221 | A | 1 | Eyelet | |
| | 373936 | B | 1 | Eyelet | |
| 5 | 385340 | | 1 | Cover | |

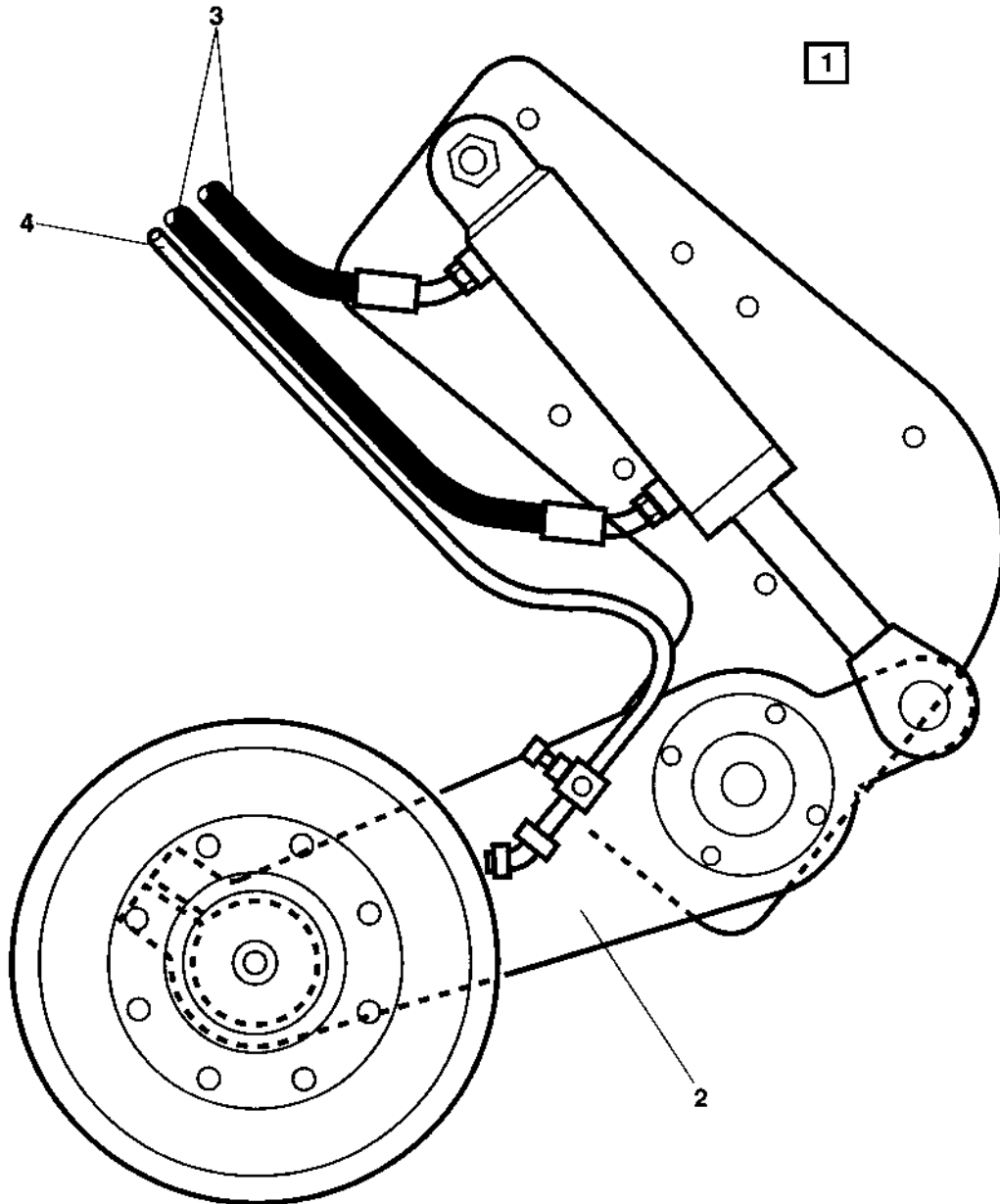
A) Standard, L=241 mm

B) Option, L=305 mm



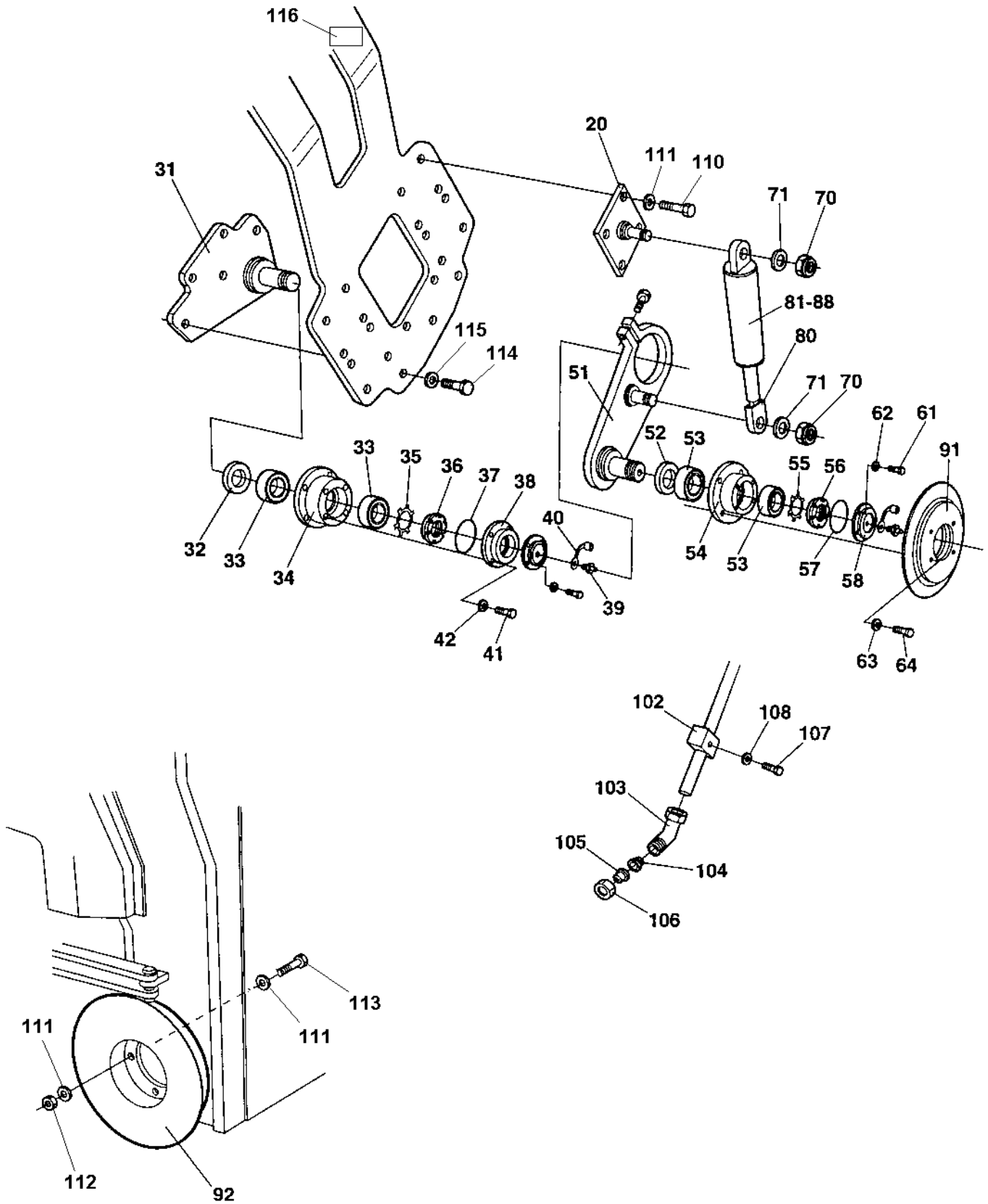
Sign Slow moving vehicle

| Ref. No. | Part No. | Rem. | Qty | Description | Code |
|----------|----------|------|-----|----------------------|------|
| 1 | 476019 | | 1 | SMV sign | |
| 2 | 370835 | | 1 | Sign holder | |
| 3 | 624011 | | 6 | Pop rivet | |
| 4 | 500019 | | 2 | Screw M8-1,25x16 8.8 | |
| 5 | 904229 | | 2 | Washer 8,4x16x1,5 | |



Edge cutter cpl

| Ref. No. | Part No. | Rem. | Qty | Description | Code |
|----------|----------|------|-----|--|------|
| 1 | | | 1 | Edge cutter cpl | |
| 2 | | | | Edge cutter (Page 276) | |
| 3 | | | | Edge cutter Hydraulics without offset (Page 278) | |
| | | | | Edge cutter Hydraulics with offset (Page 280) | |
| 4 | | | | Edge cutter Sprinkler system (Page 282) | |



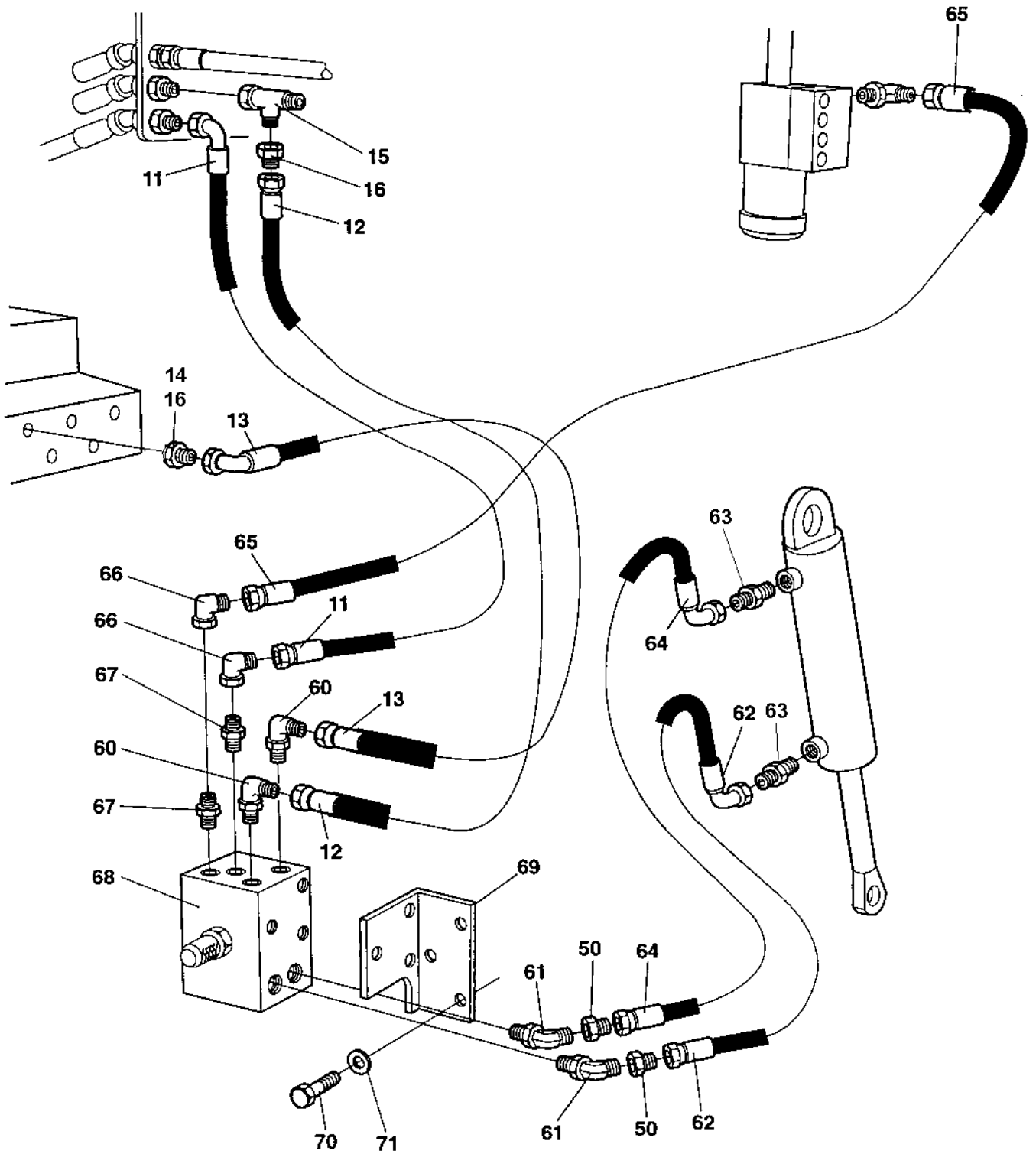
Edge cutter

| Ref. No. | Part No. | Rem. | Qty | Description | Code |
|----------|----------|------|-----|---------------------------|------|
| 1 | 372378 | | 1 | Edge cutter cpl | |
| 20 | 909467 | B | 1 | .Holder plate | |
| 31 | 909465 | A | 1 | .Holder plate | |
| 32 | 909301 | | 1 | .Seal | |
| 33 | 909302 | | 2 | .Bearing | |
| 34 | 936004 | | 1 | .Housing | |
| 35 | 909304 | | 1 | .Washer | |
| 36 | 909305 | | 1 | .Nut | |
| 37 | 909306 | | 1 | .O-ring | |
| 38 | 936005 | | 1 | .Cover | |
| 39 | 909308 | | 1 | .Grease nipple | |
| 40 | 909309 | | 1 | .Protection | |
| 41 | 936006 | | 4 | .Screw | |
| 42 | 909311 | | 4 | .Retainer washer | |
| 51 | 909466 | | 1 | .Lever | |
| 52 | 909301 | | 1 | .Seal | |
| 53 | 909302 | | 2 | .Bearing | |
| 54 | 909303 | | 1 | .Tool holder | |
| 55 | 909304 | | 1 | .Washer | |
| 56 | 909305 | | 1 | .Nut | |
| 57 | 909306 | | 1 | .O-ring | |
| 58 | 909307 | | 1 | .Cover | |
| 59 | 909308 | | 1 | .Grease nipple | |
| 60 | 909309 | | 1 | .Protection | |
| 61 | 909310 | | 4 | .Screw | |
| 62 | 909311 | | 4 | .Retainer washer | |
| 63 | 909312 | | 4 | .Retainer ring | |
| 64 | 909313 | | 4 | .Screw | |
| 70 | 909288 | | 2 | .Nut | |
| 71 | 909289 | | 2 | .Washer | |
| 80 | 909291 | | 1 | .Cylinder end | |
| 81 | 909290 | | 1 | .Cylinder | |
| 82 | 909292 | | 2 | ..Bearing | |
| 83 | 909293 | | 4 | ..Retainer ring | |
| 84 | 909294 | | 2 | ..Screw | |
| 86 | 909299 | | 1 | ..Seal kit | |
| 88 | 909298 | | 2 | ..Grease nipple | |
| 91 | 908787 | | 1 | .Cutting disc 8 cm | |
| | 938263 | | 1 | .Cutting disc 12 cm | |
| 92 | 909237 | | 1 | .Edge roller | |
| 101 | 909274 | | 1 | .Sprinkler pipe | |
| 102 | 909275 | | 1 | .Bracket | |
| 103 | 909276 | | 1 | .Connector | |
| 104 | 909277 | | 1 | .Strainer | |
| 105 | 909278 | | 1 | .Nozzle | |
| 106 | 909279 | | 1 | .Nut | |
| 107 | 909280 | | 1 | .Screw | |
| 108 | 909281 | | 1 | .Nut | |
| 110 | 500197 | C | 4 | Screw 12x90 | |
| | 500196 | D | 4 | Screw M12-1,75x80 8.8 | |
| 111 | 904231 | | 8 | Washer 13x24x2 | |
| 112 | 586019 | | 6 | Lock nut M12 | |
| 113 | 500117 | | 2 | Screw M12x80H 8,8 | |
| 114 | 500134 | | 5 | Screw M16x60 | |
| 115 | 904232 | | 5 | Washer 17x30x3 | |
| 116 | 904083 | | 1 | Safety decal, Edge cutter | |

- A) Lower
 B) Upper
 C) Without offset
 D) With offset

Edge cutter Hydraulics without offset

15840-1

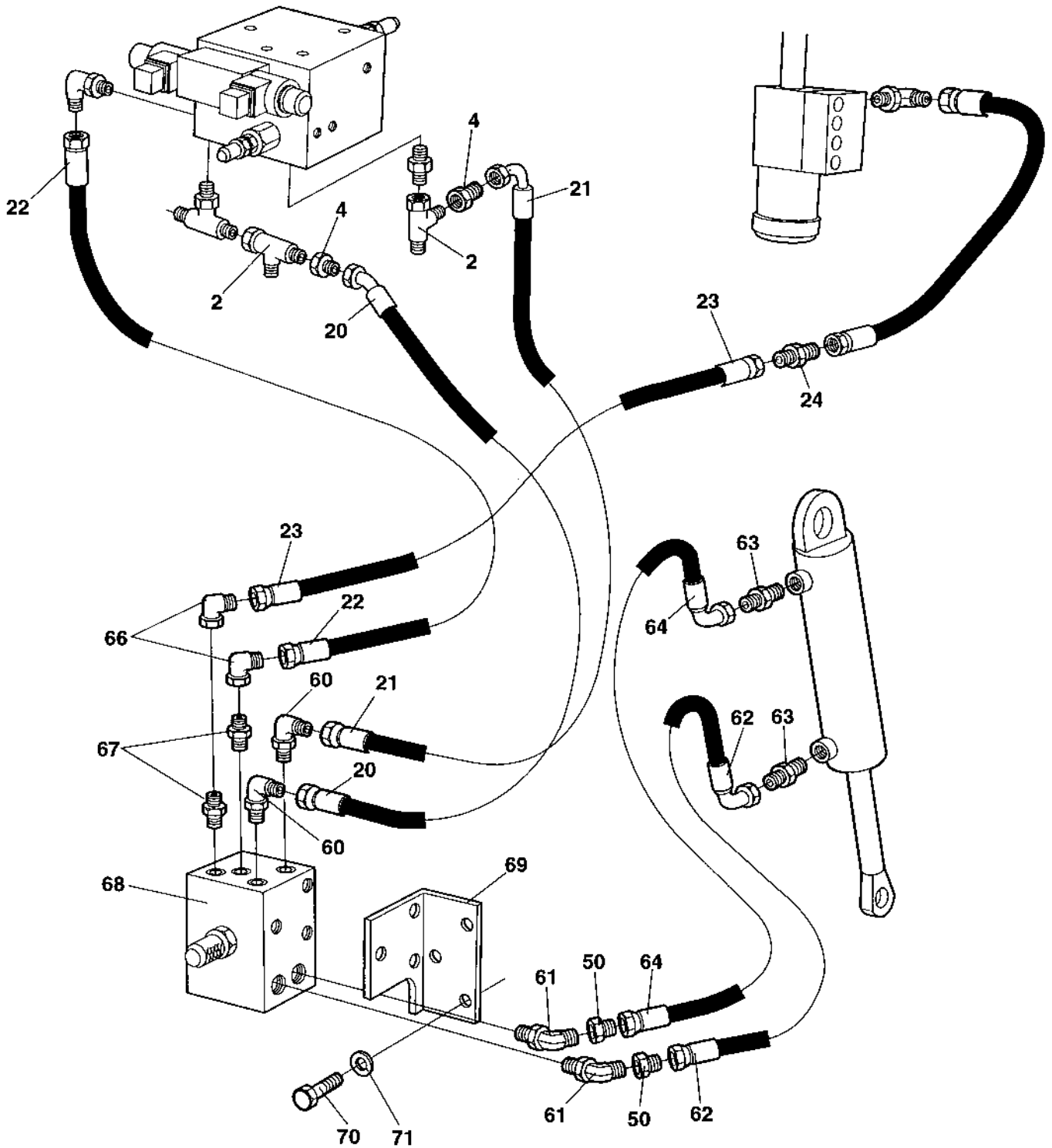


Edge cutter Hydraulics without offset

| Ref. No. | Part No. | Rem. | Qty | Description | Code |
|----------|----------|------|-----|---------------------------|------|
| 11 | 483046 | | 1 | Hydraulic hose | |
| 12 | 483047 | | 1 | Hydraulic hose | |
| 13 | 482511 | | 1 | Hydraulic hose | |
| 14 | 334461 | | 1 | Reducing | |
| 15 | 334135 | | 1 | T-connector | |
| 16 | 334461 | | 1 | Reducing | |
| 50 | 334264 | | 2 | Reducing | |
| 60 | 334420 | | 2 | Elbow 90 | |
| 61 | 813500 | | 2 | Elbow 45, O-ring | |
| 62 | 483048 | | 1 | Hydraulic hose | |
| 63 | 334199 | | 2 | Straight o-ring connector | |
| 64 | 483048 | | 1 | Hydraulic hose | |
| 65 | 483020 | | 1 | Hydraulic hose | |
| 66 | 334196 | | 2 | Elbow 90 | |
| 67 | 234388 | | 2 | Connector | |
| 68 | 372266 | | 1 | Valve | |
| 69 | 372268 | | 1 | Bracket | |
| 70 | 500019 | | 6 | Screw M8-1,25x16 8.8 | |
| 71 | 904229 | | 6 | Washer 8,4x16x1,5 | |

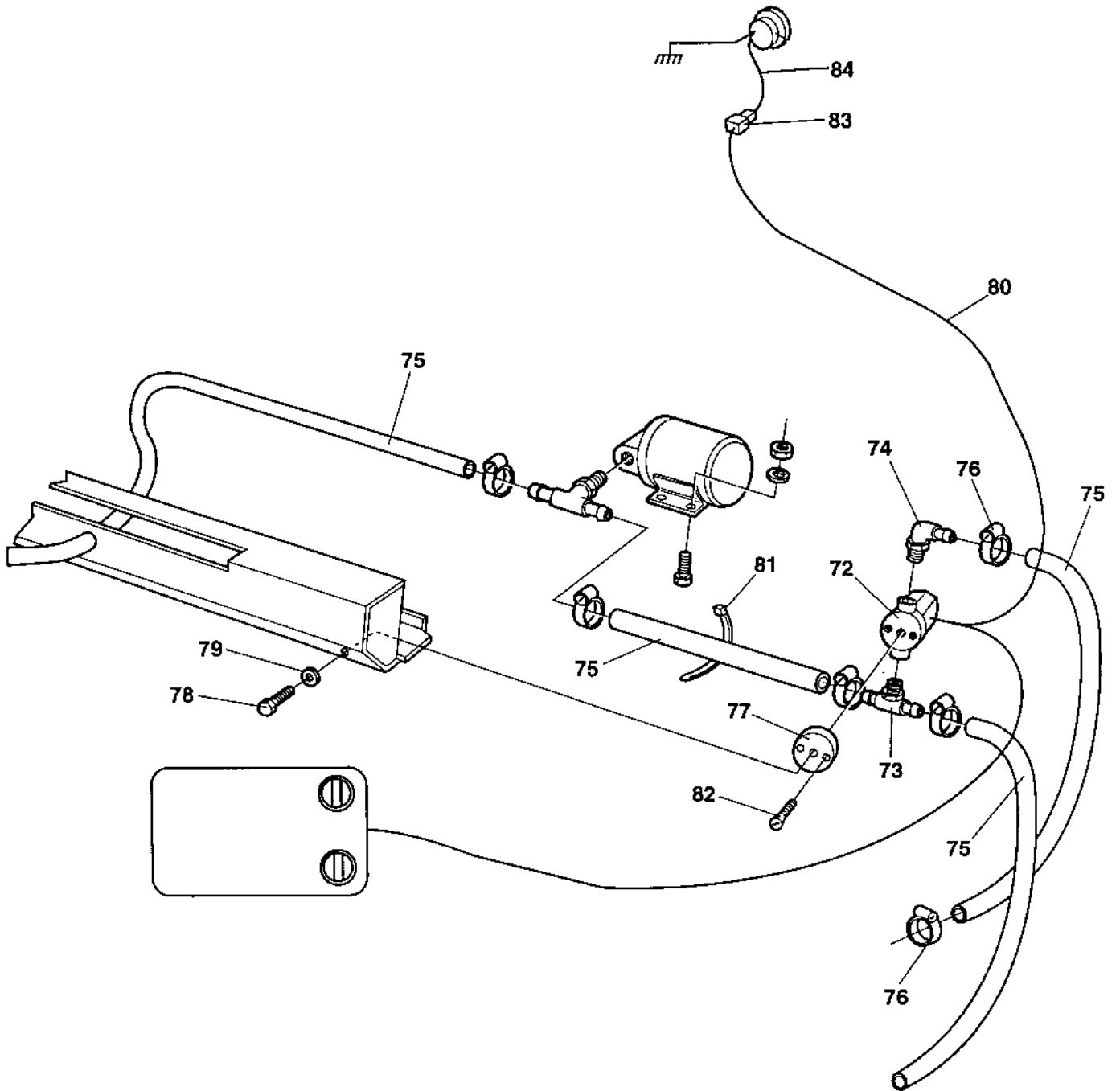
Edge cutter Hydraulics with offset

17282



Edge cutter Hydraulics with offset

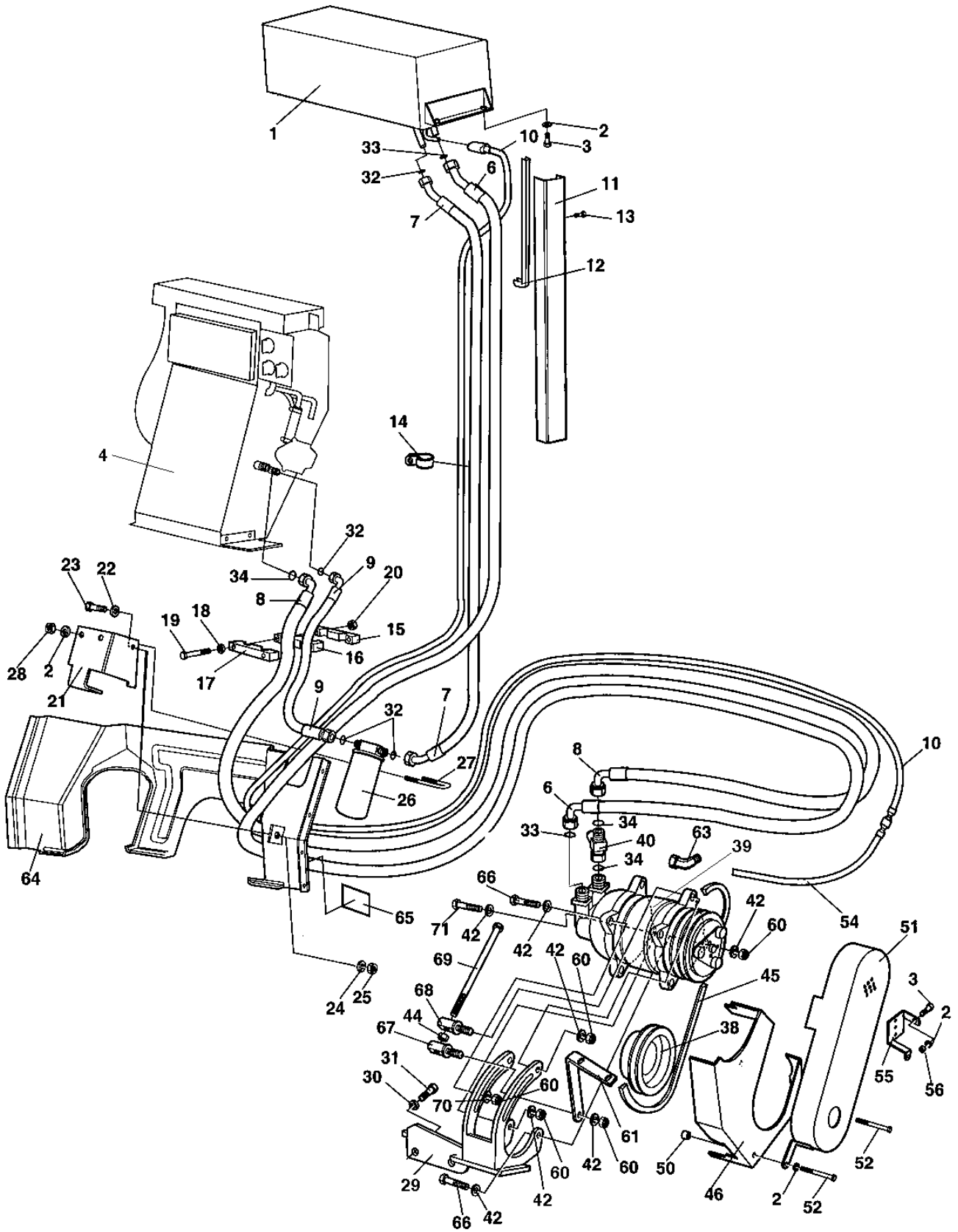
| Ref. No. | Part No. | Rem. | Qty | Description | Code |
|----------|----------|------|-----|---------------------------|------|
| 2 | 334135 | | 2 | T-connector | |
| 4 | 334264 | | 2 | Reducing | |
| 20 | 381239 | | 1 | Hydraulic hose | |
| 21 | 381240 | | 1 | Hydraulic hose | |
| 22 | 381241 | | 1 | Hydraulic hose | |
| 23 | 381242 | | 1 | Hydraulic hose | |
| 24 | 928483 | | 1 | Adapter | |
| 50 | 334264 | | 2 | Reducing | |
| 60 | 334420 | | 2 | Elbow 90 | |
| 61 | 813500 | | 2 | Elbow 45, O-ring | |
| 62 | 483048 | | 1 | Hydraulic hose | |
| 63 | 334199 | | 2 | Straight o-ring connector | |
| 64 | 483048 | | 1 | Hydraulic hose | |
| 66 | 334196 | | 2 | Elbow 90 | |
| 67 | 234388 | | 2 | Connector | |
| 68 | 372266 | | 1 | Valve | |
| 69 | 372268 | | 1 | Bracket | |
| 70 | 500019 | | 6 | Screw M8-1,25x16 8.8 | |
| 71 | 904229 | | 6 | Washer 8,4x16x1,5 | |



Edge cutter Sprinkler system

| Ref. No. | Part No. | Rem. | Qty | Description | Code |
|----------|----------|------|-----|---------------------|------|
| 72 | 287713 | | 1 | Solenoid valve | |
| 73 | 903879 | | 1 | Connector | |
| 74 | 901431 | | 1 | Hose connection | |
| 75 | 904878 | A | 1XL | Hose reinforced | |
| 76 | 313001 | | 4 | Hose clamp | |
| 77 | 372315 | | 1 | Bracket | |
| 78 | 500013 | | 1 | Screw M6-1x16 8,8 | |
| 79 | 904228 | | 1 | Washer 6,4x12x1,5 | |
| 80 | 376191 | | 1 | Ground cable | |
| 81 | 313041 | | 15 | Cable ties L=186 mm | |
| 82 | 535003 | | 2 | Screw | |
| 83 | 925958 | | 1 | Connection | |
| 84 | 904588 | | 1 | Cable harness | |

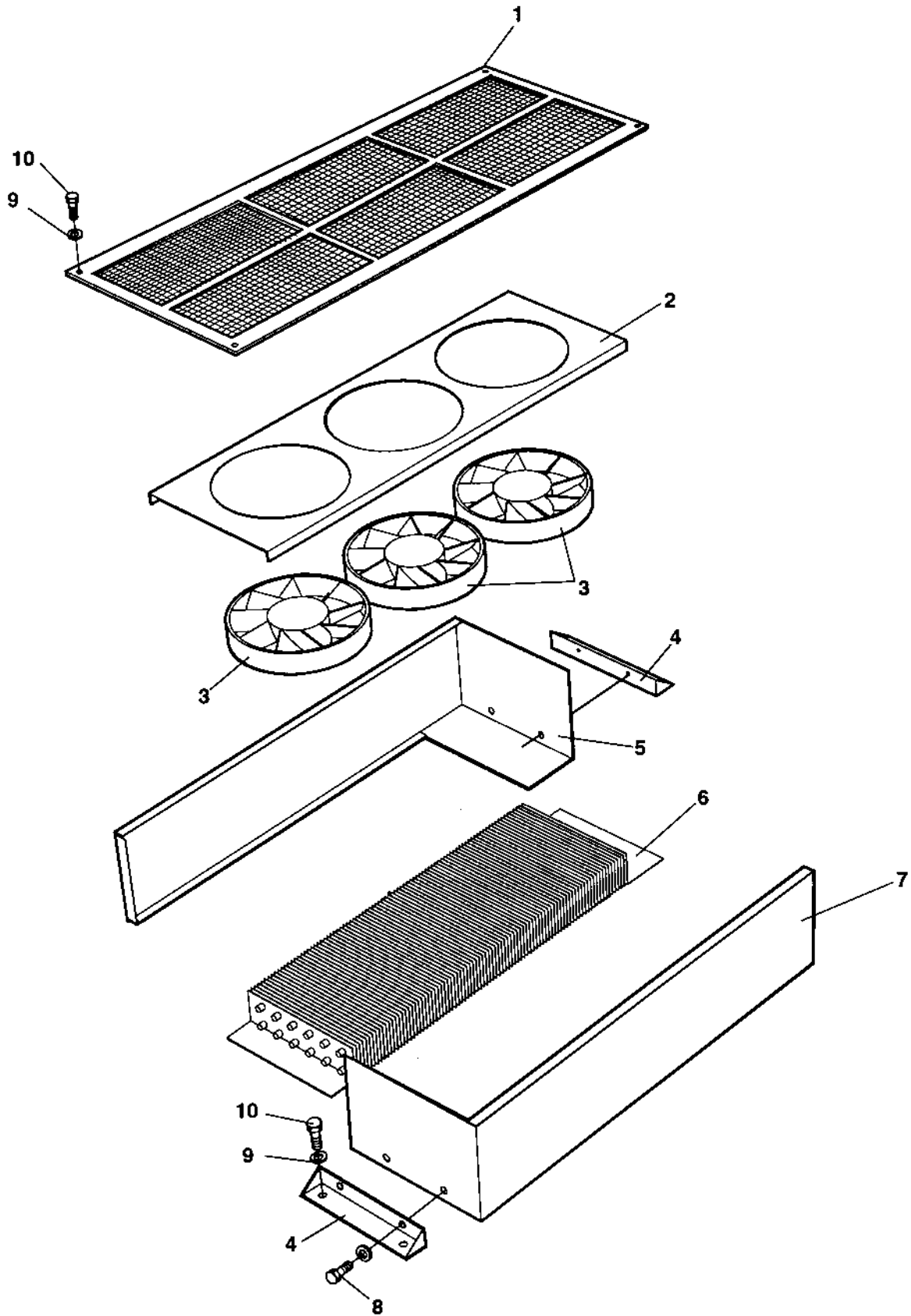
A) L=2,5 m



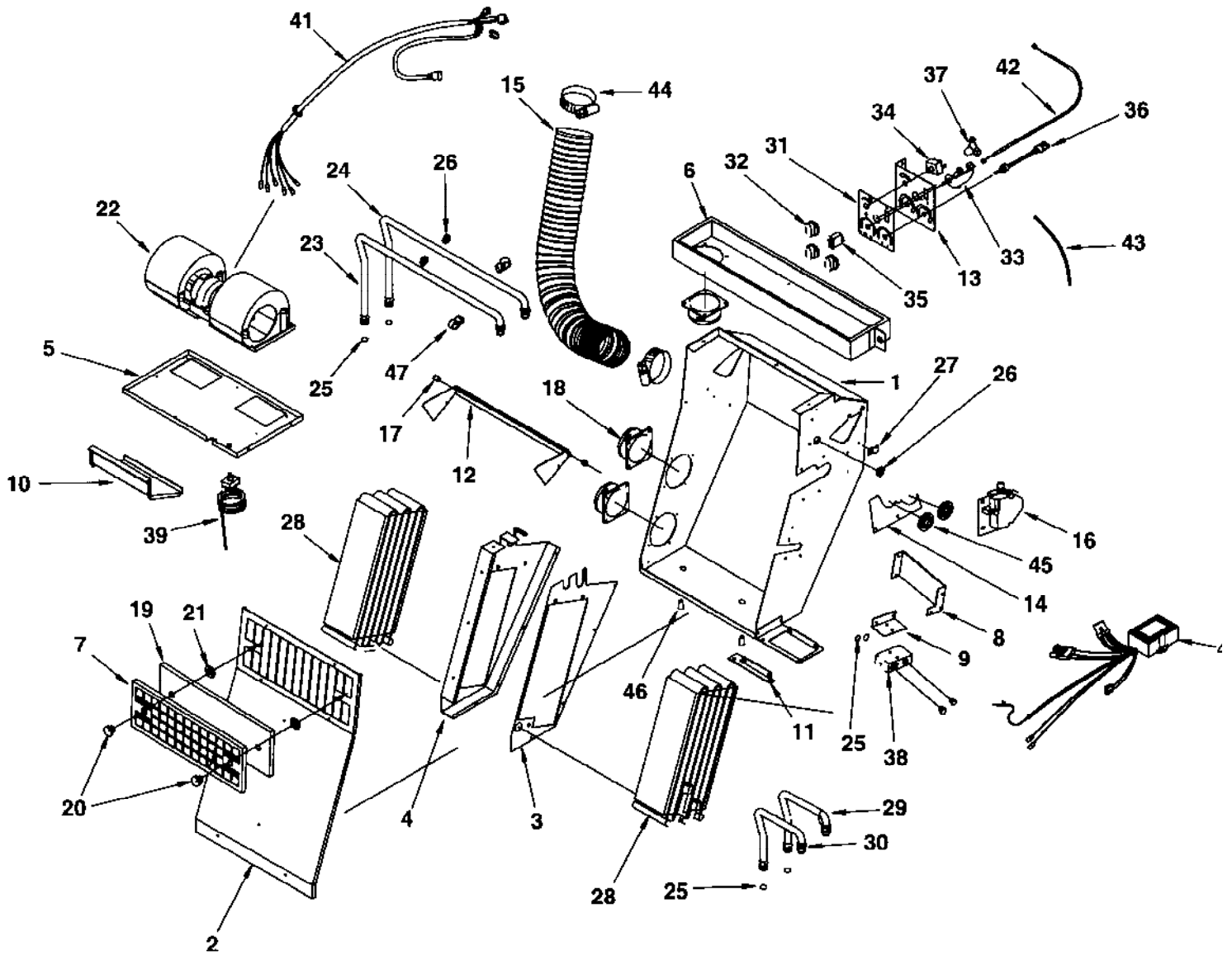
| Ref. No. | Part No. | Rem. | Qty | Description | Code |
|----------|----------|------|-----|---------------------------------|------|
| 1 | | | | Condensor assembly (Page 286) | |
| 2 | 904229 | | 9 | Washer 8,4x16x1,5 | |
| 3 | 500022 | | 7 | Screw M8-1,25x30 8,8 | |
| 4 | 385766 | | 1 | Heater/AC unit (Page 288) | |
| 6 | 385905 | | 1 | Refrigerant hose | |
| 7 | 385575 | | 1 | Refrigerant hose | |
| 8 | 385906 | | 1 | Refrigerant hose | |
| 9 | 385574 | | 1 | Refrigerant hose | |
| 10 | 385908 | | 1 | Cable harness | |
| 11 | 385163 | | 1 | Hose protection | |
| 12 | 288128 | A | 1XL | Ledge | |
| 13 | 541703 | | 7 | Screw M6x16 | |
| 14 | 921036 | | 3 | Clamp | |
| 15 | 384672 | | 1 | Hose holder | |
| 16 | 384673 | | 1 | Hose holder | |
| 17 | 384674 | | 1 | Hose holder | |
| 18 | 904228 | | 2 | Washer 6,4x12x1,5 | |
| 19 | 500292 | | 2 | Screw | |
| 20 | 904563 | | 2 | Lock nut M6 | |
| 21 | 384145 | | 1 | Holder | |
| 22 | 904231 | | 2 | Washer 13x24x2 | |
| 23 | 500049 | | 1 | Screw M12-1,75x60 8.8 | |
| 24 | 357206 | | 1 | Washer | |
| 25 | 586019 | | 1 | Lock nut M12 | |
| 26 | 383424 | | 1 | Drying filter | |
| 27 | 313093 | | 1 | Pipe clamp | |
| 28 | 586003 | | 3 | Lock nut M8 | |
| 29 | 389195 | | 1 | Compressor bracket | |
| 30 | 904214 | | 2 | Washer 15x30x4 | |
| 31 | 947693 | | 2 | Screw | |
| 32 | 384877 | | 4 | O-ring | |
| 33 | 384878 | | 2 | O-ring | |
| 34 | 384879 | | 3 | O-ring | |
| 38 | 384141 | | 1 | Pulley | |
| 39 | 384147 | | 1 | Compressor | |
| 40 | 385909 | | 1 | Service fitting | |
| 42 | 904230 | | 7 | Washer 10,5x22x2 | |
| 44 | 570006 | | 1 | Nut M10 | |
| 45 | 413074 | | 1 | V-belt | |
| 46 | 384143 | | 1 | V-belt guard | |
| 50 | 371767 | | 2 | Spacer | |
| 51 | 384144 | | 1 | Belt guard | |
| 52 | 500180 | | 2 | Screw | |
| 54 | 902173 | B | 1XL | Conduit | |
| 55 | 385940 | | 1 | Fuse holder | |
| 56 | 570005 | | 1 | Nut M8 | |
| 60 | 791172 | | 5 | Lock nut M10 | |
| 61 | 386530 | | 1 | Hose support | |
| 63 | 801781 | | 1 | Connector | |
| 64 | 386055 | | 1 | Cover | |
| 65 | 904165 | | 1 | Safety decal | |
| 66 | 500031 | | 2 | Screw M10-1,5x40 8,8 | |
| 67 | 377378 | | 1 | Set screw | |
| 68 | 388470 | | 1 | Screw | |
| 69 | 791665 | | 1 | Screw | |
| 70 | 904557 | | 1 | Washer 10,5x22x4 | |
| 71 | 500161 | | 1 | Screw M10-1,5x45 8,8 | |

A) L= 0,24 m

B) L= 0,2 m



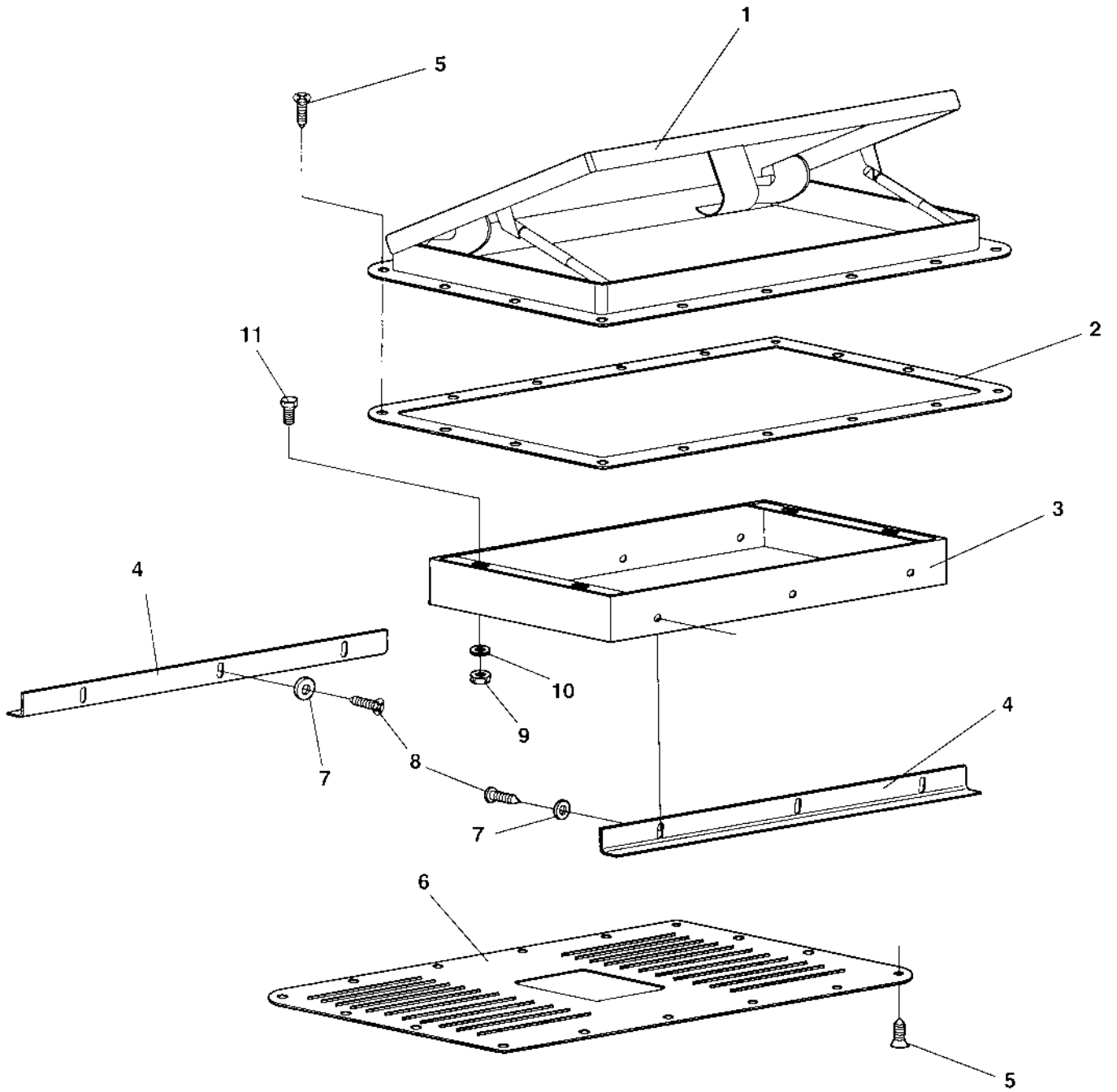
| Ref. No. | Part No. | Rem. | Qty | Description | Code |
|----------|----------|------|-----|----------------------|------|
| 1 | 384589 | | 1 | Cover | |
| 2 | 938599 | | 1 | Fan bracket | |
| 3 | 938603 | | 3 | Fan | |
| 4 | 938600 | | 2 | Condensor bracket | |
| 5 | 938598 | | 1 | Cover | |
| 6 | 938602 | | 1 | Condensor Coil | |
| 7 | 938597 | | 1 | Cover | |
| 8 | 901832 | | 4 | Screw | |
| 9 | 500022 | | 6 | Screw M8-1,25x30 8,8 | |
| 10 | 904229 | | 6 | Washer 8,4x16x1,5 | |



| Ref. No. | Part No. | Rem. | Qty | Description | Code |
|----------|----------|------|-----|----------------------|------|
| 1 | 938938 | | 1 | Casing | |
| 2 | 938939 | | 1 | Cover | |
| 3 | 938940 | | 1 | Coil bracket | |
| 4 | 938941 | | 1 | Coil bracket | |
| 5 | 938942 | | 1 | Blower bracket | |
| 6 | 938943 | | 1 | Air distributor | |
| 7 | 385590 | | 1 | Filter grill | |
| 8 | 938944 | | 1 | Heater valve bracket | |
| 9 | 384835 | | 1 | Bracket | |
| 10 | 938945 | | 1 | Air channel | |
| 11 | 938779 | | 1 | Hose bracket | |
| 12 | 938780 | | 1 | Flapper | |
| 13 | 938781 | | 1 | Control panel | |
| 14 | 938946 | | 1 | Cover plate | |
| 15 | 938783 | | 1 | Air duct | |
| 16 | 384136 | | 1 | Heater valve | |
| 17 | 938784 | | 2 | Bushing | |
| 18 | 938632 | | 3 | Hose adapter | |
| 19 | 385589 | | 1 | Recirculation filter | |
| 20 | 938643 | | 2 | Plug | |
| 21 | 938611 | | 2 | Star lock | |
| 22 | 938638 | | 1 | Fan | |
| 23 | 938947 | | 1 | Copper tube | |
| 24 | 938948 | | 1 | Copper tube | |
| 25 | 384878 | | 6 | O-ring | |
| 26 | 384927 | | 5 | Grommet | |
| 27 | 384880 | | 1 | Wire clamp | |
| 28 | 384133 | | 2 | Coil | |
| 29 | 385576 | | 1 | Copper tube | |
| 30 | 385577 | | 1 | Copper tube | |
| 31 | 938787 | | 1 | Overlay | |
| 32 | 938620 | | 3 | Knob | |
| 33 | 938788 | | 1 | Rotary control | |
| 34 | 938622 | | 1 | Switch | |
| 35 | 938619 | | 1 | Switch | |
| 36 | 938623 | | 1 | Potentiometer | |
| 37 | 938624 | | 1 | Sensor | |
| 38 | 384176 | | 1 | Valve | |
| 39 | 384897 | | 1 | Thermostat | |
| 40 | 385907 | | 1 | Heater control | |
| 41 | 938631 | | 1 | Cable harness | |
| 42 | 385588 | | 1 | Bowden cable | |
| 43 | 938637 | | 1 | Hose | |
| 44 | 938789 | | 2 | Clamp | |
| 45 | 938608 | | 2 | Grommet | |
| 46 | 938636 | | 2 | Drain valve | |
| 47 | 938790 | | 2 | Clamp | |

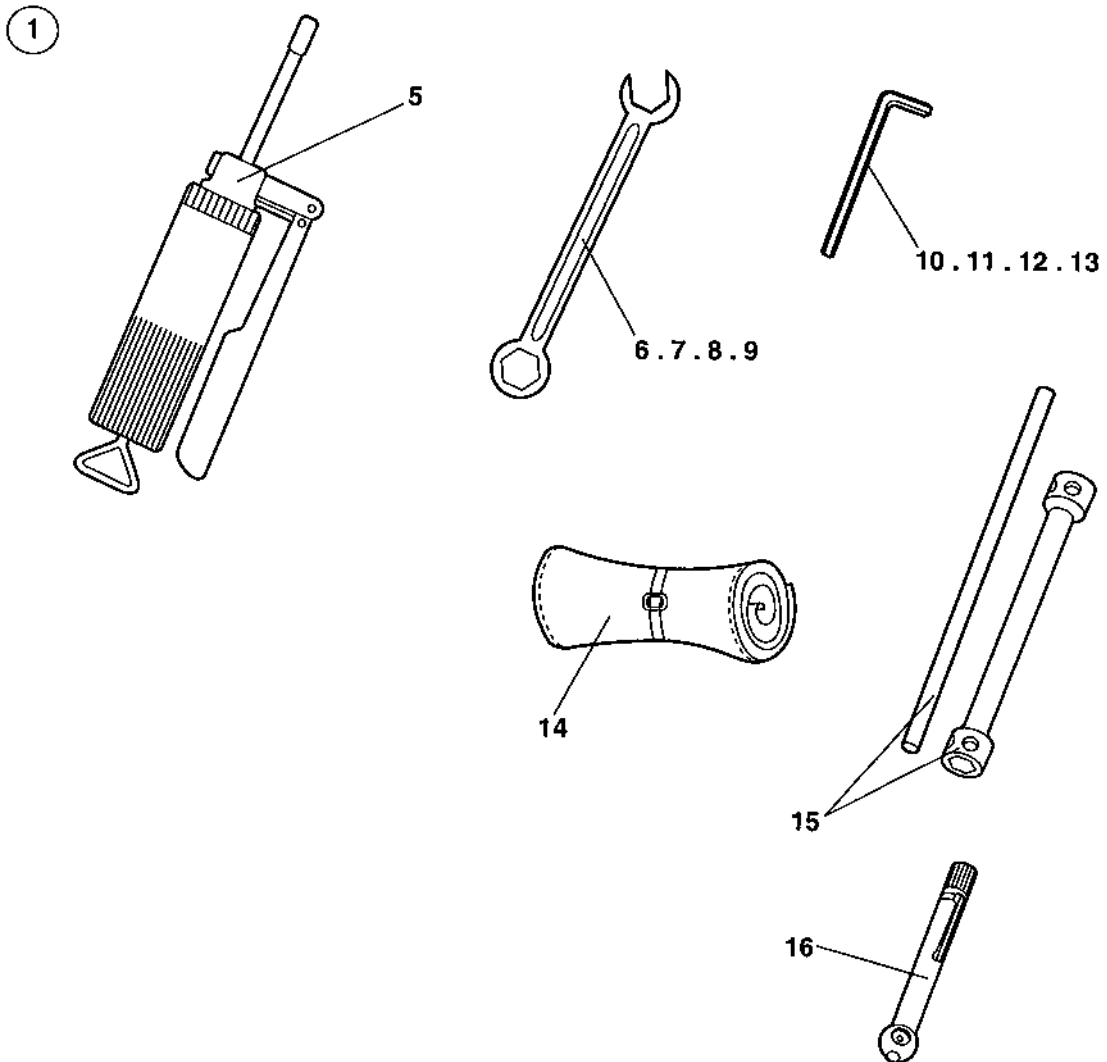
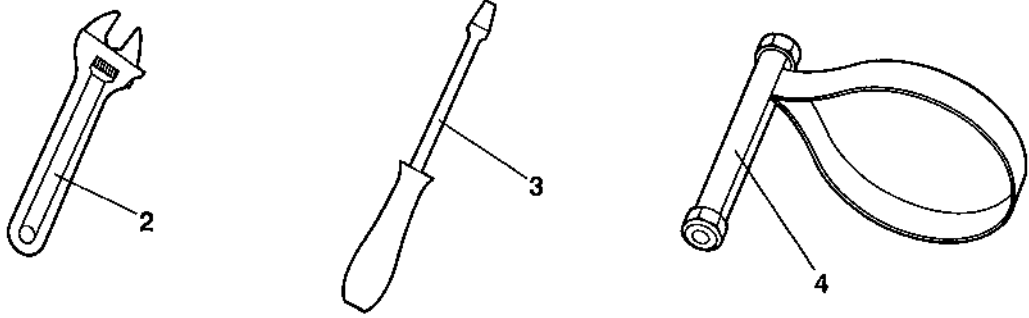
Roof hatch

17374



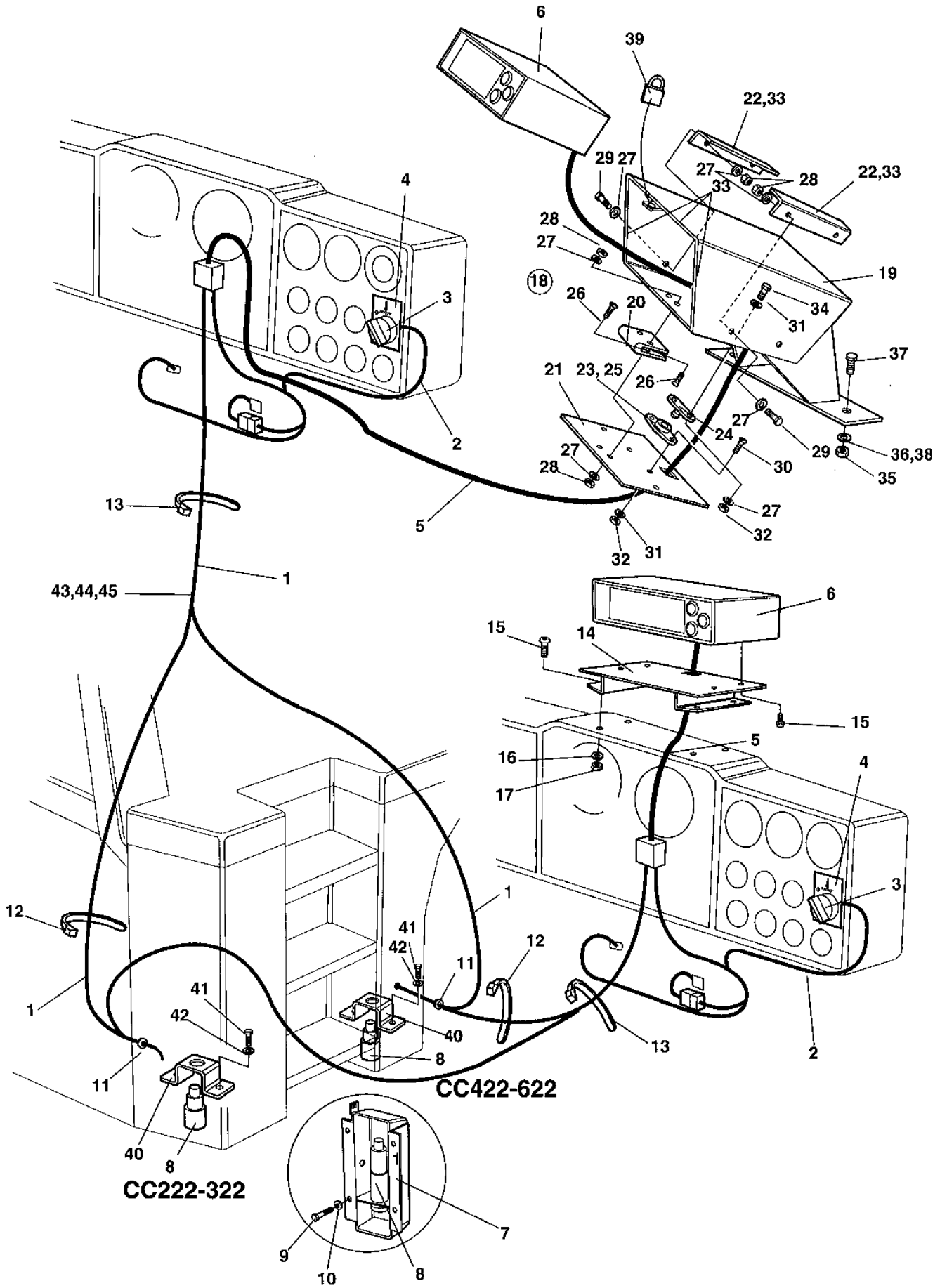
Roof hatch

| Ref. No. | Part No. | Rem. | Qty | Description | Code |
|----------|----------|------|-----|-------------------|------|
| 1 | 382702 | | 1 | Roof hatch | |
| | 384958 | | 1 | Roof hatch | |
| 2 | 382701 | | 1 | Gasket | |
| | 384954 | | 1 | Support plate | |
| 3 | 382699 | | 1 | Inner roof insert | |
| 4 | 383002 | | 2 | Inner roof holder | |
| 5 | 904906 | | 32 | Screw | |
| 6 | 382700 | | 1 | Inner cover | |
| 7 | 601001 | | 6 | Washer | |
| 8 | 903852 | | 6 | Screw ST4,2x13 | |
| 9 | 570004 | | 4 | Nut M6 | |
| 10 | 904228 | | 4 | Washer 6,4x12x1,5 | |
| 11 | 500040 | | 4 | Screw M6-1x20 8,8 | |



Tool equipment

| Ref. No. | Part No. | Rem. | Qty | Description | Code |
|----------|----------|------|-----|--------------------------|------|
| 1 | 355889 | | 1 | Tool set Cpl | |
| 2 | | | 1 | .Adjustable wrench | |
| 3 | | | 1 | .Screw driver | |
| 4 | 902610 | | 1 | .Belt pliers | |
| 5 | 311016 | | 1 | .Grease gun | |
| 6 | | | 1 | .Open end spanner 10MM | |
| 7 | | | 1 | .Open end spanner 13MM | |
| 8 | | | 1 | .Open end spanner 16MM | |
| 9 | | | 1 | .Open end spanner 18MM | |
| 10 | | | 1 | .Allen wrench 10MM | |
| 11 | | | 1 | .Allen wrench 12MM | |
| 12 | | | 1 | .Allen wrench 6MM | |
| 13 | | | 1 | .Allen wrench 8MM | |
| 14 | | | 1 | .Tool bag | |
| 15 | | | 1 | Not valid for this model | |
| 16 | | | 1 | Not valid for this model | |



Asphalt temperature meter

| Ref. No. | Part No. | Rem. | Qty | Description | Code |
|----------|----------|------|-----|----------------------------|------|
| 1 | 388522 | | 1 | Cable harness | |
| 2 | 378116 | | 1 | Cable harness | |
| 3 | 930151 | | 1 | Switch | |
| 4 | 388561 | | 1 | Sign | |
| 5 | 377819 | | 1 | Cable harness | |
| 6 | 388775 | | 1 | Temperature meter | |
| 7 | 387981 | | 1 | Box | |
| 8 | 387982 | | 1 | Temperature sender | |
| 9 | 500053 | | 4 | Screw M8-1,25x20 8,8 | |
| 10 | 904229 | | 4 | Washer 8,4x16x1,5 | |
| 11 | 791594 | | 1 | Grommet | |
| 12 | 925802 | | N | Cable ties L=142 mm | |
| 13 | 313068 | | N | Cable ties L=92 mm | |
| 14 | 387988 | 1 | 1 | Bracket | |
| 15 | 904653 | 1 | 8 | Screw M5x16 A2-70 | |
| 16 | 904281 | 1 | 4 | Washer 5,3x10x1 | |
| 17 | 586001 | 1 | 4 | Lock nut M5 | |
| 18 | 377812 | 2 | 1 | Temperature meter box, cpl | |
| 19 | | 2 | 1 | .Box | |
| 20 | 903907 | 2 | 1 | .Hinge | |
| 21 | 378052 | 2 | 1 | .Cover | |
| 22 | 389111 | 2 | 1 | .Holder | |
| 23 | 904909 | 2 | 1 | .Door bumper | |
| 24 | 904907 | 2 | 1 | .Door bumper | |
| 25 | 904908 | 2 | 1 | .Rubber part | |
| 26 | 513008 | 2 | 4 | .Screw | |
| 27 | 904228 | 2 | 10 | .Washer 6,4x12x1,5 | |
| | 904639 | 2 | 4 | .Washer 6,7x14x1,5 | |
| 28 | 904563 | 2 | 8 | .Lock nut M6 | |
| 29 | 500013 | 2 | 4 | .Screw M6-1x16 8,8 | |
| 30 | 513027 | 2 | 2 | .Screw M4x16H 10,9 | |
| 31 | 904698 | 2 | 6 | .Washer 4,3x8x0,8 | |
| 32 | 923976 | 2 | 4 | .Nut | |
| 33 | 902566 | A,2 | 5XL | .Rubber strip | |
| 34 | 500238 | 2 | 2 | .Screw | |
| 35 | 570005 | 2 | 2 | Nut M8 | |
| 36 | 904556 | 2 | 2 | Washer 8,4x16x3,0 | |
| 37 | 500022 | 2 | 2 | Screw M8-1,25x30 8,8 | |
| 38 | 904640 | 2 | 2 | Washer 8,4x22x3 | |
| 39 | 358881 | 2 | 1 | Pad lock | |
| 40 | 377422 | | 1 | Bracket | |
| 41 | 500019 | | 2 | Screw M8-1,25x16 8.8 | |
| 42 | 904229 | | 2 | Washer 8,4x16x1,5 | |
| 43 | 921065 | | 6 | Clamp | |
| 44 | 904228 | | 6 | Washer 6,4x12x1,5 | |
| 45 | 586002 | | 6 | Lock nut M6 | |

1) Valid for machines with cab.

2) Valid for platform machines.

A) L= 0,4 m

| Part Number | Page | Part Number | Page | Part Number | Page |
|-------------|-------------|-------------|-------------|-------------|-------------|
| 100040 | 27,47 | 313041 | 201 | 348303 | 151 |
| 114060 | 19,81 | 313068 | 295 | 348331 | 199 |
| 116041 | 21 | 313075 | 91 | 348481 | 209 |
| 151012 | 145 | 313093 | 285 | 349715 | 81 |
| 160024 | 125 | 313094 | 93 | 350009 | 199 |
| 160058 | 91 | 313102 | 101 | 355258 | 165 |
| 160105 | 19 | 313147 | 209 | 355301 | 177 |
| 160188 | 97 | 330171 | 141 | 355889 | 293 |
| 160279 | 121 | 330331 | 87,237 | 357138 | 13 |
| 160287 | 127,133 | 330383 | 87 | 357139 | 127 |
| 160344 | 19 | 330438 | 99 | 357141 | 127 |
| 162017 | 81 | 332038 | 125 | 357206 | 285 |
| 162018 | 81 | 334118 | 121 | 357275 | 87 |
| 162024 | 141 | 334121 | 121 | 357419 | 141 |
| 162027 | 81 | 334128 | 117 | 357459 | 91 |
| 167023 | 19 | 334135 | 141 | 357488 | 31 |
| 167032 | 27 | 334138 | 117 | 357498 | 213 |
| 202028 | 33 | 334143 | 131 | 357500 | 213 |
| 202041 | 59 | 334155 | 97 | 357526 | 161 |
| 202043 | 61,257 | 334156 | 99 | 357562 | 157 |
| 202057 | 49,53 | 334158 | 117 | 357587 | 261 |
| 205067 | 127,131 | 334196 | 141 | 357592 | 261 |
| 212339 | 109 | 334197 | 141 | 357643 | 195,223,245 |
| 212353 | 105 | 334199 | 279 | 357855 | 159 |
| 230515 | 87 | 334203 | 127 | 357899 | 261 |
| 232119 | 127 | 334234 | 97 | 357900 | 261 |
| 232122 | 127 | 334236 | 141 | 357901 | 261 |
| 233215 | 67,75 | 334237 | 97 | 357902 | 263 |
| 234233 | 97,117,119 | 334248 | 117 | 358230 | 101 |
| | 147 | 334264 | 279 | 358452 | 187 |
| 234243 | 97 | 334389 | 117 | 358846 | 59 |
| 234340 | 115 | 334420 | 127 | 358881 | 159,267 |
| 234349 | 117 | 334445 | 117 | 359001 | 59 |
| 234388 | 141,279,281 | 334461 | 127 | 359002 | 59 |
| 234512 | 129 | 334468 | 97 | 359003 | 59 |
| 234662 | 129 | 334524 | 97 | 359043 | 207 |
| 234746 | 117 | 334564 | 117 | 359125 | 207 |
| 234810 | 99 | 334604 | 97 | 359131 | 47 |
| 234840 | 115 | 335607 | 151 | 359139 | 95,137 |
| 234850 | 141 | 335914 | 101 | 359140 | 95,123 |
| 234953 | 127 | 337042 | 47 | 359192 | 141 |
| 235002 | 129 | 337045 | 27 | 359223 | 125 |
| 238272 | 145 | 340862 | 121 | 359224 | 125 |
| 244054 | 59 | 343318 | 81 | 359225 | 125 |
| 272372 | 261 | 343321 | 81 | 359226 | 125 |
| 272373 | 261 | 343550 | 165,167,191 | 359232 | 31 |
| 287597 | 151,157,173 | 343732 | 101 | 359314 | 31 |
| | 241 | 343744 | 81 | 359340 | 165 |
| 287598 | 173 | 343775 | 31 | 359341 | 165 |
| 287713 | 65,71,283 | 343801 | 81 | 359342 | 165 |
| 287724 | 49 | 343872 | 101 | 359343 | 167 |
| 288128 | 285 | 344138 | 115 | 359344 | 167 |
| 297018 | 61 | 344196 | 81 | 359347 | 161 |
| 310008 | 27 | 345139 | 161 | 359390 | 91 |
| 311016 | 293 | 345870 | 165 | 359402 | 87 |
| 312005 | 41 | 345871 | 27 | 359403 | 87 |
| 313001 | 59 | 345872 | 27 | 359418 | 195 |
| 313002 | 63 | 345873 | 27 | 359419 | 199 |
| 313008 | 127 | 345874 | 27 | 359434 | 35,37 |
| 313036 | 63,93 | 345875 | 27 | 359444 | 59 |
| 313038 | 91 | 347119 | 31,139 | 359446 | 59 |
| 313041 | 63,197,199 | 348136 | 151 | 359453 | 35 |

| Part Number | Page | Part Number | Page | Part Number | Page |
|-------------|-------|-------------|---------|-------------|-------|
| 359454 | 35 | 359914 | 199 | 370747 | 61 |
| 359455 | 35,45 | 359915 | 199 | 370761 | 237 |
| 359490 | 93 | 359916 | 199 | 370765 | 93 |
| 359497 | 93 | 359917 | 201 | 370766 | 217 |
| 359500 | 93 | 359918 | 193,203 | 370806 | 223 |
| 359502 | 89 | 359919 | 199 | 370820 | 33 |
| 359507 | 31 | 359920 | 199 | 370835 | 273 |
| 359508 | 31 | 359921 | 199 | 370878 | 89 |
| 359509 | 31 | 359924 | 205 | 370955 | 207 |
| 359510 | 31 | 359928 | 209 | 371009 | 209 |
| 359512 | 31 | 359929 | 209 | 371016 | 187 |
| 359513 | 31 | 359931 | 209 | 371017 | 187 |
| 359514 | 31 | 359932 | 209 | 371034 | 219 |
| 359515 | 31 | 359936 | 213 | 371058 | 187 |
| 359516 | 31 | 359940 | 209 | 371101 | 207 |
| 359517 | 31 | 359941 | 177 | 371129 | 197 |
| 359522 | 91 | 359955 | 81 | 371185 | 179 |
| 359551 | 97 | 359971 | 201 | 371221 | 271 |
| 359552 | 97 | 359972 | 201 | 371254 | 91 |
| 359557 | 97 | 359998 | 197 | 371364 | 187 |
| 359559 | 101 | 370056 | 261 | 371380 | 49 |
| 359565 | 33 | 370057 | 261 | 371381 | 49 |
| 359574 | 199 | 370058 | 261 | 371389 | 49 |
| 359575 | 209 | 370059 | 261 | 371390 | 49 |
| 359578 | 81 | 370076 | 151 | 371395 | 197 |
| 359583 | 33 | 370085 | 261 | 371396 | 197 |
| 359588 | 31 | 370096 | 213 | 371449 | 49 |
| 359589 | 31 | 370100 | 37,43 | 371450 | 49 |
| 359591 | 47 | 370155 | 127 | 371451 | 49 |
| 359618 | 91 | 370160 | 195 | 371452 | 49 |
| 359632 | 127 | 370165 | 159 | 371466 | 39 |
| 359639 | 127 | 370175 | 195 | 371468 | 39 |
| 359647 | 127 | 370211 | 199 | 371469 | 39 |
| 359648 | 127 | 370231 | 81 | 371507 | 209 |
| 359649 | 127 | 370234 | 199 | 371519 | 127 |
| 359650 | 127 | 370235 | 199 | 371523 | 49 |
| 359703 | 263 | 370254 | 195 | 371546 | 39 |
| 359725 | 101 | 370255 | 195 | 371569 | 49 |
| 359733 | 207 | 370258 | 195 | 371599 | 197 |
| 359768 | 141 | 370275 | 195 | 371621 | 197 |
| 359775 | 191 | 370276 | 195 | 371659 | 49 |
| 359776 | 191 | 370278 | 195 | 371665 | 187 |
| 359788 | 207 | 370286 | 195 | 371669 | 129 |
| 359810 | 207 | 370287 | 195 | 371727 | 81 |
| 359813 | 207 | 370289 | 195 | 371730 | 255 |
| 359815 | 207 | 370294 | 195 | 371767 | 285 |
| 359816 | 207 | 370298 | 195 | 371819 | 215 |
| 359817 | 207 | 370329 | 217 | 371837 | 251 |
| 359818 | 207 | 370343 | 217 | 371885 | 189 |
| 359819 | 207 | 370349 | 217 | 371914 | 39 |
| 359820 | 207 | 370375 | 195 | 371960 | 253 |
| 359822 | 205 | 370425 | 189 | 372091 | 195 |
| 359845 | 159 | 370491 | 93 | 372092 | 195 |
| 359885 | 195 | 370618 | 93 | 372093 | 195 |
| 359887 | 195 | 370641 | 101 | 372094 | 195 |
| 359888 | 197 | 370644 | 171 | 372103 | 159 |
| 359889 | 197 | 370662 | 197 | 372104 | 159 |
| 359892 | 197 | 370686 | 33 | 372105 | 159 |
| 359893 | 207 | 370688 | 33 | 372119 | 81 |
| 359894 | 197 | 370699 | 61 | 372126 | 49,55 |
| 359895 | 197 | 370745 | 61 | 372229 | 9 |
| 359900 | 199 | 370746 | 61 | 372266 | 279 |

| Part Number | Page | Part Number | Page | Part Number | Page |
|-------------|------|-------------|---------|-------------|--------|
| 372268 | 279 | 373920 | 115 | 376374 | 95,103 |
| 372315 | 283 | 373936 | 271 | 376395 | 177 |
| 372378 | 277 | 373968 | 219 | 376396 | 209 |
| 372423 | 147 | 373986 | 219 | 376452 | 101 |
| 372439 | 147 | 373987 | 219 | 376466 | 181 |
| 372566 | 49 | 374002 | 219 | 376488 | 217 |
| 372576 | 163 | 374003 | 219 | 376537 | 31 |
| 372588 | 87 | 374004 | 219 | 376725 | 41 |
| 372618 | 163 | 374024 | 219 | 376726 | 41 |
| 372631 | 217 | 374027 | 95,135 | 376728 | 41 |
| 372658 | 33 | 374066 | 219 | 376729 | 41 |
| 372672 | 199 | 374101 | 115 | 376736 | 37 |
| 372674 | 187 | 374105 | 159 | 376790 | 101 |
| 372675 | 49 | 374163 | 97 | 376791 | 101 |
| 372680 | 129 | 374165 | 97 | 376873 | 67 |
| 372682 | 121 | 374200 | 97 | 376874 | 67 |
| 372696 | 199 | 374202 | 81 | 376875 | 67 |
| 372697 | 199 | 374205 | 81 | 376876 | 67 |
| 372698 | 33 | 374213 | 173 | 376877 | 67 |
| 372699 | 33 | 374357 | 35 | 376916 | 131 |
| 372704 | 195 | 374358 | 35 | 377078 | 37 |
| 372718 | 61 | 374359 | 121 | 377255 | 251 |
| 372774 | 151 | 374362 | 23 | 377356 | 151 |
| 372775 | 151 | 374373 | 31 | 377357 | 173 |
| 372791 | 87 | 374374 | 31 | 377378 | 285 |
| 372792 | 87 | 374379 | 159 | 377379 | 89 |
| 372832 | 33 | 374417 | 207 | 377422 | 295 |
| 372867 | 33 | 374494 | 95 | 377432 | 141 |
| 372869 | 87 | 374495 | 49 | 377513 | 31 |
| 372893 | 49 | 374496 | 51 | 377514 | 191 |
| 372894 | 49 | 374545 | 59 | 377584 | 141 |
| 372898 | 49 | 374756 | 183 | 377673 | 91 |
| 372912 | 97 | 374787 | 57 | 377699 | 91 |
| 372959 | 207 | 374788 | 57 | 377742 | 261 |
| 372960 | 207 | 374789 | 57 | 377743 | 261 |
| 372964 | 199 | 374790 | 57 | 377744 | 261 |
| 372965 | 207 | 374837 | 81 | 377760 | 189 |
| 372966 | 207 | 374840 | 81 | 377812 | 295 |
| 372999 | 151 | 374978 | 57 | 377819 | 295 |
| 373124 | 33 | 374979 | 57 | 378035 | 161 |
| 373129 | 33 | 375031 | 95 | 378052 | 295 |
| 373130 | 33 | 375252 | 49 | 378116 | 295 |
| 373152 | 33 | 375272 | 97 | 378134 | 173 |
| 373177 | 209 | 375276 | 101 | 378135 | 175 |
| 373183 | 141 | 375283 | 117 | 378354 | 97 |
| 373187 | 57 | 375284 | 117 | 378396 | 37 |
| 373220 | 31 | 375562 | 101,113 | 378694 | 175 |
| 373227 | 197 | 375563 | 101 | 378849 | 55 |
| 373302 | 91 | 375659 | 47 | 378973 | 55 |
| 373304 | 91 | 375661 | 47 | 379457 | 57 |
| 373403 | 95 | 376040 | 127 | 379509 | 55 |
| 373422 | 49 | 376074 | 39 | 379559 | 81 |
| 373476 | 55 | 376075 | 39 | 380162 | 49 |
| 373523 | 89 | 376175 | 185 | 380176 | 217 |
| 373582 | 171 | 376177 | 163 | 380447 | 91 |
| 373694 | 93 | 376178 | 179 | 380660 | 161 |
| 373747 | 219 | 376179 | 179 | 380661 | 39 |
| 373749 | 219 | 376180 | 179 | 380691 | 39 |
| 373819 | 39 | 376182 | 181 | 380708 | 177 |
| 373890 | 89 | 376184 | 187 | 380780 | 95,143 |
| 373906 | 219 | 376187 | 181 | 380812 | 39 |
| 373907 | 219 | 376191 | 283 | 380993 | 27 |

| Part Number | Page | Part Number | Page | Part Number | Page |
|-------------|---------|-------------|------|-------------|------|
| 381027 | 81 | 384136 | 289 | 386084FI | 261 |
| 381028 | 81 | 384141 | 285 | 386084FR | 261 |
| 381029 | 141 | 384143 | 285 | 386084GR | 261 |
| 381239 | 281 | 384144 | 285 | 386084IS | 261 |
| 381240 | 281 | 384145 | 285 | 386084IT | 261 |
| 381241 | 281 | 384147 | 285 | 386084NL | 261 |
| 381242 | 281 | 384176 | 289 | 386084NO | 261 |
| 381400 | 199 | 384397 | 81 | 386084PT | 261 |
| 381403 | 199 | 384498 | 27 | 386084SE | 261 |
| 381556 | 191 | 384589 | 287 | 386128 | 201 |
| 381561 | 169 | 384672 | 285 | 386272 | 81 |
| 381619 | 59 | 384673 | 285 | 386352 | 81 |
| 381665 | 61 | 384674 | 285 | 386530 | 285 |
| 381666 | 61 | 384775 | 63 | 386994 | 49 |
| 381675 | 49 | 384820 | 71 | 387087 | 49 |
| 381676 | 209 | 384835 | 289 | 387487 | 49 |
| 381886 | 71 | 384877 | 285 | 387497 | 189 |
| 381893 | 155 | 384878 | 239 | 387498 | 189 |
| 382057 | 99 | 384879 | 285 | 387690 | 41 |
| 382113 | 97 | 384880 | 239 | 387693 | 41 |
| 382118 | 89 | 384897 | 289 | 387981 | 295 |
| 382153 | 97 | 384907 | 33 | 387982 | 295 |
| 382157 | 61 | 384927 | 239 | 387988 | 295 |
| 382213 | 213 | 384954 | 291 | 388026 | 51 |
| 382225 | 213 | 384958 | 291 | 388340 | 41 |
| 382232 | 97 | 385163 | 285 | 388344 | 41 |
| 382266 | 151 | 385264 | 179 | 388345 | 41 |
| 382267 | 151 | 385339 | 59 | 388355 | 41 |
| 382337 | 59 | 385340 | 271 | 388470 | 285 |
| 382349 | 213 | 385406 | 189 | 388483 | 37 |
| 382351 | 87 | 385442 | 237 | 388488 | 37 |
| 382418 | 117 | 385538 | 117 | 388490 | 41 |
| 382425 | 63 | 385574 | 285 | 388502 | 87 |
| 382586 | 63 | 385575 | 285 | 388522 | 295 |
| 382639 | 71 | 385576 | 289 | 388561 | 295 |
| 382699 | 291 | 385577 | 289 | 388646 | 37 |
| 382700 | 291 | 385588 | 289 | 388647 | 41 |
| 382701 | 291 | 385589 | 289 | 388648 | 37 |
| 382702 | 291 | 385590 | 289 | 388775 | 295 |
| 382751 | 261 | 385735 | 223 | 389111 | 295 |
| 382752 | 63 | 385736 | 245 | 389170 | 213 |
| 382776 | 63 | 385766 | 285 | 389175 | 213 |
| 382782 | 173 | 385769 | 237 | 389177 | 213 |
| 382838 | 155 | 385905 | 285 | 389184 | 213 |
| 382915 | 71 | 385906 | 285 | 389195 | 285 |
| 383002 | 291 | 385907 | 289 | 389577 | 187 |
| 383200 | 201 | 385908 | 285 | 390615 | 67 |
| 383408 | 39 | 385909 | 285 | 390616 | 67 |
| 383424 | 285 | 385932 | 197 | 390619 | 67 |
| 383436 | 31 | 385940 | 285 | 390809 | 41 |
| 383460 | 121 | 385994 | 211 | 413074 | 285 |
| 383462 | 121 | 386002 | 211 | 416004 | 205 |
| 383697 | 63 | 386003 | 211 | 416034 | 213 |
| 383705 | 195 | 386037 | 33 | 433830401 | 97 |
| 383898 | 217 | 386055 | 285 | 450122 | 25 |
| 383900 | 217 | 386058 | 91 | 465013 | 209 |
| 383945 | 39 | 386084BR | 261 | 470021 | 151 |
| 383946 | 39 | 386084CN | 261 | 475064 | 33 |
| 384038 | 157 | 386084DE | 261 | 476019 | 273 |
| 384055 | 157 | 386084DK | 261 | 480446 | 137 |
| 384100 | 151 | 386084EN | 261 | 480447 | 137 |
| 384133 | 239,289 | 386084ES | 261 | 480449 | 137 |

| Part Number | Page | Part Number | Page | Part Number | Page |
|-------------|------------|-------------|------|-------------|---------|
| 480450 | 137 | 500013 | 49 | 500239 | 151 |
| 480457 | 137 | 500015 | 33 | 500240 | 41 |
| 480468 | 137 | 500016 | 63 | 500267 | 41 |
| 481131 | 105,111 | 500019 | 81 | 500269 | 31 |
| 482064 | 141 | 500020 | 67 | 500274 | 87 |
| 482182 | 99 | 500021 | 49 | 500292 | 285 |
| 482257 | 129 | 500022 | 51 | 502036 | 127 |
| 482472 | 141 | 500023 | 209 | 502037 | 97 |
| 482473 | 127 | 500024 | 49 | 502047 | 117 |
| 482511 | 279 | 500028 | 33 | 503016 | 173 |
| 482782 | 147 | 500029 | 89 | 508001 | 233 |
| 482905 | 117 | 500030 | 33 | 508020 | 157 |
| 482917 | 127 | 500031 | 35 | 508042 | 47 |
| 482918 | 127 | 500037 | 47 | 508056 | 191 |
| 482940 | 141 | 500040 | 33 | 508084 | 81 |
| 482955 | 97 | 500041 | 71 | 508092 | 209 |
| 482968 | 117 | 500043 | 33 | 508095 | 87 |
| 482982 | 117 | 500044 | 187 | 508096 | 87 |
| 482990 | 127 | 500046 | 41 | 513003 | 207 |
| 482992 | 129 | 500047 | 49 | 513008 | 33 |
| 482993 | 129 | 500048 | 91 | 513012 | 59 |
| 482995 | 127 | 500049 | 37 | 513013 | 195 |
| 483020 | 279 | 500050 | 87 | 513014 | 101 |
| 483046 | 279 | 500053 | 33 | 513025 | 233,235 |
| 483047 | 279 | 500055 | 31 | 513027 | 295 |
| 483048 | 279 | 500056 | 37 | 513028 | 33 |
| 483071 | 97 | 500060 | 151 | 516051 | 199 |
| 483140 | 117 | 500061 | 127 | 527002 | 81 |
| 483141 | 117 | 500068 | 141 | 533010 | 209 |
| 483153 | 117 | 500070 | 81 | 533024 | 205 |
| 483231 | 141 | 500074 | 31 | 533030 | 179 |
| 483234 | 115 | 500075 | 39 | 533038 | 179 |
| 483235 | 115 | 500076 | 81 | 533050 | 191 |
| 483237 | 101 | 500077 | 97 | 535003 | 283 |
| 483239 | 101 | 500085 | 31 | 535005 | 223 |
| 483240 | 117 | 500086 | 177 | 535053 | 49 |
| 483241 | 117 | 500091 | 99 | 541535 | 223 |
| 483244 | 147 | 500093 | 81 | 541702 | 181 |
| 483245 | 147 | 500104 | 31 | 541703 | 189 |
| 483246 | 117 | 500105 | 151 | 570002 | 177 |
| 483322 | 97 | 500109 | 39 | 570004 | 33 |
| 483372 | 97 | 500111 | 31 | 570005 | 51 |
| 483409 | 117 | 500117 | 277 | 570006 | 35 |
| 483411 | 141 | 500122 | 87 | 570007 | 147 |
| 483484 | 97 | 500133 | 43 | 570008 | 59 |
| 483486 | 97 | 500134 | 277 | 570019 | 209 |
| 483493 | 97 | 500153 | 219 | 573004 | 209 |
| 483513 | 141 | 500161 | 45 | 573008 | 207 |
| 483698 | 131 | 500169 | 205 | 586001 | 151 |
| 483699 | 141 | 500170 | 217 | 586002 | 33 |
| 483800 | 117 | 500175 | 31 | 586003 | 49 |
| 483802 | 117 | 500180 | 217 | 586018 | 39 |
| 483905 | 97 | 500186 | 211 | 586019 | 35 |
| 499266 | 89 | 500189 | 219 | 586021 | 41 |
| 499444 | 63 | 500191 | 31 | 586022 | 195 |
| 500001 | 205 | 500194 | 97 | 600002 | 173 |
| 500002 | 65 | 500195 | 39 | 600004 | 197 |
| 500003 | 41 | 500196 | 277 | 600006 | 215 |
| 500004 | 115 | 500197 | 277 | 600008 | 33 |
| 500006 | 179 | 500198 | 209 | 600011 | 81 |
| 500012 | 49,229,231 | 500228 | 195 | 600014 | 195 |
| | 233 | 500238 | 295 | 600016 | 139 |

| Part Number | Page | Part Number | Page | Part Number | Page |
|-------------|----------|-------------|---------|-------------|------|
| 601001 | 179 | 813443 | 127 | 902520 | 49 |
| 603001 | 199 | 813444 | 121 | 902528 | 177 |
| 603009 | 129 | 813500 | 279 | 902566 | 295 |
| 603012 | 35 | 813618 | 109 | 902610 | 293 |
| 603019 | 195 | 813791 | 89 | 902843 | 87 |
| 603023 | 33 | 814071 | 65 | 902861 | 137 |
| 615041 | 205 | 843317 | 261 | 902862 | 137 |
| 615076 | 33 | 892446 | 127 | 902866 | 33 |
| 624004 | 197 | 900455 | 117 | 902882 | 125 |
| 624005 | 261 | 900528 | 177 | 902916 | 59 |
| 624011 | 273 | 900569 | 33 | 902917 | 59 |
| 624017 | 261 | 900775 | 81 | 902918 | 59 |
| 629066 | 255 | 900790 | 179 | 902928 | 105 |
| 630008 | 207 | 900798 | 151 | 902937 | 123 |
| 630019 | 141 | 900904 | 189 | 902940 | 111 |
| 630035 | 207 | 900998 | 253 | 902959 | 109 |
| 635061 | 31 | 900999 | 253 | 902977 | 111 |
| 747691 | 87 | 901155 | 101 | 903082 | 127 |
| 791077 | 157 | 901182 | 179 | 903241 | 151 |
| 791125 | 65,69,73 | 901183 | 179 | 903290 | 31 |
| 791126 | 65 | 901191 | 71 | 903320 | 87 |
| 791127 | 63 | 901209 | 189 | 903340 | 49 |
| 791128 | 65 | 901224 | 173 | 903341 | 49 |
| 791130 | 63 | 901225 | 173 | 903342 | 59 |
| 791134 | 63 | 901226 | 157 | 903344 | 49 |
| 791135 | 65 | 901227 | 173 | 903422 | 141 |
| 791166 | 189 | 901228 | 173 | 903423 | 261 |
| 791172 | 285 | 901229 | 173 | 903424 | 261 |
| 791226 | 195 | 901240 | 173 | 903425 | 261 |
| 791253 | 177 | 901256 | 173 | 903436 | 159 |
| 791276 | 263 | 901298 | 63 | 903459 | 115 |
| 791279 | 263 | 901301 | 101 | 903523 | 59 |
| 791304 | 33 | 901315 | 223,247 | 903524 | 101 |
| 791312 | 211 | 901369 | 179 | 903540 | 63 |
| 791313 | 211 | 901431 | 63 | 903546 | 81 |
| 791314 | 211 | 901453 | 105 | 903582 | 191 |
| 791389 | 179 | 901454 | 105 | 903599 | 159 |
| 791401 | 97 | 901463 | 109 | 903600 | 159 |
| 791409 | 97 | 901718 | 105 | 903601 | 159 |
| 791414 | 97 | 901720 | 105 | 903602 | 159 |
| 791431 | 91 | 901721 | 105 | 903619 | 139 |
| 791489 | 161 | 901722 | 105 | 903625 | 173 |
| 791594 | 295 | 901725 | 107 | 903626 | 63 |
| 791642 | 261 | 901727 | 107 | 903627 | 173 |
| 791665 | 285 | 901728 | 107 | 903631 | 151 |
| 791709 | 33 | 901765 | 189 | 903653 | 159 |
| 791746 | 117 | 901766 | 151 | 903657 | 161 |
| 791755 | 41 | 901767 | 49 | 903658 | 159 |
| 791847 | 97 | 901832 | 287 | 903678 | 159 |
| 791916 | 183 | 902064 | 179 | 903683 | 91 |
| 791933 | 81 | 902066 | 179 | 903684 | 91 |
| 791963 | 37 | 902166 | 33 | 903685 | 91 |
| 791967 | 257 | 902173 | 285 | 903716 | 169 |
| 791968 | 257 | 902203 | 209 | 903731 | 197 |
| 791969 | 87 | 902223 | 59 | 903733 | 33 |
| 791974 | 67 | 902227 | 179 | 903736 | 217 |
| 791977 | 67 | 902284 | 49 | 903741 | 173 |
| 792129 | 41 | 902285 | 127 | 903744 | 35 |
| 792274 | 91 | 902286 | 127 | 903769 | 65 |
| 801198 | 101 | 902287 | 219 | 903773 | 129 |
| 801781 | 141 | 902379 | 117 | 903774 | 99 |
| 813316 | 127 | 902508 | 251 | 903782 | 233 |

| Part Number | Page | Part Number | Page | Part Number | Page |
|-------------|-------|-------------|------|-------------|------|
| 903792 | 217 | 904206 | 61 | 904907 | 295 |
| 903799 | 209 | 904207 | 159 | 904908 | 295 |
| 903802 | 233 | 904208 | 159 | 904909 | 295 |
| 903803 | 251 | 904209 | 55 | 904913 | 59 |
| 903805 | 233 | 904211 | 91 | 904914 | 59 |
| 903808 | 223 | 904213 | 97 | 904939 | 257 |
| 903812 | 129 | 904214 | 285 | 904984 | 91 |
| 903813 | 141 | 904228 | 33 | 904985 | 91 |
| 903824 | 189 | 904229 | 49 | 904989 | 173 |
| 903831 | 129 | 904230 | 31 | 908110 | 173 |
| 903838 | 81,83 | 904231 | 31 | 908184 | 205 |
| 903844 | 31 | 904232 | 31 | 908187 | 205 |
| 903852 | 291 | 904233 | 31 | 908189 | 205 |
| 903856 | 49 | 904234 | 217 | 908190 | 205 |
| 903857 | 49 | 904281 | 71 | 908193 | 209 |
| 903875 | 161 | 904287 | 219 | 908200 | 209 |
| 903876 | 161 | 904288 | 219 | 908229 | 261 |
| 903879 | 283 | 904290 | 211 | 908265 | 255 |
| 903886 | 65 | 904313 | 179 | 908267 | 185 |
| 903907 | 295 | 904314 | 181 | 908268 | 223 |
| 903914 | 201 | 904315 | 179 | 908269 | 229 |
| 903917 | 199 | 904316 | 179 | 908270 | 229 |
| 903918 | 199 | 904317 | 179 | 908271 | 229 |
| 903927 | 165 | 904318 | 179 | 908272 | 231 |
| 903936 | 51 | 904327 | 261 | 908273 | 231 |
| 903937 | 51 | 904330 | 31 | 908278 | 231 |
| 903938 | 9 | 904331 | 31 | 908279 | 231 |
| 903956 | 173 | 904341 | 35 | 908280 | 231 |
| 903961 | 159 | 904342 | 35 | 908281 | 229 |
| 903969 | 251 | 904343 | 35 | 908282 | 229 |
| 903970 | 175 | 904357 | 31 | 908284 | 233 |
| 903989 | 97 | 904405 | 59 | 908287 | 233 |
| 904004 | 97 | 904556 | 33 | 908295 | 87 |
| 904010 | 97 | 904557 | 33 | 908354 | 233 |
| 904015 | 157 | 904563 | 285 | 908355 | 255 |
| 904016 | 165 | 904567 | 127 | 908356 | 251 |
| 904031 | 155 | 904586 | 101 | 908357 | 251 |
| 904032 | 151 | 904588 | 283 | 908358 | 251 |
| 904036 | 151 | 904597 | 177 | 908359 | 185 |
| 904037 | 151 | 904619 | 217 | 908361 | 255 |
| 904038 | 181 | 904637 | 89 | 908362 | 231 |
| 904039 | 179 | 904639 | 33 | 908363 | 229 |
| 904041 | 155 | 904640 | 97 | 908364 | 229 |
| 904044 | 151 | 904653 | 295 | 908378 | 105 |
| 904051 | 147 | 904663 | 27 | 908399 | 89 |
| 904056 | 101 | 904697 | 191 | 908400 | 13 |
| 904059 | 89 | 904698 | 65 | 908401 | 13 |
| 904060 | 89 | 904703 | 31 | 908428 | 109 |
| 904069 | 261 | 904704 | 177 | 908432 | 105 |
| 904076 | 53 | 904707 | 91 | 908445 | 107 |
| 904083 | 277 | 904718 | 33 | 908448 | 107 |
| 904092 | 261 | 904726 | 117 | 908449 | 107 |
| 904104 | 89 | 904734 | 49 | 908452 | 89 |
| 904110 | 97 | 904735 | 49 | 908454 | 103 |
| 904115 | 129 | 904835 | 261 | 908455 | 109 |
| 904116 | 63 | 904845 | 99 | 908457 | 111 |
| 904138 | 147 | 904870 | 261 | 908496 | 229 |
| 904143 | 139 | 904871 | 141 | 908497 | 223 |
| 904145 | 139 | 904872 | 141 | 908500 | 223 |
| 904164 | 145 | 904878 | 63 | 908503 | 223 |
| 904165 | 285 | 904901 | 59 | 908504 | 223 |
| 904180 | 217 | 904906 | 291 | 908505 | 223 |

| Part Number | Page | Part Number | Page | Part Number | Page |
|-------------|---------|-------------|------|-------------|------|
| 908506 | 223 | 908606 | 241 | 909303 | 277 |
| 908507 | 223 | 908608 | 241 | 909304 | 277 |
| 908509 | 223 | 908610 | 241 | 909305 | 277 |
| 908510 | 223 | 908611 | 241 | 909306 | 277 |
| 908511 | 223 | 908613 | 241 | 909307 | 277 |
| 908512 | 223 | 908614 | 241 | 909308 | 277 |
| 908515 | 223 | 908617 | 241 | 909309 | 277 |
| 908529 | 227,249 | 908618 | 241 | 909310 | 277 |
| 908530 | 227 | 908623 | 251 | 909311 | 277 |
| 908531 | 227 | 908624 | 251 | 909312 | 277 |
| 908532 | 227 | 908625 | 255 | 909313 | 277 |
| 908535 | 227 | 908626 | 255 | 909344 | 111 |
| 908536 | 227 | 908627 | 255 | 909349 | 105 |
| 908537 | 227 | 908764 | 225 | 909367 | 107 |
| 908539 | 227 | 908771 | 111 | 909369 | 87 |
| 908540 | 227 | 908772 | 111 | 909373 | 105 |
| 908541 | 227 | 908773 | 107 | 909374 | 105 |
| 908542 | 227 | 908774 | 111 | 909375 | 105 |
| 908544 | 227 | 908787 | 277 | 909376 | 105 |
| 908545 | 233 | 908993 | 225 | 909377 | 105 |
| 908546 | 225 | 909122 | 209 | 909378 | 105 |
| 908548 | 225 | 909152 | 187 | 909379 | 105 |
| 908549 | 225 | 909201 | 123 | 909380 | 105 |
| 908550 | 225 | 909202 | 123 | 909381 | 105 |
| 908551 | 225 | 909203 | 123 | 909382 | 105 |
| 908553 | 225 | 909204 | 123 | 909384 | 105 |
| 908556 | 225 | 909205 | 123 | 909385 | 105 |
| 908557 | 225 | 909206 | 123 | 909386 | 105 |
| 908558 | 231 | 909207 | 123 | 909387 | 105 |
| 908559 | 229 | 909208 | 123 | 909388 | 105 |
| 908560 | 229 | 909211 | 137 | 909389 | 105 |
| 908561 | 229 | 909212 | 137 | 909390 | 105 |
| 908562 | 231 | 909213 | 137 | 909391 | 105 |
| 908563 | 229 | 909214 | 137 | 909393 | 105 |
| 908564 | 229 | 909215 | 111 | 909395 | 105 |
| 908565 | 229 | 909216 | 123 | 909396 | 105 |
| 908566 | 233 | 909217 | 123 | 909397 | 105 |
| 908567 | 233 | 909230 | 119 | 909398 | 105 |
| 908568 | 233 | 909237 | 277 | 909399 | 105 |
| 908569 | 233 | 909238 | 111 | 909401 | 105 |
| 908570 | 233 | 909243 | 109 | 909402 | 105 |
| 908571 | 233 | 909256 | 107 | 909403 | 105 |
| 908572 | 233 | 909257 | 107 | 909404 | 105 |
| 908573 | 233 | 909274 | 277 | 909405 | 105 |
| 908574 | 233 | 909275 | 277 | 909406 | 105 |
| 908575 | 233 | 909276 | 277 | 909408 | 105 |
| 908576 | 233 | 909277 | 277 | 909409 | 105 |
| 908577 | 233 | 909278 | 277 | 909410 | 105 |
| 908578 | 233 | 909279 | 277 | 909411 | 107 |
| 908579 | 233 | 909280 | 277 | 909412 | 109 |
| 908580 | 233 | 909281 | 277 | 909413 | 109 |
| 908581 | 233 | 909288 | 277 | 909414 | 107 |
| 908582 | 233 | 909289 | 277 | 909415 | 109 |
| 908583 | 233 | 909290 | 277 | 909416 | 107 |
| 908584 | 233 | 909291 | 277 | 909417 | 109 |
| 908598 | 237 | 909292 | 277 | 909422 | 107 |
| 908599 | 237 | 909293 | 277 | 909424 | 107 |
| 908600 | 237 | 909294 | 277 | 909425 | 107 |
| 908602 | 241 | 909298 | 277 | 909426 | 107 |
| 908603 | 241 | 909299 | 277 | 909428 | 107 |
| 908604 | 241 | 909301 | 277 | 909429 | 107 |
| 908605 | 241 | 909302 | 277 | 909430 | 107 |

| Part Number | Page | Part Number | Page | Part Number | Page |
|-------------|------|-------------|------|-------------|------|
| 909431 | 107 | 923680 | 63 | 932056 | 169 |
| 909432 | 107 | 923681 | 63 | 932057 | 169 |
| 909433 | 107 | 923684 | 63 | 932058 | 161 |
| 909434 | 107 | 923734 | 63 | 932059 | 169 |
| 909435 | 107 | 923735 | 63 | 935229 | 203 |
| 909436 | 107 | 923859 | 63 | 935230 | 203 |
| 909438 | 111 | 923876 | 63 | 935231 | 203 |
| 909439 | 111 | 923962 | 63 | 935232 | 203 |
| 909440 | 111 | 923976 | 173 | 935233 | 203 |
| 909442 | 111 | 924544 | 59 | 935234 | 203 |
| 909445 | 111 | 924585 | 97 | 935235 | 203 |
| 909446 | 107 | 924731 | 127 | 935236 | 203 |
| 909447 | 111 | 924823 | 197 | 935237 | 203 |
| 909448 | 111 | 924996 | 63 | 935238 | 203 |
| 909449 | 111 | 925208 | 31 | 935239 | 203 |
| 909450 | 111 | 925599 | 59 | 935240 | 203 |
| 909465 | 277 | 925713 | 171 | 935241 | 203 |
| 909466 | 277 | 925723 | 147 | 935242 | 203 |
| 909467 | 277 | 925762 | 141 | 935243 | 203 |
| 909471 | 111 | 925802 | 91 | 935244 | 233 |
| 909472 | 111 | 925958 | 283 | 935339 | 87 |
| 909473 | 111 | 926214 | 27 | 935589 | 223 |
| 909475 | 111 | 926220 | 207 | 935613 | 199 |
| 909476 | 111 | 926611 | 151 | 935614 | 199 |
| 909477 | 111 | 926736 | 81 | 935771 | 205 |
| 909485 | 111 | 926985 | 33 | 935772 | 205 |
| 909510 | 223 | 926989 | 171 | 935773 | 205 |
| 909535 | 199 | 927233 | 33 | 935780 | 125 |
| 909536 | 199 | 927510 | 111 | 935781 | 125 |
| 909638 | 111 | 928021 | 151 | 935782 | 125 |
| 909641 | 107 | 928041 | 33 | 935783 | 125 |
| 909642 | 107 | 928381 | 39 | 936004 | 277 |
| 909643 | 107 | 928445 | 81 | 936005 | 277 |
| 909644 | 111 | 928467 | 59 | 936006 | 277 |
| 909652 | 107 | 928483 | 281 | 936147 | 87 |
| 909745 | 205 | 928497 | 209 | 936267 | 139 |
| 909746 | 205 | 928502 | 179 | 936268 | 139 |
| 909747 | 209 | 928784 | 61 | 936277 | 223 |
| 909748 | 209 | 928849 | 271 | 936283 | 199 |
| 909749 | 209 | 928850 | 31 | 936553 | 105 |
| 909750 | 209 | 929012 | 137 | 936897 | 233 |
| 909751 | 209 | 929013 | 137 | 937056 | 233 |
| 910161 | 97 | 929014 | 137 | 937106 | 179 |
| 910706 | 111 | 929023 | 151 | 937107 | 179 |
| 910995 | 47 | 929122 | 127 | 937108 | 179 |
| 911456 | 169 | 929191 | 65 | 937109 | 179 |
| 911620 | 137 | 929226 | 97 | 937136 | 105 |
| 921031 | 181 | 929322 | 9 | 937138 | 105 |
| 921036 | 285 | 929419 | 71 | 937139 | 107 |
| 921039 | 181 | 929447 | 19 | 937165 | 257 |
| 921047 | 71 | 929455 | 179 | 937395 | 225 |
| 921063 | 87 | 929863 | 27 | 937397 | 225 |
| 921065 | 295 | 930046 | 191 | 937398 | 225 |
| 921080 | 91 | 930150 | 151 | 937399 | 225 |
| 921104 | 151 | 930151 | 295 | 937400 | 225 |
| 921119 | 129 | 930154 | 161 | 937402 | 225 |
| 921132 | 87 | 930161 | 169 | 937403 | 225 |
| 922325 | 209 | 930163 | 161 | 937405 | 225 |
| 923087 | 105 | 930166 | 169 | 937406 | 233 |
| 923253 | 49 | 930192 | 169 | 937407 | 233 |
| 923378 | 127 | 930200 | 177 | 937408 | 233 |
| 923405 | 97 | 932032 | 177 | 937620 | 201 |

| Part Number | Page | Part Number | Page | Part Number | Page |
|-------------|------|-------------|------|-------------|------|
| 937621 | 201 | 938784 | 239 | 938949 | 239 |
| 937800 | 143 | 938787 | 289 | 938950 | 239 |
| 937801 | 143 | 938788 | 239 | 938951 | 239 |
| 937802 | 143 | 938789 | 239 | 938952 | 239 |
| 937803 | 143 | 938790 | 239 | 938953 | 239 |
| 937804 | 143 | 938806 | 227 | 938954 | 239 |
| 937806 | 143 | 938807 | 227 | 938955 | 239 |
| 937807 | 143 | 938808 | 227 | 939469 | 233 |
| 937808 | 143 | 938809 | 227 | 939478 | 87 |
| 937809 | 143 | 938810 | 227 | 939515 | 9,11 |
| 937810 | 143 | 938811 | 227 | 939710 | 49 |
| 937813 | 135 | 938812 | 227 | 939711 | 49 |
| 937892 | 201 | 938813 | 227 | 939837 | 87 |
| 937932 | 225 | 938814 | 249 | 939838 | 87 |
| 937958 | 205 | 938815 | 249 | 939839 | 87 |
| 938029 | 241 | 938816 | 249 | 939840 | 87 |
| 938080 | 101 | 938817 | 249 | 939958 | 151 |
| 938263 | 277 | 938818 | 249 | 940222 | 87 |
| 938306 | 63 | 938834 | 225 | 940235 | 13 |
| 938307 | 63 | 938835 | 225 | 940237 | 7 |
| 938558 | 17 | 938836 | 225 | 940238 | 7 |
| 938565 | 225 | 938837 | 225 | 940239 | 7 |
| 938566 | 225 | 938838 | 225 | 940259 | 91 |
| 938567 | 225 | 938839 | 247 | 940389 | 235 |
| 938597 | 287 | 938840 | 247 | 940391 | 235 |
| 938598 | 287 | 938841 | 247 | 940392 | 235 |
| 938599 | 287 | 938842 | 223 | 940394 | 235 |
| 938600 | 287 | 938843 | 223 | 940395 | 235 |
| 938602 | 287 | 938844 | 223 | 940848 | 223 |
| 938603 | 287 | 938845 | 223 | 940849 | 223 |
| 938608 | 239 | 938846 | 223 | 940980 | 87 |
| 938611 | 239 | 938847 | 223 | 945227 | 53 |
| 938612 | 247 | 938848 | 245 | 945228 | 53 |
| 938613 | 247 | 938850 | 245 | 945229 | 53 |
| 938614 | 247 | 938851 | 245 | 945230 | 53 |
| 938615 | 247 | 938852 | 245 | 945231 | 53 |
| 938616 | 247 | 938853 | 241 | 945264 | 235 |
| 938619 | 289 | 938854 | 241 | 945265 | 235 |
| 938620 | 239 | 938855 | 241 | 945266 | 235 |
| 938622 | 239 | 938856 | 241 | 947689 | 271 |
| 938623 | 289 | 938864 | 239 | 947693 | 285 |
| 938624 | 289 | 938865 | 239 | 960273 | 151 |
| 938631 | 289 | 938867 | 239 | 960275 | 151 |
| 938632 | 239 | 938871 | 237 | 960792 | 177 |
| 938634 | 239 | 938872 | 237 | 985012 | 161 |
| 938636 | 239 | 938873 | 237 | 985013 | 179 |
| 938637 | 289 | 938874 | 237 | 985014 | 179 |
| 938638 | 239 | 938880 | 17 | 985051 | 223 |
| 938643 | 289 | 938891 | 17 | 989151 | 127 |
| 938644 | 239 | 938901 | 17 | 991657 | 261 |
| 938647 | 239 | 938917 | 17 | 991658 | 261 |
| 938660 | 223 | 938938 | 239 | 999027 | 151 |
| 938676 | 223 | 938939 | 239 | | |
| 938677 | 227 | 938940 | 239 | | |
| 938678 | 223 | 938941 | 239 | | |
| 938679 | 223 | 938942 | 239 | | |
| 938687 | 241 | 938943 | 239 | | |
| 938691 | 237 | 938944 | 239 | | |
| 938779 | 239 | 938945 | 239 | | |
| 938780 | 239 | 938946 | 239 | | |
| 938781 | 239 | 938947 | 239 | | |
| 938783 | 239 | 938948 | 239 | | |

