

# Spare Parts Catalogue

## SCC424HF-2EN2

Valid from roller serial number:  
**10000320x0A000001 -**



*Diesel engines:*  
**Cummins QSB 4.5**

*Published catalogue issues valid for these rollers:*

<i>Catalogue</i>	<i>Issue date</i>	<i>Valid for serial numbers</i>
SCC424HF-2EN1	2010-03	Replaced by issue: SCC424HF-2EN2
SCC424HF-2EN2	2010-10	<b>10000320x0A000001 -</b>



**RESERVDLSBESTÄLLNING**

Följande uppgifter ska lämnas vid beställning av reservdelar för att undvika leveransfel:

1. Maskintyp.
2. Vältens serienummer.
3. Antal av önskad reservdel.
4. Reserdelens artikelnummer.
5. Reservdelens benämning.
6. Måttuppgifter vid beställning av metervara.

**ORDERING SPARE PARTS**

To avoid errors in delivery, please give the following information when ordering spare parts:

1. Type of machine.
2. Roller serial number.
3. Quantity required.
4. Part number.
5. Parts denomination.
6. Dimensions when ordering per length.

**ERSATZTEILBESTELLUNG**

Zur Vermeidung von Fehllieferungen sind bei der Bestellung von Ersatzteilen folgende Angaben zu machen:

1. Maschinentyp.
2. Herstellungsnummer.
3. Bestellmenge. (Quantity)
4. Ersatzteilnummer. (Part N°)
5. Ersatzteilbenennung. (Denomination)
6. Massangaben bei Bestellung von Meterware.

**ORDINI DI RICAMBI**

Per evitare errori nelle consegne di ricambi, Vi preghiamo di comunicarci le seguenti informazioni al momento dell'ordinazione:

1. Tipo di macchina.
2. Numero di serie della macchina.
3. Quantità dei pezzi desiderati. (Quantity)
4. Numero di codice del pezzo. (Part N°)
5. Descrizione del pezzo di ricambio. (Denomination)
6. Misura, in caso di ordine per metro.

**PEDIDO DE RECAMBIOS**

Para evitar errores en las entregas, deberán indicarse los siguientes datos al hacer un pedido de recambios:

1. Tipo de máquina.
2. Número de serie.
3. Cantidad de piezas deseadas. (Quantity)
4. Número de artículo de la pieza de recambio. (Part N°)
5. Denominación de la pieza. (Denomination)
6. Indíquese la medida al solicitar un artículo que se expide por metros.

**COMMANDE DE PIÉCES DE RECHANGE**

Les indications suivantes doivent être fournies lors de la commande de pièces de rechange, afin d'éviter toute erreur de livraison:

1. Type de machine.
2. Numéro de série.
3. Quantité désirée de pièce de rechange. (Quantity)
4. Numéro de la pièce de rechange. (Part N°)
5. Dénomination de la pièce de rechange. (Denomination)
6. Longueur en cas de commande au mètre.

**YOUR AGENT/DEALER:**

## Text pages

The text pages is structured as the picture on the right.

1. This is the remarks for specific items and the descriptions of the remarks is at the bottom of the parts list.

2. Parts indicated by a dot and moved to the right are included when buying the assembled unit above.

3. Spare parts Class code for a specific part.  
 "A" = 3 or more units/year,  
 "B" = 2 or more units/year,  
 "C" = 1 or more units/year,  
 "D" = at least 1 unit/year.

DYNAPAC Part of the Atlas Copco Group		Dynapac Compaction Equipment AB		
Engine cover, left				
Item	Part No	Rem Qty	Description	Code
	4700396684	1	Engine cover, cpl	
1	4700396607	1	. Cover	③
2	4700902866	1	. Lock	②
	4700902866	1	. Key Marked "455"	A
3	4700624020	4	. Blind rivet	
4	4700379976	①	1	
	4700379976	1	. Cover	
5	4700792325	10	. Blind rivet	
7	4700202057	B	1XL	D
8	4700902166	C	1XL	D
9	4700903953	D	1XL	D
	4700903953	1	. Edge trim	
11	4700390365	1	. Spacer	
12	4700924875	2	. Screw	
13	4700904228	2	. Washer 6,4x12x1,5	C
14	4700586002	2	. Lock nut M6 -8	C
15	4700390545	1	. Strap	
16	4700904735	1	. Washer	C
17	4700500059	1	. Screw	

① B) L=0.625m  
 C) L=0.6m  
 D) L=1.2m

## Changes

PARTS INFO	SERVICE INFO	GROUP	PAGE	NOTES

## Notes

---

---

---

---

---

---

---

---

---

---

---



## PÄRMETIKETT

För att undvika fel vid reservdelsbeställning finns här nedan två etiketter som passar i fickorna på pärmarnas ryggar. På dessa kan man se från vilket vältnummer av aktuell maskin reservdelskatalogen gäller. Gör så här:

1. Tag denna sida ur pärmen.
2. Klipp ut etiketten till **VÄNSTER** (1) och sätt in den i fickan på **DENNA** pärmens rygg.
3. Finns det en etikett till **HÖGER** (2), kan denna användas på pärmen för **FÖREGÅENDE** utgåva av denna katalog.
4. Kasta detta papper.

## KATALOG-BESCHRIFTUNG

Zur Vermeidung von Fehlern bei der Ersatzteilbestellung benutzen Sie bitte die unteren Beschriftungen, um die Kataloge auf der Rückseite zu kennzeichnen. Auf der Beschriftung ist angegeben, für welche Maschinennummern der jeweilige Katalog gültig ist. Ablauf:

1. Nehmen Sie dieses Blatt aus dem Katalog.
2. Schneiden Sie die **LINKE** Beschriftung (1) aus. Schieben Sie die Beschriftung in die tasche auf **DEM** Katalogrücke.
3. Sollte die Beschriftung unten **RECHTS** (2) mitgeliefert werden, kennzeichnen Sie damit bitte die **ÄLTERE** Ausführung dieses Kataloges.
4. Den Rest dieses Blattes bitte vernichten.

## ETIQUETA PARALA CARPETA

Para evitar errores al pedir repuestos utilicen las etiquetas abajo descritas para identificar los catálogos en la parte trasera de la carpeta. En la etiqueta se ven los números de referencia de la serie para la cual es válido el catálogo. Instrucciones:

1. Quitar esta página de la carpeta.
2. Corta la etiqueta **IZQUIERDA** (1) y ponerla en **ESTA** carpeta en la parte trasera.
3. Si hay una etiqueta en la parte **DERECHA** (2) se puede utilizar en la carpeta para el catálogo que **PRECEDE** a esta.
4. Tirar esta hoja.

## BINDER LABEL

To avoid errors when ordering spare parts use the labels below to identify the catalogues on the back of the binder. The label contain the serial number range for which the catalogue is valid. Do like this:

1. Remove this page from the binder.
2. Cut out the **LEFT** label (1) and put it on **THIS** binders back.
3. If there is a label to the **RIGHT** (2), it can be used on the binder for **PRECEDING** issue of this catalogue.
4. Throw away this paper.

## ETICHETTA POSTA SUL RACCOGLITORE

Per evitare errori quando ordinate pezzi di ricambio, usate le etichette in calce che servono ad identificare i cataloghi sul retro del raccoglitore. L'etichetta indica il numero di matricola delle macchine prese in considerazione nel catalogo.

1. Rimuovete questa pagina dal raccoglitore.
2. Ritagliate l'etichetta posta a **SINISTRA** (1) e ponetela sul retro **DEL** raccoglitore.
3. Se trovate anche un'etichetta sulla **DESTRA** (2), ritagliatela e ponetela sul raccoglitore relativo alla **PRECEDENTE** edizione del catalogo.
4. Distruggete questo foglio.

## ETIQUETAGE DU CATALOGUE

Afin d'éviter des erreurs lors de commandes de pièces de rechange, nous vous conseillons d'apposer les marquages ci-dessous à l'arrière du classeur, pour identifier les catalogues. Ce marquage indique les numéros de série pour lesquels le catalogue est adapté. Il convient de procéder de la façon suivante:

1. Retirez cette page du classeur.
2. Découpez l'étiquette de **GAUCHE** (1), et apposez-la à l'arrière de **CE** catalogue.
3. Si il y a une étiquette à **DROITE** (2), vous pourrez l'apposer sur le classeur de l'édition **PRECEDENTE** du catalogue.
4. Détruire cette feuille.

1.





**TABLE OF CONTENTS**

	<b>Page</b>
<b>CC424HF SN 10000320x 0A000001 -</b>	<b>2</b>
<b>Service kits</b>	<b>4</b>
4700945805 Service kit 50 h, Cummins QSB 4.5 T3	6
4700945806 Service kit 500 h, Cummins QSB 4.5 T3	8
4700945807 Service kit 1000 h, Cummins QSB 4.5 T3	10
<b>Repair kits</b>	<b>12</b>
4700945903 Eccentric shaft kit CC424HF/524HF/624HF	14
4700938891 Drum rotation kit	16
4700945908 Scraper kit CC324HF/334HF/424HF	18
4700945904 Shock absorber kit, drum CC424HF/524HF/624HF	20
Steering hitch kits	22
<b>Frame</b>	<b>24</b>
Front frame	26
Front frame	28
4700391023 Steering cylinder	30
Tank structure module	32
Tank structure module	34
4700391307 Cover	36
Hose support	38
Hitch module	40
Steering hitch	42
Filling pipe	44
Grab handle module	46
Rear frame	48
Rear frame	50
Cover, cpl	52
Engine structure, module	54
Engine structure	56
Engine cover, left	58
Engine cover, right	60
Hose support	38
Oil cooler	62
Fan	64
Noise suppression plates	66
Noise suppression, covers	68
Grab handle module	46
Sprinkler system	70
Sprinkler pump module	72
Sprinkler pump	74
Sprinkler pump	76
Sprinkler pump, backup	78
Sprinkler pump, additonal sprinkler/cocoa mat	80
Sprinkler pumps	82
Sprinkler pumps	84
Filling pipe	44
Locking device module	86
Water hoses	88
Scraper assy with nozzles	90
End frame, front	92
End frame, front	94
Frame	96

**TABLE OF CONTENTS**

	<b>Page</b>
Fork, vibration side .....	98
Fork, propulsion side .....	100
Cover plate .....	102
Hose clamp, propulsion side .....	104
Hose clamp, vibration side .....	106
Step, vibration side .....	108
Step, propulsion side .....	110
Scraper module, without nozzles .....	112
Scraper assy .....	114
4700394340 Scraper bracket, cpl .....	116
Grab handle, release .....	118
Grab handle, release .....	120
Grab handle, lift .....	122
Grab handle, lift offset/cocoa mat .....	124
Cocoa mat module .....	126
Cocoa mat assembly .....	128
Cocoa mat bracket module .....	130
Cocoa mat bracket .....	132
Process mirrors .....	134
End frame, rear .....	136
End frame, rear .....	138
End frame, rear offset .....	140
Frame .....	142
Connection block .....	144
Micro switch .....	146
4700391024 Steering cylinder .....	148
Fork, vibration side .....	98
Fork, propulsion side .....	100
Step, vibration side .....	108
Step, propulsion side .....	110
Hose clamp, propulsion side .....	104
Hose clamp, vibration side .....	106
4700394340 Scraper bracket, cpl .....	116
Scraper module, without nozzles .....	112
Scraper assy .....	114
Cover plate .....	102
Eyelet module .....	150
SMV-sign .....	152
Grab handle, release .....	118
Grab handle, release .....	120
Grab handle, lift .....	122
Grab handle, lift offset/cocoa mat .....	124
Cocoa mat module .....	126
Cocoa mat assembly .....	128
Cocoa mat bracket module .....	130
Cocoa mat bracket .....	132
<b>Drum .....</b>	<b>154</b>
Drum .....	156
Drum bearing .....	158
Drive unit .....	160
4700390604 Drum gear .....	162
Vibrating unit Sauer Up to 0A005555 .....	164
Vibrating unit Rexroth From 0A005556 Up to 0A005561 .....	166



**TABLE OF CONTENTS**

**Page**

Vibrating unit Sauer From 0A005562 .....	164
<b>Engine .....</b>	<b>168</b>
Engine room .....	170
Engine .....	172
Engine module .....	174
4700390832 Diesel engine Cummins QSB4.5 T3 - 82kW .....	176
4700390831 Diesel engine Cummins QSB4.5 T3 - 93kW .....	178
Air cooler hoses .....	180
Water cooler hoses .....	182
Air cleaner module .....	184
Air cleaner hose module .....	186
Muffler .....	188
Exhaust pipe module .....	190
Fuel hose module .....	192
Charge air cooler .....	194
Water cooler .....	196
Expansion tank assembly .....	198
Coolant hoses .....	200
<b>Hydraulic system .....</b>	<b>202</b>
Hydraulic system, front drum .....	204
Hydraulic system, rear drum std .....	206
Hydraulic system, rear drum offset .....	208
Connection block .....	144
4700391024 Steering cylinder .....	148
Hydraulic valve module, offset/combi .....	210
Hydraulic valve .....	212
4700391017 Hydraulic valve .....	214
Hydraulic hoses, frame std .....	216
Hydraulic system, steering Std .....	218
Hydraulic valve module .....	220
Hydraulic valve .....	222
4700395924 Hydraulic valve .....	224
Hose bracket .....	226
Hydraulic steering, sliding seat Std .....	228
Steering, slideable .....	230
4700372424 Pilot valve, steering .....	232
Hydraulic hoses, engine structure std .....	234
Hydraulic pump module .....	236
Hydraulic pump .....	238
4700390602 Hydraulic pump .....	240
4812155785 Hydraulic pump .....	242
Rotating group, cpl .....	244
Valve block, cpl .....	246
Control module .....	248
Flushing valve .....	250
4812155786 Hydraulic pump .....	252
Rotary group, cpl .....	254
Valve block, cpl .....	256
4812155787 Hydraulic pump .....	258
Rotary group, cpl .....	260
Valve block, cpl .....	262
<b>Electrical equipment .....</b>	<b>264</b>

**TABLE OF CONTENTS**

**Page**

Electric cables, power supply .....	266
Battery disconnecter .....	268
Battery disconnecter .....	270
Electric cables, power supply cab .....	272
Electric cables, engine - ECU .....	274
Standard ECU module .....	276
Standard ECU assembly .....	278
Electric cables, sensors/ horn/ back-up alarm .....	280
Back-up alarm module .....	282
Back-up alarm .....	284
Horn module .....	286
Horn .....	288
Tachograph .....	290
Tachograph holder module .....	292
Cable harness kit .....	294
Power supply module .....	296
Driving & side direction lights .....	298
Driving lights, front RH .....	300
Driving lights, front LH .....	302
Steering column switch module .....	304
Cable harness and switch module .....	306
Registration plate light module .....	308
Registration plate light .....	310
Driving lights, rear .....	312
Turn signals .....	314
Rotating beacon, working light .....	316
Rotating beacon module .....	318
Rotating beacon module .....	320
Rotating beacon mount .....	322
Working light module H3 .....	324
Working light module Xenon .....	326
<b>Drivers platform .....</b>	<b>328</b>
Platform, no cab .....	330
Platform with 4-post ROPS .....	332
Platform no ROPS .....	334
Cover module .....	336
Manual box .....	338
Hand rail, left .....	340
Hand rail .....	342
Hand rail, right .....	344
Hand rail .....	346
Hand rail .....	348
Lunch box module .....	350
Canopy option .....	352
Canopy assy .....	354
Bracket .....	356
Cab, asymmetric .....	358
4700390864 Cab, cpl .....	360
Cab frame, right side .....	362
Roof .....	364
General parts .....	366
Windshield wiper, front .....	368
Windshield wiper, rear .....	370

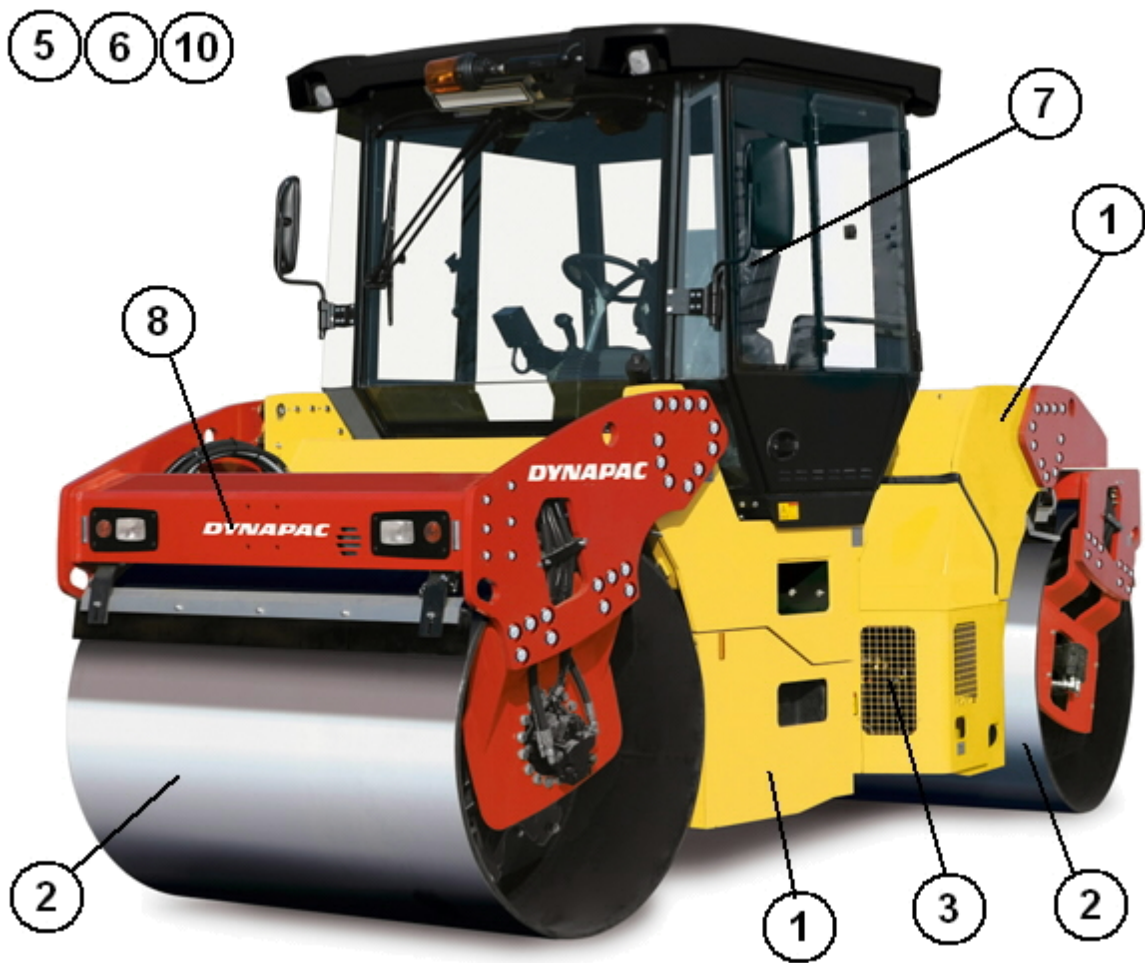
**TABLE OF CONTENTS**

	<b>Page</b>
Windshield washer reservoir .....	372
Electric equipment .....	374
Front panel .....	376
Door frame .....	378
4700395806 Door .....	380
Cab screens .....	382
Rear covers .....	384
Air channel .....	386
Heater unit .....	388
Heater .....	390
Heater controls .....	392
Manual box .....	338
Cab, symmetric .....	394
4700395898 Cab, cpl .....	396
Cab frame, right side .....	398
Roof .....	400
General parts .....	366
Windshield wiper, front .....	368
Windshield wiper, rear .....	370
Windshield washer reservoir .....	372
Electric equipment .....	374
Front panel .....	376
Door frame .....	378
4700395806 Door .....	380
Cab screens .....	402
Rear covers .....	384
Air channel .....	386
Heater unit .....	388
Heater .....	390
Heater controls .....	392
Manual box .....	338
Cab heater system .....	404
Heater hoses .....	406
Cab noise cover .....	408
Radio and cd player .....	410
Rear view mirror module .....	412
Drivers seat .....	414
Seat frame structure .....	416
Seat frame .....	418
Steering column .....	420
Seat, galon suspended .....	422
Seat, fabric suspended .....	424
Controls, slidable and turning .....	426
Cross sliding .....	428
Carrier .....	430
Drive control, cpl .....	432
Drive control .....	434
Display unit .....	436
Control panel cover .....	438
<b>Decals .....</b>	<b>440</b>
Decals .....	442
<b>Optional equipment .....</b>	<b>444</b>

**TABLE OF CONTENTS**

	<b>Page</b>
Air conditioning .....	446
Compressor module .....	448
Condensor module .....	450
Condensor .....	452
Evaporator module .....	454
4700393584 Evaporator unit .....	456
Hose kit AC .....	458
Hose kit .....	460
Hose kit Compressor .....	462
Hose kit AC .....	464
ACC module .....	466
ACC controls .....	468
Edge cutter .....	470
Edge cutter, module .....	472
4700390998 Edge cutter, cpl .....	474
4700390999 Holder .....	476
4700391009 Bearing unit .....	478
4700387275 Hydraulic cylinder .....	480
Cutting disc module .....	482
Pressing roller, module .....	484
Hydraulic valve module .....	486
Hydraulic valve .....	488
4700391018 Hydraulic valve .....	490
Disc/Roller holder .....	492
Fire extinguisher/First Aid Cushion .....	494
Fire extinguisher assembly .....	496





CC424HF SN 10000320x 0A000001 -

Item	Part No	Rem Qty	Description	Code
			Service kits ( Page 4 )	
			Repair kits ( Page 12 )	
1			Frame ( Page 24 )	
2			Drum ( Page 154 )	
3			Engine ( Page 168 )	
5			Hydraulic system ( Page 202 )	
6			Electrical equipment ( Page 264 )	
7			Drivers platform ( Page 328 )	
8			Decals ( Page 440 )	
10			Optional equipment ( Page 444 )	

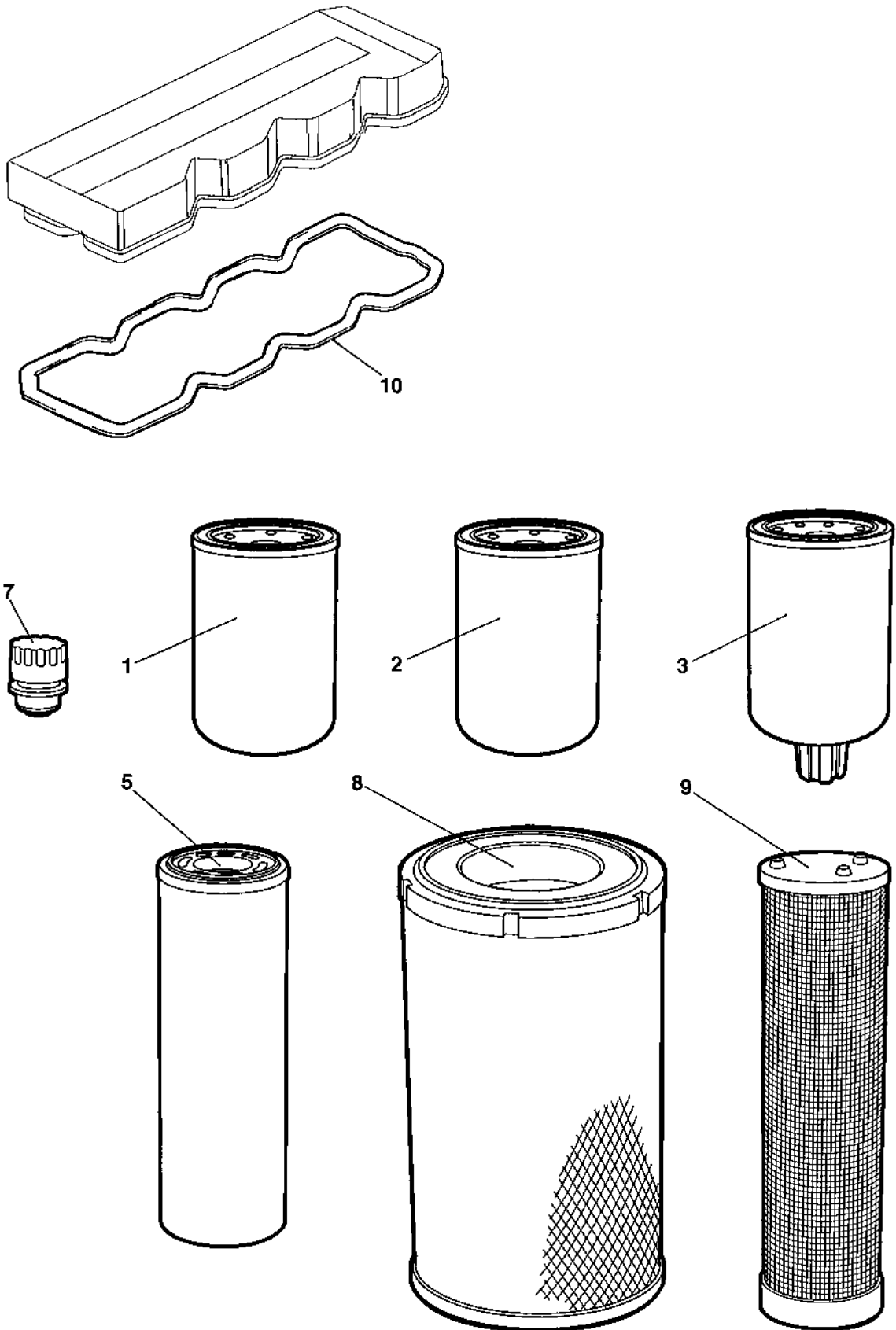




**Service kits**

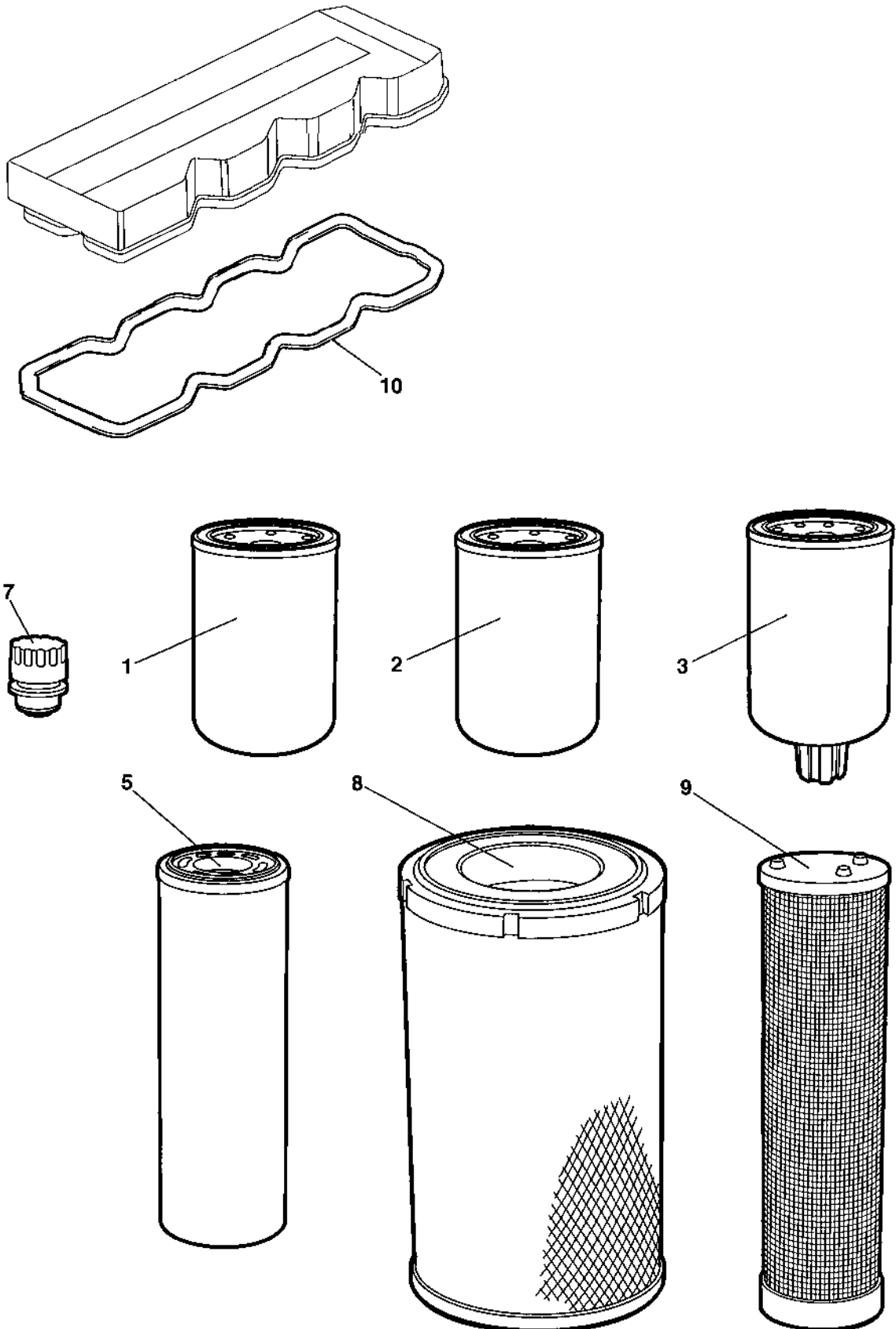
<b>Item</b>	<b>Part No</b>	<b>Rem Qty</b>	<b>Description</b>	<b>Code</b>
1	4700945805	1	Service kit 50 h, Cummins QSB 4.5 T3 ( Page 6 )	
2	4700945806	1	Service kit 500 h, Cummins QSB 4.5 T3 ( Page 8 )	
3	4700945807	1	Service kit 1000 h, Cummins QSB 4.5 T3 ( Page 10 )	

4700945805 Service kit 50 h, Cummins QSB 4.5 T3



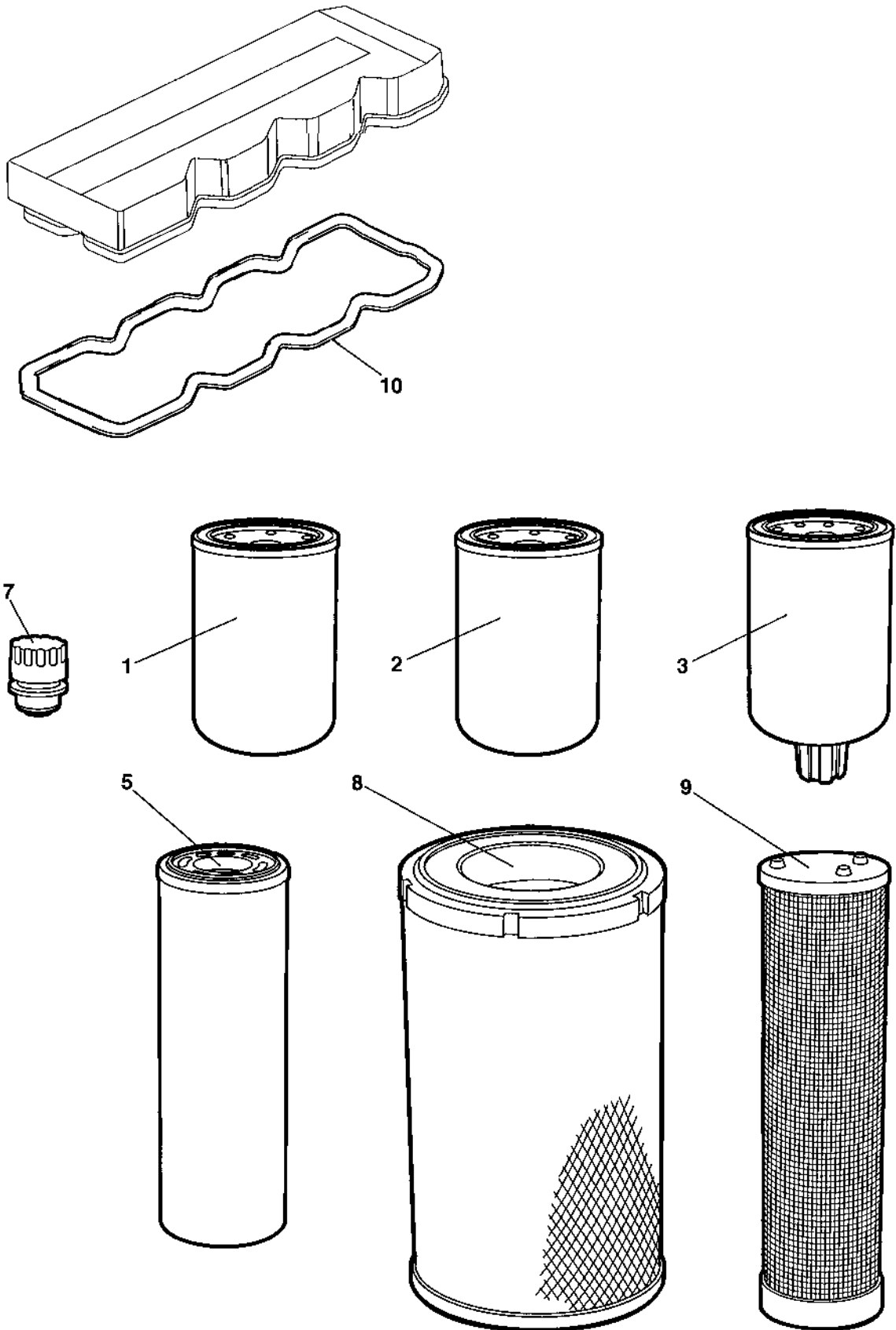
**4700945805 Service kit 50 h, Cummins QSB 4.5 T3**

<b>Item</b>	<b>Part No</b>	<b>Rem Qty</b>	<b>Description</b>	<b>Code</b>
	4700945805		<b>Service kit 50 h, Cummins QSB 4.5 T3 ( Page 6 )</b>	
1	4700945145	1	Oil filter element	A
2	4700945624	1	Fuel filter element	A
3	4700945147	1	Pre-fuel filter element	A
5	4700391433	1	Filter element	A



**4700945806 Service kit 500 h, Cummins QSB 4.5 T3**

<b>Item</b>	<b>Part No</b>	<b>Rem Qty</b>	<b>Description</b>	<b>Code</b>
	4700945806		<b>Service kit 500 h, Cummins QSB 4.5 T3 ( Page 8 )</b>	
1	4700945145	1	Oil filter element	A
2	4700945624	1	Fuel filter element	A
3	4700945147	1	Pre-fuel filter element	A



**4700945807 Service kit 1000 h, Cummins QSB 4.5 T3**

<b>Item</b>	<b>Part No</b>	<b>Rem</b>	<b>Qty</b>	<b>Description</b>	<b>Code</b>
	4700945807			<b>Service kit 1000 h, Cummins QSB 4.5 T3 ( Page 10 )</b>	
1	4700945145		1	Oil filter element	A
2	4700945624		1	Fuel filter element	A
3	4700945147		1	Pre-fuel filter element	A
5	4700391433		1	Filter element	A
7	4700391026	B	1	Ventilating filter	A
8	4700390995		1	Main filter element	A
9	4700390994		1	Safety filter element	A
10	4700945760		1	Valve cover gasket	

B) Ventilated oil filler cap for the hydraulic oil tank

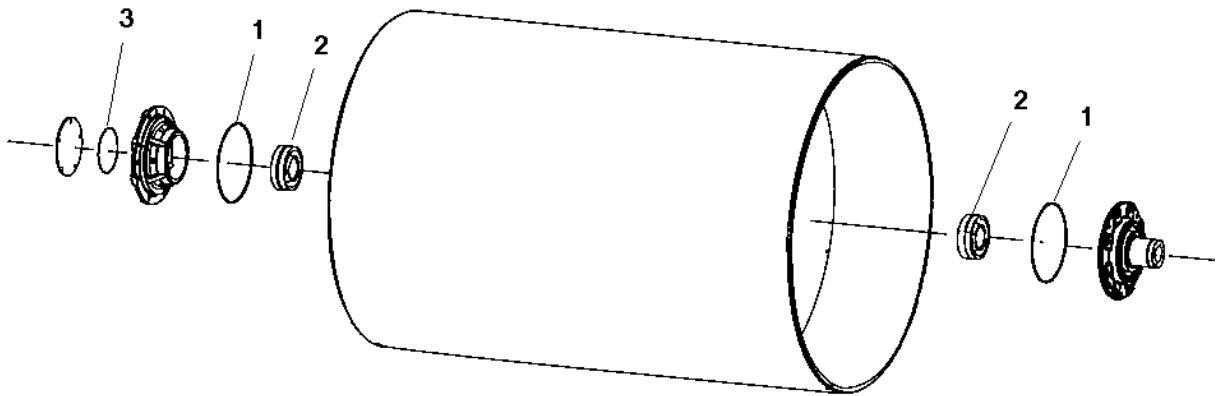




Repair kits

Item	Part No	Rem Qty	Description	Code
1	4700945903	2	Eccentric shaft kit CC424HF/524HF/624HF ( Page 14 )	
2	4700938891	2	Drum rotation kit ( Page 16 )	A
3	4700945908	1	Scraper kit CC324HF/334HF/424HF ( Page 18 )	A
4	4700945904	2	Shock absorber kit, drum CC424HF/524HF/624HF ( Page 20 )	
5		1	Steering hitch kits ( Page 22 )	

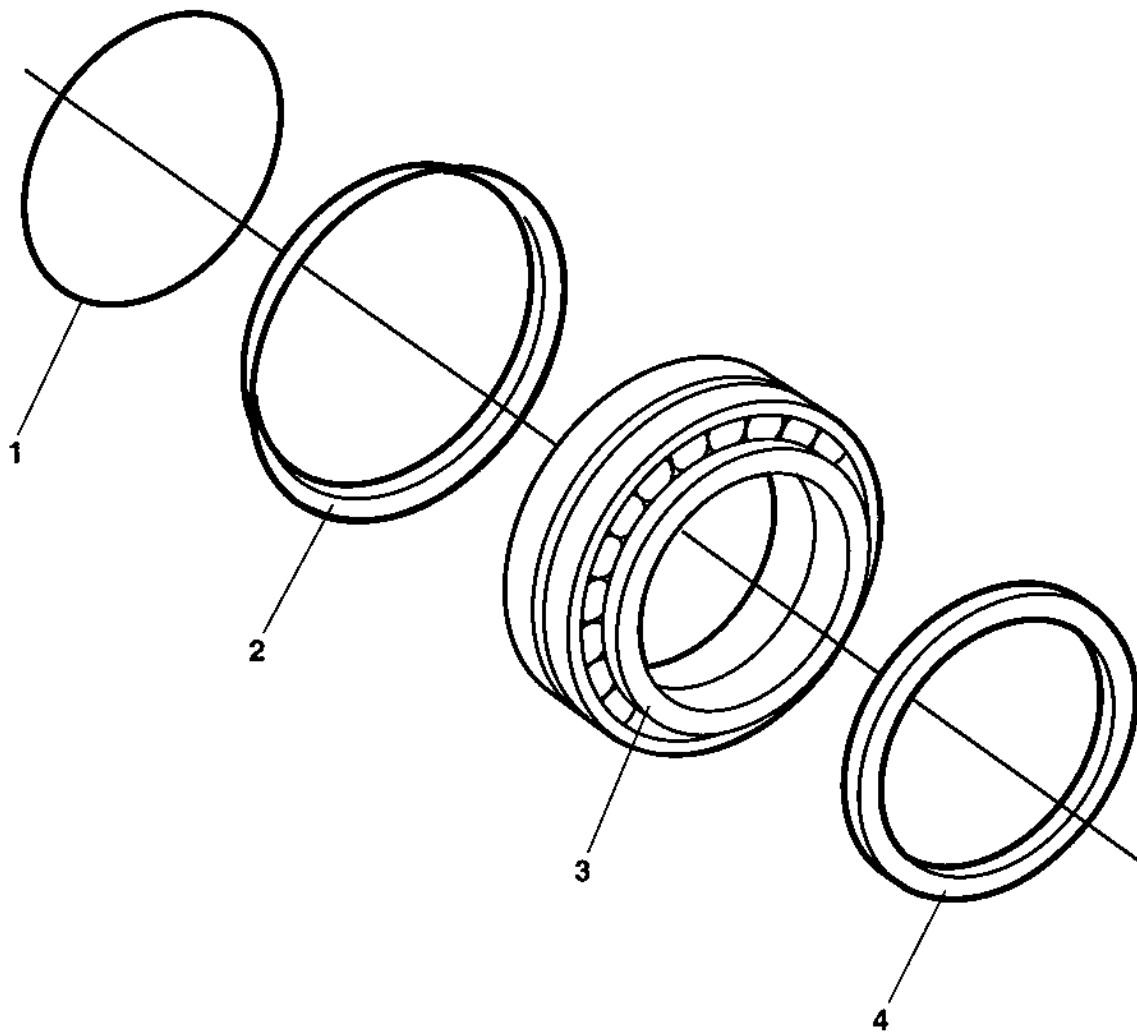
**4700945903 Eccentric shaft kit CC424HF/524HF/624HF**



**4700945903 Eccentric shaft kit CC424HF/524HF/624HF**

<b>Item</b>	<b>Part No</b>	<b>Rem Qty</b>	<b>Description</b>	<b>Code</b>
	4700945903		<b>Eccentric shaft kit CC424HF/524HF/624HF ( Page 14 )</b>	
1	4700160344	2	O-ring 70	C
2	4700792270	2	Spherical roller bearing	D
3	4700160045	1	O-ring 70	C

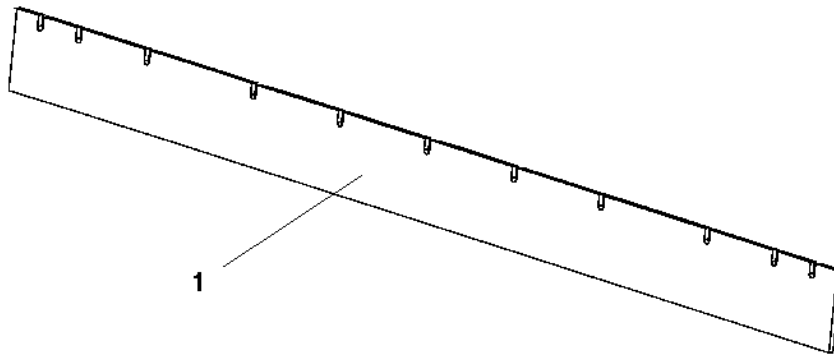
**4700938891 Drum rotation kit**



**4700938891 Drum rotation kit**

<b>Item</b>	<b>Part No</b>	<b>Rem Qty</b>	<b>Description</b>	<b>Code</b>
	4700938891		<b>Drum rotation kit ( Page 16 )</b>	A
1	4700160105	1	O-ring 70	C
2	4700929447	1	V-ring	B
3	4700116041	1	Taper roller bearing	B
4	4700386272	1	Sealing	B

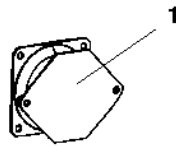
**4700945908 Scraper kit CC324HF/334HF/424HF**



**4700945908 Scraper kit CC324HF/334HF/424HF**

<b>Item</b>	<b>Part No</b>	<b>Rem Qty</b>	<b>Description</b>	<b>Code</b>
	4700945908		<b>Scraper kit CC324HF/334HF/424HF ( Page 18 )</b>	A
1	4700395112	4	Scraper blade	A

**4700945904 Shock absorber kit, drum CC424HF/524HF/624HF**

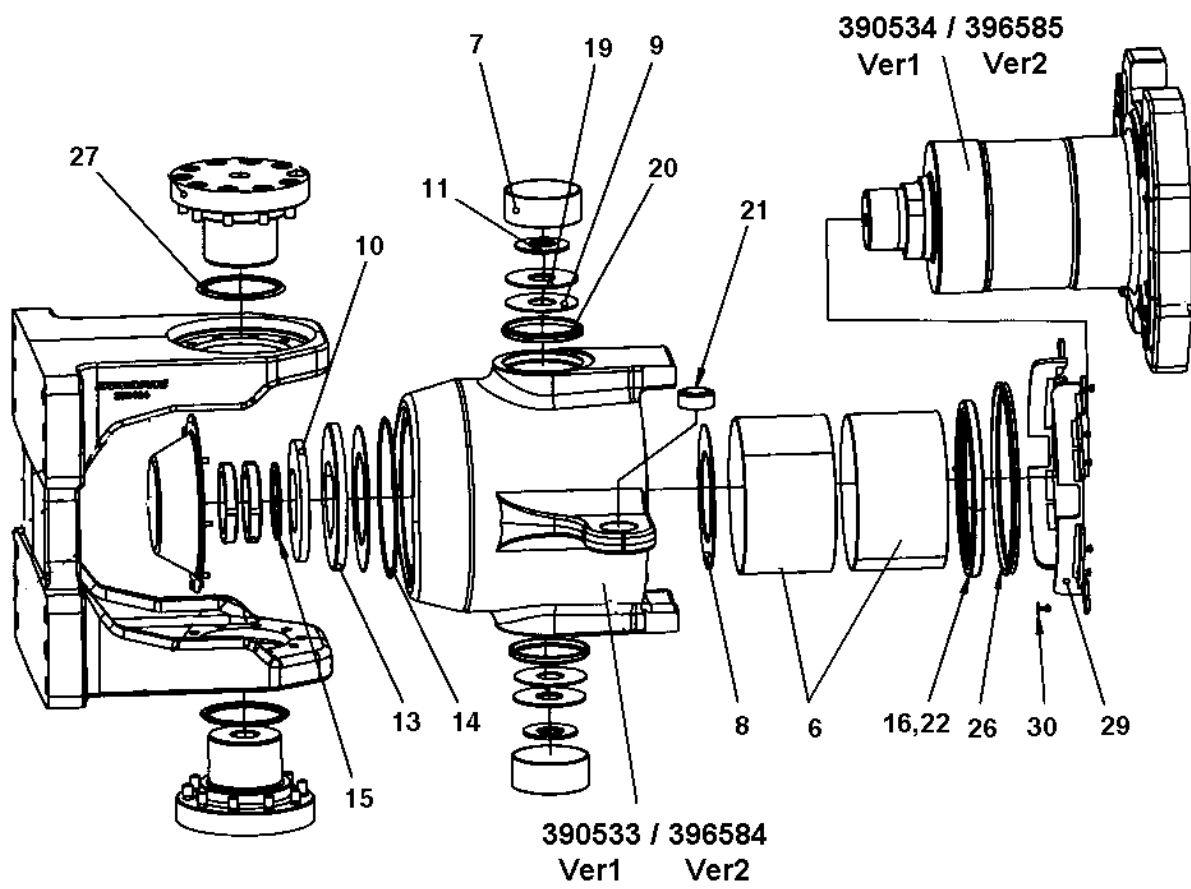




**4700945904 Shock absorber kit, drum CC424HF/524HF/624HF**

Item	Part No	Rem	Qty	Description	Code
	4700945904			<b>Shock absorber kit, drum CC424HF/524HF/624HF ( Page 20 )</b>	
1	4700394250	A	8	Shock absorber	A
2	4700394251	B	4	Shock absorber	A

- A) Propulsion side
- B) Vibration side



**Steering hitch kits**

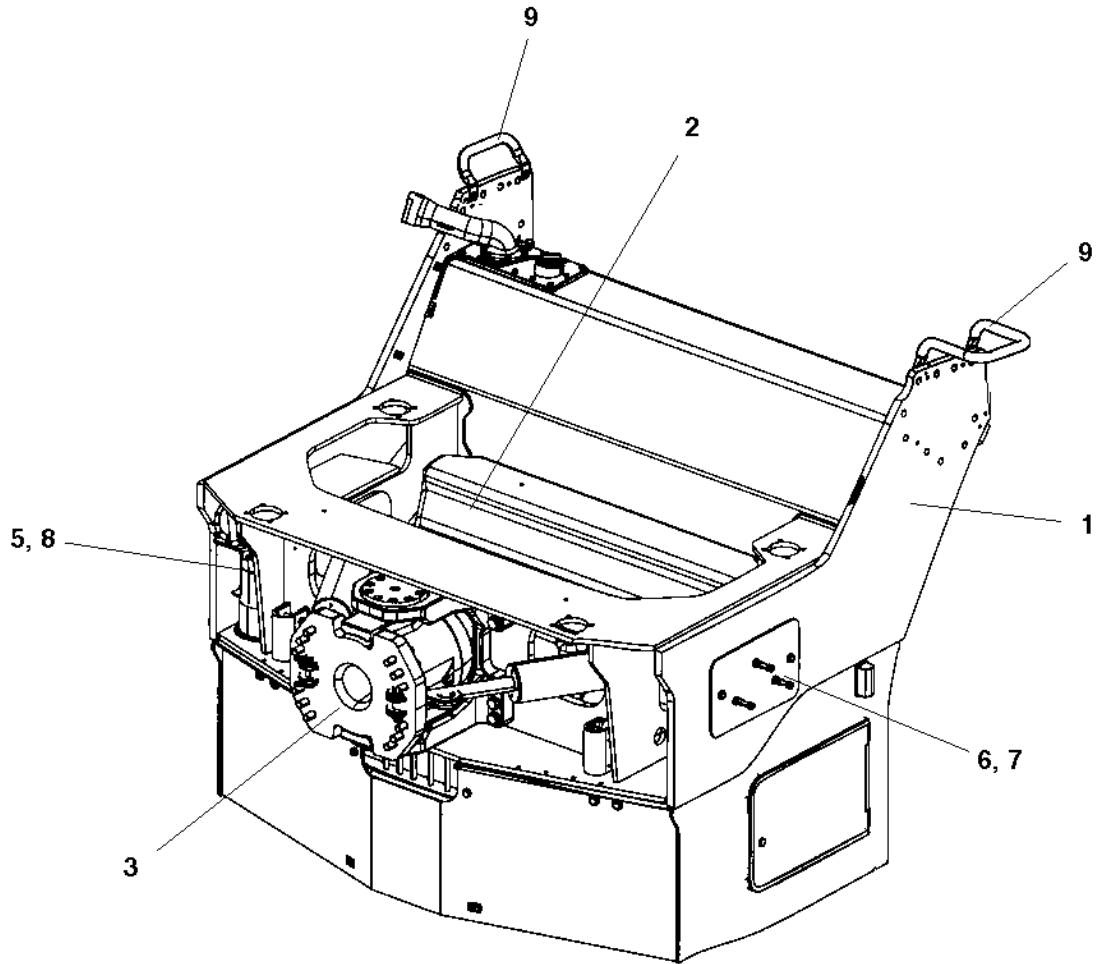
Item	Part No	Rem Qty	Description	Code
	4812156095	1	Steering hitch kit, tilt (390533 & 390534)	
_06	4700390538	2	_Sleeve bearing	
_08	4700393523	2	_Slide washer	
_10	4700390542	1	_Disc spring	
_13	4700393115	1	_Thrust washer	
_14	4700160277	1	_O-ring	D
_15	4700393218	1	_Back-up ring	
_16	4700391031	1	_Radial lip-type seal	
_22	4812030096	1	_Dynapac Grease	
_26	4700792515	1	_Sealing, v-ring	
_29	4700394207	2	_Flush cover	
_30	4700792325	12	_Blind rivet	
	4812156096	1	Steering hitch kit, tilt (396584 & 396585)	
_06	4700396588	2	_Sleeve bearing	
_08	4700393523	2	_Slide washer	
_10	4700390542	1	_Disc spring	
_13	4700393115	1	_Thrust washer	
_14	4700160277	1	_O-ring	D
_15	4700393218	1	_Back-up ring	
_16	4700391031	1	_Radial lip-type seal	
_22	4812030096	1	_Dynapac Grease	
	4812156097	1	Steering hitch kit, turn	
_07	4700390539	2	_Sleeve bearing	
_09	4700390541	2	_Slide washer	
_11	4700390543	2	_Disc spring	
_19	4700391566	2	_Washer	
_20	4700792517	2	_Shear wiper	
_21	4700792554	4	_Radial spherical plain bearing	D
_22	4812030096	1	_Dynapac Grease	
_27	4700792518	2	_Radial lip-type seal	

**Frame**

**Frame**

<b>Item</b>	<b>Part No</b>	<b>Rem Qty</b>	<b>Description</b>	<b>Code</b>
1		1	Front frame ( Page 26 )	
3		1	Rear frame ( Page 48 )	
4		1	Sprinkler system ( Page 70 )	
6		1	End frame, front ( Page 92 )	
7		1	End frame, rear ( Page 136 )	

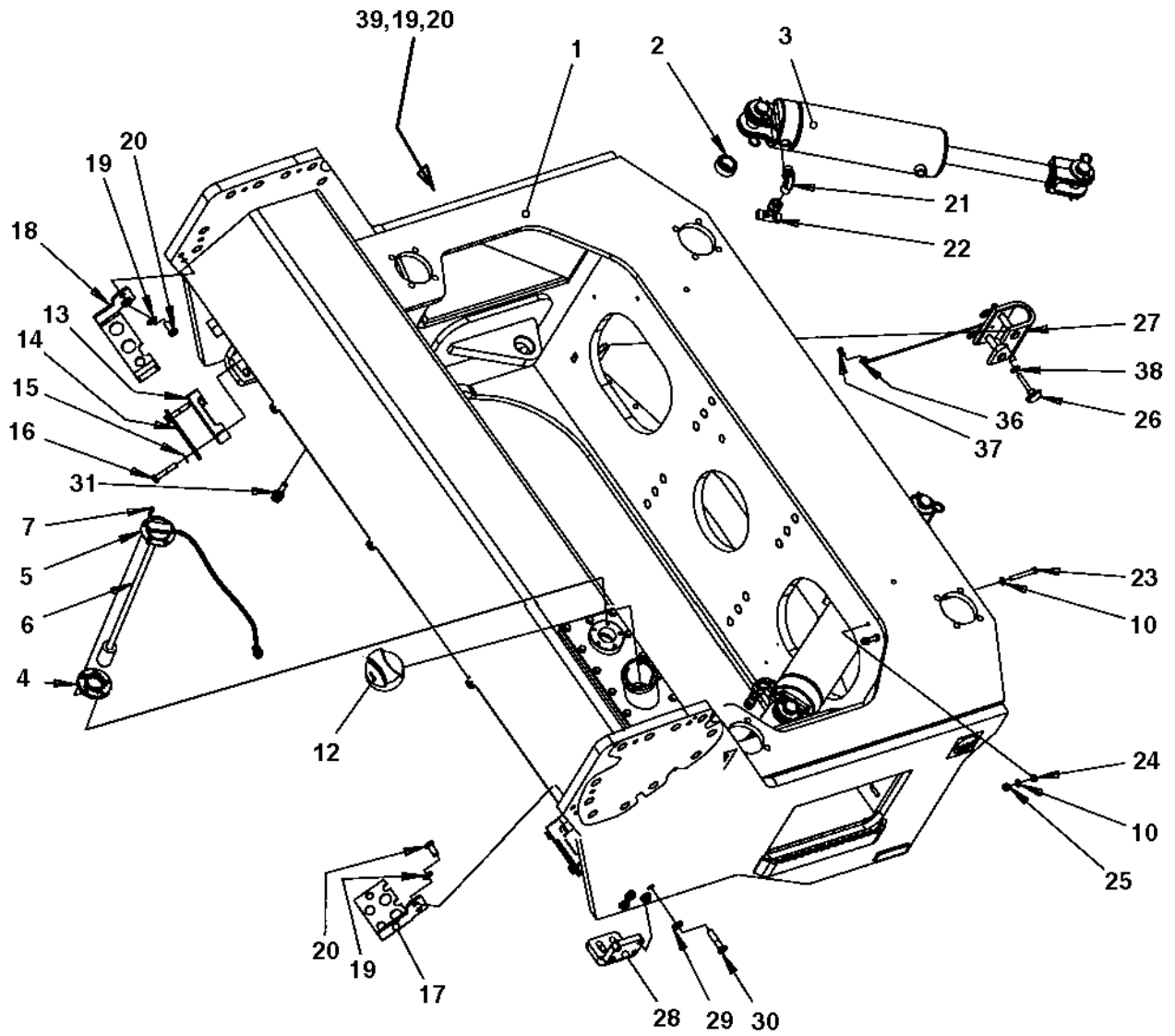
**Front frame**



**Front frame**

<b>Item</b>	<b>Part No</b>	<b>Rem Qty</b>	<b>Description</b>	<b>Code</b>
1		1	Front frame ( Page 28 )	
2		1	Tank structure module ( Page 32 )	
3		1	Hitch module ( Page 40 )	
5		2	Filling pipe ( Page 44 )	
8		1	Locking device module ( Page 86 )	
9		2	Grab handle module ( Page 46 )	

Front frame

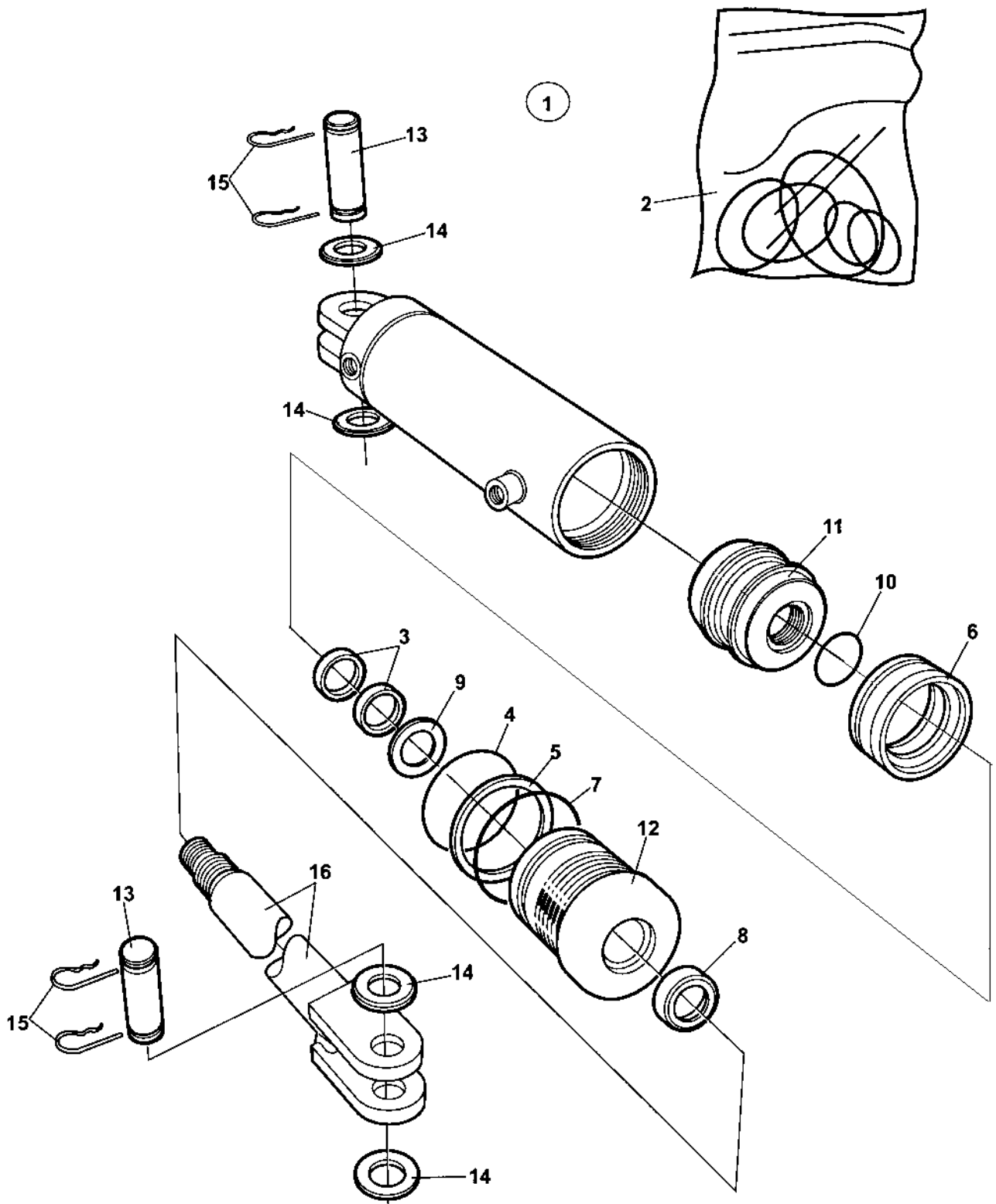




Front frame

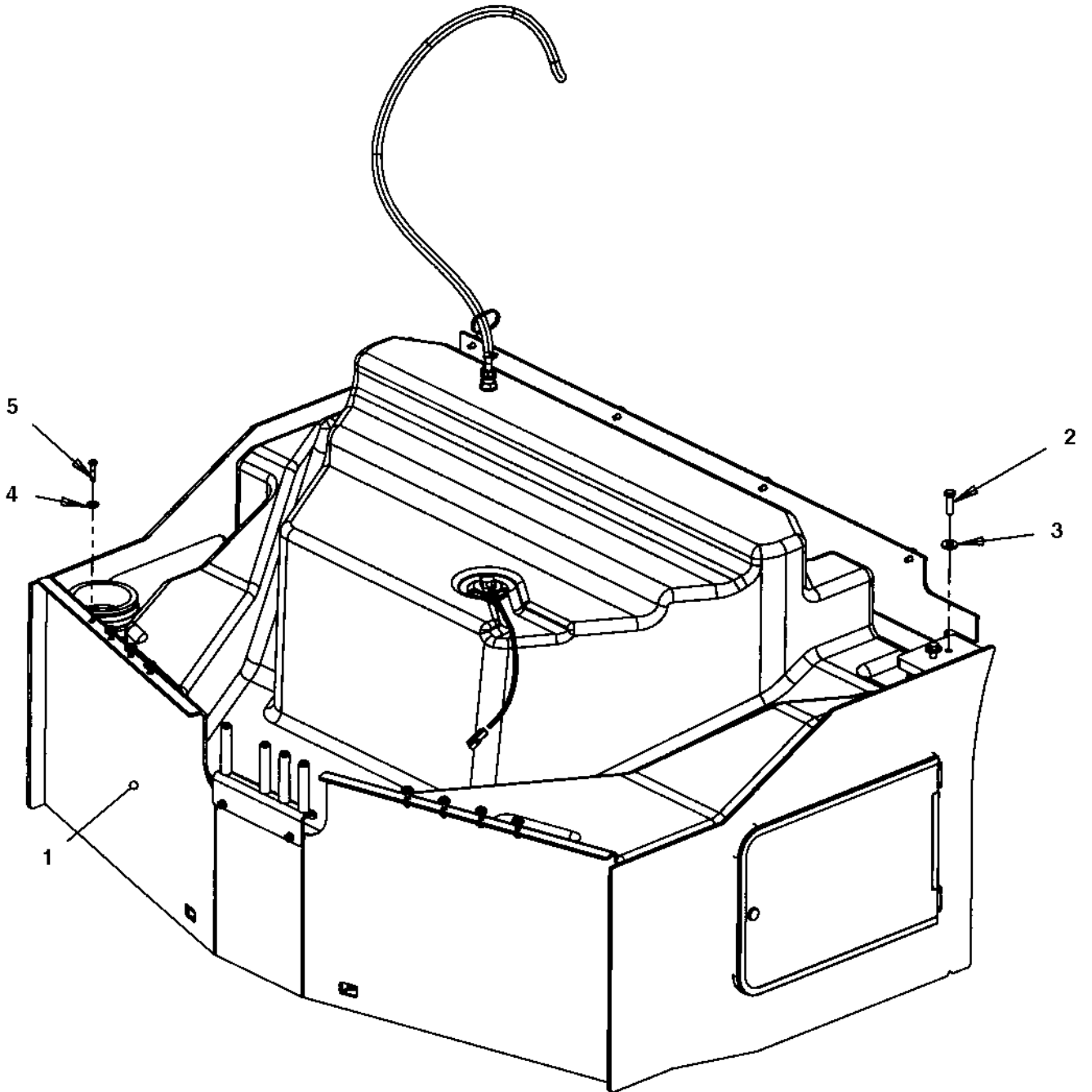
Item	Part No	Rem Qty	Description	Code
1	4700395128	1	Front frame	
	4700396498	1	. Fuel tank cover	
	4700389821	1	. O-ring	
2	4700792554	2	Radial spherical plain bearing	D
3	4700391023	2	<b>Steering cylinder ( Page 30 )</b>	
4	4700370745	1	Flange, cpl	C
5	4700372718	1	Lid	D
6	4700390934	1	Level sender	
7	4700904206	5	Screw	C
10	4700904229	4	Washer 8,4x16x1,5	C
12	4700380435	1	Cap	D
	4700902866	1	. Key Marked "455"	A
13	4700343872	2	Hose clamp	D
14	4700335914	2	Cover plate	D
15	4700904230	4	Steel plain washer	C
16	4700500032	4	Screw M10 x 55	C
17	4700391442	1	Hose clamp	
18	4700391443	1	Hose clamp	
19	4700904231	6	Steel plain washer	C
20	4700500051	6	Screw M12x25H 8.8 A3K	C
21	4700792151	2	Elbow adapter 90	C
22	4700791797	2	Tee-connector orfs	
23	4700925750	2	Screw	C
24	4700570005	2	Nut M8	C
25	4700586003	2	Lock nut M8	C
26	4700791314	2	Handle knob	D
27	4700392701	2	Steering hitch lock	
	4700924999	2	. Clevis pin	
	4700901178	2	. Hair pin	
	4700928381	1	. Washer 6,4x18x1,6	C
	4700394715	1	. Wire	
	4700903795	1	. Screw	
28	4700394400	2	Bracket	
29	4700904703	8	Washer	C
30	4700500269	8	Screw	C
31	4700792605	2	Quick connect coupling	
36	4700928381	2	Washer 6,4x18x1,6	C
37	4700903795	2	Screw	
38	4700904640	2	Washer 8,4x22x3	C
39	4700396071	1	Cover	

4700391023 Steering cylinder



**4700391023 Steering cylinder**

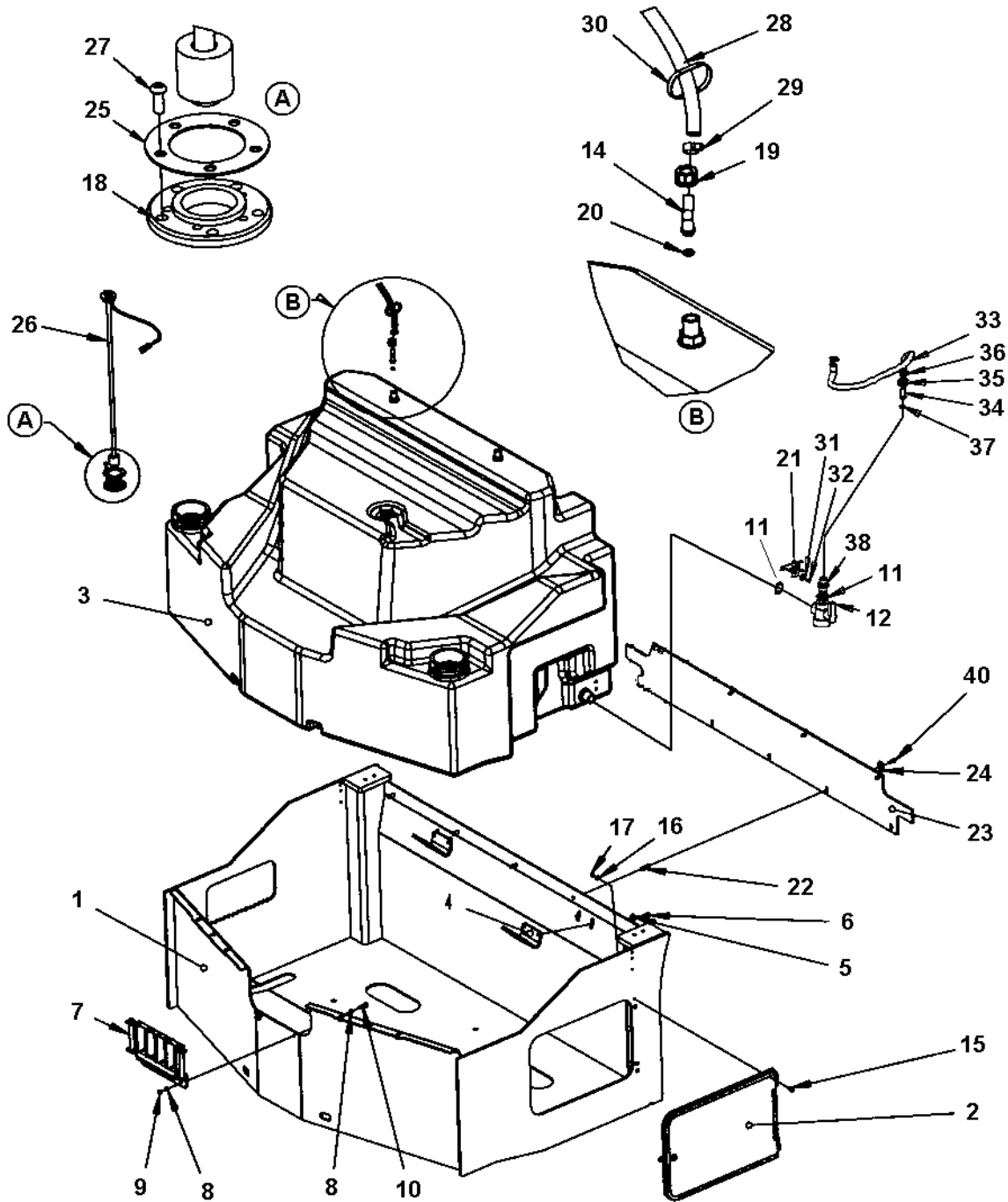
Item	Part No	Rem Qty	Description	Code
1	4700391023	1	<b>Steering cylinder ( Page 30 )</b>	
2	4700950417	1	. Seal kit	
3		2	. . Seal	
4		1	. . O-ring	
5		1	. . Back-up ring	
6		1	. . Seal	
7		1	. . O-ring	
8		1	. . Seal	
9		1	. . Seal	
10		1	. . O-ring	
11		1	. Piston block	
12		1	. Steering	
13	4700950222	2	. Shaft	
14		4	. Washer	
15	4700635061	4	. Hair clip	C
16		1	. Piston rod	C
17		1	. Cylinder	C



**Tank structure module**

<b>Item</b>	<b>Part No</b>	<b>Rem Qty</b>	<b>Description</b>	<b>Code</b>
1		1	<b>Tank structure module ( Page 34 )</b>	
2	4700947689	4	Screw	C
3	4700904213	4	Washer	C
4	4700904213	6	Washer	C
5	4700947689	6	Screw	C

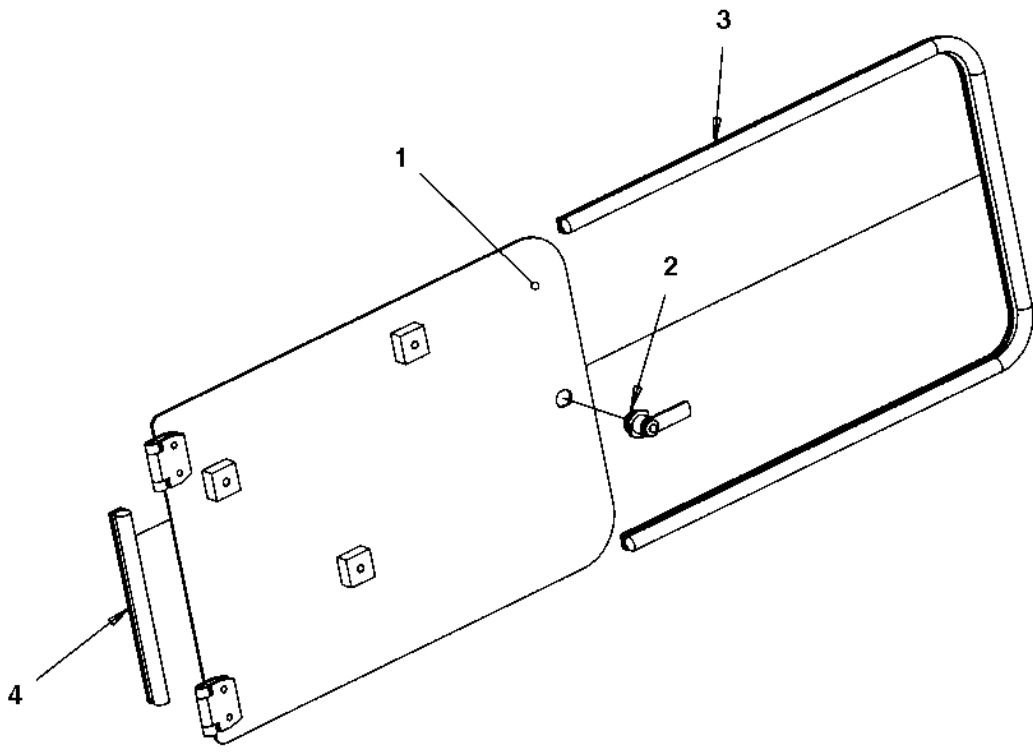
**Tank structure module**



**Tank structure module**

Item	Part No	Rem	Qty	Description	Code
1	4700395131		1	Tank structure	
2	4700391307		1	<b>Cover ( Page 36 )</b>	
3	4812110982		1	Water tank, cpl	
	4700392235	C	1	. Gasket	
	4700313105	C	1	. Hose clamp	D
	4700392223	D	1	. Plane gasket	
	4700392222	D	1	. Grommet	
	4700392224	D	1	. Lock nut	
	4700392231	E	3	. Plane gasket	
	4700392230	E	3	. Grommet	
	4700392232	E	3	. Nut	
4	4700391624		2	Bracket	
5	4700904640		4	Washer 8,4x22x3	C
6	4700500053		4	Screw M8x20H 8.8	C
7			1	<b>Hose support ( Page 38 )</b>	
8	4700904229		4	Washer 8,4x16x1,5	C
9	4700570005		2	Nut M8	C
10	4700500022		2	Screw M8x30H 8.8 A2K	C
11	4700392223		2	Plane gasket	
12	4700792782		1	Ball valve	
14	4700393542		2	Hose connection swivel	C
15	4700928784		4	Screw	C
16	4700603001		4	Washer	C
17	4700586002		4	Lock nut M6 -8	C
18	4700370745		1	Flange, cpl	C
19	4700392227		2	Swivel nut	
20	4700792600		2	O-ring 70	
21	4700396739		1	Bracket	
22	4700900672		5	Blind insert nut	
23	4700393412		1	Rubber cloth	
24	4700615050		9	Washer	C
25	4700372718		1	Lid	D
26	4700391353		1	Level sender	
27	4700904206		5	Screw	C
28	4812112074	A	2XL	Plastic hose	
29	4700313001		2	Hose clamp	D
30	4700313102		N	Cable ties	D
31	4700904735		2	Washer	C
32	4700500013		2	Screw M6-1x16 8,8	C
33	4700792073	B	1XL	Hose reinforced	D
34	4700792780		1	Hose connection swivel	
35	4700792779		1	Swivel nut	
36	4700313003		2	Hose clamp	D
37	4700480852		1	O-ring 70	
38	4700792781		1	Reducer nipple	
40	4700500021		9	Screw M8-1,25x25 8.8	C

- A) Length as required
- B) L= 0.77 m
- C) Water fill
- D) Drain
- E) Hose connection



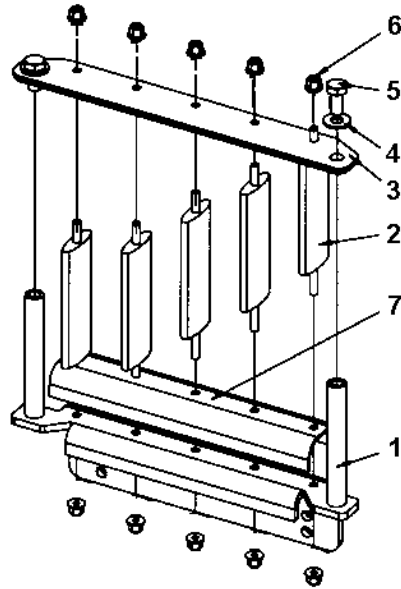


**4700391307 Cover**

Item	Part No	Rem	Qty	Description	Code
1			1	Cover	C
2	4700383626		1	Lock Ø19	
	4700397348		1	Lock Ø22	
	4700902866		1	. Key Marked "455"	A
3	4700202057	A	1XL	Edge trim	D
4	4700202057	B	1XL	Edge trim	D

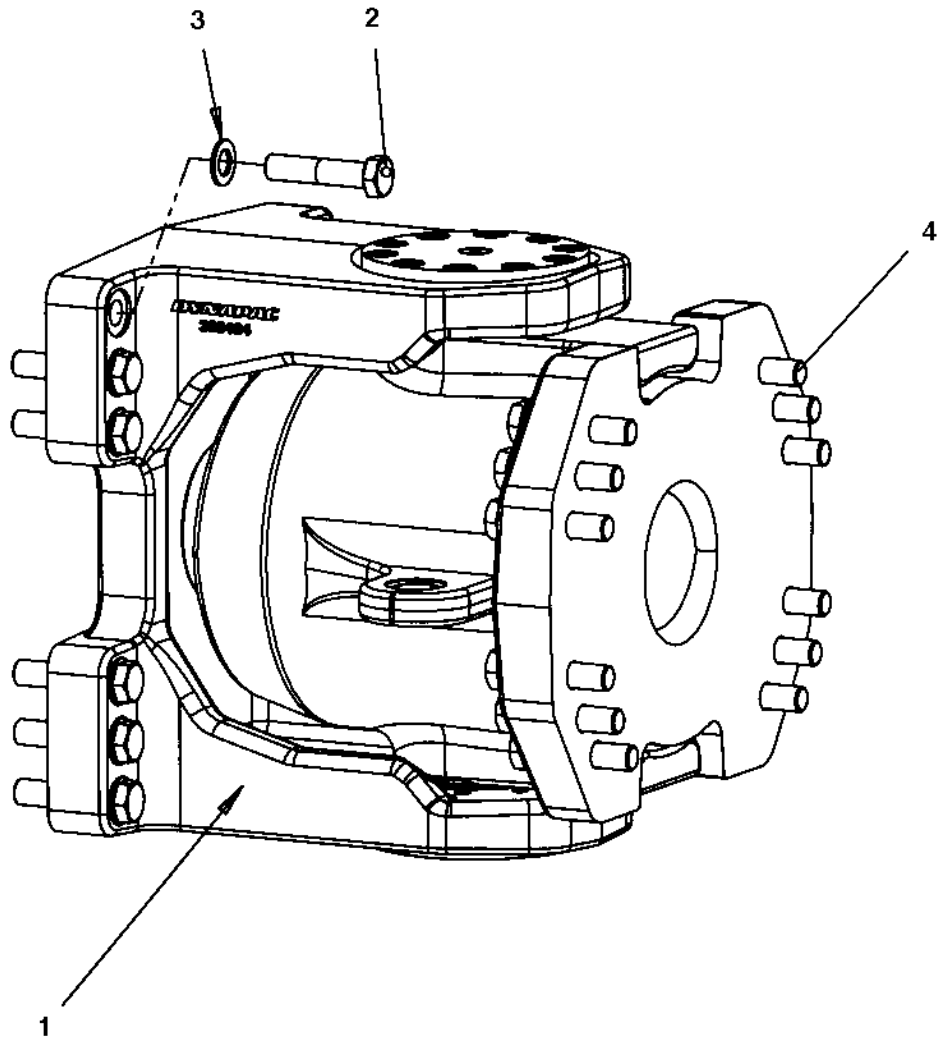
- A) L=1.33 m
- B) L=0.21 m

**Hose support**



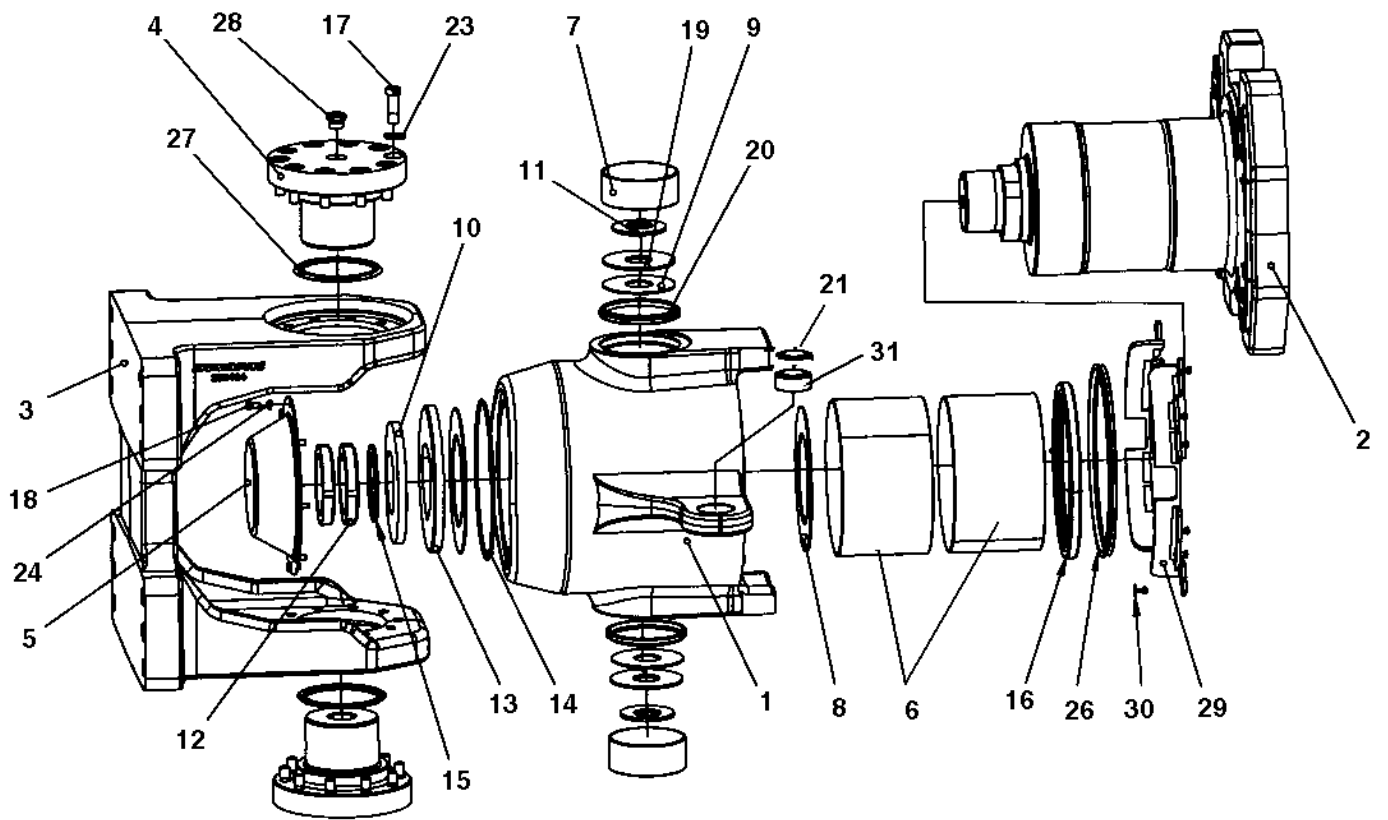
**Hose support**

<b>Item</b>	<b>Part No</b>	<b>Rem Qty</b>	<b>Description</b>	<b>Code</b>
1	4700394023	1	Bracket	
2	4700397039	5	Spacer	
3	4700397318	1	Cap	
4	4700904230	2	Steel plain washer	C
5	4700500048	2	Screw M10-1,5x20 8,8	C
6	4700902285	10	Nut	C
7	4812110277	1	Hose guard	



Hitch module

Item	Part No	Rem Qty	Description	Code
1		1	<b>Steering hitch ( Page 42 )</b>	
2	4700500287	12	Screw M20x80 10,9	C
3	4700904233	24	Steel plain washer	C
4	4700925208	12	Screw M20x90	C

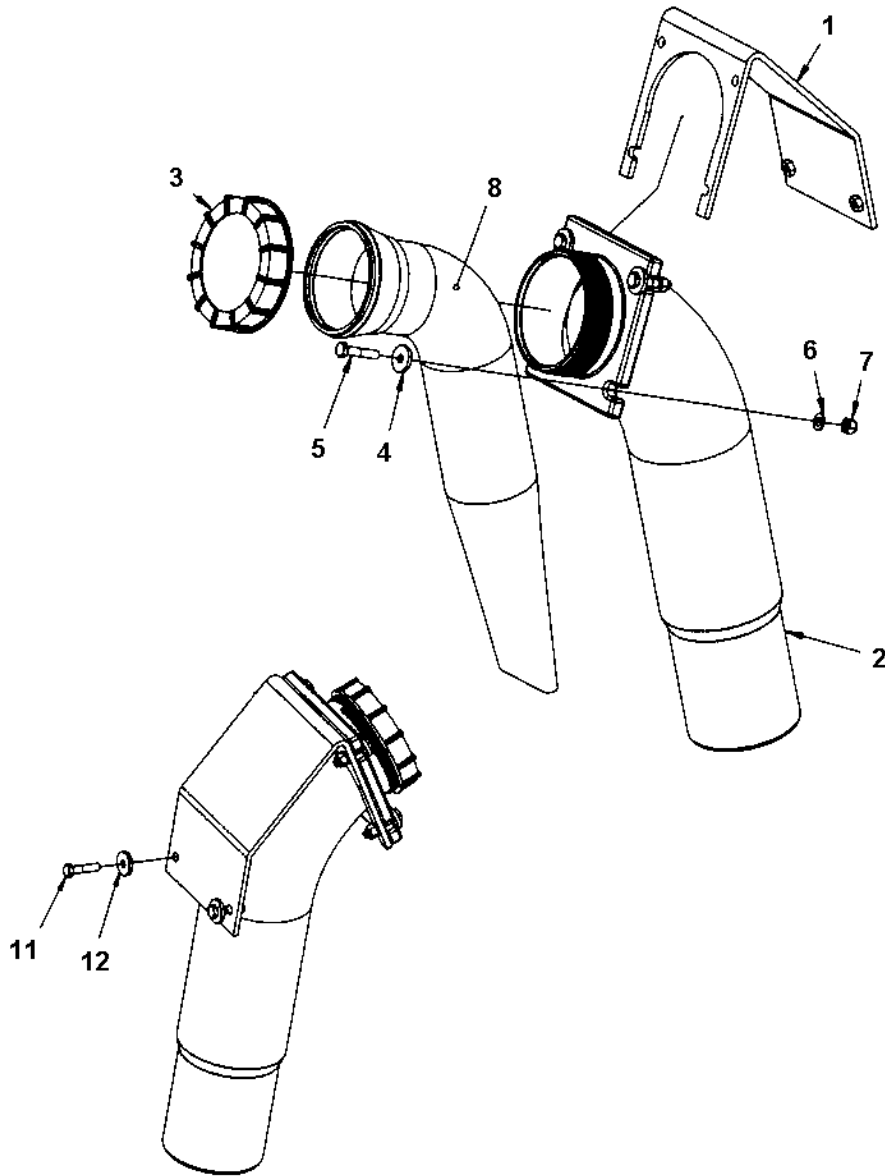


Steering hitch

Item	Part No	Rem	Qty	Description	Code
	4700396583		1	Steering hitch, cpl	
1	4700390533	3	1	Hitch yoke	
	4700396584	4	1	Hitch yoke	
2	4700390534	3	1	Shaft	
	4700396585	4	1	Shaft	
3	4700393464		1	Hitch holder	
4	4700393465		2	Shaft	
5	4700392550		1	Cover	
6	4700390538	1	2	Sleeve bearing	
	4700396588	2	2	Sleeve bearing	
7	4700390539		2	Sleeve bearing	
8	4700393523		2	Slide washer	
9	4700390541		2	Slide washer	
10	4700390542		1	Disc spring	
11	4700390543		2	Disc spring	
12	4700135015		2	Shaft nut	D
13	4700393115		1	Thrust washer	
14	4700160277		1	O-ring	D
15	4700393218		1	Back-up ring	
16	4700391031		1	Radial lip-type seal	
17	4700792394		20	Screw	
18	4700500012		8	Screw M6x12	C
19	4700391566		2	Washer	
20	4700792517		2	Shear wiper	
21	4700792554		2	Radial spherical plain bearing	D
23	4700904231		20	Steel plain washer	C
24	4700904228		8	Washer 6,4x12x1,5	C
26	4700792515		1	Sealing, v-ring	
27	4700792518		2	Radial lip-type seal	
28	4700792295		2	Steel plug	
29	4700394207	1	2	Flush cover	
30	4700792325	1	12	Blind rivet	
31	4700151015		2	Snap ring	D

- 1) Used together with PN 4700390533 and 4700390534.
- 2) Used together with PN 4700396584 and 4700396585.
- 3) PN 4700390533 and 4700390534 should be fitted together. (PN is stamped on part.)
- 4) PN 4700396584 and 4700396585 should be fitted together. (PN is stamped on part.)

**Filling pipe**

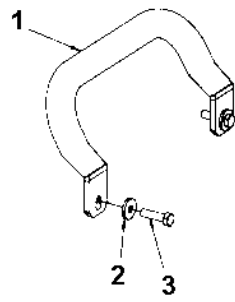




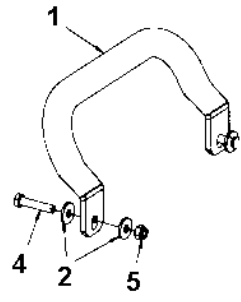
**Filling pipe**

<b>Item</b>	<b>Part No</b>	<b>Rem Qty</b>	<b>Description</b>	<b>Code</b>	
1	4700391626	1	Bracket		
2	4700390613	1	Filling pipe		
3	4700920819	1	Filler cap	D	
4	4700904734	4	Washer 8,4x26x4	C	
5	4700500023	4	Screw M8-1,25x40 8,8	C	
6	4700904229	4	Washer 8,4x16x1,5	C	
	4700904229	1	6	Washer 8,4x16x1,5	C
7	4700586003	4	Lock nut M8	C	
8	4700391444	1	Strainer		
11	4700500047	2	Hexagon head screw	C	
12	4700904734	2	Washer 8,4x26x4	C	

- 1) 2pcs used on upper side (instead of 2pcs item 4), when machine equipped with lockable cap.



**ALT 1**

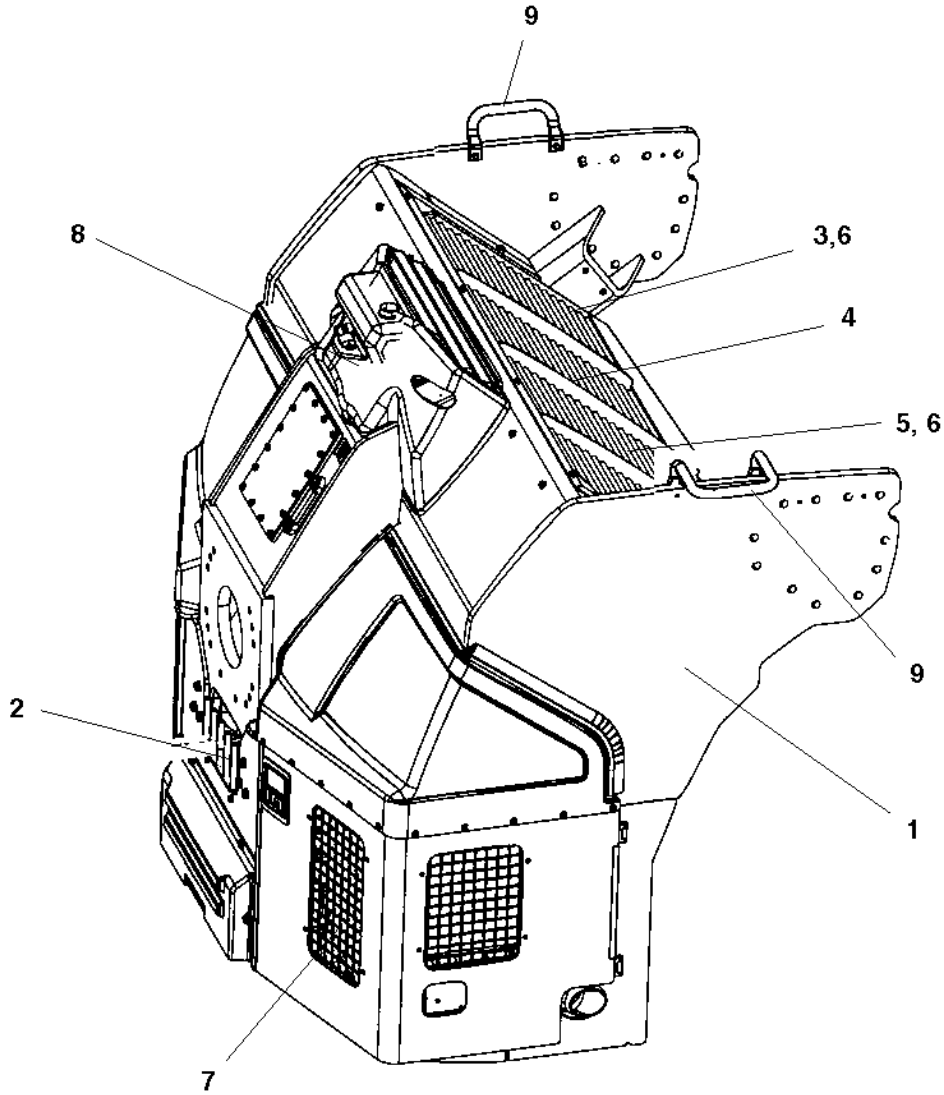


**ALT 2**

**Grab handle module**

<b>Item</b>	<b>Part No</b>	<b>Rem Qty</b>	<b>Description</b>	<b>Code</b>
1	4700394545	1	Grab handle	
2	4700904640	2	Washer 8,4x22x3	C
	4700904640	4	Washer 8,4x22x3	C
3	4700500022	2	Screw M8x30H 8.8 A2K	C
4	4700500023	2	Screw M8-1,25x40 8,8	C
5	4700791182	2	Lock nut M8	

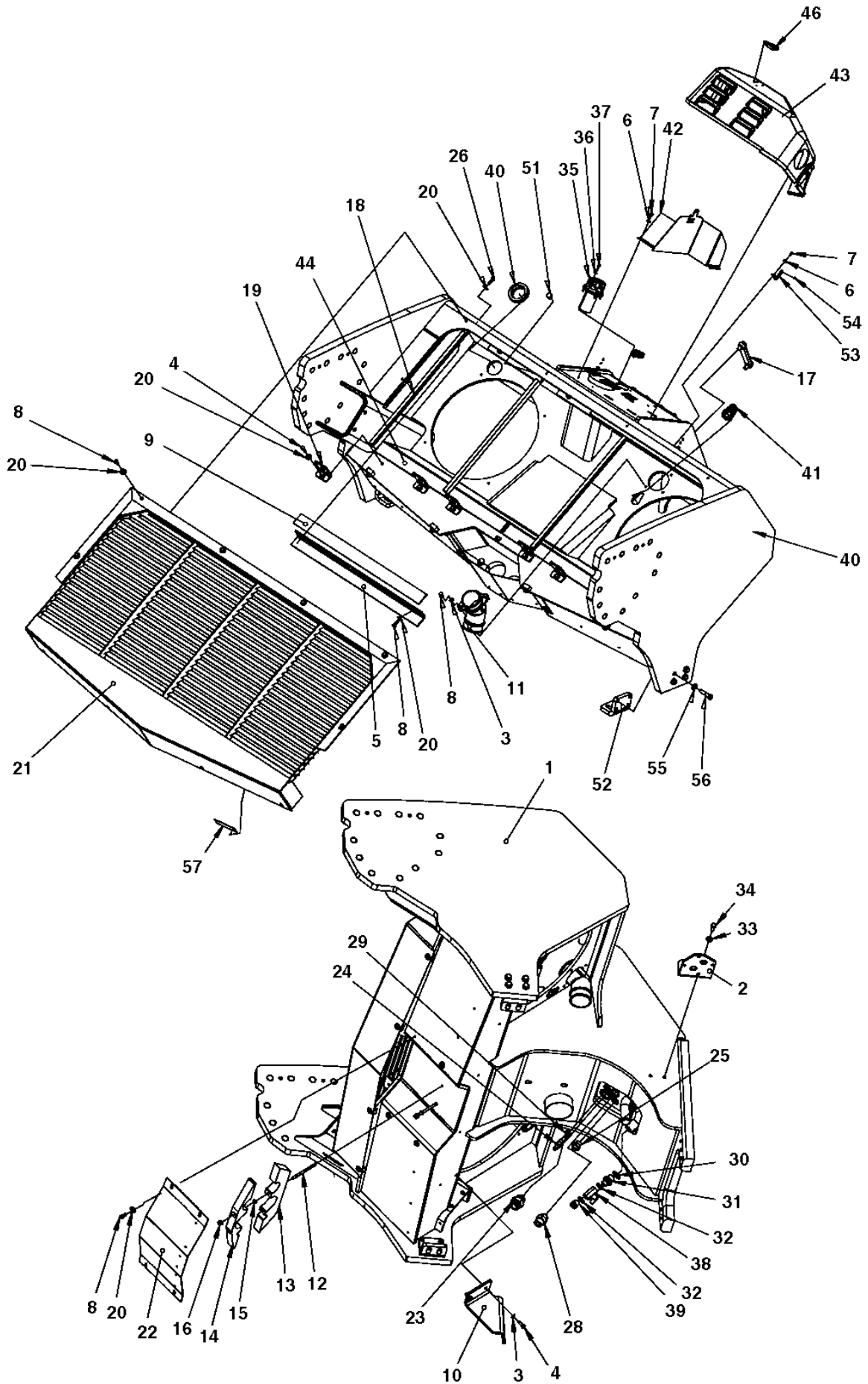
Rear frame



Rear frame

Item	Part No	Rem Qty	Description	Code
1		1	Rear frame ( Page 50 )	
2		1	Engine structure, module ( Page 54 )	
3		1	Water cooler ( Page 196 )	
4		1	Charge air cooler ( Page 194 )	
5		1	Oil cooler ( Page 62 )	
6		2	Fan ( Page 64 )	
7		1	Noise suppression plates ( Page 66 )	
		1	Noise suppression, covers ( Page 68 )	
8		1	Expansion tank assembly ( Page 198 )	
9		2	Grab handle module ( Page 46 )	

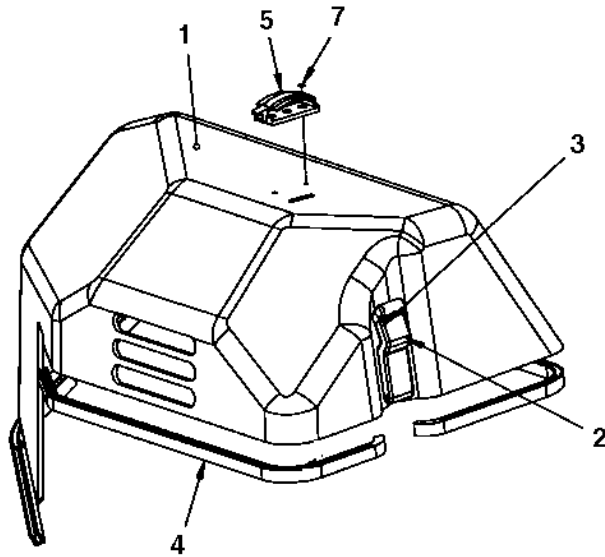
Rear frame



Rear frame

Item	Part No	Rem Qty	Description	Code
1	4700394529	1	Rear frame	
2	4700397296	1	Bracket	
3	4700904229	4	Washer 8,4x16x1,5	C
4	4700500021	8	Screw M8-1,25x25 8.8	C
5	4700392075	2	Bracket	
6	4700603001	8	Washer	C
7	4700500059	8	Screw	
8	4700500053	18	Screw M8x20H 8.8	C
9	4700392078	2	Rubber cloth	
10	4700396210	1	Bracket	
11	4700394000	1	Bulkhead elbow	
12	4700792326	2	Stud	
13	4700391375	1	Hose support	
14	4700391376	1	Hose support	
15	4700904044	2	Lock washer	C
16	4700902286	2	Hexagon lock nut with flange	C
17	4700792492	1	Level gauge	D
18	4700391299	A 1XL	Rubber strip	
19	4700391296	6	Bracket	
20	4700904640	26	Washer 8,4x22x3	C
21	4700395522	1	Cover	
22	4700391434	1	Cover	
23	4700792338	1	Straight connector	
24	4700792276	1	Temperature sensor	D
25	4700791405	1	Straight o-ring connector	
26	4700500022	4	Screw M8x30H 8.8 A2K	C
28	4700904728	1	Adapter	
29	4700162015	1	Seal ring	D
30	4700791120	1	Sealing washer	
31	4700792421	1	Straight connector	C
32	4700162006	2	Seal ring	D
33	4700904230	2	Steel plain washer	C
34	4700500028	2	Screw	C
35	4700391026	1	Ventilating filter	A
36	4700904281	6	Washer 5,3x10x1 300HV	C
37	4700508020	6	Screw	C
38	4700925599	1	Ball valve	
39	4700232056	1	Plug	
40	4700393001	2	Grommet	
41	4700393149	2	Grommet	
42	4700393281	1	Bracket	
43		1	<b>Cover, cpl ( Page 52 )</b>	
44	4700394459	2	Rubber cloth	
46	4700358881	1	Pad lock	D
51	4700792607	6	Shock absorber	
52	4700394400	2	Bracket	
53	4700394297	2	Bracket	
54	4700624021	4	Pop rivet	C
55	4700904703	8	Washer	C
56	4700500269	8	Screw	C
57	4700394513	2	Rubber cloth	

A) L= 2,34 m



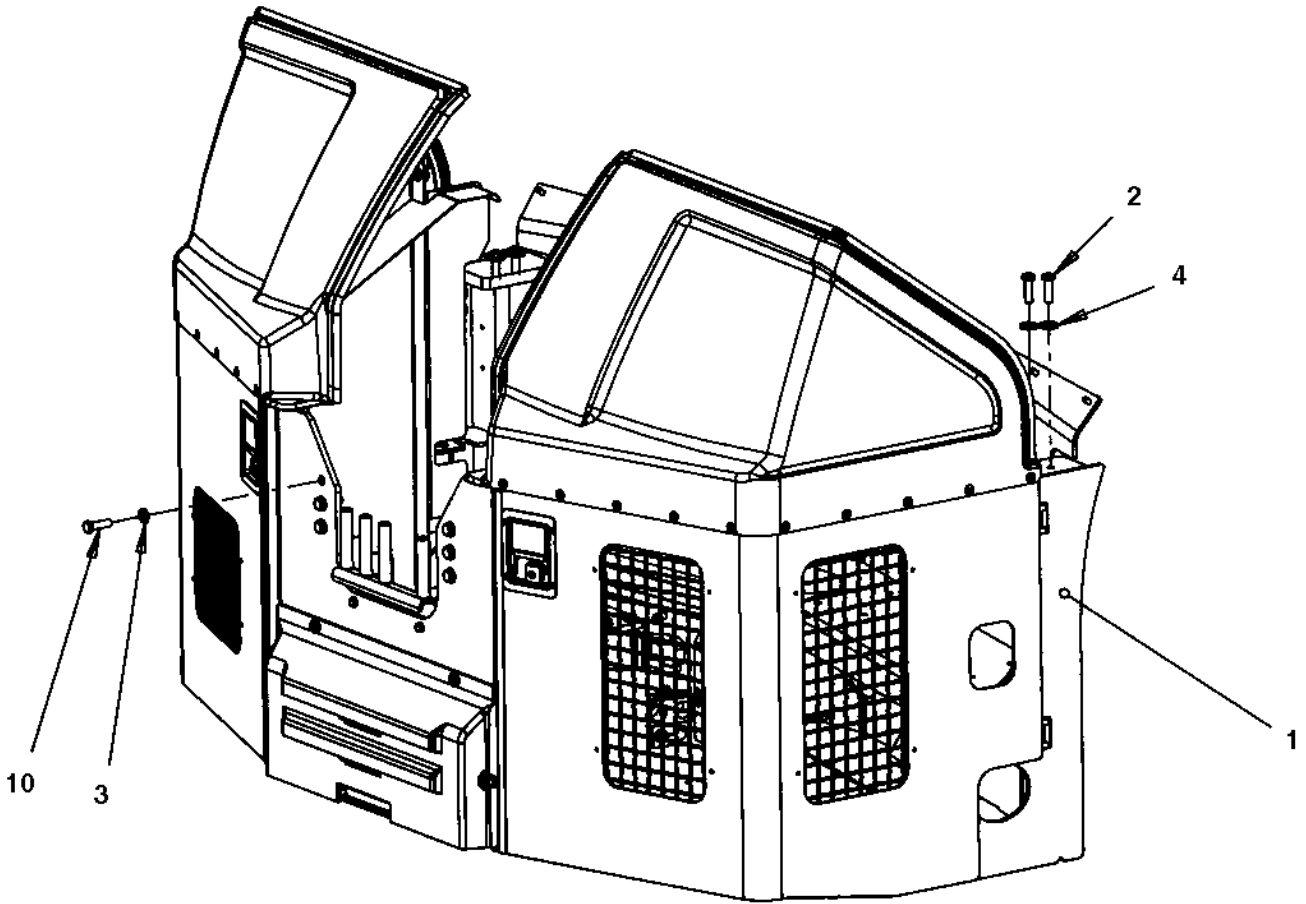


Cover, cpl

Item	Part No	Rem	Qty	Description	Code
1	4700391750		1	Cover	
2	4700388846		2	Latch	
3	4700624021		4	Pop rivet	C
4	4700902166	A	1XL	Edge trim	D
5	4700394536		1	Wiring clip	
7	4700624018		2	Blind rivet	

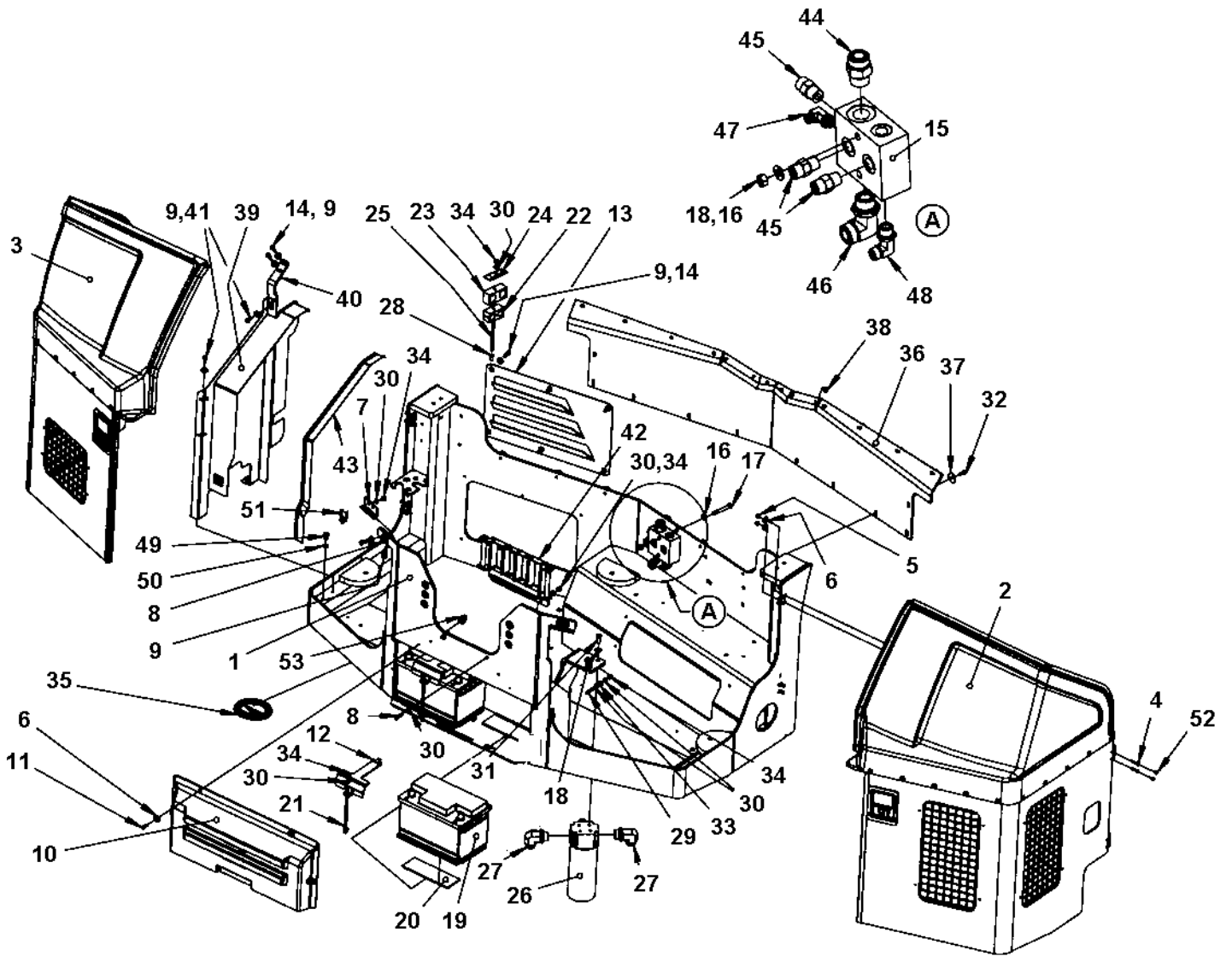
A) L=1.59 m

Engine structure, module



**Engine structure, module**

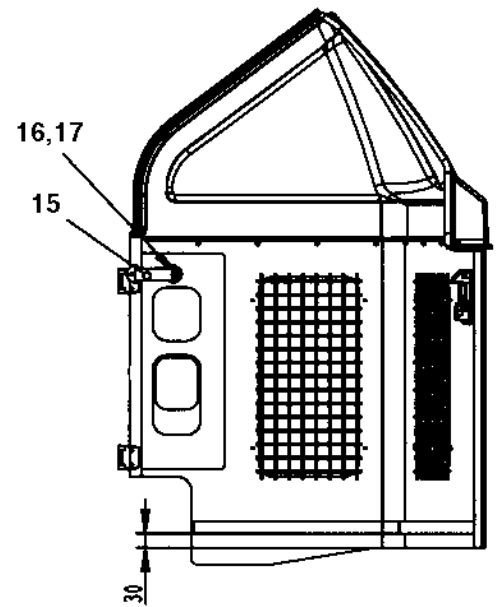
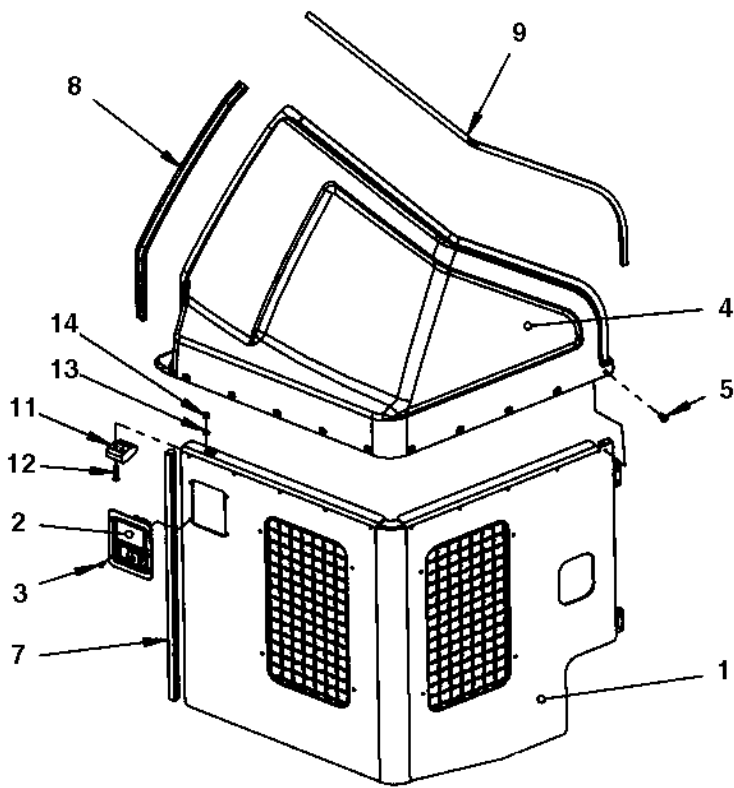
<b>Item</b>	<b>Part No</b>	<b>Rem Qty</b>	<b>Description</b>	<b>Code</b>
1		1	<b>Engine structure ( Page 56 )</b>	
2	4700947689	4	Screw	C
3	4700904231	6	Steel plain washer	C
4	4700904213	4	Washer	C
10	4700500269	6	Screw	C



Engine structure

Item	Part No	Rem Qty	Description	Code
1	4700394514	1	Engine structure	
2		1	<b>Engine cover, left ( Page 58 )</b>	
3		1	<b>Engine cover, right ( Page 60 )</b>	
4	4700513017	8	Screw M6x30H 10,9	C
5	4700586002	8	Lock nut M6 -8	C
6	4700904735	12	Washer	C
7	4700396542	2	Lock bracket	
8	4700500022	6	Screw M8x30H 8.8 A2K	C
9	4700904640	15	Washer 8,4x22x3	C
10	4700390884	1	Cover	
11	4700500040	4	Screw M6-1x20 8,8	C
12	4700396634	2	Battery holder	
13	4700392799	1	Grid	
14	4700500021	8	Screw M8-1,25x25 8.8	C
15	4700391157	1	Connection block	
16	4700904230	7	Steel plain washer	C
17	4700500092	2	Screw	C
18	4700570006	2	Nut	C
19	4700792311	2	Battery	
20	4700357459	4	Rubber cloth	D
21	4700396635	2	Battery screw	
22	4700903456	1	Pipe clamp	
23	4700791711	1	Pipe clamp	
24	4700791712	1	Cover plate	
25	4700792326	1	Stud	
26	4812110667	1	Hydraulic oil filter	
	4700391433	1	. Filter element	A
	4700391432	1	Cleaning filter element	
27	4700791844	2	Elbow adapter 90	
28	4700792825	1	Blind insert nut	
29	4700903768	3	Threaded stud	C
30	4700904229	17	Washer 8,4x16x1,5	C
31	4700500028	3	Screw	C
32	4700500053	18	Screw M8x20H 8.8	C
33	4700570005	3	Nut M8	C
34	4700586003	12	Lock nut M8	C
35	4700379992	1	Plug	
36	4700379974	1	Rubber cloth	
37	4700615050	18	Washer	C
38	4700792325	6	Blind rivet	
39	4700391769	1	Belt guard	
40	4700391768	1	Bracket	
41	4700500019	3	Screw M8x16H 8.8 A2K	C
42		1	<b>Hose support ( Page 38 )</b>	
43	4700792258	A 1XL	Edge trim	
44	4700791823	1	Straight connector orfs	
45	4700791799	3	Straight connector orfs	
46	4700791231	1	Elbow 90	D
47	4700792334	1	Elbow 90 orfs	
48	4700791840	1	Elbow adapter 90, O-ring with swivel	
49	4700500043	1	Screw M10x16H 8,8	C
50	4700904637	1	Washer	C
51	4700394701	N	Wiring clip	
52	4700926215	8	Protective plug	
53	4700792441	2	Cable tie with holder	

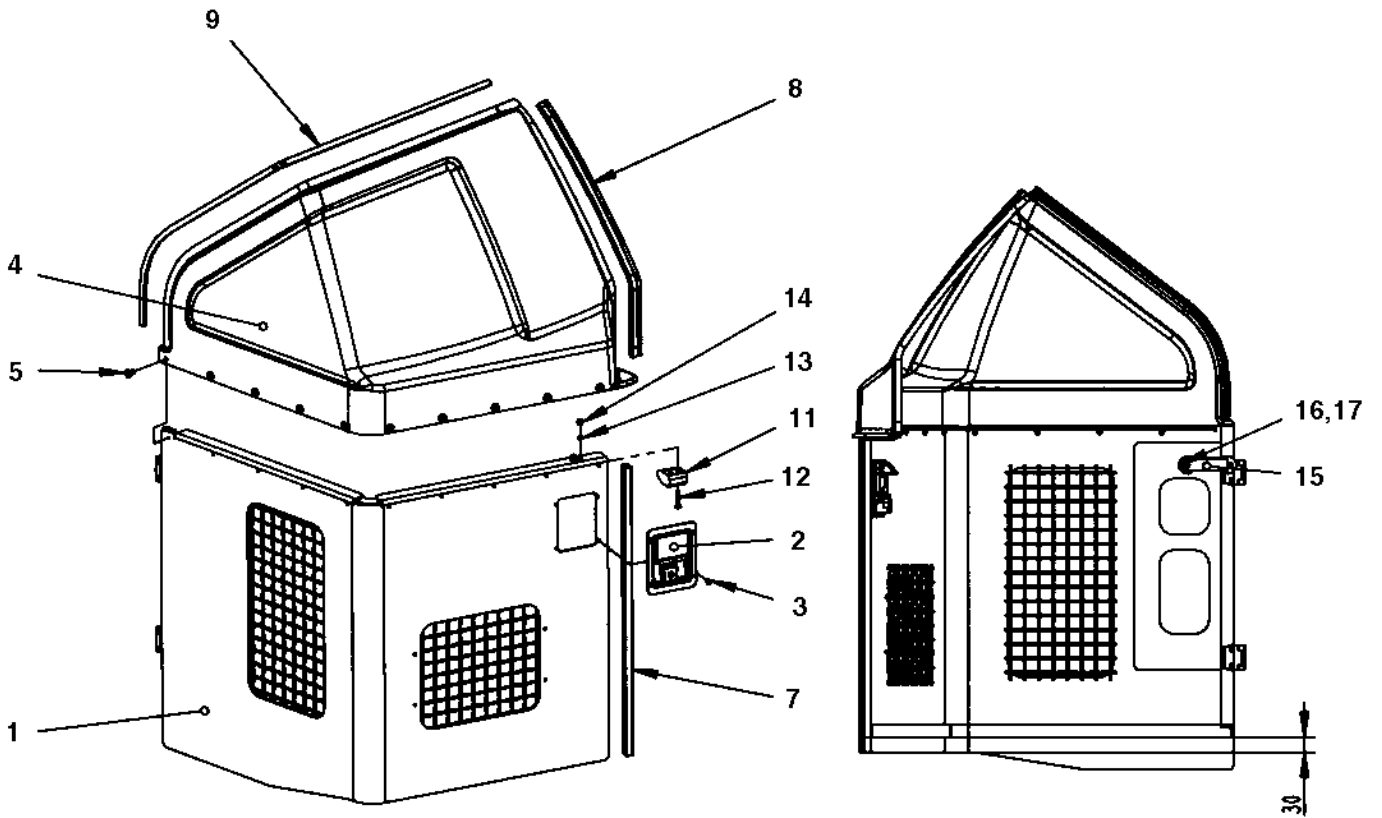
A) L=0.87 m



Engine cover, left

Item	Part No	Rem	Qty	Description	Code
	4700396684		1	Engine cover, cpl	
1			1	. Cover	
2	4700396607		1	. Lock	
	4700902866		1	. . Key Marked "455"	A
3	4700624020		4	. Blind rivet	
4	4700379976		1	. Cover	
5	4700792325		10	. Blind rivet	
7	4700202057	B	1XL	. Edge trim	D
8	4700902166	C	1XL	. Edge trim	D
9	4700903953	D	1XL	. Edge trim	D
11	4700390365		1	. Spacer	
12	4700924875		2	. Screw	
13	4700904228		2	. Washer 6,4x12x1,5	C
14	4700586002		2	. Lock nut M6 -8	C
15	4700390545		1	. Strap	
16	4700904735		1	. Washer	C
17	4700500059		1	. Screw	

- B) L=0.625m
- C) L=0.6m
- D) L=1.2m

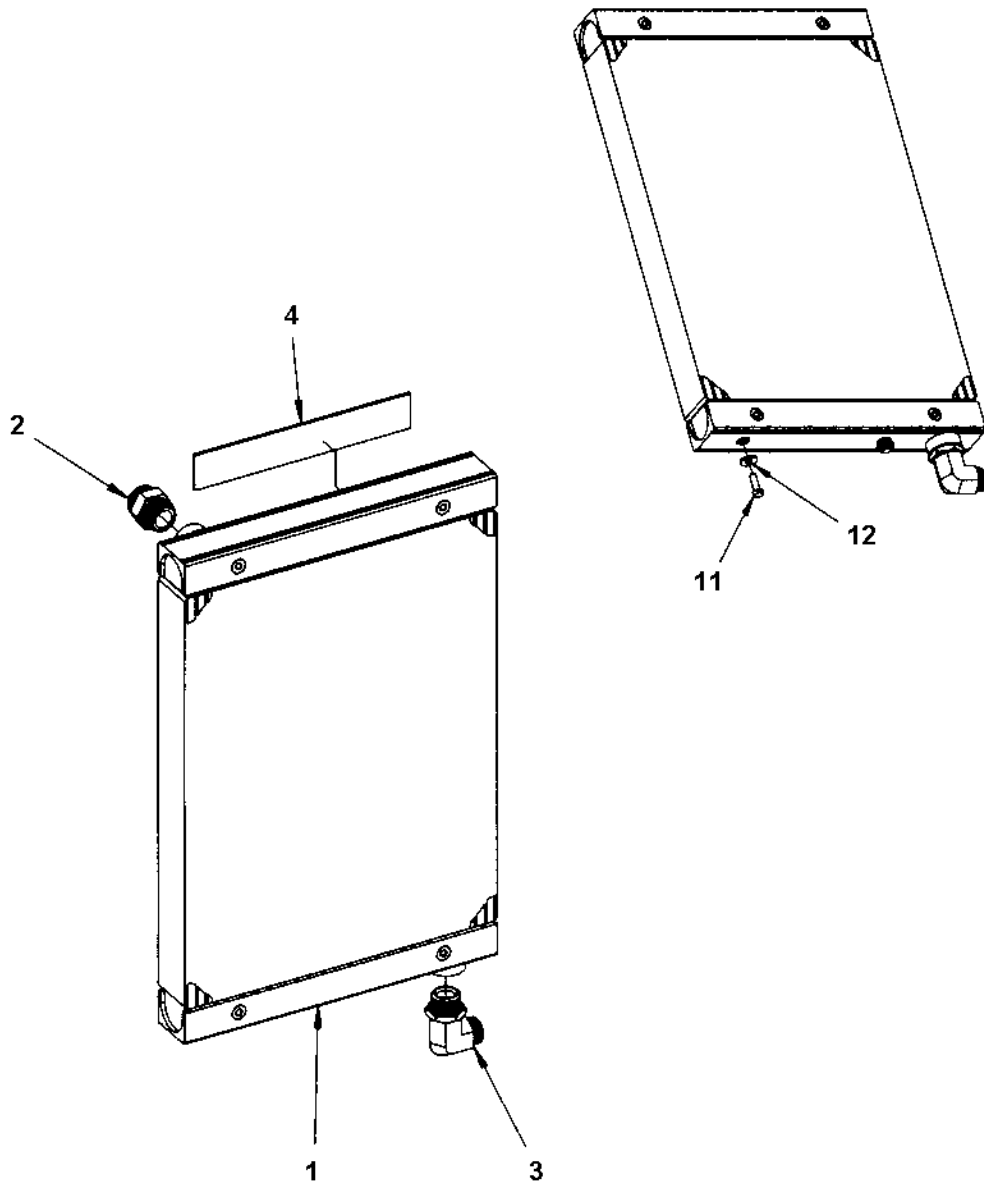




**Engine cover, right**

Item	Part No	Rem	Qty	Description	Code
	4700396685		1	Engine cover, cpl	
1			1	. Cover	
2	4700396607		1	. Lock	
	4700902866		1	. . Key Marked "455"	A
3	4700624020		4	. Blind rivet	
4	4700379977		1	. Cover	
5	4700792325		10	. Blind rivet	
7	4700202057	B	1XL	. Edge trim	D
8	4700902166	C	1XL	. Edge trim	D
9	4700903953	D	1XL	. Edge trim	D
11	4700390365		1	. Spacer	
12	4700924875		2	. Screw	
13	4700904228		2	. Washer 6,4x12x1,5	C
14	4700586002		2	. Lock nut M6 -8	C
15	4700390545		1	. Strap	
16	4700904735		1	. Washer	C
17	4700500059		1	. Screw	

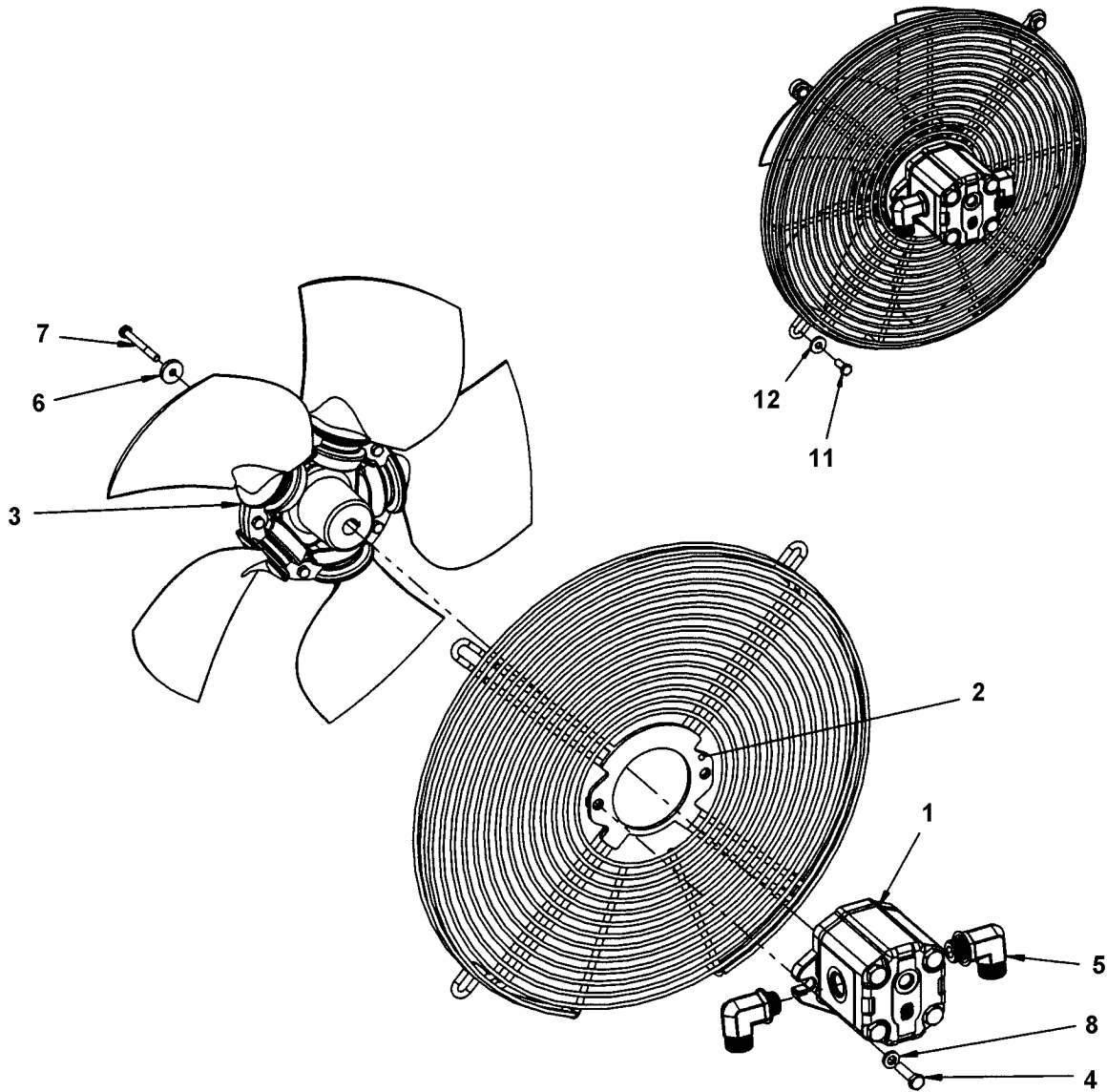
- B) L=0.625m
- C) L=0.6m
- D) L=1.2m



**Oil cooler**

<b>Item</b>	<b>Part No</b>	<b>Rem Qty</b>	<b>Description</b>	<b>Code</b>
1	4700390629	1	Oil cooler	C
2	4700792339	1	Straight connector orfs	
3	4700791321	1	Elbow adapter 90	
4	4700391297	1	Rubber cloth	
11	4700500021	2	Screw M8-1,25x25 8.8	C
12	4700904640	2	Washer 8,4x22x3	C

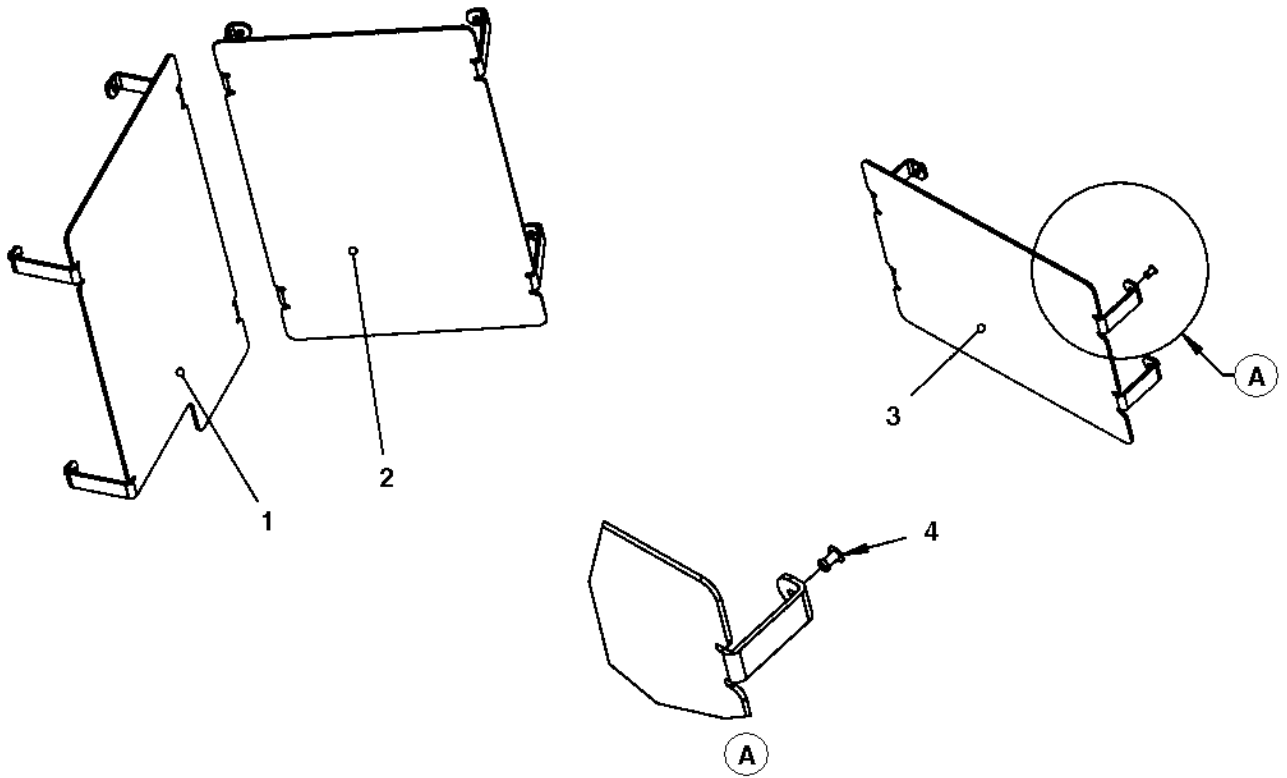
Fan



Fan

Item	Part No	Rem Qty	Description	Code
1	4700390609	1	Hydraulic motor	D
2	4700390608	1	Fan guard	
3	4700390607	1	Fan	D
4	4700500022	2	Screw M8x30H 8.8 A2K	C
5	4700792332	2	Elbow 90 orfs	
6	4700904735	2	Washer	C
7	4700500016	1	Screw M6x55 8.8 A2K	C
8	4700904640	2	Washer 8,4x22x3	C
11	4700500053	4	Screw M8x20H 8.8	C
12	4700904640	4	Washer 8,4x22x3	C

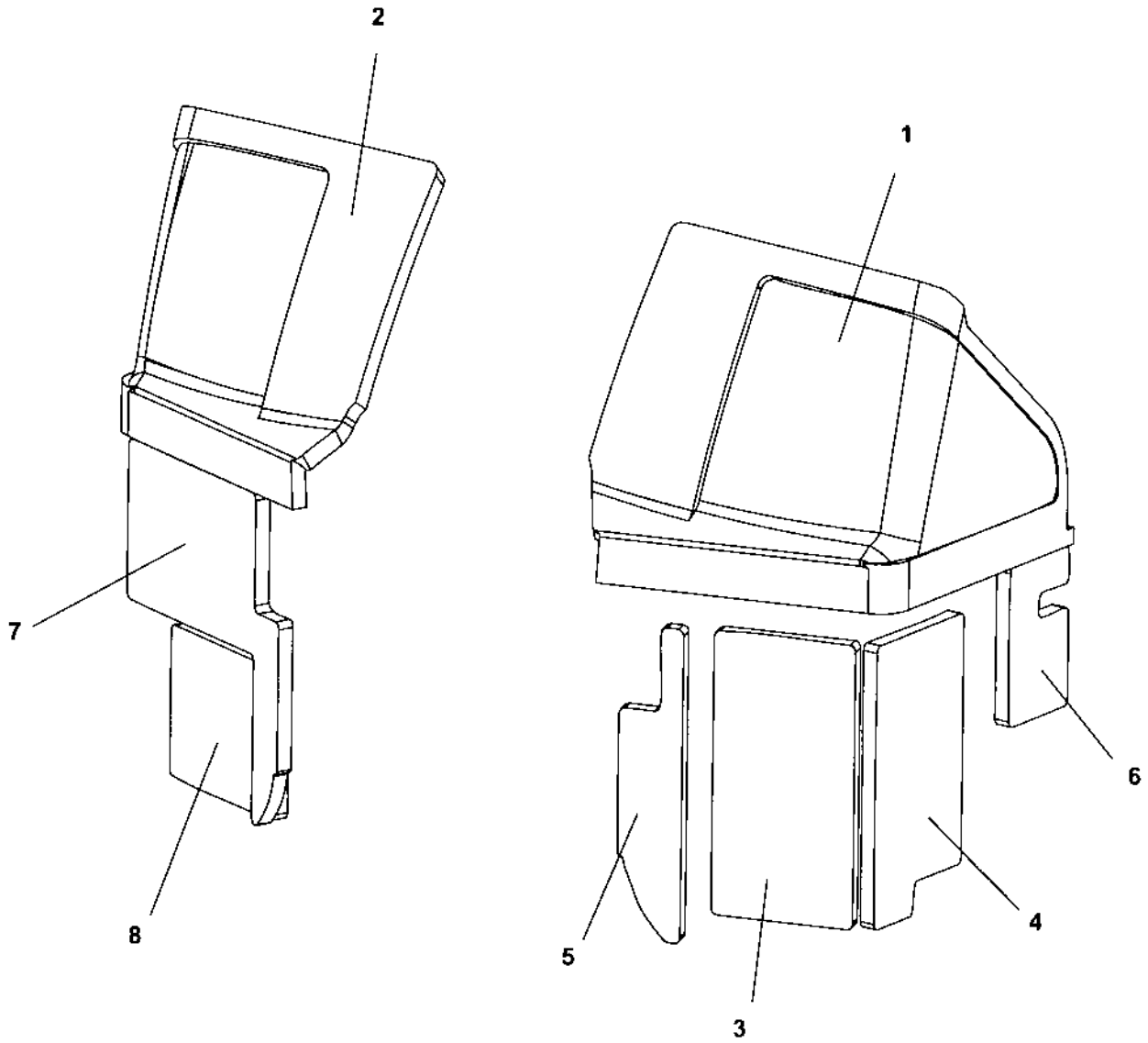
Noise suppression plates



Noise suppression plates

Item	Part No	Rem Qty	Description	Code
1	4700391369	1	Noise suppression plate	
2	4700391370	1	Noise suppression plate	
3	4700391371	1	Noise suppression plate	
4	4700792669	12	Blind rivet	

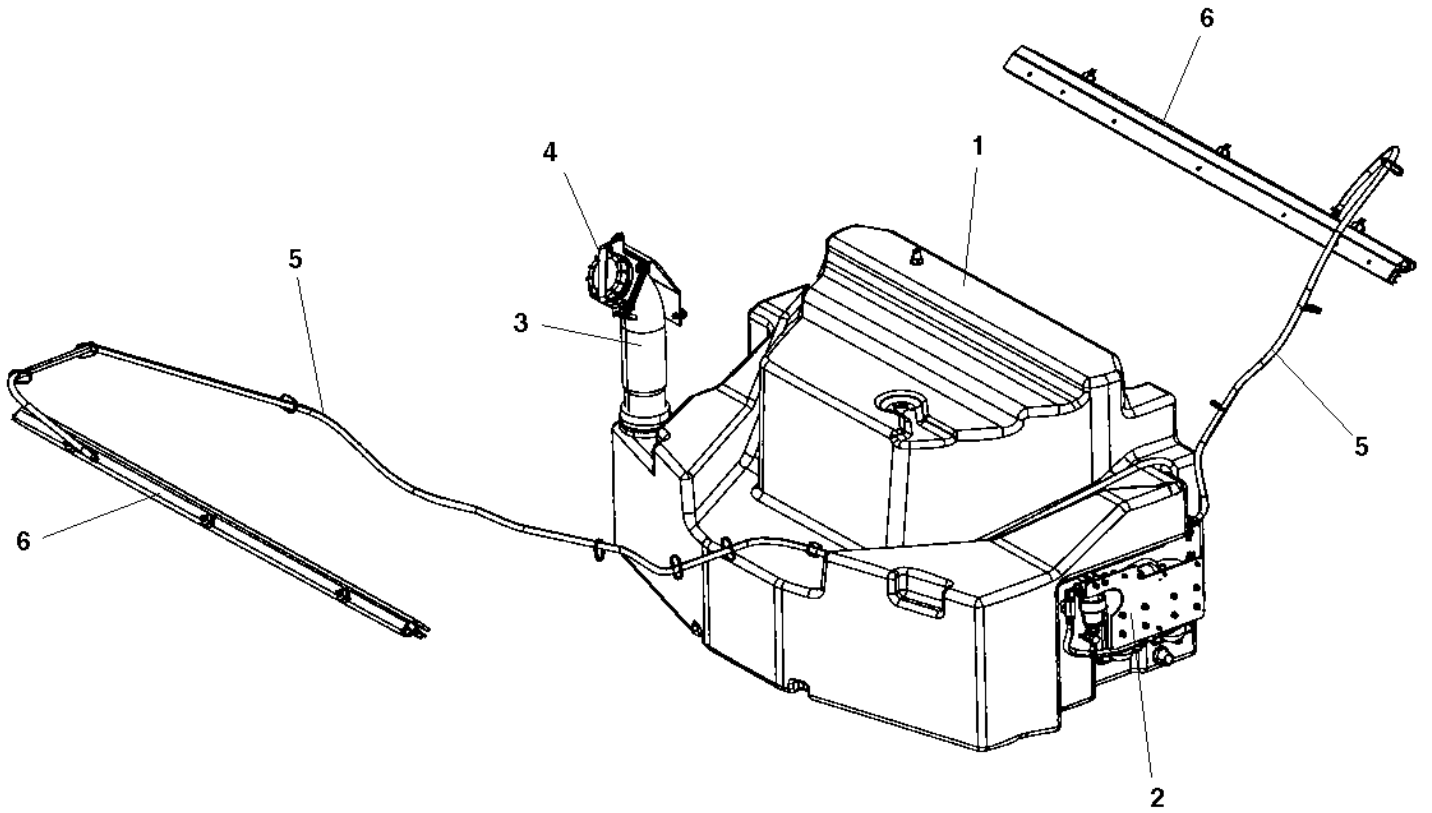
**Noise suppression, covers**





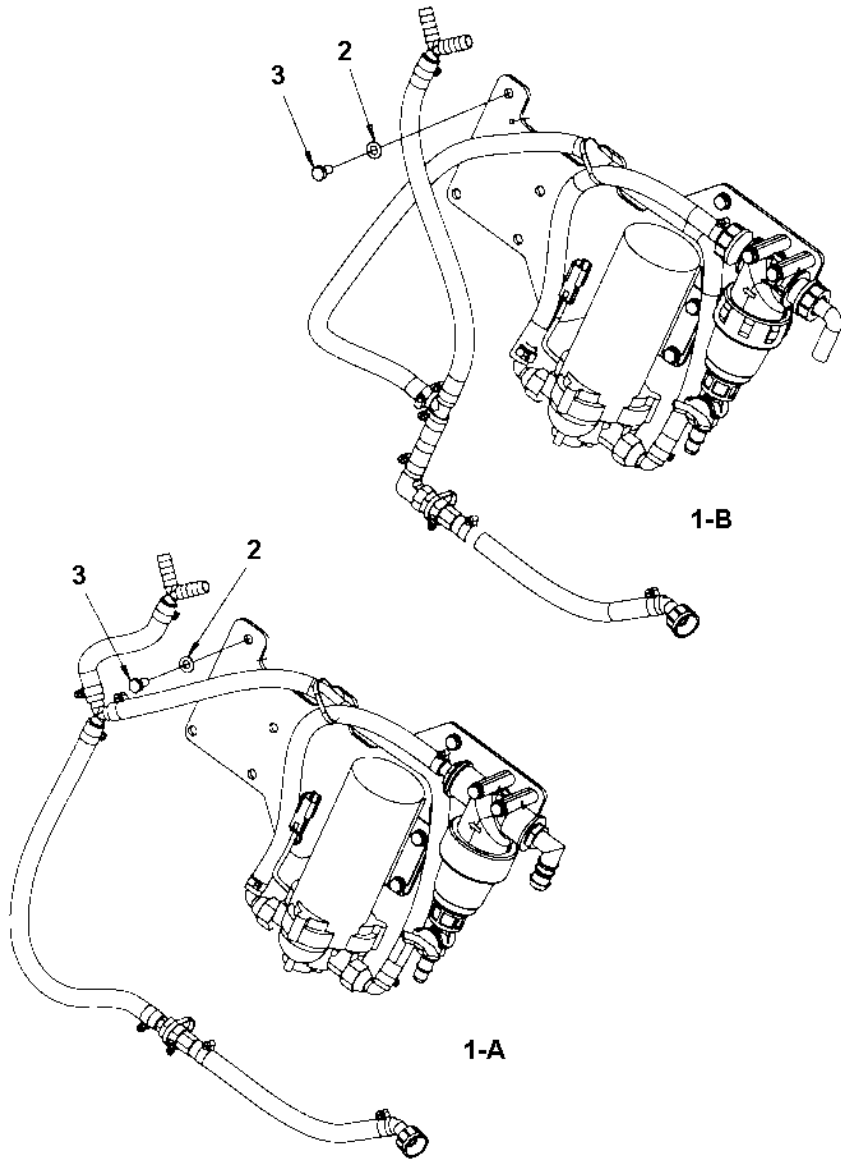
Noise suppression, covers

Item	Part No	Rem Qty	Description	Code
1	4700394567	1	Sound absorbent	
2	4700394568	1	Sound absorbent	
3	4700394569	1	Sound absorbent	
4	4700394570	1	Sound absorbent	
5	4700394571	1	Sound absorbent	
6	4700394572	1	Sound absorbent	
7	4700394573	1	Sound absorbent	
8	4700394575	1	Sound absorbent	



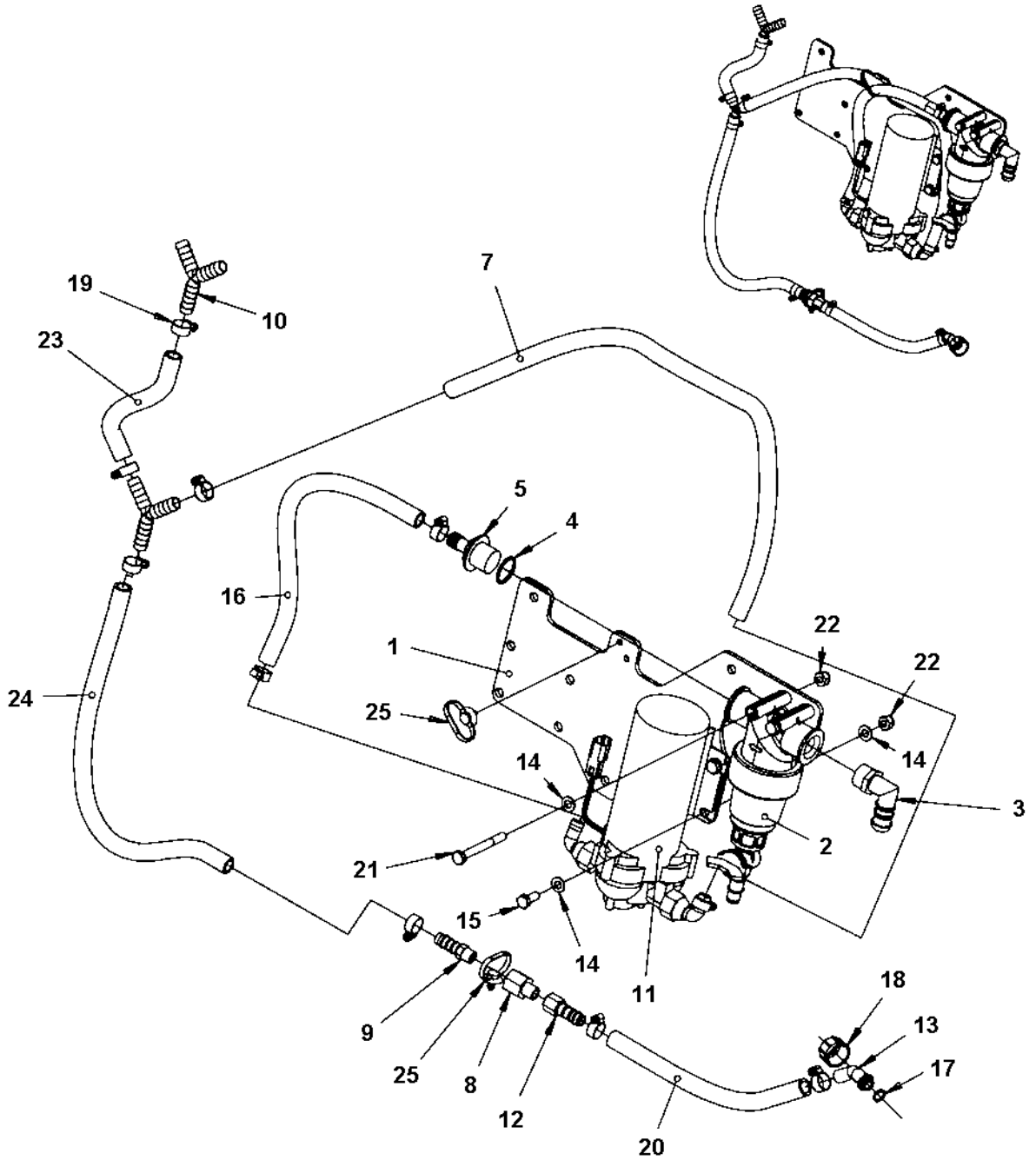
**Sprinkler system**

<b>Item</b>	<b>Part No</b>	<b>Rem Qty</b>	<b>Description</b>	<b>Code</b>
1		1	Tank structure module ( Page 32 )	
2		1	Sprinkler pump module ( Page 72 )	
		1	Sprinkler pump, backup ( Page 78 )	
		1	Sprinkler pump, additonal sprinkler/cocoa mat ( Page 80 )	
3		2	Filling pipe ( Page 44 )	
4		1	Locking device module ( Page 86 )	
5		1	Water hoses ( Page 88 )	
6		2	Scraper assy with nozzles ( Page 90 )	



**Sprinkler pump module**

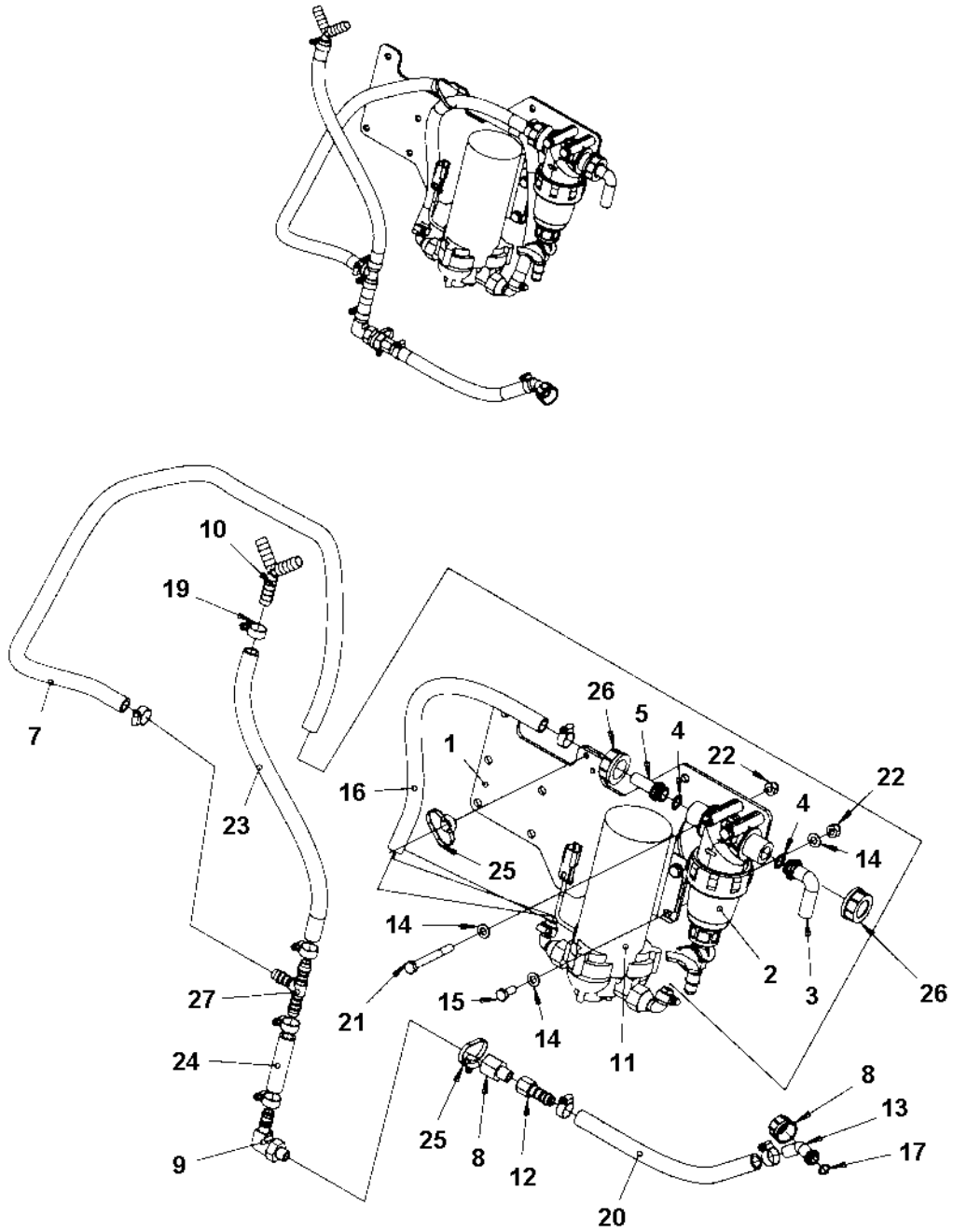
<b>Item</b>	<b>Part No</b>	<b>Rem Qty</b>	<b>Description</b>	<b>Code</b>
1-A		1	<b>Sprinkler pump ( Page 74 )</b>	
1-B		1	<b>Sprinkler pump ( Page 76 )</b>	
2	4700904229	3	Washer 8,4x16x1,5	C
3	4700500019	3	Screw M8x16H 8.8 A2K	C



**Sprinkler pump**

Item	Part No	Rem	Qty	Description	Code
1	4812110491		1	Sprinkler plate	
2	4700791950		1	Water strainer, cpl	
3	4700792777		1	Hose connection	C
4	4700160313		1	O-ring 70	D
5	4700396672		1	Hose connection, plastic	
7	4812112074	A	1XL	Plastic hose	
8	4700792813		1	Bypass valve	
9	4700791977		1	Hose connection	C
10	4811000107		2	Hose connection	C
11	4812110394		1	Sprinkler pump	
12	4811000085		1	Hose connection	
13	4700393542		1	Hose connection swivel	C
14	4700904229		10	Washer 8,4x16x1,5	C
15	4700500053		4	Screw M8x20H 8.8	C
16	4812112074	B	1XL	Plastic hose	
17	4700792600		1	O-ring 70	
18	4700392227		1	Swivel nut	
19	4700313001		10	Hose clamp	D
20	4812112074	C	1XL	Plastic hose	
21	4700500090		2	Screw	C
22	4700586003		6	Lock nut M8	C
23	4812112074	C	1XL	Plastic hose	
24	4812112074	C	1XL	Plastic hose	
25	4700792441		N	Cable tie with holder	

- A) L= 0.82 m
- B) L= 0.70 m
- C) Length as required. (order in meter)

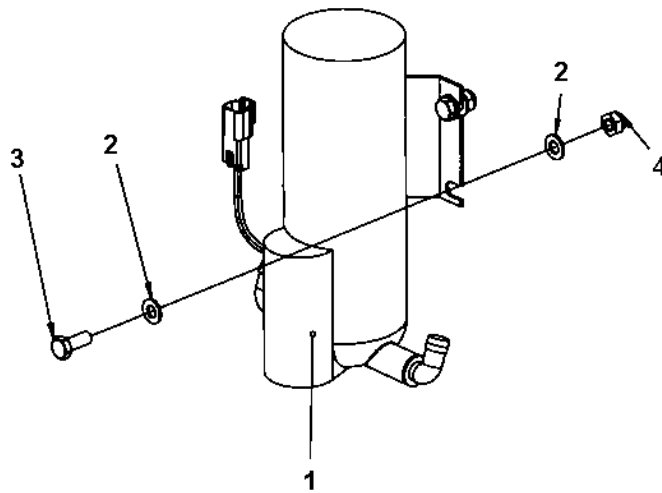




**Sprinkler pump**

Item	Part No	Rem	Qty	Description	Code
1	4812110491		1	Sprinkler plate	
2	4812111325		1	Water strainer, cpl	
3	4812111332		1	Hose connection swivel	
4	4700480852		2	O-ring 70	
5	4812111329		1	Hose connection swivel	
7	4812112074	A	1XL	Plastic hose	
8	4700792813		1	Bypass valve	
9	4700901431		1	Hose connection	C
10	4811000107		1	Hose connection	C
11	4812110394		1	Sprinkler pump	
12	4811000085		1	Hose connection	
13	4700393542		1	Hose connection swivel	C
14	4700904229		10	Washer 8,4x16x1,5	C
15	4700500053		4	Screw M8x20H 8.8	C
16	4812112074	B	1XL	Plastic hose	
17	4700792600		1	O-ring 70	
18	4700392227		1	Swivel nut	
19	4700313002		10	Hose clamp 13-20 mm	D
20	4812112074	C	1XL	Plastic hose	
21	4700500090		2	Screw	C
22	4700586003		6	Lock nut M8	C
23	4812112074	D	1XL	Plastic hose	
24	4812112074	E	1XL	Plastic hose	
25	4700792441		N	Cable tie with holder	
26	4700792779		2	Swivel nut	
27	4700923735		1	Hose connection	C

- A) L= 1.24 m
- B) L= 0.71 m
- C) L= 0.20 m
- D) L= 0.38 m
- E) L= 0.07

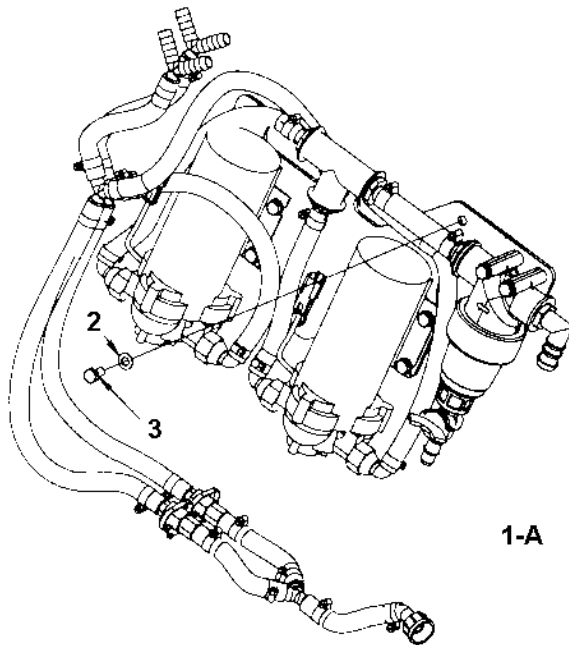
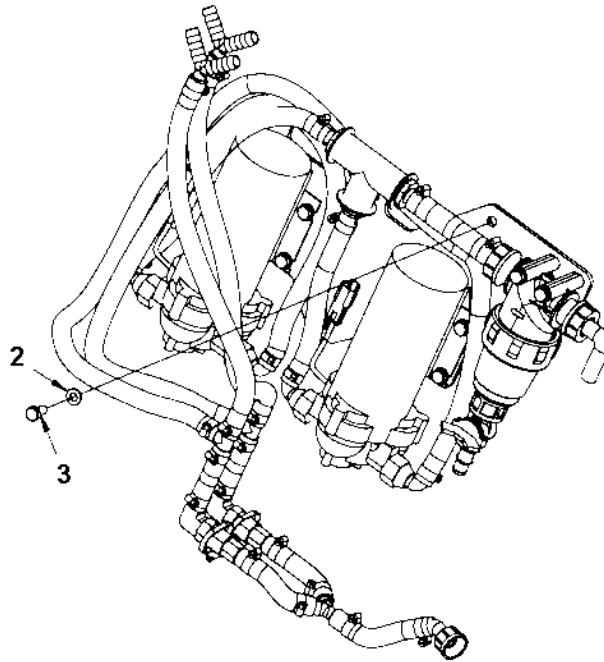


**Sprinkler pump, backup**

Item	Part No	Rem	Qty	Description	Code
1	4700391495	1	1	Sprinkler pump	
	4812110358	2	1	Sprinkler pump	
	4812110394		1	Sprinkler pump	
2	4700904229		8	Washer 8,4x16x1,5	C
3	4700500053		4	Screw M8x20H 8.8	C
4	4700791182		4	Lock nut M8	

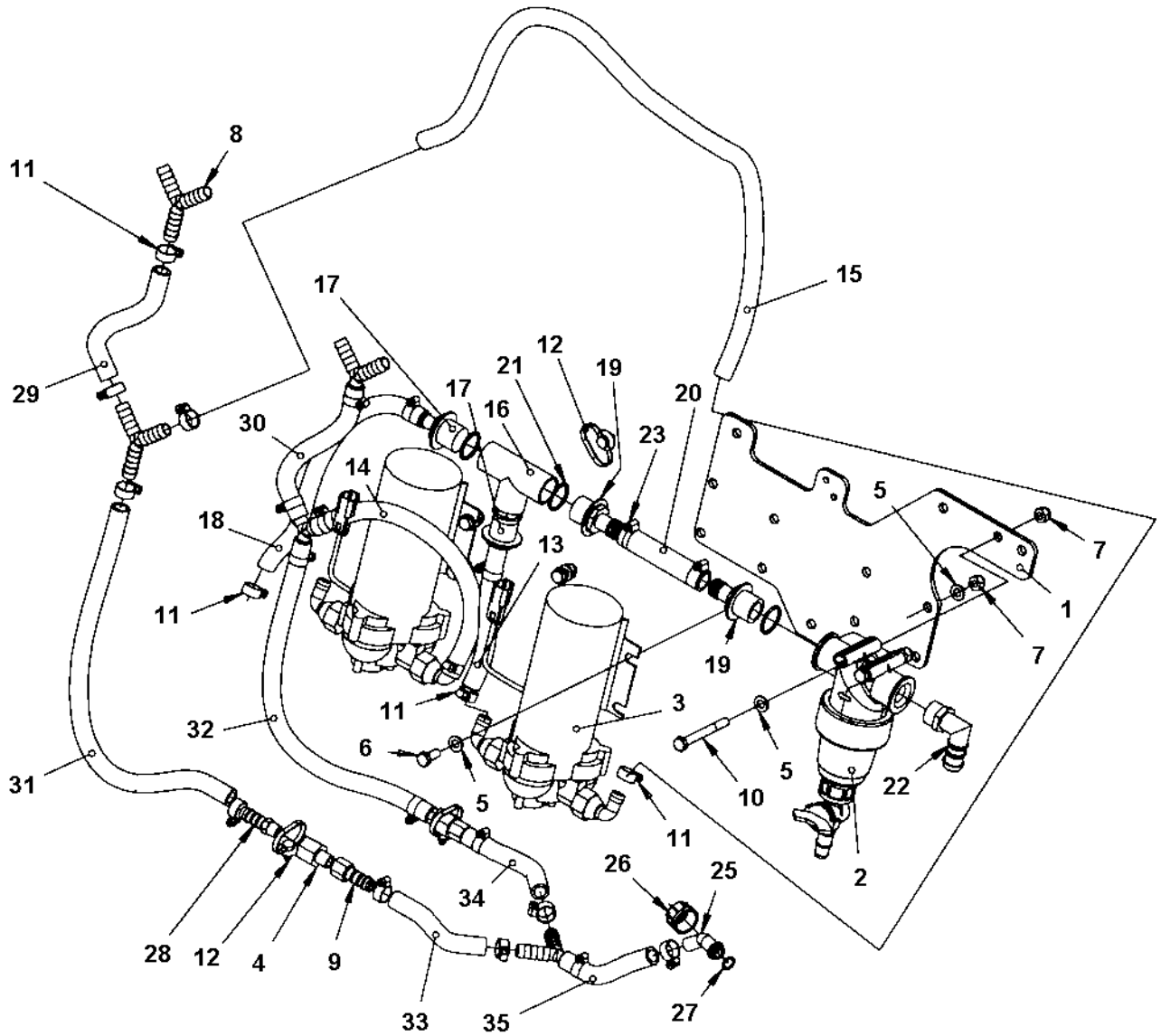
- 1) Replaced as Spare Part by PN 4812110358.
- 2) Replaces PN 4700391495.

**Sprinkler pump, additional sprinkler/cocoa mat**



**Sprinkler pump, additonal sprinkler/cocoa mat**

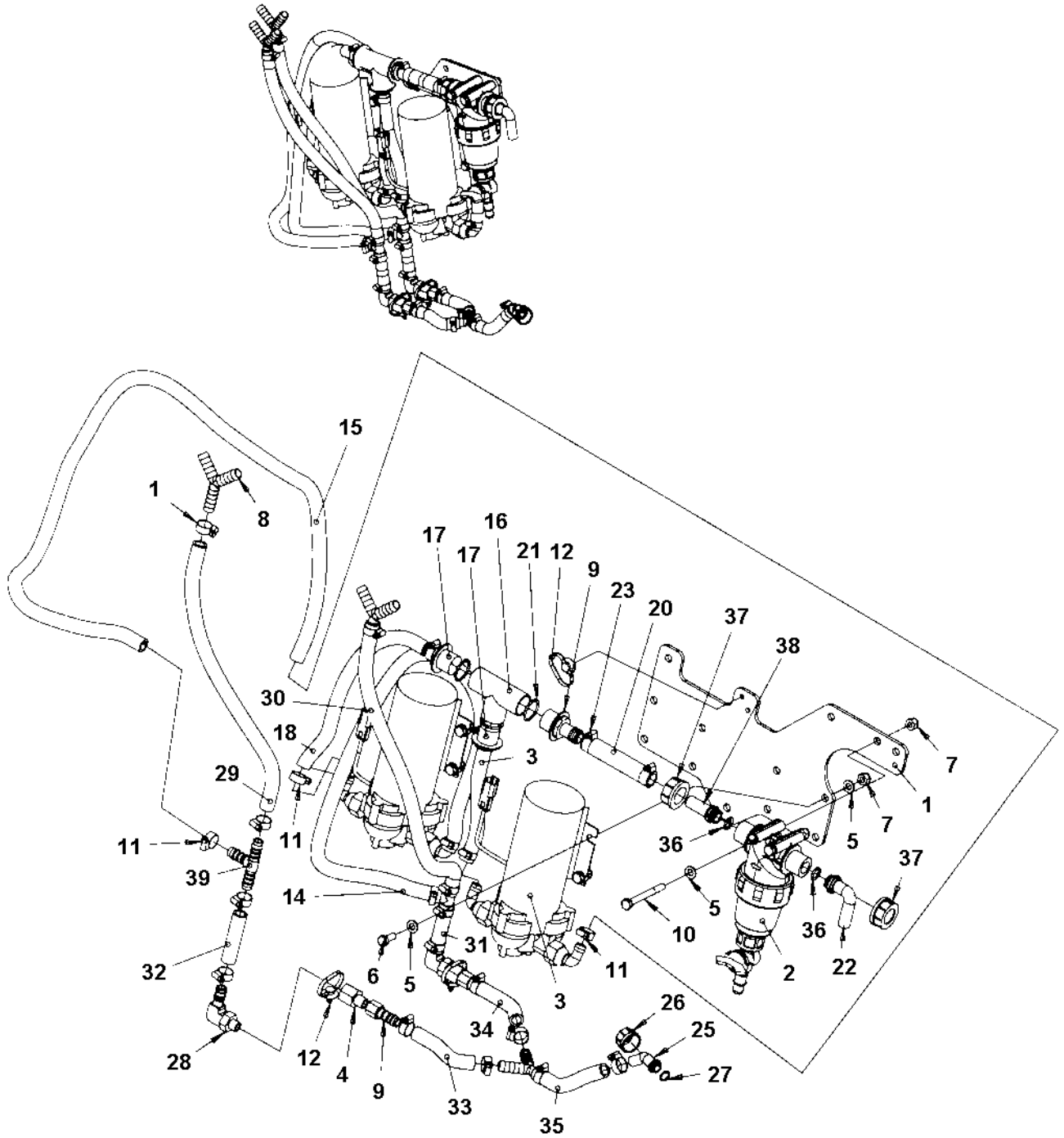
Item	Part No	Rem Qty	Description	Code
1-A		1	<b>Sprinkler pumps ( Page 82 )</b>	
1-B		1	<b>Sprinkler pumps ( Page 84 )</b>	
2	4700904229	3	Washer 8,4x16x1,5	C
3	4700500019	3	Screw M8x16H 8.8 A2K	C



**Sprinkler pumps**

Item	Part No	Rem Qty	Description	Code
1	4812110491	1	Sprinkler plate	
2	4700791950	1	Water strainer, cpl	
3	4812110394	2	Sprinkler pump	
4	4700792813	2	Bypass valve	
5	4700904229	18	Washer 8,4x16x1,5	C
6	4700500053	8	Screw M8x20H 8.8	C
7	4700586003	10	Lock nut M8	C
8	4811000107	5	Hose connection	C
9	4811000085	2	Hose connection	
10	4700500090	2	Screw	C
11	4700313001	22	Hose clamp	D
12	4700792441	N	Cable tie with holder	
13	4812112074	A 1XL	Plastic hose	
14	4812112074	B 1XL	Plastic hose	
15	4812112074	C 1XL	Plastic hose	
16	4700792778	1	Tee-connector	
17	4700396672	2	Hose connection, plastic	
18	4812112074	D 1XL	Plastic hose	
19	4700396673	2	Hose connection	
20	4700792073	E 1XL	Hose reinforced	D
21	4700160313	4	O-ring 70	D
22	4700792777	1	Hose connection	C
23	4700313003	2	Hose clamp	D
25	4700393542	1	Hose connection swivel	C
26	4700392227	1	Swivel nut	
27	4700792600	1	O-ring 70	
28	4700791977	2	Hose connection	C
29	4812112074	F 1XL	Plastic hose	
30	4812112074	F 1XL	Plastic hose	
31	4812112074	F 1XL	Plastic hose	
32	4812112074	F 1XL	Plastic hose	
33	4812112074	F 1XL	Plastic hose	
34	4812112074	F 1XL	Plastic hose	
35	4812112074	F 1XL	Plastic hose	

- A) L= 0.20 m
- B) L= 0.65 m
- C) L= 0.82 m
- D) L= 0.31 m
- E) L= 0.10 m
- F) Length as required.



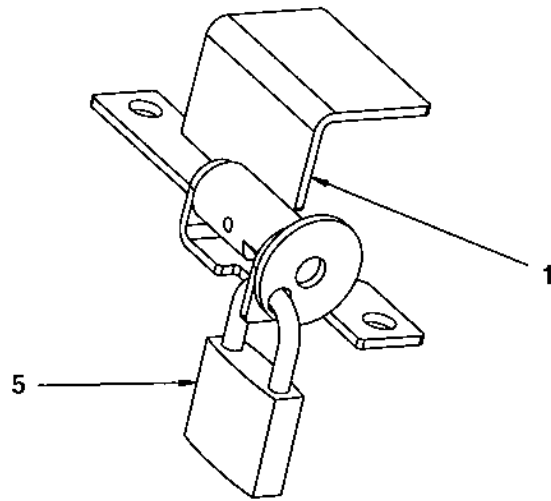


**Sprinkler pumps**

Item	Part No	Rem Qty	Description	Code
1	4812110491	1	Sprinkler plate	
2	4812111325	1	Water strainer, cpl	
3	4812110394	2	Sprinkler pump	
4	4700792813	2	Bypass valve	
5	4700904229	18	Washer 8,4x16x1,5	C
6	4700500053	8	Screw M8x20H 8.8	C
7	4700586003	10	Lock nut M8	C
8	4811000107	3	Hose connection	C
9	4811000085	2	Hose connection	
10	4700500090	2	Screw	C
11	4700313002	22	Hose clamp 13-20 mm	D
12	4700792441	0	Cable tie with holder	
13	4812112074	A 1XL	Plastic hose	
14	4812112074	B 1XL	Plastic hose	
15	4812112074	C 1XL	Plastic hose	
16	4700792778	1	Tee-connector	
17	4700396672	2	Hose connection, plastic	
18	4812112074	D 1XL	Plastic hose	
19	4700396673	1	Hose connection	
20	4700792073	E 1XL	Hose reinforced	D
21	4700160313	3	O-ring 70	D
22	4812111332	1	Hose connection swivel	
23	4700313003	2	Hose clamp	D
25	4700393542	1	Hose connection swivel	C
26	4700392227	1	Swivel nut	
27	4700792600	1	O-ring 70	
28	4700901431	2	Hose connection	C
29	4812112074	F 1XL	Plastic hose	
30	4812112074	F 1XL	Plastic hose	
31	4812112074	G 1XL	Plastic hose	
32	4812112074	G 1XL	Plastic hose	
33	4812112074	H 1XL	Plastic hose	
34	4812112074	H 1XL	Plastic hose	
35	4812112074	I 1XL	Plastic hose	
36	4700480852	2	O-ring 70	
37	4700792779	2	Swivel nut	
38	4700792780	1	Hose connection swivel	
39	4700923735	2	Hose connection	C

- A) L=0.20 m
- B) L= 0.98 m
- C) L= 1.24 m
- D) L= 0.31 m
- E) L= 0.11 m
- F) L= 0.38 m
- G) L= 0.07 m
- H) L= 0.12 m
- I) L= 0.09 m

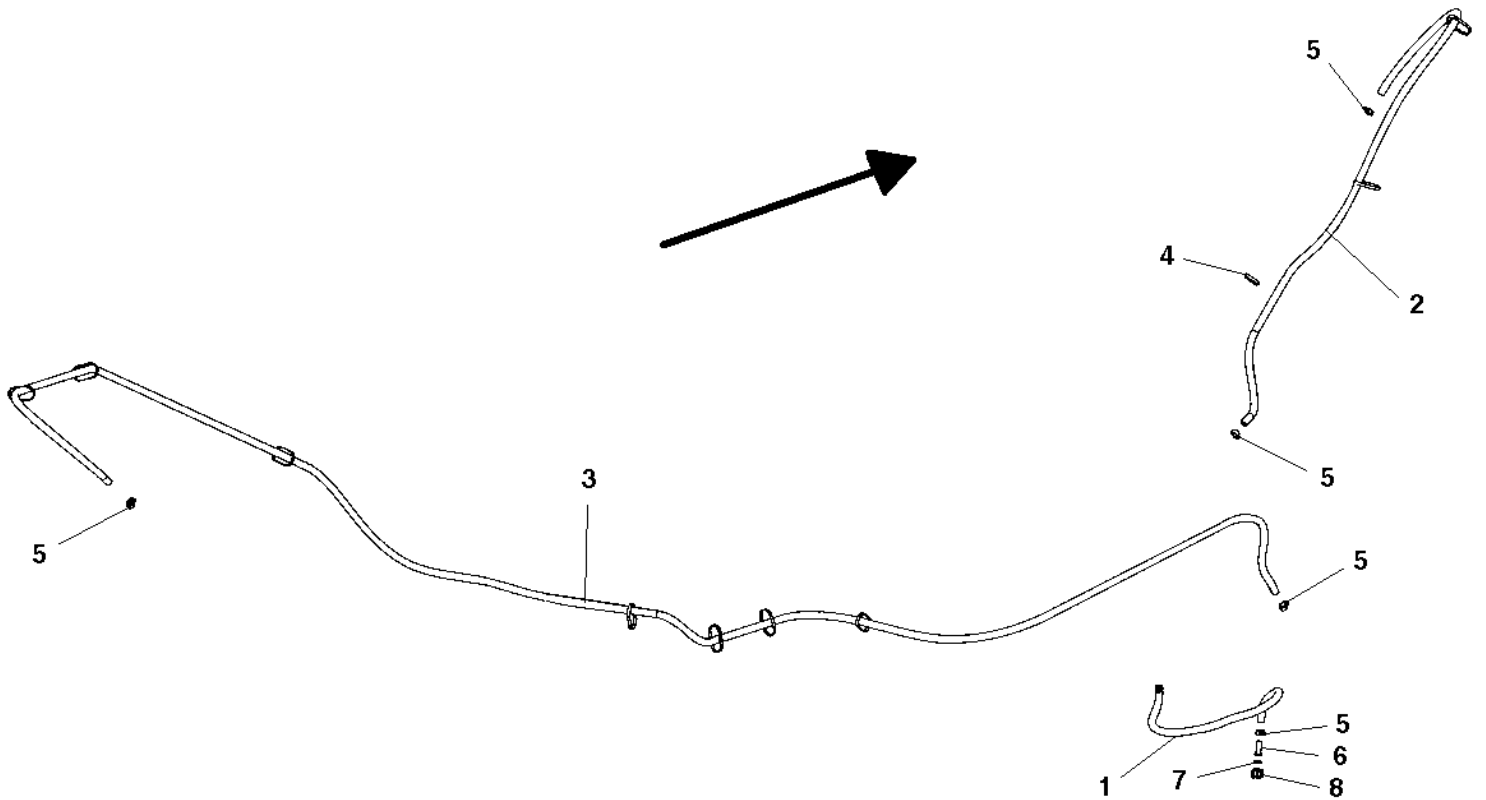
**Locking device module**



**Locking device module**

<b>Item</b>	<b>Part No</b>	<b>Rem Qty</b>	<b>Description</b>	<b>Code</b>
1		1	Locking device	C
	4700394587	1	. Bracket	
	4700394591	1	. Shaft	
	4700394590	1	. Lock bracket	
	4700629008	1	. Spring pin	
5	4700358881	1	Pad lock	D

**Water hoses**

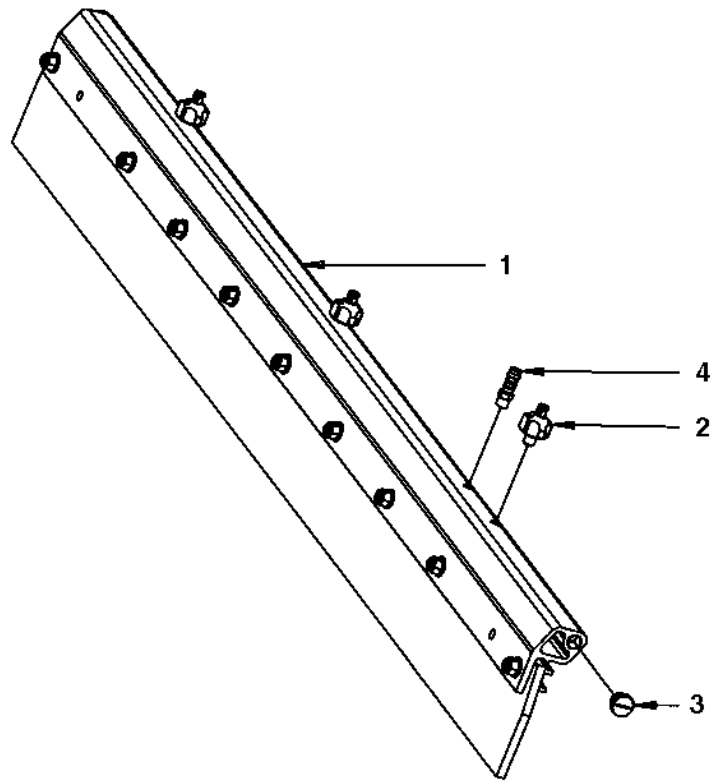


**Water hoses**

Item	Part No	Rem	Qty	Description	Code
1	4812112074	A	1XL	Plastic hose	
2	4812112074	B	1XL	Plastic hose	
3	4812112074	C	1XL	Plastic hose	
4	4700313102		N	Cable ties	D
5	4700313001		6	Hose clamp	D
6	4700392228		1	Hose connection swivel	
7	4700392229		1	Plane gasket	
8	4700392227		1	Swivel nut	

- A) L=0.70 m
- B) L=1.73 m, machine with offset L=1.74 m
- C) L=4.57 m, machine with offset L=4.40 m

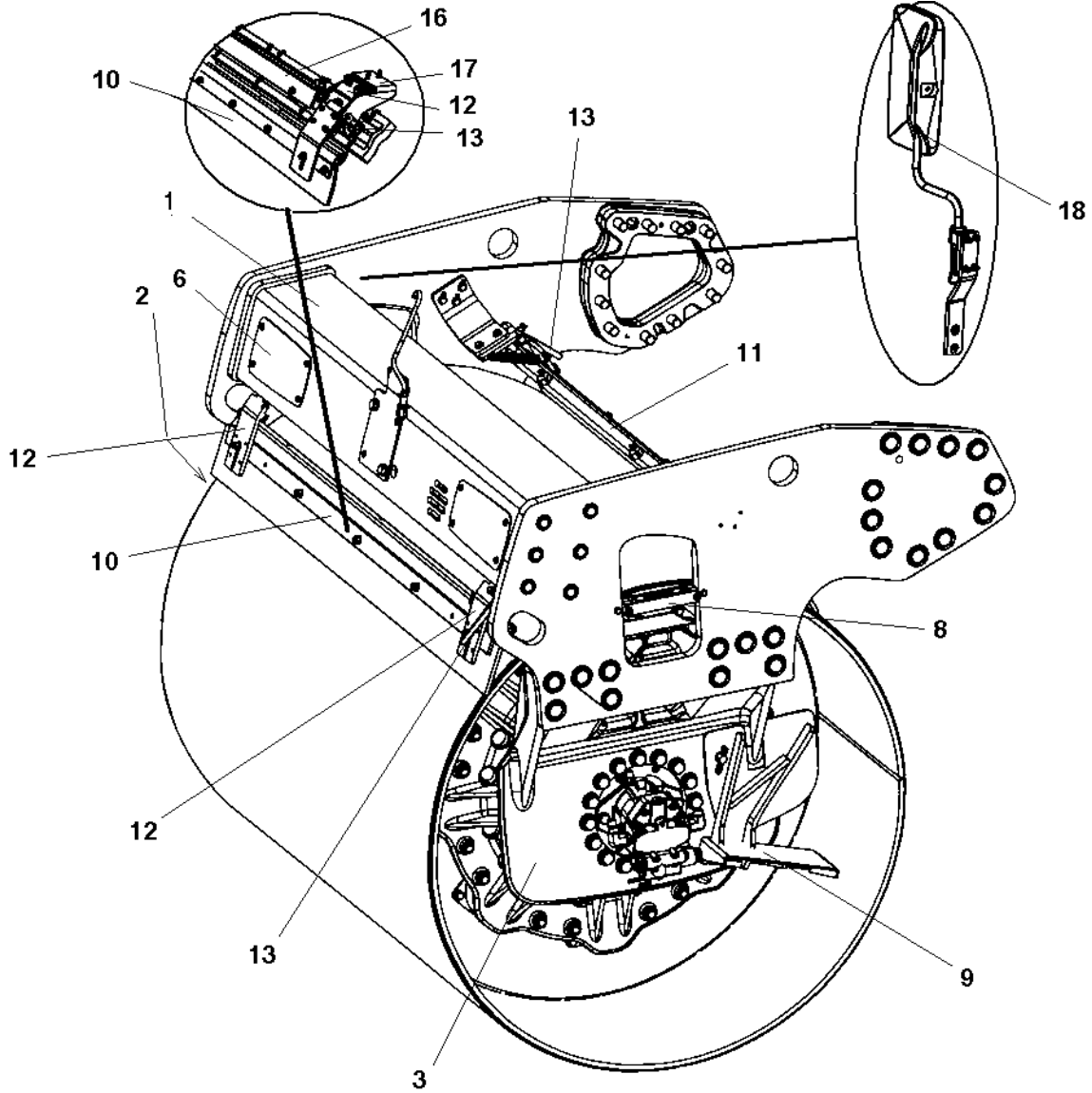
Scraper assy with nozzles



Scraper assy with nozzles

Item	Part No	Rem	Qty	Description	Code
1			1	<b>Scraper assy ( Page 114 )</b>	
2	4700392011		3	Spraying nozzle, cpl	A
	4700392509		1	. Retainer, nozzle, strainer, yellow 0.8	D
	4700393697		1	.. Nozzle and strainer, yellow 0.8	A
	4700390615	A	1	.. Nozzle and strainer, blue 1.0	A
	4700390616	A	1	.. Nozzle and strainer, red 1.2	A
	4700390619	A	1	.. Nozzle and strainer, brown 1.3	A
3	4700792072		2	End plug	
4	4700791977		1	Hose connection	C

A) Option

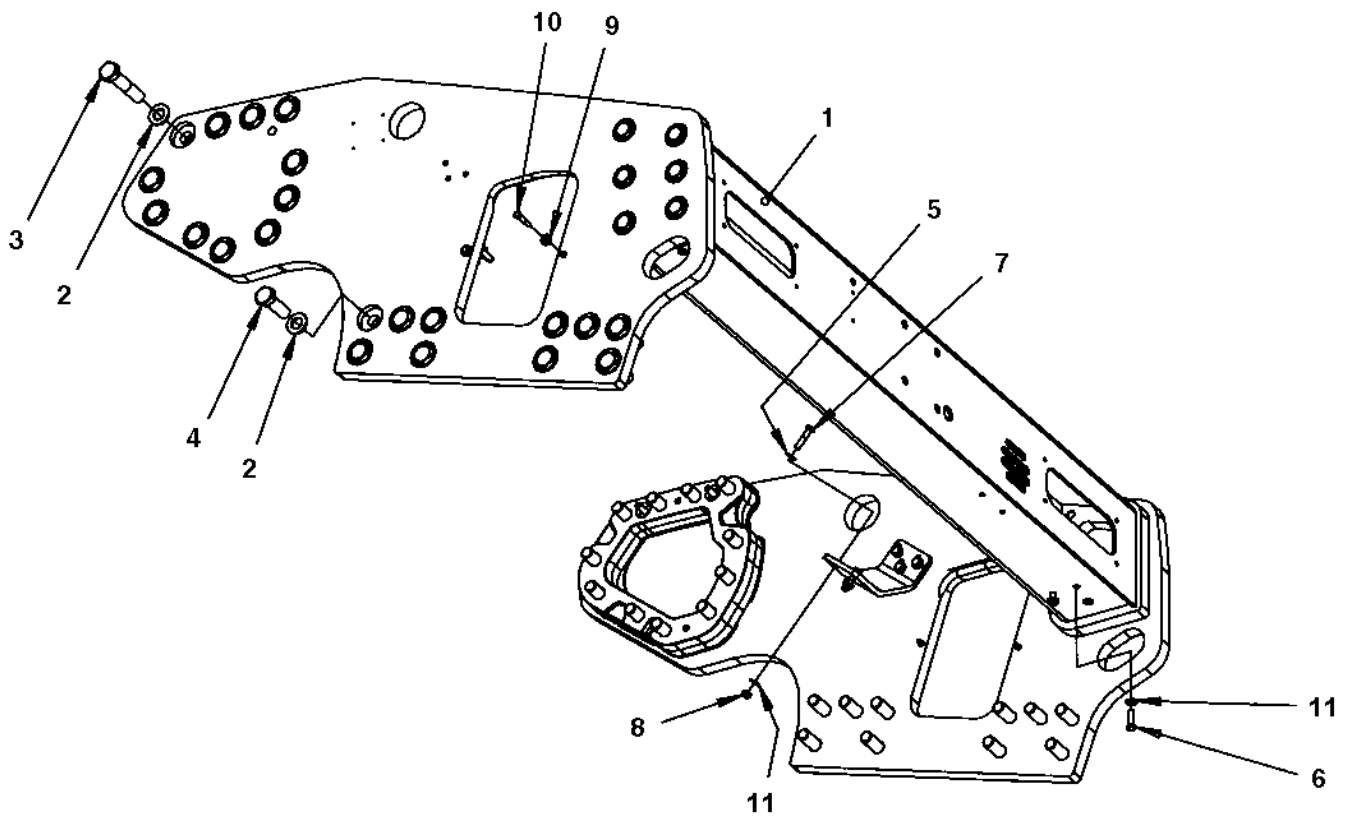




**End frame, front**

Item	Part No	Rem Qty	Description	Code
1		1	End frame, front ( Page 94 )	
2		1	Fork, vibration side ( Page 98 )	
3		1	Fork, propulsion side ( Page 100 )	
6		2	Cover plate ( Page 102 )	
8		1	Hose clamp, propulsion side ( Page 104 )	
		1	Hose clamp, vibration side ( Page 106 )	
9		1	Step, vibration side ( Page 108 )	
		1	Step, propulsion side ( Page 110 )	
10		1	Scraper module, without nozzles ( Page 112 )	
11		1	Scraper module, with nozzles	
12	4700394340	4	Scraper bracket, cpl ( Page 116 )	
13		1 2	Grab handle, release ( Page 118 )	
		2 1	Grab handle, release ( Page 120 )	
14		1	Grab handle, lift ( Page 122 )	
		1	Grab handle, lift offset/cocoa mat ( Page 124 )	
16		1	Cocoa mat module ( Page 126 )	
17		2	Cocoa mat bracket module ( Page 130 )	
18		1	Process mirrors ( Page 134 )	

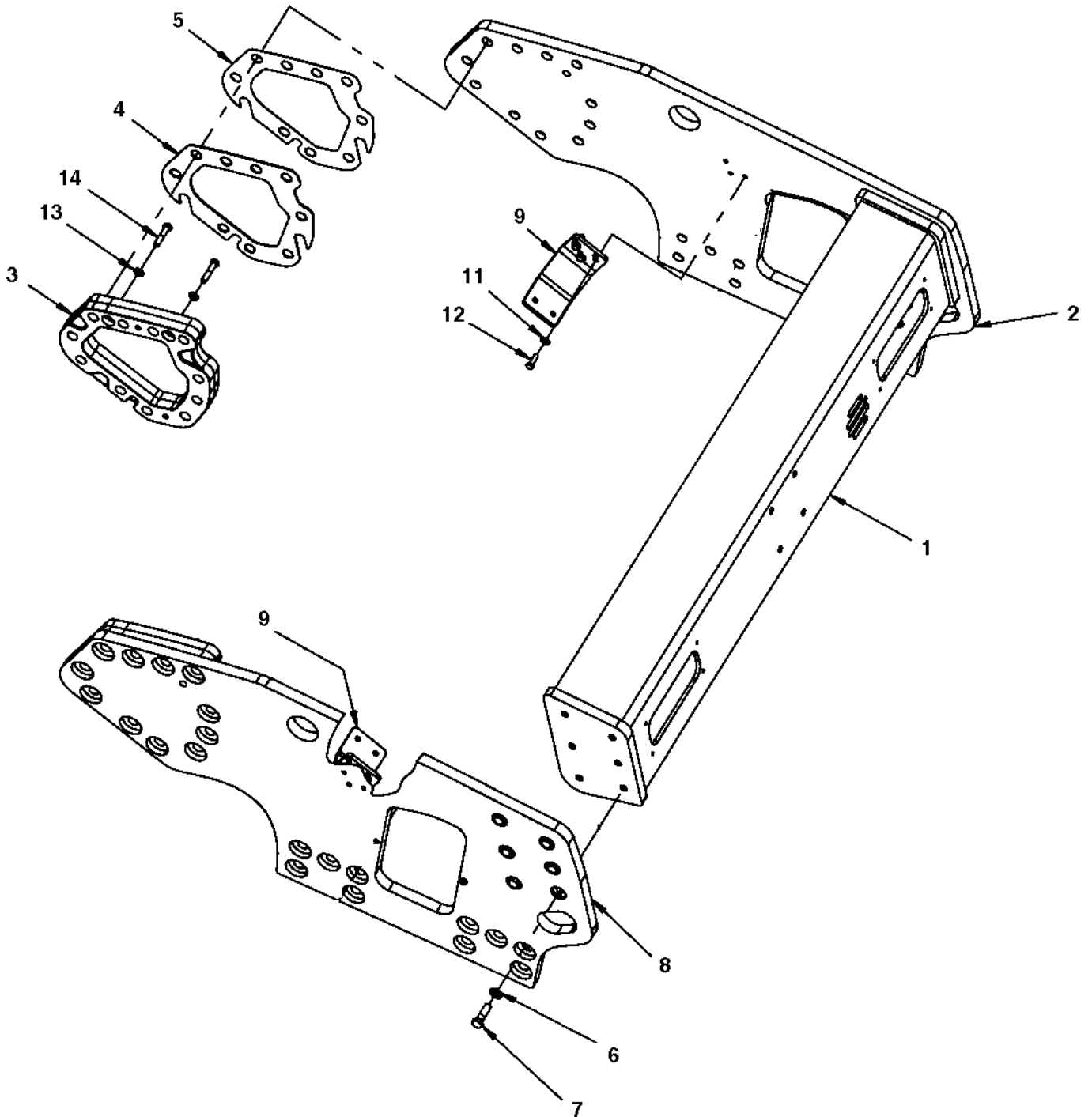
- 1) Qty 1 when cocoa mat mounted.
- 2) For cocoa mat



**End frame, front**

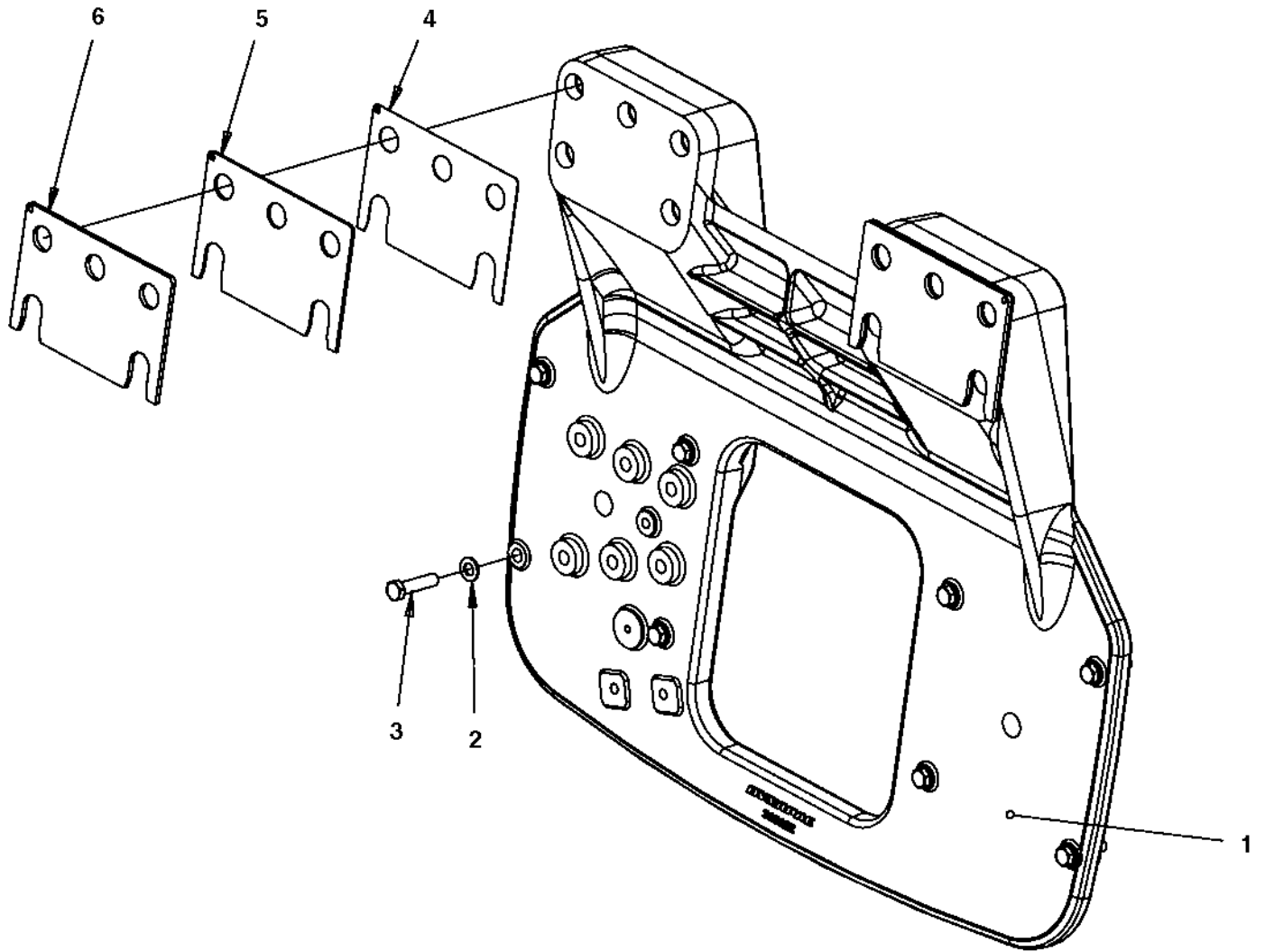
<b>Item</b>	<b>Part No</b>	<b>Rem Qty</b>	<b>Description</b>	<b>Code</b>
1		1	<b>Frame ( Page 96 )</b>	
2	4700904234	42	Steel plain washer	C
3	4700500146	22	Screw M24x110 8,8	
4	4700500289	20	Screw M24x70H	C
5	4700904230	4	Steel plain washer	C
6	4700500030	4	Hexagon head screw	C
7	4700500161	4	Hexagon head screw	C
8	4700791172	4	Hexagon lock nut	C
9	4700904556	4	Washer 8,4x16x3,0	C
10	4700500047	4	Hexagon head screw	C
11	4700904557	8	Steel plain washer	C

**Frame**



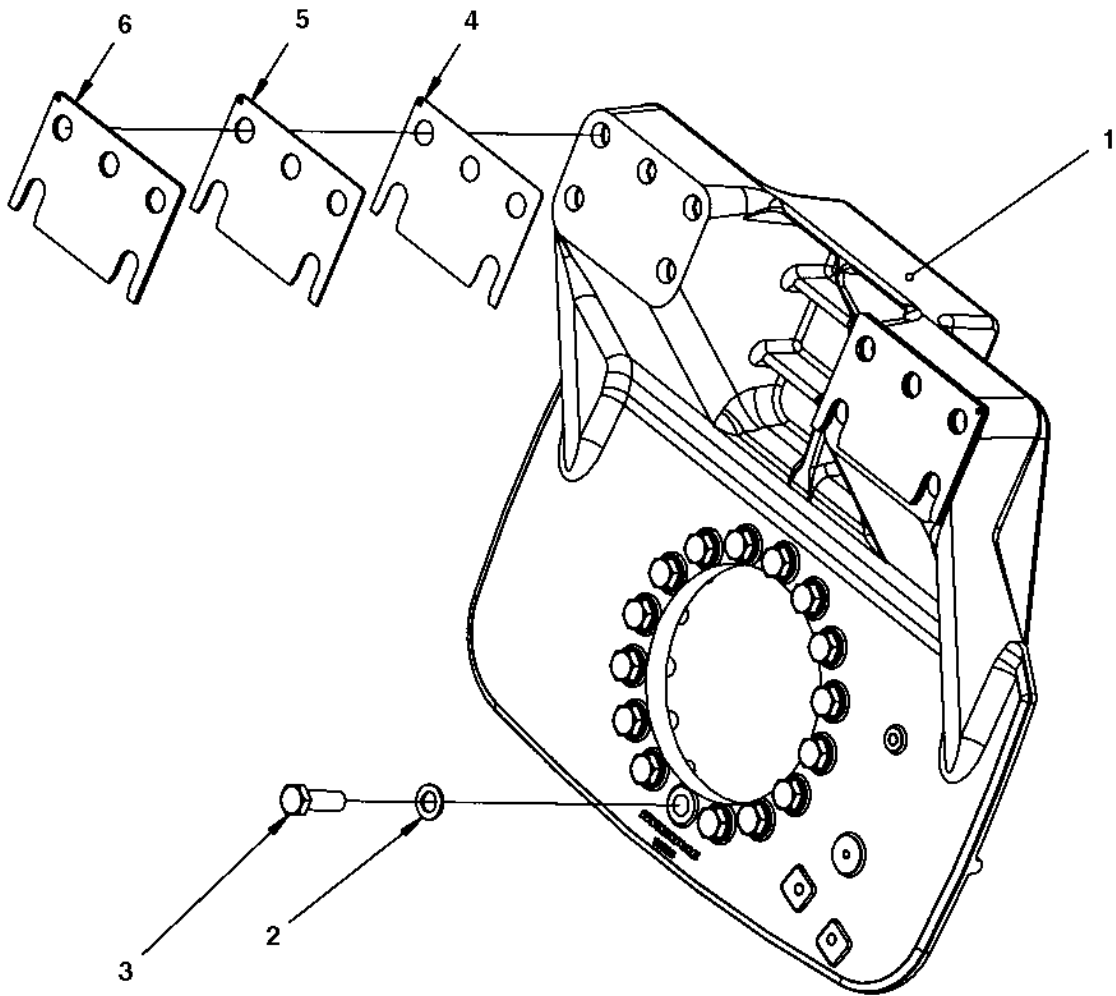
**Frame**

<b>Item</b>	<b>Part No</b>	<b>Rem Qty</b>	<b>Description</b>	<b>Code</b>
1	4700390060	1	Cross beam	
2	4700391407	1	Side plate T30	
3	4700390074	2	Spacer	
4	4700390470	N	Shim	
5	4700390469	N	Shim	
6	4700904233	12	Steel plain washer	C
7	4700500265	12	Screw	C
8	4700393356	1	Side plate T30	
9	4700394787	2	Holder	
11	4700904230	6	Steel plain washer	C
12	4700500029	6	Hexagon head screw	C
13	4700904231	4	Steel plain washer	C
14	4700500049	4	Screw	C



Fork, vibration side

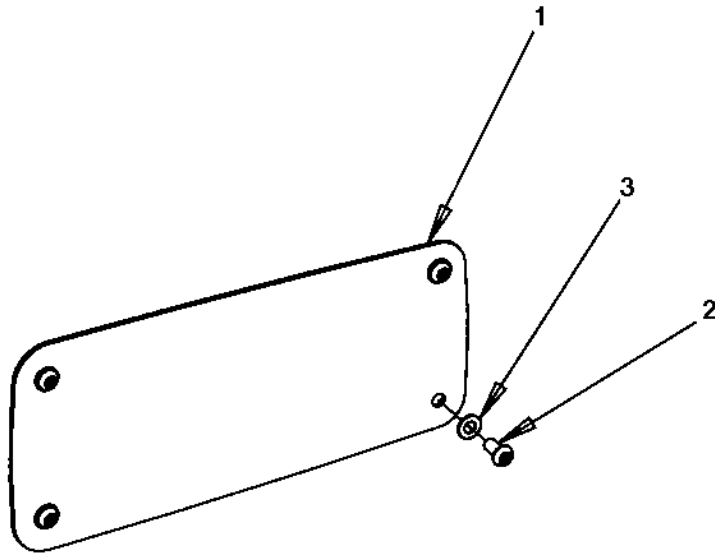
Item	Part No	Rem Qty	Description	Code
1	4700392622	1	Fork	
2	4700904231	8	Steel plain washer	C
3	4812110644	8	Hexagon screw w Tuflok M12x50 10.9 GEOMET	C
4	4700391754	N	Shim	
5	4700393009	N	Shim	
6	4700393010	N	Shim	





Fork, propulsion side

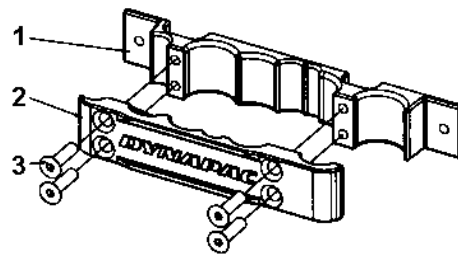
Item	Part No	Rem Qty	Description	Code
1	4700391198	1	Fork	
2	4700904233	16	Steel plain washer	C
3	4700500206	16	Screw M20X60	C
4	4700391754	N	Shim	
5	4700393009	N	Shim	
6	4700393010	N	Shim	



**Cover plate**

<b>Item</b>	<b>Part No</b>	<b>Rem Qty</b>	<b>Description</b>	<b>Code</b>
1	4700390919	1	Cover plate	
2	4700904956	4	Screw	
3	4700904229	4	Washer 8,4x16x1,5	C

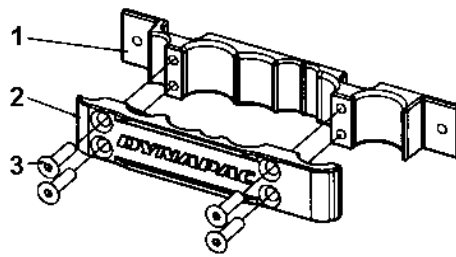
Hose clamp, propulsion side



**Hose clamp, propulsion side**

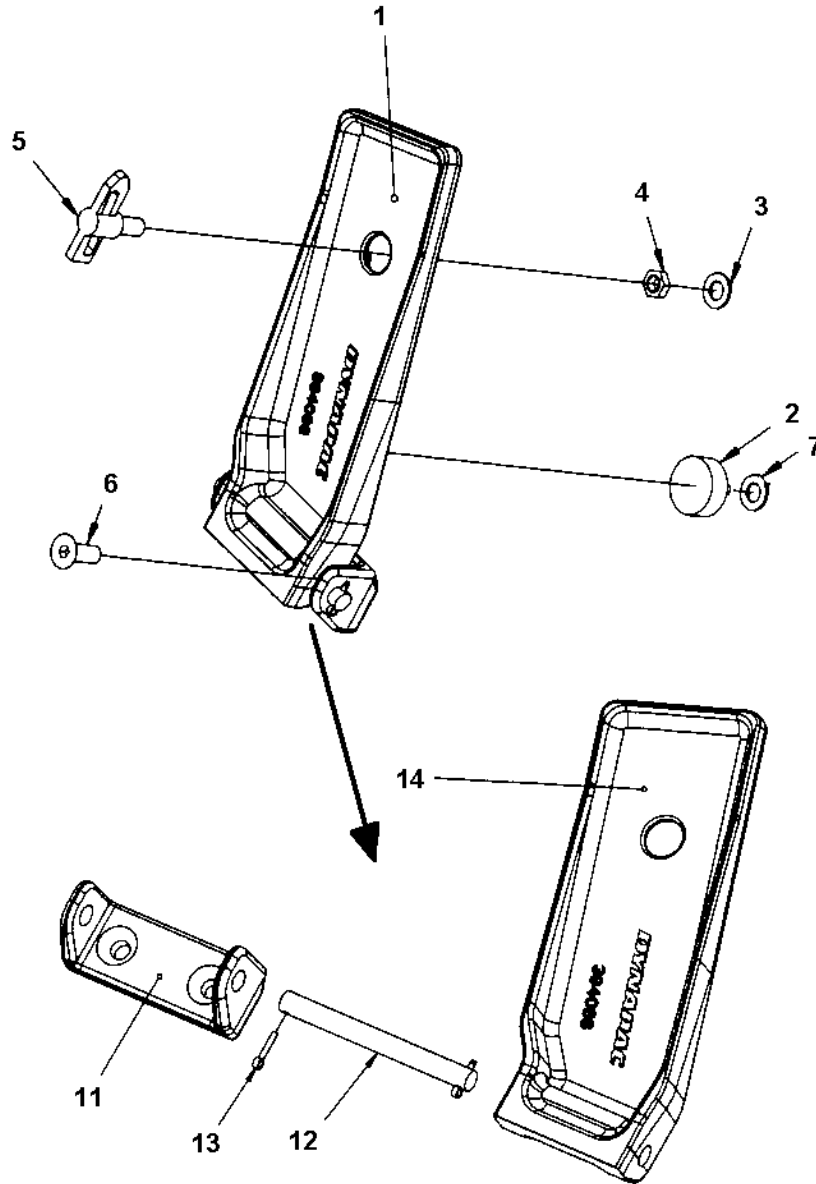
<b>Item</b>	<b>Part No</b>	<b>Rem Qty</b>	<b>Description</b>	<b>Code</b>
1	4700395428	1	Hose clamp	
2	4700395429	1	Cover	
3	4700792726	4	Hexagon socket countersunk screw	

Hose clamp, vibration side



**Hose clamp, vibration side**

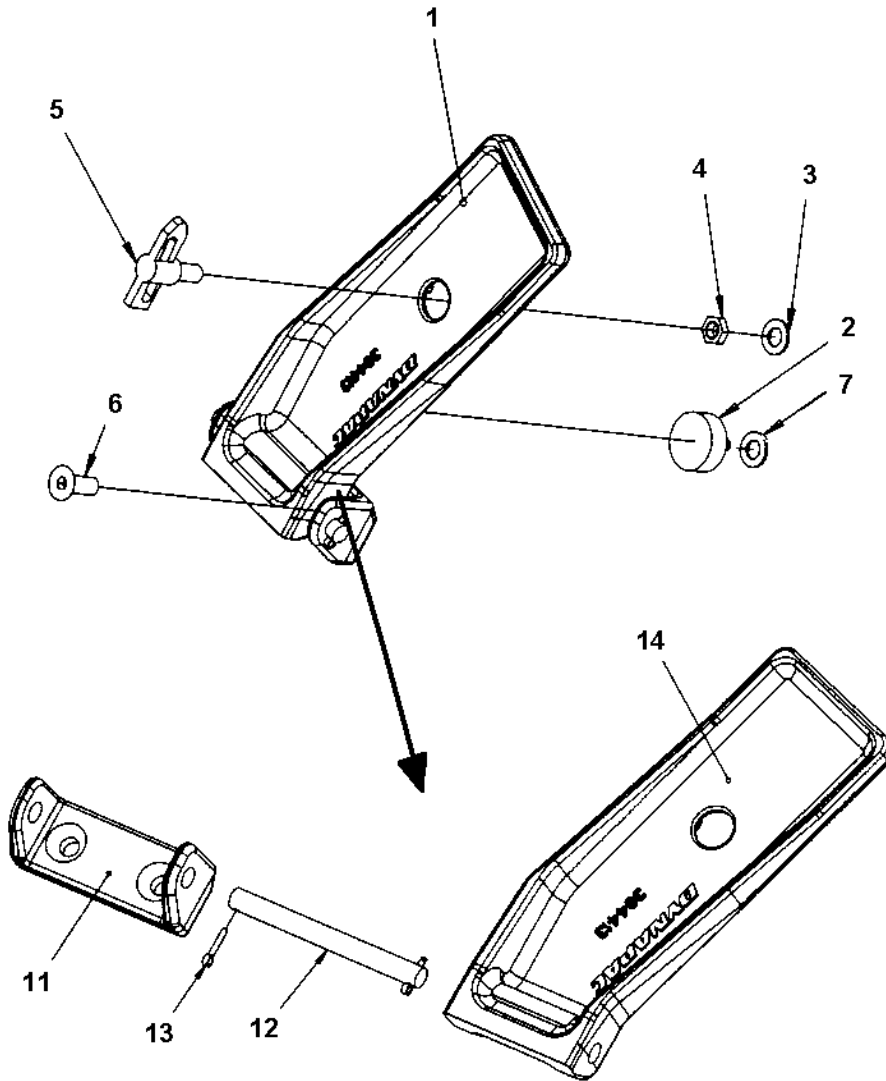
<b>Item</b>	<b>Part No</b>	<b>Rem Qty</b>	<b>Description</b>	<b>Code</b>
1	4700395428	1	Hose clamp	
2	4700395430	1	Cover	
3	4700792726	4	Hexagon socket countersunk screw	





**Step, vibration side**

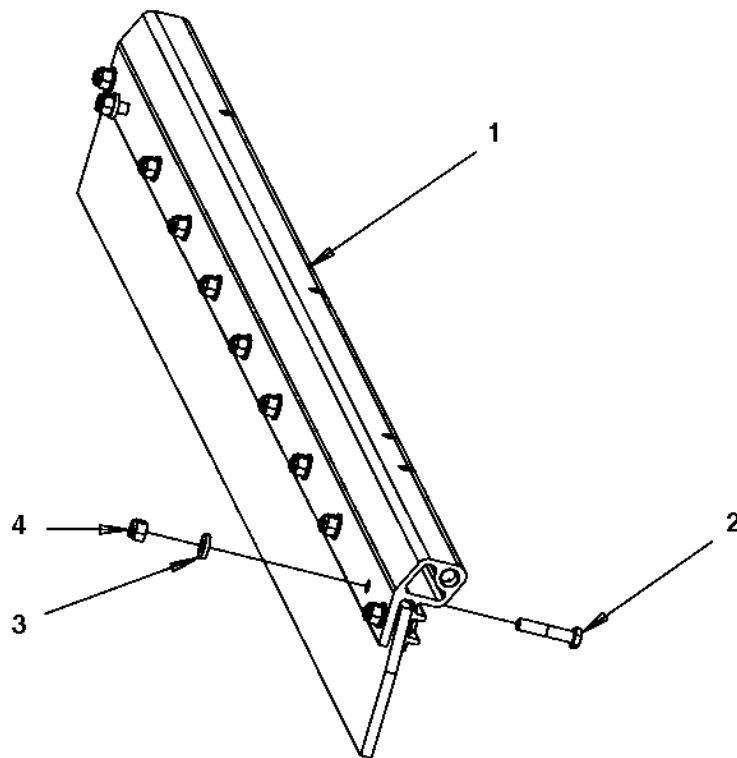
<b>Item</b>	<b>Part No</b>	<b>Rem Qty</b>	<b>Description</b>	<b>Code</b>
1		1	Step, mounted	
2	4700792601	1	Shock absorber	
3	4700904231	1	Steel plain washer	C
4	4700927233	1	Nut	C
5	4700475064	1	Lock	
6	4700513011	2	Hexagon socket head cap screw	
7	4700904229	1	Washer 8,4x16x1,5	C
11	4700394070	1	Bracket	
12	4700394351	1	Shaft	
13	4700630012	2	Cotter pin	
14	4700394068	1	Step	



**Step, propulsion side**

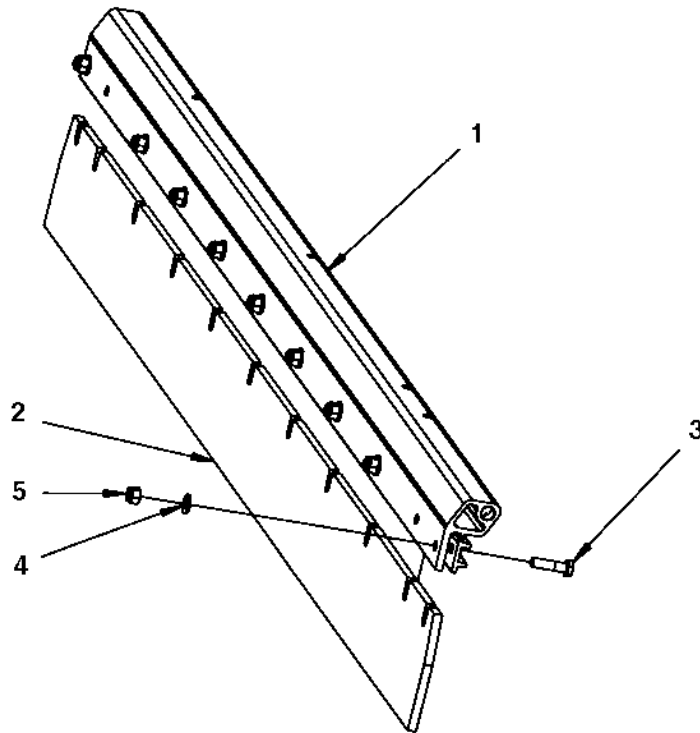
<b>Item</b>	<b>Part No</b>	<b>Rem Qty</b>	<b>Description</b>	<b>Code</b>
1		1	Step, mounted	
2	4700792601	1	Shock absorber	
3	4700904231	1	Steel plain washer	C
4	4700927233	1	Nut	C
5	4700475064	1	Lock	
6	4700513011	2	Hexagon socket head cap screw	
7	4700904229	1	Washer 8,4x16x1,5	C
11	4700394070	1	Bracket	
12	4700394351	1	Shaft	
13	4700630012	2	Cotter pin	
14	4700394413	1	Step	

Scraper module, without nozzles



Scraper module, without nozzles

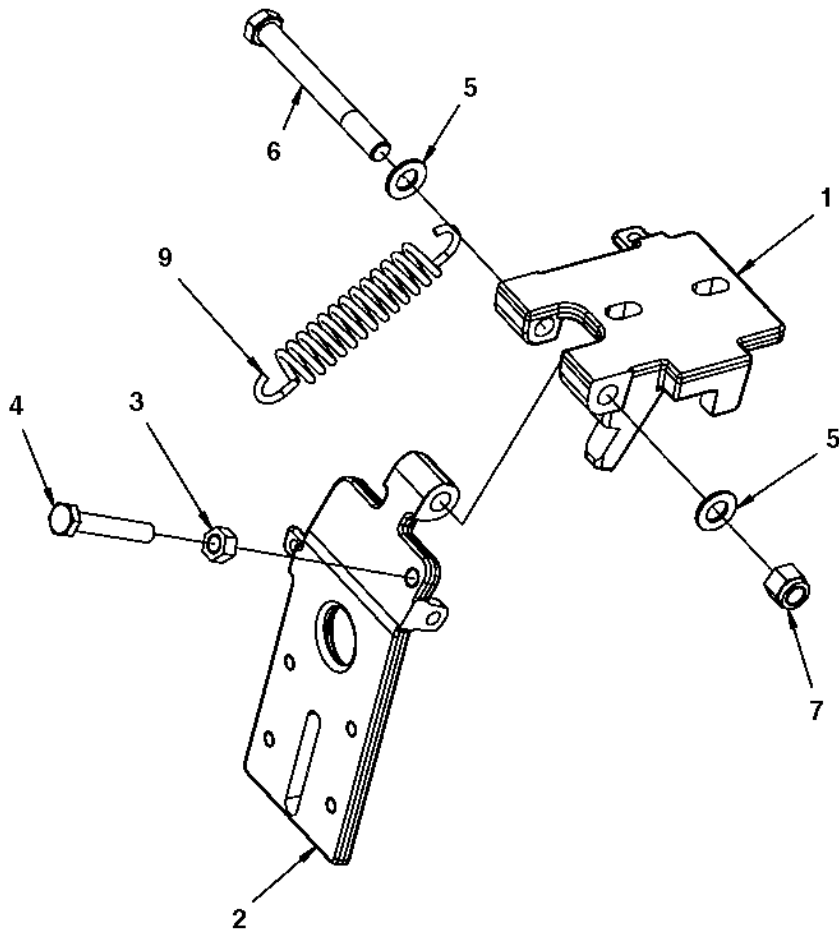
Item	Part No	Rem Qty	Description	Code
1		1	<b>Scraper assy ( Page 114 )</b>	
2	4700500032	2	Screw M10 x 55	C
3	4700904557	2	Steel plain washer	C
4	4700586018	2	Lock nut	C



**Scraper assy**

<b>Item</b>	<b>Part No</b>	<b>Rem Qty</b>	<b>Description</b>	<b>Code</b>
1	4700395111	1	Sprinkler pipe	
2	4700395112	1	Scraper blade	A
3	4700500031	9	Screw	C
4	4700904230	9	Steel plain washer	C
5	4700586018	9	Lock nut	C

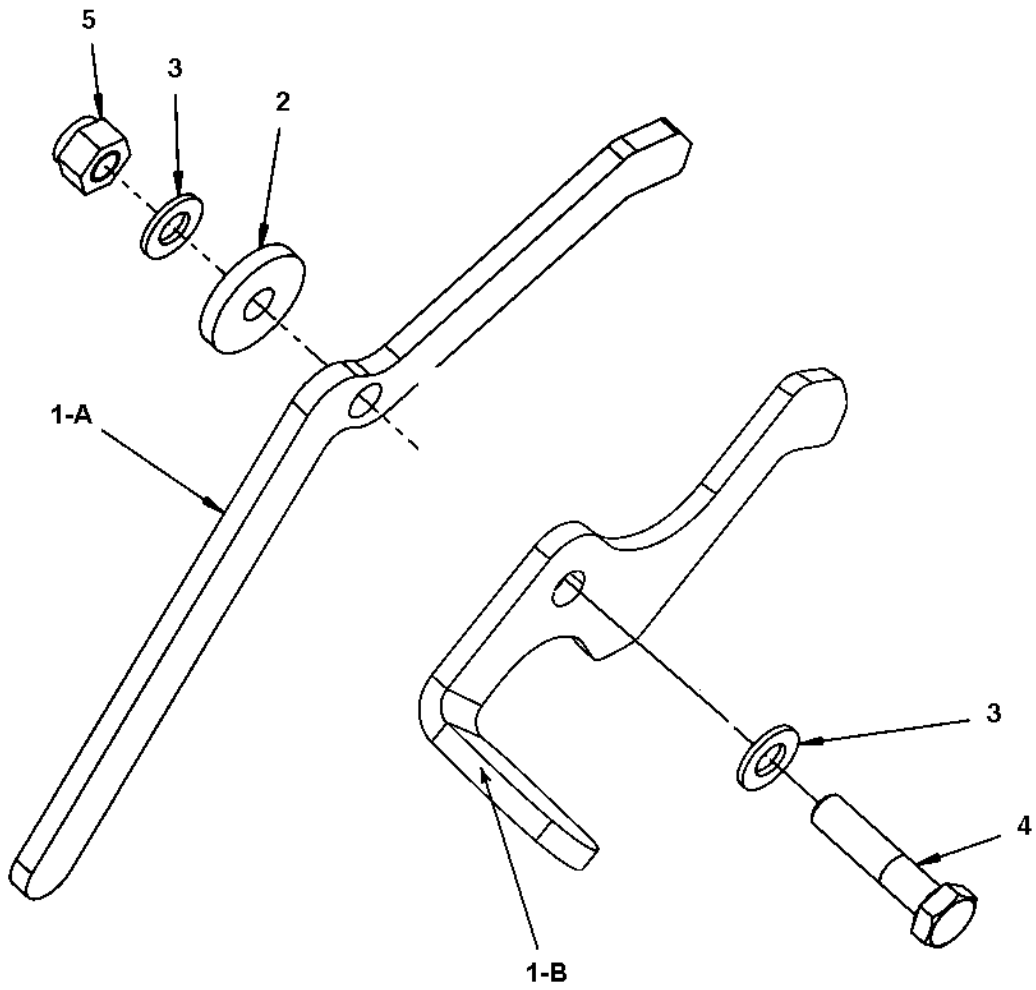
4700394340 Scraper bracket, cpl





**4700394340 Scraper bracket, cpl**

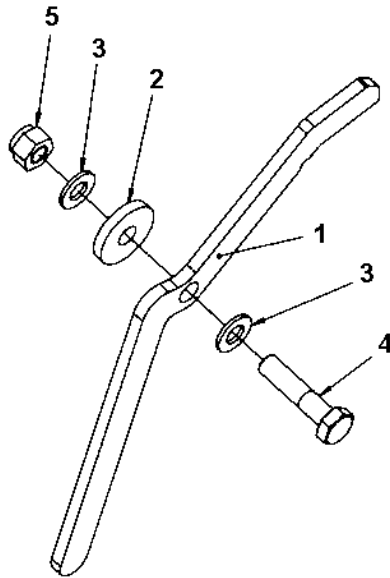
<b>Item</b>	<b>Part No</b>	<b>Rem Qty</b>	<b>Description</b>	<b>Code</b>
1		1	Scraper bracket	C
2		1	Scraper bracket	C
3	4700570006	1	Nut	C
4	4700500105	1	Hexagon screw	C
5	4700904231	2	Steel plain washer	C
6	4700500198	1	Screw	C
7	4700586019	1	Lock nut	C
9	4700394806	1	Extension spring	



**Grab handle, release**

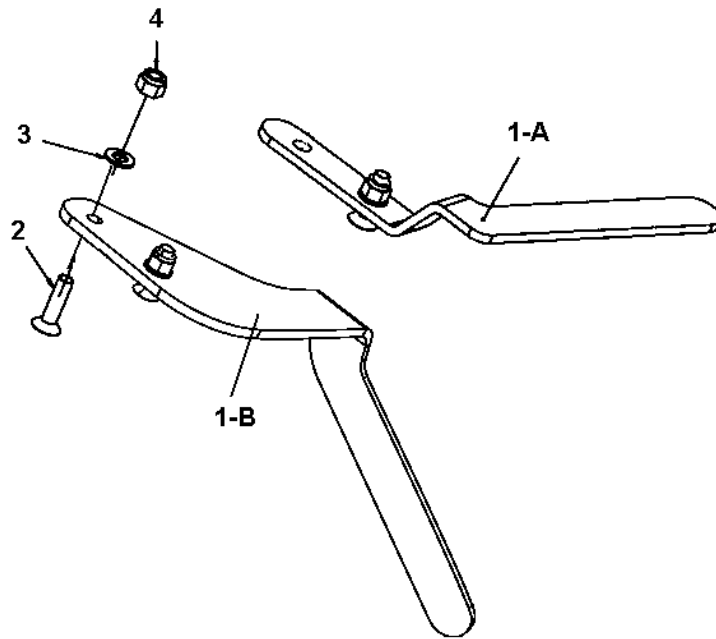
<b>Item</b>	<b>Part No</b>	<b>Rem</b>	<b>Qty</b>	<b>Description</b>	<b>Code</b>
1-A	4700393550		1	Grab handle	
1-B	4812110671	1	1	Grab handle	
2	4700904734		1	Washer 8,4x26x4	C
3	4700904229		2	Washer 8,4x16x1,5	C
4	4700500047		1	Hexagon head screw	C
5	4700586003		1	Lock nut M8	C

- 1) Can replace PN 4700393550 as spare part. This part can be mounted together with Grab handle, lift PN 4812110672.



**Grab handle, release**

<b>Item</b>	<b>Part No</b>	<b>Rem Qty</b>	<b>Description</b>	<b>Code</b>
1	4700396154	1	Grab handle	
2	4700904734	1	Washer 8,4x26x4	C
3	4700904229	2	Washer 8,4x16x1,5	C
4	4700500047	1	Hexagon head screw	C
5	4700586003	1	Lock nut M8	C

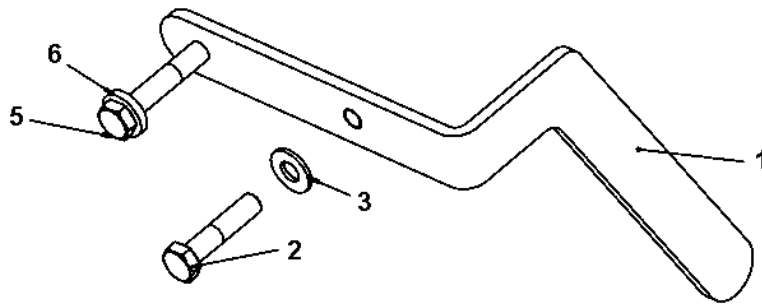


**Grab handle, lift**

Item	Part No	Rem	Qty	Description	Code
1-A	4700395390		1	Grab handle	
1-B	4812110672	1	1	Grab handle	
2	4700792540		2	Screw	
3	4700904229		2	Washer 8,4x16x1,5	C
4	4700586003		2	Lock nut M8	C

- 1) Can together with Grab handle, release PN 4812110671 be used as replacement for PN 4700395390.

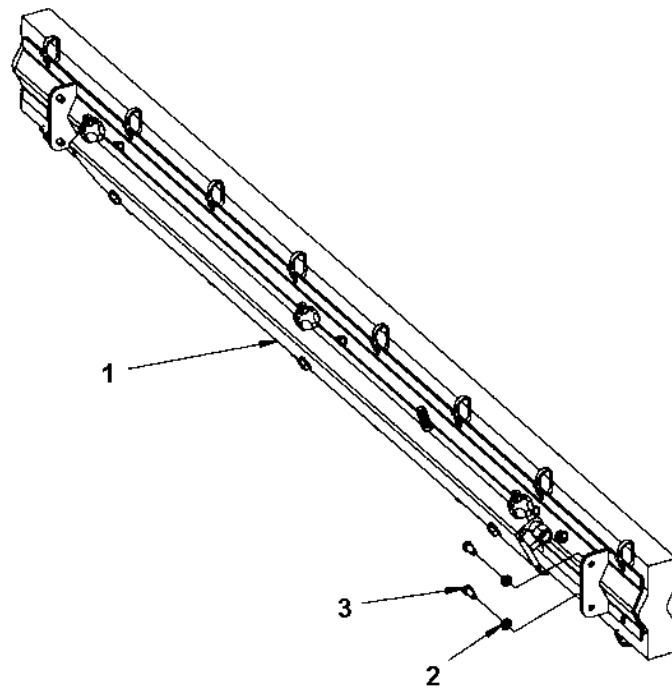
Grab handle, lift offset/cocoa mat





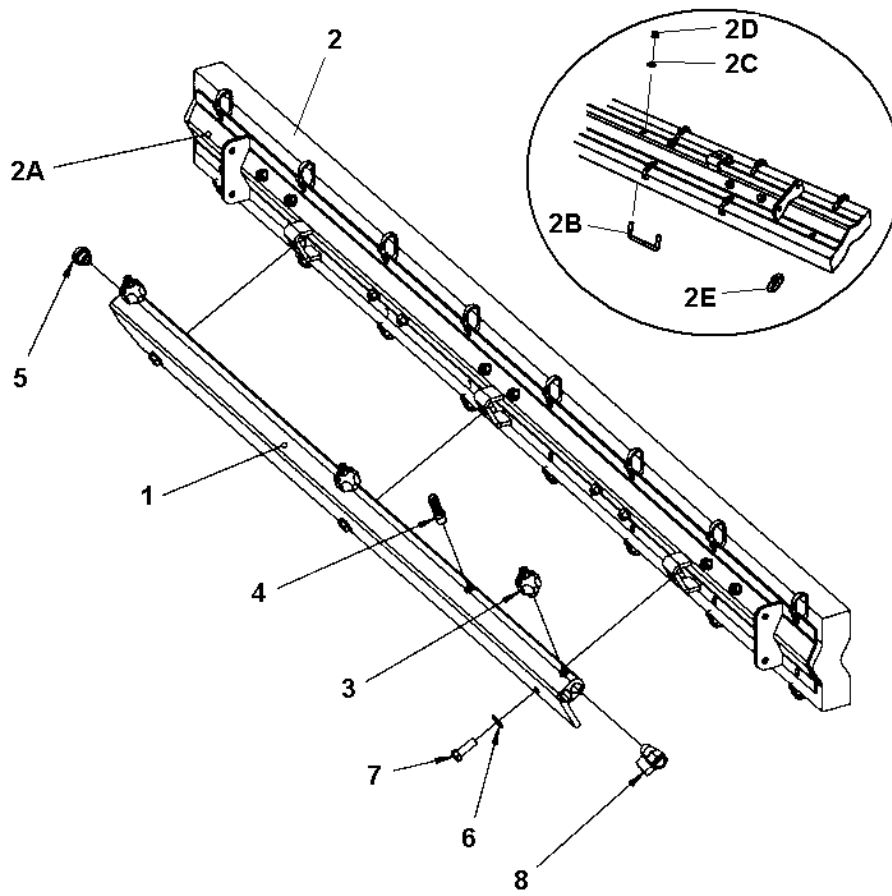
**Grab handle, lift offset/cocoa mat**

<b>Item</b>	<b>Part No</b>	<b>Rem Qty</b>	<b>Description</b>	<b>Code</b>
1	4700395412	1	Grab handle	
2	4700500161	1	Hexagon head screw	C
3	4700904230	1	Steel plain washer	C
5	4700500033	1	Screw M10-1,5x60 8,8	
6	4700904557	1	Steel plain washer	C



**Cocoa mat module**

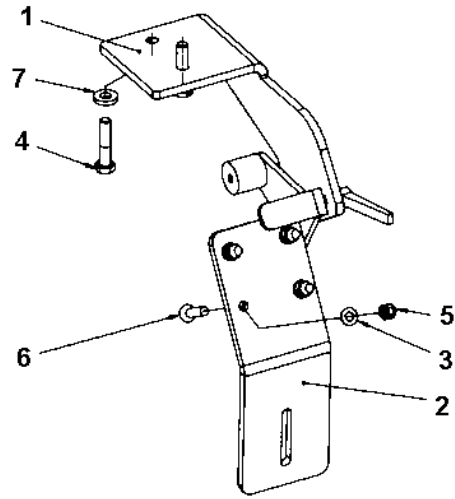
<b>Item</b>	<b>Part No</b>	<b>Rem Qty</b>	<b>Description</b>	<b>Code</b>
1		1	<b>Cocoa mat assembly ( Page 128 )</b>	
2	4700904229	4	Washer 8,4x16x1,5	C
3	4700500019	4	Screw M8x16H 8.8 A2K	C



**Cocoa mat assembly**

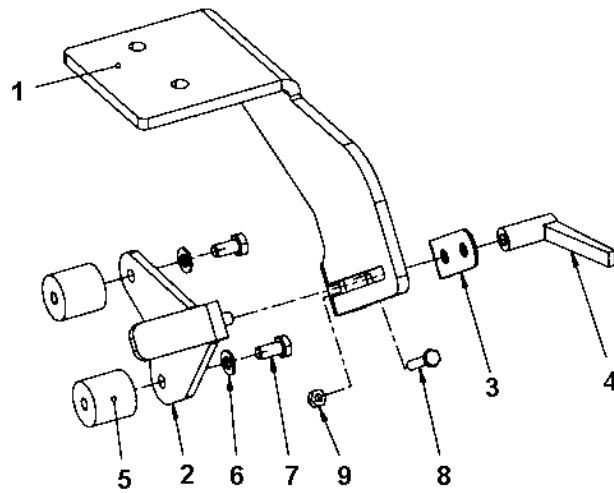
<b>Item</b>	<b>Part No</b>	<b>Rem Qty</b>	<b>Description</b>	<b>Code</b>
1	4700396270	1	Sprinkler pipe	
2	4700792433	1	Sprinkler mat	
2-A	4700396268	1	Holder	
2-B	4700384911	5	Clamp	
2-C	4700904229	10	Washer 8,4x16x1,5	C
2-D	4700586003	10	Lock nut M8	C
2-E	4700313102	N	Cable ties	D
3	4700392011	3	Spraying nozzle, cpl	A
4	4700791977	1	Hose connection	C
5	4700792072	1	End plug	
6	4700904557	3	Steel plain washer	C
7	4700500029	3	Hexagon head screw	C
8	4700233215	1	Ball valve	C

**Cocoa mat bracket module**



**Cocoa mat bracket module**

<b>Item</b>	<b>Part No</b>	<b>Rem Qty</b>	<b>Description</b>	<b>Code</b>
1		1	<b>Cocoa mat bracket</b>	
			( Page 132 )	
2	4700396936	1	Bracket	
3	4700904229	4	Washer 8,4x16x1,5	C
4	4700500161	2	Hexagon head screw	C
5	4700586003	4	Lock nut M8	C
6	4700927637	4	Hexagon socket countersunk screw	
7	4700904557	2	Steel plain washer	C

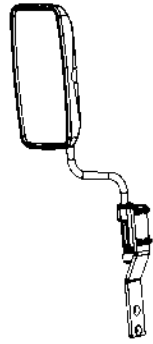




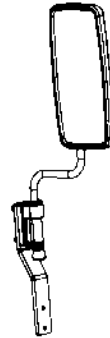
**Cocoa mat bracket**

<b>Item</b>	<b>Part No</b>	<b>Rem Qty</b>	<b>Description</b>	<b>Code</b>
1	4700396183	1	Bracket	
2	4700396893	1	Bracket	
3	4700396754	1	Cover plate	
4	4700396975	1	Lock handle	
5	4700396976	2	Shock absorber	
6	4700904229	2	Washer 8,4x16x1,5	C
7	4700500019	2	Screw M8x16H 8.8 A2K	C
8	4700900485	1	Hexagon head screw	D
9	4700570004	1	Nut M6X1,00 -8 A2K	C

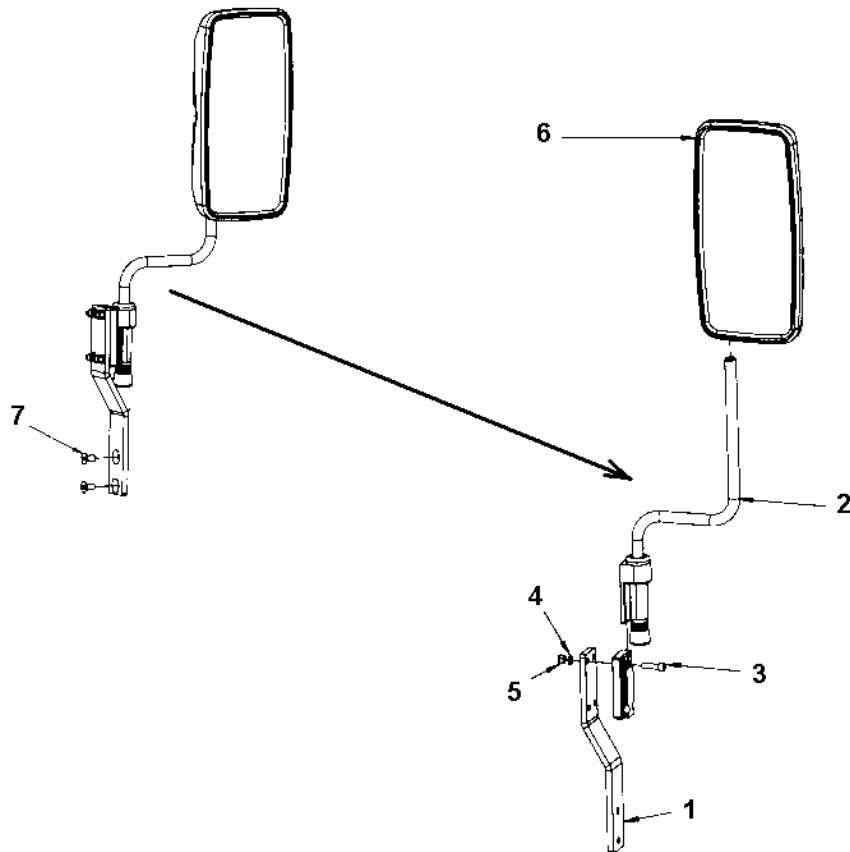
**Process mirrors**



**FRONT LEFT**



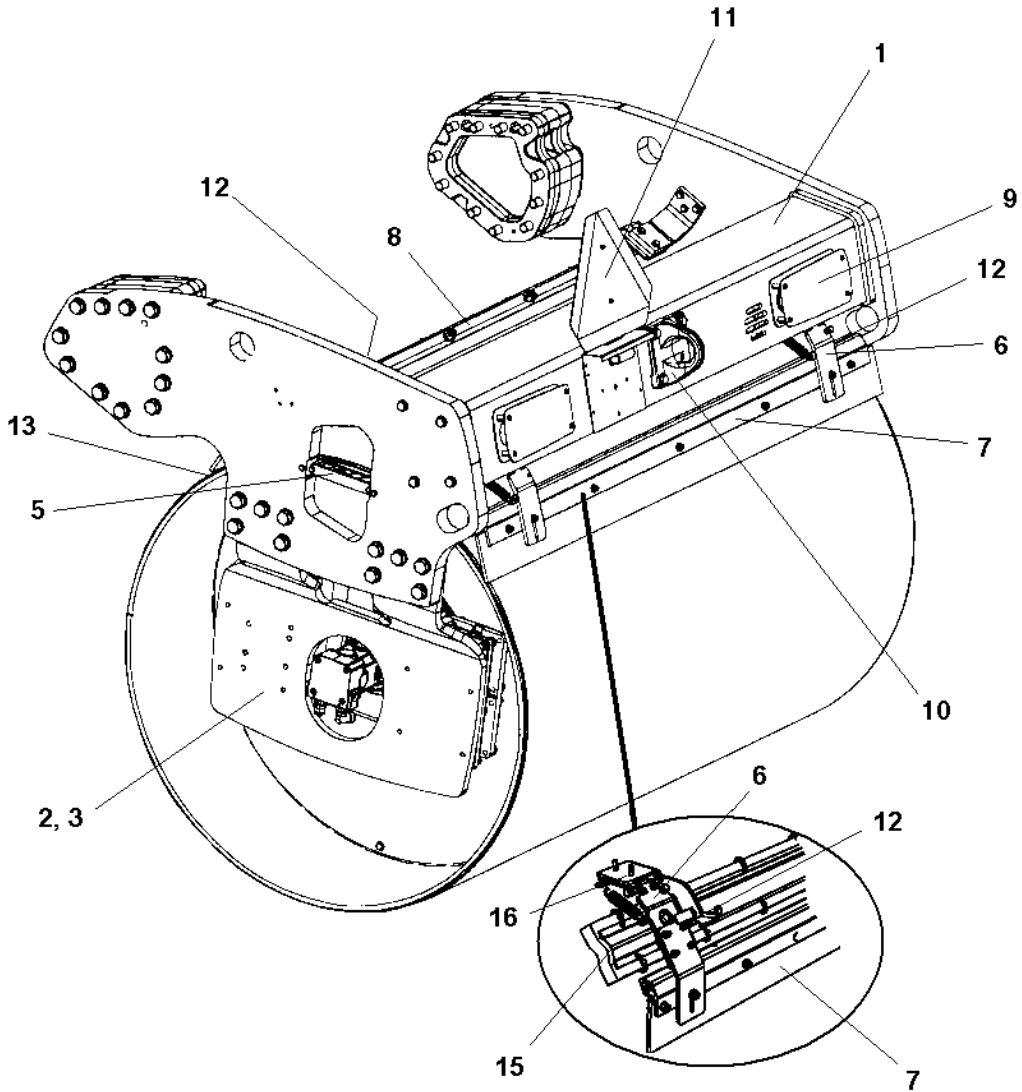
**FRONT RIGHT**



**Process mirrors**

<b>Item</b>	<b>Part No</b>	<b>Rem Qty</b>	<b>Description</b>	<b>Code</b>
		2	Mirror assy	C
1	4812110334	1	. Bracket	
2	4700381944	1	. Bracket	
3	4700508048	4	. Screw	C
4	4700904229	4	. Washer 8,4x16x1,5	C
5	4700586003	4	. Lock nut M8	C
6	4700381943	1	. Mirror	
7	4811000096	2	Hexagon socket countersunk screw	

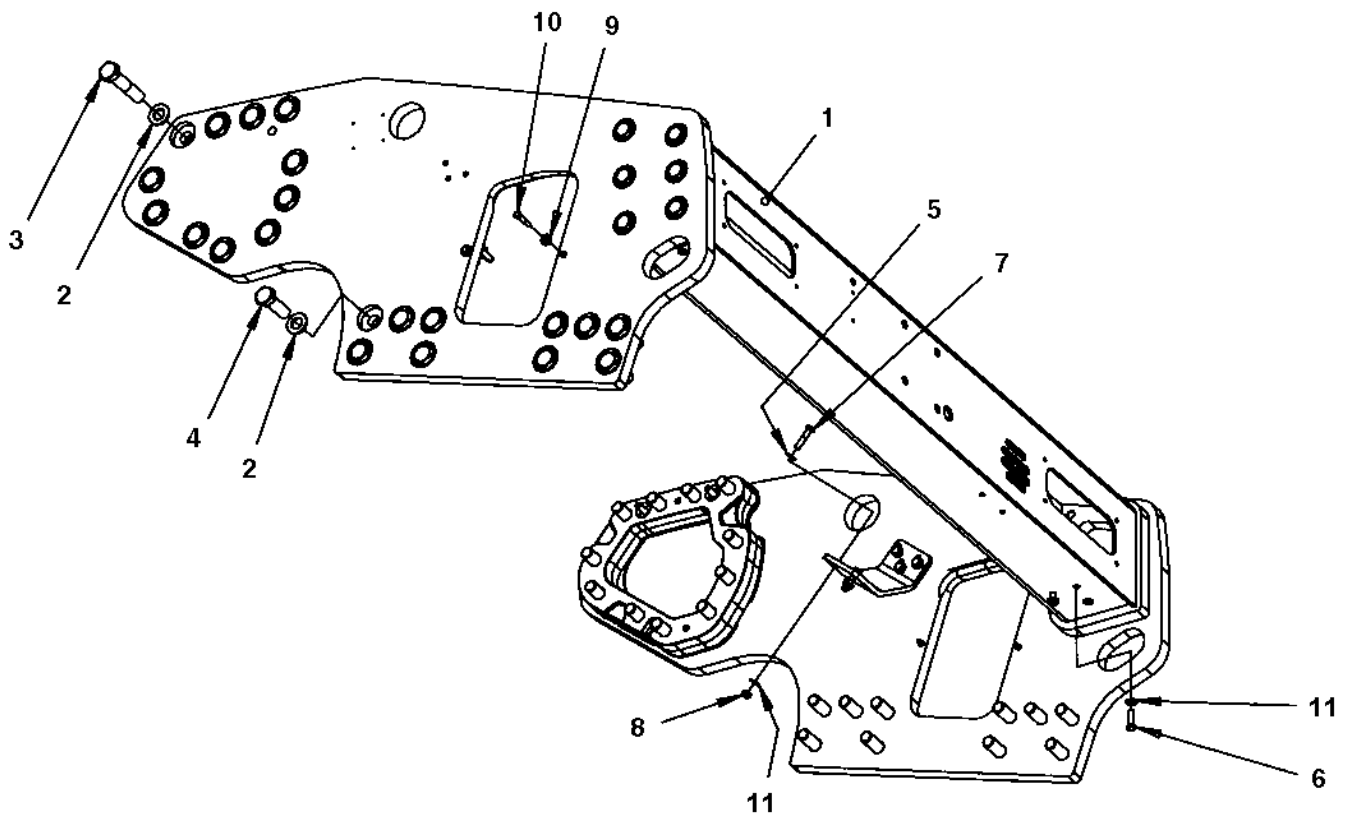
**End frame, rear**



End frame, rear

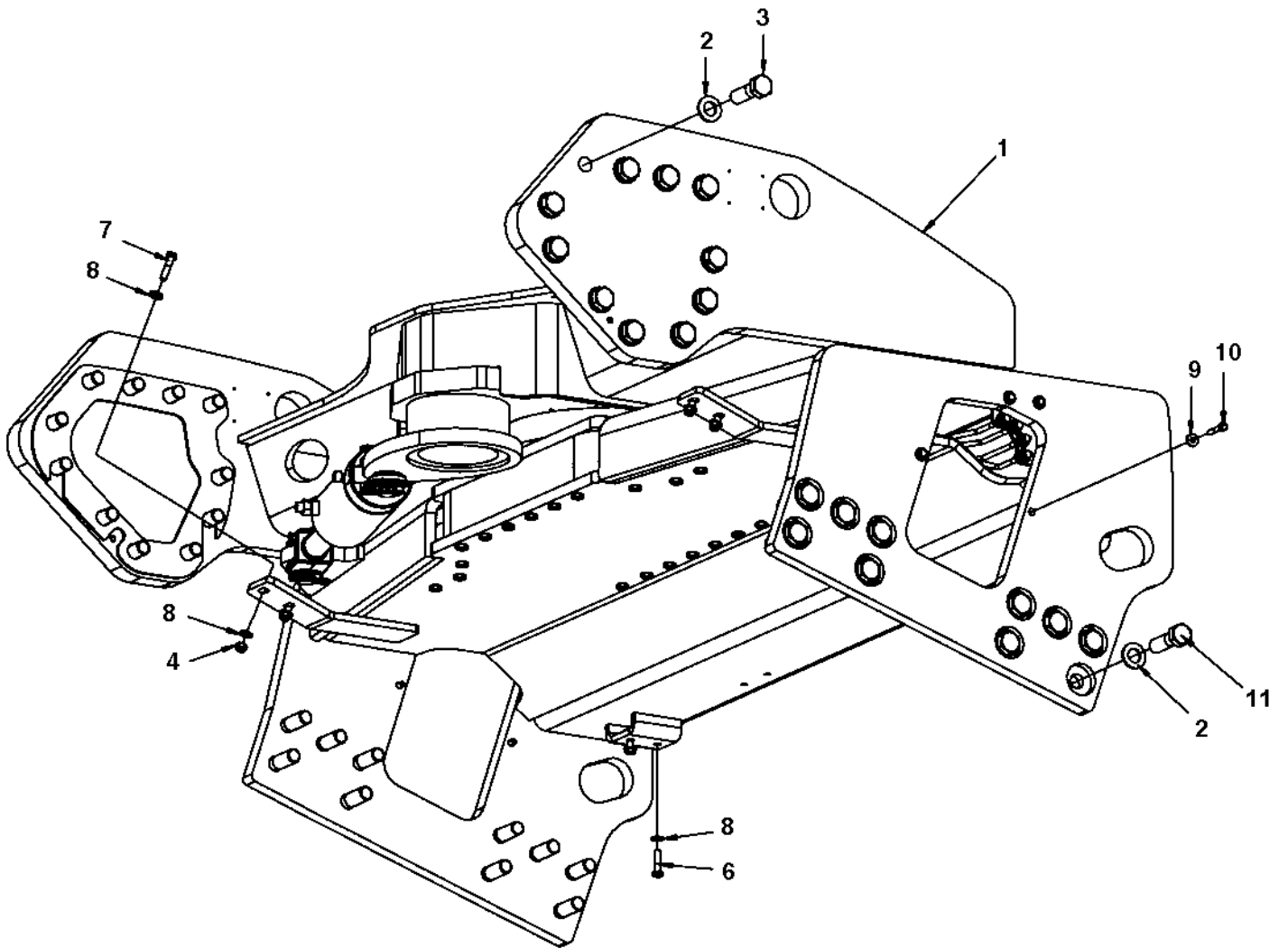
Item	Part No	Rem Qty	Description	Code
1		1	End frame, rear ( Page 138 )	
		1	End frame, rear offset ( Page 140 )	
2		1	Fork, vibration side ( Page 98 )	
3		1	Fork, propulsion side ( Page 100 )	
4		1	Step, vibration side ( Page 108 )	
		1	Step, propulsion side ( Page 110 )	
5		1	Hose clamp, propulsion side ( Page 104 )	
		1	Hose clamp, vibration side ( Page 106 )	
6	4700394340	4	Scraper bracket, cpl ( Page 116 )	
7		1	Scraper module, without nozzles ( Page 112 )	
8		1	Scraper module, with nozzles	
9		2	Cover plate ( Page 102 )	
10		1	Eyelet module ( Page 150 )	
11		1	SMV-sign ( Page 152 )	
12		1 2	Grab handle, release ( Page 118 )	
		2 1	Grab handle, release ( Page 120 )	
13		1	Grab handle, lift ( Page 122 )	
		1	Grab handle, lift offset/cocoa mat ( Page 124 )	
15		1	Cocoa mat module ( Page 126 )	
16		2	Cocoa mat bracket module ( Page 130 )	

- 1) Qty 1 when cocoa mat mounted.
- 2) For cocoa mat.



End frame, rear

Item	Part No	Rem Qty	Description	Code
1		1	<b>Frame ( Page 96 )</b>	
2	4700904234	42	Steel plain washer	C
3	4700500146	22	Screw M24x110 8,8	
4	4700500289	20	Screw M24x70H	C
5	4700904230	4	Steel plain washer	C
6	4700500030	4	Hexagon head screw	C
7	4700500161	4	Hexagon head screw	C
8	4700791172	4	Hexagon lock nut	C
9	4700904556	4	Washer 8,4x16x3,0	C
10	4700500047	4	Hexagon head screw	C
11	4700904557	8	Steel plain washer	C

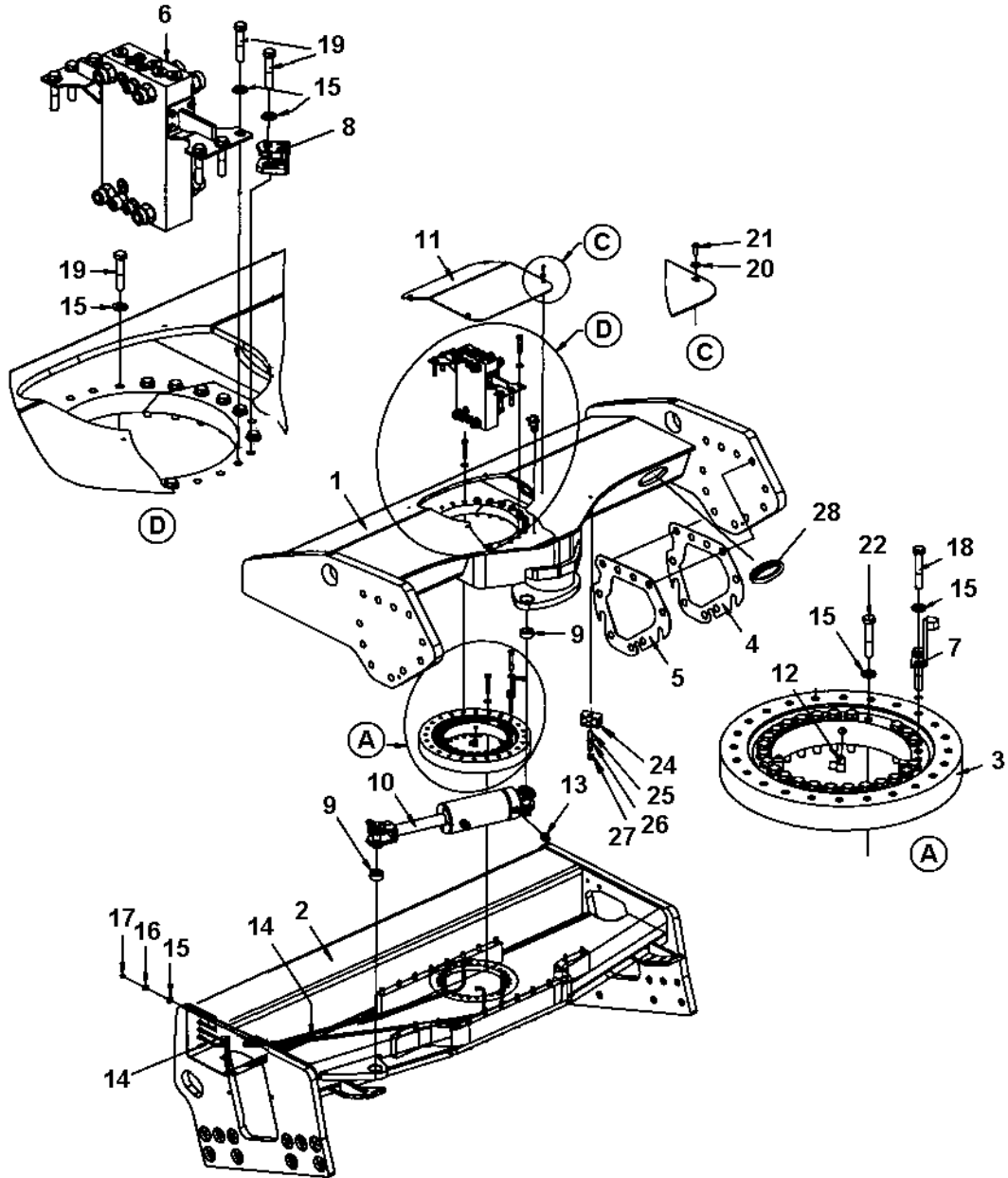




End frame, rear offset

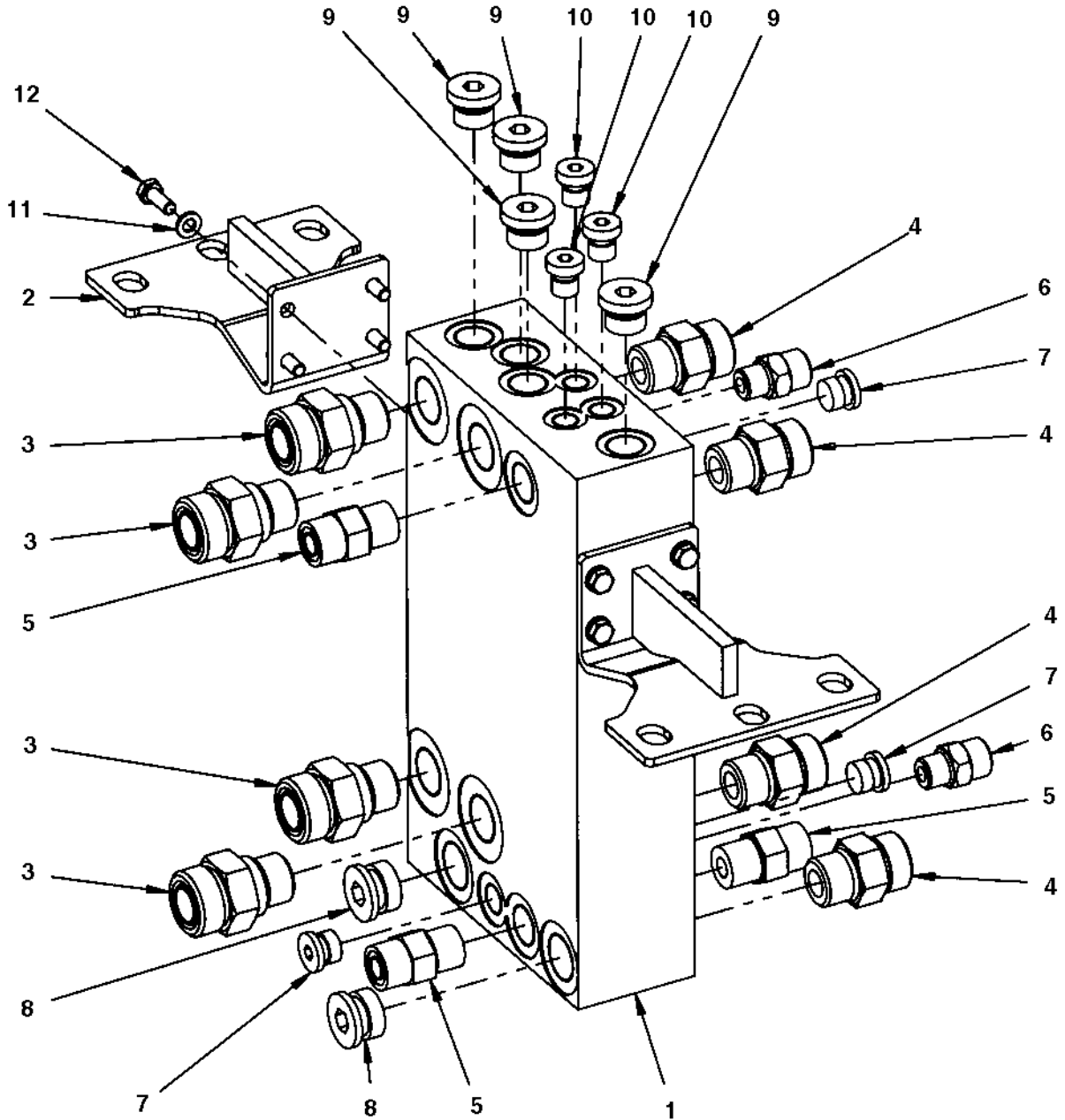
Item	Part No	Rem Qty	Description	Code
1		1	<b>Frame ( Page 142 )</b>	
2	4700904234	42	Steel plain washer	C
3	4700500297	22	Hexagon head screw M24x80	C
4	4700791172	4	Hexagon lock nut	C
5	4700904557	8	Steel plain washer	C
6	4700500031	4	Screw	C
7	4700500161	4	Hexagon head screw	C
8	4700904557	4	Steel plain washer	C
9	4700904556	4	Washer 8,4x16x3,0	C
10	4700500047	4	Hexagon head screw	C
11	4700500289	20	Screw M24x70H	C

Frame



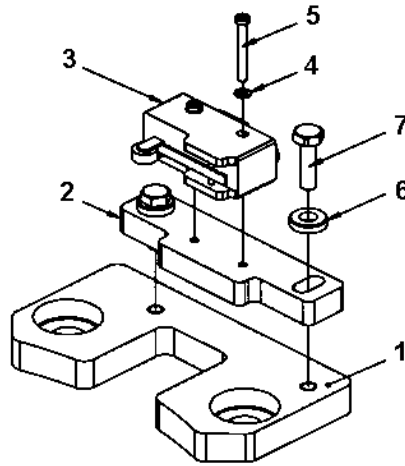
Frame

Item	Part No	Rem Qty	Description	Code
1	4700391481	1	Frame	
2	4700391975	1	Yoke	
3	4700359192	1	Bearing	B
4	4700390469	N	Shim	
5	4700390470	N	Shim	
6		1	<b>Connection block ( Page 144 )</b>	
7	4700395694	1	Cam	
8		1	<b>Micro switch ( Page 146 )</b>	
9	4700391430	2	Bearing	D
10	4700391024	1	<b>Steering cylinder ( Page 148 )</b>	
11	4700379987	1	Cover	
12	4700373183	4	Elbow 90	D
13	4700792337	2	Straight connector orfs	
14	4700393360	4	Hydraulic hose	
15	4700904231	55	Steel plain washer	C
16	4700903831	4	Nut	C
17	4700926214	4	Grease fitting	C
18	4700903735	2	Screw	
19	4700500175	24	Screw	C
20	4700603001	4	Washer	C
21	4700904206	4	Screw	C
22	4700947712	25	Screw	C
24	4700904085	1	Pipe clamp	
25	4700791858	1	Stud	
26	4700904229	1	Washer 8,4x16x1,5	C
27	4700586003	1	Lock nut M8	C
28	4700395653	2	Hose guard	



**Connection block**

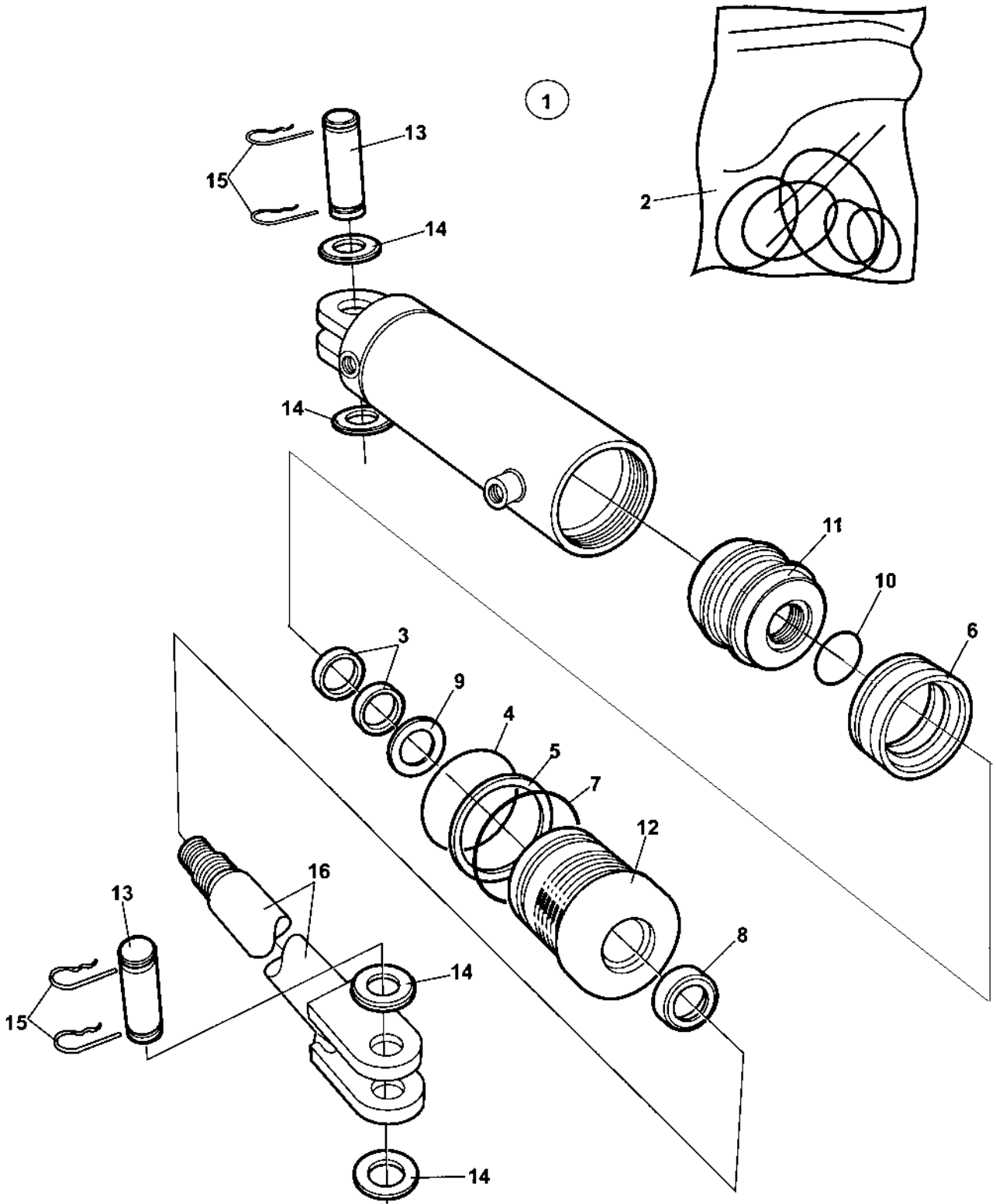
<b>Item</b>	<b>Part No</b>	<b>Rem Qty</b>	<b>Description</b>	<b>Code</b>
1	4700390463	1	Connection block	
2	4700391889	2	Bracket	
3	4700791539	4	Straight connector	
4	4700791743	4	Straight connector orfs	
5	4700791799	3	Straight connector orfs	
6	4700791409	2	Straight connector orfs	C
7	4700792362	3	Steel plug	
8	4700792296	2	Steel plug	
9	4700792295	4	Steel plug	
10	4700904951	3	Plug	
11	4700904228	8	Washer 6,4x12x1,5	C
12	4700500013	8	Screw M6-1x16 8,8	C



**Micro switch**

Item	Part No	Rem Qty	Description	Code
1	4700396179	1	Bracket	
2	4700395696	1	Holder plate	
3	4700930046	1	Micro switch	B
4	4700904697	2	Washer 3,2x6x0,5	C
5	4700533050	2	Screw	C
6	4700603001	2	Washer	C
7	4700500040	2	Screw M6-1x20 8,8	C

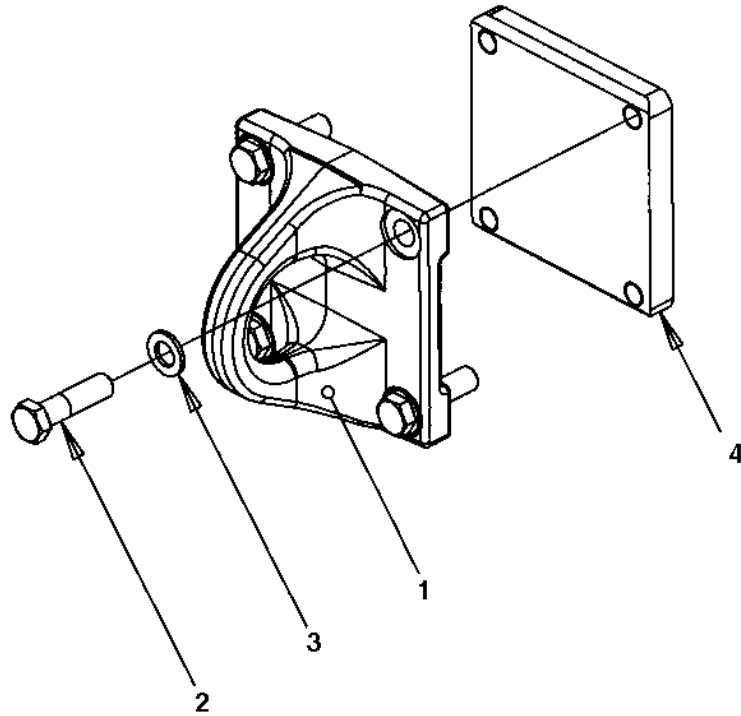
4700391024 Steering cylinder





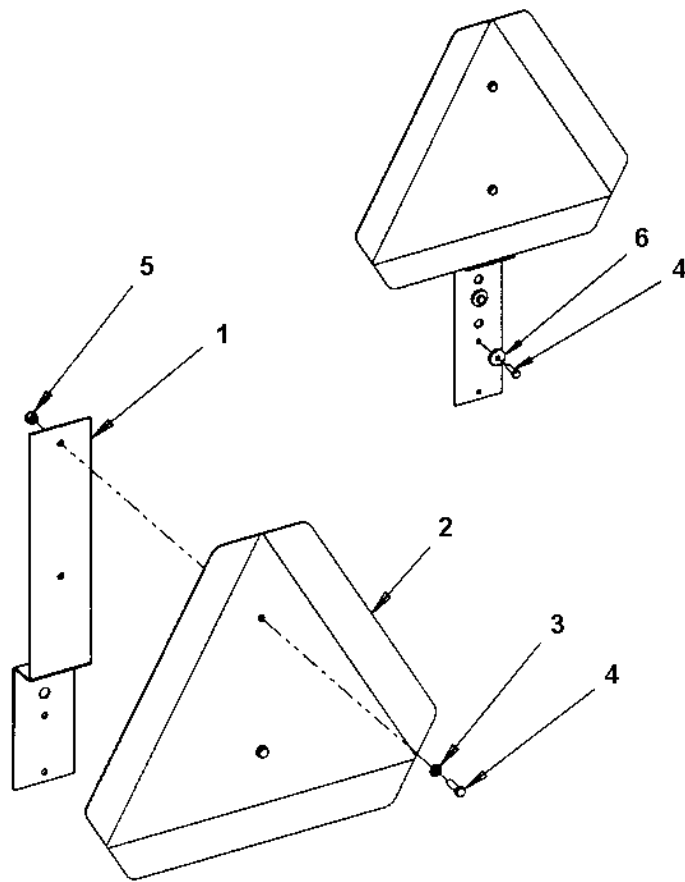
**4700391024 Steering cylinder**

Item	Part No	Rem Qty	Description	Code
1	4700391024	1	<b>Steering cylinder ( Page 148 )</b>	
2	4700950417	1	. Seal kit	
3		2	. . Seal	
4		1	. . O-ring	
5		1	. . Back-up ring	
6		1	. . Seal	
7		1	. . O-ring	
8		1	. . Seal	
9		1	. . Seal	
10		1	. . O-ring	
11		1	. Piston block	
12		1	. Steering	
13	4700950222	2	. Shaft	
14		4	. Washer	
15	4700635061	4	. Hair clip	C
16		1	. Piston rod	C
17		1	. Cylinder	C



**Eyelet module**

<b>Item</b>	<b>Part No</b>	<b>Rem Qty</b>	<b>Description</b>	<b>Code</b>
1	4700390080	1	Eyelet	
2	4700500134	4	Screw M16x60	C
3	4700904232	4	Washer	C
4	4700390072	1	Holder plate	



**SMV-sign**

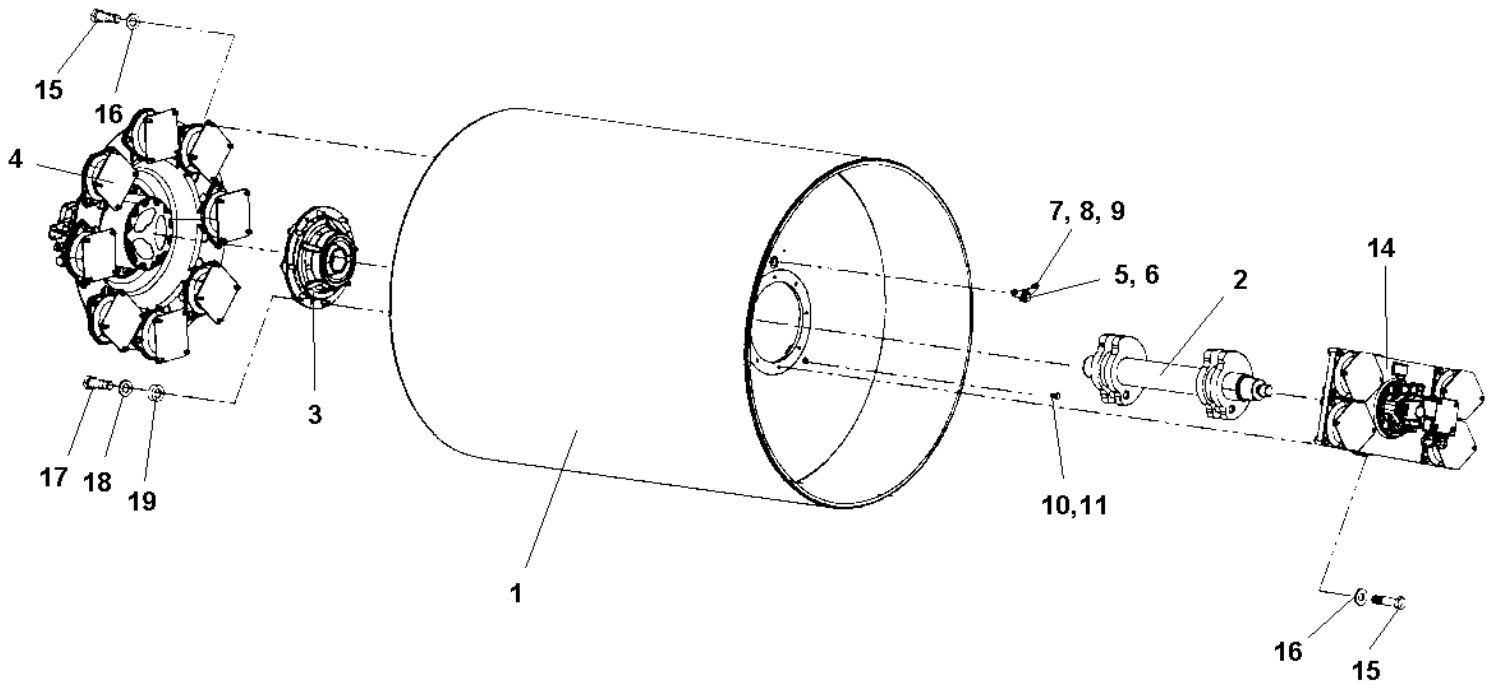
<b>Item</b>	<b>Part No</b>	<b>Rem Qty</b>	<b>Description</b>	<b>Code</b>
1	4700392291	1	Holder	
2	4700476019	1	SMV-sign	D
3	4700904228	2	Washer 6,4x12x1,5	C
4	4700500040	4	Screw M6-1x20 8,8	C
5	4700586002	2	Lock nut M6 -8	C
6	4700904735	2	Washer	C



**Drum**

<b>Item</b>	<b>Part No</b>	<b>Rem Qty</b>	<b>Description</b>	<b>Code</b>
1		2	Drum ( Page 156 )	

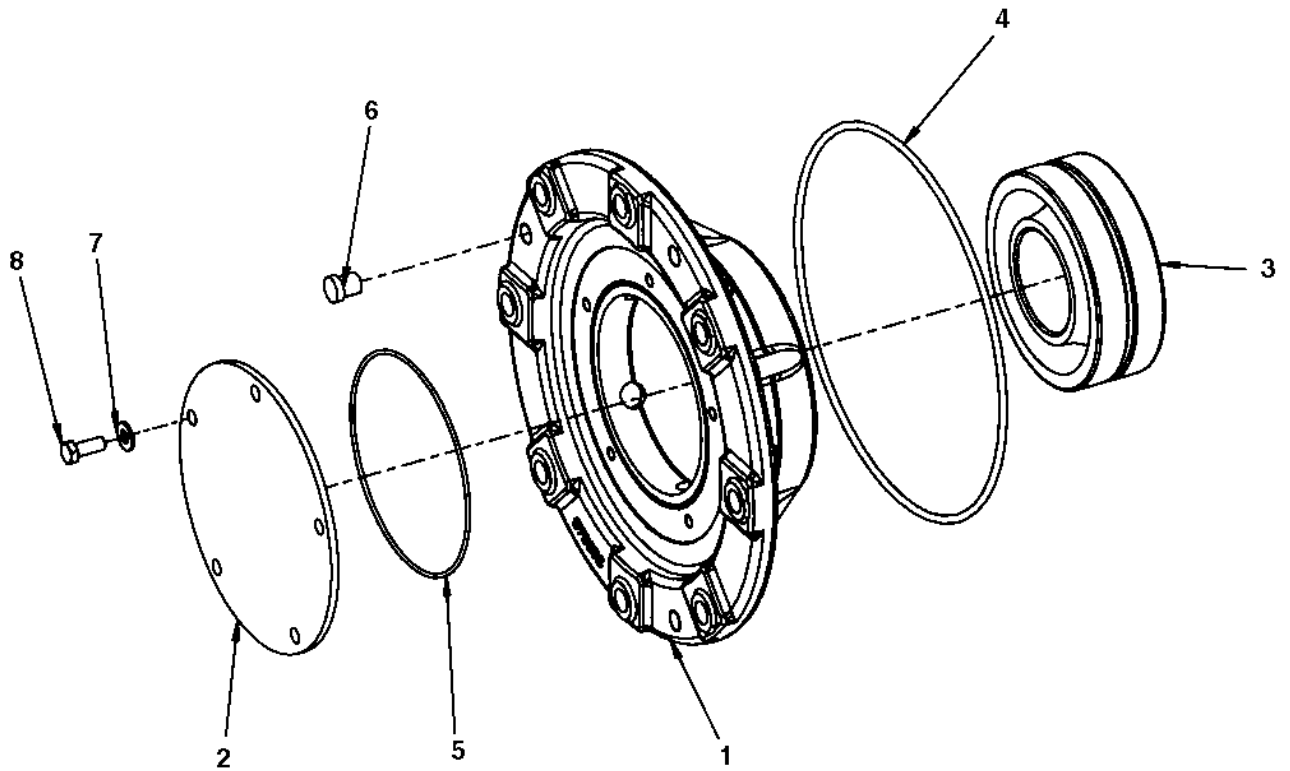
**Drum**





**Drum**

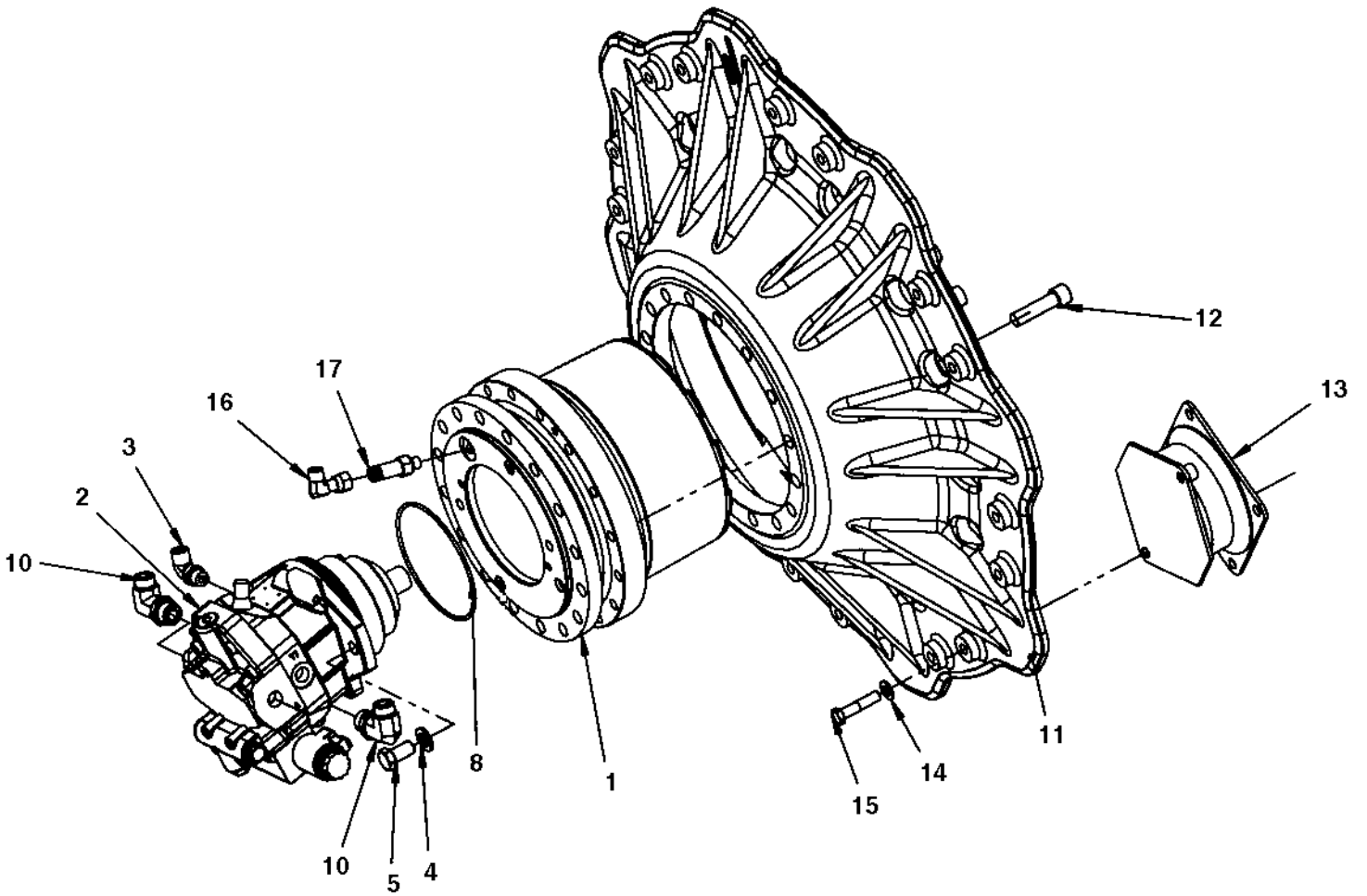
Item	Part No	Rem Qty	Description	Code
1	4700379748	1	Drum	
2	4700391107	1	Eccentric shaft	
	4700391110	1	Eccentric shaft CE	
3		1	<b>Drum bearing ( Page 158 )</b>	
4		1	<b>Drive unit ( Page 160 )</b>	
5	4700343744	1	Magnetic plug	C
6	4700162017	1	Seal ring	B
7	4700359955	1	Drop plate	D
8	4700904229	2	Washer 8,4x16x1,5	C
9	4700500019	2	Screw M8x16H 8.8 A2K	C
10	4700344196	1	Plug M12	D
11	4700162027	1	Sealing	B
14		1	<b>Vibrating unit Sauer Up to 0A005555 ( Page 164 )</b>	
		1	<b>Vibrating unit Rexroth From 0A005556 Up to 0A005561 ( Page 166 )</b>	
		1	<b>Vibrating unit Sauer From 0A005562 ( Page 164 )</b>	
15	4700500070	16	Screw M16x50	C
16	4700904232	16	Washer	C
17	4812110444	32	Hexagon head screw w Tuflok M12x40H 8.8 A3K	C
18	4700904231	32	Steel plain washer	C
19	4812110346	32	Spacer	C



**Drum bearing**

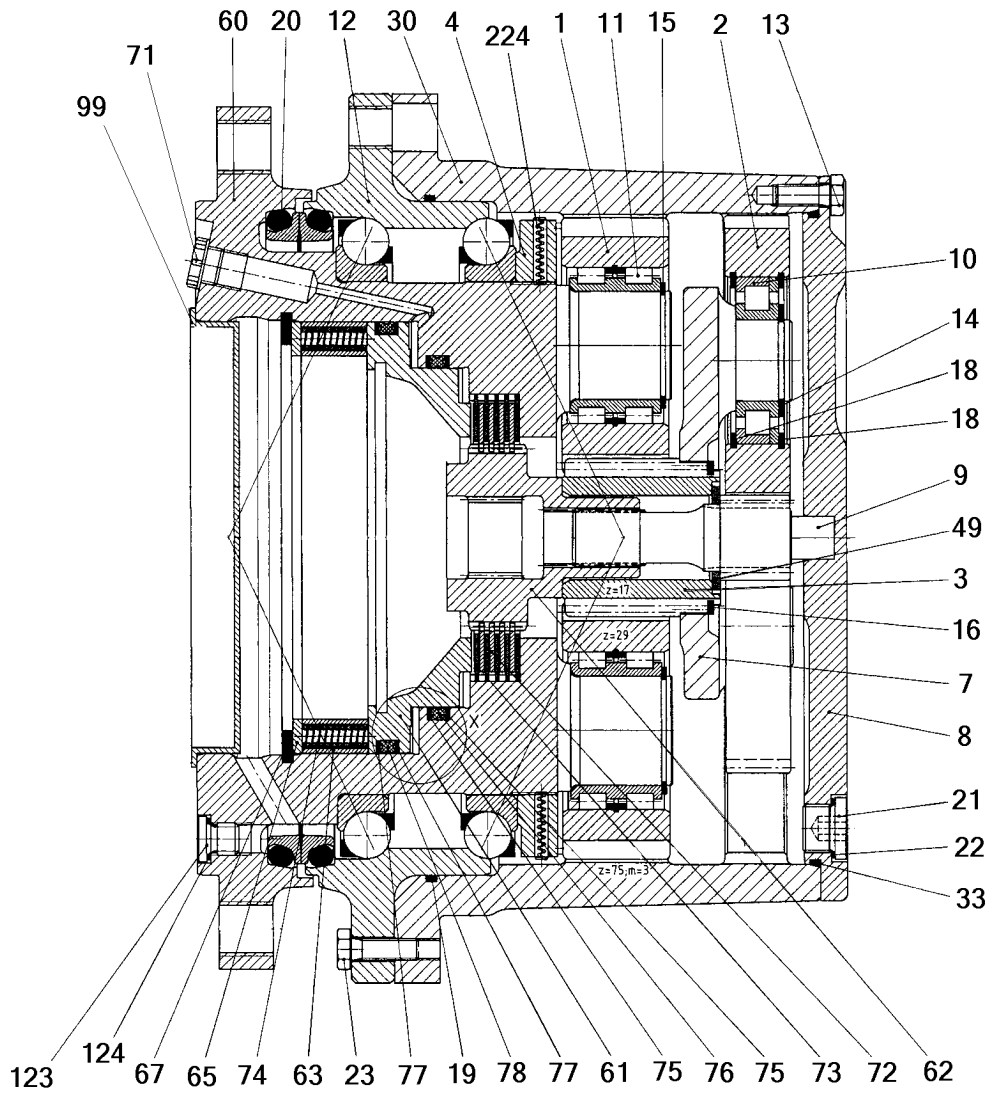
<b>Item</b>	<b>Part No</b>	<b>Rem Qty</b>	<b>Description</b>	<b>Code</b>
1	4700379652	1	Bearing housing	
2	4700391029	1	Cover	D
3	4700792270	1	Spherical roller bearing	D
4	4700160344	1	O-ring 70	C
5	4700160045	1	O-ring 70	C
6	4700900775	3	Plug	C
7	4700904230	5	Steel plain washer	C
8	4700500028	5	Screw	C

Drive unit



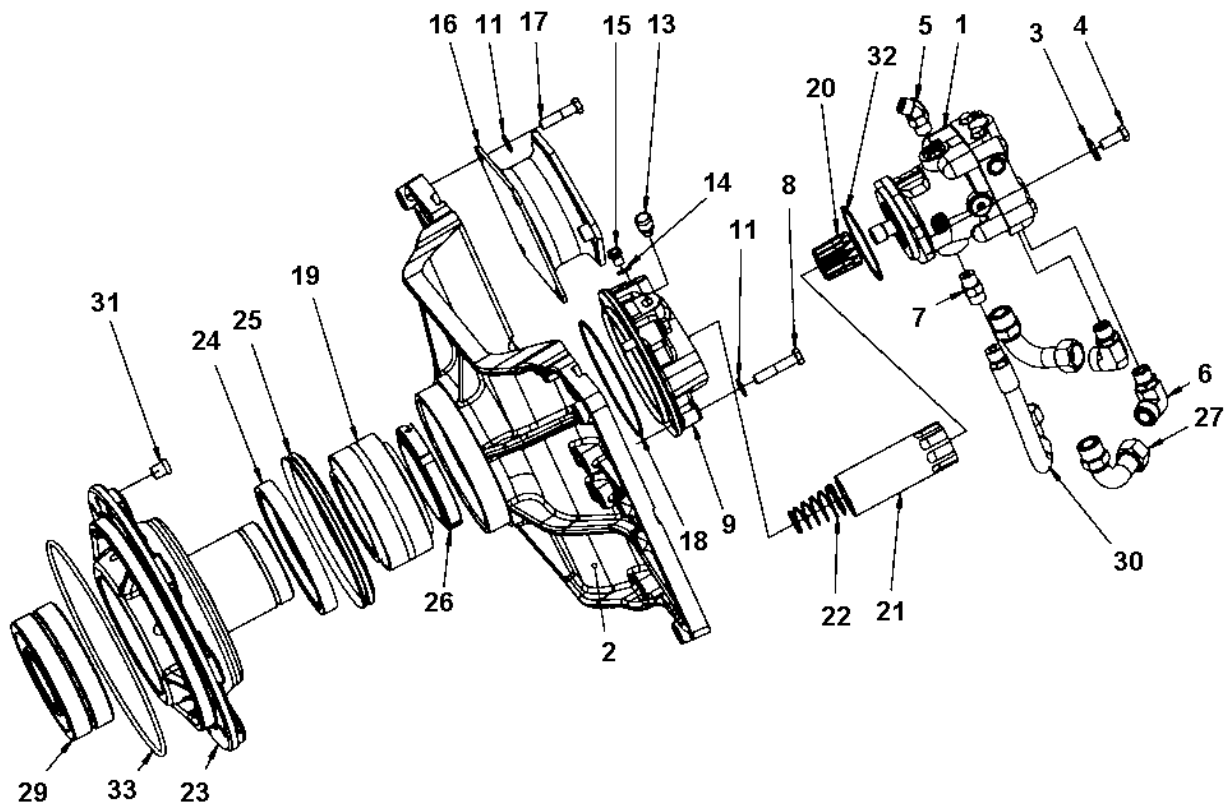
## Drive unit

Item	Part No	Rem Qty	Description	Code
1	4700390604	1	<b>Drum gear ( Page 162 )</b>	C
2	4700390603	1	Hydraulic motor	C
	4812155170	1	. Solenoid valve	
3	4700792151	1	Elbow adapter 90	C
4	4700904232	2	Washer	C
5	4700500057	2	Screw M16-2x30 8,8	C
8	4700160227	1	O-ring	D
10	4700792331	2	Elbow 90 orfs	C
11	4700391724	1	Drive disc	
12	4700792506	16	Screw	C
13	4700394250	8	Shock absorber	A
14	4700904231	16	Steel plain washer	C
15	4812110641	16	Hexagon screw w Tuflok M12x55 10.9 GEOMET	C
16	4700791401	1	Elbow 90, O-ring with swivel	C
17	4700792507	1	Straight connector orfs	C



**4700390604 Drum gear**

Item	Part No	Rem Qty	Description	Code
	4700390604	1	<b>Drum gear ( Page 162 )</b>	C
1		4	. Planet gear	C
2		3	. Planet gear	C
3		1	. Sun gear	C
4		1	. Shaft nut	C
7		1	. Planet carrier	C
8		1	. Cover	C
9		1	. Cylindrical roller	C
10	4700950520	3	. Cylindrical roller bearing	
11	4700950521	4	. Cylindrical roller bearing	
12	4700950522	1	. Ball bearing	
13		12	. Screw	
14		3	. Snap ring	
15		4	. Snap ring	
16		1	. Snap ring	
18		6	. Snap ring	
19	4700950523	1	. O-ring	
20	4700950524	1	. Seal	
21	4700950491	2	. Plug	
22	4700950492	2	. Seal ring	
23		2	. Screw	
30		1	. Ring gear	
33	4700950526	1	. O-ring	
44		1	. Sun gear shaft	
49		1	. Drum flange	
60		1	. Spindle	
61		1	. Piston	
62		1	. Coupler	
63		1	. Spacer	
65		1	. Disc	
67		1	. Snap ring	
71	4700950495	1	. Plug	
72	4700950527	4	. Inner disc	
73	4700950480	5	. Outer disc	
74		28	. Pressure spring	
75	4700950529	2	. Supporting ring	
76	4700950530	1	. Piston seal	
77	4700950531	2	. Supporting ring	
78	4700950532	1	. Piston seal	
99		1	. Plug	
123	4700950493	3	. Plug	
124	4700950494	3	. Seal ring	
224		2	. Spring dowel sleeve	
	4812156060	1	Seal kit, drive gear	
_19	4700950523	1	_O-ring	
_20	4700950524	1	_Seal	
_33	4700950526	1	_O-ring	
	4812156061	1	Seal kit, brake	
_75	4700950529	2	_Supporting ring	
_76	4700950530	1	_Piston seal	
_77	4700950531	2	_Supporting ring	
_78	4700950532	1	_Piston seal	
	4812156062	1	Disc kit	
_72	4700950527	4	_Inner disc	
_73	4700950480	5	_Outer disc	
_74		28	_Pressure spring	

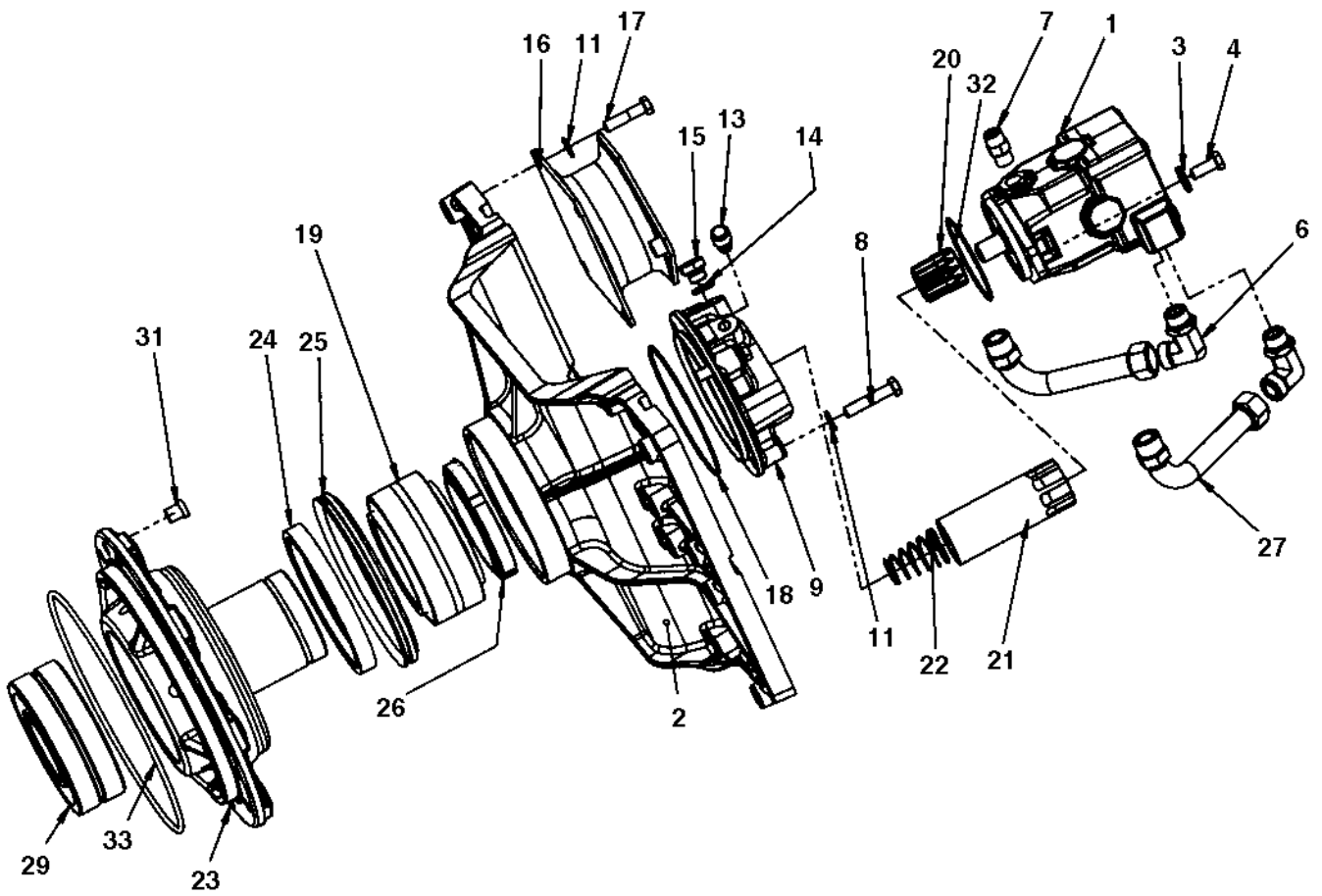




**Vibrating unit Sauer**

Item	Part No	Rem Qty	Description	Code
1	4700395915	1	Hydraulic motor	
2	4700392364	1	Holder plate	
3	4700904213	2	Washer	C
4	4700500046	2	Screw M12x025H	C
5	4700791796	1	Elbow 45, O-ring with swivel	
6	4700792746	2	Connector elbow 90 orfs	
7	4700791799	2	Straight connector orfs	
8	4700500049	4	Screw	C
9	4700390160	1	Motor adapter	C
11	4700904231	20	Steel plain washer	C
13	4700926736	1	Breather	C
14	4700162027	1	Sealing	B
15	4700903726	1	Steel plug threaded	C
16	4700394251	4	Shock absorber	A
17	4812110643	16	Hexagon screw w Tuflok M12x50 8.8 A3K	C
18	4700160105	1	O-ring 70	C
19	4700116041	1	Taper roller bearing	B
20	4700340862	1	Splined sleeve	D
21	4700381027	1	Splined sleeve	C
22	4700349715	1	Spring	D
23	4700379650	1	Drum bearing housing	
24	4700386272	1	Sealing	B
25	4700929447	1	V-ring	B
26	4700390897	1	Shaft nut	C
27	4700392748	2	Connector	
29	4700792270	1	Spherical roller bearing	D
30	4700484271	2	Hydraulic hose	
31	4700900775	3	Plug	C
32	4700160279	1	O-ring 101,27x2,62	C
33	4700160344	1	O-ring 70	C

- 1) For use of upper leak port.
- 2) For use of lower leak port.



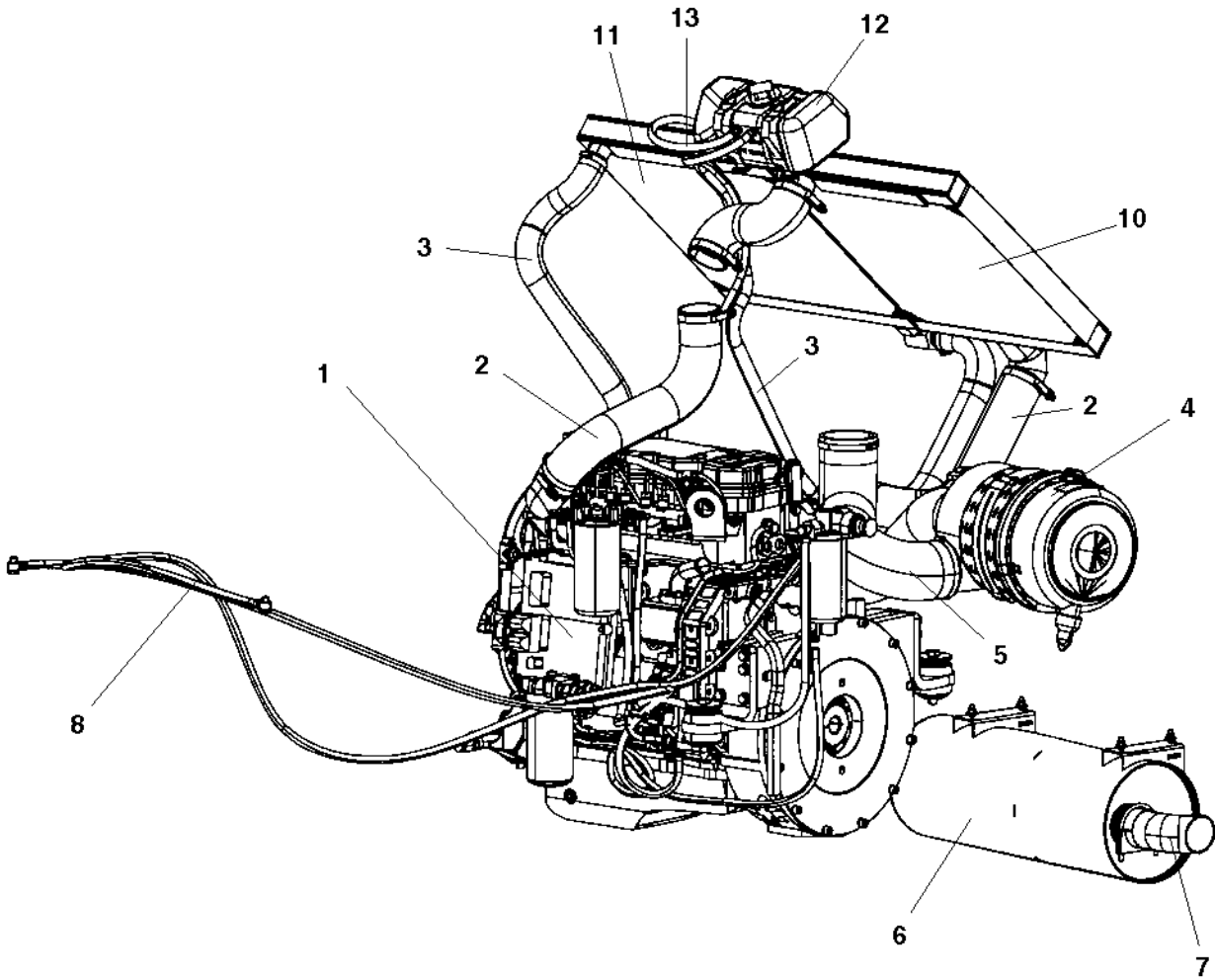
**Vibrating unit Rexroth**

<b>Item</b>	<b>Part No</b>	<b>Rem Qty</b>	<b>Description</b>	<b>Code</b>
1	4700390605	1	Hydraulic motor	C
2	4700392364	1	Holder plate	
3	4700904213	2	Washer	C
4	4700500046	2	Screw M12x025H	C
6	4700792330	2	Elbow 90 orfs	
7	4700791799	1	Straight connector orfs	
8	4700500049	4	Screw	C
9	4700390160	1	Motor adapter	C
11	4700904231	20	Steel plain washer	C
13	4700926736	1	Breather	C
14	4700162027	1	Sealing	B
15	4700903726	1	Steel plug threaded	C
16	4700394251	4	Shock absorber	A
17	4812110643	16	Hexagon screw w Tuflok M12x50 8.8 A3K	C
18	4700160105	1	O-ring 70	C
19	4700116041	1	Taper roller bearing	B
20	4700340862	1	Splined sleeve	D
21	4700381027	1	Splined sleeve	C
22	4700349715	1	Spring	D
23	4700379650	1	Drum bearing housing	
24	4700386272	1	Sealing	B
25	4700929447	1	V-ring	B
26	4700390897	1	Shaft nut	C
27	4700392748	2	Connector	
29	4700792270	1	Spherical roller bearing	D
31	4700900775	3	Plug	C
32	4700160279	1	O-ring 101,27x2,62	C
33	4700160344	1	O-ring 70	C



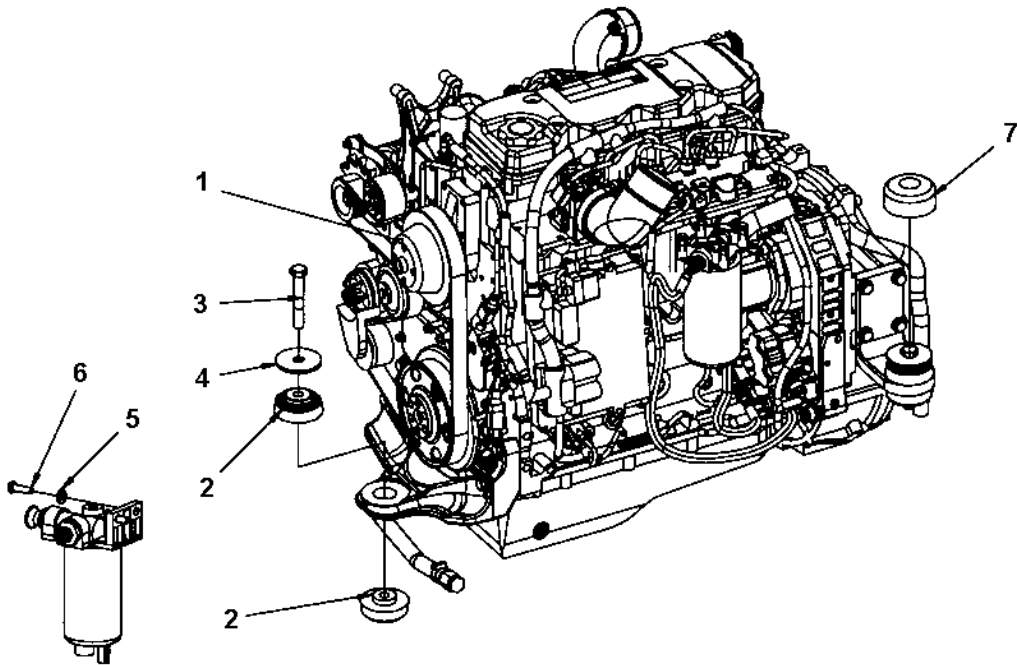
**Engine**

<b>Item</b>	<b>Part No</b>	<b>Rem Qty</b>	<b>Description</b>	<b>Code</b>
8			Engine room ( Page 170 )	



**Engine room**

<b>Item</b>	<b>Part No</b>	<b>Rem Qty</b>	<b>Description</b>	<b>Code</b>
1			Engine ( Page 172 )	
2			Air cooler hoses ( Page 180 )	
3			Water cooler hoses ( Page 182 )	
4			Air cleaner module ( Page 184 )	
5			Air cleaner hose module ( Page 186 )	
6			Muffler ( Page 188 )	
7			Exhaust pipe module ( Page 190 )	
8			Fuel hose module ( Page 192 )	
10			Charge air cooler ( Page 194 )	
11			Water cooler ( Page 196 )	
12			Expansion tank assembly ( Page 198 )	
13			Coolant hoses ( Page 200 )	

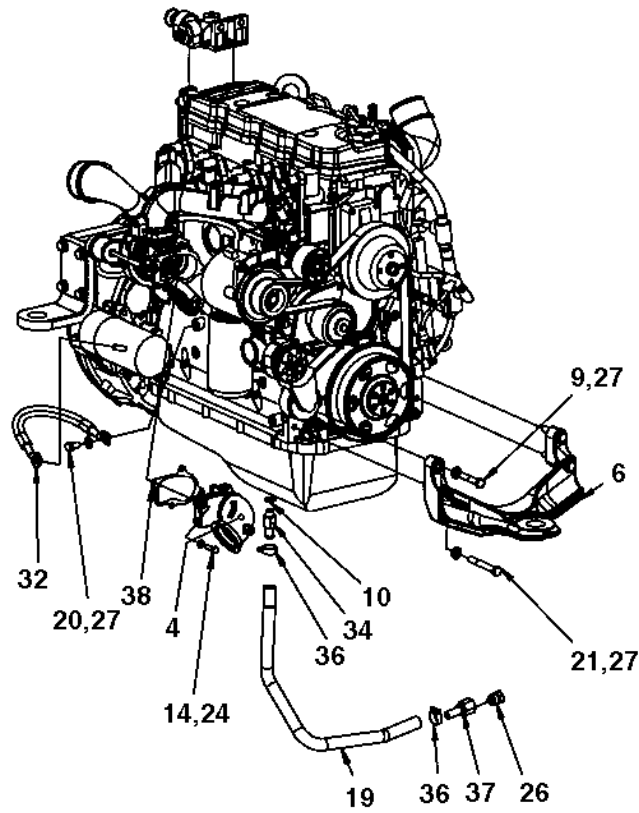
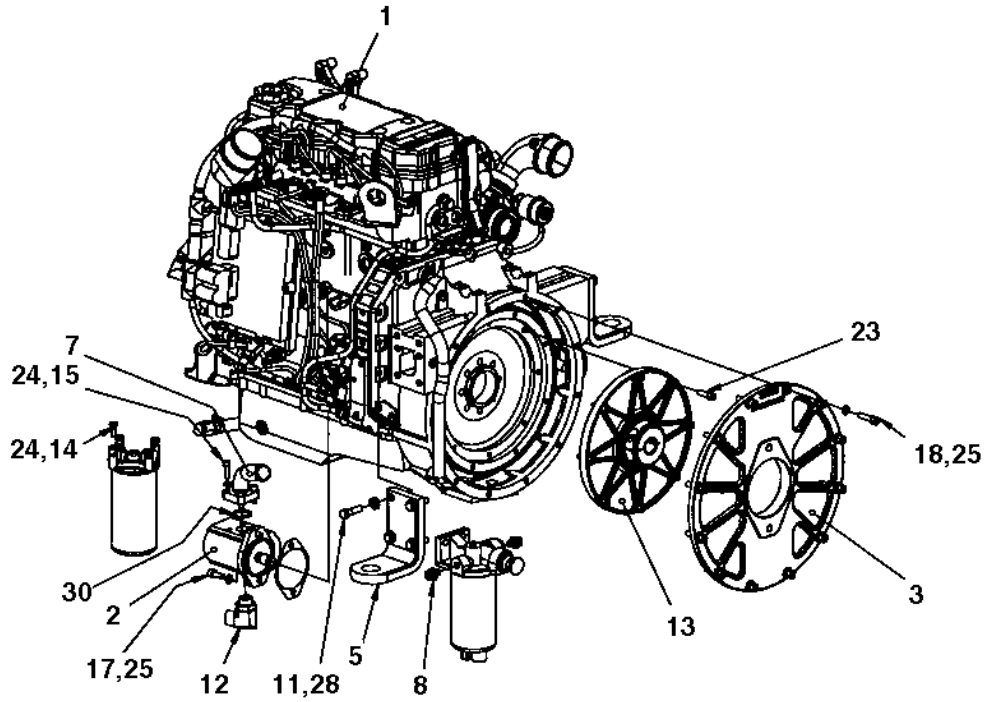




**Engine**

Item	Part No	Rem	Qty	Description	Code
1			1	<b>Engine module ( Page 174 )</b>	
2	4700391165		6	Shock absorber	
3	4700500107		3	Screw M16x100	
4	4700345666		3	Steel spacer	D
5	4700904557		2	Steel plain washer	C
	4700904557	1	4	Steel plain washer	C
6	4700500030		2	Hexagon head screw	C
	4700500028	1	2	Screw	C
7	4700397539		1	Protector	
8	4812113161		1	Bracket	
9	4700500031	1	1	Screw	C

- 1) Item to be used when bracket, item 8 is mounted.

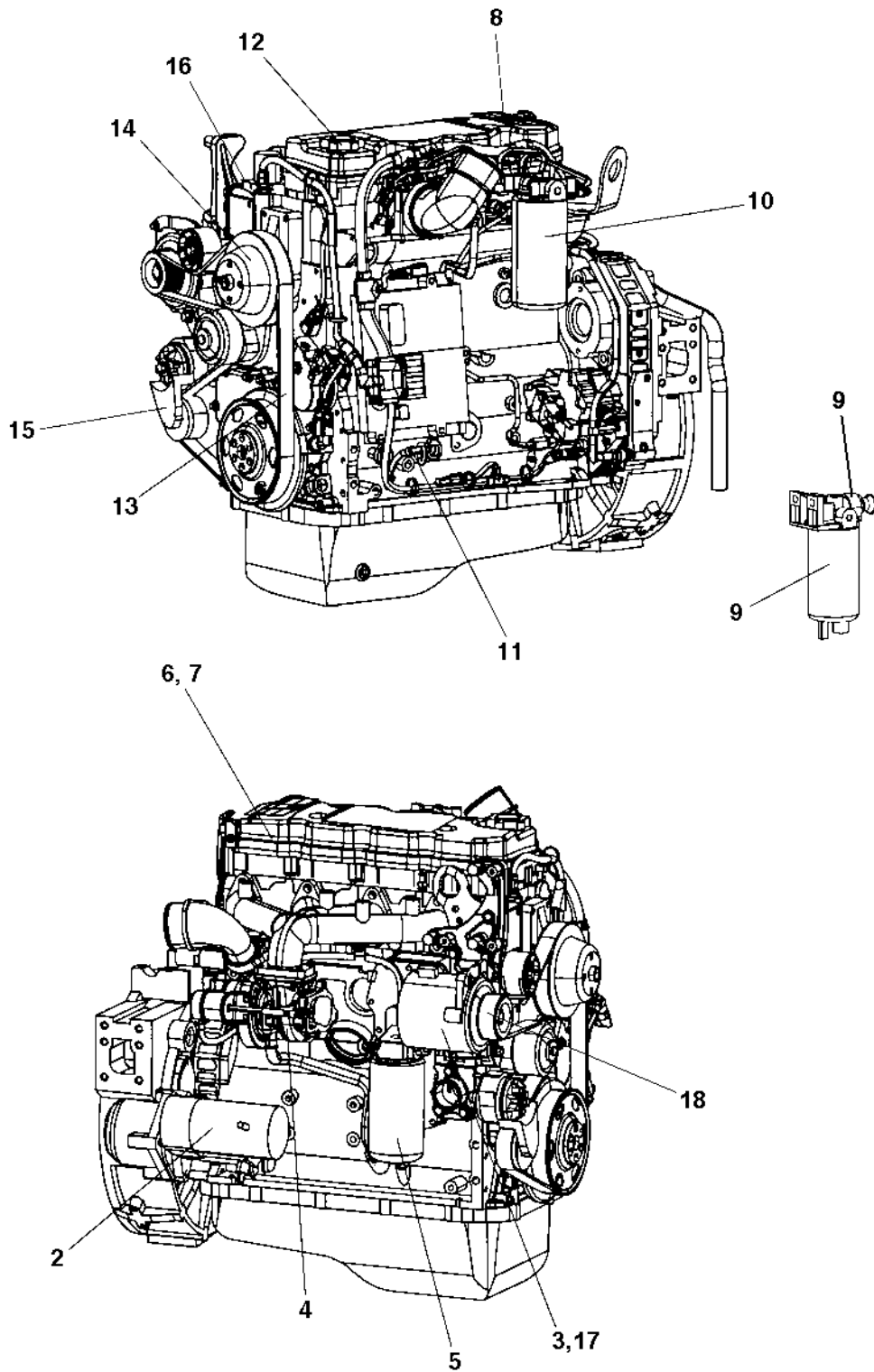


Engine module

Item	Part No	Rem Qty	Description	Code
1	4700390832	1	Diesel engine Cummins QSB4.5 T3 - 82kW ( Page 176 )	
	4700390831	1	Diesel engine Cummins QSB4.5 T3 - 93kW ( Page 178 )	
2	4700391020	1	Hydraulic pump	
3	4700394169	1	Pump bracket	
4	4700390618	1	Exhaust connection	
5	4700397259	2	Engine bracket	
6	4700393592	1	Engine bracket	
7	4700390018	1	Suction pipe	
8	4700792603	2	Quick connect coupling	
9	4700500049	2	Screw	C
10	4700330330	1	Copper washer	C
11	4700500056	8	Screw	C
12	4700791698	1	Elbow 90, O-ring with swivel	
13	4700391358	1	Coupling	
14	4700500021	8	Screw M8-1,25x25 8.8	C
15	4700508048	4	Screw	C
17	4700508096	2	Screw	C
18	4700508080	12	Screw	
19	4700205112	A 1XL	Coolant hose	D
20	4700500035	1	Screw M12x020H	
21	4700500197	2	Screw 12x90	C
23	4700509025	8	Screw 3/8-16UNCx32 8,8	
24	4700904229	12	Washer 8,4x16x1,5	C
25	4700904637	14	Washer	C
26	4700232231	1	Plug	
27	4700904231	5	Steel plain washer	C
28	4700904703	8	Washer	C
30	4700813429	1	O-ring	C
32	4700335607	1	Connection cable, coarse	D
34	4700391303	1	Hose connection	
36	4700313004	2	Hose clamp	D
37	4700792502	1	Hose connection	
38	4700394322	1	Gasket	

A) L=0,6 m

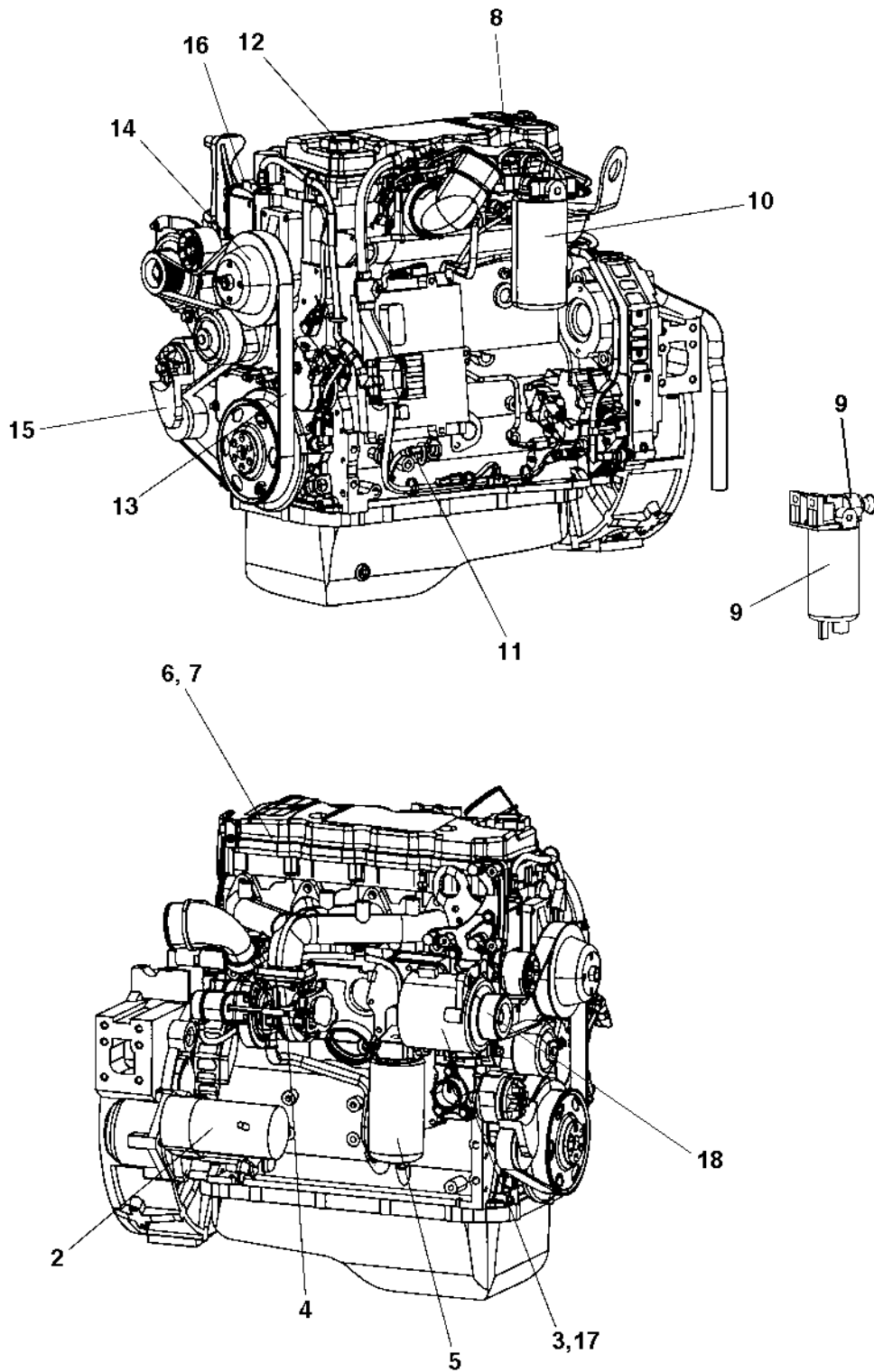
4700390832 Diesel engine Cummins QSB4.5 T3 - 82kW



**4700390832 Diesel engine Cummins QSB4.5 T3 - 82kW**

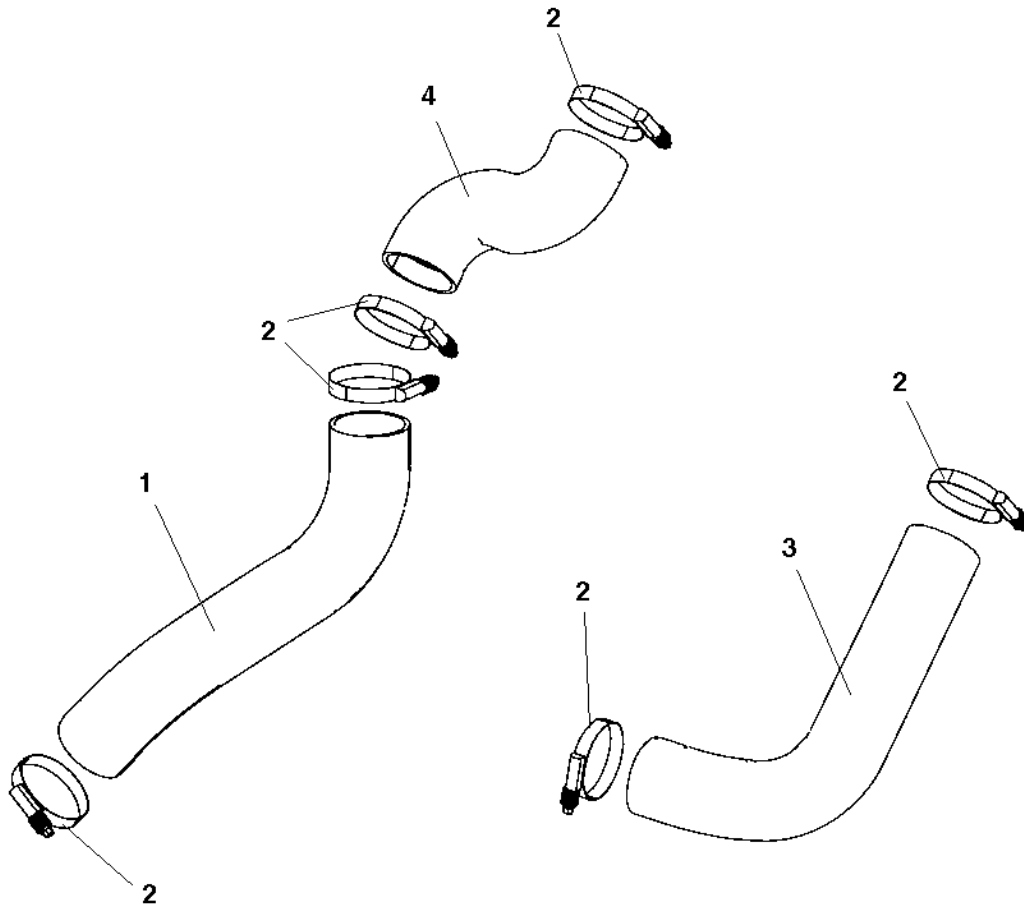
Item	Part No	Rem Qty	Description	Code
1	4700390832	1	<b>Diesel engine Cummins QSB4.5 T3 - 82kW ( Page 176 )</b>	
2	4700945767	1	. Starter	C
3	4700945768	1	. Alternator (without fan)	C
4		1	. Turbo charger cpl	C
5	4700945145	1	. Oil filter element	A
6	4700945760	1	. Valve cover gasket	
7	4700945769	1	. Piston ring set	D
8	4700945626	1	. Injector	
9	4700945538	1	. Fuel filter head with hand pump	
	4700945147	1	. Pre-fuel filter element	A
10	4700945624	1	. Fuel filter element	A
	4812155278	1	. Gasket	
11	4700945770	1	. Oil dipstick	
12	4700945771	1	. Oil cap	
13	4700945772	1	. V-belt	B
14	4700945773	1	. V- belt pulley	
15	4700945774	1	. Belt tightener	
16	4700945887	1	. Sensor, Water temp	
17	4812156073	1	. Fan, alternator	C
18	4812156074	1	. Pulley, alternator	C

4700390831 Diesel engine Cummins QSB4.5 T3 - 93kW



**4700390831 Diesel engine Cummins QSB4.5 T3 - 93kW**

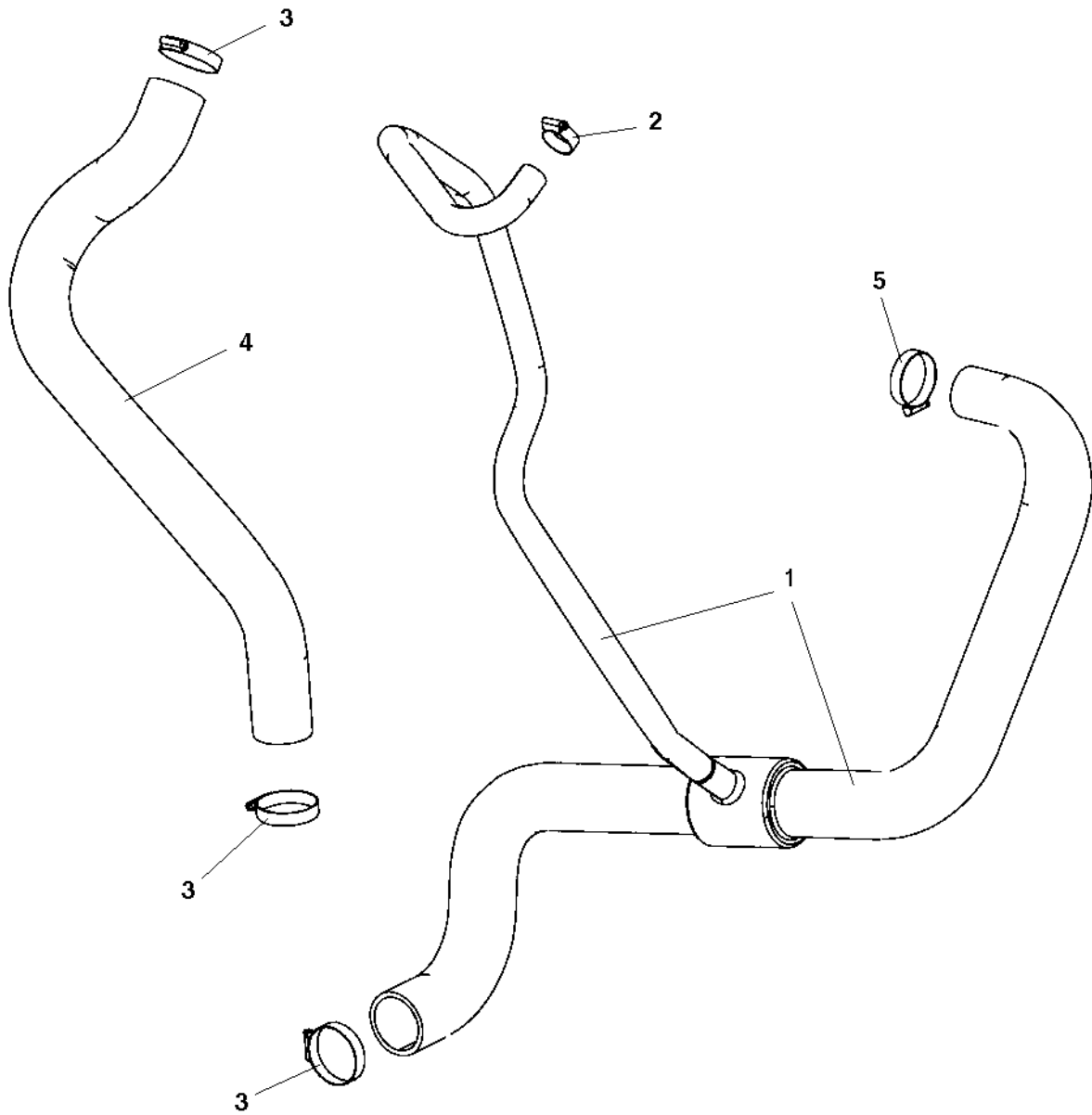
Item	Part No	Rem Qty	Description	Code
1	4700390831	1	<b>Diesel engine Cummins QSB4.5 T3 - 93kW ( Page 178 )</b>	
2	4700945767	1	. Starter	C
3	4700945768	1	. Alternator (without fan)	C
4		1	. Turbo charger cpl	C
5	4700945145	1	. Oil filter element	A
6	4700945760	1	. Valve cover gasket	
7	4700945769	1	. Piston ring set	D
8	4700945626	1	. Injector	
9	4700945538	1	. Fuel filter head with hand pump	
	4700945147	1	. Pre-fuel filter element	A
10	4700945624	1	. Fuel filter element	A
	4812155278	1	. Gasket	
11	4700945770	1	. Oil dipstick	
12	4700945771	1	. Oil cap	
13	4700945772	1	. V-belt	B
14	4700945773	1	. V- belt pulley	
15	4700945774	1	. Belt tightener	
16	4700945887	1	. Sensor, Water temp	
17	4812156073	1	. Fan, alternator	C
18	4812156074	1	. Pulley, alternator	C





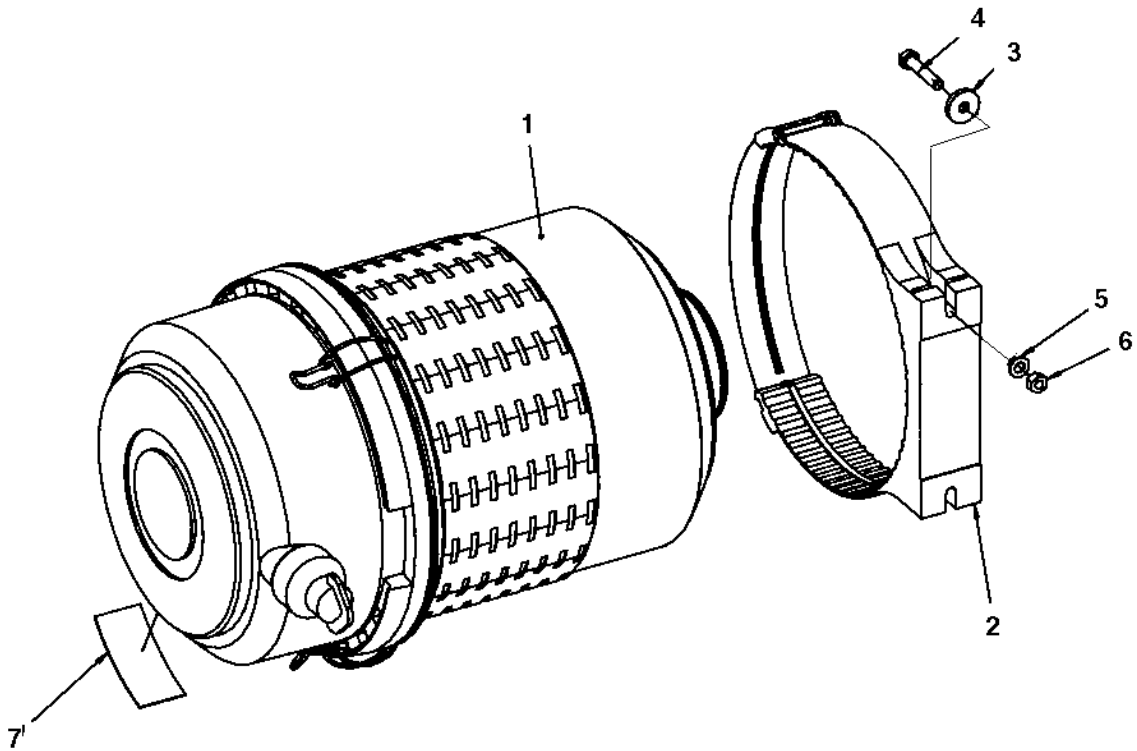
**Air cooler hoses**

<b>Item</b>	<b>Part No</b>	<b>Rem Qty</b>	<b>Description</b>	<b>Code</b>
1	4700390020	1	Charge air hose	
2	4700386966	6	Hose clamp 2.3/4"-3.5/8"	
3	4700390019	1	Charge air hose	
4	4700391263	1	Charge air hose	



**Water cooler hoses**

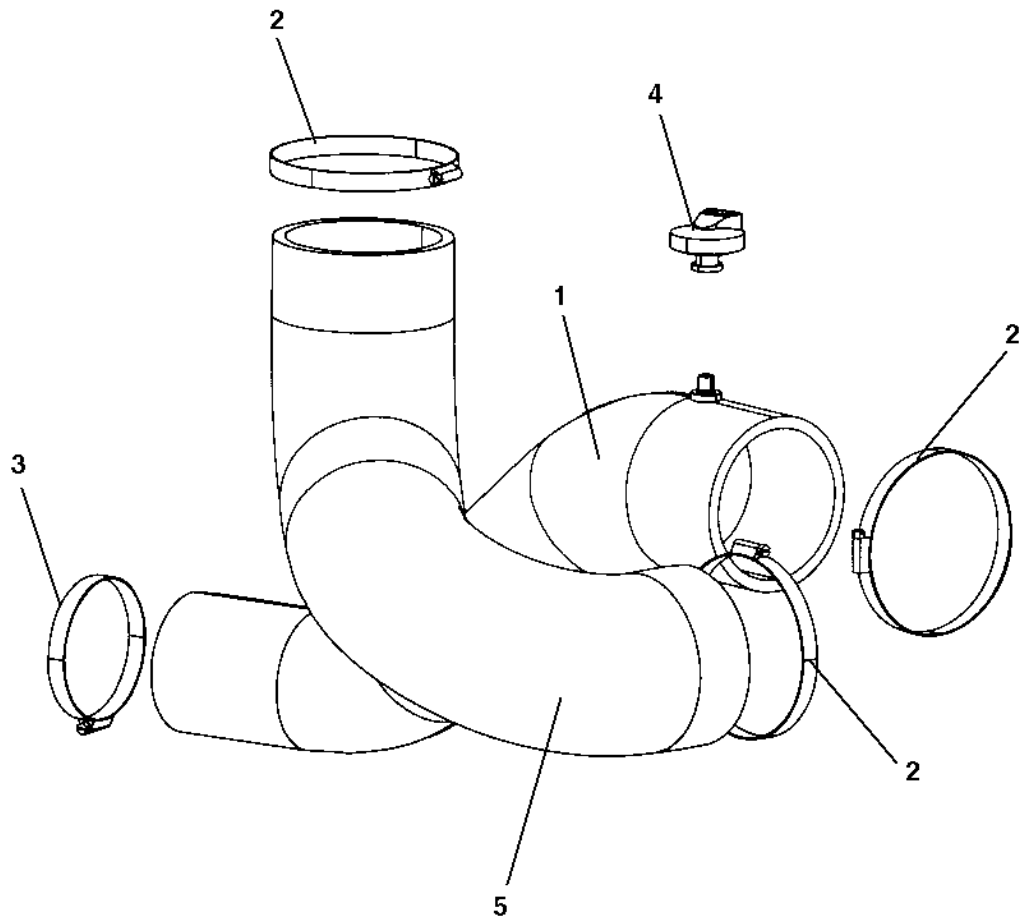
<b>Item</b>	<b>Part No</b>	<b>Rem Qty</b>	<b>Description</b>	<b>Code</b>
1	4700394267	1	Coolant hose	
2	4700313004	1	Hose clamp	D
3	4700313010	3	Hose clamp	D
4	4700390024	1	Coolant hose	
5	4700313009	1	Hose clamp	D



**Air cleaner module**

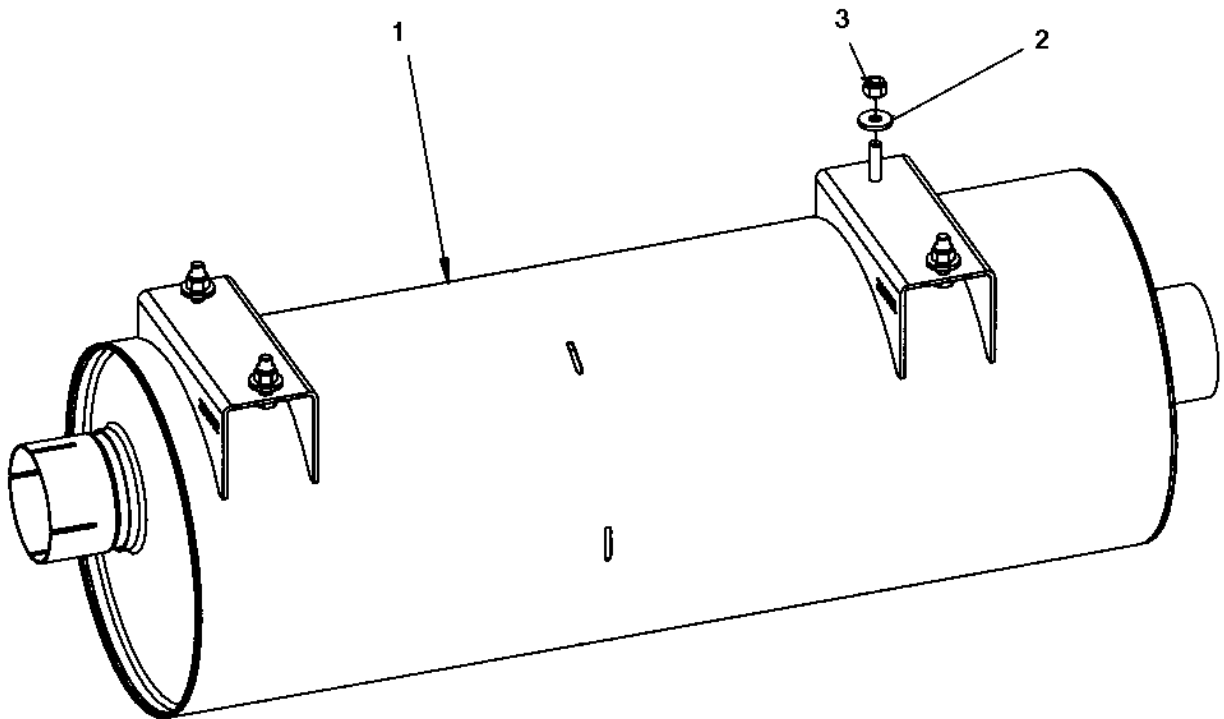
<b>Item</b>	<b>Part No</b>	<b>Rem Qty</b>	<b>Description</b>	<b>Code</b>
1	4700390820	1	Air cleaner	
	4700390995	1	. Main filter element	A
	4700390994	1	. Safety filter element	A
2	4700390811	1	Bracket	
3	4700904734	2	Washer 8,4x26x4	C
4	4700500023	2	Screw M8-1,25x40 8,8	C
5	4700904229	2	Washer 8,4x16x1,5	C
6	4700570005	2	Nut M8	C
7	4700791642	1	Decal "WARNING" Use of starting fluid prohib.	D

**Air cleaner hose module**



**Air cleaner hose module**

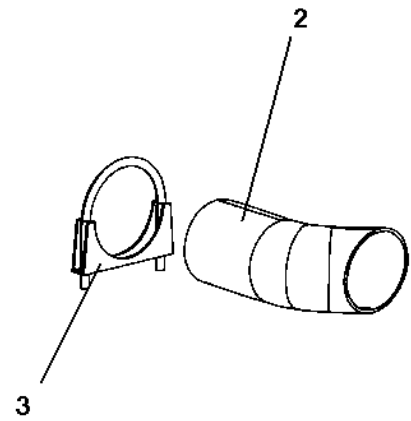
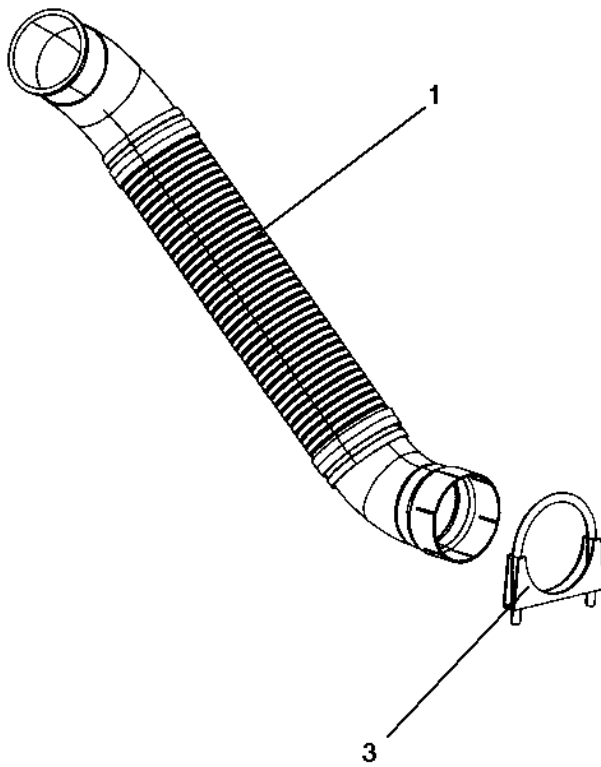
<b>Item</b>	<b>Part No</b>	<b>Rem Qty</b>	<b>Description</b>	<b>Code</b>
1	4700396220	1	Hose	
2	4700313105	3	Hose clamp	D
3	4700313033	1	Hose clamp	D
4	4700390830	1	Indicator	
5	4700396218	1	Hose	





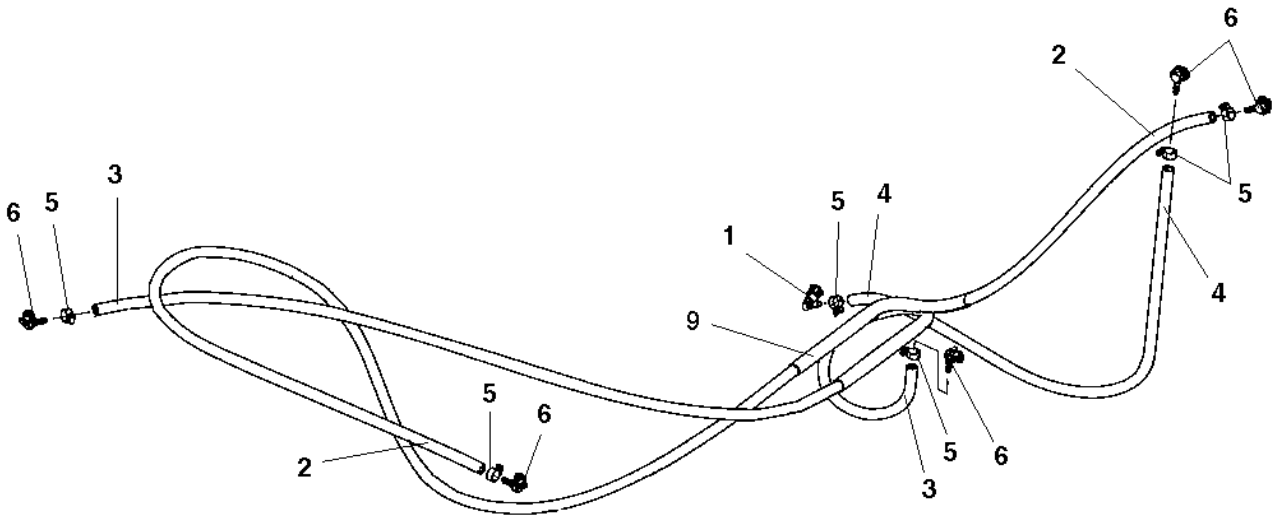
**Muffler**

Item	Part No	Rem Qty	Description	Code
1	4700390332	1	Muffler	
2	4700904640	4	Washer 8,4x22x3	C
3	4700586003	4	Lock nut M8	C



**Exhaust pipe module**

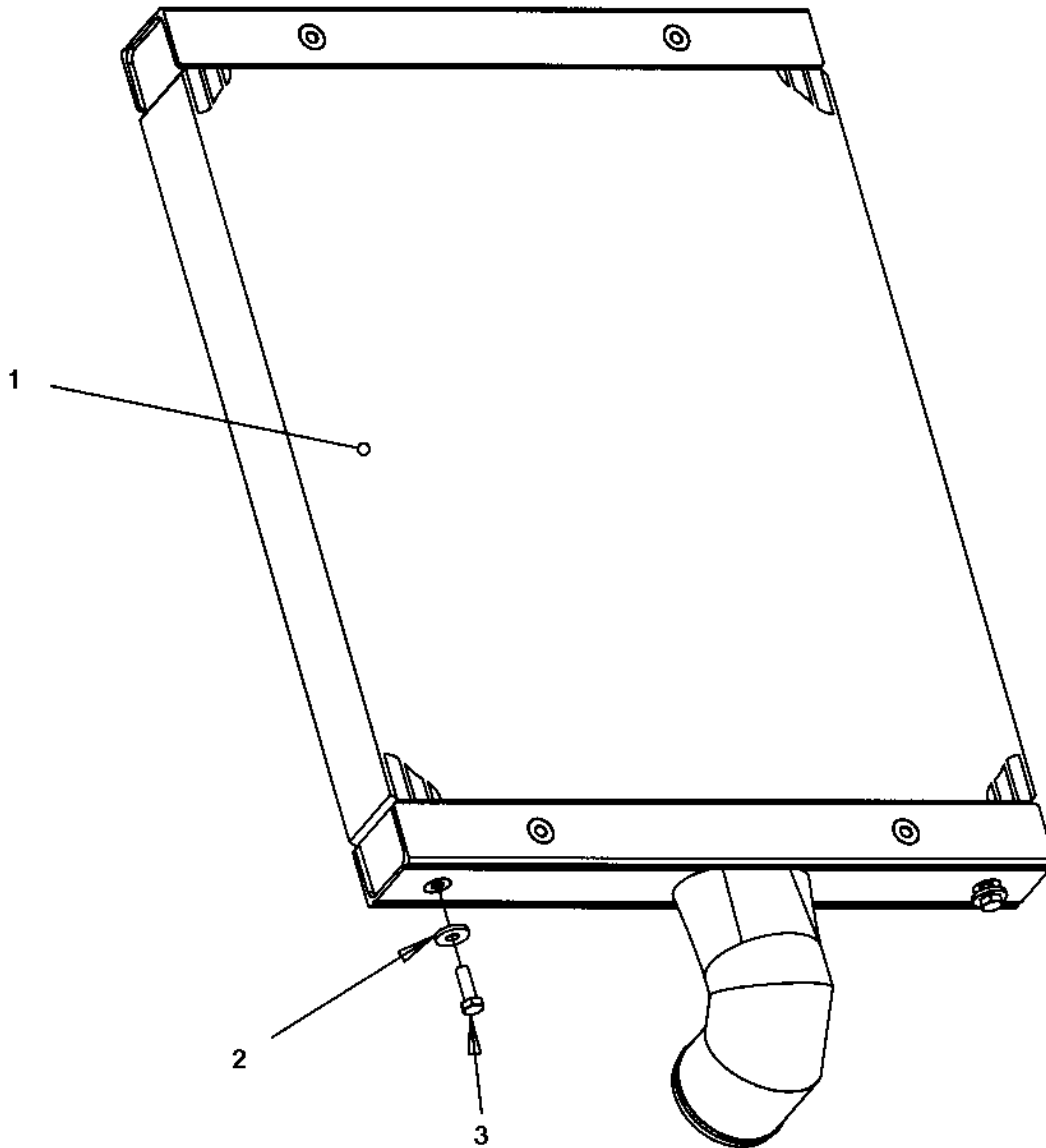
<b>Item</b>	<b>Part No</b>	<b>Rem Qty</b>	<b>Description</b>	<b>Code</b>
1	4700390902	1	Exhaust pipe	
2	4700390903	1	Exhaust pipe	
3	4700313094	2	Pipe clamp	D



**Fuel hose module**

Item	Part No	Rem	Qty	Description	Code
1	4700792522		1	Quick connect coupling	
2	4700904984	A	1XL	Fuel hose	C
3	4700904984	B	1XL	Fuel hose	C
4	4700904984	C	1XL	Fuel hose	C
5	4700313001		6	Hose clamp	D
6	4700792526		5	Quick connect coupling	
9	4700792695	D	1XL	Hose guard	

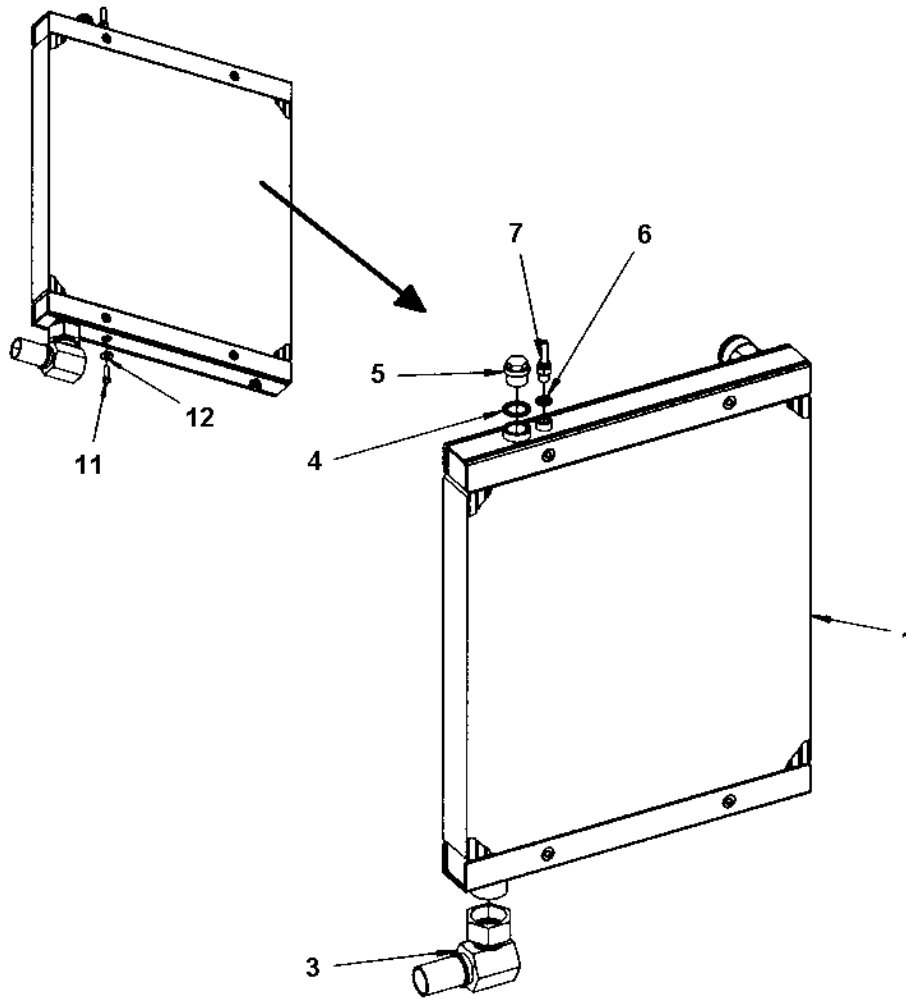
- A) L=3.6 m
- B) L=2.5m
- C) L=1.1m
- D) L= 0,5 m



**Charge air cooler**

<b>Item</b>	<b>Part No</b>	<b>Rem Qty</b>	<b>Description</b>	<b>Code</b>
1	4700390630	1	Charge air cooler	C
2	4700904640	2	Washer 8,4x22x3	C
3	4700500021	2	Screw M8-1,25x25 8.8	C

**Water cooler**

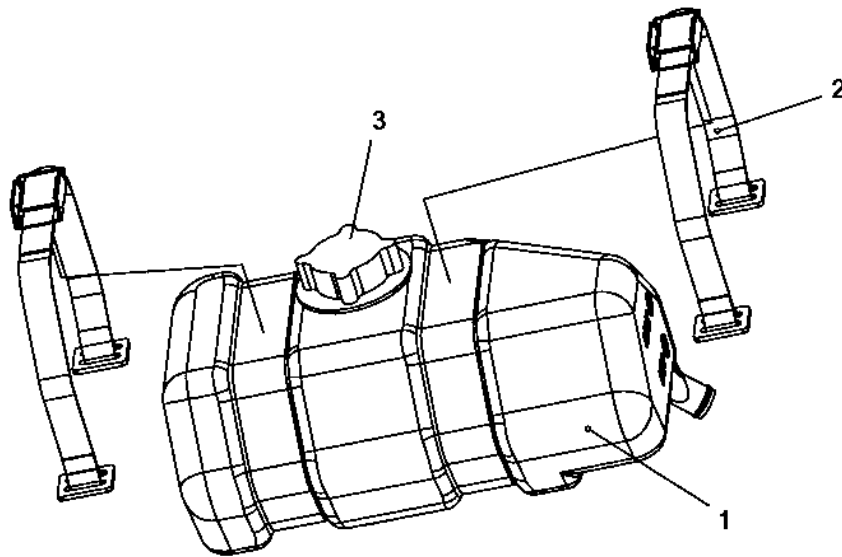




**Water cooler**

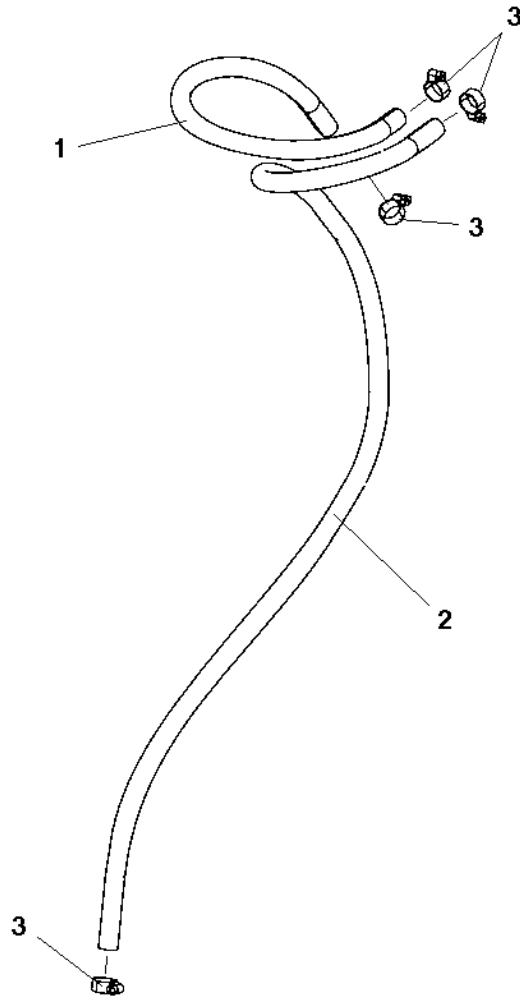
<b>Item</b>	<b>Part No</b>	<b>Rem Qty</b>	<b>Description</b>	<b>Code</b>
1	4700390627	1	Water cooler	C
3	4700792323	1	Hose connection	
4	4700791120	1	Sealing washer	
5	4700232039	1	Plug G3/4	
6	4700162004	1	Sealing	B
7	4700792322	1	Hose connection	
11	4700500021	2	Screw M8-1,25x25 8.8	C
12	4700904640	2	Washer 8,4x22x3	C

**Expansion tank assembly**



**Expansion tank assembly**

<b>Item</b>	<b>Part No</b>	<b>Rem Qty</b>	<b>Description</b>	<b>Code</b>
1	4700393029	1	Expansion tank	
2	4700393235	2	Strap	
3	4700903714	1	Cap	



**Coolant hoses**

Item	Part No	Rem	Qty	Description	Code
1	4700246069	A	1XL	Fuel hose 3/8"	
2	4700246069	B	1XL	Fuel hose 3/8"	
3	4700313001		4	Hose clamp	D

A) L= 0,54 m

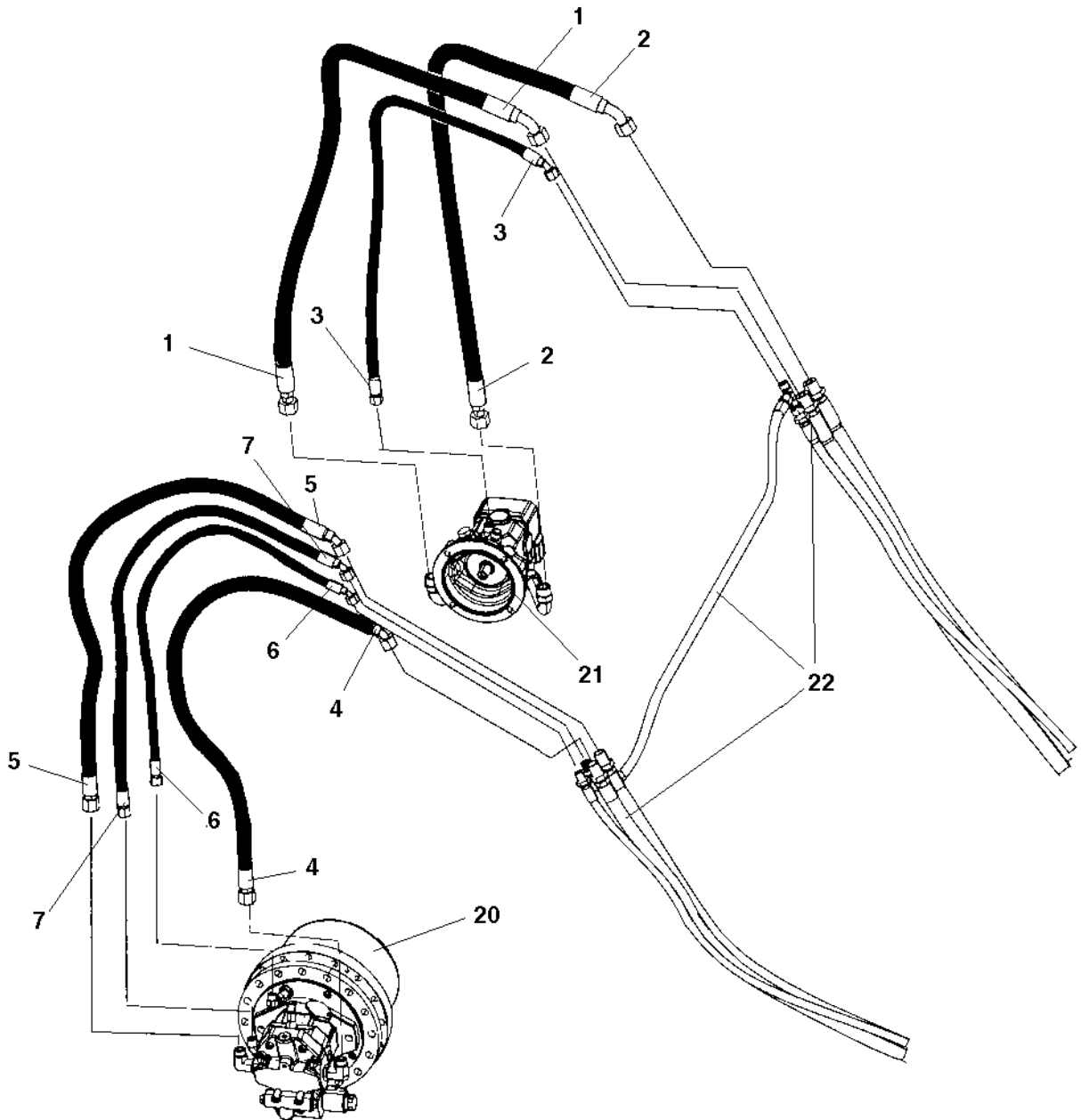
B) L= 1,19 m



**Hydraulic system**

<b>Item</b>	<b>Part No</b>	<b>Rem Qty</b>	<b>Description</b>	<b>Code</b>
1			Hydraulic system, front drum ( Page 204 )	
2			Hydraulic system, rear drum std ( Page 206 )	
3			Hydraulic system, rear drum offset ( Page 208 )	
4			Hydraulic hoses, frame std ( Page 216 )	
5			Hydraulic system, steering Std ( Page 218 )	
6			Hydraulic steering, sliding seat Std ( Page 228 )	
7			Hydraulic hoses, engine structure std ( Page 234 )	
9			Hydraulic pump module ( Page 236 )	

Hydraulic system, front drum

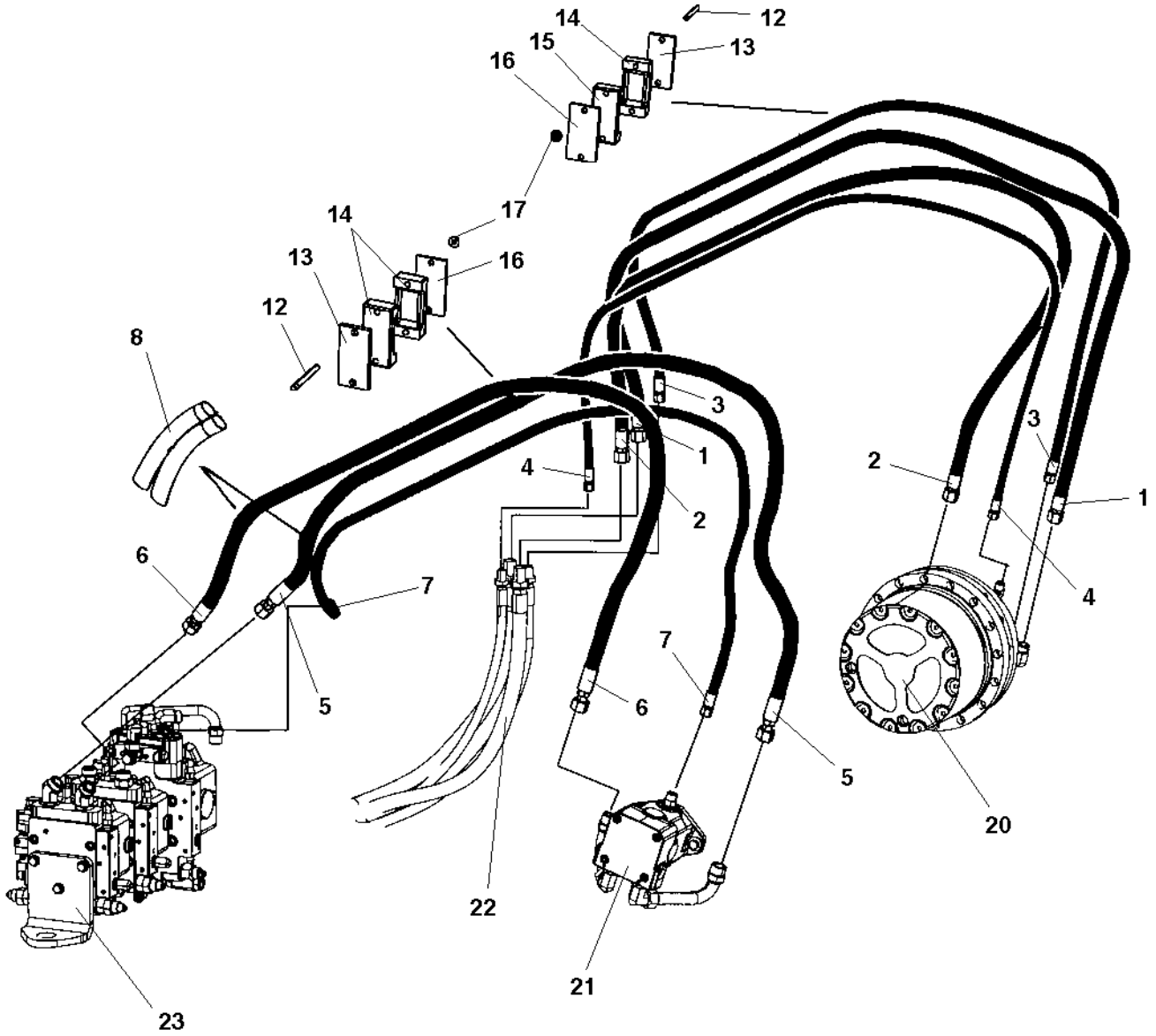




Hydraulic system, front drum

Item	Part No	Rem Qty	Description	Code
1	4700484075	1	Hydraulic hose	
2	4700484076	1	Hydraulic hose	
3	4700484077	1	Hydraulic hose	
4	4700484078	1	Hydraulic hose	
5	4700484079	1	Hydraulic hose	
6	4700484080	1	Hydraulic hose	
7	4700484081	1	Hydraulic hose	
20			<b>Drive unit ( Page 160 )</b>	
21			<b>Vibrating unit Sauer ( Page 164 )</b>	
			<b>Vibrating unit Rexroth ( Page 166 )</b>	
22			Hydraulic hoses, frame	

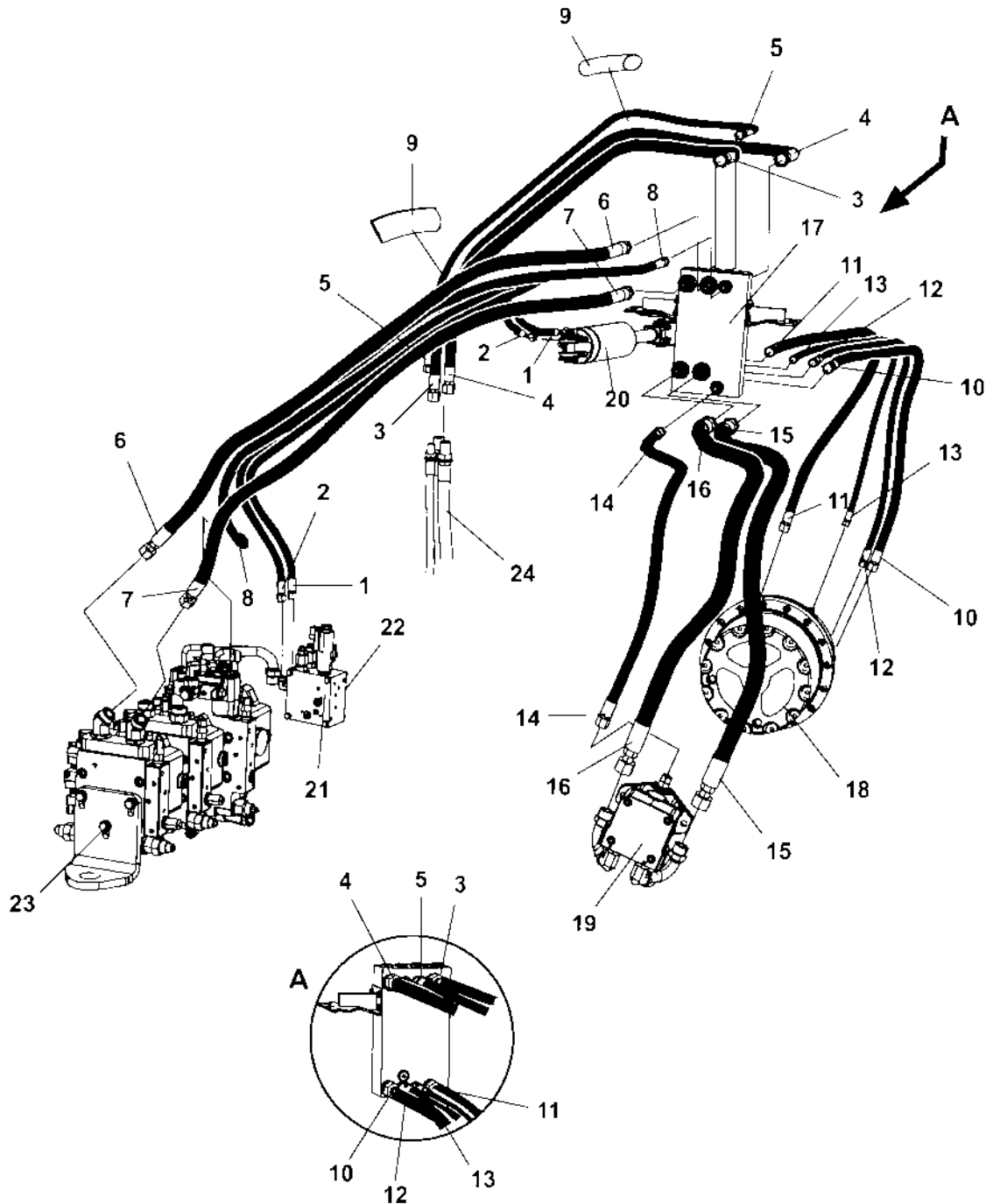
Hydraulic system, rear drum std



Hydraulic system, rear drum std

Item	Part No	Rem Qty	Description	Code
1	4700483748	1	Hydraulic hose	
2	4700483960	1	Hydraulic hose	
3	4700484084	1	Hydraulic hose	
4	4700484064	1	Hydraulic hose	
5	4700484236	1	Hydraulic hose	D
6	4700484066	1	Hydraulic hose	
7	4700484067	1	Hydraulic hose	
8	4700903082	N	Hose shield	D
12	4700904629	4	Stud	
13	4700349210	2	Rubber plate	D
14	4700343872	3	Hose clamp	D
15	4700343732	1	Hose clamp	D
16	4700335914	2	Cover plate	D
17	4700570103	4	Nut M10	
20			<b>Drive unit ( Page 160 )</b>	
21			<b>Vibrating unit Sauer ( Page 164 )</b>	
			<b>Vibrating unit Rexroth ( Page 166 )</b>	
22			Hydraulic hoses, frame	
23			<b>Hydraulic pump ( Page 238 )</b>	

Hydraulic system, rear drum offset

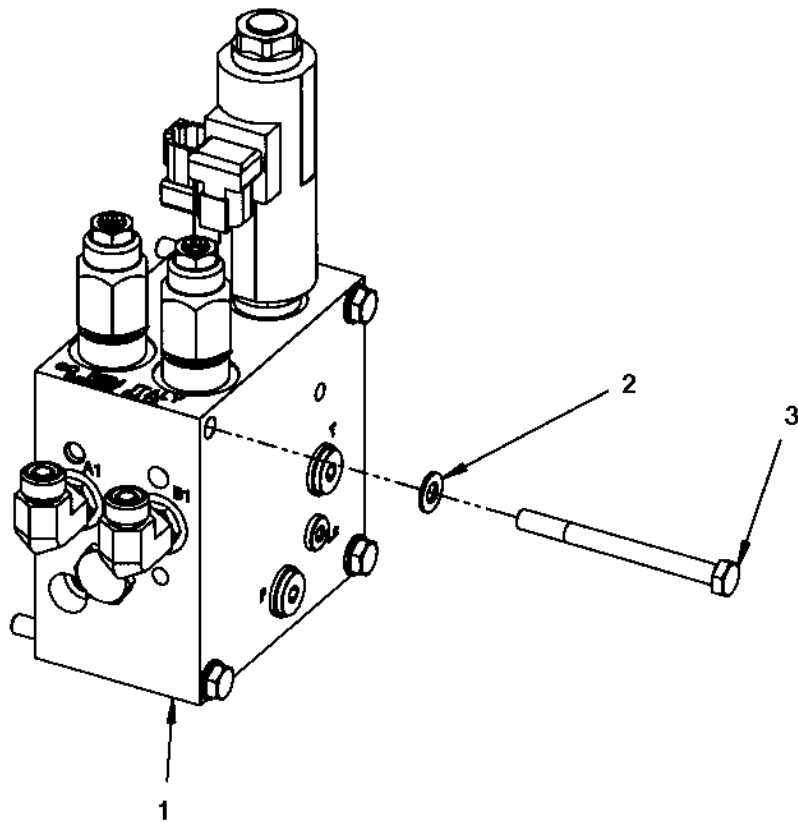


Hydraulic system, rear drum offset

Item	Part No	Rem Qty	Description	Code
1	4700484046	1	Hydraulic hose	
2	4700484047	1	Hydraulic hose	
3	4700484048	1	Hydraulic hose	
4	4700484049	1	Hydraulic hose	
5	4700484050	1	Hydraulic hose	
6	4700484051	1	Hydraulic hose	
7	4700484052	1	Hydraulic hose	
8	4700484053	1	Hydraulic hose	
9	4700903082	0	Hose shield	D
10	4700484054	1	Hydraulic hose	
11	4700484055	1	Hydraulic hose	
12	4700484056	1	Hydraulic hose	
13	4700484057	1	Hydraulic hose	
14	4700484058	1	Hydraulic hose	
15	4700484059	1	Hydraulic hose	
16	4700484059	1	Hydraulic hose	
17		1	<b>Connection block ( Page 144 )</b>	
18		1	<b>Drive unit ( Page 160 )</b>	
19		1	<b>Vibrating unit Sauer ( Page 164 )</b>	
		1	<b>Vibrating unit Rexroth ( Page 166 )</b>	
20	4700391024	1	<b>Steering cylinder ( Page 148 )</b>	
21		1	<b>Hydraulic valve module, offset/combi ( Page 210 )</b>	
22	4700891374	1	4 O-ring	
23		1	<b>Hydraulic pump ( Page 238 )</b>	
24		1	Hydraulic hoses, frame	

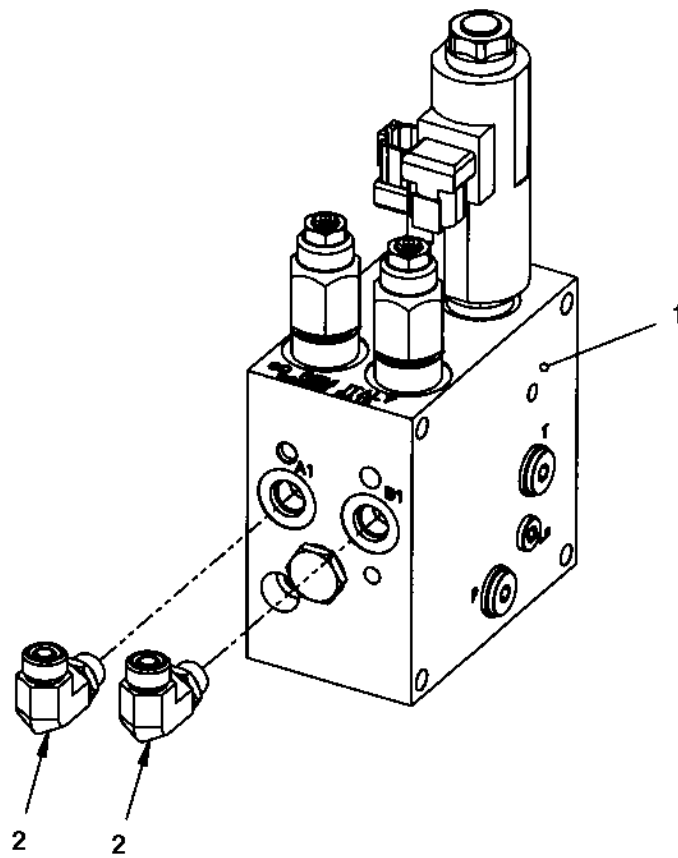
1) Fitted between PN 4700391575 and standard valve PN 4700391574.

Hydraulic valve module, offset/combi



Hydraulic valve module, offset/combi

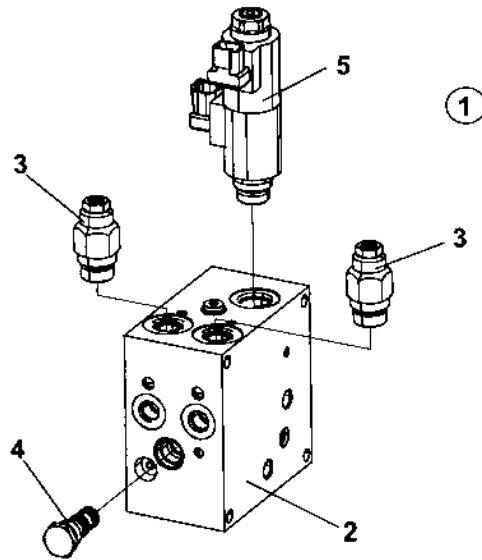
Item	Part No	Rem Qty	Description	Code
1		1	Hydraulic valve ( Page 212 )	
2	4700904229	4	Washer 8,4x16x1,5	C
3	4700500115	4	Screw M8-1,25x90 8.8	C





**Hydraulic valve**

<b>Item</b>	<b>Part No</b>	<b>Rem Qty</b>	<b>Description</b>	<b>Code</b>
1	4700391017	1	<b>Hydraulic valve ( Page 214 )</b>	C
2	4700791846	2	Elbow 90, O-ring with swivel	C



**4700391017 Hydraulic valve**

<b>Item</b>	<b>Part No</b>	<b>Rem Qty</b>	<b>Description</b>	<b>Code</b>
1		1	Hydraulic valve	C
2		1	. Valve block	C
3	4812155790	2	. Pressure relief valve	
4	4700940572	1	. Shuttle valve	C
5	4812156159	1	. Proportional valve	

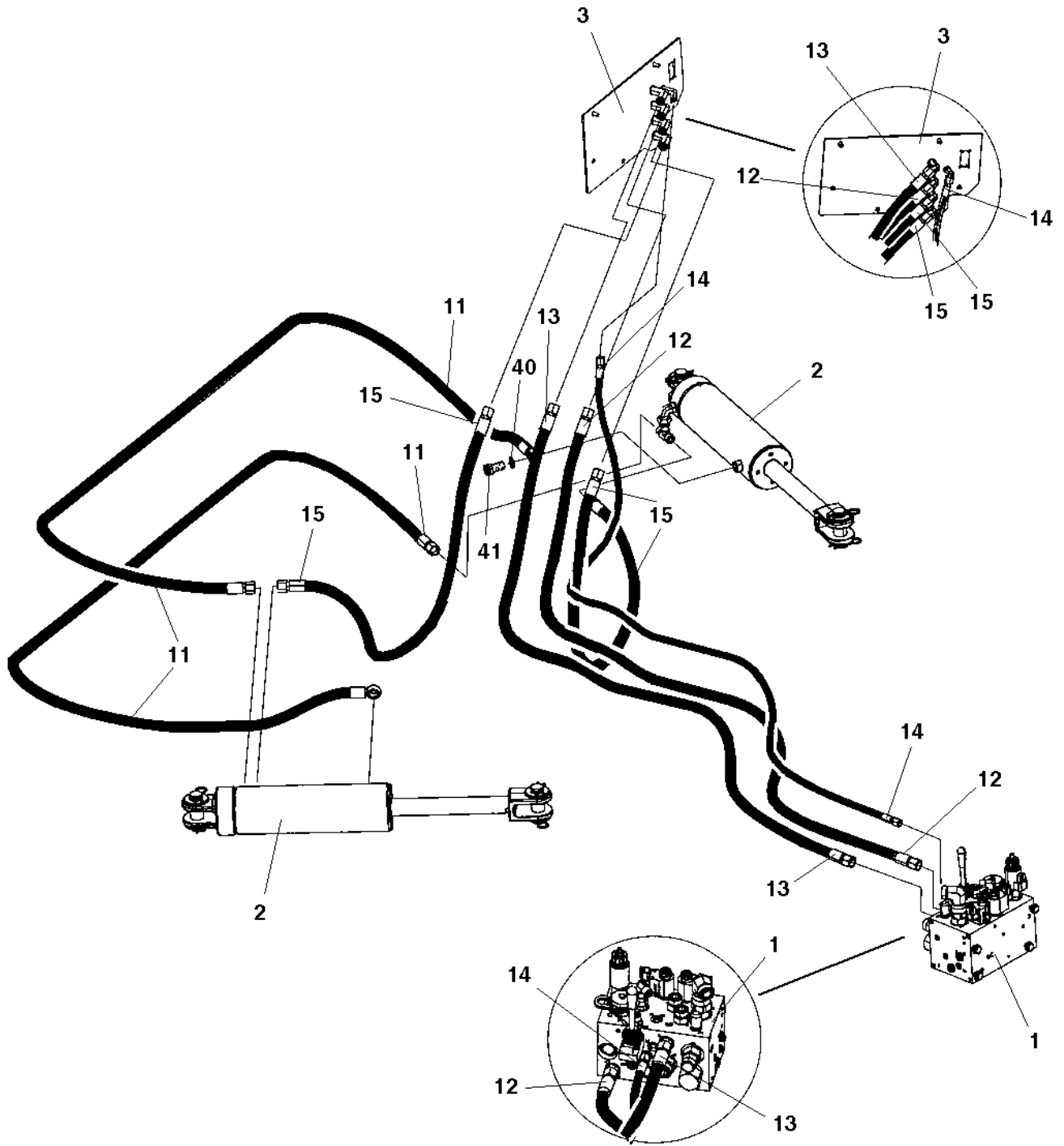


Hydraulic hoses, frame std

Item	Part No	Rem Qty	Description	Code
1	4700484014	1	Hydraulic hose	
2	4700484015 A,C	1	Hydraulic hose	
3	4700484016 A,D	1	Hydraulic hose	
4	4700484017 A,D	1	Hydraulic hose	
5	4700484018 A,E	1	Hydraulic hose	
6	4700484019 A,E	1	Hydraulic hose	
7	4700484020 A,F	1	Hydraulic hose	
8	4700484021 B,G	1	Hydraulic hose	
9	4700484022 B,G	1	Hydraulic hose	
10	4700484023 B,G	1	Hydraulic hose	
11	4700606009	1	Lock washer	
42	4700792454	2	Nut	
43	4700792453	4	Nut	
44	4700792452	1	Nut	
45	4700792451	2	Nut	
48	4700792344	1	Bulkhead union	
49	4700791798	1	T-connector	
54	4700792632	2	O-ring	
55	4700904008	1	O-ring	
56	4700904009	4	O-ring	D
57	4700904010	2	O-ring	C
58	4700792790	2	Lock washer	
59	4812110293	1	Strap	

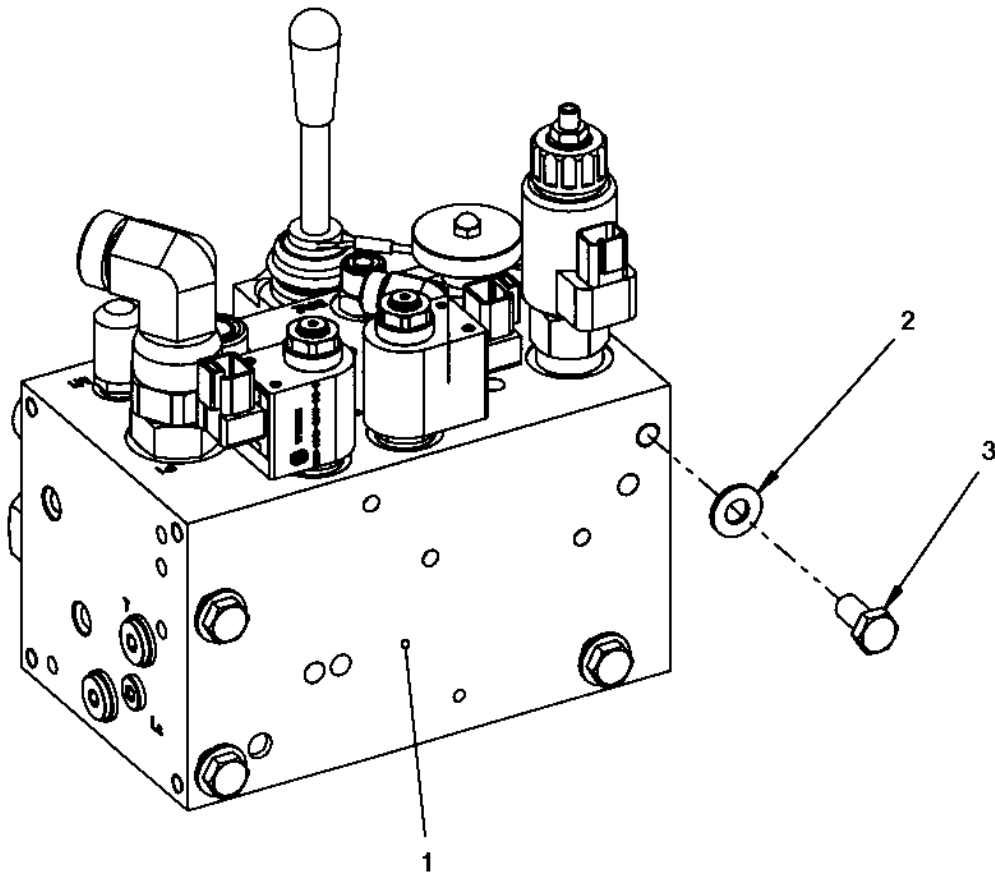
- A) Front
- B) Rear
- C) Vibration motor to valve
- D) Vibration motor to pump
- E) Propulsion motor to pump
- F) Propulsion motor to valve
- G) Propulsion

Hydraulic system, steering Std



Hydraulic system, steering Std

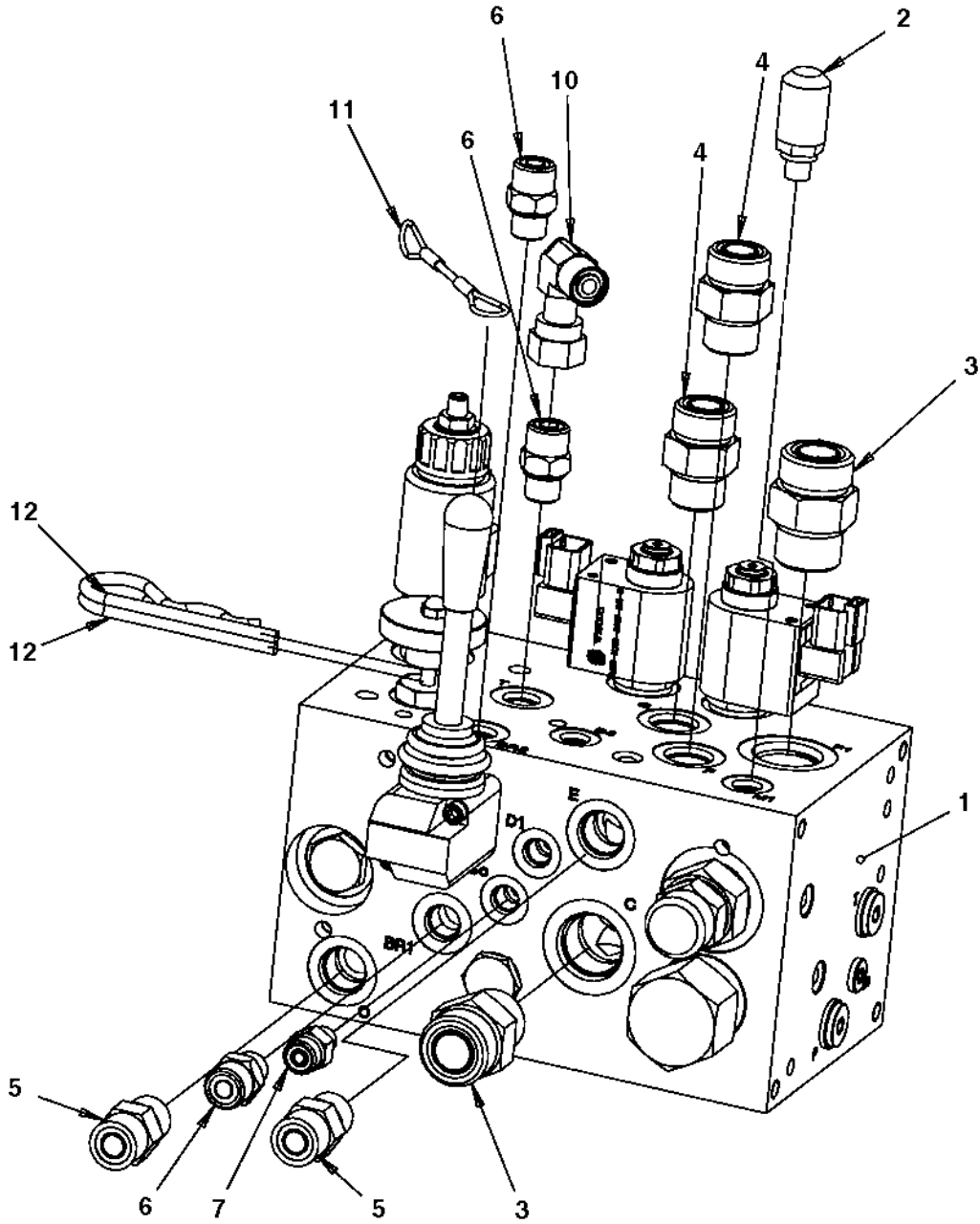
Item	Part No	Rem	Qty	Description	Code
1			1	<b>Hydraulic valve module ( Page 220 )</b>	
2		A	2	Steering cylinder	
3			1	<b>Hose bracket ( Page 226 )</b>	
11	4700393364		2	Hydraulic hose	
12	4700484024		1	Hydraulic hose	
13	4700484025		1	Hydraulic hose	
14	4700484026		1	Hydraulic hose	
15	4700484027		2	Hydraulic hose	
40	4700162015		4	Seal ring	D
41	4700904292		2	Hollow screw	
A)	See section "Front frame"				





Hydraulic valve module

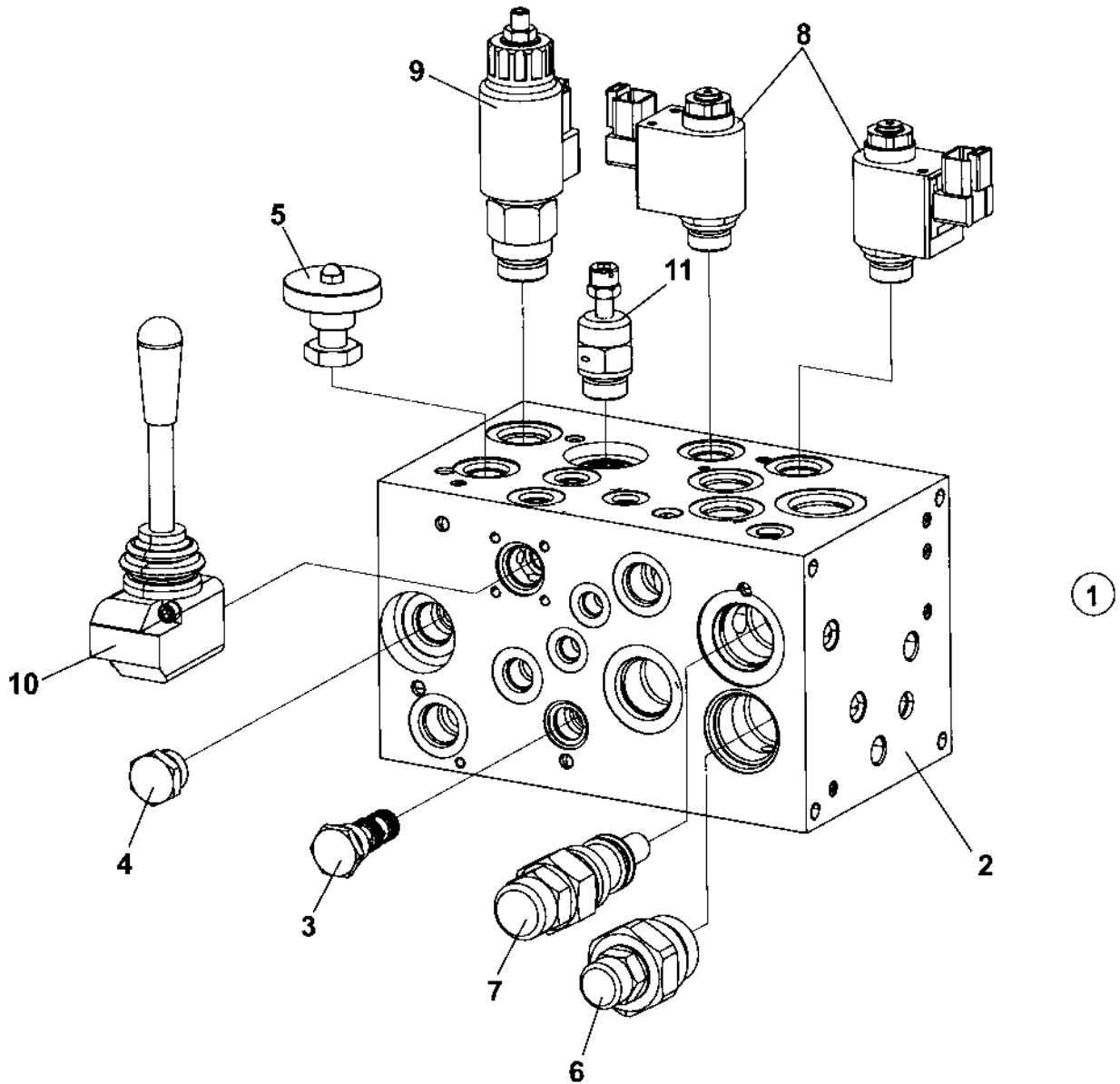
Item	Part No	Rem Qty	Description	Code
1		1	Hydraulic valve ( Page 222 )	
2	4700904230	4	Steel plain washer	C
3	4700500048	4	Screw M10-1,5x20 8,8	C



Hydraulic valve

Item	Part No	Rem Qty	Description	Code
1	4700395924	1	<b>Hydraulic valve ( Page 224 )</b>	C
2	4700910162	1	Measuring nipple	D
3	4700791823	2	Straight connector orfs	
4	4700791743	2	Straight connector orfs	
5	4700791799	2	Straight connector orfs	
6	4700791409	3	Straight connector orfs	C
7	4700791744	1	Straight connector	
10	4700791401	1	Elbow 90, O-ring with swivel	C
11	4700358732	1	Wire	D
12	4700635061	2	Hair clip	C

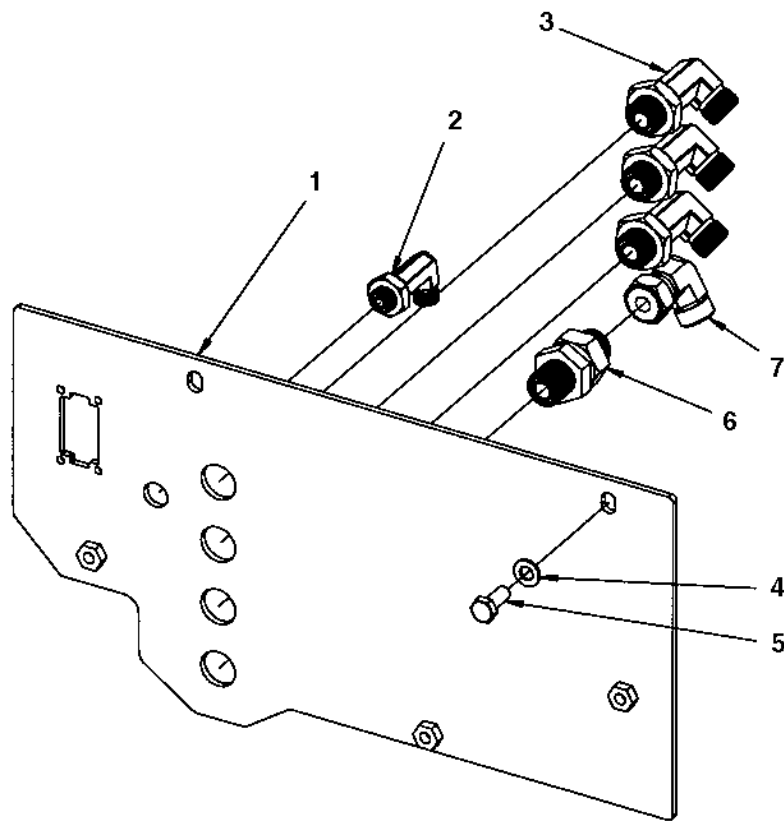
4700395924 Hydraulic valve



**4700395924 Hydraulic valve**

<b>Item</b>	<b>Part No</b>	<b>Rem Qty</b>	<b>Description</b>	<b>Code</b>
1		1	Hydraulic valve	C
2		1	. Valve block	C
3	4700940572	1	. Shuttle valve	C
4		1	. Check valve	C
5		1	. Brake release valve	C
6	4700950571	1	. Priority valve	
7	4700950572	1	. Pressure relief valve	
8	4700950570	2	. Solenoid valve	
9		1	. Fan proportional valve	
10		1	. Brake release pump	
11		1	. Brake pressure relief valve	

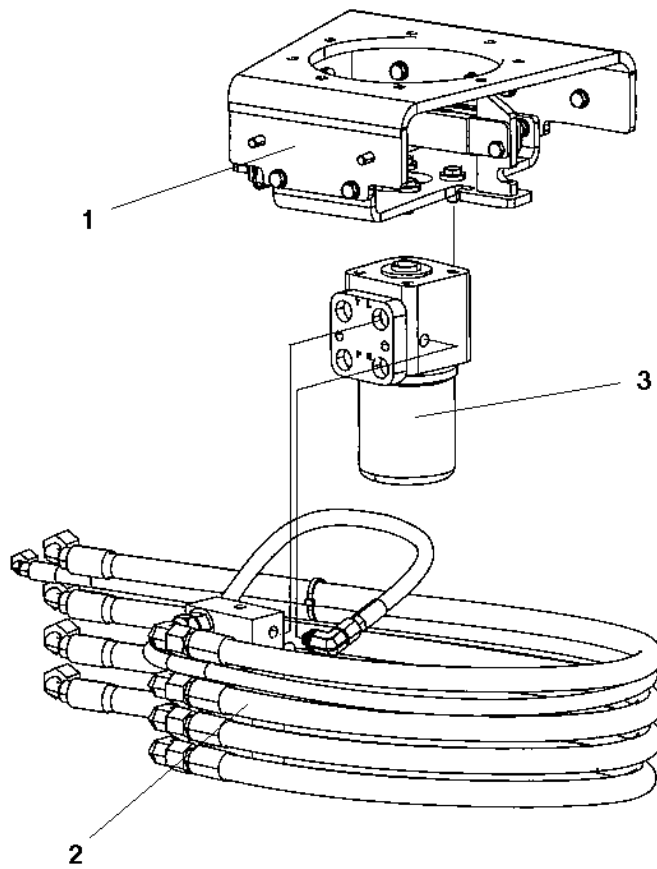
**Hose bracket**



Hose bracket

Item	Part No	Rem Qty	Description	Code
1	4700391192	1	Hose bracket	
2	4700792343	1	Bulkhead elbow	
3	4700792342	4	Bulkhead elbow	
4	4700904229	2	Washer 8,4x16x1,5	C
5	4700500053	2	Screw M8x20H 8.8	C

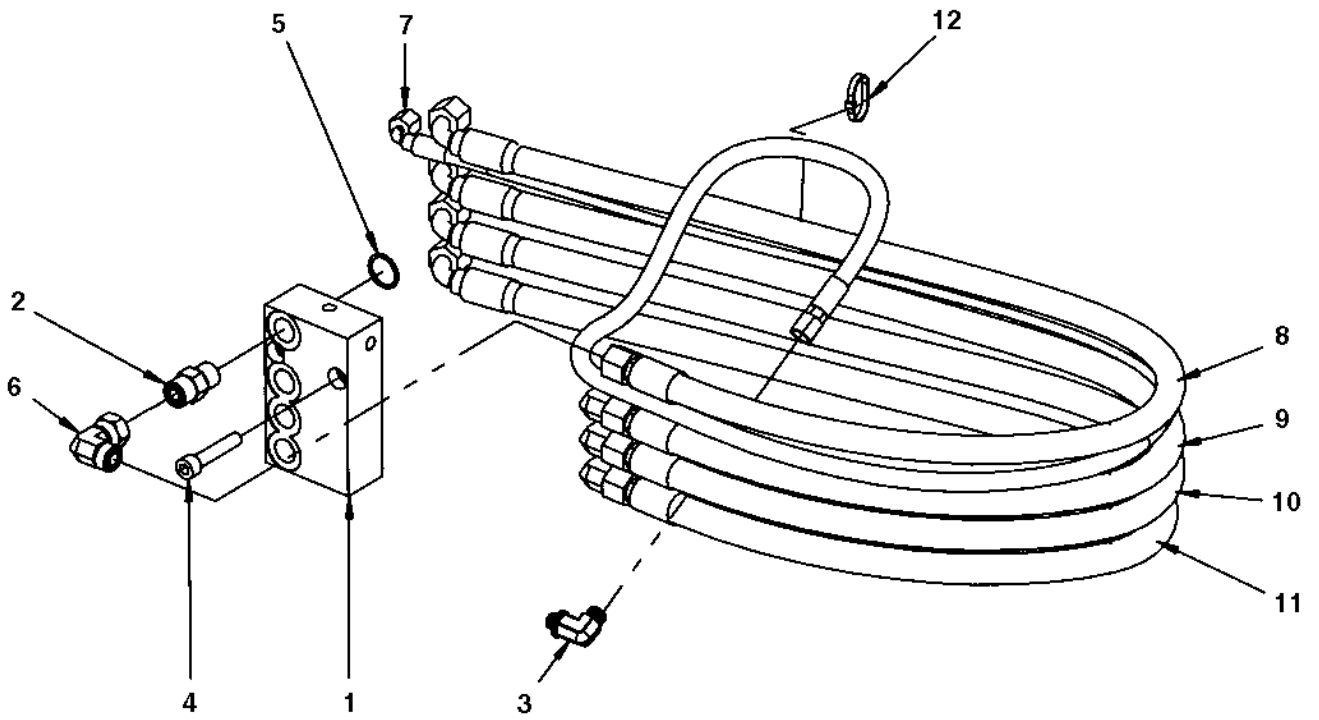
Hydraulic steering, sliding seat Std





Hydraulic steering, sliding seat Std

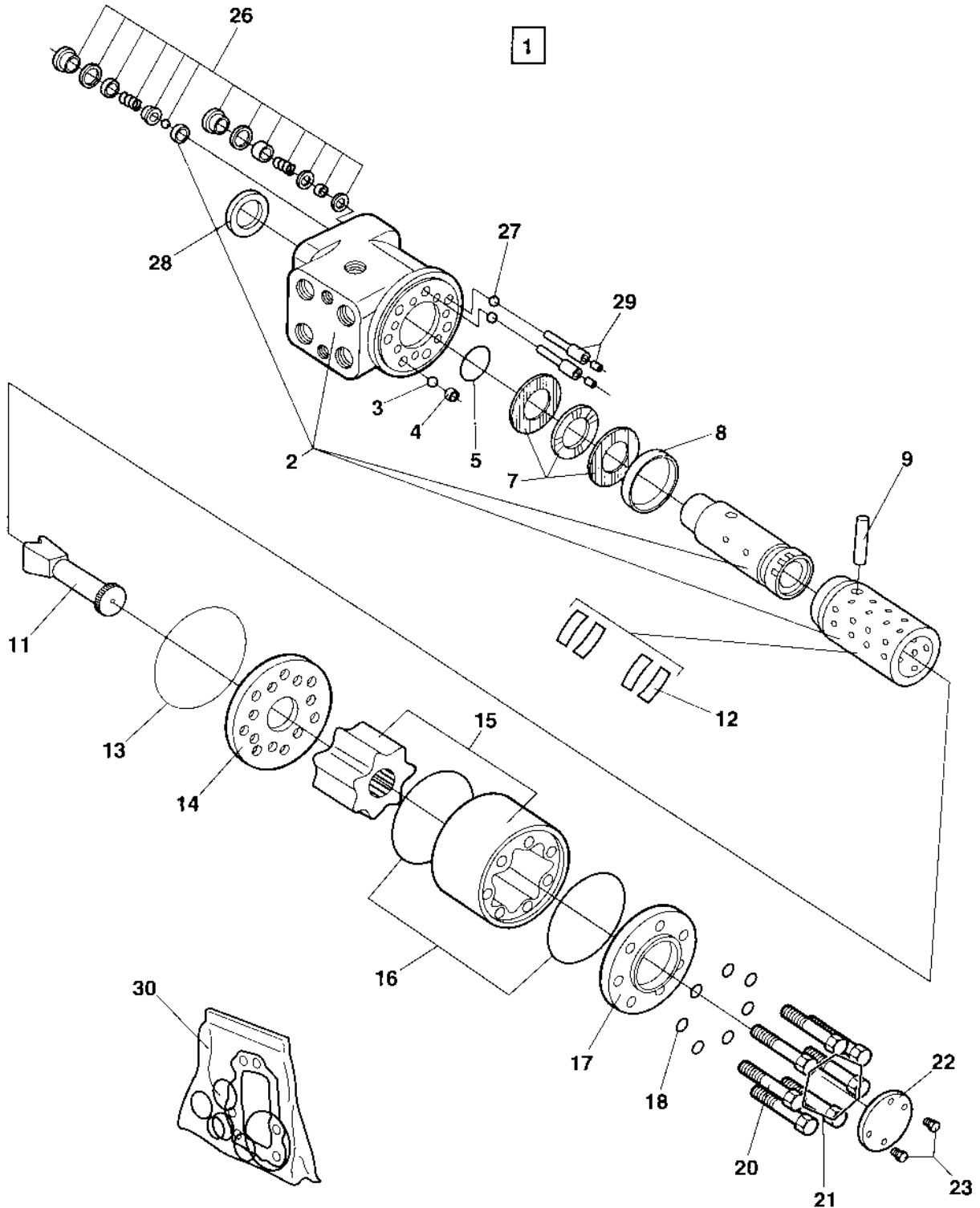
Item	Part No	Rem Qty	Description	Code
1		1	Carrier ( Page 430 )	
2		1	Steering, slideable ( Page 230 )	
3	4700372424	1	Pilot valve, steering ( Page 232 )	C
	4700392758	1	Pilot valve, emergency steering	



**Steering, slideable**

<b>Item</b>	<b>Part No</b>	<b>Rem Qty</b>	<b>Description</b>	<b>Code</b>
1	4700370155	1	Valve block	D
2	4700791799	4	Straight connector orfs	
3	4700792334	1	Elbow 90 orfs	
4	4700903773	2	Screw M10x1x50 8,8	C
5	4700160287	4	O-ring	C
6	4700791745	4	Elbow 90, O-ring with swivel	
7	4700484006	1	Hydraulic hose	
8	4700484007	1	Hydraulic hose	
9	4700484007	1	Hydraulic hose	
10	4700484007	1	Hydraulic hose	
11	4700484007	1	Hydraulic hose	
12	4700313041	N	Cable ties	D

4700372424 Pilot valve, steering



**4700372424 Pilot valve, steering**

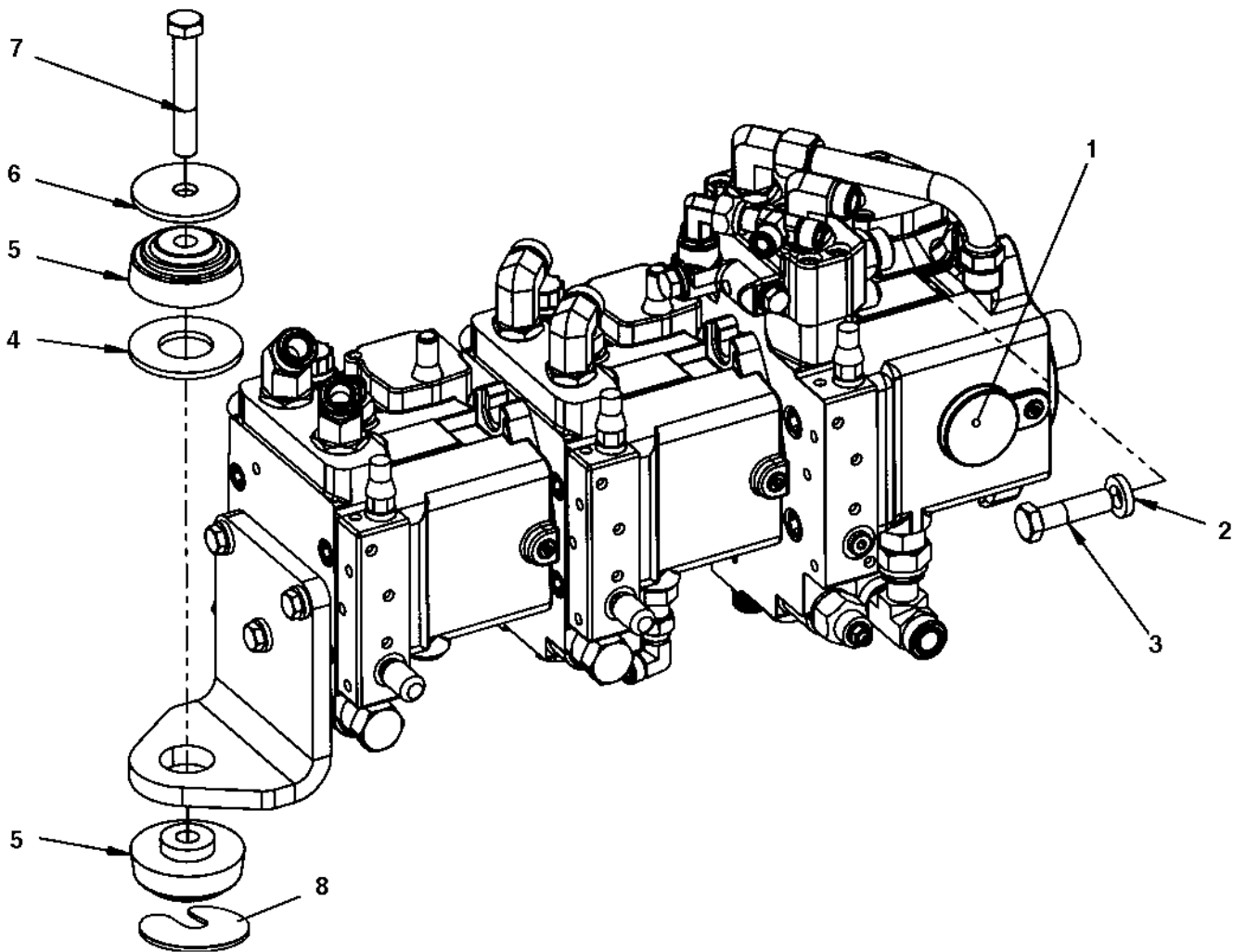
Item	Part No	Rem	Qty	Description	Code
1	4700372424		1	<b>Pilot valve, steering ( Page 232 )</b>	C
2			1	. Housing , spool and sleeve , cpl	C
3	4700480468		1	. Ball	D
4	4700480446		1	. Threaded bushing	C
5		1	1	. O-ring	C
7	4700911620		1	. Bearing	B
8	4700480449		1	. Ring	C
9	4700480447		1	. Cross pin	C
11	4700902861		1	. Cardan shaft	C
12	4700909211		1	. Set of springs	C
13		1	1	. O-ring	C
14	4700902862		1	. Valve plate	C
15	4700903457		1	. Gear wheel set	
16		1	2	. O-ring	
17	4700480450		1	. End cap	C
18		1	7	. Washer	C
20	4700480456		1	. Screw with hole	
21	4700935428		6	. Screw	
22			1	. Name plate	
23			2	. Screw	
26	4700929012		2	. Shock valve 22,5-24,0 MPa	C
27	4700929013		2	. Ball	D
28		1	1	. Seal ring	D
29	4700929014		2	. Rolled pin	C
30	4700935429		1	. Seal kit	

1) Included in seal kit item 30



## Hydraulic hoses, engine structure std

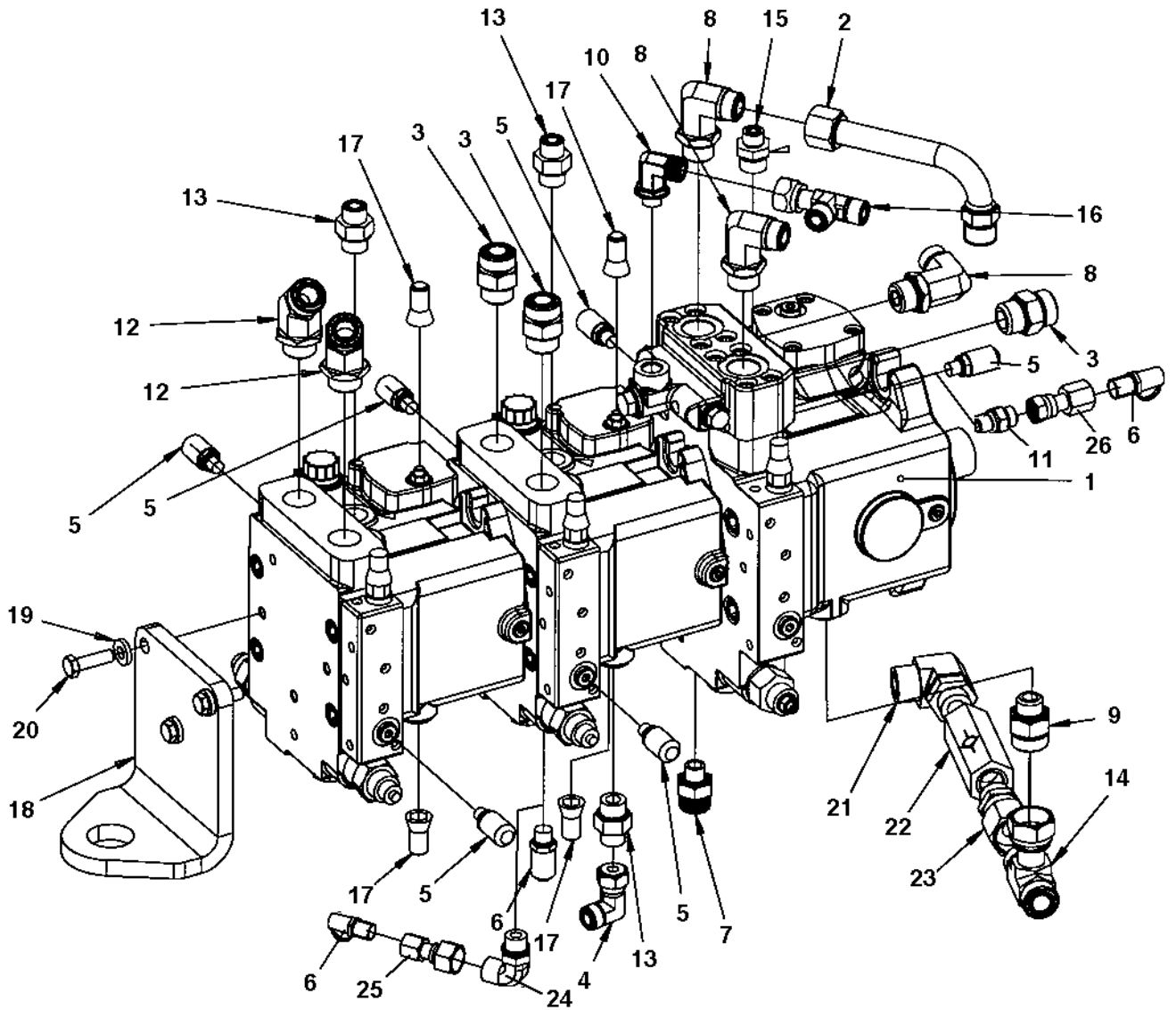
Item	Part No	Rem Qty	Description	Code
16	4700484028	1	Hydraulic hose	
17	4700484029	1	Hydraulic hose	
18	4700484030	1	Hydraulic hose	
19	4700484031	1	Hydraulic hose	
20	4700484032	1	Hydraulic hose	
21	4700484033	1	Hydraulic hose	
22	4700484034	1	Hydraulic hose	
23	4700484035	1	Hydraulic hose	
24	4700483729	1	Hydraulic hose	
25	4700484036	1	Hydraulic hose	
26	4700484037	1	Hydraulic hose	
27	4700484038	1	Hydraulic hose	
28	4700484039	1	Hydraulic hose	
29	4700484040	1	Hydraulic hose	
30	4700484161	1	Hydraulic hose	
31	4700483726	1	Hydraulic hose	
32	4700792533	1	Hydraulic hose	
33	4700484043	1	Hydraulic hose	
34	4700903082	N	Hose shield	D
46	4700791397	1	Elbow 90, O-ring	
47	4700792340	1	Tee-connector orfs	
52	4700902295	2	Clamp	
53	4700792441	3	Cable tie with holder	
54	4700904584	1	Elbow connector 90	C
55	4700792442	3	Cable tie with holder	





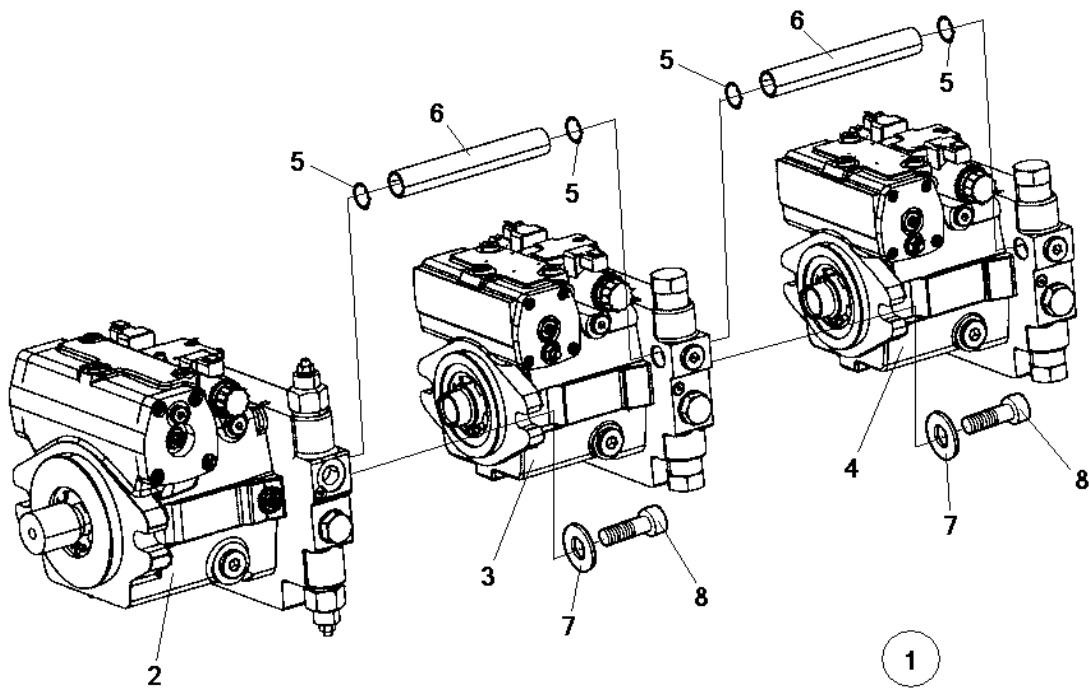
Hydraulic pump module

Item	Part No	Rem Qty	Description	Code
1		1	<b>Hydraulic pump ( Page 238 )</b>	
2	4700904558	2	Washer 17X30X6 300HV	
3	4700500270	2	Screw M16x60 10,9	
4	4700393625	1	Spacer washer	
5	4700391165	2	Shock absorber	
6	4700345666	1	Steel spacer	D
7	4700500107	1	Screw M16x100	
8	4700397270	1	Steel spacer	



**Hydraulic pump**

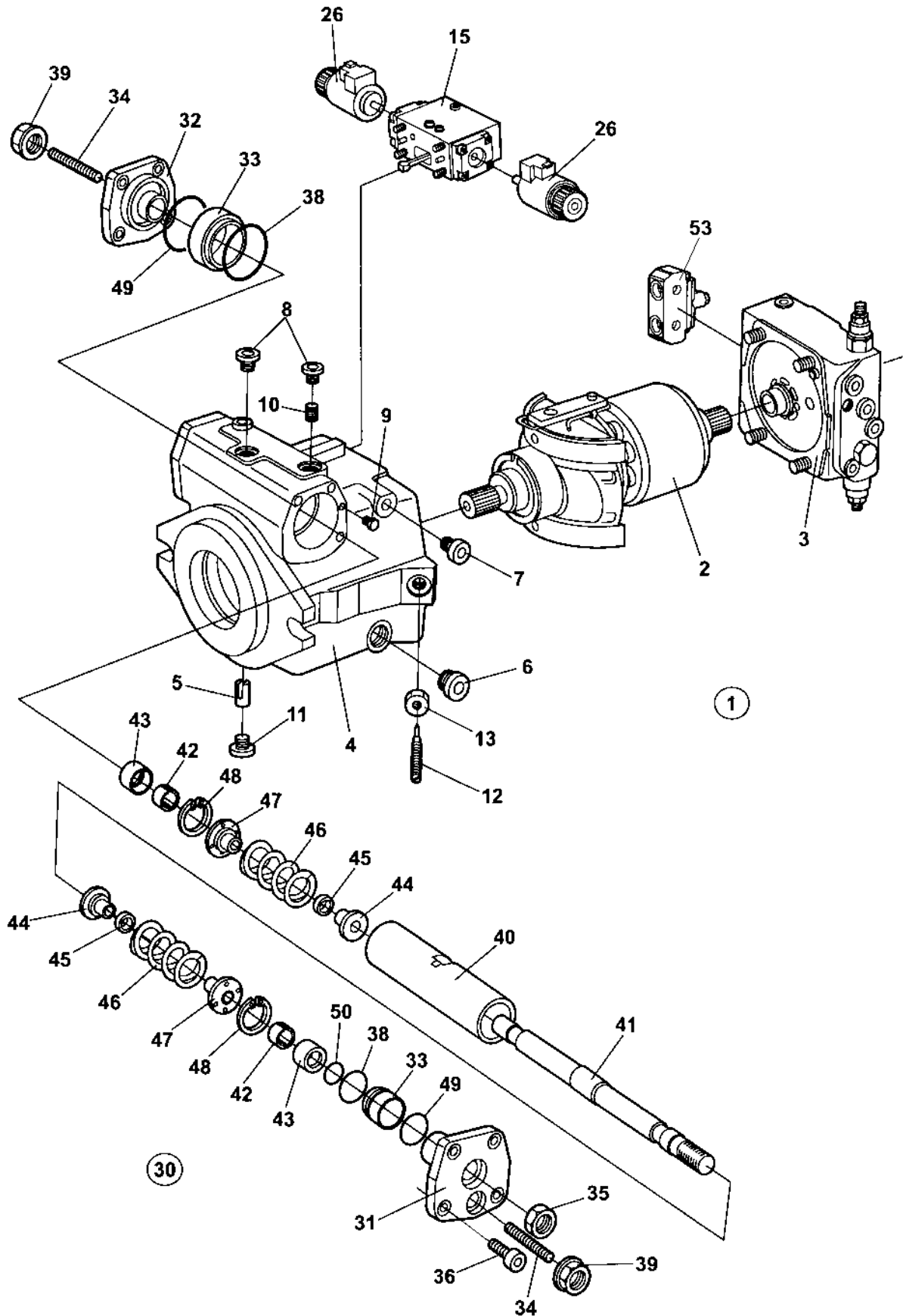
<b>Item</b>	<b>Part No</b>	<b>Rem Qty</b>	<b>Description</b>	<b>Code</b>
1	4700390602	1	<b>Hydraulic pump ( Page 240 )</b>	C
2	4700392048	1	Connector	
3	4700791853	3	Straight connector orfs	
4	4700791745	1	Elbow 90, O-ring with swivel	
5	4700901157	5	Measuring nipple	C
6	4700923405	2	Measuring nipple	C
7	4700792465	1	Straight connector orfs	
8	4700792331	3	Elbow 90 orfs	C
9	4700792336	1	Straight connector orfs	
10	4700792333	1	Elbow 90 orfs	
11	4700791538	1	Straight connector	
12	4700792157	2	Elbow adapter 45	
13	4700791635	3	Straight connector	
14	4700791831	1	Tee-connector	
15	4700791634	1	Adapter	
16	4700791798	1	T-connector	
17	4700392534	4	Sealing	
18	4700393624	1	Engine bracket	
19	4700904557	3	Steel plain washer	C
20	4700500030	3	Hexagon head screw	C
21	4700791698	1	Elbow 90, O-ring with swivel	
22	4700376922	1	Check valve	
23	4700791824	1	Straight connector	
24	4700792151	1	Elbow adapter 90	C
25	4700792219	1	Straight connector	
26	4700792649	1	Straight connector orfs	



**4700390602 Hydraulic pump**

Item	Part No	Rem Qty	Description	Code
1	4700390602	1	Hydraulic pump ( Page 240 )	C
2	4812155785	1	. Hydraulic pump ( Page 242 )	C
3	4812155786	1	. Hydraulic pump ( Page 252 )	C
4	4812155787	1	. Hydraulic pump ( Page 258 )	C
5		4	. O-ring	C
6		2	. Socket pipe	C
7		4	. Washer	C
8		4	. Screw	C

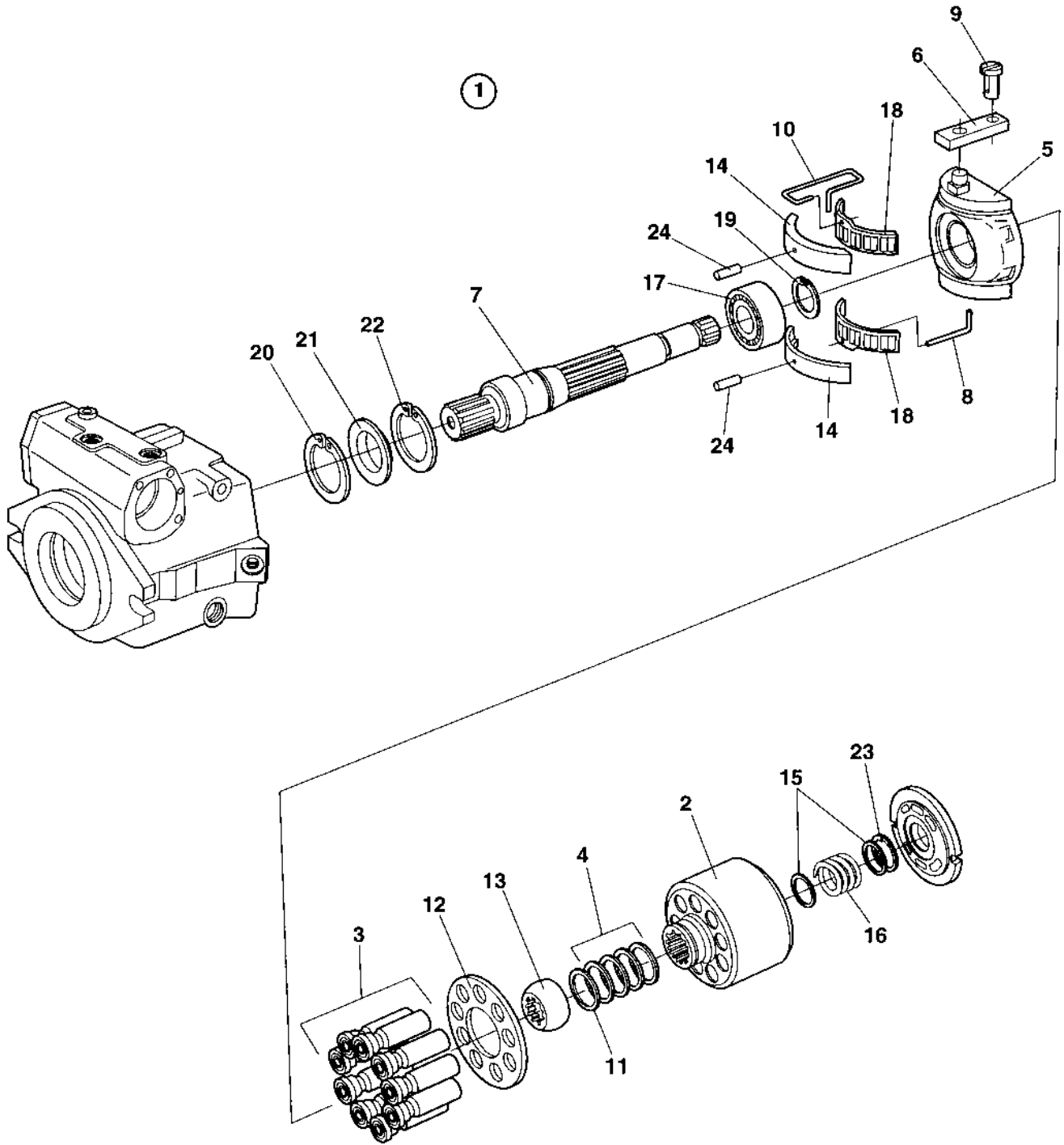
**4812155785 Hydraulic pump**



**4812155785 Hydraulic pump**

Item	Part No	Rem	Qty	Description	Code
1			1	Hydraulic pump, Cpl	C
	4700940676		1	. Seal kit	
2			1	. <b>Rotating group, cpl ( Page 244 )</b>	
3			1	. <b>Valve block, cpl ( Page 246 )</b>	
4			1	. Housing	
5	4700936612		1	. Pin	
6	4700935219	1	1	. Plug	
7	4700902724	1	2	. Plug	
8	4700902625	1	3	. Screw	
9	4700909514		2	. Pin	
10	4700936308		2	. Orifice	
11	4700902624	1	1	. Screw	
12	4700902687		1	. Pin	
13	4700902695	1	1	. Nut	
15			1	. <b>Control module ( Page 248 )</b>	
26	4700940505		2	. . Solenoid	
30			1	. Hydraulic control, cpl	
31			1	. . Cover	
32			1	. . Cover	
33			2	. . Guide ring	
34	4700936642		2	. . Pin	
35	4700902638		1	. . Nut	
36	4700902752		8	. . Screw	
38		1	2	. . Seal ring	
39	4700936644	1	2	. . Nut	
40			1	. . Piston	
41	4700936646		1	. . Rod	
42			2	. . Ring	
43	4700938014		2	. . Sleeve	
44	4700936647		2	. . Spring collar	
45	4700936648		2	. . Spacer ring	
46	4700936654		2	. . Spring	
47	4700936655		2	. . Spring collar	
48	4700936656		2	. . Retaining ring	
49	4700936643	1	2	. . O-ring	
50	4700909469		1	. O-ring	
53			1	. <b>Flushing valve ( Page 250 )</b>	

1) Included in seal kit

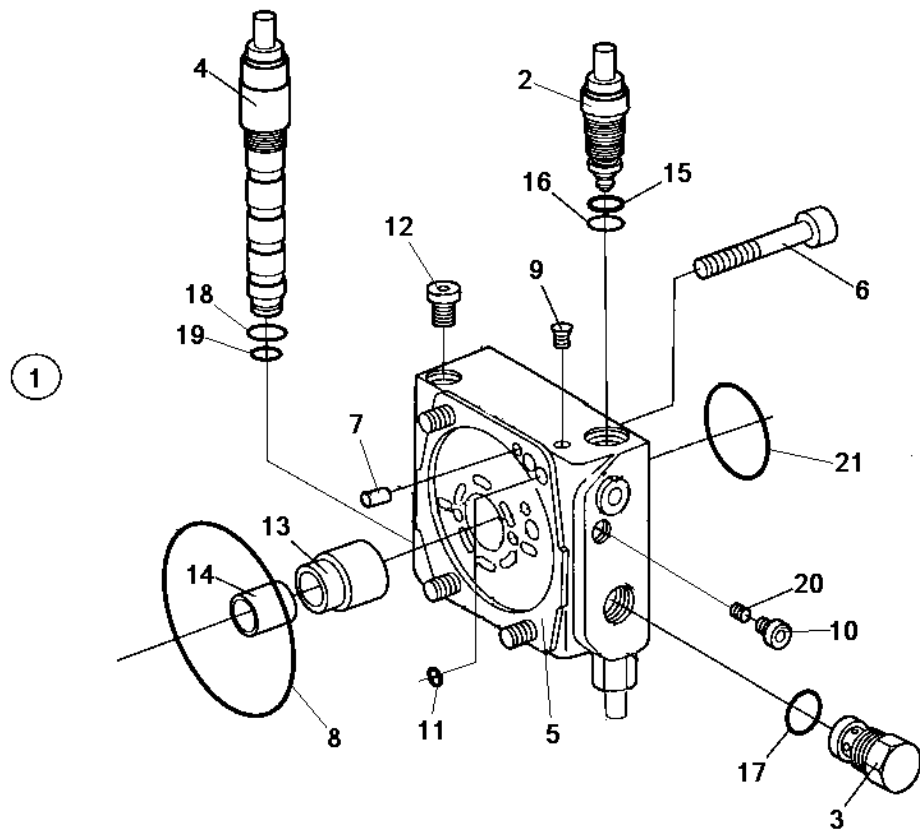




Rotating group, cpl

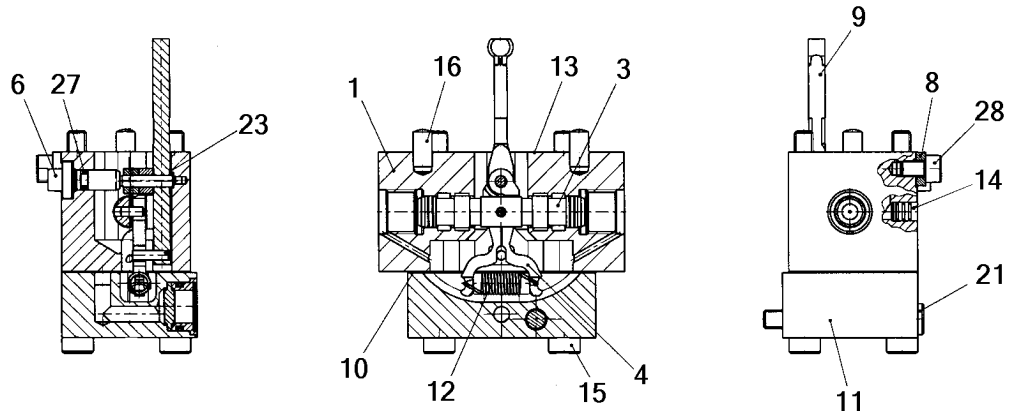
Item	Part No	Rem Qty	Description	Code
1		1	Rotating group, cpl	
2	4700936615	1	. Cylinder with control plate	
3	4700936616	9	. Piston	
4	4700936617	1	. Cup spring stack	
5	4700936618	1	. Cradle	
6	4700936619	1	. Slide ring	
7		1	. Shaft	
8	4700936621	1	. Wire	
9	4700935164	1	. Pin	
10	4700936622	1	. Wire	
11	4700936623	1	. Shim	
	4700936624	1	. Shim	
	4700936625	1	. Shim	
	4700936626	1	. Shim	
12	4700936627	1	. Retaining plate	
13	4700936628	1	. Retaining ball	
14	4700936629	1	. Bearing liner, 1 pair	
15	4700936630	2	. Washer	
16	4700936631	1	. Pressure spring	
17	4700936632	1	. Bearing	
18	4700936633	1	. Cradle bearing assembly, 1 set	
19	4700927303	1	. Lock ring	
20	4700936634	1	. Retaining ring	
21	4700936635	1	. Seal ring	
22	4700936636	1	. Retaining ring	
23	4700936637	1	. Retaining ring	
24	4700902792	2	. Pin	

1) Includes in seal kit



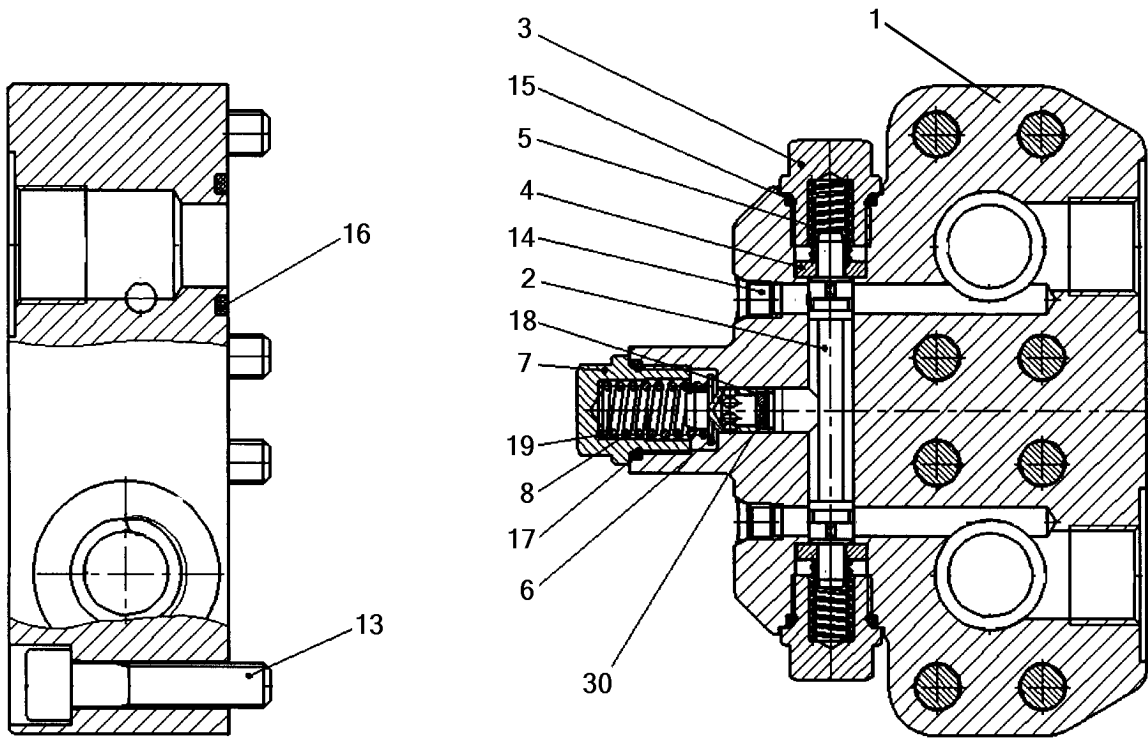
Valve block, cpl

Item	Part No	Rem Qty	Description	Code
1		1	Valve block, cpl	
2		2	. Pressure relief valve, cpl	
3		1	. Pressure relief valve, cpl	
4		1	. Pressure override valve, cpl	
5		1	. Housing	
6		4	. Screw	
7	4700936664	2	. Pin	
8	4700936665	1	. O-ring	
9	4700909514	7	. Pin	
10	4700936855	1	. Locking screw	
11	4700909469	1	. O-ring	
12	4700902625	2	. Screw	
13		1	. Bush	
14	4700936662	1	. Bearing bush	
15	4700936673	2	. Back-up ring	
16	4700927278	2	. O-ring	D
17		1	. O-ring	D
18		1	. O-ring	D
19		1	. O-ring	D
20	4700936313	1	. Orifice	
21	4700935192	1	. O-ring	



**Control module**

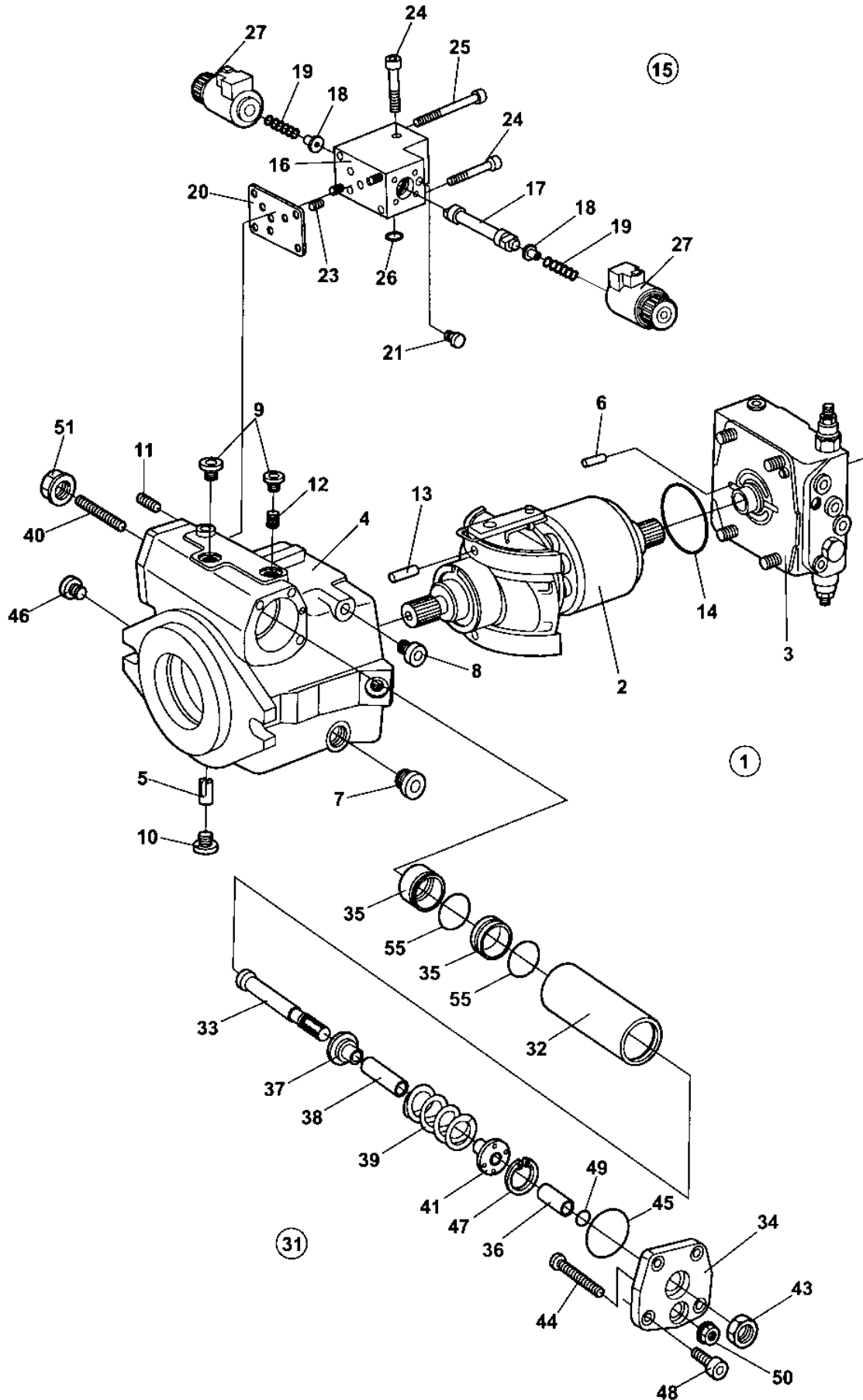
<b>Item</b>	<b>Part No</b>	<b>Rem Qty</b>	<b>Description</b>	<b>Code</b>
1		1	Housing	
3		1	Control piston	
4		1	Lever pair	
6		1	Pin	
8		1	Shim	
9		1	Feedback lever	
10		1	Gasket	
11		1	Cover with filter	
12		1	Spring	
13		1	Gasket	
14		2	Plug	
15	4700935210	4	Screw	
16	4700936869	2	Cylindric pin	
21	4700936689	1	Screw	
23		N	Shim	
27	4700945311	1	O-ring	
28		1	Screw	



**Flushing valve**

<b>Item</b>	<b>Part No</b>	<b>Rem Qty</b>	<b>Description</b>	<b>Code</b>
1		1	Valve plate	
2		1	Piston	
3		2	Locking screw	
4		2	Washer	
5		2	Pressure spring	
6		1	Valve piston	
7		1	Locking screw	
8		1	Pressure spring	
13		8	Screw	
14		1	Pin	
15		2	O-ring	
16		2	O-ring	
17		1	O-ring	
18		1	Retaining ring	
19		1	Shim	
30		1	Orifice	

4812155786 Hydraulic pump

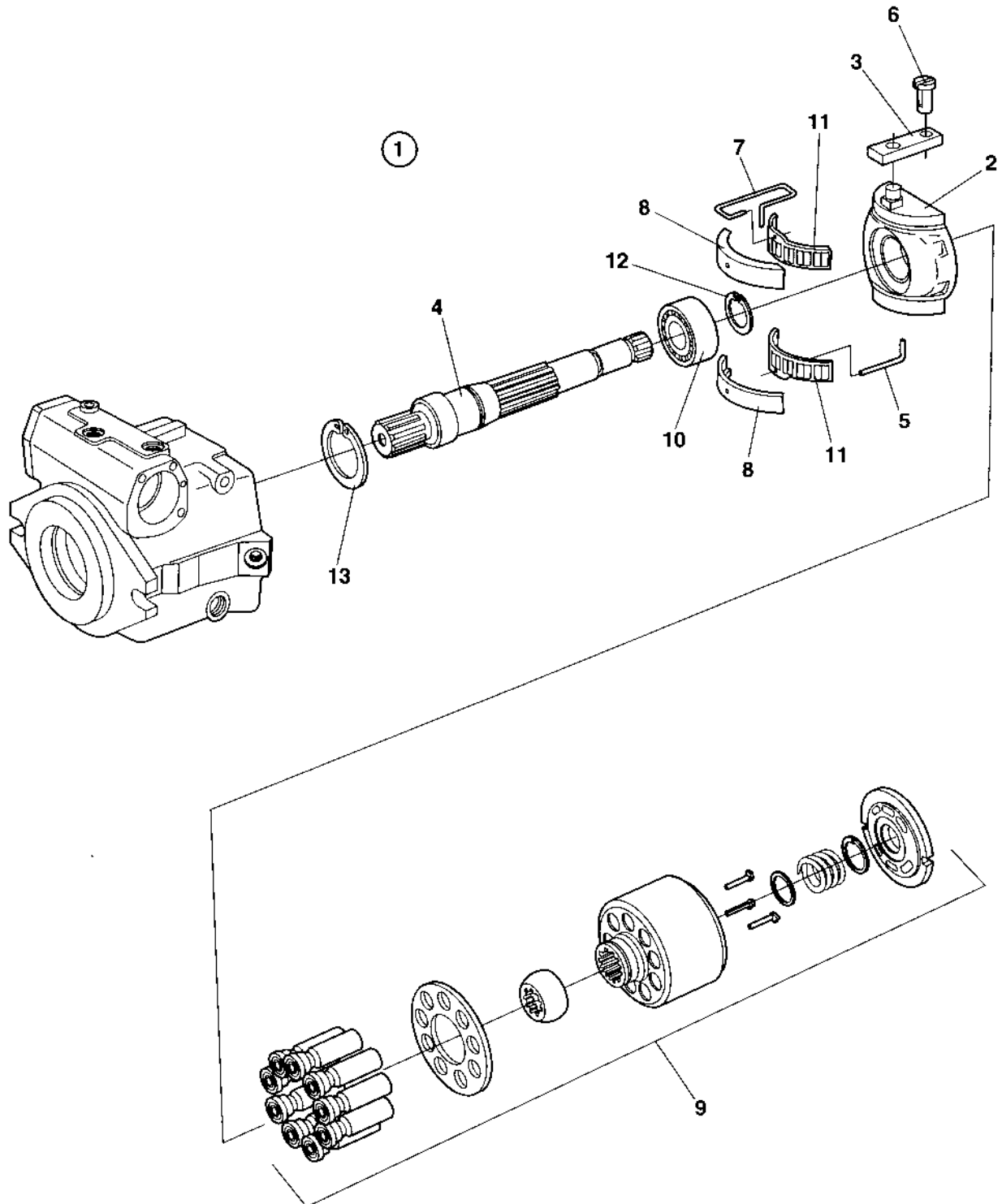




**4812155786 Hydraulic pump**

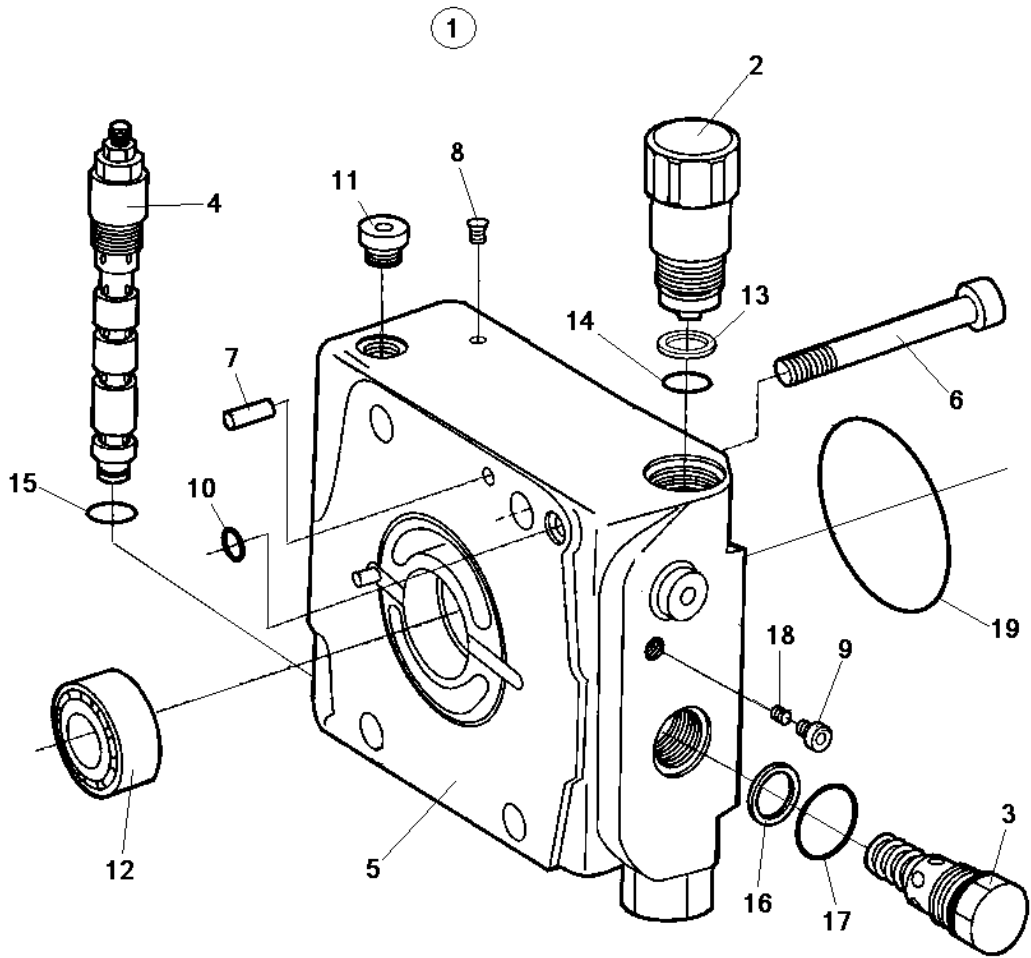
Item	Part No	Rem	Qty	Description	Code
1			1	Hydraulic pump, vibration	
	4700950461		1	. Seal kit	
2			1	. Rotary group, cpl ( Page 254 )	
3			1	. Valve block, cpl ( Page 256 )	
4			1	. Housing	
5	4700935158		1	. Pin	
6	4700936869		1	. Cylindric pin	
7	4700935219	1	1	. Plug	
8	4700902724	1	1	. Plug	
9	4700936803	1	3	. Plug	
10	4700902624	1	1	. Screw	
11	4700909514		1	. Pin	
12	4700936308		2	. Orifice	
13	4700902792		2	. Pin	
14	4700937206	1	1	. O-ring	
15			1	. Control valve, cpl	
16			1	. . Housing	
17			1	. . Piston	
18	4700945776		2	. . Spring collar	
19	4700936686		2	. . Spring	
20		1	1	. . Gasket	
21			2	. . Pin	
23	4700936307		1	. . Double break-off pin	D
24	4700927358		3	. . Screw	
25	4700908383		2	. . Screw	
26		1	1	. . O-ring	
27			2	. . Solenoid	
31			1	. Hydraulic control, cpl	
32			1	. . Piston	
33			1	. . Rod	
34			1	. . Cover	
35			1	. . Guide ring	
36			1	. . Ring	
37			1	. . Spring collar	
38			1	. . Bush	
39			1	. . Spring	
40	4700937233		1	. . Pin	
41			1	. . Spring collar	
43	4700937236		1	. . Nut	
44	4700937195		1	. . Pin	
45		1	1	. . O-ring	
46	4700902811		1	. . Plug	
47			1	. . Retaining ring	
48	4700902688		4	. . Screw	
49	4700936394	1	1	. . O-ring	
50	4700936393	1	1	. . Seal lock nut	
51	4700936393	1	1	. . Seal lock nut	
55			2	. . O-ring	

1) Included in seal kit, see item 1.



Rotary group, cpl

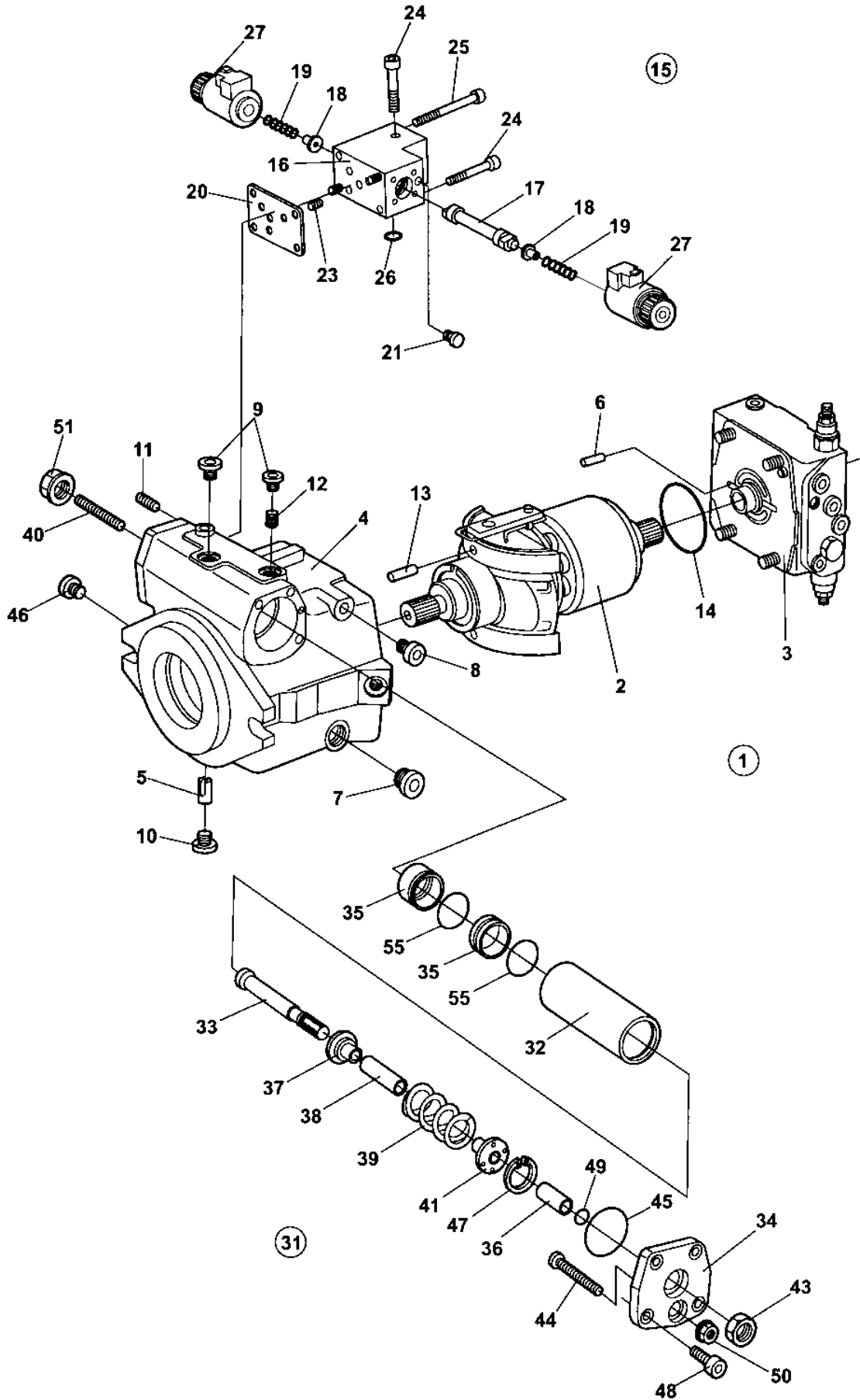
Item	Part No	Rem Qty	Description	Code
1		1	Rotating group	
2		1	. Cradle	
3	4700937174	1	. Slide ring	
4		1	. Shaft	
5	4700936621	1	. Wire	
6	4700935164	1	. Pin	
7	4700937175	1	. Wire	
8		1	. Bearing liner	
9		1	. Cylinder with pistons, cpl	
10	4700937185	1	. Bearing	
11	4700937186	1	. Cradle bearing assembly, 1 set	
12	4700937187	1	. Retaining ring	
13	4700937188	1	. V-ring	



Valve block, cpl

Item	Part No	Rem Qty	Description	Code
1		1	Valve block, cpl	
2		2	. Pressure relief valve, cpl	
3		1	. Locking set, cpl	
4		1	. Pressure override valve, cpl	
5		1	. Housing	
6		4	. Screw	
7	4700937987	2	. Cylindric pin	
8	4700909514	6	. Pin	
9	4700936855	1	. Locking screw	
10	4700909469	1	. O-ring	
11	4700902625	2	. Screw	
12		1	. Roller bearing	
13	4700936673	2	. Back-up ring	
14	4700927278	2	. O-ring	D
15	4700936392	1	. O-ring	
16		1	. Sealing ring	
17		1	. O-ring	
18	4700936313	1	. Orifice	
19		1	. O-ring	

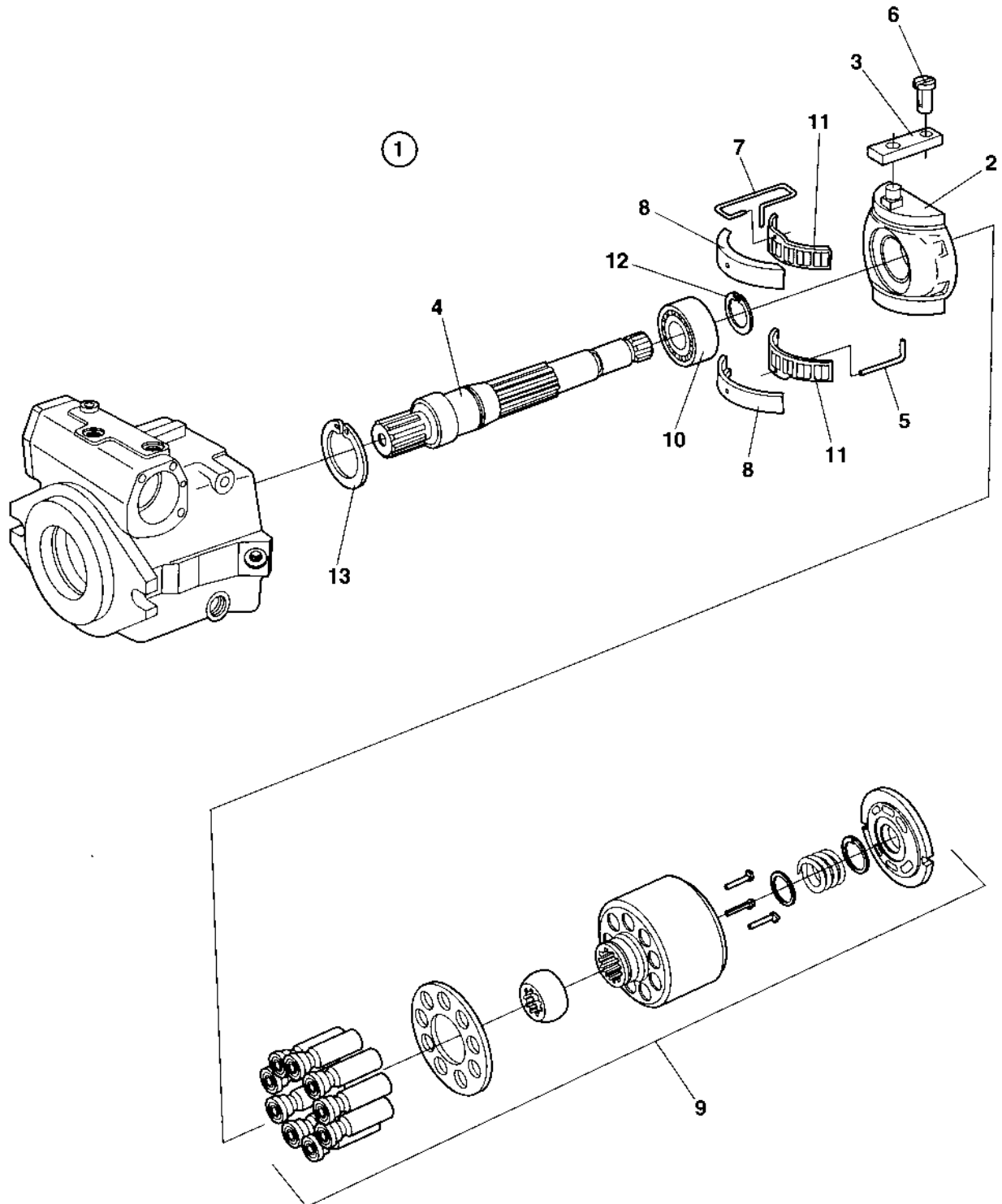
4812155787 Hydraulic pump



**4812155787 Hydraulic pump**

Item	Part No	Rem	Qty	Description	Code
1			1	Hydraulic pump, vibration	
	4700950461		1	. Seal kit	
2			1	. Rotary group, cpl ( Page 260 )	
3			1	. Valve block, cpl ( Page 262 )	
4			1	. Housing	
5	4700935158		1	. Pin	
6	4700936869		1	. Cylindric pin	
7	4700935219	1	1	. Plug	
8	4700902724	1	1	. Plug	
9	4700936803	1	3	. Plug	
10	4700902624	1	1	. Screw	
11	4700909514		1	. Pin	
12	4700936308		2	. Orifice	
13	4700902792		2	. Pin	
14	4700937206	1	1	. O-ring	
15			1	. Control valve, cpl	
16			1	. . Housing	
17			1	. . Piston	
18	4700945776		2	. . Spring collar	
19	4700936686		2	. . Spring	
20		1	1	. . Gasket	
21			2	. . Pin	
23	4700936307		1	. . Double break-off pin	D
24	4700927358		3	. . Screw	
25	4700908383		2	. . Screw	
26		1	1	. . O-ring	
27			2	. . Solenoid	
31			1	. Hydraulic control, cpl	
32			1	. . Piston	
33			1	. . Rod	
34			1	. . Cover	
35			1	. . Guide ring	
36			1	. . Ring	
37			1	. . Spring collar	
38			1	. . Bush	
39			1	. . Spring	
40	4700937233		1	. . Pin	
41			1	. . Spring collar	
43	4700937236		1	. . Nut	
44	4700937195		1	. . Pin	
45		1	1	. . O-ring	
46	4700902811		1	. . Plug	
47			1	. . Retaining ring	
48	4700902688		4	. . Screw	
49	4700936394	1	1	. . O-ring	
50	4700936393	1	1	. . Seal lock nut	
51	4700936393	1	1	. . Seal lock nut	
55			2	. . O-ring	

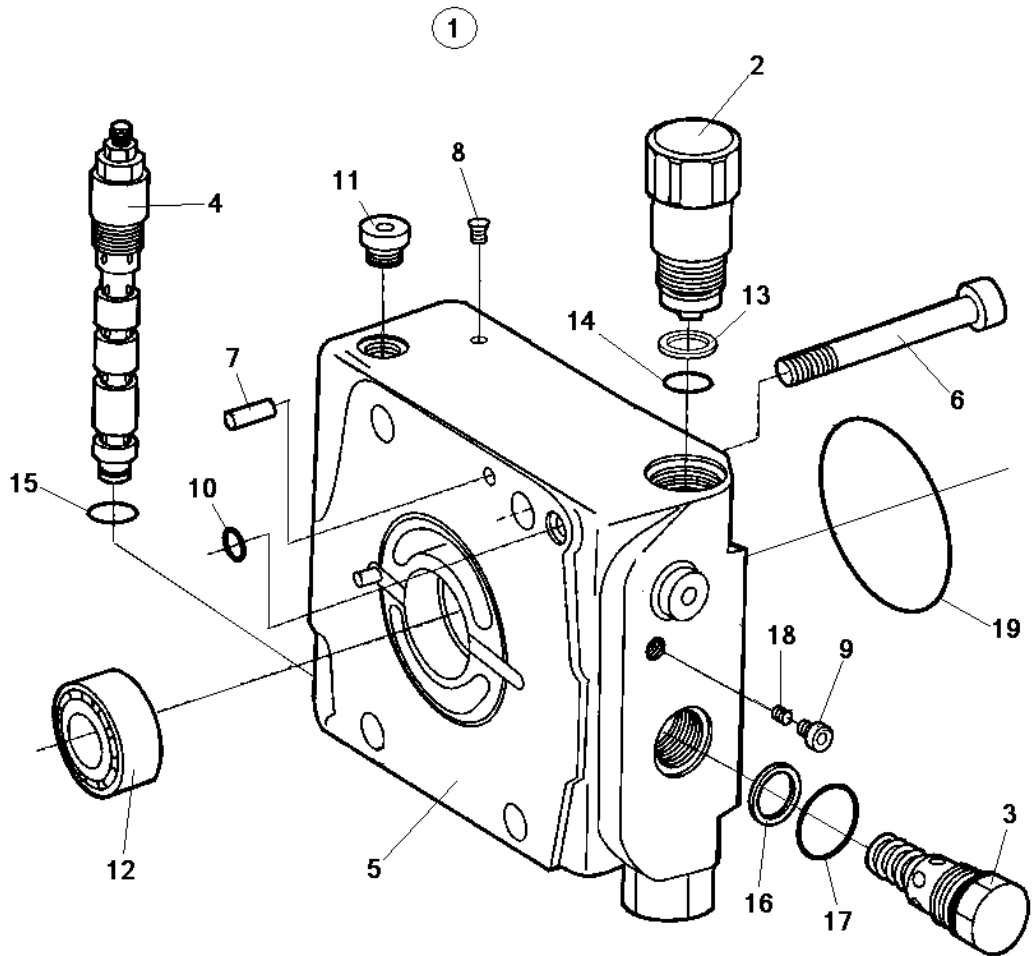
1) Included in seal kit, see item 1.





Rotary group, cpl

Item	Part No	Rem Qty	Description	Code
1		1	Rotating group	
2		1	. Cradle	
3	4700937174	1	. Slide ring	
4		1	. Shaft	
5	4700936621	1	. Wire	
6	4700935164	1	. Pin	
7	4700937175	1	. Wire	
8		1	. Bearing liner	
9		1	. Cylinder with pistons, cpl	
10	4700937185	1	. Bearing	
11	4700937186	1	. Cradle bearing assembly, 1 set	
12	4700937187	1	. Retaining ring	
13	4700937188	1	. V-ring	



## Valve block, cpl

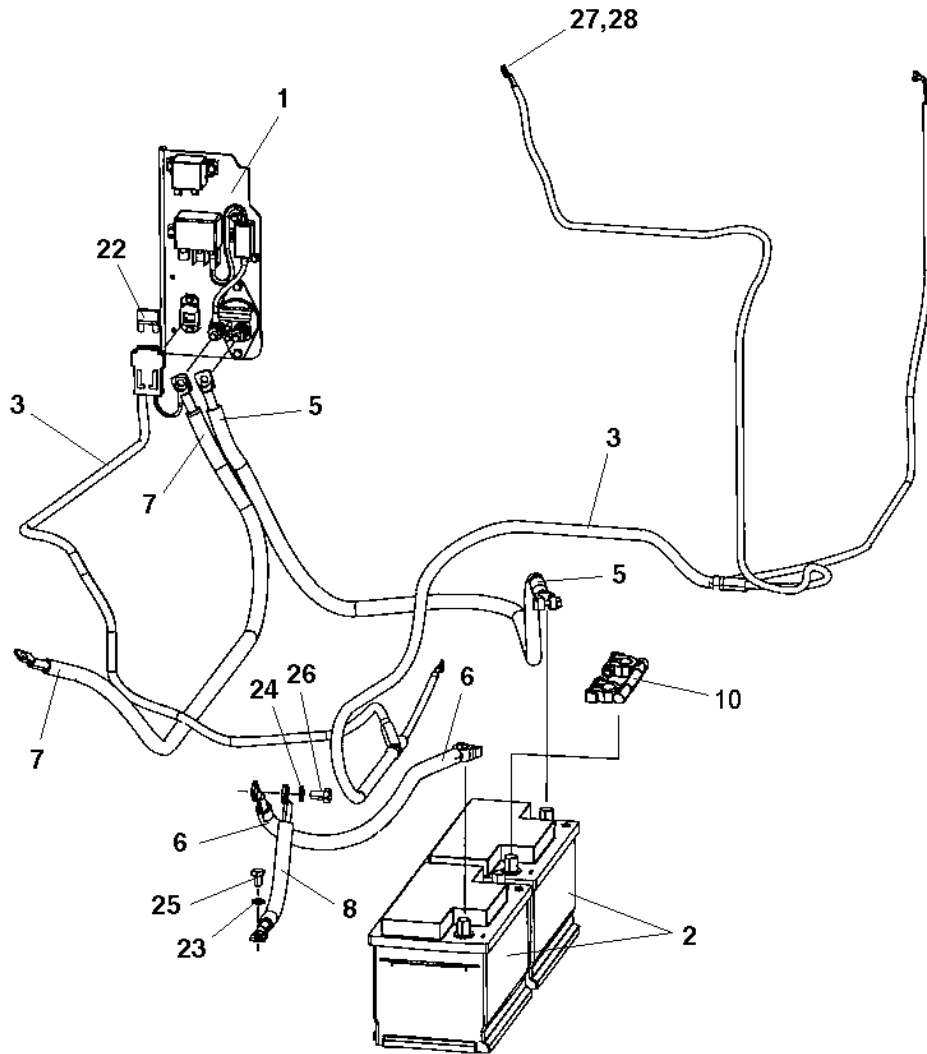
Item	Part No	Rem Qty	Description	Code
1		1	Valve block, cpl	
2		2	. Pressure relief valve, cpl	
3		1	. Locking set, cpl	
4		1	. Pressure override valve, cpl	
5		1	. Housing	
6		4	. Screw	
7	4700937987	2	. Cylindric pin	
8	4700909514	6	. Pin	
9	4700936855	1	. Locking screw	
10	4700909469	1	. O-ring	
11	4700902625	2	. Screw	
12		1	. Roller bearing	
13	4700936673	2	. Back-up ring	
14	4700927278	2	. O-ring	D
15	4700936392	1	. O-ring	
16		1	. Sealing ring	
17		1	. O-ring	
18	4700936313	1	. Orifice	
19		1	. Not valid for this model	



**Electrical equipment**

<b>Item</b>	<b>Part No</b>	<b>Rem Qty</b>	<b>Description</b>	<b>Code</b>
1			Electric cables, power supply ( Page 266 )	
2			Electric cables, power supply cab ( Page 272 )	
3			Electric cables, engine - ECU ( Page 274 )	
5			Electric cables, sensors/ horn/ back-up alarm ( Page 280 )	
6			Tachograph ( Page 290 )	
8			Driving & side direction lights ( Page 298 )	
9			Rotating beacon, working light ( Page 316 )	

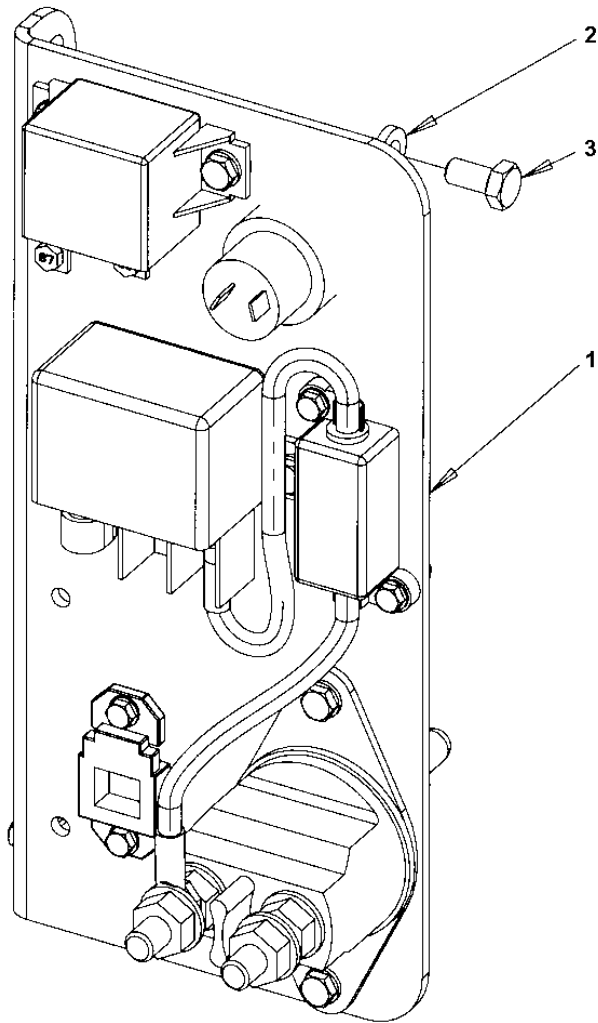
**Electric cables, power supply**



**Electric cables, power supply**

Item	Part No	Rem	Qty	Description	Code
1			1	<b>Battery disconnecter ( Page 268 )</b>	
2		A		Batteries	
3	4700391584		1	Cable harness, power supply	
5	4700792364		1	Battery cable +	
6	4700792328		1	Battery cable -	
7	4700792327		1	Connection cable, coarse	
8	4700335607		1	Connection cable, coarse	D
10	4700792684		1	Battery union cable	
22	4700904039		1	Fuse 50A Red High	A
23	4700904637		1	Washer	C
24	4700904638		1	Washer 12x22x2	
25	4700500043		1	Screw M10x16H 8,8	C
26	4700500035		1	Screw M12x020H	
27	4700904229		1	Washer 8,4x16x1,5	C
28	4700570005		1	Nut M8	C

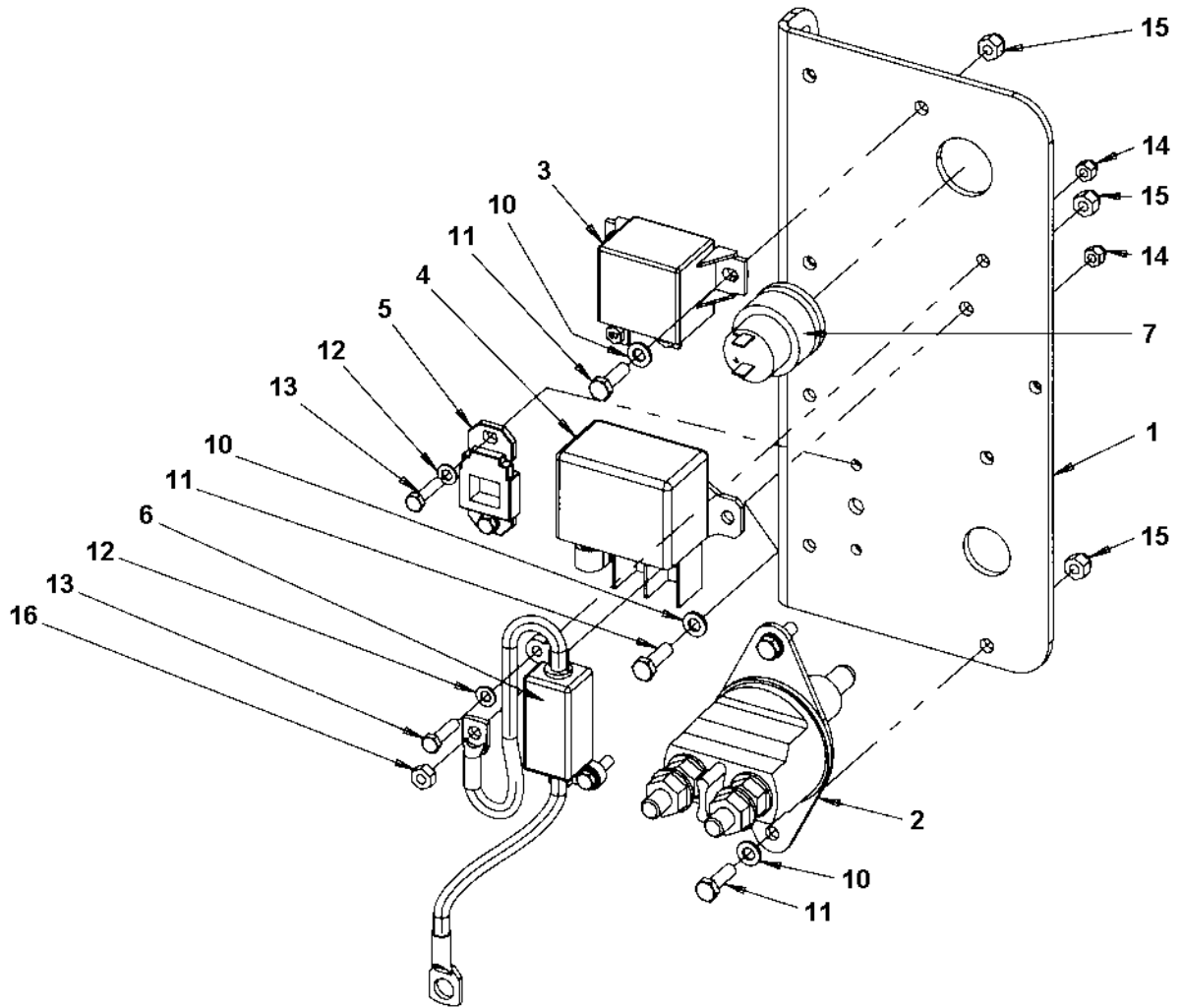
A) See section " Rear frame - Engine structure "





**Battery disconnecter**

<b>Item</b>	<b>Part No</b>	<b>Rem Qty</b>	<b>Description</b>	<b>Code</b>
1		1	<b>Battery disconnecter ( Page 270 )</b>	
2	4700904556	3	Washer 8,4x16x3,0	C
3	4700500019	3	Screw M8x16H 8.8 A2K	C

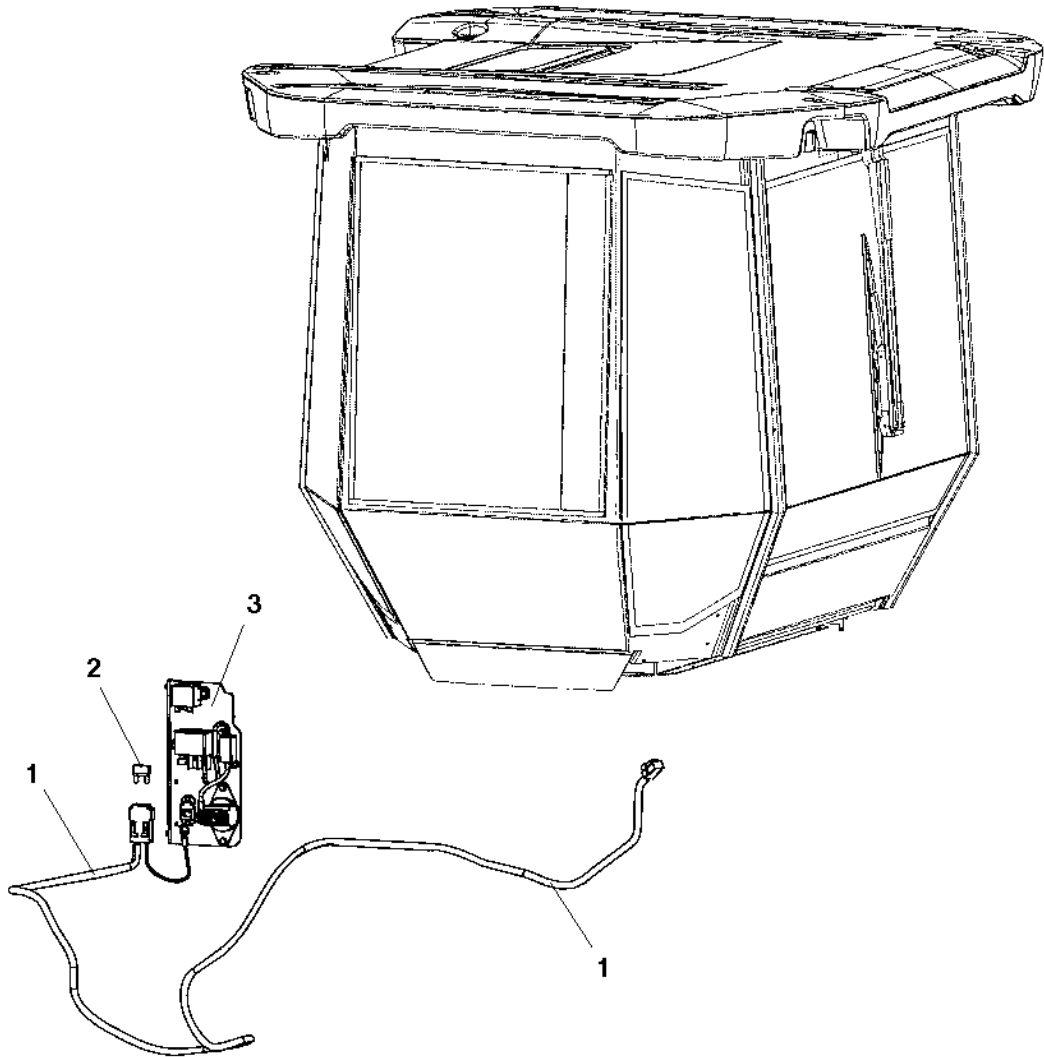


**Battery disconnecter**

Item	Part No	Rem Qty	Description	Code
1	4700391269	1	Holder	
2	4700903640	1	Battery switch	D
	4700903641	1	. Key	D
3	4700792309	1	Relay	D
4	4700792310	1	Relay	
5	4700904036	1	Fuse holder	D
6	4700391585	A 1	Cable harness	
	4700791479	1	. Fuse, Orange 125A	
7	4700395816	1	Plug socket 24V	
10	4700904228	6	Washer 6,4x12x1,5	C
11	4700500040	6	Screw M6-1x20 8,8	C
12	4700904281	4	Washer 5,3x10x1 300HV	C
13	4700500060	4	Screw M5-0,8x20 8.8	C
14	4700586001	4	Lock nut	C
15	4700586002	6	Lock nut M6 -8	C
16	4700570004	1	Nut M6X1,00 -8 A2K	C

A) Pre-heater

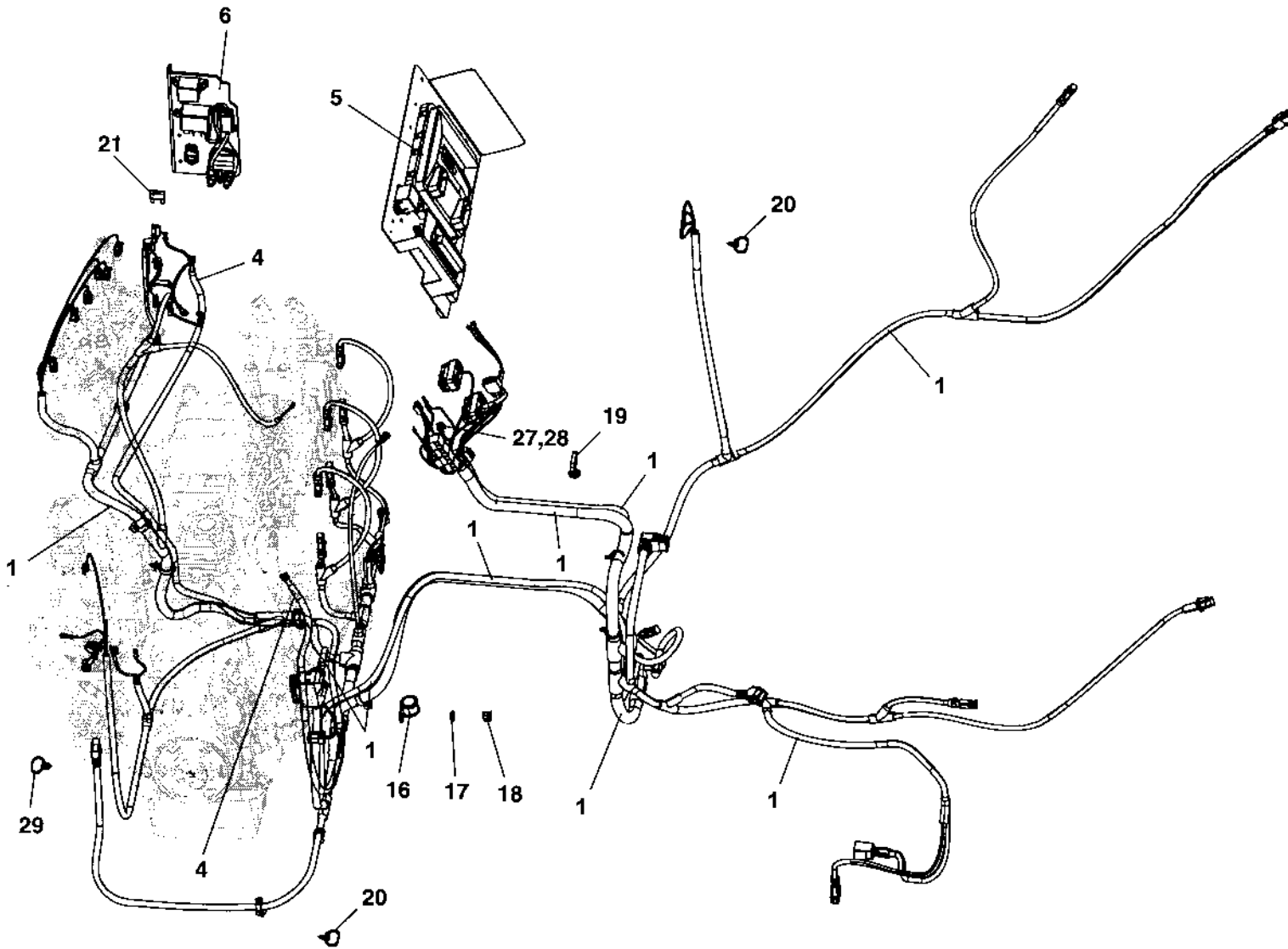
Electric cables, power supply cab



**Electric cables, power supply cab**

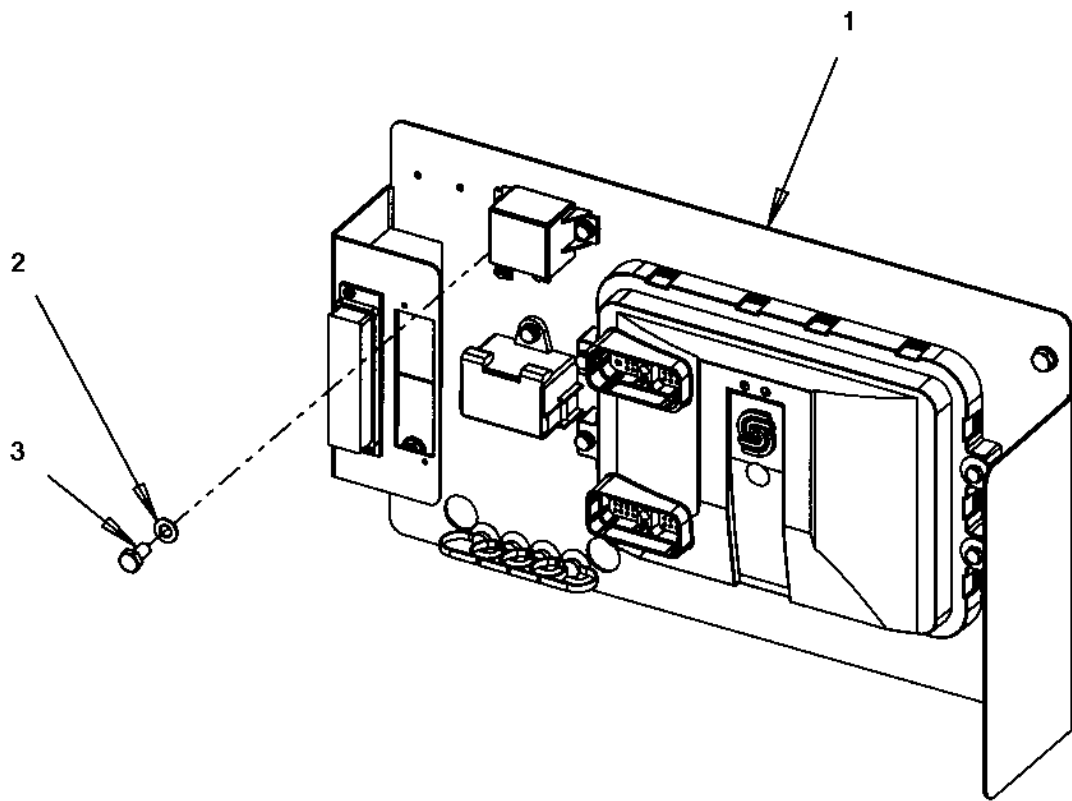
<b>Item</b>	<b>Part No</b>	<b>Rem Qty</b>	<b>Description</b>	<b>Code</b>
1	4700392156	1	Cable harness, power supply Cab	
2	4700904039	1	Fuse 50A Red High	A
3		1	<b>Battery disconnecter ( Page 268 )</b>	

Electric cables, engine - ECU



## Electric cables, engine - ECU

Item	Part No	Rem Qty	Description	Code
1	4812110652	1	Cable harness, ECU/CanBus	
4	4700792363	1	Connection cable, coarse	
5		1	<b>Standard ECU module ( Page 276 )</b>	
6		1	<b>Battery disconnecter ( Page 270 )</b>	
16	4700921031	1	Clamp	C
17	4700904228	1	Washer 6,4x12x1,5	C
18	4700586002	1	Lock nut M6 -8	C
19	4700792442	1	Cable tie with holder	
20	4700792441	22	Cable tie with holder	
21	4700904037	1	Fuse 30A	A
27	4700904229	2	Washer 8,4x16x1,5	C
28	4700570005	2	Nut M8	C
29	4700792602	1	Cable tie with holder	

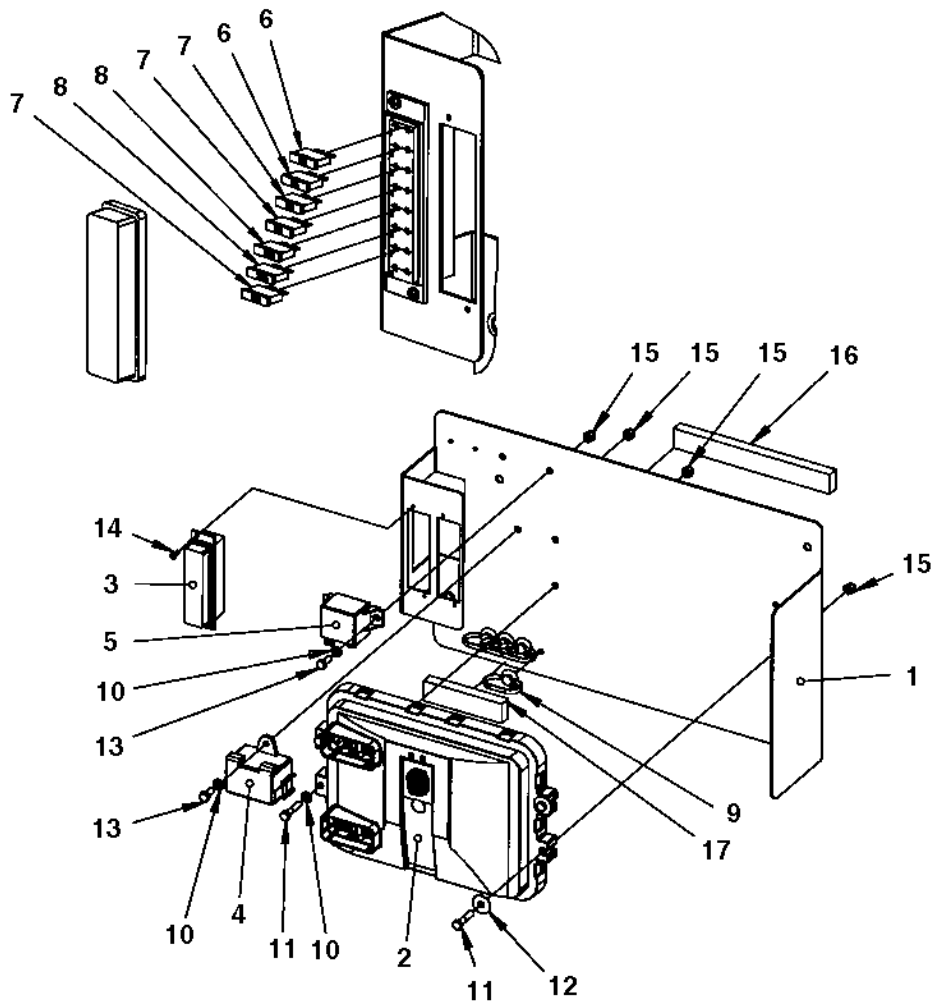




**Standard ECU module**

<b>Item</b>	<b>Part No</b>	<b>Rem Qty</b>	<b>Description</b>	<b>Code</b>
1		1	<b>Standard ECU assembly ( Page 278 )</b>	
2	4700904229	4	Washer 8,4x16x1,5	C
3	4700500019	4	Screw M8x16H 8.8 A2K	C

Standard ECU assembly

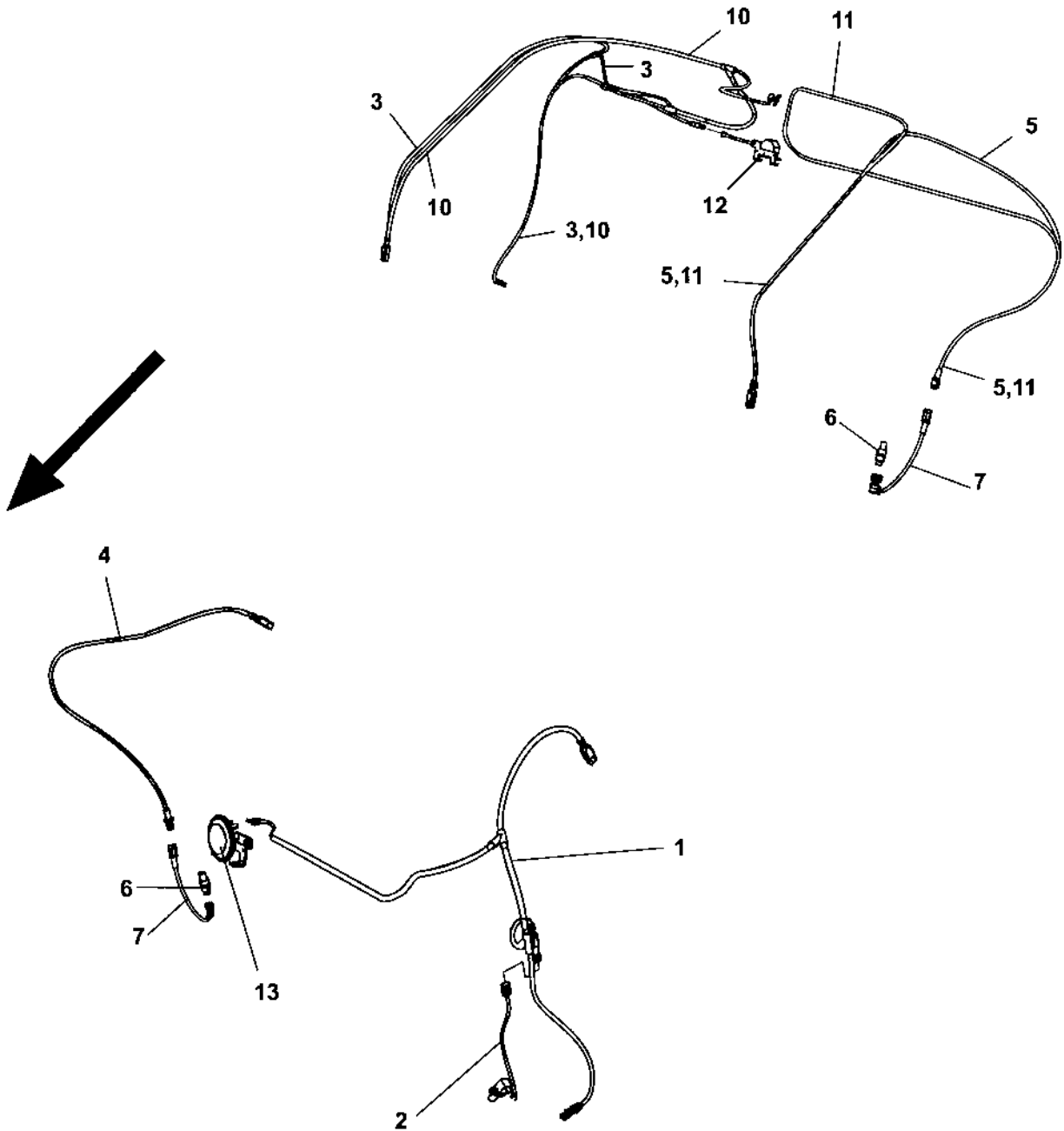


Standard ECU assembly

Item	Part No	Rem	Qty	Description	Code
1	4700391213		1	Mounting plate	
2	4700390860		1	Control unit	
3	4700791185		2	Fuse box	
4	4700791551		1	Junction block	
5	4700792309		1	Relay	D
6	4700901225		2	Fuse 5A	A
7	4700901227		3	Fuse 10A	A
8	4700903741		2	Fuse 20A Yellow Medium	A
9	4700792441		4	Cable tie with holder	
10	4700904228		5	Washer 6,4x12x1,5	C
11	4700500015		4	Screw M6-1x30 8,8	C
12	4700928467		2	Washer	C
13	4700500013		3	Screw M6-1x16 8,8	C
14	4700901767		4	Screw ST3,5x9,5 Black	C
15	4700586002		7	Lock nut M6 -8	C
16	4700791597	A	1XL	Rubber strip	
17	4700791597	B	1XL	Rubber strip	

A) L= 0,2 m  
B) L= 0,1 m

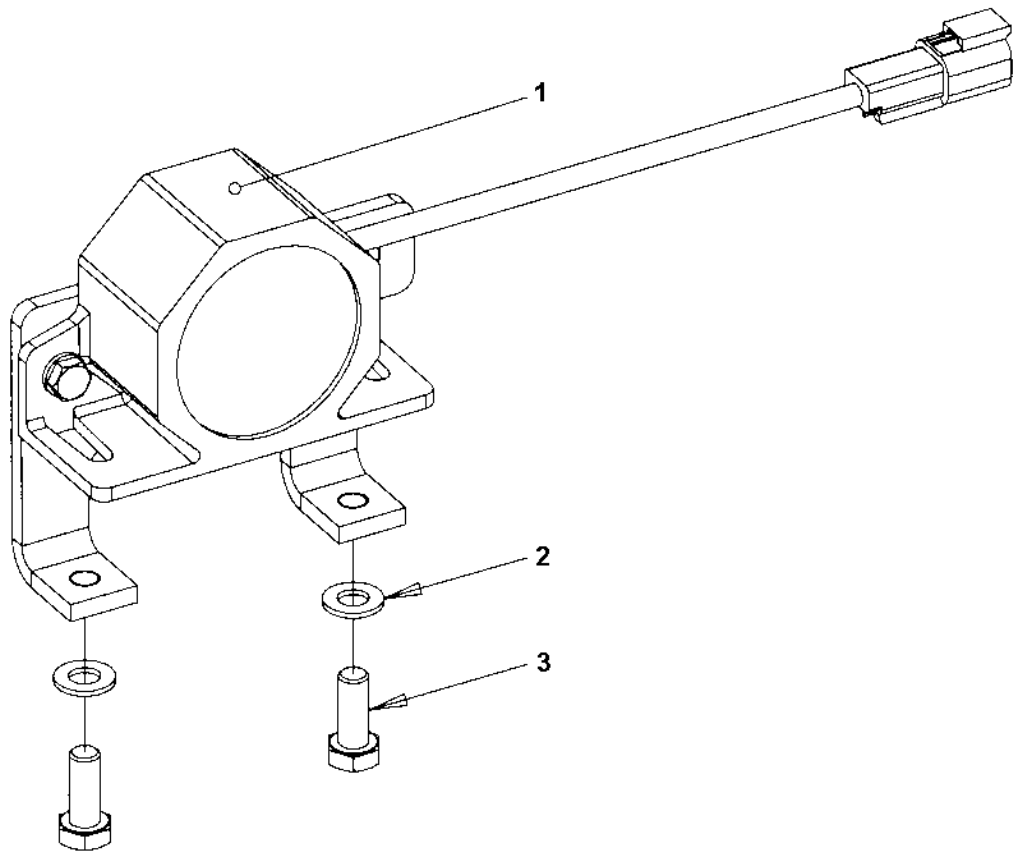
Electric cables, sensors/ horn/ back-up alarm



**Electric cables, sensors/ horn/ back-up alarm**

Item	Part No	Rem Qty	Description	Code
1	4700391580 A,C	1	Cable harness	
2	4700390716	1	Speed sensor	
3	4700391583 B	1	Cable harness	
4	4700396259 A,D	1	Cable harness	
5	4700396260 B,D	1	Cable harness	
6	4700792731	2	Frequency sensor Up to 0A005555	
	4700390717	2	Frequency sensor From 0A005556 Up to 0A005561	
	4700792731	2	Frequency sensor From 0A005562	
7	4700392221	2	Mount kit for sensor Up to 0A005555	C
	4700396304	2	Cable harness From 0A005556 Up to 0A005561	
	4700392221	2	Mount kit for sensor From 0A005562	C
10	4700391955 E	1	Cable harness	
11	4700396261 D,E	1	Cable harness	
12		1	<b>Back-up alarm module ( Page 282 )</b>	
13		1	<b>Horn module ( Page 286 )</b>	

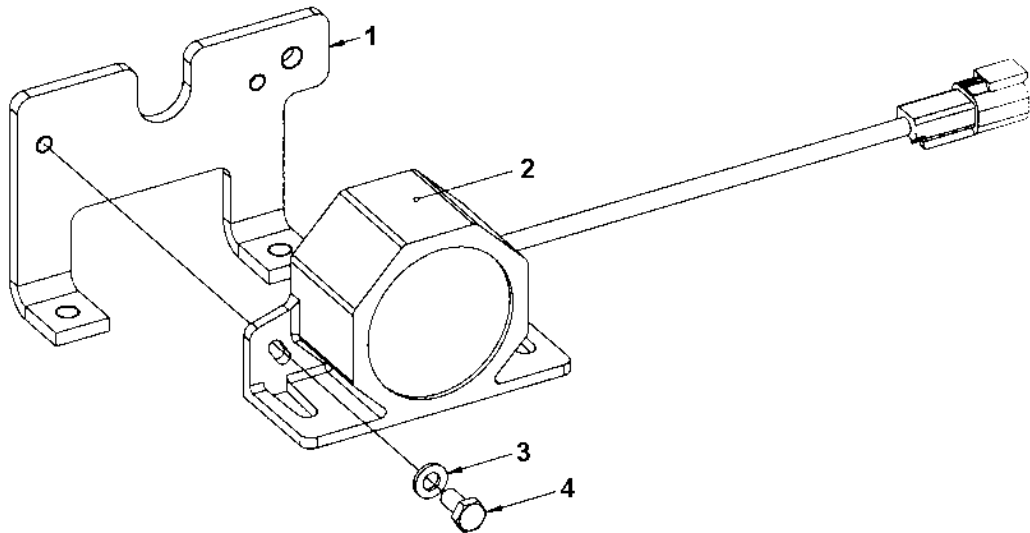
- A) Front drum
- B) Rear drum, Std
- C) Speed
- D) Frequency
- E) Rear drum, offset



**Back-up alarm module**

<b>Item</b>	<b>Part No</b>	<b>Rem Qty</b>	<b>Description</b>	<b>Code</b>
1		1	<b>Back-up alarm ( Page 284 )</b>	
2	4700904229	2	Washer 8,4x16x1,5	C
3	4700500053	2	Screw M8x20H 8.8	C

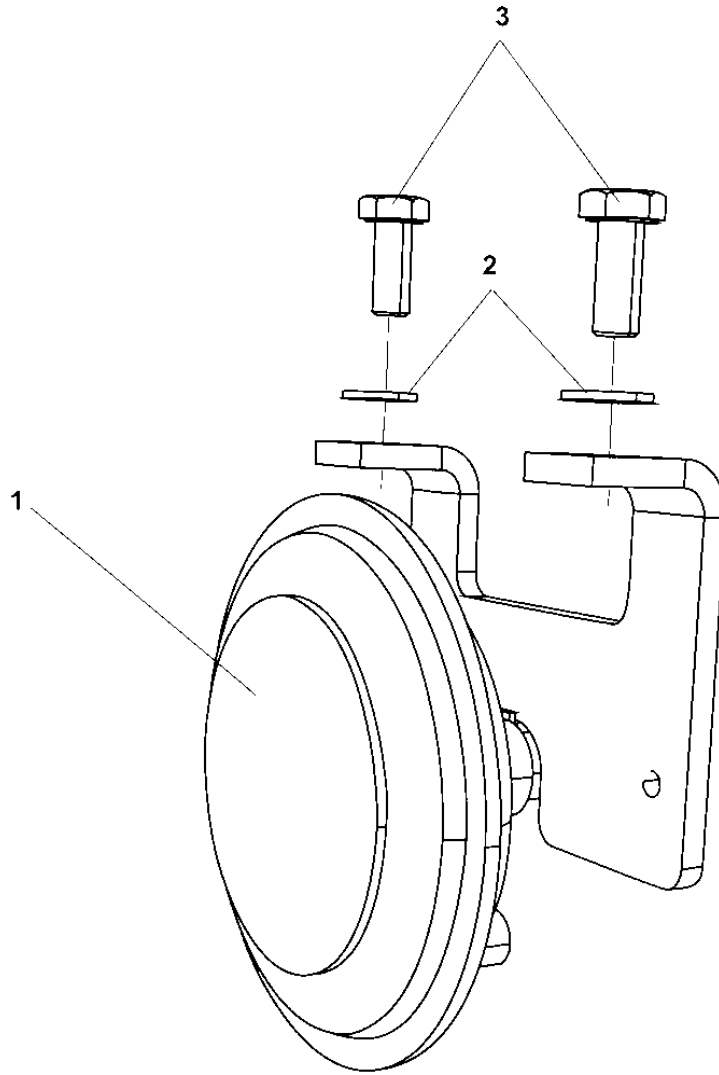
**Back-up alarm**





**Back-up alarm**

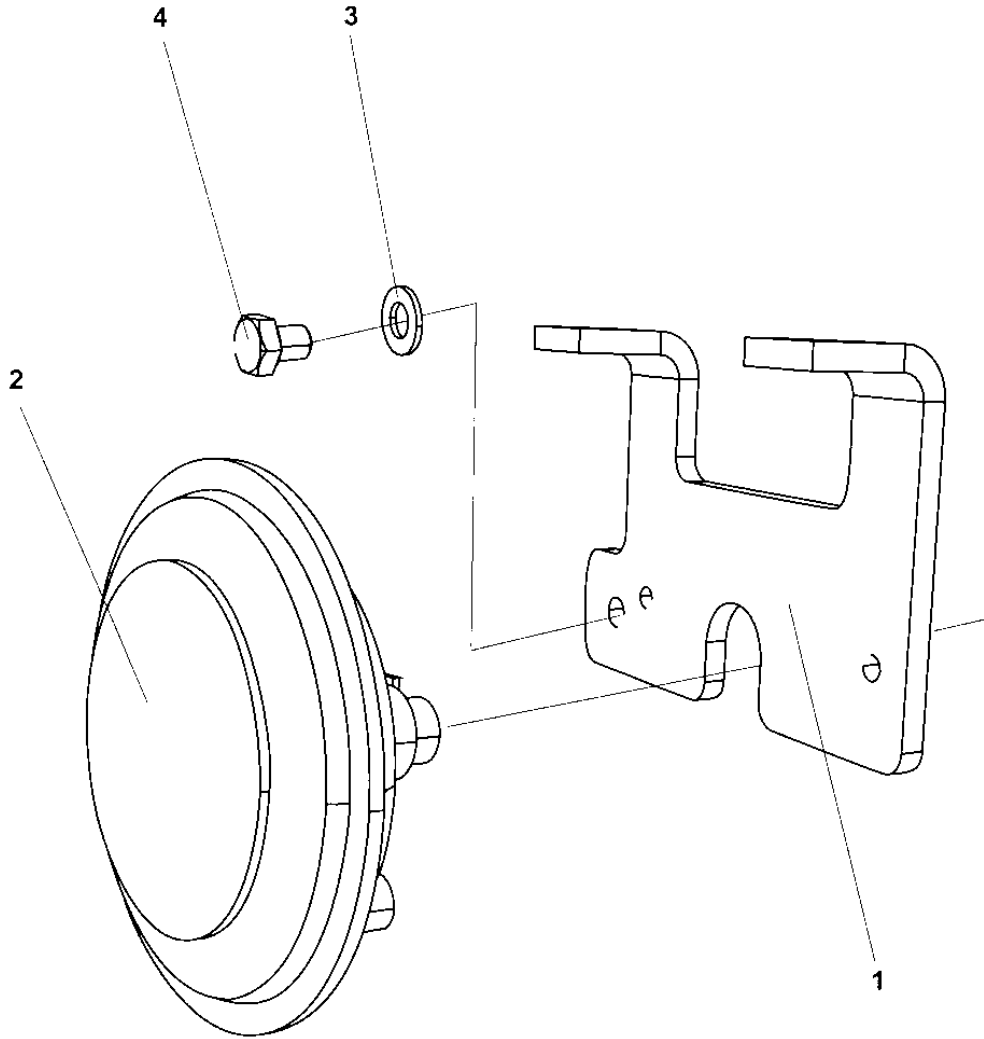
<b>Item</b>	<b>Part No</b>	<b>Rem Qty</b>	<b>Description</b>	<b>Code</b>
1	4700396768	1	Bracket	
2	4700904911	1	Back-up alarm 97 dB	
3	4700904228	2	Washer 6,4x12x1,5	C
4	4700500012	2	Screw M6x12	C



**Horn module**

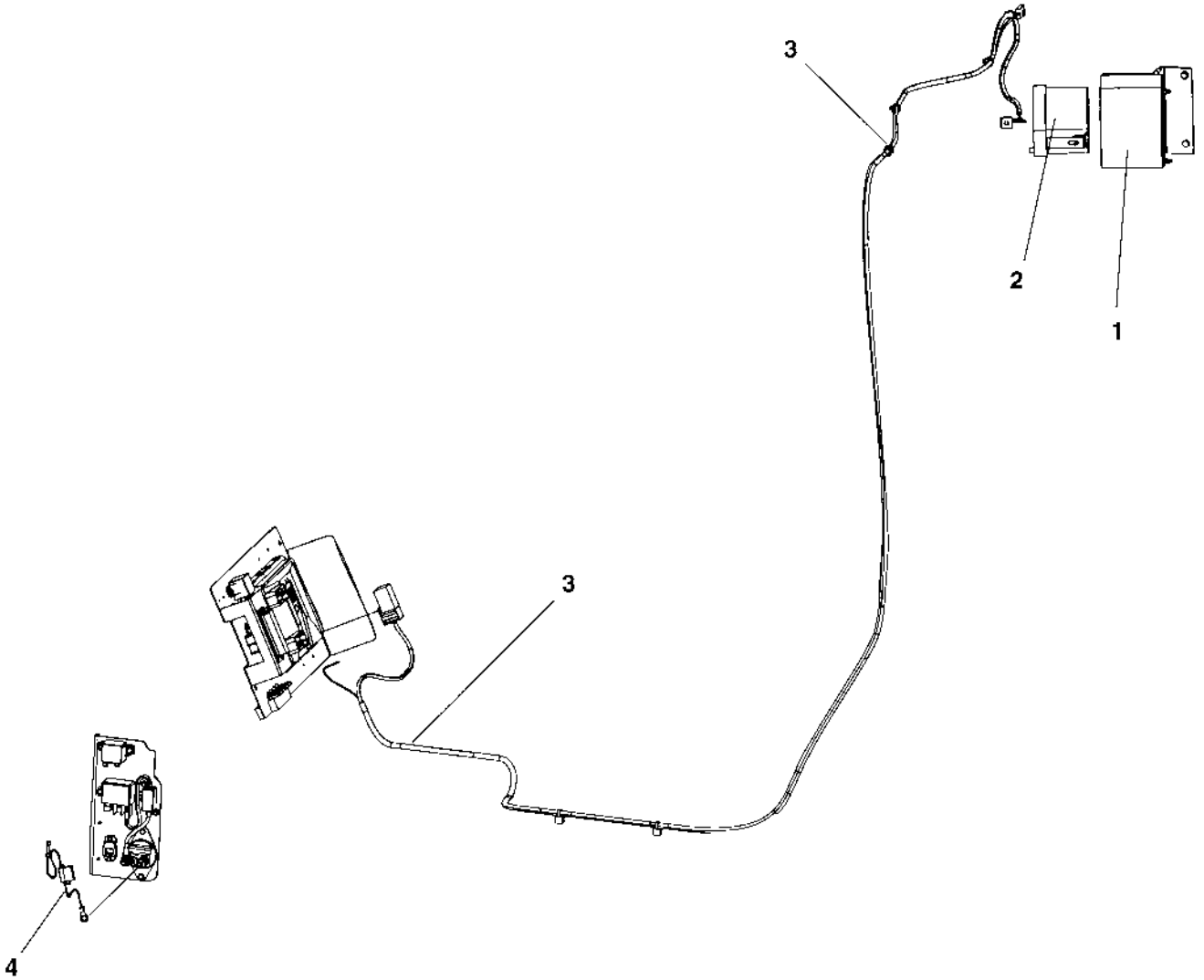
<b>Item</b>	<b>Part No</b>	<b>Rem Qty</b>	<b>Description</b>	<b>Code</b>
1		1	<b>Horn ( Page 288 )</b>	
2	4700904229	2	Washer 8,4x16x1,5	C
3	4700500053	2	Screw M8x20H 8.8	C

**Horn**



**Horn**

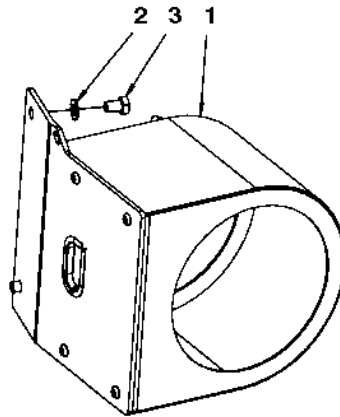
<b>Item</b>	<b>Part No</b>	<b>Rem Qty</b>	<b>Description</b>	<b>Code</b>
1	4700396768	1	Bracket	
2	4700999014	1	Horn	
3	4700904229	1	Washer 8,4x16x1,5	C
4	4700500042	1	Screw	



**Tachograph**

<b>Item</b>	<b>Part No</b>	<b>Rem Qty</b>	<b>Description</b>	<b>Code</b>
1		1	<b>Tachograph holder module ( Page 292 )</b>	
2	4700395226	1	Tachograph	
3		1	<b>Cable harness kit ( Page 294 )</b>	
4		1	<b>Power supply module ( Page 296 )</b>	

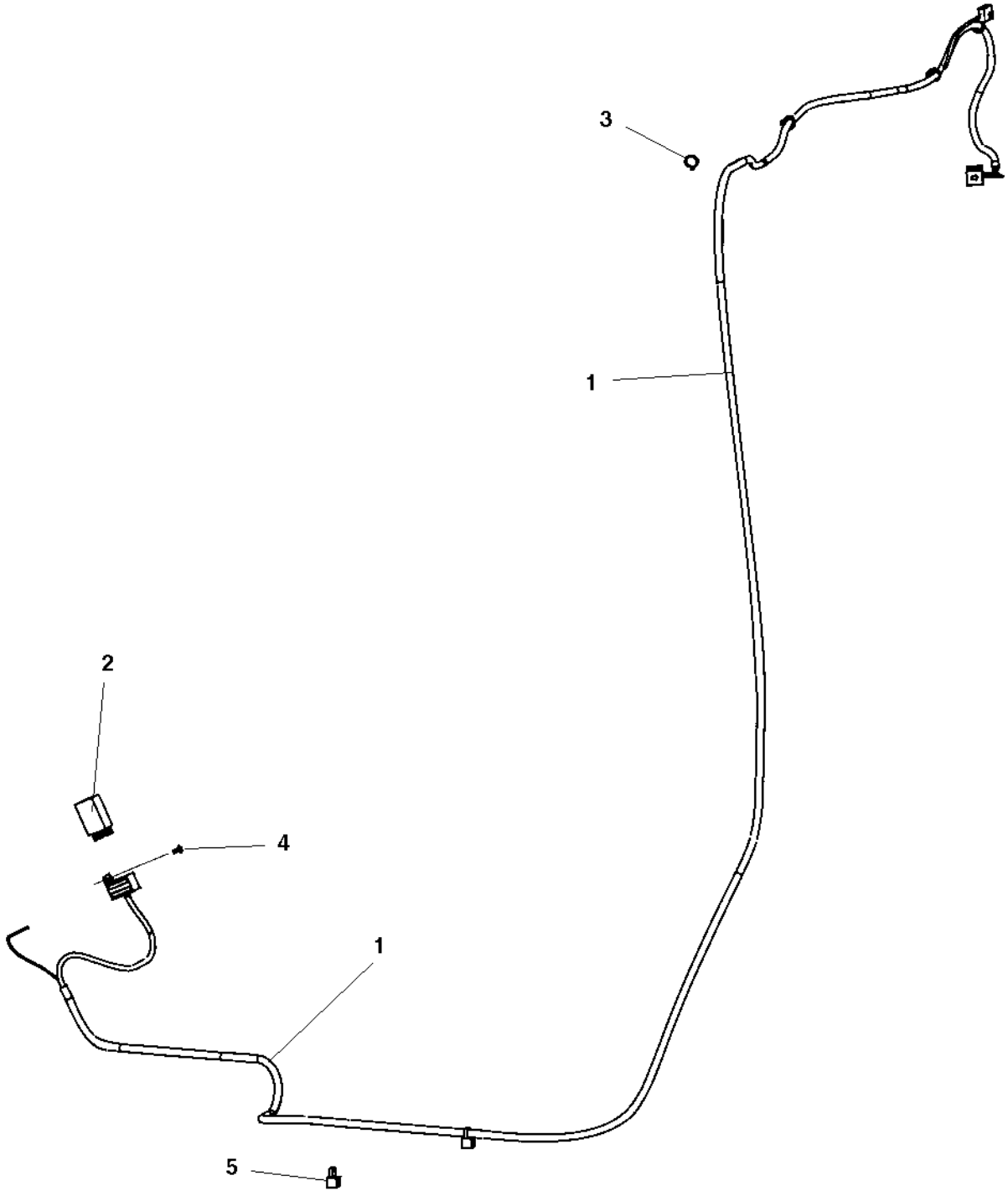
**Tachograph holder module**





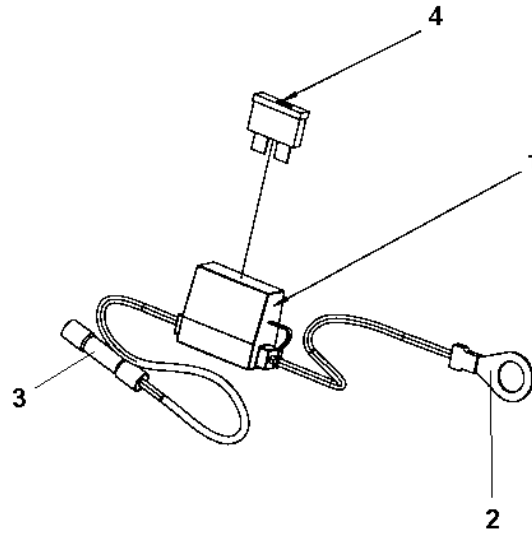
**Tachograph holder module**

<b>Item</b>	<b>Part No</b>	<b>Rem Qty</b>	<b>Description</b>	<b>Code</b>
1	4700393776	1	Tachograph holder	
2	4700904229	2	Washer 8,4x16x1,5	C
3	4700500018	2	Screw M8-1,25x12 8,8	C



**Cable harness kit**

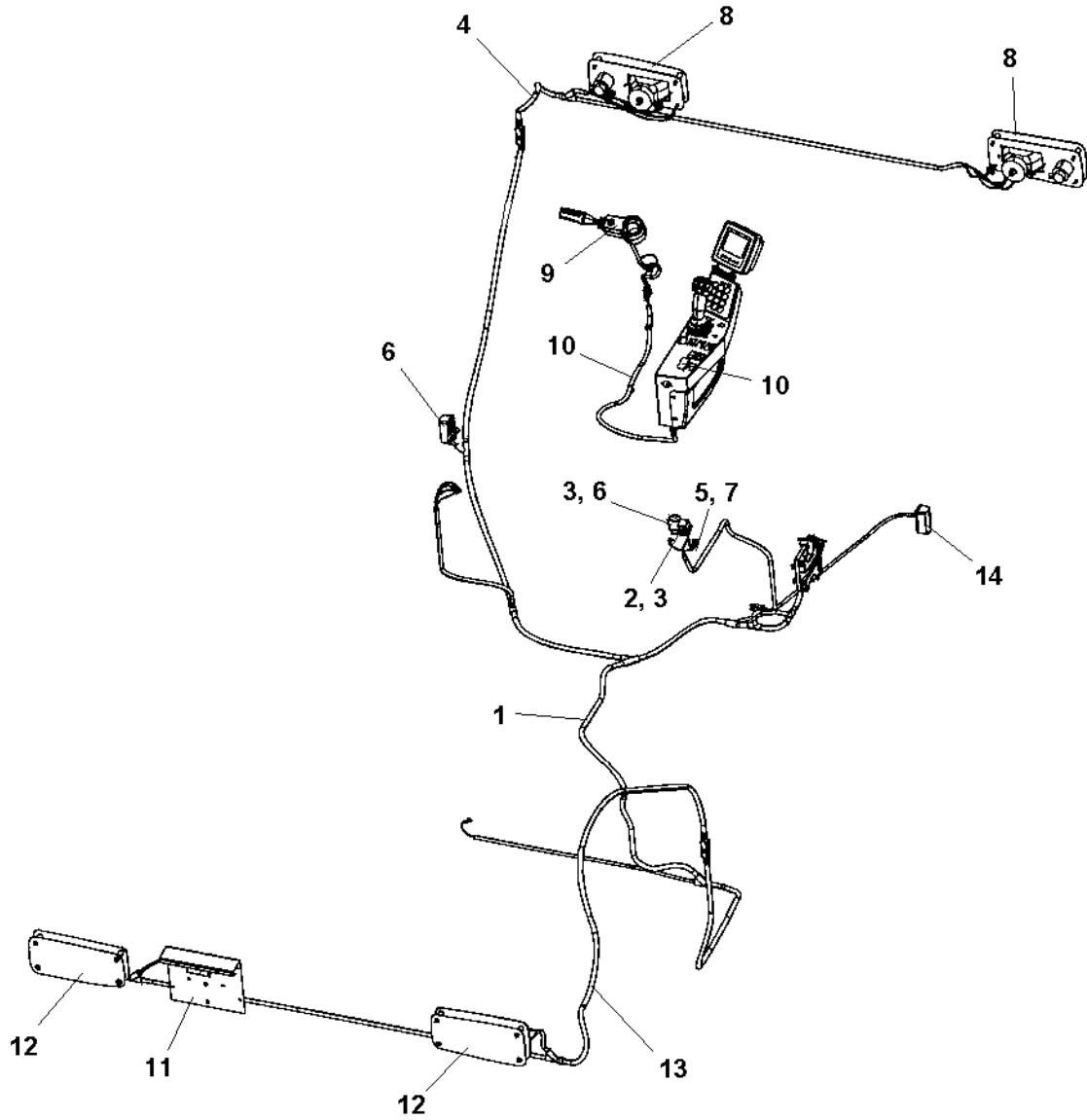
<b>Item</b>	<b>Part No</b>	<b>Rem Qty</b>	<b>Description</b>	<b>Code</b>
1	4700394931	1	Cable harness	
2	4700395023	1	Frequency converter	
3	4700313041	8	Cable ties	D
4	4700792210	1	Screw torx	
5	4700792667	2	Cable tie with holder	



**Power supply module**

<b>Item</b>	<b>Part No</b>	<b>Rem Qty</b>	<b>Description</b>	<b>Code</b>
1	4700904015	1	Fuse holder	D
2	4700960067	1	Cable clip	
3	4700904024	1	Splicing sleeve	
4	4700901227	1	Fuse 10A	A

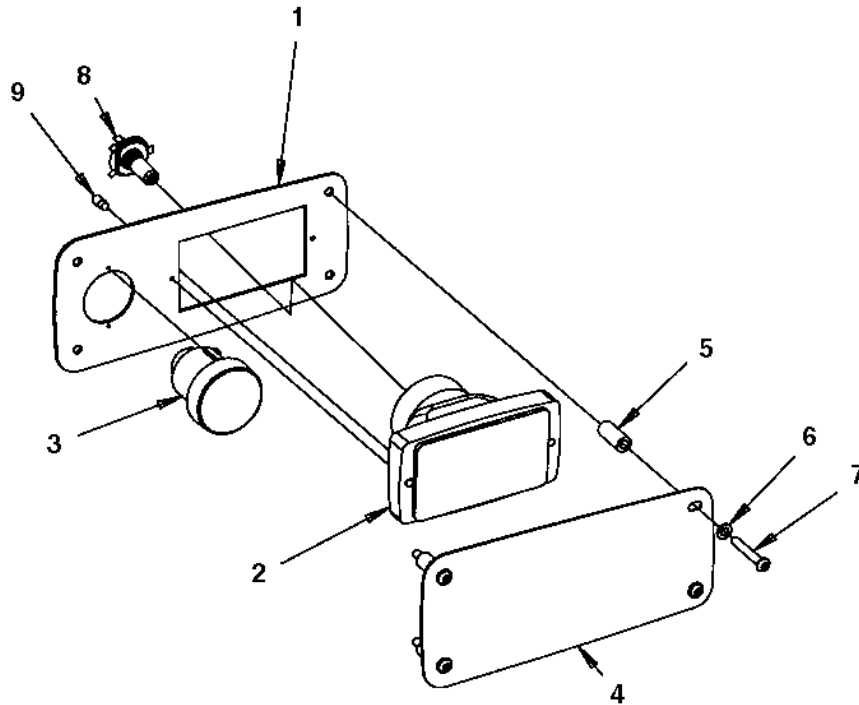
Driving & side direction lights



**Driving & side direction lights**

Item	Part No	Rem	Qty	Description	Code
1	4812110899		1	Cable harness	
2	4700792422		1	Relay	
3	4700792210		2	Screw torx	
4	4812110902	A	1	Cable harness	
5	4700901227		1	Fuse 10A	A
6	4811000163		1	Flash relay	
7	4700901226		1	Fuse 7.5A	A
8			2	<b>Driving lights, front RH ( Page 300 )</b>	
			2	<b>Driving lights, front LH ( Page 302 )</b>	
9			1	<b>Steering column switch module ( Page 304 )</b>	
10			1	<b>Cable harness and switch module ( Page 306 )</b>	
11			1	<b>Registration plate light module ( Page 308 )</b>	
12			2	<b>Driving lights, rear ( Page 312 )</b>	
13	4812110903		1	Cable harness Std	
	4812110904		1	Cable harness Off-set	
14			2	<b>Turn signals ( Page 314 )</b>	
A)	Front				

Driving lights, front RH



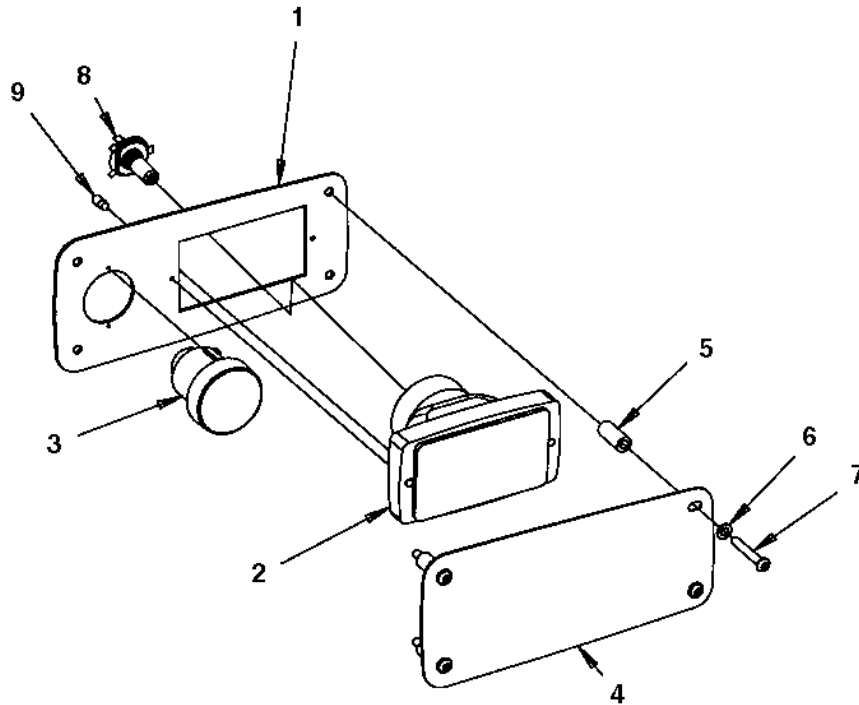


Driving lights, front RH

Item	Part No	Rem Qty	Description	Code
1	4700390434	1	Lights bracket	
2	4700791951	1	Headlight	
3	4700792521	1	Direction indicator	
4	4700390436	1	Protecting cover	
5	4700391115	4	Spacer sleeve	
6	4700904229	4	Washer 8,4x16x1,5	C
7	4700792361	4	Hexagon socket head cap screw	
	4700904956	1 4	Screw	
8	4700792353	1	Bulb 24V 75/70W H4	
9	4700792350	1	Bulb 24V 2W	

1) Used when no protection cover (item 4-5) mounted.

Driving lights, front LH

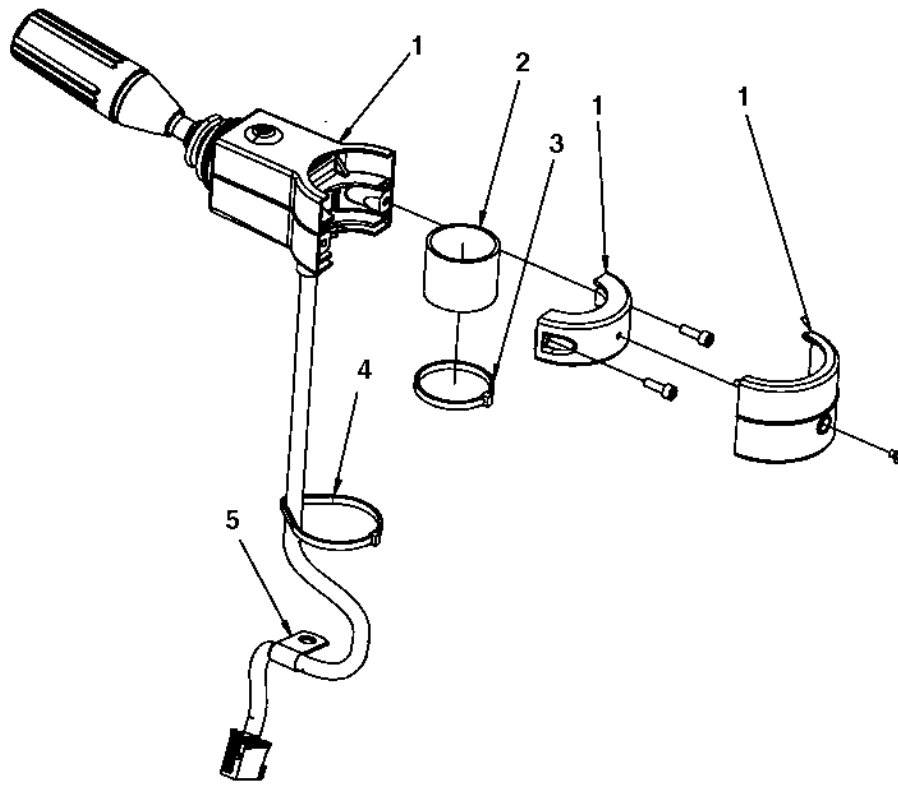


**Driving lights, front LH**

<b>Item</b>	<b>Part No</b>	<b>Rem</b>	<b>Qty</b>	<b>Description</b>	<b>Code</b>
1	4700390434		1	Lights bracket	
2	4700792059		1	Headlight	
3	4700792521		1	Direction indicator	
4	4700390436		1	Protecting cover	
5	4700391115		4	Spacer sleeve	
6	4700904229		4	Washer 8,4x16x1,5	C
7	4700792361		4	Hexagon socket head cap screw	
	4700904956	1	4	Screw	
8	4700792353		1	Bulb 24V 75/70W H4	
9	4700792350		1	Bulb 24V 2W	

1) Used when no protection cover (item 4-5) mounted

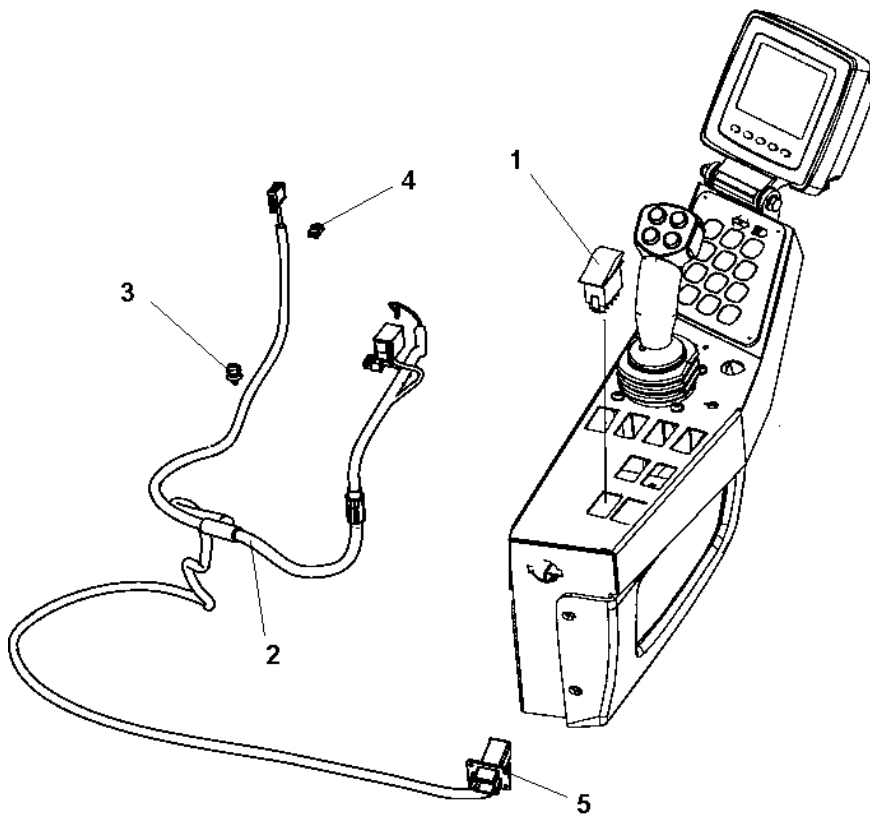
**Steering column switch module**



**Steering column switch module**

<b>Item</b>	<b>Part No</b>	<b>Rem Qty</b>	<b>Description</b>	<b>Code</b>
1	4700392450	1	Steering column switch	
2	4700392451	1	Rubber cloth	
3	4700313041	1	Cable ties	D
4	4700792609	1	Cable ties	
5	4700921080	1	Clamp	C

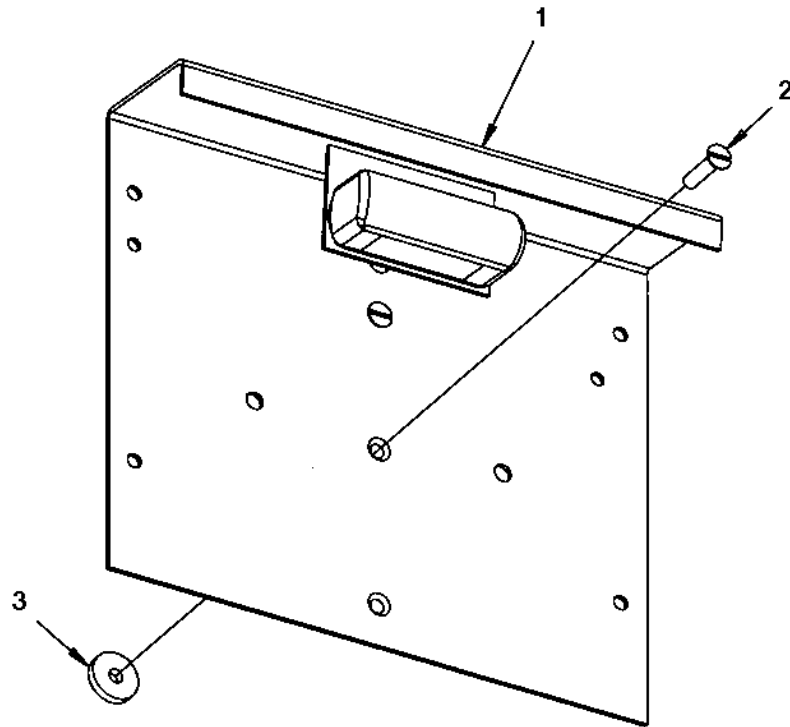
**Cable harness and switch module**



**Cable harness and switch module**

<b>Item</b>	<b>Part No</b>	<b>Rem Qty</b>	<b>Description</b>	<b>Code</b>
1	4700792398	1	Switch	
2	4812110898	1	Cable harness	
3	4700792441	1	Cable tie with holder	
4	4700792537	1	Cable tie with holder	
5	4700791709	4	Pop rivet	C

Registration plate light module

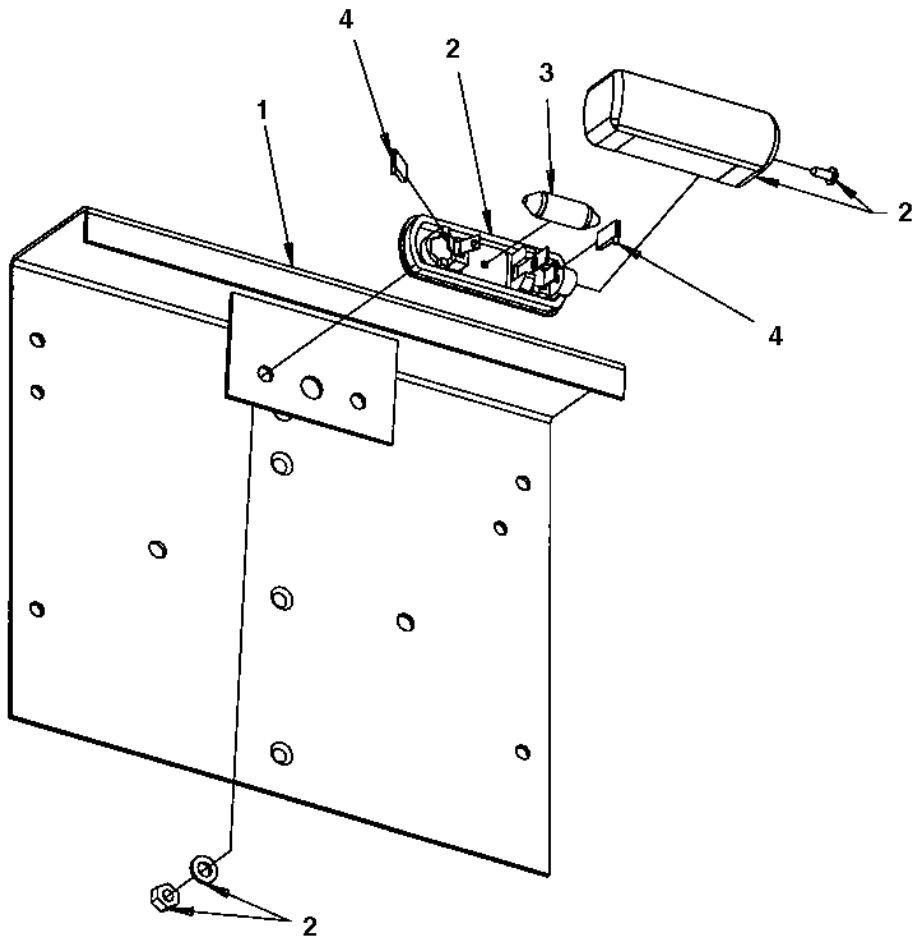




Registration plate light module

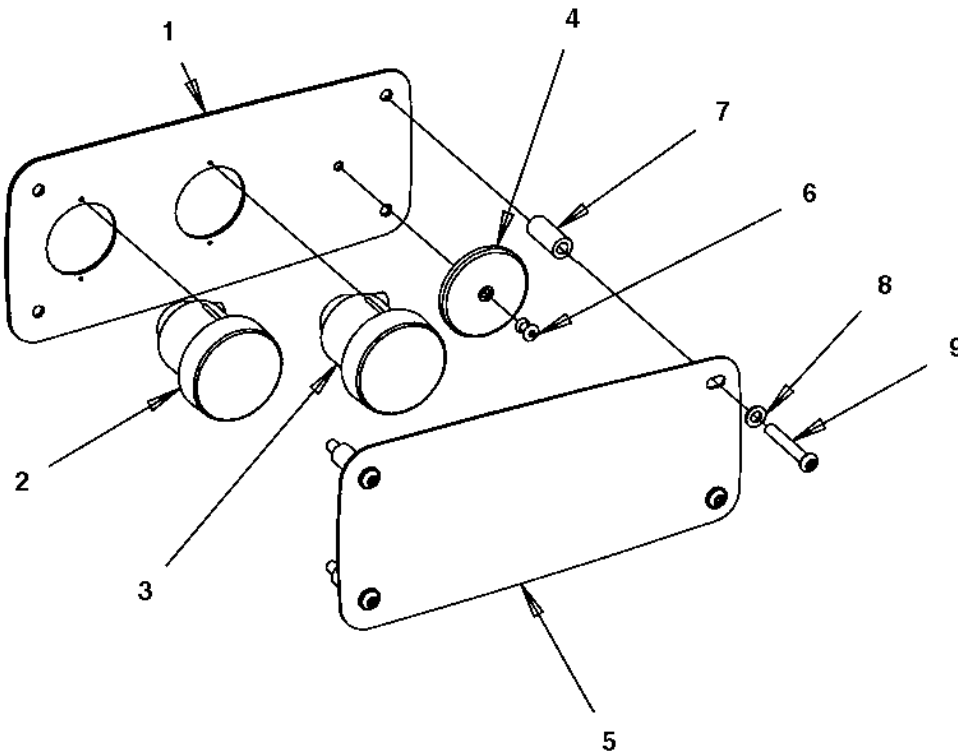
Item	Part No	Rem Qty	Description	Code
1		1	Registration plate light ( Page 310 )	
2	4700535017	2	Screw	
3	4700904735	2	Washer	C

Registration plate light



Registration plate light

Item	Part No	Rem Qty	Description	Code
1	4700355797	1	Licence plate holder	D
2	4700929455	1	Licence plate light	D
3	4700792354	1	Bulb 24V 5W	
4	4700792035	2	Push-on terminal	

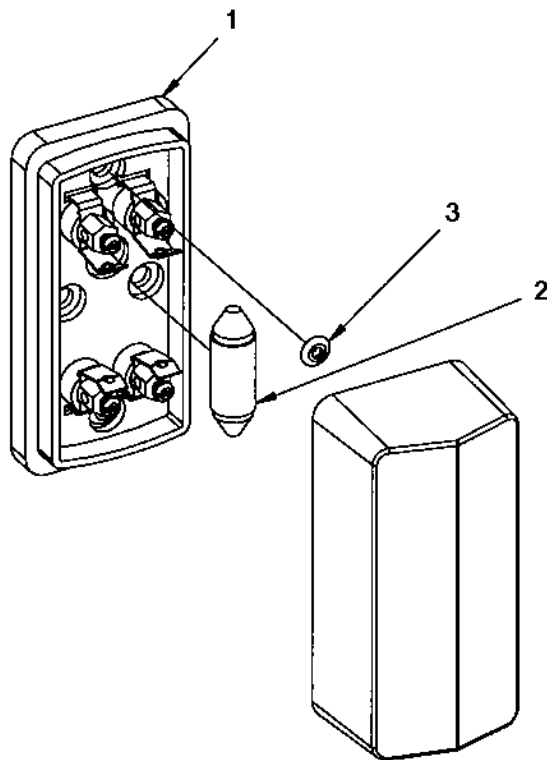


## Driving lights, rear

Item	Part No	Rem	Qty	Description	Code
1	4700390435	1		Lights bracket	
2	4700792520	1		Direction indicator	
	4700792349	1		. Bulb 24V 21W	
3	4700792519	1		Brake/position light	
	4700792351	1		. Bulb 24V 21/5W	
4	4700791956	1		Reflector, red	
5	4700390436	1		Protecting cover	
6	4700791754	1		Blind rivet	
7	4700391115	4		Spacer sleeve	
8	4700904229	4		Washer 8,4x16x1,5	C
9	4700792361	4		Hexagon socket head cap screw	
	4700904956	1	4	Screw	

1) Used when no protection cover (item 5,7) mounted

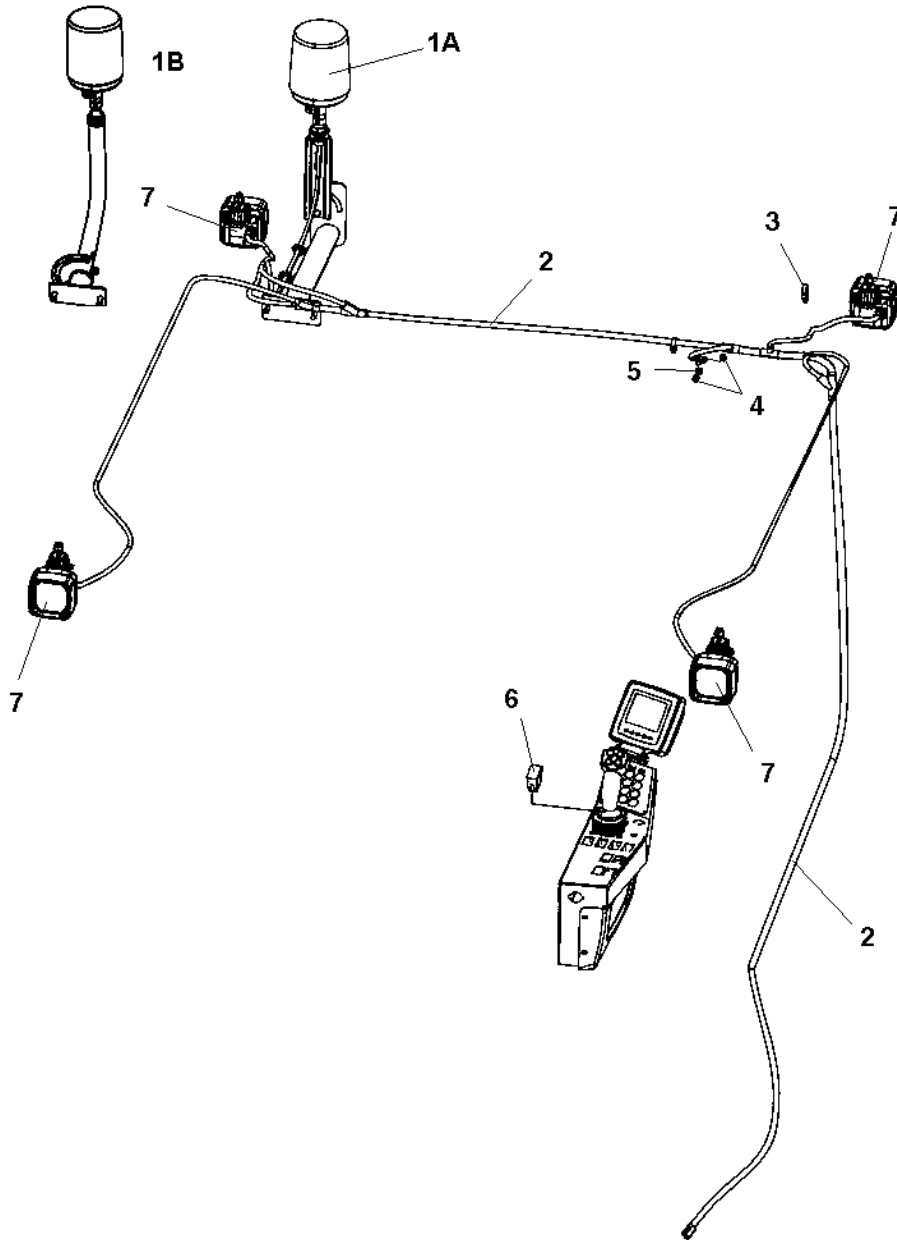
**Turn signals**



**Turn signals**

<b>Item</b>	<b>Part No</b>	<b>Rem Qty</b>	<b>Description</b>	<b>Code</b>
1	4700902064	1	Direction lights	B
2	4700792354	1	Bulb 24V 5W	
3	4700923253	2	Rivet	C

Rotating beacon, working light

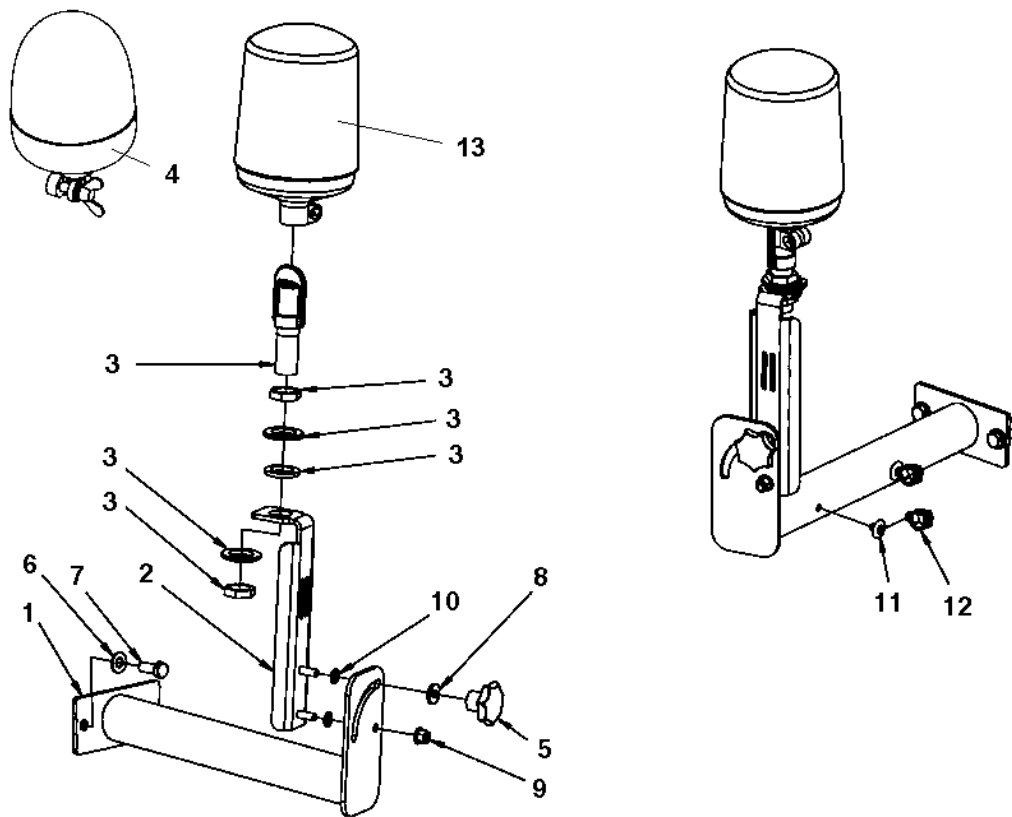




**Rotating beacon, working light**

<b>Item</b>	<b>Part No</b>	<b>Rem Qty</b>	<b>Description</b>	<b>Code</b>
1-A		1	<b>Rotating beacon module ( Page 318 )</b>	
1-B		1	<b>Rotating beacon module ( Page 320 )</b>	
2	4700391957	1	Cable harness	
3	4700313102	N	Cable ties	D
4	4700570005	2	Nut M8	C
5	4700904229	1	Washer 8,4x16x1,5	C
6	4700792397	1	Switch	
7		4	<b>Working light module H3 ( Page 324 )</b>	
		4	<b>Working light module Xenon ( Page 326 )</b>	

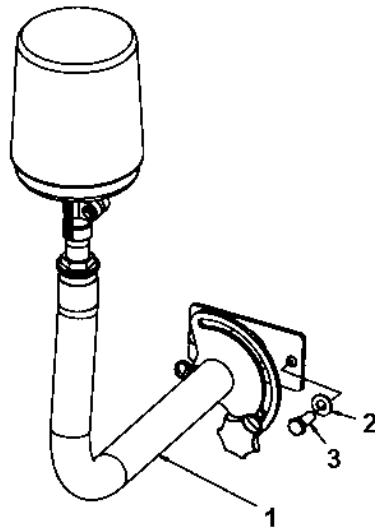
Rotating beacon module



**Rotating beacon module**

<b>Item</b>	<b>Part No</b>	<b>Rem Qty</b>	<b>Description</b>	<b>Code</b>
1	4700393590	1	Bracket	
2	4700392158	1	Bracket	
3	4700392321	1	Bracket	
4	4812111326	1	Rotating beacon	
	4812156057	1	. Lens	
5	4700792410	1	Star knob	
6	4700904230	2	Steel plain washer	C
7	4700500028	2	Screw	C
8	4700904640	1	Washer 8,4x22x3	C
9	4700902286	1	Hexagon lock nut with flange	C
10	4700904229	2	Washer 8,4x16x1,5	C
11	4700792419	2	T-stud	
12	4700792417	2	Wiring clip	
13	4812156056	1	Lens	

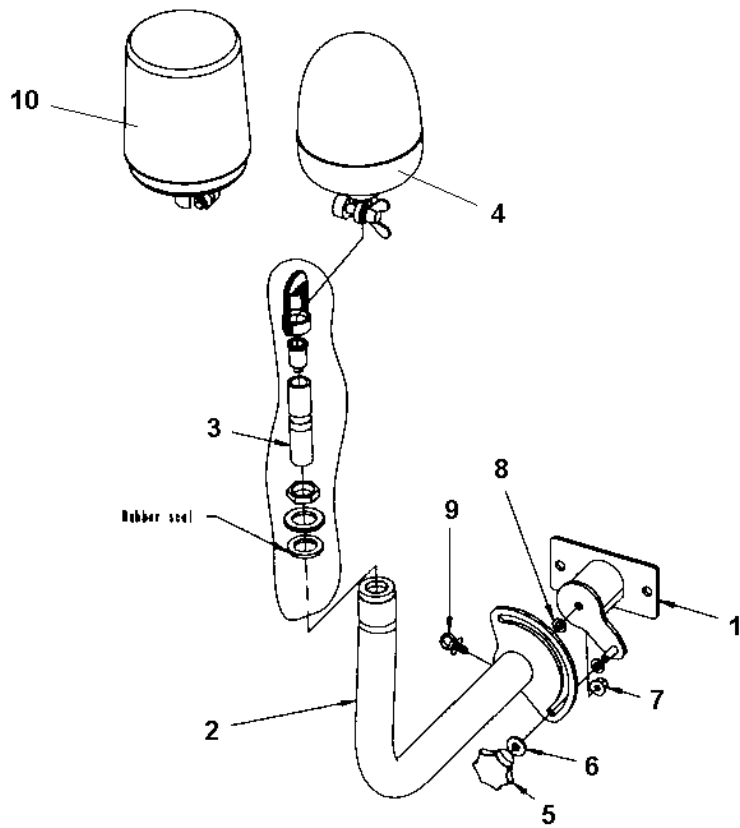
**Rotating beacon module**



**Rotating beacon module**

<b>Item</b>	<b>Part No</b>	<b>Rem Qty</b>	<b>Description</b>	<b>Code</b>
1		1	<b>Rotating beacon mount ( Page 322 )</b>	
2	4700904230	2	Steel plain washer	C
3	4700500028	2	Screw	C

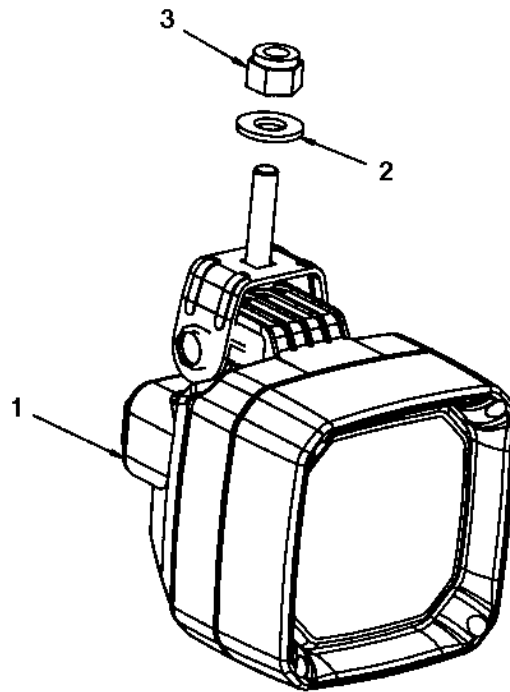
Rotating beacon mount



Rotating beacon mount

Item	Part No	Rem Qty	Description	Code
1	4700397516	1	Bracket	
2	4700397517	1	Arm	
3	4700392321	1	Bracket	
4	4812111326	1	Rotating beacon	
	4812156057	1	. Lens	
5	4700792410	1	Star knob	
6	4700904640	1	Washer 8,4x22x3	C
7	4700902286	1	Hexagon lock nut with flange	C
8	4700904229	2	Washer 8,4x16x1,5	C
9	4700792441	1	Cable tie with holder	
10	4812156056	1	Lens	

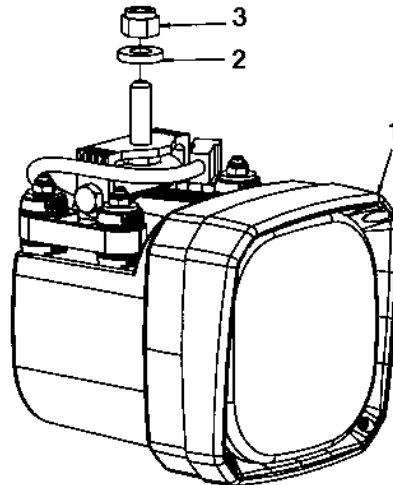
**Working light module H3**





**Working light module H3**

<b>Item</b>	<b>Part No</b>	<b>Rem Qty</b>	<b>Description</b>	<b>Code</b>
1	4700392033	1	Working light	
	4700792352	1	. Bulb	
2	4700904230	1	Steel plain washer	C
3	4700586018	1	Lock nut	C



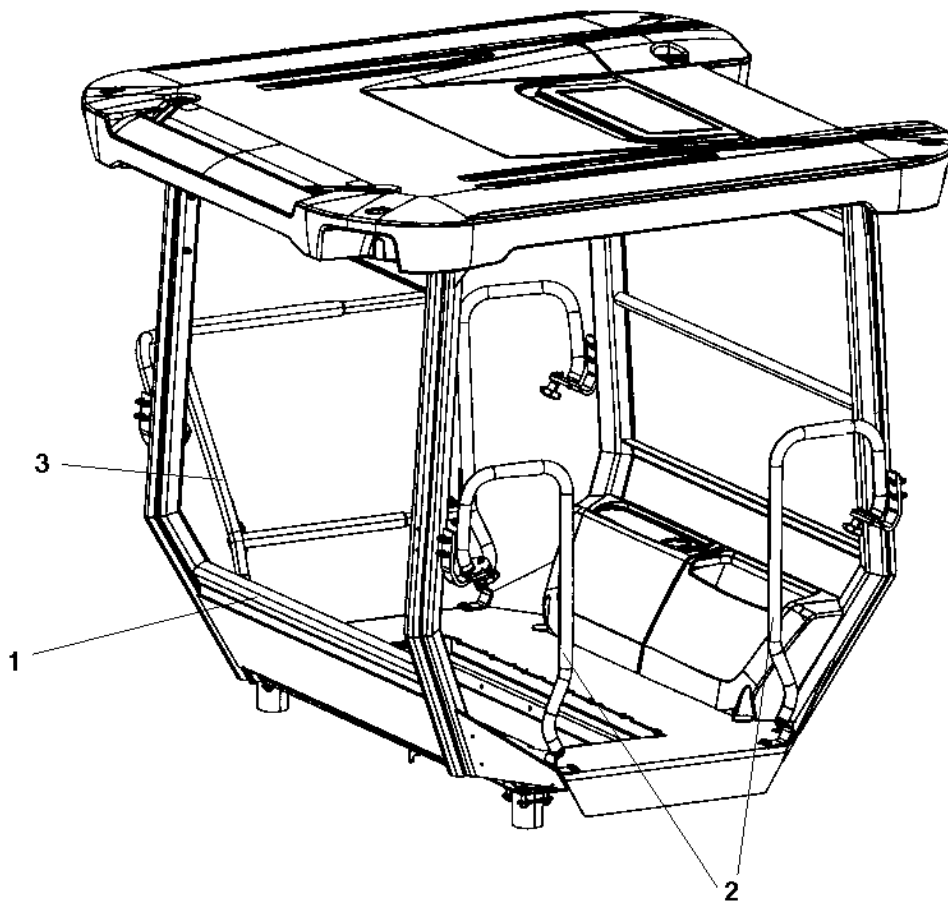
**Working light module Xenon**

<b>Item</b>	<b>Part No</b>	<b>Rem Qty</b>	<b>Description</b>	<b>Code</b>
1	4700393538	1	Xenon lamp	
2	4700904557	1	Steel plain washer	C
3	4700586018	1	Lock nut	C



**Drivers platform**

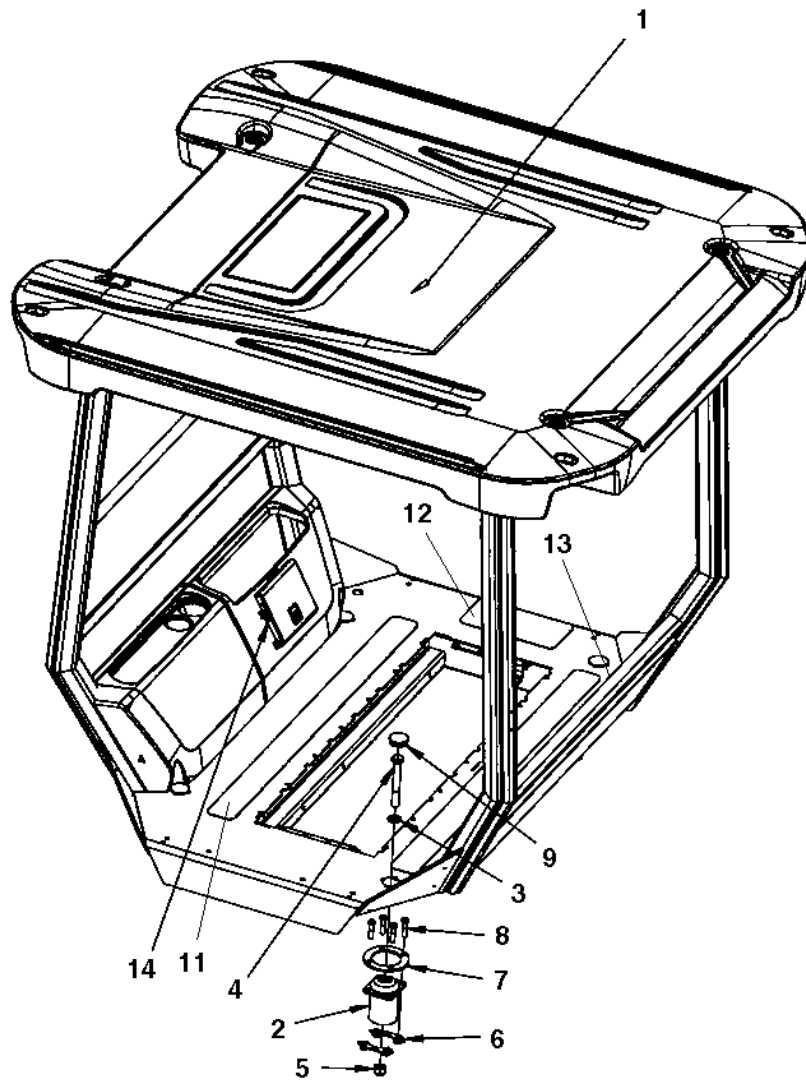
<b>Item</b>	<b>Part No</b>	<b>Rem Qty</b>	<b>Description</b>	<b>Code</b>
1			Platform, no cab ( Page 330 )	
2			Canopy ( Page 352 )	
3			Cab, asymmetric ( Page 358 )	
			Cab, symmetric ( Page 394 )	
4			Cab heater system ( Page 404 )	
5		1	Cab noise cover ( Page 408 )	
6			Radio and cd player ( Page 410 )	
7		2	Rear view mirror module ( Page 412 )	
8			Drivers seat ( Page 414 )	



**Platform, no cab**

<b>Item</b>	<b>Part No</b>	<b>Rem Qty</b>	<b>Description</b>	<b>Code</b>
1		1	Platform with 4-post ROPS ( Page 332 )	
		1	Platform no ROPS ( Page 334 )	
2		1	Hand rail, left ( Page 340 )	
3		1	Hand rail, right ( Page 344 )	
8		1	Lunch box module ( Page 350 )	

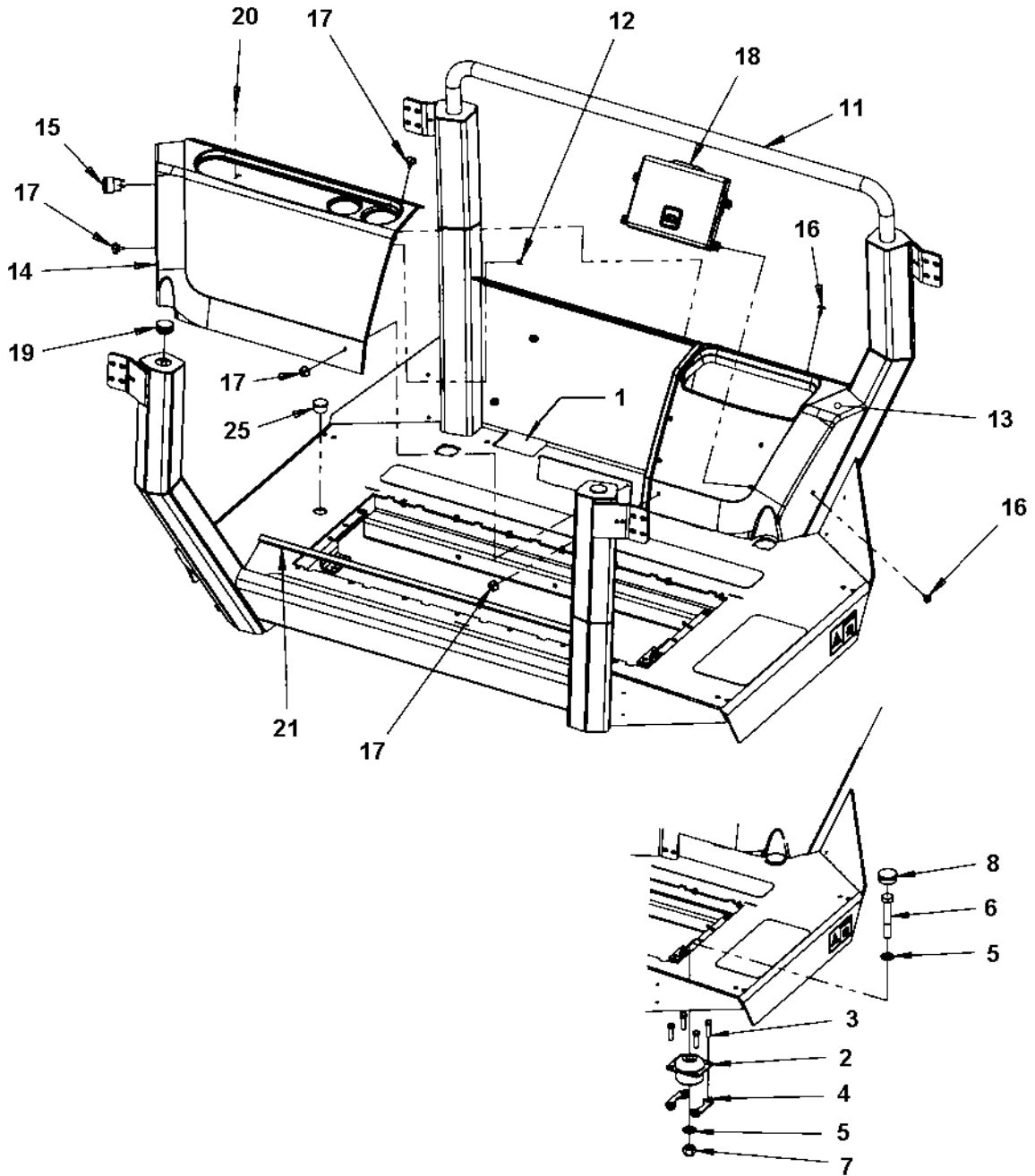
Platform with 4-post ROPS





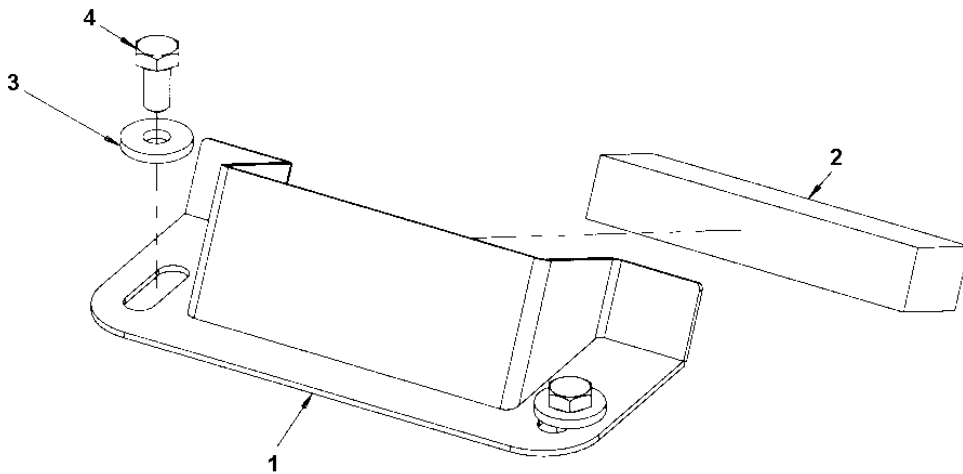
**Platform with 4-post ROPS**

<b>Item</b>	<b>Part No</b>	<b>Rem Qty</b>	<b>Description</b>	<b>Code</b>
1	4700390868	1	Platform with 4-post ROPS	
	4700395860	1	Roof	
2	4700384855	4	Shock absorber	
3	4700904233	4	Steel plain washer	C
4	4700903633	4	Screw M20x150 10,9	
5	4700901145	4	Lock nut M20-10	
6	4700393525	8	Holder	
7	4700359998	4	Back-up ring	C
8	4700500195	16	Screw	C
9	4700904131	4	Plug	
11	4700372121	2	Slip protection	D
12	4700373363	1	Slip protection	D
13	4700393978	1	Slip protection	
14		1	<b>Manual box ( Page 338 )</b>	



Platform no ROPS

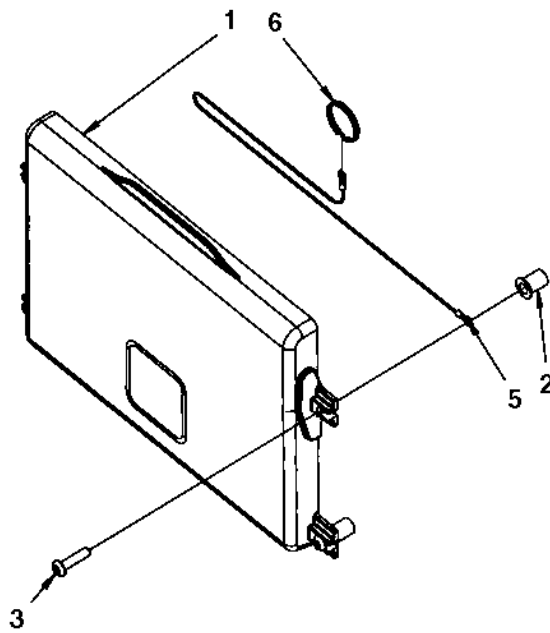
Item	Part No	Rem Qty	Description	Code
1		1	<b>Cover module ( Page 336 )</b>	
2	4700373399	4	Shock absorber	D
3	4700500056	16	Screw	C
4	4700393525	8	Holder	
5	4700904233	8	Steel plain washer	C
6	4700500228	4	Screw M20-2,5x120 8,8	C
7	4700901145	4	Lock nut M20-10	
8	4700395840	4	Plug	
11	4812110827	1	Platform cpl	
12	4812110586	1	. Cage nut	
13	4700395857	1	. Rear cover, left	
14	4700395783	1	. Rear cover, right	
15	4700395816	1	. Plug socket 24V	
16	4700395785	3	. Expansion rivet	
17	4700395786	5	. Knob	
18		1	<b>. Manual box ( Page 338 )</b>	
19	4700792449	2	. Protective plug	
20	4700902804	2	. Plug	
21	4700902379	1XL	. Edge trim	C
22	4700373363	1	. Slip protection	D
23	4700372121	2	. Slip protection	D
25	4700901446	1	. Plug	



**Cover module**

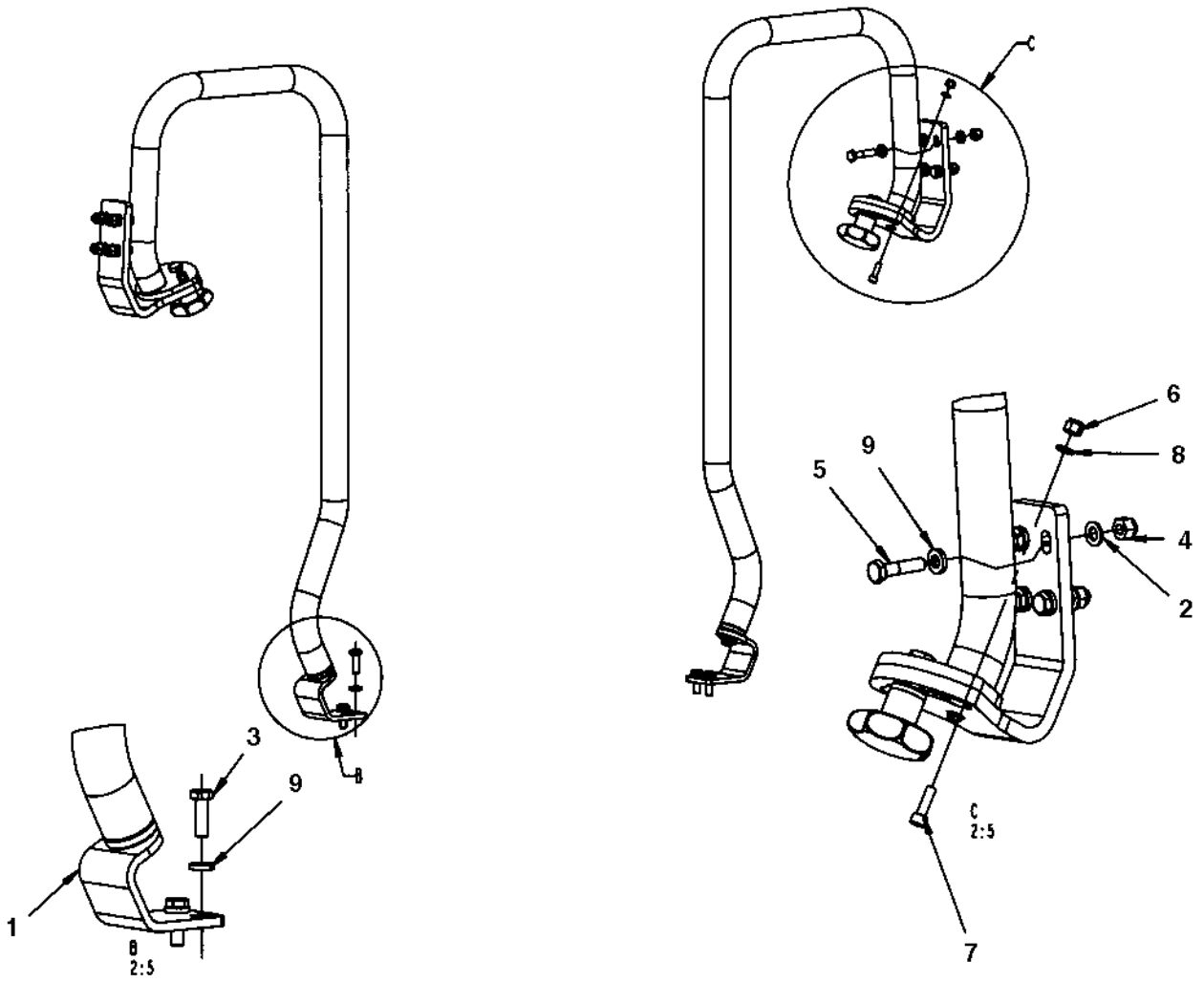
Item	Part No	Rem	Qty	Description	Code
1	4700396923		1	Cover plate	
2	4700792796	A	1	Rubber strip 25x20	
3	4700904640		2	Washer 8,4x22x3	C
4	4700500019		2	Screw M8x16H 8.8 A2K	C

A) L = 0,112 m



**Manual box**

<b>Item</b>	<b>Part No</b>	<b>Rem Qty</b>	<b>Description</b>	<b>Code</b>
1	4700383705	1	Instruction book holder	D
2	4700792536	4	Rubber nut	
3	4700792589	4	Screw	
5	4700384584	1	Wire	
6	4700358254	1	Key-ring	D

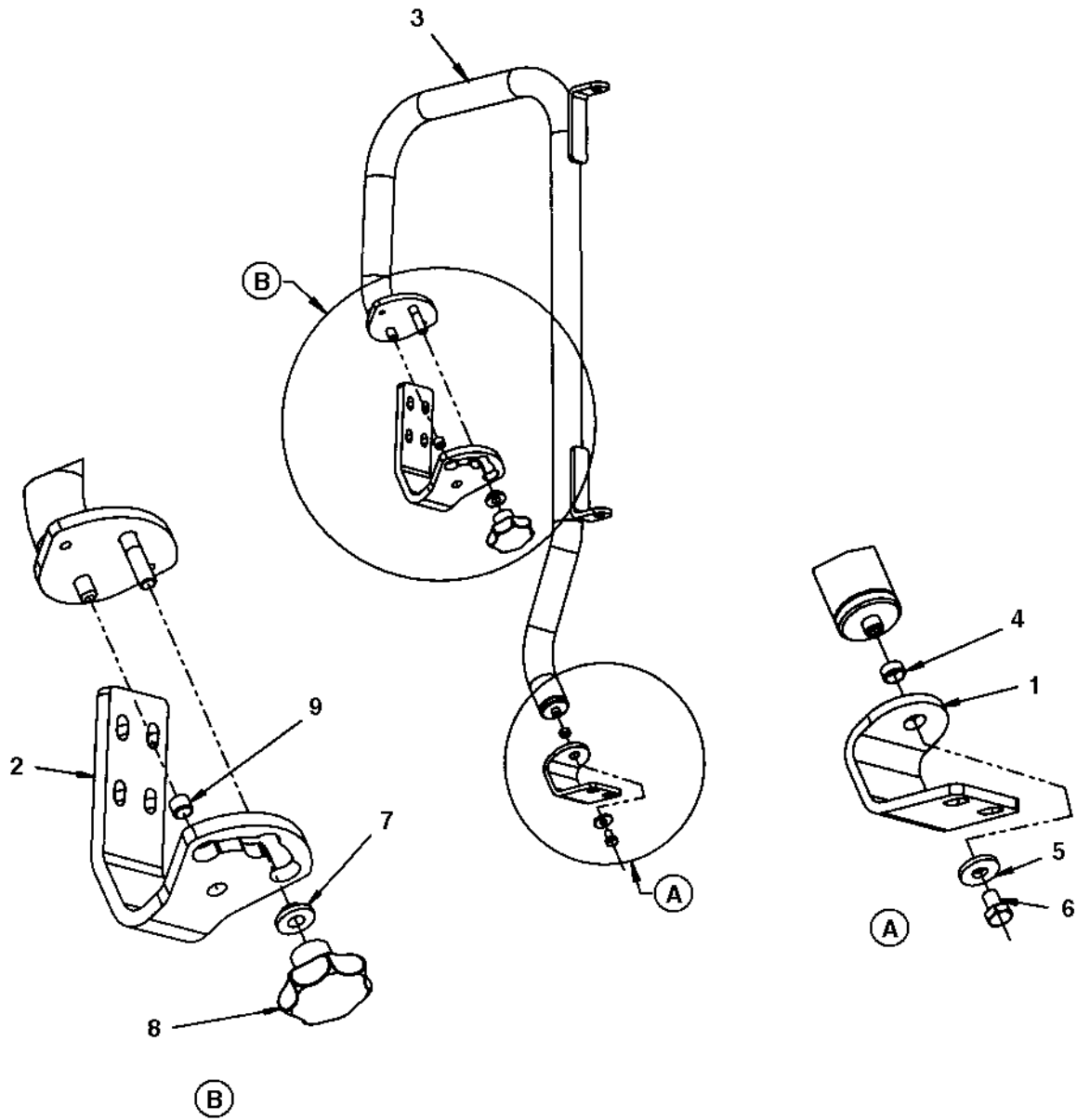




**Hand rail, left**

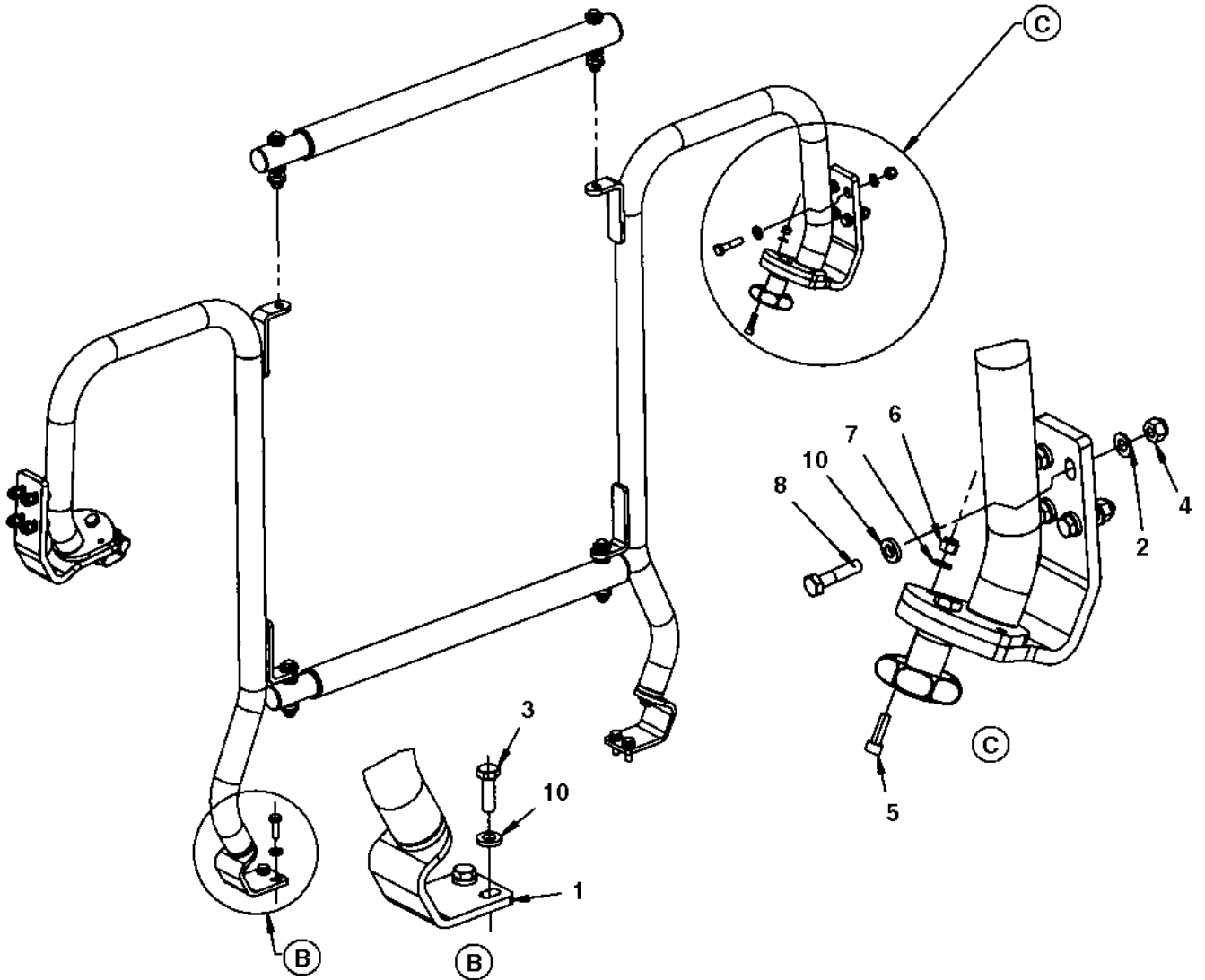
<b>Item</b>	<b>Part No</b>	<b>Rem Qty</b>	<b>Description</b>	<b>Code</b>
1		2	<b>Hand rail ( Page 342 )</b>	
2	4700904229	8	Washer 8,4x16x1,5	C
3	4700500021	4	Screw M8-1,25x25 8.8	C
4	4700586003	8	Lock nut M8	C
5	4700500047	8	Hexagon head screw	C
6	4700586002	2	Lock nut M6 -8	C
7	4700508025	2	Screw M6x20	
8	4700904228	2	Washer 6,4x12x1,5	C
9	4700904556	12	Washer 8,4x16x3,0	C

Hand rail



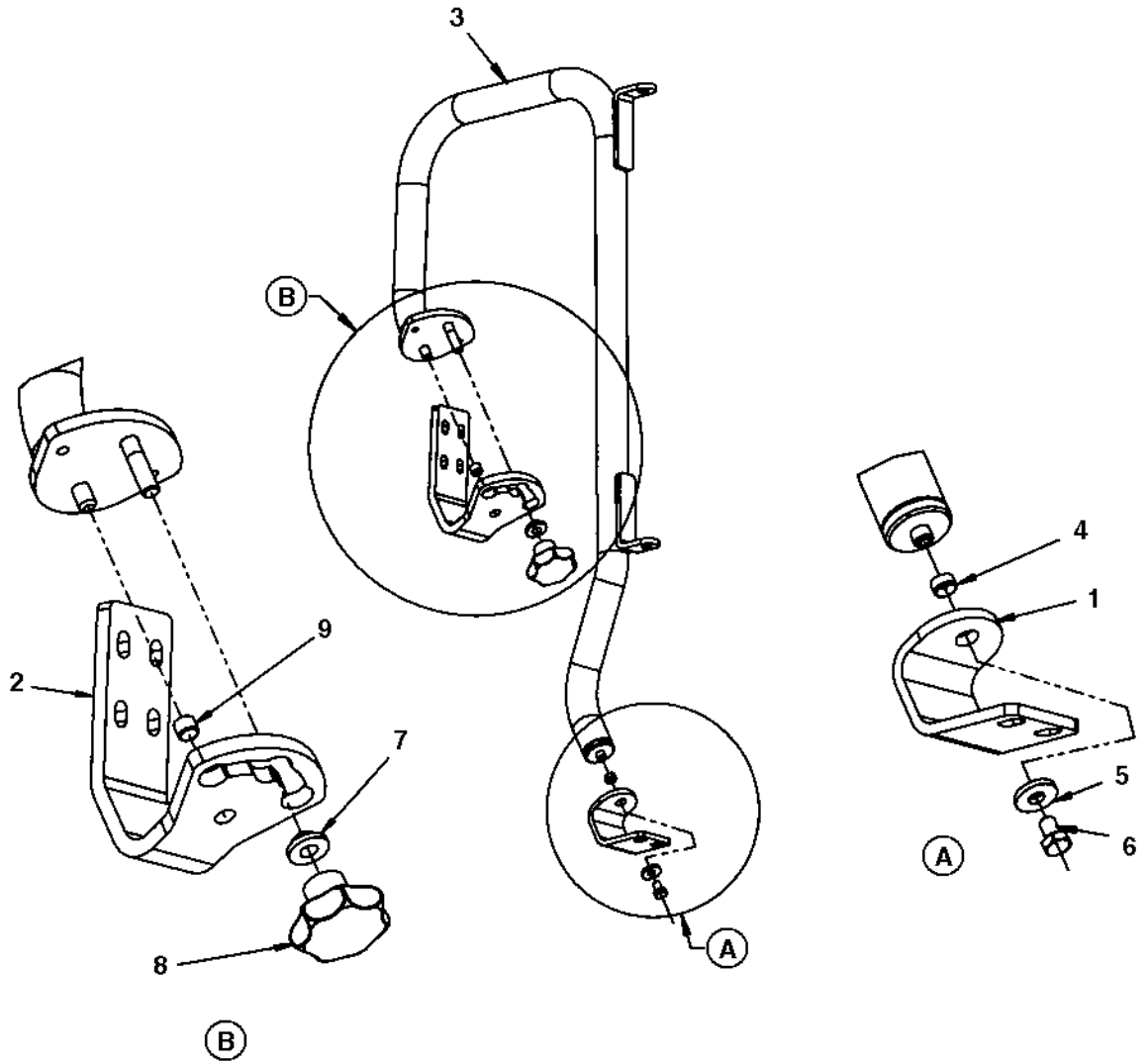
Hand rail

Item	Part No	Rem Qty	Description	Code
1	4700381936	1	Bracket	
2	4700381935	1	Bracket	
3	4700390155	1	Hand rail	
4	4700792448	1	Plastic bushing	
5	4700904640	1	Washer 8,4x22x3	C
6	4700500018	1	Screw M8-1,25x12 8,8	C
7	4700370286	1	Washer	C
8	4700499174	1	Knob	
9	4700792447	1	Plastic bushing	



**Hand rail, right**

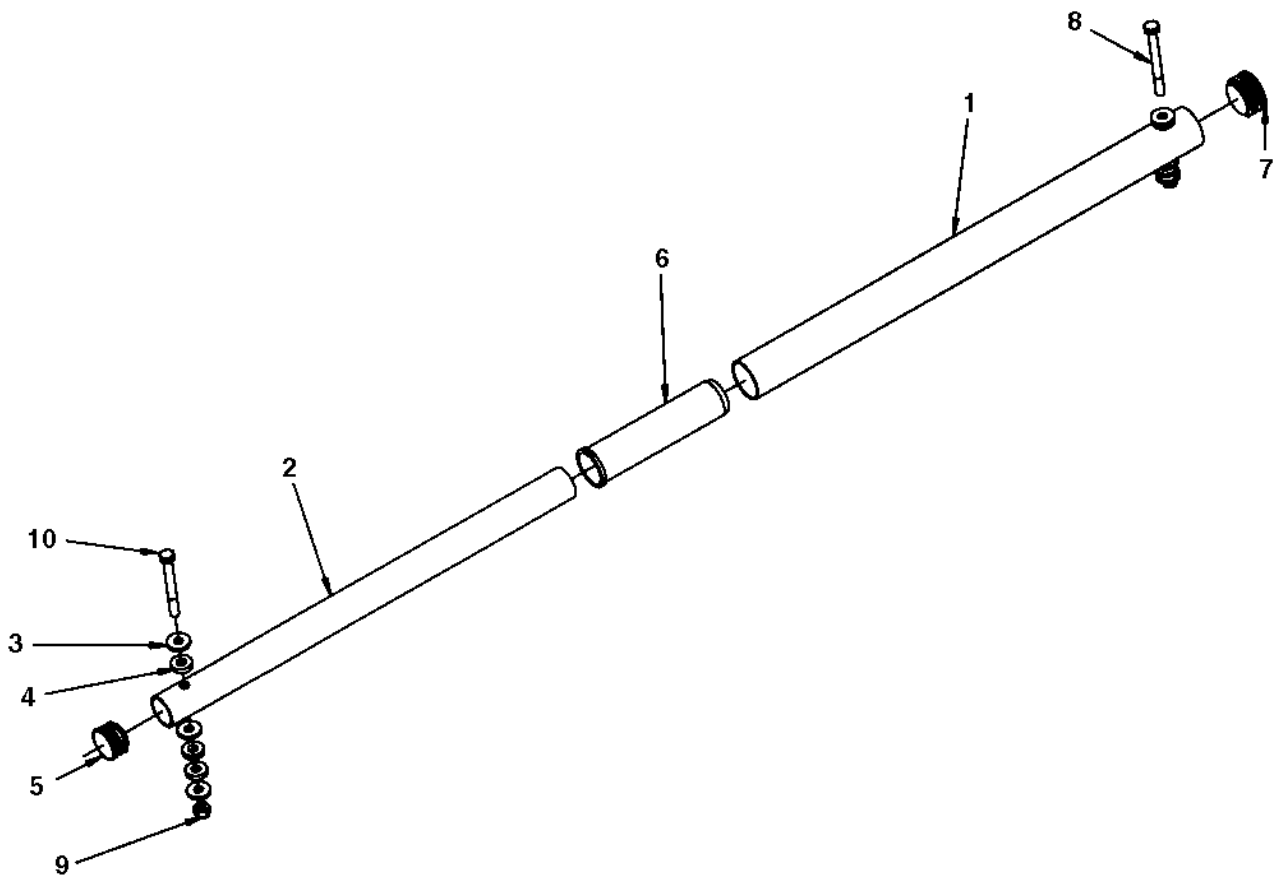
<b>Item</b>	<b>Part No</b>	<b>Rem Qty</b>	<b>Description</b>	<b>Code</b>
1		1	<b>Hand rail ( Page 346 )</b>	
2	4700904229	8	Washer 8,4x16x1,5	C
3	4700500021	4	Screw M8-1,25x25 8.8	C
4	4700586003	8	Lock nut M8	C
5	4700508025	2	Screw M6x20	
6	4700586002	2	Lock nut M6 -8	C
7	4700904228	2	Washer 6,4x12x1,5	C
8	4700500047	8	Hexagon head screw	C
9		2	<b>Hand rail ( Page 348 )</b>	
10	4700904556	12	Washer 8,4x16x3,0	C



Hand rail

Item	Part No	Rem Qty	Description	Code
1	4700381936	1	Bracket	
2	4700381935	1	Bracket	
3	4700381934	1	Hand rail	
4	4700792448	1	Plastic bushing	
5	4700904640	1	Washer 8,4x22x3	C
6	4700500018	1	Screw M8-1,25x12 8,8	C
7	4700370286	1	Washer	C
8	4700499174	1	Knob	
9	4700792447	1	Plastic bushing	

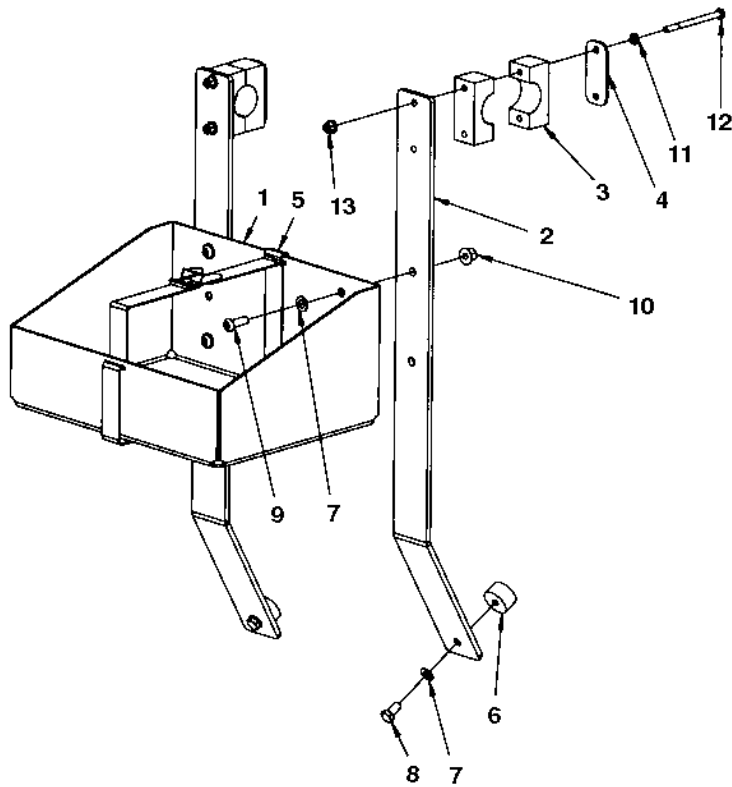
Hand rail





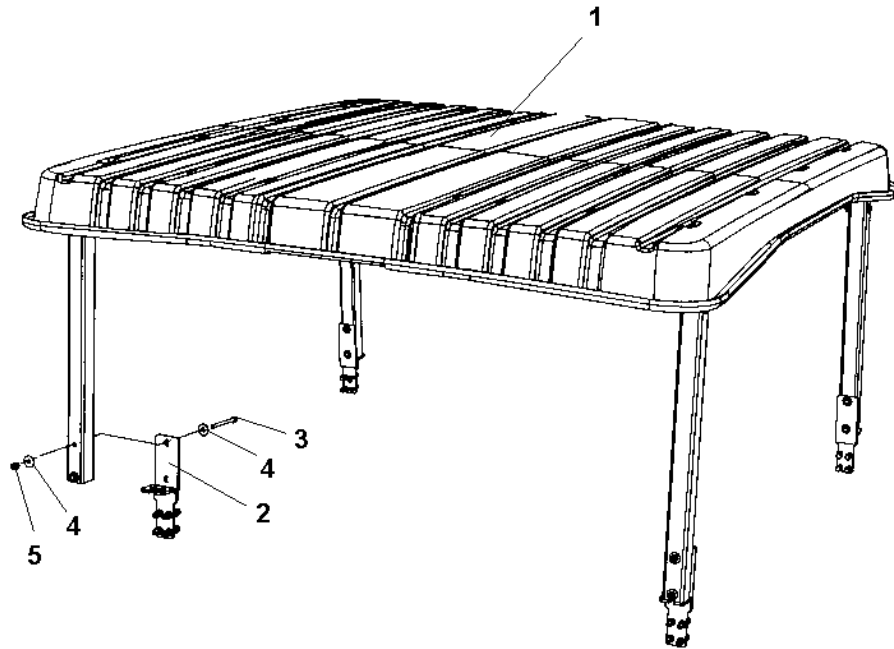
Hand rail

Item	Part No	Rem Qty	Description	Code
1	4700391675	1	Steel tube	
2	4700391676	1	Steel tube	
3	4700904640	6	Washer 8,4x22x3	C
4	4700391674	6	Rubber washer	
5	4700926216	1	Protective plug	
6	4700391678	1	Bushing	
7	4700792449	1	Protective plug	
8	4700500190	1	Screw	
9	4700586003	2	Lock nut M8	C
10	4700500189	1	Screw	C



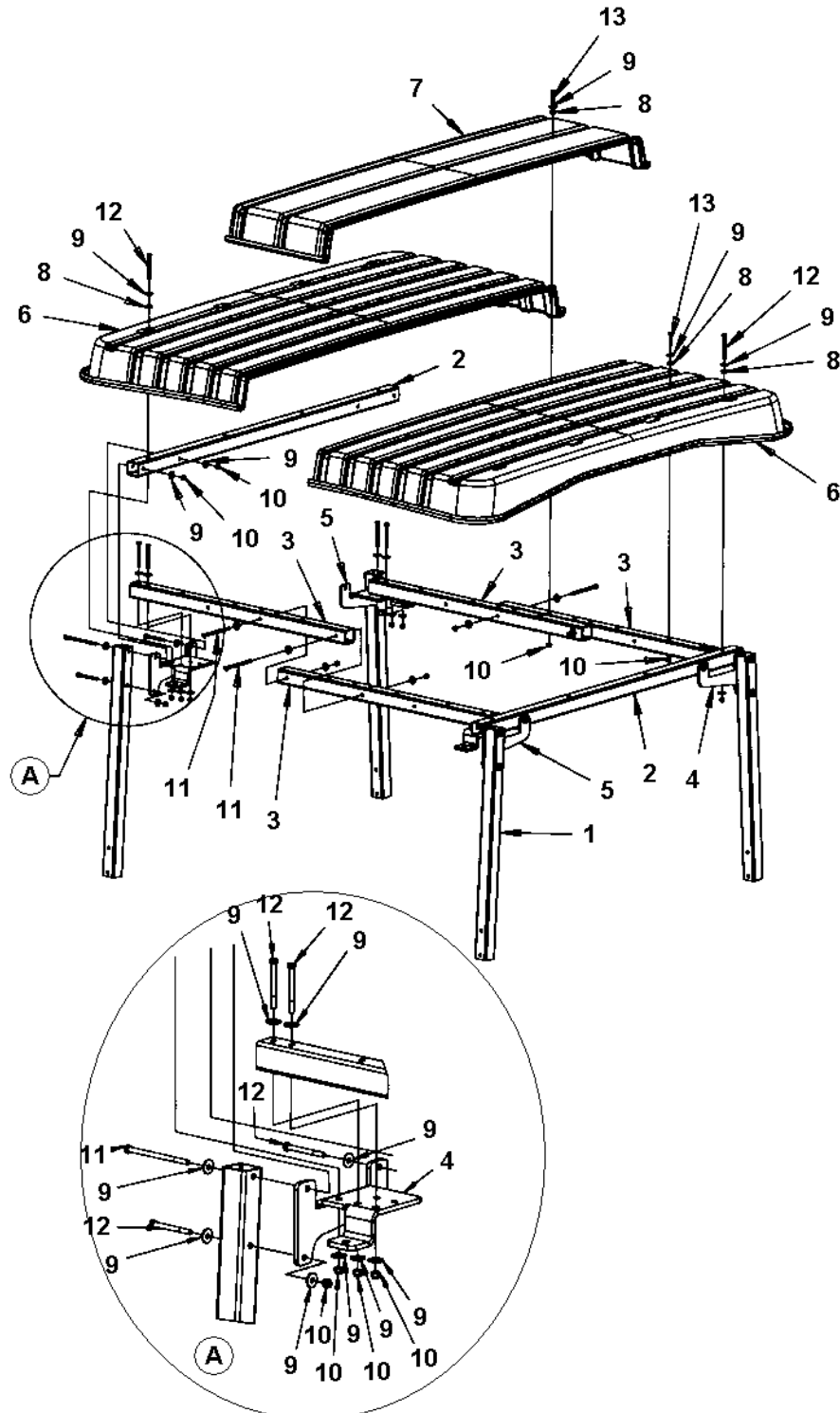
**Lunch box module**

<b>Item</b>	<b>Part No</b>	<b>Rem Qty</b>	<b>Description</b>	<b>Code</b>
1	4700377913	1	Box	
2	4700394859	2	Bracket	
3	4700904340	2	Pipe clamp	
4	4700924791	2	Cover plate	
5	4700287643	1	Metal strapping	D
6	4700450163	2	Shock absorber	D
7	4700904229	6	Washer 8,4x16x1,5	C
8	4700500019	2	Screw M8x16H 8.8 A2K	C
9	4700904654	4	Screw	
10	4700902286	4	Hexagon lock nut with flange	C
11	4700904228	4	Washer 6,4x12x1,5	C
12	4700500153	4	Screw	C
13	4700902285	4	Nut	C



**Canopy option**

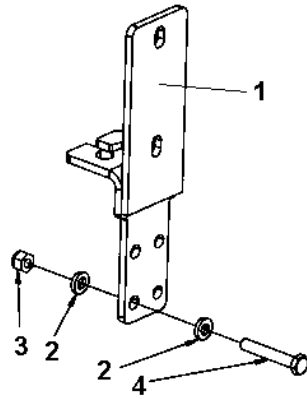
<b>Item</b>	<b>Part No</b>	<b>Rem Qty</b>	<b>Description</b>	<b>Code</b>
1		1	<b>Canopy assy ( Page 354 )</b>	
2		4	<b>Bracket ( Page 356 )</b>	
3	4700500190	8	Screw	
4	4700601003	16	Washer 8,4x25x2	C
5	4700586003	8	Lock nut M8	C



**Canopy assy**

<b>Item</b>	<b>Part No</b>	<b>Rem Qty</b>	<b>Description</b>	<b>Code</b>
1	4700393640	4	Pillar	
2	4700393641	2	Roof beam	
3	4700393642	4	Cross beam	
4	4700393645	2	Bracket	
5	4700393646	2	Bracket	
6	4700394139	2	Plastic roof	
7	4700394140	1	Plastic roof	
8	4700391674	22	Rubber washer	
9	4700601003	74	Washer 8,4x25x2	C
10	4700586003	46	Lock nut M8	C
11	4700500143	8	Screw	
12	4700500190	20	Screw	
13	4700904241	18	Screw	C

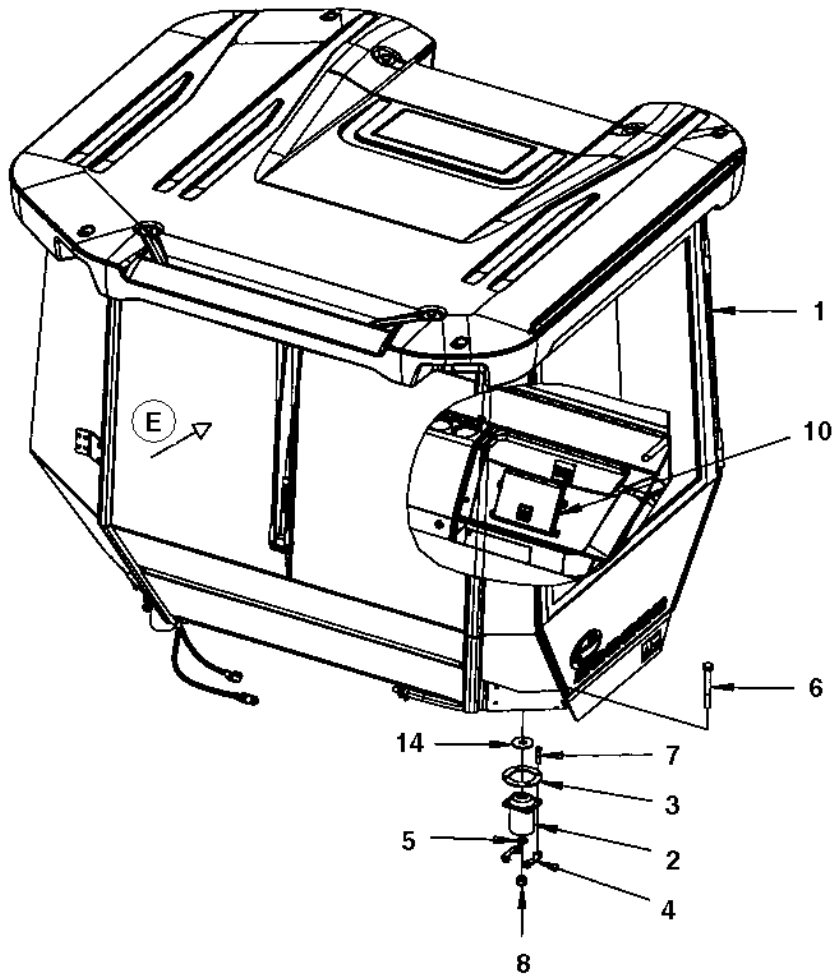
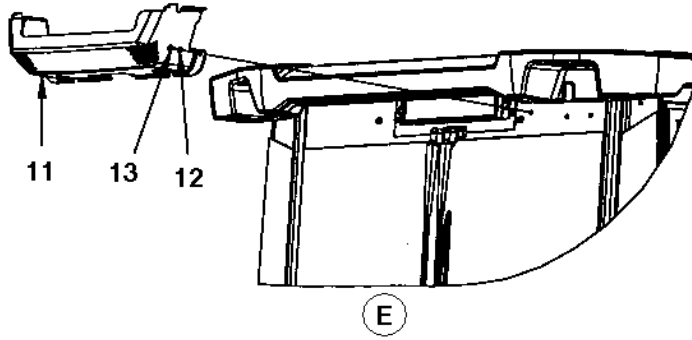
**Bracket**





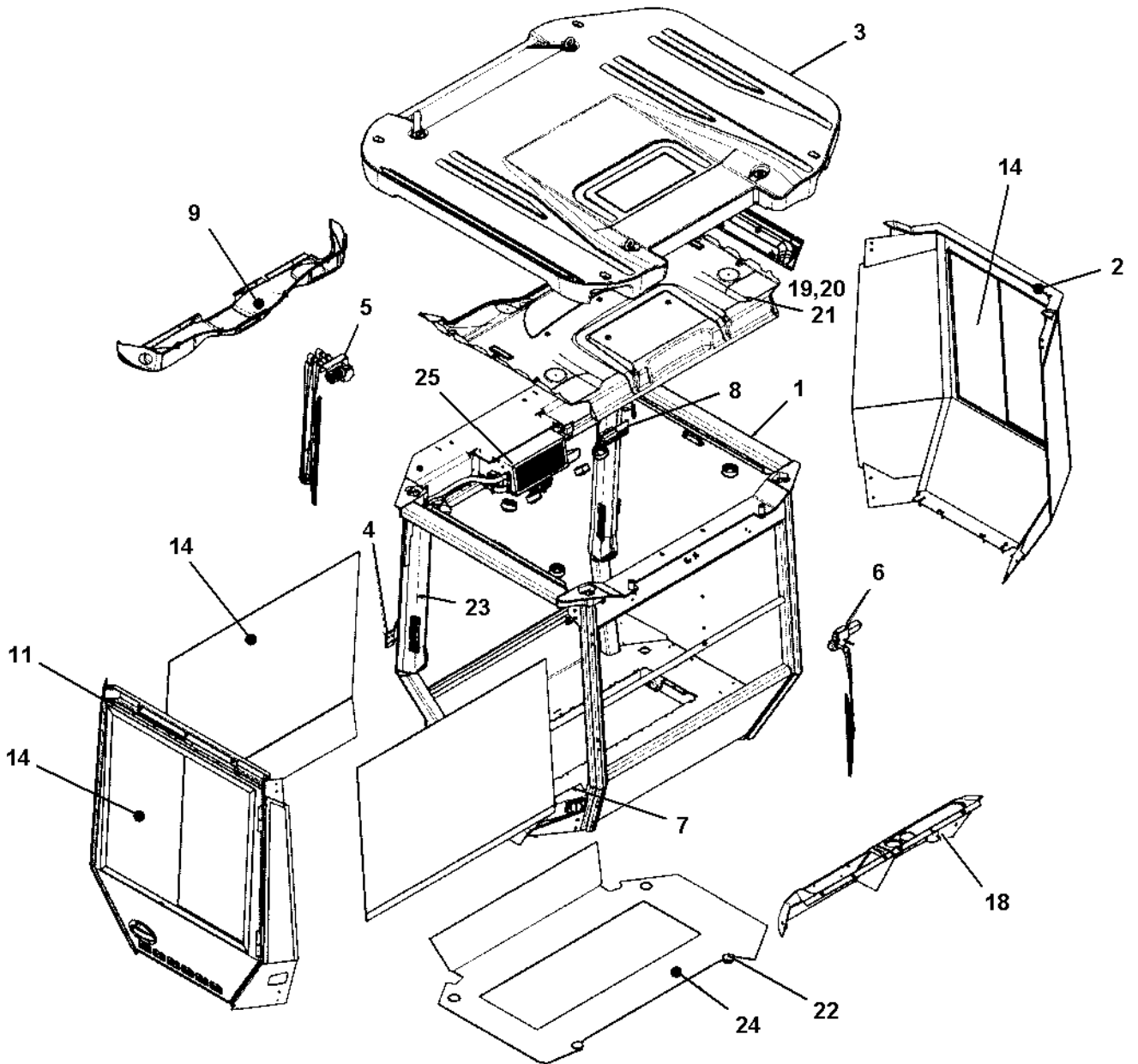
**Bracket**

<b>Item</b>	<b>Part No</b>	<b>Rem Qty</b>	<b>Description</b>	<b>Code</b>
1	4700393639	1	Bracket	
2	4700904556	8	Washer 8,4x16x3,0	C
3	4700586003	4	Lock nut M8	C
4	4700500239	4	Screw	C



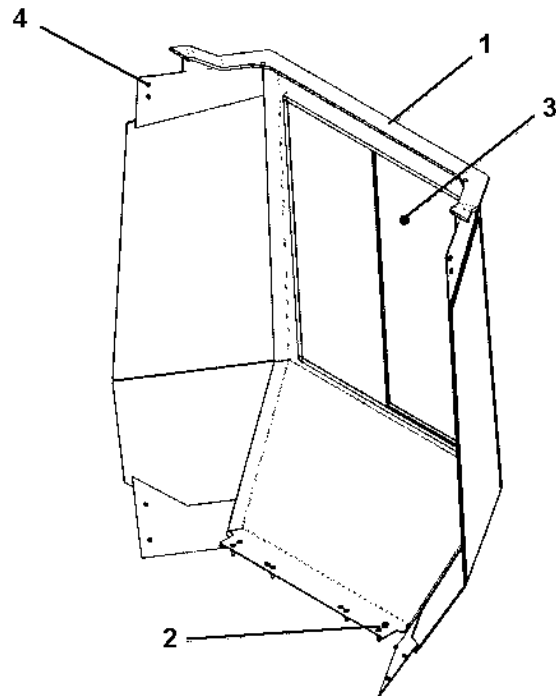
**Cab, asymmetric**

Item	Part No	Rem Qty	Description	Code
1	4700390864	1	<b>Cab, cpl ( Page 360 )</b>	
2	4700384855	4	Shock absorber	
3	4700359998	4	Back-up ring	C
4	4700393525	8	Holder	
5	4700904233	4	Steel plain washer	C
6	4700903633	4	Screw M20x150 10,9	
7	4700500195	16	Screw	C
8	4700901145	4	Lock nut M20-10	
10		1	<b>Manual box ( Page 338 )</b>	
11	4700393582	1	Cover	
12	4700904556	2	Washer 8,4x16x3,0	C
13	4700500018	2	Screw M8-1,25x12 8,8	C
14	4700347512	4	Washer	D



## 4700390864 Cab, cpl

Item	Part No	Rem Qty	Description	Code
1		1	Cab frame	D
2		1	<b>Cab frame, right side ( Page 362 )</b>	
3		1	<b>Roof ( Page 364 )</b>	
4		1	<b>General parts ( Page 366 )</b>	
5		1	<b>Windshield wiper, front ( Page 368 )</b>	
6		1	<b>Windshield wiper, rear ( Page 370 )</b>	
7		1	<b>Windshield washer reservoir ( Page 372 )</b>	
8		1	<b>Electric equipment ( Page 374 )</b>	
9		1	<b>Front panel ( Page 376 )</b>	
11		1	<b>Door frame ( Page 378 )</b>	
14		1	<b>Cab screens ( Page 382 )</b>	
18		1	<b>Rear covers ( Page 384 )</b>	
19	4700395829	5	Screw	
20	4700395830	5	Screw	
21	4700395825	1	Ceiling	
22	4700395840	4	Plug	
23		2	<b>Air channel ( Page 386 )</b>	
24	4700395859	1	Floor mat	
25		1	<b>Heater unit ( Page 388 )</b>	

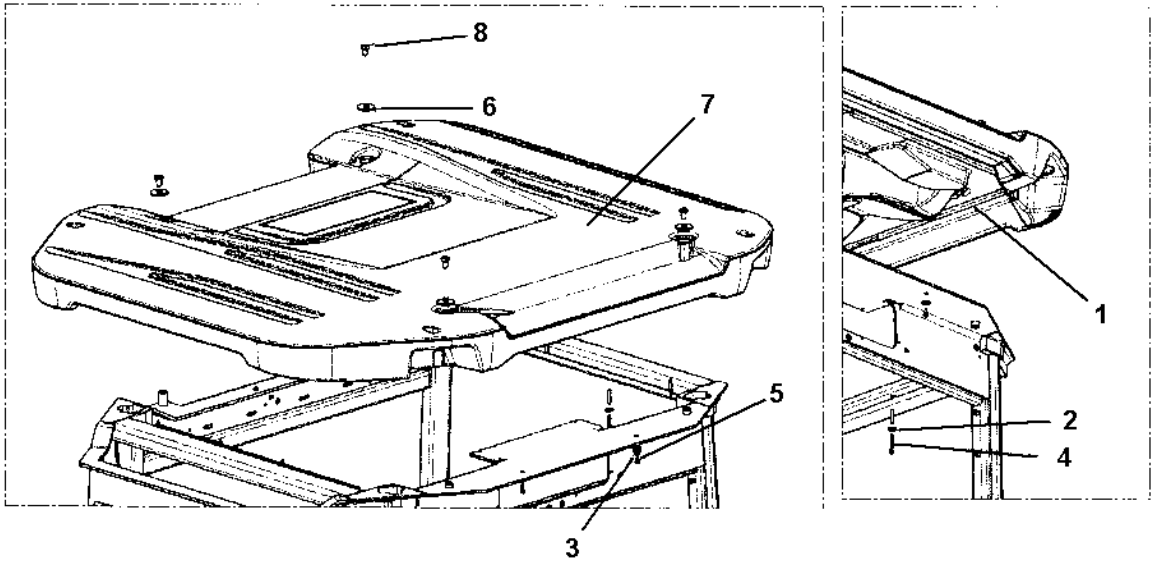


**Cab frame, right side**

<b>Item</b>	<b>Part No</b>	<b>Rem Qty</b>	<b>Description</b>	<b>Code</b>
1		1	Frame	
2	4700927637	6	Hexagon socket countersunk screw	
3		1	Screens	
4	4700500018	10	Screw M8-1,25x12 8,8	C

1) See section for Cab screens.

**Roof**

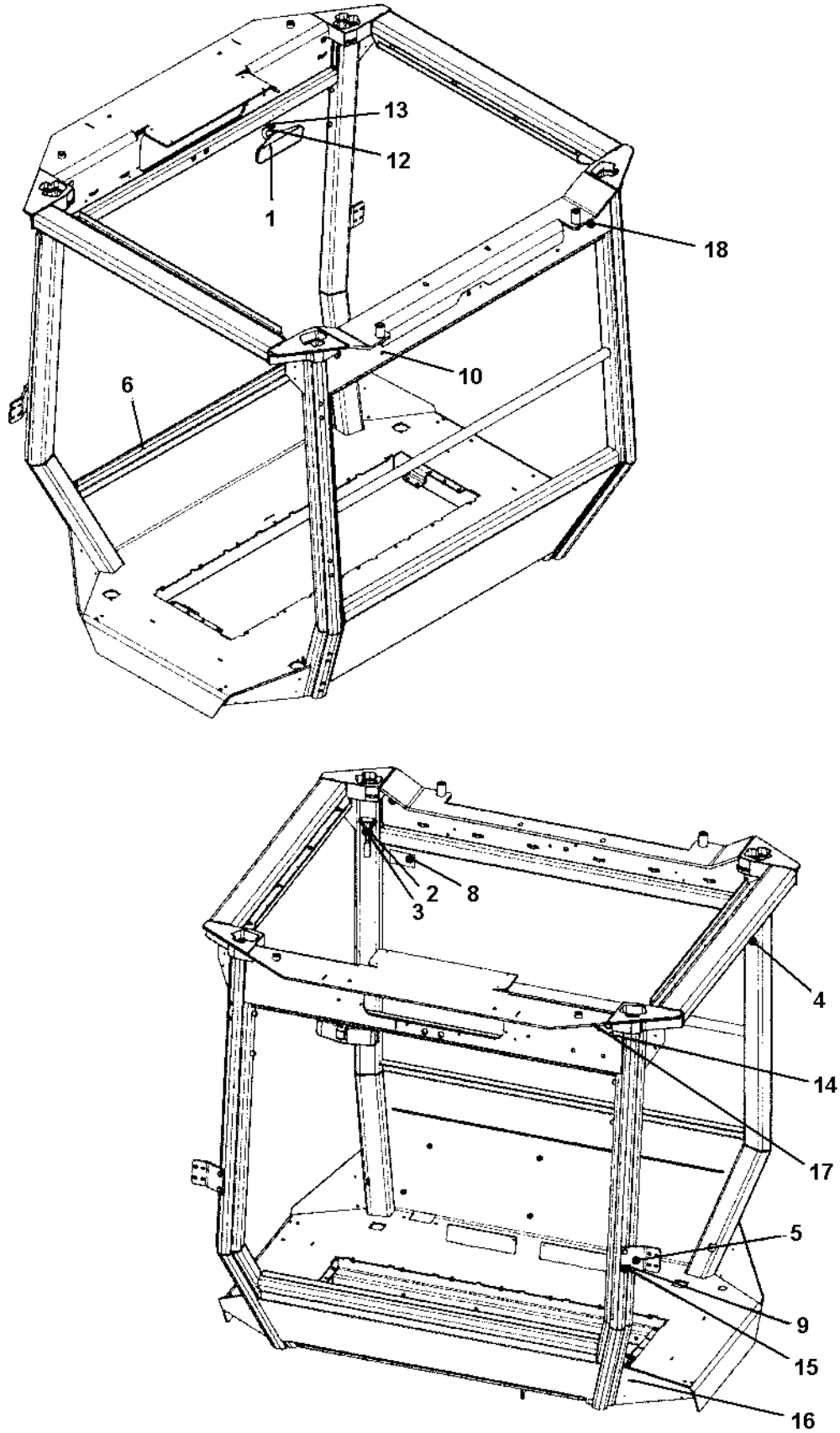




Roof

Item	Part No	Rem Qty	Description	Code
1		1XL	Sealing strip	C
2		8	Washer	C
3	4700603009	6	Washer	C
4		8	Stud bolt	C
5	4700500021	4	Screw M8-1,25x25 8.8	C
6		4	Washer	C
7	4700395855	1	Roof	
8	4700500154	4	Screw M16-2,0x25 8,8	

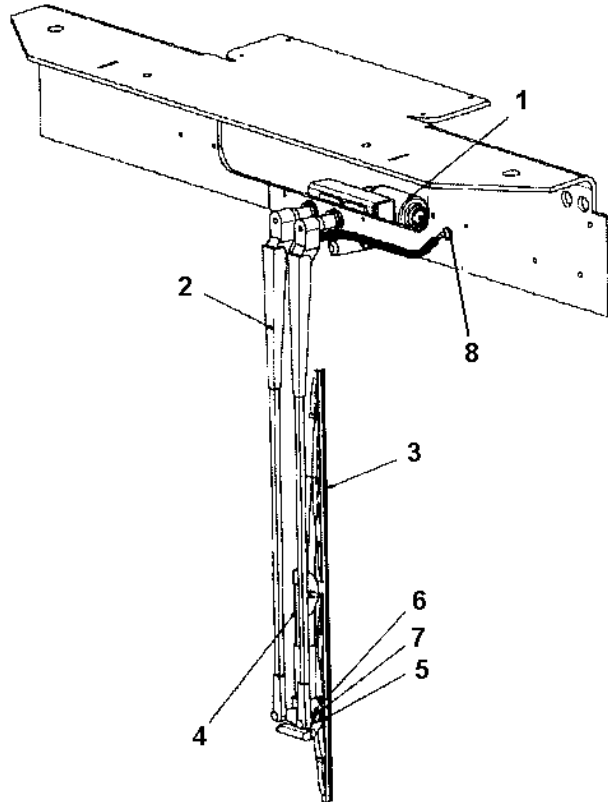
General parts



**General parts**

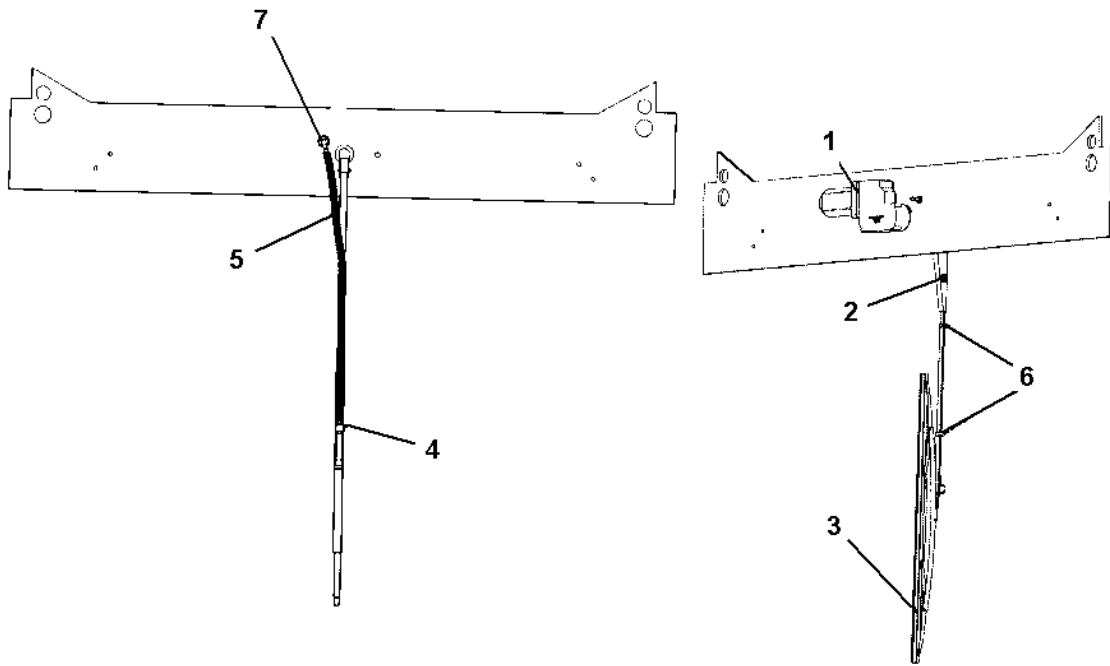
<b>Item</b>	<b>Part No</b>	<b>Rem Qty</b>	<b>Description</b>	<b>Code</b>
1	4700395792	1	Rear view mirror	
2	4700908507	1	Emergency hammer	D
3	4700908506	1	Holder	C
4	4700908505	1	Hook	C
5	4700395787	2	Holder plate	
6		1XL	Edge trim	
8	4700903590	1	Decal Emergency exit	
9	4700500048	4	Screw M10-1,5x20 8,8	C
10		6	Plug	C
12		1	Screw	C
13		1	Nut cap	C
14		20	Plug	C
15		8	Nut cap	C
16		10	Screw cap	C
17		1	Plug	C
18		1	Plug	C

Windshield wiper, front



Windshield wiper, front

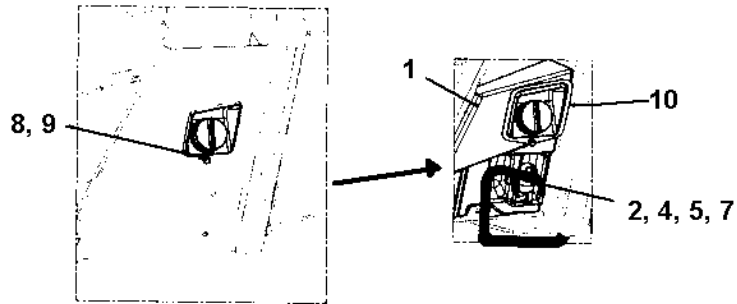
Item	Part No	Rem Qty	Description	Code
1	4700395810	1	Wiper motor	
2	4700395811	1	Wiper arm	
3	4700905306	1	Wiper blade	
4	4700395796	1	Mounting plate	
5	4700508021	1	Screw	
6	4700904229	1	Washer 8,4x16x1,5	C
7	4700586003	1	Lock nut M8	C
8	4700908561	1	Grommet	C



Windshield wiper, rear

Item	Part No	Rem Qty	Description	Code
1	4700945897	1	Wiper motor	
2	4700395813	1	Wiper arm	
3	4700395814	1	Wiper blade	
4	4700938256	1	Nozzle	
5		1XL	Rubber hose	
6		2	Hose fastener	
7	4700908561	1	Grommet	C

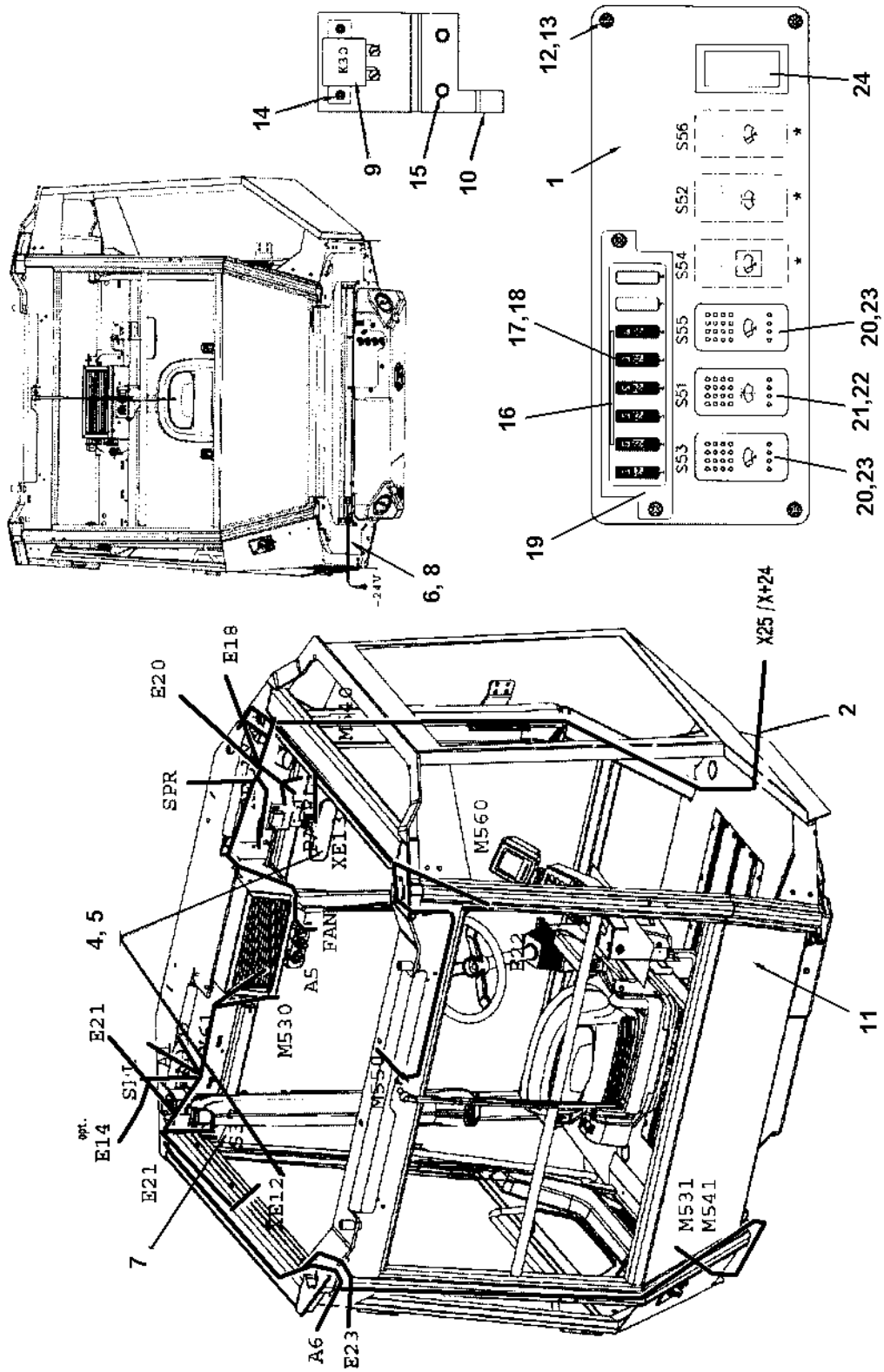
Windshield washer reservoir





**Windshield washer reservoir**

<b>Item</b>	<b>Part No</b>	<b>Rem Qty</b>	<b>Description</b>	<b>Code</b>
1	4700395793	1	Water reservoir	
2	4700395794	1	Electric motor	
4	4700908564	2	Check valve	C
5	4700908563	1XL	Plastic hose	B
7	4700395815	1	Seal ring	
8	4700904228	1	Washer 6,4x12x1,5	C
9	4700500013	1	Screw M6-1x16 8,8	C
10	4700395795	1	Gasket	

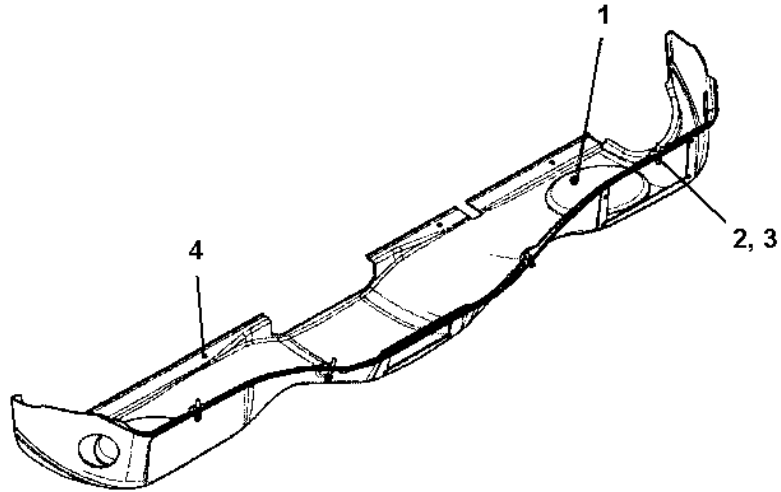


**Electric equipment**

Item	Part No	Rem	Qty	Description	Code
1			1	Control panel plate	
2	4700395798		1	Cable harness	
4	4700395800		2	Interior light	
5	4700792715		4	Bulb	
6			1	Screw	
7	4700908500		1	Door switch	B
8	4700395799		1	Ground cable	
9	4700792309		1	Relay	D
10			1	Mounting plate	D
11	4700395816		1	Plug socket 24V	
12			5	Rubber nut	
13			5	Screw	
14			2	Screw	
15			2	Screw	
16	4700791211		4	Contact bridge	
17	4700901227		4	Fuse 10A	A
18	4700901228		2	Fuse 15A	A
19	4700791185		1	Fuse box	
20			2	Button	
21			1	Button	
22	4700792505	A	1	Switch	
23	4700792504	B	2	Switch	
24	4700791588		4	Panel plug	

- A) Windshield washer.
- B) Windshield viper.

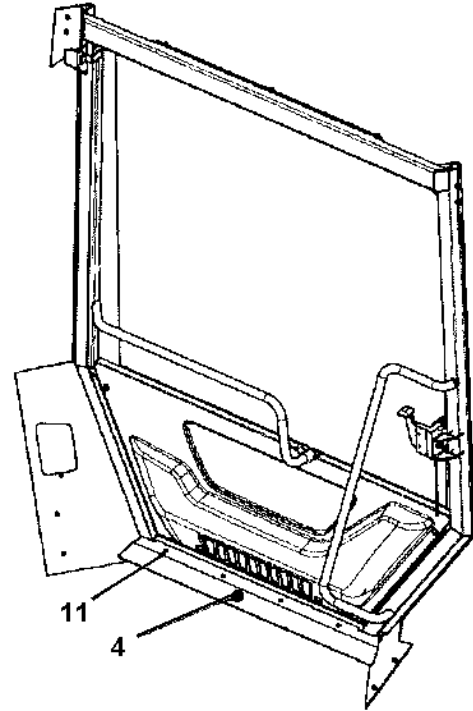
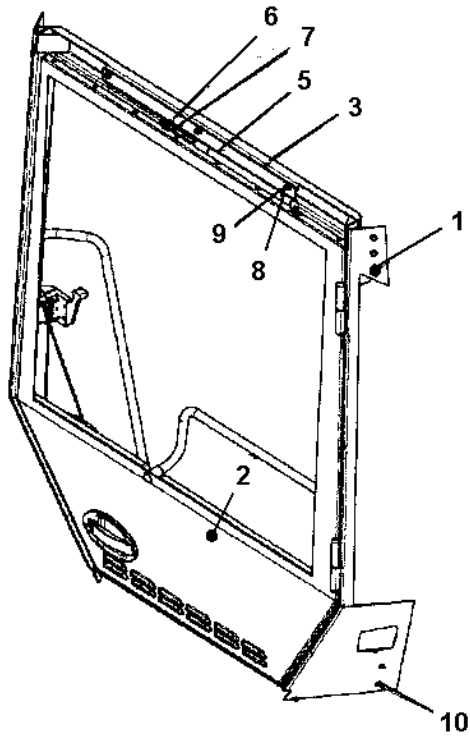
Front panel



**Front panel**

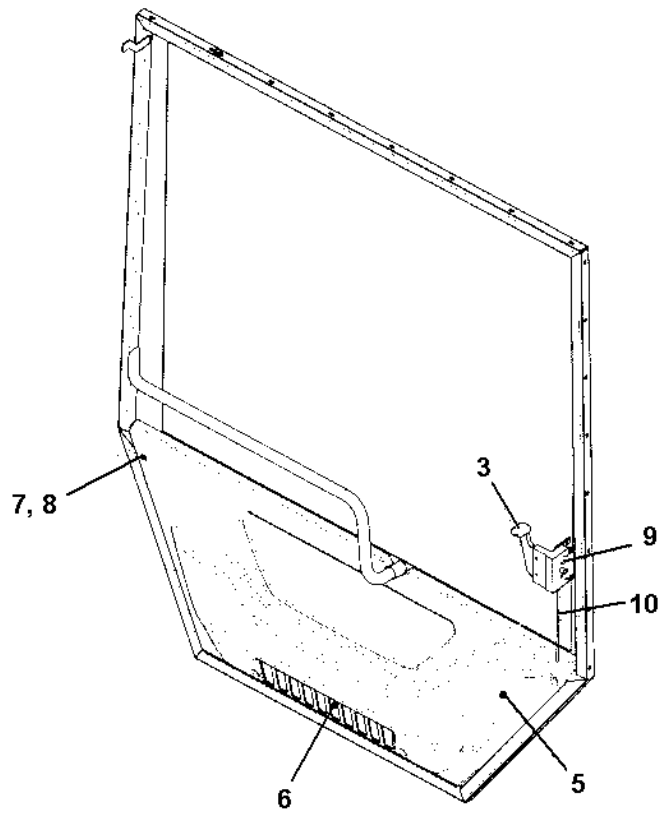
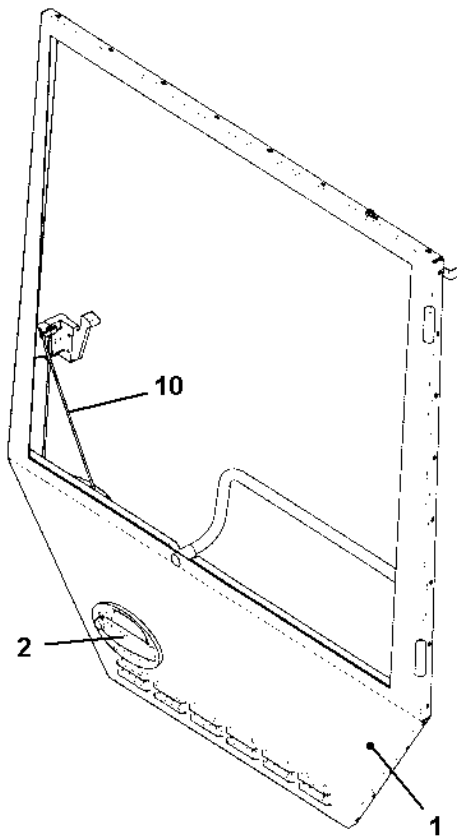
<b>Item</b>	<b>Part No</b>	<b>Rem Qty</b>	<b>Description</b>	<b>Code</b>
1	4700395856	1	Front panel	
2		4	Clamp screw	
3		4	Nut cap	
4		4	Collar screw M6	

Door frame



**Door frame**

<b>Item</b>	<b>Part No</b>	<b>Rem Qty</b>	<b>Description</b>	<b>Code</b>
1		1	Frame mount	
2	4700395806	1	<b>Door ( Page 380 )</b>	
3		1	Cover plate	
4		1	Plate	
5	4700908284	1	Gas spring	C
6	4700395817	1	Ball joint	
7	4700570005	1	Nut M8	C
8	4700586003	3	Lock nut M8	C
9	4700936277	3	Washer	C
10	4700500018	10	Screw M8-1,25x12 8,8	C
11		4	Screw	C

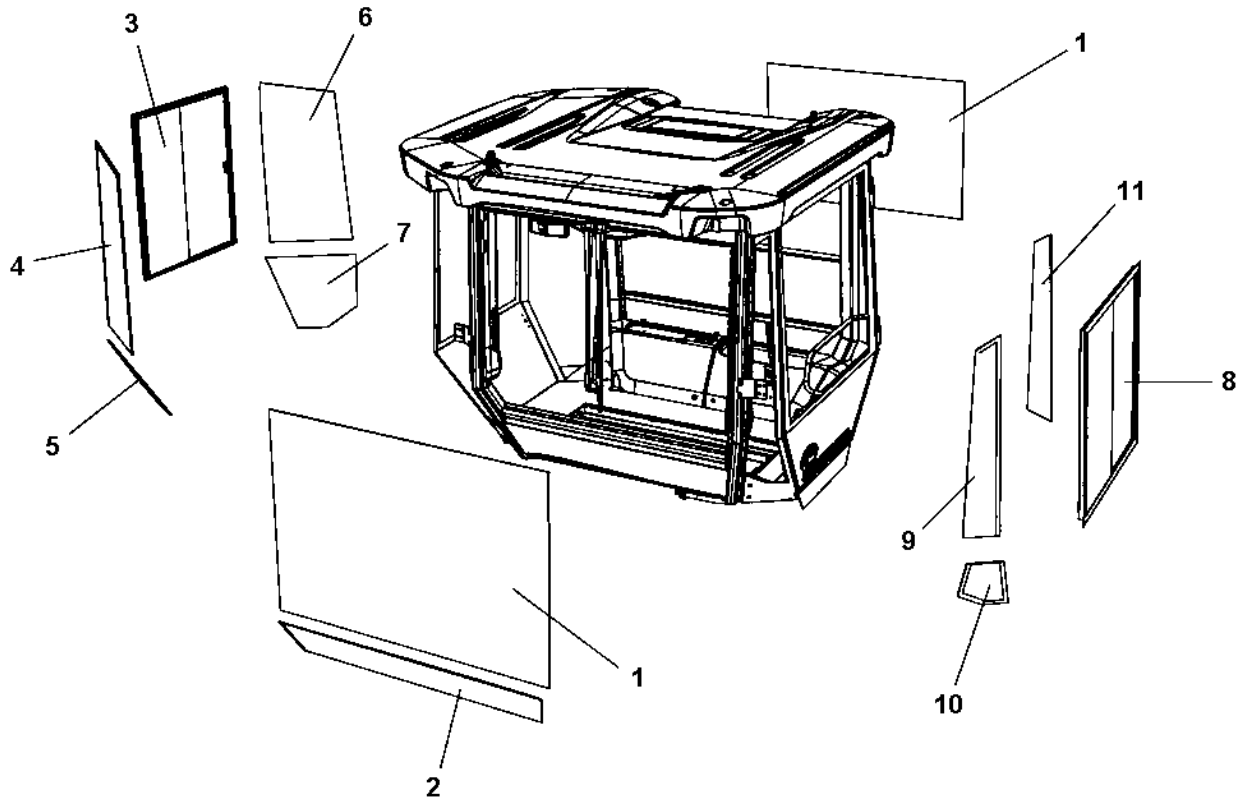




**4700395806 Door**

<b>Item</b>	<b>Part No</b>	<b>Rem Qty</b>	<b>Description</b>	<b>Code</b>
1		1	Door welded	C
2	4700395833	1	Handle, outer	
	4700902866	1	. Key Marked "455"	A
3	4700395834	1	Handle, inner	
5	4700395835	1	Plastic panel	
6	4700395836	1	Filter	
7	4700395837	4	Nut	
8	4700395838	4	Screw	
9		3	Screw	
10	4700395839	1	Rod	

**Cab screens**

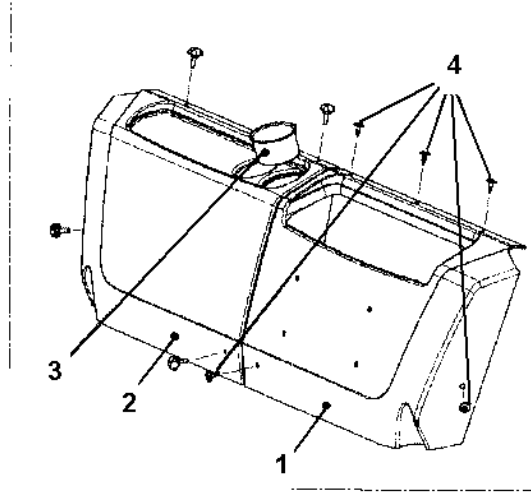
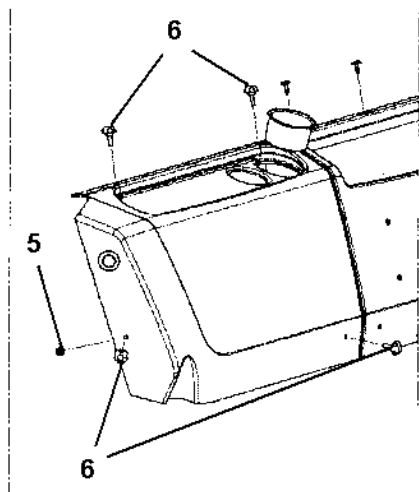


**Cab screens**

Item	Part No	Rem	Qty	Description	Code
1	4700393250		2	Windscreen	
2	4700393251	A	1	Screen	
3	4700395790	B	1	Sliding screen	
4	4700393634	B,C	1	Screen	
5	4700393637	B,A	1	Screen	
6	4700393635	B,D	1	Screen	
7	4700393636	B,E	1	Screen	
8	4700395803	F	1	Sliding screen	
9	4700393252	G,C	1	Screen	
10	4700393254	G,A	1	Screen	
11	4700393253	G,D	1	Screen	

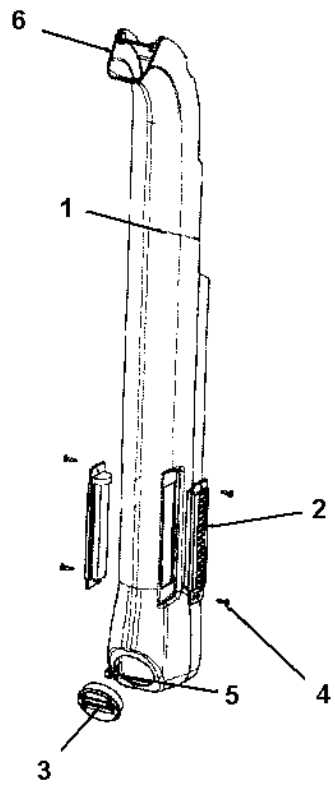
- A) Front lower
- B) Right side
- C) Front upper
- D) Rear upper
- E) Rear lower
- F) Door
- G) Left side

**Rear covers**



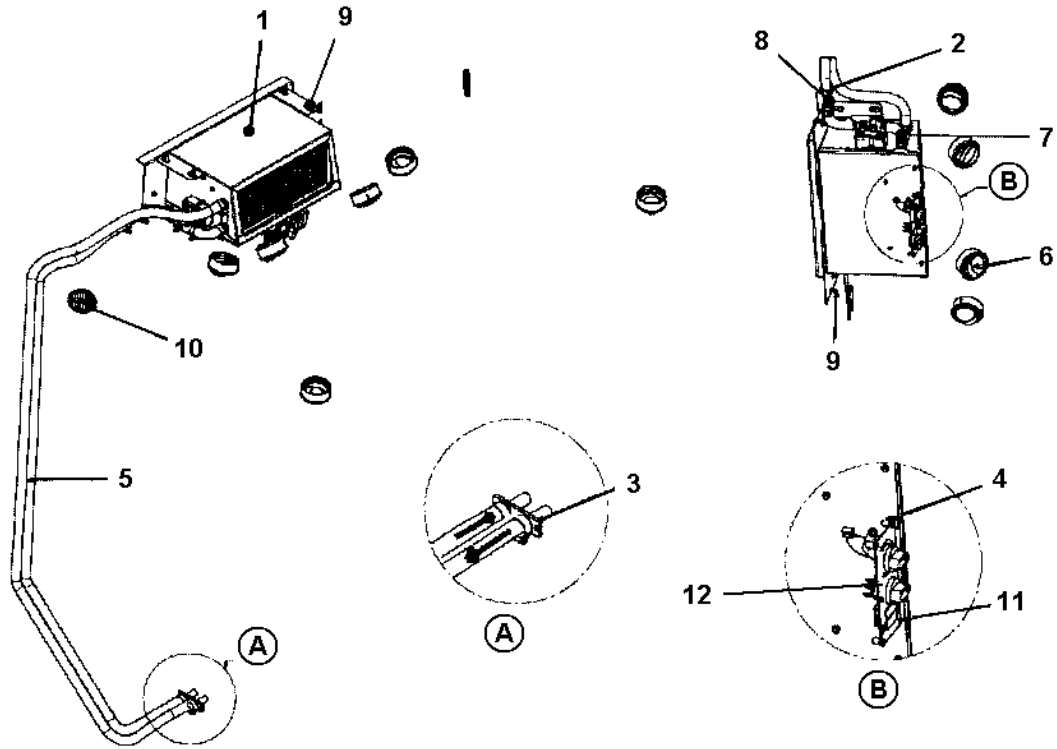
**Rear covers**

<b>Item</b>	<b>Part No</b>	<b>Rem Qty</b>	<b>Description</b>	<b>Code</b>
1	4700395857	1	Rear cover, left	
2	4700395783	1	Rear cover, right	
3	4700395784	1	Mug holder	
4	4700395785	5	Expansion rivet	
5		1	Nut	
6	4700395786	4	Knob	



**Air channel**

<b>Item</b>	<b>Part No</b>	<b>Rem Qty</b>	<b>Description</b>	<b>Code</b>
1		1	Cover	
2	4700395831	2	Air nozzle	
3	4700395832	1	Air nozzle	
4	4700395829	4	Screw	
5		1	Screw	
6		1XL	Edge trim	

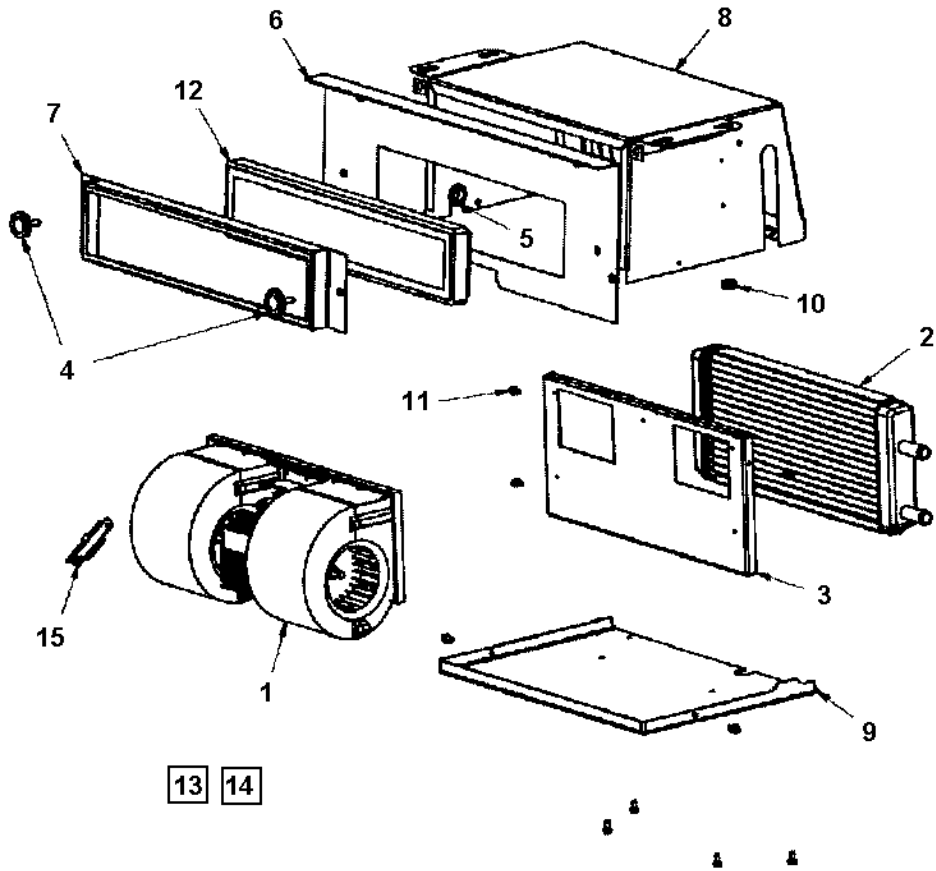




**Heater unit**

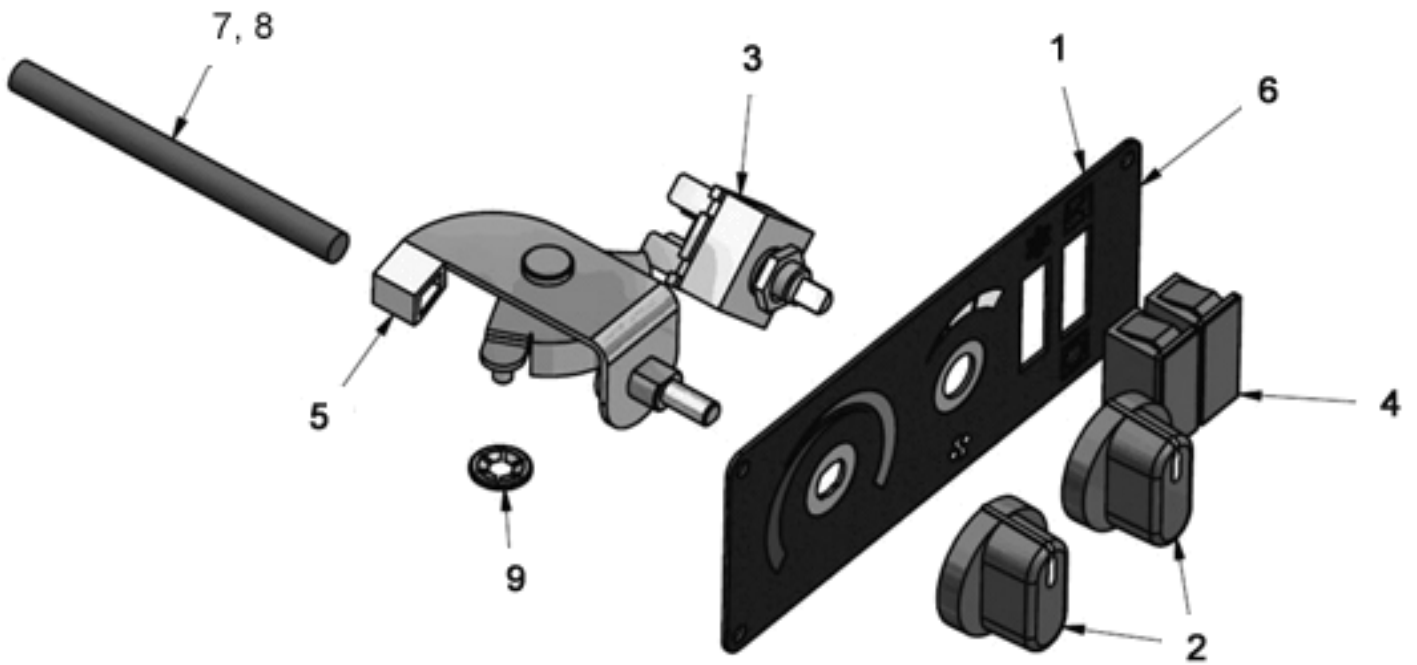
<b>Item</b>	<b>Part No</b>	<b>Rem Qty</b>	<b>Description</b>	<b>Code</b>
1		1	<b>Heater ( Page 390 )</b>	
2	4700938874	8	Clamp	C
3		1	Inlet plate	C
4		4	Rubber nut	C
5	4700395756	1XL	Hose	
6	4700395757	6	Air nozzle	
7	4700395758	2	Hose	
8		1	Connector pipe	
9	4700500053	6	Screw M8x20H 8.8	C
10	4700395759	2	Air nozzle	
11		4	Screw	
12		1	<b>Heater controls ( Page 392 )</b>	

Heater



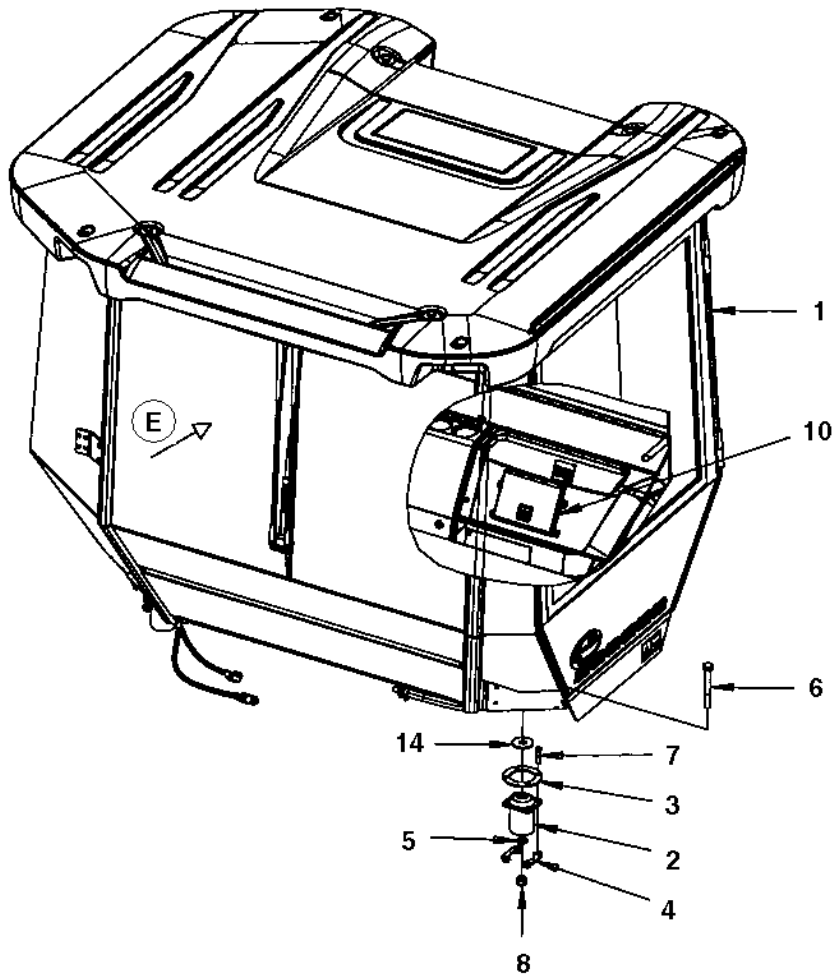
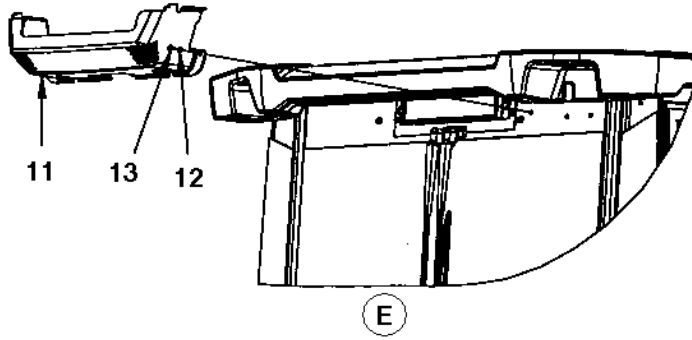
Heater

Item	Part No	Rem Qty	Description	Code
1	4700395761	1	Blower	
2	4700395762	1	Heater coil	
3		1	Blower bracket	
4	4700395774	2	Knob	
5	4700938609	1	Grommet	
6		1	Front plate	
7	4700395775	1	Filter bracket	
8		1	Casing	
9		1	Cover plate	
10		1	Grommet	
11		11	Screw M5x10	
12	4700395818	1	Filter	
13	4700395819	1	Cable harness	
14	4700395828	1	Panel cable	
15	4700395820	1	Resistor assy	



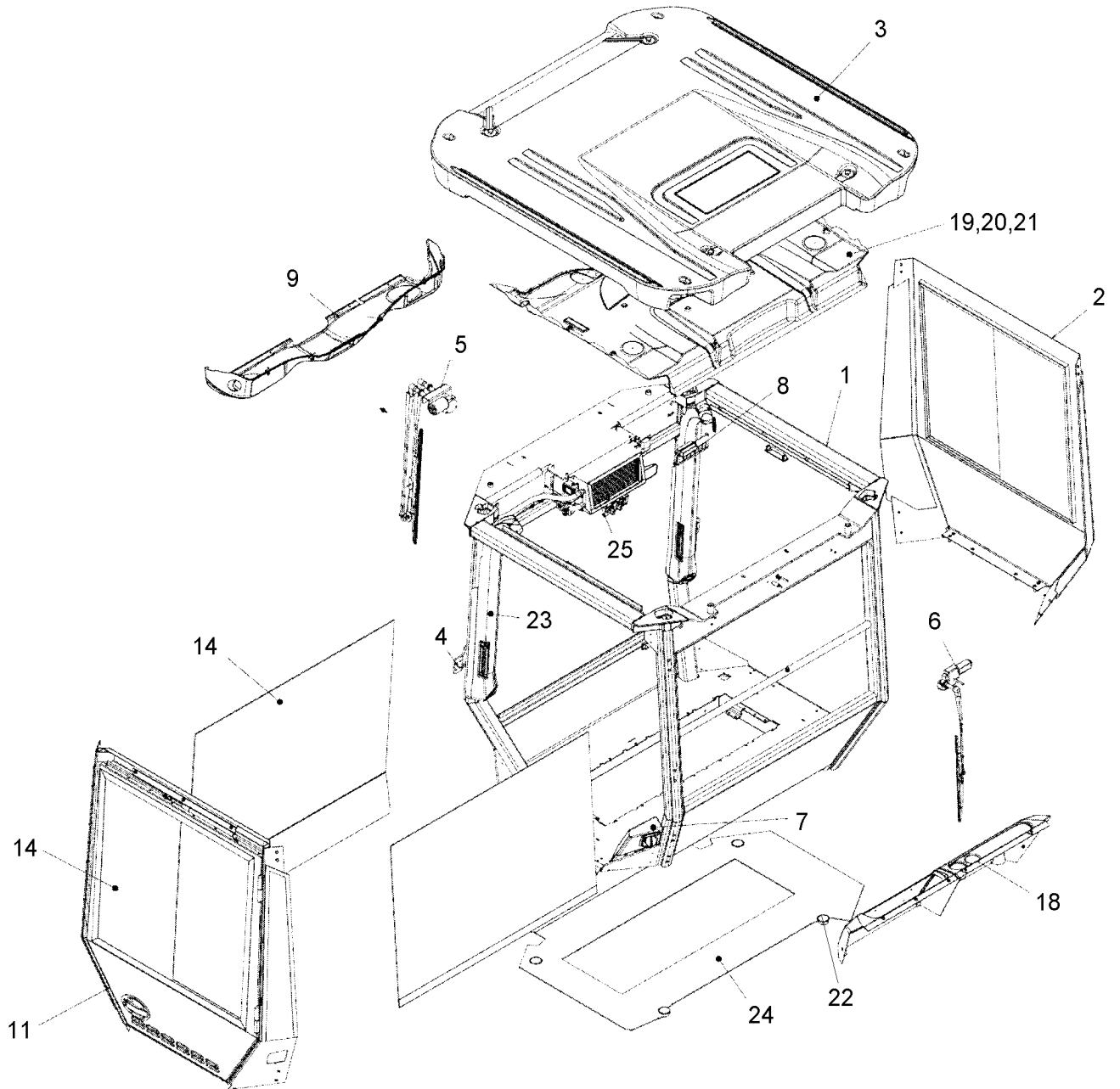
**Heater controls**

<b>Item</b>	<b>Part No</b>	<b>Rem Qty</b>	<b>Description</b>	<b>Code</b>
1		1	Panel plate	
2	4700377508	2	Knob	
3	4700938622	1	Switch	B
4		2	Cover	B
5	4700377507	1	Rotary control	
6		1	Overlay	
7	4700395841	1	Wire clips	
8	4700395842	1	Wire	
9	4700395853	2	Lock washer	



**Cab, symmetric**

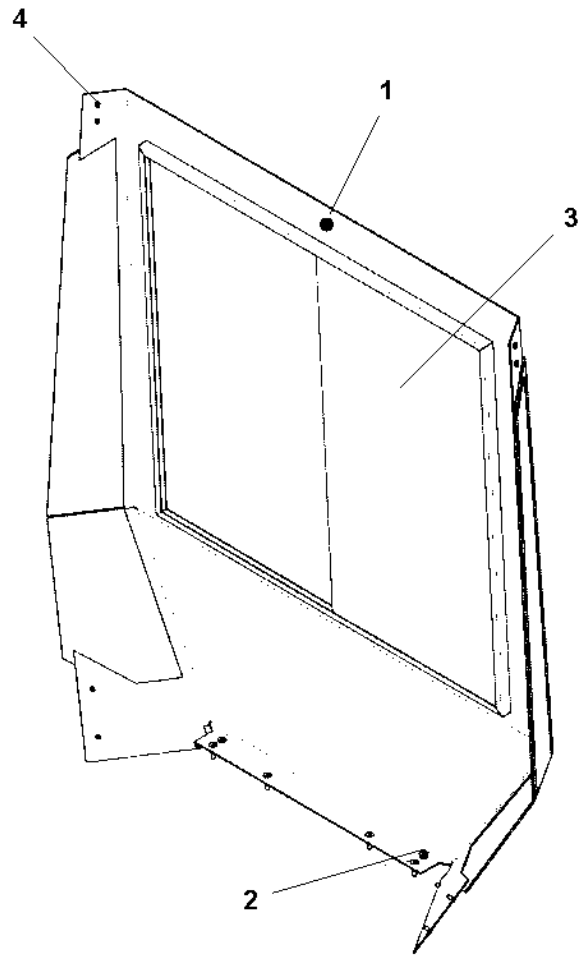
Item	Part No	Rem Qty	Description	Code
1	4700395898	1	<b>Cab, cpl ( Page 396 )</b>	
2	4700384855	4	Shock absorber	
3	4700359998	4	Back-up ring	C
4	4700393525	8	Holder	
5	4700904233	4	Steel plain washer	C
6	4700903633	4	Screw M20x150 10,9	
7	4700500195	16	Screw	C
8	4700901145	4	Lock nut M20-10	
10		1	<b>Manual box ( Page 338 )</b>	
11	4700393582	1	Cover	
12	4700904556	2	Washer 8,4x16x3,0	C
13	4700500018	2	Screw M8-1,25x12 8,8	C
14	4700347512	4	Washer	D





## 4700395898 Cab, cpl

Item	Part No	Rem Qty	Description	Code
1		1	Cab frame	D
2		1	<b>Cab frame, right side ( Page 398 )</b>	
3		1	<b>Roof ( Page 400 )</b>	
4		1	<b>General parts ( Page 366 )</b>	
5		1	<b>Windshield wiper, front ( Page 368 )</b>	
6		1	<b>Windshield wiper, rear ( Page 370 )</b>	
7		1	<b>Windshield washer reservoir ( Page 372 )</b>	
8		1	<b>Electric equipment ( Page 374 )</b>	
9		1	<b>Front panel ( Page 376 )</b>	
11		1	<b>Door frame ( Page 378 )</b>	
14		1	<b>Cab screens ( Page 402 )</b>	
18		1	<b>Rear covers ( Page 384 )</b>	
19	4700395829	5	Screw	
20	4700395830	5	Screw	
21	4700395825	1	Ceiling	
22	4700395840	4	Plug	
23		2	<b>Air channel ( Page 386 )</b>	
24	4700395859	1	Floor mat	
25		1	<b>Heater unit ( Page 388 )</b>	

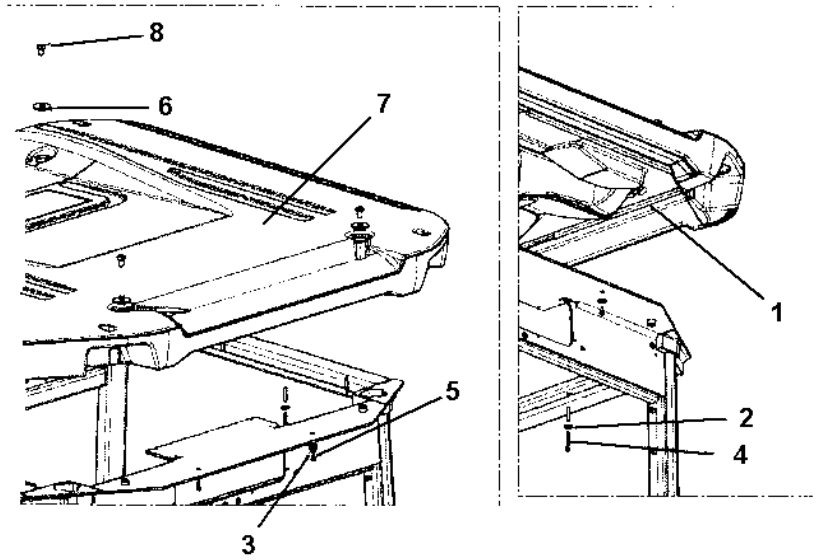


**Cab frame, right side**

<b>Item</b>	<b>Part No</b>	<b>Rem Qty</b>	<b>Description</b>	<b>Code</b>
1		1	Frame	
2	4700927637	6	Hexagon socket countersunk screw	
3		1	Screens	
4	4700500018	10	Screw M8-1,25x12 8,8	C

1) See section for Cab screens.

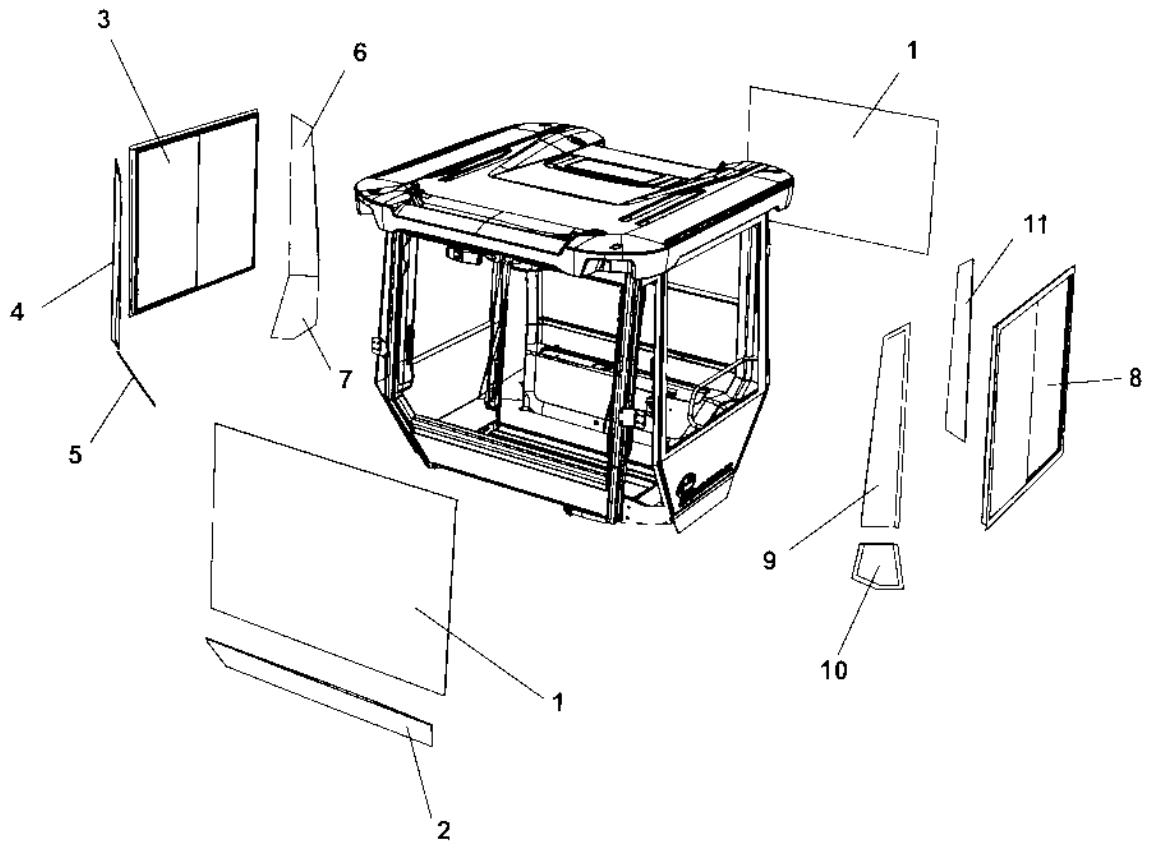
**Roof**



Roof

Item	Part No	Rem Qty	Description	Code
1		1XL	Sealing strip	C
2		8	Washer	C
3	4700603009	6	Washer	C
4		8	Stud bolt	C
5	4700500021	4	Screw M8-1,25x25 8.8	C
6		4	Washer	C
7	4700395860	1	Roof	
8	4700500154	4	Screw M16-2,0x25 8,8	

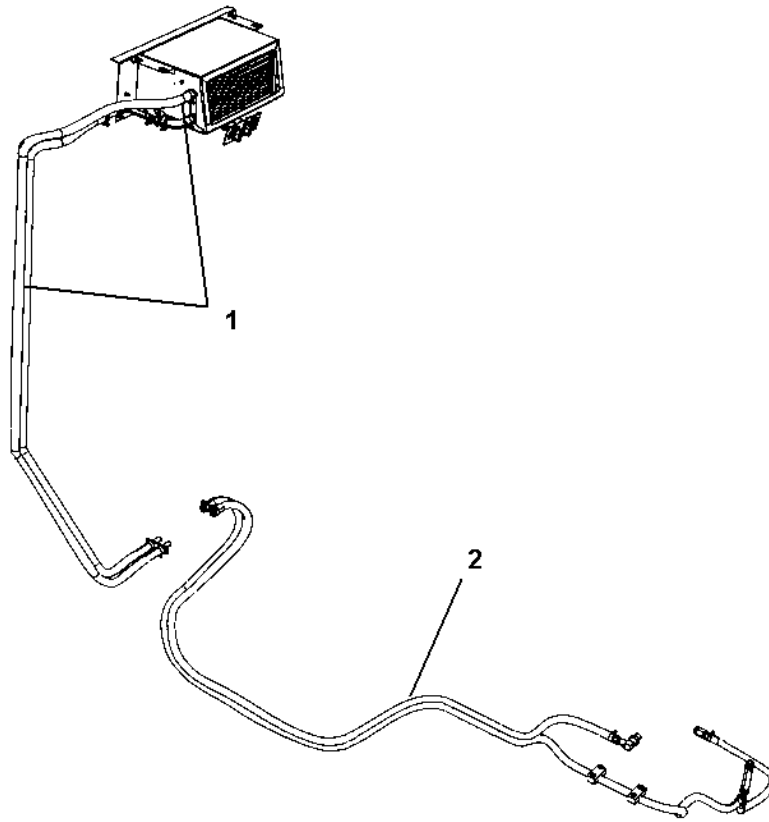
**Cab screens**



**Cab screens**

Item	Part No	Rem	Qty	Description	Code
1	4700393250		2	Windscreen	
2	4700393251	A	1	Screen	
3	4700395803	B	1	Sliding screen	
4	4700393253	B,C	1	Screen	
5	4700393261	B,A	1	Screen	
6	4700393252	B,D	1	Screen	
7	4700393254	B,E	1	Screen	
8	4700395803	F	1	Sliding screen	
9	4700393252	G,C	1	Screen	
10	4700393254	G,A	1	Screen	
11	4700393253	G,D	1	Screen	

- A) Front lower
- B) Right side
- C) Front upper
- D) Rear upper
- E) Rear lower
- F) Door
- G) Left side

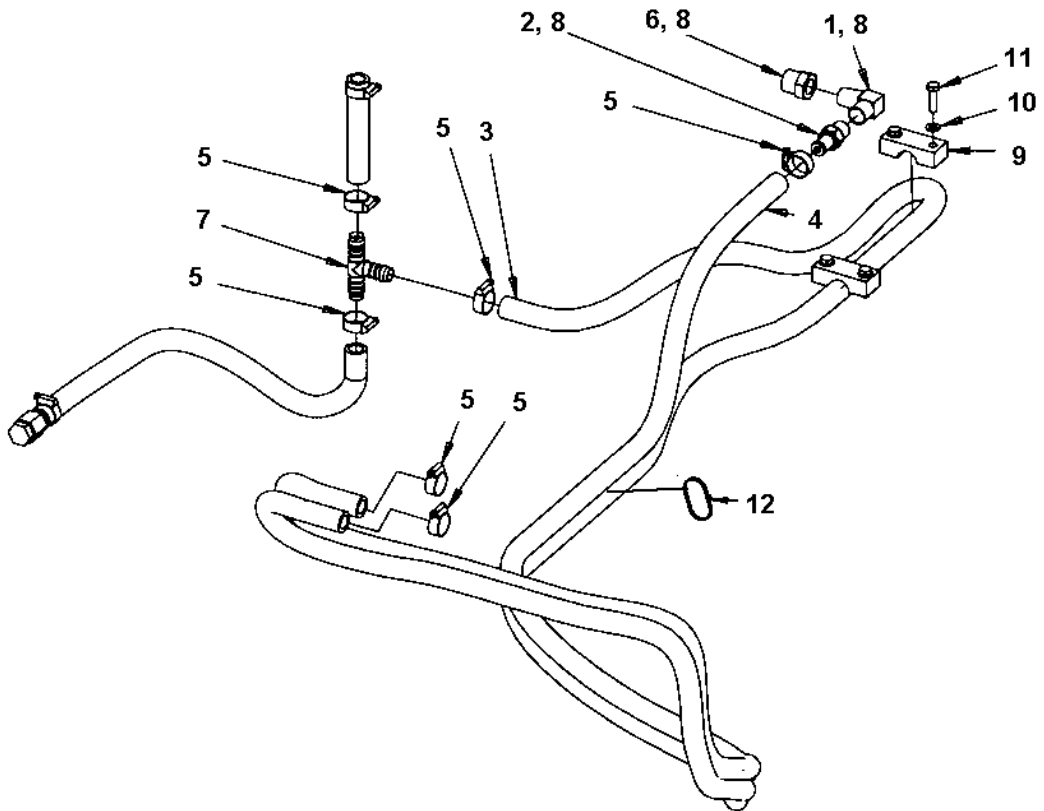




**Cab heater system**

<b>Item</b>	<b>Part No</b>	<b>Rem Qty</b>	<b>Description</b>	<b>Code</b>
1		1	Heater unit ( Page 388 )	
2		1	Heater hoses ( Page 406 )	

Heater hoses

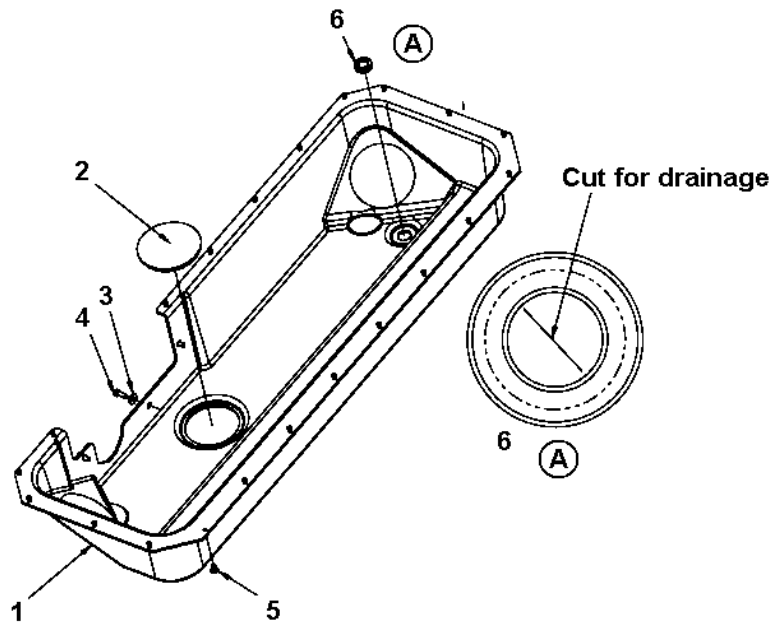


Heater hoses

Item	Part No	Rem	Qty	Description	Code
1	4700234365		1	Elbow 90	
2	4700387638		1	Hose connection	
3	4700205112	A	1XL	Coolant hose	D
4	4700205112	B	1XL	Coolant hose	D
5	4700313004		6	Hose clamp	D
6	4700813434		1	Reducer	
7	4700792065		1	Hose connection	
8	4700901141		N	Sealing compound Loctite 577	
9	4700395065		2	Pipe clamp	
10	4700904229		4	Washer 8,4x16x1,5	C
11	4700500022		4	Screw M8x30H 8.8 A2K	C
12	4700313041		N	Cable ties	D

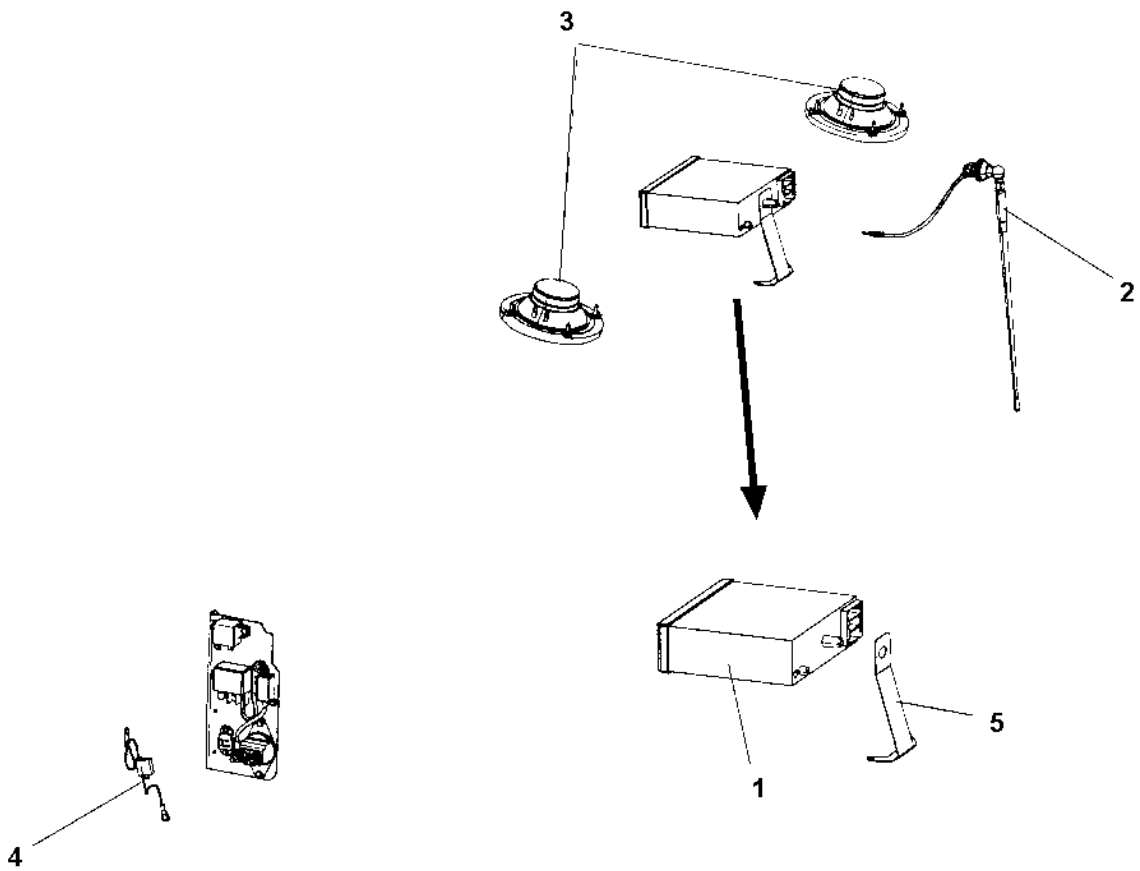
A) L= 4.0 m

B) L= 3.0 m



**Cab noise cover**

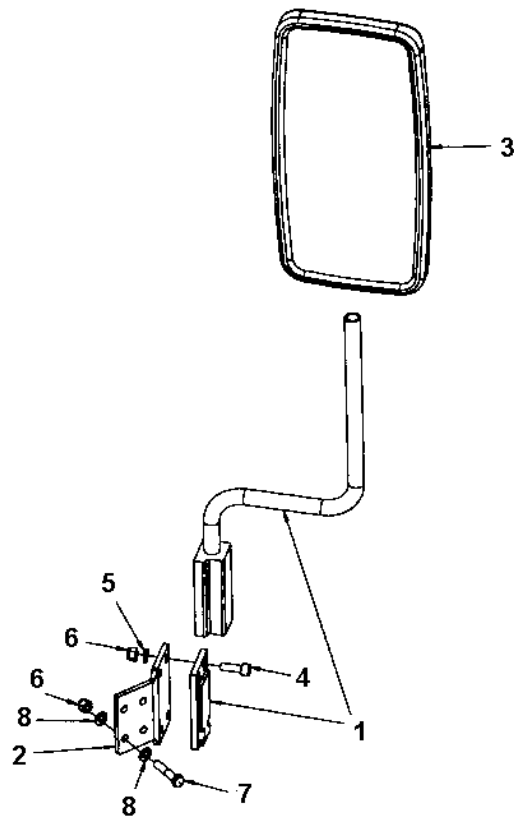
<b>Item</b>	<b>Part No</b>	<b>Rem Qty</b>	<b>Description</b>	<b>Code</b>
1	4700391919	1	Noise reducing hood	
2	4700379992	3	Plug	
3	4700904640	3	Washer 8,4x22x3	C
4	4700500053	3	Screw M8x20H 8.8	C
5	4700792325	21	Blind rivet	
6	4700792392	1	Grommet with membrane	



Radio and cd player

Item	Part No	Rem Qty	Description	Code
1	4700792583	1	Car stereo	
2	4700937165	1	Antenna	D
3	4700791968	2	Loud speakers	
4		1	<b>Power supply module ( Page 296 )</b>	
5	4700394654	1	Bracket	

Rear view mirror module

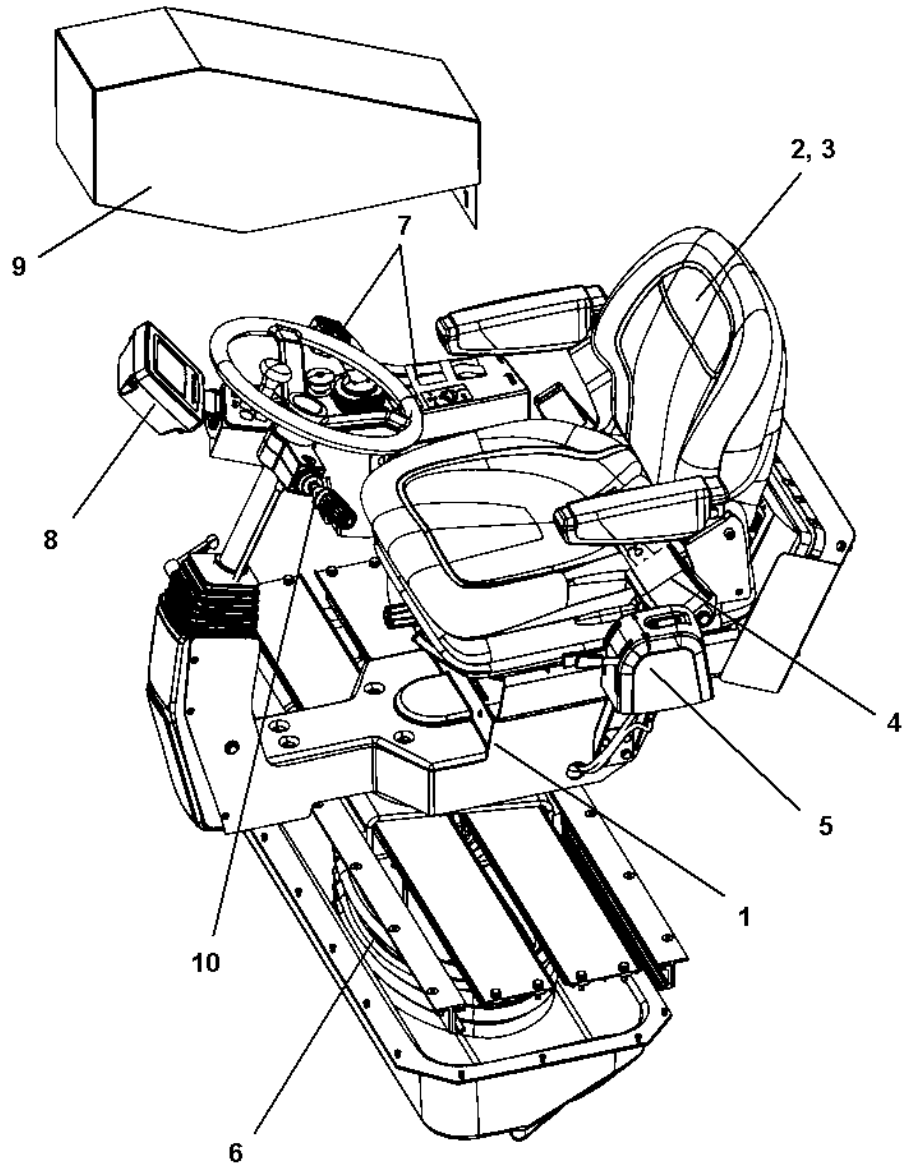




Rear view mirror module

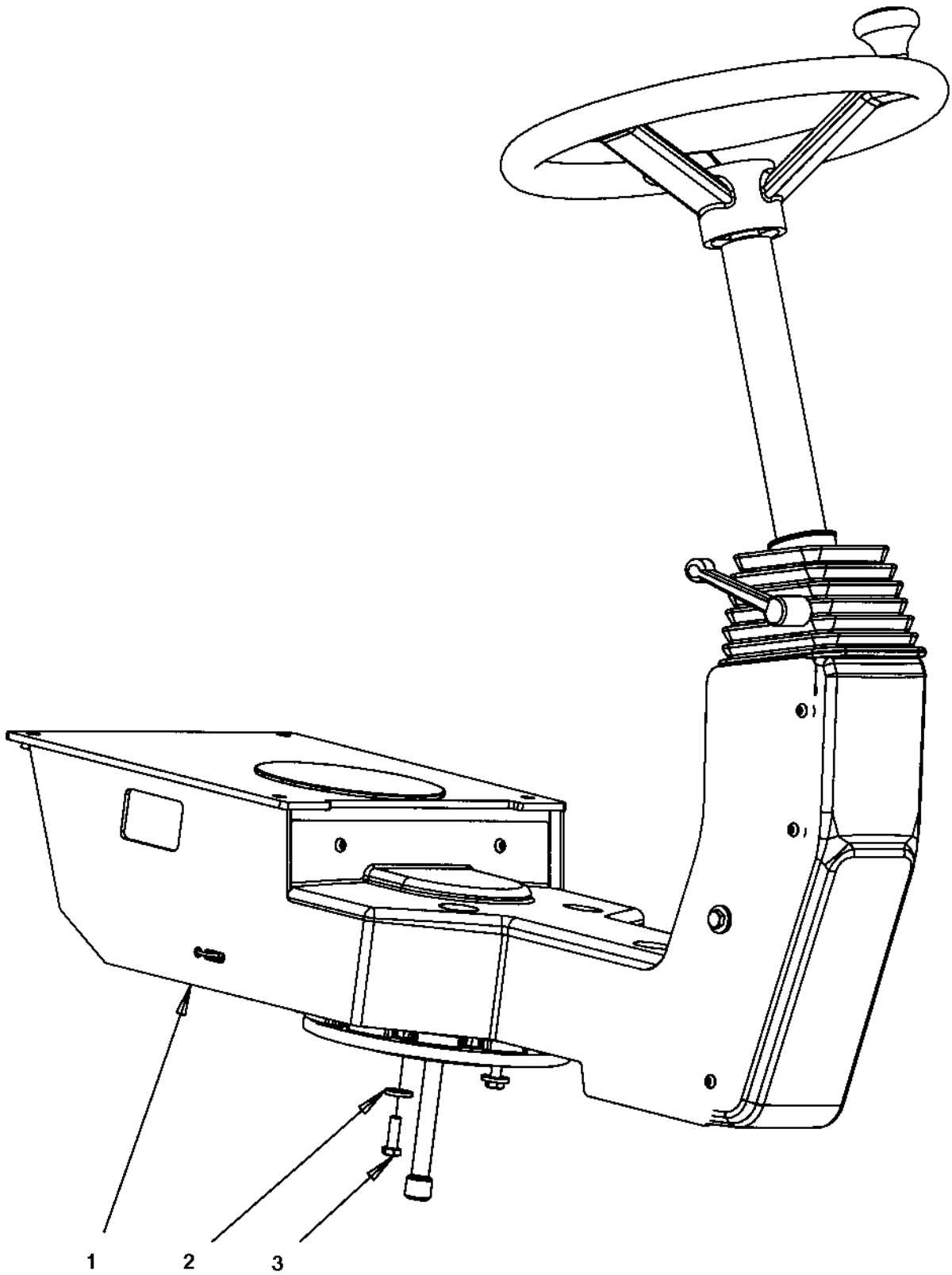
Item	Part No	Rem Qty	Description	Code
1	4700381944	1	Bracket	
2	4700392316	1	Bracket	
3	4700381943	1	Mirror	
4	4700508019	4	Screw M8x25	C
5	4700904229	4	Washer 8,4x16x1,5	C
6	4700586003	8	Lock nut M8	C
7	4700500024	4	Screw M8x45	C
8	4700904556	8	Washer 8,4x16x3,0	C

**Drivers seat**



**Drivers seat**

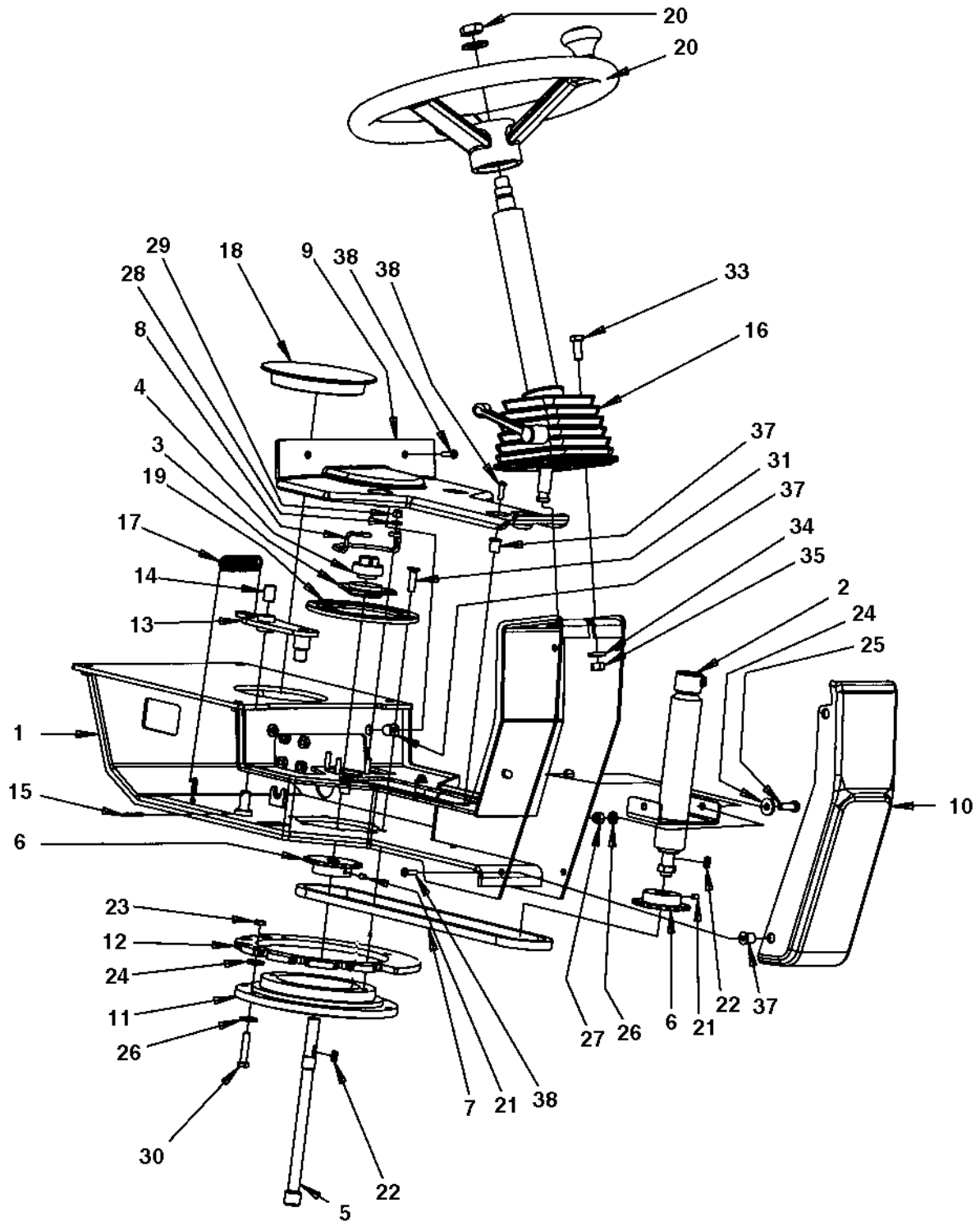
<b>Item</b>	<b>Part No</b>	<b>Rem Qty</b>	<b>Description</b>	<b>Code</b>
1			Seat frame structure ( Page 416 )	
2			Seat, galon suspended ( Page 422 )	
3			Seat, fabric suspended ( Page 424 )	
4	4700377677	1	Seat belt 2"	B
	4700379637	1	Seat belt 3"	B
5			Controls, slidable and turning ( Page 426 )	
6			Cross sliding ( Page 428 )	
7			Drive control, cpl ( Page 432 )	
8			Display unit ( Page 436 )	
9			Control panel cover ( Page 438 )	
10			Steering column switch module ( Page 304 )	



**Seat frame structure**

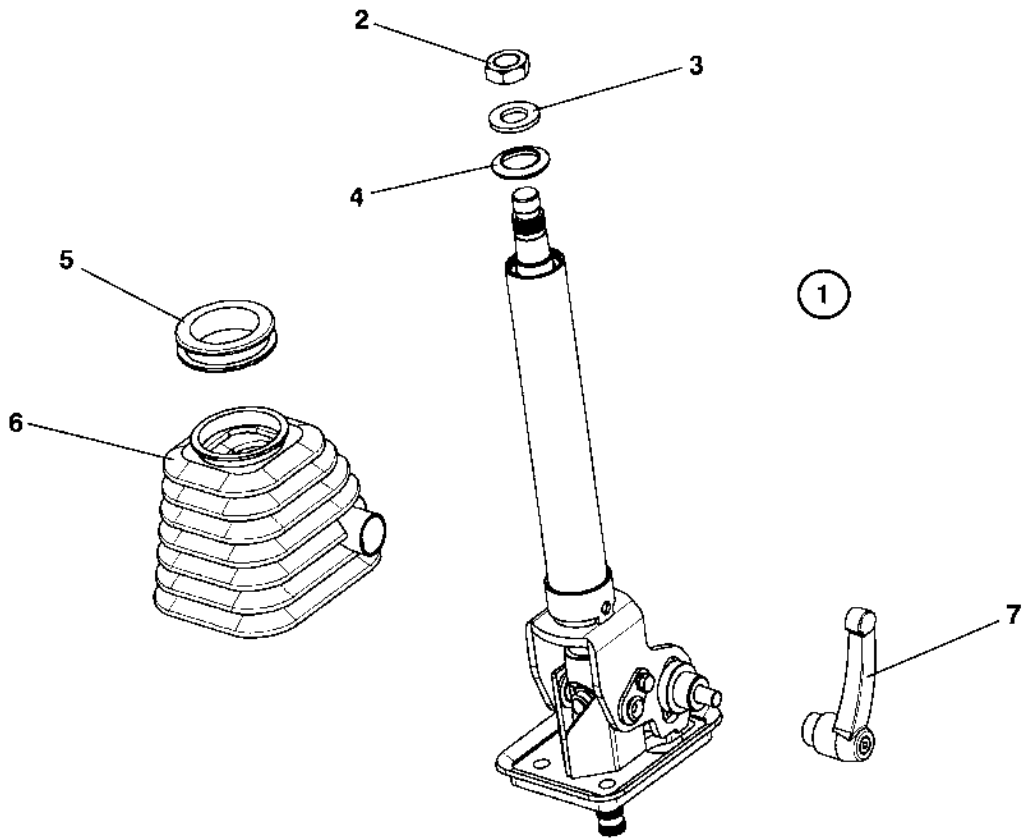
<b>Item</b>	<b>Part No</b>	<b>Rem Qty</b>	<b>Description</b>	<b>Code</b>
1		1	<b>Seat frame ( Page 418 )</b>	
2	4700904229	8	Washer 8,4x16x1,5	C
3	4700947679	4	Screw	

Seat frame



**Seat frame**

Item	Part No	Rem Qty	Description	Code
1	4700395447	1	Seat frame	
2	4700359919	1	Shaft	C
3	4700903917	1	Bearing outer	B
4	4700903918	1	Bearing inner	B
5	4700391770	1	Shaft	
6	4700359916	2	Chain wheel	D
7	4700379718	1	Chain and connecting link	
8	4700372672	1	Chain guard	D
9	4700392839	1	Cover	
10	4700392840	1	Cover	
11	4700359125	1	Ball bearing	B
12	4700379728	1	Locking disc	
13	4700395383	1	Coupling link	
14	4700359819	1	Bushing	C
15	4700630008	1	Pin	C
16		1	<b>Steering column ( Page 420 )</b>	D
17	4700359043	1	Spring	D
18	4700359920	1	Plug	C
19	4700372965	1	Lock ring	C
20	4700372964	1	Steering wheel, cpl	D
21	4700516051	2	Set screw	C
22	4700350009	2	Flat key	C
23	4700573008	4	Nut M8	C
24	4700904640	6	Washer 8,4x22x3	C
25	4700500021	2	Screw M8-1,25x25 8.8	C
26	4700904229	6	Washer 8,4x16x1,5	C
27	4700586003	2	Lock nut M8	C
28	4700603001	3	Washer	C
29	4700586002	3	Lock nut M6 -8	C
30	4700792678	4	Screw	
31	4700902520	6	Screw	C
33	4700508029	3	Screw M10-1,5x30H 8,8	C
34	4700904557	3	Steel plain washer	C
35	4700570006	3	Nut	C
37	4700792539	10	Rubber nut	
38	4700791524	10	Screw	

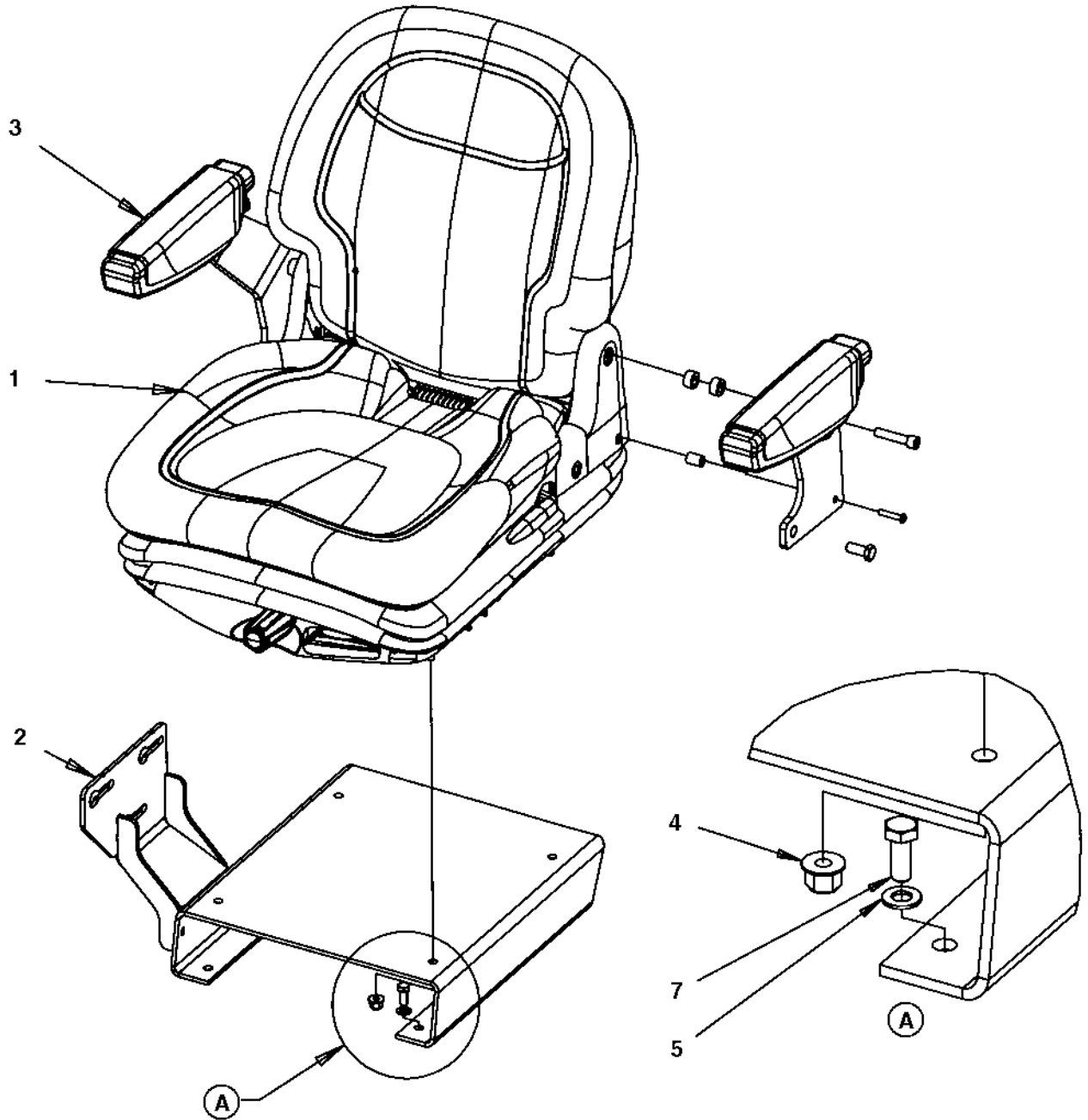




**Steering column**

<b>Item</b>	<b>Part No</b>	<b>Rem Qty</b>	<b>Description</b>	<b>Code</b>
1			<b>Steering column ( Page 420 )</b>	D
2	4700945632	1	. Nut	C
3	4700945633	1	. Washer	C
4	4700945634	1	. Rubber cap	C
5	4700945635	1	. Bellows ring	C
6	4700945636	1	. Bellows	C
7	4700945637	1	. Locking handle	D

Seat, galon suspended

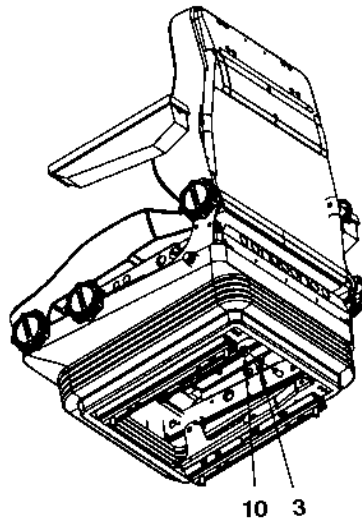
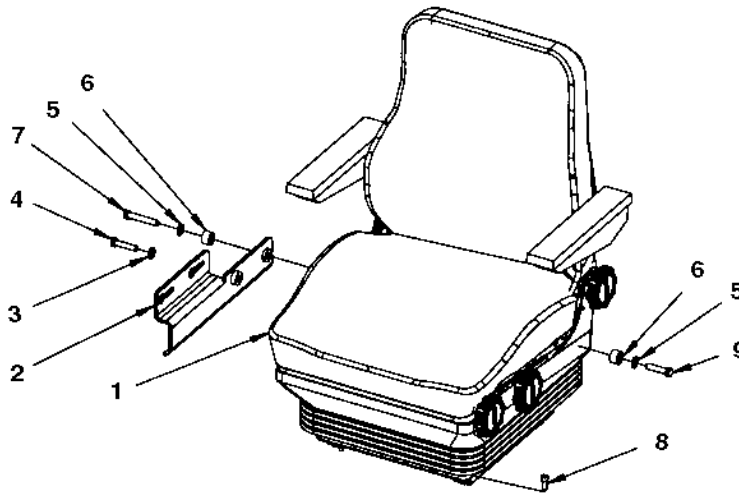


**Seat, galon suspended**

<b>Item</b>	<b>Part No</b>	<b>Rem Qty</b>	<b>Description</b>	<b>Code</b>
1	4700377518	1	Drivers seat, cpl	D
	4700945622	1	. Seat switch	B
	4700945661	A 1	. Adjuster kit	D
2	4700390561	1	Seat frame	
3	4700390963	1	Arm rest kit	D
4	4700902286	4	Hexagon lock nut with flange	C
5	4700904229	4	Washer 8,4x16x1,5	C
7	4700500053	4	Screw M8x20H 8.8	C

A) Left & right sliding rail

**Seat, fabric suspended**

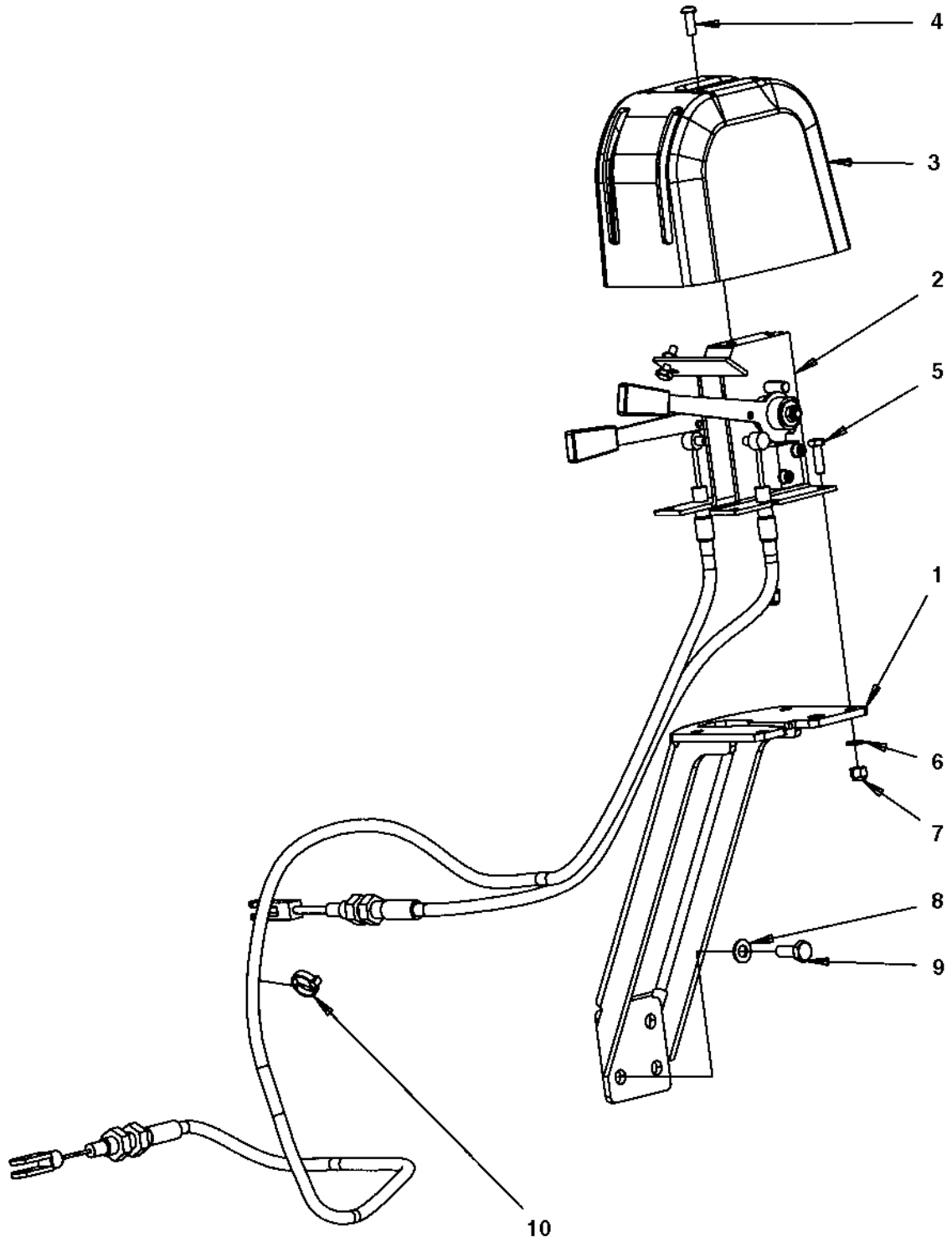


**Seat, fabric suspended**

Item	Part No	Rem	Qty	Description	Code
1	4700390013	A	1	Seat	
	4700937892		1	. Seat switch	B
	4700937620		1	. Arm rest, right	D
	4700937621		1	. Arm rest, left	D
2	4700390169		1	Bracket	
3	4700904230		2	Steel plain washer	C
4	4700500161		1	Hexagon head screw	C
5	4700904638		2	Washer 12x22x2	
6	4700791572		2	Spacer washer	
7	4700792501		1	Screw	
8	4700508092		4	Screw	C
9	4700792527		1	Screw	
10	4700586018		1	Lock nut	C

A) Without seat belt

**Controls, slidable and turning**



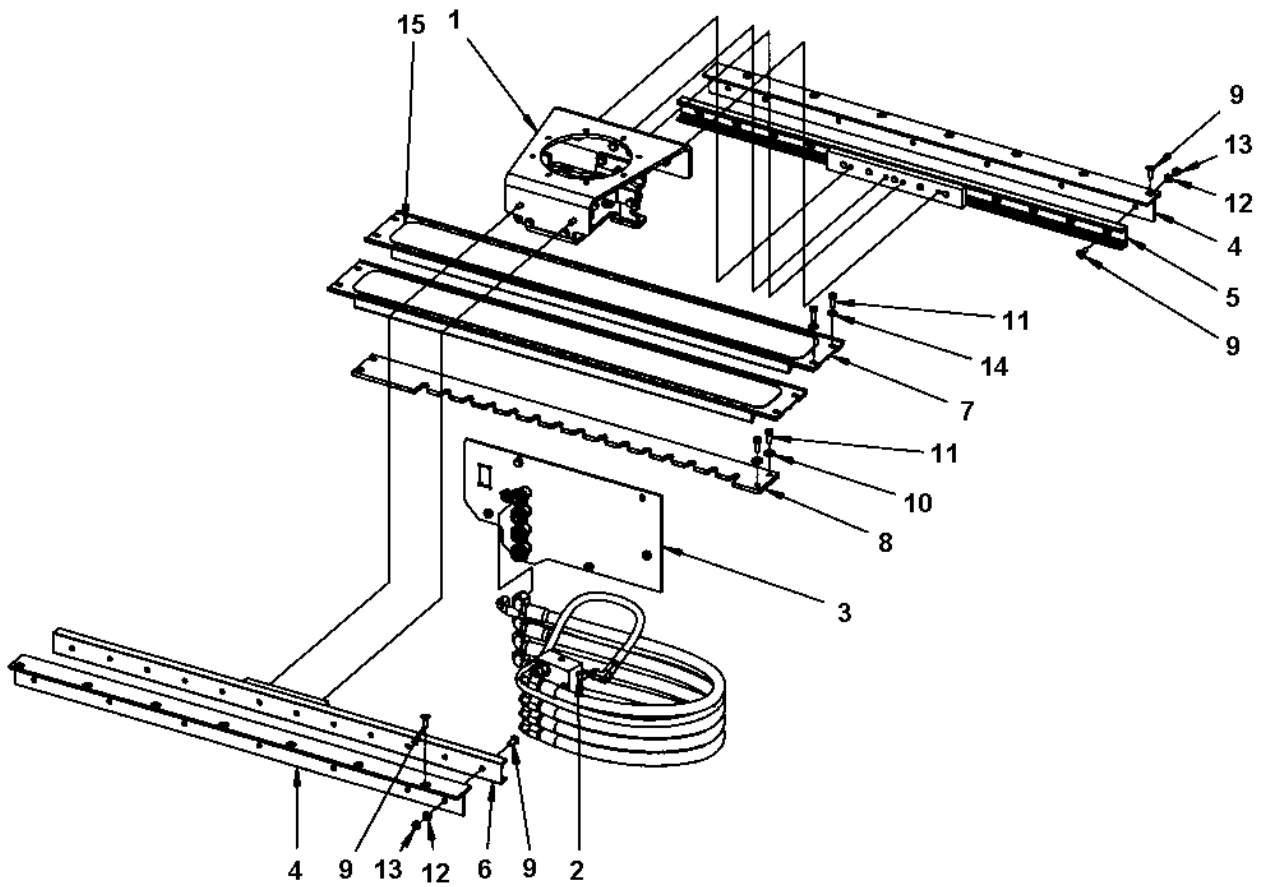
**Controls, slidable and turning**

Item	Part No	Rem	Qty	Description	Code
1	4700391241		1	Bracket	
2	4700390239		1	Control	
	4700393496	A	1	. Cable 675	
	4700393497	B	1	. Cable 1300	
3	4700392965		1	Control cover	
4	4700791524		2	Screw	
5	4700500040		4	Screw M6-1x20 8,8	C
6	4700904228		4	Washer 6,4x12x1,5	C
7	4700586002		4	Lock nut M6 -8	C
8	4700904229		4	Washer 8,4x16x1,5	C
9	4700500053		4	Screw M8x20H 8.8	C
10	4700313041	N		Cable ties	D

A) Turning

B) Sliding

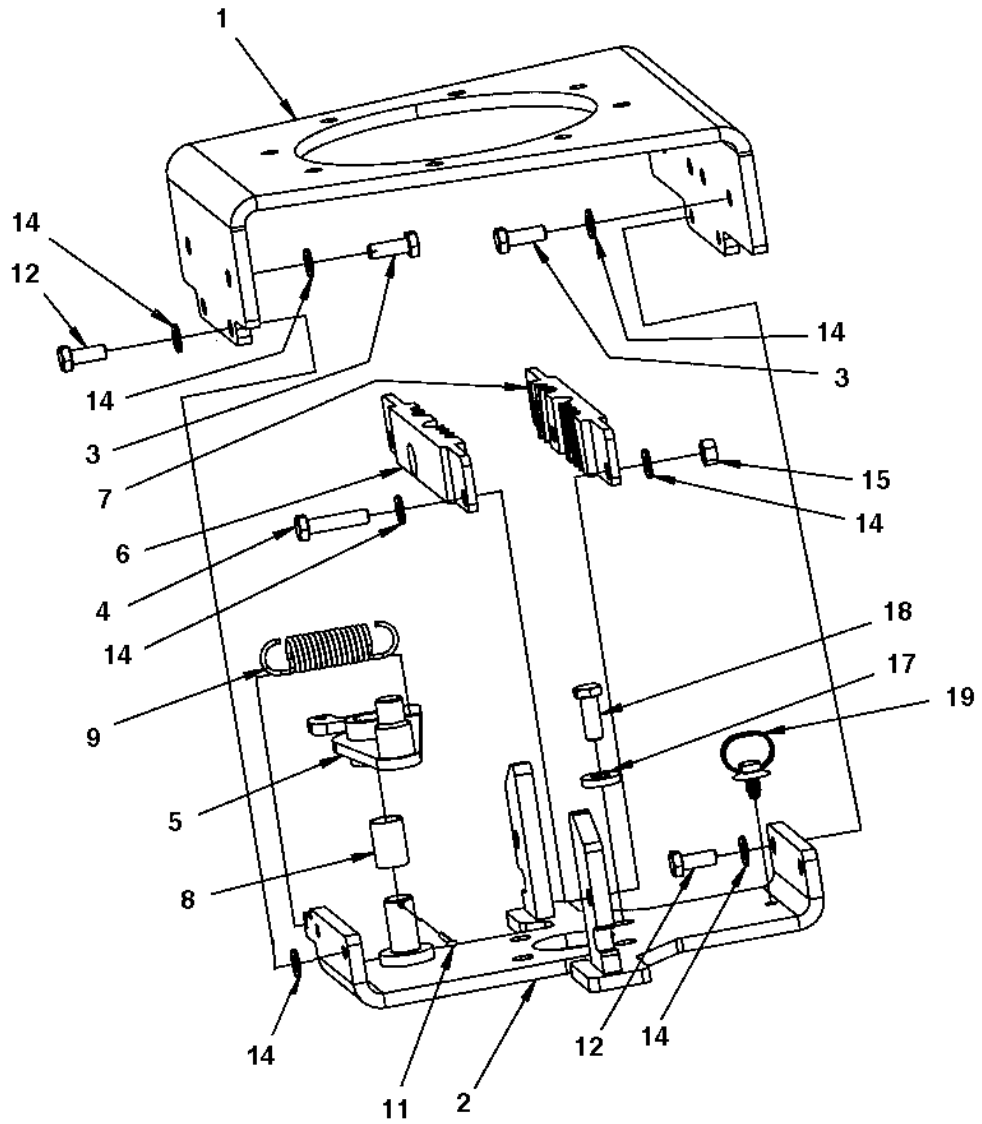
**Cross sliding**





**Cross sliding**

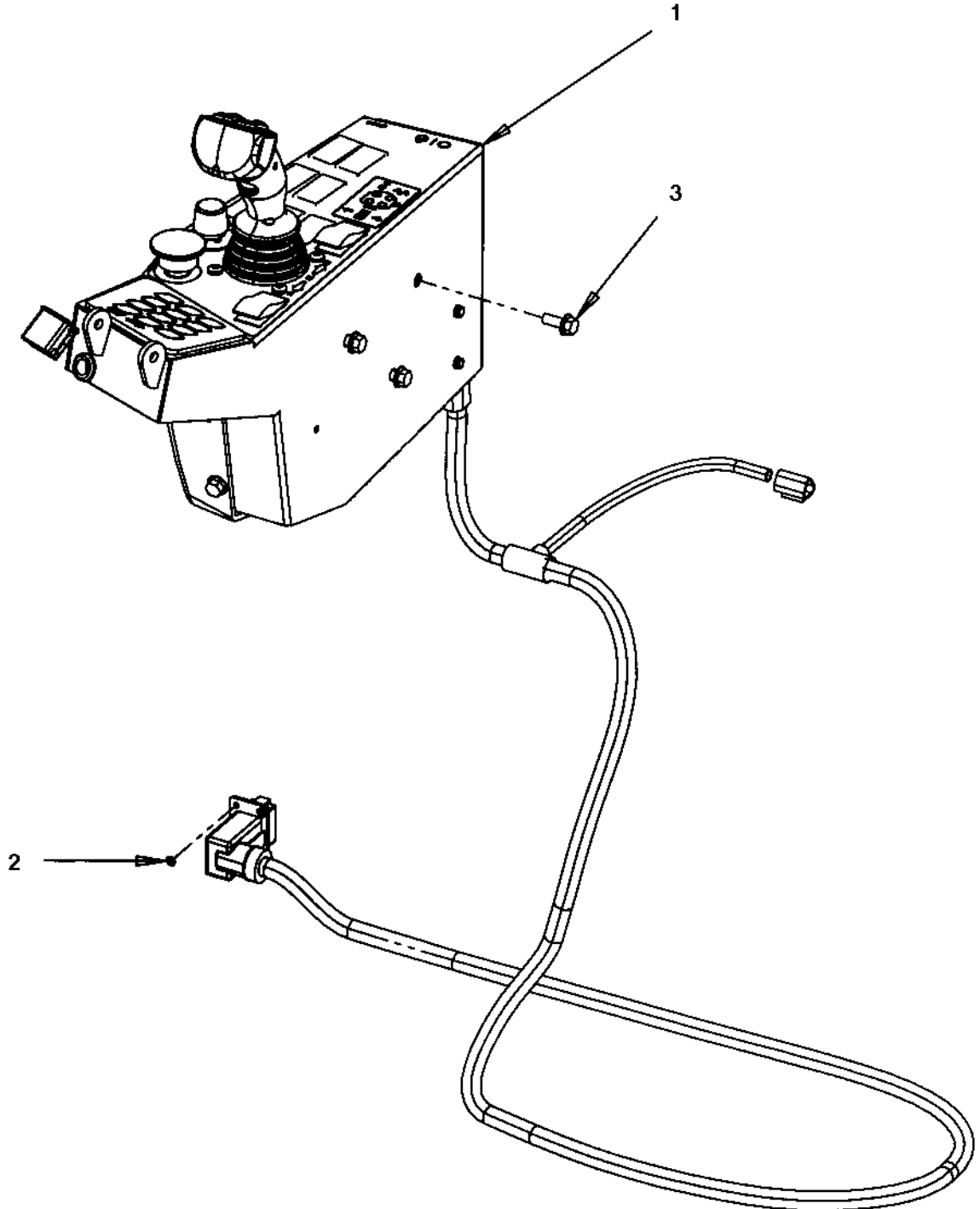
Item	Part No	Rem Qty	Description	Code
1		1	<b>Carrier ( Page 430 )</b>	
2		1	<b>Steering, slideable</b>	
3		1	<b>Hose bracket ( Page 226 )</b>	
4	4700392704	2	Rail holder	
5	4700392705	1	Linear bearing	
6	4700392706	1	Linear bearing	
7	4700393427	2	Cover	
8	4700379730	1	Locking rail	
9	4700513003	28	Screw	C
10	4700791304	4	Washer	C
11	4700500020	12	Screw M8-1,25x22 8,8	C
12	4700904229	14	Washer 8,4x16x1,5	C
13	4700570005	14	Nut M8	C
14	4700904556	8	Washer 8,4x16x3,0	C
15	4700393977	2	Slip protection	



**Carrier**

Item	Part No	Rem Qty	Description	Code
1	4700379715	1	Carrier	
2	4700391478	1	Steering valve bracket	
3	4700500020	6	Screw M8-1,25x22 8,8	C
4	4700500047	2	Hexagon head screw	C
5	4700393347	1	Coupling link	
6	4700372959	2	Clamp	C
7	4700372960	2	Clamp	C
8	4700359819	1	Bushing	C
9	4700359043	1	Spring	D
11	4700630008	1	Pin	C
12	4700500053	4	Screw M8x20H 8.8	C
14	4700904229	18	Washer 8,4x16x1,5	C
15	4700570005	2	Nut M8	C
17	4700904557	4	Steel plain washer	C
18	4700502035	4	Screw 3/8"-16UNCx1 8.8	
19	4700792441	1	Cable tie with holder	
20	4812110896	1 2	Clamp	C

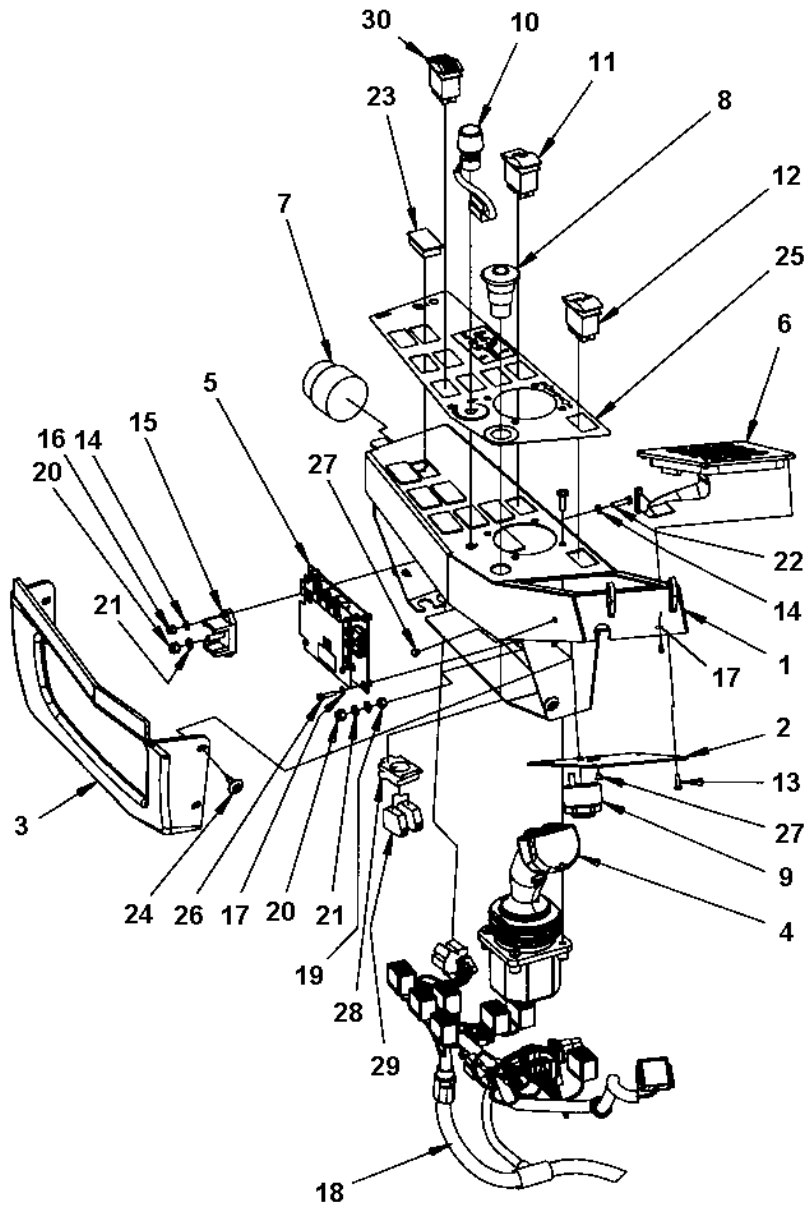
- 1) 2pcs together can replace item 6 and 7.
- 2) Item 6 and 7 can be replaced by 2pcs of item 20.



Drive control, cpl

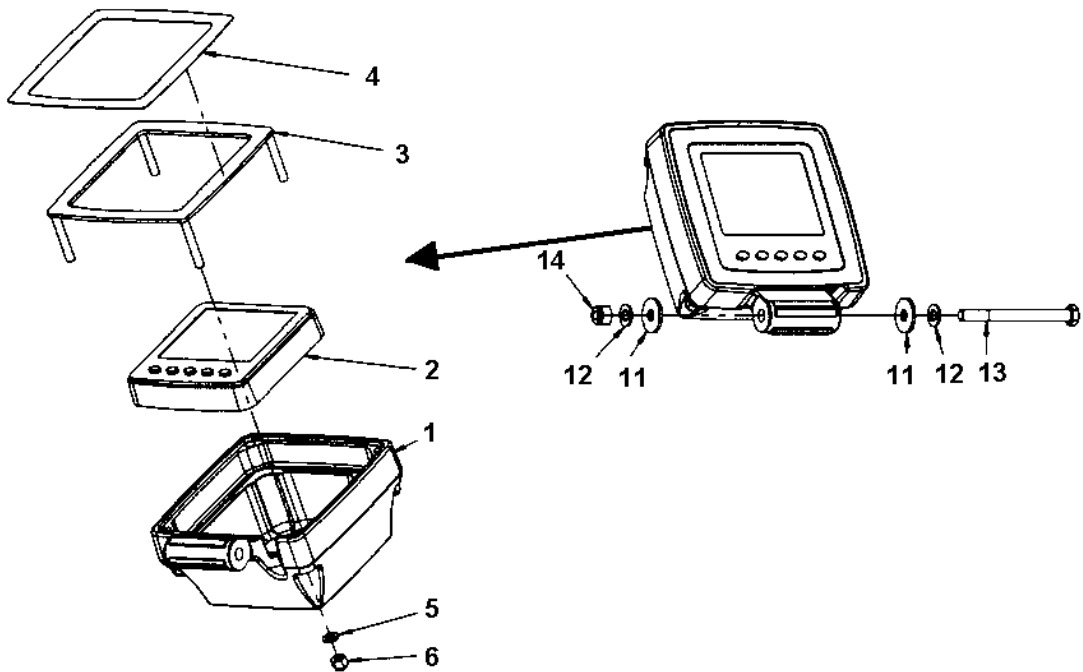
Item	Part No	Rem Qty	Description	Code
1		1	Drive control ( Page 434 )	
2	4700791709	4	Pop rivet	C
3	4700500505	3	Screw M8x20 8.8	

**Drive control**



Drive control

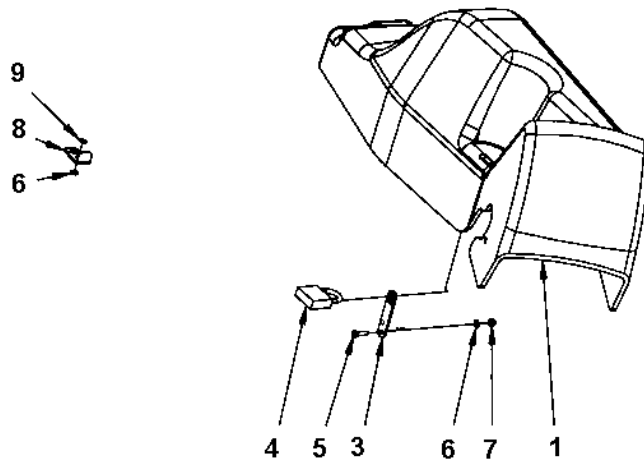
Item	Part No	Rem Qty	Description	Code
1	4700396661	1	Control box	
2	4700391396	1	Cover	
3	4700396662	1	Cover	
4	4700391420	1	Control handle	
5	4700390861	1	Control unit	
6	4700391421	1	Membrane switch panel	
7	4812110901	1	Ignition switch	
	4700940451	1	. Key	
8	4700791739	1	Emergency stop	
9	4700385599	1	Buzzer	B
10	4700388737	1	Potentiometer	B
11	4700791582	1	Switch, parking brake	
12	4700792414	1	Switch, RPM	
13	4700526010	4	Thread rolling screw	
14	4700904281	4	Washer 5,3x10x1 300HV	C
15	4700392930	1	Junction box	D
16	4700586001	2	Lock nut	C
17	4700904698	4	Washer	C
18	4812110989	1	Cable harness	
19	4700570004	1	Nut M6X1,00 -8 A2K	C
20	4700586002	2	Lock nut M6 -8	C
21	4700904228	3	Washer 6,4x12x1,5	C
22	4700500060	2	Screw M5-0,8x20 8.8	C
23	4700791588	7	Panel plug	
24	4700395785	4	Expansion rivet	
25	4700393031	1	Decal	
26	4700508022	4	Screw M4x16	
27	4700902804	5	Plug	
28	4700791733	1	Fixing collar	C
29	4700791723	2	Connector	
30	4700792812	1	Switch, displacement shift	





**Display unit**

<b>Item</b>	<b>Part No</b>	<b>Rem Qty</b>	<b>Description</b>	<b>Code</b>
1	4700392717	1	Display holder	
2	4700391240	1	Display unit	
3	4700392719	1	Cover	
4	4700393094	1	Decal	
5	4700904228	4	Washer 6,4x12x1,5	C
6	4700586002	4	Lock nut M6 -8	C
11	4700903662	2	Washer	C
12	4700904229	2	Washer 8,4x16x1,5	C
13	4700500115	1	Screw M8-1,25x90 8.8	C
14	4700586003	1	Lock nut M8	C



**Control panel cover**

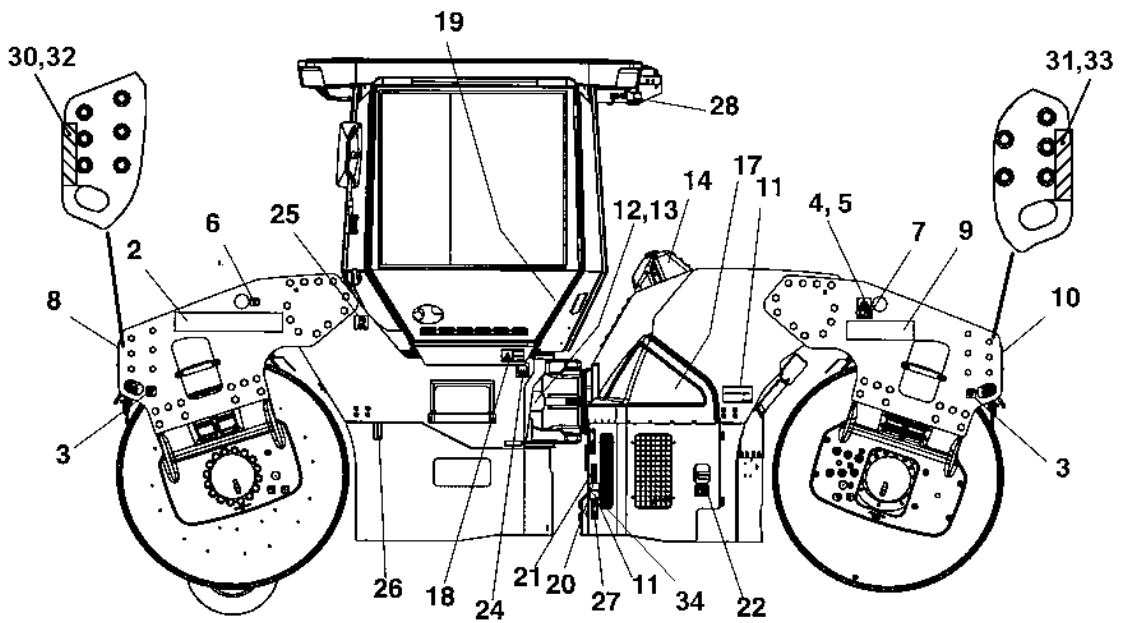
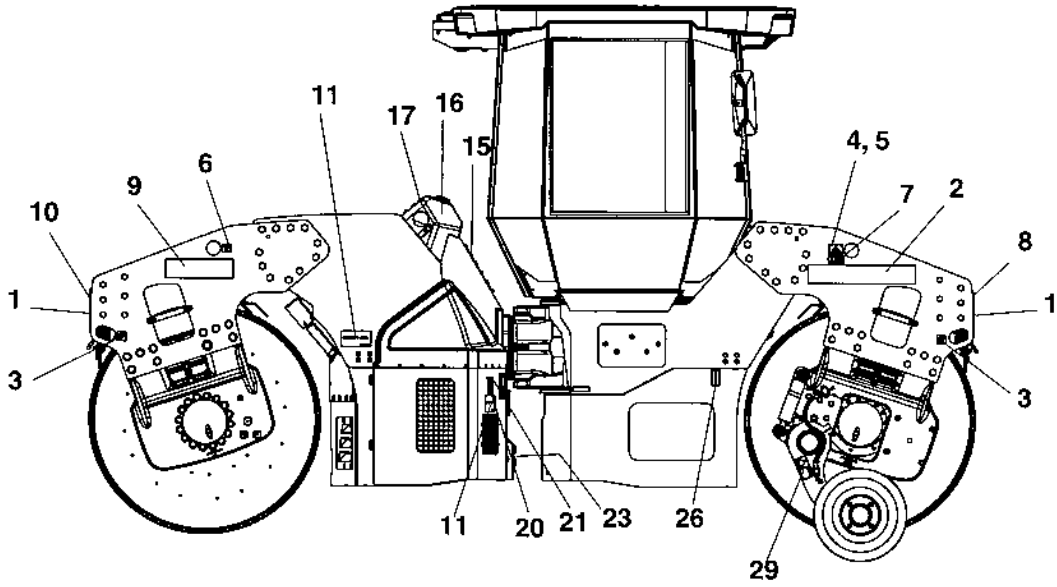
<b>Item</b>	<b>Part No</b>	<b>Rem Qty</b>	<b>Description</b>	<b>Code</b>
1	4700395947	1	Instrument panel cover	
3	4700387545	1	Latch	
4	4700358881	1	Pad lock	D
5	4700904653	2	Screw M5x16 A2-70	C
6	4700904281	4	Washer 5,3x10x1 300HV	C
7	4700586001	2	Lock nut	C
8	4700396670	1	Bracket	
9	4700904619	2	Blind rivet	C

**Decals**

**Decals**

<b>Item</b>	<b>Part No</b>	<b>Rem Qty</b>	<b>Description</b>	<b>Code</b>
1			Decals ( Page 442 )	

Decals



**Decals**

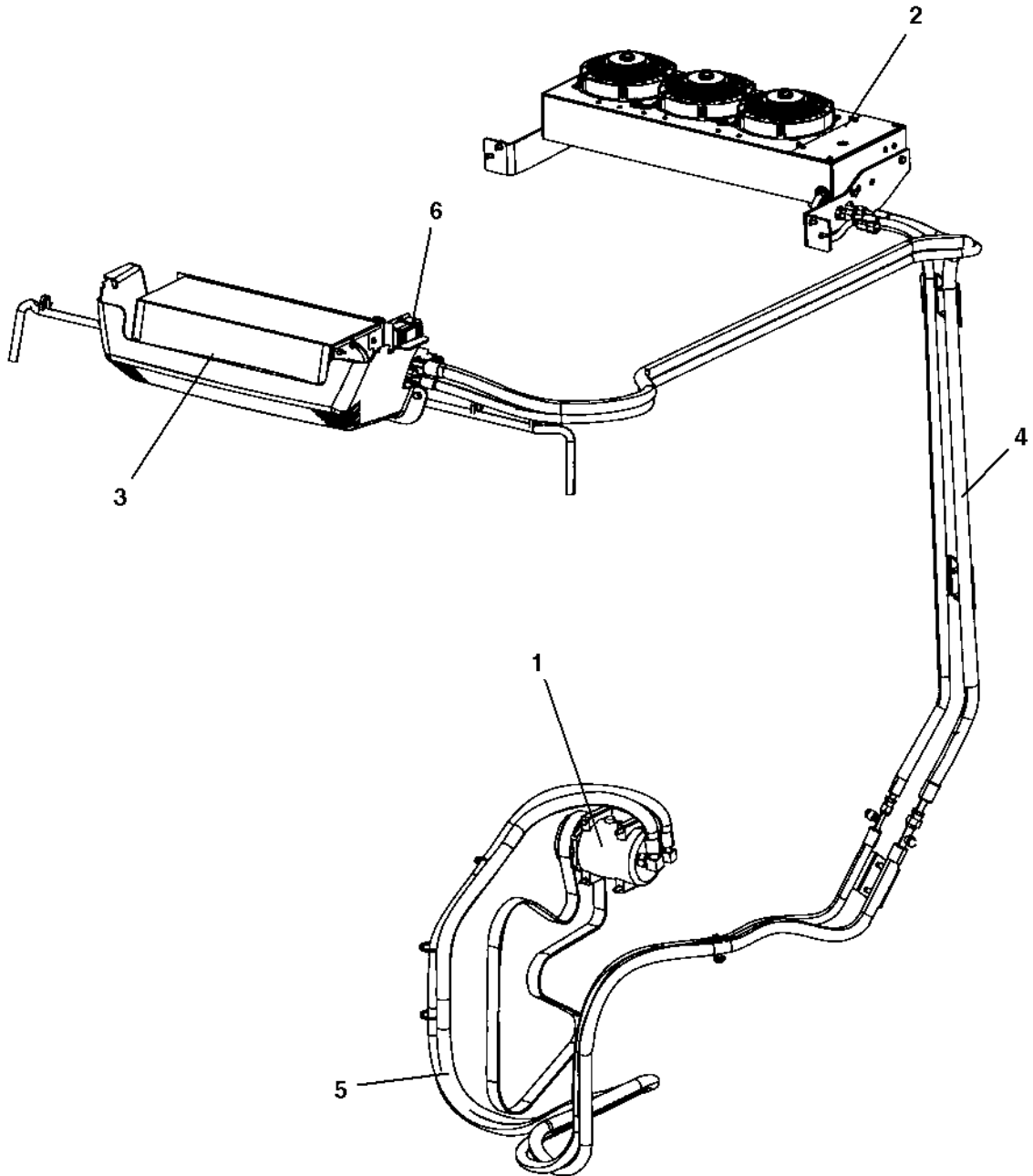
Item	Part No	Rem Qty	Description	Code
1	4700904094	2	Decal "DYNAPAC" L=670 mm	
2	4700904092	2	Decal "DYNAPAC" L=590 mm	D
3	4700382751	4	Decal "TIE DOWN POINT"	D
4	4700904870	2	Lifting sign	D
5	4700624005	8	Blind rivet 3,2x6,1	C
6	4700357587	2	Decal "LIFT POINT"	D
7	4700908229	2	Safety decal	D
8	4700377743	2	Reflector, white	D
9	4700792573	2	Decal "MODEL CODE" CC424HF	
10	4700377742	2	Reflector, red	D
11	4700903422	4	Decal "SAFETY"	D
12		1	Product identification plate	D
13	4700624005	4	Blind rivet 3,2x6,1	C
14	4700272372	1	Decal "HYDRAULIC OIL "	D
	4700904601	1	Decal "BIO HYDRAULIC OIL"	D
	4700792772	1	Decal "BIO HYDRAULIC OIL" PANOLIN	D
15	4700272373	1	Decal "HYDRAULIC OIL "	D
16	4700388449	1	Decal "Engine coolant fill"	
17	4700791642	2	Decal "WARNING" Use of starting fluid prohib.	D
18	4700903459	1	Decal "SAFETY"	D
19	4700903425	2	Decal "SAFETY MANUAL "	D
20	4700903423	2	Decal "SAFETY"	D
21	4700903424	2	Decal "HOT SURFACE"	D
22	4700904835	1	Decal "BATTERY POWER"	D
23	4700393959	1	Decal "24V"	
24	4700991657	1	Decal "WATER"	D
25	4700991658	1	Decal "FUEL"	D
26	4700377744	2	Reflector, yellow	D
27	4700791277	1	Decal "Sound power level" 107dB	D
	4700791278	1	Decal "Sound power level" 108dB	
28	4700904165	1	Safety decal Toxic gases	D
29	4700904083	1	Safety decal	D
30	4700394596	2	Decal "Risk location"	
31	4700394594	2	Decal "Risk location"	
32	4700394593	2	Decal "Risk location"	
33	4700394595	2	Decal "Risk location"	
34	4700904895	1	Safety decal "Brake release"	D





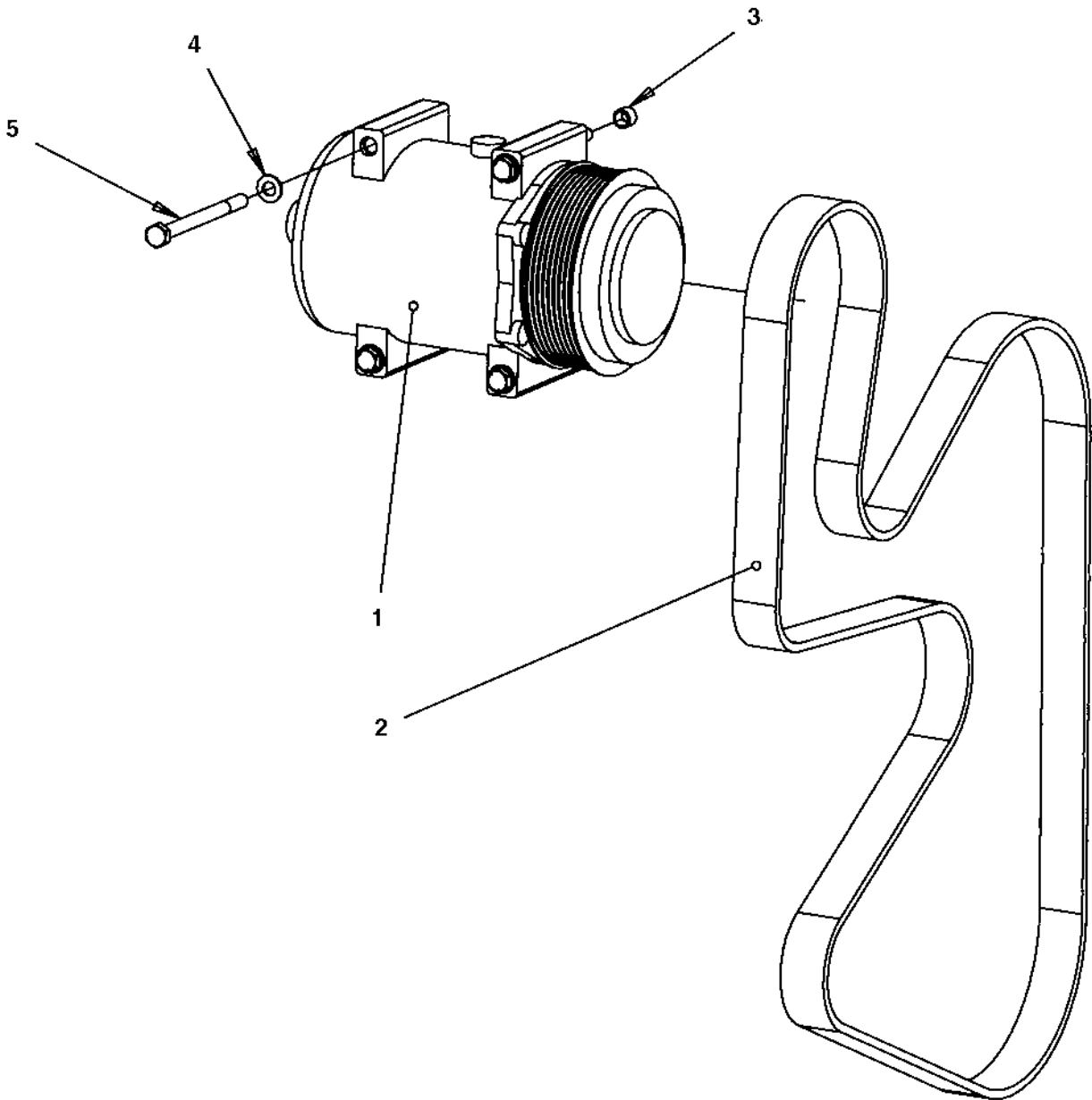
**Optional equipment**

<b>Item</b>	<b>Part No</b>	<b>Rem Qty</b>	<b>Description</b>	<b>Code</b>
1			Air conditioning ( Page 446 )	
2			Edge cutter ( Page 470 )	
3			Fire extinguisher/First Aid Cushion ( Page 494 )	



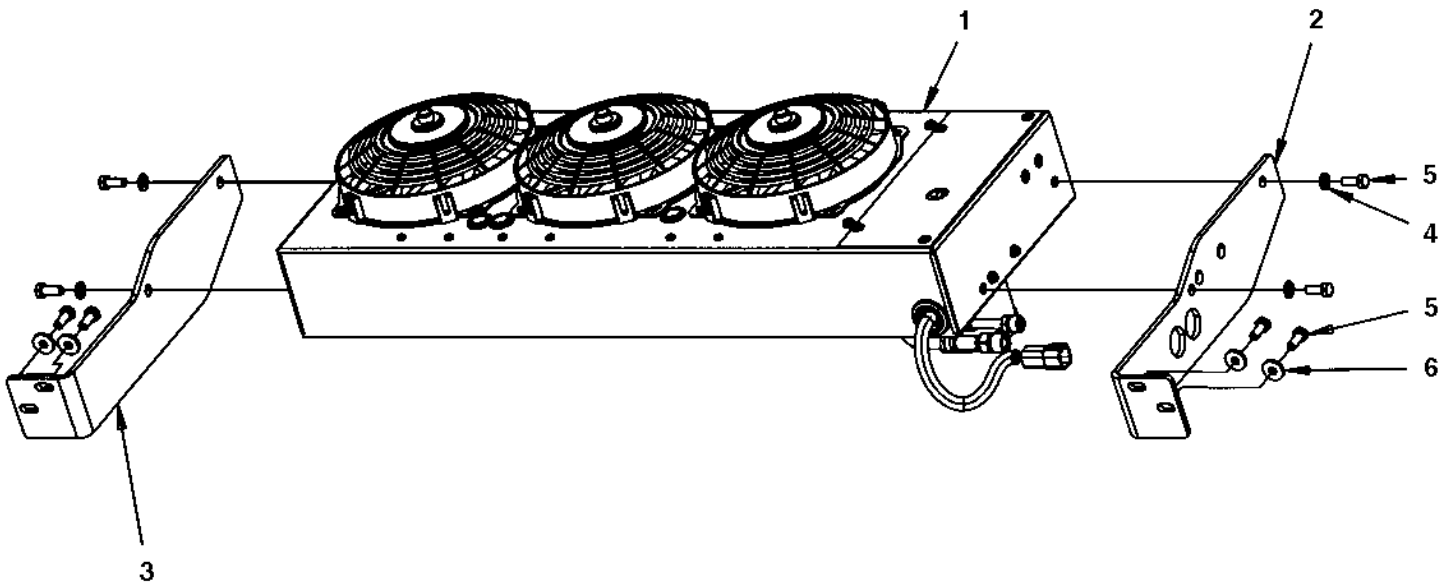
**Air conditioning**

<b>Item</b>	<b>Part No</b>	<b>Rem Qty</b>	<b>Description</b>	<b>Code</b>
1		1	Compressor module ( Page 448 )	
2		1	Condensor module ( Page 450 )	
3		1	Evaporator module ( Page 454 )	
4		1	Hose kit AC ( Page 458 )	
5		1	Hose kit Compressor ( Page 462 )	
6		1	ACC module ( Page 466 )	



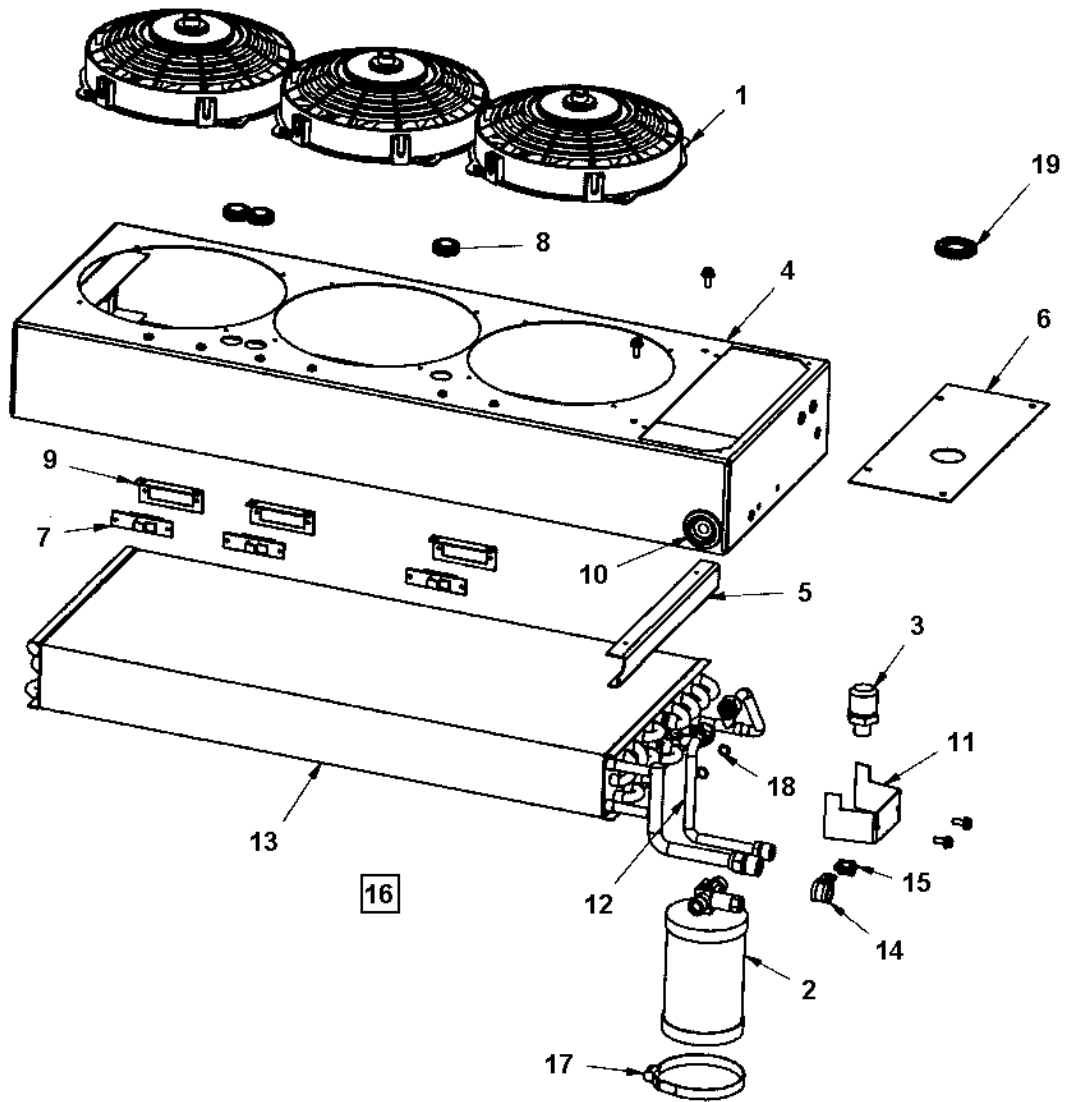
**Compressor module**

<b>Item</b>	<b>Part No</b>	<b>Rem Qty</b>	<b>Description</b>	<b>Code</b>
1	4700391621	1	Compressor	
2	4700391622	1	Belt	D
3	4700945314	2	Guide ring	
4	4700904229	4	Washer 8,4x16x1,5	C
5	4700500096	4	Screw	



**Condensor module**

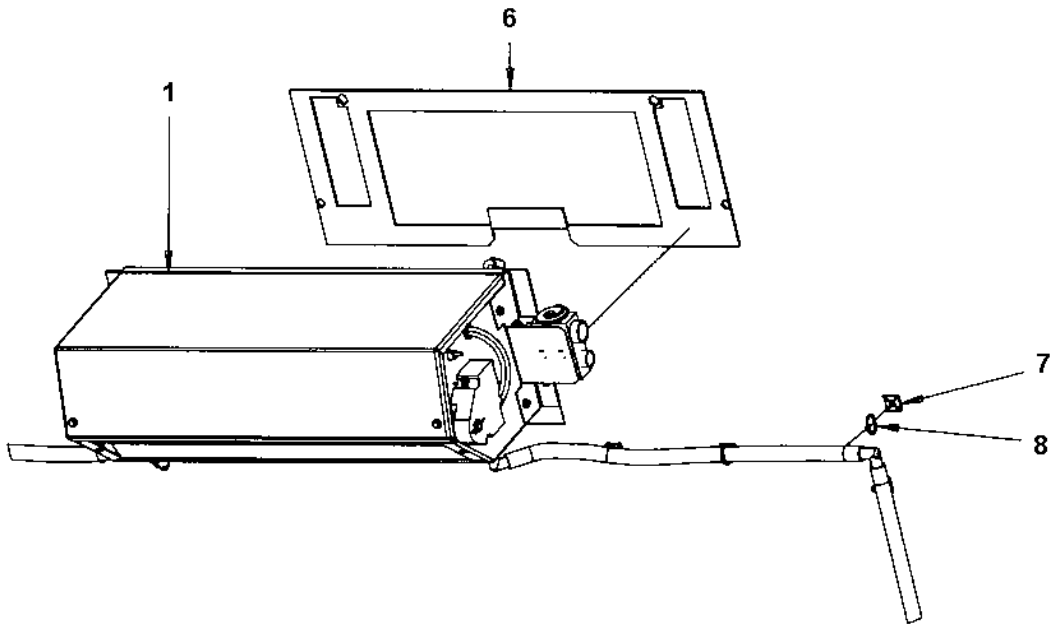
Item	Part No	Rem Qty	Description	Code
1		1	<b>Condensor ( Page 452 )</b>	
2	4700393222	1	Bracket	
3	4700393223	1	Bracket	
4	4700904229	4	Washer 8,4x16x1,5	C
5	4700500053	8	Screw M8x20H 8.8	C
6	4700904640	4	Washer 8,4x22x3	C





**Condensor**

Item	Part No	Rem Qty	Description	Code
1	4700950372	3	Fan	
2	4700950373	1	Dryer	
3	4700938605	1	Pressure switch	B
4		1	Casing	B
5		1	Bracket	B
6		1	Cover	B
7	4700938606	3	Resistor	B
8	4700938609	3	Grommet	
9	4812155658	3	Resistor bracket	
10		1	Grommet	
11		1	Bracket	
12		1	Copper tube	
13	4700950374	1	Condensor Coil	
14		1	Clamp	
15		1	Clamp	
16	4700950375	1	Cable harness	
17	4700938789	1	Clamp	C
18		2	O-ring	C
19		1	Grommet	C

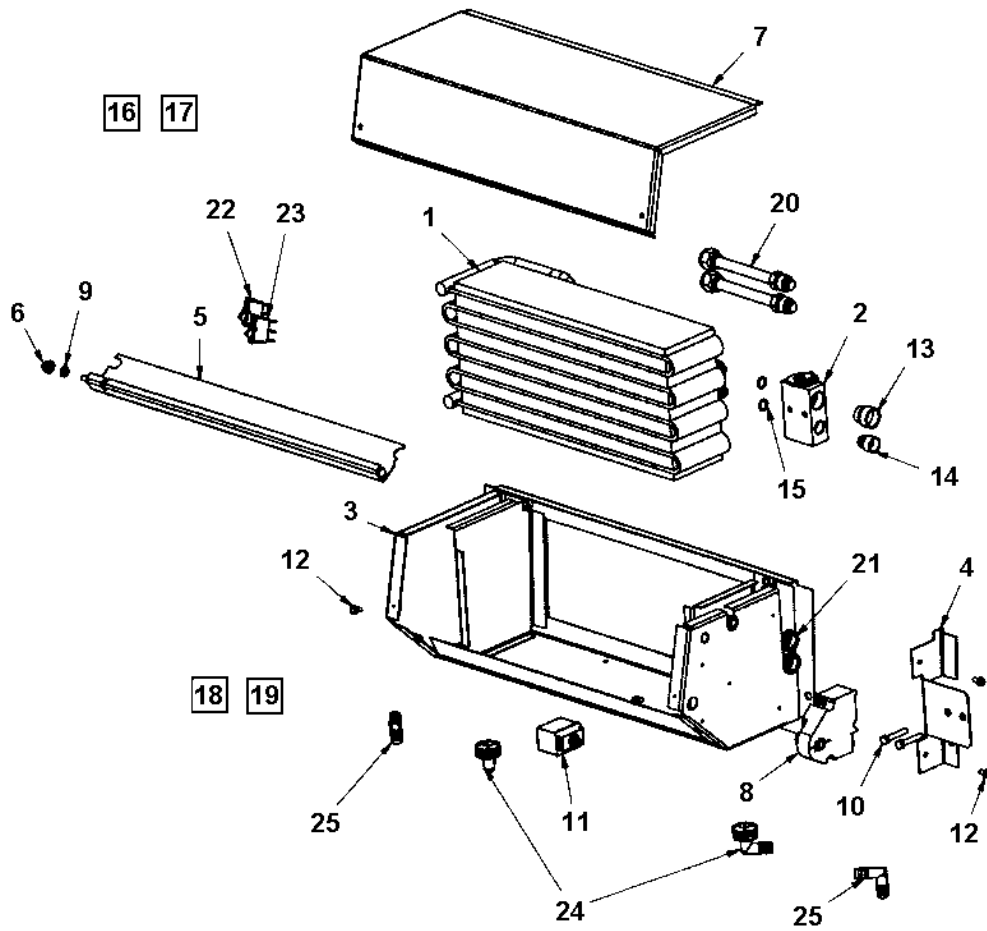


**Evaporator module**

Item	Part No	Rem	Qty	Description	Code
1	4700393584		1	<b>Evaporator unit ( Page 456 )</b>	
6	4700297018	A	1XL	Rubber strip	D
7	4700395352		14	Cable tie holder	
8	4700313068		14	Cable ties L=92 mm	D

A) L= 1,6 m

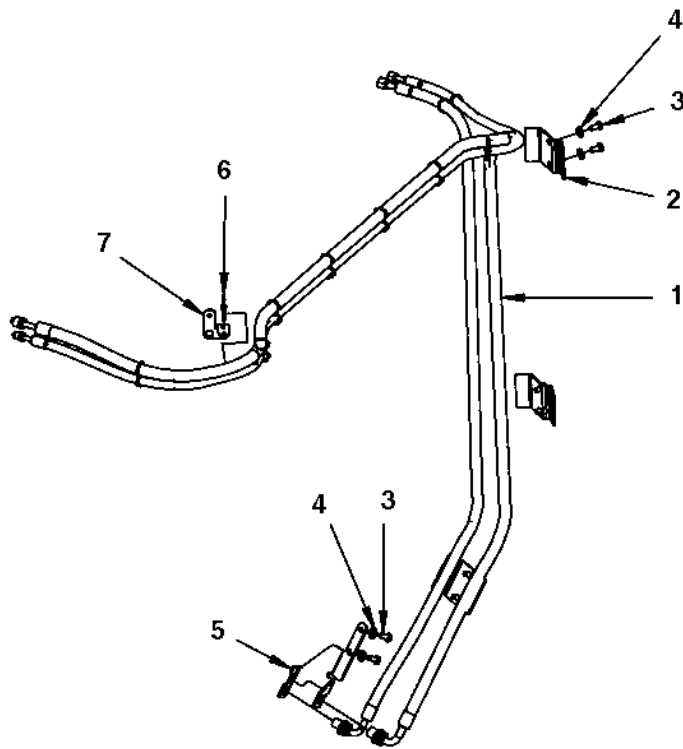
4700393584 Evaporator unit



**4700393584 Evaporator unit**

<b>Item</b>	<b>Part No</b>	<b>Rem Qty</b>	<b>Description</b>	<b>Code</b>
1	4700950310	1	Evaporator coil	
2	4700950342	1	Block valve	
3		1	Casing	
4		1	Bracket	
5		1	Recirculation cover	
6		1	Bushing	
7		1	Cover	
8	4700950343	1	Actuator motor	
9		1	Washer	
10		2	Screw M6x35	
11	4700950344	1	Thermostat	
12		4	Screw M5x10	
13		1	Plug	
14		1	Plug	
15	4700950345	2	O-ring	
16	4700950346	1	Cable harness, recirc.	
17	4700950347	1	Cable harness, panel	
18		1	Drain hose	
19		1	Drain hose	
20		2	Connect tube	
21		2	Insulation tape	
22	4700950348	1	Switch, air condition	
23	4700950349	1	Switch, recirculation	
24	4700950350	2	Drain valve	
25	4700950380	2	Drain elbow	

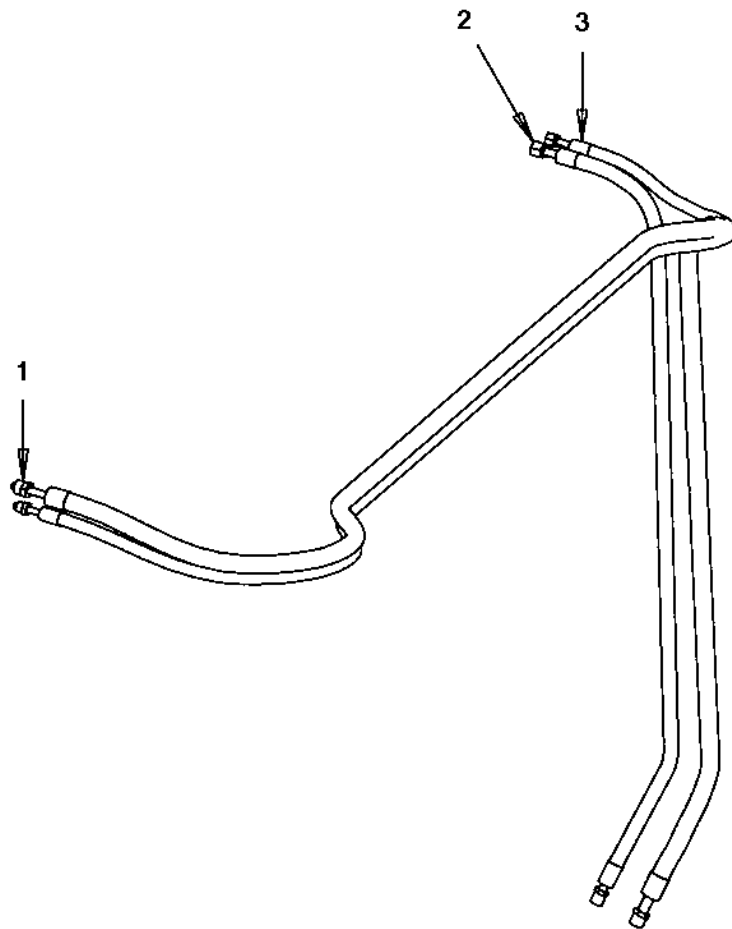
Hose kit AC



Hose kit AC

Item	Part No	Rem Qty	Description	Code
1		1	<b>Hose kit ( Page 460 )</b>	
2	4700393418	2	Bracket	
3	4700500048	6	Screw M10-1,5x20 8,8	C
4	4700904557	6	Steel plain washer	C
5	4700394920	1	Bracket	
6	4700792686	9	Cable tie with holder	
7	4700395156	1	Bracket	

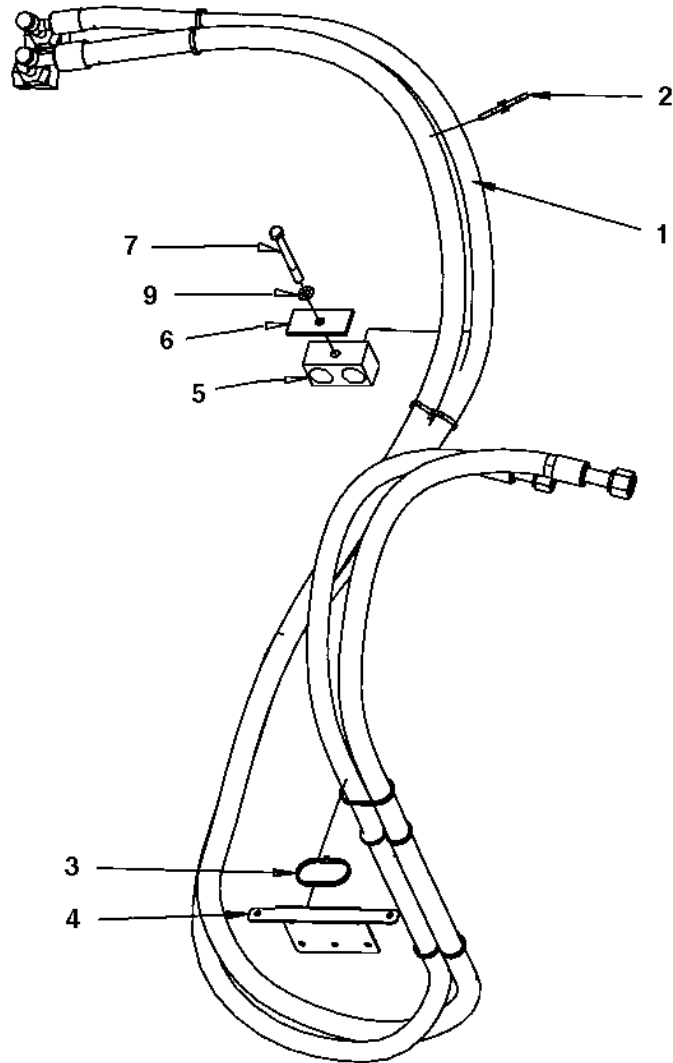
**Hose kit**





Hose kit

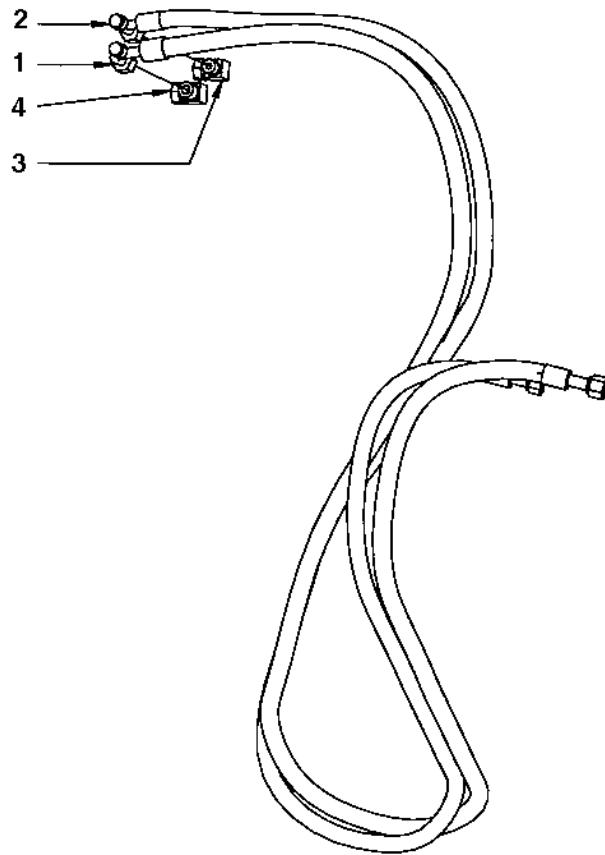
Item	Part No	Rem Qty	Description	Code
1	4700393597	1	Refrigerant hose	
2	4700393596	1	Refrigerant hose	
3	4700393594	1	Refrigerant hose	



**Hose kit Compressor**

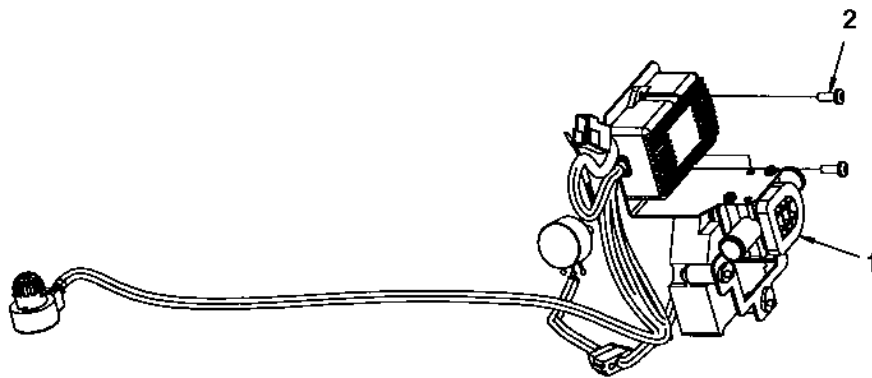
Item	Part No	Rem Qty	Description	Code
1		1	<b>Hose kit AC ( Page 464 )</b>	
2	4700792686	15	Cable tie with holder	
3	4700313041	N	Cable ties	D
4	4700394707	1	Bracket	
5	4700287295	1	Clamp	
6	4700287294	1	Cover plate	
7	4700500090	1	Screw	C
9	4700904229	1	Washer 8,4x16x1,5	C

Hose kit AC



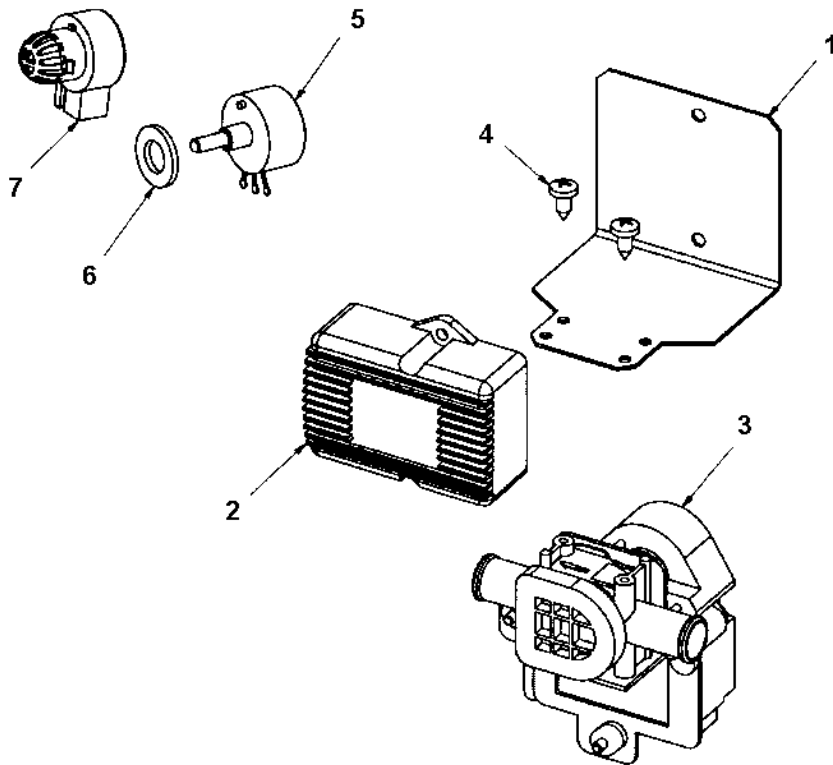
Hose kit AC

Item	Part No	Rem Qty	Description	Code
1	4700393598	1	Refrigerant hose	
2	4700393595	1	Refrigerant hose	
3	4700394705	1	Refrigerant fitting	
4	4700394706	1	Refrigerant fitting	



**ACC module**

<b>Item</b>	<b>Part No</b>	<b>Rem Qty</b>	<b>Description</b>	<b>Code</b>
1		1	<b>ACC controls ( Page 468 )</b>	
2	4700792187	2	Screw M5x14	





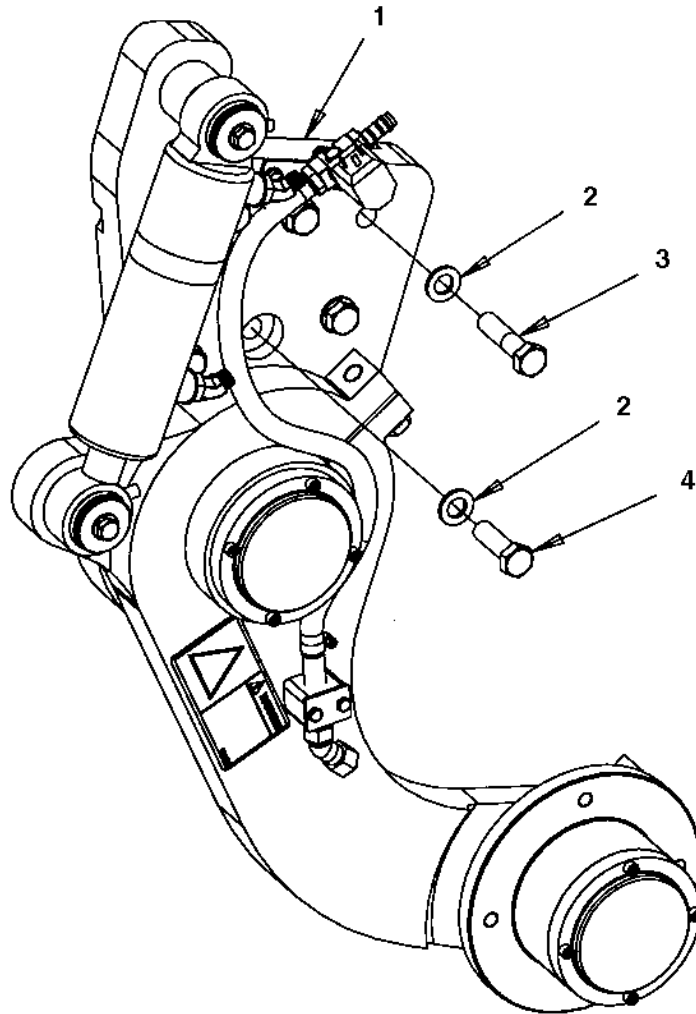
**ACC controls**

<b>Item</b>	<b>Part No</b>	<b>Rem Qty</b>	<b>Description</b>	<b>Code</b>
1		1	Bracket	
2	4700950369	1	ATM unit	
3	4700950370	1	Heater valve	
4		2	Screw	
5	4700950371	1	Potentiometer	
6		1	Washer	
7	4700938624	1	Sensor	B



**Edge cutter**

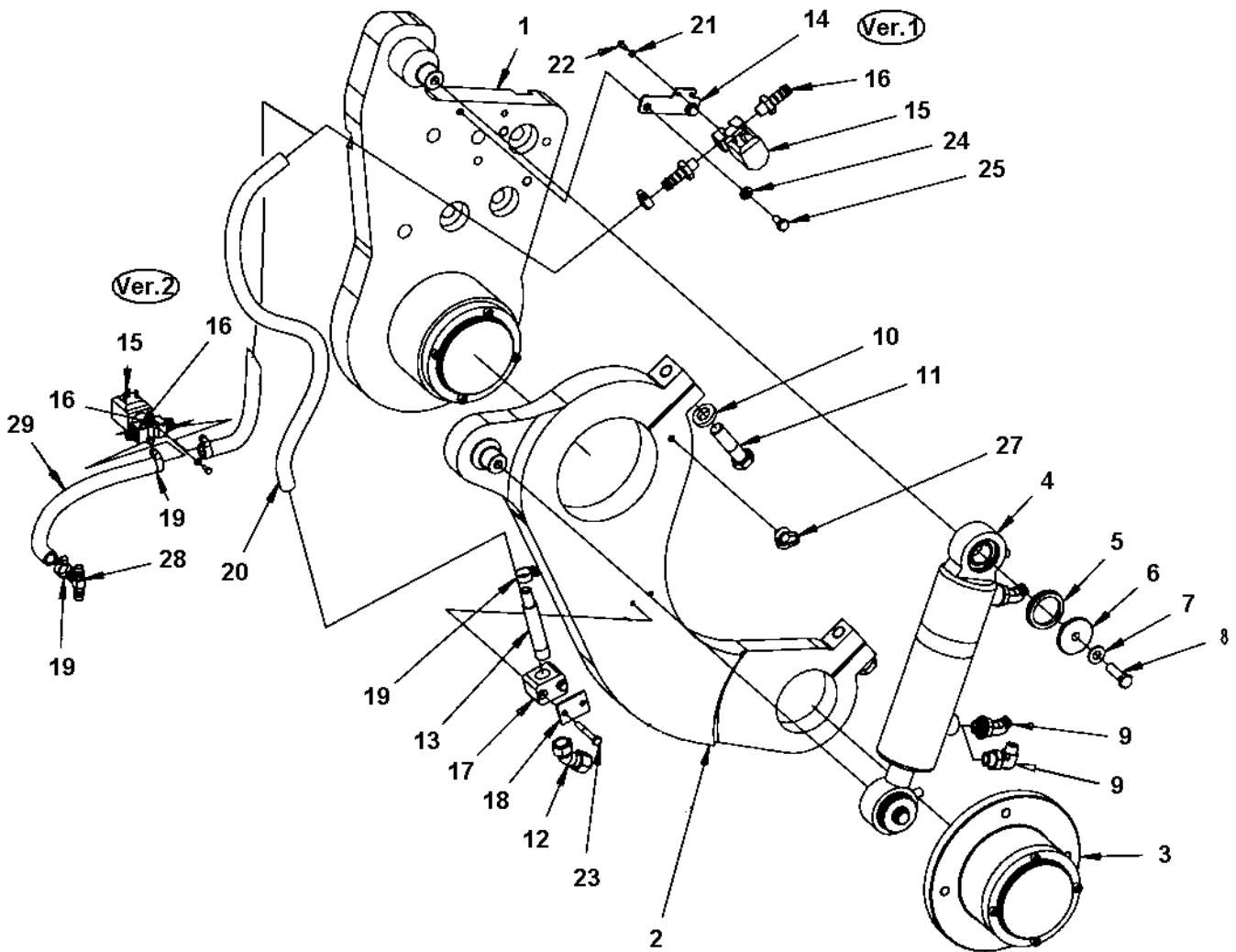
<b>Item</b>	<b>Part No</b>	<b>Rem Qty</b>	<b>Description</b>	<b>Code</b>
1		1	<b>Edge cutter, module ( Page 472 )</b>	
2		1	<b>Cutting disc module ( Page 482 )</b>	
		1	<b>Pressing roller, module ( Page 484 )</b>	
3		1	<b>Hydraulic valve module ( Page 486 )</b>	
5		1	<b>Disc/Roller holder ( Page 492 )</b>	
8	4700484103	1	Hydraulic hose	
9	4700484104	1	Hydraulic hose	
10	4700792395	1	Switch	
11	4700792396	1	Switch	



Edge cutter, module

Item	Part No	Rem Qty	Description	Code
1	4700390998	1	<b>Edge cutter, cpl ( Page 474 )</b>	
2	4700904232	6	Washer	C
3	4700500058	5	Screw M16-2,0x65 8,8	
4	4700500070	1	Screw M16x50	C

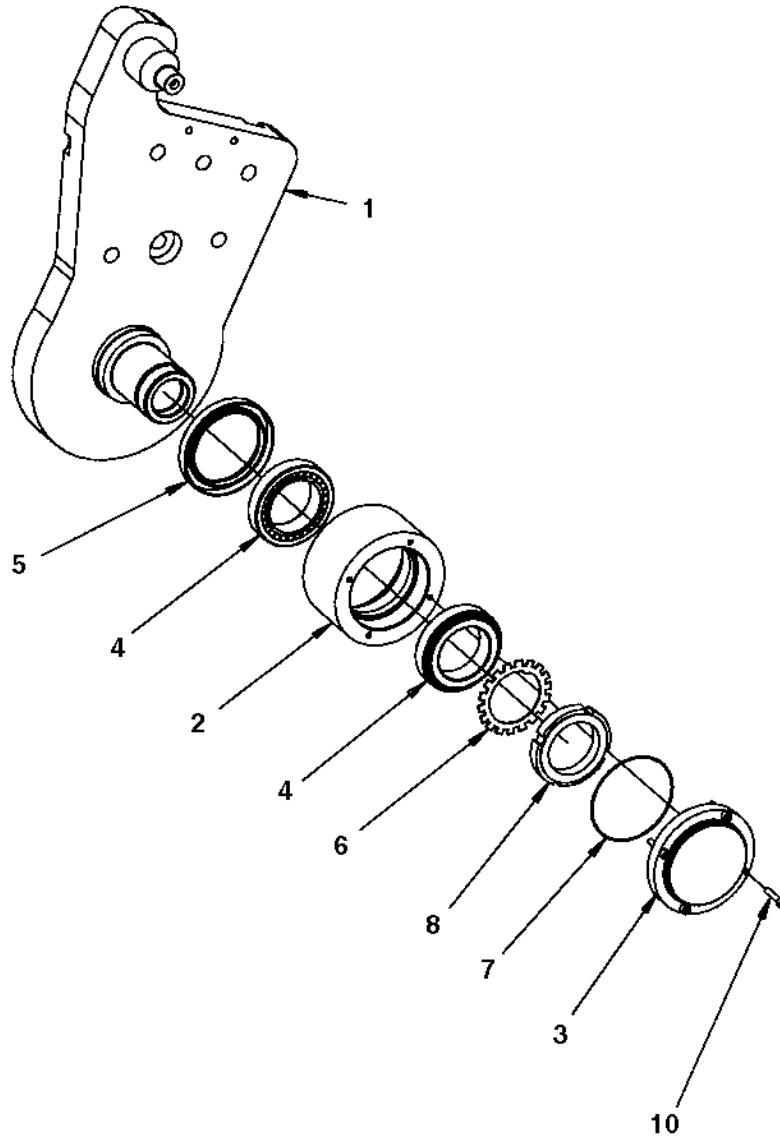
4700390998 Edge cutter, cpl



4700390998 Edge cutter, cpl

Item	Part No	Rem	Qty	Description	Code
	4700390998			<b>Edge cutter, cpl ( Page 474 )</b>	
1	4700390999		1	<b>Holder ( Page 476 )</b>	
2	4700391000		1	Lever	
3	4700391009		1	<b>Bearing unit ( Page 478 )</b>	
4	4700387275		1	<b>Hydraulic cylinder ( Page 480 )</b>	
	4700945526		2	. Bearing	
5	4700791565		2	Sealing	
6	4700376861		2	Washer	
7	4700904230		2	Steel plain washer	C
8	4700947684		2	Screw	
9	4700792389		2	Elbow 45 orfs	
	4700792676		1	Elbow 90 orfs	
10	4700904558		2	Washer 17X30X6 300HV	
11	4700500134		2	Screw M16x60	C
12	4700392123		1	Nozzle body	
13	4700392058		1	Pipe	
14	4700392059		1	Bracket	
15	4700391438		1	Solenoid valve	
16	4700901432		2	Hose connection	
17	4700791453		1	Pipe clamp block	
18	4700791454		1	Cover plate	
19	4700313001		2	Hose clamp	D
20	4812112074	A	1XL	Plastic hose	
21	4700904698		2	Washer	C
22	4700925784		2	Screw	
23	4700500186		2	Screw	C
24	4700904229		2	Washer 8,4x16x1,5	C
25	4700500019		2	Screw M8x16H 8.8 A2K	C
27	4700792441		1	Cable tie with holder	
28	4700791362		1	Hose connector	
29	4812112074	B	1XL	Plastic hose	

- A) Length as required.
- B) L= 0.3 m

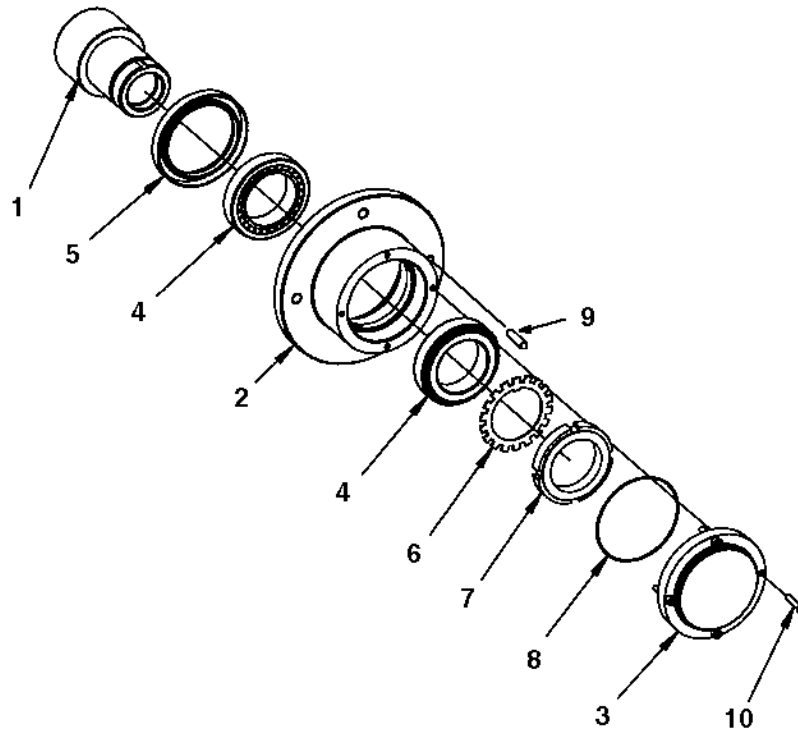




**4700390999 Holder**

<b>Item</b>	<b>Part No</b>	<b>Rem Qty</b>	<b>Description</b>	<b>Code</b>
1	4700391001	1	Holder	
2	4700391008	1	Bearing housing	
3	4700391010	1	Bearing cover	
4	4700792385	2	Taper roller bearing	
5	4700792384	1	Radial lip-type seal	
6	4700136012	1	Lock washer	D
7	4700900512	1	O-ring 101,32x1,78	D
8	4700135012	1	Shaft nut	D
10	4700508018	4	Screw	

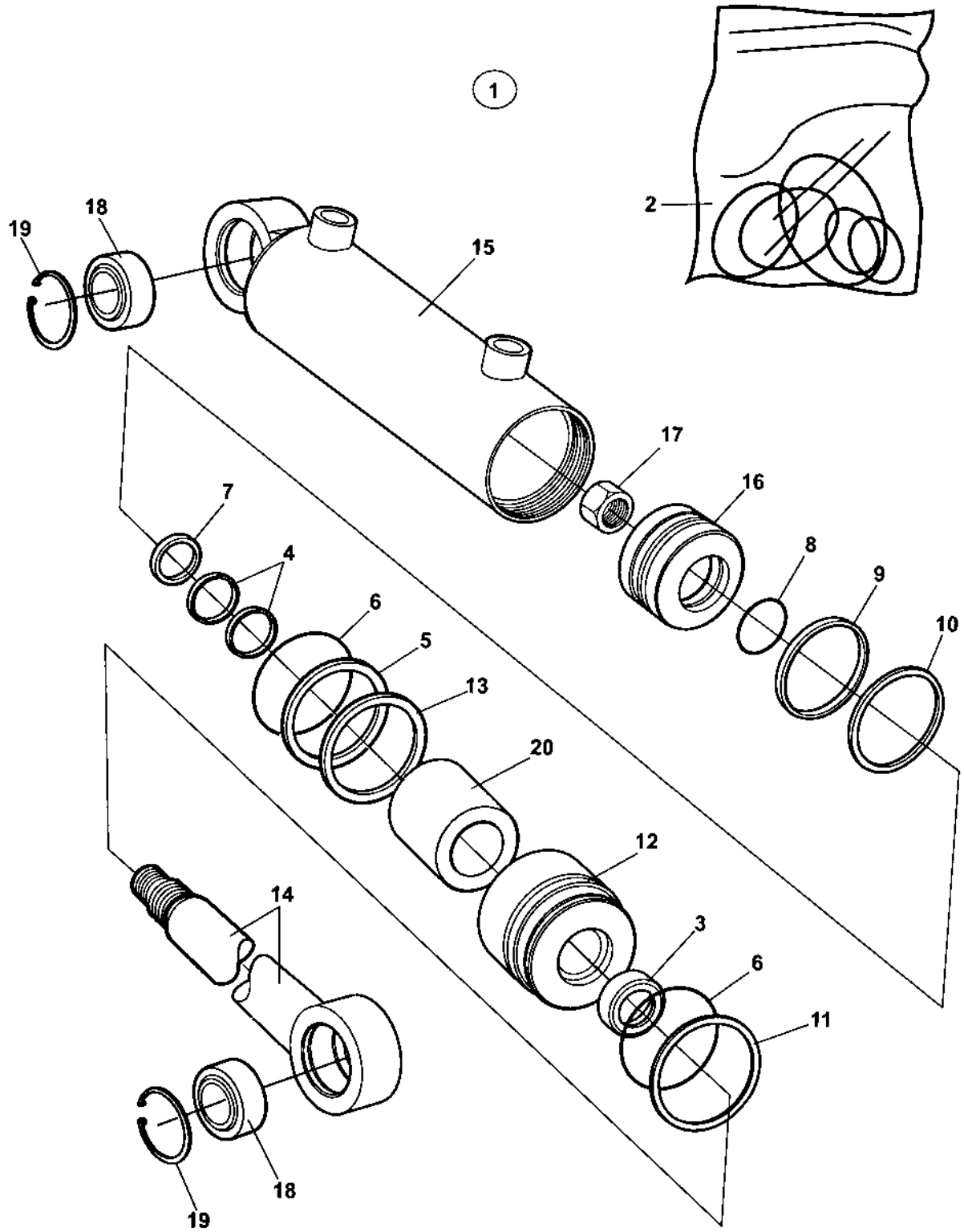
**4700391009 Bearing unit**



**4700391009 Bearing unit**

<b>Item</b>	<b>Part No</b>	<b>Rem Qty</b>	<b>Description</b>	<b>Code</b>
	4700391009		<b>Bearing unit ( Page 478 )</b>	
1	4700391011	1	Shaft	
2	4700391012	1	Bearing housing	
3	4700391010	1	Bearing cover	
4	4700792385	2	Taper roller bearing	
5	4700792384	1	Radial lip-type seal	
6	4700136012	1	Lock washer	D
7	4700135012	1	Shaft nut	D
8	4700900512	1	O-ring 101,32x1,78	D
9	4700903891	4	Stud	
10	4700508018	4	Screw	

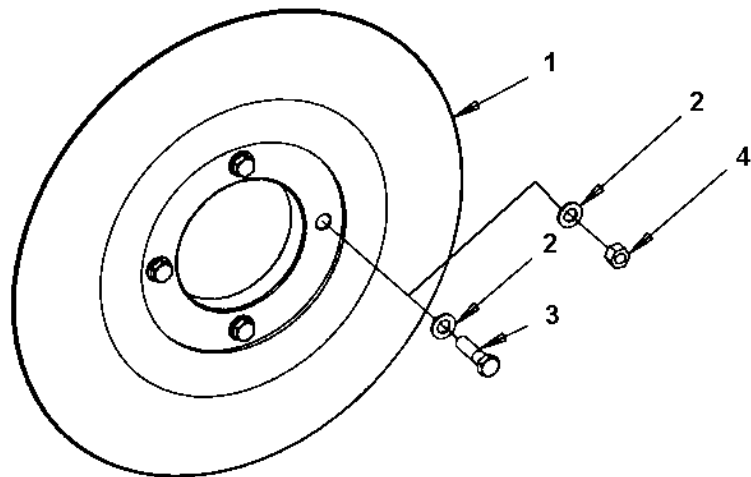
4700387275 Hydraulic cylinder



**4700387275 Hydraulic cylinder**

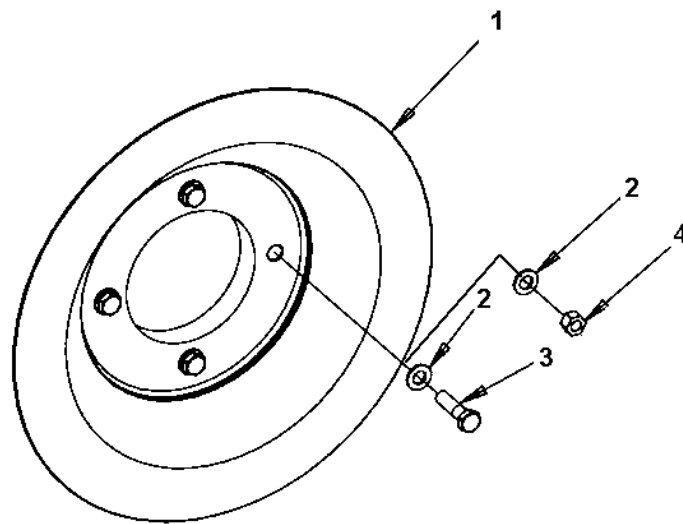
Item	Part No	Rem	Qty	Description	Code
1	4700387275		1	<b>Hydraulic cylinder ( Page 480 )</b>	
2	4700945668		1	. Seal kit	
3			1	. . Seal	
4			2	. . Seal	
5			1	. . Back-up ring	
6			2	. . O-ring	
7			1	. . Seal	
8			1	. . O-ring	
9			1	. . Seal	
10			1	. . Seal	
11			1	. Retaining ring	
12			1	. Steering	
13			1	. Retaining ring	
14			1	. Piston rod	
15			1	. Cylinder	
16			1	. Piston block	
17			1	. Cylinder nut	
18	4700945526		1	. Bearing	
19			1	. Retaining ring	
20		A	1	. Spacer	

A) Not valid for this model



**Cutting disc module**

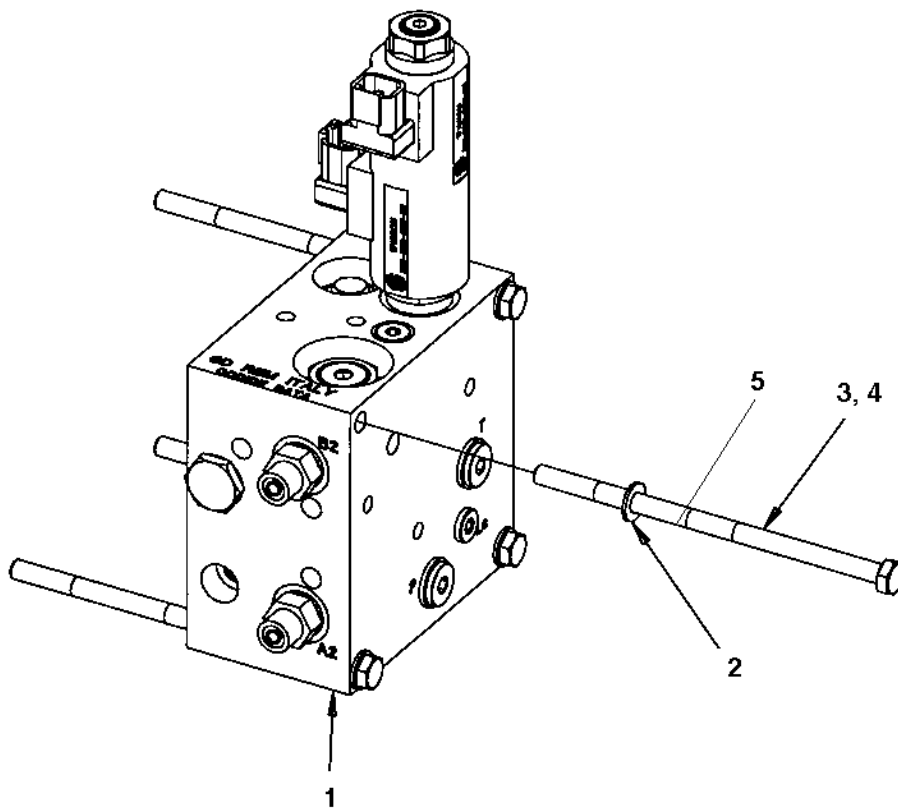
<b>Item</b>	<b>Part No</b>	<b>Rem Qty</b>	<b>Description</b>	<b>Code</b>
1	4700390805	1	Cutting disc 80mm	
	4700390806	1	Cutting disc 120mm	
	4700390807	1	Cutting disc 150mm	
2	4700904231	4	Steel plain washer	C
3	4700500056	4	Screw	C
4	4700570007	4	Hexagon nut M12	





**Pressing roller, module**

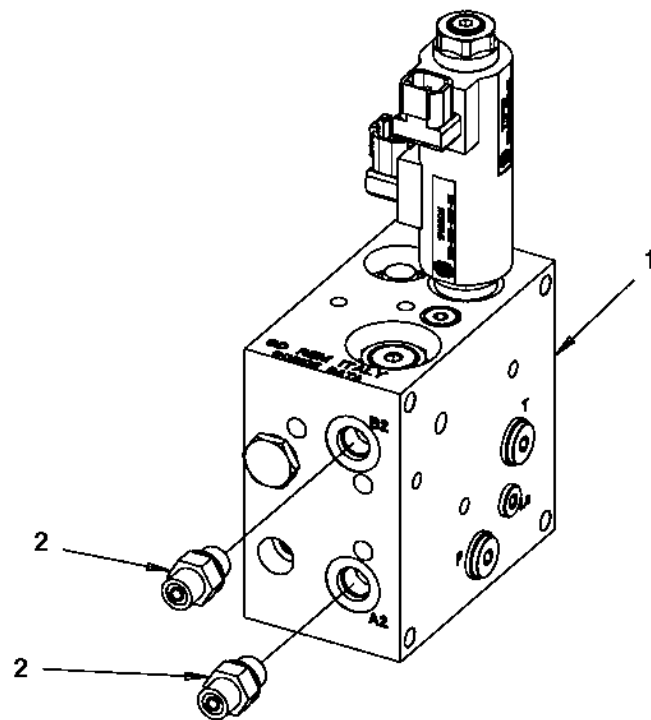
<b>Item</b>	<b>Part No</b>	<b>Rem Qty</b>	<b>Description</b>	<b>Code</b>
1	4700390808	1	Pressing roller	
2	4700904231	4	Steel plain washer	C
3	4700500056	4	Screw	C
4	4700570007	4	Hexagon nut M12	



Hydraulic valve module

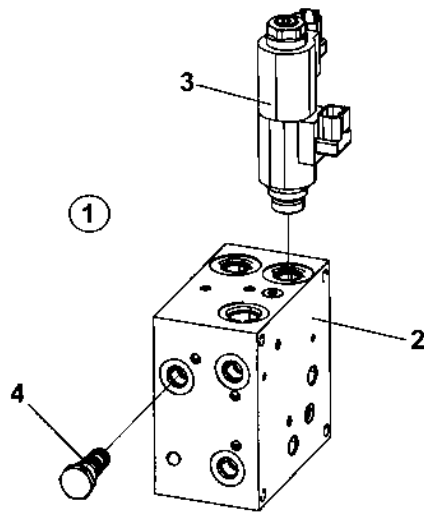
Item	Part No	Rem	Qty	Description	Code
1			1	<b>Hydraulic valve ( Page 488 )</b>	
2	4700904229		4	Washer 8,4x16x1,5	C
3	4700792359	1	4	Screw M8x160 8.8	C
4	4700500115	2	4	Screw M8-1,25x90 8.8	C
5	4700500170		4	Screw M8x140 8.8 From c	C

- 1) Used when option valve is mounted.
- 2) Used when mounted on base valve.



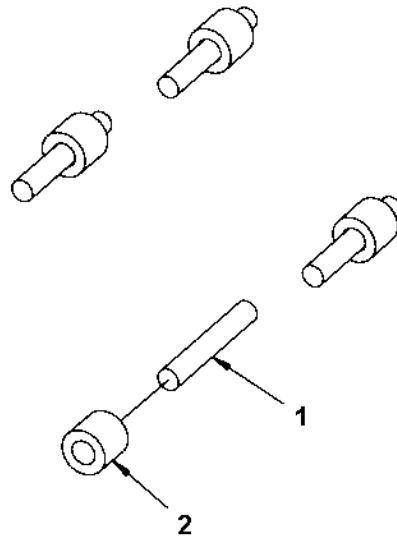
**Hydraulic valve**

<b>Item</b>	<b>Part No</b>	<b>Rem Qty</b>	<b>Description</b>	<b>Code</b>
1	4700391018	1	<b>Hydraulic valve ( Page 490 )</b>	
2	4700791914	2	Straight connector orfs	



**4700391018 Hydraulic valve**

Item	Part No	Rem Qty	Description	Code
1		1	Hydraulic valve	
2		1	. Valve block	
3	4700950587	1	. Proportional valve	
4	4700940572	1	. Shuttle valve	C

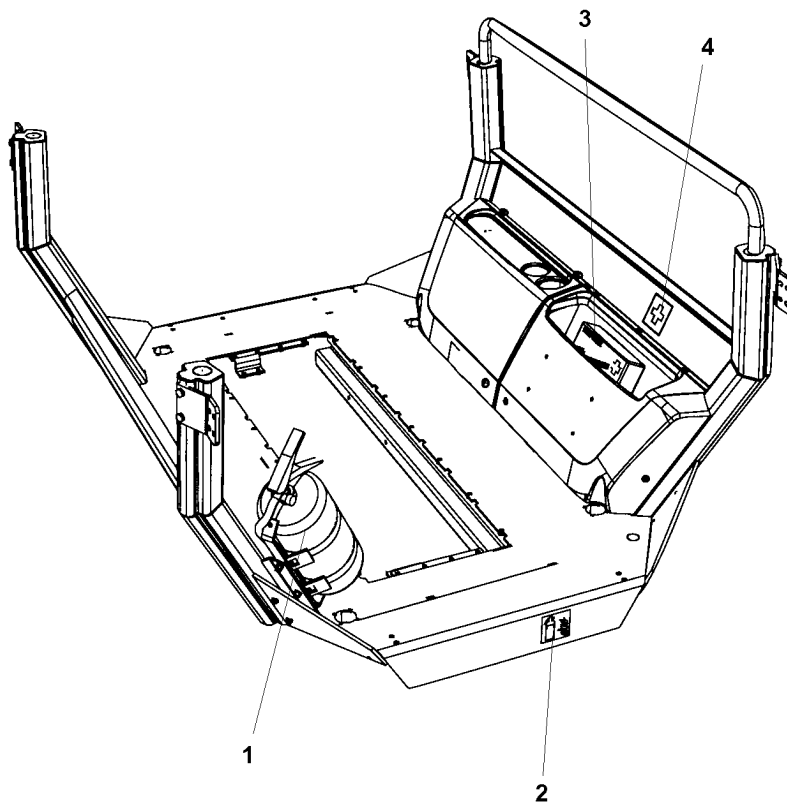




**Disc/Roller holder**

<b>Item</b>	<b>Part No</b>	<b>Rem Qty</b>	<b>Description</b>	<b>Code</b>
1	4700792245	4	Stud	
2	4700383024	4	Spacer sleeve	

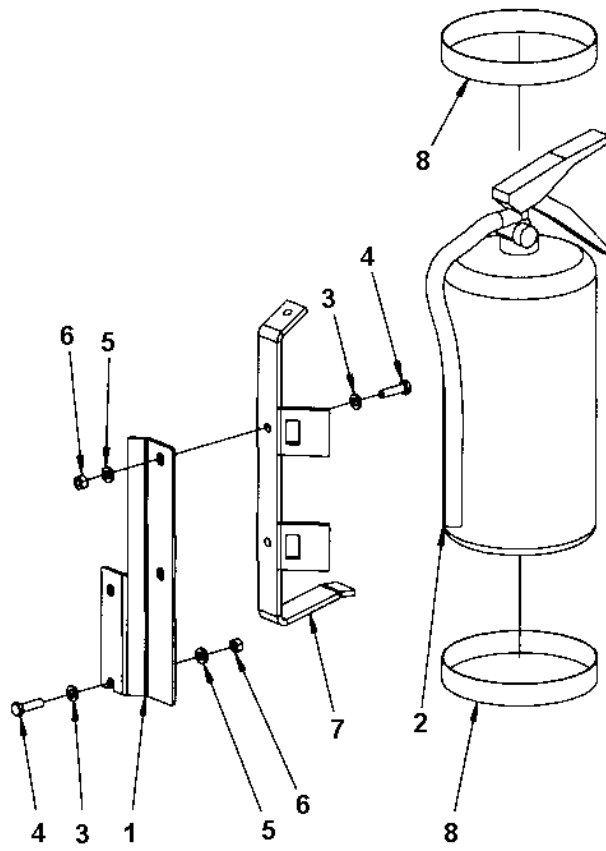
**Fire extinguisher/First Aid Cushion**



**Fire extinguisher/First Aid Cushion**

<b>Item</b>	<b>Part No</b>	<b>Rem Qty</b>	<b>Description</b>	<b>Code</b>
1		1	<b>Fire extinguisher assembly ( Page 496 )</b>	
2	4700792634	1	Decal fire extinguisher	
3	4700394395	1	First aid cushion	
4	4700902509	1	Decal	

**Fire extinguisher assembly**



**Fire extinguisher assembly**

<b>Item</b>	<b>Part No</b>	<b>Rem Qty</b>	<b>Description</b>	<b>Code</b>
1	4700393862	1	Bracket	
2		1	Fire extinguisher	
3	4700904229	4	Washer 8,4x16x1,5	C
4	4700500022	4	Screw M8x30H 8.8 A2K	C
5	4700904556	4	Washer 8,4x16x3,0	C
6	4700570005	4	Nut M8	C
7	4700378860	1	Holder	
8	4700378861	2	Strap	



**NUMERICAL INDEX**

Part Number	Page	Part Number	Page	Part Number	Page
4700116041	17,165,167	4700358254	339	4700384584	339
4700135012	477,479	4700358732	223	4700384855	333,359,395
4700135015	43	4700358881	51,87,439	4700384911	129
4700136012	477,479	4700359043	419,431	4700385599	435
4700151015	43	4700359125	419	4700386272	17,165,167
4700160045	15,159	4700359192	143	4700386966	181
4700160105	17,165,167	4700359819	419,431	4700387275	475,481
4700160227	161	4700359916	419	4700387545	439
4700160277	43	4700359919	419	4700387638	407
4700160279	165,167	4700359920	419	4700388449	443
4700160287	231	4700359955	157	4700388737	435
4700160313	75,83,85	4700359998	333,359,395	4700388846	53
4700160344	15,159,165,167	4700370155	231	4700389821	29
4700162004	197	4700370286	343,347	4700390013	425
4700162006	51	4700370745	29,35	4700390018	175
4700162015	51,219	4700372121	333,335	4700390019	181
4700162017	157	4700372424	229,233	4700390020	181
4700162027	157,165,167	4700372672	419	4700390024	183
4700202057	37,59,61	4700372718	29,35	4700390060	97
4700205112	175,407	4700372959	431	4700390072	151
4700232039	197	4700372960	431	4700390074	97
4700232056	51	4700372964	419	4700390080	151
4700232231	175	4700372965	419	4700390155	343
4700233215	129	4700373183	143	4700390160	165,167
4700234365	407	4700373363	333,335	4700390169	425
4700246069	201	4700373399	335	4700390239	427
4700272372	443	4700376861	475	4700390332	189
4700272373	443	4700376922	239	4700390365	59,61
4700287294	463	4700377507	393	4700390434	301,303
4700287295	463	4700377508	393	4700390435	313
4700287643	351	4700377518	423	4700390436	301,303,313
4700297018	455	4700377677	415	4700390463	145
4700313001	35,75,83,89,193	4700377742	443	4700390469	97,143
	201,475	4700377743	443	4700390470	97,143
4700313002	77,85	4700377744	443	4700390533	43
4700313003	35,83,85	4700377913	351	4700390534	43
4700313004	175,183,407	4700378860	497	4700390538	43
4700313009	183	4700378861	497	4700390539	43
4700313010	183	4700379637	415	4700390541	43
4700313033	187	4700379650	165,167	4700390542	43
4700313041	231,295,305,407	4700379652	159	4700390543	43
	427,463	4700379715	431	4700390545	59,61
4700313068	455	4700379718	419	4700390561	423
4700313094	191	4700379728	419	4700390602	239,241
4700313102	35,89,129,317	4700379730	429	4700390603	161
4700313105	35,187	4700379748	157	4700390604	161,163
4700330330	175	4700379974	57	4700390605	167
4700335607	175,267	4700379976	59	4700390607	65
4700335914	29,207	4700379977	61	4700390608	65
4700340862	165,167	4700379987	143	4700390609	65
4700343732	207	4700379992	57,409	4700390613	45
4700343744	157	4700380435	29	4700390615	91
4700343872	29,207	4700381027	165,167	4700390616	91
4700344196	157	4700381934	347	4700390618	175
4700345666	173,237	4700381935	343,347	4700390619	91
4700347512	359,395	4700381936	343,347	4700390627	197
4700349210	207	4700381943	135,413	4700390629	63
4700349715	165,167	4700381944	135,413	4700390630	195
4700350009	419	4700382751	443	4700390716	281
4700355797	311	4700383024	493	4700390717	281
4700357459	57	4700383626	37	4700390805	483
4700357587	443	4700383705	339	4700390806	483

**NUMERICAL INDEX**

Part Number	Page	Part Number	Page	Part Number	Page
4700390807	483	4700391407	97	4700392321	319,323
4700390808	485	4700391420	435	4700392364	165,167
4700390811	185	4700391421	435	4700392450	305
4700390820	185	4700391430	143	4700392451	305
4700390830	187	4700391432	57	4700392509	91
4700390831	175,179	4700391433	7,11,57	4700392534	239
4700390832	175,177	4700391434	51	4700392550	43
4700390860	279	4700391438	475	4700392622	99
4700390861	435	4700391442	29	4700392701	29
4700390864	359,361	4700391443	29	4700392704	429
4700390868	333	4700391444	45	4700392705	429
4700390884	57	4700391478	431	4700392706	429
4700390897	165,167	4700391481	143	4700392717	437
4700390902	191	4700391495	79	4700392719	437
4700390903	191	4700391566	43	4700392748	165,167
4700390919	103	4700391580	281	4700392758	229
4700390934	29	4700391583	281	4700392799	57
4700390963	423	4700391584	267	4700392839	419
4700390994	11,185	4700391585	271	4700392840	419
4700390995	11,185	4700391621	449	4700392930	435
4700390998	473,475	4700391622	449	4700392965	427
4700390999	475,477	4700391624	35	4700393001	51
4700391000	475	4700391626	45	4700393009	99,101
4700391001	477	4700391674	349,355	4700393010	99,101
4700391008	477	4700391675	349	4700393029	199
4700391009	475,479	4700391676	349	4700393031	435
4700391010	477,479	4700391678	349	4700393094	437
4700391011	479	4700391724	161	4700393115	43
4700391012	479	4700391750	53	4700393149	51
4700391017	213,215	4700391754	99,101	4700393218	43
4700391018	489,491	4700391768	57	4700393222	451
4700391020	175	4700391769	57	4700393223	451
4700391023	29,31	4700391770	419	4700393235	199
4700391024	143,149,209	4700391889	145	4700393250	383,403
4700391026	11,51	4700391919	409	4700393251	383,403
4700391029	159	4700391955	281	4700393252	383,403
4700391031	43	4700391957	317	4700393253	383,403
4700391107	157	4700391975	143	4700393254	383,403
4700391110	157	4700392011	91,129	4700393261	403
4700391115	301,303,313	4700392033	325	4700393281	51
4700391157	57	4700392048	239	4700393347	431
4700391165	173,237	4700392058	475	4700393356	97
4700391192	227	4700392059	475	4700393360	143
4700391198	101	4700392075	51	4700393364	219
4700391213	279	4700392078	51	4700393412	35
4700391240	437	4700392123	475	4700393418	459
4700391241	427	4700392156	273	4700393427	429
4700391263	181	4700392158	319	4700393464	43
4700391269	271	4700392221	281	4700393465	43
4700391296	51	4700392222	35	4700393496	427
4700391297	63	4700392223	35	4700393497	427
4700391299	51	4700392224	35	4700393523	43
4700391303	175	4700392227	35,75,77,83,85	4700393525	333,335,359,395
4700391307	35,37		89	4700393538	327
4700391353	35	4700392228	89	4700393542	35,75,77,83,85
4700391358	175	4700392229	89	4700393550	119
4700391369	67	4700392230	35	4700393582	359,395
4700391370	67	4700392231	35	4700393584	455,457
4700391371	67	4700392232	35	4700393590	319
4700391375	51	4700392235	35	4700393592	175
4700391376	51	4700392291	153	4700393594	461
4700391396	435	4700392316	413	4700393595	465



**NUMERICAL INDEX**

Part Number	Page	Part Number	Page	Part Number	Page
4700393596	461	4700394705	465	4700395820	391
4700393597	461	4700394706	465	4700395825	361,397
4700393598	465	4700394707	463	4700395828	391
4700393624	239	4700394715	29	4700395829	361,387,397
4700393625	237	4700394787	97	4700395830	361,397
4700393634	383	4700394806	117	4700395831	387
4700393635	383	4700394859	351	4700395832	387
4700393636	383	4700394920	459	4700395833	381
4700393637	383	4700394931	295	4700395834	381
4700393639	357	4700395023	295	4700395835	381
4700393640	355	4700395065	407	4700395836	381
4700393641	355	4700395111	115	4700395837	381
4700393642	355	4700395112	19,115	4700395838	381
4700393645	355	4700395128	29	4700395839	381
4700393646	355	4700395131	35	4700395840	335,361,397
4700393697	91	4700395156	459	4700395841	393
4700393776	293	4700395226	291	4700395842	393
4700393862	497	4700395352	455	4700395853	393
4700393959	443	4700395383	419	4700395855	365
4700393977	429	4700395390	123	4700395856	377
4700393978	333	4700395412	125	4700395857	335,385
4700394000	51	4700395428	105,107	4700395859	361,397
4700394023	39	4700395429	105	4700395860	333,401
4700394068	109	4700395430	107	4700395898	395,397
4700394070	109,111	4700395447	419	4700395915	165
4700394139	355	4700395522	51	4700395924	223,225
4700394140	355	4700395653	143	4700395947	439
4700394169	175	4700395694	143	4700396071	29
4700394207	43	4700395696	147	4700396154	121
4700394250	21,161	4700395756	389	4700396179	147
4700394251	21,165,167	4700395757	389	4700396183	133
4700394267	183	4700395758	389	4700396210	51
4700394297	51	4700395759	389	4700396218	187
4700394322	175	4700395761	391	4700396220	187
4700394340	93,117,137	4700395762	391	4700396259	281
4700394351	109,111	4700395774	391	4700396260	281
4700394395	495	4700395775	391	4700396261	281
4700394400	29,51	4700395783	335,385	4700396268	129
4700394413	111	4700395784	385	4700396270	129
4700394459	51	4700395785	335,385,435	4700396304	281
4700394513	51	4700395786	335,385	4700396498	29
4700394514	57	4700395787	367	4700396542	57
4700394529	51	4700395790	383	4700396583	43
4700394536	53	4700395792	367	4700396584	43
4700394545	47	4700395793	373	4700396585	43
4700394567	69	4700395794	373	4700396588	43
4700394568	69	4700395795	373	4700396607	59,61
4700394569	69	4700395796	369	4700396634	57
4700394570	69	4700395798	375	4700396635	57
4700394571	69	4700395799	375	4700396661	435
4700394572	69	4700395800	375	4700396662	435
4700394573	69	4700395803	383,403	4700396670	439
4700394575	69	4700395806	379,381	4700396672	75,83,85
4700394587	87	4700395810	369	4700396673	83,85
4700394590	87	4700395811	369	4700396684	59
4700394591	87	4700395813	371	4700396685	61
4700394593	443	4700395814	371	4700396739	35
4700394594	443	4700395815	373	4700396754	133
4700394595	443	4700395816	271,335,375	4700396768	285,289
4700394596	443	4700395817	379	4700396893	133
4700394654	411	4700395818	391	4700396923	337
4700394701	57	4700395819	391	4700396936	131

**NUMERICAL INDEX**

Part Number	Page	Part Number	Page	Part Number	Page
4700396975	133	4700484053	209	4700500053	283,287,389,409
4700396976	133	4700484054	209		423,427,431,451
4700397039	39	4700484055	209	4700500056	175,335,483,485
4700397259	175	4700484056	209	4700500057	161
4700397270	237	4700484057	209	4700500058	473
4700397296	51	4700484058	209	4700500059	51,59,61
4700397318	39	4700484059	209	4700500060	271,435
4700397348	37	4700484064	207	4700500070	157,473
4700397516	323	4700484066	207	4700500090	75,77,83,85,463
4700397517	323	4700484067	207	4700500092	57
4700397539	173	4700484075	205	4700500096	449
4700450163	351	4700484076	205	4700500105	117
4700475064	109,111	4700484077	205	4700500107	173,237
4700476019	153	4700484078	205	4700500115	211,437,487
4700480446	233	4700484079	205	4700500134	151,475
4700480447	233	4700484080	205	4700500143	355
4700480449	233	4700484081	205	4700500146	95,139
4700480450	233	4700484084	207	4700500153	351
4700480456	233	4700484103	471	4700500154	365,401
4700480468	233	4700484104	471	4700500161	95,125,131,139
4700480852	35,77,85	4700484161	235		141,425
4700483726	235	4700484236	207	4700500170	487
4700483729	235	4700484271	165	4700500175	143
4700483748	207	4700499174	343,347	4700500186	475
4700483960	207	4700500012	43,285	4700500189	349
4700484006	231	4700500013	35,145,279,373	4700500190	349,353,355
4700484007	231	4700500015	279	4700500195	333,359,395
4700484014	217	4700500016	65	4700500197	175
4700484015	217	4700500018	293,343,347,359	4700500198	117
4700484016	217		363,379,395,399	4700500206	101
4700484017	217	4700500019	57,73,81,127,133	4700500228	335
4700484018	217		157,269,277,337	4700500239	357
4700484019	217		351,475	4700500265	97
4700484020	217	4700500020	429,431	4700500269	29,51,55
4700484021	217	4700500021	35,51,57,63,175	4700500270	237
4700484022	217		195,197,341,345	4700500287	41
4700484023	217		365,401,419	4700500289	95,139,141
4700484024	219	4700500022	35,47,51,57,65	4700500297	141
4700484025	219		407,497	4700500505	433
4700484026	219	4700500023	45,47,185	4700502035	431
4700484027	219	4700500024	413	4700508018	477,479
4700484028	235	4700500028	51,57,159,173	4700508019	413
4700484029	235		319,321	4700508020	51
4700484030	235	4700500029	97,129	4700508021	369
4700484031	235	4700500030	95,139,173,239	4700508022	435
4700484032	235	4700500031	115,141,173	4700508025	341,345
4700484033	235	4700500032	29,113	4700508029	419
4700484034	235	4700500033	125	4700508048	135,175
4700484035	235	4700500035	175,267	4700508080	175
4700484036	235	4700500040	57,147,153,271	4700508092	425
4700484037	235		427	4700508096	175
4700484038	235	4700500042	289	4700509025	175
4700484039	235	4700500043	57,267	4700513003	429
4700484040	235	4700500046	165,167	4700513011	109,111
4700484043	235	4700500047	45,95,119,121	4700513017	57
4700484046	209		139,141,341,345	4700516051	419
4700484047	209		431	4700526010	435
4700484048	209	4700500048	39,221,367,459	4700533050	147
4700484049	209	4700500049	97,165,167,175	4700535017	309
4700484050	209	4700500051	29	4700570004	133,271,435
4700484051	209	4700500053	35,51,57,65,75	4700570005	29,35,57,185,267
4700484052	209		77,79,83,85,227		275,317,379,429

**NUMERICAL INDEX**

Part Number	Page	Part Number	Page	Part Number	Page
4700570005	431,497	4700791634	239	4700792334	57,231
4700570006	57,117,419	4700791635	239	4700792336	239
4700570007	483,485	4700791642	185,443	4700792337	143
4700570103	207	4700791698	175,239	4700792338	51
4700573008	419	4700791709	307,433	4700792339	63
4700586001	271,435,439	4700791711	57	4700792340	235
4700586002	35,57,59,61,153	4700791712	57	4700792342	227
	271,275,279,341	4700791723	435	4700792343	227
	345,419,427,435	4700791733	435	4700792344	217
	437	4700791739	435	4700792349	313
4700586003	29,45,57,75,77	4700791743	145,223	4700792350	301,303
	83,85,119,121	4700791744	223	4700792351	313
	123,129,131,135	4700791745	231,239	4700792352	325
	143,189,341,345	4700791754	313	4700792353	301,303
	349,353,355,357	4700791796	165	4700792354	311,315
	369,379,413,419	4700791797	29	4700792359	487
	437	4700791798	217,239	4700792361	301,303,313
4700586018	113,115,325,327	4700791799	57,145,165,167	4700792362	145
	425		223,231	4700792363	275
4700586019	117	4700791823	57,223	4700792364	267
4700601003	353,355	4700791824	239	4700792384	477,479
4700603001	35,51,143,147	4700791831	239	4700792385	477,479
	419	4700791840	57	4700792389	475
4700603009	365,401	4700791844	57	4700792392	409
4700606009	217	4700791846	213	4700792394	43
4700615050	35,57	4700791853	239	4700792395	471
4700624005	443	4700791858	143	4700792396	471
4700624018	53	4700791914	489	4700792397	317
4700624020	59,61	4700791950	75,83	4700792398	307
4700624021	51,53	4700791951	301	4700792410	319,323
4700629008	87	4700791956	313	4700792414	435
4700630008	419,431	4700791968	411	4700792417	319
4700630012	109,111	4700791977	75,83,91,129	4700792419	319
4700635061	31,149,223	4700792035	311	4700792421	51
4700791120	51,197	4700792059	303	4700792422	299
4700791172	95,139,141	4700792065	407	4700792433	129
4700791182	47,79	4700792072	91,129	4700792441	57,75,77,83,85
4700791185	279,375	4700792073	35,83,85		235,275,279,307
4700791211	375	4700792151	29,161,239		323,431,475
4700791231	57	4700792157	239	4700792442	235,275
4700791277	443	4700792187	467	4700792447	343,347
4700791278	443	4700792210	295,299	4700792448	343,347
4700791304	429	4700792219	239	4700792449	335,349
4700791314	29	4700792245	493	4700792451	217
4700791321	63	4700792258	57	4700792452	217
4700791362	475	4700792270	15,159,165,167	4700792453	217
4700791397	235	4700792276	51	4700792454	217
4700791401	161,223	4700792295	43,145	4700792465	239
4700791405	51	4700792296	145	4700792492	51
4700791409	145,223	4700792309	271,279,375	4700792501	425
4700791453	475	4700792310	271	4700792502	175
4700791454	475	4700792311	57	4700792504	375
4700791479	271	4700792322	197	4700792505	375
4700791524	419,427	4700792323	197	4700792506	161
4700791538	239	4700792325	43,57,59,61,409	4700792507	161
4700791539	145	4700792326	51,57	4700792515	43
4700791551	279	4700792327	267	4700792517	43
4700791565	475	4700792328	267	4700792518	43
4700791572	425	4700792330	167	4700792519	313
4700791582	435	4700792331	161,239	4700792520	313
4700791588	375,435	4700792332	65	4700792521	301,303
4700791597	279	4700792333	239	4700792522	193

**NUMERICAL INDEX**

Part Number	Page	Part Number	Page	Part Number	Page
4700792526	193	4700901767	279	4700904131	333
4700792527	425	4700902064	315	4700904165	443
4700792533	235	4700902166	53,59,61	4700904206	29,35,143
4700792536	339	4700902285	39,351	4700904213	33,55,165,167
4700792537	307	4700902286	51,319,323,351	4700904228	43,59,61,145,153
4700792539	419		423		271,275,279,285
4700792540	123	4700902295	235		341,345,351,373
4700792554	29,43	4700902379	335		427,435,437
4700792573	443	4700902509	495	4700904229	29,35,45,51,57
4700792583	411	4700902520	419		73,75,77,79,81
4700792589	339	4700902624	243,253,259		83,85,103,109
4700792600	35,75,77,83,85	4700902625	243,247,257,263		111,119,121,123
4700792601	109,111	4700902638	243		127,129,131,133
4700792602	275	4700902687	243		135,143,157,175
4700792603	175	4700902688	253,259		185,211,227,267
4700792605	29	4700902695	243		275,277,283,287
4700792607	51	4700902724	243,253,259		289,293,301,303
4700792609	305	4700902752	243		313,317,319,323
4700792632	217	4700902792	245,253,259		341,345,351,369
4700792634	495	4700902804	335,435		407,413,417,419
4700792649	239	4700902811	253,259		423,427,429,431
4700792667	295	4700902861	233		437,449,451,463
4700792669	67	4700902862	233		475,487,497
4700792676	475	4700902866	29,37,59,61,381	4700904230	29,39,51,57,95
4700792678	419	4700903082	207,209,235		97,115,125,139
4700792684	267	4700903422	443		159,221,319,321
4700792686	459,463	4700903423	443		325,425,475
4700792695	193	4700903424	443	4700904231	29,43,55,97,99
4700792715	375	4700903425	443		109,111,117,143
4700792726	105,107	4700903456	57		157,161,165,167
4700792731	281	4700903457	233		175,483,485
4700792746	165	4700903459	443	4700904232	151,157,161,473
4700792772	443	4700903590	367	4700904233	41,97,101,333
4700792777	75,83	4700903633	333,359,395		335,359,395
4700792778	83,85	4700903640	271	4700904234	95,139,141
4700792779	35,77,85	4700903641	271	4700904241	355
4700792780	35,85	4700903662	437	4700904281	51,271,435,439
4700792781	35	4700903714	199	4700904292	219
4700792782	35	4700903726	165,167	4700904340	351
4700792790	217	4700903735	143	4700904556	95,139,141,269
4700792796	337	4700903741	279		341,345,357,359
4700792812	435	4700903768	57		395,413,429,497
4700792813	75,77,83,85	4700903773	231	4700904557	95,113,125,129
4700792825	57	4700903795	29		131,139,141,173
4700813429	175	4700903831	143		239,327,419,431
4700813434	407	4700903891	479		459
4700891374	209	4700903917	419	4700904558	237,475
4700900485	133	4700903918	419	4700904584	235
4700900512	477,479	4700903953	59,61	4700904601	443
4700900672	35	4700904008	217	4700904619	439
4700900775	159,165,167	4700904009	217	4700904629	207
4700901141	407	4700904010	217	4700904637	57,175,267
4700901145	333,335,359,395	4700904015	297	4700904638	267,425
4700901157	239	4700904024	297	4700904640	29,35,47,51,57
4700901178	29	4700904036	271		63,65,189,195
4700901225	279	4700904037	275		197,319,323,337
4700901226	299	4700904039	267,273		343,347,349,409
4700901227	279,297,299,375	4700904044	51		419,451
4700901228	375	4700904083	443	4700904653	439
4700901431	77,85	4700904085	143	4700904654	351
4700901432	475	4700904092	443	4700904697	147
4700901446	335	4700904094	443	4700904698	435,475

**NUMERICAL INDEX**

Part Number	Page	Part Number	Page	Part Number	Page
4700904703	29,51,175	4700935192	247	4700937233	253,259
4700904728	51	4700935210	249	4700937236	253,259
4700904734	45,119,121,185	4700935219	243,253,259	4700937620	425
4700904735	35,57,59,61,65	4700935428	233	4700937621	425
	153,309	4700935429	233	4700937892	425
4700904835	443	4700936277	379	4700937987	257,263
4700904870	443	4700936307	253,259	4700938014	243
4700904895	443	4700936308	243,253,259	4700938256	371
4700904911	285	4700936313	247,257,263	4700938605	453
4700904951	145	4700936392	257,263	4700938606	453
4700904956	103,301,303,313	4700936393	253,259	4700938609	391,453
4700904984	193	4700936394	253,259	4700938622	393
4700905306	369	4700936612	243	4700938624	469
4700908229	443	4700936615	245	4700938789	453
4700908284	379	4700936616	245	4700938874	389
4700908383	253,259	4700936617	245	4700938891	13,17
4700908500	375	4700936618	245	4700940451	435
4700908505	367	4700936619	245	4700940505	243
4700908506	367	4700936621	245,255,261	4700940572	215,225,491
4700908507	367	4700936622	245	4700940676	243
4700908561	369,371	4700936623	245	4700945145	7,9,11,177,179
4700908563	373	4700936624	245	4700945147	7,9,11,177,179
4700908564	373	4700936625	245	4700945311	249
4700909211	233	4700936626	245	4700945314	449
4700909469	243,247,257,263	4700936627	245	4700945526	475,481
4700909514	243,247,253,257	4700936628	245	4700945538	177,179
	259,263	4700936629	245	4700945622	423
4700910162	223	4700936630	245	4700945624	7,9,11,177,179
4700911620	233	4700936631	245	4700945626	177,179
4700920819	45	4700936632	245	4700945632	421
4700921031	275	4700936633	245	4700945633	421
4700921080	305	4700936634	245	4700945634	421
4700923253	315	4700936635	245	4700945635	421
4700923405	239	4700936636	245	4700945636	421
4700923735	77,85	4700936637	245	4700945637	421
4700924791	351	4700936642	243	4700945661	423
4700924875	59,61	4700936643	243	4700945668	481
4700924999	29	4700936644	243	4700945760	11,177,179
4700925208	41	4700936646	243	4700945767	177,179
4700925599	51	4700936647	243	4700945768	177,179
4700925750	29	4700936648	243	4700945769	177,179
4700925784	475	4700936654	243	4700945770	177,179
4700926214	143	4700936655	243	4700945771	177,179
4700926215	57	4700936656	243	4700945772	177,179
4700926216	349	4700936662	247	4700945773	177,179
4700926736	165,167	4700936664	247	4700945774	177,179
4700927233	109,111	4700936665	247	4700945776	253,259
4700927278	247,257,263	4700936673	247,257,263	4700945805	5,7
4700927303	245	4700936686	253,259	4700945806	5,9
4700927358	253,259	4700936689	249	4700945807	5,11
4700927637	131,363,399	4700936803	253,259	4700945887	177,179
4700928381	29	4700936855	247,257,263	4700945897	371
4700928467	279	4700936869	249,253,259	4700945903	13,15
4700928784	35	4700937165	411	4700945904	13,21
4700929012	233	4700937174	255,261	4700945908	13,19
4700929013	233	4700937175	255,261	4700947679	417
4700929014	233	4700937185	255,261	4700947684	475
4700929447	17,165,167	4700937186	255,261	4700947689	33,55
4700929455	311	4700937187	255,261	4700947712	143
4700930046	147	4700937188	255,261	4700950222	31,149
4700935158	253,259	4700937195	253,259	4700950310	457
4700935164	245,255,261	4700937206	253,259	4700950342	457

**NUMERICAL INDEX**

Part Number	Page	Part Number	Page	Part Number	Page
4700950343	457	4812110672	123		
4700950344	457	4812110827	335		
4700950345	457	4812110896	431		
4700950346	457	4812110898	307		
4700950347	457	4812110899	299		
4700950348	457	4812110901	435		
4700950349	457	4812110902	299		
4700950350	457	4812110903	299		
4700950369	469	4812110904	299		
4700950370	469	4812110982	35		
4700950371	469	4812110989	435		
4700950372	453	4812111325	77,85		
4700950373	453	4812111326	319,323		
4700950374	453	4812111329	77		
4700950375	453	4812111332	77,85		
4700950380	457	4812112074	35,75,77,83,85		
4700950417	31,149		89,475		
4700950461	253,259	4812113161	173		
4700950480	163	4812155170	161		
4700950491	163	4812155278	177,179		
4700950492	163	4812155658	453		
4700950493	163	4812155785	241,243		
4700950494	163	4812155786	241,253		
4700950495	163	4812155787	241,259		
4700950520	163	4812155790	215		
4700950521	163	4812156056	319,323		
4700950522	163	4812156057	319,323		
4700950523	163	4812156060	163		
4700950524	163	4812156061	163		
4700950526	163	4812156062	163		
4700950527	163	4812156073	177,179		
4700950529	163	4812156074	177,179		
4700950530	163	4812156095	23		
4700950531	163	4812156096	23		
4700950532	163	4812156097	23		
4700950570	225	4812156159	215		
4700950571	225				
4700950572	225				
4700950587	491				
4700960067	297				
4700991657	443				
4700991658	443				
4700999014	289				
4811000085	75,77,83,85				
4811000096	135				
4811000107	75,77,83,85				
4811000163	299				
4812110277	39				
4812110293	217				
4812110334	135				
4812110346	157				
4812110358	79				
4812110394	75,77,79,83,85				
4812110444	157				
4812110491	75,77,83,85				
4812110586	335				
4812110641	161				
4812110643	165,167				
4812110644	99				
4812110652	275				
4812110667	57				
4812110671	119				