

Vibratory Roller CC424HF

Spare Parts Catalogue SCC424HF-1EN6

Valid from roller serial number:

384S00007* - *384S00500

Diesel engines:

Cummins QSB 4,5

Published catalogue issues valid for these rollers:

<i>Catalogue</i>	<i>Issue date</i>	<i>Valid for serial numbers</i>
SCC424HF-1EN1	2007 - 10	Replaced by SCC424HF-1EN2
SCC424HF-1EN2	2008 - 04	Replaced by SCC424HF-1EN3
SCC424HF-1EN3	2008 - 07	Replaced by SCC424HF-1EN4
SCC424HF-1EN4	2009 - 04	Replaced by SCC424HF-1EN5
SCC424HF-1EN5	2009 - 12	Replaced by SCC424HF-1EN6
SCC424HF-1EN6	2012 - 12	<i>*384S00007* - *384S00500*</i>



RESERVDLSBESTÄLLNING

Följande uppgifter ska lämnas vid beställning av reservdelar för att undvika leveransfel:

1. Maskintyp.
2. Vältens serienummer.
3. Antal av önskad reservdel.
4. Reserdelens artikelnummer.
5. Reservdelens benämning.
6. Måttuppgifter vid beställning av metervara.

ORDERING SPARE PARTS

To avoid errors in delivery, please give the following information when ordering spare parts:

1. Type of machine.
2. Roller serial number.
3. Quantity required.
4. Part number.
5. Parts denomination.
6. Dimensions when ordering per length.

ERSATZTEILBESTELLUNG

Zur Vermeidung von Fehllieferungen sind bei der Bestellung von Ersatzteilen folgende Angaben zu machen:

1. Maschinentyp.
2. Herstellungsnummer.
3. Bestellmenge. (Quantity)
4. Ersatzteilnummer. (Part N°)
5. Ersatzteilbenennung. (Denomination)
6. Massangaben bei Bestellung von Meterware.

ORDINI DI RICAMBI

Per evitare errori nelle consegne di ricambi, Vi preghiamo di comunicarci le seguenti informazioni al momento dell'ordinazione:

1. Tipo di macchina.
2. Numero di serie della macchina.
3. Quantità dei pezzi desiderati. (Quantity)
4. Numero di codice del pezzo. (Part N°)
5. Descrizione del pezzo di ricambio. (Denomination)
6. Misura, in caso di ordine per metro.

PEDIDO DE RECAMBIOS

Para evitar errores en las entregas, deberán indicarse los siguientes datos al hacer un pedido de recambios:

1. Tipo de máquina.
2. Número de serie.
3. Cantidad de piezas deseadas. (Quantity)
4. Número de artículo de la pieza de recambio. (Part N°)
5. Denominación de la pieza. (Denomination)
6. Indíquese la medida al solicitar un artículo que se expide por metros.

COMMANDE DE PIÉCES DE RECHANGE

Les indications suivantes doivent être fournies lors de la commande de pièces de rechange, afin d'éviter toute erreur de livraison:

1. Type de machine.
2. Numéro de série.
3. Quantité désirée de pièce de rechange. (Quantity)
4. Numéro de la pièce de rechange. (Part N°)
5. Dénomination de la pièce de rechange. (Denomination)
6. Longueur en cas de commande au mètre.

YOUR AGENT/DEALER:

PÄRMETIKETT

För att undvika fel vid reservdelsbeställning finns här nedan två etiketter som passar i fickorna på pärmarnas ryggar. På dessa kan man se från vilket välnummer av aktuell maskin reservdelskatalogen gäller. Gör så här:

1. Tag denna sida ur pärmen.
2. Klipp ut etiketten till **VÄNSTER** (1) och sätt in den i fickan på **DENNA** pärmens rygg.
3. Finns det en etikett till **HÖGER** (2), kan denna användas på pärmen för **FÖREGÅENDE** utgåva av denna katalog.
4. Kasta detta papper.

KATALOG-BESCHRIFTUNG

Zur Vermeidung von Fehlern bei der Ersatzteilbestellung benutzen Sie bitte die unteren Beschriftungen, um die Kataloge auf der Rückseite zu kennzeichnen. Auf der Beschriftung ist angegeben, für welche Maschinennummern der jeweilige Katalog gültig ist. Ablauf:

1. Nehmen Sie dieses Blatt aus dem Katalog.
2. Schneiden Sie die **LINKE** Beschriftung (1) aus. Schieben Sie die Beschriftung in die tasche auf **DEM** Katalogrücke.
3. Sollte die Beschriftung unten **RECHTS** (2) mitgeliefert werden, kennzeichnen Sie damit bitte die **ÄLTERE** Ausführung dieses Kataloges.
4. Den Rest dieses Blattes bitte vernichten.

ETIQUETA PARALACARPETA

Para evitar errores al pedir repuestos utilicen las etiquetas abajo descritas para identificar los catálogos en la parte trasera de la carpeta. En la etiqueta se ven los números de referencia de la serie para la cual es válido el catálogo. Instrucciones:

1. Quitar esta página de la carpeta.
2. Corta la etiqueta **IZQUIERDA** (1) y ponerla en **ESTA** carpeta en la parte trasera.
3. Si hay una etiqueta en la parte **DERECHA** (2) se puede utilizar en la carpeta para el catálogo que **PRECEDE** a esta.
4. Tirar esta hoja.

BINDER LABEL

To avoid errors when ordering spare parts use the labels below to identify the catalogues on the back of the binder. The label contain the serial number range for which the catalogue is valid. Do like this:

1. Remove this page from the binder.
2. Cut out the **LEFT** label (1) and put it on **THIS** binders back.
3. If there is a label to the **RIGHT** (2), it can be used on the binder for **PRECEDING** issue of this catalogue.
4. Throw away this paper.

ETICHETTA POSTA SUL RACCOGLITORE

Per evitare errori quando ordinate pezzi di ricambio, usate le etichette in calce che servono ad identificare i cataloghi sul retro del raccoglitore. L'etichetta indica il numero di matricola delle macchine prese in considerazione nel catalogo.

1. Rimuovete questa pagina dal raccoglitore.
2. Ritagliate l'etichetta posta a **SINISTRA** (1) e ponetela sul retro **DEL** raccoglitore.
3. Se trovate anche un'etichetta sulla **DESTRA** (2), ritagliatela e ponetela sul raccoglitore relativo alla **PRECEDENTE** edizione del catalogo.
4. Distruggete questo foglio.

ETIQUETAGE DU CATALOGUE

Afin d'éviter des erreurs lors de commandes de pièces de rechange, nous vous conseillons d'apposer les marquages ci-dessous à l'arrière du classeur, pour identifier les catalogues. Ce marquage indique les numéros de série pour lesquels le catalogue est adapté. Il convient de procéder de la façon suivante:

1. Retirez cette page du classeur.
2. Découpez l'étiquette de **GAUCHE** (1), et apposez-la à l'arrière de **CE** catalogue.
3. Si il y a une étiquette à **DROITE** (2), vous pourrez l'apposer sur le classeur de l'édition **PRECEDENTE** du catalogue.
4. Détruire cette feuille.

1.

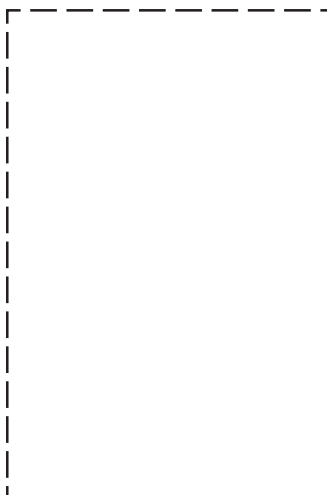


TABLE OF CONTENTS

Page

CC424HF SN 384S00007 - 00500	2
Service kits	4
4700945805 Service kit 50 h, Cummins QSB 4.5 T3	6
4700945806 Service kit 500 h, Cummins QSB 4.5 T3	8
4700945807 Service kit 1000 h, Cummins QSB 4.5 T3	10
Repair kits	12
4700945903 Eccentric shaft kit CC424HF/524HF/624HF	14
4700938891 Drum rotation kit	16
4700945908 Scraper kit CC324HF/334HF/424HF	18
4700945904 Shock absorber kit, drum CC424HF/524HF/624HF	20
Steering hitch kits	22
Frame	24
Front frame	26
Front frame	28
4700391023 Steering cylinder	30
Tank structure module	32
Tank structure module	34
4700391307 Cover	38
Hose support	40
Hitch module	42
Steering hitch	44
Filling pipe	46
Cover module	48
Disc/Roller holder	50
Disc/Roller holder	52
Grab handle module	54
Rear frame	56
Rear frame	58
Cover, cpl	60
Engine structure, module	62
Engine structure	64
Engine cover, left	66
Engine cover, right	68
Hose support	40
Oil cooler	70
Fan	72
Noise suppression plates	74
Noise suppression, covers	76
Grab handle module	54
Sprinkler system	78
Sprinkler pump module	80
Sprinkler pump Up to 384S00244	82
Sprinkler pump From 384S00245 Up to 384S00452	84
Sprinkler pump From 384S00453	86
Sprinkler pump, backup	88
Sprinkler pump, additional sprinkler/cocoa mat From 384S00137	90

TABLE OF CONTENTS

Page

	Sprinkler pump mounted	92
	Sprinkler pumps	94
	Filling pipe	46
	Filling pipe	46
	Cover lock module	96
	Lock bracket	98
	Locking device module	100
	Water hoses	102
	Scraper assy with nozzles	104
	End frame, front	106
	End frame, front	108
	Frame	110
	Fork, vibration side	112
	Fork, propulsion side	114
	Cover plate	116
	Hose clamp, propulsion side	118
	Hose clamp, vibration side	120
	Step, vibration side	122
	Step, propulsion side	124
	Scraper module, without nozzles	126
	Scraper assy	128
4700394340	Scraper bracket, cpl	130
	Grab handle, release	132
	Grab handle, release	134
	Grab handle, lift	136
	Grab handle, lift offset/cocoa mat	138
	Cocoa mat module	140
	Cocoa mat assembly	142
	Cocoa mat bracket module	144
	Cocoa mat bracket	146
	Process mirrors	148
	End frame, rear	150
	End frame, rear	152
	End frame, rear offset	154
	Frame	156
	Connection block	158
	Micro switch Up to 384S00221	160
	Micro switch From 384S00222	162
4700391024	Steering cylinder	164
	Fork, vibration side	112
	Fork, propulsion side	114
	Step, vibration side	122
	Step, propulsion side	124
	Hose clamp, propulsion side	118
	Hose clamp, vibration side	120
4700394340	Scraper bracket, cpl	130
	Scraper module, without nozzles	126
	Scraper assy	128
	Cover plate	116
	Eyelet module	166
	Eyelet module	168
	SMV-sign	170

TABLE OF CONTENTS

Page

Grab handle, release	132
Grab handle, release	134
Grab handle, lift	136
Grab handle, lift offset/cocoa mat	138
Cocoa mat module	140
Cocoa mat assembly	142
Cocoa mat bracket module	144
Cocoa mat bracket	146
Drum	172
Drum	174
Drum bearing	176
Drive unit	178
4700390604 Drum gear	180
4700390603 Hydraulic motor	182
Engine hydraulic part	184
End plate	186
Vibrating unit Rexroth Up to 348S00199	188
4700390605 Hydraulic motor	190
4700390605AMotor	192
Vibrating unit Sauer From 384S00200 Up to 384S00386	194
4700395915 Hydraulic motor Vibration	196
Vibrating unit Rexroth From 384S00387 Up to 384S00391	188
4700390605 Hydraulic motor	190
4700390605AMotor	192
Vibrating unit Sauer From 384S00392	194
4700395915 Hydraulic motor Vibration	196
Engine	198
Engine room	200
Engine	202
Engine module	204
Diesel engine Cummins QSB4.5 T3 - 82kW	206
Diesel engine Cummins QSB4.5 T3 - 93kW	208
Air cooler hoses	210
Water cooler hoses	212
Air cleaner module	214
Air cleaner hose module	216
Muffler	218
Exhaust pipe module	220
Fuel hose module	222
Charge air cooler	224
Water cooler	226
Expansion tank assembly	228
Coolant hoses	230
Hydraulic system	232
Hydraulic system, front drum	234
Hydraulic system, rear drum std	236
Hydraulic system, rear drum offset	238
Connection block	158
Vibrating unit Sauer	194

TABLE OF CONTENTS

Page

4700395915	Hydraulic motor Vibration	196
4700391024	Steering cylinder	164
	Hydraulic valve module, offset/combi	240
	Hydraulic valve	242
4700391017	Hydraulic valve	244
	Hydraulic hoses, frame	246
	Hydraulic system, steering Std	248
	Hydraulic valve module	250
	Hydraulic valve	252
4700391016	Hydraulic valve	254
4700395924	Hydraulic valve	256
	Hose bracket	258
	Hydraulic steering, sliding seat	260
	Steering, slideable	262
4700372424	Pilot valve, steering	264
	Hydraulic hoses, engine room	266
	Fan	72
	Oil cooler	70
	Hydraulic valve module	268
	Hydraulic valve	270
4700395924	Hydraulic valve	256
	Hydraulic pump module	272
	Hydraulic pump	274
4700390602	Hydraulic pump	276
4812155785	Hydraulic pump	278
	Rotating group, cpl	280
	Valve block, cpl	282
	Control module	284
	Flushing valve	286
4812155786	Hydraulic pump	288
	Rotary group, cpl	290
	Valve block, cpl	292
4812155787	Hydraulic pump	294
	Rotary group, cpl	296
	Valve block, cpl	298
	Electrical equipment	300
	Electric cables, power supply	302
	Battery disconnecter	304
	Battery disconnecter	306
	Electric cables, power supply cab	308
	Electric cables, engine - ECU	310
	Standard ECU module	312
	Standard ECU assembly	314
	Electric cables, sensors/ horn/ back-up alarm	316
	Back-up alarm module	318
	Back-up alarm	320
	Horn module	322
	Horn	324
	Tachograph	326

TABLE OF CONTENTS

Page

Tachograph holder module	328
Tachograph holder	330
Cable harness kit	332
Power supply module	334
Driving & side direction lights Up to 384S00478	336
Accessories ECU module	338
Driving lights, front RH	340
Driving lights, front LH	342
Turn signals	344
Driving lights, rear	346
Steering column switch module	348
Cable harness and switch module	350
Registration plate light module	352
Registration plate light	354
Driving & side direction lights From 384S00479	356
Driving lights, front RH	340
Driving lights, front LH	342
Steering column switch module	348
Cable harness and switch module	358
Registration plate light module	352
Registration plate light	354
Driving lights, rear	346
Turn signals	344
Rotating beacon, working light	360
Rotating beacon module	362
Rotating beacon module	364
Rotating beacon module	366
Working light module H3	368
Working light module Xenon	370
Drum edge lights	372
Bracket	374
Working light module H3	368
Bracket	376
Reading light	378
Drivers platform	380
Platform, no cab	382
Platform with 4-post ROPS	384
Rear covers	386
Platform no ROPS	388
Cover module	390
Manual box	392
Hand rail, left	394
Hand rail	396
Hand rail, right	398
Hand rail	400
Hand rail	402
Lunch box module	404
Canopy option	406
Canopy assy	408
Bracket	410

TABLE OF CONTENTS

Page

	Cab, asymmetric	412
4700390864	Cab, cpl	414
	Cab frame, right side	416
	Roof	418
	General parts	420
	Windshield wiper, front	422
	Windshield wiper, rear	424
	Windshield washer reservoir	426
	Electric equipment	428
	Front panel	430
	Door frame	432
4700395806	Door, cpl	434
	Cab screens	436
	Rear covers	386
	Air channel	438
	Heater unit	440
	Heater	442
	Heater controls	444
	Manual box	392
	Cab, symmetric	446
4700395898	Cab, cpl	448
	Cab frame, right side	450
	Roof	452
	General parts	420
	Windshield wiper, front	422
	Windshield wiper, rear	424
	Windshield washer reservoir	426
	Electric equipment	428
	Front panel	430
	Door frame	432
4700395806	Door, cpl	434
	Cab screens	454
	Rear covers	386
	Air channel	438
	Heater unit	440
	Heater	442
	Heater controls	444
	Manual box	392
	Cab heater system	456
	Heater hoses	458
	Cab noise cover	460
	Radio and cd player	462
	Radio and cd player module	464
	Rear view mirror module	466
	Drivers seat	468
	Seat frame structure	470
	Seat frame	472
4700391163	Steering column	474
	Seat, galon suspensioned	476
	Seat, fabric suspensioned (option)	478
	Controls, slidable and turning	480

TABLE OF CONTENTS

Page

Cross sliding	482
Carrier	484
Drive control, cpl	486
Drive control Up to 384S00478	488
Drive control From 384S00479	488
Display unit	490
Control panel cover	492
Decals	494
Decals	496
Optional equipment	498
Air conditioning	500
Compressor module	502
Condensor module	504
Condensor	506
Evaporator module	508
4700393584 Evaporator unit	510
Hose kit AC	512
Hose kit	514
Hose kit Compressor	516
Hose kit AC	518
ACC module	520
4700393795 ACC controls	522
Edge cutter	524
Edge cutter, module	526
4700390998 Edge cutter, cpl	528
4700390999 Holder	530
4700391009 Bearing unit	532
4700387275 Hydraulic cylinder	534
Cutting disc module	536
Pressing roller, module	538
Hydraulic valve module	540
Hydraulic valve	542
4700391018 Hydraulic valve	544
Disc/Roller holder	52
Fire extinguisher/First Aid Cushion	546
Fire extinguisher assembly	548
Asphalt temperature meter	550



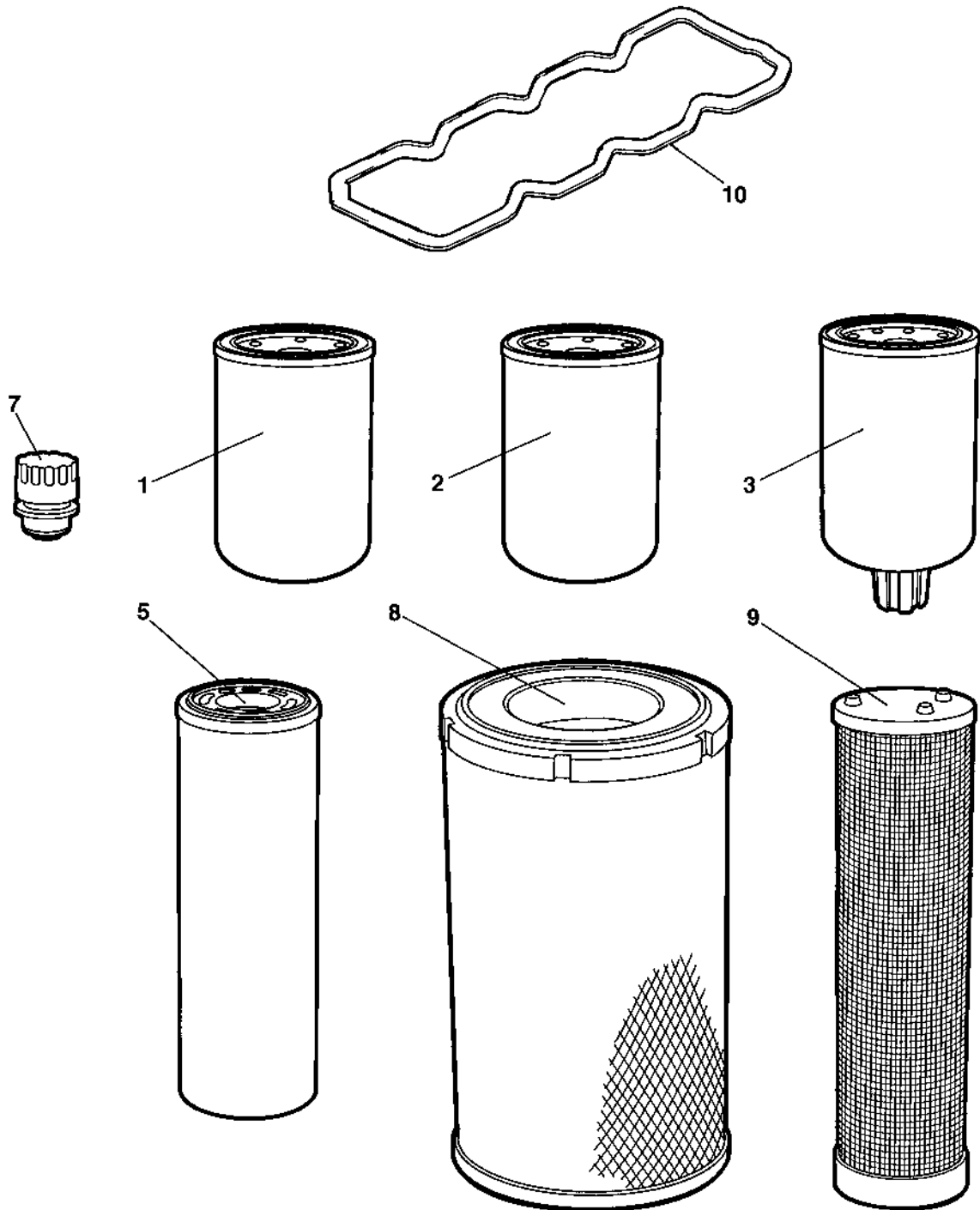
CC424HF SN 384S00007 - 00500

Item	Part No	Rem Qty	Description	Code
			Service kits (Page 4)	
			Repair kits (Page 12)	
1			Frame (Page 24)	
2			Drum (Page 172)	
3			Engine (Page 198)	
5			Hydraulic system (Page 232)	
6			Electrical equipment (Page 300)	
7			Drivers platform (Page 380)	
8			Decals (Page 494)	
9			Optional equipment (Page 498)	

Service kits

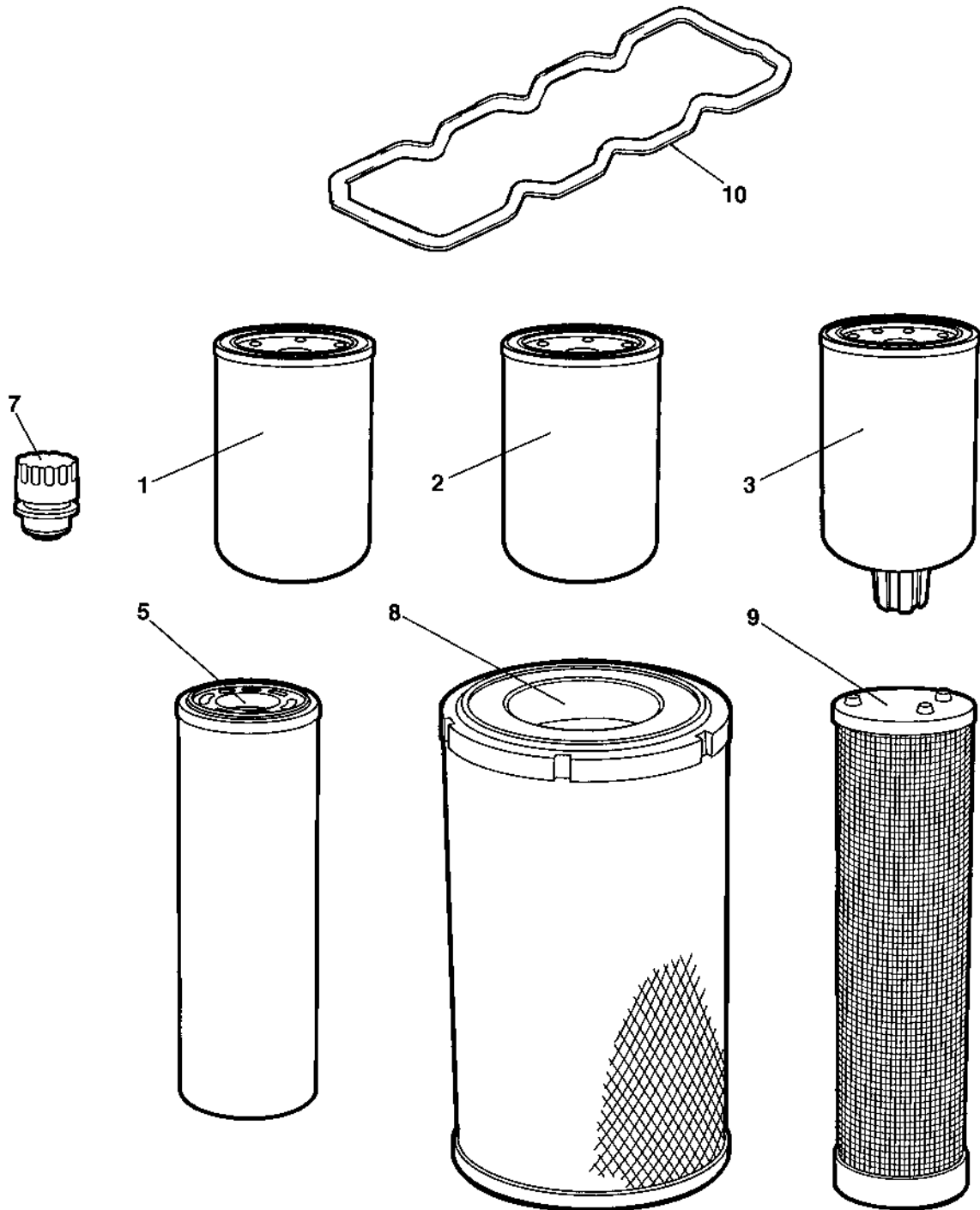
Item	Part No	Rem Qty	Description	Code
1	4700945805	1	Service kit 50 h, Cummins QSB 4.5 T3 (Page 6)	
2	4700945806	1	Service kit 500 h, Cummins QSB 4.5 T3 (Page 8)	
3	4700945807	1	Service kit 1000 h, Cummins QSB 4.5 T3 (Page 10)	

4700945805 Service kit 50 h, Cummins QSB 4.5 T3



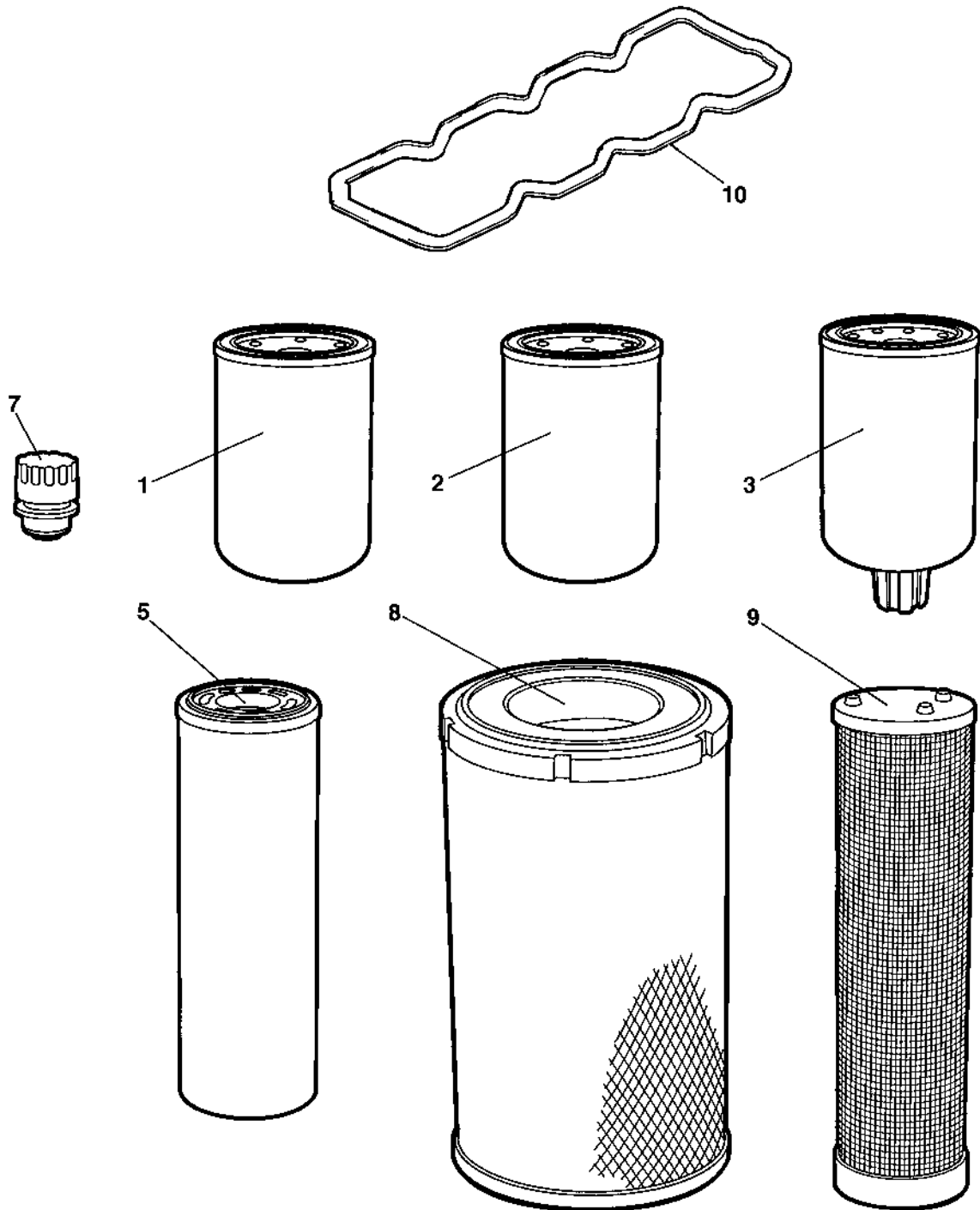
4700945805 Service kit 50 h, Cummins QSB 4.5 T3

Item	Part No	Rem Qty	Description	Code
	4700945805		Service kit 50 h, Cummins QSB 4.5 T3 (Page 6)	
1	4700945145	1	Oil filter element	A
2	4700945624	1	Fuel filter element	
3	4700945147	1	Pre-fuel filter element	
5	4700391433	1	Hydraulic oil filter element	A



4700945806 Service kit 500 h, Cummins QSB 4.5 T3

Item	Part No	Rem Qty	Description	Code
	4700945806	0	Service kit 500 h, Cummins QSB 4.5 T3 (Page 8)	
1	4700945145	1	Oil filter element	A
2	4700945624	1	Fuel filter element	
3	4700945147	1	Pre-fuel filter element	



4700945807 Service kit 1000 h, Cummins QSB 4.5 T3

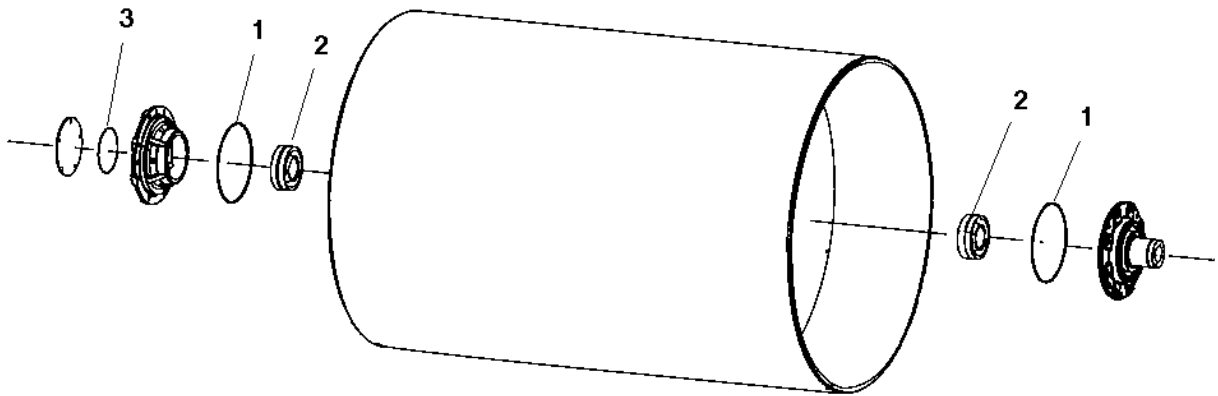
Item	Part No	Rem Qty	Description	Code
	4700945807		Service kit 1000 h, Cummins QSB 4.5 T3 (Page 10)	
1	4700945145	1	Oil filter element	A
2	4700945624	1	Fuel filter element	
3	4700945147	1	Pre-fuel filter element	
5	4700391433	1	Hydraulic oil filter element	A
7	4700391026	B	Ventilating filter	A
8	4700390995	1	Main filter element	A
9	4700390994	1	Safety filter element	A
10	4700945760	1	Valve cover gasket	

B) Ventilated oil filler cap for the hydraulic oil tank

Repair kits

Item	Part No	Rem Qty	Description	Code
1	4700945903	2	Eccentric shaft kit CC424HF/524HF/624HF (Page 14)	
2	4700938891	2	Drum rotation kit (Page 16)	A
3	4700945908	1	Scraper kit CC324HF/334HF/424HF (Page 18)	A
4	4700945904	2	Shock absorber kit, drum CC424HF/524HF/624HF (Page 20)	
5		1	Steering hitch kits (Page 22)	

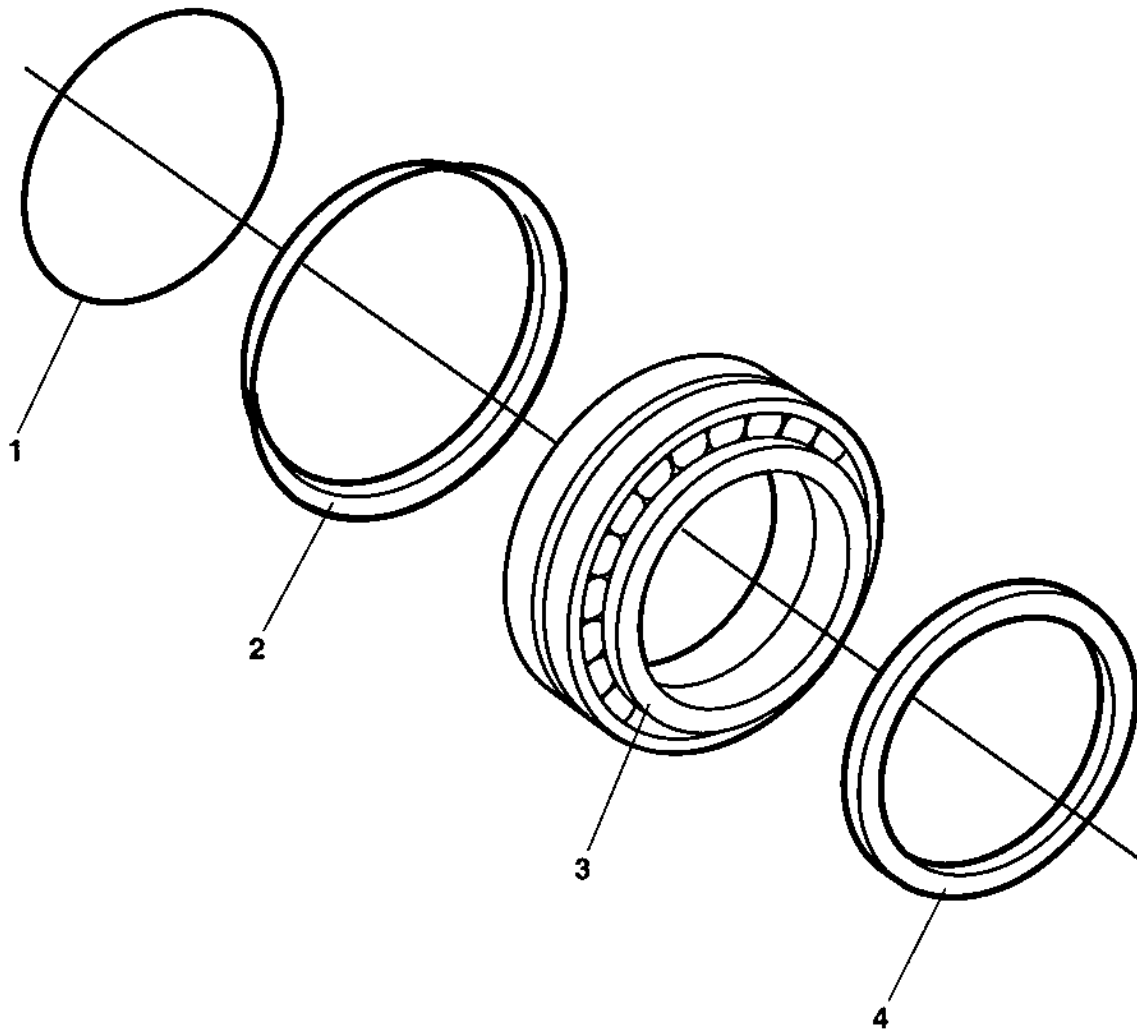
4700945903 Eccentric shaft kit CC424HF/524HF/624HF



4700945903 Eccentric shaft kit CC424HF/524HF/624HF

Item	Part No	Rem Qty	Description	Code
	4700945903		Eccentric shaft kit CC424HF/524HF/624HF (Page 14)	
1	4700160344	2	O-ring 70	C
2	4700792270	2	Spherical roller bearing	B
3	4700160045	1	O-ring 70	C

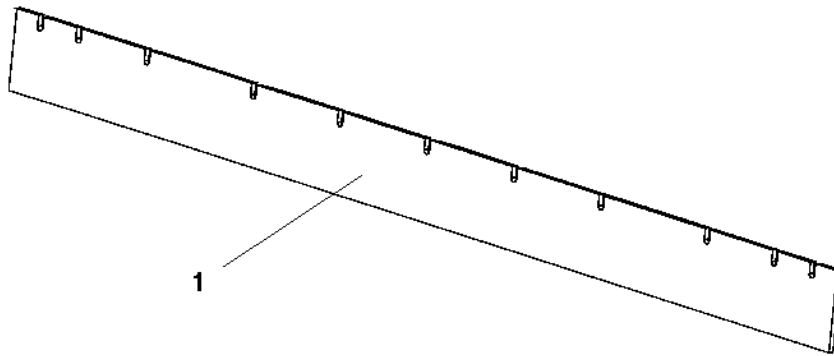
4700938891 Drum rotation kit



4700938891 Drum rotation kit

Item	Part No	Rem Qty	Description	Code
	4700938891		Drum rotation kit (Page 16)	A
1	4700160105	1	O-ring 70	C
2	4700929447	1	V-ring	B
3	4700116041	1	Taper roller bearing	B
4	4700386272	1	Sealing	B

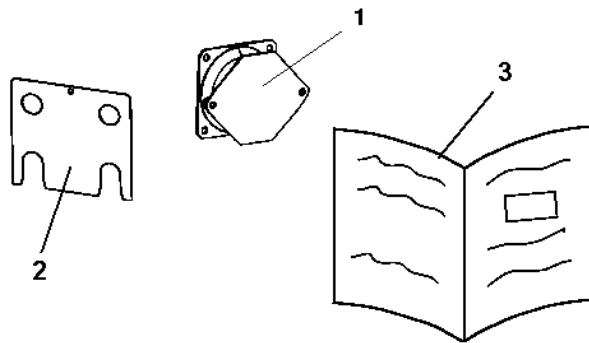
4700945908 Scraper kit CC324HF/334HF/424HF



4700945908 Scraper kit CC324HF/334HF/424HF

Item	Part No	Rem Qty	Description	Code
	4700945908		Scraper kit CC324HF/334HF/424HF (Page 18)	A
1	4700395112	4	Scraper blade	A

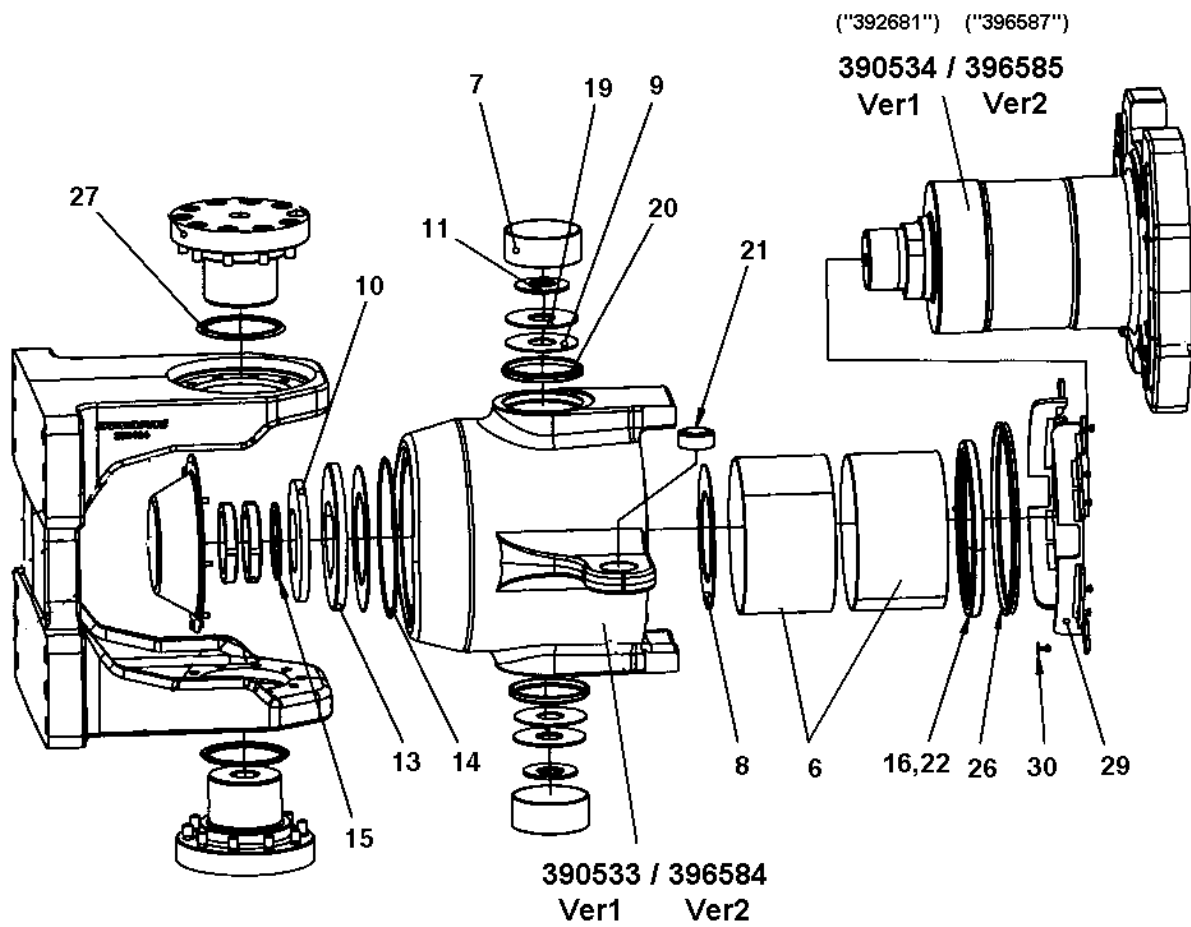
4700945904 Shock absorber kit, drum CC424HF/524HF/624HF



4700945904 Shock absorber kit, drum CC424HF/524HF/624HF

Item	Part No	Rem	Qty	Description	Code
	4700945904			Shock absorber kit, drum CC424HF/524HF/624HF (Page 20)	
1	4700394250	A	8	Shock absorber	A
	4700394251	B	4	Shock absorber	A
2	4700391754		4	Shim	D
3	4812156170		1	Instructions	

- A) Propulsion side
- B) Vibration side



Steering hitch kits

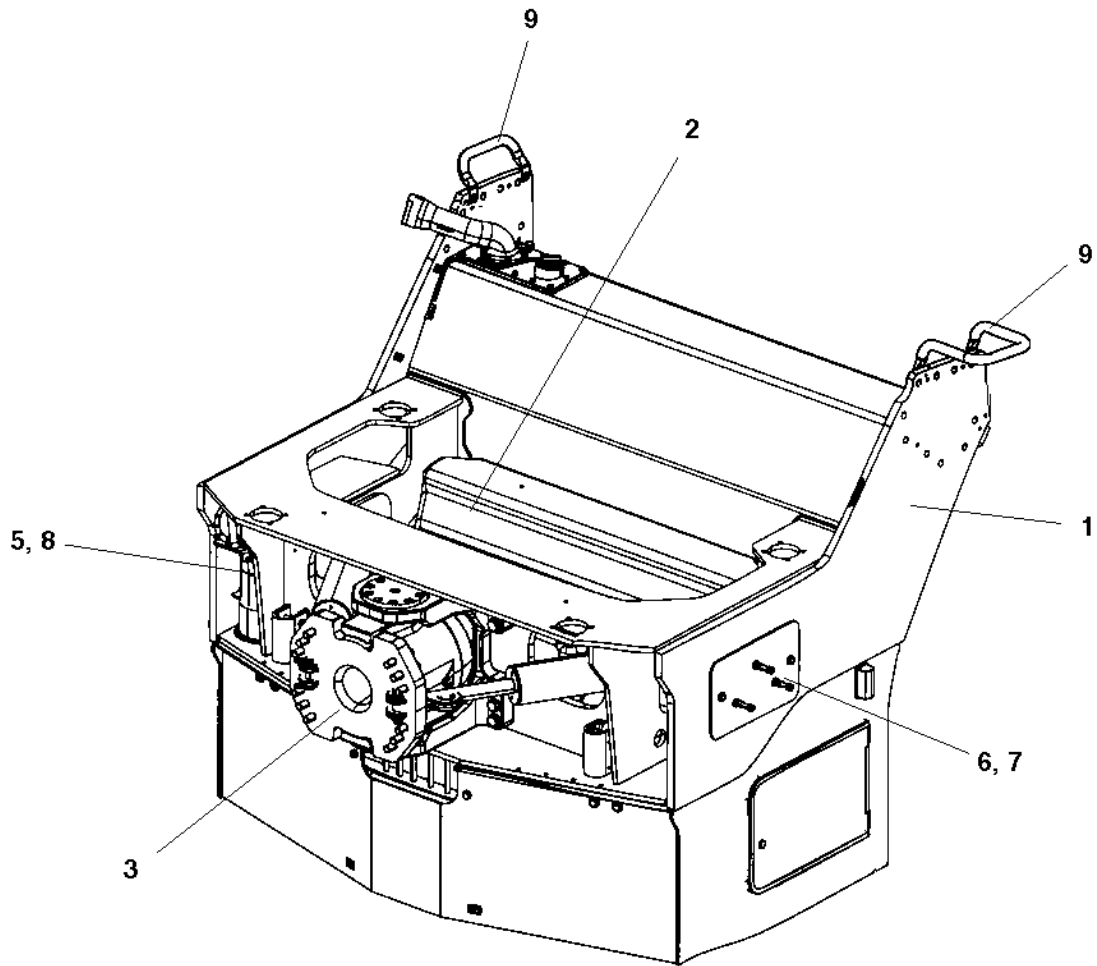
Item	Part No	Rem Qty	Description	Code
	4812156095	1	Steering hitch kit, tilt (390533 & 390534 ("392681"))	
	4700390538	2	_Sleeve bearing	D
	4700393523	2	_Slide washer	D
_10	4700390542	1	_Disc spring	D
_13	4700393115	1	_Thrust washer	D
_14	4700160277	1	_O-ring	D
_15	4700393218	1	_Back-up ring	C
_16	4700391031	1	_Radial lip-type seal	D
_22	4812030096	1	_Dynapac Roller Grease	A
_26	4700792515	1	_Sealing, v-ring	D
_29	4700394207	2	_Flush cover	D
_30	4700792325	12	_Blind rivet	
	4812156096	1	Steering hitch kit, tilt (396584 & 396585)	
	4700396588	2	_Sleeve bearing	B
	4700393523	2	_Slide washer	D
_10	4700390542	1	_Disc spring	D
_13	4700393115	1	_Thrust washer	D
_14	4700160277	1	_O-ring	D
_15	4700393218	1	_Back-up ring	C
_16	4700391031	1	_Radial lip-type seal	D
_22	4812030096	1	_Dynapac Roller Grease	A
	4812156097	1	Steering hitch kit, turn	
	4700390539	2	_Sleeve bearing	B
	4700390541	2	_Slide washer	D
_11	4700390543	2	_Disc spring	D
_19	4700391566	2	_Washer	D
_20	4700792517	2	_Shear wiper	D
_21	4700792554	4	_Radial spherical plain bearing	D
_22	4812030096	1	_Dynapac Roller Grease	A
_27	4700792518	2	_Radial lip-type seal	D

Frame

Frame

Item	Part No	Rem Qty	Description	Code
1		1	Front frame (Page 26)	
3		1	Rear frame (Page 56)	
4		1	Sprinkler system (Page 78)	
6		1	End frame, front (Page 106)	
7		1	End frame, rear (Page 150)	

Front frame

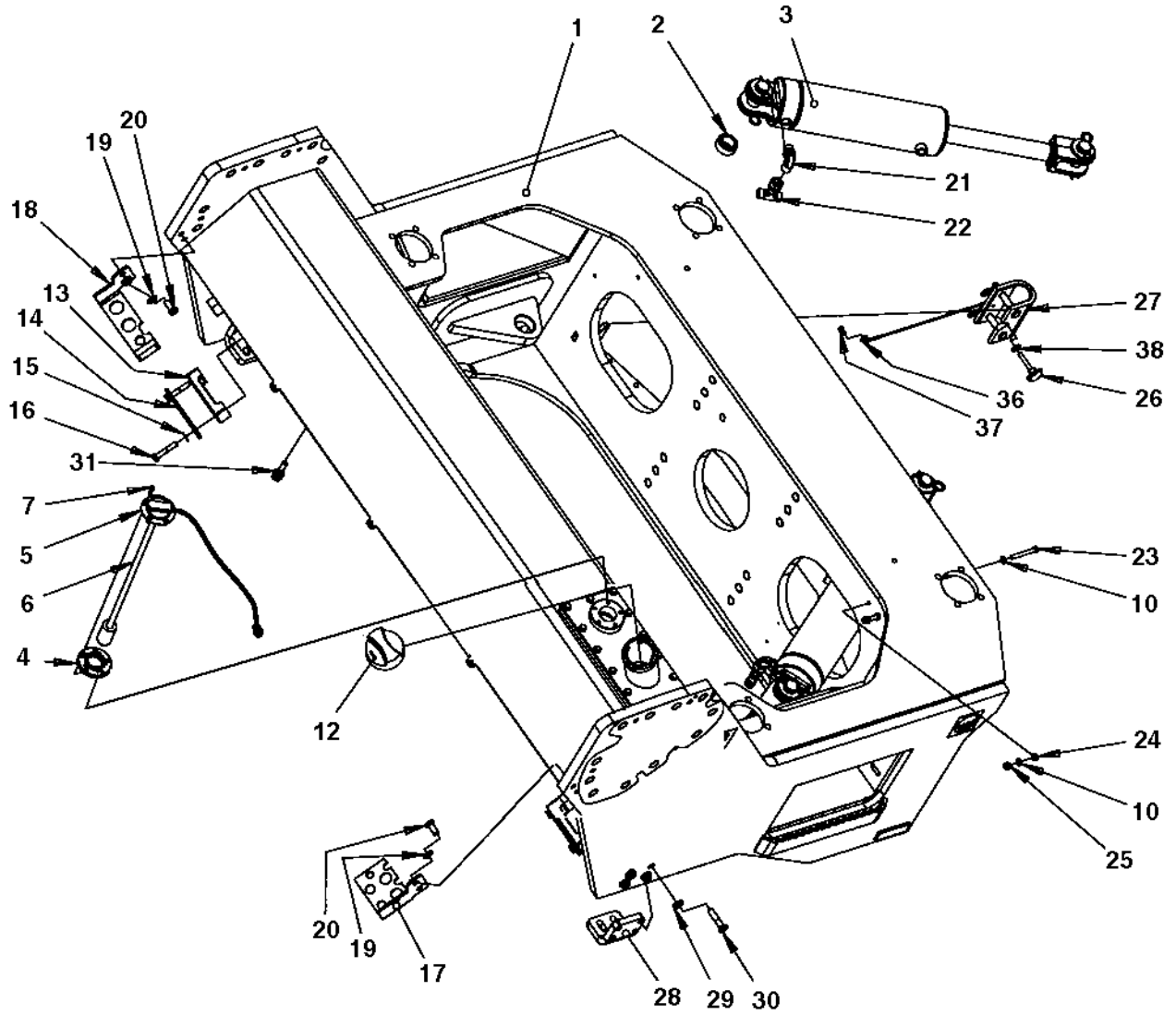


Front frame

Item	Part No	Rem Qty	Description	Code
1		1	Front frame (Page 28)	
2		1	Tank structure module (Page 32)	
3		1	Hitch module (Page 42)	
5		1	Filling pipe (Page 46)	
		1	Filling pipe (Page 46)	
6		1	Cover module (Page 48)	
7		1	Disc/Roller holder (Page 50)	
		1	Disc/Roller holder (Page 52)	
8		1	Cover lock module (Page 96)	
9		2	Grab handle module (Page 54)	

1) Two pieces when use of tank with dual filling holes.

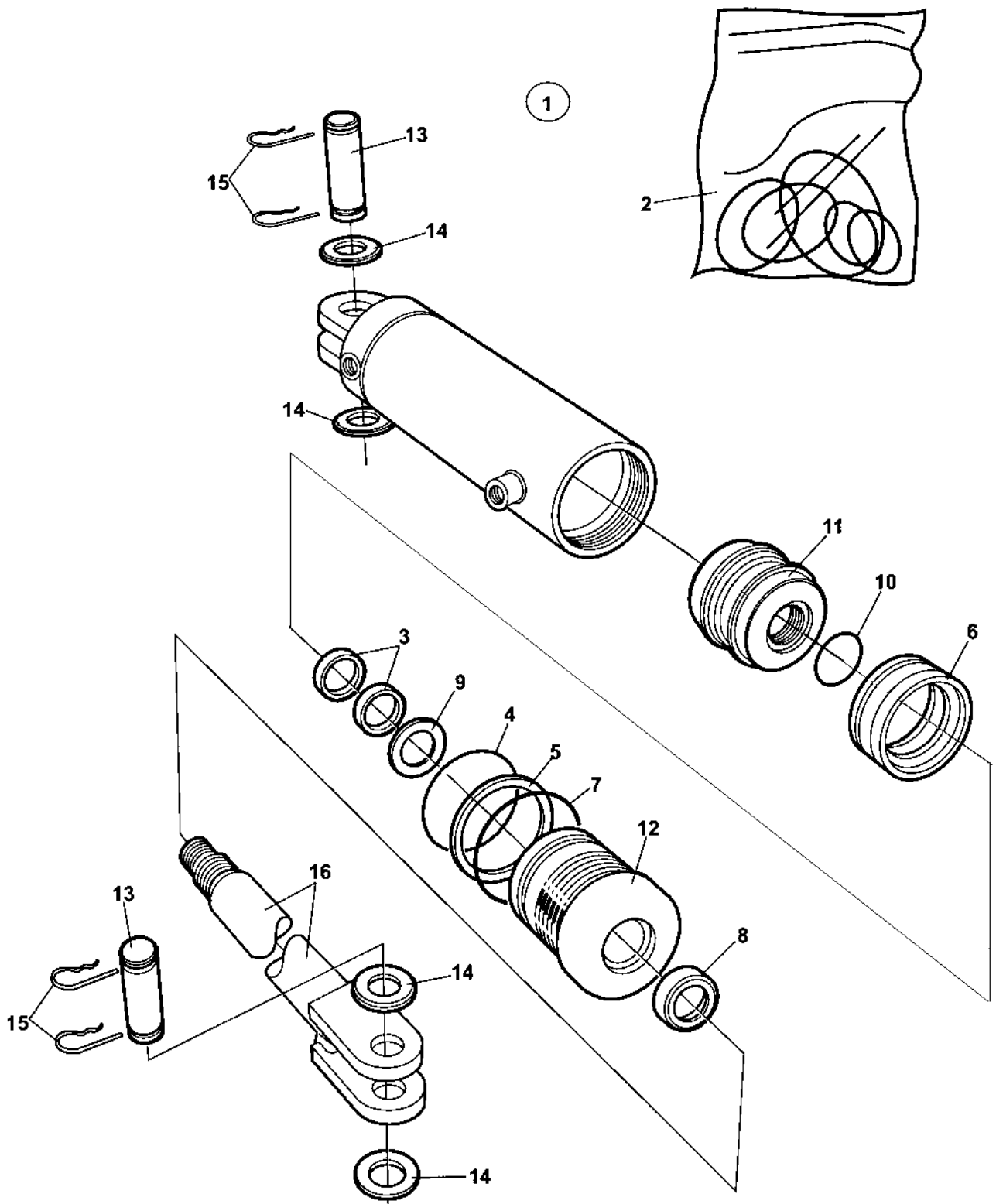
Front frame



Front frame

Item	Part No	Rem Qty	Description	Code
1	4700394527	1	Front frame Up to 384S00077	D
	4700395128	1	Front frame From 384S00078	D
	4700396498	1	. Fuel tank cover	D
	4700389821	1	. O-ring	D
2	4700391430	2	Bearing Up to 384S00077	D
	4700792554	2	Radial spherical plain bearing From 384S00078	D
3	4700391023	2	Steering cylinder (Page 30)	
4	4700370745	1	Flange, cpl	C
5	4700372718	1	Lid	D
6	4700390934	1	Level sender	B
7	4700904206	5	Screw	C
12	4700380435	1	Cap	D
	4700902866	1	. Key Marked "455"	
13	4700343872	2	Hose clamp	D
14	4700335914	2	Cover plate	D
15	4700904230	4	Steel plain washer	C
16	4700500032	4	Screw M10 x 55	D
17	4700391442	1	Hose clamp	D
18	4700391443	1	Hose clamp	D
19	4700904231	4	Washer 13x24x2 300 HV	C
20	4700500051	4	Screw M12x25H 8.8 A3K	C
21	4700792151	2	Elbow adapter 90	
22	4700791797	2	Tee-connector orfs	D
23	4700925750	2	Screw	D
24	4700570005	2	Nut M8	C
25	4700586003	2	Lock nut M8	C
26	4700791314	2	Handle knob	D
27	4700392701	2	Steering hitch lock	D
	4700924999	2	. Clevis pin	D
	4700901178	2	. Hair pin	D
	4700928381	1	. Washer 6,4x18x1,6	C
	4700394715	1	. Wire	D
	4700903795	1	. Screw	C
28	4700394400	2	Bracket	D
29	4700904703	8	Washer	B
30	4700500195	8	Screw	C
31	4700792605	2	Quick connect coupling	D
36	4700928381	2	Washer 6,4x18x1,6	C
37	4700903795	2	Screw	C
38	4700904640	2	Washer 8,4x22x3	C

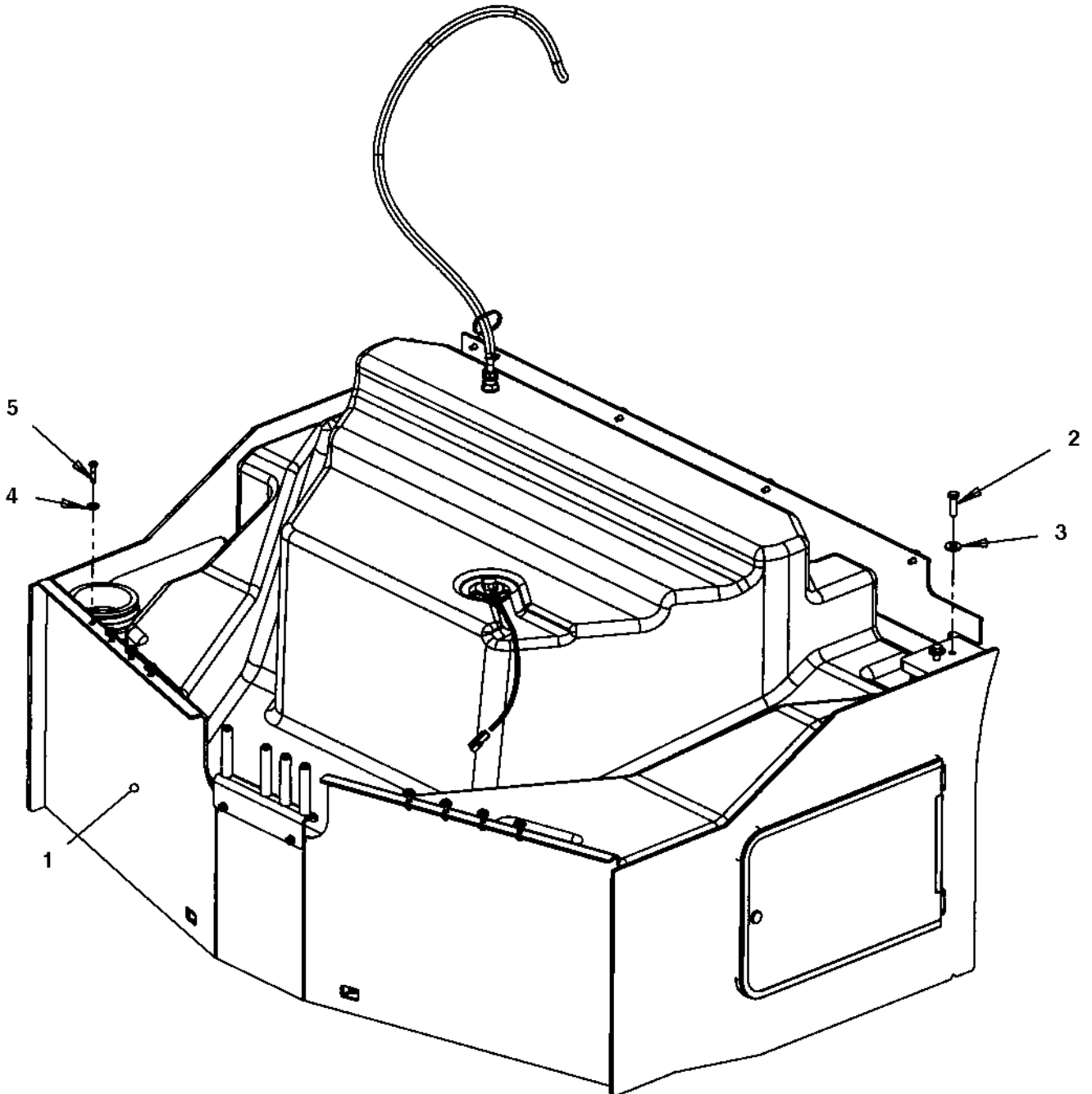
4700391023 Steering cylinder



4700391023 Steering cylinder

Item	Part No	Rem Qty	Description	Code
1	4700391023	1	Steering cylinder (Page 30)	
2	4700950417	1	. Seal kit	C
3		2	. . Seal	
4		1	. . O-ring	
5		1	. . Back-up ring	
6		1	. . Seal	
7		1	. . O-ring	
8		1	. . Seal	
9		1	. . Seal	
10		1	. . O-ring	
11		1	. Piston block	
12		1	. Steering	
13	4700950222	2	. Shaft	D
14		4	. Washer	
15	4700635061	4	. Hair clip	B
16		1	. Piston rod	
17		1	. Cylinder	

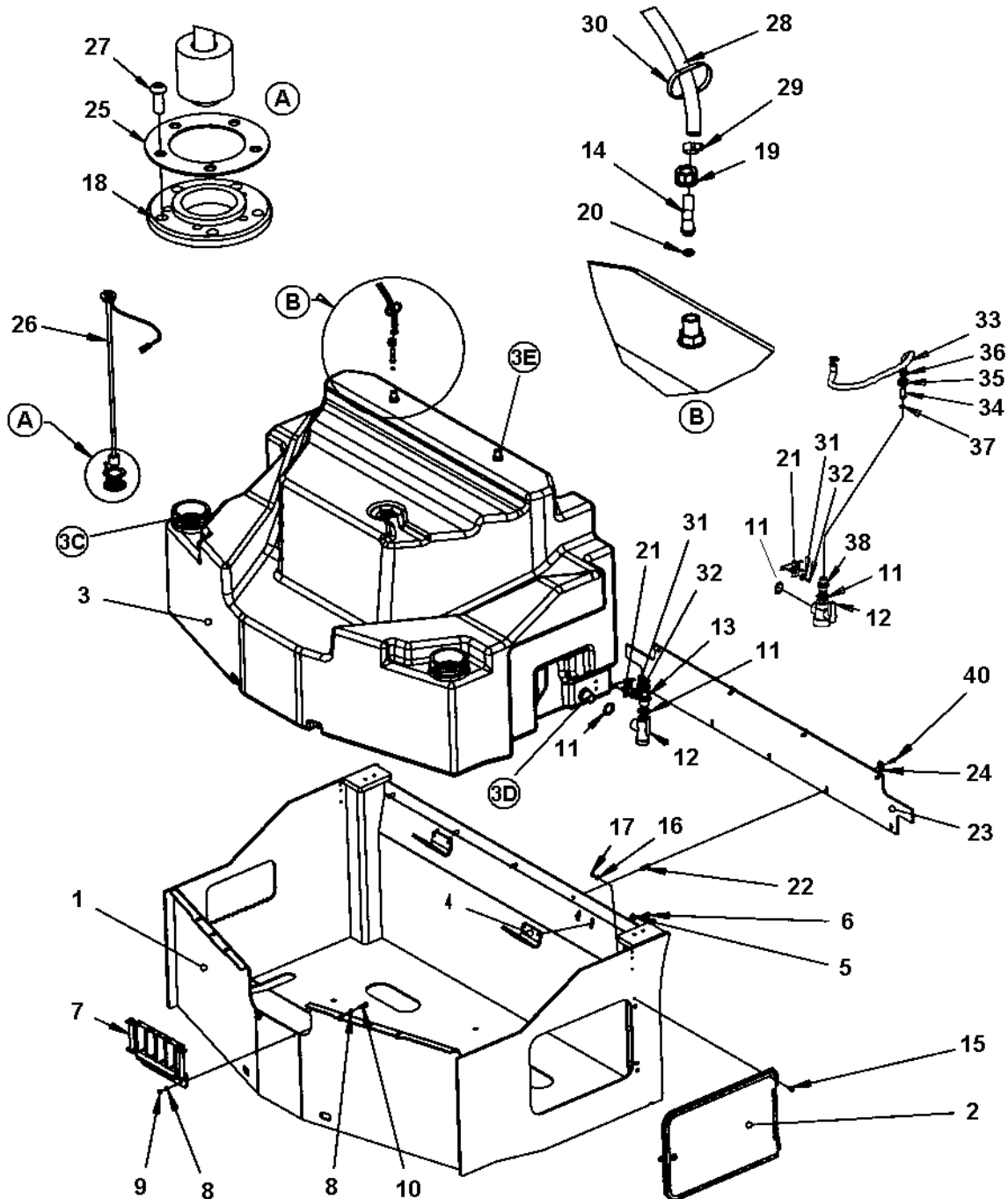
Tank structure module



Tank structure module

Item	Part No	Rem Qty	Description	Code
1		1	Tank structure module (Page 34)	
2	4700947689	4	Screw	D
3	4700904213	4	Washer	C
4	4700904640	8	Washer 8,4x22x3 Up to 384S00077	C
	4700904213	6	Washer From 384S00078	C
5	4700500047	8	Hexagon head screw Up to 384S00077	C
	4700947689	6	Screw From 384S00078	D

Tank structure module

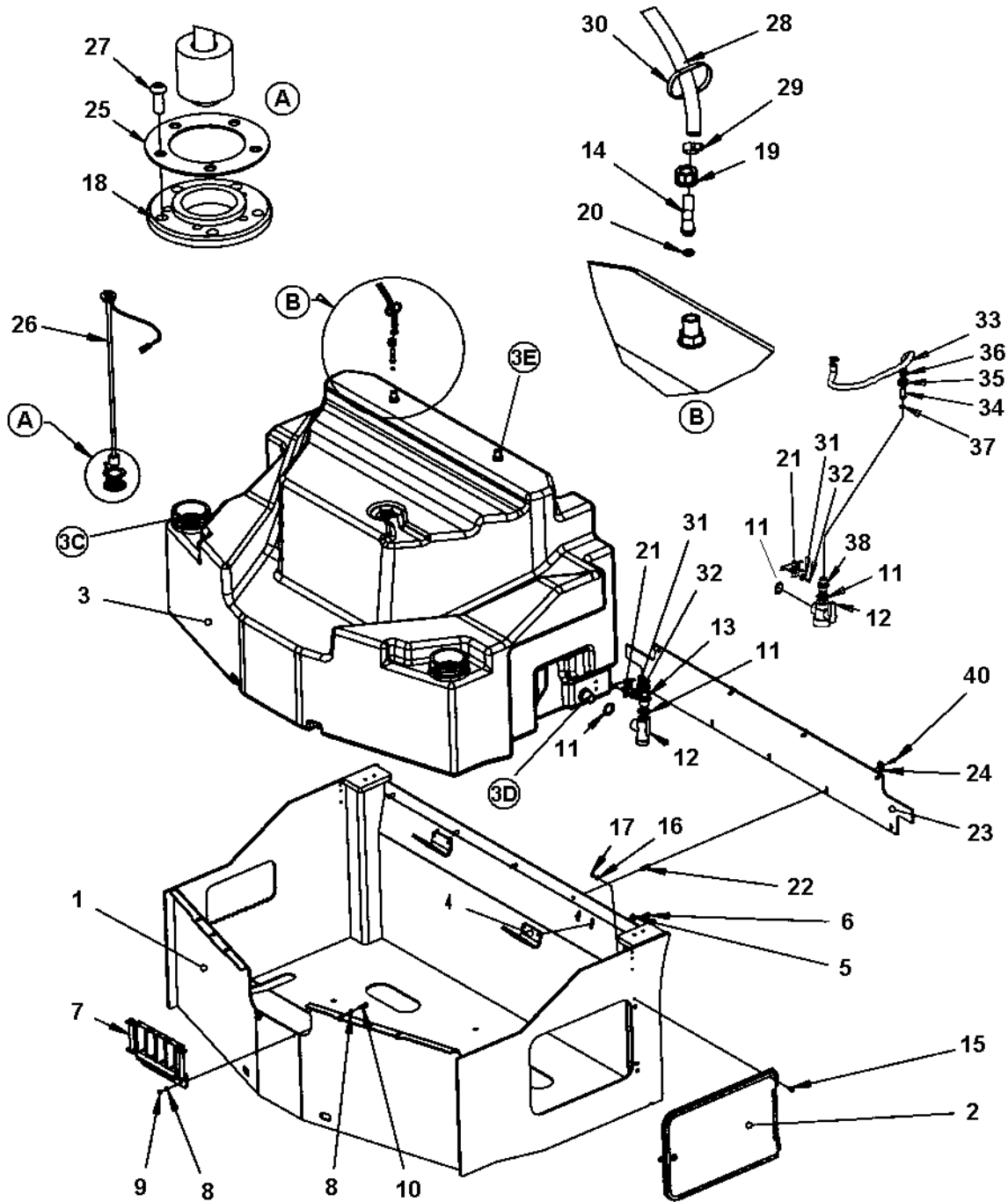


Tank structure module

Item	Part No	Rem	Qty	Description	Code
1	4700394522		1	Tank structure Up to 384S00077	D
	4700395131		1	Tank structure From 384S00078	D
2	4700391307		1	Cover (Page 38)	
3	4700393287	2	1	Water tank, cpl Up to 384S00222	D
	4700396496	1,3	1	Water tank, cpl From 384S00223 Up to 384S00449	D
	4812110982	4	1	Water tank, cpl From 384S00450	
	4700392235	C	1	. Gasket	D
	4700313105	C	1	. Hose clamp	
	4700392223	D	1	. Plane gasket	
	4700392222	D	1	. Grommet	
	4700392224	D	1	. Lock nut	
	4700392231	E	3	. Plane gasket	
	4700392230	E	3	. Grommet	
	4700392232	E	3	. Nut	
4	4700391624		2	Bracket	D
5	4700904640		4	Washer 8,4x22x3	C
6	4700500053		4	Screw M8x20H 8.8	C
7			1	Hose support (Page 40)	
8	4700904229		4	Steel plain washer 8,4x16x1,5	C
9	4700570005		2	Nut M8	C
10	4700500022		2	Screw M8x30H 8.8	C
11	4700392223		2	Plane gasket	
12	4700392225		1	Ball valve Up to 384S00244	C
	4700792782		1	Ball valve From 384S00245	
13	4700392226		1	Reducer nipple Up to 384S00244	
14	4700393542		2	Hose connection swivel	C
15	4700928784		4	Screw	
16	4700603001		4	Washer	C
17	4700586002		4	Lock nut M6 -8	C
18	4700370745		1	Flange, cpl	C
19	4700392227		2	Swivel nut	
20	4700792600		2	O-ring 70	
21	4700396176		1	Bracket Up to 384S00244	
	4700396739		1	Bracket From 384S00245	D
22	4700900672		5	Blind insert nut	
23	4700393412		1	Rubber cloth	D
24	4700615050		9	Washer	C
25	4700372718		1	Lid	D
26	4700391353		1	Level sender	
27	4700904206		5	Screw	C
28	4812112074	A	1XL	Plastic hose	
29	4700313002		2	Hose clamp 13-20 mm	
30	4700313102		N	Cable ties L=380 mm	
31	4700904228		2	Washer 6,4x12x1,5	C
32	4700500012		2	Screw M6x12	C
33	4700792073	B	1XL	Hose reinforced From 384S00245	D

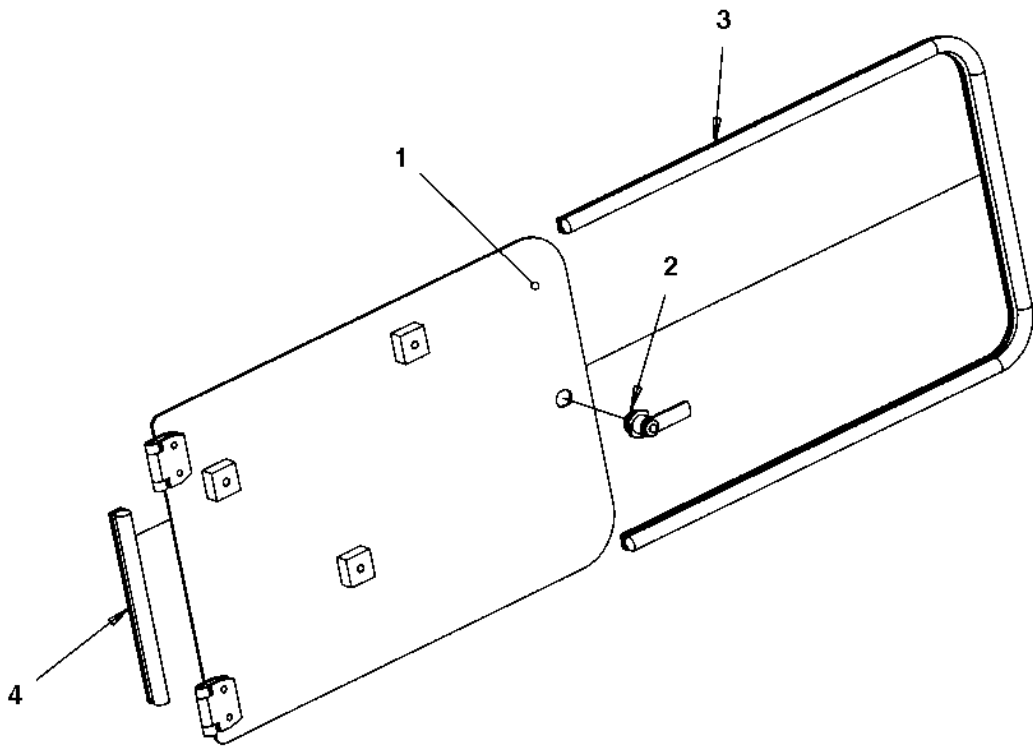
- 1) Tank with two filling holes.
 - 2) Can be replaced as spare part by Water tank kit PN 4812155891 together with Cap PN 4812110537.
 - 3) Replaced as spare part by Water tank kit PN 4812155891.
 - 4) Is included in Water tank kit PN 4812155891 together with PN 4700379753 and PN 4811000168.
- A) Length as required
 B) L= 0.7 m
 C) Water fill
 D) Drain
 E) Hose connection

Tank structure module



Tank structure module

Item	Part No	Rem Qty	Description	Code
34	4700792780	1	Hose connection swivel From 384S00245	
35	4700792779	1	Swivel nut From 384S00245	
36	4700313003	2	Hose clamp 15-25mm From 384S00245	D
37	4700480852	1	O-ring 70 From 384S00245	
38	4700792781	1	Reducer nipple From 384S00245	
40	4700500021	9	Screw M8-1,25x25 8.8	C

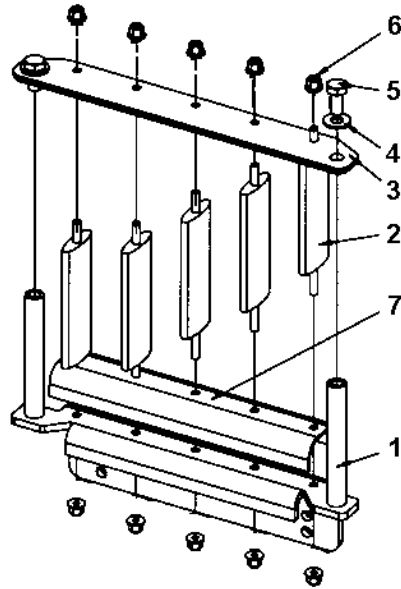


4700391307 Cover

Item	Part No	Rem	Qty	Description	Code
1			1	Cover	
2	4700383626		1	Lock Ø19	D
	4700397348	1	1	Lock Ø22	
	4700902866		1	. Key Marked "455"	
	4812113939		1	Lock Ø22 (T-Key)	
	4812113949		1	. T-Key	A
3	4700202057	A	1XL	Edge trim	D
4	4700202057	B	1XL	Edge trim	D

- 1) Lock P/N 4700397348 replaced as spare part by P/N 4812113939.
- A) L=1.33 m
- B) L=0.21 m

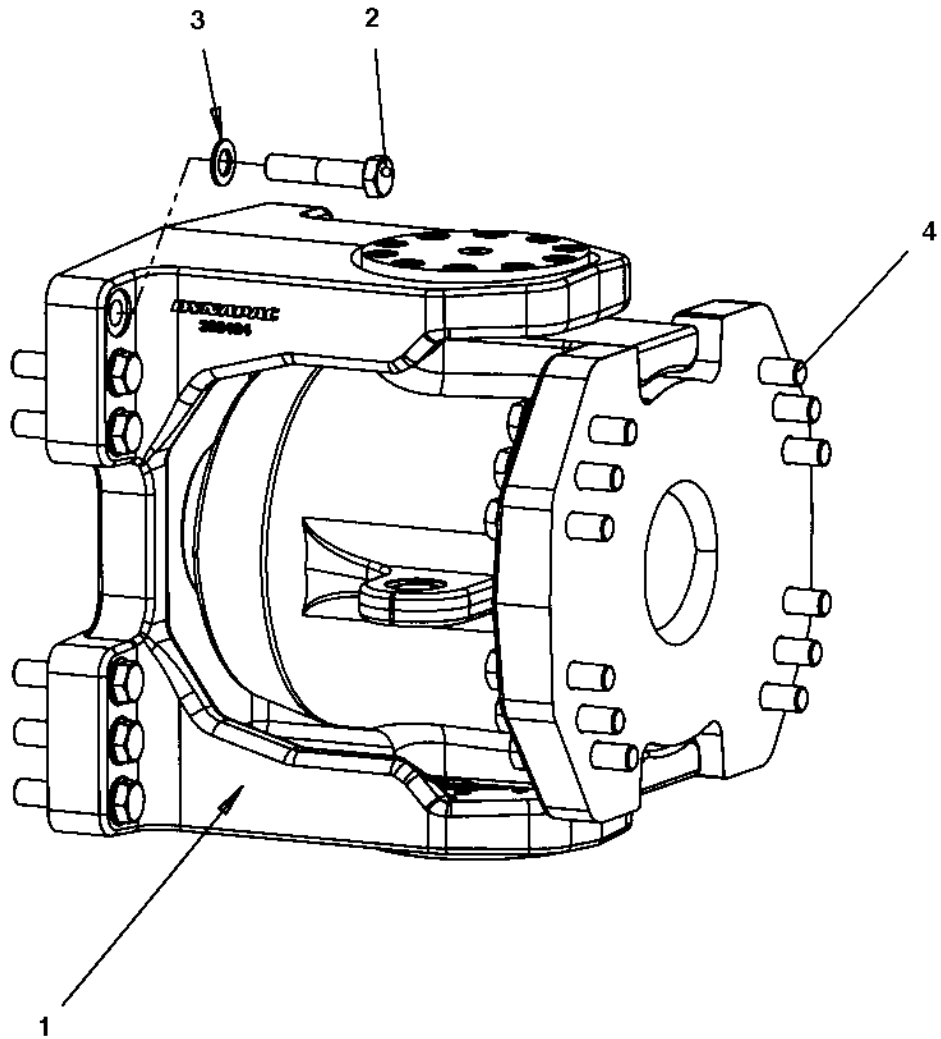
Hose support



Hose support

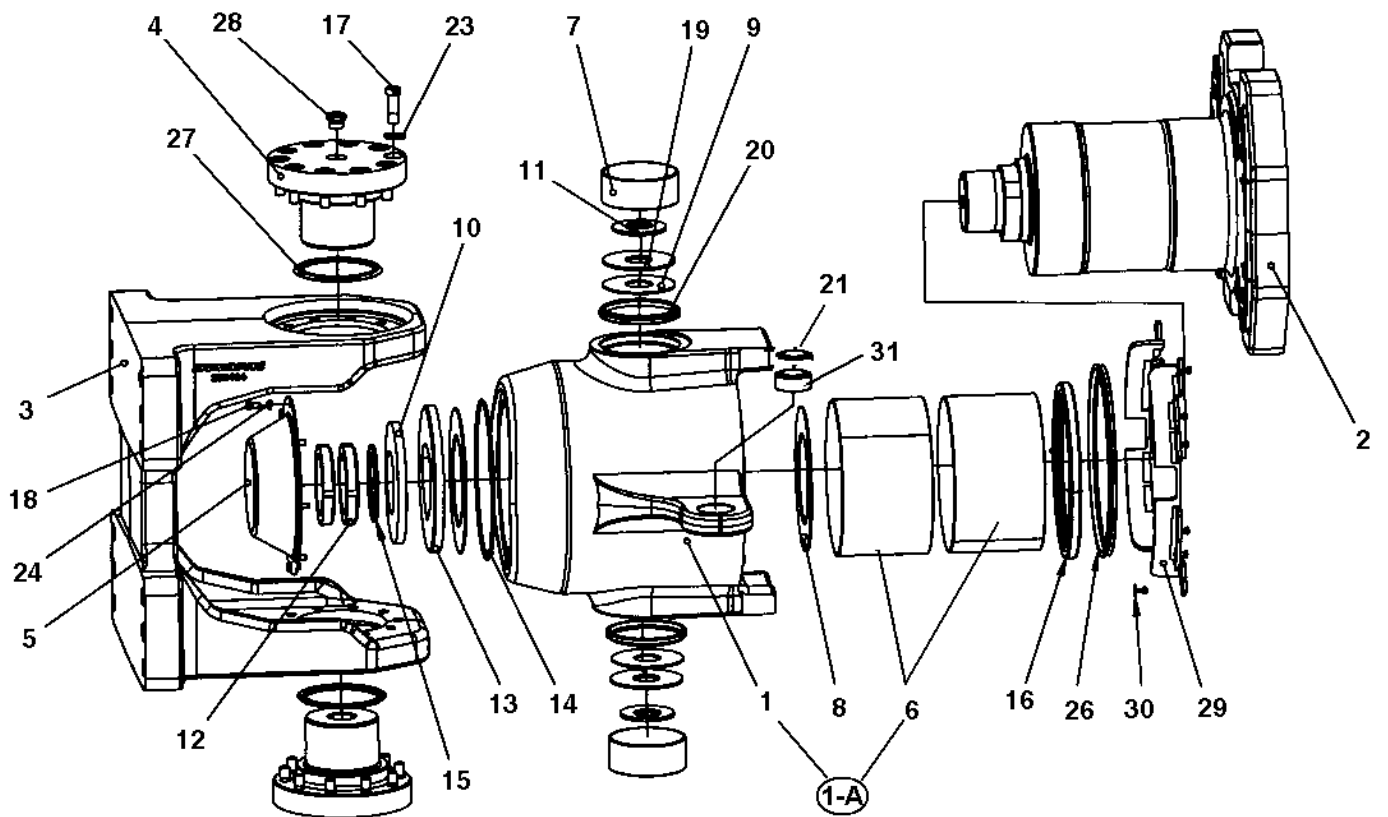
Item	Part No	Rem Qty	Description	Code
1	4700394023	1	Bracket	D
2	4700397039	5	Spacer	D
3	4700397318	1	Cap	
4	4700904230	2	Steel plain washer	C
5	4700500048	2	Screw M10-1,5x20 8,8	C
6	4700902285	10	Hexagon lock nut with flange	C
7	4812110277	1	Hose guard	D

Hitch module



Hitch module

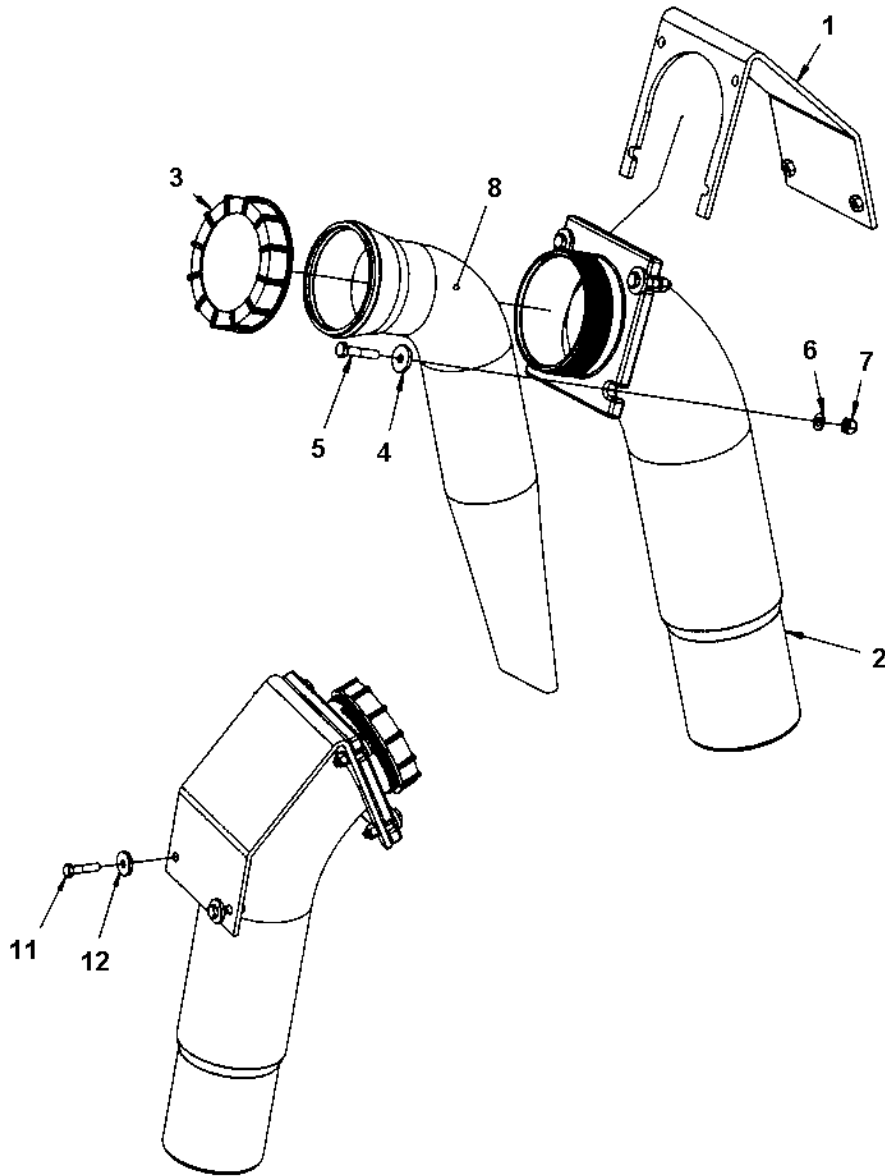
Item	Part No	Rem Qty	Description	Code
1		1	Steering hitch (Page 44)	
2	4700500287	12	Screw M20x80 10,9	C
3	4700904233	24	Washer 21x36x3	C
4	4700925208	12	Screw M20x90	D



Steering hitch

Item	Part No	Rem	Qty	Description	Code
	4700396583	7	1	Steering hitch, cpl	
1	4700390533	3,6	1	Hitch yoke	D
	4700396584	4	1	Hitch yoke	D
1-A	4812156376	5	1	Hitch yoke, kit	
2	4700390534	3	1	Shaft	D
	4700396585	4	1	Shaft	C
3	4700393464		1	Hitch holder	D
4	4700393465		2	Shaft	C
5	4700392550		1	Cover	D
6	4700390538	1	2	Sleeve bearing	D
	4700396588	2	2	Sleeve bearing	B
7	4700390539		2	Sleeve bearing	B
8	4700393523		2	Slide washer	D
9	4700390541		2	Slide washer	D
10	4700390542		1	Disc spring	D
11	4700390543		2	Disc spring	D
12	4700135015		2	Shaft nut	D
13	4700393115		1	Thrust washer	D
14	4700160277		1	O-ring	D
15	4700393218		1	Back-up ring	C
16	4700391031		1	Radial lip-type seal	D
17	4700792394		20	Screw	D
18	4700500012		8	Screw M6x12	C
19	4700391566		2	Washer	D
20	4700792517		2	Shear wiper	D
21	4700792554		2	Radial spherical plain bearing	D
23	4700904231		20	Washer 13x24x2 300 HV	C
24	4700904228		8	Washer 6,4x12x1,5	C
26	4700792515		1	Sealing, v-ring	D
27	4700792518		2	Radial lip-type seal	D
28	4700792295		2	Steel plug	D
29	4700394207	1	2	Flush cover	D
30	4700792325	1	12	Blind rivet	
31	4700151015		2	Snap ring	D

- 1) Used together with PN 4700390533 and 4700390534.
- 2) Used together with PN 4700396584 and 4700396585.
- 3) PN 4700390533 and 4700390534 should be fitted together. (PN is stamped on part.)
- 4) PN 4700396584 and 4700396585 should be fitted together. (PN is stamped on part.)
- 5) Kit contains of P/N 4700396584 x1 and 4700396588 x2. Replaces P/N 4700390533 as spare part.
- 6) Replaced as Spare part by P/N 4812156376 (item 1-A)
- 7) Replaced by P/N 4812113153 as Spare part.

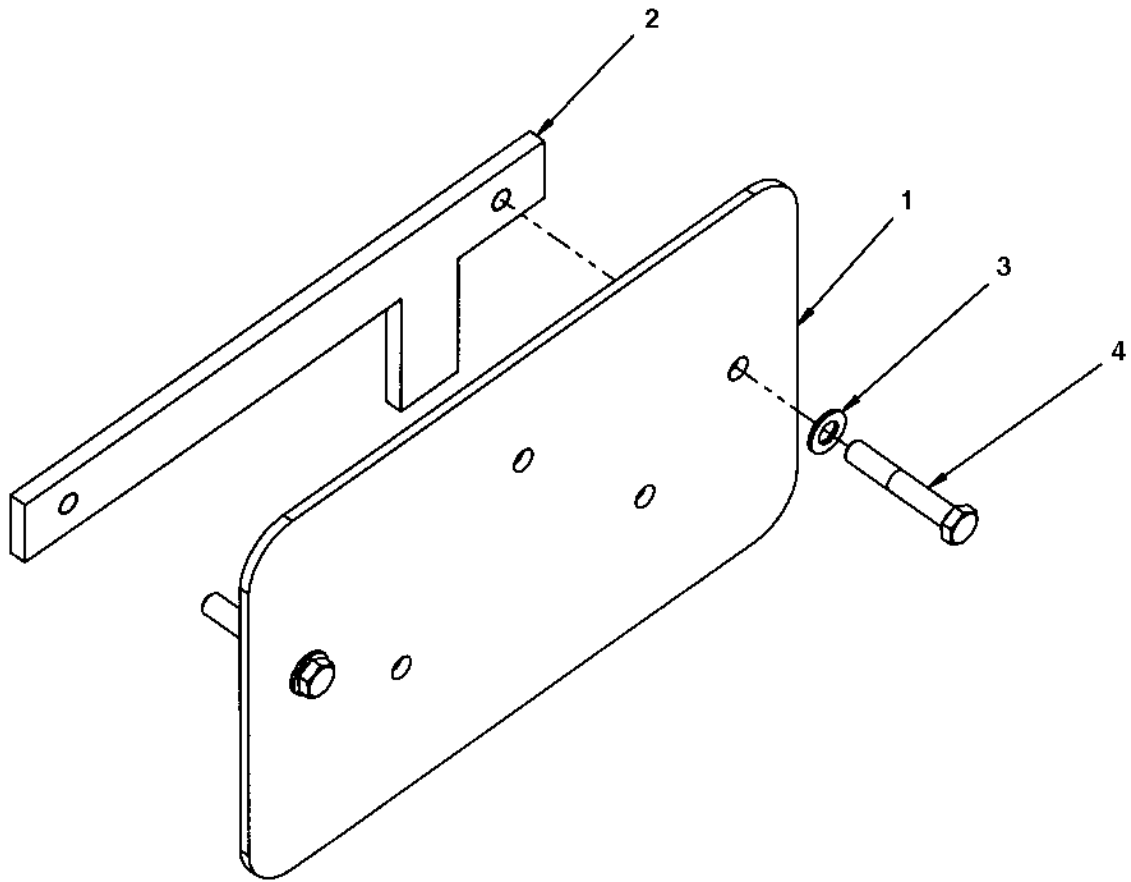


Filling pipe

Item	Part No	Rem Qty	Description	Code
1	4700391626	1	Bracket	D
2	4700390613	1	Filling pipe	D
3	4700920819	1	Filler cap	D
4	4700904734	4	Washer 8,4x26x4	
5	4700500023	4	Screw M8-1,25x40 8,8	C
6	4700904229	4	Steel plain washer 8,4x16x1,5	C
	4700904229	1	6 Steel plain washer 8,4x16x1,5	C
7	4700586003	4	Lock nut M8	C
8	4700391444	1	Strainer	D
11	4700500047	2	Hexagon head screw	C
12	4700904734	2	Washer 8,4x26x4	

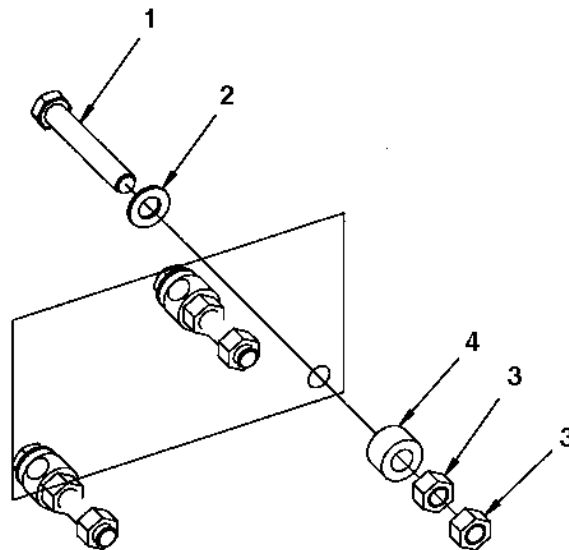
- 1) 2pcs used on upper side (instead of 2pcs item 4), when machine equipped with lockable cap.

Cover module



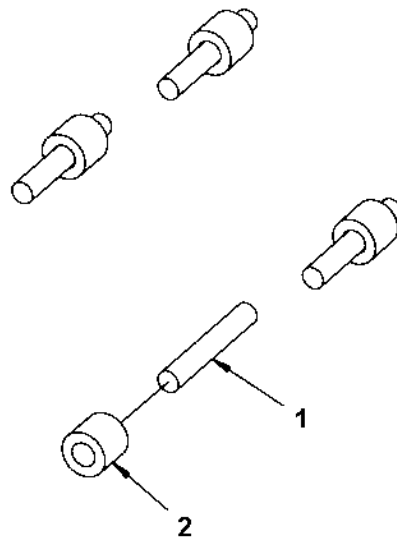
Cover module

Item	Part No	Rem Qty	Description	Code
1	4700391647	1	Cover Up to 384S00163	D
	4700396071	1	Cover From 384S00164	D
2	4700391648	1	Bracket Up to 384S00163	D
3	4700904231	2	Washer 13x24x2 300 HV	C
4	4700500133	2	Screw Up to 384S00163	C
	4700500051	2	Screw M12x25H 8.8 A3K From 384S00164	C



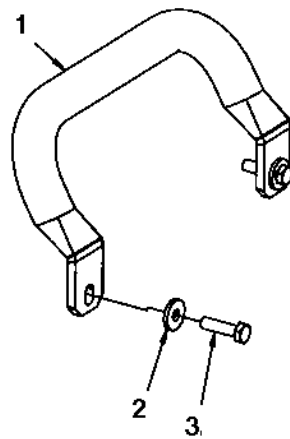
Disc/Roller holder

Item	Part No	Rem Qty	Description	Code
1	4700903898	3	Screw	
2	4700904231	3	Washer 13x24x2 300 HV	C
3	4700570007	6	Hexagon nut M12	C
4	4700791572	3	Spacer washer	C



Disc/Roller holder

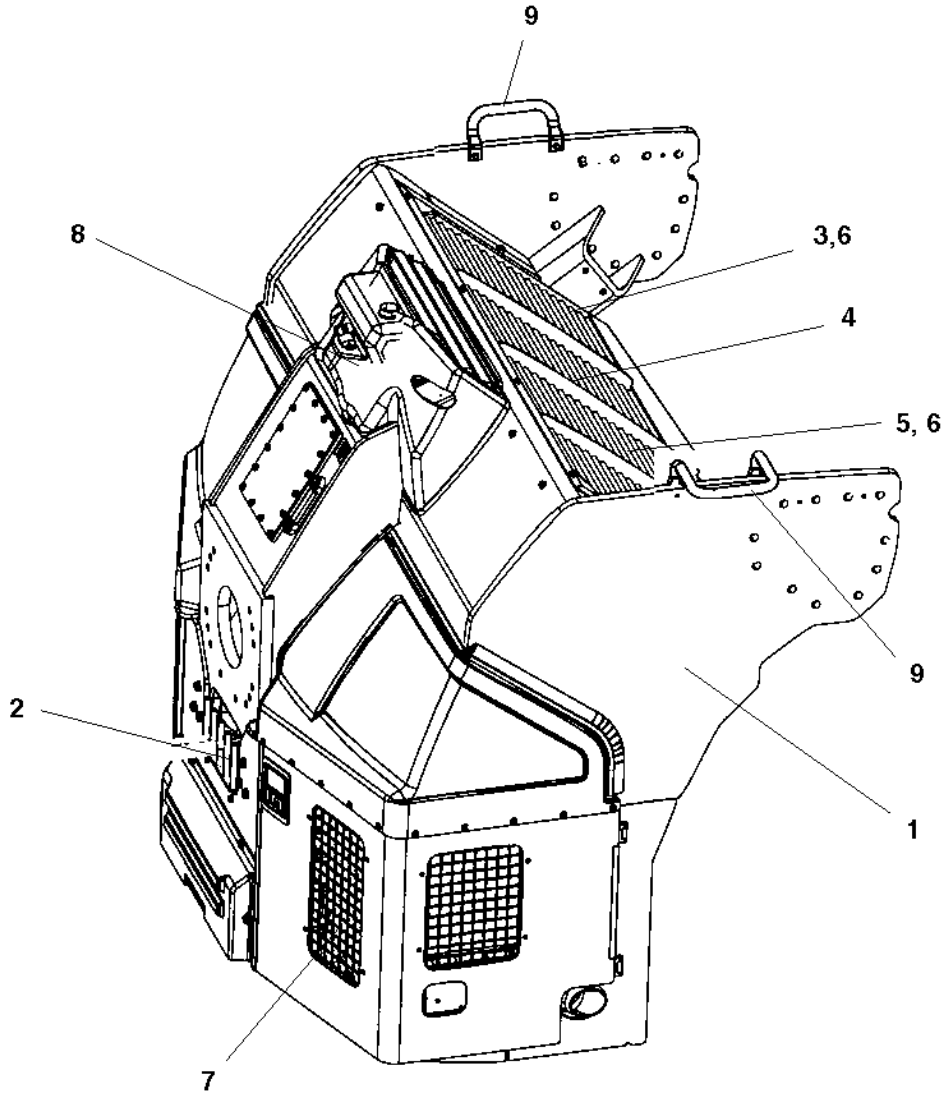
Item	Part No	Rem Qty	Description	Code
1	4700792245	4	Stud	D
2	4700383024	4	Spacer sleeve	C



Grab handle module

Item	Part No	Rem Qty	Description	Code
1	4700394545	1	Grab handle	
2	4700904640	2	Washer 8,4x22x3	C
3	4700500022	2	Screw M8x30H 8.8	C

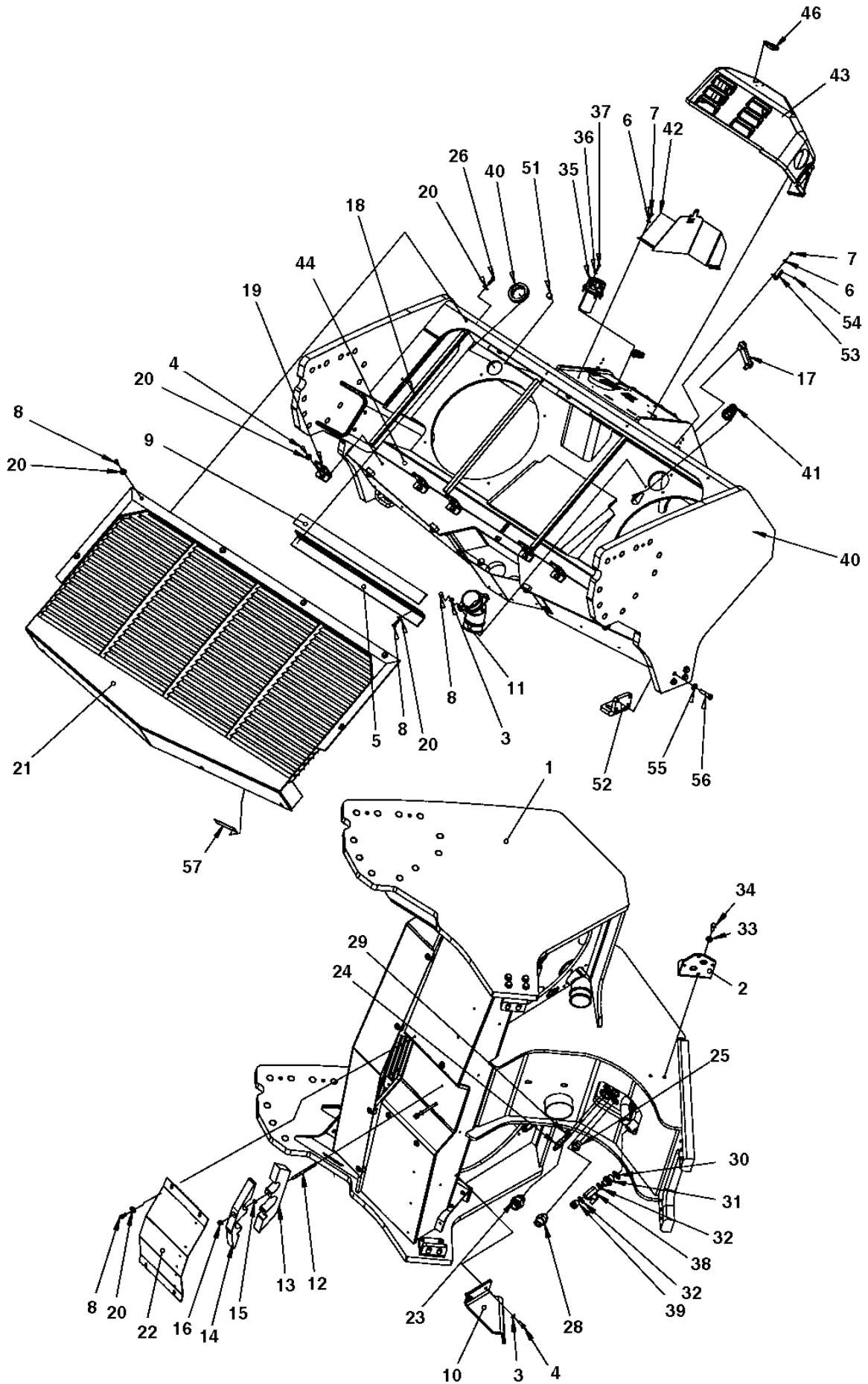
Rear frame



Rear frame

Item	Part No	Rem Qty	Description	Code
1		1	Rear frame (Page 58)	
2		1	Engine structure, module (Page 62)	
3		1	Water cooler (Page 226)	
4		1	Charge air cooler (Page 224)	
5		1	Oil cooler (Page 70)	
6		2	Fan (Page 72)	
7		1	Noise suppression plates (Page 74)	
		1	Noise suppression, covers (Page 76)	
8		1	Expansion tank assembly (Page 228)	
9		2	Grab handle module (Page 54)	

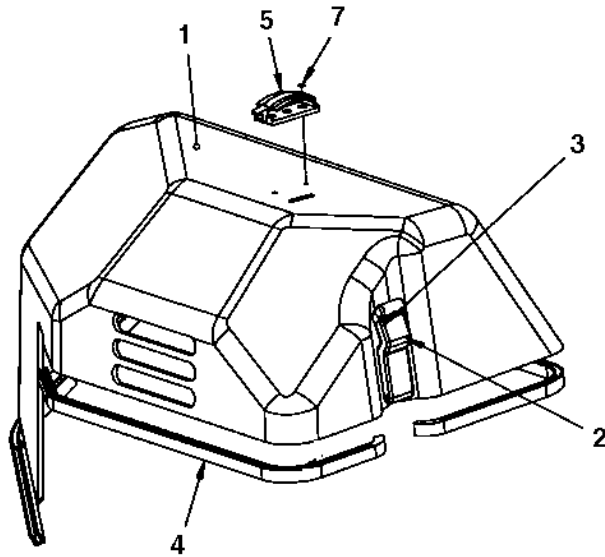
Rear frame



Rear frame

Item	Part No	Rem Qty	Description	Code
1	4700394529	1	Rear frame	D
	4700390925	1	. Hydraulic tank cover	
	4700390926	1	. O-ring	D
2	4700397296	1	Bracket	D
3	4700904229	4	Steel plain washer 8,4x16x1,5	C
4	4700500021	16	Screw M8-1,25x25 8.8 Up to 384S00310	C
	4700500021	8	Screw M8-1,25x25 8.8 From 384S00311	C
5	4700390780	2	Bracket Up to 384S00310	D
	4700392075	2	Bracket From 384S00311	D
6	4700603001	8	Washer	C
7	4700500059	8	Screw	D
8	4700500053	18	Screw M8x20H 8.8	C
9	4700391298	2	Rubber cloth Up to 384S00310	D
	4700392078	2	Rubber cloth From 384S00311	D
10	4700391300	1	Bracket Up to 384S00326	D
	4700396210	1	Bracket From 384S00327	D
11	4700394000	1	Bulkhead elbow	D
12	4700792326	2	Stud	D
13	4700391375	1	Hose support	D
14	4700391376	1	Hose support	D
15	4700904044	2	Lock washer	C
16	4700902286	2	Hexagon lock nut with flange	C
17	4700792492	1	Level gauge	C
18	4700391299	A 1XL	Rubber strip	D
19	4700391296	6	Bracket	D
20	4700904640	28	Washer 8,4x22x3 Up to 384S00310	C
	4700904640	26	Washer 8,4x22x3 From 384S00311	C
21	4700395522	1	Cover	D
22	4700391434	1	Cover	D
23	4700792338	1	Straight connector	D
24	4700792276	1	Temperature sensor	D
25	4700791405	1	Straight o-ring connector	C
26	4700500022	4	Screw M8x30H 8.8	C
28	4700904728	1	Adapter	
29	4700162015	1	Seal ring	D
30	4700791120	1	Sealing washer	
31	4700792421	1	Straight connector	D
32	4700162006	2	Seal ring	D
33	4700904230	2	Steel plain washer	C
34	4700500028	2	Screw	C
35	4700391026	1	Ventilating filter	A
36	4700904281	6	Washer 5,3x10x1 300HV	C
37	4700508020	6	Screw	D
38	4700925599	1	Ball valve	C
39	4700232056	1	Plug	
40	4700393001	2	Grommet	D
41	4700393149	2	Grommet	D
42	4700393281	1	Bracket	D
43		1	Cover, cpl (Page 60)	
44	4700394459	2	Rubber cloth	D
46	4700358881	1	Pad lock	D
51	4700792607	6	Shock absorber	D
52	4700394400	2	Bracket	D
53	4700394297	2	Bracket	D
54	4700624021	4	Pop rivet	D
55	4700904703	8	Washer	B
56	4700500269	8	Screw	C
57	4700394513	2	Rubber cloth	D

A) L= 2,34 m

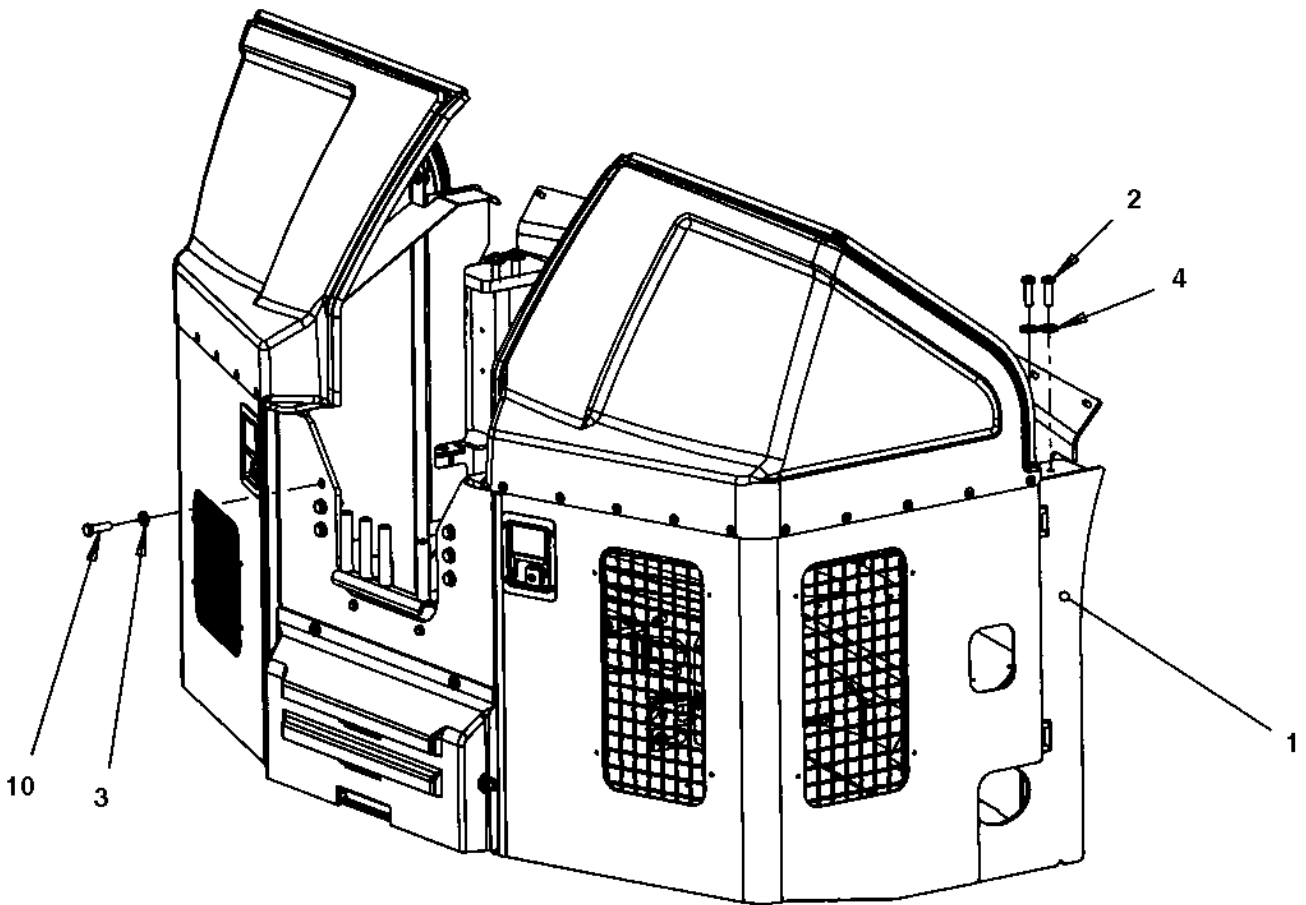


Cover, cpl

Item	Part No	Rem	Qty	Description	Code
1	4700391750		1	Cover	D
2	4700388846		2	Latch	D
3	4700624021		4	Pop rivet	D
4	4700902166	A	1XL	Edge trim	D
5	4700394536		1	Wiring clip	D
7	4700624018		2	Blind rivet	D

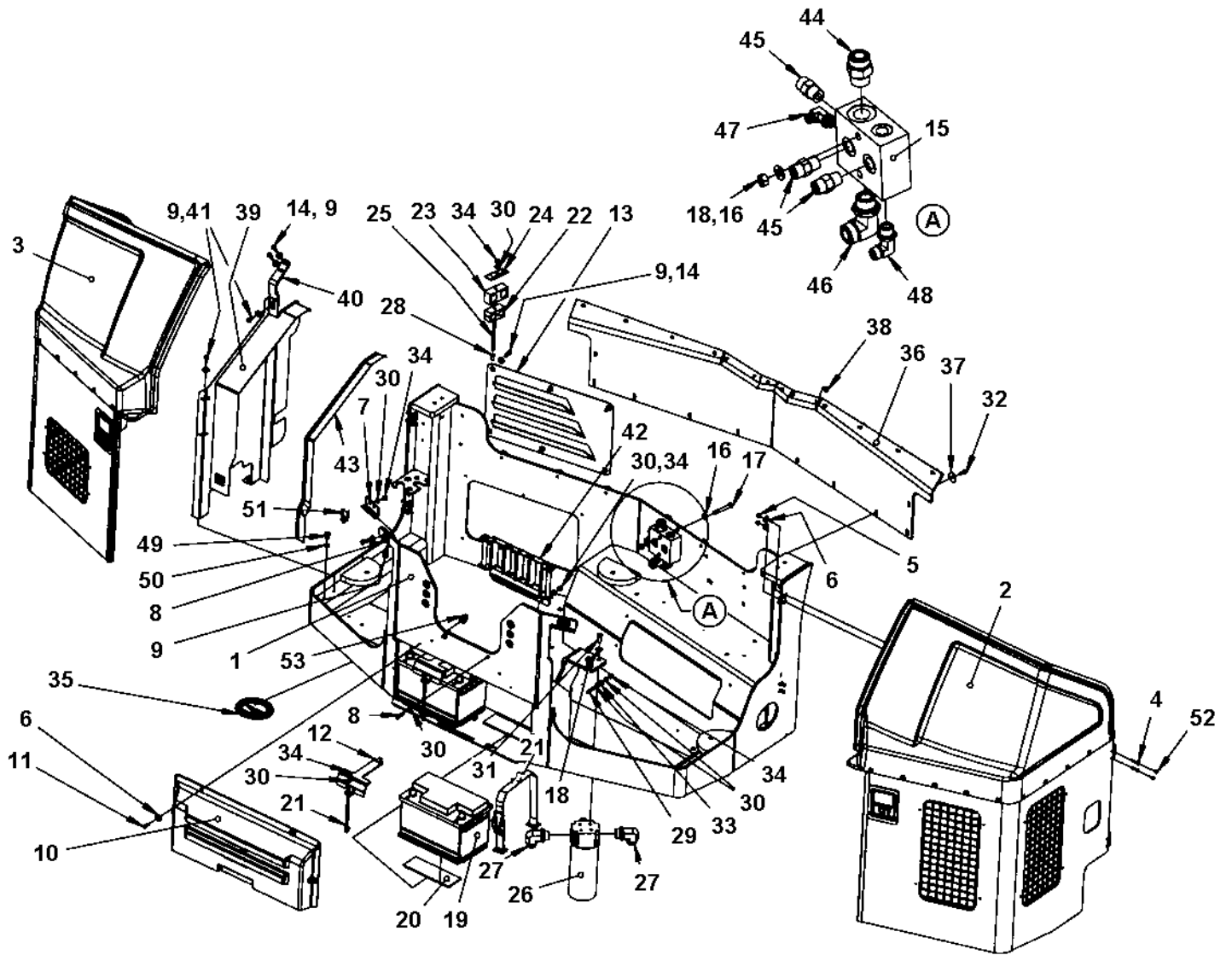
A) L=1.59 m

Engine structure, module



Engine structure, module

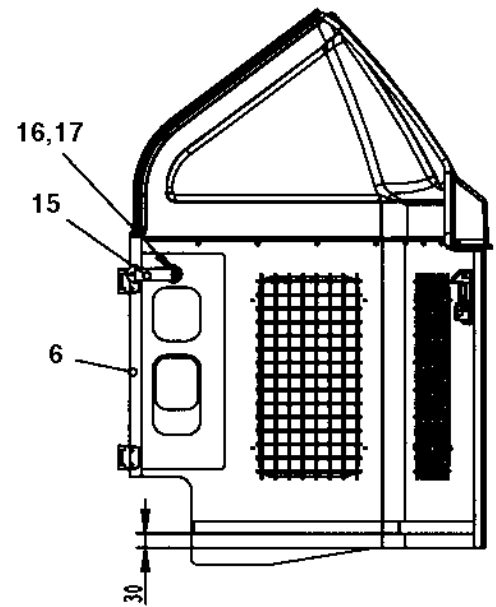
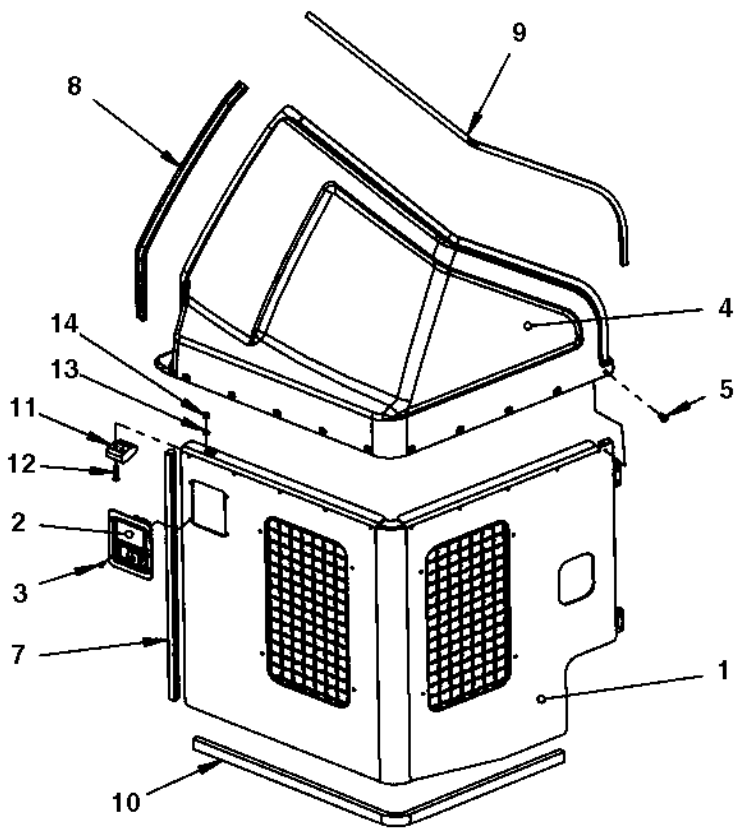
Item	Part No	Rem Qty	Description	Code
1		1	Engine structure (Page 64)	
2	4700947689	4	Screw	D
3	4700904231	6	Washer 13x24x2 300 HV	C
4	4700904213	4	Washer	C
10	4700500269	6	Screw	C



Engine structure

Item	Part No	Rem Qty	Description	Code
1	4700394514	1	Engine structure	D
2		1	Engine cover, left (Page 66)	
3		1	Engine cover, right (Page 68)	
4	4700513017	8	Screw M6x30H 10,9	C
5	4700586002	8	Lock nut M6 -8	C
6	4700904735	12	Washer	C
7	4700378310	2	Lock bracket Up to 384S00309	D
	4700396542	2	Lock bracket From 384S00310	D
8	4700500022	6	Screw M8x30H 8.8	C
9	4700904640	15	Washer 8,4x22x3	C
10	4700390884	1	Cover	D
11	4700500040	4	Screw M6-1x20 8,8	C
12	4700396634	2	Battery holder From 384S00338	D
13	4700392799	1	Grid	D
14	4700500021	8	Screw M8-1,25x25 8.8	C
15	4700391157	1	Connection block	D
16	4700904230	7	Steel plain washer	C
17	4700500092	2	Screw	D
18	4700570006	2	Nut	B
19	4700792311	2	Battery	
20	4700357459	4	Rubber cloth	D
21	4700391441	2	Strap Up to 384S00337	D
	4700396635	2	Battery screw From 384S00338	D
22	4700903456	1	Pipe clamp	D
23	4700791711	1	Pipe clamp	D
24	4700791712	1	Cover plate	D
25	4700792326	1	Stud	D
26	4700391025	1	Hydraulic oil filter, cpl Up to 384S00362	
	4812110667	1	Hydraulic oil filter From 384S00363	A
	4700391433	1	. Hydraulic oil filter element	A
	4812158269	1	. Filter switch	
	4700391432	1	Cleaning filter element	
27	4700791844	2	Elbow adapter 90	D
28	4700792825	1	Blind insert nut	D
29	4700903768	3	Threaded stud	C
30	4700904229	17	Steel plain washer 8,4x16x1,5	C
31	4700500028	3	Screw	C
32	4700500053	18	Screw M8x20H 8.8	C
33	4700570005	3	Nut M8	C
34	4700586003	12	Lock nut M8	C
35	4700379992	1	Plug	
36	4700379974	1	Rubber cloth	D
37	4700615050	18	Washer	C
38	4700792325	6	Blind rivet	
39	4700391769	1	Belt guard	D
40	4700391768	1	Bracket	D
41	4700500019	3	Hexagon head screw M8x16H 8,8	C
42		1	Hose support (Page 40)	
43	4700792258	A 1XL	Edge trim	D
44	4700791823	1	Straight connector orfs	
45	4700791799	3	Straight connector orfs	D
46	4700791231	1	Elbow 90°	D
47	4700792334	1	Elbow 90 orfs	
48	4700791840	1	Elbow adapter 90, O-ring with swivel	D
49	4700500043	1	Screw M10x16H 8,8	D
50	4700904637	1	Washer	C
51	4700394701	N	Wiring clip	D
52	4700926215	8	Protective plug	
53	4700792441	2	Cable tie with holder	C

A) L=0.87 m

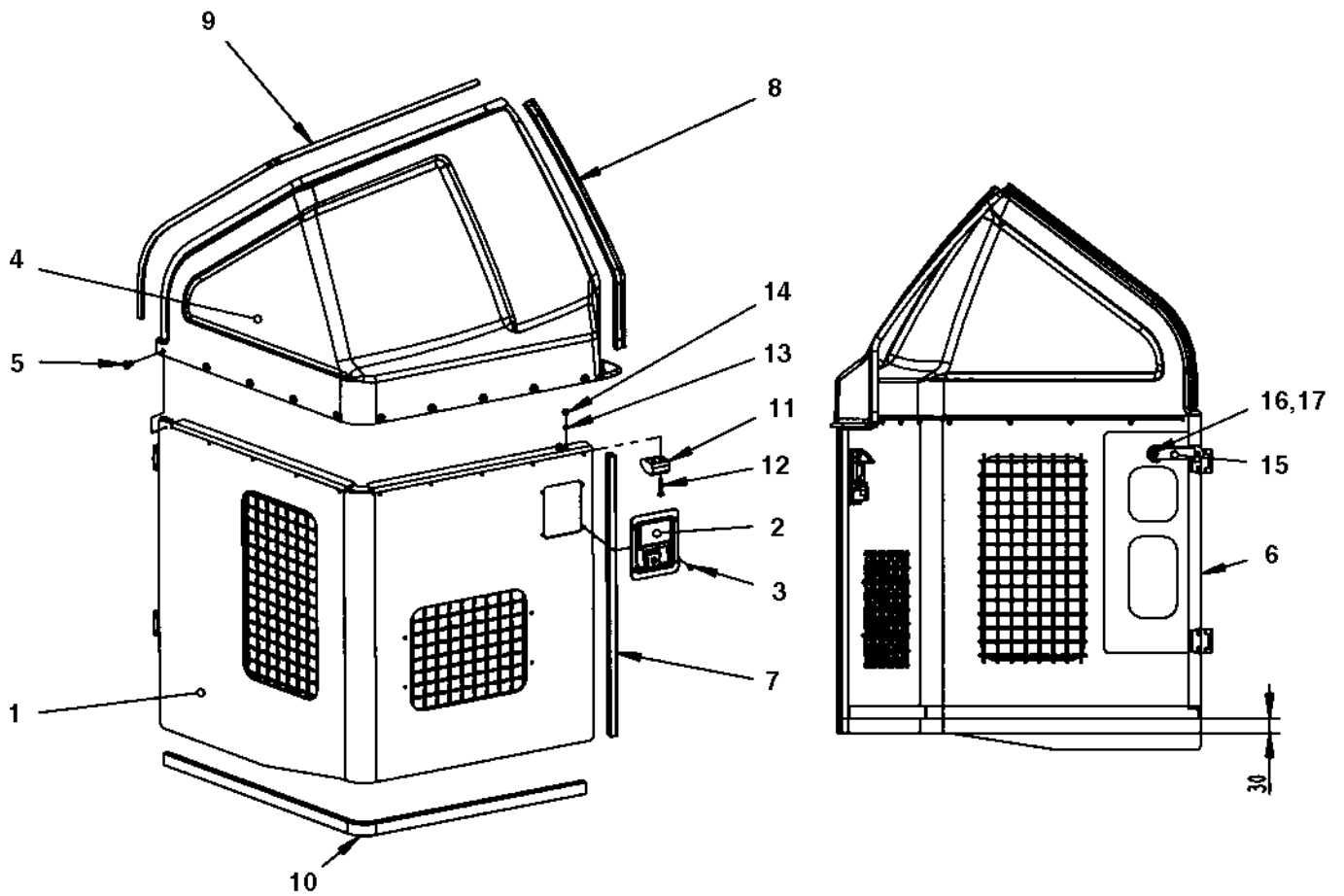


Engine cover, left

Item	Part No	Rem Qty	Description	Code
		1	Engine cover, cpl Up to 384S00309	
	4700396684	1	Engine cover, cpl From 384S00310	D
1		1	. Cover	
	4700903907	2	. . Hinge	C
2	4700378309	1	. Lock Up to 384S00309	D
	4700396607	1	. Lock From 384S00310	D
	4700902866	1	. . Key Marked "455"	
3	4700792669	4	. Blind rivet Up to 384S00309	
	4700624020	4	. Blind rivet From 384S00310	D
4	4700379976	1	. Cover	D
5	4700792325	10	. Blind rivet	
6	4700792718	A 1XL	. Rubber strip Up to 384S00309	D
7	4700202057	B 1XL	. Edge trim	D
8	4700902166	C 1XL	. Edge trim	D
9	4700903953	D 1XL	. Edge trim	D
10	4700792718	E 1XL	. Rubber strip Up to 384S00309	D
11	4700390365	1	. Spacer	D
12	4700924875	2	. Screw	D
13	4700904228	2	. Washer 6,4x12x1,5	C
14	4700586002	2	. Lock nut M6 -8	C
15	4812114393	1	. Hood latch	
16	4700904735	1	. Washer	C
17	4700500059	1	. Screw	D

1) Can be fitted on earlier machines together with new Lock bracket PN 4700396542.

- A) L=0.5m
- B) L=0.625m
- C) L=0.6m
- D) L=1.2m
- E) L=1.3m

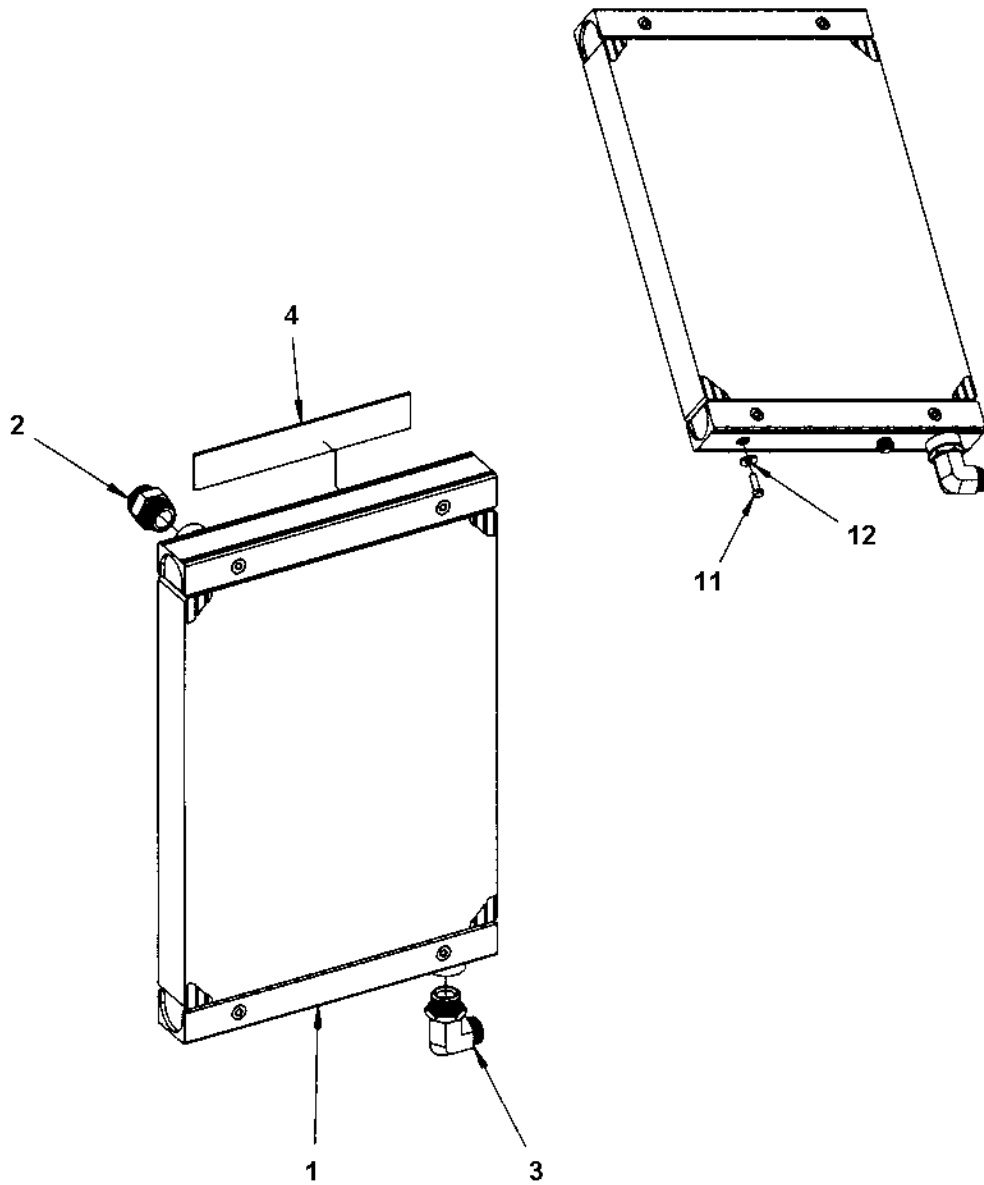


Engine cover, right

Item	Part No	Rem	Qty	Description	Code
			1	Engine cover, cpl Up to 384S00309	
	4700396685	1	1	Engine cover, cpl From 384S00310	D
1			1	. Cover	
	4700903907		2	. . Hinge	C
2	4700378309		1	. Lock Up to 384S00309	D
	4700396607		1	. Lock From 384S00310	D
	4700902866		1	. . Key Marked "455"	
3	4700792669		4	. Blind rivet Up to 384S00309	
	4700624020		4	. Blind rivet From 384S00310	D
4	4700379977		1	. Cover	D
5	4700792325		10	. Blind rivet	
6	4700792718	A	1XL	. Rubber strip Up to 384S00309	D
7	4700202057	B	1XL	. Edge trim	D
8	4700902166	C	1XL	. Edge trim	D
9	4700903953	D	1XL	. Edge trim	D
10	4700792718	E	1XL	. Rubber strip Up to 384S00309	D
11	4700390365		1	. Spacer	D
12	4700924875		2	. Screw	D
13	4700904228		2	. Washer 6,4x12x1,5	C
14	4700586002		2	. Lock nut M6 -8	C
15	4812114393		1	. Hood latch	
16	4700904735		1	. Washer	C
17	4700500059		1	. Screw	D

1) Can be fitted on earlier machines together with new Lock bracket PN 4700396542.

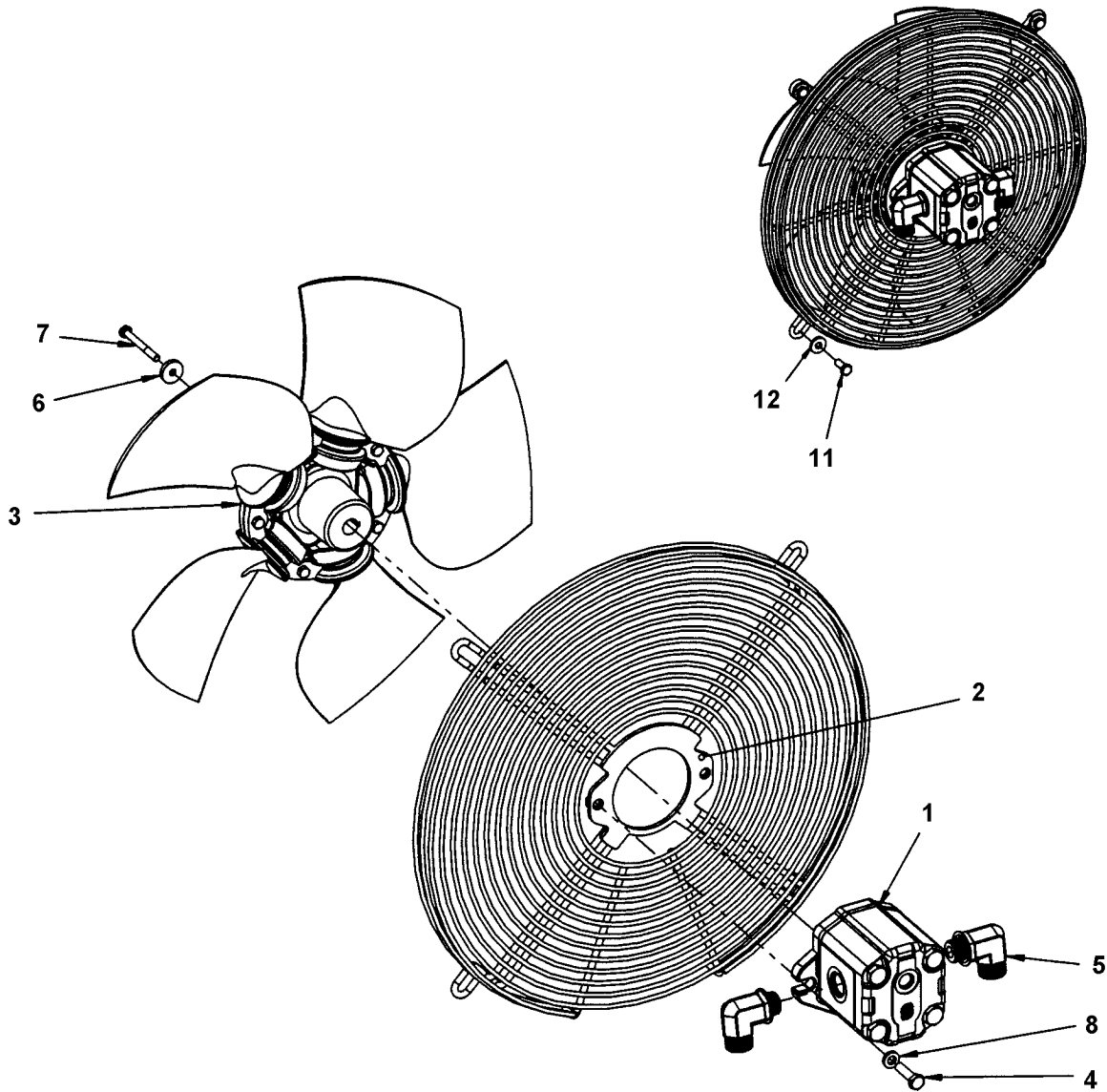
- A) L=0.6m
- B) L=0.625m
- C) L=0.6m
- D) L=1.2m
- E) L=1.45m



Oil cooler

Item	Part No	Rem Qty	Description	Code
1	4700390629	1	Oil cooler	D
2	4700792339	1	Straight connector orfs	D
3	4700791321	1	Elbow adapter 90	D
4	4700391297	1	Rubber cloth	D
11	4700500021	2	Screw M8-1,25x25 8.8	C
12	4700904640	2	Washer 8,4x22x3	C

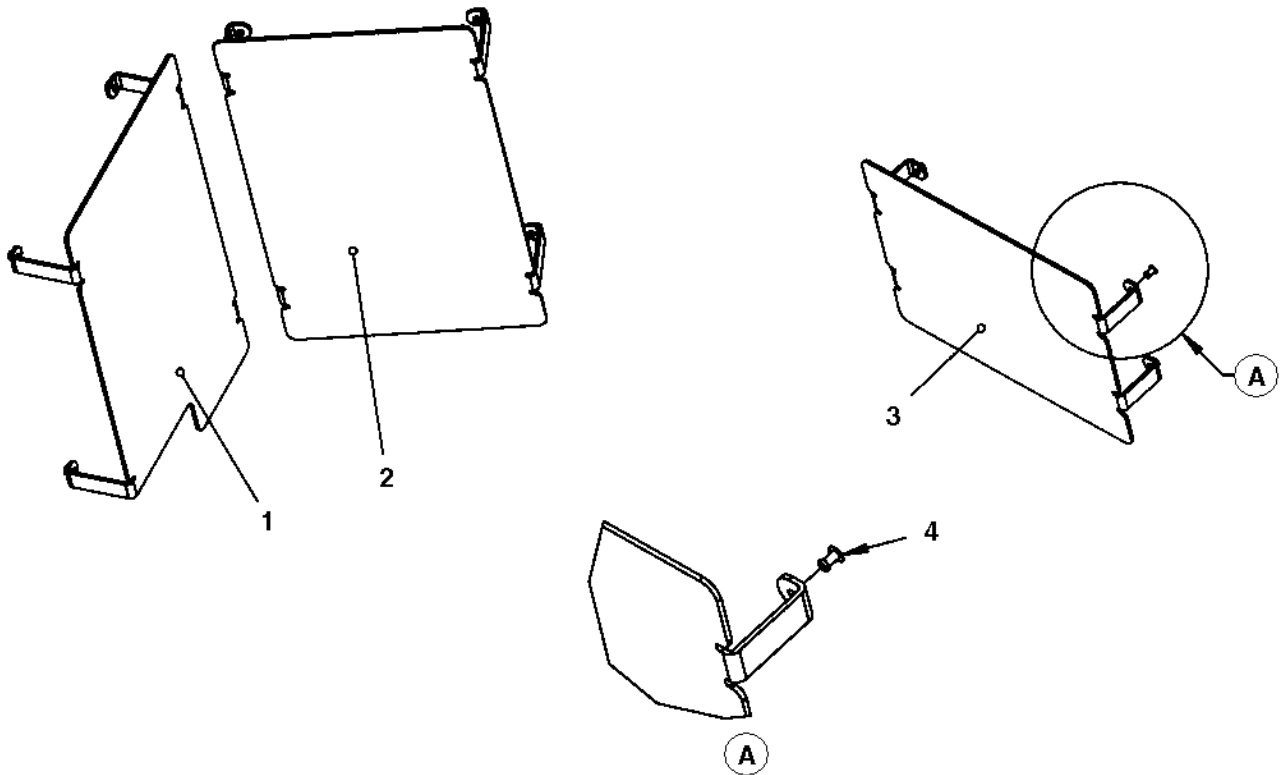
Fan



Fan

Item	Part No	Rem Qty	Description	Code
1	4700390609	1	Hydraulic motor	D
2	4700390608	1	Fan guard	
3	4700390607	1	Fan	D
4	4700500022	2	Screw M8x30H 8.8	C
5	4700792332	2	Elbow 90 orfs	
6	4700904735	2	Washer	C
7	4700500016	1	Screw M6x55 8.8 A2K	C
8	4700904640	2	Washer 8,4x22x3	C
11	4700500053	4	Screw M8x20H 8.8	C
12	4700904640	4	Washer 8,4x22x3	C

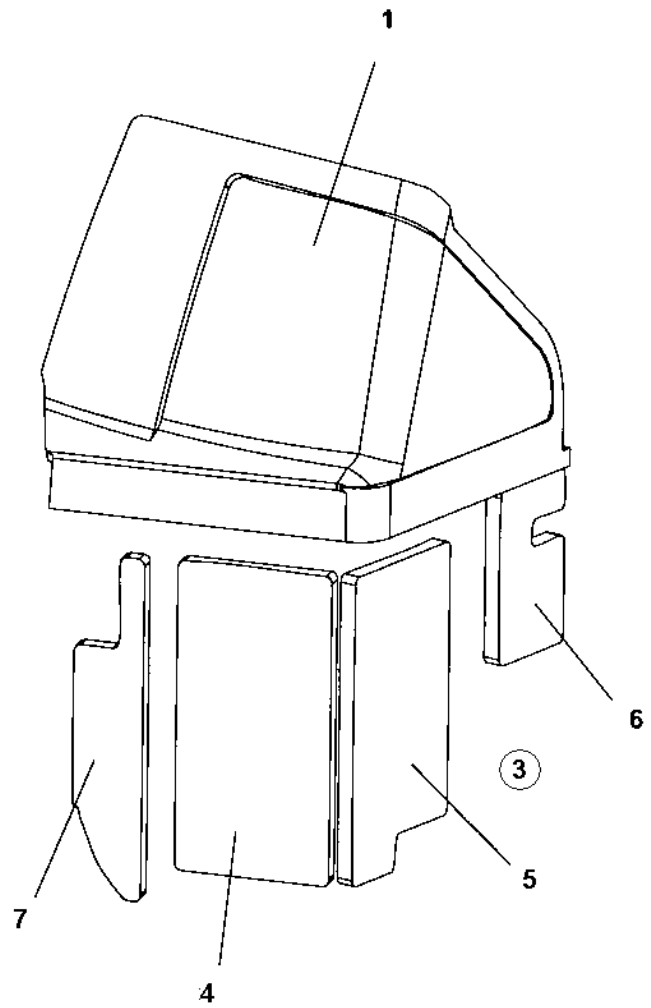
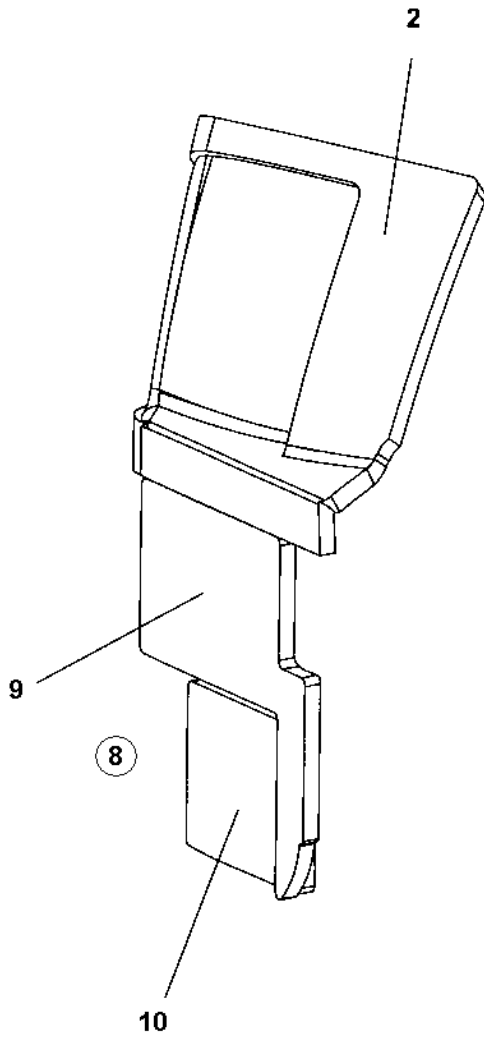
Noise suppression plates



Noise suppression plates

Item	Part No	Rem Qty	Description	Code
1	4700391369	1	Noise suppression plate	D
2	4700391370	1	Noise suppression plate	D
3	4700391371	1	Noise suppression plate	D
4	4700792669	12	Blind rivet	

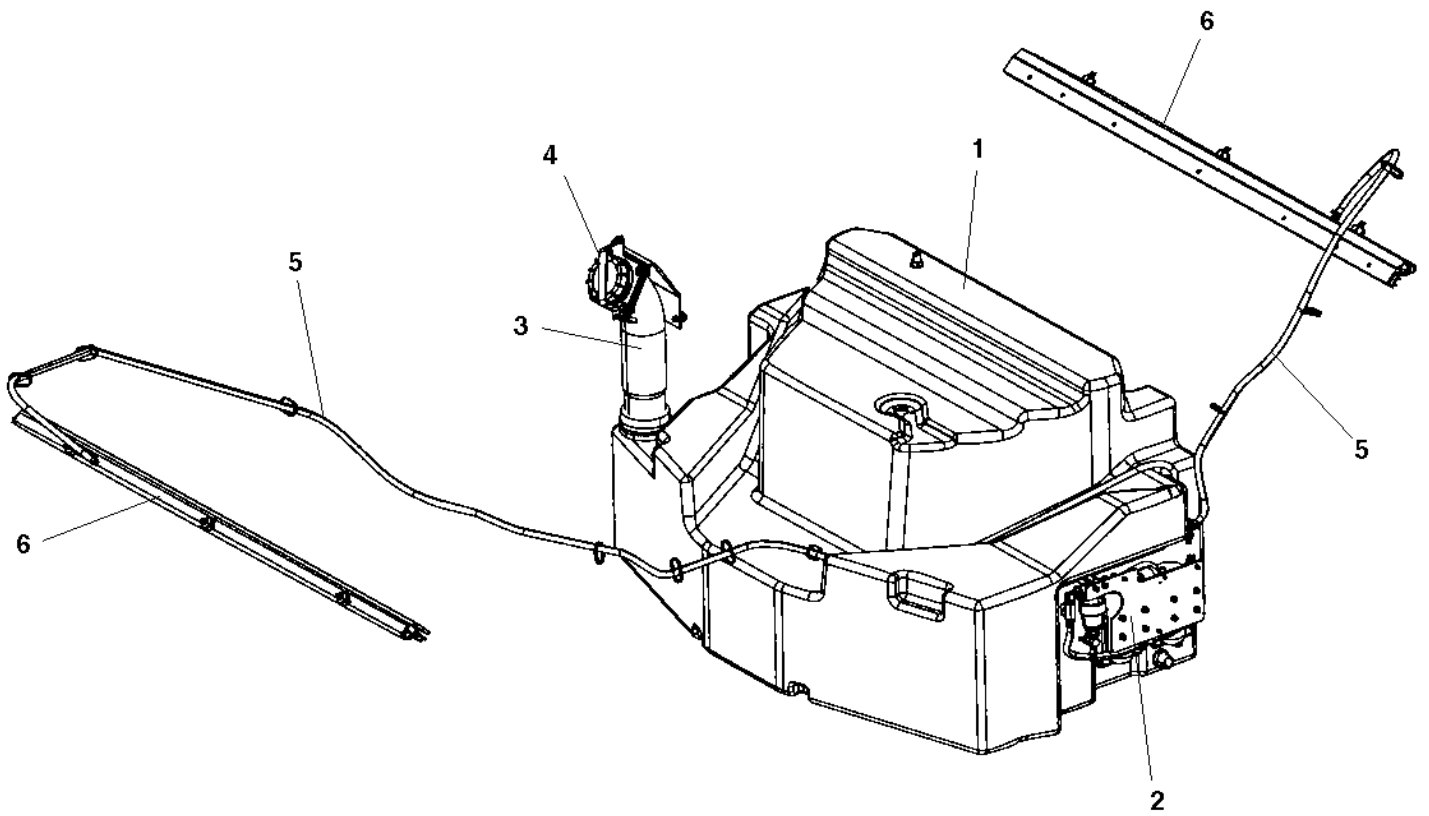
Noise suppression, covers



Noise suppression, covers

Item	Part No	Rem	Qty	Description	Code
1	4700394567		1	Sound absorbent	D
2	4700394568		1	Sound absorbent	D
3	4812158294		1	Sound absorbent kit, lower left cover	
4		1	1	. Sound absorbent	
5		1	1	. Sound absorbent	
6		1	1	. Sound absorbent	
7		1	1	. Sound absorbent	
8	4812158295		1	Sound absorbent kit, lower right cover	
9		1	1	. Sound absorbent	
10		1	1	. Sound absorbent	

1) Not sold seperately.

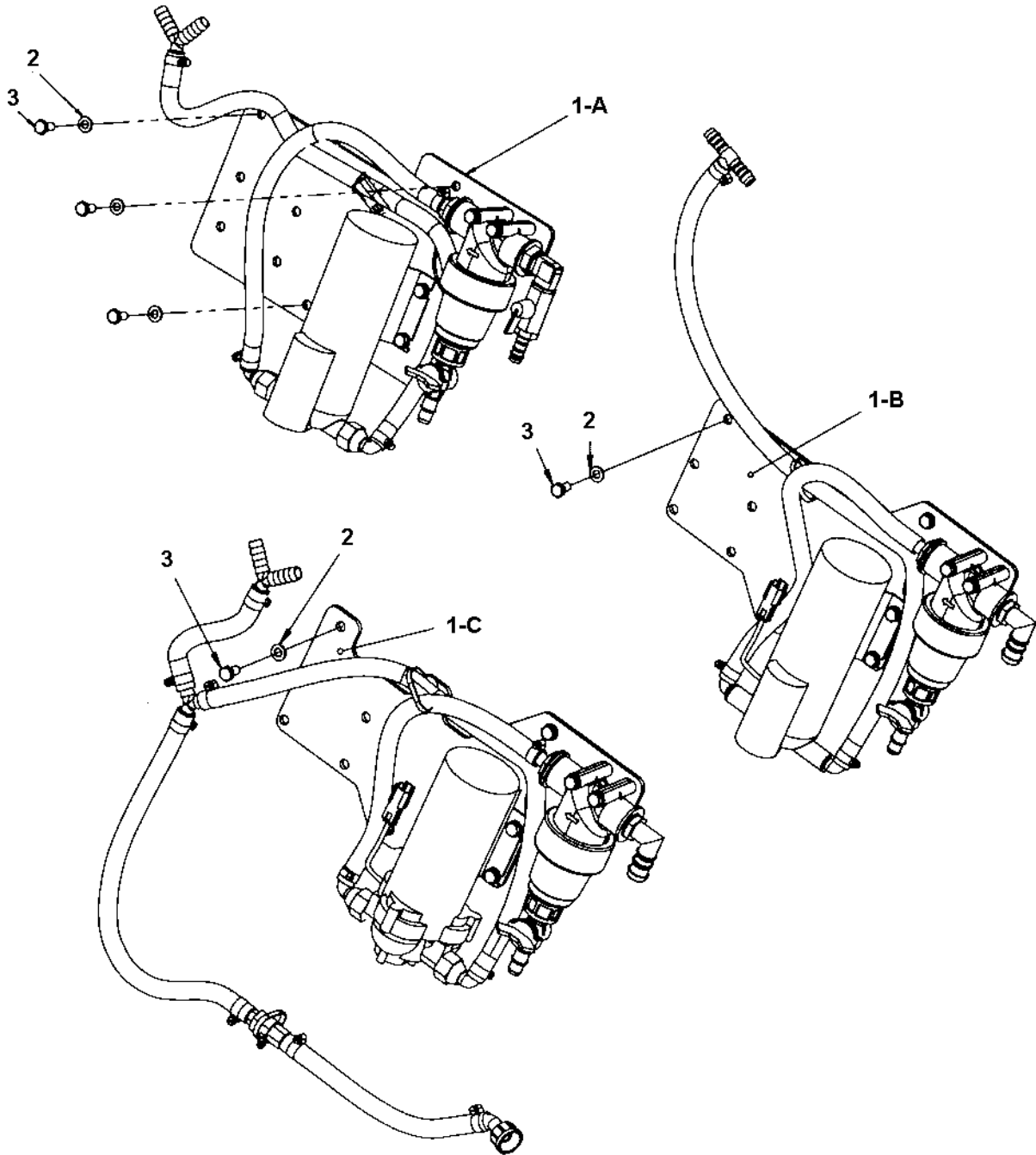


Sprinkler system

Item	Part No	Rem Qty	Description	Code
1		1	Tank structure module (Page 32)	
2		1	Sprinkler pump module (Page 80)	
		1	Sprinkler pump, backup (Page 88)	
		1	Sprinkler pump, additonal sprinkler/cocoa mat From 384S00137 (Page 90)	
3		1	Filling pipe (Page 46)	
	1	2	Filling pipe (Page 46)	
4		1	Cover lock module (Page 96)	
		1	Locking device module (Page 100)	
5		1	Water hoses (Page 102)	
6		2	Scraper assy with nozzles (Page 104)	

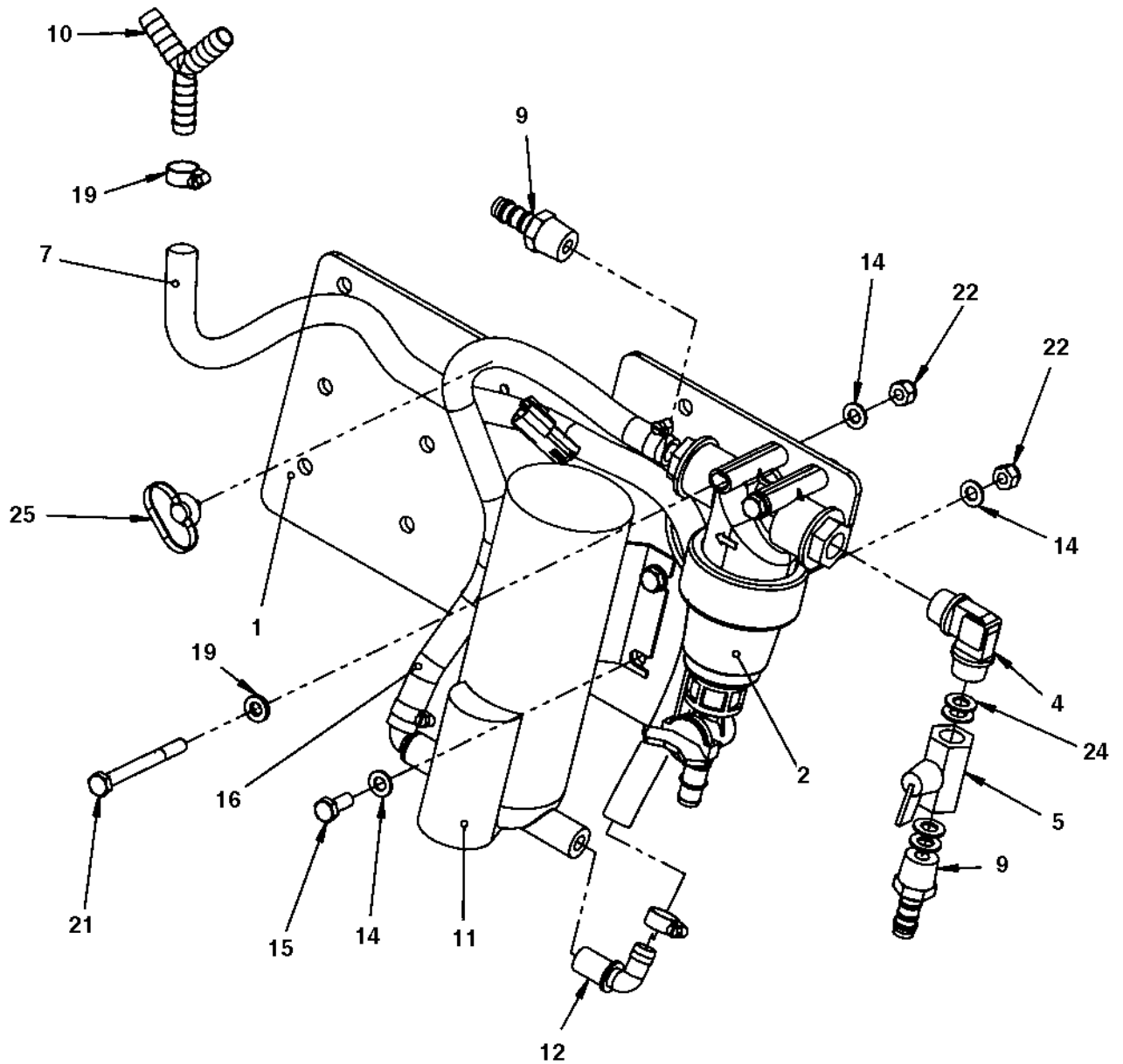
1) Two pieces when use of tank with dual filling holes.

Sprinkler pump module



Sprinkler pump module

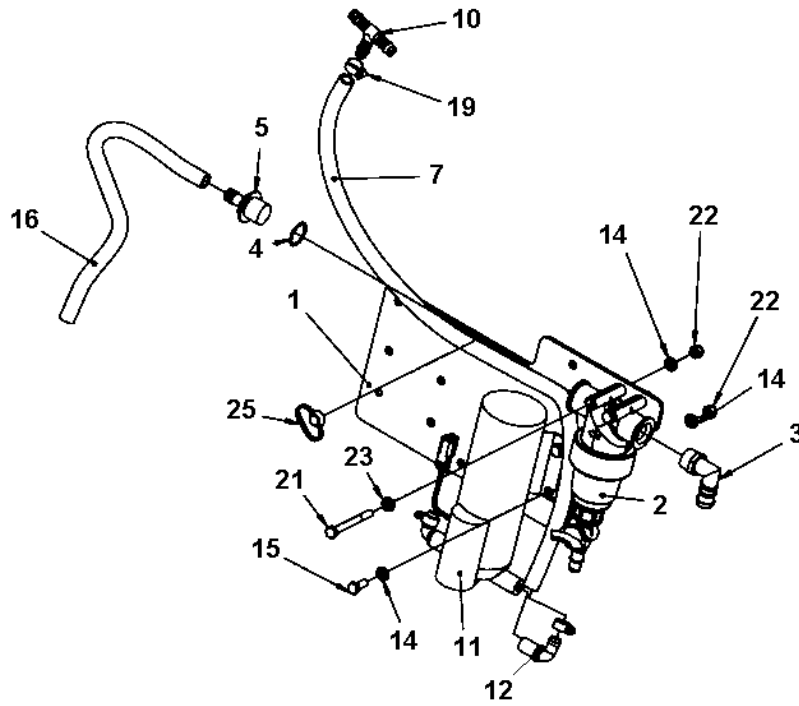
Item	Part No	Rem Qty	Description	Code
1-A		1	Sprinkler pump Up to 384S00244 (Page 82)	
1-B		1	Sprinkler pump From 384S00245 Up to 384S00452 (Page 84)	
1-C		1	Sprinkler pump From 384S00453 (Page 86)	
2	4700904229	3	Steel plain washer 8,4x16x1,5	C
3	4700500019	3	Hexagon head screw M8x16H 8,8	C



Sprinkler pump

Item	Part No	Rem	Qty	Description	Code
1	4812110491		1	Sprinkler plate	
2	4700393004		1	Water filter, cpl	A
	4700791959		1	. O-ring	C
	4700791949		1	. Filter element	A
	4700791568		1	. Gasket	
	4700379009		1	. Valve	
4	4700901298		1	Connector	C
5	4700925599		1	Ball valve	C
7	4812112074	B	1XL	Plastic hose	
9	4700924544		2	Hose connection	C
10	4700792386		1	Hose connection, plastic	C
11	4700391495	1	1	Sprinkler pump	C
12	4700393765		2	Hose connection	C
14	4700904229		10	Steel plain washer 8,4x16x1,5	C
15	4700500053		4	Screw M8x20H 8.8	C
16	4812112074	A	1XL	Plastic hose	
19	4700313002		4	Hose clamp 13-20 mm	
21	4700500090		2	Screw	C
22	4700586003		6	Lock nut M8	C
23	4700904556		2	Washer 8,4x16x3,0	C
24	4700379753		4	Gasket	
25	4700792441		1	Cable tie with holder	C

- 1) Replaced as Spare Part by PN 4812110358.
- A) L=0.70m
- B) L=0.56m

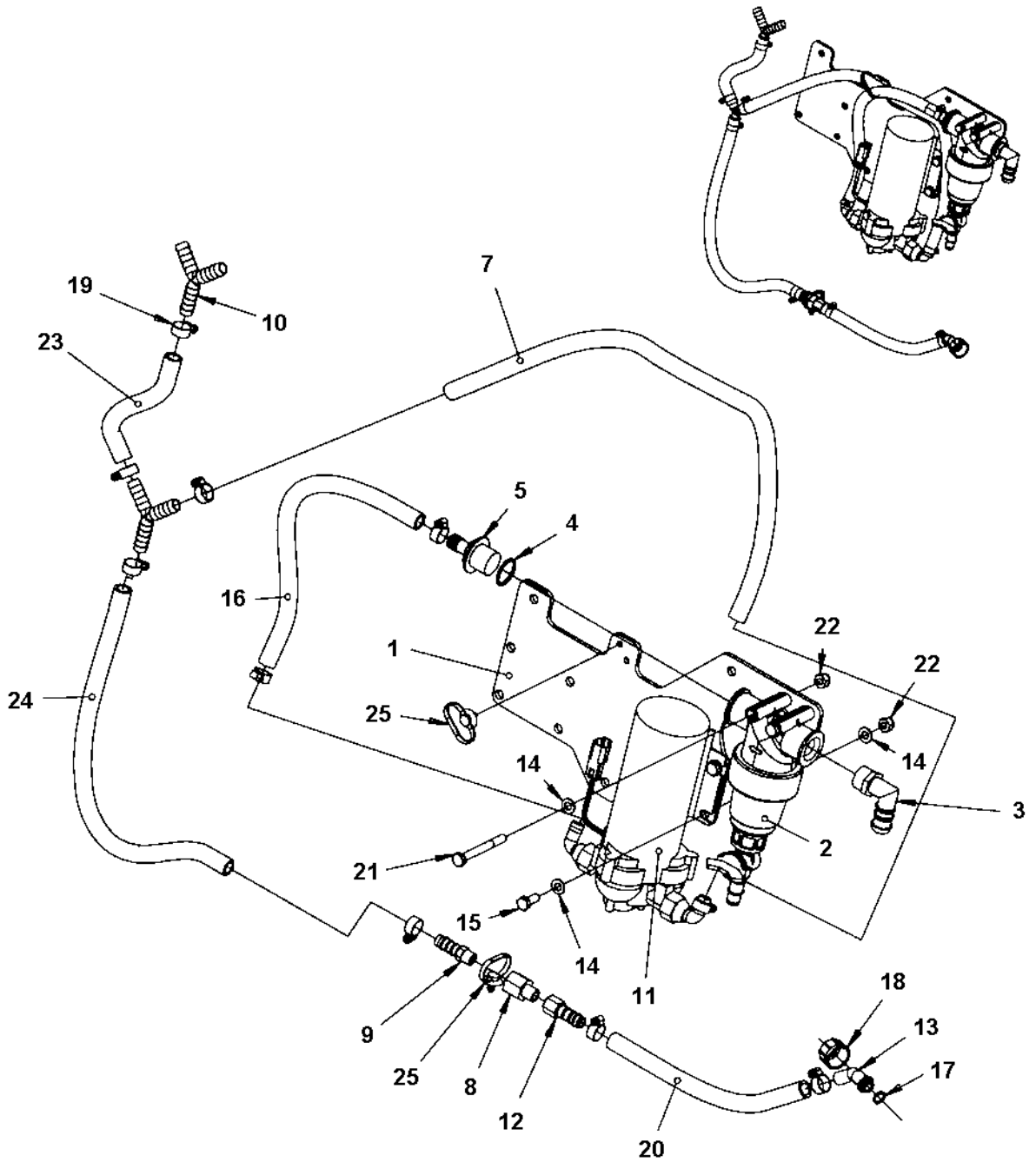


Sprinkler pump

Item	Part No	Rem	Qty	Description	Code
1	4812110491		1	Sprinkler plate	
2	4700791950		1	Water strainer, cpl	
	4700791959		1	. O-ring	C
	4700791949		1	. Filter element	A
	4700791568		1	. Gasket	
	4700379009		1	. Valve	
3	4700792777		1	Hose connection	D
4	4700160313		1	O-ring 70	
5	4700396672		1	Hose connection, plastic	
7	4812112074	B	1XL	Plastic hose	
10	4700923735		1	Hose connection	C
11	4700391495	1	1	Sprinkler pump	C
	4812110358	1	1	Sprinkler pump	D
12	4700393765		2	. Hose connection	C
14	4700904229		10	Steel plain washer 8,4x16x1,5	C
15	4700500053		4	Screw M8x20H 8.8	C
16	4812112074	A	1XL	Plastic hose	
19	4700313002		4	Hose clamp 13-20 mm	
21	4700500090		2	Screw	C
22	4700586003		6	Lock nut M8	C
23	4700904556		2	Washer 8,4x16x3,0	C
25	4700792441		1	Cable tie with holder	C

- 1) Replaced as Spare Part by PN 4812110394.
- A) L=0.70 m
- B) L=0.92 m

Sprinkler pump

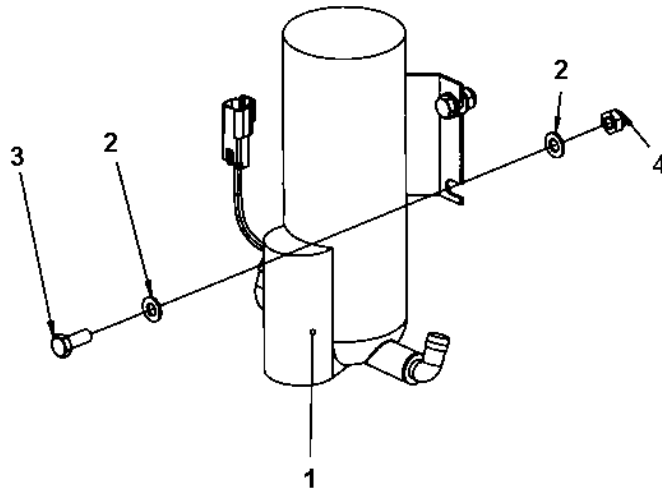


Sprinkler pump

Item	Part No	Rem	Qty	Description	Code
1	4812110491		1	Sprinkler plate	
2	4700791950		1	Water strainer, cpl	
3	4700792777		1	Hose connection	D
4	4700160313		1	O-ring 70	
5	4700396672		1	Hose connection, plastic	
7	4812112074	A	1XL	Plastic hose	
8	4700792813		1	By-pass valve	
9	4700791977		1	Hose connection	B
10	4811000107		2	Hose connection	C
11	4812110394		1	Sprinkler pump	
12	4811000085		1	Hose connection	
13	4700393542		1	Hose connection swivel	C
14	4700904229		10	Steel plain washer 8,4x16x1,5	C
15	4700500053		4	Screw M8x20H 8.8	C
16	4812112074	B	1XL	Plastic hose	
17	4700792600		1	O-ring 70	
18	4700392227		1	Swivel nut	
19	4700313002		10	Hose clamp 13-20 mm	
20	4812112074	C	1XL	Plastic hose	
21	4700500090		2	Screw	C
22	4700586003		6	Lock nut M8	C
23	4812112074	C	1XL	Plastic hose	
24	4812112074	C	1XL	Plastic hose	
25	4700792441		N	Cable tie with holder	C

- A) L= 0.82 m
- B) L= 0.70 m
- C) Length as required. (order in meter)

Sprinkler pump, backup

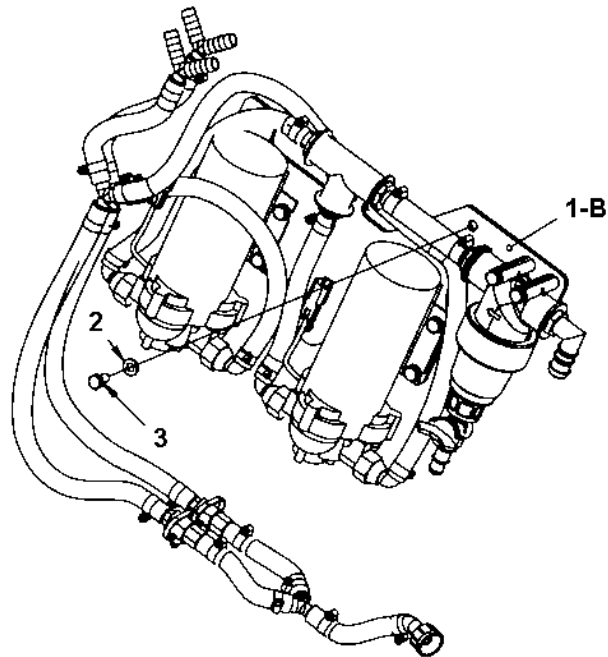
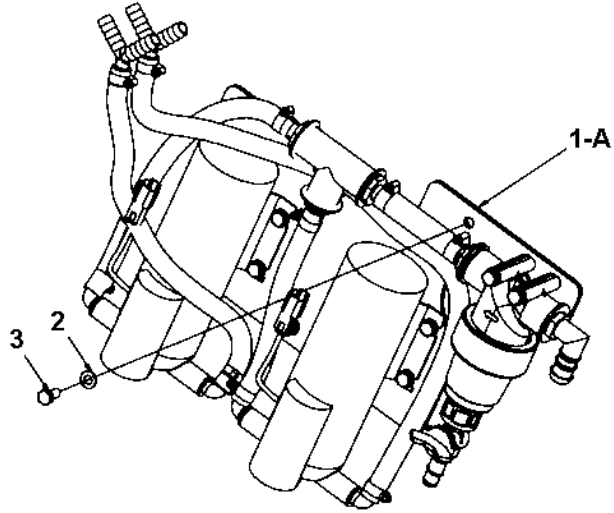


Sprinkler pump, backup

Item	Part No	Rem	Qty	Description	Code
1	4700391495	1	1	Sprinkler pump	C
	4812110358	A	1	Sprinkler pump	D
	4812110394	2,A	1	Sprinkler pump	
2	4700904229		8	Steel plain washer 8,4x16x1,5	C
3	4700500053		4	Screw M8x20H 8.8	C
4	4700791182		4	Lock nut M8	

- 1) Replaced as Spare Part by PN 4812110394.
- 2) Replaces PN 4700391495 and 4812110358.
- A) Connectors included.

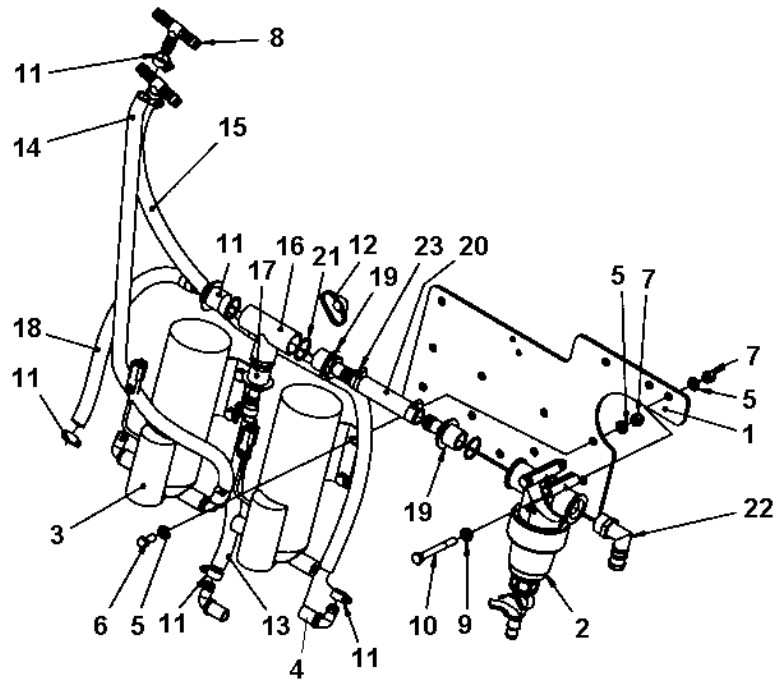
Sprinkler pump, additional sprinkler/cocoa mat



Sprinkler pump, additional sprinkler/cocoa mat

Item	Part No	Rem Qty	Description	Code
1-A		1	Sprinkler pump mounted (Page 92)	
1-B		1	Sprinkler pumps (Page 94)	
2	4700904229	3	Steel plain washer 8,4x16x1,5	C
3	4700500019	3	Hexagon head screw M8x16H 8,8	C

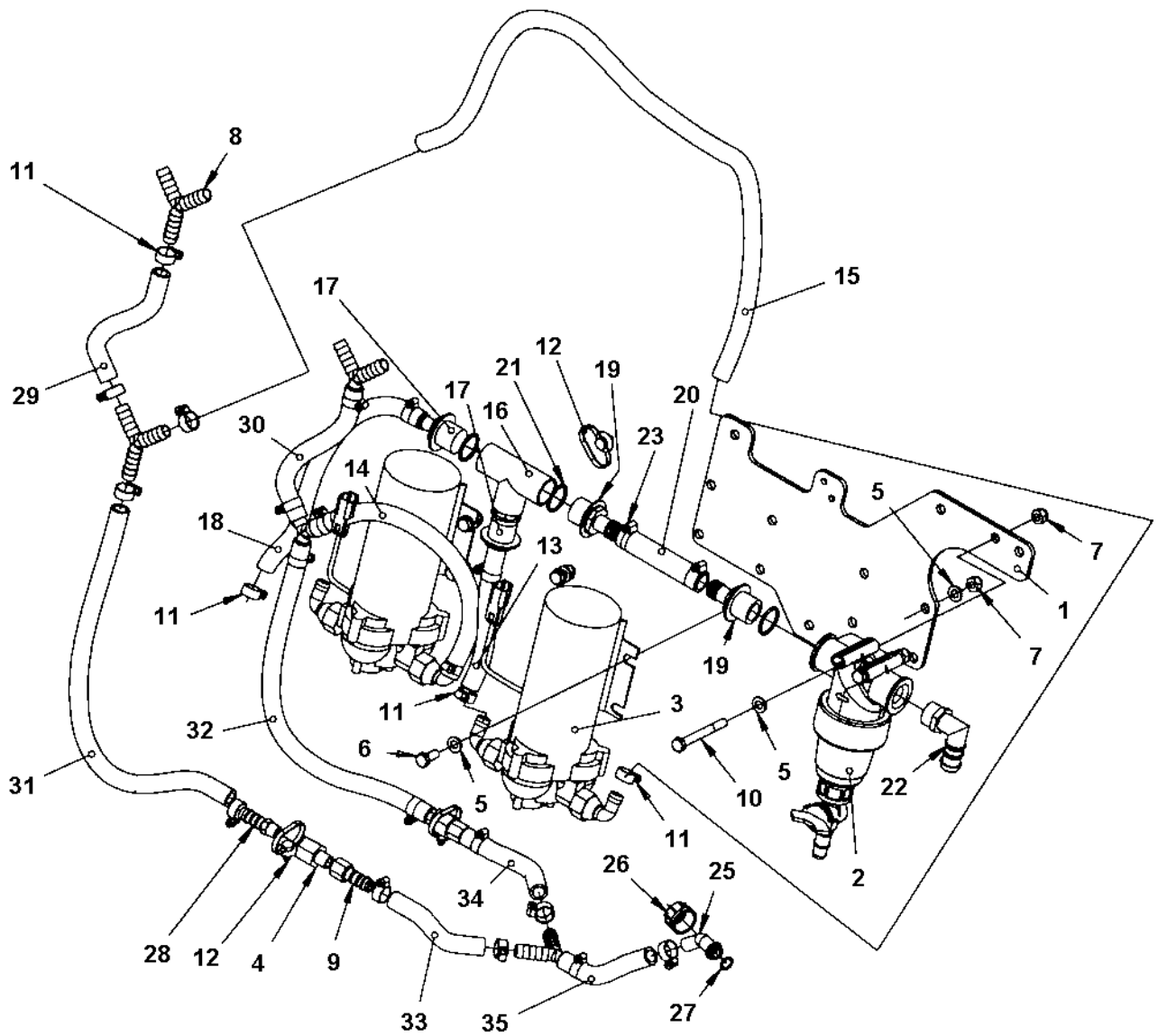
Sprinkler pump mounted



Sprinkler pump mounted

Item	Part No	Rem	Qty	Description	Code
1	4812110491		1	Sprinkler plate	
2	4700791950		1	Water strainer, cpl	
	4700791959		1	. O-ring	C
	4700791949		1	. Filter element	A
	4700791568		1	. Gasket	
	4700379009		1	. Valve	
3	4700391495	1	2	Sprinkler pump	C
	4812110358	1	2	Sprinkler pump	D
4	4700393765		4	. Hose connection	C
5	4700904229		18	Steel plain washer 8,4x16x1,5	C
6	4700500053		8	Screw M8x20H 8.8	C
7	4700586003		10	Lock nut M8	C
8	4700923735		2	Hose connection	C
9	4700904556		2	Washer 8,4x16x3,0	C
10	4700500090		2	Screw	C
11	4700313002		8	Hose clamp 13-20 mm	
12	4700792441		N	Cable tie with holder	C
13	4812112074	A	1XL	Plastic hose	
14	4812112074	B	1XL	Plastic hose	
15	4812112074	C	1XL	Plastic hose	
16	4700792778		1	Tee-connector	C
17	4700396672		2	Hose connection, plastic	
18	4812112074	D	1XL	Plastic hose	
19	4700396673		2	Hose connection	D
20	4700792073	E	1XL	Hose reinforced	D
21	4700160313		4	O-ring 70	
22	4700792777		4	Hose connection	D
23	4700313003		2	Hose clamp 15-25mm	D

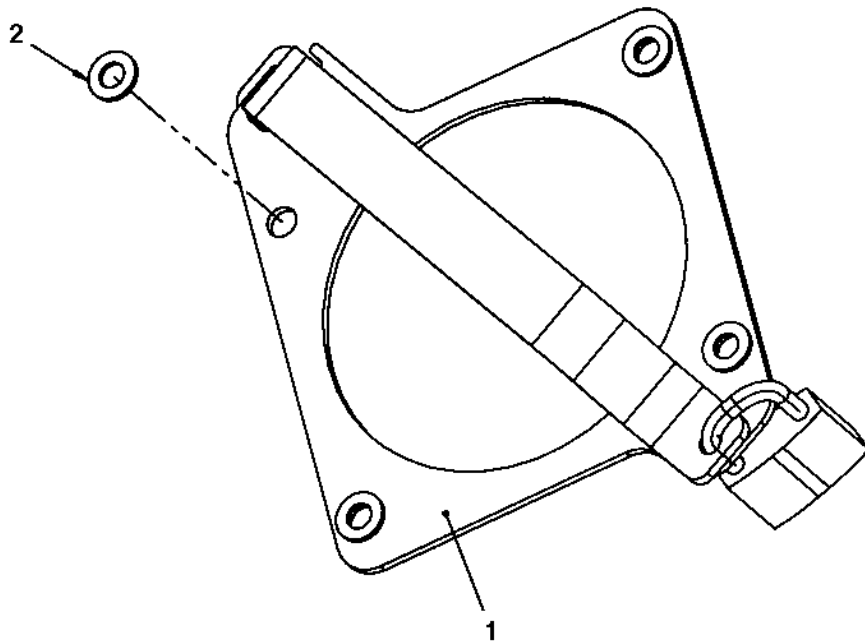
- 1) Replaced as Spare Part by PN 4812110394.
A) L=0.20 m
B) L=0.73 m
C) L=0.96 m
D) L=0.31 m
E) L=0.10 m



Sprinkler pumps

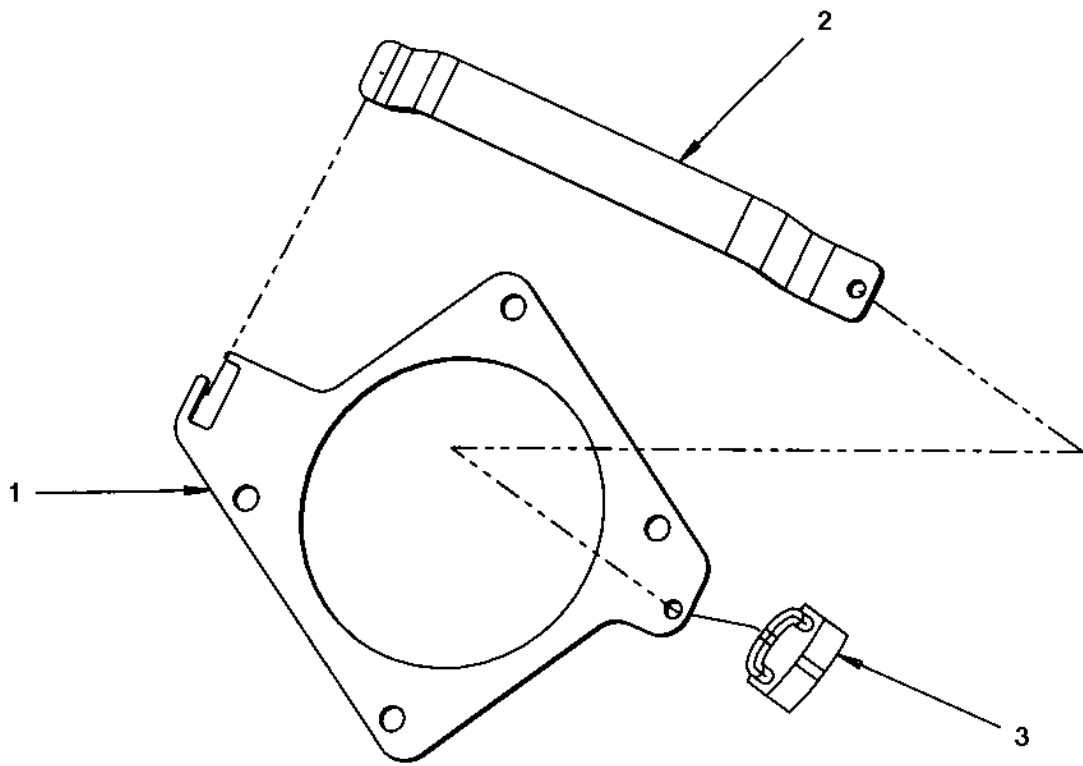
Item	Part No	Rem Qty	Description	Code
1	4812110491	1	Sprinkler plate	
2	4700791950	1	Water strainer, cpl	
3	4812110394	2	Sprinkler pump	
4	4700792813	2	By-pass valve	
5	4700904229	18	Steel plain washer 8,4x16x1,5	C
6	4700500053	8	Screw M8x20H 8.8	C
7	4700586003	10	Lock nut M8	C
8	4811000107	5	Hose connection	C
9	4811000085	2	Hose connection	
10	4700500090	2	Screw	C
11	4700313002	22	Hose clamp 13-20 mm	
12	4700792441	N	Cable tie with holder	C
13	4812112074	A 1XL	Plastic hose	
14	4812112074	B 1XL	Plastic hose	
15	4812112074	C 1XL	Plastic hose	
16	4700792778	1	Tee-connector	C
17	4700396672	2	Hose connection, plastic	
18	4812112074	D 1XL	Plastic hose	
19	4700396673	2	Hose connection	D
20	4700792073	E 1XL	Hose reinforced	D
21	4700160313	4	O-ring 70	
22	4700792777	1	Hose connection	D
23	4700313003	2	Hose clamp 15-25mm	D
25	4700393542	1	Hose connection swivel	C
26	4700392227	1	Swivel nut	
27	4700792600	1	O-ring 70	
28	4700791977	2	Hose connection	B
29	4812112074	F 1XL	Plastic hose	
30	4812112074	F 1XL	Plastic hose	
31	4812112074	F 1XL	Plastic hose	
32	4812112074	F 1XL	Plastic hose	
33	4812112074	F 1XL	Plastic hose	
34	4812112074	F 1XL	Plastic hose	
35	4812112074	F 1XL	Plastic hose	

- A) L= 0.20 m
- B) L= 0.65 m
- C) L= 0.82 m
- D) L= 0.31 m
- E) L= 0.10 m
- F) Length as required.



Cover lock module

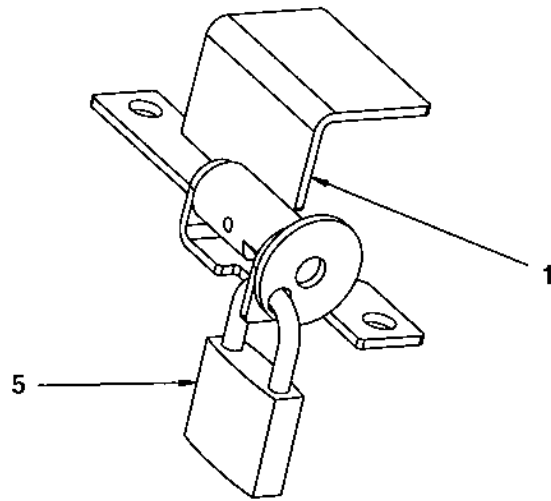
Item	Part No	Rem Qty	Description	Code
1		1	Lock bracket (Page 98)	
2	4700904229	4	Steel plain washer 8,4x16x1,5	C



Lock bracket

Item	Part No	Rem Qty	Description	Code
1	4700391857	1	Bracket	D
2	4700391858	1	Bracket	D
3	4700358881	1	Pad lock	D

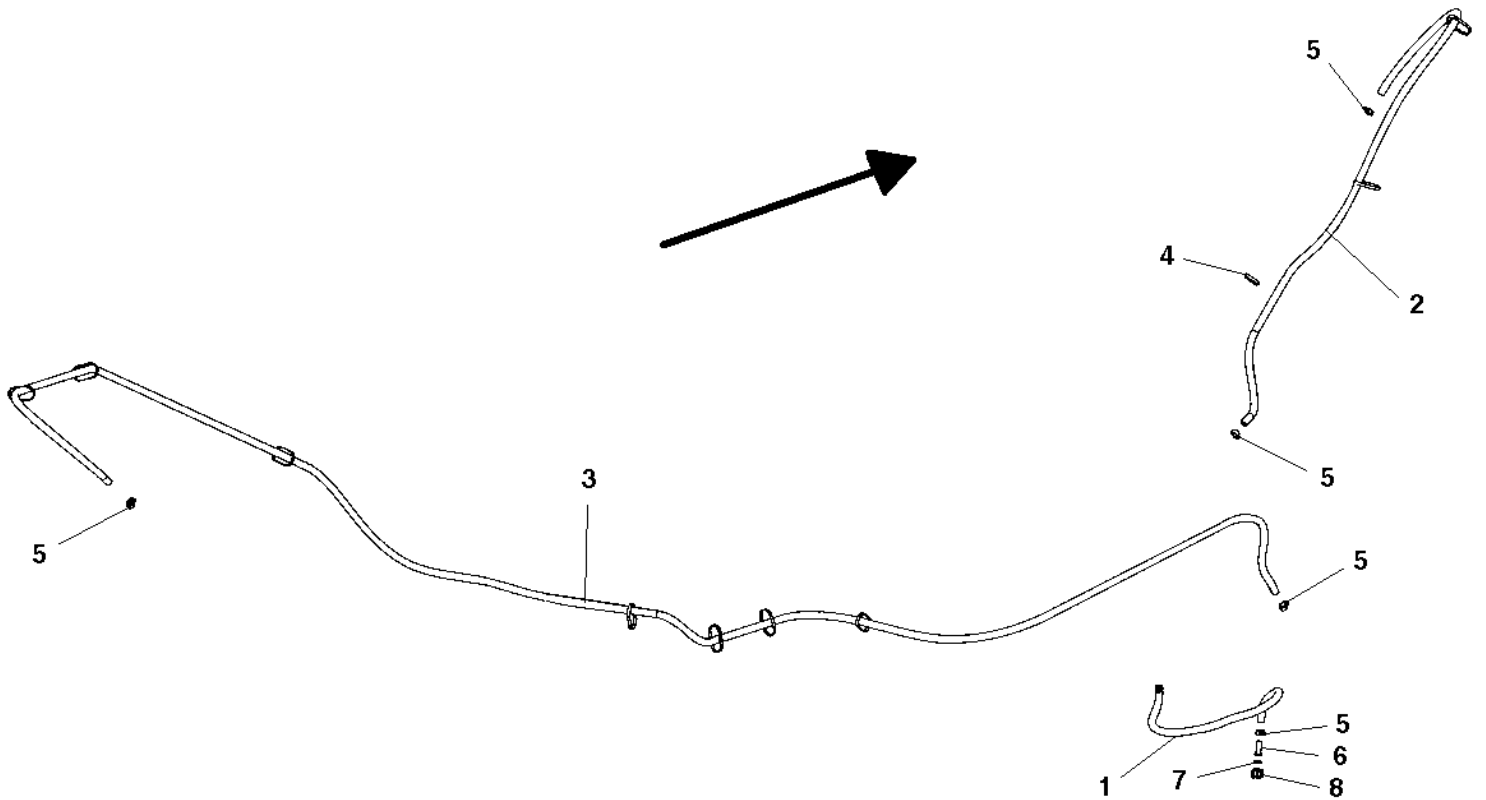
Locking device module



Locking device module

Item	Part No	Rem Qty	Description	Code
1		1	Locking device	
	4700394587	1	. Bracket	D
	4700394591	1	. Shaft	D
	4700394590	1	. Lock bracket	D
	4700629008	1	. Spring pin	D
5	4700358881	1	Pad lock	D

Water hoses



Water hoses

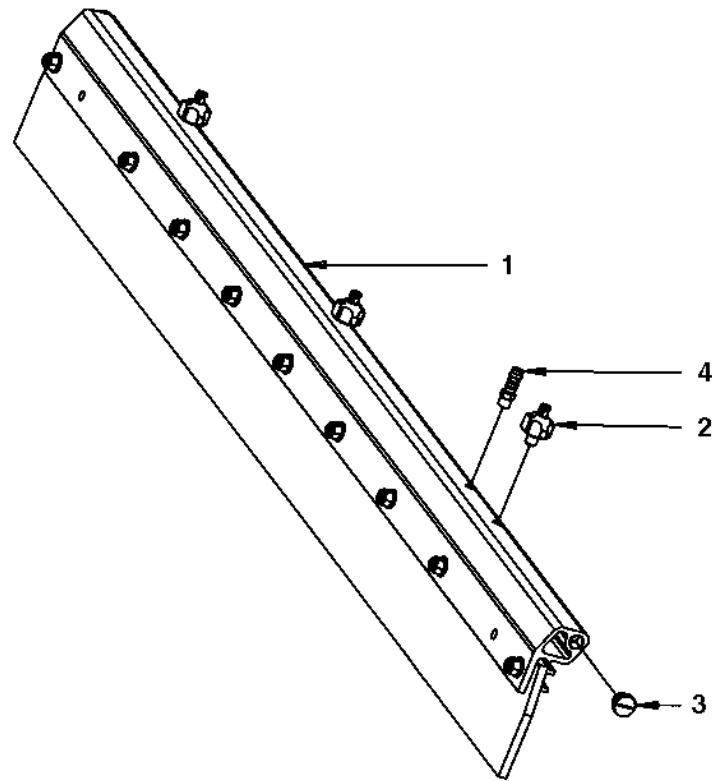
Item	Part No	Rem	Qty	Description	Code
1	4812112074	A	1XL	Plastic hose	
2	4812112074	B	1XL	Plastic hose	
3	4812112074	C	1XL	Plastic hose	
4	4700313102		N	Cable ties L=380 mm	
5	4700313002		6	Hose clamp 13-20 mm	
6	4700392228		1	Hose connection swivel	D
7	4700392229		1	Plane gasket	D
8	4700392227		1	Swivel nut	

A) L=0.70 m

B) L=1.73 m, machine with offset L=1.74 m

C) L=4.57 m, machine with offset L=4.40 m

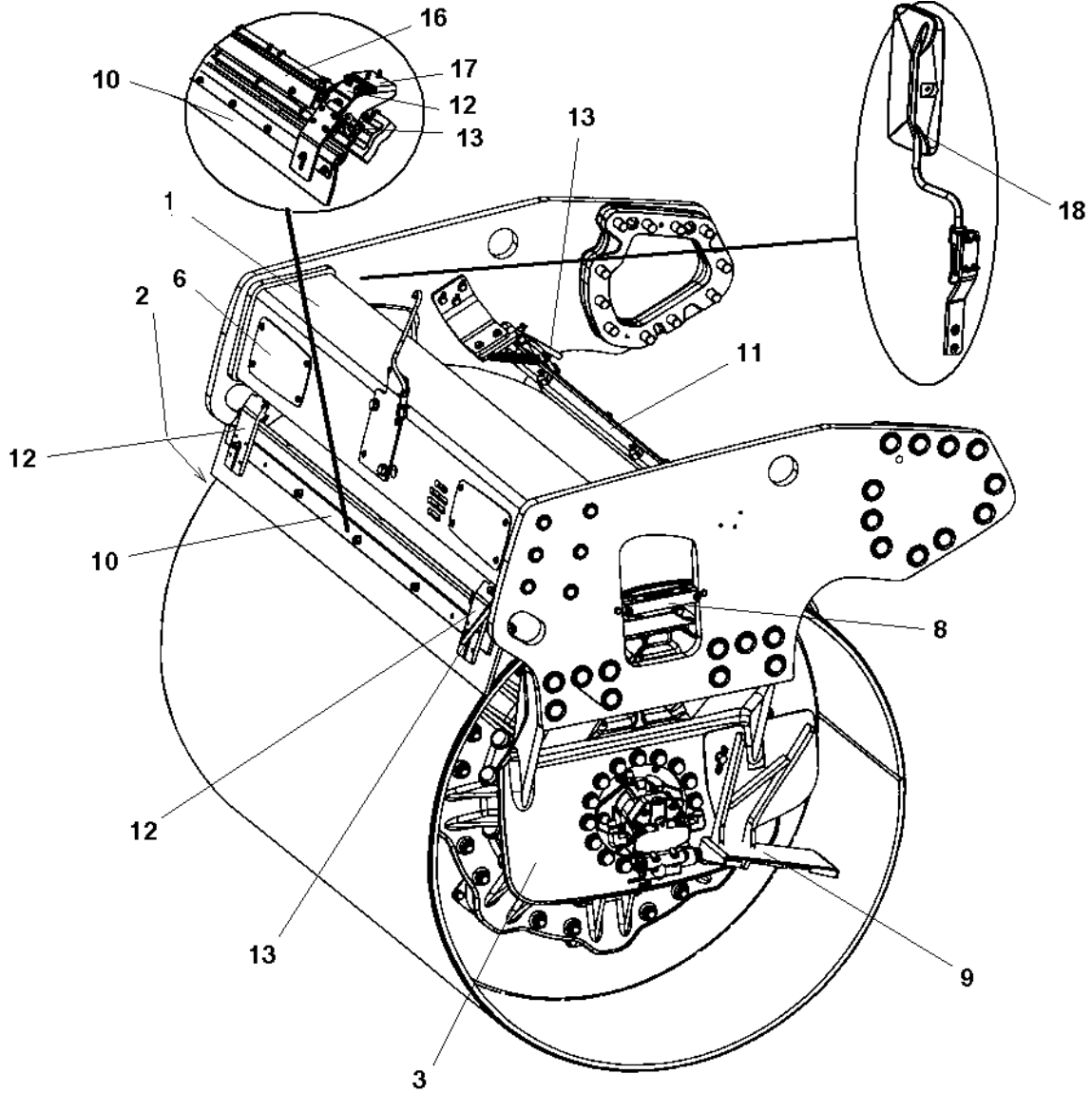
Scraper assy with nozzles



Scraper assy with nozzles

Item	Part No	Rem	Qty	Description	Code
1			1	Scraper assy (Page 128)	
2	4700392011		3	Spraying nozzle, cpl	A
	4700392510		1	. Gasket	B
	4700392509		1	. Retainer, nozzle, strainer, yellow 0.8	D
	4700393697		1	. . Nozzle and strainer, yellow 0.8	A
	4700390615	A	1	. . Nozzle and strainer, blue 1.0	A
	4700390616	A	1	. . Nozzle and strainer, red 1.2	A
	4700390619	A	1	. . Nozzle and strainer, brown 1.3	A
3	4700792072		2	End plug	
4	4700791977		1	Hose connection	B

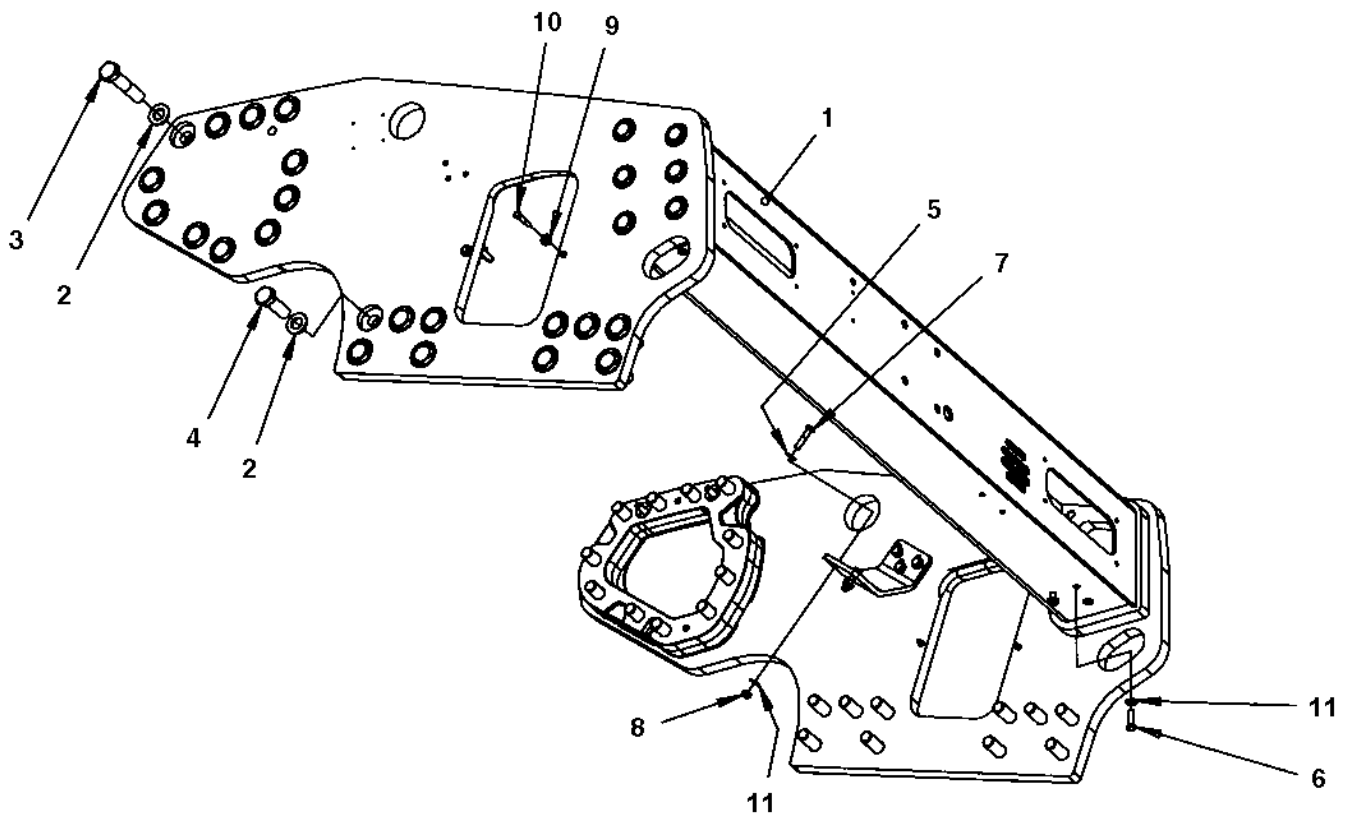
A) Option



End frame, front

Item	Part No	Rem Qty	Description	Code
1		1	End frame, front (Page 108)	
2		1	Fork, vibration side (Page 112)	
3		1	Fork, propulsion side (Page 114)	
6		2	Cover plate (Page 116)	
8		1	Hose clamp, propulsion side (Page 118)	
		1	Hose clamp, vibration side (Page 120)	
9		1	Step, vibration side (Page 122)	
		1	Step, propulsion side (Page 124)	
10		1	Scraper module, without nozzles (Page 126)	
11		1	Scraper module, with nozzles	
12	4700394340	4	Scraper bracket, cpl (Page 130)	
13		1	Grab handle, release (Page 132)	
		2	Grab handle, release (Page 134)	
14		1	Grab handle, lift (Page 136)	
		1	Grab handle, lift offset/cocoa mat (Page 138)	
16		1	Cocoa mat module (Page 140)	
17		2	Cocoa mat bracket module (Page 144)	
18		1	Process mirrors (Page 148)	

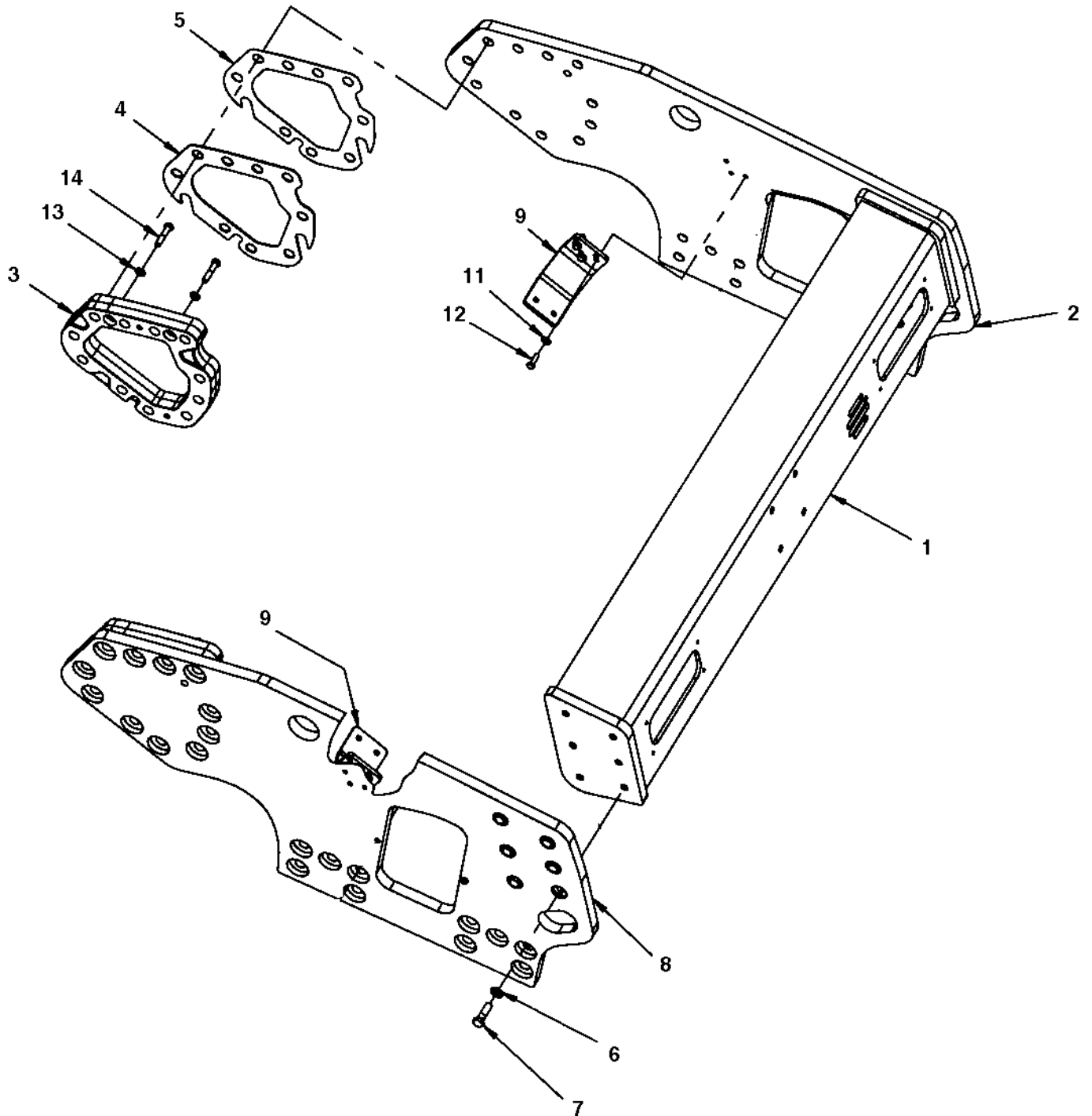
- 1) Qty 1 when cocoa mat mounted.
- 2) For cocoa mat



End frame, front

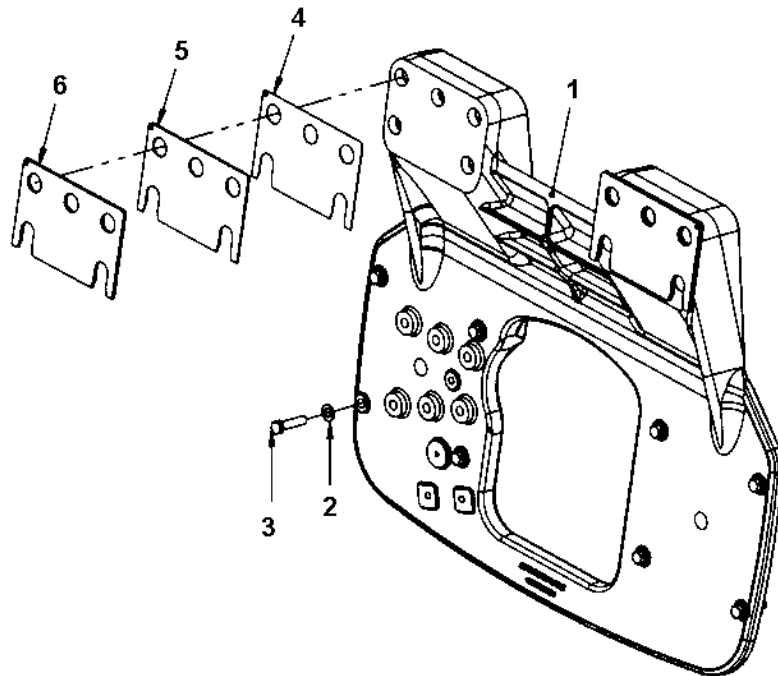
Item	Part No	Rem Qty	Description	Code
1		1	Frame (Page 110)	
2	4700904234	42	Steel plain washer	C
3	4700500146	22	Screw M24x110 8,8	D
4	4700500289	20	Screw M24x70H	D
5	4700904230	4	Steel plain washer	C
6	4700500030	4	Screw M10x035H 8.8 A3K	C
7	4700500161	4	Hexagon head screw	C
8	4700791172	4	Hexagon lock nut	D
9	4700904556	4	Washer 8,4x16x3,0	C
10	4700500047	4	Hexagon head screw	C
11	4700904557	8	Steel plain washer	C

Frame



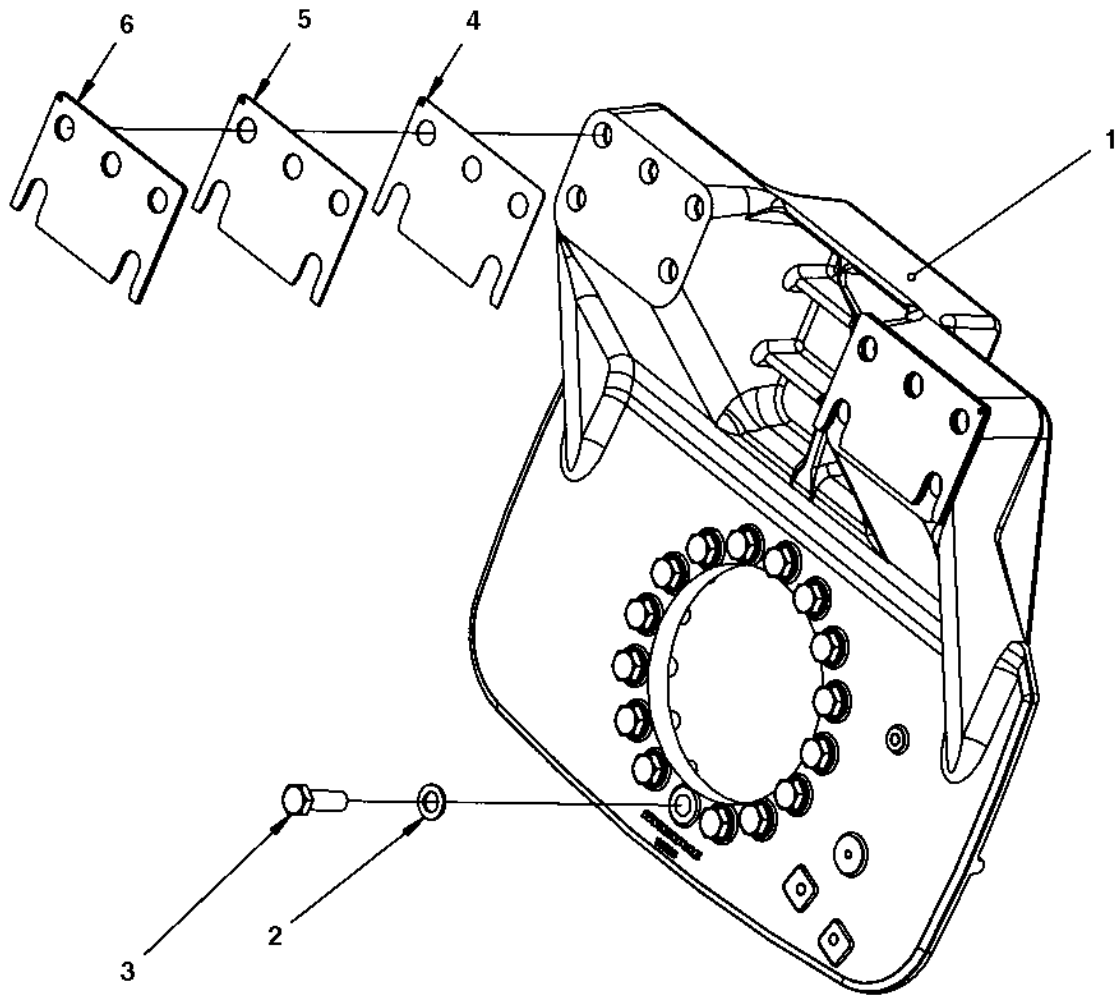
Frame

Item	Part No	Rem Qty	Description	Code
1	4700390060	1	Crossbeam	D
2	4700391407	1	Side plate T30	D
3	4700390074	2	Spacer	D
4	4700390470	N	Shim	D
5	4700390469	N	Shim	D
6	4700904233	12	Washer 21x36x3	C
7	4700500265	12	Screw	C
8	4700393356	1	Side plate T30	D
9	4700394787	2	Holder	D
11	4700904557	6	Steel plain washer	C
12	4700500029	6	Hexagon head screw	C
13	4700904231	4	Washer 13x24x2 300 HV	C
14	4700500049	4	Screw	C



Fork, vibration side

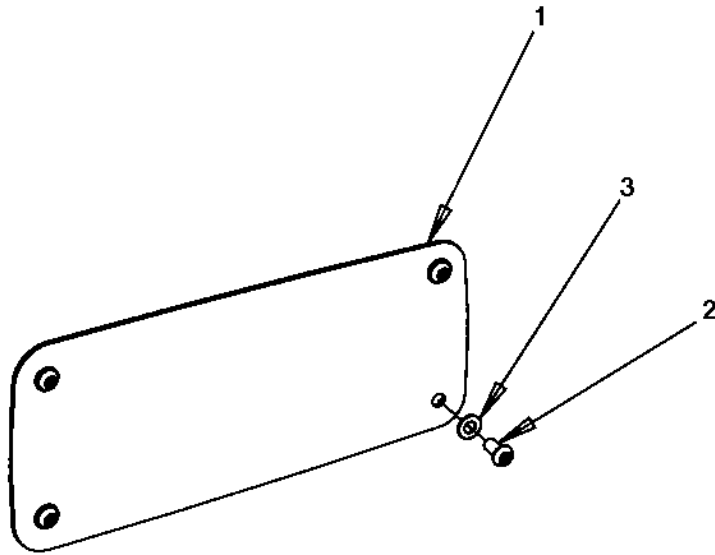
Item	Part No	Rem Qty	Description	Code
1	4812113724	1	Fork	
2	4700904231	8	Washer 13x24x2 300 HV	C
3	4812110644	8	Hexagon screw w Tuflok M12x50 10.9 GEOMET	C
4	4700391754	N	Shim	D
5	4700393009	N	Shim	D
6	4700393010	N	Shim	D



Fork, propulsion side

Item	Part No	Rem Qty	Description	Code
1	4700391198	1	Fork	D
2	4700904233	16	Washer 21x36x3	C
3	4700500206	16	Screw M20X60	C
4	4700391754	N	Shim	D
5	4700393009	N	Shim	D
6	4700393010	N	Shim	D

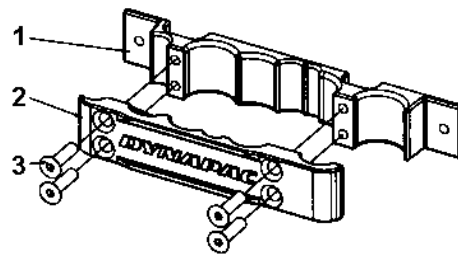
Cover plate



Cover plate

Item	Part No	Rem Qty	Description	Code
1	4700390919	1	Cover plate	
2	4700904956	4	Screw	
3	4700904229	4	Steel plain washer 8,4x16x1,5	C

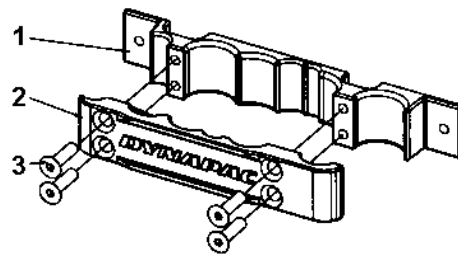
Hose clamp, propulsion side



Hose clamp, propulsion side

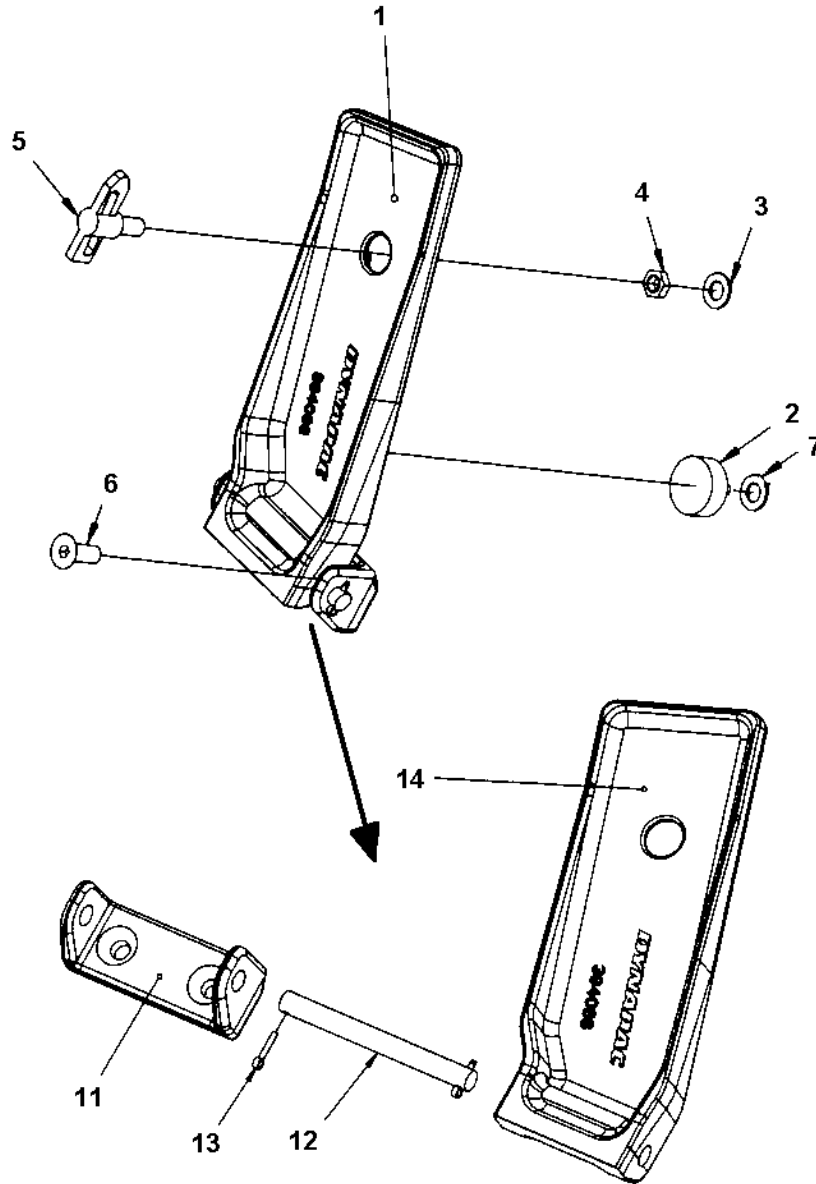
Item	Part No	Rem Qty	Description	Code
1	4700395428	1	Hose clamp	D
2	4700395429	1	Cover	D
3	4700792726	4	Hexagon socket countersunk screw	C

Hose clamp, vibration side



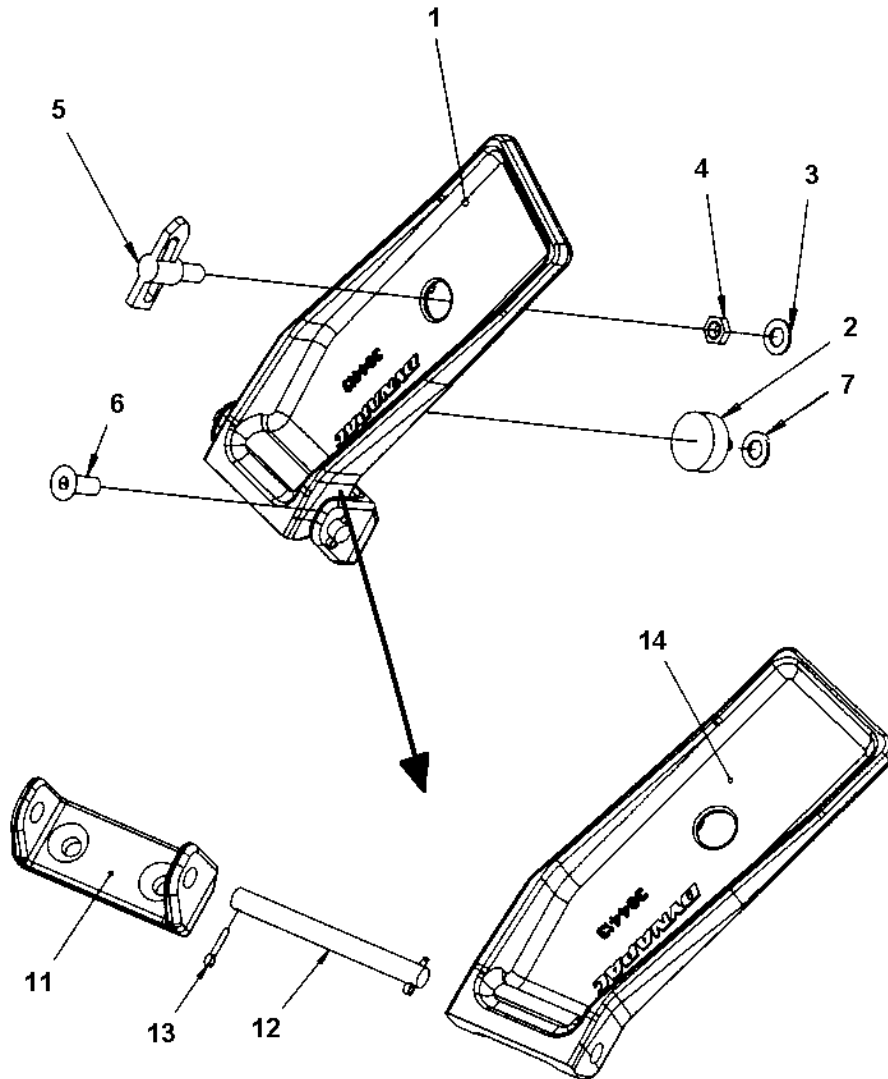
Hose clamp, vibration side

Item	Part No	Rem Qty	Description	Code
1	4700395428	1	Hose clamp	D
2	4700395430	1	Cover	D
3	4700792726	4	Hexagon socket countersunk screw	C



Step, vibration side

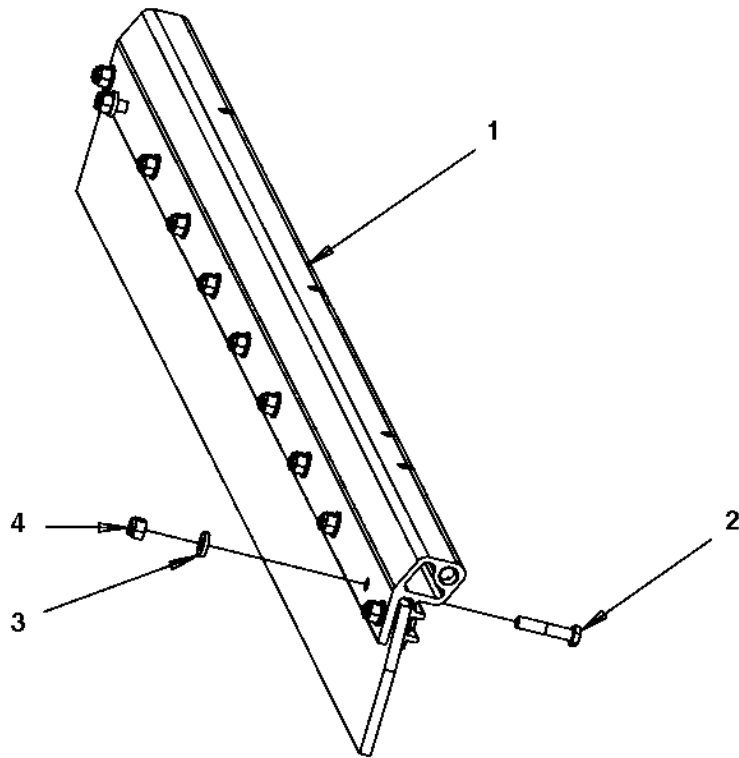
Item	Part No	Rem Qty	Description	Code
1		1	Step, mounted	
2	4700792601	1	Shock absorber	D
3	4700904231	1	Washer 13x24x2 300 HV	C
4	4700927233	1	Nut	C
5	4700475064	1	Lock	D
6	4700513011	2	Hexagon socket head cap screw	D
7	4700904229	1	Steel plain washer 8,4x16x1,5	C
11	4700394070	1	Bracket	D
12	4700394351	1	Shaft	C
13	4700630012	2	Cotter pin	D
14	4700394068	1	Step	D



Step, propulsion side

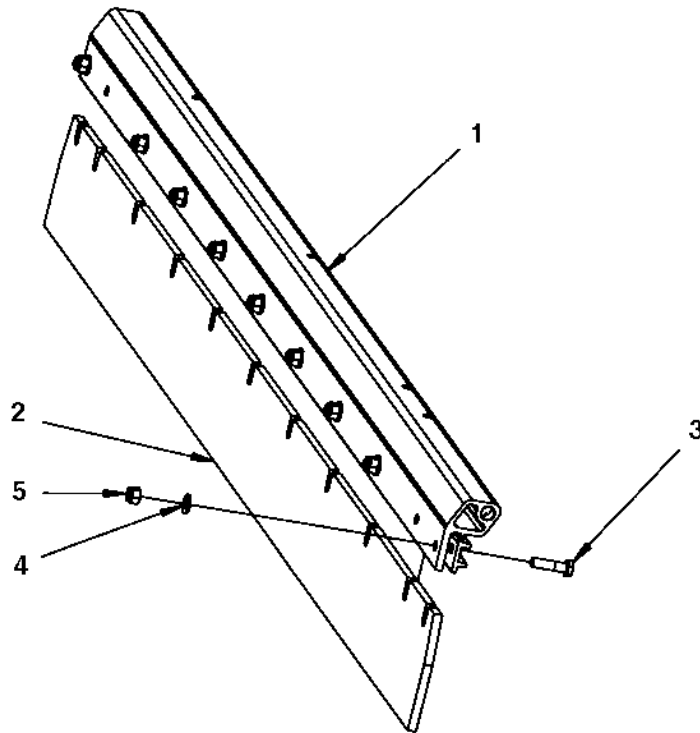
Item	Part No	Rem Qty	Description	Code
1		1	Step, mounted	
2	4700792601	1	Shock absorber	D
3	4700904231	1	Washer 13x24x2 300 HV	C
4	4700927233	1	Nut	C
5	4700475064	1	Lock	D
6	4700513011	2	Hexagon socket head cap screw	D
7	4700904229	1	Steel plain washer 8,4x16x1,5	C
11	4700394070	1	Bracket	D
12	4700394351	1	Shaft	C
13	4700630012	2	Cotter pin	D
14	4700394413	1	Step	D

Scraper module, without nozzles



Scraper module, without nozzles

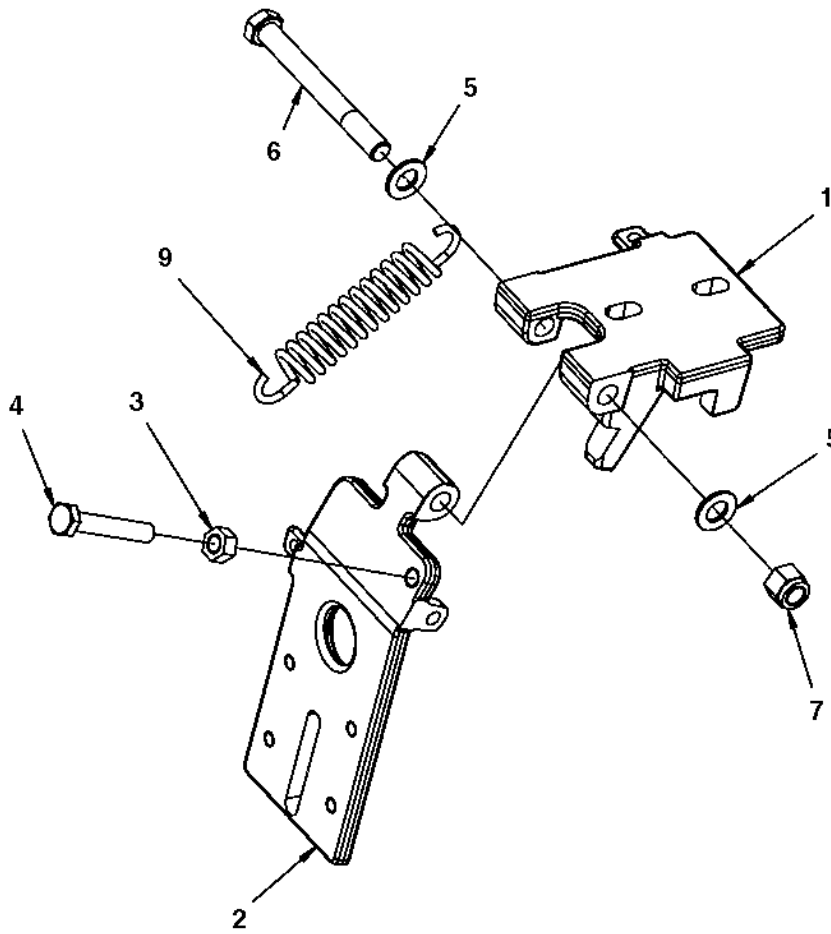
Item	Part No	Rem Qty	Description	Code
1		1	Scraper assy (Page 128)	
2	4700500032	2	Screw M10 x 55	D
3	4700904557	2	Steel plain washer	C
4	4700586018	2	Hexagon lock nut M10	C



Scraper assy

Item	Part No	Rem Qty	Description	Code
1	4700395111	1	Sprinkler pipe	C
2	4700395112	1	Scraper blade	A
3	4700500031	9	Screw M10x040 8.8	C
4	4700904230	9	Steel plain washer	C
5	4700586018	9	Hexagon lock nut M10	C

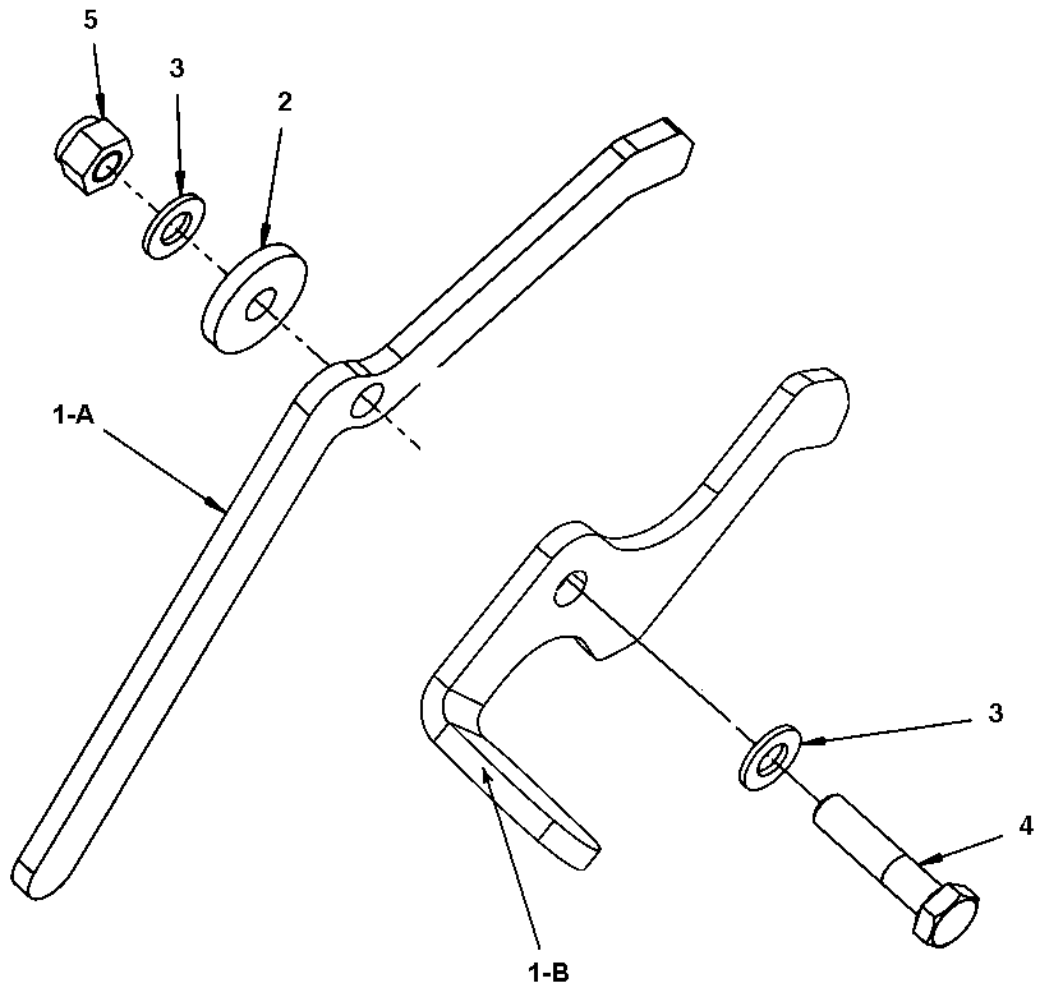
4700394340 Scraper bracket, cpl



4700394340 Scraper bracket, cpl

Item	Part No	Rem Qty	Description	Code
1		1	Scraper bracket	
2		1	Scraper bracket	
3	4700570006	1	Nut	B
4	4700500105	1	Hexagon screw M10x50	D
	4700791082	1	Hexagon screw M10x60	C
5	4700904231	2	Washer 13x24x2 300 HV	C
6	4700500198	1	Screw	D
7	4700586019	1	Lock nut	C
9	4700394806	1	Extension spring	D

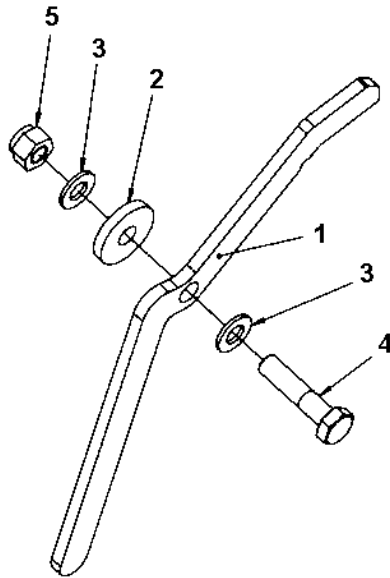
- 1) Longer screw on outer scraper when cocoa mat is mounted.



Grab handle, release

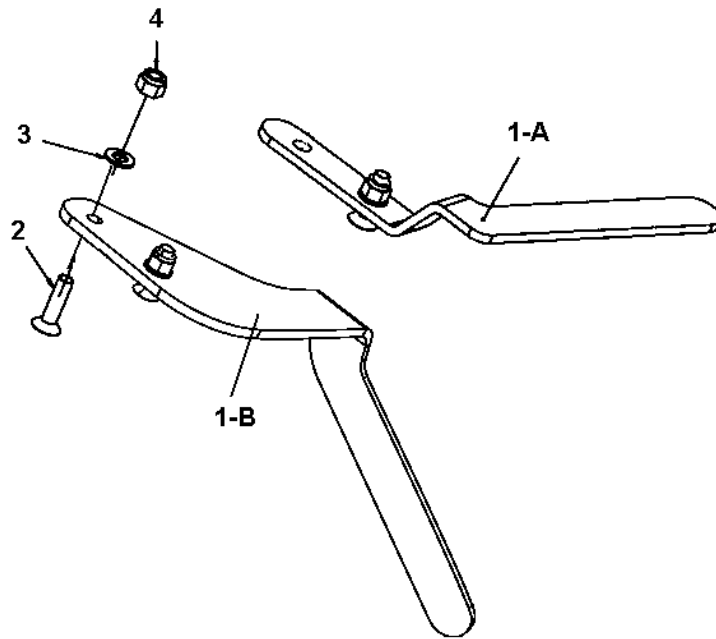
Item	Part No	Rem	Qty	Description	Code
1-A	4700393550		1	Grab handle	D
1-B	4812110671	1	1	Grab handle	D
2	4700904734		1	Washer 8,4x26x4	
3	4700904229		2	Steel plain washer 8,4x16x1,5	C
4	4700500047		1	Hexagon head screw	C
5	4700586003		1	Lock nut M8	C

- 1) Can replace PN 4700393550 as spare part. This part can be mounted together with Grab handle, lift PN 4812110672.



Grab handle, release

Item	Part No	Rem Qty	Description	Code
1	4700396154	1	Grab handle	D
2	4700904734	1	Washer 8,4x26x4	
3	4700904229	2	Steel plain washer 8,4x16x1,5	C
4	4700500047	1	Hexagon head screw	C
5	4700586003	1	Lock nut M8	C

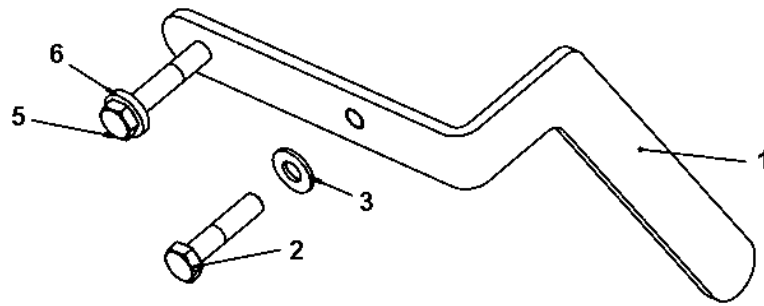


Grab handle, lift

Item	Part No	Rem	Qty	Description	Code
1-A	4700395390		1	Grab handle	D
1-B	4812110672	1	1	Grab handle	D
2	4700792540		2	Screw	D
3	4700904229		2	Steel plain washer 8,4x16x1,5	C
4	4700586003		2	Lock nut M8	C

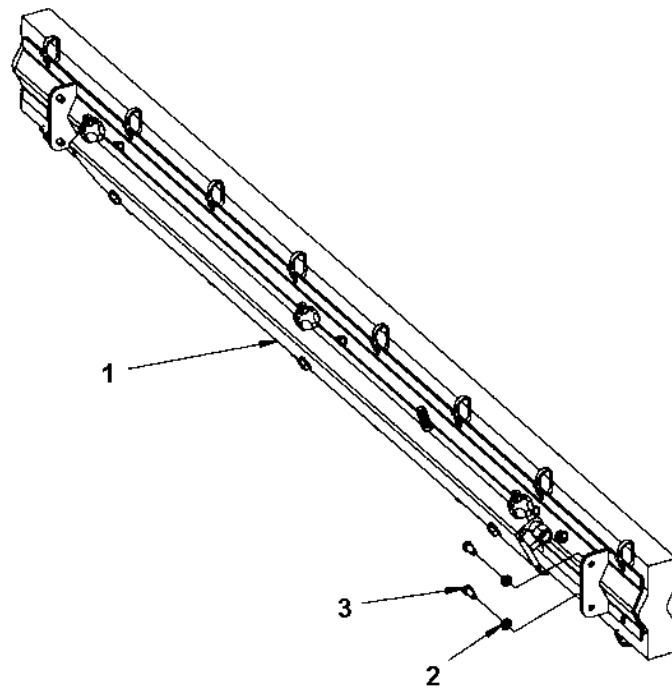
- 1) Can together with Grab handle, release PN 4812110671 be used as replacement for PN 4700395390.

Grab handle, lift offset/cocoa mat



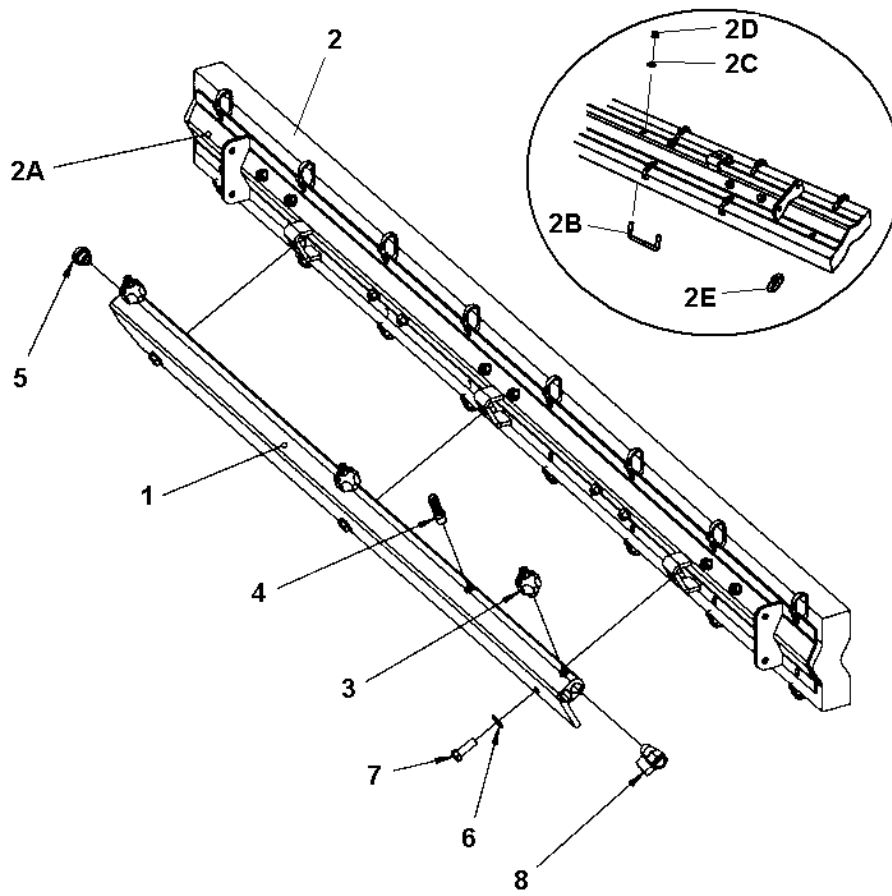
Grab handle, lift offset/cocoa mat

Item	Part No	Rem Qty	Description	Code
1	4700395412	1	Grab handle	D
2	4700500161	1	Hexagon head screw	C
3	4700904230	1	Steel plain washer	C
5	4700500033	1	Screw M10-1,5x60 8,8	D
6	4700904557	1	Steel plain washer	C



Cocoa mat module

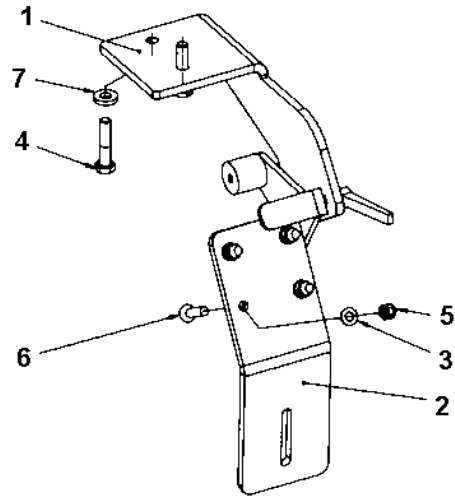
Item	Part No	Rem Qty	Description	Code
1		1	Cocoa mat assembly (Page 142)	
2	4700904229	4	Steel plain washer 8,4x16x1,5	C
3	4700500019	4	Hexagon head screw M8x16H 8,8	C



Cocoa mat assembly

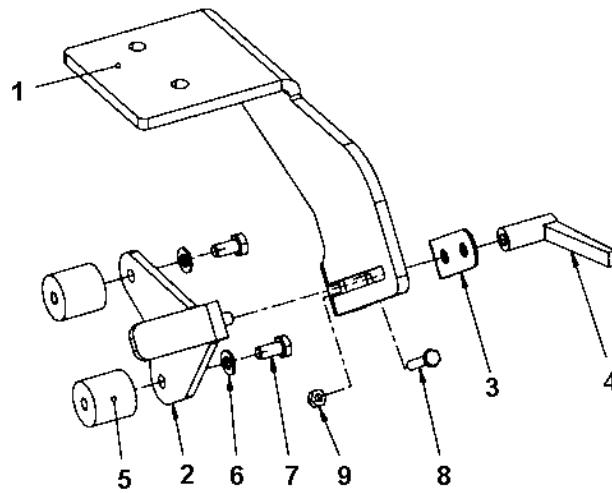
Item	Part No	Rem Qty	Description	Code
1	4700396270	1	Sprinkler pipe	D
2	4700792433	1	Sprinkler mat	D
2-A	4700396268	1	Holder	D
2-B	4700384911	5	Clamp	D
2-C	4700904229	10	Steel plain washer 8,4x16x1,5	C
2-D	4700586003	10	Lock nut M8	C
2-E	4700313102	N	Cable ties L=380 mm	
3	4700392011	3	Spraying nozzle, cpl	A
4	4700791977	1	Hose connection	B
5	4700792072	1	End plug	
6	4700904557	3	Steel plain washer	C
7	4700500029	3	Hexagon head screw	C
8	4700233215	1	Ball valve	

Cocoa mat bracket module



Cocoa mat bracket module

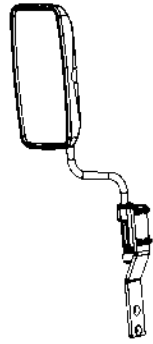
Item	Part No	Rem Qty	Description	Code
1		1	Cocoa mat bracket (Page 146)	
2	4700396936	1	Bracket	D
3	4700904229	4	Steel plain washer 8,4x16x1,5	C
4	4700500161	2	Hexagon head screw	C
5	4700586003	4	Lock nut M8	C
6	4700927637	4	Hexagon socket countersunk screw	D
7	4700904557	2	Steel plain washer	C



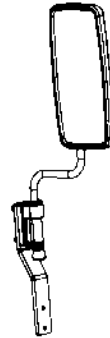
Cocoa mat bracket

Item	Part No	Rem Qty	Description	Code
1	4700396183	1	Bracket	D
2	4700396893	1	Bracket	D
3	4700396754	1	Cover plate	D
4	4700396975	1	Lock handle	D
5	4700396976	2	Shock absorber	D
6	4700904229	2	Steel plain washer 8,4x16x1,5	C
7	4700500019	2	Hexagon head screw M8x16H 8,8	C
8	4700900485	1	Hexagon head screw	C
9	4700570004	1	Nut M6X1,00 -8 A2K	C

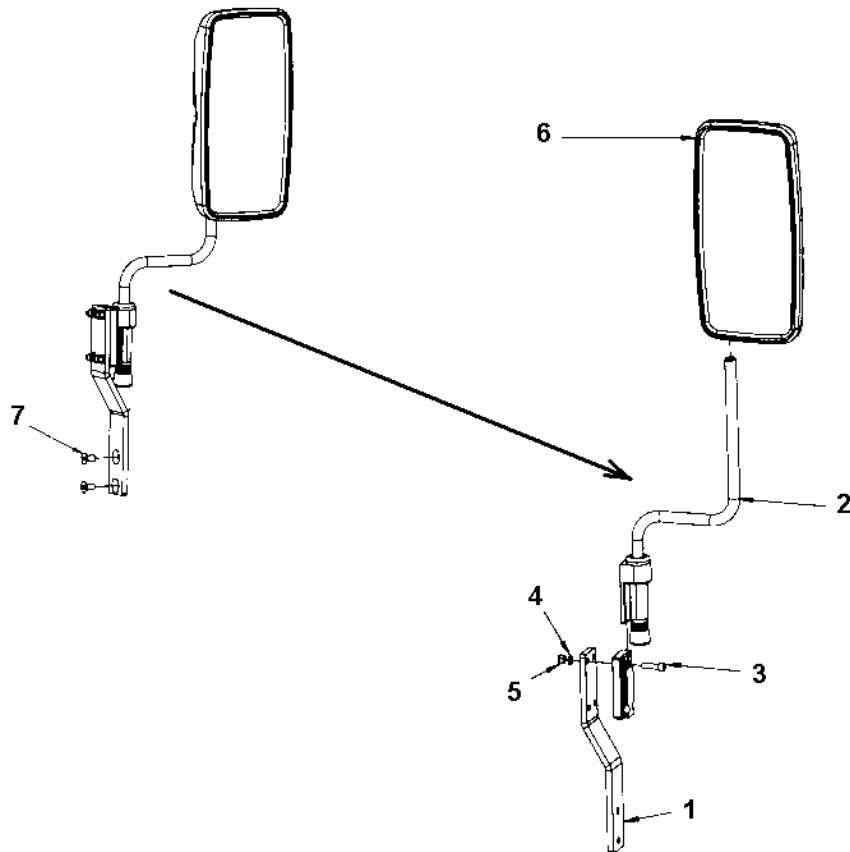
Process mirrors



FRONT LEFT

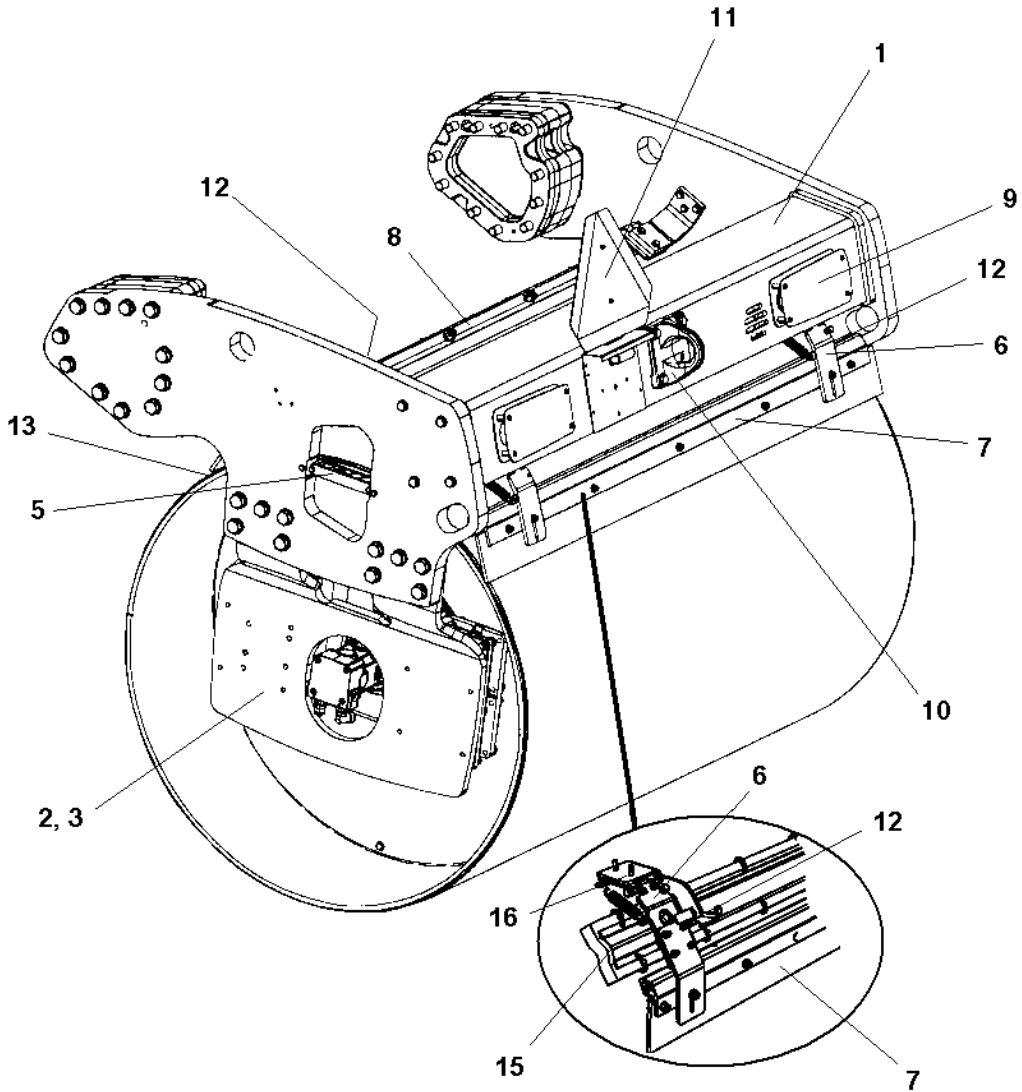


FRONT RIGHT



Process mirrors

Item	Part No	Rem Qty	Description	Code
		2	Mirror assy	
1	4812110334	1	. Bracket	D
2	4700381944	1	. Mirror bracket	
3	4700508048	4	. Hexagon socket head cap screw	C
4	4700904229	4	. Steel plain washer 8,4x16x1,5	C
5	4700586003	4	. Lock nut M8	C
6	4700381943	1	. Mirror	
7	4811000096	2	Hexagon socket countersunk screw	D

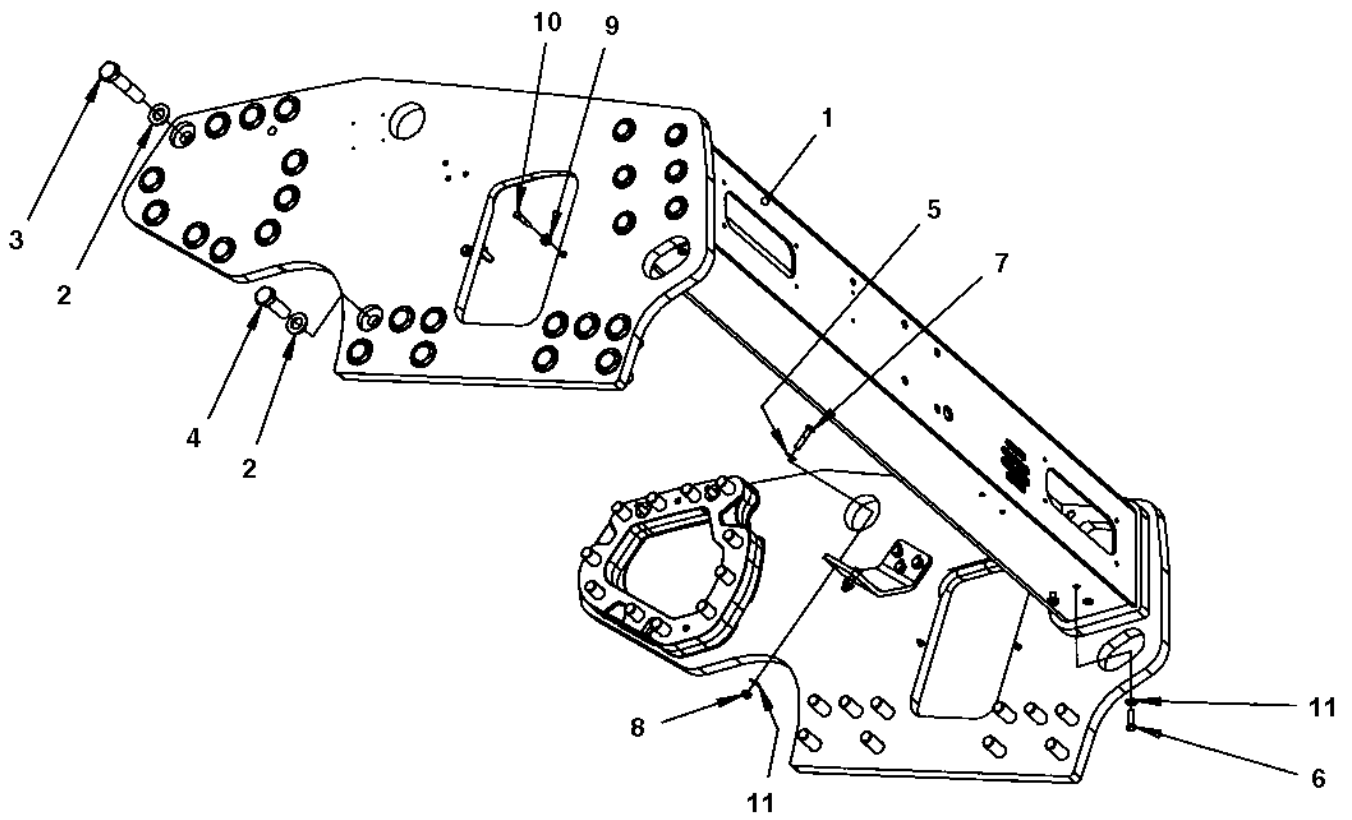


End frame, rear

Item	Part No	Rem Qty	Description	Code
1		1	End frame, rear (Page 152)	
		1	End frame, rear offset (Page 154)	
2		1	Fork, vibration side (Page 112)	
3		1	Fork, propulsion side (Page 114)	
4		1	Step, vibration side (Page 122)	
		1	Step, propulsion side (Page 124)	
5		1	Hose clamp, propulsion side (Page 118)	
		1	Hose clamp, vibration side (Page 120)	
6	4700394340	4	Scraper bracket, cpl (Page 130)	
7		1	Scraper module, without nozzles (Page 126)	
8		1	Scraper module, with nozzles	
9		2	Cover plate (Page 116)	
10		1	Eyelet module (Page 166)	
		1	Eyelet module (Page 168)	
11		1	SMV-sign (Page 170)	
12		1	Grab handle, release (Page 132)	
		2	Grab handle, release (Page 134)	
13		1	Grab handle, lift (Page 136)	
		1	Grab handle, lift offset/cocoa mat (Page 138)	
15		1	Cocoa mat module (Page 140)	
16		2	Cocoa mat bracket module (Page 144)	

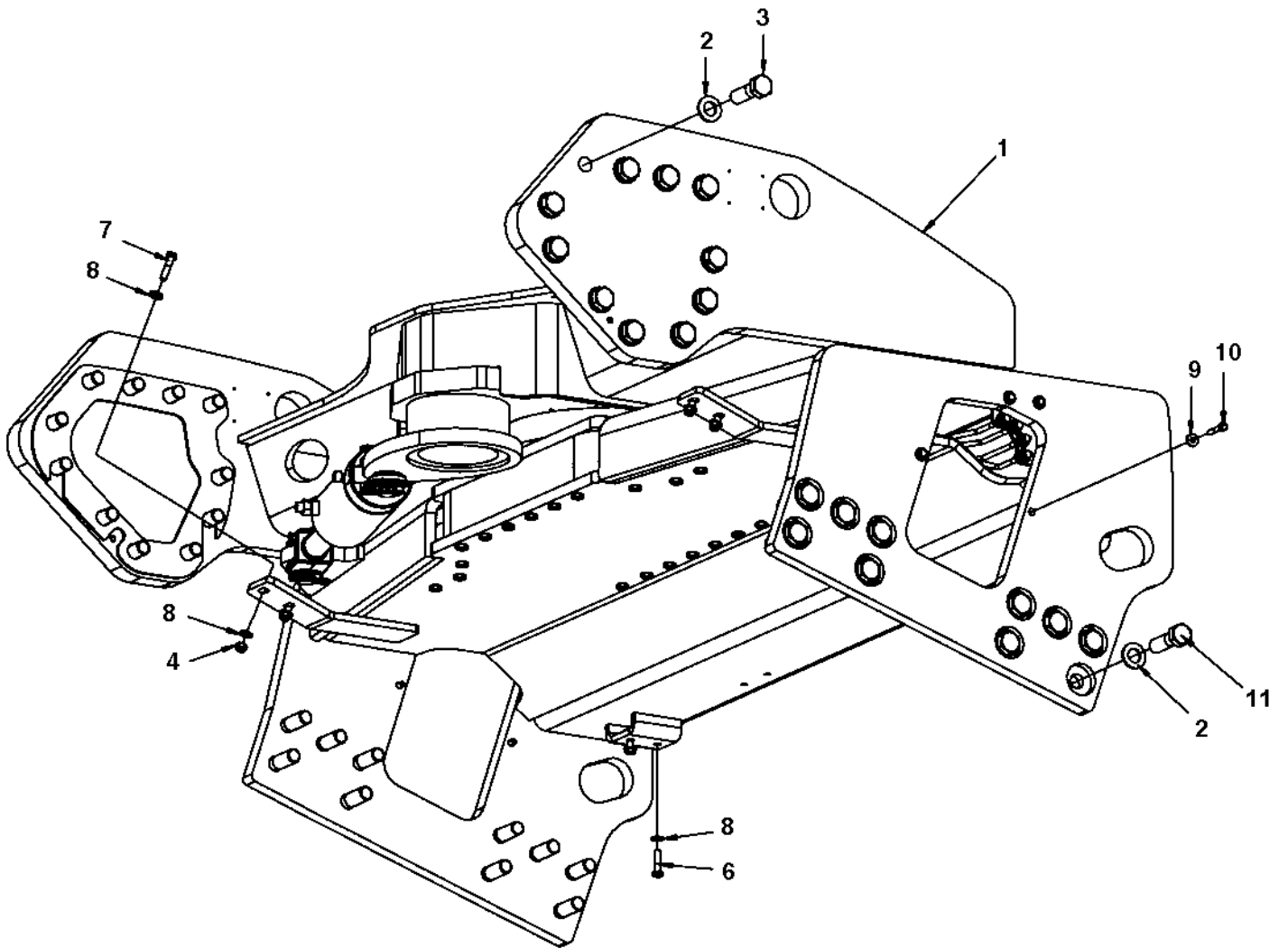
- 1) Qty 1 when cocoa mat mounted.
- 2) For cocoa mat.

End frame, rear



End frame, rear

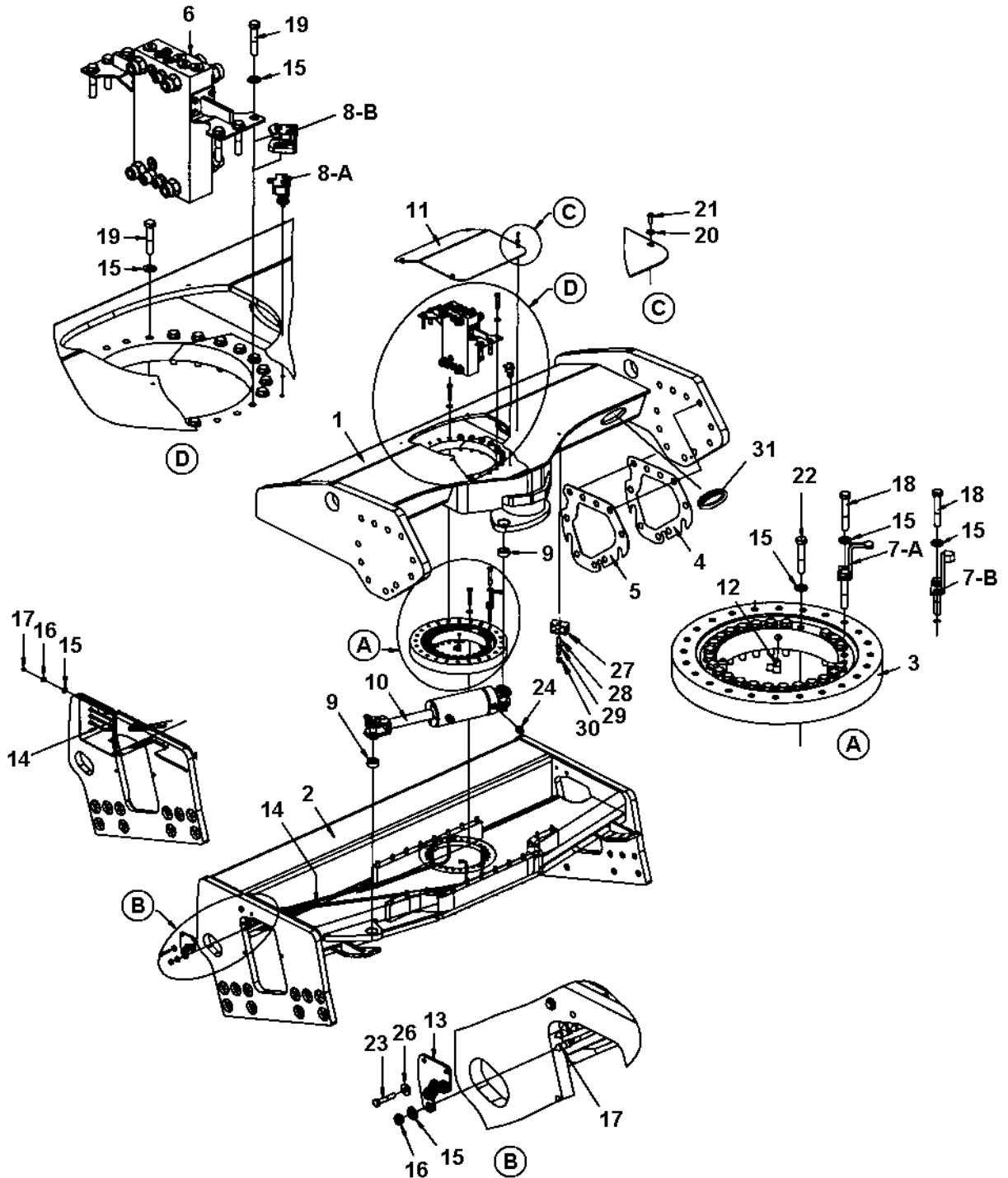
Item	Part No	Rem Qty	Description	Code
1		1	Frame (Page 110)	
2	4700904234	42	Steel plain washer	C
3	4700500146	22	Screw M24x110 8,8	D
4	4700500289	20	Screw M24x70H	D
5	4700904230	4	Steel plain washer	C
6	4700500030	4	Screw M10x035H 8.8 A3K	C
7	4700500161	4	Hexagon head screw	C
8	4700791172	4	Hexagon lock nut	D
9	4700904556	4	Washer 8,4x16x3,0	C
10	4700500047	4	Hexagon head screw	C
11	4700904557	8	Steel plain washer	C



End frame, rear offset

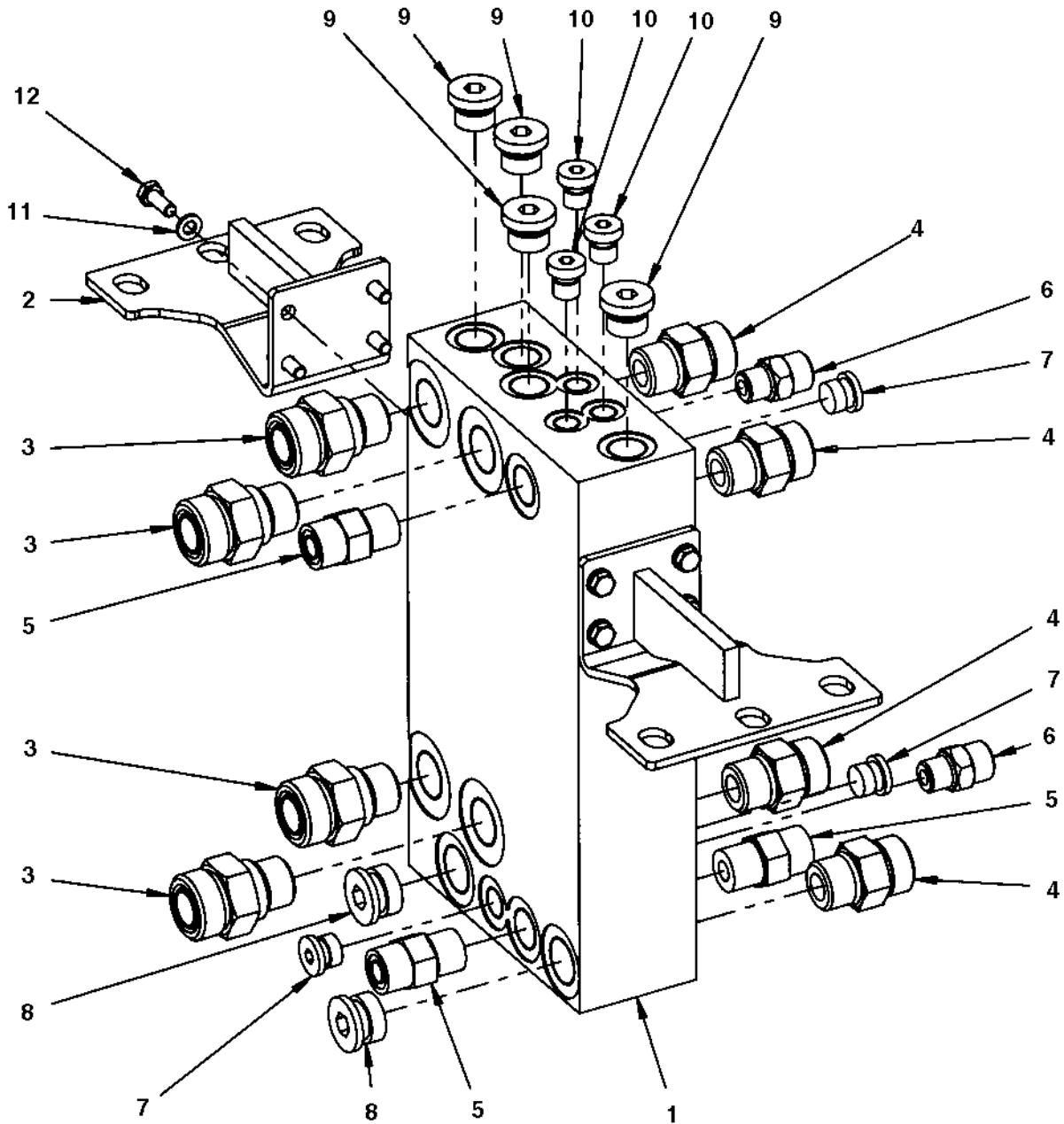
Item	Part No	Rem Qty	Description	Code
1		1	Frame (Page 156)	
2	4700904234	42	Steel plain washer	C
3	4700500297	22	Hexagon head screw M24x80	C
4	4700791172	4	Hexagon lock nut	D
5	4700904557	8	Steel plain washer	C
6	4700500031	4	Screw M10x040 8.8	C
7	4700500161	4	Hexagon head screw	C
8	4700904557	4	Steel plain washer	C
9	4700904556	4	Washer 8,4x16x3,0	C
10	4700500047	4	Hexagon head screw	C
11	4700500289	20	Screw M24x70H	D

Frame



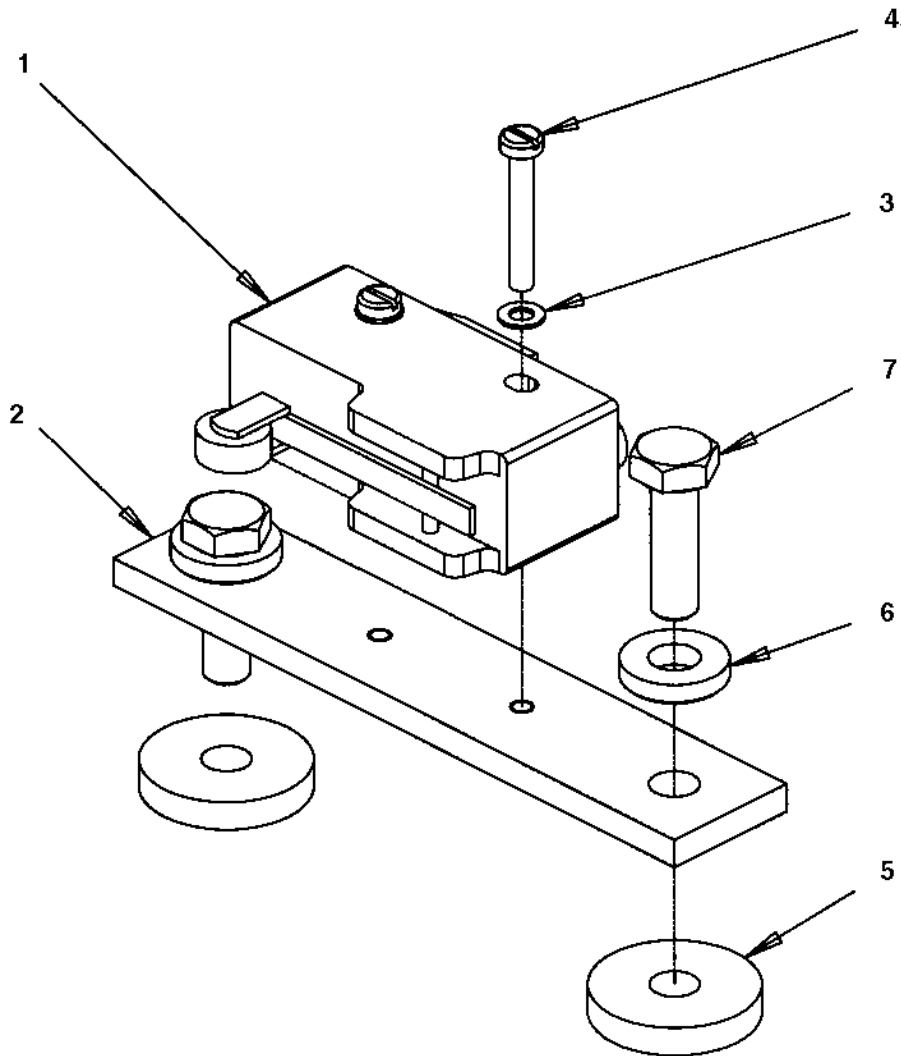
Frame

Item	Part No	Rem Qty	Description	Code
1	4700391481	1	Frame	D
2	4700391975	1	Yoke	D
3	4700359192	1	Bearing	B
4	4700390469	N	Shim	D
5	4700390470	N	Shim	D
6		1	Connection block (Page 158)	
7-A	4700391902	1	Cam Up to 384S00221	D
7-B	4700395694	1	Cam From 384S00222	D
8-A		1	Micro switch Up to 384S00221 (Page 160)	
8-B		1	Micro switch From 384S00222 (Page 162)	
9	4700391430	2	Bearing	D
10	4700391024	1	Steering cylinder (Page 164)	
11	4700379987	1	Cover	D
12	4700373183	4	Elbow 90°	D
13	4700392112	1	Bracket	D
14	4700393360	4	Hydraulic hose	D
15	4700904231	55	Washer 13x24x2 300 HV	C
16	4700903831	4	Nut	C
17	4700926214	4	Grease fitting	C
18	4700903735	2	Screw	
19	4700500175	24	Screw	D
20	4700603001	4	Washer	C
21	4700904206	4	Screw	C
22	4700947712	25	Screw	C
23	4700500024	2	Screw M8x45	D
24	4700792337	2	Straight connector orfs	D
26	4700904640	2	Washer 8,4x22x3	C
27	4700904085	1	Pipe clamp	
28	4700791858	1	Stud	D
29	4700904229	1	Steel plain washer 8,4x16x1,5	C
30	4700586003	1	Lock nut M8	C
31	4700395653	2	Hose guard	D



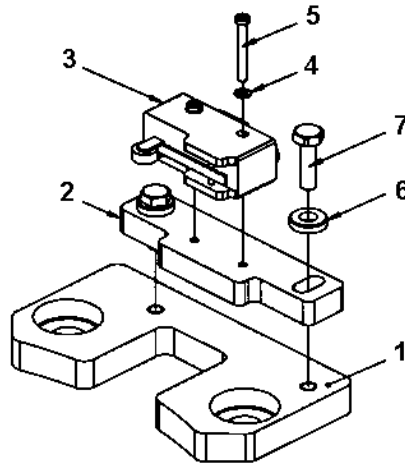
Connection block

Item	Part No	Rem Qty	Description	Code
1	4700390463	1	Connection block	C
2	4700391889	2	Bracket	D
3	4700791539	4	Straight connector	C
4	4700791743	4	Straight connector orfs	D
5	4700791799	3	Straight connector orfs	D
6	4700791409	2	Straight connector orfs	C
7	4700792362	3	Steel plug	D
8	4700792296	2	Steel plug	D
9	4700792295	4	Steel plug	D
10	4700904951	3	Plug	C
11	4700904228	8	Washer 6,4x12x1,5	C
12	4700500013	8	Screw M6-1x16 8,8	C



Micro switch

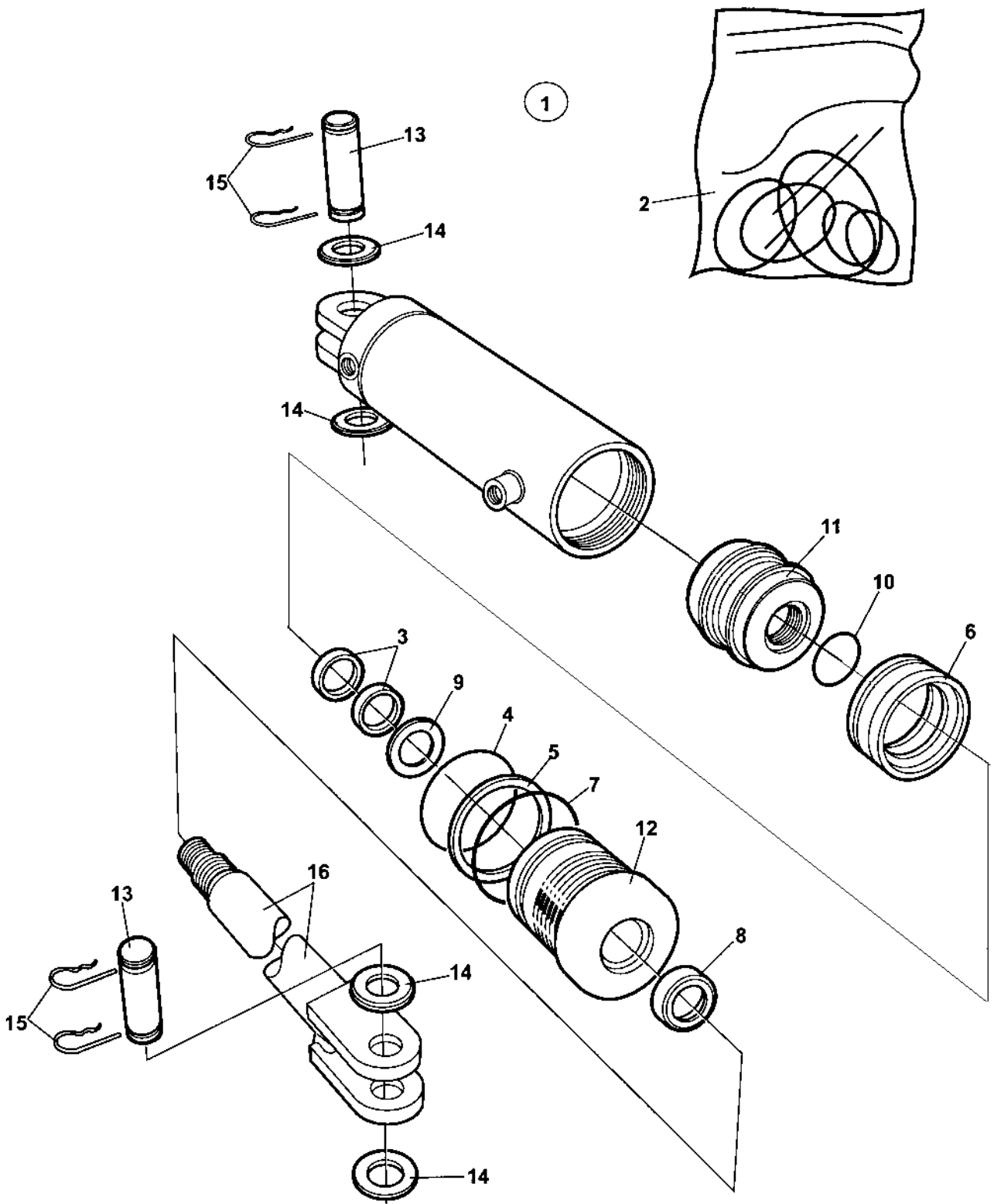
Item	Part No	Rem Qty	Description	Code
1	4700930046	1	Micro switch	B
2	4700391901	1	Bracket	D
3	4700904697	2	Washer 3,2x6x0,5	C
4	4700533005	2	Screw	D
5	4700904735	2	Washer	C
6	4700603001	2	Washer	C
7	4700500040	2	Screw M6-1x20 8,8	C



Micro switch

Item	Part No	Rem Qty	Description	Code
1	4700396179	1	Bracket	D
2	4700395696	1	Holder plate	D
3	4700930046	1	Micro switch	B
4	4700904697	2	Washer 3,2x6x0,5	C
5	4700533050	2	Screw	D
6	4700603001	2	Washer	C
7	4700500040	2	Screw M6-1x20 8,8	C

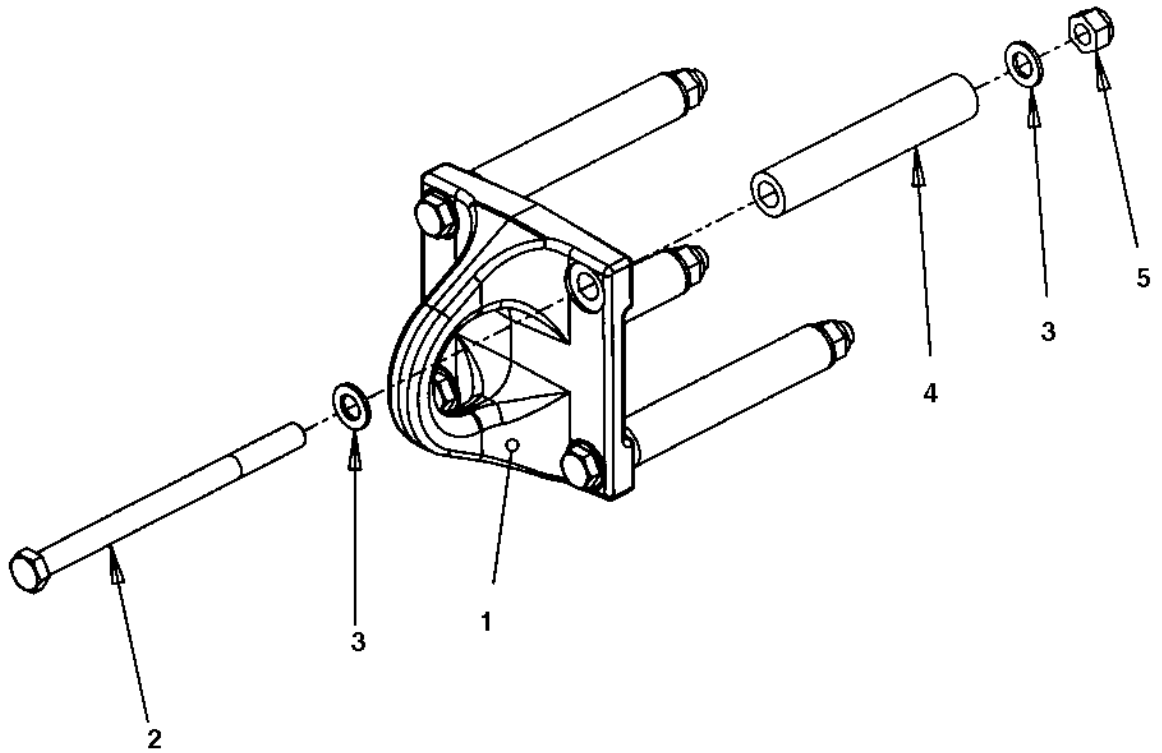
4700391024 Steering cylinder



4700391024 Steering cylinder

Item	Part No	Rem Qty	Description	Code
1	4700391024	1	Steering cylinder (Page 164)	
2	4700950417	1	. Seal kit	C
3		2	. . Seal	
4		1	. . O-ring	
5		1	. . Back-up ring	
6		1	. . Seal	
7		1	. . O-ring	
8		1	. . Seal	
9		1	. . Seal	
10		1	. . O-ring	
11		1	. Piston block	
12		1	. Steering	
13	4700950222	2	. Shaft	D
14		4	. Washer	
15	4700635061	4	. Hair clip	B
16		1	. Piston rod	
17		1	. Cylinder	

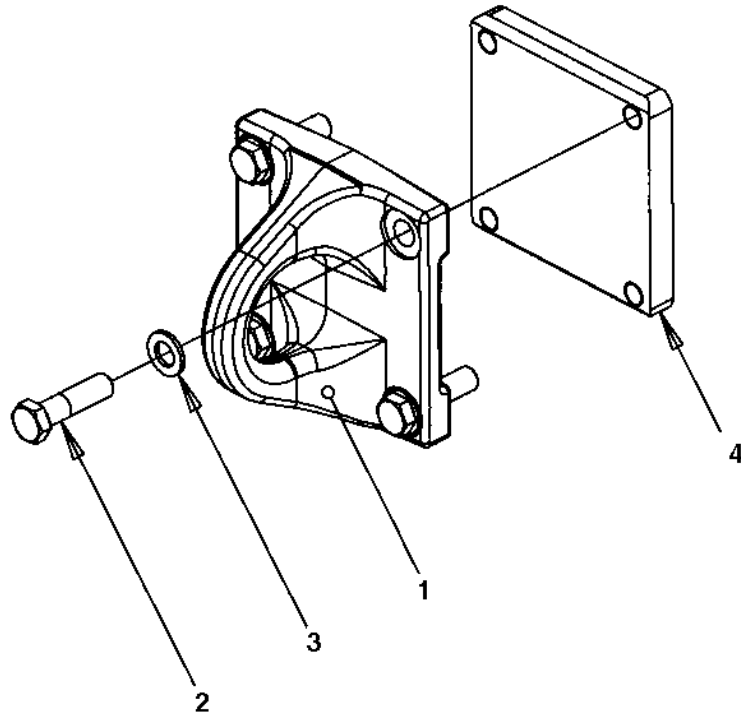
Eyelet module



Eyelet module

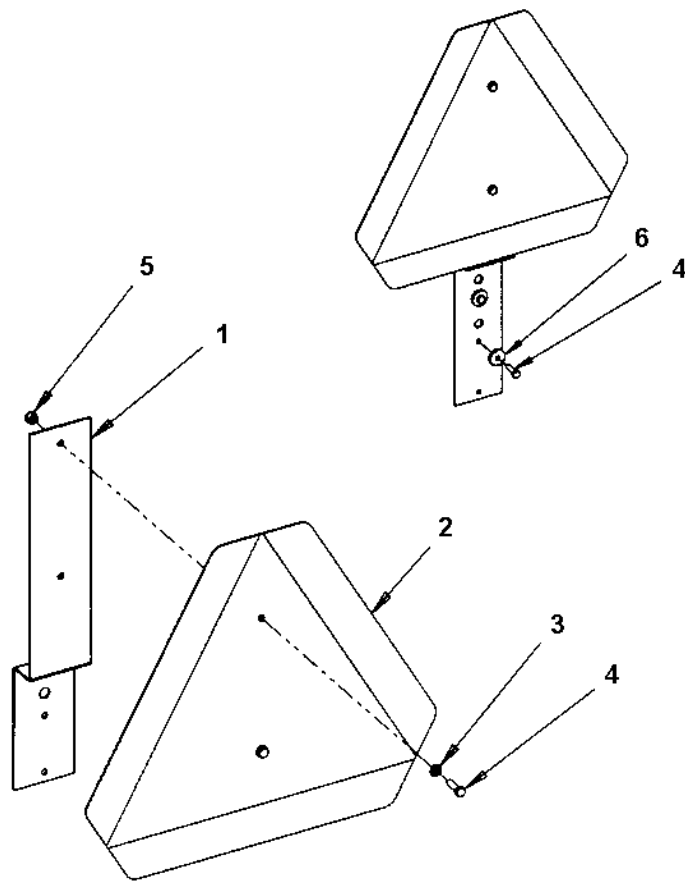
Item	Part No	Rem Qty	Description	Code
1	4700390080	1	Eyelet	D
2	4700904330	4	Screw	
3	4700904232	8	Washer	C
4	4700390652	4	Spacer sleeve	D
5	4700902297	4	Lock nut	

Eyelet module



Eyelet module

Item	Part No	Rem Qty	Description	Code
1	4700390080	1	Eyelet	D
2	4700500134	4	Screw M16x60	C
3	4700904232	4	Washer	C
4	4700390072	1	Holder plate	D



SMV-sign

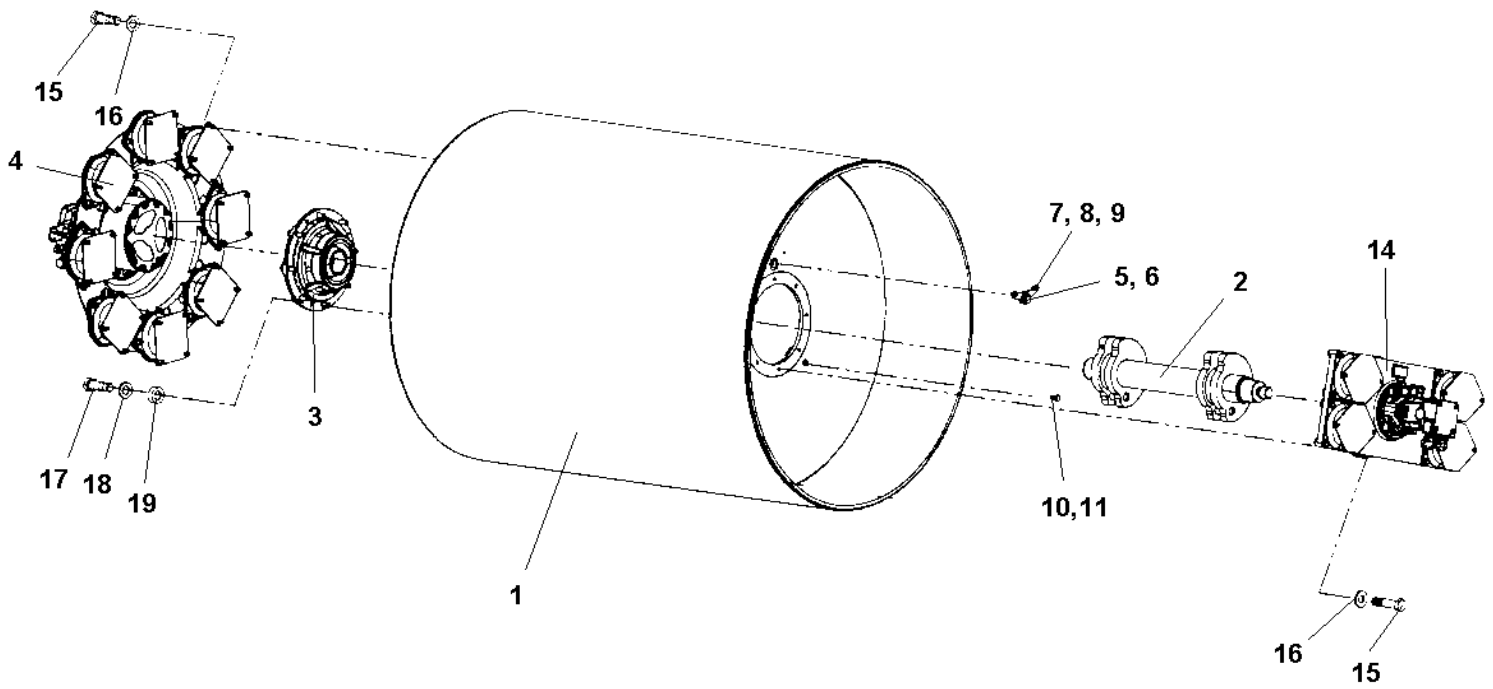
Item	Part No	Rem Qty	Description	Code
1	4700392291	1	Holder	D
2	4700476019	1	SMV-sign	D
3	4700904228	2	Washer 6,4x12x1,5	C
4	4700500040	4	Screw M6-1x20 8,8	C
5	4700586002	2	Lock nut M6 -8	C
6	4700904735	2	Washer	C

Drum

Drum

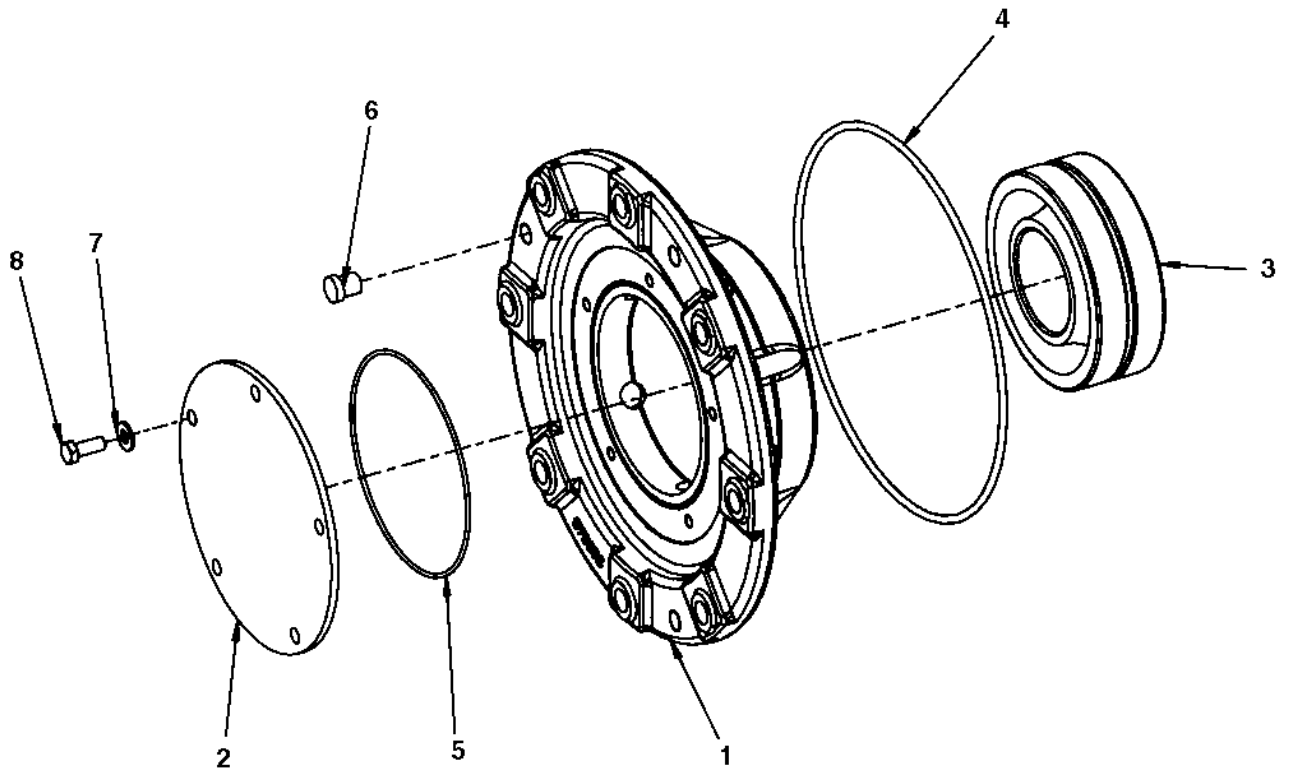
Item	Part No	Rem Qty	Description	Code
1		2	Drum (Page 174)	

Drum



Drum

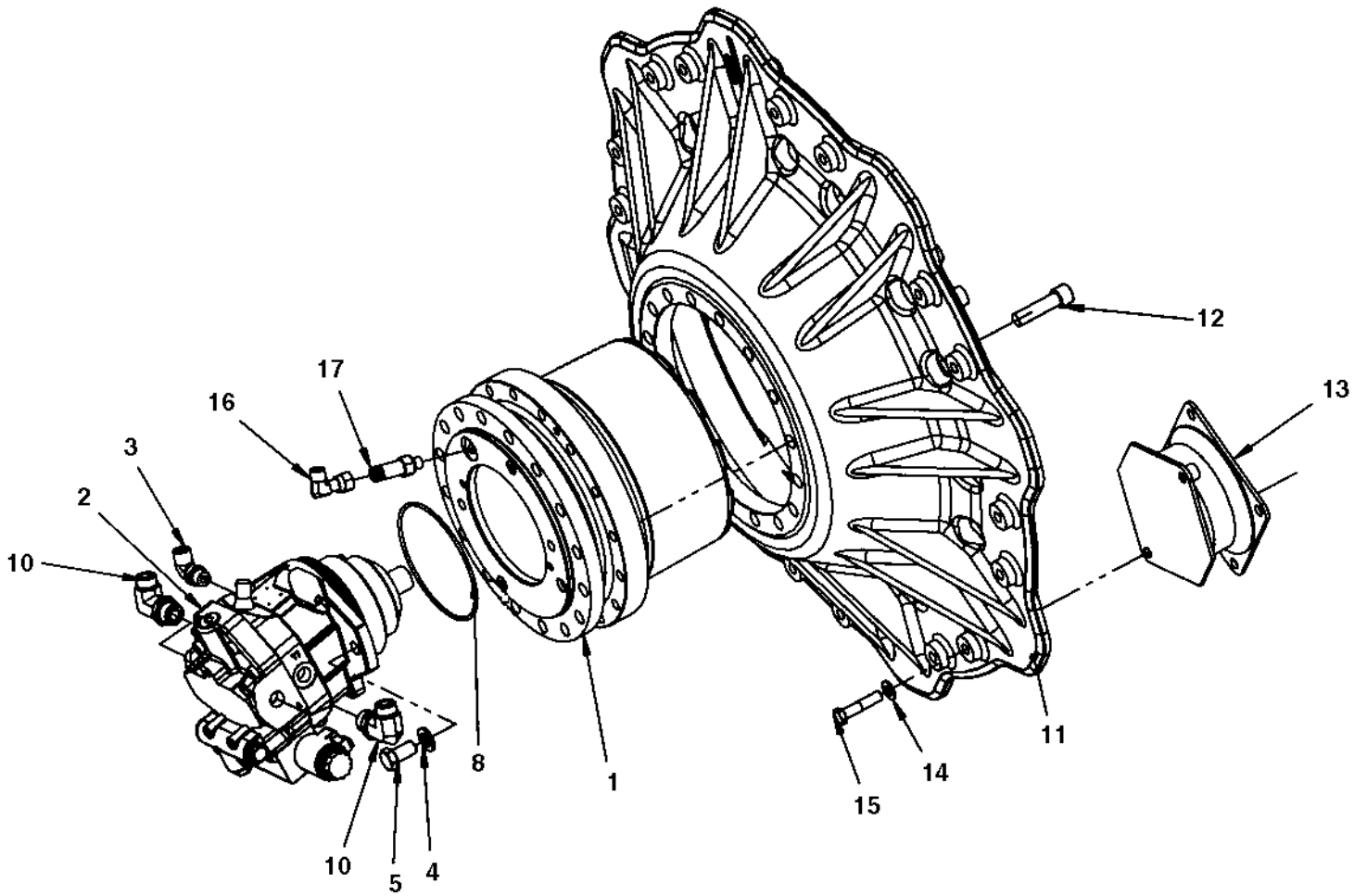
Item	Part No	Rem Qty	Description	Code
1	4700379748	1	Drum	D
2	4700391107	1	Eccentric shaft	D
	4700391110	1	Eccentric shaft CE	D
3		1	Drum bearing (Page 176)	
4		1	Drive unit (Page 178)	
5	4700343744	1	Magnetic plug	C
6	4700162017	1	Seal ring	B
7	4700359955	1	Drop plate	D
8	4700904229	2	Steel plain washer 8,4x16x1,5	C
9	4700500019	2	Hexagon head screw M8x16H 8,8	C
10	4700344196	1	Plug M12	D
11	4700162027	1	Sealing	B
14		1	Vibrating unit Rexroth Up to 348S00199 (Page 188)	
		1	Vibrating unit Sauer From 384S00200 Up to 384S00386 (Page 194)	
		1	Vibrating unit Rexroth From 384S00387 Up to 384S00391 (Page 188)	
		1	Vibrating unit Sauer From 384S00392 (Page 194)	
15	4700500070	16	Screw M16x50	C
16	4700904232	16	Washer	C
17	4812110444	32	Hexagon head screw w Tuflok M12x40H 8.8 A3K	C
18	4700904231	32	Washer 13x24x2 300 HV	C
19	4812110346	32	Spacer	C



Drum bearing

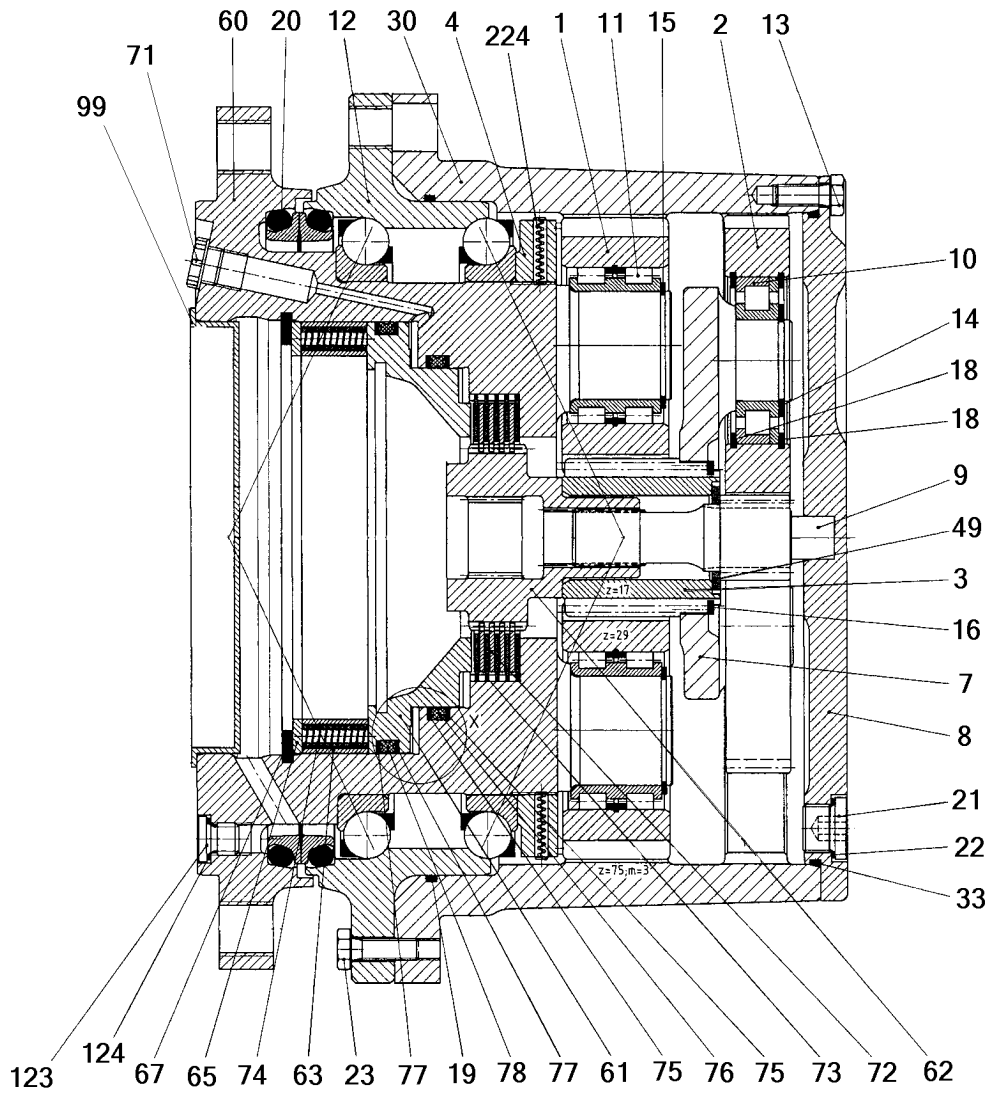
Item	Part No	Rem Qty	Description	Code
1	4700379652	1	Bearing housing	D
2	4700391029	1	Cover	D
3	4700792270	1	Spherical roller bearing	B
4	4700160344	1	O-ring 70	C
5	4700160045	1	O-ring 70	C
6	4700900775	3	Plug	C
7	4700904230	5	Steel plain washer	C
8	4700500028	5	Screw	C

Drive unit



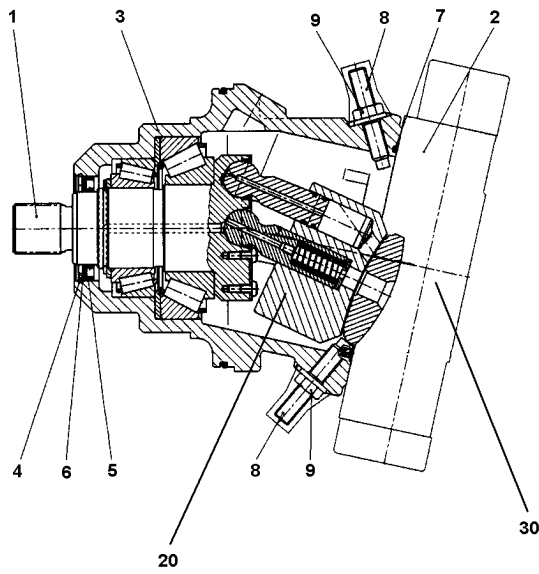
Drive unit

Item	Part No	Rem Qty	Description	Code
1	4700390604	1	Drum gear (Page 180)	C
2	4700390603	1	Hydraulic motor (Page 182)	
	4812155170	1	. Solenoid valve	
3	4700792151	1	Elbow adapter 90	
4	4700904232	2	Washer	C
5	4700500057	2	Screw M16-2x30 8,8	D
8	4700160227	1	O-ring	D
10	4700792331	2	Elbow 90 orfs	C
11	4700391724	1	Drive disc	D
12	4700792506	16	Screw	D
13	4700394250	8	Shock absorber	A
14	4700904231	16	Washer 13x24x2 300 HV	C
15	4812110641	16	Hexagon screw w Tuflok M12x55 10.9 GEOMET	D
16	4700791401	1	Elbow 90, O-ring with swivel	C
17	4700792507	1	Straight connector orfs	D



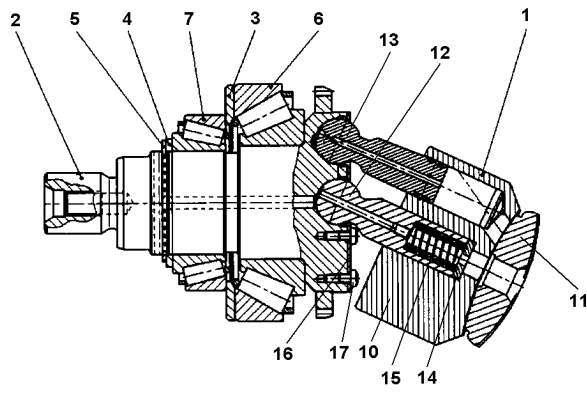
4700390604 Drum gear

Item	Part No	Rem Qty	Description	Code
	4700390604	1	Drum gear (Page 180)	C
1	4812158763	4	. Planet gear	
2		3	. Planet gear	
3	4812158764	1	. Sun gear	
4		1	. Shaft nut	
7		1	. Planet carrier	
8		1	. Cover	
9		1	. Cylindrical roller	
10	4700950520	3	. Cylindrical roller bearing	
11	4700950521	4	. Cylindrical roller bearing	
12	4700950522	1	. Ball bearing	
13		12	. Screw	
14		3	. Snap ring	
15		4	. Snap ring	
16		1	. Snap ring	
18		6	. Snap ring	
19	4700950523	1	. O-ring	
20	4700950524	1	. Seal	
21	4700950491	2	. Plug	
22	4700950492	2	. Seal ring	
23		2	. Screw	
30	4812158765	1	. Ring gear	
33	4700950526	1	. O-ring	
44		1	. Sun gear shaft	
49		1	. Drum flange	
60		1	. Spindle	
61		1	. Piston	
62		1	. Coupler	
63		1	. Spacer	
65		1	. Disc	
67		1	. Snap ring	
71	4700950495	1	. Plug	
72	4700950527	4	. Inner disc	
73	4700950480	5	. Outer disc	
74		28	. Pressure spring	
75	4700950529	2	. Supporting ring	
76	4700950530	1	. Piston seal	
77	4700950531	2	. Supporting ring	
78	4700950532	1	. Piston seal	
99		1	. Plug	
123	4700950493	3	. Plug	
124	4700950494	3	. Seal ring	
224		2	. Spring dowel sleeve	
	4812156060	1	Seal kit, drive gear	D
_19	4700950523	1	_O-ring	
_20	4700950524	1	_Seal	
_33	4700950526	1	_O-ring	
	4812156061	1	Seal kit, brake	D
_75	4700950529	2	_Supporting ring	
_76	4700950530	1	_Piston seal	
_77	4700950531	2	_Supporting ring	
_78	4700950532	1	_Piston seal	
	4812156062	1	Disc kit	D
_72	4700950527	4	_Inner disc	
_73	4700950480	5	_Outer disc	
_74		28	_Pressure spring	



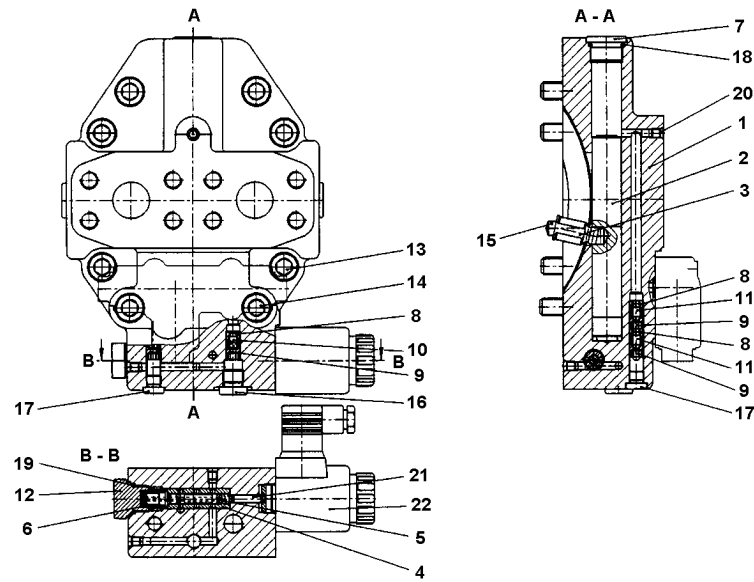
4700390603 Hydraulic motor

Item	Part No	Rem Qty	Description	Code
1		1	. Engine	
2		1	. Adjustment	
3		1	. Housing	
4		1	. Circlip	
5		1	. Shaft sealing ring	
6		1	. Supporting disc	
7	4812157165	1	. O-ring	
8		2	. Set screw	
9		2	. Seal lock collar nut	
20		1	Engine hydraulic part (Page 184)	
30		1	End plate (Page 186)	



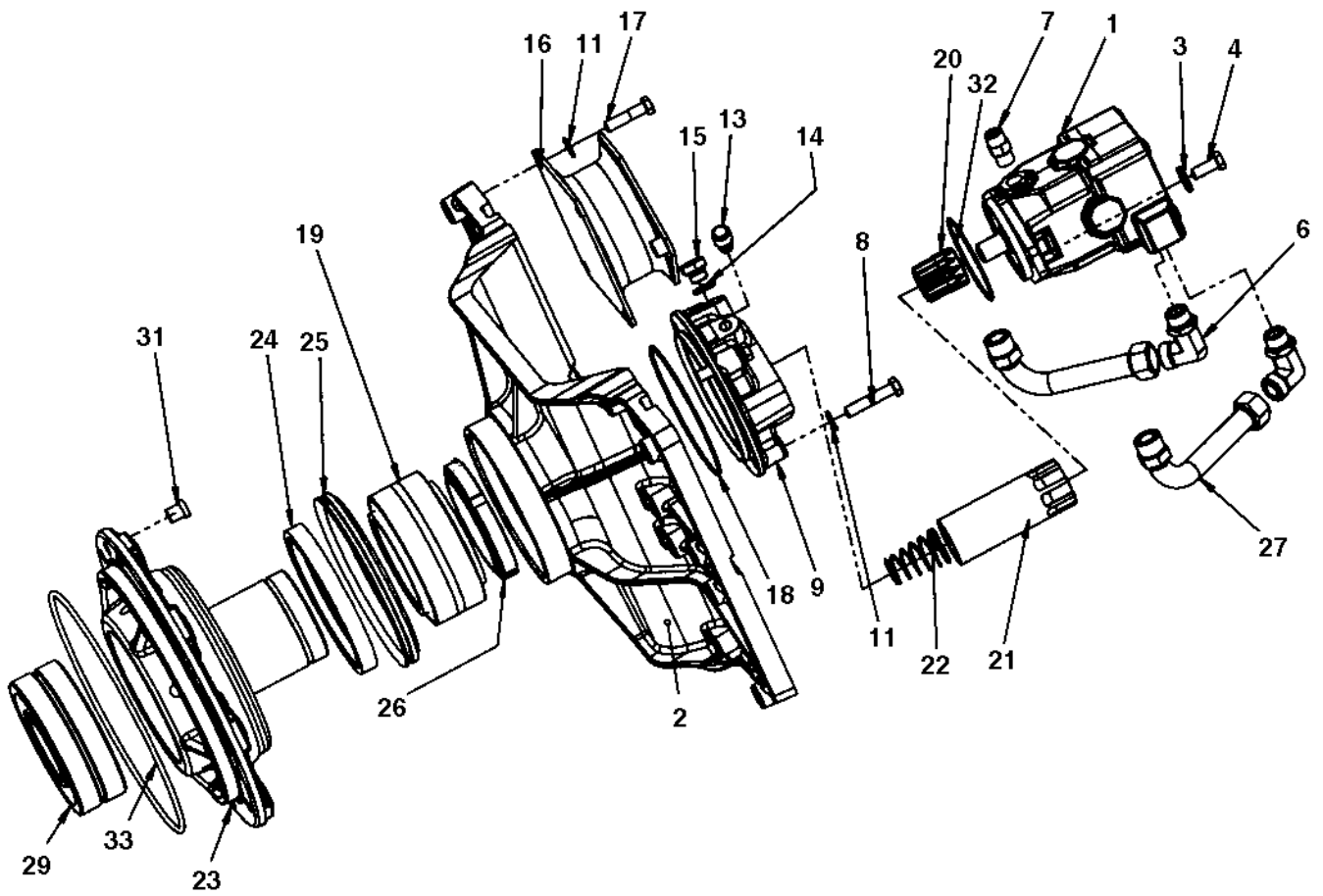
Engine hydraulic part

Item	Part No	Rem Qty	Description	Code
1	4812157166	1	. Engine hydraulic part	
2		1	. Drive shaft with tooth ring	
3		1	. Shim	
4		1	. Supporting disc	
5		1	. Circlip	
6	4812157167	1	. Tapered roller bearing	
7	4812157168	1	. Tapered roller bearing	
10		1	. Cylinder	
11		1	. Control lens	
12		1	. Center pin	
13		7	. Piston with piston rings	
14		1	. Shim	
15		1	. Pressure spring	
16		1	. Retaining plate	
17		14	. Lens screw with internal screw torx	



End plate

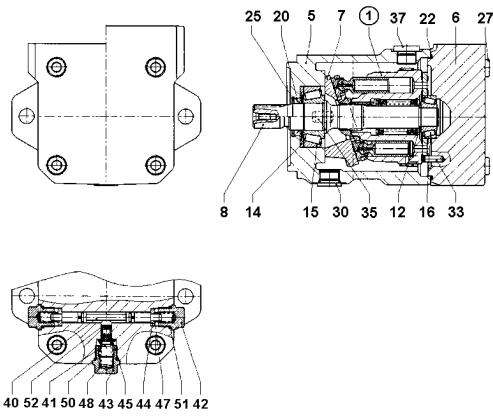
Item	Part No	Rem Qty	Description	Code
1		1	. End plate	
2		1	. Control piston	
3		1	. Adjustment pin	
4		1	. Bushing	
5		1	. Spool	
6		1	. Pressure spring	
7		1	. Screw	
8		3	. Restrictor screw	
9		3	. Restrictor screw	
10		2	. Valve pin	
11		1	. Throttle pin	
12		1	. Screw	
13		6	. Cap screw	
14		2	. Cap screw	
15		2	. Dowel	
16		1	. Screw	
17		2	. Screw	
18	4812157169	1	. O-ring	
19	4812157170	1	. O-ring	
20		4	. Double break-off pin	
21	4812157171	1	. Needle roller	
22	4812155170	1	. Solenoid valve	



Vibrating unit Rexroth

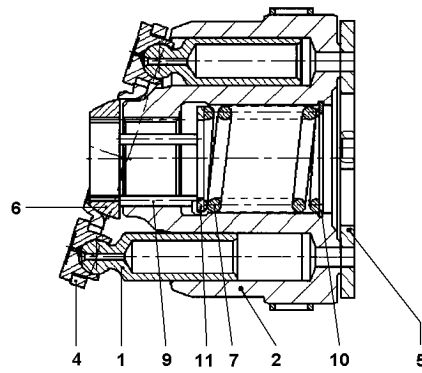
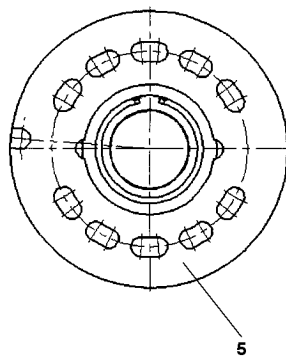
Item	Part No	Rem Qty	Description	Code
1	4700390605	1	Hydraulic motor (Page 190)	
2	4700392364	1	Holder plate	D
3	4700904213	2	Washer	C
4	4700500046	2	Screw M12x025H	C
6	4700792330	2	Elbow 90 orfs	C
7	4700791799	1	Straight connector orfs	D
8	4700500049	4	Screw	C
9	4700390160	1	Motor adapter	C
11	4700904231	20	Washer 13x24x2 300 HV	C
13	4700926736	1	Breather	C
14	4700162027	1	Sealing	B
15	4700903726	1	Steel plug threaded	C
16	4700394251	4	Shock absorber	A
17	4812110643	16	Hexagon screw w Tuflok M12x50 8.8 A3K	D
18	4700160105	1	O-ring 70	C
19	4700116041	1	Taper roller bearing	B
20	4700340862	1	Splined sleeve	D
21	4700381027	1	Splined sleeve	D
22	4700349715	1	Spring	D
23	4700379650	1	Drum bearing housing	D
24	4700386272	1	Sealing	B
25	4700929447	1	V-ring	B
26	4812112413	1	Shaft nut	C
27	4700392748	2	Connector	C
29	4700792270	1	Spherical roller bearing	B
31	4700900775	3	Plug	C
32	4700160279	1	O-ring 101,27x2,62	C
33	4700160344	1	O-ring 70	C

4700390605 Hydraulic motor

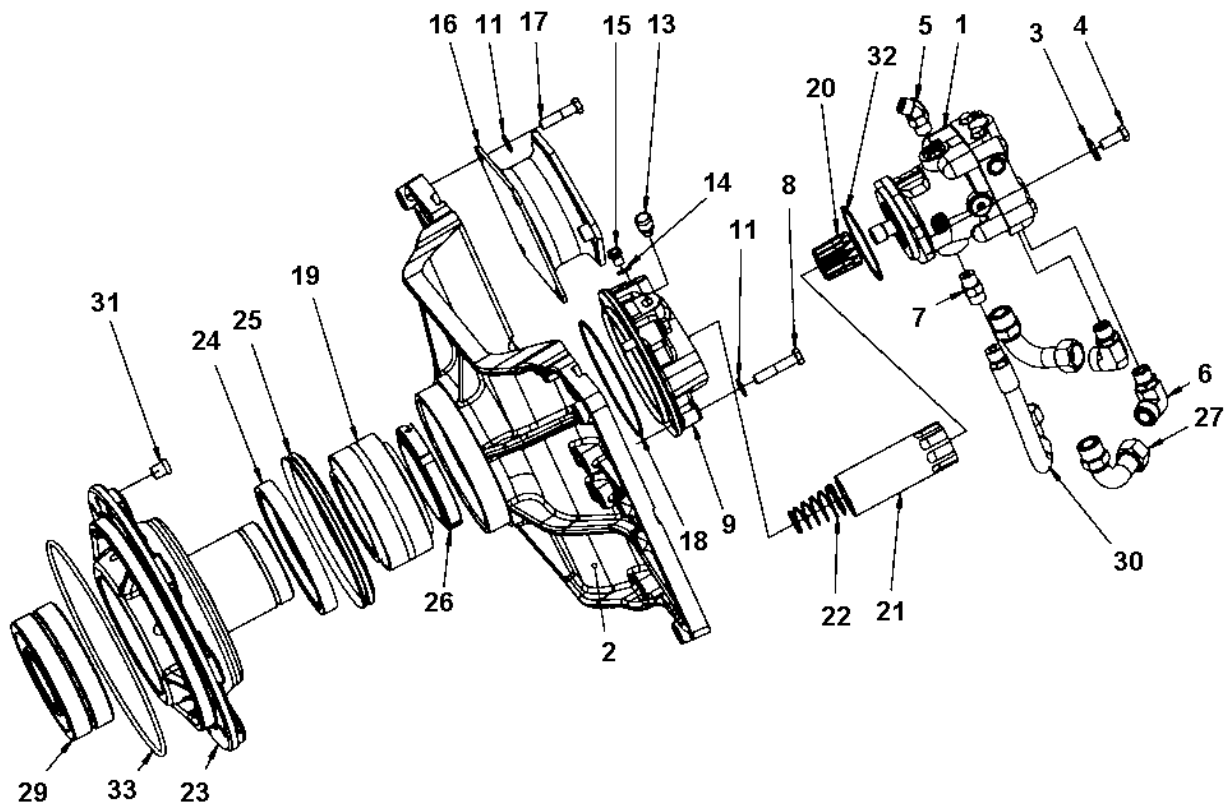


4700390605 Hydraulic motor

Item	Part No	Rem Qty	Description	Code
1	4700390605A	1	. Motor (Page 192)	
5		1	. Motor housing	
6		1	. Port plate	
7		1	. Cam plate	
8		1	. Drive shaft	
12		1	. Adjustment shim	
14	4812157490	1	. Stop ring	
15	4812157491	1	. Bearing	
16	4812157492	1	. Bearing	
20	4812157493	1	. Shaft sealing ring	
22	4812157494	1	. O-ring	
25	4812157495	1	. Retaining ring	
27		4	. Socket head screw	
30		1	. Locking screw	
33		1	. Cylinder pin	
35		2	. Cylinder pin	
37		1	. Locking screw	
40		1	. Piston	
41		1	. Valve piston	
42		2	. Locking screw	
43		1	. Locking screw	
44		2	. Washer	
45		1	. Orifice	
47		2	. Pressure spring	
48		1	. Pressure spring	
50	4812157496	1	. O-ring	
51	4812157497	2	. O-ring	
52		1	. Retaining ring	



Item	Part No	Rem Qty	Description	Code
1		9	. Piston	
2		1	. Cylinder with counting ring	
4	4812157499	1	. Retaining plate	
5	4812157498	1	. Control plate	
6	4812157551	1	. Retaining ball	
7		1	. Spring	
9		3	. Pressure pin	
10	4812157552	1	. Seeger v-ring	
11		1	. Back-up plate	

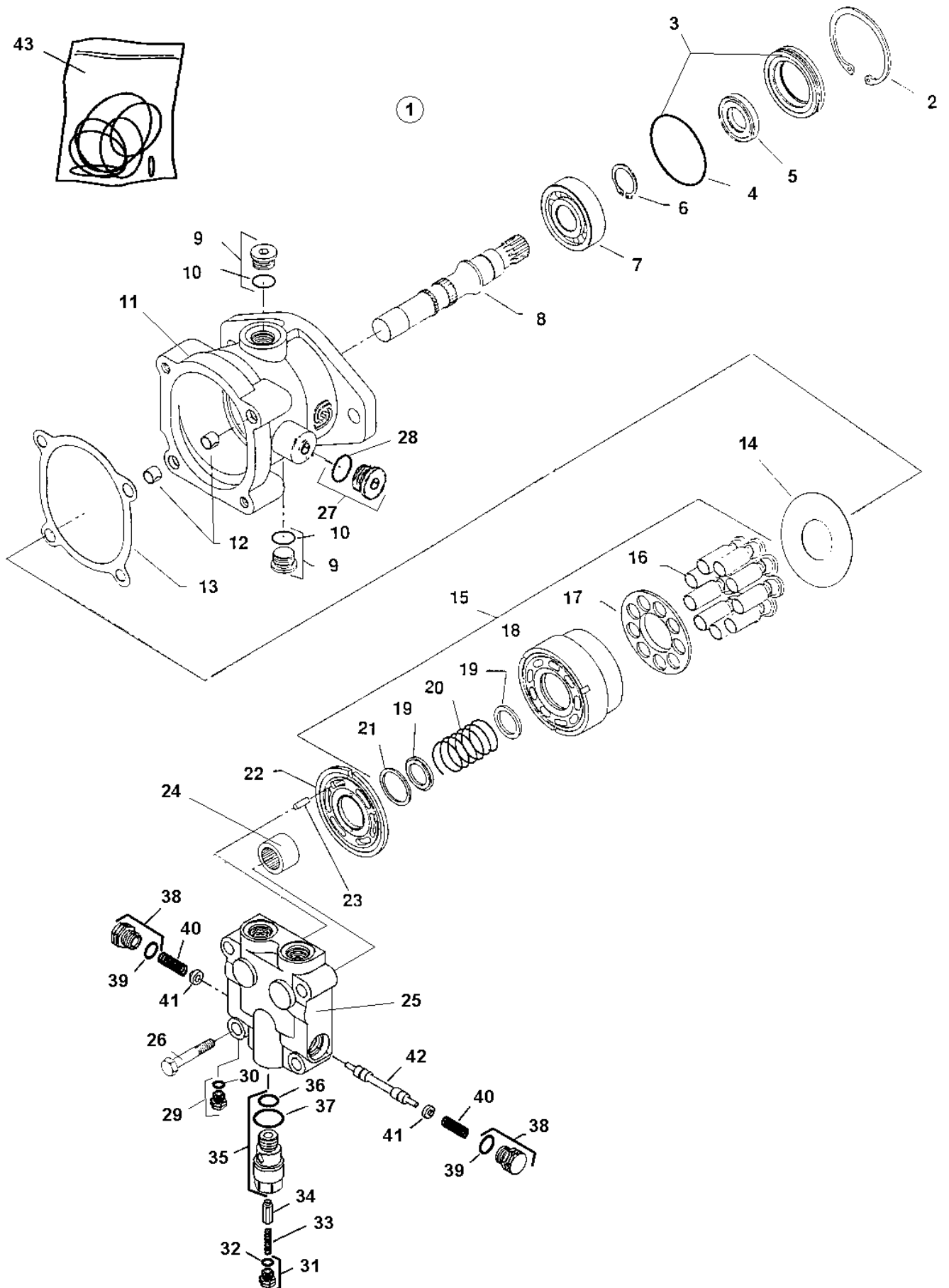


Vibrating unit Sauer

Item	Part No	Rem Qty	Description	Code
1	4700395915	1	Hydraulic motor Vibration (Page 196)	C
2	4700392364	1	Holder plate	D
3	4700904213	2	Washer	C
4	4700500046	2	Screw M12x025H	C
5	4700791796	1	Elbow 45, O-ring with swivel	D
6	4700792746	2	Connector elbow 90 orfs	C
7	4700791799	2	Straight connector orfs	D
8	4700500049	4	Screw	C
9	4700390160	1	Motor adapter	C
11	4700904231	20	Washer 13x24x2 300 HV	C
13	4700926736	1	Breather	C
14	4700162027	1	Sealing	B
15	4700903726	1	Steel plug threaded	C
16	4700394251	4	Shock absorber	A
17	4812110643	16	Hexagon screw w Tuflok M12x50 8.8 A3K	D
18	4700160105	1	O-ring 70	C
19	4700116041	1	Taper roller bearing	B
20	4700340862	1	Splined sleeve	D
21	4700381027	1	Splined sleeve	D
22	4700349715	1	Spring	D
23	4700379650	1	Drum bearing housing	D
24	4700386272	1	Sealing	B
25	4700929447	1	V-ring	B
26	4812112413	1	Shaft nut	C
27	4700392748	2	Connector	C
29	4700792270	1	Spherical roller bearing	B
30	4700484271	2	Hydraulic hose	D
31	4700900775	3	Plug	C
32	4700160279	1	O-ring 101,27x2,62	C
33	4700160344	1	O-ring 70	C

- 1) For use of upper leak port.
- 2) For use of lower leak port.

4700395915 Hydraulic motor Vibration



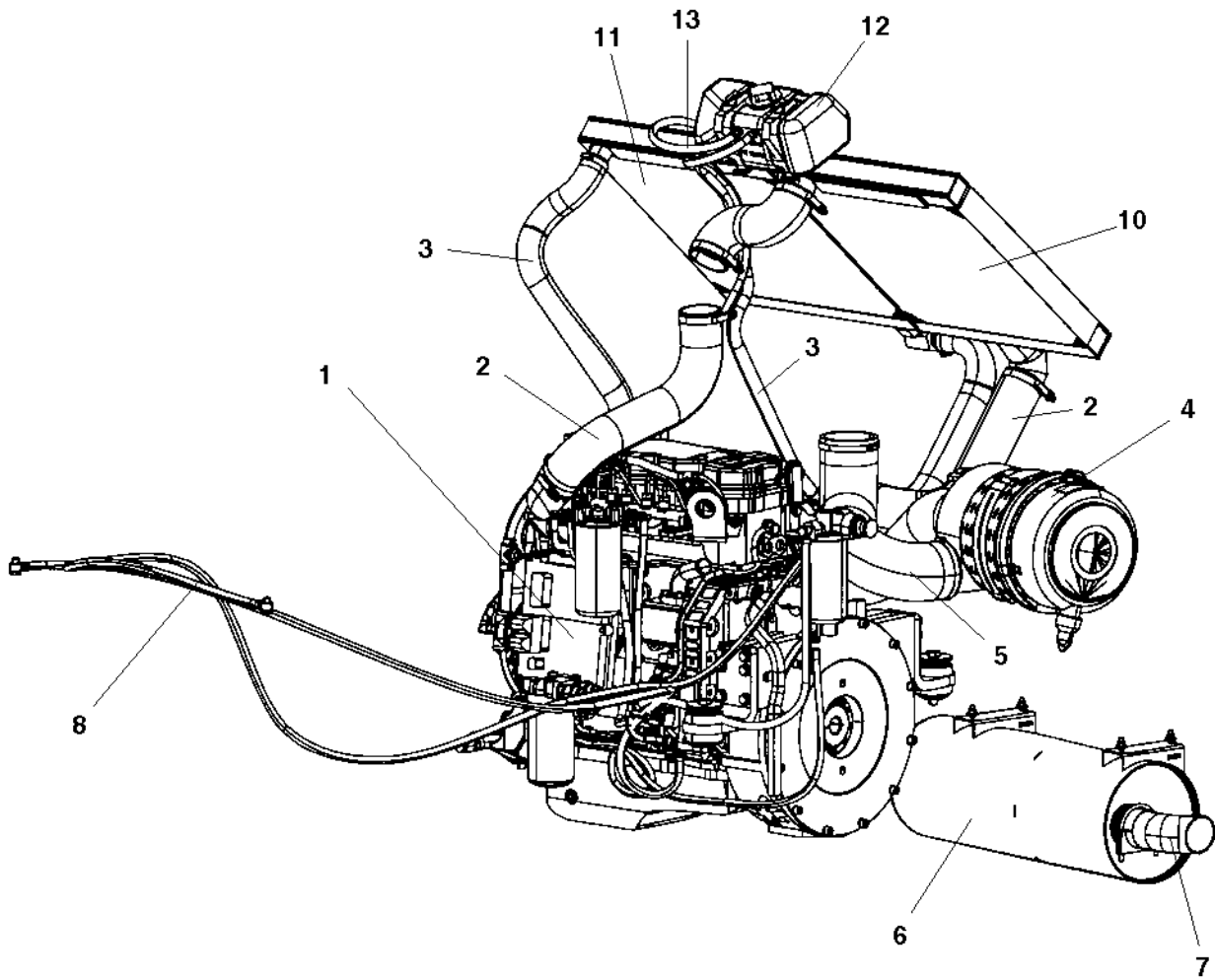
4700395915 Hydraulic motor Vibration

Item	Part No	Rem	Qty	Description	Code
1			1	Hydraulic motor, Cpl	
2	4700909356		1	. Retaining ring	C
3			1	. Seal carrier	
4	4700909354	A	1	. . O-ring	C
5	4700909335	A	1	. Seal	B
6			1	. Retaining ring	
7	4700909352		1	. Ball bearing	B
8	4700909351		1	. Shaft	C
9	4700939333		2	. Plug, cpl	C
10	4700923090	A	1	. . O-ring	
11	4700909358		1	. Housing	D
12	4700909346		2	. Pin	C
13	4700909343	A	1	. Gasket	B
14	4700909336		1	. Thrust plate	D
15	4700950593		1	. Cylinder block kit	C
16			9	. . Piston	
17	4700909342		1	. . Retainer	
18			1	. . Cylinder block	
19	4700909338		2	. . Washer	
20	4700909339		1	. . Spring	C
21	4700909340		1	. . Retaining ring	C
22	4700909350		1	. Valve plate	C
23			1	. Pin	
24	4700909344		1	. Needle roller bearing	B
25			1	. End cap	
26			4	. Screw	
27	4700909243		1	. Plug	C
28	4700813618	A	1	. . O-ring	C
29	4700480354		2	. Plug and O-ring	D
30	4700813617	A	1	. . O-ring	D
31			1	. Plug, cpl	
32	4700910713	A	1	. . O-ring	
33			1	. Spring	
34			1	. Poppet	
35	4812156199		1	. Adapter plug	
36	4700923087	A	1	. . O-ring	C
37		A	1	. . O-ring	
38			2	. Plug, cpl	
39	4700923087	A	1	. . O-ring	C
40			1	. Spring	
41			1	. Shuttle spool	
42			1	. Spring	
43	4700950297		1	Seal kit	D

A) Included in seal kit, item 29.

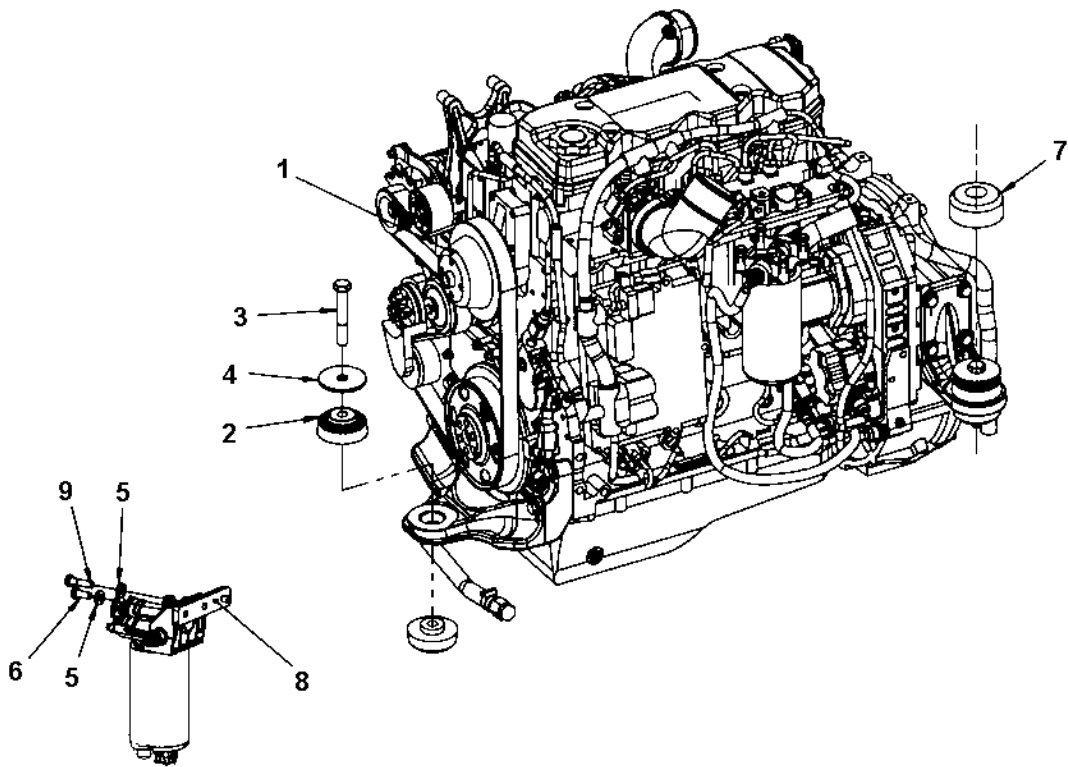
Engine

Item	Part No	Rem Qty	Description	Code
8			Engine room (Page 200)	



Engine room

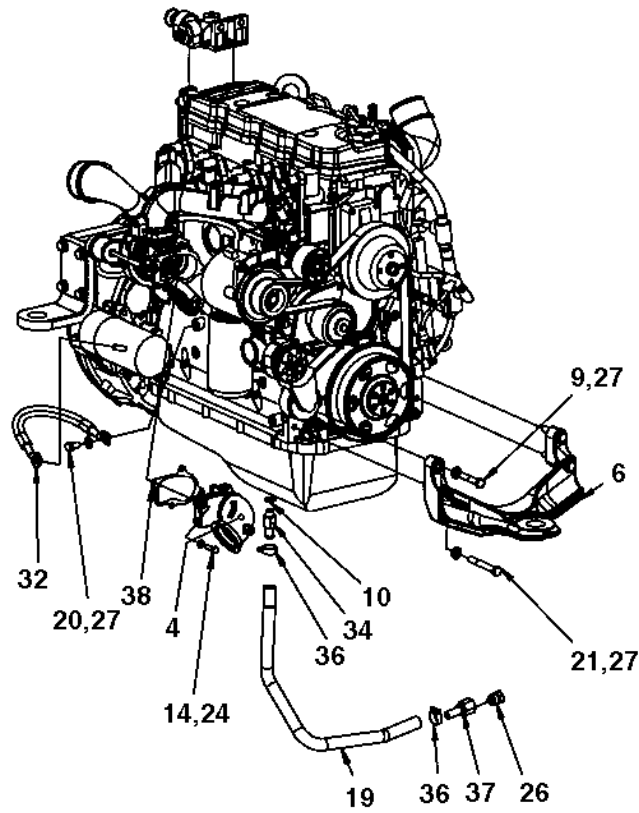
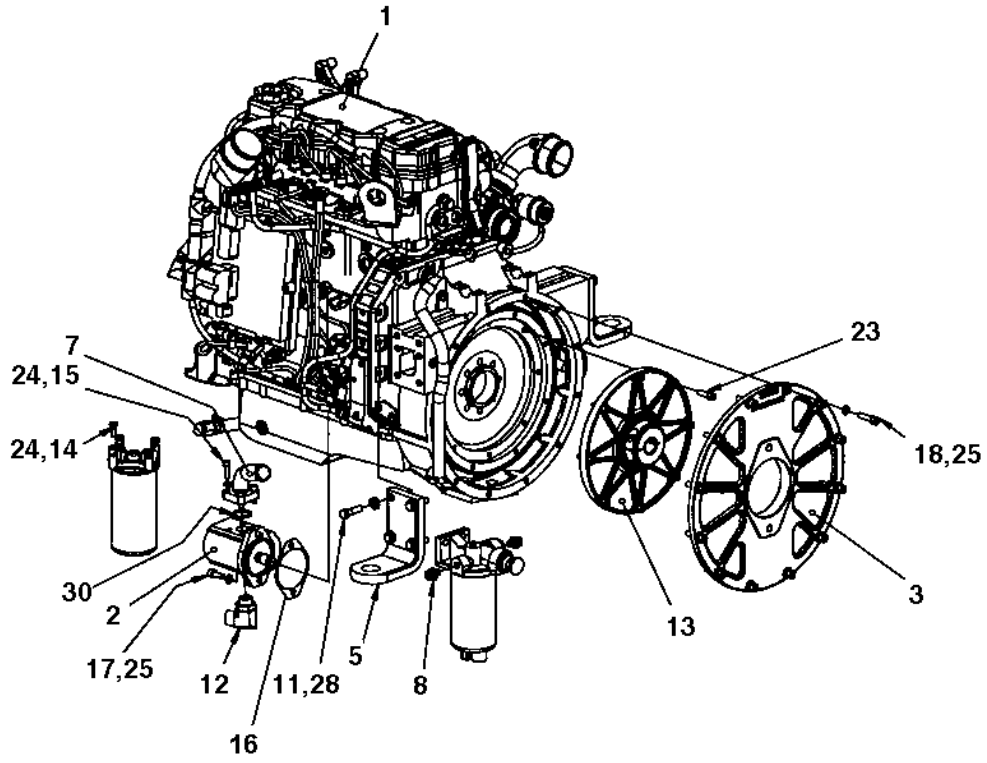
Item	Part No	Rem Qty	Description	Code
1			Engine (Page 202)	
2			Air cooler hoses (Page 210)	
3			Water cooler hoses (Page 212)	
4			Air cleaner module (Page 214)	
5			Air cleaner hose module (Page 216)	
6			Muffler (Page 218)	
7			Exhaust pipe module (Page 220)	
8			Fuel hose module (Page 222)	
10			Charge air cooler (Page 224)	
11			Water cooler (Page 226)	
12			Expansion tank assembly (Page 228)	
13			Coolant hoses (Page 230)	



Engine

Item	Part No	Rem	Qty	Description	Code
1			1	Engine module (Page 204)	
2	4700391165		6	Shock absorber	D
3	4700500107		3	Screw M16x100	D
4	4700345666		3	Steel spacer	D
5	4700904557		2	Steel plain washer	C
	4700904557	1	4	Steel plain washer	C
6	4700500030		2	Screw M10x035H 8.8 A3K	C
	4700500028	1	2	Screw	C
7	4700397539		1	Protector	D
8	4812113161		1	Bracket	
9	4700500031	1	1	Screw M10x040 8.8	C

1) Item to be used when bracket, item 8 is mounted.

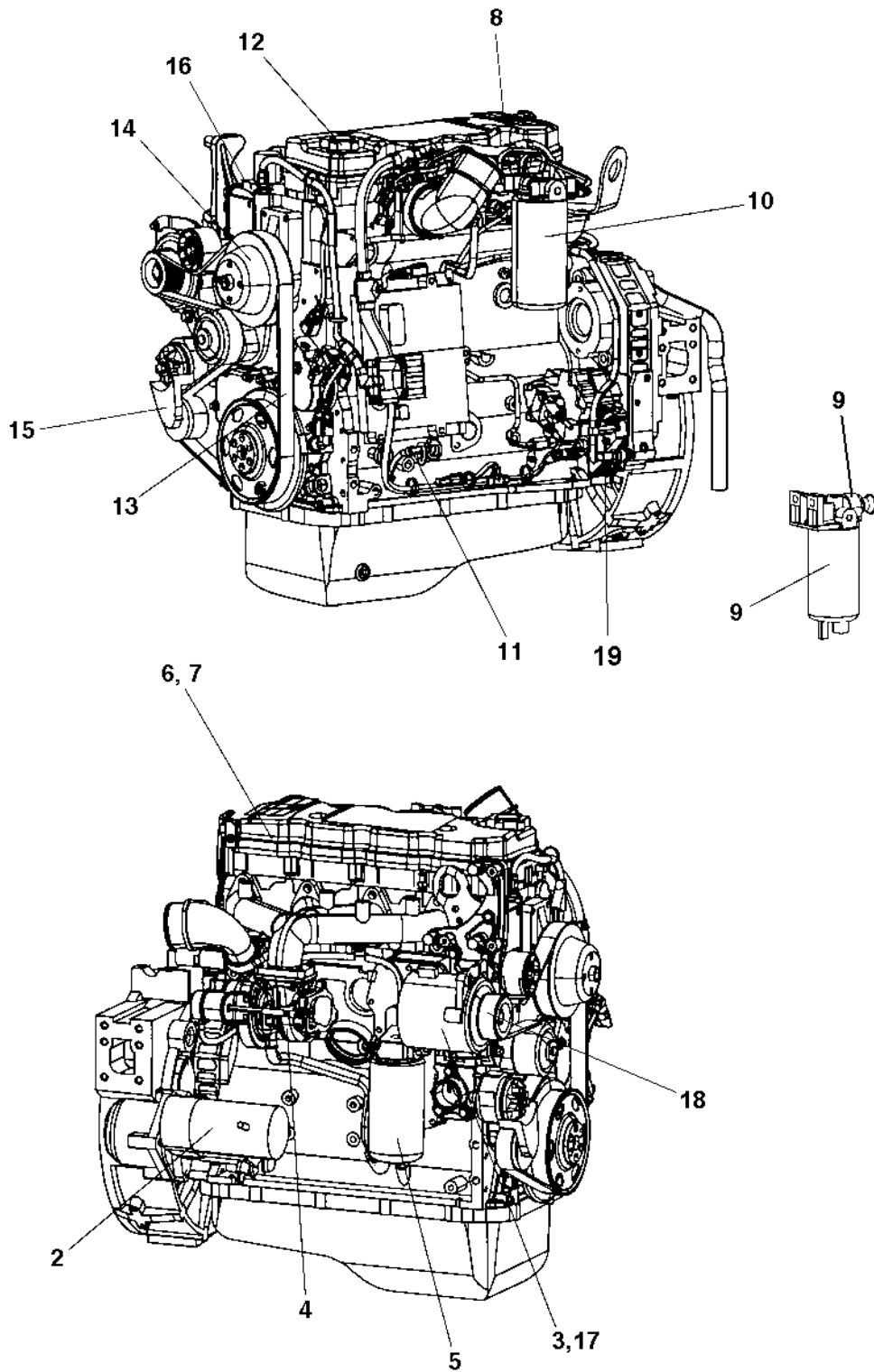


Engine module

Item	Part No	Rem Qty	Description	Code
1		1	Diesel engine Cummins QSB4.5 T3 - 82kW (Page 206)	
		1	Diesel engine Cummins QSB4.5 T3 - 93kW (Page 208)	
2	4812113496	1	Hydraulic pump, steering	
3	4700394169	1	Pump bracket	D
4	4700390618	1	Exhaust connection	
5	4700397259	2	Engine bracket	D
6	4700393592	1	Engine bracket	D
7	4700390018	1	Suction pipe	D
8	4700792603	2	Quick connect coupling	
9	4700500049	2	Screw	C
10	4700330330	1	Copper washer	
11	4700500056	8	Screw	
12	4700791698	1	Elbow 90, O-ring with swivel	D
13	4700391358	1	Coupling	D
14	4700500021	8	Screw M8-1,25x25 8.8	C
15	4700508048	4	Hexagon socket head cap screw	C
16	4812115511	1	Gasket	
17	4700508096	2	Screw	C
18	4700508080	12	Screw	
19	4700205112	A 1XL	Coolant hose	D
20	4700500035	1	Screw M12x020H	
21	4700500197	2	Screw 12x90	C
23	4700509025	8	Screw 3/8-16UNCx32 8,8	
24	4700904229	12	Steel plain washer 8,4x16x1,5	C
25	4700904637	14	Washer	C
26	4700232231	1	Plug	
27	4700904231	5	Washer 13x24x2 300 HV	C
28	4700904703	8	Washer	B
30	4700813429	1	O-ring	C
32	4700335607	1	Connection cable, coarse	B
34	4700391303	1	Hose connection	
36	4700313004	2	Hose clamp 19-29mm	D
37	4700792502	1	Hose connection	D
38	4700394322	1	Gasket	

A) L=0,6 m

Diesel engine Cummins QSB4.5 T3 - 82kW

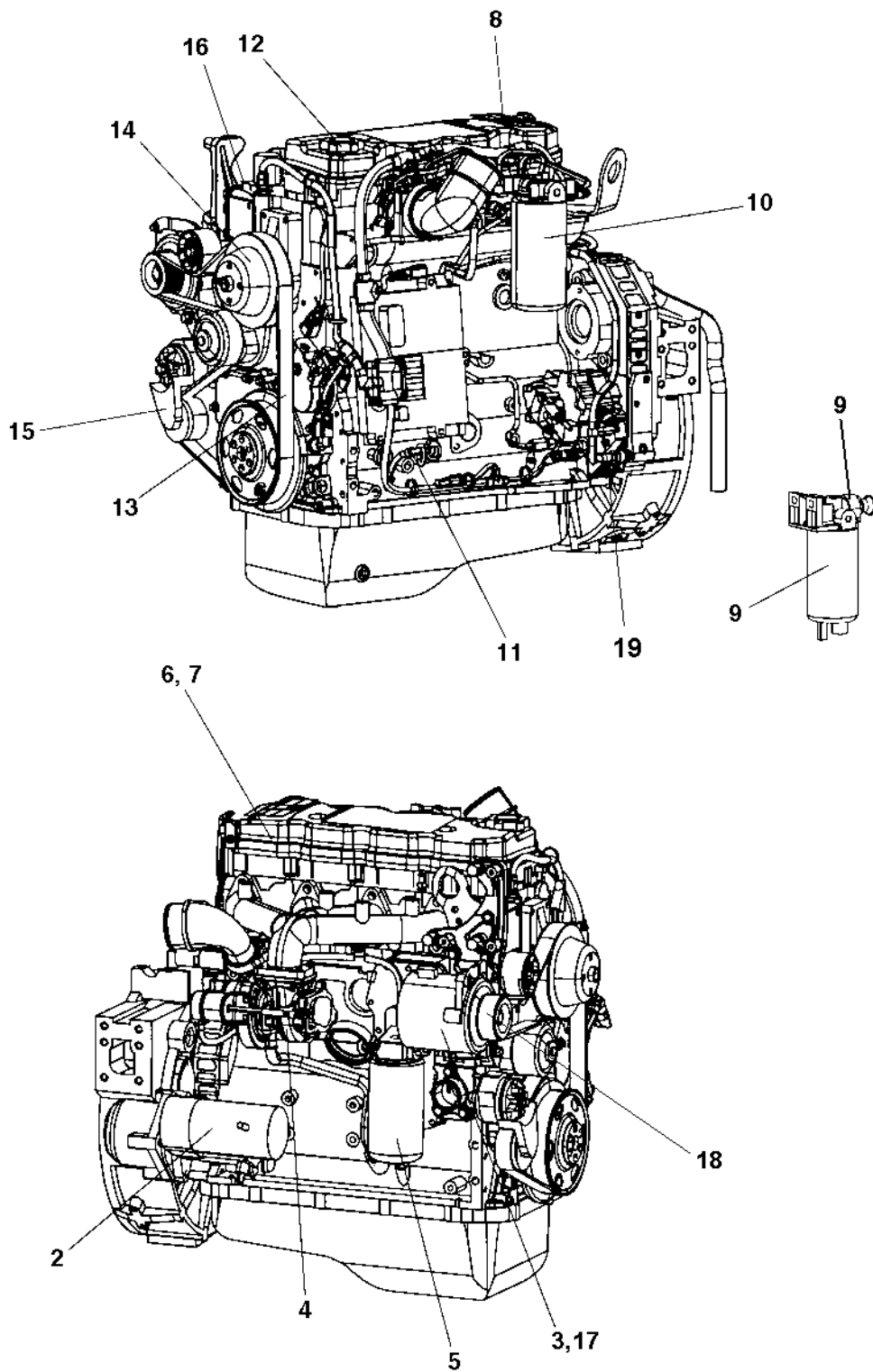


Diesel engine Cummins QSB4.5 T3 - 82kW

Item	Part No	Rem	Qty	Description	Code
1	4700390832		1	Diesel engine Cummins QSB4.5 IIIA - 82kW	
	4812116432	A	1	Diesel engine Cummins QSB4.5 IIIA - 82kW	
2	4700945767		1	. Starter	C
3	4700945768		1	. Alternator	C
4			1	. Turbo charger cpl	
5	4700945145		1	. Oil filter element	A
6	4700945760		1	. Valve cover gasket	
7	4700945769		1	. Piston ring set	D
8	4700945626		1	. Injector	D
9	4700945538		1	. Fuel filter head with hand pump	A
	4700945147		1	. Pre-fuel filter element	
10	4700945624		1	. Fuel filter element	
	4812155278		1	. Gasket	
11	4700945770		1	. Oil dipstick	
12	4700945771		1	. Oil cap	
13	4700945772		1	. V-belt	B
14	4700945773		1	. V- belt pulley	
15	4700945774		1	. Belt tightener	
16	4700945887		1	. Sensor, Water temp	C
17	4812156073		1	. Fan, alternator	C
18	4812156074		1	. Pulley, alternator	C
19	4812157769		1	. Actuator, Fuel control	

A) Non certified.

Diesel engine Cummins QSB4.5 T3 - 93kW

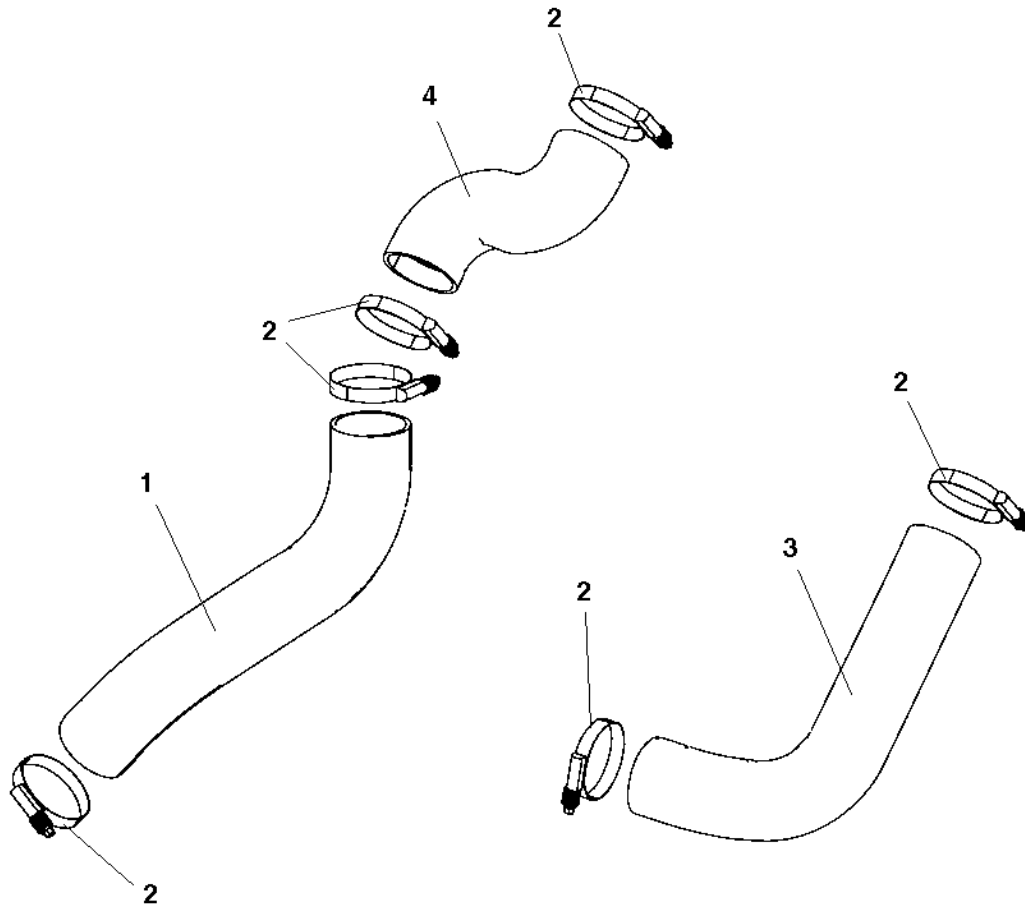


Diesel engine Cummins QSB4.5 T3 - 93kW

Item	Part No	Rem	Qty	Description	Code
1	4700390831		1	Diesel engine Cummins QSB4.5 IIIA - 93kW	
	4812116435	A	1	Diesel engine Cummins QSB4.5 IIIA - 93kW	
	4812116436	B	1	Diesel engine Cummins QSB4.5 IIIA - 93kW	
	4812116437	C	1	Diesel engine Cummins QSB4.5 IIIA - 93kW	
2	4700945767		1	. Starter	C
3	4700945768		1	. Alternator	C
4			1	. Turbo charger cpl	
5	4700945145		1	. Oil filter element	A
6	4700945760		1	. Valve cover gasket	
7	4700945769		1	. Piston ring set	D
8	4700945626		1	. Injector	D
9	4700945538		1	. Fuel filter head with hand pump	A
	4700945147		1	. Pre-fuel filter element	
10	4700945624		1	. Fuel filter element	
	4812155278		1	. Gasket	
11	4700945770		1	. Oil dipstick	
12	4700945771		1	. Oil cap	
13	4700945772		1	. V-belt	B
14	4700945773		1	. V- belt pulley	
15	4700945774		1	. Belt tightener	
16	4700945887		1	. Sensor, Water temp	C
17	4812156073		1	. Fan, alternator	C
18	4812156074		1	. Pulley, alternator	C
19	4812157769		1	. Actuator, Fuel control	

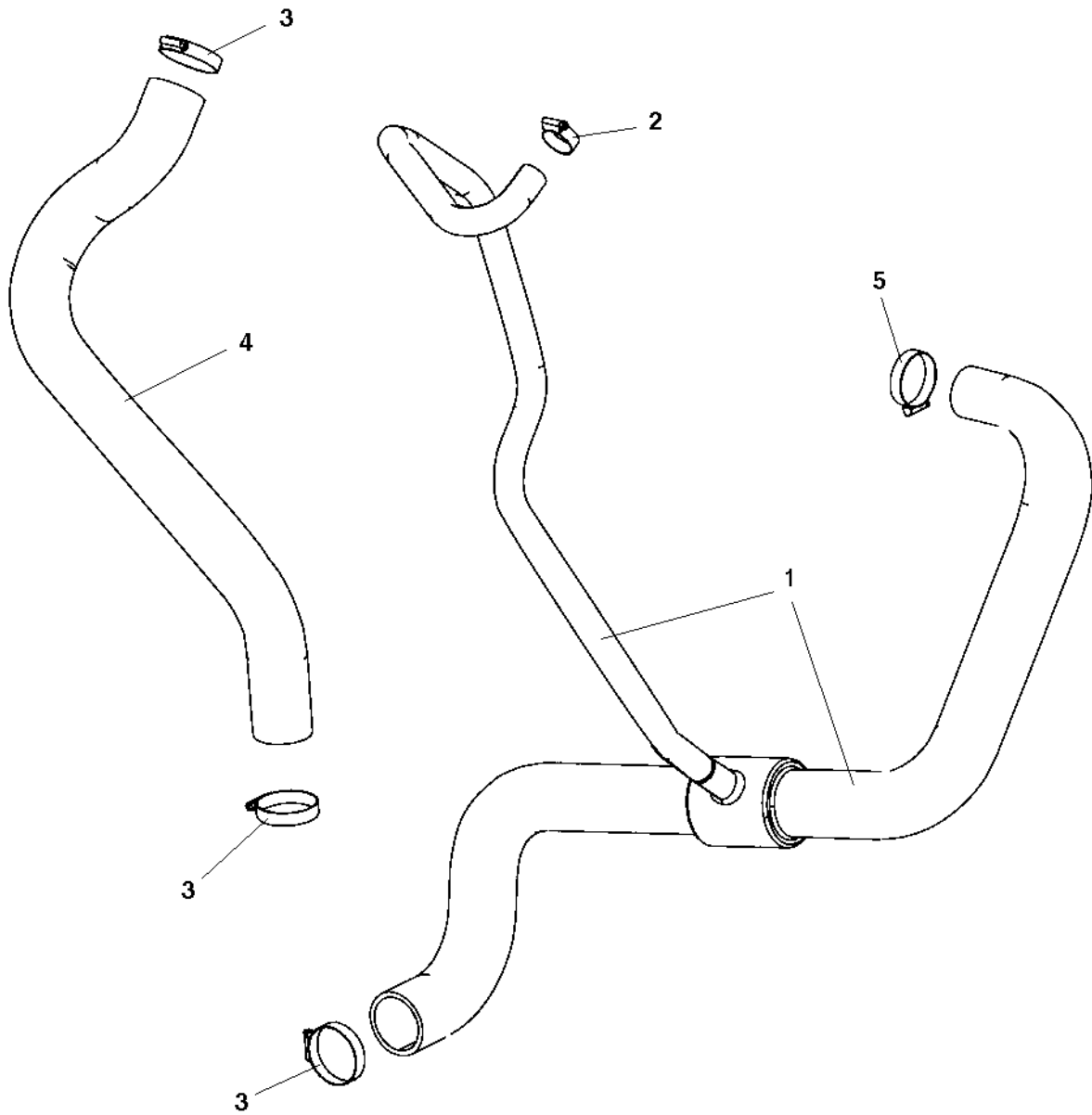
- A) Non certified
- B) EU flex.
- C) US flex.

Air cooler hoses



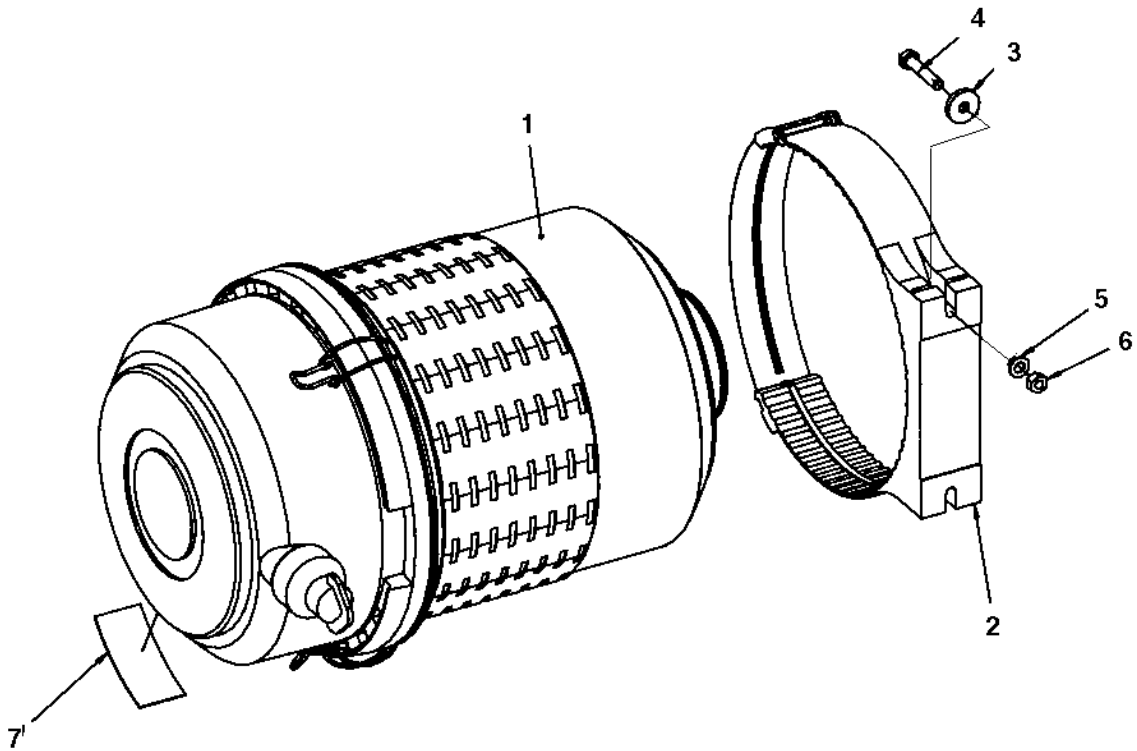
Air cooler hoses

Item	Part No	Rem Qty	Description	Code
1	4700390020	1	Charge air hose	D
2	4700386966	6	Hose clamp 2.3/4"-3.5/8"	B
3	4700390019	1	Charge air hose	D
4	4700391263	1	Charge air hose	D



Water cooler hoses

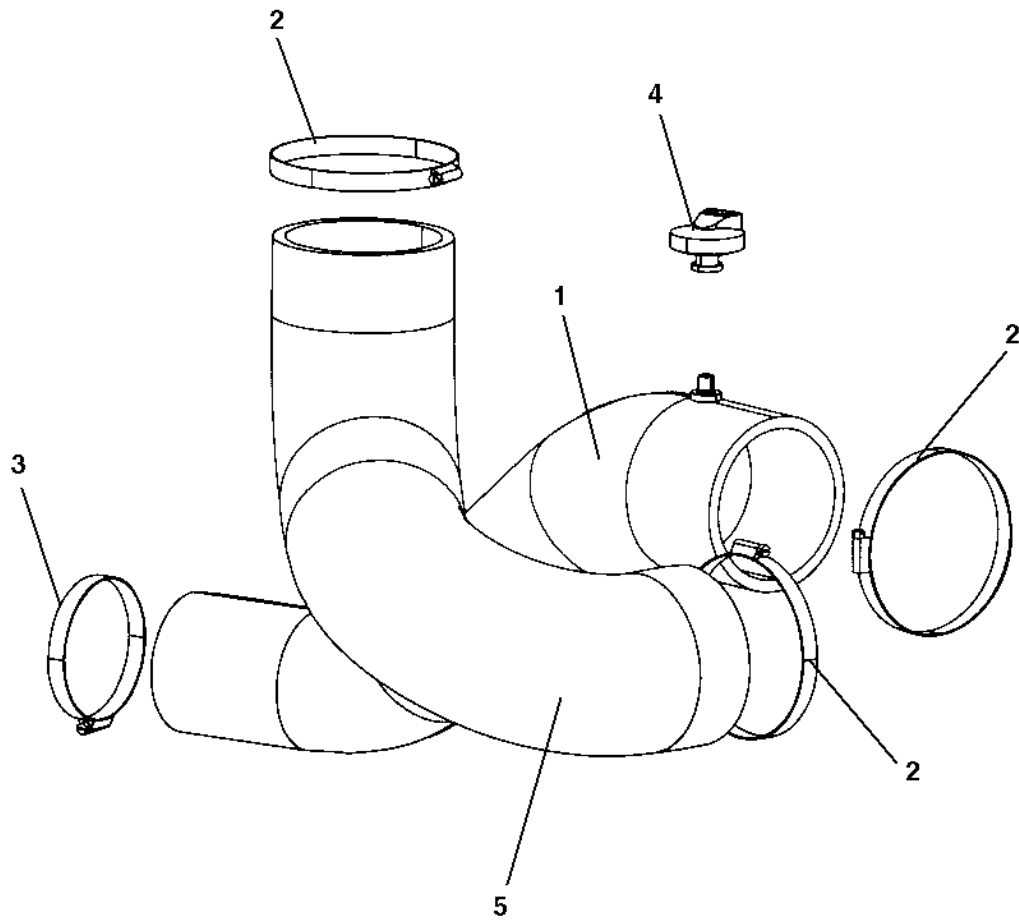
Item	Part No	Rem Qty	Description	Code
1	4700394267	1	Coolant hose	D
2	4700313004	1	Hose clamp 19-29mm	D
3	4700313010	3	Hose clamp	C
4	4700390024	1	Coolant hose	D
5	4700313009	1	Hose clamp	D



Air cleaner module

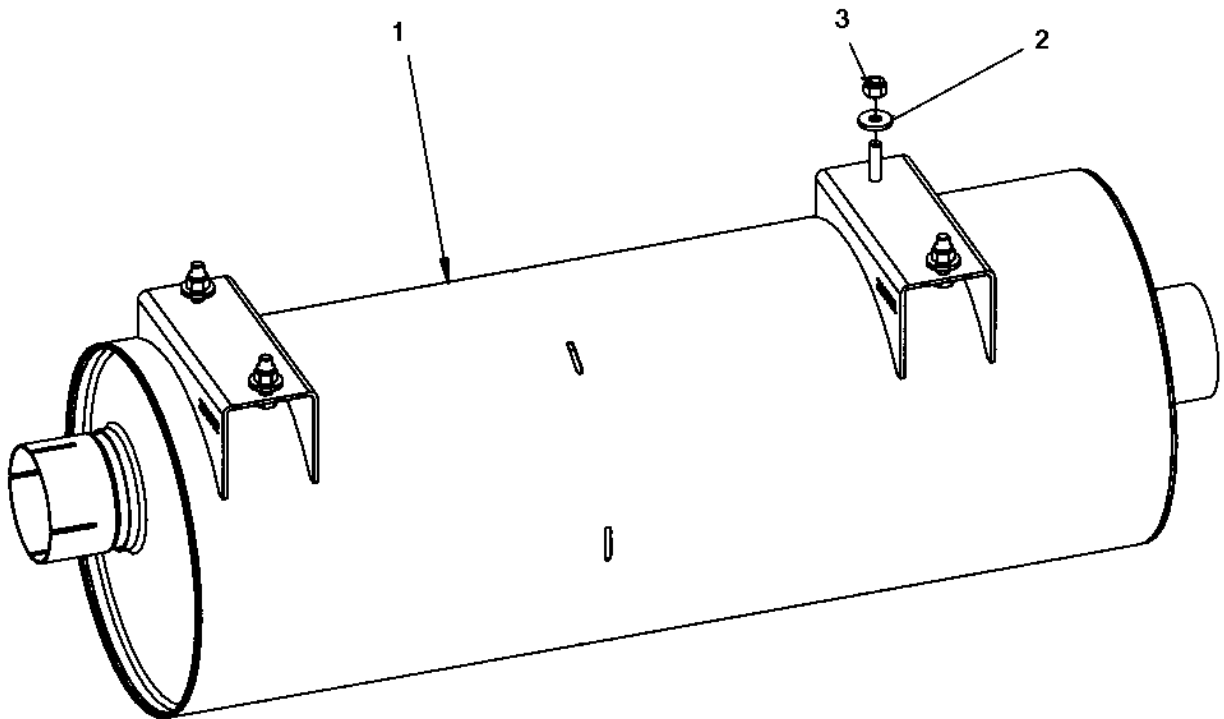
Item	Part No	Rem Qty	Description	Code
1	4700390820	1	Air cleaner	
	4700390995	1	. Main filter element	A
	4700390994	1	. Safety filter element	A
2	4700390811	1	Bracket	
3	4700904734	2	Washer 8,4x26x4	
4	4700500023	2	Screw M8-1,25x40 8,8	C
5	4700904229	2	Steel plain washer 8,4x16x1,5	C
6	4700570005	2	Nut M8	C
7	4700791642	1	Decal "WARNING" Use of starting fluid prohib.	D

Air cleaner hose module



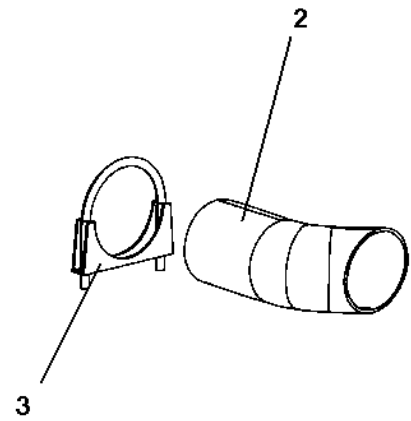
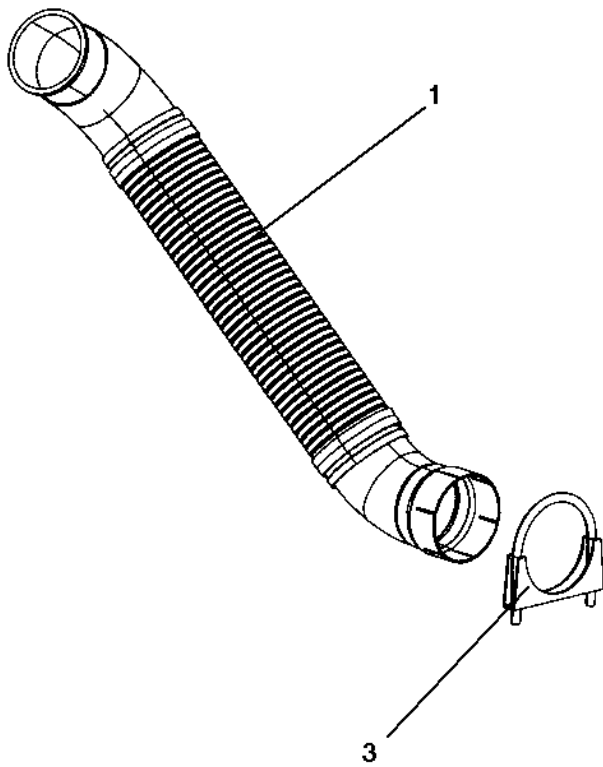
Air cleaner hose module

Item	Part No	Rem Qty	Description	Code
1	4700390021	1	Hose Up to 384S00326	D
	4700396220	1	Hose From 384S00327	D
2	4700313105	3	Hose clamp	
3	4700313033	1	Hose clamp	D
4	4700390830	1	Indicator	
5	4700390022	1	Hose Up to 384S00326	D
	4700396218	1	Hose From 384S00327	D



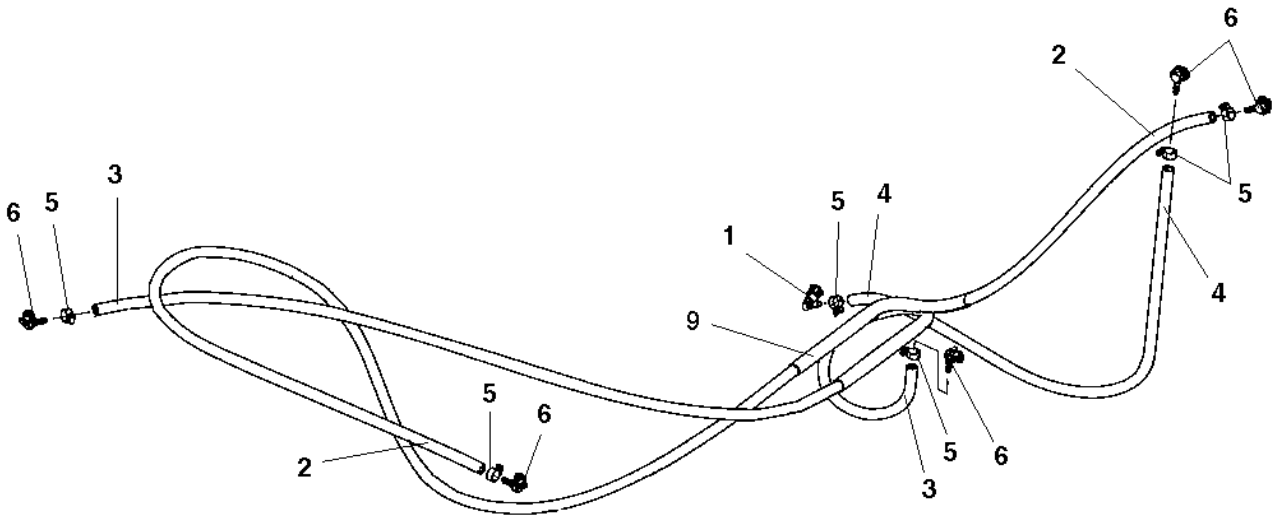
Muffler

Item	Part No	Rem Qty	Description	Code
1	4700390332	1	Muffler	D
2	4700904640	4	Washer 8,4x22x3	C
3	4700586003	4	Lock nut M8	C



Exhaust pipe module

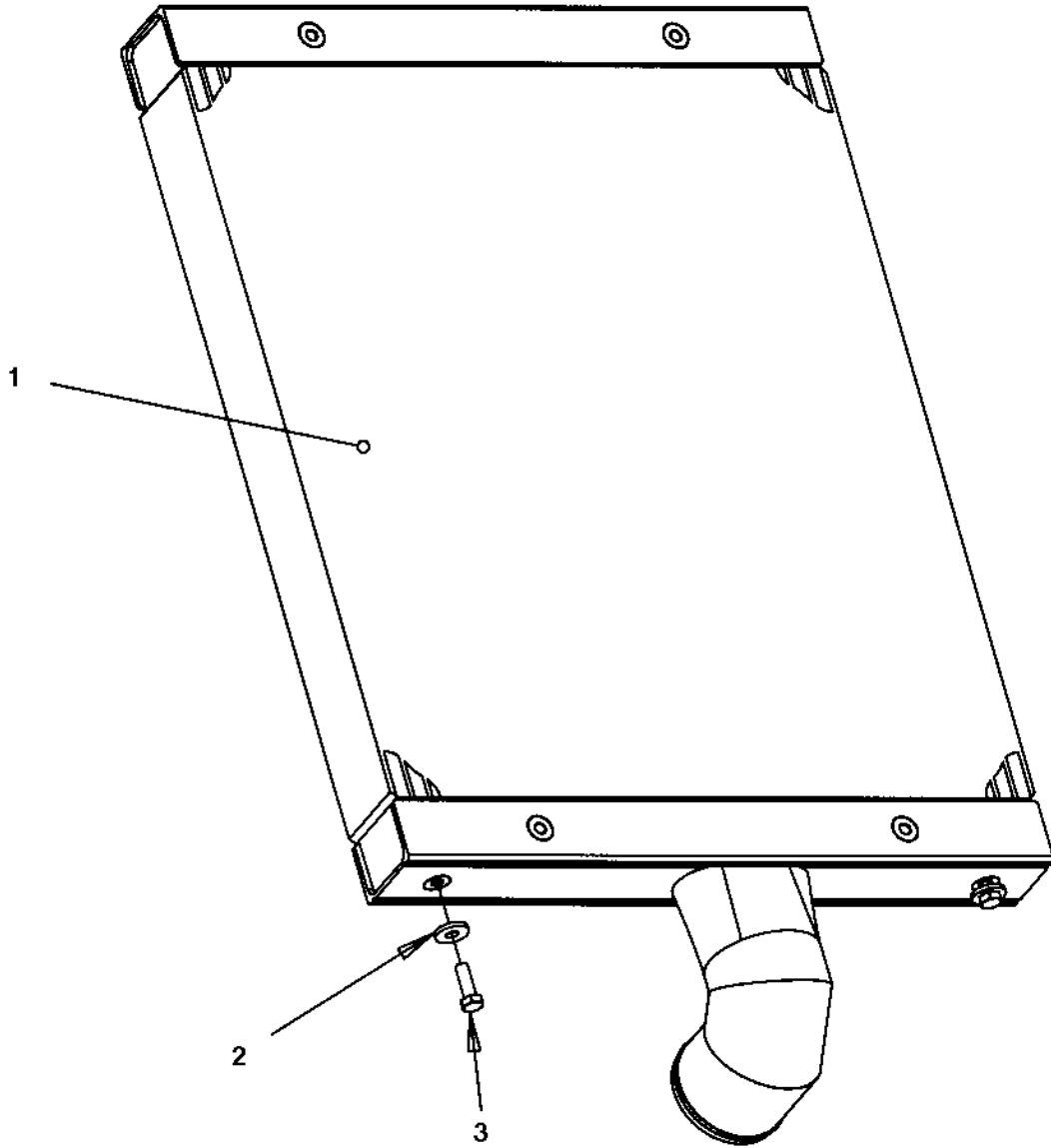
Item	Part No	Rem Qty	Description	Code
1	4700390902	1	Exhaust pipe	D
2	4700390903	1	Exhaust pipe	D
3	4700313094	2	Pipe clamp	C



Fuel hose module

Item	Part No	Rem	Qty	Description	Code
1	4700792522		1	Quick connect coupling	
2	4700904984	A	1XL	Fuel hose	C
3	4700904984	B	1XL	Fuel hose	C
4	4700904984	C	1XL	Fuel hose	C
5	4700313001		6	Hose clamp	C
6	4700792526		5	Quick connect coupling	
9	4700792695	D	1XL	Hose guard	D

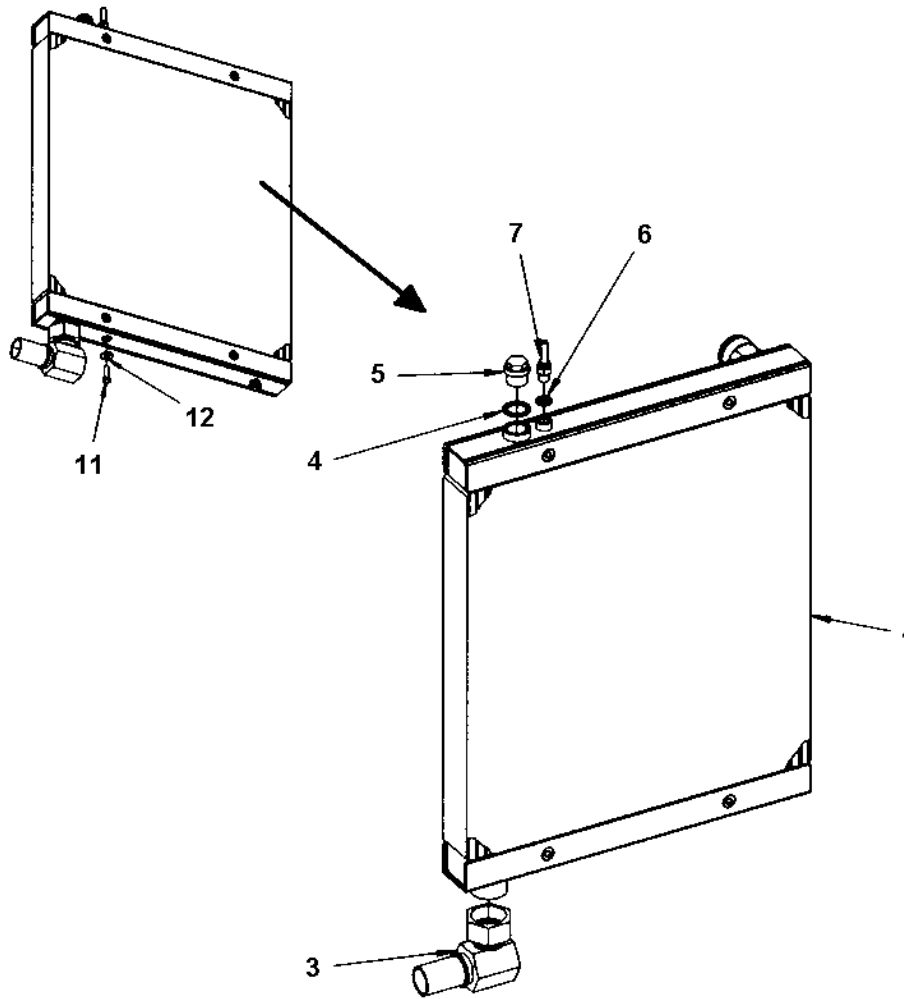
- A) L=3.72 m
- B) L=2.38 m
- C) L=1.29 m
- D) L= 0,5 m



Charge air cooler

Item	Part No	Rem Qty	Description	Code
1	4700390630	1	Charge air cooler	D
2	4700904640	2	Washer 8,4x22x3	C
3	4700500021	2	Screw M8-1,25x25 8.8	C

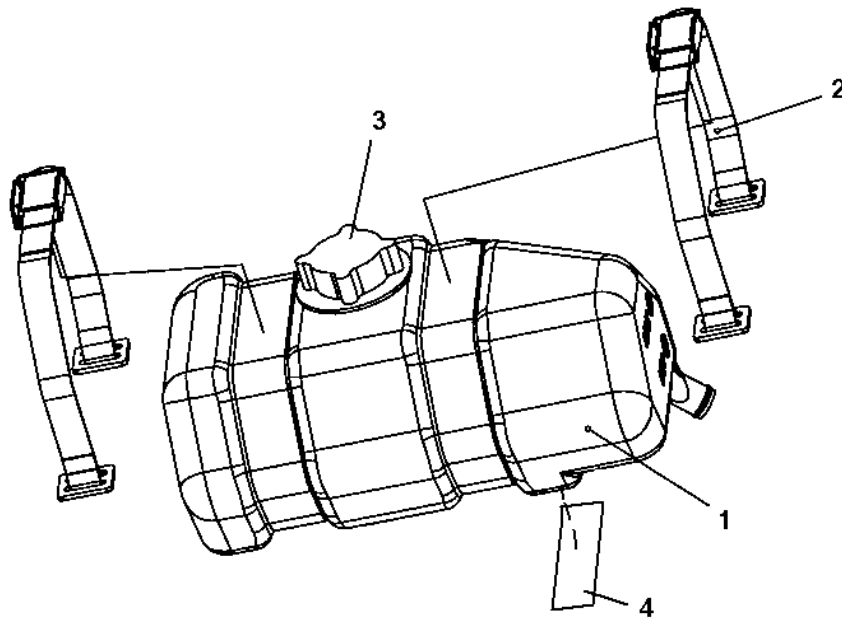
Water cooler



Water cooler

Item	Part No	Rem Qty	Description	Code
1	4700390627	1	Water cooler	D
3	4700792323	1	Hose connection	D
4	4700791120	1	Sealing washer	
5	4700232039	1	Plug G3/4	C
6	4700162004	1	Sealing	B
7	4700792322	1	Hose connection	C
11	4700500021	2	Screw M8-1,25x25 8.8	C
12	4700904640	2	Washer 8,4x22x3	C

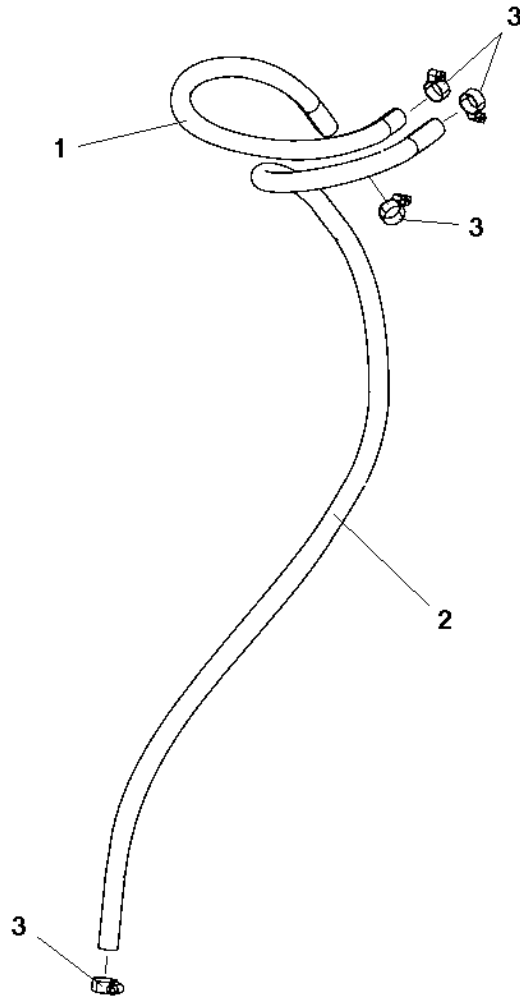
Expansion tank assembly



Expansion tank assembly

Item	Part No	Rem Qty	Description	Code
1	4700393029	1	Expansion tank	D
2	4700393235	2	Strap	D
3	4700903714	1	Cap	
4	4700394229	2	Rubber strip	

Coolant hoses



Coolant hoses

Item	Part No	Rem	Qty	Description	Code
1	4700246069	A	1XL	Fuel hose 3/8"	C
2	4700246069	B	1XL	Fuel hose 3/8"	C
3	4700313001		4	Hose clamp	C

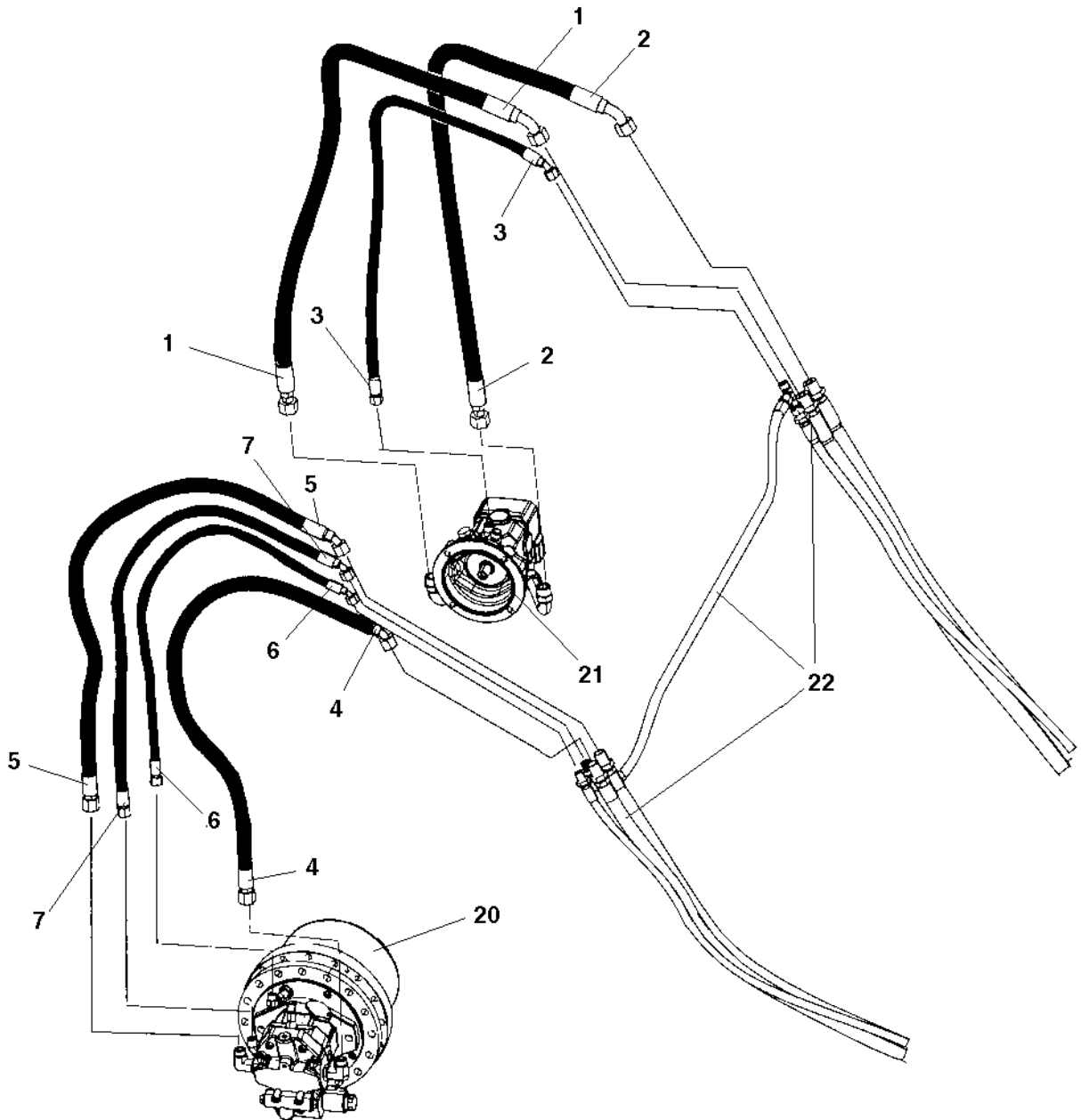
A) L= 0,54 m

B) L= 1,19 m

Hydraulic system

Item	Part No	Rem Qty	Description	Code
1			Hydraulic system, front drum (Page 234)	
2			Hydraulic system, rear drum std (Page 236)	
3			Hydraulic system, rear drum offset (Page 238)	
4			Hydraulic hoses, frame (Page 246)	
5			Hydraulic system, steering Std (Page 248)	
6			Hydraulic steering, sliding seat (Page 260)	
7			Hydraulic hoses, engine room (Page 266)	

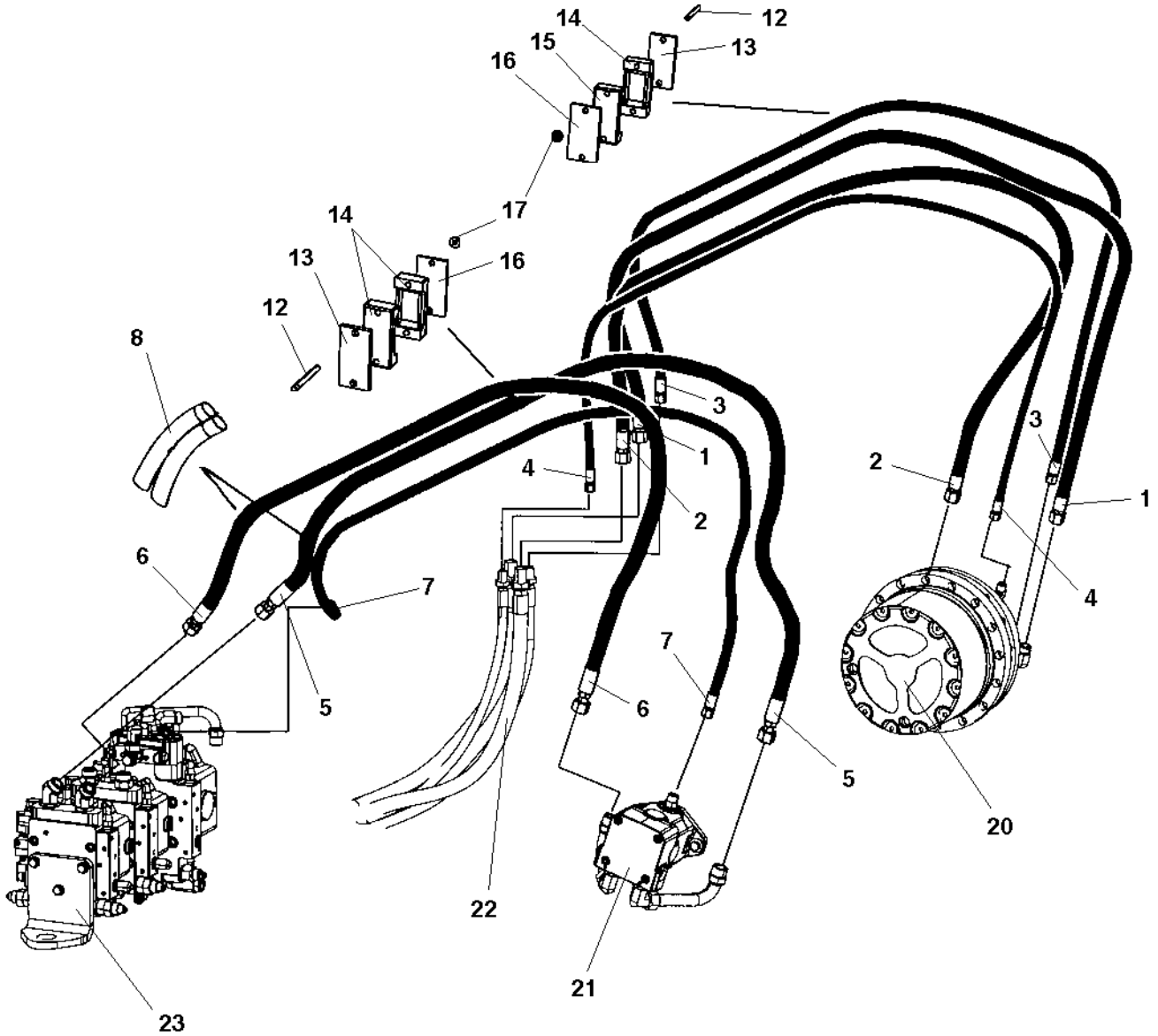
Hydraulic system, front drum



Hydraulic system, front drum

Item	Part No	Rem Qty	Description	Code
1	4700484075	1	Hydraulic hose	D
2	4700484076	1	Hydraulic hose	D
3	4700484077	1	Hydraulic hose	D
4	4700484078	1	Hydraulic hose	D
5	4700484079	1	Hydraulic hose	D
6	4700484080	1	Hydraulic hose	D
7	4700484081	1	Hydraulic hose	D
20			Drive unit (Page 178)	
21			Vibrating unit Rexroth (Page 188)	
			Vibrating unit Sauer (Page 194)	
22			Hydraulic hoses, frame	

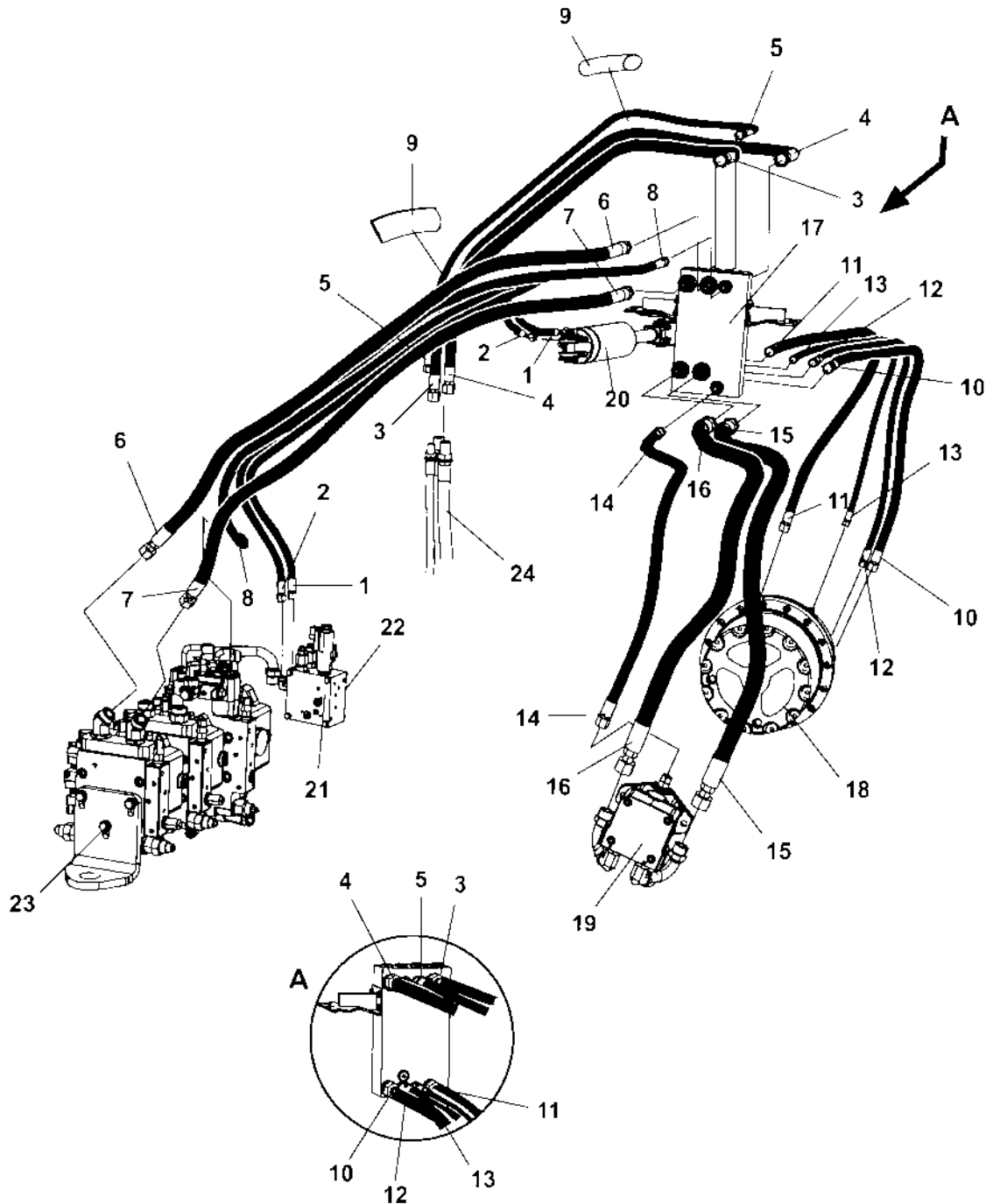
Hydraulic system, rear drum std



Hydraulic system, rear drum std

Item	Part No	Rem Qty	Description	Code
1	4700483748	1	Hydraulic hose	D
2	4700483960	1	Hydraulic hose	D
3	4700484084	1	Hydraulic hose	D
4	4700484064	1	Hydraulic hose	D
5	4700484236	1	Hydraulic hose	D
6	4700484066	1	Hydraulic hose	D
7	4700484067	1	Hydraulic hose	D
8	4700903082	N	Hose shield	D
12	4700904629	4	Stud	
13	4700349210	2	Rubber plate	D
14	4700343872	3	Hose clamp	D
15	4700343732	1	Hose clamp	
16	4700335914	2	Cover plate	D
17	4700570103	4	Nut M10	D
20			Drive unit (Page 178)	
21			Vibrating unit Rexroth (Page 188)	
			Vibrating unit Sauer (Page 194)	
22			Hydraulic hoses, frame	
23			Hydraulic pump (Page 274)	

Hydraulic system, rear drum offset

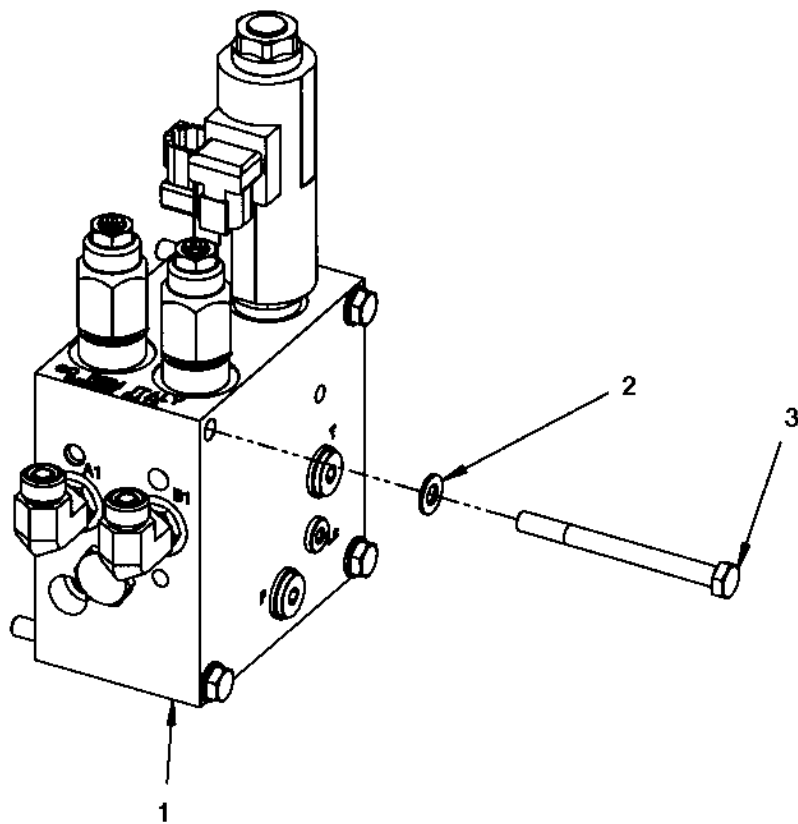


Hydraulic system, rear drum offset

Item	Part No	Rem	Qty	Description	Code
1	4700484046		1	Hydraulic hose	D
2	4700484047		1	Hydraulic hose	D
3	4700484048		1	Hydraulic hose	D
4	4700484049		1	Hydraulic hose	D
5	4700484050		1	Hydraulic hose	D
6	4700484051		1	Hydraulic hose	D
7	4700484052		1	Hydraulic hose	D
8	4700484053		1	Hydraulic hose	D
9	4700903082		0	Hose shield	D
10	4700484054		1	Hydraulic hose	D
11	4700484055		1	Hydraulic hose	D
12	4700484056		1	Hydraulic hose	D
13	4700484057		1	Hydraulic hose	D
14	4700484058		1	Hydraulic hose	D
15	4700484059		1	Hydraulic hose	D
16	4700484059		1	Hydraulic hose	D
17			1	Connection block (Page 158)	
18			1	Drive unit (Page 178)	
19			1	Vibrating unit Rexroth (Page 188)	
			1	Vibrating unit Sauer (Page 194)	
20	4700391024		1	Steering cylinder (Page 164)	
21			1	Hydraulic valve module, offset/combi (Page 240)	
22	4700891374	1	4	O-ring	
23			1	Hydraulic pump (Page 274)	
24			1	Hydraulic hoses, frame	

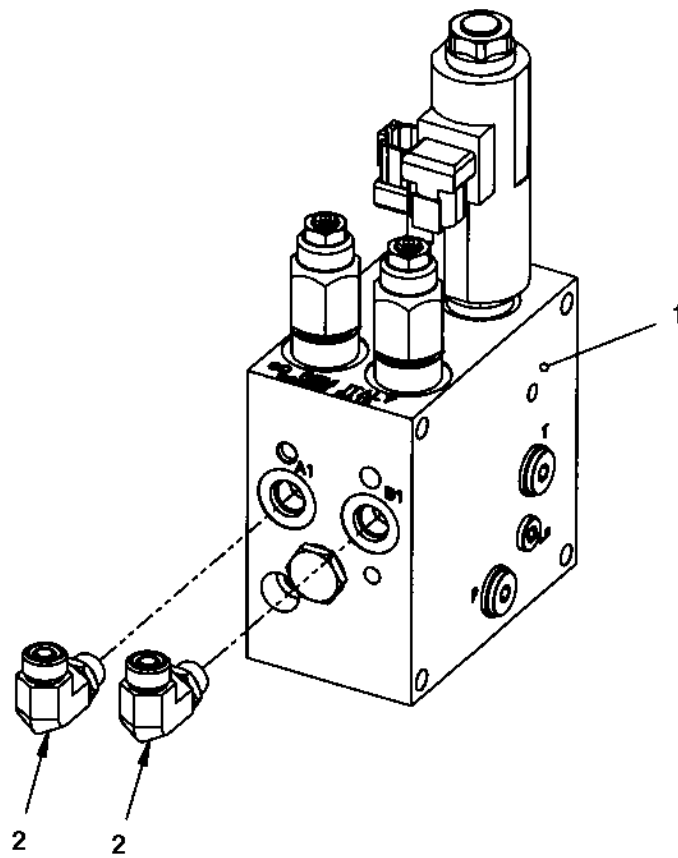
1) Fitted between PN 4700391575 and standard valve PN 4700391574.

Hydraulic valve module, offset/combi



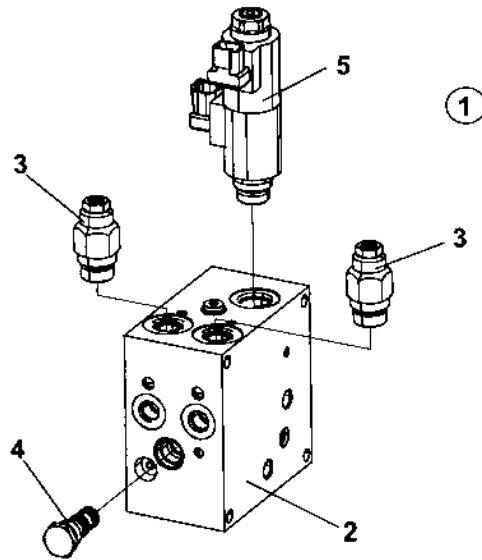
Hydraulic valve module, offset/combi

Item	Part No	Rem Qty	Description	Code
1		1	Hydraulic valve (Page 242)	
2	4700904229	4	Steel plain washer 8,4x16x1,5	C
3	4700500115	4	Hexagon head screw M8x90 8.8	C



Hydraulic valve

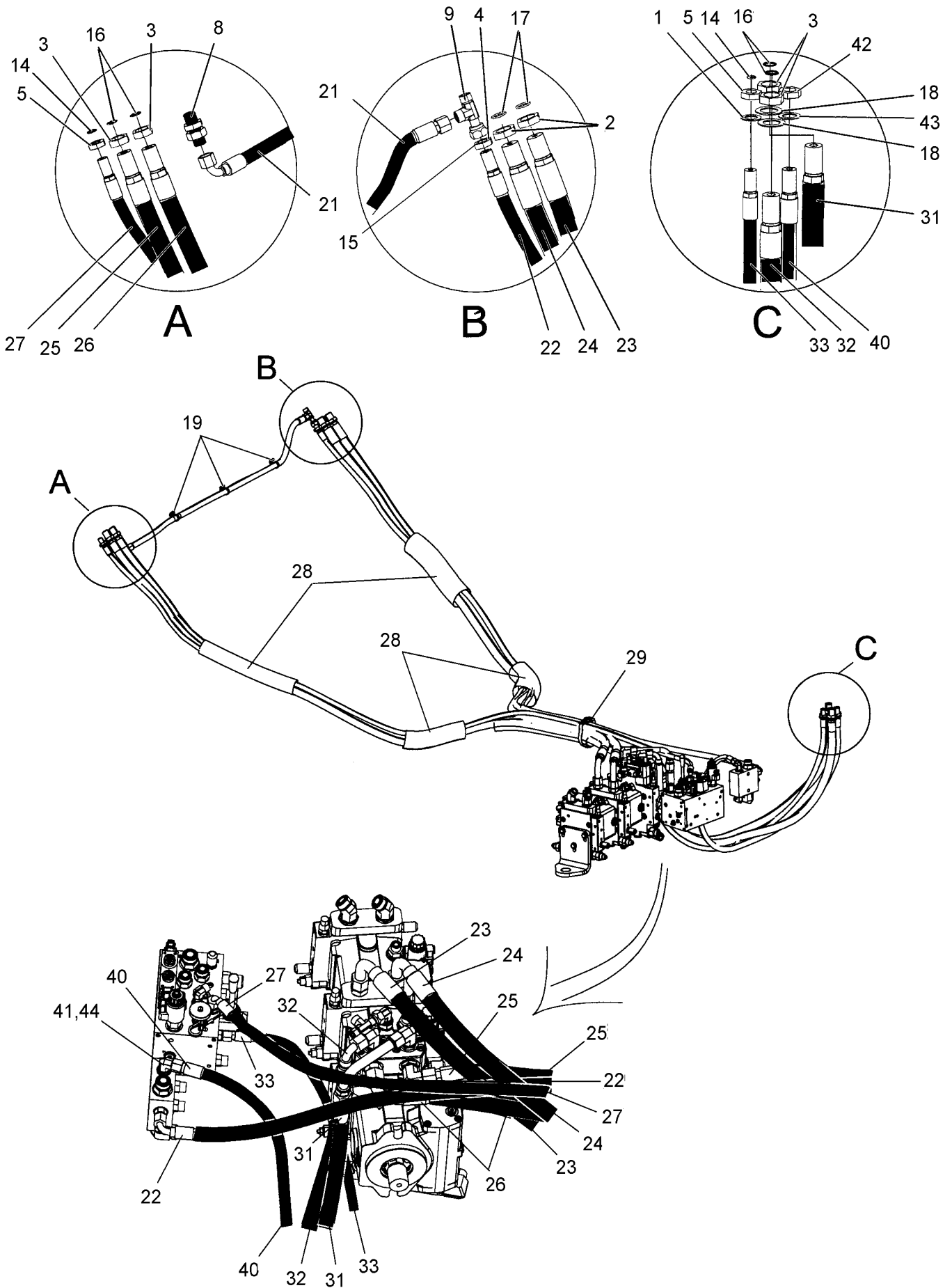
Item	Part No	Rem Qty	Description	Code
1	4700391017	1	Hydraulic valve (Page 244)	C
2	4700791846	2	Elbow 90, O-ring with swivel	C



4700391017 Hydraulic valve

Item	Part No	Rem Qty	Description	Code
1		1	Hydraulic valve	
2		1	. Valve block	
3	4812155790	2	. Pressure relief valve	C
4	4700940572	1	. Shuttle valve	D
5	4812156159	1	. Proportional valve	

Hydraulic hoses, frame

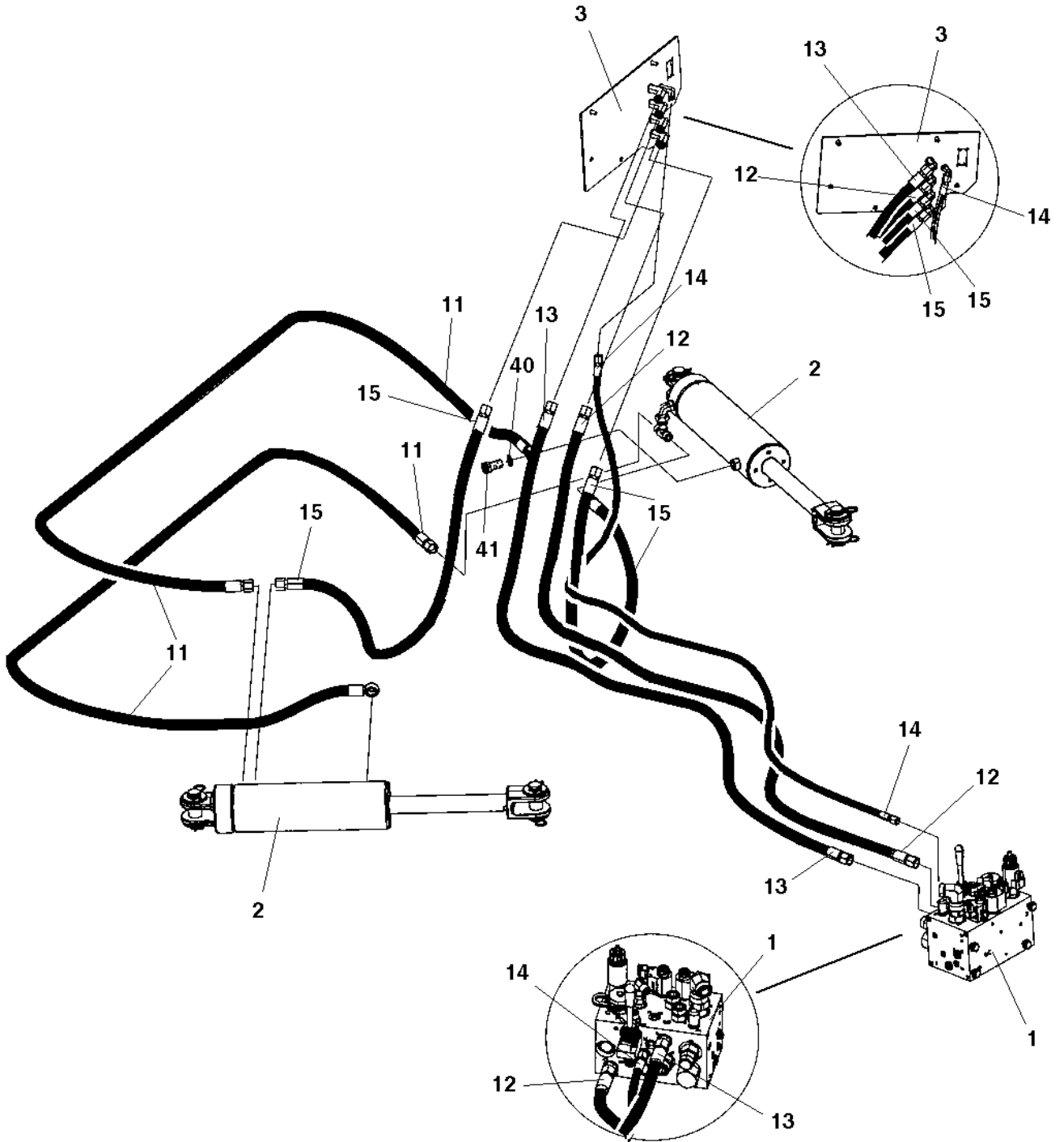


Hydraulic hoses, frame

Item	Part No	Rem	Qty	Description	Code
1	4700606009		1	Lock washer	D
2	4700792454		2	Nut	D
3	4700792453		4	Nut	D
4	4700792452		1	Nut	D
5	4700792451		2	Nut	D
8	4700792344	A	1	Bulkhead union	D
9	4700791798	A	1	T-connector	D
14	4700792632		2	O-ring	D
15	4700904008		1	O-ring	
16	4700904009		4	O-ring	D
17	4700904010		2	O-ring	C
18	4700792720		2	Serrated lock washer	D
19	4700792442		3	Cable tie with holder	D
21	4700484014		1	Hydraulic hose	D
22	4700484015	A,C	1	Hydraulic hose	D
23	4700484016	A,D	1	Hydraulic hose	D
24	4700484017	A,D	1	Hydraulic hose	D
25	4700484018	A,E	1	Hydraulic hose	D
26	4700484019	A,E	1	Hydraulic hose	D
27	4700484020	A,F	1	Hydraulic hose	D
28	4700792700		4	Hose guard	
29	4812110293		1	Strap	D
31	4700484021	B,G	1	Hydraulic hose	D
32	4700484022	B,G	1	Hydraulic hose	D
33	4700484023	B,G	1	Hydraulic hose	D
40	4700484045	2	1	Hydraulic hose	D
41	4700791841	2	1	Elbow 90 orfs	
42	4700792452	2	1	Nut	D
43	4700606021	2	1	Serrated lock washer	D
44	4700792512	1	1	Steel plug threaded	D

- 1) Used on machine with offset drum or combi rear.
- 2) Not used on a machine with offset drum or combi rear.
- A) Front
- B) Rear
- C) Vibration motor to valve
- D) Vibration motor to pump
- E) Propulsion motor to pump
- F) Propulsion motor to valve
- G) Propulsion

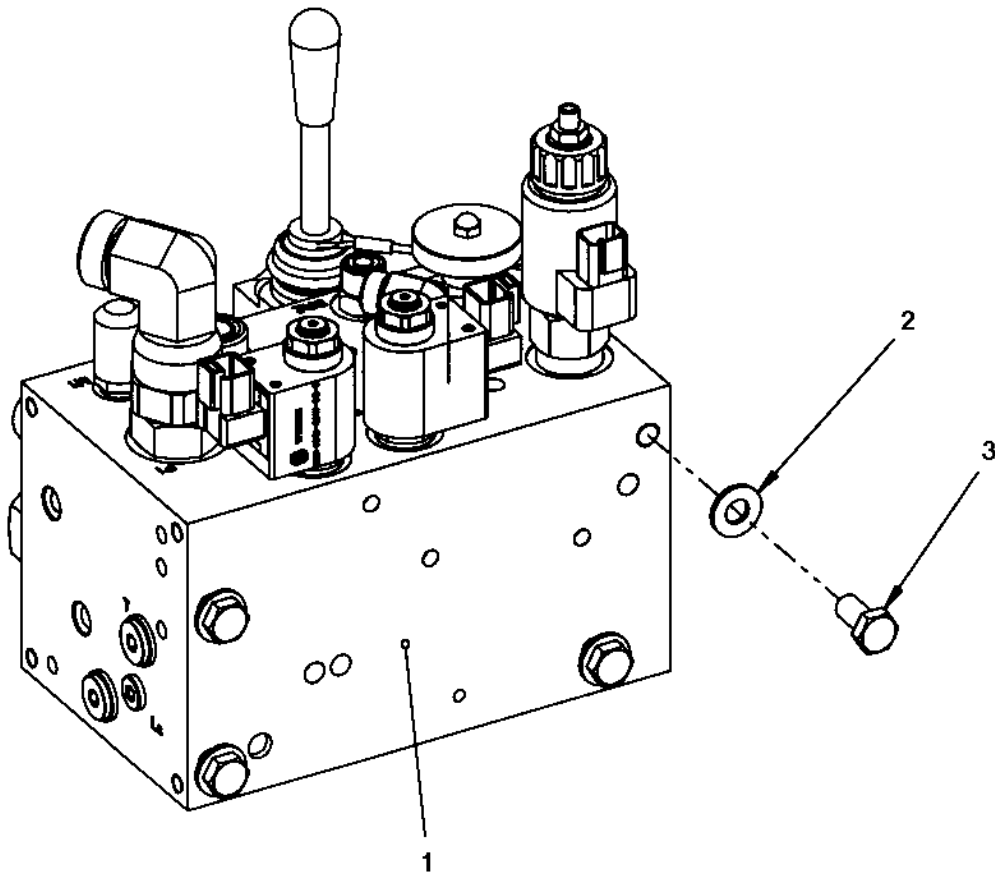
Hydraulic system, steering Std



Hydraulic system, steering Std

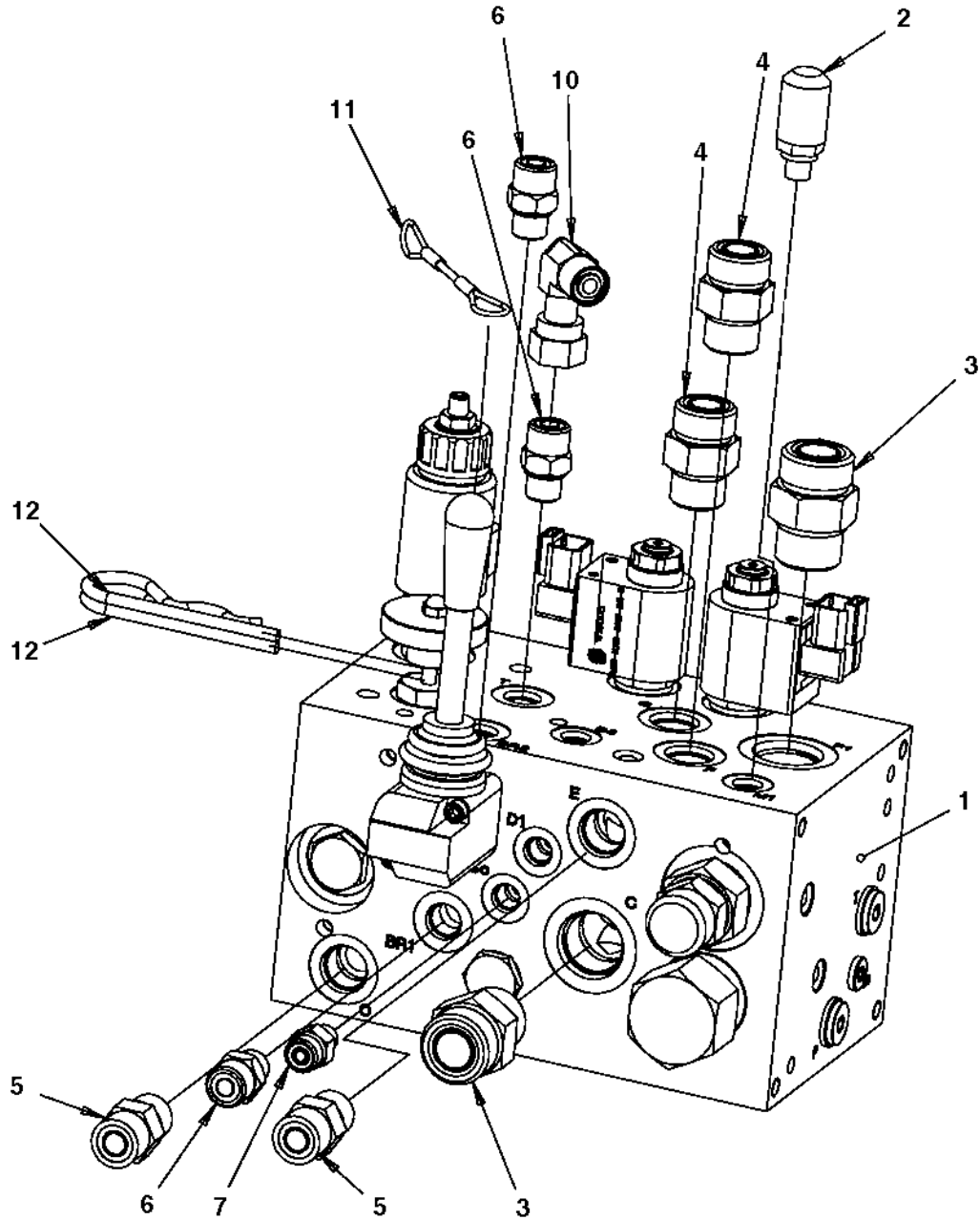
Item	Part No	Rem	Qty	Description	Code
1			1	Hydraulic valve module (Page 250)	
2		A	2	Steering cylinder	
3			1	Hose bracket (Page 258)	
11	4700393364		2	Hydraulic hose	D
12	4700484024		1	Hydraulic hose	D
13	4700484025		1	Hydraulic hose	D
14	4700484026		1	Hydraulic hose	D
15	4700484027		2	Hydraulic hose	D
40	4700162015		4	Seal ring	D
41	4700904292		2	Hollow screw	
A)	See section "Front frame"				

Hydraulic valve module



Hydraulic valve module

Item	Part No	Rem Qty	Description	Code
1		1	Hydraulic valve (Page 252)	
2	4700904230	4	Steel plain washer	C
3	4700500028	4	Screw	C

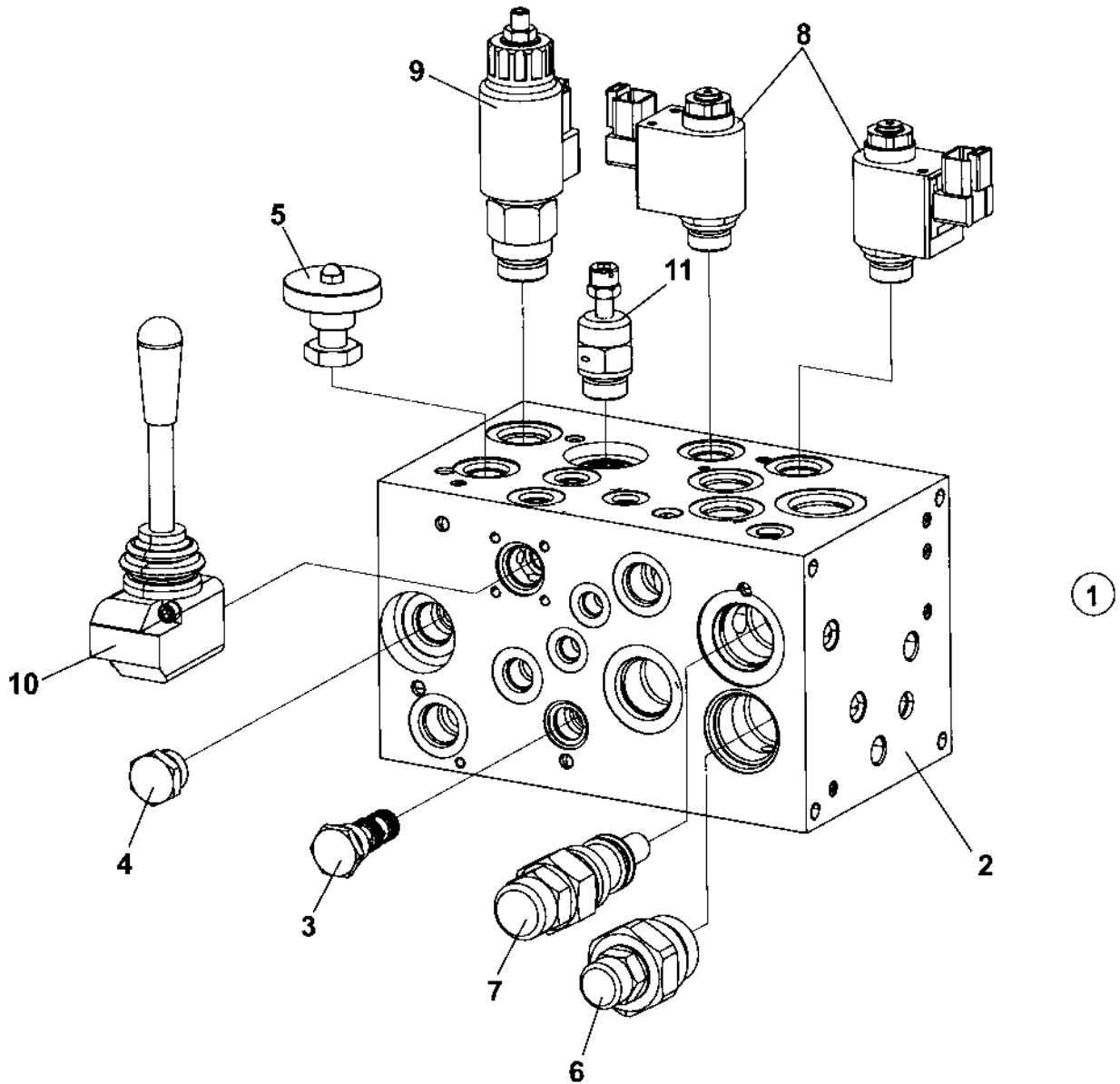


Hydraulic valve

Item	Part No	Rem	Qty	Description	Code
1	4700391016	1	1	Hydraulic valve (Page 254)	C
	4700395924		1	Hydraulic valve (Page 256)	C
2	4700910162		1	Measuring nipple	D
3	4700791823		2	Straight connector orfs	
4	4700791743		2	Straight connector orfs	D
5	4700791799		2	Straight connector orfs	D
6	4700791409		3	Straight connector orfs	C
7	4700791744		1	Straight connector	
10	4700791401		1	Elbow 90, O-ring with swivel	C
11	4700358732		1	Wire	D
12	4700635061		2	Hair clip	B

1) PN 4700395924 can replace PN 4700391016

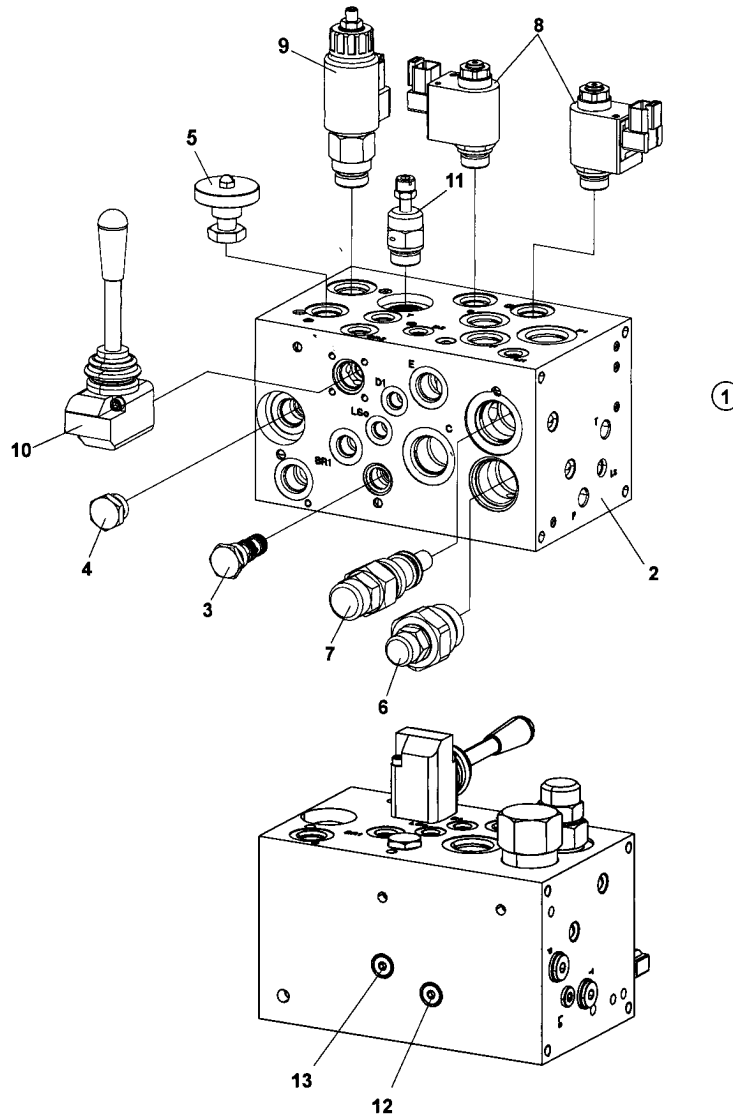
4700391016 Hydraulic valve



4700391016 Hydraulic valve

Item	Part No	Rem Qty	Description	Code
1		1	Hydraulic valve	
2		1	. Valve block	
3	4700940572	1	. Shuttle valve	D
4		1	. Check valve	
5		1	. Brake release valve	
6	4700950571	1	. Priority valve	
7	4700950572	1	. Pressure relief valve	
8	4700950570	2	. Solenoid valve	
9	4700950569	1	. Fan proportional valve	
10		1	. Brake release pump	
11		1	. Brake pressure relief valve	

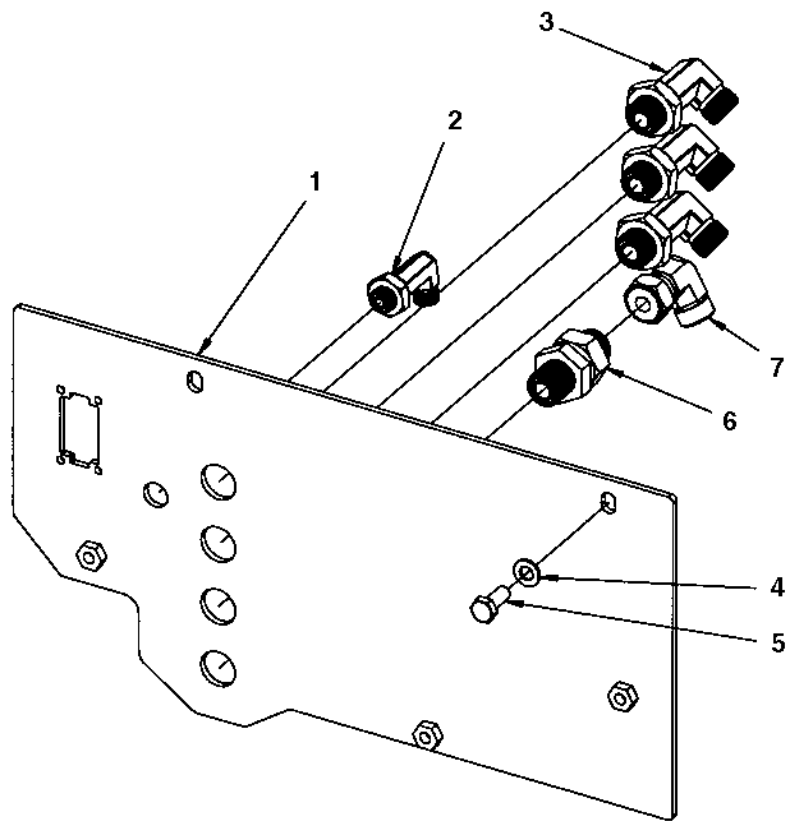
4700395924 Hydraulic valve



4700395924 Hydraulic valve

Item	Part No	Rem Qty	Description	Code
1		1	Hydraulic valve	
2		1	. Valve block	
3	4700940572	1	. Shuttle valve	D
4		1	. Check valve	
5		1	. Brake release valve	
6	4700950571	1	. Priority valve	
7	4700950572	1	. Pressure relief valve	
8	4700950570	2	. Solenoid valve	
9	4812156787	1	. Fan proportional valve	
10		1	. Brake release pump	
11		1	. Brake pressure relief valve	
12	4812157585	1	. Orifice with wire 0.5 mm	
13		1	. Orifice 0.75 mm	

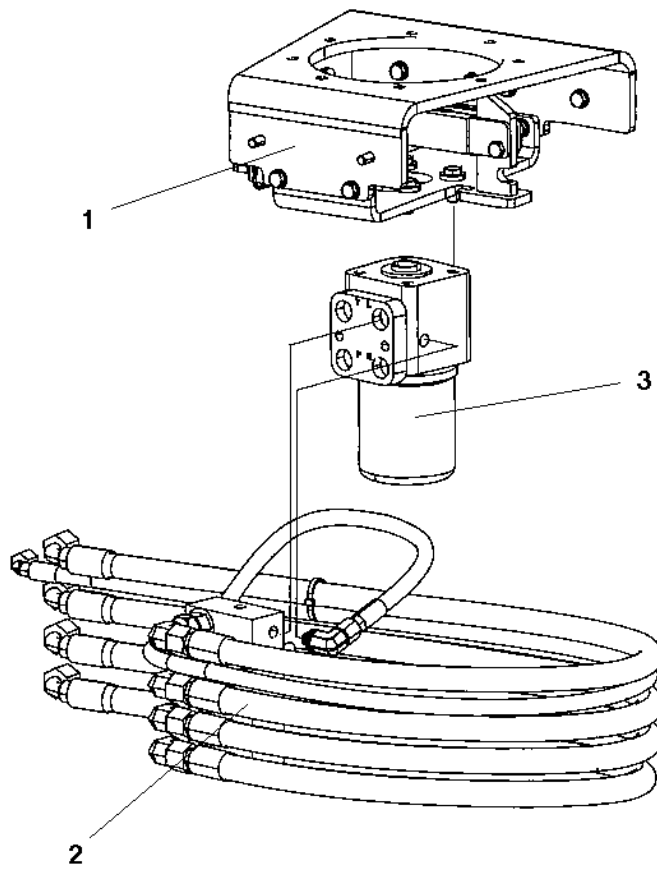
Hose bracket



Hose bracket

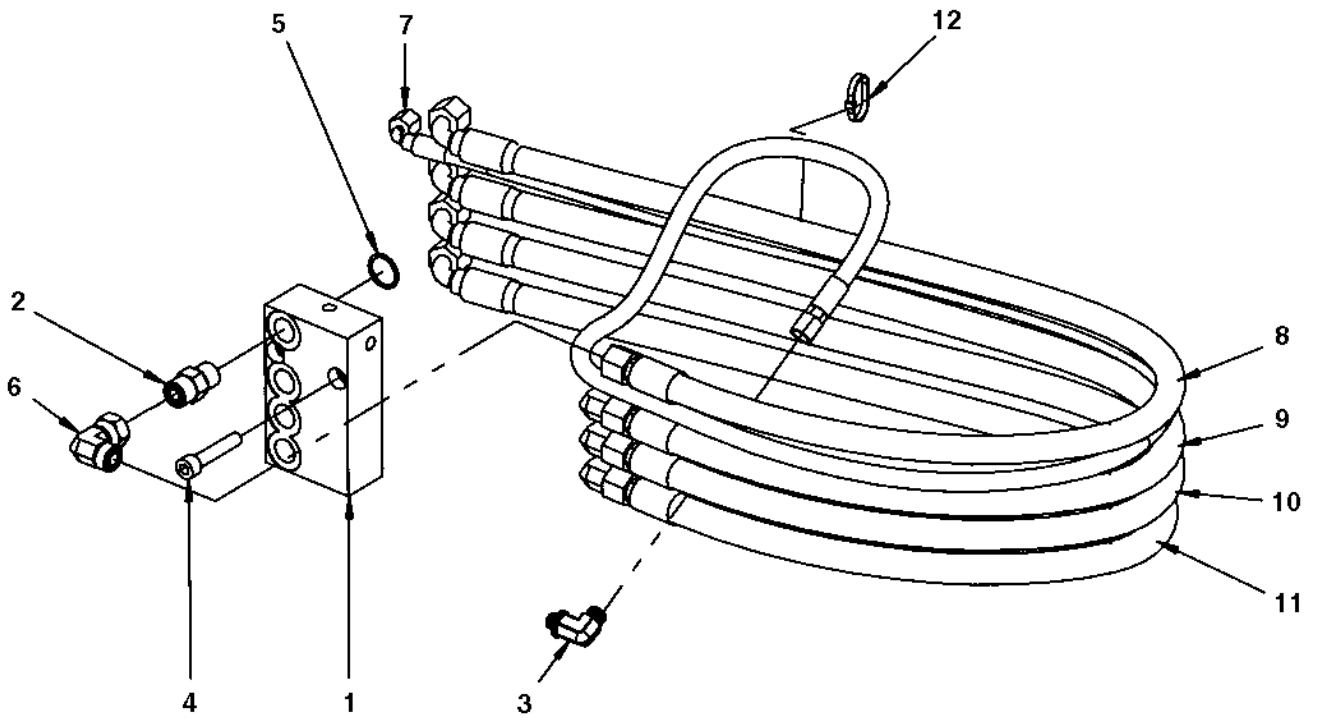
Item	Part No	Rem Qty	Description	Code
1	4700391192	1	Hose bracket	D
2	4700792343	1	Bulkhead elbow	
3	4700792342	4	Bulkhead elbow	
4	4700904229	2	Steel plain washer 8,4x16x1,5	C
5	4700500053	2	Screw M8x20H 8.8	C

Hydraulic steering, sliding seat



Hydraulic steering, sliding seat

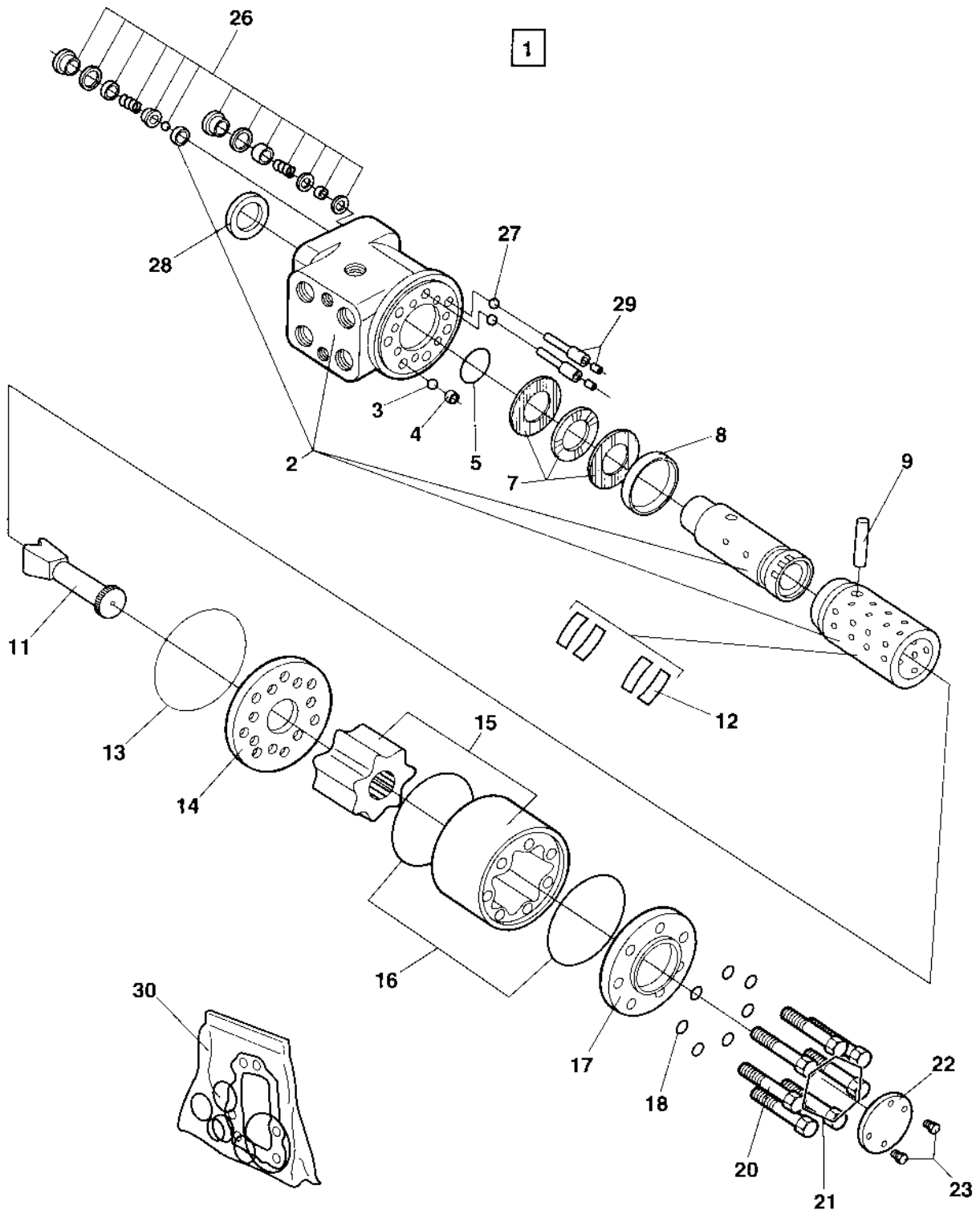
Item	Part No	Rem Qty	Description	Code
1		1	Carrier (Page 484)	
2		1	Steering, slideable (Page 262)	
3	4700372424	1	Pilot valve, steering (Page 264)	C
	4700392758	1	Pilot valve, emergency steering	



Steering, slideable

Item	Part No	Rem Qty	Description	Code
1	4700370155	1	Valve block	C
2	4700791799	4	Straight connector orfs	D
3	4700792334	1	Elbow 90 orfs	
4	4700903773	2	Screw M10x1x50 8,8	C
5	4700160287	4	O-ring	C
6	4700791745	4	Elbow 90, O-ring with swivel	D
7	4700484006	1	Hydraulic hose	
8	4700484007	1	Hydraulic hose	
9	4700484007	1	Hydraulic hose	
10	4700484007	1	Hydraulic hose	
11	4700484007	1	Hydraulic hose	
12	4700313041	N	Cable ties L=200 mm	B

4700372424 Pilot valve, steering

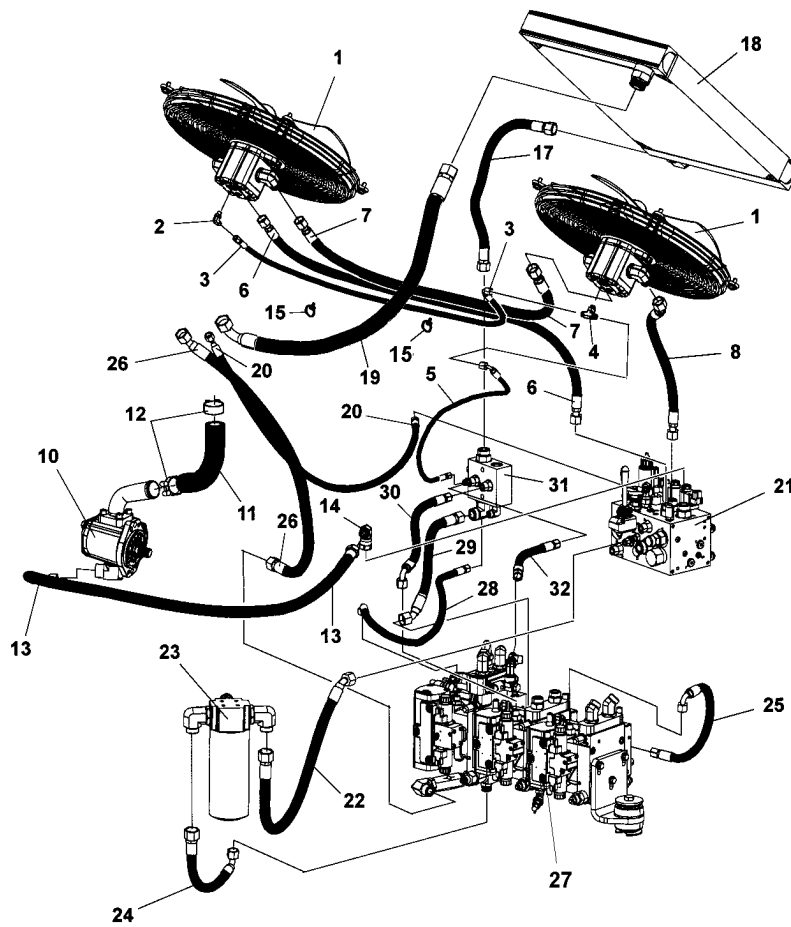


4700372424 Pilot valve, steering

Item	Part No	Rem Qty	Description	Code
1	4700372424	1	Pilot valve, steering (Page 264)	C
2		1	. Housing , spool and sleeve , cpl	
3	4700480468	1	. Ball	D
4	4700480446	1	. Threaded bushing	D
5		1	. O-ring	
7	4700911620	1	. Bearing	B
8	4700480449	1	. Ring	D
9	4700480447	1	. Cross pin	C
11	4700902861	1	. Cardan shaft	C
12	4700909211	1	. Set of springs	C
13		1	. O-ring	
14	4700902862	1	. Valve plate	C
15	4700903457	1	. Gear wheel set	D
16		1	2 . O-ring	
17	4700480450	1	. End cap	D
18		1	7 . Washer	
20	4700480456	1	. Screw with hole	D
21	4700935428	6	. Screw	
22		1	. Name plate	
23		2	. Screw	
26	4700929012	2	. Shock valve 22,5-24,0 MPa	C
27	4700929013	2	. Ball	D
28		1	1 . Seal ring	
29	4700929014	2	. Rolled pin	D
30	4700935429	1	. Seal kit	

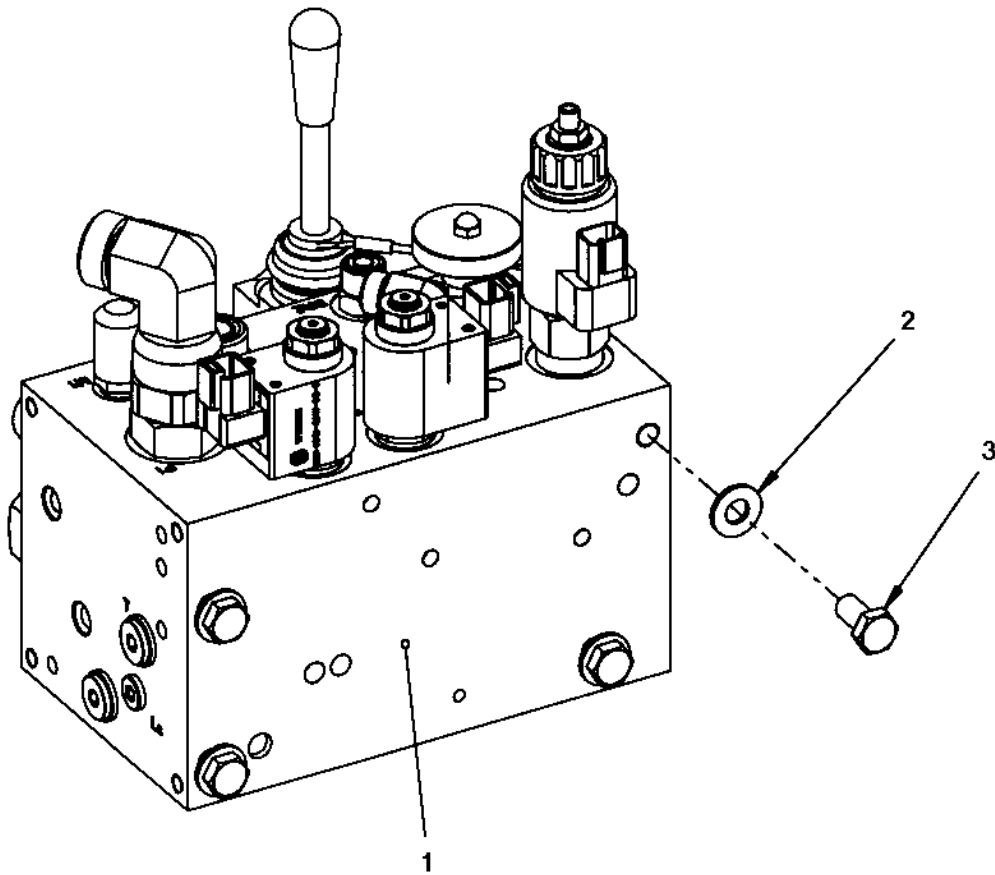
1) Included in seal kit item 30

Hydraulic hoses, engine room



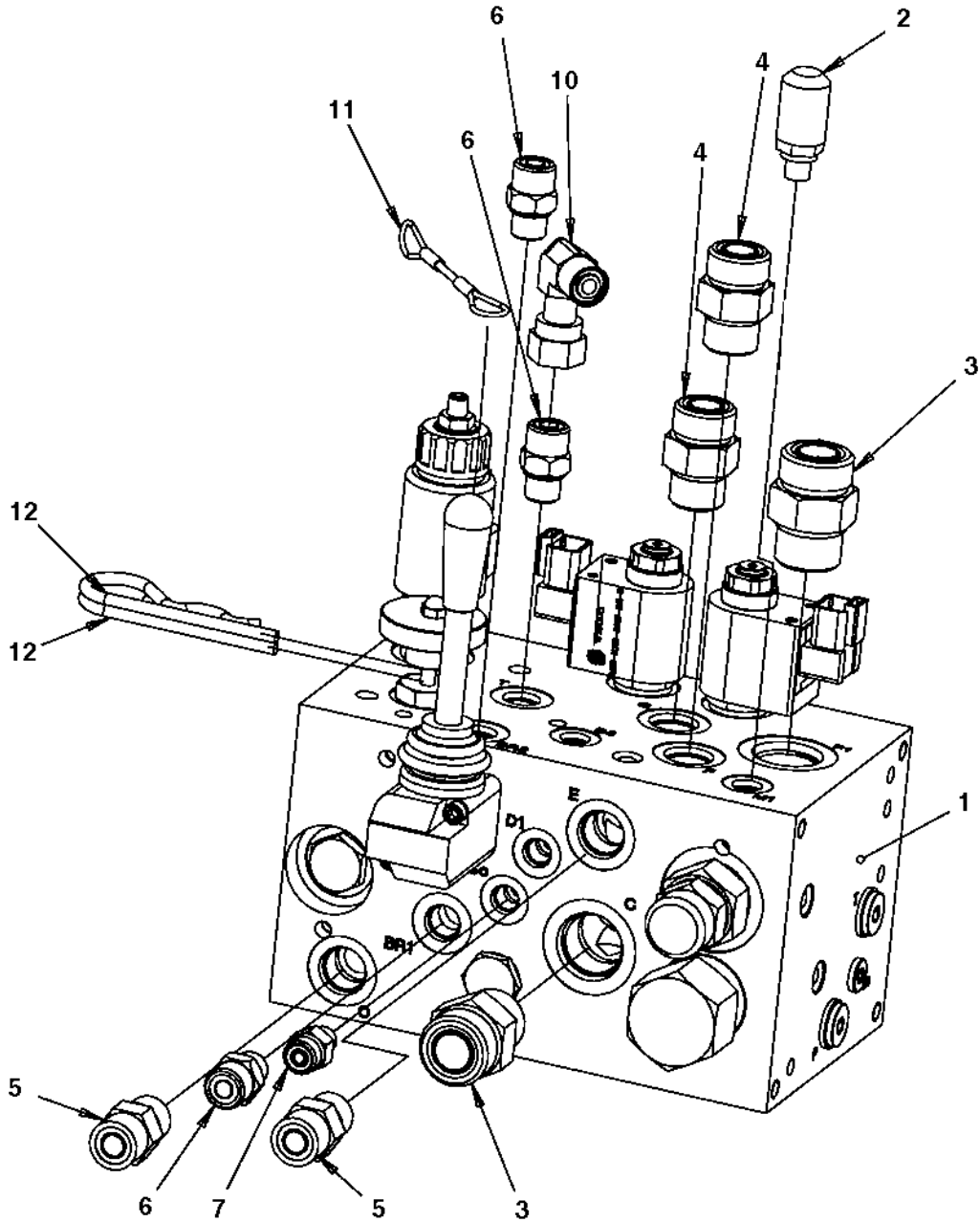
Hydraulic hoses, engine room

Item	Part No	Rem Qty	Description	Code
1		2	Fan (Page 72)	
2	4700791397	1	Elbow 90°, O-ring	D
3	4700484031	1	Hydraulic hose	D
4	4700792340	1	Tee-connector orfs	D
5	4700484032	1	Hydraulic hose	D
6	4812115903	1	Hydraulic hose	D
7	4700484028	1	Hydraulic hose	D
8	4700484030	1	Hydraulic hose	D
10		1	Steering pump	
11	4700792533	1	Hydraulic hose	D
12	4812114312	2	Clamp	
13	4700484033	1	Hydraulic hose	D
14	4700904584	1	Elbow connector 90°	C
15	4700792441	3	Cable tie with holder	C
17	4700484034	1	Hydraulic hose	D
18		1	Oil cooler (Page 70)	
19	4700484035	1	Hydraulic hose	D
20	4700484038	1	Hydraulic hose	D
21		1	Hydraulic valve module (Page 268)	
22	4700484039	1	Hydraulic hose	D
23	4812110667	1	Hydraulic oil filter	A
	4700391433	1	. Hydraulic oil filter element	A
	4812158269	1	. Filter switch	
	4700391432	1	Cleaning filter element	
24	4700484037	1	Hydraulic hose	D
25	4700484036	1	Hydraulic hose	D
26	4700484040	1	Hydraulic hose	D
27		1	Hydraulic pump module (Page 272)	
28	4700484043	1	Hydraulic hose	D
29	4700483729	1	Hydraulic hose	D
30	4700483726	1	Hydraulic hose	D
31		1	Connection block	
32	4700484161	1	Hydraulic hose	D



Hydraulic valve module

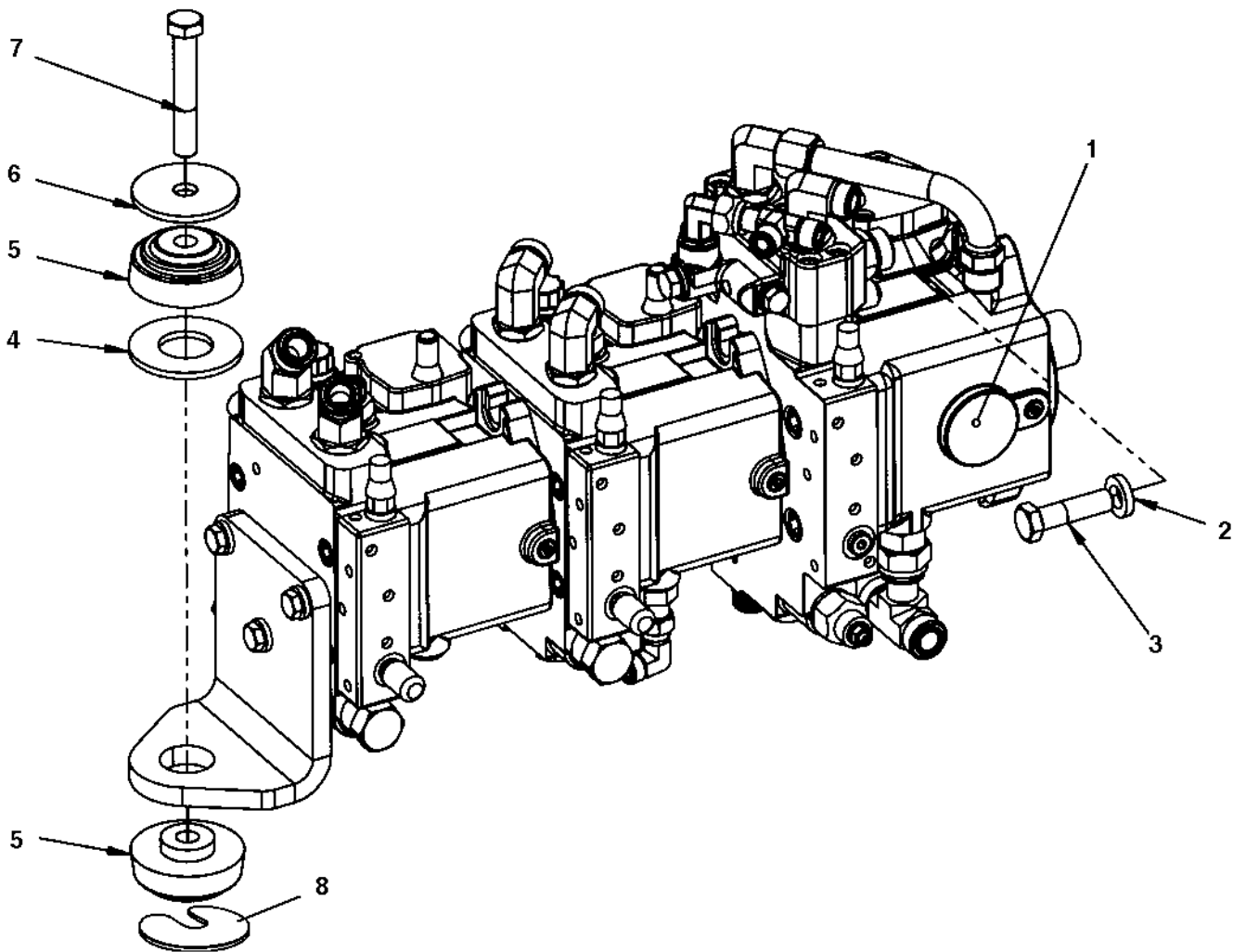
Item	Part No	Rem Qty	Description	Code
1		1	Hydraulic valve (Page 270)	
2	4700904230	4	Steel plain washer	C
3	4700500028	4	Screw	C



Hydraulic valve

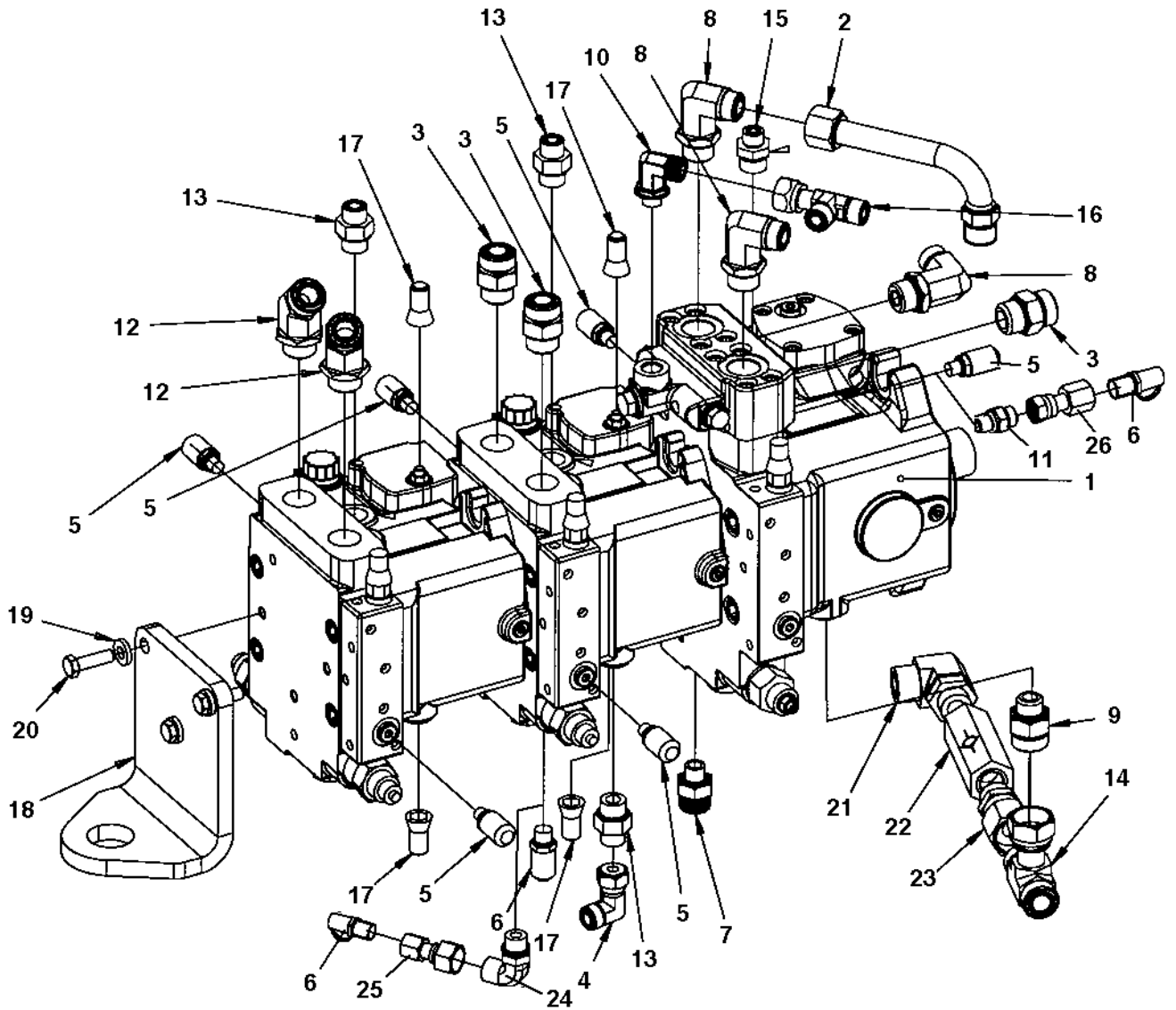
Item	Part No	Rem Qty	Description	Code
1	4700395924	1	Hydraulic valve (Page 256)	C
2	4700910162	1	Measuring nipple	D
3	4700791823	2	Straight connector orfs	
4	4700791743	2	Straight connector orfs	D
5	4700791799	2	Straight connector orfs	D
6	4700791409	3	Straight connector orfs	C
7	4700791744	1	Straight connector	
10	4700791401	1	Elbow 90, O-ring with swivel	C
11	4700358732	1	Wire	D
12	4700635061	2	Hair clip	B

Hydraulic pump module



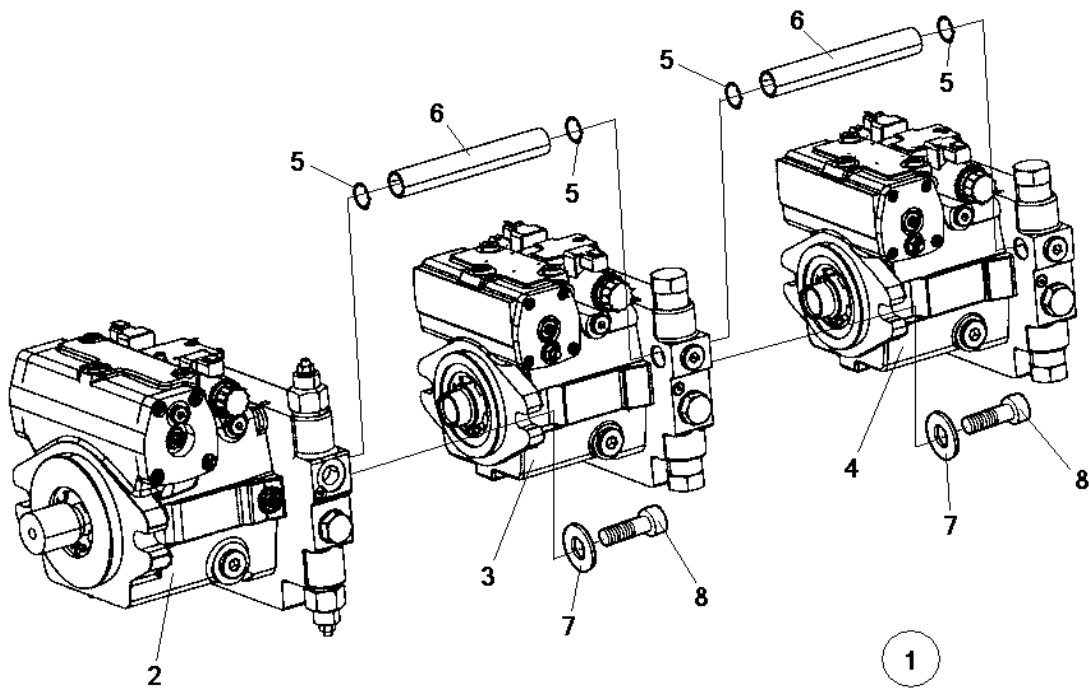
Hydraulic pump module

Item	Part No	Rem Qty	Description	Code
1		1	Hydraulic pump (Page 274)	
2	4700904558	2	Washer 17X30X6 300HV	C
3	4700500270	2	Screw M16x60 10,9	D
4	4700393625	1	Spacer washer	D
5	4700391165	2	Shock absorber	D
6	4700345666	1	Steel spacer	D
7	4700500107	1	Screw M16x100	D
8	4700397270	1	Steel spacer	D



Hydraulic pump

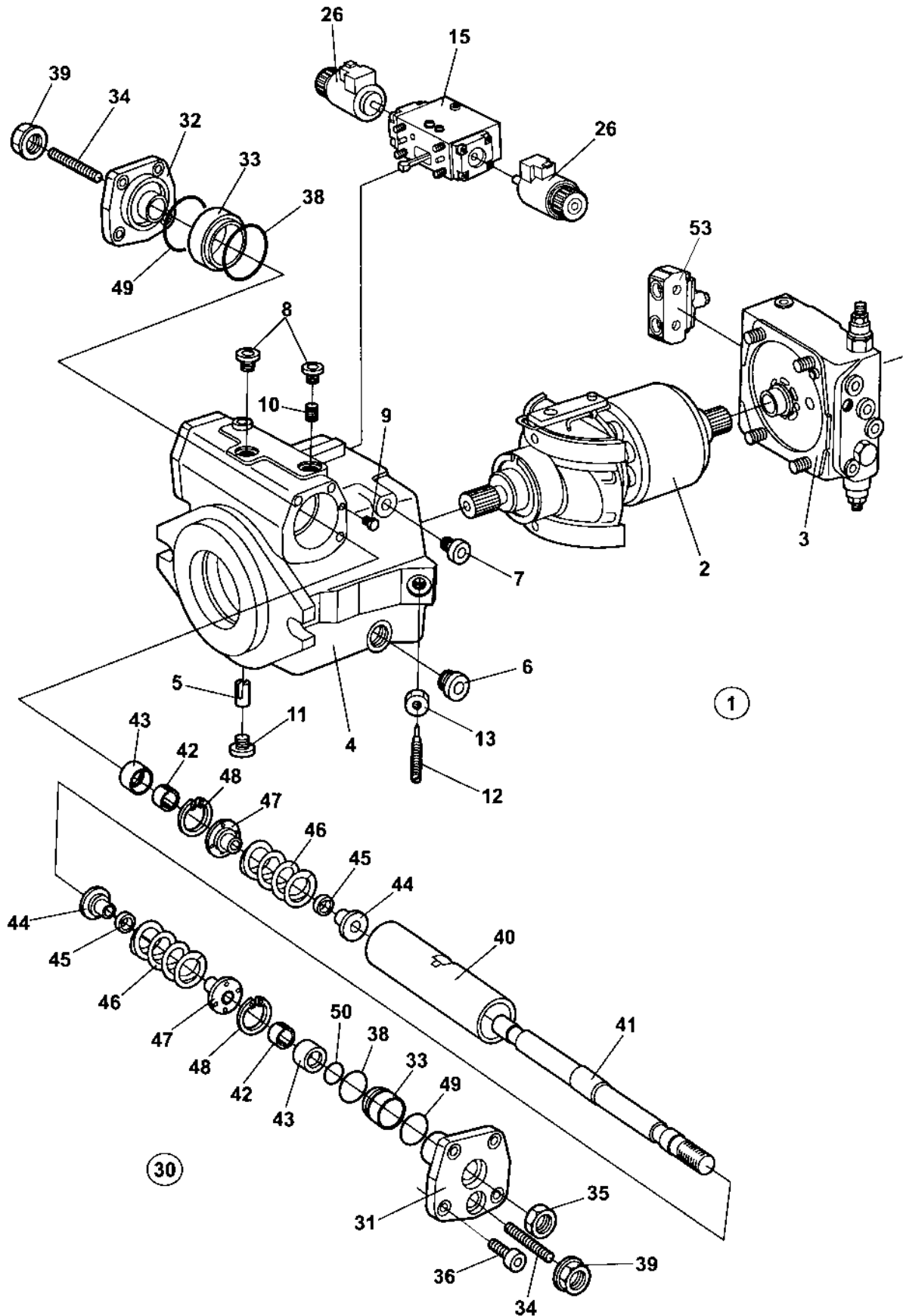
Item	Part No	Rem Qty	Description	Code
1	4700390602	1	Hydraulic pump (Page 276)	C
2	4700392048	1	Connector	D
3	4700791853	3	Straight connector orfs	D
4	4700791745	1	Elbow 90, O-ring with swivel	D
5	4700901157	6	Measuring nipple Up to 384S00189	C
	4700901157	5	Measuring nipple From 384S00190	C
6	4700902115	1	Measuring nipple Up to 384S00189	C
	4700923405	2	Measuring nipple From 384S00190	C
7	4700792465	1	Straight connector orfs	D
8	4700792331	3	Elbow 90 orfs	C
9	4700792336	1	Straight connector orfs	D
10	4700792333	1	Elbow 90 orfs	D
11	4700791538	1	Straight connector From 384S00190	C
12	4700792157	2	Elbow adapter 45	C
13	4700791635	3	Straight connector	D
14	4700791831	1	Tee-connector	D
15	4700791634	1	Adapter	D
16	4700791798	1	T-connector	D
17	4700392534	4	Sealing	
18	4700393624	1	Engine bracket	D
19	4700904557	3	Steel plain washer	C
20	4700500030	3	Screw M10x035H 8.8 A3K	C
21	4700791698	1	Elbow 90, O-ring with swivel	D
22	4700376922	1	Check valve	D
23	4700791824	1	Straight connector	D
24	4700792151	1	Elbow adapter 90 From 384S00190	
25	4700792219	1	Straight connector From 384S00190	D
26	4700792649	1	Straight connector orfs From 384S00190	D



4700390602 Hydraulic pump

Item	Part No	Rem Qty	Description	Code
1	4700390602	1	Hydraulic pump	C
2	4812155785	1	. Hydraulic pump (Page 278)	C
3	4812155786	1	. Hydraulic pump (Page 288)	C
4	4812155787	1	. Hydraulic pump (Page 294)	C
5		4	. O-ring	
6		2	. Socket pipe	
7		4	. Washer	
8		4	. Screw	

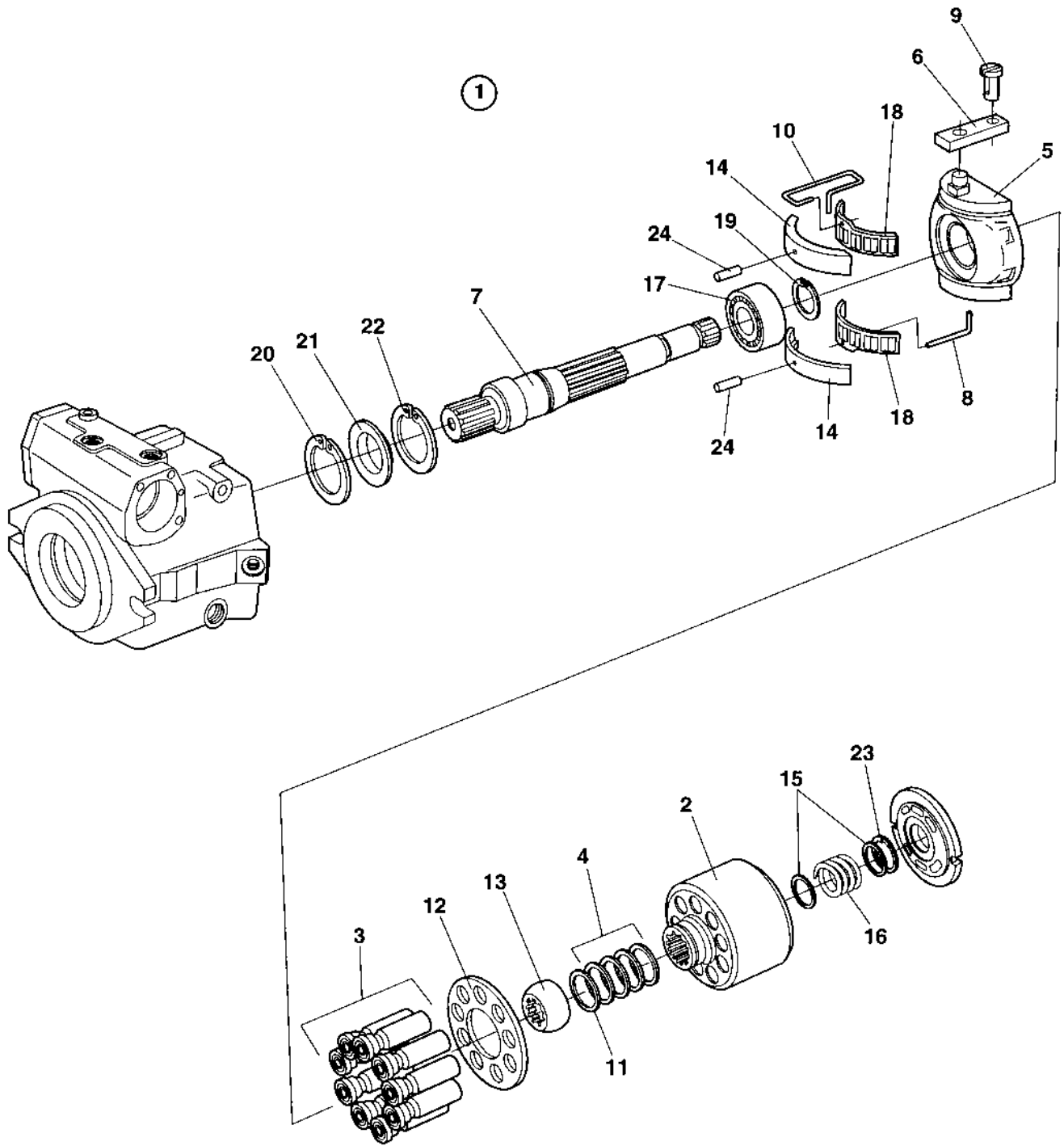
4812155785 Hydraulic pump



4812155785 Hydraulic pump

Item	Part No	Rem Qty	Description	Code
1	4812155785	1	Hydraulic pump	C
	4700940676	1	. Seal kit	B
2		1	. Rotating group, cpl (Page 280)	
3		1	. Valve block, cpl (Page 282)	
4		1	. Housing	
5	4700936612	1	. Pin	
6	4700935219	1	. Plug	
7	4700902724	1	2 . Plug	
8	4700902625	1	3 . Plug	
9	4700909514	2	. Double break-off pin	
10	4700936308	2	. Orifice	
11	4700902624	1	1 . Screw	
12	4700902687	1	1 . Pin	
13	4700902695	1	1 . Nut	
15		1	. Control module (Page 284)	
26	4812156151	2	. . Proportional solenoid	
30		1	. Hydraulic control, cpl	
31		1	. . Cover	
32		1	. . Cover	
33		2	. . Guide ring	
34	4700936642	2	. . Pin	
35	4700902638	1	. . Nut	
36	4700902752	8	. . Screw	
38		1	2 . . Seal ring	
39	4700936644	1	2 . . Nut	
40		1	. . Piston	
41	4700936646	1	. . Rod	
42		2	. . Ring	
43	4700938014	2	. . Sleeve	
44	4700936647	2	. . Spring collar	
45	4700936648	2	. . Spacer ring	
46	4700936654	2	. . Spring	
47	4700936655	2	. . Spring collar	
48	4700936656	2	. . Retaining ring	
49	4700936643	1	2 . . O-ring	
50	4700909469	1	. O-ring	
53		1	. Flushing valve (Page 286)	

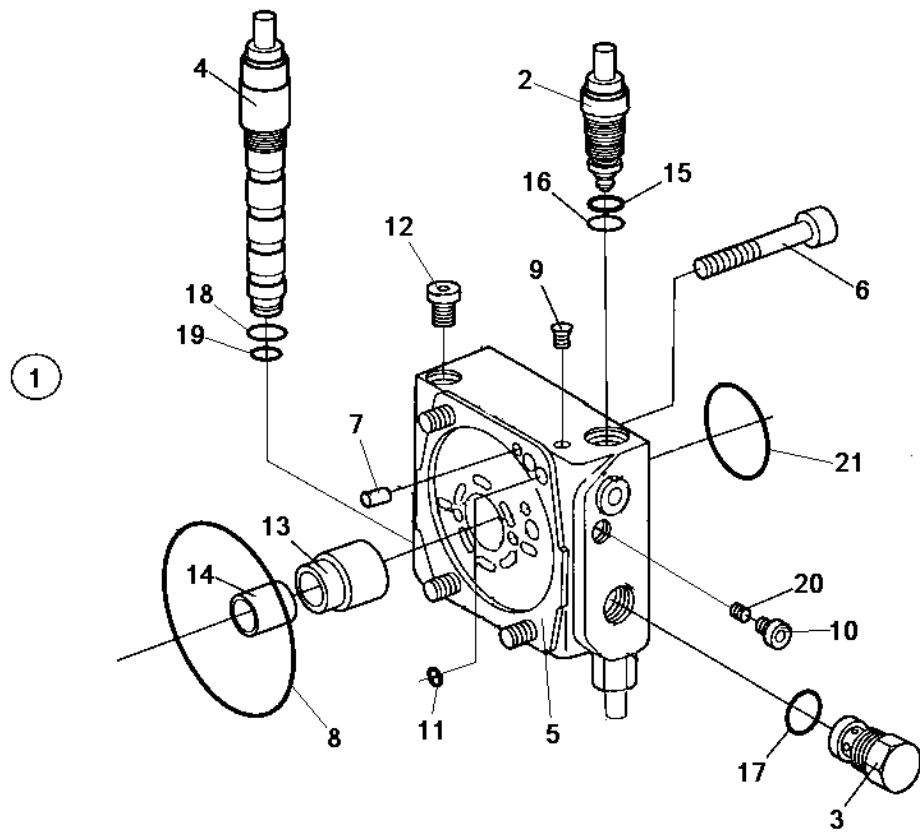
1) Included in seal kit



Rotating group, cpl

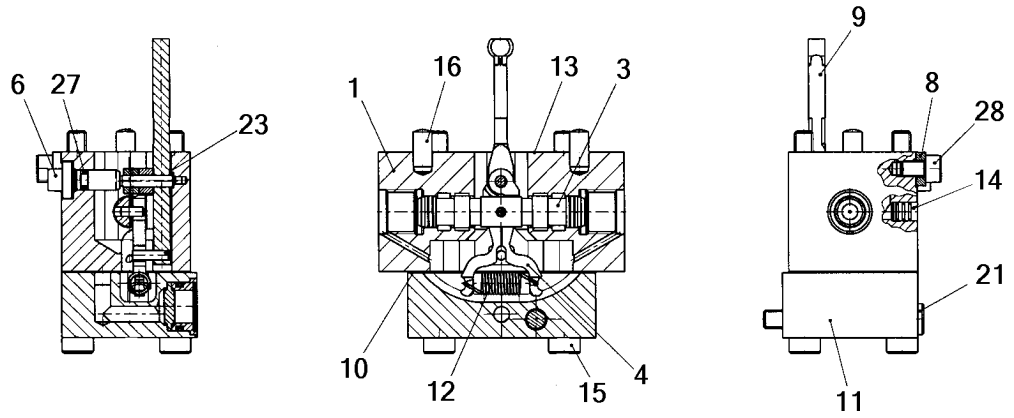
Item	Part No	Rem Qty	Description	Code
1		1	Rotating group, cpl	
2	4700936615	1	. Cylinder with control plate	
3	4700936616	9	. Piston	
4	4700936617	1	. Cup spring stack	
5	4700936618	1	. Cradle	
6	4700936619	1	. Slide ring	
7		1	. Shaft	
8	4700936621	1	. Wire	
9	4700935164	1	. Pin	
10	4700936622	1	. Wire	
11	4700936623	1	. Shim	
	4700936624	1	. Shim	
	4700936625	1	. Shim	
	4700936626	1	. Shim	
12	4700936627	1	. Retaining plate	
13	4700936628	1	. Retaining ball	
14	4700936629	1	. Bearing liner, 1 pair	
15	4700936630	2	. Washer	
16	4700936631	1	. Pressure spring	
17	4700936632	1	. Bearing	
18	4700936633	1	. Cradle bearing assembly, 1 set	
19	4700927303	1	. Lock ring	D
20	4700936634	1	. Retaining ring	
21	4700936635	1	. Seal ring	
22	4700936636	1	. Retaining ring	
23	4700936637	1	. Retaining ring	
24	4700902792	2	. Pin	

1) Includes in seal kit



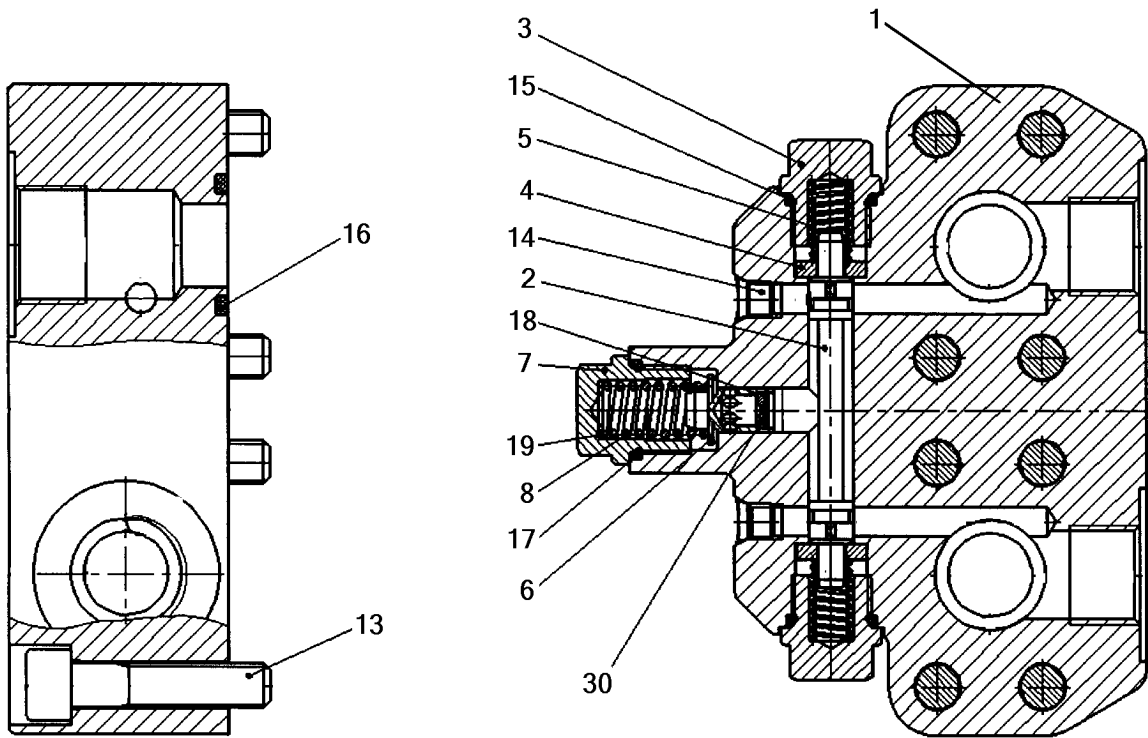
Valve block, cpl

Item	Part No	Rem Qty	Description	Code
1		1	Valve block, cpl	
2		2	. Pressure relief valve, cpl	
3		1	. Pressure relief valve, cpl	
4		1	. Pressure override valve, cpl	
5		1	. Housing	
6		4	. Screw	
7	4700936664	2	. Pin	
8	4700936665	1	. O-ring	
9	4700909514	7	. Double break-off pin	
10	4700936855	1	. Locking screw	
11	4700909469	1	. O-ring	
12	4700902625	2	. Plug	
13		1	. Bush	
14	4700936662	1	. Bearing bush	
15	4700936673	2	. Back-up ring	
16	4700927278	2	. O-ring	D
17		1	. O-ring	
18		1	. O-ring	
19		1	. O-ring	
20	4700936313	1	. Orifice	
21	4700935192	1	. O-ring	



Control module

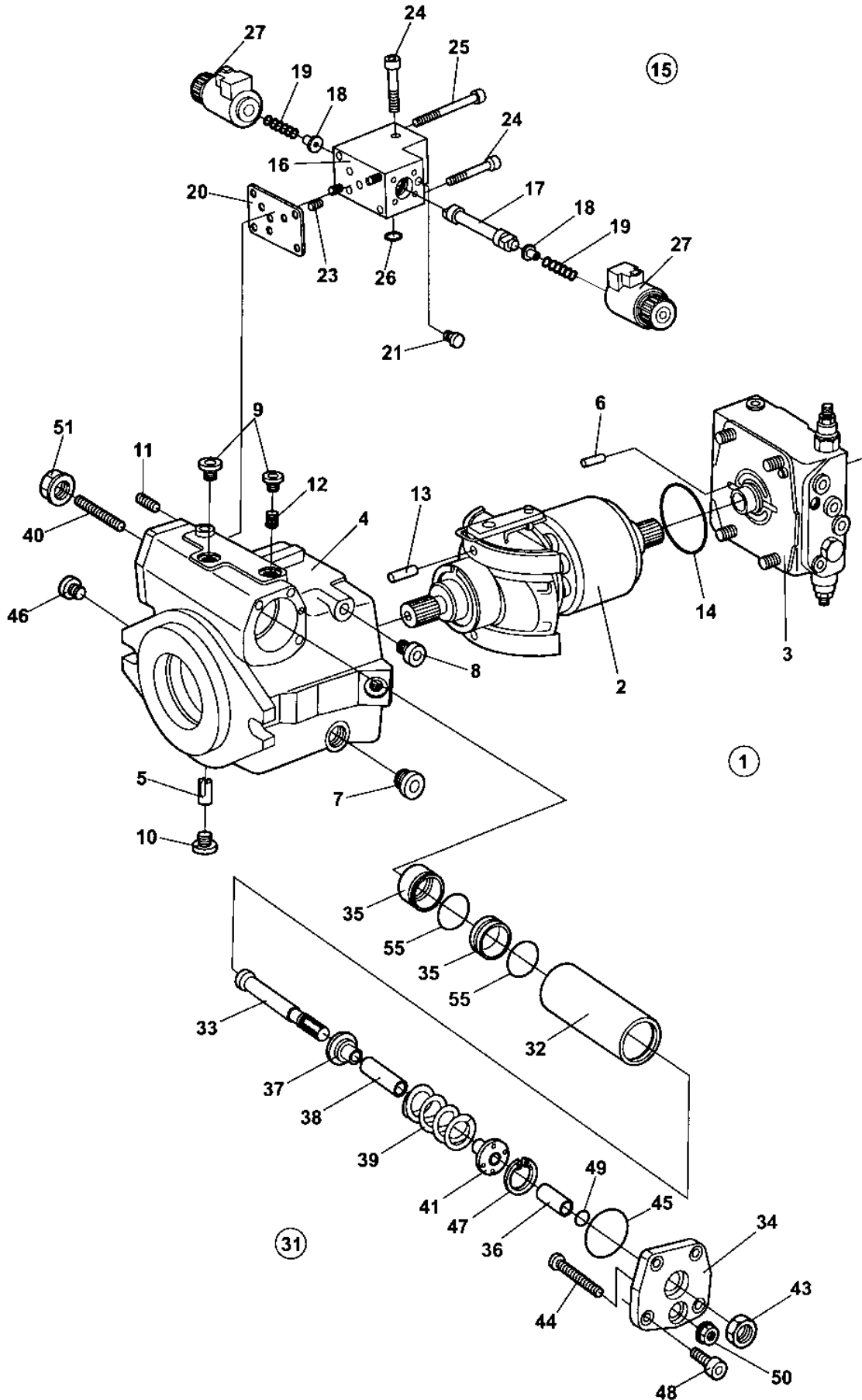
Item	Part No	Rem Qty	Description	Code
1		1	Housing	
3		1	Control piston	
4		1	Lever pair	
6		1	Pin	
8		1	Shim	
9		1	Feedback lever	
10	4812156599	1	Gasket	
11		1	Cover with filter	
12		1	Spring	
13		1	Gasket	
14		2	Plug	
15	4700935210	4	Screw	
16	4700936869	2	Cylindrical pin	
21	4700936689	1	Screw	
23		N	Shim	
27	4700945311	1	O-ring	D
28		1	Screw	



Flushing valve

Item	Part No	Rem Qty	Description	Code
1		1	Valve plate	
2		1	Piston	
3		2	Locking screw	
4		2	Washer	
5		2	Pressure spring	
6		1	Valve piston	
7		1	Locking screw	
8		1	Pressure spring	
13		8	Screw	
14		1	Pin	
15		2	O-ring	
16		2	O-ring	
17		1	O-ring	
18		1	Retaining ring	
19		1	Shim	
30		1	Orifice	

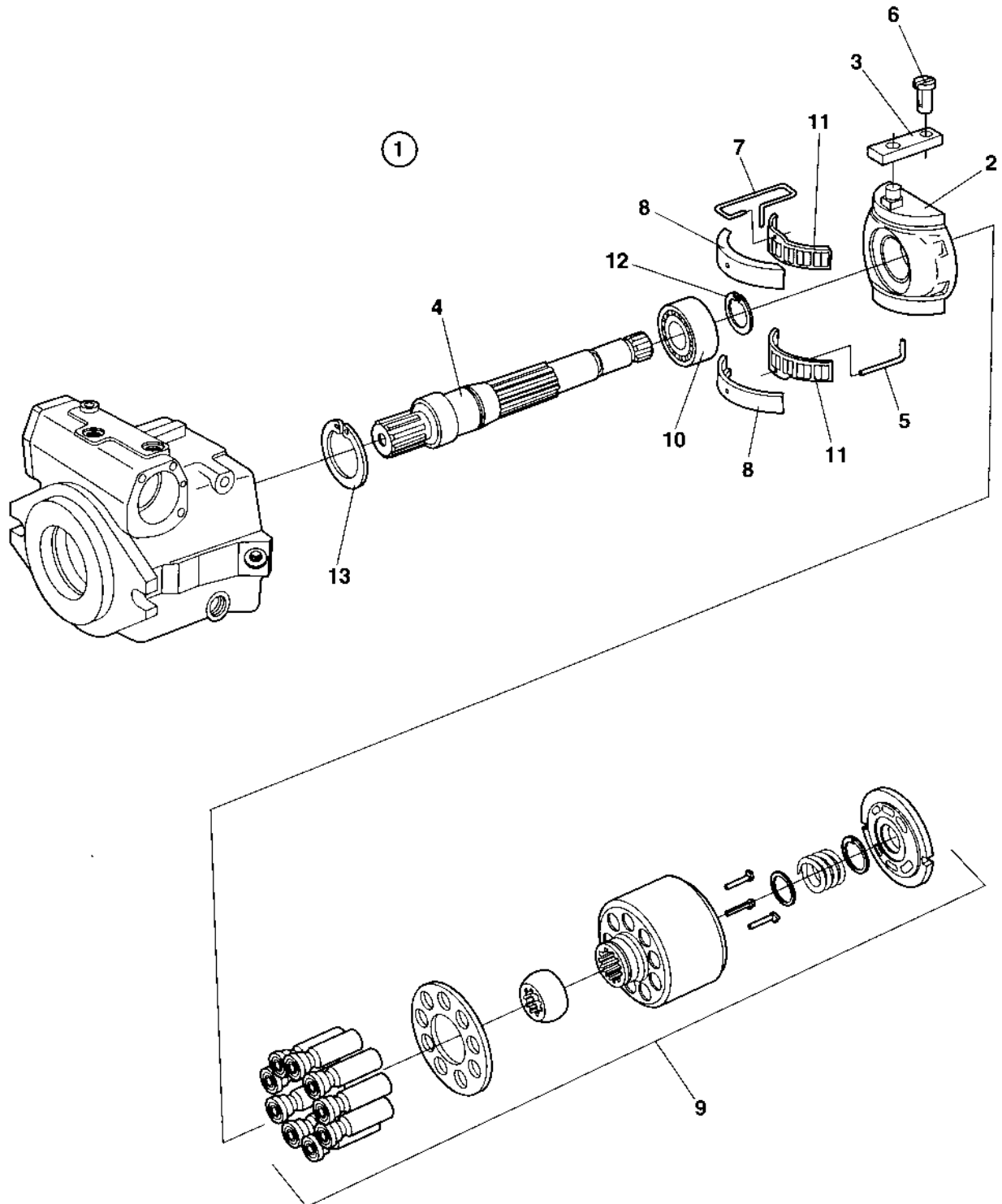
4812155786 Hydraulic pump



4812155786 Hydraulic pump

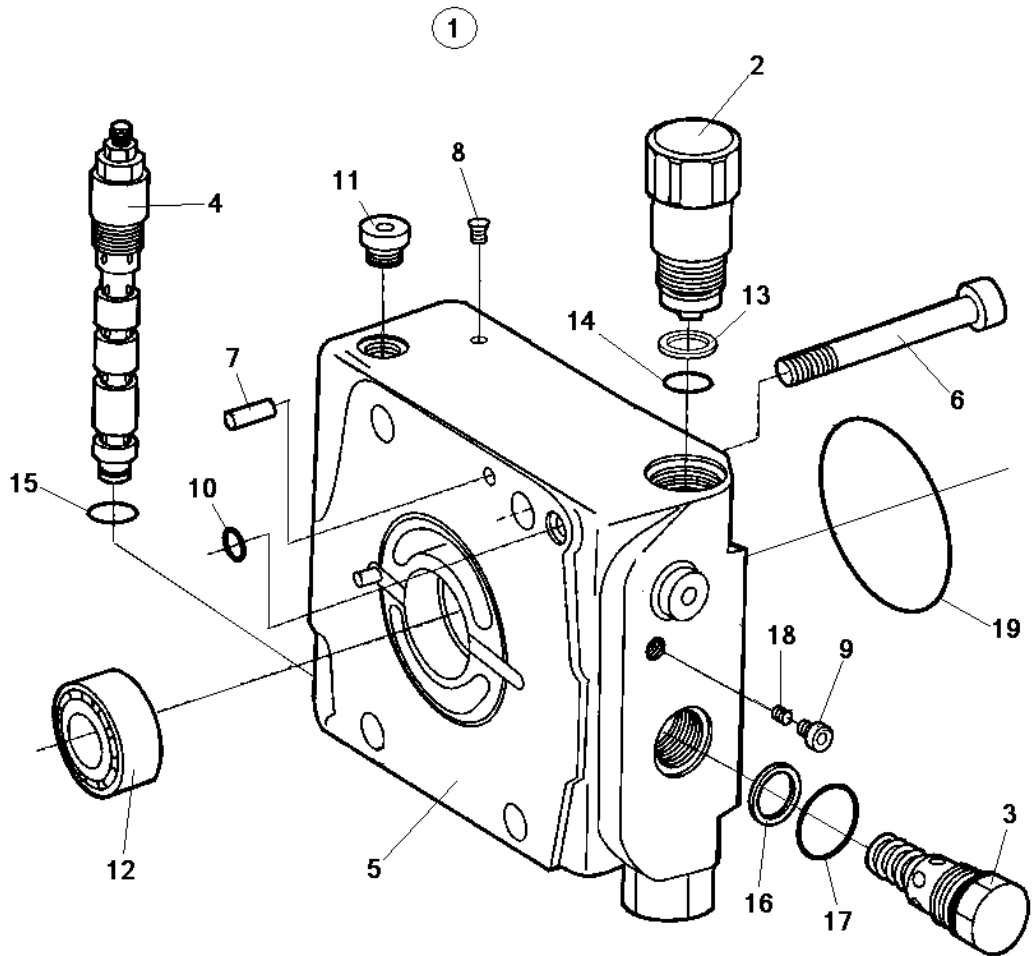
Item	Part No	Rem Qty	Description	Code
1		1	Hydraulic pump, vibration	
	4700950461	1	. Seal kit	
2		1	. Rotary group, cpl (Page 290)	
3		1	. Valve block, cpl (Page 292)	
4		1	. Housing	
5	4700935158	1	. Pin	
6	4700936869	1	. Cylindrical pin	
7	4700935219	1	. Plug	
8	4700902724	1	. Plug	
9	4700902625	1	3 . Plug	
10	4700902624	1	1 . Screw	
11	4700909514	1	1 . Double break-off pin	
12	4700936308	2	2 . Orifice	
13	4700902792	2	2 . Pin	
14	4700937206	1	1 . O-ring	
15	4812002474	1	1 . Control valve, cpl	
16		1	.. Housing	
17		1	.. Piston	
18	4700945776	2	.. Spring collar	D
19	4700936686	2	.. Spring	
20		1	1 .. Gasket	
21		2	2 .. Pin	
23	4700909514	1	.. Double break-off pin	
24	4700927358	3	.. Screw	D
25	4700908383	2	.. Screw	D
26		1	1 .. O-ring	
27	4812156152	2	2 .. Solenoid	
31		1	1 . Hydraulic control, cpl	
32		1	.. Piston	
33		1	.. Rod	
34		1	.. Cover	
35		1	.. Guide ring	
36		1	.. Ring	
37		1	.. Spring collar	
38		1	.. Bush	
39		1	.. Spring	
40	4700937195	1	.. Pin	
41		1	.. Spring collar	
43	4700937236	1	.. Nut	
44	4700937195	1	.. Pin	
45		1	1 .. O-ring	
46	4700902811	1	1 .. Plug	D
47		1	1 .. Retaining ring	
48	4700902688	4	.. Screw	
49	4700936394	1	1 .. O-ring	
50	4700936393	1	1 .. Seal lock nut	
51	4700936393	1	1 .. Seal lock nut	
55		2	2 .. O-ring	

1) Included in seal kit, see item 1.



Rotary group, cpl

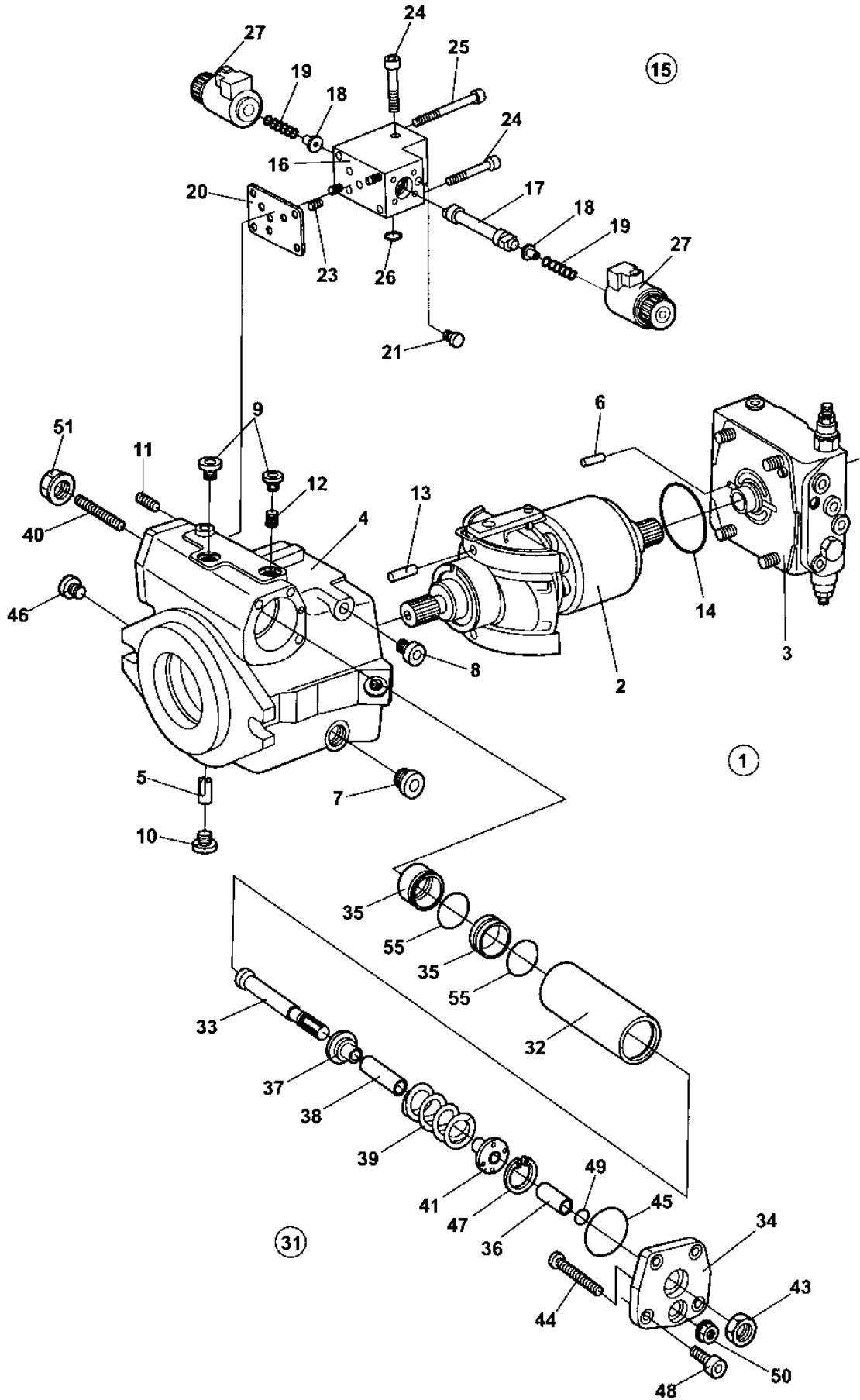
Item	Part No	Rem Qty	Description	Code
1		1	Rotating group	
2		1	. Cradle	
3	4700937174	1	. Slide ring	
4		1	. Shaft	
5	4700936621	1	. Wire	
6	4700935164	1	. Pin	
7	4700937175	1	. Wire	
8		1	. Bearing liner	
9		1	. Cylinder with pistons, cpl	
10	4700937185	1	. Bearing	
11	4700937186	1	. Cradle bearing assembly, 1 set	
12	4700937187	1	. Retaining ring	
13	4700937188	1	. V-ring	



Valve block, cpl

Item	Part No	Rem Qty	Description	Code
1		1	Valve block, cpl	
2		2	. Pressure relief valve, cpl	
3		1	. Locking set, cpl	
4		1	. Pressure override valve, cpl	
5		1	. Housing	
6		4	. Screw	
7	4700937987	2	. Cylindrical pin	
8	4700909514	6	. Double break-off pin	
9	4700936855	1	. Locking screw	
10	4700909469	1	. O-ring	
11	4700902625	2	. Plug	
12		1	. Roller bearing	
13	4700936673	2	. Back-up ring	
14	4700927278	2	. O-ring	D
15	4700936392	1	. O-ring	
16		1	. Sealing ring	
17		1	. O-ring	
18	4700936313	1	. Orifice	
19		1	. O-ring	

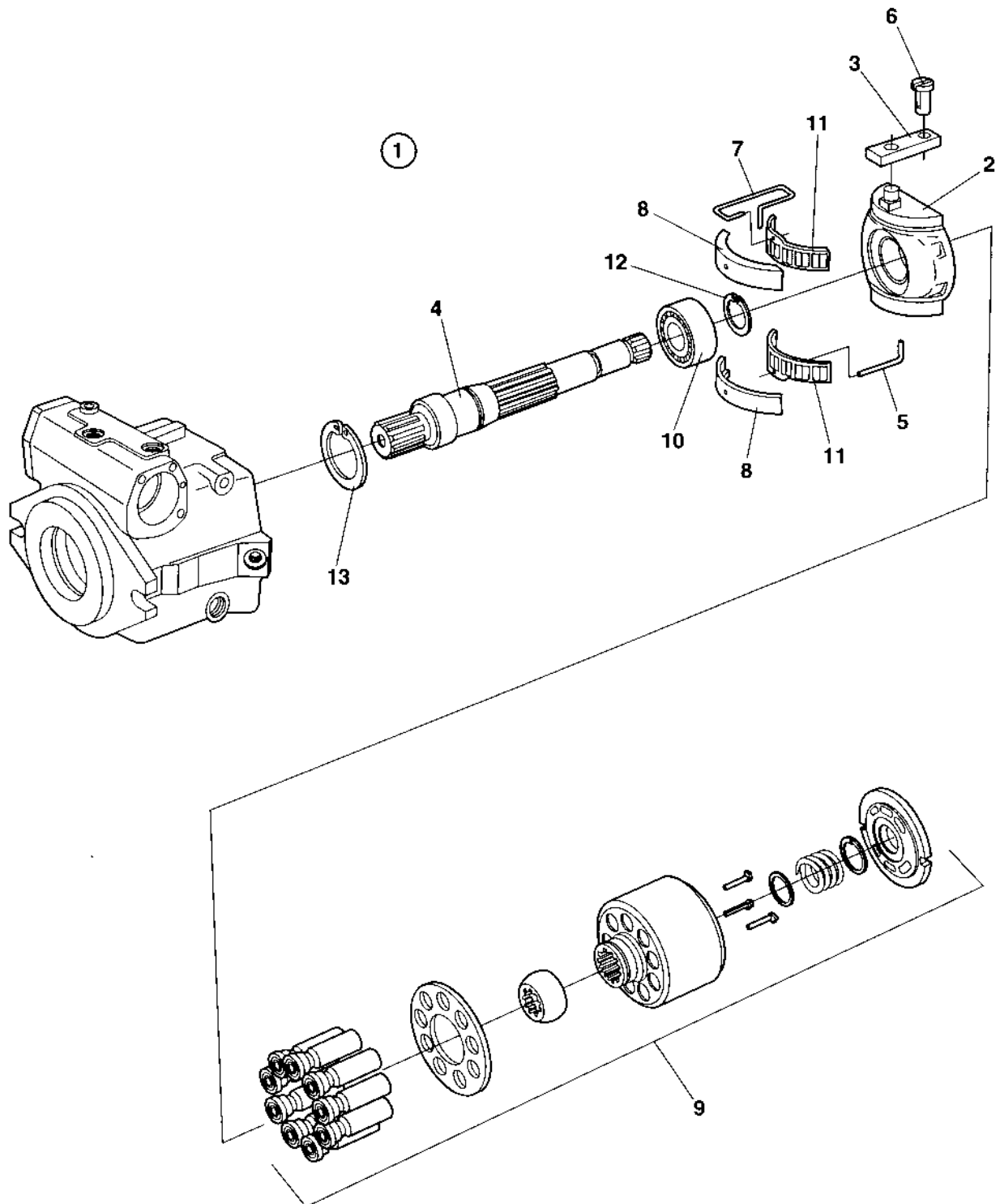
4812155787 Hydraulic pump



4812155787 Hydraulic pump

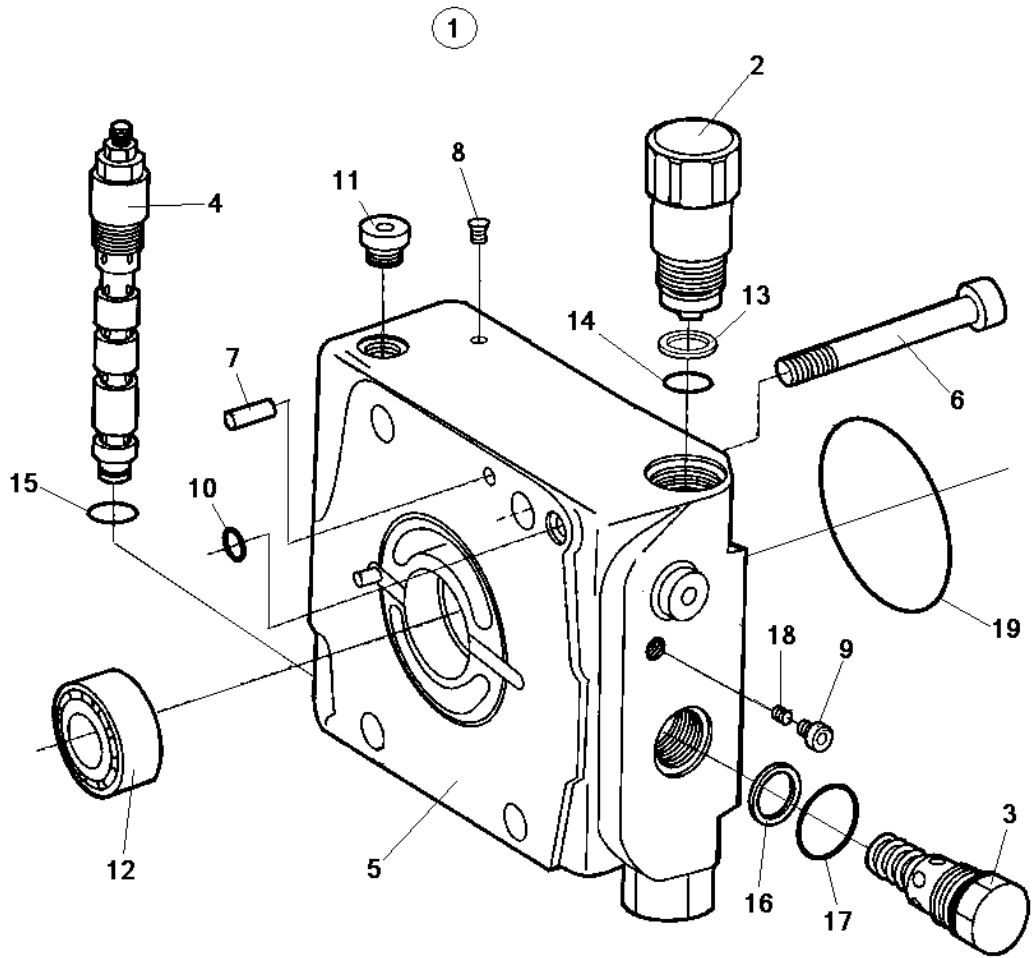
Item	Part No	Rem Qty	Description	Code
1		1	Hydraulic pump, vibration	
	4700950461	1	. Seal kit	
2		1	. Rotary group, cpl (Page 296)	
3		1	. Valve block, cpl (Page 298)	
4		1	. Housing	
5	4700935158	1	. Pin	
6	4700936869	1	. Cylindrical pin	
7	4700935219	1	. Plug	
8	4700902724	1	. Plug	
9	4700902625	1	3 . Plug	
10	4700902624	1	. Screw	
11	4700909514	1	. Double break-off pin	
12	4700936308	2	. Orifice	
13	4700902792	2	. Pin	
14	4700937206	1	. O-ring	
15	4812002474	1	. Control valve, cpl	
16		1	. . Housing	
17		1	. . Piston	
18	4700945776	2	. . Spring collar	D
19	4700936686	2	. . Spring	
20		1	. . Gasket	
21		2	. . Pin	
23	4700909514	1	. . Double break-off pin	
24	4700927358	3	. . Screw	D
25	4700908383	2	. . Screw	D
26		1	. . O-ring	
27	4812156152	2	. . Solenoid	
31		1	. Hydraulic control, cpl	
32		1	. . Piston	
33		1	. . Rod	
34		1	. . Cover	
35		1	. . Guide ring	
36		1	. . Ring	
37		1	. . Spring collar	
38		1	. . Bush	
39		1	. . Spring	
40	4700937195	1	. . Pin	
41		1	. . Spring collar	
43	4700937236	1	. . Nut	
44	4700937195	1	. . Pin	
45		1	. . O-ring	
46	4700902811	1	. . Plug	D
47		1	. . Retaining ring	
48	4700902688	4	. . Screw	
49	4700936394	1	. . O-ring	
50	4700936393	1	. . Seal lock nut	
51	4700936393	1	. . Seal lock nut	
55		2	. . O-ring	

1) Included in seal kit, see item 1.



Rotary group, cpl

Item	Part No	Rem Qty	Description	Code
1		1	Rotating group	
2		1	. Cradle	
3	4700937174	1	. Slide ring	
4		1	. Shaft	
5	4700936621	1	. Wire	
6	4700935164	1	. Pin	
7	4700937175	1	. Wire	
8		1	. Bearing liner	
9		1	. Cylinder with pistons, cpl	
10	4700937185	1	. Bearing	
11	4700937186	1	. Cradle bearing assembly, 1 set	
12	4700937187	1	. Retaining ring	
13	4700937188	1	. V-ring	



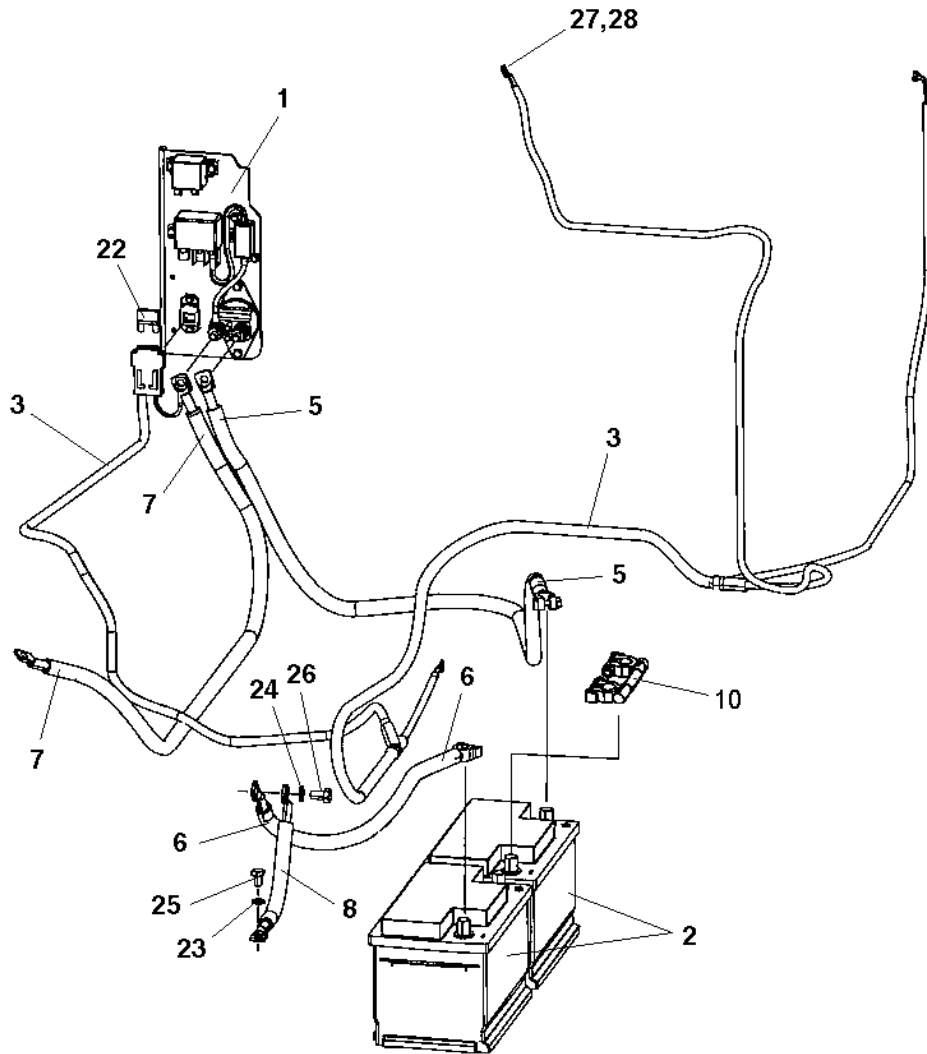
Valve block, cpl

Item	Part No	Rem Qty	Description	Code
1		1	Valve block, cpl	
2		2	. Pressure relief valve, cpl	
3		1	. Locking set, cpl	
4		1	. Pressure override valve, cpl	
5		1	. Housing	
6		4	. Screw	
7	4700937987	2	. Cylindrical pin	
8	4700909514	6	. Double break-off pin	
9	4700936855	1	. Locking screw	
10	4700909469	1	. O-ring	
11	4700902625	2	. Plug	
12		1	. Roller bearing	
13	4700936673	2	. Back-up ring	
14	4700927278	2	. O-ring	D
15	4700936392	1	. O-ring	
16		1	. Sealing ring	
17		1	. O-ring	
18	4700936313	1	. Orifice	
19		1	. Not valid for this model	

Electrical equipment

Item	Part No	Rem Qty	Description	Code
1			Electric cables, power supply (Page 302)	
2			Electric cables, power supply cab (Page 308)	
3			Electric cables, engine - ECU (Page 310)	
5			Electric cables, sensors/ horn/ back-up alarm (Page 316)	
6			Tachograph (Page 326)	
8			Driving & side direction lights Up to 384S00478 (Page 336)	
			Driving & side direction lights From 384S00479 (Page 356)	
9			Rotating beacon, working light (Page 360)	
10			Drum edge lights (Page 372)	

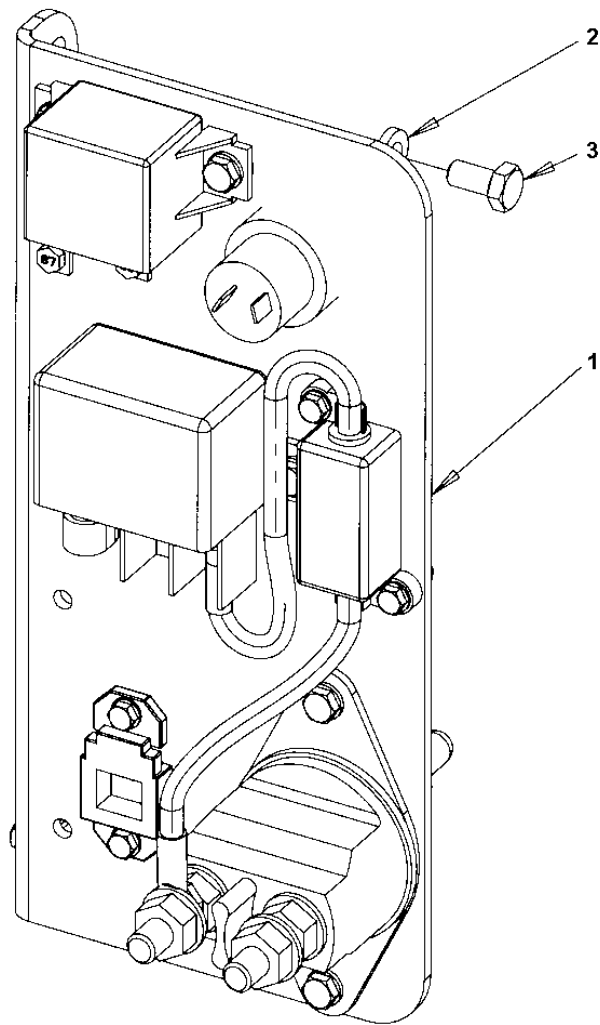
Electric cables, power supply



Electric cables, power supply

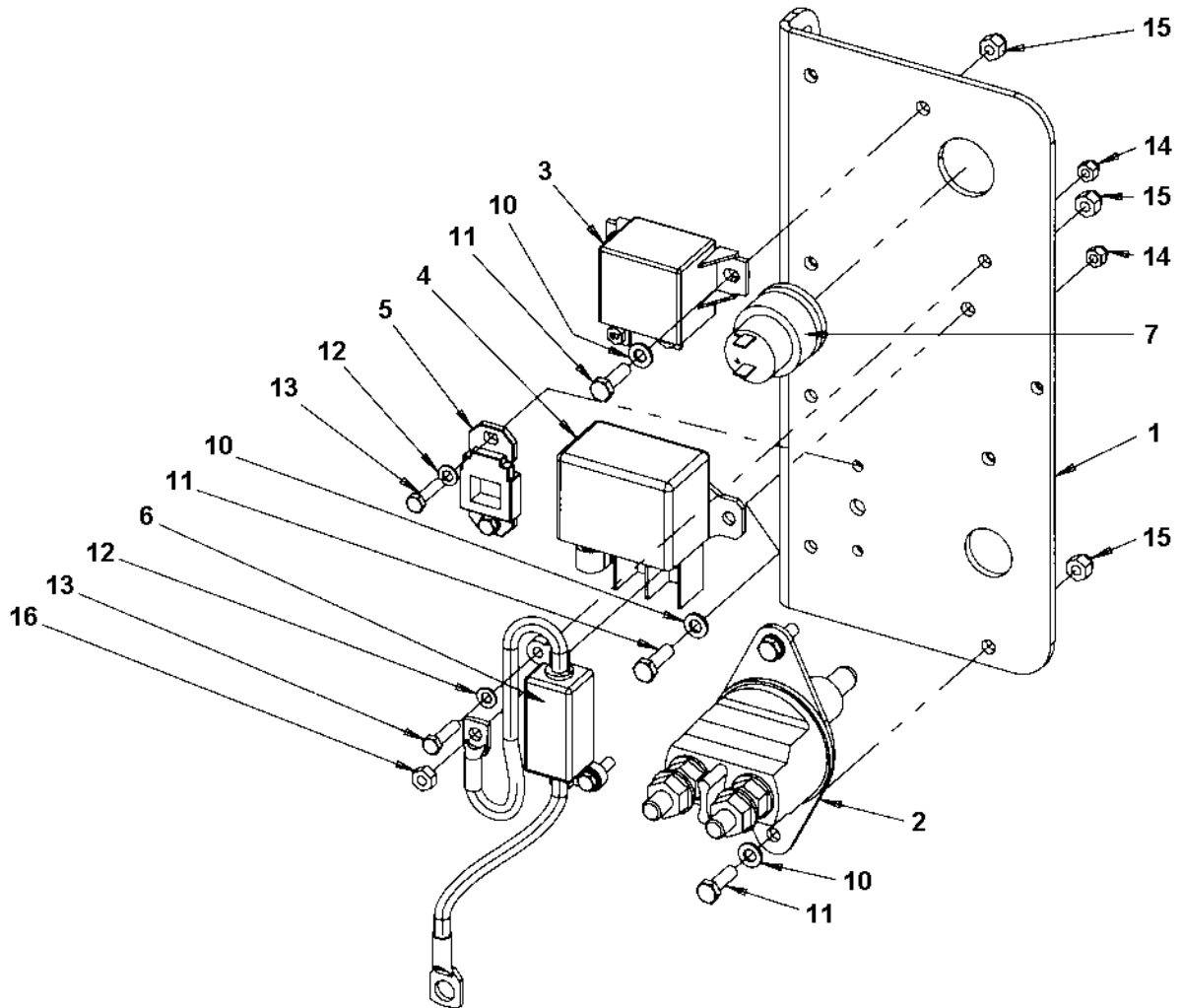
Item	Part No	Rem Qty	Description	Code
1		1	Battery disconnecter (Page 304)	
2		A	Batteries	
3	4700391584	1	Cable harness, power supply	D
5	4700792364	1	Battery cable +	D
6	4700792328	1	Battery cable -	D
7	4700792327	1	Connection cable coarse	D
8	4700335607	1	Connection cable, coarse	B
10	4700792684	1	Battery union cable	D
22	4700904039	1	Fuse 50A Red High	A
23	4700904637	1	Washer	C
24	4700904638	1	Washer 12x22x2	C
25	4700500043	1	Screw M10x16H 8,8	D
26	4700500035	1	Screw M12x020H	
27	4700904229	1	Steel plain washer 8,4x16x1,5	C
28	4700570005	1	Nut M8	C

A) See section " Rear frame - Engine structure "



Battery disconnecter

Item	Part No	Rem Qty	Description	Code
1		1	Battery disconnecter (Page 306)	
2	4700904556	3	Washer 8,4x16x3,0	C
3	4700500019	3	Hexagon head screw M8x16H 8,8	C

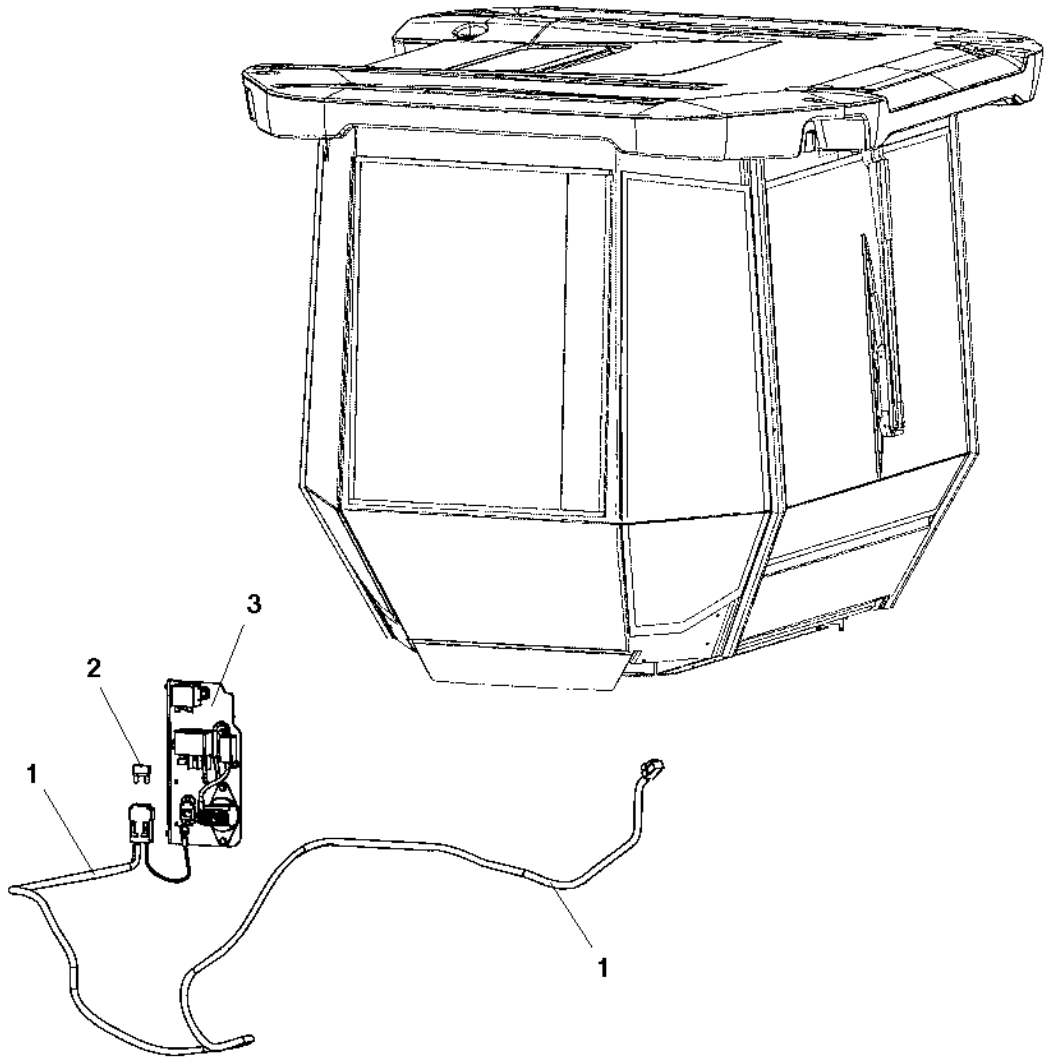


Battery disconnecter

Item	Part No	Rem Qty	Description	Code
1	4700391269	1	Holder	
2	4700903640	1	Battery switch	D
	4700903641	1	. Key	D
3	4700792309	1	Relay 50A	D
4	4700792310	1	Relay 120A	
5	4700904036	1	Fuse holder	D
6	4700391585	A	Cable harness	
	4700791479	1	. Fuse, Orange 125A	
7	4700395816	1	Plug socket 24V	
10	4700904228	6	Washer 6,4x12x1,5	C
11	4700500040	6	Screw M6-1x20 8,8	C
12	4700904281	4	Washer 5,3x10x1 300HV	C
13	4700500060	4	Screw M5-0,8x20 8.8	C
14	4700586001	4	Lock nut	C
15	4700586002	6	Lock nut M6 -8	C
16	4700570004	1	Nut M6X1,00 -8 A2K	C

A) Pre-heater

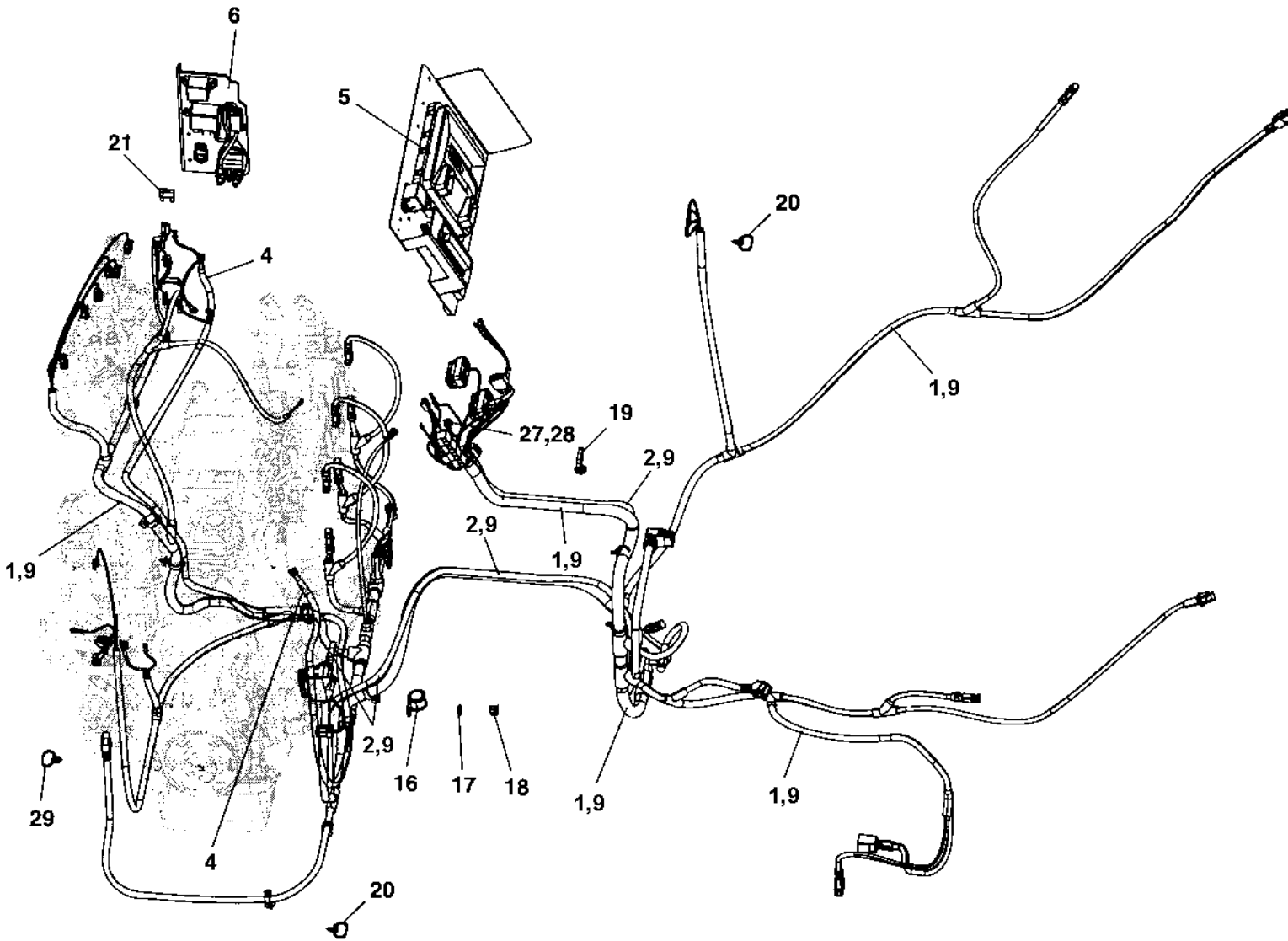
Electric cables, power supply cab



Electric cables, power supply cab

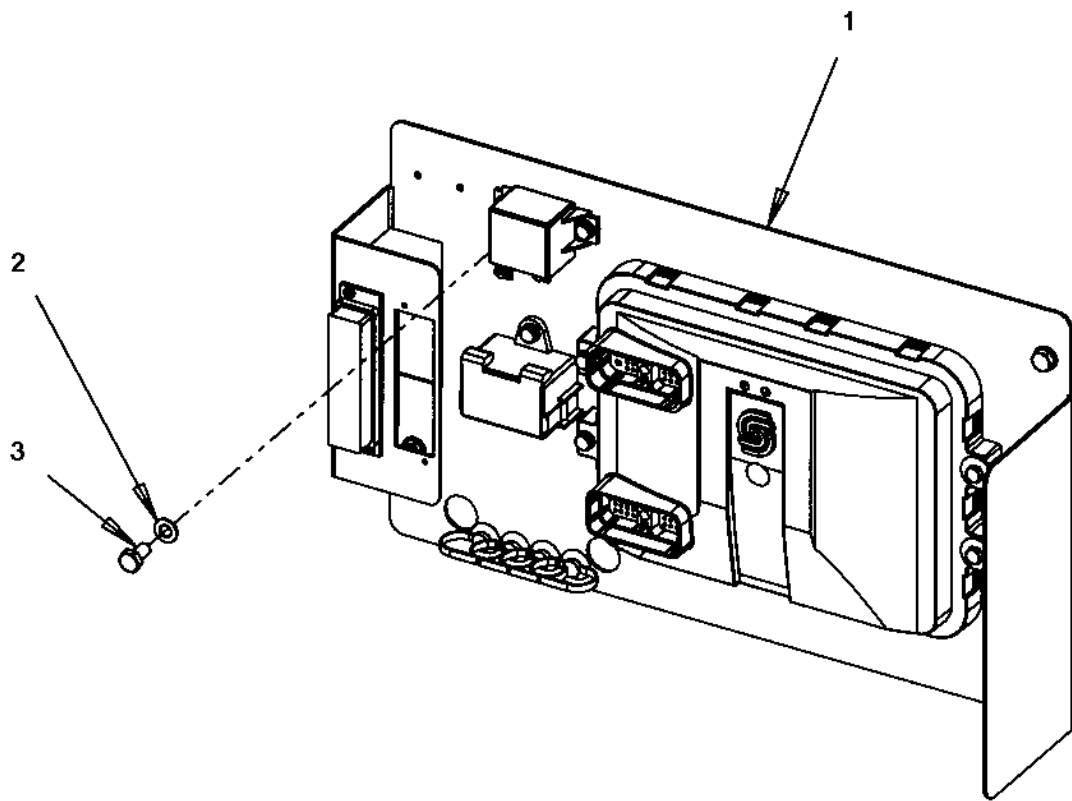
Item	Part No	Rem Qty	Description	Code
1	4700392156	1	Cable harness, power supply Cab	D
2	4700904039	1	Fuse 50A Red High	A
3		1	Battery disconnecter (Page 304)	

Electric cables, engine - ECU



Electric cables, engine - ECU

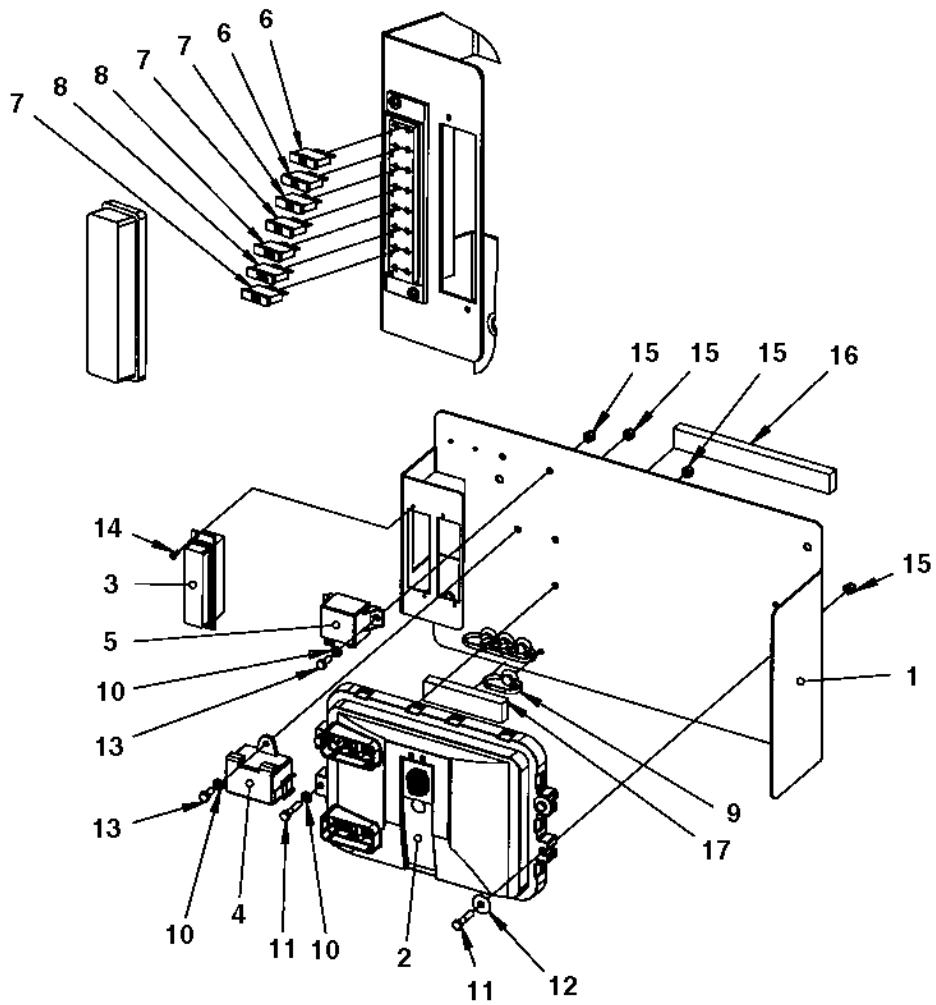
Item	Part No	Rem Qty	Description	Code
1	4700395240	1	Cable harness, ECU Up to 384S00199	D
2	4700391958	1	Cable harness, CanBus Up to 384S00199	D
4	4700792363	1	Connection cable coarse	D
5		1	Standard ECU module (Page 312)	
6		1	Battery disconnecter (Page 306)	
9	4700397398	1	Cable harness, ECU/CanBus From 384S00200 Up to 384S00362	D
	4812110652	1	Cable harness, ECU/CanBus From 394S00363	D
16	4700921031	1	Clamp	C
17	4700904228	1	Washer 6,4x12x1,5	C
18	4700586002	1	Lock nut M6 -8	C
19	4700792442	1	Cable tie with holder	D
20	4700792441	20	Cable tie with holder	C
21	4700904037	1	Fuse 30A	A
27	4700904229	2	Steel plain washer 8,4x16x1,5	C
28	4700570005	2	Nut M8	C
29	4700792602	1	Cable tie with holder	C



Standard ECU module

Item	Part No	Rem Qty	Description	Code
1		1	Standard ECU assembly (Page 314)	
2	4700904229	4	Steel plain washer 8,4x16x1,5	C
3	4700500019	4	Hexagon head screw M8x16H 8,8	C

Standard ECU assembly

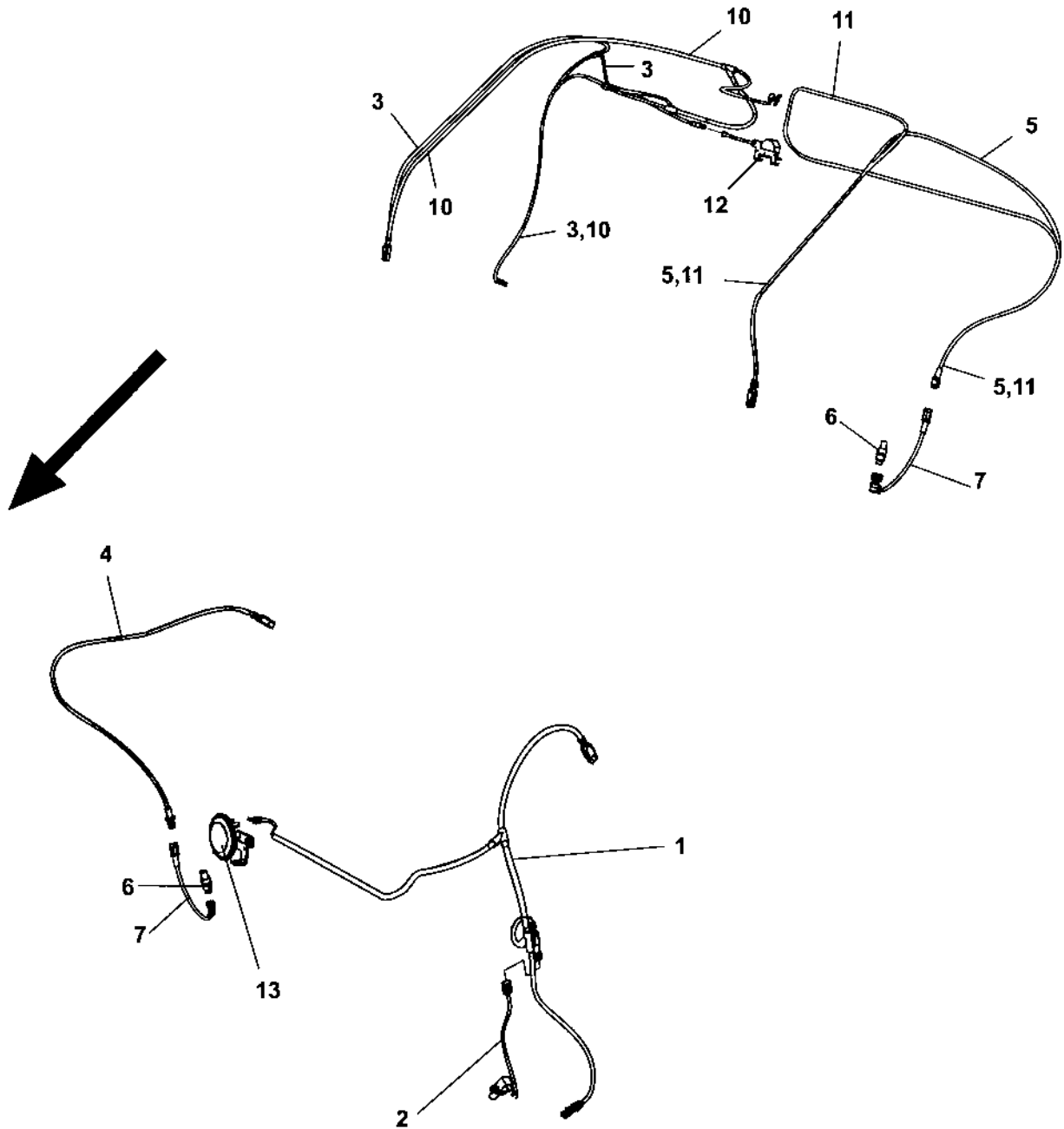


Standard ECU assembly

Item	Part No	Rem	Qty	Description	Code
1	4700391213		1	Mounting plate	
2	4700390860		1	Control unit	
3	4700791185		2	Fuse box	
4	4700791551		1	Junction block	
5	4700792309		1	Relay 50A	D
6	4700901225		2	Fuse 5A	A
7	4700901227		3	Fuse 10A	A
8	4700903741		2	Fuse 20A Yellow Medium	A
9	4700792441		4	Cable tie with holder	C
10	4700904228		5	Washer 6,4x12x1,5	C
11	4700500015		4	Screw M6X30 8.8	C
12	4700928467		2	Washer	C
13	4700500013		3	Screw M6-1x16 8,8	C
14	4700901767		4	Screw ST3,5x9,5 Black	
15	4700586002		7	Lock nut M6 -8	C
16	4700791597	A	1XL	Rubber strip	
17	4700791597	B	1XL	Rubber strip	

A) L= 0,2 m
B) L= 0,1 m

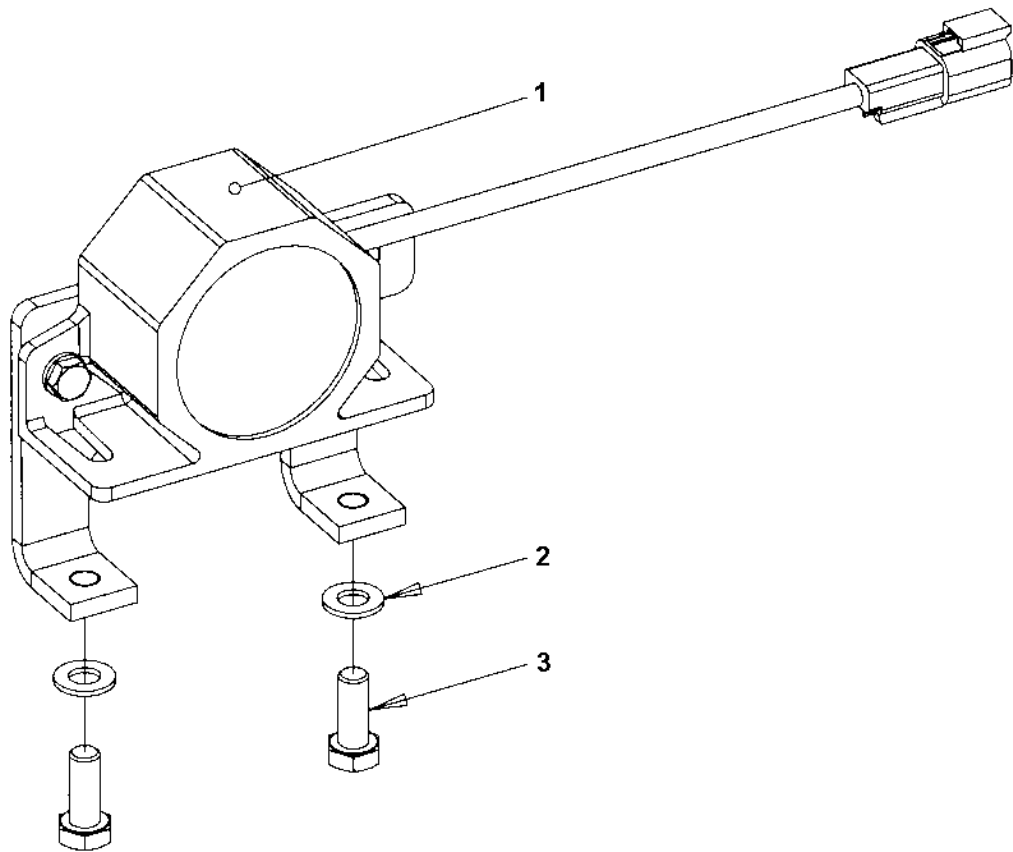
Electric cables, sensors/ horn/ back-up alarm



Electric cables, sensors/ horn/ back-up alarm

Item	Part No	Rem	Qty	Description	Code
1	4700391580	A,C	1	Cable harness	D
2	4700390716		1	Speed sensor	B
3	4700391583	B	1	Cable harness	D
4	4700391581	A,D	1	Cable harness Up to 384S00199	D
	4700396259	A,D	1	Cable harness From 384S00200	D
5	4700391582	B,D	1	Cable harness Up to 384S00199	D
	4700396260	B,D	1	Cable harness From 384S00200	D
6	4700390717		2	Frequency sensor Up to 384S00199	D
	4700792731		2	Frequency sensor From 384S00200 Up to 384S00386	D
	4700390717		2	Frequency sensor From 384S00387 Up to 384S00391	D
	4700792731		2	Frequency sensor From 384S00392	D
7	4700392221		2	Mount kit for sensor From 384S00200 Up to 384S00386	C
	4700396304		1	Cable harness From 384S00387 Up to 384S00391	D
	4700392221		1	Mount kit for sensor From 384S00392	C
10	4700391955	E	1	Cable harness	D
11	4700391956	D,E	1	Cable harness Up to 384S00199	D
	4700396261	D,E	1	Cable harness From 384S00200	D
12			1	Back-up alarm module (Page 318)	
13			1	Horn module (Page 322)	

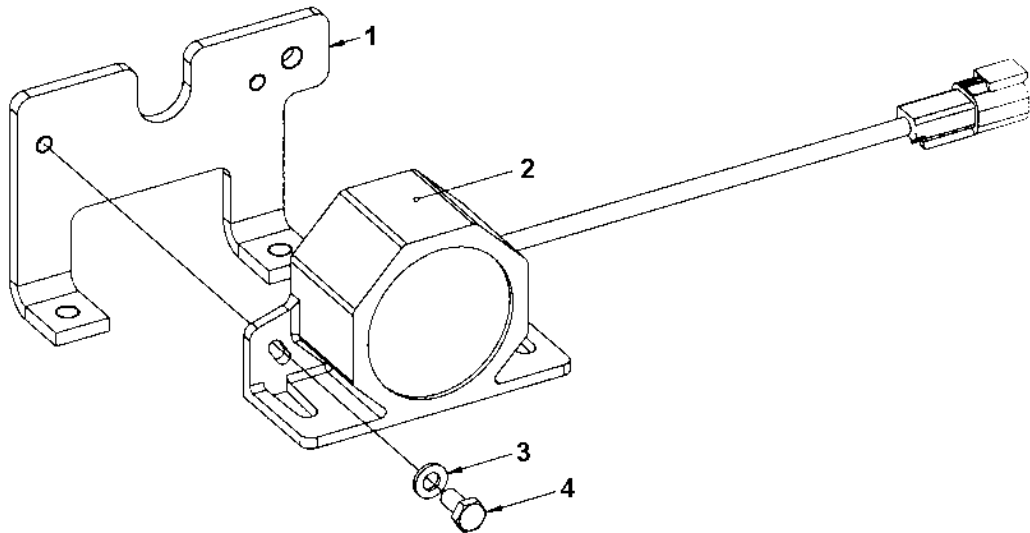
- A) Front drum
- B) Rear drum, Std
- C) Speed
- D) Frequency
- E) Rear drum, offset



Back-up alarm module

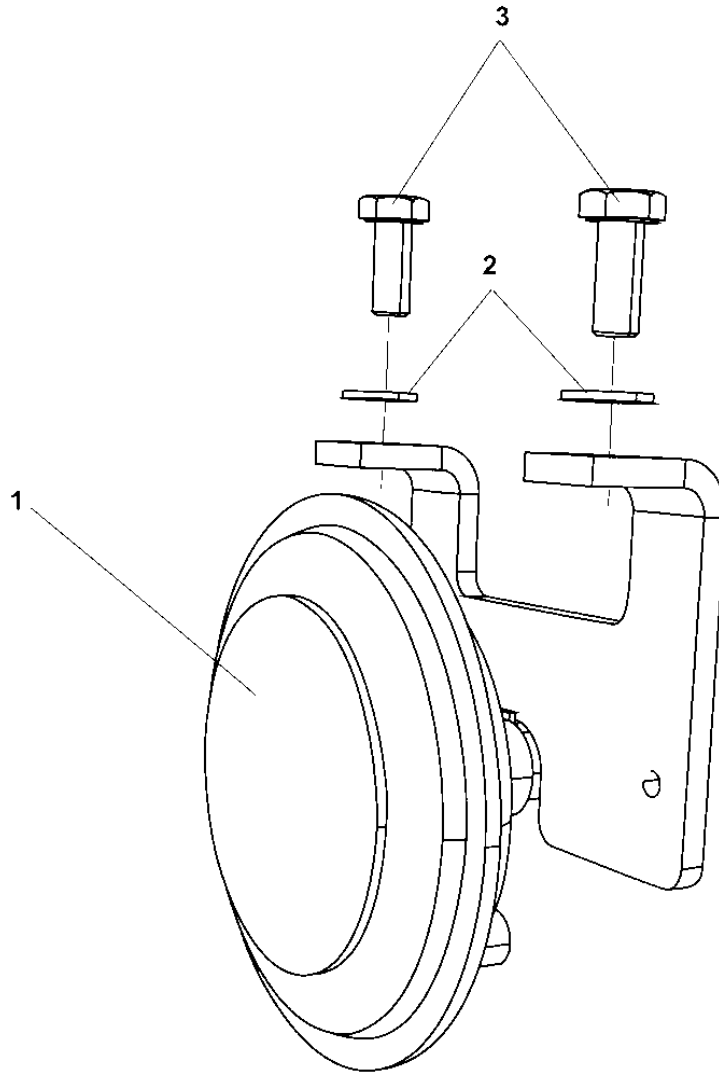
Item	Part No	Rem Qty	Description	Code
1		1	Back-up alarm (Page 320)	
2	4700904229	2	Steel plain washer 8,4x16x1,5	C
3	4700500053	2	Screw M8x20H 8.8	C

Back-up alarm



Back-up alarm

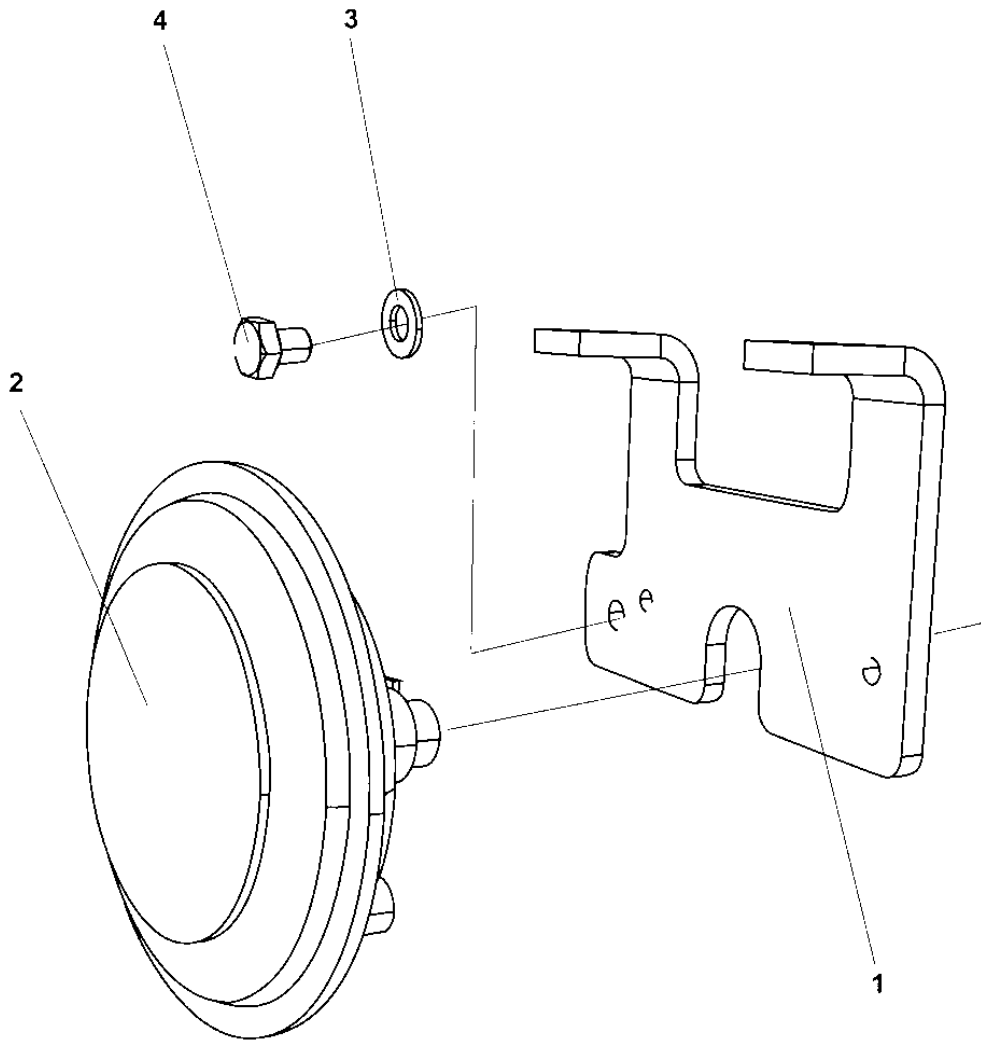
Item	Part No	Rem Qty	Description	Code
1	4700396768	1	Bracket	
2	4700904911	1	Back-up alarm 97 dB	
3	4700904228	2	Washer 6,4x12x1,5	C
4	4700500012	2	Screw M6x12	C



Horn module

Item	Part No	Rem Qty	Description	Code
1		1	Horn (Page 324)	
2	4700904229	2	Steel plain washer 8,4x16x1,5	C
3	4700500053	2	Screw M8x20H 8.8	C

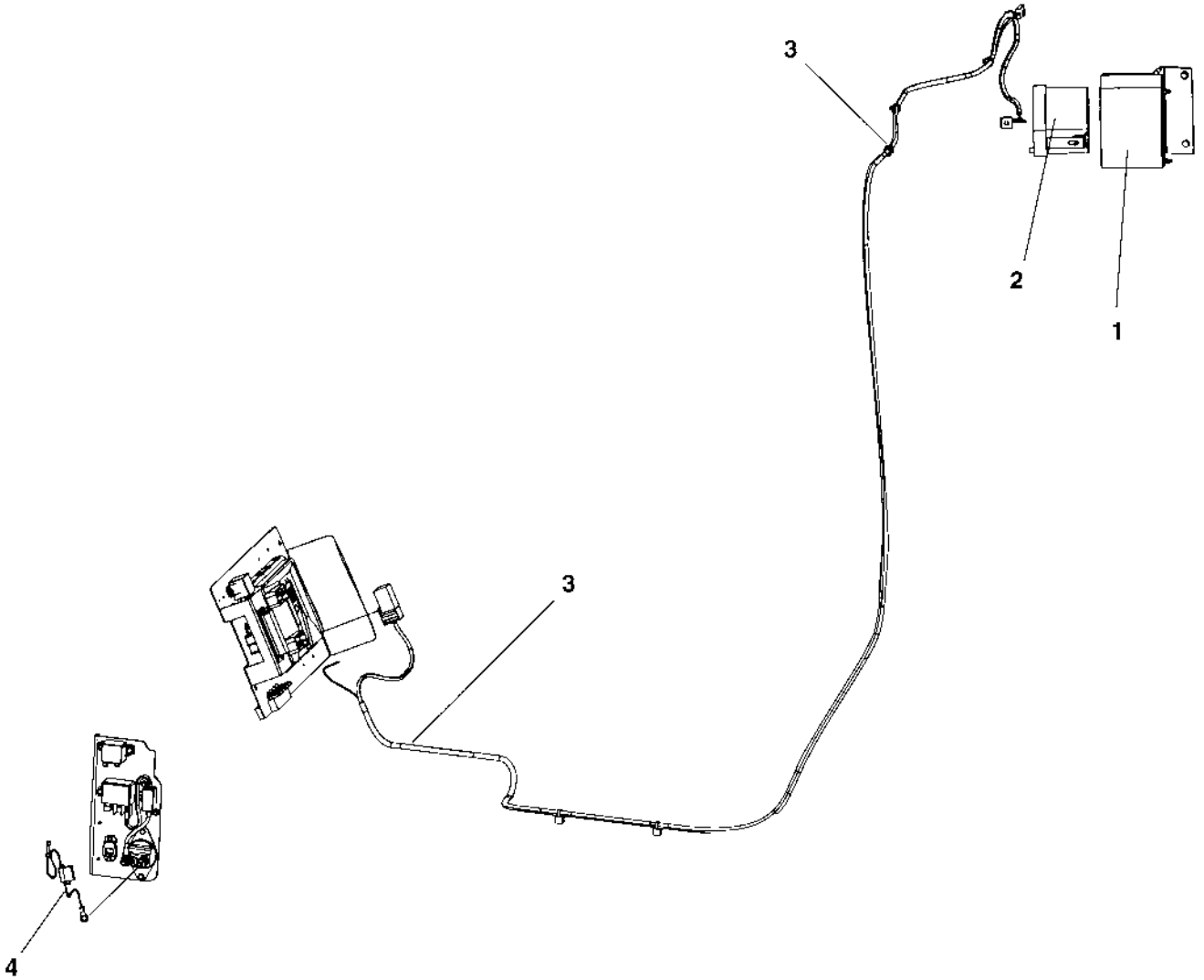
Horn



Horn

Item	Part No	Rem Qty	Description	Code
1	4700396768	1	Bracket	
2	4700999014	1	Horn	
3	4700904229	1	Steel plain washer 8,4x16x1,5	C
4	4700500042	1	Screw	

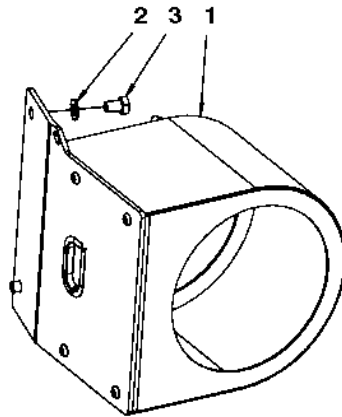
Tachograph



Tachograph

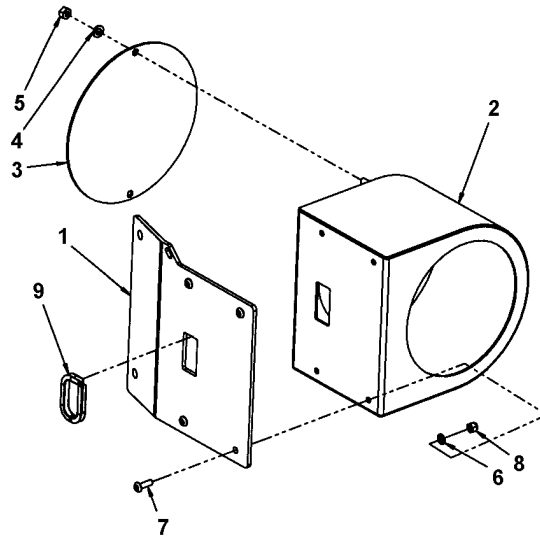
Item	Part No	Rem Qty	Description	Code
1		1	Tachograph holder module (Page 328)	
2	4700395226	1	Tachograph	
3		1	Cable harness kit (Page 332)	
4		1	Power supply module (Page 334)	

Tachograph holder module



Tachograph holder module

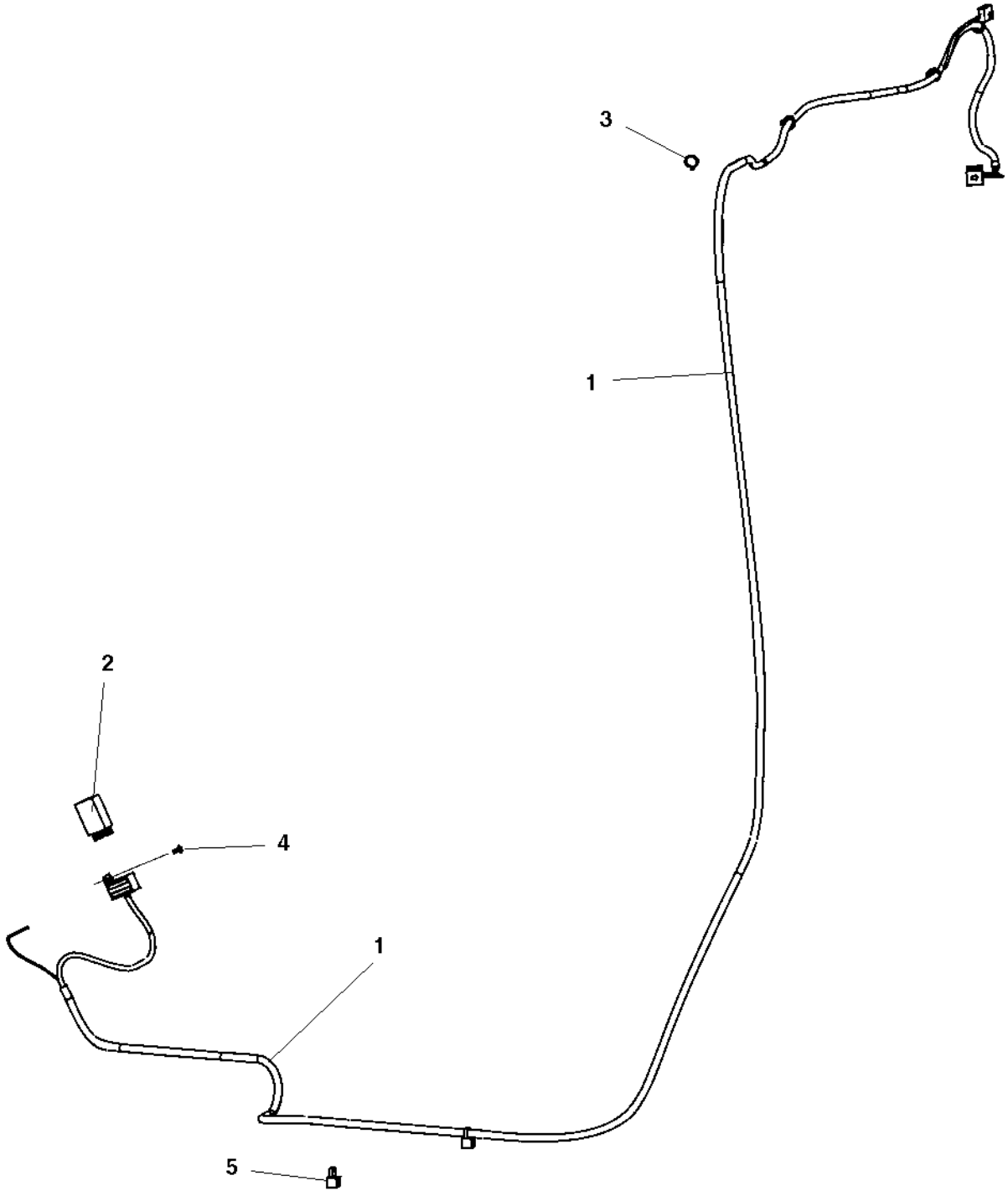
Item	Part No	Rem Qty	Description	Code
1		1	Tachograph holder (Page 330)	
2	4700904229	2	Steel plain washer 8,4x16x1,5	C
3	4700500018	2	Screw M8-1,25x12 8,8	C



Tachograph holder

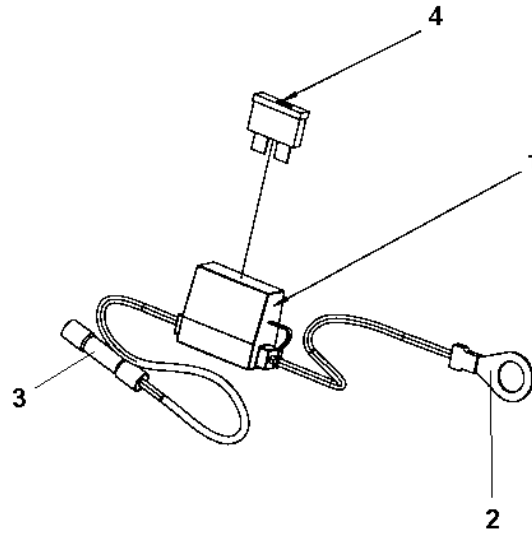
Item	Part No	Rem	Qty	Description	Code
1	4700393775		1	Bracket	
2	4700355132		1	Tachograph box	D
3	4700355135		1	Tachograph cover	D
4	4700904228		2	Washer 6,4x12x1,5	C
5	4700570004		2	Nut M6X1,00 -8 A2K	C
6	4700904281		4	Washer 5,3x10x1 300HV	C
7	4700904653		4	Screw M5x16 A2-70	C
8	4700586001		4	Lock nut	C
9	4700909085	A	1XL	Grommet	

A) L= 0.11 m



Cable harness kit

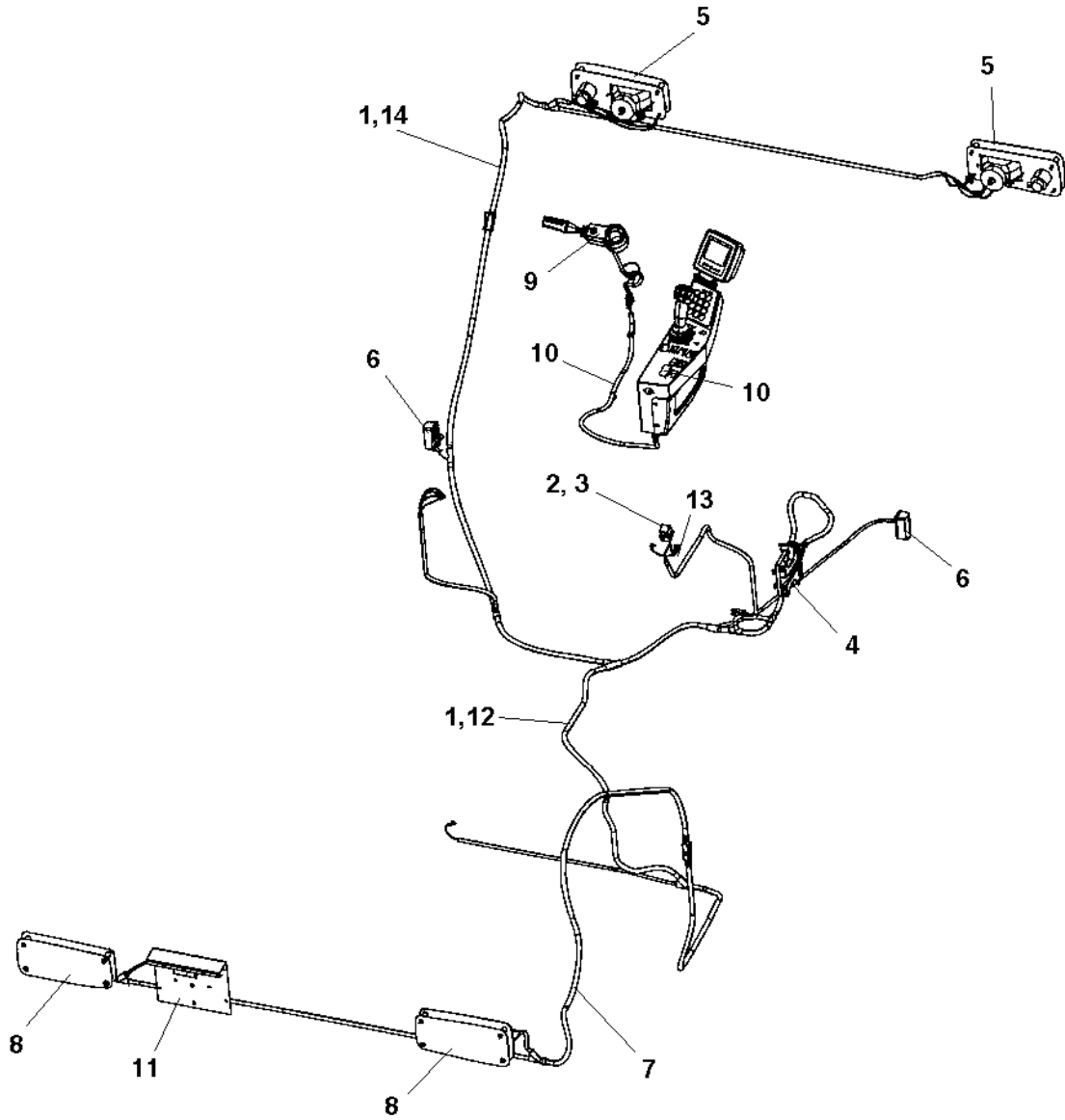
Item	Part No	Rem Qty	Description	Code
1	4700394931	1	Cable harness	
2	4700395023	1	Frequency converter	
3	4700313041	8	Cable ties L=200 mm	B
4	4700792210	1	Screw torx	
5	4700792667	2	Cable tie with holder	



Power supply module

Item	Part No	Rem Qty	Description	Code
1	4700904015	1	Fuse holder	D
2	4700960067	1	Cable clip	
3	4700904024	1	Splicing sleeve	
4	4700901227	1	Fuse 10A	A

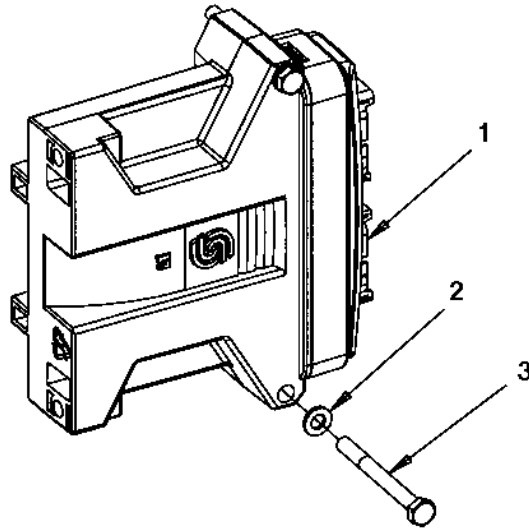
Driving & side direction lights



Driving & side direction lights

Item	Part No	Rem	Qty	Description	Code
1	4700392152		1	Cable harness Up to 384S00409	D
2	4700792422		1	Relay 20A	
3	4700792210		1	Screw torx	
4			1	Accessories ECU module (Page 338)	
5			2	Driving lights, front RH (Page 340)	
			2	Driving lights, front LH (Page 342)	
6			2	Turn signals (Page 344)	
7	4700392154		1	Cable harness Std	D
	4700392155		1	Cable harness Off-set	D
8			2	Driving lights, rear (Page 346)	
9			1	Steering column switch module (Page 348)	
10			1	Cable harness and switch module (Page 350)	
11			1	Registration plate light module (Page 352)	
12	4700396861		1	Cable harness From 384S00410	D
13	4700903741		1	Fuse 20A Yellow Medium	A
14	4700396862	A	1	Cable harness From 384S00410	D

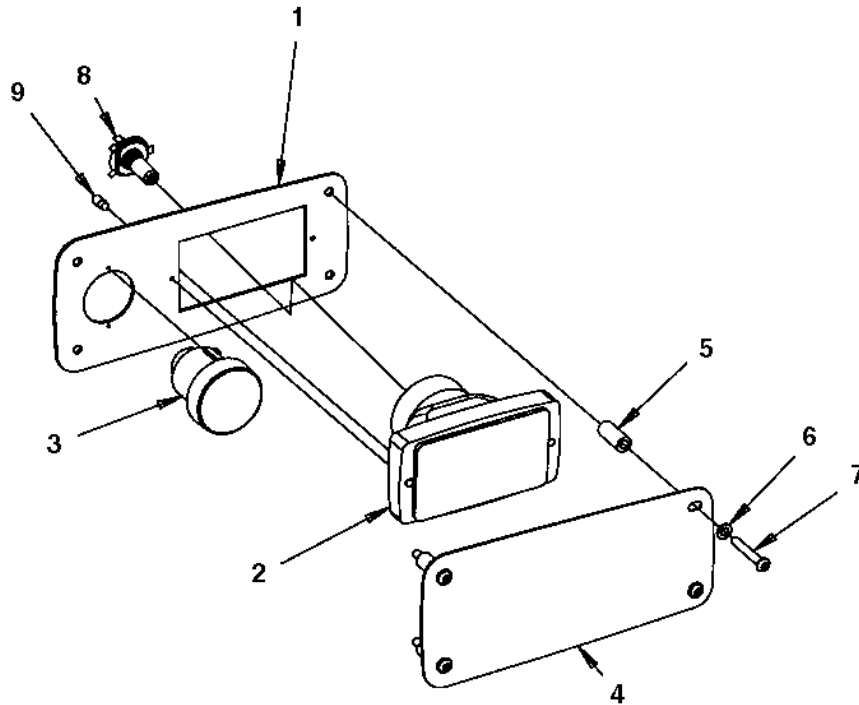
A) Front



Accessories ECU module

Item	Part No	Rem Qty	Description	Code
1	4700390862	1	Control unit without software	
2	4700904228	2	Washer 6,4x12x1,5	C
3	4700500187	2	Screw M6x60	C

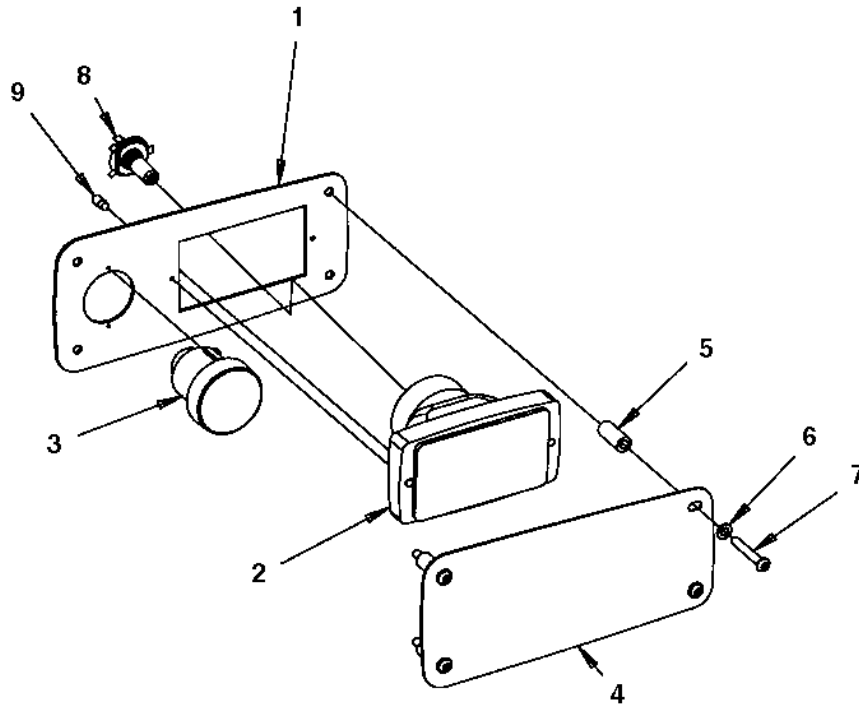
Driving lights, front RH



Driving lights, front RH

Item	Part No	Rem Qty	Description	Code
1	4700390434	1	Lights bracket	
2	4700791951	1	Headlight	
3	4700792521	1	Direction indicator	
4	4700390436	1	Protecting cover	
5	4700391115	4	Spacer sleeve	
6	4700904229	4	Steel plain washer 8,4x16x1,5	C
7	4700792361	4	Hexagon socket head cap screw	
8	4700792353	1	Bulb 24V 75/70W H4	
9	4700792350	1	Bulb 24V 2W	

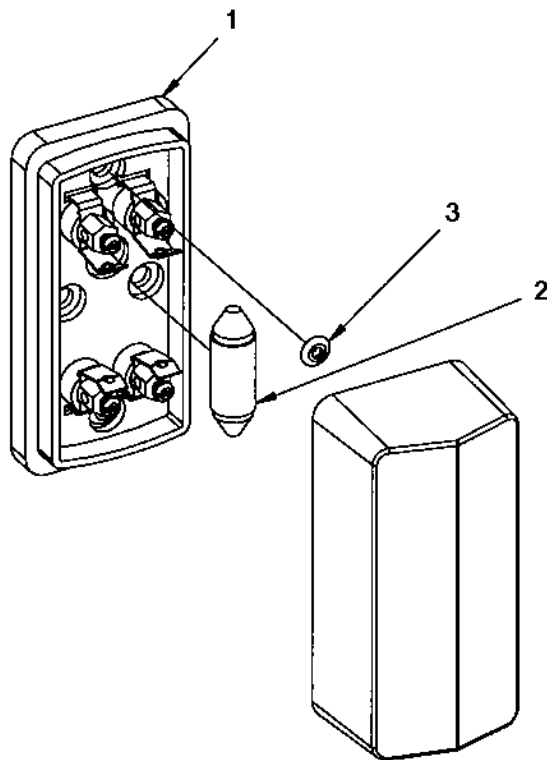
Driving lights, front LH



Driving lights, front LH

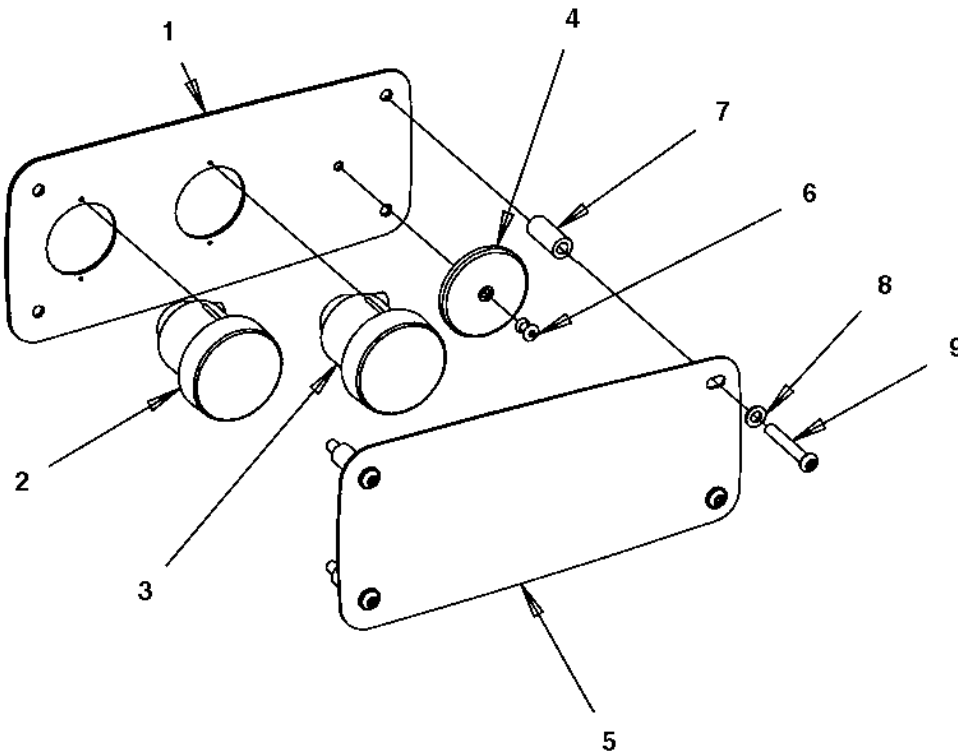
Item	Part No	Rem Qty	Description	Code
1	4700390434	1	Lights bracket	
2	4700792059	1	Headlight	
3	4700792521	1	Direction indicator	
4	4700390436	1	Protecting cover	
5	4700391115	4	Spacer sleeve	
6	4700904229	4	Steel plain washer 8,4x16x1,5	C
7	4700792361	4	Hexagon socket head cap screw	
8	4700792353	1	Bulb 24V 75/70W H4	
9	4700792350	1	Bulb 24V 2W	

Turn signals



Turn signals

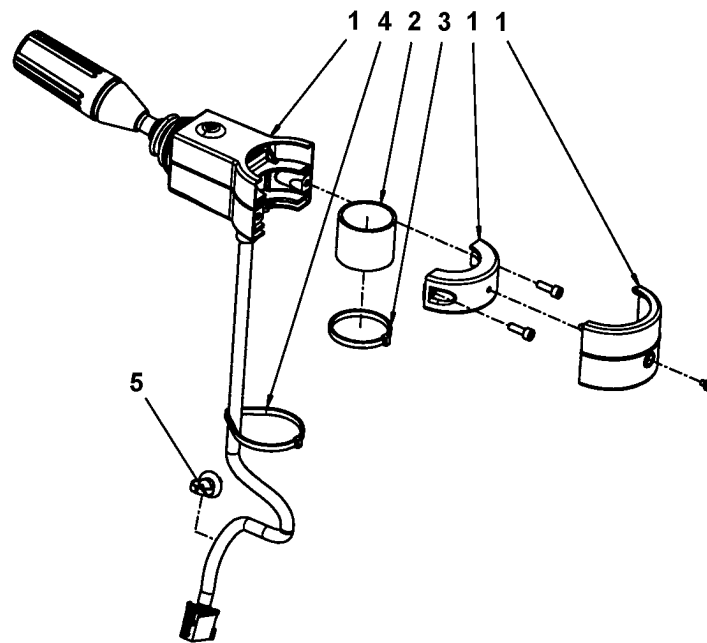
Item	Part No	Rem Qty	Description	Code
1	4700902064	1	Direction lights	B
2	4700792354	1	Bulb 24V 5W	
3	4700923253	2	Rivet	C



Driving lights, rear

Item	Part No	Rem Qty	Description	Code
1	4700390435	1	Lights bracket	
2	4700792520	1	Direction indicator	
	4700792349	1	. Bulb 24V 21W	
3	4700792519	1	Brake/position light	
	4700792351	1	. Bulb 24V 21/5W	
4	4700791956	1	Reflector, red	
5	4700390436	1	Protecting cover	
6	4700791754	1	Blind rivet	
7	4700391115	4	Spacer sleeve	
8	4700904229	4	Steel plain washer 8,4x16x1,5	C
9	4700792361	4	Hexagon socket head cap screw	

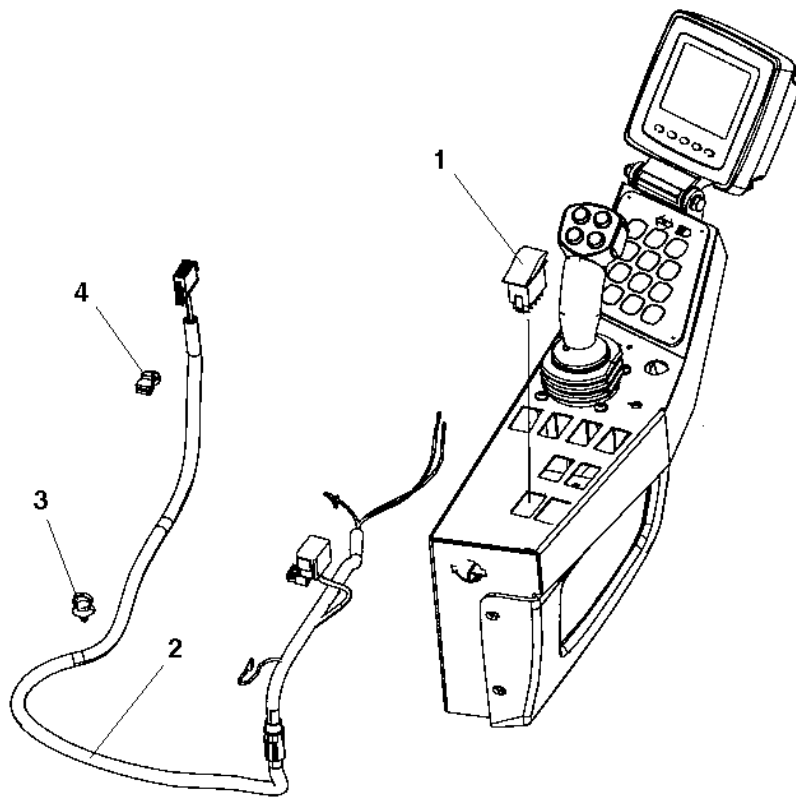
Steering column switch module



Steering column switch module

Item	Part No	Rem Qty	Description	Code
1	4700392450	1	Steering column switch	
2	4700392451	1	Rubber cloth	
3	4700313041	1	Cable ties L=200 mm	B
4	4700792609	1	Cable ties	
5	4700921080	1	Clamp	C

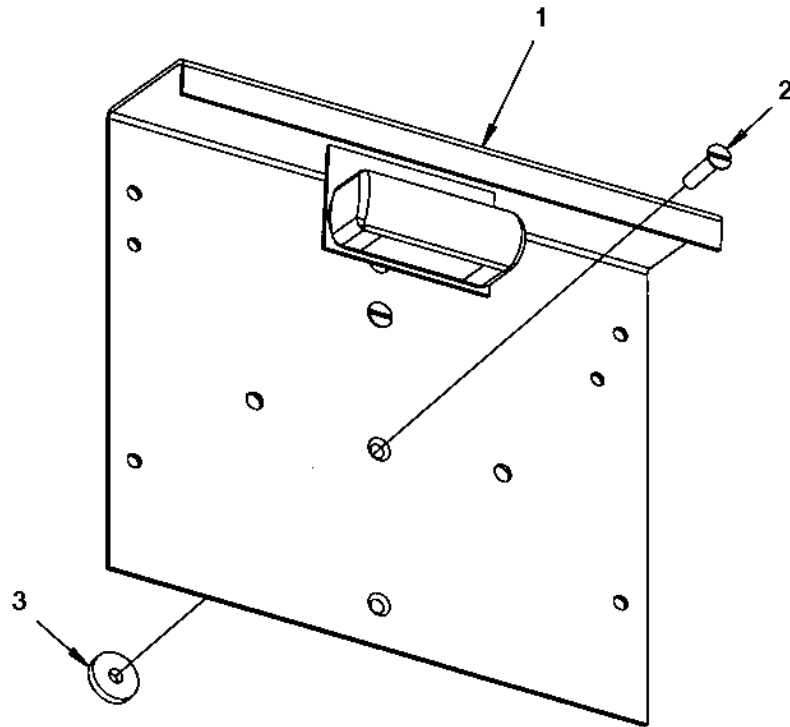
Cable harness and switch module



Cable harness and switch module

Item	Part No	Rem Qty	Description	Code
1	4700792398	1	Switch	
2	4700392153	1	Cable harness	D
3	4700792441	1	Cable tie with holder	C
4	4700792537	1	Cable tie with holder	

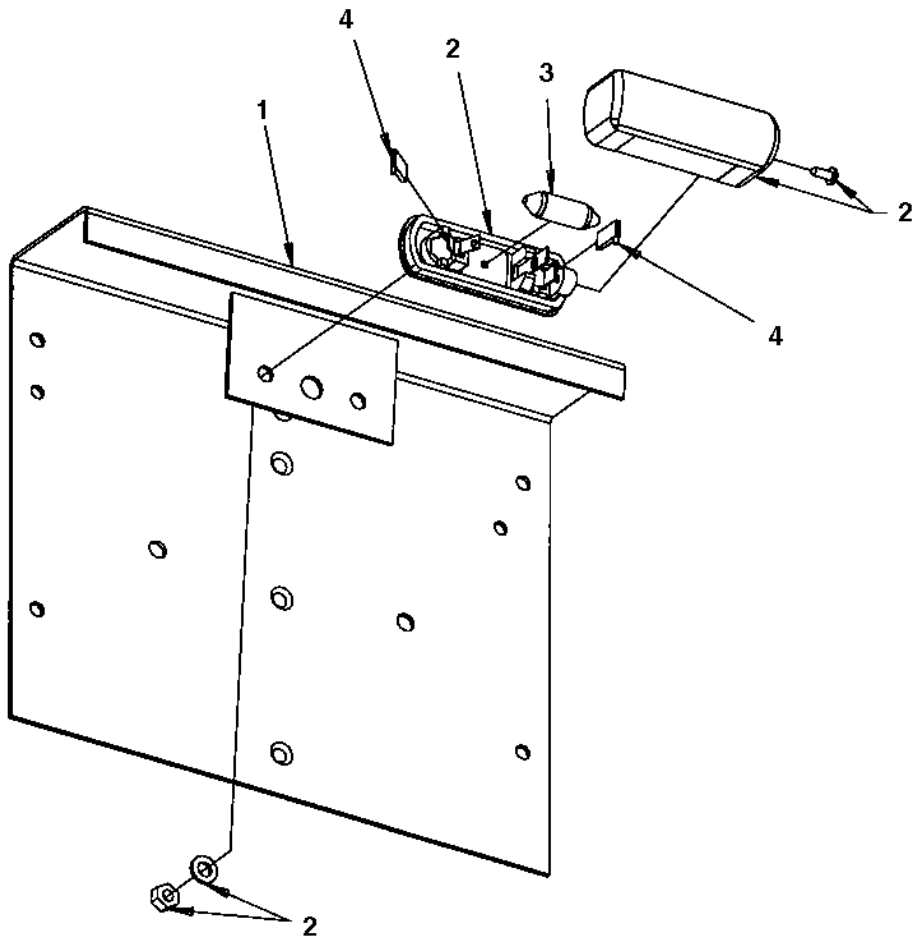
Registration plate light module



Registration plate light module

Item	Part No	Rem Qty	Description	Code
1		1	Registration plate light (Page 354)	
2	4700928784	2	Screw	
3	4700904735	2	Washer	C

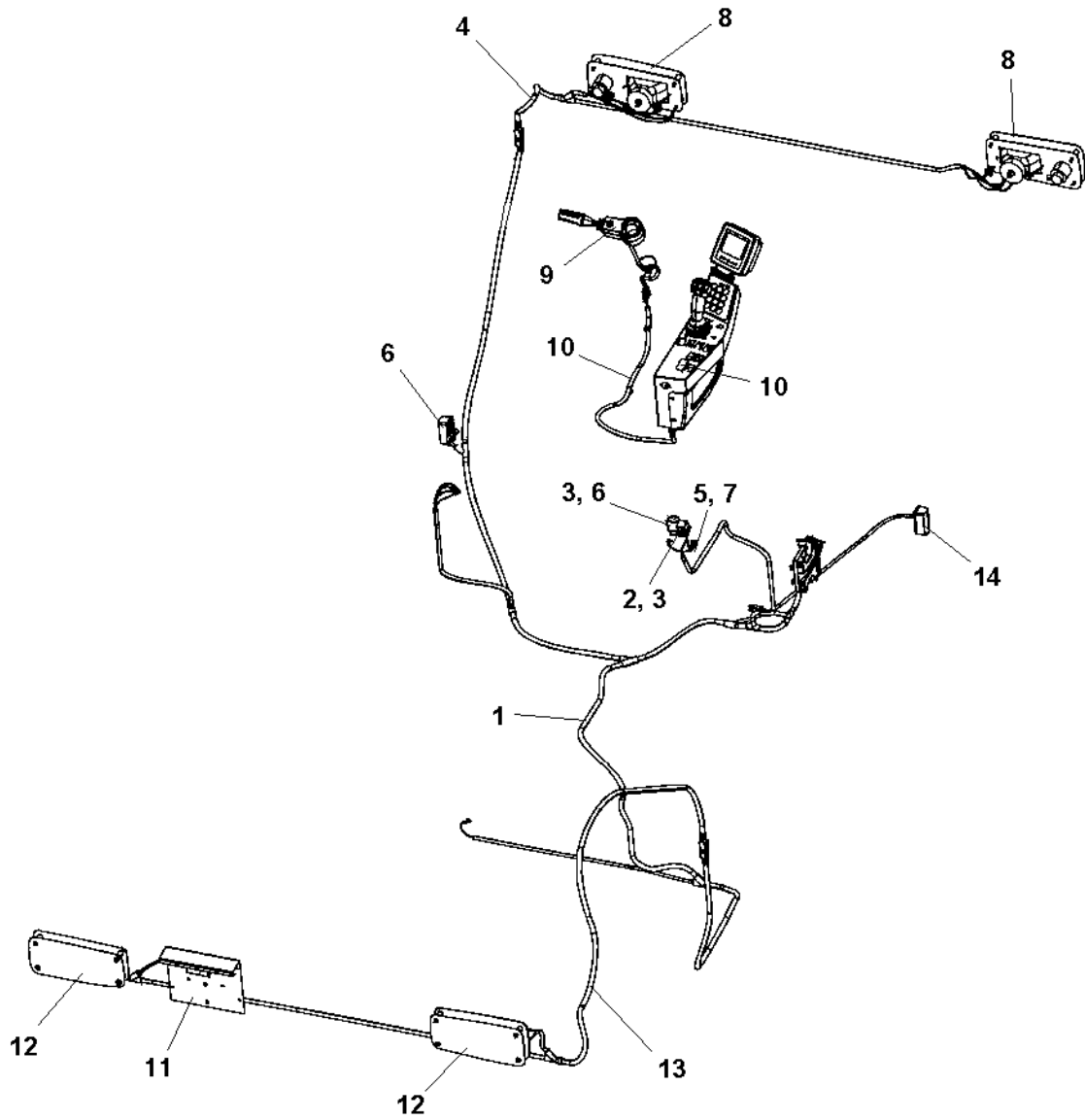
Registration plate light



Registration plate light

Item	Part No	Rem Qty	Description	Code
1	4700355797	1	Licence plate holder	
2	4700929455	1	Licence plate light	D
3	4700792354	1	Bulb 24V 5W	
4	4700792035	2	Push-on terminal	

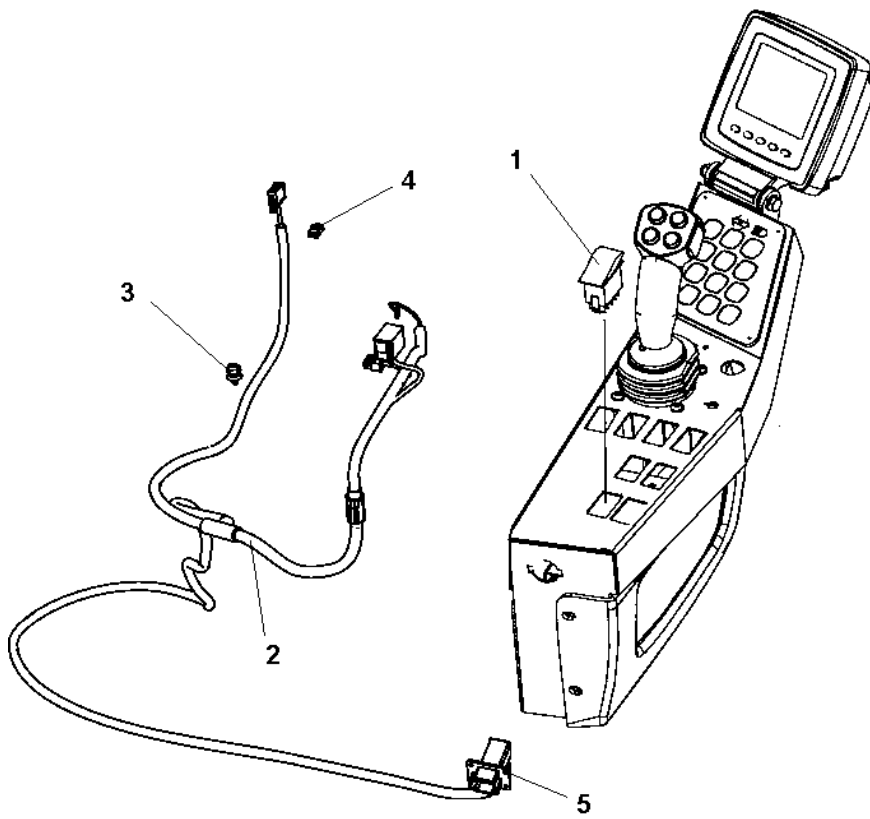
Driving & side direction lights



Driving & side direction lights

Item	Part No	Rem Qty	Description	Code
1	4812110899	1	Cable harness	
2	4700792422	1	Relay 20A	
3	4700792210	2	Screw torx	
4	4812110902	A	Cable harness	
5	4700901227	1	Fuse 10A	A
6	4811000163	1	Flash relay	
7	4700901226	1	Fuse 7.5A	
8		2	Driving lights, front RH (Page 340)	
		2	Driving lights, front LH (Page 342)	
9		1	Steering column switch module (Page 348)	
10		1	Cable harness and switch module (Page 358)	
11		1	Registration plate light module (Page 352)	
12		2	Driving lights, rear (Page 346)	
13	4812110903	1	Cable harness Std	
	4812110904	1	Cable harness Off-set	
14		2	Turn signals (Page 344)	
A)	Front			

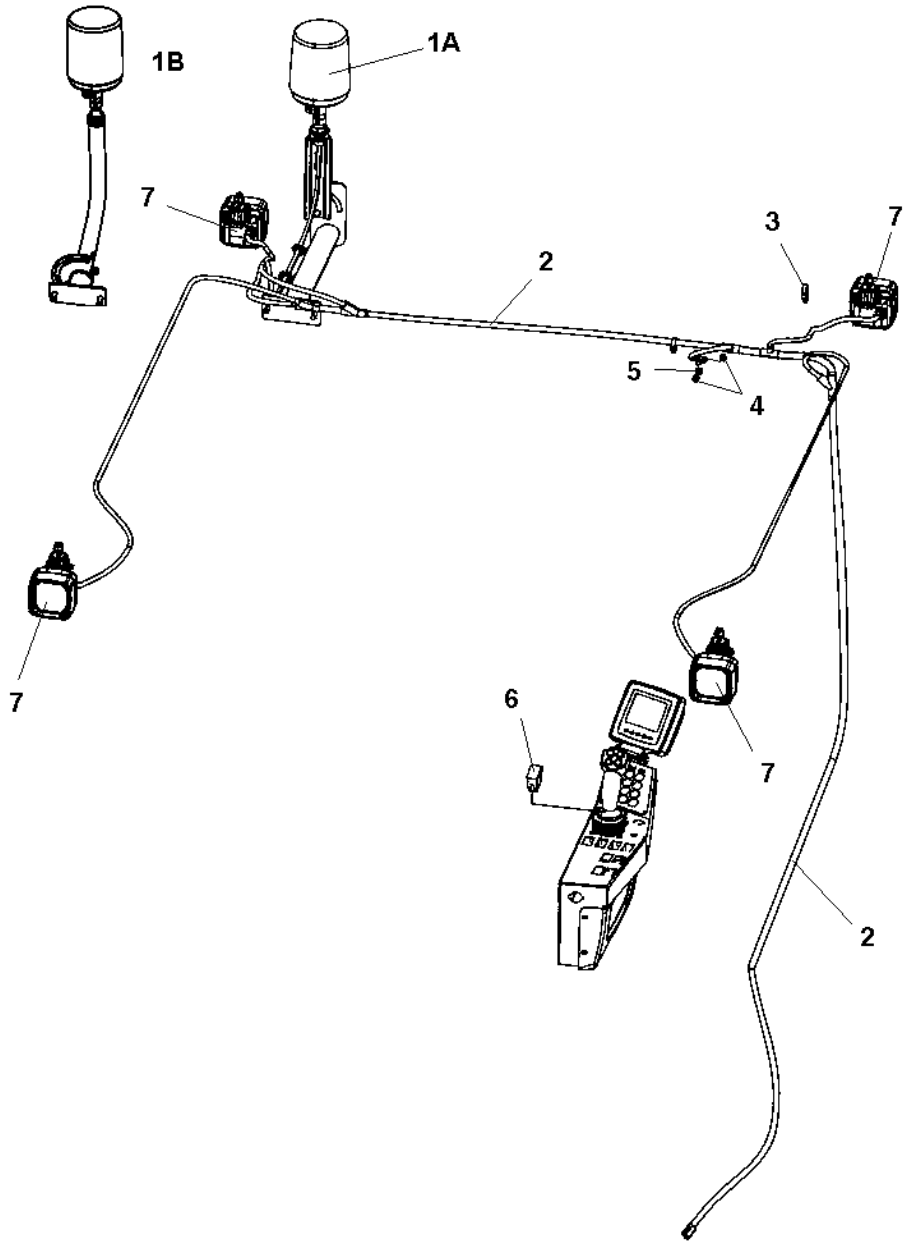
Cable harness and switch module



Cable harness and switch module

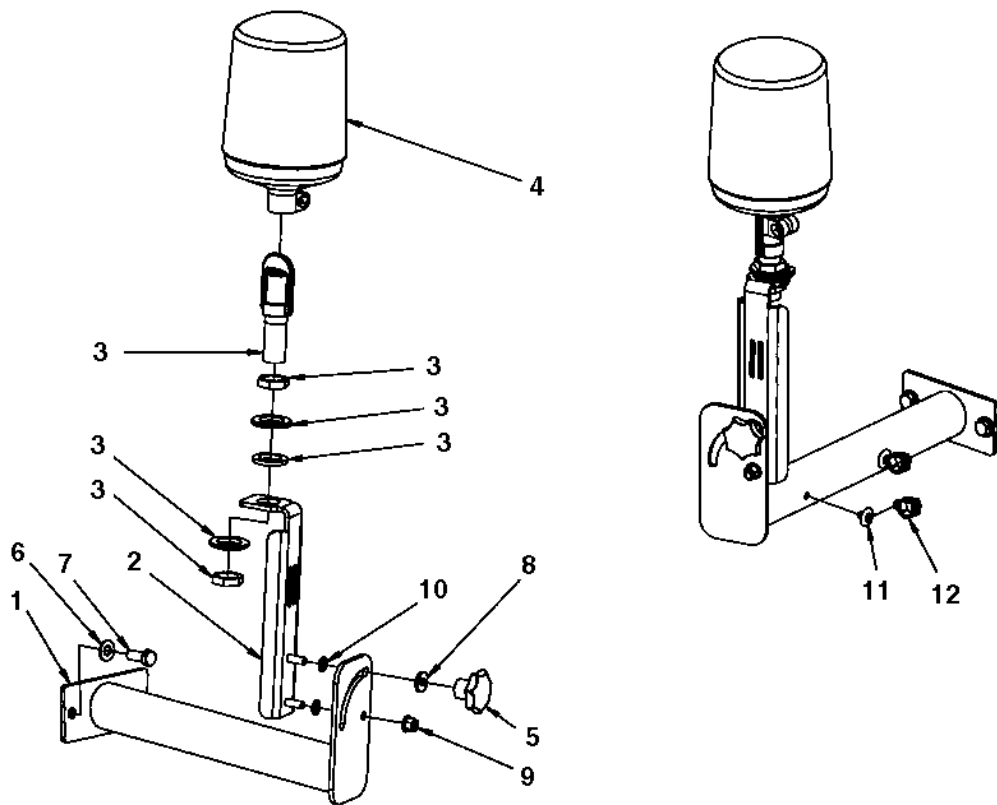
Item	Part No	Rem Qty	Description	Code
1	4700792398	1	Switch	
2	4812110898	1	Cable harness	
3	4700792441	1	Cable tie with holder	C
4	4700792537	1	Cable tie with holder	
5	4700791709	4	Pop rivet	C

Rotating beacon, working light



Rotating beacon, working light

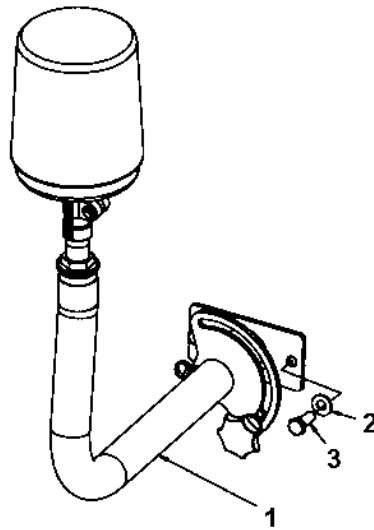
Item	Part No	Rem Qty	Description	Code
1-A		1	Rotating beacon module (Page 362)	
1-B		1	Rotating beacon module (Page 364)	
2	4700391957	1	Cable harness	D
3	4700313102	N	Cable ties L=380 mm	
4	4700570005	2	Nut M8	C
5	4700904229	1	Steel plain washer 8,4x16x1,5	C
6	4700792397	1	Switch	
7		4	Working light module H3 (Page 368)	
		4	Working light module Xenon (Page 370)	



Rotating beacon module

Item	Part No	Rem Qty	Description	Code
1	4700393590	1	Bracket	
2	4700392158	1	Bracket	
3	4700392321	1	Bracket	
4	4700393681	1	Rotating beacon	
5	4700792410	1	Star knob M8-50	
6	4700904230	2	Steel plain washer	C
7	4700500028	2	Screw	C
8	4700904640	1	Washer 8,4x22x3	C
9	4700902286	1	Hexagon lock nut with flange	C
10	4700904229	2	Steel plain washer 8,4x16x1,5	C
11	4700792419	2	T-stud	
12	4700792417	2	Wiring clip	

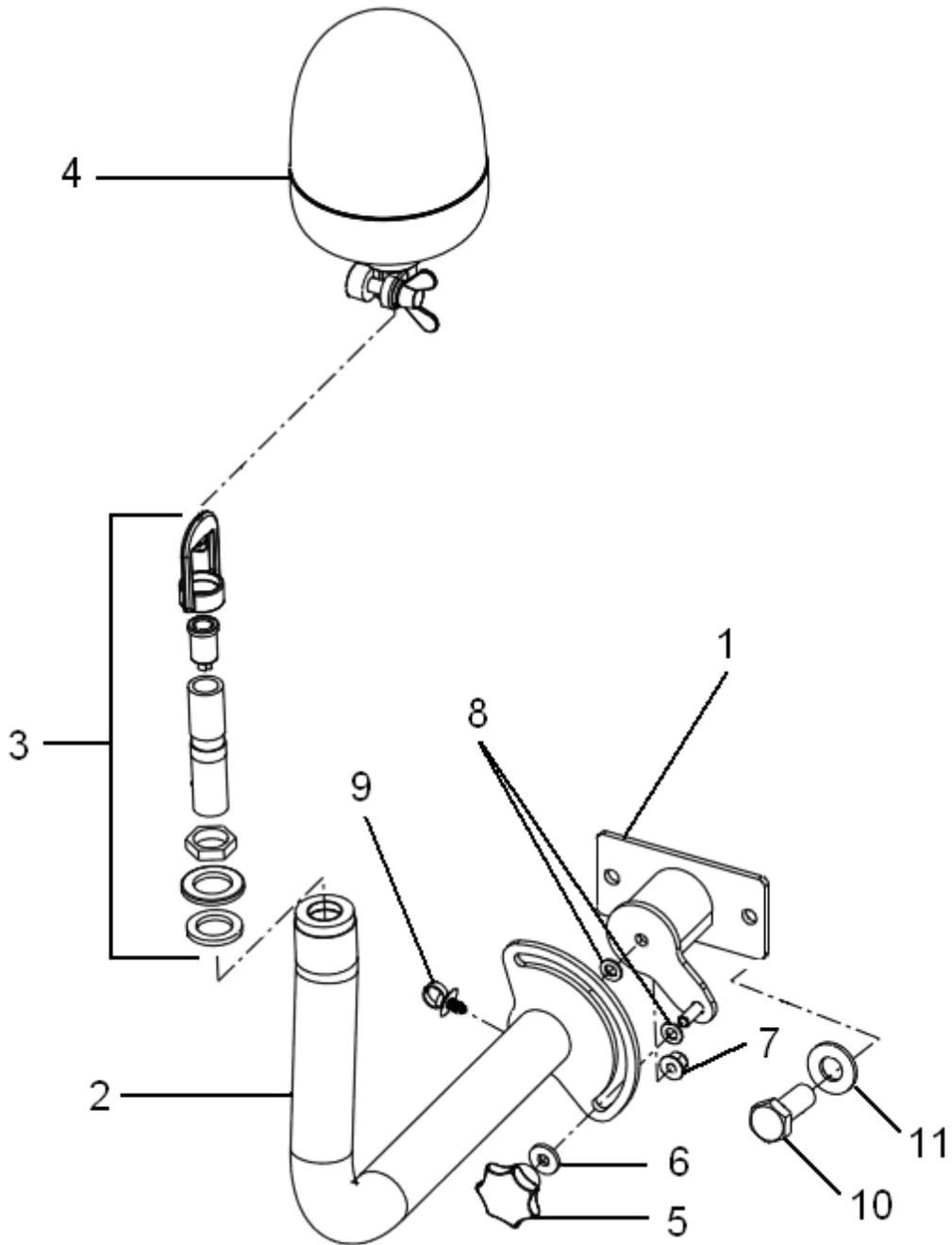
Rotating beacon module



Rotating beacon module

Item	Part No	Rem Qty	Description	Code
1		1	Rotating beacon module (Page 366)	
2	4700904230	2	Steel plain washer	C
3	4700500028	2	Screw	C

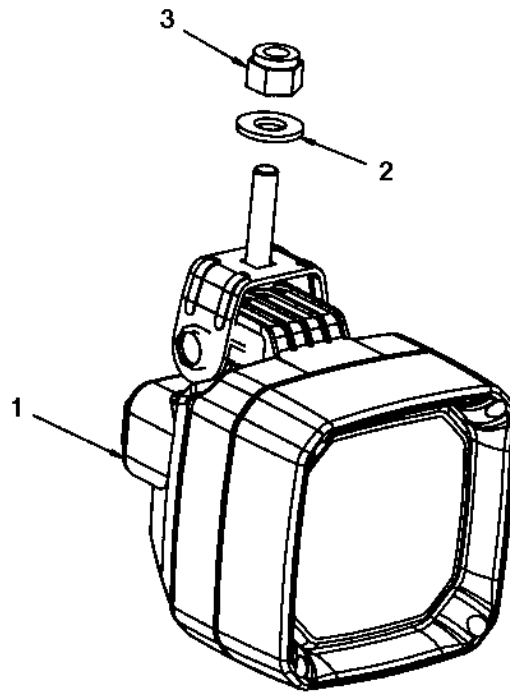
Rotating beacon module



Rotating beacon module

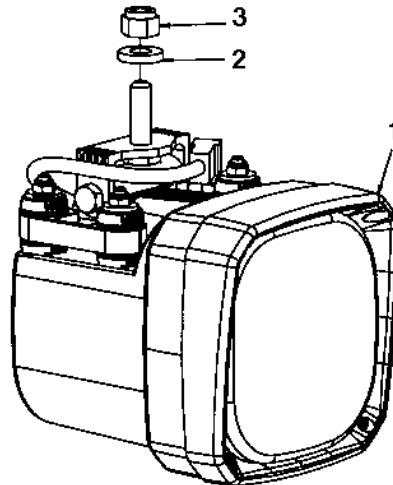
Item	Part No	Rem Qty	Description	Code
1	4700397516	1	Bracket	
2	4700397517	1	Lever	
3	4700392321	1	Bracket	
4	4812111326	1	Rotating beacon	
	4812156777	1	. Bulb H1 24V	
5	4700792410	1	Star knob M8-50	
6	4700904640	1	Washer 8,4x22x3	C
7	4700902286	1	Hexagon lock nut with flange	C
8	4700904229	2	Steel plain washer 8,4x16x1,5	C
9	4700792441	1	Cable tie with holder	C
10	4700500028	2	Screw	C
11	4700904230	2	Steel plain washer	C

Working light module H3



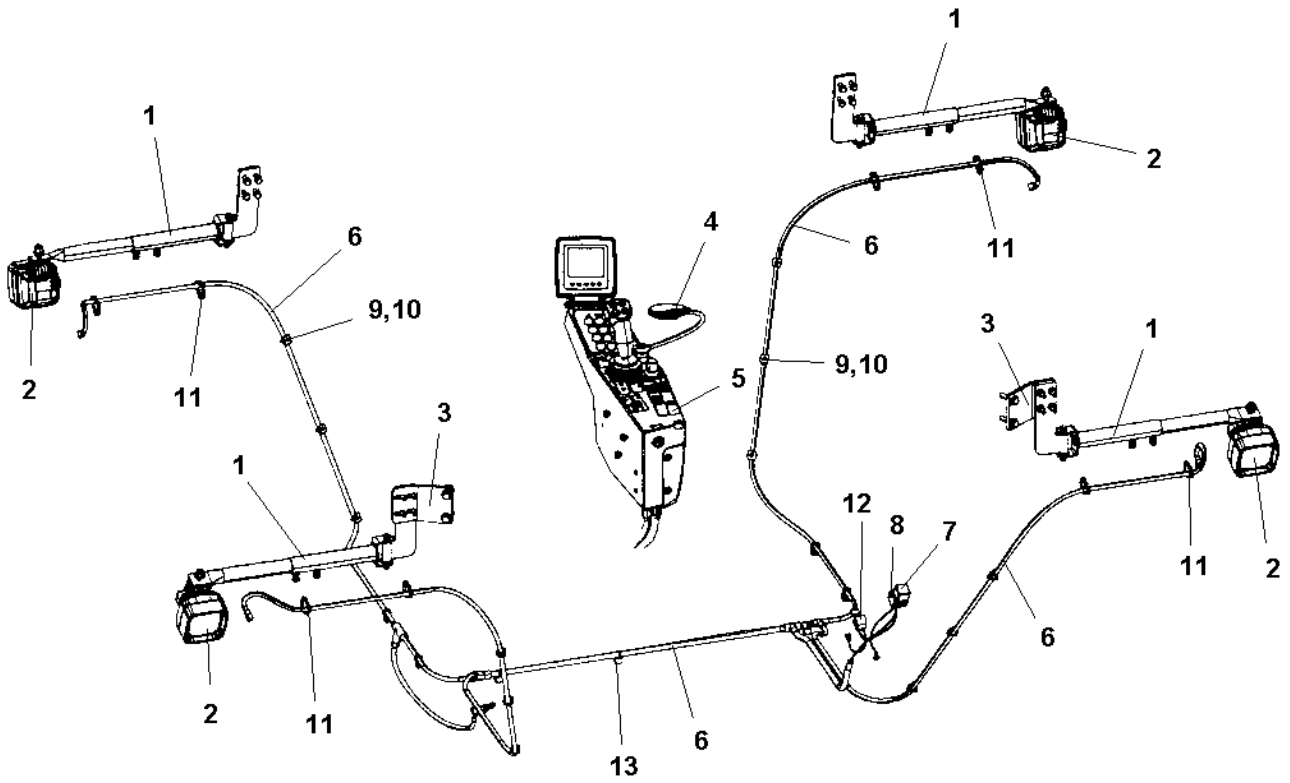
Working light module H3

Item	Part No	Rem Qty	Description	Code
1	4700392033	1	Working light	
	4700792352	1	. Bulb	
2	4700904230	1	Steel plain washer	C
3	4700586018	1	Hexagon lock nut M10	C



Working light module Xenon

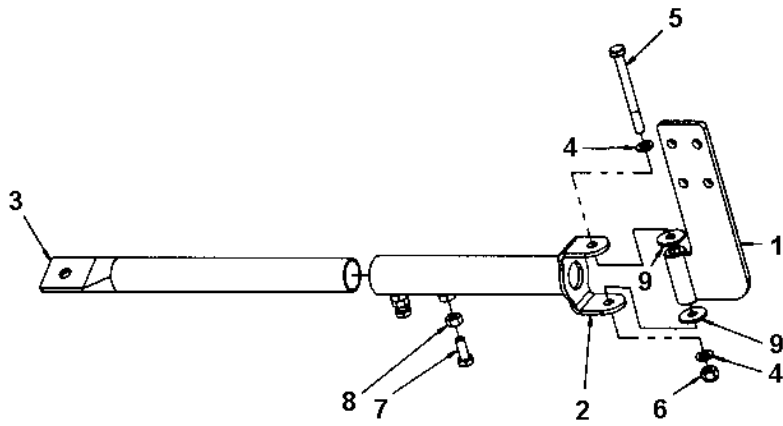
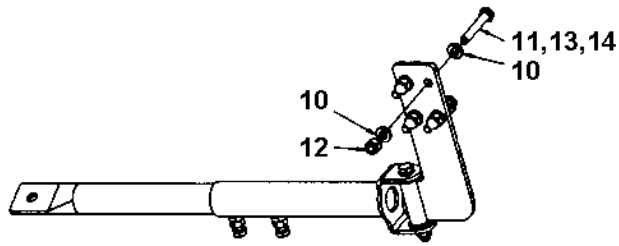
Item	Part No	Rem Qty	Description	Code
1	4700393538	1	Xenon lamp	
2	4700904557	1	Steel plain washer	C
3	4700586018	1	Hexagon lock nut M10	C



Drum edge lights

Item	Part No	Rem Qty	Description	Code
1		4	Bracket (Page 374)	
2		4	Working light module H3 (Page 368)	
3		2	Bracket (Page 376)	
4		1	Reading light (Page 378)	
5	4700792794	1	Switch	
6	4700397564	1	Cable harness	
7	4700792422	1	Relay 20A	
8	4700792210	1	Screw torx	
9	4700395352	12	Cable tie holder	
10	4700313068	12	Cable ties L=100 mm	
11	4700313041	8	Cable ties L=200 mm	B
12	4700901228	1	Fuse 15A	A
13	4700792667	7	Cable tie with holder	

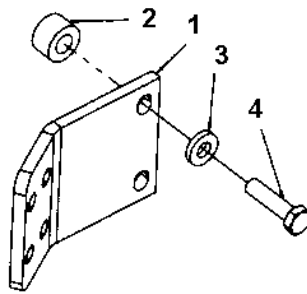
Bracket



Bracket

Item	Part No	Rem Qty	Description	Code
1	4700397028	1	Bracket	
2	4700397029	1	Bracket	
3	4700397045	1	Bracket	
4	4700904229	2	Steel plain washer 8,4x16x1,5	C
5	4700500190	1	Screw	
6	4700586003	1	Lock nut M8	C
7	4700500053	2	Screw M8x20H 8.8	C
8	4700570005	2	Nut M8	C
9	4700903662	2	Washer	C
10	4700904556	8	Washer 8,4x16x3,0	C
11	4700500047	A	4 Hexagon head screw	C
12	4700586003	4	Lock nut M8	C
13	4700500024	B	4 Screw M8x45	D
14	4700500025	C	4 Screw M8-1,25x50 8.8	

- A) Used on machines with Cab.
B) Used on machines with Handrails.
C) Used on machines with Handrails and Canopy.

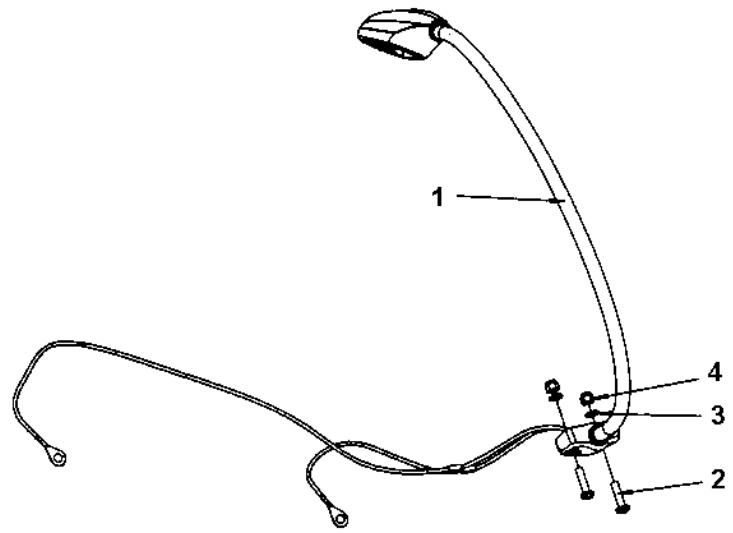


Bracket

Item	Part No	Rem Qty	Description	Code
1	4700395787	1	Holder plate	D
2	4700397500	1	2 Spacer sleeve	D
3	4700904557	2	Steel plain washer	C
4	4700500091	2	Screw	C

1) Used on machines with Air condition

Reading light

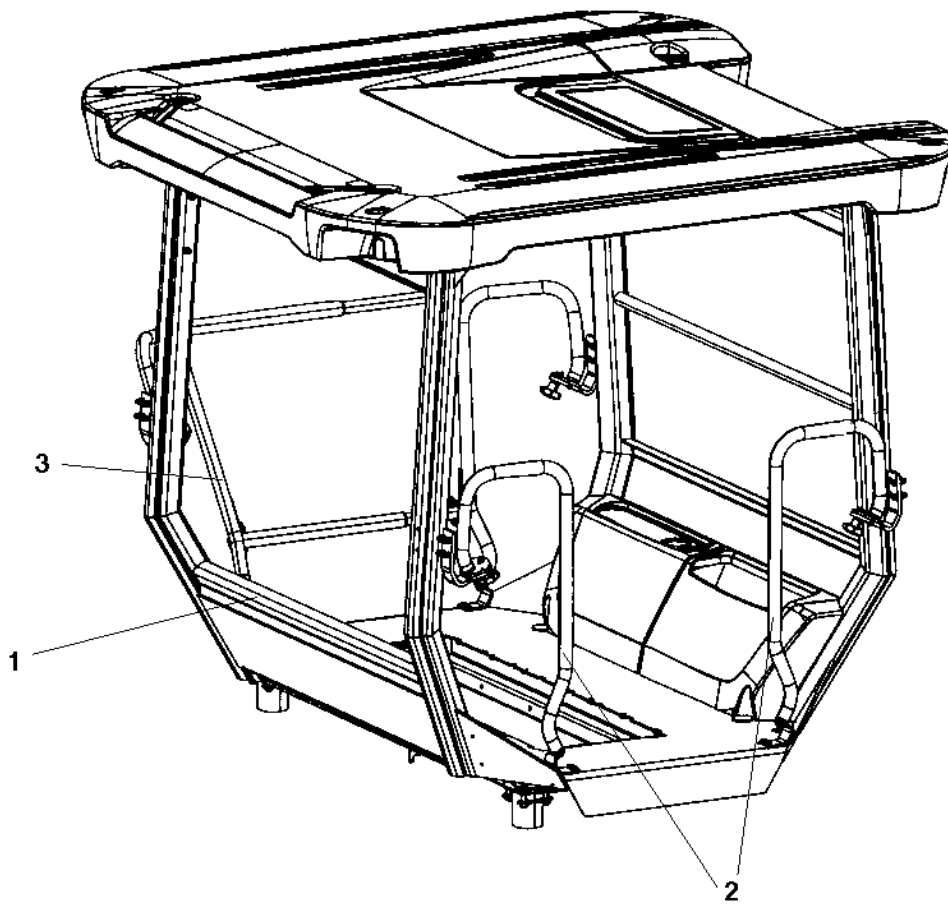


Reading light

Item	Part No	Rem Qty	Description	Code
1	4700397604	1	Reading lamp	
2	4700791421	2	Machine screw	
3	4700904281	2	Washer 5,3x10x1 300HV	C
4	4700586001	2	Lock nut	C

Drivers platform

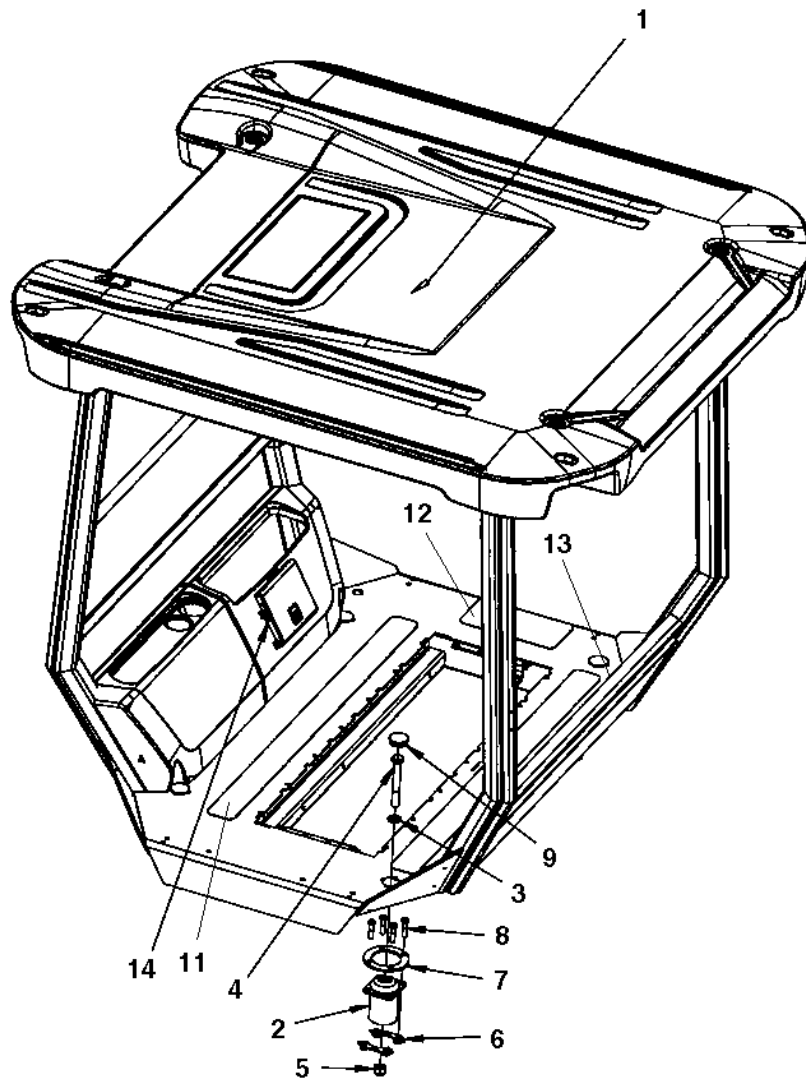
Item	Part No	Rem Qty	Description	Code
1			Platform, no cab (Page 382)	
2			Canopy option (Page 406)	
3			Cab, asymmetric (Page 412)	
			Cab, symmetric (Page 446)	
4			Cab heater system (Page 456)	
5		1	Cab noise cover (Page 460)	
6			Radio and cd player (Page 462)	
7		2	Rear view mirror module (Page 466)	
8			Drivers seat (Page 468)	



Platform, no cab

Item	Part No	Rem Qty	Description	Code
1		1	Platform with 4-post ROPS (Page 384)	
		1	Platform no ROPS (Page 388)	
2		1	Hand rail, left (Page 394)	
3		1	Hand rail, right (Page 398)	
8		1	Lunch box module (Page 404)	

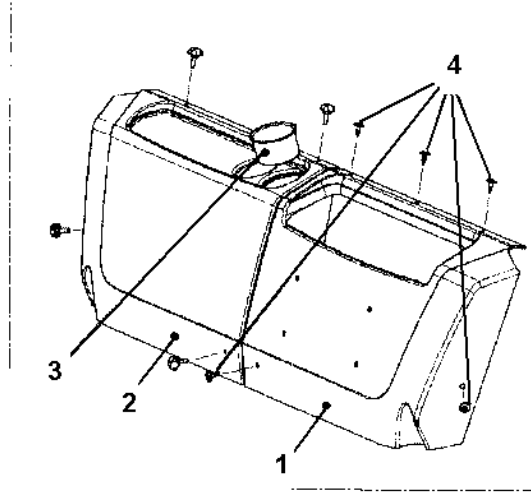
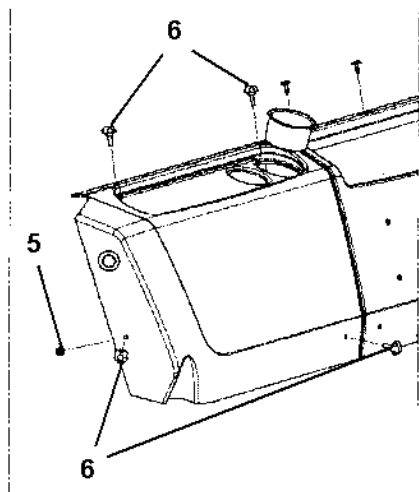
Platform with 4-post ROPS



Platform with 4-post ROPS

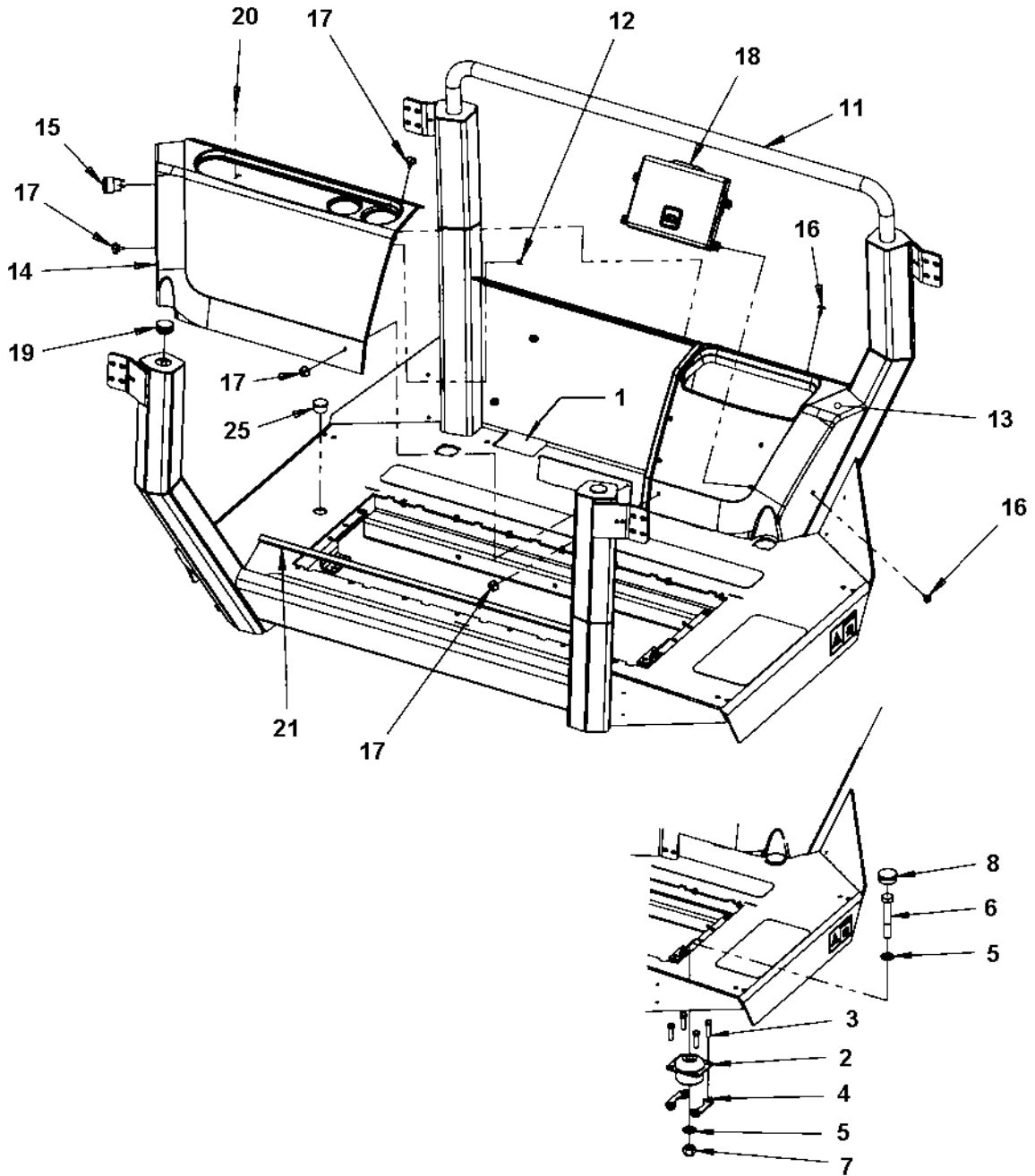
Item	Part No	Rem Qty	Description	Code
1	4700395750	1	Platform with 4-post ROPS	
	4812113426	1	Platform with 4-post ROPS	
	4812115760	1	Platform with 4-post ROPS	
	4700395860	1	. Roof	D
		1	. Rear covers (Page 386)	
2	4700384855	4	Shock absorber	D
3	4700904233	4	Washer 21x36x3	C
4	4700903633	4	Screw M20x150 10,9	
5	4700901145	4	Lock nut M20-10	
6	4700393525	8	Holder	
7	4700359998	4	Back-up ring	C
8	4700500195	16	Screw	C
9	4700904131	4	Plug	
11	4700372121	2	Protection	
12	4700373363	1	Slip protection	
13	4700393978	1	Slip protection	
14		1	Manual box (Page 392)	

Rear covers



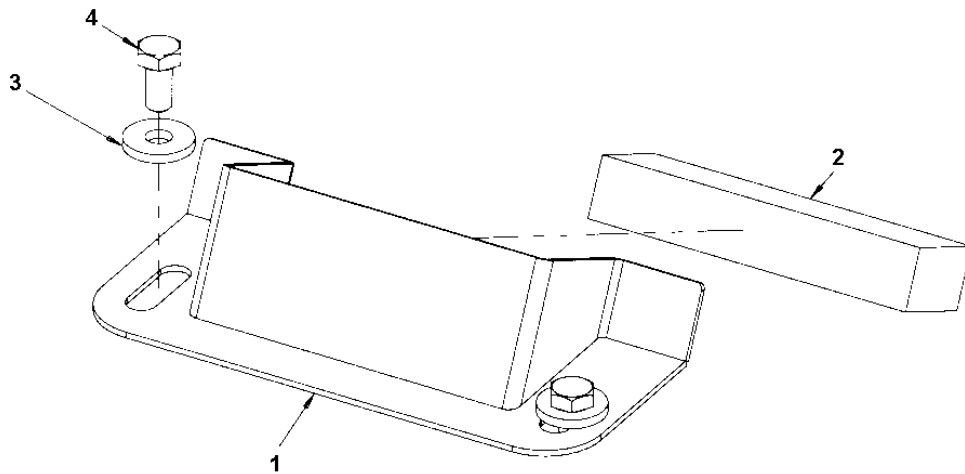
Rear covers

Item	Part No	Rem Qty	Description	Code
1	4700395857	1	Rear cover, left	D
2	4700395783	1	Rear cover, right	D
3	4700395784	1	Mug holder	D
4	4700395785	5	Expansion rivet	D
5		1	Nut	
6	4700395786	4	Knob	



Platform no ROPS

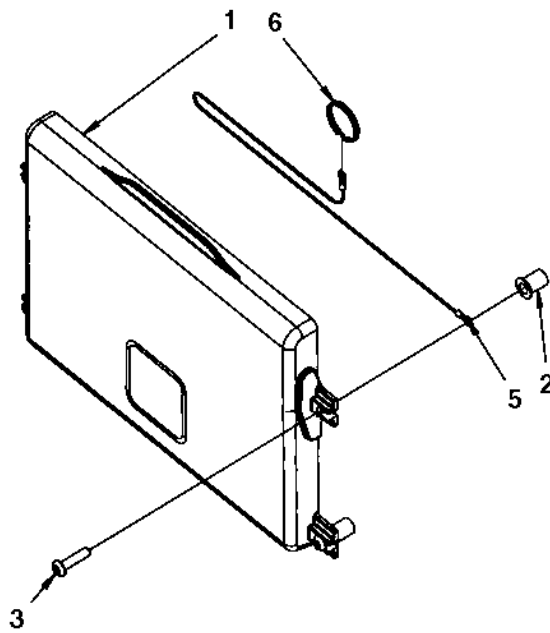
Item	Part No	Rem Qty	Description	Code
1		1	Cover module (Page 390)	
2	4700373399	4	Shock absorber	D
3	4700500056	16	Screw	
4	4700393525	8	Holder	
5	4700904233	8	Washer 21x36x3	C
6	4700500228	4	Screw M20-2,5x120 8,8	C
7	4700901145	4	Lock nut M20-10	
8	4700395840	4	Plug	
11	4812110827	1	Platform cpl	
12	4812110586	1	. Cage nut	
13	4700395857	1	. Rear cover, left	D
14	4700395783	1	. Rear cover, right	D
15	4700395816	1	. Plug socket 24V	
16	4700395785	3	. Expansion rivet	D
17	4700395786	5	. Knob	
18		1	. Manual box (Page 392)	
19	4700792449	2	. Protective plug	
20	4700902804	2	. Plug	C
21	4700902379	1XL	. Edge trim	
22	4700373363	1	. Slip protection	
23	4700372121	2	. Protection	
25	4700901446	1	. Plug	



Cover module

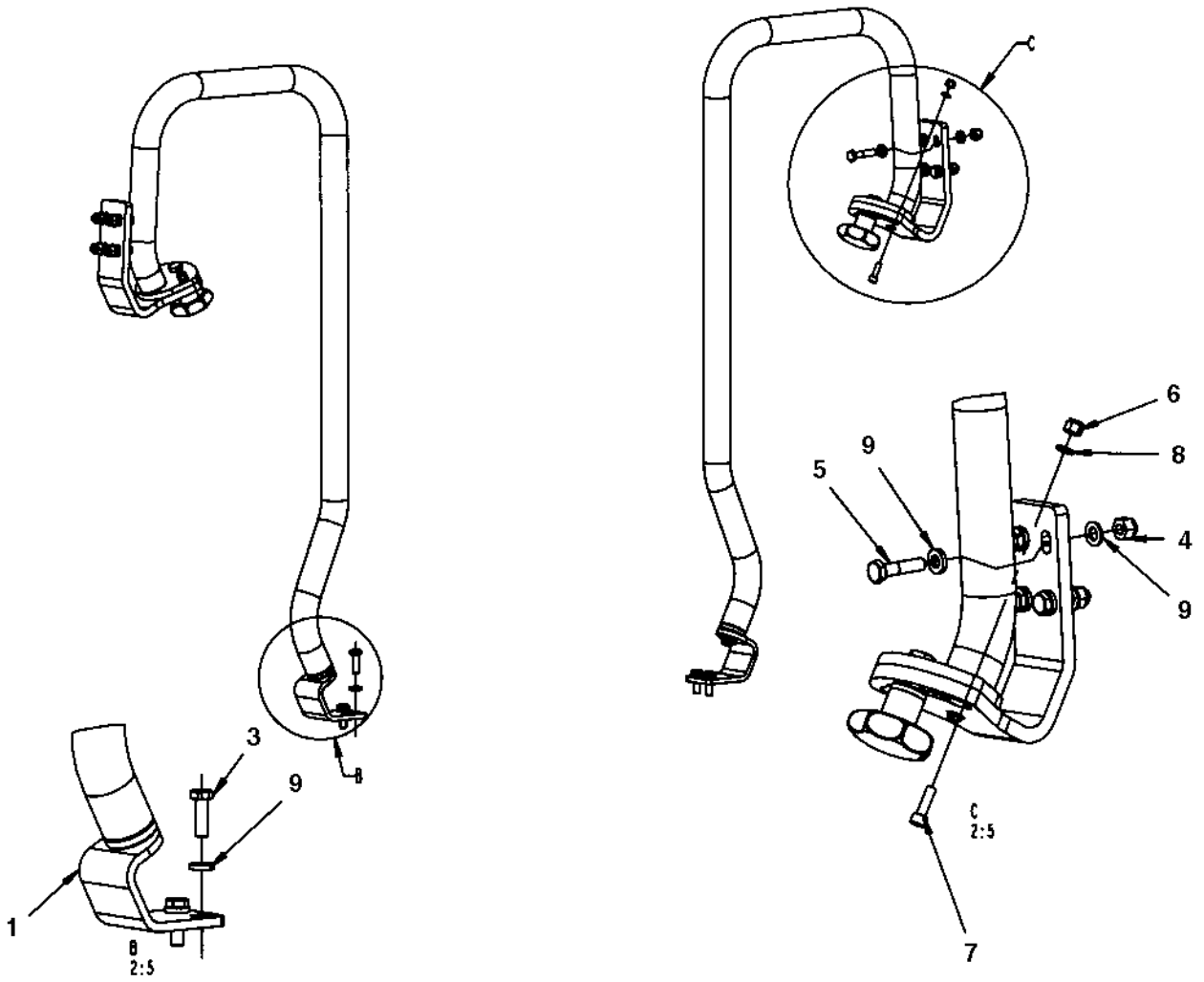
Item	Part No	Rem	Qty	Description	Code
1	4700396923		1	Cover plate	D
2	4700792796	A	1	Rubber strip 25x20	D
3	4700904640		2	Washer 8,4x22x3	C
4	4700500019		2	Hexagon head screw M8x16H 8,8	C

A) L = 0,112 m



Manual box

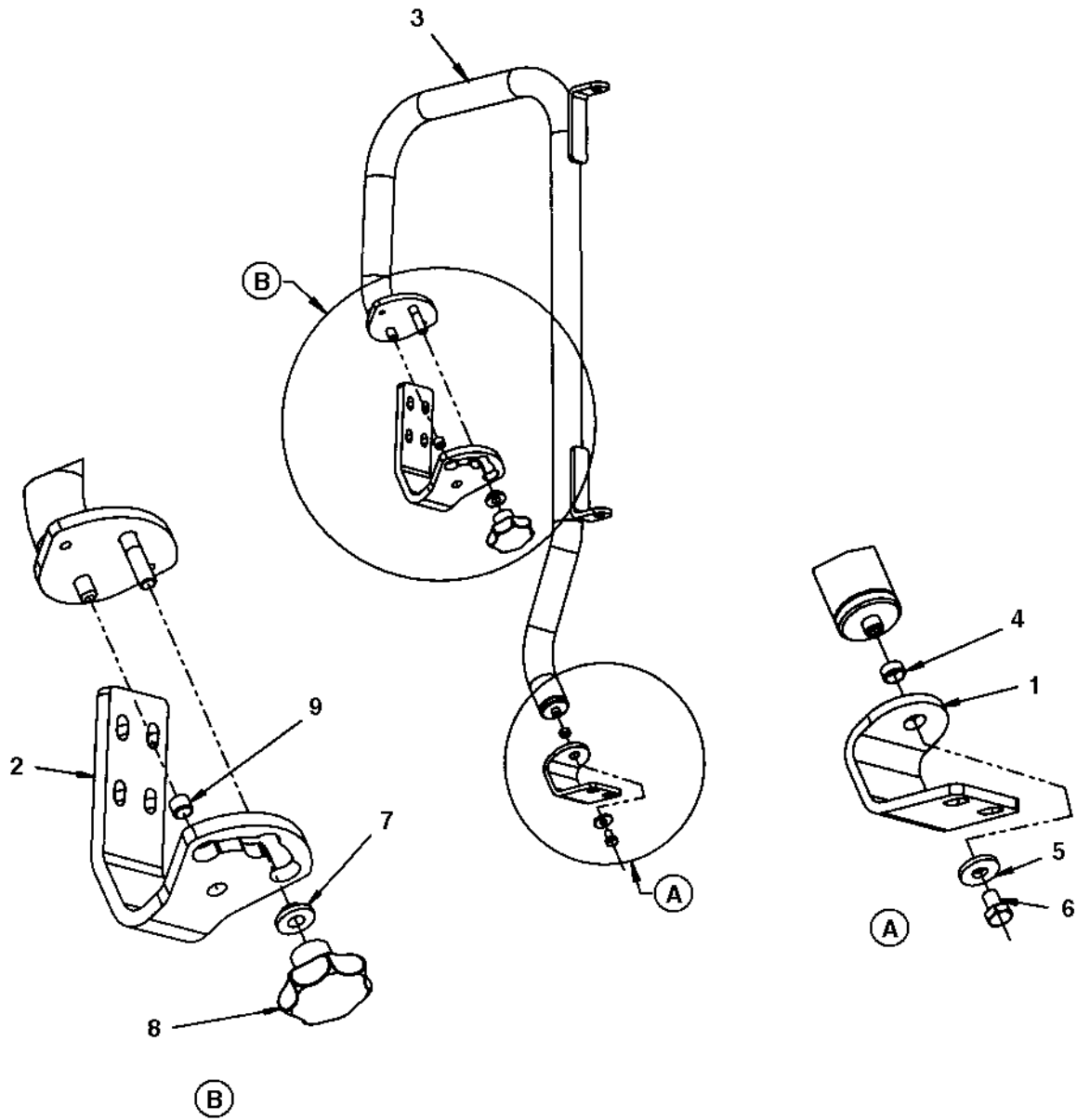
Item	Part No	Rem Qty	Description	Code
1	4700383705	1	Instruction book holder	D
2	4700792536	4	Rubber nut	
3	4700792589	4	Screw	
5	4700384584	1	Wire	
6	4700358254	1	Key-ring	



Hand rail, left

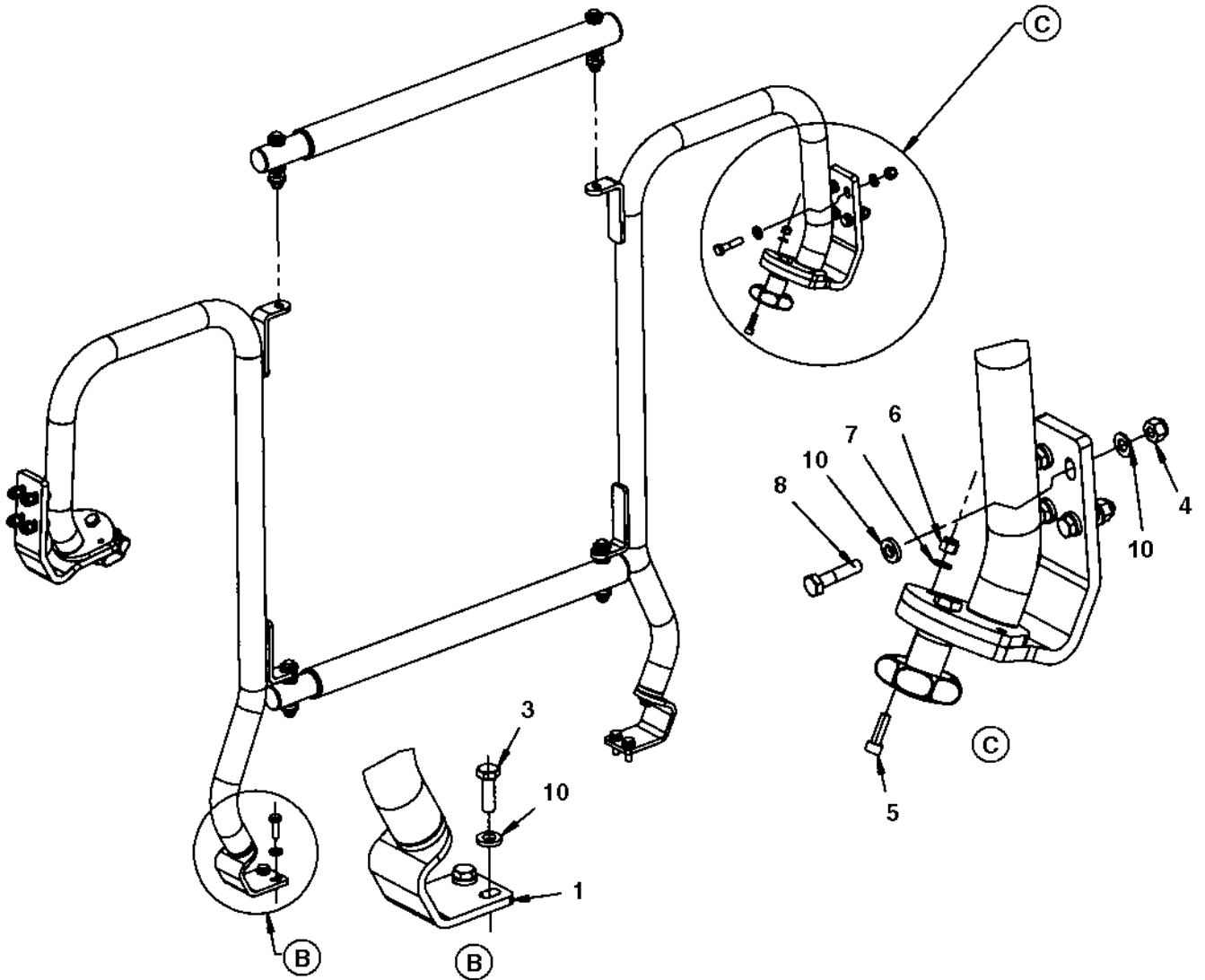
Item	Part No	Rem Qty	Description	Code
1		2	Hand rail (Page 396)	
3	4700500021	4	Screw M8-1,25x25 8.8	C
4	4700586003	8	Lock nut M8	C
5	4700500023	8	Screw M8-1,25x40 8,8	C
6	4700586002	2	Lock nut M6 -8	C
7	4700508025	2	Screw M6x20	
8	4700904228	2	Washer 6,4x12x1,5	C
9	4700904556	20	Washer 8,4x16x3,0	C

Hand rail



Hand rail

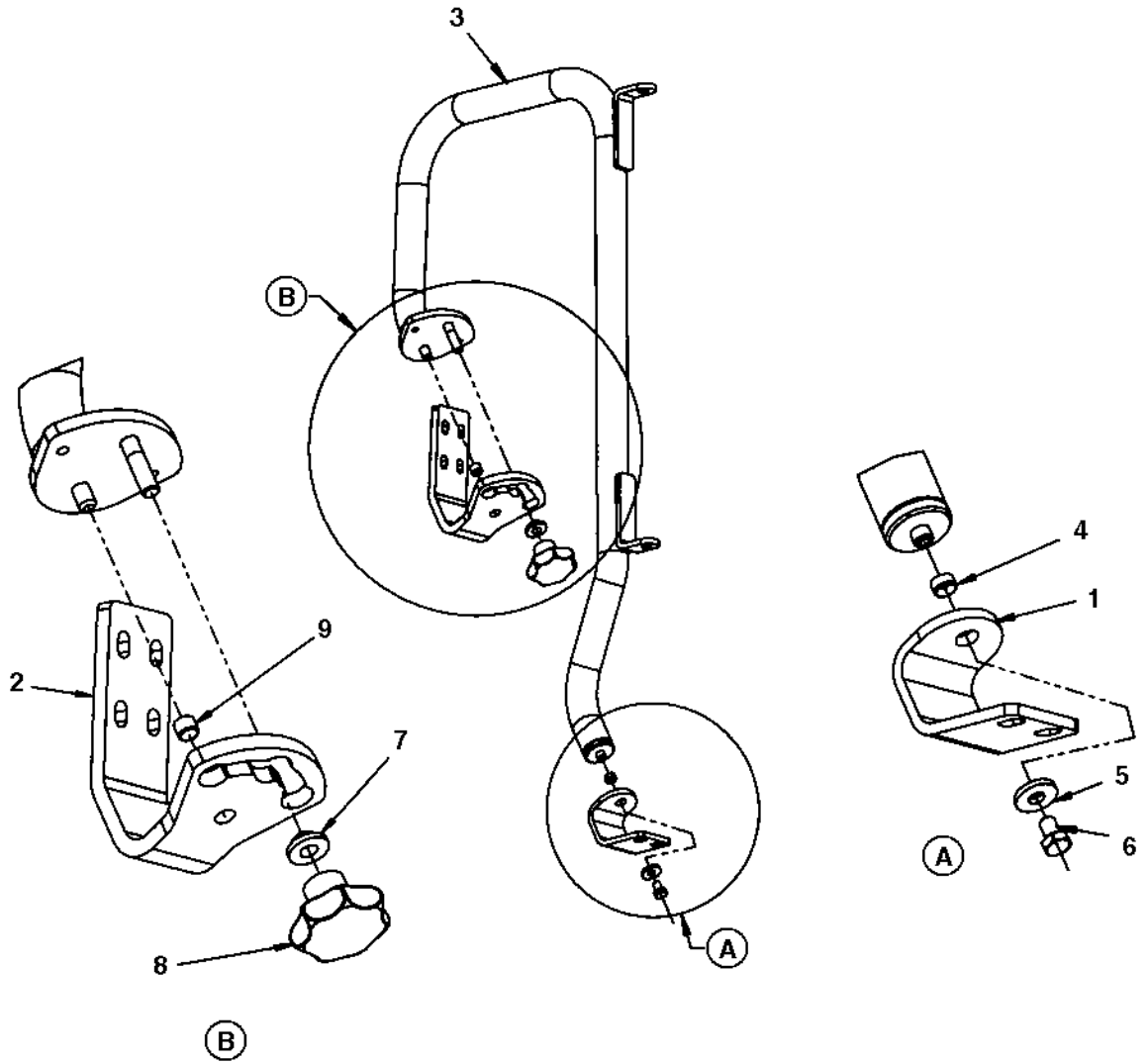
Item	Part No	Rem Qty	Description	Code
1	4700381936	1	Bracket	
2	4700381935	1	Bracket	
3	4700390155	1	Hand rail	
4	4700792448	1	Plastic bushing	
5	4700904640	1	Washer 8,4x22x3	C
6	4700500018	1	Screw M8-1,25x12 8,8	C
7	4700370286	1	Washer	C
8	4700499174	1	Knob	
9	4700792447	1	Plastic bushing	



Hand rail, right

Item	Part No	Rem Qty	Description	Code
1		1	Hand rail (Page 400)	
3	4700500021	4	Screw M8-1,25x25 8.8	C
4	4700586003	8	Lock nut M8	C
5	4700508025	2	Screw M6x20	
6	4700586002	2	Lock nut M6 -8	C
7	4700904228	2	Washer 6,4x12x1,5	C
8	4700500023	8	Screw M8-1,25x40 8,8	C
9		2	Hand rail (Page 402)	
10	4700904556	20	Washer 8,4x16x3,0	C

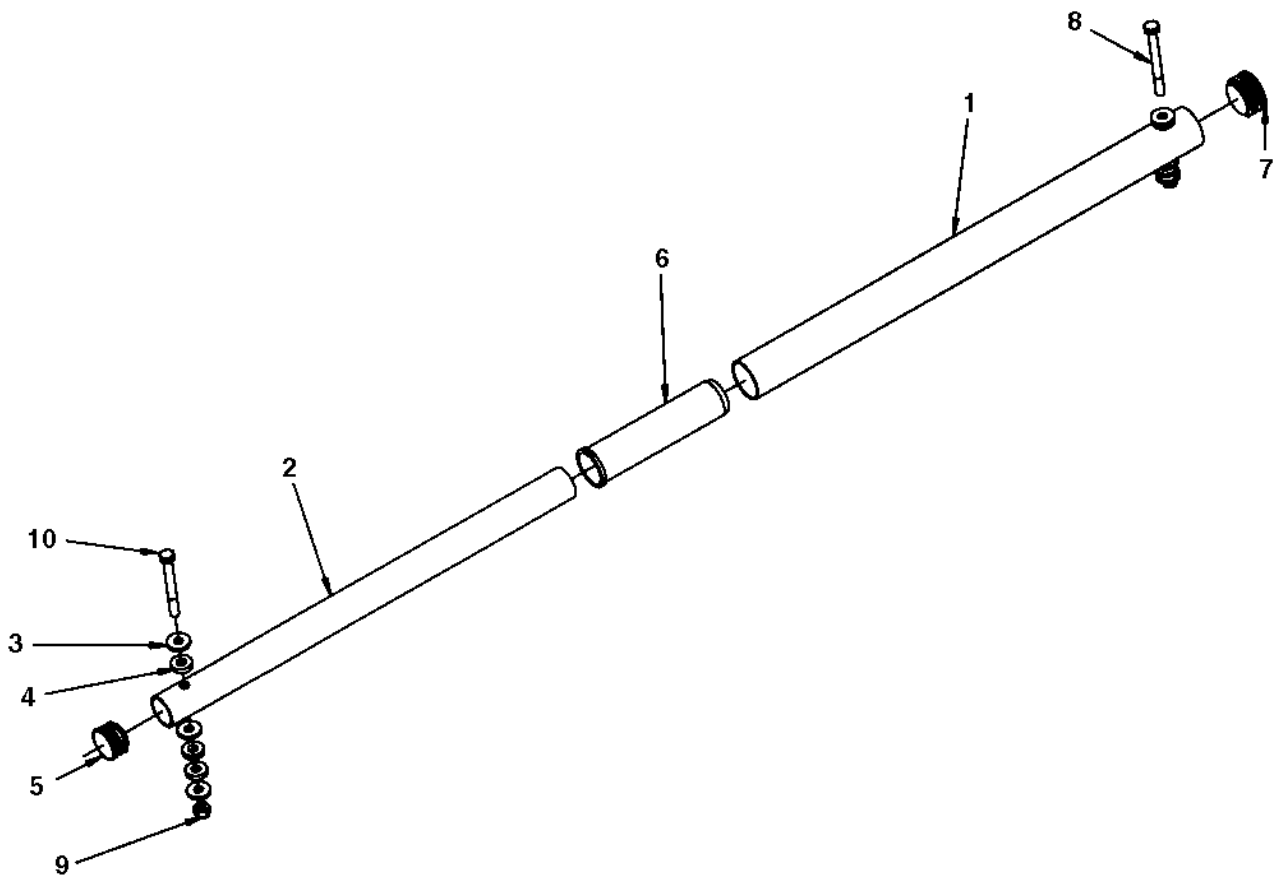
Hand rail



Hand rail

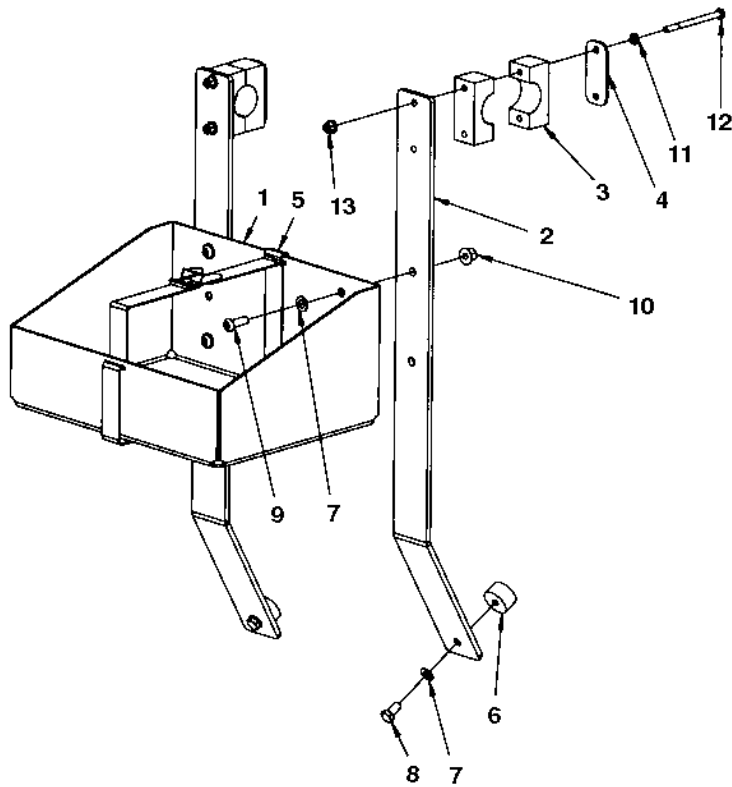
Item	Part No	Rem Qty	Description	Code
1	4700381936	1	Bracket	
2	4700381935	1	Bracket	
3	4700381934	1	Hand rail	
4	4700792448	1	Plastic bushing	
5	4700904640	1	Washer 8,4x22x3	C
6	4700500018	1	Screw M8-1,25x12 8,8	C
7	4700370286	1	Washer	C
8	4700499174	1	Knob	
9	4700792447	1	Plastic bushing	

Hand rail



Hand rail

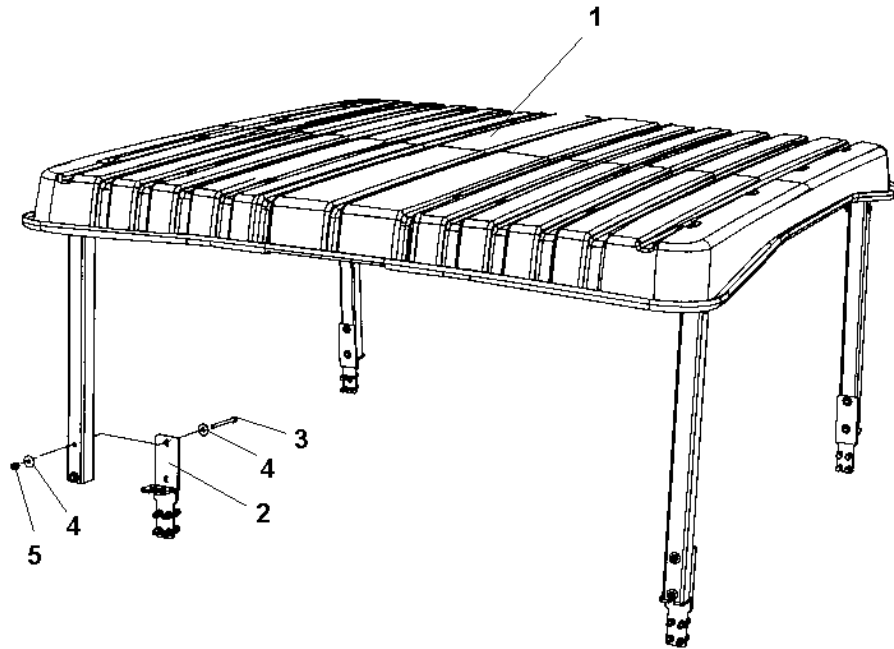
Item	Part No	Rem Qty	Description	Code
1	4700391675	1	Steel tube	
2	4700391676	1	Steel tube	
3	4700904640	6	Washer 8,4x22x3	C
4	4700391674	6	Rubber washer	
5	4700926216	1	Protective plug	
6	4700391678	1	Bushing	
7	4700792449	1	Protective plug	
8	4700500190	1	Screw	
9	4700586003	2	Lock nut M8	C
10	4700500189	1	Screw	C



Lunch box module

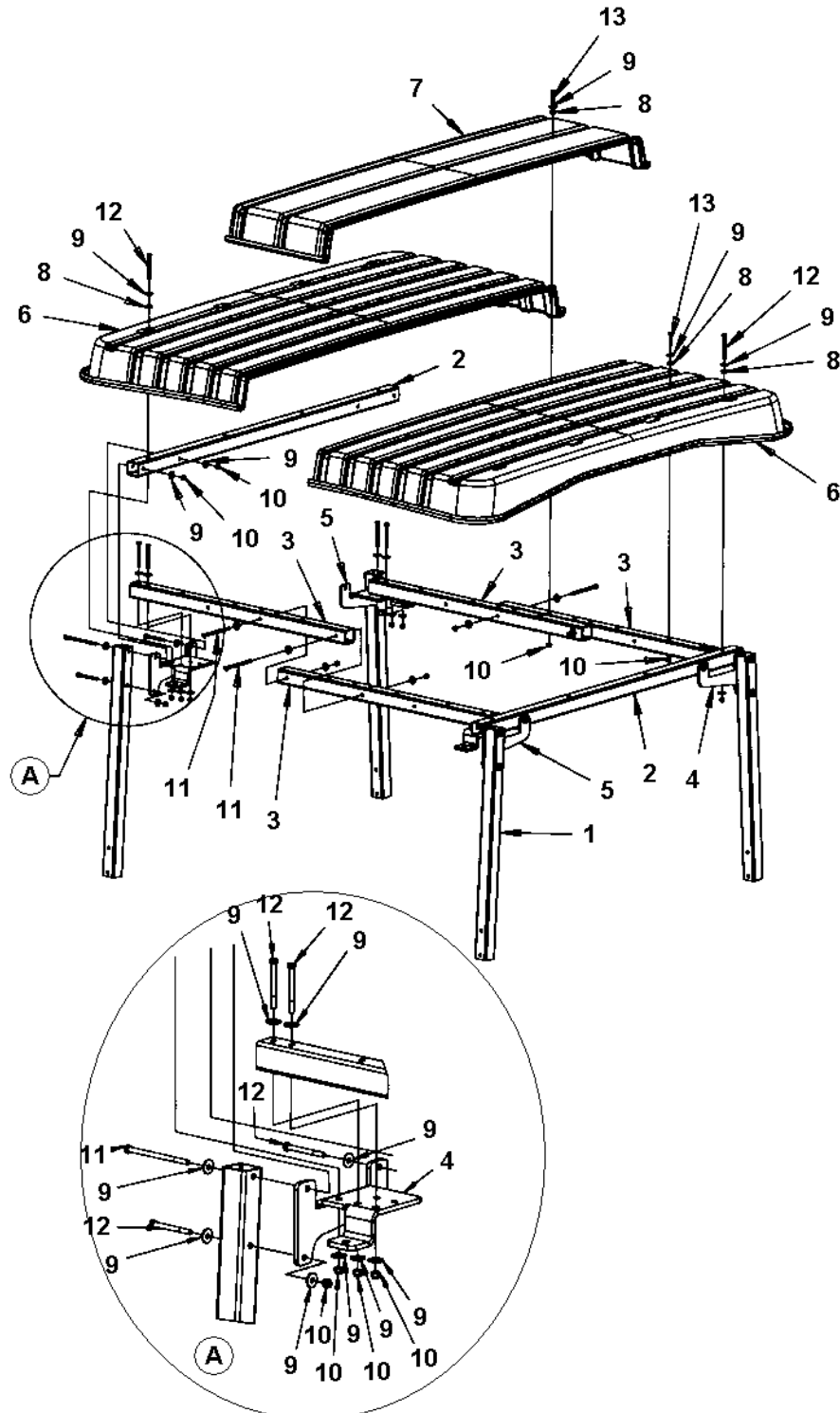
Item	Part No	Rem Qty	Description	Code
1	4700377913	1	Box	
2	4700394859	2	Bracket	
3	4700904340	2	Pipe clamp	
4	4700924791	2	Cover plate	
5	4700287643	1	Metal strapping	D
6	4700450163	2	Shock absorber	D
7	4700904229	6	Steel plain washer 8,4x16x1,5	C
8	4700500019	2	Hexagon head screw M8x16H 8,8	C
9	4700904654	4	Screw	
10	4700902286	4	Hexagon lock nut with flange	C
11	4700904228	4	Washer 6,4x12x1,5	C
12	4700500153	4	Screw	C
13	4700902285	4	Hexagon lock nut with flange	C

Canopy option



Canopy option

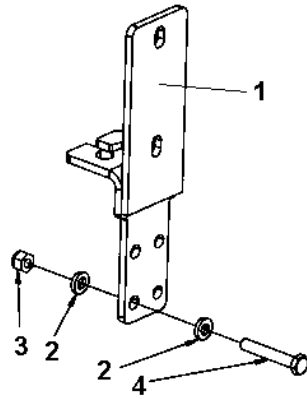
Item	Part No	Rem Qty	Description	Code
1		1	Canopy assy (Page 408)	
2		4	Bracket (Page 410)	
3	4700500190	8	Screw	
4	4700601003	16	Washer 8,4x25x2	C
5	4700586003	8	Lock nut M8	C



Canopy assy

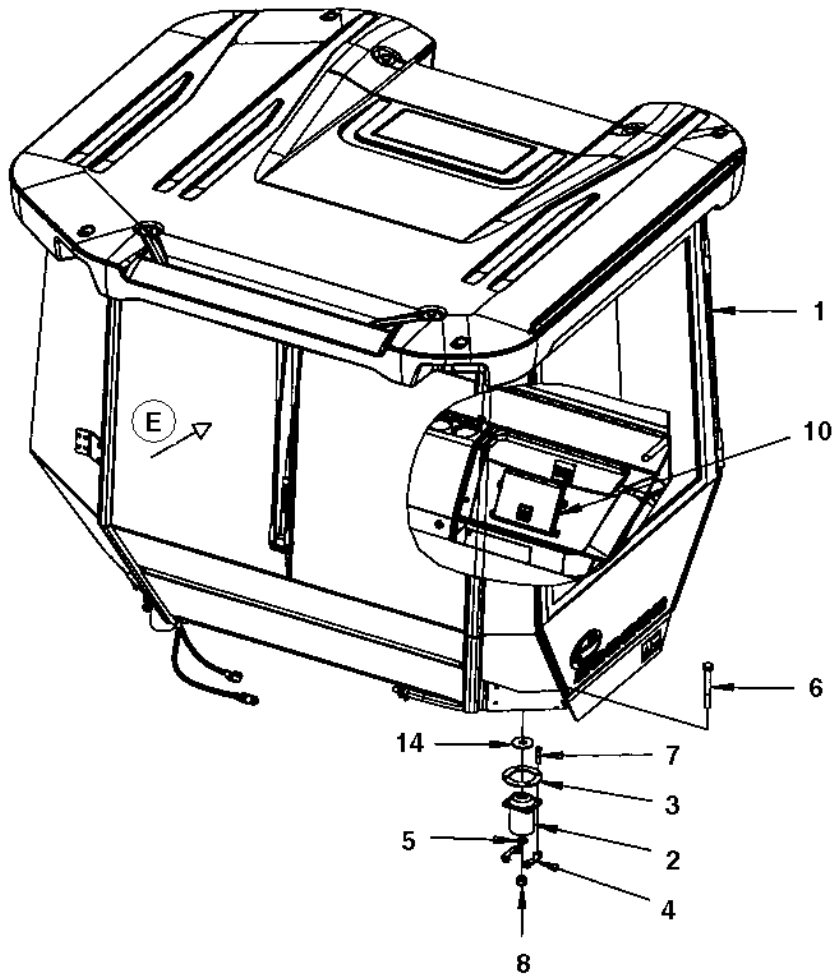
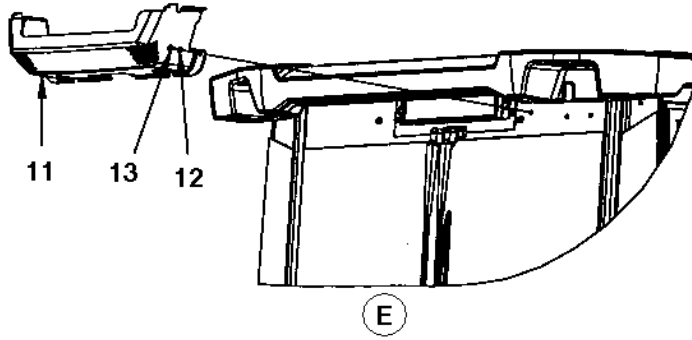
Item	Part No	Rem Qty	Description	Code
1	4700393640	4	Pillar	
2	4700393641	2	Roof beam	
3	4700393642	4	Crossbeam	
4	4700393645	2	Bracket	
5	4700393646	2	Bracket	
6	4700394139	2	Plastic roof	
7	4700394140	1	Plastic roof	
8	4700391674	22	Rubber washer	
9	4700601003	74	Washer 8,4x25x2	C
10	4700586003	46	Lock nut M8	C
11	4700500143	8	Screw	
12	4700500190	20	Screw	
13	4700904241	18	Screw	C

Bracket



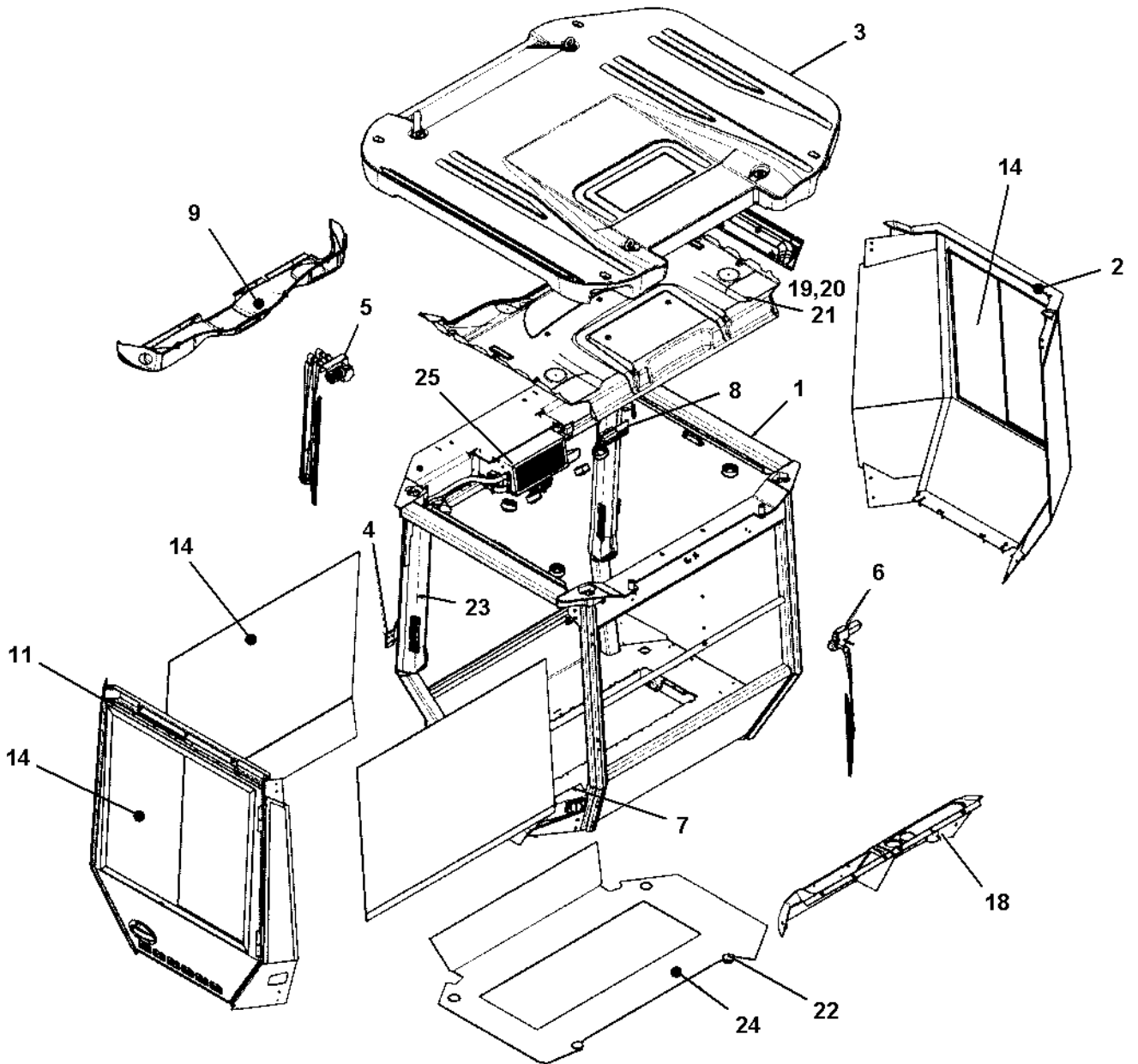
Bracket

Item	Part No	Rem Qty	Description	Code
1	4700393639	1	Bracket	
2	4700904556	8	Washer 8,4x16x3,0	C
3	4700586003	4	Lock nut M8	C
4	4700500023	4	Screw M8-1,25x40 8,8	C



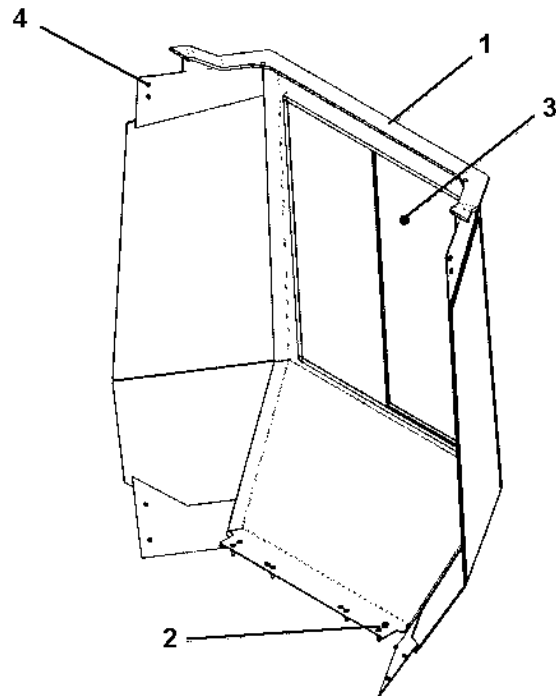
Cab, asymmetric

Item	Part No	Rem Qty	Description	Code
1	4700390864	1	Cab, cpl (Page 414)	
2	4700384855	4	Shock absorber	D
3	4700359998	4	Back-up ring	C
4	4700393525	8	Holder	
5	4700904233	4	Washer 21x36x3	C
6	4700903633	4	Screw M20x150 10,9	
7	4700500195	16	Screw	C
8	4700901145	4	Lock nut M20-10	
10		1	Manual box (Page 392)	
11	4700393582	1	Cover	
12	4700904556	2	Washer 8,4x16x3,0	C
13	4700500018	2	Screw M8-1,25x12 8,8	C
14	4700347512	4	Washer	D



4700390864 Cab, cpl

Item	Part No	Rem Qty	Description	Code
1		1	Cab frame	
2		1	Cab frame, right side (Page 416)	
3		1	Roof (Page 418)	
4		1	General parts (Page 420)	
5		1	Windshield wiper, front (Page 422)	
6		1	Windshield wiper, rear (Page 424)	
7		1	Windshield washer reservoir (Page 426)	
8		1	Electric equipment (Page 428)	
9		1	Front panel (Page 430)	
11		1	Door frame (Page 432)	
14		1	Cab screens (Page 436)	
18		1	Rear covers (Page 386)	
19	4700395829	5	Screw	
20	4700395830	5	Screw	
21	4700395858	1	Ceiling	D
22	4700395840	4	Plug	
23		2	Air channel (Page 438)	
24	4700395859	1	Floor mat	D
25		1	Heater unit (Page 440)	

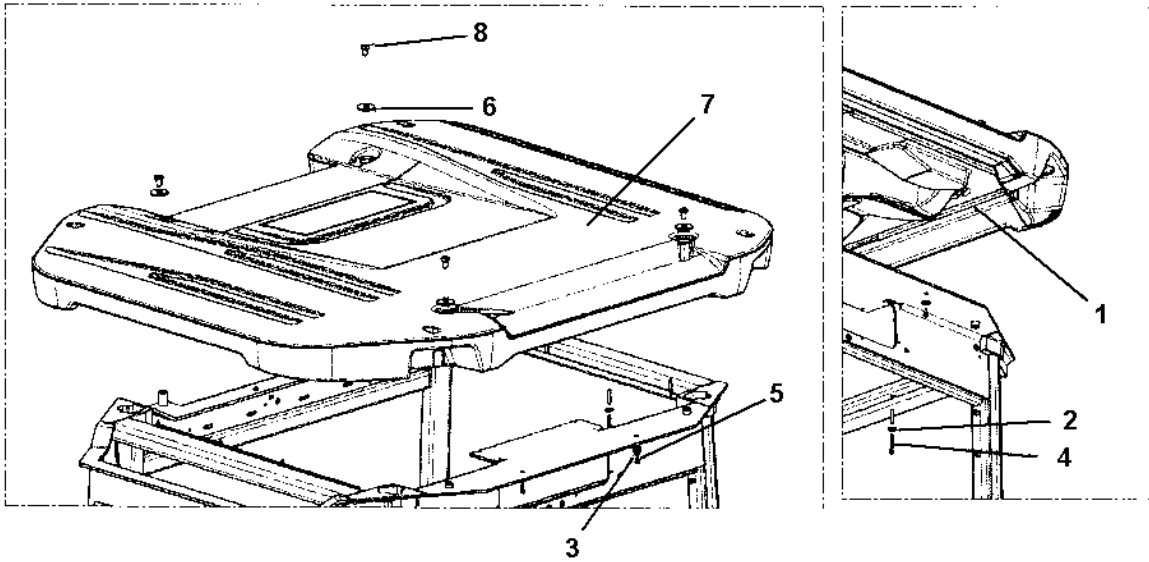


Cab frame, right side

Item	Part No	Rem	Qty	Description	Code
1			1	Frame	
2	4700927637		6	Hexagon socket countersunk screw	D
3		1		Screens	
4	4700500018		10	Screw M8-1,25x12 8,8	C

1) See section for Cab screens.

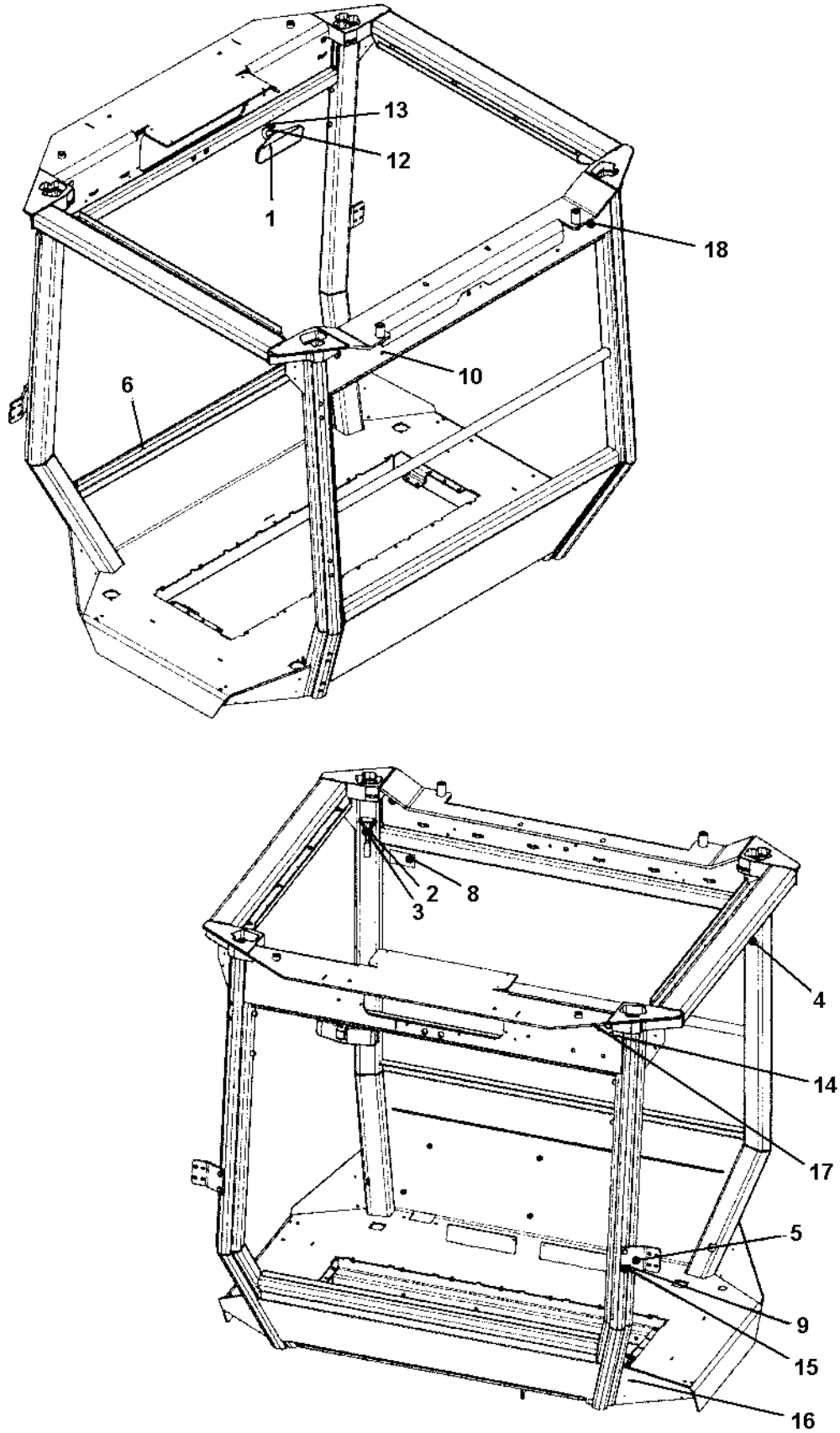
Roof



Roof

Item	Part No	Rem Qty	Description	Code
1		1XL	Sealing strip	
2		8	Washer	
3	4700603009	6	Washer	
4		8	Stud bolt	
5	4700500021	4	Screw M8-1,25x25 8.8	C
6		4	Washer	
7	4700395855	1	Roof	D
8	4700500154	4	Screw M16-2,0x25 8,8	

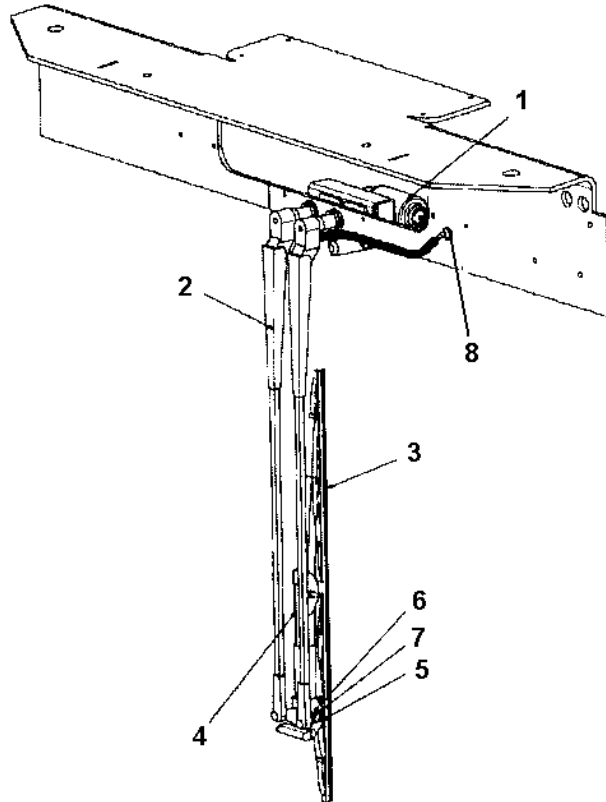
General parts



General parts

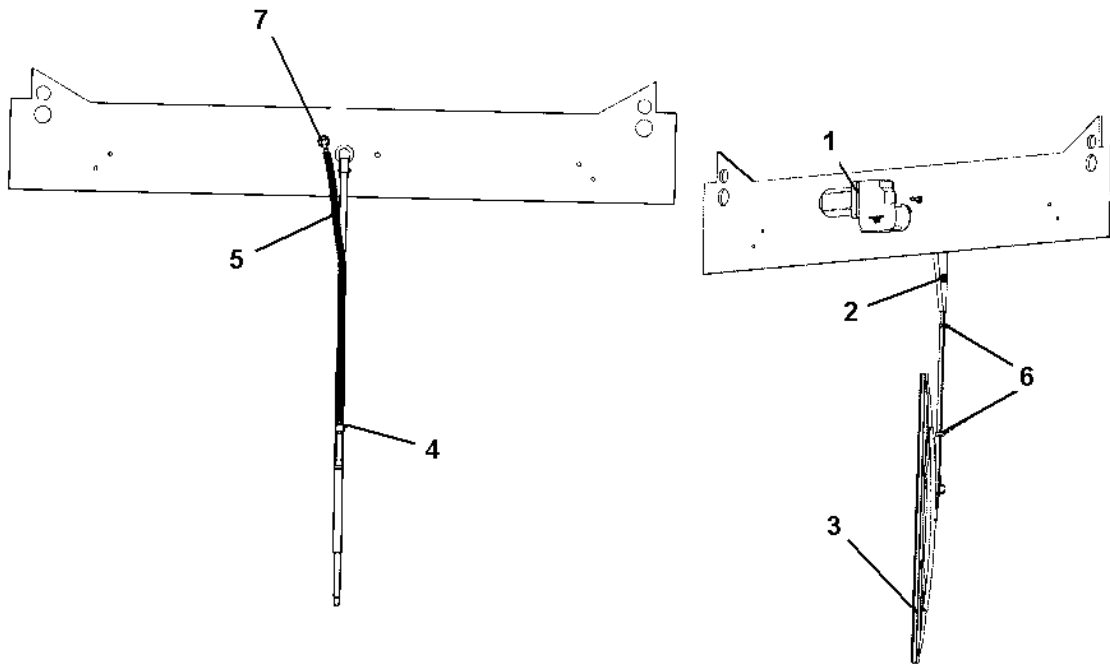
Item	Part No	Rem Qty	Description	Code
1	4700395792	1	Rear view mirror	
2	4700908507	1	Emergency hammer, hook	D
3	4700908506	1	Emergency hammer	D
4	4700908505	1	Hook	D
5	4700395787	2	Holder plate	D
6		1XL	Edge trim	
8	4700903590	1	Decal "EMERGENCY EXIT"	
9	4700500048	4	Screw M10-1,5x20 8,8	C
10		6	Plug	
12		1	Screw	
13		1	Nut cap	
14		20	Plug	
15		8	Nut cap	
16		10	Screw cap	
17		1	Plug	
18		1	Plug	

Windshield wiper, front



Windshield wiper, front

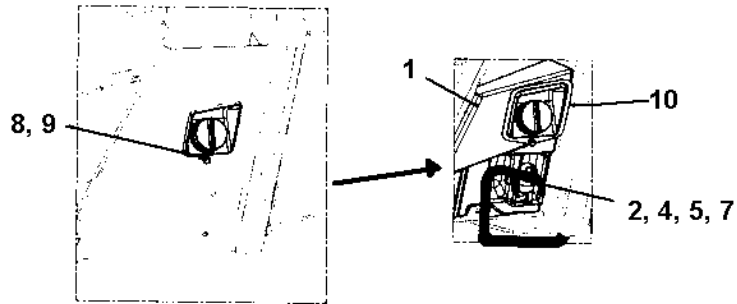
Item	Part No	Rem Qty	Description	Code
1	4700395810	1	Wiper motor	C
2	4700395811	1	Wiper arm	C
3	4700905306	1	Wiper blade	
4	4700395796	1	Mounting plate	D
5	4700508021	1	Screw	D
6	4700904229	1	Steel plain washer 8,4x16x1,5	C
7	4700586003	1	Lock nut M8	C
8	4700908561	1	Grommet	D



Windshield wiper, rear

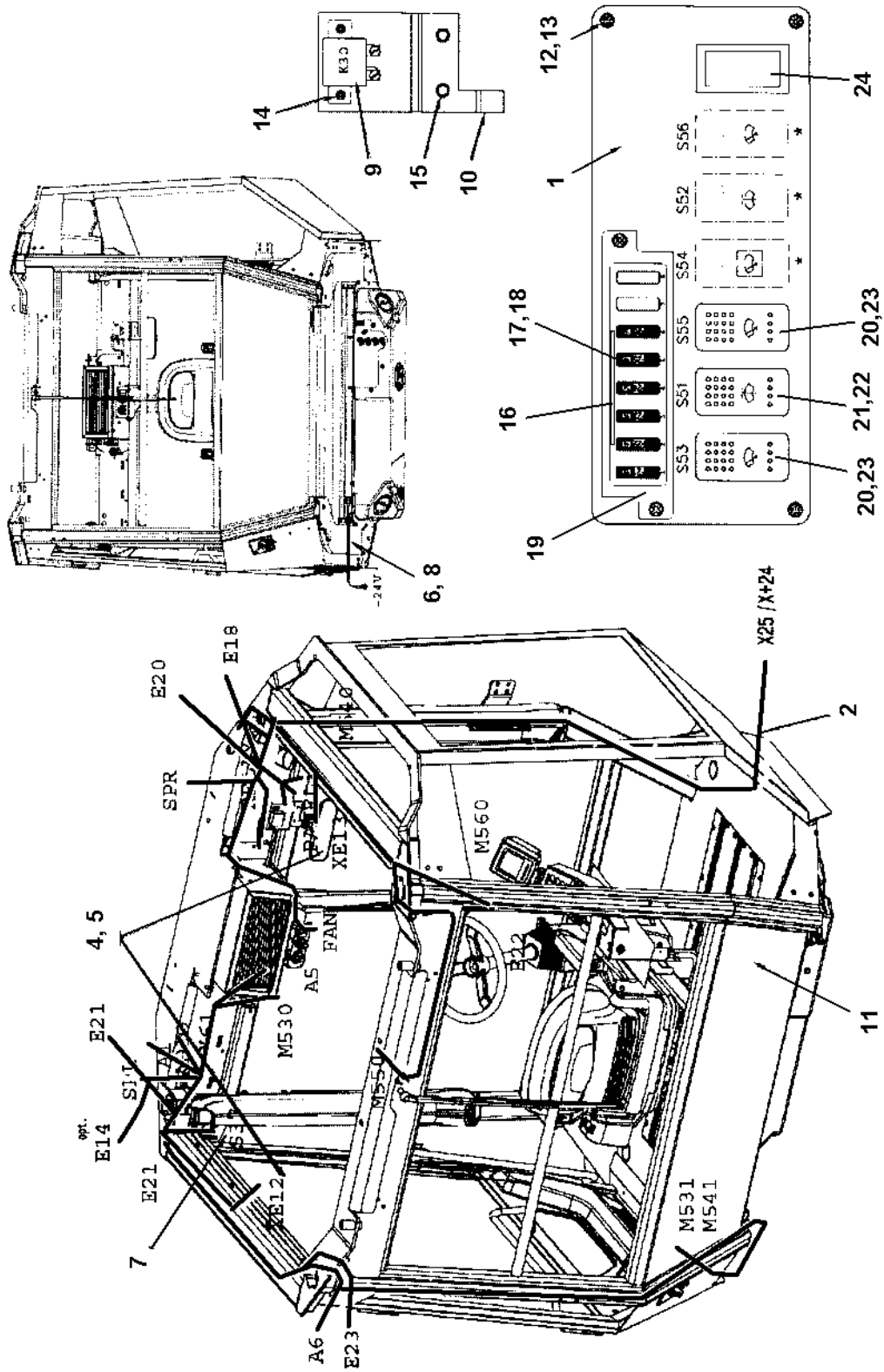
Item	Part No	Rem Qty	Description	Code
1	4700945897	1	Wiper motor	C
2	4700395813	1	Wiper arm	D
3	4700395814	1	Wiper blade	B
4	4700938256	1	Nozzle	
5		1XL	Rubber hose	
6		2	Hose fastener	
7	4700908561	1	Grommet	D

Windshield washer reservoir



Windshield washer reservoir

Item	Part No	Rem Qty	Description	Code
1	4700395793	1	Water reservoir	D
2	4700395794	1	Electric motor	
4	4700908564	2	Check valve	C
5	4700908563	1XL	Plastic hose	D
7	4700395815	1	Seal ring	
8	4700904228	1	Washer 6,4x12x1,5	C
9	4700500013	1	Screw M6-1x16 8,8	C
10	4700395795	1	Gasket	D

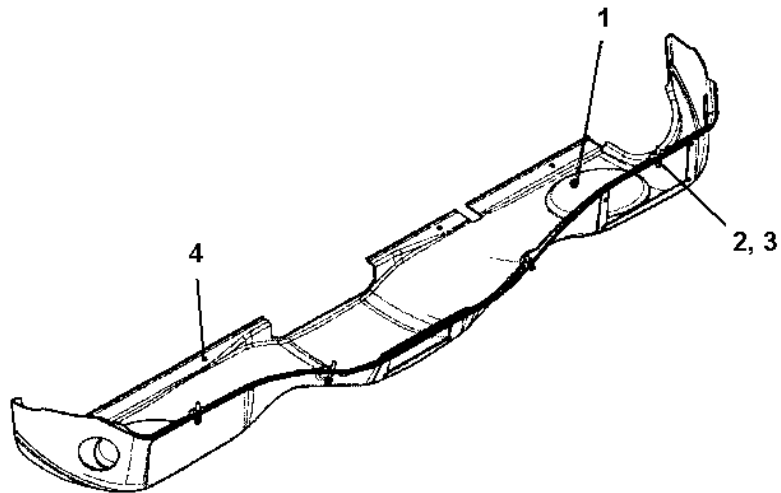


Electric equipment

Item	Part No	Rem	Qty	Description	Code
1			1	Control panel plate	
2	4700395798		1	Cable harness	D
4	4700395800		2	Interior light	D
5	4700792715		4	Bulb	
6			1	Screw	
7	4700908500		1	Door switch	B
8	4700395799		1	Cable harness	D
9	4700792309		1	Relay 50A	D
10			1	Mounting plate	
11	4700395816		1	Plug socket 24V	
12	4812157188		5	Rubber nut	
13	4812157189		5	Screw	
14			2	Screw	
15			2	Screw	
16	4700791211		4	Contact bridge	C
17	4700901227		4	Fuse 10A	A
18	4700901228		2	Fuse 15A	A
19	4700791185		1	Fuse box	
20			2	Button	
21			1	Button	
22	4700792505	A	1	Switch	D
23	4700792504	B	2	Switch	D
24	4700791588		4	Panel plug	C

- A) Windshield washer.
- B) Windshield viper.

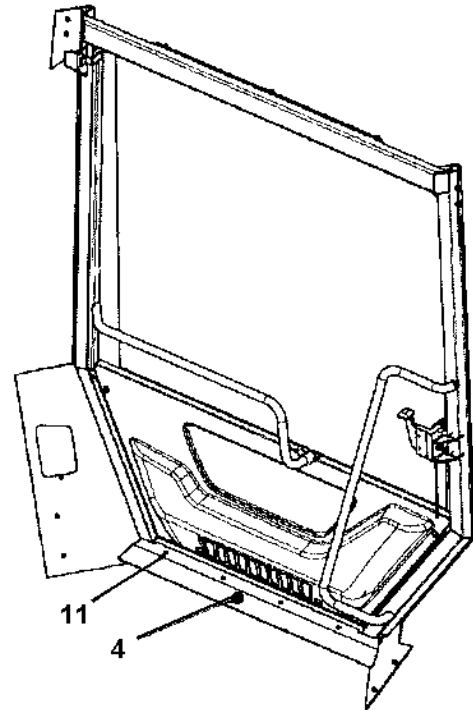
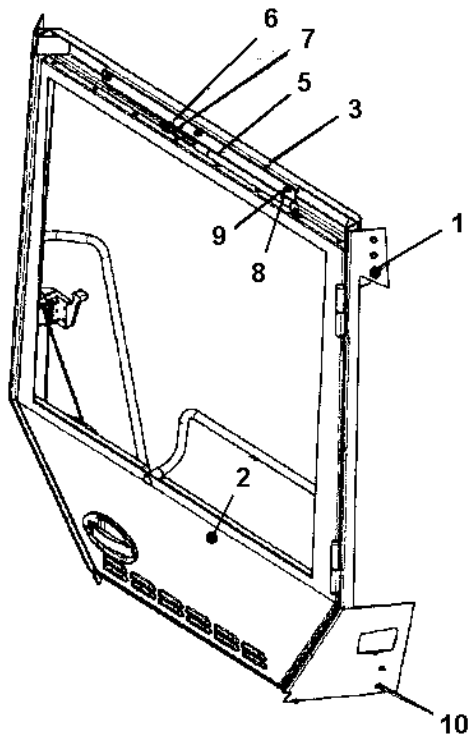
Front panel



Front panel

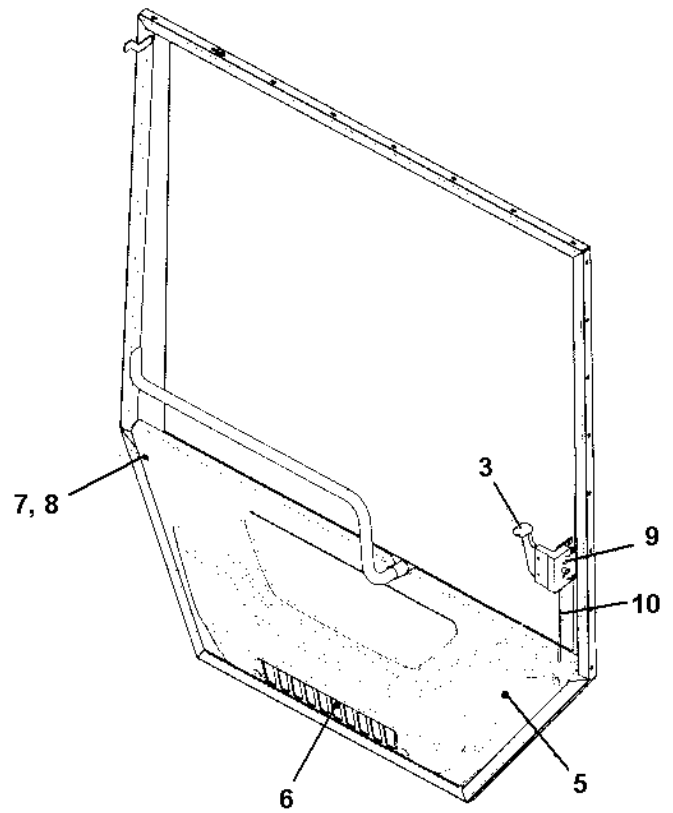
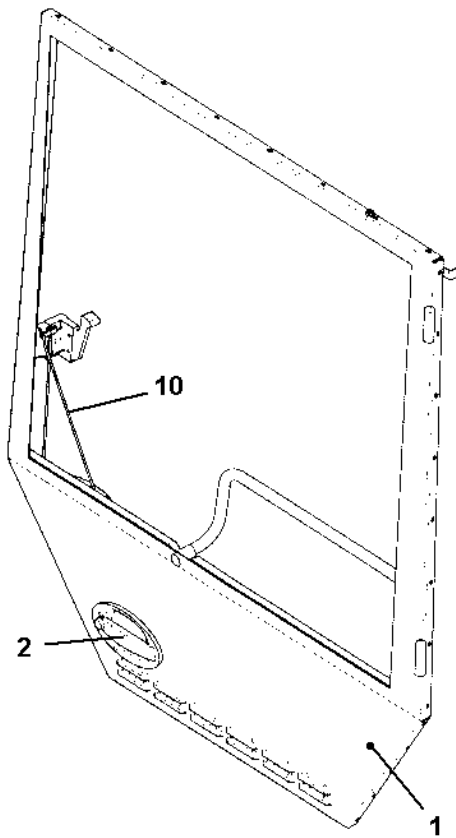
Item	Part No	Rem Qty	Description	Code
1	4700395856	1	Front panel	D
2	4812157762	4	Clamp screw	
3	4812157763	4	Nut cap	
4	4812157764	4	Collar screw M6x16 8.8	

Door frame



Door frame

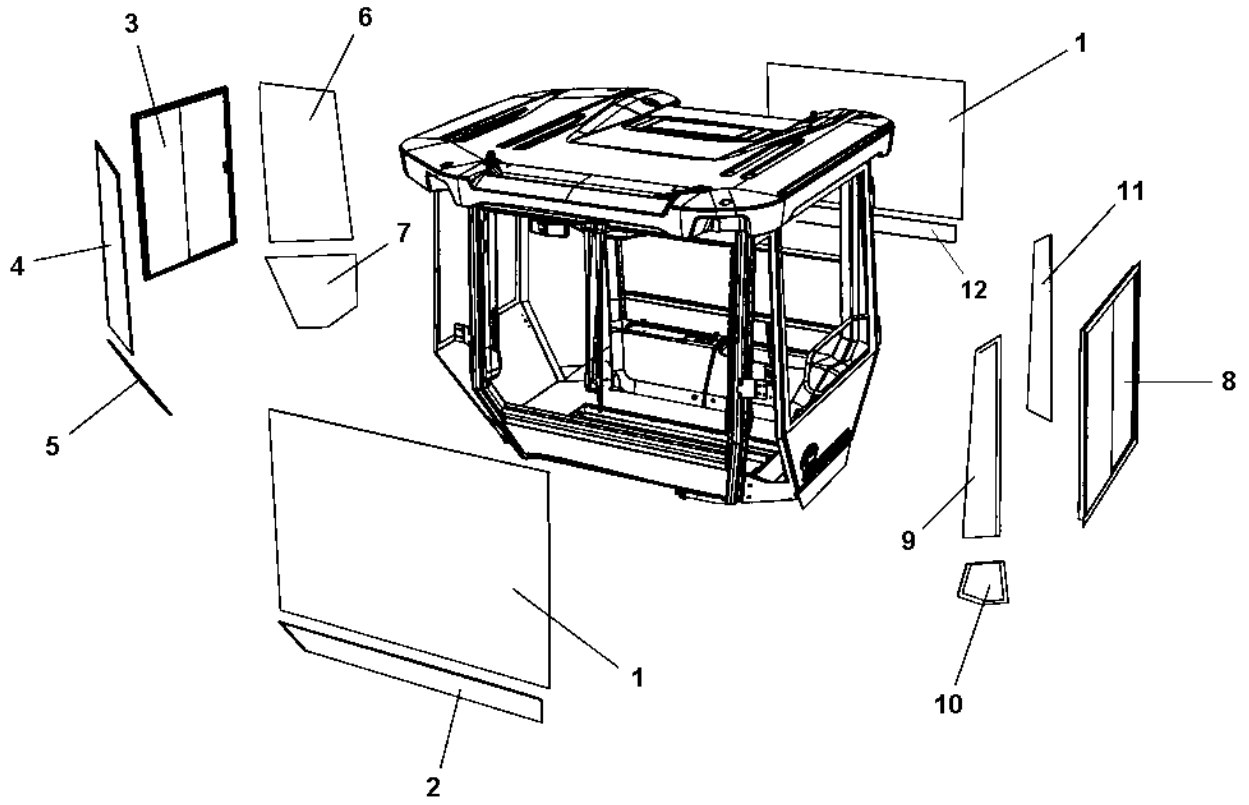
Item	Part No	Rem Qty	Description	Code
1	4700395805	1	Frame mount	
2	4700395806	1	Door, cpl (Page 434)	
3		1	Cover plate	
4		1	Plate	
5	4700908284	1	Gas spring	B
6	4700395817	1	Ball joint	C
7	4700570005	1	Nut M8	C
8	4700586003	3	Lock nut M8	C
9	4700936277	3	Washer	C
10	4700500018	10	Screw M8-1,25x12 8,8	C
11		4	Screw	



4700395806 Door, cpl

Item	Part No	Rem Qty	Description	Code
1		1	Door welded	
2	4700395833	1	Handle, outer	D
	4700902866	1	. Key Marked "455"	
3	4700395834	1	Handle, inner	D
5	4700395835	1	Plastic panel	D
6	4700395836	1	Filter	A
7	4700395837	4	Nut	D
8	4700395838	4	Screw	D
9		3	Screw	
10	4700395839	1	Rod	D

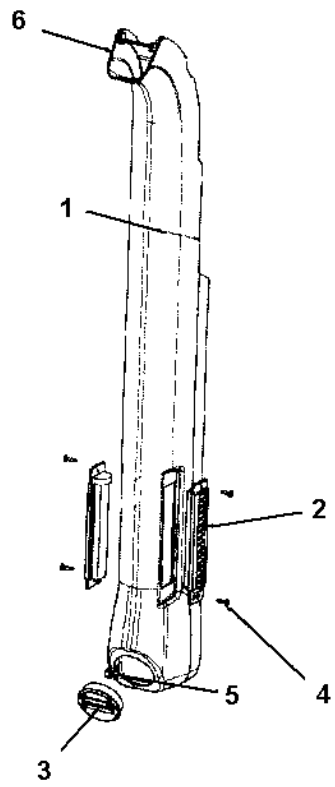
Cab screens



Cab screens

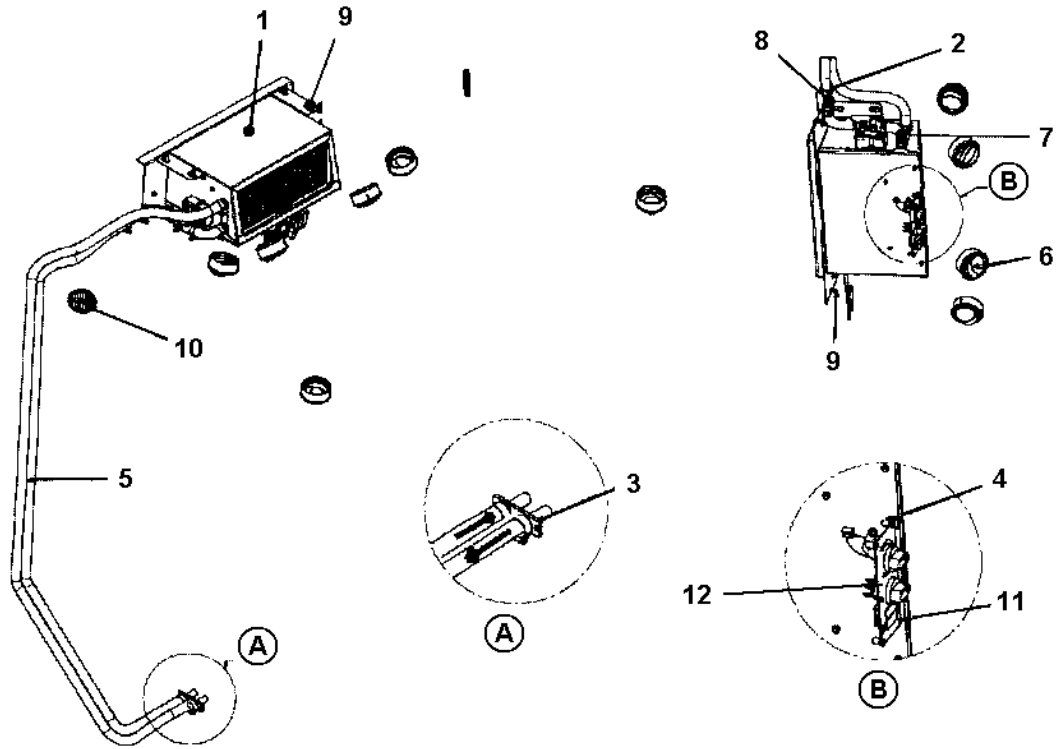
Item	Part No	Rem	Qty	Description	Code
1	4700393250		2	Windscreen	D
2	4700393251	A	1	Screen	D
3	4700395790	B	1	Sliding screen	D
4	4700393634	B,C	1	Screen	D
5	4700393637	B,A	1	Screen	D
6	4700393635	B,D	1	Screen	D
7	4700393636	B,E	1	Screen	D
8	4700395803	F	1	Sliding screen	D
9	4700393252	G,C	1	Screen	D
10	4700393254	G,A	1	Screen	D
11	4700393253	G,D	1	Screen	D

- A) Front lower
- B) Right side
- C) Front upper
- D) Rear upper
- E) Rear lower
- F) Door
- G) Left side



Air channel

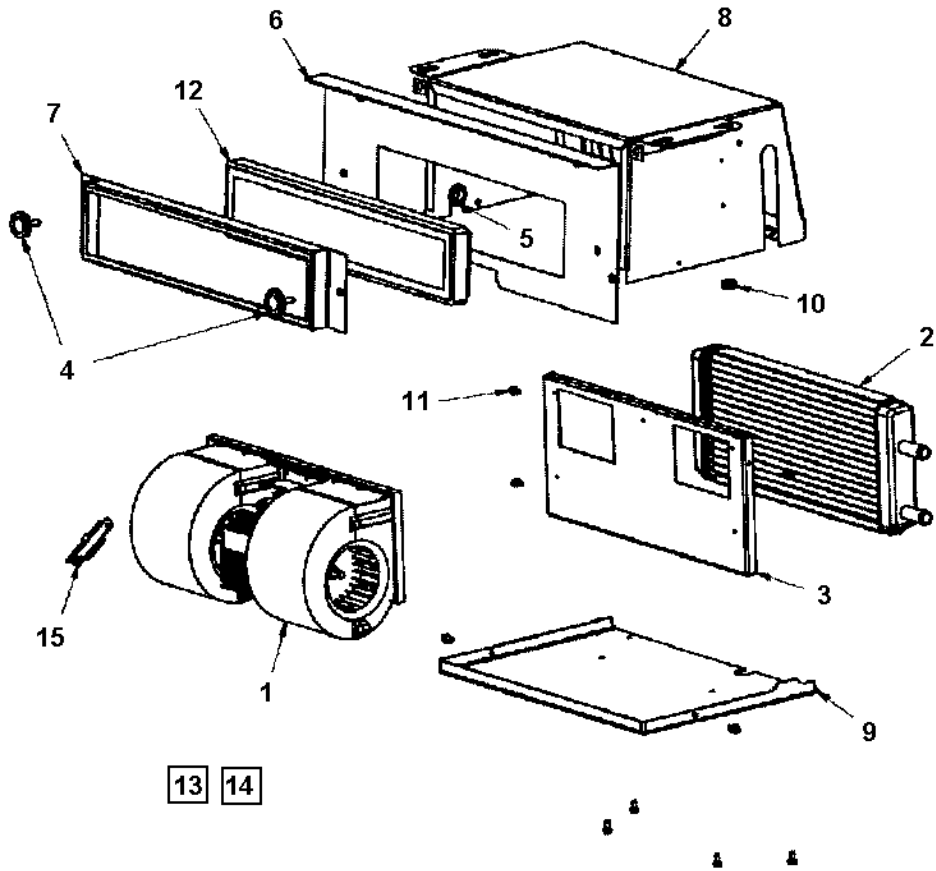
Item	Part No	Rem Qty	Description	Code
1		1	Cover	
2	4700395831	2	Air nozzle	
3	4700395832	1	Air nozzle	
4	4700395829	4	Screw	
5		1	Screw	
6		1XL	Edge trim	



Heater unit

Item	Part No	Rem Qty	Description	Code
1		1	Heater (Page 442)	
2	4700938874	8	Clamp	C
3		1	Inlet plate	
4		4	Rubber nut	
5	4700395756	1XL	Hose	C
6	4700395757	6	Air nozzle	
7	4700395758	2	Hose	C
8		1	Connector pipe	
9	4700500053	6	Screw M8x20H 8.8	C
10	4700395759	2	Air nozzle	
11		4	Screw	
12		1	Heater controls (Page 444)	

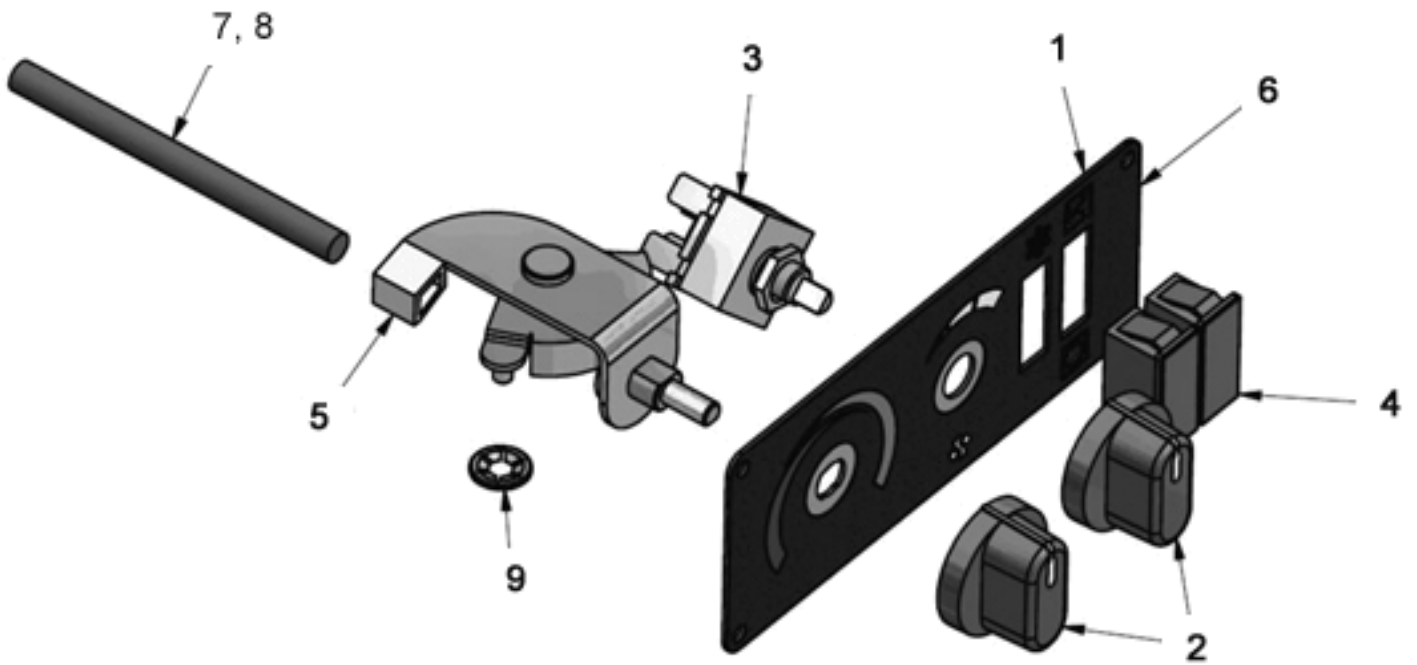
Heater



Heater

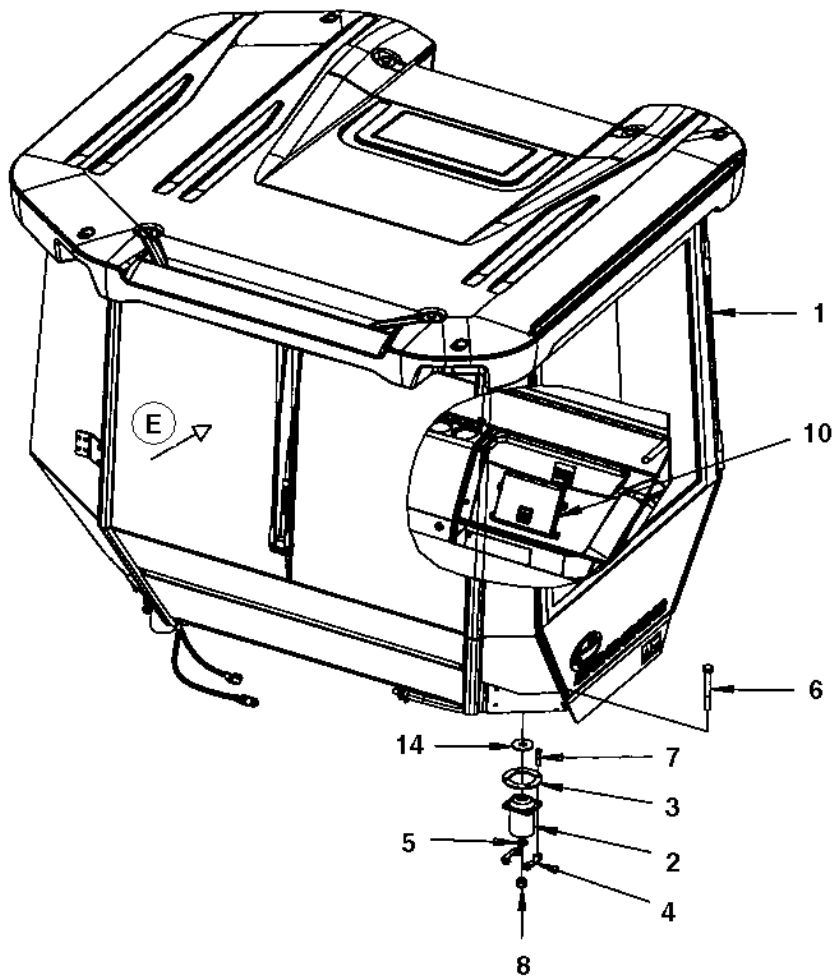
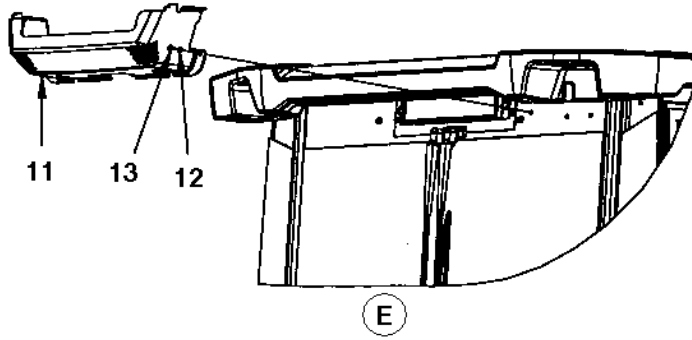
Item	Part No	Rem Qty	Description	Code
1	4700395761	1	Blower	D
2	4700395762	1	Heater coil	C
3		1	Blower bracket	
4	4700395774	2	Knob	D
5	4700938609	1	Grommet	
6		1	Front plate	
7	4700395775	1	Filter bracket	D
8		1	Casing	
9		1	Cover plate	
10		1	Grommet	
11		11	Screw M5x10	
12	4700395818	1	Filter	A
13	4700395819	1	Cable harness	D
14	4700395828	1	Panel cable	D
15	4700395820	1	Resistor assy	D

Heater controls



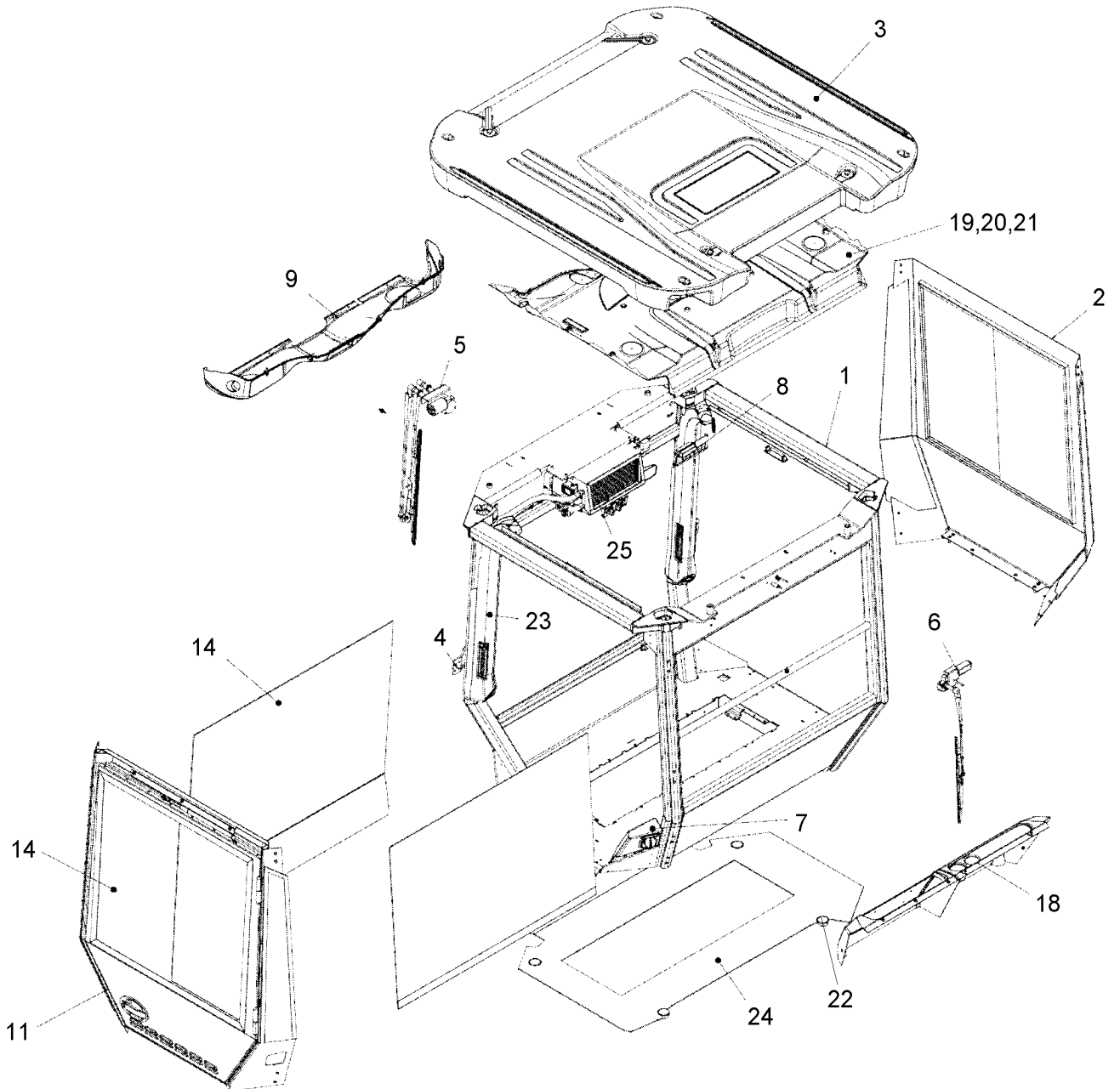
Heater controls

Item	Part No	Rem Qty	Description	Code
1		1	Panel plate	
2	4700377508	2	Knob	D
3	4700938622	1	Switch	B
4		2	Cover	
5	4700377507	1	Rotary control	D
6		1	Overlay	
7	4700395841	1	Wire clips	D
8	4700395842	1	Wire	D
9	4700395853	2	Lock washer	D



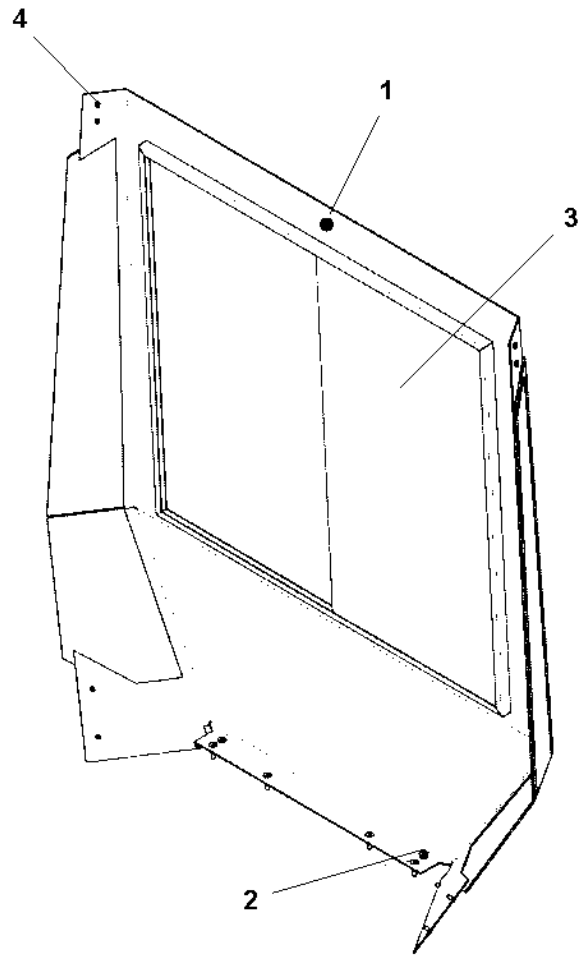
Cab, symmetric

Item	Part No	Rem Qty	Description	Code
1	4700395898	1	Cab, cpl (Page 448)	
2	4700384855	4	Shock absorber	D
3	4700359998	4	Back-up ring	C
4	4700393525	8	Holder	
5	4700904233	4	Washer 21x36x3	C
6	4700903633	4	Screw M20x150 10,9	
7	4700500195	16	Screw	C
8	4700901145	4	Lock nut M20-10	
10		1	Manual box (Page 392)	
11	4700393582	1	Cover	
12	4700904556	2	Washer 8,4x16x3,0	C
13	4700500018	2	Screw M8-1,25x12 8,8	C
14	4700347512	4	Washer	D



4700395898 Cab, cpl

Item	Part No	Rem Qty	Description	Code
1		1	Cab frame	
2		1	Cab frame, right side (Page 450)	
3		1	Roof (Page 452)	
4		1	General parts (Page 420)	
5		1	Windshield wiper, front (Page 422)	
6		1	Windshield wiper, rear (Page 424)	
7		1	Windshield washer reservoir (Page 426)	
8		1	Electric equipment (Page 428)	
9		1	Front panel (Page 430)	
11		1	Door frame (Page 432)	
14		1	Cab screens (Page 454)	
18		1	Rear covers (Page 386)	
19	4700395829	5	Screw	
20	4700395830	5	Screw	
21	4700395858	1	Ceiling	D
22	4700395840	4	Plug	
23		2	Air channel (Page 438)	
24	4700395859	1	Floor mat	D
25		1	Heater unit (Page 440)	

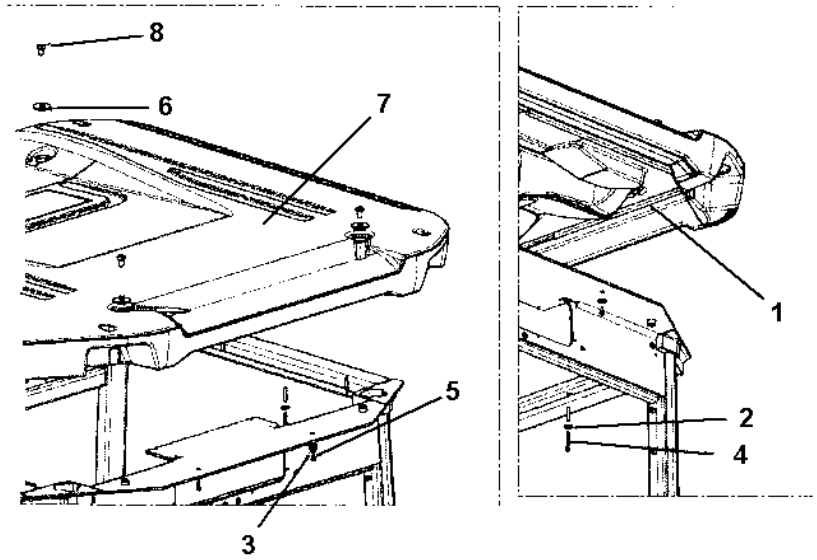


Cab frame, right side

Item	Part No	Rem	Qty	Description	Code
1			1	Frame	
2	4700927637		6	Hexagon socket countersunk screw	D
3		1		Screens	
4	4700500018		10	Screw M8-1,25x12 8,8	C

1) See section for Cab screens.

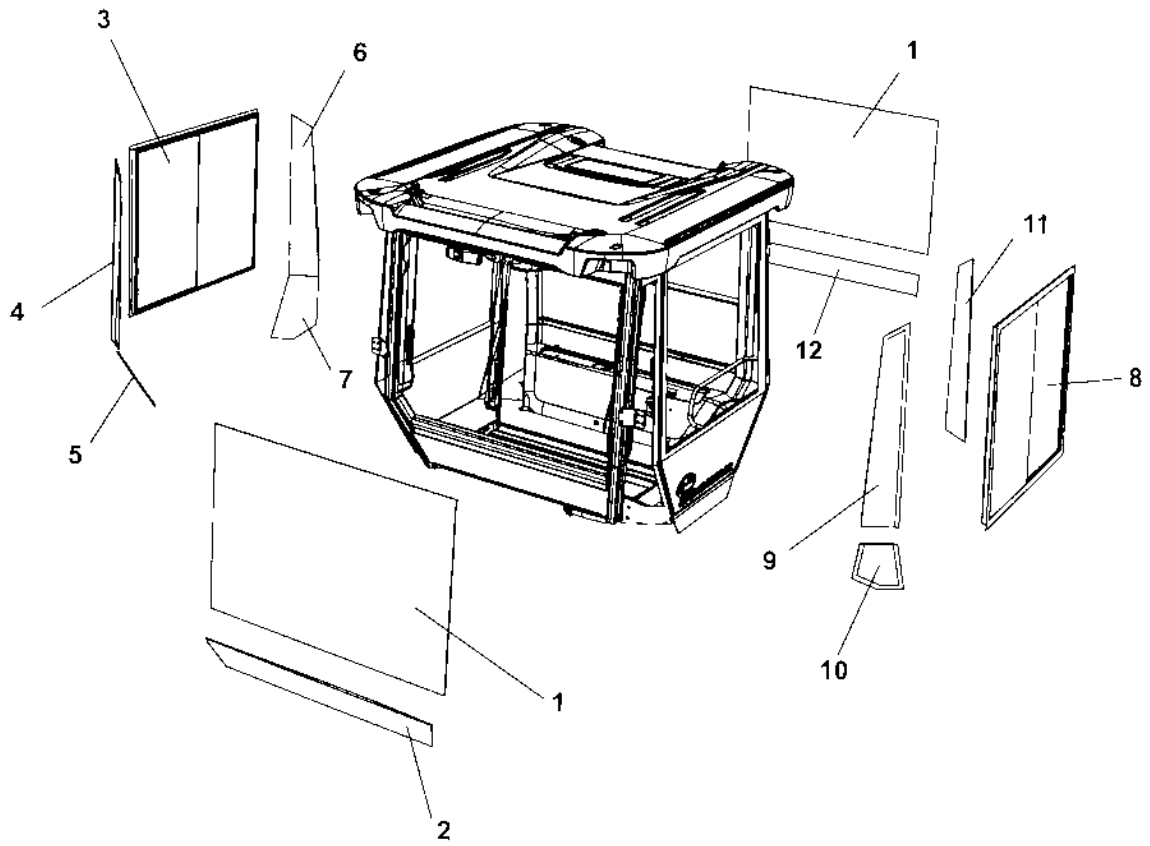
Roof



Roof

Item	Part No	Rem Qty	Description	Code
1		1XL	Sealing strip	
2		8	Washer	
3	4700603009	6	Washer	
4		8	Stud bolt	
5	4700500021	4	Screw M8-1,25x25 8.8	C
6		4	Washer	
7	4700395860	1	Roof	D
8	4700500154	4	Screw M16-2,0x25 8,8	

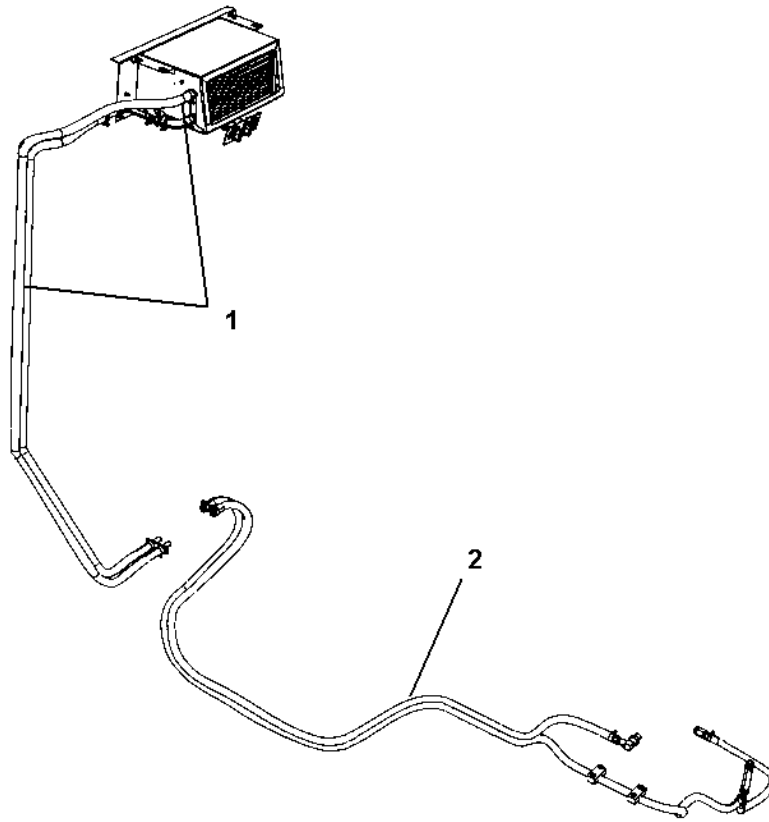
Cab screens



Cab screens

Item	Part No	Rem Qty	Description	Code
1	4700393250	2	Windscreen	D
2	4700393251	A 1	Screen	D
3	4700395803	B 1	Sliding screen	D
4	4700393253	B,C 1	Screen	D
5	4700393261	B,A 1	Screen	D
6	4700393252	B,D 1	Screen	D
7	4700393254	B,E 1	Screen	D
8	4700395803	F 1	Sliding screen	D
9	4700393252	G,C 1	Screen	D
10	4700393254	G,A 1	Screen	D
11	4700393253	G,D 1	Screen	D

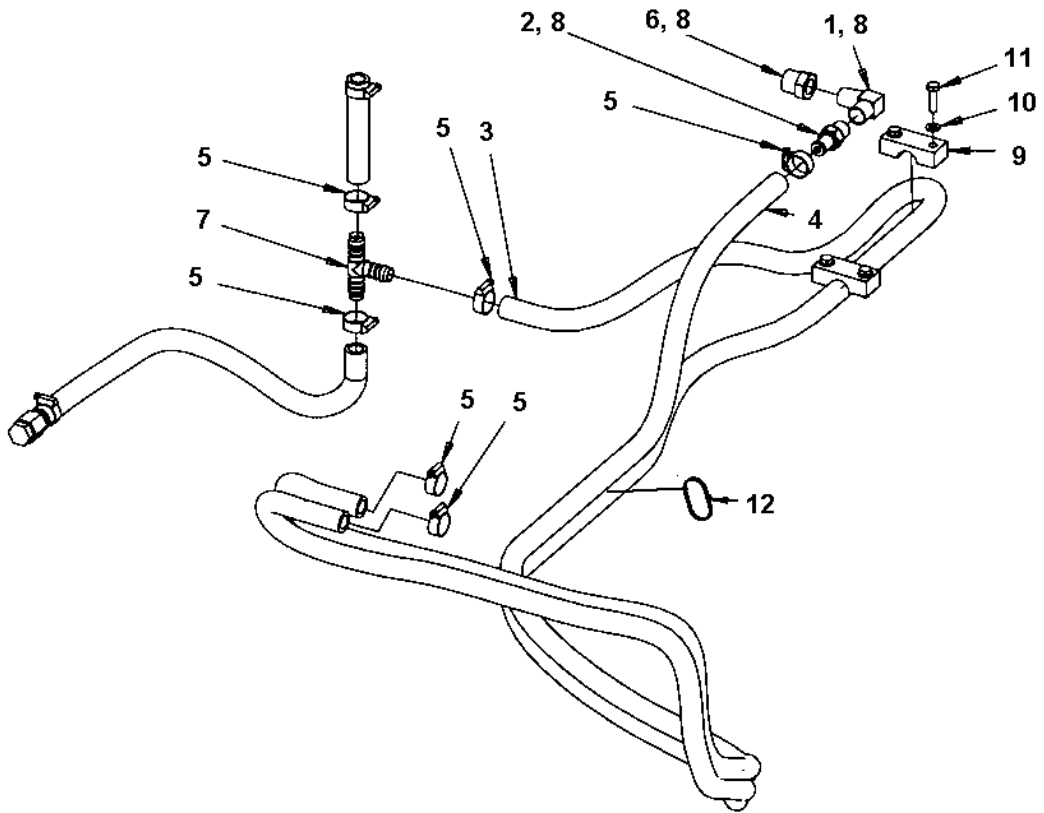
- A) Front lower
- B) Right side
- C) Front upper
- D) Rear upper
- E) Rear lower
- F) Door
- G) Left side



Cab heater system

Item	Part No	Rem Qty	Description	Code
1		1	Heater unit (Page 440)	
2		1	Heater hoses (Page 458)	

Heater hoses

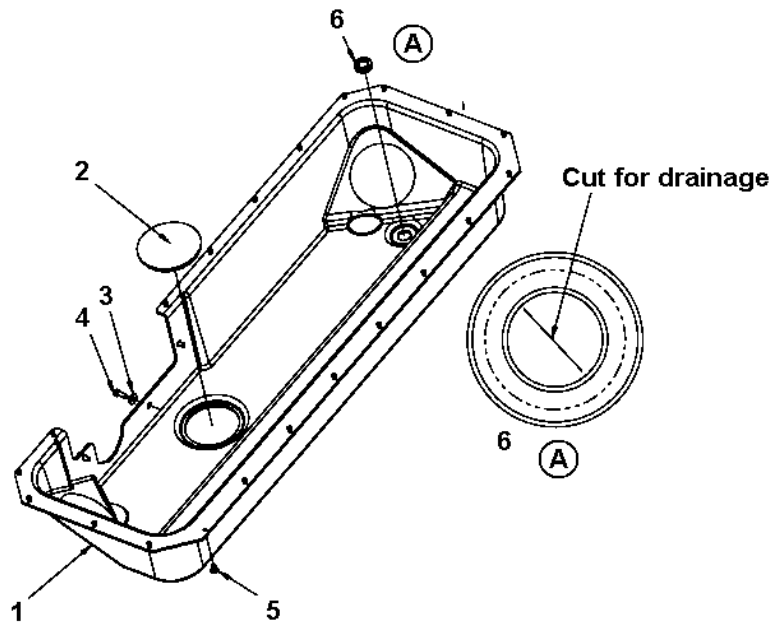


Heater hoses

Item	Part No	Rem	Qty	Description	Code
1	4700234365		1	Elbow 90°	
2	4700387638		1	Hose connection	
3	4700205112	A	1XL	Coolant hose	D
4	4700205112	B	1XL	Coolant hose	D
5	4700313004		6	Hose clamp 19-29mm	D
6	4700813434		1	Reducer	C
7	4700792065		1	Hose connection	C
8	4700901141	N		Sealing compound Loctite 577	D
9	4700395065		2	Pipe clamp	D
10	4700904229		4	Steel plain washer 8,4x16x1,5	C
11	4700500022		4	Screw M8x30H 8.8	C
12	4700313041	N		Cable ties L=200 mm	B

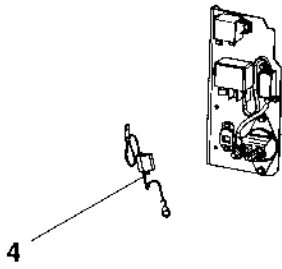
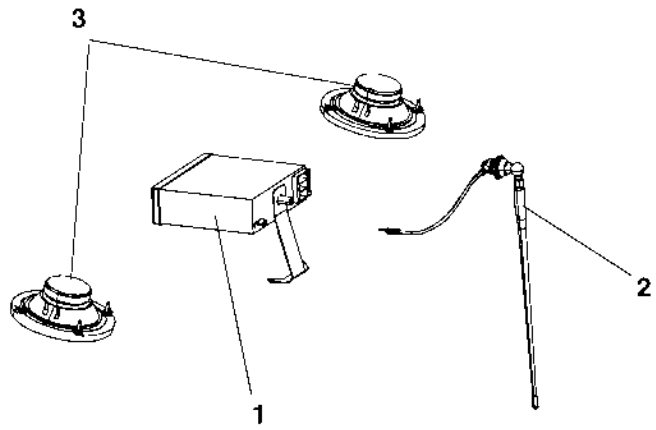
A) L= 4.0 m

B) L= 3.0 m



Cab noise cover

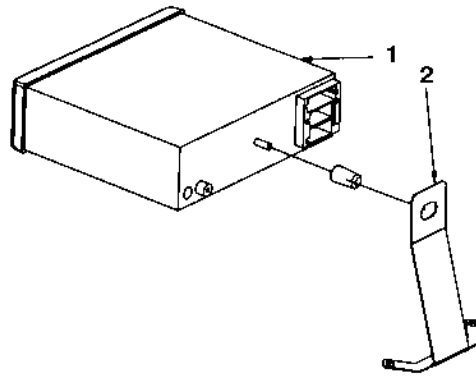
Item	Part No	Rem Qty	Description	Code
1	4700391919	1	Noise reducing hood	
2	4700379992	3	Plug	
3	4700904640	3	Washer 8,4x22x3	C
4	4700500053	3	Screw M8x20H 8.8	C
5	4700792325	21	Blind rivet	
6	4700792392	1	Grommet with membrane	



Radio and cd player

Item	Part No	Rem Qty	Description	Code
1		1	Radio and cd player module (Page 464)	
2	4700937165	1	Antenna	D
3	4700791968	2	Loud speakers	
4		1	Power supply module (Page 334)	

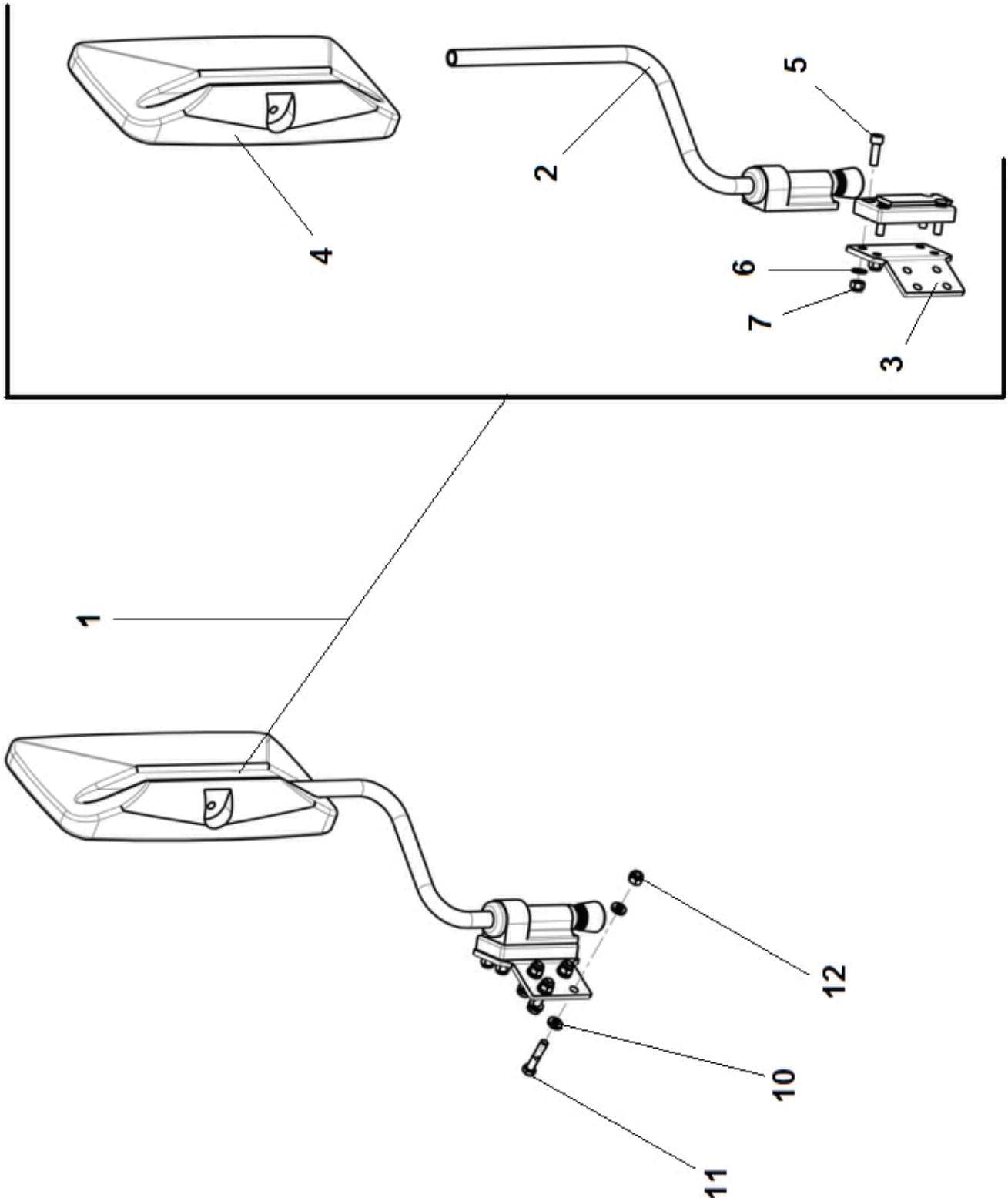
Radio and cd player module



Radio and cd player module

Item	Part No	Rem Qty	Description	Code
1	4700792583	1	Car stereo	
2	4700394654	1	Bracket	

Rear view mirror module

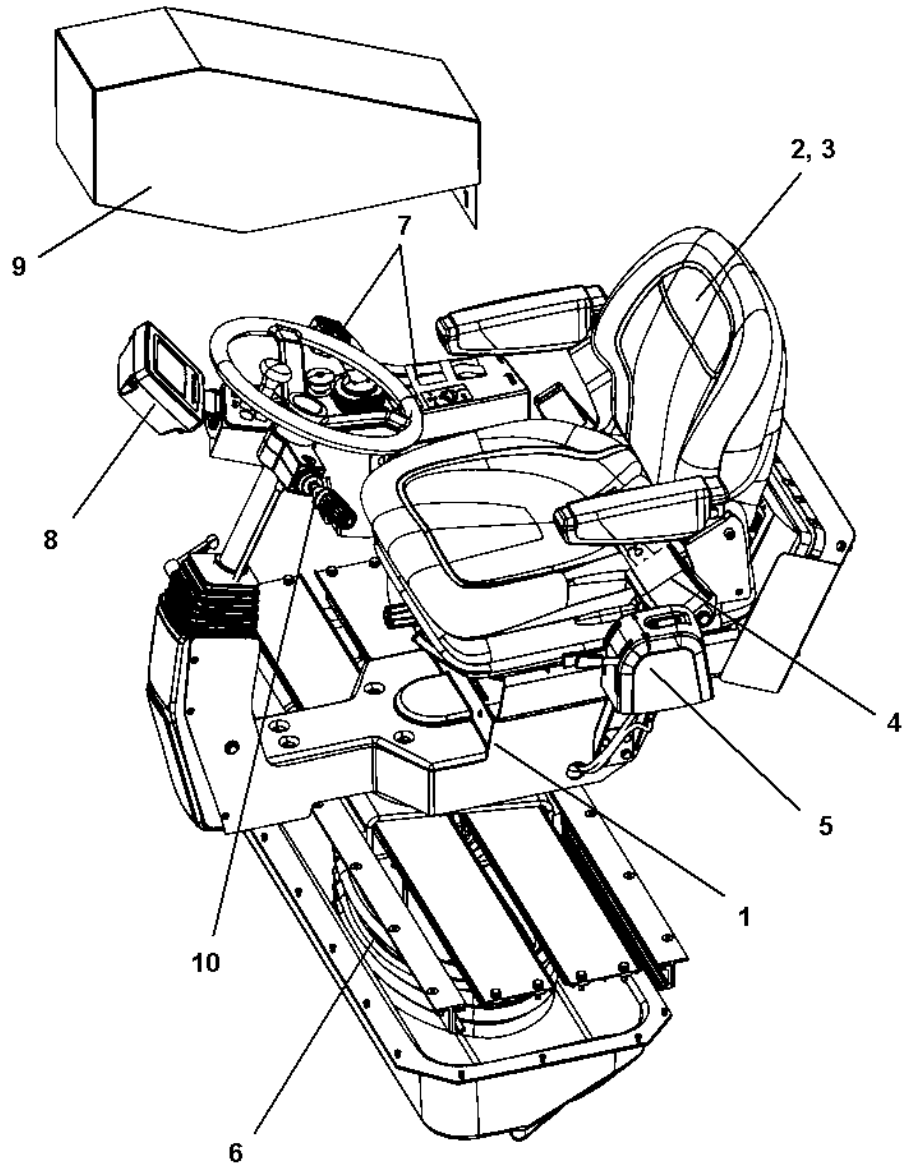


Rear view mirror module

Item	Part No	Rem	Qty	Description	Code
1	4812110352		1	Mirror assy	
2	4700381944		1	. Mirror bracket	
3	4700392316		1	. Bracket	
4	4700381943		1	. Mirror	
5	4700508019		4	. Screw M8x25 8.8	C
6	4700904229		4	. Steel plain washer 8,4x16x1,5	C
7	4700586003		4	. Lock nut M8	C
10	4700904556		8	Washer 8,4x16x3,0	C
11	4700500024	A	4	Screw M8x45	D
12	4700586003		4	Lock nut M8	C
13	4700500025	B	4	Screw M8-1,25x50 8.8	
14	4700500067	C	4	Screw M8-1,25x55 8.8	

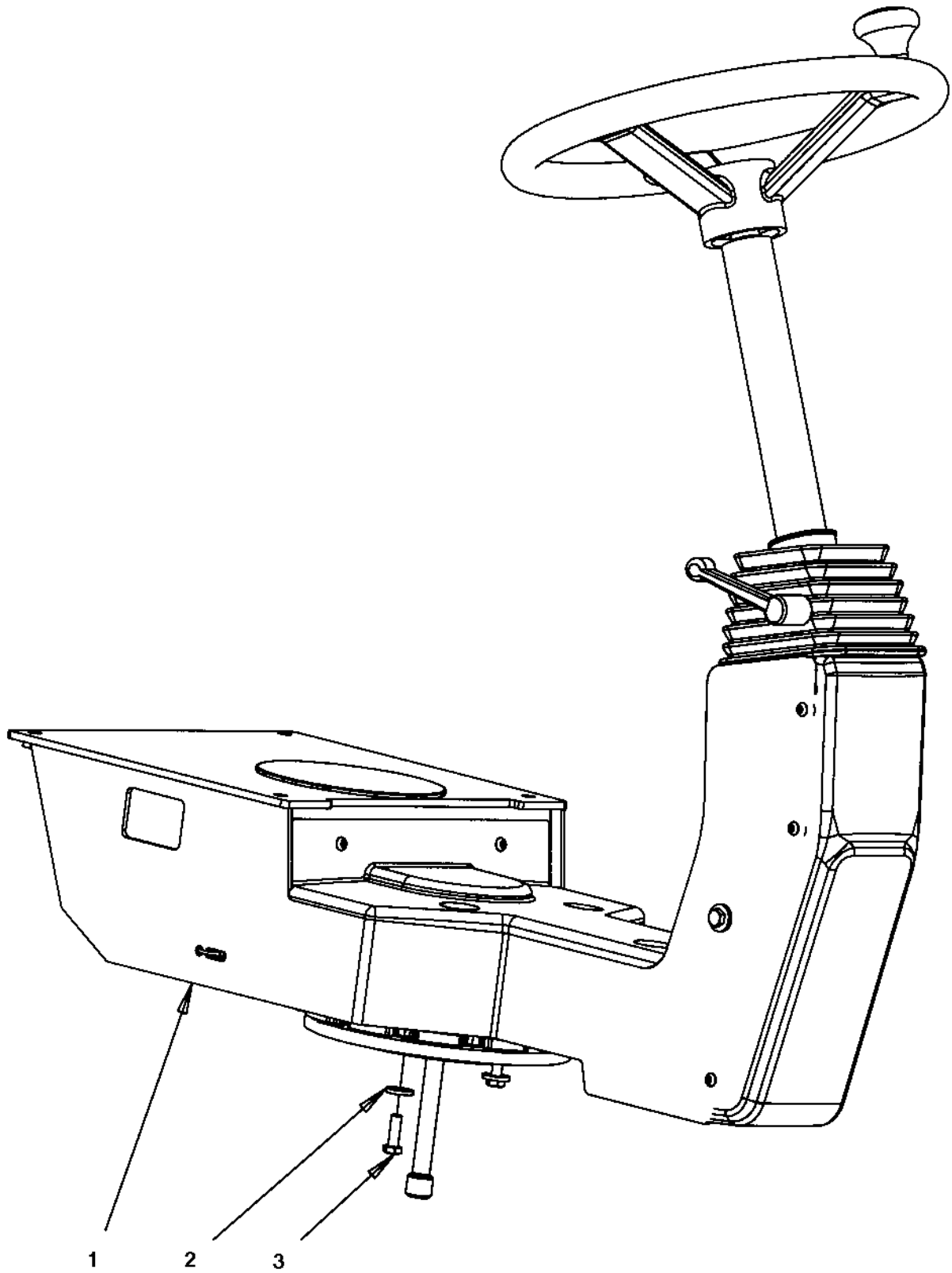
- A) Used on machines with Handrails.
- B) Used on machines with Handrails and Canopy.
- C) Used on mashines with Handrails, Canopy and additional Work lights.

Drivers seat



Drivers seat

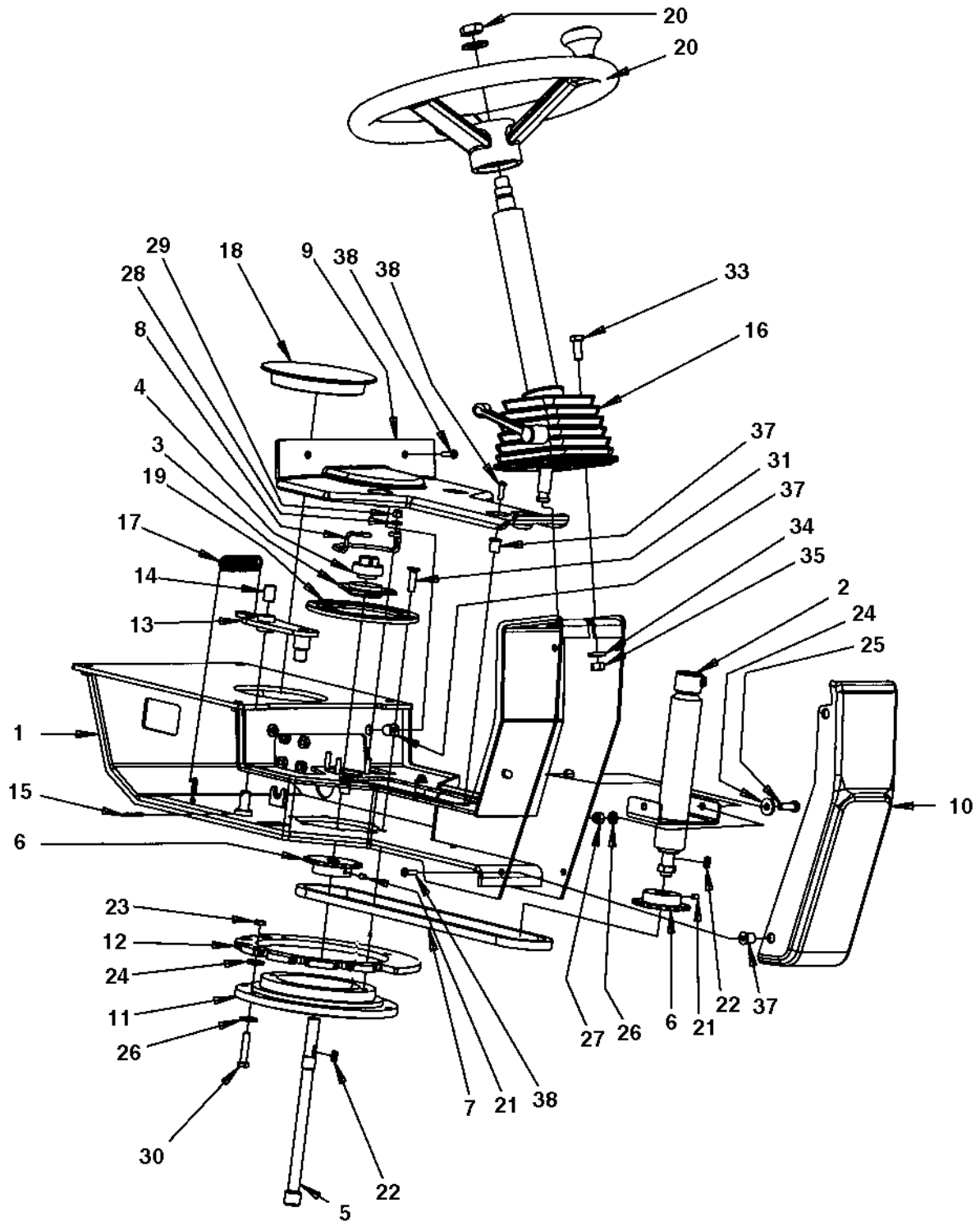
Item	Part No	Rem Qty	Description	Code
1			Seat frame structure (Page 470)	
2			Seat, galon suspended (Page 476)	
3			Seat, fabric suspended (option) (Page 478)	
4	4700377677	1	Seat belt 2"	B
	4700379637	1	Seat belt kit, static 3"	B
5			Controls, slidable and turning (Page 480)	
6			Cross sliding (Page 482)	
7			Drive control, cpl (Page 486)	
8			Display unit (Page 490)	
9			Control panel cover (Page 492)	
10			Steering column switch module (Page 348)	



Seat frame structure

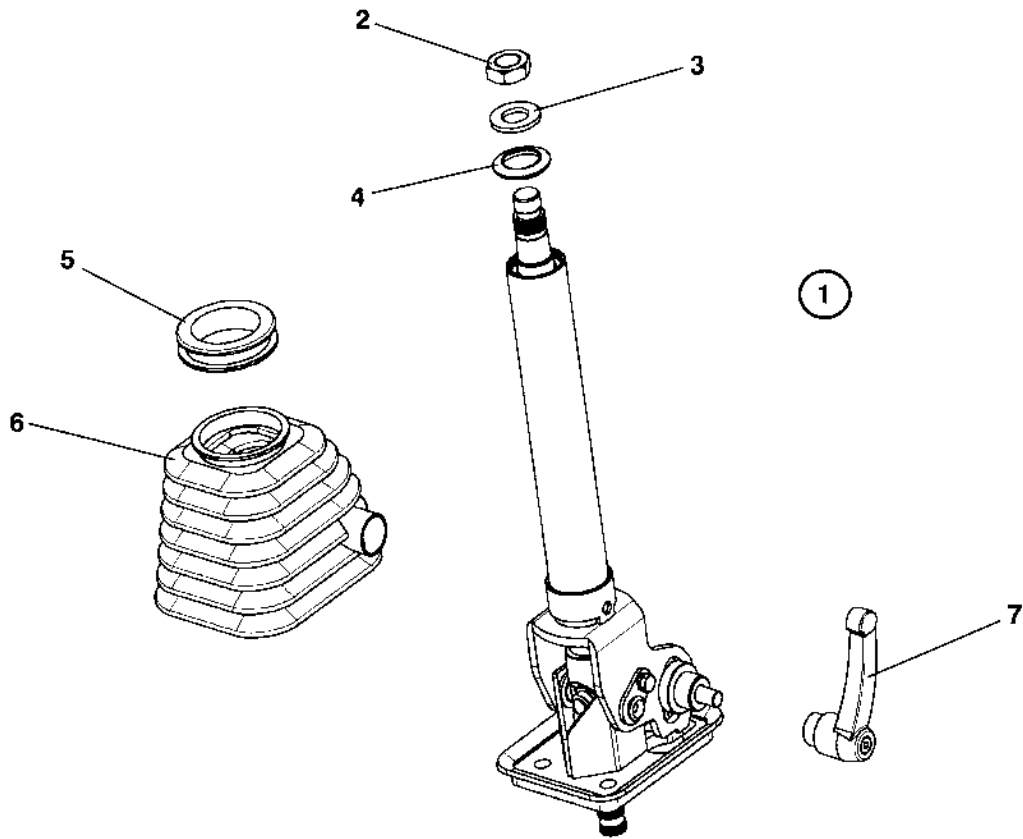
Item	Part No	Rem Qty	Description	Code
1		1	Seat frame (Page 472)	
2	4700904229	8	Steel plain washer 8,4x16x1,5	C
3	4700947679	4	Screw	C

Seat frame



Seat frame

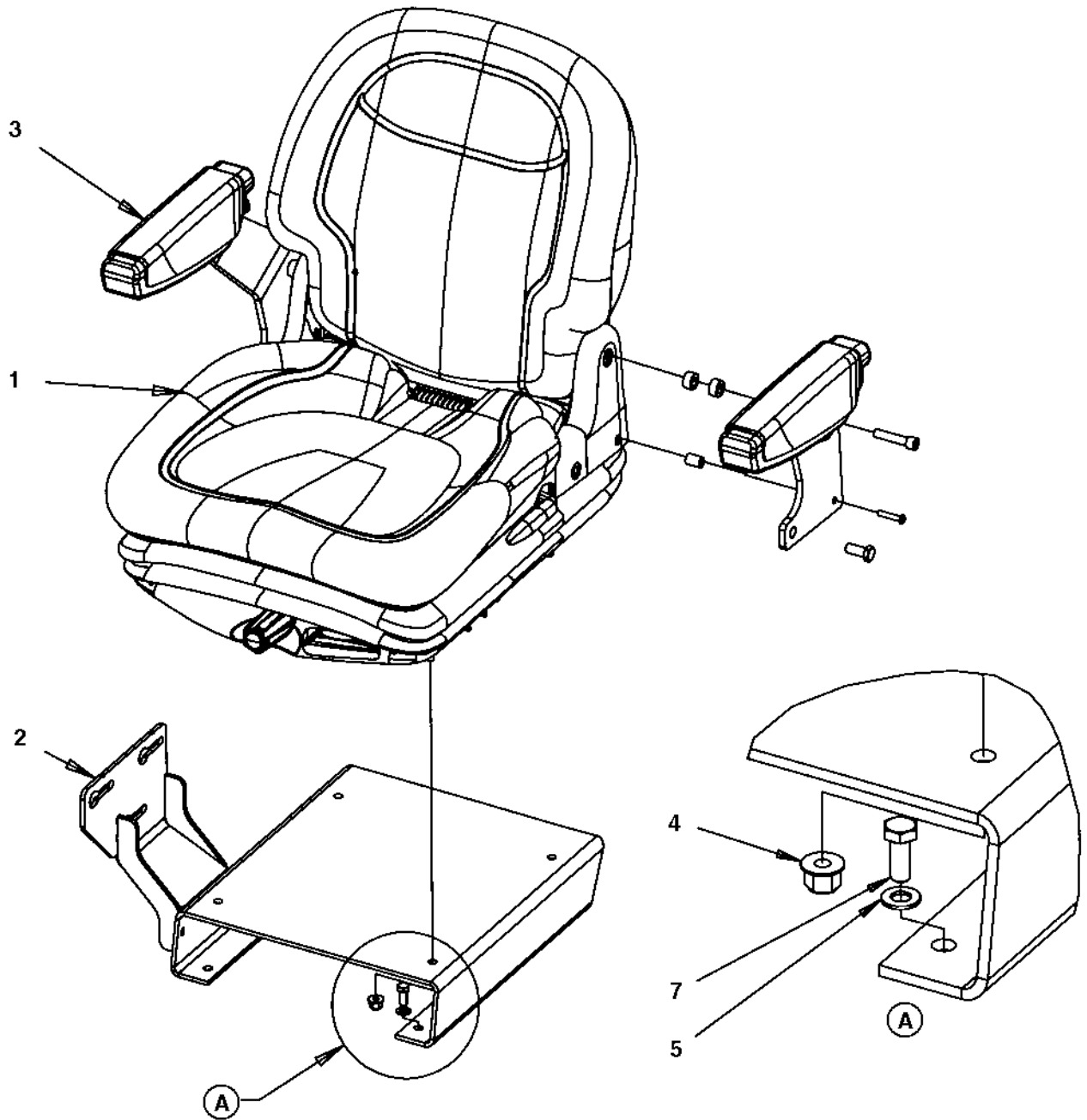
Item	Part No	Rem Qty	Description	Code
1	4700379693	1	Seat frame Up to 384S00097	D
	4700395447	1	Seat frame From 384S00098	D
2	4700359919	1	Shaft	C
3	4700903917	1	Bearing outer	B
4	4700903918	1	Bearing inner	B
5	4700391770	1	Shaft	
6	4700359916	2	Chain wheel	D
7	4700379718	1	Chain and connecting link	C
8	4700372672	1	Chain guard	D
9	4700392839	1	Cover	D
10	4700392840	1	Cover	D
11	4700359125	1	Ball bearing	B
12	4700379728	1	Locking disc	C
13	4700379722	1	Coupling link Up to 384S00097	D
	4700395383	1	Coupling link From 384S00098	C
14	4700359820	1	Bushing Up to 384S00097	D
	4700359819	1	Bushing From 384S00098	C
15	4700630008	1	Pin	D
16	4700391163	1	Steering column (Page 474)	D
17	4700359043	1	Spring	D
18	4700359920	1	Plug	C
19	4700372965	1	Lock ring	C
20	4700372964	1	Steering wheel, cpl	D
21	4700516051	2	Set screw	C
22	4700350009	2	Flat key	C
23	4700573008	4	Nut M8	C
24	4700904640	6	Washer 8,4x22x3	C
25	4700500021	2	Screw M8-1,25x25 8.8	C
26	4700904229	6	Steel plain washer 8,4x16x1,5	C
27	4700586003	2	Lock nut M8	C
28	4700603001	3	Washer	C
29	4700586002	3	Lock nut M6 -8	C
30	4700792678	4	Screw	C
31	4700902520	6	Screw	C
33	4700500028	3	Screw Up to 384S00097	C
	4700508029	3	Screw M10-1,5x30H 8,8 From 384S00098	C
34	4700904557	3	Steel plain washer	C
35	4700570006	3	Nut	B
37	4700792539	10	Rubber nut	C
38	4700791524	10	Screw M6X20	C



4700391163 Steering column

Item	Part No	Rem Qty	Description	Code
1	4700391163		Steering column (Page 474)	D
2	4700945632	1	. Nut	C
3	4700945633	1	. Washer	C
4	4700945634	1	. Rubber cap	C
5	4700945635	1	. Bellows ring	C
6	4700945636	1	. Bellows	C
7	4700945637	1	. Locking handle	D

Seat, galon suspended

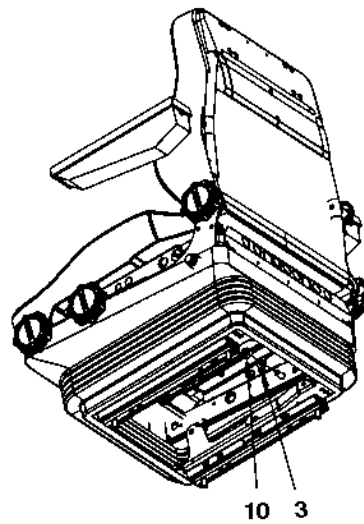
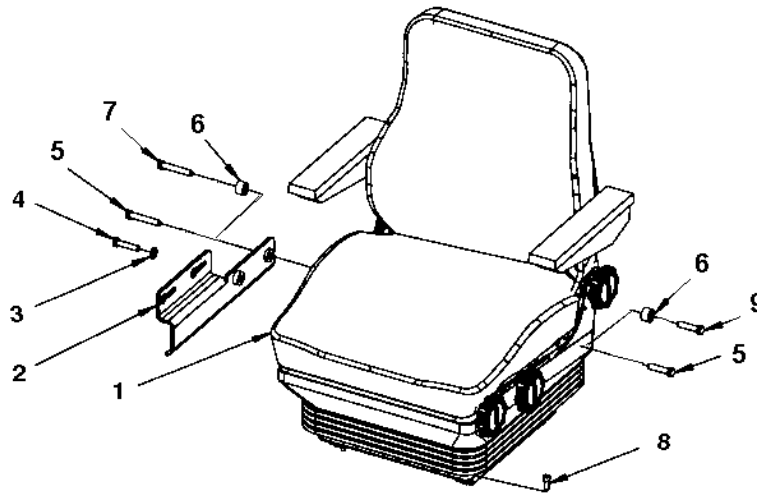


Seat, galon suspended

Item	Part No	Rem	Qty	Description	Code
1	4700377518		1	Drivers seat, cpl	D
	4700945622		1	. Seat switch	B
	4700945661	A	1	. Adjuster kit	D
2	4700390561		1	Seat frame	D
3	4700390963		1	Arm rest kit	D
4	4700902286		4	Hexagon lock nut with flange	C
5	4700904229		4	Steel plain washer 8,4x16x1,5	C
7	4700500053		4	Screw M8x20H 8.8	C

A) Left & right sliding rail

Seat, fabric suspended (option)

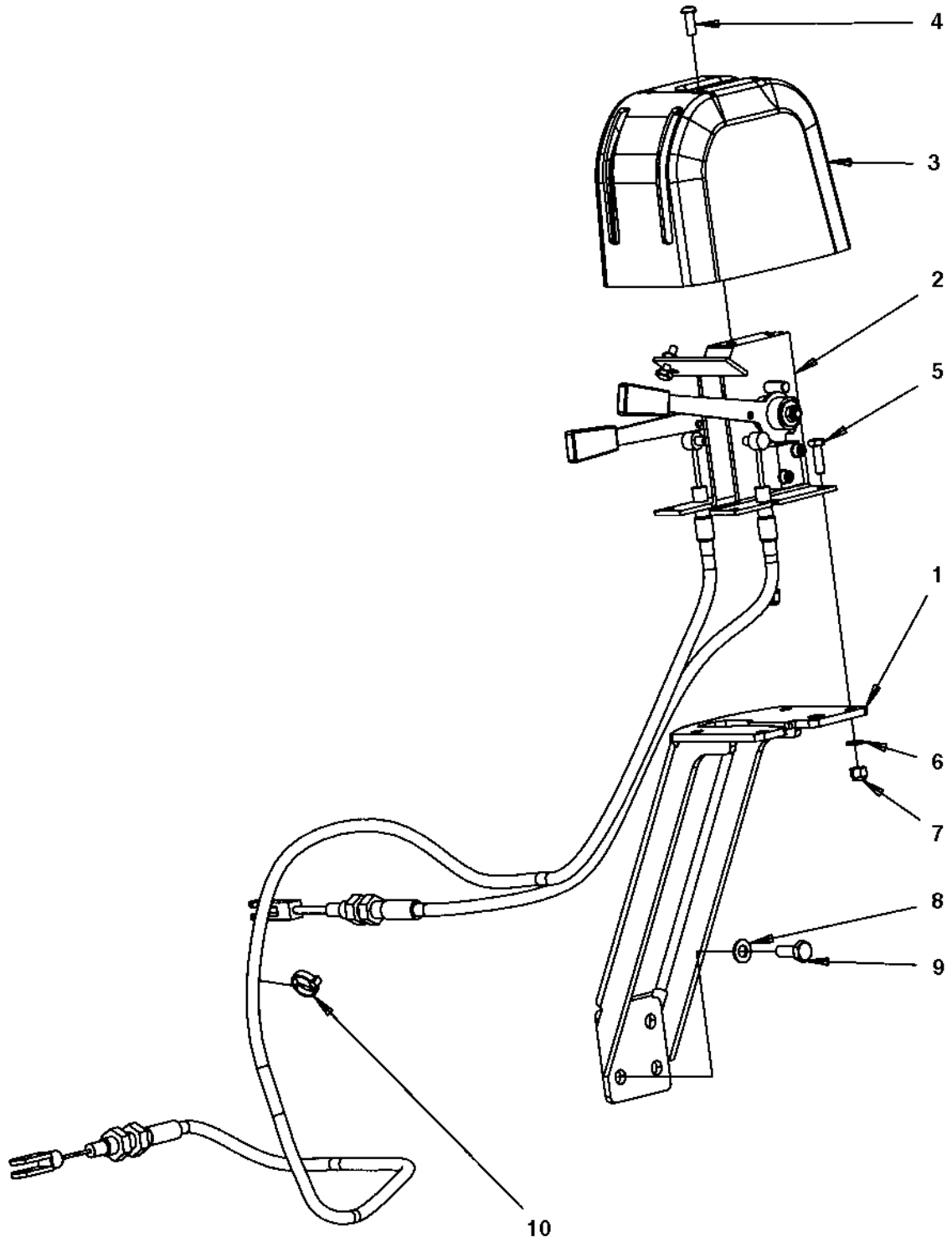


Seat, fabric suspended (option)

Item	Part No	Rem	Qty	Description	Code
1	4700390013	A	1	Seat	D
	4700937892		1	. Seat switch	B
	4700937620		1	. Arm rest, right	D
	4812158367		1	. Arm rest wide, right	
	4700937621		1	. Arm rest, left	D
2	4700390169		1	Bracket	D
3	4700904230		2	Steel plain washer	C
4	4700500161		1	Hexagon head screw	C
5	4700903914		2	Screw	C
6	4700791572		2	Spacer washer	C
7	4700792501		1	Screw	C
8	4700508092		4	Screw	C
9	4700792527		1	Screw	C
10	4700586018		1	Hexagon lock nut M10	C

A) Without seat belt

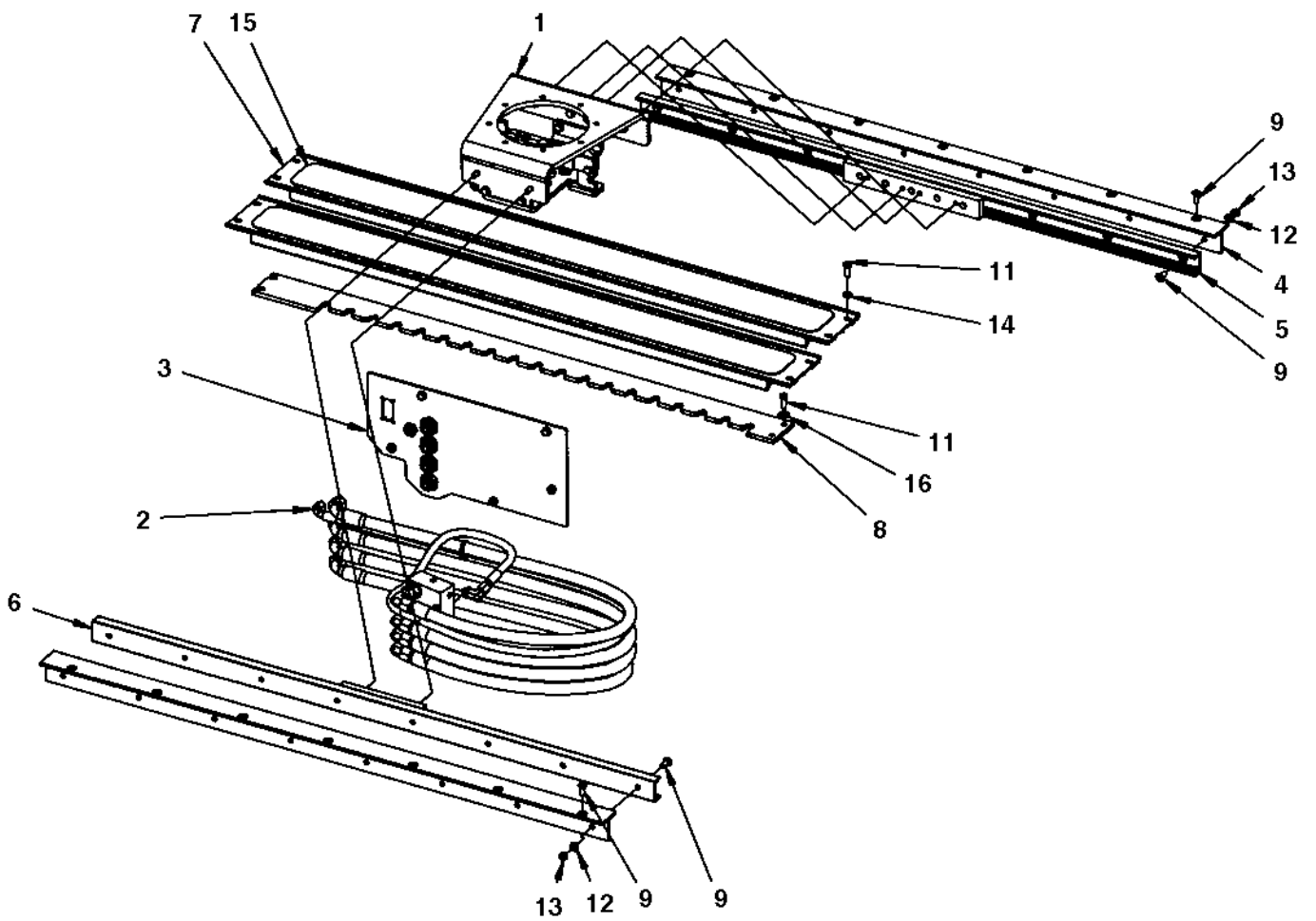
Controls, slidable and turning



Controls, slidable and turning

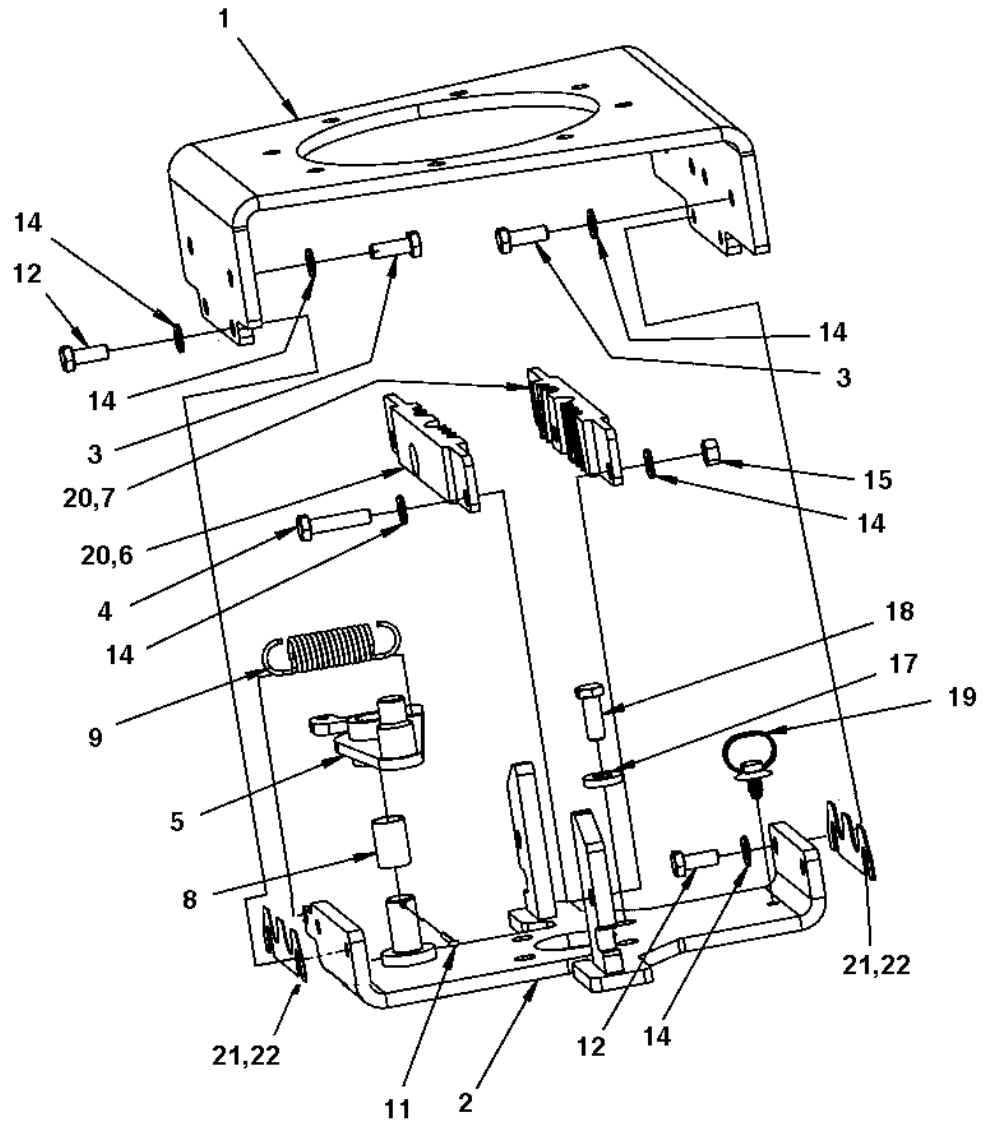
Item	Part No	Rem Qty	Description	Code
1	4700391241	1	Bracket	D
2	4700390239	1	Control	
	4700393496	1	. Cable 675	
	4700393497	1	. Cable 1300	
3	4700392965	1	Control cover	C
4	4700791524	2	Screw M6X20	C
5	4700500040	4	Screw M6-1x20 8,8	C
6	4700904228	4	Washer 6,4x12x1,5	C
7	4700586002	4	Lock nut M6 -8	C
8	4700904229	4	Steel plain washer 8,4x16x1,5	C
9	4700500053	4	Screw M8x20H 8.8	C
10	4700313041	N	Cable ties L=200 mm	B

Cross sliding



Cross sliding

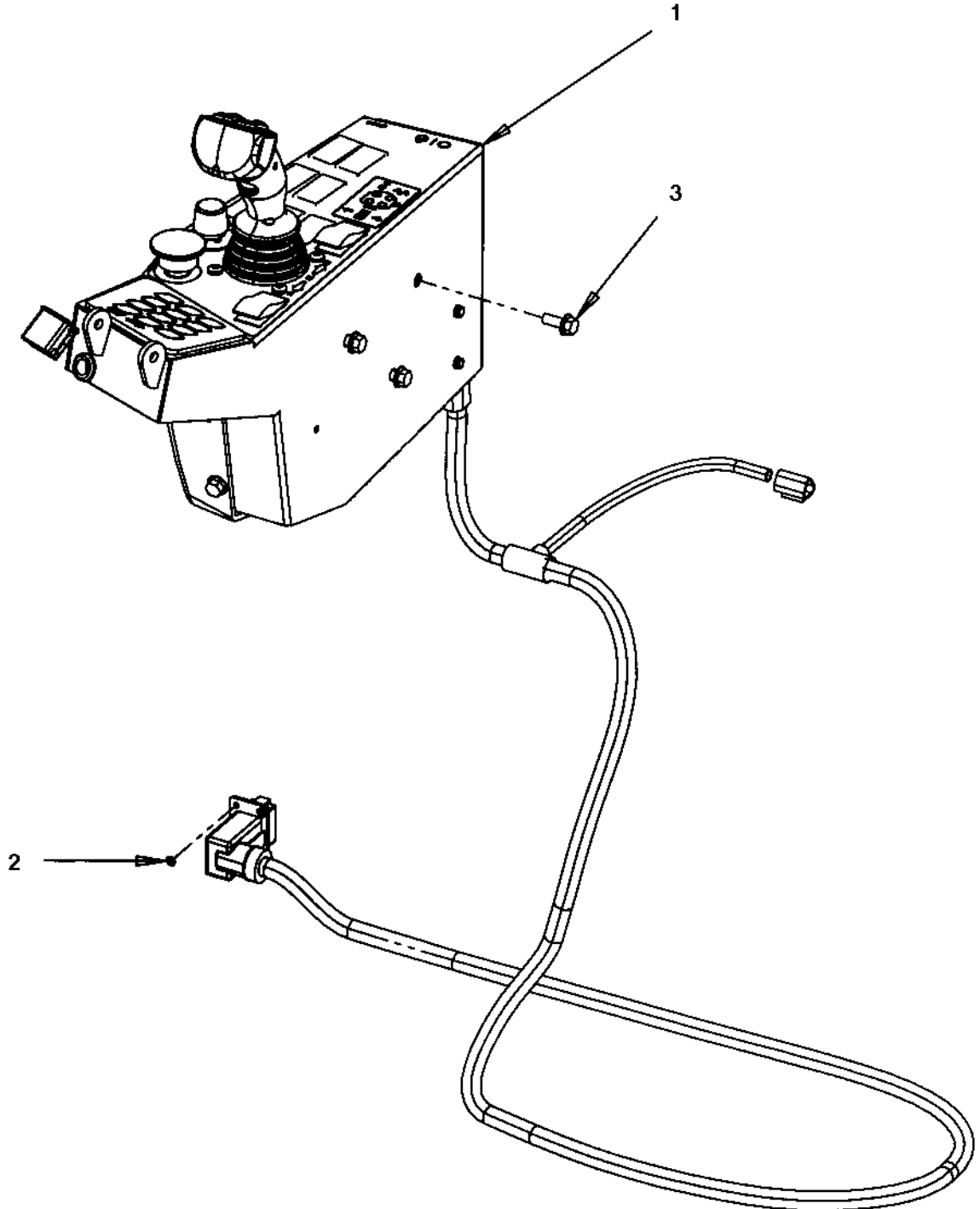
Item	Part No	Rem Qty	Description	Code
1		1	Carrier (Page 484)	
2		1	Steering, slideable (Page 262)	
3		1	Hose bracket (Page 258)	
4	4700390428	2	Rail holder	
5	4700391082	1	Linear bearing	
6	4700391083	1	Linear bearing	
7	4700393191	2	Cover	
8	4700379729	1	Locking rail	
9	4700513003	30	Screw	C
11	4700500020	12	Screw M8-1,25x22 8,8	D
12	4700904229	16	Steel plain washer 8,4x16x1,5	C
13	4700570005	16	Nut M8	C
14	4700904556	8	Washer 8,4x16x3,0	C
15	4700393978	2	Slip protection	
16	4700791304	4	Washer	C



Carrier

Item	Part No	Rem Qty	Description	Code	
1	4700379715	1	Carrier	D	
2	4700391478	1	Steering valve bracket	D	
3	4700500020	6	Screw M8-1,25x22 8,8	D	
4	4700500047	2	Hexagon head screw	C	
5	4700393347	1	Coupling link	D	
6	4700372959	2	Clamp	C	
7	4700372960	2	Clamp	C	
8	4700359819	1	Bushing	C	
9	4700359043	1	Spring	D	
11	4700630008	1	Pin	D	
12	4700500053	4	Screw M8x20H 8.8	C	
14	4700904229	14	Steel plain washer 8,4x16x1,5	C	
15	4700570005	2	Nut M8	C	
17	4700904557	4	Steel plain washer	C	
18	4700502035	4	Screw 3/8"-16UNCx1 8.8	D	
19	4700792441	1	Cable tie with holder	C	
20	4812110896	1	2	Clamp	C
21	4812115060	N	Shim		
22	4812115061	N	Shim		

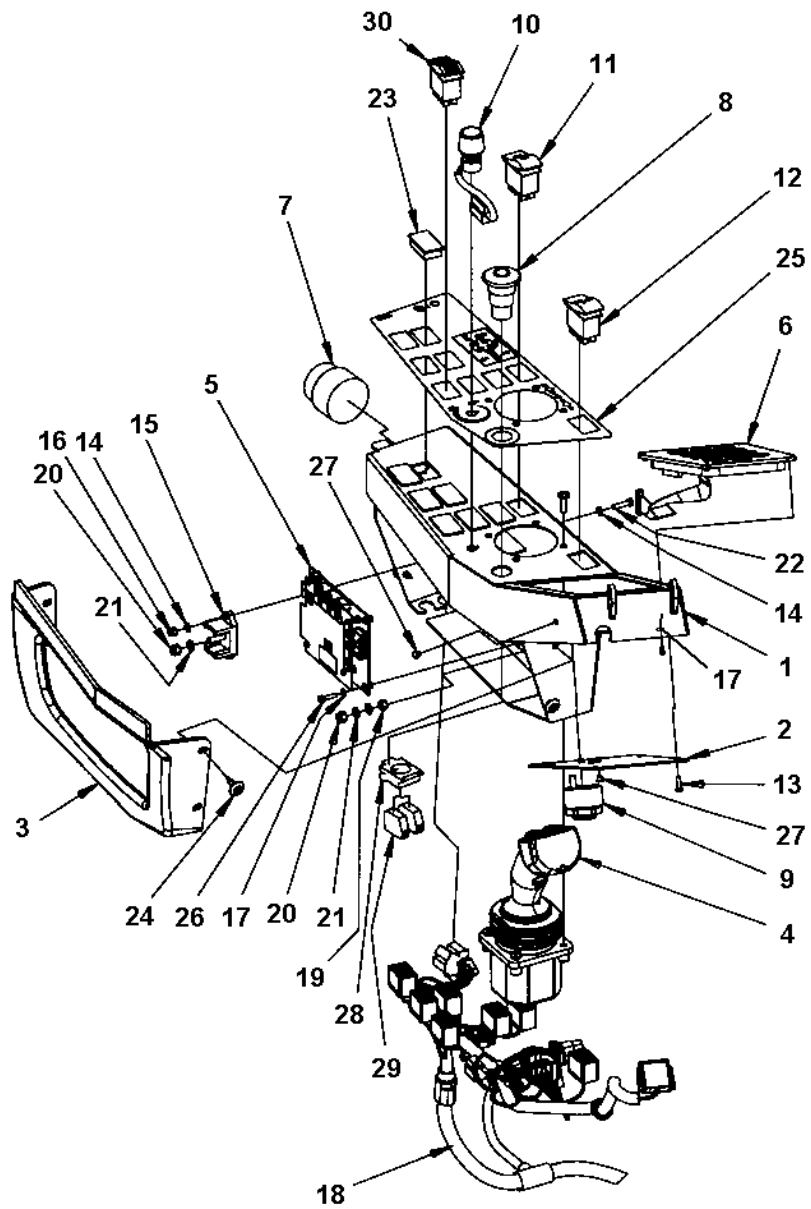
- 1) 2pcs together can replace item 6 and 7.
- 2) Item 6 and 7 can be replaced by 2pcs of item 20.



Drive control, cpl

Item	Part No	Rem Qty	Description	Code
1		1	Drive control Up to 384S00478	
		1	Drive control From 384S00479 (Page 488)	
2	4700791709	4	Pop rivet	C
3	4700500505	3	Screw M8x20 8.8	C

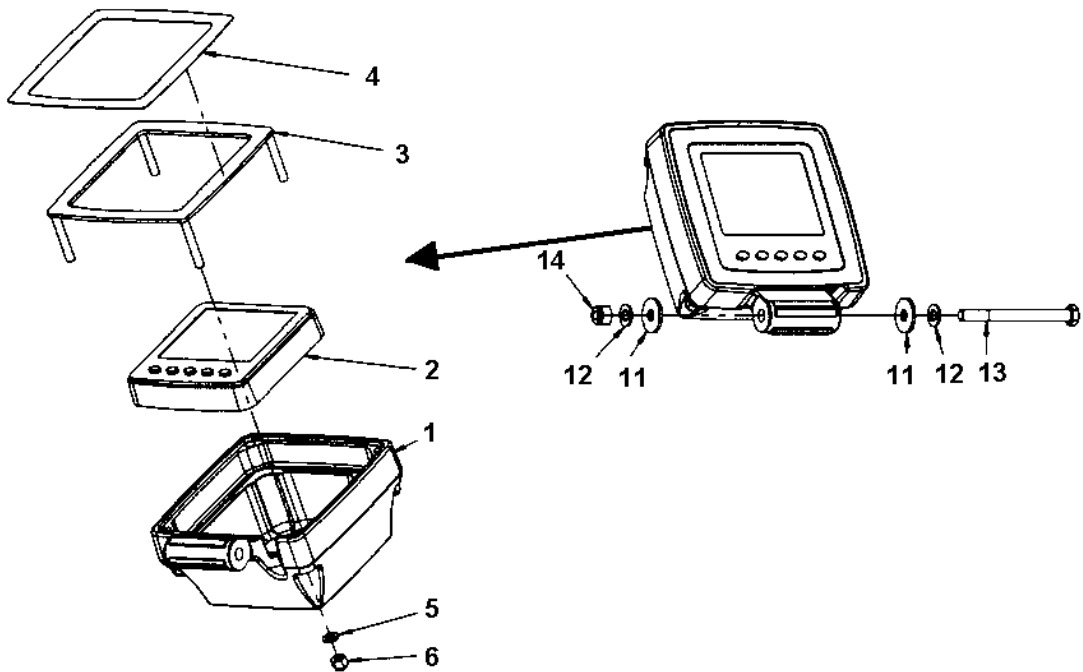
Drive control



Drive control

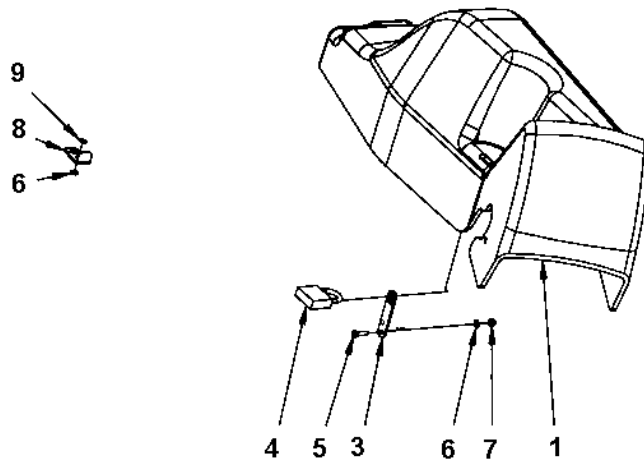
Item	Part No	Rem Qty	Description	Code
1	4700396661	1	Control box	
2	4700391396	1	Cover	D
3	4700396662	1	Cover	C
4	4700391420	1	Control handle	D
5	4700390861	1	Control unit	
6	4700391421	1	Membrane switch panel	D
7	4812110901	1	Ignition switch	B
	4700940451	1	. Key	D
8	4700791739	1	Emergency stop	B
9	4700385599	1	Buzzer	B
10	4700388737	1	Potentiometer	B
11	4700791582	1	Switch, parking brake	B
12	4700792414	1	Switch, RPM	D
13	4700526010	4	Thread rolling screw	C
14	4700904281	4	Washer 5,3x10x1 300HV	C
15	4700392930	1	Junction box	D
16	4700586001	2	Lock nut	C
17	4700904698	4	Washer 4,3x8x0,8	C
18	4812110989	1	Cable harness	
19	4700570004	1	Nut M6X1,00 -8 A2K	C
20	4700586002	2	Lock nut M6 -8	C
21	4700904228	3	Washer 6,4x12x1,5	C
22	4700500060	2	Screw M5-0,8x20 8.8	C
23	4700791588	7	Panel plug	C
24	4700395785	4	Expansion rivet	D
25	4700393031	1	Decal	D
26	4700508022	4	Screw M4x16	
27	4700902804	5	Plug	C
28	4700791733	1	Fixing collar	C
29	4700791723	2	Connector N/C	B
30	4700792812	1	Switch, displacement shift	D

Display unit



Display unit

Item	Part No	Rem Qty	Description	Code
1	4700392717	1	Display holder	D
2	4812113786	1	Display unit	B
3	4700392719	1	Cover	D
4	4700393094	1	Decal	D
5	4700904228	4	Washer 6,4x12x1,5	C
6	4700586002	4	Lock nut M6 -8	C
11	4700903662	2	Washer	C
12	4700904229	2	Steel plain washer 8,4x16x1,5	C
13	4700500115	1	Hexagon head screw M8x90 8.8	C
14	4700586003	1	Lock nut M8	C



Control panel cover

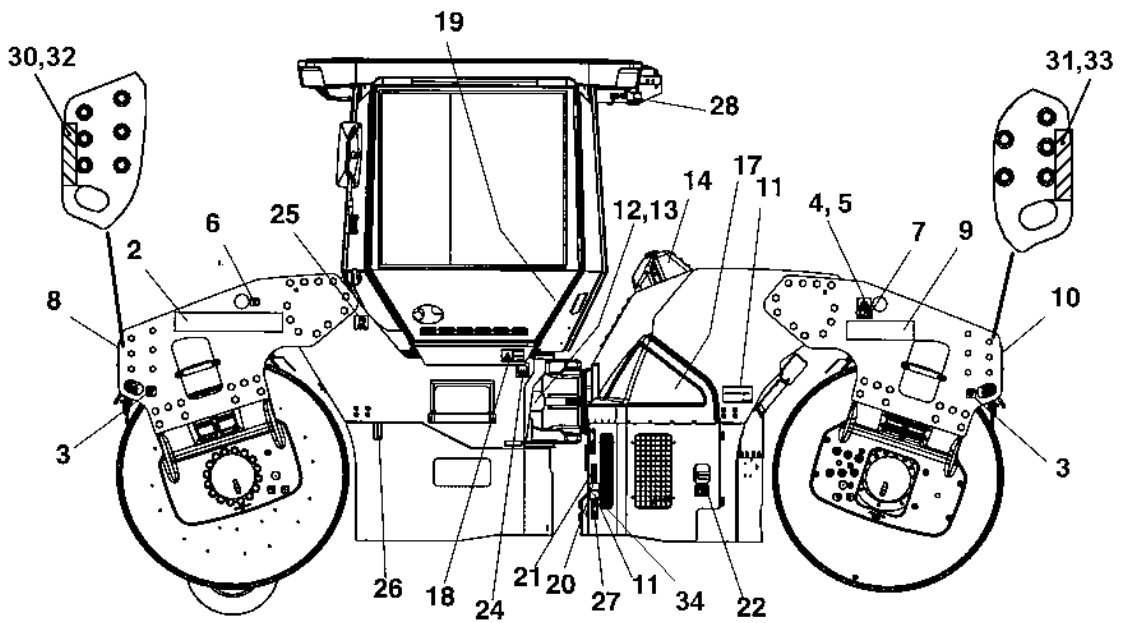
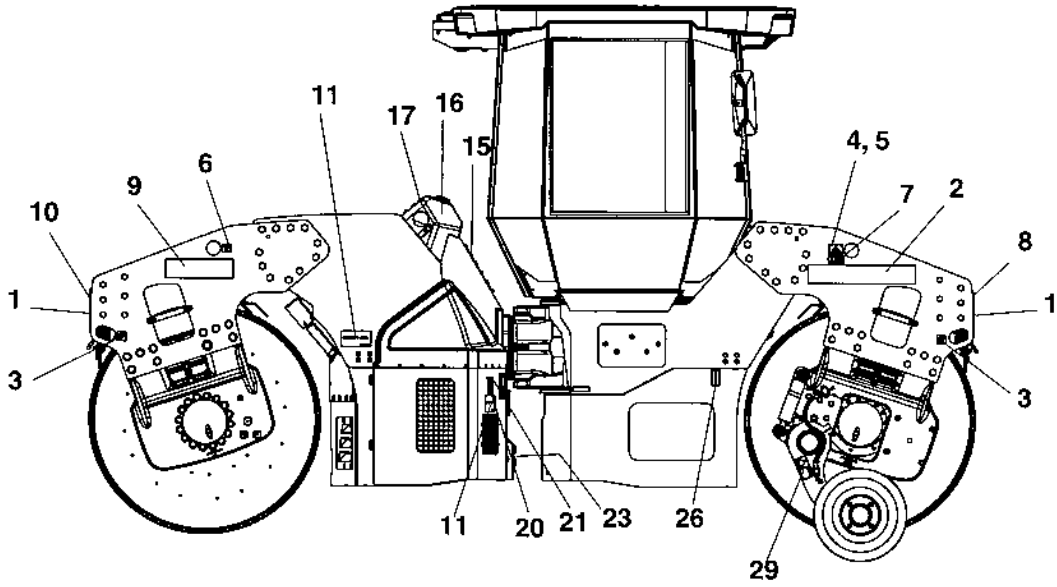
Item	Part No	Rem Qty	Description	Code
1	4700395947	1	Instrument panel cover	D
3	4700387545	1	Latch	D
4	4700358881	1	Pad lock	D
5	4700904653	2	Screw M5x16 A2-70	C
6	4700904281	4	Washer 5,3x10x1 300HV	C
7	4700586001	2	Lock nut	C
8	4700396670	1	Bracket	D
9	4700904619	2	Blind rivet	C

Decals

Decals

Item	Part No	Rem Qty	Description	Code
1			Decals (Page 496)	

Decals

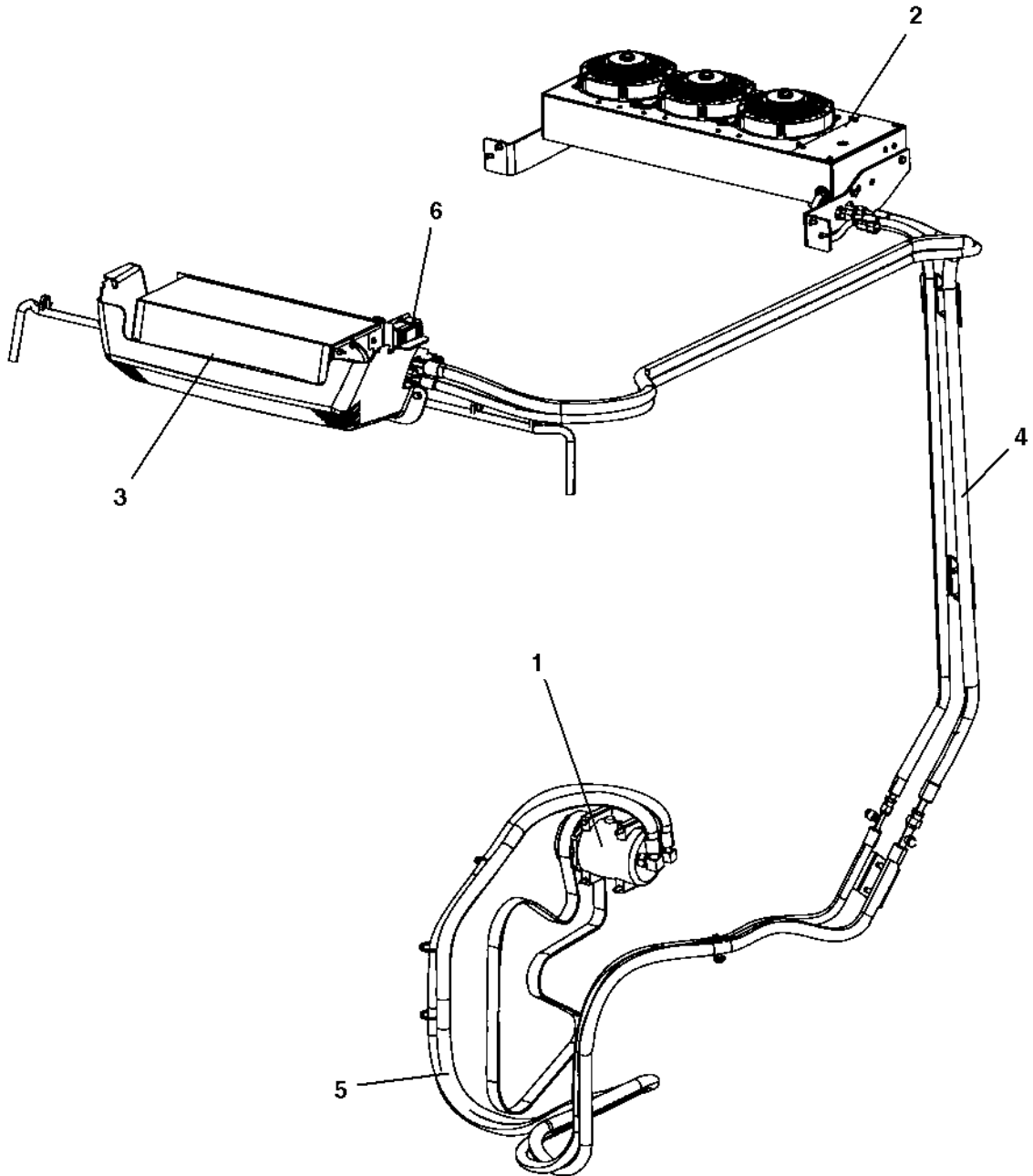


Decals

Item	Part No	Rem Qty	Description	Code
1	4700904094	2	Decal "DYNAPAC" L=670 mm	
2	4700904092	2	Decal "DYNAPAC" L=590 mm	D
3	4700382751	4	Decal "TIE DOWN POINT"	D
4	4700904870	2	Lifting sign	D
5	4700624005	8	Blind rivet 3,2x6,1	C
6	4700357587	2	Decal "LIFT POINT"	D
7	4700908229	2	Safety decal	D
8	4700377743	2	Reflector, white	D
9	4700792573	2	Decal "MODEL CODE" CC424HF	D
10	4700377742	2	Reflector, red	D
11	4700903422	4	Decal "SAFETY"	D
12		1	Product identification plate	
13	4700624005	4	Blind rivet 3,2x6,1	C
14	4700272372	1	Decal "HYDRAULIC OIL"	D
	4700904601	1	Decal "BIO HYDRAULIC OIL"	D
	4700792772	1	Decal "BIO HYDRAULIC OIL" PANOLIN	D
15	4700272373	1	Decal "HYDRAULIC OIL"	D
16	4700388449	1	Decal "COOLING LEVEL"	
17	4700791642	2	Decal "WARNING" Use of starting fluid prohib.	D
18	4700903459	1	Decal "SAFETY"	D
19	4700903425	2	Decal "SAFETY MANUAL"	D
20	4700903423	2	Decal "SAFETY"	D
21	4700903424	2	Decal "HOT SURFACE"	D
22	4700904835	1	Decal "BATTERY POWER"	D
23	4700393959	1	Decal "24V"	
24	4700991657	1	Decal "WATER"	D
25	4700991658	1	Decal "FUEL"	D
26	4700377744	2	Reflector, yellow	D
27	4700791277	1	Decal "Sound power level" 107dB	D
	4700791278	1	Decal "Sound power level" 108dB	D
28	4700904165	1	Safety decal Toxic gases	D
29	4700904083	1	Safety decal	D
30	4700394596	2	Decal "Risk location"	
31	4700394594	2	Decal "Risk location"	
32	4700394593	2	Decal "Risk location"	
33	4700394595	2	Decal "Risk location"	
34	4700904895	1	Safety decal "Brake release"	D

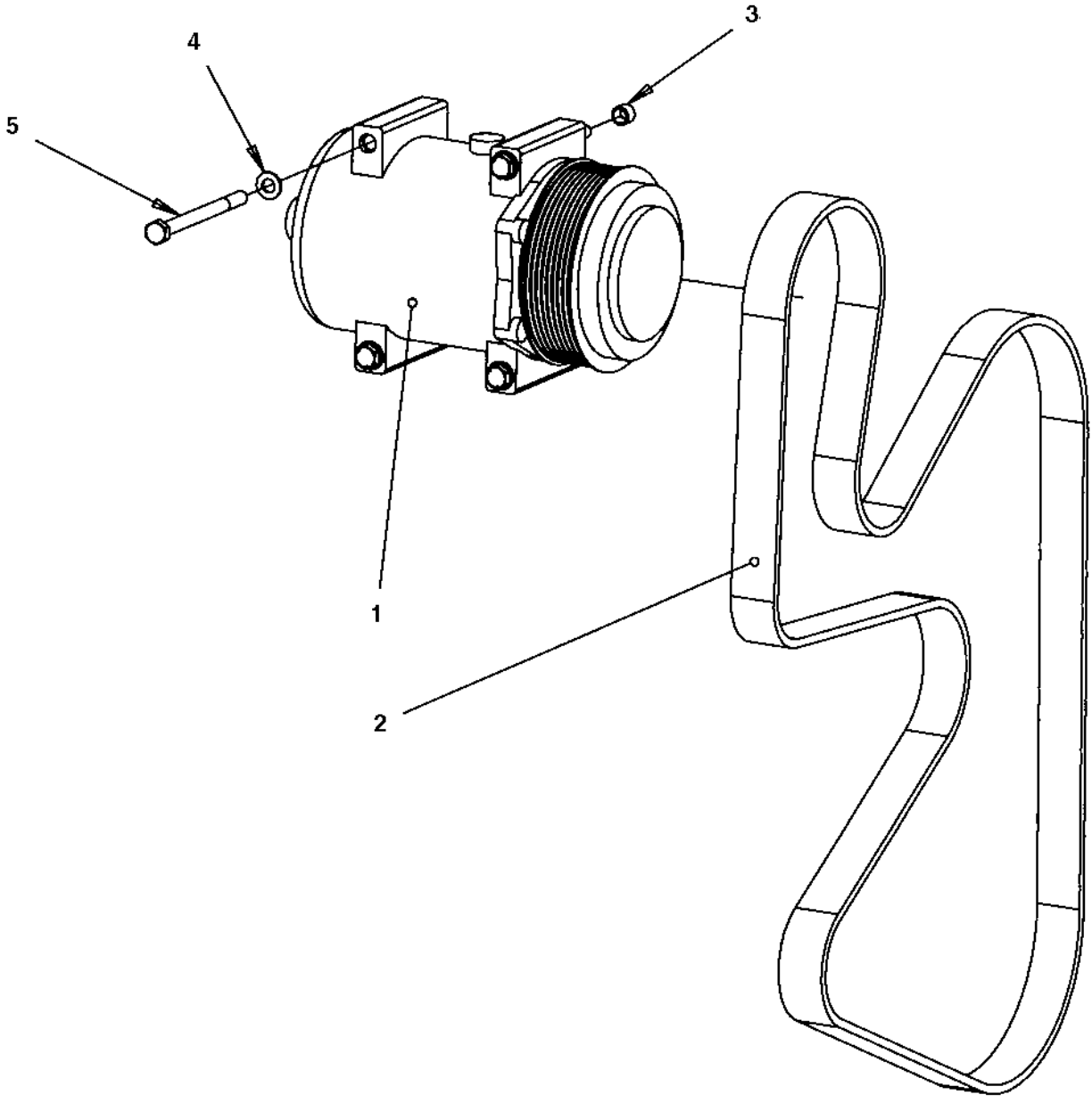
Optional equipment

Item	Part No	Rem Qty	Description	Code
1		1	Air conditioning (Page 500)	
2		1	Edge cutter (Page 524)	
3		1	Fire extinguisher/First Aid Cushion (Page 546)	
4		1	Asphalt temperature meter (Page 550)	



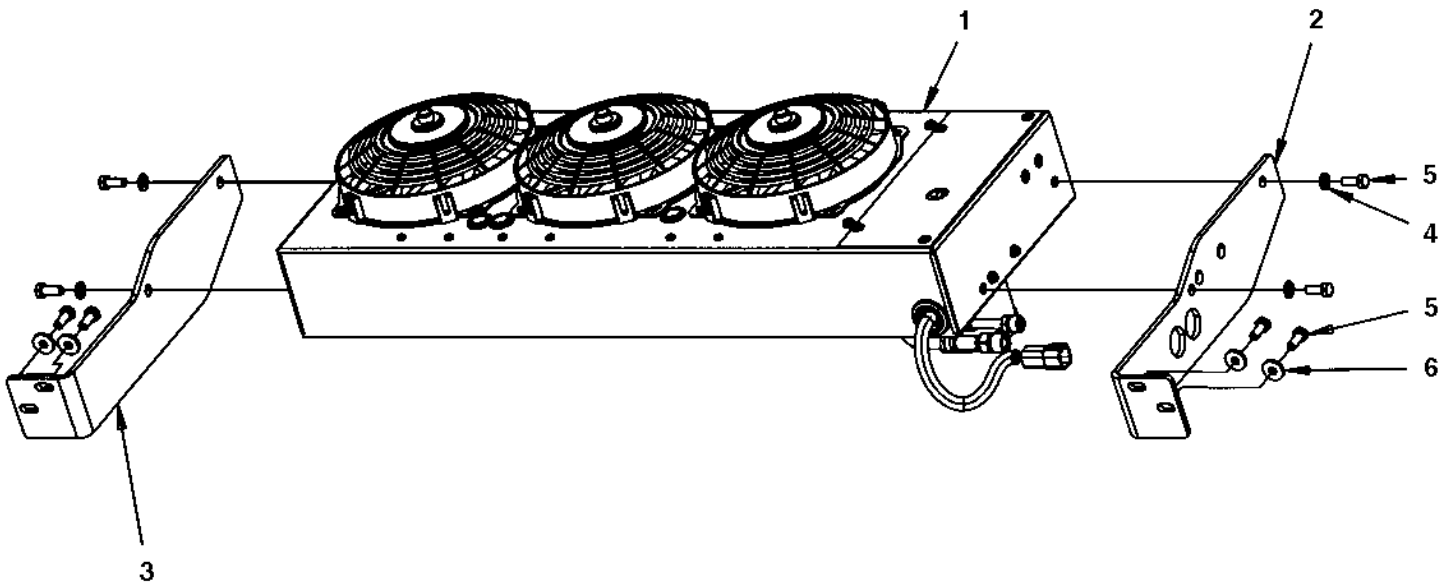
Air conditioning

Item	Part No	Rem Qty	Description	Code
1		1	Compressor module (Page 502)	
2		1	Condensor module (Page 504)	
3		1	Evaporator module (Page 508)	
4		1	Hose kit AC (Page 512)	
5		1	Hose kit Compressor (Page 516)	
6		1	ACC module (Page 520)	



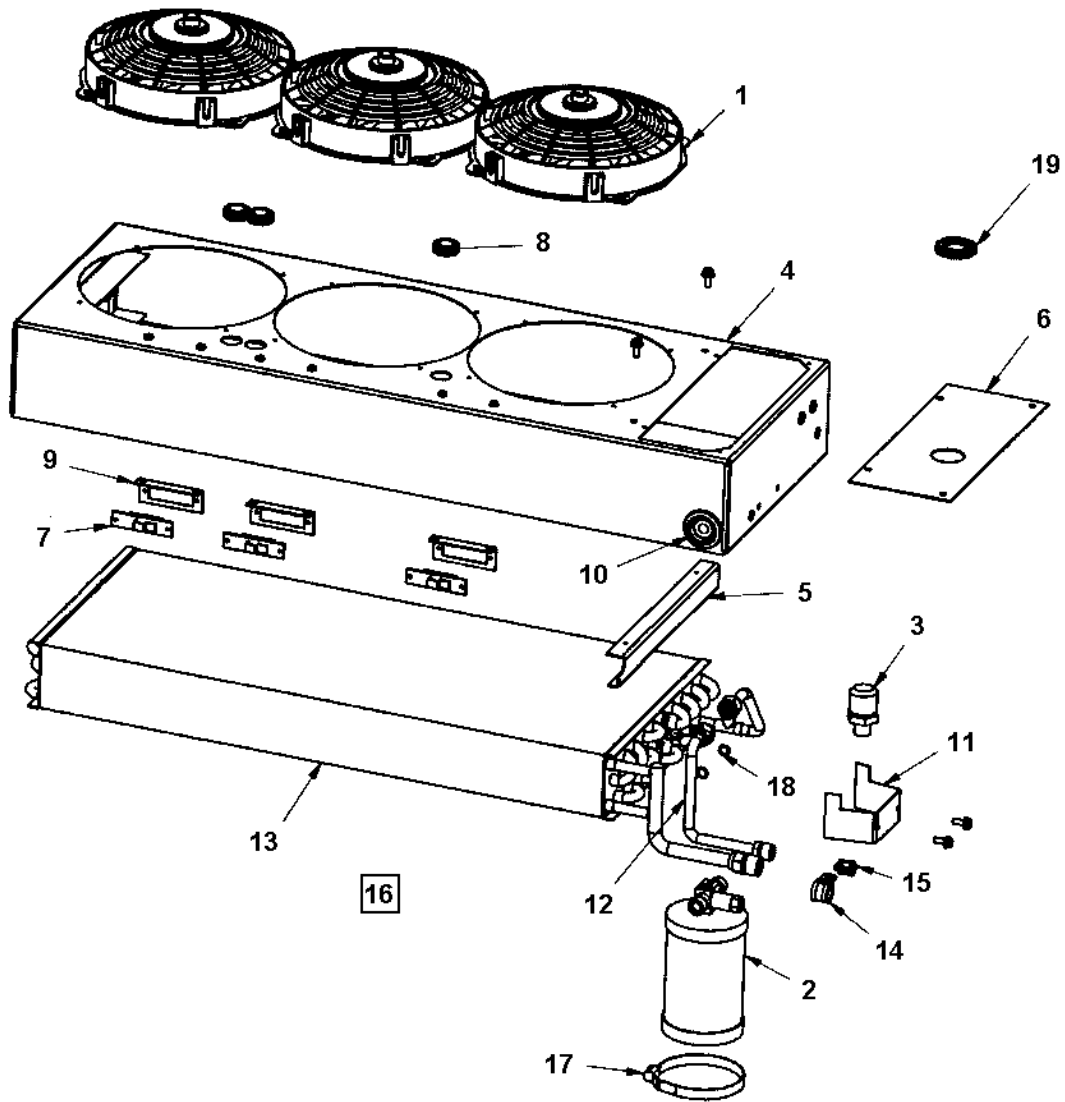
Compressor module

Item	Part No	Rem Qty	Description	Code
1	4700391621	1	Compressor	
2	4700391622	1	Belt	
3	4700945314	2	Guide ring	
4	4700904229	4	Steel plain washer 8,4x16x1,5	C
5	4700500096	4	Screw	



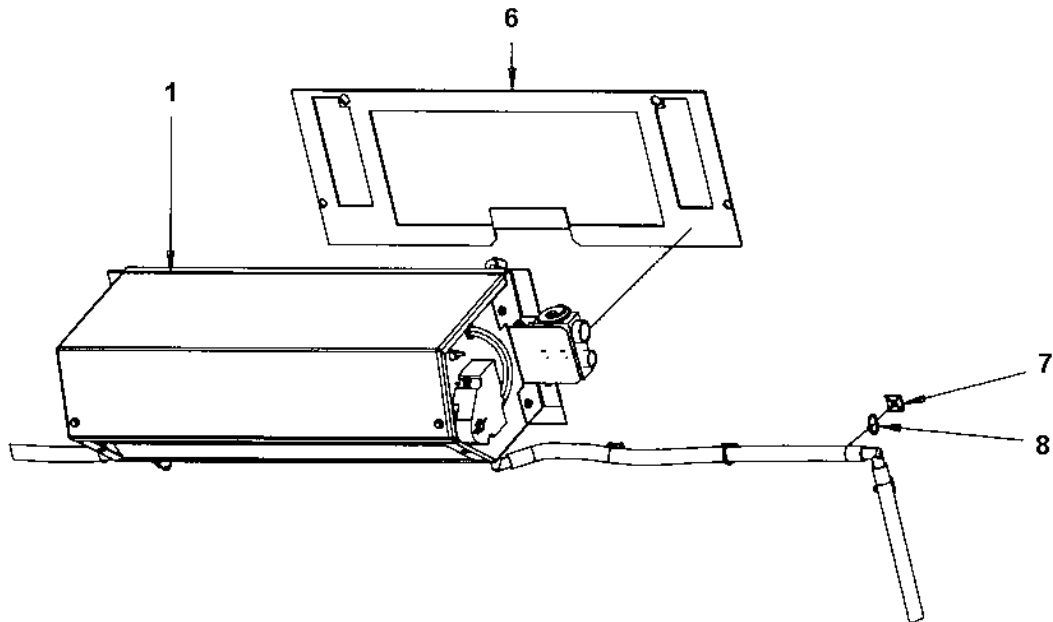
Condensor module

Item	Part No	Rem Qty	Description	Code
1		1	Condensor (Page 506)	
2	4700393222	1	Bracket	
3	4700393223	1	Bracket	
4	4700904229	4	Steel plain washer 8,4x16x1,5	C
5	4700500053	8	Screw M8x20H 8.8	C
6	4700904640	4	Washer 8,4x22x3	C



Condensor

Item	Part No	Rem Qty	Description	Code
1	4700950372	3	Fan	
2	4700950373	1	Dryer	
3	4700938605	1	Pressure switch	B
4		1	Casing	
5		1	Bracket	
6		1	Cover	
7	4700938606	3	Resistor	B
8	4700938609	3	Grommet	
9	4812155658	3	Resistor bracket	
10		1	Grommet	
11		1	Bracket	
12		1	Copper tube	
13	4700950374	1	Condensor Coil	
14		1	Clamp	
15		1	Clamp	
16	4700950375	1	Cable harness	
17	4700938789	1	Clamp	C
18		2	O-ring	
19		1	Grommet	

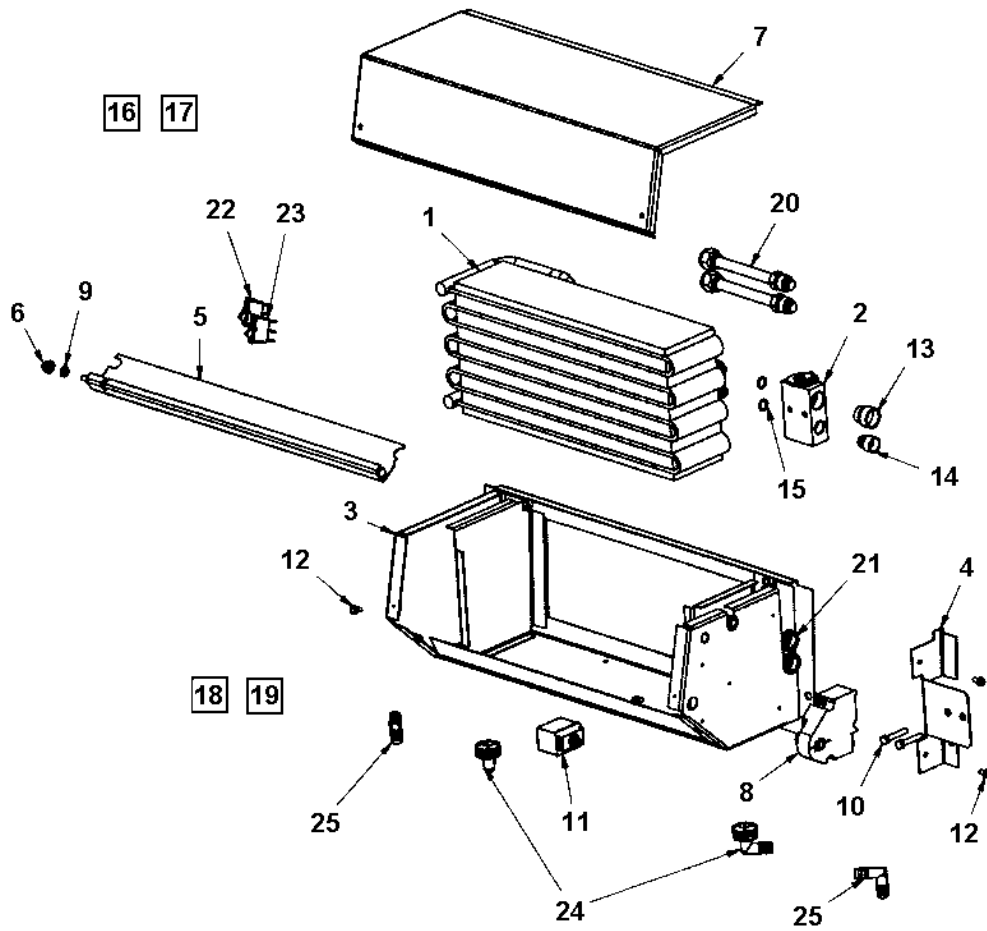


Evaporator module

Item	Part No	Rem	Qty	Description	Code
1	4700393584		1	Evaporator unit (Page 510)	
6	4700297018	A	1XL	Rubber strip	
7	4700395352		14	Cable tie holder	
8	4700313068		14	Cable ties L=100 mm	

A) L= 1,6 m

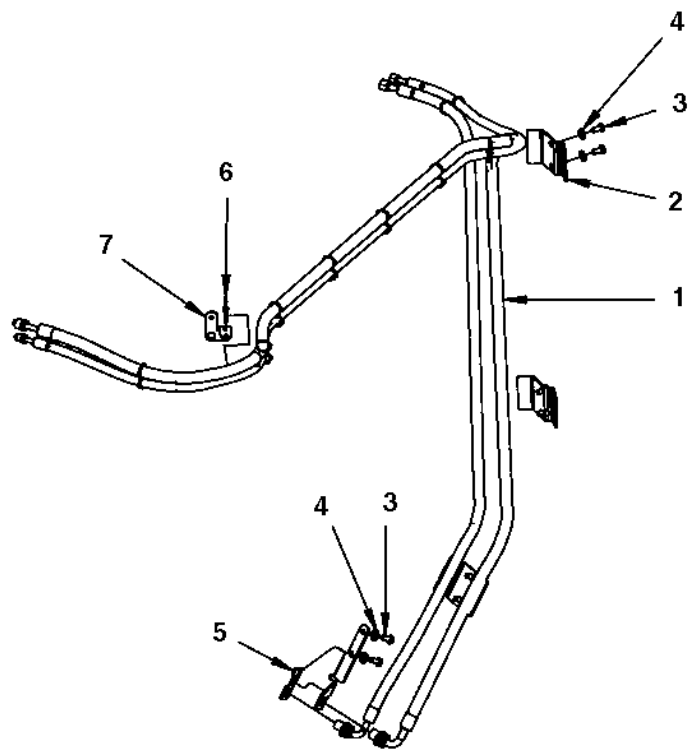
4700393584 Evaporator unit



4700393584 Evaporator unit

Item	Part No	Rem Qty	Description	Code
1	4700950310	1	Evaporator coil	
2	4700950342	1	Block valve	
3		1	Casing	
4		1	Bracket	
5		1	Recirculation cover	
6		1	Bushing	
7		1	Cover	
8	4700950343	1	Actuator motor	
9		1	Washer	
10		2	Screw M6x35	
11	4700950344	1	Thermostat	
12		4	Screw M5x10	
13		1	Plug	
14		1	Plug	
15	4700950345	2	O-ring	
16	4700950346	1	Cable harness, recirc.	
17	4700950347	1	Cable harness, panel	
18		1	Drain hose	
19		1	Drain hose	
20		2	Connect tube	
21		2	Insulation tape	
22	4700950348	1	Switch, air condition	
23	4700950349	1	Switch, recirculation	
24	4700950350	2	Drain valve	
25	4700950380	2	Drain elbow	

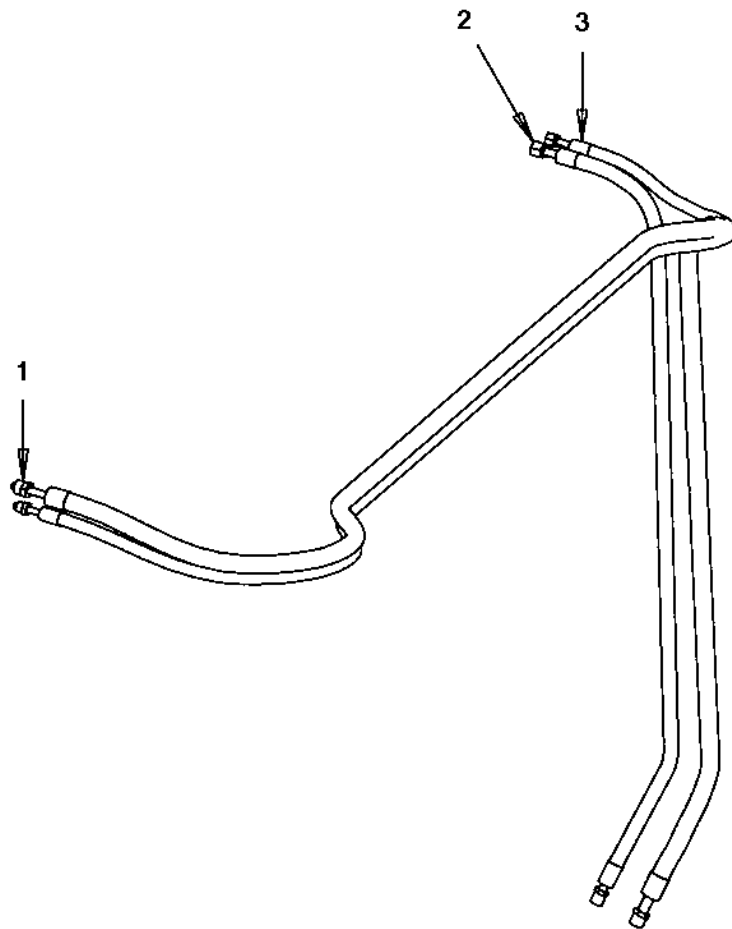
Hose kit AC



Hose kit AC

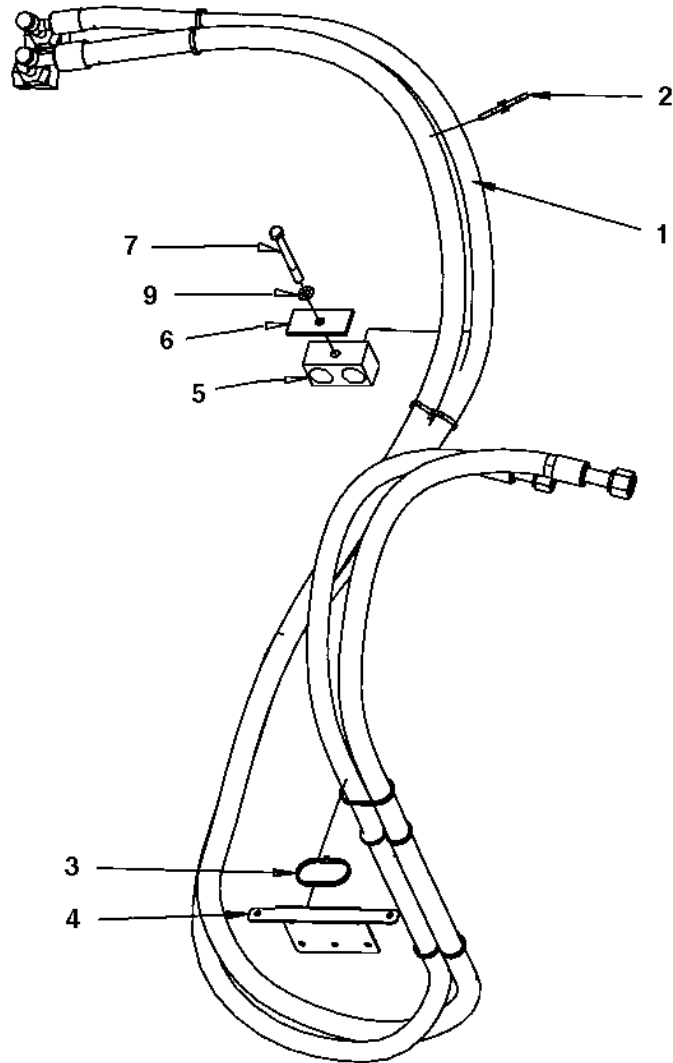
Item	Part No	Rem Qty	Description	Code
1		1	Hose kit (Page 514)	
2	4700393418	2	Bracket	
3	4700500048	6	Screw M10-1,5x20 8,8	C
4	4700904557	6	Steel plain washer	C
5	4700394920	1	Bracket	D
6	4700792686	9	Cable tie with holder	
7	4700395156	1	Bracket	

Hose kit



Hose kit

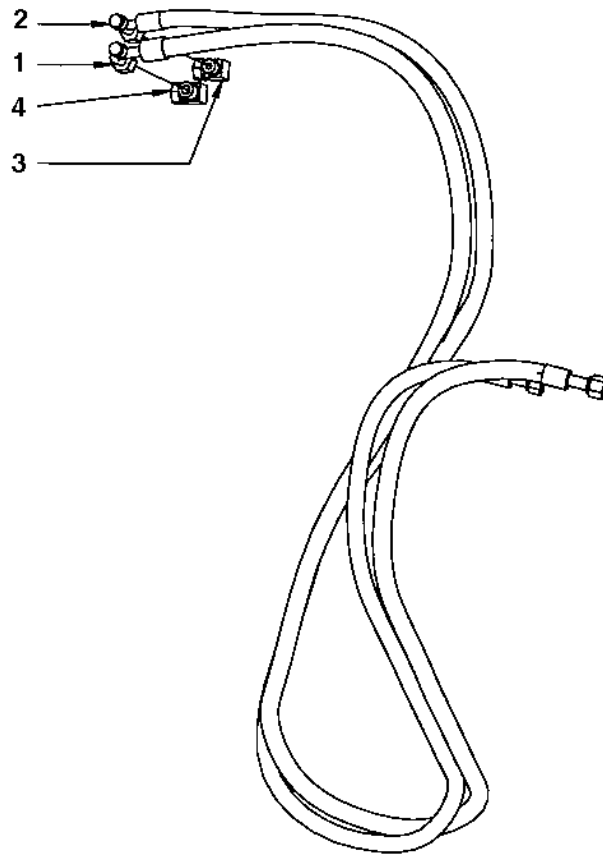
Item	Part No	Rem Qty	Description	Code
1	4700393597	1	Refrigerant hose	D
2	4700393596	1	Refrigerant hose	D
3	4700393594	1	Refrigerant hose	



Hose kit Compressor

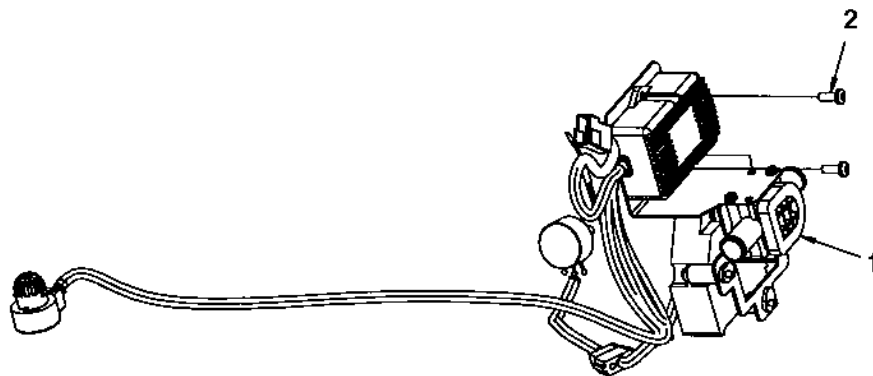
Item	Part No	Rem Qty	Description	Code
1		1	Hose kit AC (Page 518)	
2	4700792686	15	Cable tie with holder	
3	4700313041	N	Cable ties L=200 mm	B
4	4700394707	1	Bracket	D
5	4700287295	1	Clamp	D
6	4700287294	1	Cover plate	
7	4700500090	1	Screw	C
9	4700904229	1	Steel plain washer 8,4x16x1,5	C

Hose kit AC



Hose kit AC

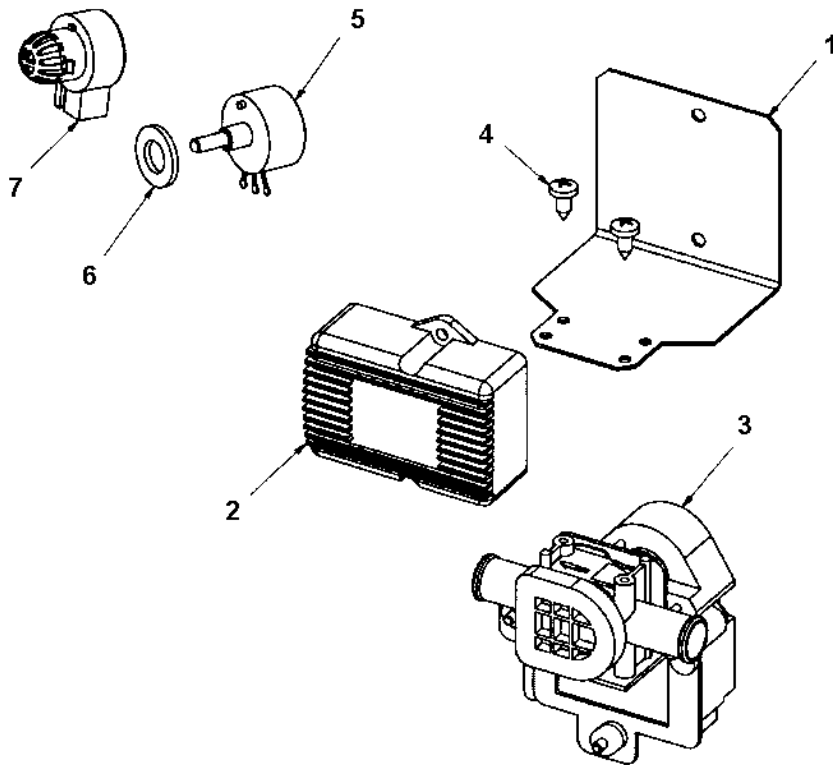
Item	Part No	Rem Qty	Description	Code
1	4700393598	1	Refrigerant hose	D
2	4700393595	1	Refrigerant hose	D
3	4700394705	1	Refrigerant fitting	
4	4700394706	1	Refrigerant fitting	



ACC module

Item	Part No	Rem Qty	Description	Code
1	4700393795	1	ACC controls (Page 522)	
2	4700792187	2	Screw M5x14	

4700393795 ACC controls

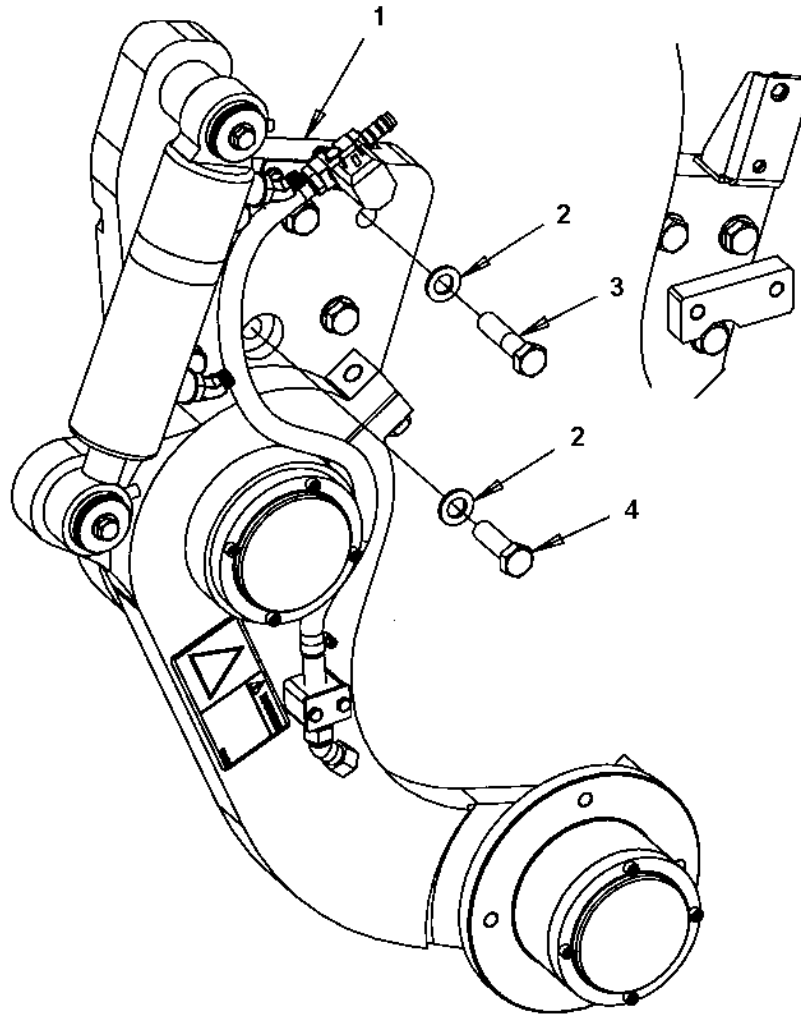


4700393795 ACC controls

Item	Part No	Rem Qty	Description	Code
1		1	Bracket	
2	4700950369	1	ATM unit	
3	4700950370	1	Heater valve	
4		2	Screw	
5	4700950371	1	Potentiometer	
6		1	Washer	
7	4700938624	1	Sensor	B

Edge cutter

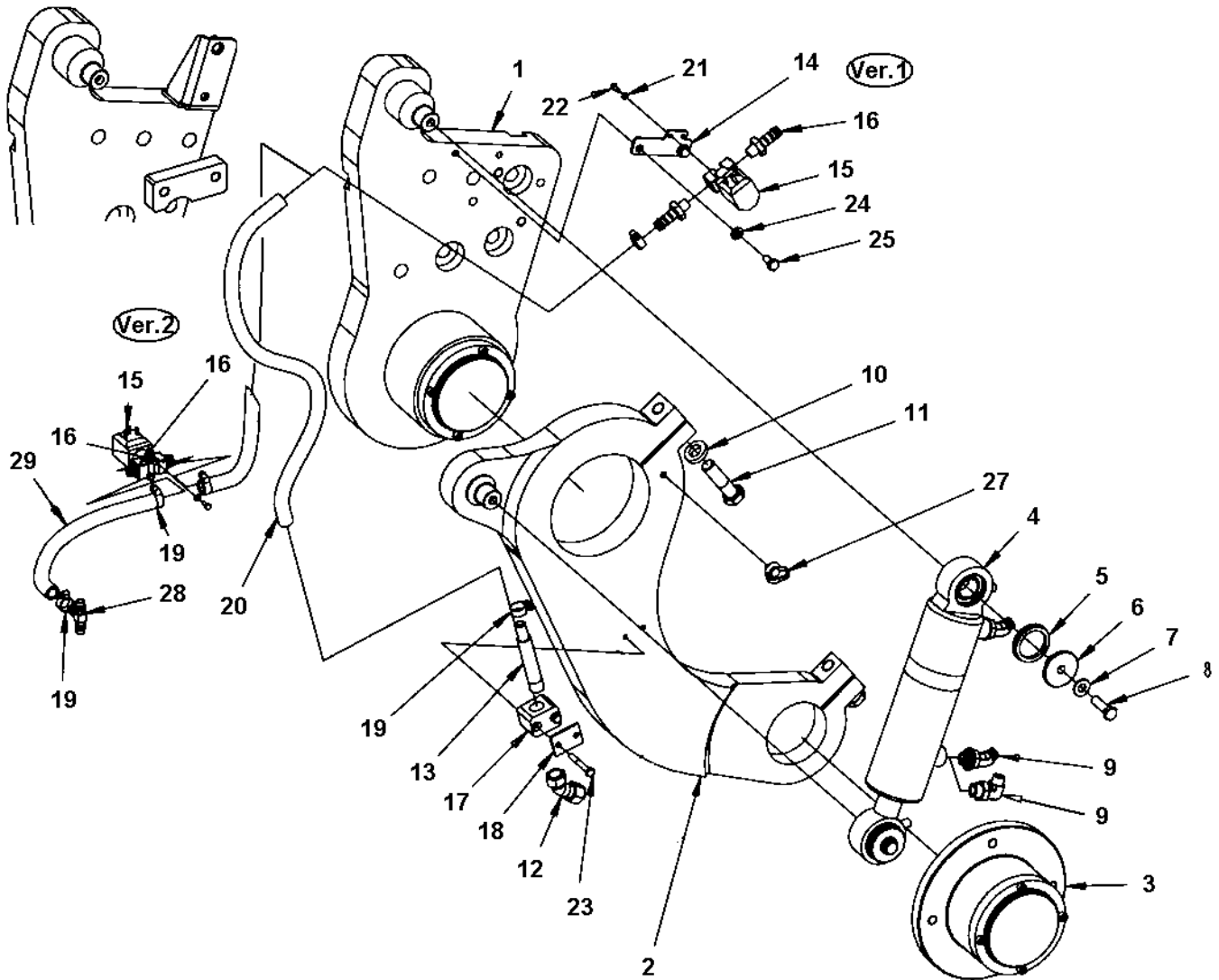
Item	Part No	Rem Qty	Description	Code
1		1	Edge cutter, module (Page 526)	
2		1	Cutting disc module (Page 536)	
		1	Pressing roller, module (Page 538)	
3		1	Hydraulic valve module (Page 540)	
4		1	Cover module (Page 48)	
5		1	Disc/Roller holder (Page 50)	
		1	Disc/Roller holder (Page 52)	
6	4700391959	1	Cable harness Up to 384S00199	D
8	4700484103	1	Hydraulic hose	D
9	4700484104	1	Hydraulic hose	D
10	4700792395	1	Switch	D
11	4700792396	1	Switch	D



Edge cutter, module

Item	Part No	Rem Qty	Description	Code
1	4700390998	1	Edge cutter, cpl (Page 528)	
2	4700904232	6	Washer	C
3	4700500058	5	Screw M16-2,0x65 8,8	
4	4700500070	1	Screw M16x50	C

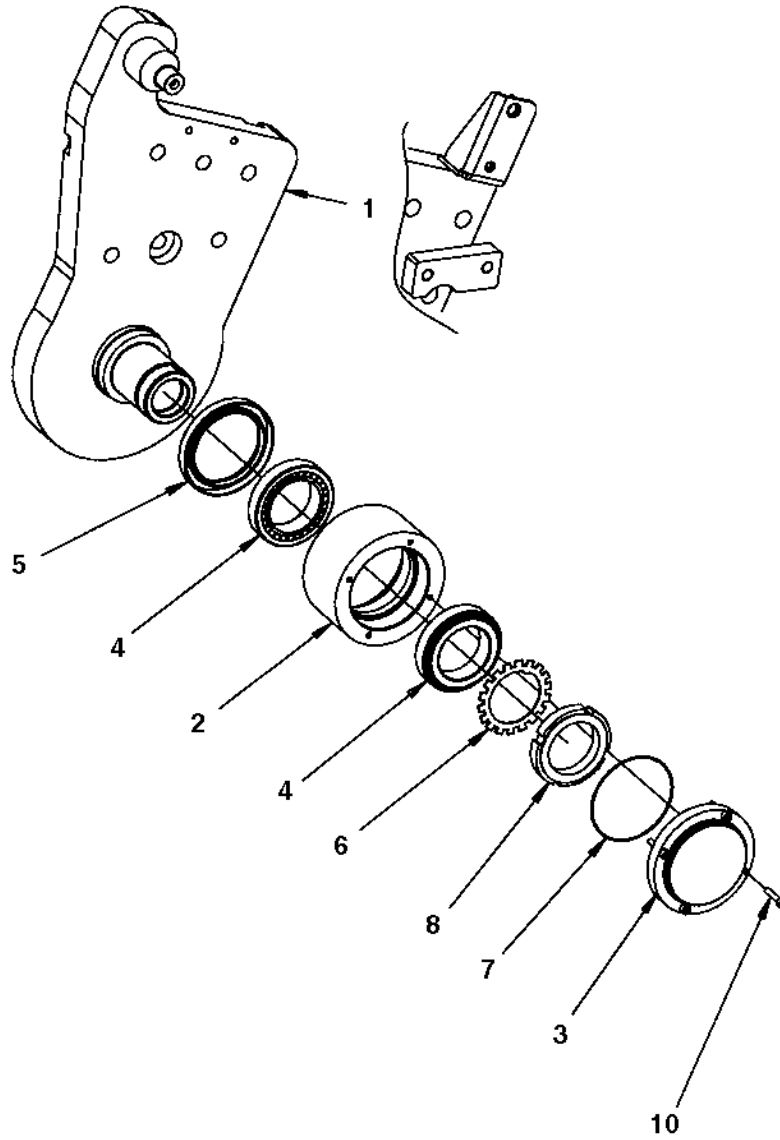
4700390998 Edge cutter, cpl



4700390998 Edge cutter, cpl

Item	Part No	Rem	Qty	Description	Code
	4700390998			Edge cutter, cpl (Page 528)	
1	4700390999		1	Holder (Page 530)	
2	4700391000		1	Lever	
3	4700391009		1	Bearing unit (Page 532)	
4	4700387275		1	Hydraulic cylinder (Page 534)	
	4700945526		2	. Bearing	
5	4700791565		2	Sealing	
6	4700376861		2	Washer	
7	4700904230		2	Steel plain washer	C
8	4700947684		2	Screw	
9	4700792389		2	Elbow 45 orfs	
	4700792676		1	Elbow 90 orfs	
10	4700904558		2	Washer 17X30X6 300HV	C
11	4700500134		2	Screw M16x60	C
12	4700392123		1	Nozzle body	
13	4700392058		1	Pipe	
14	4700392059		1	Bracket	
15	4700391438		1	Solenoid valve	
16	4700901432		2	Hose connection	
17	4700791453		1	Pipe clamp block	
18	4700791454		1	Cover plate	
19	4700313002		4	Hose clamp 13-20 mm	
20	4812112074	A	1XL	Plastic hose	
21	4700904698		2	Washer 4,3x8x0,8	C
22	4700925784		2	Screw	
23	4700500186		2	Screw	C
24	4700904229		2	Steel plain washer 8,4x16x1,5	C
25	4700500019		2	Hexagon head screw M8x16H 8,8	C
27	4700792441		1	Cable tie with holder	C
28	4700791362		1	Hose connector	
29	4812112074	B	1XL	Plastic hose	

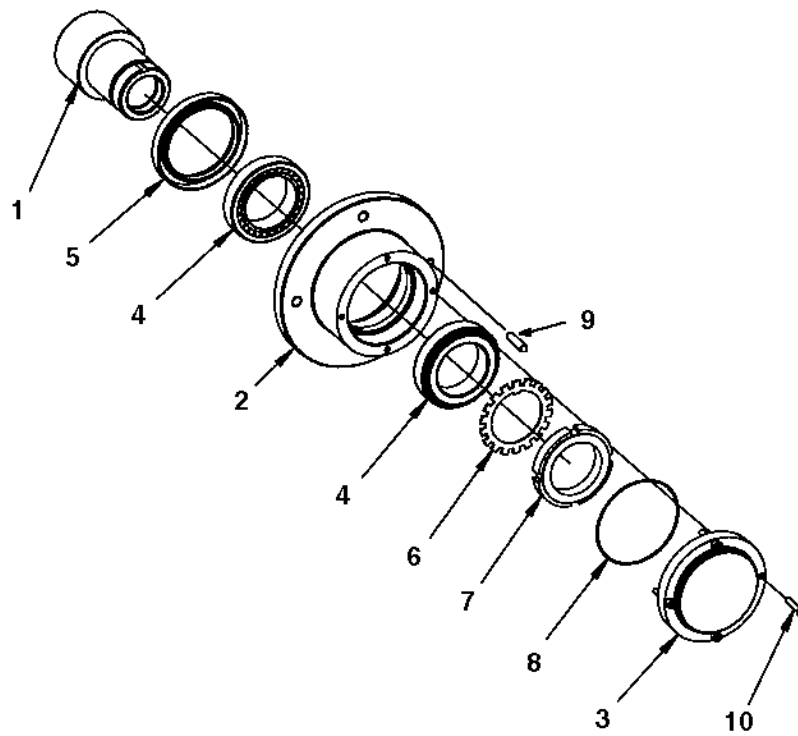
- A) Length as required.
- B) L= 0.3 m



4700390999 Holder

Item	Part No	Rem Qty	Description	Code
1	4700391001	1	Holder	
2	4700391008	1	Bearing housing	
3	4700391010	1	Bearing cover	
4	4700792385	2	Taper roller bearing	
5	4700792384	1	Radial lip-type seal	
6	4700136012	1	Lock washer	
7	4700900512	1	O-ring 101,32x1,78	D
8	4700135012	1	Shaft nut	
10	4700508018	4	Screw	

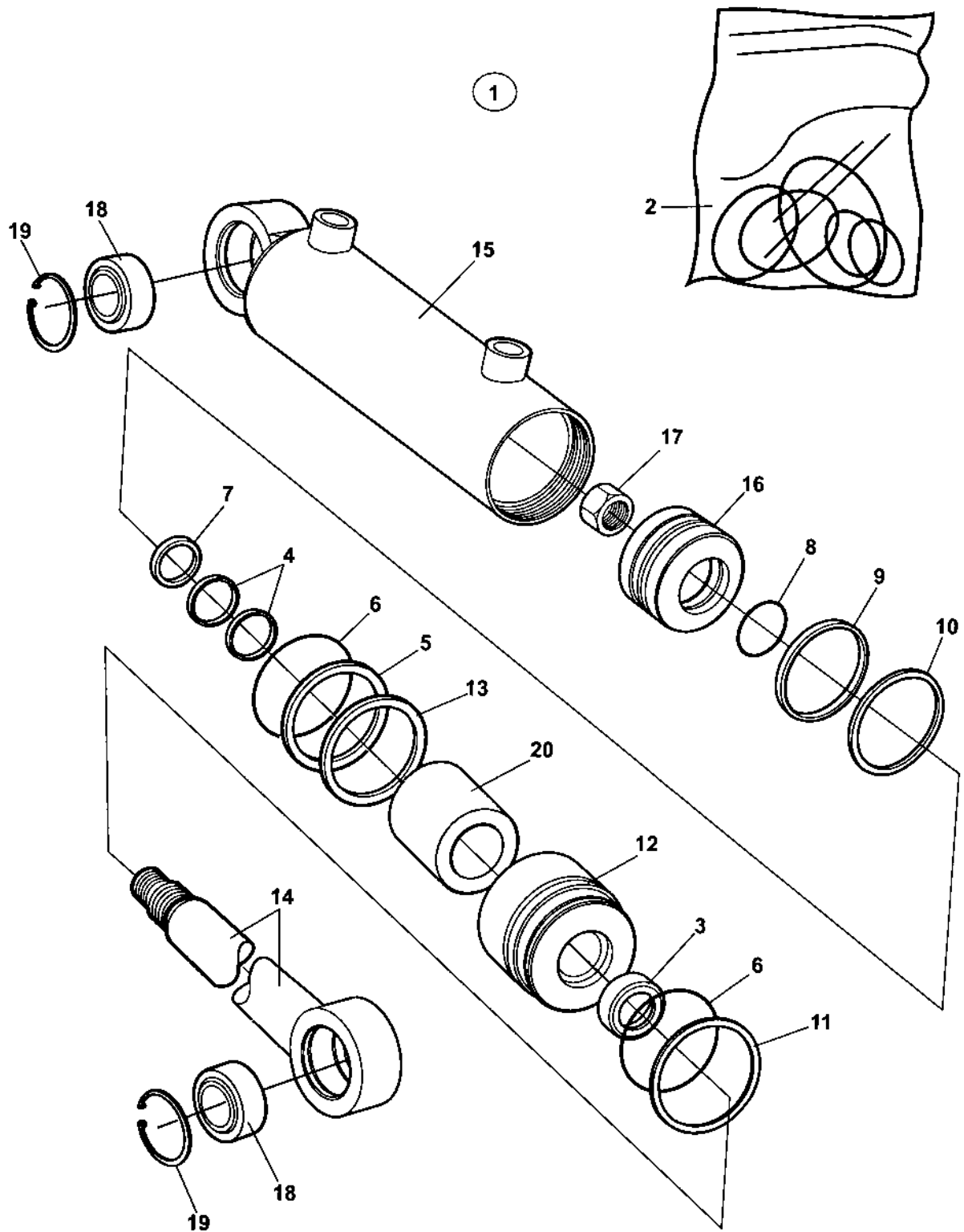
4700391009 Bearing unit



4700391009 Bearing unit

Item	Part No	Rem Qty	Description	Code
	4700391009		Bearing unit (Page 532)	
1	4700391011	1	Shaft	
2	4700391012	1	Bearing housing	
3	4700391010	1	Bearing cover	
4	4700792385	2	Taper roller bearing	
5	4700792384	1	Radial lip-type seal	
6	4700136012	1	Lock washer	
7	4700135012	1	Shaft nut	
8	4700900512	1	O-ring 101,32x1,78	D
9	4700903891	4	Stud	
10	4700508018	4	Screw	

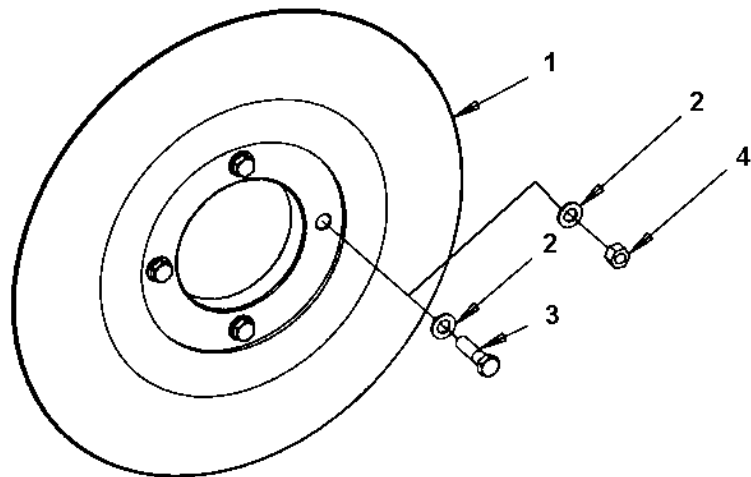
4700387275 Hydraulic cylinder



4700387275 Hydraulic cylinder

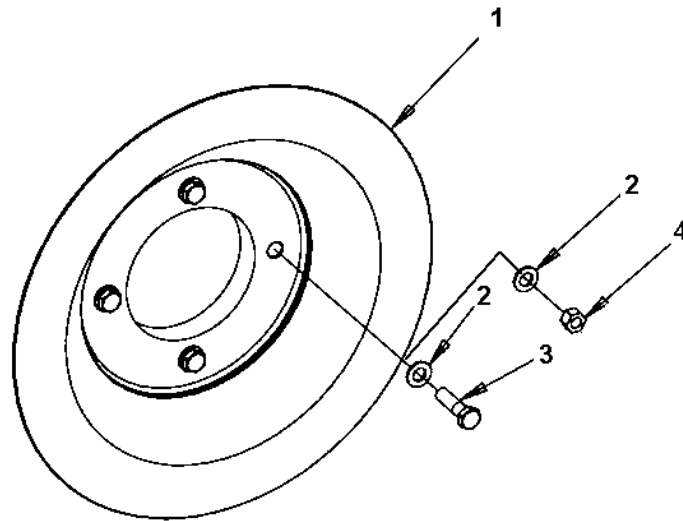
Item	Part No	Rem	Qty	Description	Code
1	4700387275		1	Hydraulic cylinder (Page 534)	
2	4700945668		1	. Seal kit	
3			1	. . Seal	
4			2	. . Seal	
5			1	. . Back-up ring	
6			2	. . O-ring	
7			1	. . Seal	
8			1	. . O-ring	
9			1	. . Seal	
10			1	. . Seal	
11			1	. Retaining ring	
12			1	. Steering	
13			1	. Retaining ring	
14			1	. Piston rod	
15			1	. Cylinder	
16			1	. Piston block	
17			1	. Cylinder nut	
18	4700945526		1	. Bearing	
19			1	. Retaining ring	
20		A	1	. Spacer	

A) Not valid for this model



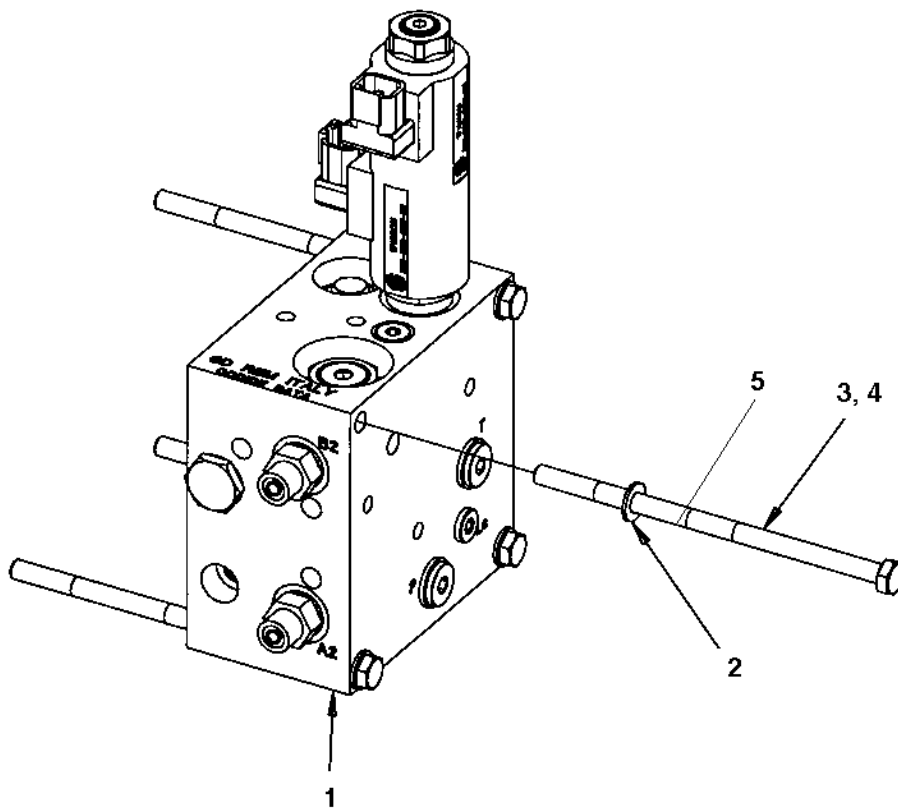
Cutting disc module

Item	Part No	Rem Qty	Description	Code
1	4700390805	1	Cutting disc 80mm	
	4700390806	1	Cutting disc 120mm	
	4700390807	1	Cutting disc 150mm	
2	4700904231	4	Washer 13x24x2 300 HV	C
3	4700500056	4	Screw	
4	4700570007	4	Hexagon nut M12	C



Pressing roller, module

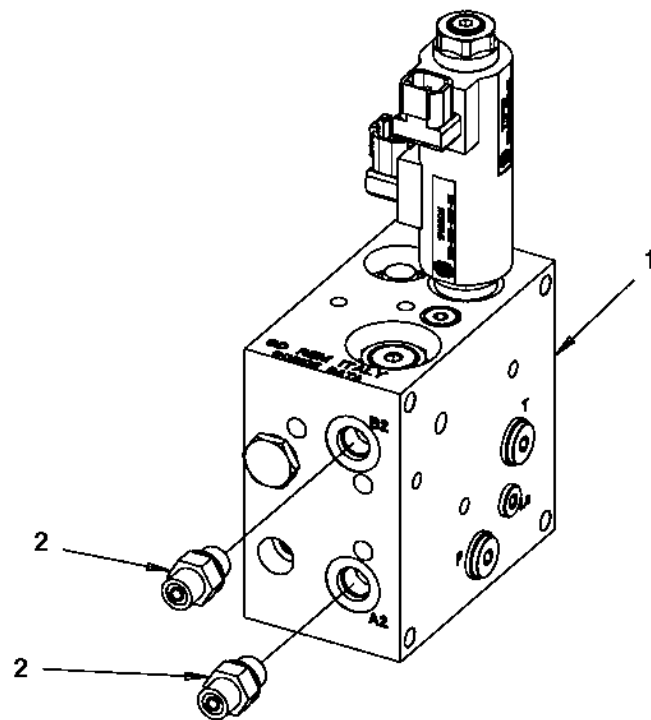
Item	Part No	Rem Qty	Description	Code
1	4700390808	1	Pressing roller	D
2	4700904231	4	Washer 13x24x2 300 HV	C
3	4700500056	4	Screw	
4	4700570007	4	Hexagon nut M12	C



Hydraulic valve module

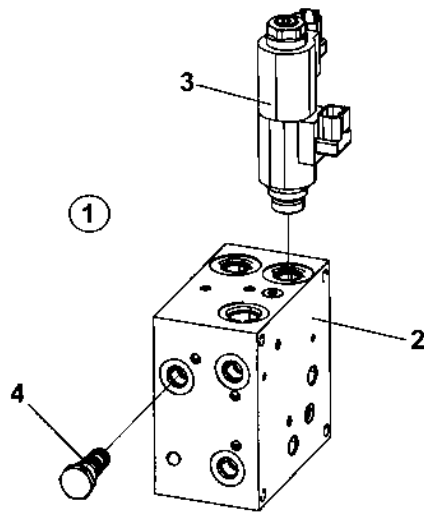
Item	Part No	Rem	Qty	Description	Code
1			1	Hydraulic valve (Page 542)	
2	4700904229		4	Steel plain washer 8,4x16x1,5	C
3	4812118090	1	4	Hexagon head screw M8x165 8.8	
4	4700500115	2	4	Hexagon head screw M8x90 8.8	C
5	4700500170		4	Hexagon head screw M8x140 8.8 From c	

- 1) Used when option valve is mounted.
- 2) Used when mounted on base valve.



Hydraulic valve

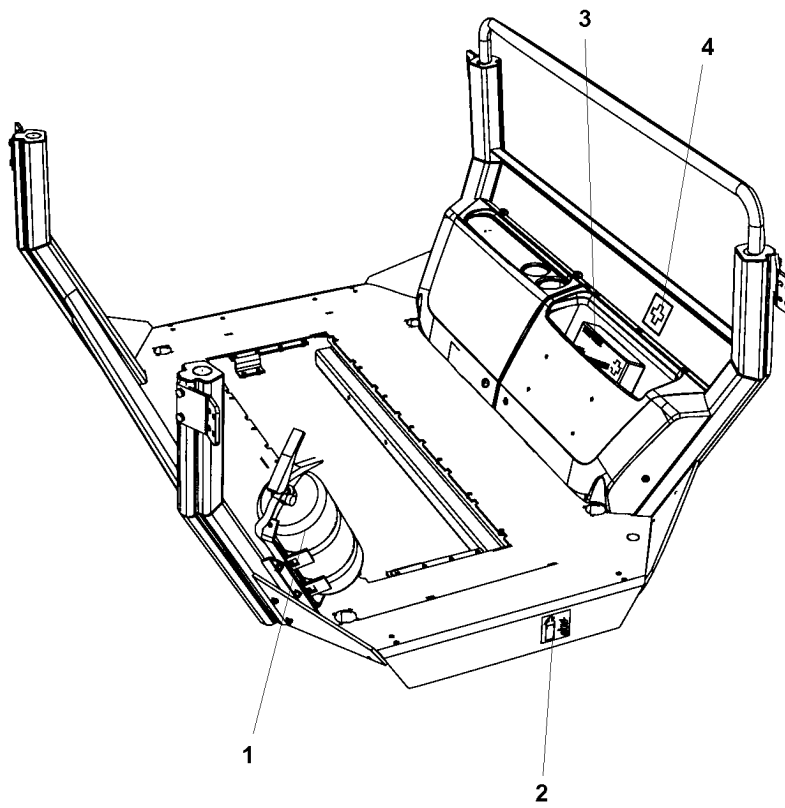
Item	Part No	Rem Qty	Description	Code
1	4700391018	1	Hydraulic valve (Page 544)	
2	4700791914	2	Straight connector orfs	D



4700391018 Hydraulic valve

Item	Part No	Rem Qty	Description	Code
1		1	Hydraulic valve	
2		1	. Valve block	
3	4700950587	1	. Proportional valve	
4	4700940572	1	. Shuttle valve	D

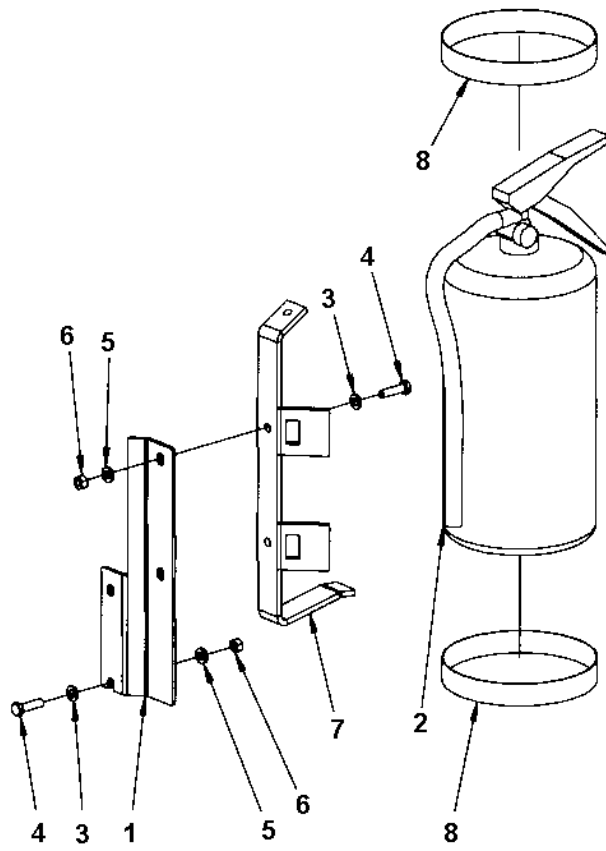
Fire extinguisher/First Aid Cushion



Fire extinguisher/First Aid Cushion

Item	Part No	Rem Qty	Description	Code
1		1	Fire extinguisher assembly (Page 548)	
2	4700792634	1	Decal fire extinguisher	D
3	4700394395	1	First aid cushion	D
4	4700902509	1	Decal	D

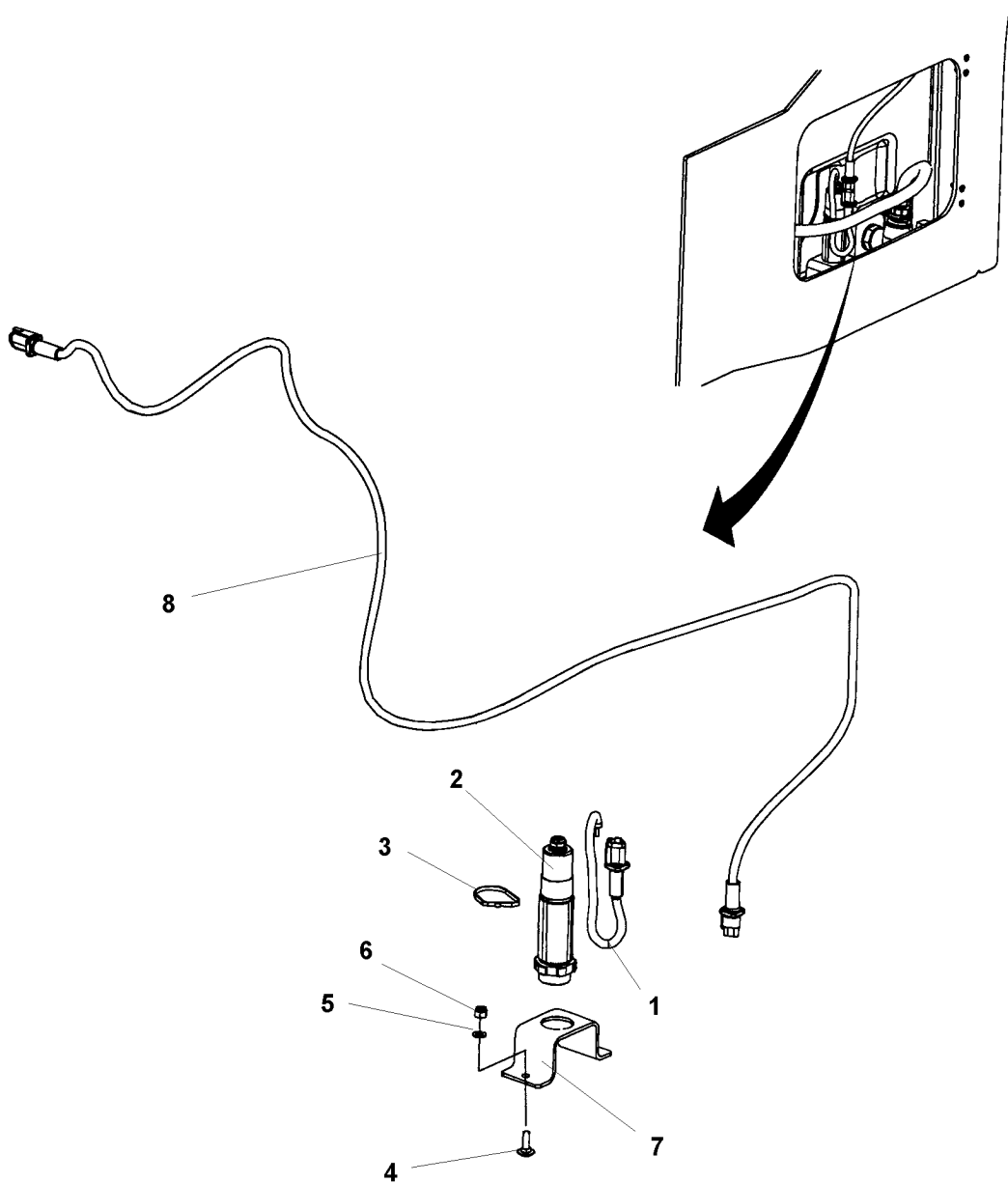
Fire extinguisher assembly



Fire extinguisher assembly

Item	Part No	Rem Qty	Description	Code
1	4700393862	1	Bracket	D
2		1	Fire extinguisher	
3	4700904229	4	Steel plain washer 8,4x16x1,5	C
4	4700500022	4	Screw M8x30H 8.8	C
5	4700904556	4	Washer 8,4x16x3,0	C
6	4700570005	4	Nut M8	C
7	4700378860	1	Holder	D
8	4700378861	2	Strap	D

Asphalt temperature meter



Asphalt temperature meter

Item	Part No	Rem Qty	Description	Code
1	4700393951	1	Cable harness	
2	4700387982	1	Temperature sender	B
3	4700313041	1	Cable ties L=200 mm	B
4	4700929191	2	Bolt	D
5	4700904229	2	Steel plain washer 8,4x16x1,5	C
6	4700586003	2	Lock nut M8	C
7	4700377422	1	Bracket	D
8	4700396205	1	Cable harness	

NUMERICAL INDEX

Part Number	Page	Part Number	Page	Part Number	Page
4700116041	17,189,195	4700357459	65	4700381027	189,195
4700135012	531,533	4700357587	497	4700381934	401
4700135015	45	4700358254	393	4700381935	397,401
4700136012	531,533	4700358732	253,271	4700381936	397,401
4700151015	45	4700358881	59,99,101,493	4700381943	149,467
4700160045	15,177	4700359043	473,485	4700381944	149,467
4700160105	17,189,195	4700359125	473	4700382751	497
4700160227	179	4700359192	157	4700383024	53
4700160277	45	4700359819	473,485	4700383626	39
4700160279	189,195	4700359820	473	4700383705	393
4700160287	263	4700359916	473	4700384584	393
4700160313	85,87,93,95	4700359919	473	4700384855	385,413,447
4700160344	15,177,189,195	4700359920	473	4700384911	143
4700162004	227	4700359955	175	4700385599	489
4700162006	59	4700359998	385,413,447	4700386272	17,189,195
4700162015	59,249	4700370155	263	4700386966	211
4700162017	175	4700370286	397,401	4700387275	529,535
4700162027	175,189,195	4700370745	29,35	4700387545	493
4700202057	39,67,69	4700372121	385,389	4700387638	459
4700205112	205,459	4700372424	261,265	4700387982	551
4700232039	227	4700372672	473	4700388449	497
4700232056	59	4700372718	29,35	4700388737	489
4700232231	205	4700372959	485	4700388846	61
4700233215	143	4700372960	485	4700389821	29
4700234365	459	4700372964	473	4700390013	479
4700246069	231	4700372965	473	4700390018	205
4700272372	497	4700373183	157	4700390019	211
4700272373	497	4700373363	385,389	4700390020	211
4700287294	517	4700373399	389	4700390021	217
4700287295	517	4700376861	529	4700390022	217
4700287643	405	4700376922	275	4700390024	213
4700297018	509	4700377422	551	4700390060	111
4700313001	223,231	4700377507	445	4700390072	169
4700313002	35,83,85,87,93 95,103,529	4700377508	445	4700390074	111
4700313003	37,93,95	4700377518	477	4700390080	167,169
4700313004	205,213,459	4700377677	469	4700390155	397
4700313009	213	4700377742	497	4700390160	189,195
4700313010	213	4700377743	497	4700390169	479
4700313033	217	4700377744	497	4700390239	481
4700313041	263,333,349,373 459,481,517,551	4700377913	405	4700390332	219
4700313068	373,509	4700378309	67,69	4700390365	67,69
4700313094	221	4700378310	65	4700390428	483
4700313102	35,103,143,361	4700378860	549	4700390434	341,343
4700313105	35,217	4700378861	549	4700390435	347
4700330330	205	4700379009	83,85,93	4700390436	341,343,347
4700335607	205,303	4700379637	469	4700390463	159
4700335914	29,237	4700379650	189,195	4700390469	111,157
4700340862	189,195	4700379652	177	4700390470	111,157
4700343732	237	4700379693	473	4700390533	45
4700343744	175	4700379715	485	4700390534	45
4700343872	29,237	4700379718	473	4700390538	45
4700344196	175	4700379722	473	4700390539	45
4700345666	203,273	4700379728	473	4700390541	45
4700347512	413,447	4700379729	483	4700390542	45
4700349210	237	4700379748	175	4700390543	45
4700349715	189,195	4700379753	83	4700390561	477
4700350009	473	4700379974	65	4700390602	275,277
4700355132	331	4700379976	67	4700390603	179,183
4700355135	331	4700379977	69	4700390604	179,181
4700355797	355	4700379987	157	4700390605	189,191
		4700379992	65,461	4700390605A	191,193
		4700380435	29	4700390607	73

NUMERICAL INDEX

Part Number	Page	Part Number	Page	Part Number	Page
4700390608	73	4700391165	203,273	4700391889	159
4700390609	73	4700391192	259	4700391901	161
4700390613	47	4700391198	115	4700391902	157
4700390615	105	4700391213	315	4700391919	461
4700390616	105	4700391241	481	4700391955	317
4700390618	205	4700391263	211	4700391956	317
4700390619	105	4700391269	307	4700391957	361
4700390627	227	4700391296	59	4700391958	311
4700390629	71	4700391297	71	4700391959	525
4700390630	225	4700391298	59	4700391975	157
4700390652	167	4700391299	59	4700392011	105,143
4700390716	317	4700391300	59	4700392033	369
4700390717	317	4700391303	205	4700392048	275
4700390780	59	4700391307	35,39	4700392058	529
4700390805	537	4700391353	35	4700392059	529
4700390806	537	4700391358	205	4700392075	59
4700390807	537	4700391369	75	4700392078	59
4700390808	539	4700391370	75	4700392112	157
4700390811	215	4700391371	75	4700392123	529
4700390820	215	4700391375	59	4700392152	337
4700390830	217	4700391376	59	4700392153	351
4700390831	209	4700391396	489	4700392154	337
4700390832	207	4700391407	111	4700392155	337
4700390860	315	4700391420	489	4700392156	309
4700390861	489	4700391421	489	4700392158	363
4700390862	339	4700391430	29,157	4700392221	317
4700390864	413,415	4700391432	65,267	4700392222	35
4700390884	65	4700391433	7,11,65,267	4700392223	35
4700390902	221	4700391434	59	4700392224	35
4700390903	221	4700391438	529	4700392225	35
4700390919	117	4700391441	65	4700392226	35
4700390925	59	4700391442	29	4700392227	35,87,95,103
4700390926	59	4700391443	29	4700392228	103
4700390934	29	4700391444	47	4700392229	103
4700390963	477	4700391478	485	4700392230	35
4700390994	11,215	4700391481	157	4700392231	35
4700390995	11,215	4700391495	83,85,89,93	4700392232	35
4700390998	527,529	4700391566	45	4700392235	35
4700390999	529,531	4700391580	317	4700392291	171
4700391000	529	4700391581	317	4700392316	467
4700391001	531	4700391582	317	4700392321	363,367
4700391008	531	4700391583	317	4700392364	189,195
4700391009	529,533	4700391584	303	4700392450	349
4700391010	531,533	4700391585	307	4700392451	349
4700391011	533	4700391621	503	4700392509	105
4700391012	533	4700391622	503	4700392510	105
4700391016	253,255	4700391624	35	4700392534	275
4700391017	243,245	4700391626	47	4700392550	45
4700391018	543,545	4700391647	49	4700392701	29
4700391023	29,31	4700391648	49	4700392717	491
4700391024	157,165,239	4700391674	403,409	4700392719	491
4700391025	65	4700391675	403	4700392748	189,195
4700391026	11,59	4700391676	403	4700392758	261
4700391029	177	4700391678	403	4700392799	65
4700391031	45	4700391724	179	4700392839	473
4700391082	483	4700391750	61	4700392840	473
4700391083	483	4700391754	21,113,115	4700392930	489
4700391107	175	4700391768	65	4700392965	481
4700391110	175	4700391769	65	4700393001	59
4700391115	341,343,347	4700391770	473	4700393004	83
4700391157	65	4700391857	99	4700393009	113,115
4700391163	473,475	4700391858	99	4700393010	113,115

NUMERICAL INDEX

Part Number	Page	Part Number	Page	Part Number	Page
4700393029	229	4700393978	385,483	4700395429	119
4700393031	489	4700394000	59	4700395430	121
4700393094	491	4700394023	41	4700395447	473
4700393115	45	4700394068	123	4700395522	59
4700393149	59	4700394070	123,125	4700395653	157
4700393191	483	4700394139	409	4700395694	157
4700393218	45	4700394140	409	4700395696	163
4700393222	505	4700394169	205	4700395750	385
4700393223	505	4700394207	45	4700395756	441
4700393235	229	4700394229	229	4700395757	441
4700393250	437,455	4700394250	21,179	4700395758	441
4700393251	437,455	4700394251	21,189,195	4700395759	441
4700393252	437,455	4700394267	213	4700395761	443
4700393253	437,455	4700394297	59	4700395762	443
4700393254	437,455	4700394322	205	4700395774	443
4700393261	455	4700394340	107,131,151	4700395775	443
4700393281	59	4700394351	123,125	4700395783	387,389
4700393287	35	4700394395	547	4700395784	387
4700393347	485	4700394400	29,59	4700395785	387,389,489
4700393356	111	4700394413	125	4700395786	387,389
4700393360	157	4700394459	59	4700395787	377,421
4700393364	249	4700394513	59	4700395790	437
4700393412	35	4700394514	65	4700395792	421
4700393418	513	4700394522	35	4700395793	427
4700393464	45	4700394527	29	4700395794	427
4700393465	45	4700394529	59	4700395795	427
4700393496	481	4700394536	61	4700395796	423
4700393497	481	4700394545	55	4700395798	429
4700393523	45	4700394567	77	4700395799	429
4700393525	385,389,413,447	4700394568	77	4700395800	429
4700393538	371	4700394587	101	4700395803	437,455
4700393542	35,87,95	4700394590	101	4700395805	433
4700393550	133	4700394591	101	4700395806	433,435
4700393582	413,447	4700394593	497	4700395810	423
4700393584	509,511	4700394594	497	4700395811	423
4700393590	363	4700394595	497	4700395813	425
4700393592	205	4700394596	497	4700395814	425
4700393594	515	4700394654	465	4700395815	427
4700393595	519	4700394701	65	4700395816	307,389,429
4700393596	515	4700394705	519	4700395817	433
4700393597	515	4700394706	519	4700395818	443
4700393598	519	4700394707	517	4700395819	443
4700393624	275	4700394715	29	4700395820	443
4700393625	273	4700394787	111	4700395828	443
4700393634	437	4700394806	131	4700395829	415,439,449
4700393635	437	4700394859	405	4700395830	415,449
4700393636	437	4700394920	513	4700395831	439
4700393637	437	4700394931	333	4700395832	439
4700393639	411	4700395023	333	4700395833	435
4700393640	409	4700395065	459	4700395834	435
4700393641	409	4700395111	129	4700395835	435
4700393642	409	4700395112	19,129	4700395836	435
4700393645	409	4700395128	29	4700395837	435
4700393646	409	4700395131	35	4700395838	435
4700393681	363	4700395156	513	4700395839	435
4700393697	105	4700395226	327	4700395840	389,415,449
4700393765	83,85,93	4700395240	311	4700395841	445
4700393775	331	4700395352	373,509	4700395842	445
4700393795	521,523	4700395383	473	4700395853	445
4700393862	549	4700395390	137	4700395855	419
4700393951	551	4700395412	139	4700395856	431
4700393959	497	4700395428	119,121	4700395857	387,389

NUMERICAL INDEX

Part Number	Page	Part Number	Page	Part Number	Page
4700395858	415,449	4700397539	203	4700484064	237
4700395859	415,449	4700397564	373	4700484066	237
4700395860	385,453	4700397604	379	4700484067	237
4700395898	447,449	4700450163	405	4700484075	235
4700395915	195,197	4700475064	123,125	4700484076	235
4700395924	253,257,271	4700476019	171	4700484077	235
4700395947	493	4700480354	197	4700484078	235
4700396071	49	4700480446	265	4700484079	235
4700396154	135	4700480447	265	4700484080	235
4700396176	35	4700480449	265	4700484081	235
4700396179	163	4700480450	265	4700484084	237
4700396183	147	4700480456	265	4700484103	525
4700396205	551	4700480468	265	4700484104	525
4700396210	59	4700480852	37	4700484161	267
4700396218	217	4700483726	267	4700484236	237
4700396220	217	4700483729	267	4700484271	195
4700396259	317	4700483748	237	4700499174	397,401
4700396260	317	4700483960	237	4700500012	35,45,321
4700396261	317	4700484006	263	4700500013	159,315,427
4700396268	143	4700484007	263	4700500015	315
4700396270	143	4700484014	247	4700500016	73
4700396304	317	4700484015	247	4700500018	329,397,401,413
4700396496	35	4700484016	247		417,433,447,451
4700396498	29	4700484017	247	4700500019	65,81,91,141,147
4700396542	65	4700484018	247		175,305,313,391
4700396583	45	4700484019	247		405,529
4700396584	45	4700484020	247	4700500020	483,485
4700396585	45	4700484021	247	4700500021	37,59,65,71,205
4700396588	45	4700484022	247		225,227,395,399
4700396607	67,69	4700484023	247		419,453,473
4700396634	65	4700484024	249	4700500022	35,55,59,65,73
4700396635	65	4700484025	249		459,549
4700396661	489	4700484026	249	4700500023	47,215,395,399
4700396662	489	4700484027	249		411
4700396670	493	4700484028	267	4700500024	157,375,467
4700396672	85,87,93,95	4700484030	267	4700500025	375,467
4700396673	93,95	4700484031	267	4700500028	59,65,177,203
4700396684	67	4700484032	267		251,269,363,365
4700396685	69	4700484033	267		367,473
4700396739	35	4700484034	267	4700500029	111,143
4700396754	147	4700484035	267	4700500030	109,153,203,275
4700396768	321,325	4700484036	267	4700500031	129,155,203
4700396861	337	4700484037	267	4700500032	29,127
4700396862	337	4700484038	267	4700500033	139
4700396893	147	4700484039	267	4700500035	205,303
4700396923	391	4700484040	267	4700500040	65,161,163,171
4700396936	145	4700484043	267		307,481
4700396975	147	4700484045	247	4700500042	325
4700396976	147	4700484046	239	4700500043	65,303
4700397028	375	4700484047	239	4700500046	189,195
4700397029	375	4700484048	239	4700500047	33,47,109,133
4700397039	41	4700484049	239		135,153,155,375
4700397045	375	4700484050	239		485
4700397259	205	4700484051	239	4700500048	41,421,513
4700397270	273	4700484052	239	4700500049	111,189,195,205
4700397296	59	4700484053	239	4700500051	29,49
4700397318	41	4700484054	239	4700500053	35,59,65,73,83
4700397348	39	4700484055	239		85,87,89,93,95
4700397398	311	4700484056	239		259,319,323,375
4700397500	377	4700484057	239		441,461,477,481
4700397516	367	4700484058	239		485,505
4700397517	367	4700484059	239	4700500056	205,389,537,539

NUMERICAL INDEX

Part Number	Page	Part Number	Page	Part Number	Page
4700500057	179	4700570005	311,361,375,433	4700791565	529
4700500058	527		483,485,549	4700791568	83,85,93
4700500059	59,67,69	4700570006	65,131,473	4700791572	51,479
4700500060	307,489	4700570007	51,537,539	4700791582	489
4700500067	467	4700570103	237	4700791588	429,489
4700500070	175,527	4700573008	473	4700791597	315
4700500090	83,85,87,93,95 517	4700586001	307,331,379,489 493	4700791634	275
				4700791635	275
4700500091	377	4700586002	35,65,67,69,171	4700791642	215,497
4700500092	65		307,311,315,395	4700791698	205,275
4700500096	503		399,473,481,489	4700791709	359,487
4700500105	131		491	4700791711	65
4700500107	203,273	4700586003	29,47,65,83,85	4700791712	65
4700500115	241,491,541		87,93,95,133,135	4700791723	489
4700500133	49		137,143,145,149	4700791733	489
4700500134	169,529		157,219,375,395	4700791739	489
4700500143	409		399,403,407,409	4700791743	159,253,271
4700500146	109,153		411,423,433,467	4700791744	253,271
4700500153	405		473,491,551	4700791745	263,275
4700500154	419,453	4700586018	127,129,369,371	4700791754	347
4700500161	109,139,145,153 155,479		479	4700791796	195
		4700586019	131	4700791797	29
4700500170	541	4700601003	407,409	4700791798	247,275
4700500175	157	4700603001	35,59,157,161	4700791799	65,159,189,195 253,263,271
4700500186	529		163,473		65,253,271
4700500187	339	4700603009	419,453	4700791823	275
4700500189	403	4700606009	247	4700791824	275
4700500190	375,403,407,409	4700606021	247	4700791831	275
4700500195	29,385,413,447	4700615050	35,65	4700791840	65
4700500197	205	4700624005	497	4700791841	247
4700500198	131	4700624018	61	4700791844	65
4700500206	115	4700624020	67,69	4700791846	243
4700500228	389	4700624021	59,61	4700791853	275
4700500265	111	4700629008	101	4700791858	157
4700500269	59,63	4700630008	473,485	4700791914	543
4700500270	273	4700630012	123,125	4700791949	83,85,93
4700500287	43	4700635061	31,165,253,271	4700791950	85,87,93,95
4700500289	109,153,155	4700791082	131	4700791951	341
4700500297	155	4700791120	59,227	4700791956	347
4700500505	487	4700791172	109,153,155	4700791959	83,85,93
4700502035	485	4700791182	89	4700791968	463
4700508018	531,533	4700791185	315,429	4700791977	87,95,105,143
4700508019	467	4700791211	429	4700792035	355
4700508020	59	4700791231	65	4700792059	343
4700508021	423	4700791277	497	4700792065	459
4700508022	489	4700791278	497	4700792072	105,143
4700508025	395,399	4700791304	483	4700792073	35,93,95
4700508029	473	4700791314	29	4700792151	29,179,275
4700508048	149,205	4700791321	71	4700792157	275
4700508080	205	4700791362	529	4700792187	521
4700508092	479	4700791397	267	4700792210	333,337,357,373
4700508096	205	4700791401	179,253,271	4700792219	275
4700509025	205	4700791405	59	4700792245	53
4700513003	483	4700791409	159,253,271	4700792258	65
4700513011	123,125	4700791421	379	4700792270	15,177,189,195
4700513017	65	4700791453	529	4700792276	59
4700516051	473	4700791454	529	4700792295	45,159
4700526010	489	4700791479	307	4700792296	159
4700533005	161	4700791524	473,481	4700792309	307,315,429
4700533050	163	4700791538	275	4700792310	307
4700570004	147,307,331,489	4700791539	159	4700792311	65
4700570005	29,35,65,215,303	4700791551	315	4700792322	227

NUMERICAL INDEX

Part Number	Page	Part Number	Page	Part Number	Page
4700792323	227	4700792505	429	4700891374	239
4700792325	45,65,67,69,461	4700792506	179	4700900485	147
4700792326	59,65	4700792507	179	4700900512	531,533
4700792327	303	4700792512	247	4700900672	35
4700792328	303	4700792515	45	4700900775	177,189,195
4700792330	189	4700792517	45	4700901141	459
4700792331	179,275	4700792518	45	4700901145	385,389,413,447
4700792332	73	4700792519	347	4700901157	275
4700792333	275	4700792520	347	4700901178	29
4700792334	65,263	4700792521	341,343	4700901225	315
4700792336	275	4700792522	223	4700901226	357
4700792337	157	4700792526	223	4700901227	315,335,357,429
4700792338	59	4700792527	479	4700901228	373,429
4700792339	71	4700792533	267	4700901298	83
4700792340	267	4700792536	393	4700901432	529
4700792342	259	4700792537	351,359	4700901446	389
4700792343	259	4700792539	473	4700901767	315
4700792344	247	4700792540	137	4700902064	345
4700792349	347	4700792554	29,45	4700902115	275
4700792350	341,343	4700792573	497	4700902166	61,67,69
4700792351	347	4700792583	465	4700902285	41,405
4700792352	369	4700792589	393	4700902286	59,363,367,405
4700792353	341,343	4700792600	35,87,95		477
4700792354	345,355	4700792601	123,125	4700902297	167
4700792361	341,343,347	4700792602	311	4700902379	389
4700792362	159	4700792603	205	4700902509	547
4700792363	311	4700792605	29	4700902520	473
4700792364	303	4700792607	59	4700902624	279,289,295
4700792384	531,533	4700792609	349	4700902625	279,283,289,293
4700792385	531,533	4700792632	247		295,299
4700792386	83	4700792634	547	4700902638	279
4700792389	529	4700792649	275	4700902687	279
4700792392	461	4700792667	333,373	4700902688	289,295
4700792394	45	4700792669	67,69,75	4700902695	279
4700792395	525	4700792676	529	4700902724	279,289,295
4700792396	525	4700792678	473	4700902752	279
4700792397	361	4700792684	303	4700902792	281,289,295
4700792398	351,359	4700792686	513,517	4700902804	389,489
4700792410	363,367	4700792695	223	4700902811	289,295
4700792414	489	4700792700	247	4700902861	265
4700792417	363	4700792715	429	4700902862	265
4700792419	363	4700792718	67,69	4700902866	29,39,67,69,435
4700792421	59	4700792720	247	4700903082	237,239
4700792422	337,357,373	4700792726	119,121	4700903422	497
4700792433	143	4700792731	317	4700903423	497
4700792441	65,83,85,87,93	4700792746	195	4700903424	497
	95,267,311,315	4700792772	497	4700903425	497
	351,359,367,485	4700792777	85,87,93,95	4700903456	65
	529	4700792778	93,95	4700903457	265
4700792442	247,311	4700792779	37	4700903459	497
4700792447	397,401	4700792780	35	4700903590	421
4700792448	397,401	4700792781	37	4700903633	385,413,447
4700792449	389,403	4700792782	35	4700903640	307
4700792451	247	4700792794	373	4700903641	307
4700792452	247	4700792796	391	4700903662	375,491
4700792453	247	4700792812	489	4700903714	229
4700792454	247	4700792813	87,95	4700903726	189,195
4700792465	275	4700792825	65	4700903735	157
4700792492	59	4700813429	205	4700903741	315,337
4700792501	479	4700813434	459	4700903768	65
4700792502	205	4700813617	197	4700903773	263
4700792504	429	4700813618	197	4700903795	29

NUMERICAL INDEX

Part Number	Page	Part Number	Page	Part Number	Page
4700903831	157	4700904292	249	4700909350	197
4700903891	533	4700904330	167	4700909351	197
4700903898	51	4700904340	405	4700909352	197
4700903907	67,69	4700904556	83,85,93,109,153	4700909354	197
4700903914	479		155,305,375,395	4700909356	197
4700903917	473		399,411,413,447	4700909358	197
4700903918	473		467,483,549	4700909469	279,283,293,299
4700903953	67,69	4700904557	109,111,127,139	4700909514	279,283,289,293
4700904008	247		143,145,153,155		295,299
4700904009	247		203,275,371,377	4700910162	253,271
4700904010	247		473,485,513	4700910713	197
4700904015	335	4700904558	273,529	4700911620	265
4700904024	335	4700904584	267	4700920819	47
4700904036	307	4700904601	497	4700921031	311
4700904037	311	4700904619	493	4700921080	349
4700904039	303,309	4700904629	237	4700923087	197
4700904044	59	4700904637	65,205,303	4700923090	197
4700904083	497	4700904638	303	4700923253	345
4700904085	157	4700904640	29,33,35,55,59	4700923405	275
4700904092	497		65,71,73,157,219	4700923735	85,93
4700904094	497		225,227,363,367	4700924544	83
4700904131	385		391,397,401,403	4700924791	405
4700904165	497		461,473,505	4700924875	67,69
4700904206	29,35,157	4700904653	331,493	4700924999	29
4700904213	33,63,189,195	4700904654	405	4700925208	43
4700904228	35,45,67,69,159	4700904697	161,163	4700925599	59,83
	171,307,311,315	4700904698	489,529	4700925750	29
	321,331,339,395	4700904703	29,59,205	4700925784	529
	399,405,427,481	4700904728	59	4700926214	157
	489,491	4700904734	47,133,135,215	4700926215	65
4700904229	35,47,59,65,81	4700904735	65,67,69,73,161	4700926216	403
	83,85,87,89,91		171,353	4700926736	189,195
	93,95,97,117,123	4700904835	497	4700927233	123,125
	125,133,135,137	4700904870	497	4700927278	283,293,299
	141,143,145,147	4700904895	497	4700927303	281
	149,157,175,205	4700904911	321	4700927358	289,295
	215,241,259,303	4700904951	159	4700927637	145,417,451
	311,313,319,323	4700904956	117	4700928381	29
	325,329,341,343	4700904984	223	4700928467	315
	347,361,363,367	4700905306	423	4700928784	35,353
	375,405,423,459	4700908229	497	4700929012	265
	467,471,473,477	4700908284	433	4700929013	265
	481,483,485,491	4700908383	289,295	4700929014	265
	503,505,517,529	4700908500	429	4700929191	551
	541,549,551	4700908505	421	4700929447	17,189,195
4700904230	29,41,59,65,109	4700908506	421	4700929455	355
	129,139,153,177	4700908507	421	4700930046	161,163
	251,269,363,365	4700908561	423,425	4700935158	289,295
	367,369,479,529	4700908563	427	4700935164	281,291,297
4700904231	29,45,49,51,63	4700908564	427	4700935192	283
	111,113,123,125	4700909085	331	4700935210	285
	131,157,175,179	4700909211	265	4700935219	279,289,295
	189,195,205,537	4700909243	197	4700935428	265
	539	4700909335	197	4700935429	265
4700904232	167,169,175,179	4700909336	197	4700936277	433
	527	4700909338	197	4700936308	279,289,295
4700904233	43,111,115,385	4700909339	197	4700936313	283,293,299
	389,413,447	4700909340	197	4700936392	293,299
4700904234	109,153,155	4700909342	197	4700936393	289,295
4700904241	409	4700909343	197	4700936394	289,295
4700904281	59,307,331,379	4700909344	197	4700936612	279
	489,493	4700909346	197	4700936615	281

NUMERICAL INDEX

Part Number	Page	Part Number	Page	Part Number	Page
4700936616	281	4700939333	197	4700950380	511
4700936617	281	4700940451	489	4700950417	31,165
4700936618	281	4700940572	245,255,257,545	4700950461	289,295
4700936619	281	4700940676	279	4700950480	181
4700936621	281,291,297	4700945145	7,9,11,207,209	4700950491	181
4700936622	281	4700945147	7,9,11,207,209	4700950492	181
4700936623	281	4700945311	285	4700950493	181
4700936624	281	4700945314	503	4700950494	181
4700936625	281	4700945526	529,535	4700950495	181
4700936626	281	4700945538	207,209	4700950520	181
4700936627	281	4700945622	477	4700950521	181
4700936628	281	4700945624	7,9,11,207,209	4700950522	181
4700936629	281	4700945626	207,209	4700950523	181
4700936630	281	4700945632	475	4700950524	181
4700936631	281	4700945633	475	4700950526	181
4700936632	281	4700945634	475	4700950527	181
4700936633	281	4700945635	475	4700950529	181
4700936634	281	4700945636	475	4700950530	181
4700936635	281	4700945637	475	4700950531	181
4700936636	281	4700945661	477	4700950532	181
4700936637	281	4700945668	535	4700950569	255
4700936642	279	4700945760	11,207,209	4700950570	255,257
4700936643	279	4700945767	207,209	4700950571	255,257
4700936644	279	4700945768	207,209	4700950572	255,257
4700936646	279	4700945769	207,209	4700950587	545
4700936647	279	4700945770	207,209	4700950593	197
4700936648	279	4700945771	207,209	4700960067	335
4700936654	279	4700945772	207,209	4700991657	497
4700936655	279	4700945773	207,209	4700991658	497
4700936656	279	4700945774	207,209	4700999014	325
4700936662	283	4700945776	289,295	4811000085	87,95
4700936664	283	4700945805	5,7	4811000096	149
4700936665	283	4700945806	5,9	4811000107	87,95
4700936673	283,293,299	4700945807	5,11	4811000163	357
4700936686	289,295	4700945887	207,209	4812002474	289,295
4700936689	285	4700945897	425	4812110277	41
4700936855	283,293,299	4700945903	13,15	4812110293	247
4700936869	285,289,295	4700945904	13,21	4812110334	149
4700937165	463	4700945908	13,19	4812110346	175
4700937174	291,297	4700947679	471	4812110352	467
4700937175	291,297	4700947684	529	4812110358	85,89,93
4700937185	291,297	4700947689	33,63	4812110394	87,89,95
4700937186	291,297	4700947712	157	4812110444	175
4700937187	291,297	4700950222	31,165	4812110491	83,85,87,93,95
4700937188	291,297	4700950297	197	4812110586	389
4700937195	289,295	4700950310	511	4812110641	179
4700937206	289,295	4700950342	511	4812110643	189,195
4700937236	289,295	4700950343	511	4812110644	113
4700937620	479	4700950344	511	4812110652	311
4700937621	479	4700950345	511	4812110667	65,267
4700937892	479	4700950346	511	4812110671	133
4700937987	293,299	4700950347	511	4812110672	137
4700938014	279	4700950348	511	4812110827	389
4700938256	425	4700950349	511	4812110896	485
4700938605	507	4700950350	511	4812110898	359
4700938606	507	4700950369	523	4812110899	357
4700938609	443,507	4700950370	523	4812110901	489
4700938622	445	4700950371	523	4812110902	357
4700938624	523	4700950372	507	4812110903	357
4700938789	507	4700950373	507	4812110904	357
4700938874	441	4700950374	507	4812110982	35
4700938891	13,17	4700950375	507	4812110989	489

NUMERICAL INDEX

Part Number	Page	Part Number	Page	Part Number	Page
4812111326	367	4812157496	191		
4812112074	35,83,85,87,93 95,103,529	4812157497	191		
4812112413	189,195	4812157498	193		
4812113161	203	4812157499	193		
4812113426	385	4812157551	193		
4812113496	205	4812157552	193		
4812113724	113	4812157585	257		
4812113786	491	4812157762	431		
4812113939	39	4812157763	431		
4812113949	39	4812157764	431		
4812114312	267	4812157769	207,209		
4812114393	67,69	4812158269	65,267		
4812115060	485	4812158294	77		
4812115061	485	4812158295	77		
4812115511	205	4812158367	479		
4812115760	385	4812158763	181		
4812115903	267	4812158764	181		
4812116432	207	4812158765	181		
4812116435	209				
4812116436	209				
4812116437	209				
4812118090	541				
4812155170	179,187				
4812155278	207,209				
4812155658	507				
4812155785	277,279				
4812155786	277,289				
4812155787	277,295				
4812155790	245				
4812156060	181				
4812156061	181				
4812156062	181				
4812156073	207,209				
4812156074	207,209				
4812156095	23				
4812156096	23				
4812156097	23				
4812156151	279				
4812156152	289,295				
4812156159	245				
4812156170	21				
4812156199	197				
4812156376	45				
4812156599	285				
4812156777	367				
4812156787	257				
4812157165	183				
4812157166	185				
4812157167	185				
4812157168	185				
4812157169	187				
4812157170	187				
4812157171	187				
4812157188	429				
4812157189	429				
4812157490	191				
4812157491	191				
4812157492	191				
4812157493	191				
4812157494	191				
4812157495	191				

