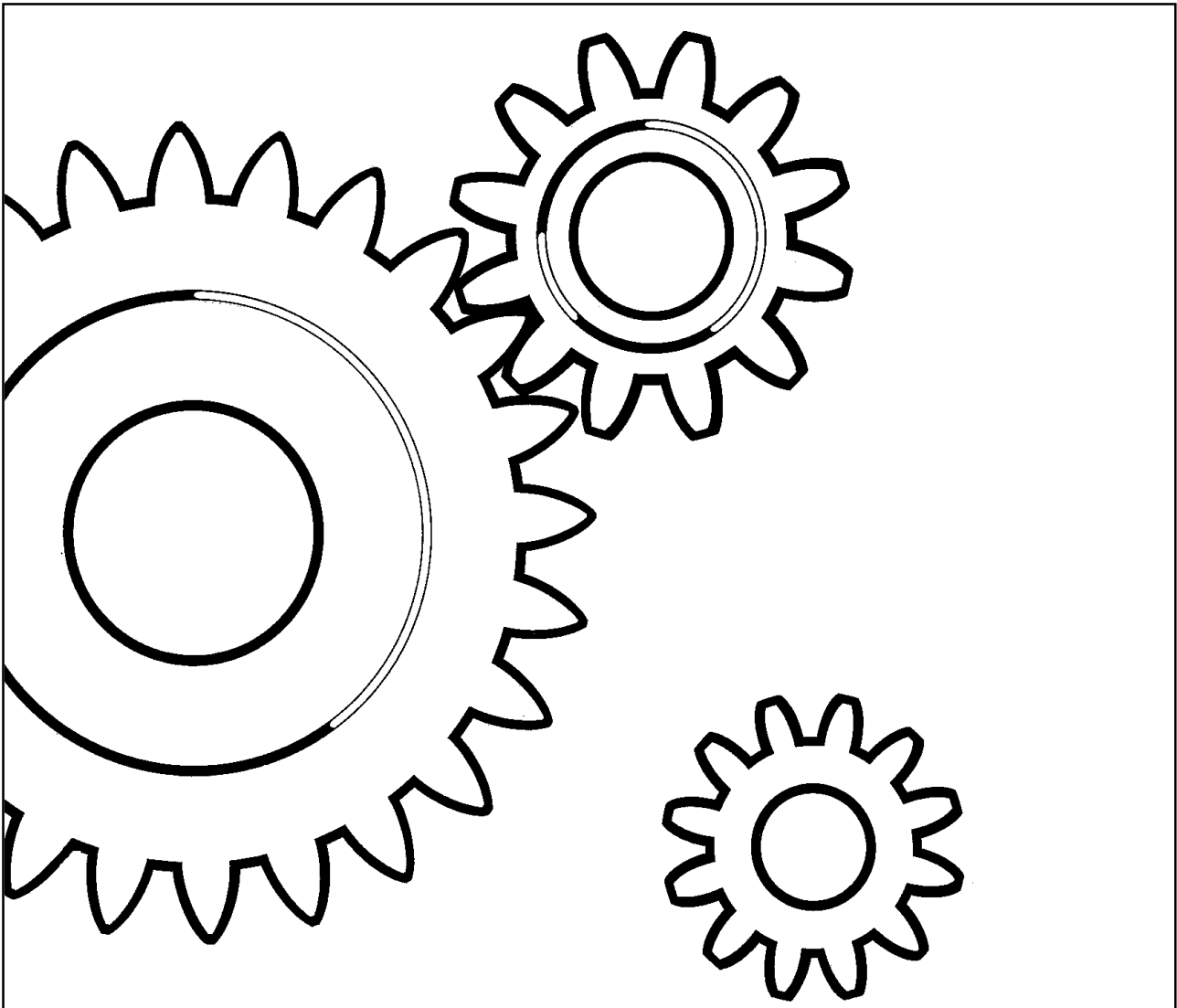


DYNAPAC CT 262 SPARE PARTS CATALOGUE

SCT262-1EN1



SVEDALA



DYNAPAC

Svedala Compaction Equipment AB

Box 504, SE-371 23 Karlskrona, Sweden

Telephone +46 455 30 60 00

Telefax +46 455 30 60 10

Telex 43041 dynkar s

**Tamping Compactor
CT 262
Spare Parts Catalogue**

SCT262-1EN1

Valid from roller serial number:

703B700-

Diesel engine:

CUMMINS 6CT 8.3C ELITE

Published catalogue issues valid for these rollers:

Catalogue	Issue date	Valid for serial numbers
SCT262-1EN1	1999 - 06	See above



RESERVDELSBESTÄLLNING

Följande uppgifter ska lämnas vid beställning av reservdelar för att undvika leveransfel:

1. Maskintyp.
2. Vältensserienummer.
3. Antal av önskad reservdel.
4. Reserdelens artikelnummer.
5. Reservdelens benämning.
6. Måttuppgifter vid beställning av metervara.

ORDERING SPARE PARTS

To avoid errors in delivery, please give the following information when ordering spare parts:

1. Type of machine.
2. Roller serial number.
3. Quantity required.
4. Part number.
5. Parts denomination.
6. Dimensions when ordering per length.

ERSATZTEILBESTELLUNG

Zur Vermeidung von Fehllieferungen sind bei der Bestellung von Ersatzteilen folgende Angaben zu machen:

1. Maschinentyp.
2. Herstellungsnummer.
3. Bestellmenge. (Quantity)
4. Ersatzteilnummer. (Part N^o)
5. Ersatzteilbenennung. (Denomination)
6. Massangaben bei Bestellung von Meterware.

ORDINI DI RICAMBI

Per evitare errori nelle consegne di ricambi, Vi preghiamo di comunicarci le seguenti informazioni al momento dell'ordinazione:

1. Tipo di macchina.
2. Numero di serie della macchina.
3. Quantità dei pezzi desiderati. (Quantity)
4. Numero di codice del pezzo. (Part N^o)
5. Descrizione del pezzo di ricambio. (Denomination)
6. Misura, in caso di ordine per metro.

PEDIDO DE RECAMBIOS

Para evitar errores en las entregas, deberán indicarse los siguientes datos al hacer un pedido de recambios:

1. Tipo de máquina.
2. Número de serie.
3. Cantidad de piezas deseadas. (Quantity)
4. Número de artículo de la pieza de recambio. (Part N^o)
5. Denominación de la pieza. (Denomination)
6. Indíquese la medida al solicitar un artículo que se expide por metros.

COMMANDE DE PIÈCES DE RECHANGE

Les indications suivantes doivent être fournies lors de la commande de pièces de rechange, afin d'éviter toute erreur de livraison:

1. Type de machine.
2. Numéro de série.
3. Quantité désirée de pièce de rechange. (Quantity)
4. Numéro de la pièce de rechange. (Part N^o)
5. Dénomination de la pièce de rechange. (Denomination)
6. Longueur en cas de commande au mètre.

YOUR AGENT/DEALER:

Text pages

The text pages is structured as the picture on the right.

1. This is the remarks for specific items and the descriptions of the remarks is at the bottom of the parts list.

2. Parts indicated by a dot and moved to the right are included when buying the assembled unit above.

3. Spare parts and service code for a specific part, mainly for internal use at Svedala Dynapac. "A" = Service part, "B" = Fast moving part, "C" = Suggested exchanged part and "D" = Regular spare part.

Ref. No.	Part No.	Rem.	Qty	Description	Code
1	223047		1	Water cooler	③ C
2	935852		1	Radiator cap	D
3	935851	①	1	Cock	
4	373263	A	1	Radiator hose	D
5	313009		6	Clamp	
6	205058	B	1XL	Rubber clutch	
7	373261	C	1	Radiator hose	D
8			1	Oil cooler	D
9	223289		1	Plate	
10	902166	D	1XL	Edge trim	
11	223287	E	1	Holder	
12	223288	F	1	Holder	
13	908168		1	Fan guard	
14	908170		1	Fan shroud	
15	908171		2	Mounting bar	
16	908169		1	Fan guard	
17	500021		14	Screw	
18	902286		14	Nut	
19	600006		14	Washer	
20	313102		2	Cable strap	

①	A) Upper B) L=060MM C) Lower D) L=2280MM E) Left F) Right
---	--

Changes

PARTS INFO	SERVICE INFO	GROUP	PAGE	NOTES

Notes

SVEDALA WORLDWIDE

For information please contact the Svedala Sales Head Office in each country.

Australia

Phone +61 2 9748 1777
Fax +61 2 9748 1939

Austria

Phone +43 1 813 65 08
Fax +43 1 812 14 23

Belgium

Phone +32 2 481 09 60
Fax +32 2 481 09 61

Brazil

Phone +55 152 25 28 11
Fax +55 152 25 33 90

Canada

Phone +1 613 962 34 11
Fax +1 613 962 97 92

Chile

Phone +56 2 232 43 65
Fax +56 2 232 26 91

China

Phone +86 10 65 76 55 82
Fax +86 10 65 76 54 38

The Czech Republic

Phone +42 5 74 40 26
Fax +42 5 74 40 26

Denmark

Phone +45 53 54 40 11
Fax +45 53 54 41 42

Estonia

Phone +372 65 654 11
Fax +372 65 640 28

Finland

Phone +358 9 22 19 50
Fax +358 9 22 19 52 92

France

Phone +33 1 64 42 59 00
Fax +33 1 64 07 91 81

Germany

Phone +49 2102 49 07 0
Fax +49 2102 49 07 10

Ghana

Phone +233 21 22 96 91
Fax +233 21 22 96 91

Hongkong

Phone +852 25 27 55 45
Fax +852 28 61 26 52

Hungary

Phone +36 1 343 22 69
Fax +36 1 267 14 64

India

Phone +91 11 688 16 59
Fax +91 11 688 17 45

Indonesia

Phone +62 21 735 25 92
Fax +62 21 735 25 94

Italy

Phone +39 2 90 35 41
Fax +39 2 90 37 66 00

Japan

Phone +81 3 56 88 16 21
Fax +81 3 56 88 16 88

Lebanon

Phone +961 3 23 72 34
Fax +961 1 64 12 14

Malaysia

Phone +60 3 632 83 88
Fax +60 3 633 69 88

Mexico

Phone +52 16 25 13 33
Fax +52 16 25 13 30

The Netherlands

Phone +31 78 61 868 88
Fax +31 78 61 736 00

New Zealand

Phone +64 7 888 56 99
Fax +64 7 888 52 44

Norway

Phone +47 22 90 35 00
Fax +47 22 90 35 90

Peru

Phone +51 1 422 51 74
Fax +51 1 442 10 71

The Philippines

Phone +63 2 899 56 54
Fax +63 2 899 56 54

Poland

Phone +48 32 105 31 37
Fax +48 32 51 61 47

Russia

Phone +7 812 172 46 33
Fax +7 812 172 73 89

South Africa

Phone +27 11 397 50 90
Fax +27 11 397 59 60

Spain

Phone +34 1 616 45 85
Fax +34 1 616 48 35

Sweden

Phone +46 40 24 58 00
Fax +46 40 24 55 25

Switzerland

Phone +41 1 844 32 46
Fax +41 1 844 36 64

Ukraine

Phone +380 564 72 81 44
Fax +380 564 72 81 43

United Kingdom

Phone +44 1788 53 21 00
Fax +44 1788 54 65 63

USA

Phone +1 414 798 62 00
Fax +1 414 798 62 11

Vietnam

Phone +84 8 822 62 28
Fax +84 8 822 62 29

Zimbabwe

Phone +263 9 678 22
Fax +263 9 685 62

Other countries

Please contact:
Svedala International,
Malmö, Sweden,
Phone +46 40 24 58 00
Fax +46 40 24 58 96



Svedala Industri

Box 4004, SE-203 11 Malmö, Sweden
Telephone Int +46 40 24 58 00. Telefax Int +46 40 24 58 78

Svedala Crushing & Screening

Malmö, Sweden
Phone: +46 40 24 58 00
Fax: +46 40 24 58 75

Svedala Conveyor Belting

Malmö, Sweden
Phone: +46 40 24 58 00
Fax: +46 40 24 58 65

Svedala Wear Protection

Malmö, Sweden
Phone: +46 40 24 58 00
Fax: +46 40 24 58 65

Svedala Compaction & Paving

Malmö, Sweden
Phone: +46 40 24 58 00
Fax: +46 40 97 22 70

Svedala Grinding

York, PA, USA
Phone: +1 717 843 8671
Fax: +1 717 845 5154

Svedala Pumps & Process

Malmö, Sweden
Phone: +46 40 24 58 00
Fax: +46 40 24 58 65

Svedala Pyro Systems

Waukesha, WI, USA
Phone: +1 414 798 6200
Fax: +1 414 798 6211

Svedala Bulk Materials Handling

Pittsburgh, PA, USA
Phone: +1 412 269 5000
Fax: +1 412 269 5050

PÄRMETIKETT

För att undvika fel vid reservdelsbeställning finns här nedan två etiketter som passar i fickorna på pärmarnas ryggar. På dessa kan man se från vilket vältnummer av aktuell maskin reservdelskatalogen gäller. Gör så här:

1. Tag denna sida ur pärmern.
2. Klipp ut etiketten till **VÄNSTER** (1) och sätt in den i fickan på **DENNA** pärmens rygg.
3. Finns det en etikett till **HÖGER** (2), kan denna användas på pärmern för **FÖREGÅENDE** utgåva av denna katalog.
4. Kasta detta papper.

KATALOG-BESCHRIFTUNG

Zur Vermeidung von Fehlern bei der Ersatzteilbestellung benutzen Sie bitte die unteren Beschriftungen, um die Kataloge auf der Rückseite zu kennzeichnen. Auf der Beschriftung ist angegeben, für welche Maschinennummern der jeweilige Katalog gültig ist. Ablauf:

1. Nehmen Sie dieses Blatt aus dem Katalog.
2. Schneiden Sie die **LINKE** Beschriftung (1) aus. Schieben Sie die Beschriftung in die tasche auf **DEM** Katalogrücke.
3. Sollte die Beschriftung unten **RECHTS** (2) mitgeliefert werden, kennzeichnen Sie damit bitte die **ÄLTERE** Ausführung dieses Kataloges.
4. Den Rest dieses Blattes bitte vernichten.

ETIQUETA PARA LA CARPETA

Para evitar errores al pedir repuestos utilicen las etiquetas abajo descritas para identificar los catálogos en la parte trasera de la carpeta. En la etiqueta se ven los números de referencia de la serie para la cual es válido el catálogo. Instrucciones:

1. Quitar esta página de la carpeta.
2. Corta la etiqueta **IZQUIERDA** (1) y ponerla en **ESTA** carpeta en la parte trasera.
3. Si hay una etiqueta en la parte **DERECHA** (2) se puede utilizar en la carpeta para el catálogo que **PRECEDE** a esta.
4. Tirar esta hoja.

BINDER LABEL

To avoid errors when ordering spare parts use the labels below to identify the catalogues on the back of the binder. The label contain the serial number range for which the catalogue is valid. Do like this:

1. Remove this page from the binder.
2. Cut out the **LEFT** label (1) and put it on **THIS** binders back.
3. If there is a label to the **RIGHT** (2), it can be used on the binder for **PRECEDING** issue of this catalogue.
4. Throw away this paper.

ETICHETTA POSTA SUL RACCOGLITORE

Per evitare errori quando ordinate pezzi di ricambio, usate le etichette in calce che servono ad identificare i cataloghi sul retro del raccoglitore. L'etichetta indica il numero di matricola delle macchine prese in considerazione nel catalogo.

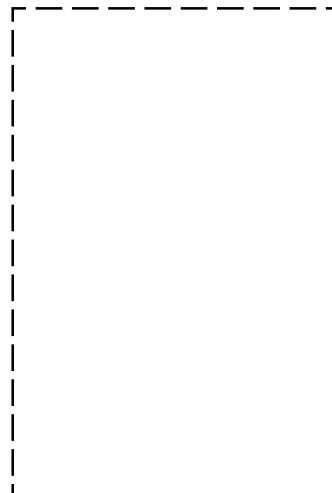
1. Rimuovete questa pagina dal raccoglitore.
2. Ritagliate l'etichetta posta a **SINISTRA** (1) e ponetela sul retro **DEL** raccoglitore.
3. Se trovate anche un'etichetta sulla **DESTRA** (2), ritagliatela e ponetela sul raccoglitore relativo alla **PRECEDENTE** edizione del catalogo.
4. Distruggete questo foglio.

ETIQUETAGE DU CATALOGUE

Afin d'éviter des erreurs lors de commandes de pièces de rechange, nous vous conseillons d'apposer les marquages ci-dessous à l'arrière du classeur, pour identifier les catalogues. Ce marquage indique les numéros de série pour lesquels le catalogue est adapté. Il convient de procéder de la façon suivante:

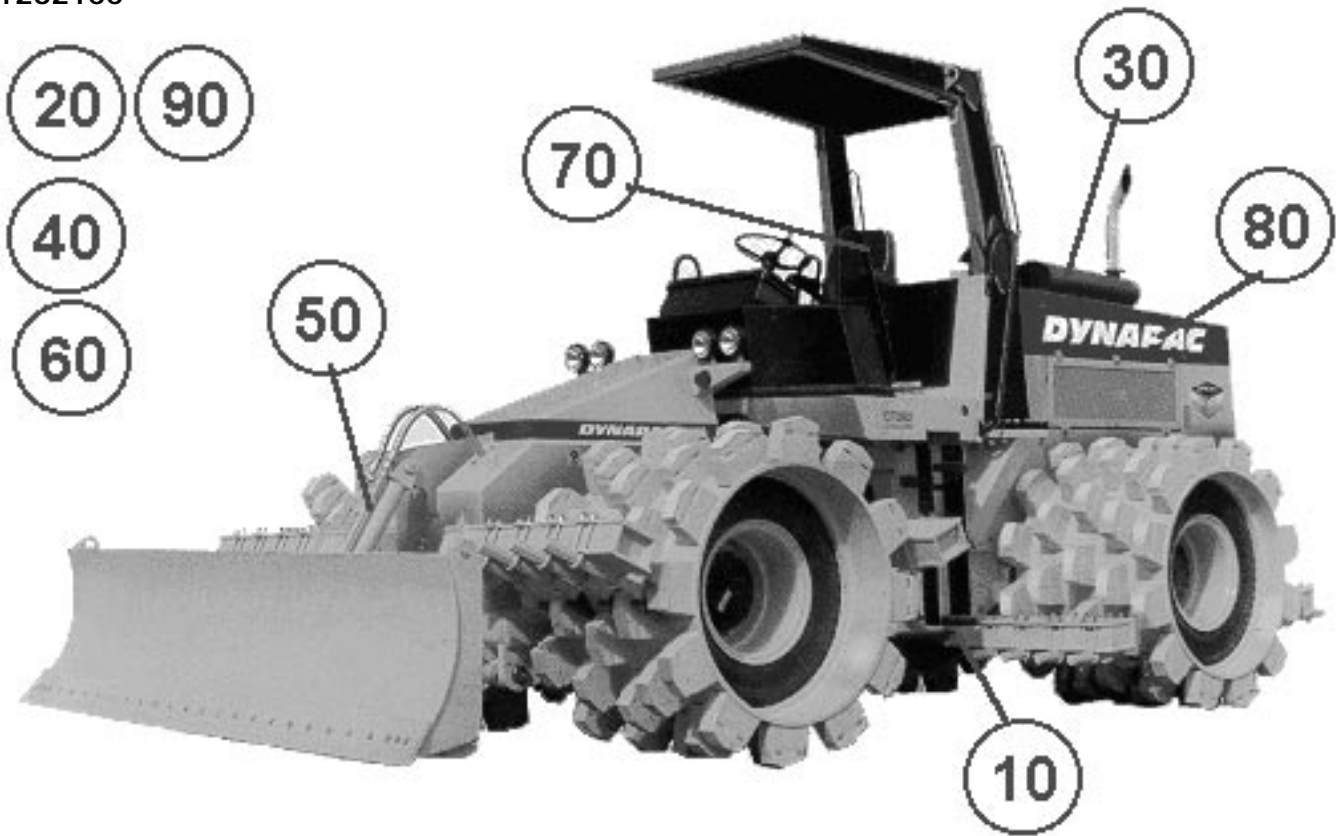
1. Retirez cette page du classeur.
2. Découpez l'étiquette de **GAUCHE** (1), et apposez-la à l'arrière de **CE** catalogue.
3. Si il y a une étiquette à **DROITE** (2), vous pourrez l'apposer sur le classeur de l'édition **PRECEDENTE** du catalogue.
4. Détruire cette feuille.

1.



CT262 703B700 -	2
Frame	4
Frame	6
Cover assy	8
Battery cover assy	10
Blade assembly	12
Front scrapers	14
Rear scrapers	16
Pipe connection	18
Pneumatic circuit diagram	20
Brake circuit	22
Brake	28
Distribution control plate	30
Brake chamber	32
Brake master cylinder	34
Wheel and tyre	36
Padfoot roller	38
Engine	40
Engine	42
Radiator cooler, cpl	44
Fuel system	46
Exhaust silencer assembly	48
Air cleaner assembly	50
Transmission	52
Drive shaft assembly	54
Planetary axle	56
Differential	58
Drive shaft	62
Transmission	64
Transmission	66
Transmission	68
Transmission	70
Transmission	72
Transmission	74
Transmission	76
Circuit board	78
Torque converter, cpl	80
Torque converter, cpl	82
Drive shaft	84
Bearing assy	86
Cardan shaft	88
Hydraulic system	90
Blade hydraulic diagram	92
Blade hydraulic system	94
Hydraulic cylinder	96
Hydraulic control	98
Transmission hydraulic circuit	102
Steering hydraulic diagram	104
Steering hydraulic system	106
Hydrostatic steering	110
Self-aligning thrust bushing	112
Hydraulic cylinder	114

Electric system	116
Electric diagram	118
O-ring repair kit	120
Electric system	122
Oil level gauge, cpl.	126
Trench Compactor	128
Instrument board	130
Drivers platform	132
Drivers platform	134
Brake control	138
Brake valve	140
Transmission control	142
Blade control	144
Steering assembly	146
Hydraulic brakes	148
Decals	150
Kit, plate decals	152
Standard equipment	154
Cab assembly mounting	156
Cab, cpl	158
Cab assembly mounting	162
Rops assembly	164
60 BR-F	166
60 PUS	168
Direction signal	170
Air conditioner assembly	172
Compressor assembly	174
Tool kit	176



CT262 703B700 -

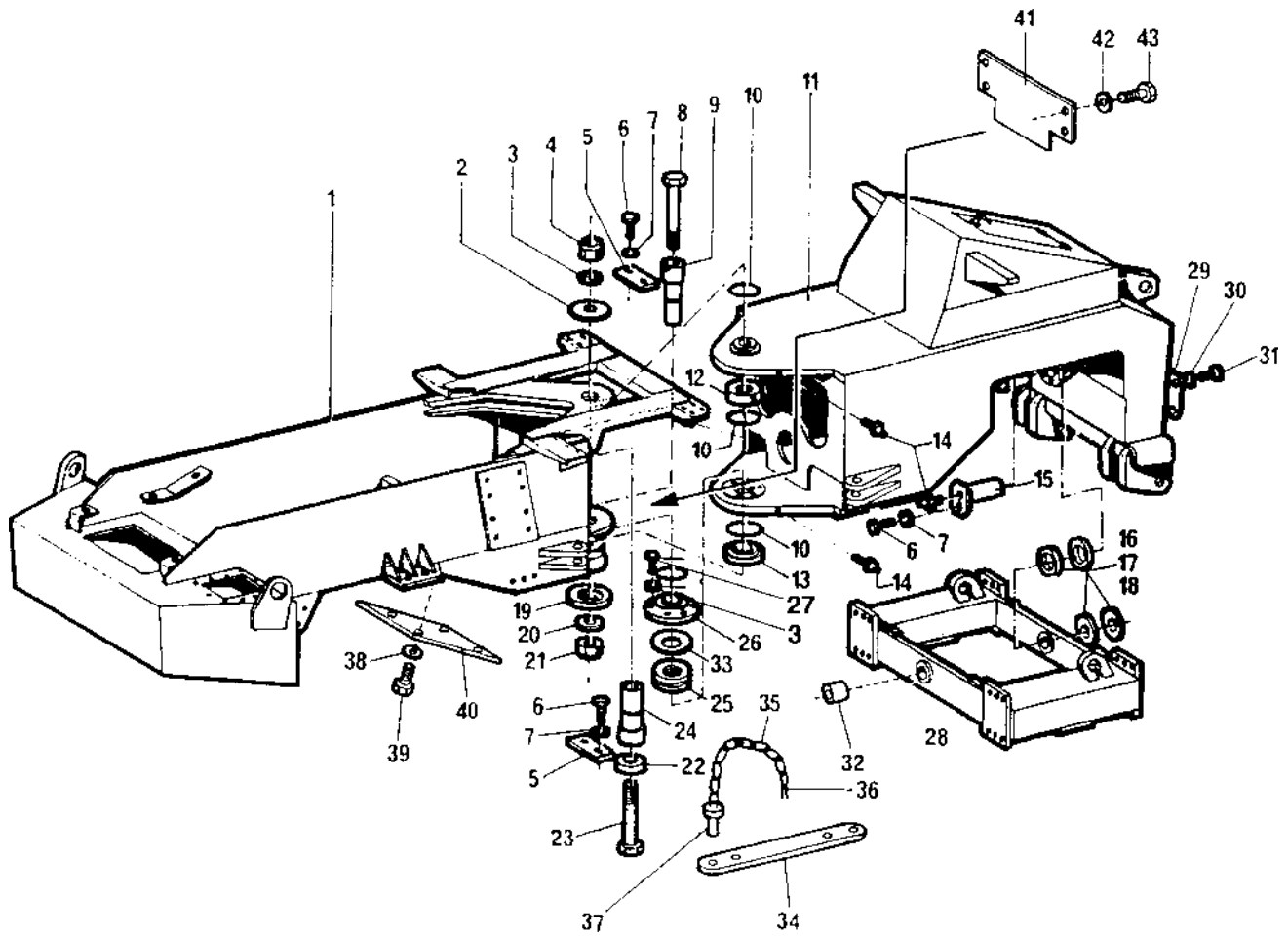
Ref. No.	Part No.	Rem.	Qty	Description	Code
10			1	Frame (Page 4)	
20			1	Pipe connection (Page 18)	
30			1	Engine (Page 40)	
40			1	Transmission (Page 52)	
50			1	Hydraulic system (Page 90)	
60			1	Electric system (Page 116)	
70			1	Drivers platform (Page 132)	
80			1	Decals (Page 150)	
90			1	Standard equipment (Page 154)	

Frame

Ref. No.	Part No.	Rem.	Qty	Description	Code
10			1	Frame (Page 6)	
20			1	Cover assy (Page 8)	
30			1	Battery cover assy (Page 10)	
40			1	Blade assembly (Page 12)	
50			1	Front scrapers (Page 14)	
60			1	Rear scrapers (Page 16)	

Frame

16769

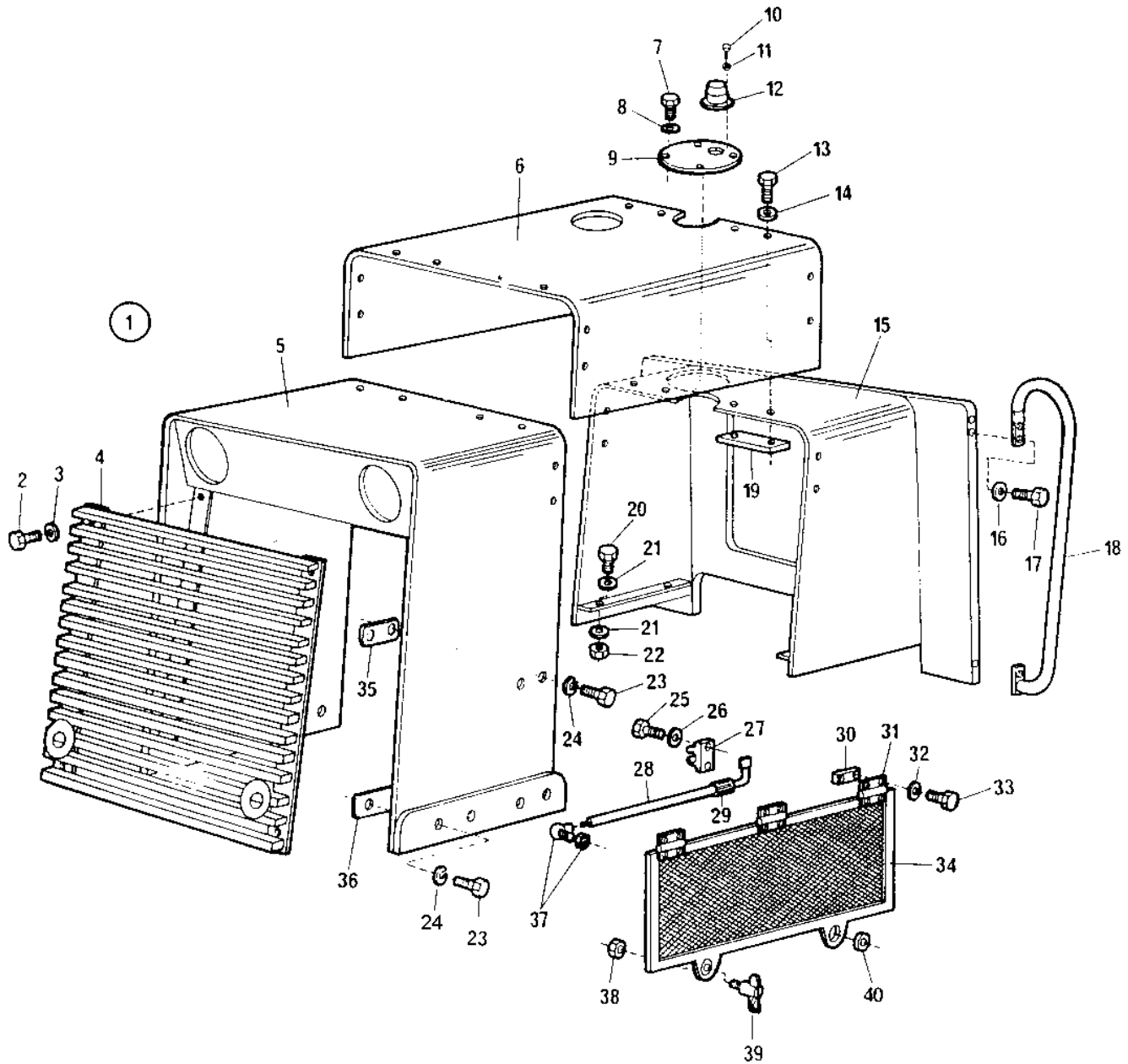


Frame

Ref. No.	Part No.	Rem.	Qty	Description	Code
1	196647		1	Frame, rear	
2	260272		1	Washer	
3	602008		1	Washer	
4	586112		1	Locking nut	
5	260267		2	Lock	
6	500051		6	Screw	
7	600009		12	Washer	
8	260269		1	Screw	
9	260268		1	Pin	
10	813473		4	O-ring	D
11	261876		1	Frame, front	
12	100040		1	Axial ball bearing	D
13	260276		1	Spacer	
14	310022		4	Lubricant nipple	D
15	260264		2	Retaining ring	
16	260277		N	Washer	
17	260278		N	Washer	
18	260279		N	Washer	
19	260275		1	Washer	
20	602015		1	Washer	
21	586113		1	Nut	
22	265109		1	Washer	
23	266816		1	Screw	
24	260274		1	Pin	
25	920806		1	Toggle joint	
26	260270		1	Cover	
27	500037		6	Screw	
28	193755		1	Trunnion	
29	261469		1	Cover	
30	615044		4	Conical spring washer	D
31	500280		4	Screw	
32	260031		1	Bushing	
33	260271		CN	Shim	
34	261446		2	Bar	
35	245747		2	Chain	
36	630019		2	Split pin	D
37	252675		2	Lock pin	
38	947690		4	Screw	
39	615045		4	Conical spring washer	
40	192216		1	Protection	
41	196544		1	Protection	
42	603023		4	Washer	
43	500280		4	Screw	

Cover assy

16770

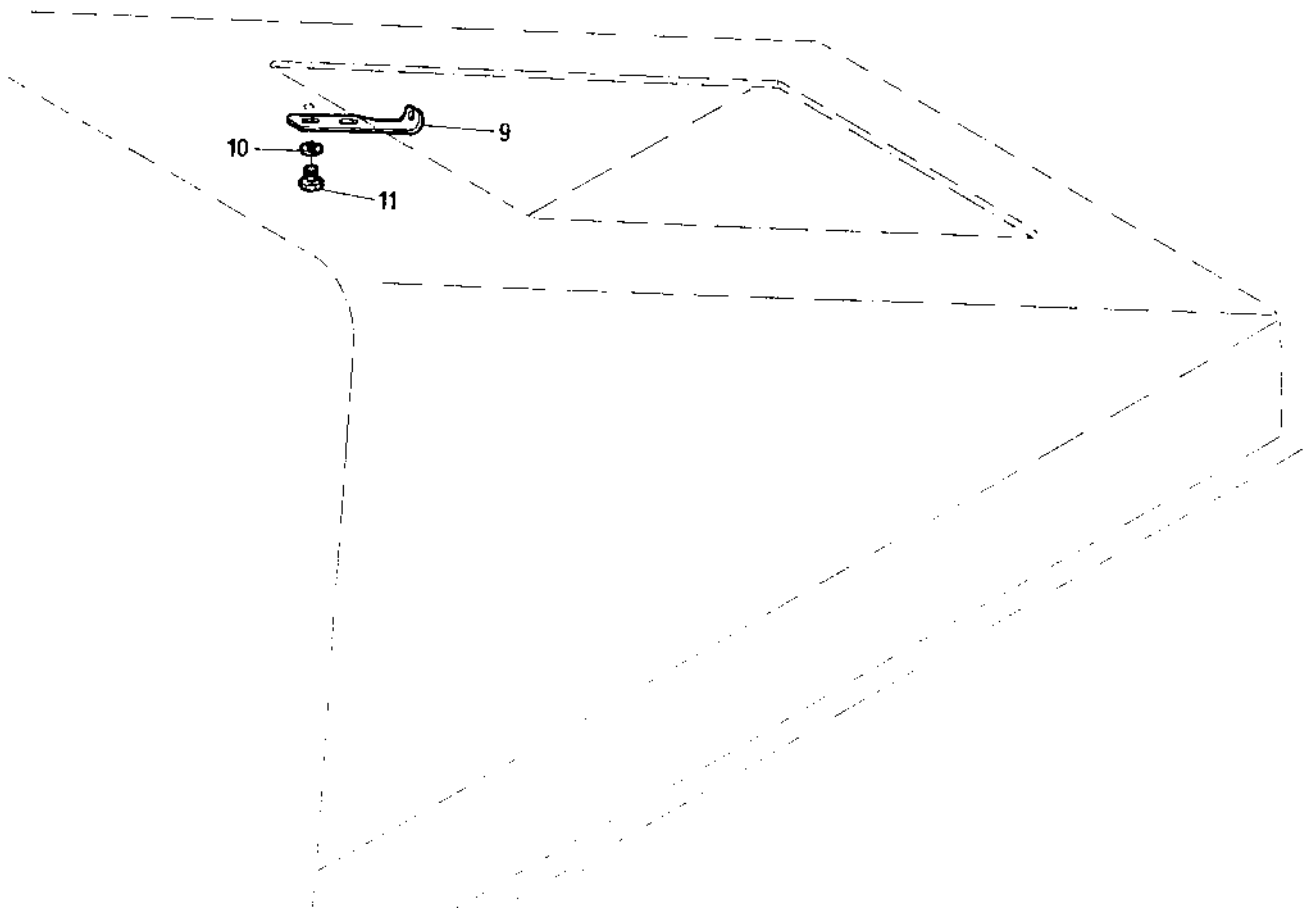
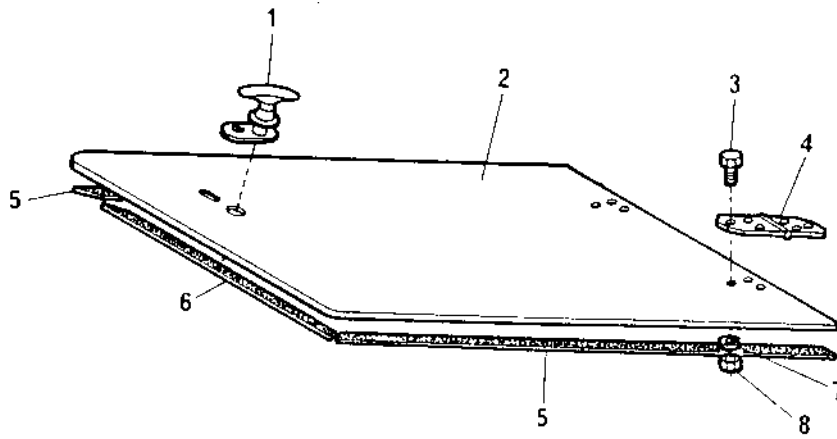


Cover assy

Ref. No.	Part No.	Rem.	Qty	Description	Code
1	196645		1	Guard, cpl	
2	500030		8	.Screw	
3	603023		8	.Washer	
4	243728		1	.Guard	
5	196704		1	Radiator frame	
6	196570		1	Hood	
7	928478		4	Screw	
8	615042		4	Conical spring washer	
9	268327		1	Cover	
10	619007		3	Rivet	
11	600002		3	Washer	
12	192331		1	Cover	
13	947695		16	Screw	
14	615046		16	Conical spring washer	
15	196550		1	Hood	
16	615045		6	Conical spring washer	
17	947688		6	Screw	
18	196554		2	Strap	
19	192779		8	Support	
20	500270		8	Screw	
21	615046		8	Conical spring washer	
22	570008		8	Nut	
23	947697		12	Screw	
24	615046		12	Conical spring washer	
25	500086		4	Screw	
26	600002		4	Washer	
27	192213		2	Support	
28	192215		2	Rod	
29	247283		2	Hose	
30	192778		6	Support	
31	249865		6	Hinge	
32	615042		24	Conical spring washer	
33	192812		24	Screw	
34	192772		2	Cover	
35	192795		4	Shim	
36	192796		4	Shim	
37	416008		2	Ball joint	
38	570007		4	Nut	
39	475064		4	Catch	
40	814259		4	Grommet	D

Battery cover assy

16771

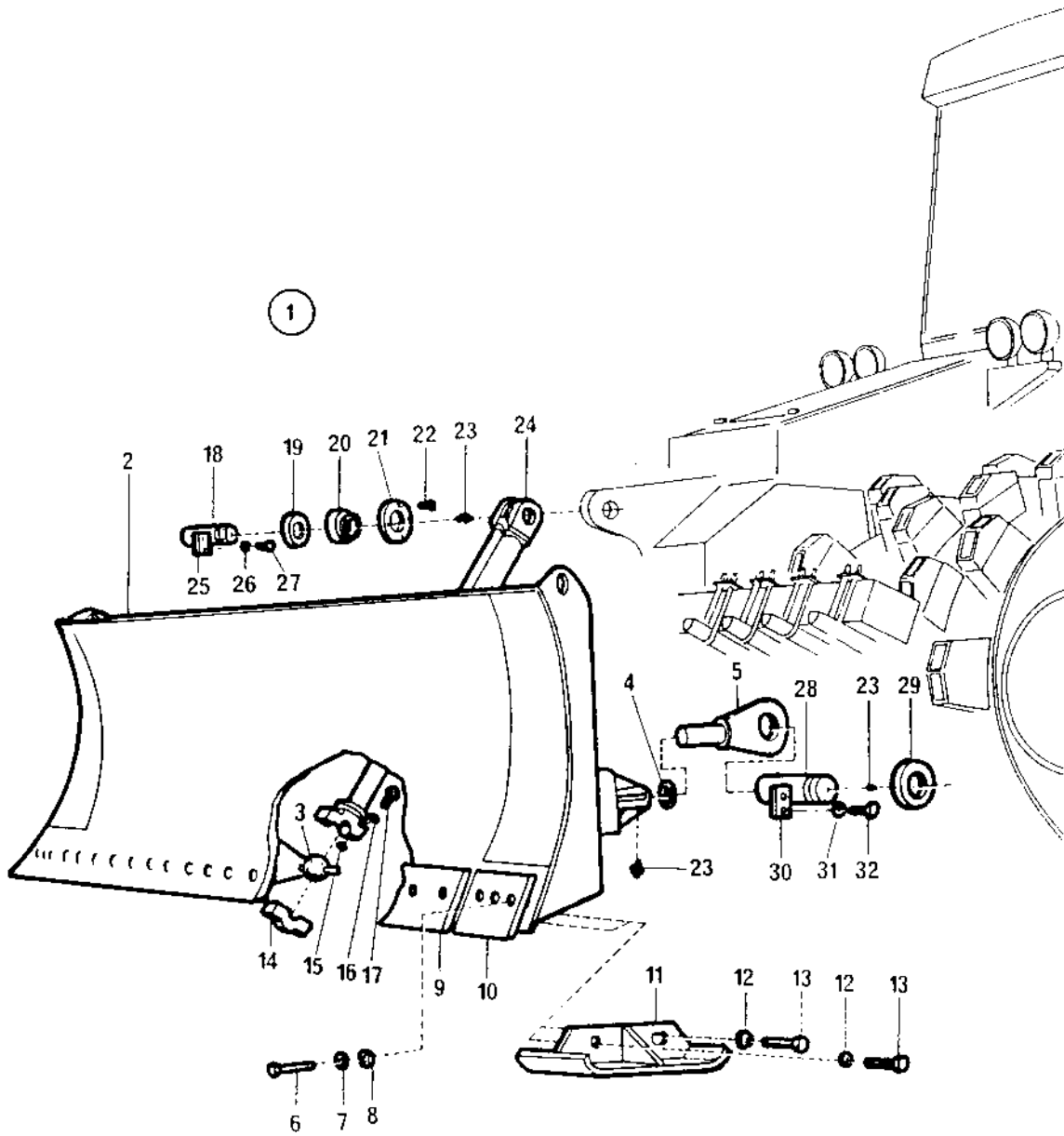


Battery cover assy

Ref. No.	Part No.	Rem.	Qty	Description	Code
1	263806		1	Lock	
2	268326		1	Cover	
3	192797		12	Screw	
4	928632		2	Hinge	
5	261482		2	Rubber strip	
6	261481		1	Rubber strip	
7	615042		12	Conical spring washer	
8	586002		12	Lock nut	
9	268325		1	Shaft sealing	
10	615044		2	Conical spring washer	D
11	947682		2	Screw	

Blade assembly

16772

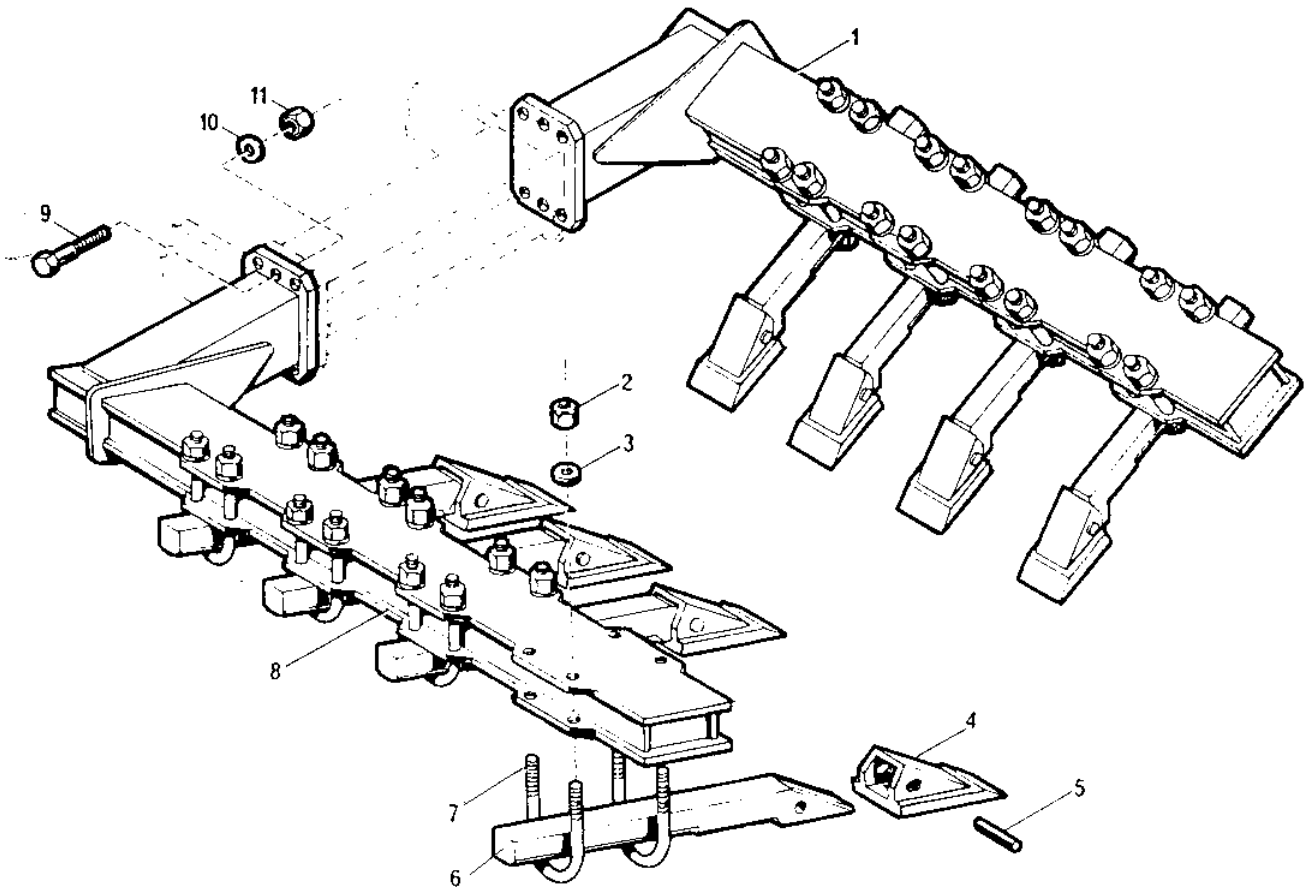
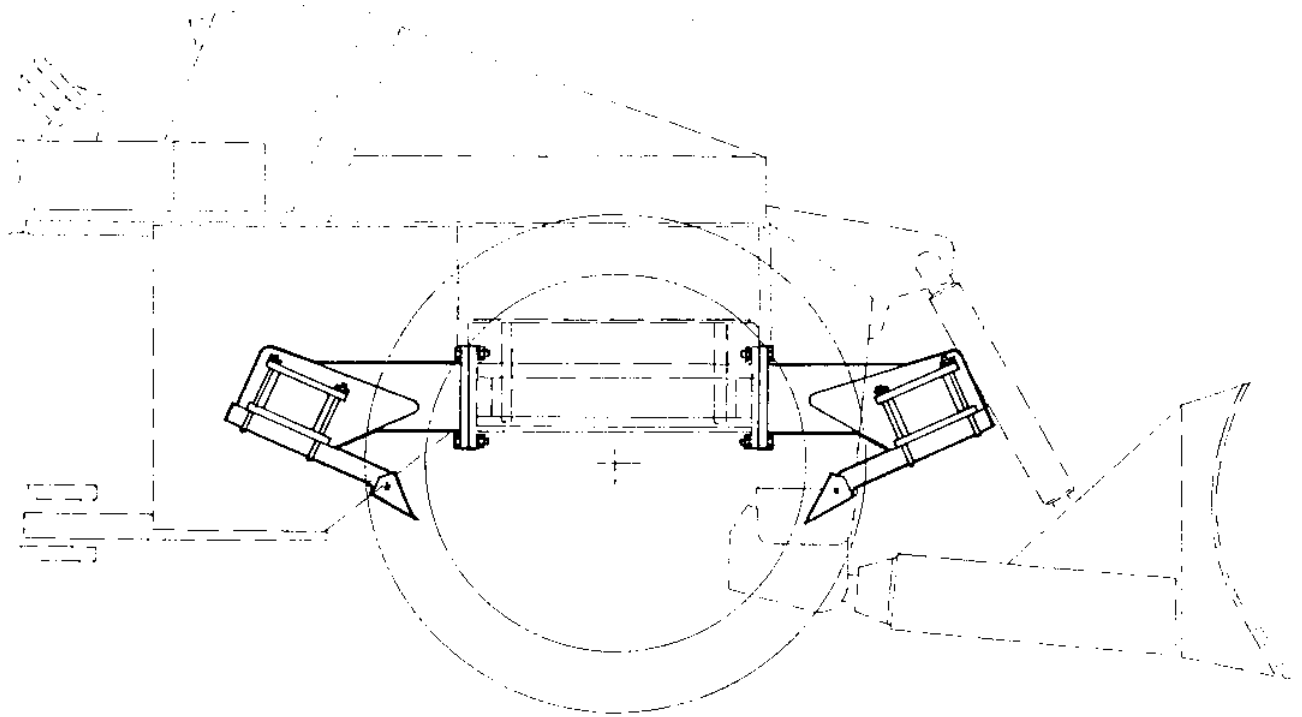


Blade assembly

Ref. No.	Part No.	Rem.	Qty	Description	Code
1	192155		1	Blade	
2	192116		1	.Blade	
3	190580		1	.Bearing housing	
4	190599		2	..Washer	
5	190393		2	..Bearing housing	
6	752054		26	.Screw	
7	615047		26	.Washer	
8	571007		26	.Nut	
9	233414		2	.Blade edge	
10	253415		1	.Side edge, right	
11	243552		1	.Right shoe, cpl	
	243556		1	.Left shoe, cpl	
12	603022		6	.Washer	
13	500209		4	.Screw	
14	266470		1	Cap	
15	266469	CN		Spacer	
16	603017		2	Washer	
17	500152		2	Screw	
18	266466		1	Pin	
19	266467		2	Spacer ring	
20	928155		1	Link bearing	
21	266468		1	Ring	
22	508002		4	Screw	
23	310022		5	Lubricant nipple	D
24	190165		1	Hydraulic cylinder	C
25	253723		1	Lock	
26	615045		2	Conical spring washer	
27	500193		2	Screw	
28	260219		2	Pin	
29	253577		4	Washer	
30	253485		2	Lock	
31	615046		4	Conical spring washer	
32	500123		4	Screw	

Front scrapers

16773

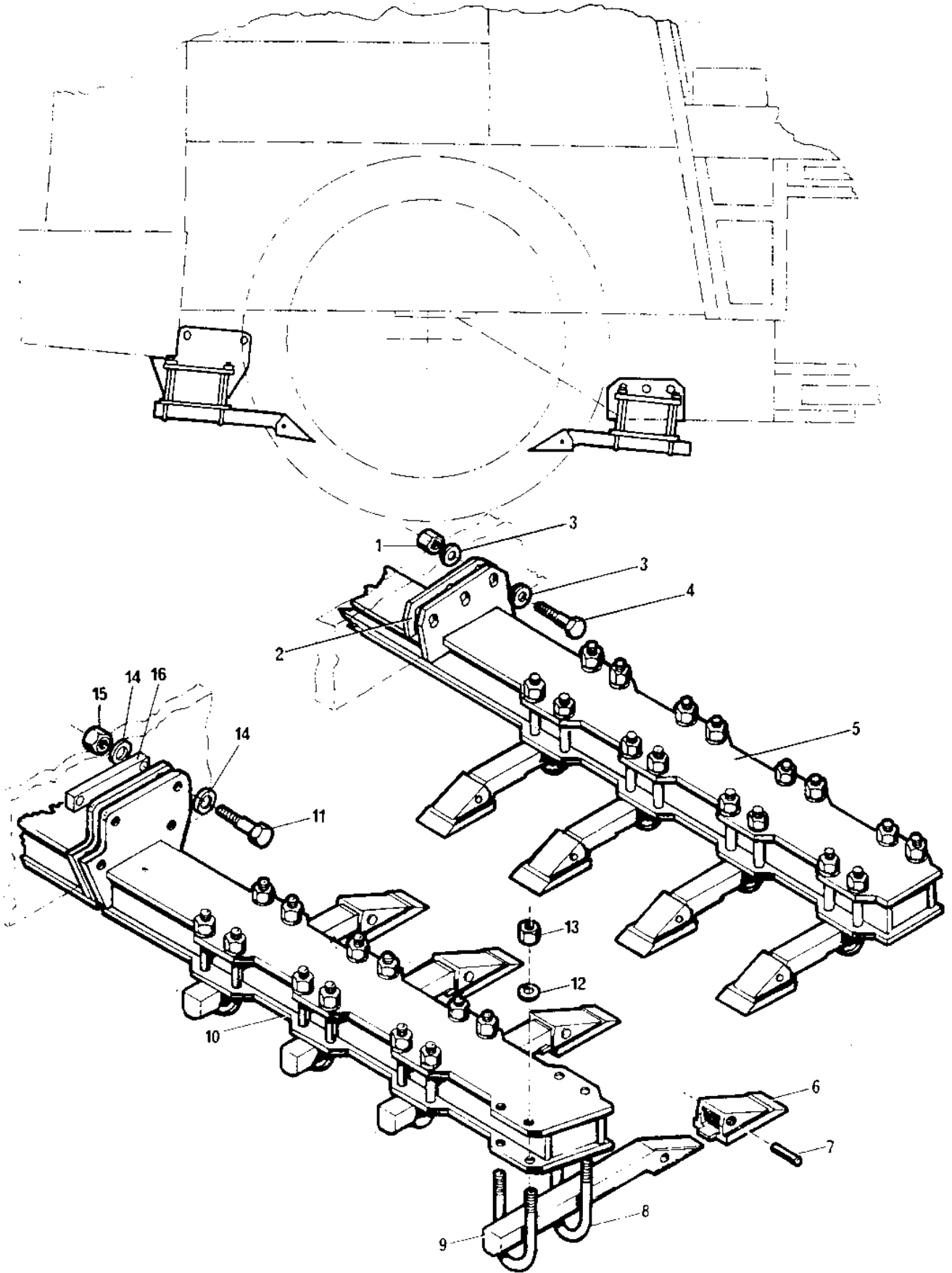


Front scrapers

Ref. No.	Part No.	Rem.	Qty	Description	Code
1	264006		2	Decal, hydraulic oil fillin	
2	925863		64	Nut	
3	603004		64	Washer	
4	262473		16	Scraper	
5	262474		16	Pin	
6	262472		16	Support	
7	264021		32	Clamp	
8	264007		1	Decal, hydraulic oil fillin	
9	925208		24	Screw	
10	603022		24	Washer	
11	925867		24	Nut	

Rear scrapers

16774



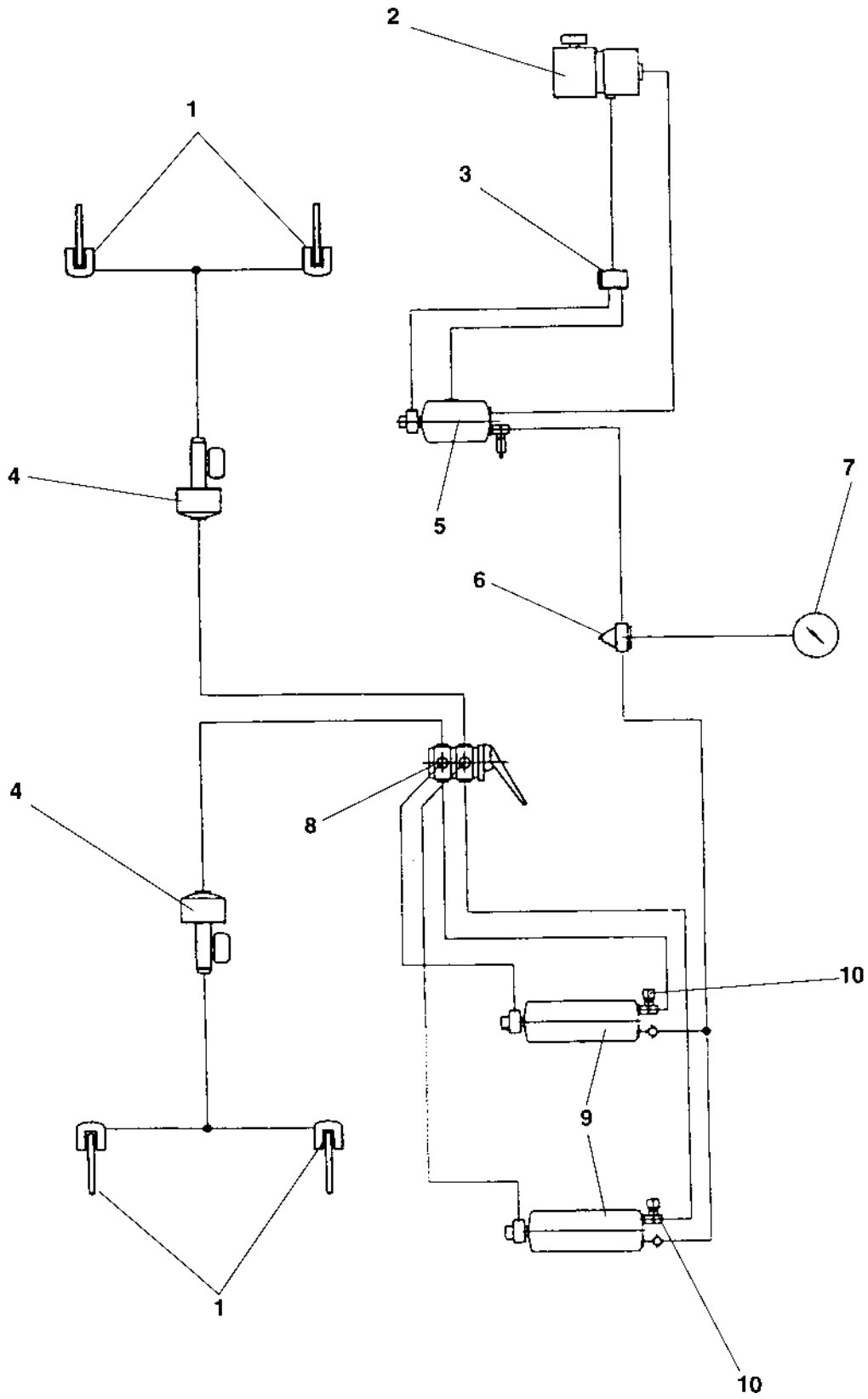
Rear scrapers

Ref. No.	Part No.	Rem.	Qty	Description	Code
1	925867		6	Nut	
2	262480		CN	Shim	
3	603022		12	Washer	
4	925209		6	Screw	
5	264049		1	Bracket	
6	262473		16	Scraper	
7	262474		16	Pin	
8	264021		32	Clamp	
9	262472		16	Support	
10	196592		1	Bracket	
11	925208		8	Screw	
12	603004		64	Washer	
13	925863		64	Nut	
14	603022		16	Washer	
15	925867		8	Nut	
16	196605		2	Spacer	

Pipe connection

Ref. No.	Part No.	Rem.	Qty	Description	Code
10			1	Pneumatic circuit diagram (Page 20)	
20			1	Brake circuit (Page 22)	
30			1	Brake (Page 28)	
40			1	Distribution control plate (Page 30)	
50			1	Brake chamber (Page 32)	
60			1	Brake master cylinder (Page 34)	
70			1	Wheel and tyre (Page 36)	
80			1	Padfoot roller (Page 38)	

16798

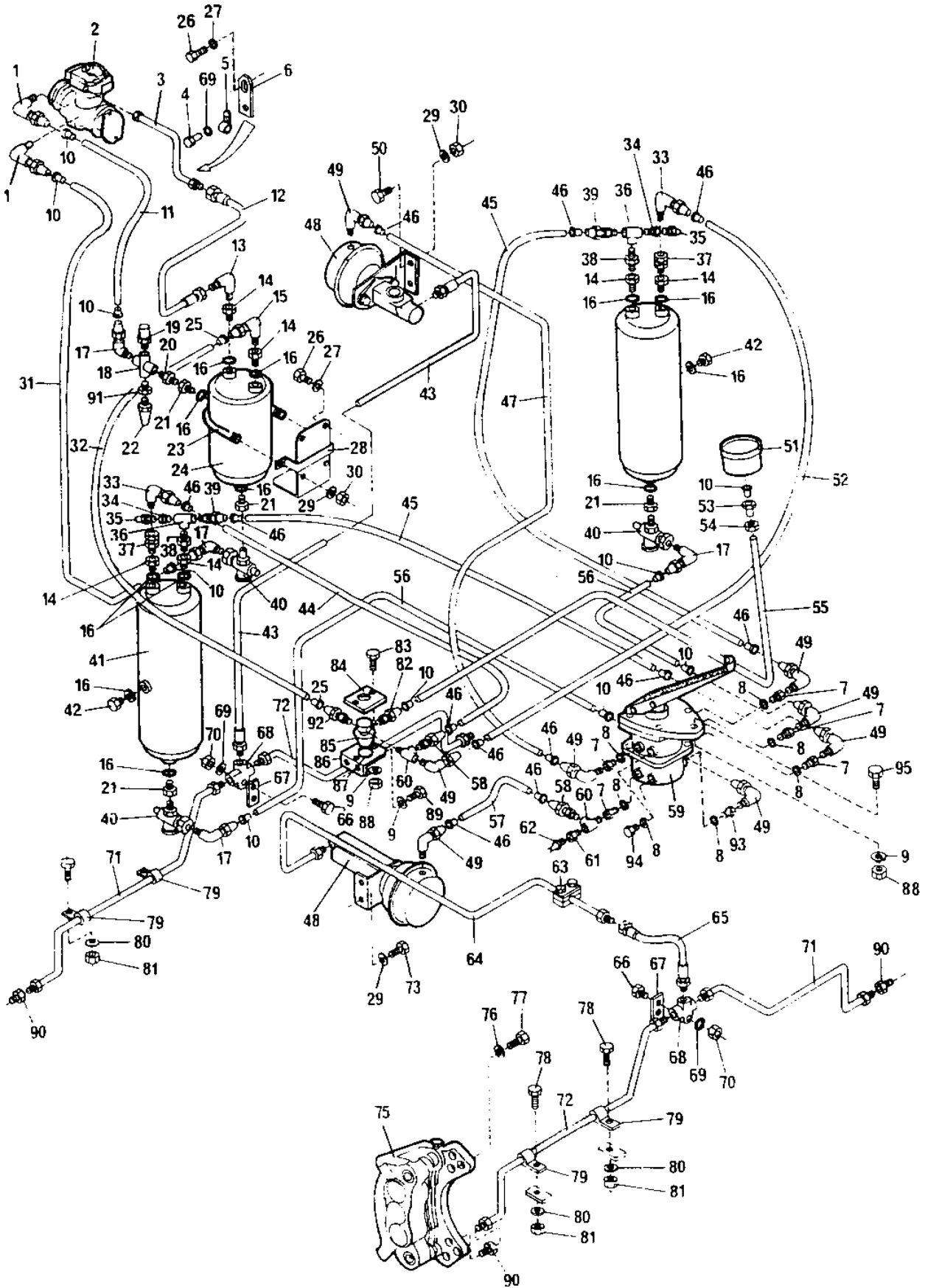


Pneumatic circuit diagram

Ref. No.	Part No.	Rem.	Qty	Description	Code
1	193851		4	Brake assembly	
2			1	Compressor	
3	415120		1	Regulator	
4	249047		2	Hydraulic schedule	
5	194236		1	Air tank	D
6	243875		1	Manometer	
7	266221		1	Manometer	D
8	191533		1	Valve with pedal	
9	194237		2	Air tank	
10	415350		2	Pressure gauge	

Brake circuit

16799



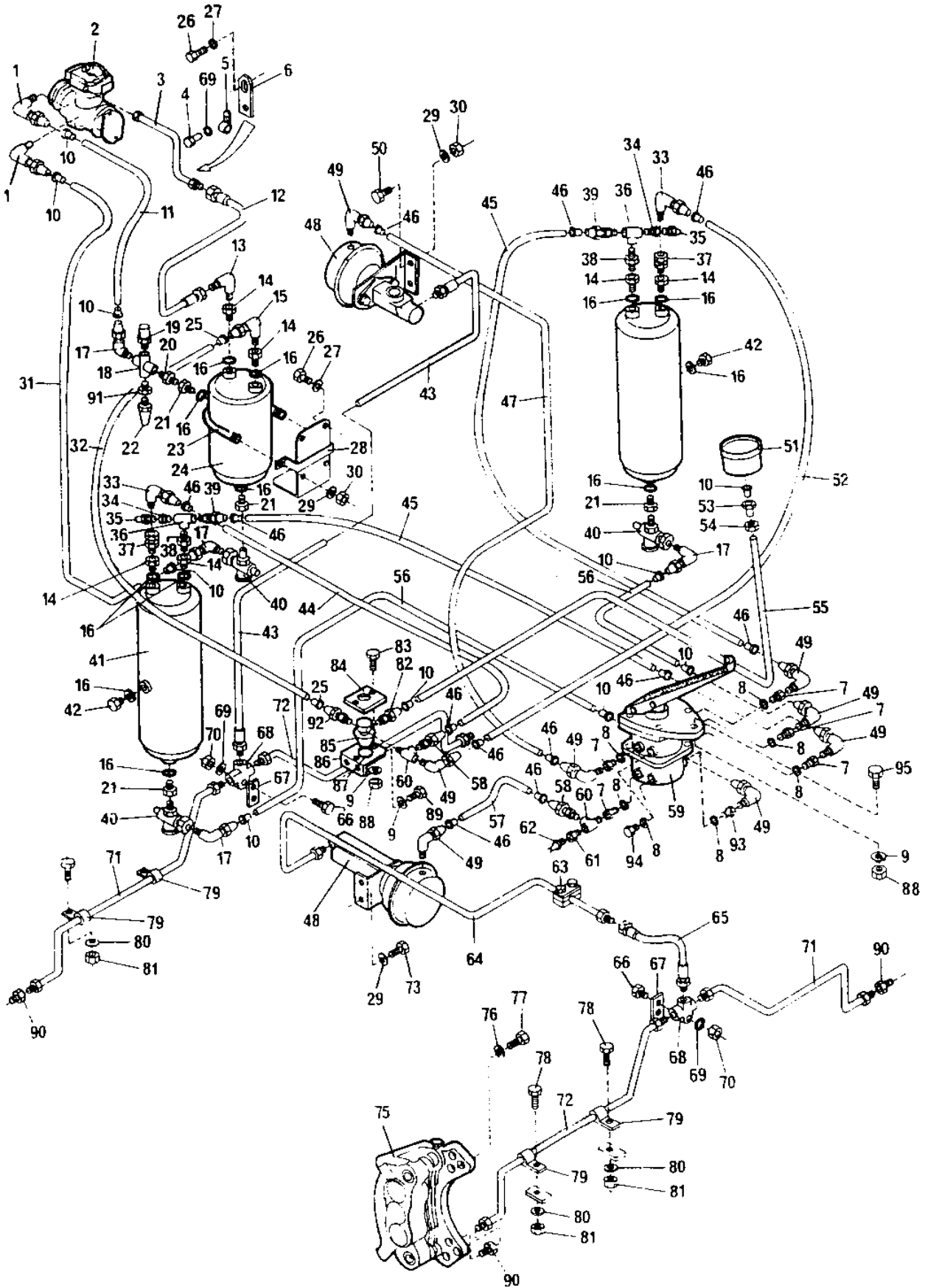
Brake circuit

Ref. No.	Part No.	Rem.	Qty	Description	Code
1	249608		2	Adapter 90deg	
2			1	Compressor	
3	195884		1	Tube	
4	500012		1	Screw	
5	921031		1	Clamp	
6	195886		1	Bracket	
7	190902		4	Reducing adapter	
8	330330		8	Washer	
9	615043		7	Conical spring washer	
10	920783		10	Insert	
11	247154	A	1	Pipe	
12	195885		1	Hydraulic hose	
13	234719		1	Adapter	
14	234729		6	Reducing nipple	
15	194212		1	Elbow	
16	330333		12	Copper washer	D
17	920792		5	Brake connection	
18	192803		1	Connection	
19	333062		1	Safety valve	D
20	234257		1	Nipple	
21	249872		4	Reducing adapter	
22	401106		1	Filler pipe	
23	194366		1	Clamp	
24	194236		1	Air tank	D
25	920786		2	Insert	
26	947686		5	Screw	
27	615045		13	Conical spring washer	
28	194627		1	Bracket	
29	615044		6	Conical spring washer	D
30	570006		4	Nut	
31	247154	B	1	Pipe	
32	247153	C	1	Tube	
33	191921		2	Elbow	
34	334603		2	Bushing	
35	415350		2	Pressure gauge	
36	249427		2	Tee-connector	
37	912120		2	Valve	D
38	813438		2	Nipple	
39	900524		2	Brake connection	
40	269137		3	Drain valve	D
41	194237		2	Air tank	
42	232081		2	Plug	
43	249046		1	Hose	
44	247152	D	1	Tube	D

- A) L=1700 mm
- B) L=2000 mm
- C) L=2200 mm
- D) L=730 mm

Brake circuit

16799



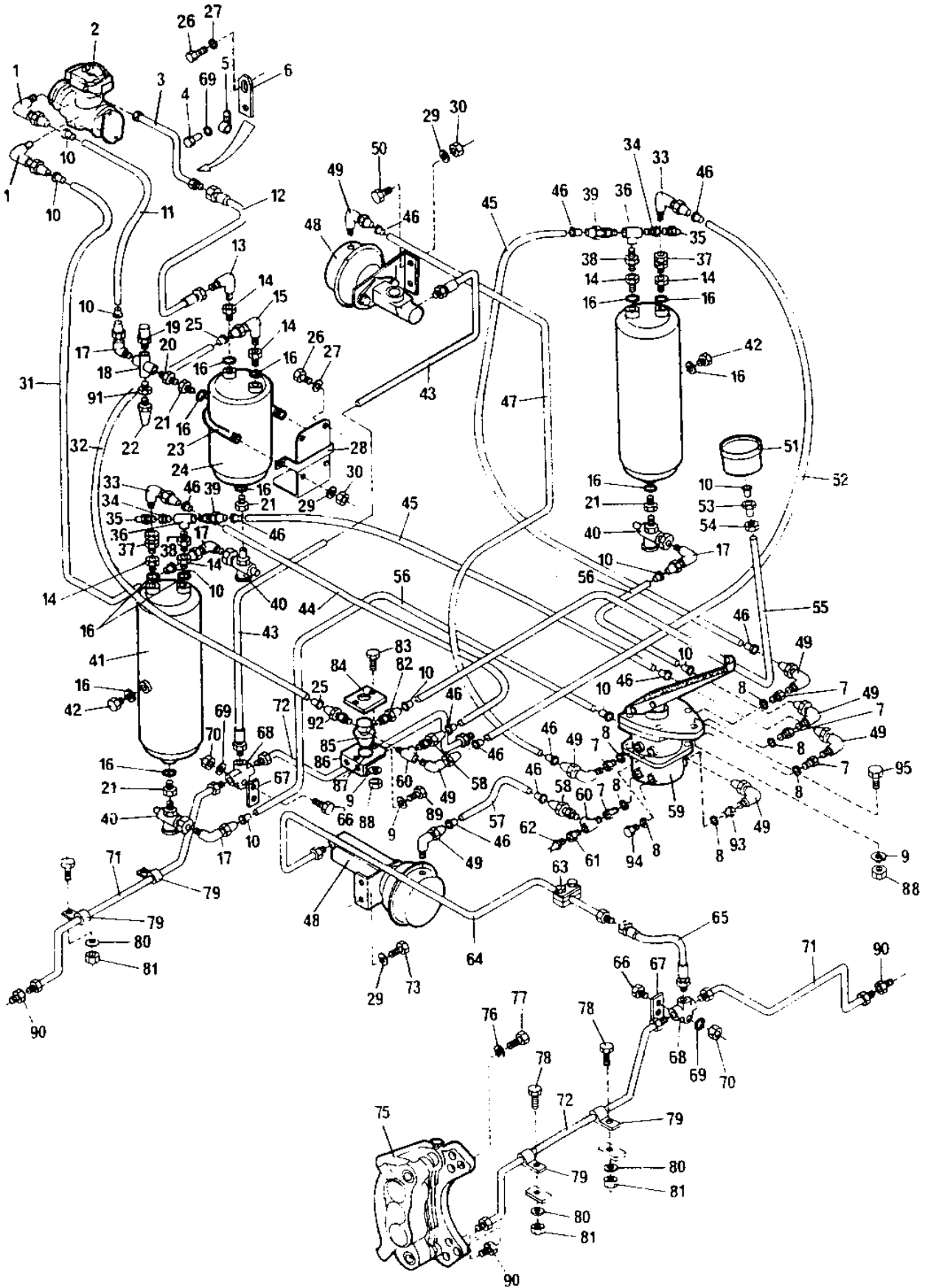
Brake circuit

Ref. No.	Part No.	Rem.	Qty	Description	Code
45	247152	E	2	Tube	D
46	920785		12	Insert	
47	247152	F	1	Tube	D
48	194607		2	Brake chamber assembly	
49	268964022		6	Adapter 90deg	
50	500212		2	Screw	
51	266221		1	Manometer	D
52	247152	G	1	Tube	D
53	231193		1	Sleeve	
54	231192		1	Nut	
55	247154	G	1	Pipe	
56	247154	H	2	Pipe	
57	247152	I	1	Tube	D
58	920790		2	Nipple	
60	922919		2	Tee connector	
61	234970		1	Reducing nipple	
62	248271		1	Switch	
63	258267		1	Clamp	
64	249045		1	Brake tube	
65	754111		1	Brake hose	
66	500015		2	Screw	
67	261518		2	Bracket	
68	745072		2	Tee-connector	
69	615042		5	Conical spring washer	
70	570004		5	Nut	
71	193932		2	Tube, right	
72	193933		2	Scrapers basic kit	
73	500028		2	Screw	
74	615044		3	Conical spring washer	D
75	193851		4	Brake assembly	
76	193934		24	Washer	
77	193931		24	Screw	
78	500060		8	Screw	
79	921175		8	Clamp	
80	600003		8	Washer	
81	570003		8	Nut	
82	920787		2	Brake connection	
83	500189		2	Screw	
84	247842		1	Bracket	
85	243875		1	Manometer	
86	247843		1	Bracket	
87	246947	J	1	Rubber packing	
88	570005		5	Nut	
89	500019		2	Screw	

- E) L=1200 mm
- F) L=3050 mm
- G) L=1500 mm
- H) L=1850 mm
- I) L=2800 mm
- J) L=200 mm

Brake circuit

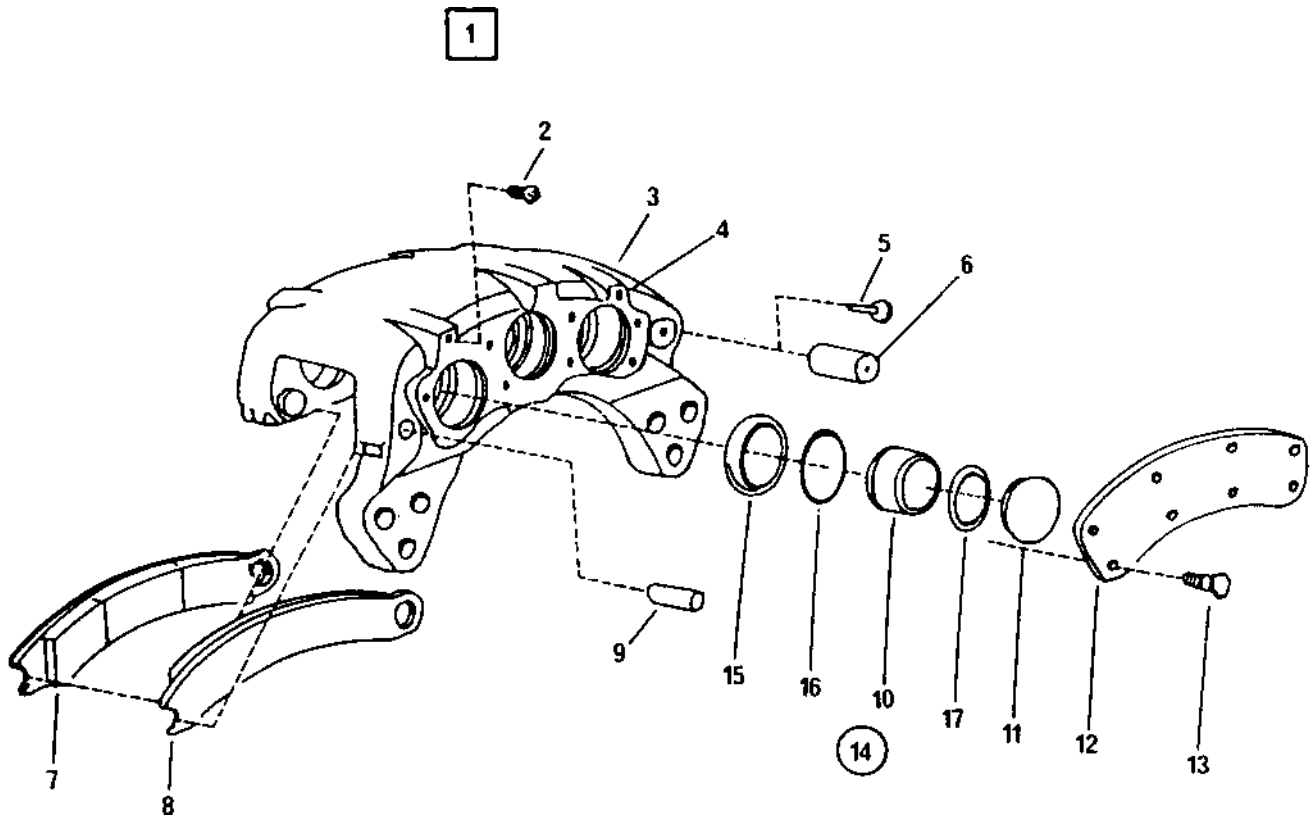
16799



Brake circuit

Ref. No.	Part No.	Rem.	Qty	Description	Code
90	193935		4	Connection	
91	813465		1	Bushing	
92	920791		1	Brake connection	
93	195919		2	Reducing adapter	
94	190900		2	Plug	
95	947860		3	Screw	

Brake
16800

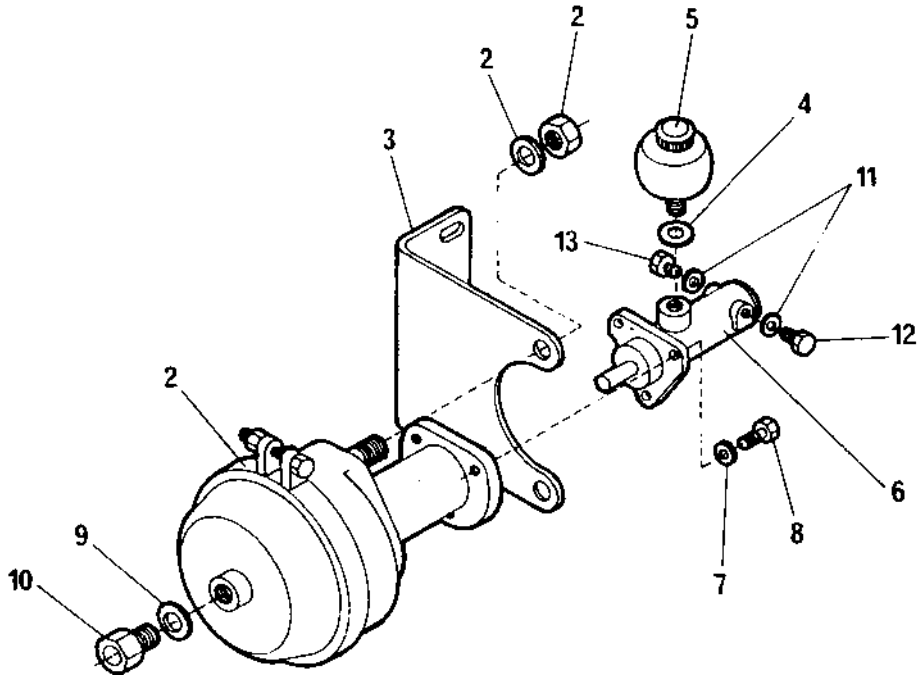


Brake

Ref. No.	Part No.	Rem.	Qty	Description	Code
1	193851		1	Brake assembly	
2	240546		1	.Screw	
3	194433		1	.Housing	
4	194434		1	.Plug	
5	194421		4	.Screw	
6	194422		2	.Pin	
7	194423		1	.Brake pad	A
8	194424		1	.Brake pad	A
9	194425		2	.Pin	
10	194430		6	.Piston	
11	194428		3	.Brake piston	
12	194427		1	.Cover	
13	194426		8	.Screw	
14	194435		1	.Repair kit	

16801

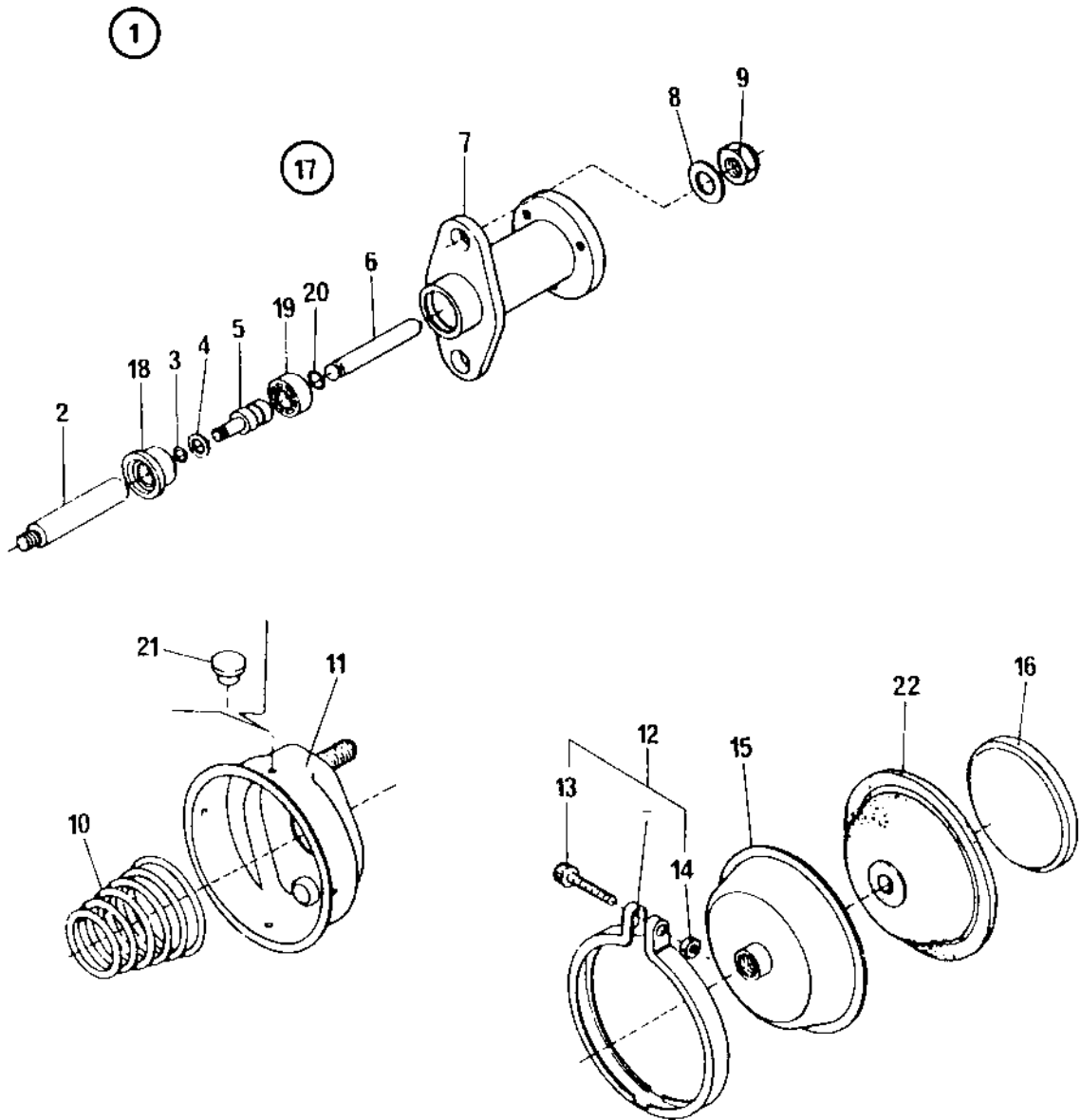
1



Ref. No.	Part No.	Rem.	Qty	Description	Code
1	194607		1	Brake chamber assembly	
2	194402		1	.Brake chamber	
3	194586		1	.Bracket	
4	330333		1	.Copper washer	D
5	415277		1	.Oil tank	
6	194401		1	.Brake master cylinder	
7	615043		3	.Conical spring washer	
8	900985		3	.Screw	
9	330330		1	.Washer	
10	190902		1	.Reducing adapter	
11	330328		2	.Washer	
12	194408		1	.Plug	
13	195038		1	.Connection	

Brake chamber

16253

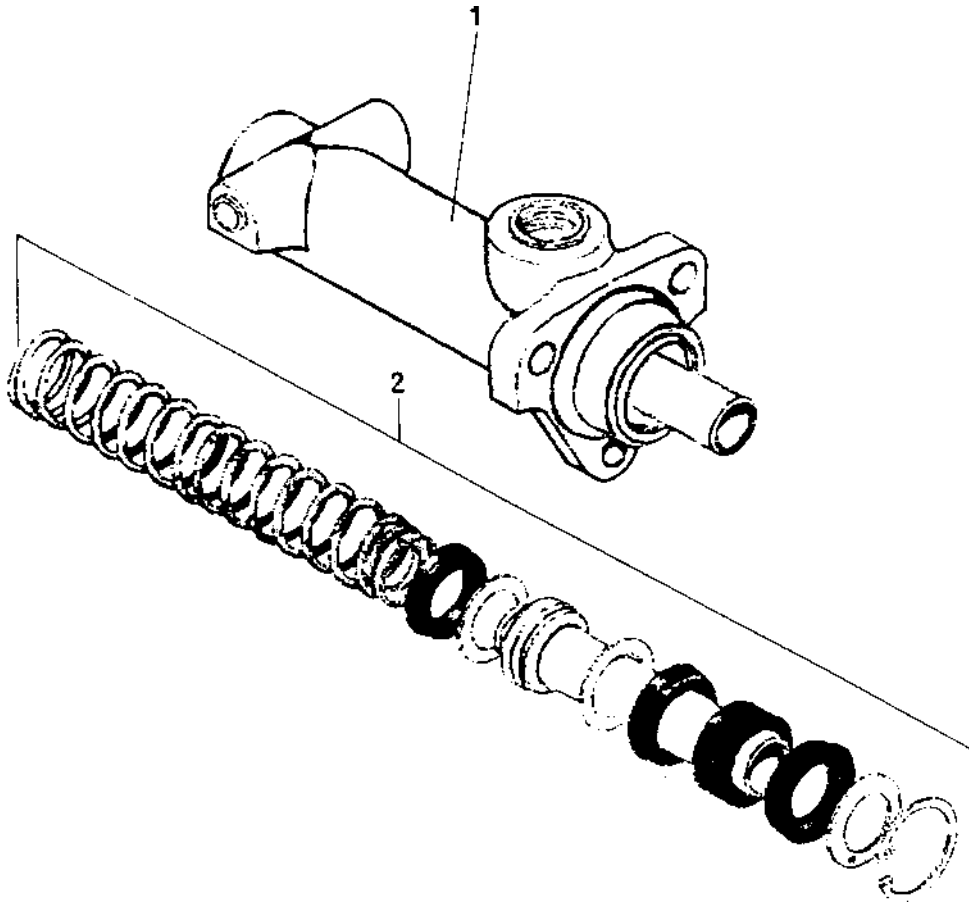


Brake chamber

Ref. No.	Part No.	Rem.	Qty	Description	Code
1	194402		1	Brake chamber	
2	195195		1	Shaft	
3	195206		1	Retaining ring	
4	195207		1	Spacer	
5	195208		1	Pin	
6	195211		1	Shaft	
7	195194		1	Locking flange	
8	195193		2	Washer	
9	195192		2	Lock nut	
10	195198		1	Spring	
11	195196		1	Cover	
12	195202		1	Clamp	
13	195203		1	Screw	
14	195204		1	Nut	
15	195201		1	Roller	
16	195199		1	Piston	
17	195212		1	Repair kit	D
18	195205		1	Gasket	
19	195209		1	Guide ring	
20	195210		1	O-ring	
21	195197		3	Filler cap	
22	195200		1	Diaphragm	

Brake master cylinder

16802

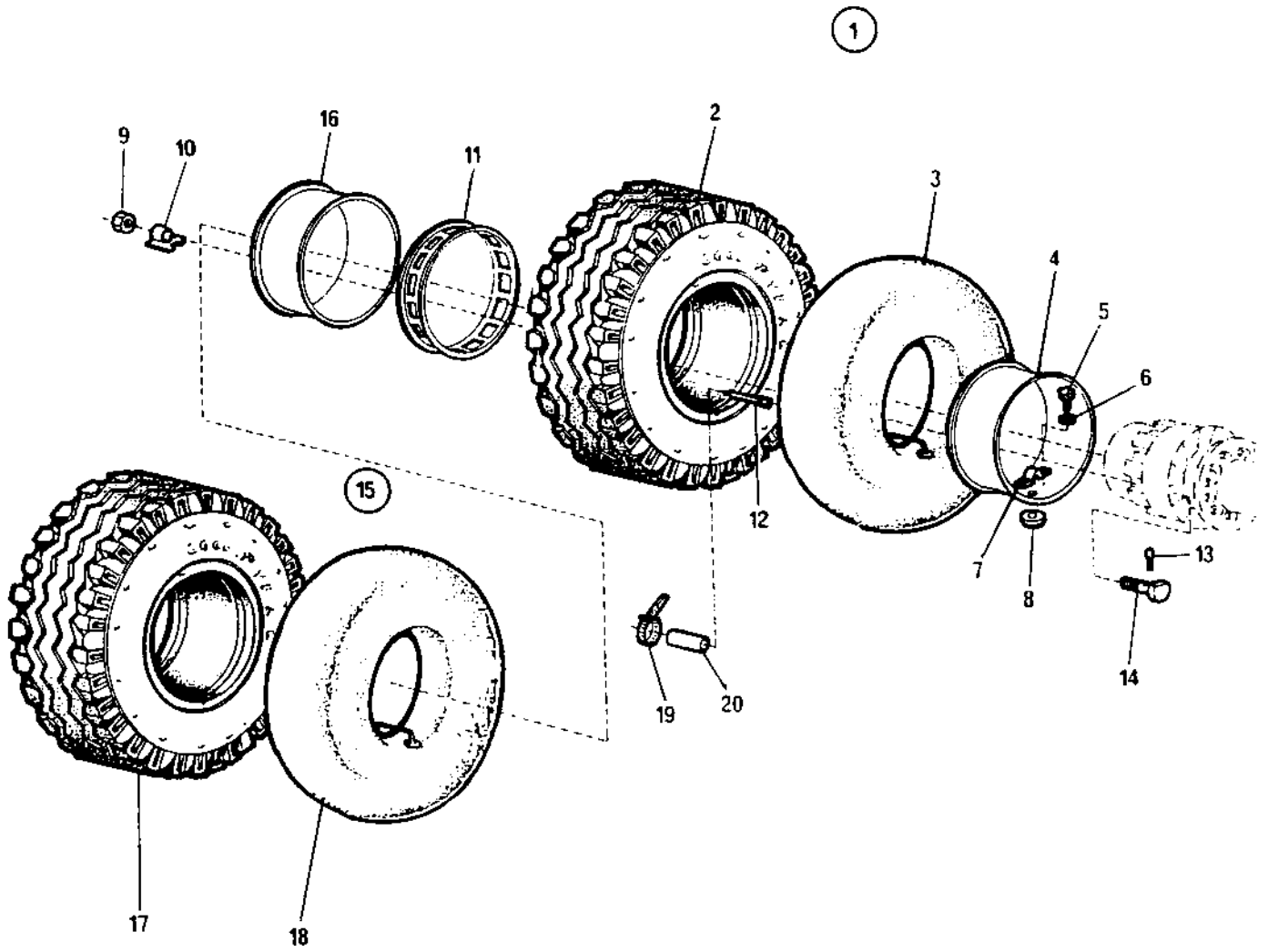


Brake master cylinder

Ref. No.	Part No.	Rem.	Qty	Description	Code
1	194401		1	Brake master cylinder	
2	195603		1	.Repair kit	

Wheel and tyre

16796



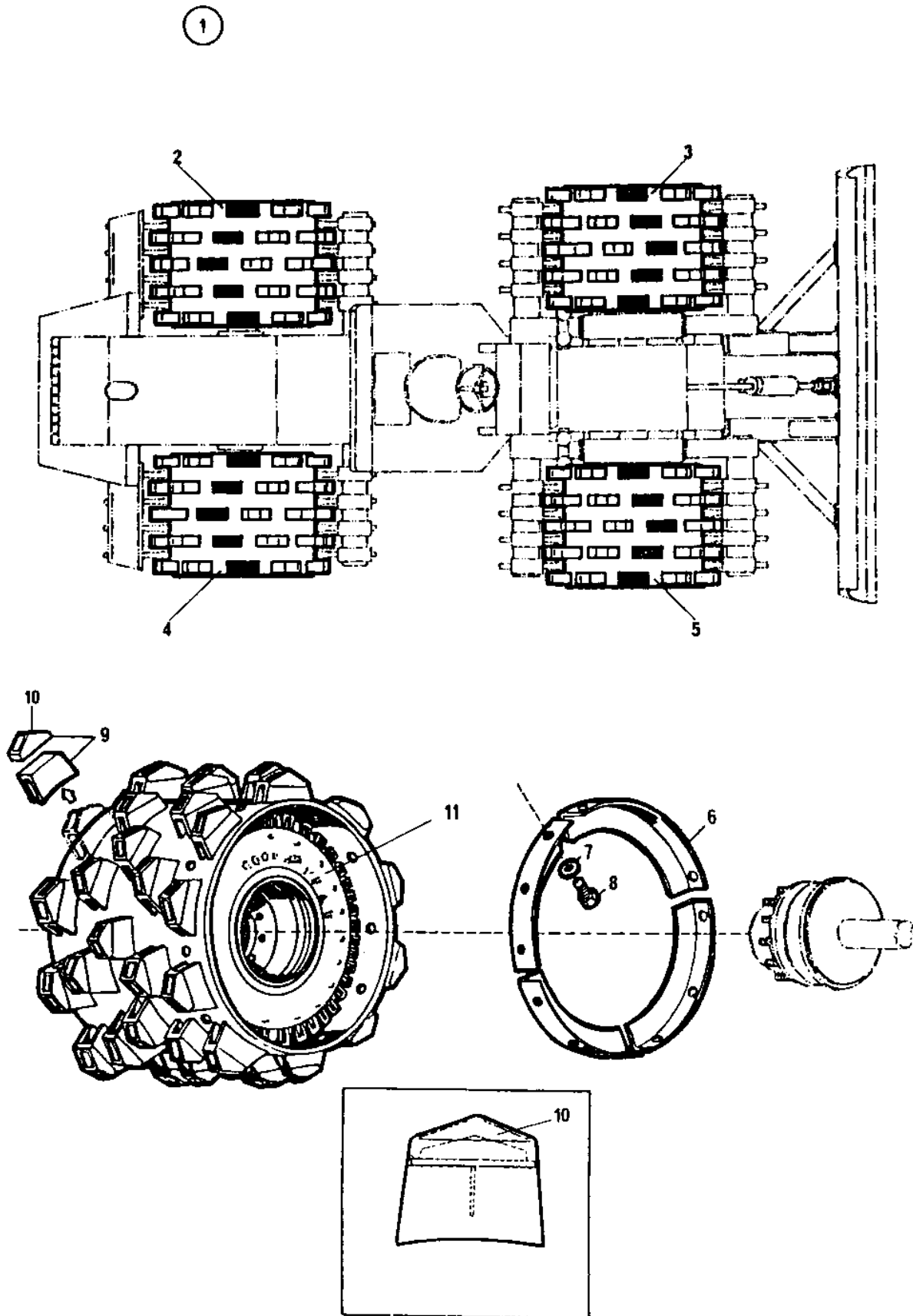
Wheel and tyre

Ref. No.	Part No.	Rem.	Qty	Description	Code
1	193885		4	Wheel and tyre, inner	
2	401104		1	.Tyre	A
3	241031		1	.Inner tube	
4	193879		1	.Wheel and tyre, outer	
5	500059		2	.Screw	
6	615042		2	.Conical spring washer	
7	241033		1	.Clamp	
8	241029		1	.Spacer	
9	192424		60	Wheel nut	
10	193887		60	Lock	
11	194767		4	Separator	
12	194846		4	Flexible expansion	
13	630008		60	Cotter pin	D
14	193886		60	Screw	
15	193884		4	Control panel, rotating becaon	
16	193879		1	.Wheel and tyre, outer	
17	401104		1	.Tyre	A
18	240901		1	.Inner tube	
19	313068		1	.Cable strap L=92MM	
20	247283	A	1	.Hose	

A) L=20 mm

Padfoot roller

16797



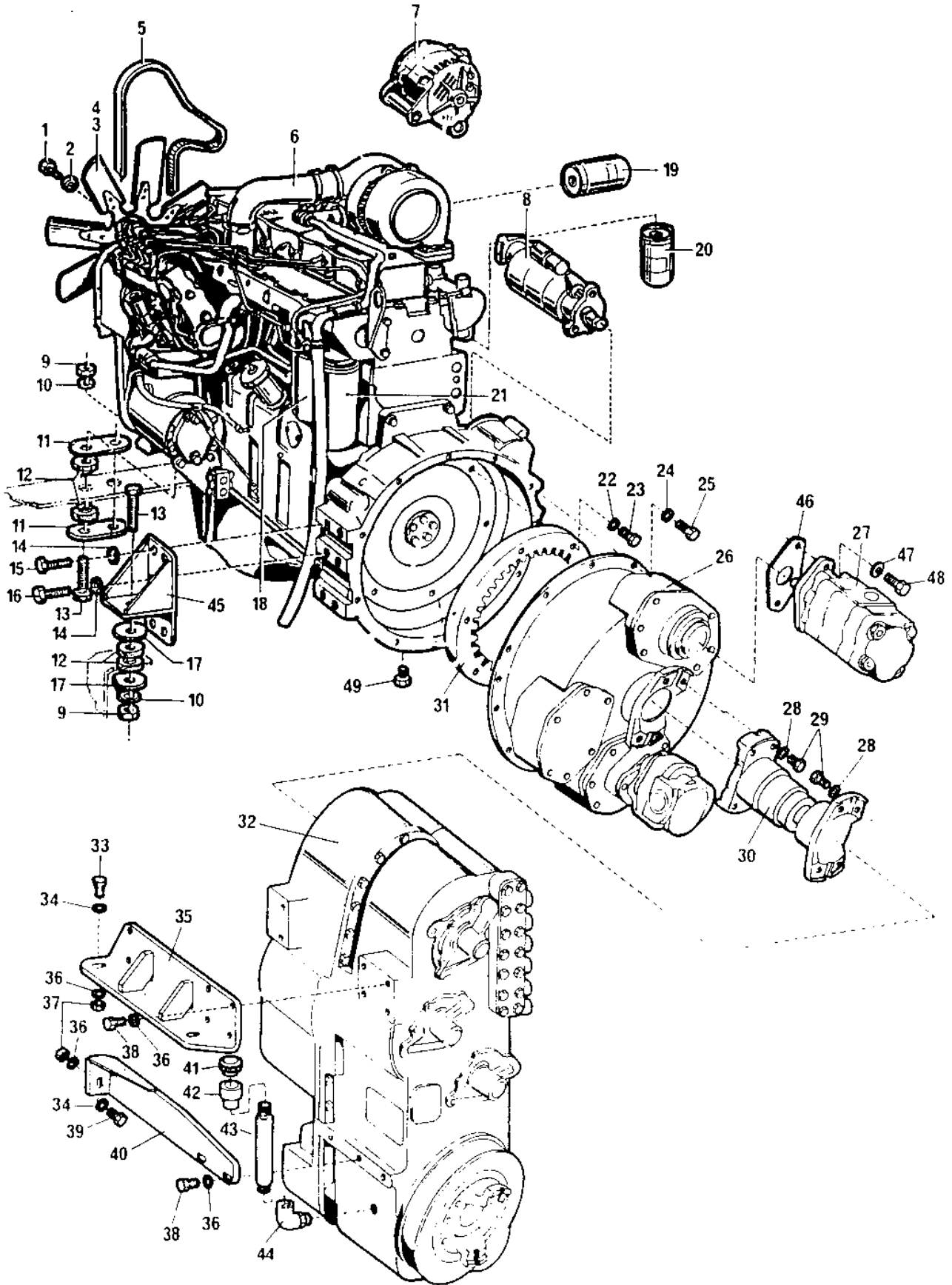
Padfoot roller

Ref. No.	Part No.	Rem.	Qty	Description	Code
1	266793		1	Compaction wheel kit 60PTN	
2	266641		1	.Rear left padfoot drum	
3	266639		1	.Front left padfoot drum	
4	266640		1	.Rear right padfoot drum	
5	266638		1	.Front right padfoot drum	
6	260083		16	.Lock	
7	603004		48	.Washer	
8	500093		48	.Screw	
9	268709		60	.Padfoot, PTN	
10	268710		60	..Foot tip	
11			4	Wheel and tyre	

Ref. No.	Part No.	Rem.	Qty	Description	Code
10			1	Engine (Page 42)	
20			1	Radiator cooler, cpl (Page 44)	
30			1	Fuel system (Page 46)	
40			1	Exhaust silencer assembly (Page 48)	
50			1	Air cleaner assembly (Page 50)	

Engine

16775

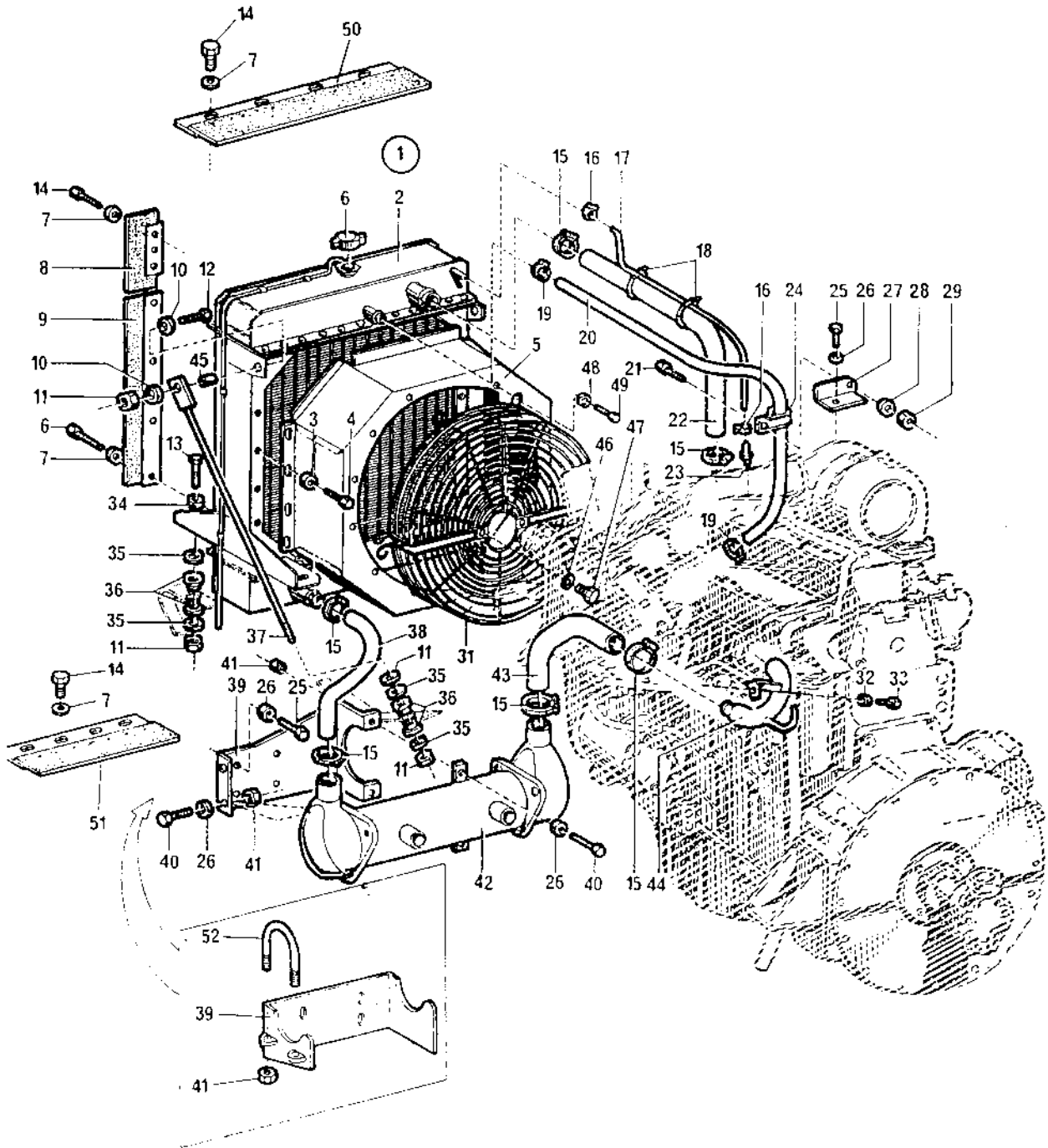


Engine

Ref. No.	Part No.	Rem.	Qty	Description	Code
1	513015		4	Screw	
2	615044		4	Conical spring washer	D
3	196732		1	Fan	
4	196733		1	Spacer	
5	241609		1	Belt	
6	196688		1	Diesel engine	
7	196730		1	Alternator	
8	196731		1	Starter motor	C
9	586116		4	Nut	
10	263357		4	Washer	
11	249311		2	Plate	
12	263355		8	Shock absorber	
13	923569		4	Screw	
14	615045		12	Conical spring washer	
15	947690		2	Screw	
16	192813		10	Screw	
17	260148		4	Washer	
18	243147		1	Fuel filter	A
19	194980		1	Water filter	A
20	192502		1	Oil filter	
21	243146		1	Fuel filter	A
22	241845		8	Washer	
23	502036		8	Screw	
24	615044		12	Conical spring washer	D
25	947683		12	Screw	
26	243129		1	Torque coverter, cpl	
27	192224		1	Hydraulic pump	C
28	240536		8	Washer	
29	248712		8	Screw	
30	243303		1	Drive shaft	
31	190455		1	Starter ring	
32	195568		1	Transmission	
33	500270		4	Screw	
34	615046		6	Conical spring washer	
35	192740		1	Bracket, right	
	192742		1	Bracket, left	
36	615046		22	Conical spring washer	
37	570008		6	Nut	
38	502184		16	Screw	
39	192817		2	Screw	
40	243712		1	Bracket, right	
	191018		1	Bracket, left	
41	232120		1	Plug	
42	192347		1	Connection	
43	243786		1	Tube	
44	243785		1	Elbow 90	
45	243861		2	Bracket	
46	243198		1	Seal ring	
47	603004		2	Washer	
48	502076		2	Screw	
49	232132		1	Plug	

Radiator cooler, cpl

16776

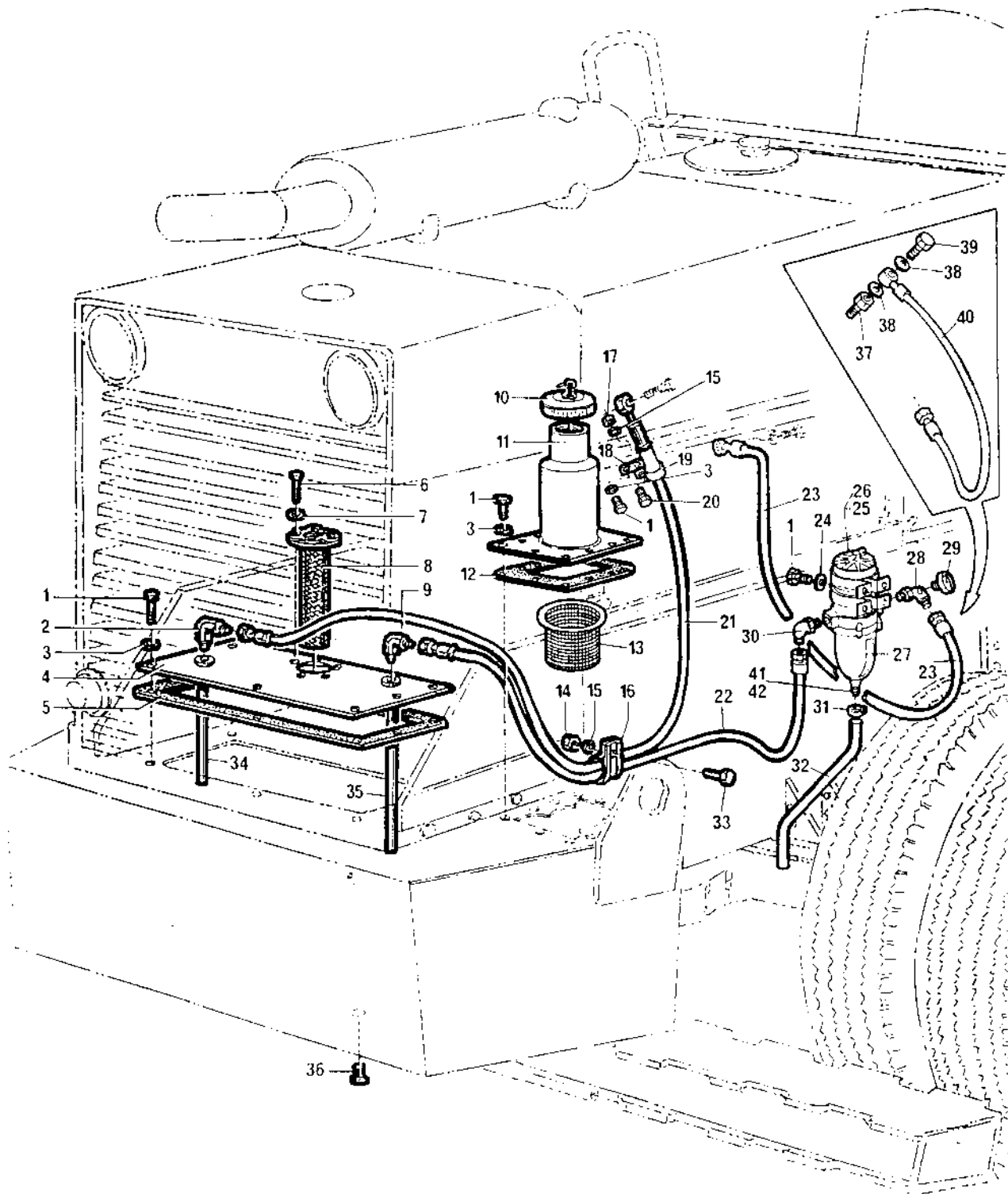


Radiator cooler, cpl

Ref. No.	Part No.	Rem.	Qty	Description	Code
1	196630		1	Radiator	
2	196631		1	.Radiator	
3	600006		8	.Washer	
4	500018		8	.Screw	
5	196632		1	.Deflector	
6	249593		1	.Cooler cap	D
7	603001		20	Washer	
8	265544		2	Protection	
9	265548		2	Protection	
10	335545		4	Washer	
11	570007		10	Nut	
12	500194		2	Screw	
13	500196		4	Screw	
14	500013		20	Screw	
15	313023		7	Hose clamp	
16	313060		2	Hose clamp	
17	246068		1	Hose	
18	313102		2	Cable strap	
19	313035		2	Clamp	D
20	249320		1	Hydraulic hose	
21	192812		1	Screw	
22	249313		1	Hose	
23	234865		1	Hose connector	
24	921102		1	Clamp	
25	947682		5	Screw	
26	615044		9	Conical spring washer	D
27	249319		1	Bracket	
28	615042		1	Conical spring washer	
29	570004		1	Nut	
30	570006		2	Nut	
31	196698		2	Fan protection	
32	615043		2	Conical spring washer	
33	947679		1	Screw	
34	603003		4	Washer	
35	242452		12	Washer	
36	242451		2	Shock absorber	
37	265542		2	Rod	
38	196690		1	Hose	
39	196692		1	Bracket	
40	500028		4	Screw	
41	570006		4	Nut	
42	196687		1	Lower part cpl.	
43	196691		1	Hose	
44	249314		1	Tube	
45	260300		2	Bushing	
46	615043		2	Conical spring washer	
47	500160		2	Screw	
48	615044		8	Conical spring washer	D
49	500280		8	Screw	
50	195166		1	Protection	
51	196694		1	Protection	
52	196693		2	Protection	

Fuel system

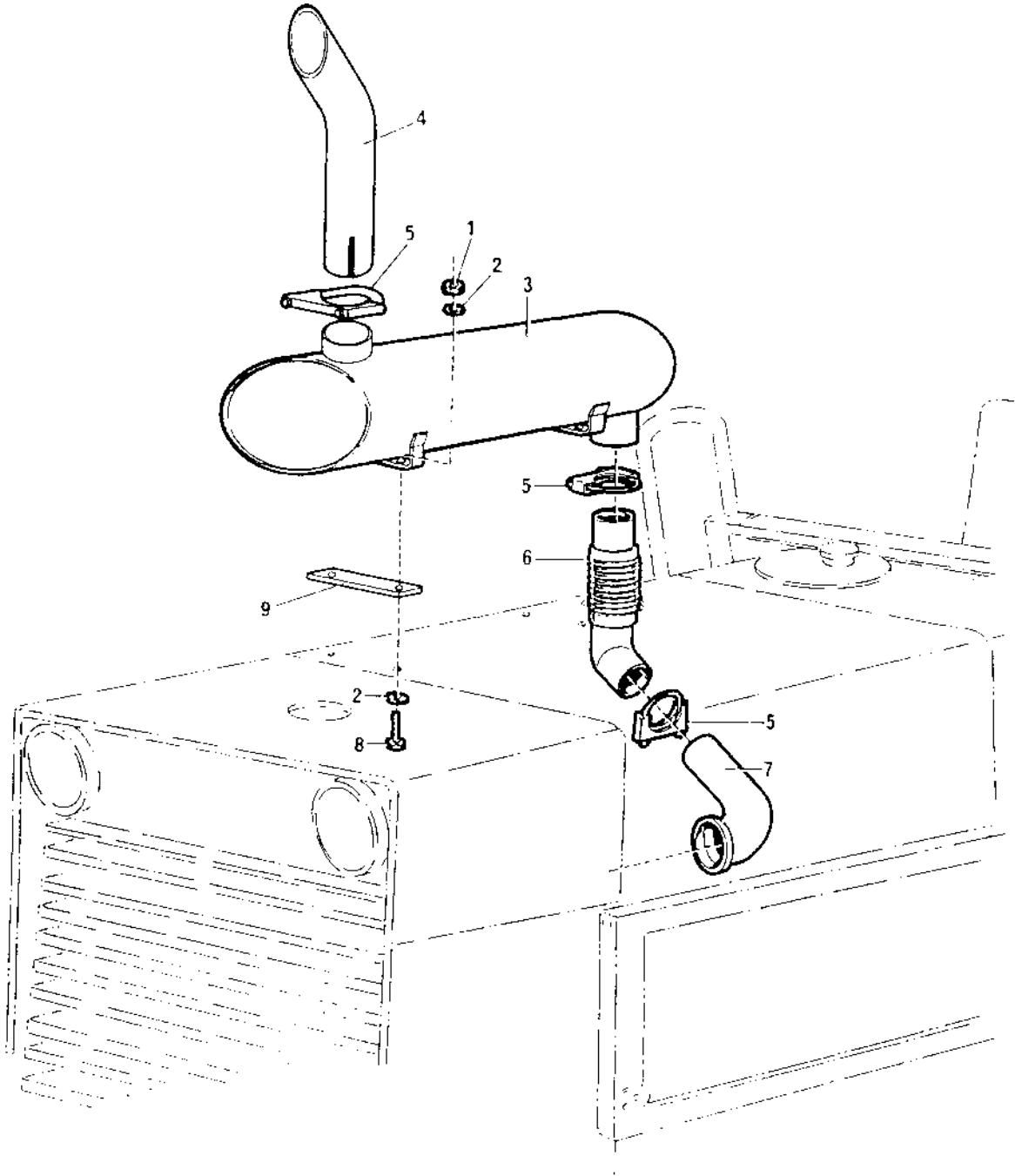
16777



Fuel system

Ref. No.	Part No.	Rem.	Qty	Description	Code
1	500028		23	Screw	
2	234340		1	Adapter	
3	600008		19	Washer	
4	243742		1	Cover	
5	243744		1	Gasket	
6	813307		5	Screw	
7	604002		5	Washer	
8	374631		1	Fuel gauge	
9	813435		1	Adapter	
10	373304		1	Cap	D
11	196466		1	Cover	
12	355412		1	Gasket	D
13	842664		1	Strainer	D
14	570004		1	Nut	
15	615042		3	Conical spring washer	
16	921108		1	Clamp	
17	570004		1	Nut	
18	261518		1	Bracket	
19	921079		1	Clamp	
20	500013		1	Screw	
21	263339		1	Hose	
22	243307		1	Hose	
23	267529		1	Hose	
24	603023		4	Washer	
25	929604		1	Fuel filter	A
26	249343		1	Filter element	A
27	249342		1	Transperent cup	
28	267546		1	Elbow 90	
29	929605		1	Pressure gauge	
30	334558		1	Adapter	
31	313060		1	Hose clamp	
32	246063		1	Hose	
33	500075		1	Screw	
34	243746		1	Nipple	
35	243745		1	Nipple	
36	813391		2	Magnetic plug	D
37	260572		1	Nipple	
38	330329		2	Washer	
39	330171		1	Hollow screw	
40	195169		1	Hose	
41	195340		1	Lever, right	
42	196509		1	O-ring	

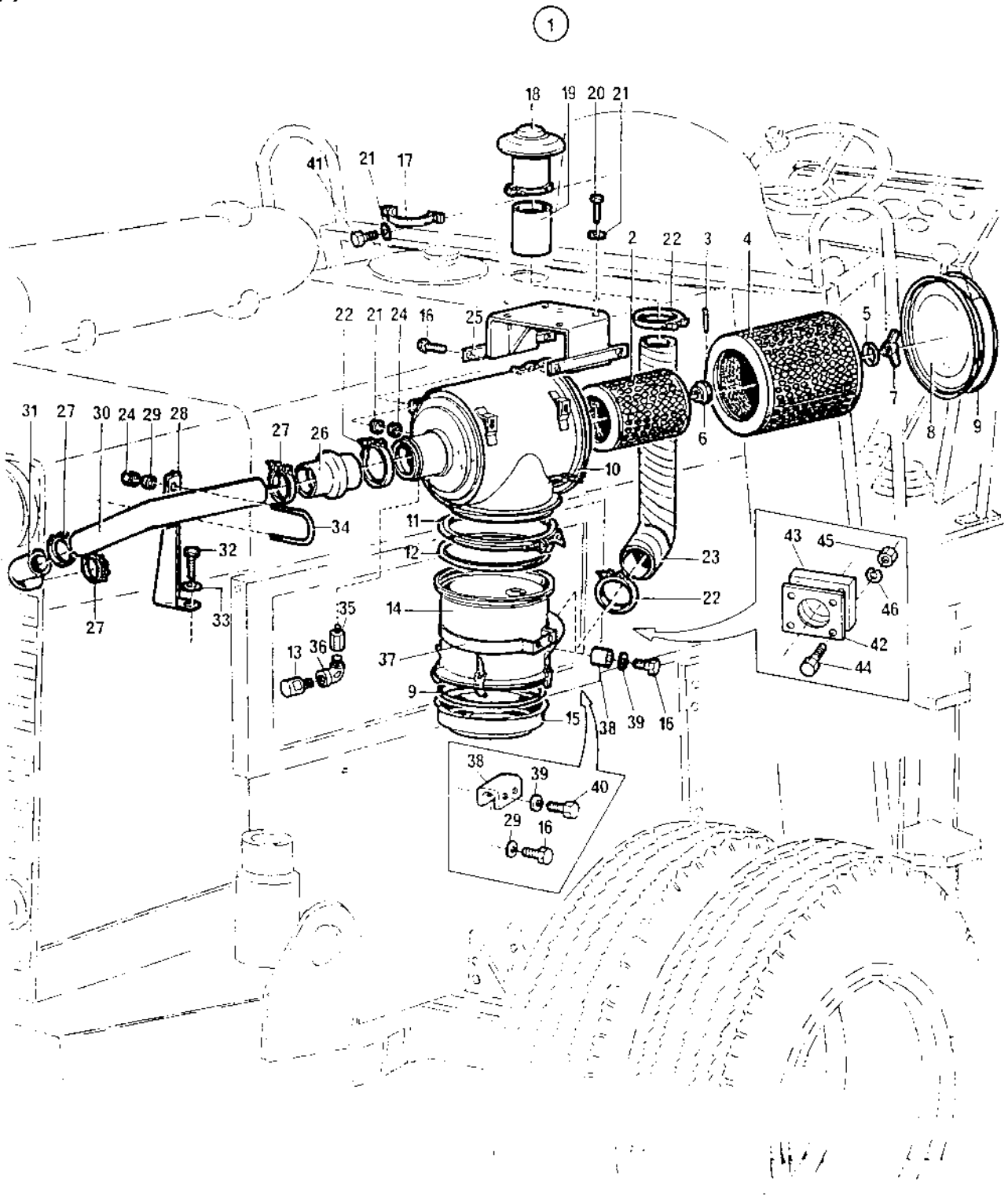
16778



Ref. No.	Part No.	Rem.	Qty	Description	Code
1	586018		4	Lock nut	D
2	615044		4	Conical spring washer	D
3	190631		1	Muffler	D
4	190632		1	Tube	
5	266938		3	Clamp	
6	192456		1	Shock absorber	
7	249285		1	Tube	
8	900329		4	Screw	
9	241983		4	Plate	

Air cleaner assembly

16779



Air cleaner assembly

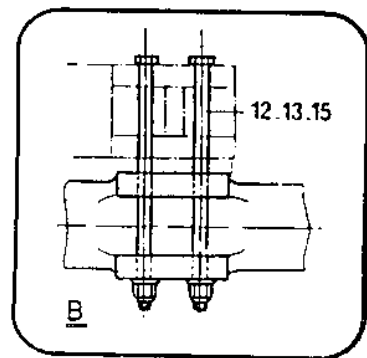
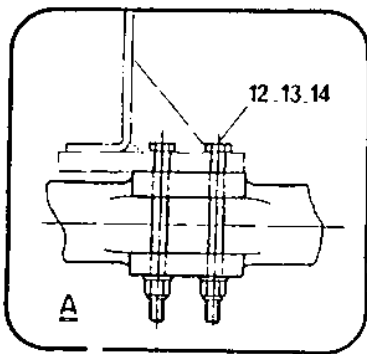
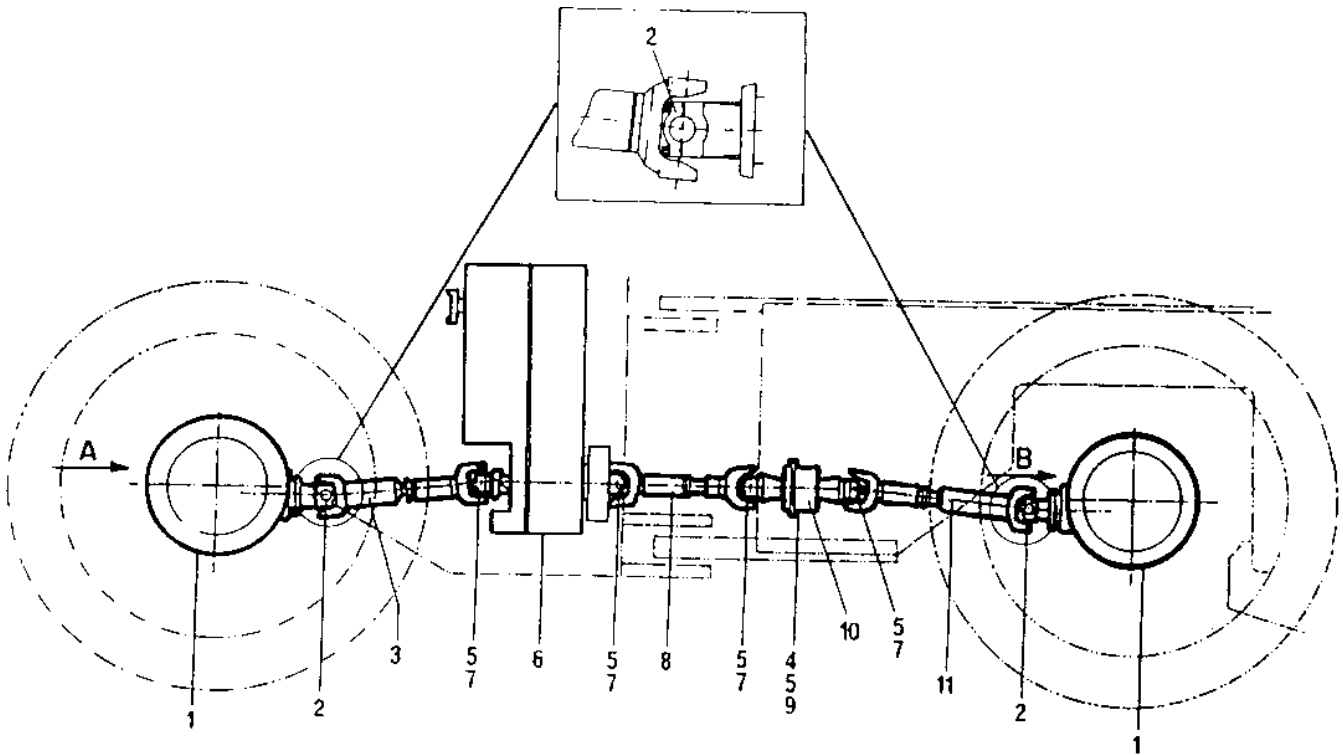
Ref. No.	Part No.	Rem.	Qty	Description	Code
1	195153		1	Air cleaner	
2	499514		1	.Filterelement	A
3	241571		1	.Pin	
4	499513		1	.Filterelement	A
5	499582		1	.Gasket	D
6	241573		1	.Nut	
7	241574		1	.Fly nut	
8	241575		1	.Cover	
9	241576		1	.Gasket	
10	241577		1	.Locking device	
11	241578		1	.Clamp	
12	241579		1	.Gasket	
13	195171		1	.Electrical restriction indicator	
14	241581		1	.Body	
15	241580		1	.Cup	
16	500280		6	Screw	
18	240238		1	Protection	
20	947695		4	Screw	
21	615046		4	Conical spring washer	
22	249808		3	Hose clamp	
24	586018		6	Lock nut	D
25	196558		1	Bracket	
26	240198		1	Hose	
27	922445		3	Test box	
28	192819		1	Bracket	
29	615044		10	Conical spring washer	D
30	192818		1	Tube	
31	249803		1	Hose	
32	900985		2	Screw	
33	615043		2	Conical spring washer	
34	240247		1	Clamp	
35	248649		1	Connector	
36	234976		1	Bend 90deg	
37	195154		1	Clamp	
38	195155		1	Spacer	
39	615045		2	Conical spring washer	
40	947687		2	Screw	
42	196568		1	Bracket	
43	196569		1	Gasket	
44	500033		4	Screw	
45	586018		4	Lock nut	D
46	615044		4	Conical spring washer	D

Transmission

Ref. No.	Part No.	Rem.	Qty	Description	Code
10			1	Drive shaft assembly (Page 54)	
20			1	Planetary axle (Page 56)	
30			1	Differential (Page 58)	
40			1	Drive shaft (Page 62)	
50			1	Transmission (Page 64)	
60			1	Transmission (Page 66)	
70			1	Transmission (Page 68)	
80			1	Transmission (Page 70)	
90			1	Transmission (Page 72)	
100			1	Transmission (Page 74)	
110			1	Transmission (Page 76)	
120			1	Circuit board (Page 78)	
130			1	Torque converter, cpl (Page 80)	
140			1	Torque converter, cpl (Page 82)	
150			1	Drive shaft (Page 84)	
160			1	Bearing assy (Page 86)	
170			1	Cardan shaft (Page 88)	

Drive shaft assembly

16780



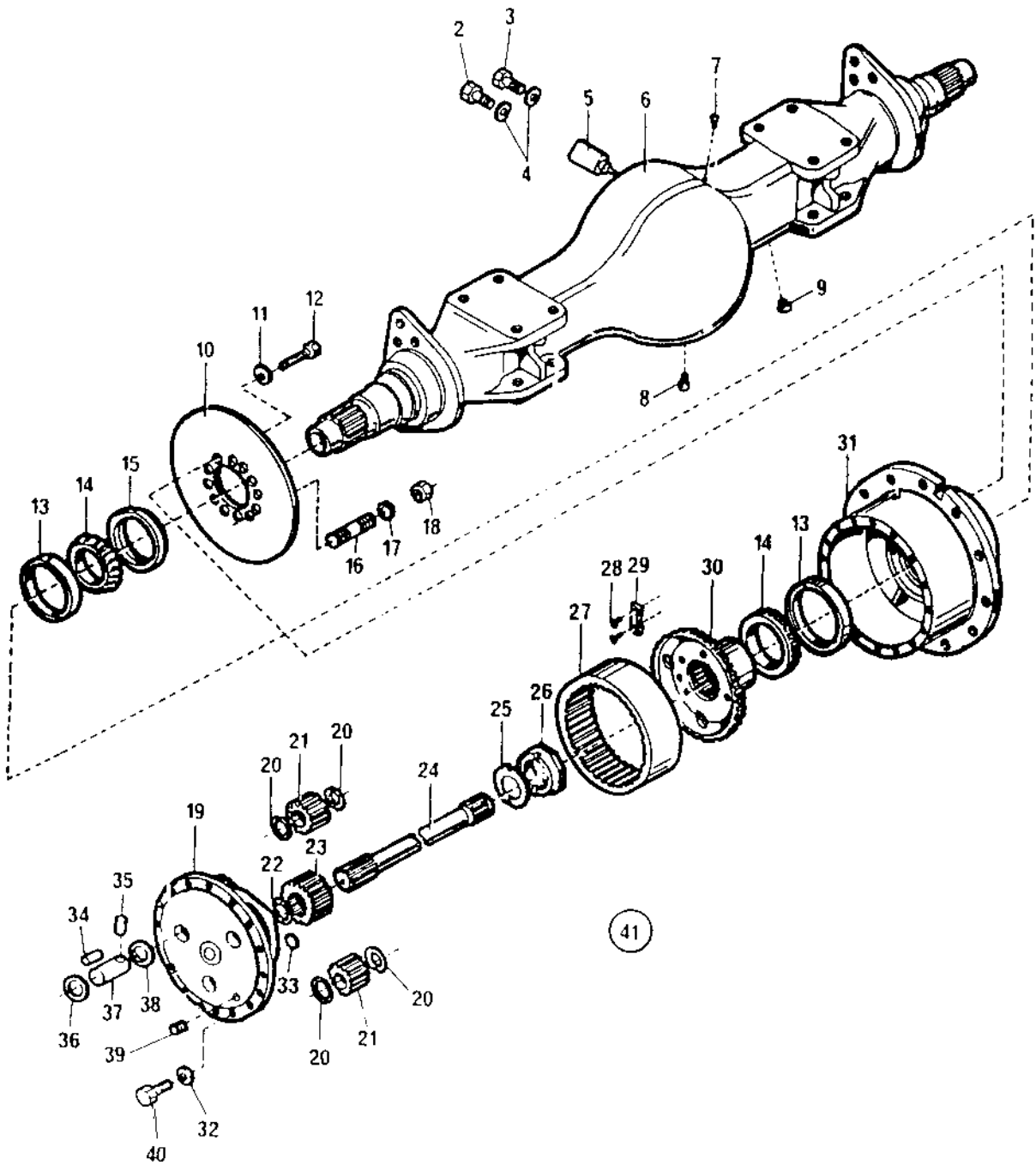
Drive shaft assembly

Ref. No.	Part No.	Rem.	Qty	Description	Code
1	193757		2	Planetary axle	
2	240522		4	Clamp assembly	
3	190097		1	Drive shaft	
4	570007		4	Nut	
5	240536		20	Washer	
6	195568		1	Transmission	
7	248712		16	Screw	
8	190098		1	Drive shaft	
9	925519		4	Screw	
10	190099		1	Bearing assy	
11	240524		1	Cardan shaft	
12	266816		8	Screw	
13	586112		16	Locking nut	
14	603005		16	Washer	
15	266825		8	Screw	

Planetary axle

16781

1



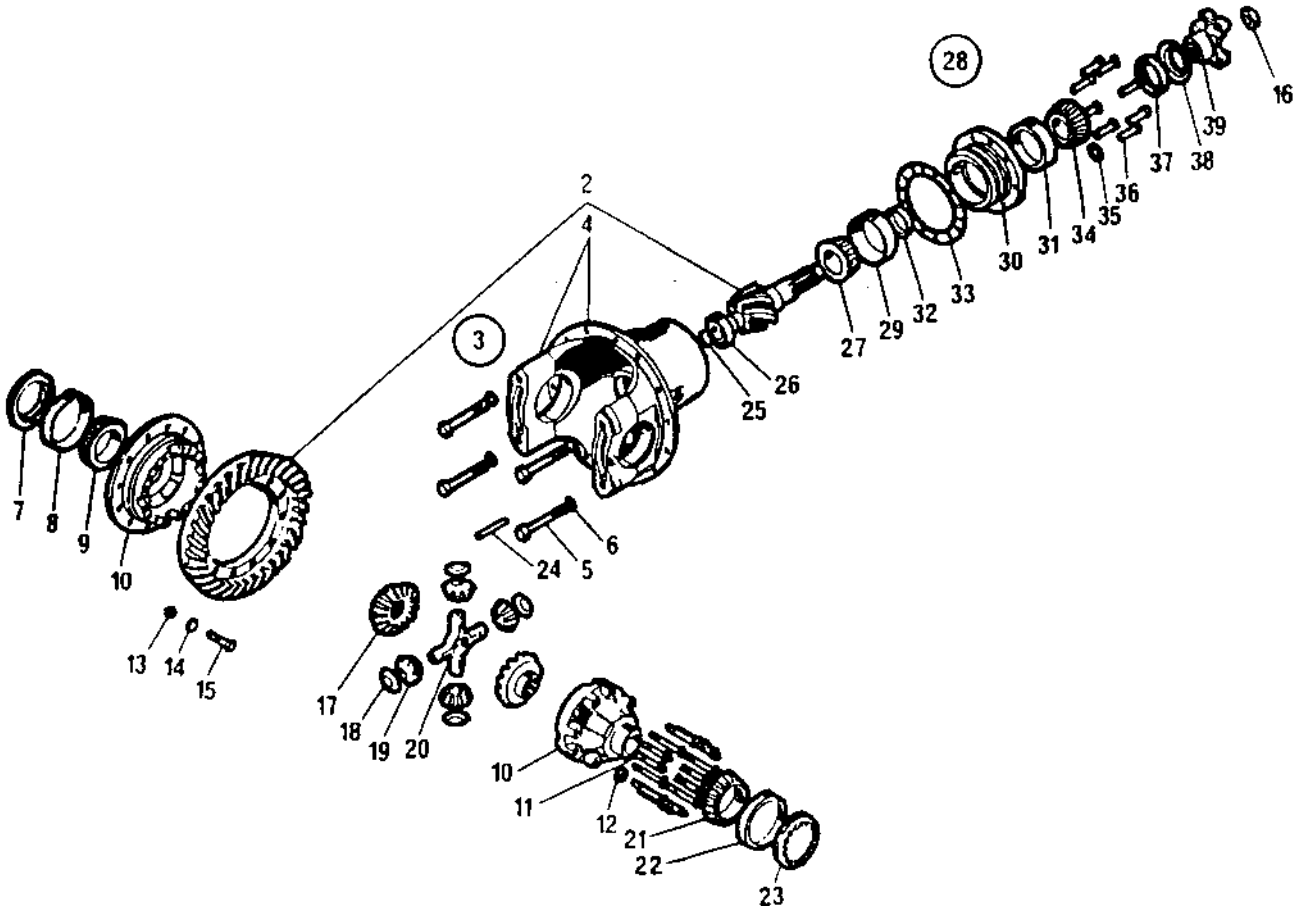
Planetary axle

Ref. No.	Part No.	Rem.	Qty	Description	Code
1	193757		1	Planetary axle	
2	922524		8	.Screw	
3	192655		4	.Screw	
4	813953		12	.Washer	
5	923640		CN	.Gasket	
6	194672		1	.Housing	
7	415280		1	.Breather	
8	926388		1	.Plug	
9	814034		1	.Plug	
10	247503		2	.Disc	
11	813953		32	.Washer	
12	922524		24	.Screw	
13	192659		4	.Bearing cup	
14	242641		4	.Bearing cone	
15	249344		2	.Seal ring	
16	242643		8	.Stud	
17	242647		8	.Washer	
18	922532		8	.Nut	
19	194674		2	.Gear box	
20	192671		12	.Washer	
21	122670		6	.Planet pinion	
22	922473		2	.Snap ring	
23	192663		2	.Gear	
24	192656		1	.Rubber sealing	
	192657		1	.Back-up ring	
25	922476		2	.Washer	
26	922534		2	.Nut	
27	192664		2	.Ring gear	
28	922519		4	.Screw	
29	922547		2	.Lock	
30	192662		2	.Gear flange	
31	194673		2	.Hub	
32	416223		60	.Washer	
33	192673		2	.Back stop	
34	192668		288	.Roller	
35	192669		6	.Expanding ring	
36	192672		6	.O-ring	
37	192666		6	.Gear axle	
38	192667		6	.Spacer	
39	267537		2	.Plug	
40	922521		60	.Screw	
41	194669		1	.Differential	

Differential

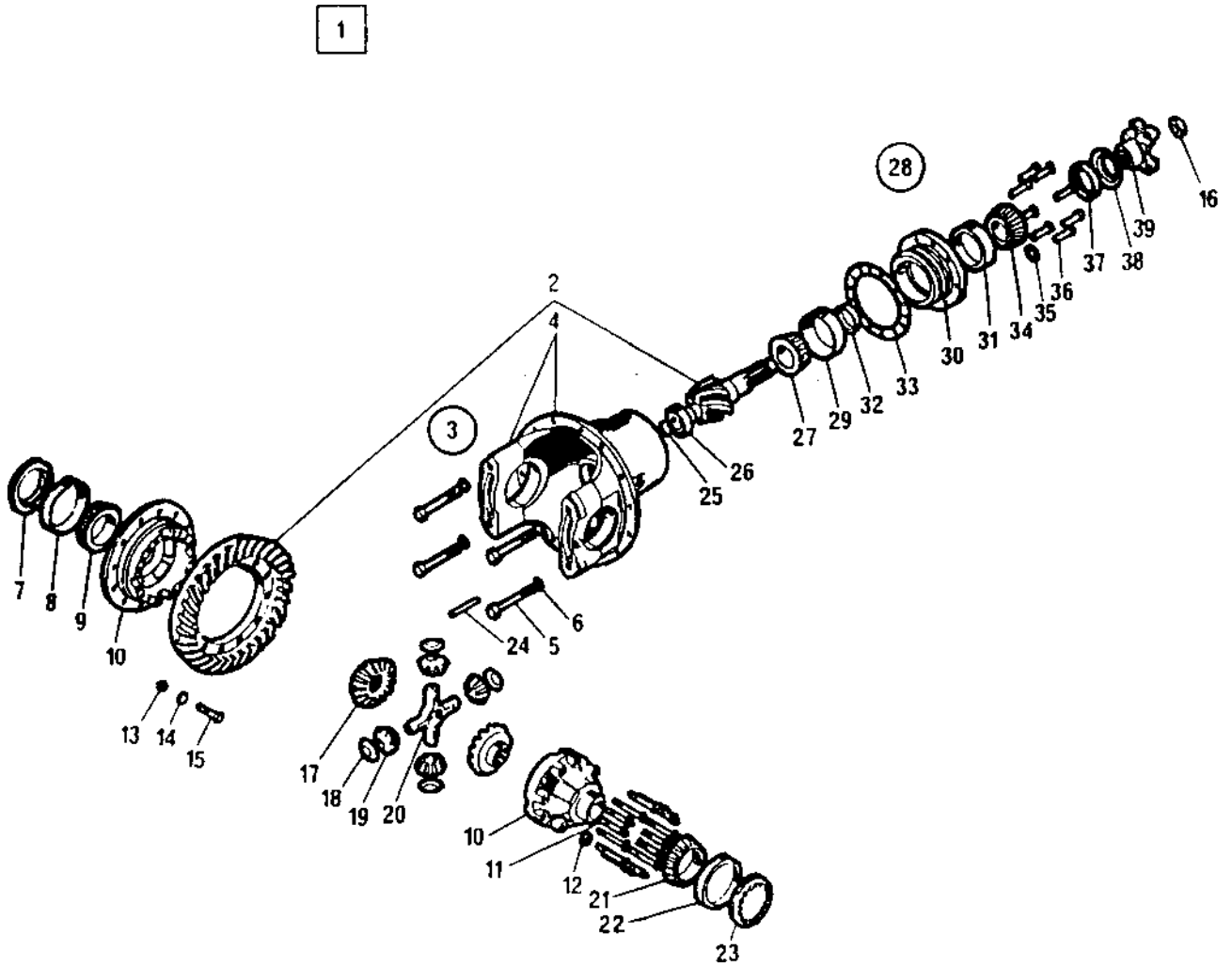
16782

1



Differential

Ref. No.	Part No.	Rem.	Qty	Description	Code
1	194669		1	Differential	
2	194671		1	.Drive pinion and gear	
3	192589		1	.Differential carrier	
4	416254		1	..Differential carrier	
5	192591		4	..Screw	
6	242488		4	..Washer	
7	192605		2	.Adjusting ring	
8	192604		1	.Bearing cup	
9	192603		1	.Diode lamp, red	
10	194670		1	.Differential carrier	
11	192599		12	..Screw	
12	192651		12	..Washer	
13	192602		12	..Nut	
14	416250		12	..Washer	
15	192601		12	..Screw	
16	192611		1	.Nut	
17	192596		2	.Differential side gear	
18	192594		4	.Washer	
19	192593		4	.Differential pinion	
20	192595		1	.Insert, cpl	
21	242493		1	.Bearing cone	
22	242492		1	.Bearing cup	
23	242491	CN		.Adjusting ring	
24	242490		2	.Expanding pin	
25	192607		1	.Snap ring	
26	192606		1	.Bearing	
27	192652		1	.Bearing cone	
28	192612		1	.Pinion housing	
29	192613		1	.Decal, fuel	
31	416361		1	..Bearing cup	
32	192614	CN		.Shim 18,30	
	192632	CN		.Shim 18,77	
	192633	CN		.Shim 18,79	
	192634	CN		.Shim 18,82	
	192635	CN		.Shim 18,85	
	192636	CN		.Shim 18,87	
	192637	CN		.Shim 18,90	
	192638	CN		.Shim 18,90	
	192639	CN		.Shim 18,95	
	192640	CN		.Shim 18,98	
	192641	CN		.Shim 19,00	
	192642	CN		.Shim 19,03	
	192643	CN		.Shim 19,05	
	192644	CN		.Shim 19,08	
	192645	CN		.Shim 19,11	
	192646	CN		.Shim 19,13	
	192647	CN		.Shim 19,16	
	192648	CN		.Shim 19,18	
	192649	CN		.Shim 19,21	
	192615	CN		.Shim 18,33	
	192616	CN		.Shim 18,35	
	192617	CN		.Shim 18,38	
	192618	CN		.Shim 18,40	
	192619	CN		.Shim 18,43	

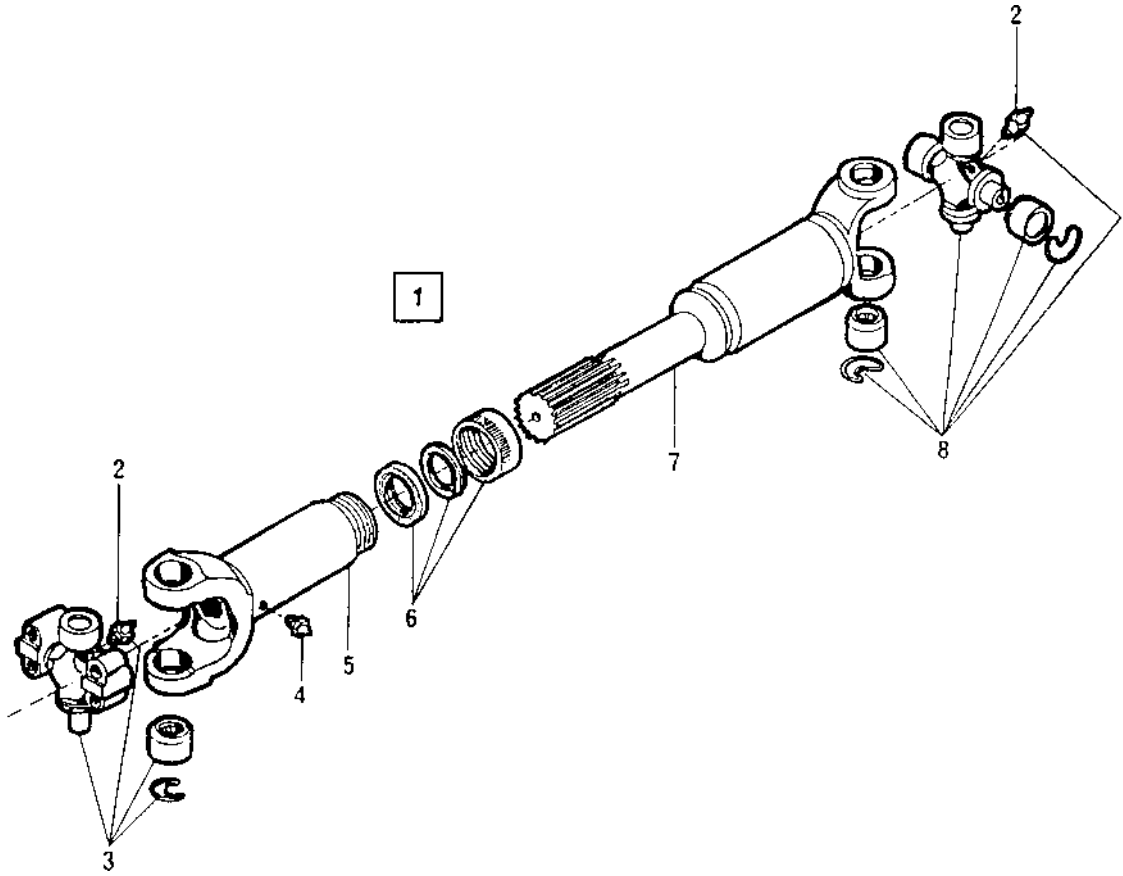


Differential

Ref. No.	Part No.	Rem.	Qty	Description	Code
32	192620		CN	.Shim 18,46	
	192621		CN	.Shim 18,48	
	192622		CN	.Shim 18,51	
	192623		CN	.Shim 18,53	
	192624		CN	.Shim 18,56	
	192625		CN	.Shim 18,59	
	192626		CN	.Shim 18,61	
	192627		CN	.Shim 18,64	
	192628		CN	.Shim 18,66	
	192629		CN	.Shim 18,69	
	192630		CN	.Shim 18,72	
	192631		CN	.Shim 18,74	
	33	192608		3	.Shim 0,08
192609			2	.Shim 0,13	
192610			1	.Shim 0,26	
34	242485		1	.Bearing cone	
35	242481		8	.Washer	
36	242480		8	.Screw	
37	242476		1	.Seal ring	
38	242475		1	.Input yoke	
39	192653		1	..Deflector	

Drive shaft

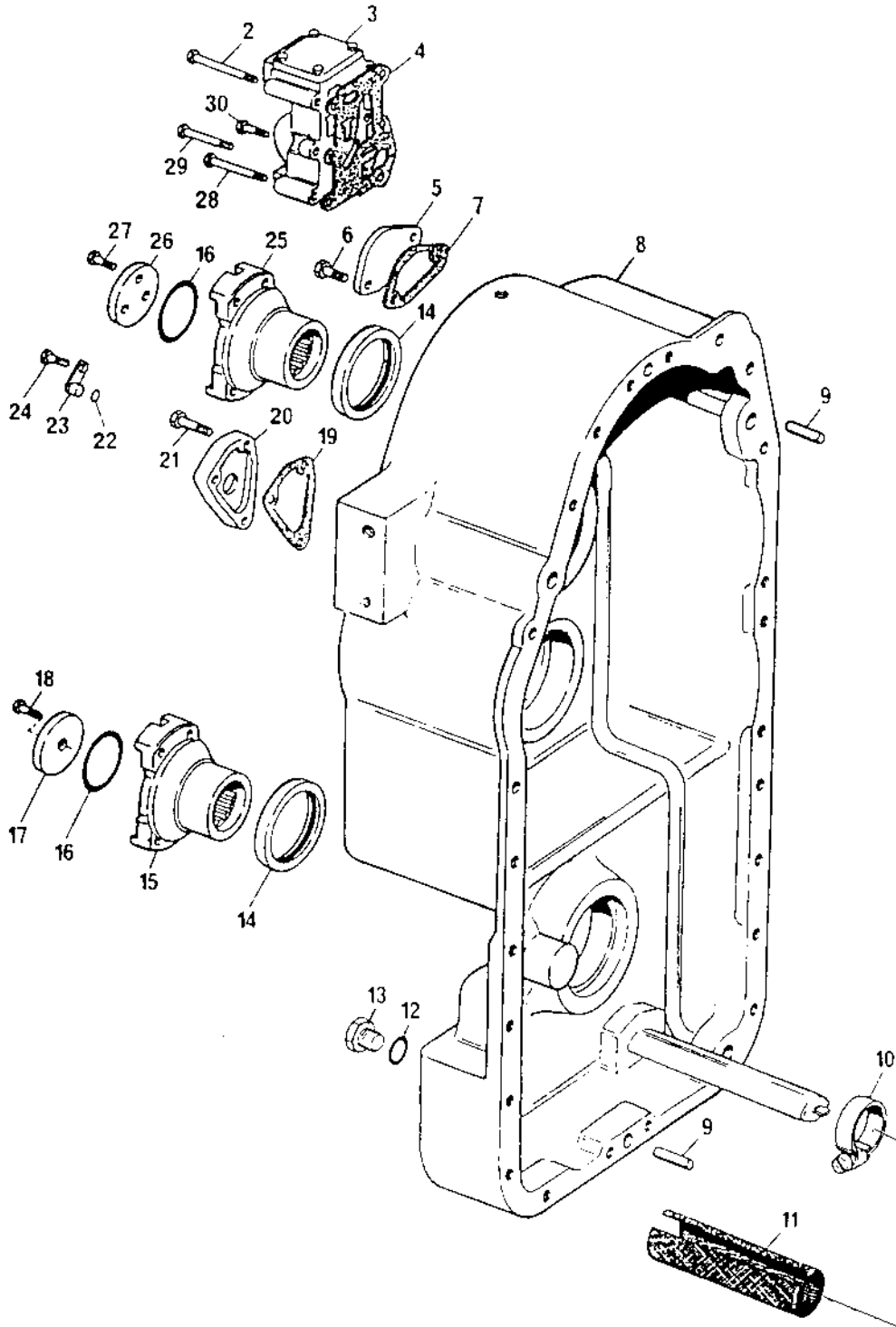
16783



Drive shaft

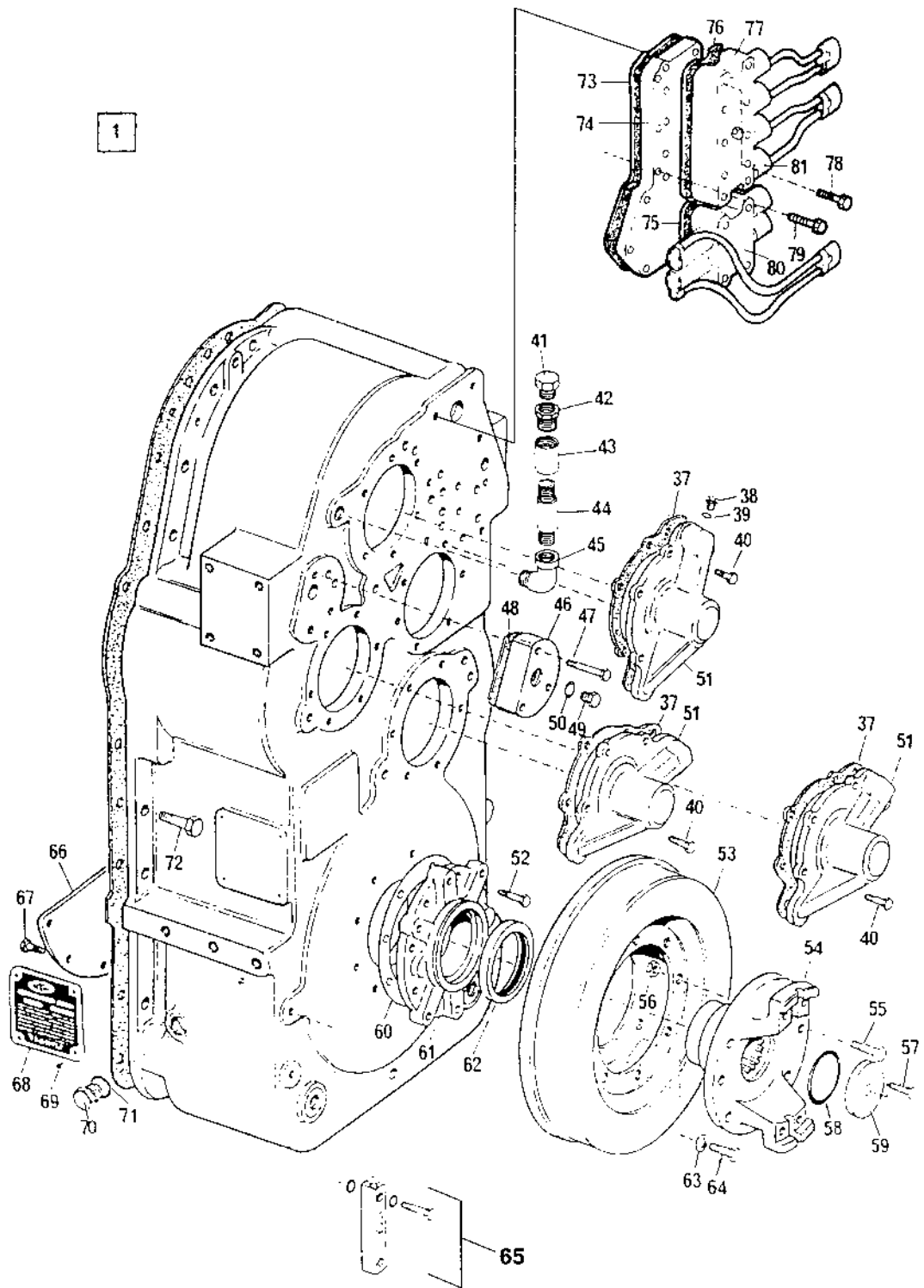
Ref. No.	Part No.	Rem.	Qty	Description	Code
1	190007		1	Drive shaft	
2	310008		2	.Grease nipple	D
3	929488		1	.Universal joint cross	D
4	310028		1	.Grease nipple	D
5			1	.Slip yoke	D
6	929486		1	.Coupling kit	
7			1	.Tube shaft	
8	241644		1	.Universal joint cross	D

1



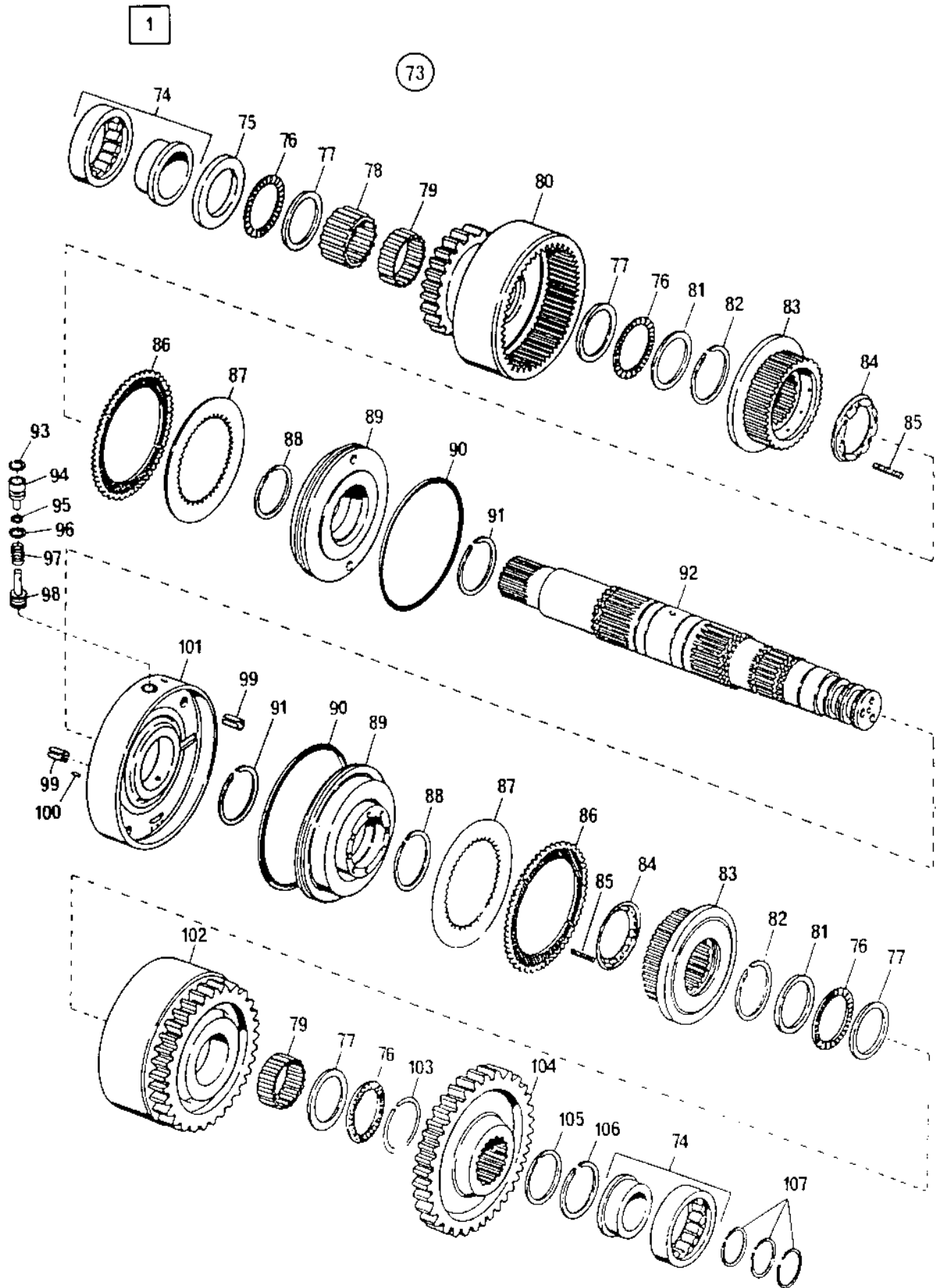
Transmission

Ref. No.	Part No.	Rem.	Qty	Description	Code
1	195568		1	Transmission	
2	190204		3	.Screw	
3	190205		1	.Valve	
4	190206		1	.Gasket	
5	190207		1	.Cover	
6	190208		2	.Screw	
7	190209		1	.Gasket	
8	190210		1	.Housing	
9	190211		2	.Pin	
10	190212		2	.Clamp	
11	190213		1	.Screen	
12			1	.Ring	
13			1	.Plug	
14	190214		2	.Seal ring	
15	190215		1	.Fork link	
16	190216		2	.Ring	
17	190217		1	.Washer	
18	190218		1	.Screw	
20	190220		1	.Cover	
21	190221		3	.Screw	
22	190222		1	.Ring	
23	190223		1	.Calibration lever	
24	190224		1	.Screw	
25	190225		1	.Fork link	
26	190226		1	.Washer	
27	190227		3	.Screw	
28	190228		1	.Screw	
29	190229		1	.Screw	
30	190230		1	.Screw	



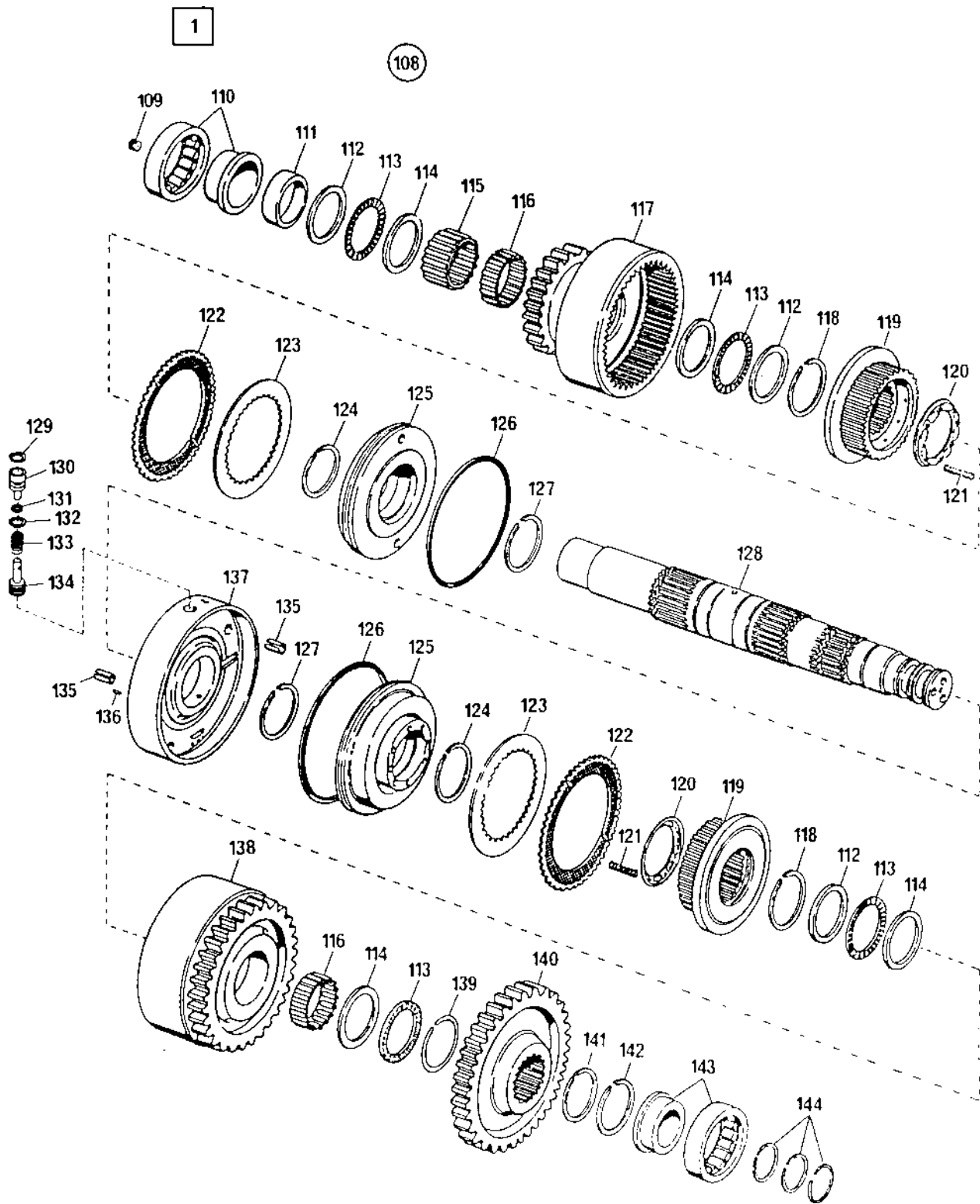
Transmission

Ref. No.	Part No.	Rem.	Qty	Description	Code
1	195568		1	Transmission	
31	190231		1	.Gasket	
32	190232		1	.Housing	
37	190237		3	.Gasket	
38	190238		3	.Plug	
39	190239		3	.Ring	
40	190240		18	.Screw	
41	190241		1	.Breather	
42	190242		1	.Bushing	
43	190243		1	.Coupling	
44	190245		1	.Nipple	
45	190246		1	.Elbow	
46	190247		1	.Cover	
47	190221		3	.Screw	
48	190248		1	.Gasket	
49	190239		1	.Ring	
50	190249		1	.Ring	
51	190250		3	.Cover	
52	190251		8	.Screw	
53	190252		1	.Parking brake	
54	190253		1	.Fork link	
55	190254		6	.Screw	
56	190255		6	.Nut	
57	190218		1	.Screw	
58	190216		1	.Ring	
59	190217		1	.Washer	
60	190256		CN	.Shim 0,005	
	190257		CN	.Shim 0,007	
	190258		CN	.Shim 0,020	
61	190259		1	.Seal ring carrrier	
62	190260		1	.Seal ring	
63	190261		6	.Washer	
64	190262		6	.Screw	
65	190263		1	.Oil level glass	
66	190264		1	.Baffle	
67	190265		6	.Screw	
68	190266		1	.Decal	
69	190267		4	.Rivet	
70	190268		1	.Plug	
71	190269		1	.Ring	
72	190270		25	.Screw	
73	195797		1	.Gasket	
74	195800		1	.Plate	
75	195799		1	.Gasket	
76	195798		1	.Gasket	
77	195791		1	.Valve assembly	
78	195803		14	.Screw	
79	195804		11	.Screw	
80	195805		1	.Valve assembly	
81	190391		6	.Solenoid	



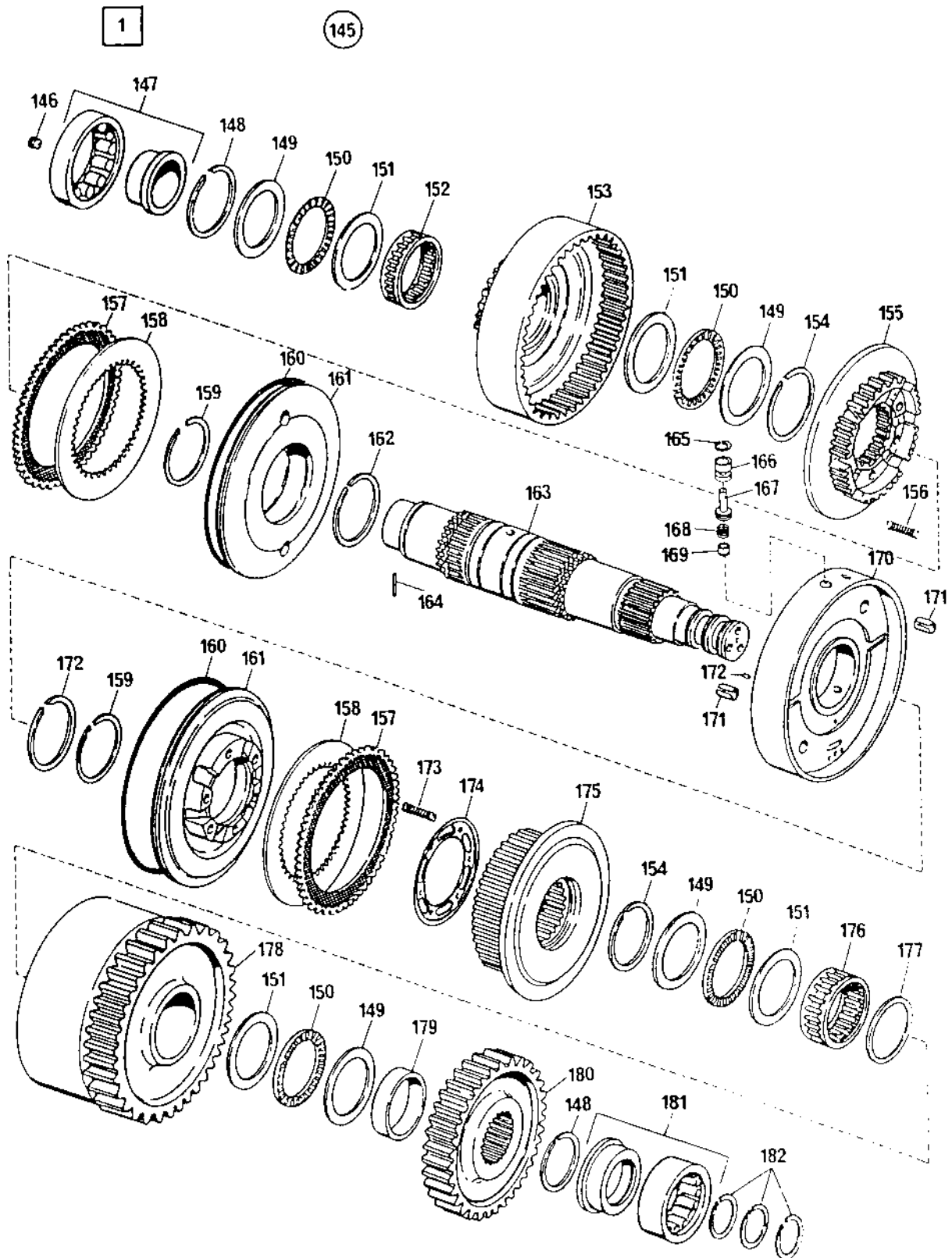
Transmission

Ref. No.	Part No.	Rem.	Qty	Description	Code
1	195568		1	Transmission	
73	190271		1	..Clutch, cpl	
74	190272		2	..Bearing	
75	190273		1	..Spacer	
76	190274		4	..Bearing	
77	190275		4	..Washer	
78	190276		1	..Bearing	
79	190277		2	..Bearing	
80	190278		1	..Tee connector	
81	190279		2	..Washer	
82	190280		2	..Ring	
83	190281		2	..Clutch hub	
84	190282		2	..Seal ring	
85			16	..Spring	
86	190283		16	..Plate	
87	190284		16	..Tee-connector o-ring	
88	190285		2	..Ring	
89	190286		2	..Piston	
91	190280		2	..Ring	
92	190288		1	..Shaft	
93	190289		2	..Ring	
94	190290		2	..Bushing	
95	190291		2	..Support	
96	190292		CN	..Shim	
	190293		CN	..Shim	
97	190294		2	..Spring	
98	190295		2	..Valve	
99	190296		2	..Gasket	
100	190297		4	..Lock pin	
101	190298		1	..Housing	
102	190299		1	..Gear set	
103	190300		1	..Ring	
104	190301		1	..Gear	
105	190302		1	..Ring	
106	190303		1	..Ring	
107	190304		3	..Ring	



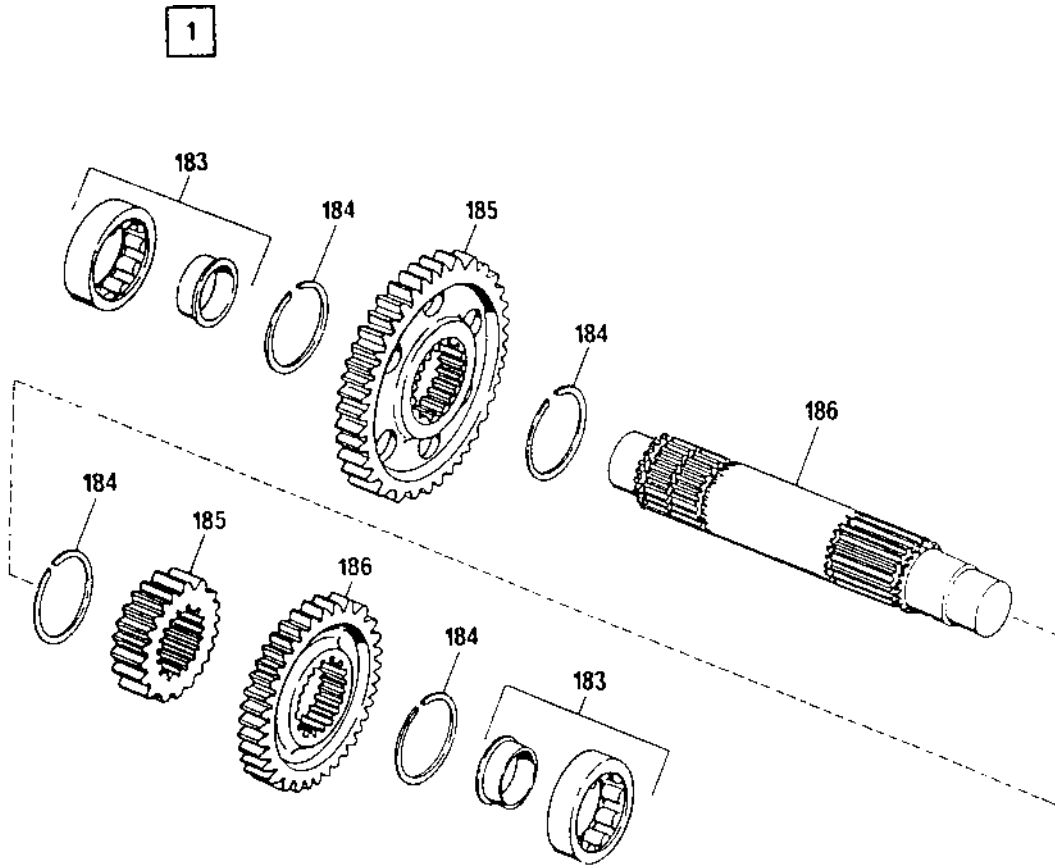
Transmission

Ref. No.	Part No.	Rem.	Qty	Description	Code
1	195568		1	Transmission	
108	190305		1	..Clutch, cpl	
109	190306		1	..Plug	
110	190272		2	..Bearing	
111	190307		1	..Spacer	
112	190275		3	..Washer	
113	190274		4	..Bearing	
114	190275		4	..Washer	
115	190276		1	..Bearing	
116	190277		2	..Bearing	
117	190278		1	..Tee connector	
118	190280		2	..Ring	
119	190281		2	..Clutch hub	
120	190282		2	..Seal ring	
121	190308		16	..Spring	
122	190283		16	..Plate	
123	190284		16	..Tee-connector o-ring	
124	190285		2	..Ring	
125	190286		2	..Piston	
126	190287		2	..Ring	
127	190280		2	..Ring	
128	190309		1	..Shaft	
129	190289		2	..Ring	
130	190290		2	..Bushing	
131	190291		2	..Support	
132	190292		CN	..Shim	
	190293		CN	..Shim	
133	190294		2	..Spring	
134	190295		2	..Valve	
135	190296		2	..Gasket	
136	190297		4	..Lock pin	
137	190298		1	..Housing	
138	190299		1	..Gear set	
139	190300		1	..Ring	
140	190301		1	..Gear	
141	190302		1	..Ring	
142	190303		1	..Ring	
143	190272		2	..Bearing	



Transmission

Ref. No.	Part No.	Rem.	Qty	Description	Code
1	195568		1	Transmission	
145	190310		1	..Clutch, cpl	
146	190306		1	..Plug	
147	190311		1	..Bearing	
148	190312		2	..Ring	
149	190313		4	..Washer	
150	190314		4	..Bearing	
151	190315		4	..Washer	
152	190316		1	..Elbow 90	
153	190317		1	..Gear set	
154	190318		2	..Ring	
155	190319		1	..Clutch hub	
156	190320		6	..Spring	
157	190321		12	..Clutch plate	
158	190322		12	..Tee-connector o-ring	
159	190323		2	..Ring	
160	190324		2	..Ring	
161	190325		2	..Piston	
162	190318		2	..Ring	
163	190326		1	..Shaft	
164	190327		1	..Pin	
165	190289		2	..Ring	
166	190328		2	..Bushing	
167	190329		2	..Valve	
168	190330		2	..Spring	
169	190331		2	..Valve	
170	190332		1	..Housing, cpl	
171			2	..Gasket	
172			1	..Pin	
173	190320		6	..Spring	
174	190333		1	..Seal ring	
175	190334		1	..Clutch hub	
176	190335		1	..Bearing	
177	190336		1	..Spacer	
178	190337		1	..Gear set	
179	190338		1	..Spacer	
180	190339		1	..Gear	
181	190340		1	..Bearing	
182	190304		3	..Ring	



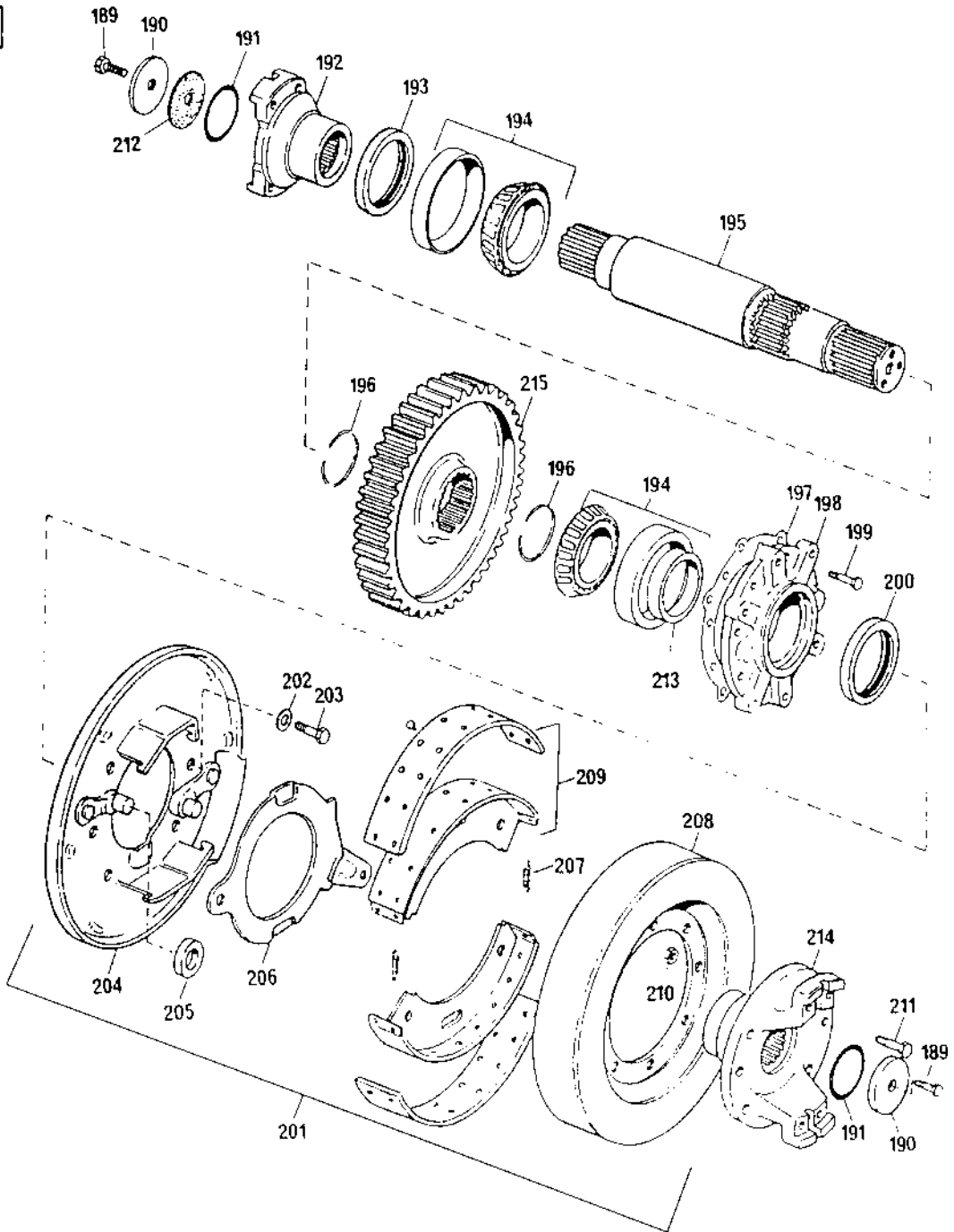
Transmission

Ref. No.	Part No.	Rem.	Qty	Description	Code
1	195568		1	Transmission	
183	190341		2	.Bearing	
184	190342		4	.Ring	
185	190343		1	.Gear	
186	190344		1	.Shaft	
187	190345		1	.Gear	
188	190346		1	.Gear	

Transmission

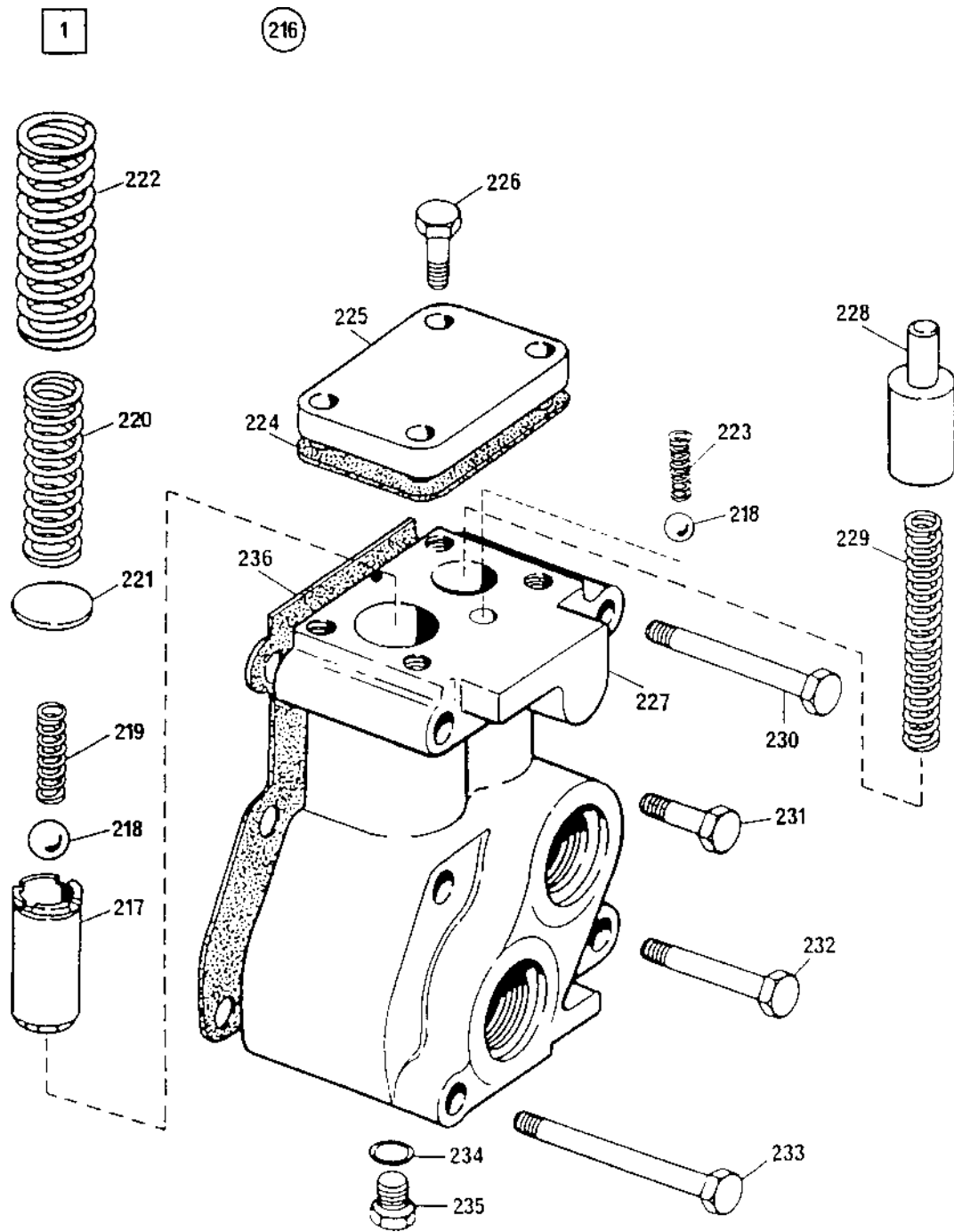
16790

1



Transmission

Ref. No.	Part No.	Rem.	Qty	Description	Code
1	195568		1	Transmission	
189	190218		2	.Screw	
190	190217		2	.Washer	
191	190216		2	.Ring	
192	190215		1	.Fork link	
193	190214		1	.Seal ring	
194	190347		2	.Bearing	
195	190348		1	.Shaft	
196	190280		2	.Ring	
197	190256		CN	.Shim 0,005	
	190257		CN	.Shim 0,007	
	190258		CN	.Shim 0,020	
198	190259		1	.Seal ring carrier	
199	190251		8	.Screw	
200	190260		1	.Seal ring	
201	190252		1	.Parking brake	
202	190261		6	..Washer	
203	190262		6	..Screw	
204	190349		1	..Brake shield	
205	190350		1	..Roller	
206	190351		1	..Lever	
207	190352		1	..Spring	
208	190353		1	..Brake drum	
209	190354		2	..Brake lining kit	
210	190255		6	..Nut	
211	190254		6	..Screw	
212	190362		CN	..Shim 0,003	
	190363		CN	..Shim 0,010	
	190364		CN	..Shim 0,020	
213	190365		1	..Spacer	
214	190253		1	..Fork link	
215	190355		1	..Gear	



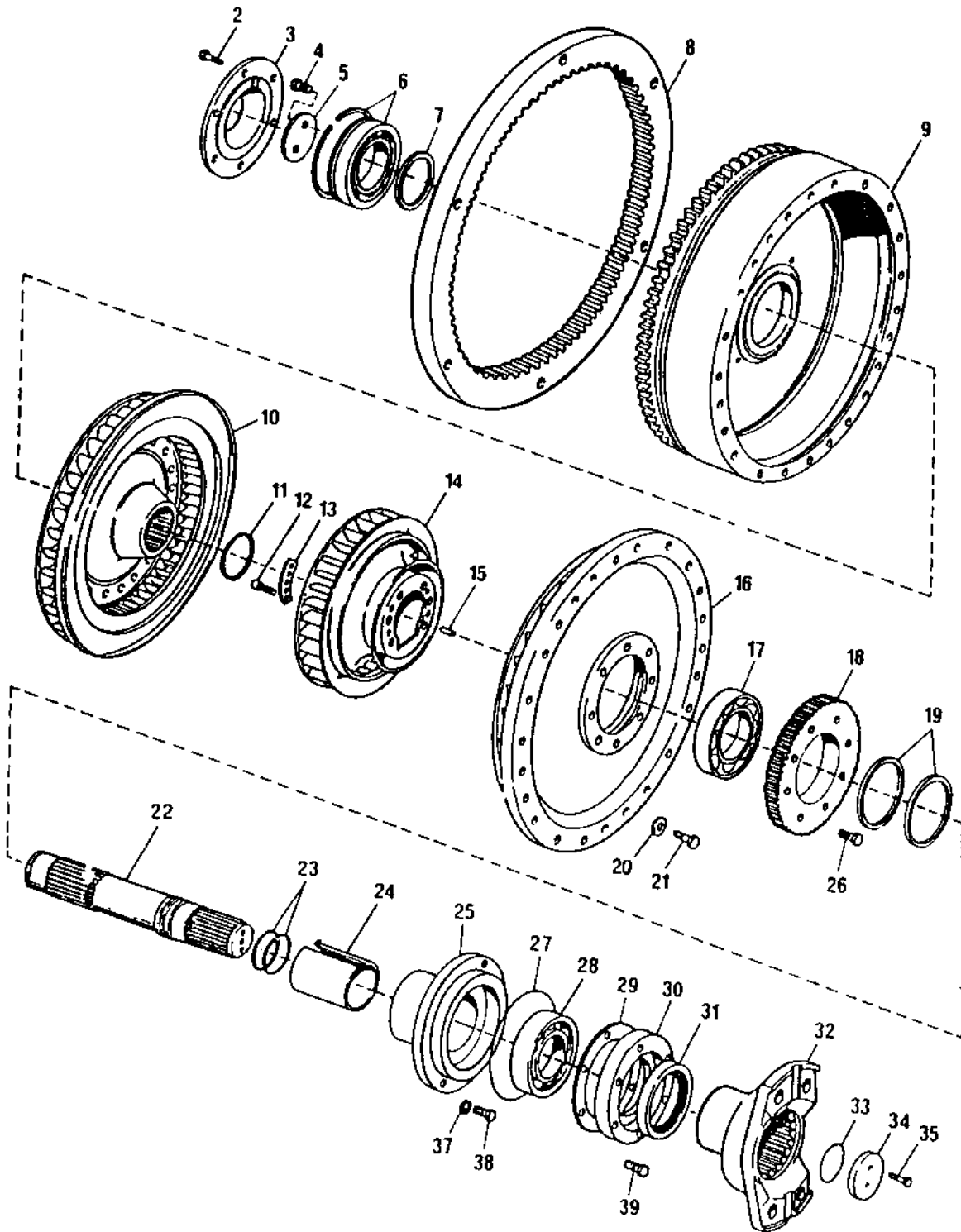
Circuit board

Ref. No.	Part No.	Rem.	Qty	Description	Code
1	195568		1	Transmission	
216	190205		1	.Valve	
217	190366		1	..Valve	
218	190367		2	..Steel ball	
219	190368		1	..Spring	
220	190369		1	..Spring	
221	190370		1	..Washer	
222	190371		1	..Spring	
223	190372		1	..Spring	
224	190373		1	..Gasket	
225	190374		1	..Cover	
226	190375		4	..Screw	
227	190376		1	..Valve housing	
228	190377		1	..Valve	
229	190378		1	..Spring	
230	190204		3	..Screw	
231	190230		1	..Screw	
232	190228		1	..Screw	
233	190208		2	..Screw	
234	190239		1	..Ring	
235	190238		1	..Plug	
236	190206		1	..Gasket	

Torque converter, cpl

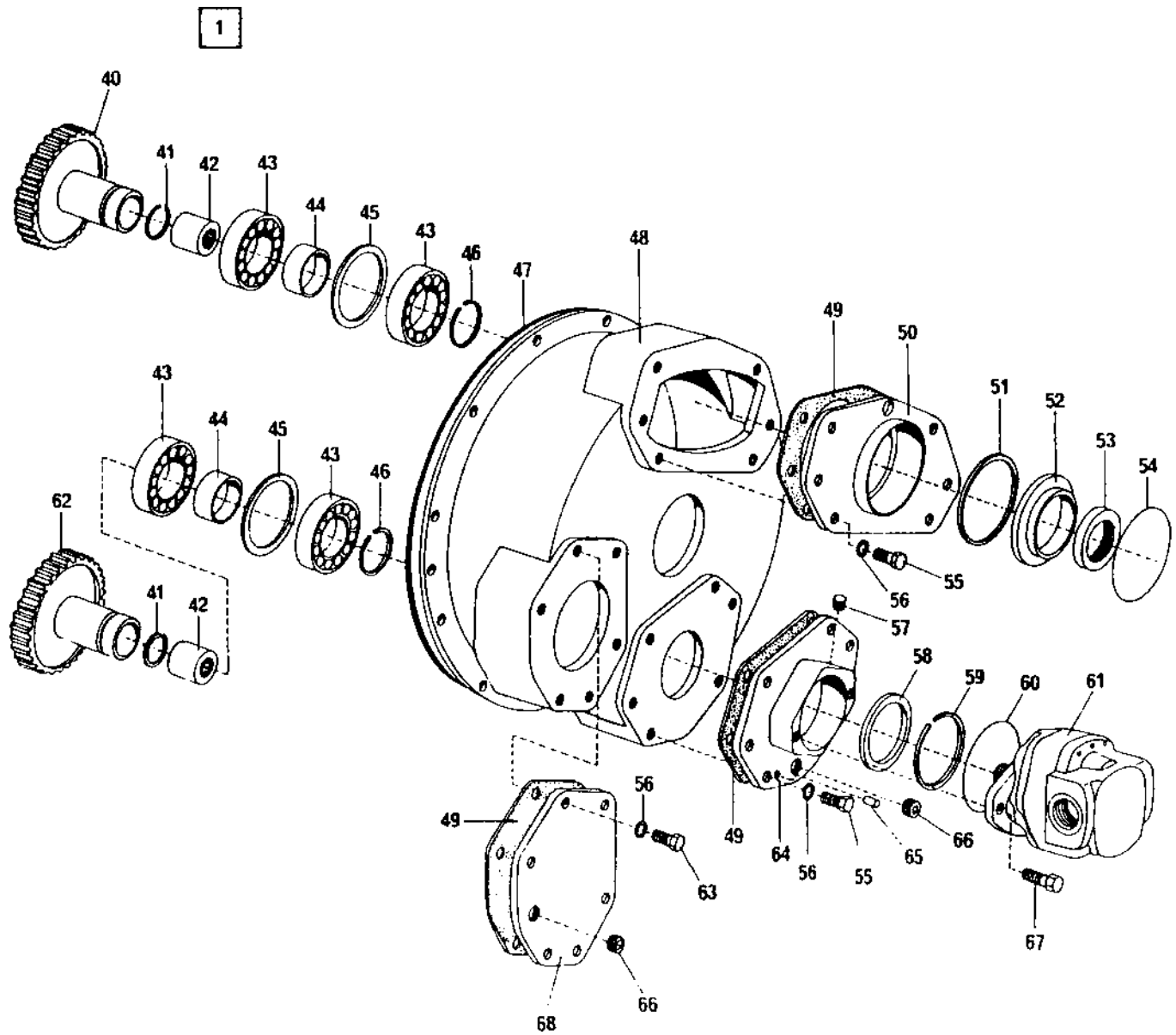
16792

1



Torque coverter, cpl

Ref. No.	Part No.	Rem.	Qty	Description	Code
1	243129		1	Torque coverter, cpl	
2	190449		6	.Screw	
3	190450		1	.Seal ring carrier	
4	190451		2	.Screw	
5	190452		1	.Washer	
6	190453		1	.Elbow 90	
7	190454		1	.Spacer	
8	190455		1	.Starter ring	
9	190456		1	.Housing	
10	190457		1	.Rotor	
11	190302		1	.Ring	
12	190458		8	.Screw	
13	190459		1	.Fixing plate	
14	190460		1	.Rotor	
15	190461		6	.Pad lock	
16	190462		1	.Impeller	
17	190463		1	.Bearing	
18	190464		1	.Gear, driving	
19	190285		2	.Ring	
20	190465		36	.Washer	
21	190466		36	.Screw	
22	190467		1	.Shaft	
23	190468		2	.Ring	
24	190469		1	.Bushing	
25	190470		1	.Flange	
26	190471		8	.Screw	
27	190472		1	.O-ring	
28	190473		1	.Elbow 90	
29	190474		1	.Gasket	
30	190475		1	.Seal ring carrier	
31	190476		1	.Seal ring	
32	190477		1	.Fork link	
33	190478		1	.O-ring	
34	190479		1	.Washer	
35	190380		3	.Gasket	
36	190481		1	.Pin	
37	190482		6	.Washer	
38	190270		2	.Screw	
39	190483		6	.Screw	

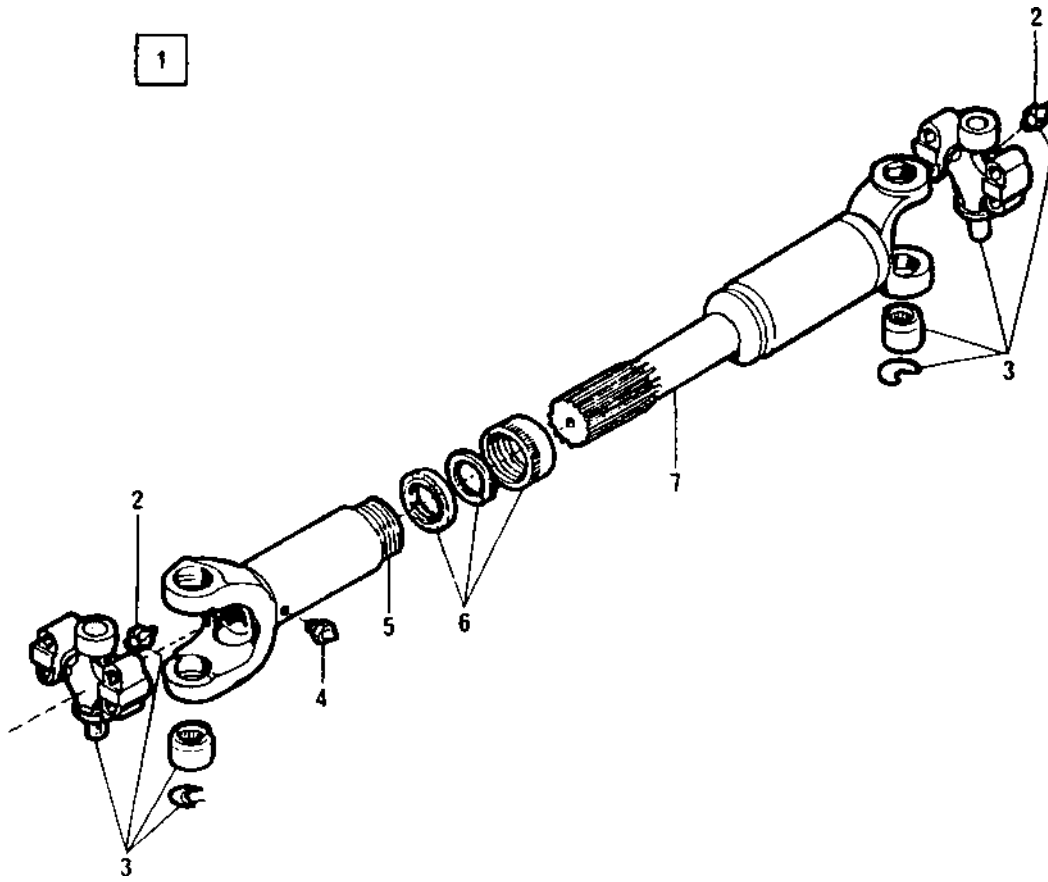


Torque coverter, cpl

Ref. No.	Part No.	Rem.	Qty	Description	Code
1	243129		1	Torque coverter, cpl	
40	190484		1	.Gear	
41	190485		2	.Ring	
42	190486		2	.Adapter	
43	190487		4	.Bearing	
44	190488		2	.Spacer	
45	190489		2	.Ring	
46	190490		2	.Ring	
47	190491		1	.O-ring	
48	190492		1	.Housing	
49	190493		3	.Gasket	
50	190494		1	.Plate	
51	190495		1	.O-ring	
52	190496		1	.Seal ring carrier	
53	190497		1	.Seal ring	
54	190498		1	.Ring	
55	190208		12	.Screw	
56	190499		18	.Washer	
57	190500		1	.Plug	
58	190501		1	.Spacer	
59	190502		1	.Ring	
60	190503		1	.O-ring	
61	190504		1	.Pump	
62	190505		1	.Gear	
63	190449		6	.Screw	
64	190506		1	.Plate	
65	190507		1	.Pin	
66	190508		2	.Plug	
67	190509		2	.Screw	
68	190510		1	.Plate	

Drive shaft

16794

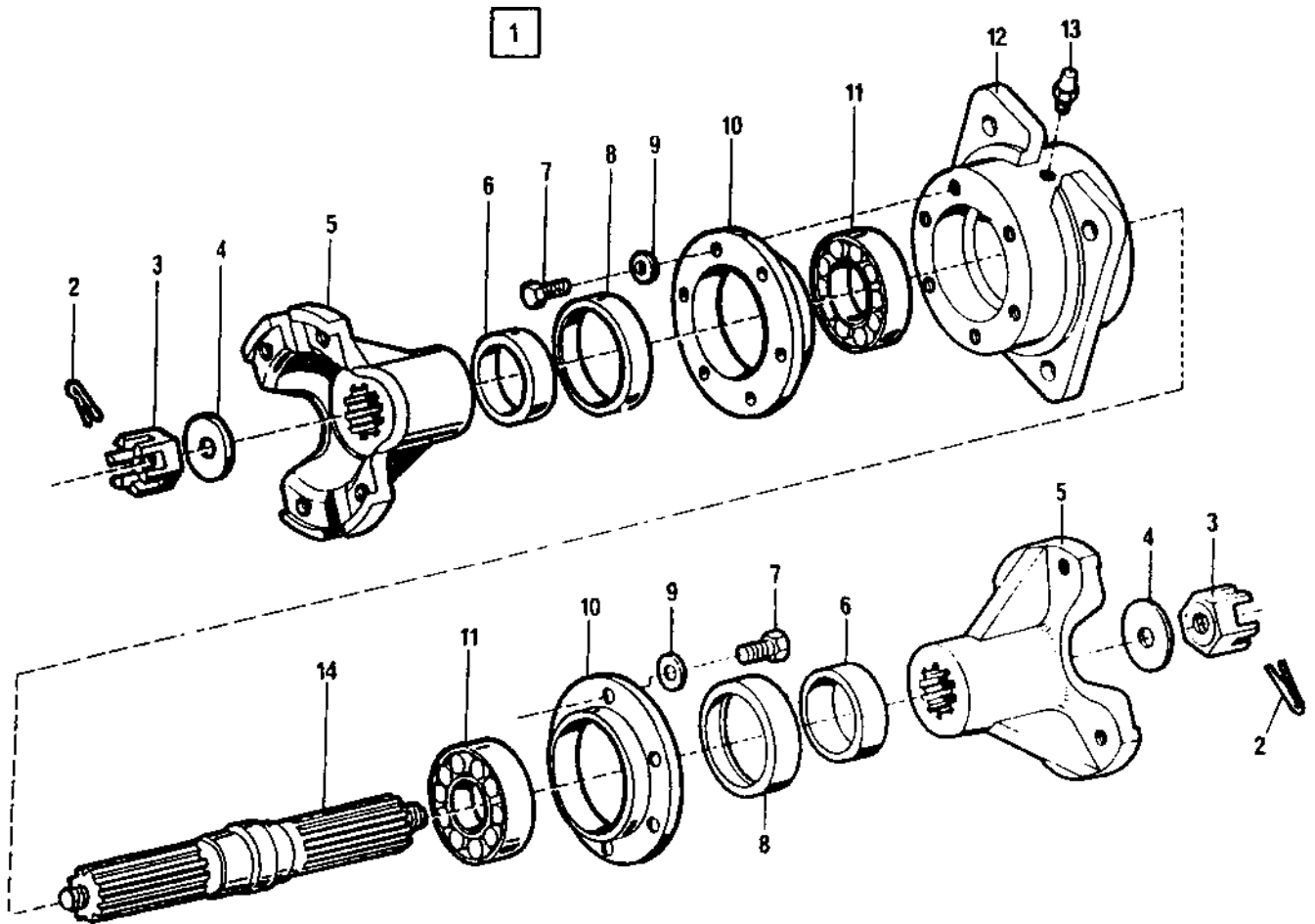


Drive shaft

Ref. No.	Part No.	Rem.	Qty	Description	Code
1	190098		1	Drive shaft	
2	310008		2	.Grease nipple	D
3	929488		2	.Universal joint cross	D
4	310028		1	.Grease nipple	D
5			1	.Slip yoke	D
6	929486		1	.Coupling kit	
7			1	.Tube shaft	

Bearing assy

16795

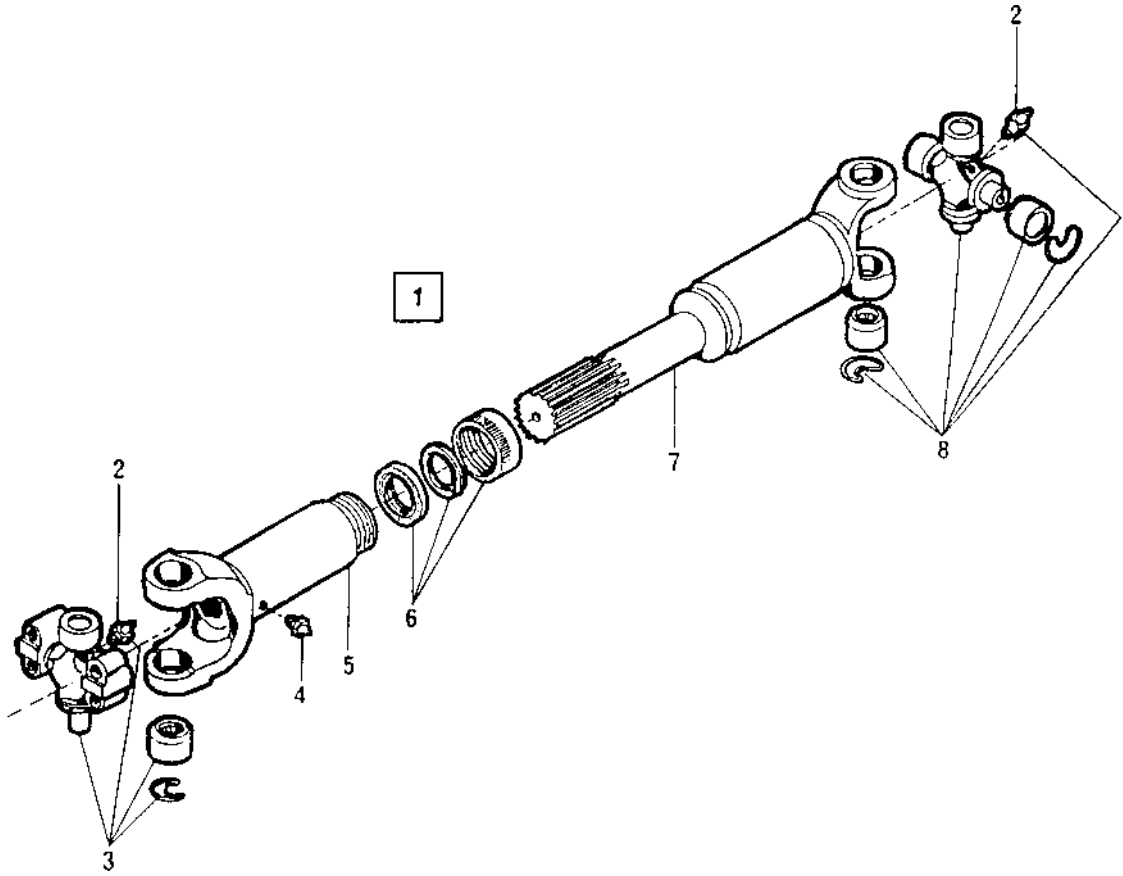


Bearing assy

Ref. No.	Part No.	Rem.	Qty	Description	Code
1	190099		1	Bearing assy	
2	630016		2	.Cotter pin	
3	920800		2	.Nut	
4	602014		2	.Washer	
5	260171		2	.Terminal	
6	260165		1	.Bushing	
7	500030		12	.Screw	
8	163136		2	.Seal ring	
9	600026		12	.Washer	
10	260164		2	.Cover	
11	116037		2	.Bearing	
12	243718		1	.Bearing housing	
13	310022		1	.Lubricant nipple	D
14	260170		1	.Shaft	

Cardan shaft

16783



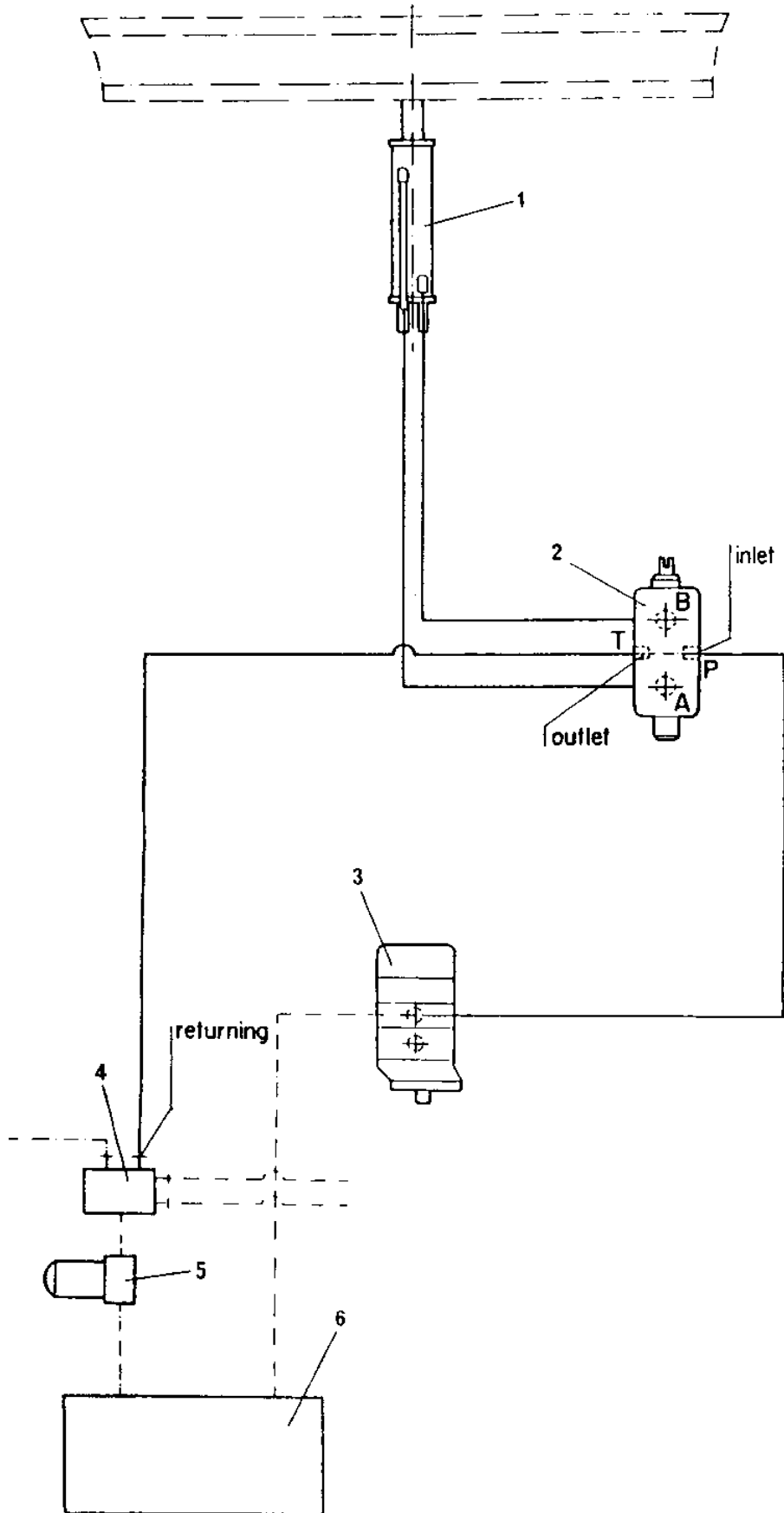
Cardan shaft

Ref. No.	Part No.	Rem.	Qty	Description	Code
1	240524		1	Cardan shaft	
2	310008		2	.Grease nipple	D
3	929488		1	.Universal joint cross	D
4	310028		1	.Grease nipple	D
7	241621		1	.Tube shaft	
8	241644		1	.Universal joint cross	D

Hydraulic system

Ref. No.	Part No.	Rem.	Qty	Description	Code
10			1	Blade hydraulic diagram (Page 92)	
20			1	Blade hydraulic system (Page 94)	
25			1	Hydraulic cylinder (Page 96)	
30			1	Hydraulic control (Page 98)	
40			1	Transmission hydraulic circuit (Page 102)	
50			1	Steering hydraulic diagram (Page 104)	
60			1	Steering hydraulic system (Page 106)	
70			1	Hydrostatic steering (Page 110)	
80			1	Self-aligning thrust bushing (Page 112)	
90			1	Hydraulic cylinder (Page 114)	

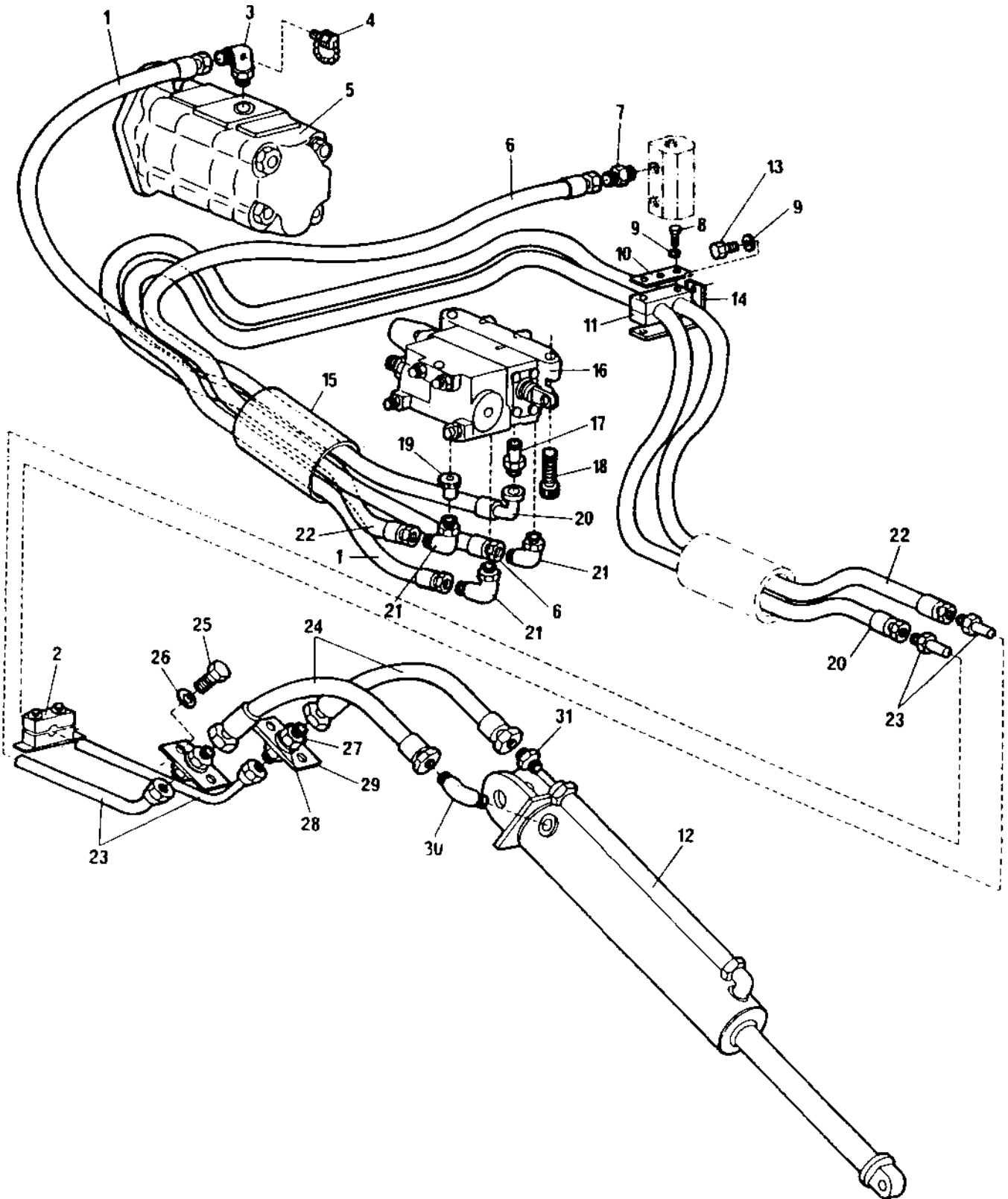
16803



Ref. No.	Part No.	Rem.	Qty	Description	Code
1	190165		1	Hydraulic cylinder	C
2	269360		1	Hydraulic control	C
3	192224		1	Hydraulic pump	C
4	269198		1	Connection	
5	261739		1	Filter	A
6	192745		1	Tank	

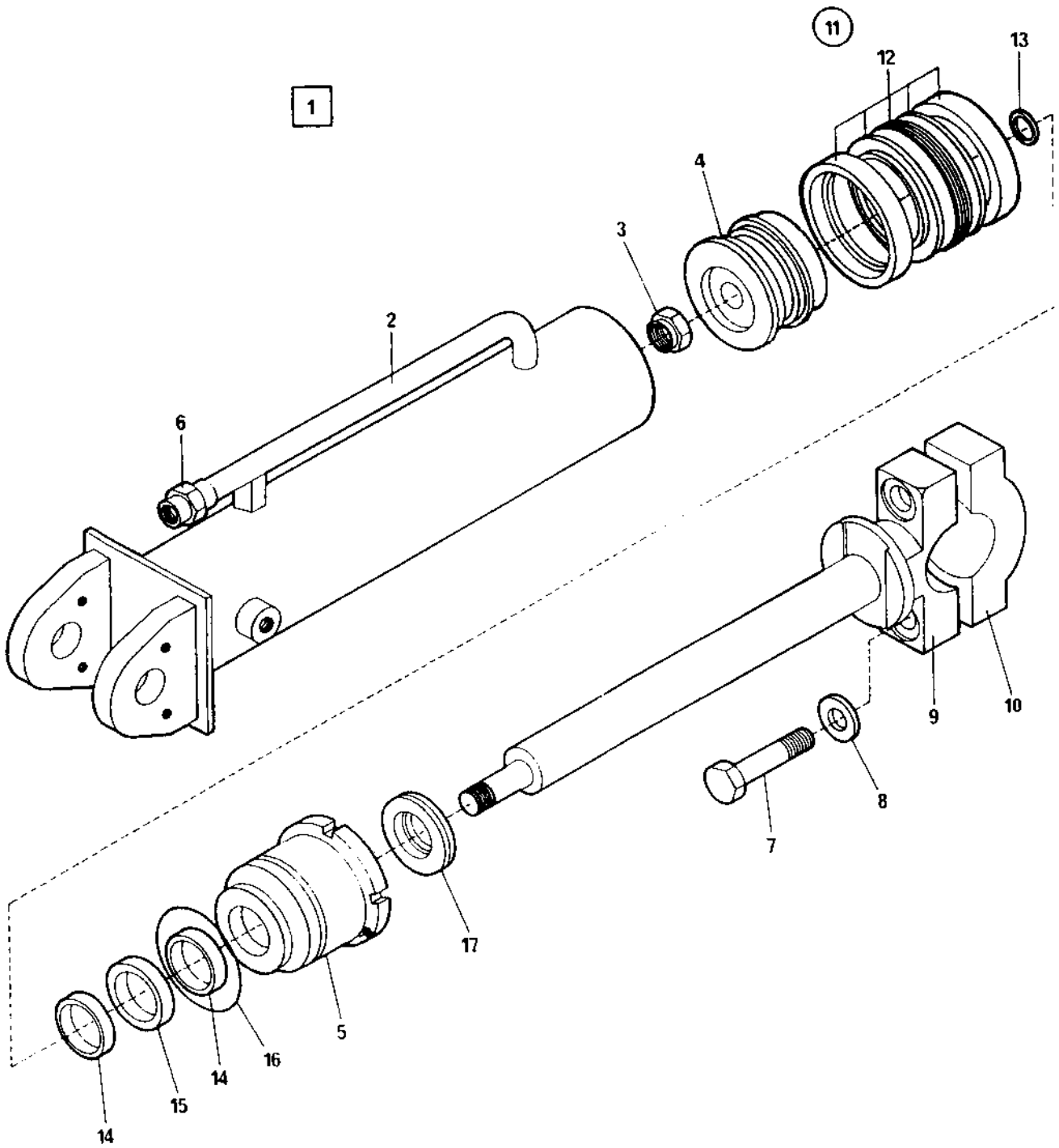
Blade hydraulic system

16804



Blade hydraulic system

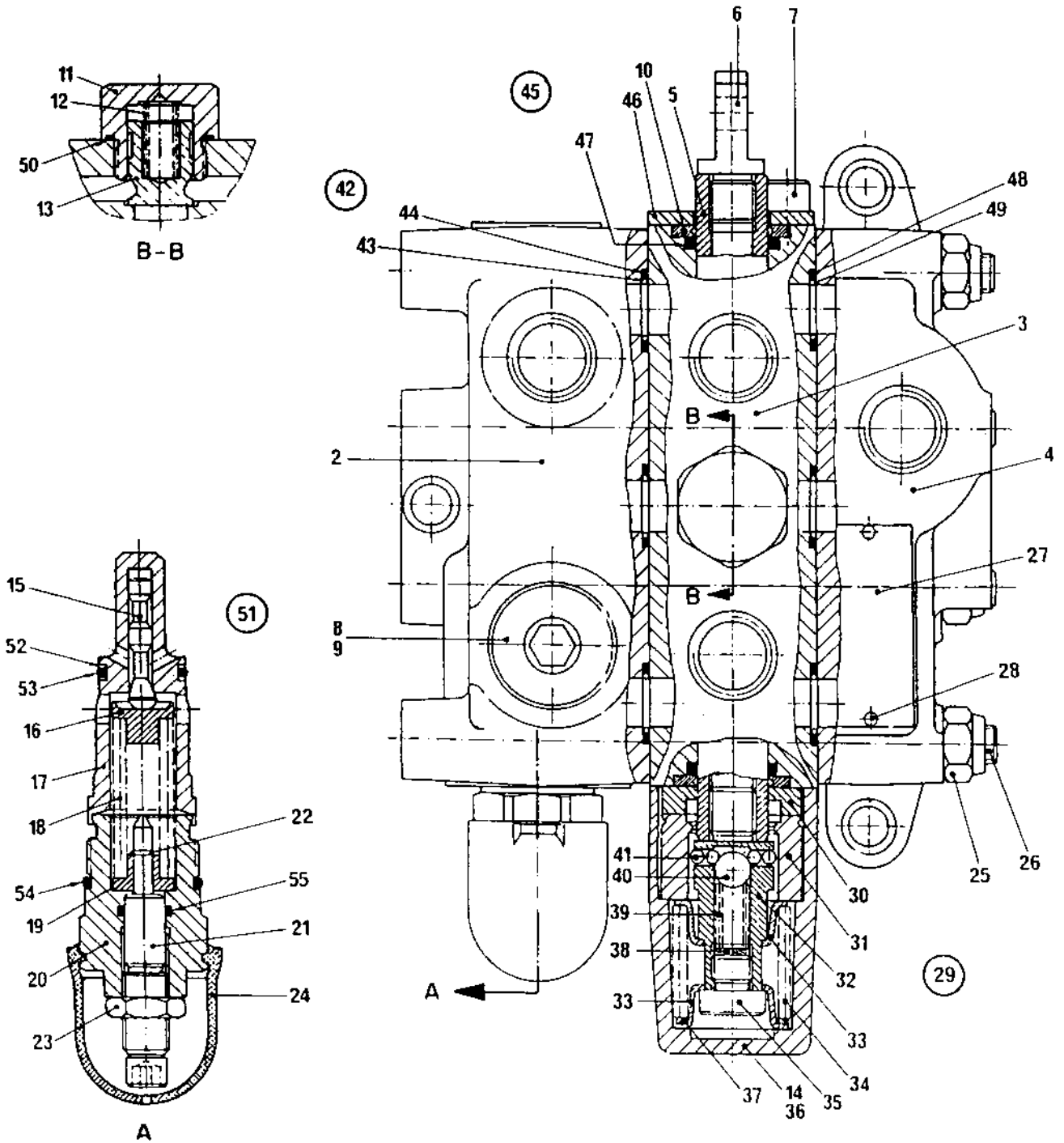
Ref. No.	Part No.	Rem.	Qty	Description	Code
1	190190		1	Hydraulic hose	
2	921171		2	Clamp	
3	190780		1	Elbow 90	
4	910161		1	Measuring nipple	D
5	192224		1	Hydraulic pump	C
6	842868		1	Hydraulic hose	
7	334154		1	Adapter	
8	500092		2	Screw	
9	600008		4	Washer	
10	190194		1	Plate	
11	269576		1	Hose holder	
12	190165		1	Hydraulic cylinder	C
13	500028		2	Screw	
14	269199		1	Bracket	
15	269575		1	Hose	
16	269360		1	Hydraulic control	C
17	269485		1	Identification plate	
18	508027		3	Screw	
19	269361		1	Valve	
20	269497		1	Hydraulic hose	
21	334118		3	Elbow adapter	
22	269495		1	Hydraulic hose	
23	260259		2	Sealing compound	
24	261567		2	Hose	
25	500051		4	Screw	
26	600009		4	Washer	
27	230456		2	Adapter	
28	600025		2	Washer	
29	260212		2	Lock plate	
30	334128		1	Adapter	
31	334157		1	Adapter	



Hydraulic cylinder

Ref. No.	Part No.	Rem.	Qty	Description	Code
1	196711		1	Hydraulic cylinder	
2			1	.Cylinder tube	
3	243197		1	.Lock nut	
4			1	.Piston	
5			1	.Rod guide	
6			1	.Nipple	
7	500152		2	.Screw	
8	603005		2	.Washer	
9	190166		1	.Rod mounting	
10	266470		1	.Cap	
11	196712		1	.Repair kit	
12	196713		1	..Seal kit	
13	160218		1	..O-ring	
14	196715		2	..Guide ring	
15	196714		1	..Gasket	
16	190756		1	..O-ring	
17	196716		1	..Ring	

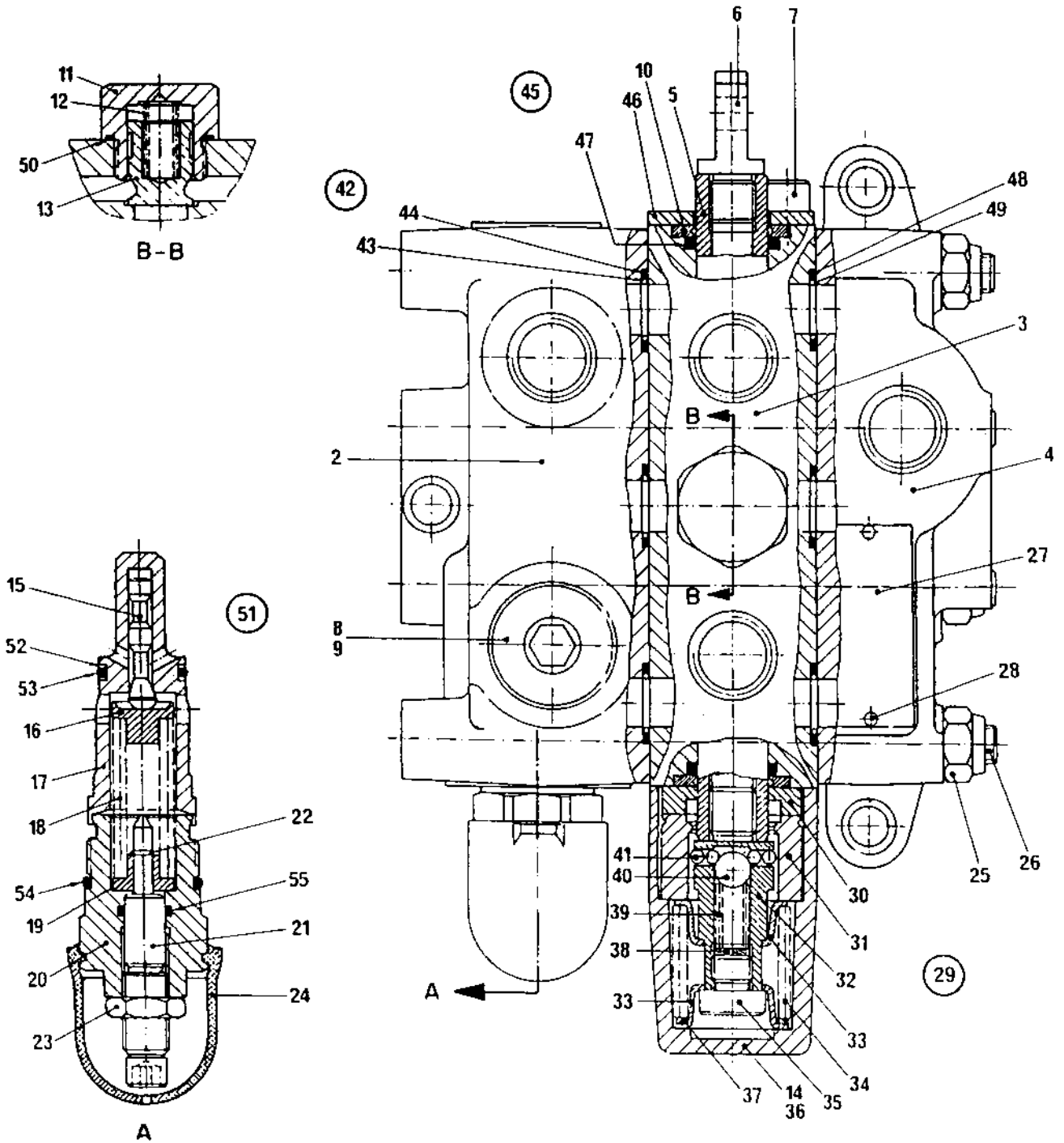
1



Hydraulic control

Ref. No.	Part No.	Rem.	Qty	Description	Code
1	269360		1	Hydraulic control	C
2	193055		1	.Intake plate	
3			1	.Decal, great 3	
4	193056		1	.Inner ring	
5	193057		1	.Piston	
6	193059		1	.Shaft	
7	193060		2	.Screw	
8	193061		1	.Plug	
9	193062		1	.O-ring	
10	193063		2	.Ring	
11	193064		1	.Plug	
12	193065		1	.Spring	
13	193066		1	.Cone	
14	193067		2	.Screw	
15	193068		1	.Cone	
16	193069		1	.Spring holder	
17	193070		1	.Housing	
18	193071		1	.Spring	
19	193072		1	.Spring holder	
20	193073		1	.Cover	
21	193074		1	.Spindle	
22	193075		1	.Retainer ring	
23	193076		1	.Nut	
24	193077		1	.Protection	
25	193078		4	.Nut	
26	193079		4	.Rod	
27	193080		1	.Outer ring	
28	193081		2	.Rivet	
29	243294		1	.Steel plain washer	
30			1	..Collector ring	
31			1	..Bushing	
32			1	..Scraper	
33			2	..Spring holder	
34			1	..Spring	
35			1	..Screw	
36			1	..Cover	
37			1	..Shim	
38			1	..Shim	
39			1	..Spring	
40			1	..Ball	
41			1	..Ball	
42	243295		1	.Seal kit	D
43			4	..Retainer ring	D
44			4	..Ring	D
45	243296		1	.Seal kit	D
46			1	..Plate	D
47			2	..O-ring	D
48			4	..Ring	D
49			4	..Retainer ring	D
50			1	..O-ring	D
51	243297		1	.Seal kit	D
52			2	..Ring	D
53			1	..O-ring	D
54			1	..O-ring	D

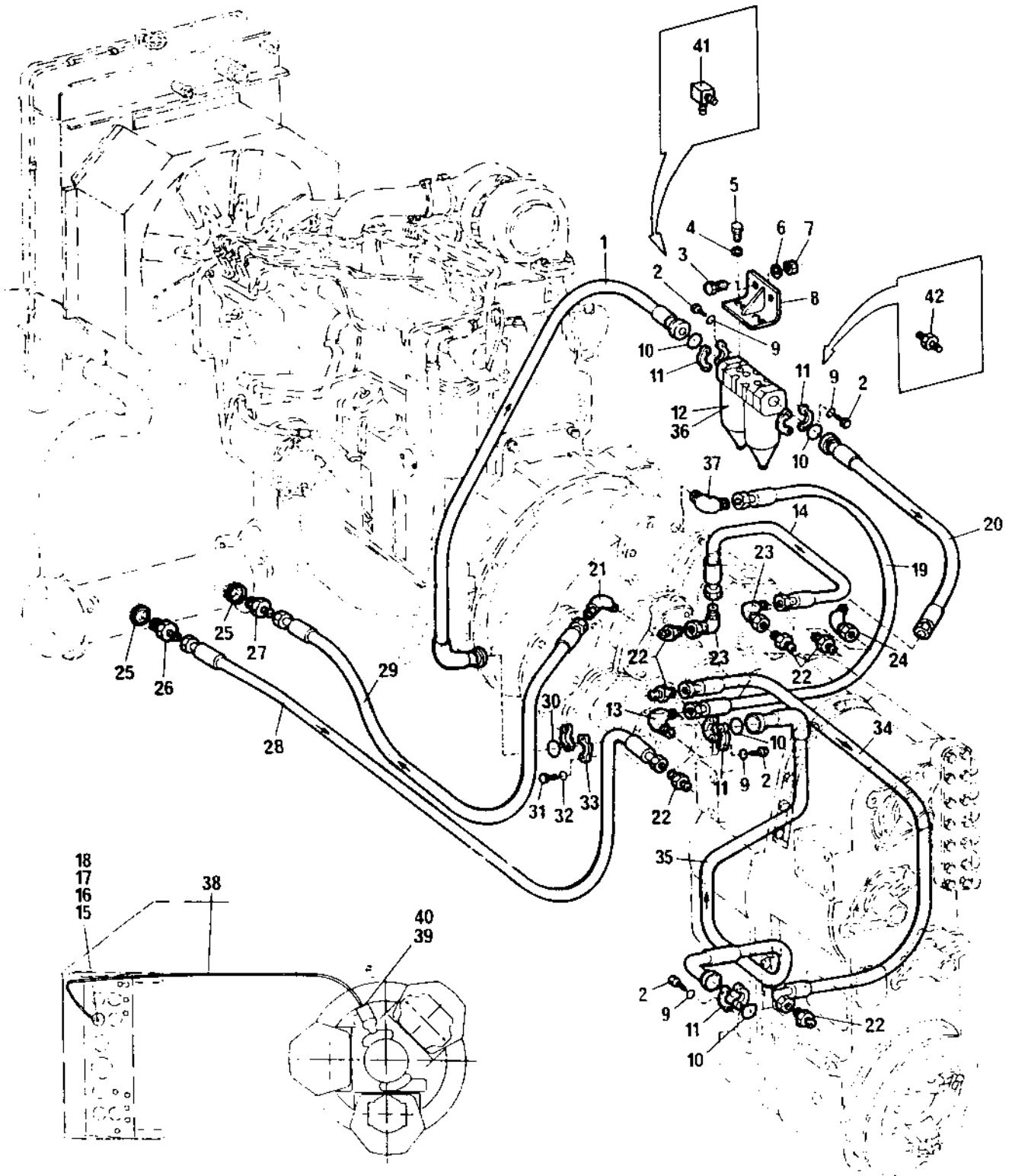
1



Ref. No.	Part No.	Rem.	Qty	Description	Code
55			1	..O-ring	D

Transmission hydraulic circuit

16807



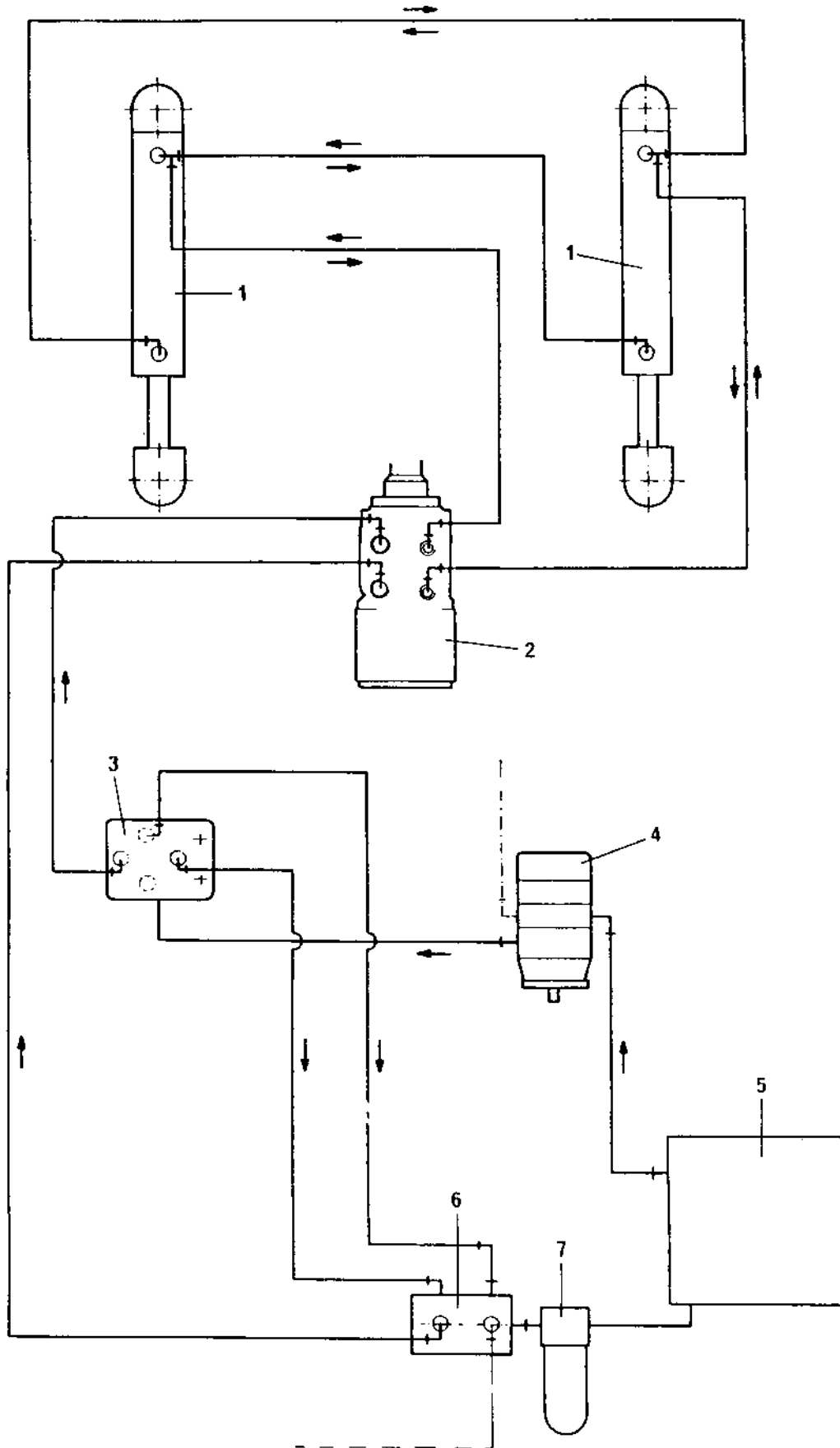
Transmission hydraulic circuit

Ref. No.	Part No.	Rem.	Qty	Description	Code
1	196448		1	Hydraulic hose	
2	502059		8	Screw	
3	500194		2	Screw	
4	615044		4	Conical spring washer	D
5	502035		4	Screw	
6	603003		2	Washer	
7	570007		2	Nut	
8	196443		1	Bracket	
9	604009		8	Washer	
10	160191		2	O-ring	D
11	232118		4	Flange half	
12	196444		1	Filter, cpl	
13	334128		1	Adapter	
14	190144		1	Hydraulic hose	
15	265909		1	Manometer	
16	920783		2	Insert	
17	231192		1	Nut	
18	231193		1	Sleeve	
19	482717		1	Hydraulic hose	
20	196447		1	Hydraulic hose	
21	925099		1	Connector	
22	334140		6	Adapter	
23	334239		2	Adapter	
24	234624		1	Adapter	
25	330334		2	Copper washer	D
26	261916		1	Nipple	
27	190147		1	Nipple	
28	482740		1	Hydraulic hose	
29	190148		1	Hydraulic hose	
30	160186		1	O-ring	D
31	502157		4	Screw	
32	604008		4	Washer	
33	232098		2	Flange half	
34	190146		1	Hydraulic hose	
35	190145		1	Hydraulic hose	
36	190890		2	Filter element	A
37	334157		1	Adapter	
38	247154	A	1	Pipe	
39	243871		1	Reducing nipple	
40	920792		1	Brake connection	
41	193776		1	Elbow 90	
42	891953		1	Adapter	

A) L=2700 mm

Steering hydraulic diagram

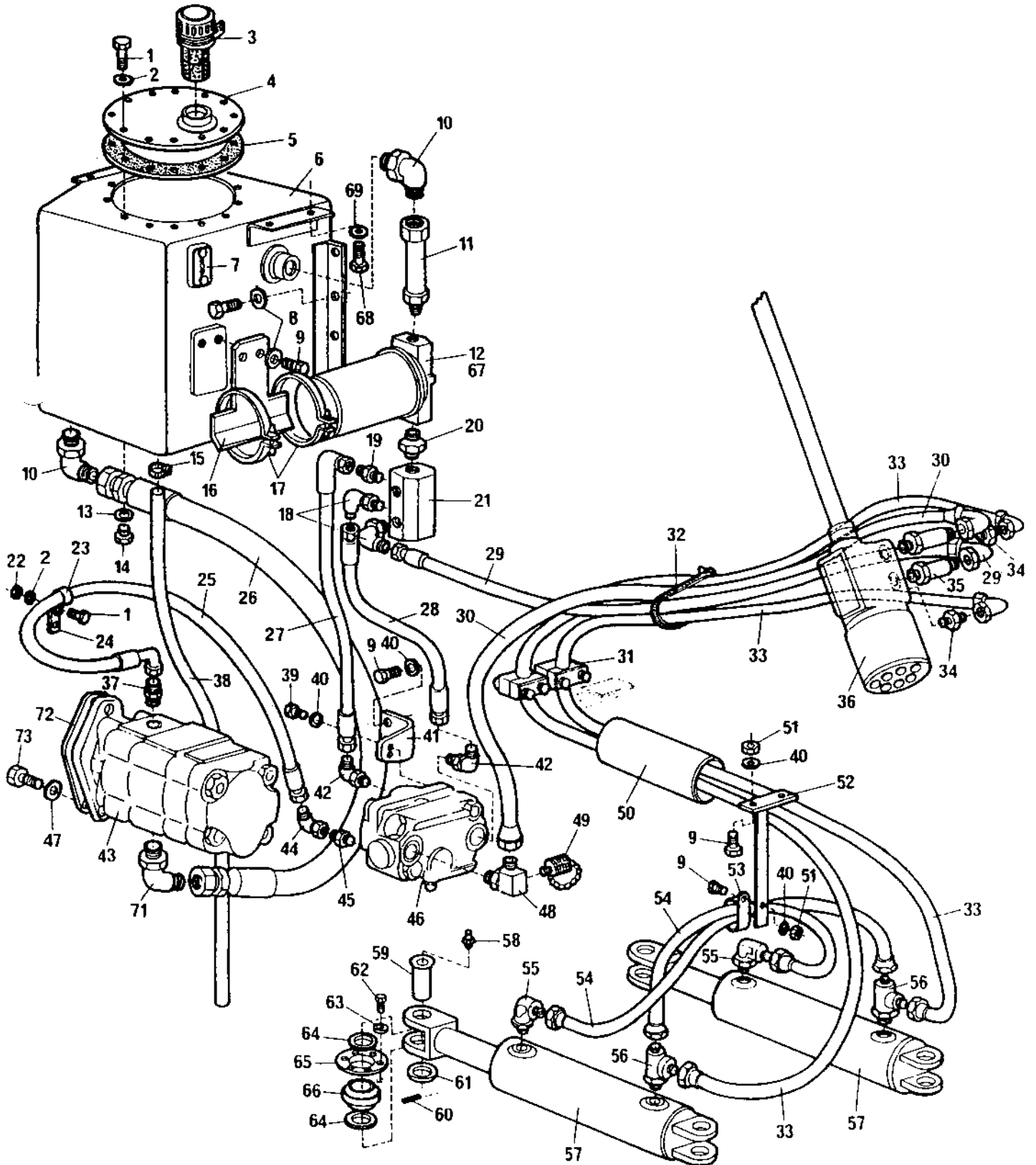
16808



Steering hydraulic diagram

Ref. No.	Part No.	Rem.	Qty	Description	Code
1	248735		1	Hydraulic cylinder	C
2	900476		1	Hydrostatic steering	C
3	269029		1	Priority valve	
4	192224		1	Hydraulic pump	C
5	192745		1	Tank	
6	269198		1	Connection	
7	261739		1	Filter	A

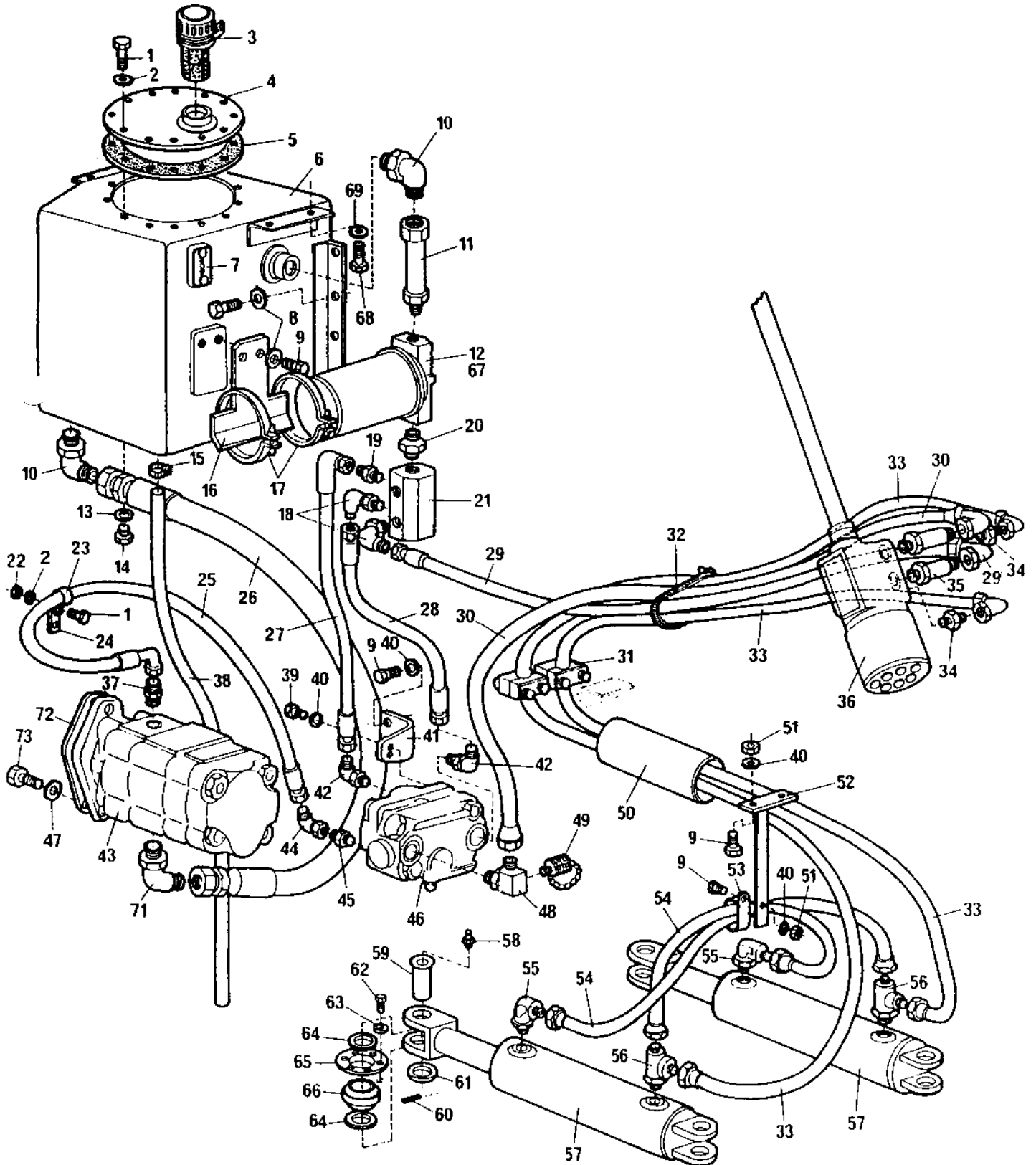
16809



Ref. No.	Part No.	Rem.	Qty	Description	Code
1	192812		13	Screw	
2	615042		13	Conical spring washer	
3	813388		1	Filler cap	
4	269193		1	Cover	
5	268456		1	Gasket	
6	192745		1	Tank	
7	989151		1	Oil level gauge	D
8	603023		10	Washer	
9	500280		5	Screw	
10	234929		2	Elbow 90	
11	190132		1	Hydraulic tube	
12	261739		1	Filter	A
13	330333		1	Copper washer	D
14	232081		1	Plug	
15	313004		1	Hose clamp	
16	269197		1	Bracket	
17	313145		2	Test box	
18	334128		2	Adapter	
19	334157		1	Adapter	
20	900571		1	Nipple	
21	269198		1	Connection	
22	570004		1	Nut	
23	921108		1	Clamp	
24	241617		1	Bracket	
25	190136		1	Hydraulic hose	
26	192816		1	Hydraulic hose	
27	190133		1	Hydraulic hose	
28	308001708		1	Hydraulic hose	
29	190134		1	Hydraulic hose	
30	190135		1	Hydraulic hose	
31	269027		2	Clamp	
32	313102		1	Cable strap	
33	269196		1	Hydraulic hose	
34	234678		2	Adapter	
35	195906		2	Rolled pin	
36	195893		1	Hydrostatic steering	
37	334468		1	Adapter	
38	246071	A	1	Hose	
39	502033		2	Screw	
40	615044		9	Conical spring washer	D
41	190131		1	Bracket	
42	813499		2	Adapter	D
43	192224		1	Hydraulic pump	C
44	334248		1	Adapter	
45	334138		1	Adapter	D
46	269029		1	Priority valve	
47	615046		2	Conical spring washer	
48	813499		2	Adapter	D
49	910161		1	Measuring nipple	D
50	261579		1	Hose	
51	570006		3	Nut	
52	269190		1	Bracket	
53	263381		1	Clamp	

A) L=1600 mm

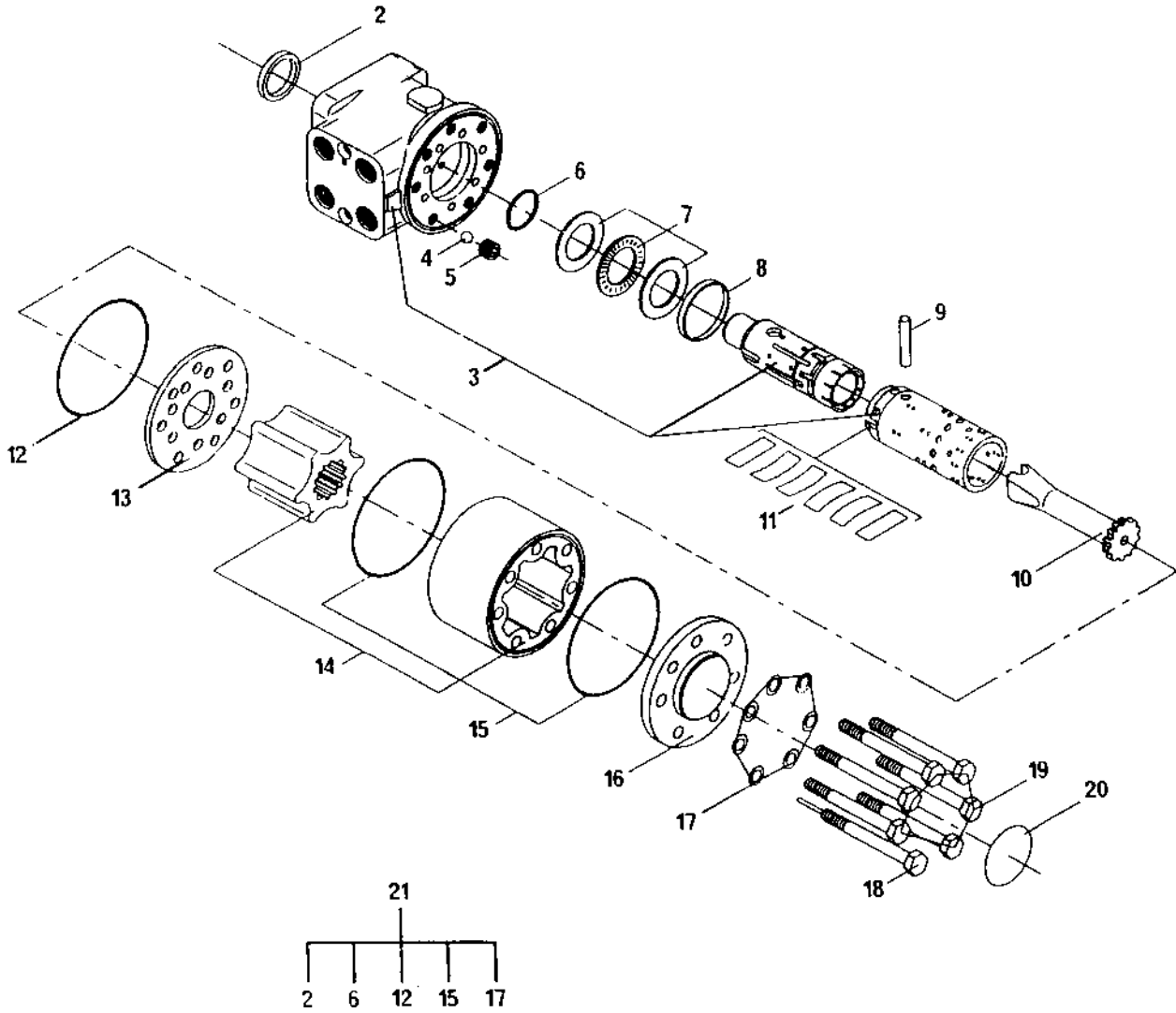
16809



Ref. No.	Part No.	Rem.	Qty	Description	Code
54	269189		2	Hydraulic hose	
55	334118		2	Elbow adapter	
56	234267		2	Adapter	
57	248535		2	Hydraulic hose	
58	310022		4	Lubricant nipple	D
59	248732		4	Pin	
60	630029		4	Cotter pin	
61	248747		4	Washer	
62	500185		24	Screw	
63	600005		24	Washer	
64	249946		12	Spacer	
65	248745		4	Cover	
66	248746		4	Toggle joint	
67	335657		1	Filter element	A
68	947695		4	Screw	
69	615046		4	Conical spring washer	
70	615044		2	Conical spring washer	D
71	334168		1	Nipple with o-ring	
72	243198		1	Seal ring	
73	502186		2	Screw	

16810

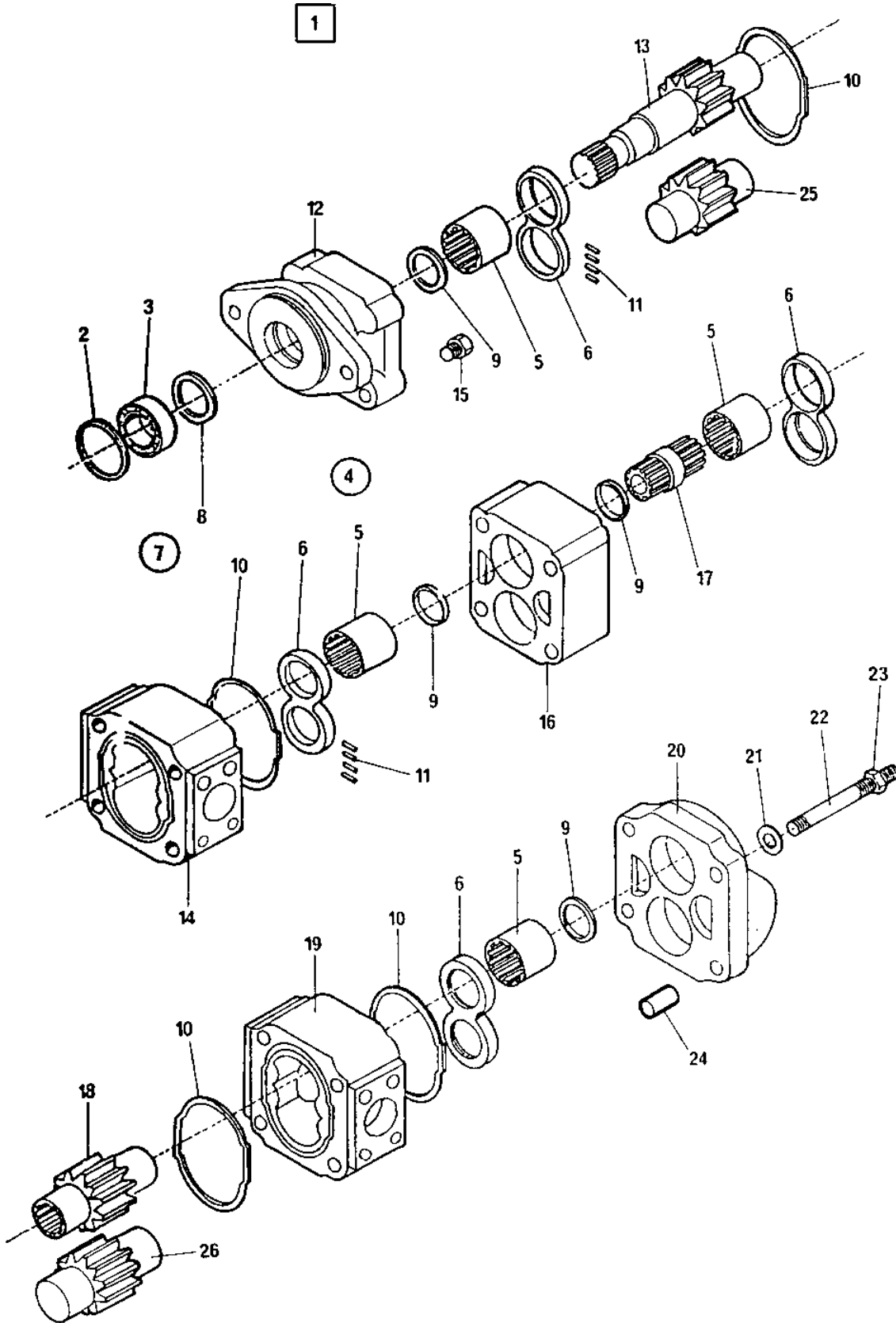
1



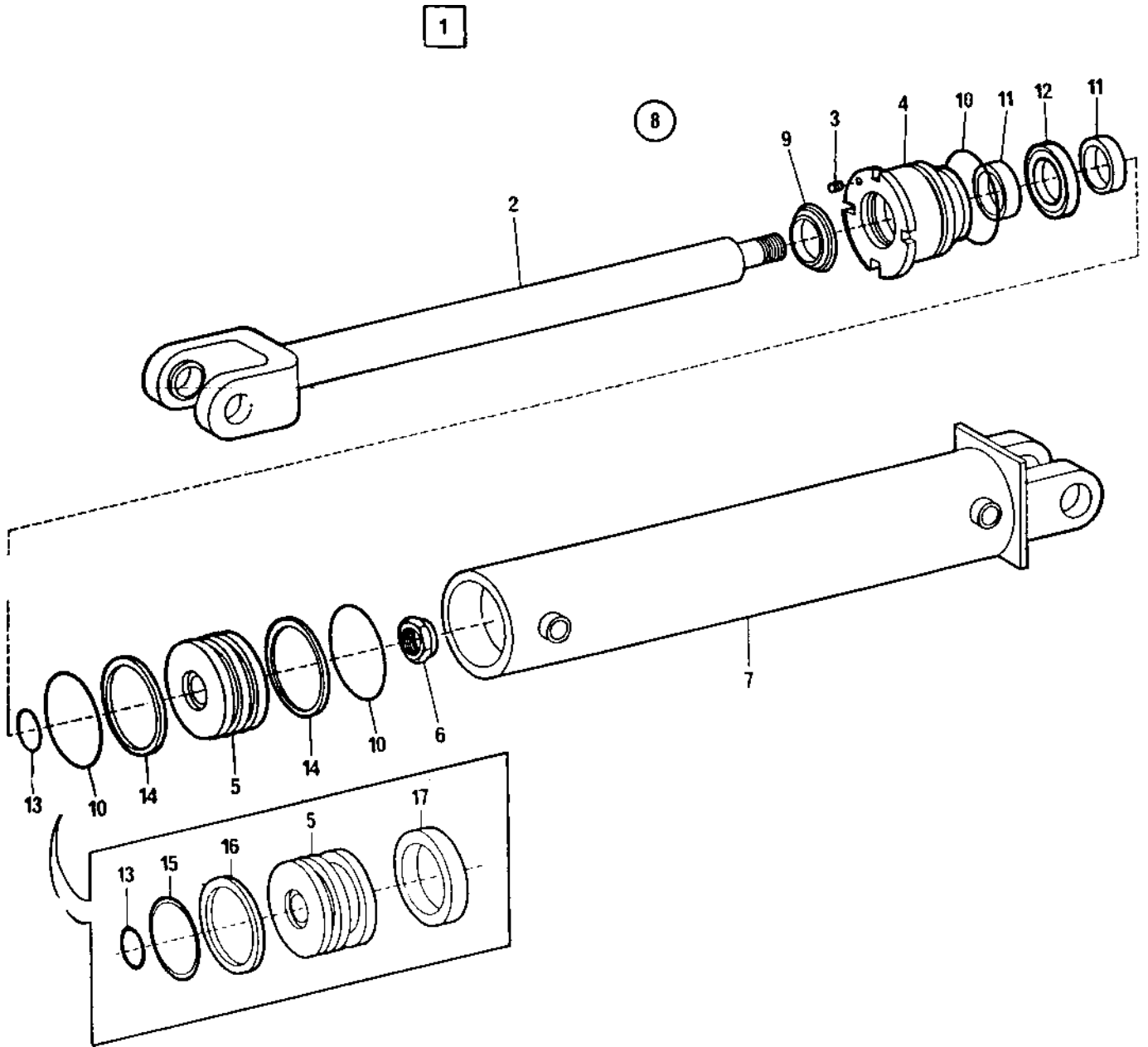
Hydrostatic steering

Ref. No.	Part No.	Rem.	Qty	Description	Code
1	195893		1	Hydrostatic steering	
2	196763		1	.Seal ring	
3			1	.Housing	
4	480468		1	.Ball	
5	480446		1	.Threaded bushing	D
6	196764		1	.O-ring	
7	480453		1	.Needle bearing	D
8	480449		1	.Ring	
9	480447		1	.Cross pin	
10	480454		1	.Drive shaft	D
11	481309		1	.Set of springs	D
12	196765		1	.O-ring	
13	196766		1	.Distributor plate	
14	196767		1	.Gear set	
15	196768		2	.O-ring	
16	480450		1	.End cap	
17	196769		7	.Washer	
18	196770		1	.Screw with pin	
19	196771		6	.Screw	
20	480444		1	.Plate, rating	
21	480457		1	.Spare parts kit	D

16811



Ref. No.	Part No.	Rem.	Qty	Description	Code
1	192224		1	Hydraulic pump	C
2	813677		1	.Retainer ring	D
3	813673		1	.Ball bearing	D
4	924566		1	.Basic kit, cpl	
5	813682		8	..Roller bearing	D
6	813642		4	..Thrust washer	D
7	923457		1	..Seal kit	
8	813919		1	..Seal ring	D
9	813656		4	..Seal ring	D
10	813668		4	..Gasket	D
11	480481		2	..Sealing strip	D
12	192726		1	.Flange	
13	190781		1	.Gear set	
14	192728		1	.Housing	
15	813907		1	.Plug	
16	193020		1	.Intermediate housing	
17	813922		1	.Shaft	
18	192733		1	.Gear	
19	192729		1	.Housing	
20	193019		1	.Cover	
21	911661		4	.Washer	
22	345687001		4	.Stud	
23	813917		4	.Nut	
24	910772		4	.Pin	
25	192732		1	.Gear	
26	192731		1	.Gear	



Hydraulic cylinder

Ref. No.	Part No.	Rem.	Qty	Description	Code
1	248735		1	Hydraulic cylinder	C
2	248736		1	.Rod mounting	
3	510752		1	.Screw	
4	243622		1	.Rod guide	
5	190722		1	.Piston	
6	243197		1	.Lock nut	
7	248739		1	.Cylinder tube	
8	194151		1	.Repair kit	
9	922045		1	..Ring	
10	813546		1	..O-ring	
11	243623		2	..Guide ring	
12	243624		1	..Gasket	
13	160218		1	..O-ring	
15	190729		1	..O-ring	
16	190731		1	..Teflon ring	
17	190730		1	..Washer	

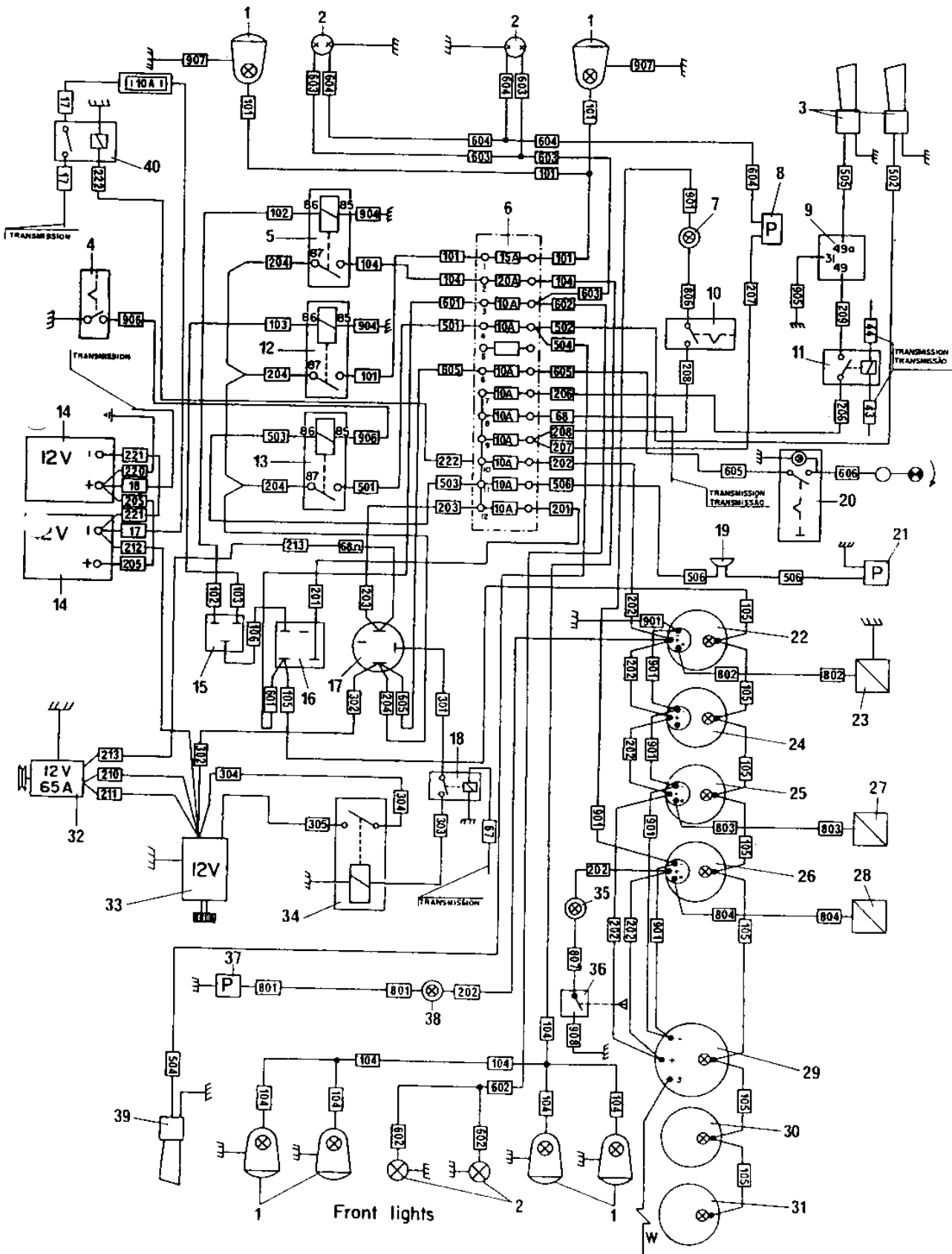
Electric system

Ref. No.	Part No.	Rem.	Qty	Description	Code
10			1	Electric diagram (Page 118)	
20			1	O-ring repair kit (Page 120)	
30			1	Electric system (Page 122)	
40			1	Oil level gauge, cpl. (Page 126)	
50			1	Trench Compactor (Page 128)	
60			1	Instrument board (Page 130)	

Electric diagram

16813

Rear Lights

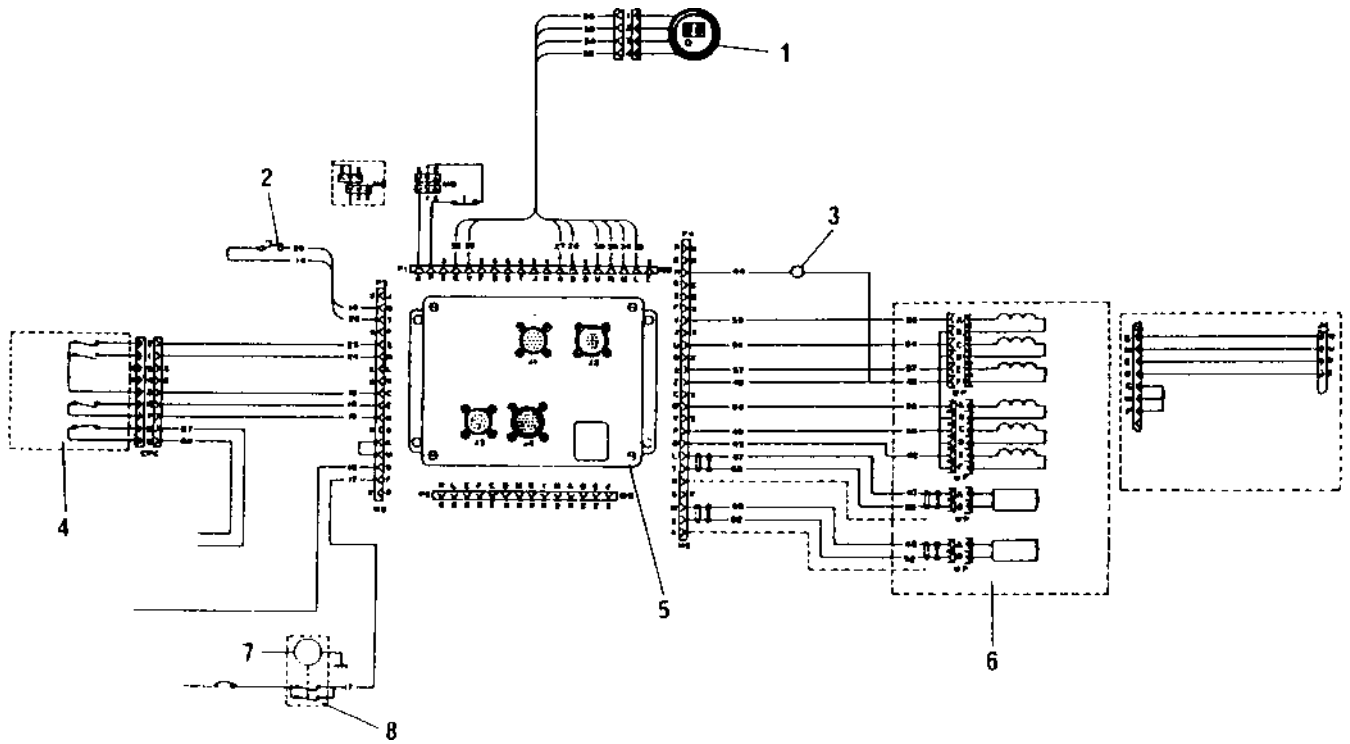


Electric diagram

Ref. No.	Part No.	Rem.	Qty	Description	Code
1	242613		6	Head lamp	C
2	900223		4	Packing light	D
3	190532		1	Alarm	
4	930186		1	Horn button	
5	975068		1	Relay	D
6	240774		1	Fuse box	
7	985146		1	Lamp, red	B
8	248271		1	Switch	
9	191539		1	Relay	D
10	930197		1	Switch Model Brake	
11	975068		1	Relay	D
12	975068		1	Relay	D
13	975068		1	Relay	D
14	927972		2	Battery	C
15	190586		1	Head lamp switch	
16	190587		1	Switch	
17	190585		1	Ignition switch	
18	975068		1	Relay	D
19	266826		1	Relay	
20	267107		1	Rotating beacon	
21	415350		1	Pressure gauge	
22	265243		1	Fuel gauge	D
23	258313		1	Fuel gauge	
24	265244		1	Volt meter	
25	265232		1	Water temperature gauge	D
26	190149		1	Oil temperature gauge	
27	258307		1	Temperature sender	D
28	258309		1	Temperature sender	
29	266625		1	Electric tachometer	
30	265909		1	Manometer	
31	266221		1	Manometer	D
32	196730		1	Alternator	
33	196731		1	Starter motor	C
34	975074		1	Starter relay	
35	985146		1	Lamp, red	B
36	927483		1	Indicator	
37	930139		1	Oil pressure switch	D
38	985146		1	Lamp, red	B
39	347241		1	Horn	C
40	190825		1	Transmission relay	

O-ring repair kit

16814

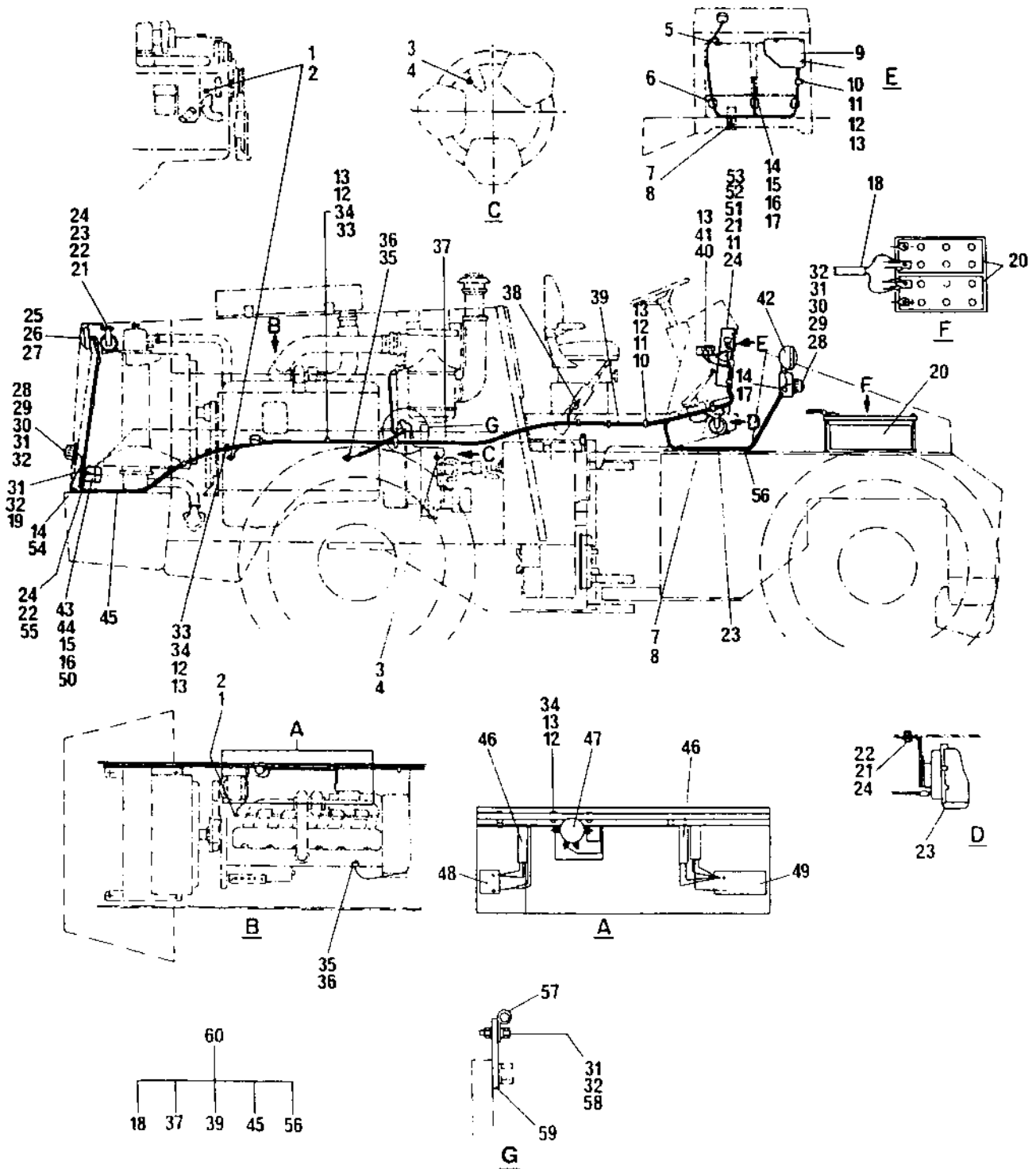


O-ring repair kit

Ref. No.	Part No.	Rem.	Qty	Description	Code
1	243864		1	Transmission gera display	
2	930046		1	Micro switch	D
3	975068		1	Relay	D
4			1	Switch	D
5	243739		1	Working light, rotating beacon	
6	195568		1	Transmission	
7	190825		1	Transmission relay	
8	813412		1	Fuse 10AMP	A

Electric system

16815



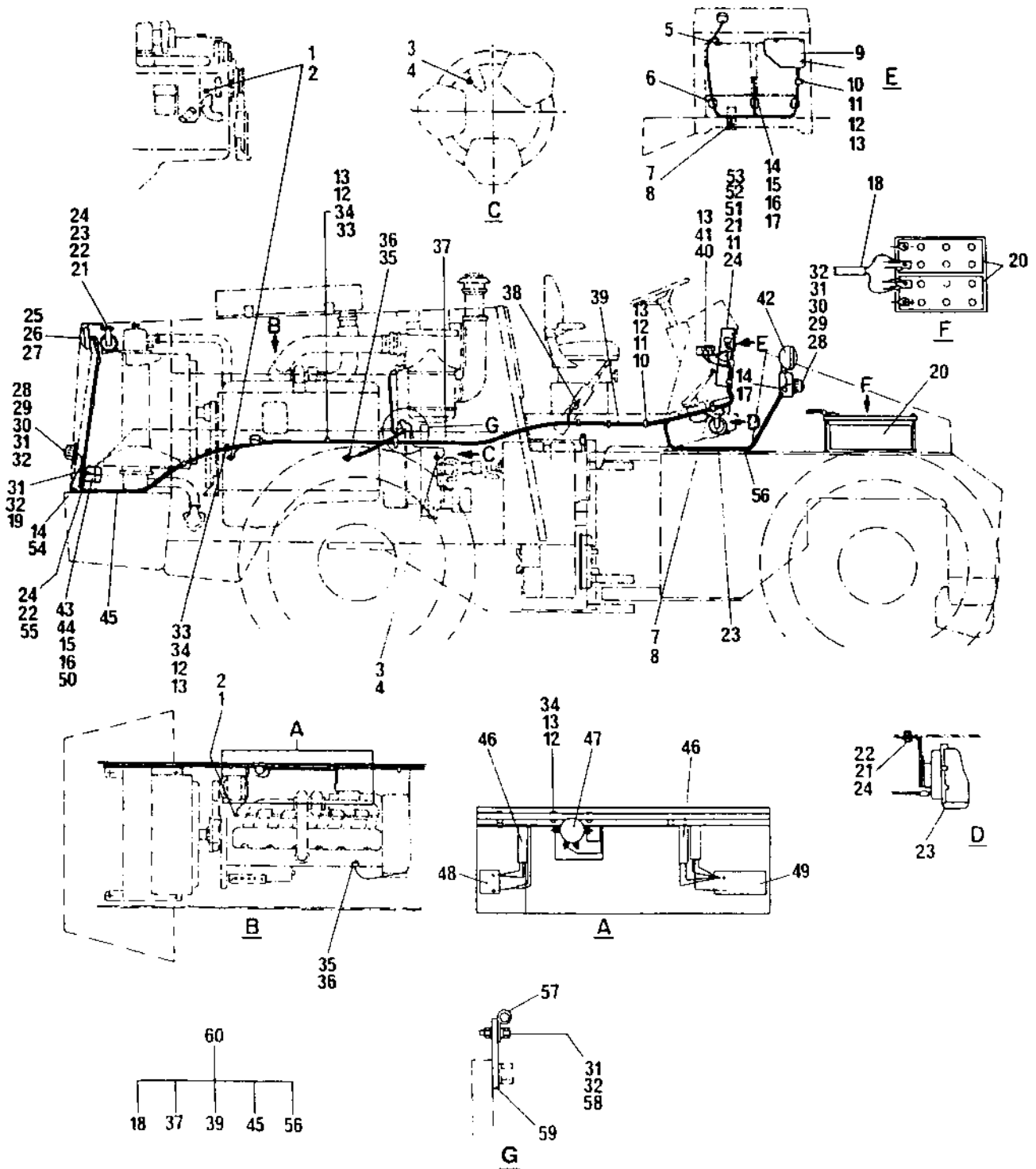
Electric system

Ref. No.	Part No.	Rem.	Qty	Description	Code
1	258307		1	Temperature sender	D
2	813434		1	Bushing	
3	258309		1	Temperature sender	
4	190516		1	Reducing nipple	
5	415350		1	Pressure gauge	
6	264321		3	Rubber grommet	
7	248271		1	Switch	
8	234970		1	Reducing nipple	
9	190712		1	Bracket	
10	921028		5	Clamp	
11	500013		6	Screw	
12	570004		9	Nut	
13	600005		11	Washer	
14	926033		11	Cable clip	
15	926032		2	Male terminal	
16	921308		2	External connection	
17	921307		7	External connection	
18	192359		1	Cable harness	
19	500060		2	Screw	
20	249249		1	Battery	C
21	586003		4	Lock nut	
22	500053		4	Screw	
23	347241		2	Horn	C
24	600006		11	Washer	
25	985155		2	Head lamp	C
26	261530		2	Bracket	
27	586001		6	Lock nut	
28	900223		4	Packing light	D
29	247638		4	Lamp	B
30	533032		8	Screw	
31	570003		14	Nut	
32	600003		10	Washer	
33	921102		3	Clamp	
34	500075		6	Screw	
35	930139		1	Oil pressure switch	D
36	256485		1	Connector	
37	196240		1	Cable harness	
38	930197		1	Switch	
39	194940		1	Cable harness	
40	261959		1	Bracket	
41	500059		2	Screw	
42	242613		4	Head lamp	C
43	190532		1	Alarm	
44	960069		1	Ring terminal	
45	196241		1	Cable harness	
46	249242		1	Cable harness	
47	975074		1	Starter relay	
48	196730		1	Alternator	
49	196731		1	Starter motor	C
50	191540		1	Supplied with engine	
51	194193		2	Spacer	
52	194194		1	Protection	
53	246947	A	1	Rubber packing	

A) L=580 mm

Electric system

16815

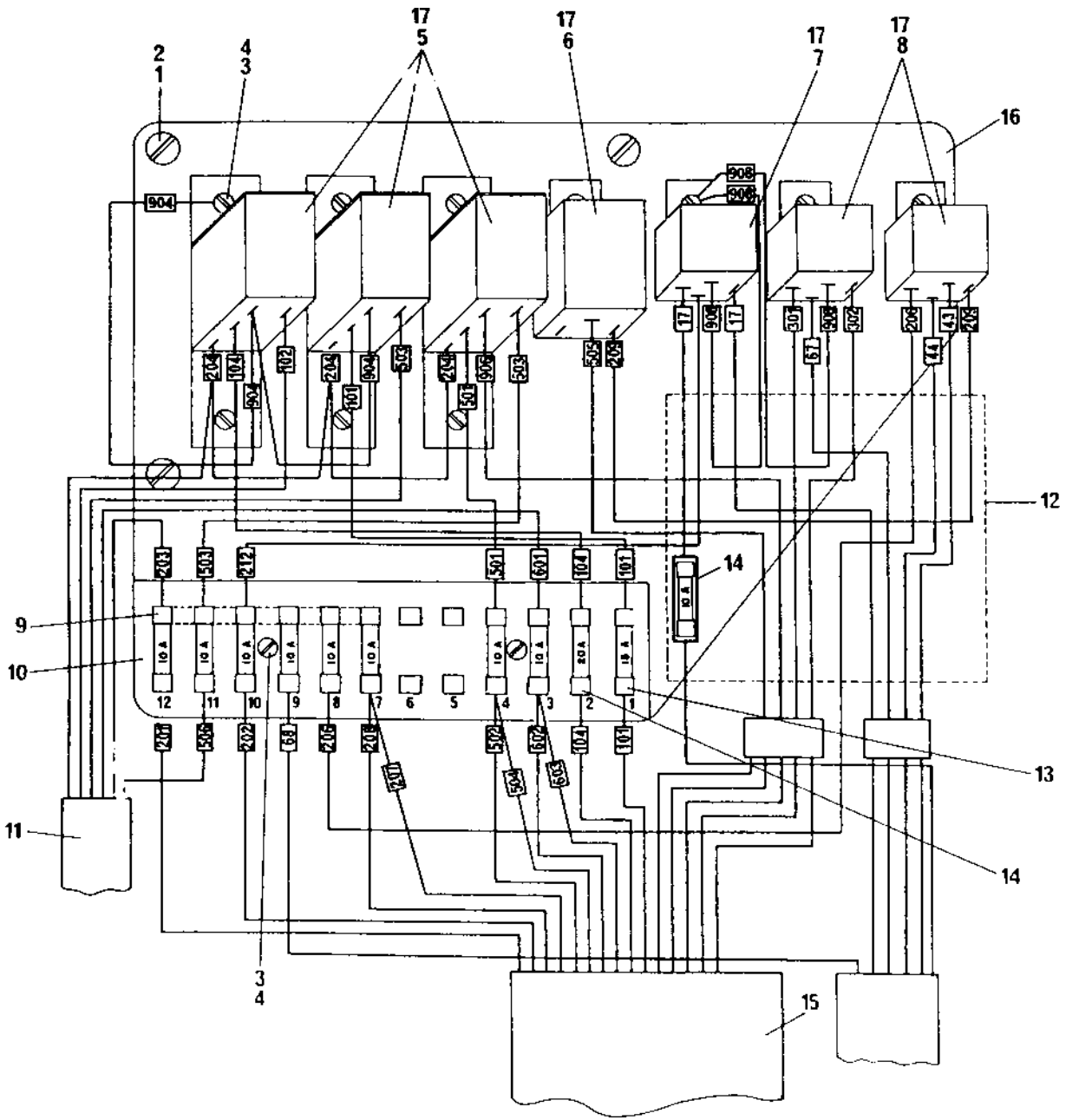


Electric system

Ref. No.	Part No.	Rem.	Qty	Description	Code
54	960242		2	Connector	
55	190713		1	Bracket	
56	196244		1	Cable harness	
57	260728		2	Clamp	
58	500003		2	Screw	
59	241617		2	Bracket	
60	194941		1	Cable harness kit	

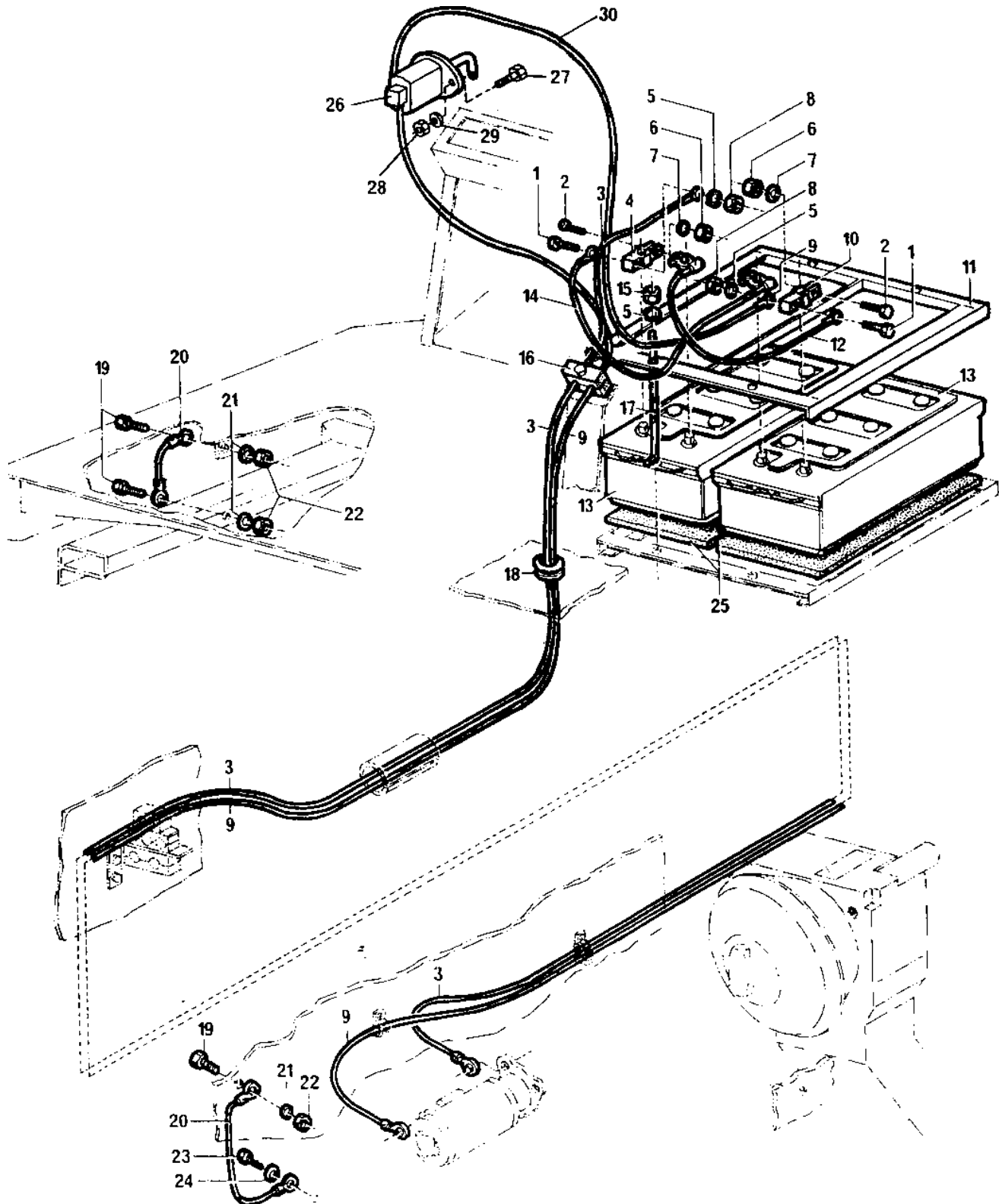
Oil level gauge, cpl.

16816



Oil level gauge, cpl.

Ref. No.	Part No.	Rem.	Qty	Description	Code
1	240519		3	Screw	
2	600006		3	Washer	
3	533025		12	Screw	
4	600006		12	Washer	
5	975068		3	Relay	D
6	191539		1	Relay	D
7	190825		1	Transmission relay	
8	975068		2	Relay	D
9	813412		9	Fuse 10AMP	A
10	240774		1	Fuse box	
11	196246		1	Cable harness	
12	196245		1	Cable harness	
13	269848		1	Fuse	
14	928722		1	Fuse	B
15	192358		1	Cable harness	
16	190712		1	Bracket	
17	77583		CN	Case seal	

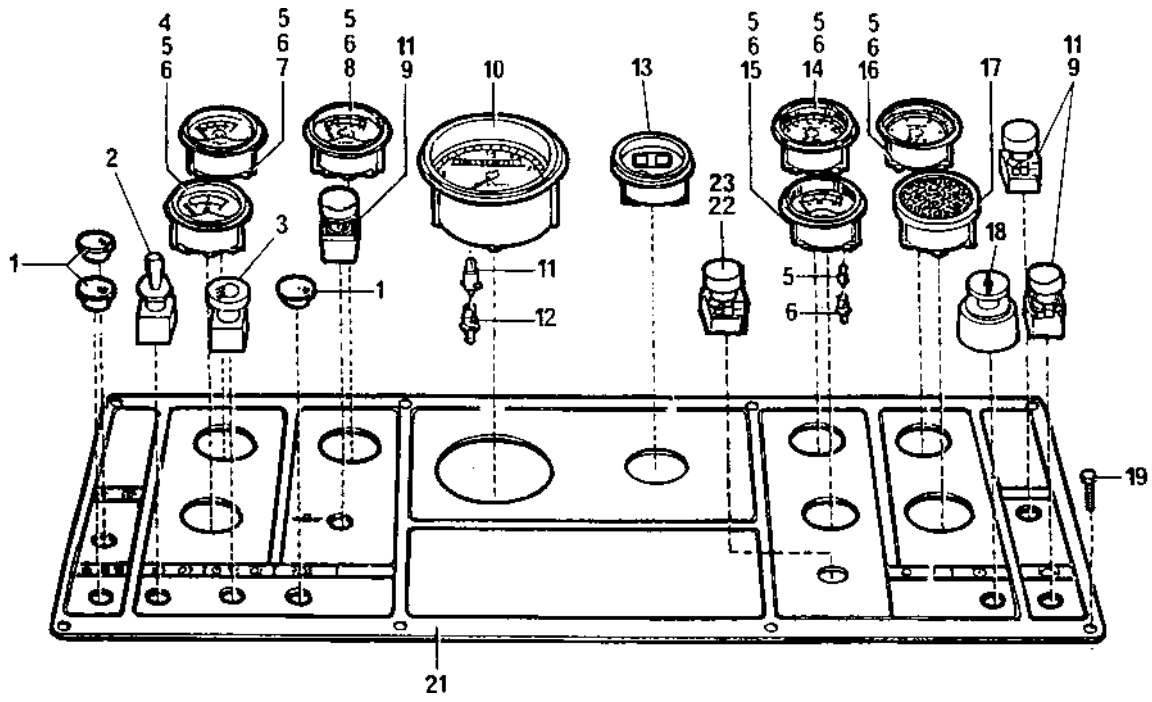


Trench Compactor

Ref. No.	Part No.	Rem.	Qty	Description	Code
1	500030		2	Screw	
2	500022		2	Screw	
3	190111		1	Battery cable	
4	249248		1	Terminal	
5	600008		6	Washer	
6	570006		2	Nut	
7	600006		2	Washer	
8	570005		2	Nut	
9	190112		1	Battery cable	
10	249250		1	Terminal	
11	262365		1	Bracket	
12	249247		1	Battery cable	
13	927972		2	Battery	C
14	249251		1	Battery cable	
15	571003		4	Nut	
16	242306		1	Clamp	
17	250070		1	Fixing screw	
18	263300		1	Rubber grommet	
19	263835		3	Screw	
20	261606		2	Ground cable	
21	600009		3	Washer	
22	263836		3	Nut	
23	500035		1	Screw	
24	603003		1	Washer	
25	259933		2	Shim	
26	930150		1	Battery switch	D
27	923987		2	Stop screw	
28	586002		2	Lock nut	
29	600004		2	Washer	
30	196613		1	Battery cable	

Instrument board

16819

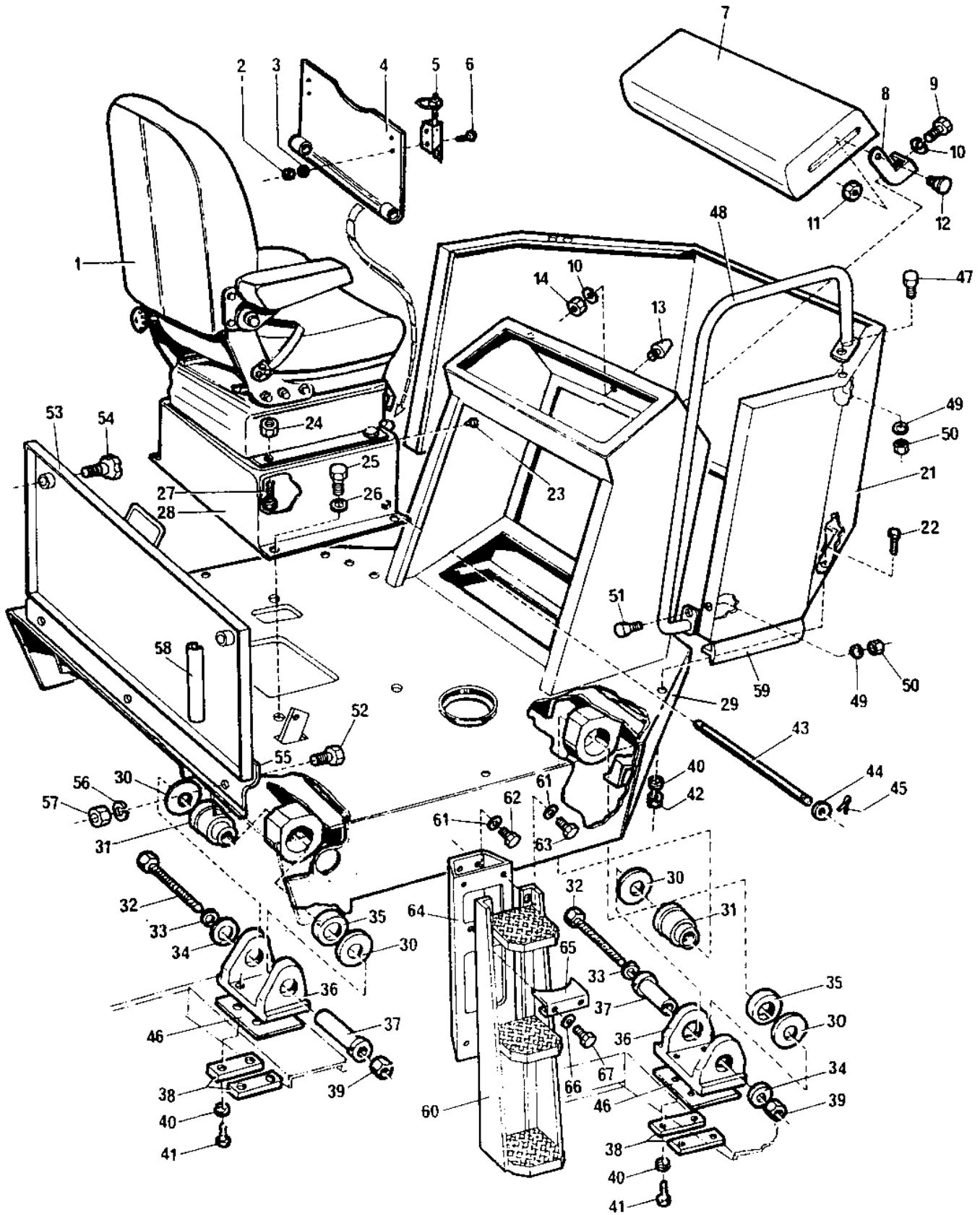


Instrument board

Ref. No.	Part No.	Rem.	Qty	Description	Code
1	911456		1	Hole plug	D
2	190587		2	Switch	
3	190586		1	Head lamp switch	
4	374630		1	Pump and strainer mounting	
5	985011		6	Lamp	B
6	927025		6	Socket	
7	359340		1	Voltmeter	D
8	359342		1	Sprinkler installation system	
9	985146		3	Lamp, red	B
10	355264		1	Tachometer hour meter	D
11	985012		4	Bulb, switches	B
12	269519		1	Socket	
13	243864		1	Transmission gear display	
14	196719		1	Manometer	
15	196720		1	Oil temperature gauge	
16	196718		1	Air pressure gauge	
17	928661		1	Warning buzzer	
18	190585		1	Ignition switch	
19	550132		8	Screw	
21	196562		1	Instrument board	
22	985146		1	Lamp, red	B
23	985012		1	Bulb, switches	B

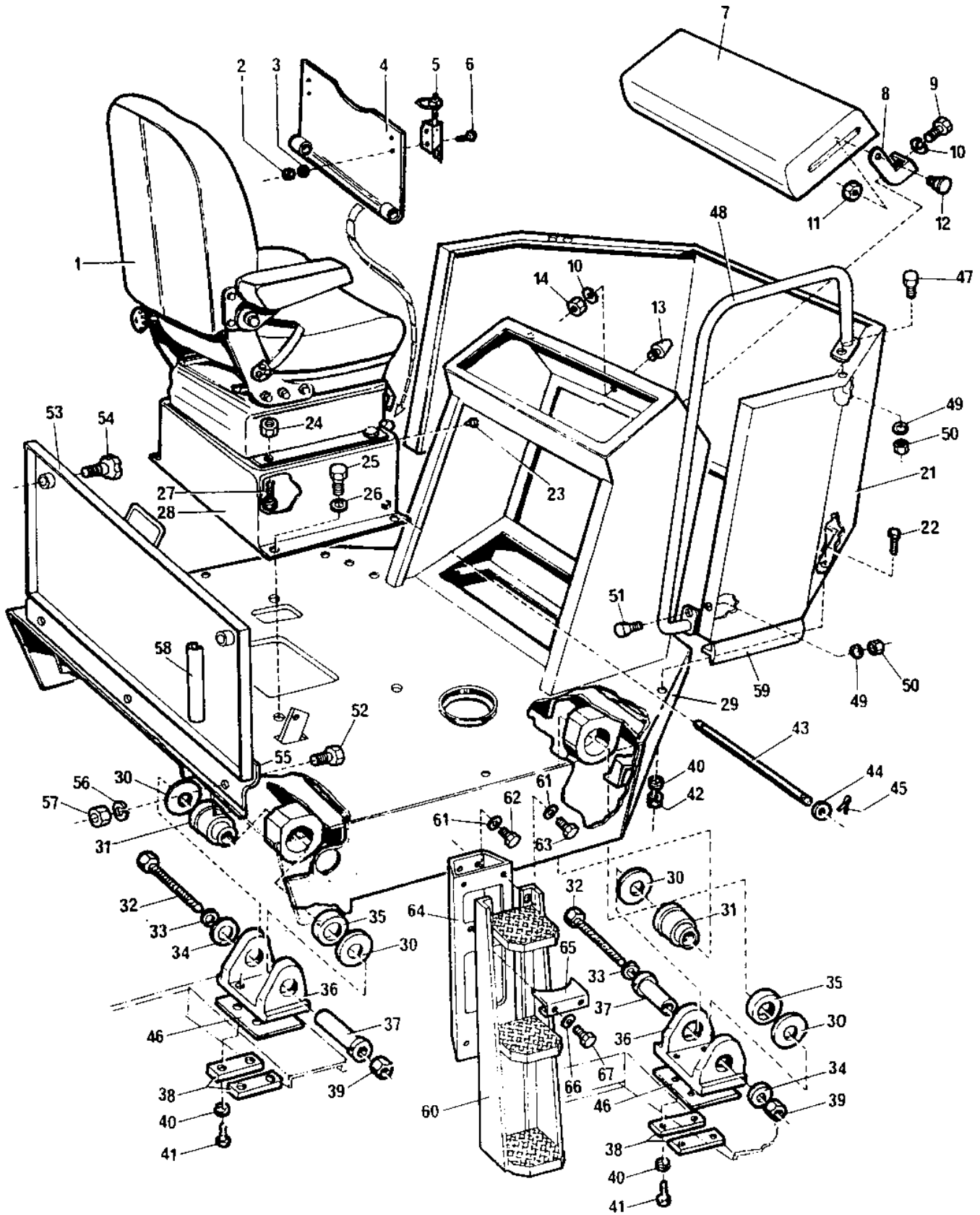
Drivers platform

Ref. No.	Part No.	Rem.	Qty	Description	Code
10			1	Drivers platform (Page 134)	
20			1	Brake control (Page 138)	
30			1	Brake valve (Page 140)	
40			1	Transmission control (Page 142)	
50			1	Blade control (Page 144)	
60			1	Steering assembly (Page 146)	
70			1	Hydraulic brakes (Page 148)	



Drivers platform

Ref. No.	Part No.	Rem.	Qty	Description	Code
1	267159		1	Seat	
2	570002		4	Nut	
3	600002		4	Washer	
4	190641		1	Cover	
5	262593		2	Hook	
6	533009		4	Screw	
7	192982		1	Cover	
8	192991		1	Bracket, right	
	192992		1	Bracket, left	
9	192814		4	Screw	
10	615043		5	Conical spring washer	
11	586002		2	Lock nut	
12	348338		2	Stud	
13	925629		1	Buffer	
14	586003		1	Lock nut	
15	947688		8	Screw	
16	947687		8	Screw	
17	194585		4	Bracket	
18	194583		2	Bracket	
19	615045		4	Conical spring washer	
20	192813		4	Screw	
21	192771		1	Protection	
22	947688		4	Screw	
23	450140		2	Cushion	
24	615044		4	Conical spring washer	D
25	500194		4	Screw	
26	615045		4	Conical spring washer	
27	500030		4	Screw	
28	195564		1	Bracket	
29	196519		1	Platform frame	
30	263489		8	Washer	
31	196524		4	Shock absorber	
32	923851		4	Screw	
33	600021		4	Washer	
34	263490		4	Washer	
35	196525		4	Shock absorber	
36	263483		4	Bearing housing	
37	263488		4	Pin	
38	263642		8	Spacer	
39	586116		4	Nut	
40	600009		26	Washer	
41	500195		16	Screw	
42	570007		4	Nut	
43	269128		1	Shaft	
44	600008		2	Washer	
45	630006		2	Cotter pin	
46	264363		CN	Shim	
47	192813		2	Screw	
48	192776		1	Electrical system	
	192775		1	Control panel	
49	615045		6	Conical spring washer	
50	570007		6	Nut	
51	947688		4	Screw	
52	500280		3	Screw	

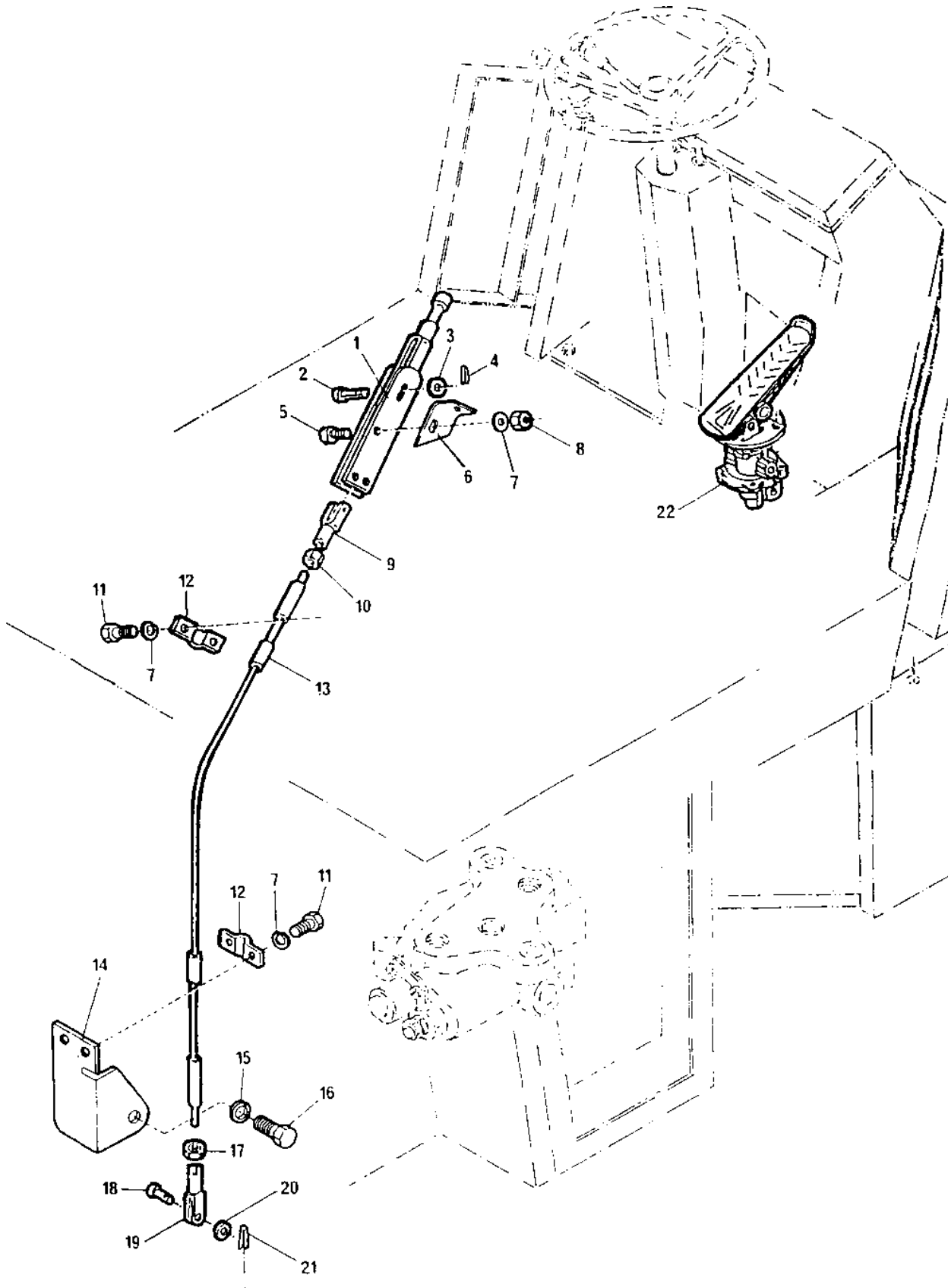


Drivers platform

Ref. No.	Part No.	Rem.	Qty	Description	Code
53	196555		1	Cover	
54	312084		2	Turning knob	
55	263603		1	Bracket	
56	615044		3	Conical spring washer	D
57	570006		3	Nut	
58	202028		1	Edge list	
59	240857		1	Rubber mounting	
60	194584		2	Ladder	
61	615045		16	Conical spring washer	

Brake control

16820

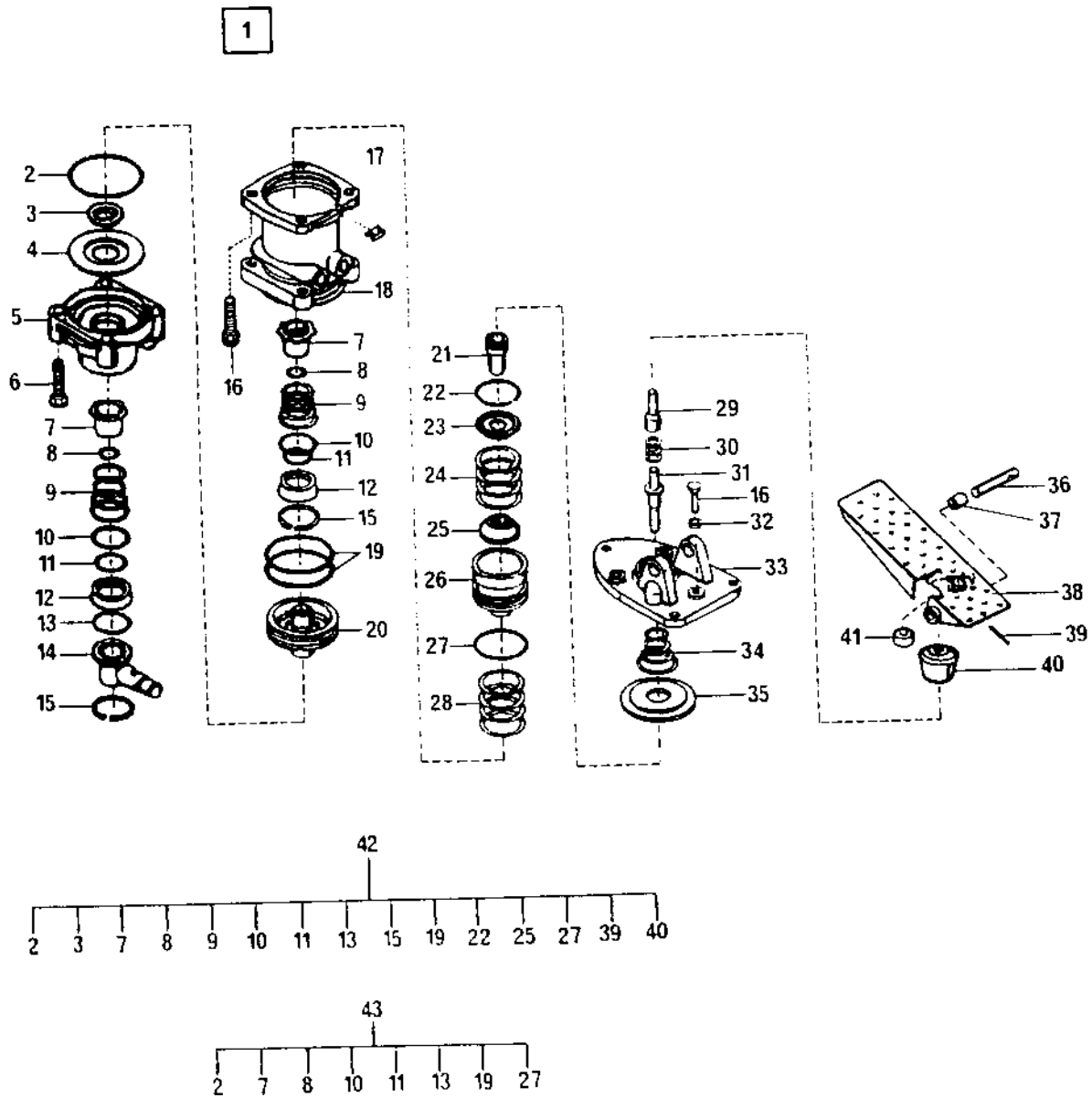


Brake control

Ref. No.	Part No.	Rem.	Qty	Description	Code
1	250088		1	Brake lever	
2	269154		1	Pin	
3	600006		2	Washer	
4	630006		1	Cotter pin	
5	500026		3	Screw	
6	190036		1	Bracket	
7	615043		7	Conical spring washer	
8	570005		3	Nut	
9	813369		1	Fork link	
10	572002		1	Nut	
11	500019		4	Screw	
12	813353		2	Clamp	
13	243882		1	Brake cable	D
14	191017		1	Bracket	
15	615046		1	Conical spring washer	
16	500051		2	Screw	
17	572003		1	Nut	
18	813362		1	Cotter pin	
19	813355		1	Fork link	
20	600008		1	Washer	
21	630008		1	Cotter pin	D
22	191533		1	Valve with pedal	
	195779		1	Brake valve	

Brake valve

16821

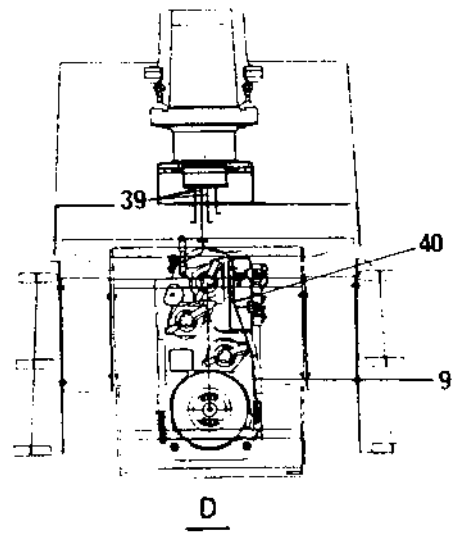
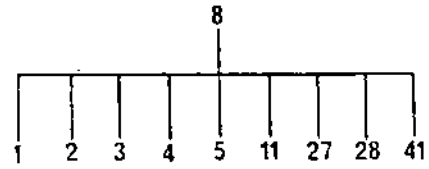
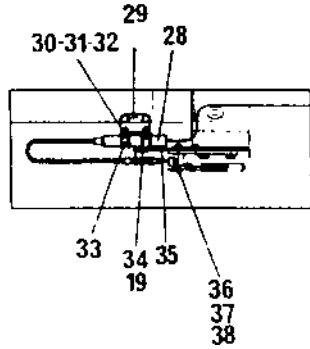
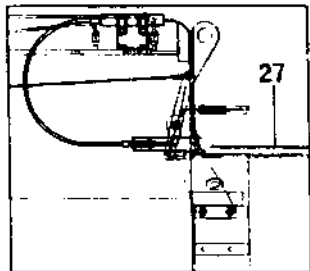
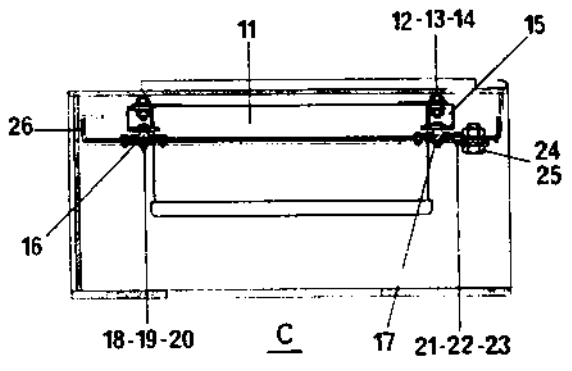
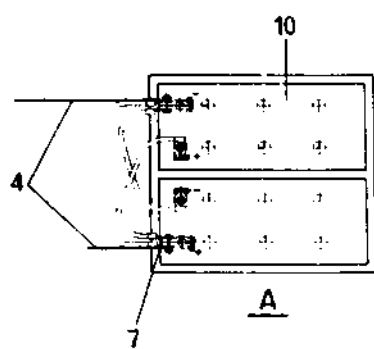
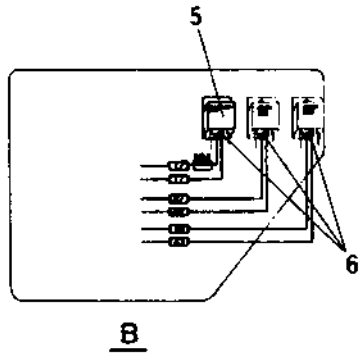
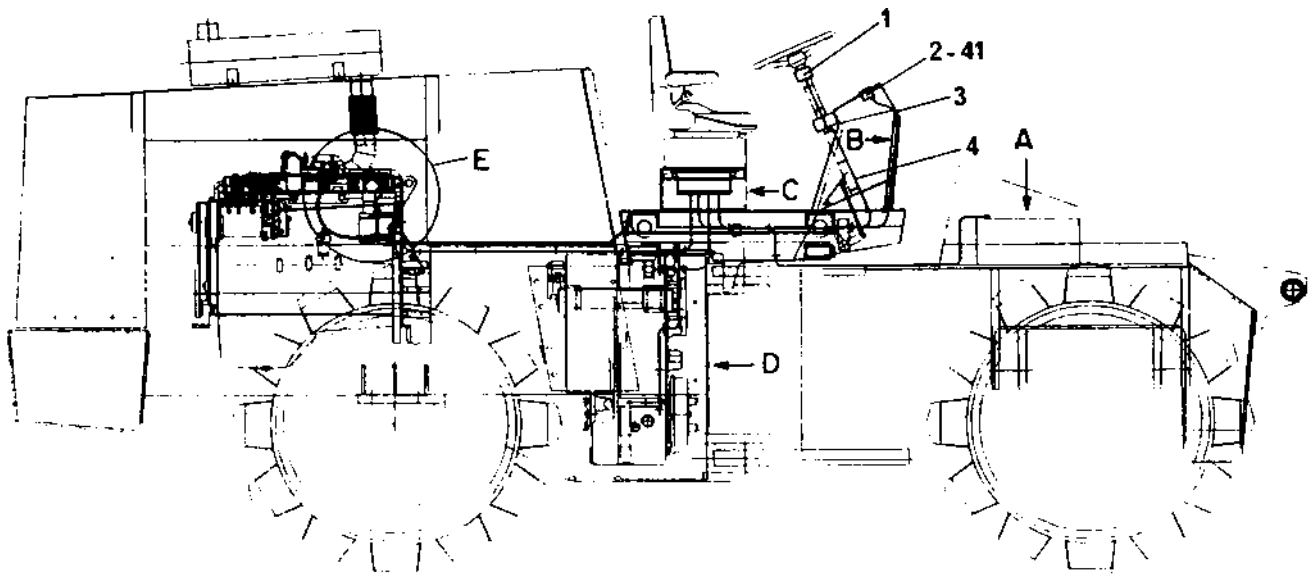


Brake valve

Ref. No.	Part No.	Rem.	Qty	Description	Code
1	195779		1	Brake valve	
2	196159		1	.O-ring	
3	196158		1	.Gasket	
4	196157		1	.Intermediate support	
5	196156		1	.Housing, lower	
6	196155		4	.Screw	
7	196154		2	.Valve housing	
8	196153		2	.O-ring	
9	196152		2	.Spring	
10	196151		2	.O-ring	
11	196150		2	.O-ring	
12	196149		2	.O-ring	
13	196148		1	.O-ring	
14	196146		1	.Cover	
15	196145		2	.Retainer ring	
16	196162		5	.Screw	
17	196164		1	.Filler cap	
18	196163		1	.Housing, upper	
19	196161		2	.O-ring	
21	196172		1	.Shaft	
22	196171		1	.Retainer ring	
23	196170		1	.Spring leg	
24	196169		1	.Spring	
25	196168		1	.Rubber spring	
26	196167		1	.Piston	
27	196166		1	.O-ring	
28	196165		1	.Spring	
29	196179		1	.Upper bar	
30	196178		6	.Spacer	
31	196177		1	.Lower bar	
32	196176		1	.Nut	
33	196175		1	.Cover	
34	196174		1	.Spring	
35	196173		1	.Cover	
36	196185		1	.Pin	
37	196184		1	.Bushing	
38	196183		1	.Pedal	
39	196181		1	.Expanding pin	
40	196180		1	.Protection cap	
41	196182		1	.Buffer	
42	196186		1	.Repair kit	
43	196187		1	.Repair kit	

Transmission control

16822

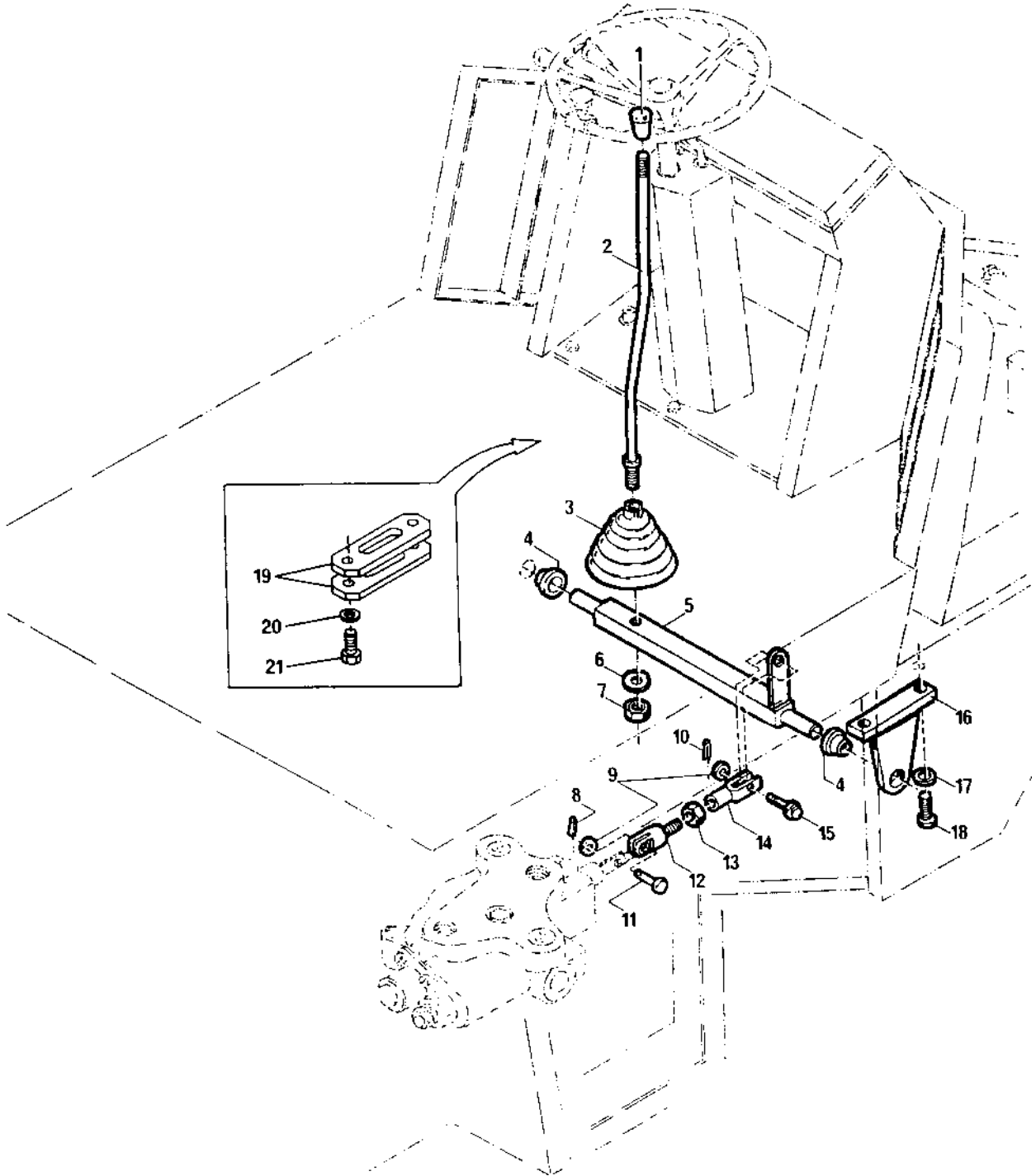


Transmission control

Ref. No.	Part No.	Rem.	Qty	Description	Code
1	195807		1	Selector lever	
2	243864		1	Transmission gera display	
3	195796		1	Cable harness	
4	195792		1	Cable harness	
5	190825		1	Transmission relay	
6	926033		5	Cable clip	
7	960051		1	Cable clip	
8	195819		1	Electronic control system	
9	195793		1	Cable harness	
10	927972		2	Battery	C
11	195818		1	Electronic moduls	
12	500185		4	Screw	
13	615042		8	Conical spring washer	
14	570004		4	Nut	
15	195760		2	Bracket	
16	190153		4	Shock absorber	
17	190155		4	Washer	
18	925664		4	Screw	
19	600002		6	Washer	
20	570002		4	Nut	
21	901769		8	Screw	
22	600001		8	Washer	
23	570001		8	Nut	
24	500048		2	Screw	
25	615044		2	Conical spring washer	D
26	195761		1	Plate	
27	195794		1	Cable harness	
28	195806		1	Potentiometer	
29	195651		1	Bracket	
30	500053		2	Screw	
31	615043		4	Conical spring washer	
32	570005		2	Nut	
33	921056		2	Clamp	
34	533009		2	Screw	
35	195653		1	Bracket	
36	195835		1	Pin	
37	600006		1	Washer	
38	630003		1	Cotter pin	
39	77583		CN	Case seal	
40	313041		20	Cable tie	
41	533034		2	Screw	

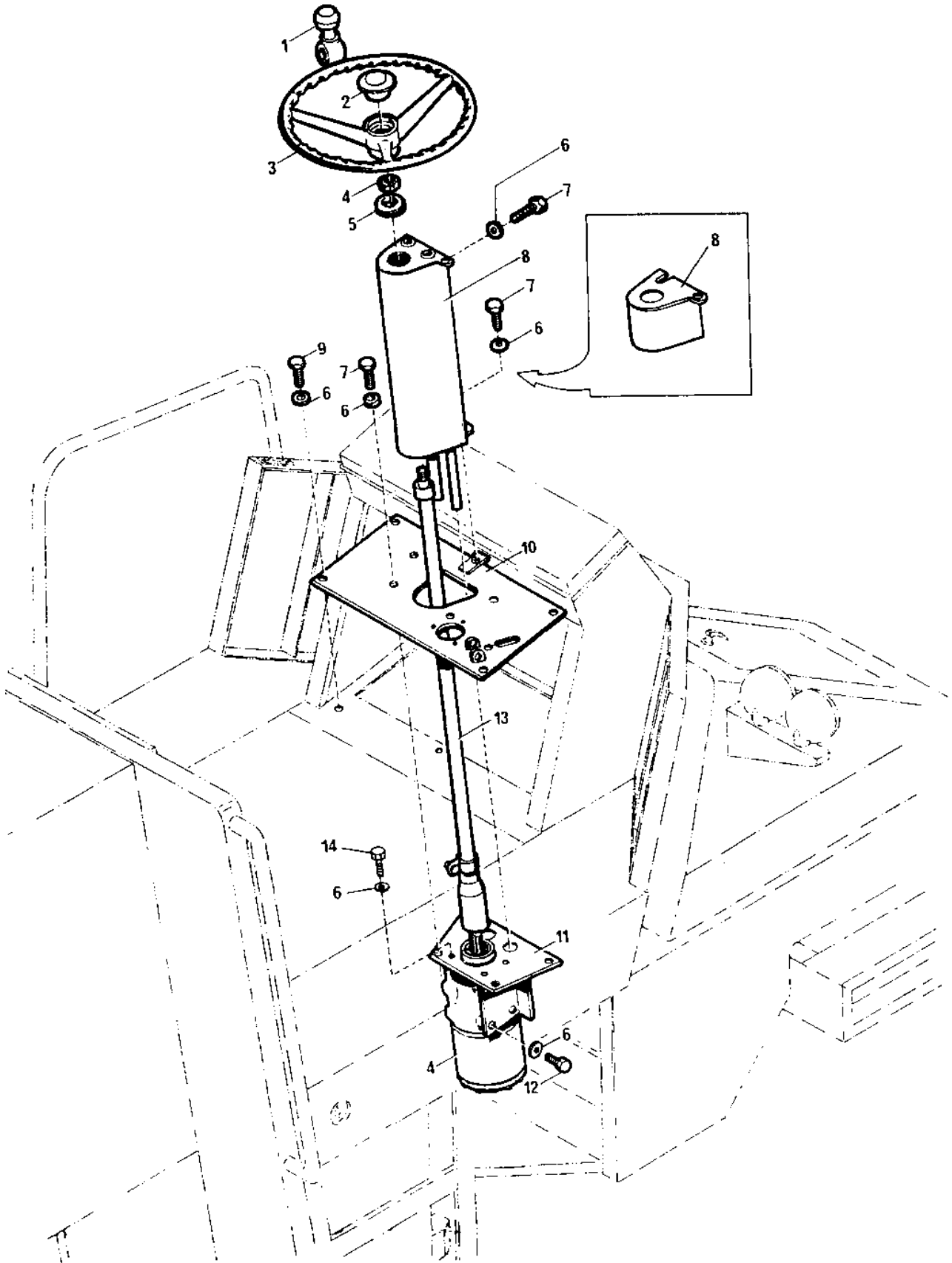
Blade control

16823



Blade control

Ref. No.	Part No.	Rem.	Qty	Description	Code
1	195941		1	Ball	
2	269362		1	Control lever	
3	920931		1	Boot	
4	269113		2	Bushing	
5	269114		1	Shaft, cpl	
6	600021		1	Washer	
7	586116		1	Nut	
8	630031		1	Cotter pin	
9	600006		2	Washer	
10	630005		1	Cotter pin	
11	259265		1	Pin	
12	269049		1	Rod	
13	572002		1	Nut	
14	813369		1	Fork link	
15	260734		1	Pin	
16	269117		1	Bearing housing	
17	600008		2	Washer	
18	500027		2	Screw	
19	196510		2	Plate	
20	603019		2	Washer	
21	500022		2	Screw	

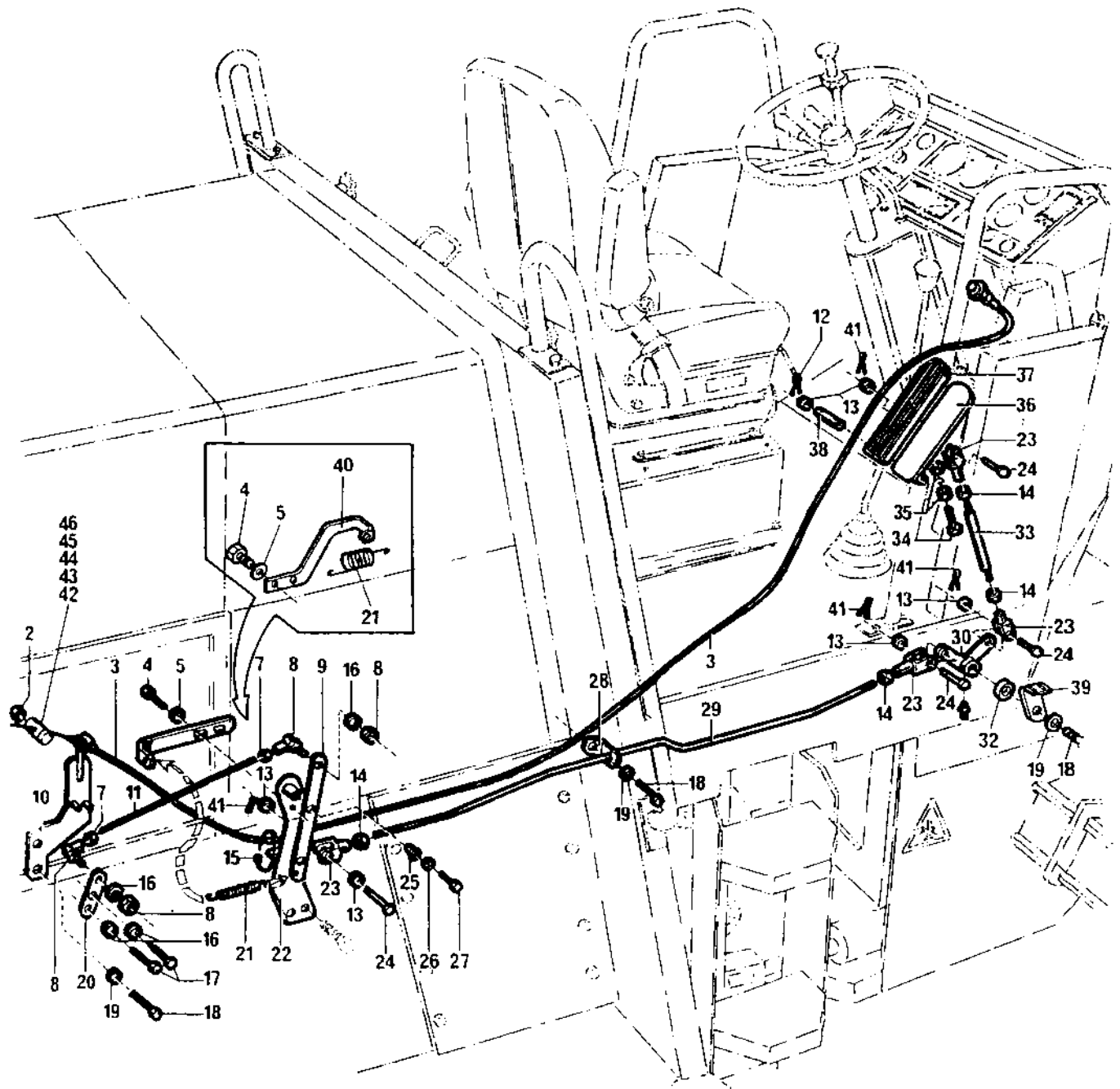


Steering assembly

Ref. No.	Part No.	Rem.	Qty	Description	Code
1	262094		1	Turning knob	
2	930186		1	Horn button	
3	922623		1	Steering wheel	
4	195762		1	Hydraulic steering	C
5	263300		1	Rubber grommet	
6	603023		14	Washer	
7	500048		6	Screw	
8	195763		1	Bracket	
9	500028		4	Screw	
10	195766		1	Floor, cpl	
11	195767		1	Bracket	
13	195894		1	Wheel column	
14	500029		4	Screw	

Hydraulic brakes

16825



Hydraulic brakes

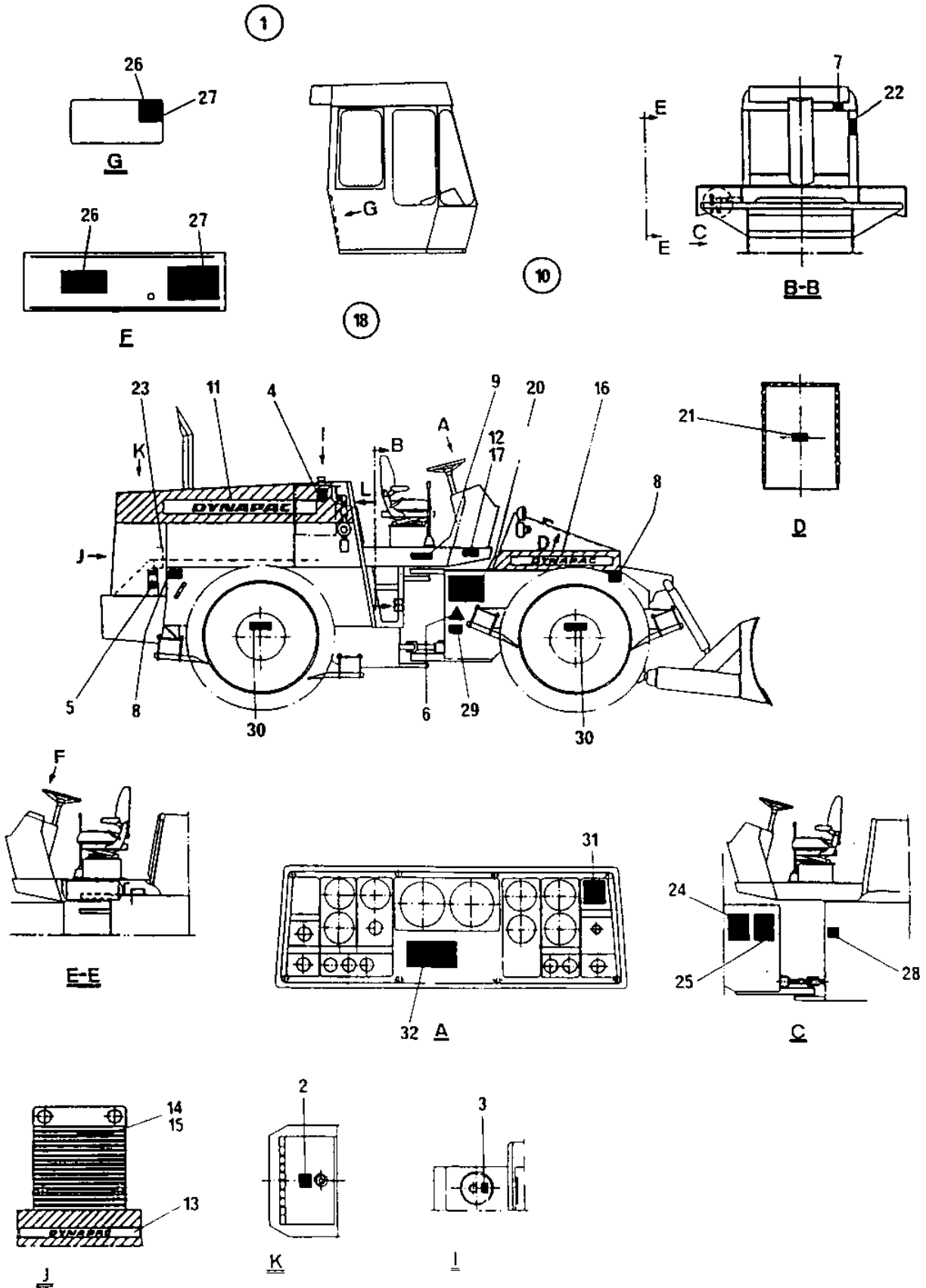
Ref. No.	Part No.	Rem.	Qty	Description	Code
1	500086		1	Screw	
2	570002		1	Nut	
3	243883		1	Control cable	D
4	500053		2	Screw	
5	615043		2	Conical spring washer	
7	570004		2	Nut	
8	416034		2	Ball joint	D
9	195836		1	Lever	
10	249301		1	Bracket	
11	196328		1	Rod	
12	630001		2	Cotter pin	
13	600006		5	Washer	
14	572002		4	Nut	
15	313041		1	Cable tie	
16	615042		4	Conical spring washer	
17	500059		2	Screw	
18	500048		4	Screw	
19	615044		3	Conical spring washer	D
20	249300		1	Lever	
21	192373		1	Spring	
22	243879		1	Bracket	
23	813369		4	Fork link	
24	260734		4	Pin	
25	252793		1	Sleeve	
26	603023		2	Washer	
27	500028		1	Screw	
28	190157		1	Bracket	
29	195144		1	Rod	
30	260302		1	Lever	
31	310043		1	Grease nipple	D
32	603022		1	Washer	
33	260721		1	Rod	
34	926204		1	Screw	
35	570005		1	Nut	
36	260157		1	Pedal, cpl	
37	920818		1	Brake lining	
38	260362		1	Pin	
39	190158		1	Bracket	
40	195649		1	Bracket	
41	630035		4	Cotter pin	D
42	268931		1	Nut	
43	500041		1	Screw	
44	570003		1	Nut	
45	603001		1	Washer	
46	152013		1	Snap ring	

Decals

<u>Ref. No.</u>	<u>Part No.</u>	<u>Rem.</u>	<u>Qty</u>	<u>Description</u>	<u>Code</u>
10			1	Kit, plate decals (Page 152)	

Kit, plate decals

16826



Kit, plate decals

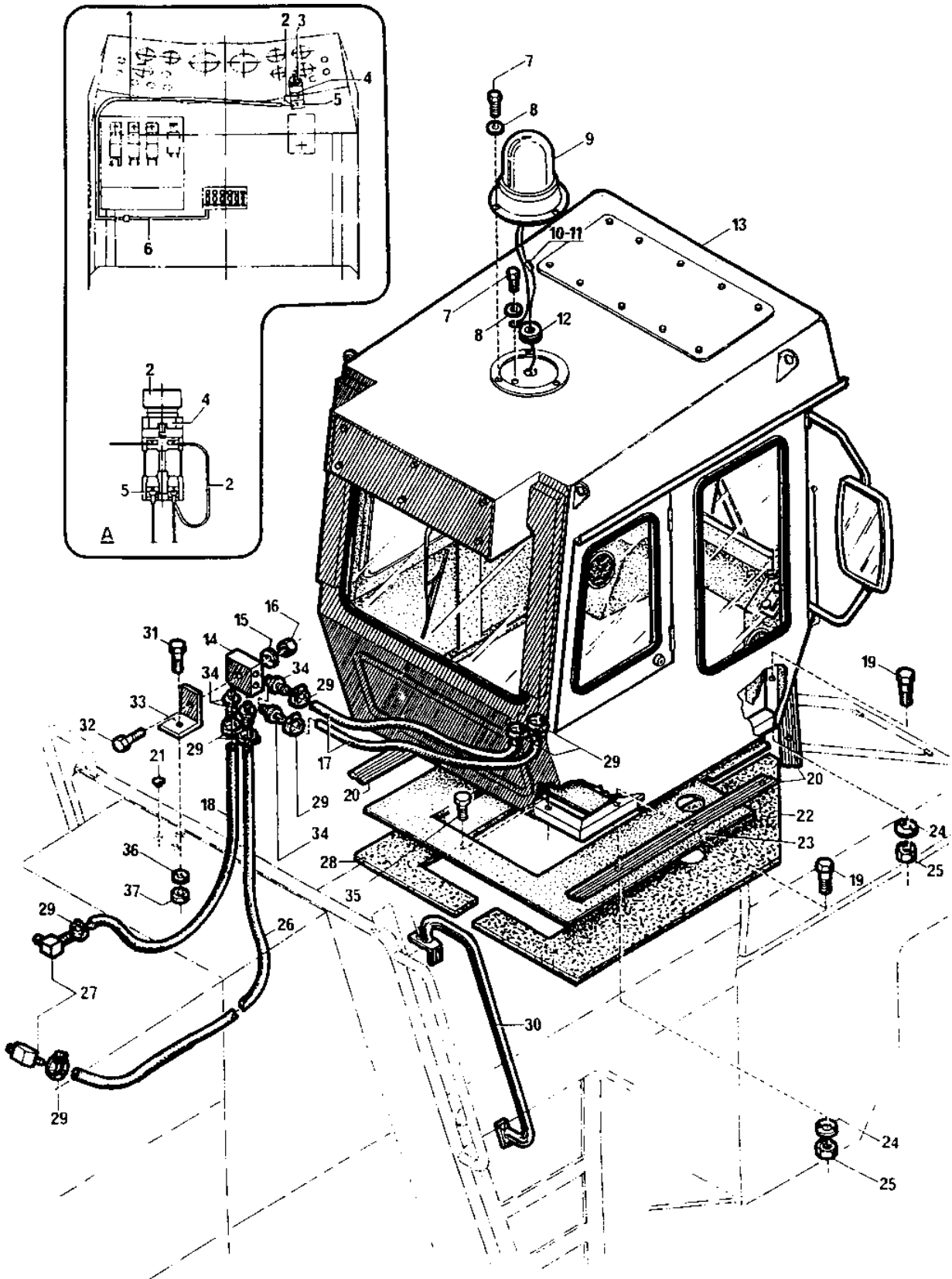
Ref. No.	Part No.	Rem.	Qty	Description	Code
1	194645		1	Kit, plate decals	
2	991657		1	.Decal "WATER"	
3	258938		1	.Decal "HYDRAULIC FLUID SYSTEM"	
4	250044		1	.Decal "OIL LEVEL"	
5	991658		1	.Decal "FUEL"	
6	991656		2	.Decal "WARNING"	
7	256049		1	.Decal, motor stop	
8	588176		4	.Decal "HOOK"	
9	194646		2	.Decal "MODEL"	
10	243630		1	Decal, drain	
11	904093		2	.Decal "Svedala Dynapac" 1200WH	
12	624016		4	.Pop rivet	
13	904093		1	.Decal "Svedala Dynapac" 1200WH	
14	195948		1	.Decal "Svedala Dynapac"	
15	624012		2	.Rivet	
16	904092		2	.Decal "Svedala Dynapac"	
17	195936		1	.Kit, plate decal	
18	196036		1	Kit, plate decals english	
	196035		1	Kit, plate decals portugues	
	196038		1	Kit, plate decal french	
	196037		1	Kit, plate decals spanish	
19			1	.Decal, instruction	
20			1	.Plate "MAINTENANCE" portugues	
21			1	.Decal "WARNING"	
22			1	.Locking screw	
23			1	.Decal "ALTERNATOR"	
24			1	.Decal "SAFETY"	
25			1	.Decal "SAFETY"	
26			1	.Decal "WARNING"	
27			1	.Decal "WARNING"	
28			1	.Decal "WARNING"	
29			2	.Decal "WARNING"	
30			4	.Nylon pipe	
31			1	.Decal "WARNING"	

Standard equipment

Ref. No.	Part No.	Rem.	Qty	Description	Code
10			1	Cab assembly mounting (Page 156)	
20			1	Cab, cpl (Page 158)	
40			1	Cab assembly mounting (Page 162)	
50			1	Rops assembly (Page 164)	
60			1	60 BR-F (Page 166)	
70			1	60 PUS (Page 168)	
80			1	Direction signal (Page 170)	
90			1	Air conditioner assembly (Page 172)	
100			1	Compressor assembly (Page 174)	
110			1	Tool kit (Page 176)	

Cab assembly mounting

16827



Cab assembly mounting

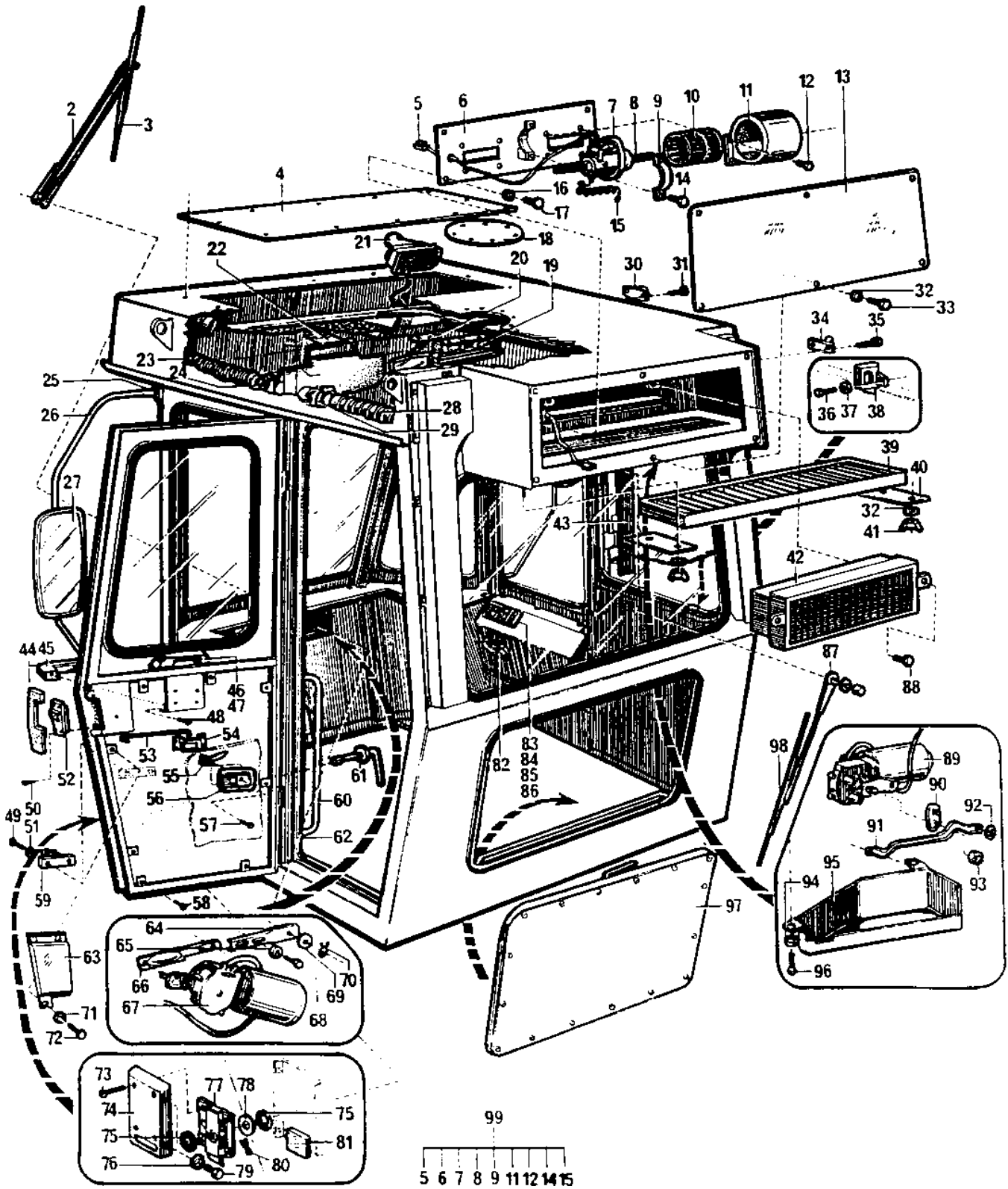
Ref. No.	Part No.	Rem.	Qty	Description	Code
1	269273		1	Cable harness	
2	345708		1	Electric cable	
3	927487		1	Push button	
4	930195		1	Contact block	D
5	930163		1	Contact piece	D
6	268367		1	Brake assembly	
7	500185		4	Screw	
8	600005		4	Washer	
9	267107		1	Rotating beacon	
10	926033		1	Cable clip	
11	921307		1	External connection	
12	909152		1	Grommet	
13	196538		1	Cab	
14	266352		1	Connection	
15	600008		2	Washer	
16	570006		2	Nut	
17	246071	A	1	Hose	
18	246071	B	1	Hose	
19	196565		10	Screw	
20	247435	C	1	Rubber strip	
21	266443		2	Grommet	
22	192272		1	Spring washer	
23	192270		1	Floor material	
24	603004		10	Washer	
25	196566		8	Nut	
26	246071	D	1	Hose	
27	813725		2	V-connecting	
28	192271		1	Temperature sender	
29	313004		8	Hose clamp	
30	249373		2	Hand rail	
31	500028		1	Screw	
32	500109		1	Screw	
33	266353		1	Bracket	
34	262435		2	Hose connector	

- A) L=1360 mm
- B) L=2600 mm
- C) L=3900 mm
- D) L=2350 mm

Cab, cpl

16828

1



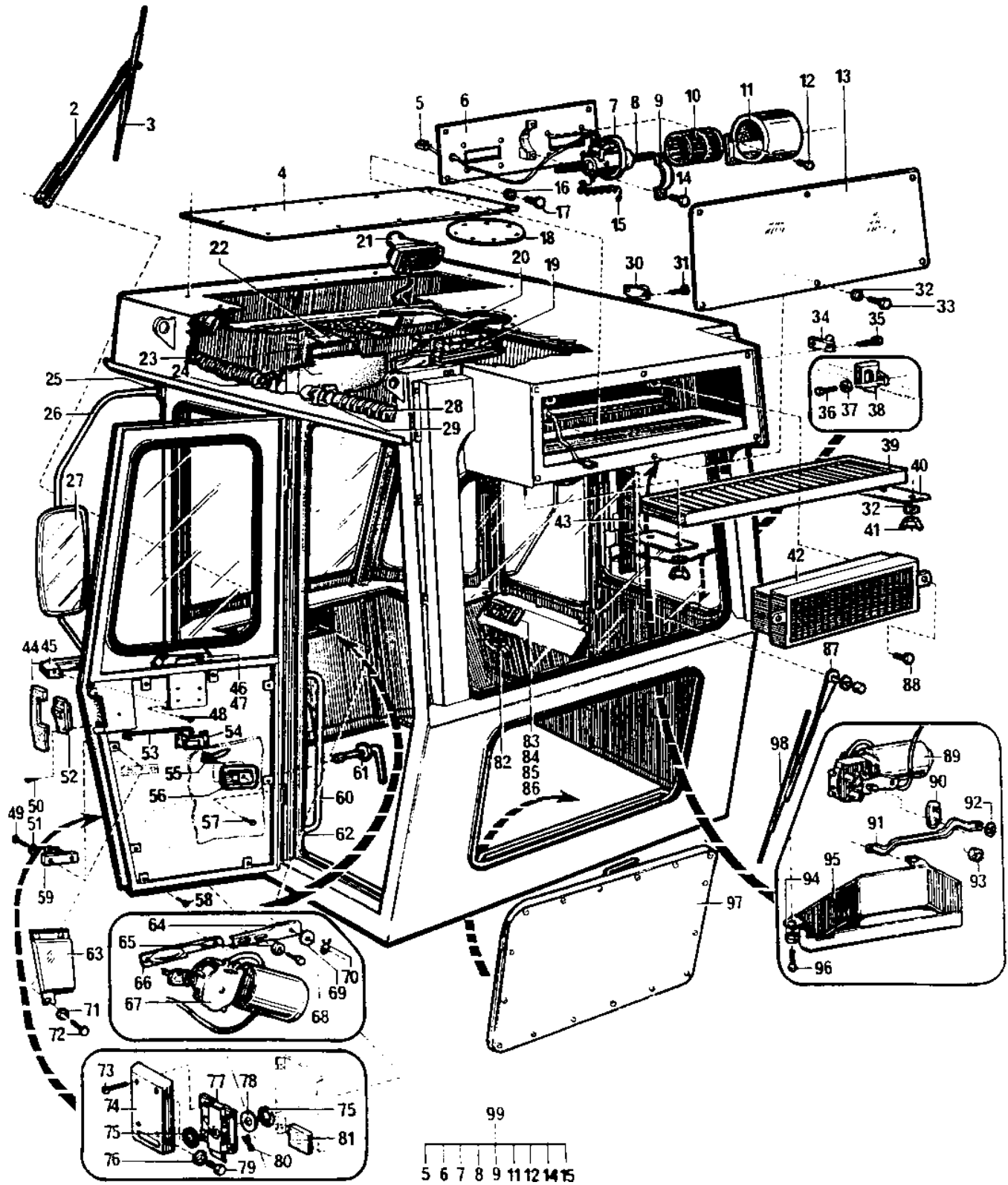
Cab, cpl

Ref. No.	Part No.	Rem.	Qty	Description	Code
1	196538		1	Cab	
2	195960		1	.Wiper arm	
3	195957		1	.Wiper blade	B
4	240325		1	.Cover	
5	240326		2	.Plastic connection	
6	240327		1	.Bracket	
7	240328		1	.Rubber strip	
8	240329		1	.Electric engine	C
9	240330		1	.Clamp	
10	240331		2	.Fan	C
11	240332		2	.Volute	
12	240333		8	.Screw	
13	240334		1	.Cover	
14	240335		2	.Screw	
15	240336		1	.Connector	
16	240337		4	.Nut	
17	500008		4	.Screw	
18	240339		1	.Cover	
19	249545		1	.Lamp, cpl	
21	240341		4	.Air deflector	
22	240342		1	.Metal shield	
23	240343		4	.Air tube	
24	240344		2	.Clamp	
25	240345		8	.Screw	
26	240346		2	.Rear view mirror bracket	
27	240347		1	.Rear view mirror	
28	240348		1	.Air tube	
29	240349		2	.Clamp	
30	450066		1	.Door bumper	D
31	243232		2	.Screw	
32	240355		10	.Washer	
33	240353		6	.Screw	
34	263618		1	.Voltmeter	
35	240078		2	.Screw	
36	243233		4	.Screw	
37			1	.Washer	
38	243234		1	.Lock	
39	262509		1	.Filter	
40	240354		2	.Bracket	
41	240356		4	.Fly nut	
42	262508		1	.Radiator	
43	240350		1	.Window	
44	240368		1	.Rubber pad	
45	925493		1	.Grab handle	D
46	243235		2	.Handle	
47	243236		4	.Screw	
48	500003		2	.Screw	
49	243237		2	.Screw	
50	240370		4	.Screw	
51	243238		2	.Washer	
52	240371		1	.Decal, alternator	
53	240373		1	.Rod	
54			1	.Bracket	
55	243239		1	.Control lever	

Cab, cpl

16828

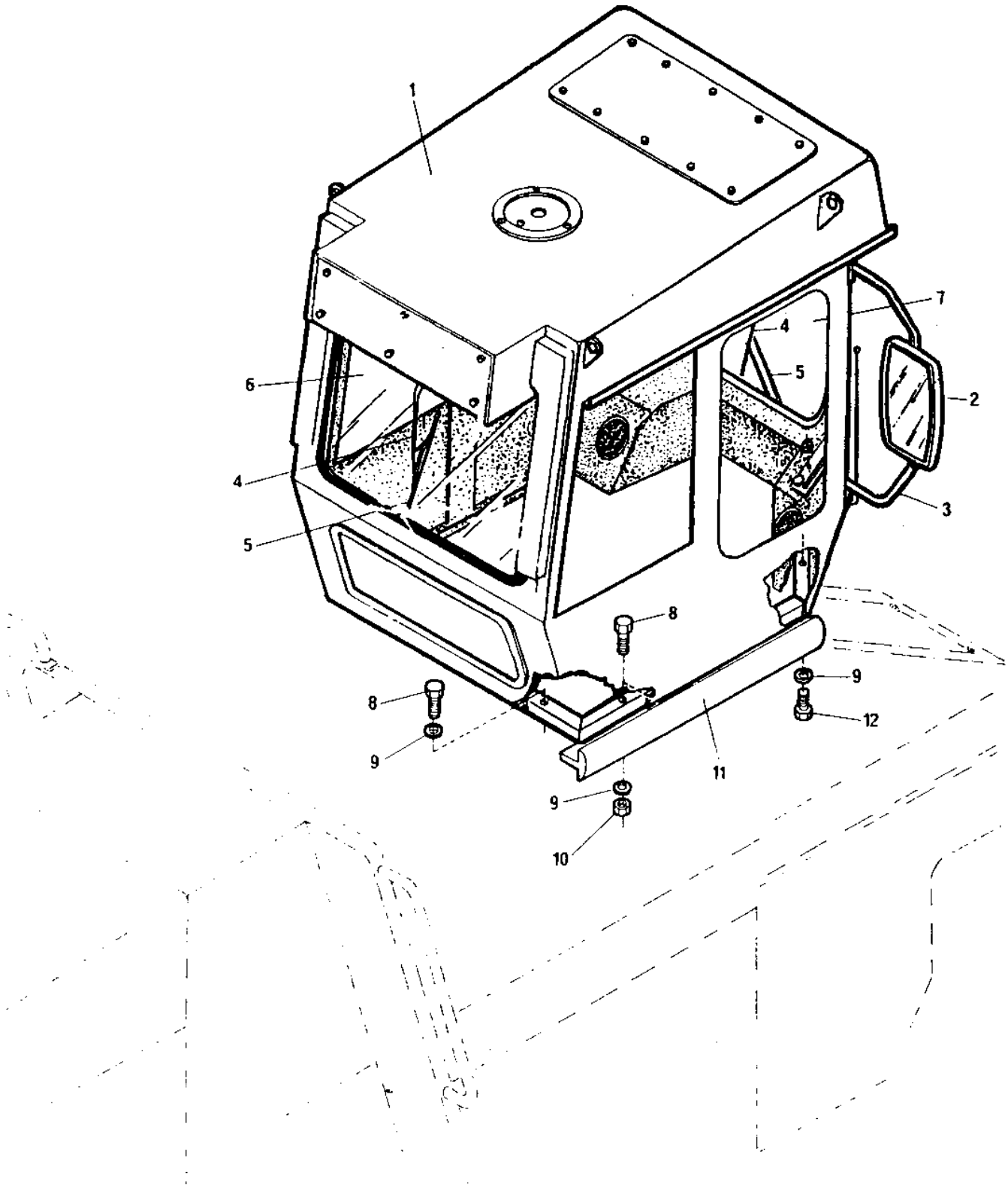
1



Cab, cpl

Ref. No.	Part No.	Rem.	Qty	Description	Code
56			1	.Mouting plate	
57	240375		1	.Screw	
58	240377		8	.Screw	
59	243240		1	.Lock	
60	240366		1	.Baluster	
61	243241		1	.Handle	
62	500013		4	.Screw	
63	243242		1	.Protection	
64	243243		1	.Rod	
65	243244		2	.Washer	
66	243245		1	.Motor shaft	
67	243246		1	.Electrical motor, front	
68	240078		2	.Screw	
69	243247		1	.Washer	
70	243248		1	.Snap ring	
71	243249		3	.Washer	
72	243250		3	.Screw	
73	243250		3	.Screw	
74	243252		1	.Cover	
75			2	.Rubber gasket	
76	243253		4	.Washer	
77	243254		1	.Lock	
78	243255		1	.Washer	
79	243256		4	.Screw	
80	243257		1	.Cotter pin	
81	202007		1	.Rubber strip	
82	240360		1	.Ashtray	
83	240361		1	.Switch	
84	240362		1	.Switch	
85	240363		1	.Switch board	
86	240364		3	.Switch board cover	
87	243259		1	.Shaft	
88	240359		2	.Screw	
89	243258		1	.Electrical motor, rear	
90			1	.Steering link	
91	243259		1	.Shaft	
92			1	.Retainer ring	
93			2	.Nut	
94	243249		2	.Washer	
95	243260		1	.Tee-connection	
96	243261		2	.Screw	
97	240365		1	.Cover	
98	240910		1	.Wiper arm with blade	
99	196269		1	.Kit, cab refrigeation	

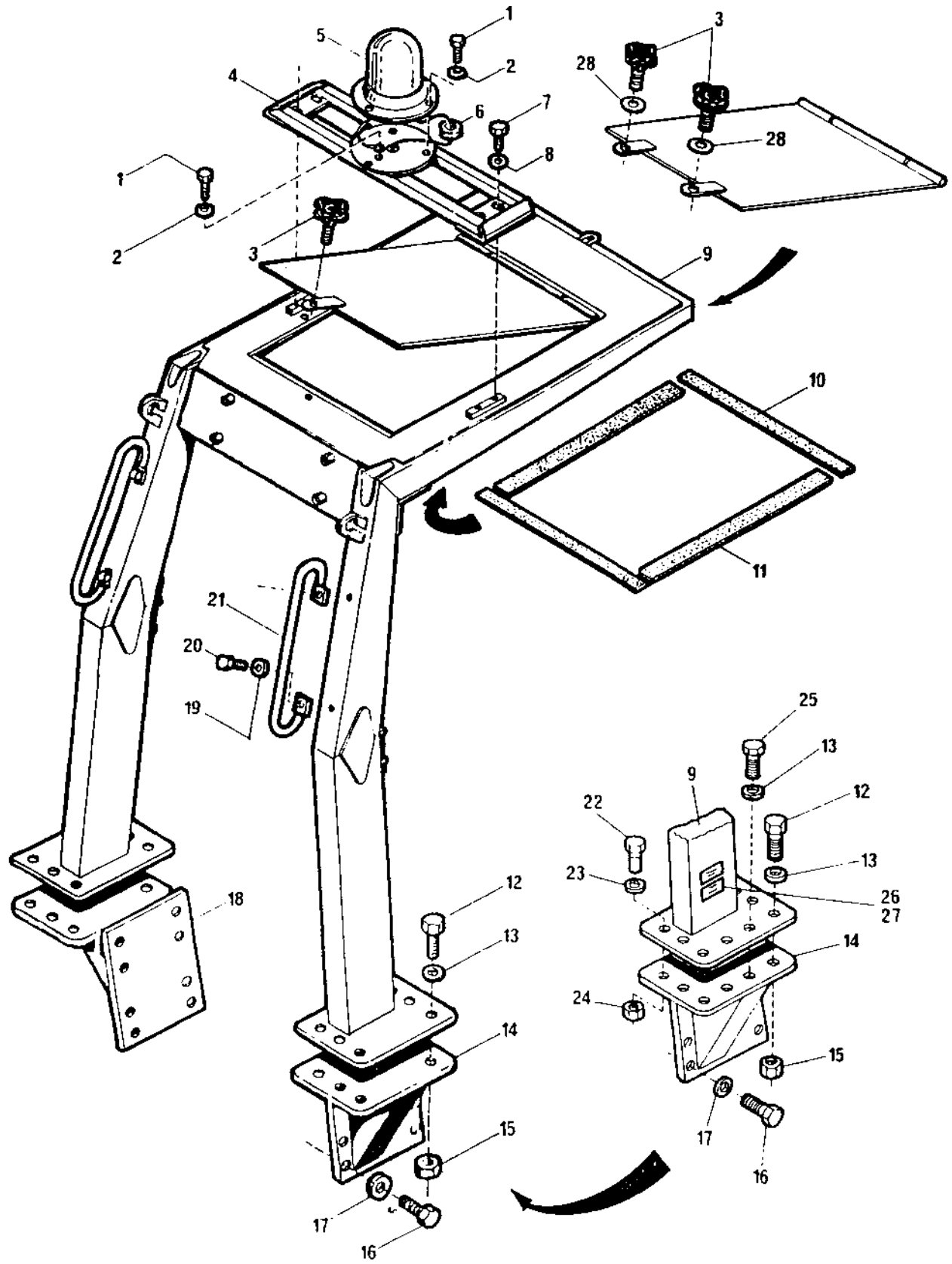
16830



Ref. No.	Part No.	Rem.	Qty	Description	Code
1	196537		1	Cab	
2	240347		2	Rear view mirror	
3	240346		2	Rear view mirror bracket	
4	922843		2	Brake lining kit	
5	922845		2	Brake lining kit	
6	240425		1	Rear window	
7	240429		1	Frontwindow	
8	196565		10	Screw	
9	603004		10	Washer	
10	196566		8	Nut	
11	247435		1	Rubber strip	

Rops assembly

16831



Rops assembly

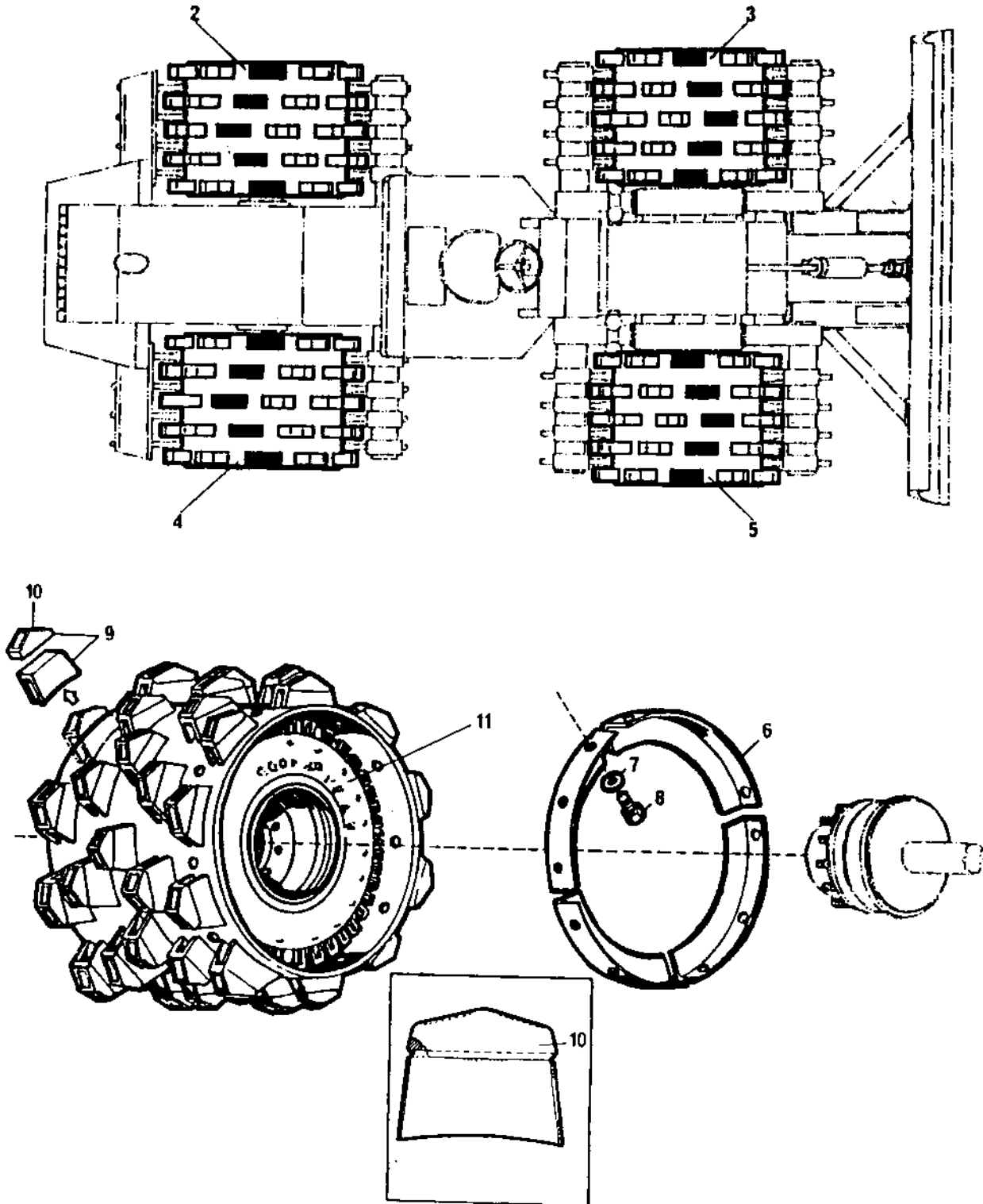
Ref. No.	Part No.	Rem.	Qty	Description	Code
1	500185		4	Screw	
2	600005		4	Washer	
3	312084		2	Turning knob	
4	267091		1	Bracket, cpl	
5	267107		1	Rotating beacon	
6	909152		3	Grommet	
7	500043		4	Screw	
8	603023		4	Washer	
9	241497		1	Rops	
10	242911	A	2	Scew	
11	242911	B	2	Scew	
12	502309		8	Screw	
13	603005		12	Washer	
14	241550		1	Bracket, right	
15	571031		8	Nut	
16	500287		16	Screw	
17	603022		16	Washer	
18	241546		1	Bracket, left	
19	600026		4	Washer	
20	502053		4	Screw	
21	264981		2	Strap	
22	925960		4	Screw	
23	241552		4	Washer	
24	925964		4	Nut	
25	502316		4	Screw	
26	241604		1	Kit, plate decals	
27	616003		8	Rivet	
28	264984		2	Rubber gasket	

A) L=660 mm

B) L=775 mm

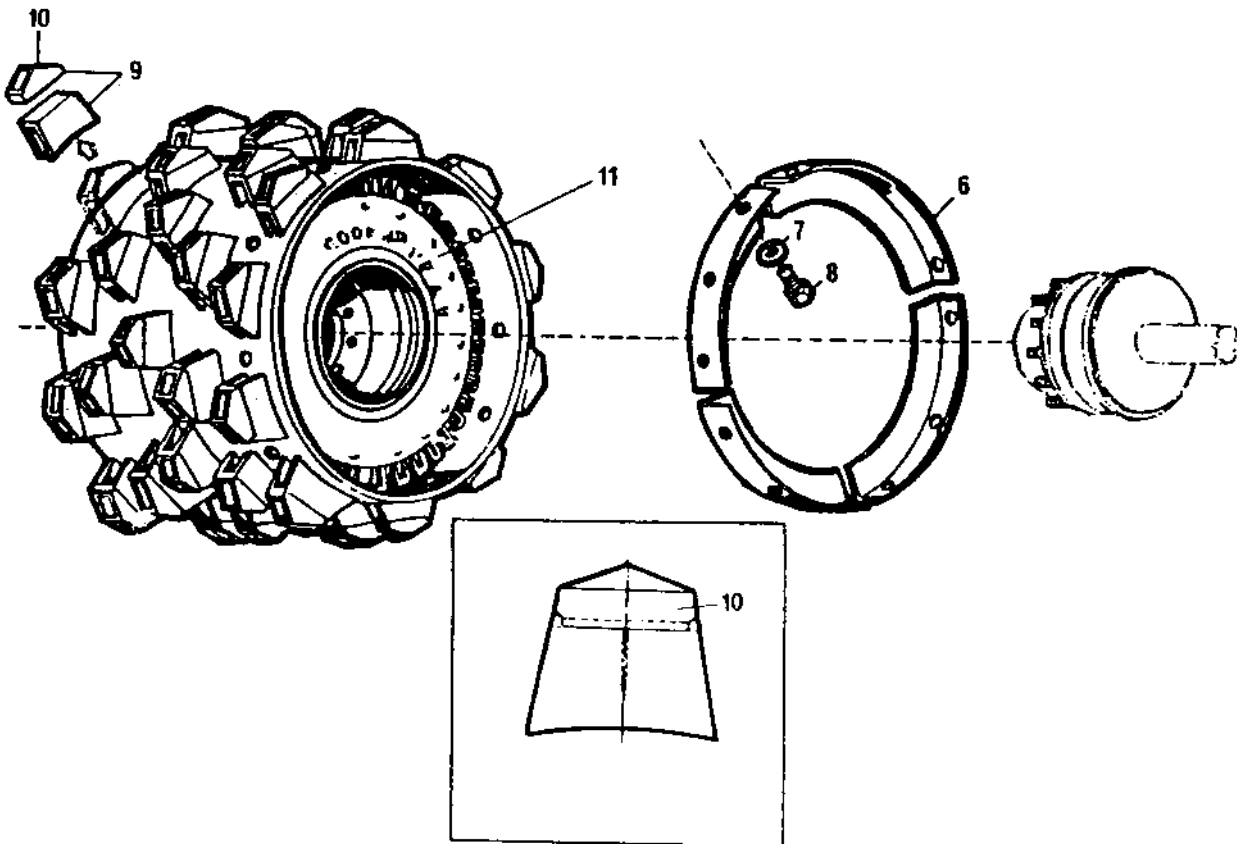
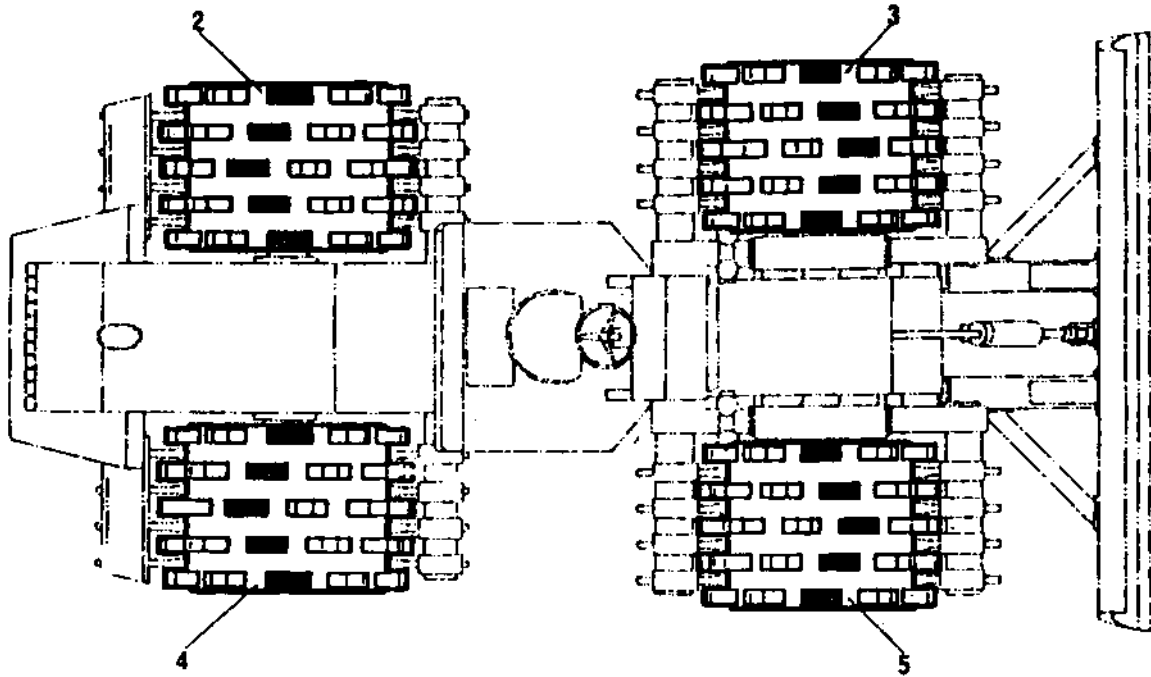
60 BR-F

16832



Ref. No.	Part No.	Rem.	Qty	Description	Code
1	240828		1	Compact wheel kit 60BR-F	
2	240832		1	.Rear left padfoot drum	
3	240830		1	.Front left padfoot drum	
4	240831		1	.Rear right padfoot drum	
5	240829		1	.Front right padfoot drum	
6	260083		16	.Lock	
7	603004		48	.Washer	
8	500093		48	.Screw	
9	240833		60	.Padfoot BR-F	
10	240834		60	.Foot tip, BR	
11			4	.Wheel and tyre	

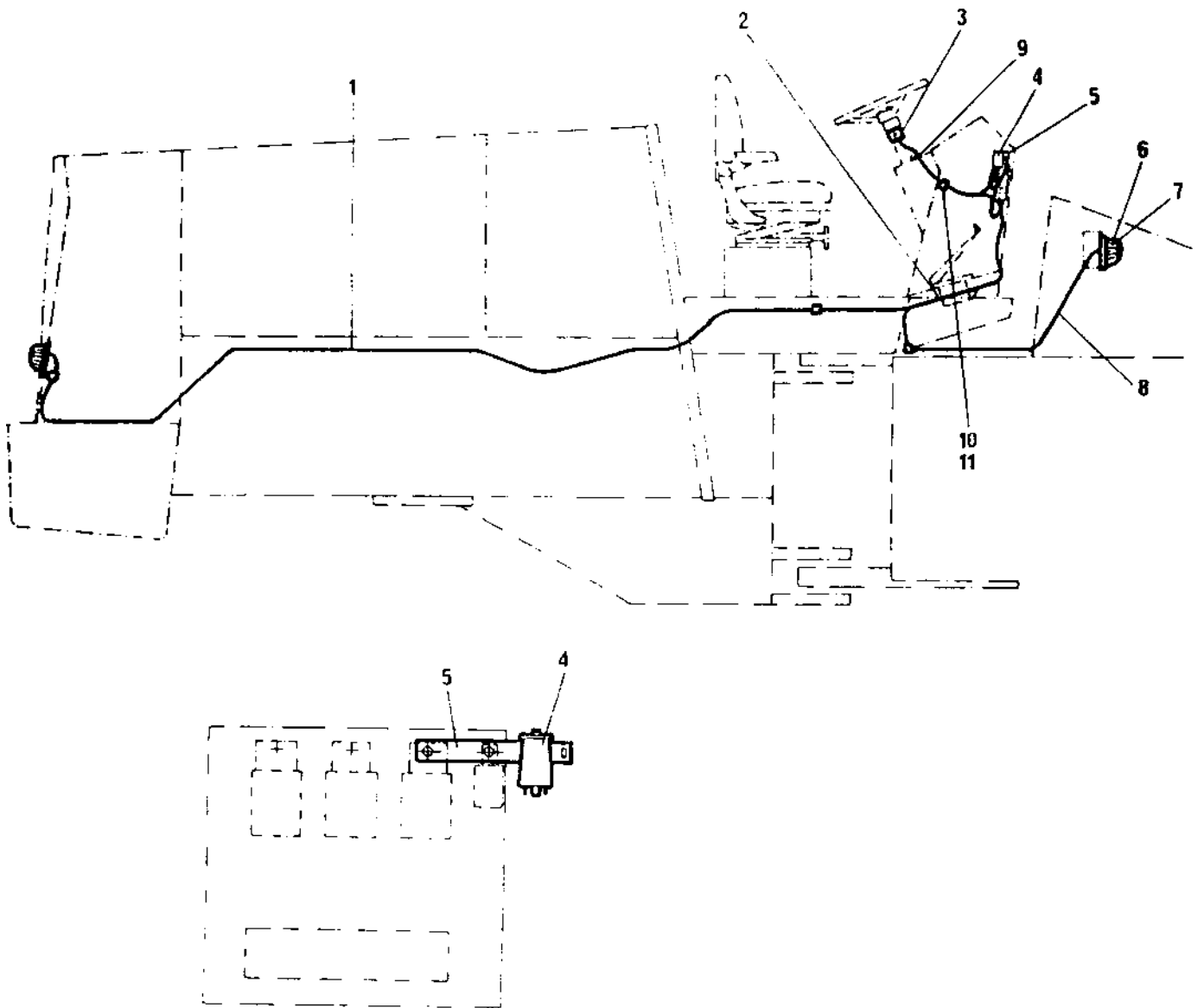
1



Ref. No.	Part No.	Rem.	Qty	Description	Code
1	265156		1	Compact wheel kit 60PUS	
2	265164		1	.Rear left padfoot drum	
3	265162		1	.Front left padfoot drum	
4	265163		1	.Rear right padfoot drum	
5	265161		1	.Front right padfoot drum	
6	260083		16	.Lock	
7	603004		48	.Washer	
8	500093		48	.Screw	
9	265169		60	.Padfoot, USA	
10	265152		60	..Foot tip	
11			4	Wheel and tyre	

Direction signal

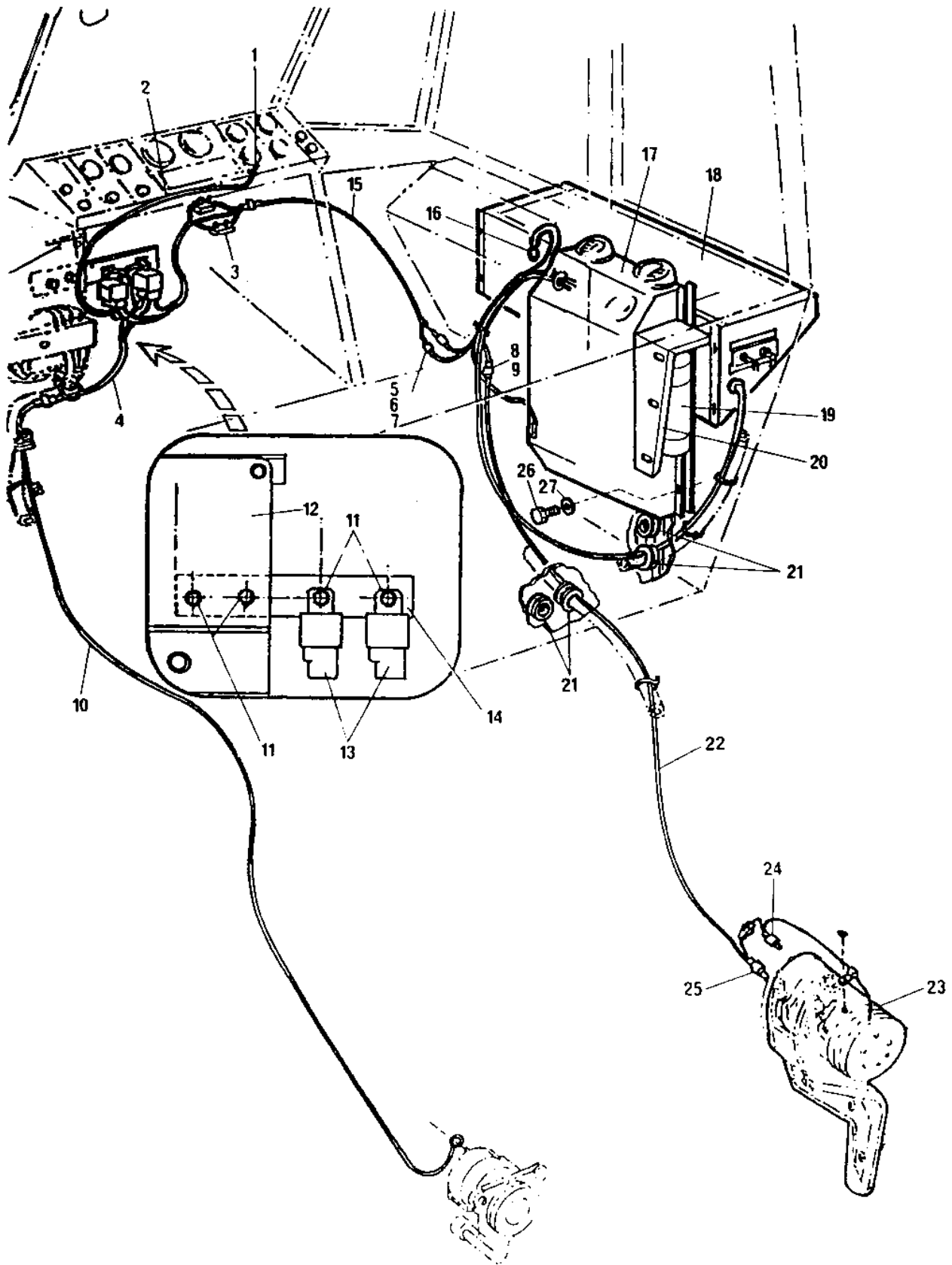
16833



Direction signal

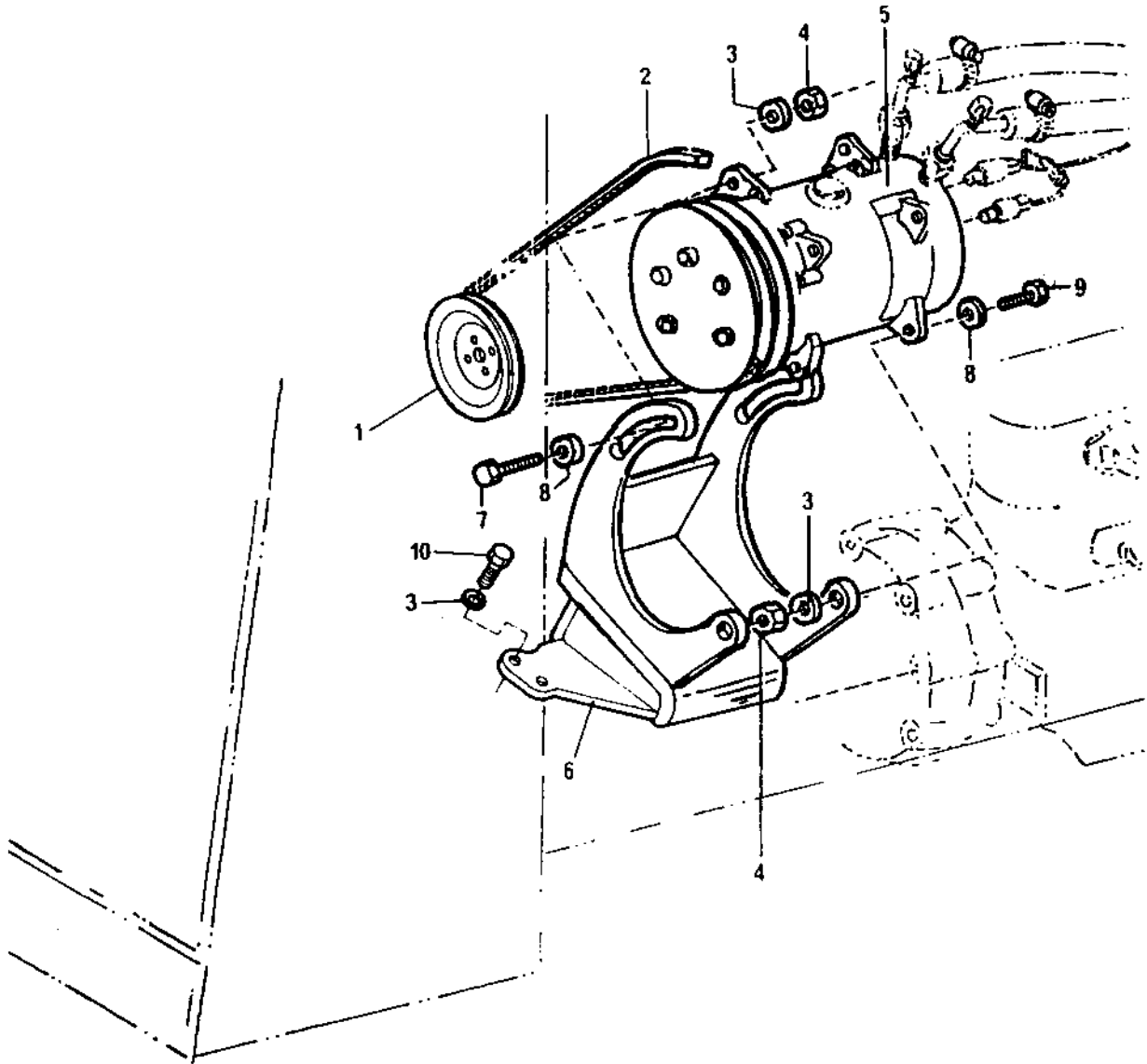
Ref. No.	Part No.	Rem.	Qty	Description	Code
1	249442		1	Cable harness	
2	249443		1	Cable harness	
3	923854		1	Switch turn signal	
4	191539		1	Relay	D
5	249445		1	Bracket	
6	247638		2	Lamp	B
7	900223		2	Packing light	D
8	249444		1	Cable harness	
9	909152		1	Grommet	
10	921361		1	Connector	
11	926032		6	Male terminal	

16834



Air conditioner assembly

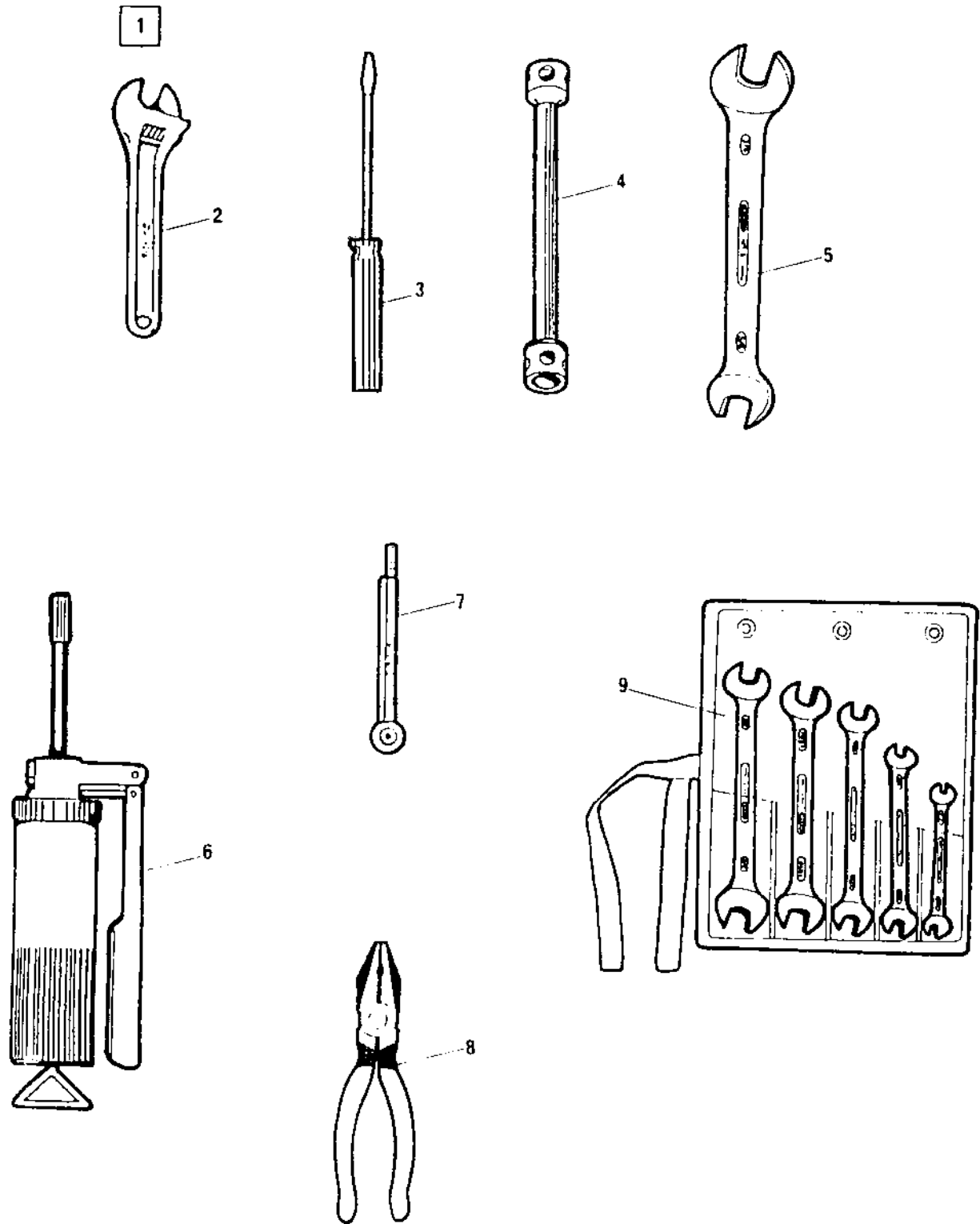
Ref. No.	Part No.	Rem.	Qty	Description	Code
1	928928		1	Push button	D
2	243181		1	Cable harness	
3	243172		2	Thermal fuse	
4	243179		1	Cable harness	
5	926032		1	Male terminal	
6	960241		2	Male terminal	
7	927632		1	External connection	
8	926033		3	Cable clip	
9	921307		3	External connection	
10	243178		1	Cable harness	
11	500041		7	Screw	
12	926224		1	Fuse box	
13	929094		2	Relay	
14	243182		1	Bracket	
15	243177		1	Cable harness	
16	960051		2	Cable clip	
17	243118		1	Evaporator	
18	243116		1	Condensor	
19	243117		1	Receiver drier	
20	243183		1	Filter cap	
21	814259		6	Grommet	D
22	243180		1	Cable harness	
23			1	Compressor assembly	
24	243170		1	Low pressure switch	
25	243171		1	High pressure switch	
26	500022		4	Screw	
27	600006		4	Washer	
28	243184		2	Rubber strip	



Ref. No.	Part No.	Rem.	Qty	Description	Code
1	243346		1	Pulley	
2	413049		1	V-belt	B
3	615044		8	Conical spring washer	D
4	570006		4	Nut	
5	922871		1	Compressor	C
6	243343		1	Bracket	
7	500161		4	Screw	
8	603023		4	Washer	
9	500031		2	Screw	
10	500028		4	Screw	

Tool kit

16836



Tool kit

Ref. No.	Part No.	Rem.	Qty	Description	Code
1	249554		1	Tool kit	
2	485011		1	.Adjustable wrench	
3	485019		1	.Screw driver	
4	268964016		1	.Wheel nut key	
5	268964009		1	.Open end spanner 24x26	
6	311016		1	.Grease gun	
7	485060		1	.Air pressure gauge	
8	485064		1	.Universal pliers	
9	268964014		1	.Double-ended spanner kit	

01AEE 703B700 -

NUMERICAL INDEX

Part Number	Page	Part Number	Page	Part Number	Page
100040	7	190247	67	190320	73
116037	87	190248	67	190321	73
122670	57	190249	67	190322	73
152013	149	190250	67	190323	73
160186	103	190251	67,77	190324	73
160191	103	190252	67,77	190325	73
160218	97,115	190253	67,77	190326	73
163136	87	190254	67,77	190327	73
190007	63	190255	67,77	190328	73
190036	139	190256	67,77	190329	73
190097	55	190257	67,77	190330	73
190098	55,85	190258	67,77	190331	73
190099	55,87	190259	67,77	190332	73
190111	129	190260	67,77	190333	73
190112	129	190261	67,77	190334	73
190131	107	190262	67,77	190335	73
190132	107	190263	67	190336	73
190133	107	190264	67	190337	73
190134	107	190265	67	190338	73
190135	107	190266	67	190339	73
190136	107	190267	67	190340	73
190144	103	190268	67	190341	75
190145	103	190269	67	190342	75
190146	103	190270	67,81	190343	75
190147	103	190271	69	190344	75
190148	103	190272	69,71	190345	75
190149	119	190273	69	190346	75
190153	143	190274	69,71	190347	77
190155	143	190275	69,71	190348	77
190157	149	190276	69,71	190349	77
190158	149	190277	69,71	190350	77
190165	13,93	190278	69,71	190351	77
	,95	190279	69	190352	77
190166	97	190280	69,71	190353	77
190190	95		,77	190354	77
190194	95	190281	69,71	190355	77
190204	65,79	190282	69,71	190362	77
190205	65,79	190283	69,71	190363	77
190206	65,79	190284	69,71	190364	77
190207	65	190285	69,71	190365	77
190208	65,79		,81	190366	79
	,83	190286	69,71	190367	79
190209	65	190287	71	190368	79
190210	65	190288	69	190369	79
190211	65	190289	69,71	190370	79
190212	65		,73	190371	79
190213	65	190290	69,71	190372	79
190214	65,77	190291	69,71	190373	79
190215	65,77	190292	69,71	190374	79
190216	65,67	190293	69,71	190375	79
	,77	190294	69,71	190376	79
190217	65,67	190295	69,71	190377	79
	,77	190296	69,71	190378	79
190218	65,67	190297	69,71	190380	81
	,77	190298	69,71	190391	67
190220	65	190299	69,71	190393	13
190221	65,67	190300	69,71	190449	81,83
190222	65	190301	69,71	190450	81
190223	65	190302	69,71	190451	81
190224	65		,81	190452	81
190225	65	190303	69,71	190453	81
190226	65	190304	69,73	190454	81
190227	65	190305	71	190455	43,81
190228	65,79	190306	71,73	190456	81
190229	65	190307	71	190457	81
190230	65,79	190308	71	190458	81
190231	67	190309	71	190459	81
190232	67	190310	73	190460	81
190237	67	190311	73	190461	81
190238	67,79	190312	73	190462	81
190239	67,79	190313	73	190463	81
190240	67	190314	73	190464	81
190241	67	190315	73	190465	81
190242	67	190316	73	190466	81
190243	67	190317	73	190467	81
190245	67	190318	73	190468	81
190246	67	190319	73	190469	81

01AEE 703B700 -

NUMERICAL INDEX

Part Number	Page	Part Number	Page	Part Number	Page
190470	81	192224	95,105	192663	57
190471	81		,107,113	192664	57
190472	81	192270	157	192666	57
190473	81	192271	157	192667	57
190474	81	192272	157	192668	57
190475	81	192331	9	192669	57
190476	81	192347	43	192671	57
190477	81	192358	127	192672	57
190478	81	192359	123	192673	57
190479	81	192373	149	192726	113
190481	81	192424	37	192728	113
190482	81	192456	49	192729	113
190483	81	192502	43	192731	113
190484	83	192589	59	192732	113
190485	83	192591	59	192733	113
190486	83	192593	59	192740	43
190487	83	192594	59	192742	43
190488	83	192595	59	192745	93,105
190489	83	192596	59		,107
190490	83	192599	59	192771	135
190491	83	192601	59	192772	9
190492	83	192602	59	192775	135
190493	83	192603	59	192776	135
190494	83	192604	59	192778	9
190495	83	192605	59	192779	9
190496	83	192606	59	192795	9
190497	83	192607	59	192796	9
190498	83	192608	59	192797	11
190499	83	192609	59	192803	23
190500	83	192610	59	192812	9,45,107
190501	83	192611	59	192813	43,135
190502	83	192612	59	192814	135
190503	83	192613	59	192816	107
190504	83	192614	59	192817	43
190505	83	192615	59	192818	51
190506	83	192616	59	192819	51
190507	83	192617	59	192982	135
190508	83	192618	59	192991	135
190509	83	192619	59	192992	135
190510	83	192620	59	193019	113
190516	123	192621	59	193020	113
190532	119,123	192622	59	193055	99
190580	13	192623	59	193056	99
190585	119,131	192624	59	193057	99
190586	119,131	192625	59	193059	99
190587	119,131	192626	59	193060	99
190599	13	192627	59	193061	99
190631	49	192628	59	193062	99
190632	49	192629	59	193063	99
190641	135	192630	59	193064	99
190712	123,127	192631	59	193065	99
190713	123	192632	59	193066	99
190722	115	192633	59	193067	99
190729	115	192634	59	193068	99
190730	115	192635	59	193069	99
190731	115	192636	59	193070	99
190756	97	192637	59	193071	99
190780	95	192638	59	193072	99
190781	113	192639	59	193073	99
190825	119,121	192640	59	193074	99
	,127,143	192641	59	193075	99
190890	103	192642	59	193076	99
190900	23	192643	59	193077	99
190902	23,31	192644	59	193078	99
191017	139	192645	59	193079	99
191018	43	192646	59	193080	99
191533	21,139	192647	59	193081	99
191539	119,127	192648	59	193755	7
	,171	192649	59	193757	55,57
191540	123	192651	59	193776	103
191921	23	192652	59	193851	21,23
192116	13	192653	59,61		,29
192155	13	192655	57	193879	37
192213	9	192656	57	193884	37
192215	9	192657	57	193885	37
192216	7	192659	57	193886	37
192224	43,93	192662	57	193887	37

01AEE 703B700 -

NUMERICAL INDEX

Part Number	Page	Part Number	Page	Part Number	Page
193931	23	195568	43,55	196173	141
193932	23		,65,67	196174	141
193933	23		,69,71	196175	141
193934	23		,73,75	196176	141
193935	23		,77,79	196177	141
194151	115		,121	196178	141
194193	123	195603	35	196179	141
194194	123	195649	149	196180	141
194212	23	195651	143	196181	141
194236	21,23	195653	143	196182	141
194237	21,23	195760	143	196183	141
194366	23	195761	143	196184	141
194401	31,35	195762	147	196185	141
194402	31,33	195763	147	196186	141
194408	31	195766	147	196187	141
194421	29	195767	147	196240	123
194422	29	195779	139,141	196241	123
194423	29	195791	67	196244	123
194424	29	195792	143	196245	127
194425	29	195793	143	196246	127
194426	29	195794	143	196269	159,161
194427	29	195796	143	196328	149
194428	29	195797	67	196443	103
194430	29	195798	67	196444	103
194433	29	195799	67	196447	103
194434	29	195800	67	196448	103
194435	29	195803	67	196466	47
194583	135	195804	67	196509	47
194584	135	195805	67	196510	145
194585	135	195806	143	196519	135
194586	31	195807	143	196524	135
194607	23,31	195818	143	196525	135
194627	23	195819	143	196537	163
194645	153	195835	143	196538	157,159
194646	153	195836	149	196544	7
194669	57,59	195884	23	196550	9
194670	59	195885	23	196554	9
194671	59	195886	23	196555	135
194672	57	195893	107,111	196558	51
194673	57	195894	147	196562	131
194674	57	195906	107	196565	157,163
194767	37	195919	23	196566	157,163
194846	37	195936	153	196568	51
194940	123	195941	145	196569	51
194941	123,125	195948	153	196570	9
194980	43	195957	159	196592	17
195038	31	195960	159	196605	17
195144	149	196035	153	196613	129
195153	51	196036	153	196630	45
195154	51	196037	153	196631	45
195155	51	196038	153	196632	45
195166	45	196145	141	196645	9
195169	47	196146	141	196647	7
195171	51	196148	141	196687	45
195192	33	196149	141	196688	43
195193	33	196150	141	196690	45
195194	33	196151	141	196691	45
195195	33	196152	141	196692	45
195196	33	196153	141	196693	45
195197	33	196154	141	196694	45
195198	33	196155	141	196698	45
195199	33	196156	141	196704	9
195200	33	196157	141	196711	97
195201	33	196158	141	196712	97
195202	33	196159	141	196713	97
195203	33	196161	141	196714	97
195204	33	196162	141	196715	97
195205	33	196163	141	196716	97
195206	33	196164	141	196718	131
195207	33	196165	141	196719	131
195208	33	196166	141	196720	131
195209	33	196167	141	196730	43,119
195210	33	196168	141		,123
195211	33	196169	141	196731	43,119
195212	33	196170	141		,123
195340	47	196171	141	196732	43
195564	135	196172	141	196733	43

01AEE 703B700 -

NUMERICAL INDEX

Part Number	Page	Part Number	Page	Part Number	Page
196763	111	240425	163	243184	173
196764	111	240429	163	243197	97,115
196765	111	240519	127	243198	43,107
196766	111	240522	55	243232	159
196767	111	240524	55,89	243233	159
196768	111	240536	43,55	243234	159
196769	111	240546	29	243235	159
196770	111	240774	119,127	243236	159
196771	111	240828	167	243237	159
202007	159	240829	167	243238	159
202028	135	240830	167	243239	159
230456	95	240831	167	243240	159
231192	23,103	240832	167	243241	159
231193	23,103	240833	167	243242	159
232081	23,107	240834	167	243243	159
232098	103	240857	135	243244	159
232118	103	240901	37	243245	159
232120	43	240910	159	243246	159
232132	43	241029	37	243247	159
233414	13	241031	37	243248	159
234257	23	241033	37	243249	159
234267	107	241497	165	243250	159
234340	47	241546	165	243252	159
234624	103	241550	165	243253	159
234678	107	241552	165	243254	159
234719	23	241571	51	243255	159
234729	23	241573	51	243256	159
234865	45	241574	51	243257	159
234929	107	241575	51	243258	159
234970	23,123	241576	51	243259	159
234976	51	241577	51	243260	159
240078	159	241578	51	243261	159
240198	51	241579	51	243294	99
240238	51	241580	51	243295	99
240247	51	241581	51	243296	99
240325	159	241604	165	243297	99
240326	159	241609	43	243303	43
240327	159	241617	107,123	243307	47
240328	159	241621	89	243343	175
240329	159	241644	63,89	243346	175
240330	159	241845	43	243552	13
240331	159	241983	49	243556	13
240332	159	242306	129	243622	115
240333	159	242451	45	243623	115
240334	159	242452	45	243624	115
240335	159	242475	59	243630	153
240336	159	242476	59	243712	43
240337	159	242480	59	243718	87
240339	159	242481	59	243728	9
240341	159	242485	59	243739	121
240342	159	242488	59	243742	47
240343	159	242490	59	243744	47
240344	159	242491	59	243745	47
240345	159	242492	59	243746	47
240346	159,163	242493	59	243785	43
240347	159,163	242613	119,123	243786	43
240348	159	242641	57	243861	43
240349	159	242643	57	243864	121,131
240350	159	242647	57		,143
240353	159	242911	165	243871	103
240354	159	243116	173	243875	21,23
240355	159	243117	173	243879	149
240356	159	243118	173	243882	139
240359	159	243129	43,81	243883	149
240360	159		,83	245747	7
240361	159	243146	43	246063	47
240362	159	243147	43	246068	45
240363	159	243170	173	246071	107,157
240364	159	243171	173	246947	23,123
240365	159	243172	173	247152	23
240366	159	243177	173	247153	23
240368	159	243178	173	247154	23,103
240370	159	243179	173	247283	9,37
240371	159	243180	173	247435	157,163
240373	159	243181	173	247503	57
240375	159	243182	173	247638	123,171
240377	159	243183	173	247842	23

01AEE 703B700 -

NUMERICAL INDEX

Part Number	Page	Part Number	Page	Part Number	Page
247843	23	260259	95	265243	119
248271	23,119	260264	7	265244	119
	,123	260267	7	265542	45
248535	107	260268	7	265544	45
248649	51	260269	7	265548	45
248712	43,55	260270	7	265909	103,119
248732	107	260271	7	266221	21,23
248735	105,115	260272	7		,119
248736	115	260274	7	266352	157
248739	115	260275	7	266353	157
248745	107	260276	7	266443	157
248746	107	260277	7	266466	13
248747	107	260278	7	266467	13
249045	23	260279	7	266468	13
249046	23	260300	45	266469	13
249047	21	260302	149	266470	13,97
249242	123	260362	149	266625	119
249247	129	260572	47	266638	39
249248	129	260721	149	266639	39
249249	123	260728	123	266640	39
249250	129	260734	145,149	266641	39
249251	129	261446	7	266793	39
249285	49	261469	7	266816	7,55
249300	149	261481	11	266825	55
249301	149	261482	11	266826	119
249311	43	261518	23,47	266938	49
249313	45	261530	123	267091	165
249314	45	261567	95	267107	119,157
249319	45	261579	107		,165
249320	45	261606	129	267159	135
249342	47	261739	93,105	267529	47
249343	47		,107	267537	57
249344	57	261876	7	267546	47
249373	157	261916	103	268325	11
249427	23	261959	123	268326	11
249442	171	262094	147	268327	9
249443	171	262365	129	268367	157
249444	171	262435	157	268456	107
249445	171	262472	15,17	268709	39
249545	159	262473	15,17	268710	39
249554	177	262474	15,17	268931	149
249593	45	262480	17	268964009	177
249608	23	262508	159	268964014	177
249803	51	262509	159	268964016	177
249808	51	262593	135	268964022	23
249865	9	263300	129,147	269027	107
249872	23	263339	47	269029	105,107
249946	107	263355	43	269049	145
250044	153	263357	43	269113	145
250070	129	263381	107	269114	145
250088	139	263483	135	269117	145
252675	7	263488	135	269128	135
252793	149	263489	135	269137	23
253415	13	263490	135	269154	139
253485	13	263603	135	269189	107
253577	13	263618	159	269190	107
253723	13	263642	135	269193	107
256049	153	263806	11	269196	107
256485	123	263835	129	269197	107
258267	23	263836	129	269198	93,105
258307	119,123	264006	15		,107
258309	119,123	264007	15	269199	95
258313	119	264021	15,17	269273	157
258938	153	264049	17	269360	93,95
259265	145	264321	123		,99
259933	129	264363	135	269361	95
260031	7	264981	165	269362	145
260083	39,167	264984	165	269485	95
	,169	265109	7	269495	95
260148	43	265152	169	269497	95
260157	149	265156	169	269519	131
260164	87	265161	169	269575	95
260165	87	265162	169	269576	95
260170	87	265163	169	269848	127
260171	87	265164	169	308001708	107
260212	95	265169	169	310008	63,85
260219	13	265232	119		,89

01AEE 703B700 -

NUMERICAL INDEX

Part Number	Page	Part Number	Page	Part Number	Page
310022	7,13,87	481309	111	502316	165
	,107	482717	103	508002	13
310028	63,85	482740	103	508027	95
	,89	485011	177	510752	115
310043	149	485019	177	513015	43
311016	177	485060	177	533009	135,143
312084	135,165	485064	177	533025	127
313004	107,157	499513	51	533032	123
313023	45	499514	51	533034	143
313035	45	499582	51	550132	131
313041	143,149	500003	123,159	570001	143
313060	45,47	500008	159	570002	135,143
313068	37	500012	23		,149
313102	45,107	500013	45,47	570003	23,123
313145	107		,123,159		,149
330171	47	500015	23	570004	23,45
330328	31	500018	45		,47,107
330329	47	500019	23,139		,123,143
330330	23,31	500022	129,145		,149
330333	23,31		,173	570005	23,129
	,107	500026	139		,139,143
330334	103	500027	145		,149
333062	23	500028	23,45	570006	23,45
334118	95,107		,47,95		,107,129
334128	95,103		,147,149		,135,157
	,107		,157,175		,175
334138	107	500029	147	570007	9,45,55
334140	103	500030	9,87,129		,103,135
334154	95		,135	570008	9,43
334157	95,103	500031	175	571003	129
	,107	500033	51	571007	13
334168	107	500035	129	571031	165
334239	103	500037	7	572002	139,145
334248	107	500041	149,173		,149
334468	107	500043	165	572003	139
334558	47	500048	143,147	586001	123
334603	23		,149	586002	11,129
335545	45	500051	7,95,139		,135
335657	107	500053	123,143	586003	123,135
345687001	113		,149	586018	49,51
345708	157	500059	37,123	586112	7,55
347241	119,123		,149	586113	7
348338	135	500060	23,123	586116	43,135
355264	131	500075	47,123		,145
355412	47	500086	9,149	588176	153
359340	131	500092	95	600001	143
359342	131	500093	39,167	600002	9,135
373304	47		,169		,143
374630	131	500109	157	600003	23,123
374631	47	500123	13	600004	129
401104	37	500152	13,97	600005	107,123
401106	23	500160	45		,157,165
413049	175	500161	175	600006	45,123
415120	21	500185	107,143		,127,129
415277	31		,157,165		,139,143
415280	57	500189	23		,145,149
415350	21,23	500193	13		,173
	,119,123	500194	45,103	600008	47,95
	9		,135		,129,135
416008	149	500195	135		,139,145
416034	57	500196	45		,157
416223	59	500209	13	600009	7,95,129
416250	59	500212	23		,135
416254	59	500270	9,43	600021	135,145
416361	159	500280	7,45,51	600025	95
450066	135		,107,135	600026	87,165
450140	9	500287	165	602008	7
475064	111	502033	107	602014	87
480444	111	502035	103	602015	7
480446	111	502036	43	603001	45,149
480447	111	502053	165	603003	45,103
480449	111	502059	103		,129
480450	111	502076	43	603004	15,17
480453	111	502157	103		,39,43
480454	111	502184	43		,157,163
480457	111	502186	107,109		,167,169
480468	113	502309	165	603005	55,97
480481					

01AEE 703B700 -

NUMERICAL INDEX

Part Number	Page	Part Number	Page	Part Number	Page
603005	165	813917	113	925664	143
603017	13	813919	113	925863	15,17
603019	145	813922	113	925867	15,17
603022	13,15	813953	57	925960	165
	,17,149	814034	57	925964	165
	,165	814259	9,173	926032	123,171
603023	7,9,47	842664	47		,173
	,107,147	842868	95	926033	123,143
	,149,165	891953	103		,157,173
	,175	900223	119,123	926204	149
604002	47		,171	926224	173
604008	103	900329	49	926388	57
604009	103	900476	105	927025	131
615042	9,11,23	900524	23	927483	119
	,37,45	900571	107	927487	157
	,47,107	900985	31,51	927632	173
	,143,149	901769	143	927972	119,129
615043	23,31	904092	153		,143
	,45,51	904093	153	928155	13
	,135,139	909152	157,165	928478	9
	,143,149		,171	928632	11
615044	7,11,23	910161	95,107	928661	131
	,43,45	910772	113	928722	127
	,49,51	911456	131	928928	173
	,103,107	911661	113	929094	173
	,135,143	912120	23	929486	63,85
	,149,175	920783	23,103	929488	63,85
615045	7,9,13	920785	23		,89
	,23,43	920786	23	929604	47
	,51,135	920787	23	929605	47
	,137	920790	23	930046	121
615046	9,13,43	920791	23	930139	119,123
	,51,107	920792	23,103	930150	129
	,139	920800	87	930163	157
615047	13	920806	7	930186	119,147
616003	165	920818	149	930195	157
619007	9	920931	145	930197	119,123
624012	153	921028	123	947679	45
624016	153	921031	23	947682	11,45
630001	149	921056	143	947683	43
630003	143	921079	47	947686	23
630005	145	921102	45,123	947687	51,135
630006	135,139	921108	47,107	947688	9,135
630008	37,139	921171	95	947690	7,43
630016	87	921175	23	947695	9,51,107
630019	7	921307	123,157	947697	9
630029	107		,173	947860	23,25
630031	145	921308	123		,27
630035	149	921361	171	960051	143,173
745072	23	922045	115	960069	123
752054	13	922445	51	960241	173
754111	23	922473	57	960242	123
77583	127,143	922476	57	975068	119,121
813307	47	922519	57		,127
813353	139	922521	57	975074	119,123
813355	139	922524	57	985011	131
813362	139	922532	57	985012	131
813369	139,145	922534	57	985146	119,131
	,149	922547	57	985155	123
813388	107	922623	147	989151	107
813391	47	922843	163	991656	153
813412	121,127	922845	163	991657	153
813434	123	922871	175	991658	153
813435	47	922919	23		
813438	23	923457	113		
813465	23	923569	43		
813473	7	923640	57		
813499	107	923851	135		
813546	115	923854	171		
813642	113	923987	129		
813656	113	924566	113		
813668	113	925099	103		
813673	113	925208	15,17		
813677	113	925209	17		
813682	113	925493	159		
813725	157	925519	55		
813907	113	925629	135		

