

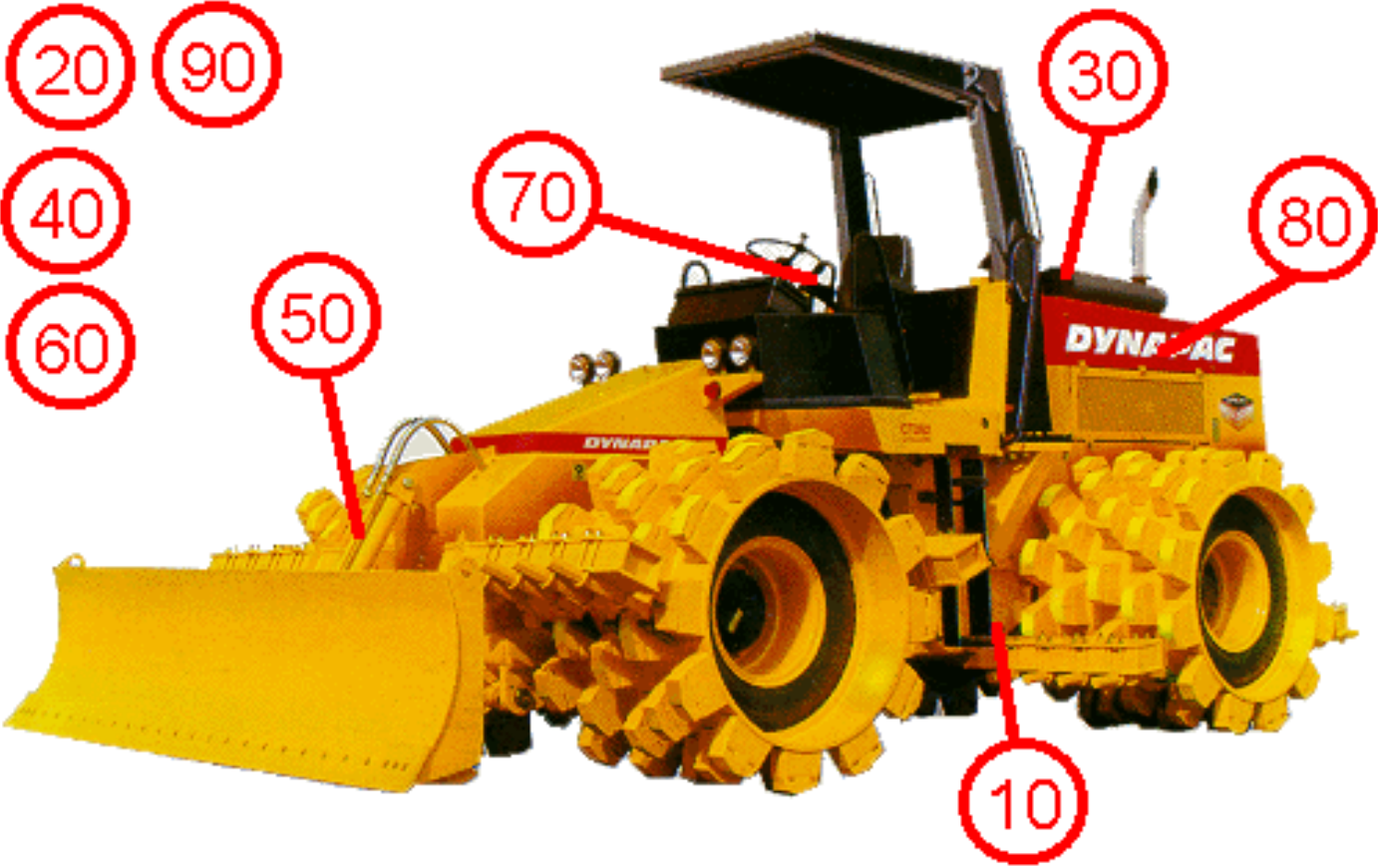
TABLE OF CONTENTS

Page

CT262 SN 703B800	2
Frame	4
Frame	6
Cover assy	8
Battery cover assy	10
Blade assembly	12
Front scrapers	14
Rear scrapers	16
Suspension	18
Brake circuit	20
Brake valve, Knorr 195779	24
Brake	26
Distribution control plate	28
Brake chamber, Knorr 194402	30
Brake master cylinder ltt	32
Wheel and tyre	34
Padfoot roller (BR-F)	36
Engine	38
Engine	40
Radiator cooler, cpl	44
Fuel system	46
Exhaust silencer assembly	48
Air cleaner assembly	50
Transmission	52
Drive shaft assembly	54
Drive shaft 190097	56
Drive shaft 190098	58
Intermediate bearing ass`y 190099	60
Cardan shaft 240524	62
Planetary axle	64
Differential	66
Transmission	70
Transmission	72
Transmission	74
Transmission	76
Transmission	78
Transmission	80
Transmission	82
Transmission Twin Disc	84
Torque converter Twin Disc	86
Torque converter Twin Disc	88
Hydraulic system	90
Blade hydraulic system	92
Hydraulic cylinder Up to SN 703B822	94
Hydraulic cylinder From SN 703B823	96
Transmission hydraulic circuit	98
Steering hydraulic system	100
Hydrostatic steering	104
Steering pump	106
Hydraulic cylinder Up to SN 703B822	108
Hydraulic cylinder From SN 703B823	110

Electrical system	112
Transmission control	114
Electric system	116
Electric system	118
Electric system	122
Engine sensor assembly	124
Battery, electrical circuit	126
Instrument board	128
 Drivers platform	 130
Drivers platform	132
Parking brake control	136
Transmission control	138
Blade control	140
Steering assembly	142
 Decals	 144
Kit, plate decals	146
 Standard equipment	 150
Standard equipment	152
 Optional equipment	 154
Rops assembly	156
Compact wheel kit 60 PUS	158
Compact wheel kit 60 PTN	160
Cab assy mounting	162
Cab, cpl	164
Cab, cpl 198290	166
Cab, cpl 198290	168
Cab, cpl 198290	170
Cab, cpl 198290	172
Cab, cpl 198290	174
Cab, cpl 198290	176
Cab, cpl 198290	178
Cab, cpl 198290	178
Cab, cpl 198290	180
Cab, cpl 198290	182
Cab, cpl 198290	184
Tool kit	186

CT262 SN 703B800
CT262100



CT262 SN 703B800

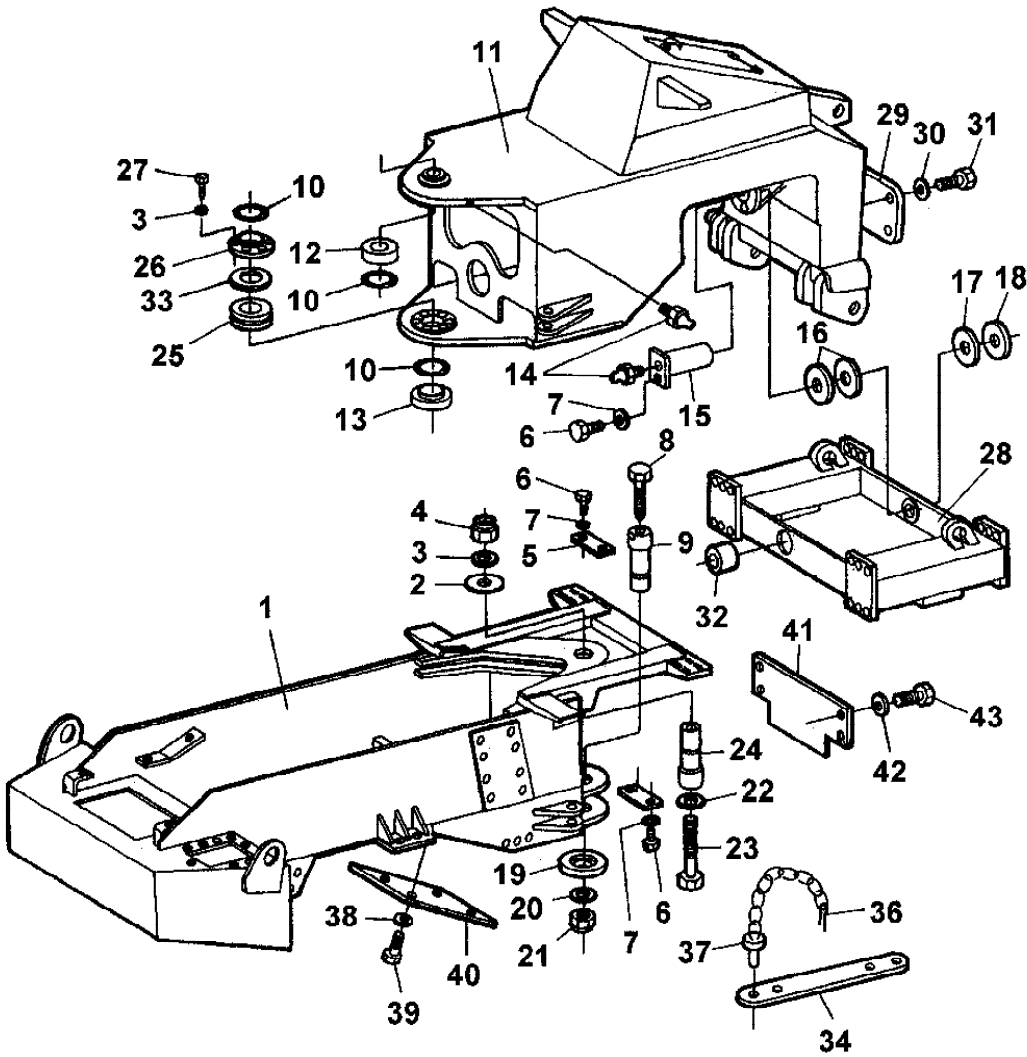
Ref. No.	Part No.	Rem.	Qty	Description	Code
10				Frame (Page 4)	
20				Suspension (Page 18)	
30				Engine (Page 38)	
40				Transmission (Page 52)	
50				Hydraulic system (Page 90)	
60				Electrical system (Page 112)	
70				Drivers platform (Page 130)	
80				Decals (Page 144)	
90				Standard equipment (Page 150)	
91				Optional equipment (Page 154)	

Frame
CT26210010

Frame

Ref. No.	Part No.	Rem.	Qty	Description	Code
10			1	Frame (Page 6)	
20			1	Cover assy (Page 8)	
30			1	Battery cover assy (Page 10)	
40			1	Blade assembly (Page 12)	
50			1	Front scrapers (Page 14)	
60			1	Rear scrapers (Page 16)	

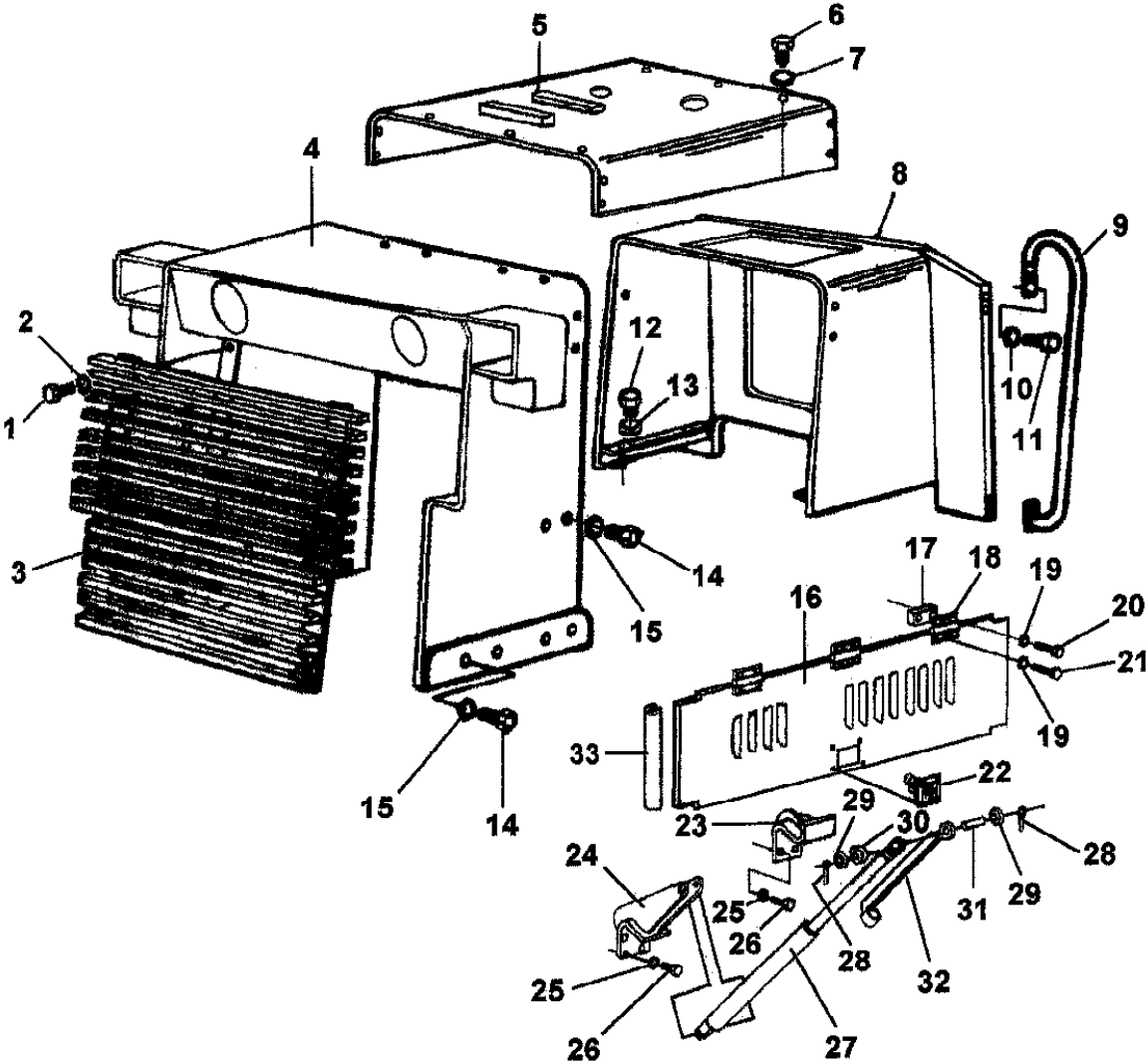
Frame
16769



Frame

Ref. No.	Part No.	Rem.	Qty	Description	Code
1	197810		1	Frame, rear	
2	260272		1	Washer	
3	602008		1	Washer	
4	586112		1	Locking nut	
5	260267		2	Lock	
6	500051		6	Screw	
7	904231		12	Washer	
8	260269		1	Screw	
9	260268		1	Pin	
10	813473		4	O-ring	
11	261876		1	Frame, front	
12	100040		1	Toggle joint	
13	260276		1	Spacer	
14	310022		2	Grease nipple	
15	260264		2	Pin with lock	
16	260277		4	Washer	
17	260278		4	Washer	
18	260279		4	Washer	
19	260275		1	Washer	
20	602015		1	Washer	
21	586113		1	Nut	
22	265109		1	Washer	
23	266816		1	Screw 1"-12UNFx300	
24	260274		1	Pin	
25	920806		1	Toggle joint	
26	260270		1	Cover	
27	500037		6	Screw	
28	193755		1	Trunnion	
29	261469		1	Cover	
30	615044		4	Conical spring washer	
31	500280		4	Screw M10x1,5x25	
32	260031		1	Bushing	
33	260271		16	Shim	
34	261446		2	Bar	
35	245747		2	Chain	
36	630019		2	Cotter pin	
37	252675		2	Lock pin	
38	947690		4	Screw M12x1,75x45	
39	615045		4	Conical spring washer	
40	192216		1	Protection	
41	196544		1	Protection	
42	603023		4	Washer	
43	500280		4	Screw M10x1,5x25	

Cover assy
16770

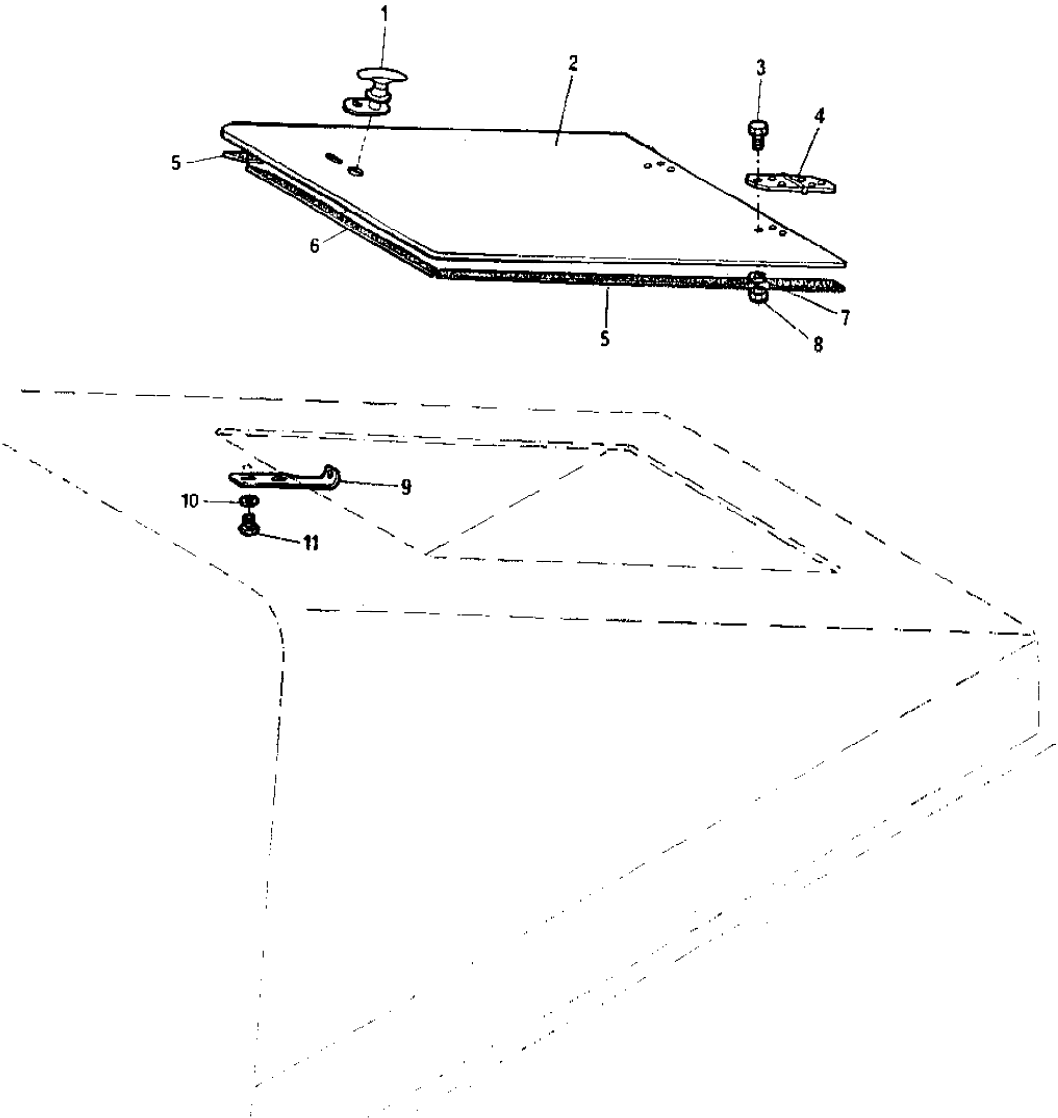


Cover assy

Ref. No.	Part No.	Rem.	Qty	Description	Code
1	500030		1	Screw	
2	904230		8	Washer 10.5x22x2	
3	243728		1	Guard	
4	197872		1	Radiator guard	
5	197930		1	Hood, cpl	
6	947695		14	Screw M16x40 10.9	
7	904232		14	Washer 17x30x3	
8	197910		1	Hood, cpl	
9	196554		2	Handle	
10	904231		6	Washer	
11	947688		6	Screw M12x1,75x35 10.9	
12	500270		6	Screw M16x2,0x60 10.9	
13	904232		6	Washer 17x30x3	
14	947697		12	Screw	
15	904232		12	Washer 17x30x3	
16	197927		1	Cover right	
	197926		1	Cover Left	
17	192778		12	Support	
18	249865		6	Hinge	
19	904228		24	Washer 6,4x12x1,5	
20	192812		12	Support M6x1x20 10.9	
21	500088		12	Screw M6x1x40 8.8	
22	198096		2	Catch	
23	198076		2	Support	
24	198077		2	Support	
25	904229		6	Washer 8,4x16x1,5	
26	500047		6	Screw	
27	900477		2	Shock absorber	
28	630003		8	Cotter pin	
29	904230		8	Washer 10.5x22x2	
30	268814		6	Spacer	
31	198111		4	Pin	
32	198097		2	Lock	
33	198328		4	Rubber band	

Battery cover assy

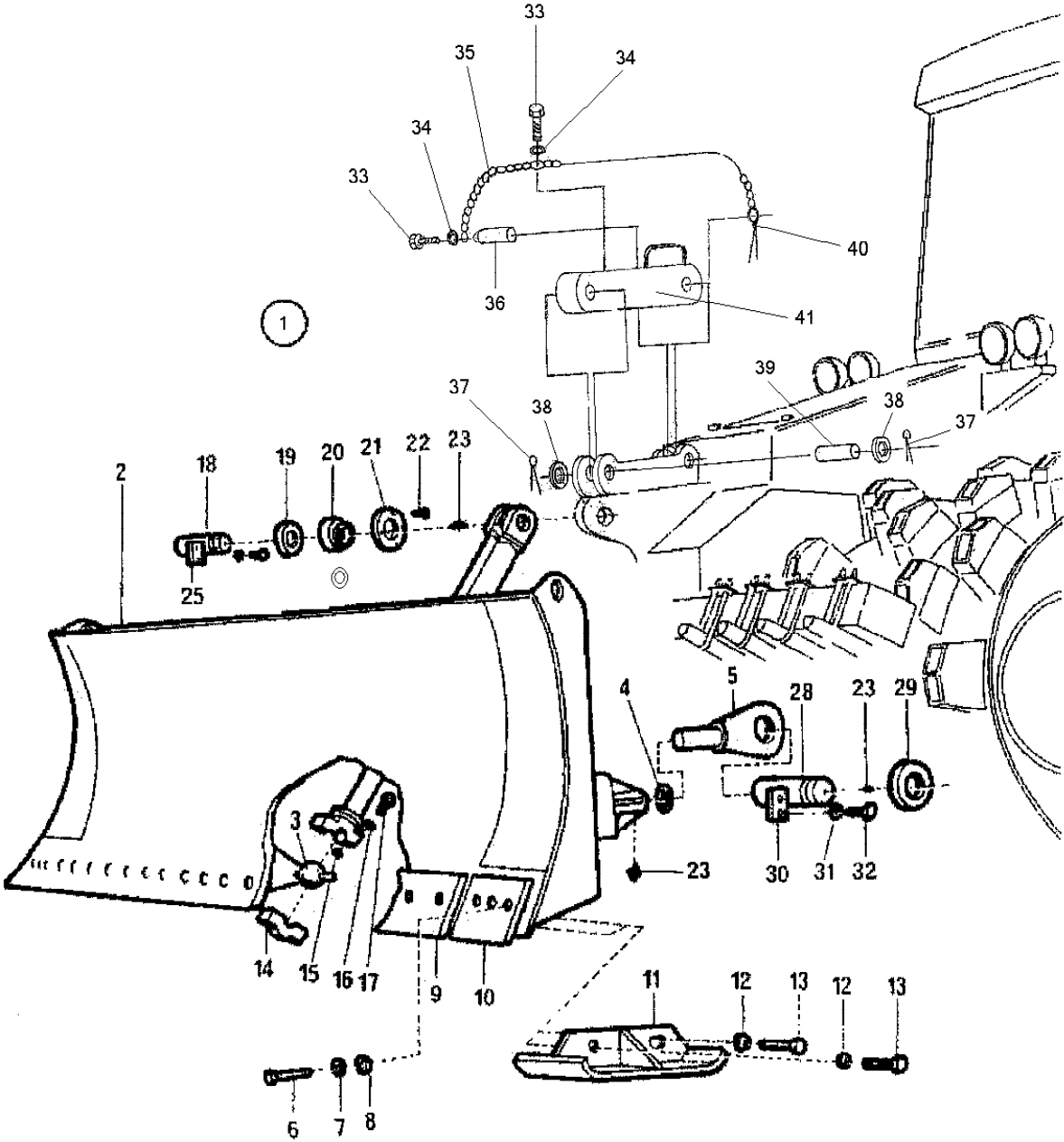
16771



Battery cover assy

Ref. No.	Part No.	Rem.	Qty	Description	Code
1	263806		1	Lock	
2	268326		1	Cover	
3	192797		12	Screw M6x1x25	
4	928632		2	Hinge	
5	261482		2	Rubber strip	
6	261481		1	Rubber strip	
7	904228		12	Washer 6,4x12x1,5	
8	586002		12	Lock nut	
9	268325		1	Padlock bracket	
10	904230		2	Washer 10.5x22x2	
11	947682		2	Screw M10x1,5x20 10.9	

Blade assembly
16772

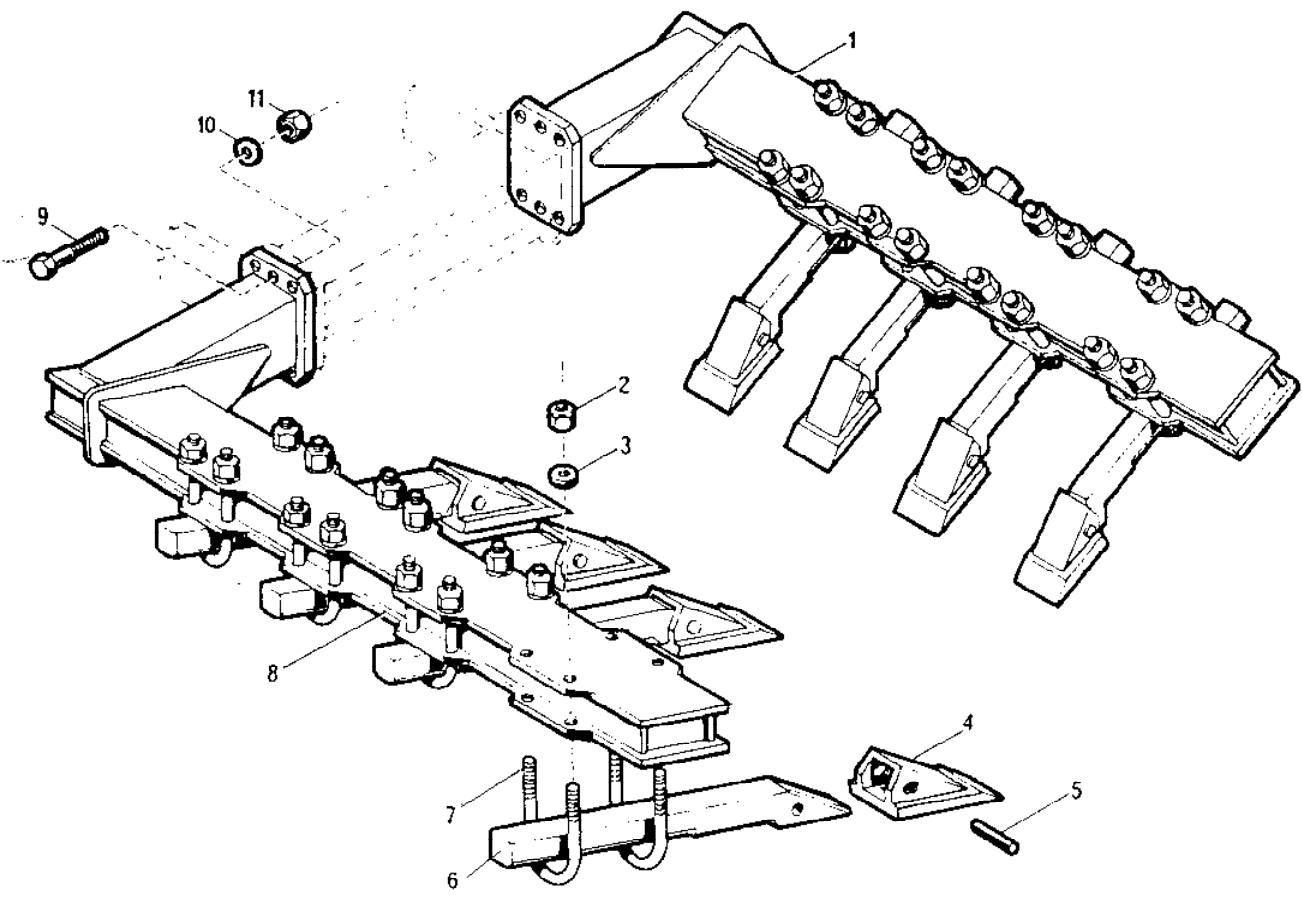
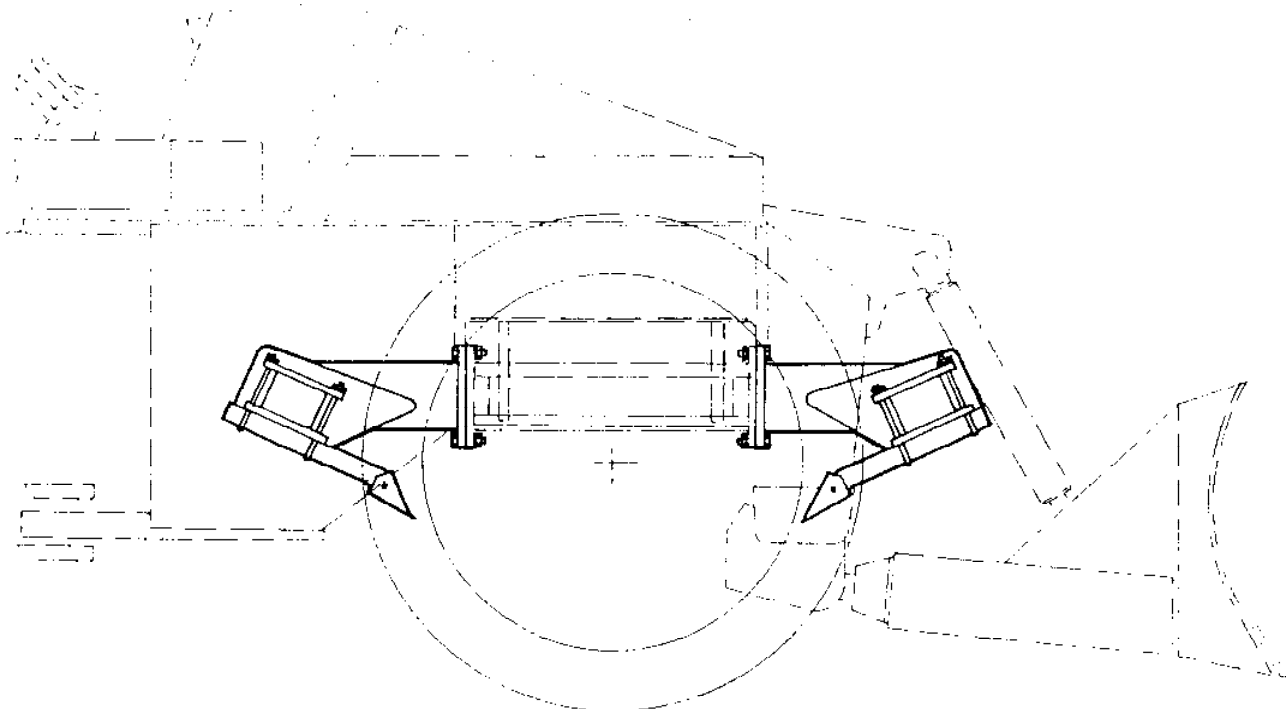


Blade assembly

Ref. No.	Part No.	Rem.	Qty	Description	Code
1	192155		1	Blade, cpl	
2	192116		1	.Blade Up to 703B807	
	196978		1	.Blade From 703B808	
3	190580		1	.Bearing housing	
4	190599		2	..Washer	
5	190393		2	..Bearing housing	
6	752054		26	.Screw	
7	615047		26	.Conical spring washer	
8	571007		26	.Hexagon Nut 3/4-10UNC 8.	
9	253414		2	.Blade edge	
10	253415		1	.Side edge, right	
	253416		1	.Side edge, left	
11	243552		1	.Complete right shoe	
	243556		1	.Complete left shoe	
12	603022		6	.Washer	
13	500209		4	.Screw M20-2,5x90 8,8	
14	266470		1	Cap	
15	266469	CN		Spacer	
16	603005		2	Washer	
17	500152		2	Screw M24-3x100 10.9	
18	266466		1	Pin	
19	266467		2	Spacer ring	
20	928155		1	Toggle bearing	
21	266468		1	Ring	
22	508002		4	Screw	
23	310022		5	Grease nipple	
24	196711		1	Hydraulic cylinder	
25	253723		1	Lock	
26	615045		2	Conical spring washer	
27	500193		2	Screw	
28	260219		2	Pin	
29	253577		4	Washer	
30	253485		2	Lock	
31	615046		4	Conical spring washer 17x39	
32	500123		1	Screw M16x2x35 8.8	
33	500019		2	Screw M8-1,25x16 8.8 From 708B808	
34	600006		2	Washer 8,4x17x1,6 From 708B808	
35	245747		1	Chain From 708B808	
36	197179		1	Pin From 708B808	
37	197221		1	Split pin From 708B808	
38	197180		2	Washer From 708B808	
39	197178		1	Pin From 708B808	
40	197177		1	Clamp From 708B808	
41	197176		1	Bar From 708B808	

Front scrapers

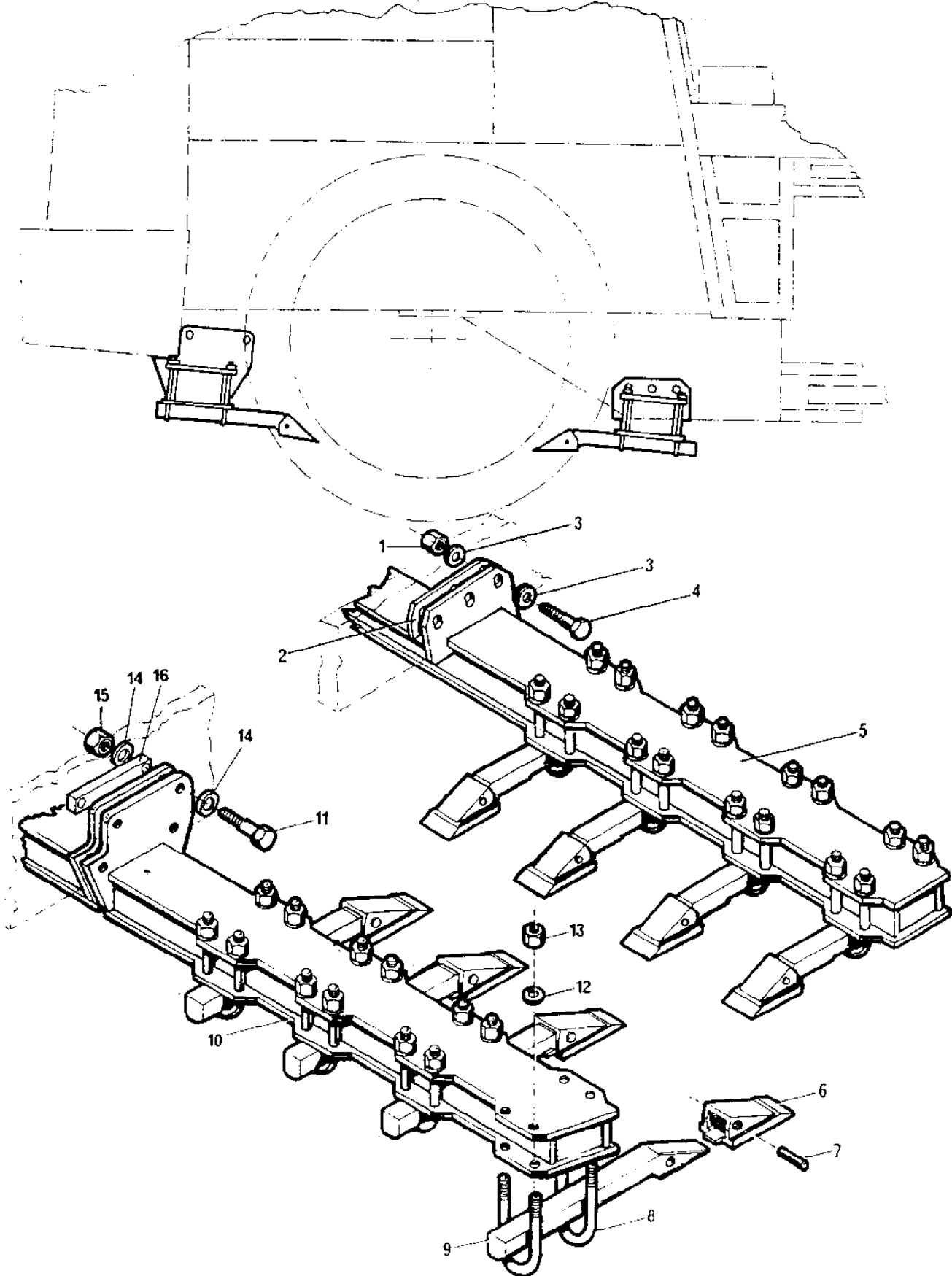
16773



Front scrapers

Ref. No.	Part No.	Rem. Qty	Description	Code
1	264006	2	Front alarm	
2	925863	64	Hexagon Nut M16x2	
3	603004	64	Washer	
4	262473	16	Scraper	
5	262474	16	Pin	
6	262472	16	Support	
7	264021	32	Clamp	
8	264007	1	Front alarm	
9	925208	24	Screw	
10	603022	24	Washer	
11	925867	24	Nut M20x2,5	

Rear scrapers
16774



Rear scrapers

Ref. No.	Part No.	Rem.	Qty	Description	Code
1	925867		6	Nut M20x2,5	
2	262480	CN		Shim	
3	603022		12	Washer	
4	925209		6	Screw M20x2,5x160 10.9	
5	264049		1	Support	
6	262473		16	Scraper	
7	262474		16	Pin	
8	264021		32	Clamp	
9	262472		16	Support	
10	196592		1	Support	
11	925208		8	Screw	
12	603004		64	Washer	
13	925863		64	Hexagon Nut M16x2	
14	603022		16	Washer	
15	925867		1	Nut M20x2,5	
16	196605		2	Spacer	

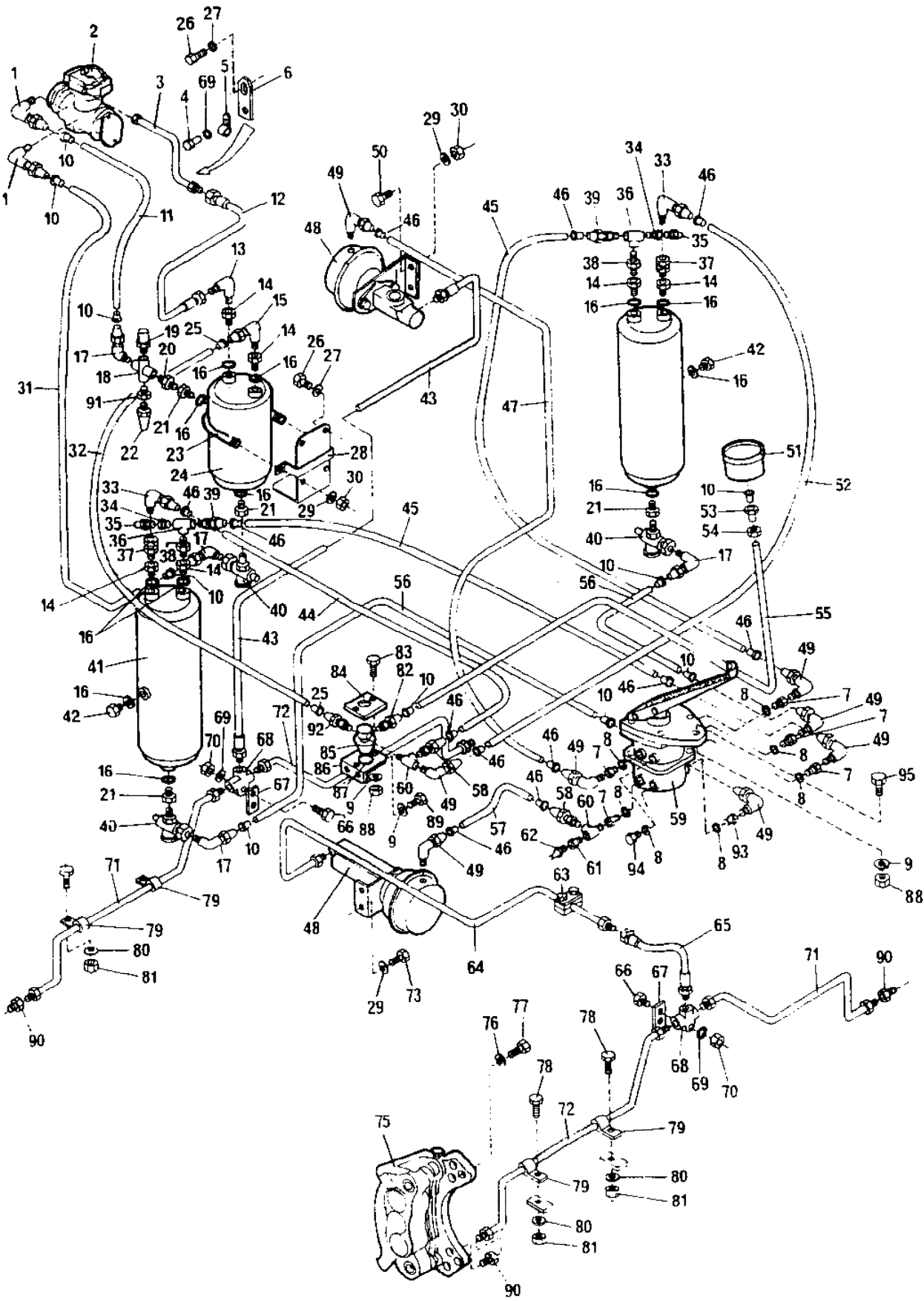
Suspension
CT26210020

Suspension

Ref. No.	Part No.	Rem. Qty	Description	Code
20			Brake circuit (Page 20)	
30			Brake (Page 26)	
40			Distribution control plate (Page 28)	
50			Brake chamber, Knorr 194402 (Page 30)	
60			Brake master cylinder ltt (Page 32)	
70			Wheel and tyre (Page 34)	
80			Padfoot roller (BR-F) (Page 36)	

Brake circuit

16799



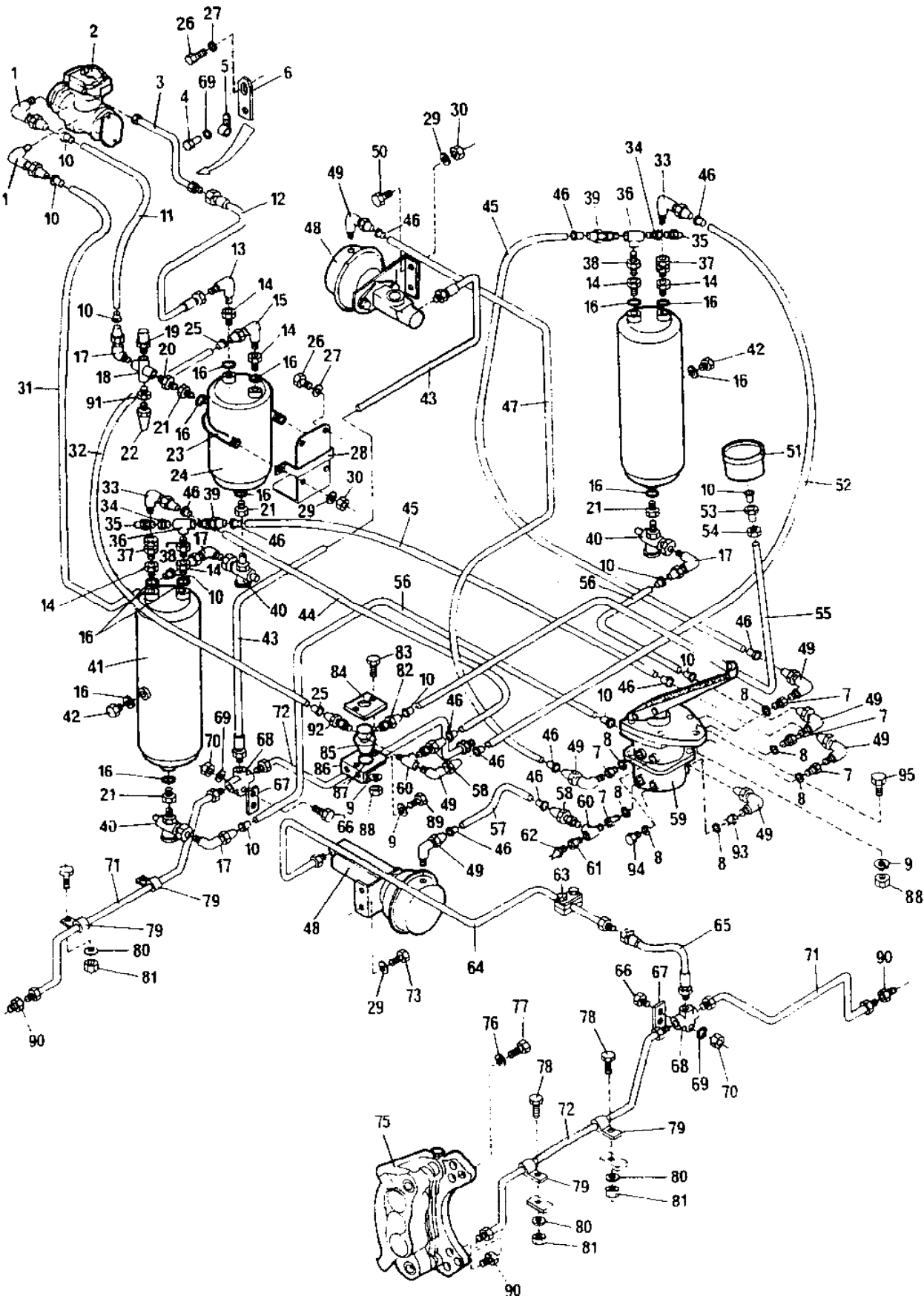
Brake circuit

Ref. No.	Part No.	Rem.	Qty	Description	Code
1	249608		2	Adapter 90G	
2			1	Compressor	
3	198138		1	Tube	
4	500012		1	Screw M6x12	
5	921931		1	Clamp	
6	198218		1	Support	
7	190902		4	Reducing adapter	
8	330330		8	Washer	
9	904228		7	Washer 6,4x12x1,5	
10	920783		10	Insert	
11	247154	A	1	Hytron tube 1/4"model	
12	195885		1	Hydraulic hose	
13	234719		1	Elbow 90G	
14	234729		6	Reducing nipple	
15	194212		1	Elbow	
16	330333		12	Copper washer	
17	920792		5	Brake connection	
18	192803		1	Connection	
19	333062		1	Safety valve	
20	234257		1	Nipple	
21	249872		4	Reducing adapter	
22	401106		1	Filler pipe	
23	194366		1	Clamp	
24	194236		1	Air tank	
25	920786		2	Insert	
26	947686		6	Screw M12-1,75x25	
27	904231		10	Washer	
28	194627		1	Support	
29	904231		10	Washer	
30	570006		4	Hexagon nut M10	
31	247154	B	1	Hytron tube 1/4"model	
32	247153	C	1	Hytron tube 5/8"model	
33	191921		2	Elbow	
34	240533		8	Support	
35	415350		2	Low pressure indicator	
36	198135		2	Elbow 90G	
37	912120		2	Valve	
38	313102	O	5	Clamp	
39	900524		2	Brake connection	
40	269137		3	Drain valve	
41	194237	K	2	Air tank	
42	232081		2	Plug	
43	249046		1	Hose	
44	247152	L	1	Hytron tube 1/2"model	
45	247152	M	2	Hytron tube 1/2"model	
46	920785		12	Insert	
47	247152	N	1	Hytron tube 1/2"model	
48	194607		2	Chamber and master cylinder ass`y	
49	268964022		6	Adapter 90G	

- A) L=1700 mm
- B) L=2000 mm
- C) L=2200 mm
- K) Replaces earlier 194237
- L) L=1000mm
- M) L=1300
- N) L=3100mm
- O) L=388mm

Brake circuit

16799



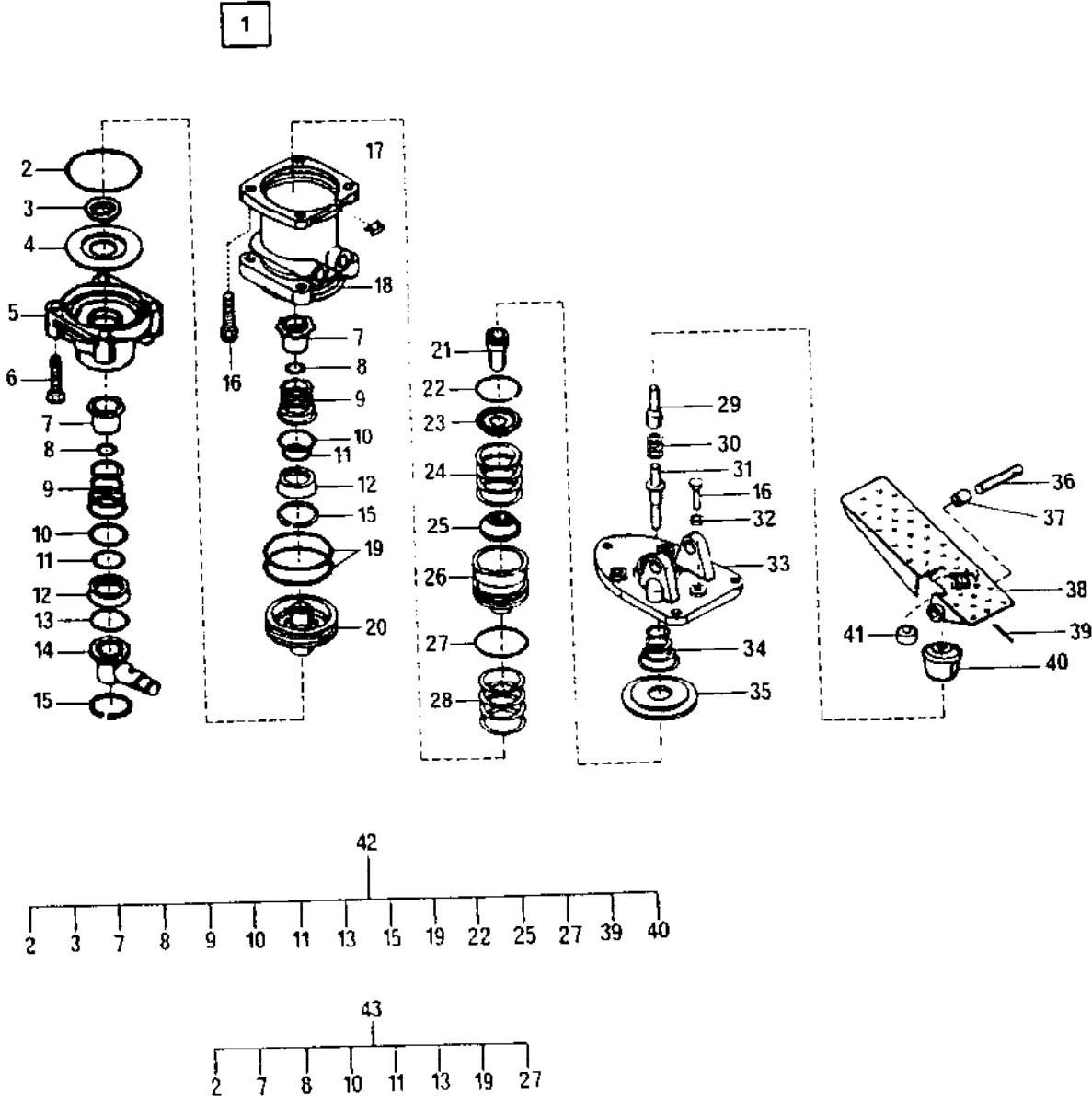
Brake circuit

Ref. No.	Part No.	Rem.	Qty	Description	Code
50	500212		2	Screw M10-1,5x40	
51	196718		1	Air pressure gauge	
52	247152	G	1	Hytron tube 1/2"model	
53	196760		1	Adapter	
54	415116		1	Gasket	
55	247154	G	1	Hytron tube 1/4"model	
56	247154	H	2	Hytron tube 1/4"model	
57	247152	I	1	Hytron tube 1/2"model	
58	920790		2	Brake connection	
59			1	Brake valve, Knorr 195779 (Page 24)	
60	922919		2	T-connection	
61	234970		1	Reducing nipple	
62	248271		1	Brake light switch	
63	258267		1	Clamp	
64	249045		1	Brake tube	
65	754111		1	Brake hose	
66	500015		2	Screw M6-1x30 8,8	
67	197031		2	Support	
68	745072		2	Oil distributor	
69	904228		7	Washer 6,4x12x1,5	
70	570004		4	Hexagon nut	
71	193932		2	Right tube	
72	193933		2	Left tube	
73	500027		2	Screw	
74	615044		2	Conical spring washer	
75	193851		4	Complete brake	
76	193934		24	Washer	
77	193931		24	Screw	
78	500060		8	Screw	
79	921175		8	Clamp	
80	904281		8	Washer 5,3x10x1	
81	570003		8	Hexagon nut	
82	920787		3	Brake connection	
83	415120		1	Regulator	
84	260728		2	Clamp	
85	197708		1	Pressure governor	
86	197695		1	Support	
87	500075	J	2	Screw M6-1x25 8.8	
88	570005		3	Hexagon nut	
89	500012		2	Screw M6x12	
90	193935		4	Connection	
91	813465		1	Reducing nipple	
92	920791		1	Brake connection	
93	195919		2	Reducing adapter	
94	190900		2	Plug	
95	500022		3	Screw	
96	904229		3	Washer 8,4x16x1,5	

- G) L=1500 mm
- H) L=1850 mm
- I) L=2800 mm
- J) L=200 mm

Brake valve, Knorr 195779

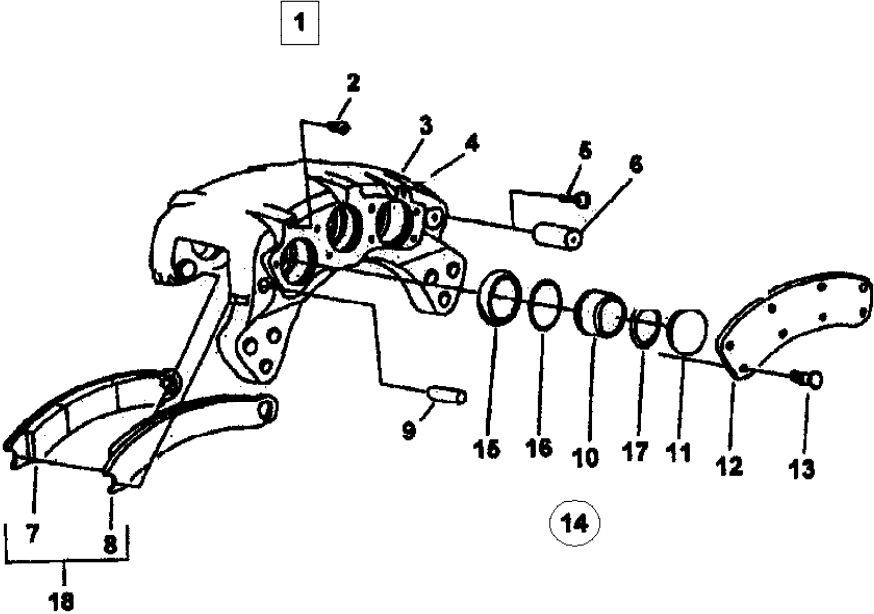
16821



Brake valve, Knorr 195779

Ref. No.	Part No.	Rem.	Qty	Description	Code
1			1	Brake valve, cpl	
2	196159		1	.O-ring	
3	196158		1	.Gasket	
4	196157		1	.Intermediate support	
5	196156		1	.Lower housing	
6	196155		4	.Screw	
7	196154		2	.Valve housing	
8	196153		2	.O-ring	
9	196152		2	.Spring	
10	196151		2	.O-ring	
11	196150		2	.O-ring	
12	196149		2	.O-ring	
13	196148		1	.O-ring	
14	196146		1	.Cover	
15	196145		2	.Retaining ring	
16	196162		5	.Screw	
17	196164		1	.Filler cap	
18	196163		1	.Upper housing	
19	196161		2	.O-ring	
20	196160		1	.Piston	
21	196172		1	.Shaft	
22	196171		1	.Retaining ring	
23	196170		1	.Spring leg	
24	196169		1	.Spring	
25	196168		1	.Rubber spring	
26	196167		1	.Piston	
27	196166		1	.O-ring	
28	196165		1	.Spring	
29	196179		1	.Upper bar	
30	196178		6	.Spacer	
31	196177		1	.Lower bar	
32	196176		1	.Hexagon Nut	
33	196175		1	.Cover	
34	196174		1	.Spring	
35	196173		1	.Cover	
36	196185		1	.Pin	
37	196184		1	.Bushing	
38	196183		1	.Pedal	
39	196181		1	.Expanding pin	
40	196180		1	.Protection cap	
41	196182		1	.Buffer	
42	196186		1	.Repair kit	
43	196187		1	.Repair kit	

Brake
16800

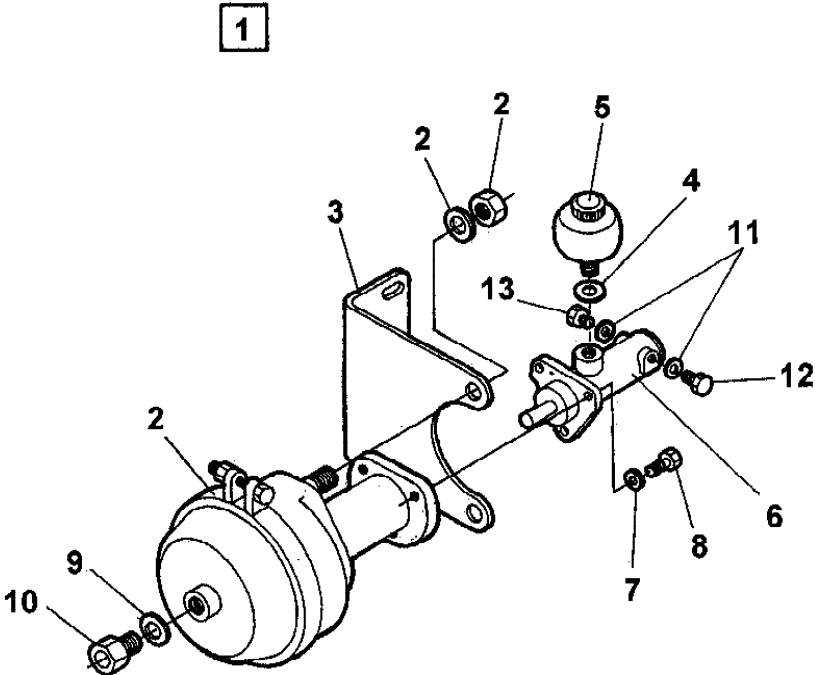


Brake

Ref. No.	Part No.	Rem. Qty	Description	Code
1	193851	1	Complete brake	
2	240546	1	.Screw	
3	194433	1	.Housing	
4	194434	1	.Plug	
5	194421	4	.Screw	
6	194422	2	.Pin	
7	194423	1	.Brake pad	
8	194424	1	.Brake pad	
9	194425	2	.Pin	
10	194430	6	.Piston	
11	194428	3	.Piston plug	
12	194427	1	.Cover	
13	194426	8	.Screw	
14	194435	1	.Repair kit	
15	194431	6	..Boot	
16	194432	6	..Packing	
17	194429	3	..Packing	
18	196888	1	.Pad kit	

Distribution control plate

16801

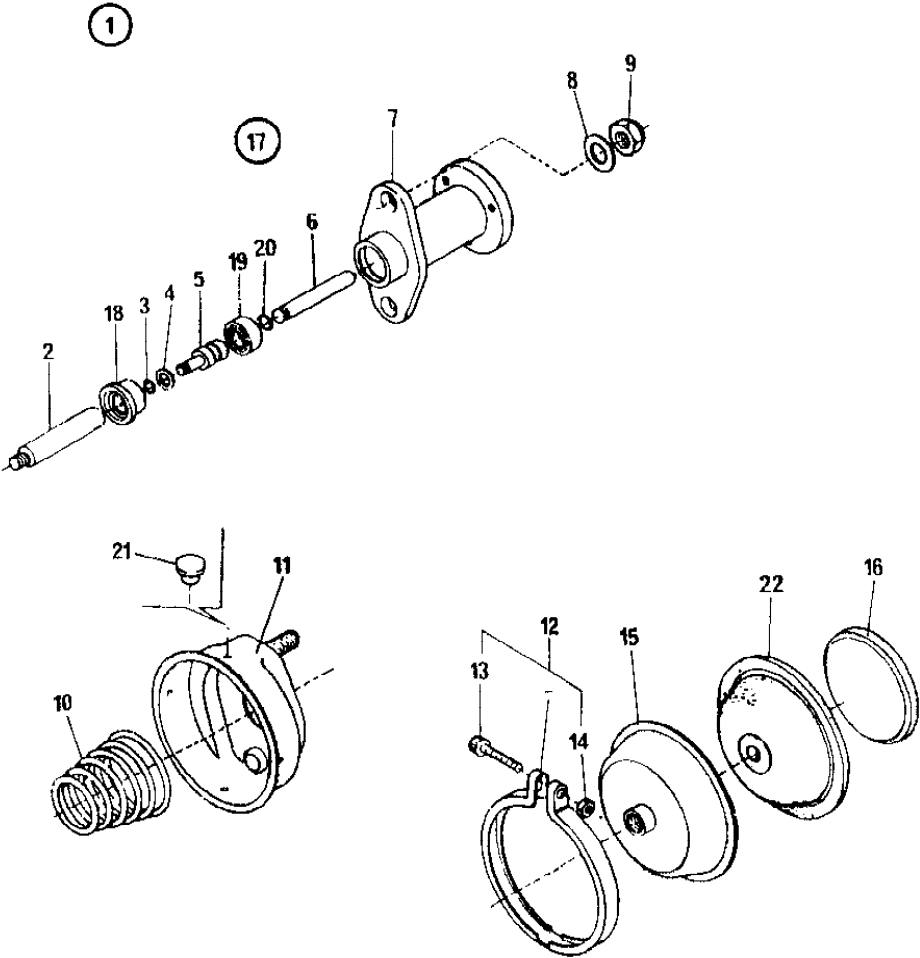


Distribution control plate

Ref. No.	Part No.	Rem.	Qty	Description	Code
1	194607		1	Chamber and master cylinder ass`y	
2			1	.Brake chamber, Knorr 194402 (Page 30)	
3	194586		1	.Bracket	
4	330333		1	.Copper washer	
5	415277		1	.Oil tank	
6	194401		1	.Brake master cylinder	
7	615043		3	.Conical spring washer	
8	900985		3	.Screw	
9	330330		1	.Washer	
10	190902		1	.Reducing adapter	
11	330328		2	.Washer 10x14x1	
12	194408		1	.Plug	
13	195038		1	.Connection	

Brake chamber, Knorr 194402

16253

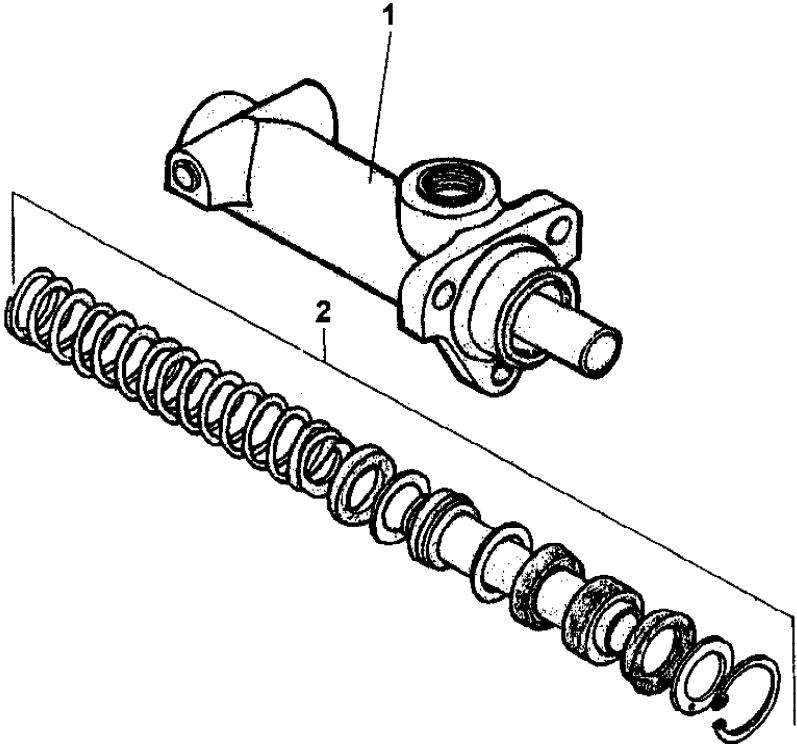


Brake chamber, Knorr 194402

Ref. No.	Part No.	Rem.	Qty	Description	Code
1			1	Brake chamber	
2	195195		1	.Shaft	
3	195206		1	.Retaining ring	
4	195207		1	.Spacer	
5	195208		1	.Pin	
6	195211		1	.Shaft	
7	195194		1	.Locking flange	
8	195193		2	.Washer	
9	195192		2	.Lock nut	
10	195198		1	.Spring	
11	195196		1	.Cover	
12	195202		1	.Clamp	
13	195203		1	.Screw	
14	195204		1	.Hexagon Nut	
15	195201		1	.Roller	
16	195199		1	.Piston	
17	195212		1	.Repair kit	
18	195205		1	..Gasket	
19	195209		1	..Guide ring	
20	195210		1	..O-ring	
21	195197		3	..Filler cap	
22	195200		1	..Diaphragm	

Brake master cylinder ltt

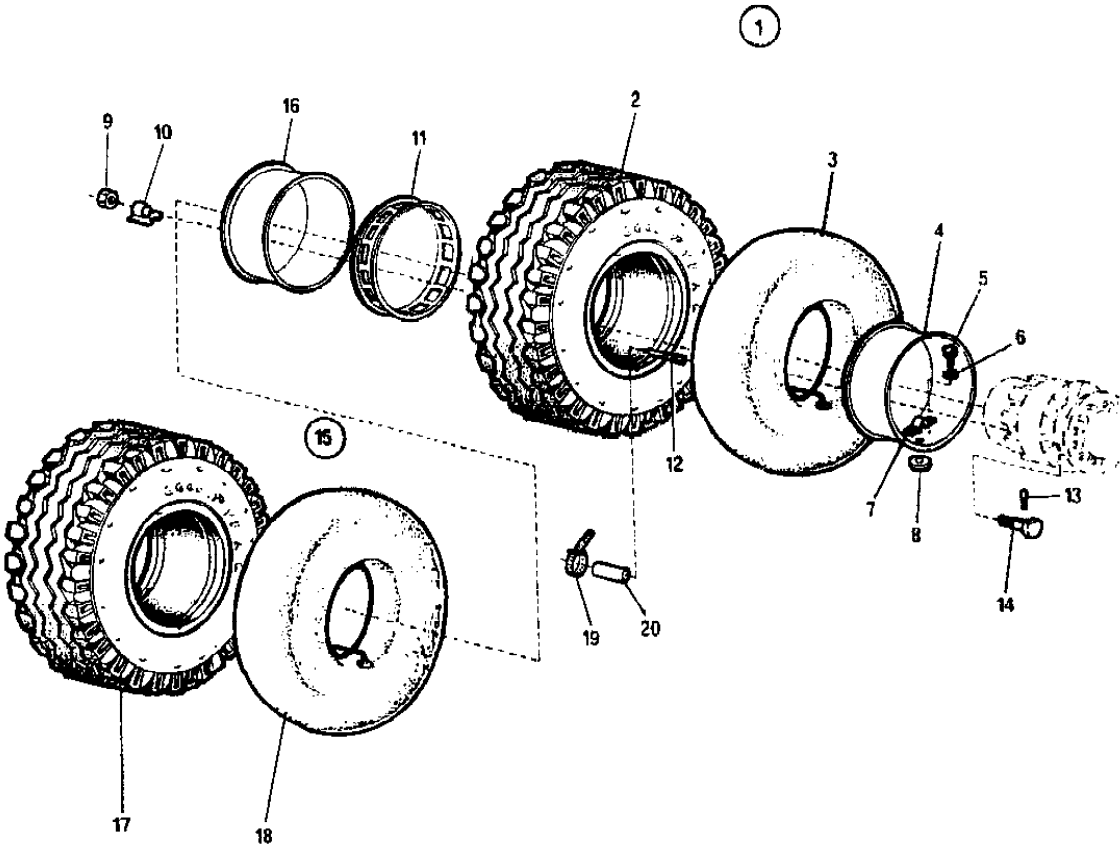
16802



Brake master cylinder ltt

Ref. No.	Part No.	Rem.	Qty	Description	Code
1	194401		1	Brake master cylinder	
2	195603		1	Repair kit	

Wheel and tyre
16796



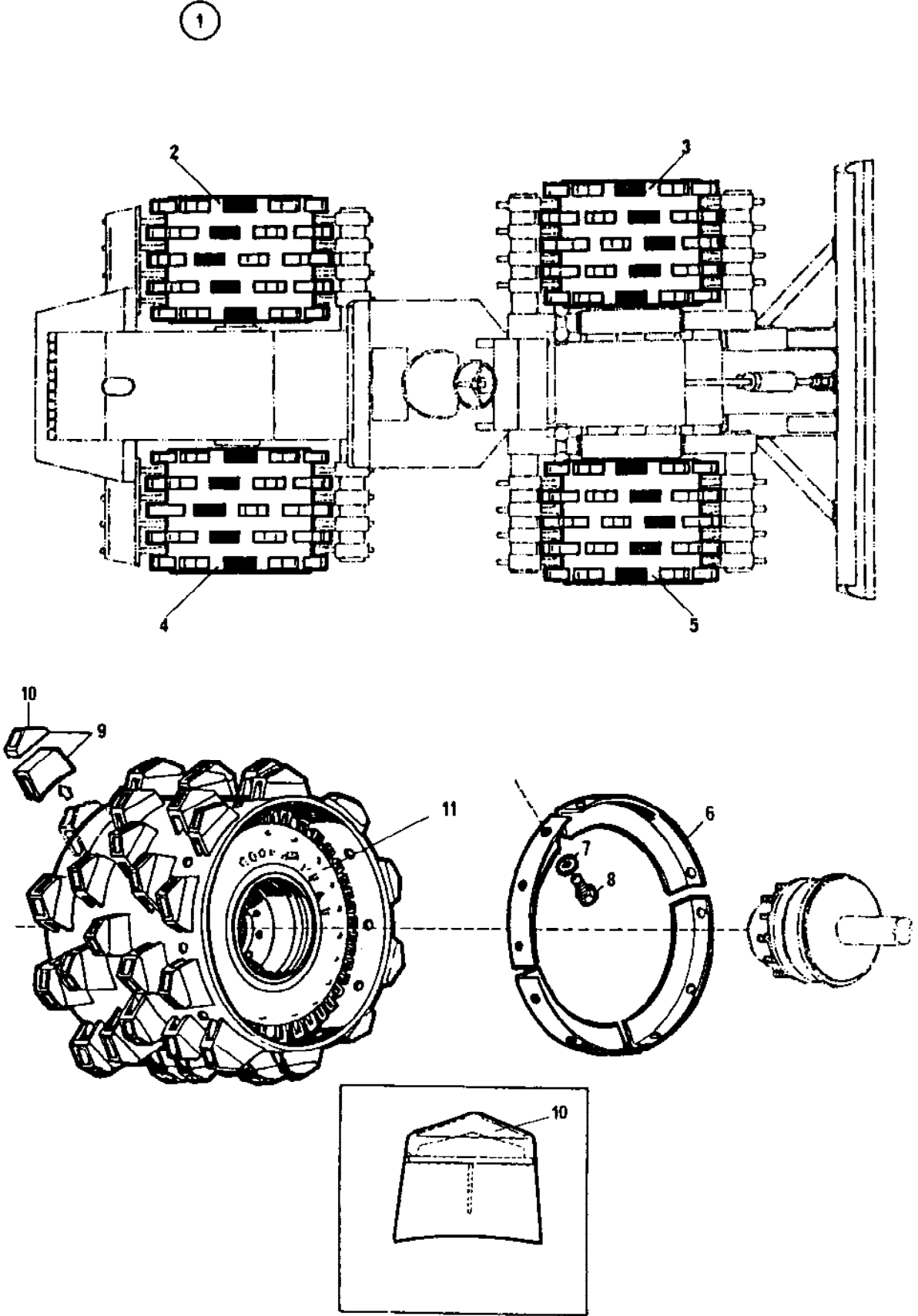
Wheel and tyre

Ref. No.	Part No.	Rem.	Qty	Description	Code
1	193885		4	Wheel and tyre, inner	
2	401104		1	.Tyre	
3	241031		1	.Inner tube	
4	193879		1	.Wheel	
5	500059		2	.Screw M6x10	
6	615042		2	.Conical spring washer	
7	241033		1	.Clamp	
8	241029		1	.Spacer	
9	192424		60	Wheel nut	
10	193887		60	Lock wheel	
11	194767		4	Separator	
12	194846		4	Flexible expansion	
13	630008		60	Cotter pin	
14	193886		60	Screw	
15	193884		4	Wheel and tyre, outer	
16	193879		1	.Wheel	
17	401104		1	.Tyre	
18	240901		1	.Inner tube	
19	313068	B	1	.Clamp	
20	247283	A	1	.Hose	

A) L=20 mm
 B) L=92mm

Padfoot roller (BR-F)

16797



Padfoot roller (BR-F)

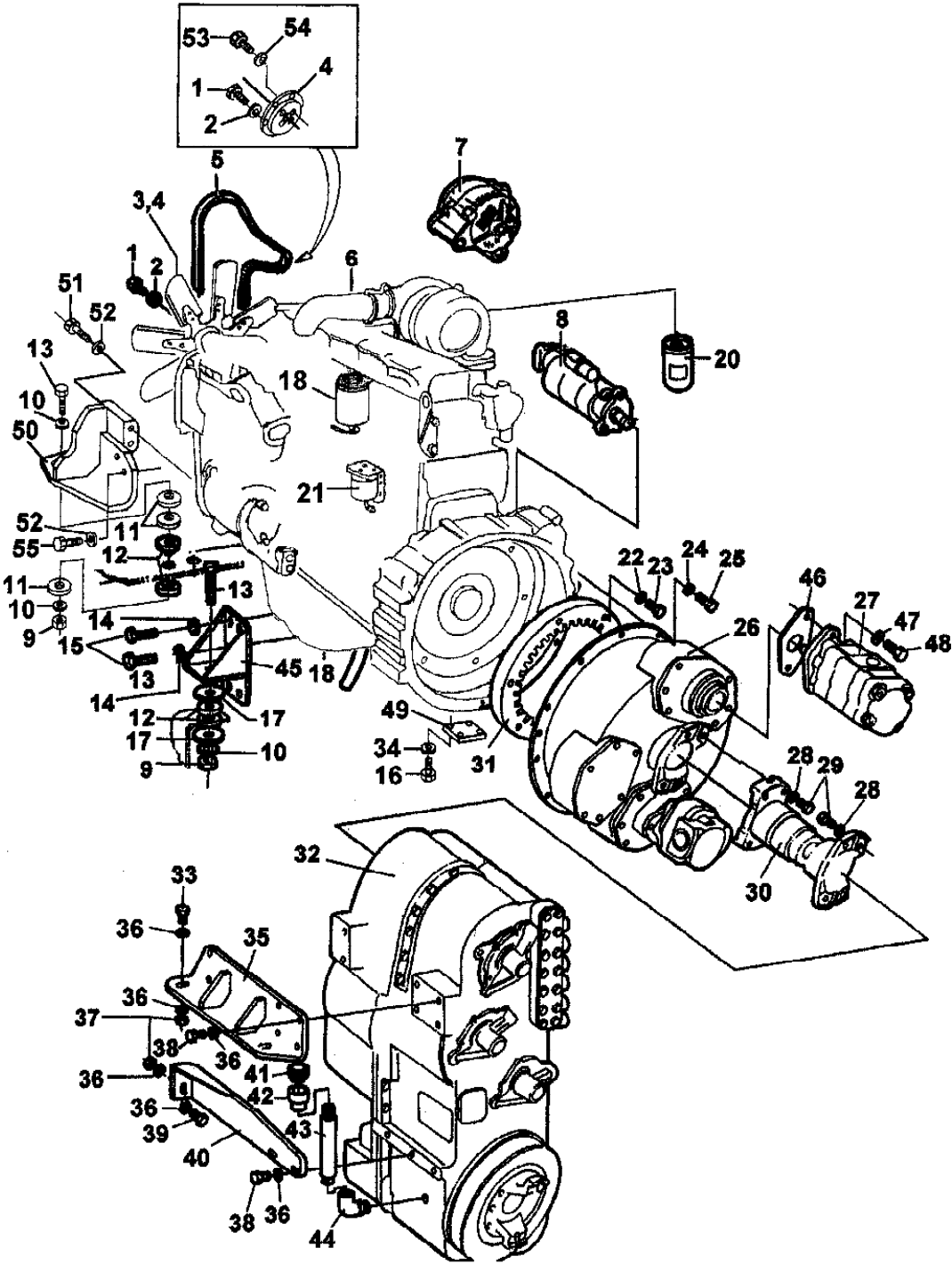
Ref. No.	Part No.	Rem.	Qty	Description	Code
1	240828		1	Compact wheel kit (60BR-F)	
2	240832		1	.Rear left padfoot drum	
3	240830		1	.Front left padfoot drum	
4	240831		1	.Rear right padfoot drum	
5	240829		1	.Front right padfoot drum	
6	260083		16	.Lock	
7	603004		48	.Washer	
8	500093		48	.Screw	
9	240833		60	.Padfoot BR-F	
10	240834		60	..Foot tip BR	
11			4	Wheel and tyre ass`y	

Engine
CT26210030

Engine

Ref. No.	Part No.	Rem.	Qty	Description	Code
10				Engine (Page 40)	
20				Radiator cooler, cpl (Page 44)	
30				Fuel system (Page 46)	
40				Exhaust silencer assembly (Page 48)	
50				Air cleaner assembly (Page 50)	

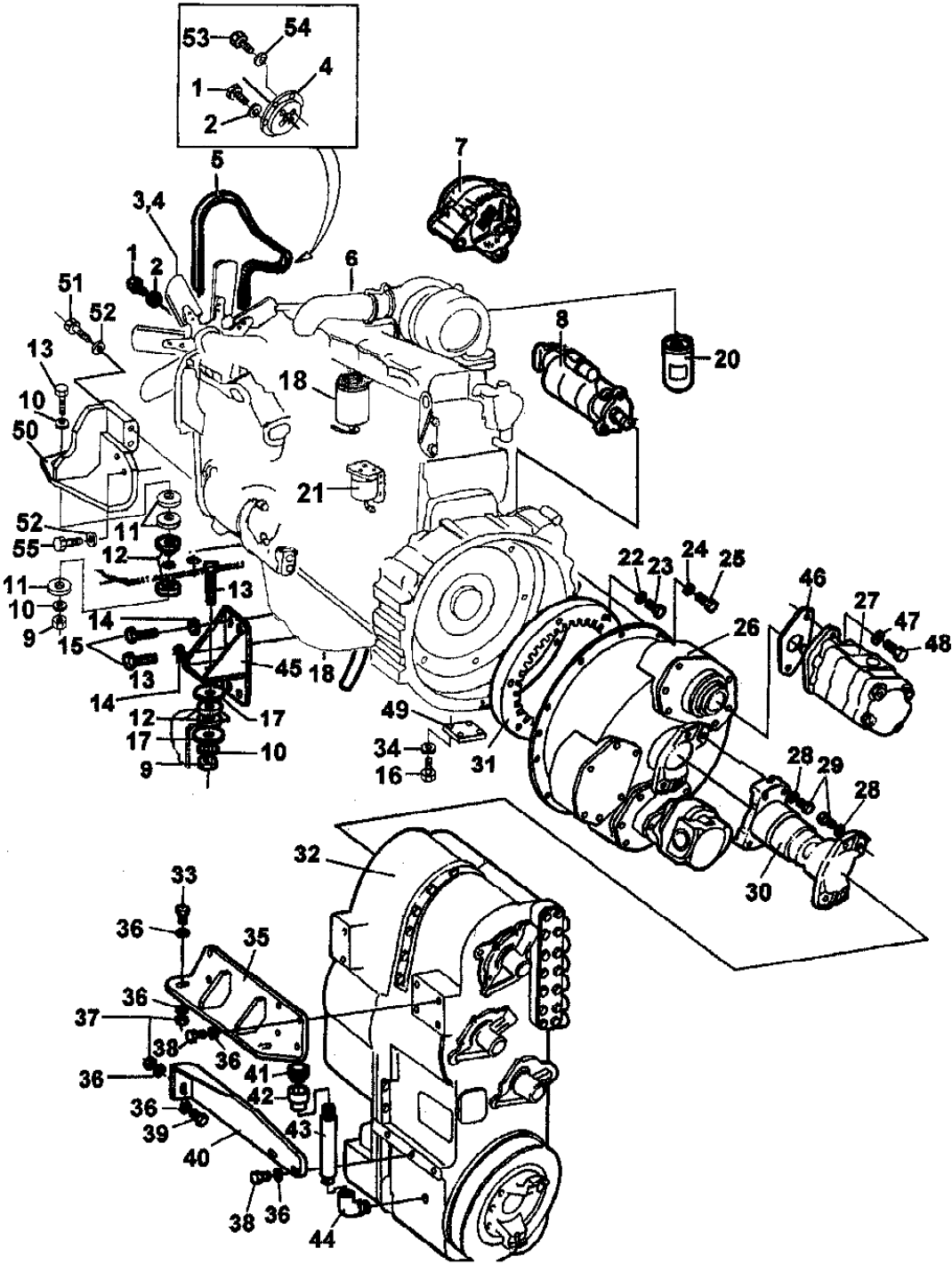
Engine
16775



Engine

Ref. No.	Part No.	Rem.	Qty	Description	Code
1	513015		4	Screw M10x1,5x100 10.9	
2	904230		4	Washer 10.5x22x2	
3	198030		1	Fan	
4	198091		1	Flange	
5	198436		1	Belt	
6	197612		1	Diesel engine	
	198432		1	Ring gear Up to 703B807	
	198412		1	Ring gear From 703B808	
7	198305		1	Alternator	
8	198306		1	Starter motor	
	198307		1	Gasket	
	198411		1	Spacer Up to 703B806	
9	586116		4	Locking nut M18-2,5 8.	
10	263357		4	Washer	
11	260148		12	Washer	
12	263355		8	Shock absorber	
13	923569		1	Screw M8x2,5x130 8.	
14	904231		12	Washer	
15	500197		8	Screw	
16	502015		4	Screw 5/16-18UNCx5/8" 8.	
17	260148		2	Washer	
18	198302		1	Fuel filter element Up to 703B805	
	198413		1	Fuel filter From 703B806	
	199181		1	Fuel filter element From 703B806	
20	198303		1	Oil filter element	
21	198304		1	Pump, fuel transfer	
22	241845		8	Washer	
23	502036		8	Screw	
24	904230		12	Washer 10.5x22x2	
25	947683		12	Screw M10x1,5x30	
26	243129		1	Torque converter, cpl	
27	192224		1	Hydraulic pump	
28	240536		8	Washer	
29	248712		8	Screw	
30	243303		1	Drive shaft	
31	190455		1	Ring gear	
32	195568		1	Transmission	
33	500270		4	Screw M16x2,0x60 10.9	
34	904232		4	Washer 17x30x3	
35	192740		1	Right support	
	192742		1	Left support	
36	904232		22	Washer 17x30x3	
37	570008		6	Hexagon nut	
38	502184		16	Screw	
39	193395		2	Screw	
40	243712		1	Right support	
	191018		1	Left support	
41	232120		1	Hexagon head plug with O-ring	
42	192347		1	Connection	
43	243786		1	Tube	
44	243785		1	Elbow 90G	
45	243861		1	Left support	
	197835		1	Right support	
46	243198		1	Seal ring	
47	603004		2	Washer	
48	502076		2	Screw	
49	197964		1	Cover	
	929906		1	Packing	
50	197829		1	Left support	
	197830		1	Right support	
51	947688		4	Screw M12x1,75x35 10.9	

Engine
16775

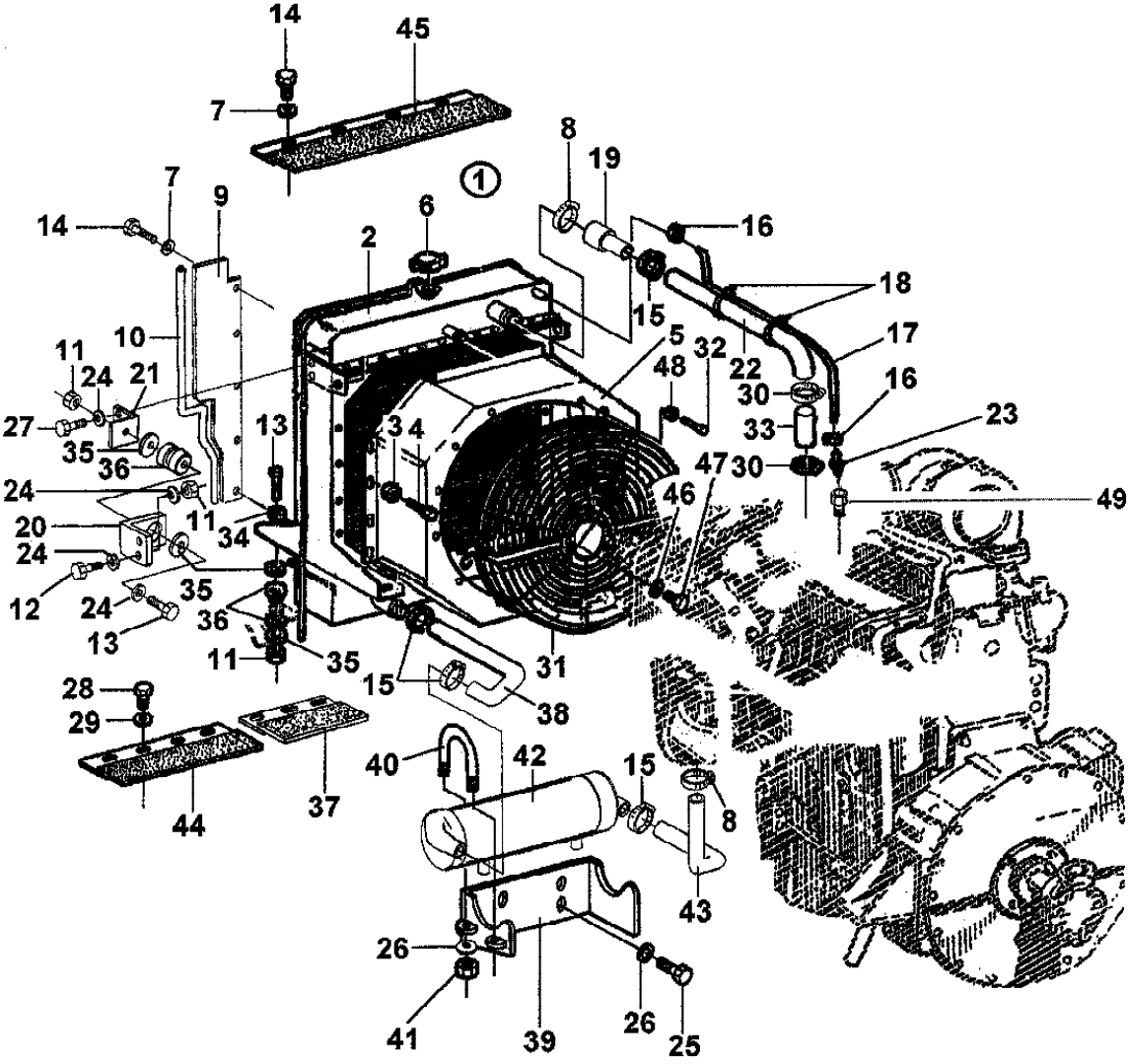


Engine

Ref. No.	Part No.	Rem.	Qty	Description	Code
51	508102		4	Screw M12-1,75x50 12.9 From 703B806	
52	904231		4	Washer	
53	500019		6	Screw M8-1,25x16 8.8	
54	904229		6	Washer 8,4x16x1,5	

Radiator cooler, cpl

16776

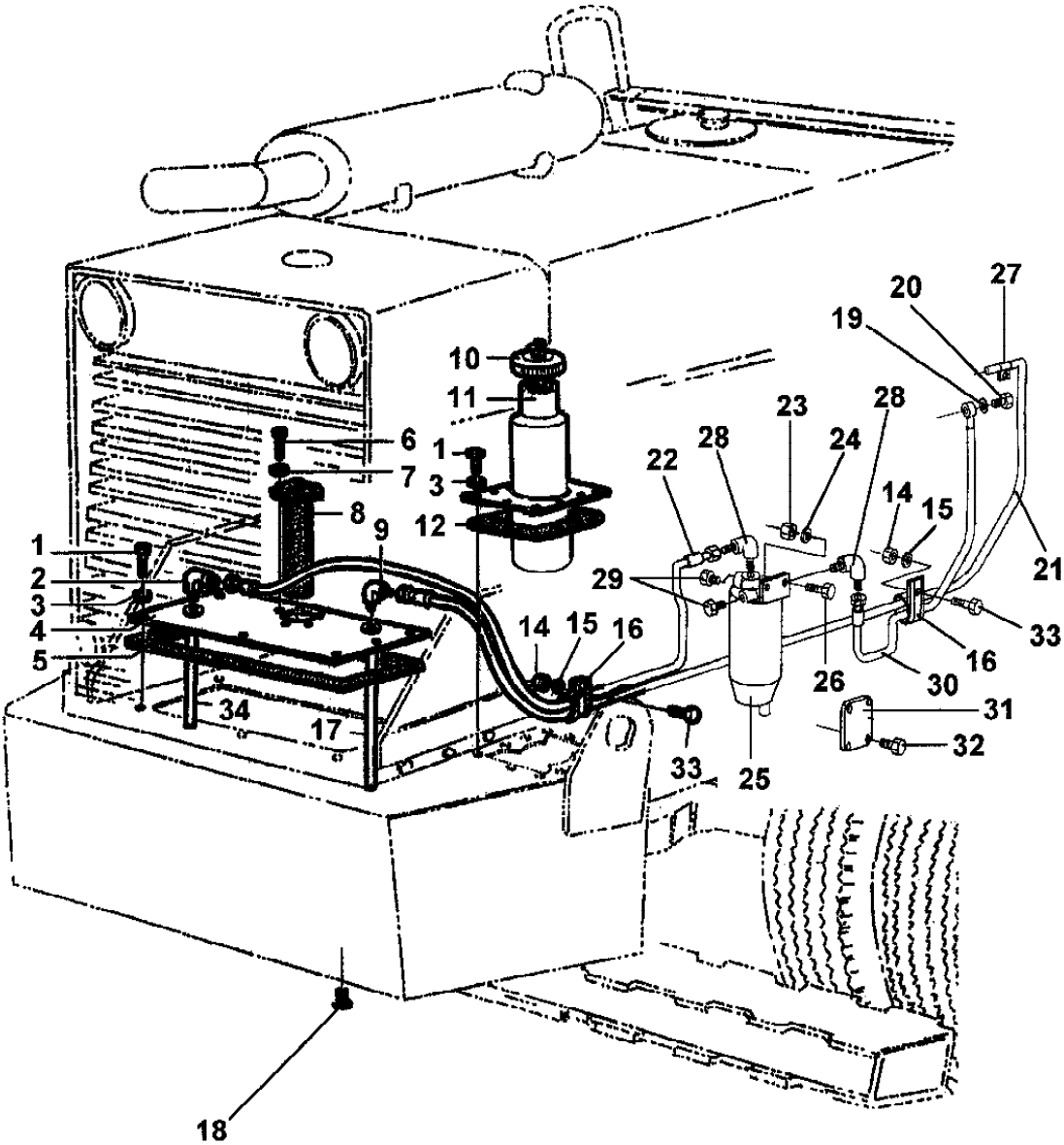


Radiator cooler, cpl

Ref. No.	Part No.	Rem.	Qty	Description	Code
1	197680		1	Radiator	
	198444		1	.Air cooler	
	500019		4	.Screw M8-1,25x16 8.8	
	904229		4	.Washer 8,4x16x1,5	
2	198443		1	.Water radiator	
3	904229		6	.Washer 8,4x16x1,5	
4	500190		6	.Screw M8-1,25x80 8.8	
5	198445		1	.Shroud	
6	249593		1	.Filler cap	
7	603001		25	Washer	
8	313023		2	Clamp	
9	198087		2	Protection	
10	902160	A	1	Gasket	
11	570007		10	Hexagon nut	
12	500194		4	Screw M12x40	
13	500196		2	Screw	
	500197		4	Screw	
14	500013		25	Screw	
15	313022		3	Clamp	
16	313060		2	Clamp	
17	246068	B	1	Hose	
18	313102		2	Clamp	
19	197933		1	Hose	
20	197975		2	Support	
21	197976		2	Support	
22	197935		1	Tube	
23	234865		1	Hose conector	
24	603003		8	Washer 5x24x4	
25	947682		4	Screw M10x1,5x20 10.9	
26	904230		4	Washer 10.5x22x2	
27	500030		4	Screw	
28	500053		4	Screw	
29	904556		4	Washer 8,4x16x3,0	
30	313010		3	Clamp	
31	198129		2	Fan protection	
32	500280		8	Screw M10x1,5x25	
33	197934		1	Hose	
34	603003		4	Washer 5x24x4	
35	242452		20	Washer	
36	242451		6	Shock absorber	
37	198112		1	Protction	
38	198137		1	Hose	
39	196692		1	Support	
40	196693		2	Clamp	
41	570006		4	Hexagon nut M10	
42	196687		1	Oil radiator	
43	198136		1	Hose	
44	198092		1	Protection	
45	198071		1	Protection	
46	615043		2	Conical spring washer	
47	500160		2	Screw M8x15 10.9	
48	615044		8	Conical spring washer	
49	813465		1	Reducing nipple	

A) L=1.750mm
 B) L=1.100mm

Fuel system
16777

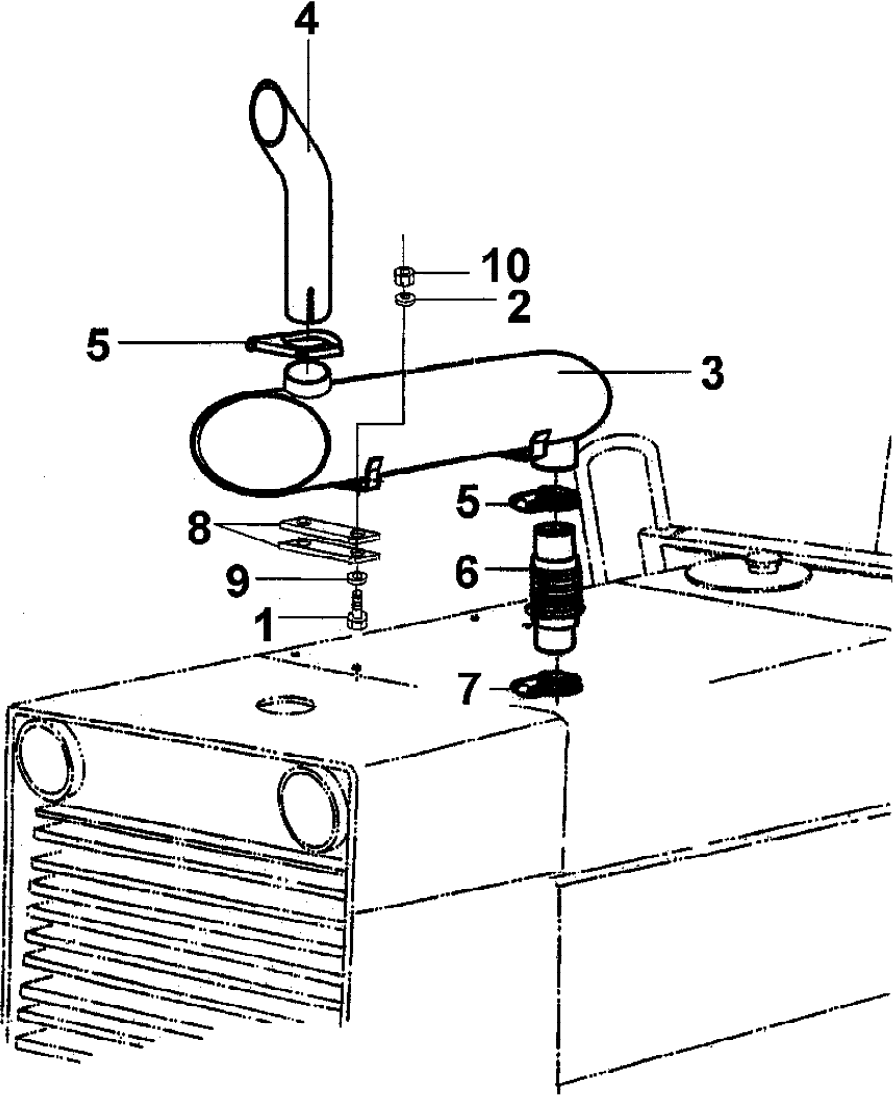


Fuel system

Ref. No.	Part No.	Rem.	Qty	Description	Code
1	500019		34	Screw M8-1,25x16 8.8	
2	234340		1	Elbow 90G	
3	904229		34	Washer 8,4x16x1,5	
4	198031		1	Cover	
5	349880		1	O-ring	
6	813307		5	Screw	
7	604002		5	Spring washer	
8	258313		1	Fuel gauche	
9	813435		1	Adapter	
10	373304		1	Fuel cover with key	
11	197870		1	Cover	
12	349880		1	O-ring	
13	332152		2	Plug	
14	570004		2	Hexagon nut	
15	615042		2	Conical spring washer	
16	921108		2	Clamp	
17	243745		1	Nipple	
18	813391		1	Magnetic plug	
19	230277		2	Seal ring	
20	267464		1	Banjo bolt	
21	198144		1	Hose	
22	198143		1	Hose	
23	586018		2	Lock nut	
24	603023		2	Washer	
25	198134		1	Fuel filter	
	198200		1	Element filter separater	
26	500161		2	Screw M10-1,5x45 8,8	
27	313001		1	Hose clamp	
28	334558		2	Elbow 90G with O-ring	
29	332152		2	Plug	
30	198145		1	Hose	
31	381297		1	Cover	
32	500506		2	Screw	
33	500075		2	Screw M6-1x25 8.8	
34	243746		1	Nipple	

Exhaust silencer assembly

16778

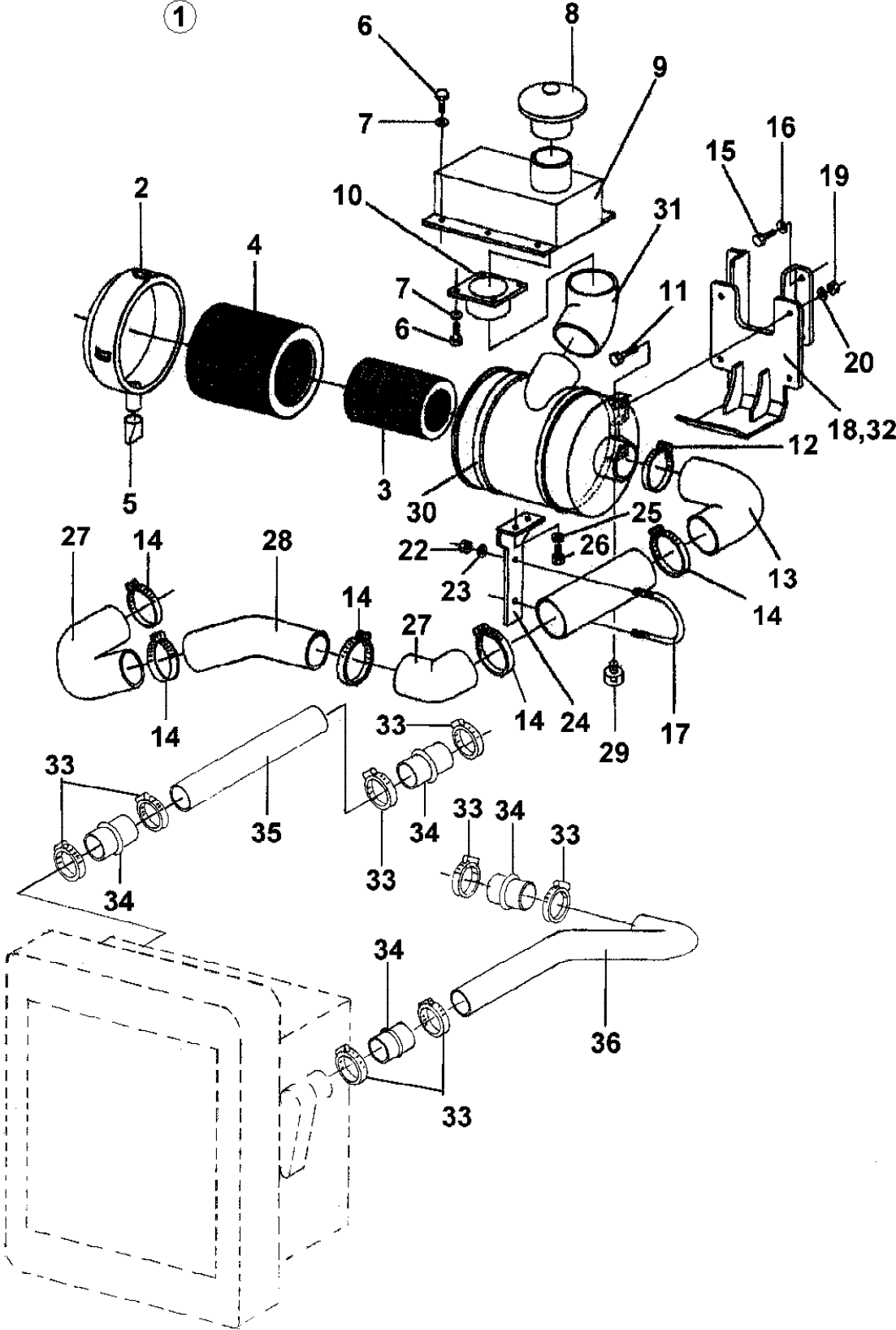


Exhaust silencer assembly

Ref. No.	Part No.	Rem. Qty	Description	Code
1	500031	2	Screw From 703B806	
	500033	2	Screw From 703B806	
2	904230	4	Washer 10.5x22x2	
3	190631	1	Muffler	
4	190632	1	Tube	
5	266938	2	Clamp	
6	197940	1	Shock absorber	
7	313094	1	Clamp	
8	198219	2	Shim From 703B806	
9	904557	4	Washer 10,5x22x4 From 703B806	
10	586018	4	Lock nut From 703B806	

Air cleaner assembly

16779-1



Air cleaner assembly

Ref. No.	Part No.	Rem.	Qty	Description	Code
1	385171		1	Air cleaner	
2	385379		1	.End cover assy	
3	385378		1	.Element assy safety	
4	385377		1	.Element assy	
5	385376		1	.Vacuator valve	
6	500048		10	Screw	
7	904230		10	Washer 10.5x22x2	
8	198162		1	Protection	
9	197942		1	Fan shroud	
10	197943		1	Flange	
11	947680		4	Screw M8-1,25x25 10.9	
12	313145		1	T-clamp	
13	801688		1	Rubber elbow	
14	922455		5	T-clamp	
15	947686		4	Screw M12-1,75x25	
16	947231		4	Washer	
17	240247		1	Clamp	
18	197903		1	Support	
19	570005		4	Hexagon nut	
20	904229		4	Washer 8,4x16x1,5	
21	197939		1	Tube	
22	586018		2	Lock nut	
23	615044		2	Conical spring washer	
24	197973		1	Support	
25	904230		2	Washer 10.5x22x2	
26	500028		2	Screw M10-1,5x25 8.8	
27	912385		2	Rubber elbow	
28	197938		1	Tube	
29	929023		1	Electric restriction indicator	
30	802550		1	Clamp	
31	197941		1	Hose	
32	198061		1	Base	
33	385404		8	Clamp	
34	385691		4	Hose	
35	197936		1	Tube	
36	197937		1	Tube	

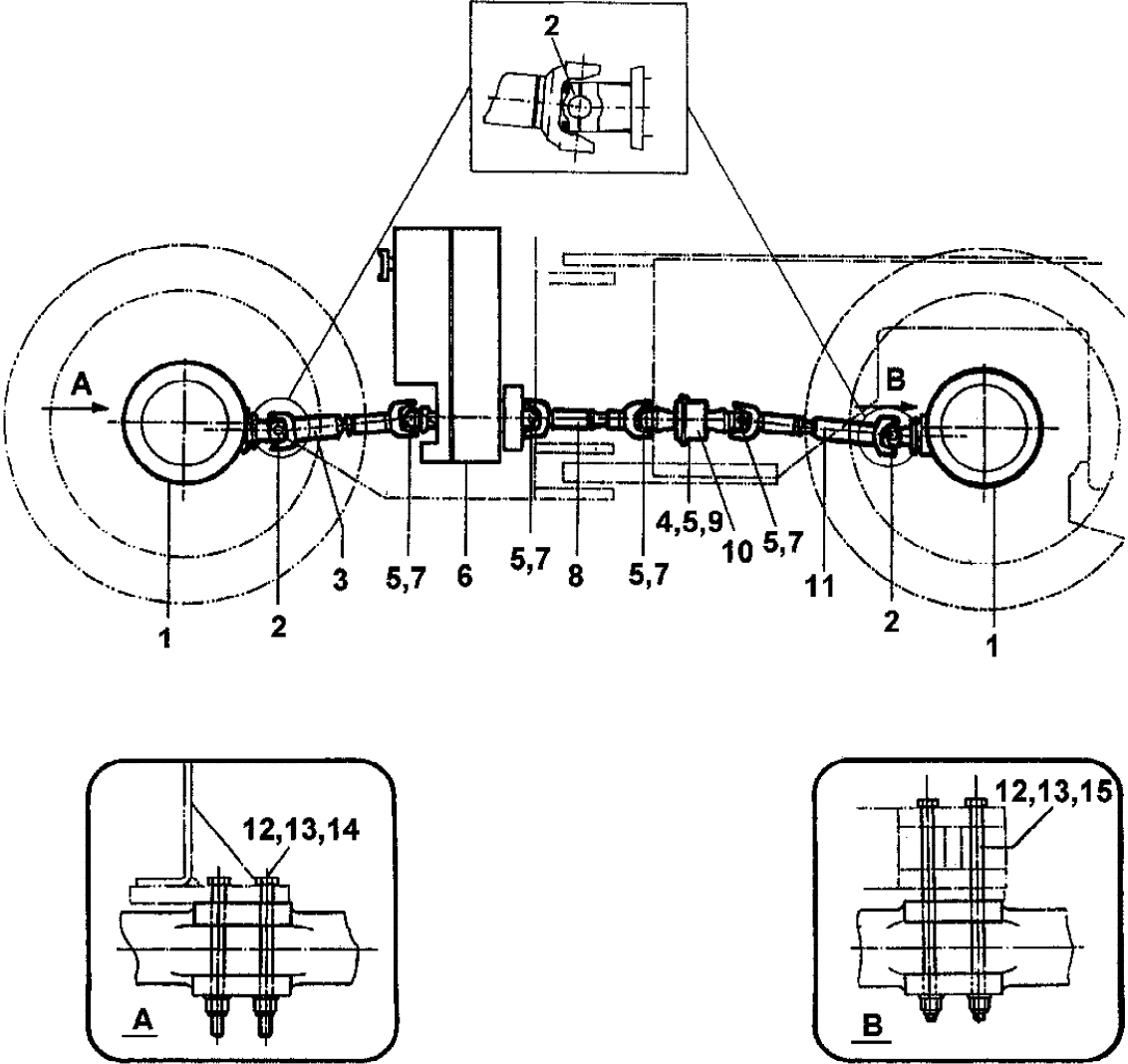
Transmission
CT26210040

Transmission

Ref. No.	Part No.	Rem. Qty	Description	Code
10			Drive shaft assembly (Page 54)	
20			Planetary axle (Page 64)	
30			Differential (Page 66)	
50			Transmission (Page 70)	
60			Transmission (Page 72)	
70			Transmission (Page 74)	
80			Transmission (Page 76)	
90			Transmission (Page 78)	
100			Transmission (Page 80)	
110			Transmission (Page 82)	
120			Transmission Twin Disc (Page 84)	
130			Torque converter Twin Disc (Page 86)	
140			Torque converter Twin Disc (Page 88)	

Drive shaft assembly

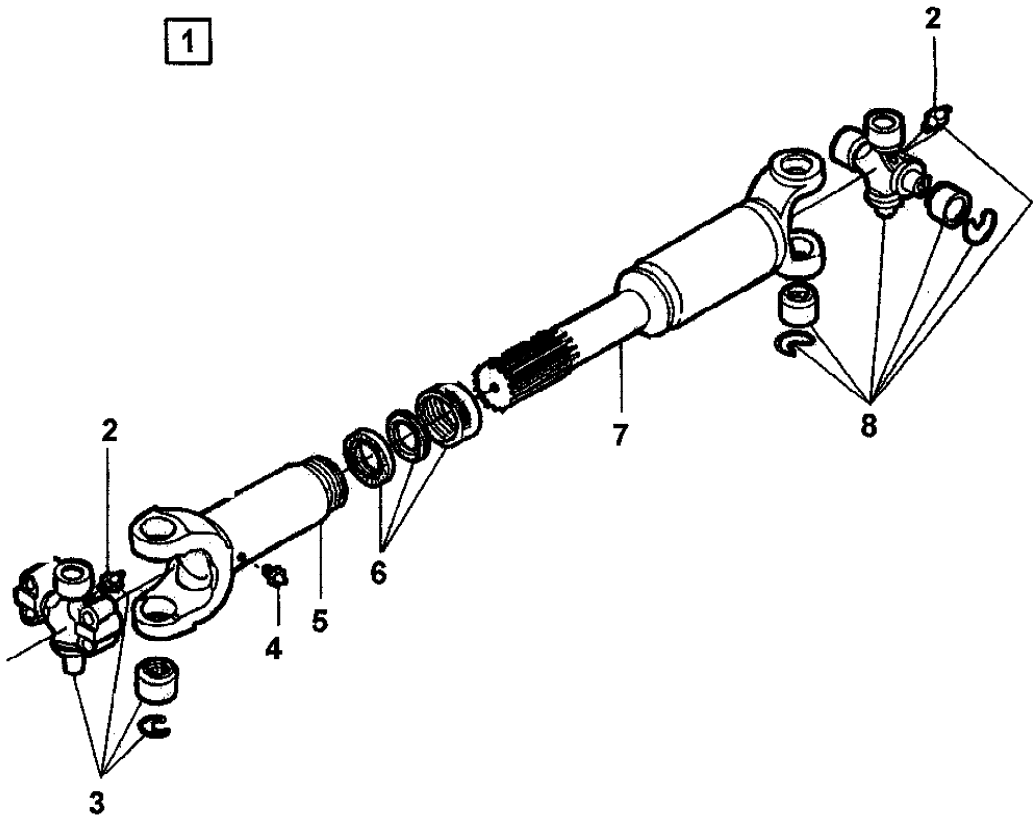
16780



Drive shaft assembly

Ref. No.	Part No.	Rem.	Qty	Description	Code
1	193757		2	Planetary axle, cpl Up to 703B814	
	196928		2	Planetary axle, cpl From 703B815	
2	240522		4	Clamp assembly	
3			1	Drive shaft 190097 (Page 56)	
4	570007		4	Hexagon nut	
5	240536		20	Washer	
6	195568		1	Transmission	
7	248712		16	Screw	
8			1	Drive shaft 190098 (Page 58)	
9	925519		4	Screw	
10			1	Intermediate bearing ass`y 190099 (Page 60)	
11			1	Cardan shaft 240524 (Page 62)	
12	266816		8	Screw 1"-12UNFx300	
13	586112		16	Locking nut	
14	603017		16	Washer	
15	266825		8	Screw 1"-12UNFx490	

Drive shaft 190097
16783-1



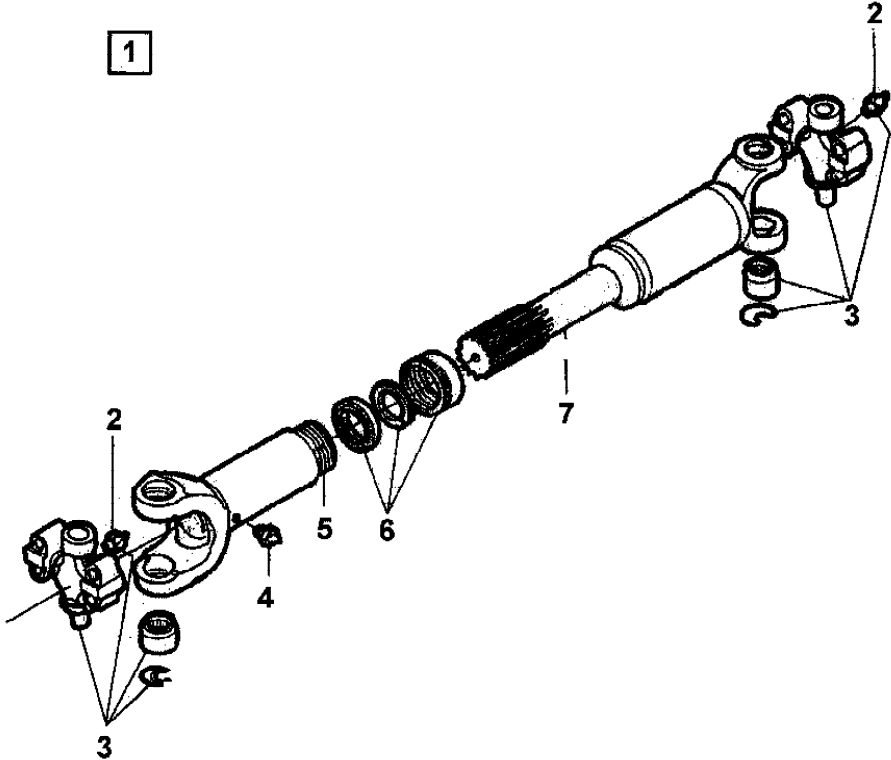
Drive shaft 190097

Ref. No.	Part No.	Rem.	Qty	Description	Code
1			1	Drive shaft, cpl	
2	310008		2	.Grease nipple	
3	929488		1	.Universal joint cross	
4	310028		1	.Grease nipple	
5			1	.Slip yoke	
6	929486	A,B	1	.Coupling kit	
7			1	.Tube shaft	
8	241644		1	.Universal joint cross	

- A) Old design contents: 3 different parts
- B) New part is redesigned from the earlier 3 parts, to 1 better part, interchangeable

Drive shaft 190098

16794-1



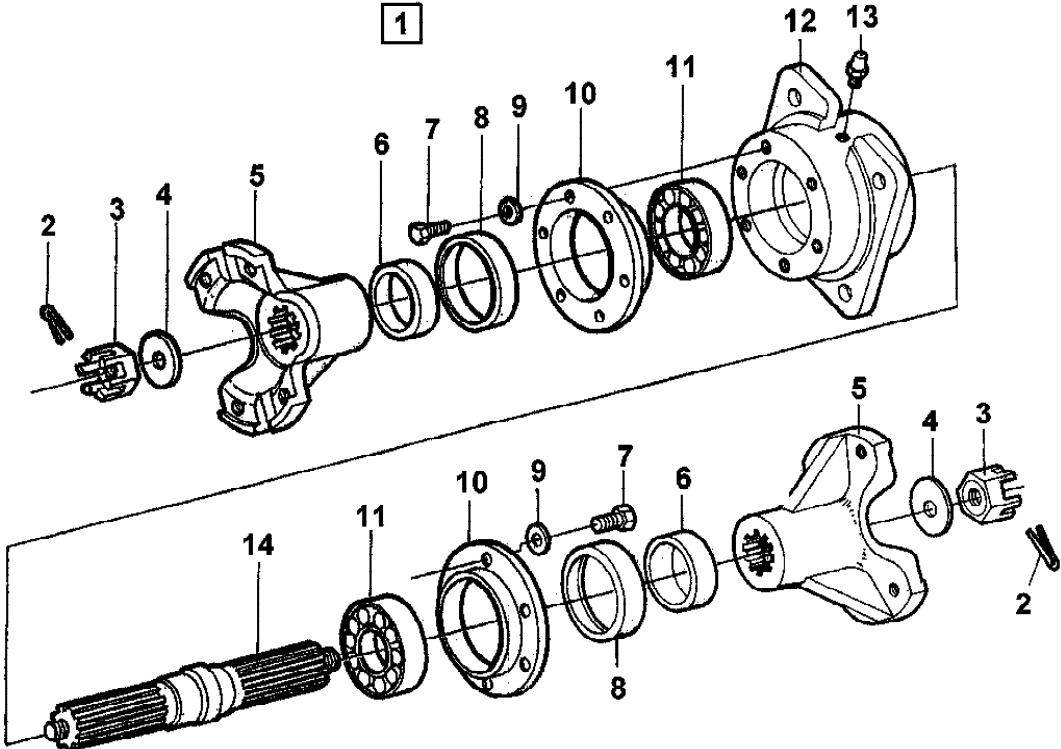
Drive shaft 190098

Ref. No.	Part No.	Rem.	Qty	Description	Code
1			1	Drive shaft, cpl	
2	310008		2	.Grease nipple	
3	929488		2	.Universal joint cross	
4	310028		1	.Grease nipple	
5			1	.Slip yoke	
6	929486	A,B	1	.Coupling kit	
7			1	.Tube shaft	

- A) Old design contents: 3 different parts
- B) New part is redesigned from the earlier 3 parts, to 1 better part, interchangeable

Intermediate bearing ass'y 190099

16795

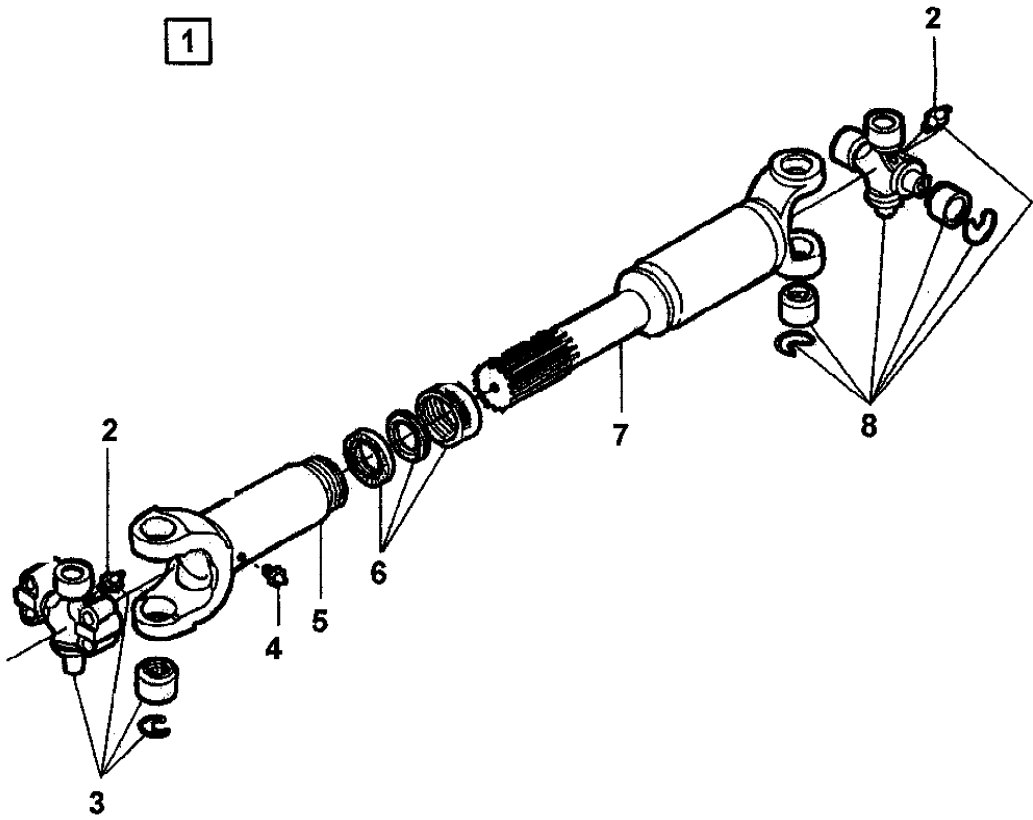


Intermediate bearing ass'y 190099

Ref. No.	Part No.	Rem.	Qty	Description	Code
1			1	Intermediate bearing ass'y	
2	630016		2	.Cotter pin	
3	920800		2	.Nut	
4	602014		2	.Washer	
5	260171		2	.Terminal	
6	260165		1	.Bushing	
7	500030		12	.Screw	
8	163136		2	.Seal ring	
9	600026		12	.Washer	
10	260164		2	.Cover	
11	116037		2	.Conical bearing	
12	243718		1	.Bearing housing	
13	310022		1	.Grease nipple	
14	260170		1	.Shaft	

Cardan shaft 240524

16783-1

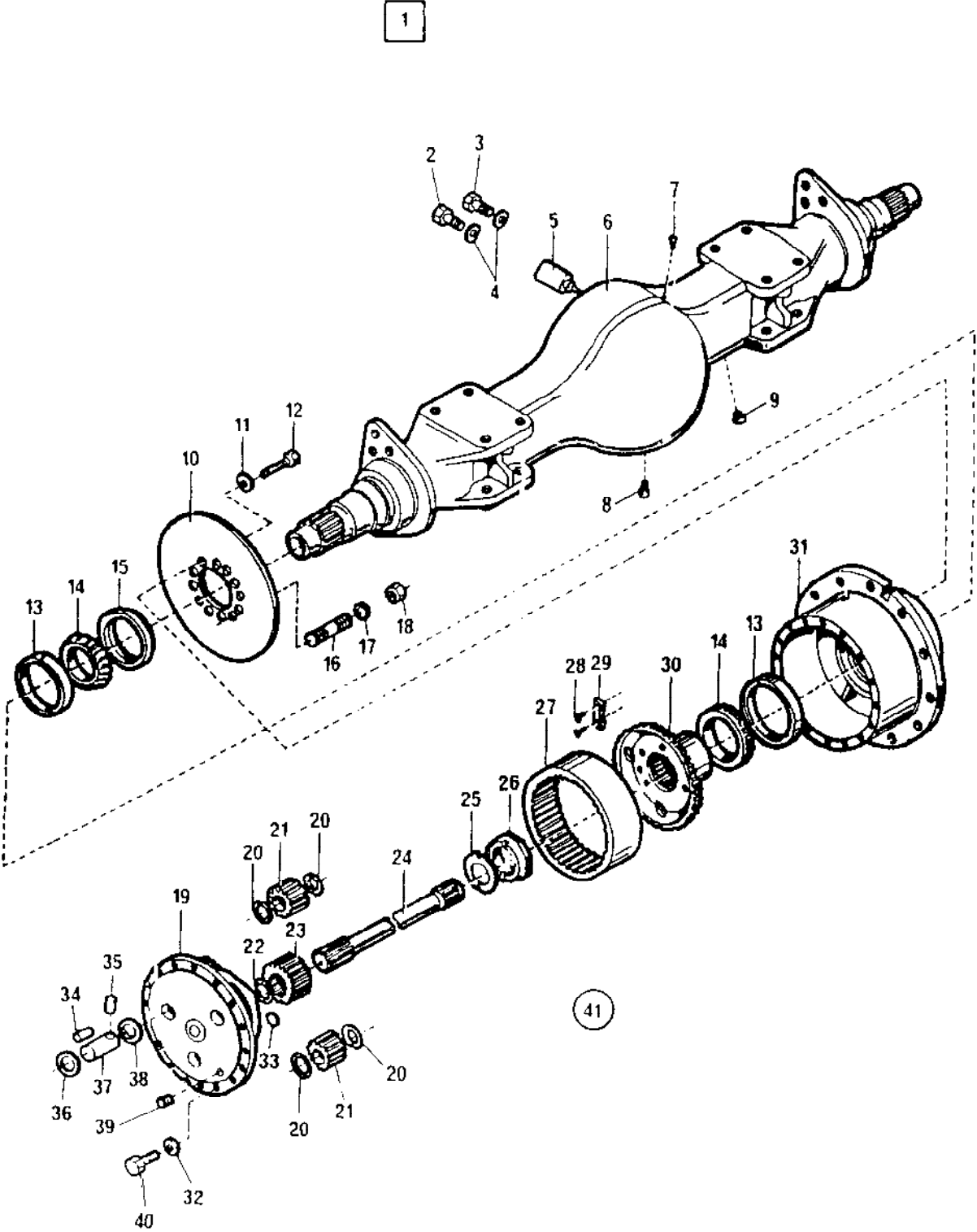


Cardan shaft 240524

Ref. No.	Part No.	Rem.	Qty	Description	Code
1			1	Cardan shaft, cpl	
2	310008		2	.Grease nipple	
3	929488		1	.Universal joint cross	
4	310028		1	.Grease nipple	
5	241642		1	.Slip yoke	
6	929486	A,B	1	.Coupling kit	
7	241621		1	.Tube shaft	
8	241644		1	.Universal joint cross	

- A) Old design contents: 3 different parts
- B) New part is redesigned from the earlier 3 parts, to 1 better part, interchangeable

Planetary axle
16781

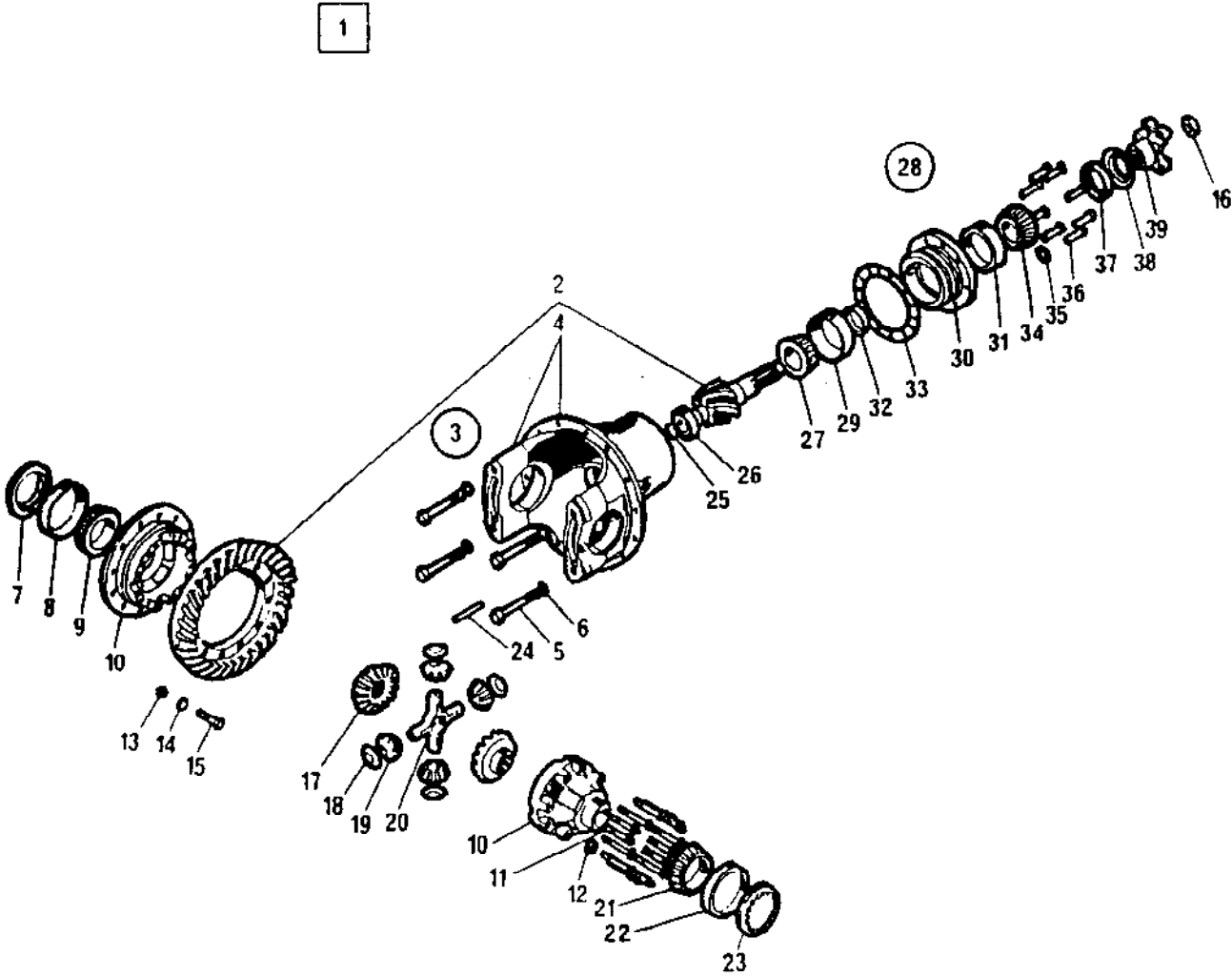


Planetary axle

Ref. No.	Part No.	Rem.	Qty	Description	Code
1	193757		1	Planetary axle, cpl Up to 703B814	
	196928		1	Planetary axle, cpl From 703B815	
2	922524	A	8	.Screw	
3	192655	B	1	.Screw	
4	813953		12	.Washer	
5	923640	CN		.Gasket	
6	194672		1	.Housing	
7	415280		1	.Breather	
8	926388		1	.Plug	
9	814034		1	.Plug	
10	247503		2	.Disc	
11	813953		32	.Washer	
12	922524	A	24	.Screw	
13	192659		4	.Bearing cup	
14	242641		4	.Bearing cone	
15	249344		2	.Seal ring	
16	242643		8	.Stud	
17	242647		8	.Conival washer	
18	922532		8	.Nut	
19	194674		2	.Gear box	
20	192671		12	.Washer	
21	192670		6	.Planet pinion	
22	922473		2	.Snap ring	
23	192663		2	.Gear	
24	192656		1	.Axle drive shaft, left	
	192657		1	.Axle drive shaft, right	
25	922476		2	.Washer	
26	922534		2	.Nut	
27	192664		2	.Ring gear	
28	922519		4	.Screw	
29	922547		2	.Lock	
30	192662		2	.Gear flange	
31	194673		2	.Hub	
32	416223		60	.Washer	
33	192673		2	.Backstop	
34	192668		288	.Roller	
35	192669		6	.Expanding ring	
36	192672		6	.O-ring	
37	192666		6	.Gear axle	
38	192667		6	.Spacer	
39	267537		2	.Plug	
40	922521		60	.Screw	
41	194669		1	.Differential, cpl Up to 703B814	
	199134		1	.Differential, cpl From 703B815	

- A) L=1.750mm
- B) L=2.500mm

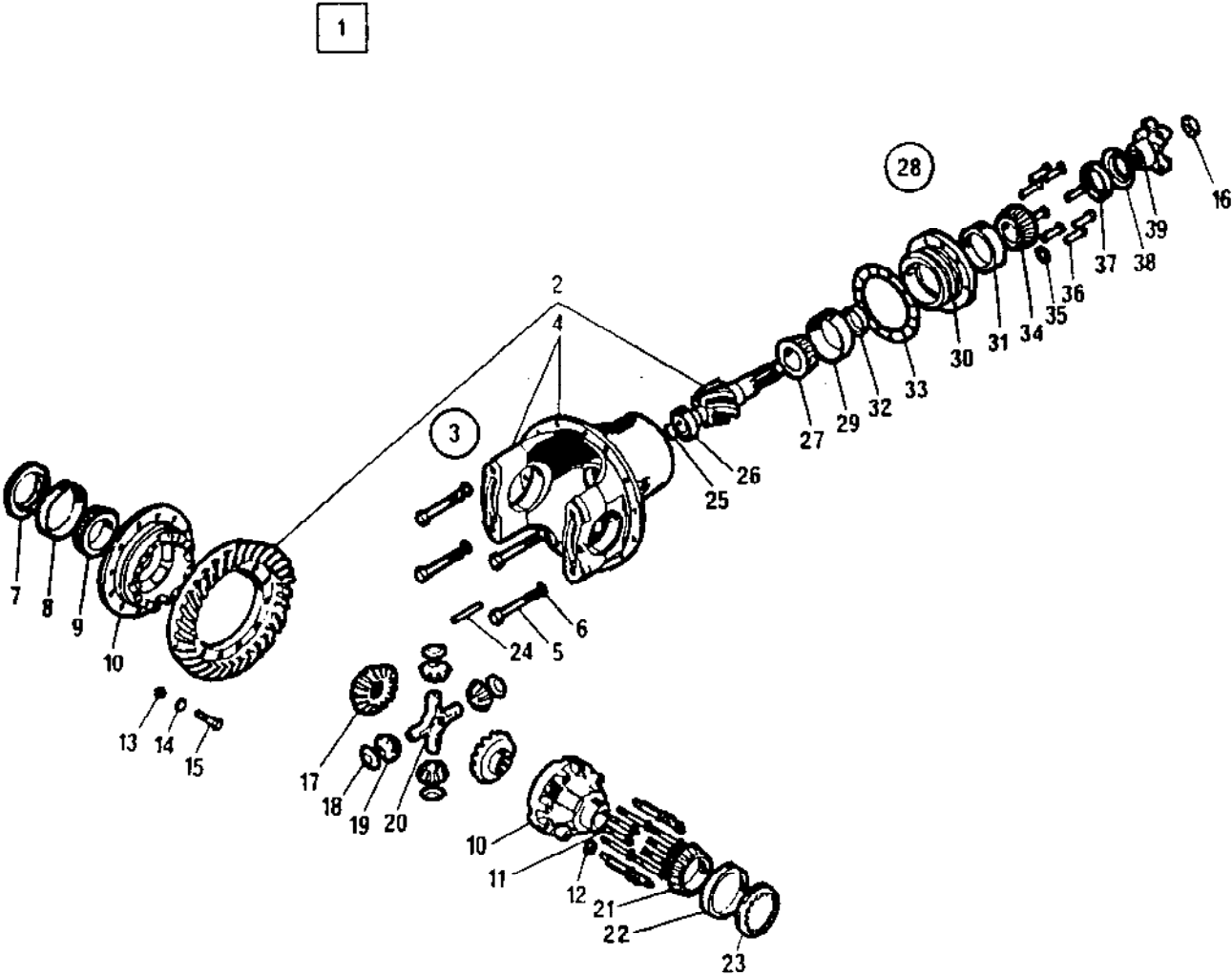
Differential
16782



Differential

Ref. No.	Part No.	Rem.	Qty	Description	Code
1	194669		1	Differential, cpl Up to 703B814	
	199134		1	Differential, cpl From 703B815	
2	194671		1	.Drive pinion and gear Up to 703B814	
	192600		1	.Drive pinion and gear From 703B815	
3	192589		1	.Differential carrier	
4	416254		1	..Differential carrier	
5	192591		4	..Screw	
6	242488		4	..Washer	
7	192605		2	.Adjusting ring	
8	192604		1	.Bearing cup	
9	192603		1	.Bearing cone	
10	194670		1	.Differential carrier Up to 703B814	
	192592		1	.Differential carrier From 703B815	
11	192599		12	..Screw	
12	192651		12	..Washer	
13	192602		12	..Nut	
14	416250		12	..Washer	
15	192601		12	..Screw	
16	192611		1	.Nut Up to 703B814	
	199240		1	.Nut From 703B815	
17	192596		2	.Differential side gear	
18	192594		4	.Washer	
19	192593		4	.Differential pinion	
20	192595		1	.Differential cross	
21	242493		1	.Bearing cone	
22	242492		1	.Bearing cup	
23	242491	CN		.Adjusting ring	
24	242490		2	.Expanding pin	
25	192607		1	.Snap ring	
26	192606		1	.Bearing	
27	192652		1	.Bearing cone	
28	192612		1	.Pinion housing	
29	192613		1	.Bearing cup	
30	192612		1	.Pinion housing	
31	416361		1	..Bearing cup	
32	192614	CN		.Shim 18,30	
	192632	CN		.Shim 18,77	
	192633	CN		.Shim 18,79	
	192634	CN		.Shim 18,82	
	192635	CN		.Shim 18,85	
	192636	CN		.Shim 18,87	
	192637	CN		.Shim 18,90	
	192638	CN		.Shim 18,92	
	192639	CN		.Shim 18,95	
	192640	CN		.Shim 18,98	
	192641	CN		.Shim 19,00	
	192642	CN		.Shim 19,03	
	192643	CN		.Shim 19,05	
	192644	CN		.Shim 19,08	
	192645	CN		.Shim 19,11	
	192646	CN		.Shim 19,13	
	192647	CN		.Shim 19,16	
	192648	CN		.Shim 19,18	
	192649	CN		.Shim 19,21	
	192615	CN		.Shim 18,33	
	192616	CN		.Shim 18,35	
	192617	CN		.Shim 18,38	
	192618	CN		.Shim 18,40	
	192619	CN		.Shim 18,43	
	192620	CN		.Shim 18,46	
	192621	CN		.Shim 18,48	

Differential
16782

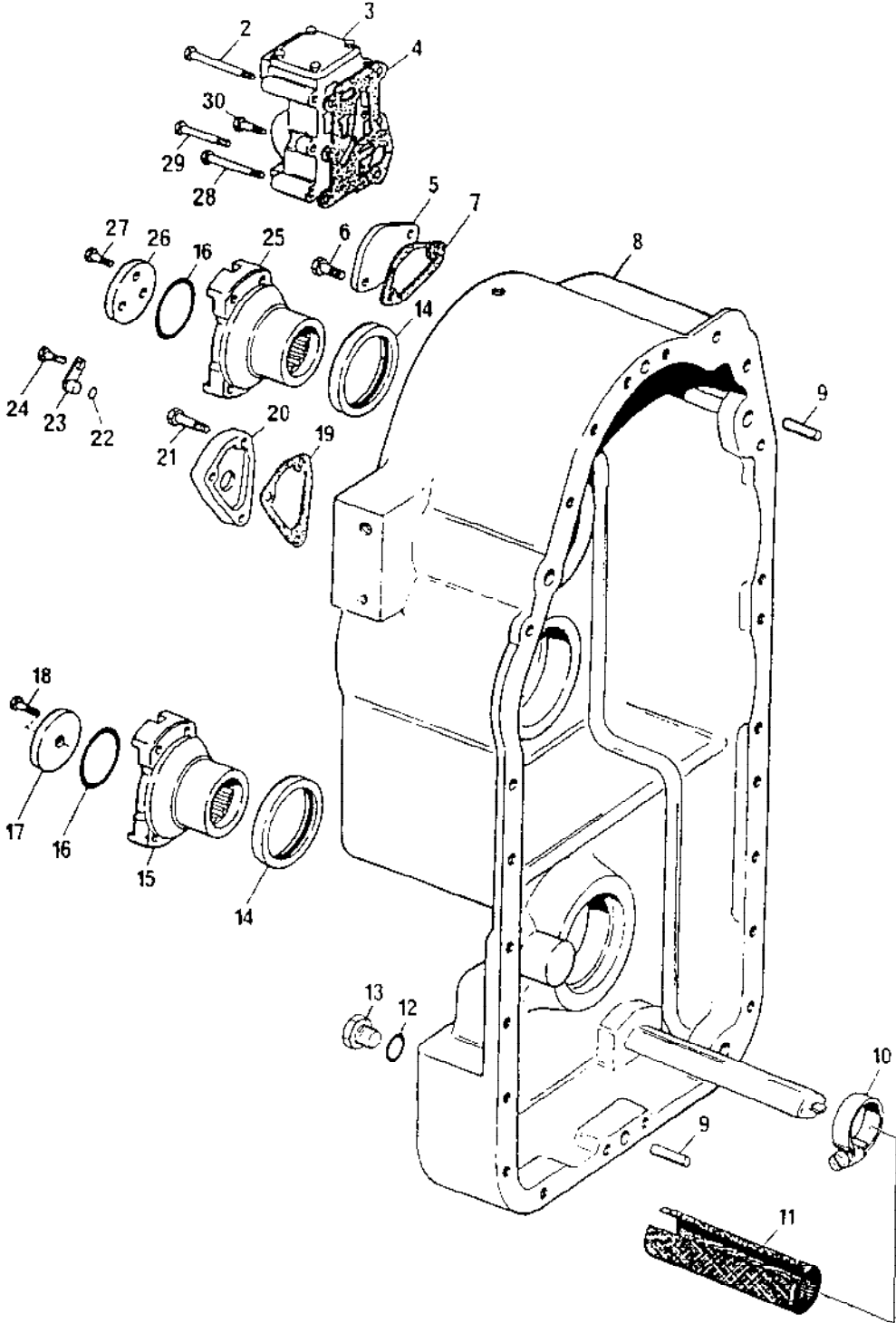


Differential

Ref. No.	Part No.	Rem.	Qty	Description	Code
32	192622	CN		.Shim 18,51	
	192623	CN		.Shim 18,53	
	192624	CN		.Shim 18,56	
	192625	CN		.Shim 18,59	
	192626	CN		.Shim 18,61	
	192627	CN		.Shim 18,64	
	192628	CN		.Shim 18,69	
	192629	CN		.Shim 18,66	
	192630	CN		.Shim 18,72	
	192631	CN		.Shim 18,74	
33	192608		3	.Shim 0,08	
	192609		2	.Shim 0,13	
	192610		1	.Shim 0,26	
34	242485		1	.Bearing cone	
35	242481		8	.Washer	
36	242480		8	.Screw	
37	242476		1	.Seal ring	
38	242475		1	.Fork	
39	192653		1	..Deflector	

Transmission
16784

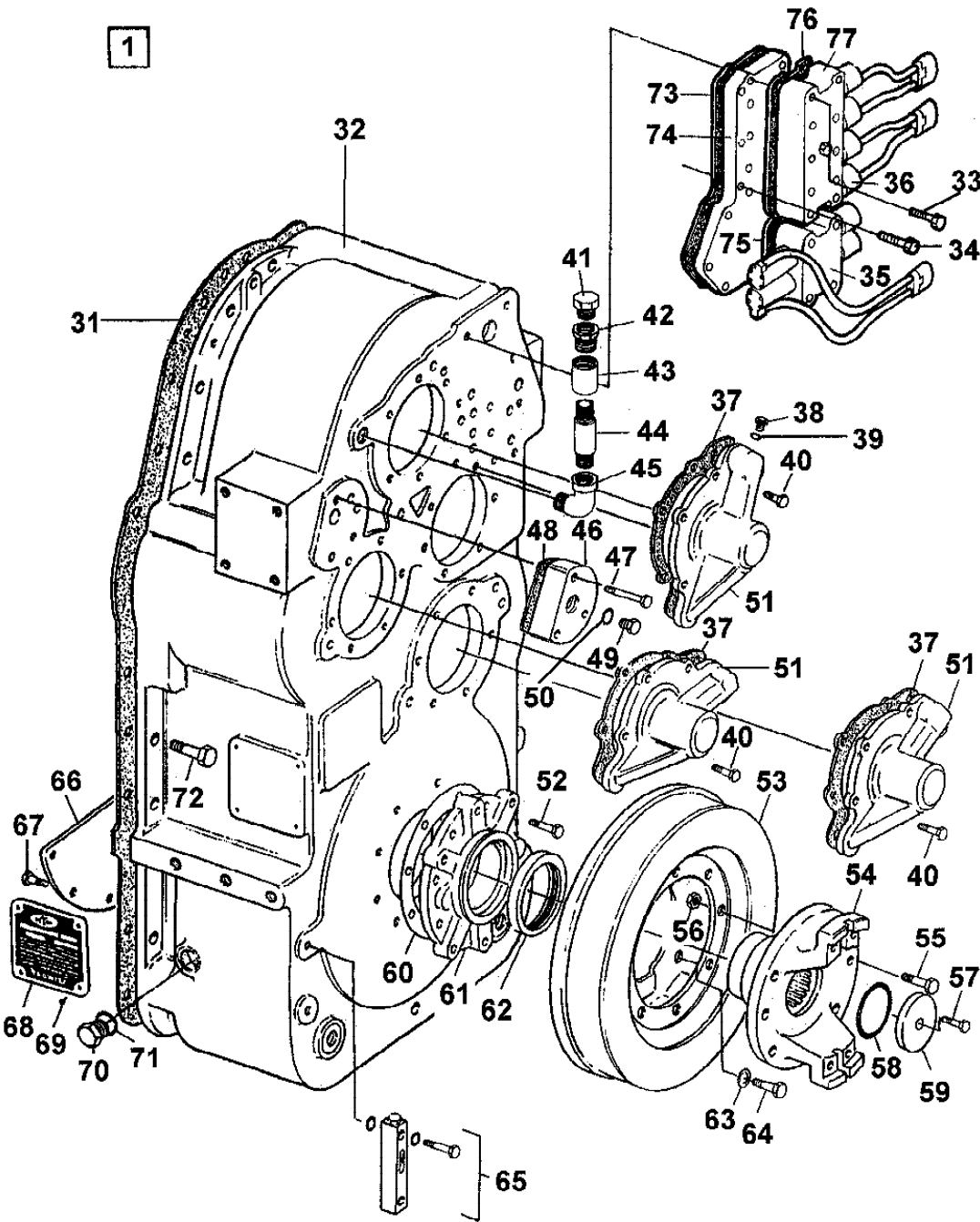
1



Transmission

Ref. No.	Part No.	Rem.	Qty	Description	Code
1	195568		1	Transmission	
2	190204		3	.Screw	
3	190205		1	.Valve	
4	190206		1	.Gasket	
5	190207		1	.Cover	
6	190208		2	.Screw	
7	190209		1	.Gasket	
8	190210		1	.Housing	
9	190211		2	.Pin	
10	190212		2	.Clamp	
11	190213		1	.Screen	
12			1	.Ring	
13			1	.Plug	
14	190214		2	.Seal ring	
15	190215		1	.Fork link	
16	190216		2	.Ring	
17	190217		1	.Washer	
18	190218		1	.Screw	
19	190219		1	Gasket	
20	190220		1	.Cover	
21	190221		3	.Screw	
22	190222		1	.Ring	
23	190223		1	.Calibration lever	
24	190224		1	.Screw	
25	190225		1	.Fork link	
26	190226		1	.Washer	
27	190227		3	.Screw	
28	190228		1	.Screw	
29	190229		1	.Screw	
30	190230		1	.Screw	

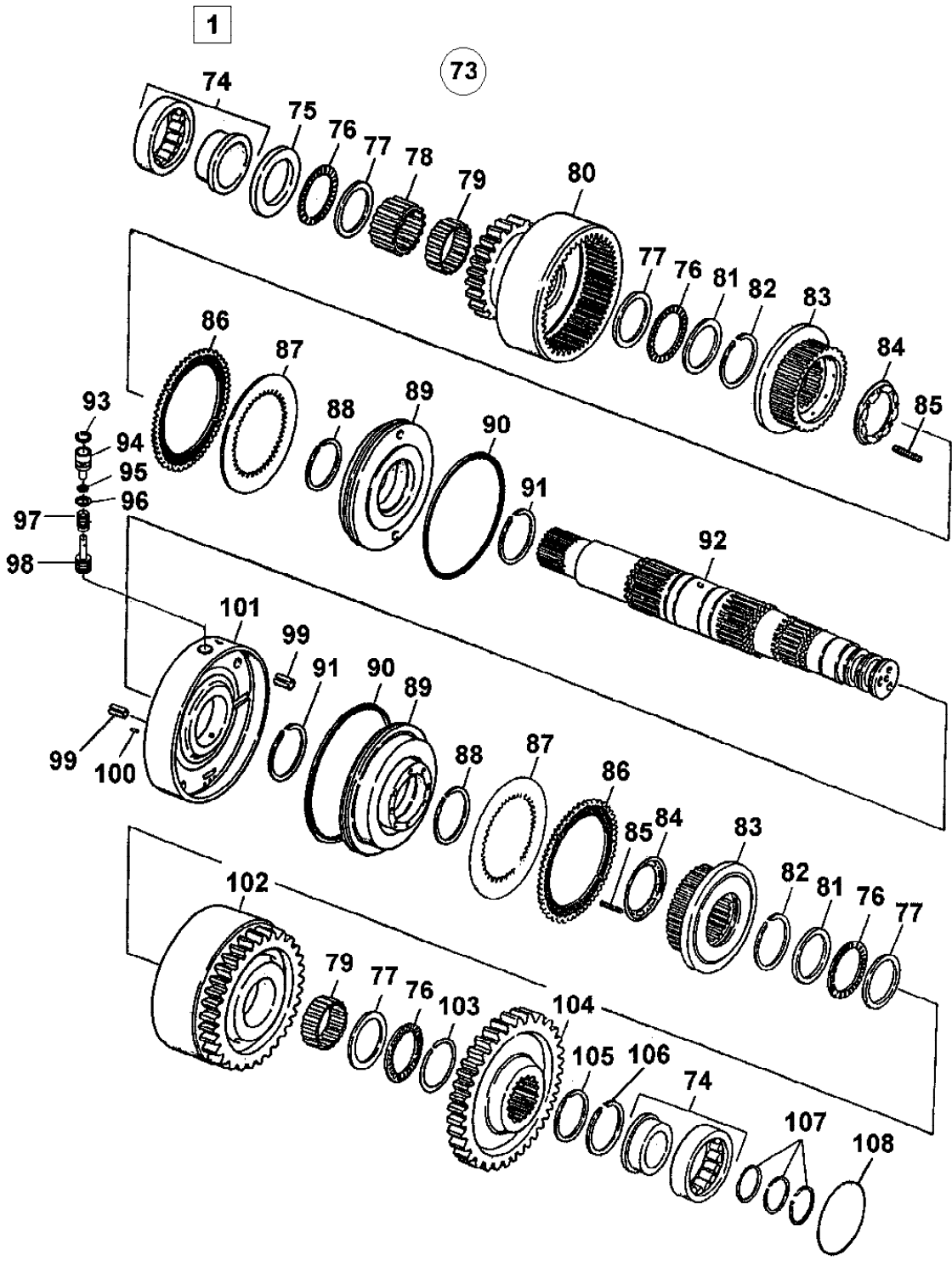
Transmission
16785



Transmission

Ref. No.	Part No.	Rem.	Qty	Description	Code
1	195568		1	Transmission	
31	190231		1	.Gasket	
32	190232		1	.Housing	
33	195803		14	.Screw	
34	195804		11	.Screw	
35	195805		1	.Valve ass`y	
36	190391		4	.Solenoid	
37	190237		3	.Gasket	
38	190238		3	.Plug	
39	190239		3	.Ring	
40	190240		18	.Screw	
41	190241		1	.Breather	
42	190242		1	.Bushing	
43	190243		1	.Coupling	
44	190245		1	.Nipple	
45	190246		1	.Elbow	
46	190247		1	.Cover	
47	190221		3	.Screw	
48	190248		1	.Gasket	
49	190239		1	.Ring	
50	190249		1	.Ring	
51	190250		3	.Cover	
52	190251		8	.Screw	
53	190252		1	.Parking brake	
54	190253		1	.Fork link	
55	190254		6	.Screw	
56	190255		6	.Hexagon Nut	
57	190218		1	.Screw	
58	190216		1	.Ring	
59	190217		1	.Washer	
60	190256	CN		.Shim 0,005	
	190257	CN		.Shim 0,007	
	190258	CN		.Shim 0,020	
61	190259		1	.Seal ring carrier	
62	190260		1	.Seal ring	
63	190261		6	.Washer	
64	190262		6	.Screw	
65	190263		1	.Oil level glass	
66	190264		1	.Baffle	
67	190265		6	.Screw	
68	190266		1	.Identification decal	
69	190267		4	.Rivet	
70	190268		1	.Plug	
71	190269		1	.Ring	
72	190270		25	.Screw	
73	195797		1	.Gasket	
74	195800		1	.Plate	
75	195799		1	.Gasket	
76	195798		1	.Gasket	
77	195791		1	.Valve	

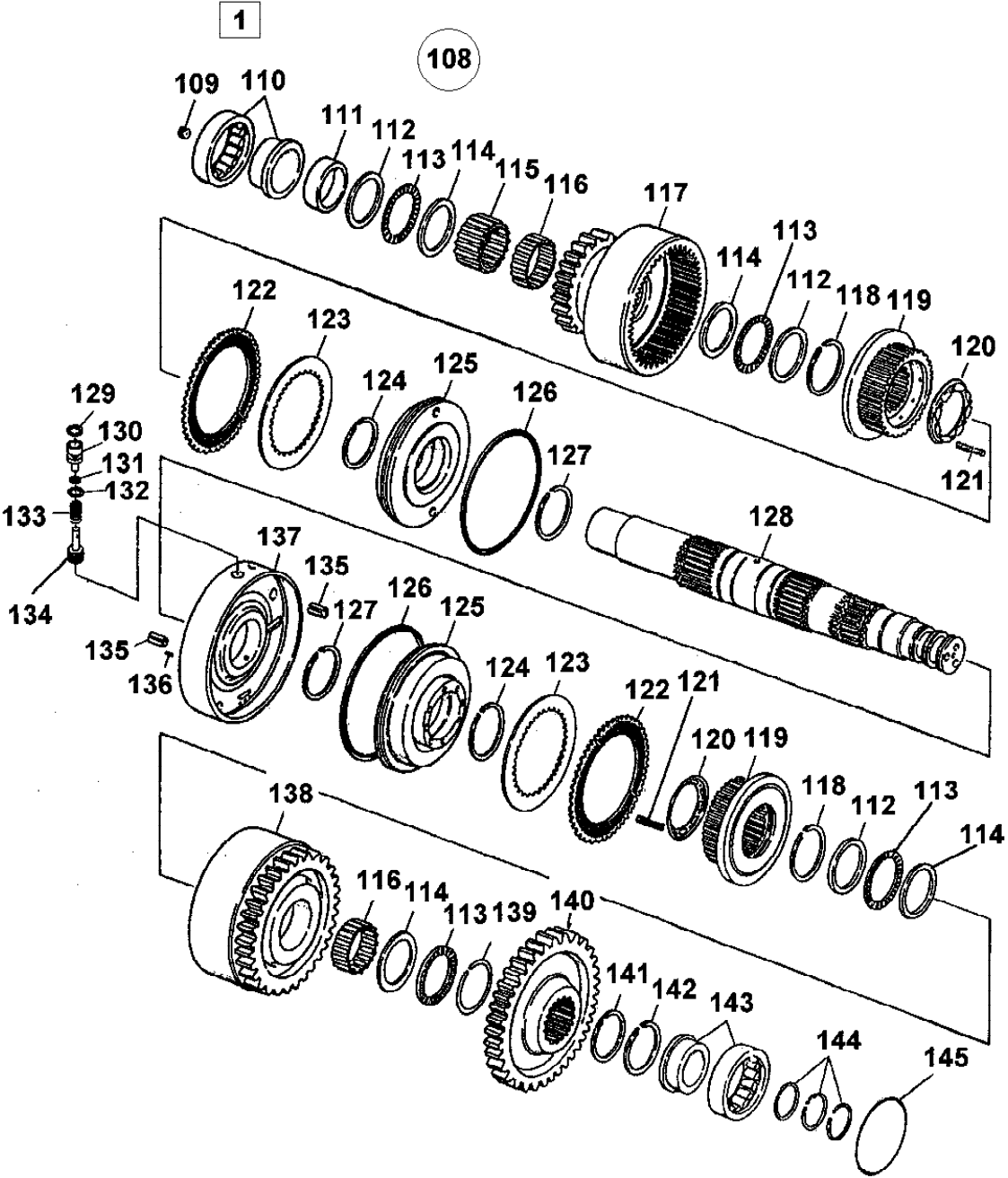
Transmission
16786



Transmission

Ref. No.	Part No.	Rem.	Qty	Description	Code
1	195568		1	Transmission	
9			1	..	
73	190271		1	..Clutch, cpl	
74	190272		2	..Bearing	
75	190273		1	..Spacer	
76	190274		4	..Bearing	
77	190275		4	..Washer	
78	190276		1	..Bearing	
79	190277		2	..Bearing	
80	190278		1	..Gear and driver ring	
81	190279		2	..Washer	
82	190280		2	..Ring	
83	190281		2	..Clutch hub	
84	190282		2	..Seal ring	
85			16	..Spring	
86	190283		16	..Clutch plate	
87	190284		16	..Steel plate	
88	190285		2	..Ring	
89	190286		2	..Piston	
90	190287		2	..Ring	
91	190280		2	..Ring	
92	190288		1	..Shaft	
93	190289		2	..Ring	
94	190290		2	..Bushing	
95	190291		2	..Support	
96	190292		CN	..Shim	
	190293		CN	..Shim	
97	190294		2	..Spring	
98	190295		2	..Valve	
99	190296		2	..Gasket	
100	190297		4	..Lock pin	
101	190298		1	..Housing	
102	190299		1	..Gear set	
103	190300		1	..Ring	
104	190301		1	..Gear	
105	190302		1	..Ring	
106	190303		1	..Ring	
107	190304		3	..Ring	
108	192553		CN	..Shim 0,005mm	
	192554		CN	..Shim 0,007mm	
	192555		CN	..Shim 0,020mm	

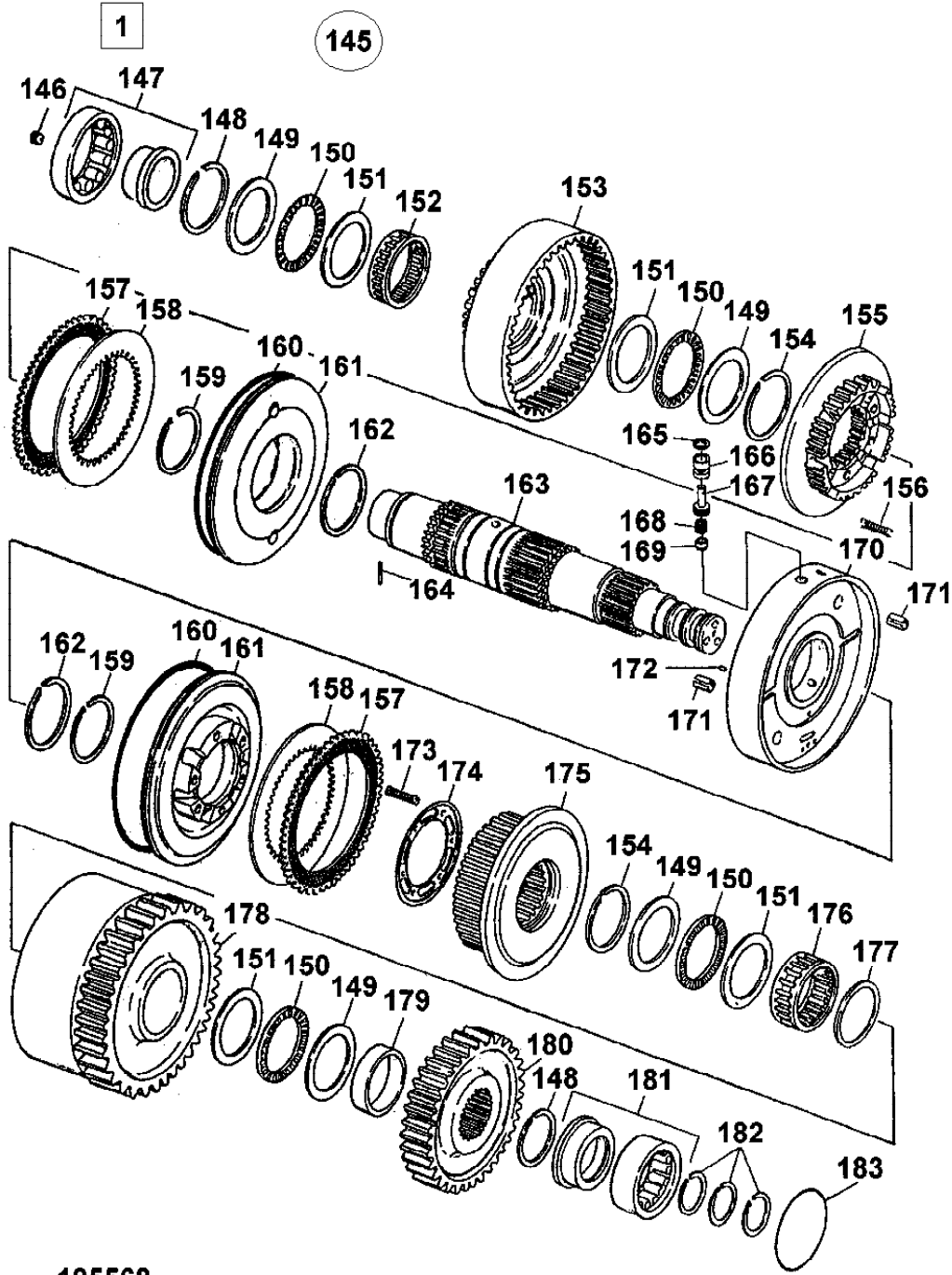
Transmission
16787



Transmission

Ref. No.	Part No.	Rem.	Qty	Description	Code
1	195568		1	Transmission	
108	190305		1	..Clutch, cpl	
109	190306		1	..Plug	
110	190272		1	..Bearing	
111	190307		1	..Spacer	
112	190275		3	..Washer	
113	190274		4	..Bearing	
114	190275		4	..Washer	
115	190276		1	..Bearing	
116	190277		2	..Bearing	
117	190278		1	..Gear and driver ring	
118	190280		2	..Ring	
119	190281		2	..Clutch hub	
120	190282		2	..Seal ring	
121	190308		16	..Spring	
122	190283		16	..Clutch plate	
123	190284		16	..Steel plate	
124	190285		2	..Ring	
125	190286		2	..Piston	
126	190287		2	..Ring	
127	190280		2	..Ring	
128	190309		1	..Shaft	
129	190289		2	..Ring	
130	190290		2	..Bushing	
131	190291		2	..Support	
132	190292		CN	..Shim	
	190293		CN	..Shim	
133	190294		2	..Spring	
134	190295		2	..Valve	
135	190296		2	..Gasket	
136	190297		4	..Lock pin	
137	190298		1	..Housing	
138	190299		1	..Gear set	
139	190300		1	..Ring	
140	190301		1	..Gear	
141	190302		1	..Ring	
142	190303		1	..Ring	
143	190272		2	..Bearing	
144	190304		3	..Ring	
145	192553		CN	..Shim 0,005mm	
	192554		CN	..Shim 0,007mm	
	192555		CN	..Shim 0,020mm	

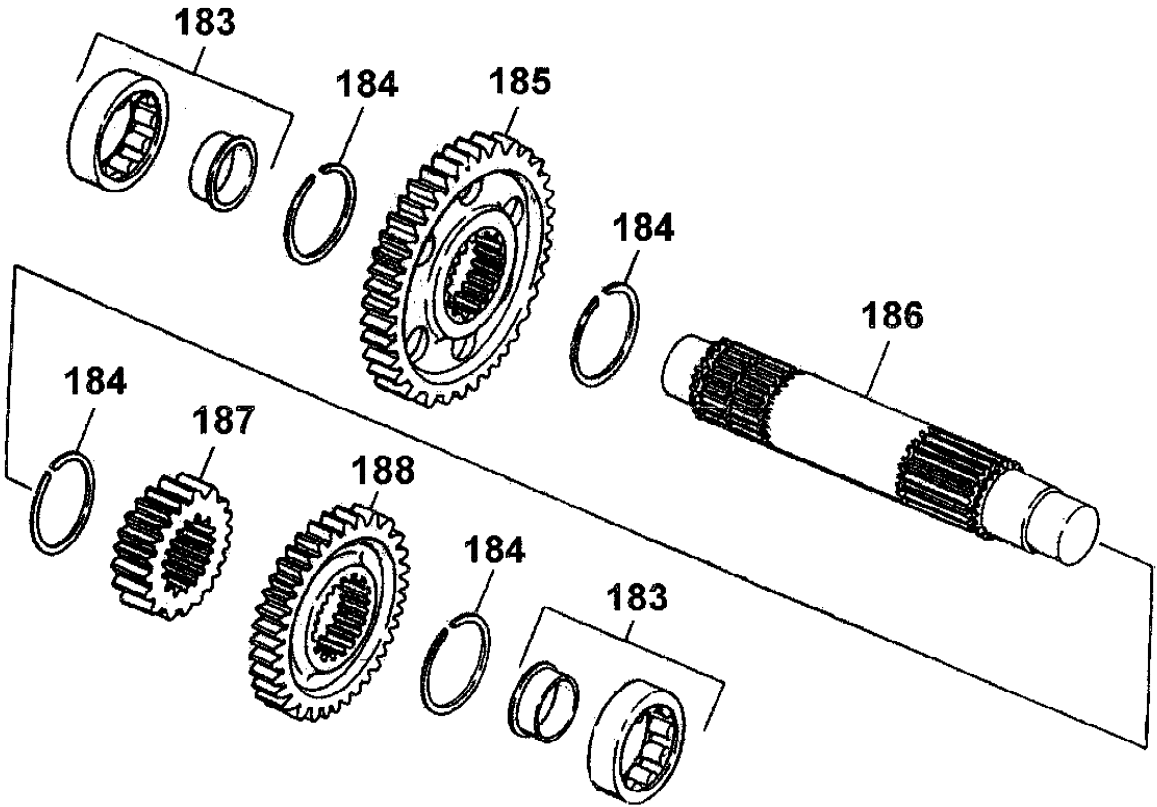
Transmission
16788



Transmission

Ref. No.	Part No.	Rem.	Qty	Description	Code
1	195568		1	Transmission	
145	190310		1	..Clutch, cpl	
146	190306		1	..Plug	
147	190311		1	..Bearing	
148	190312		2	..Ring	
149	190313		4	..Washer	
150	190314		4	..Bearing	
151	190315		4	..Washer	
152	190316		1	..Elbow 90	
153	190317		1	..Gear set	
154	190318		2	..Ring	
155	190319		1	..Clutch hub	
156	190320		6	..Spring	
157	190321		12	..Clutch plate	
158	190322		12	..Plate, steel	
159	190323		2	..Ring	
160	190324		2	..Ring	
161	190325		2	..Piston	
162	190318		2	..Ring	
163	190326		1	..Shaft	
164	190327		1	..Pin	
165	190289		2	..Ring	
166	190328		2	..Bushing	
167	190329		2	..Valve	
168	190330		2	..Spring	
169	190331		2	..Valve	
170	190332		1	..Housing, cpl	
171			2	..Gasket	
172			1	..Pin	
173	190320		6	..Spring	
174	190333		1	..Seal ring	
175	190334		1	..Clutch hub	
176	190335		1	..Bearing	
177	190336		1	..Spacer	
178	190337		1	..Gear set	
179	190338		1	..Spacer	
180	190339		1	..Gear	
181	190340		1	..Bearing	
182	190304		3	..Ring	
183	192553	CN		..Shim 0,005mm	
	192554	CN		..Shim 0,007mm	
	192555	CN		..Shim 0,020mm	

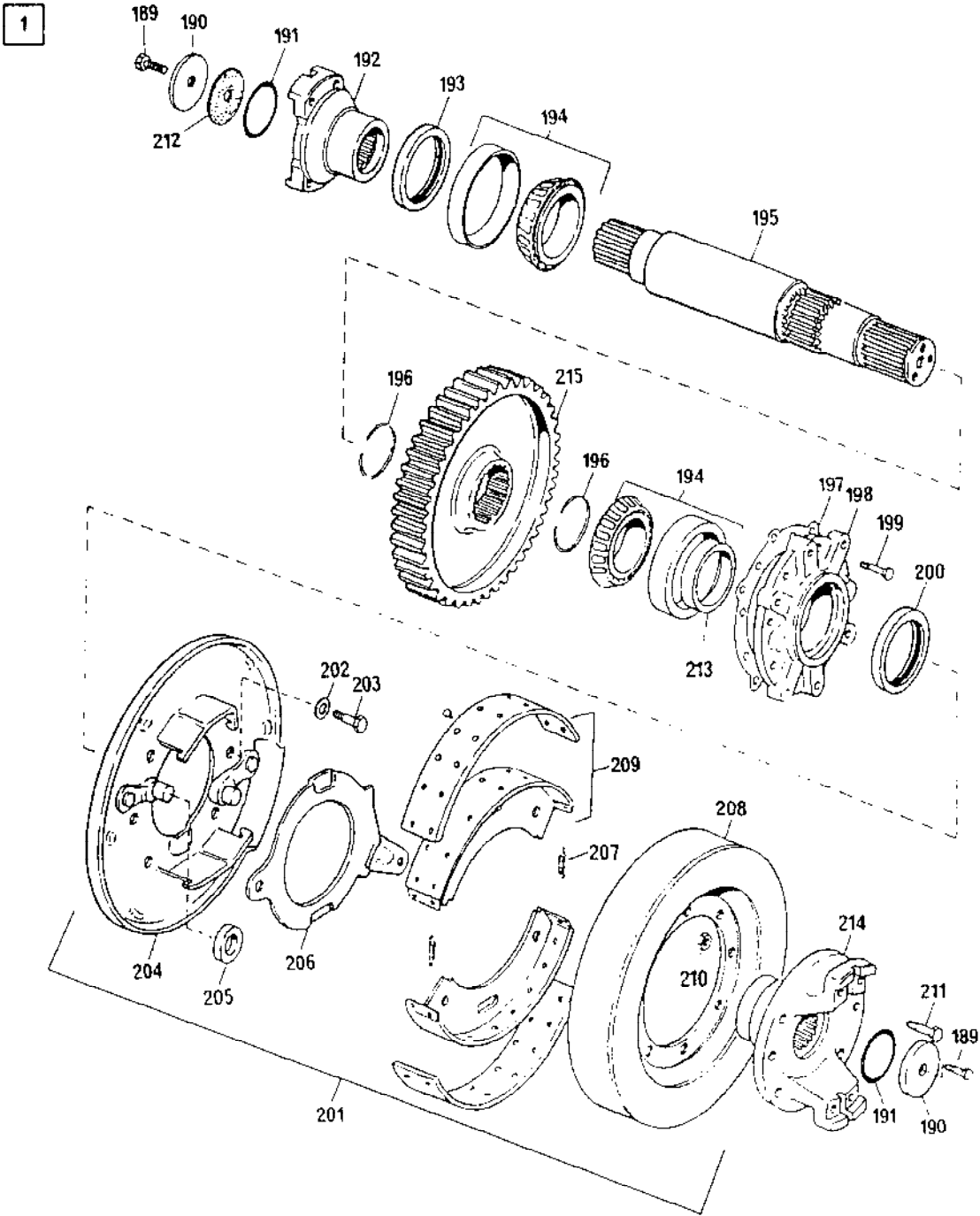
Transmission
16789



Transmission

Ref. No.	Part No.	Rem.	Qty	Description	Code
1	195568		1	Transmission	
183	190341		2	.Bearing	
184	190342		4	.Ring	
185	190343		1	.Gear	
186	190344		1	.Shaft	
187	190345		1	.Gear	
188	190346		1	.Gear	

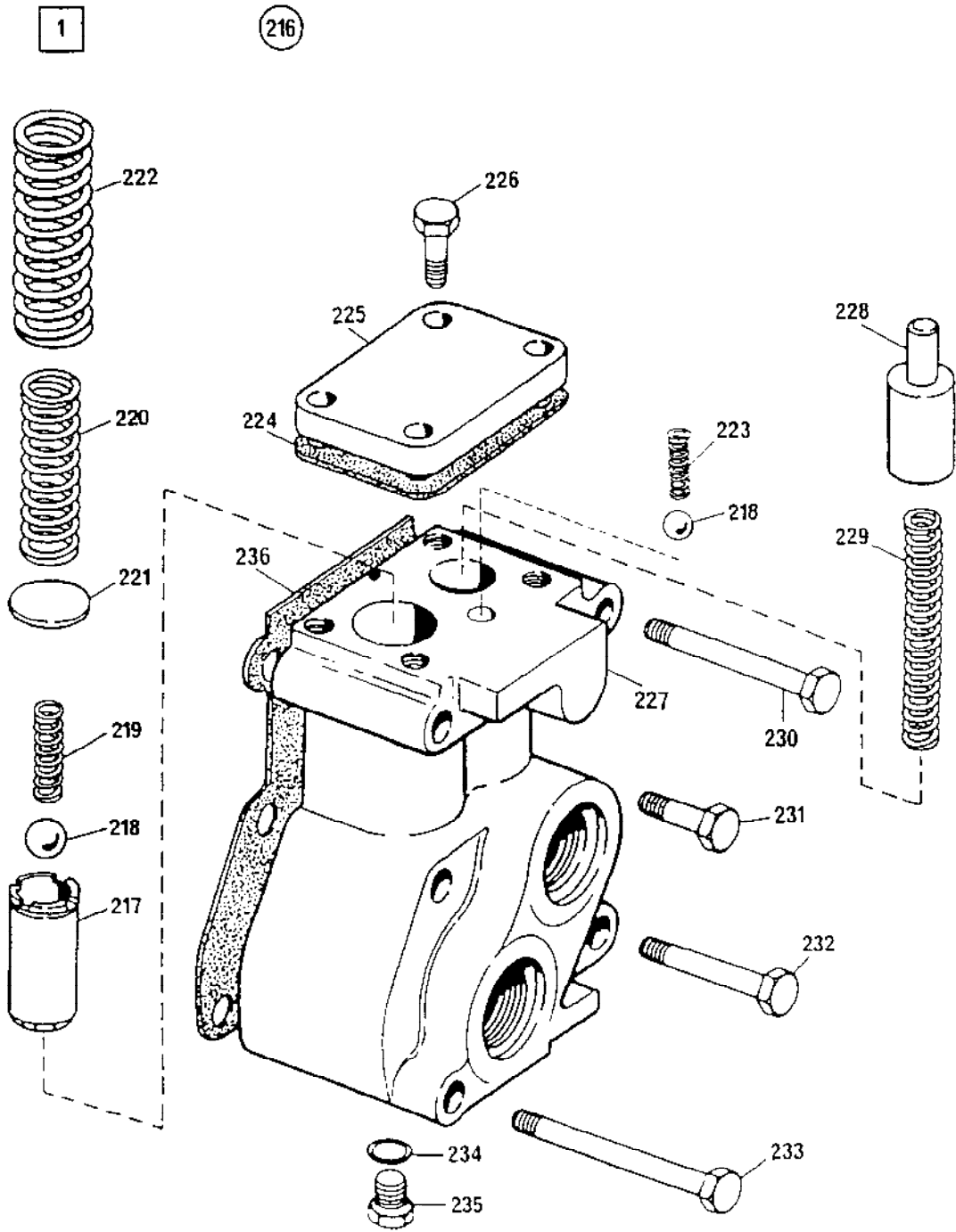
Transmission
16790



Transmission

Ref. No.	Part No.	Rem.	Qty	Description	Code
1	195568		1	Transmission	
189	190218		2	.Screw	
190	190217		2	.Washer	
191	190216		2	.Ring	
192	190215		1	.Fork link	
193	190214		1	.Seal ring	
194	190347		2	.Bearing	
195	190348		1	.Shaft	
196	190280		2	.Ring	
197	190256	CN		.Shim 0,005	
	190257	CN		.Shim 0,007	
	190258	CN		.Shim 0,020	
198	190259		1	.Seal ring carrier	
199	190251		8	.Screw	
200	190260		1	.Seal ring	
201	190252		1	.Parking brake	
202	190261		6	..Washer	
203	190262		6	..Screw	
204	190349		1	..Brake shield	
205	190350		1	..Roller	
206	190351		1	..Lever	
207	190352		1	..Spring	
208	190353		1	..Brake drum	
209	190354		2	..Brake lining kit	
210	190255		6	..Hexagon Nut	
211	190254		6	.Screw	
212	190362	CN		.Shim 0,003	
	190363	CN		.Shim 0,010	
	190364	CN		.Shim 0,020	
213	190365		1	.Spacer	
214	190253		1	.Fork link	
215	190355		1	.Gear	

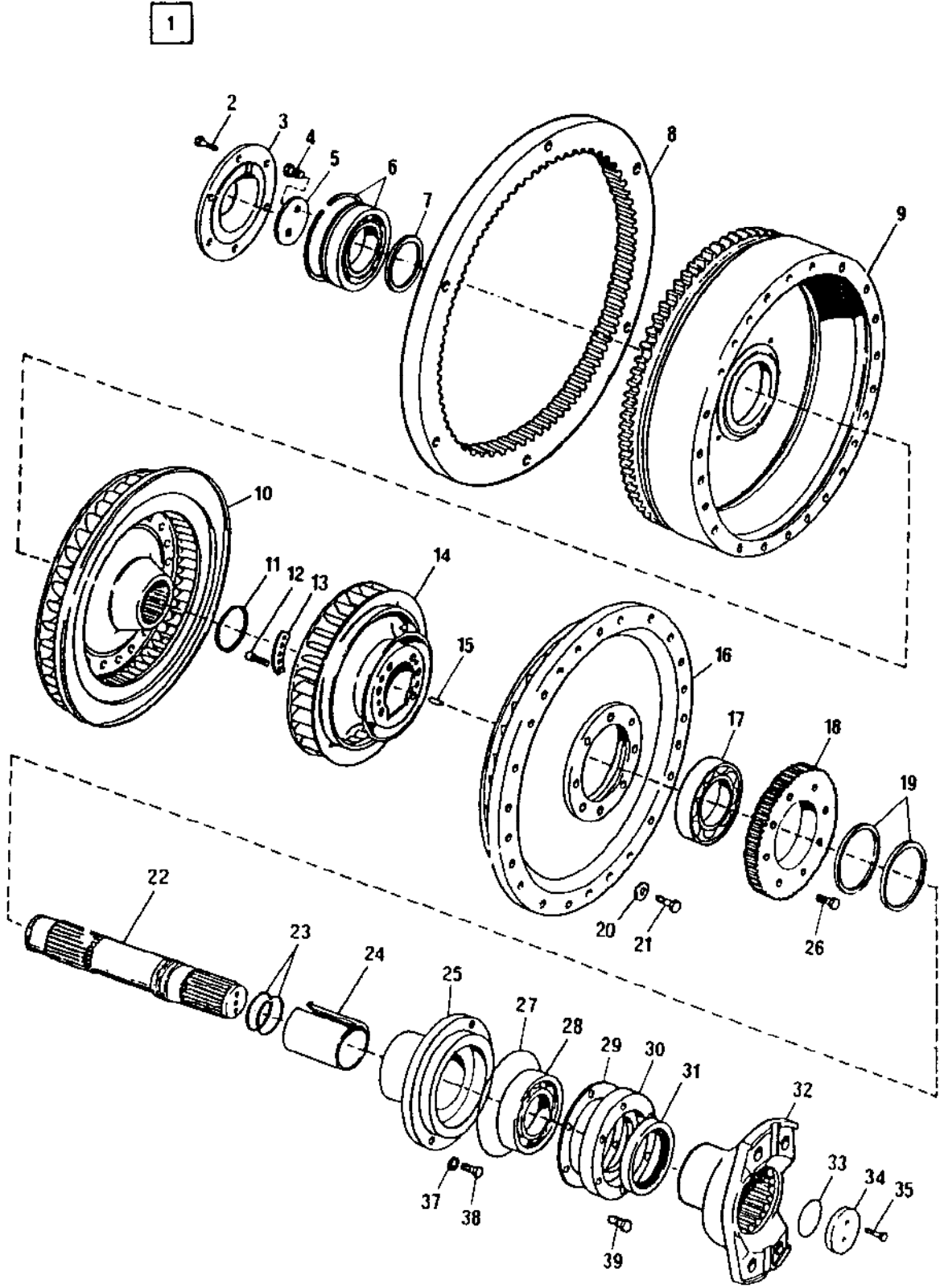
Transmission Twin Disc
16791



Transmission Twin Disc

Ref. No.	Part No.	Rem.	Qty	Description	Code
1	195568		1	Transmission	
216	190205		1	..Valve	
217	190366		1	..Valve	
218	190367		2	..Steel ball	
219	190368		1	..Spring	
220	190369		1	..Spring	
221	190370		1	..Washer	
222	190371		1	..Spring	
223	190372		1	..Spring	
224	190373		1	..Gasket	
225	190374		1	..Cover	
226	190375		4	..Screw	
227	190376		1	..Valve housing	
228	190377		1	..Valve	
229	190378		1	..Spring	
230	190204		3	..Screw	
231	190230		1	..Screw	
232	190228		1	..Screw	
233	190208		2	..Screw	
234	190239		1	..Ring	
235	190238		1	..Plug	
236	190206		1	..Gasket	

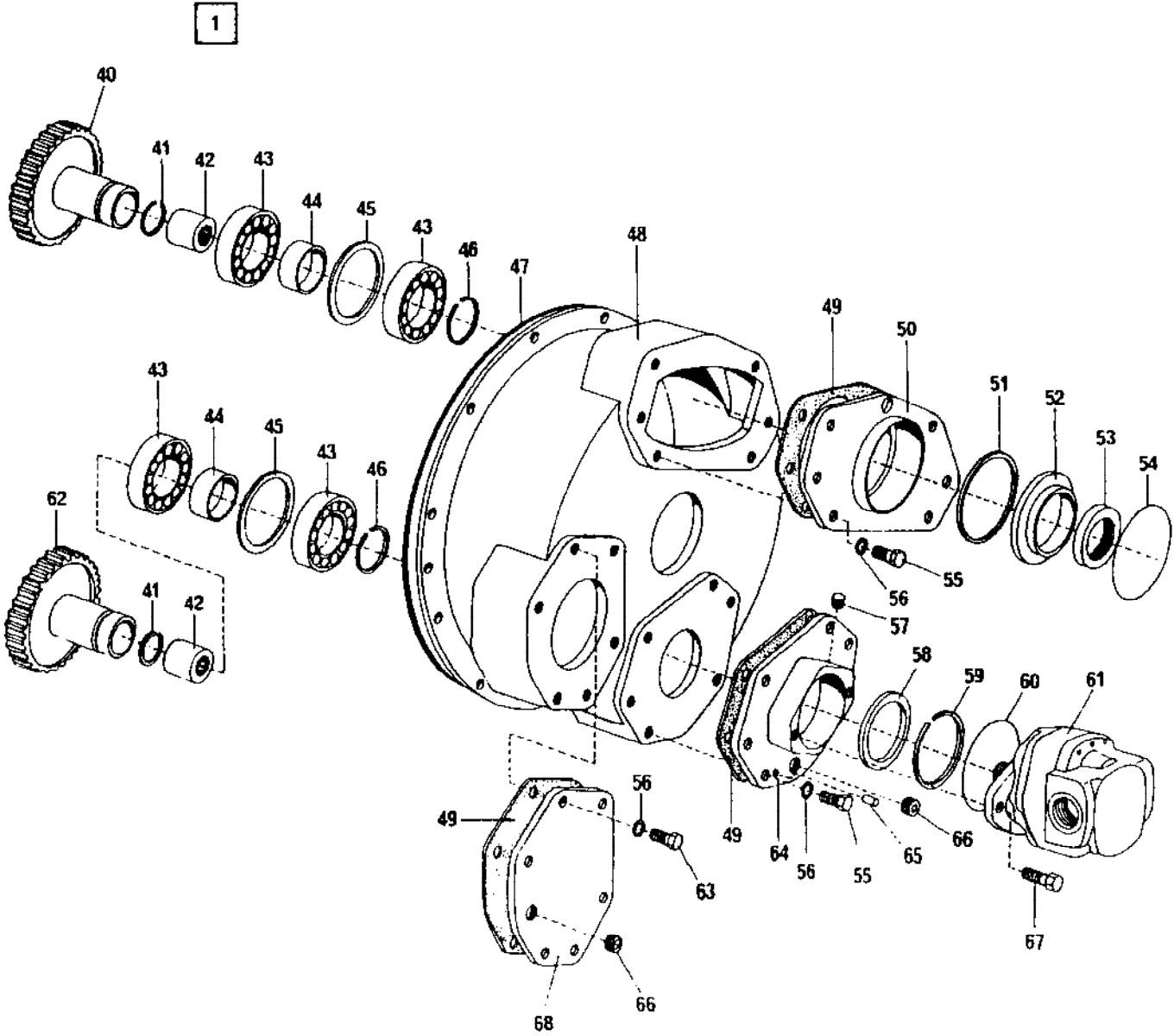
Torque converter Twin Disc
16792



Torque converter Twin Disc

Ref. No.	Part No.	Rem.	Qty	Description	Code
1	243129		1	Torque converter, cpl	
2	190449		6	.Screw	
3	190450		1	.Seal ring carrrier	
4	190451		2	.Screw	
5	190452		1	.Washer	
6	190453		1	.Bearing	
7	190454		1	.Spacer	
8	190455		1	.Ring gear	
9	190456		1	.Housing rotation	
10	190457		1	.Rotor	
11	190302		1	.Ring	
12	190458		8	.Screw	
13	190459		1	.Fixing plate	
14	190460		1	.Rotor guide	
15	190461		6	.Cylindric pin	
16	190462		1	.Impeller wheel	
17	190463		1	.Bearing	
18	190464		1	.Driving gear	
19	190285		2	.Ring	
20	190465		36	.Washer	
21	190466		36	.Screw	
22	190467		1	.Shaft	
23	190468		2	.Ring	
24	190469		1	.Bushing	
25	190470		1	.Flange	
26	190471		8	.Screw	
27	190472		1	.O-ring	
28	190473		1	.Bearing	
29	190474		1	.Gasket	
30	190475		1	.Seal ring carrrier	
31	190476		1	.Seal ring	
32	190477		1	.Fork link	
33	190478		1	.O-ring	
34	190479		1	.Washer	
35	190380		3	.Gasket	
36	190481		1	.Pin	
37	190482		6	.Washer	
38	190270		2	.Screw	
39	190483		6	.Screw	

Torque converter Twin Disc
16793



Torque converter Twin Disc

Ref. No.	Part No.	Rem.	Qty	Description	Code
1	243129		1	Torque converter, cpl	
40	190484		1	.Gear	
41	190485		2	.Ring	
42	190486		2	.Adapter	
43	190487		4	.Bearing	
44	190488		2	.Spacer	
45	190489		2	.Ring	
46	190490		2	.Ring	
47	190491		1	.Ring	
48	190492		1	.Housing	
49	190493		3	.Gasket	
50	190494		1	.Plate	
51	190495		1	.O-ring	
52	190496		1	.Seal ring carrier	
53	190497		1	.Seal ring	
54	190498		1	.Ring	
55	190208		12	.Screw	
56	190499		18	.Washer	
57	190500		1	.Plug	
58	190501		1	.Spacer	
59	190502		1	.Ring	
60	190503		1	.O-ring	
61	190504		1	.Pump	
62	190505		1	.Gear	
63	190449		6	.Screw	
64	190506		1	.Plate	
65	190507		1	.Pin	
66	190508		2	.Plug	
67	190509		2	.Screw	
68	190510		1	.Plate	

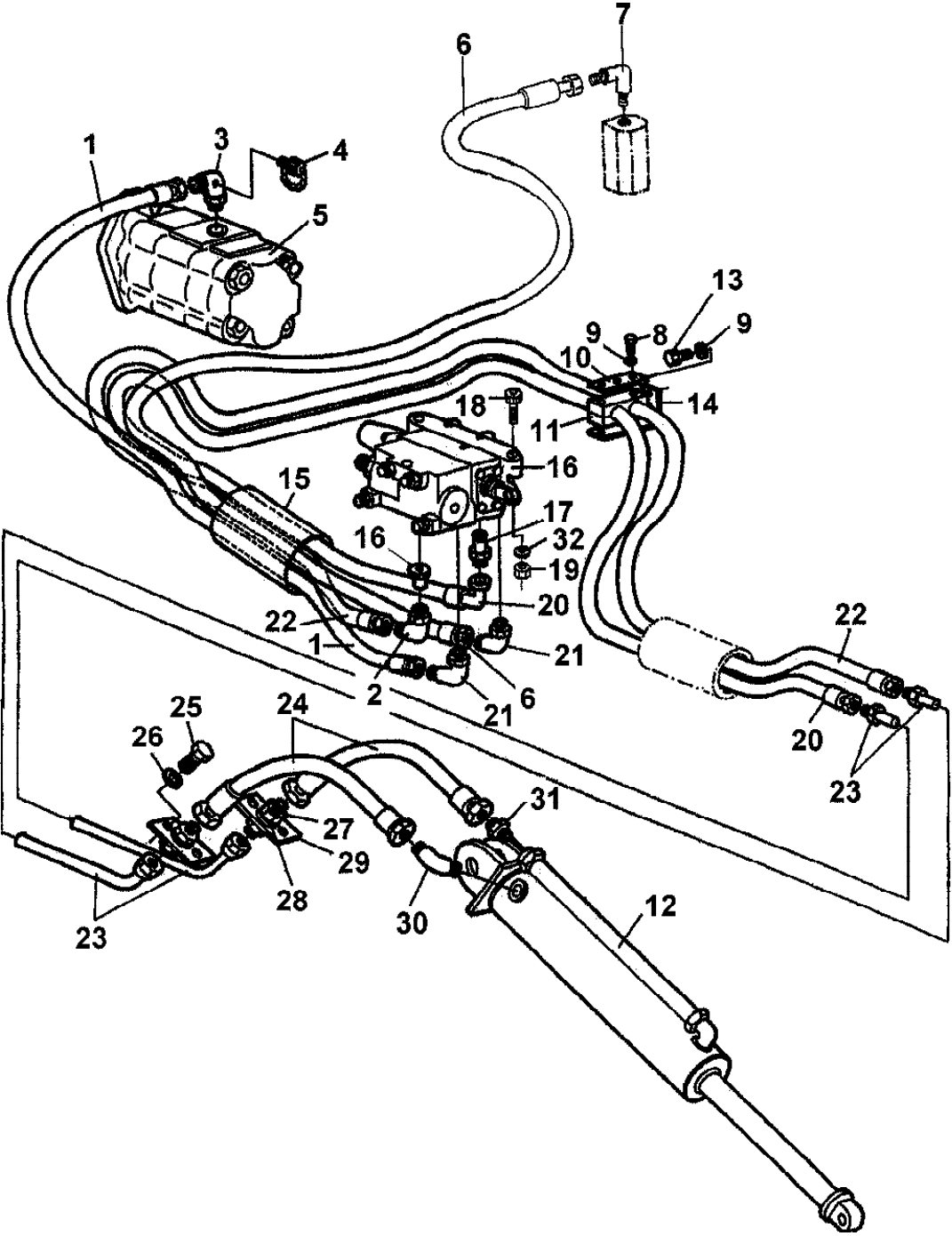
Hydraulic system
CT26210050

Hydraulic system

Ref. No.	Part No.	Rem.	Qty	Description	Code
20				Blade hydraulic system (Page 92)	
25				Hydraulic cylinder Up to SN 703B822 (Page 94)	
30				Hydraulic cylinder From SN 703B823 (Page 96)	
40				Transmission hydraulic circuit (Page 98)	
60				Steering hydraulic system (Page 100)	
70				Hydrostatic steering (Page 104)	
80				Steering pump (Page 106)	
90				Hydraulic cylinder Up to SN 703B822 (Page 108)	
91	CT262100500091			Hydraulic cylinder From SN 703B823 (Page 110)	

Blade hydraulic system

16804

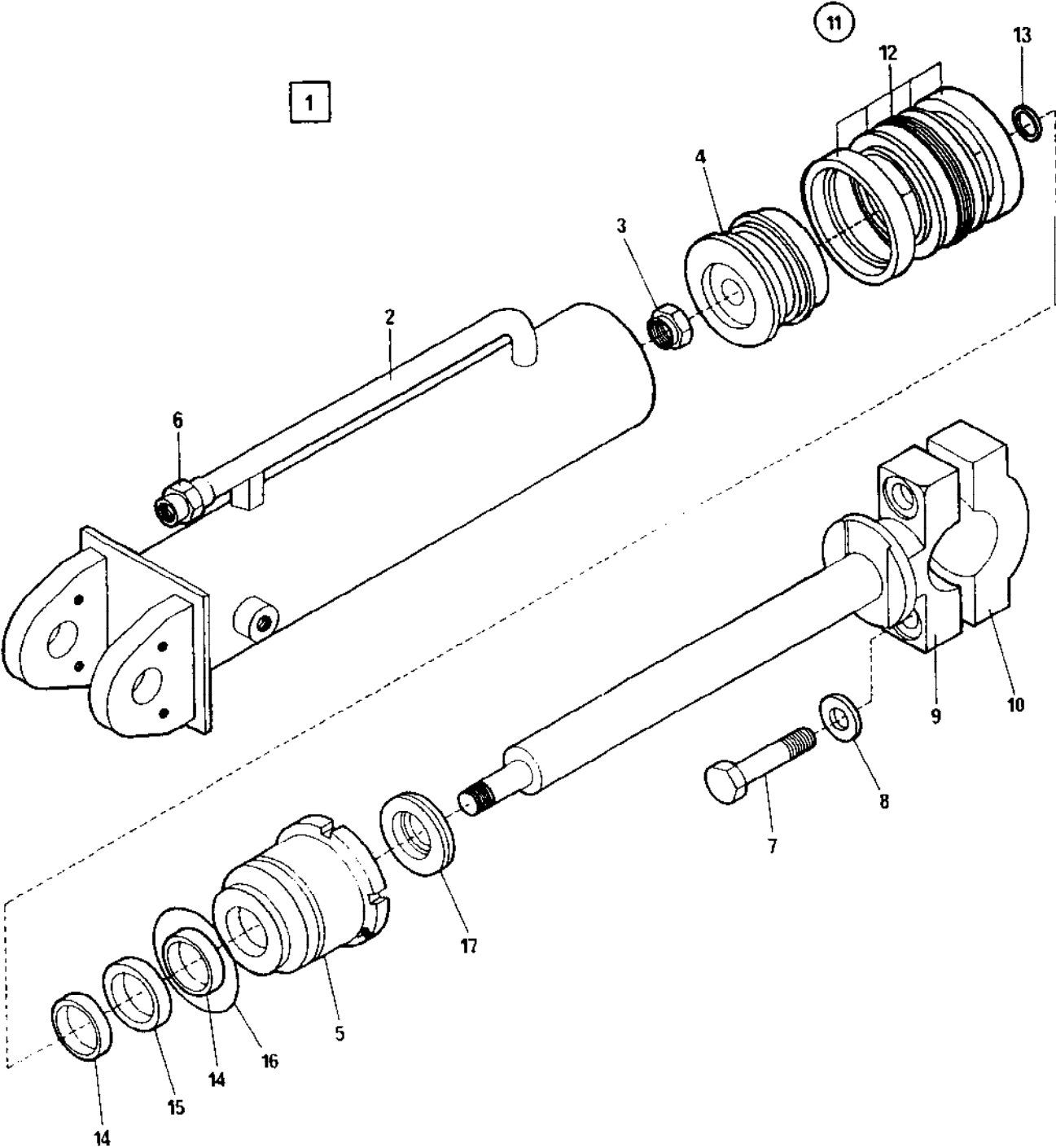


Blade hydraulic system

Ref. No.	Part No.	Rem.	Qty	Description	Code
1	190190		1	Hydraulic hose	
2	234119		1	Nopple with O-ring	
3	190780		1	Elbow 90 with O-ring	
4	910161		1	Measuring nipple	
5	192224		1	Hydraulic pump	
6	842868		1	Hydraulic hose	
7	234384		1	Elbow 90G with O-ring	
8	500092		2	Screw M10-1,5x75 8.8	
9	600008		4	Washer	
10	190194		1	Plate	
11	269576		1	Hose holder	
12	196711		1	Hydraulic cylinder	
13	500027		2	Screw	
14	269199		1	Support	
15	269575		1	Hose	
16	197853		1	Hydraulic control	
	198345		1	.Repair kit	
	198366		1	.Valve	
17	269485		1	Adapter with O-ring	
18	927637		4	Screw M8-35H 10.9	
19	570005		4	Hexagon nut	
20	269497		1	Hydraulic hose	
21	334118		2	Elbow 90G with O-ring	
22	269497		1	Hydraulic hose	
23	260259		2	Hydraulic tube	
24	261567		2	Hose	
25	500051		4	Screw	
26	600009		4	Washer	
27	230456		2	Adapter	
28	600025		2	Washer 31x56x4	
29	260212		2	Lock plate	
30	334128		1	Elbow 90G	
31	334157		1	Nipple	
32	904640		4	Washer 8,4x22x3	

Hydraulic cylinder Up to SN 703B822

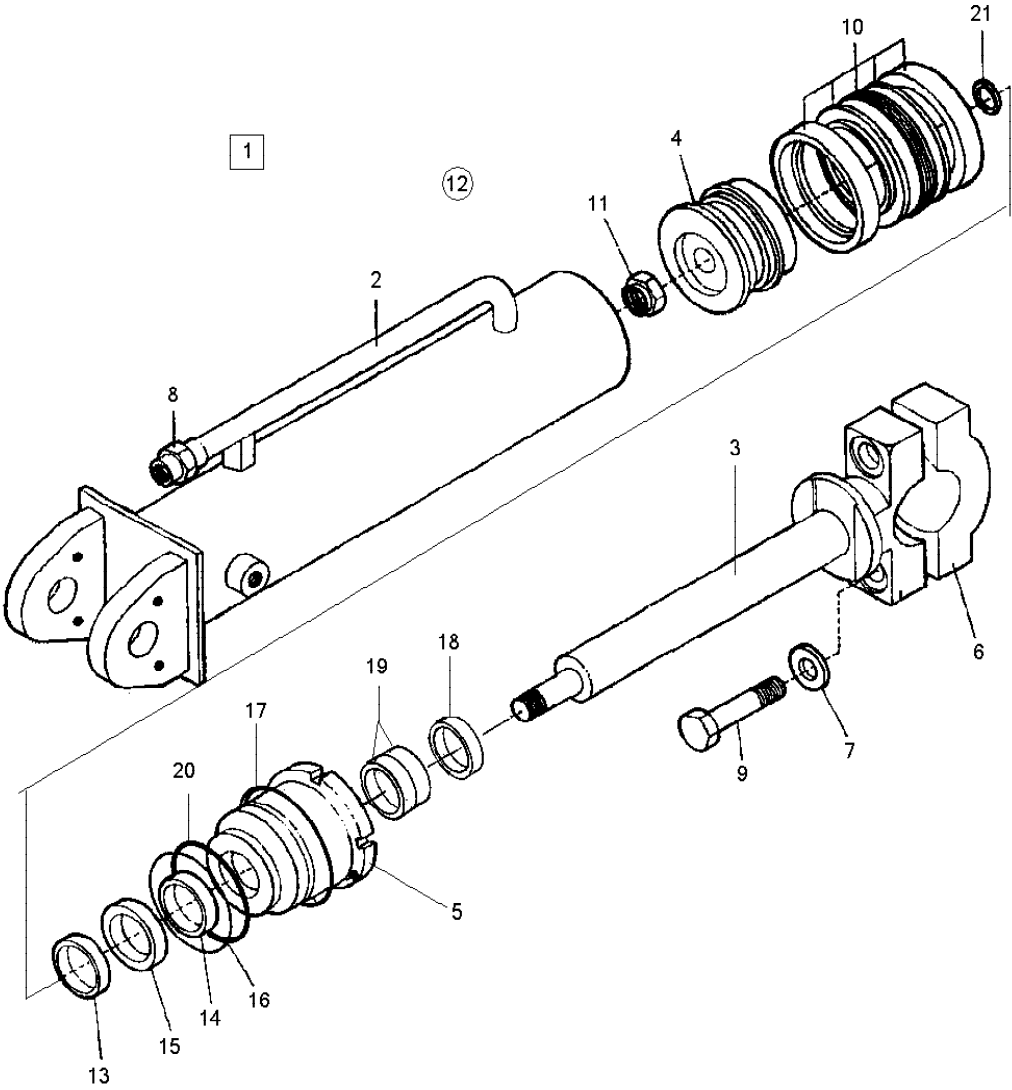
16805



Hydraulic cylinder Up to SN 703B822

Ref. No.	Part No.	Rem.	Qty	Description	Code
1	196711		1	Hydraulic cylinder Up to 703B822	
2			1	.Cylinder housing	
3	243197		1	.Lock nut	
4			1	.Piston	
5			1	.Rod guide	
6			1	.Nipple	
7	500152		2	.Screw M24-3x100 10.9	
8	603005		2	.Washer	
9	190166		1	.Rod mounting	
10	266470		1	.Cap	
11	196712		1	.Repair kit	
12	196713		1	..Seal	
13	160218		1	..O-ring	
14	196715		2	..Guide ring	
15	196714		1	..Gasket	
16	190756		1	..O-ring	
17	196716		1	..Ring	

Hydraulic cylinder From SN 703B823
CT262100500026

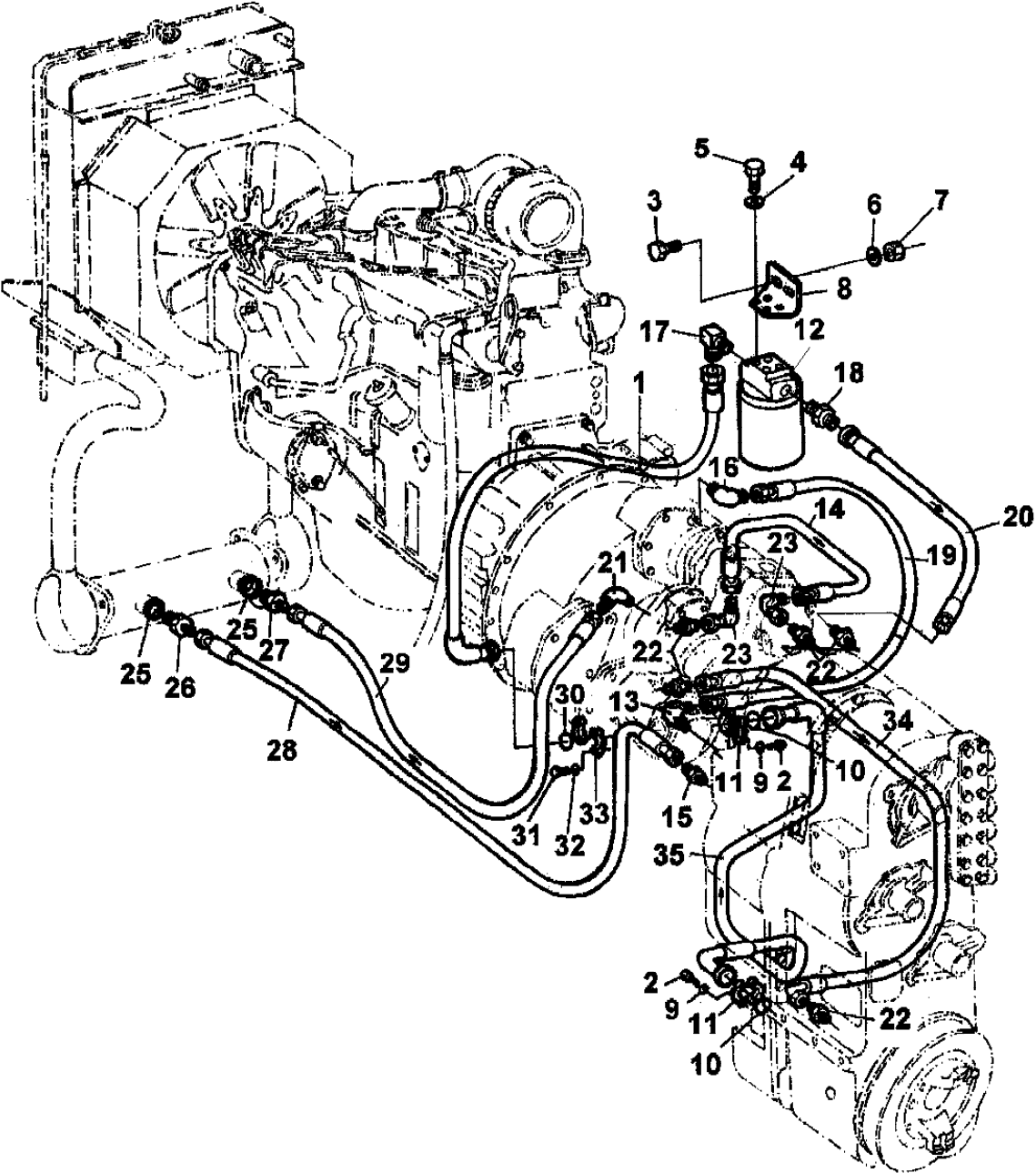


Hydraulic cylinder From SN 703B823

Ref. No.	Part No.	Rem.	Qty	Description	Code
1	199135		1	Hydraulic cylinder From 703B823	
2			1	.Cylinder housing	
3	199227		1	.Rod ass'y	
4	199226		1	.Piston	
5	199225		1	.Rod guid	
6	199224		1	.Cap	
7	603005		2	.Washer	
8	199219		1	.Nipple	
9	500152		2	.Screw M24-3x100 10.9	
10	196713		1	.Seal	
11	199223		1	.Lock nut	
12	199136		1	.Seal kit	
13	199222		1	..Lock ring	
14	199221		1	..Nylon ring	
15	199220		1	..Gasket	
16	190756		1	..O-ring	
17	199218		1	..O-ring	
18	922045		1	..Scraper ring	
19	199217		1	..Guide ring	
20	199216		1	..Ring	
21	160218		1	..O-ring	

Transmission hydraulic circuit

16807

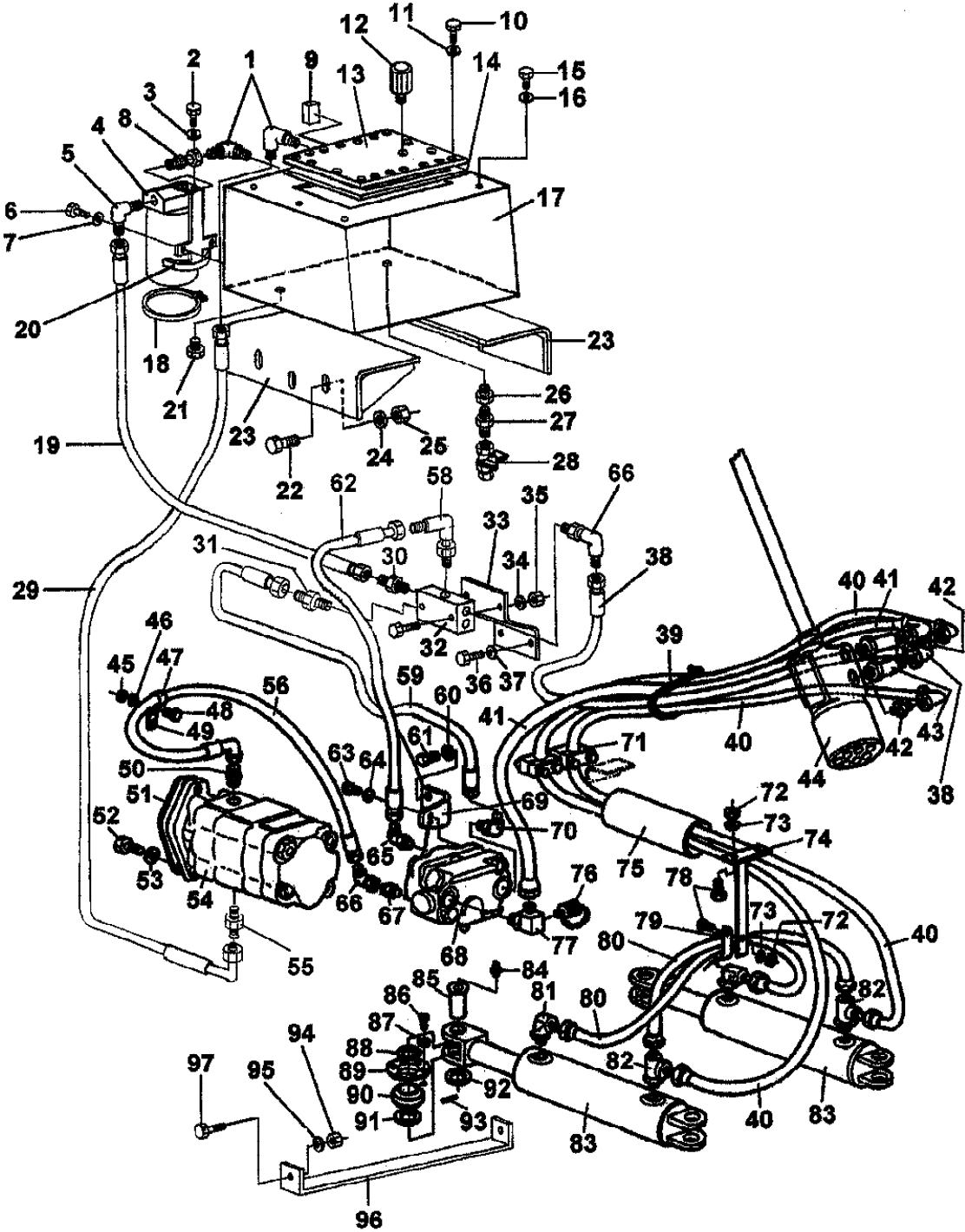


Transmission hydraulic circuit

Ref. No.	Part No.	Rem.	Qty	Description	Code
1	196448		1	Hydraulic hose	
2	502059		8	Screw	
3	500194		2	Screw M12x40	
4	904230		4	Washer 10.5x22x2	
5	502035		4	Screw	
6	904703		2	Washer 13x24x4	
7	570007		2	Hexagon nut	
8	196443		1	Bracket	
9	604009		8	Spring washer	
10	160191		2	O-ring	
11	232118		4	Flange half	
12	196444		1	Filter, cpl	
	196446		1	.Filter element	
13	334128		1	Elbow 90G	
14	190144		1	Hydraulic hose	
15	234354		1	Ajusting 45G elbow	
16	334157		1	Nipple	
17	193776		1	Elbow 90	
18	891953		1	Nipple with O-ring	
19	482717		1	Hydraulic hose	
20	483002		1	Hydraulic hose Up to 703B822	
	482260		1	Hydraulic hose From 703B823	
21	925099		1	Connector	
22	334140		5	Adapter	
23	334239		3	Adapter	
25	330334		2	Copper washer	
26	261916		1	Nipple	
27	190147		1	Nipple	
28	198130		1	Hydraulic hose	
29	198131		1	Hydraulic hose	
30	160186		1	O-ring	
31	502157		4	Screw	
32	604008		4	Spring washer	
33	232098		2	Flange	
34	190146		1	Hydraulic hose	
35	190145		1	Hydraulic hose	

Steering hydraulic system

16809



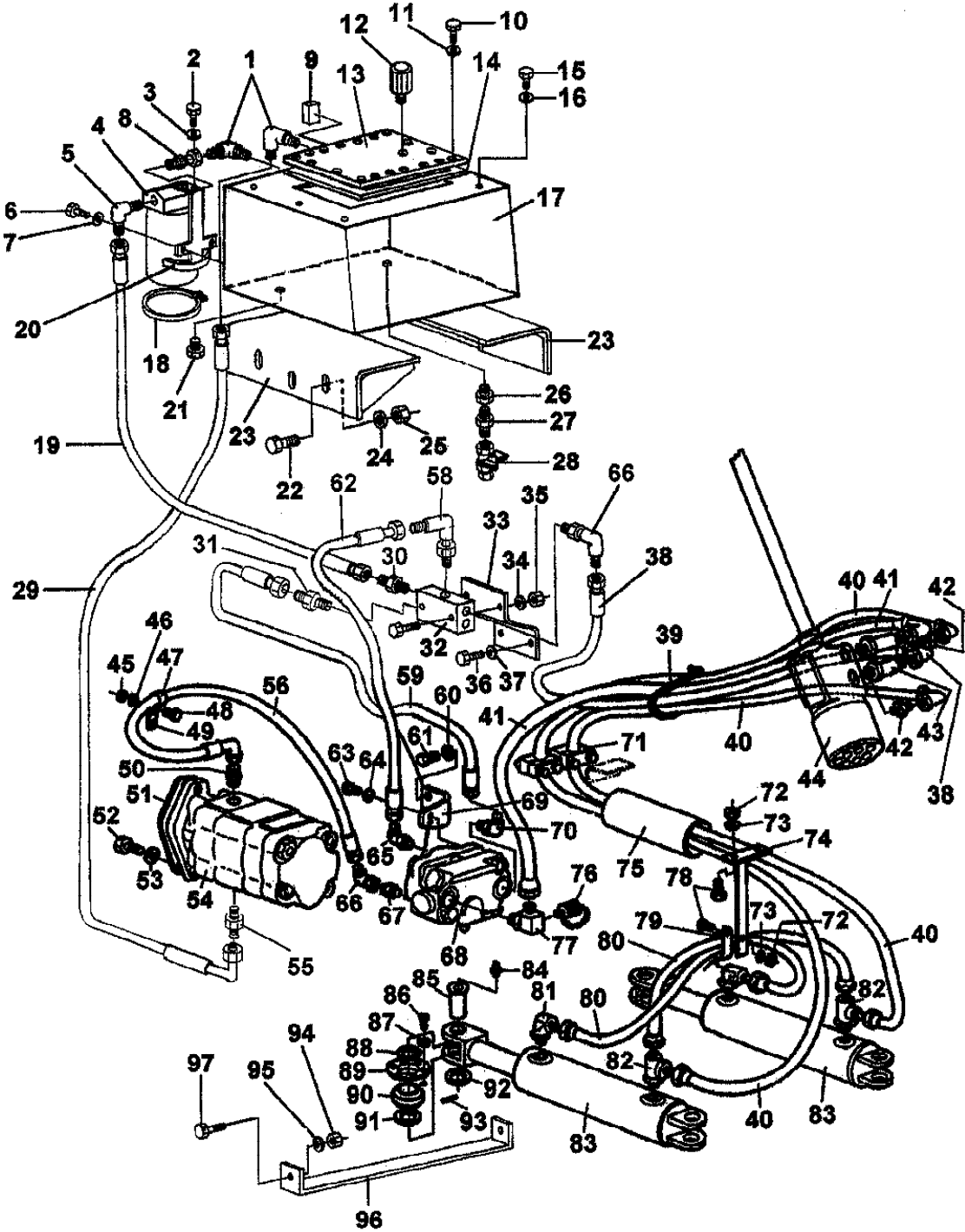
Steering hydraulic system

Ref. No.	Part No.	Rem.	Qty	Description	Code
1	234929		2	Elbow 90G with O-ring	
2	502033		2	Screw 3/8"-16UNCx3/8" 8.8	
3	904230		2	Washer 10.5x22x2	
4	197704		1	Hydraulic oil filter	
	197705		1	Element oil filter	
5	813719		1	Elbow 90G	
6	947682		2	Screw M10x1,5x20 10.9	
7	904230		2	Washer 10.5x22x2	
8	197970		1	Hydraulic tube	
9	989151		1	Oil level glass	
10	500019		18	Screw M8-1,25x16 8.8	
11	904229		18	Washer 8,4x16x1,5	
12	357138		1	Breather	
13	197850		1	Cover	
14	349880		1	O-ring	
15	500142		6	Screw	
16	904232		6	Washer 17x30x3	
17	197843		1	Hydraulic oil tank	
18	313145		1	T-clamp	
19	197967		1	Hydraulic hose	
20	197971		1	Support	
21	232122		2	Plug	
22	500029		8	Screw M10-1,5x30 8.8	
23	198139		2	Support	
24	904230		8	Washer 10.5x22x2	
25	570006		8	Hexagon nut M10	
26	232122		1	Plug	
27	813738		1	Nipple	
28	233304		1	Ball valve	
29	192816		1	Hydraulic hose	
	198121		1	Hydraulic hose From 703B802	
30	334161		1	Nipple with O-ring	
31	334138		1	Adapter	
32	345243		1	Block	
33	197965		1	Support	
34	904230		2	Washer 10.5x22x2	
35	570006		2	Hexagon nut M10	
36	500029		2	Screw M10-1,5x30 8.8	
37	904230		2	Washer 10.5x22x2	
38	190134	A	1	Hydraulic hose	
39	313102		5	Clamp	
40	269196		2	Hydraulic hose	
41	198132		1	Hydraulic hose	
42	234678		2	Npple with O-ring	
43	195906		2	Adapter with O-ring	
44	195893		1	Hydrostatic steering Danfoss	
45	570004		1	Hexagon nut	
46	904228		1	Washer 6,4x12x1,5	
47	921108		1	Clamp Up to 703B822	
	921084		1	Pipe clamp From 703B823	
48	500040		1	Screw M6-1x20 8.8	
49	241617		1	Support	
50	334468		1	Nipple with O-ring	
51	243198		1	Seal ring	
52	502186		2	Screw	
53	904703		2	Washer 13x24x4	
54	192224		1	Hydraulic pump	
55	334168		1	Nipple whith o-ring	
	234929		1	Elbow 90G with O-ring From 703B802	
56	190136		1	Hydraulic hose	

A) L=1600 mm

Steering hydraulic system

16809



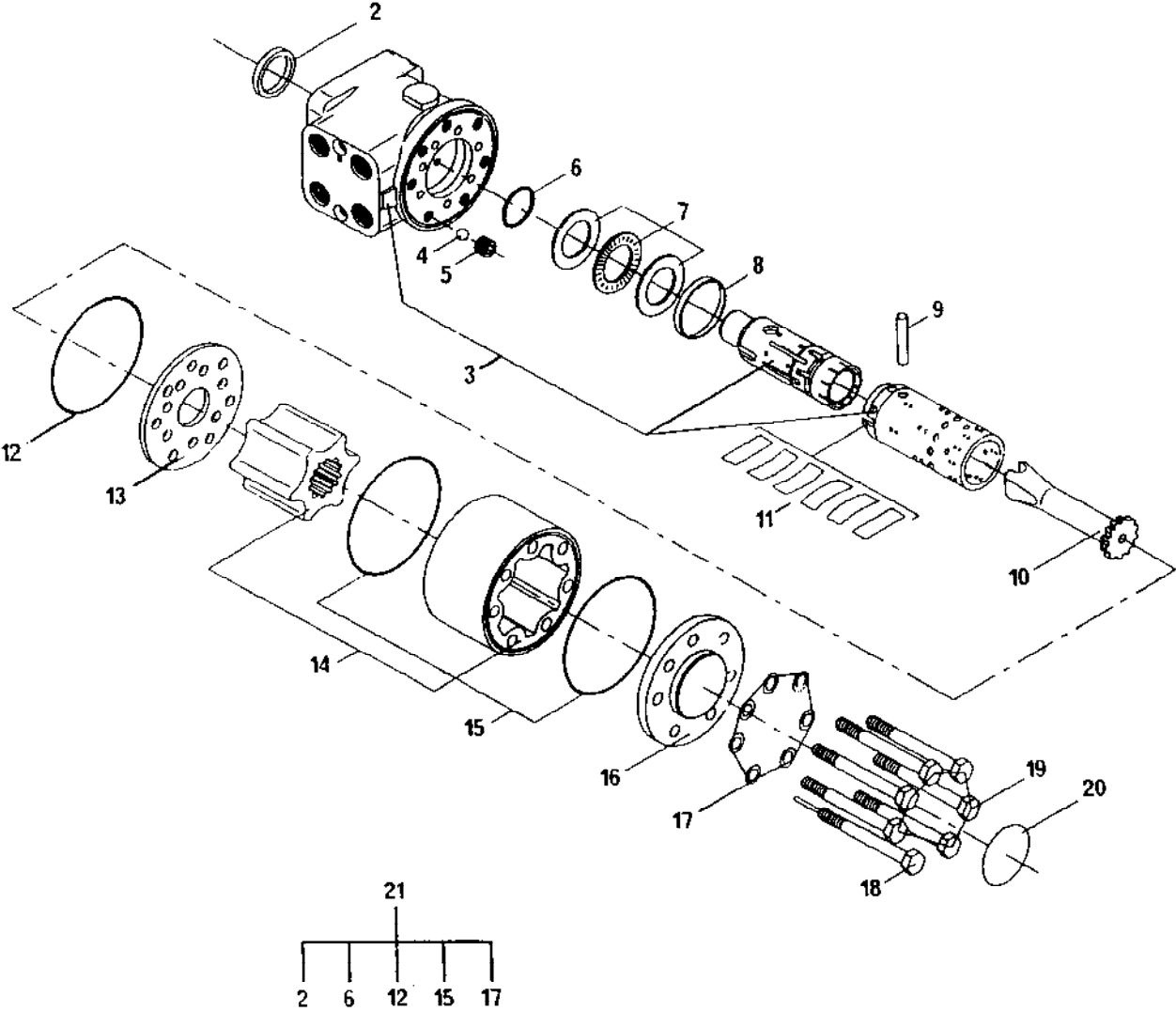
Steering hydraulic system

Ref. No.	Part No.	Rem.	Qty	Description	Code
57	500092		2	Screw M10-1,5x75 8.8	
58	813499		3	Elbow 90G with O-ring	
59	308001708		1	Hydraulic hose	
60	904230		2	Washer 10.5x22x2	
61	947682		2	Screw M10x1,5x20 10.9	
62	190133		1	Hydraulic hose	
63	502033		2	Screw 3/8"-16UNCx3/8" 8.8	
64	904230		2	Washer 10.5x22x2	
65	813499		1	Elbow 90G with O-ring	
66	334132		2	Elbow 45G with O-ring	
68	269029		1	Priority valve	
69	190131		1	Support	
70	813499		1	Elbow 90G with O-ring	
71	267029		2	Clamp	
72	570006		3	Hexagon nut M10	
73	904230		3	Washer 10.5x22x2	
74	269190		1	Support	
75	261579		1	Hose	
76	910161		1	Measuring nipple	
77	190779		1	Elbow 90G with O-ring	
78	500280		3	Screw M10x1,5x25	
79	263381		1	Clamp	
80	269189		2	Hydraulic hose	
81	334118		2	Elbow 90G with O-ring	
82	234267		2	T-connection with O-ring	
83	248735		2	Hydraulic cylinder	
84	310022		2	Grease nipple	
85	248732		4	Pin	
86	500185		24	Screw	
87	600005		24	Washer	
88	249946		12	Spacer	
89	248745		4	Cover	
90	248746		4	Toggle joint	
91	249946		12	Spacer	
92	248747		4	Washer	
93	630029		4	Cotter pin	
94	570006		4	Hexagon nut M10	
95	904230		4	Washer 10.5x22x2	
96	197977		2	Support	
97	500029		2	Screw M10-1,5x30 8.8	

Hydrostatic steering

16810

1

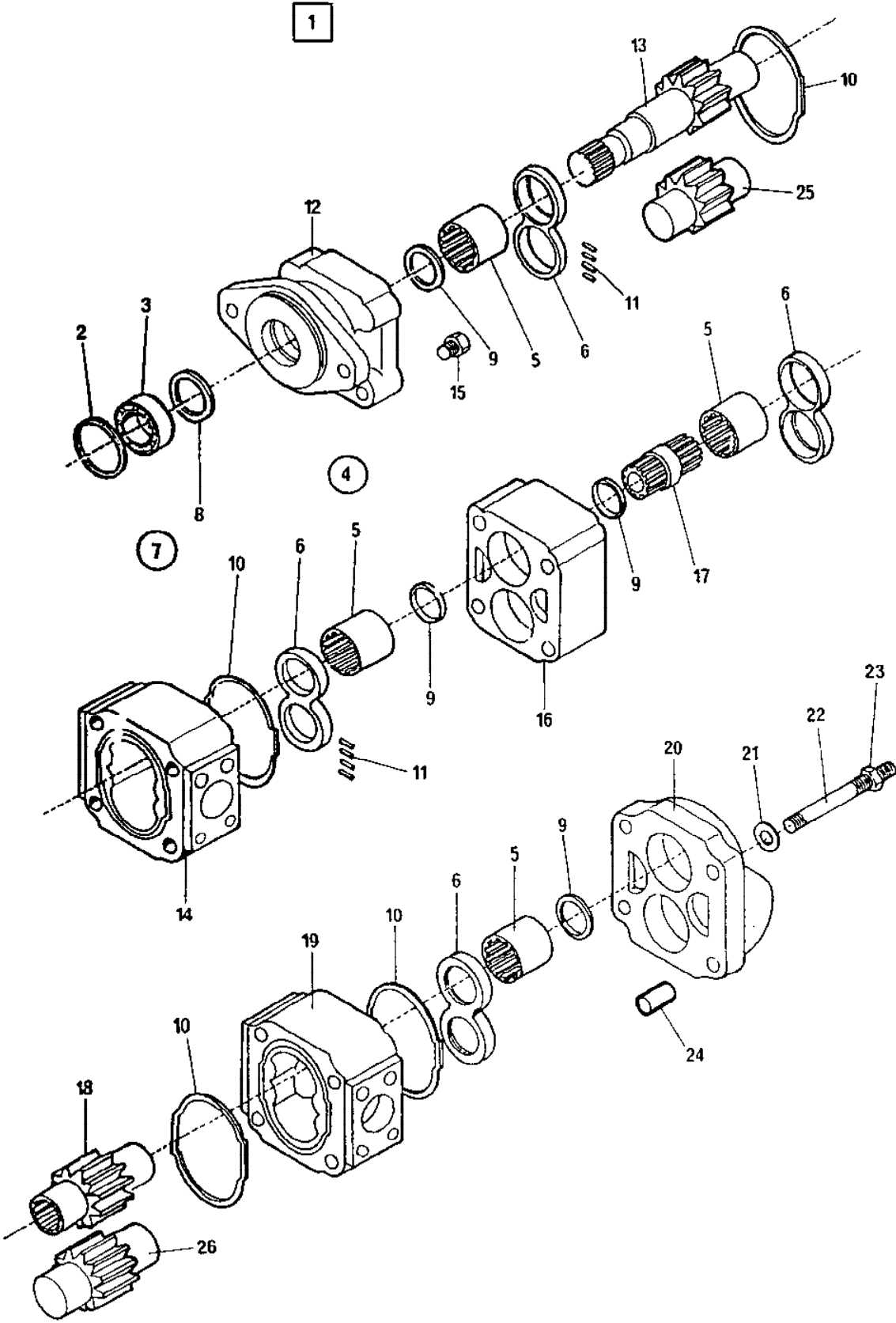


Hydrostatic steering

Ref. No.	Part No.	Rem.	Qty	Description	Code
1	195893		1	Hydrostatic steering Danfoss	
2	196763		1	.Seal ring	
3			1	.Housing	
4	480468		1	.Ball	
5	480446		1	.Bushing	
6	196764		1	.O-ring	
7	480453		1	.Bearing	
8	480449		1	.Ring	
9	480447		1	.Pin	
10	480454		1	.Drive shaft	
11	481309		1	.Spring kit	
12	196765		1	.O-ring	
13	196766		1	.Distributor plate	
14	196767		1	.Gear set	
15	196768		2	.O-ring	
16	480450		1	.Cover	
17	196769		7	.Washer	
18	196770		1	.Screw with pin	
19	196771		6	.Screw	
20	480444		1	.Plate	
21	480457		1	.Parts kit	

Steering pump

16811

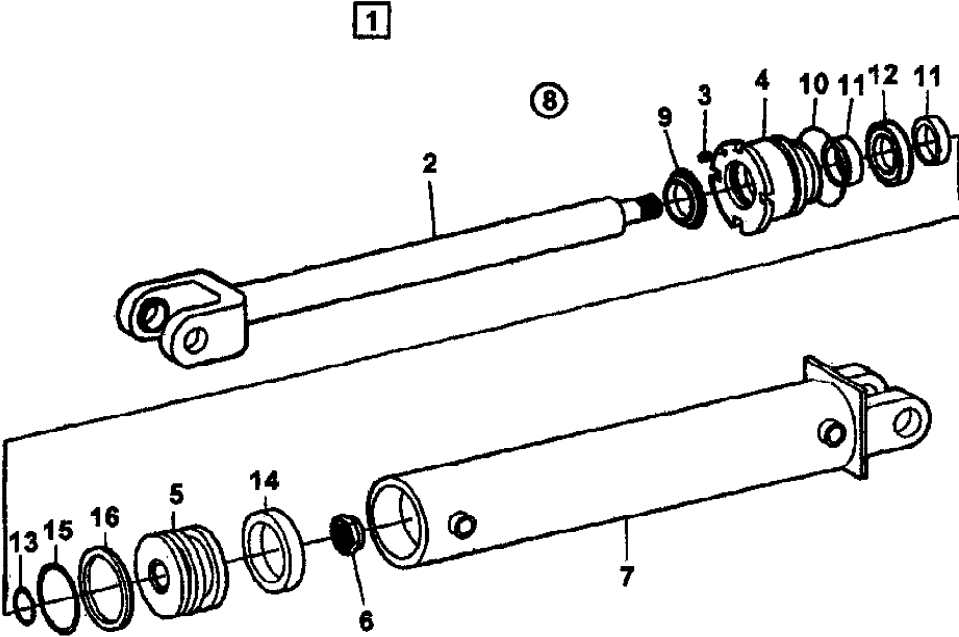


Steering pump

Ref. No.	Part No.	Rem.	Qty	Description	Code
1	192224		1	Hydraulic pump	
2	813677		1	.Ring	
3	813673		1	.Bearing	
4	924566		1	.Basic kit, cpl	
5	813682		8	..Bearing	
6	813642		4	..Plate	
7	923457		1	..Seal kit	
8	813919		1	..Seal ring	
9	813656		4	..Seal ring	
10	813668		4	..Gasket	
11	480481		2	..Sealing strip	
12	192726		1	.Flange	
13	190781		1	.Gear set	
14	192728		1	.Housing	
15	813907		1	.Plug	
16	193020		1	.Intermediate housing	
17	813922		1	.Shaft	
18	192733		1	.Gear	
19	192729		1	.Housing	
20	193019		1	.Cover	
21	911661		4	.Washer	
22	345687001		4	.Stud	
23	813917		4	.Nut	
24	910772		4	.Pin	
25	192732		1	.Gear	
26	192731		1	.Gear	

Hydraulic cylinder Up to SN 703B822

16812

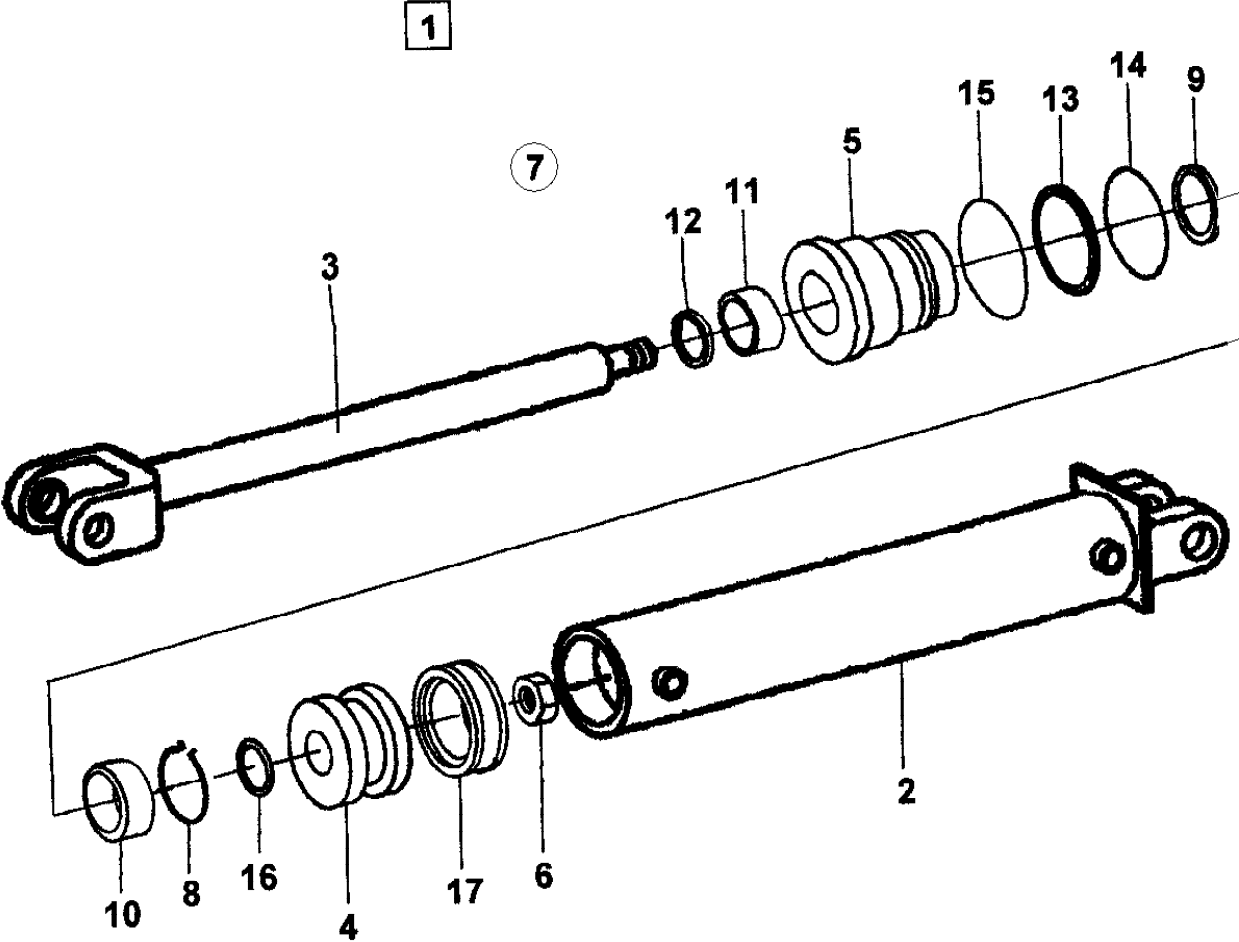


Hydraulic cylinder Up to SN 703B822

Ref. No.	Part No.	Rem.	Qty	Description	Code
1	248735		1	Hydraulic cylinder Up to 703B822	
2	248736		1	.Rod mounting	
3	510752		1	.Screw	
4	243622		1	.Rod guide	
5	190722		1	.Piston	
6	243197		1	.Lock nut	
7	248739		1	.Cylinder tube	
8	194151		1	.Repair kit	
9	922045		1	..Scraper ring	
10	813546		1	..O-ring	
11	243623		2	..Guide ring	
12	243624		1	..Gasket	
13	160218		1	..O-ring	
14	190730		1	..Guide ring	
15	190729		1	..O-ring	
16	190731		1	..Teflon ring	

CT262100500091 Hydraulic cylinder From SN 703B823

CT262100500091



CT262100500091 Hydraulic cylinder From SN 703B823

Ref. No.	Part No.	Rem.	Qty	Description	Code
1	199137		1	Hydraulic cylinder From 703B823	
2			1	.Cylinder tube	
3	199234		1	.Rod mounting	
4	199233		1	.Piston	
5	199232		1	.Rod guide	
6	199223		1	.Lock nut	
7	199138		1	.Seal kit	
8	199222		1	..Lock ring	
9	199221		1	..Nylon ring	
10	199220		1	..Gasket	
11	199217		2	..Guide ring	
12	922045		1	..Scraper ring	
13	199231		1	..Ring	
14	199230		1	..O-ring	
15	199229		1	..O-ring	
16	160218		1	..O-ring	
17	199228		1	..Seal	

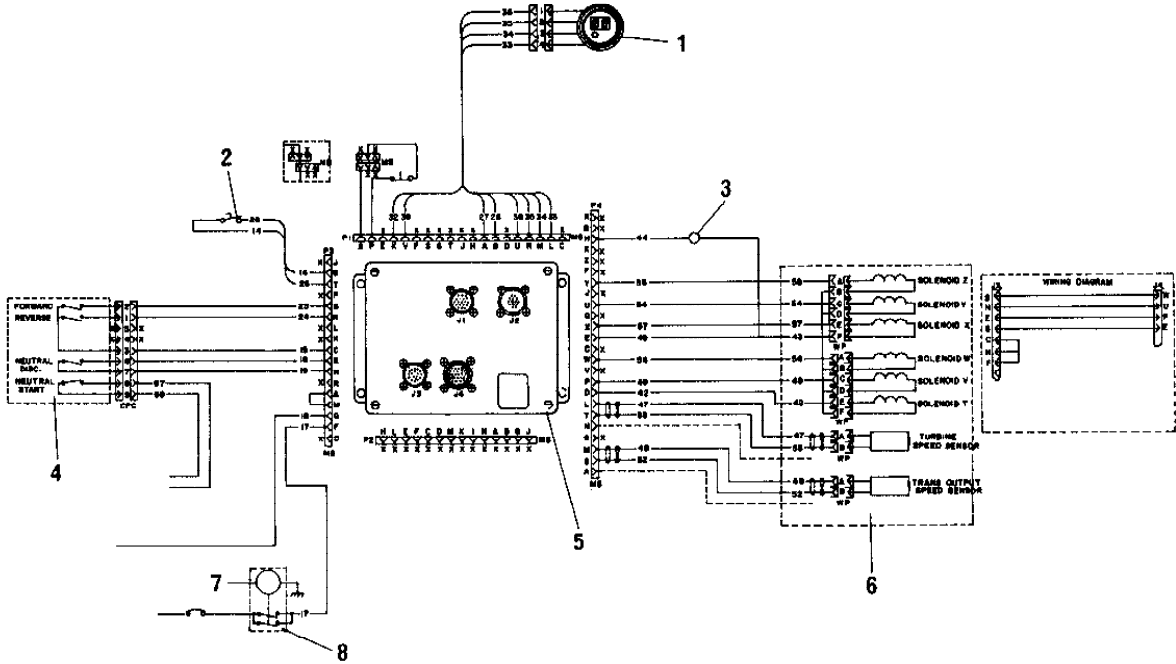
Electrical system
CT26210060

Electrical system

Ref. No.	Part No.	Rem.	Qty	Description	Code
20				Transmission control (Page 114)	
30				Electric system (Page 116)	
35				Electric system (Page 118)	
37				Electric system (Page 122)	
40				Engine sensor assembly (Page 124)	
50				Battery, electrical circuit (Page 126)	
60				Instrument board (Page 128)	

Transmission control

16814

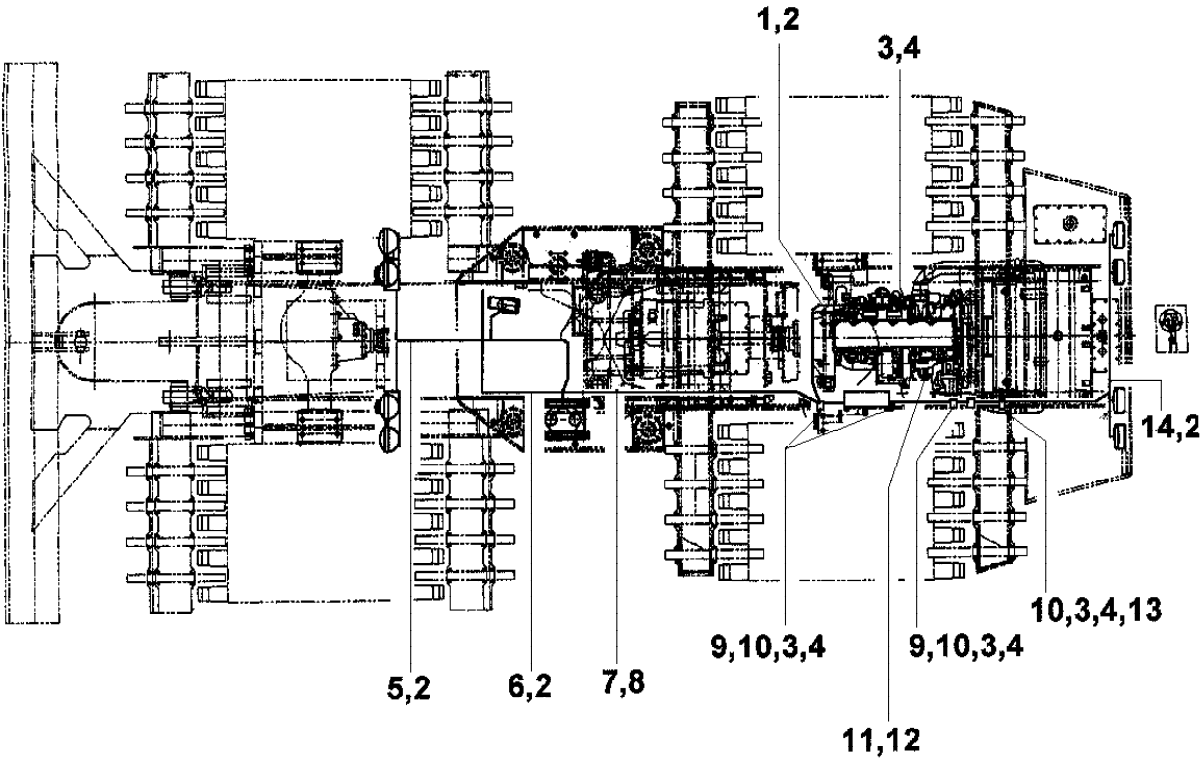


Transmission control

Ref. No.	Part No.	Rem.	Qty	Description	Code
1	243864		1	Transmission gear display	
2	930046		1	Switch	
3	975068		1	Relay	
4			1	Switch	
5	243739		1	Automatic transmission control	
6	195568		1	Transmission	
7	190825		1	Transmission relay	
8	813412		1	Fuse	

Electric system

16815

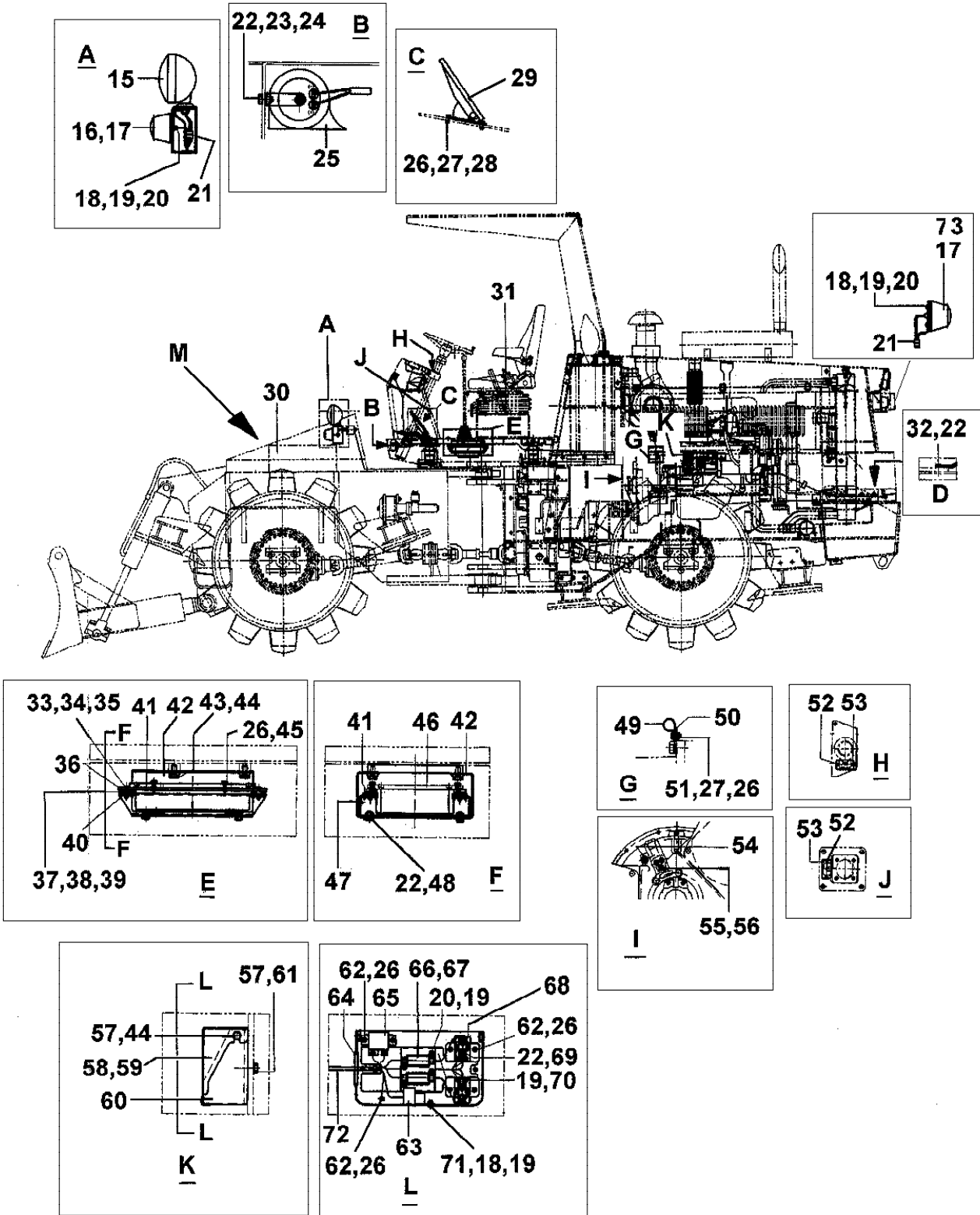


Electric system

Ref. No.	Part No.	Rem.	Qty	Description	Code
1	198107	A	1	Cable harness	
2	313041		40	Clamp	
3	904228		49	Washer 6,4x12x1,5	
4	586002		12	Lock nut	
5	198105	A	1	Cable harness	
6	198102	A	1	Cable harness-relays	
7	198103	B	1	Cable harness-main	
8	313102		10	Clamp	
9	921108		6	Clamp	
10	500015		4	Screw M6-1x30 8,8	
11	256485		1	Reducing nipple	
12	930139		1	Oil pressure switch	
13	921028		1	Clamp	
14	198104		1	Cable harness-rear	

- A) Supplied with 198100
- B) Supplied with 198103

Electric system
CT262100600035

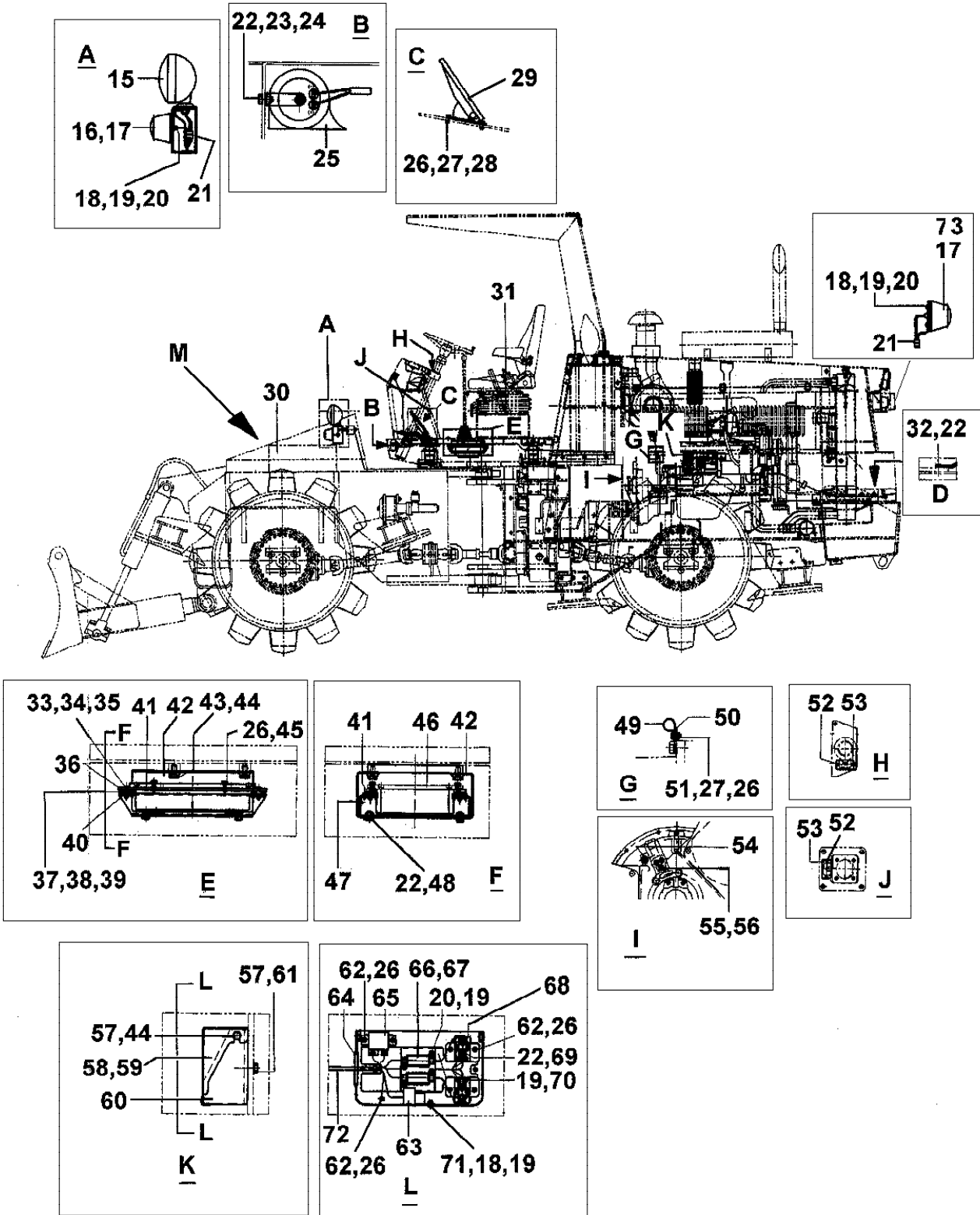


Electric system

Ref. No.	Part No.	Rem.	Qty	Description	Code
15	242613		4	Hear lamp	
	985087		4	Lamp	
16	198434		2	Lantern	
17	247638		4	Lamp	
18	586001		21	Lock nut	
19	904281		40	Washer 5,3x10x1	
20	533027		12	Screw	
21	929910		12	Connecting pin	
22	904229		33	Washer 8,4x16x1,5	
23	586003		5	Lock nut	
24	500021		1	Screw	
25	197086		2	Horn	
26	904228		3	Washer 6,4x12x1,5	
27	586002		3	Lock nut	
28	500075		3	Screw M6-1x25 8.8	
29	198117		1	Electronic pedal	
30	196612		1	Battery group	
31	930197		1	Brake switch	
32	500042		5	Screw	
33	570002		4	Hexagon Nut M4	
34	600002		4	Washer	
35	925664		4	Screw	
36	190153		4	Shock absorber	
37	901769		8	Screw	
38	600001		8	Washer	
39	570001		8	Hexagon nut	
40	190155		4	Washer	
41	198214		2	Bar	
42	198213		1	Support	
43	198216		4	Spacer	
44	500280		6	Screw M10x1,5x25	
45	500040		4	Screw M6-1x20 8.8 Up to 703B807	
	500012		4	Screw M6x12 From 703B808	
46	198118		1	Interface	
47	198212		1	Support	
48	500019		15	Screw M8-1,25x16 8.8	
49	921108		1	Clamp	
50	241617		3	Support	
51	500013		15	Screw	
52	901767		10	Screw	
53	198157		2	Cover	
54	258307		1	Temperature sender	
55	198215		1	Reducing nipple	
56	198161		1	Transductor de pressão	
57	904230		4	Washer 10.5x22x2	
58	198155		1	Protective cover	
59	198217		1	Rubber sheet	
60	198154		1	Support	
61	500048		2	Screw	
62	533058		9	Screw	
63	198250		1	Relay	
64	246947	A	1	Rubber packing	
65	904448		1	Relay	
66	198252		2	Fuse holder	
67	198253		2	Fuse	
68	198251		2	Relay	
69	572002		4	Hexagon nut	
70	813370		4	Hexagon nut	
71	533023		12	Screw	
72	198103		1	Cable harness-main	

A) L=500mm

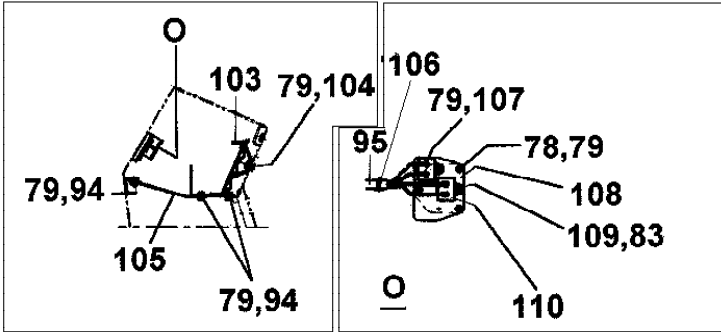
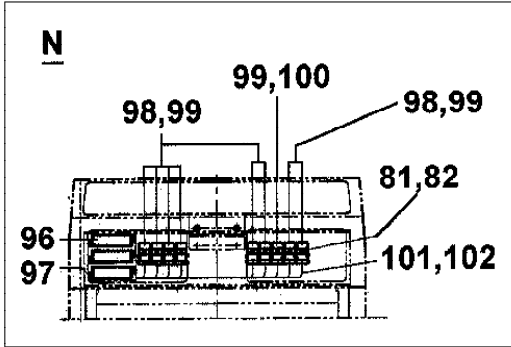
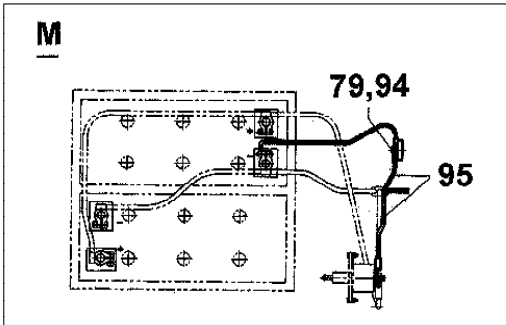
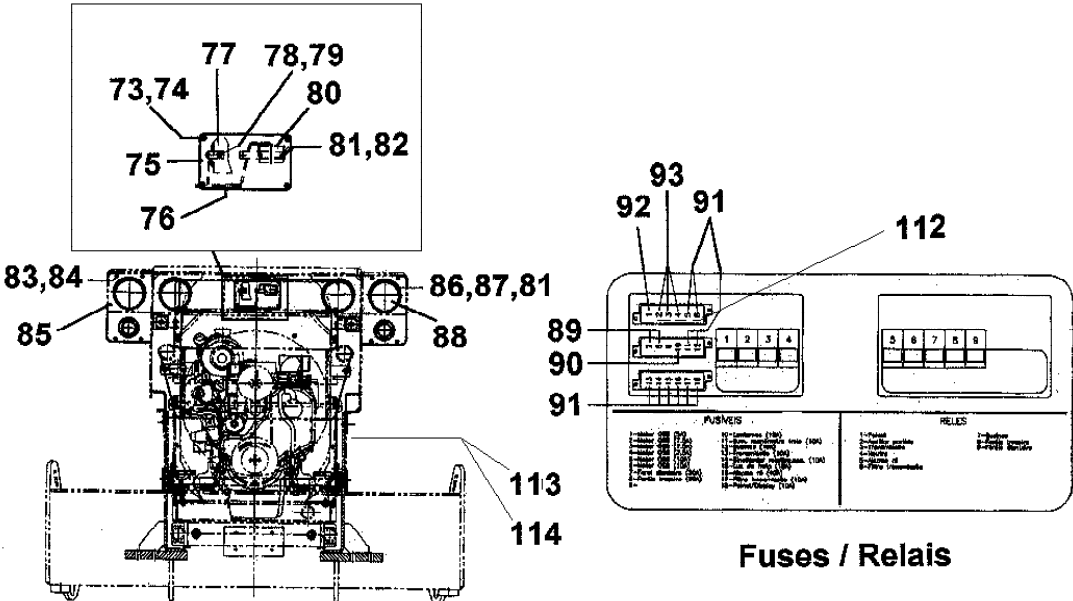
Electric system
CT262100600035



Electric system

Ref. No.	Part No.	Rem.	Qty	Description	Code
73	900223		2	Lantern	

Electric system
CT262100600038



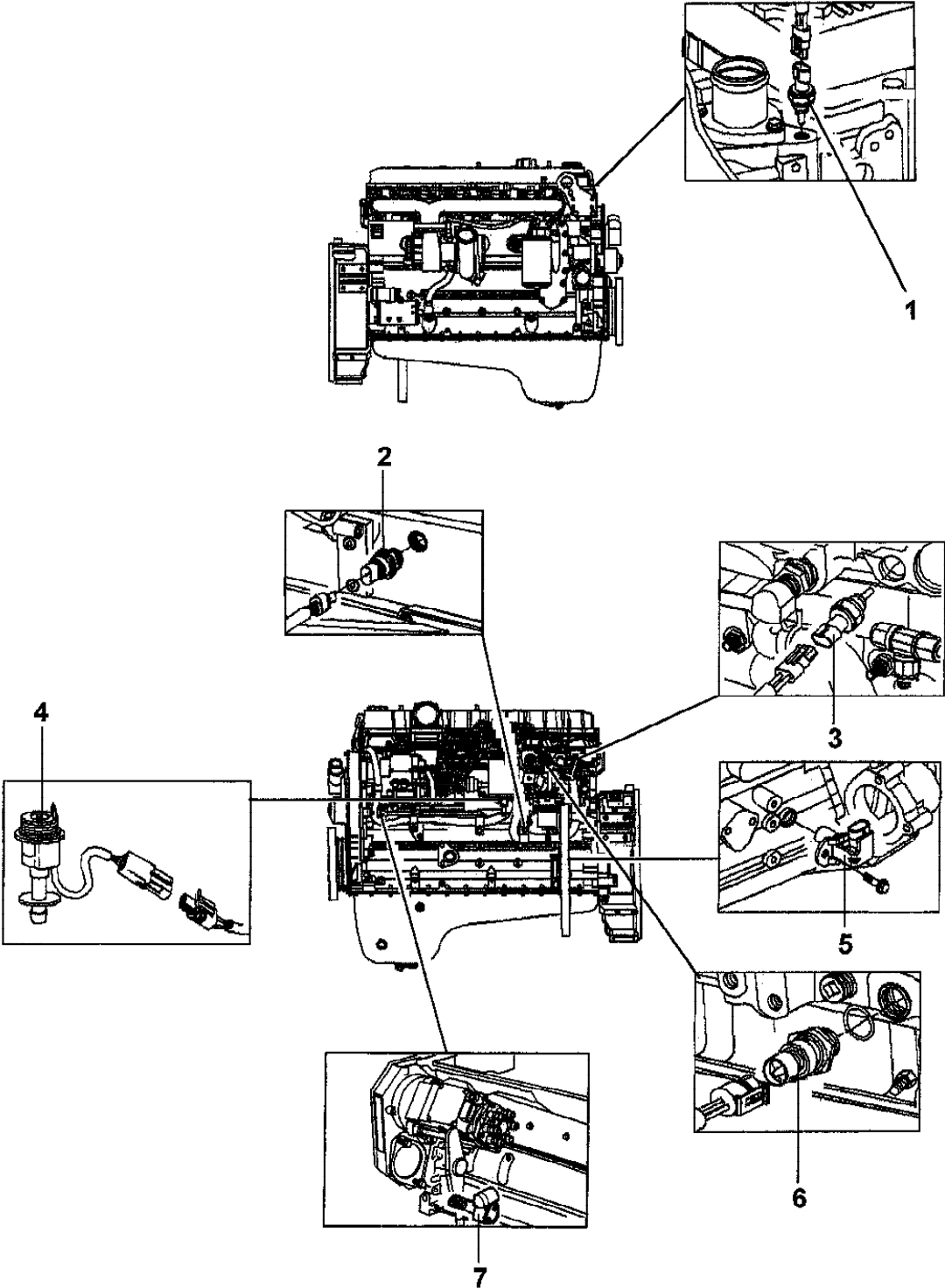
Electric system

Ref. No.	Part No.	Rem.	Qty	Description	Code
73	904228		4	Washer 6,4x12x1,5	
74	500013		4	Screw	
75	196705		1	Cover	
76	929910		1	Connecting pin	
77	197086		1	Horn	
78	500042		2	Screw	
79	904229		9	Washer 8,4x16x1,5	
80	900798		1	Back-up alarm	
81	904281		15	Washer 5,3x10x1	
82	533023		11	Screw	
83	904228		9	Washer 6,4x12x1,5	
84	500075		8	Screw M6-1x25 8.8	
85	197876		2	Plate	
86	261530		4	Support	
87	586001		4	Lock nut	
88	985155		4	Head lamp	
89	903741		2	Fuse	
90	901228		1	Fuse 15A	
91	901227		10	Fuse 10A	
92	901225		1	Fuse 5A	
93	901226		3	Fuse 7.5A	
94	500019		4	Screw M8-1,25x16 8.8	
95	198106	A	1	Cable harness-power	
96	901256		3	Fuse box	
97	901767		6	Screw	
98	195157	B	9	Relay support	
99	975068		8	Relay	
100	190825		1	Transmission relay	
101	313068		9	Clamp	
102	198102		1	Cable harness-relays	
103	197948		1	Support	
	199012		1	Support	
104	500053		2	Screw	
105	198147		1	Protection	
106	313041		1	Clamp	
107	586003		1	Lock nut	
108	198148		1	Support	
109	533058		1	Screw	
110	791551		2	Junction block	
111	199014		1	Cover	
112	901240		5	Connector From 703B808	
113	192549		1	Magnetic sender	
114	192393		1	Magnetic sender	

A) Supplied with 198100
 B) Supplied with 198102

Engine sensor assembly

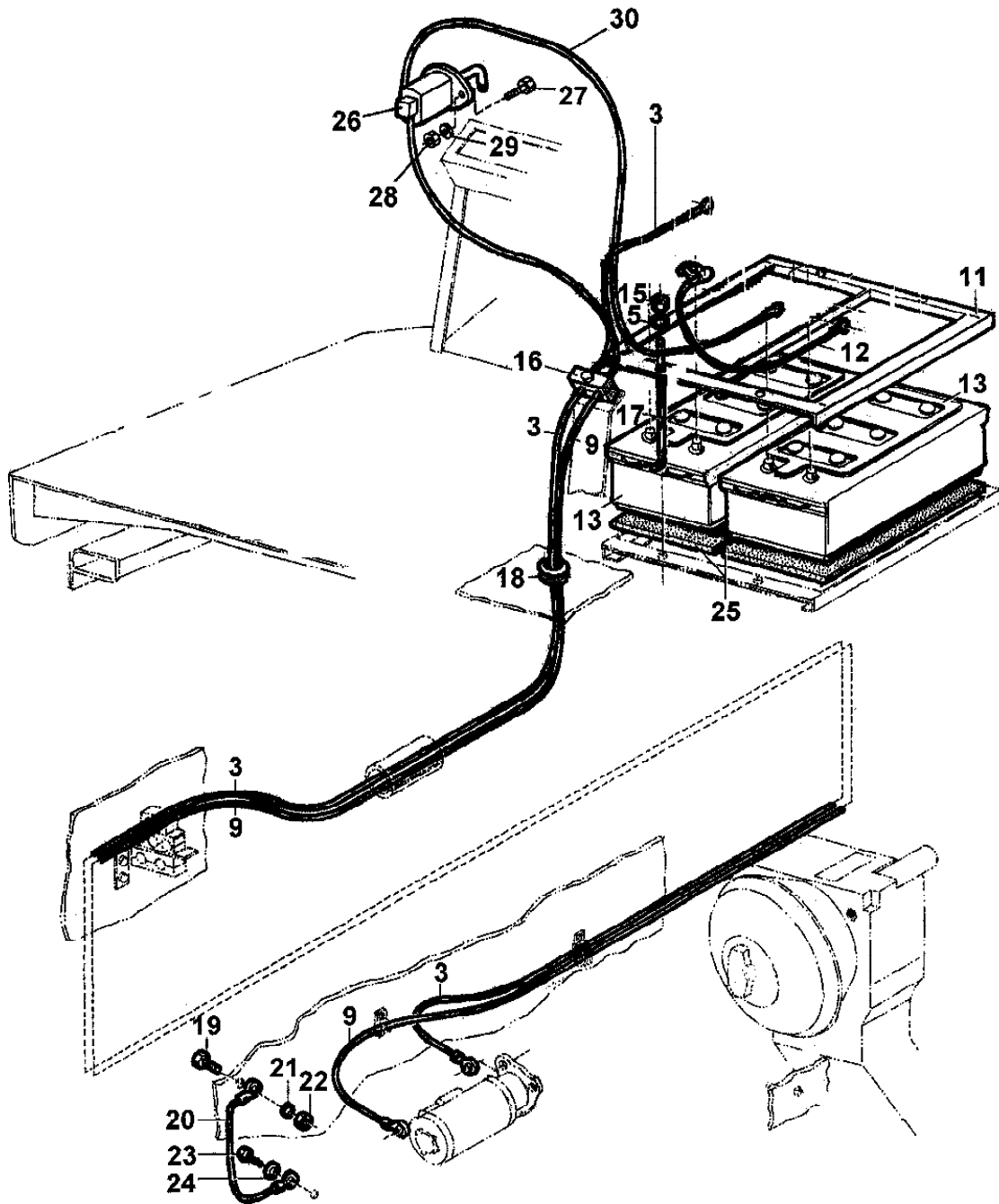
16816



Engine sensor assembly

Ref. No.	Part No.	Rem.	Qty	Description	Code
1	198263		1	Coolant temperature sensor	
2	198268		1	Oil pressure sensor	
3	198266		1	Intake manifold air temperature sensor	
4	198296		1	Water in fuel sensor	
5	198264		1	Engine speed sensor	
6	198267		1	Intake manifold pressure sensor	
7	198265		1	Engine position sensor	

Battery, electrical circuit
16817

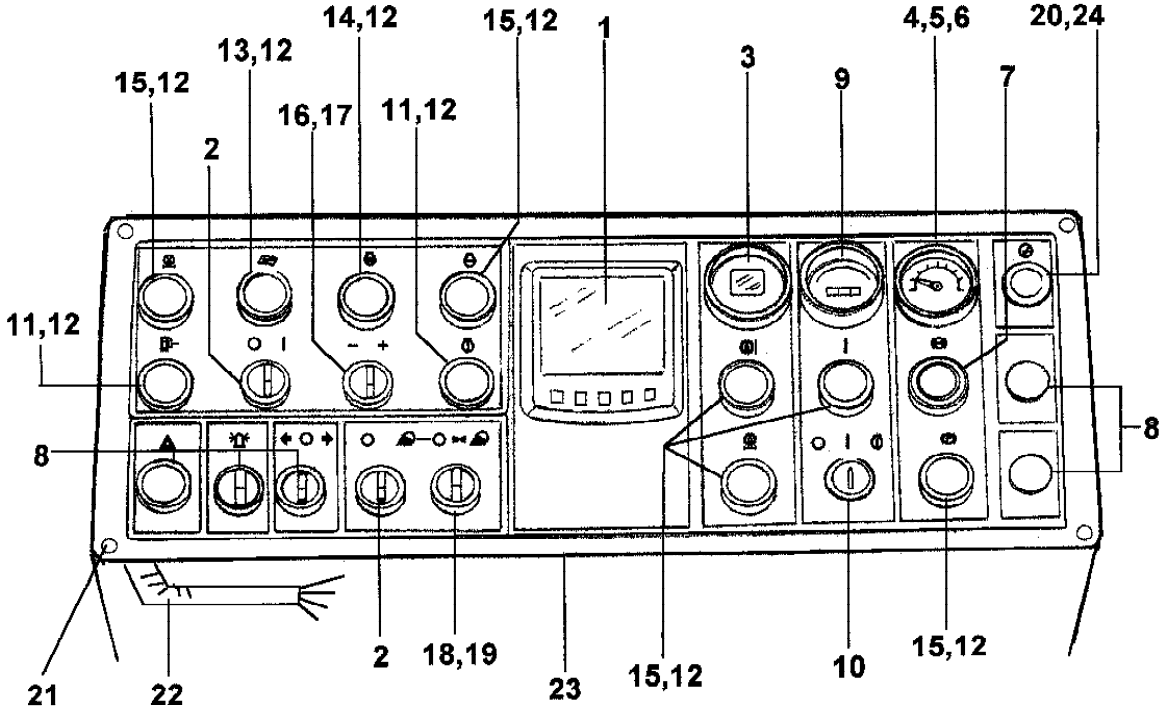


Battery, electrical circuit

Ref. No.	Part No.	Rem.	Qty	Description	Code
3	196757		1	Battery cable	
5	600008		6	Washer	
11	262365		1	Bracket	
12	196756		1	Battery cable	
13	927972		2	Battery	
15	571003		4	Hexagon nut	
16	196810		1	Clamp	
17	250070		4	Fixing screw	
18	264321		1	Rubber grommet	
19	263835		1	Screw	
20	261606		1	Ground cable	
21	600009		1	Washer	
22	263836		1	Nut	
23	500035		1	Screw	
24	603003		1	Washer 5x24x4	
25	259933		2	Shim	
26	930150		1	Battery switch	
	928021		1	.Key	
27	500040		2	Screw M6-1x20 8.8	
28	586002		2	Lock nut	
29	600004		2	Washer	
30	196803		1	Battery cable	

Instrument board

16819



Instrument board

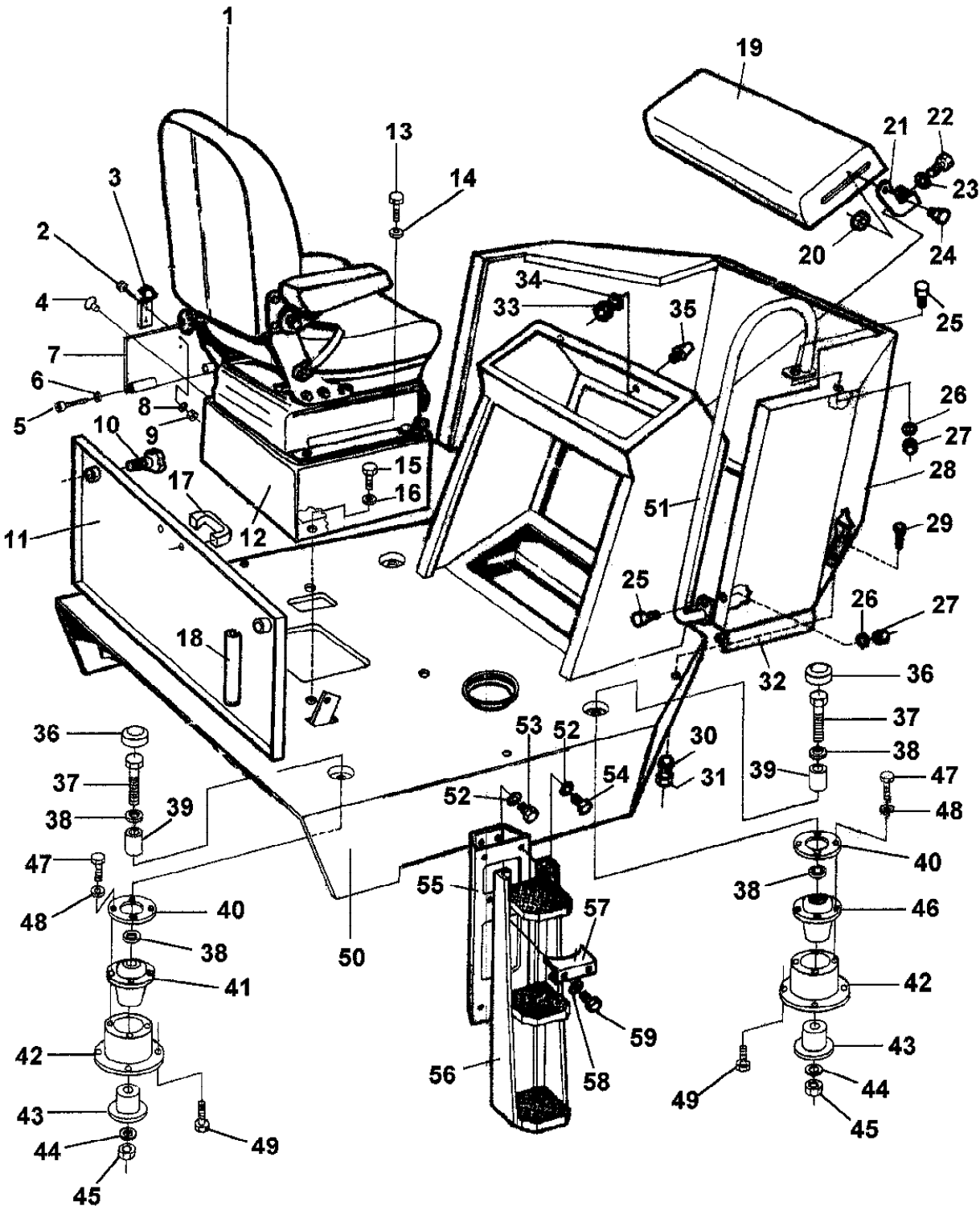
Ref. No.	Part No.	Rem. Qty	Description	Code
1	198116	1	Display	
2	930151	2	Switch	
3	234864	1	Trans gear display	
4	196718	1	Air pressure gauge	
5	926032	1	Male terminal	
6	921308	1	External terminal	
7	928661	1	Warning buzzer	
8	911456	5	Cover	
9	801567	1	Hourmeter	
10	190585	1	Ignition switch	
11	932059	2	Control lamp, yellow	
12	985012	10	Lamp	
13	198140	1	Control lamp, uncolored	
14	985145	1	Control lamp, green	
15	985146	6	Control lamp, red	
16	925713	1	Switch	
17	930195	1	Connect piece	
18	932058	1	Switch	
19	930182	1	Contact block	
20	932032	1	Switch	
21	550132	8	Pan head slotted screw	
22	198101	1	Cable harness	
23	197947	1	Board	
24	930163	4	Contact block	

Drivers platform
CT26210070

Drivers platform

Ref. No.	Part No.	Rem.	Qty	Description	Code
10				Drivers platform (Page 132)	
20				Parking brake control (Page 136)	
40				Transmission control (Page 138)	
50				Blade control (Page 140)	
60				Steering assembly (Page 142)	

Drivers platform
16818



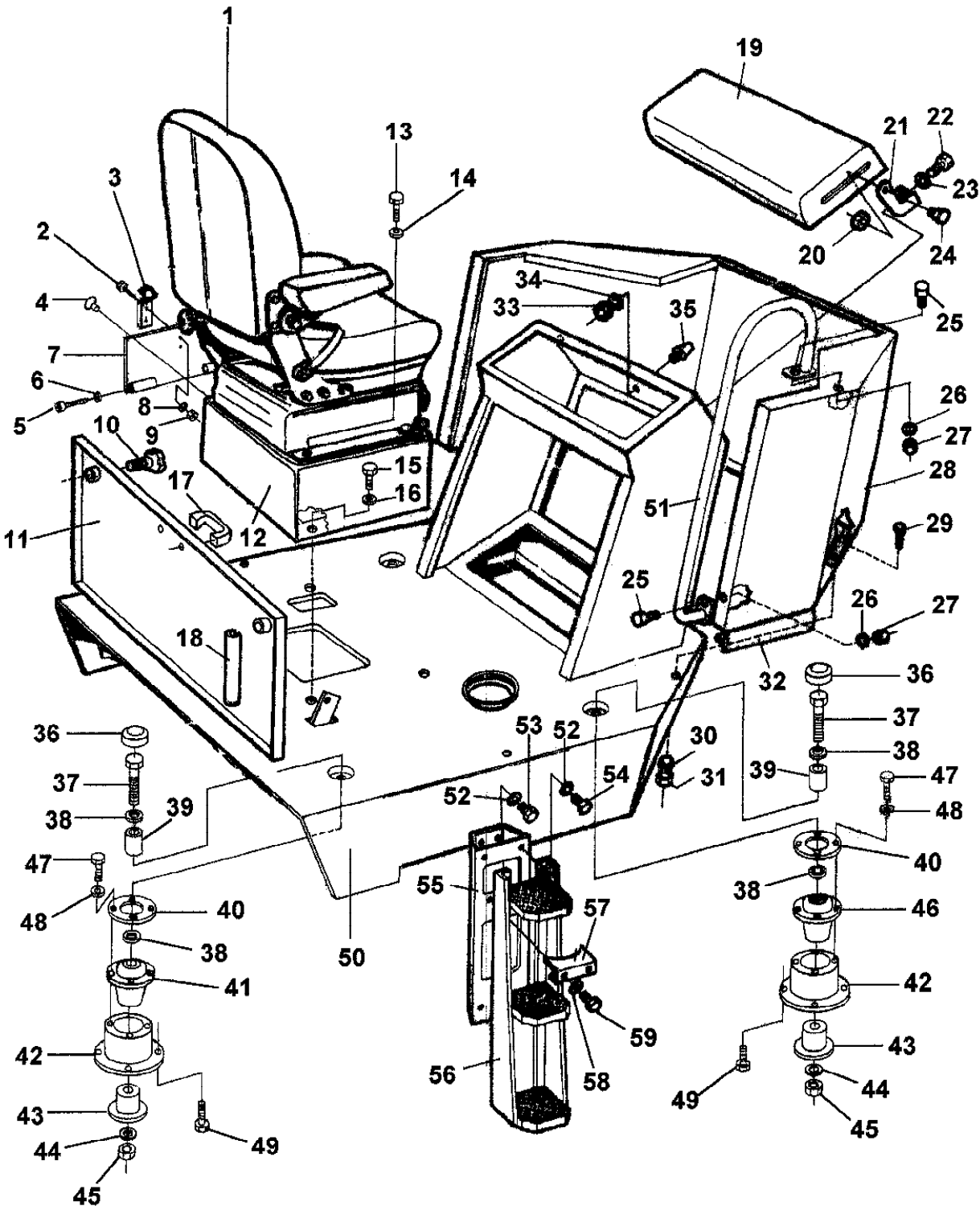
Drivers platform

Ref. No.	Part No.	Rem.	Qty	Description	Code
1	196886		1	Seat	
2	533009		2	Screw M4	
3	262593		1	Catch	
4	450140		2	Cushion	
5	508092		2	Screw	
6	904229		2	Washer 8,4x16x1,5	
7	197905		1	Cover	
8	904698		2	Washer 4,3x8x0,8	
9	570002		2	Hexagon Nut M4	
10	312084		2	Turning knob	
11	196555		1	Cover	
12	197904		1	Support	
13	500028		4	Screw M10-1,5x25 8.8	
14	904230		4	Washer 10.5x22x2	
15	500037		4	Screw	
16	904231		4	Washer	
17	927210		1	Grab handle	
	533039		2	Screw	
	600004		2	Washer	
18	202028	A	1	Gasket	
19	192982		1	Cover	
20	586002		4	Lock nut	
21	192991		1	Right support	
	192992		1	Left support	
22	192814		4	Screw	
23	615043		4	Conical spring washer	
24	348338		2	Stud	
25	947690		4	Screw M12x1,75x45	
26	615045		4	Conical spring washer	
27	586019		4	Lock nut M12-1,75 8.	
28	192771		1	Protection	
29	500270		4	Screw M16x2,0x60 10.9	
30	603004		4	Washer	
31	586021		4	Lock nut	
32	247435	B	1	Rubber strip	
33	586003		1	Lock nut	
34	615043		1	Conical spring washer	
35	925629		1	Backstop	
36	923844		4	Shutter	
37	927412		4	Screw	
38	903290		8	Washer	
39	198070		4	Spacer	
40	198065		4	Ring	
41	389813		2	Shock absorber	
42	198066		4	Support	
43	198067		4	Support	
44	904233		4	Washer	
45	925867		4	Nut M20x2,5	
46	389813		2	Shock absorber	
47	947688		16	Screw M12x1,75x35 10.9	
48	904231		16	Washer	
49	508102		16	Screw M12-1,75x50 12.9	
50	197900		1	Operator's platform	
51	192775		1	Right sight	
	192776		1	Left sight	
52	615045		16	Conical spring washer	
53			8	Screw	
54			8	Screw	
55	194585		2	Support	

A) L=3.100mm

B) L=2.500mm

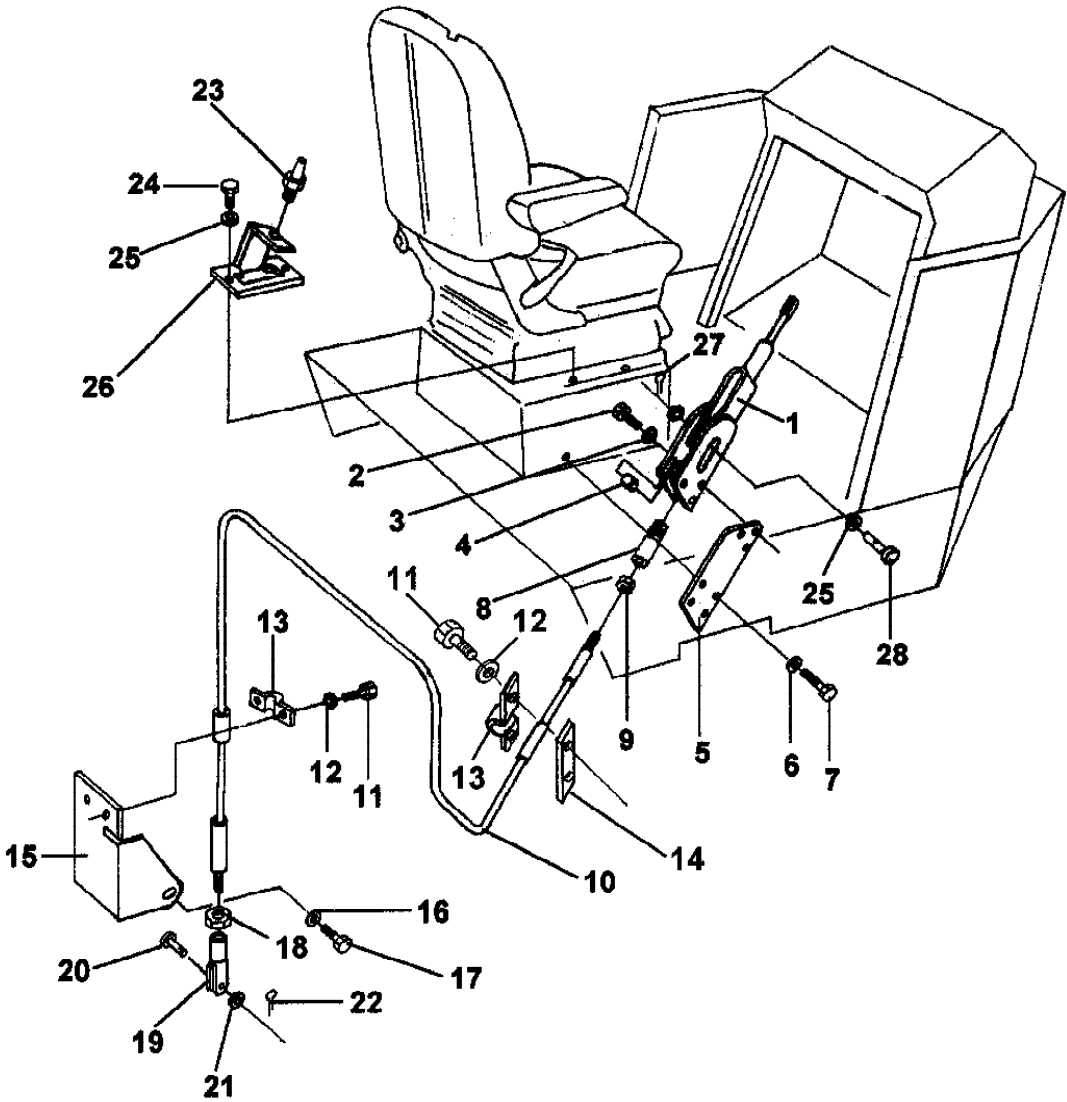
Drivers platform
16818



Drivers platform

Ref. No.	Part No.	Rem.	Qty	Description	Code
56	194584		2	Ladder	
57	194583		2	Support	
58	904231		4	Washer	
59	192813		4	Screw	

Parking brake control
16820

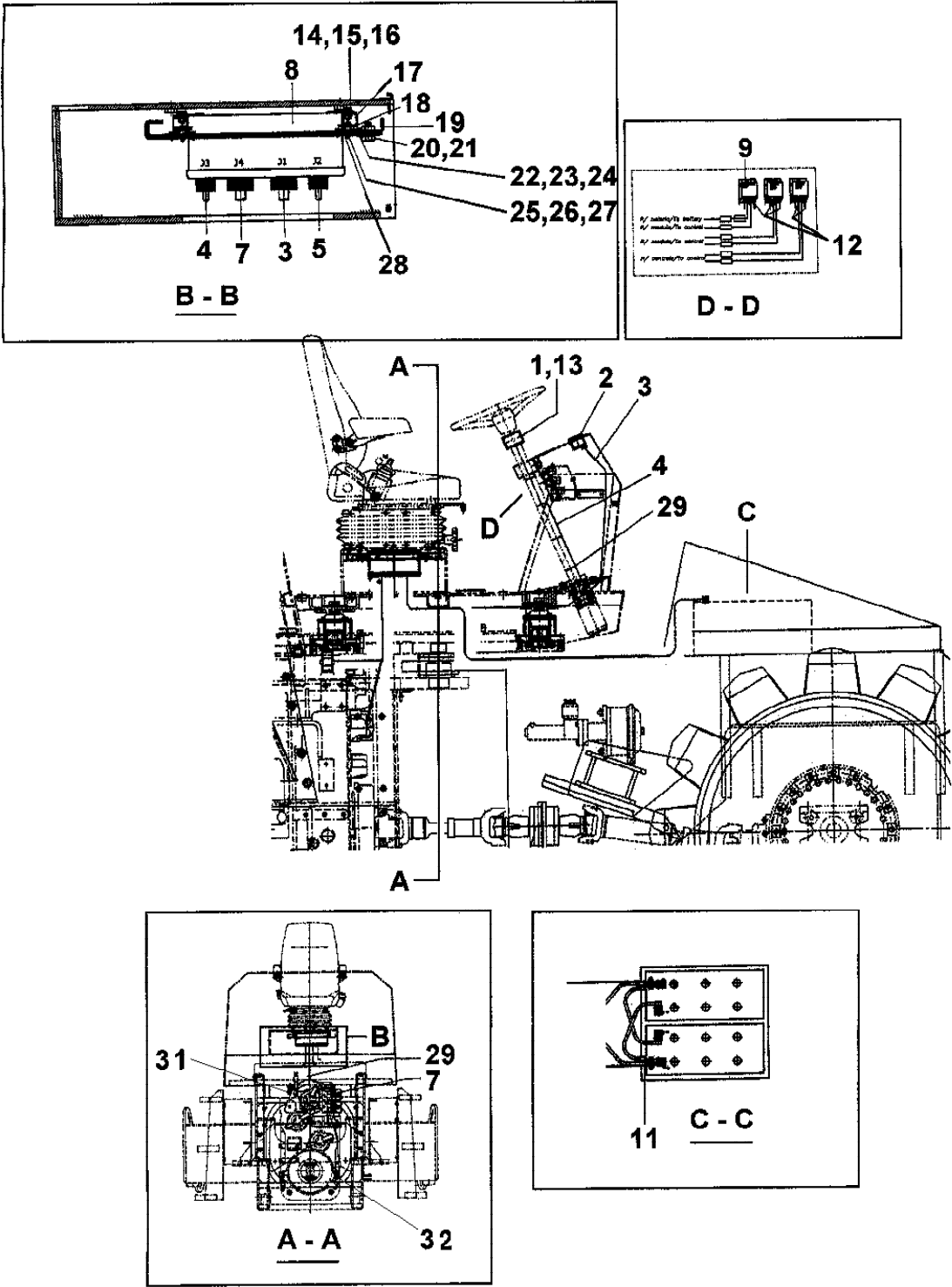


Parking brake control

Ref. No.	Part No.	Rem.	Qty	Description	Code
1	380392		1	Lever	
2	947684		3	Screw	
3	904230		3	Washer 10.5x22x2	
4	198090		2	Spacer	
5	197906		1	Support	
6	904231		4	Washer	
7	500035		4	Screw	
8	198089		1	Terminal	
9	572002		1	Hexagon nut	
10	243882		1	Brake cable	
11	947679		4	Screw	
12	904229		4	Washer 8,4x16x1,5	
13	813353		2	Clamp	
14	198095		1	Spacer	
15	191017		1	Support	
16	904231		2	Washer	
17	947686		2	Screw M12-1,75x25	
18	572003		1	Hexagon Nut	
19	813355		1	Fork link	
20	813362		1	Pin	
21	904230		1	Washer 10.5x22x2	
22	630008		1	Cotter pin	
23	930197		1	Brake switch	
24	500019		2	Screw M8-1,25x16 8.8	
25	904229		6	Washer 8,4x16x1,5	
26	198201		1	Support	
27	630006		1	Cotter pin	
28	269154		1	Pin	

Transmission control

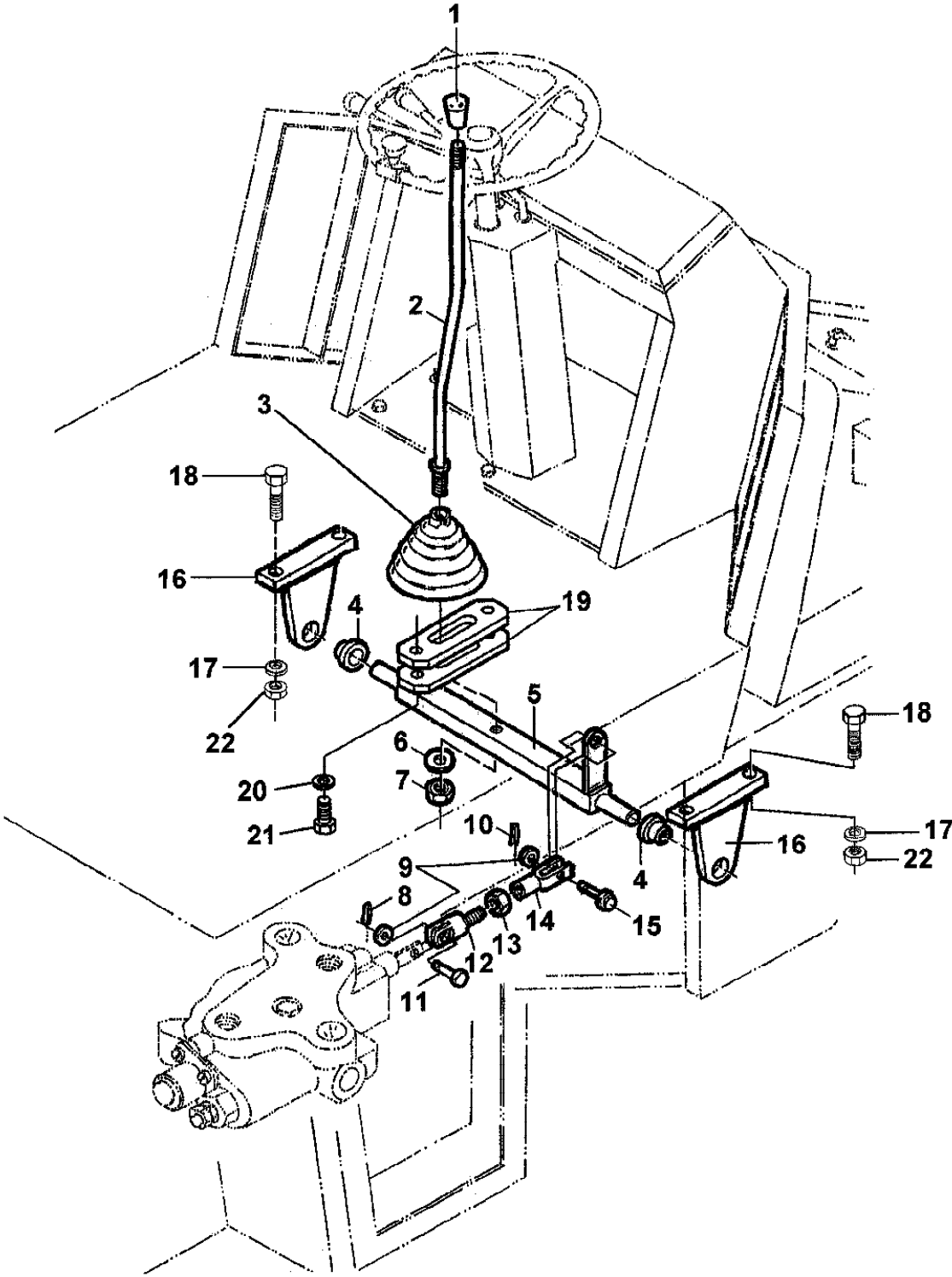
16822



Transmission control

Ref. No.	Part No.	Rem.	Qty	Description	Code
1	195807		1	Selector lever	
2	243864		1	Transmission gear display	
3	195796		1	Cable harness	
4	195792		1	Cable harness	
5	195794		1	Cable harness	
6	195806		1	Potentiometer	
7	195793		1	Cable harness	
8	195818		1	Electronic moduls	
9	190825		1	Transmission relay	
10	195819		1	Electronic control system	
11	960051		1	Connector	
12	926033		5	Cable clip	
13	533034		2	Screw	
14	500185		4	Screw	
15	615042		8	Conical spring washer	
16	570004		4	Hexagon nut	
17	195760		2	Support	
18	190153		4	Shock absorber	
19	195761		1	Plate	
20	500048		2	Screw	
21	615044		2	Conical spring washer	
22	901769		8	Screw	
23	600001		8	Washer	
24	570001		8	Hexagon nut	
25	925664		4	Screw	
26	570002		4	Hexagon Nut M4	
27	600002		4	Washer	
28	190155		4	Washer	
29	313041		20	Clamp	
31	192549		1	Magnetic sender	
32	192393		1	Magnetic sender	

Blade control
16823

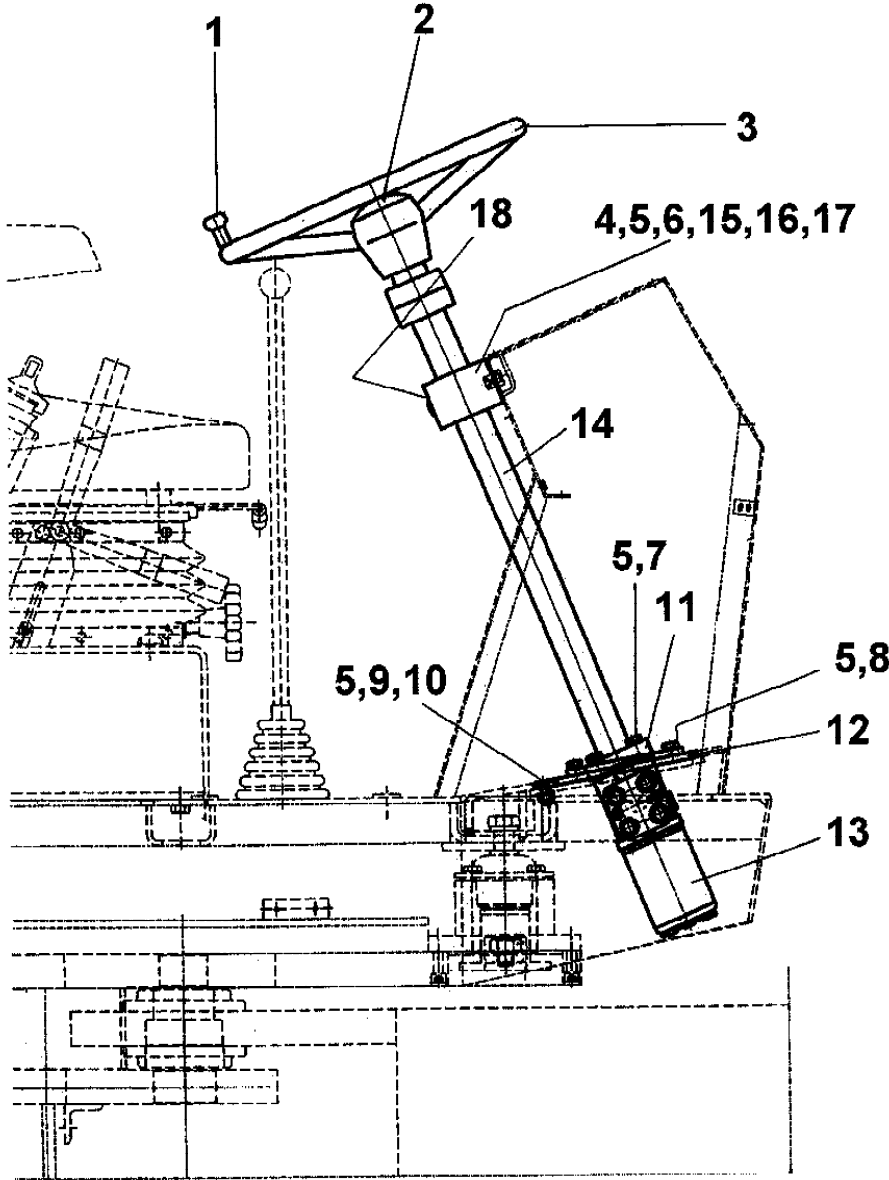


Blade control

Ref. No.	Part No.	Rem.	Qty	Description	Code
1	195941		1	Ball	
2	269362		1	Control lever	
3	920931		1	Boot	
4	269113		2	Bushing	
5	197963		1	Shaft, cpl	
6	904793		1	Washer	
7	586116		1	Locking nut M18-2,5 8.	
8	630031		1	Cotter pin	
9	904229		2	Washer 8,4x16x1,5	
10	630005		1	Cotter pin	
11	259265		1	Pin	
12	269049		1	Rod	
13	572002		1	Hexagon nut	
14	813369		1	Fork link	
15	260734		1	Pin	
16	269117		1	Bearing housing	
17	904230		4	Washer 10.5x22x2	
18	513014		4	Screw M10-1,5x30 10.9	
19	196510		2	Plate	
20	904640		2	Washer 8,4x22x3	
21	500021		2	Screw	
22	570006		4	Hexagon nut M10	

Steering assembly

16824



Steering assembly

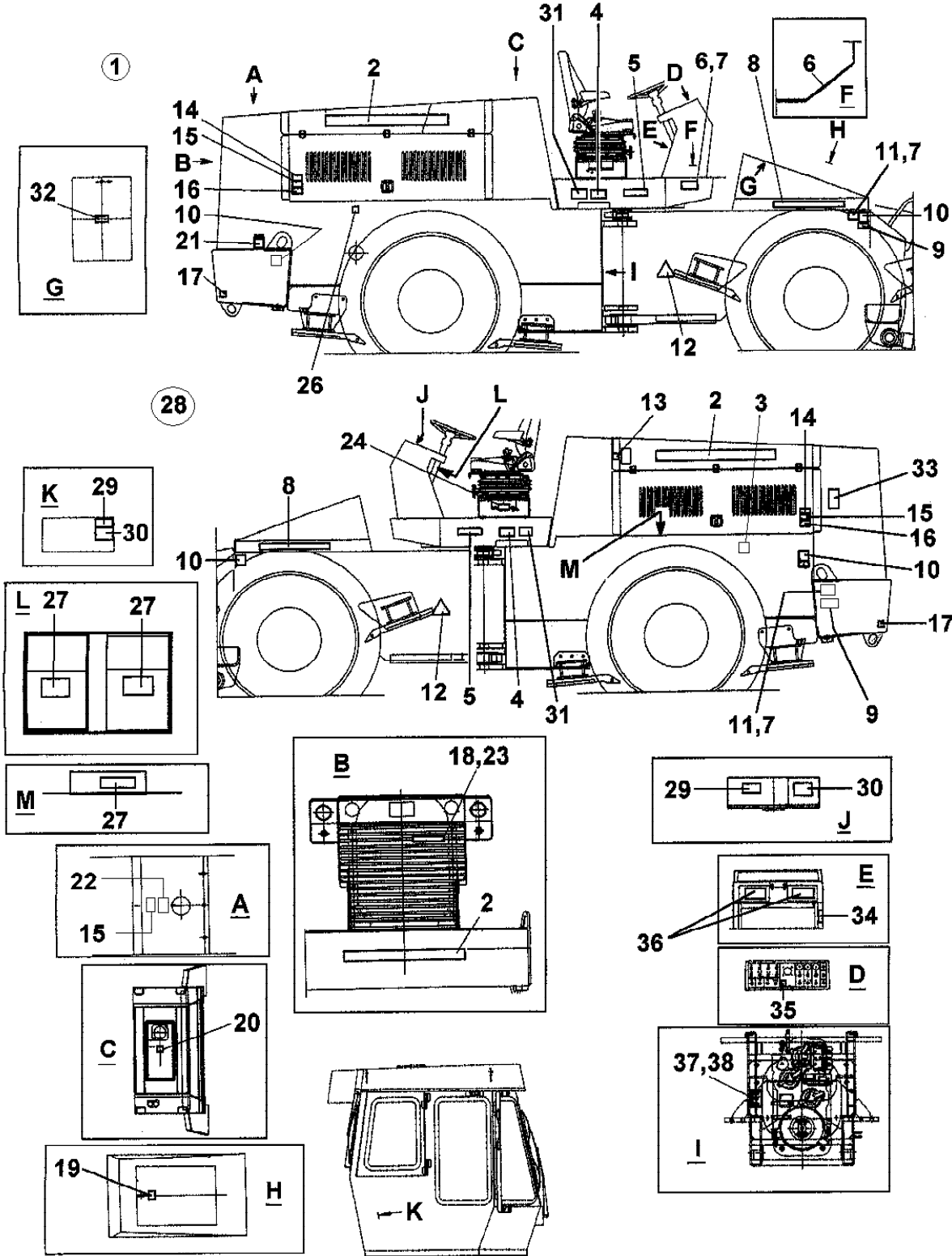
Ref. No.	Part No.	Rem.	Qty	Description	Code
1	262094		1	Turning knob	
2	930186		1	Horn button	
3	922623		1	Steering wheel	
4	198158		1	Support	
5	904230		14	Washer 10.5x22x2	
6	508013		2	Screw M10-1,5x25	
7	502037		4	Screw	
8	500027		4	Screw	
9	513014		4	Screw M10-1,5x30 10.9	
10	570006		4	Hexagon nut M10	
11	198099		1	Support	
12	198098		1	Floor	
13	195893		1	Hydrostatic steering Danfoss	
14	195894		1	Wheel column	
15	263300		1	Rubber grommet	
16	198159		1	Bearing housing	
17	198160		1	Support	
18	911456		2	Cover	

Decals
CT26210080

Decals

Ref. No.	Part No.	Rem.	Qty	Description	Code
10			1	Kit, plate decals (Page 146)	

Kit, plate decals
16826

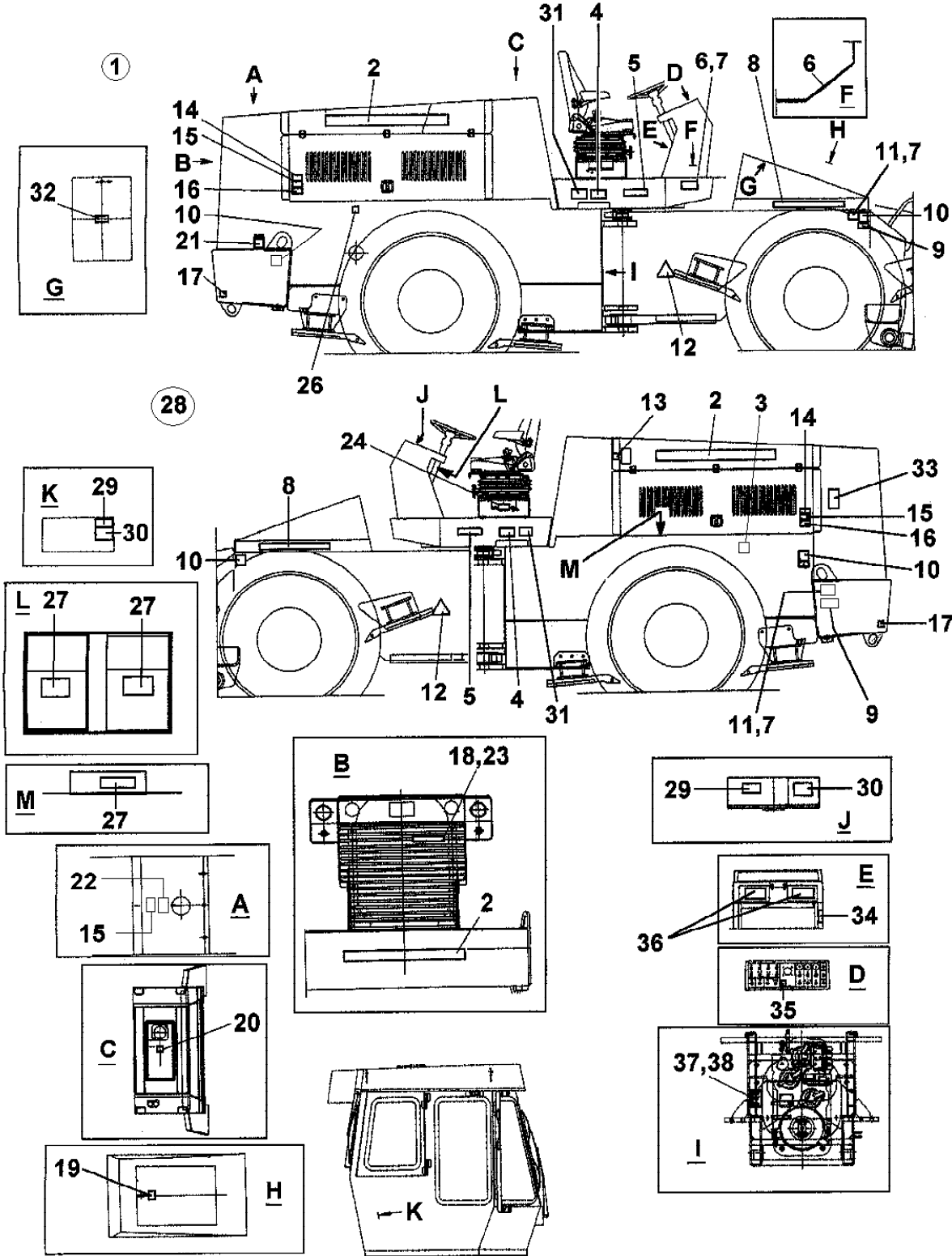


Kit, plate decals

Ref. No.	Part No.	Rem.	Qty	Description	Code
1	197992		1	Kit, plates decals	
2	904098	A	3	.Decal "DYNAPAC"	
3	192985		1	.Decal "OIL FILTER"	
4	903459		2	.Decal "SAFETY"	
5	197040		2	.Decal, model	
6	960787		1	.Decal, identification	
7	624016		12	.Rivet	
8	904092		2	.Decal "DYNAPAC" L=590 mm	
9	908229		2	.Decal "SAFETY"	
10	588176		4	.Decal, lifting	
11	904870		2	.Lifting sign	
12	903422		2	.Decal "SAFETY"	
13	273373		1	.Decal "HYDRAULIC OIL"	
14	903423		2	.Decal "SAFETY"	
15	903424		3	.Decal "SAFETY"	
16	903832		2	.Decal "SAFETY"	
17	382751		2	.Decal "TIE DOWN POINT"	
18	843157		1	.Decal "DYNAPAC"	
19	904835		1	.Decal "BATTERY POWER"	
20	272372		1	.Decal, hydraulic oil	
21	991658		1	.Decal, diesel	
22	991657		1	.Decal "WATER"	
23	624012		2	.Rivet	
24	197041		1	.Plate	
25	903425		1	.Decal "SAFETY MANUAL"	
26	198168		1	.Decal "FUEL FILTER"	
27	198223		3	.Decal "FUSES AND RELAYS"	
28	197995		1	Decal "SET" (Portuguese)	
	197996		1	Decal "SET" (English)	
	197997		1	Decal "SET" (Spanish)	
	197998		1	Decal "SET" (French)	
29	190395		1	.Decal "WARNING" (Portuguese)	
	190396		1	.Decal "WARNING" (English)	
	190397		1	.Decal "WARNING" (Spanish)	
	190398		1	.Decal "WARNING" (French)	
30	269380		1	.Decal "WARNING" (Portuguese)	
	269382		1	.Decal "WARNING" (English)	
	269383		1	.Decal "WARNING" (Spanish)	
	269381		1	.Decal "WARNING" (French)	
31	198150		2	.Decal (Portuguese)	
	198151		2	.Decal (English)	
	198152		2	.Decal (Spanish)	
	198153		2	.Decal (French)	
32	261877		1	.Decal (Portuguese)	
	261895		1	.Decal (English)	
	261902		1	.Decal (Spanish)	
	261888		1	.Decal (French)	
33	266343		1	.Decal "ALTERNATOR" (Portuguese)	
	991611		1	.Decal "ALTERNATOR" (English)	
	991613		1	.Decal "ALTERNATOR" (Spanish)	
	991614		1	.Decal "ALTERNATOR" (French)	
34	261882		1	.Decal "BLADE CONTROL" (Portuguese)	
	261896		1	.Decal "BLADE CONTROL" (English)	
	261903		1	.Decal "BLADE CONTROL" (Spanish)	
	261889		1	.Decal "BLADE CONTROL" (French)	
35	243323		1	.Decal "WARNING" (Portuguese)	
	240459		1	.Decal "WARNING" (English)	
	190440		1	.Decal "WARNING" (Spanish)	
	243326		1	.Decal "WARNING" (French)	
36	198221		2	.Decal "FUSES" (Portuguese)	

A) L=1350 WH

Kit, plate decals
16826



Kit, plate decals

Ref. No.	Part No.	Rem.	Qty	Description	Code
36	198222		2	.Decal "FUSES" (English)	
	198224		2	.Decal "FUSES" (Spanish)	
	198225		2	.Decal "FUSES" (French)	
37	197037		1	Plate (Caution) (Portuguese)	
	197038		1	Plate (Caution) (English)	
	197039		1	Plate (Caution) (Spanish)	
	197049		1	Plate (Caution) (French)	
38	624016		4	Rivet	

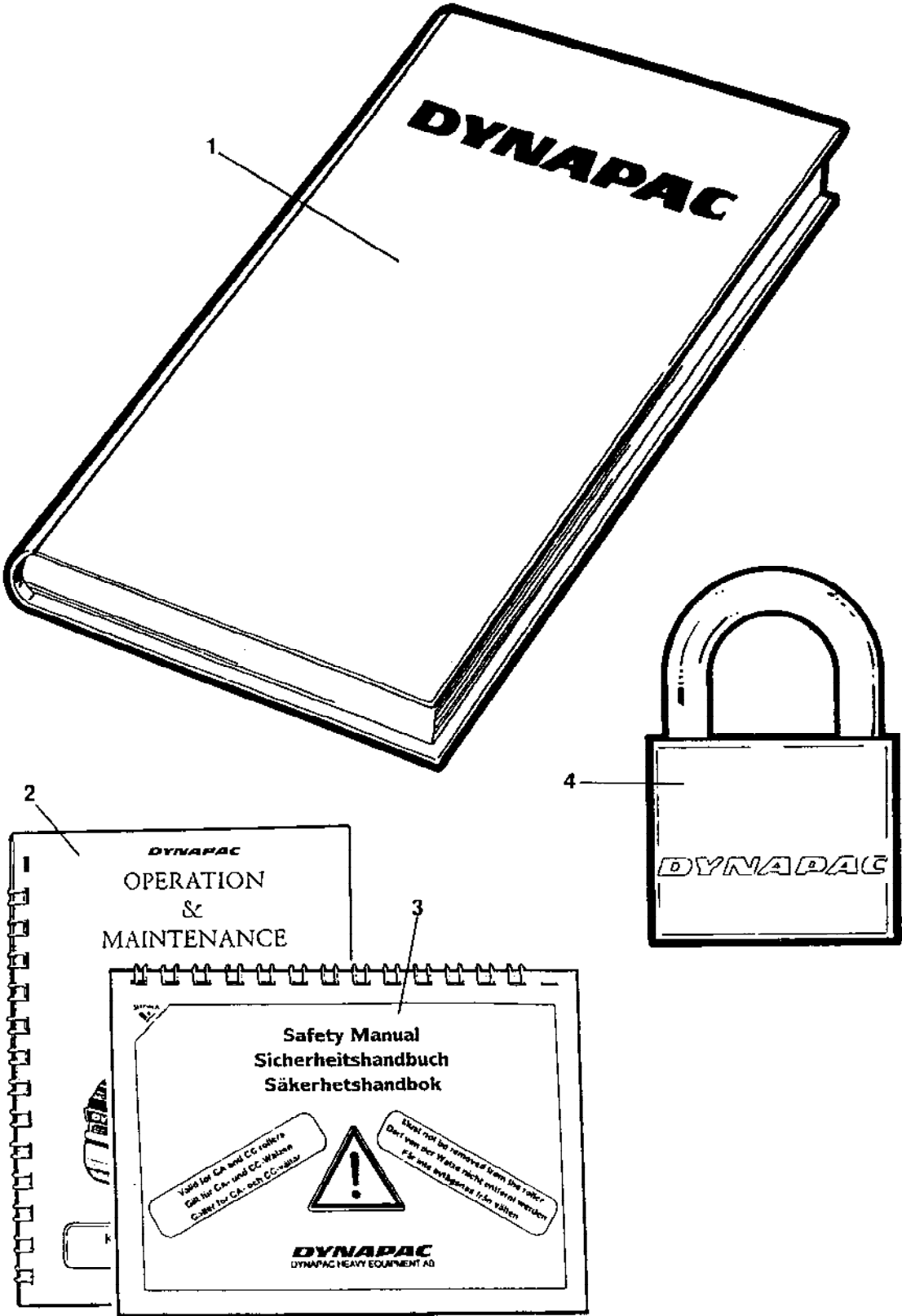
Standard equipment
CT26210090

Standard equipment

Ref. No.	Part No.	Rem.	Qty	Description	Code
1				Standard equipment (Page 152)	

Standard equipment

15639-1



Standard equipment

Ref. No.	Part No.	Rem.	Qty	Description	Code
1			1	Documentation, cpl	
			1	.Warranty registration card	
			1	.Operating instruction	
			1	.Maintenance instruction	
			1	.Spare parts catalogue	
2			1	.Operating / maintenance instruction	
3			1	.Safety manual	
4	266799	A	5	Padlock	

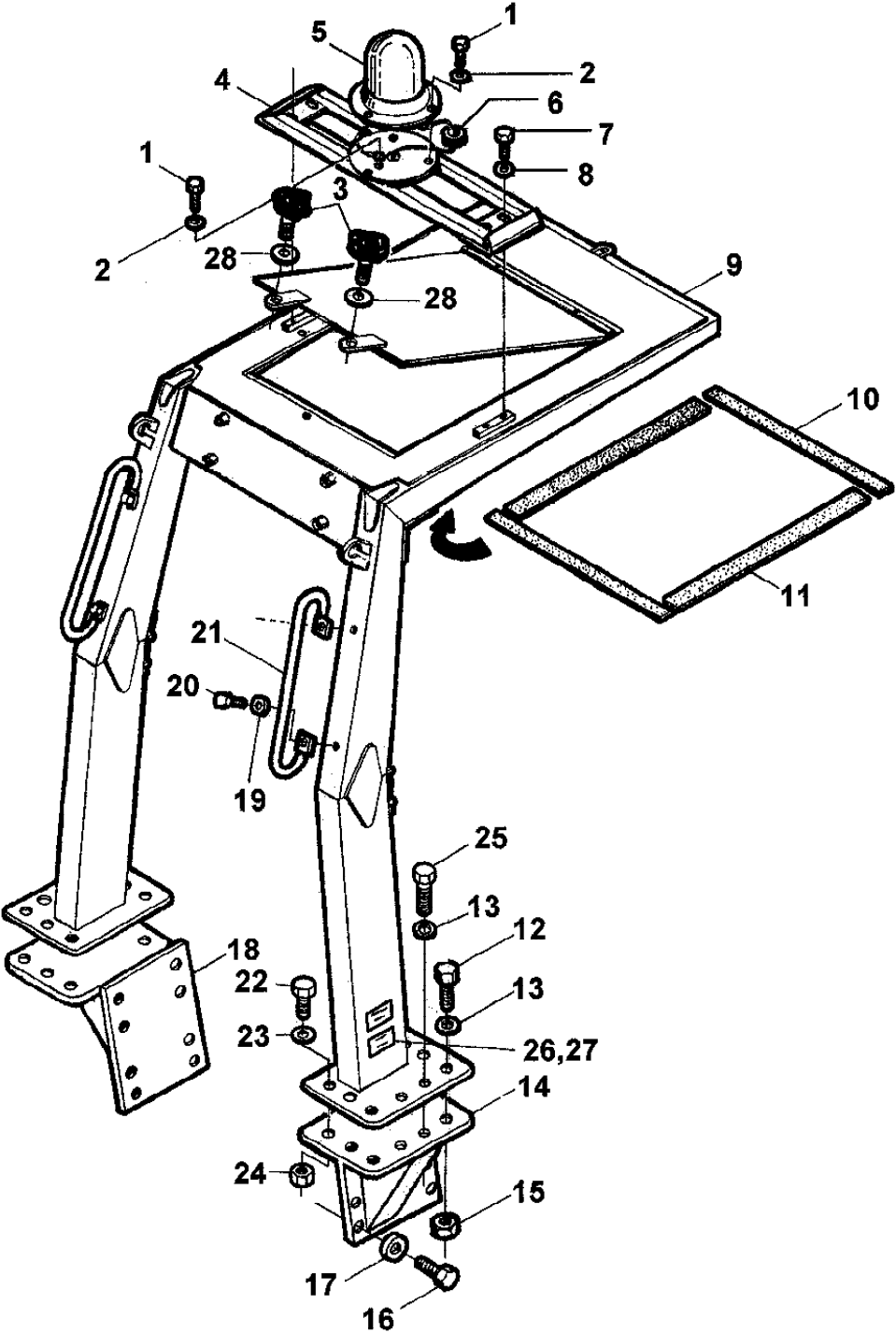
A) With cab: 4 pcs

Optional equipment
CT26210090

Optional equipment

Ref. No.	Part No.	Rem.	Qty	Description	Code
50				Rops assembly (Page 156)	
70				Compact wheel kit 60 PUS (Page 158)	
72				Compact wheel kit 60 PTN (Page 160)	
75				Cab assy mounting (Page 162)	
110				Tool kit (Page 186)	

Rops assembly
16831



Rops assembly

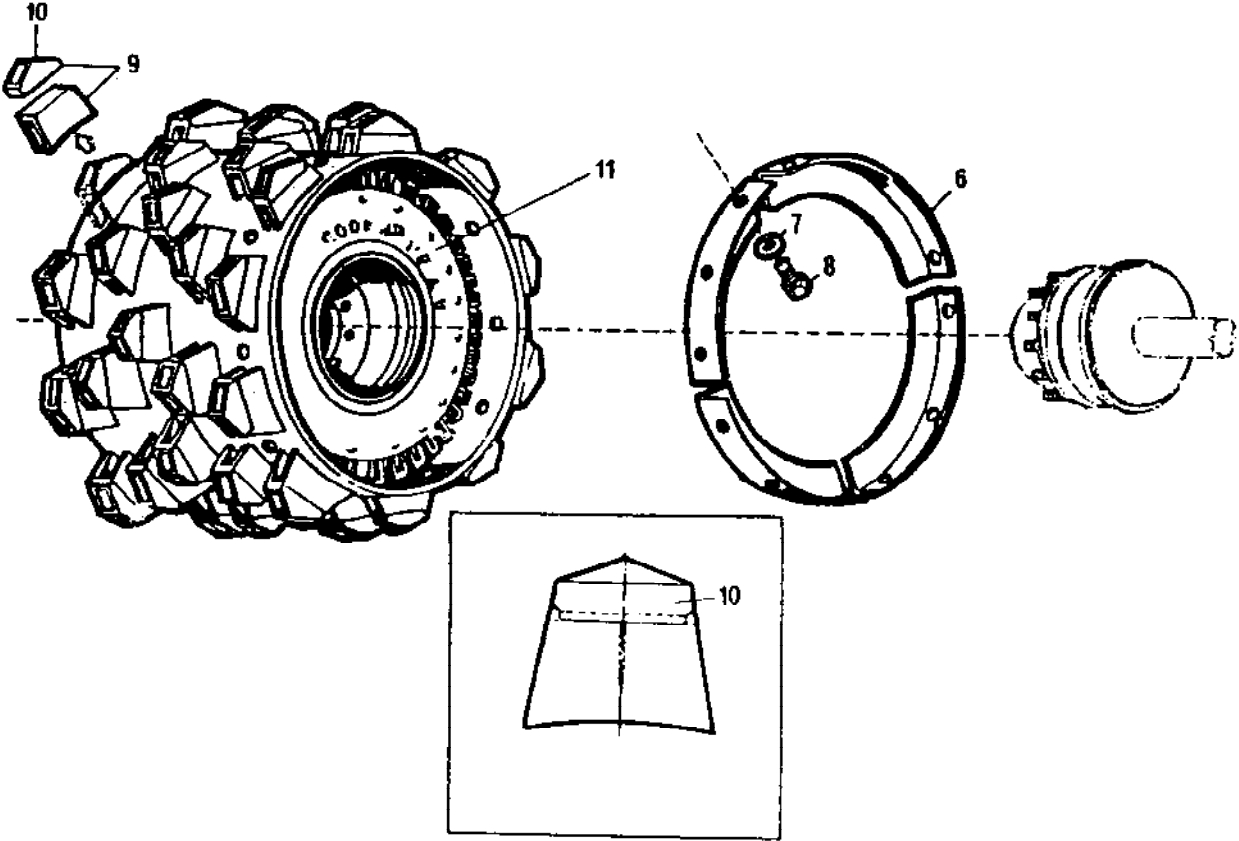
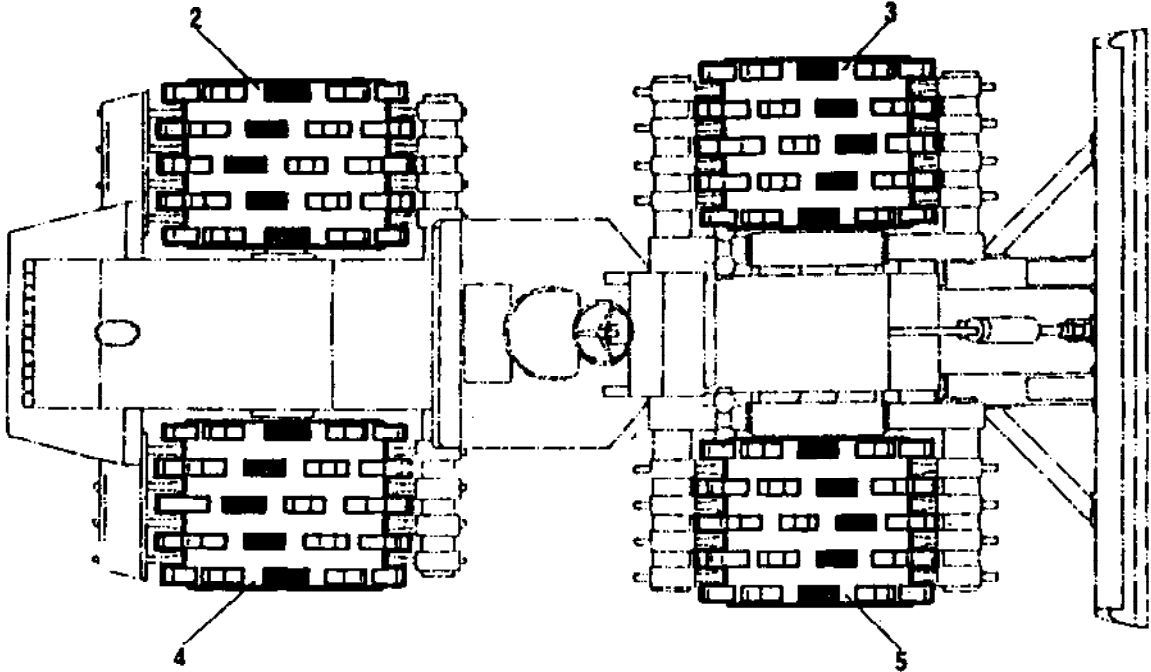
Ref. No.	Part No.	Rem.	Qty	Description	Code
1	500185		4	Screw	
2	600005		4	Washer	
3	312084		2	Turning knob	
4	267091		1	Bracket	
5	267107		1	Rotating beacon	
6	909152		3	Rubber grommet	
7	500043		4	Screw M10x16H 8.8	
8	603023		4	Washer	
9	241497		1	Rops	
10	242911	A	2	Scew	
11	242911	B	2	Scew	
12	502309		8	Screw	
13	603005		12	Washer	
14	241550		1	Bracket, right	
15	571031		8	Nut	
16	500287		16	Screw	
17	603022		16	Washer	
18	241546		1	Bracket, left	
19	600026		4	Washer	
20	502053		4	Screw	
21	264981		2	Strap	
22	925960		4	Screw	
23	241552		4	Washer	
24	925964		4	Nut	
25	502316		4	Screw	
26	241604		1	Kit, plate decals	
27	616003		8	Rivet	
28	264984		2	Rubber gasket	

A) L=660 mm
 B) L=775 mm

Compact wheel kit 60 PUS

16829

1

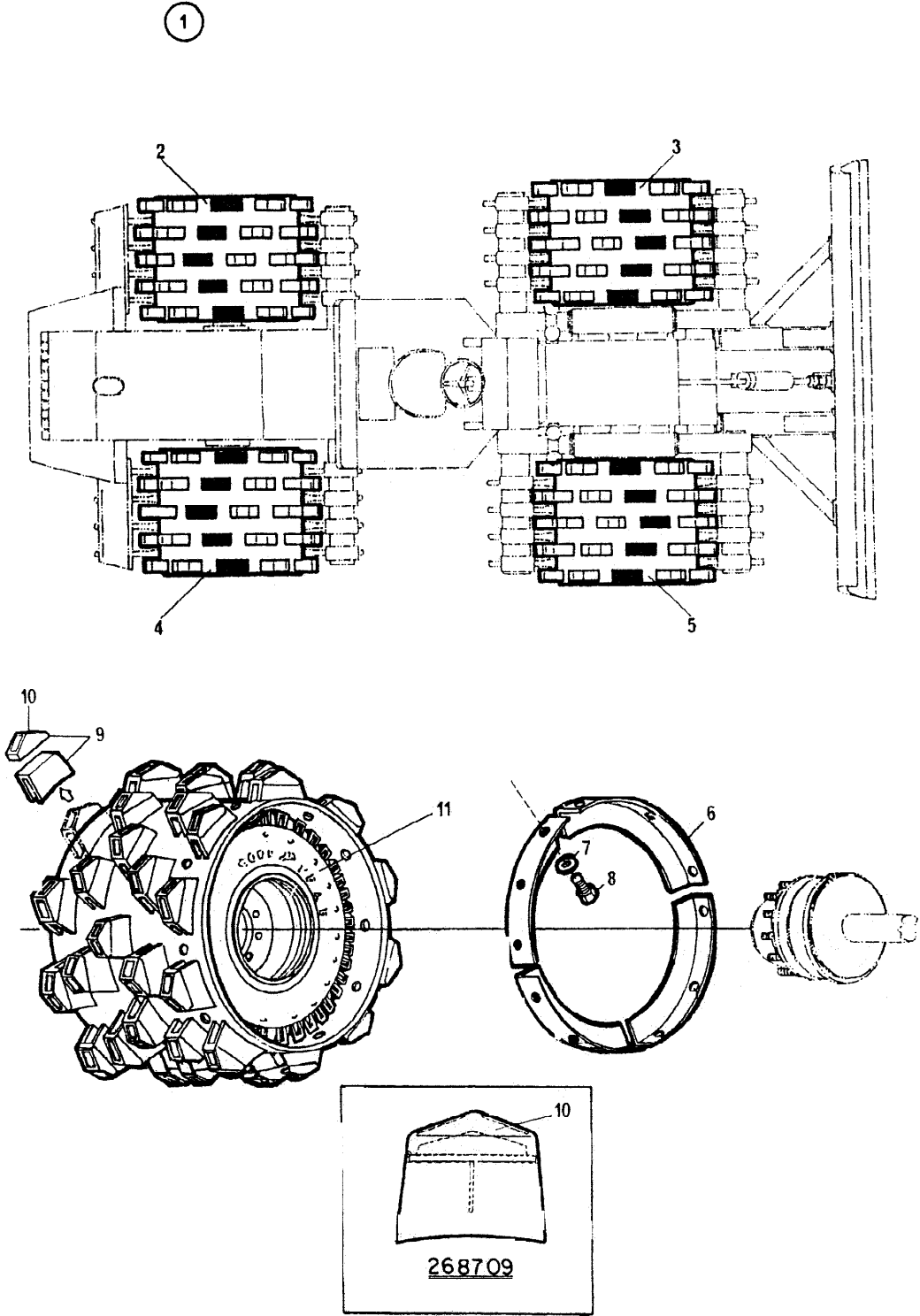


Compact wheel kit 60 PUS

Ref. No.	Part No.	Rem. Qty	Description	Code
1	265156	1	Compact wheel kit 60PUS	
2	265164	1	.Rear left padfoot drum	
3	265162	1	.Front left padfoot drum	
4	265163	1	.Rear right padfoot drum	
5	265161	1	.Front right padfoot drum	
6	260083	16	.Lock	
7	603004	48	.Washer	
8	500093	48	.Screw	
9	265169	60	.Padfoot USA	
10	265152	60	..Foot tip	
11		4	Wheel and tyre	

Compact wheel kit 60 PTN

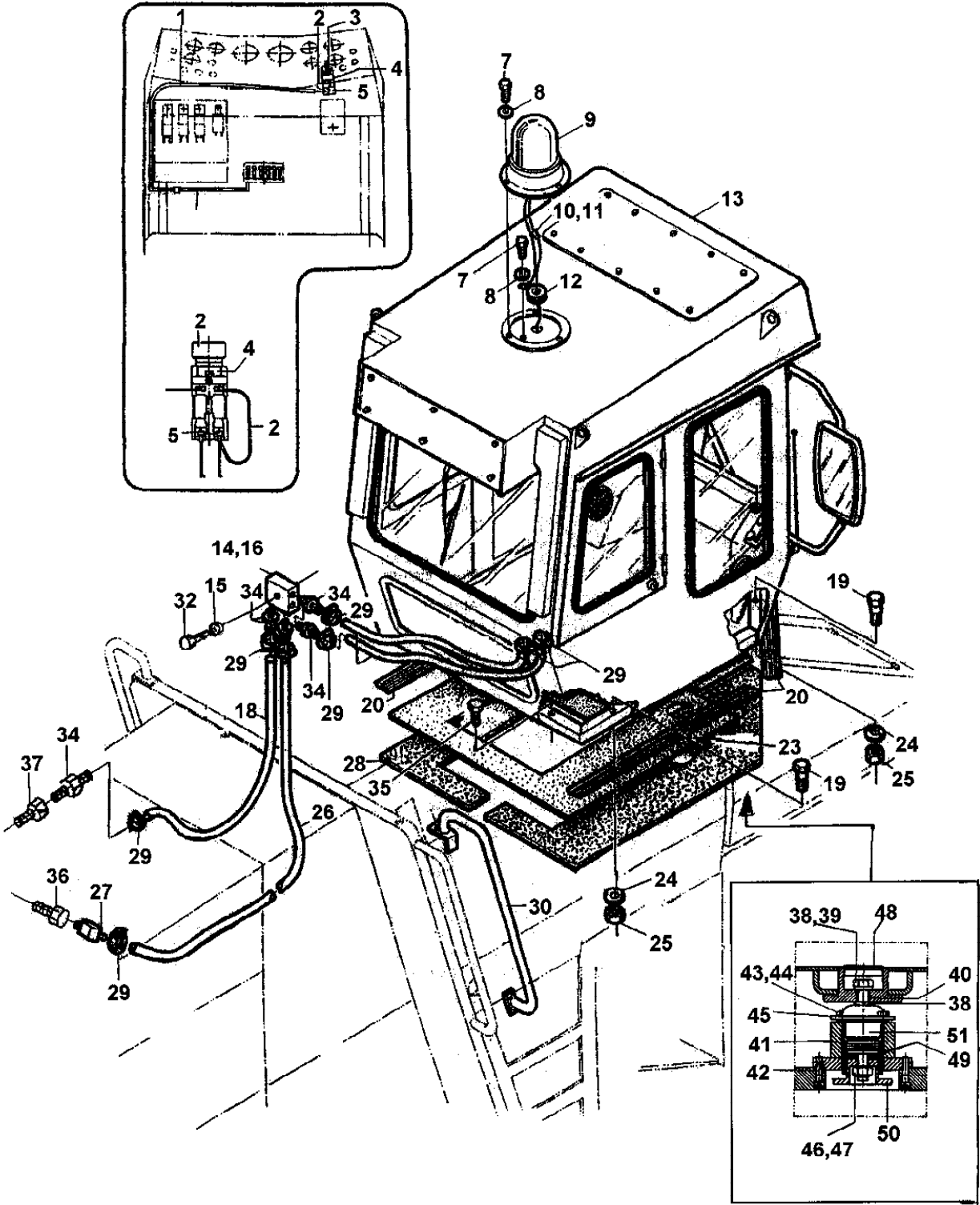
CT262100910065



Compact wheel kit 60 PTN

Ref. No.	Part No.	Rem. Qty	Description	Code
1	266793	1	Compaction wheel kit (60PTN)	
2	266641	1	Rear left padfoot drum	
3	266639	1	Front left padfoot drum	
4	266640	1	Rear right padfoot drum	
5	266638	1	Front right padfoot drum	
6	260083	16	Lock	
7	603004	48	Washer	
8	500093	48	Screw	
9	268709	60	Padfoot PTN	
10	268710	60	Foot tip	
11		1	Wheel and tyre	

Cab assy mouting
CA262100910011



Cab assy mouting

Ref. No.	Part No.	Rem.	Qty	Description	Code
1	269273		1	Cable harness	
2	345708		1	Electrical cable	
3	927487		1	Push button	
4	930195		1	Connect piece	
5	930163		1	Contact block	
6	268367		1	Brake assembly	
7	500185		4	Screw	
8	600005		4	Washer	
9	267107		1	Rotating beacon	
10	926033		1	Cable clip	
11	921307		1	External connection	
12	909152		1	Rubber grommet	
13			1	Cab, cpl (Page 164)	
14	198324		1	Connection	
15	904230		1	Washer 10.5x22x2	
16	199020		1	Shim	
17	246071	A	2	Hose	
18	246071	B	1	Hose	
19	196565		2	Screw	
	196885		8	Screw	
20	247435	C	1	Rubber strip	
23	198595		1	Floor mat	
24	603004		10	Washer	
25	196566		8	Nut	
26	246071	D	1	Hose	
27	813725		1	Hose connector	
28	247350		1	Neoprene shim	
29	313004		8	Clamp	
30	249373		2	Hand rail	
31	500028		1	Screw M10-1,5x25 8.8	
32	500149		1	Screw	
33	266353		1	Bracket	
34	262435		5	Hose connector	
35	439058		2	Screw	
36	813434		1	Reducing nipple	
37	334207		1	Reducing nipple	
38	903290		4	Washer	
39	903874		4	Screw M20-2,5x190 10.9	
40	198070		4	Spacer	
41	198066		4	Support	
42	508102		4	Screw M12-1,75x50 12.9	
43	947688		4	Screw M12x1,75x35 10.9	
44	904231		4	Washer	
45	198065		4	Ring	
46	904233		4	Washer	
47	901145		4	Lock nut M20-10	
48	923844		4	Shutter	
49	197217		4	Washer	
50	198068		4	Support	
51	373398		2	Shock absorber, rear Red	
	359888		2	Shock absorber, Front Blue	

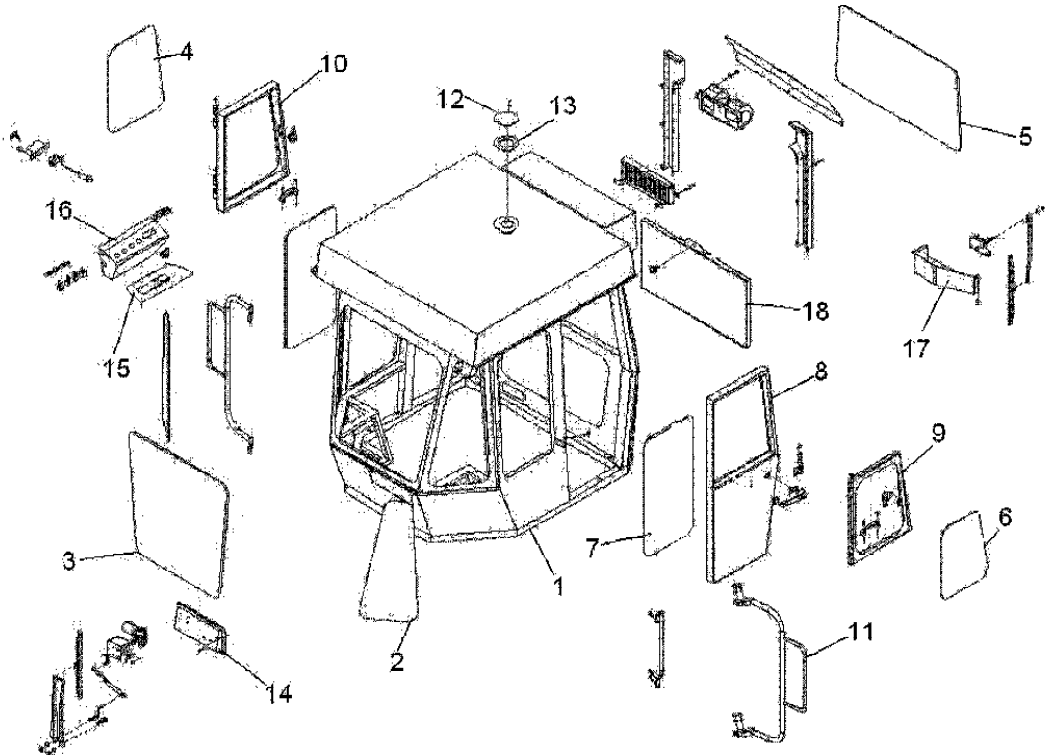
- A) L=1.100mm
- B) L=1.700mm
- C) L=3.900mm
- D) L=2.600mm

Cab, cpl
198290

Cab, cpl

Ref. No.	Part No.	Rem.	Qty	Description	Code
1			1	Cab, cpl 198290 (Page 166)	
2			2	Cab, cpl 198290 (Page 168)	
3			1	Cab, cpl 198290 (Page 170)	
4			1	Cab, cpl 198290 (Page 172)	
5			1	Cab, cpl 198290 (Page 174)	
6			1	Cab, cpl 198290 (Page 176)	
7			1	Cab, cpl 198290 (Page 178)	
8			1	Cab, cpl 198290 (Page 178)	
9			1	Cab, cpl 198290 (Page 180)	
10			1	Cab, cpl 198290 (Page 182)	
11			1	Cab, cpl 198290 (Page 184)	

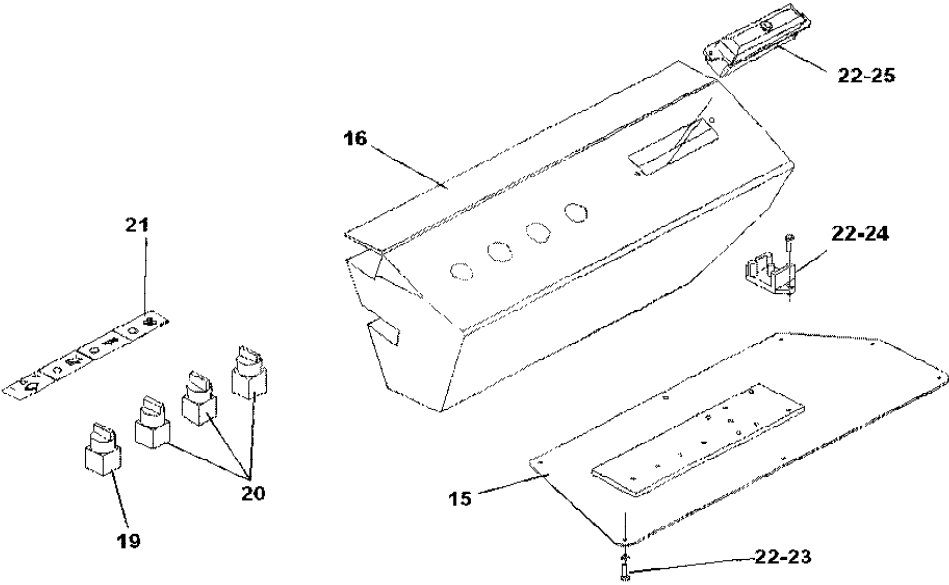
Cab, cpl 198290
CT262100910025



Cab, cpl 198290

Ref. No.	Part No.	Rem. Qty	Description	Code
1	198341	1	Structure	
2	199022	2	Side glass	
3	199023	1	Front wind shield	
4	199024	1	Window glass	
5	199025	1	Rear wind shield	
6	199026	1	Door window glass	
7	199027	2	Side glass	
8	199028	1	Door assembly	
9	199029	1	Door window	
10	199030	1	Window	
11	199031	1	Rear view mirror support	
12	199032	1	Cover	
13	199033	1	Rubber gasket	
14	199034	1	Windshield wiper box	
15	199035	1	Cover assembly	
16	199036	1	Board	
17	199037	1	Rear windshield motor box	
18	199038	1	Cover	

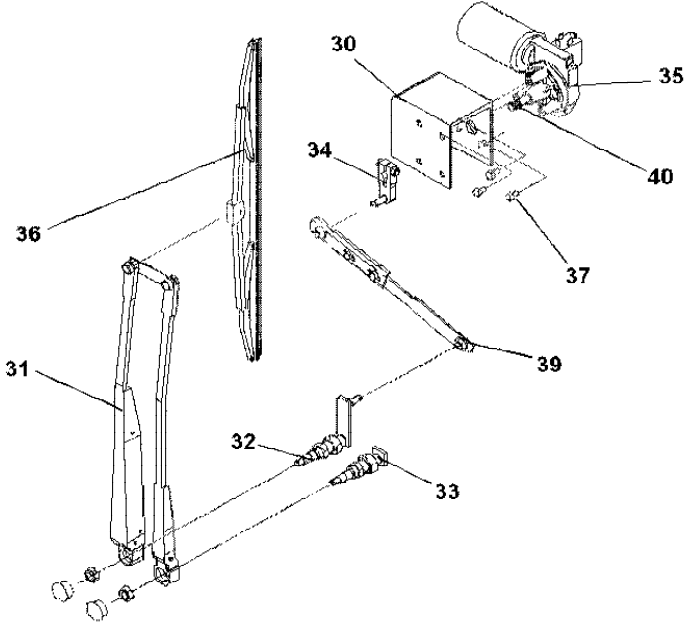
Cab, cpl 198290
CT262100910026



Cab, cpl 198290

Ref. No.	Part No.	Rem.	Qty	Description	Code
19	930153		1	Switch	
20	930151		3	Switch	
21	198442		1	Decal	
22	199021		11	Screw 3/16"x1/2"	
23	199039		7	Washer 3/16"	
24	903627		1	Junction block	
25	901256		1	Fuse box	
26	901228		3	Fuse 15A	
27	901227		1	Fuse 10A	
28	198291		1	Cable harness	
29	287598		1	Relay	

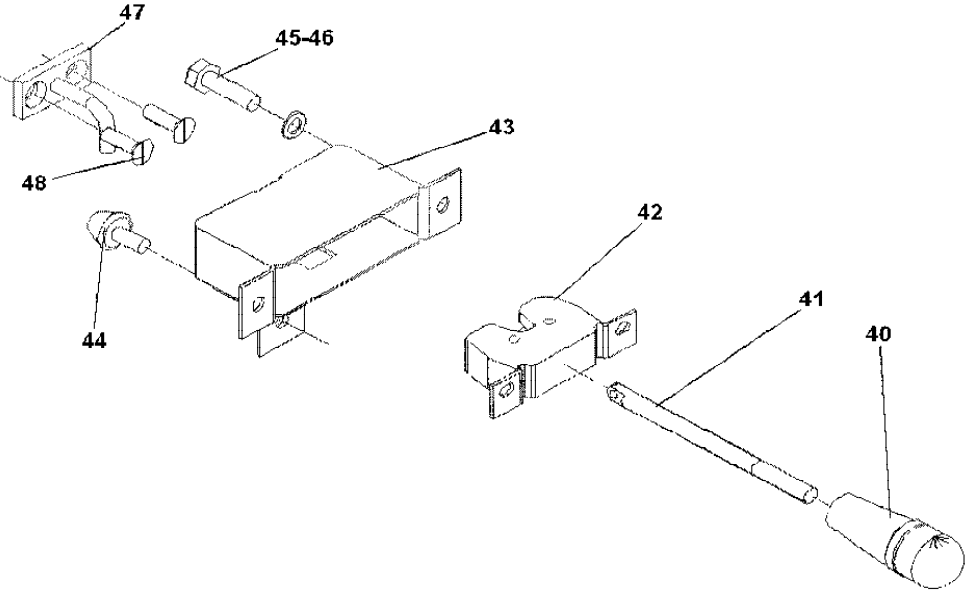
Cab, cpl 198290
CT262100910027



Cab, cpl 198290

Ref. No.	Part No.	Rem. Qty	Description	Code
30	199040	1	Support	
31	199041	1	Windshield wiper arm	
32	199042	1	Pin bearing	
33	199043	1	Pin bearing	
34	199044	1	Crank	
35	199045	1	motor	
36	199046	1	Windshield wiper	
37	199047	3	Screw M6x20	
39	199048	1	Bar	
40	199049	1	Snap ring	

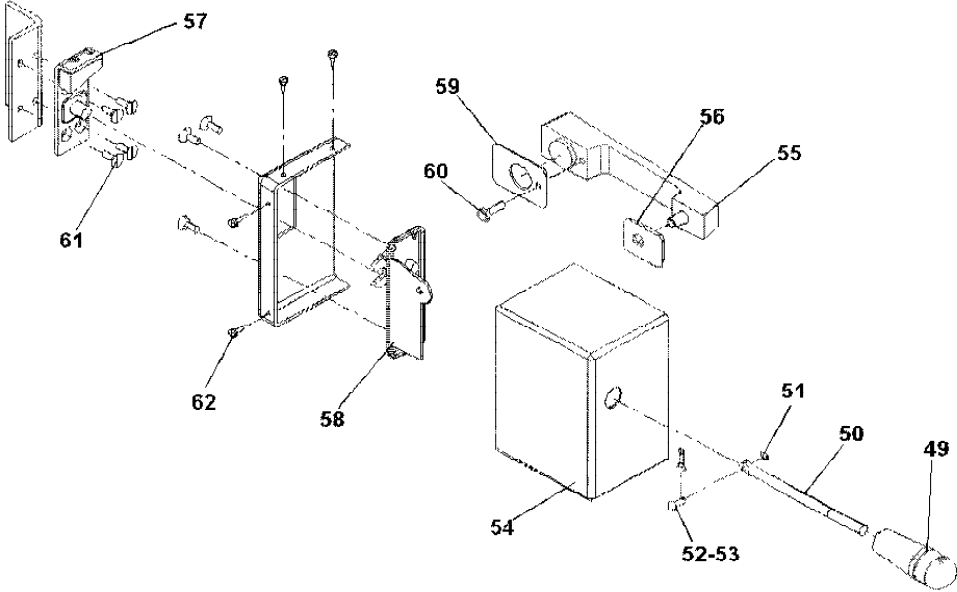
Cab, cpl 198290
CT262100910028



Cab, cpl 198290

Ref. No.	Part No.	Rem.	Qty	Description	Code
40	199052		1	Handle	
41	199053		1	Bar	
42	199054		1	Lock	
43	199055		1	Lock box	
44	199056		1	Rubber buffer	
45	199057		2	Screw M8x25	
46	199058		2	Washer 8mm	
47	199059		1	Lock	
48	199060		1	Screw M6x35	

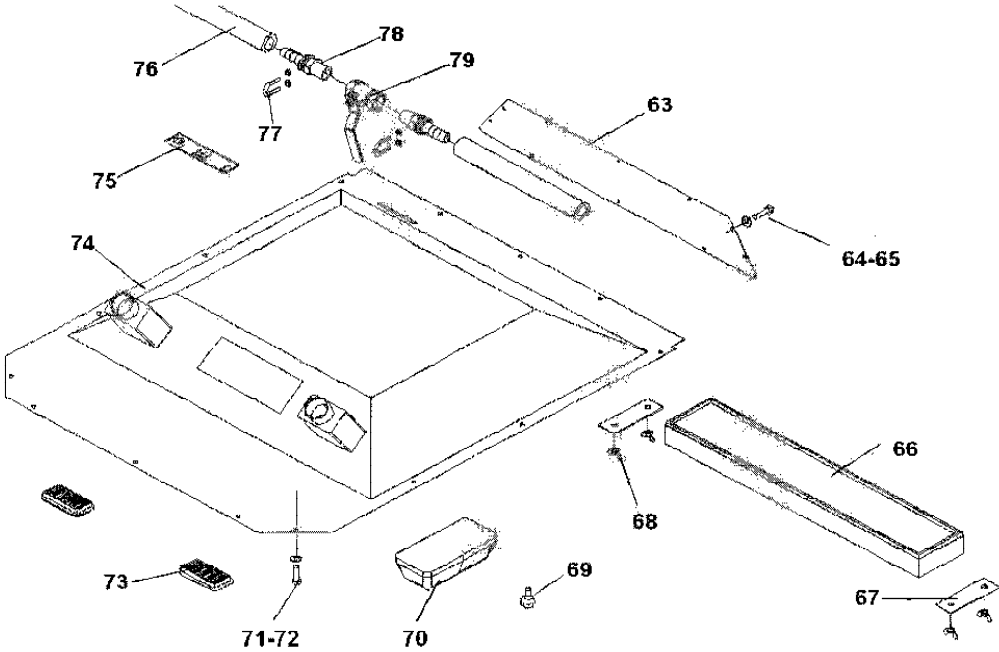
Cab, cpl 198290
CT262100910029



Cab, cpl 198290

Ref. No.	Part No.	Rem.	Qty	Description	Code
49	199052		1	Handle	
50	199053		1	Bar	
51	199061		1	Washer 5mm	
52	199062		1	Lock	
53	199063		1	Cotter pin	
54	199064		1	Box	
55	199065		1	Handle	
56	199066		1	Rubber shim	
57	199067		1	Door buffer	
58	199068		1	Lock	
59	199069		1	Rubber shim	
60	199047		1	Screw M6x20	
61	199070		7	Screw 1/4"x1"	
62	199071		3	Screw 4,2x22	

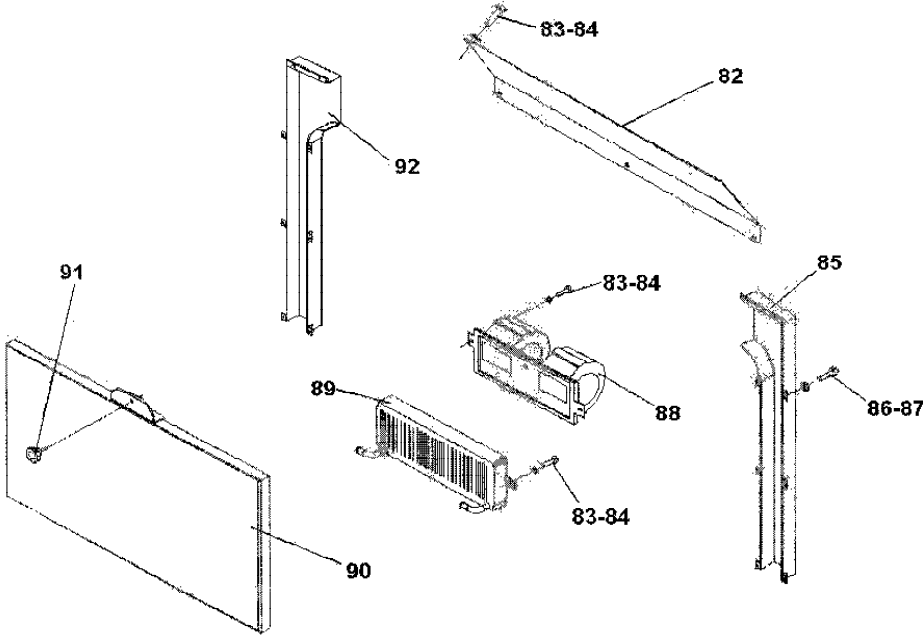
Cab, cpl 198290
CP262100910030



Cab, cpl 198290

Ref. No.	Part No.	Rem.	Qty	Description	Code
63	199072		1	Cover	
64	199057		10	Screw M8x25	
65	199058		10	Washer 8mm	
66	262509		1	Filter	
67	199073		2	Support	
68	199074		4	Nut M10	
69	199075		1	Lamp 12V	
70	199076		1	Lantern	
71	199047		15	Screw M6x20	
72	199077		15	Washer 6mm	
73	199078		2	Air deflector	
74	199079		1	Thermal ceiling	
75	198360		1	Decal	
76	190080		1	Hose 3m	
77	199081		2	Tube clamp	
78	199082		2	Hose adapter	
79	199083		1	Valve	
80	199084		1	Cover	
81	199085		4	Clamp	

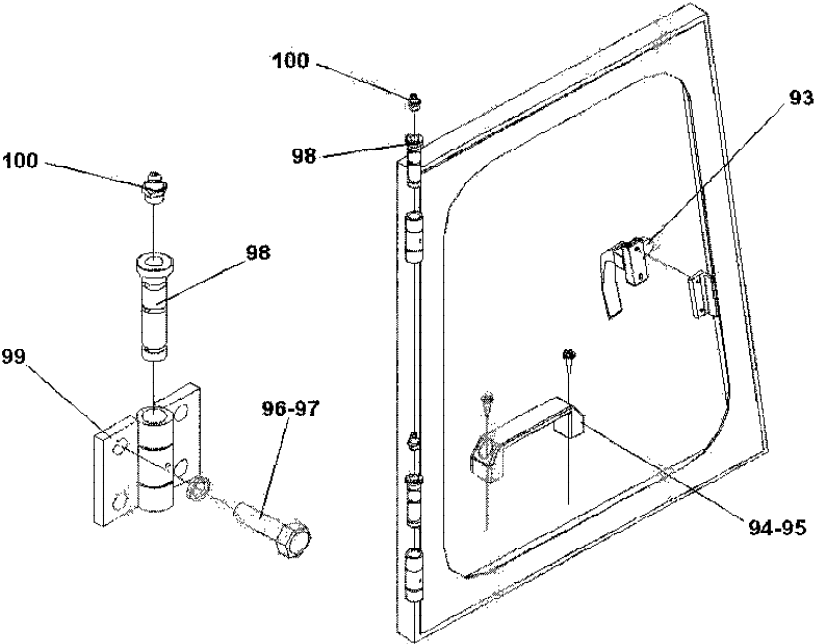
Cab, cpl 198290
CT262100910031



Cab, cpl 198290

Ref. No.	Part No.	Rem.	Qty	Description	Code
82	199086		1	Cover	
83	199057		10	Screw M8x25	
84	199058		10	Washer 8mm	
85	199086		1	Cover	
86	199021		10	Screw 3/16"x1/2"	
87	199061		16	Washer 5mm	
88	199087		1	motor 12V	
89	262508		1	Radiator	
90	199088		1	Cover assembly	
91	199089		1	Handle	
92	199090		1	Cover	

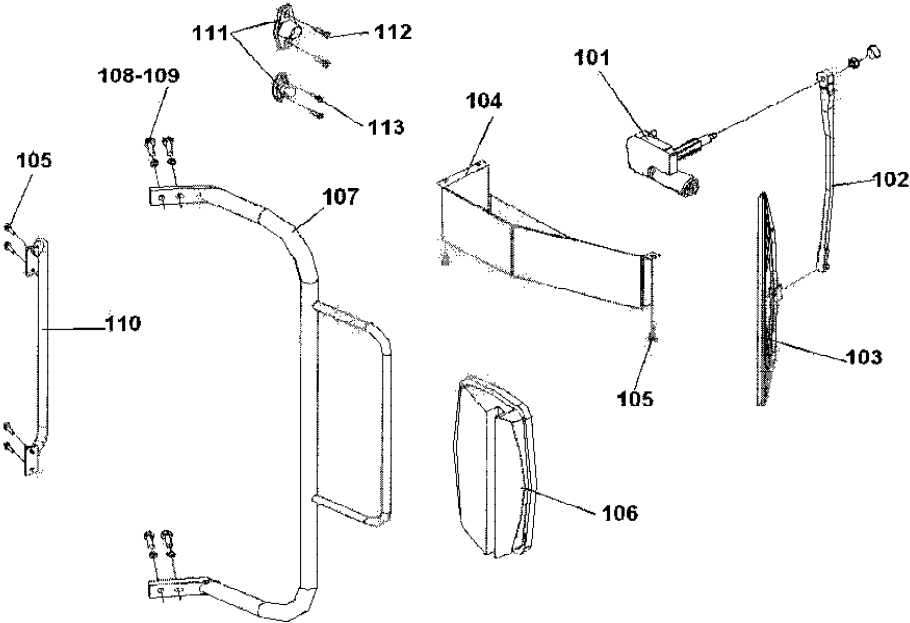
Cab, cpl 198290
CP262100910032



Cab, cpl 198290

Ref. No.	Part No.	Rem.	Qty	Description	Code
93	199091		1	Lock	
94	199092		1	Handle	
95	199093		2	Screw M6x20	
96	199057		4	Screw M8x25	
97	199058		4	Washer 8mm	
98	199095		3	Pin	
99	199094		1	Hinge, cpl	
100	199096		3	Grease	

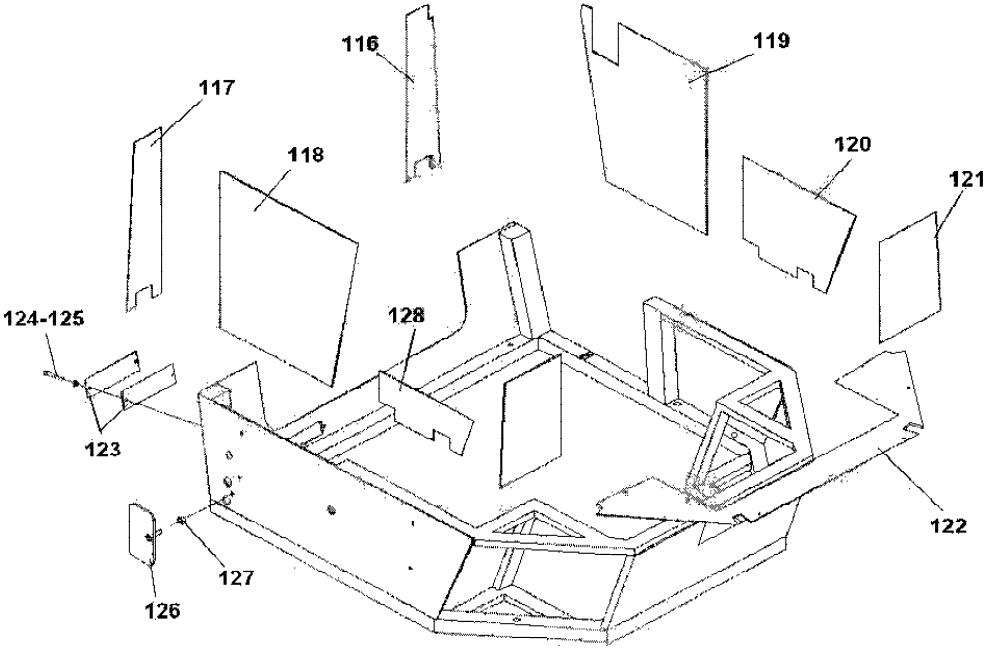
Cab, cpl 198290
CT262100910033



Cab, cpl 198290

Ref. No.	Part No.	Rem.	Qty	Description	Code
101	199097		1	Electric motor	
102	199098		1	Windshield wiper arm	
103	199099		1	Windshield wiper	
104	199037		1	Rear windshield motor box	
105	199047		7	Screw M6x20	
106	199100		1	Rear view mirror	
107	199031		1	Rear view mirror support	
108	199101		4	Screw M10x20	
109	199102		4	Washer 10mm	
110	199103		1	Handle	
111	199104		1	Fastener	
112	199021		2	Screw 3/16"x1/2"	
113	199021		2	Screw 3/16"x1/2"	
114	199105		1	Rear view mirror inner	
115	199106		1	Metal shield	

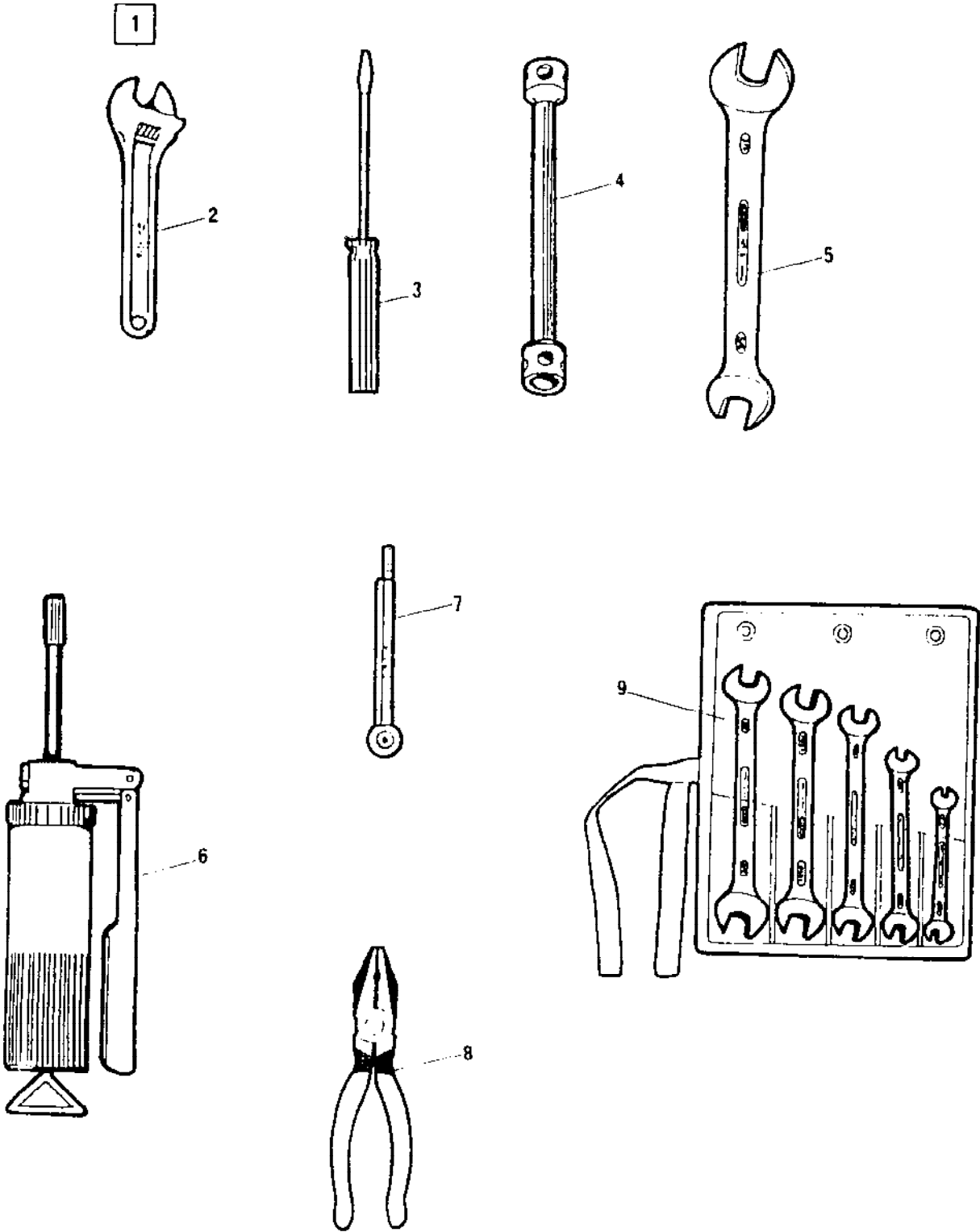
Cab, cpl 198290
CT262100910034



Cab, cpl 198290

Ref. No.	Part No.	Rem.	Qty	Description	Code
116	199107		1	Inner covering, left	
117	199108		1	Inner covering, right	
118	199109		1	Side covering, right	
119	199110		1	Door covering	
120	199111		1	Side covering, left	
121	199112		2	Inner front covering	
122	199113		1	Front covering	
123	199114		2	Under rear cover	
124	199115		2	Screw M8x60	
125	199116		2	Nut M8	
126	199088		1	Cover assembly	
127	119116		1	Nut 1/4"UNC	
128	119117		1	Covering	
129	199071		57	Screw 4,2x22	
130	199061		57	Washer 5mm	
131	199118		27	Screw cap	

Tool kit
16836



Tool kit

Ref. No.	Part No.	Rem. Qty	Description	Code
1	249554	1	Tool kit	
2	485011	1	.Adjustable wrench	
3	485019	1	.Screw driver	
4	268964016	1	.Wheel nut key	
5	268964009	1	.Open end spanner 24x26	
6	311016	1	.Hand-operatedpump	
7	485060	1	.Air pressure gauge	
8	485064	1	.Universal pliers	
9	268964014	1	.Double-ended spanner kit	

NUMERICAL INDEX

Part Number	Page	Part Number	Page	Part Number	Page
100040	7	190249	73	190311	79
116037	61	190250	73	190312	79
119116	185	190251	73	190313	79
119117	185	190252	73	190314	79
160186	99	190253	73	190315	79
160191	99	190254	73	190316	79
160218	95,97,109,111	190255	73	190317	79
163136	61	190256	73	190318	79
190080	177	190257	73	190319	79
190131	103	190258	73	190320	79
190133	103	190259	73	190321	79
190134	101	190260	73	190322	79
190136	101	190261	73	190323	79
190144	99	190262	73	190324	79
190145	99	190263	73	190325	79
190146	99	190264	73	190326	79
190147	99	190265	73	190327	79
190153	119,139	190266	73	190328	79
190155	119	190267	73	190329	79
190166	95	190268	73	190330	79
190190	93	190269	73	190331	79
190194	93	190270	73,87	190332	79
190204	71,85	190271	75	190333	79
190205	71	190272	75,77	190334	79
190206	71	190273	75	190335	79
190207	71	190274	75	190336	79
190208	71,89	190275	75	190337	79
190209	71	190276	75	190338	79
190210	71	190277	75	190339	79
190211	71	190278	75	190340	79
190212	71	190279	75	190341	81
190213	71	190280	75	190342	81
190214	71,83	190281	75	190343	81
190215	71	190282	75	190344	81
190216	71,73	190283	75	190345	81
190217	71	190284	75	190346	81
190218	71	190285	75	190347	83
190219	71	190286	75	190348	83
190220	71	190287	75	190349	83
190221	71	190288	75	190350	83
190222	71	190289	75,79	190351	83
190223	71	190290	75	190352	83
190224	71	190291	75	190353	83
190225	71	190292	75	190354	83
190226	71	190293	75	190355	83
190227	71	190294	75	190362	83
190228	71	190295	75	190363	83
190229	71	190296	75	190364	83
190230	71	190297	75	190365	83
190231	73	190298	75	190366	85
190232	73	190299	75	190367	85
190237	73	190300	75	190368	85
190238	73	190301	75	190369	85
190239	73	190302	75	190370	85
190240	73	190303	75	190371	85
190241	73	190304	75	190372	85
190242	73	190305	77	190373	85
190243	73	190306	77	190374	85
190245	73	190307	77	190375	85
190246	73	190308	77	190376	85
190247	73	190309	77	190377	85
190248	73	190310	79	190378	85

NUMERICAL INDEX

Part Number	Page	Part Number	Page	Part Number	Page
190380	87	190504	89	192617	67
190391	73	190505	89	192618	67
190393	13	190506	89	192619	67
190395	147	190507	89	192620	67
190396	147	190508	89	192621	67
190397	147	190509	89	192622	67
190398	147	190510	89	192623	69
190440	147	190580	13	192624	69
190449	87	190585	129	192625	69
190450	87	190599	13	192626	69
190451	87	190631	49	192627	69
190452	87	190632	49	192628	69
190453	87	190722	109	192629	69
190454	87	190729	109	192630	69
190455	41	190730	109	192631	69
190456	87	190731	109	192632	67
190457	87	190756	95	192633	67
190458	87	190779	103	192634	67
190459	87	190780	93	192635	67
190460	87	190781	107	192636	67
190461	87	190825	115,123	192637	67
190462	87	190900	23	192638	67
190463	87	190902	21,29	192639	67
190464	87	191017	137	192640	67
190465	87	191018	41	192641	67
190466	87	191921	21	192642	67
190467	87	192116	13	192643	67
190468	87	192155	13	192644	67
190469	87	192216	7	192645	67
190470	87	192224	41	192646	67
190471	87	192347	41	192647	67
190472	87	192393	123	192648	67
190473	87	192424	35	192649	67
190474	87	192549	123	192651	67
190475	87	192553	75	192652	67
190476	87	192554	75	192653	69
190477	87	192555	75	192655	65
190478	87	192589	67	192656	65
190479	87	192591	67	192657	65
190481	87	192592	67	192659	65
190482	87	192593	67	192662	65
190483	87	192594	67	192663	65
190484	89	192595	67	192664	65
190485	89	192596	67	192666	65
190486	89	192599	67	192667	65
190487	89	192600	67	192668	65
190488	89	192601	67	192669	65
190489	89	192602	67	192670	65
190490	89	192603	67	192671	65
190491	89	192604	67	192672	65
190492	89	192605	67	192673	65
190493	89	192606	67	192726	107
190494	89	192607	67	192728	107
190495	89	192608	69	192729	107
190496	89	192609	69	192731	107
190497	89	192610	69	192732	107
190498	89	192611	67	192733	107
190499	89	192612	67	192740	41
190500	89	192613	67	192742	41
190501	89	192614	67	192771	133
190502	89	192615	67	192775	133
190503	89	192616	67	192776	133

NUMERICAL INDEX

Part Number	Page	Part Number	Page	Part Number	Page
192778	9	194767	35	196157	25
192797	11	194846	35	196158	25
192803	21	195038	29	196159	25
192812	9	195157	123	196160	25
192813	135	195192	31	196161	25
192814	133	195193	31	196162	25
192816	101	195194	31	196163	25
192982	133	195195	31	196164	25
192985	147	195196	31	196165	25
192991	133	195197	31	196166	25
192992	133	195198	31	196167	25
193019	107	195199	31	196168	25
193020	107	195200	31	196169	25
193395	41	195201	31	196170	25
193755	7	195202	31	196171	25
193757	55	195203	31	196172	25
193776	99	195204	31	196173	25
193851	23,27	195205	31	196174	25
193879	35	195206	31	196175	25
193884	35	195207	31	196176	25
193885	35	195208	31	196177	25
193886	35	195209	31	196178	25
193887	35	195210	31	196179	25
193931	23	195211	31	196180	25
193932	23	195212	31	196181	25
193933	23	195568	41	196182	25
193934	23	195603	33	196183	25
193935	23	195760	139	196184	25
194151	109	195761	139	196185	25
194212	21	195791	73	196186	25
194236	21	195792	139	196187	25
194237	21	195793	139	196443	99
194366	21	195794	139	196444	99
194401	29,33	195796	139	196446	99
194408	29	195797	73	196448	99
194421	27	195798	73	196510	141
194422	27	195799	73	196544	7
194423	27	195800	73	196554	9
194424	27	195803	73	196555	133
194425	27	195804	73	196565	163
194426	27	195805	73	196566	163
194427	27	195806	139	196592	17
194428	27	195807	139	196605	17
194429	27	195818	139	196612	119
194430	27	195819	139	196687	45
194431	27	195885	21	196692	45
194432	27	195893	101,105,143	196693	45
194433	27	195894	143	196705	123
194434	27	195906	101	196711	13
194435	27	195919	23	196712	95
194583	135	195941	141	196713	95
194584	133	196145	25	196714	95
194585	133	196146	25	196715	95
194586	29	196148	25	196716	95
194607	21	196149	25	196718	23
194627	21	196150	25	196756	127
194669	65	196151	25	196757	127
194670	67	196152	25	196760	23
194671	67	196153	25	196763	105
194672	65	196154	25	196764	105
194673	65	196155	25	196765	105
194674	65	196156	25	196766	105

NUMERICAL INDEX

Part Number	Page	Part Number	Page	Part Number	Page
196767	105	197943	51	198140	129
196768	105	197947	129	198143	47
196769	105	197948	123	198144	47
196770	105	197963	141	198145	47
196771	105	197964	41	198147	123
196803	127	197965	101	198148	123
196810	127	197967	101	198150	147
196885	163	197970	101	198151	147
196886	133	197971	101	198152	147
196888	27	197973	51	198153	147
196928	55	197975	45	198154	119
196978	13	197976	45	198155	119
197031	23	197977	103	198157	119
197037	149	197992	147	198158	143
197038	149	197995	147	198159	143
197039	149	197996	147	198160	143
197040	147	197997	147	198161	119
197041	147	197998	147	198162	51
197049	149	198030	41	198168	147
197086	119	198031	47	198200	47
197176	13	198061	51	198201	137
197177	13	198065	133	198212	119
197178	13	198066	133	198213	119
197179	13	198067	133	198214	119
197180	13	198068	163	198215	119
197217	163	198070	133	198216	119
197221	13	198071	45	198217	119
197612	41	198076	9	198218	21
197680	45	198077	9	198219	49
197695	23	198087	45	198221	147
197704	101	198089	137	198222	147
197705	101	198090	137	198223	147
197708	23	198091	41	198224	149
197810	7	198092	45	198225	149
197829	41	198095	137	198250	119
197830	41	198096	9	198251	119
197835	41	198097	9	198252	119
197843	101	198098	143	198253	119
197850	101	198099	143	198263	125
197853	93	198101	129	198264	125
197870	47	198102	117	198265	125
197872	9	198103	117	198266	125
197876	123	198104	117	198267	125
197900	133	198105	117	198268	125
197903	51	198106	123	198291	169
197904	133	198107	117	198296	125
197905	133	198111	9	198302	41
197906	137	198112	45	198303	41
197910	9	198116	129	198304	41
197926	9	198117	119	198305	41
197927	9	198118	119	198306	41
197930	9	198121	101	198307	41
197933	45	198129	45	198324	163
197934	45	198130	99	198328	9
197935	45	198131	99	198341	167
197936	51	198132	101	198345	93
197937	51	198134	47	198360	177
197938	51	198135	21	198366	93
197939	51	198136	45	198411	41
197940	49	198137	45	198412	41
197941	51	198138	21	198413	41
197942	51	198139	101	198432	41

NUMERICAL INDEX

Part Number	Page	Part Number	Page	Part Number	Page
198434	119	199075	177	199230	111
198436	41	199076	177	199231	111
198442	169	199077	177	199232	111
198443	45	199078	177	199233	111
198444	45	199079	177	199234	111
198445	45	199081	177	199240	67
198595	163	199082	177	202028	133
199012	123	199083	177	230277	47
199014	123	199084	177	230456	93
199020	163	199085	177	232081	21
199021	169,179,183	199086	179	232098	99
199022	167	199087	179	232118	99
199023	167	199088	179	232120	41
199024	167	199089	179	232122	101
199025	167	199090	179	233304	101
199026	167	199091	181	234119	93
199027	167	199092	181	234257	21
199028	167	199093	181	234267	103
199029	167	199094	181	234340	47
199030	167	199095	181	234354	99
199031	167	199096	181	234384	93
199032	167	199097	183	234678	101
199033	167	199098	183	234719	21
199034	167	199099	183	234729	21
199035	167	199100	183	234864	129
199036	167	199101	183	234865	45
199037	167	199102	183	234929	101
199038	167	199103	183	234970	23
199039	169	199104	183	240247	51
199040	171	199105	183	240459	147
199041	171	199106	183	240522	55
199042	171	199107	185	240533	21
199043	171	199108	185	240536	41
199044	171	199109	185	240546	27
199045	171	199110	185	240828	37
199046	171	199111	185	240829	37
199047	171,175	199112	185	240830	37
199048	171	199113	185	240831	37
199049	171	199114	185	240832	37
199052	173	199115	185	240833	37
199053	173	199116	185	240834	37
199054	173	199118	185	240901	35
199055	173	199134	65	241029	35
199056	173	199135	97	241031	35
199057	173,181	199136	97	241033	35
199058	173	199137	111	241497	157
199059	173	199138	111	241546	157
199060	173	199181	41	241550	157
199061	175	199216	97	241552	157
199062	175	199217	97	241604	157
199063	175	199218	97	241617	101
199064	175	199219	97	241621	63
199065	175	199220	97	241642	63
199066	175	199221	97	241644	57
199067	175	199222	97	241845	41
199068	175	199223	97	242451	45
199069	175	199224	97	242452	45
199070	175	199225	97	242475	69
199071	175	199226	97	242476	69
199072	177	199227	97	242480	69
199073	177	199228	111	242481	69
199074	177	199229	111	242485	69

NUMERICAL INDEX

Part Number	Page	Part Number	Page	Part Number	Page
242488	67	249946	103	262473	15
242490	67	250070	127	262474	15
242491	67	252675	7	262480	17
242492	67	253414	13	262508	179
242493	67	253415	13	262509	177
242613	119	253416	13	262593	133
242641	65	253485	13	263300	143
242643	65	253577	13	263355	41
242647	65	253723	13	263357	41
242911	157	256485	117	263381	103
243129	41	258267	23	263806	11
243197	95	258307	119	263835	127
243198	41	258313	47	263836	127
243303	41	259265	141	264006	15
243323	147	259933	127	264007	15
243326	147	260031	7	264021	15
243552	13	260083	37,159,161	264049	17
243556	13	260148	41	264321	127
243622	109	260164	61	264981	157
243623	109	260165	61	264984	157
243624	109	260170	61	265109	7
243712	41	260171	61	265152	159
243718	61	260212	93	265156	159
243728	9	260219	13	265161	159
243739	115	260259	93	265162	159
243745	47	260264	7	265163	159
243746	47	260267	7	265164	159
243785	41	260268	7	265169	159
243786	41	260269	7	266343	147
243861	41	260270	7	266353	163
243864	115	260271	7	266466	13
243882	137	260272	7	266467	13
245747	7	260274	7	266468	13
246068	45	260275	7	266469	13
246071	163	260276	7	266470	13
246947	119	260277	7	266638	161
247152	21	260278	7	266639	161
247153	21	260279	7	266640	161
247154	21	260728	23	266641	161
247283	35	260734	141	266793	161
247350	163	261446	7	266799	153
247435	133	261469	7	266816	7
247503	65	261481	11	266825	55
247638	119	261482	11	266938	49
248271	23	261530	123	267029	103
248712	41	261567	93	267091	157
248732	103	261579	103	267107	157
248735	103	261606	127	267464	47
248736	109	261876	7	267537	65
248739	109	261877	147	268325	11
248745	103	261882	147	268326	11
248746	103	261888	147	268367	163
248747	103	261889	147	268709	161
249045	23	261895	147	268710	161
249046	21	261896	147	268814	9
249344	65	261902	147	268964009	187
249373	163	261903	147	268964014	187
249554	187	261916	99	268964016	187
249593	45	262094	143	268964022	21
249608	21	262365	127	269029	103
249865	9	262435	163	269049	141
249872	21	262472	15	269113	141

NUMERICAL INDEX

Part Number	Page	Part Number	Page	Part Number	Page
269117	141	373304	47	500048	51
269137	21	373398	163	500051	7
269154	137	380392	137	500053	45
269189	103	381297	47	500059	35
269190	103	382751	147	500060	23
269196	101	385171	51	500075	23
269199	93	385376	51	500088	9
269273	163	385377	51	500092	93
269362	141	385378	51	500093	37
269380	147	385379	51	500123	13
269381	147	385404	51	500142	101
269382	147	385691	51	500149	163
269383	147	389813	133	500152	13
269485	93	401104	35	500160	45
269497	93	401106	21	500161	47
269575	93	415116	23	500185	103
269576	93	415120	23	500190	45
272372	147	415277	29	500193	13
273373	147	415280	65	500194	45
287598	169	415350	21	500196	45
308001708	103	416223	65	500197	41
310008	57,59	416250	67	500209	13
310022	7	416254	67	500212	21
310028	57	416361	67	500270	9
311016	187	439058	163	500280	7
312084	133	450140	133	500287	157
313001	47	480444	105	500506	47
313004	163	480446	105	502015	41
313010	45	480447	105	502033	101
313022	45	480449	105	502035	99
313023	45	480450	105	502036	41
313041	117	480453	105	502037	143
313060	45	480454	105	502053	157
313068	35	480457	105	502059	99
313094	49	480468	105	502076	41
313102	21	480481	107	502157	99
313145	51	481309	105	502184	41
330328	29	482260	99	502186	101
330330	21	482717	99	502309	157
330333	21	483002	99	502316	157
330334	99	485011	187	508002	13
332152	47	485019	187	508013	143
333062	21	485060	187	508092	133
334118	93	485064	187	508102	41
334128	93	500012	21	510752	109
334132	103	500013	45	513014	141
334138	101	500015	23	513015	41
334140	99	500019	13,43	533009	133
334157	93	500021	119	533023	119
334161	101	500022	23	533027	119
334168	101	500027	23	533034	139
334207	163	500028	51	533039	133
334239	99	500029	101	533058	119
334468	101	500030	9	550132	129
334558	47	500031	49	570001	119
345243	101	500033	49	570002	119
345687001	107	500035	127	570003	23
345708	163	500037	7	570004	23
348338	133	500040	101	570005	23
349880	47	500042	119	570006	21
357138	101	500043	157	570007	45
359888	163	500047	9	570008	41

NUMERICAL INDEX

Part Number	Page	Part Number	Page	Part Number	Page
571003	127	813353	137	904232	9
571007	13	813355	137	904233	133
571031	157	813362	137	904281	23
572002	119	813369	141	904448	119
572003	137	813370	119	904556	45
586001	119	813391	47	904557	49
586002	11	813412	115	904640	93
586003	119	813434	163	904698	133
586018	47	813435	47	904703	99
586019	133	813465	23	904793	141
586021	133	813473	7	904835	147
586112	7	813499	103	904870	147
586113	7	813546	109	908229	147
586116	41	813642	107	909152	157
588176	147	813656	107	910161	93
600001	119	813668	107	910772	107
600002	119	813673	107	911456	129
600004	127	813677	107	911661	107
600005	103	813682	107	912120	21
600006	13	813719	101	912385	51
600008	93	813725	163	920783	21
600009	93	813738	101	920785	21
600025	93	813907	107	920786	21
600026	61	813917	107	920787	23
602008	7	813919	107	920790	23
602014	61	813922	107	920791	23
602015	7	813953	65	920792	21
603001	45	814034	65	920800	61
603003	45	842868	93	920806	7
603004	15	843157	147	920931	141
603005	13	891953	99	921028	117
603017	55	900223	119,121	921084	101
603022	13	900477	9	921108	47
603023	7	900524	21	921175	23
604002	47	900798	123	921307	163
604008	99	900985	29	921308	129
604009	99	901145	163	921931	21
615042	35	901225	123	922045	97
615043	29	901226	123	922455	51
615044	7	901227	123	922473	65
615045	7	901228	123	922476	65
615046	13	901240	123	922519	65
615047	13	901256	123	922521	65
616003	157	901767	119	922524	65
624012	147	901769	119	922532	65
624016	147	902160	45	922534	65
630003	9	903290	133	922547	65
630005	141	903422	147	922623	143
630006	137	903423	147	922919	23
630008	35	903424	147	923457	107
630016	61	903425	147	923569	41
630019	7	903459	147	923640	65
630029	103	903627	169	923844	133
630031	141	903741	123	924566	107
745072	23	903832	147	925099	99
752054	13	903874	163	925208	15
754111	23	904092	147	925209	17
791551	123	904098	147	925519	55
801567	129	904228	9	925629	133
801688	51	904229	9	925664	119
802550	51	904230	9	925713	129
813307	47	904231	7	925863	15

NUMERICAL INDEX

Part Number	Page	Part Number	Page	Part Number	Page
925867	15				
925960	157				
925964	157				
926032	129				
926033	139				
926388	65				
927210	133				
927412	133				
927487	163				
927637	93				
927972	127				
928021	127				
928155	13				
928632	11				
928661	129				
929023	51				
929486	57				
929488	57				
929906	41				
929910	119				
930046	115				
930139	117				
930150	127				
930151	129				
930153	169				
930163	129				
930182	129				
930186	143				
930195	129				
930197	119				
932032	129				
932058	129				
932059	129				
947231	51				
947679	137				
947680	51				
947682	11				
947683	41				
947684	137				
947686	21				
947688	9				
947690	7				
947695	9				
947697	9				
960051	139				
960787	147				
975068	115				
985012	129				
985087	119				
985145	129				
985146	129				
985155	123				
989151	101				
991611	147				
991613	147				
991614	147				
991657	147				
991658	147				
CT262100500091	91				

