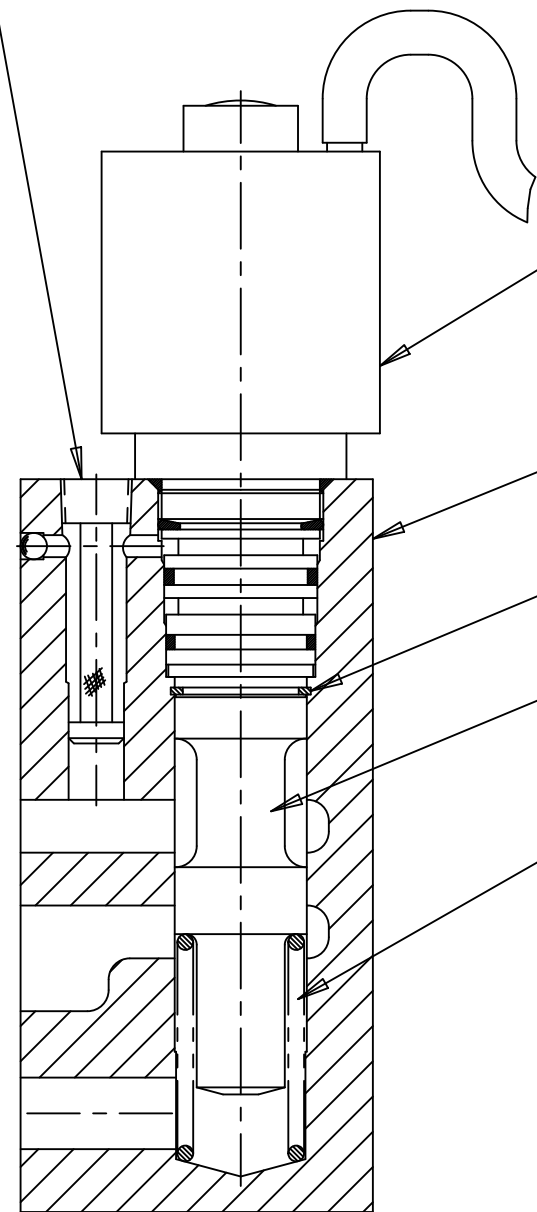


SCREEN,221336(4)
TORQUE TO 9.2 TO 11.8 LB.FT.
(LUBRICATED)PER S-574



SOLENOID ASS'Y, XM2759FL(4)

BODY ASS'Y, 1001010

RING, B1048W(4)

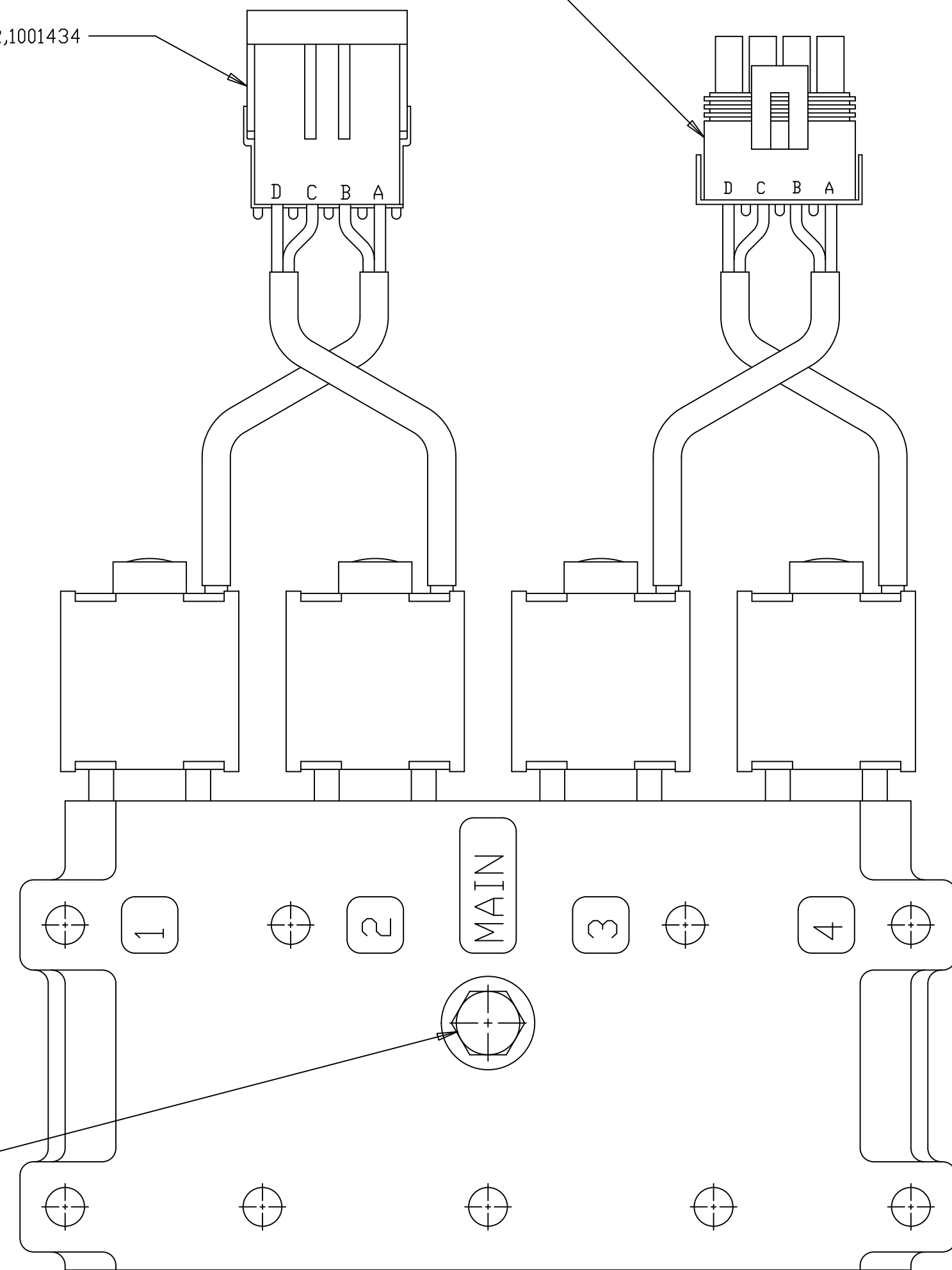
VALVE, 202911F(4)

SPRING, A2704AS (4)

(B)

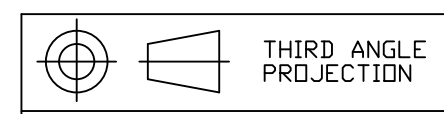
CONNECTOR, 1001434

CONNECTOR, 1001435



PLUG, M2080E
RING, A2916DK

(A) REDRAWN SUPERSEDES 1001458
OF 6-30-86



SIMILAR TO

1001392

REV	ZONE	CH. NO.	DATE	REV	ZONE	CH. NO.	DATE
				B	C2	ECN14148	5-11-06
				A	C1		2-16-88

NOTICE: THIS PRINT CONTAINS PROPRIETARY INFORMATION AND IS NOT TO BE USED IN ANY MANNER DETRIMENTAL TO THE INTERESTS OF TWIN DISC, INCORPORATED RACINE, WI 53403 - USA
THIS NOTICE IS NOT INTENDED TO NULLIFY OR LIMIT RIGHTS GRANTED TO THE U.S. GOVERNMENT OR OTHERS BY CONTRACT.

MATERIAL	SEE DETAILS	WEIGHT	VR ²
		LBS.	LBS. IN ³
HEAT TREAT	FIRST USE	UNLESS OTHERWISE SPECIFIED	
	ASSY. 1000954	MACHINED DIMENSIONS	
	MODEL TD61-1172	X.X ±0.030	
		X.XX ±0.010	
		X.XXX ±0.005	
		ALL ANGULAR TOLERANCES ±1°	
SURFACE TREATMENT	NAME	GEOMETRIC TOLERANCING PER ANSI Y14.5M 1982	
	VALVE ASSEMBLY (RANGE SELECTOR (12V))		

DATE	2-16-88
SCALE	1" = 1"
DRN.	W. Russell
CHK.	D.J.
APPD.	M.E.G.

TWIN DISC
INCORPORATED
RACINE, WI 53403 - USA

1001458

SHEET 1 OF 1 REV B

D

C

B

A

4

3

2

1