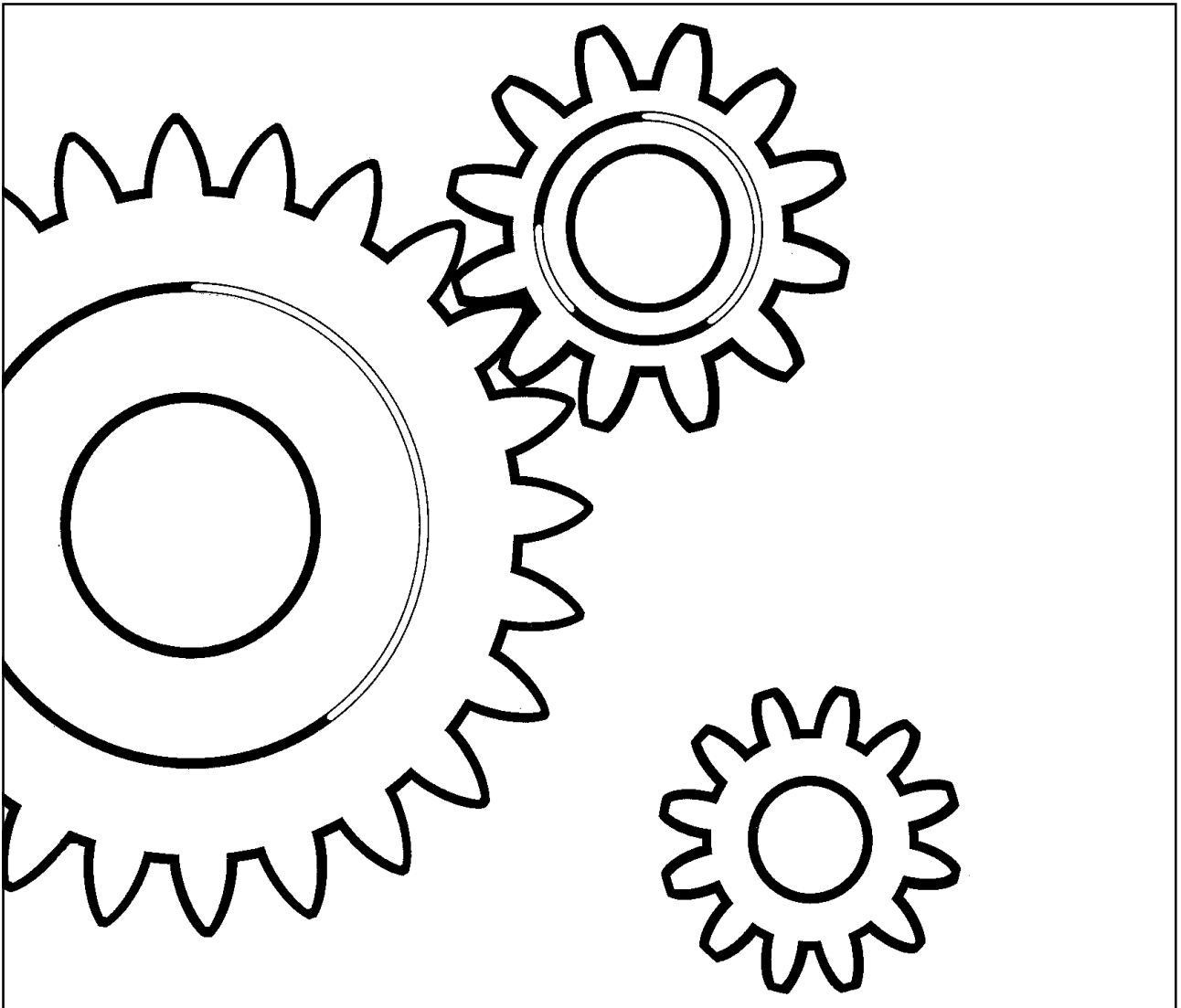


**DYNAPAC
CP221
SPARE PARTS
CATALOGUE
SCP221-3EN2**



DYNAPAC

Box 504, SE-371 23 Karlskrona, Sweden
Phone: +46 455 30 60 00, Fax: +46 455 30 60 10
www.dynapac.com

Pneumatic Tire Roller CP221

Spare Parts Catalogue SCP221-3EN2

Valid from roller serial number:

22620600* - *22620607

Diesel engines:

CUMMINS 4B4.5 - 99C

Published catalogue issues valid for these rollers:

<i>Catalogue</i>	<i>Issue date</i>	<i>Valid for serial numbers</i>
<i>SCP221-3EN1</i>	<i>2004-03</i>	<i>Replaced by SCP221-3EN2</i>
<i>SCP221-3EN2</i>	<i>2004-11</i>	<i>See above</i>



RESERVDLSBESTÄLLNING

Följande uppgifter ska lämnas vid beställning av reservdelar för att undvika leveransfel:

1. Maskintyp.
2. Vältensserienummer.
3. Antal av önskad reservdel.
4. Reserdelens artikelnummer.
5. Reservdelens benämning.
6. Måttuppgifter vid beställning av metervara.

ERSATZTEILBESTELLUNG

Zur Vermeidung von Fehllieferungen sind bei der Bestellung von Ersatzteilen folgende Angaben zu machen:

1. Maschinentyp.
2. Herstellungsnummer.
3. Bestellmenge. (Quantity)
4. Ersatzteilnummer. (Part N°)
5. Ersatzteilbenennung. (Denomination)
6. Massangaben bei Bestellung von Meterware.

PEDIDO DE RECAMBIOS

Para evitar errores en las entregas, deberán indicarse los siguientes datos al hacer un pedido de recambios:

1. Tipo de máquina.
2. Número de serie.
3. Cantidad de piezas deseadas. (Quantity)
4. Número de artículo de la pieza de recambio. (Part N°)
5. Denominación de la pieza. (Denomination)
6. Indíquese la medida al solicitar un artículo que se expide por metros.

ORDERING SPARE PARTS

To avoid errors in delivery, please give the following information when ordering spare parts:

1. Type of machine.
2. Roller serial number.
3. Quantity required.
4. Part number.
5. Parts denomination.
6. Dimensions when ordering per length.

ORDINI DI RICAMBI

Per evitare errori nelle consegne di ricambi, Vi preghiamo di comunicarci le seguenti informazioni al momento dell'ordinazione:

1. Tipo di macchina.
2. Numero di serie della macchina.
3. Quantità dei pezzi desiderati. (Quantity)
4. Numero di codice del pezzo. (Part N°)
5. Descrizione del pezzo di ricambio. (Denomination)
6. Misura, in caso di ordine per metro.

COMMANDE DE PIÈCES DE RECHANGE

Les indications suivantes doivent être fournies lors de la commande de pièces de rechange, afin d'éviter toute erreur de livraison:

1. Type de machine.
2. Numéro de série.
3. Quantité désirée de pièce de rechange. (Quantity)
4. Numéro de la pièce de rechange. (Part N°)
5. Dénomination de la pièce de rechange. (Denomination)
6. Longueur en cas de commande au mètre.

YOUR AGENT/DEALER:

PÄRMETIKETT

För att undvika fel vid reservdelsbeställning finns här nedan två etiketter som passar i fickorna på pärmarnas ryggar. På dessa kan man se från vilket vältnummer av aktuell maskin reservdelskatalogen gäller. Gör så här:

1. Tag denna sida ur pärmen.
2. Klipp ut etiketten till **VÄNSTER** (1) och sätt in den i fickan på **DENNA** pärmens rygg.
3. Finns det en etikett till **HÖGER** (2), kan denna användas på pärmen för **FÖREGÅENDE** utgåva av denna katalog.
4. Kasta detta papper.

KATALOG-BESCHRIFTUNG

Zur Vermeidung von Fehlern bei der Ersatzteilbestellung benutzen Sie bitte die unteren Beschriftungen, um die Kataloge auf der Rückseite zu kennzeichnen. Auf der Beschriftung ist angegeben, für welche Maschinennummern der jeweilige Katalog gültig ist. Ablauf:

1. Nehmen Sie dieses Blatt aus dem Katalog.
2. Schneiden Sie die **LINKE** Beschriftung (1) aus. Schieben Sie die Beschriftung in die tasche auf **DEM** Katalogrücke.
3. Sollte die Beschriftung unten **RECHTS** (2) mitgeliefert werden, kennzeichnen Sie damit bitte die **ÄLTERE** Ausführung dieses Kataloges.
4. Den Rest dieses Blattes bitte vernichten.

ETIQUETA PARA LA CARPETA

Para evitar errores al pedir repuestos utilicen las etiquetas abajo descritas para identificar los catálogos en la parte trasera de la carpeta. En la etiqueta se ven los números de referencia de la serie para la cual es válido el catálogo. Instrucciones:

1. Quitar esta página de la carpeta.
2. Corta la etiqueta **IZQUIERDA** (1) y ponerla en **ESTA** carpeta en la parte trasera.
3. Si hay una etiqueta en la parte **DERECHA** (2) se puede utilizar en la carpeta para el catálogo que **PRECEDE** a esta.
4. Tirar esta hoja.

BINDER LABEL

To avoid errors when ordering spare parts use the labels below to identify the catalogues on the back of the binder. The label contain the serial number range for which the catalogue is valid. Do like this:

1. Remove this page from the binder.
2. Cut out the **LEFT** label (1) and put it on **THIS** binders back.
3. If there is a label to the **RIGHT** (2), it can be used on the binder for **PRECEDING** issue of this catalogue.
4. Throw away this paper.

ETICHETTAPOSTASULRACCOGLITORE

Per evitare errori quando ordinate pezzi di ricambio, usate le etichette in calce che servono ad identificare i cataloghi sul retro del raccoglitore. L'etichetta indica il numero di matricola delle macchine prese in considerazione nel catalogo.

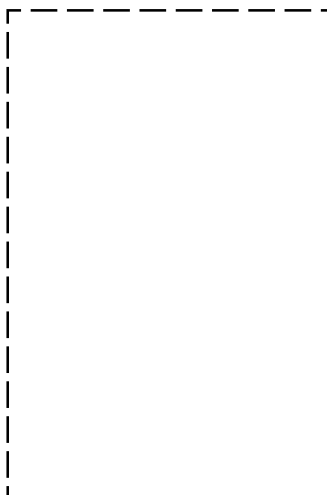
1. Rimuovete questa pagina dal raccoglitore.
2. Ritagliate l'etichetta posta a **SINISTRA** (1) e ponetela sul retro **DEL** raccoglitore.
3. Se trovate anche un'etichetta sulla **DESTRA** (2), ritagliatela e ponetela sul raccoglitore relativo alla **PRECEDENTE** edizione del catalogo.
4. Distruggete questo foglio.

ETIQUETAGE DU CATALOGUE

Afin d'éviter des erreurs lors de commandes de pièces de rechange, nous vous conseillons d'apposer les marquages ci-dessous à l'arrière du classeur, pour identifier les catalogues. Ce marquage indique les numéros de série pour lesquels le catalogue est adapté. Il convient de procéder de la façon suivante:

1. Retirez cette page du classeur.
2. Découpez l'étiquette de **GAUCHE** (1), et apposez-la à l'arrière de **CE** catalogue.
3. Si il y a une étiquette à **DROITE** (2), vous pourrez l'apposer sur le classeur de l'edition **PRECEDENTE** du catalogue.
4. Détruire cette feuille.

1.



	CP221 SN 22620600 - 22620607	2
	Frame	4
	Handrail and cover plate	6
	Frame and hood	8
	Rear cover	10
	Front scrapers	12
	Rear scrapers	14
	Front scrapers and mat Option	16
	Rear scrapers and mat Option	18
	Sprinkler system	20
	Cover assy	24
	Suspension	26
	Steering link	28
	Front suspension	30
	Rear suspension	32
259219	Brake	34
195176	Chain protector	36
	Wheel	38
	Wheel with Bridgestone tyre	40
	Wheel with Michelin tyre	42
	Wheel with Firestone tyre	44
	Pneumatic circuit diagram Option	46
	Air on the run Option	48
	Diagram brake circuit	52
191533	Brake valve, Varga	54
	Brake circuit	56
	Compressor assembly	60
380475	Compressor Knorr-Bremse LP4850	62
	Parking brake circuit	64
384571	Brake chamber	66
	Parking brake	68
384572	Caliper disc brake	70
	Master cylinder	72
	Engine	74
	Engine Cummins	76
	Cooling system	78
	Air cleaner	80
	Fuel system	82
	Muffler	84
	Transmission	86
	Transmission	88
	Converter housing	90
	Case and rear cover	92
	Turbine shaft	94
	Drive plate	96
	Torque converter	98
	Gear	100
	Auxiliary pump drive	102
	Pump drive	104
	Forward shaft	106
	Reverse and 2nd shaft	108
	Reverse idler	110
	Low speed shaft	112

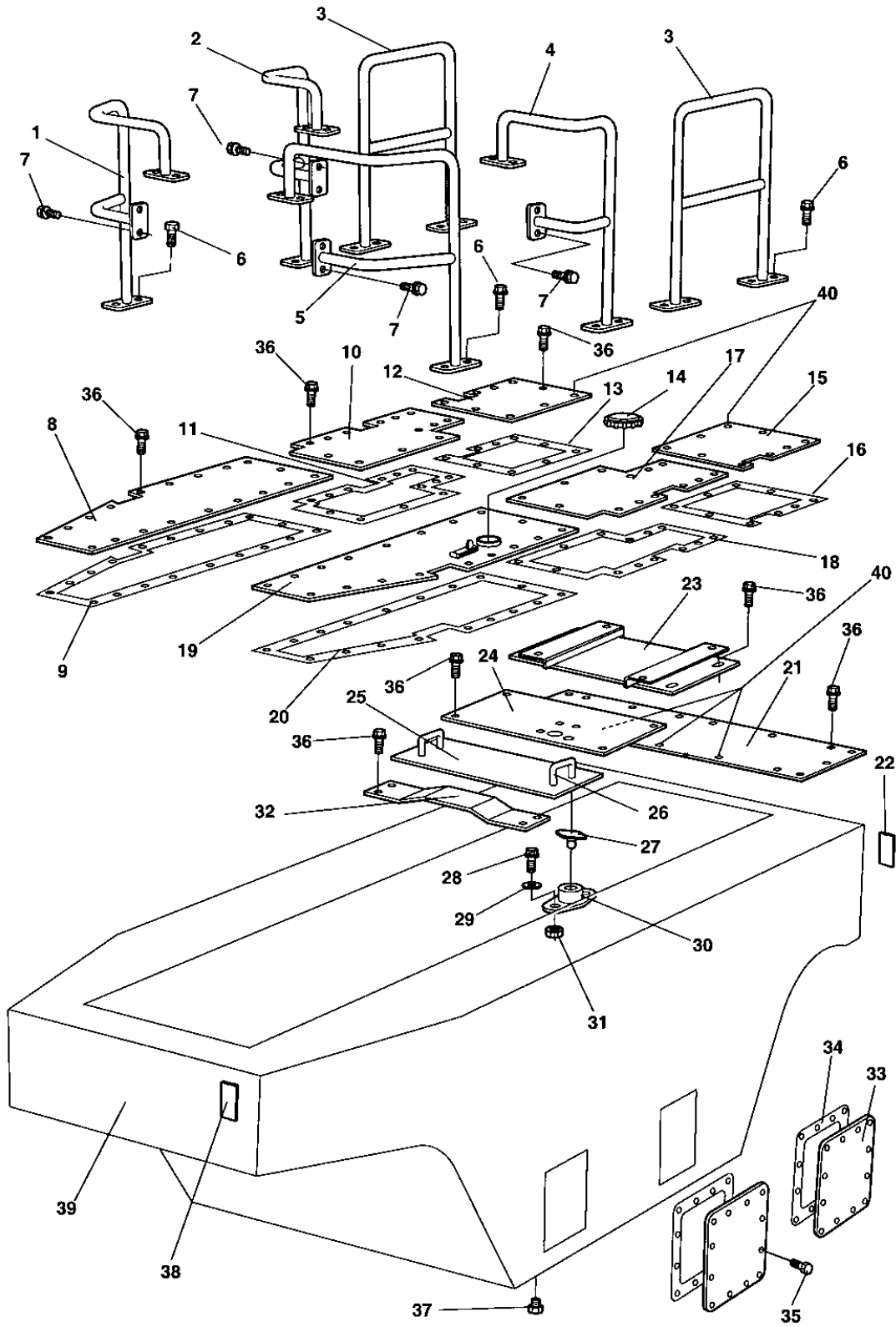
	Output and 3rd shaft	114
	Charging pump and filter	116
	Control valve	118
240647	Control valve assembly	120
	Differential, Rockwell	122
	Cardan shaft assembly	126
	Cardan shaft, Albarus	128
	Hydraulic system	130
	Steering system	132
375455	Steering valve	134
	Steering cylinder	136
376059	Steering cylinder	138
	Electrical equipment	140
	Electrical system	142
	Horn assy	146
	Lights	148
	Instrument board	150
	Electrical equipment	152
	Drivers platform	154
	Throttle control	156
	Forward and reverse control	158
	Pedal and brake valve	160
195779	Brake valve	162
	Instruction book holder	164
	Steering assembly	166
375455	Steering valve	134
	Safety belt, Only with rops Option	170
	Seat assembly With armrests	172
	Rops	174
	Seat cover	176
	Decals	178
	Decals	180
	Standard equipment	182
	Standard equipment	184
	Optional equipment	186
	Tool equipment	188
	Canopy with glass fibre	190
	Cab assembly mounting	192
	SMV sign	194
	Protecting cover	196



Ref. No.	Part No.	Rem.	Qty	Description	Code
10				Frame (Page 4)	
20				Suspension (Page 26)	
30				Engine (Page 74)	
40				Transmission (Page 86)	
50				Hydraulic system (Page 130)	
60				Electrical equipment (Page 140)	
70				Drivers platform (Page 154)	
80				Decals (Page 178)	
90				Standard equipment (Page 182)	
91				Optional equipment (Page 186)	

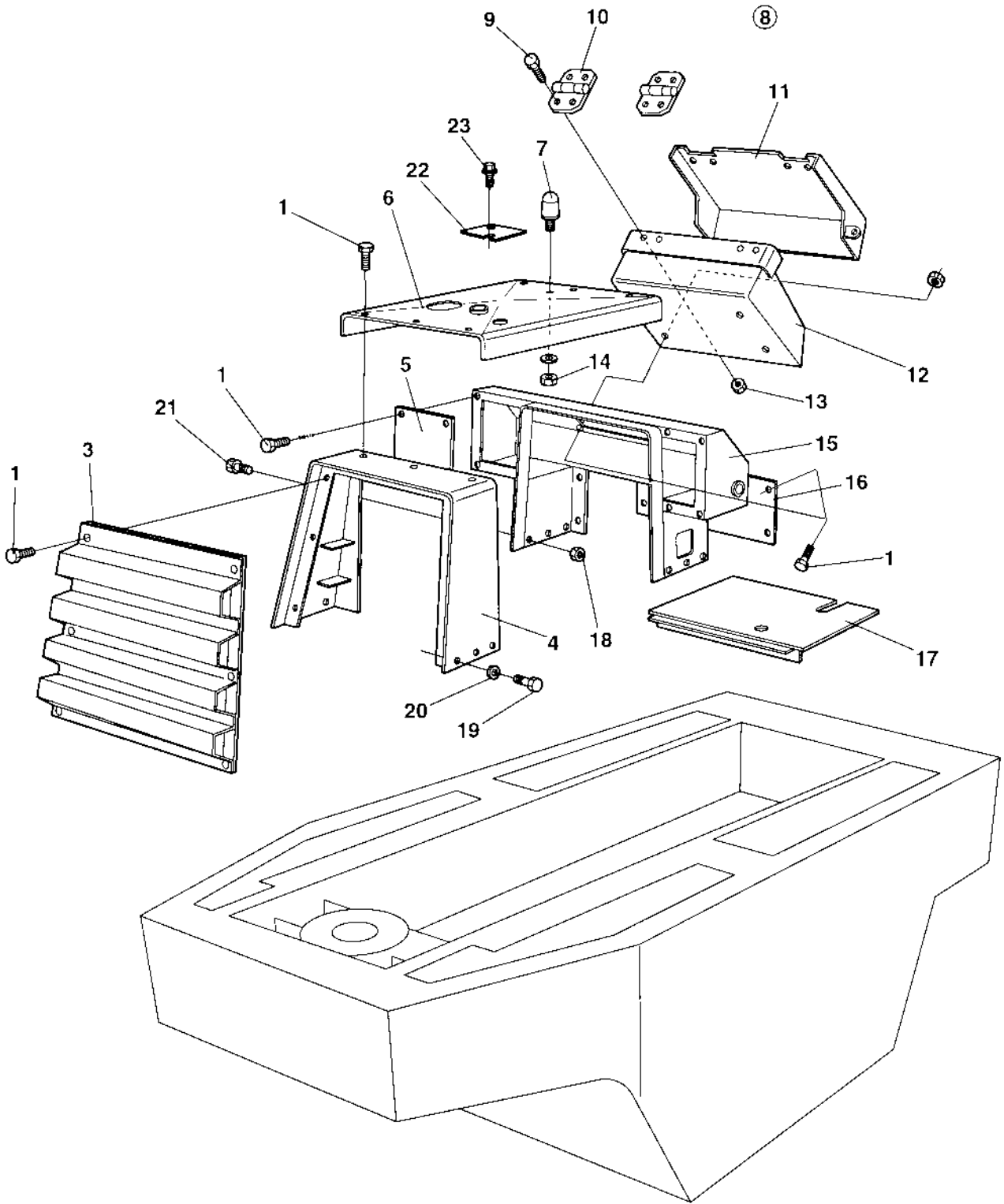
Frame

Ref. No.	Part No.	Rem.	Qty	Description	Code
10				Handrail and cover plate (Page 6)	
20				Frame and hood (Page 8)	
30				Rear cover (Page 10)	
50				Front scrapers (Page 12)	
60				Rear scrapers (Page 14)	
70				Front scrapers and mat Option (Page 16)	
80				Rear scrapers and mat Option (Page 18)	
90				Sprinkler system (Page 20)	
100				Cover assy (Page 24)	



Handrail and cover plate

Ref. No.	Part No.	Rem.	Qty	Description	Code
1	375078		1	Hand rail, right	
2	375076		1	Hand rail, right	
3	375074		2	Hand rail	
4	375075		1	Hand rail, left	
5	375077		1	Hand rail, left	
6	500506		16	Screw	
7	500053		16	Screw M8-1,25x20 8,8	
8	375092		1	Cover plate	
9	375514		1	Gasket	
10	375094		1	Cover plate	
11	375519		1	Gasket	
12	375097		1	Cover plate	
13	375516		1	Gasket	
14	333228		1	Cap	
15	375096		1	Cover plate	
16	375517		1	Gasket	
17	375095		1	Cover plate	
18	375518		1	Gasket	
19	375146		1	Cover plate	
20	375515		1	Gasket	
21	375098		1	Cover plate	
22	901182		2	Reflector, red	B
23	195364		1	Floor	
24	375099		1	Cover plate	
25	382233		1	Cover plate	
26	265753		2	.Grab handle	
27	450067		2	.Door bumper	D
28	535008		4	.Screw	
29	904281		4	.Washer 5,3x10x1	
30	450066		2	.Door bumper	D
31	570003		4	.Nut M5	
32	382222		1	Cover plate	
33	264237		4	Cover	
34	264238		4	Gasket	D
35	500506		48	Screw	
36	500505		93	Screw M8x20 8,8	
37	232046		2	Plug	
38	901187		2	Reflector, white	B
39	191885		1	Frame	
40	513003		5	Screw	

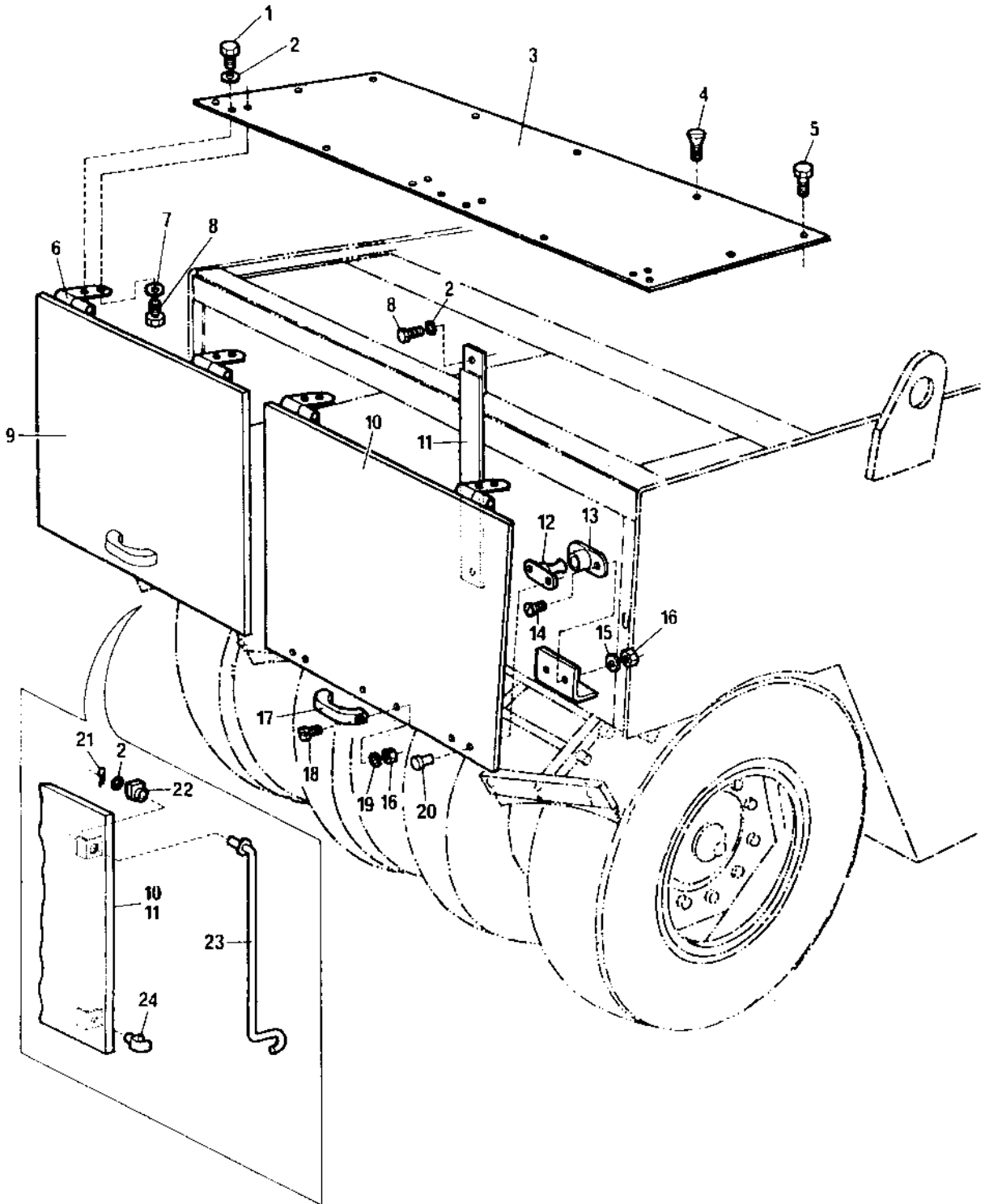


Frame and hood

Ref. No.	Part No.	Rem.	Qty	Description	Code
1	904643		34	Screw	
3	375582		1	Fan guard	
4	375148		1	Cooler frame	
5	191947		2	Cover	
6	382666		1	Hood	
7	925629		2	Shock absorber	
8	192011		1	Control panel	
9	500013		8	.Screw M6-1x16 8,8	
10	249865		2	.Hinge	
11	380764		1	.Cover	
12	380765		1	.Frame	
13	586002		8	.Lock nut M6	
14	570005		2	Nut M8	
15	375149		1	Control panel welded	
16	385708		1	Protective plate	
17	191959		1	Protector	
18	570006		1	Nut M10	
19	500030		11	Screw M10-1,5x35H 8,8	
20	904557		12	Washer 10,5x22x4	
21	500031		1	Screw M10-1,5x40 8,8	
22	373955		1	Cover	
23	500505		2	Screw M8x20 8,8	

Rear cover

16205

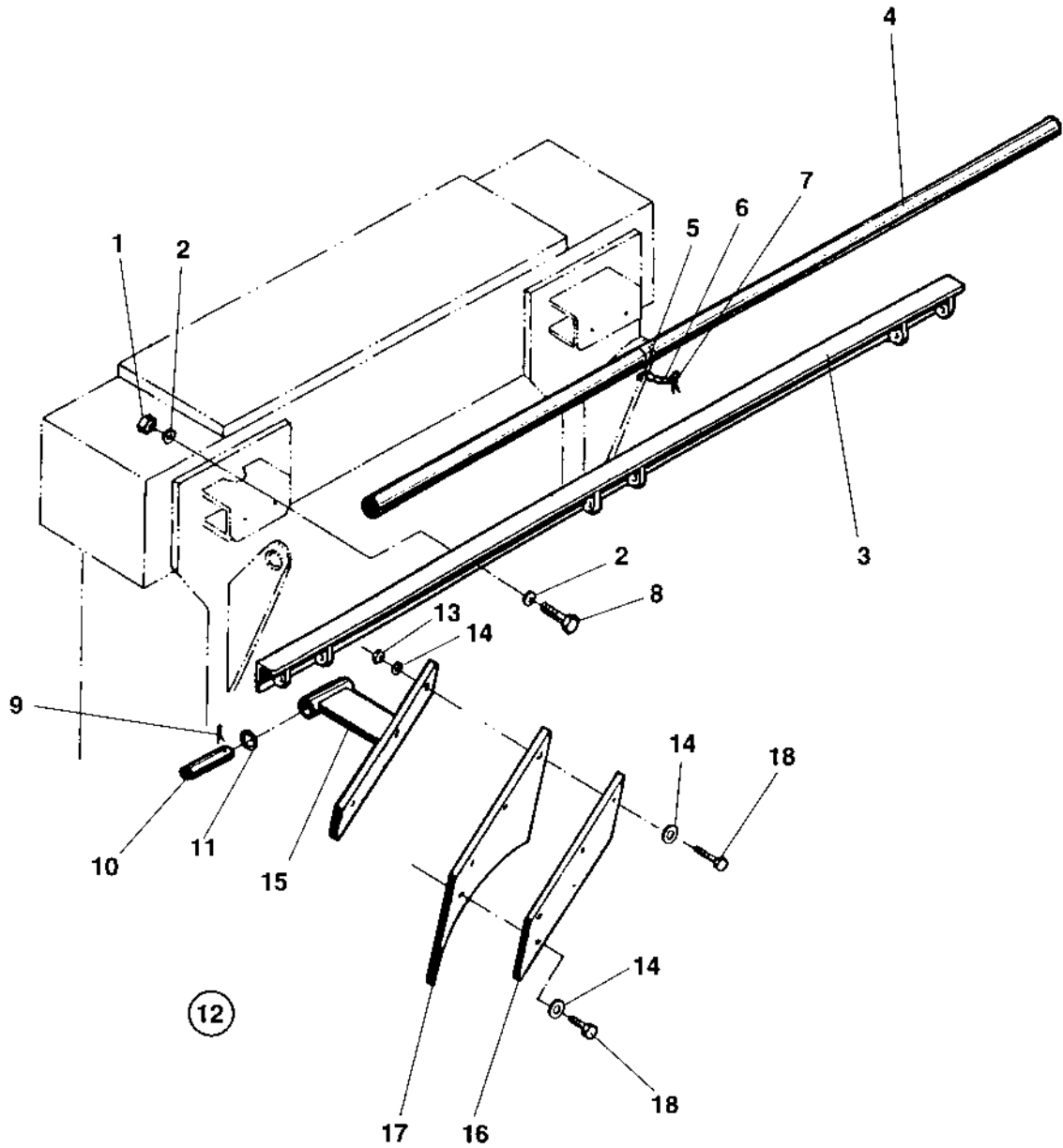


Rear cover

Ref. No.	Part No.	Rem.	Qty	Description	Code
1	500022		4	Screw M8-1,25x30 8,8	
2	904229		8	Washer 8,4x16x1,5	
3	375098		1	Cover plate	
4	535044		3	Screw	
5	928511		9	Screw	
6	191511		4	Hinge	
7	603019		4	Washer	
8	500019		6	Screw M8-1,25x16 8,8	
9	195356		1	Cover left, cpl	
10	195355		1	Cover right, cpl	
11	195359		1	Bracket	
12	450067		4	Door bumper	D
13	450066		4	Door bumper	D
14	535008		8	Screw	
15	615041		8	Washer 5,3x11	
16	570003		12	Nut M5	
17	927210		2	Grab handle	
18	533025		4	Screw M5x12	
19	904281		4	Washer 5,3x10x1	
20	624012		8	Rivet	
21	630006		2	Cotter pin	
22	192939		2	Grommet	
23	192940		1	Rod, right	
	192941		1	Rod, left	
24	192938		2	Clamp	

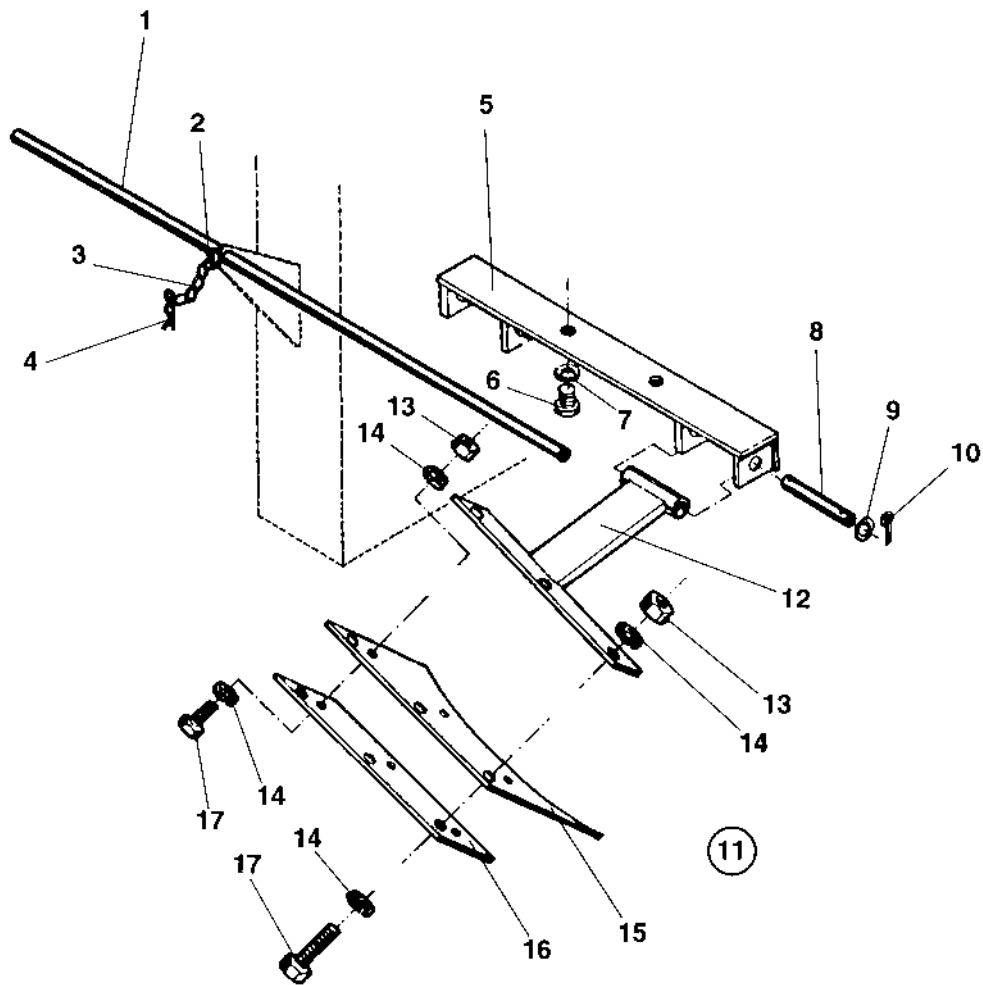
Front scrapers

16206



Front scrapers

Ref. No.	Part No.	Rem.	Qty	Description	Code
1	570007		4	Lock nut M12	
2	615045		8	Conical spring washer	
3	255173		1	Scraper bracket	
4	267661		1	Shaft	
5	358254		2	Key-ring	
6	343775		2	Wire	
7	901178		2	.Hair pin	
8	500037		4	Screw M12-1,75x35 8,8	
9	630008		6	Pin	D
10	251729		3	Shaft	
11	904232		6	Washer 17x30x3	
12	380432		3	Scraper, cpl	
13	570007		6	.Lock nut M12	
14	904231		12	.Washer 13x24x2	
15	380430		1	.Bracket	
16	380428		1	.Bracket	
17	376357		1	.Scraper	B
18	500195		6	.Screw M12-1,75x50 8.8	

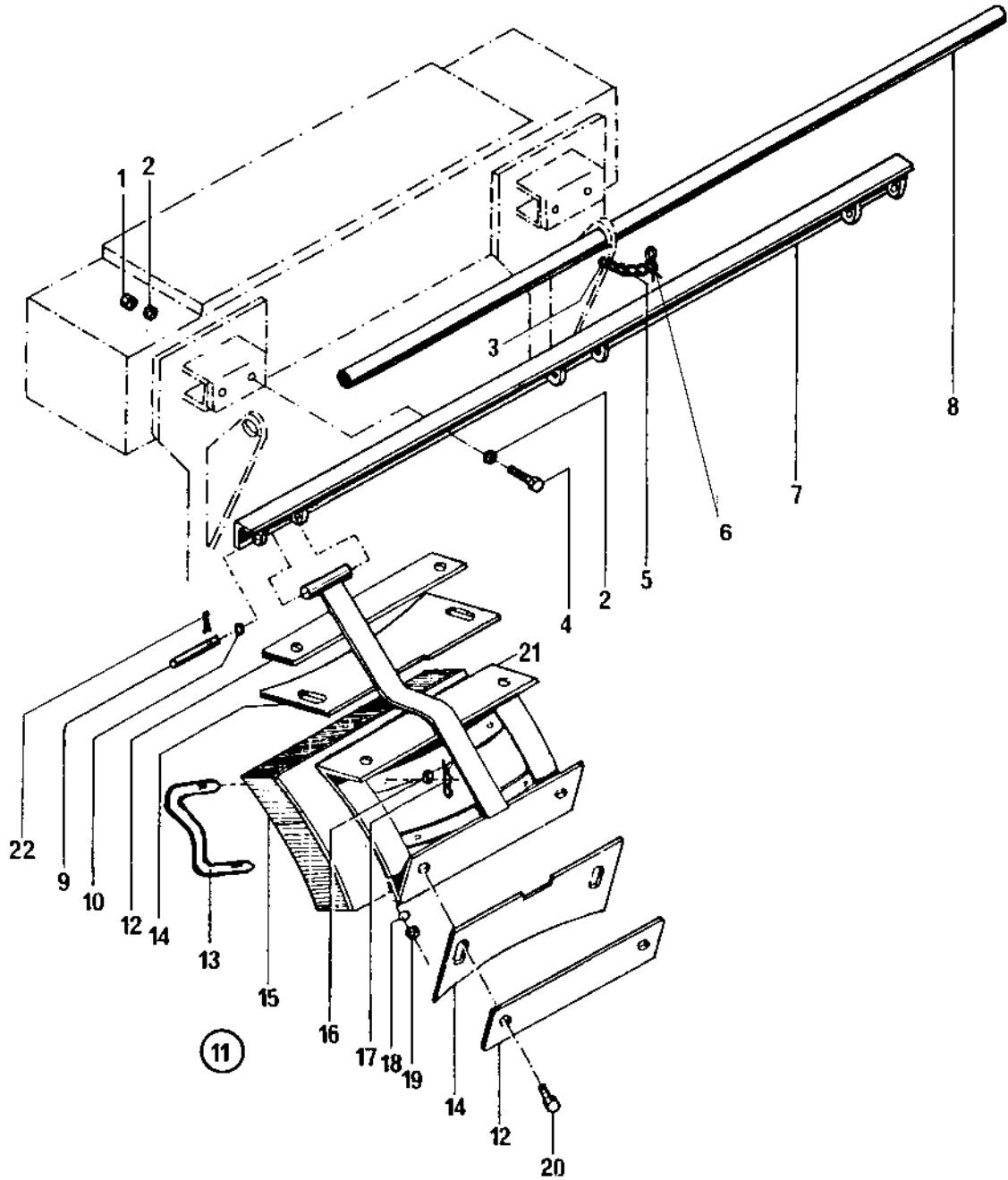


Rear scrapers

Ref. No.	Part No.	Rem.	Qty	Description	Code
1	267660		1	Shaft	
2	358254		2	Key-ring	
3	343775		2	Wire	
4	901178		2	Hair pin	
5	251722		2	Scraper bracket	
6	500035		4	Screw M12x020H	
7	615045		4	Conical spring washer	
8	251729		4	Shaft	
9	904232		8	Washer 17x30x3	
10	630008		8	Pin	D
11	380432		4	Scraper, cpl	
12	380430		1	.Bracket	
13	570007		6	.Lock nut M12	
14	904231		12	.Washer 13x24x2	
15	376357		1	.Scraper	B
16	380428		1	.Bracket	
17	500195		6	.Screw M12-1,75x50 8.8	

Front scrapers and mat Option

16273

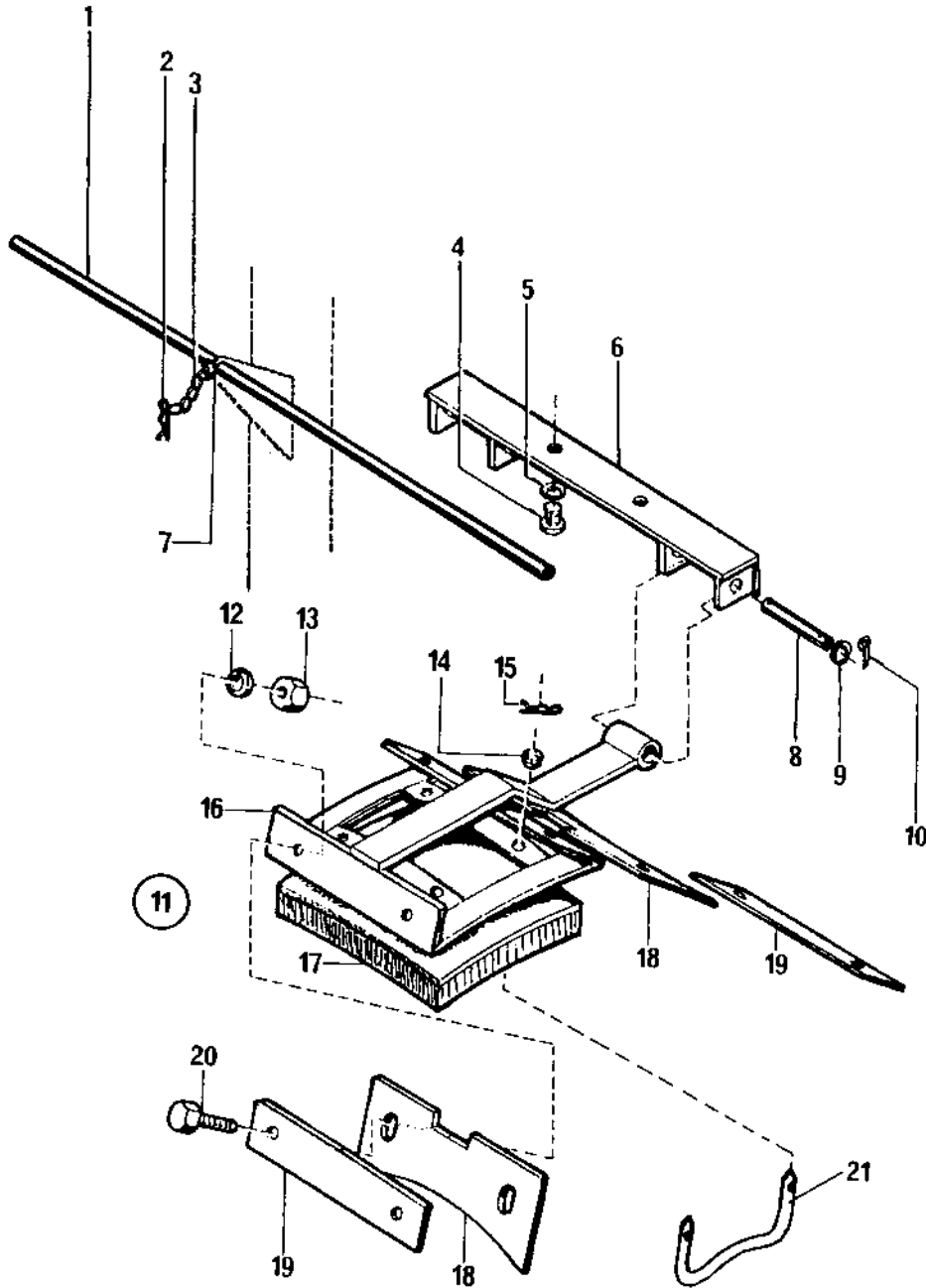


Front scrapers and mat Option

Ref. No.	Part No.	Rem.	Qty	Description	Code
1	570004		4	Nut M6	
2	615045		8	Conical spring washer	
3	358254		2	Key-ring	
4	500037		4	Screw M12-1,75x35 8,8	
5	343775		2	Wire	
6	901178		2	Hair pin	
7	255173		1	Scraper bracket	
8	267661		1	Shaft	
9	251729		3	Shaft	
10	904232		6	Washer 17x30x3	
11	263774		3	Scraper and mat, cpl	
12	263763		2	.Plate	
13	267791		2	.Mat holder	D
14	376375		2	.Scraper	B
15	263772		1	.Mat	B
16	904639		4	.Washer 6,7x14x1,5	
17	630035		4	.Split pin	D
18	904231		4	.Washer 13x24x2	
19	586019		4	.Lock nut M12	
20	500056		4	.Screw M12x45 8,8	
21	263771		1	Bracket	
22	630008		6	Pin	D

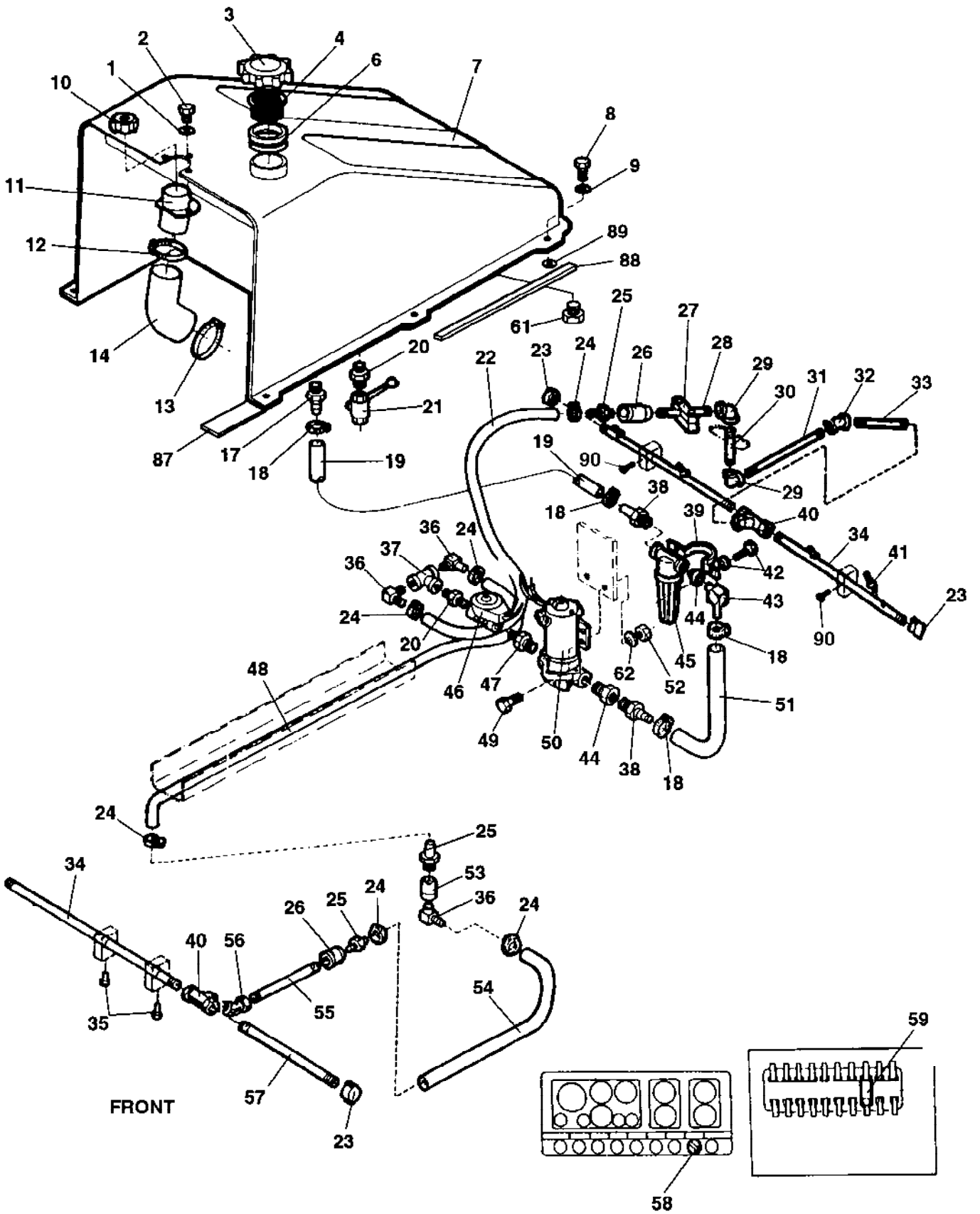
Rear scrapers and mat Option

16274



Rear scrapers and mat Option

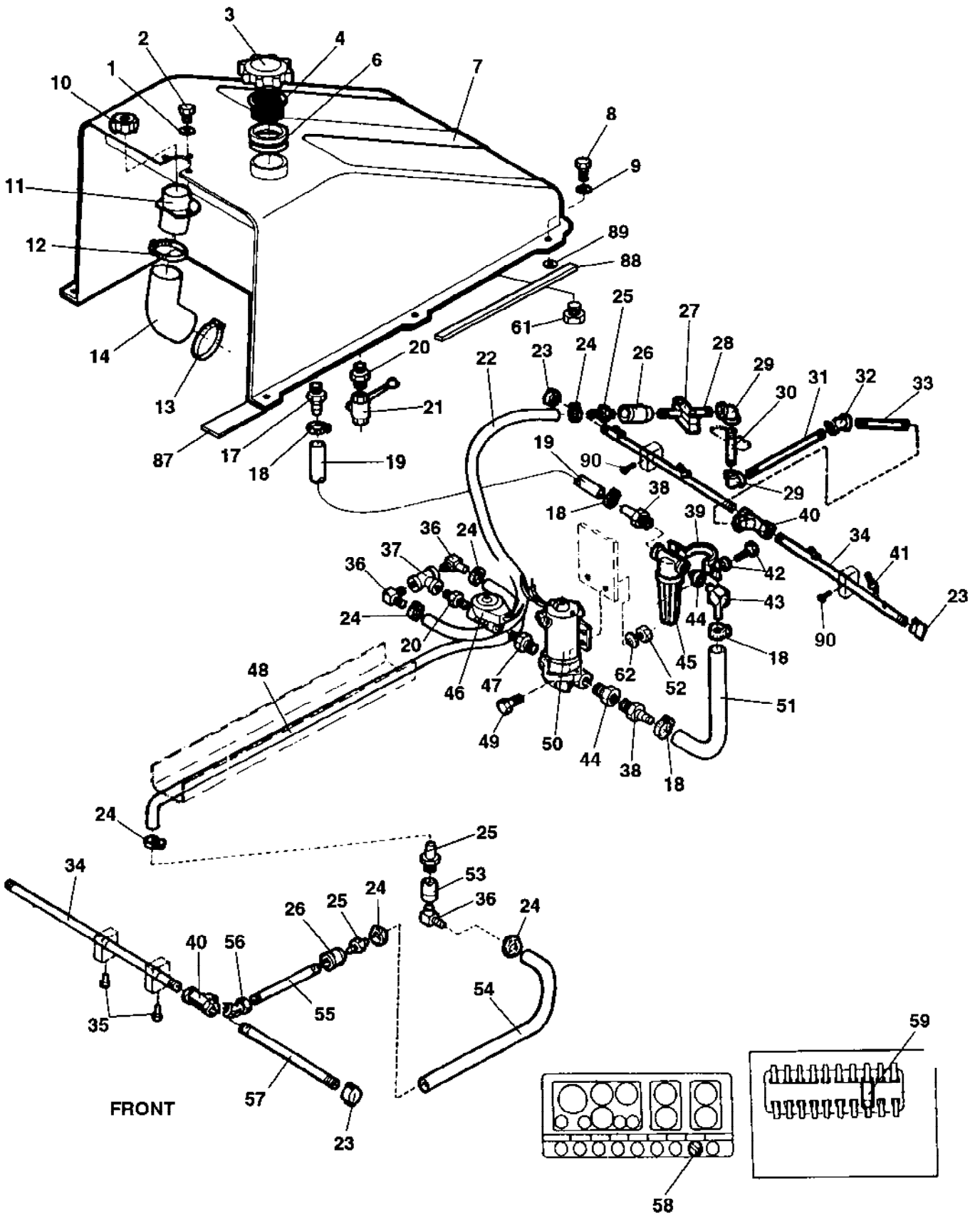
Ref. No.	Part No.	Rem.	Qty	Description	Code
1	267660		1	Shaft	
2	901178		2	Hair pin	
3	343775		2	Wire	
4	500035		4	Screw M12x020H	
5	615045		4	Conical spring washer	
6	251722		2	Scraper bracket	
7	358254		2	Key-ring	
8	251729		4	Shaft	
9	904232		8	Washer 17x30x3	
10	630008		8	Pin	D
11	263774		4	Scraper and mat, cpl	
12	904231		4	.Washer 13x24x2	
13	586019		4	.Lock nut M12	
14	904639		4	.Washer 6,7x14x1,5	
15	630035		4	.Split pin	D
16	263771		1	.Bracket	
17	263772		1	.Mat	B
18	376375		2	.Scraper	B
19	263763		2	.Plate	
20	500056		4	.Screw M12x45 8,8	
21	267791		2	.Mat holder	D



Sprinkler system

Ref. No.	Part No.	Rem.	Qty	Description	Code
1	904229		3	Washer 8,4x16x1,5	
2	500022		3	Screw M8-1,25x30 8,8	
3	333228		1	Cap	
4	358846		1	Strainer	D
6	248511		1	Spacer	
7	193103		1	Sprinkling tank	
8	904990		6	Screw M10x50	
10	373304		1	Cap	D
11	375567		1	Filling pipe	
12	904631		1	Hose clamp	
13	904059		1	Hose clamp	
14	193093		1	Filling pipe	
17	813732		1	Hose connection	
18	313002		4	Hose clamp	
19	244057	A	1	Hose	
20	901299		2	Adapter	
21	333041		1	Valve	D
22	244054		1	Hose reinforced 0,65 m	
23	331092		4	Plug	
24	313002		6	Hose clamp	
25	904694		3	Hose connection	
26	331032		1	Sleeve	
27	258333		1	Clamp	
28	259225		1	Tube	
29	331015		2	Elbow 90	
30	259225		1	Tube	
31	259226		1	Tube	
32	230543		2	Elbow 45	
33	256860		1	Tube	
34	263614		3	Tube	
35	500048		2	Screw M10-1,5x20 8,8	
36	268608		3	Hose connector	
37	331006		1	Connection	
38	254075		2	Hose connection	
39	242018		1	Clamp	
40	230469		2	T-pipe	
41	813744		7	Nozzle sprinkler	B
42	541703		2	Screw M6x16	
43	241753		1	Hose connector	
44	248491		2	Reducer	
45	248513		1	Water filter	A
46	925659		1	Solenoid valve	C
47	234317		1	Nipple	
48	244054		1	Hose reinforced 0,65 m	
49	500028		2	Screw M10-1,5x25 8,8	
50	383697		1	Water pump	
51	244057		1	Hose	
52	570006		2	Nut M10	
53	240154		1	Connector	
54	244054		1	Hose reinforced 0,65 m	
55	258340		1	Tube	
56	232166		1	Elbow 45	
57	242122		1	Tube	
58	930151		1	Switch	D
59	928722		1	Fuse	B
61	813422		2	Plug	
62	904230		2	Washer 10,5x22x2	
87	297018	J	1	Rubber strip	

A) L=1900 mm
J) L=1450 mm

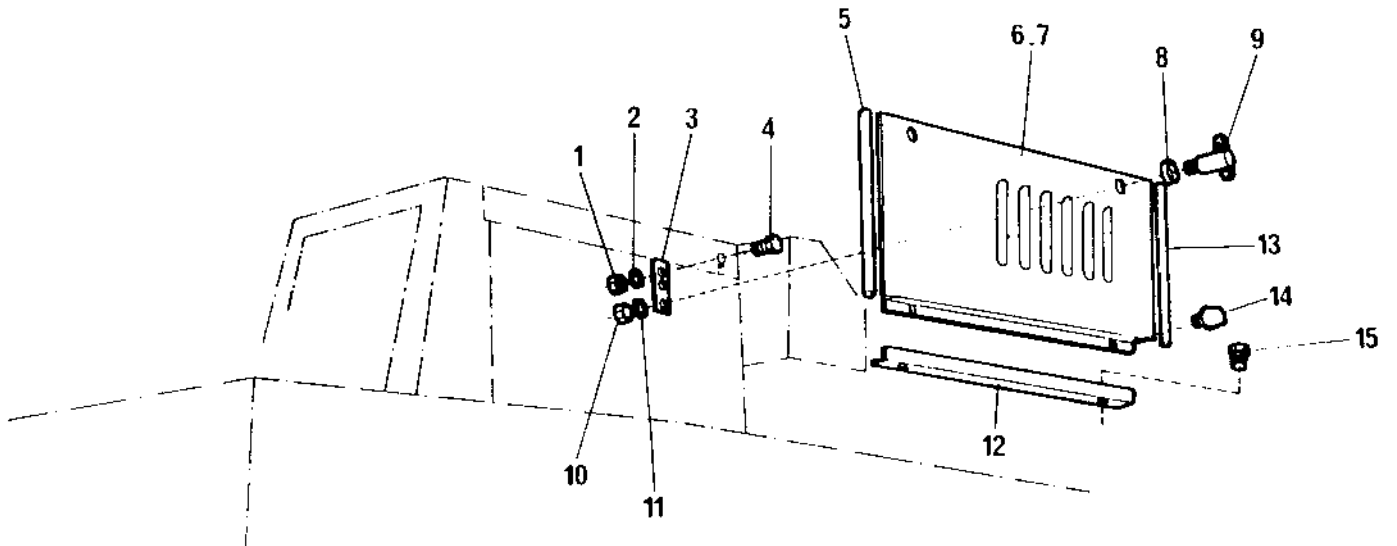


Sprinkler system

Ref. No.	Part No.	Rem.	Qty	Description	Code
88	202046	B	1	Rubber strip 25x10	
89	904567		2	Washer 10,5x28x6	
90	500079		4	Screw M6-1x50 8,8	
B)	L=2400 mm				

Cover assy

16271



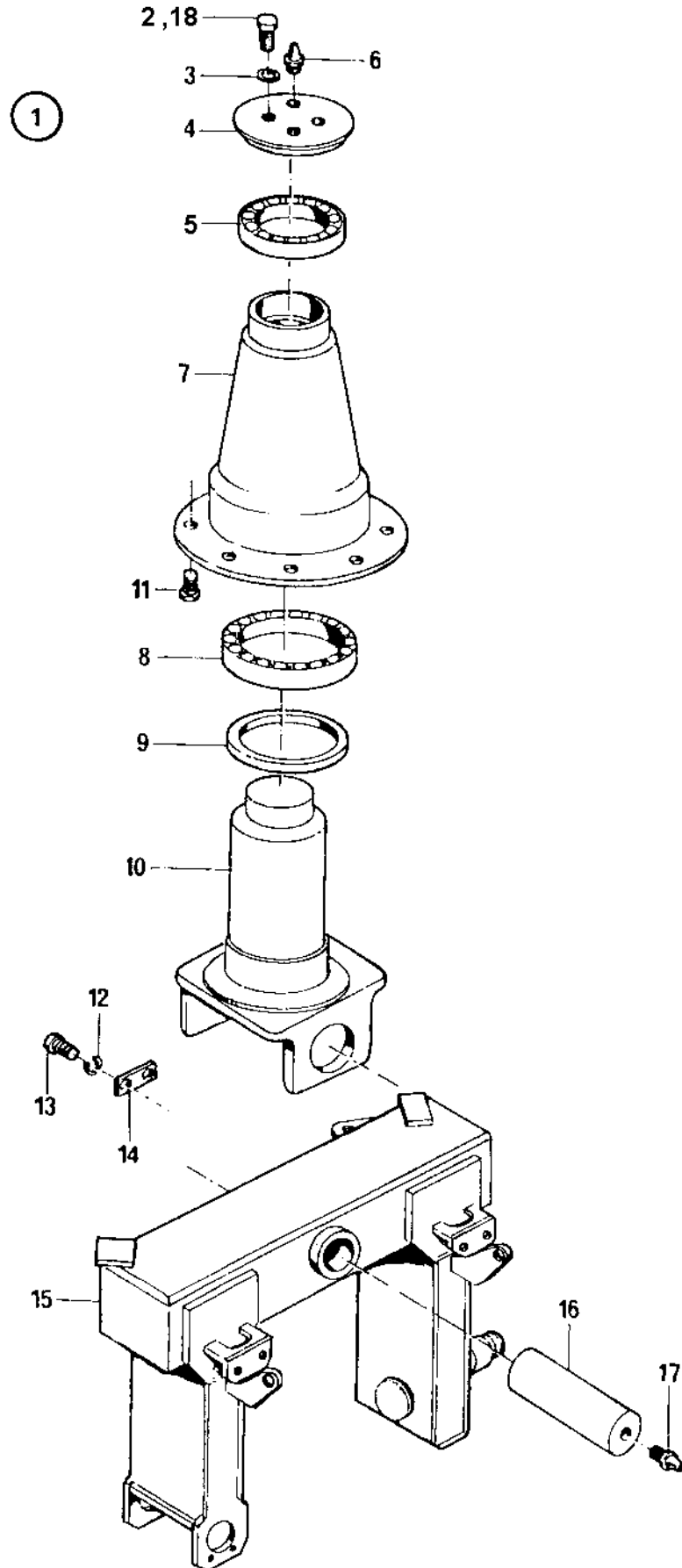
Cover assy

Ref. No.	Part No.	Rem.	Qty	Description	Code
1	586002		8	Lock nut M6	
2	904639		2	Washer 6,7x14x1,5	
3	192174		4	Support	
4	500040		8	Screw M6-1x20 8,8	
5	202028		2	Edge trim	
6	192172		1	Cover, left	
	385780	A	1	Cover, noise suppressed, left Option	
	385745		1	.Cover	
	385753		1	.Absorbent, left	
	385752		1	.Absorbent cover	
	791234		7	.Insulating washer	
7	192171		1	Cover, right	
	385781	A	1	Cover, noise suppressed, right Option	
	385744		1	.Cover	
	385754		1	.Absorbent, right	
	385752		1	.Absorbent cover	
	791234		7	.Insulating washer	
8	814259		4	Rubber grommet	D
9	192833		4	Reversing valve	C
10	586019		4	Lock nut M12	
11	904213		4	Washer 13x30x4	
12	192995		2	Bracket	
13	202028		2	Edge trim	
14	248765		4	Stop	
15	541703		6	Screw M6x16	

A) Introduced as option from SN 22620385

Suspension

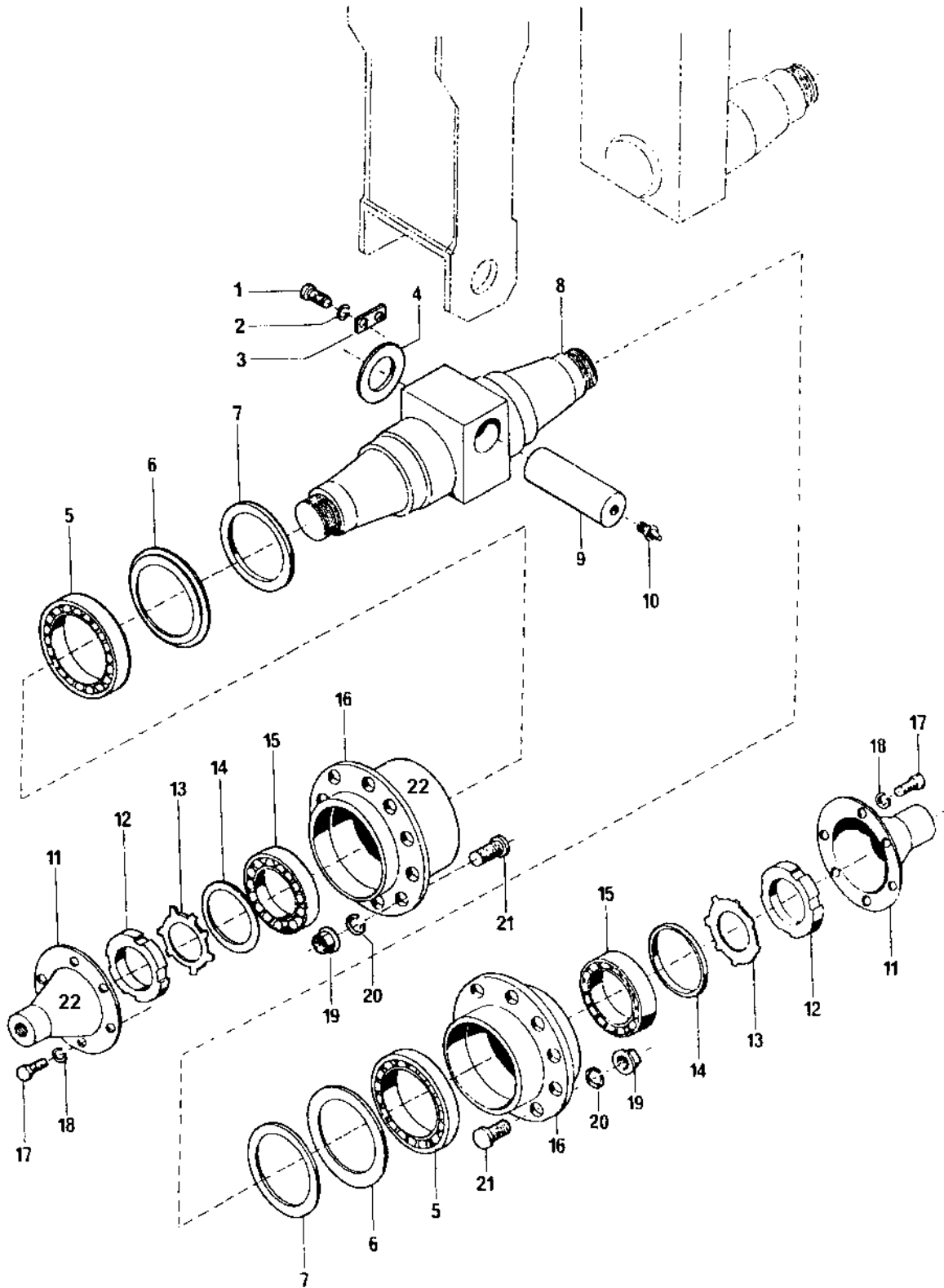
Ref. No.	Part No.	Rem.	Qty	Description	Code
10				Steering link (Page 28)	
20				Front suspension (Page 30)	
30				Rear suspension (Page 32)	
40	195176			Chain protector (Page 36)	
50				Wheel (Page 38)	
70				Pneumatic circuit diagram Option (Page 46)	
80				Air on the run Option (Page 48)	
90				Diagram brake circuit (Page 52)	
110				Brake circuit (Page 56)	
120				Compressor assembly (Page 60)	
130				Parking brake circuit (Page 64)	
135				Parking brake (Page 68)	
140				Master cylinder (Page 72)	



Steering link

Ref. No.	Part No.	Rem.	Qty	Description	Code
1	256422		1	Bearing housing, cpl	
2	502058		3	.Screw 1/2 UNC	
3	904231		3	.Washer 13x24x2	
4	254089		1	.Cover	
5	116031		1	.Bearing	
6	310037		1	.Grease nipple	D
7	254032		1	.Bearing housing	
8	116006		1	.Bearing	D
9	254750		1	.Ring	
10	254030		1	.Fork	
11	503093		8	Screw	
12	904231		2	Washer 13x24x2	
13	502057		2	Screw	
14	253931		1	Lock plate	
15	259361		1	Fork	
16	253929		1	Pin	
17	310037		1	Grease nipple	D
18	902541	A	1	Lock fluid Loctite 243, 50 ml	

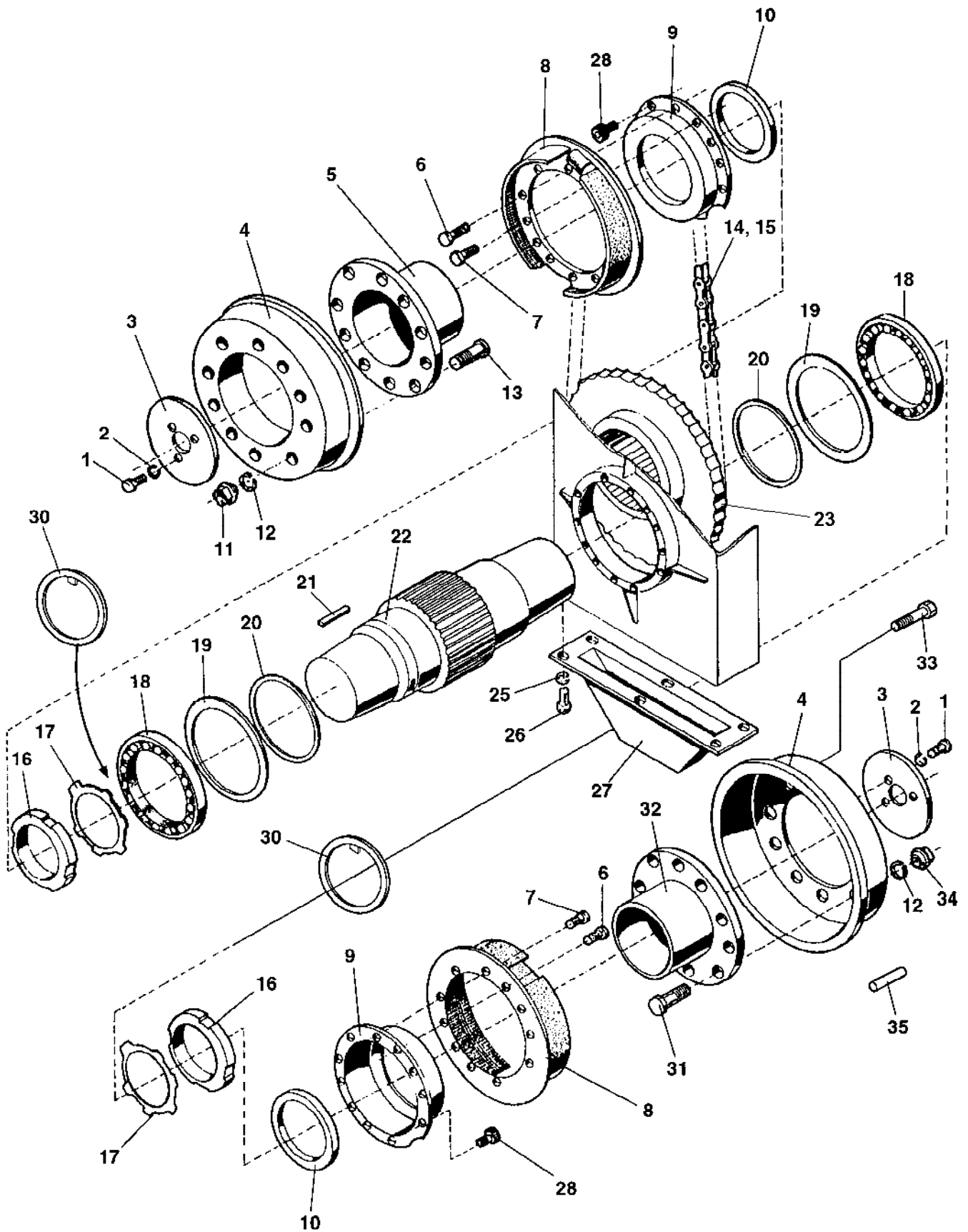
A) 50 ml



Front suspension

Ref. No.	Part No.	Rem.	Qty	Description	Code
1	500051		2	Screw M12-1,75x25 8,8	
2	904231		2	Washer 13x24x2	
3	259211		1	Snap plate	
4	259349		2	Spacer	
5	116016		3	Bearing	B
6	255658		3	Ring	
7	163108		3	Seal ring	
8	256127		1	Shaft	
9	258729		1	Pin	
10	310037		1	Grease nipple	D
11	256157		3	Bearing cover	
12	135011		3	Lock nut	
13	136011		3	Lock washer	
14	252668		3	Ring	
15	116009		3	Bearing	B
16	256159		3	Wheel hub	
17	502017		18	Screw	
18	904229		18	Washer 8,4x16x1,5	
19	754014		28	Nut	
20	902252		28	Washer	
21	754105		28	Screw	
22	490065	A		Lube grease SKF LGHQ3	

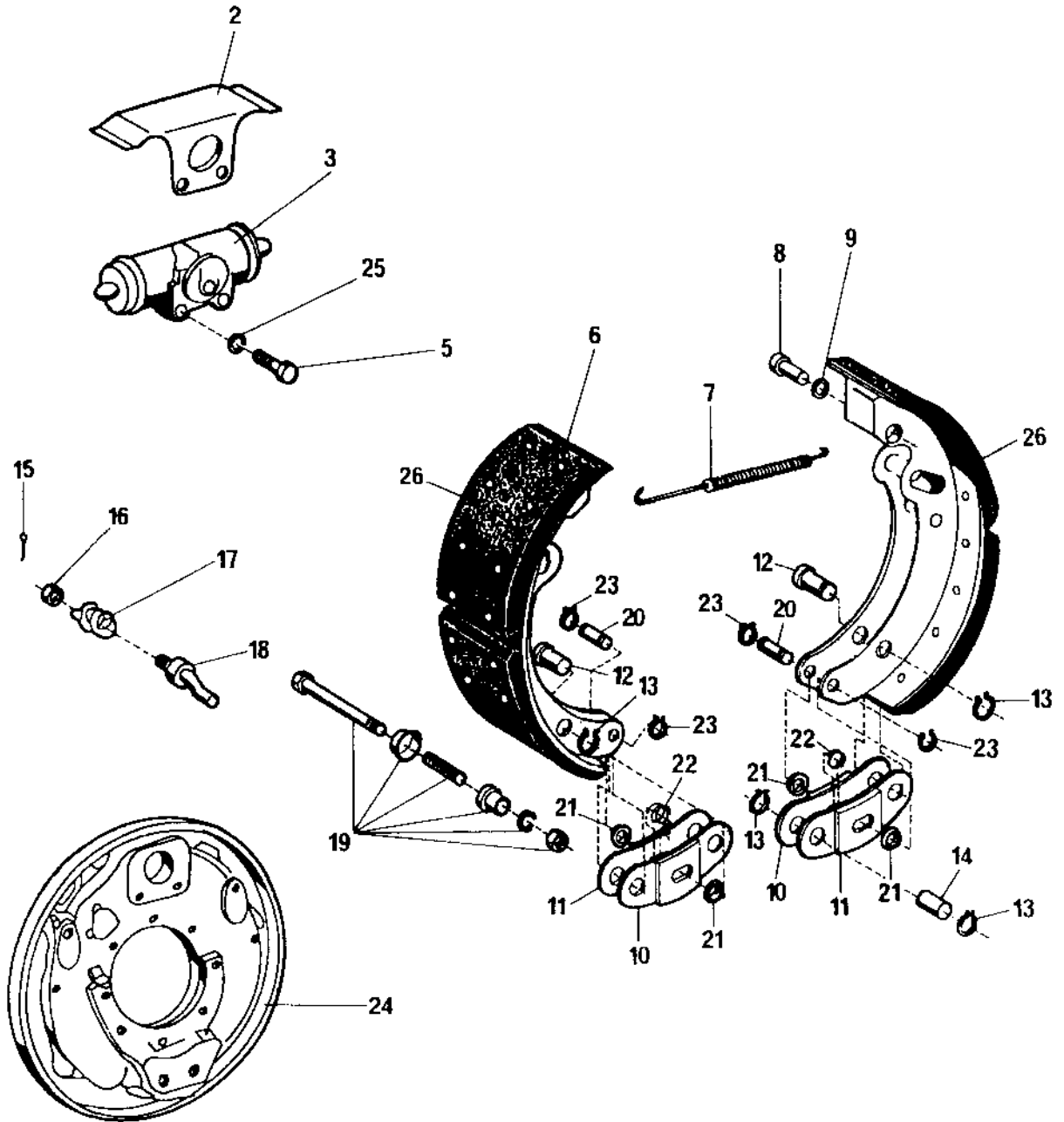
A) Quantity as required



Rear suspension

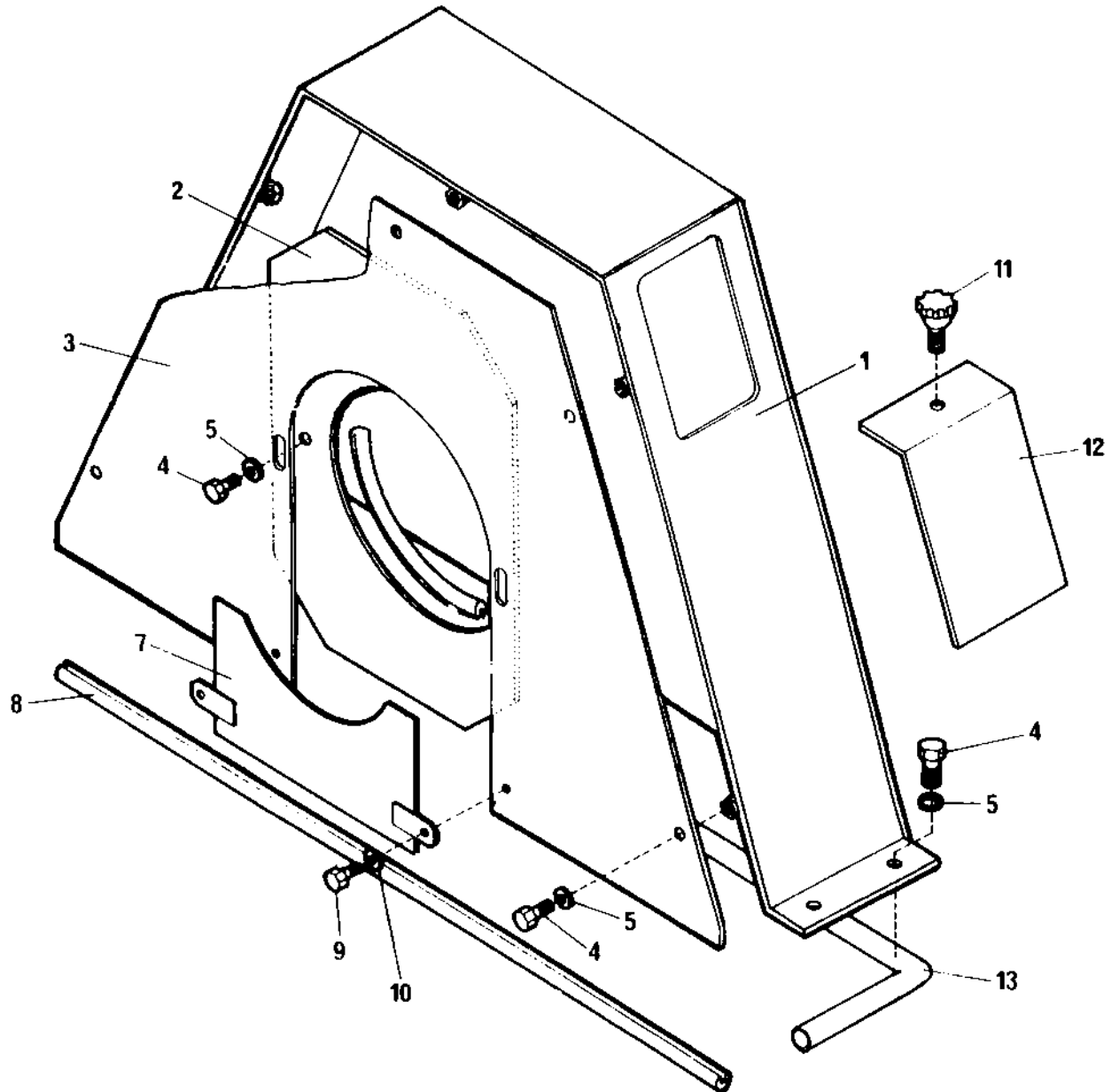
Ref. No.	Part No.	Rem.	Qty	Description	Code
1	947696		12	Screw M16x45	
2	904232		12	Washer 17x30x3	
3	254088		4	Snap plate	
4	253745		4	Brake drum	
5	253747	A	2	Wheel hub	
6	375152		12	Spacer	
7	900724	B	20	Screw	
	375152	B	20	Spacer	
8	259219		4	Brake (Page 34)	
9	268419		4	Bearing cover	
10	161084		4	Seal ring	
11	754014		20	Nut	
12	902252		40	Washer	
13	747097		20	Wheel stud	
14	417055		2	Chain	D
15	417040		2	Chain lock	D
16	381717	G	4	Lock nut	
17	136021		4	Washer	
18	116018		4	Bearing	B
19	134051		4	Ring	
20	150038		4	Snap ring	D
21	350082		4	Flat key	
22	259088		2	Shaft	
23	380187		2	Chain wheel	
25	904557		12	Washer 10,5x22x4	
26	500028		12	Screw M10-1,5x25 8,8	
27	261490		2	Cover	
28	509028		56	Screw	
30	376465		4	Spacer ring	
32	382858	F	2	Wheel hub	
33	904920	D	20	Screw M20-1,5x60 10,9	
35	904930	D	4	Parallel pin	

- A) Outher
 B) Screw and spacer together
 D) For hub with threaded holes
 F) Hub with threaded holes
 G) Not used as spare part; we recommend 381716 together with 4 pcs of 516049 (totally 16 pcs)



259219 Brake

Ref. No.	Part No.	Rem.	Qty	Description	Code
2	754025		1	.Protecting plate	
3	415114		1	.Brake cylinder	D
5	500028		2	.Screw M10-1,5x25 8,8	
6	754009		2	.Brake disc	B
7	754022		2	.Spring	
8	754006		2	.Spring holder	
9	754001		2	.Lock	
10	754027		2	.Rod end	
11	754026		2	.Rod end	
12	754021		2	.Pin	
13	754029		6	.Snap ring	
14	754020		2	.Pin	
15	754007		2	.Pin	
16	754016		2	.Nut	
17	754024		2	.Spring	
18	754010		2	.Adjusting bolt	
19	754012		2	.Mounting kit	D
20	754019		2	.Pin	
21	754028		4	.Seat	
22	754023		2	.Spring	
23	754018		4	.Lock	
24	263100		1	.Wheel column	
25	604007		2	.Spring washer	
26	754010		2	.Adjusting bolt	



Ref. No.	Part No.	Rem.	Qty	Description	Code
1	195177		1	Cover plate, left	
	195178		1	Cover plate, right	
2	195034		1	Cover	
3	195181		2	Cover	
4	500043		22	Screw M10x16H 8,8	
5	904230		22	Washer 10,5x22x2	
7	195182		1	Cover	
8	246947	A		Rubber strip	
9	500188		4	Screw M8-1,25x14 8,8	
10	904229		4	Washer 8,4x16x1,5	
11	904596		2	Hand knob	
12	195180		2	Cover	
13	202057	B		Edge trim	D

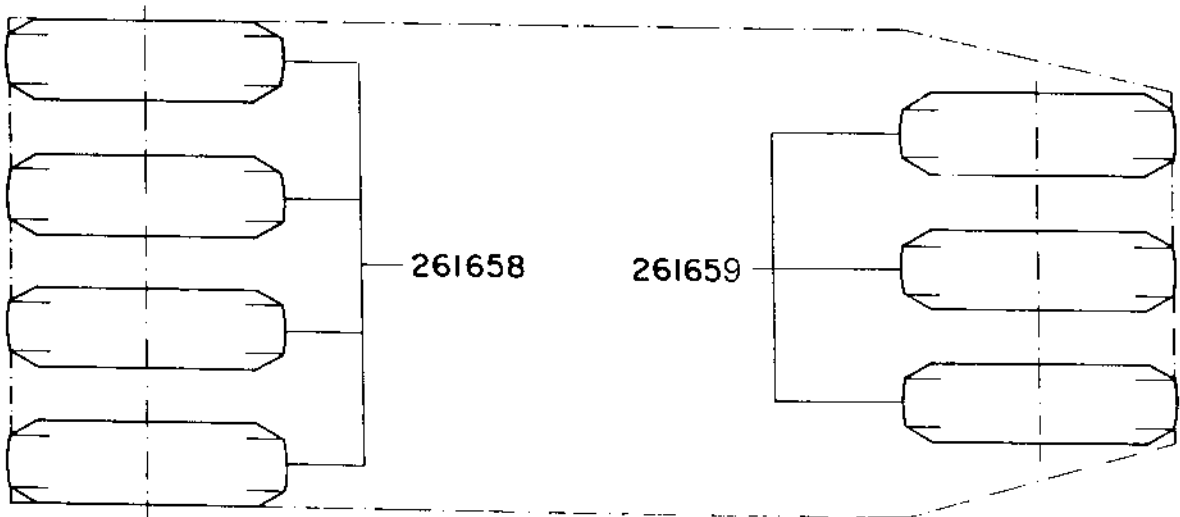
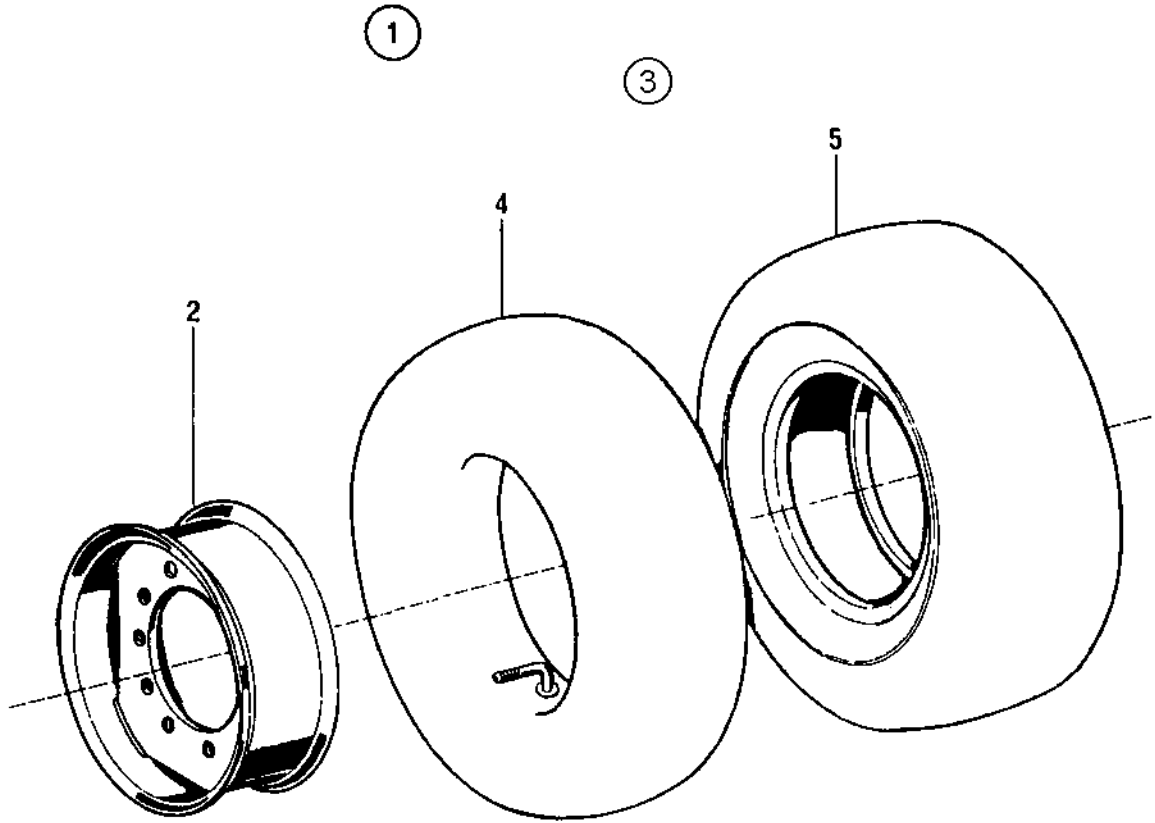
A) L=1084MM
B) L=1548MM

Wheel

Ref. No.	Part No.	Rem.	Qty	Description	Code
51				Wheel with Bridgestone tyre (Page 40)	
52				Wheel with Michelin tyre (Page 42)	
53				Wheel with Firestone tyre (Page 44)	

Wheel with Bridgestone tyre

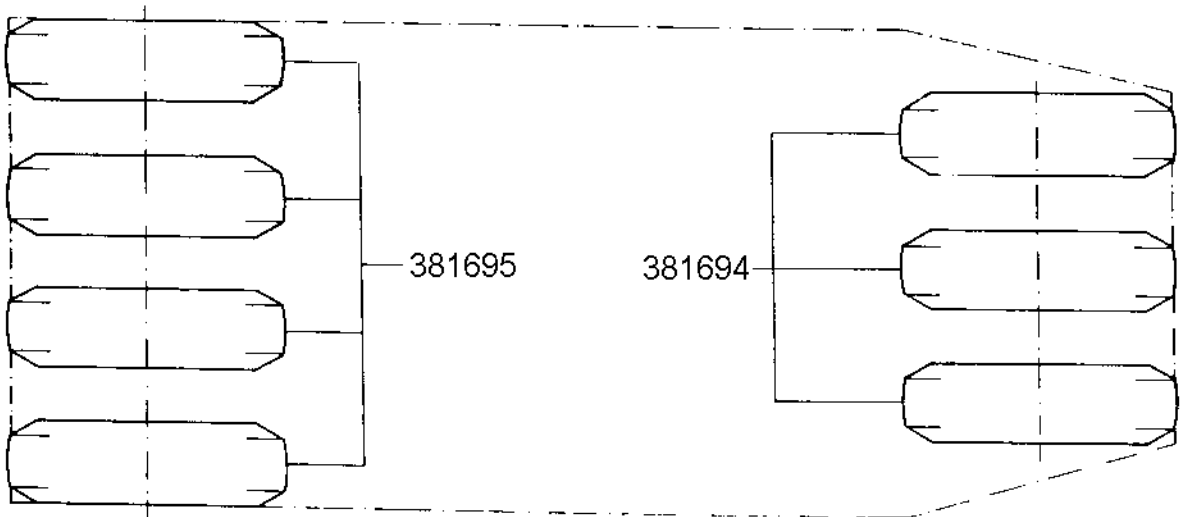
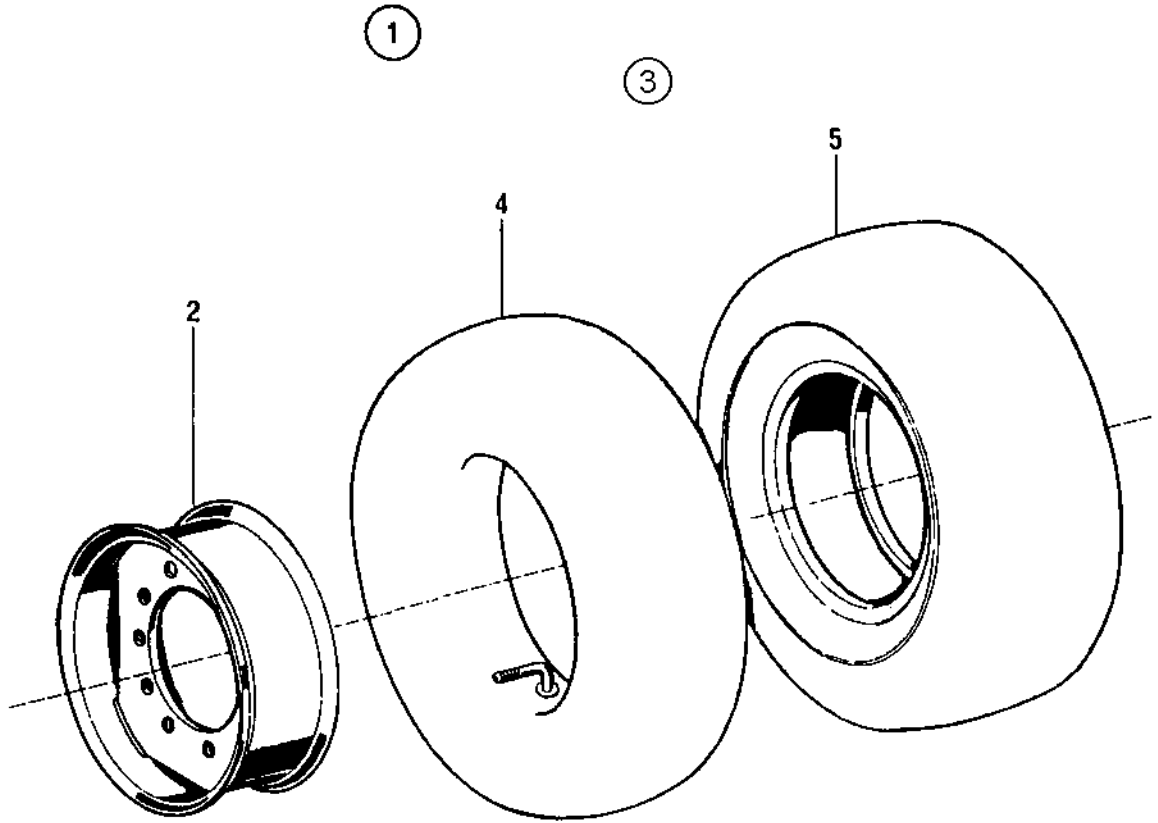
16242-2



Wheel with Bridgestone tyre

Ref. No.	Part No.	Rem.	Qty	Description	Code
1	261659	D,E	3	Wheel, cpl	
	261658	D	4	Wheel, cpl	
2	259089	A	1	.Rim	
	250658	B	1	.Rim	
3	269482	D	1	.Inner tube and tyre	
4	195414		1	..Inner tube	
5	904763	C,D	1	..Tyre, smooth	B

- A) Included in 261659
 B) Included in 261658
 C) Bridgestone
 D) Attention: Don't mix different types of tyres on the same machine, cause the specifications are different and don't match.
 E) Earlier used 261657 is replaced by 261659.



Wheel with Michelin tyre

Ref. No.	Part No.	Rem.	Qty	Description	Code
1	381694	D	3	Wheel, cpl	
	381695	D	4	Wheel, cpl	
2	259089	A	1	.Rim	
	250658	B	1	.Rim	
3	381620	D	1	.Inner tube and tyre	
4	195414		1	..Inner tube	
5	901317	C,D	1	..Tyre	B

A) Included in 381694

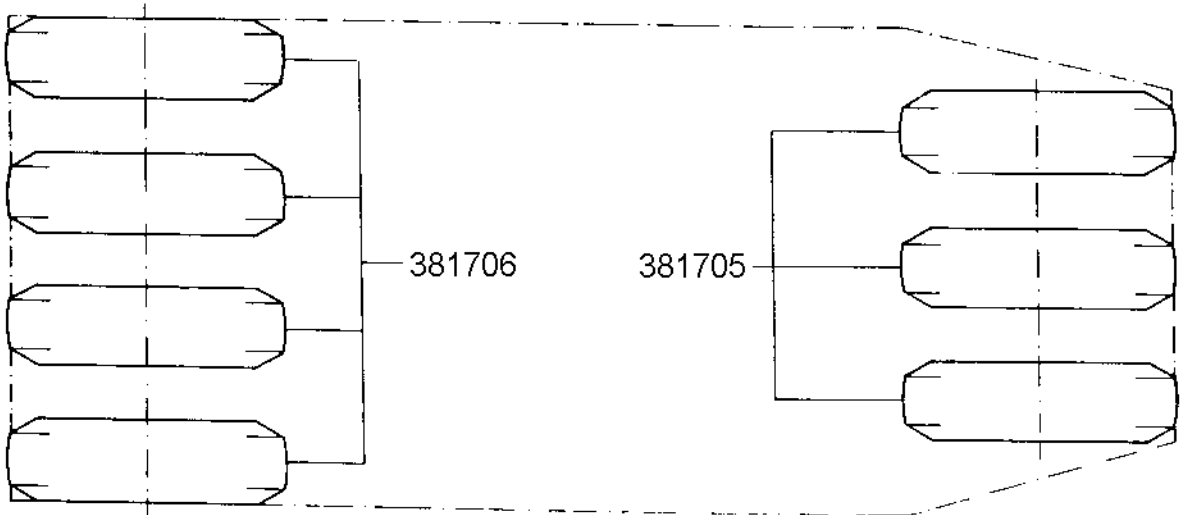
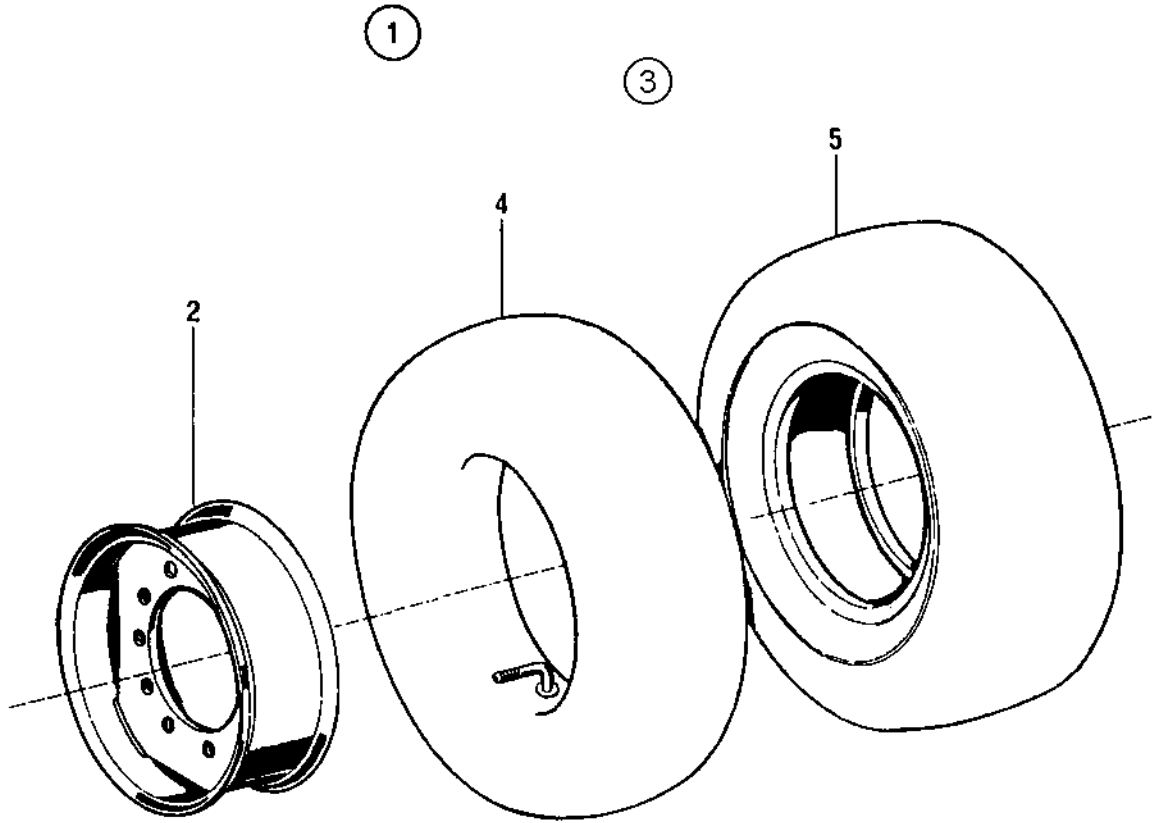
B) Included in 381695

C) Michelin

D) Attention: Don't mix different types of tyres on the same machine, cause the specifications are different and don't match.

Wheel with Firestone tyre

17762



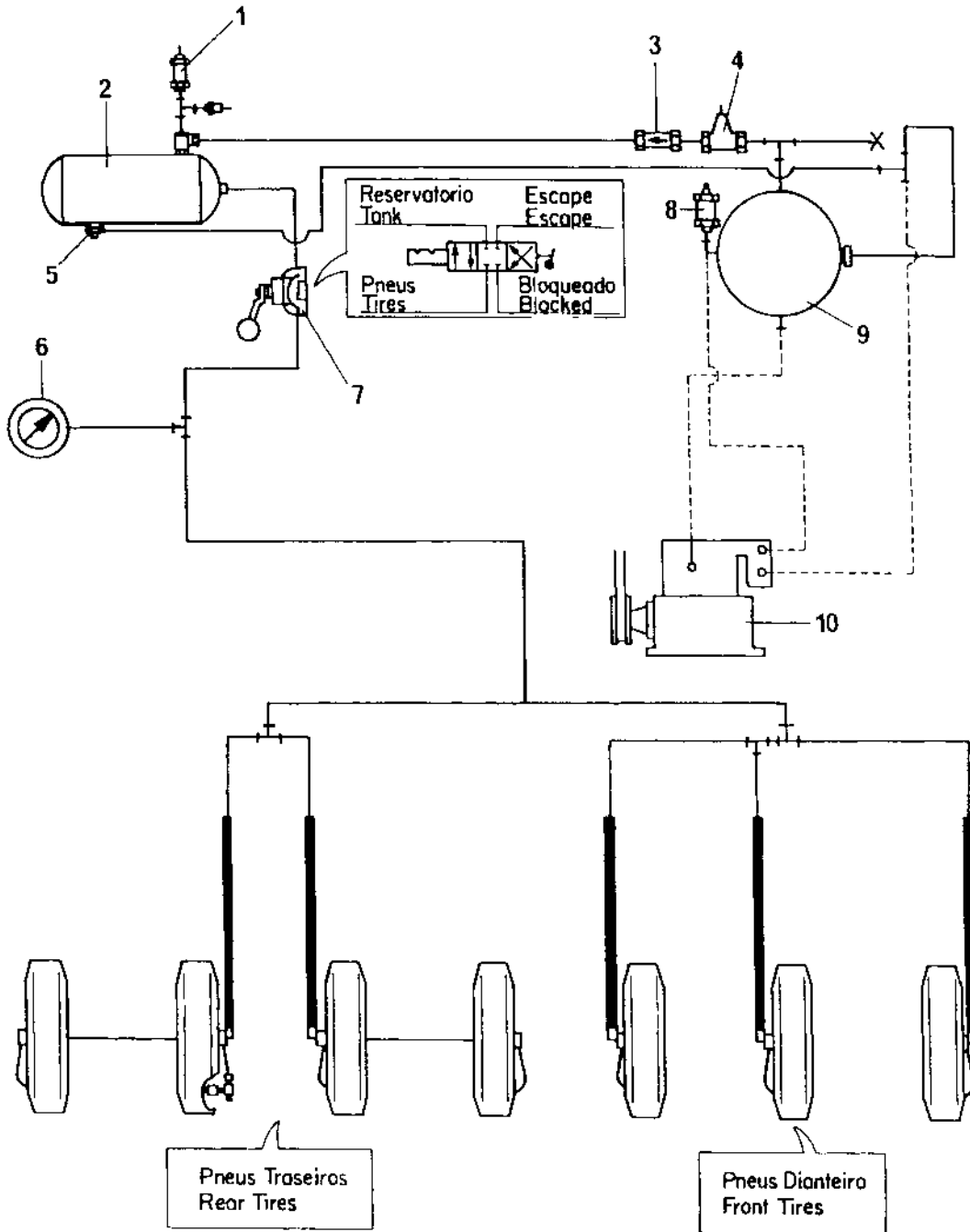
Wheel with Firestone tyre

Ref. No.	Part No.	Rem.	Qty	Description	Code
1	381705	D	3	Wheel, cpl	
	381706	D	4	Wheel, cpl	
2	259089	A	1	.Rim	
	250658	B	1	.Rim	
3	381704	D	1	.Inner tube and tyre	
4	195414		1	..Inner tube	
5	401048	C,D	1	..Tyre	B

- A) Included in 381705
- B) Included in 381706
- C) Firestone
- D) Attention: Don't mix different types of tyres on the same machine, cause the specifications are different and don't match.

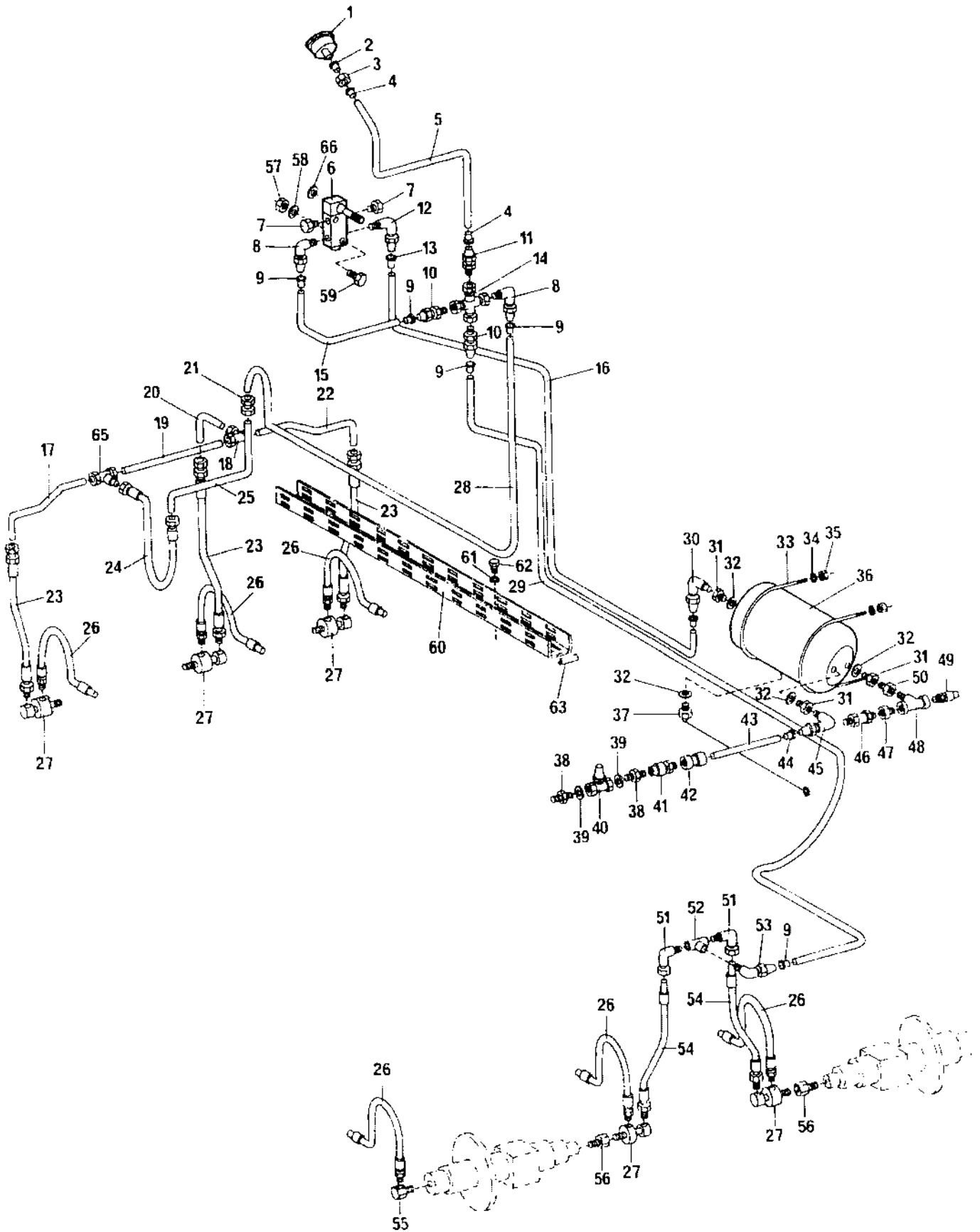
Pneumatic circuit diagram Option

16243



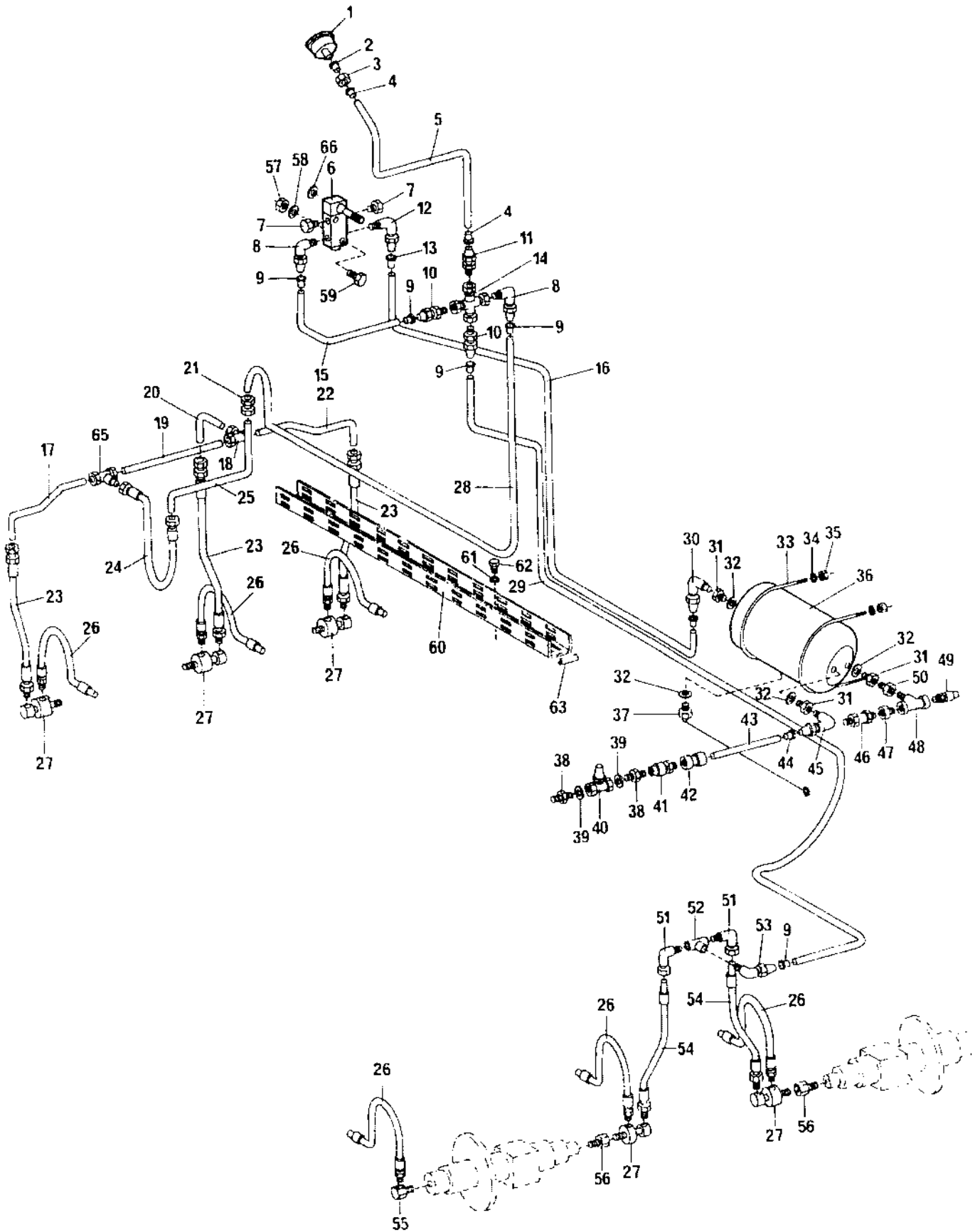
Pneumatic circuit diagram Option

Ref. No.	Part No.	Rem.	Qty	Description	Code
1	333062		1	Safety valve	D
2	384615		1	Air tank	
3	912120		1	Check valve	D
4	333067		1	Valve	D
5	195054		1	Drain valve	
6	266221		1	Manometer	D
7	374791		1	Directional valve	
8	333062		1	Safety valve	D
9			1	Air tank	D
10				Compressor, see another assembly	D



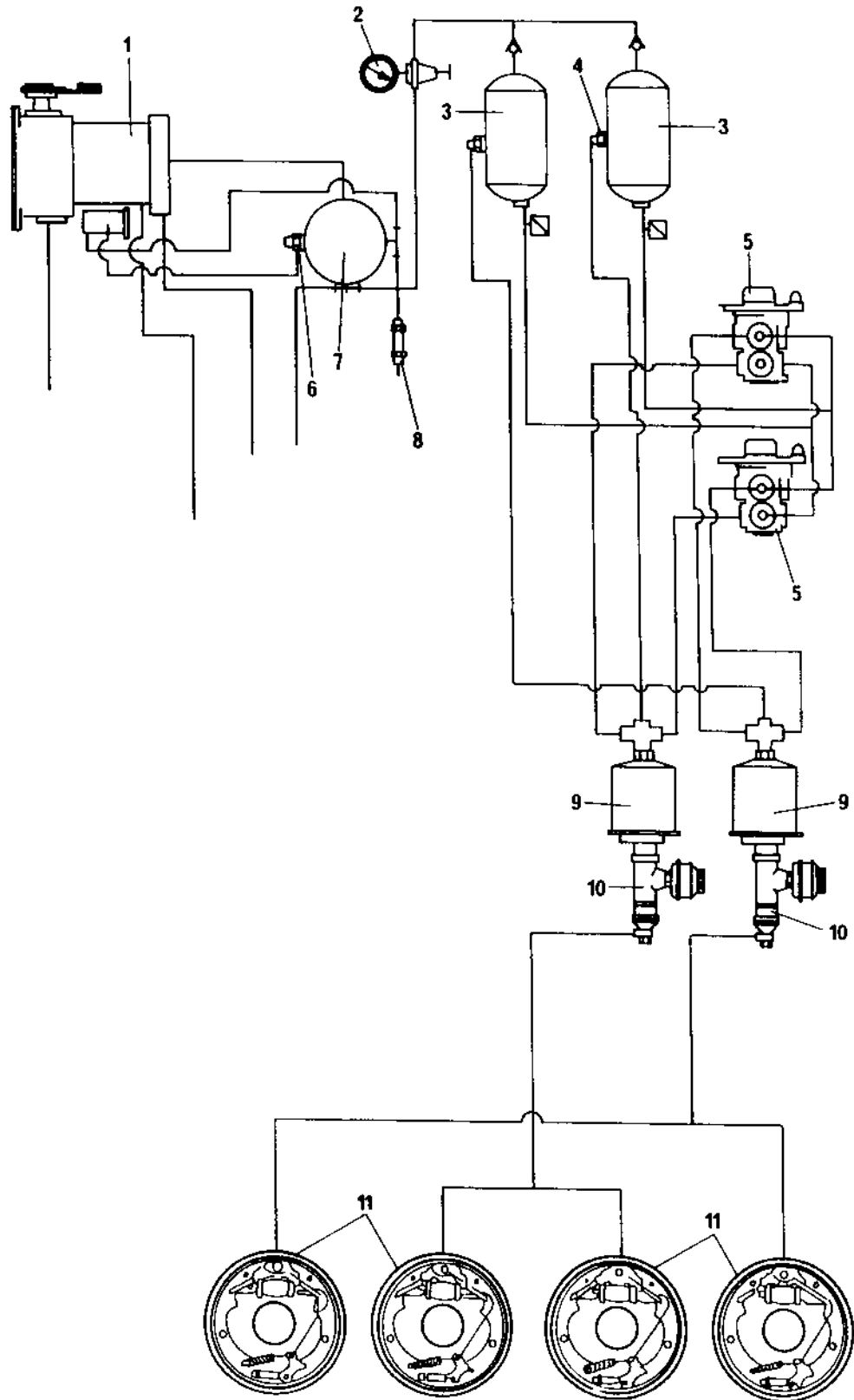
Ref. No.	Part No.	Rem.	Qty	Description	Code
1	266221		1	Manometer	D
	927025		1	Socket	
	747583		1	Bulb	
	195814	G	1	Pipe, nylon	D
	904626		1	Coupling	
	926625		1	Sleeve	
2	231193		1	Sleeve	
3	231192		1	Nut	
4	920783		2	Insert	
5	247154	H	1	Pipe	
6	374791		1	Directional valve	
7	232078		2	Plug	
8	920794		3	Nipple	
9	920784		6	Insert	
10	192804		2	Connection	
11	920787		1	Pipe connection	
12	920795		1	Brake connection	
13	920785		2	Insert	
14	192803		1	Connection	
15	247151		1	Pipe 3/8"	
16	247152		1	Tube	D
17	262092		1	Tube	
18	230524		1	Connection-T	
19	262091		1	Tube	
20	259246		1	Tube	
21	230322		1	Connection	
22	259245		1	Tube	
23	257987		3	Hose	
24	257988		1	Hose	
25	192245		1	Tube	
26	191927		7	Hose	
27	195172		5	Rotor	
28	247151	A	1	Pipe 3/8"	
29	247151	B	1	Pipe 3/8"	
30	191921		1	Elbow	
31	234729		3	Reducing nipple	
32	330333		4	Copper washer	D
33	194366		2	Clamp	
34	904230		4	Washer 10,5x22x2	
35	570006		4	Nut M10	
36	384615		1	Air tank	
37	195054		1	Drain valve	
38	240264		2	Adapter	
39	330333		2	Copper washer	D
40	333067		1	Valve	D
41	912120		1	Check valve	D
42	268920		1	Adapter	
43	247153	C	1	Tube	
44	920786		2	Insert	
45	194212		1	Elbow	
46	333062		1	Safety valve	D
47	813465		1	Reducing	
48	253007		1	Tee-connector	
49	401106		1	Filler pipe	

- A) L=1090 mm
 B) L=3500 mm
 C) L=350 mm
 G) L=150 mm
 H) L=420 mm

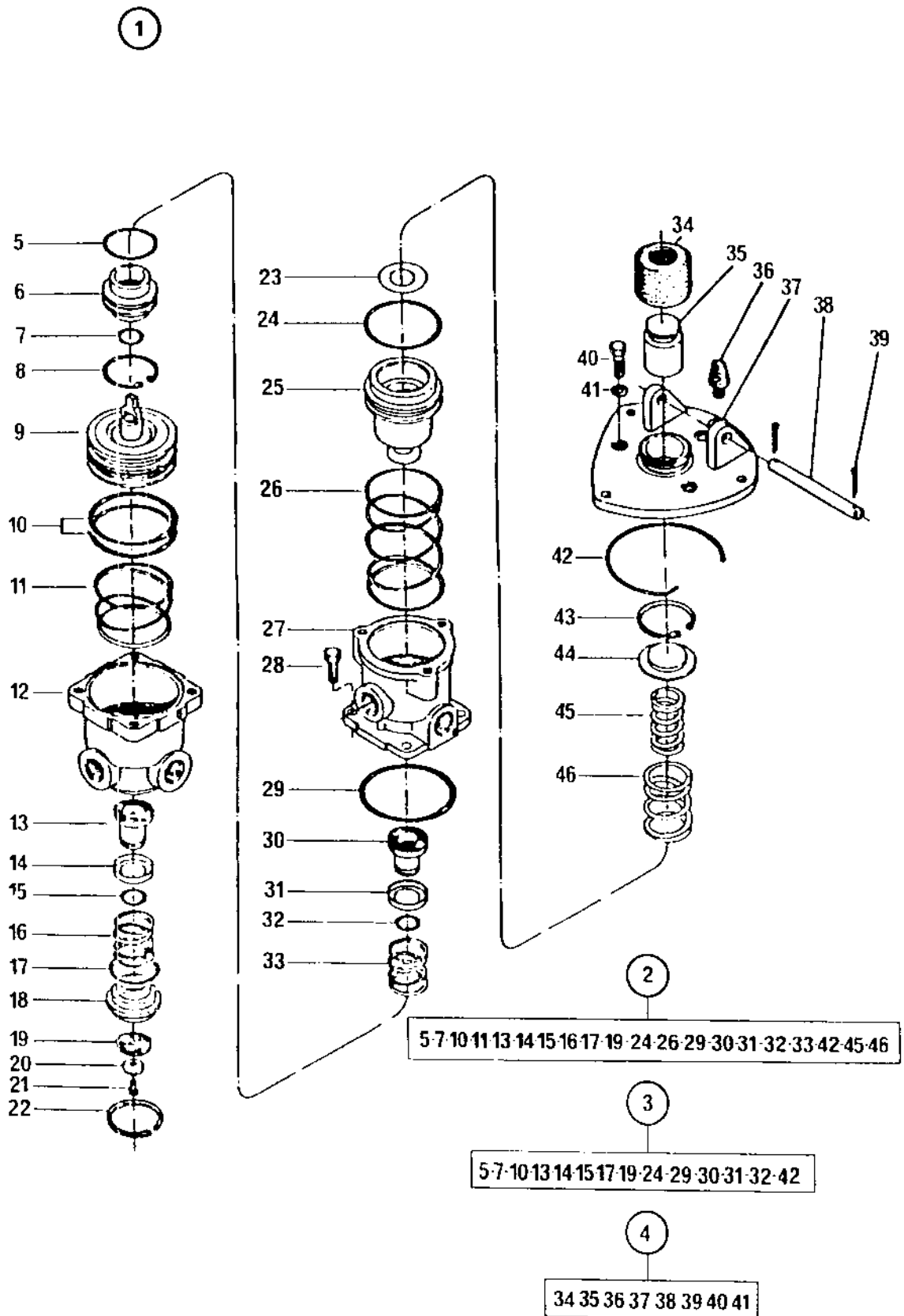


Ref. No.	Part No.	Rem.	Qty	Description	Code
50	334603		2	Bushing	
51	194365		2	Connection 90deg	
52	814262		1	Tee-connector	
53	920794		1	Nipple	
54	194367		2	Hose	
55	257985		2	Connector	
56	254086		2	Connector	
57	570003		2	Nut M5	
58	615042		2	Conical spring washer	
59	500099		2	Screw	
60	380251		1	Channel	
61	904281		8	Washer 5,3x10x1	
62	500012		8	Screw M6x12	
63	202028	D	4	Edge trim	
65	230055		1	Connection-T	
66	904281	F		Washer 5,3x10x1	

- D) L=400 mm
- F) Inside panel

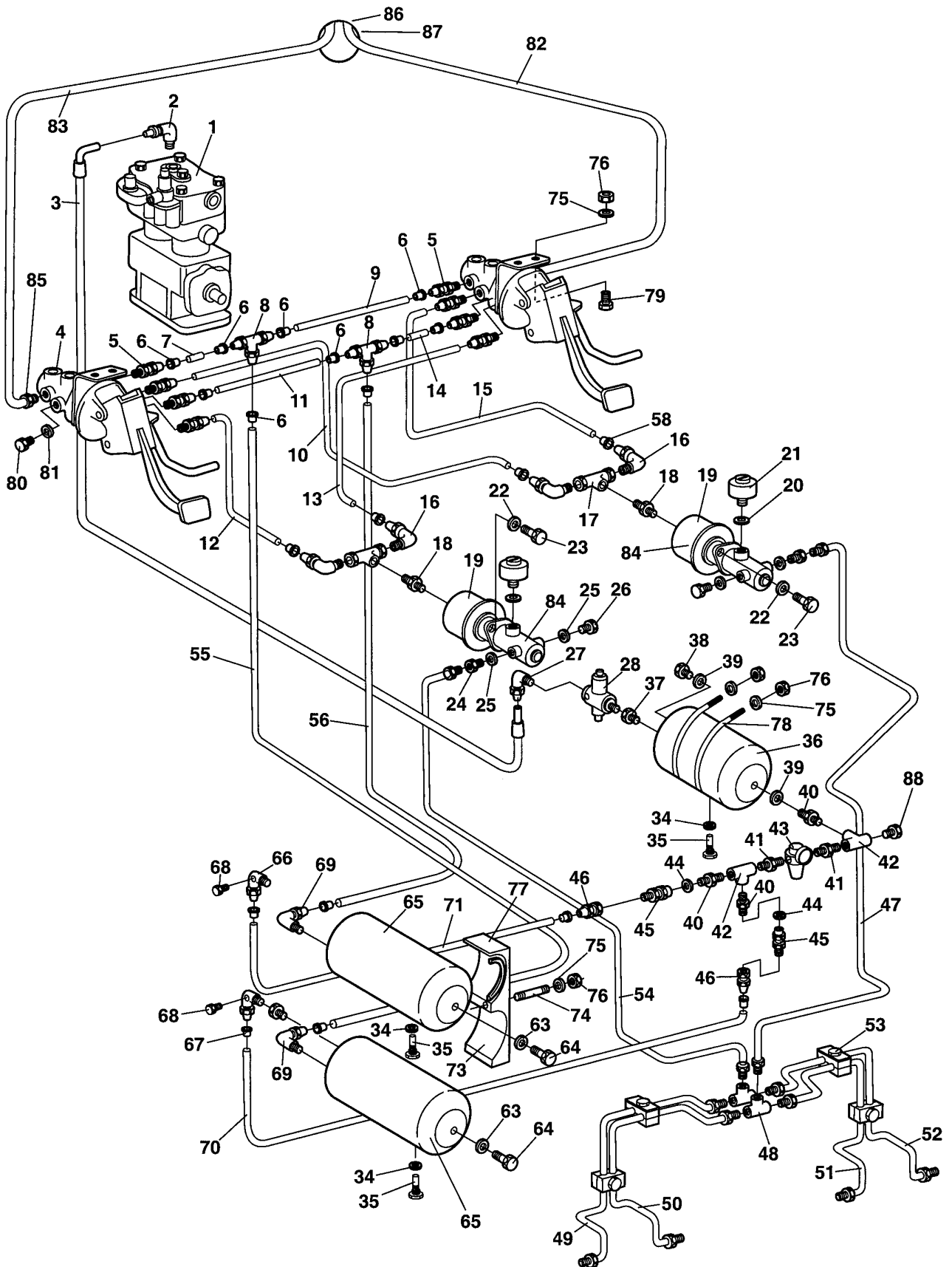


Ref. No.	Part No.	Rem.	Qty	Description	Code
1				Compressor, see another assembly	
2	194410		1	Pressure relief valve, cpl	
	197901		1	.Gauge	
3	384614		2	Air tank	
4	384453		2	Drain valve	
5	191533		2	Brake valve, Varga (Page 54)	
6	384453		1	Drain valve	
7	384615		1	Air tank	
8	333062		1	Safety valve	D
9	194402		2	Brake chamber	
10	194401		2	Brake master cylinder	
11			4	Wheel, see another assembly	



191533 Brake valve, Varga

Ref. No.	Part No.	Rem.	Qty	Description	Code
1			1	Brake valve, Varga	
2	192833		1	.Reversing valve	C
3	192824		1	.Repair kit	
4	192825		1	.Pedal repair kit	
5			1	.Seal ring	
6			1	.Valve guide	
7			1	.Seal ring	
8			1	.Retaining ring	
9			1	.Piston	
10			2	.Seal ring	
11			1	.Spring	
12			1	.Lower body	
13			1	.Valve	
14			1	.Seal ring	
15			1	.Seal ring	
16			1	.Spring	
17			1	.Seal ring	
18			1	.Guide valve	
19			1	.Diaphragm	
20	192284		1	.Lock washer	
21			1	.Screw	
22			1	.Retaining ring	
23			1	.Washer	
24			1	.Seal ring	
25			1	.Piston	
26			1	.Spring	
27			1	.Upper body	
28			4	.Screw	
29			1	.Seal ring	
30			1	.Valve	
31			1	.Seal ring	
32			1	.Seal ring	
33			1	.Spring	
34			1	.Scoop	
35			1	.Piston	
36			1	.Pedal stop	
37			1	.Bracket	
38			1	.Pin	
39			2	.Cotter pin	
40			1	.Screw	
41			2	.Washer	
42			1	.Retaining ring	
43			1	.Retaining ring	
44			1	.Seal ring	
45			1	.Spring	
46			1	.Spring	



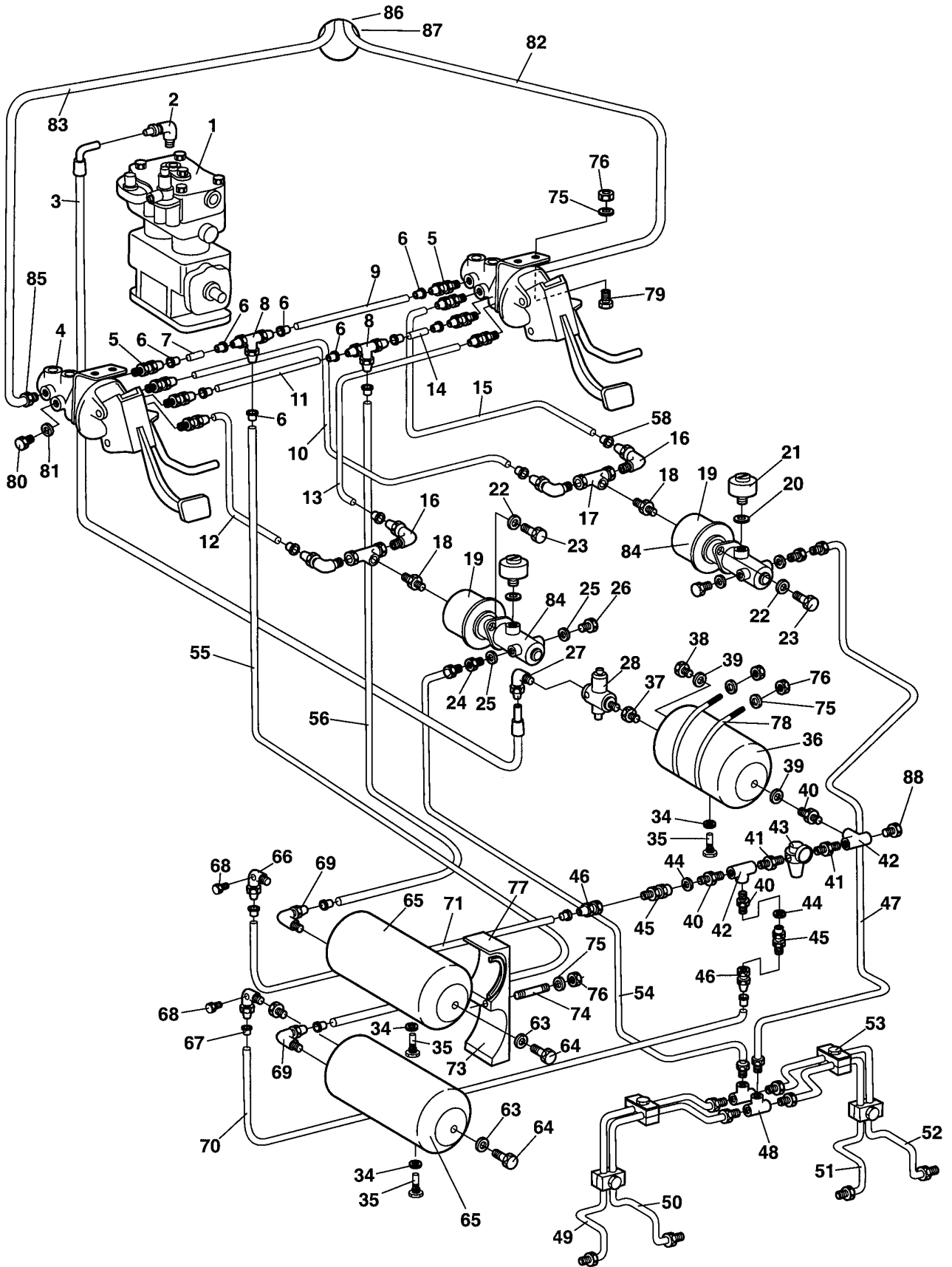
Brake circuit

Ref. No.	Part No.	Rem.	Qty	Description	Code
1				Compressor, see another assembly	
2	904659		1	Elbow 90	
	938161		1	.Nut with sealing cone	
3	196586		1	Hose	
4	195778		2	Brake pedal	
5	904657		8	Straight connector	
6	195834		20	Sleeve insert	
7	195838	A		Pipe, nylon	D
8	904660		2	Tee-connector	
9	195838	B		Pipe, nylon	D
10	195838	C		Pipe, nylon	D
11	195838	D		Pipe, nylon	D
12	195838	E		Pipe, nylon	D
13	195838	C		Pipe, nylon	D
14	195838	F		Pipe, nylon	D
15	195838	E		Pipe, nylon	D
16	904658		4	Elbow 90	
17	195831		2	Check valve double	
18	195832		2	Connector	
19	194402		2	Brake chamber	
20	330333		2	Copper washer	D
21	415277		2	Oil tank	
22	904229		6	Washer 8,4x16x1,5	
23	500022		6	Screw M8-1,25x30 8,8	
24	194407		2	Connection	
25	330328		4	Washer 10x14x1	
26	194408		2	Plug	
27	904659		1	Elbow 90	
28	384452		1	Unloader valve	
34	162019		3	Seal ring	D
35	384453		3	Drain valve	
36	384615		1	Air tank	
37	195931		1	Connector	
38	232052		1	Plug	D
39	162019		2	Seal ring	D
40	240264		3	Adapter	
41	813722		2	Nipple	
42	814262		2	Tee-connector	
43	194410		1	Pressure relief valve, cpl	
	197901		1	.Gauge	
44	330333		2	Copper washer	D
45	195816		2	Check valve	
46	195812		2	Straight male stud	
47	194803		1	Brake pipe	
48	745072		2	Tee-connector	
49	191937		1	Brake tube	
50	191934		1	Brake tube	
51	191935		1	Brake tube	
52	191936		1	Brake tube	
53	258015		4	Clamp	

- A) L=200 mm
 B) L=940 mm
 C) L=1350 mm
 D) L=880 mm
 E) L=800 mm
 F) L=250 mm

Brake circuit

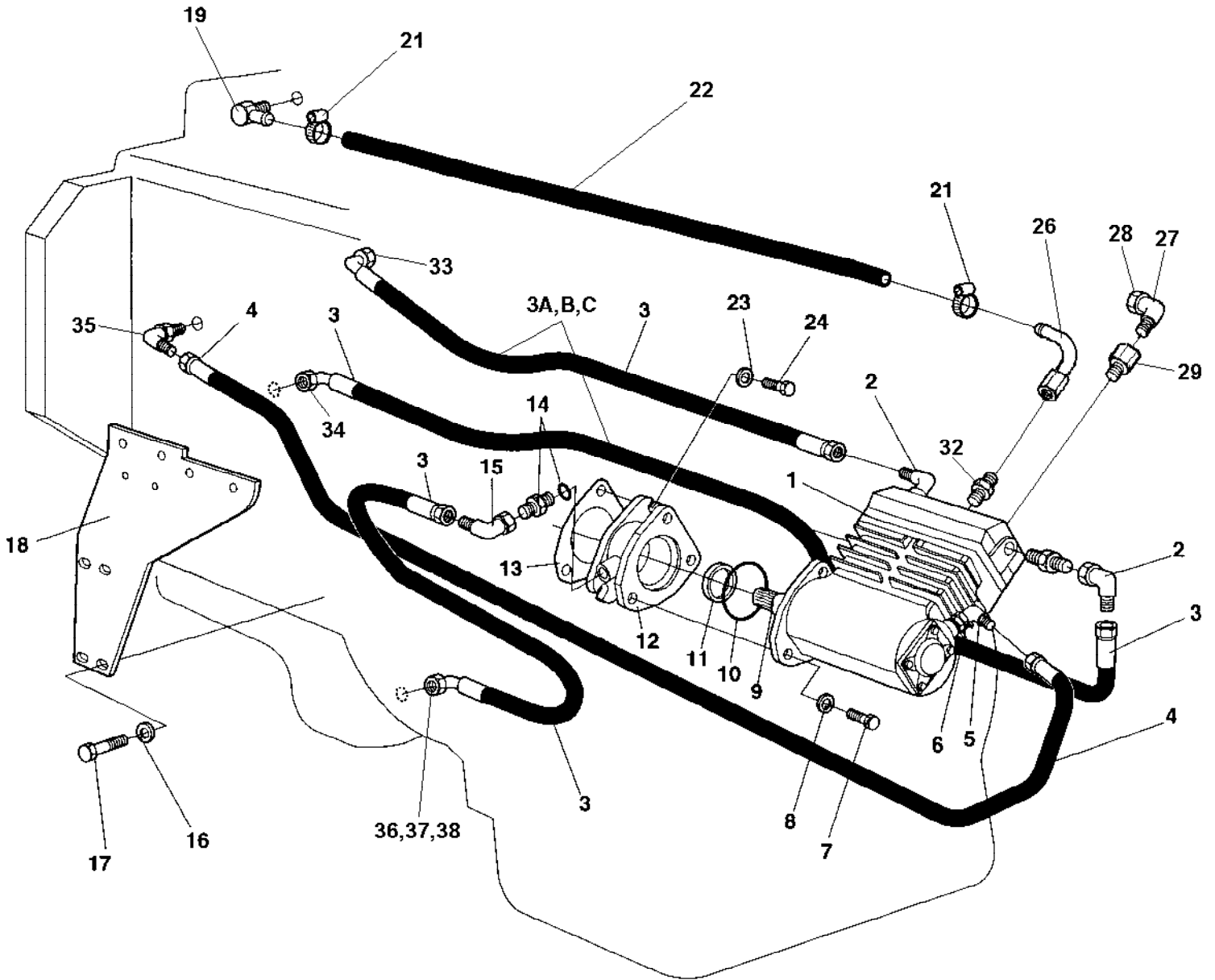
17548-1



Brake circuit

Ref. No.	Part No.	Rem.	Qty	Description	Code
54	194802		1	Brake line	
55	195838	J		Pipe, nylon	D
56	195838	K		Pipe, nylon	D
58	926625		4	Sleeve	
63	162019		2	Seal ring	D
64	232052		2	Plug	D
65	384614		2	Air tank	
66	195915		2	Male stud elbow	
67	195833		4	Sleeve insert	
68	256485		2	Adapter	
69	904659		2	Elbow 90	
70	195839	D		Pipe, nylon	
71	195839	P		Pipe, nylon	
73	194371		1	Bracket	
74	194372		2	Stud	
75	904230		22	Washer 10,5x22x2	
76	570006		14	Nut M10	
77	202028			Edge trim	
78	194366		2	Clamp	
79	500030		8	Screw M10-1,5x35H 8,8	
80	232143		6	Plug	
81	330330		6	Washer	
82	195814	O		Pipe, nylon	D
83	195814	L		Pipe, nylon	D
84	194401		2	Brake master cylinder	
85	195932		2	Male stud elbow	
86	904627		2	Nut M6	
87	230520		2	Locking sleeve R6	
88	192343		1	Plug	

- D) L=880 mm
 J) L=4000 mm
 K) L=3600 mm
 L) L=900 mm
 O) L=1500 mm
 P) L=850 mm

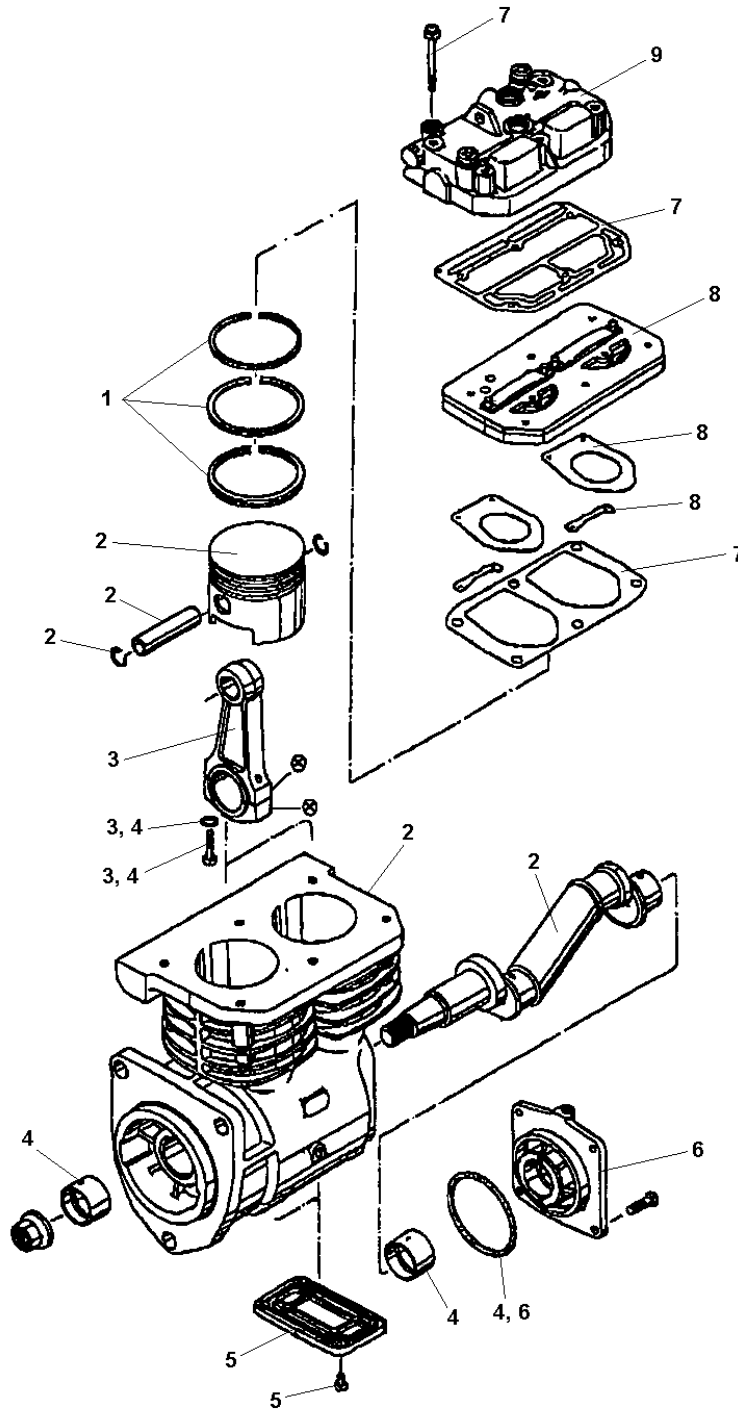


Ref. No.	Part No.	Rem.	Qty	Description	Code
1	380475		1	Compressor Knorr-Bremse LP4850 (Page 62)	
2	928908		2	Adapter	
3	482466	B	3	Hydraulic hose	
3-A	921161		2	Clamp	
3-B	500048		2	Screw M10-1,5x20 8,8	
3-C	904557		2	Washer 10,5x22x4	
4	281628		1	Hydraulic hose	
5	334196		1	Elbow 90	
6	900176		1	Adapter	
7	500123		3	Screw M16x35	
8	904232		3	Washer 17x30x3	
9	380239		1	Shaft	
10	160092		1	O-ring	
11	163105		1	Lip-type oil seal	
12	380242		1	Flange	
13	191623		1	Gasket	
14	234659		1	Straight o-ring connector	
15	334197		1	Elbow 90	
16	904213		8	Washer 13x30x4	
17	500037		8	Screw M12-1,75x35 8,8	
18	380406		2	Support	
19	928081		1	Hose connector	
21	313004		2	Hose clamp	
22	246072	A	1	Hose	
23	904703		2	Washer 13x24x4	
24	502058		2	Screw 1/2 UNC	
26	792077		1	Hose connector	
27	904659		1	Elbow 90	
28	938161		1	.Nut with sealing cone	
29	792043		1	Straight connector	
	162028	C	1	Seal ring	
32	902126		1	Adapter	
33	813445		1	Elbow 45	
34	334205		1	Straight connector	
35	234341		1	Elbow 45	
36	813435		1	Adapter	
37	330333		1	Copper washer	D
38	234729		1	Reducing nipple	

A) L=1560 mm

B) Two of these hoses need the clamp, screw and washer, item 3A, B and C

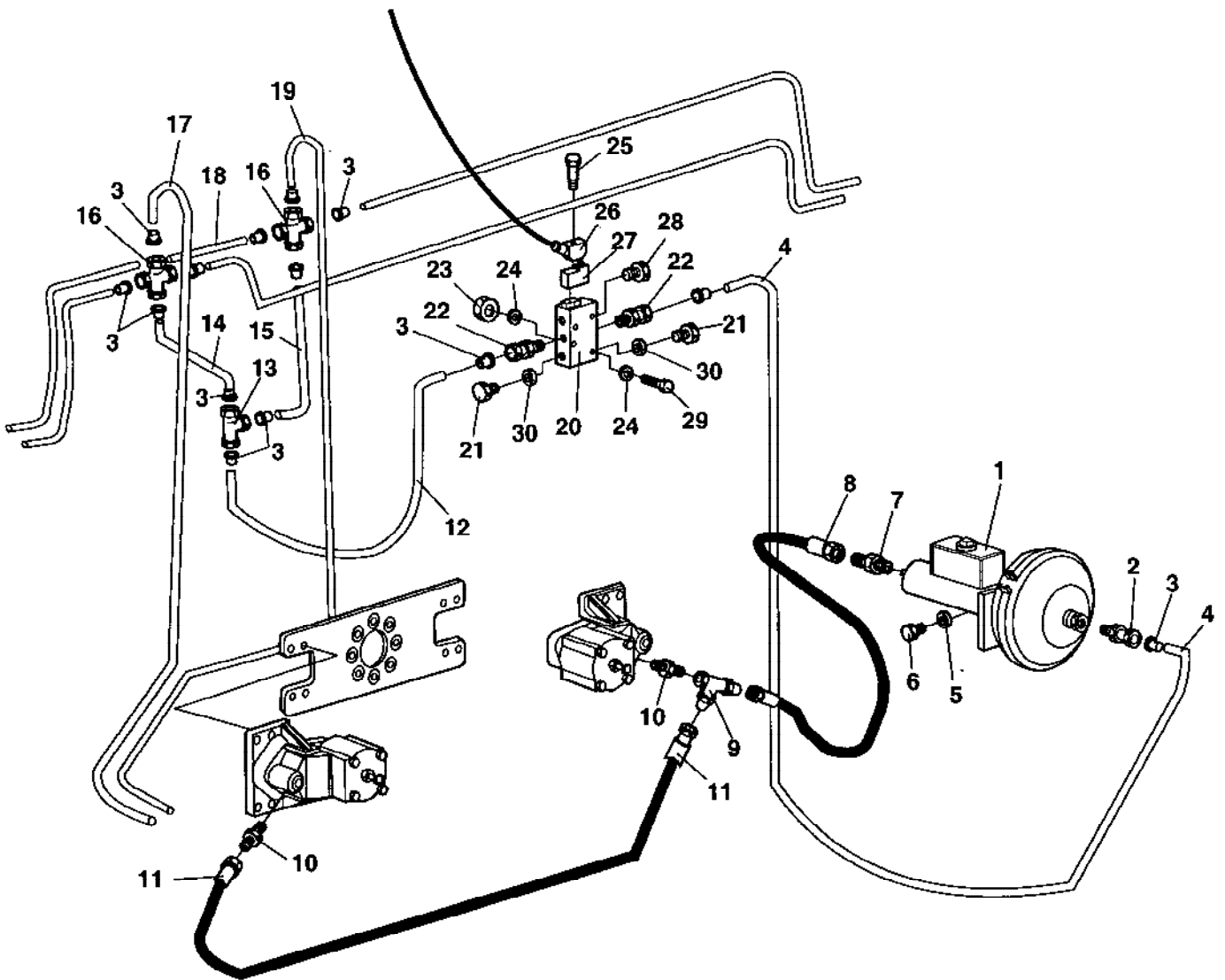
C) Not illustrated. Order separately (not included in 792043)



380475 Compressor Knorr-Bremse LP4850

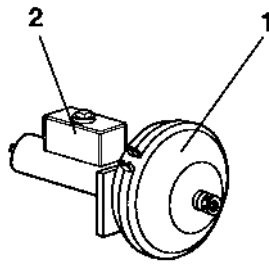
Ref. No.	Part No.	Rem.	Qty	Description	Code
1	938325		2	Piston ring kit	
2				Not Sold Separately	
3	938756		2	Connecting rod	
		A	4	.Washer	
		A	4	.Screw	
4	938326		1	Bearing bushing kit	
		A	2	.Bearing bushing	
		A	1	.O-ring	
		A	4	.Washer	
		A	4	.Screw	
5	938757		2	Cover, crankcase	
		A	2	.Plug	
6	938759		1	Bearing cover	
		A	1	.O-ring	
7	938324		1	Repair kit	
		A	1	.Cylinder head gasket	
		A	1	.Cyl. head cover gasket	
		A	6	.Screw	
8	938327		1	Disc valve kit	
		A	1	.Disc valve	
		A	2	.Gasket	
		A	2	.Clip	
9	938758		1	Cylinder head cover	

A) Not sold separately



Ref. No.	Part No.	Rem.	Qty	Description	Code
1	384571		1	Brake chamber (Page 66)	
2	791154		1	Adapter	
3	195834		8	Sleeve insert	
4	195838	A	1	Pipe, nylon	D
5	904229		4	Washer 8,4x16x1,5	
6	500021		4	Screw M8-1,25x25 8,8	
7	900249		1	Straight connector	
8	482999		1	Hydraulic hose	
9	334556		1	Tee-connector	
10	334143		2	Straight connector	
11	482023		1	Hydraulic hose	
12	195838	B	1	Pipe, nylon	D
13	904660		1	Tee-connector	
14	195838	C	1	Pipe, nylon	D
15	195838	C	1	Pipe, nylon	D
16	791155		2	Adapter	
17		D	1	Missing description	
18		D	1	Missing description	
19		D	1	Missing description	
20	384576		1	Valve	
21	332038		2	Plug	
22	791153		2	Adapter	
23	570003		4	Nut M5	
24	904281		8	Washer 5,3x10x1	
25	903152		2	Screw	
26	387775		1	Cable harness	
27	384577		1	Magnetic valve	
28	791317		1	Filter plug	
29	500080		4	Screw	
30	162004		2	Sealing	

- A) L=2,6 m
- B) L=1 m
- C) L=0,25 m
- D) Existing tubes

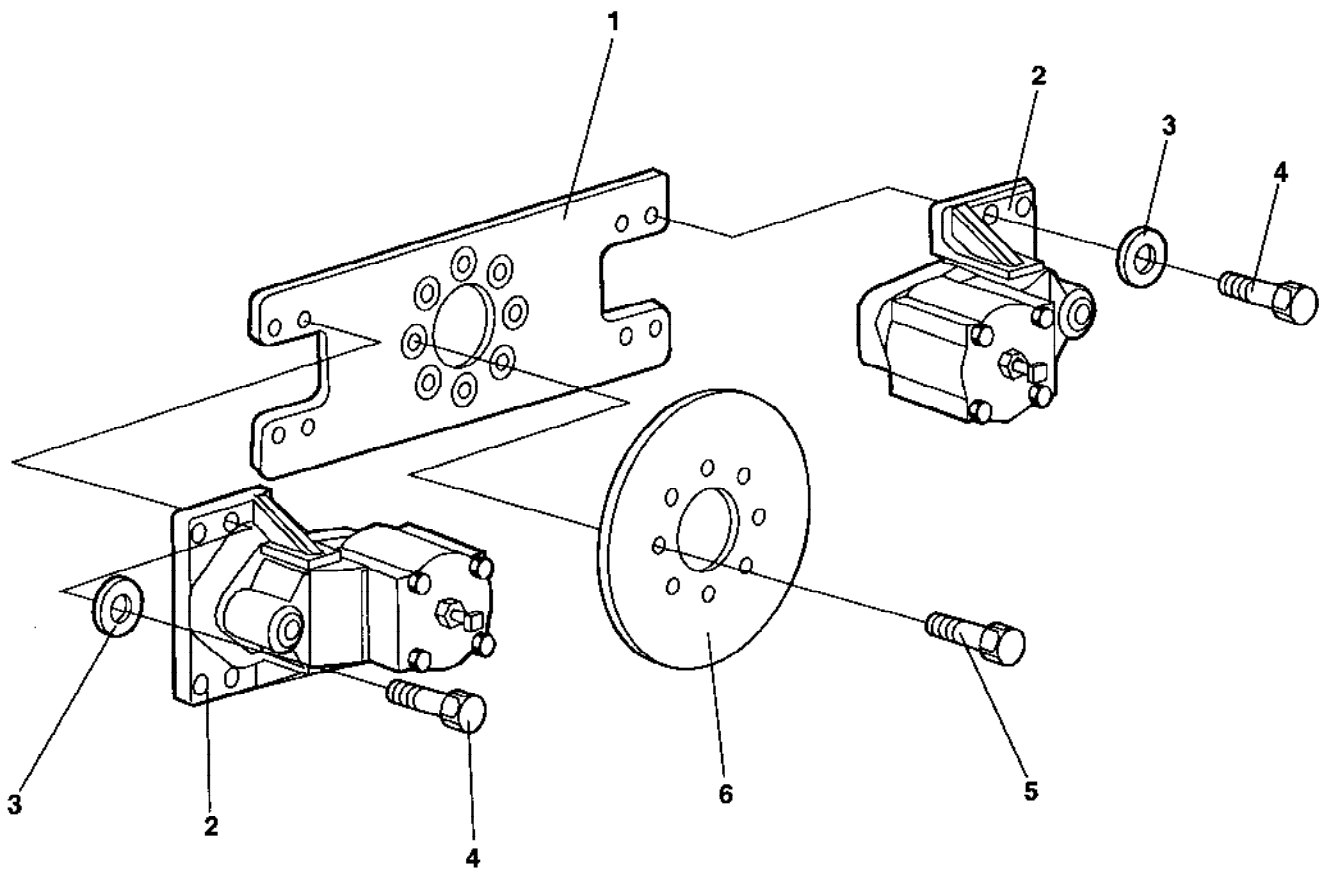


384571 Brake chamber

Ref. No.	Part No.	Rem.	Qty	Description	Code
1	939496		1	Diaphragm	D
2	939497		1	Repair kit	D

Parking brake

17765

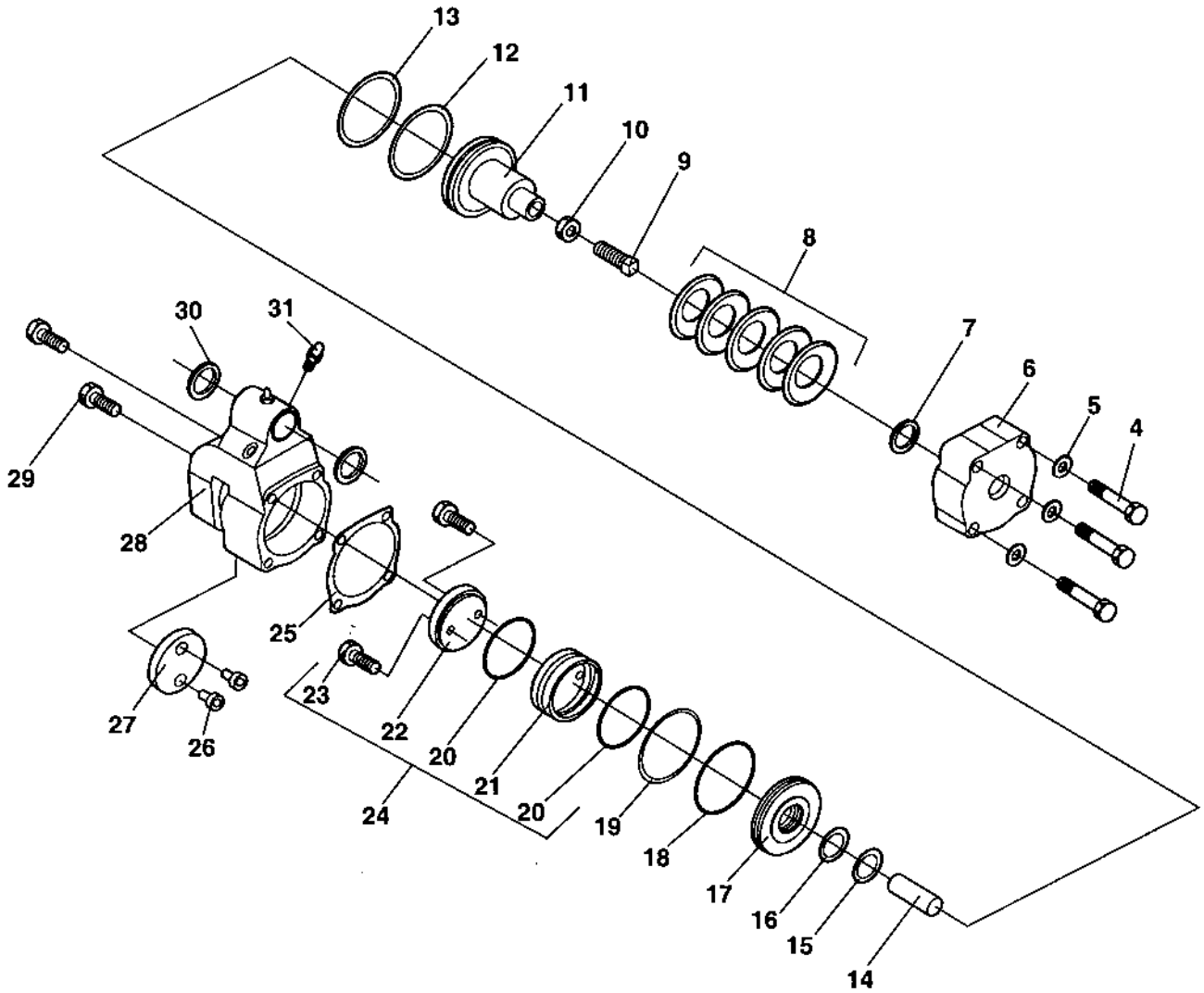


Parking brake

Ref. No.	Part No.	Rem.	Qty	Description	Code
1	384573		1	Bracket	
2	384572		2	Caliper disc brake (Page 70)	
3	904231		8	Washer 13x24x2	
4	947688		8	Screw	
5	938355		6	Screw	
6	938108		1	Disc	

384572 Caliper disc brake

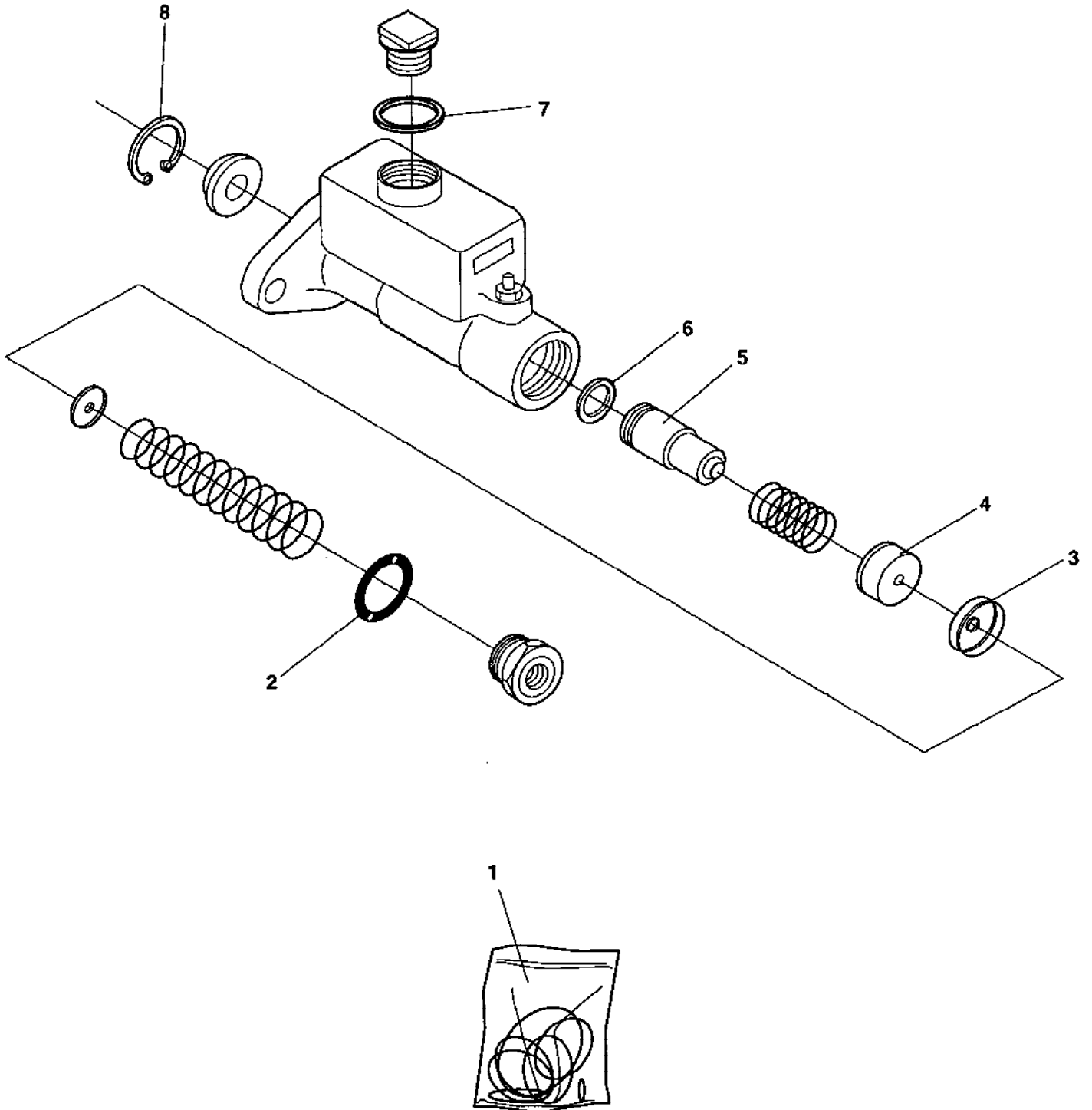
17766



384572 Caliper disc brake

Ref. No.	Part No.	Rem.	Qty	Description	Code
1	939491		1	Lining kit	D
2	939492		1	Seal kit	D
3	939493		1	Repair kit	D
7		B,C	1	Seal	D
8		C	1	Spring set	D
12		B,C	1	Back-up ring	D
13		B,C	1	O-ring	D
15		B,C	1	O-ring	D
16		B,C	1	Back-up ring	D
18		B,C	1	O-ring	D
19		B,C	1	Back-up ring	D
20		B,C	2	O-ring	D
22		A,C	1	Lining	D
23		A,C	2	Screw	D
25		B,C	1	Gasket	D
26		A,C	2	Bushing	D
27		A,C	1	Lining	D
29		A,C	2	Screw	D
30		B,C	2	Seal	D
31		B,C	1	Bleeder screw	D

- A) Included in Lining kit
B) Included in Seal Kit
C) Included in Repair kit



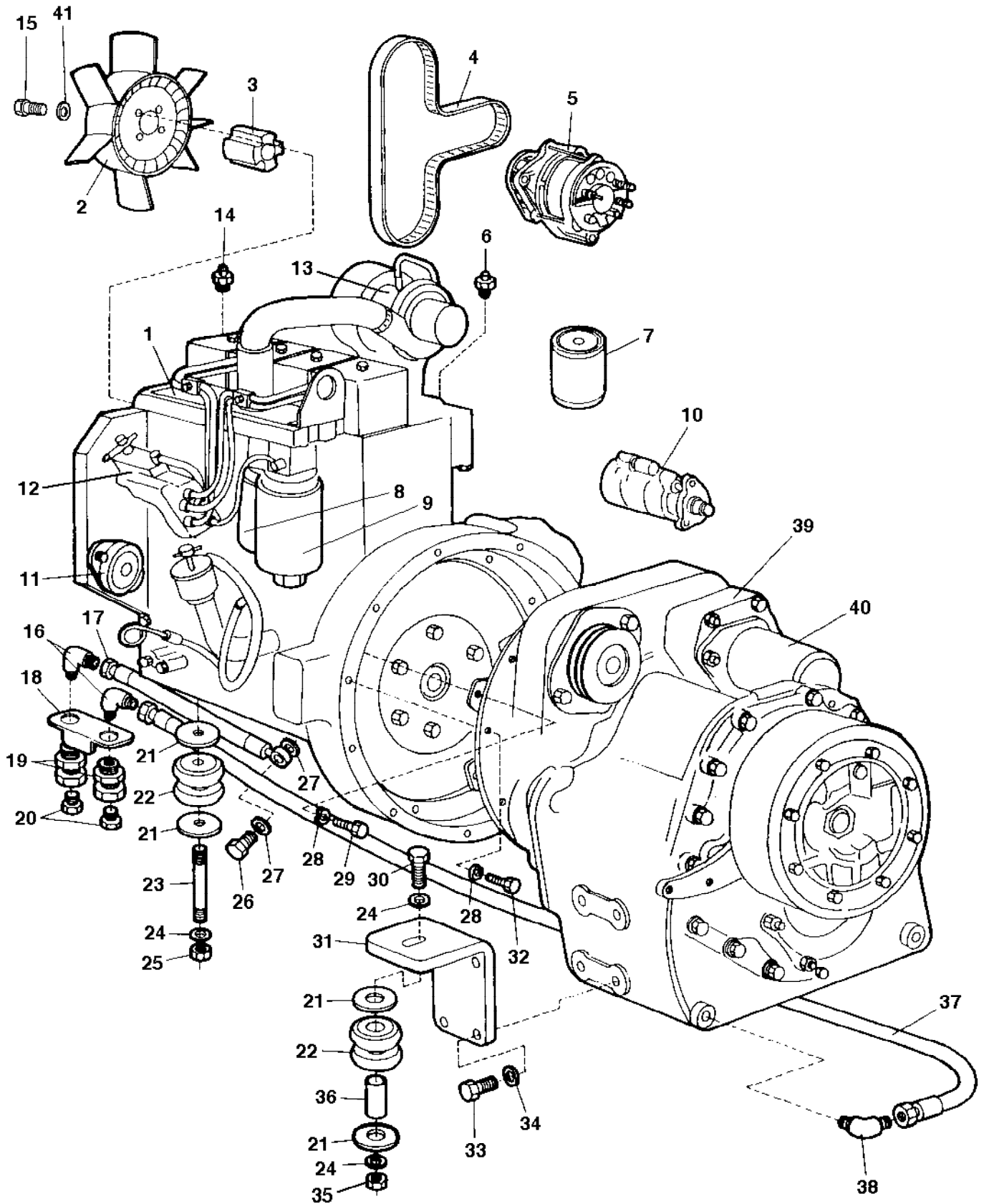
Master cylinder

Ref. No.	Part No.	Rem.	Qty	Description	Code
1	939497		1	Repair kit	D
2		A	1	.Washer	D
3		A	1	.Cup	D
4		A	1	.Piston assembly	D
5		A	1	.Piston	D
6		A	1	.Cup	D
7		A	1	.Gasket	D
8		A	1	.Retaining ring	D

A) Not sold separately

Engine

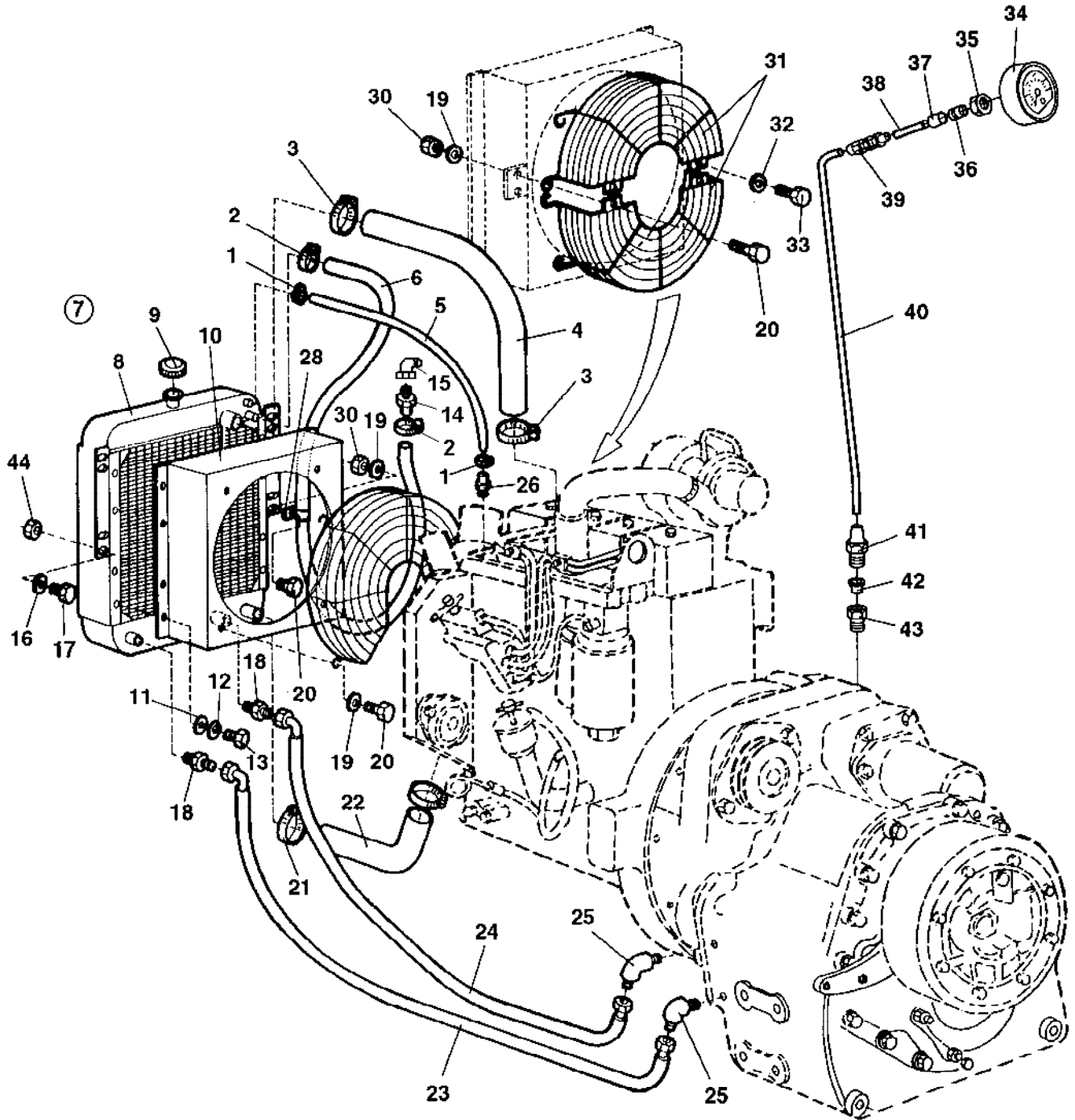
Ref. No.	Part No.	Rem.	Qty	Description	Code
10				Engine Cummins (Page 76)	
20				Cooling system (Page 78)	
30				Air cleaner (Page 80)	
40				Fuel system (Page 82)	
50				Muffler (Page 84)	



Engine Cummins

Ref. No.	Part No.	Rem.	Qty	Description	Code
1	388633		1	Diesel engine Cummins 4B4,5 - 99C	
		A,C	1	.Fuel solenoid	
	939371	A	1	.Thermostat, cpl	
	939956	A	1	.Water pump, cpl	
	940256	A	1	.Engine bracket, front	
2	938137		1	.Fan	
3	385402		1	.Spacer	
4	940250		1	.Belt	
5	935950		1	.Alternator	C
6	935044		1	.Oil pressure sensor	D
7	939480		1	.Oil filter element	A
9	939372		1	.Fuel filter element	A
10	939504		1	.Starter	C
11		C	1	.Hydraulic pump gear	C
12		C	1	.Injection pump	C
13		C	1	.Turbo, cpl	C
		C	1	..Gasket, turbo	C
		C	1	..Gasket, oil drain	C
14	940262	B	1	.Temperature sensor	
		D,C	1	Temperature sensor	
15	500077		4	Screw	
	902541		1	Lock fluid Loctite 243, 50 ml	
16	813435		2	Adapter	
17	191808		1	Hose	
18	191806		1	Holder	
19	240154		2	Connector	
20	813422		2	Plug	
21	191803		6	Washer	
22	193092		6	Shock absorber	D
23	191805		1	Stud	
24	904558		5	Washer 17x30x6	
25	571006		1	Nut UNC 5/8 - 11	
26	267465		1	Hollow screw	D
27	330331		2	Washer 18,2x23,9x1,5	
28	904230		20	Washer 10,5x22x2	
29	502038		8	Screw UNC 3/8-16x45	
30	500150		2	Screw	
31	191802		2	Bracket	
32	500030		11	Screw M10-1,5x35H 8,8	
33	502092		8	Screw	
34	903290		8	Washer 21x36x6	
35	570008		2	Nut	
36	191799		3	Pipe	
37	191804		1	Hose	
38	334410		1	Adapter	
39	381950		1	Transmission	
40	249993		1	.Oil filter	A
41	904557		4	Washer 10,5x22x4	

- A) Not illustrated
- B) Pre heater
- C) PN is missing due to short release date
- D) Colant



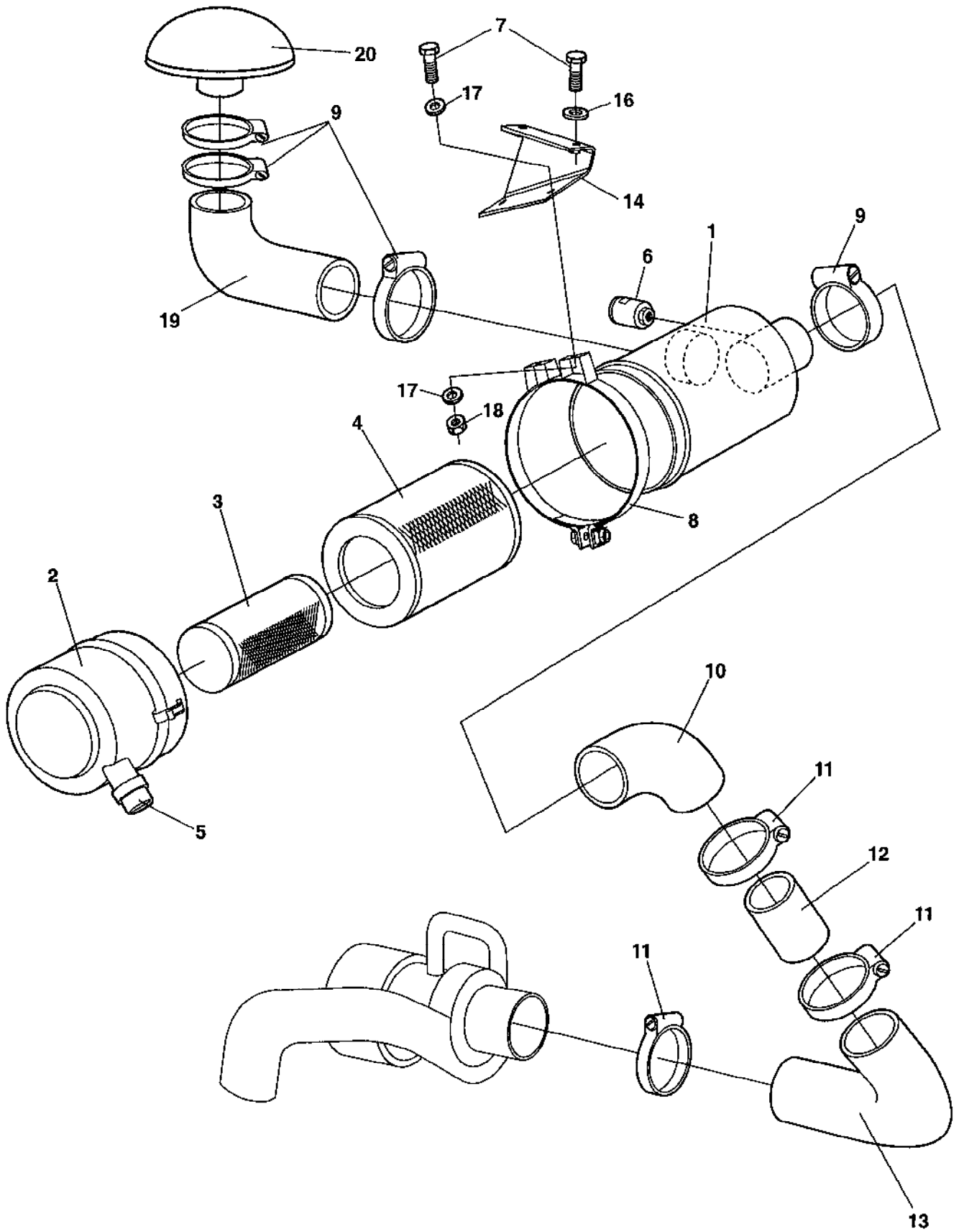
Cooling system

Ref. No.	Part No.	Rem.	Qty	Description	Code
1	313108		2	Hose clamp	
2	313035		2	Hose clamp	
3	313010		2	Hose clamp	
4	374891		1	Hose	
5	246068	A	1	Hose	
6	246073	B	1	Hose	
7	191792		1	Radiator, cpl	
8	819179201		1	.Radiator	
9	249593		1	.Filler cap	D
10	819179202		1	.Cooling air cover	
11	600005		8	.Washer	
12	604003		8	.Washer	
13	500012		8	.Screw M6x12	
14	374984		1	Hose connector	
15	234365		1	Elbow 90	
16	603023		12	Washer M10	
17	500029		6	Screw M10-1,5x30 8,8	
18	334157		2	Straight connector	
19	615043		9	Washer 8,4x18x2	
20	500021		9	Screw M8-1,25x25 8,8	
21	313023		2	Hose clamp	
22	389651		1	Coolant hose	
23	191790		1	Hose	
24	191789		1	Hose	
25	334132		2	Elbow 45, O-ring	
26	242614		1	Hose connector	
28	240908		1	Clamp	
30	570005		5	Nut M8	
31	193109		2	Fan guard	
32	615042		2	Conical spring washer	
33	500012		2	Screw M6x12	
34	265909		1	Manometer	
35	904627		1	Nut M6	
36	230520		1	Locking sleeve R6	
37	926625		1	Sleeve	
38	195814	C	1	Pipe, nylon	D
39	904626		1	Coupling	
40	247154	D	1	Pipe	
41	920787		1	Pipe connection	
42	920783		1	Insert	
43	234867		1	Straight connector	
44	570006		6	Nut M10	

- A) L=0,6 m
 B) L=1,15 m
 C) L=0,15 m
 D) L=0,65 m

Air cleaner

17930

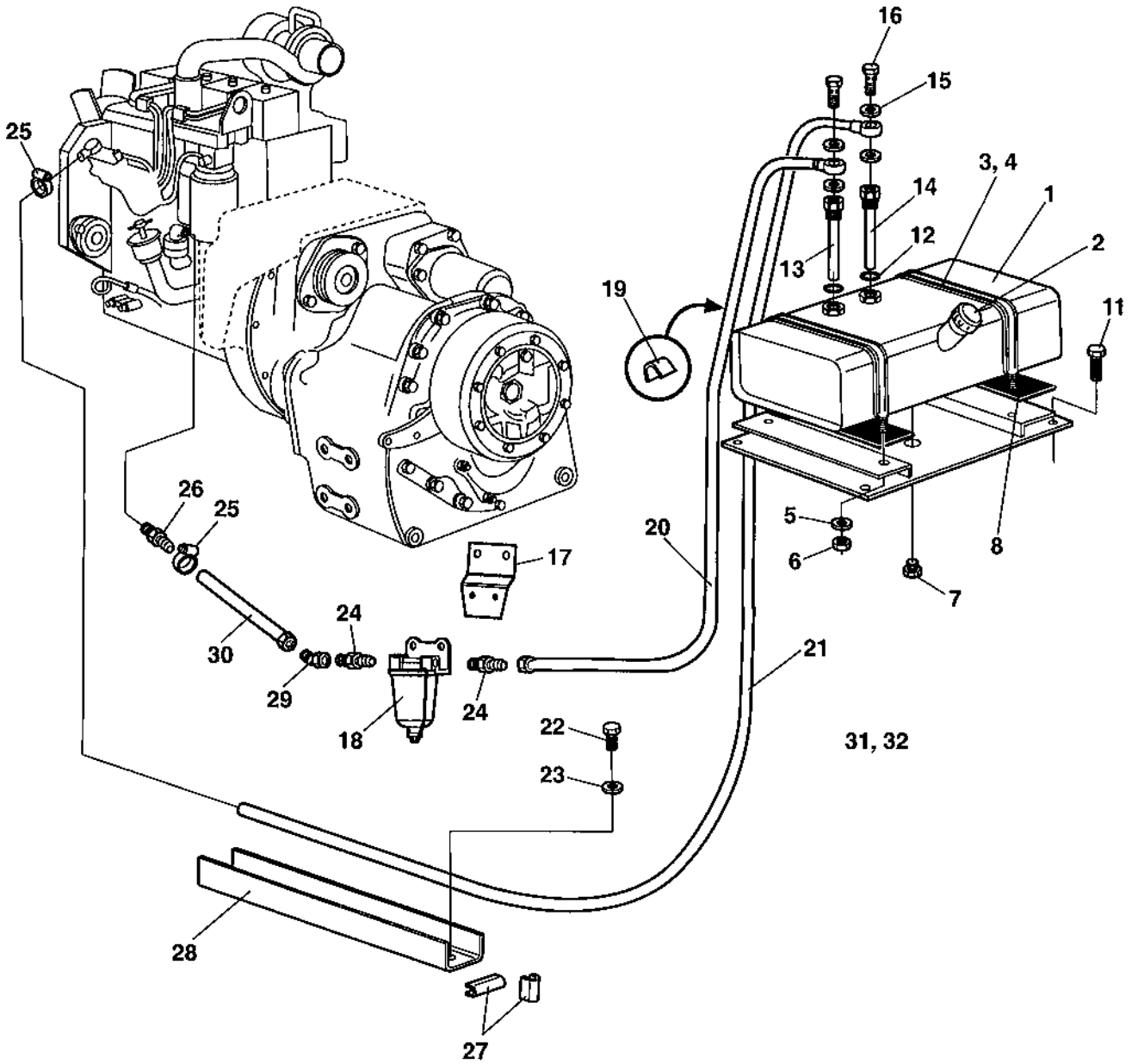


Air cleaner

Ref. No.	Part No.	Rem.	Qty	Description	Code
1	374727		1	Air filter, cpl	
2	375023		1	.Cover	
3	374772		1	.Safety filter	A
4	374771		1	.Main filter	A
5	374905		1	.Vacuator valve	
6				See electrical equipment	
7	500053		4	Screw M8-1,25x20 8,8	
8	374745		1	Bracket	
9	313033		4	Hose clamp	D
10	927048		1	Rubber elbow	D
11	313038		3	Hose clamp	
12	191883		1	Pipe	
13	499132		1	Rubber elbow	D
14	389646		1	Bracket	
16	615043		2	Washer 8,4x18x2	
17	904229		4	Washer 8,4x16x1,5	
18	570005		2	Nut M8	
19	375170		1	Rubber hose	D
20	499343		1	Rain cap	D

Fuel system

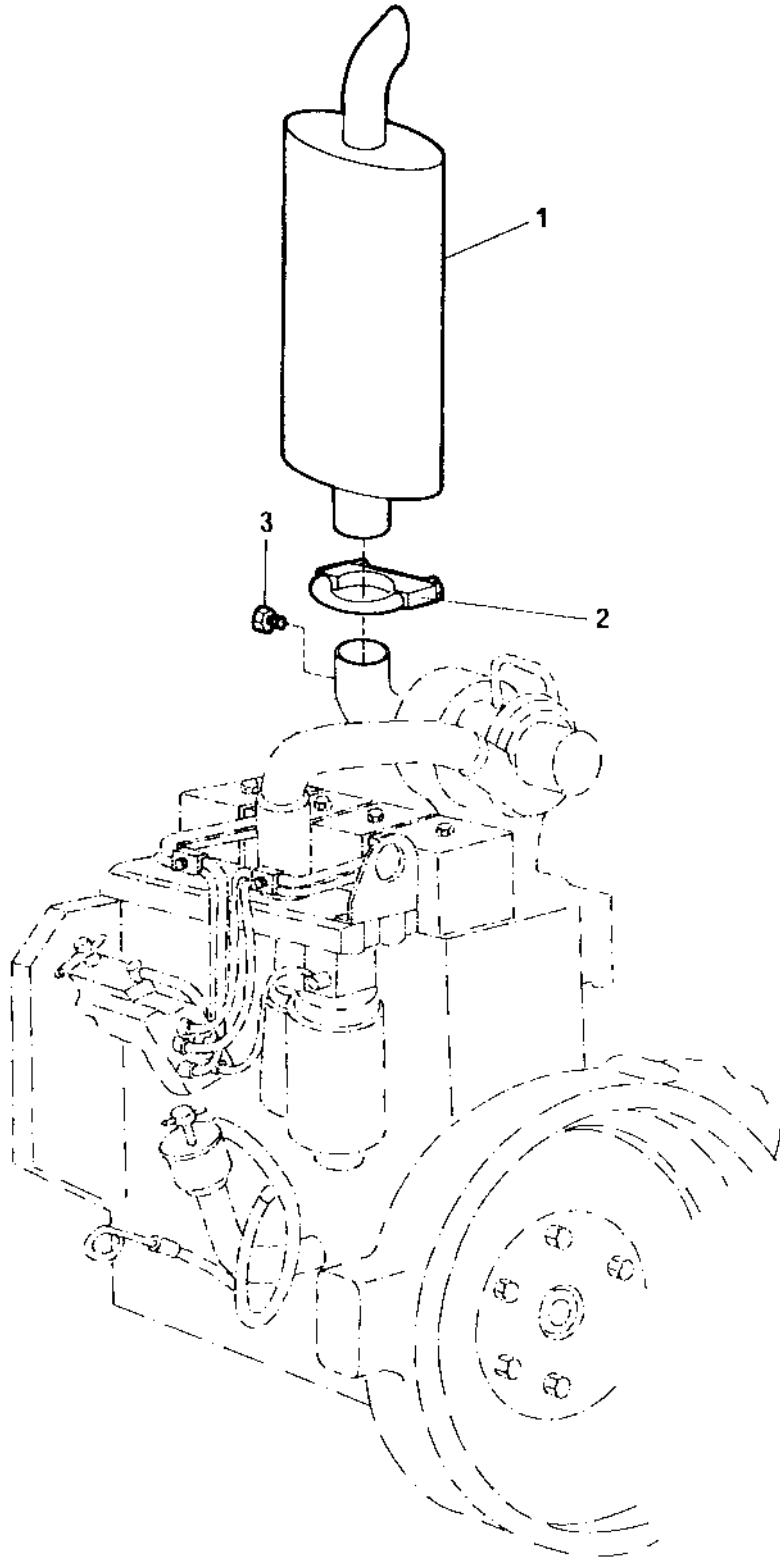
17933



Fuel system

Ref. No.	Part No.	Rem.	Qty	Description	Code
1	376392		1	Fuel tank	
2			1	Cap See Sprinkler system assembly	
3	191824		2	Clamp, cpl	
4	297018	A		Rubber strip	
5	904231		4	Washer 13x24x2	
6	586019		4	Lock nut M12	
7	374764		1	Plug	
8	264039		6	Shim	
11	904644		4	Screw	
12	330330		2	Washer	
13	374755		1	Pipe	
14	374754		1	Pipe	
15	747282		4	Copper washer 14x20x1,5	
16	330171		2	Hollow screw	
17	389866		1	Bracket	
	500013	D	2	Screw M6-1x16 8,8	
	904228	D	2	Washer 6,4x12x1,5	
18	900247		1	Fuel pre-filter	A
19	192501		2	Shim	
20	376588		1	Fuel hose	
21	374762		1	Fuel hose	
	925802	D,E		Cable ties L=142 mm	
22	500012		8	Screw M6x12	
23	904639		8	Washer 6,7x14x1,5	
24	900249		2	Straight connector	
25	313002		2	Hose clamp	
26	334172		1	Adapter	
27	202028	C		Edge trim	
28	380251		1	Channel	
29	801781		1	Connector	
30	376587		1	Fuel hose	
31	192032	D	1	Fuel sender	
32	500006	B,D	5	Screw M5x16	

- A) L=1640 mm
 B) In use together with Fuel sender 192032
 C) L=400 mm
 D) Not illustrated
 E) Qty as required



Muffler

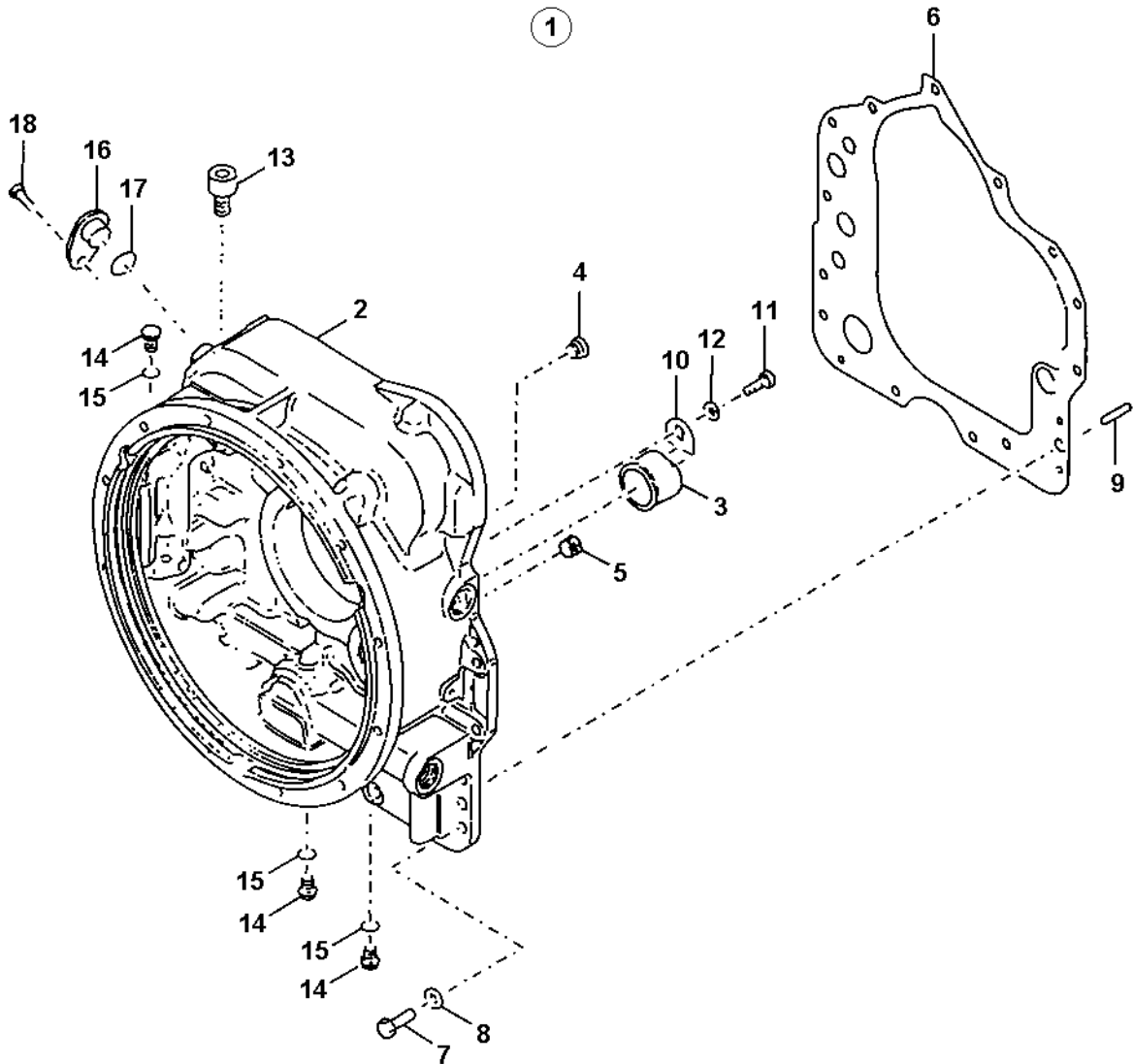
Ref. No.	Part No.	Rem.	Qty	Description	Code
1	385975		1	Muffler	
2	313112		1	Clamp	D
3	813423		1	Hexagon plug	

Transmission

Ref. No.	Part No.	Rem.	Qty	Description	Code
20				Transmission (Page 88)	
30				Differential, Rockwell (Page 122)	
50				Cardan shaft assembly (Page 126)	
60				Cardan shaft, Albarus (Page 128)	

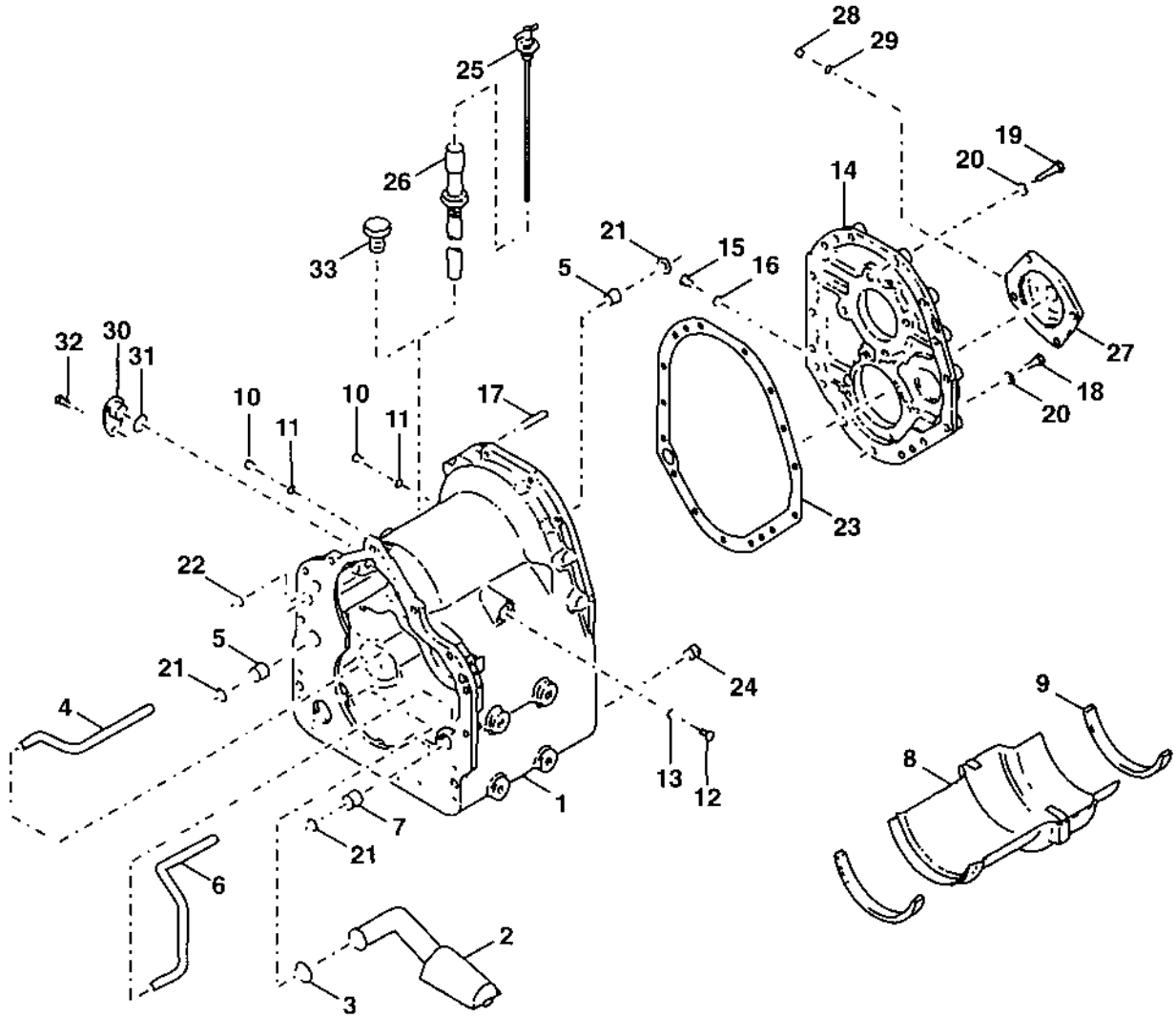
Transmission

Ref. No.	Part No.	Rem.	Qty	Description	Code
15				Converter housing (Page 90)	
25				Case and rear cover (Page 92)	
35				Turbine shaft (Page 94)	
45				Drive plate (Page 96)	
55				Torque converter (Page 98)	
65				Gear (Page 100)	
75				Auxiliary pump drive (Page 102)	
85				Pump drive (Page 104)	
95				Forward shaft (Page 106)	
105				Reverse and 2nd shaft (Page 108)	
115				Reverse idler (Page 110)	
125				Low speed shaft (Page 112)	
135				Output and 3rd shaft (Page 114)	
145				Charging pump and filter (Page 116)	
155				Control valve (Page 118)	

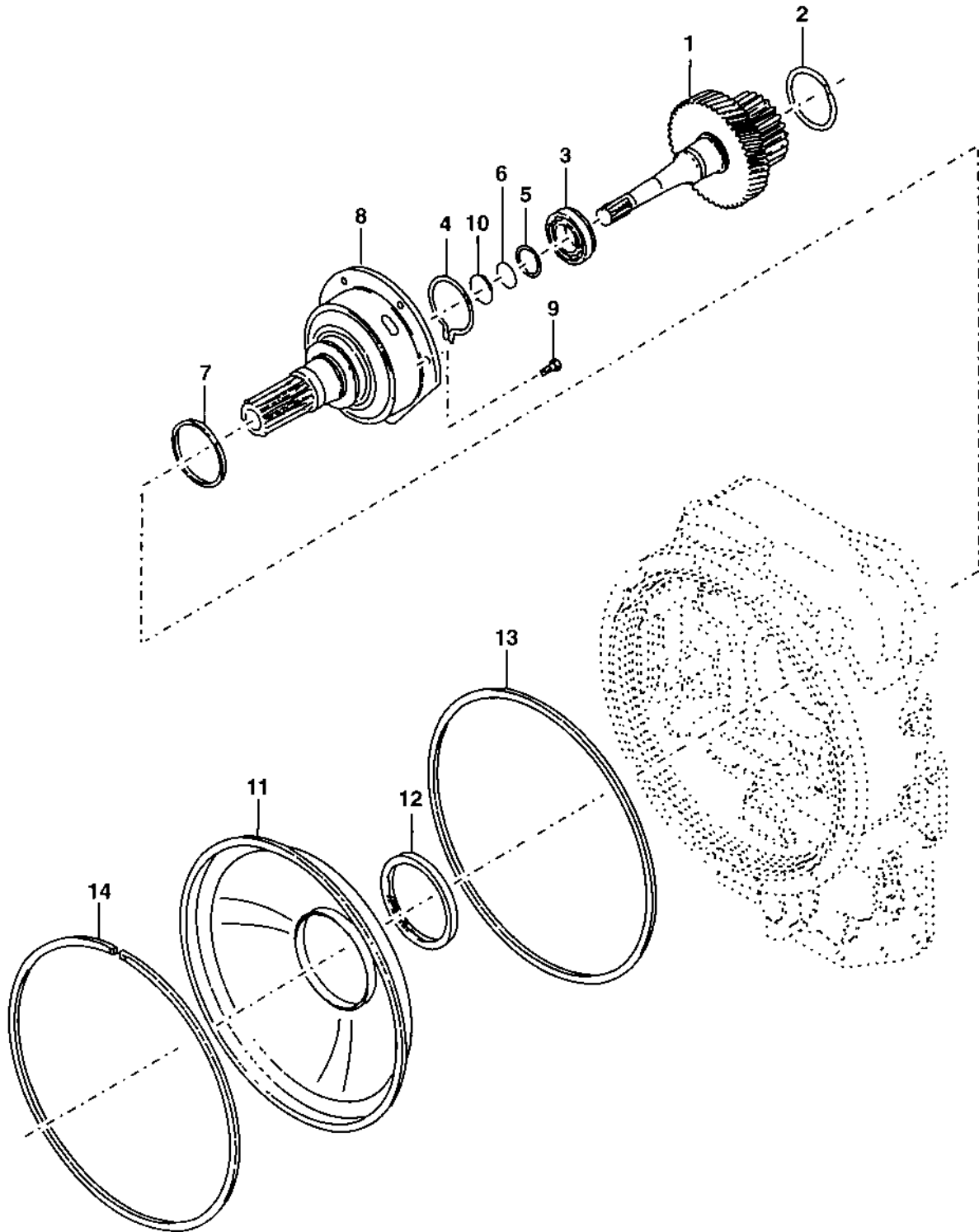


Converter housing

Ref. No.	Part No.	Rem.	Qty	Description	Code
1	381950		1	Transmission	
2	938350		1	.Converter housing	
3	938370		1	.Sleeve	
4	938351		1	.Plug	
5	240675		1	.Plug	
6	938420		1	.Gasket	
7	240563		16	.Screw	
8	938436		16	.Washer	
9	938381		1	.Pin	
10	938359		1	.Clip	
11	240560		1	.Screw	
12	938434		1	.Washer	
13	240667		1	.Breather	
14	938431		3	.Plug	
15	938448		3	.O-ring	
16	938377		1	.Plug	
17	938380		1	.O-ring	
18	938376		1	.Screw	

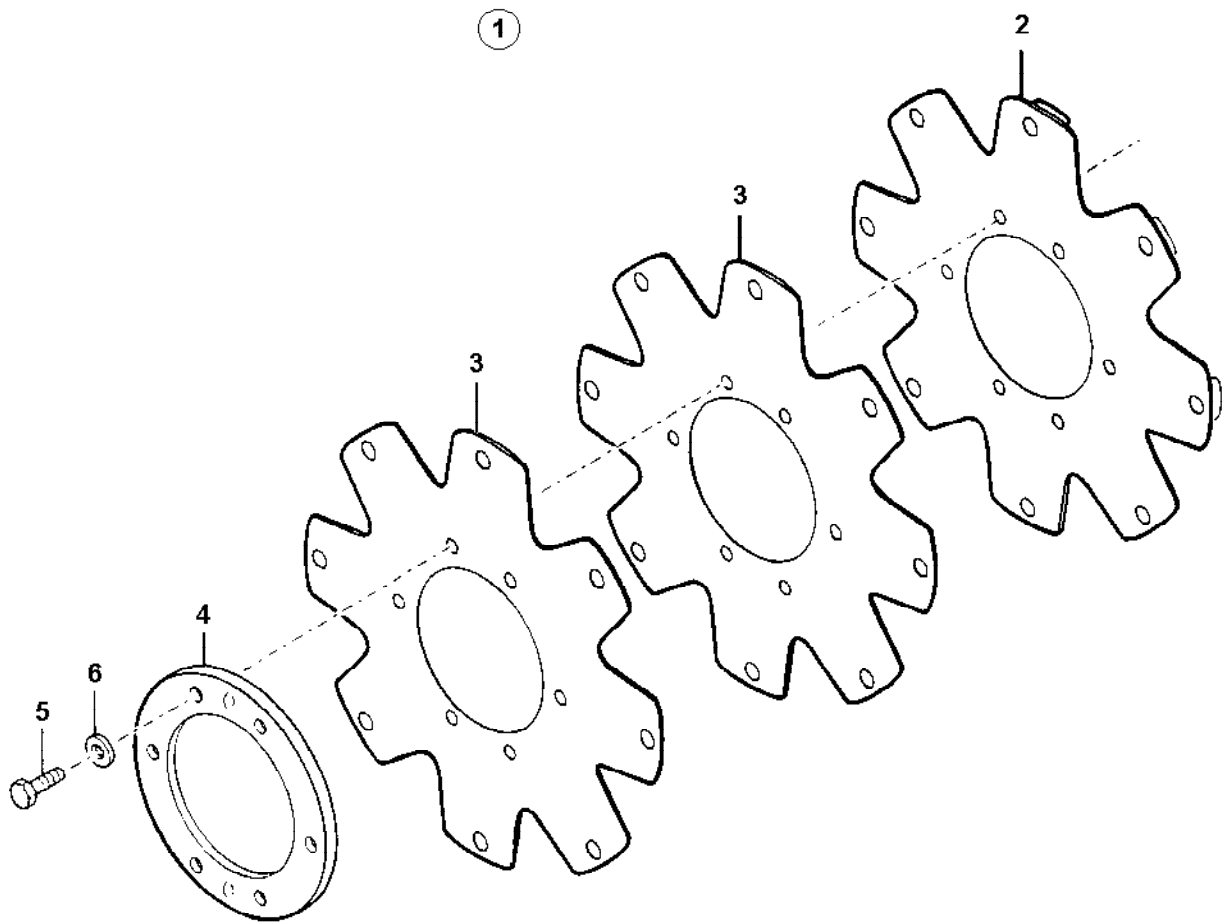


Ref. No.	Part No.	Rem.	Qty	Description	Code
1	938421		1	Transmission housing	
2	938423		1	.Suction tube	
3	938402		1	.O-ring	
4	240606		1	.Tube	
5	240583		2	.Bushing	
6	938425		1	.Tube	
7	240582		1	.Bushing	
8	240622		1	Oil deflector	
9	193662		2	Deflector sealing	
10	938431		2	Plug	
11	938448		2	.O-ring	
12	938432		1	Plug	
13	938449		1	.O-ring	
14	938422		1	Rear cover	
15	938431		1	.Plug	
16	938448		1	..O-ring	
17	938381		2	Pin	
18	240563		6	Screw	
19	938353		9	Screw	
20	938436		15	Washer	
21	193659		3	O-ring	
22	193664		2	O-ring	
23	938428		1	Gasket	
24	938357		2	Magnetic drain plug	
25	938367		1	Dipstick	
26	240645		1	Guide tube	
27	938424		1	Bearing cap	
28	938431		1	.Plug	
29	938448		1	..O-ring	
30	938377		1	Plug	
31	938380		1	O-ring	
32	938376		1	Screw	
33				Not used on this model	



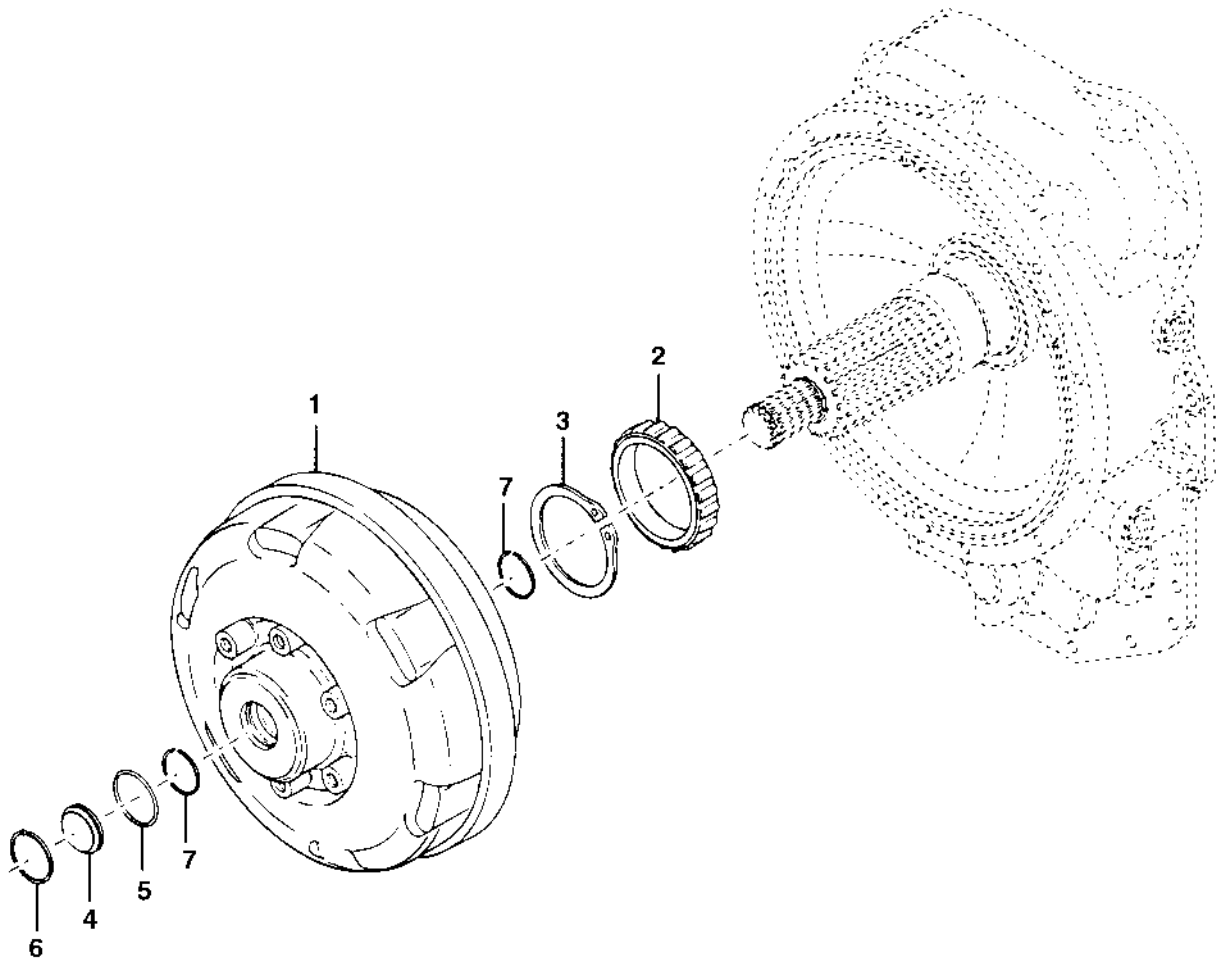
Turbine shaft

Ref. No.	Part No.	Rem.	Qty	Description	Code
1	938427		1	Hub	
2	240688		1	.Retaining ring	
3	938403		1	Ball bearing	
4	240615		1	Snap ring	
5	240616		1	Washer	
6	240595		1	Retaining ring	
7	938416		1	Piston ring	
8	938417		1	Support	
9	938366		6	Screw	
10	938372		1	Piston ring	
11	938365		1	Oil deflector	
12	938401		1	.Seal	
13	938364		1	Seal ring	
14	938369		1	Retaining ring	



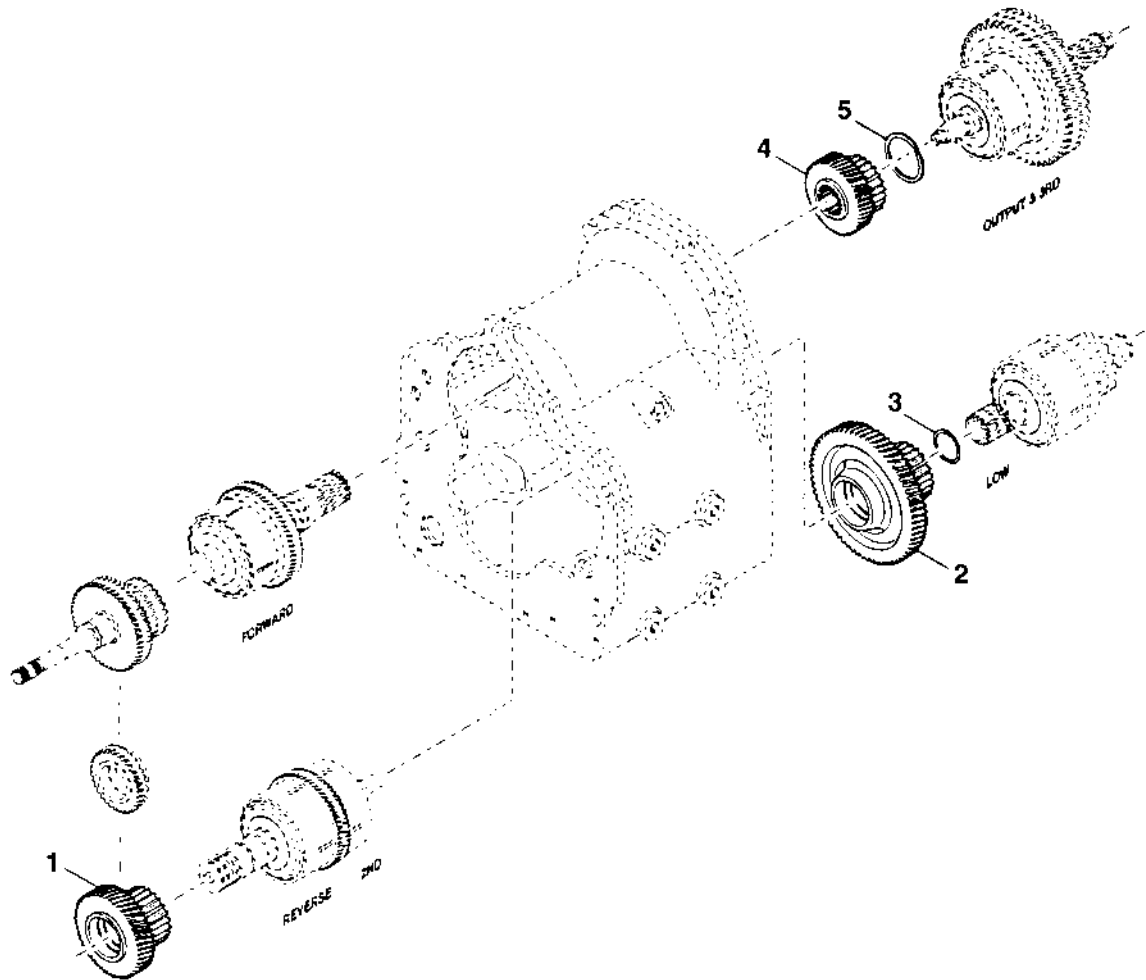
Drive plate

Ref. No.	Part No.	Rem.	Qty	Description	Code
1	938447		1	Drive plate, cpl.	
2			1	.Not Sold Separately	
3			2	.Not Sold Separately	
4	938404		1	.Support ring	
5	938433		6	.Screw	
6	938444		6	.Washer	



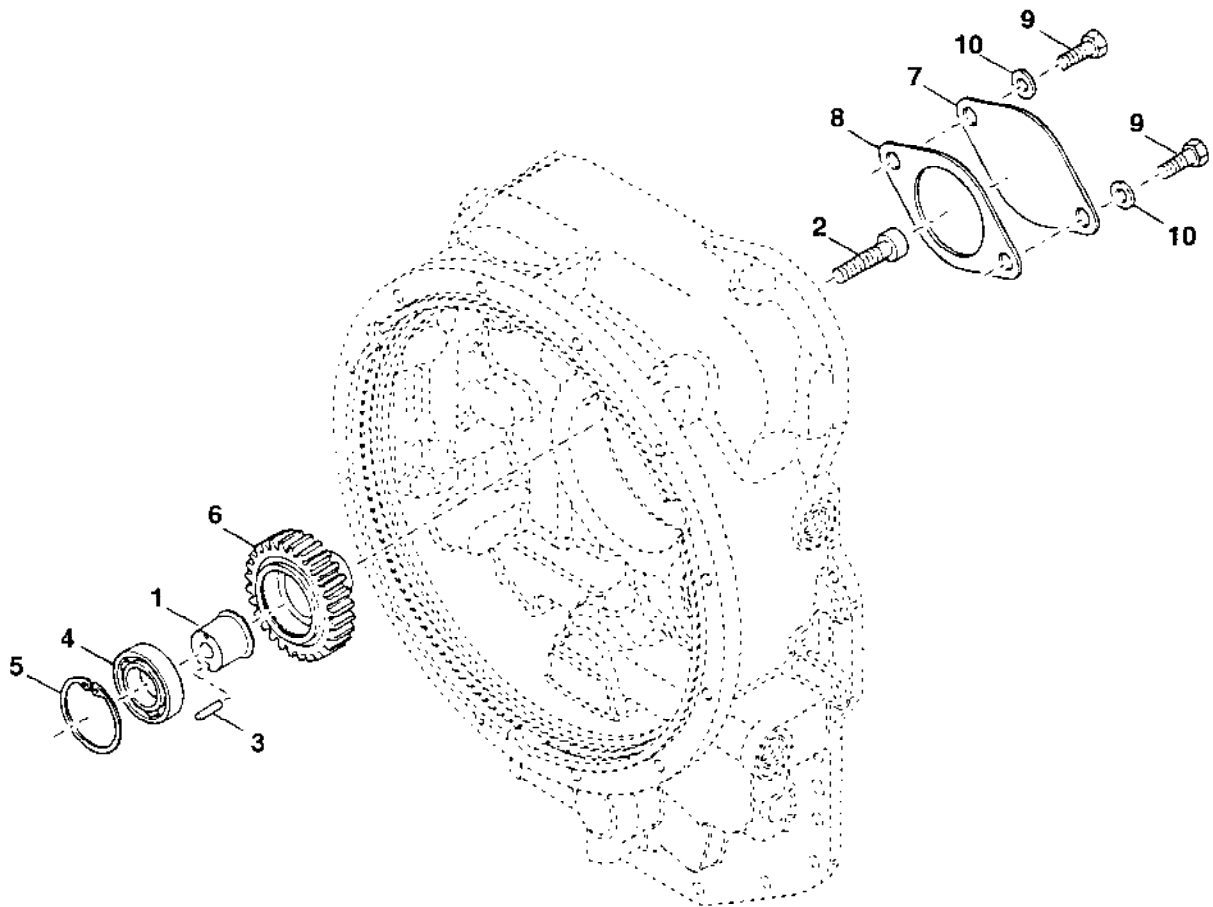
Torque converter

Ref. No.	Part No.	Rem.	Qty	Description	Code
1	938405		1	Torque converter	
2	240666		1	Bearing	
3	938439		1	Snap ring	
4	240584		1	Plug	
5	193677		1	O-ring	
6	240574		1	Retaining ring	
7	938406		2	Retaining ring	

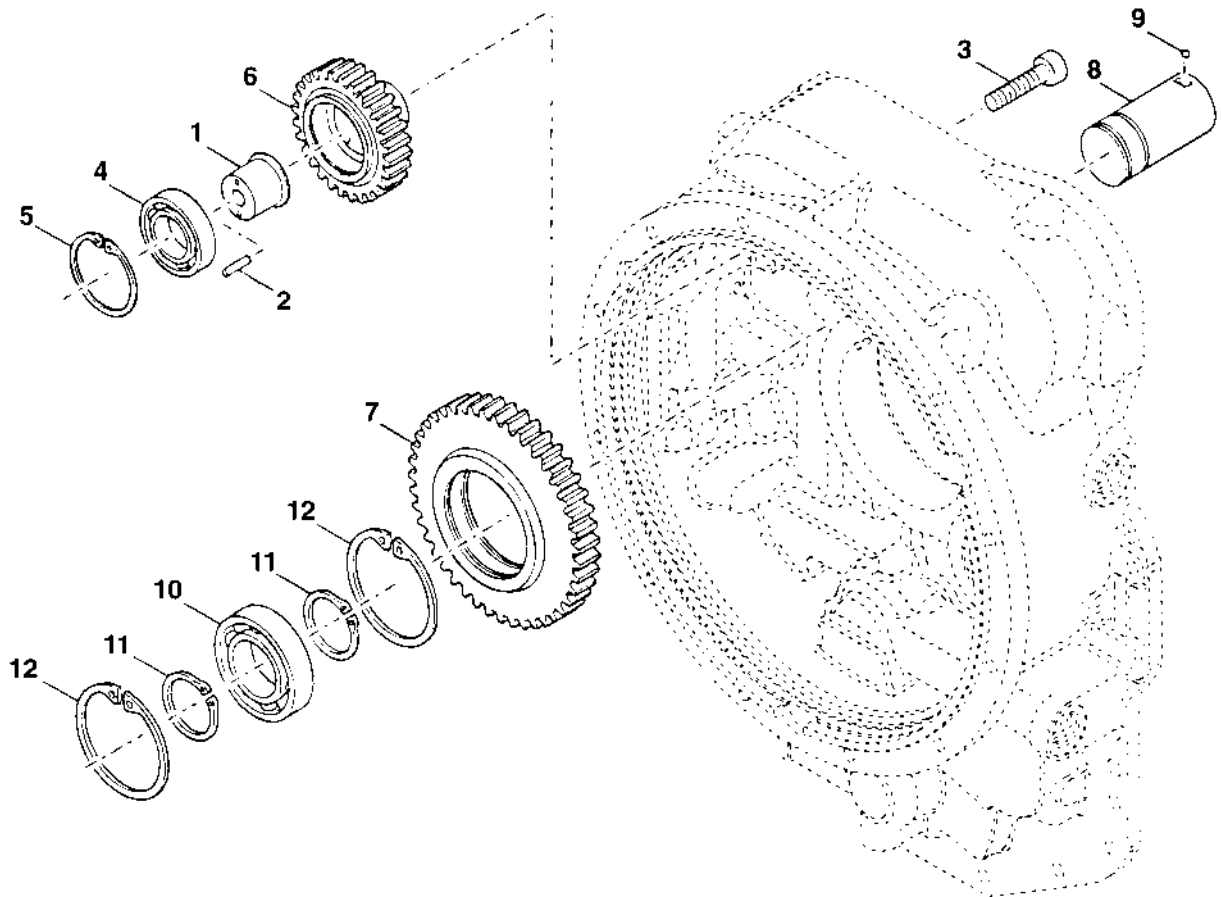


Gear

Ref. No.	Part No.	Rem.	Qty	Description	Code
1	938407		1	Gear	
2	938378		1	Gear	
3				Not used on this model	
4	240690		1	Gear	
5	240688		1	.Retaining ring	

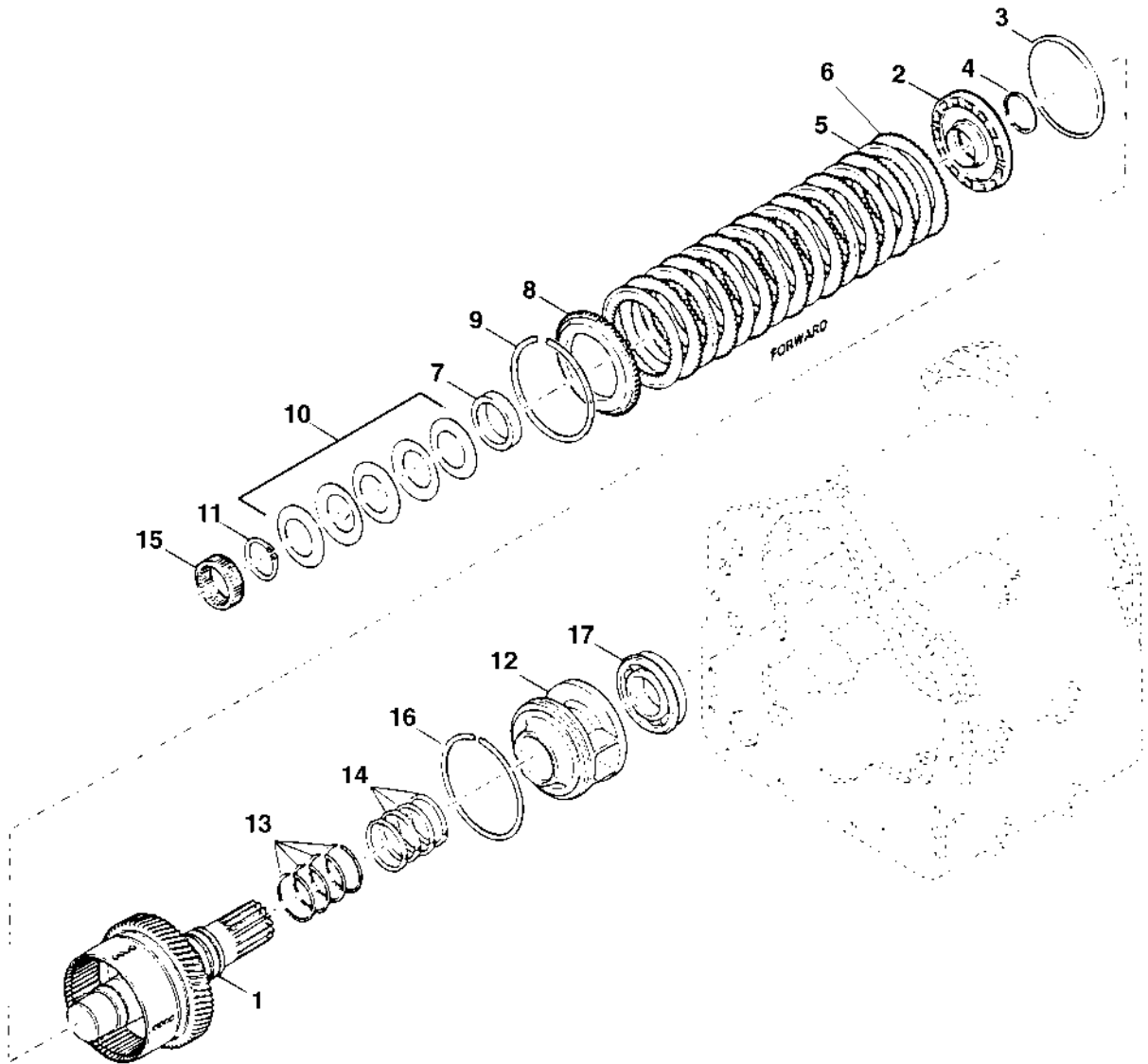


Ref. No.	Part No.	Rem.	Qty	Description	Code
1	938408		1	Bearing support	
2	938445		1	Screw	
3	938409		1	Pin	
4	938358		1	Ball bearing	
5	240586		1	Retaining ring	
6	938410		1	Gear	
7	938375		1	Cover	
8	938419		1	Gasket	
9	938356		2	Screw	
10	938437		2	Washer	



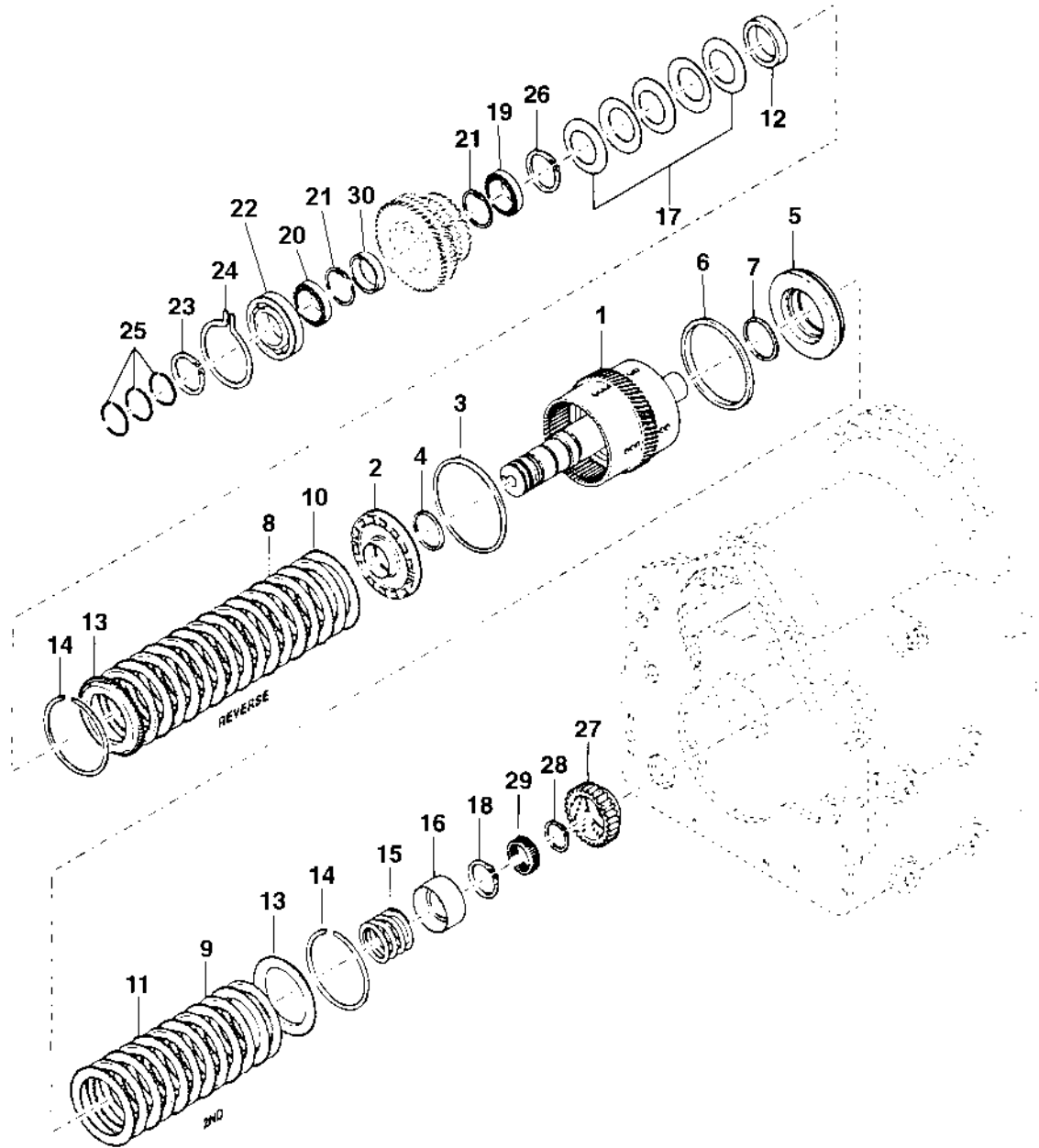
Pump drive

Ref. No.	Part No.	Rem.	Qty	Description	Code
1	938408		1	Bearing support	
2	938409		1	Pin	
3	938445		2	Screw	
4	938358		2	Ball bearing	
5	240586		1	Retaining ring	
6	938411		1	Gear	
7	938412		1	Gear	
8	240662		1	Shaft	
9	193680		1	Ball	
10	938360		1	Ball bearing	
11	240629		2	Locating ring	
12	240588		2	Retaining ring	



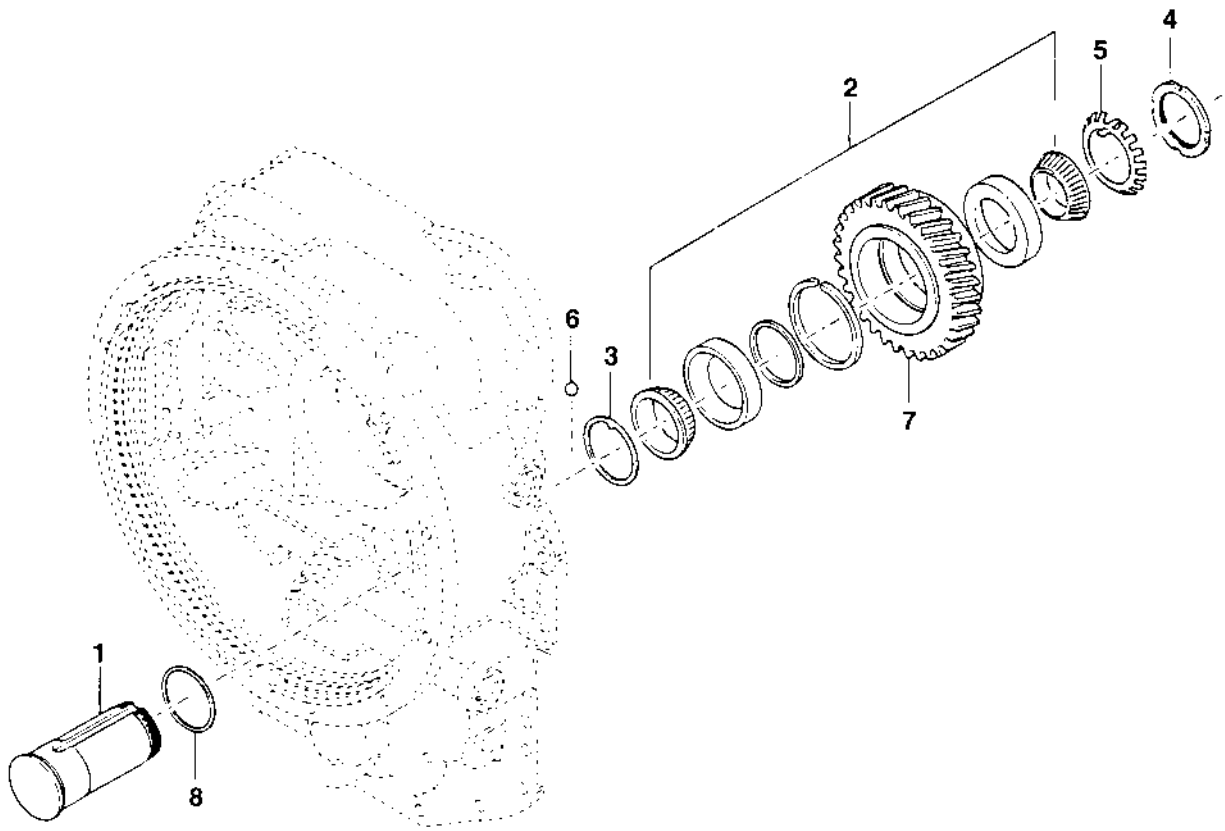
Forward shaft

Ref. No.	Part No.	Rem.	Qty	Description	Code
1	938429		1	Disc carrier	
2	938382		1	Clutch piston	
3	193686		1	.Seal ring, outer	
4	193687		1	.Seal ring, inner	
5	240650		8	Inner disc	
6	240600		8	Outer disc	
7	240651		1	Spacer	
8	240649		1	Support disc	
9	240601		1	Snap ring	
10	193685		1	Disc spring	
11	240655		1	Snap ring	
12	240691		1	Bushing	
13	938362		4	Piston ring expander	
14	938368		4	Piston ring	
15	240636		1	Needle bearing	
16	240637		1	Retaining ring	
17	240695		1	Bearing	



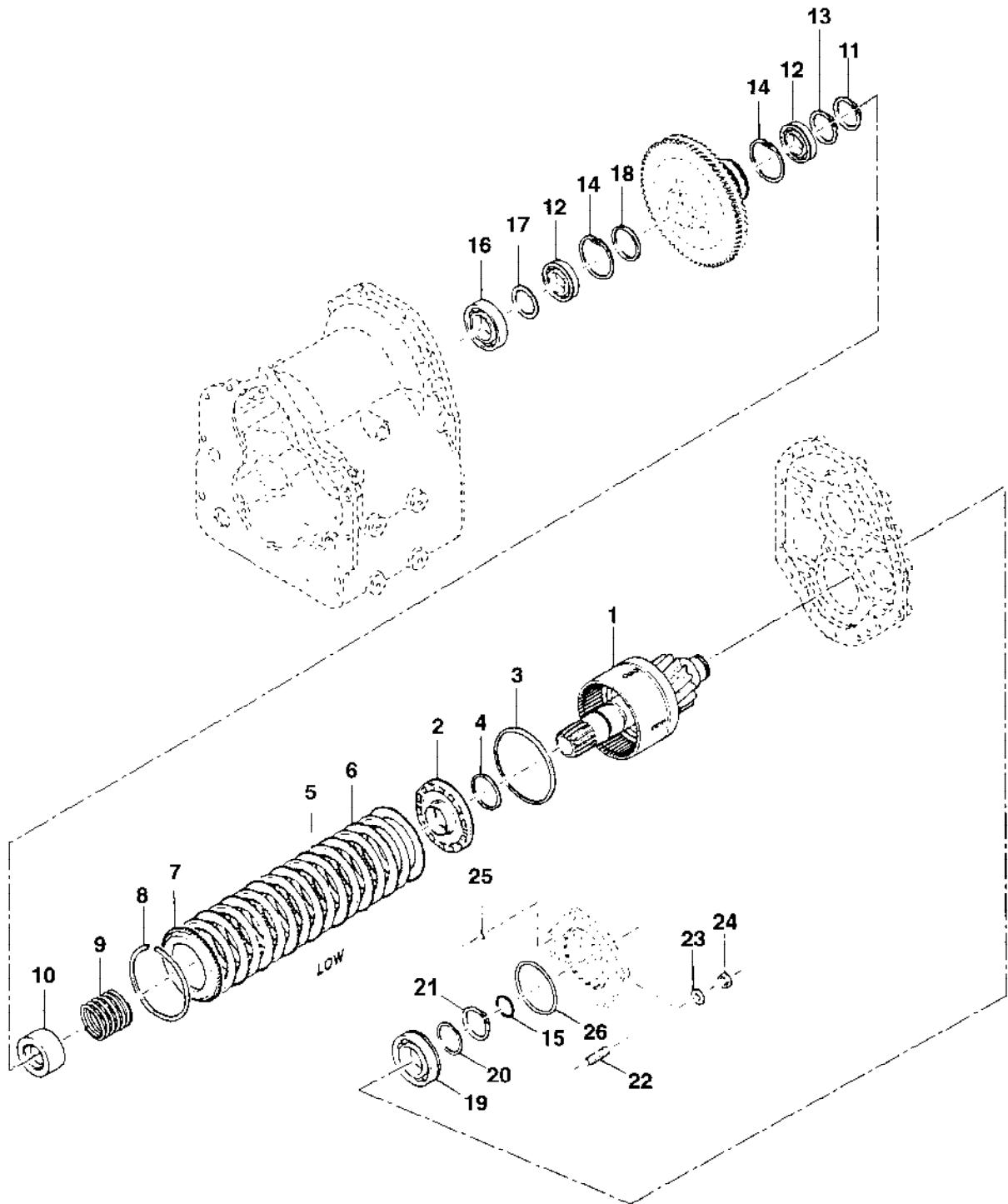
Reverse and 2nd shaft

Ref. No.	Part No.	Rem.	Qty	Description	Code
1	938426		1	Disc carrier	
2	938382		1	Clutch piston	
3	193686		1	.Seal ring, outer	
4	193687		1	.Seal ring, inner	
5	240642		1	Piston	
6	193686		1	.Seal ring, outer	
7	193687		1	.Seal ring, inner	
8	240650		8	Inner disc	
9	240650		6	Inner disc	
10	240600		8	Outer disc	
11	240600		6	Outer disc	
12	240651		1	Spacer	
13	240649		2	Support disc	
14	240601		2	Snap ring	
15	240639		1	Spring	
16	240638		1	Spring stop	
17	193685		1	Disc spring	
18	240626		1	Snap ring	
19	425738967		1	Bearing	
20	425738932		1	Bearing	
21	240602		2	Retaining ring	
22	240585		1	Bearing	
23	193684		1	Retaining ring	
24	240593		1	Snap ring	
25	193683		3	Piston ring	
26	240655		1	Snap ring	
27	938379		1	Hub	
28	240625		1	Retaining ring	
29	240596		1	Bearing	
30	938414		1	Spacer	



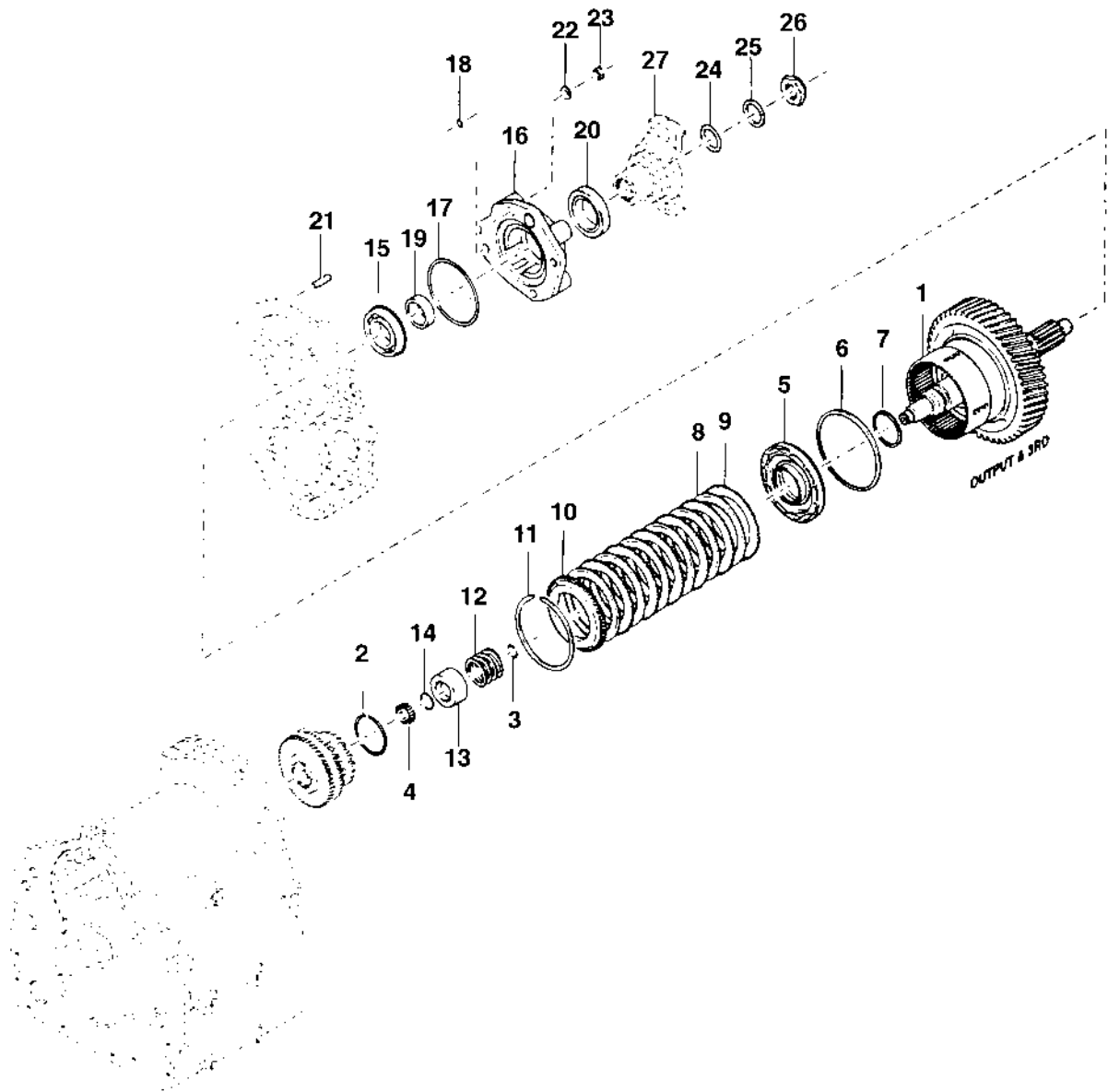
Reverse idler

Ref. No.	Part No.	Rem.	Qty	Description	Code
1	938418		1	Shaft	
2	193709		1	Bearing	
3	938413		1	Washer	
4	938371		1	Retaining nut	
5	938373		1	Retaining washer	
6	240567		1	Ball	
7	938415		1	Gear	
8	938446		1	O-ring	



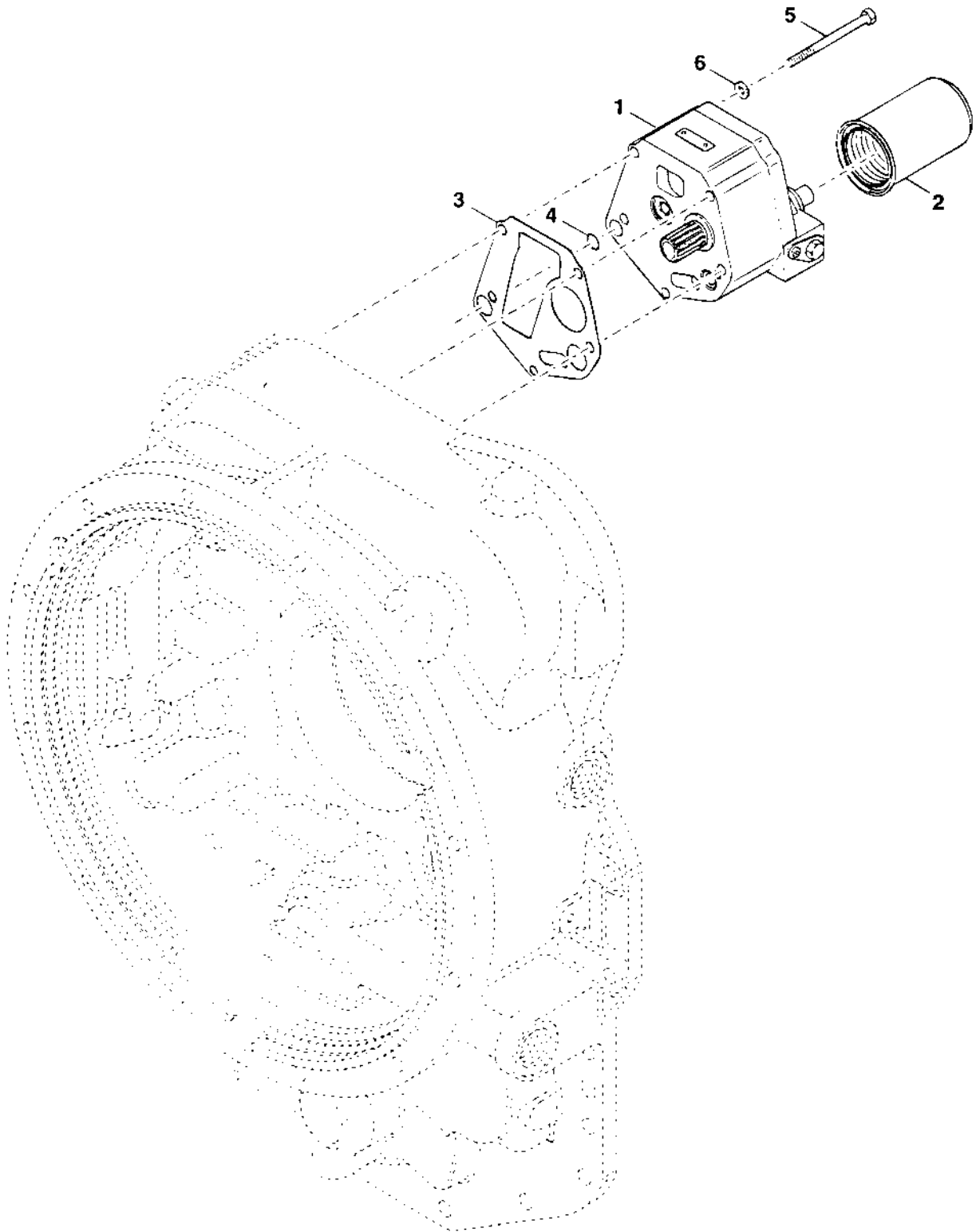
Low speed shaft

Ref. No.	Part No.	Rem.	Qty	Description	Code
1	240641		1	Disc carrier	
2	938382		1	Clutch piston	
3	193686		1	.Seal ring, outer	
4	193687		1	.Seal ring, inner	
5	240624		8	Inner disc	
6	240600		8	Outer disc	
7	240649		1	Support disc	
8	240601		1	Snap ring	
9	240639		1	Spring	
10	240638		1	Spring stop	
11	240626		1	Snap ring	
12	240592		2	Bearing	
13	240625		1	Retaining ring	
14	240588		2	Retaining ring	
15	193699		1	Piston ring	
16	240591		1	Bearing	
17	240604		1	Spacer	
18	240621		1	Spacer	
19	240681		1	Bearing	
20	240616		1	Washer	
21	240625		1	Retaining ring	
22	193701		4	Stud	
23	938436		4	Washer	
24	193702		4	Nut	
25	193703		1	O-ring	
26	193700		1	O-ring	



Output and 3rd shaft

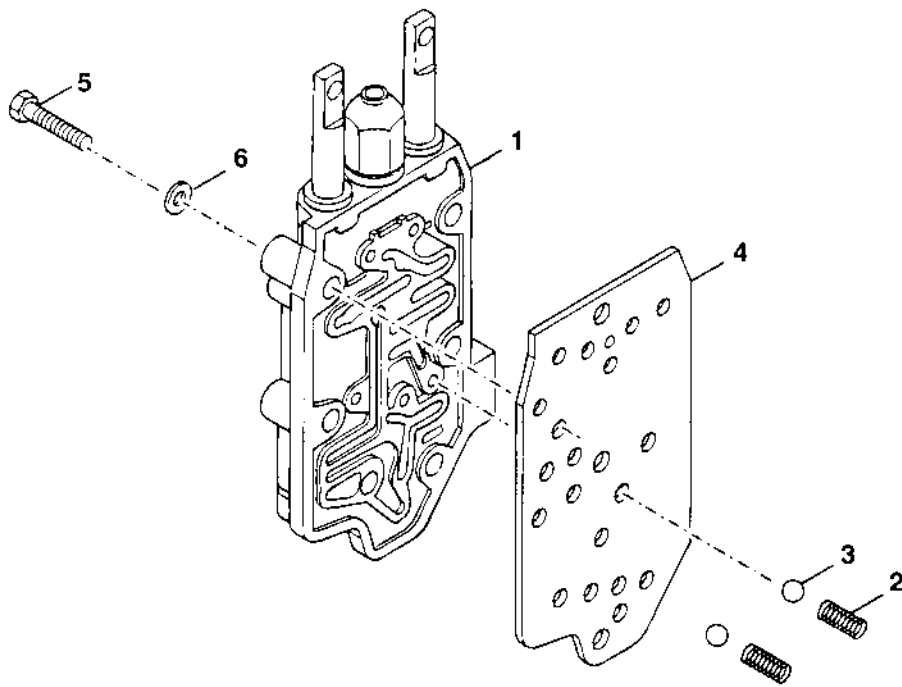
Ref. No.	Part No.	Rem.	Qty	Description	Code
1	240643		1	Disc carrier	
2	240659		1	Retainer ring	
3	193699		1	Piston ring	
4	240603		1	Needle bearing	
5	240642		1	Piston	
6	193686		1	.Seal ring, outer	
7	193687		1	.Seal ring, inner	
8	240650		6	Inner disc	
9	240600		6	Outer disc	
10	240649		1	Support disc	
11	240601		1	Snap ring	
12	240639		1	Spring	
13	240638		1	Spring stop	
14	240626		1	Snap ring	
15	240590		1	Bearing	
16	938361		1	Bearing cap	
17	938442		1	O-ring	
18	938440		1	O-ring	
19	240630		1	Spacer	
20	193710		1	Oil seal	
21	938363		4	Stud	
22	938438		4	Washer	
23	938443		4	Nut	
24	938441		1	O-ring	
25	240570		1	Washer	
26	240581		1	Nut	
27	938471		1	Flange	



Charging pump and filter

Ref. No.	Part No.	Rem.	Qty	Description	Code
1	938430		1	Charging pump	
2	249993	A	1	Oil filter	A
3	193714		1	Gasket	
4	193664		1	O-ring	
5	240565		3	Screw	
	240566		2	Screw	
6	938436		5	Washer	

A) Spin on type

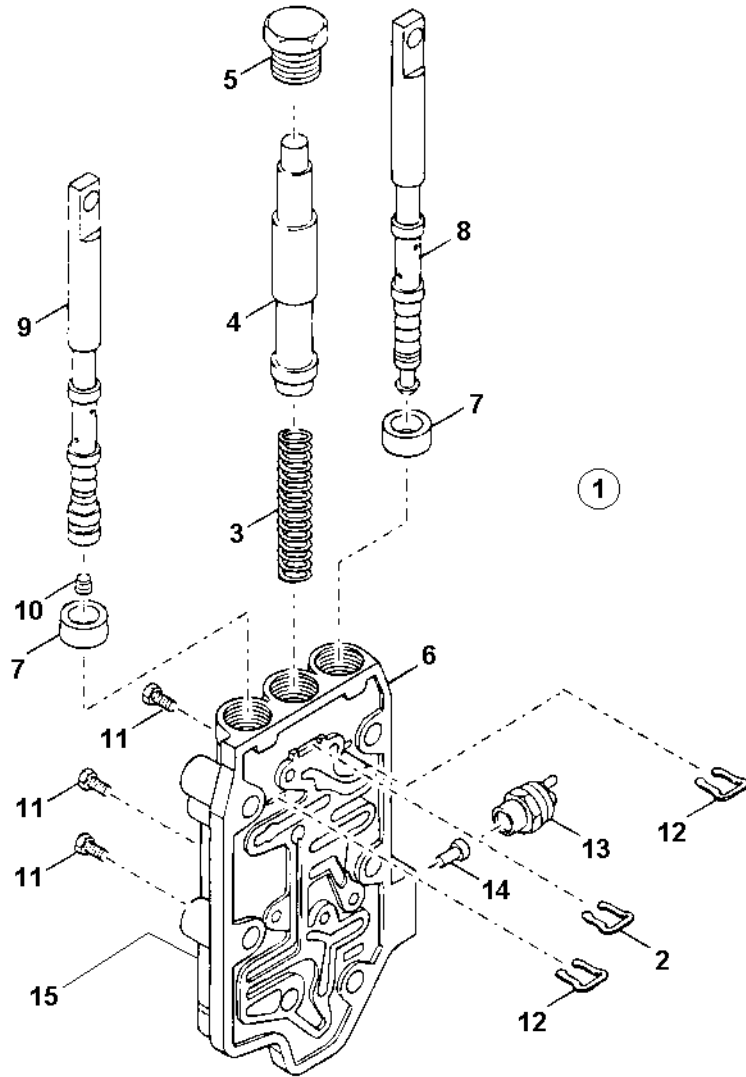


Control valve

Ref. No.	Part No.	Rem.	Qty	Description	Code
1	240647		1	Control valve assembly (Page 120)	
2	240632		2	Spring	
3	240568		2	Ball	
4	193716		1	Gasket	
5	240562		9	Screw	
6	938435		9	Washer	

240647 Control valve assembly

17309-1

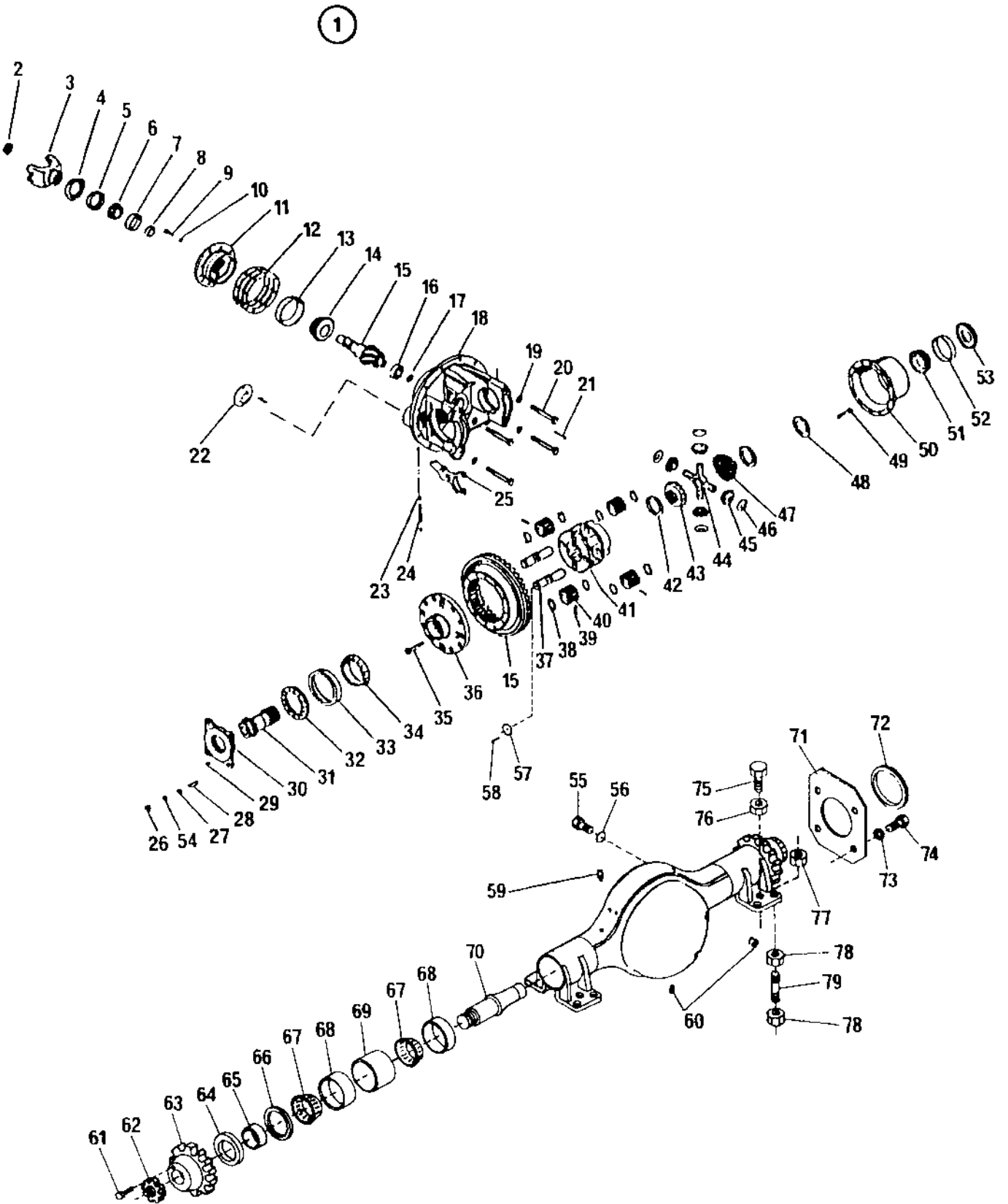


240647 Control valve assembly

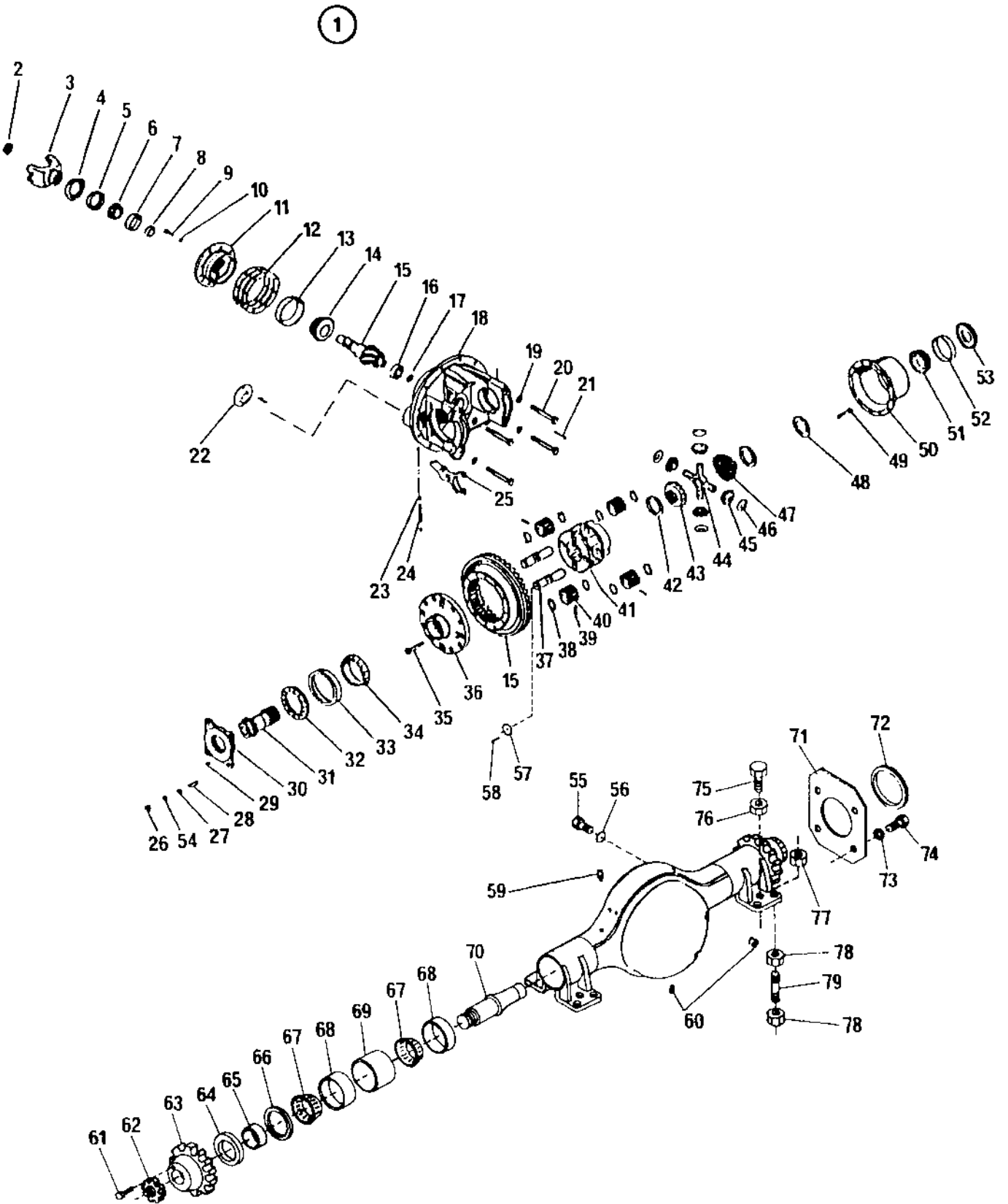
Ref. No.	Part No.	Rem.	Qty	Description	Code
1			1	Control valve, cpl	
2	240609		1	.Clamp	
3	240610		1	.Valve spring	
4	240611		1	.Control piston	
5	240685		1	.Back stop	
6	240648		1	.Control valve, assy	
7	193719		1	..Oil seal	
8	240608		1	..Control piston	
9	240607		1	..Control piston	
10	240674		1	...Plug	
11	240720		4	..Plug	
12	240609		2	..Clamp	
13	240598	A	1	..Switch	
14	240599		1	..Pin	
15	193045	B	1	Sensor	

A) Neutral start switch

B) Reverse sensor, always sold separately, (not illustrated)

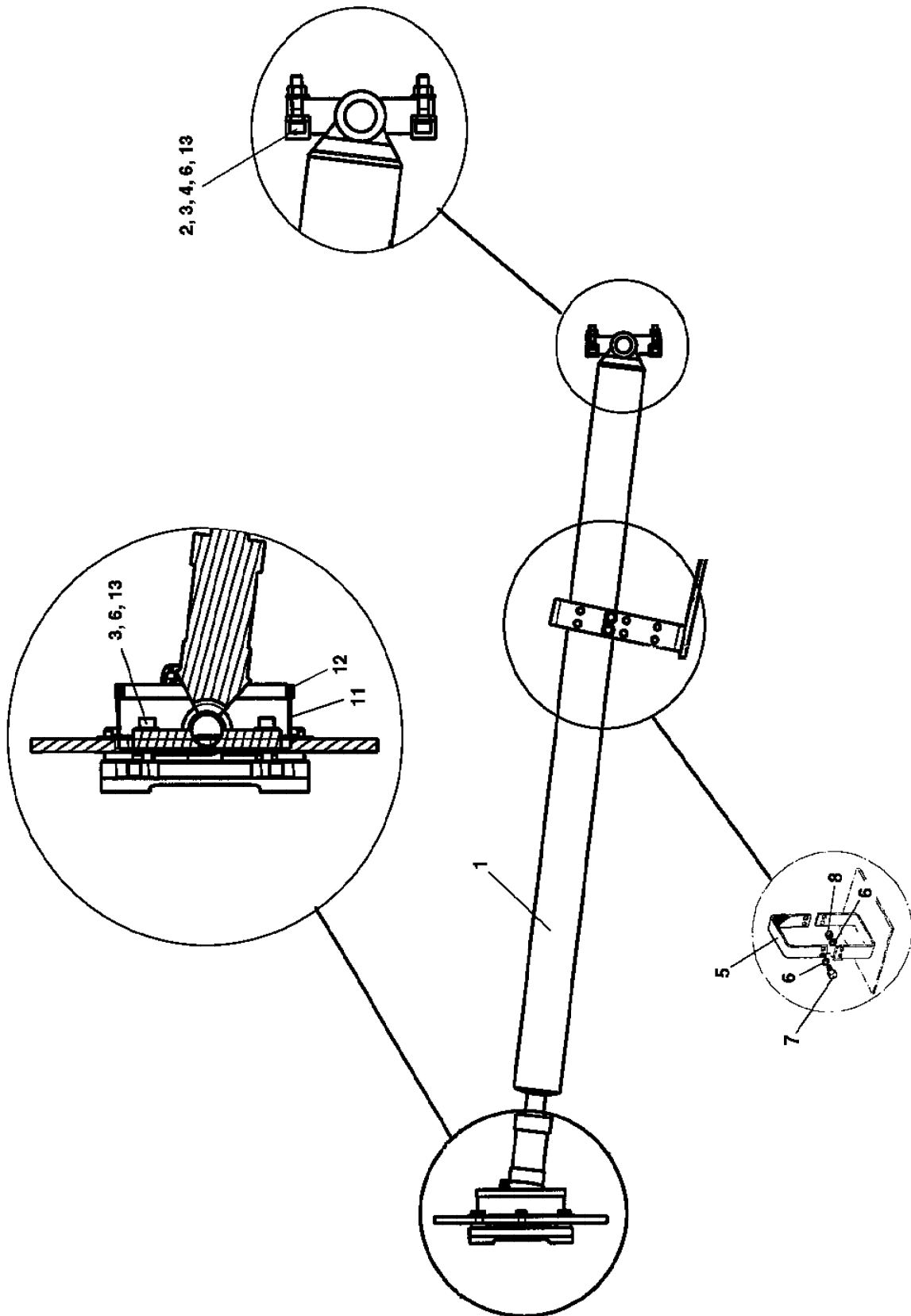


Ref. No.	Part No.	Rem.	Qty	Description	Code
1	195150		1	Differential axle	
2	195692		1	.Nut	
3	195722		1	.Fork link	
4	195723		1	.Deflector	
5	195720		1	.Seal ring	
6	923631		1	.Bearing	D
7	268816		1	.Bearing cup	
8	923633		1	.Shim	
9	242480		8	.Screw	
10	195724		8	.Washer	
11	195719		1	.Pinion housing	
12	416278		2	.Shim 005	
	416279		1	.Shim 010	
	416280		3	.Shim 003	
13	416361		1	.Bearing cup	
14	416363		1	.Bearing	D
15	195691		1	.Drive pinion and gear	
16	195721		1	.Bearing	
17	416238		1	.Retaining ring	
18	195689		1	.Differential carrier	
19	416250		4	.Washer	
20	195690		4	.Screw	
21	195708		1	.Counter pin	
22	195725		1	.Diaphragm	
23	195718		2	.Filler cap	
24	195717		1	.Pin	
25	195716		1	.Fork link	
26	195715		4	.Nut	
27	195713		4	.Washer	
28	195712		4	.Stud	
29	195709		1	.Expanding pin	
30	195711		1	.Lock plate	
31	195710		1	.Gear	
32	195707		1	.Adjusting ring	
33	267587		1	.Bearing cup	
34	922539		1	.Bearing	D
35	195705		8	.Screw	
36	195704		1	.Left support	
37	195697		4	.Shaft	
38	195700		8	.Washer	
39	195702		4	.Expanding pin	
40	195701		4	.Planet pinion	
41	195693		1	.Differential carrier	
42	416243		2	.Washer	
43	195695		1	.Differential side gear	
44	416296		1	.Cross	D
45	242500		4	.Differential pinion	
46	416245		4	.Washer	
47	195694		11	.Differential side gear	
48	416243		1	.Washer	
49	195696		12	.Screw	
50	195703		1	.Right support	
51	242493		1	.Bearing cone	
52	242492		1	.Bearing cup	
53	195706		1	.Adjusting ring	
54	195714		4	.Washer	
55	922524		8	.Screw	
	192655		4	.Screw	
56	813953		12	.Washer	



Ref. No.	Part No.	Rem.	Qty	Description	Code
57	195698		4	.Spacer	
58	195699		200	.Roller	
59	415280		1	.Breather	
60	195726		2	.Magnetic plug	
61	195729		2	.Lock screw	
62	195730		2	.Adjusting nut	
63	195731		2	.Gear	
64	195733		2	.Seal ring	
65	195372		2	.Floor	
66	195734		2	.Snap ring	
67	195735		4	.Bearing cone	
68	195736		4	.Bearing cup	
69	195737		2	.Spacer	
70	195739	C	1	.Axle drive shaft	
	195738	D	1	.Axle drive shaft	
71	195034		1	.Cover	
72	195740		1	.Sealing	
73	195741		8	.Washer 5/16"	
74	195742		4	.Screw	
75	503133		4	.Screw	
76	572007		4	.Nut	
77	586009		8	.Nut	
78	571007		16	.Nut	
79	252914		8	.Stud	

C) Left
D) Right

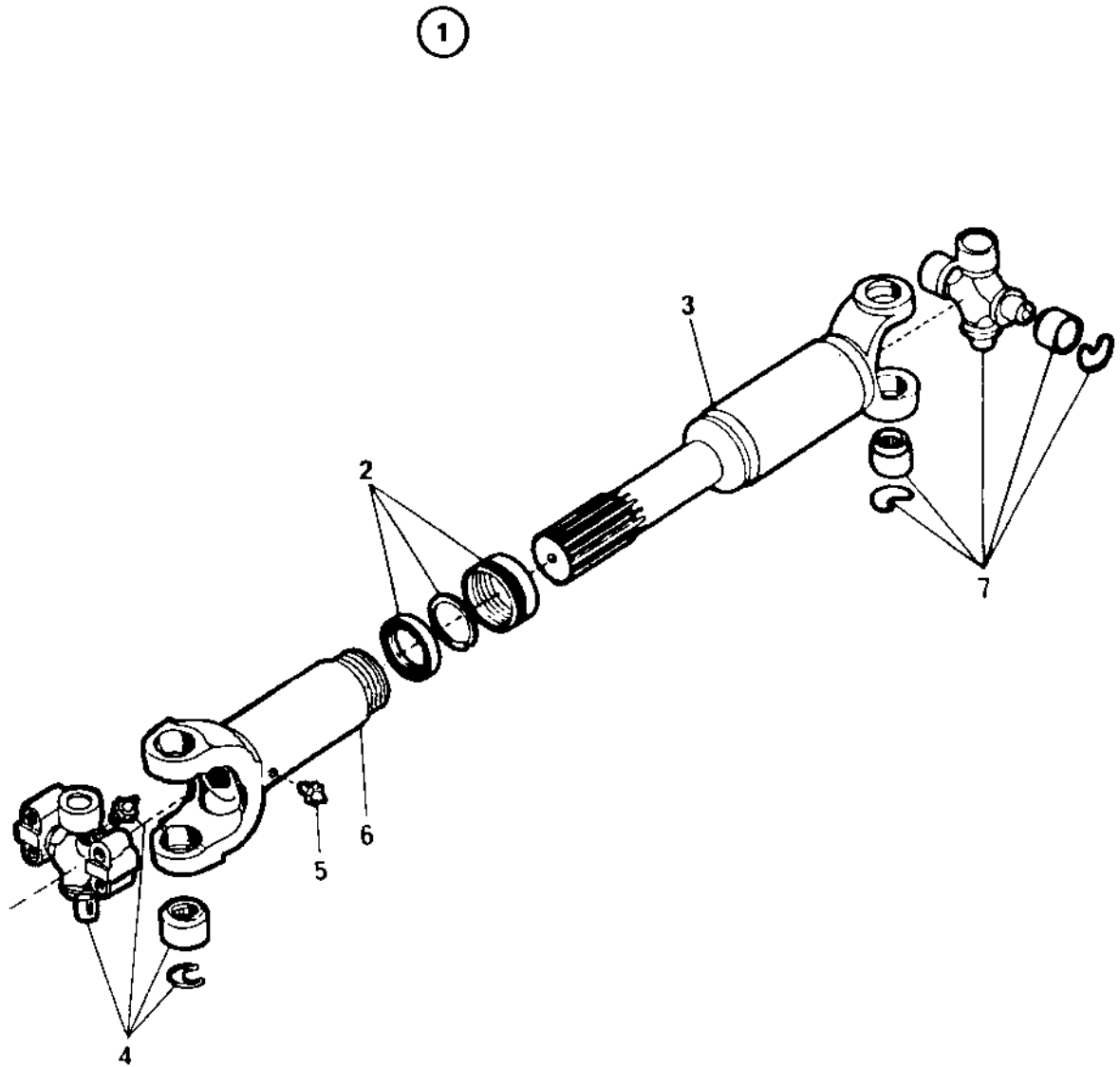


Cardan shaft assembly

Ref. No.	Part No.	Rem.	Qty	Description	Code
1	195236		1	Cardan shaft	
2	195152		2	Clamp	
3	510023		8	Screw UNF	
4	904358		4	Nut UNF	
5	268154		1	Protection	
6	904230		16	Washer 10,5x22x2	
7	500028		4	Screw M10-1,5x25 8,8	
8	570006		4	Nut M10	
11	384861		1	Splash guard	
12	202028	A	1	Edge trim	
13	902541	B		Lock fluid Loctite 243, 50 ml	

A) L=0,6 m

B) Quantity as required

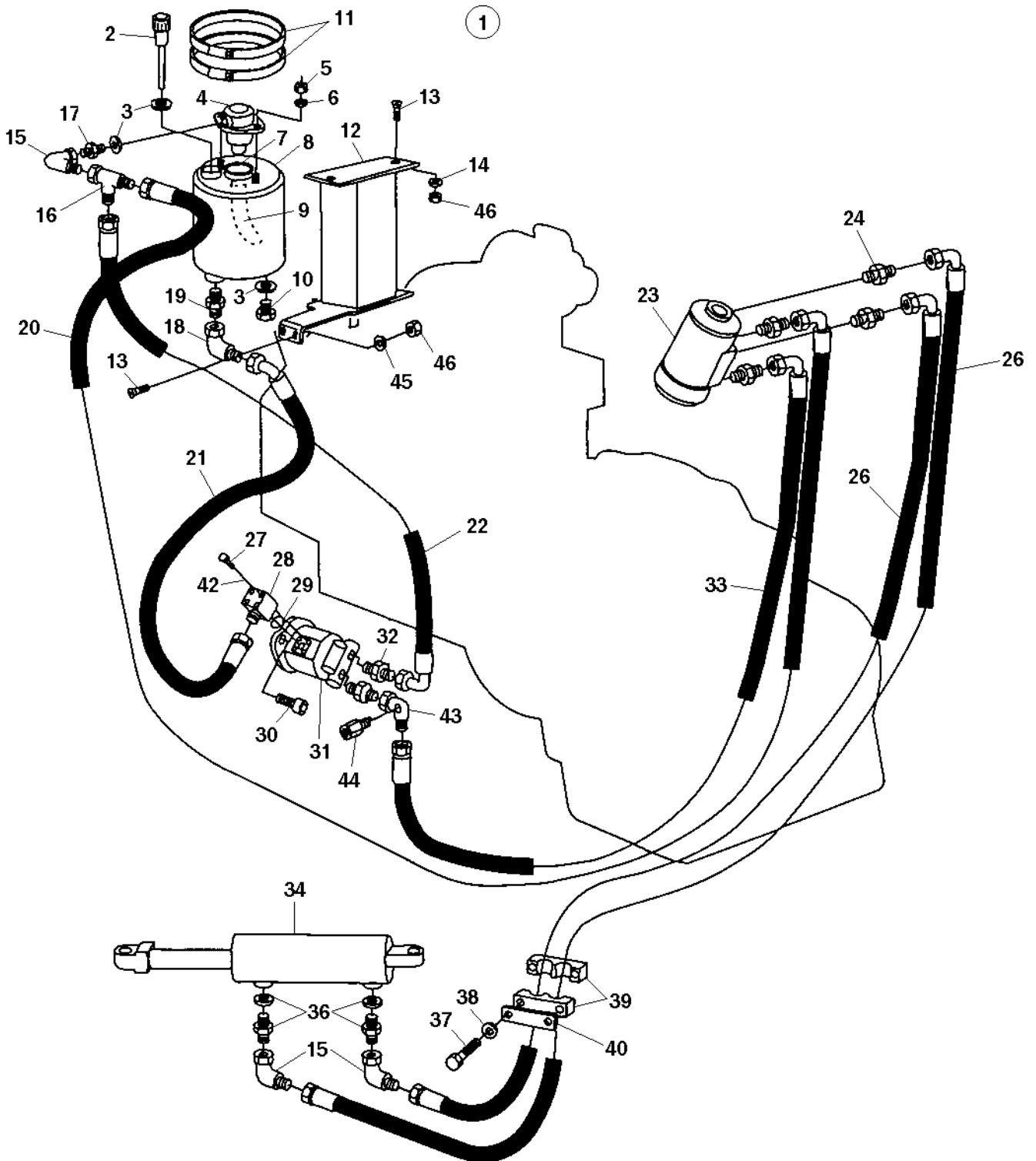


Cardan shaft, Albarus

Ref. No.	Part No.	Rem.	Qty	Description	Code
1	195236		1	Cardan shaft	
2	195314		1	.Seal kit	
3			1	.Tube shaft	
4	927988		1	.Universal joint cross	D
5	310028		1	.Grease nipple	D
6	195315		1	.Slip yoke	
7	195749		1	.Universal joint cross	D

Hydraulic system

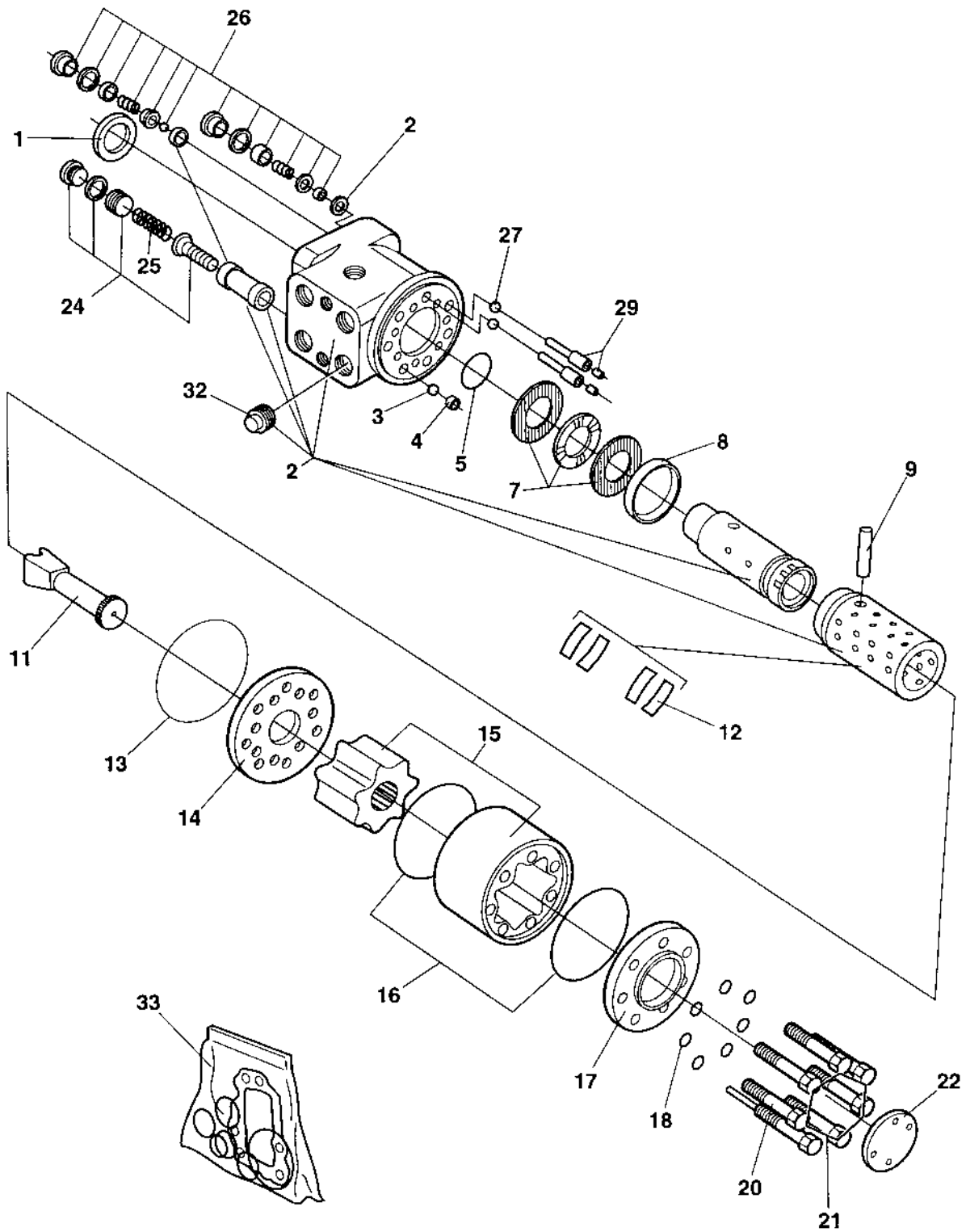
Ref. No.	Part No.	Rem.	Qty	Description	Code
10				Steering system (Page 132)	



Steering system

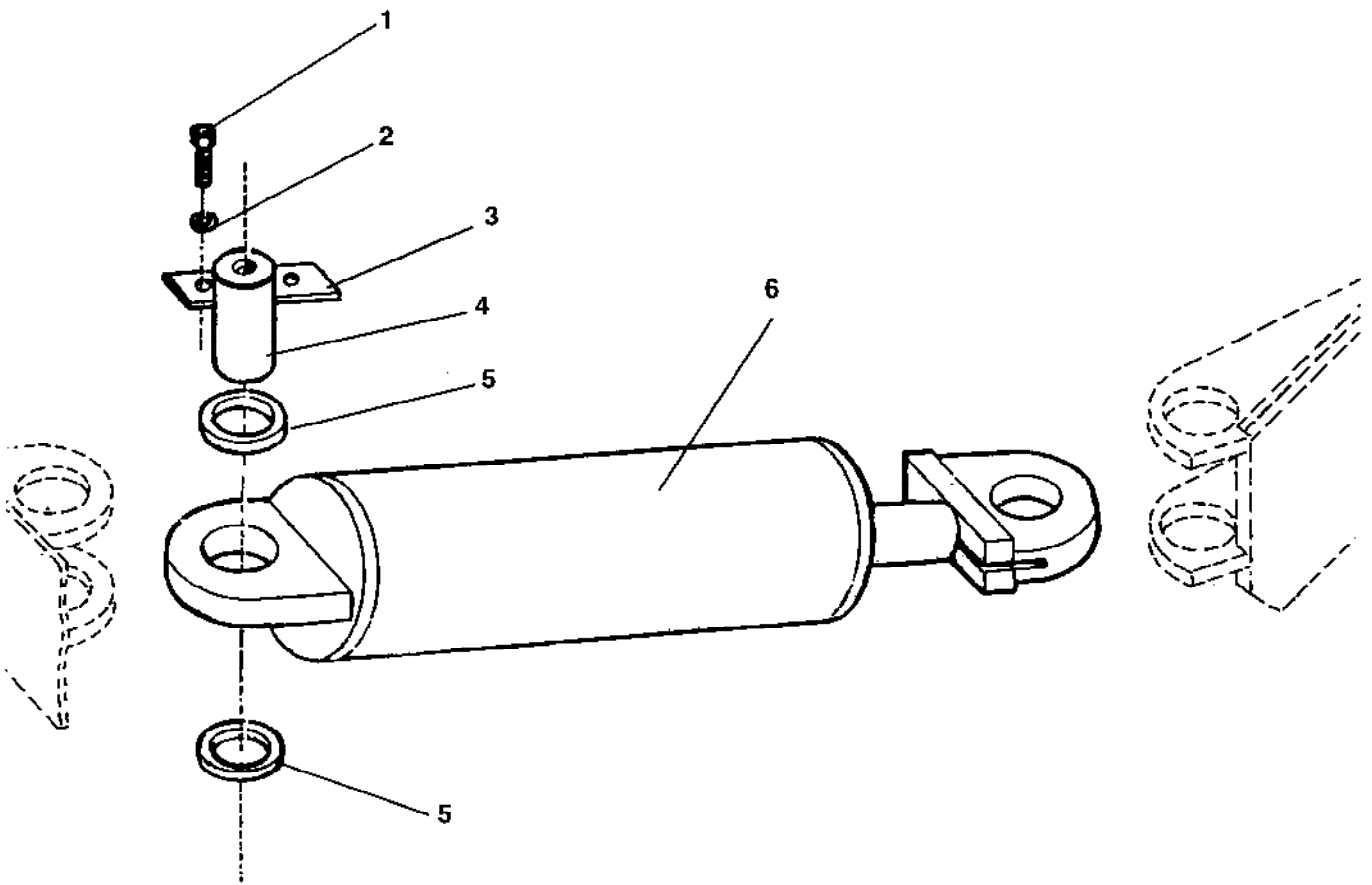
Ref. No.	Part No.	Rem.	Qty	Description	Code
1	241846		1	Hydraulic oil tank, CPL	
2	499373		1	.Air cleaner	
3	330331		3	.Washer 18,2x23,9x1,5	
4	912081		1	.Filter, cpl	
	499474		1	..Filter element	
5	570005		2	.Nut M8	
6	604005		2	.Spring washer	
7	313006		1	.Hose clamp	
8	241848		1	.Hydraulic oil tank	
9	244034		1	.Hose	
10	232160		1	.Plug	
11	194339		2	Clamp	
12	381699		1	Support	
13	902520		3	Screw	
14	904229		2	Washer 8,4x16x1,5	
15	334197		3	Elbow 90	
16	334135		1	T-connector	
17	234941		1	Adapter	
18	334155		1	Connector	
19	334157		1	Straight connector	
20	482662		1	Hydraulic hose	
21	482912		1	Hydraulic hose	
22	482582		1	Hydraulic hose	
23	375455		1	Steering valve (Page 134)	D
24	334116		4	Straight o-ring connector	
26	191787		2	Hydraulic hose	
27	500088		4	Screw M6x40	
28	904786		1	Flange adapter	
29	813457		1	O-ring	
30	508013		2	Screw	
31	191788		1	Steering pump If not available; use 376548	
32	334121		2	Straight connector	
33	242175		1	Hydraulic hose	
34			1	Steering cylinder (Page 136)	
36	334116	B	2	Straight o-ring connector	
37	500186		2	Screw M6-1x45 8,8	
38	904228		2	Washer 6,4x12x1,5	
39	192223		1	Hose fixing	
40	241431		1	Plate	
42	904228		4	Washer 6,4x12x1,5	
43	192255		1	Elbow 90	
44	910161		1	Measuring nipple	D
45	904734		1	Washer 8,4x26x4	
46	586003		3	Lock nut M8	

B) With o-ring and backup ring



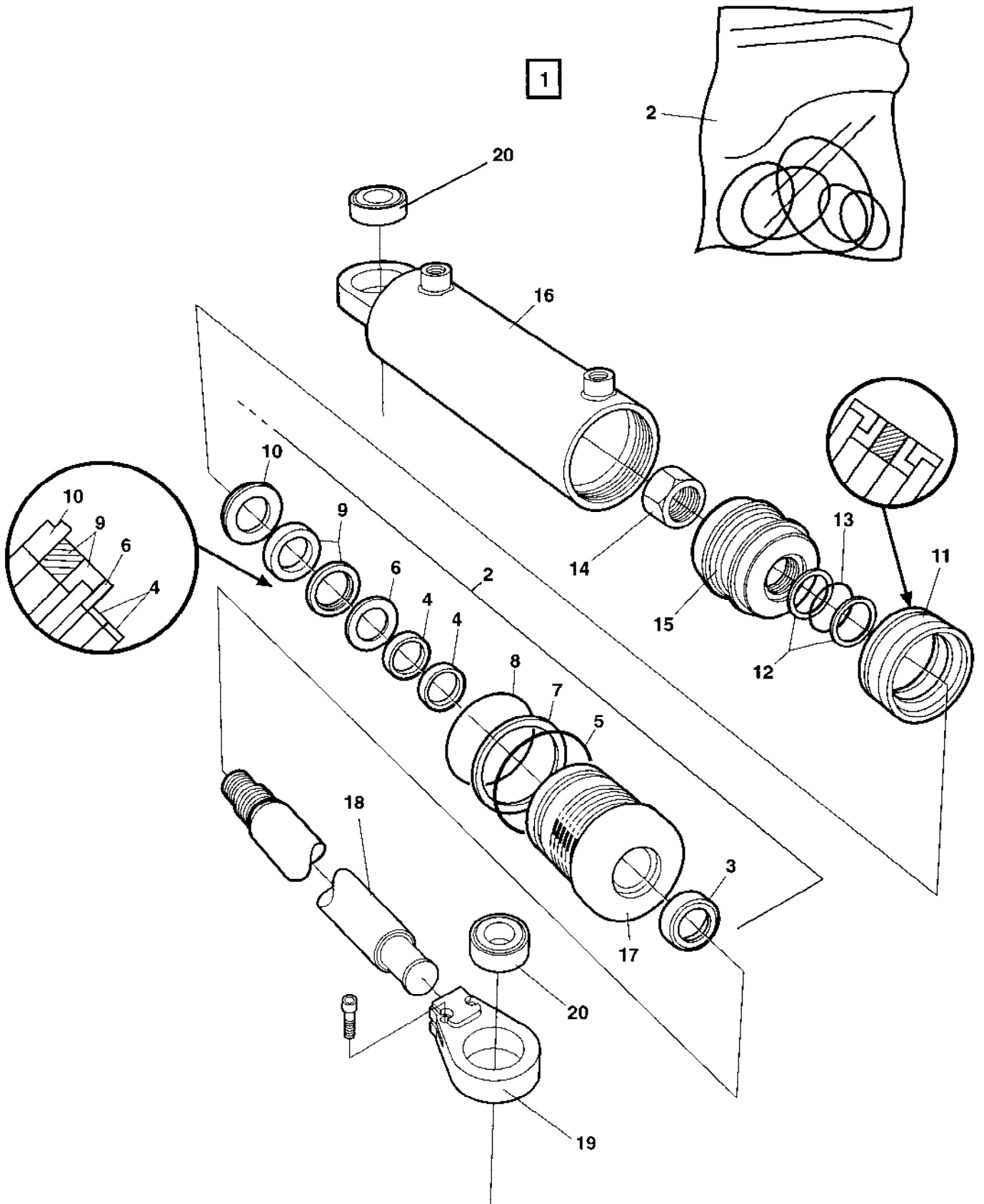
Ref. No.	Part No.	Rem.	Qty	Description	Code
1	936487	A	1	Dust seal ring	
2			1	Housing, spool and sleeve	
3	480468		1	Ball	
4	480446		1	Threaded bushing	D
5	908780	A	1	O-ring	
7	911620		1	Bearing	D
8	480449		1	Ring	
9	480447		1	Cross pin	
11	902861		1	Cardan shaft	
12	911618		1	Spring kit	D
13	936488	A	1	O-ring	
14	902862		1	Valve plate	
15	936489		1	Gear wheel set	
16	936490	A	2	O-ring	
17	480450		1	End cap	
18	936491	A	7	Washer	
20	936492		1	Screw with pin	
21	936493		6	Screw	
22	936494		1	Name plate	
24	929010		1	Relief valve 17,0-17,5MPa	D
25	936495		1	Spring wire	
26	929012		2	Shock valve 22,5-24,0 MPa	
27	929013		2	Ball	
29	929014		2	Rolled pin	
32	908782		1	Valve	
33	908783	B	1	Seal kit	D

- A) Included in kit, item 33
B) Not included in PN 375455



Steering cylinder

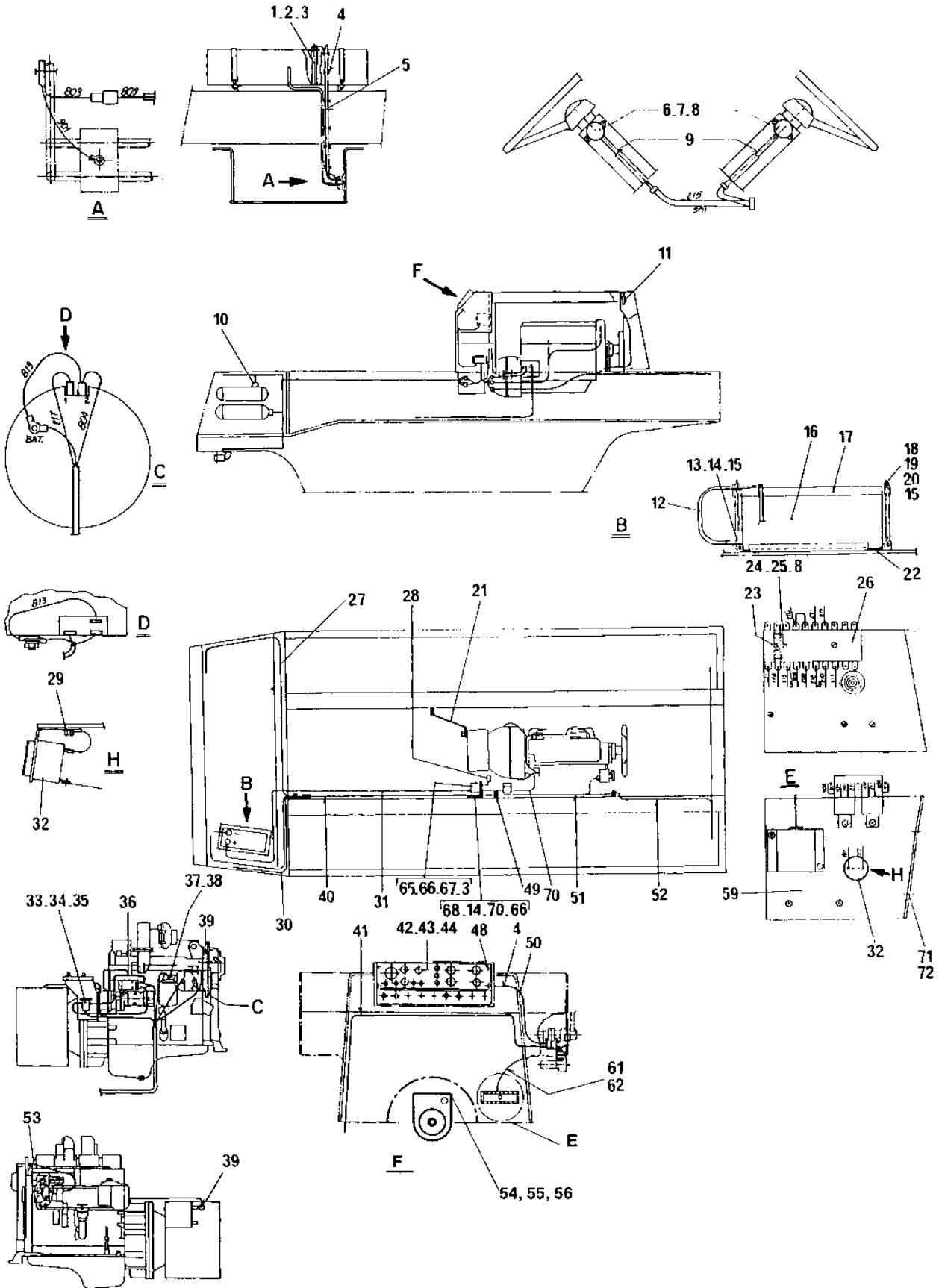
Ref. No.	Part No.	Rem.	Qty	Description	Code
1	500051		4	Screw M12-1,75x25 8,8	
2	604009		4	Washer	
3	259211		2	Snap plate	
4	257139		2	Shaft	
5	259215		4	Spacer ring	
6	376059		1	Steering cylinder (Page 138)	



376059 Steering cylinder

Ref. No.	Part No.	Rem.	Qty	Description	Code
1			1	Steering cylinder, cpl	
2	936703		1	.Seal kit	D
3	936700		1	.Shear wiper	
4	936699		2	.Guide ring	
5	160033		1	.O-ring	D
6	936697		1	.Back-up ring	
7	903289		1	.Back-up ring	
8	160032		1	.O-ring	D
9	936696		1	.Piston rod sealing	
10	936695		1	.Snap ring	
11	926326		1	.Piston seal	
12	904141		2	.Back-up ring	
13	160013		1	.O-ring	
14	904142		1	.Lock nut	
15	904143		1	.Piston block	
16	936694		1	.Cylinder tube	
17	936698		1	.Guide	
18	936701		1	.Piston rod	
19	936702		1	.Link head	
20	901691		2	.Bushing	D

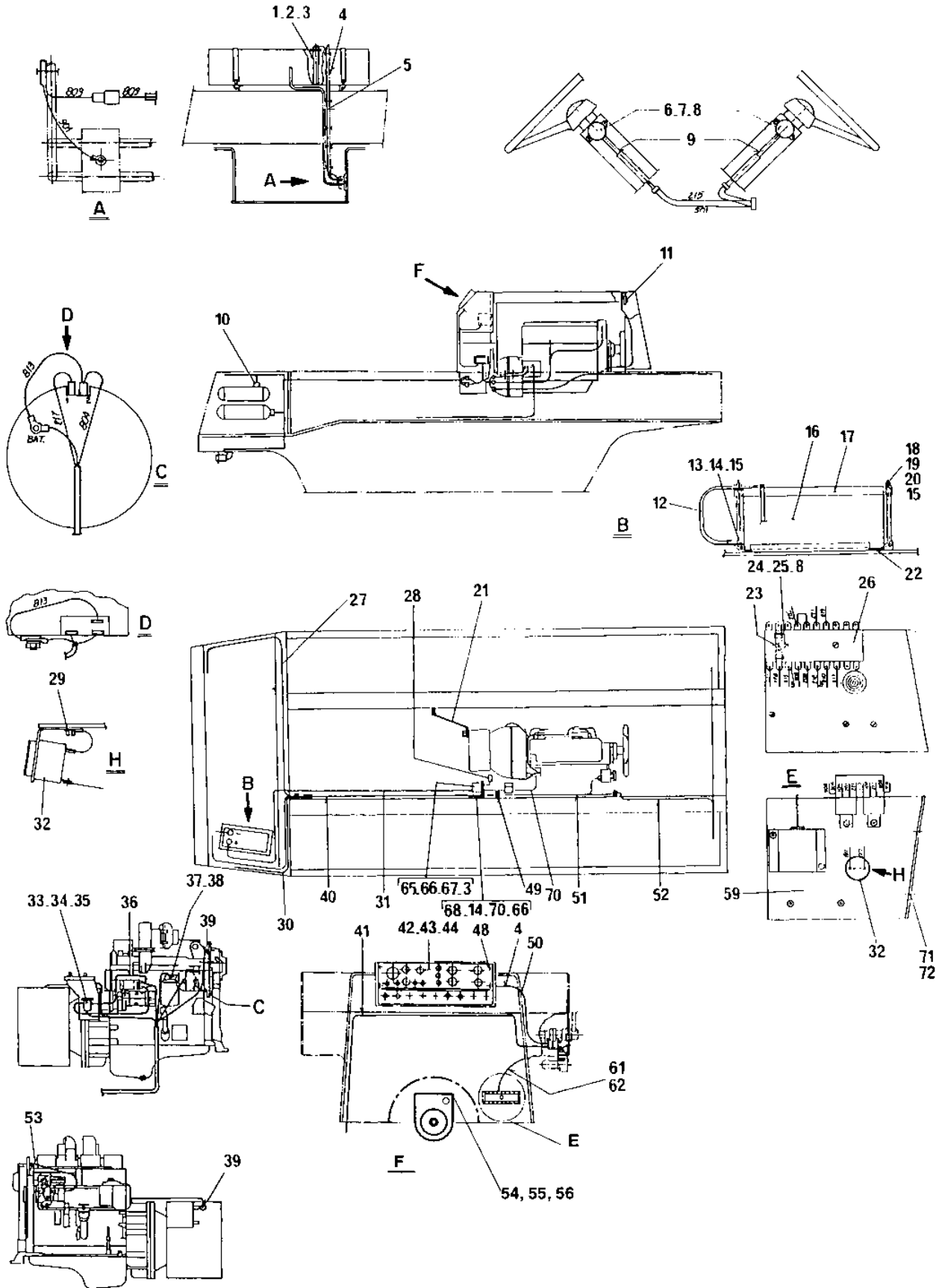
Ref. No.	Part No.	Rem.	Qty	Description	Code
10				Electrical system (Page 142)	
20				Lights (Page 148)	
30				Instrument board (Page 150)	
40				Electrical equipment (Page 152)	



Electrical system

Ref. No.	Part No.	Rem.	Qty	Description	Code
1	192032		1	Fuel sender	
2	500006		5	Screw M5x16	
3	904281		5	Washer 5,3x10x1	
4	313068		14	Cable ties L=92 mm	
5	192309		1	Cable harness	
6	930138		2	Push button	
7	541525		4	Screw	
8	904281		10	Washer 5,3x10x1	
9	192312		1	Cable harness	
10	904600		2	Pressure gauge	
11		B	1	Horn assy (Page 146)	
12	258870		1	Battery cable (-)	
13	500048		1	Screw M10-1,5x20 8,8	
14	570006		2	Nut M10	
15	904230		3	Washer 10,5x22x2	
16	470020		1	Battery	
17	343369		1	Battery frame	
18	250070		2	Fixing screw	
19	571003		2	Nut UNC 3/8 - 16	
20	904637		2	Washer 10x18x2	
21	265215		1	Cable	
22	259933		1	Shim	
23	813412		8	Fuse 10A	A
24	533032		4	Screw	
25	570003		4	Nut M5	
26	240759		1	Fuse box	
27	195045		1	Cable harness	
28	249377		1	Protection cover	
29	533001		1	Screw	
30	383963		1	Cable harness	
31	192894		1	Battery cable	
32	928661		2	Warning buzzer	
33	975065		1	Starter relay	
34	500013		2	Screw M6-1x16 8,8	
35	604004		2	Washer	
36	192310		1	Cable harness	
37	930139		1	Oil pressure switch	D
38	256485		1	Adapter	
39	258307		2	Temperature sensor	D
40	194333		1	Cable harness	
41	192308		1	Cable harness	
42	242514		1	Resistance cable	
43	192313		1	Cable harness	
44	344389		1	Cable	
45	192894		1	Battery cable	
46	313041		1	Cable ties L=186 mm	
47	927026		1	Screw	
48	240519		4	Screw	
49	313041		6	Cable ties L=186 mm	
50	192303		1	Cable harness	
51	192304		1	Cable harness	
52	192314		1	Cable harness	
53	921099		1	Clamp	
54	193045		1	Sensor	
55	193053		2	Screw	
56	904230		4	Washer 10,5x22x2	
59	387733		1	Bracket	
61	192306		1	Cable harness	
62	192307		1	Cable harness	

B) New placement viewed in the mount instruction of horn assy

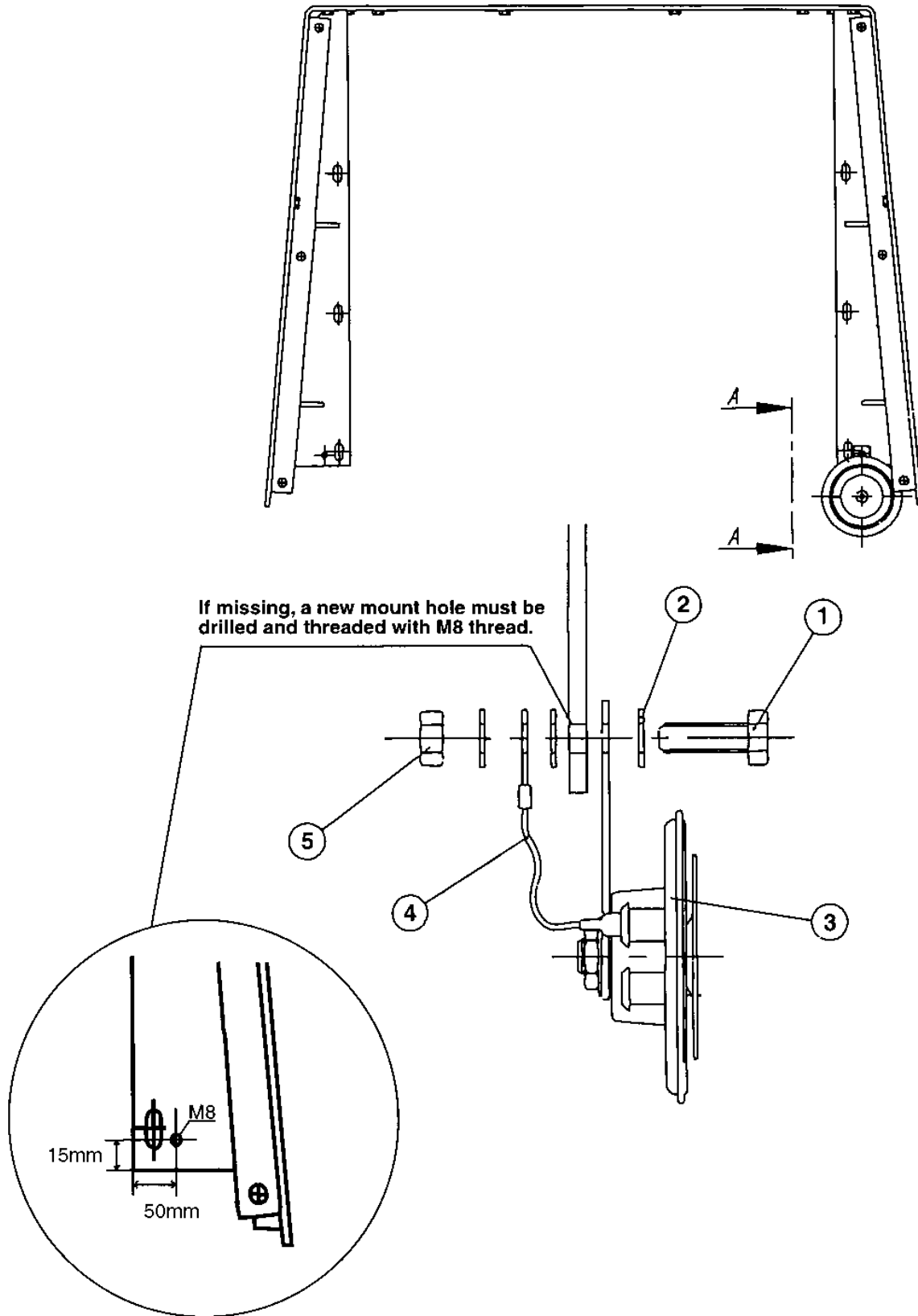


Electrical system

Ref. No.	Part No.	Rem.	Qty	Description	Code
63	901350		1	Alternator	C
64	901448		1	Starter	C
65	930150		1	Battery switch	D
	928021		1	.Key	D
66	533027		2	Screw	
67	570003		2	Nut M5	
68	374954		1	Bracket	
69	500028		2	Screw M10-1,5x25 8,8	
70	192895		1	Battery cable	
71	500019		2	Screw M8-1,25x16 8,8	
72	904229		2	Washer 8,4x16x1,5	

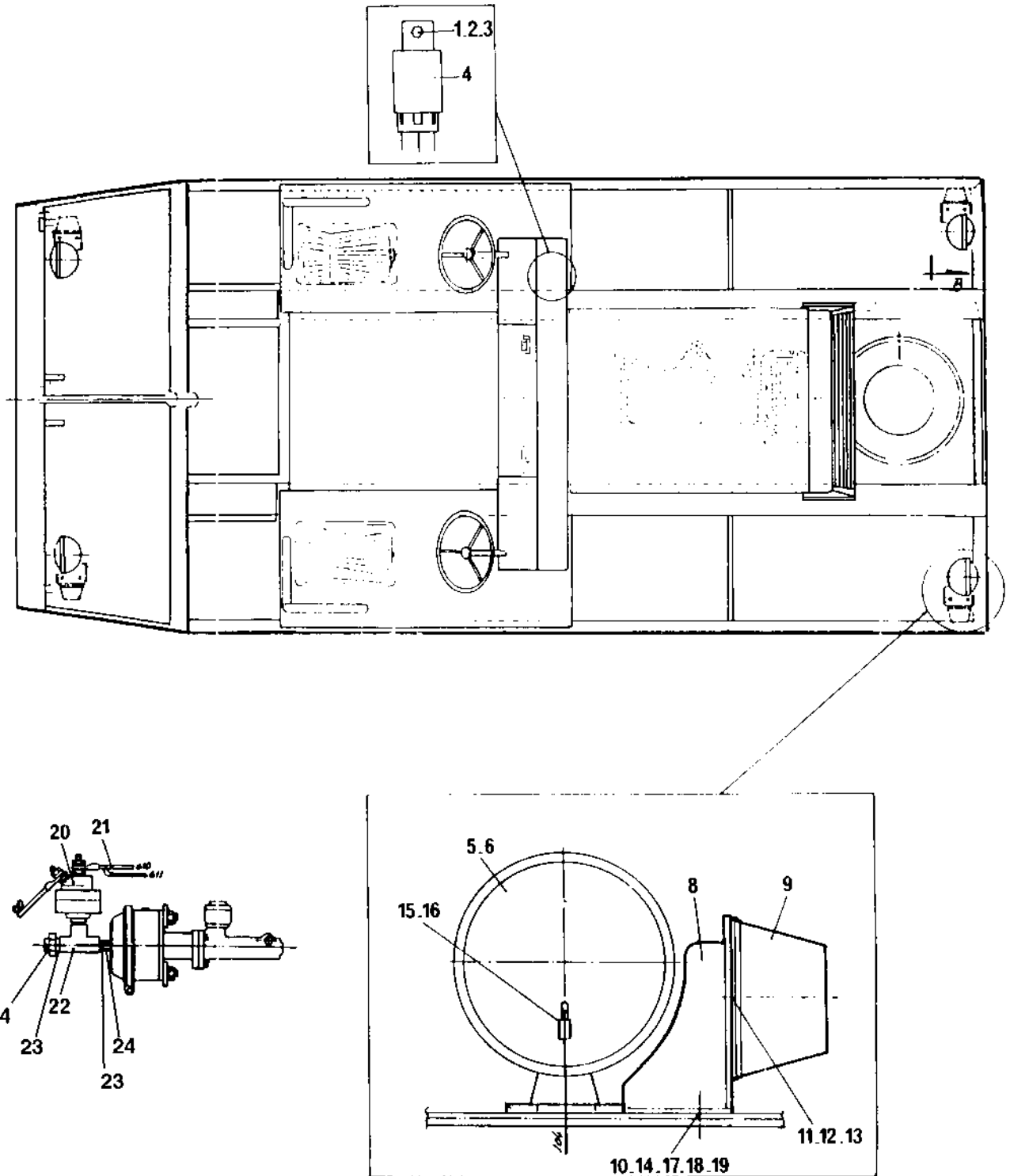
Horn assy

17211



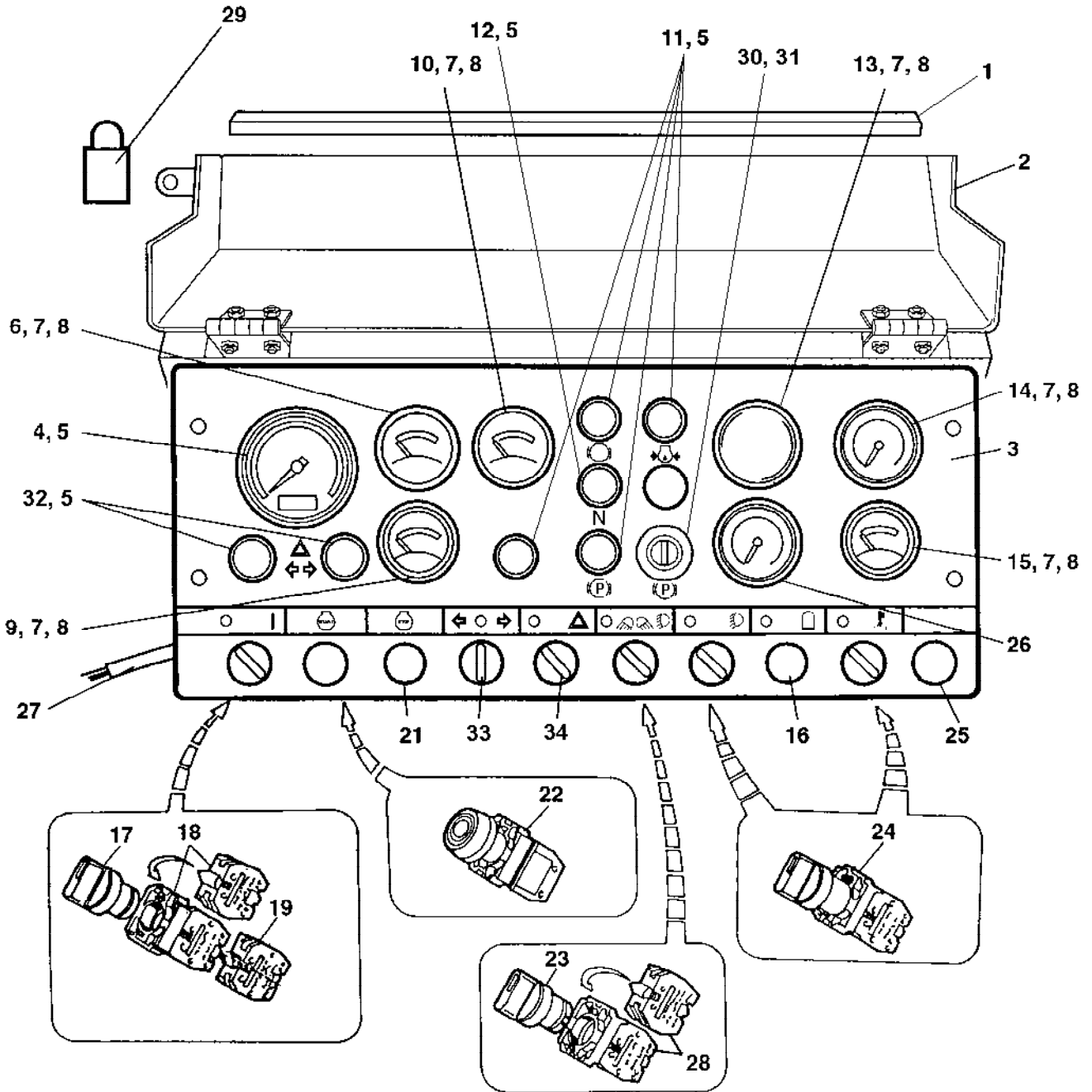
Horn assy

Ref. No.	Part No.	Rem.	Qty	Description	Code
1	500021		1	Screw M8-1,25x25 8,8	
2	904229		3	Washer 8,4x16x1,5	
3	999027		1	Horn	D
4	904912		1	Connection cable	
5	586003		1	Lock nut M8	



Lights

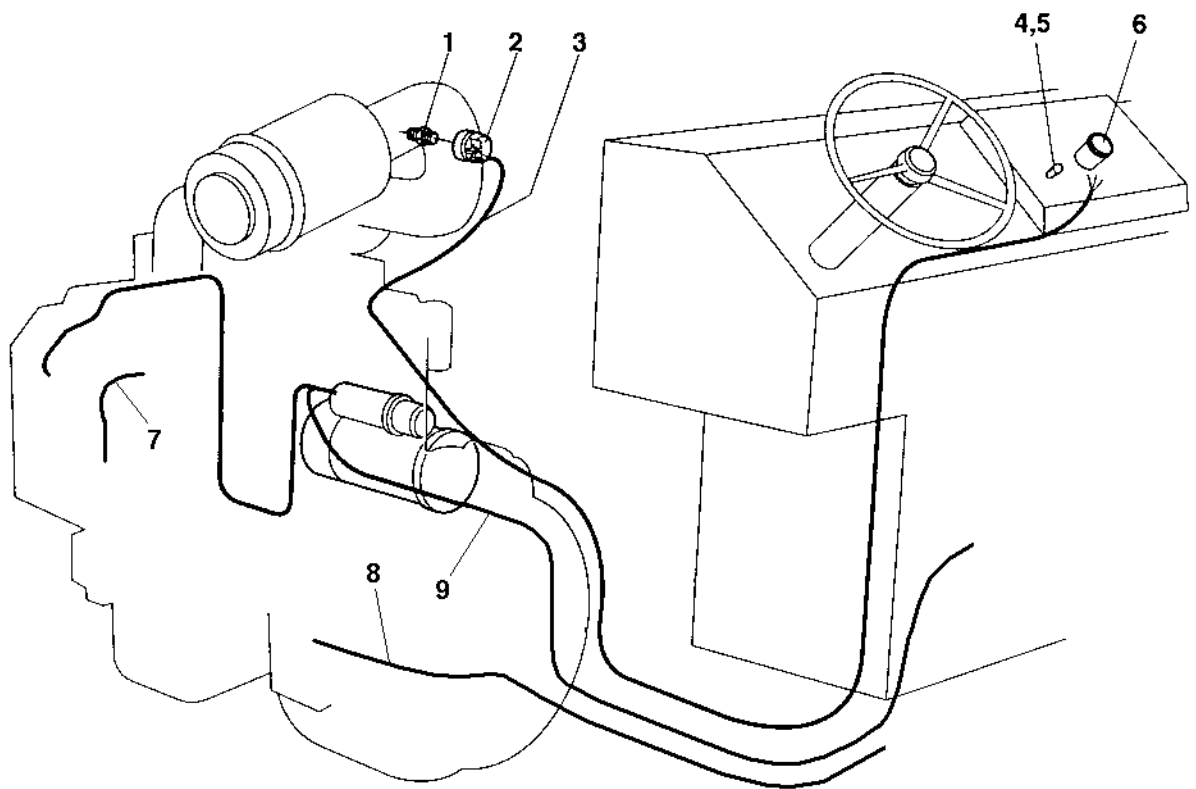
Ref. No.	Part No.	Rem.	Qty	Description	Code
1	500004		1	Screw M5 0,8x12 8,8	
2	904281		1	Washer 5,3x10x1	
3	570003		1	Nut M5	
4	975068		1	Relay	D
5	985066		4	Head light	D
6	985087		4	Lamp	B
8	191541		4	Bracket	
9	900223		4	Lantern	D
10	500020		8	Screw M8-1,25x22 8,8	
11	533025		8	Screw M5x12	
12	904281		8	Washer 5,3x10x1	
13	247638		4	Lamp	B
14	570005		4	Nut M8	
15	960273		2	Terminal	
16	901766		1	Connector 2-POL	D
17	904229		8	Washer 8,4x16x1,5	
18	615043		8	Washer 8,4x18x2	
19	570003		8	Nut M5	
20	248271		1	Switch brake light	
21	192308		1	Cable harness	
22	904571		1	Connection-T	
23	904577		2	Connector	
24	902131		2	Adapter	



Instrument board

Ref. No.	Part No.	Rem.	Qty	Description	Code
1	202028	A	1	Edge trim	
2	380764		1	Cover	
3	386117		1	Instrument board	
4	266625		1	Electric tachometer	
5	985012		7	Bulb	D
6	248035		1	Fuel gauge	
7	747583		7	Bulb	
8	927025		7	Socket	
9	265232		1	Water temperature gauge	D
10	265244		1	Volt meter	
11	985146		4	Pilot lamp cpl Red	D
12	932059		1	Pilot lamp cpl Yellow	
13	192135		1	Plug	
	266221	B	1	Manometer	D
14	265909		1	Manometer	
15	265231		1	Oil temperature gauge	
16	911456		5	Hole plug	
	930166	C	1	Switch	D
	930165	C	1	Contact block	D
17	932055		1	Switch	D
18	930162		1	Connector	
	985012		1	Bulb	D
19	930163		1	Contact piece	D
21	791157		1	Plug unthreaded	
22	928928		1	Push button	D
23	932058		1	Switch	D
24	930151		2	Switch	D
25	928661		1	Warning buzzer	
26	195935		1	Double pressure gauge	
27	192303		1	Cable harness	
28	930182		1	Contact block	D
29	358881		1	Pad lock	
30	930200		1	Emergency stop	D
31	930163		1	Contact piece	D
32	985145		2	Pilot lamp cpl Green	
33	932060		1	Contact block	
	930163		4	Contact piece	D
34	930151		1	Switch	D
	930163		3	Contact piece	D

- A) L=585 mm
 B) Air on the run, Option
 C) Rotating beacon, Option

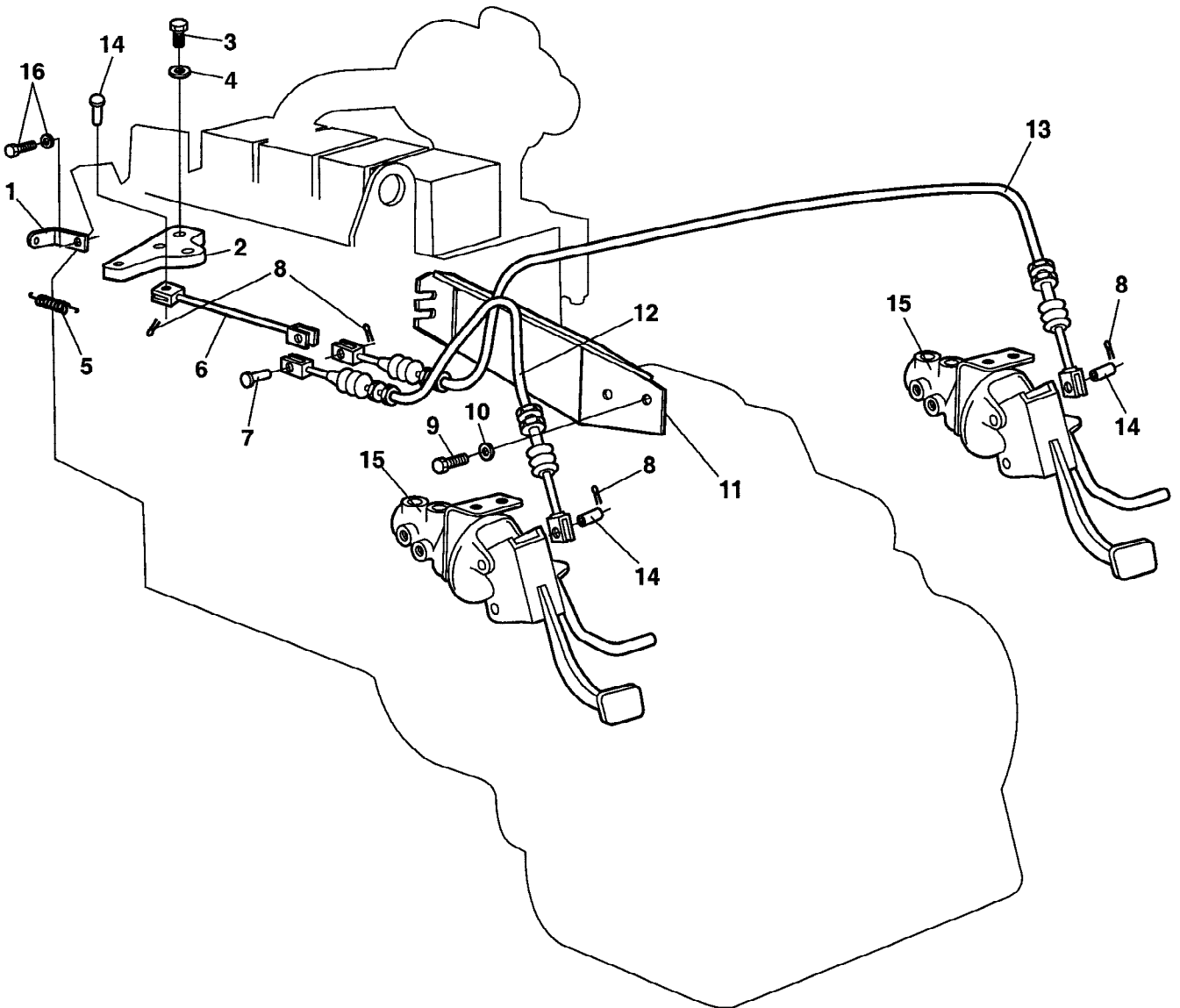


Ref. No.	Part No.	Rem.	Qty	Description	Code
1	375113		1	Nipple	
2	929023		1	Indicator	D
3	374961	A	1	Cable harness	
4	985012		1	Bulb	D
5	985146		1	Pilot lamp cpl Red	D
6			1	Volt meter See Instrument board assembly	D
7	389928	B	1	Cable harness	
8	193044	C	1	Cable harness	
9	389754	D	1	Cable harness	

- A) For Vaccum indicator
- B) For Pre heater
- C) For Transmission control valve
- D) For Starter, Alternator etc.

Drivers platform

Ref. No.	Part No.	Rem.	Qty	Description	Code
10				Throttle control (Page 156)	
30				Forward and reverse control (Page 158)	
50				Pedal and brake valve (Page 160)	
65				Instruction book holder (Page 164)	
70				Steering assembly (Page 166)	
90				Safety belt, Only with rops Option (Page 170)	
110				Seat assembly With armrests (Page 172)	
120				Rops (Page 174)	
130				Seat cover (Page 176)	



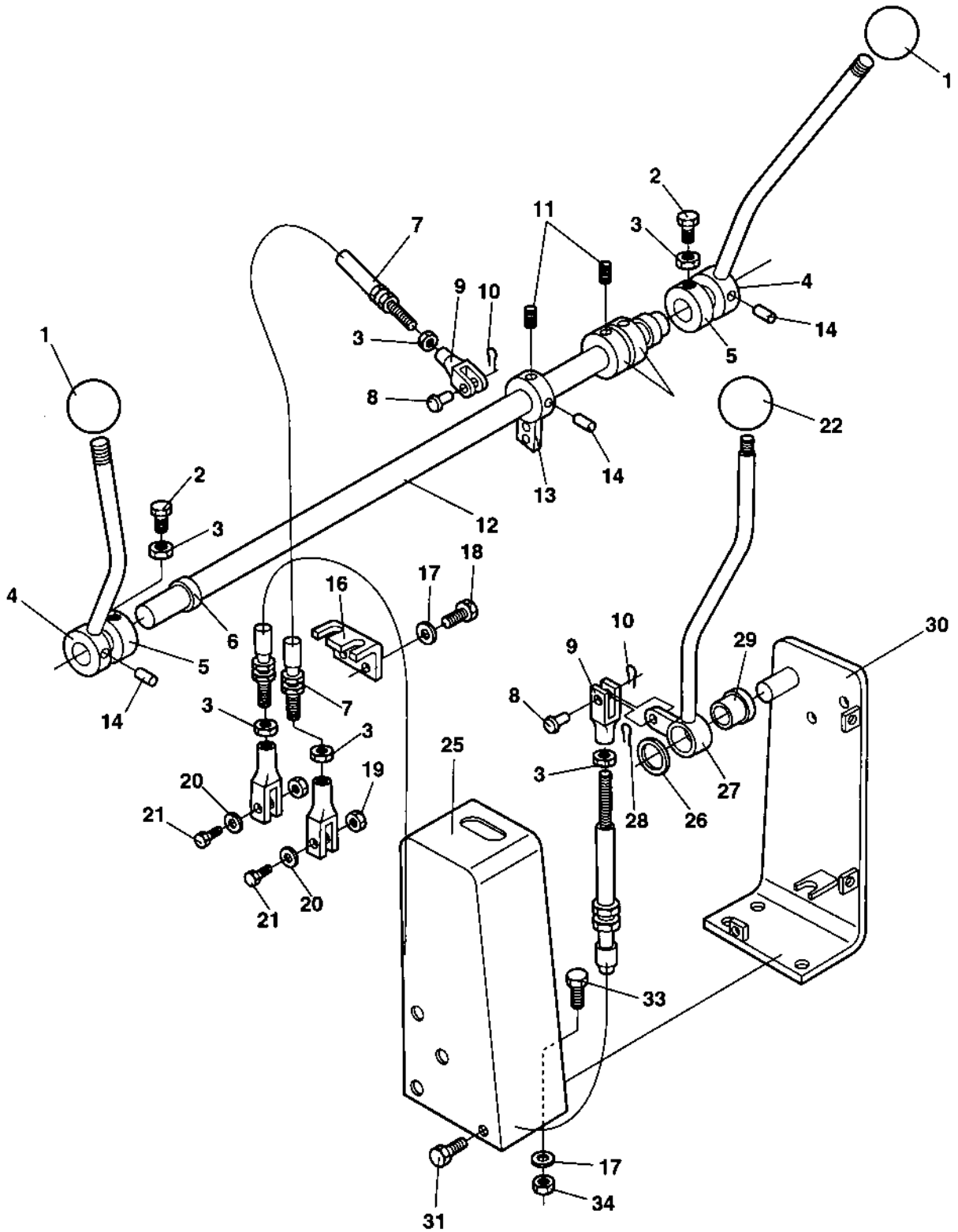
Throttle control

Ref. No.	Part No.	Rem.	Qty	Description	Code
1	389650		1	Bracket	
2	389649		1	Control lever	
3	500012		2	Screw M6x12	
4	904228		2	Washer 6,4x12x1,5	
5	904796		1	Spring	
6	389653		1	Control cable	D
7	192127		1	Trunnion	
8	630003		4	Cotter pin	
9	500048		2	Screw M10-1,5x20 8,8	
10	904230		2	Washer 10,5x22x2	
11	389648		1	Bracket	
12	192112		1	Control cable	
13	192111		1	Control cable	
	313041	B		Cable ties L=186 mm	
14	250137		3	Trunnion	
15			2	Pedal and brake valve	
16		A	1	Use existing	

- A) On the engine
B) Qty as required

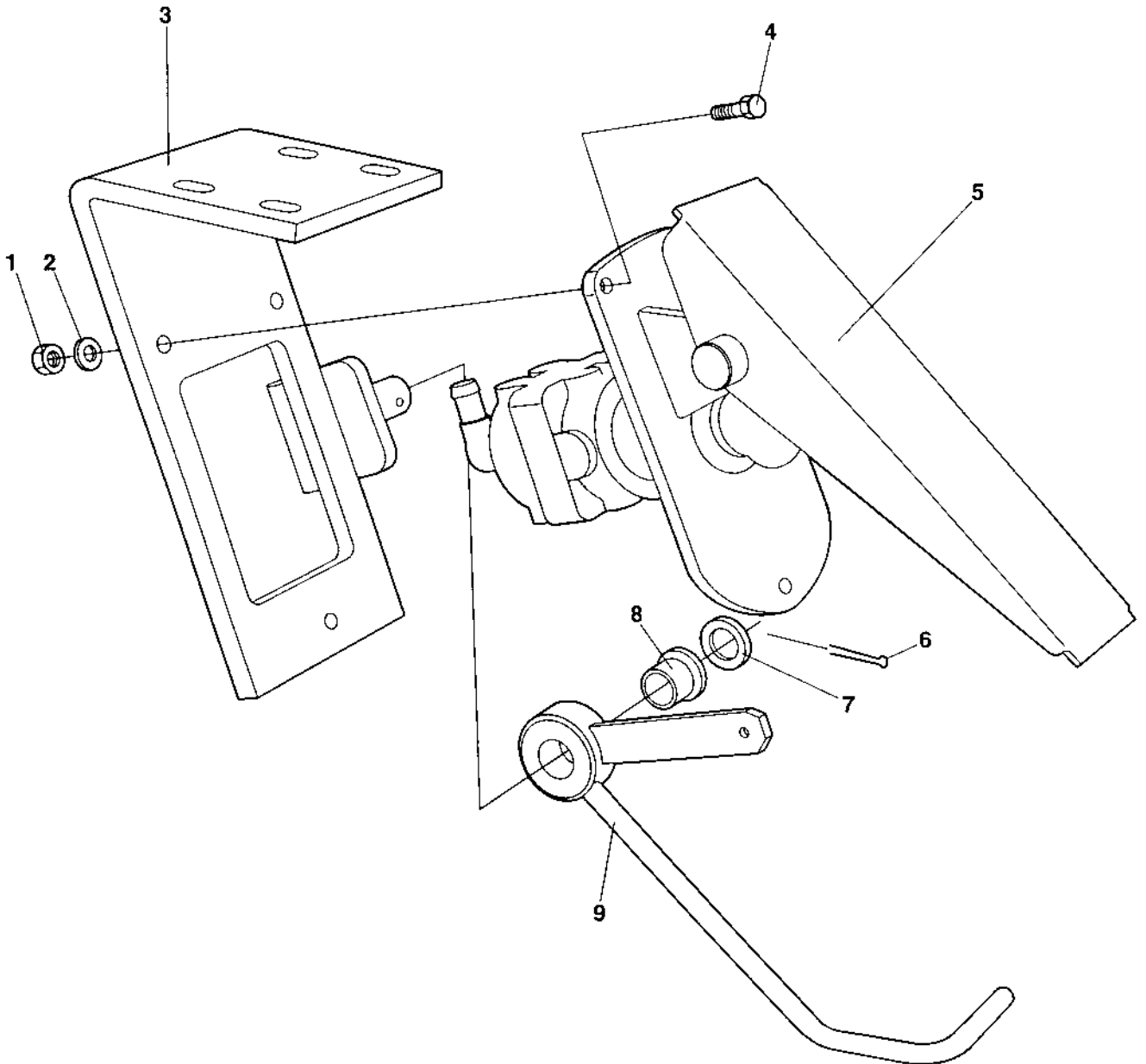
Forward and reverse control

17600



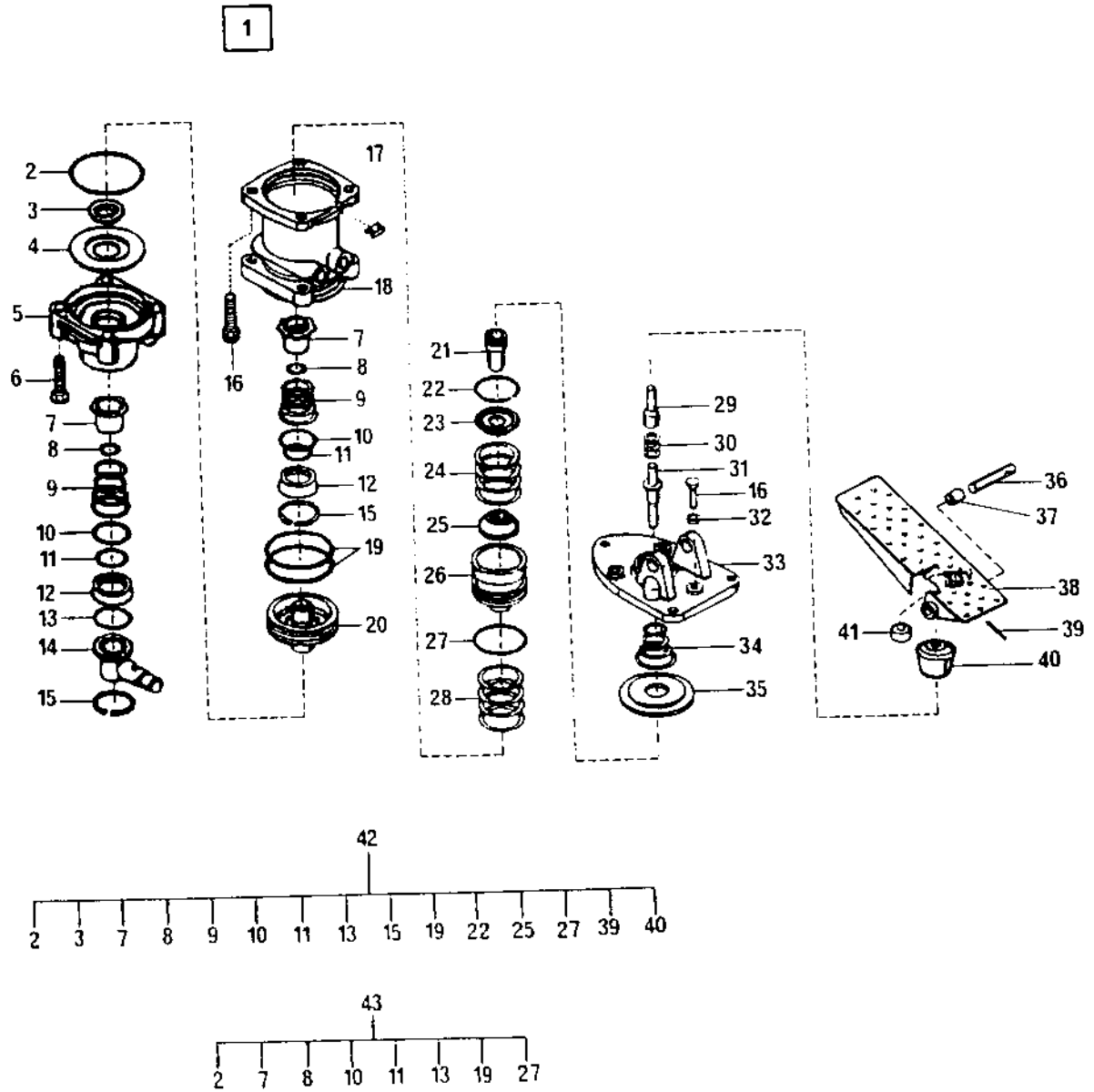
Forward and reverse control

Ref. No.	Part No.	Rem.	Qty	Description	Code
1	312023		2	Ball knob M12, D= 32mm	
2	500015		2	Screw M6-1x30 8,8	
3	570004		6	Nut M6	
4	254909		2	Control lever	
	380467		2	Control lever	
5	264475		2	Bushing	
6	259269		2	Bushing	
7	192114		1	Control cable	D
8	530016		5	Clevis pin	
9	921850		4	Yoke	
10	630003		5	Cotter pin	
11	516034		3	Stop screw	
12	259261		1	Shaft	
13	380466		1	Lever	
14	629061		3	Expanding pin	
16	192026		1	Bracket	
17	904230		8	Washer 10,5x22x2	
18	500048		2	Screw M10-1,5x20 8,8	
19	586003		2	Lock nut M8	
20	904229		2	Washer 8,4x16x1,5	
21	500022		2	Screw M8-1,25x30 8,8	
22	312023		1	Ball knob M12, D= 32mm	
24	500024		2	Screw M8x45	
25	192105		1	Hood	
26	600021		1	Washer	
27	192018		1	Lever	
28	630014		1	Cotter pin	
29	191999		1	Bushing	D
30	388006		1	Bracket	
31	541702		3	Screw M6x12	
32	192115		1	Control cable	
33	500029		3	Screw M10-1,5x30 8,8	
34	586018		3	Lock nut M10	

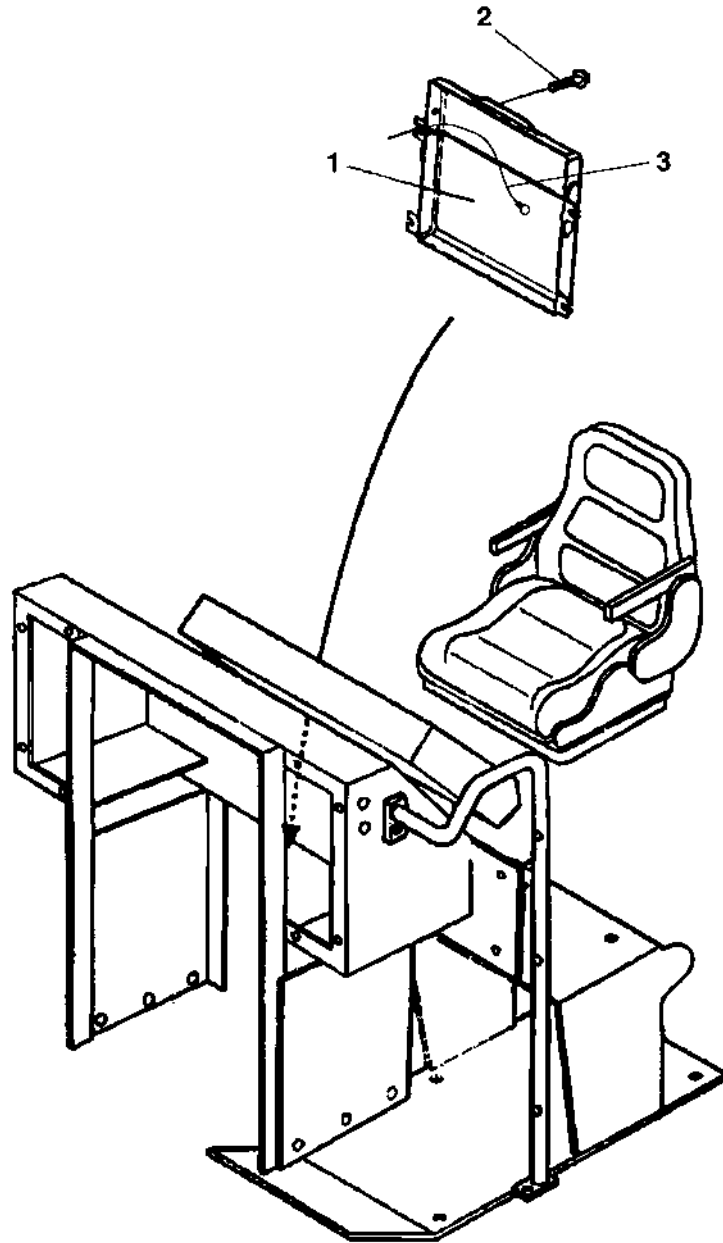


Pedal and brake valve

Ref. No.	Part No.	Rem.	Qty	Description	Code
1	570005		3	Nut M8	
2	615043		3	Washer 8,4x18x2	
3	195758		1	Bracket	
4	500022		3	Screw M8-1,25x30 8,8	
5	195779		1	Brake valve (Page 162)	
6	630014		1	Cotter pin	
7	600021		1	Washer	
8	191999		1	Bushing	D
9	191973		1	Pedal, cpl	

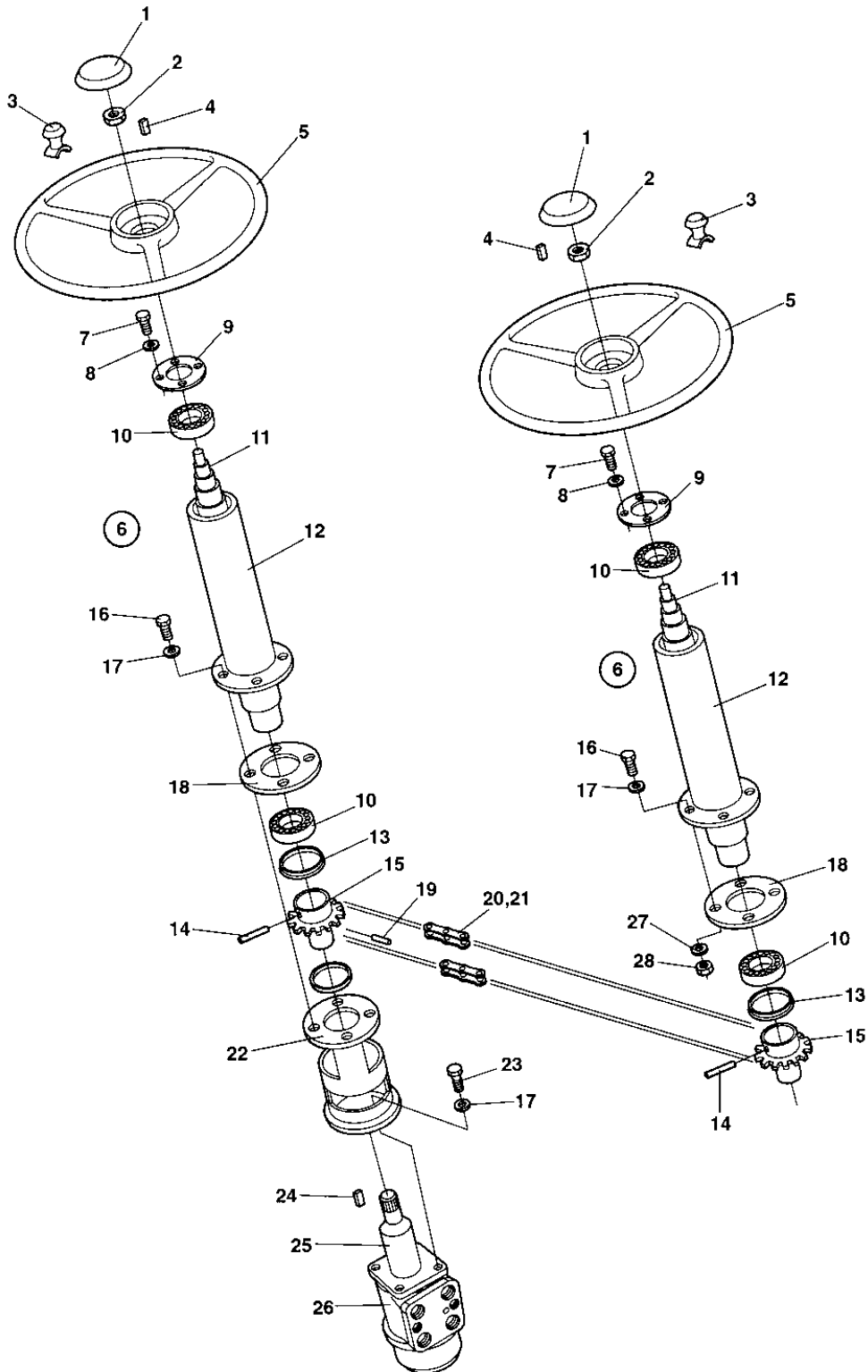


Ref. No.	Part No.	Rem.	Qty	Description	Code
1			1	Brake valve	
2	196159		1	.O-ring	
3	196158		1	.Gasket	
4	196157		1	.Intermediate support	
5	196156		1	.Housing, lower	
6	196155		4	.Screw	
7	196154		2	.Valve housing	
8	196153		2	.O-ring	
9	196152		2	.Spring	
10	196151		2	.O-ring	
11	196150		2	.O-ring	
12	196149		2	.O-ring	
13	196148		1	.O-ring	
14	196146		1	.Cover	
15	196145		2	.Retaining ring	
16	196162		5	.Screw	
17	196164		1	.Filler cap	
18	196163		1	.Housing, upper	
19	196161		2	.O-ring	
21	196172		1	.Shaft	
22	196171		1	.Retaining ring	
23	196170		1	.Spring leg	
24	196169		1	.Spring	
25	196168		1	.Rubber spring	
26	196167		1	.Piston	
27	196166		1	.O-ring	
28	196165		1	.Spring	
29	196179		1	.Upper bar	
30	196178		6	.Spacer	
31	196177		1	.Lower bar	
32	196176		1	.Nut	
33	196175		1	.Cover	
34	196174		1	.Spring	
35	196173		1	.Cover	
36	196185		1	.Pin	
37	196184		1	.Bushing	
38	196183		1	.Pedal	
39	196181		1	.Expanding pin	
40	196180		1	.Protection cap	
41	196182		1	.Buffer	
42	196186		1	Repair kit	
43	196187		1	Repair kit	



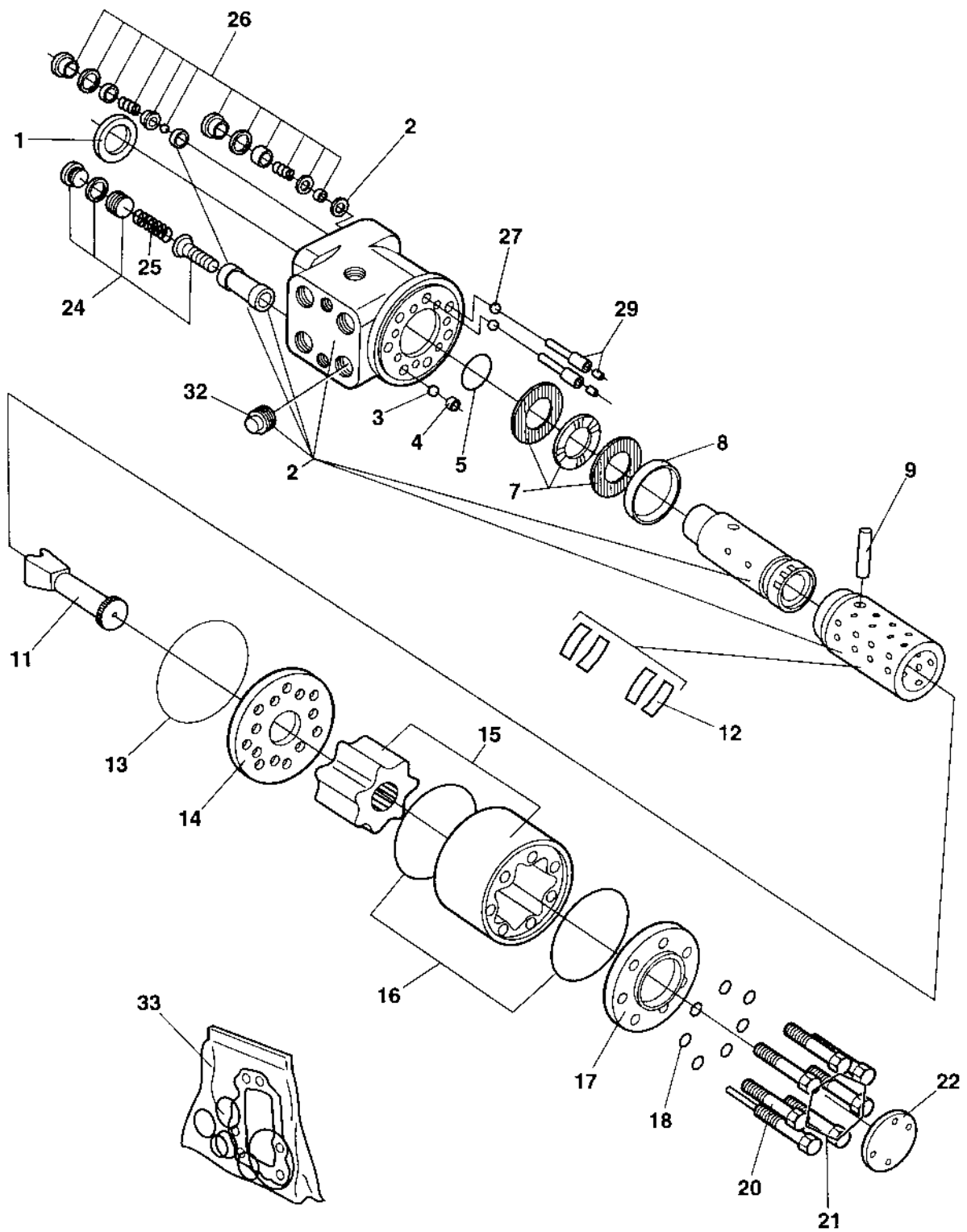
Instruction book holder

Ref. No.	Part No.	Rem.	Qty	Description	Code
1	383705		1	Instruction book holder	
2	791226		4	Screw	
3	357643		1	Wire	



Steering assembly

Ref. No.	Part No.	Rem.	Qty	Description	Code
1	312039		2	Cap	
2	572005		2	Nut	
3	262094		2	Turning knob	
4	250795		2	Key	
5	922624		2	Steering wheel	
6	375483		2	Steering column, cpl	
7	550043		4	.Screw	
8	604002		4	.Washer	
9	250407		1	.Cover bearing	
10	111164		2	.Bearing	D
11	374845		1	.Shaft	
12	263607		1	.Wheel column	
13	151015		1	.Snap ring	
14	926445		1	.Pin	
15	374821		1	.Chain wheel	
16	500030		8	Screw M10-1,5x35H 8,8	
17	600008		12	Washer	
18	263587		2	Shim	
19	516032		1	Stop screw	
20	417068		1	Chain	
21	417037		1	Connecting link	D
22	374822		1	Steering valve bracket	
23	500028		4	Screw M10-1,5x25 8,8	
24	350009		1	Flat key	D
25	370978		1	Linkage shaft	
26	375455		1	Steering valve (Page 134)	D
27	615044		4	Conical spring washer	D
28	570006		4	Nut M10	

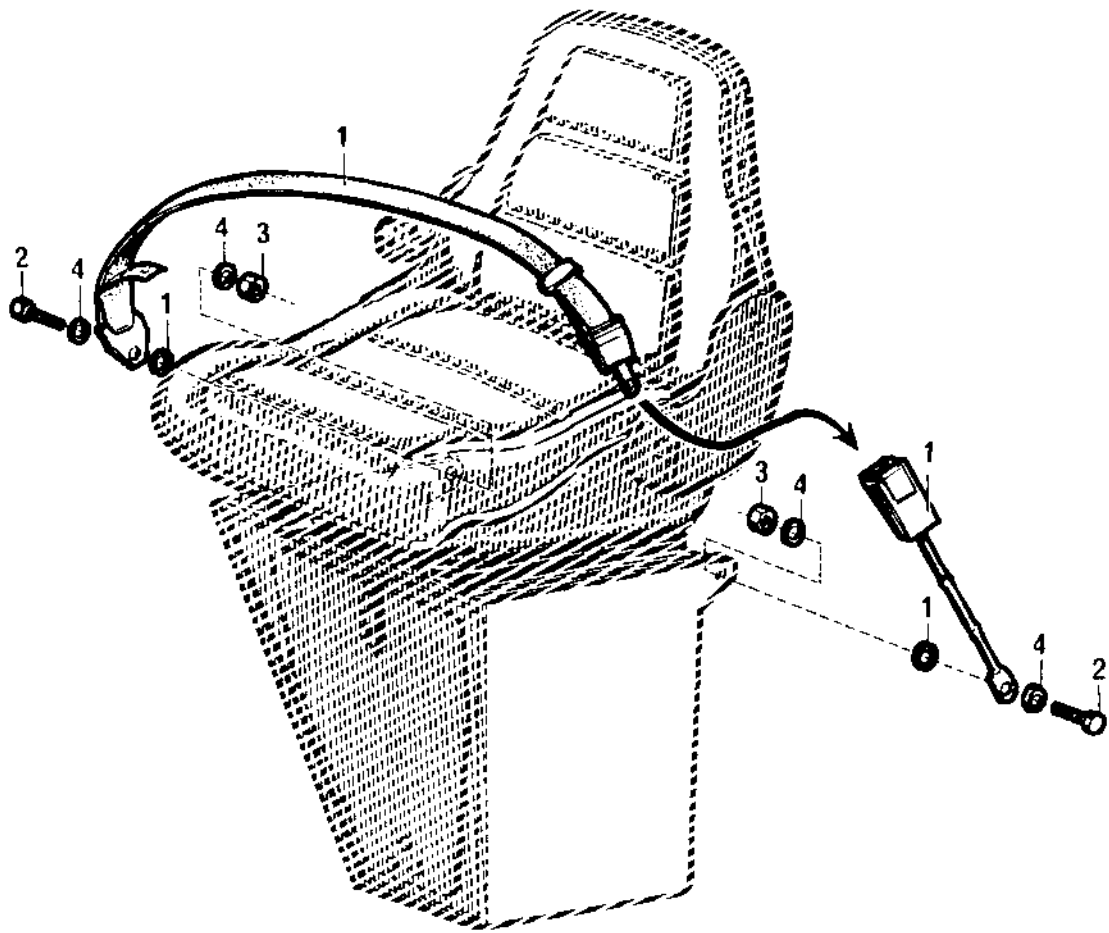


Ref. No.	Part No.	Rem.	Qty	Description	Code
1	936487	A	1	Dust seal ring	
2			1	Housing, spool and sleeve	
3	480468		1	Ball	
4	480446		1	Threaded bushing	D
5	908780	A	1	O-ring	
7	911620		1	Bearing	D
8	480449		1	Ring	
9	480447		1	Cross pin	
11	902861		1	Cardan shaft	
12	911618		1	Spring kit	D
13	936488	A	1	O-ring	
14	902862		1	Valve plate	
15	936489		1	Gear wheel set	
16	936490	A	2	O-ring	
17	480450		1	End cap	
18	936491	A	7	Washer	
20	936492		1	Screw with pin	
21	936493		6	Screw	
22	936494		1	Name plate	
24	929010		1	Relief valve 17,0-17,5MPa	D
25	936495		1	Spring wire	
26	929012		2	Shock valve 22,5-24,0 MPa	
27	929013		2	Ball	
29	929014		2	Rolled pin	
32	908782		1	Valve	
33	908783	B	1	Seal kit	D

- A) Included in kit, item 33
B) Not included in PN 375455

Safety belt, Only with rops Option

16275

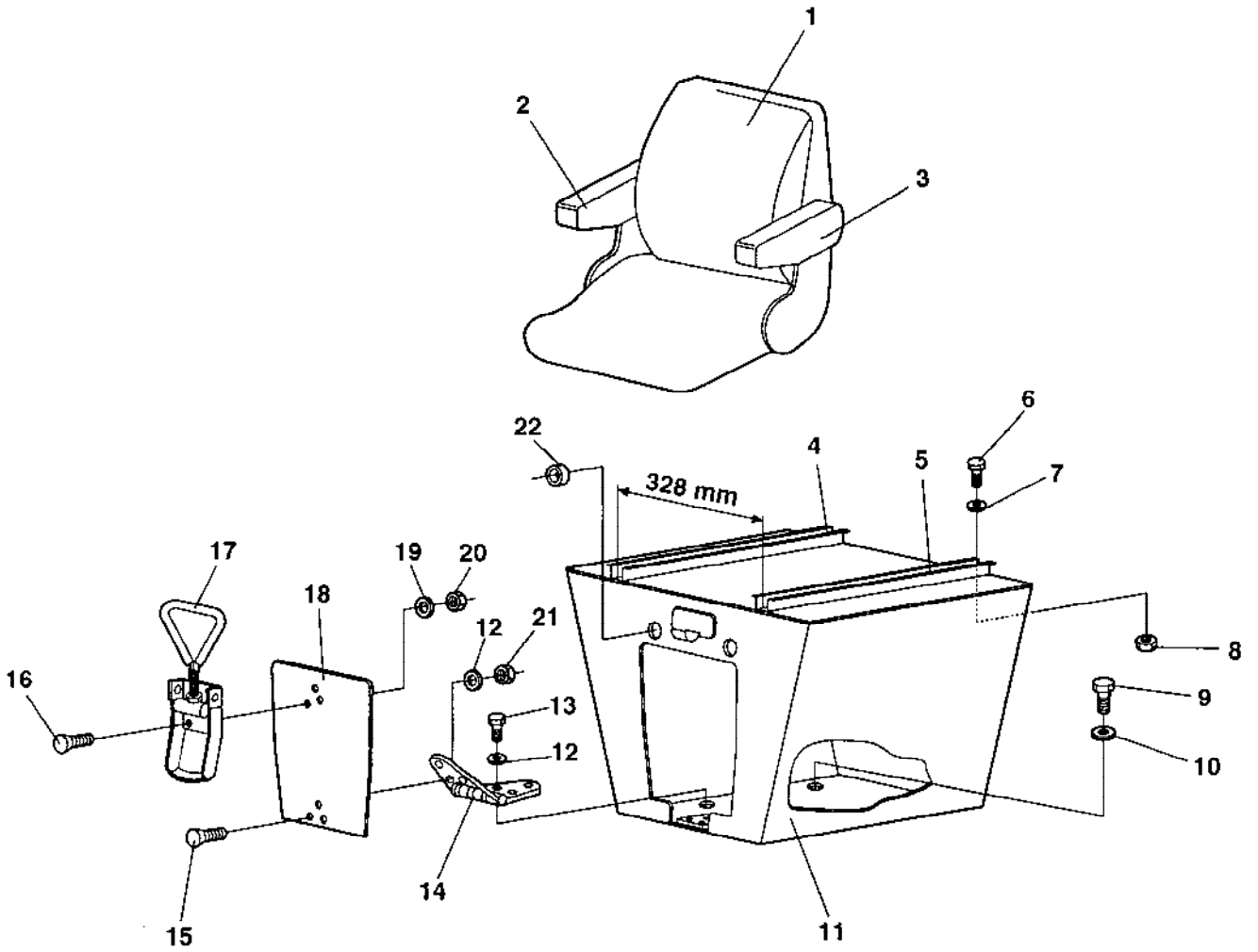


Safety belt, Only with rops Option

Ref. No.	Part No.	Rem.	Qty	Description	Code
1	370766		2	Safety belt	
	383200	A	2	Safety belt 3"	
2	500028		4	Screw M10-1,5x25 8,8	
3	570006		4	Nut M10	
4	600008		4	Washer	
A)	3", Option				

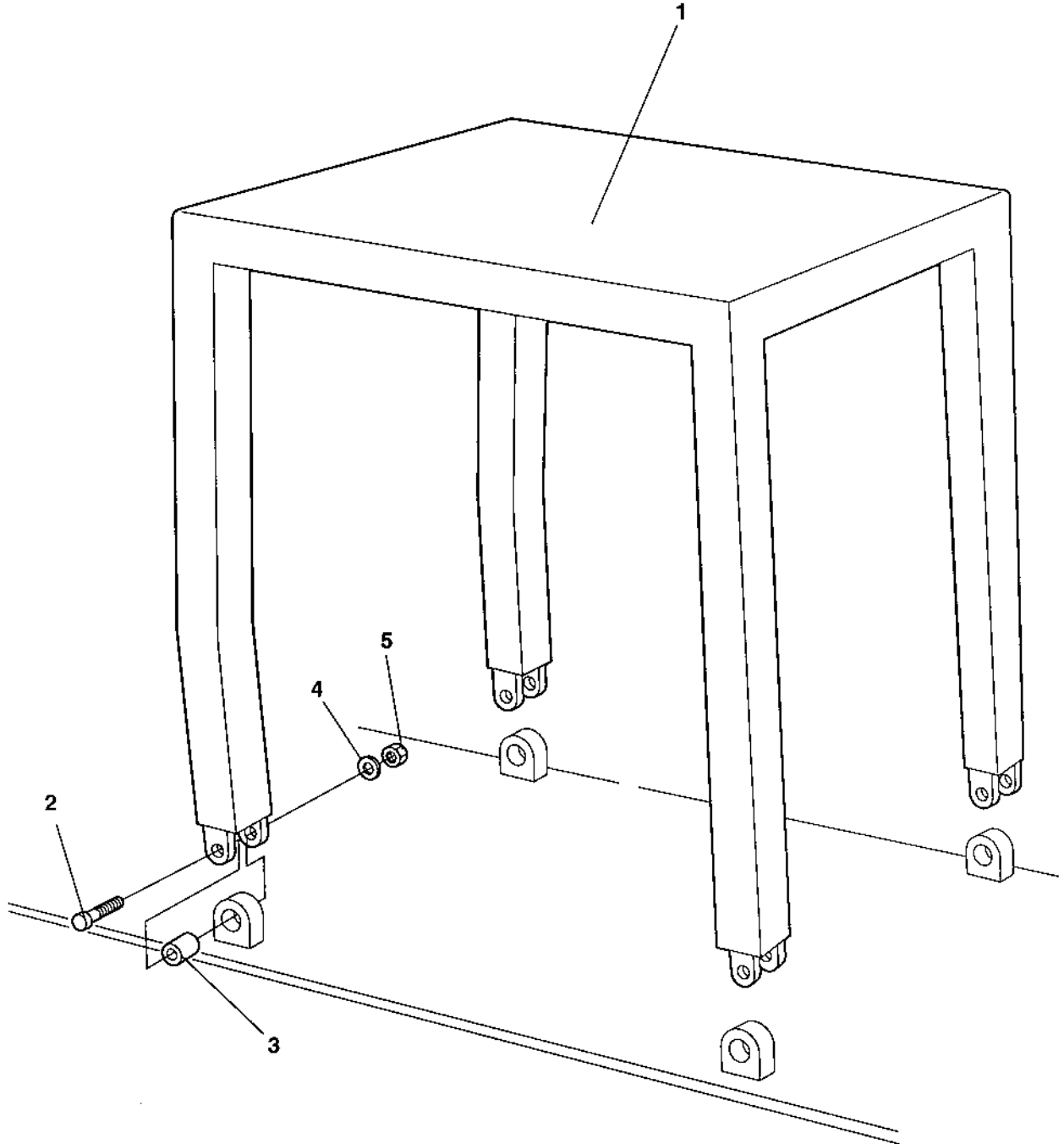
Seat assembly With armrests

17456



Seat assembly With armrests

Ref. No.	Part No.	Rem.	Qty	Description	Code
1	370234		1	Drivers seat	
2	372697		1	.Arm rest	
3	372696		1	.Arm rest	
4	909536		1	.Sliding rail	D
5	909535		1	.Sliding rail	D
6	500053		4	Screw M8-1,25x20 8,8	
7	904229		4	Washer 8,4x16x1,5	
8	570005		4	Nut M8	
9	500051		6	Screw M12-1,75x25 8,8	
10	904703		6	Washer 13x24x4	
11	381748		1	Seat frame	
12	603001		6	Washer	
13	500185		3	Screw M6-1x14 8,8	
14	928632		1	Hinge	
15	500013		3	Screw M6-1x16 8,8	
16	535005		3	Screw M5x12	
17	904519		1	Eccentric lock	
18	247737		1	Protection	
19	904281		3	Washer 5,3x10x1	
20	570003		3	Nut M5	
21	586002		3	Lock nut M6	
22	909153		2	Grommet	

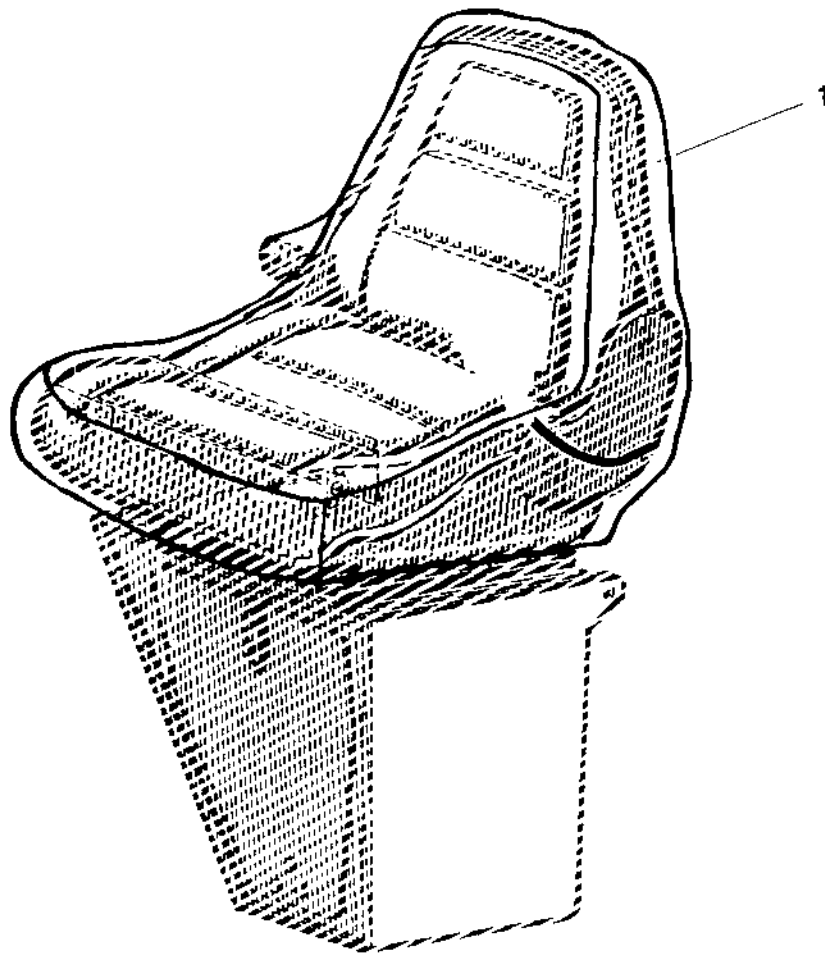


Rops

Ref. No.	Part No.	Rem.	Qty	Description	Code
1	374919		1	Rops	
2	904437		4	Screw 1-1/8-7 UNCX6"	
3	374906		4	Bushing	
4	604036		4	Spring washer	
5	904436		4	Nut 1-1/8-7 UNC 10.9	

Seat cover

16279



Seat cover

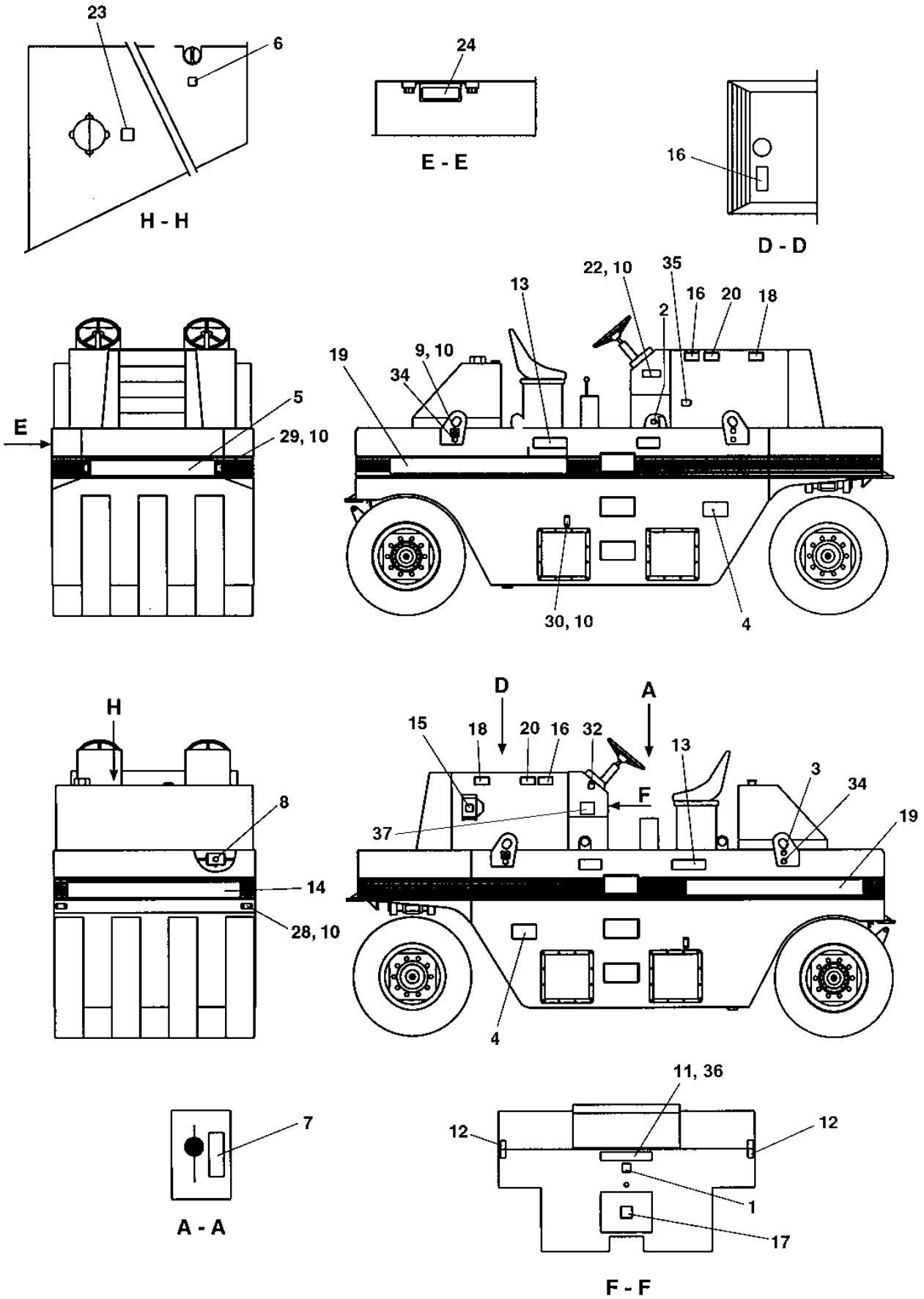
Ref. No.	Part No.	Rem.	Qty	Description	Code
1	348331		1	Seat cover	D

Decals

Ref. No.	Part No.	Rem.	Qty	Description	Code
10				Decals (Page 180)	

Decals

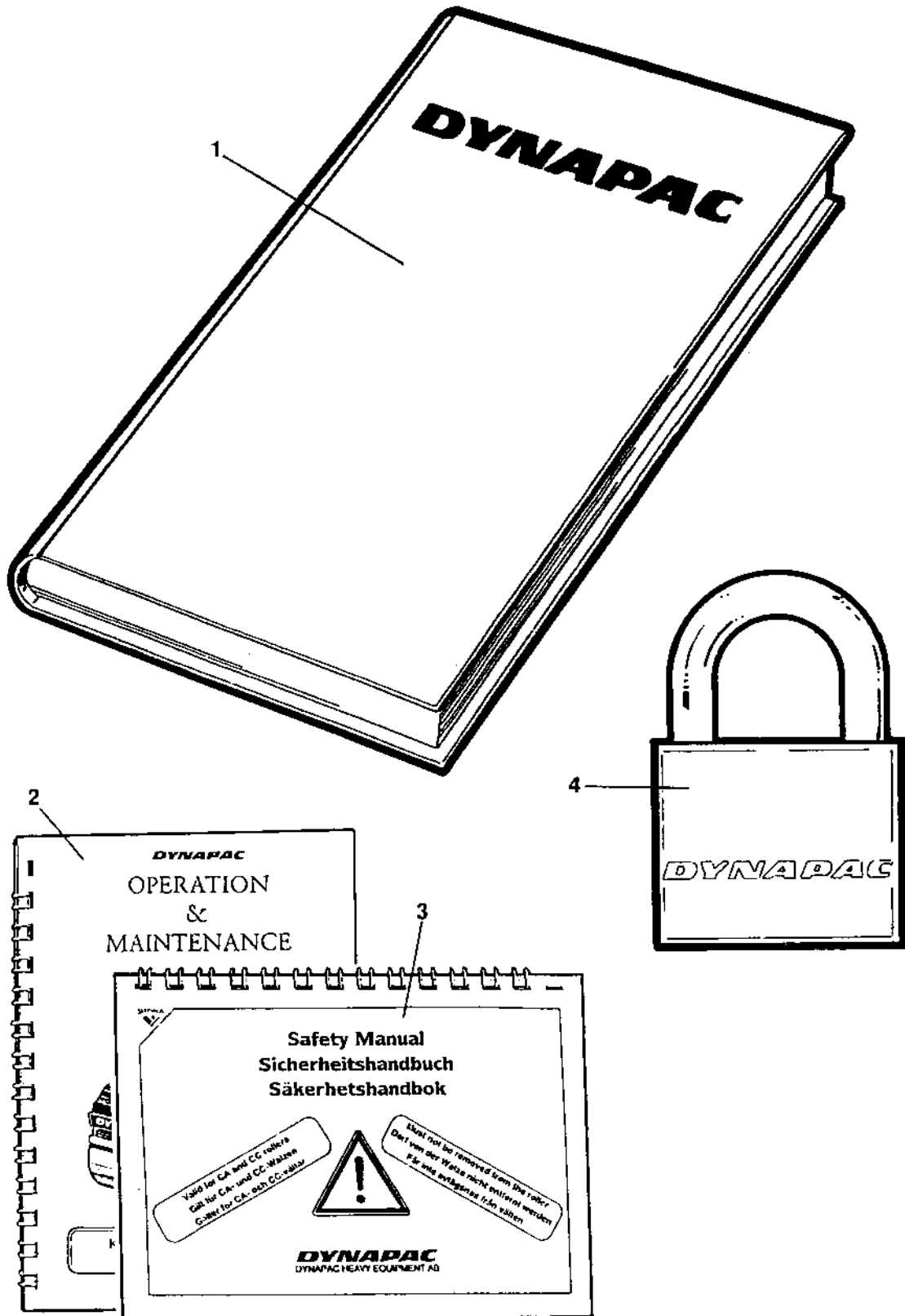
17446-1



Decals

Ref. No.	Part No.	Rem.	Qty	Description	Code
1	374765		1	Decal "TYRE PRESSURE"	
2	259804		1	Decal "OIL LEVEL"	
3	588176		2	Decal "LIFT POINT"	
4	903422		2	Decal "SAFETY"	
5	904094		1	Decal "DYNAPAC" L=670 mm	
6	991658		1	Decal "FUEL"	
7	249007		1	Decal "GEAR"	
8	193082		1	Decal "DRAIN"	
9	904870		2	Lifting sign	
10	624015		24	Blind rivet 4,0x8,5	
11	386084SE		1	Warning plate Swedish	
	386084EN		1	Warning plate English	
	386084DE		1	Warning plate German	
	386084IT		1	Warning plate Italian	
	386084ES		1	Warning plate Spanish	
	386084FR		1	Warning plate French	
	386084NO		1	Warning plate Norwegian	
	386084DK		1	Warning plate Danish	
	386084FI		1	Warning plate Finnish	
	386084PT		1	Warning plate Portuguese	
	386084NL		1	Warning plate Dutch	
	386084GR		1	Warning plate Greek	
	386084IS		1	Warning plate Icelandic	
	386084CN		1	Warning plate Chinese	
	386084BR		1	Warning plate Brazil	
12	991650		2	Decal "DIRECTION"	
13	192253		2	Decal "MODEL CODE"	
14	904093		1	Decal "DYNAPAC" L=1010 mm	
15	272372		1	Decal "HYDRAULIC OIL"	
16	903424		3	Decal "HOT SURFACE"	
17	903425		1	Decal "SAFETY MANUAL"	
18	903423		2	Decal "SAFETY"	
19	904098		2	Decal "DYNAPAC" L=1350 mm	
20	903832		2	Safety decal	
21	903459		2	Decal "SAFETY"	
22	960787		1	Product identif. decal "Dynapac"	
23	991657		1	Decal "WATER"	
24	193083		1	Decal "DRAIN"	
28	929076		2	Reflector, red	B
29	383860		2	Reflector, white	B
30	383859		2	Reflector, yellow	B
32	358881		5	Pad lock	
34	382751		4	Decal "TIE DOWN POINT"	
35	904835		1	Decal "BATTERY POWER"	
36	624017		2	Blind rivet	
37	791276		1	Decal "Sound power level" 106dB	

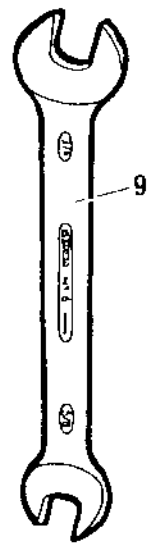
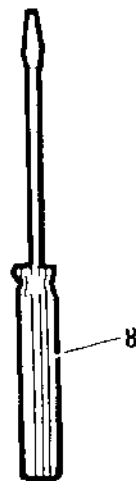
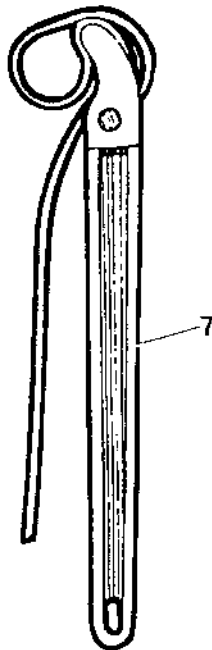
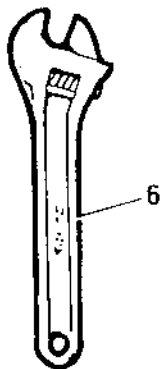
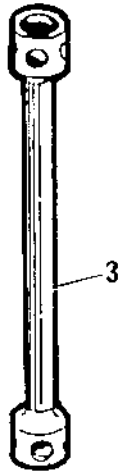
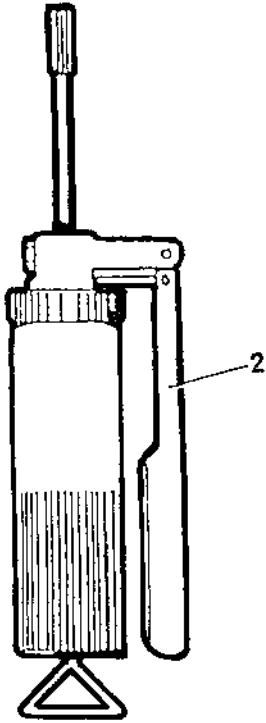
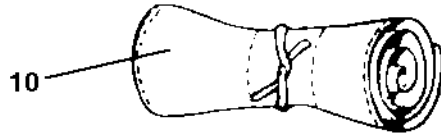
Ref. No.	Part No.	Rem.	Qty	Description	Code
1				Standard equipment (Page 184)	



Ref. No.	Part No.	Rem.	Qty	Description	Code
1			1	Documentation, cpl. OMS221xx	
			1	.Warranty registration card	
			1	.Operating instruction O221xx	
			1	.Maintenance instruction M221xx	
			1	.Spare parts catalogue SCP221-xxxx	
2			1	.Operating / maintenance instruction OM221xx	
3			1	.Safety manual RSAFExx	
4	358881		5	Pad lock	

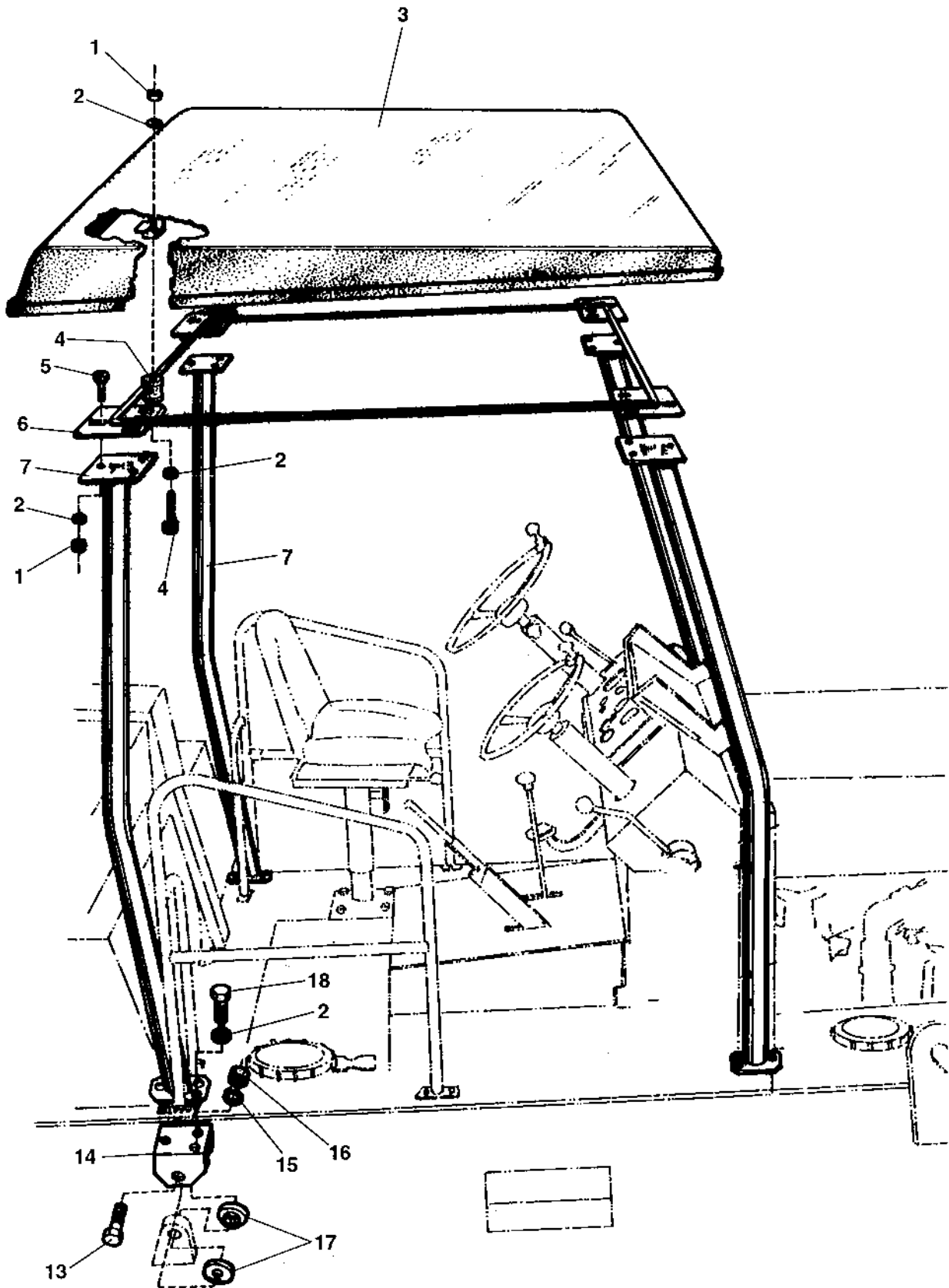
Ref. No.	Part No.	Rem.	Qty	Description	Code
10				Tool equipment (Page 188)	
30				Canopy with glass fibre (Page 190)	
40				Cab assembly mounting (Page 192)	
50				SMV sign (Page 194)	
60				Protecting cover (Page 196)	

①



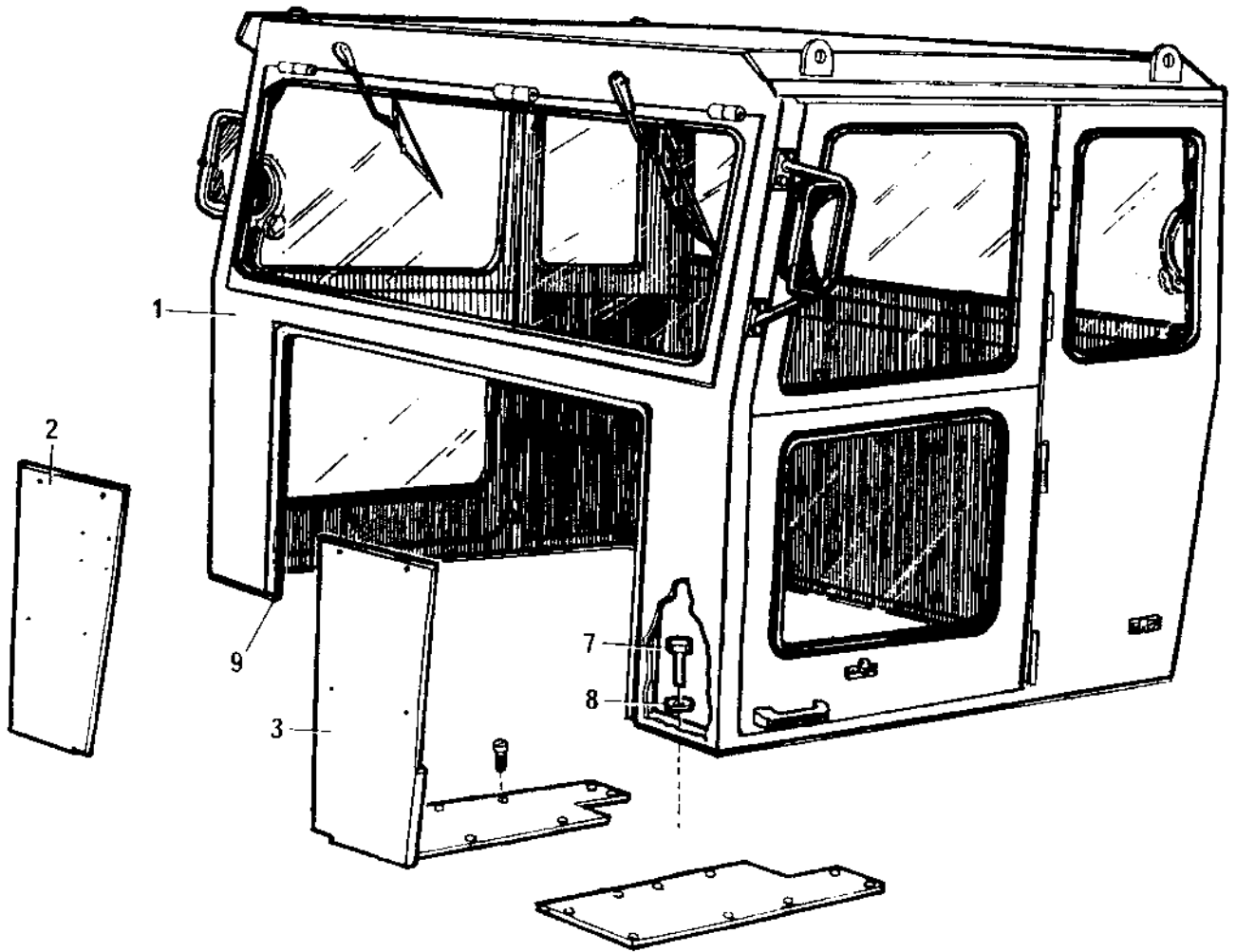
Tool equipment

Ref. No.	Part No.	Rem.	Qty	Description	Code
1	268964		1	Tool kit	
2	311016		1	.Grease gun	
3	268964016		1	.Wheel nut key	
4	928348		1	.Lever	
5	268964017		1	.Ball pan hammer	
6	485011		1	.Adjustable wrench	
7	485075		1	.Strap spanner	
8	268964001		1	.Screw driver 1/8" x 3"	
	268964002		1	.Screw driver 1/8" x 5"	
	268964003		1	.Screw driver 1/4" x 8"	
	268964004		1	.Screw driver 3/8" x 12"	
9	268964005		1	.Open end spanner 10x11	
	268964006		1	.Open end spanner 12x13	
	268964007		1	.Open end spanner 16x17	
	268964008		1	.Open end spanner 18x19	
	268964009		1	.Open end spanner 24x26	
	268964010		1	.Open end spanner 27x32	
10	277992		1	.Tool bag	



Ref. No.	Part No.	Rem.	Qty	Description	Code
1	586018		20	Lock nut M10	
2	904230		32	Washer 10,5x22x2	
3	266967		1	Roof	
4	450089		4	Shock absorber	D
5	500030		12	Screw M10-1,5x35H 8,8	
6	266965		1	Frame	
7	266968		4	Column	
13	929162		4	Screw full thread	
14	192768	A	2	Bracket	
	192769	B	2	Bracket	
15	615046		4	Conical spring washer	
16	570008		4	Nut	
17	192770		8	Spacer	
18	500028		12	Screw M10-1,5x25 8,8	

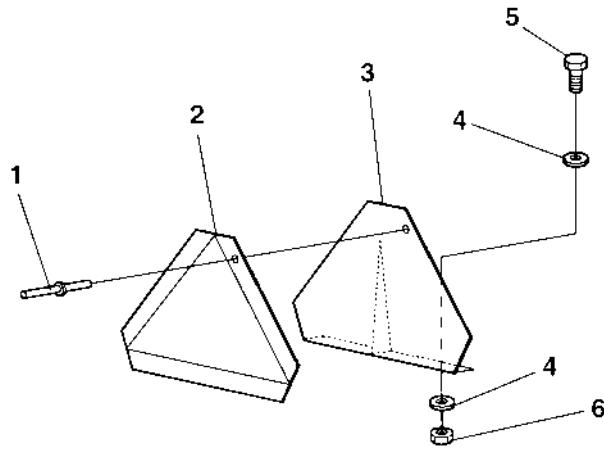
- A) Rear
- B) Front



Cab assembly mounting

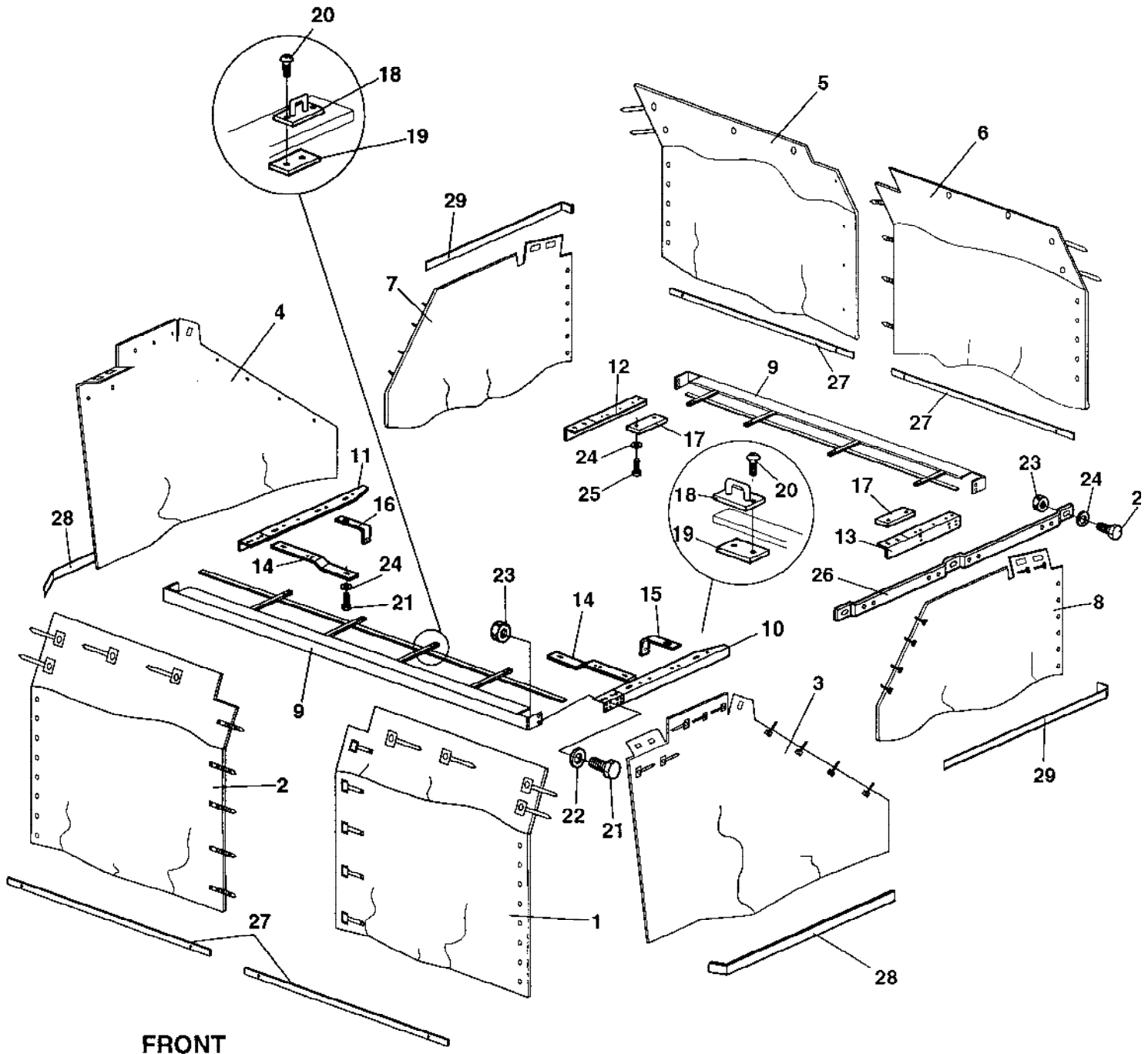
Ref. No.	Part No.	Rem.	Qty	Description	Code
1	264941		1	Cab, cpl	
2	193893		1	Cover	
3	193894		1	Cover	
7	500039		10	Screw	
8	600017		10	Washer	
9	202028	A	1	Edge trim	

A) L=1000 mm



SMV sign

Ref. No.	Part No.	Rem.	Qty	Description	Code
1	624011		6	Pop rivet	
2	476019		1	SMV sign	D
3	381532		1	Sign holder	
4	904229		4	Washer 8,4x16x1,5	
5	500021		2	Screw M8-1,25x25 8,8	
6	570005		2	Nut M8	



Protecting cover

Ref. No.	Part No.	Rem.	Qty	Description	Code
1	381070		1	Protecting cover, Front	
2	381071		1	protection cover, Front	
3	381072		1	protection cover, Front left	
4	381073		1	Protecting cover, Front right	
5	381257		1	Protecting cover, rear	
6	381256		1	Protecting cover, rear	
7	381074		1	Protecting cover, rear right	
8	381075		1	Protecting cover, rear left	
9	381138		2	Protection cover stretcher	
10	381077		1	Protection cover stretcher	
11	381076		1	Protection cover stretcher	
12	380865		1	Cover stretcher	
13	380866		1	Cover stretcher	
14	381086		2	Bracket	
15	381085		1	Bracket	
16	381084		1	Bracket	
17	381133		2	Spacer	
18	901634		56	Retainer	
19	372265		56	Bracket	
20	904653		112	Screw	
21	500028		14	Screw M10-1,5x25 8,8	
22	904230		26	Washer 10,5x22x2	
23	586018		36	Lock nut M10	
24	904557		54	Washer 10,5x22x4	
25	500030		25	Screw M10-1,5x35H 8,8	
26	382561		6	Cover stretcher	
27	381271		4	Protection cover anchor	
28	381272		2	Protection cover anchor	
29	381273		2	Protection cover anchor	

Part Number	Page	Part Number	Page	Part Number	Page
111164	167	192312	143	195180	37
116006	29	192313	143	195181	37
116009	31	192314	143	195182	37
116016	31	192343	59	195236	127,129
116018	33	192501	83	195314	129
116031	29	192655	123	195315	129
134051	33	192768	191	195355	11
135011	31	192769	191	195356	11
136011	31	192770	191	195359	11
136021	33	192803	49	195364	7
150038	33	192804	49	195372	125
151015	167	192824	55	195414	41,43
160013	139	192825	55		45
160032	139	192833	25	195689	123
160033	139	192894	143	195690	123
160092	61	192895	145	195691	123
161084	33	192938	11	195692	123
162004	65	192939	11	195693	123
162019	57,59	192940	11	195694	123
162028	61	192941	11	195695	123
163105	61	192995	25	195696	123
163108	31	193044	153	195697	123
191511	11	193045	121	195698	123
191533	53,55	193053	143	195699	125
191541	149	193082	181	195700	123
191623	61	193083	181	195701	123
191787	133	193092	77	195702	123
191788	133	193093	21	195703	123
191789	79	193103	21	195704	123
191790	79	193109	79	195705	123
191792	79	193659	93	195706	123
191799	77	193662	93	195707	123
191802	77	193664	93,117	195708	123
191803	77	193677	99	195709	123
191804	77	193680	105	195710	123
191805	77	193683	109	195711	123
191806	77	193684	109	195712	123
191808	77	193685	107	195713	123
191824	83	193686	107,113	195714	123
191883	81		115	195715	123
191885	7	193687	107	195716	123
191921	49	193699	113	195717	123
191927	49	193700	113	195718	123
191934	57	193701	113	195719	123
191935	57	193702	113	195720	123
191936	57	193703	113	195721	123
191937	57	193709	111	195722	123
191947	9	193710	115	195723	123
191959	9	193714	117	195724	123
191973	161	193716	119	195725	123
191999	159	193719	121	195726	125
192011	9	193893	193	195729	125
192018	159	193894	193	195730	125
192026	159	194212	49	195731	125
192032	83,143	194333	143	195733	125
192105	159	194339	133	195734	125
192111	157	194365	51	195735	125
192112	157	194366	49	195736	125
192114	159	194367	51	195737	125
192115	159	194371	59	195738	125
192127	157	194372	59	195739	125
192135	151	194401	53	195740	125
192171	25	194402	53	195741	125
192172	25	194407	57	195742	125
192174	25	194408	57	195749	129
192223	133	194410	53	195758	161
192245	49	194802	57	195778	57
192253	181	194803	57	195779	161,163
192255	133	195034	37,125	195812	57
192284	55	195045	143	195814	49
192303	143	195054	47	195816	57
192304	143	195150	123	195831	57
192306	143	195152	127	195832	57
192307	143	195172	49	195833	59
192308	143	195176	27	195834	57
192309	143	195177	37	195838	57
192310	143	195178	37	195839	59

DYNAPAC
NUMERICAL INDEX

SCP221-3EN2

Dynapac Compaction Equipment AB

Part Number	Page	Part Number	Page	Part Number	Page
195915	59	240565	117	242175	133
195931	57	240566	117	242480	123
195932	59	240567	111	242492	123
195935	151	240568	119	242493	123
196145	163	240570	115	242500	123
196146	163	240574	99	242514	143
196148	163	240581	115	242614	79
196149	163	240582	93	244034	133
196150	163	240583	93	244054	21
196151	163	240584	99	244057	21
196152	163	240585	109	246068	79
196153	163	240586	103	246072	61
196154	163	240588	105	246073	79
196155	163	240590	115	246947	37
196156	163	240591	113	247151	49
196157	163	240592	113	247152	49
196158	163	240593	109	247153	49
196159	163	240595	95	247154	49
196161	163	240596	109	247638	149
196162	163	240598	121	247737	173
196163	163	240599	121	248035	151
196164	163	240600	107	248271	149
196165	163	240601	107	248491	21
196166	163	240602	109	248511	21
196167	163	240603	115	248513	21
196168	163	240604	113	248765	25
196169	163	240606	93	249007	181
196170	163	240607	121	249377	143
196171	163	240608	121	249593	79
196172	163	240609	121	249865	9
196173	163	240610	121	249993	77
196174	163	240611	121	250070	143
196175	163	240615	95	250137	157
196176	163	240616	95	250407	167
196177	163	240621	113	250658	41
196178	163	240622	93	250795	167
196179	163	240624	113	251722	15,19
196180	163	240625	109	251729	13,17
196181	163	240626	109		
196182	163	240629	105	252668	31
196183	163	240630	115	252914	125
196184	163	240632	119	253007	49
196185	163	240636	107	253745	33
196186	163	240637	107	253747	33
196187	163	240638	109	253929	29
196586	57	240639	109	253931	29
197901	53	240641	113	254030	29
202028	25	240642	109	254032	29
202046	21	240643	115	254075	21
202057	37	240645	93	254086	51
230055	51	240647	119	254088	33
230322	49	240648	121	254089	29
230469	21	240649	107	254750	29
230520	59	240650	107	254909	159
230524	49	240651	107	255173	13
230543	21	240655	107	255658	31
231192	49	240659	115	256127	31
231193	49	240662	105	256157	31
232046	7	240666	99	256159	31
232052	57	240667	91	256422	29
232078	49	240674	121	256485	59
232143	59	240675	91	256860	21
232160	133	240681	113	257139	137
232166	21	240685	121	257985	51
234317	21	240688	95,101	257987	49
234341	61	240690	101	257988	49
234365	79	240691	107	258015	57
234659	61	240695	107	258307	143
234729	49	240720	121	258333	21
234867	79	240759	143	258340	21
234941	133	240908	79	258729	31
240154	21	241431	133	258870	143
240264	49	241753	21	259088	33
240519	143	241846	133	259089	41
240560	91	241848	133	259211	31
240562	119	242018	21	259215	137
240563	91	242122	21	259219	33,35

Part Number	Page	Part Number	Page	Part Number	Page
259225	21	313023	79	375076	7
259226	21	313033	81	375077	7
259245	49	313035	79	375078	7
259246	49	313038	81	375092	7
259261	159	313041	143	375094	7
259269	159	313068	143	375095	7
259349	31	313108	79	375096	7
259361	29	313112	85	375097	7
259804	181	330171	83	375098	7
259933	143	330328	57	375099	7
261490	33	330330	59	375113	153
261658	41	330331	77	375146	7
261659	41	330333	49	375148	9
262091	49	331006	21	375149	9
262092	49	331015	21	375152	33
262094	167	331032	21	375170	81
263100	35	331092	21	375455	133,135
263587	167	332038	65		169
263607	167	333041	21	375483	167
263614	21	333062	47	375514	7
263763	17	333067	47	375515	7
263771	17	333228	7	375516	7
263772	17	334116	133	375517	7
263774	17	334121	133	375518	7
264039	83	334132	79	375519	7
264237	7	334135	133	375567	21
264238	7	334143	65	375582	9
264475	159	334155	133	376059	137
264941	193	334157	79	376357	13
265215	143	334172	83	376375	17
265231	151	334196	61	376392	83
265232	151	334197	61	376465	33
265244	151	334205	61	376587	83
265753	7	334410	77	376588	83
265909	79	334556	65	380187	33
266221	47	334603	49	380239	61
266625	151	343369	143	380242	61
266965	191	343775	13	380251	51
266967	191	344389	143	380406	61
266968	191	348331	177	380428	13
267465	77	350009	167	380430	13
267587	123	350082	33	380432	13
267660	15	357643	165	380466	159
267661	13	358254	13	380467	159
267791	17	358846	21	380475	61,63
268154	127	358881	151,185	380764	9
268419	33	370234	173	380765	9
268608	21	370766	171	380865	197
268816	123	370978	167	380866	197
268920	49	372265	197	381070	197
268964	189	372696	173	381071	197
268964001	189	372697	173	381072	197
268964002	189	373304	21	381073	197
268964003	189	373955	9	381074	197
268964004	189	374727	81	381075	197
268964005	189	374745	81	381076	197
268964006	189	374754	83	381077	197
268964007	189	374755	83	381084	197
268964008	189	374762	83	381085	197
268964009	189	374764	83	381086	197
268964010	189	374765	181	381133	197
268964016	189	374771	81	381138	197
268964017	189	374772	81	381256	197
269482	41	374791	47	381257	197
272372	181	374821	167	381271	197
277992	189	374822	167	381272	197
281628	61	374845	167	381273	197
297018	21	374891	79	381532	195
310028	129	374905	81	381620	43
310037	29	374906	175	381694	43
311016	189	374919	175	381695	43
312023	159	374954	145	381699	133
312039	167	374961	153	381704	45
313002	21	374984	79	381705	45
313004	61	375023	81	381706	45
313006	133	375074	7	381717	33
313010	79	375075	7	381748	173

DYNAPAC
NUMERICAL INDEX

SCP221-3EN2

Dynapac Compaction Equipment AB

Part Number	Page	Part Number	Page	Part Number	Page
381950	77	417037	167	516032	167
382222	7	417040	33	516034	159
382233	7	417055	33	530016	159
382561	197	417068	167	533001	143
382666	9	425738932	109	533025	11
382751	181	425738967	109	533027	145
382858	33	450066	7	533032	143
383200	171	450067	7	535005	173
383697	21	450089	191	535008	7
383705	165	470020	143	535044	11
383859	181	476019	195	541525	143
383860	181	480446	135	541702	159
383963	143	480447	135	541703	21
384452	57	480449	135	550043	167
384453	53	480450	135	570003	7
384571	65,67	480468	135	570004	17
384572	69,71	482023	65	570005	9
384573	69	482466	61	570006	9
384576	65	482582	133	570007	13
384577	65	482662	133	570008	77
384614	53	482912	133	571003	143
384615	47	482999	65	571006	77
384861	127	485011	189	571007	125
385402	77	485075	189	572005	167
385708	9	490065	31	572007	125
385744	25	499132	81	586002	9
385745	25	499343	81	586003	133
385752	25	499373	133	586009	125
385753	25	499474	133	586018	159
385754	25	500004	149	586019	17
385780	25	500006	83	588176	181
385781	25	500012	51	600005	79
385975	85	500013	9	600008	167
386084BR	181	500015	159	600017	193
386084CN	181	500019	11	600021	159
386084DE	181	500020	149	603001	173
386084DK	181	500021	65,147	603019	11
386084EN	181			603023	79
386084ES	181	500022	11	604002	167
386084FI	181	500024	159	604003	79
386084FR	181	500028	21	604004	143
386084GR	181	500029	79	604005	133
386084IS	181	500030	9	604007	35
386084IT	181	500031	9	604009	137
386084NL	181	500035	15	604036	175
386084NO	181	500037	13	615041	11
386084PT	181	500039	193	615042	51
386084SE	181	500040	25	615043	79
386117	151	500043	37	615044	167
387733	143	500048	21	615045	13
387775	65	500051	31	615046	191
388006	159	500053	7	624011	195
388633	77	500056	17	624012	11
389646	81	500077	77	624015	181
389648	157	500079	23	624017	181
389649	157	500080	65	629061	159
389650	157	500088	133	630003	157
389651	79	500099	51	630006	11
389653	157	500123	61	630008	13
389754	153	500150	77	630014	159
389866	83	500185	173	630035	17
389928	153	500186	133	745072	57
401048	45	500188	37	747097	33
401106	49	500195	13	747282	83
415114	35	500505	7	747583	49
415277	57	500506	7	754001	35
415280	125	502017	31	754006	35
416238	123	502038	77	754007	35
416243	123	502057	29	754009	35
416245	123	502058	29	754010	35
416250	123	502092	77	754012	35
416278	123	503093	29	754014	31
416279	123	503133	125	754016	35
416280	123	508013	133	754018	35
416296	123	509028	33	754019	35
416361	123	510023	127	754020	35
416363	123	513003	7	754021	35

Part Number	Page	Part Number	Page	Part Number	Page
754022	35	904231	13	928081	61
754023	35	904232	13	928348	189
754024	35	904281	7	928511	11
754025	35	904358	127	928632	173
754026	35	904436	175	928661	143
754027	35	904437	175	928722	21
754028	35	904519	173	928908	61
754029	35	904557	9	928928	151
754105	31	904558	77	929010	135
791153	65	904567	23	929012	135
791154	65	904571	149	929013	135
791155	65	904577	149	929014	135
791157	151	904596	37	929023	153
791226	165	904600	143	929076	181
791234	25	904626	49	929162	191
791276	181	904627	59	930138	143
791317	65	904631	21	930139	143
792043	61	904637	143	930150	145
792077	61	904639	17	930151	21
801781	83	904643	9	930162	151
813412	143	904644	83	930163	151
813422	21	904653	197	930165	151
813423	85	904657	57	930166	151
813435	61	904658	57	930182	151
813445	61	904659	57	930200	151
813457	133	904660	57	932055	151
813465	49	904694	21	932058	151
813722	57	904703	61	932059	151
813732	21	904734	133	932060	151
813744	21	904763	41	935044	77
813953	123	904786	133	935950	77
814259	25	904796	157	936487	135
814262	51	904835	181	936488	135
819179201	79	904870	181	936489	135
819179202	79	904912	147	936490	135
900176	61	904920	33	936491	135
900223	149	904930	33	936492	135
900247	83	904990	21	936493	135
900249	65	908780	135	936494	135
900724	33	908782	135	936495	135
901178	13	908783	135	936694	139
901182	7	909153	173	936695	139
901187	7	909535	173	936696	139
901299	21	909536	173	936697	139
901317	43	910161	133	936698	139
901350	143	911456	151	936699	139
901448	145	911618	135	936700	139
901634	197	911620	135	936701	139
901691	139	912081	133	936702	139
901766	149	912120	47	936703	139
902126	61	920783	49	938108	69
902131	149	920784	49	938137	77
902252	31	920785	49	938161	57
902520	133	920786	49	938324	63
902541	29	920787	49	938325	63
902861	135	920794	49	938326	63
902862	135	920795	49	938327	63
903152	65	921099	143	938350	91
903289	139	921161	61	938351	91
903290	77	921850	159	938353	93
903422	181	922524	123	938355	69
903423	181	922539	123	938356	103
903424	181	922624	167	938357	93
903425	181	923631	123	938358	103
903459	181	923633	123	938359	91
903832	181	925629	9	938360	105
904059	21	925659	21	938361	115
904093	181	925802	83	938362	107
904094	181	926326	139	938363	115
904098	181	926445	167	938364	95
904141	139	926625	49	938365	95
904142	139	927025	49	938366	95
904143	139	927026	143	938367	93
904213	25	927048	81	938368	107
904228	83	927210	11	938369	95
904229	11	927988	129	938370	91
904230	21	928021	145	938371	111

Part Number	Page	Part Number	Page	Part Number	Page
938372	95	947688	69		
938373	111	947696	33		
938375	103	960273	149		
938376	91	960787	181		
938377	91	975065	143		
938378	101	975068	149		
938379	109	985012	151		
938380	91	985066	149		
938381	91	985087	149		
938382	107	985145	151		
938401	95	985146	151		
938402	93	991650	181		
938403	95	991657	181		
938404	97	991658	181		
938405	99	999027	147		
938406	99				
938407	101				
938408	103				
938409	103				
938410	103				
938411	105				
938412	105				
938413	111				
938414	109				
938415	111				
938416	95				
938417	95				
938418	111				
938419	103				
938420	91				
938421	93				
938422	93				
938423	93				
938424	93				
938425	93				
938426	109				
938427	95				
938428	93				
938429	107				
938430	117				
938431	91				
938432	93				
938433	97				
938434	91				
938435	119				
938436	91				
938437	103				
938438	115				
938439	99				
938440	115				
938441	115				
938442	115				
938443	115				
938444	97				
938445	103				
938446	111				
938447	97				
938448	91				
938449	93				
938471	115				
938756	63				
938757	63				
938758	63				
938759	63				
939371	77				
939372	77				
939480	77				
939491	71				
939492	71				
939493	71				
939496	67				
939497	67,73				
939504	77				
939956	77				
940250	77				
NI 6 940256	77				
940262	77				

