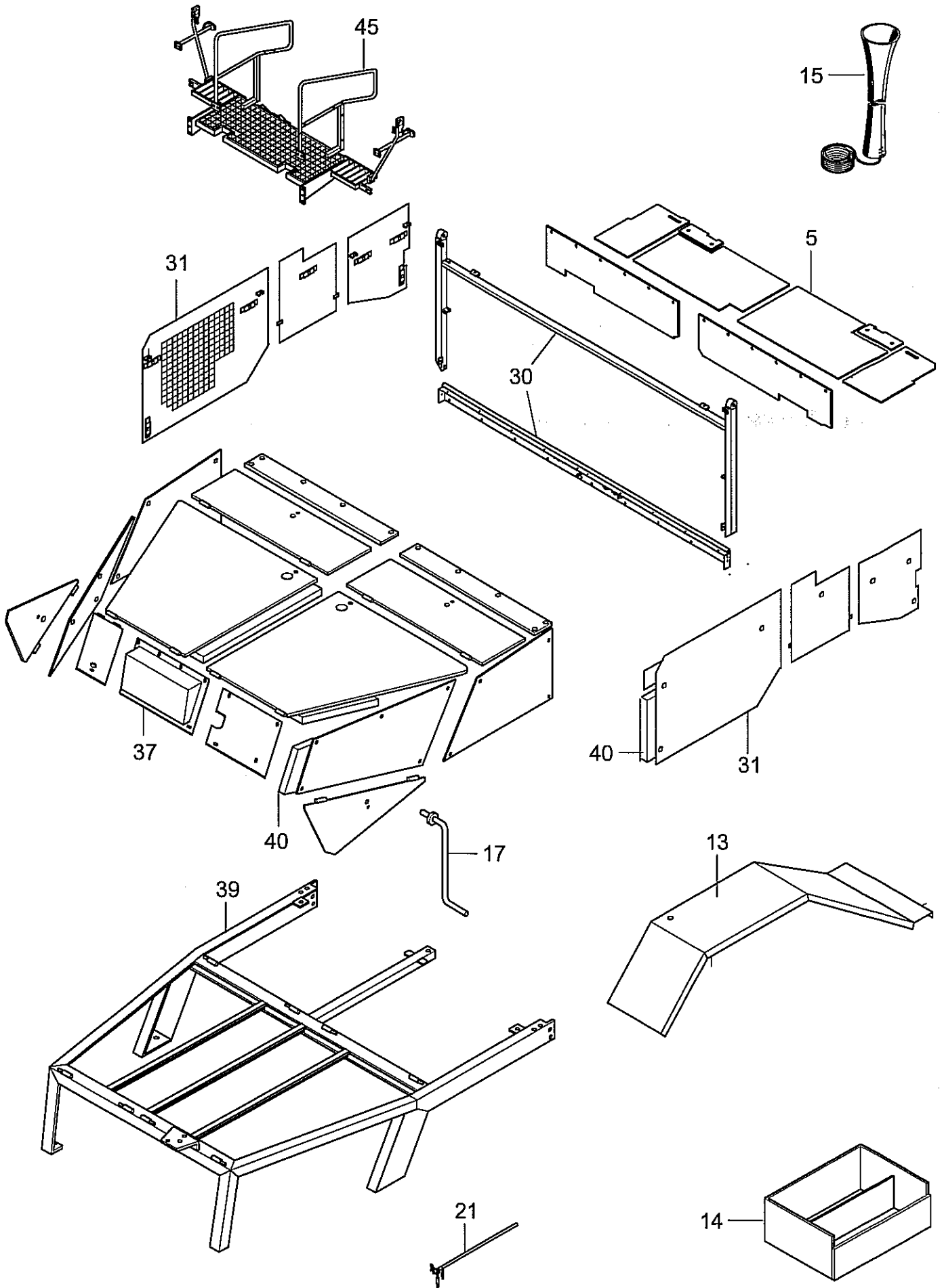
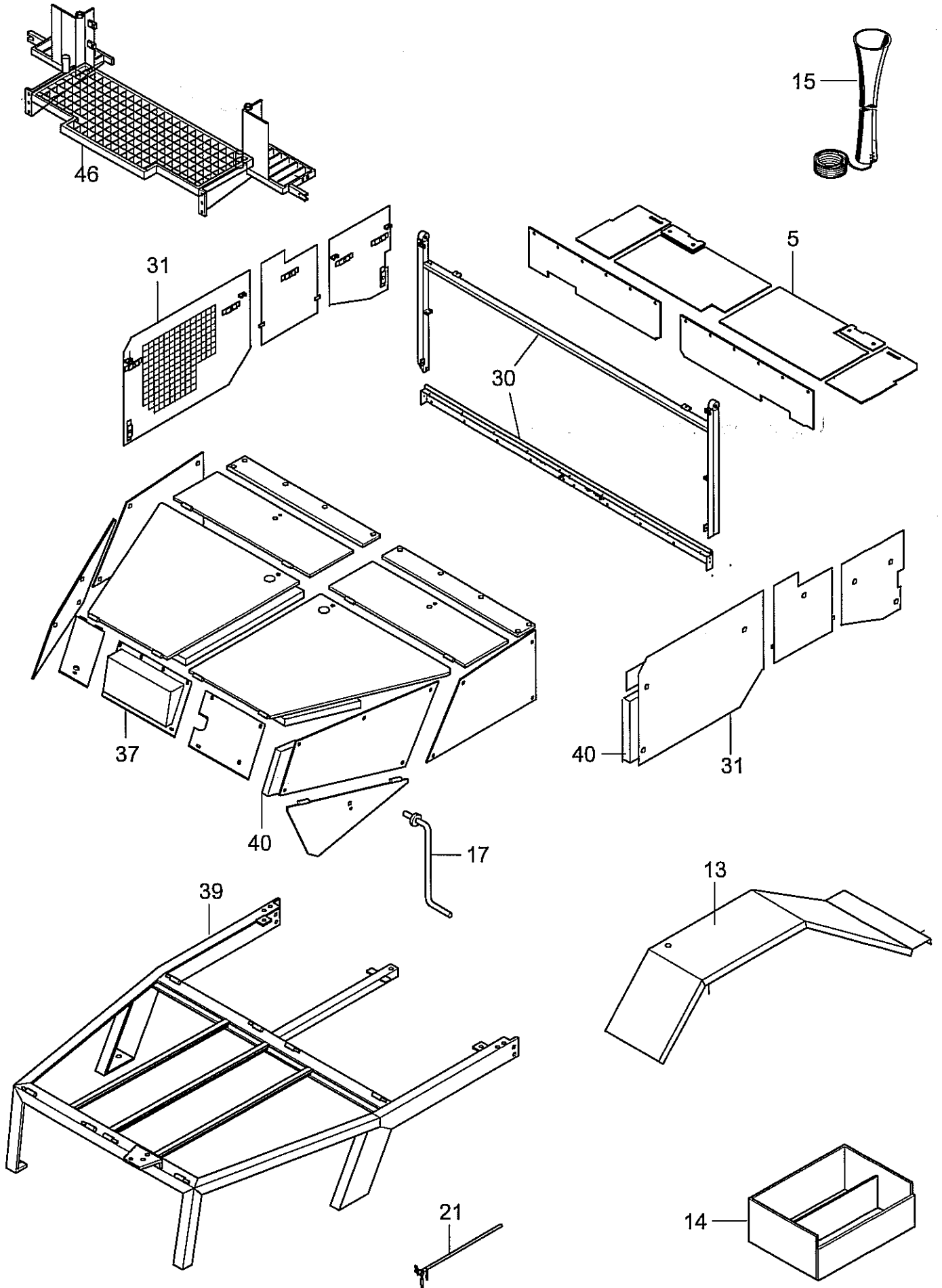


| Seite<br>Page | Benennung                    | Description                | Bemerkung<br>Note |
|---------------|------------------------------|----------------------------|-------------------|
|               | <b>PLATTFORM</b>             | <b>PLATFORM</b>            |                   |
| 3             | Plattform, kompl.            | Platform, compl.           | 754 11 00 03      |
| 5             | Plattform, kompl.            | Platform, compl.           | 754 11 00 04      |
| 7             | Abdeckblech Fußraum          | Cover plate fott room      | 754 11 05 00      |
| 9             | Radabdeckung, kompl.         | Wheel cover, compl.        | 754 11 13 00      |
| 11            | Werkzeugkiste, kompl.        | Tool box, compl.           | 754 11 14 00      |
| 13            | Wetterschutz                 | Weather protection         | 754 11 15 00      |
| 15            | Montageteile                 | Mounting parts             | 754 11 17 00      |
| 17            | Bedienungsstandführung       | Opertor stand guide        | 754 11 30 00      |
| 19            | Peilstab, kompl.             | Dipstick, compl.           | 866 90 17 00      |
| 21            | Geländer und Aufstieg        | Guide rail and step        | 754 15 03 00      |
| 23            | Geländer und Aufstieg/Kabine | Guide rail and step/cabine | 754 15 04 00      |
| 25            | Abdeckbleche, Motorhaube     | Cover plates, engine hood  | 754 11 37 00      |
| 27            | Abdeckbleche, Motorhaube     | Cover plates, engine hood  | 755 11 37 00      |
| 29            | Motorhaube, kompl.           | Engine hood, compl.        | 755 11 39 00      |
| 31            | Seitenbleche, kompl.         | Side plates, compl.        | 754 11 31 00      |
| 33            | Dämmplatten, kompl.          | Acoustig board, compl.     | 754 11 40 00      |



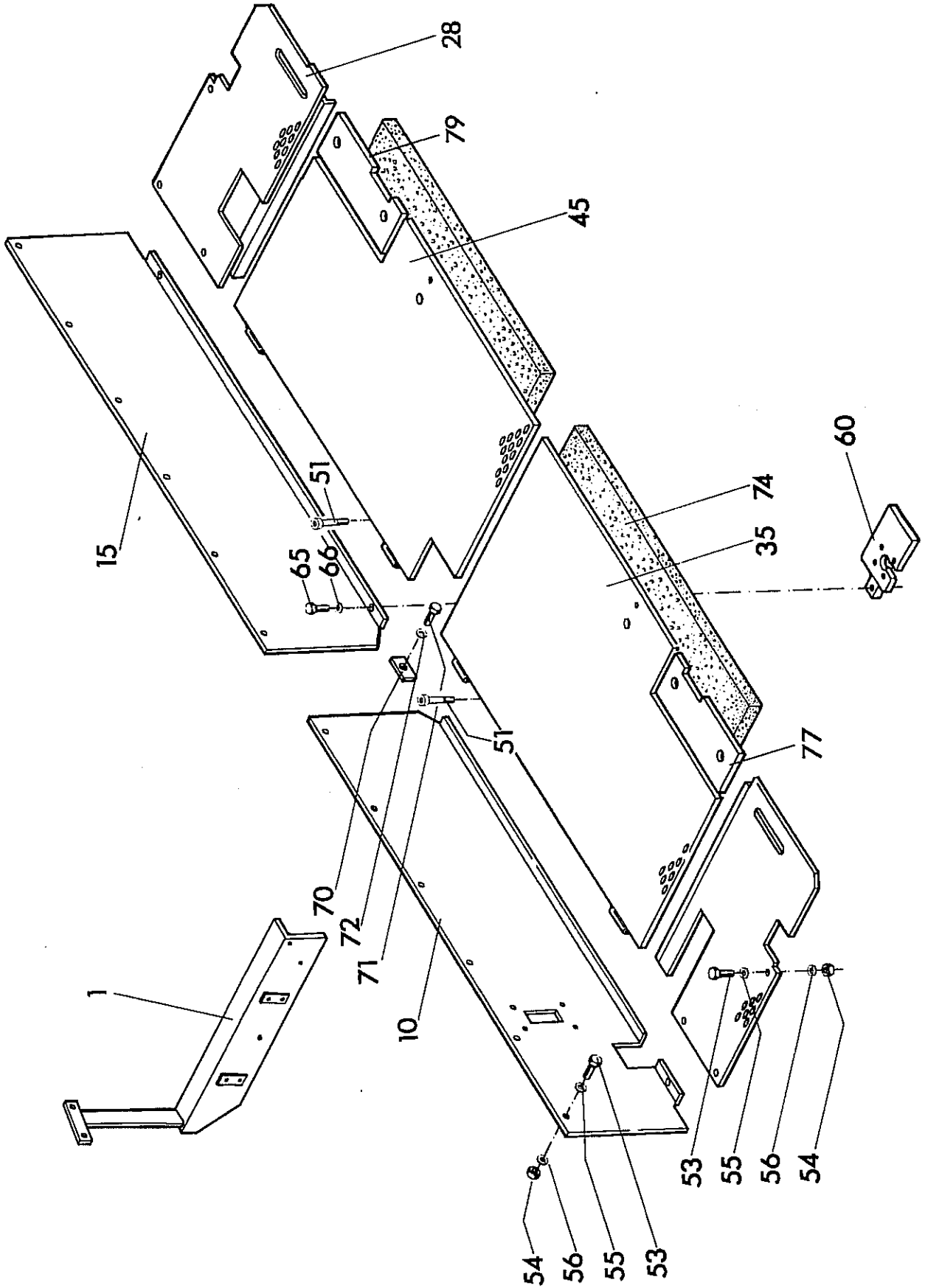
|              |   |                               |             |                             |          |
|--------------|---|-------------------------------|-------------|-----------------------------|----------|
| 754 11 00 03 | <b>Plattform, kompl.</b><br><b>Platform, compl.</b> | <b>Gruppe</b><br><b>Group</b> | <b>10-3</b> | <b>Seite</b><br><b>Page</b> | <b>3</b> |
|--------------|---|-------------------------------|-------------|-----------------------------|----------|

| Pos.<br>Item | Bestell-Nr.<br>Part No. | Anz.<br>Qty. | Beschreibung                | Description                 | Bemerkung<br>Note |
|--------------|-------------------------|--------------|-----------------------------|-----------------------------|-------------------|
| 05           | 754 11 05 00            | 1            | Abdeckblech Fußraum         | cover plate foot room       | s. Gr. 10-12      |
| 13           | 754 11 13 00            | 1            | Radabdeckung                | wheel cover                 | s. Gr. 10-37      |
| 14           | 754 11 14 00            | 1            | Werkzeugkiste, kpl.         | tool box, cpl.              | s. Gr. 10-38      |
| 15           | 754 11 15 00            | 1            | Wetterschutz                | protection proof            | s. Gr. 10-41      |
| 17           | 754 11 17 00            | 1            | Montageteile                | mounting parts              | s. Gr. 10-46      |
| 21           | 866 90 17 00            | 1            | Peilstab, kpl.              | leveling rod, cpl.          | s. Gr. 10-59      |
| 30           | 754 11 30 00            | 1            | Bedienungsstand-<br>führung | operating stand guide       | s. Gr. 10-57      |
| 31           | 754 11 31 00            | 1            | Seitenbleche, kompl.        | side plate, compl.          | s. Gr. 10-78      |
| 37           | 754 11 37 00            | 1            | Abdeckbleche,<br>Motorhaube | cover plate,<br>engine hood | s. Gr. 10-74      |
| 39           | 755 11 39 00            | 1            | Motorhaube                  | engine hood                 | s. Gr. 10-76      |
| 40           | 754 11 40 00            | 1            | Dämmplatten, kompl.         | acoustig board, cpl.        | s. Gr. 10-79      |
| 45           | 754 15 03 00            | 1            | Geländer und Aufstieg       | guide real and step         | s. Gr. 10-60      |



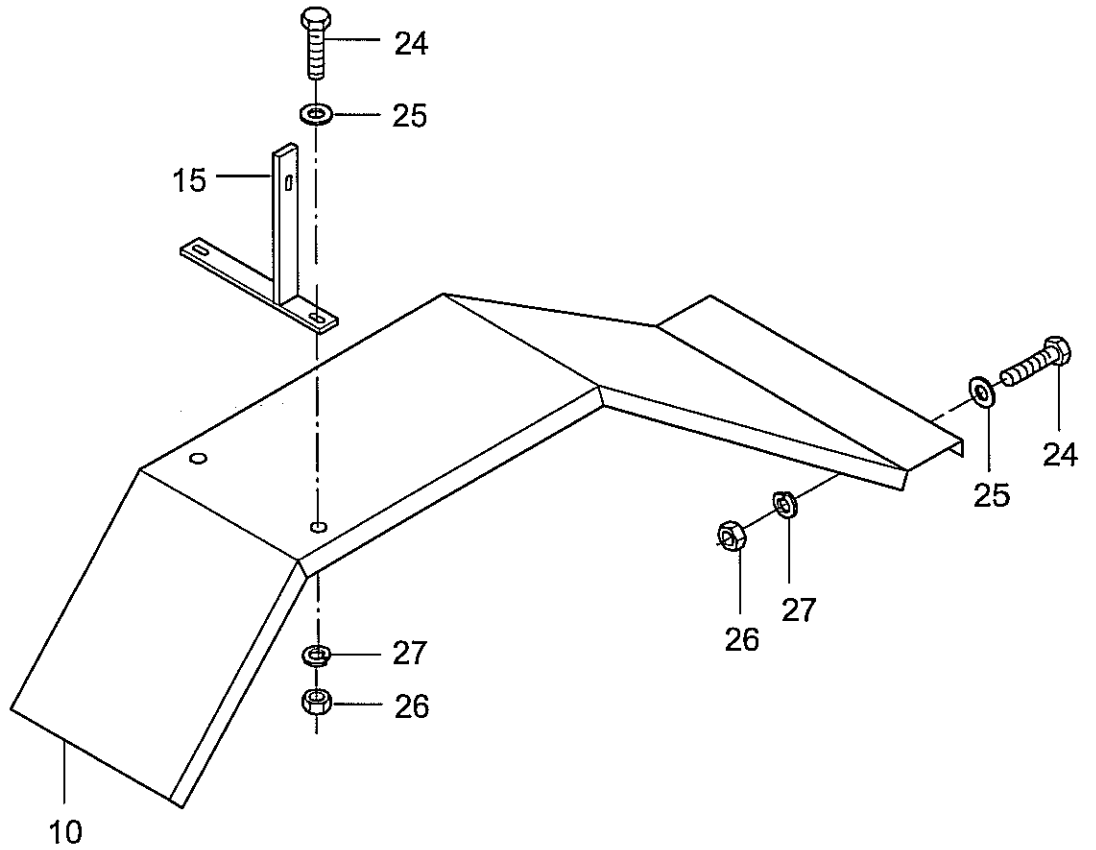
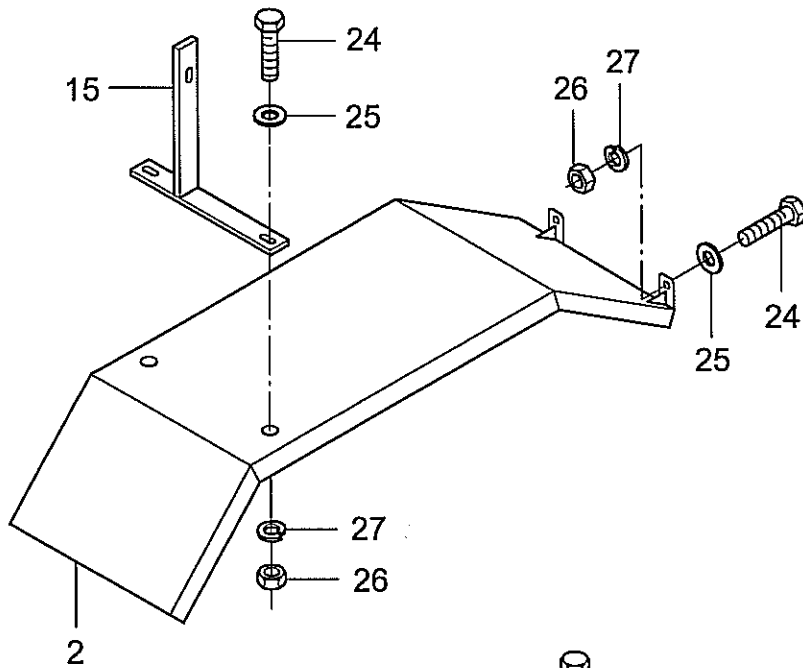
|              |   |                               |             |                             |          |
|--------------|---|-------------------------------|-------------|-----------------------------|----------|
| 754 11 00 04 | <b>Plattform, kompl. Scan-Kabine</b><br><b>Platform, compl. Sscan cabin</b> | <b>Gruppe</b><br><b>Group</b> | <b>10-4</b> | <b>Seite</b><br><b>Page</b> | <b>5</b> |
|--------------|---|-------------------------------|-------------|-----------------------------|----------|

| Pos.<br>Item | Bestell-Nr.<br>Part No. | Anz.<br>Qty. | Beschreibung                    | Description                   | Bemerkung<br>Note |
|--------------|-------------------------|--------------|---------------------------------|-------------------------------|-------------------|
| 05           | 754 11 05 00            | 1            | Abdeckblech Fußraum             | cover plate foot room         | s. Gr. 10-12      |
| 13           | 754 11 13 00            | 1            | Radabdeckung                    | wheel cover                   | s. Gr. 10-37      |
| 14           | 754 11 14 00            | 1            | Werkzeugkiste, kpl.             | tool box, cpl.                | s. Gr. 10-38      |
| 15           | 754 11 15 00            | 1            | Wetterschutz                    | protection proof              | s. Gr. 10-41      |
| 17           | 754 11 17 00            | 1            | Montageteile                    | mounting parts                | s. Gr. 10-46      |
| 21           | 866 90 17 00            | 1            | Peilstab, kpl.                  | leveling rod, cpl.            | s. Gr. 10-59      |
| 30           | 754 11 30 00            | 1            | Bedienungsstand-<br>führung     | operating stand guide         | s. Gr. 10-57      |
| 31           | 754 11 31 00            | 1            | Seitenbleche, kompl.            | side plate, compl.            | s. Gr. 10-78      |
| 37           | 755 11 37 00            | 1            | Abdeckbleche,<br>Motorhaube     | cover plate,<br>engine hood   | s. Gr. 10-75      |
| 39           | 755 11 39 00            | 1            | Motorhaube                      | engine hood                   | s. Gr. 10-76      |
| 40           | 754 11 40 00            | 1            | Dämmplatten, kompl.             | acoustig board, cpl.          | s. Gr. 10-79      |
| 46           | 754 15 04 00            | 1            | Geländer und Aufstieg<br>Kabine | guide real and step<br>cabine | s. Gr. 10-66      |



|              |   |                               |              |                             |          |
|--------------|---|-------------------------------|--------------|-----------------------------|----------|
| 754 11 05 00 | <b>Abdeckbleche Fußraum</b><br><b>Cover plates footroom</b> | <b>Gruppe</b><br><b>Group</b> | <b>10-12</b> | <b>Seite</b><br><b>Page</b> | <b>7</b> |
|--------------|---|-------------------------------|--------------|-----------------------------|----------|

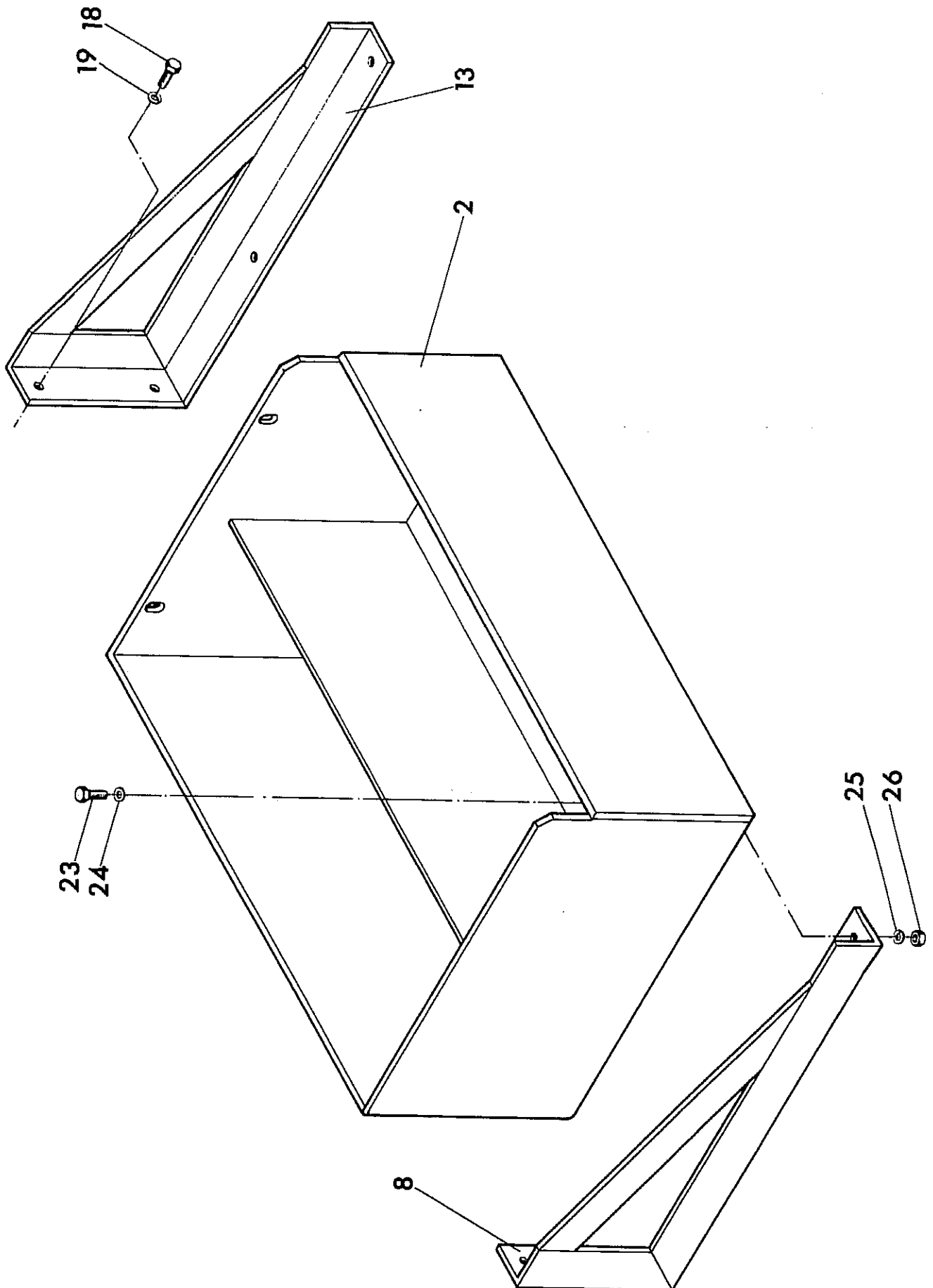
| Pos.<br>Item | Bestell-Nr.<br>Part No. | Anz.<br>Qty. | Beschreibung                 | Description              | Bemerkung<br>Note |
|--------------|-------------------------|--------------|------------------------------|--------------------------|-------------------|
| 01           | 754 11 05 01            | 1            | Träger                       | holder                   |                   |
| 10           | 754 11 05 10            | 1            | Verkleidungsblech,<br>links  | paneling plate, left     |                   |
| 15           | 754 11 05 15            | 1            | Verkleidungsblech,<br>rechts | panelling plate, right   |                   |
| 20           | 754 11 05 20            | 1            | Abdeckblech, links           | cover plate, left        |                   |
| 28           | 754 11 05 28            | 1            | Abdeckblech, rechts          | cover plate, right       |                   |
| 35           | 754 11 05 35            | 1            | Abdeckklappe, links          | cover flap, left         |                   |
| 45           | 754 11 05 45            | 1            | Abdeckklappe, rechts         | cover flap, right        |                   |
| 51           | 508 002                 | 2            | Zylinderschraube             | socket head cap<br>screw | M 6x16 DIN 912    |
| 53           | 938 16 77 08            | 16           | Sechskantschraube            | hex. cap screw           | M 10x30 DIN 933   |
| 54           | 928 847                 | 10           | Sechskantmutter              | hex. cap nut             | M 10 DIN 934      |
| 55           | 600 008                 | 16           | Scheibe                      | washer                   | ø 10,5 DIN 125    |
| 56           | 704 130                 | 16           | Federring                    | spring washer            | DIN 127           |
| 60           | 866 11 05 60            | 1            | Deckel                       | cover                    |                   |
| 65           | 500 019                 | 1            | Sechskantschraube            | hex cap screw            | M 8x16 DIN 933    |
| 66           | 936 90 50 14            | 1            | Federring                    | spring washer            | ø 8 DIN 127       |
| 70           | 866 11 05 70            | 1            | Klemmstück                   | spring folder            |                   |
| 71           | 500 043                 | 1            | Sechskantschraube            | hex. cap screw           | M 10x16 DIN 933   |
| 72           | 704 130                 | 1            | Federring                    | spring washer            | ø 10 DIN 127      |
| 74           |                         |              | Dämmplatten                  | acousting plate          | s. Gr. 10         |
| 77           | 754 11 05 77            | 1            | Abdeckblech, links           | cover plate, left        |                   |
| 79           | 754 11 05 79            | 1            | Abdeckblech, rechts          | cover plate, right       |                   |





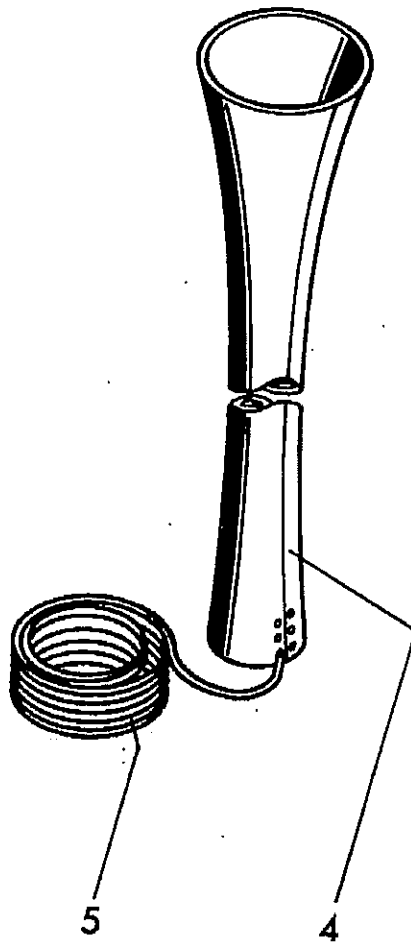
|                     |   |  |                                      |
|---------------------|---|--|--------------------------------------|
| <b>754 11 13 00</b> | <b>Radabdeckung, kompl.</b><br><b>Wheel cover, compl.</b> | <b>Gruppe</b><br><b>Group</b> <b>10-37</b> | <b>Seite</b><br><b>Page</b> <b>9</b> |
|---------------------|---|--|--------------------------------------|

| <b>Pos.</b><br><b>Item</b> | <b>Bestell-Nr.</b><br><b>Part No.</b> | <b>Anz.</b><br><b>Qty.</b> | <b>Beschreibung</b> | <b>Description</b> | <b>Bemerkung</b><br><b>Note</b> |
|----------------------------|---------------------------------------|----------------------------|---------------------|--------------------|---------------------------------|
| 02                         | 754 11 13 02                          | 1                          | Schutzblech rechts  | cover plate right  |                                 |
| 10                         | 754 11 12 10                          | 1                          | Schutzblech links   | cover plate left   |                                 |
| 15                         | 754 11 12 15                          | 2                          | Halter              | holder             |                                 |
| 24                         | 500 021                               | 8                          | Sechskantschraube   | hex. screw         | M 8x25 DIN 933                  |
| 25                         | 939 57 05 14                          | 14                         | U-Scheibe           | disc               | ø 8,4 DIN 9021                  |
| 26                         | 929 233                               | 6                          | Sechskantmutter     | hex. nut           | M 8 DIN 934 10.                 |
| 27                         | 936 90 50 14                          | 8                          | Federring           | spring washer      | ø 8 DIN 127                     |



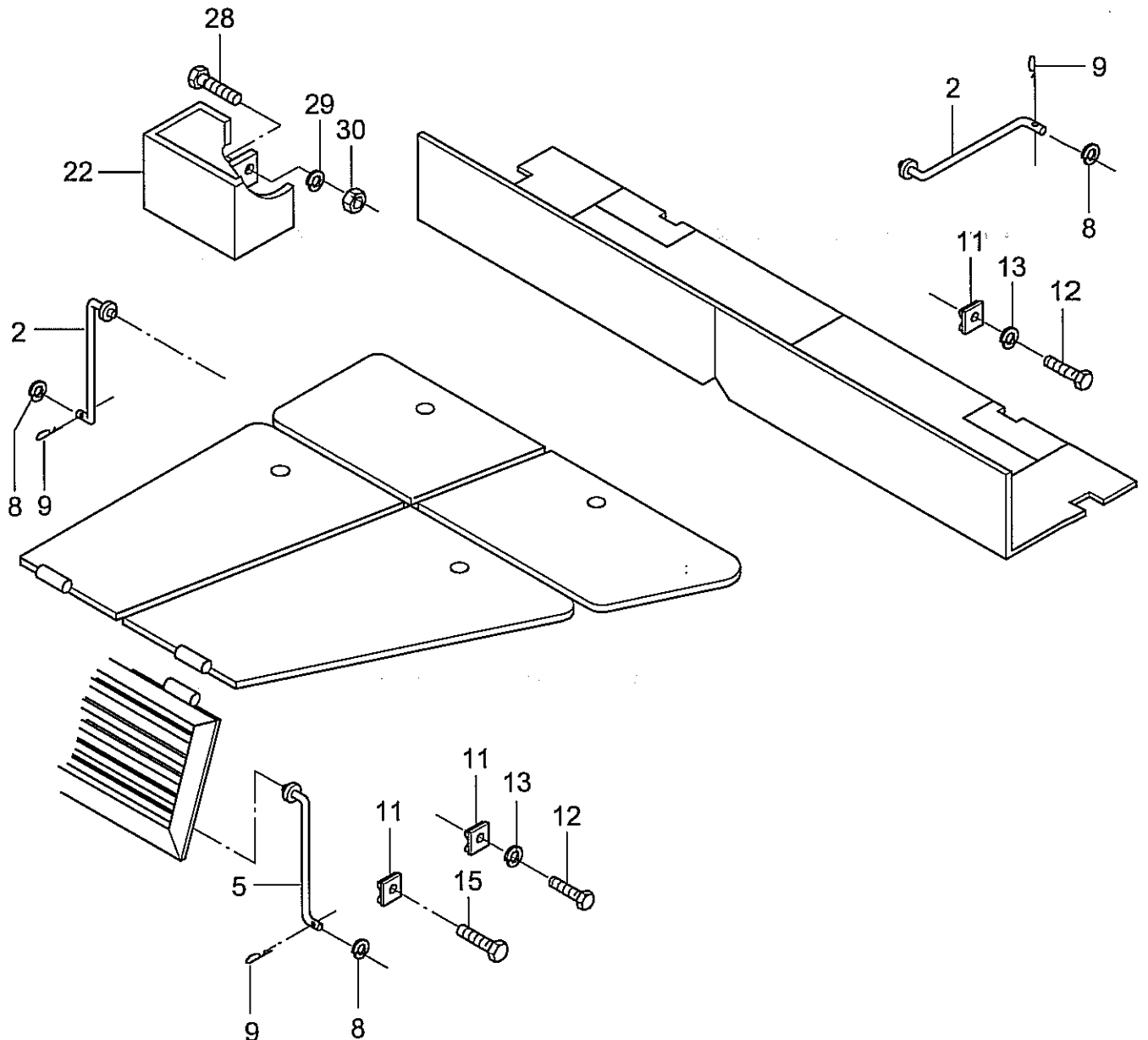
|              |   |                               |              |                             |           |
|--------------|---|-------------------------------|--------------|-----------------------------|-----------|
| 754 11 14 00 | <b>Werkzeugkiste kpl.</b><br><b>Tool box compl.</b> | <b>Gruppe</b><br><b>Group</b> | <b>10-38</b> | <b>Seite</b><br><b>Page</b> | <b>11</b> |
|--------------|---|-------------------------------|--------------|-----------------------------|-----------|

| Pos.<br>Item | Bestell-Nr.<br>Part No. | Anz.<br>Qty. | Beschreibung       | Description    | Bemerkung<br>Note |
|--------------|-------------------------|--------------|--------------------|----------------|-------------------|
| 02           | 754 11 14 02            | 1            | Werkzeugkiste      | tool box       |                   |
| 08           | 754 11 14 08            | 1            | Halterung, links   | holder, left   |                   |
| 13           | 754 11 14 13            | 1            | Halterung, rechts, | holder right   |                   |
| 18           | 500 029                 | 4            | Sechskantschraube  | hex. screw     | M 10x30 DIN 933   |
| 19           | 704 130                 | 4            | Federring          | spring washer  | ø 10 DIN 127      |
| 23           | 500 028                 | 4            | Sechskantschraube  | hex. cap screw | M 10x25 DIN 933   |
| 24           | 600 008                 | 4            | U-Scheibe          | u-washer       | ø 10,5 DIN 125    |
| 25           | 704 130                 | 4            | Federring          | spring washer  | ø 10 DIN 127      |
| 26           | 928 847                 | 4            | Sechskantmutter    | hex. cap nut   | M 10 DIN 934      |



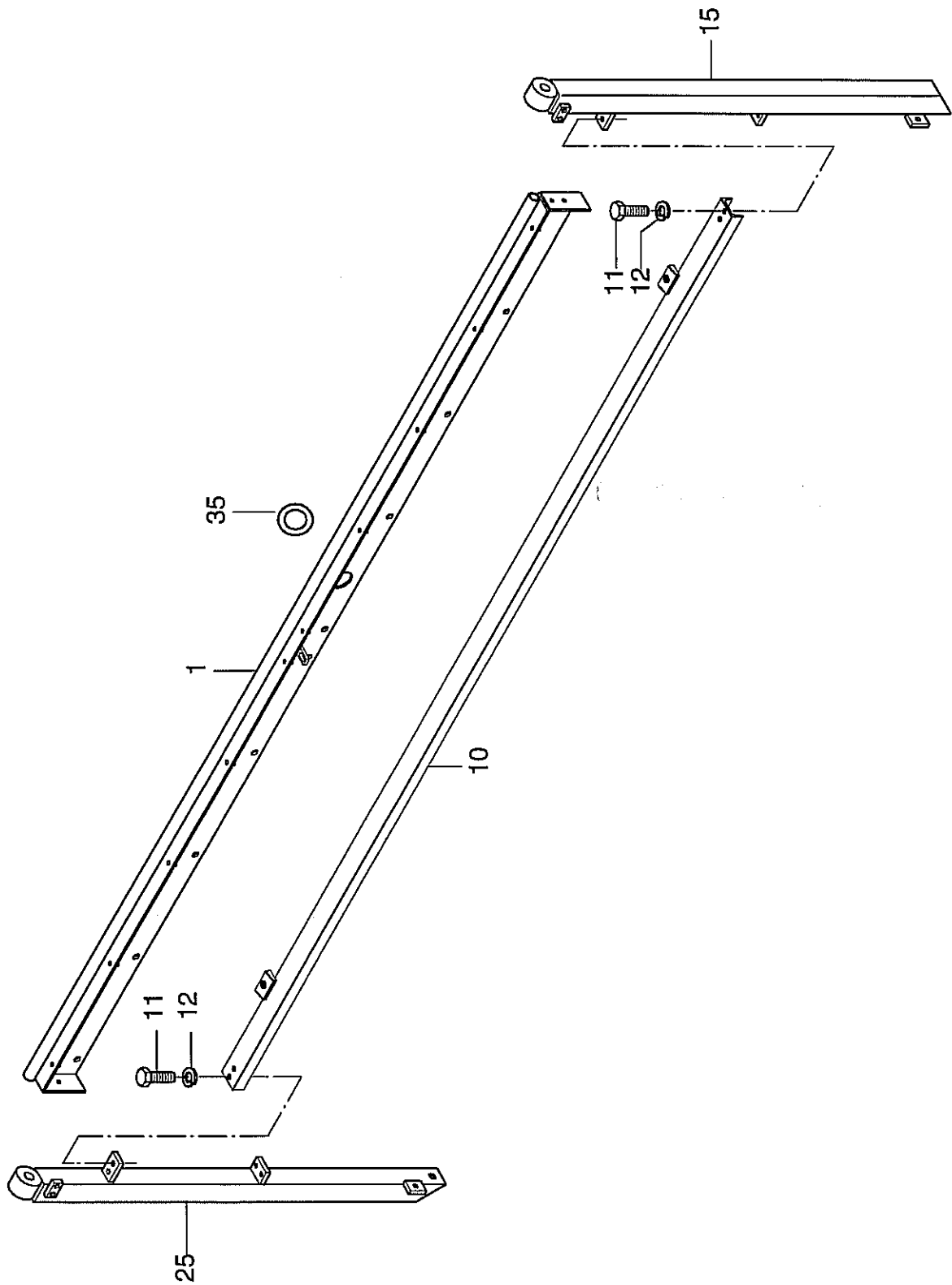
|              |  |  |                                       |
|--------------|--|--|---------------------------------------|
| 754 11 15 00 | <b>Wetterschutz</b><br><b>Weather protection</b> | <b>Gruppe</b><br><b>Group</b> <b>10-41</b> | <b>Seite</b><br><b>Page</b> <b>13</b> |
|--------------|--|--|---------------------------------------|

| Pos.<br>Item | Bestell-Nr.<br>Part No. | Anz.<br>Qty. | Beschreibung                   | Description               | Bemerkung<br>Note |
|--------------|-------------------------|--------------|--------------------------------|---------------------------|-------------------|
| 04           | 754 11 15 04            | 1            | Schutzhülle für Hydr.-Schlauch | protection for hydr.-hose |                   |
| 05           | 930 38 03 92            | 1            | Perlonschnur                   | nylon line                |                   |



|                     |                                       |  |                                       |
|---------------------|---------------------------------------|--|---------------------------------------|
| <b>754 11 17 00</b> | <b>Montageteile</b><br>Assembly parts | <b>Gruppe</b><br><b>Group</b> <b>10-46</b> | <b>Seite</b><br><b>Page</b> <b>15</b> |
|---------------------|---------------------------------------|--|---------------------------------------|

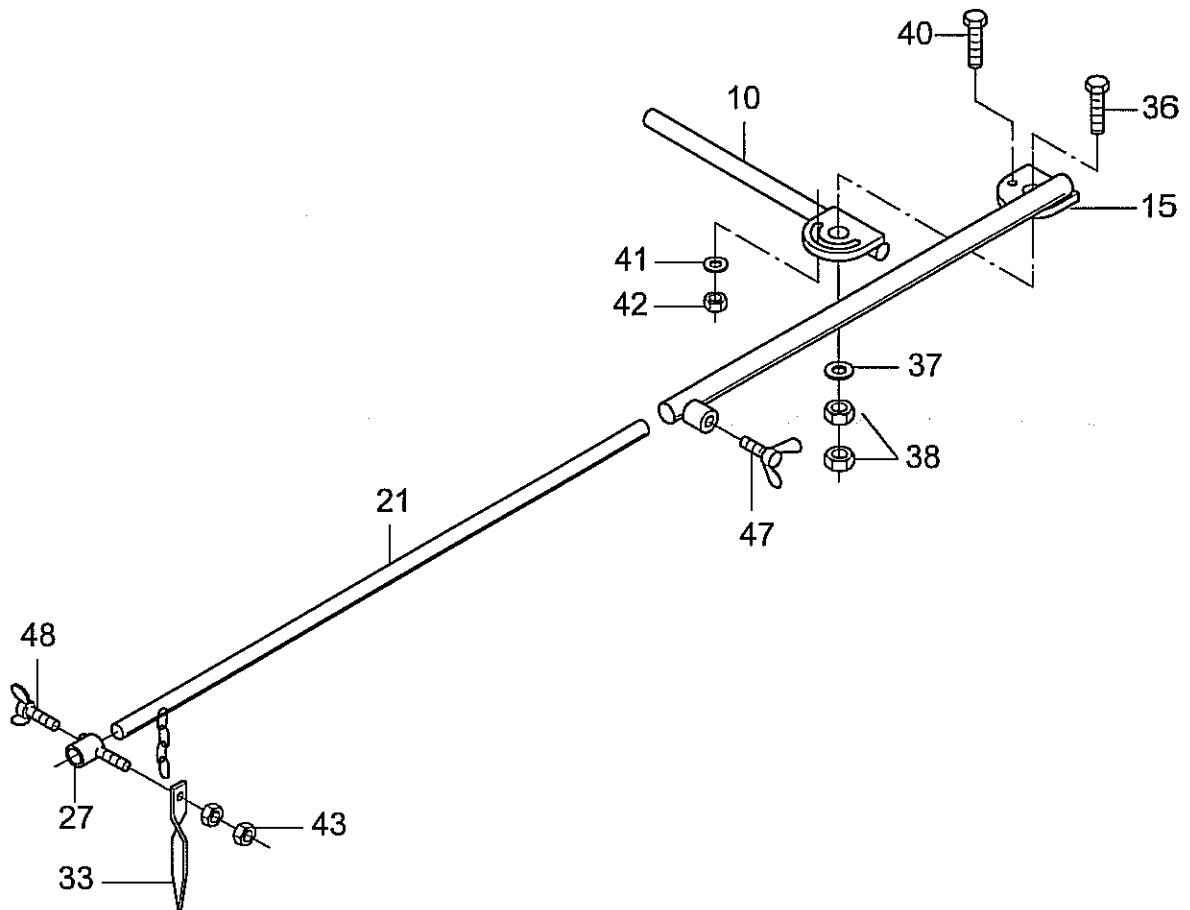
| Pos.<br>Item | Bestell-Nr.<br>Part No. | Anz.<br>Qty. | Beschreibung                        | Description                          | Bemerkung<br>Note |
|--------------|-------------------------|--------------|-------------------------------------|--------------------------------------|-------------------|
| 02           | 866 11 06 60            | 4            | Aufstellstange                      | mounting stock                       |                   |
| 05           | 864 11 06 65            | 1            | Aufstellstange                      | mounting stock                       |                   |
| 08           | 600 009                 | 5            | U-Scheibe                           | washer                               | ø 13 DIN 125      |
| 09           | 936 79 04 90            | 5            | Splint                              | pin                                  | 3,2x25 DIN 94     |
| 11           | 953 50 97 12            | 5            | Woeste Clip                         | woeste clip                          |                   |
| 12           | 500 013                 | 4            | Sechskantschraube                   | hex. screw                           | M 6x16 DIN 933    |
| 13           | 936 90 50 11            | 4            | Federring                           | spring washer                        | ø 6 DIN 127       |
| 15           | 939 47 51 66            | 1            | Senkschraube m. I.Skt.              | screw                                | M 6x16 DIN 7991   |
| 22           | 754 11 17 22            | 1            | Verbandskastenhalter<br>nur für TBG | first aid kit holder<br>Germany only |                   |
| 28           | 500 047                 | 1            | Sechskantschraube                   | hex. screw                           | M 8x35 DIN 931    |
| 29           | 936 90 50 14            | 1            | Federring                           | spring washer                        | ø 8 DIN 127       |
| 30           | 929 233                 | 1            | Sechskantmutter                     | hex. nut                             | M 8 DIN 934 10.   |





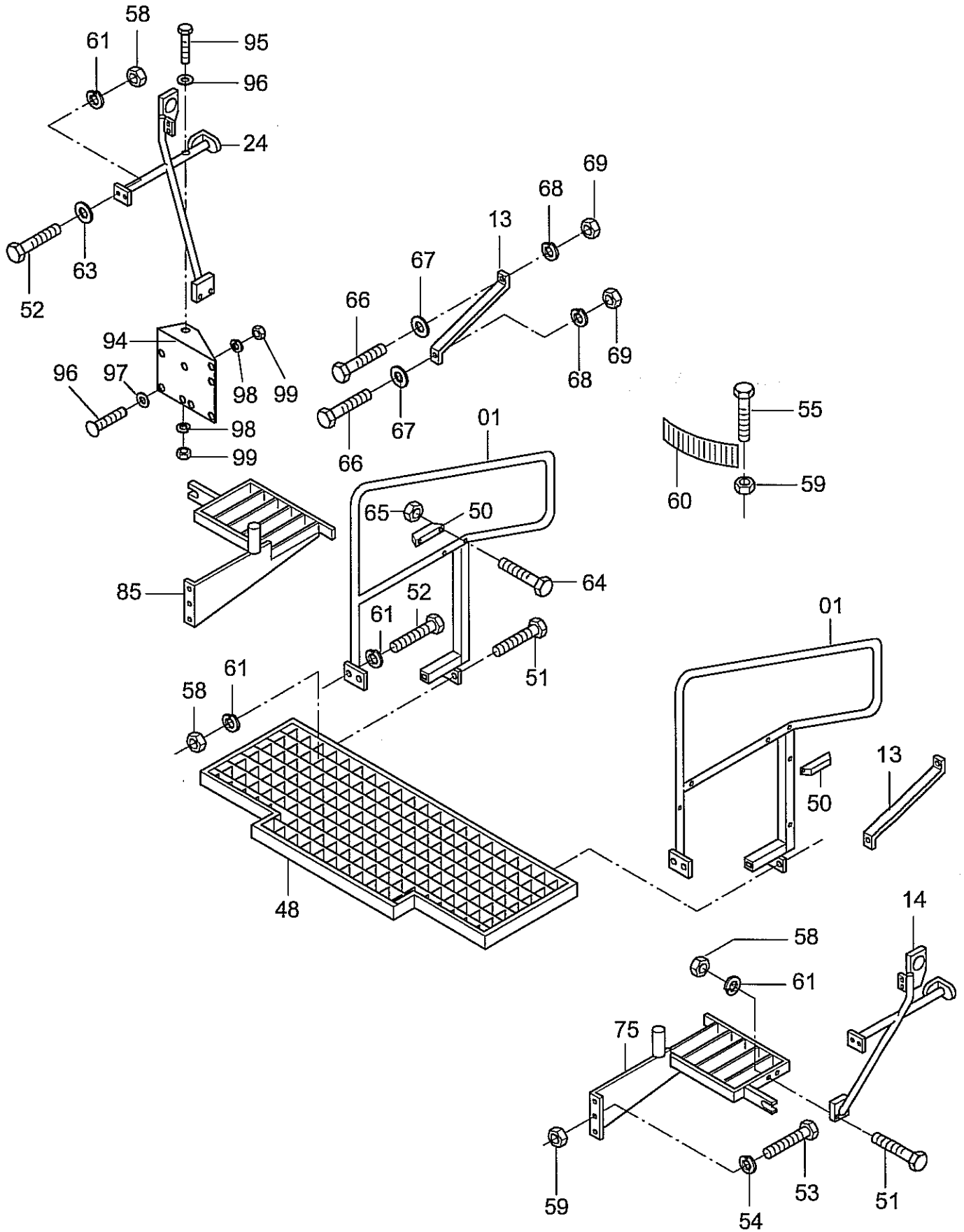
|              |  |                               |              |                             |           |
|--------------|--|-------------------------------|--------------|-----------------------------|-----------|
| 754 11 30 00 | <b>Bedienungsstandführung</b><br><b>Operator stand guide</b> | <b>Gruppe</b><br><b>Group</b> | <b>10-57</b> | <b>Seite</b><br><b>Page</b> | <b>17</b> |
|--------------|--|-------------------------------|--------------|-----------------------------|-----------|

| Pos.<br>Item | Bestell-Nr.<br>Part No. | Anz.<br>Qty. | Beschreibung                | Description          | Bemerkung<br>Note |
|--------------|-------------------------|--------------|-----------------------------|----------------------|-------------------|
| 01           | 754 11 30 01            | 1            | Führungsbahn                | guide rail           |                   |
| 10           | 866 11 16 25            | 1            | Verbindungssteg             | connection bar       |                   |
| 11           | 500 193                 | 8            | Sechskantschraube           | hex. cap screw       | M 12x30 DIN 933   |
| 12           | 936 90 50 20            | 8            | Federring                   | spring washer        | ø 12 DIN 127      |
| 15           | 754 11 30 15            | 1            | Befestigungsrohr, links     | mounting tube, left  |                   |
| 25           | 754 11 30 25            | 1            | Befestigungsrohr,<br>rechts | mounting tube, right |                   |
| 35           | 930 46 29 11            | 1            | Kapsto-Stopfen              | plug                 |                   |



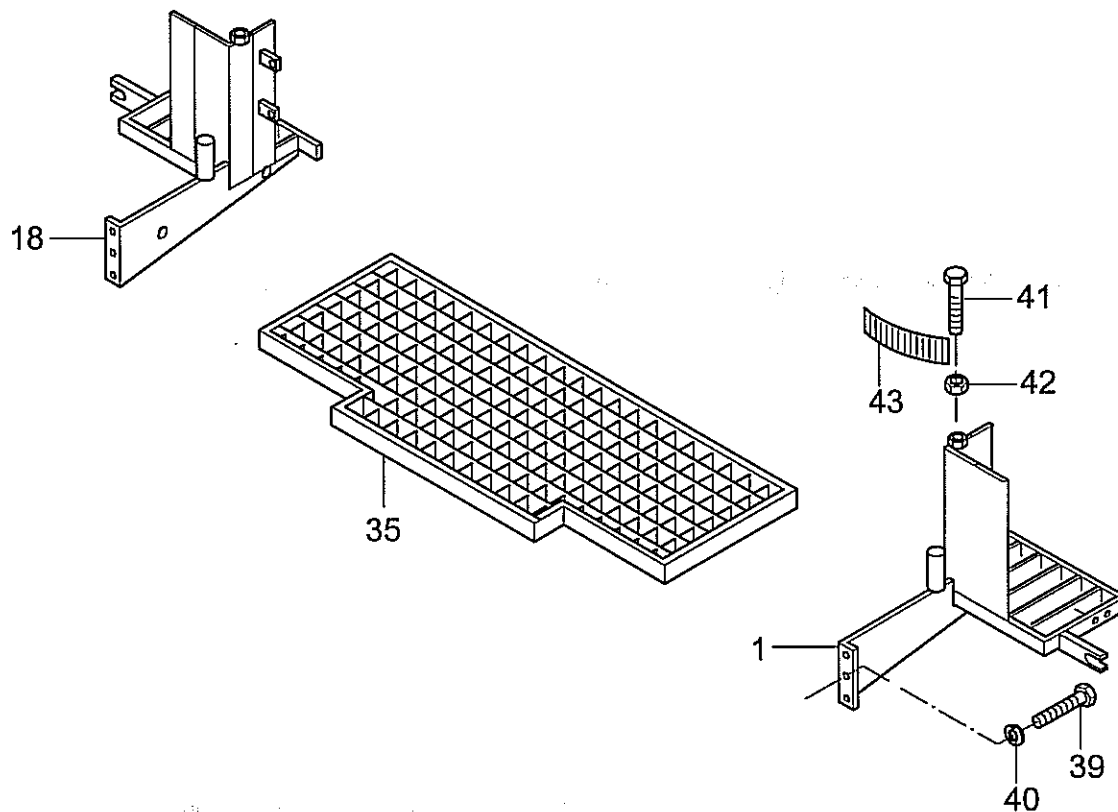
|              |  |                               |              |                             |           |
|--------------|--|-------------------------------|--------------|-----------------------------|-----------|
| 866 90 17 00 | <b>Peilstab kompl.</b><br><b>Dipstick compl.</b> | <b>Gruppe</b><br><b>Group</b> | <b>10-59</b> | <b>Seite</b><br><b>Page</b> | <b>19</b> |
|--------------|--|-------------------------------|--------------|-----------------------------|-----------|

| Pos.<br>Item | Bestell-Nr.<br>Part No. | Anz.<br>Qty. | Beschreibung           | Description            | Bemerkung<br>Note |
|--------------|-------------------------|--------------|------------------------|------------------------|-------------------|
| 10           | 866 90 17 10            | 1            | Rohrstück, verstellbar | tube piece, adjustable |                   |
| 15           | 866 90 17 15            | 1            | Rohrstück              | tube piece             |                   |
| 21           | 866 90 17 21            | 1            | Ausziehrohr mit Kette  | draw tube with chain   |                   |
| 27           | 866 90 17 27            | 1            | Rohrstück für Zeiger   | tube piece for pointer |                   |
| 33           | 866 90 17 33            | 1            | Zeiger                 | pointer                |                   |
| 36           | 938 11 17 21            | 1            | Sechskantschraube      | hex. screw             | M 16x60 DIN 931   |
| 37           | 600 011                 | 1            | U-Scheibe              | disc                   | ∅ 17 DIN 125      |
| 38           | 938 19 05 20            | 2            | Sechskantmutter        | hex. nut               | M 16 DIN 934      |
| 40           | 938 11 15 00            | 1            | Sechskantschraube      | hex. screw             | M 12x40 DIN 931   |
| 41           | 600 009                 | 1            | U-Scheibe              | disc                   | ∅ 13 DIN 125      |
| 42           | 938 19 05 18            | 1            | Sechskantmutter        | hex. nut               | M 12 DIN 934      |
| 43           | 928 847                 | 2            | Sechskantmutter        | hex. nut               | M 10 DIN 934      |
| 47           | 937 03 26 52            | 1            | Flügelschraube         | wing screw             | M 12x25 DIN 316   |
| 48           | 937 03 26 01            | 1            | Flügelschraube         | wing screw             | M 10x30 DIN 316   |



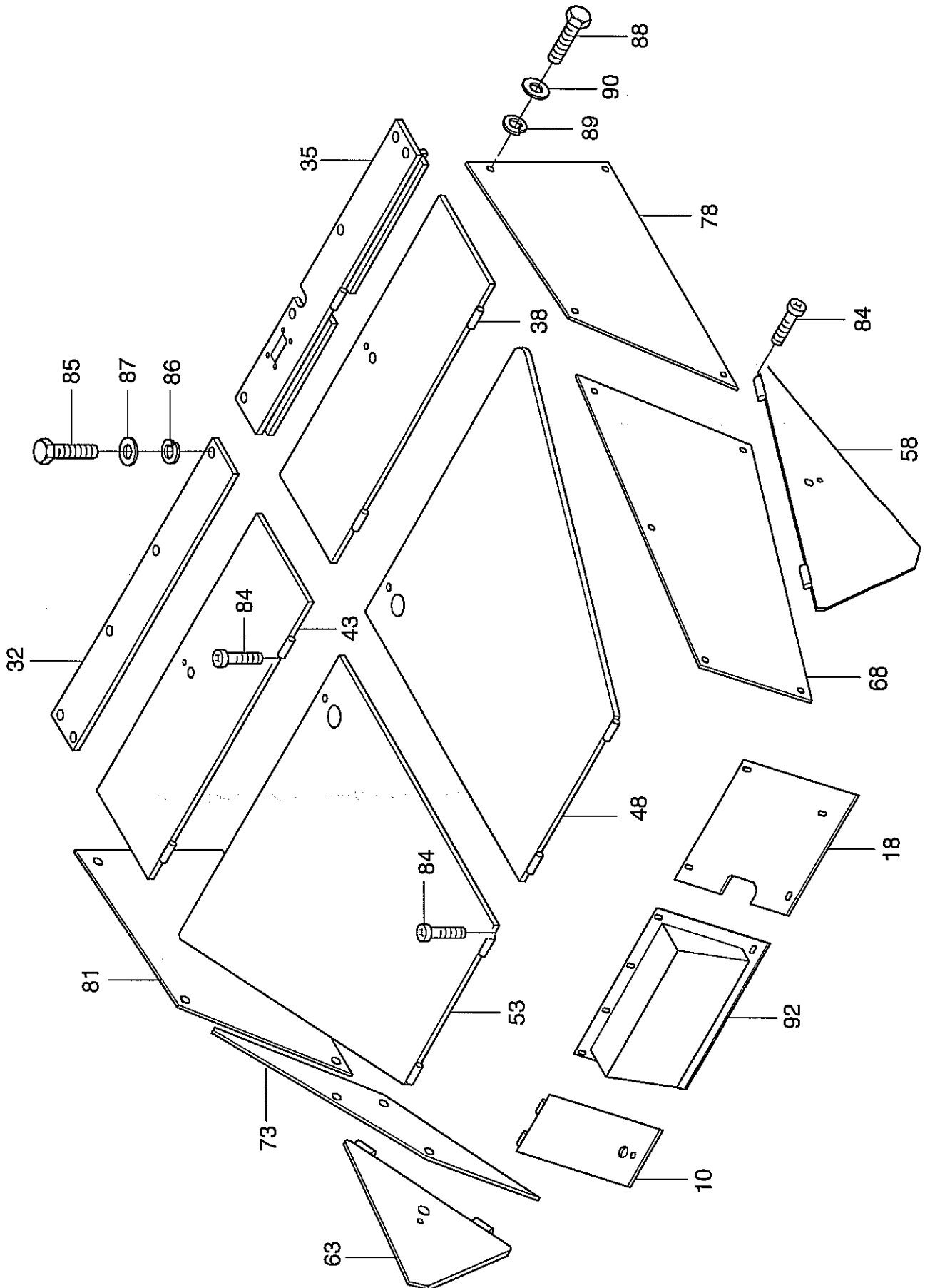
|                     |  |  |                                       |
|---------------------|--|--|---------------------------------------|
| <b>754 15 03 00</b> | <b>Geländer und Aufstieg</b><br><b>Guide rail and step</b> | <b>Gruppe</b><br><b>Group</b> <b>10-60</b> | <b>Seite</b><br><b>Page</b> <b>21</b> |
|---------------------|--|--|---------------------------------------|

| <b>Pos.</b><br><b>Item</b> | <b>Bestell-Nr.</b><br><b>Part No.</b> | <b>Anz.</b><br><b>Qty.</b> | <b>Beschreibung</b>        | <b>Description</b>        | <b>Bemerkung</b><br><b>Note</b> |
|----------------------------|---------------------------------------|----------------------------|----------------------------|---------------------------|---------------------------------|
| 01                         | 754 15 03 01                          | 2                          | Geländer                   | guide rail                |                                 |
| 13                         | 754 15 03 13                          | 2                          | Stützstrebe z. Sitzgestell | bearing for seat          |                                 |
| 14                         | 754 15 03 14                          | 1                          | Dachstütze hinten links    | roof setting behind left  |                                 |
| 24                         | 754 15 03 24                          | 1                          | Dachstütze hinten rechts   | roof setting behind right |                                 |
| 48                         | 754 15 03 48                          | 1                          | Laufsteg                   | step                      |                                 |
| 50                         | 754 15 03 50                          | 2                          | Abstandshalter             | distance holder           |                                 |
| 51                         | 500 021                               | 16                         | Sechskantschraube          | hex. screw                | M 8x25 DIN 933                  |
| 52                         | 500 022                               | 4                          | Sechskantschraube          | hex. screw                | M 8x35 DIN 931                  |
| 53                         | 500 051                               | 6                          | Sechskantschraube          | hex. screw                | M 12x25 DIN 933                 |
| 54                         | 936 90 50 20                          | 6                          | Federring                  | spring washer             | ø 12 DIN 127                    |
| 55                         | 500 122                               | 2                          | Sechskantschraube          | hex. screw                | M 12x100 DIN 931                |
| 58                         | 929 233                               | 20                         | Sechskantmutter            | hex. nut                  | M 8 DIN 934                     |
| 59                         | 938 19 05 18                          | 2                          | Sechskantmutter            | hex. nut                  | M 12 DIN 934 10.                |
| 60                         | 930 43 50 05                          | 2                          | Spannband                  | tension band              |                                 |
| 61                         | 936 90 50 14                          | 20                         | Federring                  | spring washer             | ø 8 DIN 127                     |
| 63                         | 600 006                               | 10                         | Scheibe                    | disc                      | ø 8,4 DIN 125                   |
| 64                         | 500 186                               | 4                          | Sechskantschraube          | hex. screw                | M 6x45 DIN 931                  |
| 65                         | 938 19 05 14                          | 4                          | Sechskantmutter            | hex. nut                  | M 6 DIN 934 10.                 |
| 66                         | 500 240                               | 4                          | Sechskantschraube          | hex. screw                | M 10x40 DIN 933                 |
| 67                         | 939 57 05 16                          | 4                          | Scheibe                    | disc                      | ø 10,5 DIN 9021                 |
| 68                         | 704130                                | 4                          | Federring                  | spring washer             | ø 10 DIN 127                    |
| 69                         | 928 847                               | 4                          | Sechskantmutter            | hex. nut                  | M 10 DIN 934 10.                |
| 75                         | 754 15 03 75                          | 1                          | Konsole links              | console left              |                                 |
| 85                         | 754 15 03 85                          | 1                          | Konsole rechts             | console right             |                                 |
| 93                         | 939 57 05 14                          | 1                          | Scheibe                    | disc                      | ø 8,4 DIN 9021                  |
| 94                         | 754 15 03 94                          | 1                          | Halter für Zündbox         | ignition box holder       |                                 |
| 95                         | 938 16 56 58                          | 1                          | Sechskantschraube          | hex. screw                | M 8x40 DIN 933                  |
| 96                         | 939 47 52 27                          | 2                          | Senkschrauben              | screw                     | M 8x50 DIN 7991                 |
| 97                         | 600 006                               | 3                          | Scheibe                    | disc                      | ø 8,4 DIN 125                   |
| 98                         | 936 90 50 14                          | 3                          | Federring                  | spring washer             | ø 8 DIN 127                     |
| 99                         | 929 233                               | 3                          | Sechskantmutter            | hex. nut                  | M 8 DIN 934 10.                 |



|              |  |                              |                         |
|--------------|--|------------------------------|-------------------------|
| 754 15 04 00 | Geländer und Aufstieg / Kabine<br>Guide rail and step / cabine | Gruppe<br>Group <b>10-66</b> | Seite<br>Page <b>23</b> |
|--------------|--|------------------------------|-------------------------|

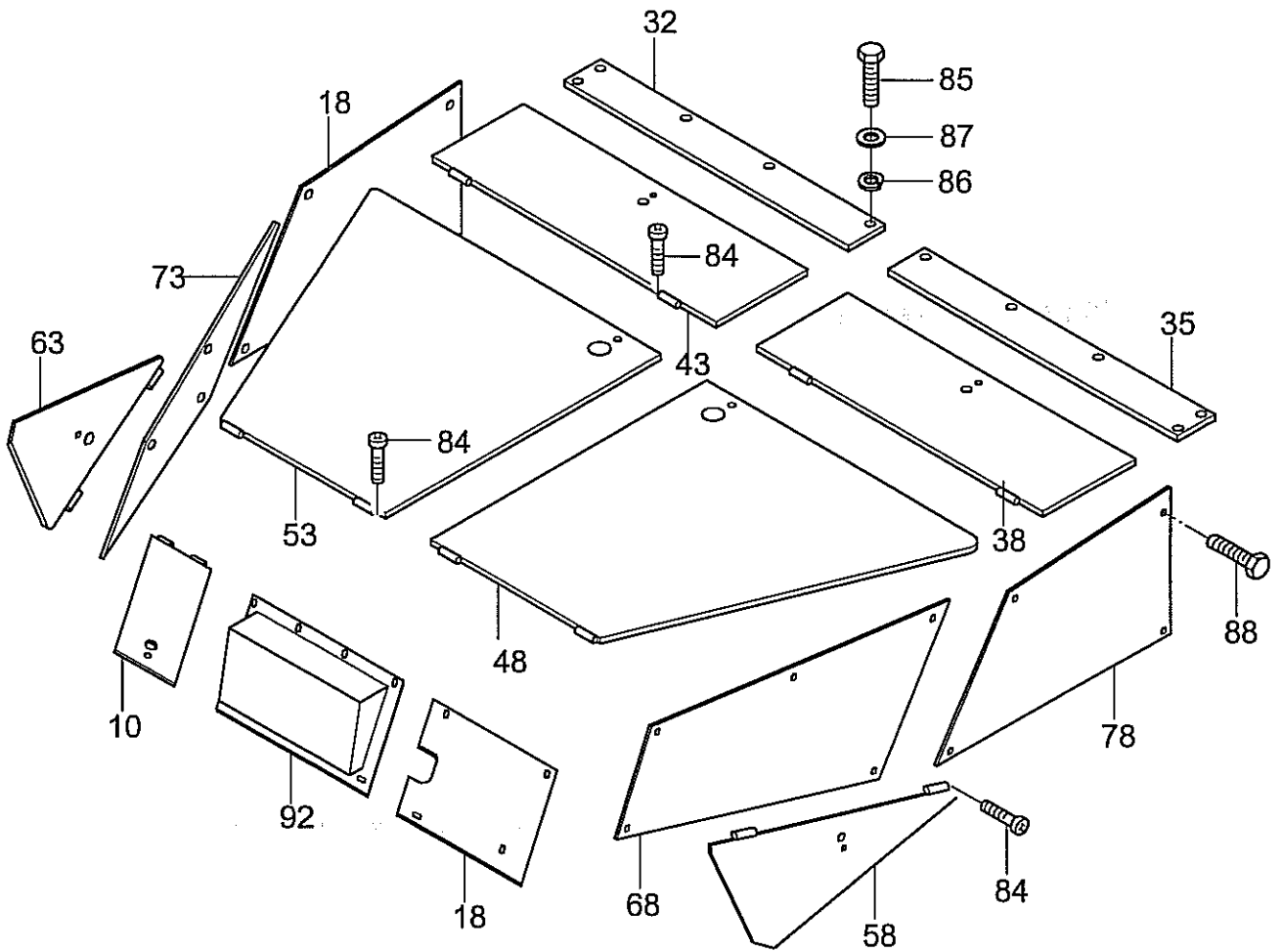
| Pos.<br>Item | Bestell-Nr.<br>Part No. | Anz.<br>Qty. | Beschreibung      | Description   | Bemerkung<br>Note |
|--------------|-------------------------|--------------|-------------------|---------------|-------------------|
| 01           | 754 15 04 01            | 1            | Konsole links     | console left  |                   |
| 18           | 754 15 04 18            | 1            | Konsole rechts    | console right |                   |
| 35           | 754 15 03 48            | 1            | Laufsteg          | step          |                   |
| 39           | 500 051                 | 6            | Sechskantschraube | hex. screw    | M 12x25 DIN 933   |
| 40           | 936 90 50 20            | 6            | Federring         | spring washer | 12 DIN 127        |
| 41           | 500 122                 | 2            | Sechskantschraube | hex. screw    | M 12x100 DIN 931  |
| 42           | 938 19 05 18            | 2            | Sechskantmutter   | hex. nut      | M 12 DIN 934      |
| 43           | 930 43 50 05            | 2            | Spannband         | tension band  |                   |





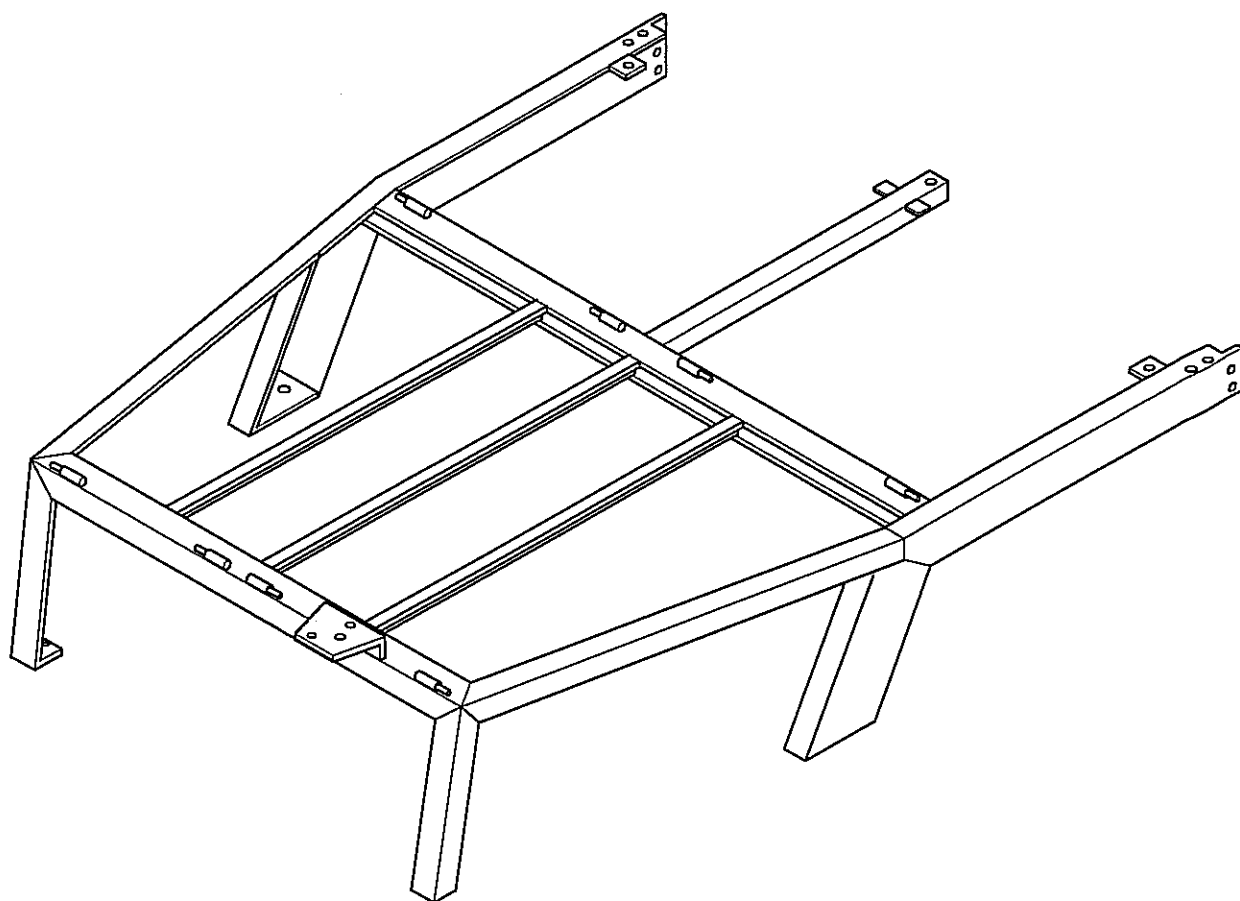
|              |  |                                     |                                |
|--------------|--|-------------------------------------|--------------------------------|
| 754 11 37 00 | <b>Abdeckbleche, Motorhaube</b><br>Cover plates, engine hood | <b>Gruppe</b><br><b>Group 10-74</b> | <b>Seite</b><br><b>Page 25</b> |
|--------------|--|-------------------------------------|--------------------------------|

| Pos.<br>Item | Bestell-Nr.<br>Part No. | Anz.<br>Qty. | Beschreibung                        | Description                    | Bemerkung<br>Note |
|--------------|-------------------------|--------------|-------------------------------------|--------------------------------|-------------------|
| 10           | 756 11 37 10            | 1            | Abdeckklappe,<br>stirnseitig rechts | cover flap right               |                   |
| 18           | 756 11 37 18            | 1            | Abdeckklappe,<br>stirnseitig links  | cover flap left                |                   |
| 32           | 867 11 04 05            | 1            | Abdeckblech, oben re.               | cover plate top right          |                   |
| 35           | 866 11 04 93            | 1            | Abdeckblech, oben li.               | cover plate top left           |                   |
| 38           | 754 11 07 38            | 1            | Abdeckblech, oben li.               | cover plate top left           |                   |
| 43           | 754 11 07 43            | 1            | Abdeckblech, oben re.               | cover plate top right          |                   |
| 48           | 756 11 37 48            | 1            | Abdeckblech, oben<br>vorne links    | cover plate top front<br>left  |                   |
| 53           | 756 11 37 53            | 1            | Abdeckblech, oben<br>vorne rechts   | cover plate top front<br>right |                   |
| 58           | 756 11 37 58            | 1            | Abdeckblech, oben li.               | cover plate top left           |                   |
| 63           | 756 11 37 63            | 1            | Abdeckblech, oben re.               | cover plate top right          |                   |
| 68           | 756 11 37 68            | 1            | Seitenblech, vorne li.              | side plate top left            |                   |
| 73           | 756 11 37 73            | 1            | Seitenblech, vorne re.              | side plate top right           |                   |
| 78           | 754 11 07 78            | 1            | Seitenblech, hinten li.             | side plate behind left         |                   |
| 81           | 754 11 07 81            | 1            | Seitenblech, hinten re.             | side plate behind<br>right     |                   |
| 84           | 508 002                 | 5            | Zylinderschraube                    | screw                          | M 6x16 DIN 912    |
| 85           | 500 048                 | 10           | Sechskantschraube                   | hex. screw                     | M 10x20 DIN 933   |
| 86           | 600 008                 | 10           | U-Scheibe                           | disc                           | ø 10,5 DIN 125    |
| 87           | 704 130                 | 10           | Federring                           | spring washer                  | ø 10 DIN 127      |
| 88           | 500 028                 | 22           | Sechskantschraube                   | hex. screw                     | M 10x25 DIN 933   |
| 89           | 600 008                 | 22           | Scheibe                             | disc                           | ø 10,5 DIN 125    |
| 90           | 704 130                 | 22           | Federring                           | spring washer                  | ø 10 DIN 127      |
| 92           | 756 11 37 92            | 1            | Luftführung, stirnseitig            | air guide                      |                   |



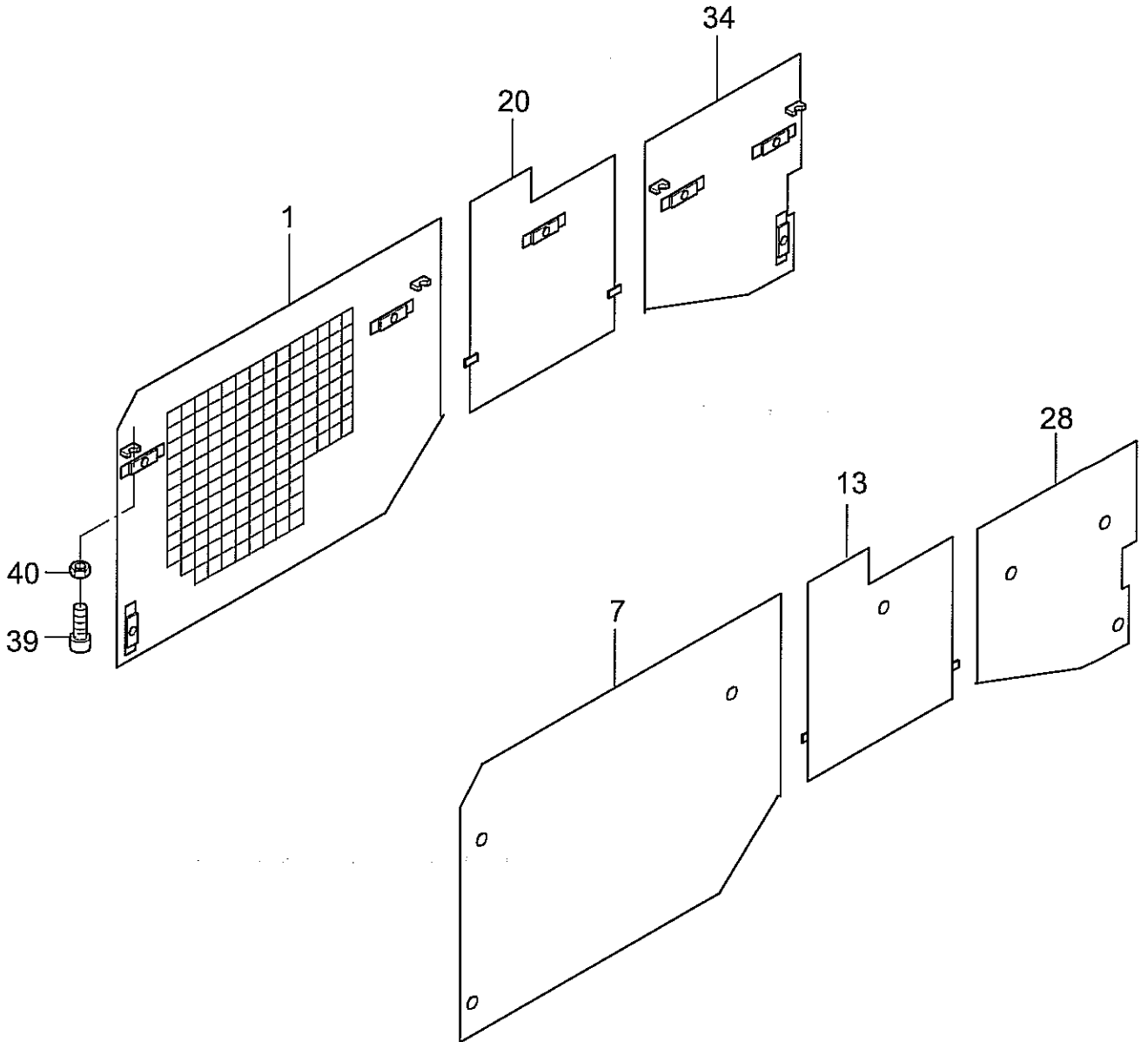
|              |   |                              |                         |
|--------------|---|------------------------------|-------------------------|
| 755 11 37 00 | Abdeckbleche, Motorhaube<br>Cover plates, engine hood | Gruppe<br>Group <b>10-75</b> | Seite<br>Page <b>27</b> |
|--------------|---|------------------------------|-------------------------|

| Pos.<br>Item | Bestell-Nr.<br>Part No. | Anz.<br>Qty. | Beschreibung                        | Description                    | Bemerkung<br>Note |
|--------------|-------------------------|--------------|-------------------------------------|--------------------------------|-------------------|
| 10           | 756 11 37 10            | 1            | Abdeckklappe,<br>stirnseitig rechts | cover flap right               |                   |
| 18           | 756 11 37 18            | 1            | Abdeckklappe,<br>stirnseitig links  | cover flap left                |                   |
| 32           | 867 11 04 05            | 1            | Abdeckblech, oben re.               | cover plate top right          |                   |
| 35           | 755 11 07 34            | 1            | Abdeckblech, oben li.               | cover plate top left           |                   |
| 38           | 754 11 07 38            | 1            | Abdeckblech, oben li.               | cover plate top left           |                   |
| 43           | 754 11 07 43            | 1            | Abdeckblech, oben re.               | cover plate top right          |                   |
| 48           | 756 11 37 48            | 1            | Abdeckblech, oben<br>vorne links    | cover plate top front<br>left  |                   |
| 53           | 756 11 37 53            | 1            | Abdeckblech, oben<br>vorne rechts   | cover plate top front<br>right |                   |
| 58           | 756 11 37 58            | 1            | Abdeckblech, oben li.               | cover plate top left           |                   |
| 63           | 756 11 37 63            | 1            | Abdeckblech, oben re.               | cover plate top right          |                   |
| 68           | 756 11 37 68            | 1            | Seitenblech, vorne li.              | side plate top left            |                   |
| 73           | 756 11 37 73            | 1            | Seitenblech, vorne re.              | side plate top right           |                   |
| 78           | 754 11 07 78            | 1            | Seitenblech, hinten li.             | side plate behind left         |                   |
| 81           | 754 11 07 81            | 1            | Seitenblech, hinten re.             | side plate behind<br>right     |                   |
| 84           | 508 002                 | 5            | Zylinderschraube                    | screw                          | M 6x16 DIN 912    |
| 85           | 500 048                 | 10           | Sechskantschraube                   | hex. screw                     | M 10x20 DIN 933   |
| 86           | 600 008                 | 10           | U-Scheibe                           | disc                           | ∅ 10,5 DIN 125    |
| 87           | 704 130                 | 10           | Federring                           | spring washer                  | ∅ 10 DIN 127      |
| 88           | 500 028                 | 18           | Sechskantschraube                   | hex. screw                     | M 10x25 DIN 933   |
| 89           | 600 008                 | 18           | Scheibe                             | disc                           | ∅ 10,5 DIN 125    |
| 90           | 704 130                 | 18           | Federring                           | spring washer                  | ∅ 10 DIN 127      |
| 92           | 756 11 37 92            | 1            | Lufführung, stirnseitig             | air guide                      |                   |



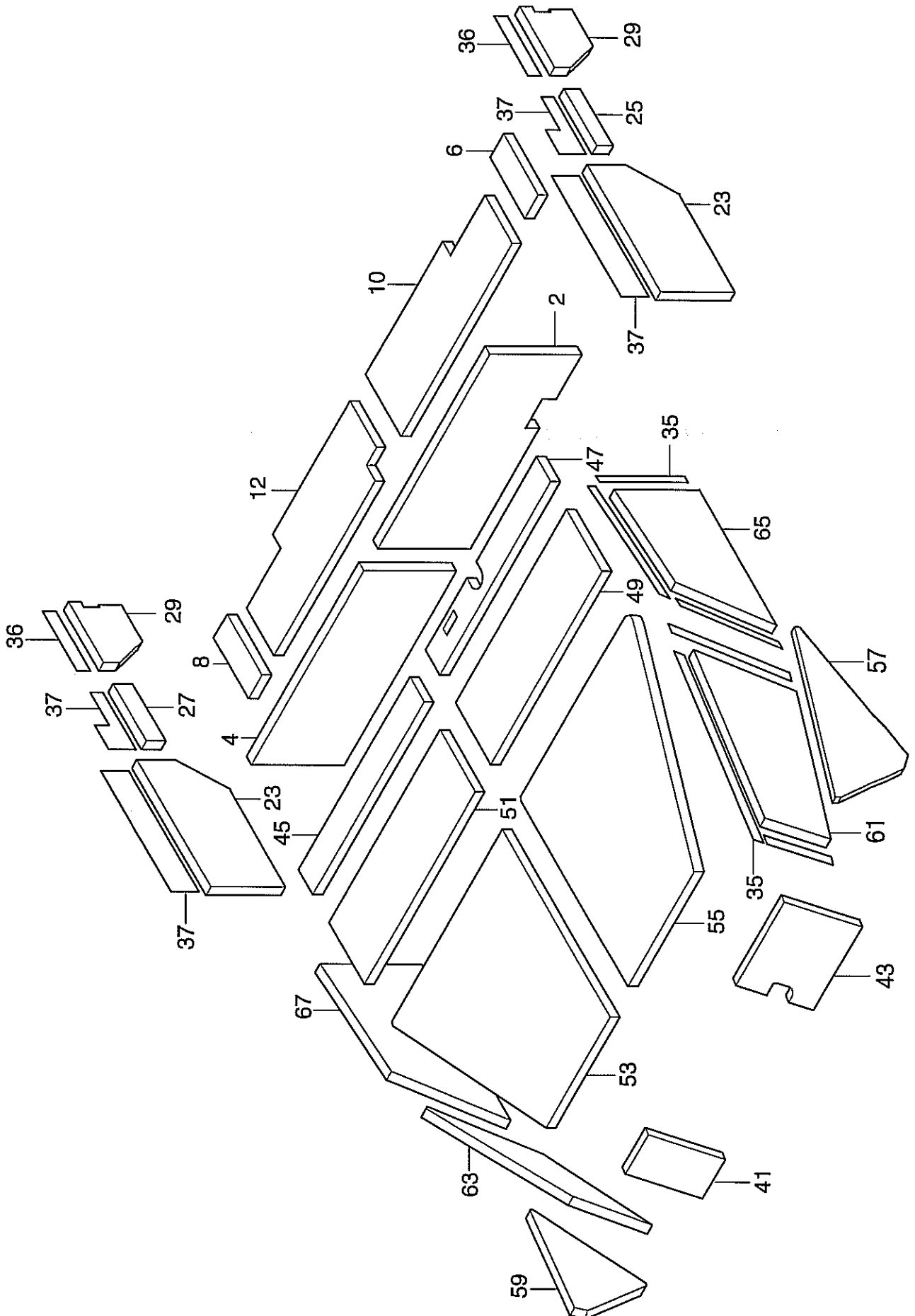
|              |   |                                     |                                |
|--------------|---|-------------------------------------|--------------------------------|
| 755 11 39 00 | <b>Motorhaube kompl.</b><br><b>Engine hood compl.</b> | <b>Gruppe</b><br><b>Group 10-76</b> | <b>Seite</b><br><b>Page 29</b> |
|--------------|---|-------------------------------------|--------------------------------|

| Pos.<br>Item | Bestell-Nr.<br>Part No. | Anz.<br>Qty. | Beschreibung | Description | Bemerkung<br>Note |
|--------------|-------------------------|--------------|--------------|-------------|-------------------|
| 01           | 755 11 39 01            | 1            | Motorhaube   | engine hood |                   |



|              |   |                               |              |                             |           |
|--------------|---|-------------------------------|--------------|-----------------------------|-----------|
| 754 11 31 00 | <b>Seitenbleche kompl.</b><br><b>Side plates compl.</b> | <b>Gruppe</b><br><b>Group</b> | <b>10-78</b> | <b>Seite</b><br><b>Page</b> | <b>31</b> |
|--------------|---|-------------------------------|--------------|-----------------------------|-----------|

| Pos.<br>Item | Bestell-Nr.<br>Part No. | Anz.<br>Qty. | Beschreibung              | Description             | Bemerkung<br>Note |
|--------------|-------------------------|--------------|---------------------------|-------------------------|-------------------|
| 01           | 754 11 31 01            | 1            | Seitenblech vorne rechts  | side plate front right  |                   |
| 07           | 754 11 11 07            | 1            | Seitenblech vorne links.  | side plate front left   |                   |
| 13           | 754 11 11 13            | 1            | Seitenblech mitte links   | side plate middle left  |                   |
| 20           | 754 11 11 20            | 1            | Seitenblech mitte rechts  | side plate middle right |                   |
| 28           | 754 11 31 28            | 1            | Seitenblech hinten links  | side plate rear left    |                   |
| 34           | 754 11 31 34            | 1            | Seitenblech hinten rechts | side plate rear right   |                   |
| 39           | 508 079                 | 12           | Zylinderschraube          | screw                   | M 12x35 DIN 912   |
| 40           | 937 18 05 13            | 12           | Sechskantmutter           | hex. nut                | M 12 DIN 439 10.  |





|              |  |                               |              |                             |           |
|--------------|--|-------------------------------|--------------|-----------------------------|-----------|
| 754 11 40 00 | <b>Dämmplatten kompl.</b><br>Acoustig board compl. | <b>Gruppe</b><br><b>Group</b> | <b>10-79</b> | <b>Seite</b><br><b>Page</b> | <b>33</b> |
|--------------|--|-------------------------------|--------------|-----------------------------|-----------|

| Pos.<br>Item | Bestell-Nr.<br>Part No. | Anz.<br>Qty. | Beschreibung                                  | Description  | Bemerkung<br>Note |
|--------------|-------------------------|--------------|---|--|-------------------|
|              | 754 11 40 01            | 1            | Dämmplatten für Fußraum besteht aus Pos.      | acoustig board for operator stand to consist of item | 2-12              |
| 2            | 679 760                 | 1            | Dämmplatte                                    | acoustig board                                       |                   |
| 4            | 679 761                 | 1            | Dämmplatte                                    | acoustig board                                       |                   |
| 6            | 679 762                 | 1            | Dämmplatte                                    | acoustig board                                       |                   |
| 8            | 679 763                 | 1            | Dämmplatte                                    | acoustig board                                       |                   |
| 10           | 679 767                 | 1            | Dämmplatte                                    | acoustig board                                       |                   |
| 12           | 679 768                 | 1            | Dämmplatte                                    | acoustig board                                       |                   |
|              | 754 11 40 20            | 1            | Dämmplatten für Seitenbleche besteht aus Pos. | acoustig board for side plates to consist of item    | 21-31             |
| 21           | 754 11 40 21            | 1            | Dämmplatte                                    | acoustig board                                       |                   |
| 23           | 679 770                 | 1            | Dämmplatte                                    | acoustig board                                       |                   |
| 25           | 679 771                 | 1            | Dämmplatte                                    | acoustig board                                       |                   |
| 27           | 679 771                 | 1            | Dämmplatte                                    | acoustig board                                       |                   |
| 29           | 754 11 40 29            | 1            | Dämmplatte                                    | acoustig board                                       |                   |
| 31           | 754 11 40 31            | 1            | Dämmplatte                                    | acoustig board                                       |                   |
| 35           | 678 304                 | 16           | Randstreifen                                  | edge strip   |                   |
| 36           | 678 305                 | 14           | Randstreifen                                  | edge strip   |                   |
| 37           | 678 848                 | 8            | Randstreifen                                  | edge strip   |                   |
|              | 754 11 40 40            | 1            | Dämmplatten für Abdeckbleche besteht aus Pos. | acoustig board for cover plates to consist of item   | 41-67             |
| 41           | 754 11 40 41            | 1            | Dämmplatte                                    | acoustig board                                       |                   |
| 43           | 754 11 40 43            | 1            | Dämmplatte                                    | acoustig board                                       |                   |
| 45           | 673 027                 | 1            | Dämmplatte                                    | acoustig board                                       |                   |
| 47           | 673 027                 | 1            | Dämmplatte                                    | acoustig board                                       |                   |
| 49           | 679 780                 | 1            | Dämmplatte                                    | acoustig board                                       |                   |
| 51           | 679 781                 | 1            | Dämmplatte                                    | acoustig board                                       |                   |
| 53           | 754 11 40 53            | 1            | Dämmplatte                                    | acoustig board                                       |                   |
| 55           | 754 11 40 55            | 1            | Dämmplatte                                    | acoustig board                                       |                   |
| 57           | 754 11 40 57            | 1            | Dämmplatte                                    | acoustig board                                       |                   |
| 59           | 754 11 40 59            | 1            | Dämmplatte                                    | acoustig board                                       |                   |
| 61           | 754 11 40 61            | 1            | Dämmplatte                                    | acoustig board                                       |                   |
| 63           | 754 11 40 63            | 1            | Dämmplatte                                    | acoustig board                                       |                   |
| 65           | 754 11 40 65            | 1            | Dämmplatte                                    | acoustig board                                       |                   |
| 67           | 754 11 40 67            | 1            | Dämmplatte                                    | acoustig board                                       |                   |

