

**INHALTSVERZEICHNIS
TABLE OF CONTENTS****Bemerkungen
Notes****857****VB 850T(V), Master****857-01****VB850T(V) Main screed**

857-01100

Tamper-Vario-Screed

857-01120

Main screed

857-02**VB850T(V) Extension
screeds**

857-02130

Extension screed

857-03**VB850T(V) Tamper**

857-03110

Tamper, compl.

857-03120

Tamper

857-03130

Rocker arm, compl.

857-04**VB850T(V) Bottom plates**

857-04130

Bottom plates compl.

857-05**VB850T(V) Mounting parts**

857-05120

Roof profile setting and extension
device

857-05130

Mounting plate

857-06**VB850T(V) Material guide**

857-06130

Material guide

857-06140

Side shield

857-07**VB850T(V) Cover plates
and Gangway**

857-07130

Cover plates

857-07140

Step

**INHALTSVERZEICHNIS
TABLE OF CONTENTS****Bemerkungen
Notes****857-08****VB850T(V) Gas equipment**

857-08120

Burner equipment

857-08140

Gas equipment with flame control

857-09**VB850T(V) Lubricant
pipes**

857-09120

Lubricant pipes

857-10**VB850T(V) Extension
Parts**

857-10120

Extension part, 500 mm

857-10130

Screed parts 500 mm

857-10220

Extension part, 250 mm

857-10230

Screed parts 250 mm

857-11**VB850T(V) Hydraulic
equipment**

857-11120

Vario screed

857-11140

Vibration

857-11150

Tamper

857-9026

Hydr. roof profile setting

857-12**VB850T(V) Electro
installation compl.**

859-12120

Ignition installation with flame
control

859-12150

Screed control

814-12300

Remote control

814-12301

Remote control



DYNAPAC GmbH
Ammerländer Strasse 93
26203 Wardenburg / Germany
Tel.: +49 4407 / 972 - 0
Fax : +49 4407 / 972 - 228

Seite / Page: 3

**INHALTSVERZEICHNIS
TABLE OF CONTENTS**

**Bemerkungen
Notes**

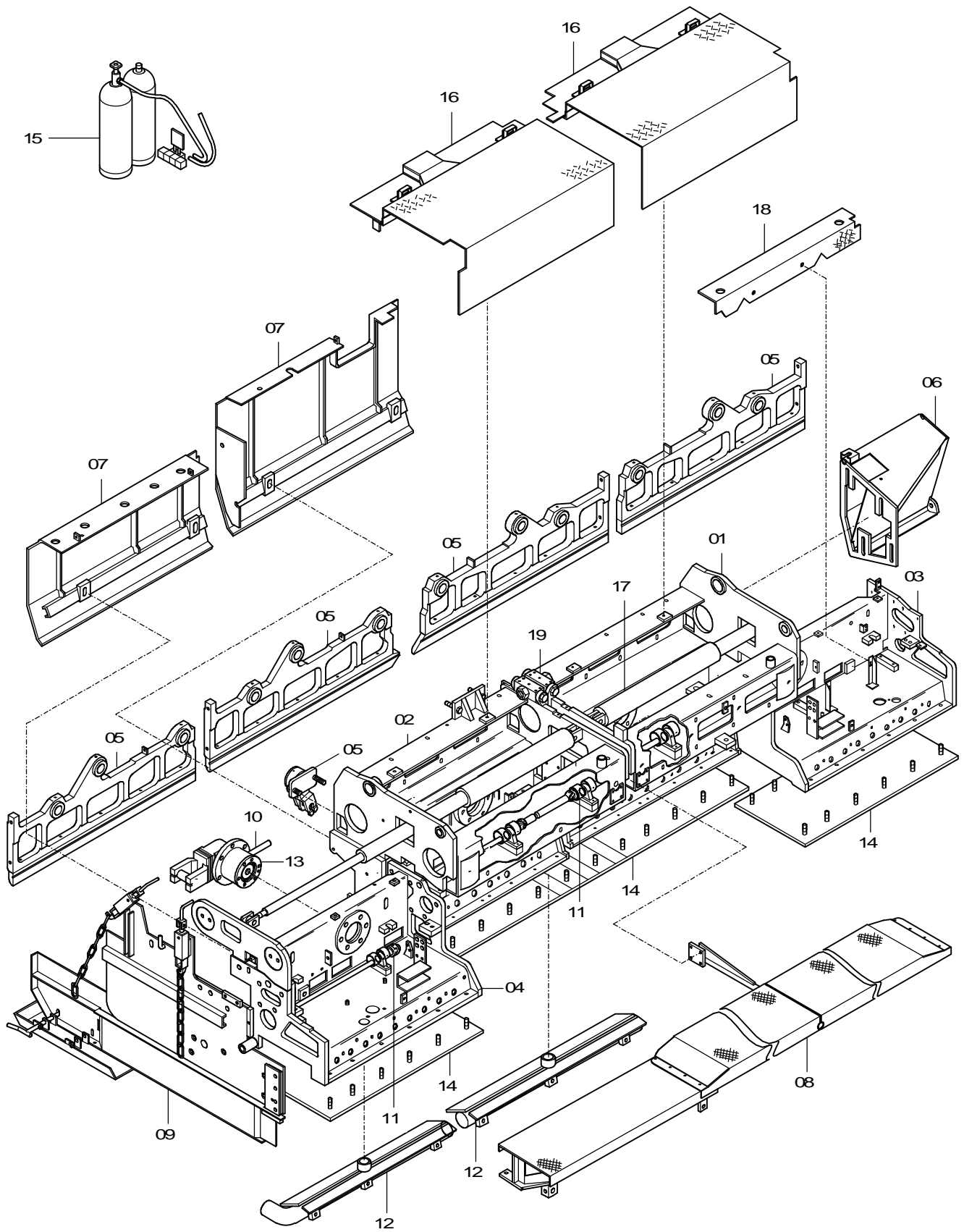
814-12302	Remote control _____	
814-12303	Remote control _____	
857-13	VB850T(V) Options _____	
857-13120	Vibrator, compl. _____	
857-13130	Central lubrication _____	
857-13131	Central lubrication _____	
857-13132	Central lubrication _____	
857-13150	Support for material guide >8m _____	
857-13155	Support for material guide <8m _____	
857-13200	Step _____	
857-13201	Equipment for gangway _____	
857-13205	Step extension part, 500 mm _____	
857-13206	Step extension part, 250 mm _____	
857-14	VB850T(V) Parts & Part Kits _____	
965-14554	Hydraulic cylinder for screed. _____	

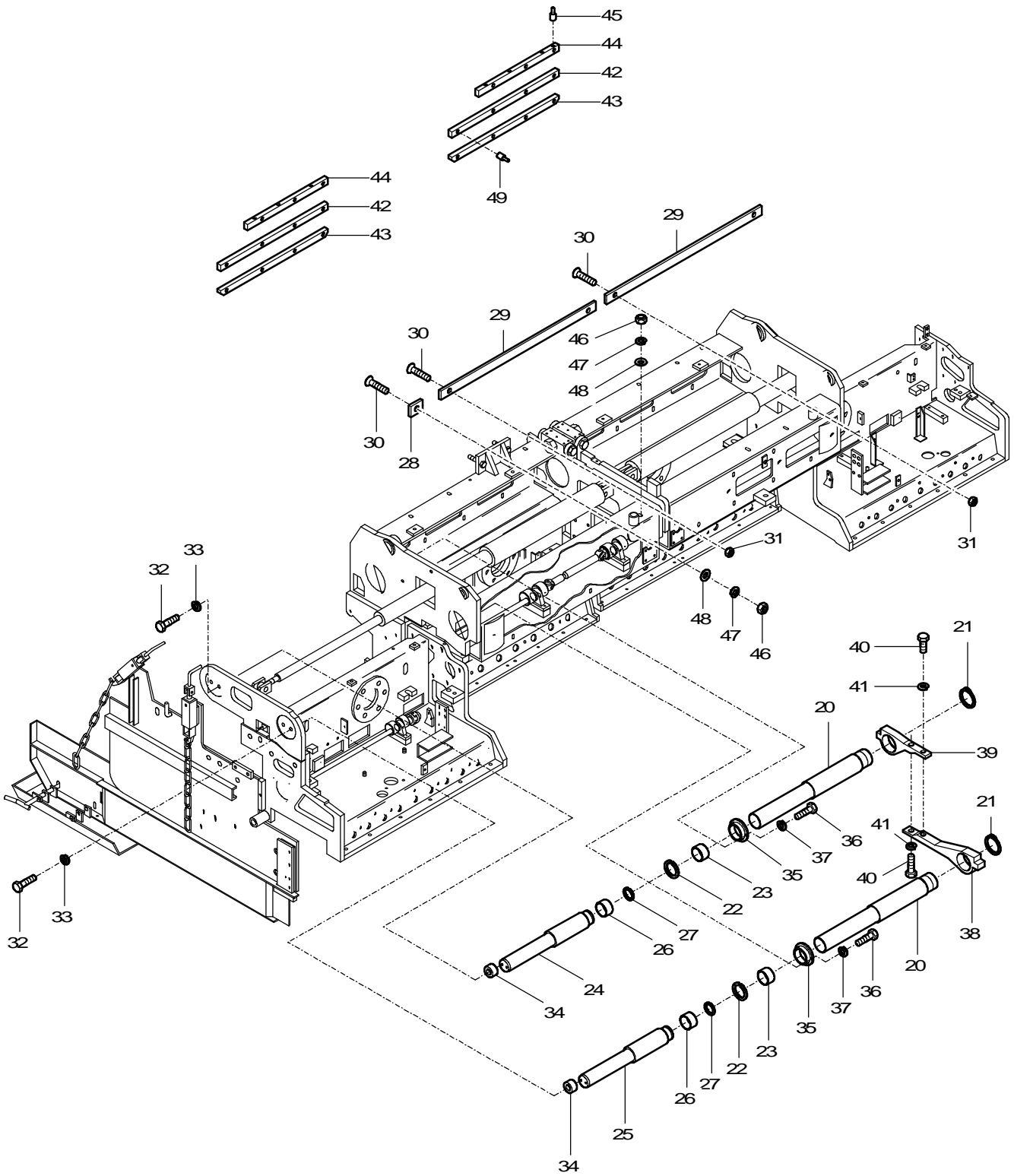
Pos. Item	Best.-Nr. Part No.	Anz. Qty.	Beschreibung Description	Bemerkung Note
1	857-01	1	VB850T(V) Main screed	
2	857-02	1	VB850T(V) Extension screeds	
3	857-03	1	VB850T(V) Tamper	
4	857-04	1	VB850T(V) Bottom plates	
5	857-05	1	VB850T(V) Mounting parts	
6	857-06	1	VB850T(V) Material guide	
7	857-07	1	VB850T(V) Cover plates and Gangway	
8	857-08	1	VB850T(V) Gas equipment	
9	857-09	1	VB850T(V) Lubricant pipes	
10	857-10	1	VB850T(V) Extension Parts	
11	857-11	1	VB850T(V) Hydraulic equipment	
12	857-12	1	VB850T(V) Electro installation compl.	
13	857-13	1	VB850T(V) Options	
14	857-14	1	VB850T(V) Parts & Part Kits	

VB 850T(V), Master

857

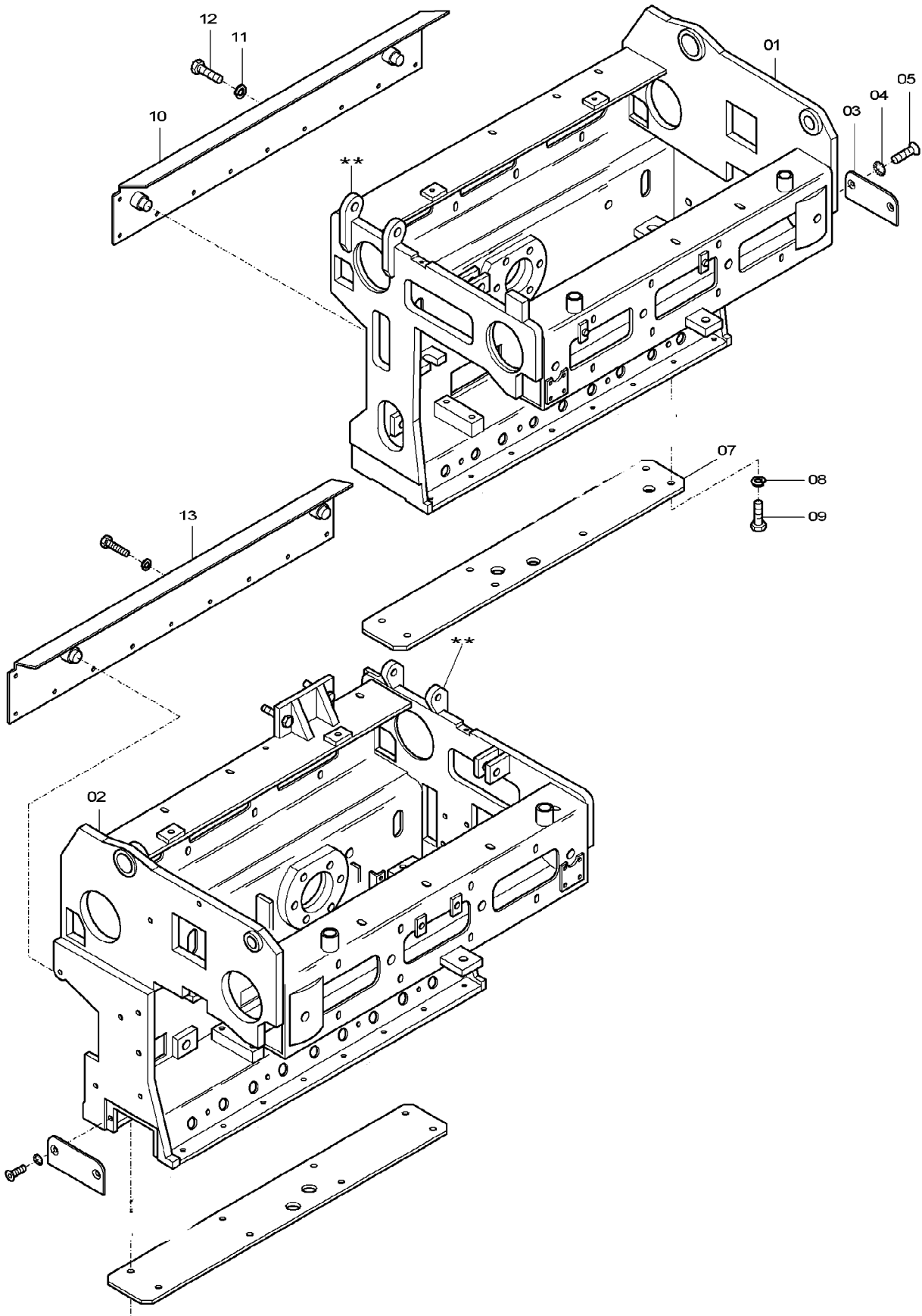
Pos. Item	Best.-Nr. Part No.	Anz. Qty.	Beschreibung Description	Bemerkung Note
1	857-01100	1	Tamper-Vario-Screed	
2	857-01120	1	Main screed	
VB850T(V) Main screed				857-01





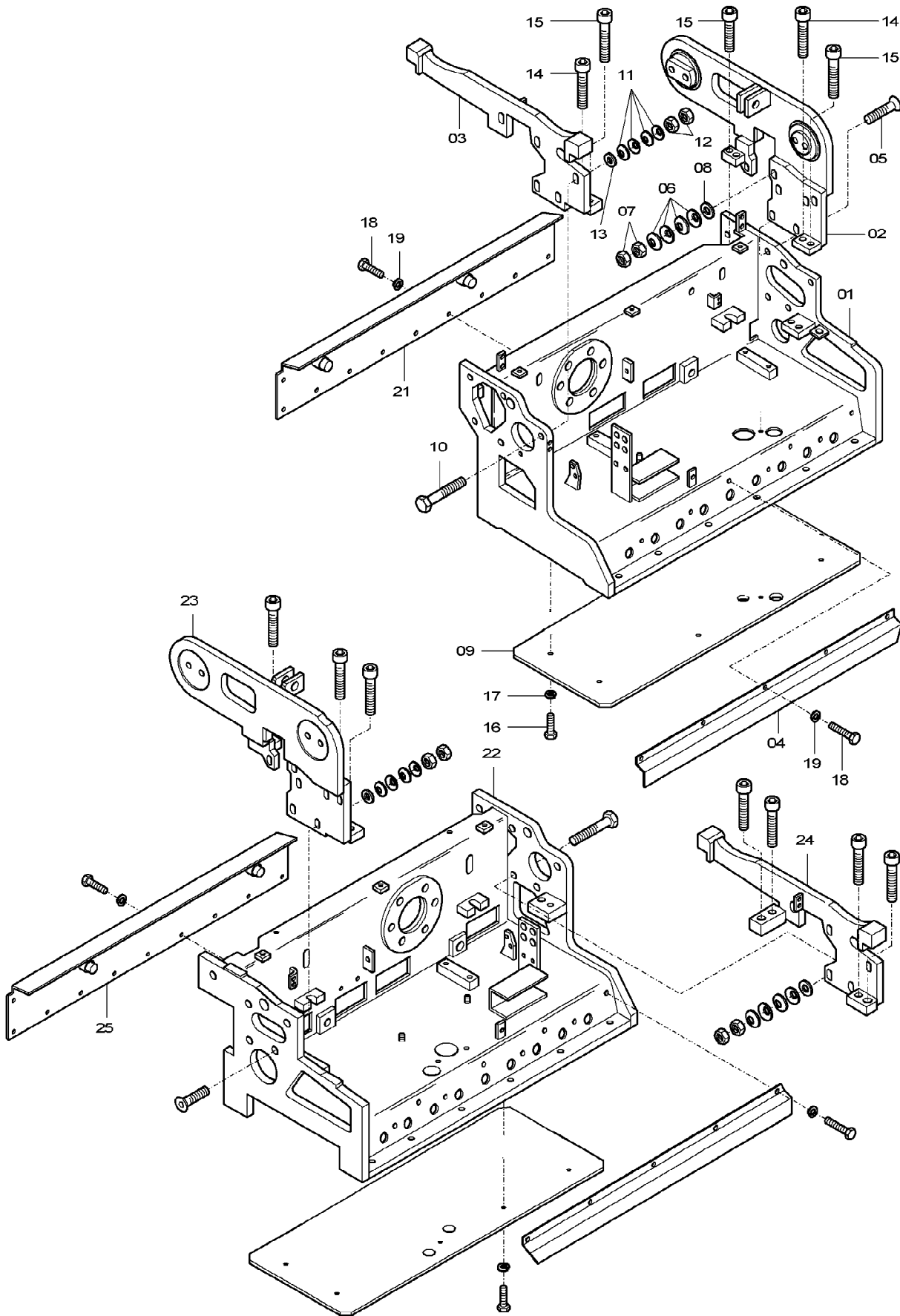
Pos. Item	Best.-Nr. Part No.	Anz. Qty.	Beschreibung Description	Bemerkung Note
1	857-01120	1	Main screed	
2	857-01120	1	Main screed	
3	857-02130	1	Extension screed	
4	857-02130	1	Extension screed	
5	857-03130	1	Rocker arm, compl.	
6	857-06130	1	Material guide	
7	857-03130	1	Rocker arm, compl.	
8	857-07140	1	Step	
9	857-06140	1	Side shield	
10	857-09130	1	Grease pipelines	
11	857-13120	1	Vibrator, compl.	
12	857-08120	1	Burner equipment	
13	857-03110	1	Tamper, compl.	
14	857-04130	1	Bottom plates compl.	
15	857-08130	1	Gas equipment with flame control	
16	857-07130	1	Cover plates	
17	857-05120	1	Roof profile setting and extension device	
18	857-05130	1	Mounting plate	
19	857-05120	1	Roof profile setting and extension device	
20	857500034	4	Guide pipe	
21	936008894	4	Safety ring	
22	931810121	4	Snap ring	
23	857500042	4	Guide bushing	
24	857500044	2	Guide shaft, front	
25	857500045	2	Guide shaft, rear	
26	857500048	4	Guide bushing	
27	931815108	4	Snap ring	
28	857500057	1	Slide plate middle	
29	857500058	4	Slide rail	
30	939475276	26	Countersunk screw	
31	938481009	26	Hex. nut	
32	938111717	8	Hex. screw	
33	936905026	8	Spring washer	
34	857500064	4	Bushing	
35	857500072	4	Guide bushing	
36	500138	8	Hex. screw	
37	936905014	8	Spring washer	
38	857500078	4	Guide, rear	
39	857500077	2	Guide, front	
40	938111717	4	Hex. screw	
41	936905026	4	Spring washer	
42	857500083	2	Guide rail, top	
43	857500087	4	Guide rail, bottom	
44	857500088	4	Guide rail, top	
45	856500090	28	Adjusting screw	
46	928847	64	Hex. nut	
Tamper-Vario-Screed			857-01100	

Pos. Item	Best.-Nr. Part No.	Anz. Qty.	Beschreibung Description	Bemerkung Note
47	704130	64	Spring washer	
48	939130012	64	Disc	
49	857500090	36	Adjusting screw	
51				
Tamper-Vario-Screed				857-01100



Pos. Item	Best.-Nr. Part No.	Anz. Qty.	Beschreibung Description	Bemerkung Note
1	857650110	1	Screed substance, right	
2	857650210	1	Screed substance, left	
3	857500175	2	Cover	
4	606005	4	Fan disc	
5	939475274	4	Countersunk screw	
7	857500170	2	Heat conductor plate	
8	936905020	22	Spring washer	
9	500051	16	Hex. screw	
10	857500196	1	Air guide plate, right	
11	936905014	2	Spring washer	
12	500019	22	Hex. screw	
13	857500296	1	Air guide plate, left	
Main screed				857-01120

Pos. Item	Best.-Nr. Part No.	Anz. Qty.	Beschreibung Description	Bemerkung Note
1	857-02130	1	Extension screed	
VB850T(V) Extension screeds				857-02

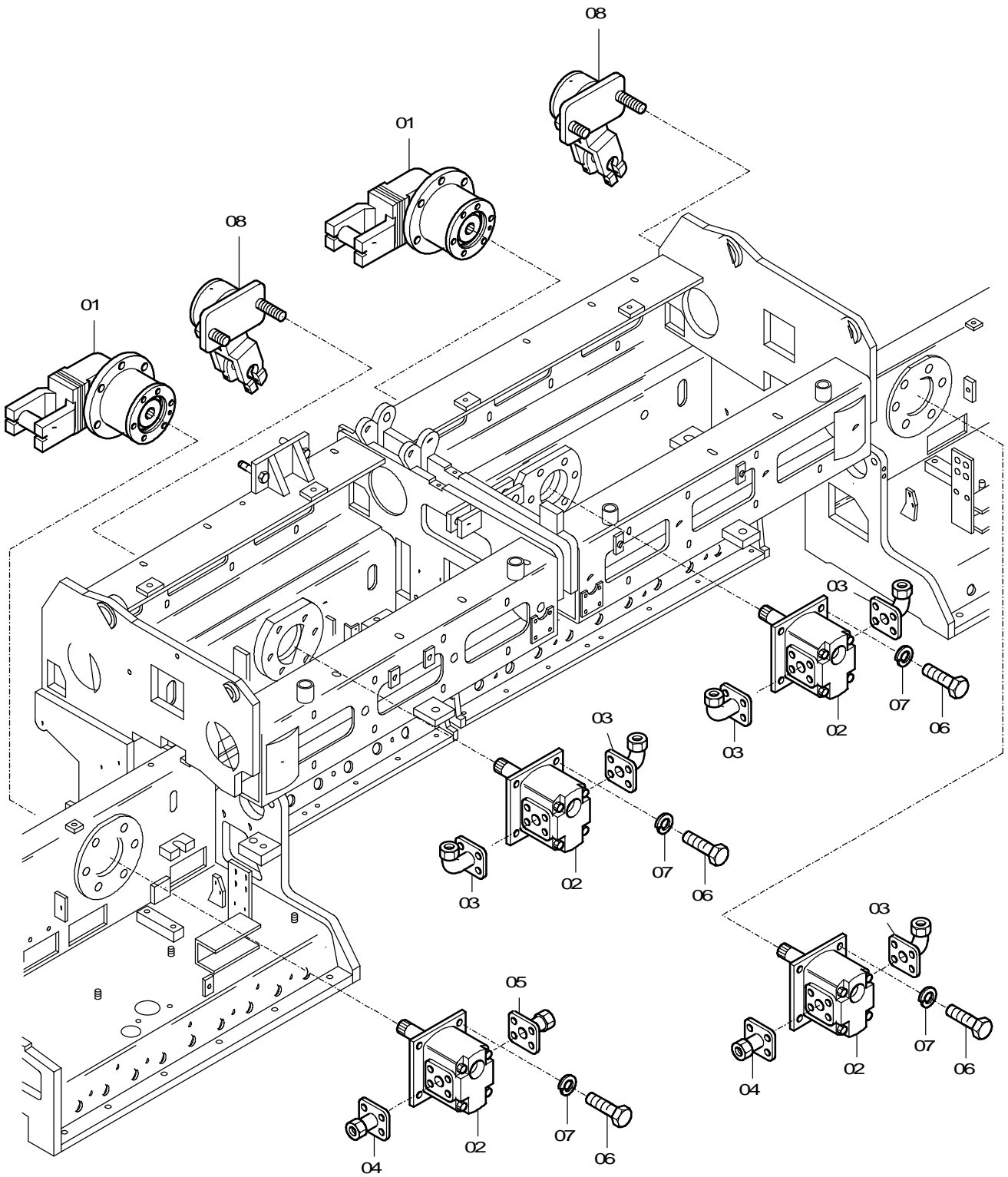


Pos. Item	Best.-Nr. Part No.	Anz. Qty.	Beschreibung Description	Bemerkung Note
1	857650310	1	Screed substance, right	
2	857500350	1	Side plate, top part	
3	857500362	1	Slide piece, right	
4	857500368	2	Cover plate	
5	939475447	10	Screw	
6	932800644	40	Cup spring	
7	938190520	20	Hex. nut	
8	939130018	10	Washer	
9	857500374	2	Heat conductor plate	
10	500094	10	Hex. screw	
11	932800644	40	Cup spring	
12	938190520	20	Hex. nut	
13	939130018	10	Washer	
14	937932604	6	Screw	
15	857500381	10	Cylindric head screw	
16	500051	16	Hex. screw	
17	936905020	16	Spring washer	
18	500019	32	Hex. screw	
19	936905014	32	Spring washer	
21	857500396	1	Air guide plate, right	
22	857650410	1	Screed substance, left	
23	857500450	1	Side plate, top left	
24	857500462	1	Slide piece, right	
25	857500496	1	Air guide plate, left	

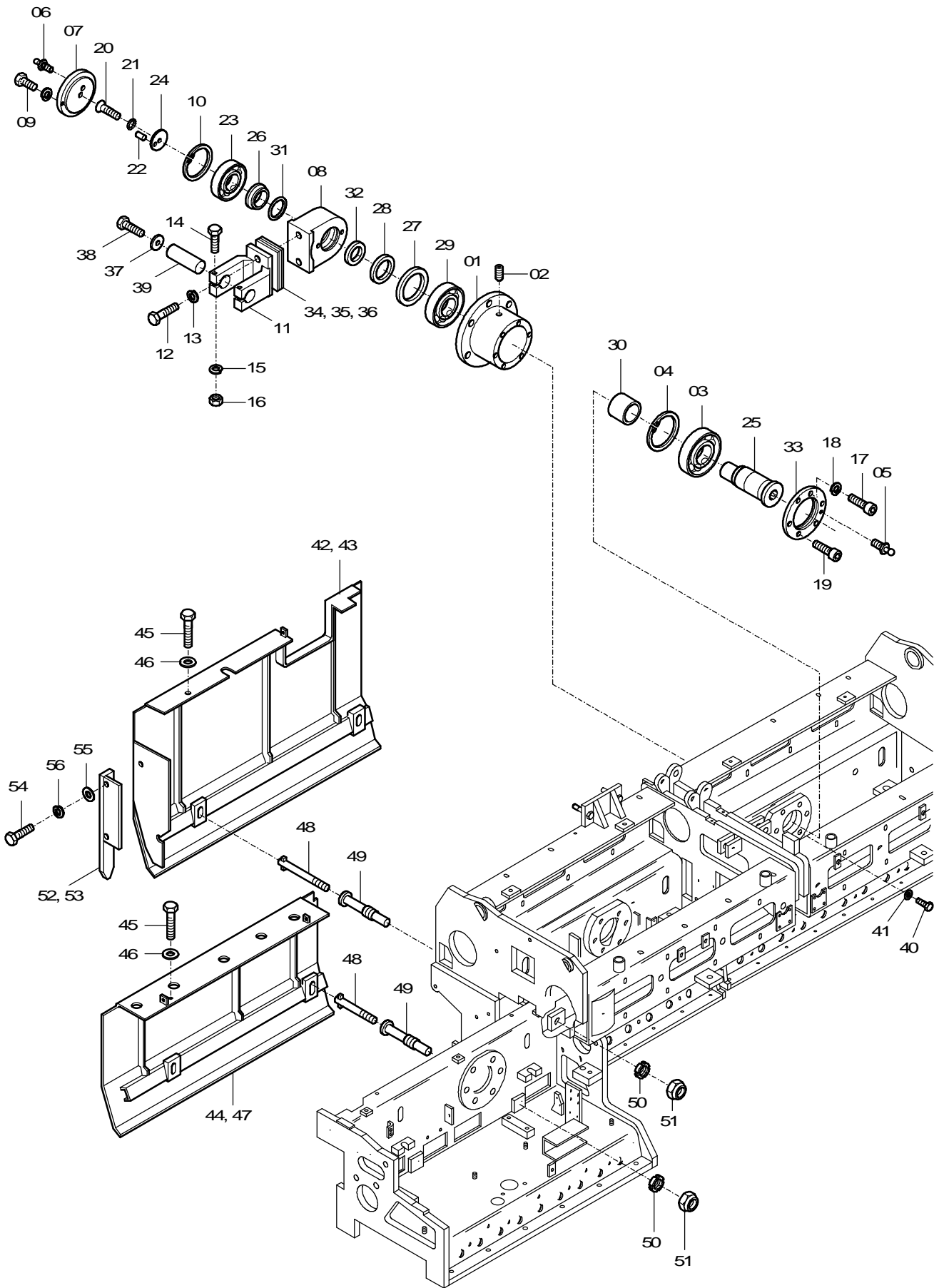
Extension screed

857-02130

Pos. Item	Best.-Nr. Part No.	Anz. Qty.	Beschreibung Description	Bemerkung Note
1	857-03110	1	Tamper, compl.	
2	857-03120	1	Tamper	
3	857-03130	1	Rocker arm, compl.	
VB850T(V) Tamper				857-03



Pos. Item	Best.-Nr. Part No.	Anz. Qty.	Beschreibung Description	Bemerkung Note
1	857-03120	4	Tamper	
2	966136220	4	Axial piston motor	
_01	932785306	1	_Sealing kit	
3	961371072	5	Angle flange screwing	
4	990091818	2	Screwing	
5	961371066	1	Screwing	
6	500022	16	Hex. screw	
7	936905014	16	Spring washer	
8	857-03130	1	Rocker arm, compl.	
Tamper, compl.				857-03110

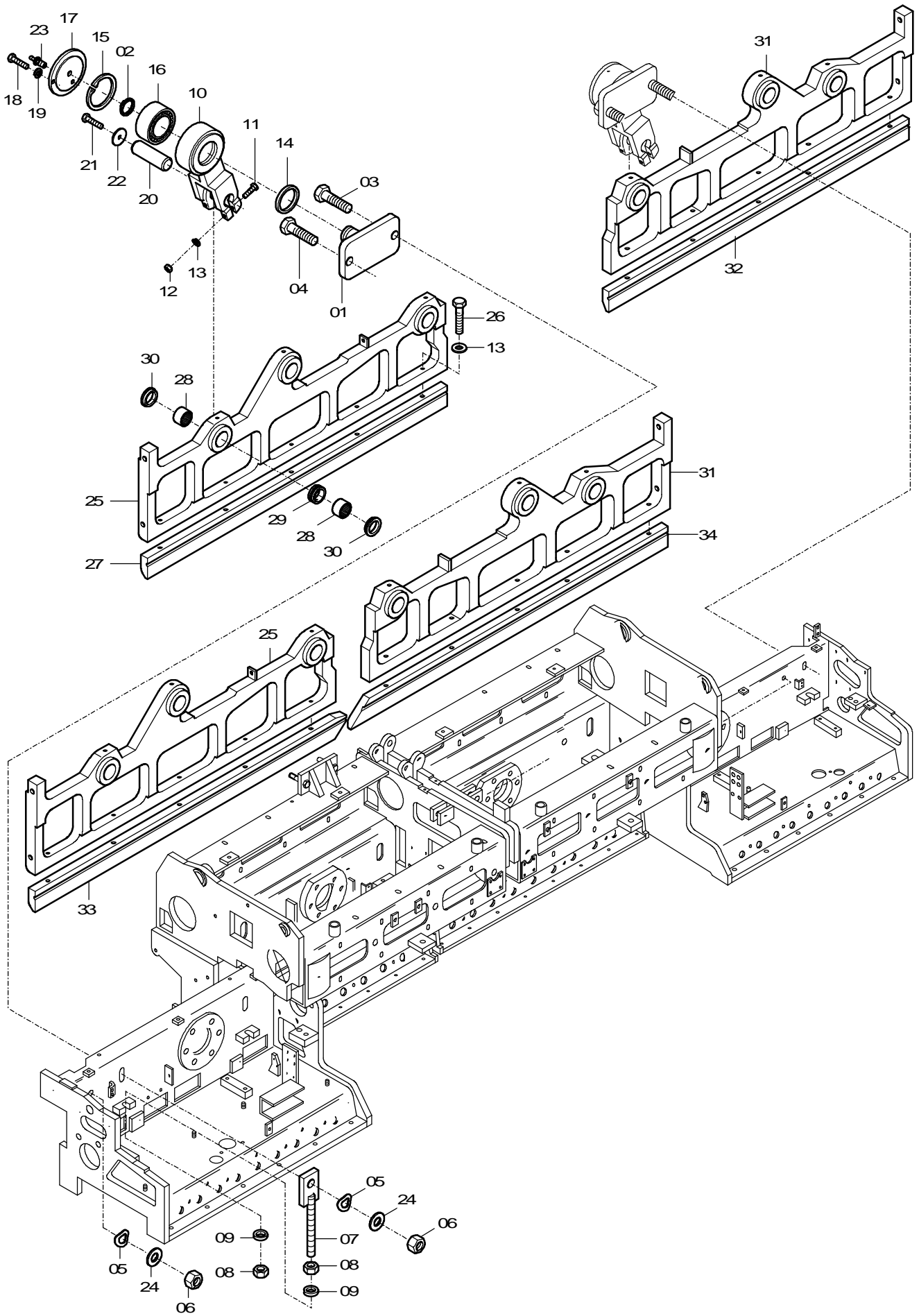


Pos. Item	Best.-Nr. Part No.	Anz. Qty.	Beschreibung Description	Bemerkung Note
1	847650505	1	Flange bearing	
2	516040	1	Grub screw	
3	935004694	1	Roller bearing	
4	936032772	1	Snap ring	
5	935511210	1	Grease nipple	
6	935511250	1	Grease nipple	
7	857500829	1	Bearing cover	
8	750222838	1	Eccenter housing	
9	500013	2	Hex. screw	
10	936032112	1	Safety ring	
11	750223549	1	Cam fork	
12	938155980	2	Hex. screw	
13	936900029	2	Spring washer	
14	500197	2	Hex. screw	
15	936905020	2	Spring washer	
16	938190518	2	Hex. nut	
17	937930331	5	Hex. socket screw	
18	947887	8	Spring washer	
19	939390439	1	Cylindric head screw	
20	939470435	1	Screw	
21	938900026	1	Fan disc	
22	931500816	1	Clamping sleeve	
23	935012595	1	Pendulum roller bearing	
24	750223570	1	Disc	
25	688737	1	Eccentric shaft	
26	750222872	1	Track ring	
27	936445535	1	Shaft sealing ring	
28	750222874	1	Track ring	
29	935011818	1	Roller bearing	
30	847650540	1	Distance pipe	
31	932215313	1	O-ring	
32	932101101	1	Disc	
33	847650543	1	Flange cover	
34	750220080	X	Plate	4 mm
35	750220081	X	Plate	1 mm
36	750220084	X	Plate	1,5 mm
37	937200020	1	Washer	
38	500028	1	Hex. screw	
39	750223561	1	Pivor pin	
40	938165873	12	Hex. screw	
41	600011	12	Disc	
42	857501610	1	Tamper shield, right	
43	857501630	1	Tamper shield, left	
44	857501650	1	Tamper shield, right	
45	938165863	8	Hex. screw	
46	939130018	8	Washer	
Tamper				857-03120

Pos. Item	Best.-Nr. Part No.	Anz. Qty.	Beschreibung Description	Bemerkung Note
47	857501670	1	Tamper shield, left	
48	857501685	8	Hammer screw	
49	857501690	8	Support tube	
50	939759906	8	Nut	M 30x1,5 DIN 981
51	938481012	8	Safety nut	
52	857500066	1	Cover plate, left	
53	857500067	1	Cover plate, right	
54	938111390	4	Hex. screw	
55	939130012	4	Disc	
56	704130	4	Spring washer	
X	857500121	X	Weld on plate	

Tamper

857-03120

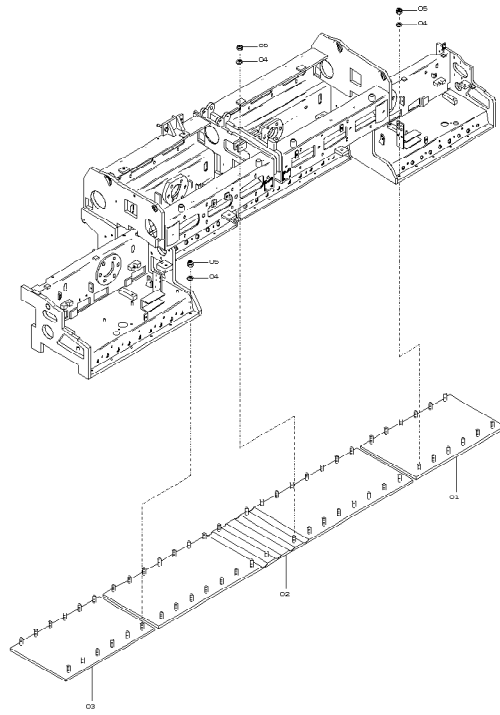


Pos. Item	Best.-Nr. Part No.	Anz. Qty.	Beschreibung Description	Bemerkung Note
1	750225301	4	Adjusting plate	
2	936003190	4	Shaft safety ring	
3	937680501	4	Hex. screw	
4	937680498	4	Hex. screw	
5	936940040	8	Spring washer	
6	938190524	8	Hex. nut	
7	855500814	4	Adjusting spindle	
8	938190522	8	Hex. nut	
9	939130020	8	Washer	
10	750225319	4	Rocker arm	
11	500196	8	Hex. screw	
12	938190518	8	Hex. nut	
13	936905020	20	Spring washer	
14	932781060	4	Felt strip	
15	936032112	4	Safety ring	
16	935002247	4	Self aligning bearing	
17	857500829	4	Bearing cover	
18	500013	8	Hex. screw	
19	936905011	8	Spring washer	
20	750223561	4	Pivor pin	
21	500028	4	Hex. screw	
22	937200020	4	Washer	
23	935511210	4	Grease nipple	
24	600020	8	Disc	
25	857501302	2	Tamper frame, left	
26	500111	20	Hex. screw	
27	857501315	1	Tamper cutter, left	
28	935182161	24	Needle bearing	
29	750227519	12	Distance ring	
30	750227520	24	Gasket	
31	857501402	2	Tamper frame, right	
32	857501415	1	Tamper cutter, right	
33	857601145	1	Tamper cutter, left	
34	857601245	1	Tamper cutter, right	
X	857-03120	1	Tamper	

Rocker arm, compl.

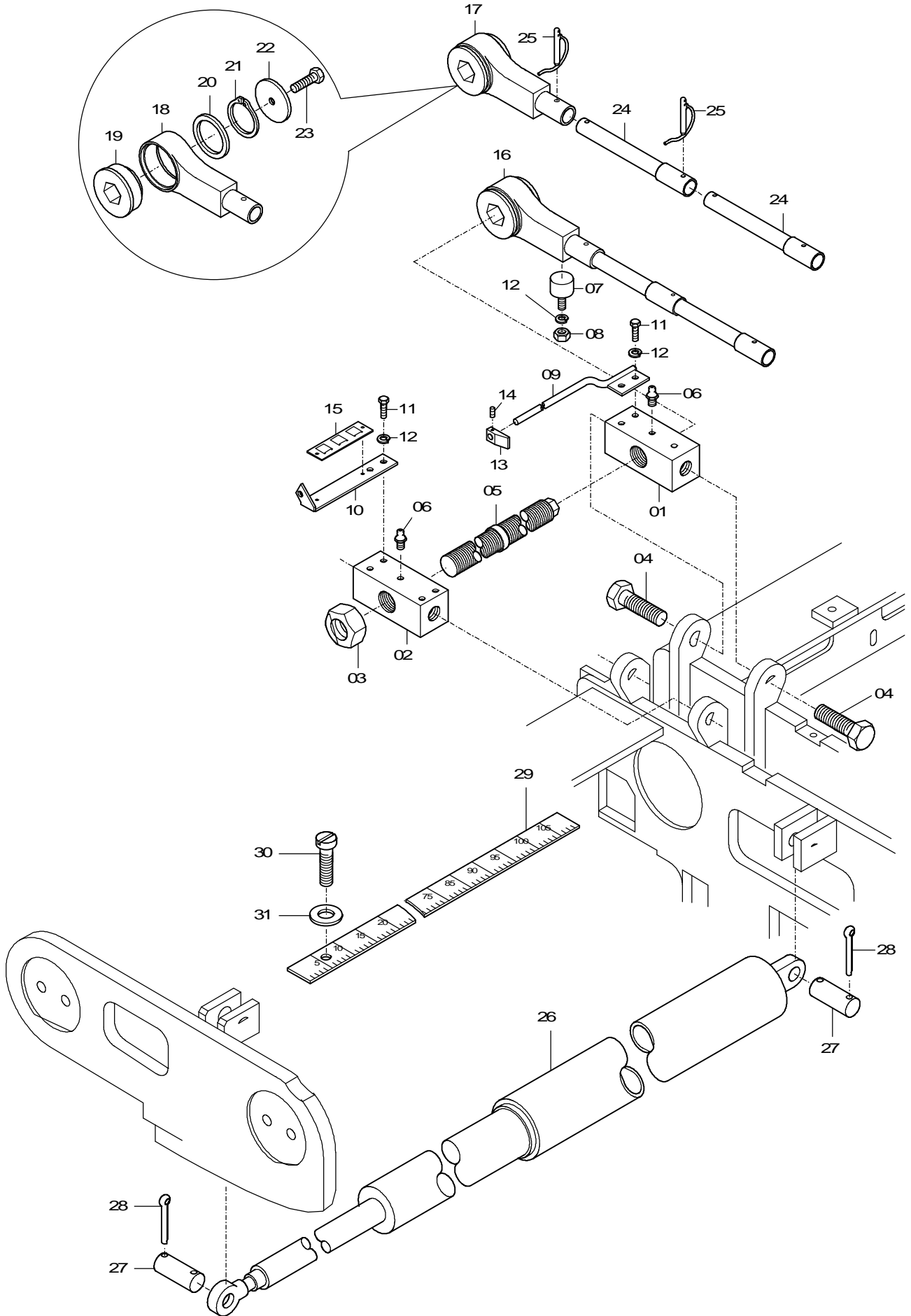
857-03130

Pos. Item	Best.-Nr. Part No.	Anz. Qty.	Beschreibung Description	Bemerkung Note
1	857-04130	1	Bottom plates compl.	
VB850T(V) Bottom plates				857-04



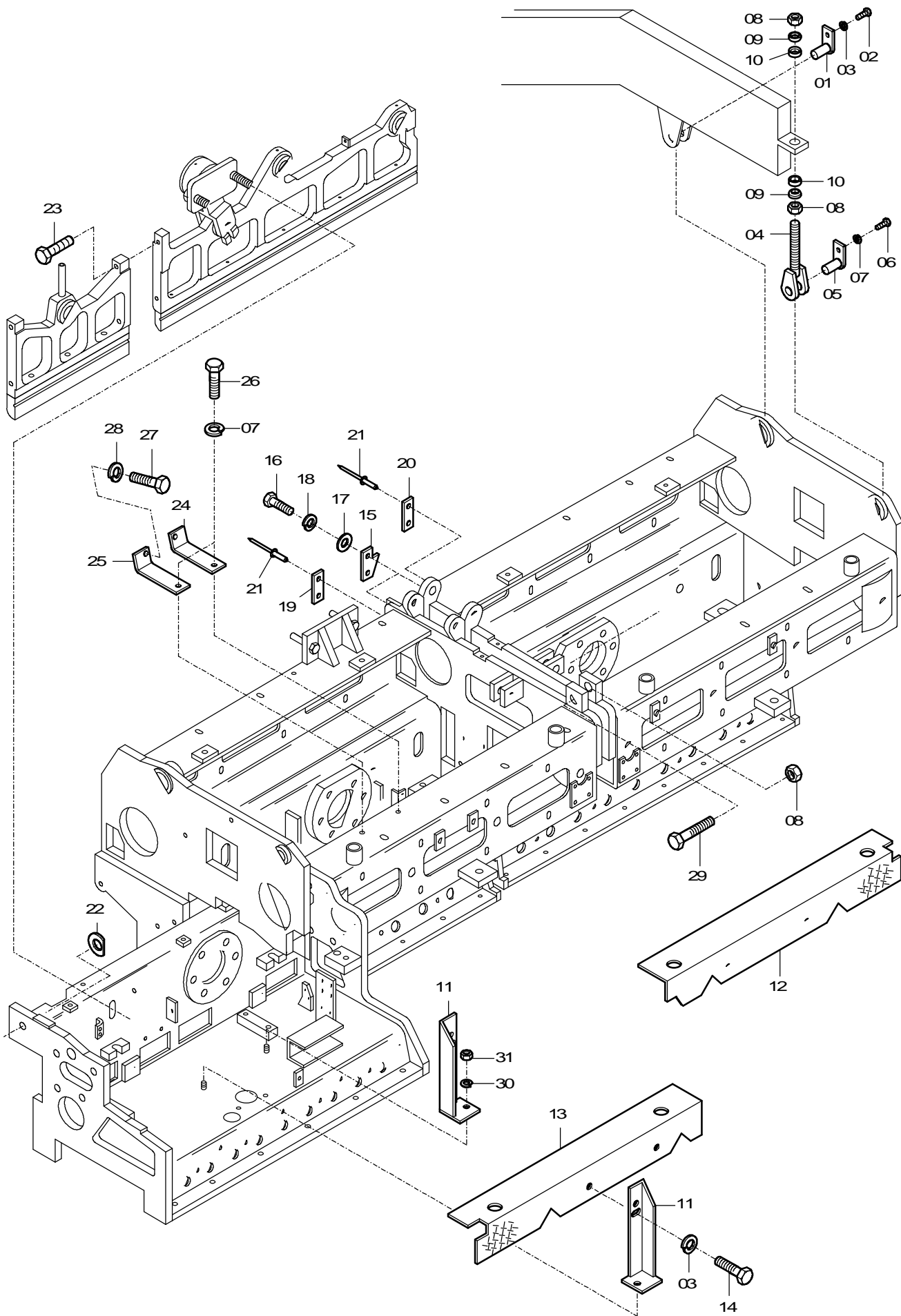
Pos. Item	Best.-Nr. Part No.	Anz. Qty.	Beschreibung Description	Bemerkung Note
1	857654110	1	Bottom plate, right	
2	857654105	1	Bottom plate main screed	
3	857654115	1	Bottom plate, left	
4	936905026	52	Spring washer	
5	938481012	52	Safety nut	
Bottom plates compl.				857-04130

Pos. Item	Best.-Nr. Part No.	Anz. Qty.	Beschreibung Description	Bemerkung Note
1	857-05120	1	Roof profile setting and extension device	
2	857-05130	1	Mounting plate	
VB850T(V) Mounting parts				857-05



Pos. Item	Best.-Nr. Part No.	Anz. Qty.	Beschreibung Description	Bemerkung Note
1	855500701	1	Clamping block, right	
2	855500702	1	Clamping block, left	
3	938190528	1	Hex. nut	
4	937680498	4	Hex. screw	
5	855500715	1	Adjusting spindle	
6	935511210	2	Grease nipple	
7	930458210	1	Buffer	
8	929233	1	Hex. nut	
9	855500725	1	Indicator rod	
10	855500730	1	Scale holder	
11	500021	4	Screw	
12	936905014	6	Spring washer	
13	570130620	1	Indicator	
14	516040	1	Grub screw	
15	855500742	1	Scale	
16	857652746	1	Ratchet, compl.	Part 17-25
17 *	857652747	1	Crank lever, compl.	Part 18-24
18 *	930298730	1	Crank lever	
19 *	930404612	1	Crank wheel	
20 *	930440081	1	Disc	
21 *	936003222	1	Safety ring	
22 *	990030907	1	Disc	
23 *	500053	1	Hex. screw	
24 *	930415712	2	Extension	
25 *	930290106	2	Pipe pin	
26	965126554	1	Telescopic cylinder	
_01	679516	1	_Seal kit	
27	855500918	2	Bolt	
28	630018	4	Split pin	
29	990000447	1	Scale	
30	533038	3	Cylindric head screw	
31	606003	3	Fan disc	

*) Available as single part

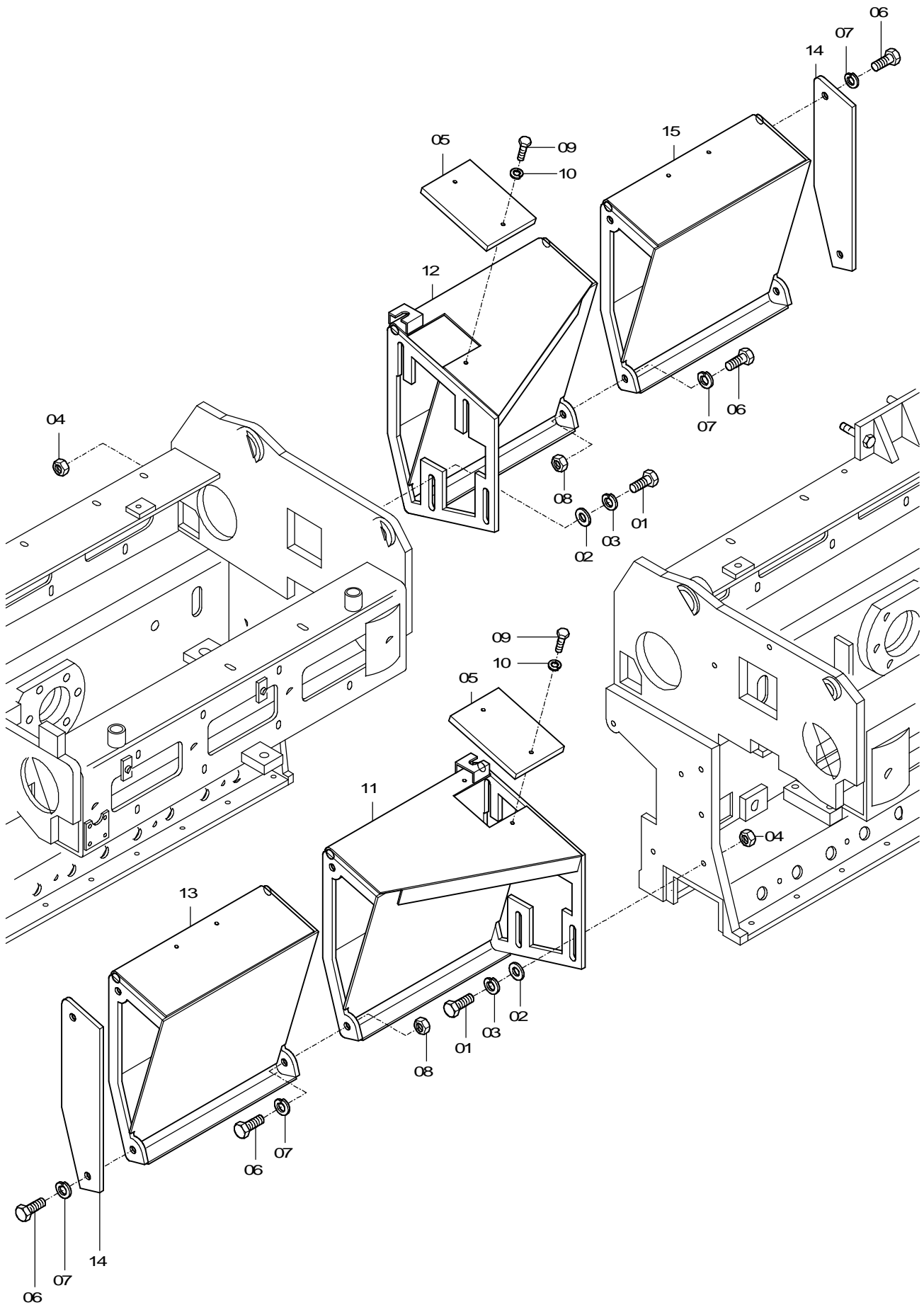


Pos. Item	Best.-Nr. Part No.	Anz. Qty.	Beschreibung Description	Bemerkung Note
1	866042505	2	Bolt	
2	500048	2	Hex. screw	
3	704130	4	Spring washer	
4	886045941	2	Spindle	
5	886045946	2	Bolt	
6	500053	2	Hex. screw	
7	936905014	6	Spring washer	
8	938190026	5	Hex. nut	
9	930298331	4	Ball washer	
10	930284435	4	Connical ring	
11	847652384	4	Holder for cover	
12	857502110	1	Cover, vibration right	
13	857502118	1	Cover vibration, left	
14	500027	4	Hex. screw	
15	857502130	8	Pointer, left and right	
16	500013	16	Hex. screw	
17	600004	16	Washer	
18	936905011	16	Spring washer	
19	990000465	4	Scale, left	
20	990000467	4	Scale, right	
21	930129512	16	Rivet	
22	990042001	2	Disc	
23	500082	4	Hex. screw	
24	857502170	1	Mounting angle	
25	857502171	1	Mounting angle	
26	500019	4	Hex. screw	
27	500040	6	Hex. screw	
28	936905011	6	Spring washer	
29	938166205	1	Hex. screw	
30	936905020	4	Spring washer	
31	938100518	4	Hex. nut	

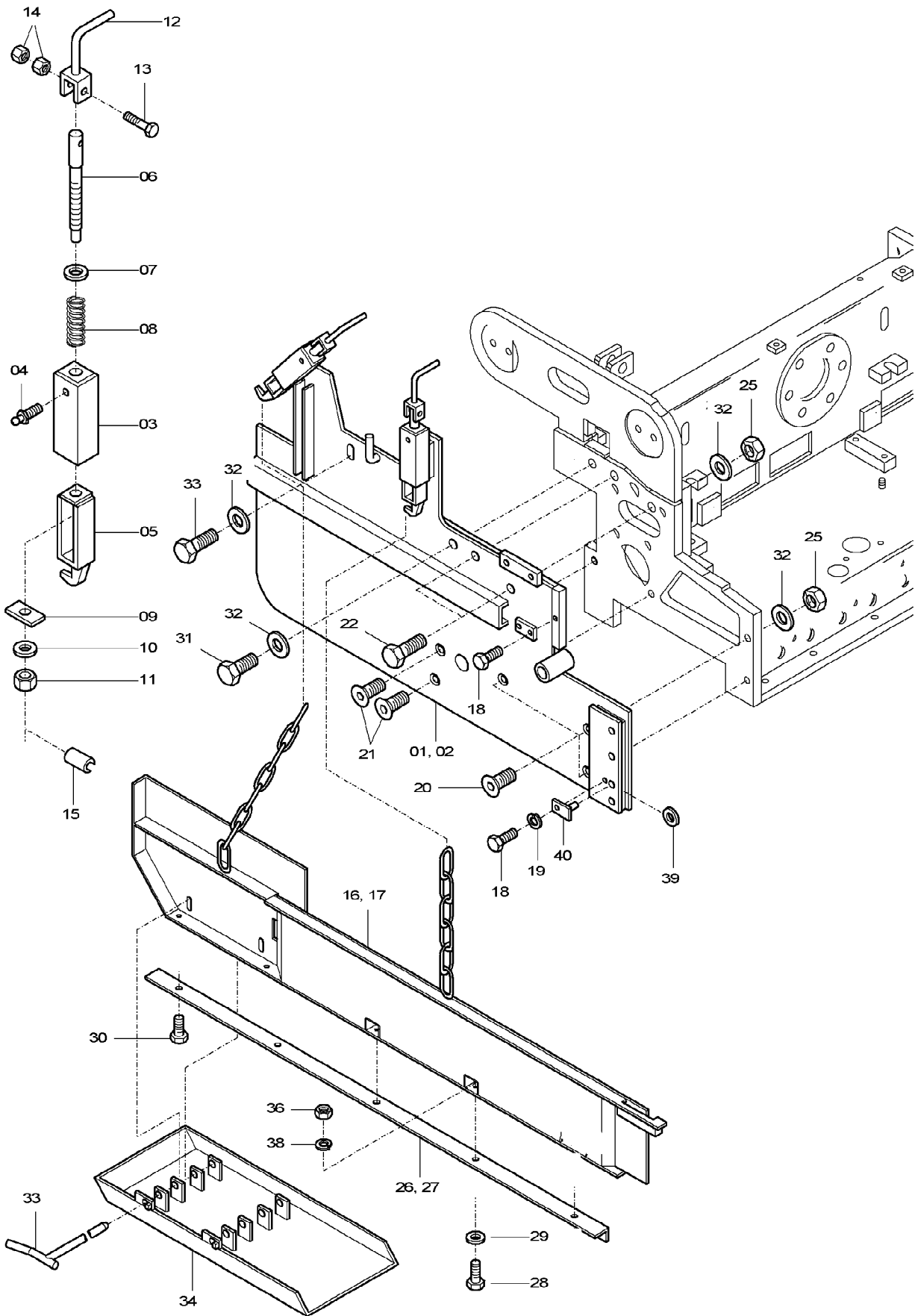
Mounting plate

857-05130

Pos. Item	Best.-Nr. Part No.	Anz. Qty.	Beschreibung Description	Bemerkung Note
1	857-06130	1	Material guide	
2	857-06140	1	Side shield	
VB850T(V) Material guide				857-06



Pos. Item	Best.-Nr. Part No.	Anz. Qty.	Beschreibung Description	Bemerkung Note
1	500093	12	Hex. screw	
2	600011	4	Disc	
3	936900026	12	Spring washer	
4	938190520	2	Hex. nut	
5	856501533	2	Cover	
6	938150871	X	Hex. screw	
7	936900026	X	Spring washer	
8	570008	X	Hex. nut	
9	500053	4	Hex. screw	
10	936905014	4	Spring washer	
11	856501545	1	Material guideway main screed, left	
12	856501555	1	Material guideway main screed, right	
13	856501565	X	Extension material guideway, left	
14	856501574	2	End plate	
15	856501575	X	Extension material guideway, right	

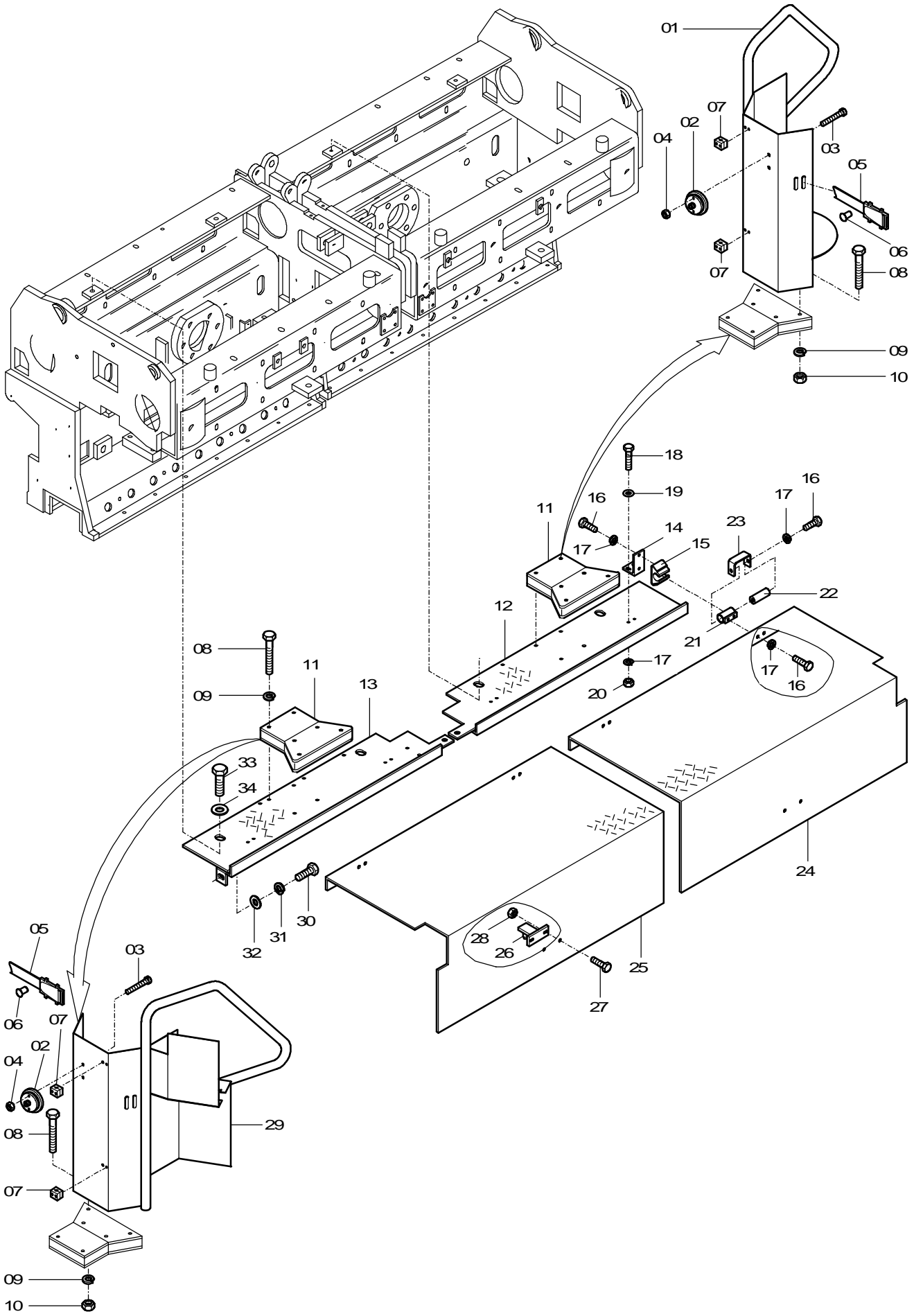


Pos. Item	Best.-Nr. Part No.	Anz. Qty.	Beschreibung Description	Bemerkung Note
1	857502010	1	Limit plate, left	
2	857502011	1	Limit plate, right	
	770500754	4	Adjustment spindle, compl.	
3	770500744	4	Housing	
4	935511110	4	Grease nipple	
5	770500759	4	Spindle guide	
6	770500783	4	Spindle	
7	938590018	4	Disc	
8	903526620	4	Vale feather	
9	770500788	4	Plate	
10	936905020	4	Spring washer	
11	938190518	4	Hex. nut	
12	770500792	4	Crank	
13	500032	4	Hex. screw	
14	928847	8	Hex. nut	
15	931500613	4	Clamping sleeve	
16	857502036	1	Side plate, left	
17	857502037	1	Side shield right	
18	500019	4	Hex. screw	
19	936905014	2	Spring washer	
20	939475547	6	Countersunk screw	
21	939475545	3	Countersunk screw	
22	938111943	4	Hex. screw	
25	938190522	10	Hex. nut	
26	857502065	1	Angle, left	
27	857502066	1	Angle, right	
28	500048	12	Hex. screw	
29	600008	10	Washer	
30	500029	4	Hex. screw	
31	938150978	4	Hex. screw	
32	600014	10	Disc	
33	990020101	2	Bolt	
34	857502075	1	Reducer shoe	
36	928847	12	Hex. nut	
38	704130	12	Spring washer	
39	850500709	2	Roller	
40	857502097	1	Bolt	

Side shield

857-06140

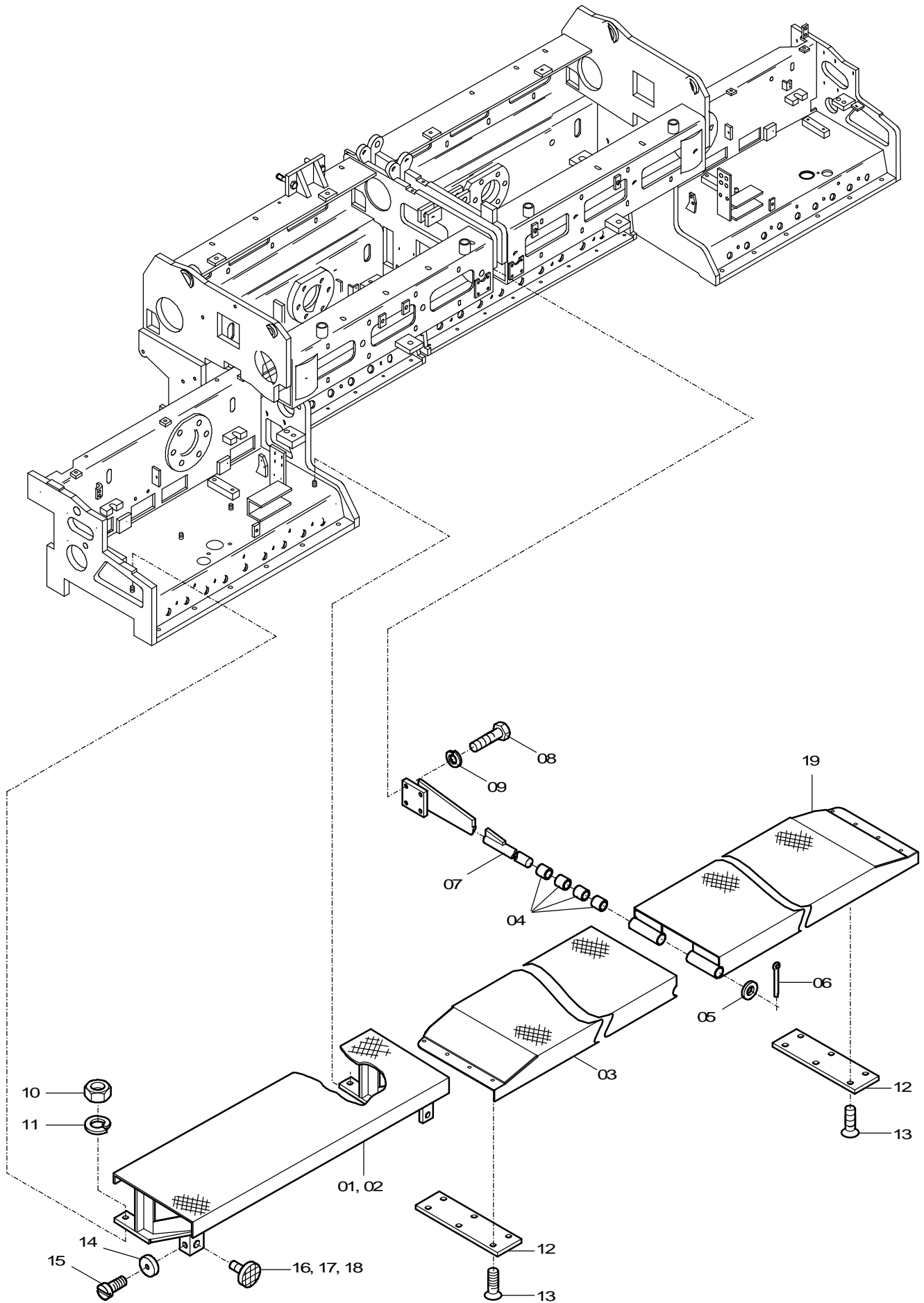
Pos. Item	Best.-Nr. Part No.	Anz. Qty.	Beschreibung Description	Bemerkung Note
1	857-07130	1	Cover plates	
2	857-07140	1	Step	
VB850T(V) Cover plates and Gangway				857-07



Pos. Item	Best.-Nr. Part No.	Anz. Qty.	Beschreibung Description	Bemerkung Note
1	20007600	1	Gas bottle holder, right	
2	30014627	1	Fittings bracket	
3	49900435	4	Screw	
4	49901071	4	Hex. nut	
5	30008127	2	Strap retainer	
6	49300078	4	Rivet	
7		X	Clip	
8	500197	12	Hex. screw	
9	936905020	12	Spring washer	
10	938849	8	Nut	
11	857657150	2	console for bottle holder	
12	857657125	1	Cover plate, front right	
13	857657105	1	Cover plate, front left	
14	857657155	4	Holder	
15	834140214	4	Catch	
16	500019	32	Hex. screw	
17	936905014	32	Spring washer	
18	500021	8	Screw	
19	600006	8	Disc	
20	938481008	8	Nut	
21	857657160	4	Catch	
22	847657180	4	Safety bolt	
23	847657181	4	Safety bow	
24	857657115	1	Cover plate, back left	
25	857657135	1	Cover plate, back right	
26	857501860	2	Holder	
27	938111282	4	Hex. screw	
28	929233	4	Hex. nut	
29	20007599	1	Gas bottle holder, left	
30	500028	4	Hex. screw	
31	936900017	4	Spring washer	
32	939130012	4	Disc	
33	500154	4	Hex. screw	
34	600011	4	Disc	

Cover plates

857-07130

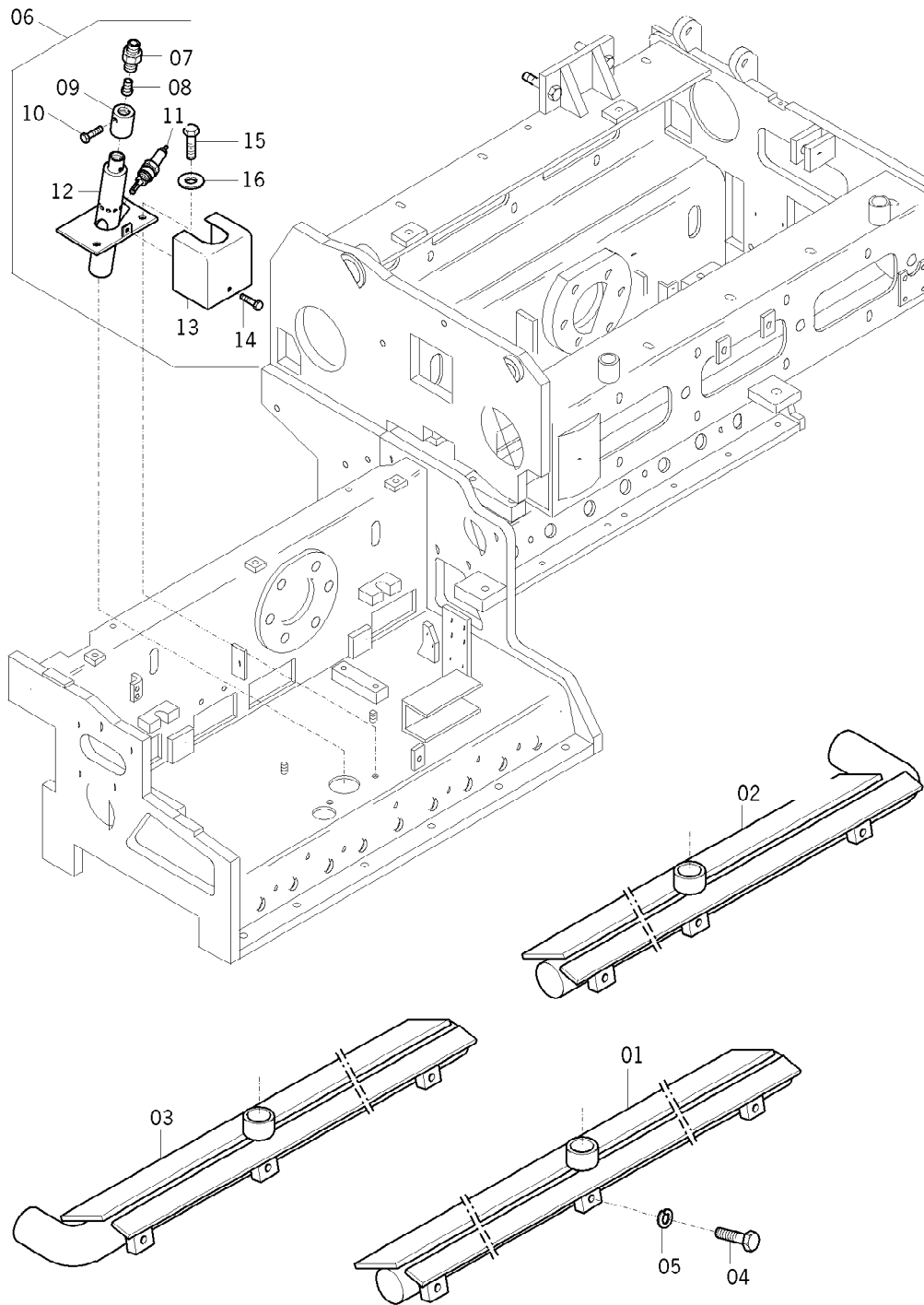


Pos. Item	Best.-Nr. Part No.	Anz. Qty.	Beschreibung Description	Bemerkung Note
1	856501950	1	Step plate slide piece, right	
2	856501951	1	Step plate slide piece, left	
3	857501927	1	Step main screed, left	
4	930136610	4	Bearing bushing	
5	600025	1	Disc	
6	630028	1	Split pin	
7	857501945	1	Step mounting	
8	500031	4	Hex. screw	
9	704130	4	Spring washer	
10	938190522	4	Hex. nut	
11	936900029	4	Spring washer	
12	857501965	1	Wood plate	
13	938366648	16	Countersunk screw	
14	977860101	2	Reflector, yellow	
15	936753331	4	Flat head cap screw	
16	977860067	2	Reflector, red	
17	938900516	4	Disc	
18	938191013	4	Hex. nut	
19	857501977	1	Step main screed, right	

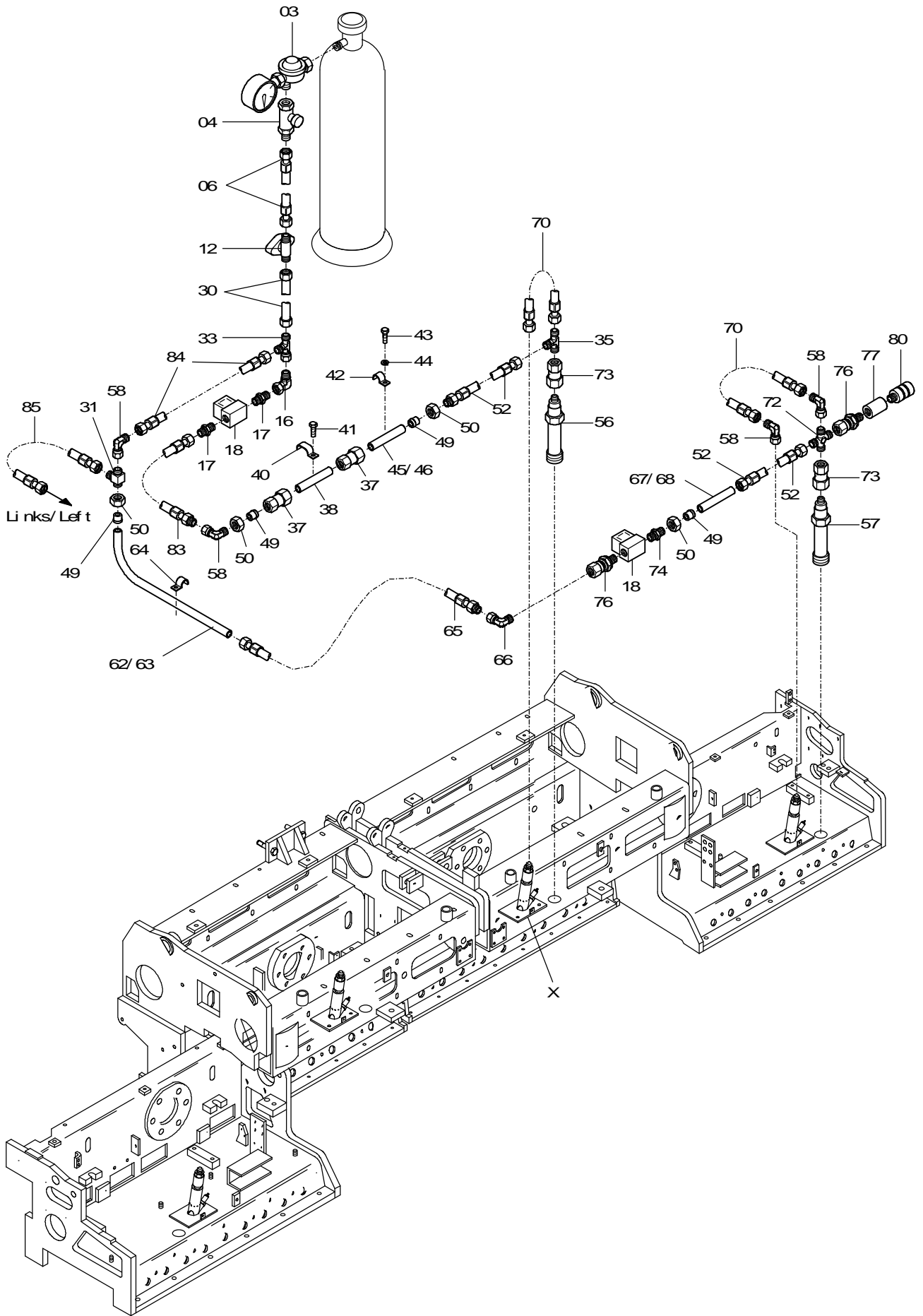
Step

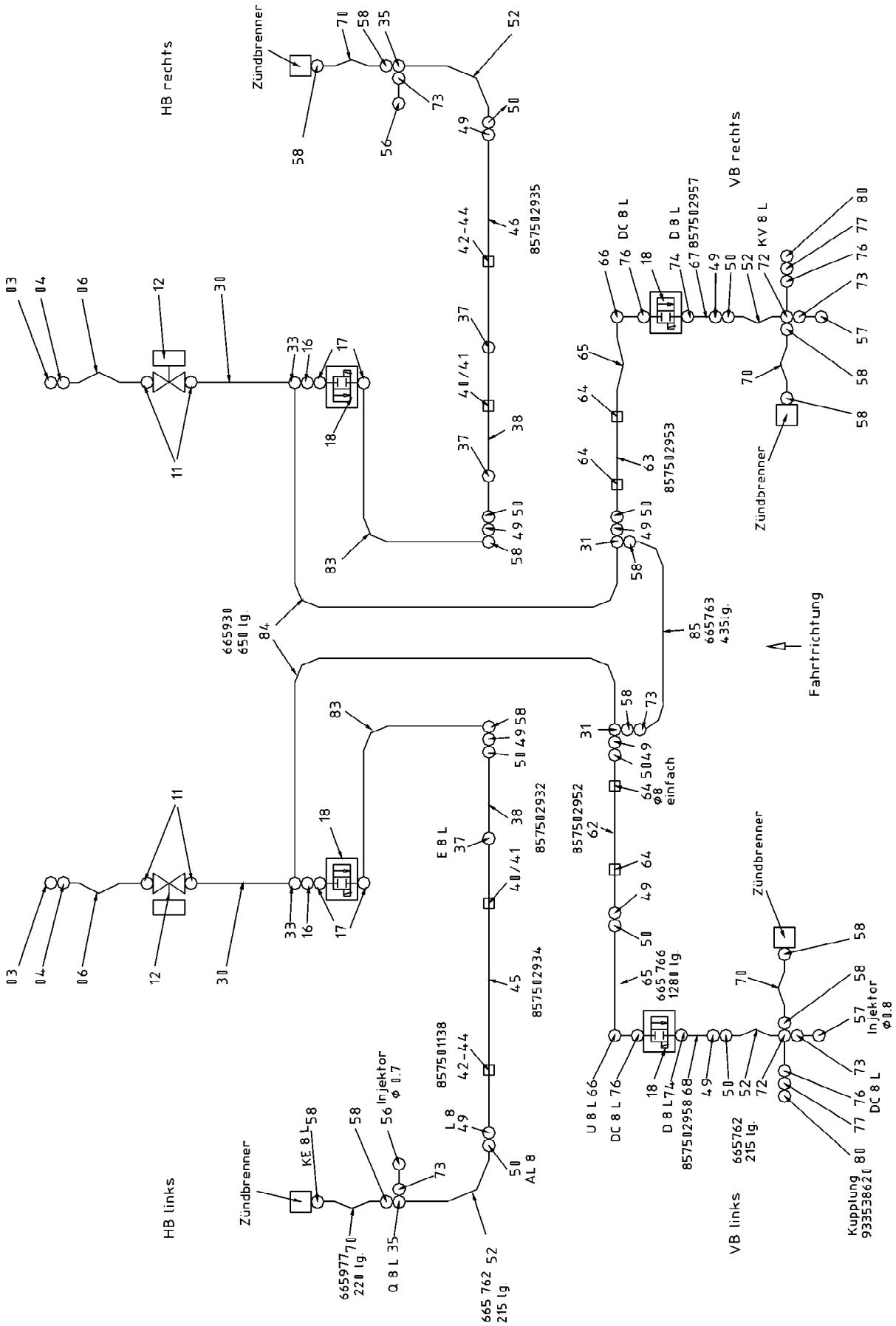
857-07140

Pos. Item	Best.-Nr. Part No.	Anz. Qty.	Beschreibung Description	Bemerkung Note
1	857-08120	1	Burner equipment	
2	857-08140	1	Gas equipment with flame control	
3		1		
VB850T(V) Gas equipment				857-08



Pos. Item	Best.-Nr. Part No.	Anz. Qty.	Beschreibung Description	Bemerkung Note
1	857501210	2	Burner main screed	
2	857501768	1	Burner extension screed, right	
3	857501769	1	Burner extension screed, left	
4	500028	16	Hex. screw	
5	704130	16	Spring washer	
6	819901703	4	Ignition burner holder, compl.	
7 *	857652944	1	Connection piece	
8 *	857652983	1	Nozzle	0,3mm
9 *	819901714	1	Adjusting ring	
10 *	938185543	1	Hex. screw	
11 *	977058511	1	Spark plug	
12 *	819901704	1	Ignition burner, holder	
13 *	819901715	1	Cover, right	
14	500012	1	Hex. screw	
15	500053	8	Hex. screw	
16	600006	8	Disc	
*) Available as single part				
Burner equipment				857-08120





857654700

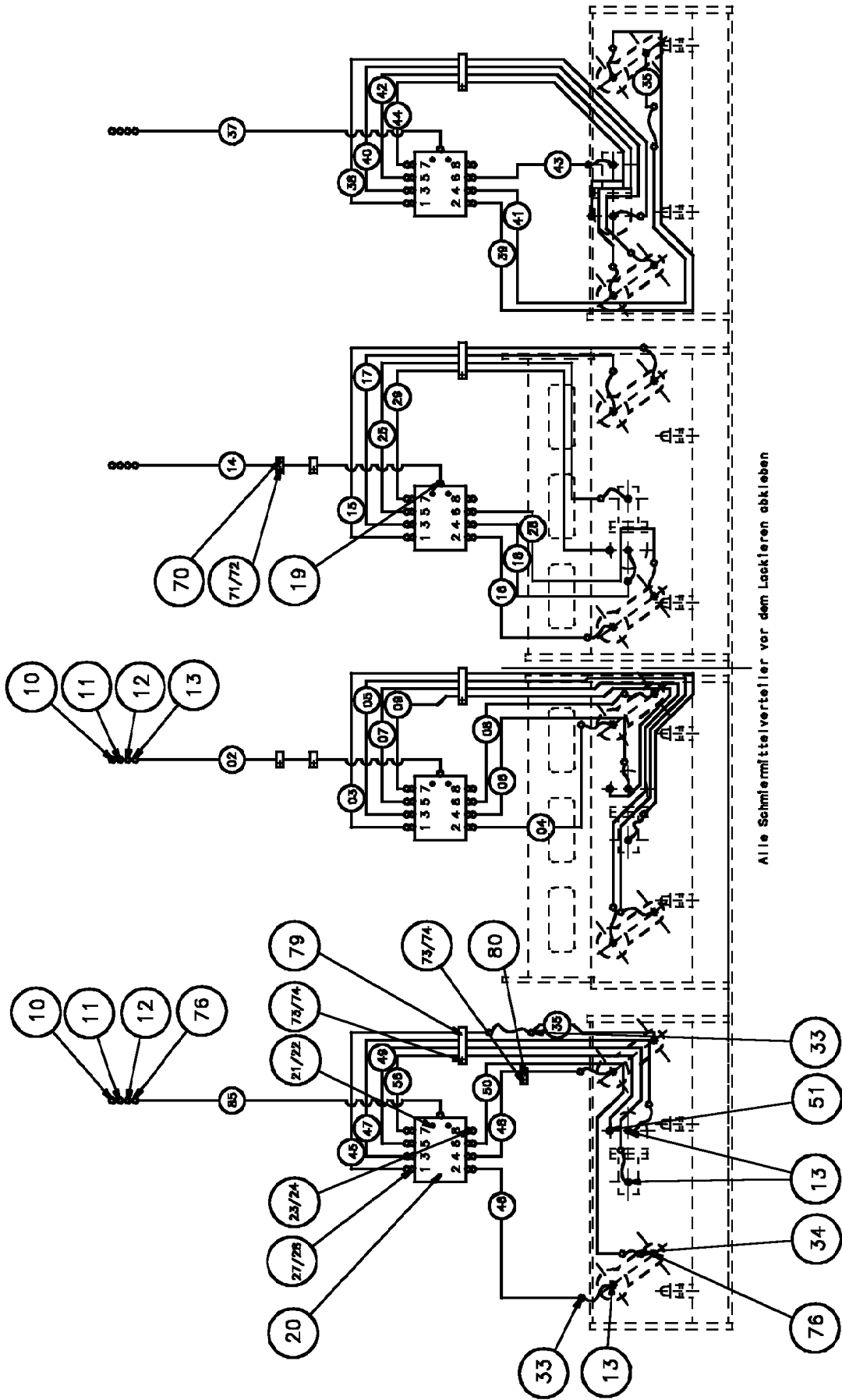
Pos. Item	Best.-Nr. Part No.	Anz. Qty.	Beschreibung Description	Bemerkung Note
1	857654700	1	Burner diagram	
3	49302299	2	Pressure reducing valve	
4	49200065	1	Hose break protection	
6	49240072	2	High pressure hose	
11	961154108	4	Male connector for swivel nut	
12	953509247	2	Quick valve	
16	961117008	4	Screwing	
17	990093604	4	Male connector	
18	963365024	4	Magnet valve	
27	961331560	2	Reducer nipple	
28	932702323	2	Sealing	
30	30014640	2	Gas pipe	
31	961119006	2	Screwing	
33	961182607	2	Union tee reducer	
35	961105006	2	Union tee	
37	961103006	3	Male connector	
38	857502932	2	Tube	
40	934364648	2	Clip	
41	500013	2	Hex. screw	
42	857501138	4	Clip	
43	500019	4	Hex. screw	
44	936905014	4	Spring washer	
45	857502934	1	Gas lining, right	
46	857502935	1	Gas lining, left	
49	961102056	9	Ferrule bite	
50	961102006	9	Union nut	
52	665762	4	High pressure hose	215 mm
56	857652990	2	Pharos injector	0,7 mm
*	857652987	1	Nozzle	
57	857652993	2	Pharos injector	0,8 mm
*	857652988	1	Nozzle	
58	961117006	12	Swivel nut elbow	
62	857502952	1	Tube	
63	857502953	1	Tube	
64	934364512	4	Clip	
65	665766	2	High pressure hose	1280 mm
66	961107006	2	Bulkhead union	
67	857502957	1	Tube	
68	857502958	1	Tube	
70	665977	4	High pressure hose	220 mm
72	961110006	2	Screwing	
73	961121006	5	Screwing	
74	961134106	2	Male elbow	
76	961154106	4	Male connector for swivel nut	
77	930337510	2	Pipe connection	
*) Available as single part				

Gas equipment with flame control

857-08140

Pos. Item	Best.-Nr. Part No.	Anz. Qty.	Beschreibung Description	Bemerkung Note
80	933538620	2	Clutch	
83	665930	2	High pressure hose	600 mm
84	665959	2	High pressure hose	650 mm
85	665763	1	High pressure hose	435 mm
X			See burner equipment	Grp. 08
Gas equipment with flame control				857-08140

Pos. Item	Best.-Nr. Part No.	Anz. Qty.	Beschreibung Description	Bemerkung Note
1	857-09120	1	Lubricant pipes	
VB850T(V) Lubricant pipes			857-09	



Alle Schlämmittelverteiler vor dem Lackieren abkleben

Pos. Item	Best.-Nr. Part No.	Anz. Qty.	Beschreibung Description	Bemerkung Note
2	857502202	1	Lubrication line	2410 mm
3	857502203	1	Lubrication line	730 mm
4	857502204	1	Lubrication line	180 mm
5	857502205	1	Lubrication line	820 mm
6	857502206	1	Lubrication line	430 mm
7	857502207	1	Lubrication line	1200 mm
8	857502208	1	Lubrication line	510 mm
9	857652209	1	Pipeline	502 mm
10	935511210	4	Grease nipple	
11	960993190	4	Intermediate piece	
12	960969150	4	Hose holder	
13	967136205	18	Swivel nut elbow	
14	857502214	1	Lubrication line	2410 mm
15	857502215	1	Lubrication line	1260 mm
16	857502216	1	Lubrication line	180 mm
17	857502217	1	Lubrication line	1210 mm
18	857502218	1	Lubrication line	560 mm
19	961136105	4	Swivel nut elbow	
20	935555011	4	Grease spreader	
21	500010	8	Hex. screw	
22	936905009	8	Spring washer	
23	935555005	4	Plug screw	
24	935555003	4	Gasket	
25	857502225	1	Lubrication line	940 mm
26	857502226	1	Lubrication line	480 mm
27	935555009	28	Screw	
28	935555007	28	Clamp ring	
29	857652229	1	Pipeline	560 mm
33	961107005	26	Screwing	
34	935555001	24	Hose	
35	857502235	2	Missing description	380 mm
37	857502237	1	Lubrication line	730 mm
38	857652238	1	Pipeline	715 mm
39	857502239	1	Lubrication line	190 mm
40	857652240	1	Pipeline	790 mm
41	857652241	1	Pipeline	355 mm
42	857652242	1	Pipeline	855 mm
43	857652243	1	Pipeline	401 mm
44	857652244	1	Pipeline	742 mm
45	857652245	1	Pipeline	898 mm
46	857502246	1	Lubrication line	180 mm
47	857652247	1	Pipeline	639 mm
48	857502248	1	Lubrication line	960 mm
49	857502249	1	Lubrication line	440 mm
50	857502250	1	Lubrication line	570 mm
51	961132203	4	Screwing	

Lubricant pipes

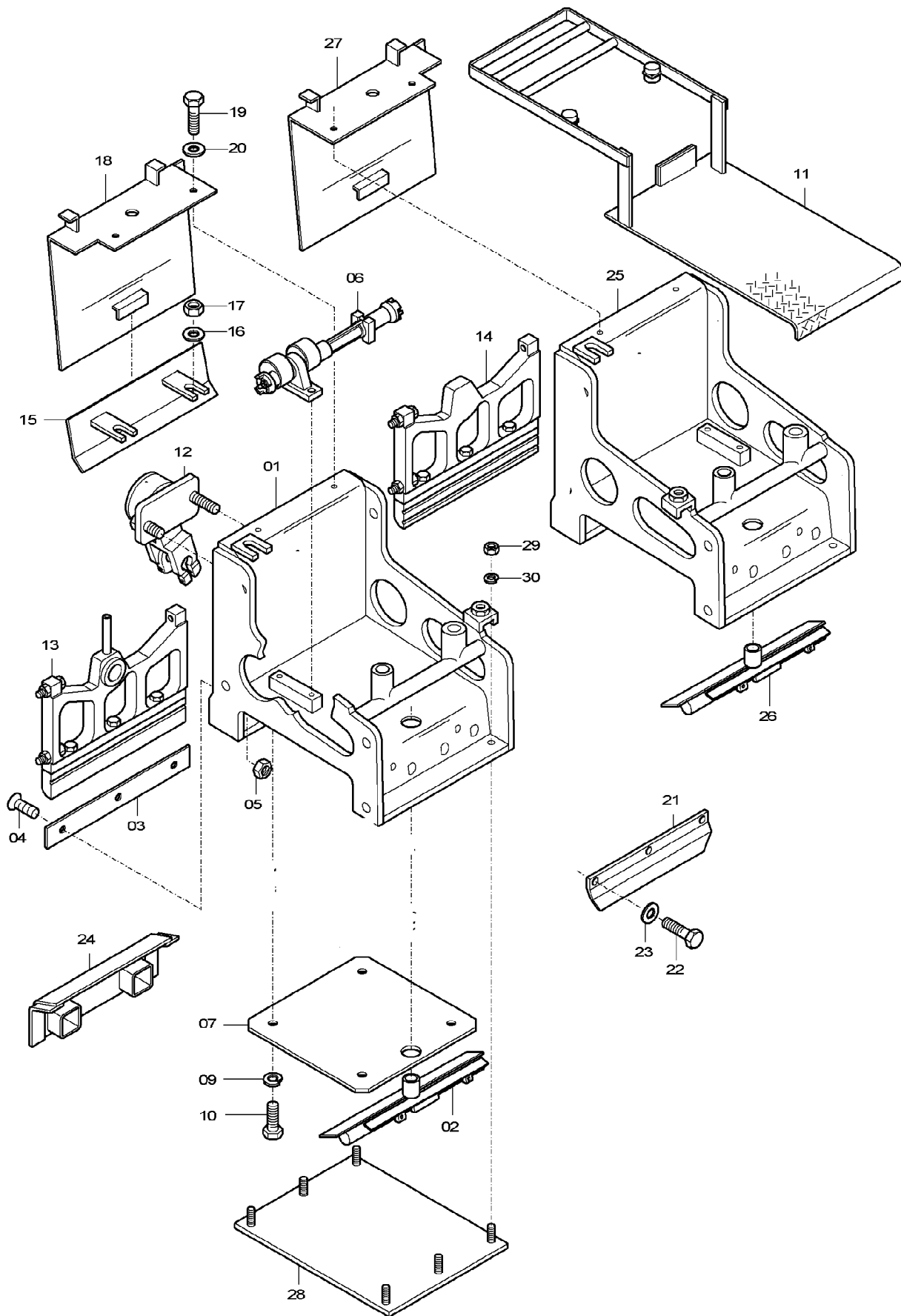
857-09120

Pos. Item	Best.-Nr. Part No.	Anz. Qty.	Beschreibung Description	Bemerkung Note
56	857652256	1	Pipeline	750 mm
70	934364510	4	Clip	
71	938165549	4	Hex. screw	
72	936905011	4	Spring washer	
73	500013	5	Hex. screw	
74	600004	5	Washer	
76	961134205	10	Straight screwing	
79	857502279	4	Clip	
80	857502280	1	Clip	
85	857502285	1	Pipeline	

Lubricant pipes

857-09120

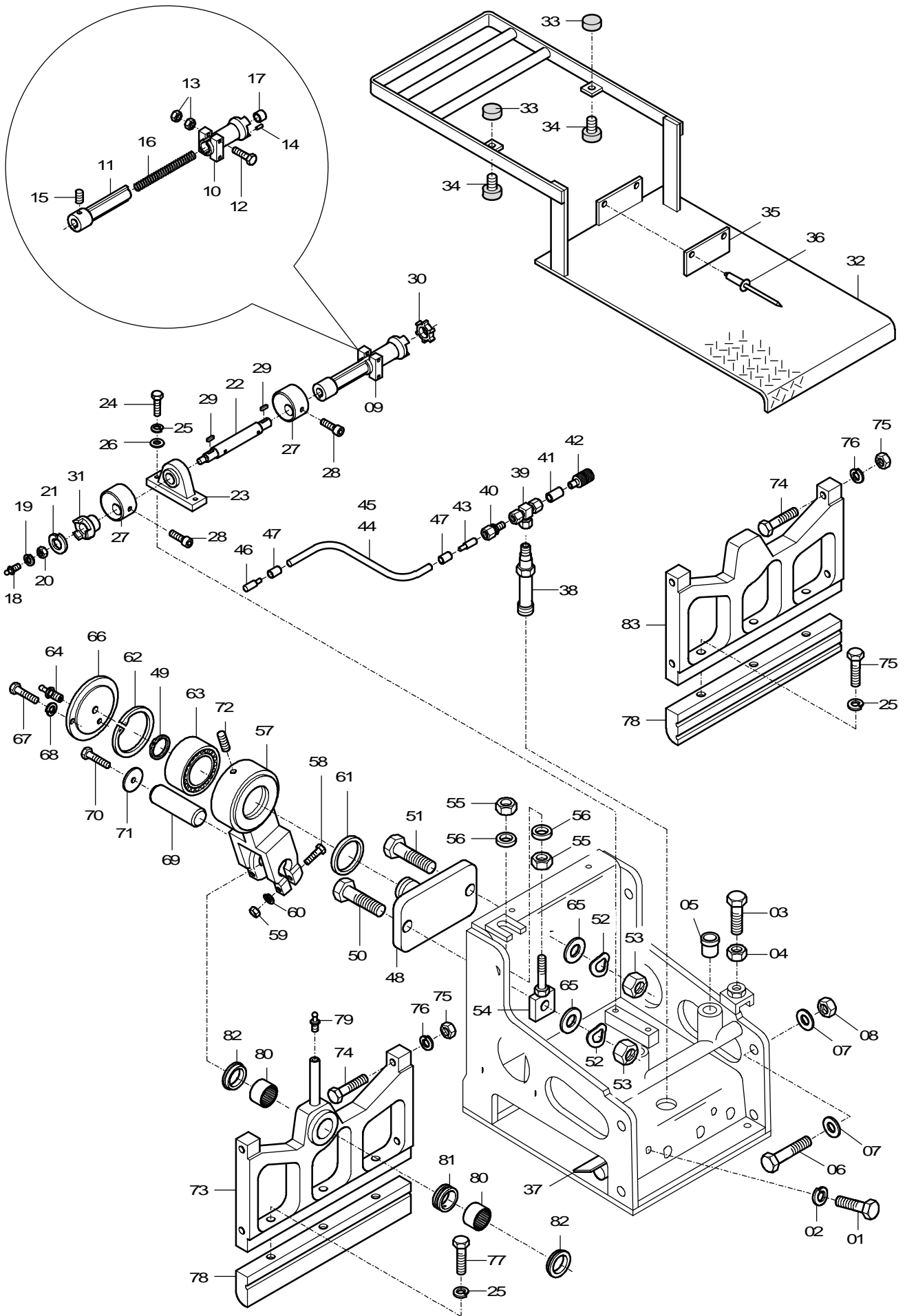
Pos. Item	Best.-Nr. Part No.	Anz. Qty.	Beschreibung Description	Bemerkung Note
1	857-10120	1	Extension part, 500 mm	
2	857-10130	1	Screed parts 500 mm	
3	857-10220	1	Extension part, 250 mm	
4	857-10230	1	Screed parts 250 mm	
VB850T(V) Extension Parts				857-10



Pos. Item	Best.-Nr. Part No.	Anz. Qty.	Beschreibung Description	Bemerkung Note
1	857511010	1	Bolt on extension part, left	
2	857511210	2	Burner pipe	
3	750230019	1	Sliding plate	
4	939475276	6	Countersunk screw	
5	938481009	6	Hex. nut	
6	857-10130	1	Screed parts 500 mm	
7	857510025	2	Heat conductor plate	
9	936905020	8	Spring washer	
10	500035	8	Hex. screw	
11	857-10130	1	Screed parts 500 mm	
12	857-10130	1	Screed parts 500 mm	
13	857-10130	1	Screed parts 500 mm	
14	857-10130	1	Screed parts 500 mm	
15	750235800	2	Levelling gib	
16	939570018	4	Washer	
17	938190518	4	Hex. nut	
18	857516700	1	Tamper shield, left	
19	500154	4	Hex. screw	
20	938570022	4	Disc	
21	857510075	2	Cover	
22	500019	6	Hex. screw	
23	936905014	6	Spring washer	
24	857518000	1	Air guide plate	
25	857521010	1	Bolt on extension part, right	
26	857-10130	1	Screed parts 500 mm	
27	857526700	1	Tamper shield, right	
28	857517005	2	Bottom plate	
29	938481012	12	Safety nut	
30	936905026	12	Spring washer	

Extension part, 500 mm

857-10120



Pos. Item	Best.-Nr. Part No.	Anz. Qty.	Beschreibung Description	Bemerkung Note
1	500028	4	Hex. screw	
2	704130	4	Spring washer	
3	938165766	4	Hex. screw	
4	938190518	4	Hex. nut	
5	930235540	4	Rubber buffer	
6	938111935	10	Hex. screw	
7	600014	20	Disc	
8	938190522	10	Hex. nut	
9	857512315	1	Drive shaft Conveyor compl.	
10 *	933568310	1	Telescopic profile	
11 *	933568305	1	Telescopic shaft	
12 *	500067	2	Hex. screw	
13 *	929233	4	Hex. nut	
14 *	629008	1	Clamping sleeve	
15 *	937976540	1	Grub screw	
16 *	857512325	1	Pressure spring	
17 *	931506907	1	Clamping sleeve	
18	570130135	1	Ball carrier	
19	704130	1	Spring washer	
20	570500124	1	Nut	
21	936900028	1	Spring washer	
22	857512335	1	Shaft	
23	935193501	1	Bearing housing	
**	935512215	1	Grease nipple	
24	938116505	2	Hex. screw	
25	936905020	6	Spring washer	
26	939130014	2	Disc	
27	853501341	1	Eccentric cam	
28	937930331	2	Hex. socket screw	
29	931700593	2	Feather key	
30	933558210	1	Ring gear	
31	570500109	1	Coupling half	
32	857514610	2	Step with auger protection grid	
33	930458220	4	Rubber buffer	
34	930458210	4	Buffer	
35	990000473	2	Shield	
36	930129454	4	Rivet	
37	857-10120	1	Extension part, 500 mm	
38	857652981	1	Injector with nozzle	0,6 mm
39	961117006	1	Swivel nut elbow	
40	961154106	1	Male connector for swivel nut	
41	930337510	1	Pipe connection	
*) Available as single part				

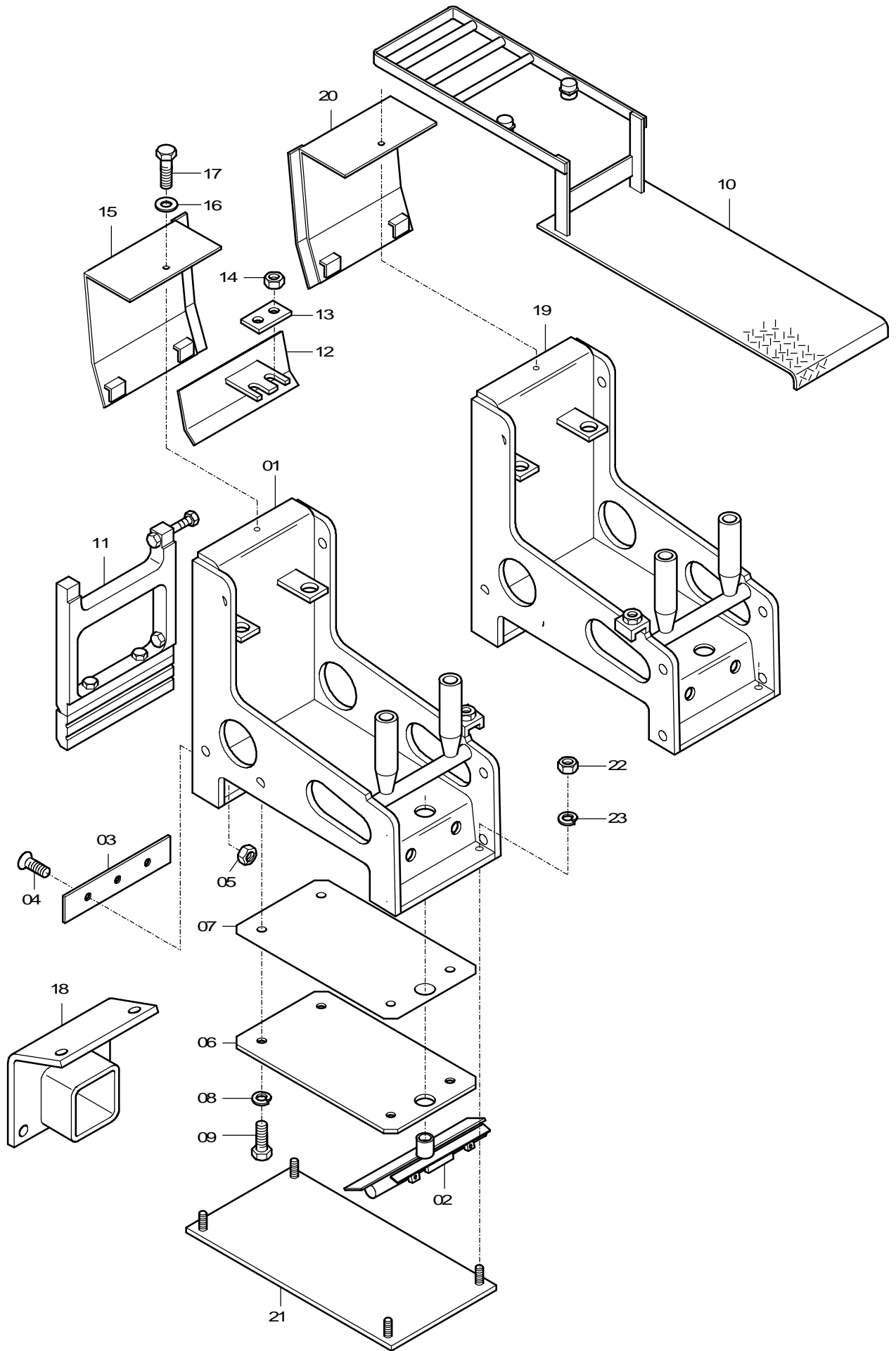
Screed parts 500 mm

857-10130

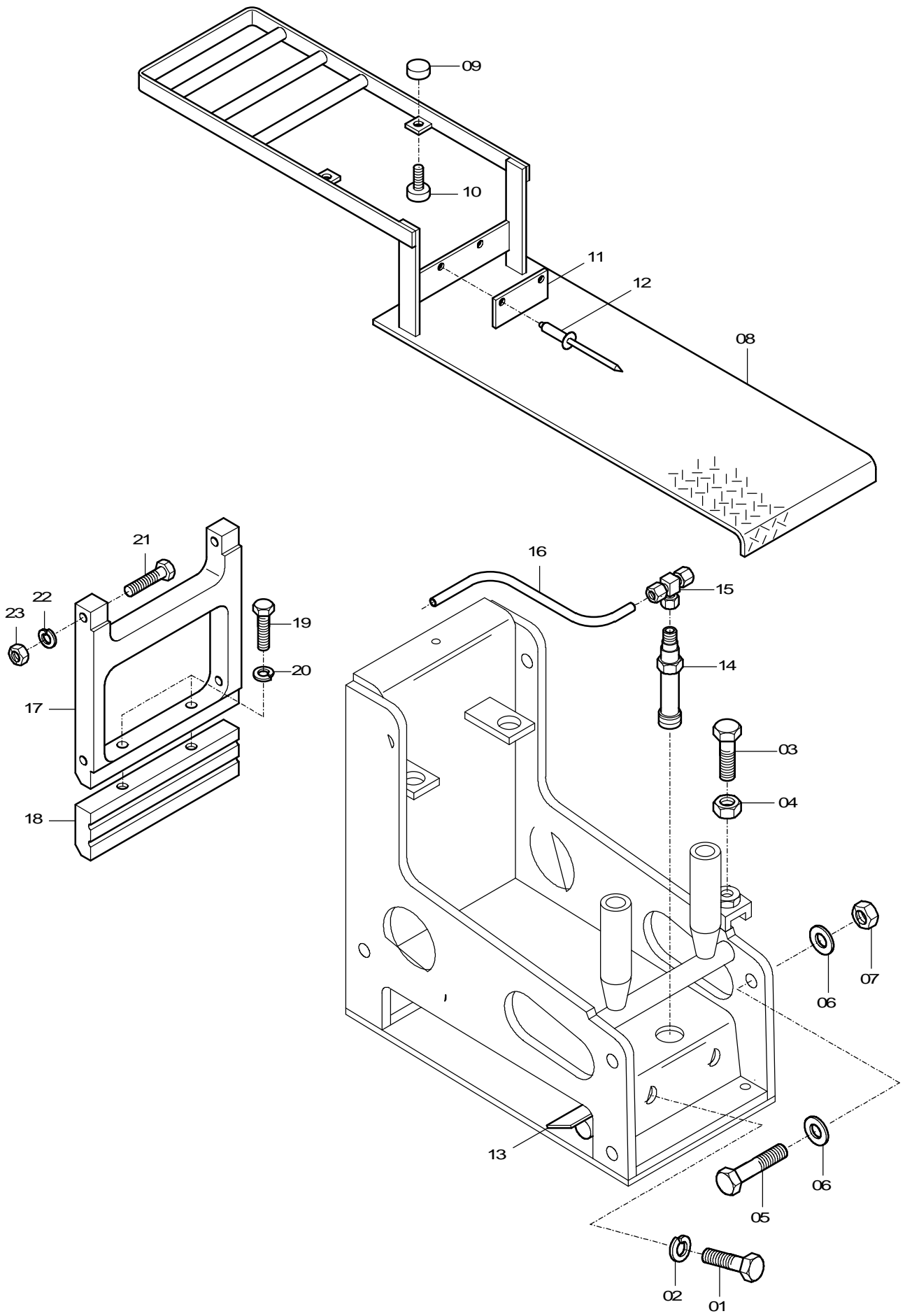
Pos. Item	Best.-Nr. Part No.	Anz. Qty.	Beschreibung Description	Bemerkung Note
42	933538620	1	Clutch	
43	857501124	1	Pipe socket	
44 A	930657050	1	Hose -as needed	
45 B	930657050	1	Hose -as needed	
46	933539222	1	Plug-in connection	
47	953502695	2	Hose cap	
48	750225301	1	Adjusting plate	
49	936003190	1	Shaft safety ring	
50	937680501	1	Hex. screw	
51	937680498	1	Hex. screw	
52	938900030	2	Fan disc	
53	938190524	2	Hex. nut	
54	750225314	1	Adjusting spindle	
55	570015	2	Hex. nut	
56	938130020	2	Disc	
57	750225319	1	Rocker arm	
58	500197	2	Hex. screw	
59	928849	2	Hex. nut	
60	938900023	4	Fan disc	
61	932781060	1	Felt strip	
62	936032112	1	Safety ring	
63	935002247	1	Self aligning bearing	
64	935513220	1	Grease nipple	
65	600020	2	Disc	
66	857500829	1	Bearing cover	
67	500013	2	Hex. screw	
68	936905011	2	Spring washer	
69	750223561	1	Pivor pin	
70	500028	1	Hex. screw	
71	937200020	1	Washer	
72	937860060	1	Plug screw	
73	750235501	1	Tamper frame	
74	500094	4	Hex. screw	
75	938190520	4	Hex. nut	
76	936905026	4	Spring washer	
77	500111	6	Hex. screw	
78	750235514	2	Tamper cutter	
79	935511250	2	Grease nipple	
80	935182161	4	Needle bearing	
81	750227519	2	Distance ring	
82	750227520	4	Gasket	
83	750315501	2	Tamper frame	
	A)			
	B)			

Screed parts 500 mm

857-10130

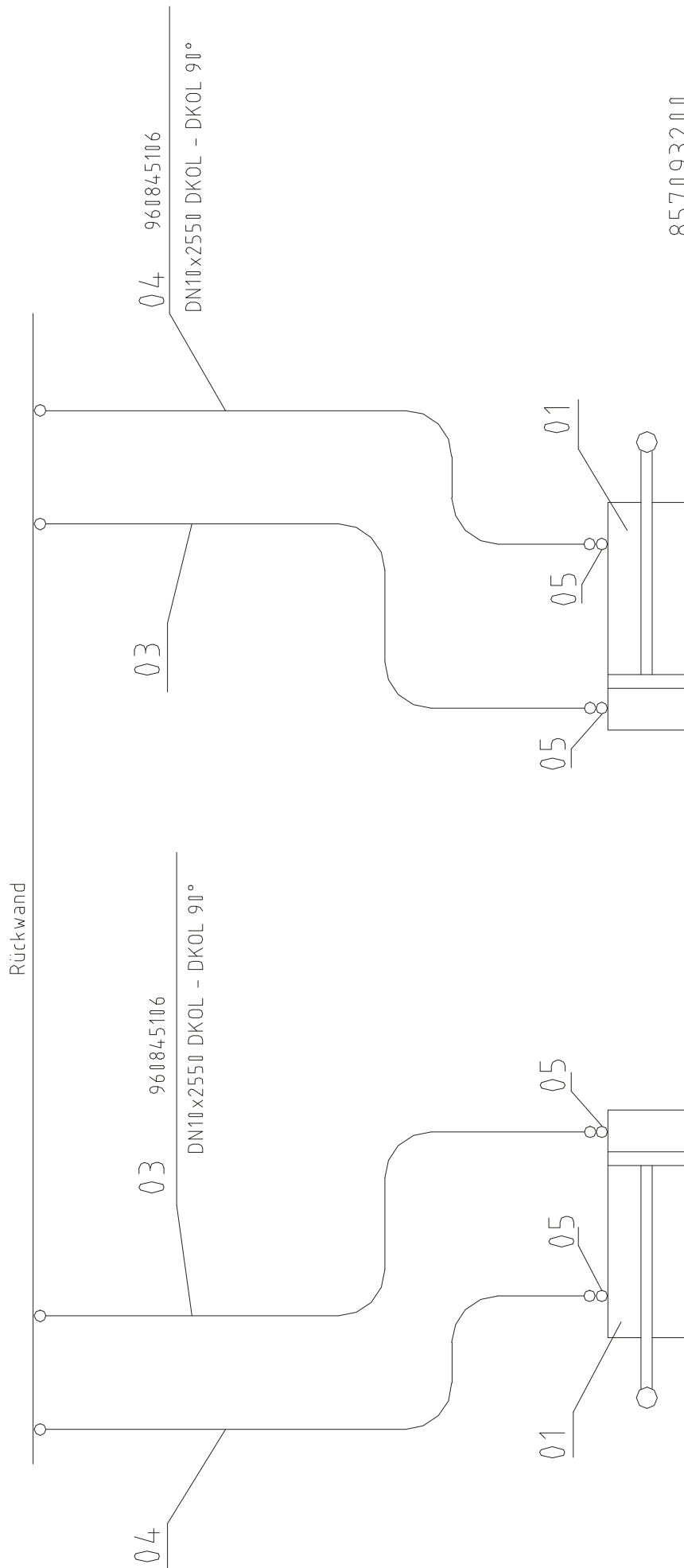


Pos. Item	Best.-Nr. Part No.	Anz. Qty.	Beschreibung Description	Bemerkung Note
1	857571010	1	Extension part, left 250 mm	
2	857-10230	1	Screed parts 250 mm	
3	750250019	1	Sliding plate	
4	939475276	2	Countersunk screw	
5	938481009	2	Hex. nut	
6	857570025	1	Heat conductor plate	
7	857570026	1	Fire felt	
8	936905020	4	Spring washer	
9	500035	4	Hex. screw	
10	857-10230	1	Screed parts 250 mm	
11	857-10230	1	Screed parts 250 mm	
12	750255800	1	Levelling gib	
13	750250059	1	Plate	
14	938190518	2	Hex. nut	
15	857576710	1	Tamper shield, left	
16	500154	1	Hex. screw	
17	939570022	1	Washer	
18	857578000	1	Air guide plate	
19	857581010	1	Extension part, right 250 mm	
20	857586700	1	Tamper shield, right	
21	857577005	1	Bottom plate	
22	938481012	4	Safety nut	
23	936905026	4	Spring washer	
Extension part, 250 mm				857-10220

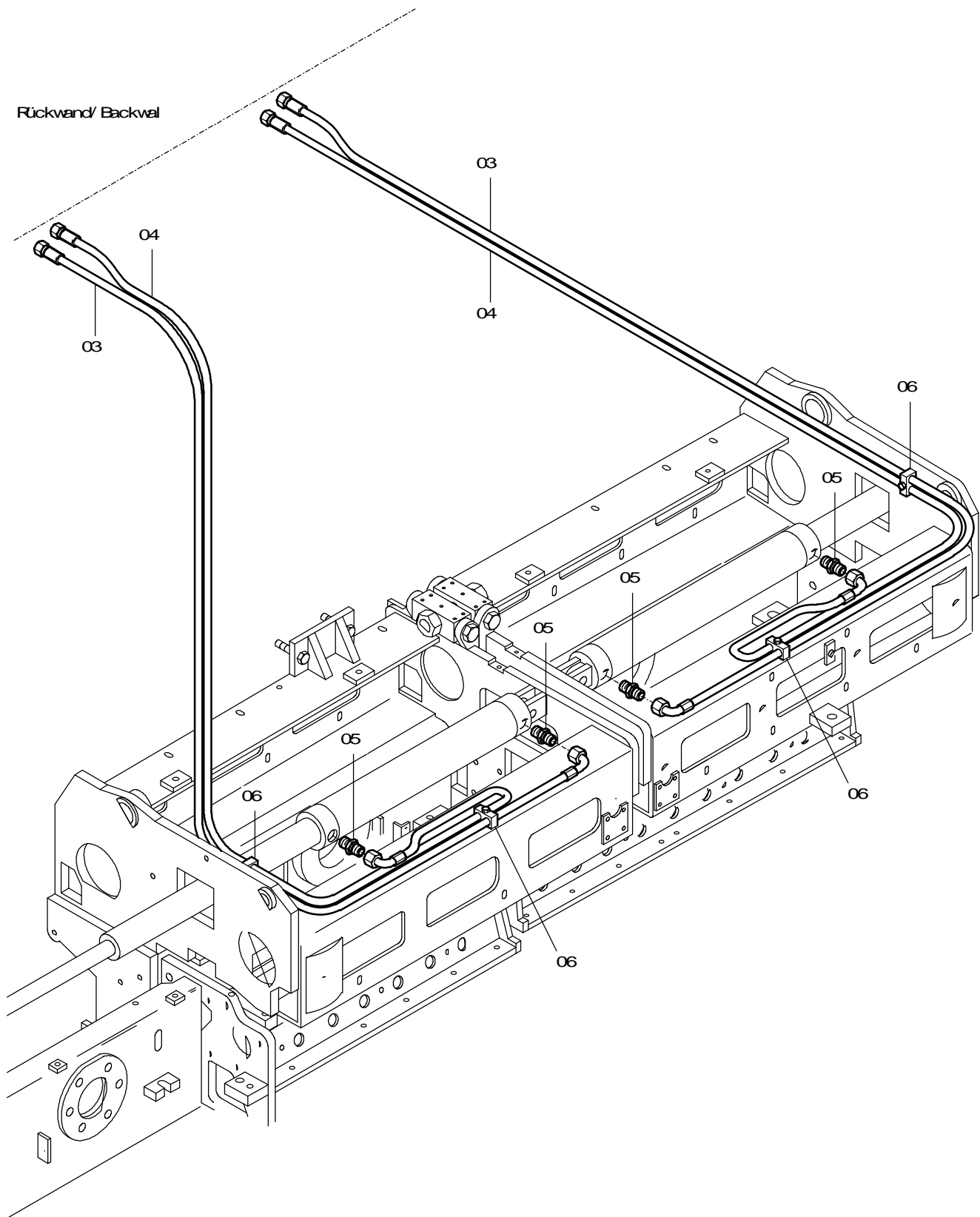


Pos. Item	Best.-Nr. Part No.	Anz. Qty.	Beschreibung Description	Bemerkung Note
1	500028	2	Hex. screw	
2	704130	2	Spring washer	
3	938165766	1	Hex. screw	
4	938190518	1	Hex. nut	
5	938111935	5	Hex. screw	
6	600014	10	Disc	
7	938190522	5	Hex. nut	
8	857574810	1	Step with auger protection grid	
9	930458220	2	Rubber buffer	
10	930458210	2	Buffer	
11	990000473	1	Shield	
12	930129454	2	Rivet	
13	857571210	1	Burner pipe	
14	857652940	1	Injector, compl.	
	857652985	X	Nozzle	0,5mm
15	961117006	1	Swivel nut elbow	
16 A	665961	1	Hose	625 mm
17	750255501	1	Tamper frame	
18	750255503	1	Tamper cutter	
19	500111	2	Hex. screw	
20	936905020	2	Spring washer	
21	500094	2	Hex. screw	
22	936905026	2	Spring washer	
23	938190520	2	Hex. nut	
A)				
Screed parts 250 mm				857-10230

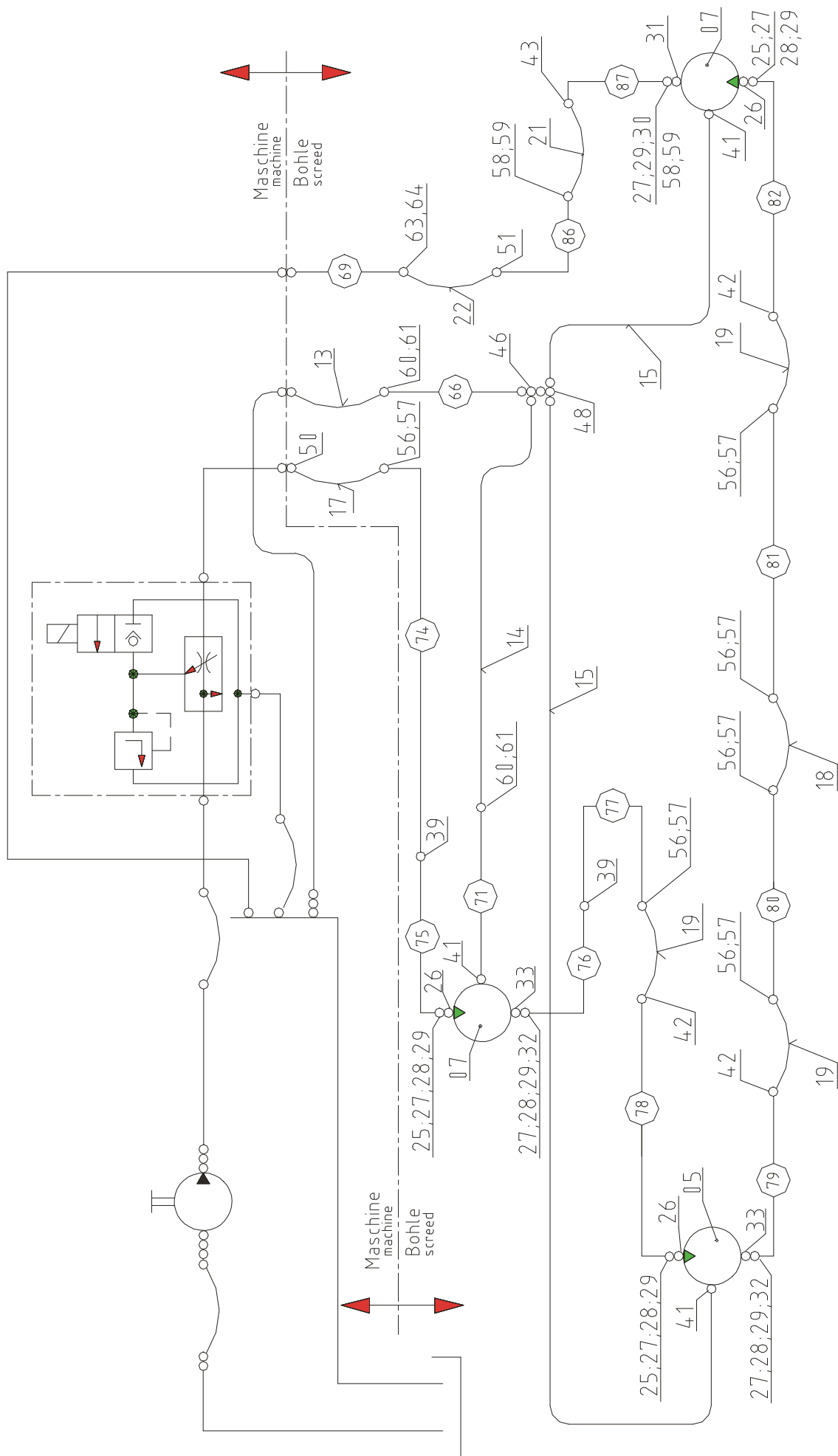
Pos. Item	Best.-Nr. Part No.	Anz. Qty.	Beschreibung Description	Bemerkung Note
1	857-11120	1	Vario screed	
2	857-11140	1	Vibration	
3	857-11150	1	Tamper	
4	857-9026	1	Hydr. roof profile setting	
VB850T(V) Hydraulic equipment				857-11



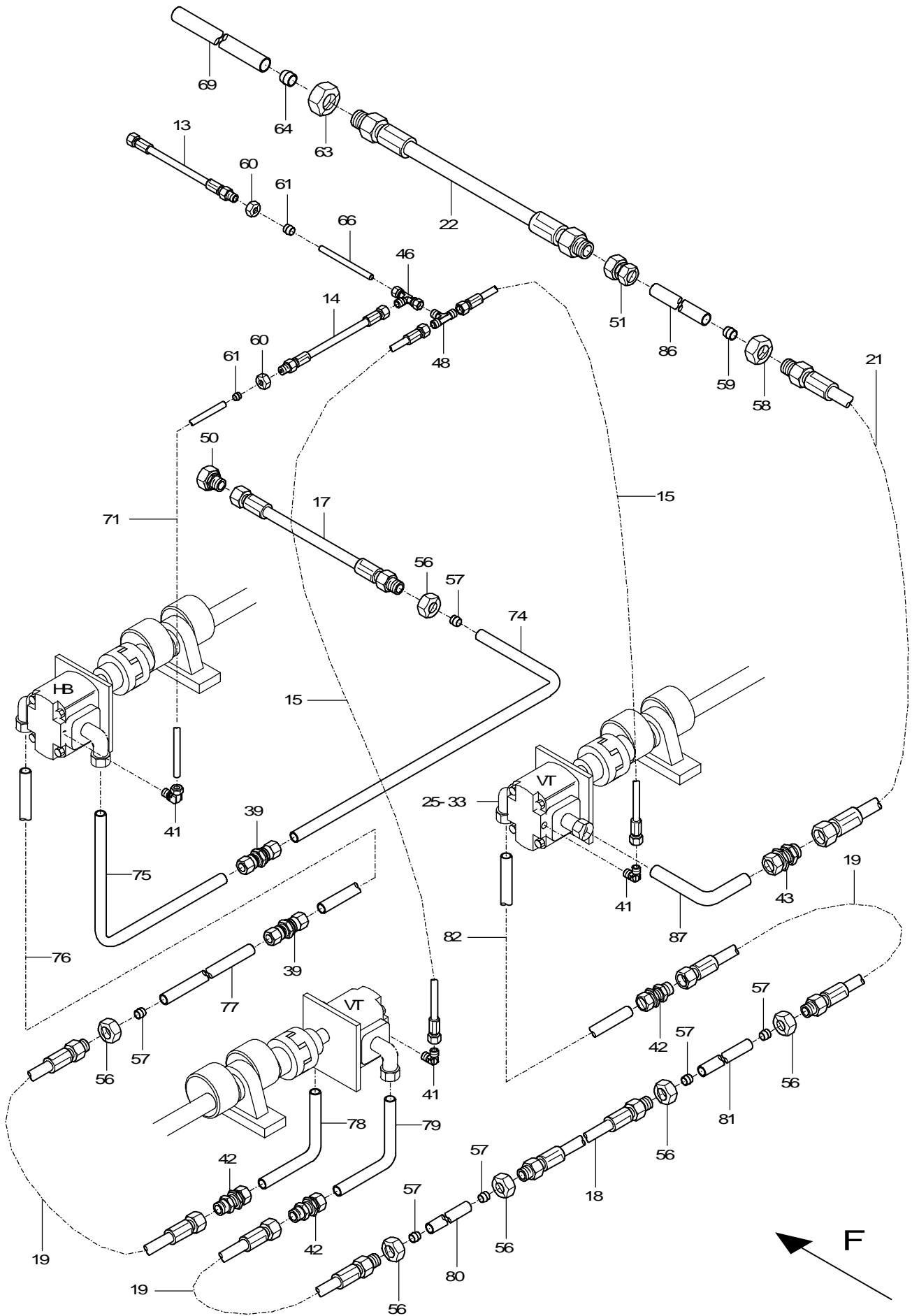
857093200



Pos. Item	Best.-Nr. Part No.	Anz. Qty.	Beschreibung Description	Bemerkung Note
1	857-05120	1	Roof profile setting and extension device	
3	960845106	2	Hose	
4	960845106	2	Hose	
5	961134228	4	Male connector	
6	934362091	4	Clip	
Vario screed				857-11120



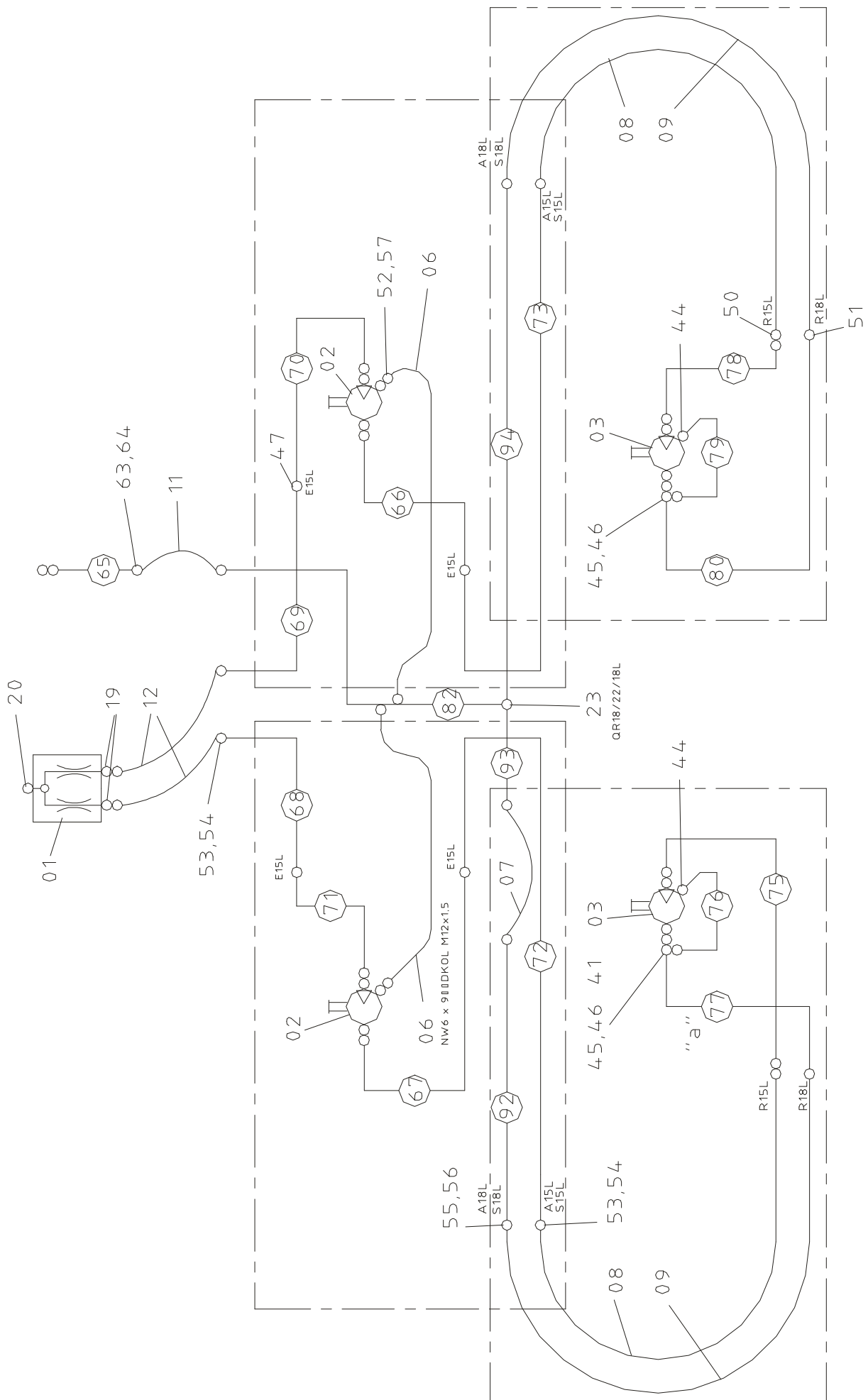
857093400



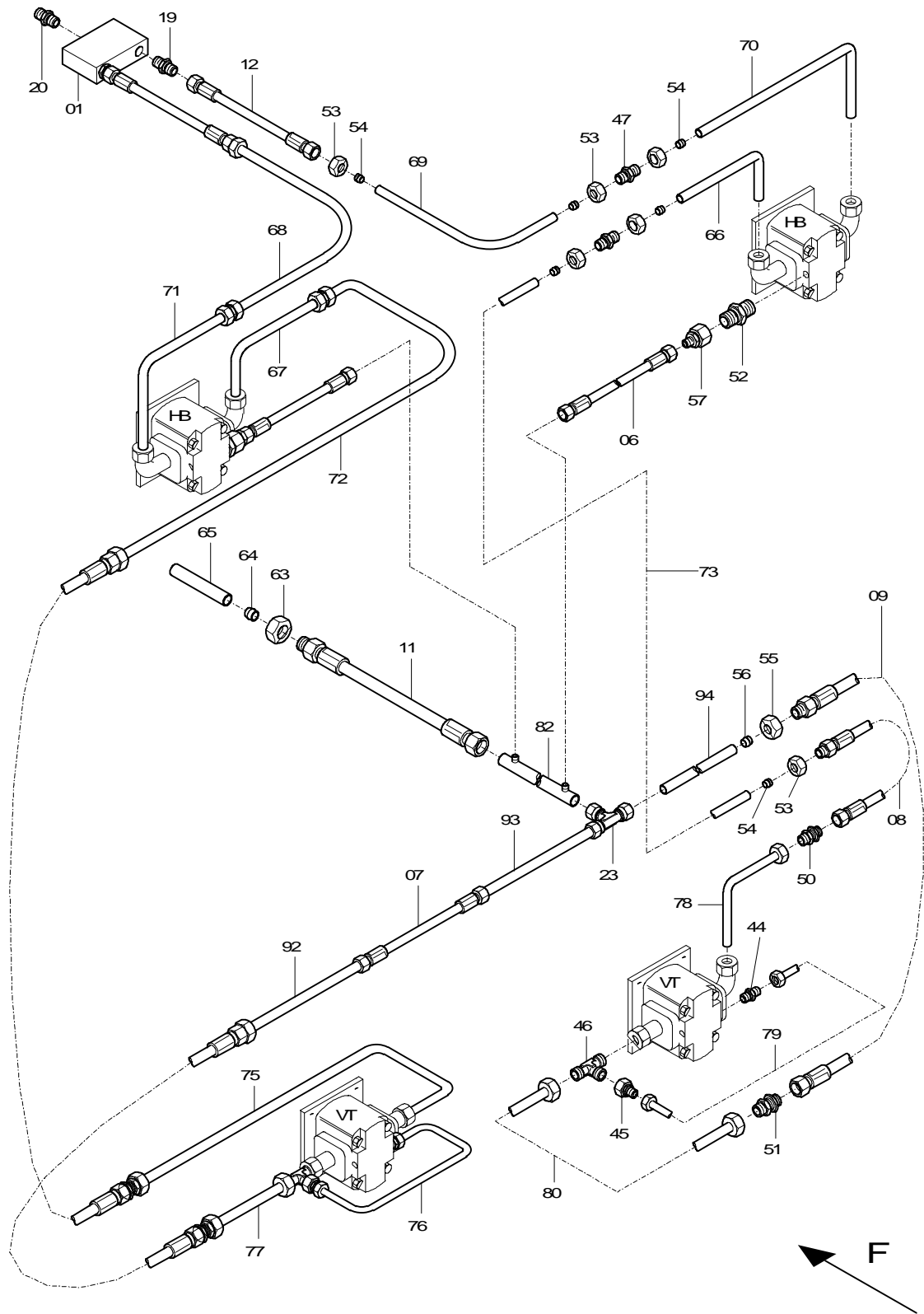
Pos. Item	Best.-Nr. Part No.	Anz. Qty.	Beschreibung Description	Bemerkung Note
5	857-13120	2	Vibrator, compl.	
7	857-13120	2	Vibrator, compl.	
13	960822300	1	Hose	1700 mm
14	960822300	1	Hose	1700 mm
15	960823600	2	Hose	2400 mm
17	960851500	1	Hose	800 mm
18	960850850	1	Hose	500 lg.
19	960852200	3	Hose	1100 mm
21	960861750	1	Hose	1250 mm
22	960872150	1	Hose	850 mm
39	961103009	2	Male connector	
41	961136206	3	Screwing	
42	961106009	3	Bulk head union	
43	961106010	1	Bulk head union	
46	990093470	1	Union tee	
48	961118006	1	Union tee	
50	961183620	1	Reduction union	
51	961183621	1	Reduction union	
56	961102009	6	Nut	
57	961102059	6	Ferrule bite	
58	961102010	2	Nut	
59	961102060	2	Ferrule bite	
60	961102006	2	Union nut	
61	961102056	2	Ferrule bite	
63	961102011	1	Union nut	
64	961102061	1	Ferrule bite	
66	857093466	1	Pipeline	
69	857091469	1	Pipeline	
71	857093471	1	Pipeline	
74	857090474	1	Pipeline	
75	857090475	1	Pipeline	
76	857090476	1	Pipeline	
77	857090477	1	Pipeline	
78	857090478	1	Pipeline	
79	857090479	1	Pipeline	
80	857090480	1	Pipeline	
81	857090481	1	Pipeline	
82	857090482	1	Pipeline	
86	857090486	1	Pipeline	
87	857093487	1	Pipeline	
25-33	857-13120	1	Vibrator, compl.	

Vibration

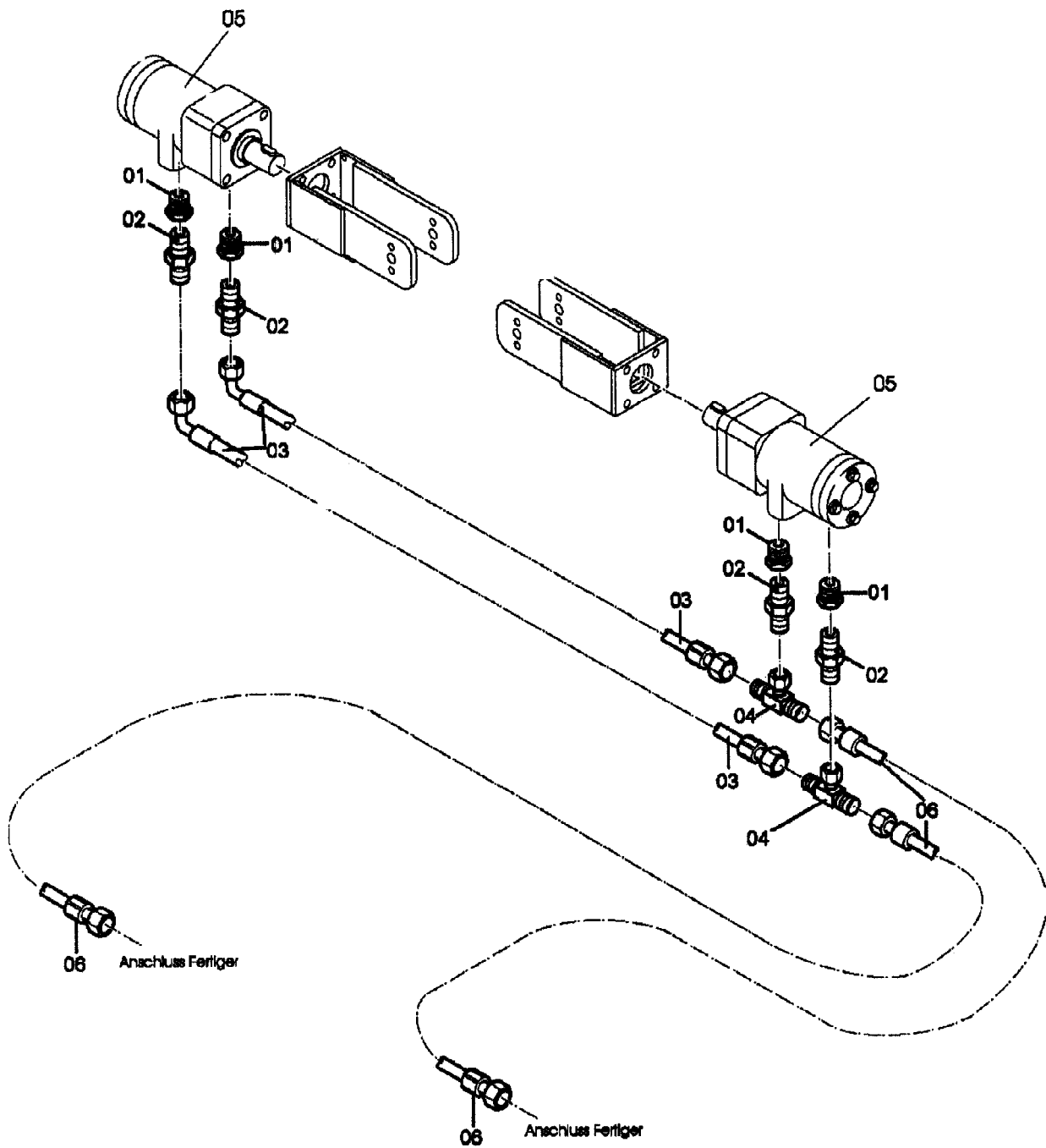
857-11140



857094700



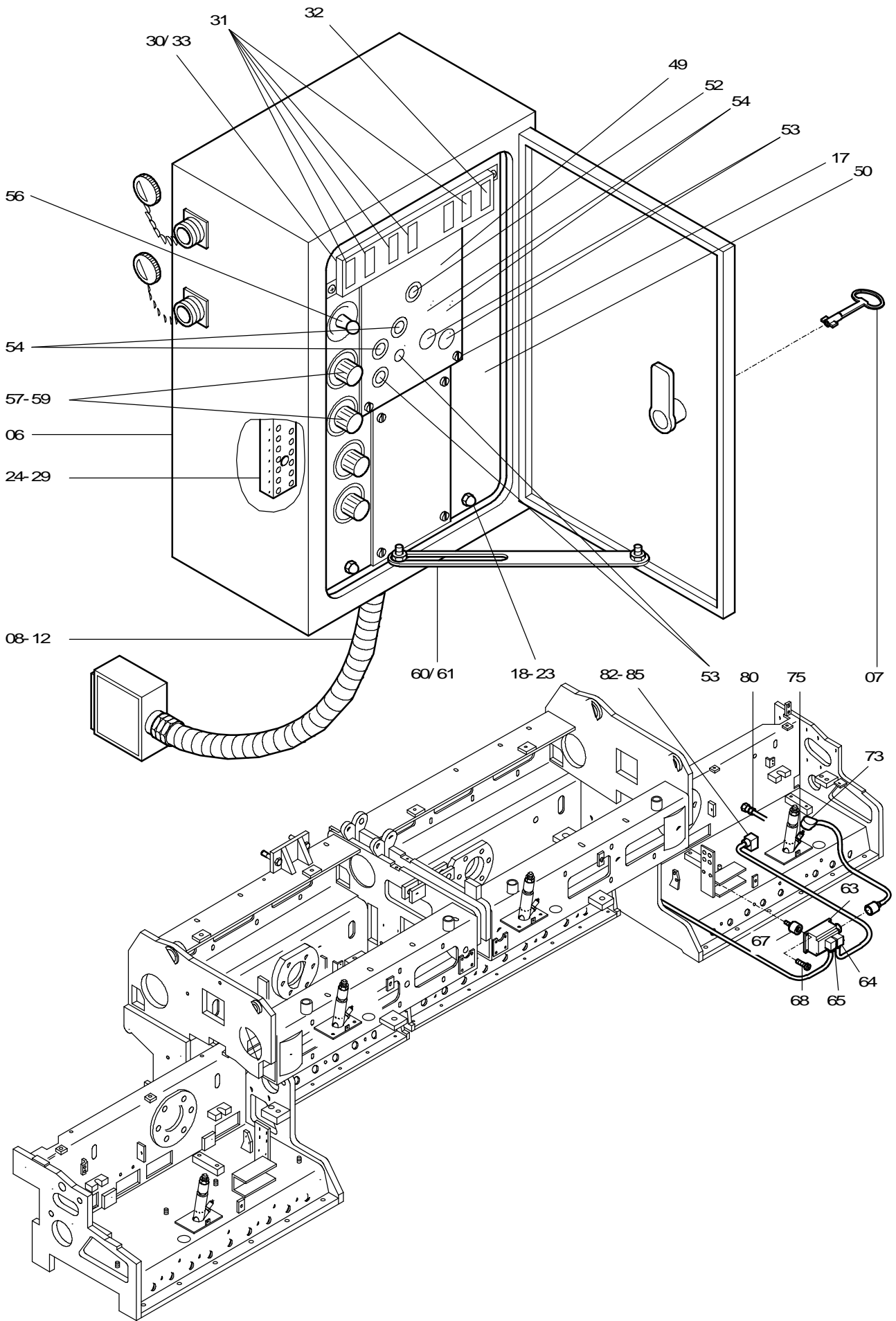
Pos. Item	Best.-Nr. Part No.	Anz. Qty.	Beschreibung Description	Bemerkung Note
1	963081208	1	Flow divider	
2	857-03110	1	Tamper, compl.	
3	857-03110	1	Tamper, compl.	
6	960821350	2	Hose	900 mm
7	960860700	1	Hose	525 mm
8	960852200	2	Hose	1100 mm
9	960861750	2	Hose	1250 mm
11	960872150	1	Hose	850 mm
12	960851500	2	Hose	800 mm
19	961134209	2	Straight screwing	
20	990093622	1	Male connector	
23	961182619	1	Union tee	
44	990093212	2	Male connector	
45	961183614	2	Reduction screwing	
46	961119010	2	Swivel nut run tee	
47	961103009	4	Male connector	
50	961106009	2	Bulk head union	
51	961106010	2	Bulk head union	
52	990093212	2	Male connector	
53	961102009	10	Nut	
54	961102059	10	Ferrule bite	
55	961102010	8	Nut	
56	961102060	8	Ferrule bite	
57	961183604	2	Reduction union	
63	961102011	2	Union nut	
64	961102061	2	Ferrule bite	
65	857094565	1	Pipeline	
66	857094766	1	Pipeline	
67	857094767	1	Pipeline	
68	857090568	1	Pipeline	
69	857090569	1	Pipeline	730 mm
70	857094770	1	Pipeline	
71	857094771	1	Pipeline	
72	857090572	1	Pipeline	
73	857090573	1	Pipeline	
75	857094775	1	Pipeline	
76	847094755	1	Pipeline	
77	857094777	1	Pipeline	
78	857094778	1	Pipeline	
79	847094755	1	Pipeline	
80	857094780	1	Pipeline	
82	857090582	1	Pipeline	
88	857091588	1	Tube holder	
92	857090592	1	Pipeline	
93	857090593	1	Pipeline	40 mm
94	857090594	1	Pipeline	
Tamper				857-11150

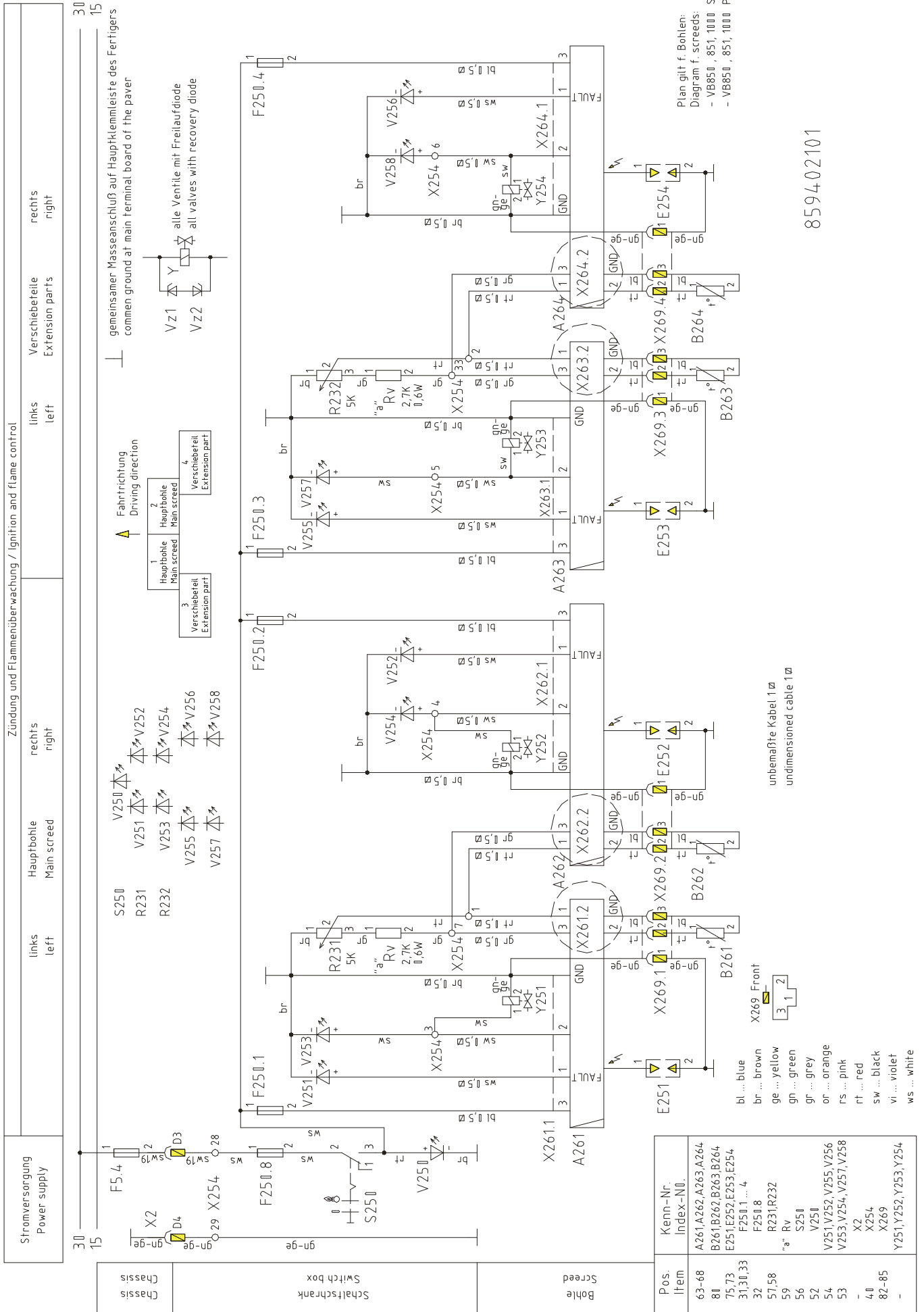


08.10.2003

Pos. Item	Best.-Nr. Part No.	Anz. Qty.	Beschreibung Description	Bemerkung Note
	857902504		Roof profile setting	
1	49220741	4	Stud	
2	49202747	4	Stud	
3	960892510	2	Hydraulic hose	800 mm
4	49220457	2	Stud	
5	966061020	2	Motor	
6	960821601	2	Hose	
Hydr. roof profile setting				857-9026

Pos. Item	Best.-Nr. Part No.	Anz. Qty.	Beschreibung Description	Bemerkung Note
1	859-12120	1	Ignition installation with flame control	
2	859-12150	1	Screed control	
3	814-12300	1	Remote control	
4	814-12301	1	Remote control	
5	814-12302	1	Remote control	
6	814-12303	1	Remote control	
VB850T(V) Electro installation compl.				857-12





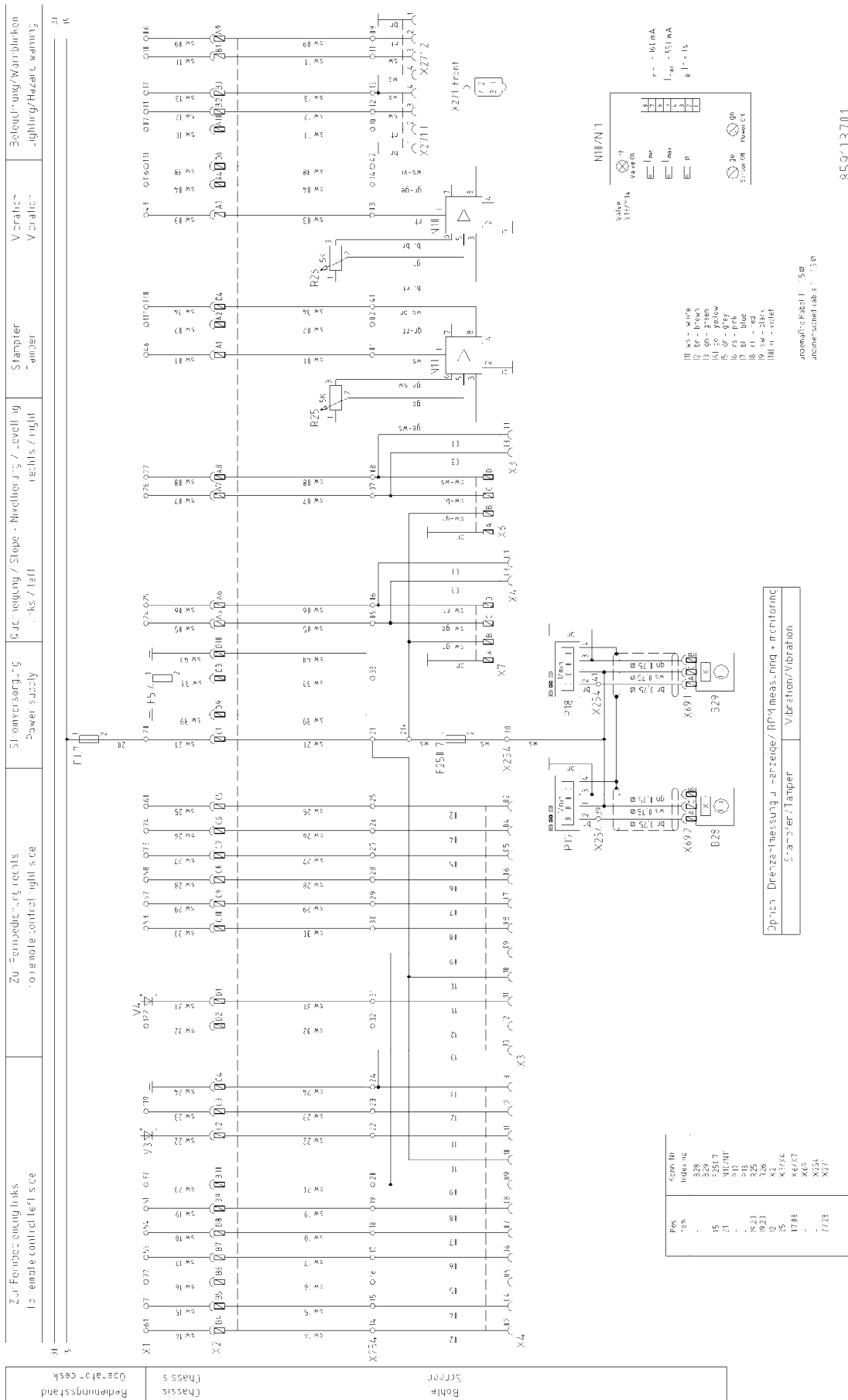
859402101

Pos. Item	Best.-Nr. Part No.	Anz. Qty.	Beschreibung Description	Bemerkung Note
			Electronic temperature controle, option	
1	859402101	1	Circuit diagram	
5	859402105	1	Control box	
6	977450417	1	Housing	
7 *	977450545	1	Spare key	
8	859402108	1	Holder	
9	977415429	2	SEM-quick connection	
11	977416529	2	Counter nut	
12	977418840	2	Cable protection hose	
17	533002	4	Screw	
18	930225906	3	Screw	
19	910018908	3	Distance sleeve	
20	938191010	8	Nut	
21	606003	3	Fan disc	
22	600004	9	Washer	
23	938761005	3	Cap nut	
24	859402124	1	Mounting plate	
27	49100604	40	Terminal	
28	936750119	4	Flat head cap screw	
29	936750331	1	Cylindric head screw	
30	977455748	1	Fuse box	
31	977454252	4	Fuse	5 Amp.
32	977454254	1	Fuse	10 Amp.
33	977459518	3	Bridge	
34	938761004	1	Cap nut	
35	977451003	1	Top hat rail	
37	939570509	1	Washer	
38	501819	4	Screw	
39	936905014	4	Spring washer	
40	929233	4	Hex. nut	
49	38001122	1	Lamp holder	
50	859402150	1	Plate	
52	49100745	1	Illuminated diode, green	
53	49100746	4	Illuminated diode, yellow	
54	49100744	4	Illuminated diode, red	
56	977532017	1	Toggle switch	
57	977189850	2	Potentiometer	
58	977599010	2	Setting button	
59	977180616	2	Resistor	
60	977451046	1	Door lock	
61	859102362	1	Rail	
63	900630301	4	Ignition box	
64	977476436	4	Plug	
65	977476437	4	Plug	
66	977418054	4	Water shield moulded part	
	*)		Available as single part	

Ignition installation with flame control

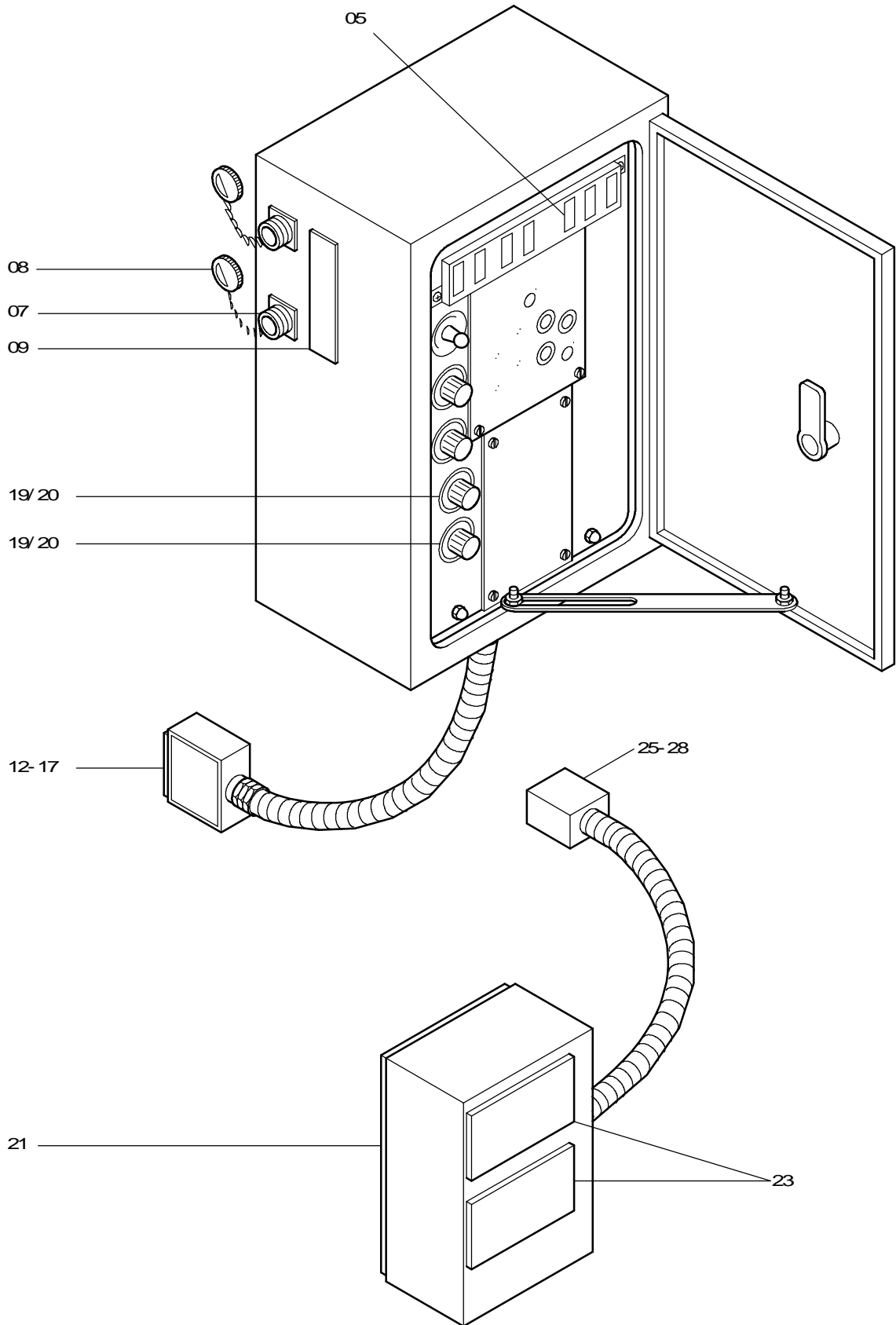
859-12120

Pos. Item	Best.-Nr. Part No.	Anz. Qty.	Beschreibung Description	Bemerkung Note
67	930458481	16	Rubber buffer	
68	936750216	16	Screw	
73	977058583	4	Spark plug adapter	
75	977058511	4	Spark plug	
80	49100791	4	Resistor temperaure messure	
82	977330303	4	Housing	
83	977396215	12	Tab	
84	977330048	4	Receptacle housing	
85	977397117	12	Flat plug sleeve	
Ignition installation with flame control				859-12120

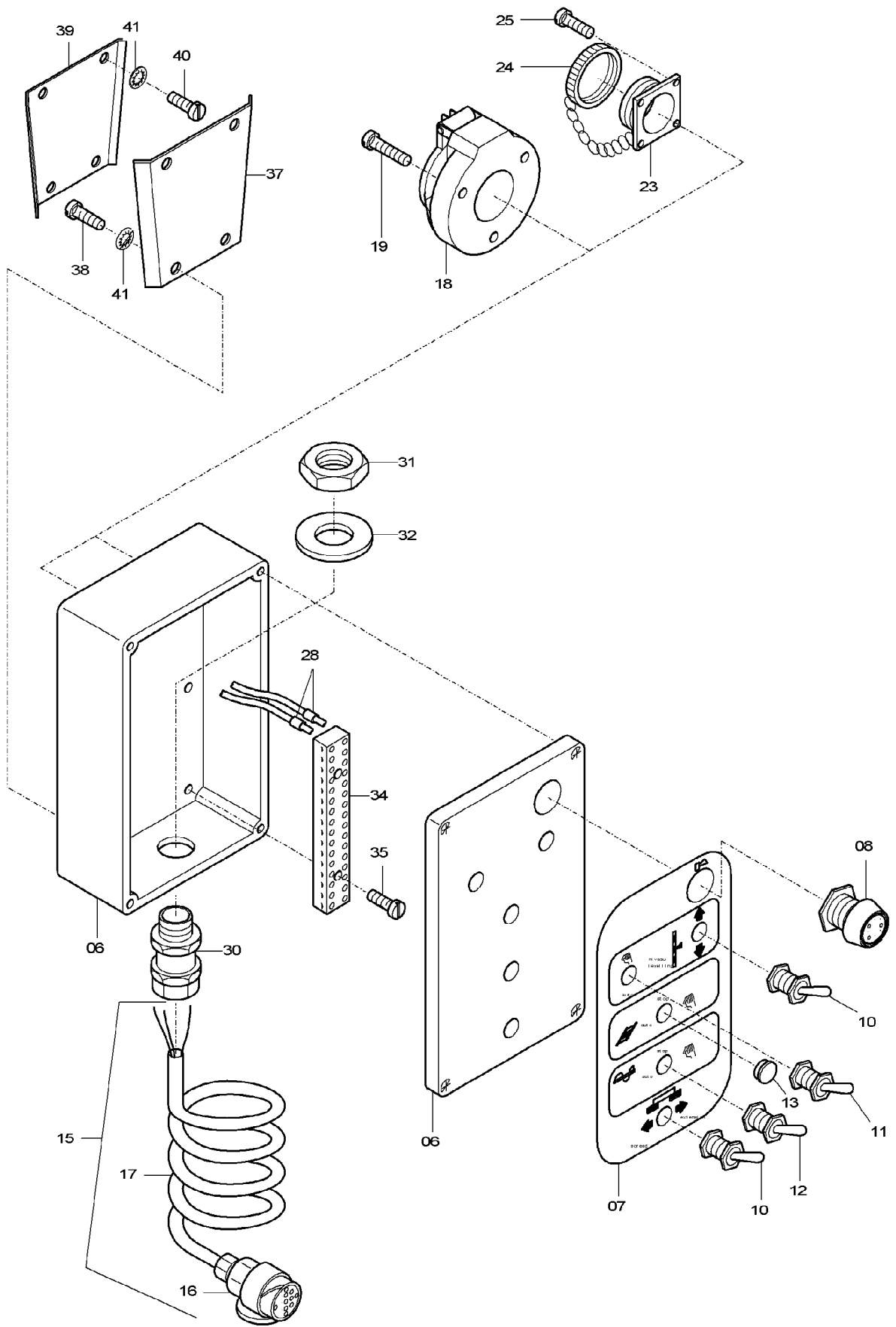


85913701

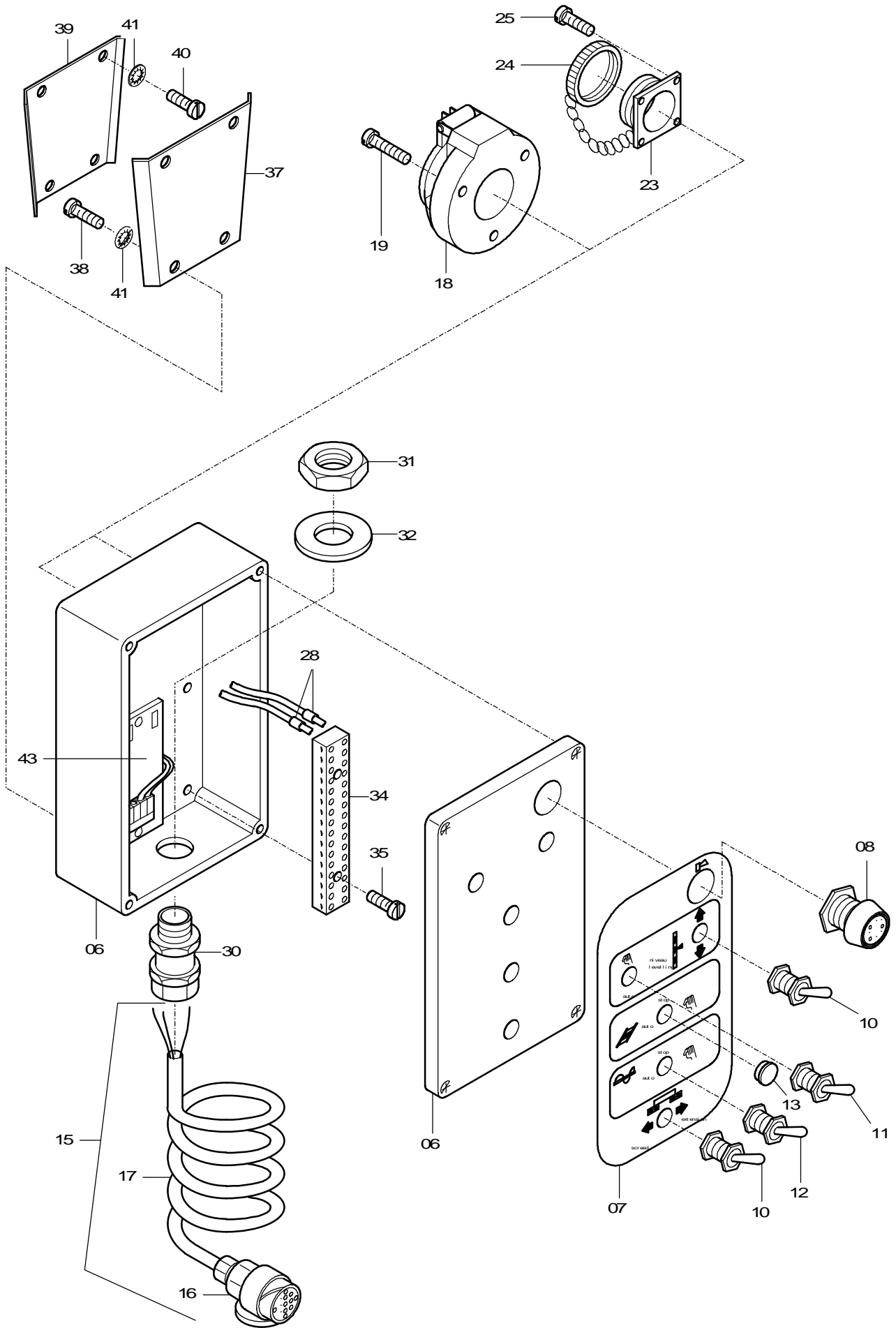
Optisch: Drehrzahnmesung J - einzeiger/ RPM-messung + mechanisch Vibration/Vibration



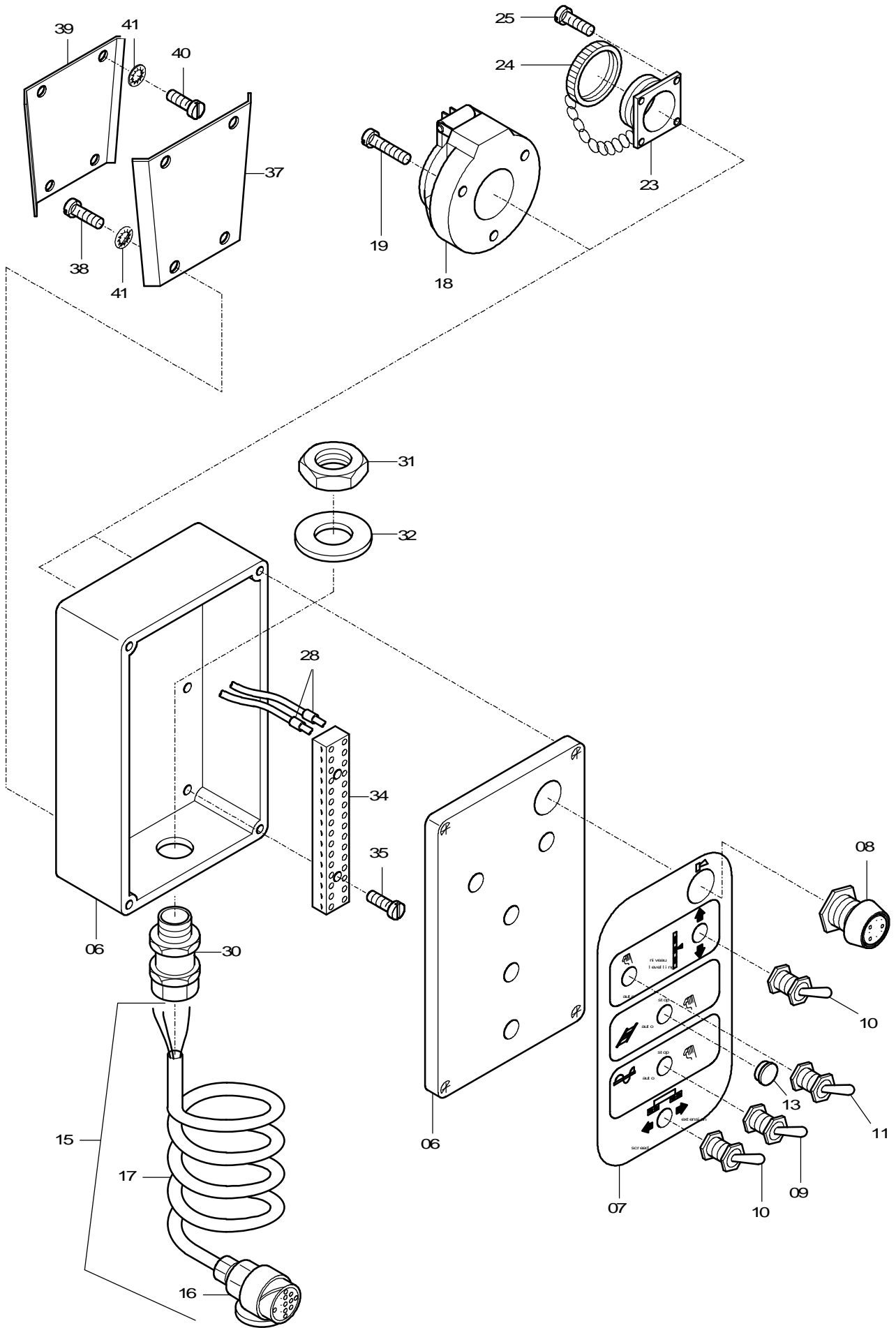
Pos. Item	Best.-Nr. Part No.	Anz. Qty.	Beschreibung Description	Bemerkung Note
1	859103701	1	Circuit diagram	
5	977454249	1	Fuse	2 Amp.
7	977479300	2	Socket	
8	977480018	2	Cap with chain	
9	990000755	1	Shield	
12	977463111	1	plug compl.	
13 *	977463112	1	Hood	
14 *	977463113	1	Contact holder	
15 *	977463114	5	Contact	
16 *	977463116	20	Contact	
17 *	977463117	5	Contact	
19	977189850	2	Potentiometer	
20	977599010	2	Setting button	
21	978008052	2	Prop. amplifier	
23	606213723	1	Terminal box	
25	977465420	2	Socket	
27	977330127	2	Receptacle housing	4 po.
28	977397117	8	Flat plug sleeve	
*) Available as single part				
Screed control				859-12150



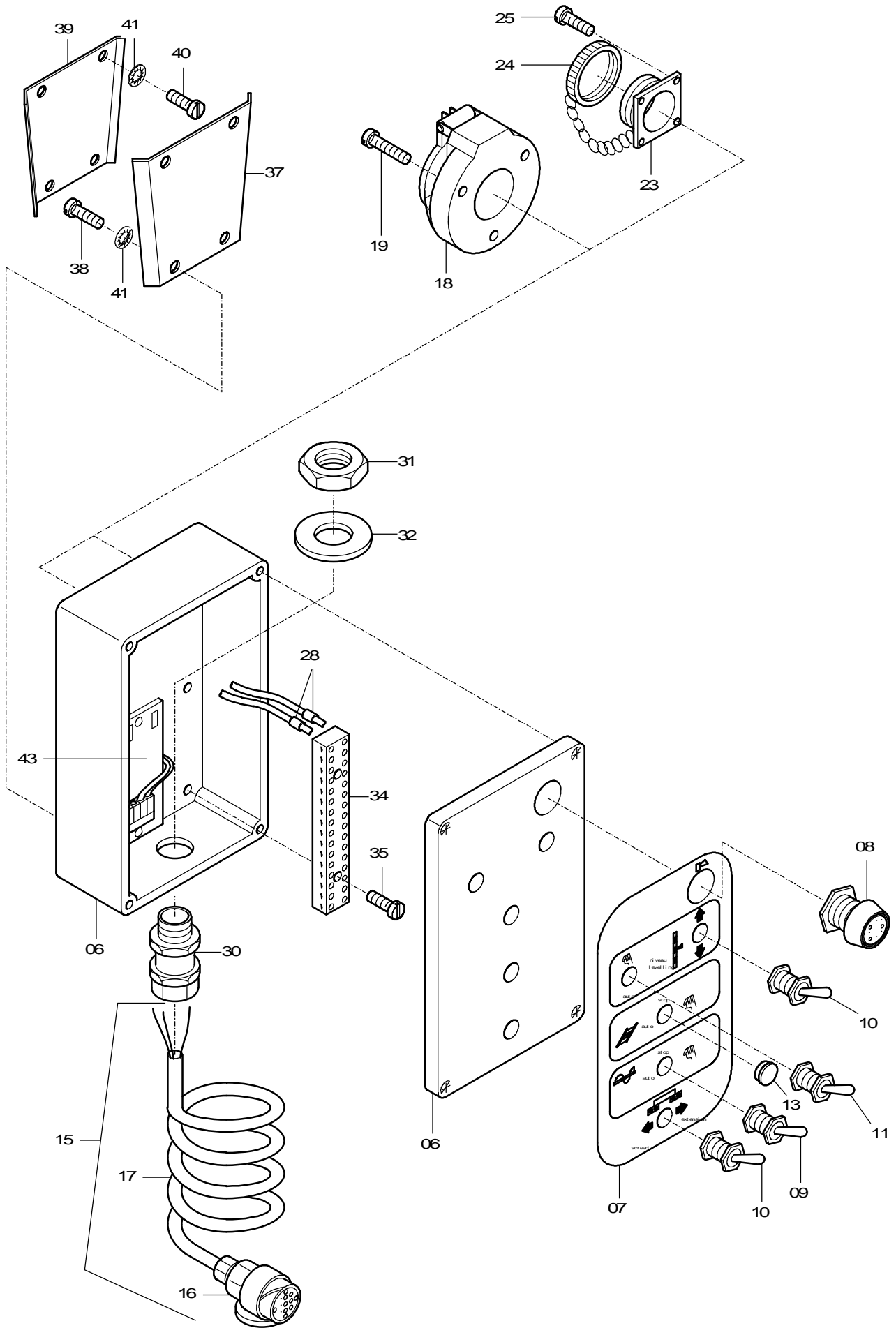
Pos. Item	Best.-Nr. Part No.	Anz. Qty.	Beschreibung Description	Bemerkung Note
	814309600	1	Remote control	
		1	Auger with gear pump, Sonic-Sensor	
1	814309601	1	Circuit diagram	
6	834109806	1	Housing	
7	990000982	1	Shield	
8	977514020	1	Press button switch	
10	977532018	2	Toggle switch	
11	977532092	1	Toggle switch	
12	977532020	1	Toggle switch	
13	977302058	1	Cap	
15	977370100	1	Cable, compl.	
16 *	977475280	1	Plug	13 pin.
17 *	977370113	1	Cable	
18	977465250	1	Socket	7 pos.
19	936750336	3	Cylindric head screw	
23	977479300	1	Socket	
24	977480018	1	Cap with chain	
25	936750111	4	Screw	
28	978013748	2	Diode	
30	977415513	1	Cable screwing	
31	977416513	1	Counter nut	
32	977416453	1	Gasket	
34	977414362	1	Terminal board	
35	936750115	2	Screw	
37	847905903	1	Holder for housing	
38	533022	4	Screw	
39	847905904	1	Holder	
40	533024	4	Screw	
41	938900516	8	Disc	
	*) Available as single part			
Remote control				814-12300



Pos. Item	Best.-Nr. Part No.	Anz. Qty.	Beschreibung Description	Bemerkung Note
	814309700	1	Remote control Auger gear pump, Poti	
1	814309701	1	Circuit diagram	
6	834109806	1	Housing	
7	990000982	1	Shield	
8	977514020	1	Press button switch	
10	977532018	2	Toggle switch	
11	977532092	1	Toggle switch	
12	977532020	1	Toggle switch	
13	977302058	1	Cap	
15	977370100	1	Cable, compl.	
16 *	977475280	1	Plug	13 pin.
17 *	977370113	1	Cable	
18	977465250	1	Socket	7 pos.
19	936750336	3	Cylindric head screw	
23	977479300	1	Socket	
24	977480018	1	Cap with chain	
25	936750111	4	Screw	
28	978013748	2	Diode	
30	977415513	1	Cable screwing	
31	977416513	1	Counter nut	
32	977416453	1	Gasket	
34	977414362	1	Terminal board	
35	936750115	2	Screw	
37	847905903	1	Holder for housing	
38	533022	4	Screw	
39	847905904	1	Holder	
40	533024	4	Screw	
41	938900516	8	Disc	
43	978008004	1	Amplifier	
*) Available as single part				
Remote control				814-12301

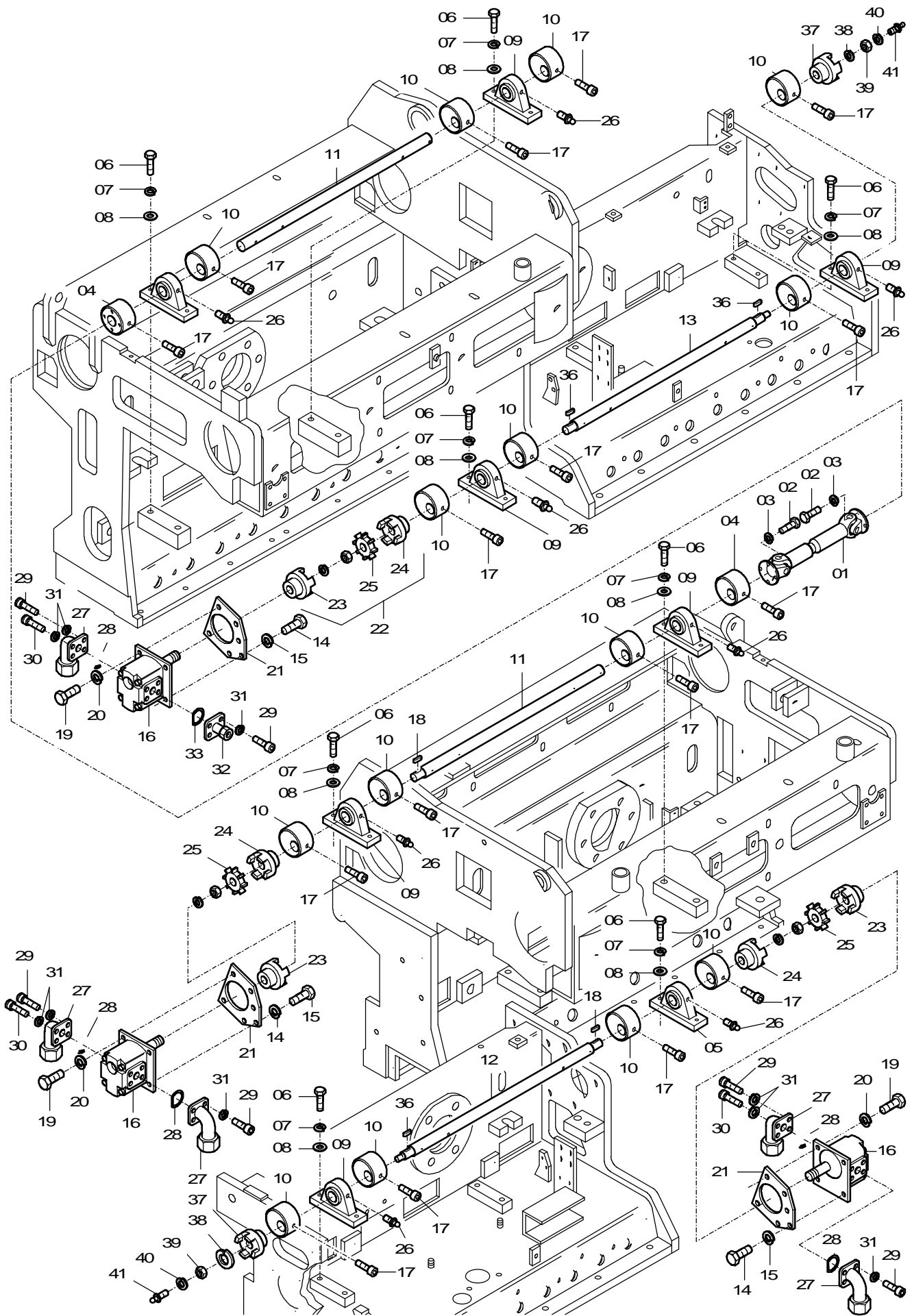


Pos. Item	Best.-Nr. Part No.	Anz. Qty.	Beschreibung Description	Bemerkung Note
	814309800	1	Remote control auger adjustable pump, sonic-sensor	
1	814309801	1	Circuit diagram	
6	834109806	1	Housing	
7	990000982	1	Shield	
8	977514020	1	Press button switch	
9	977532019	1	Toggle switch	
10	977532018	2	Toggle switch	
11	977532092	1	Toggle switch	
13	977302058	1	Cap	
15	977370100	1	Cable, compl.	
16 *	977475280	1	Plug	13 pin.
17 *	977370113	1	Cable	
18	977465250	1	Socket	7 pos.
19	936750336	3	Cylindric head screw	
23	977479300	1	Socket	
24	977480018	1	Cap with chain	
25	936750111	4	Screw	
28	978013748	2	Diode	
30	977415513	1	Cable screwing	
31	977416513	1	Counter nut	
32	977416453	1	Gasket	
34	977414362	1	Terminal board	
35	936750115	2	Screw	
37	847905903	1	Holder for housing	
38	533022	4	Screw	
39	847905904	1	Holder	
40	533024	4	Screw	
41	938900516	8	Disc	
	*) Available as single part			
Remote control				814-12302



Pos. Item	Best.-Nr. Part No.	Anz. Qty.	Beschreibung Description	Bemerkung Note
	814309900	1	Remote control Auger with adjustable pump, Poti	
1	814309901	1	Circuit diagram	
6	834109806	1	Housing	
7	990000982	1	Shield	
8	977514020	1	Press button switch	
9	977532019	1	Toggle switch	
10	977532018	2	Toggle switch	
11	977532092	1	Toggle switch	
13	977302058	1	Cap	
15	977370100	1	Cable, compl.	
16 *	977475280	1	Plug	13 pin.
17 *	977370113	1	Cable	
18	977465250	1	Socket	7 pos.
19	936750336	3	Cylindric head screw	
23	977479300	1	Socket	
24	977480018	1	Cap with chain	
25	936750111	4	Screw	
28	978013748	2	Diode	
30	977415513	1	Cable screwing	
31	977416513	1	Counter nut	
32	977416453	1	Gasket	
34	977414362	1	Terminal board	
35	936750115	2	Screw	
37	847905903	1	Holder for housing	
38	533022	4	Screw	
39	847905904	1	Holder	
40	533024	4	Screw	
41	938900516	8	Disc	
43	978008004	1	Amplifier	
*) Available as single part				
Remote control				814-12303

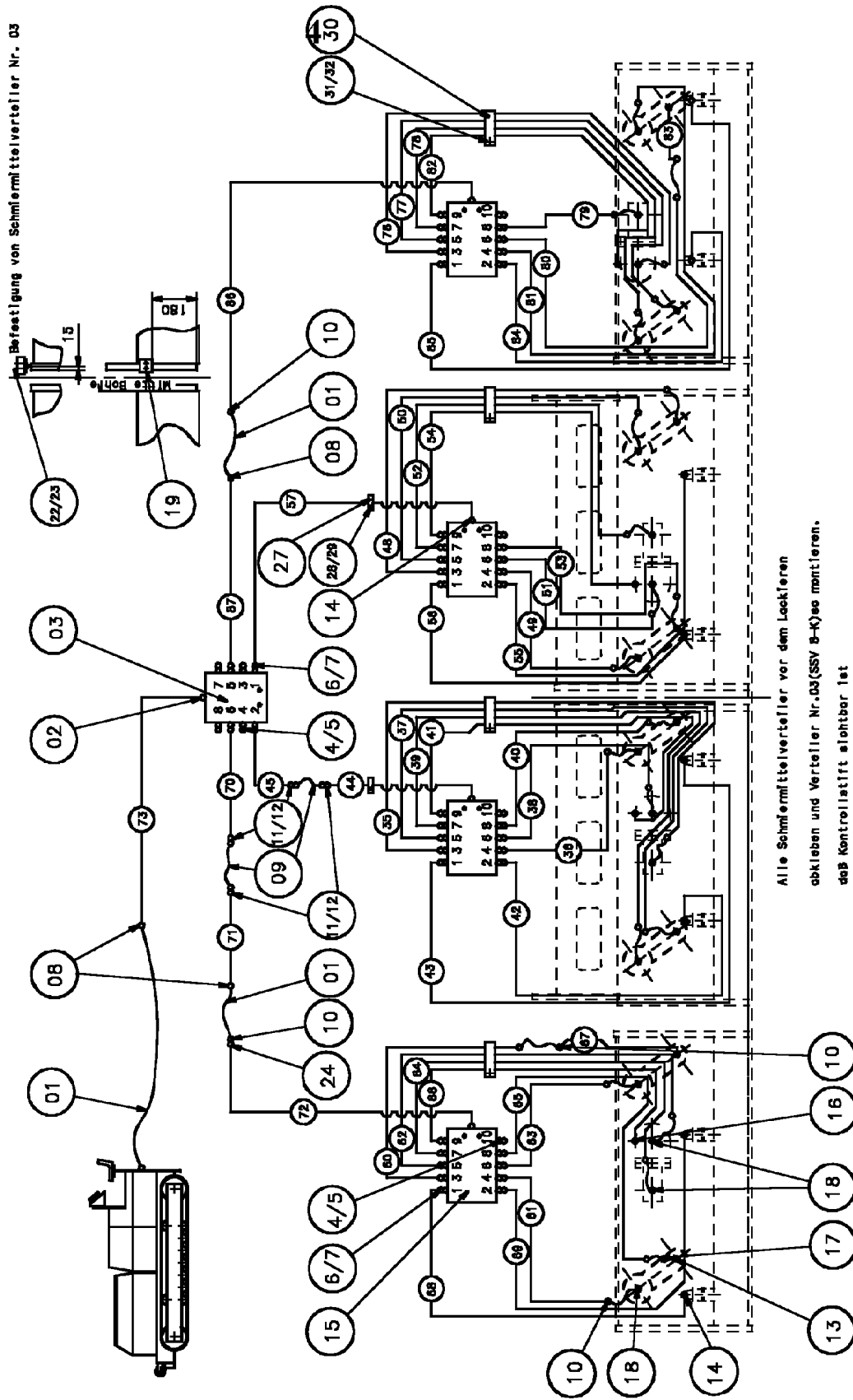
Pos. Item	Best.-Nr. Part No.	Anz. Qty.	Beschreibung Description	Bemerkung Note
1	857-13120	1	Vibrator, compl.	
2	857-13130	1	Central lubrication	
3	857-13131	1	Central lubrication	
4	857-13132	1	Central lubrication	
5	857-13150	1	Support for material guide >8m	
6	857-13155	1	Support for material guide <8m	
7	857-13200	1	Step	
8	857-13201	1	Equipment for gangway	
9	857-13205	1	Step extension part, 500 mm	
10	857-13206	1	Step extension part, 250 mm	
VB850T(V) Options				857-13



Pos. Item	Best.-Nr. Part No.	Anz. Qty.	Beschreibung Description	Bemerkung Note
1	933605488	1	Universal shaft	
2	508005	8	Screw	
3	606020	8	Spring washer	
4	853501343	2	Eccentric cam	
5	935193503	1	Bearing housing	
6	500269	16	Screw	
7	936905020	16	Spring washer	
8	939130014	16	Disc	
9	935193501	7	Bearing housing	
10	853501341	14	Eccentric cam	
11 A	857502322	2	Shaft main screed	
12	857502323	1	Shaft, left	
13	857502324	1	Shaft, right	
14	500051	6	Hex. screw	
15	936905020	6	Spring washer	
16	966136006	3	Axial piston motor	
_01	932736195	1	_Sealing kit	
_02	936653000	1	_Shaft sealing ring	
_03	901543845	1	_O-ring	
17	937930331	16	Hex. socket screw	
18	931700740	3	Feather key	
19	938111282	12	Hex. screw	
20	936905014	12	Spring washer	
21	857502345	3	Engine holder	
22	857502351	3	Clutch, compl.	
23	857502352	3	Coupling half	
24	857502353	3	Coupling half	
25	933558210	3	Ring gear	
26	935512215	8	Grease nipple	
27	961371072	5	Angle flange screwing	
28	932318055	5	O-ring	
29	937930224	14	Hex. socket screw	
30	937930228	10	Hex. socket screw	
31	947886	24	Spring washer	
32	990091818	1	Screwing	
33	932318055	1	O-ring	
34	937030224	4	Screw	
35	947886	4	Spring washer	
36	931700593	2	Feather key	
37	570500109	2	Coupling half	
38	936900028	2	Spring washer	
39	570500124	2	Nut	
40	704130	2	Spring washer	
41	570130135	2	Ball carrier	
A)				

Vibrator, compl.

857-13120



Alle Schmiermittelverteiler vor dem Lockieren
 abkleben und Verteiler Nr.03(SSV B-K)so montieren.
 daß Kontrollluft sichtbar ist

Pos. Item	Best.-Nr. Part No.	Anz. Qty.	Beschreibung Description	Bemerkung Note
A			With connection to the electric	
B			Missing description	
1	960821722	3	Hose	
2	961134105	1	Screwing	
3	935555012	1	Distributor	
4	935555005	8	Plug screw	
5	935555003	8	Gasket	
6	935555009	40	Screw	
7	935555007	40	Clamp ring	
8	961103005	3	Straight coupling	
9	960820730	2	Hose	
10	961107005	30	Screwing	
11	961102005	4	Nut	
12	961102055	4	Ferrule bite	
13	961134205	8	Straight screwing	
14	961136105	12	Swivel nut elbow	
15	935555021	4	Distributor	
16	961132203	4	Screwing	
17	935555001	24	Hose	
18	961136205	16	Swivel nut elbow	
19	857902719	1	Holder	
22	500009	10	Hex. screw	
23	936905009	10	Spring washer	
27	934364510	2	Clip	
28	938165549	2	Hex. screw	
29	936905011	2	Spring washer	
30	857502279	4	Clip	
31	500019	8	Hex. screw	
32	936905014	8	Spring washer	
35	857502203	1	Lubrication line	730 mm
36	857502204	1	Lubrication line	180 mm
37	857502205	1	Lubrication line	820 mm
38	857502206	1	Lubrication line	430 mm
39	857502207	1	Lubrication line	1200 mm
40	857502208	1	Lubrication line	510 mm
41	857652209	1	Pipeline	502 mm
42	857902742	1	Pipeline	
43	857902743	1	Pipeline	
44	857902744	1	Pipeline	
45	857902745	1	Pipeline	
48	857502215	1	Lubrication line	1260 mm
49	857502204	1	Lubrication line	180 mm
50	857502217	1	Lubrication line	1210 mm
51	857502218	1	Lubrication line	560 mm
A)				
B)				

Central lubrication

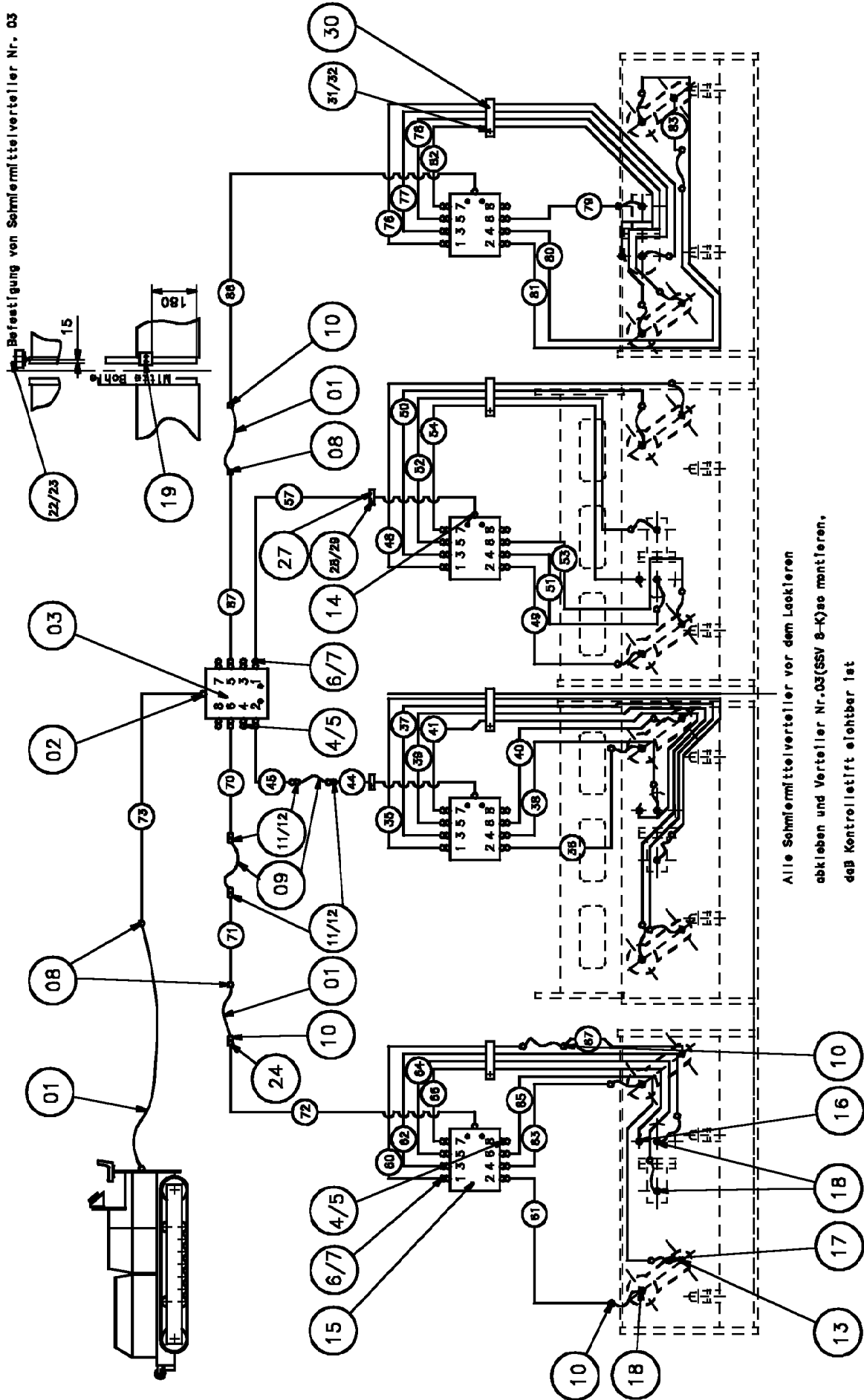
857-13130

Pos. Item	Best.-Nr. Part No.	Anz. Qty.	Beschreibung Description	Bemerkung Note
52	857502225	1	Lubrication line	940 mm
53	857502226	1	Lubrication line	480 mm
54	857652229	1	Pipeline	560 mm
55	857902755	1	Pipeline	
56	857902756	1	Pipeline	
57	857902757	1	Pipeline	
60	857652245	1	Pipeline	898 mm
61	857502246	1	Lubrication line	180 mm
62	857652247	1	Pipeline	639 mm
63	857502248	1	Lubrication line	960 mm
64	857502249	1	Lubrication line	440 mm
65	857502250	1	Lubrication line	570 mm
66	857652256	1	Pipeline	750 mm
67	857502235	1	Missing description	380 mm
68	857902768	1	Pipeline	
69	857902769	1	Pipeline	
70	857902770	1	Pipeline	
71	857902771	1	Pipeline	
72	857902772	1	Pipeline	
73	857902773	1	Pipeline	
76	857652238	1	Pipeline	715 mm
77	857652240	1	Pipeline	790 mm
78	857652242	1	Pipeline	855 mm
79	857652243	1	Pipeline	401 mm
80	857652241	1	Pipeline	355 mm
81	857502239	1	Lubrication line	190 mm
82	857652244	1	Pipeline	742 mm
83	857502235	1	Missing description	380 mm
84	857902784	1	Pipeline	
85	857902785	1	Pipeline	
86	857902786	1	Pipeline	
87	857902787	1	Pipeline	

Central lubrication

857-13130

Befestigung von Schmiermittelverteiler Nr. 03



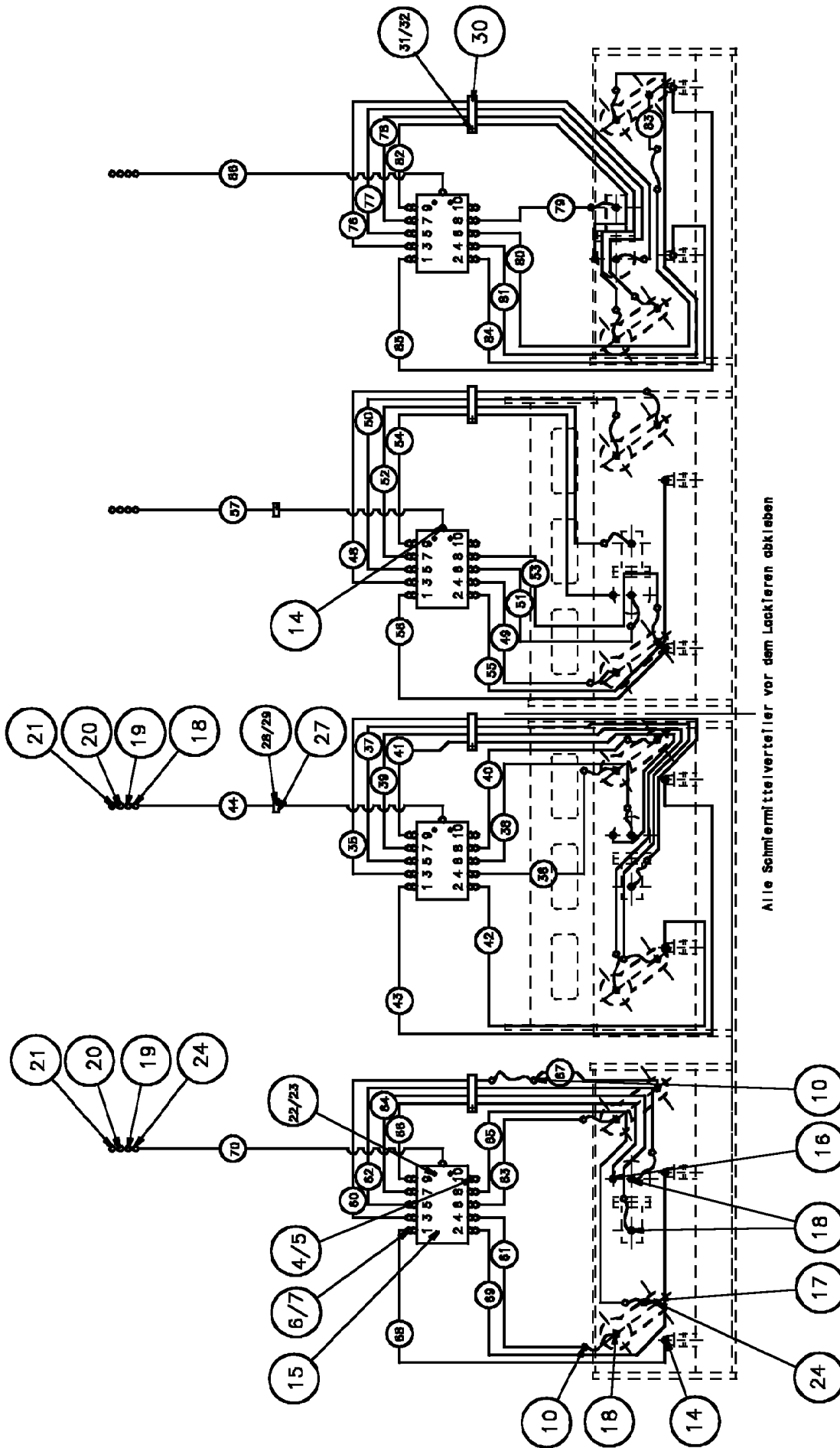
Alle Schmiermittelverteiler vor dem Leekieren
 abkloppen und Verteiler Nr.03(SSV E-K)so montieren,
 daB Kontrolleift elehtber ist

Pos. Item	Best.-Nr. Part No.	Anz. Qty.	Beschreibung Description	Bemerkung Note
A			With connection to the electric	
B			Without connection of the additional vibratio	
1	960821722	3	Hose	
2	961134105	1	Screwing	
3	935555012	1	Distributor	
4	935555005	8	Plug screw	
5	935555003	8	Gasket	
6	935555009	32	Screw	
7	935555007	32	Clamp ring	
8	961103005	3	Straight coupling	
9	960820730	2	Hose	
10	961107005	28	Screwing	
11	961102005	4	Nut	
12	961102055	4	Ferrule bite	
13	961134205	8	Straight screwing	
14	961136105	4	Swivel nut elbow	
15	935555011	4	Grease spreader	
16	961132203	4	Screwing	
17	935555001	24	Hose	
18	961136205	16	Swivel nut elbow	
19	857902719	1	Holder	
22	500009	10	Hex. screw	
23	936905009	10	Spring washer	
27	934364510	2	Clip	
28	938165549	2	Hex. screw	
29	936905011	2	Spring washer	
30	857502279	4	Clip	
31	500013	4	Hex. screw	
32	936905014	4	Spring washer	
35	857502203	1	Lubrication line	730 mm
36	857502204	1	Lubrication line	180 mm
37	857502205	1	Lubrication line	820 mm
38	857502206	1	Lubrication line	430 mm
39	857502207	1	Lubrication line	1200 mm
40	857502208	1	Lubrication line	510 mm
41	857652209	1	Pipeline	502 mm
44	857902744	1	Pipeline	
45	857902745	1	Pipeline	
48	857502215	1	Lubrication line	1260 mm
49	857502216	1	Lubrication line	180 mm
50	857502217	1	Lubrication line	1210 mm
51	857502218	1	Lubrication line	560 mm
52	857502225	1	Lubrication line	940 mm
53	857502226	1	Lubrication line	480 mm
A)				
B)				
Central lubrication				857-13131

Pos. Item	Best.-Nr. Part No.	Anz. Qty.	Beschreibung Description	Bemerkung Note
54	857652229	1	Pipeline	560 mm
57	857902757	1	Pipeline	
60	857652245	1	Pipeline	898 mm
61	857502246	1	Lubrication line	180 mm
62	857652247	1	Pipeline	639 mm
63	857502248	1	Lubrication line	960 mm
64	857502249	1	Lubrication line	440 mm
65	857502250	1	Lubrication line	570 mm
66	857652256	1	Pipeline	750 mm
67	857502235	1	Missing description	380 mm
70	857902770	1	Pipeline	
71	857902771	1	Pipeline	
72	857902772	1	Pipeline	
73	857902773	1	Pipeline	
76	857652238	1	Pipeline	715 mm
77	857652240	1	Pipeline	790 mm
78	857652242	1	Pipeline	855 mm
79	857652243	1	Pipeline	401 mm
80	857652241	1	Pipeline	355 mm
81	857502239	1	Lubrication line	190 mm
82	857652244	1	Pipeline	742 mm
83	857502235	1	Missing description	380 mm
86	857902786	1	Pipeline	
87	857902787	1	Pipeline	

Central lubrication

857-13131



Pos. Item	Best.-Nr. Part No.	Anz. Qty.	Beschreibung Description	Bemerkung Note
			Manuel lubricating	
			Missing description	
A				
4	935555005	4	Plug screw	
5	935555003	4	Gasket	
6	935555009	36	Screw	
7	935555007	36	Clamp ring	
10	961107005	24	Screwing	
14	961136105	12	Swivel nut elbow	
15	935555021	4	Distributor	
16	961132203	4	Screwing	
17	935555001	24	Hose	
18	961136205	18	Swivel nut elbow	
19	960993190	4	Intermediate piece	
20	960969220	4	Hose holder	
21	935511210	4	Grease nipple	
22	500009	8	Hex. screw	
23	936905009	8	Spring washer	
24	961134205	10	Straight screwing	
27	934364510	2	Clip	
28	938165549	2	Hex. screw	
29	936905011	2	Spring washer	
30	857502279	4	Clip	
31	500013	4	Hex. screw	
32	936905014	4	Spring washer	
35	857502203	1	Lubrication line	730 mm
36	857502204	1	Lubrication line	180 mm
37	857502205	1	Lubrication line	820 mm
38	857502206	1	Lubrication line	430 mm
39	857502207	1	Lubrication line	1200 mm
40	857502208	1	Lubrication line	510 mm
41	857652209	1	Pipeline	502 mm
42	857902742	1	Pipeline	
43	857902743	1	Pipeline	
44	857502202	1	Lubrication line	2410 mm
48	857502215	1	Lubrication line	1260 mm
49	857502216	1	Lubrication line	180 mm
50	857502217	1	Lubrication line	1210 mm
51	857502218	1	Lubrication line	560 mm
52	857502225	1	Lubrication line	940 mm
53	857502226	1	Lubrication line	480 mm
54	857652229	1	Pipeline	560 mm
55	857902755	1	Pipeline	
56	857902756	1	Pipeline	
57	857502214	1	Lubrication line	2410 mm
60	857652245	1	Pipeline	898 mm
A)				

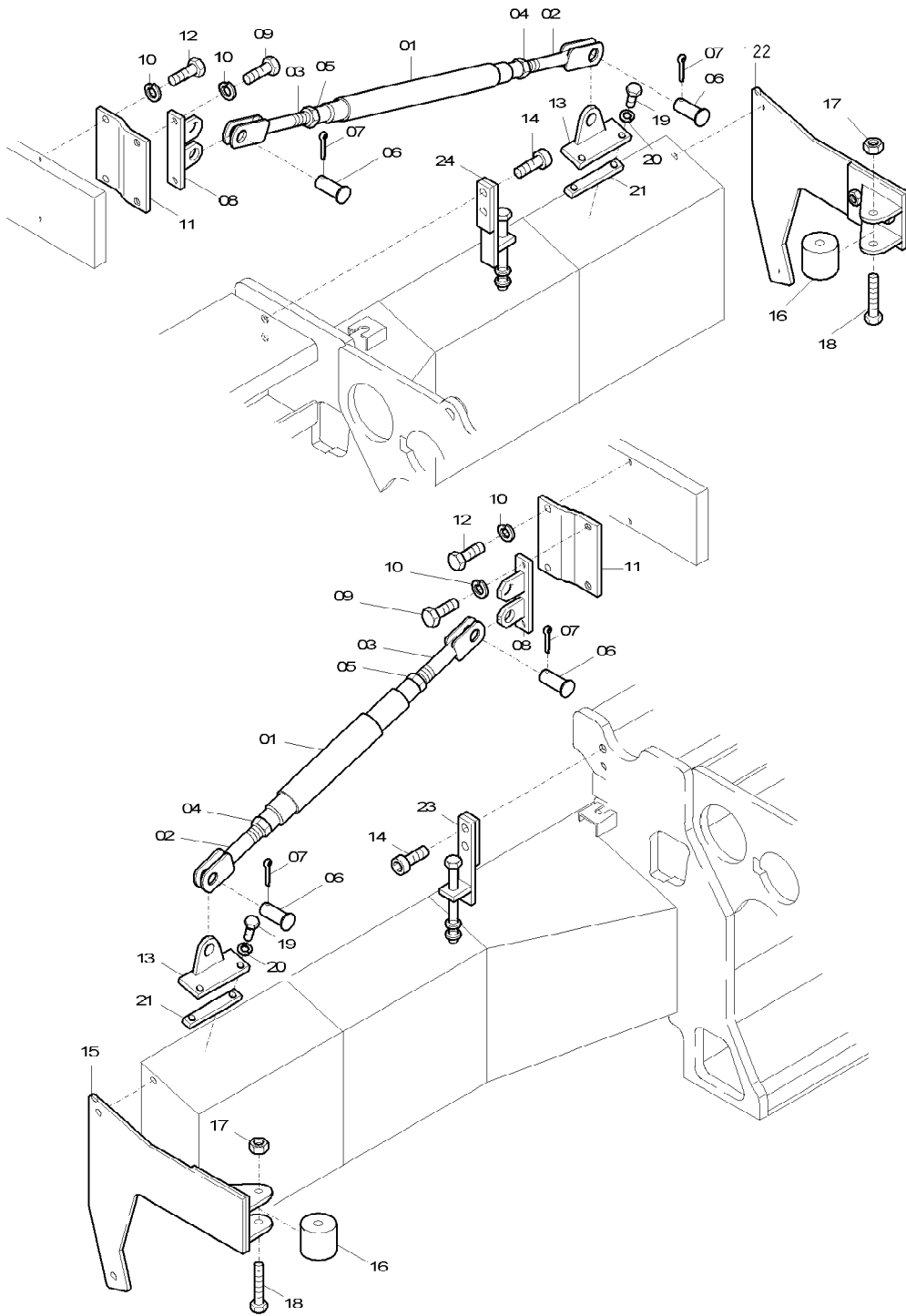
Central lubrication

857-13132

Pos. Item	Best.-Nr. Part No.	Anz. Qty.	Beschreibung Description	Bemerkung Note
61	857502246	1	Lubrication line	180 mm
62	857652247	1	Pipeline	639 mm
63	857502248	1	Lubrication line	960 mm
64	857502249	1	Lubrication line	440 mm
65	857502250	1	Lubrication line	570 mm
66	857652256	1	Pipeline	750 mm
67	857502235	1	Missing description	380 mm
68	857902768	1	Pipeline	
69	857902769	1	Pipeline	
70	857502285	1	Pipeline	
76	857652238	1	Pipeline	715 mm
77	857652240	1	Pipeline	790 mm
78	857652242	1	Pipeline	855 mm
79	857652243	1	Pipeline	401 mm
80	857652241	1	Pipeline	355 mm
81	857502239	1	Lubrication line	190 mm
82	857652244	1	Pipeline	742 mm
83	857502235	1	Missing description	380 mm
84	857902784	1	Pipeline	
85	857902785	1	Pipeline	
86	857502237	1	Lubrication line	730 mm

Central lubrication

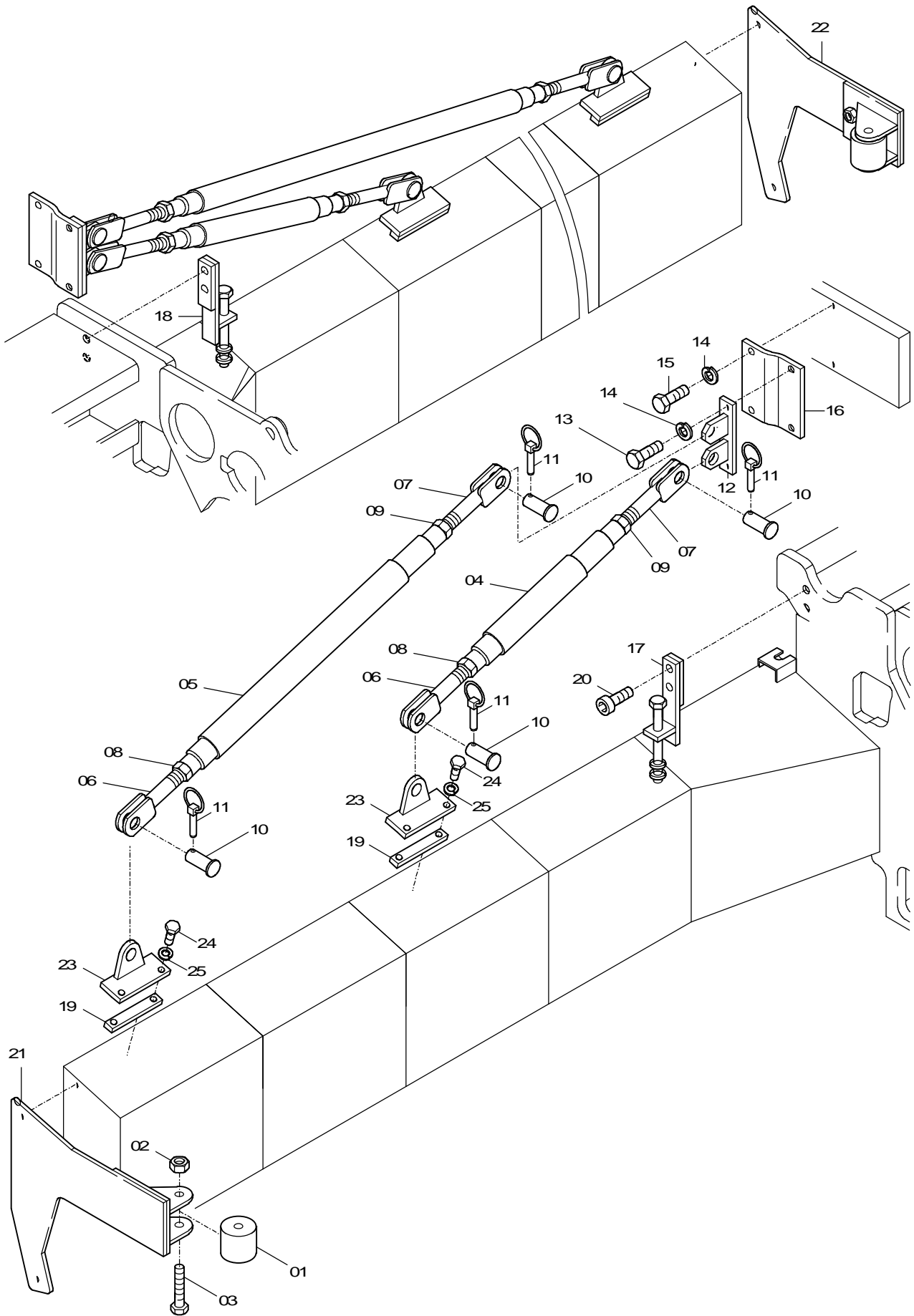
857-13132



Pos. Item	Best.-Nr. Part No.	Anz. Qty.	Beschreibung Description	Bemerkung Note
1	750229308	2	Adjustable rod	875 mm
2	570130608	2	Fork head, left	
3	570130609	2	Fork head, right	
4	938190997	2	Hex. nut	M 30 left/links
5	938190026	2	Hex. nut	
6	990020153	4	Socket bolt	
7	930290105	4	Hinged split pin	
8	857903125	2	Bracket compl. for support	
9	500057	4	Hex. screw	
10	936905026	8	Spring washer	
11	857903020	2	Support only for screed 859	
12	500093	4	Hex. screw	
13	857903168	2	Bracket for support	
14	938970441	4	Cylindric head screw	
15	857903035	1	Support for material guide, left	
16	857903038	2	Roller	
17	938481012	2	Safety nut	
18	927633	2	Hex. screw	
19	500093	4	Hex. screw	
20	936905026	12	Spring washer	
21	857903138	2	Thread piece	
22	857903045	1	Support for material guide, right	
23	857903049	1	Bracket compl. for level alignment, left	
24	857903058	1	Bracket compl. for level alignment, right	

Support for material guide >8m

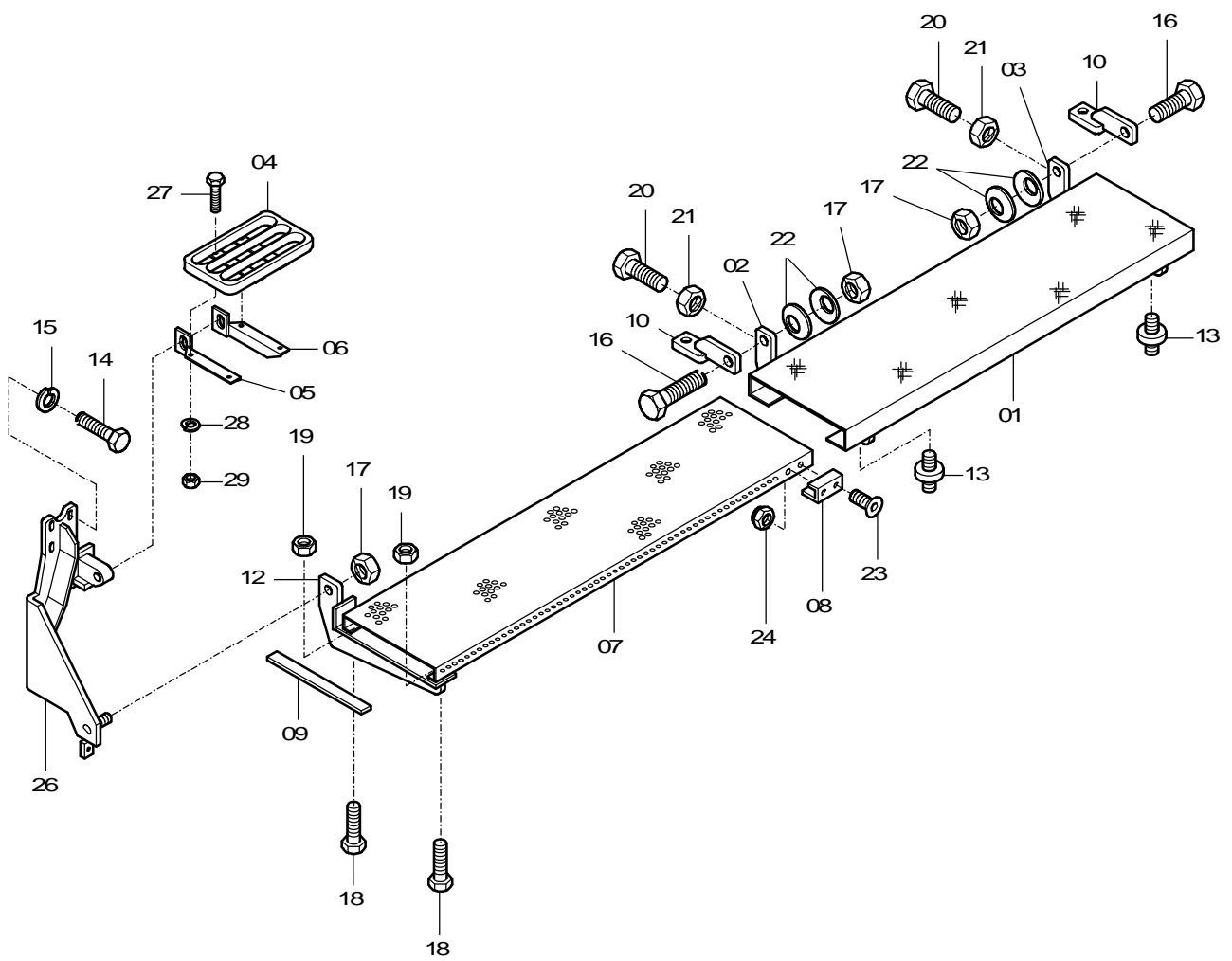
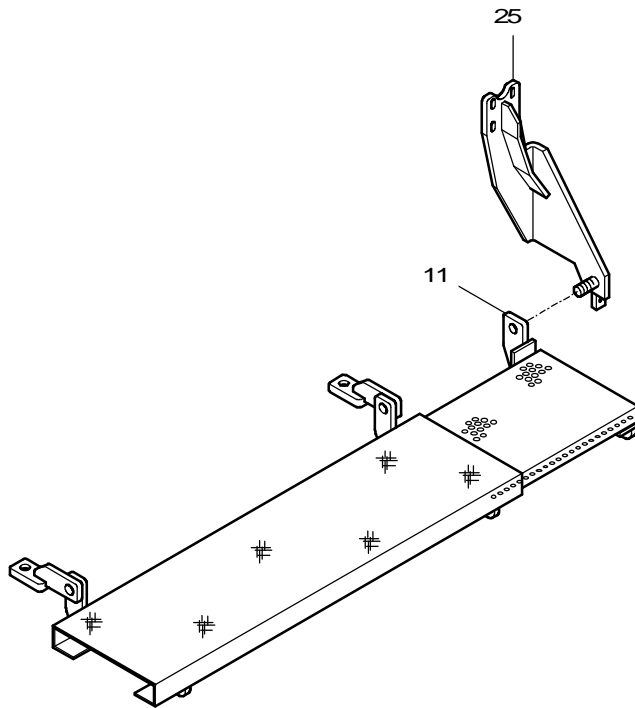
857-13150



Pos. Item	Best.-Nr. Part No.	Anz. Qty.	Beschreibung Description	Bemerkung Note
1	857903038	2	Roller	
2	938481012	2	Safety nut	
3	927633	2	Hex. screw	
4	750229308	2	Adjustable rod	875 mm
5	857903111	2	Adjustable rod	1800 lg
6	570130608	4	Fork head, left	
7	570130609	4	Fork head, right	
8	938190997	4	Hex. nut	M 30 left/links
9	938190026	4	Hex. nut	
10	990020153	8	Socket bolt	
11	930290105	8	Hinged split pin	
12	857903125	2	Bracket compl. for support	
13	500057	4	Hex. screw	
14	936905026	8	Spring washer	
15	500093	4	Hex. screw	
16	857903020	2	Support only for screed 859	
17	857903049	1	Bracket compl. for level alignment, left	
18	857903058	1	Bracket compl. for level alignment, right	
19	857903138	2	Thread piece	
20	938970441	4	Cylindric head screw	
21	857903035	1	Support for material guide, left	
22	857903045	1	Support for material guide, right	
23	857903168	4	Bracket for support	
24	500093	8	Hex. screw	
25	936905026	8	Spring washer	

Support for material guide <8m

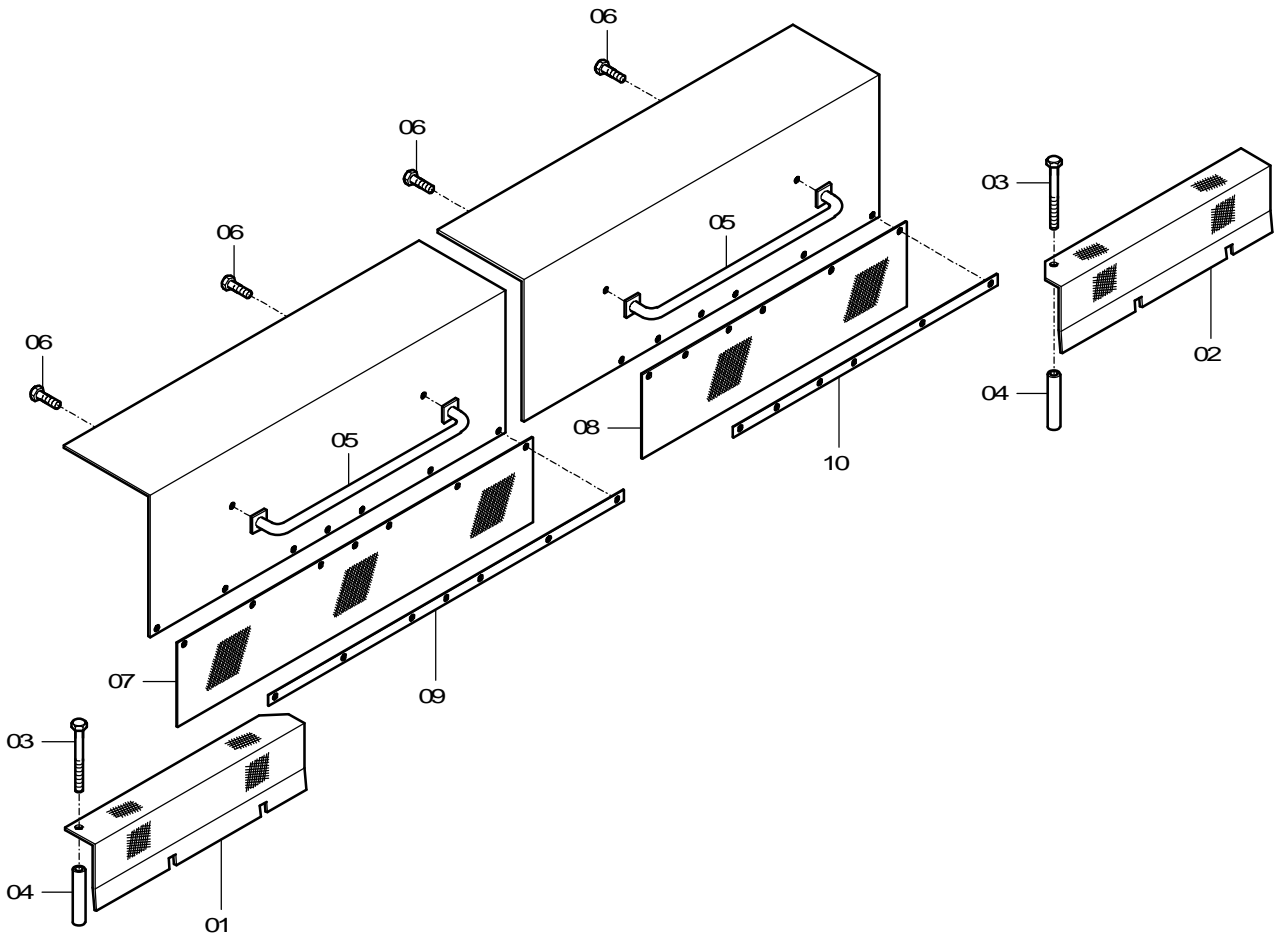
857-13155



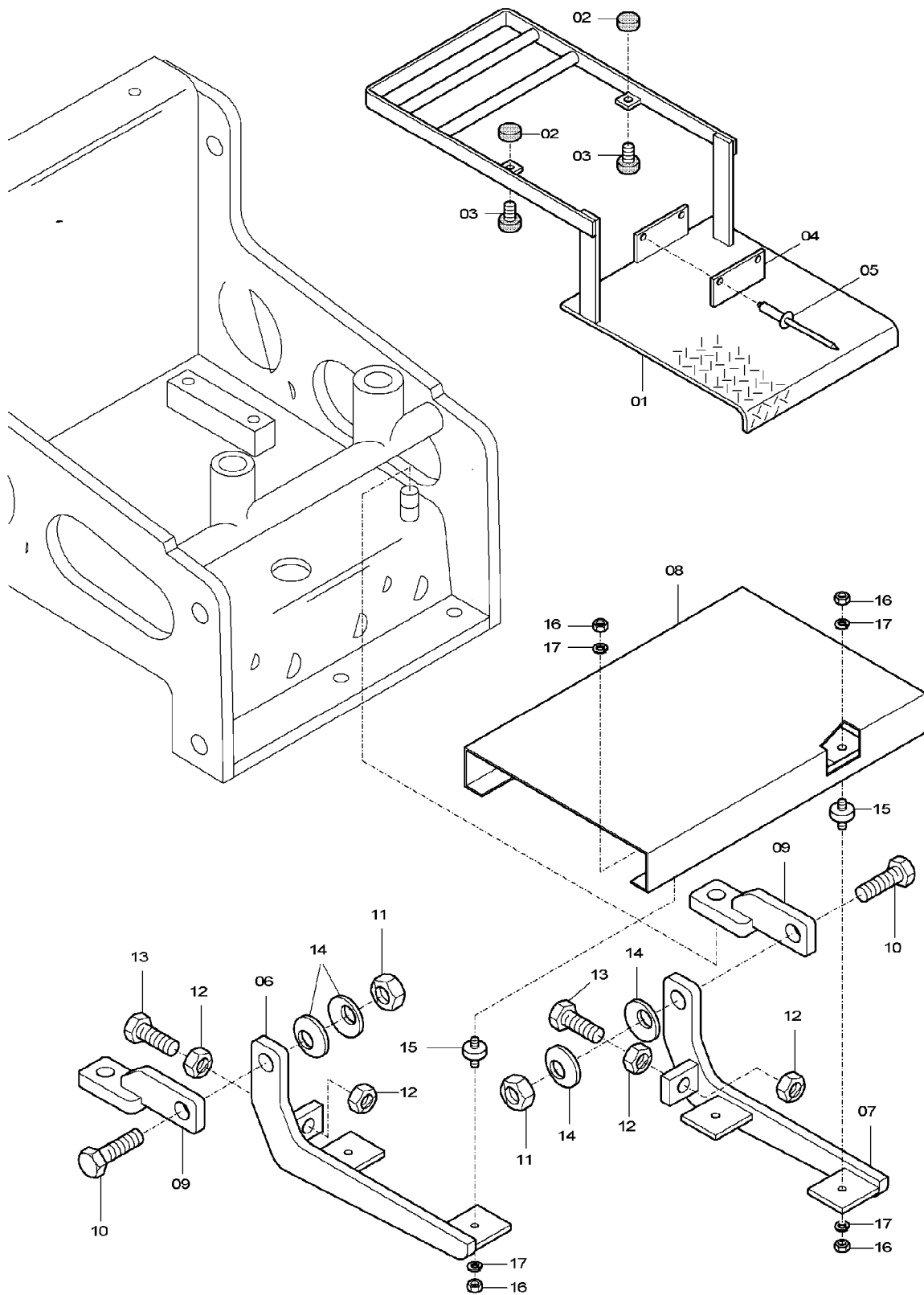
Pos. Item	Best.-Nr. Part No.	Anz. Qty.	Beschreibung Description	Bemerkung Note
1	847503302	1	Step plate	
2	847653307	2	Support, outside	
3	847653313	2	Support, inside	
4	819140901	1	Step plate	
5	819140905	1	Bearing, left	
6	819140909	1	Bearing, right	
7	847653322	2	Step plate	
8	847503337	4	Sliding piece	
9	847503373	2	Rubber strip	
10	847503345	4	Detent	
11	847503350	1	Console, left	
12	847503355	1	Console, right	
13	930458510	8	Rubber buffer	
14	500194	8	Hex. screw	
15	936905020	8	Spring washer	
16	500137	4	Hex. screw	
17	938480516	6	Safety nut	
18	500029	4	Hex. screw	
19	938480509	20	Safety nut	
20	500265	4	Hex. screw	
21	938190522	4	Hex. nut	
22	932800905	8	Cup spring	
23	939475221	4	Countersunk screw	
24	938480508	4	Safety nut	
25	857653355	1	Bearing main screed, left	
26	857653370	1	Bearing main screed, right	
27	500021	4	Screw	
28	936905014	4	Spring washer	
29	570005	4	Hex. nut	
30				

Step

857-13200



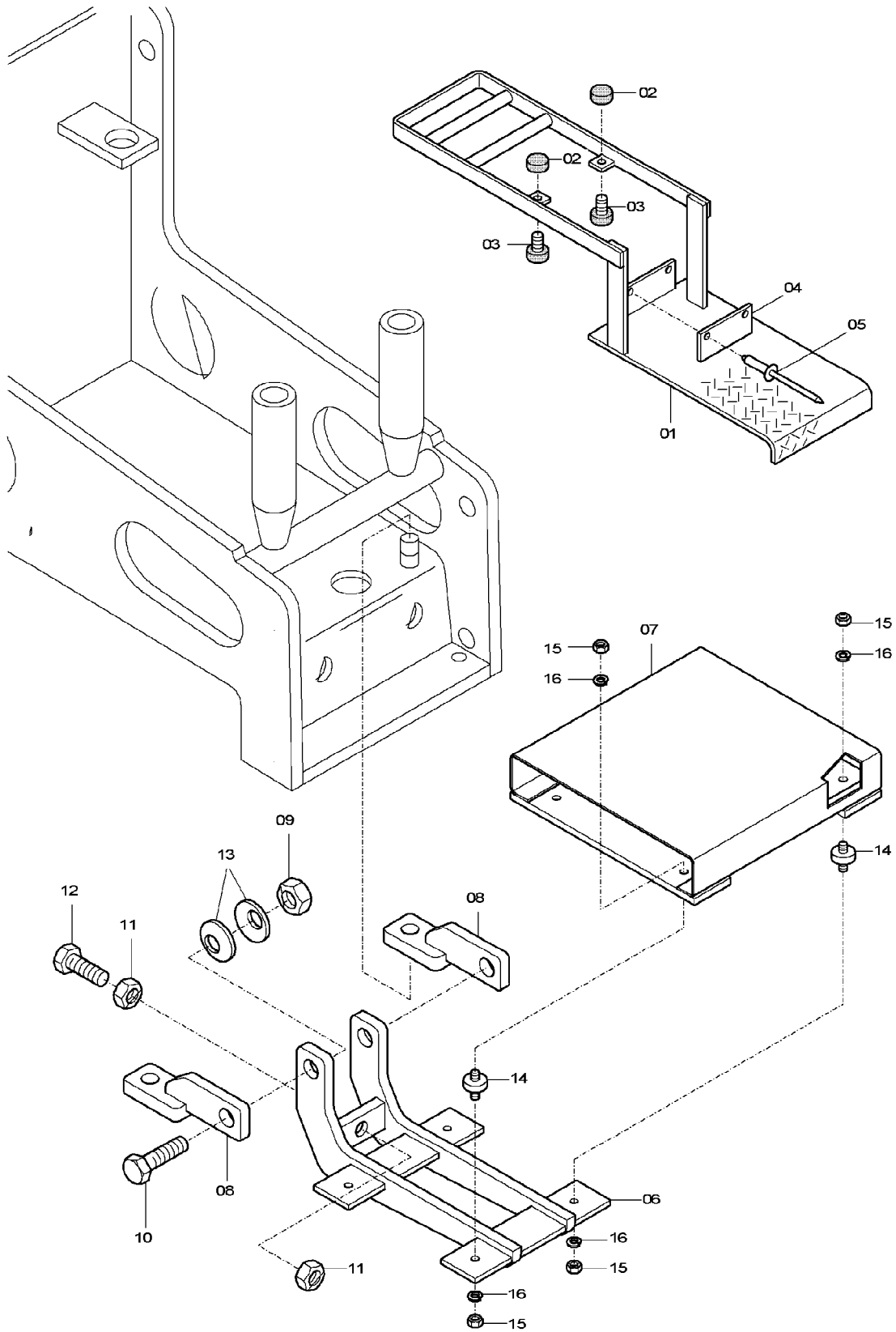
Pos. Item	Best.-Nr. Part No.	Anz. Qty.	Beschreibung Description	Bemerkung Note
1	857653605	1	Protection plate, left	
2	857653608	1	Protection plate, right	
3	500225	2	Hex. screw	
4	910018914	2	Distance pipe	
5	847651875	2	Bow	
6	500048	4	Hex. screw	
7	857653616	1	Rubber plate, left	
8	857653617	1	Rubber plate, right	
9	857653618	1	Terminal board, left	
10	857653619	1	Terminal board, right	
Equipment for gangway				857-13201



Pos. Item	Best.-Nr. Part No.	Anz. Qty.	Beschreibung Description	Bemerkung Note
1	857516510	1	Auger protection	
2	930458220	2	Rubber buffer	
3	930458210	2	Buffer	
4	990000473	1	Shield	
5	930129454	2	Rivet	
6	847653307	1	Support, outside	
7	847653313	1	Support, inside	
8	857516535	1	Step plate	
9	847503345	2	Detent	
10	500137	2	Hex. screw	
11	938480516	2	Safety nut	
12	938190522	4	Hex. nut	
13	932800905	4	Cup spring	
14	930458510	4	Rubber buffer	
15	928847	8	Hex. nut	
16	704130	8	Spring washer	

Step extension part, 500 mm

857-13205

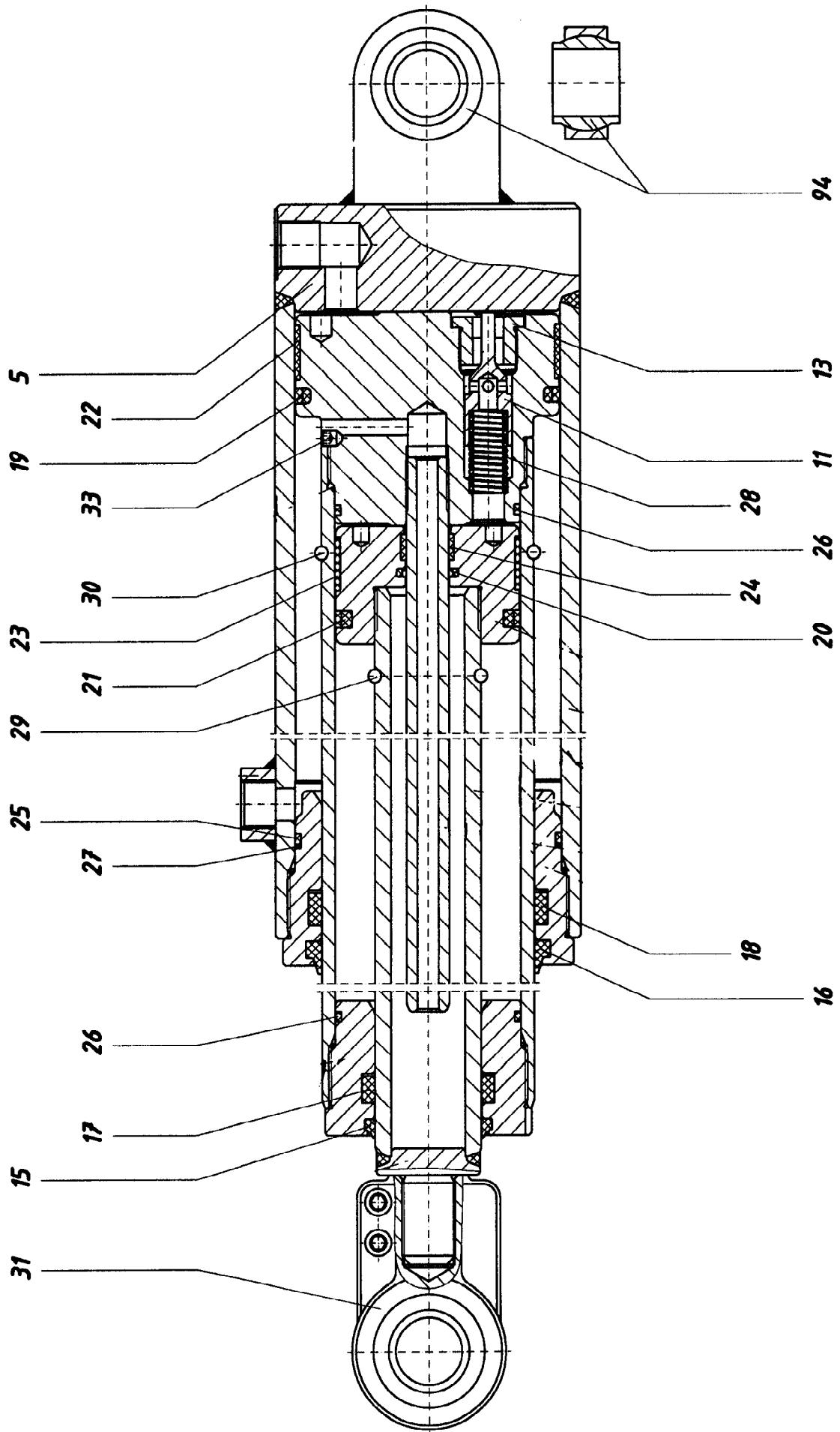


Pos. Item	Best.-Nr. Part No.	Anz. Qty.	Beschreibung Description	Bemerkung Note
1	857576510	1	Auger protection	
2	930458220	2	Rubber buffer	
3	930458210	2	Buffer	
4	990000473	1	Shield	
5	930129454	2	Rivet	
6	859574507	1	Frame	
7	859574502	1	Step plate	
8	847503345	2	Detent	
9	938250510	2	Hex. nut	
10	500297	2	Hex. screw	
11	938190522	2	Hex. nut	
12	500156	1	Hex. screw	
13	932800905	2	Cup spring	
14	930458510	4	Rubber buffer	
15	928847	8	Hex. nut	
16	704130	8	Spring washer	

Step extension part, 250 mm

857-13206

Pos. Item	Best.-Nr. Part No.	Anz. Qty.	Beschreibung Description	Bemerkung Note
1	965-14554	1	Hydraulic cylinder for screed.	



Pos. Item	Best.-Nr. Part No.	Anz. Qty.	Beschreibung Description	Bemerkung Note
29	965659142	1	round steel guide ring	
30	965659183	1	round steel guide ring	
31	935113608	1	Hinge head	
33	516002	1	Grub screw	
94	935111912	1	Bearing	
**	679516	1	Seal kit	
**	679517	1	Valve kit	Pos./Item 11, 13, 28
*) Available as single part				
Hydraulic cylinder for screed.				965-14554