



Part of the Atlas Copco Group

www.DYNAPAC.com

DYNAPAC GmbH

Ammerländer Strasse 93
26203 Wardenburg / Germany
Tel.: +49 4407 / 972 - 0
Fax : +49 4407 / 972 - 228

Seite / Page: 1

Customer No.
12301900

End User

Order No.
C663608

Delivery Date
08.07.2008

Paver Type / Serial No.
F121W/D 3A / 634.211 / CON

Screed Type / Serial No.
VB510TV / 6140450

Engine

Engine Serial No.

**INHALTSVERZEICHNIS
TABLE OF CONTENTS**

**Bemerkungen
Notes**

**VB510TV s/n 6140450 -
F121W/D s/n 634.211**

Grp. 01, Main Screed

614-01105

Main screed

614-01110

Extension unit

614-01120

Guiding cylinder 1

614-01130

Guiding cylinder 2

614-01140

Guide

614-01150

Screed lift assy.

**Grp. 01-1, Roof profile
setting, mech.**

614-01170A

Roof profile setting, cpl.

Grp. 02, End plates

614-02100

End plates cpl.

614-02110

Retainer cpl.

614-02120

Adjustment crank assy.

Grp. 03, Coverings

614-03100

Foot board, assy.

614-03110

Foot board, centre part assy. l.h.

614-03120

Foot board, centre part assy. r.h.

614-03130

Foot board, extension part assy.



Part of the Atlas Copco Group

www.DYNAPAC.com

DYNAPAC GmbH

Ammerländer Strasse 93
26203 Wardenburg / Germany
Tel.: +49 4407 / 972 - 0
Fax : +49 4407 / 972 - 228

Seite / Page: 2

<i>Customer No.</i> 12301900	<i>End User</i>	<i>Order No.</i> C663608	<i>Delivery Date</i> 08.07.2008
<i>Paver Type / Serial No.</i> F121W/D 3A / 634.211 / CON		<i>Screed Type / Serial No.</i> VB510TV / 6140450	
<i>Engine</i>		<i>Engine Serial No.</i>	

**INHALTSVERZEICHNIS
TABLE OF CONTENTS**

**Bemerkungen
Notes**

614-03150	Cover plates -----	
614-03160	Guide plate, tamper - centre ----- section, l.h.	
614-03170	Guide plate, tamper - centre ----- section r.h.	
614-03180	Guide plate, tamper - extension ----- l.h.	
614-03190	Guide plate, tamper - extension ----- r.h.	
614-03200	Lapping unit -----	
614-03210	Protecting hood, center l.h., cpl. -----	
614-03220	Protecting hood, center r.h., cpl. -----	
614-03230	Protecting hood, extension l.h., ----- cpl.	
614-03240	Protecting hood, extension r.h., ----- cpl.	
	Grp. 04, Tamper drive -----	
614-04100	Tamper drive assy. -----	
614-04110	Tamper drive, center section, l.h. -----	
614-04120	Tamper drive, center section, r.h. -----	
614-04130	Tamper drive extension, l.h. -----	
614-04140	Tamper drive extension, r.h. -----	
	Grp. 05, Vibration -----	



Part of the Atlas Copco Group

www.DYNAPAC.com

DYNAPAC GmbH

Ammerländer Strasse 93
26203 Wardenburg / Germany
Tel.: +49 4407 / 972 - 0
Fax : +49 4407 / 972 - 228

Seite / Page: 3

Customer No. 12301900	End User	Order No. C663608	Delivery Date 08.07.2008
Paver Type / Serial No. F121W/D 3A / 634.211 / CON		Screed Type / Serial No. VB510TV / 6140450	
Engine		Engine Serial No.	

**INHALTSVERZEICHNIS
TABLE OF CONTENTS**

**Bemerkungen
Notes**

614-05100	Vibration assy. -----	
614-05110	Vibration center section, l.h. -----	
614-05120	Vibration center section, r.h. -----	
614-05130	Vibration extension mounts, l.h. -----	
614-05140	Vibration extension mounts, r.h. -----	
	Grp. 06, Lube arr. -----	
614-06100	Lube arr. - Tamper/Vibration -----	
	Grp. 07, Gas heating -----	
614-07100A	Gas heating -----	
614-07110	Gas equipment -----	
	Grp. 08, Hydraulic -----	
614-08100	Hydr. plan, cylinder cpl. -----	
614-08110	Hydr. diagram, tamper -----	
614-08120	Hyd. diagram, vibration -----	
614-08130	Hydraulic hoses -----	
	Grp. 09, Electric Diagrams -----	
614-09100	Ignition installation with flame control -----	
614-09110A	Screed control -----	
	Grp. 10, Extension mounts -----	



Part of the Atlas Copco Group

www.DYNAPAC.com

DYNAPAC GmbH

Ammerländer Strasse 93
26203 Wardenburg / Germany
Tel.: +49 4407 / 972 - 0
Fax : +49 4407 / 972 - 228

Seite / Page: 4

Customer No.
12301900

End User

Order No.
C663608

Delivery Date
08.07.2008

Paver Type / Serial No.
F121W/D 3A / 634.211 / CON

Screed Type / Serial No.
VB510TV / 6140450

Engine

Engine Serial No.

**INHALTSVERZEICHNIS
TABLE OF CONTENTS**

**Bemerkungen
Notes**

614-10100A

Extension mount 350mm assy.,
l.h. + r.h.

20004332

Joint shaft

614-10110A

Gas heating assy.

614-10111A

Gas equipment

614-10120

Foot board unit, assy.

614-10130

Vibration assy.

614-10140

Tamper drive assy.

614-10200A

Extension mount 750mm assy.,
l.h. + r.h.

614-10210A

Gas heating assy.

614-10211A

Gas equipment

614-10220

Foot board unit, assy.

614-10230

Vibration assy.

614-10240

Tamper drive assy.

614-10250

Protecting hood, cpl.

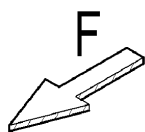
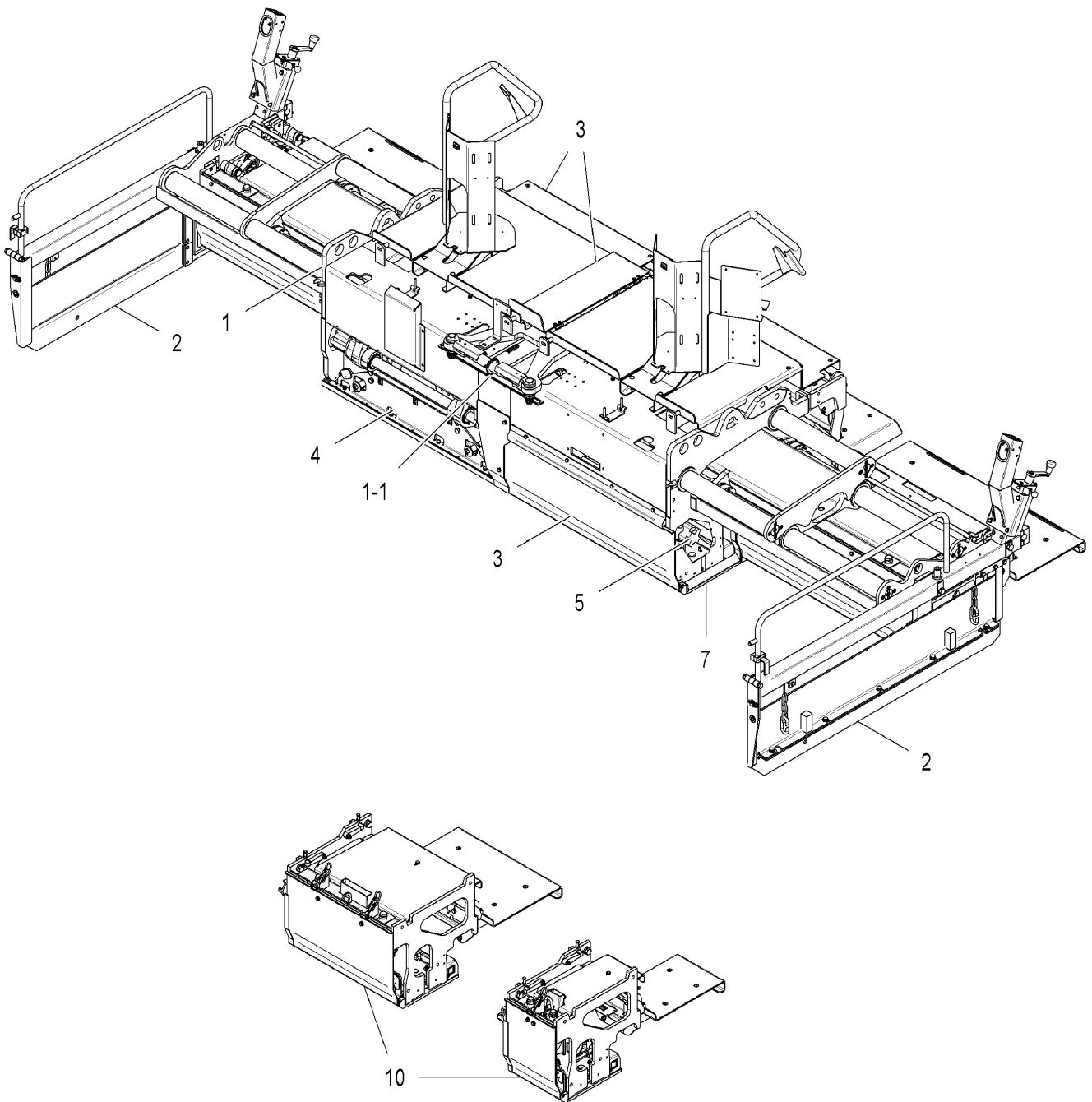
**Grp. 11, Optional
equipment**

614-11150

Retainer for external control, l.h.,
r.h.

614-11200

Tool and assessories

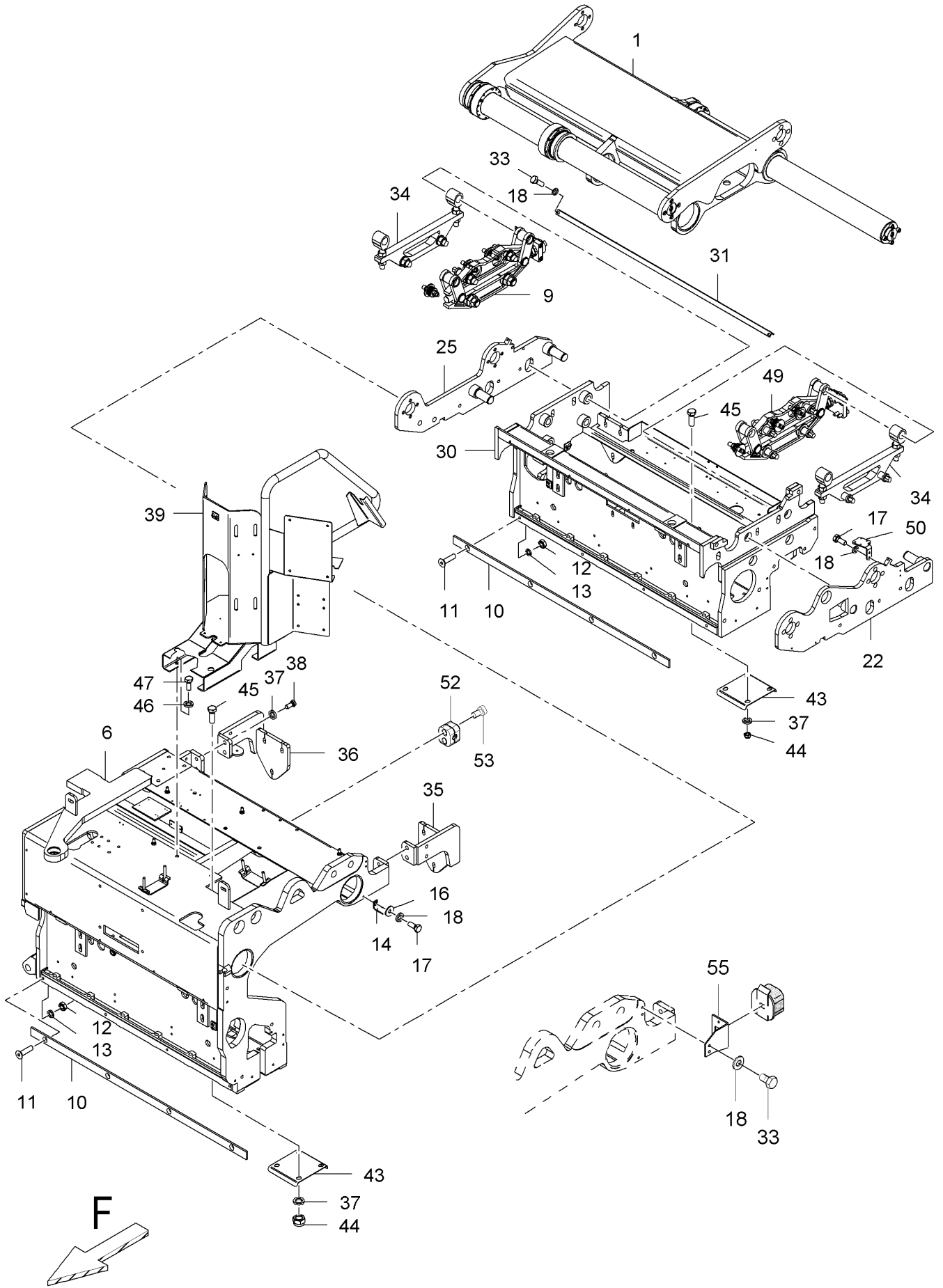


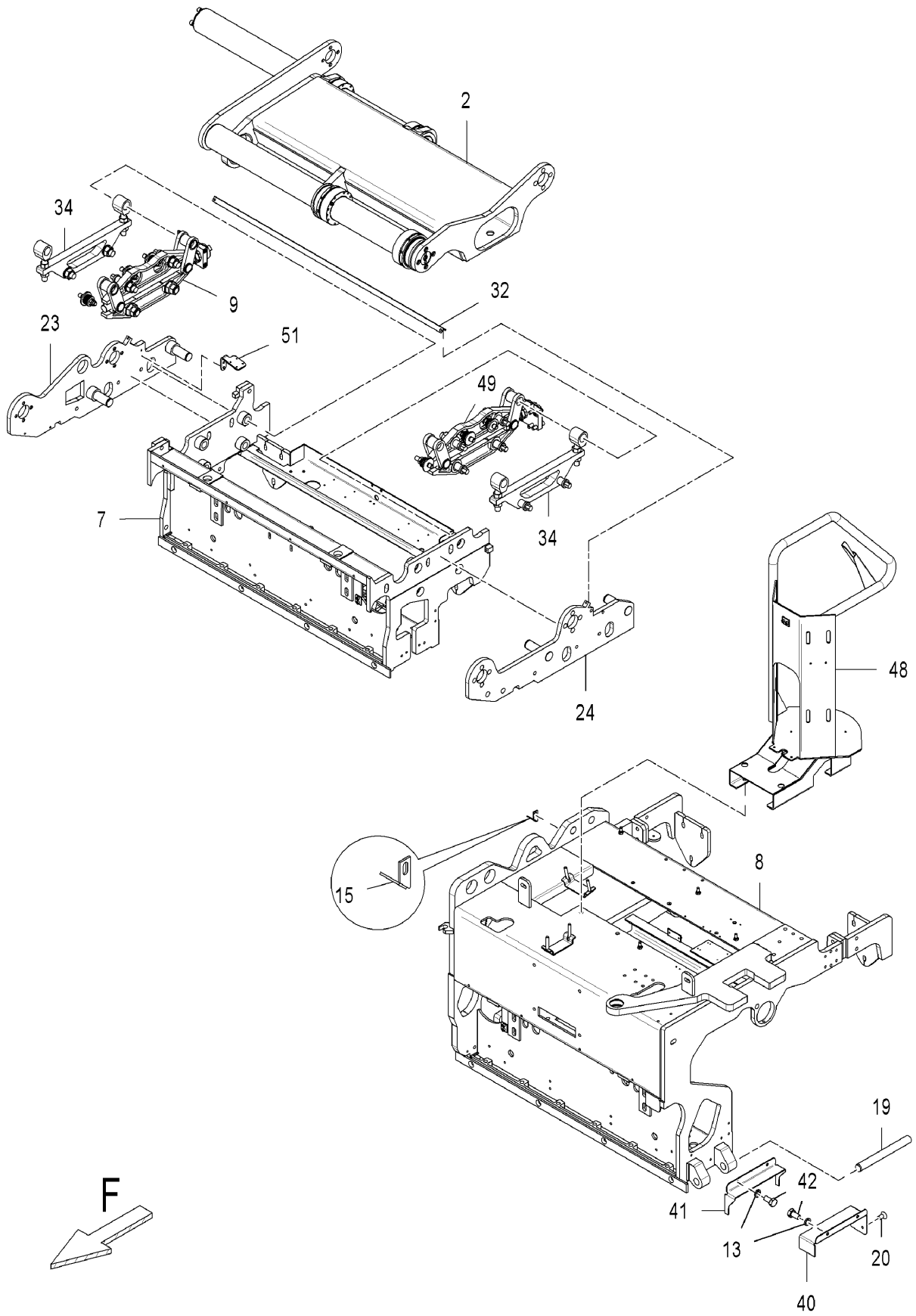
- 6 Zentralschmieranlage / central lubrication unit
- 8 Hydraulik / hydraulic
- 9 Elektrik / electric

Pos. Item	Best.-Nr. Part No.	Anz. Qty.	Beschreibung Description	Bemerkung Note
1			Grp. 01, Main Screed Grp. 01-1, Roof profile setting, mech.	
2			Grp. 02, End plates	
3			Grp. 03, Coverings	
4			Grp. 04, Tamper drive	
5			Grp. 05, Vibration	
6			Grp. 06, Lube arr.	Stampfer/ Tamper+Vibration
7			Grp. 07, Gas heating	
8			Grp. 08, Hydraulic	Stampfer/ Tamper+Vibration
9			Grp. 09, Electric Diagrams	Gas, konv./ conv.
10			Grp. 10, Extension mounts	
11			Grp. 11, Optional equipment	

VB510TV s/n 6140450 - F121W/D s/n 634.211

Pos. Item	Best.-Nr. Part No.	Anz. Qty.	Beschreibung Description	Bemerkung Note
1	614-01105		Main screed	
2	614-01110		Extension unit	
3	614-01120		Guiding cylinder 1	
4	614-01130		Guiding cylinder 2	
5	614-01140		Guide	
6	614-01150		Screed lift assy.	zentral / centrally
Grp. 01, Main Screed				



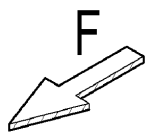
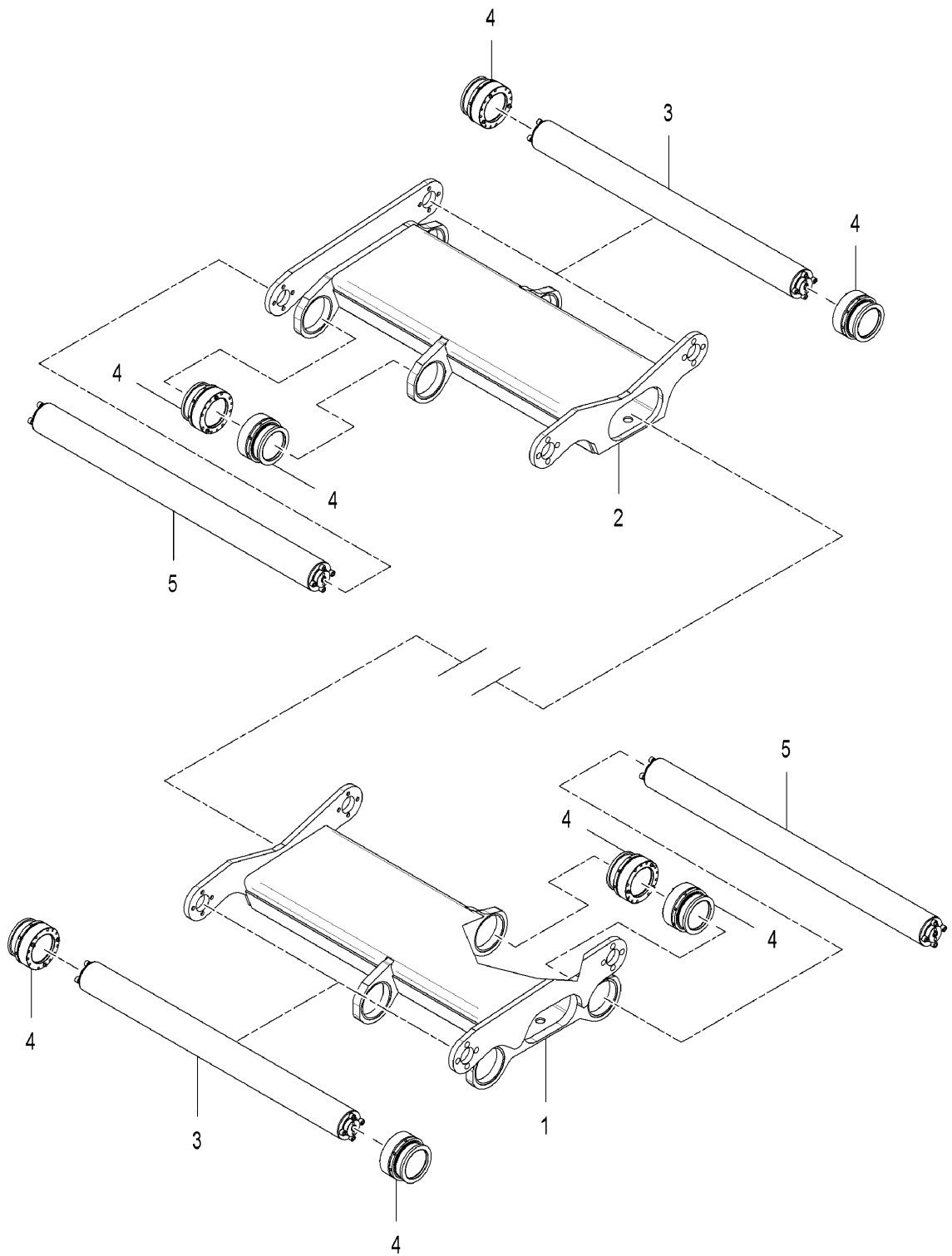


Pos. Item	Best.-Nr. Part No.	Anz. Qty.	Beschreibung Description	Bemerkung Note
1	614-01110		Extension unit	
2	614-01110		Extension unit	
6	614010100	1	Center part, l.h.	
7	614010700	1	Screed extension part, r.h.	
8	614010300	1	Center part, r.h.	
9	614-01150		Screed lift assy.	zentral / centrally
10	614010001	4	Wear plate	
11	939475278	16	Countersunk screw	
12	938191917	16	Nut	
13	49901807	20	Screw retention	
14	30009521	1	Indicator l.h.	
15	30009522	1	Indicator r.h.	
16	939570514	2	Washer	
17	500053	6	Screw	
18	49901806	14	Screw retention	
19	614010002	1	Hinge pin	
20	49901494	1	Screw	
22	614014100	1	Outer shield extension l.h.	
_01	49900477	3	_Stud bolt screw	
23	614014200	1	Outer shield extension r.h.	
_01	49900477	3	_Stud bolt screw	
24	614014000	1	Inner shield extension r.h.	
_01	49900477	3	_Stud bolt screw	
25	614013900	1	Inner shield extension l.h.	
_01	49900477	3	_Stud bolt screw	
30	614010500	1	Screed extension part, l.h.	
31	614013400	1	Scale l.h.	
32	614013500	1	Scale r.h.	
33	49901569	8	Screw	
35	614013700	2	Cross beam l.h.	
36	614013800	2	Cross beam r.h.	
37	49901809	40	Screw retention	
38	49901722	8	Hex. screw	
39	614014700	1	Step, left	
40	614010005	1	Covering	
41	614010008	1	Covering	
42	500048	4	Screw	
43	614000101	8	Cover	
44	938500011	32	Nut	
45	938150871	32	Screw	
46	49901808	8	Screw retention	
47	500051	8	Hex. screw	
48	614014800	1	Step, right	
49	614-01150		Screed lift assy.	zentral / centrally
50	614010012	1	Retainer l.h.	
51	614010010	1	Retainer r.h.	

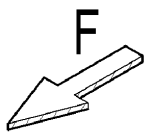
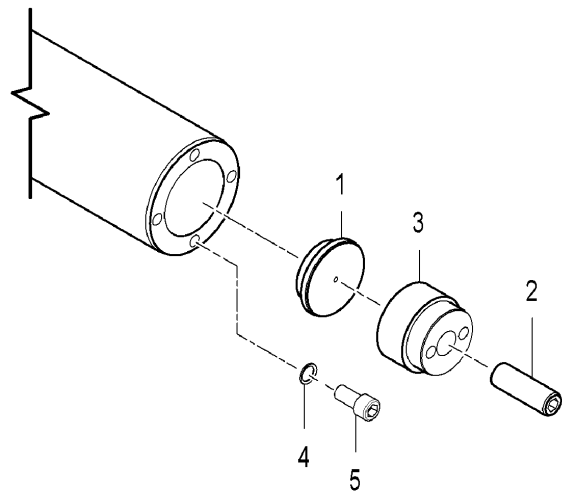
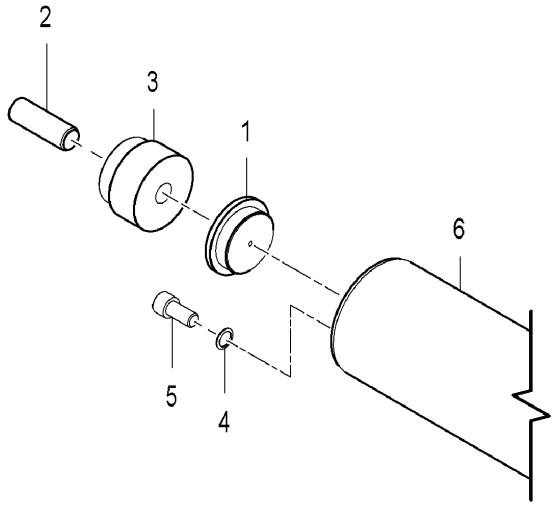
Main screed

614-01105

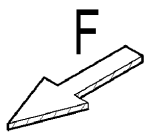
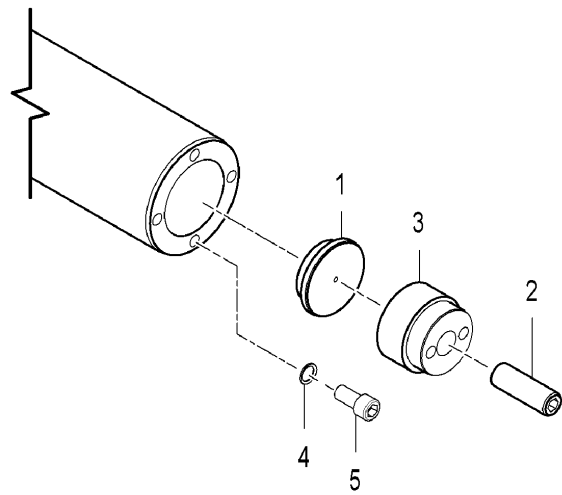
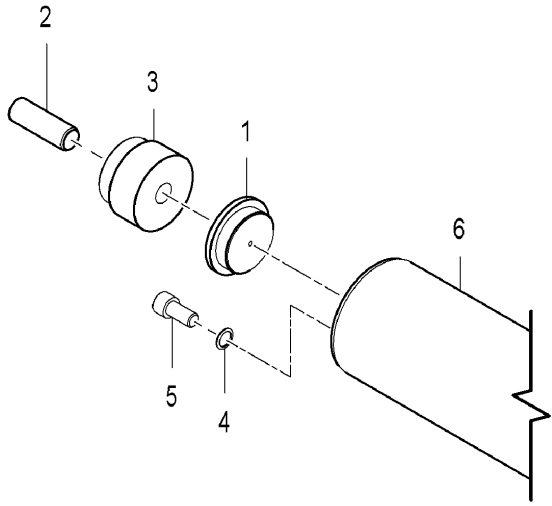
Pos. Item	Best.-Nr. Part No.	Anz. Qty.	Beschreibung Description	Bemerkung Note
52	49300518	13	Pipe clip	
53	508025	26	Cylinder screw	
55	606220006	1	Retainer l.h.	
	606220007	1	Retainer r.h.	
			–	01.02.07
Main screed				614-01105



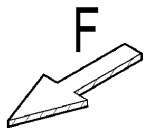
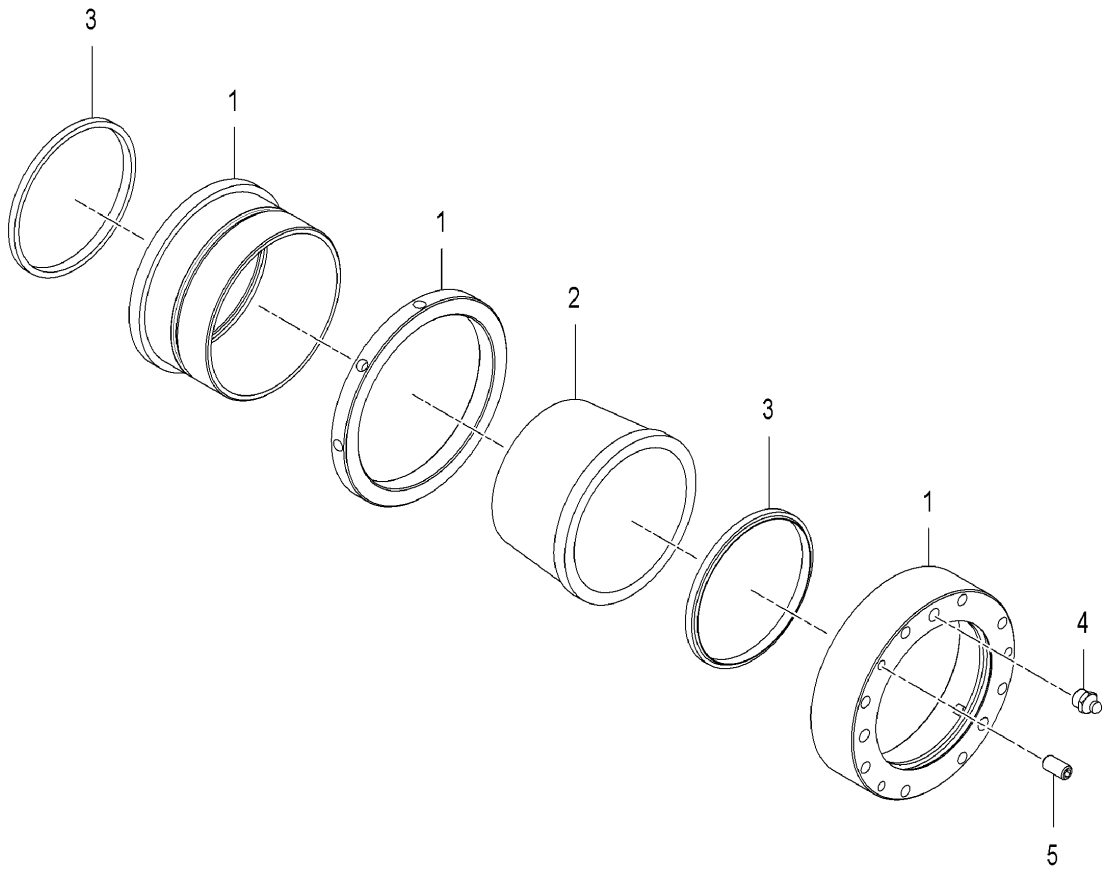
Pos. Item	Best.-Nr. Part No.	Anz. Qty.	Beschreibung Description	Bemerkung Note
1	614010900	1	Joint section l.h.	
2	614011100	1	Joint section r.h.	
3	614-01120		Guiding cylinder 1	
4	614-01140		Guide	
5	614-01130		Guiding cylinder 2	
			—	01.02.07
Extension unit				614-01110



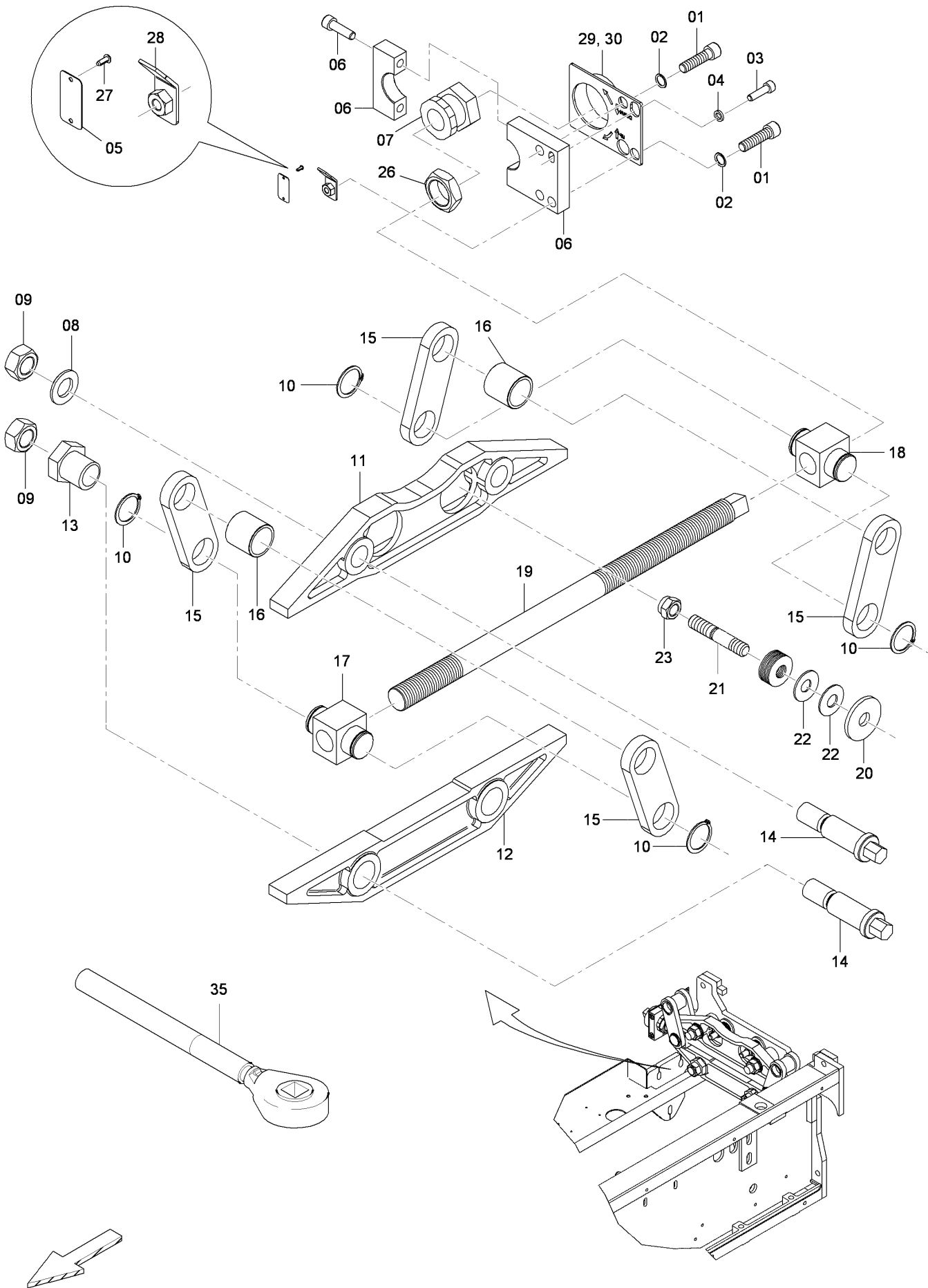
Pos. Item	Best.-Nr. Part No.	Anz. Qty.	Beschreibung Description	Bemerkung Note
	614012700		Guide cylinder	
1	30012694	2	Cylinder Bottom	
2	49901695	2	Threaded pin	
3	30012798	2	Eccentric head	
4	49900032	8	Screw retention	
5	49901593	8	Screw	
6	614012701	1	Cylinder tube	
			–	01.02.07
Guiding cylinder 1				614-01120



Pos. Item	Best.-Nr. Part No.	Anz. Qty.	Beschreibung Description	Bemerkung Note
	614012600		Guide cylinder	
1	30012694	2	Cylinder Bottom	
2	49901695	2	Threaded pin	
3	30012798	2	Eccentric head	
4	49900032	8	Screw retention	
5	49901593	8	Screw	
6	614012601	1	Cylinder tube	
			–	01.02.07
Guiding cylinder 2				614-01130



Pos. Item	Best.-Nr. Part No.	Anz. Qty.	Beschreibung Description	Bemerkung Note
	614012500		Guide	
1	606050700	1	Tension unit assy.	
2	30014415	1	Bearing flange	
3	49000027	2	Scraper	
4	935511210	3	Grease nipple	
5	49901455	1	Threaded pin	
			–	01.02.07
Guide				614-01140

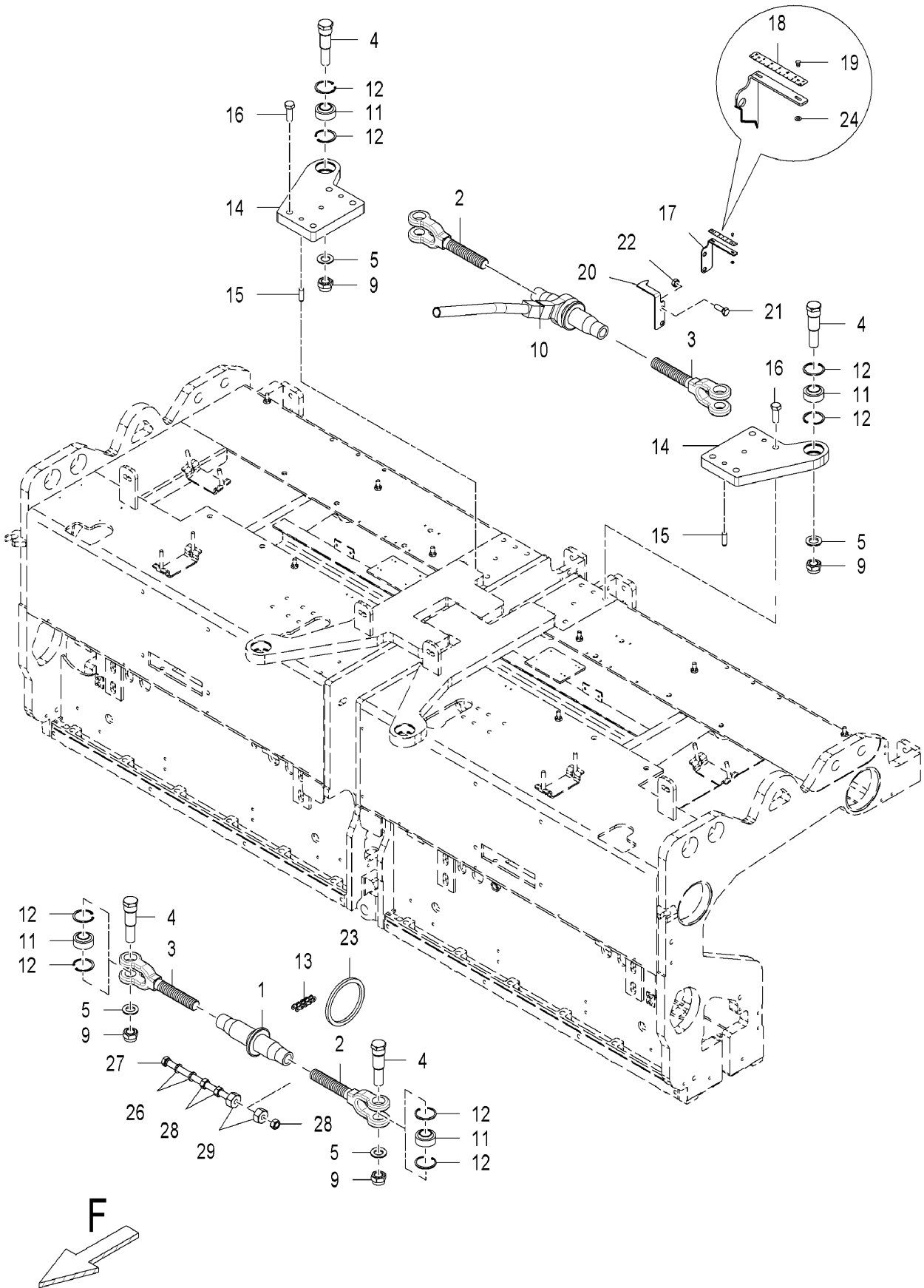


Pos. Item	Best.-Nr. Part No.	Anz. Qty.	Beschreibung Description	Bemerkung Note
	614014900		Screed lift extension assy., l.h.	
1	49900927	3	Screw	
2	49900032	3	Screw retention	
3	49900700	1	Screw	
4	49901806	1	Screw retention	
5	38000539	1	Scale	
6	20003559	1	Bearing assy.	
7	30008793	1	Setting nut	
8	49900094	2	Washer	
9	49900129	4	Nut	
10	49900400	6	Circlip	
11	30008789	1	Guide rail top	
12	30008794	1	Guide rail bottom	
13	30008795	2	Eccentric bushing	
14	20003558	4	Screwed pin	
15	30008787	4	Lever arm	
16	30008788	2	Bushing	
17	30008785	1	Spindle nut counterclockwise	
18	30008786	1	Spindle nut clockwise	
19	30008784	1	Spindle	
20	49900475	3	Washer	
21	49900477	3	Stud bolt screw	
22	49300064	24	Cup spring	
23	938500011	3	Nut	
26	49901347	1	Nut	
27	49301471	2	Grooved drive stud	
28	241642824	1	Pointer f. scale	
29	241642819	1	Safety, l.h.	
			–	
	614015000		Screed lift extension assy., r.h.	
30	241642820	1	Safety, r.h.	
35	49300006	1	Ratchet	
			–	02.02.07

Screed lift assy. zentral / centrally

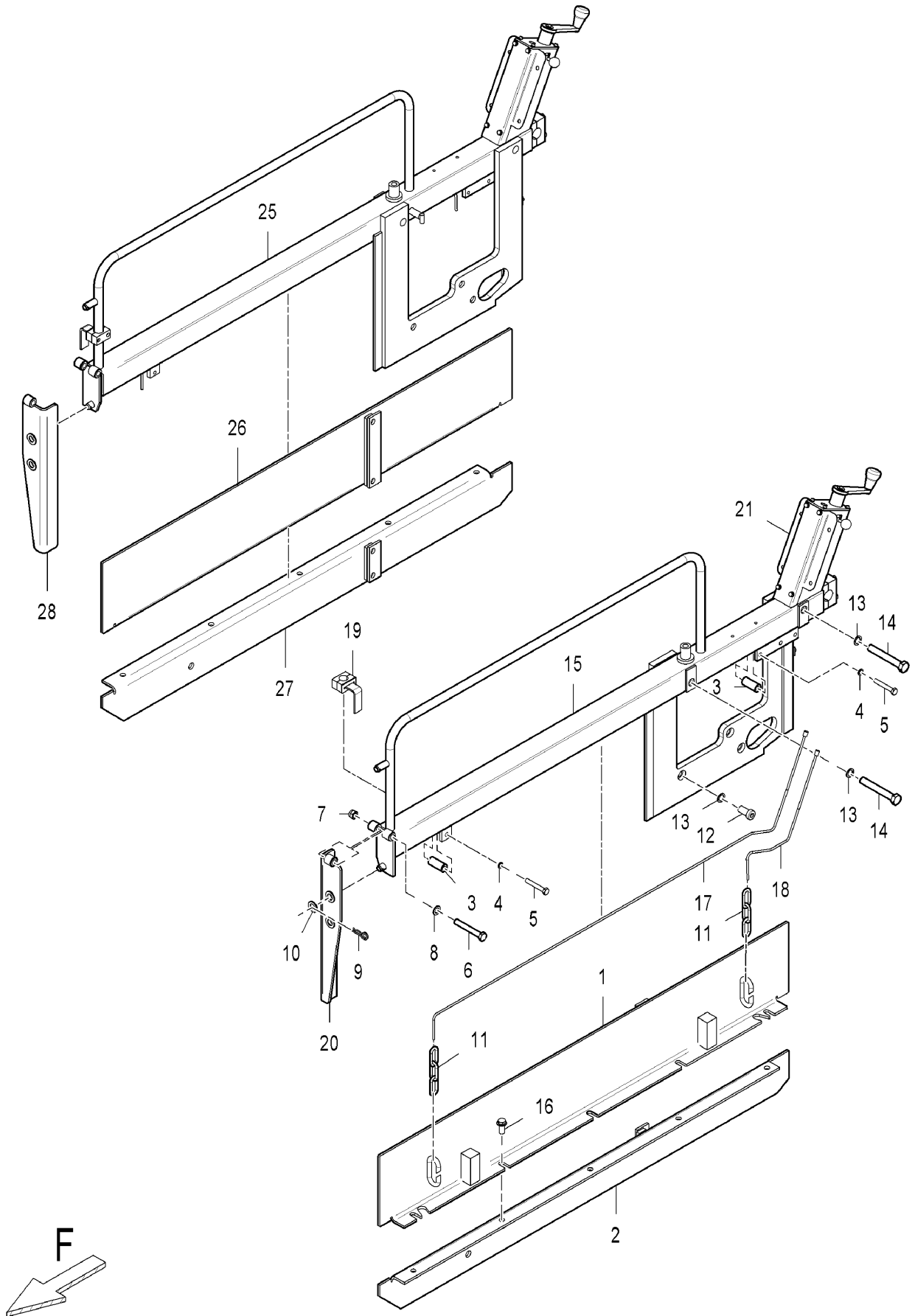
614-01150

Pos. Item	Best.-Nr. Part No.	Anz. Qty.	Beschreibung Description	Bemerkung Note
1	614-01170A		Roof profile setting, cpl.	
Grp. 01-1, Roof profile setting, mech.				



Pos. Item	Best.-Nr. Part No.	Anz. Qty.	Beschreibung Description	Bemerkung Note
	614120000		Roof profile setting, cpl.	
1	20005637	1	Center link	
2	30012125	2	Fork end L.H.	
3	30012128	2	Fork end R.H.	
4	614110200	4	Bolt	
5	49900094	4	Washer	
9	49900060	4	Nut	
10	20005638	1	Center link	
11	49500025	4	Hinge piece	
12	49900403	8	Circlip	
13	49400952	1	Chain with lock	
14	614120001	2	Bracket	
15	936717709	6	Plain pin	
16	938150871	8	Screw	
17	614110002	1	Scale holder	
18	38001008	1	Scale, profile adjustment	
19	49302039	2	Rivet	
20	614110004	1	Pointer f. scale	
21	500037	4	Hex. screw	
22	49901584	4	Nut	
23	49302617	1	Track adjuster, roller - ring	
24	600002	2	Washer	
26	49901809	2	Screw retention	
27	938165897	1	Screw	
28	49900626	3	Nut	
29	49901556	2	Hex. nut	
			—	23.04.07
Roof profile setting, cpl.				614-01170A

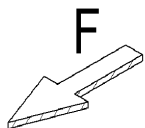
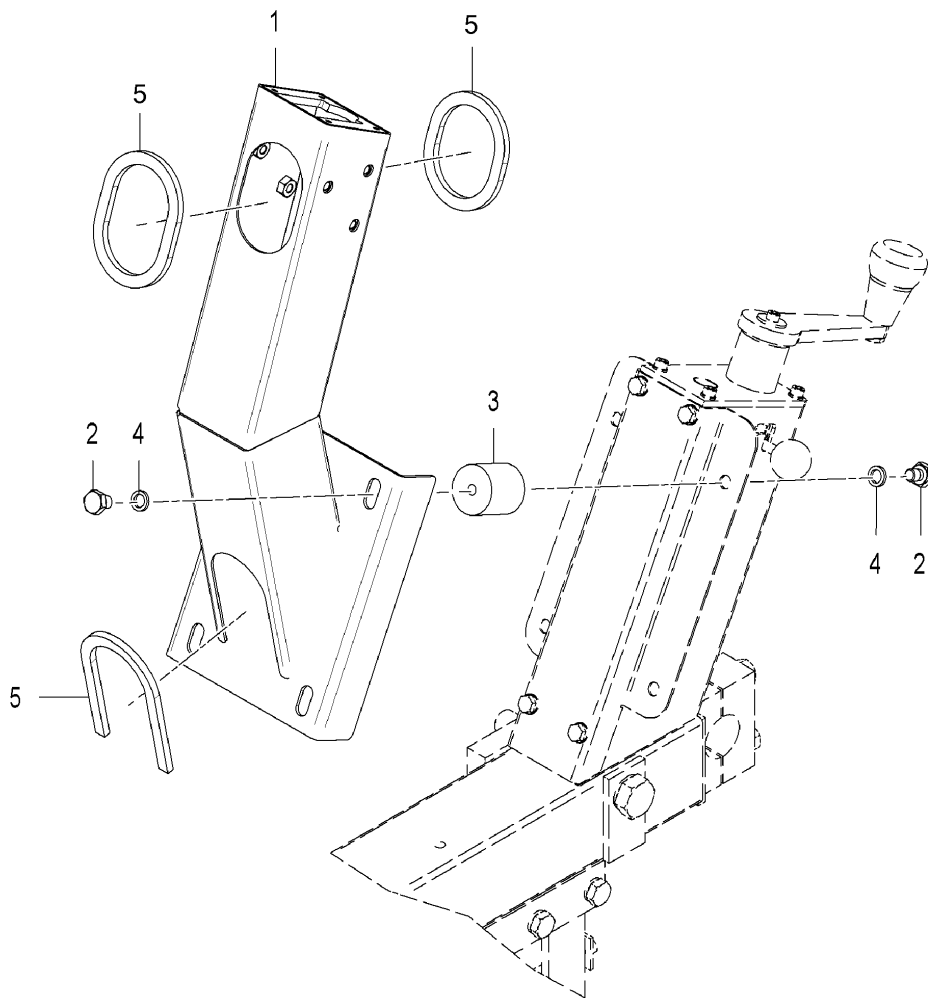
Pos. Item	Best.-Nr. Part No.	Anz. Qty.	Beschreibung Description	Bemerkung Note
1	614-02100		End plates cpl.	
2	614-02110		Retainer cpl.	
3	614-02120		Adjustment crank assy.	
Grp. 02, End plates				



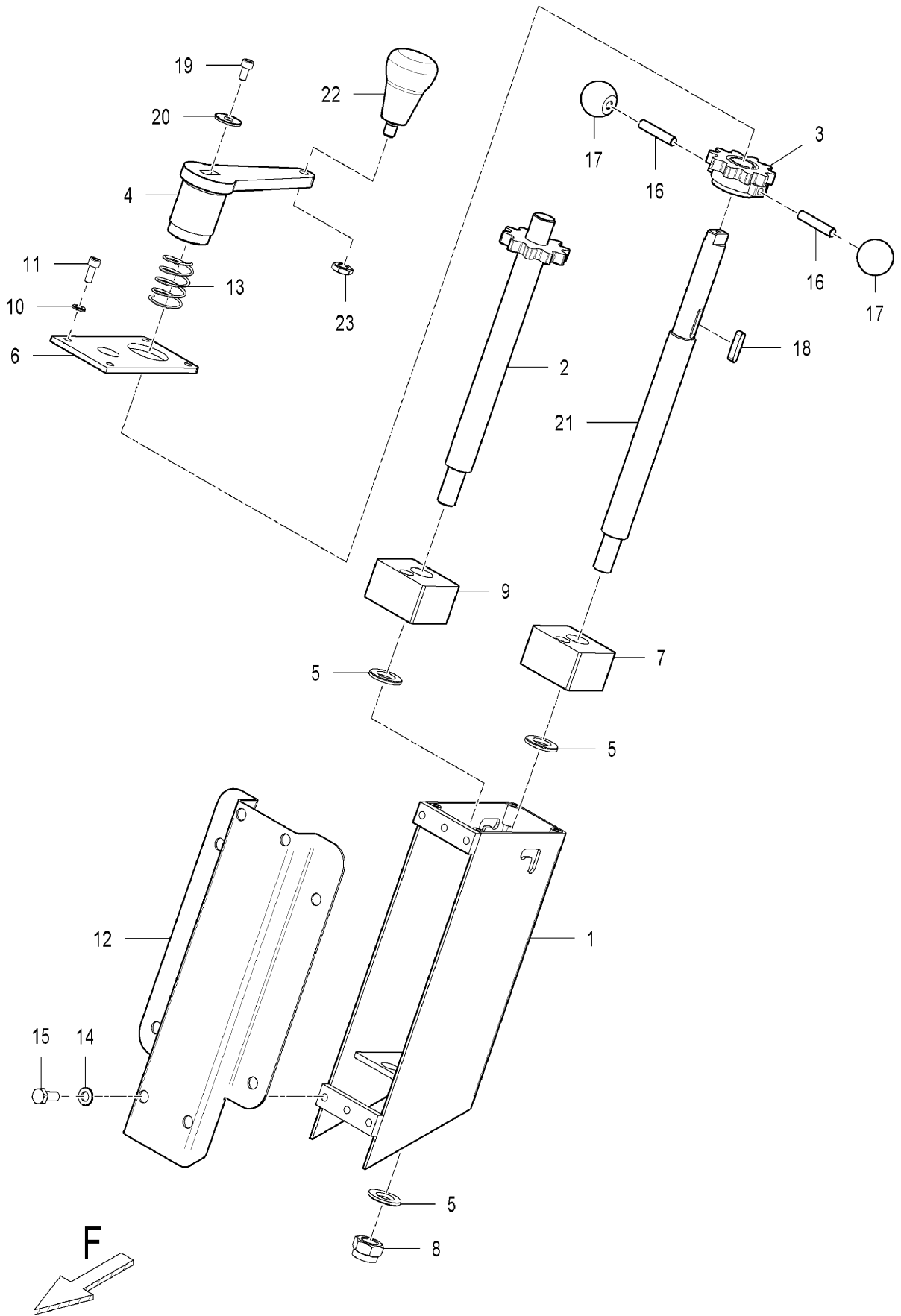
Pos. Item	Best.-Nr. Part No.	Anz. Qty.	Beschreibung Description	Bemerkung Note
	614160100		End plate, l.h. assy.	
1	614160500	1	End plate, upper part l.h.	
2	614160700	1	End plate, bottom l.h.	
3	30008634	8	Roller head	
4	49901808	8	Screw retention	
5	49900164	8	Screw	
6	500199	2	Screw	
7	49900328	2	Nut	
8	49900013	2	Washer	
9	49300213	2	Spring cotter	
10	49900125	2	Washer	
11	39300065	4	Chain	
12	49901446	4	Screw	
13	49900037	8	Shake-proof washer	
14	49900798	4	Screw	
15	614160300	1	Retainer f. end plate frame l.h.	
16	939786935	10	Screw	
17	614160308	2	Steel wire	
18	614160309	2	Steel wire	
19	20003740	2	Safety lock f. swinging arm	
20	614161600	1	Front bracket, end plate frame l.h.	
21	614-02120		Adjustment crank assy.	
22	49302415	4	Wire cable clamp	
	614160200		End plate, r.h. cpl.	
25	614160400	1	Retainer for end plate r.h.	
26	614160600	1	End plate, upper part r.h.	
27	614160800	1	End plate, bottom r.h.	
28	614161700	1	Front bracket, end plate frame r.h.	
			–	06.02.07

End plates cpl.

614-02100



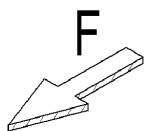
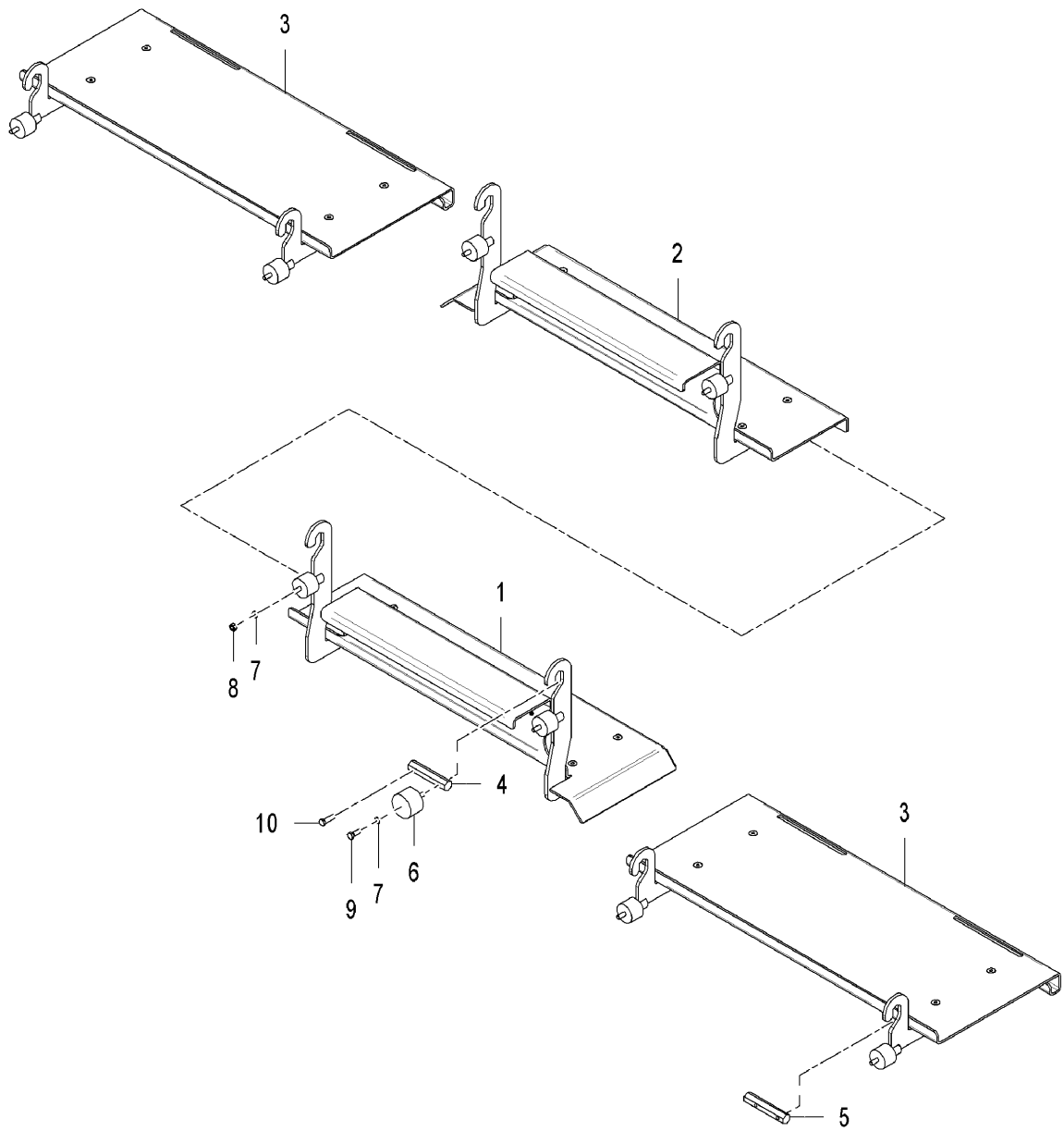
Pos. Item	Best.-Nr. Part No.	Anz. Qty.	Beschreibung Description	Bemerkung Note
	614150900		Retainer cpl.	
1	614151000	1	Holder	
2	49900163	8	Screw	
3	49301966	4	Rubber buffer	
4	49901807	8	Screw retention	
5	372000125		Protection profile	X m
			—	06.02.07
Retainer cpl.				614-02110



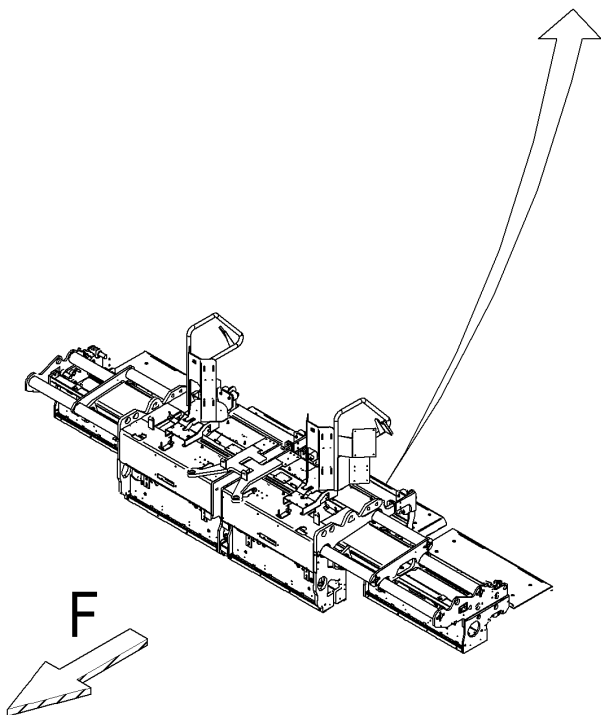
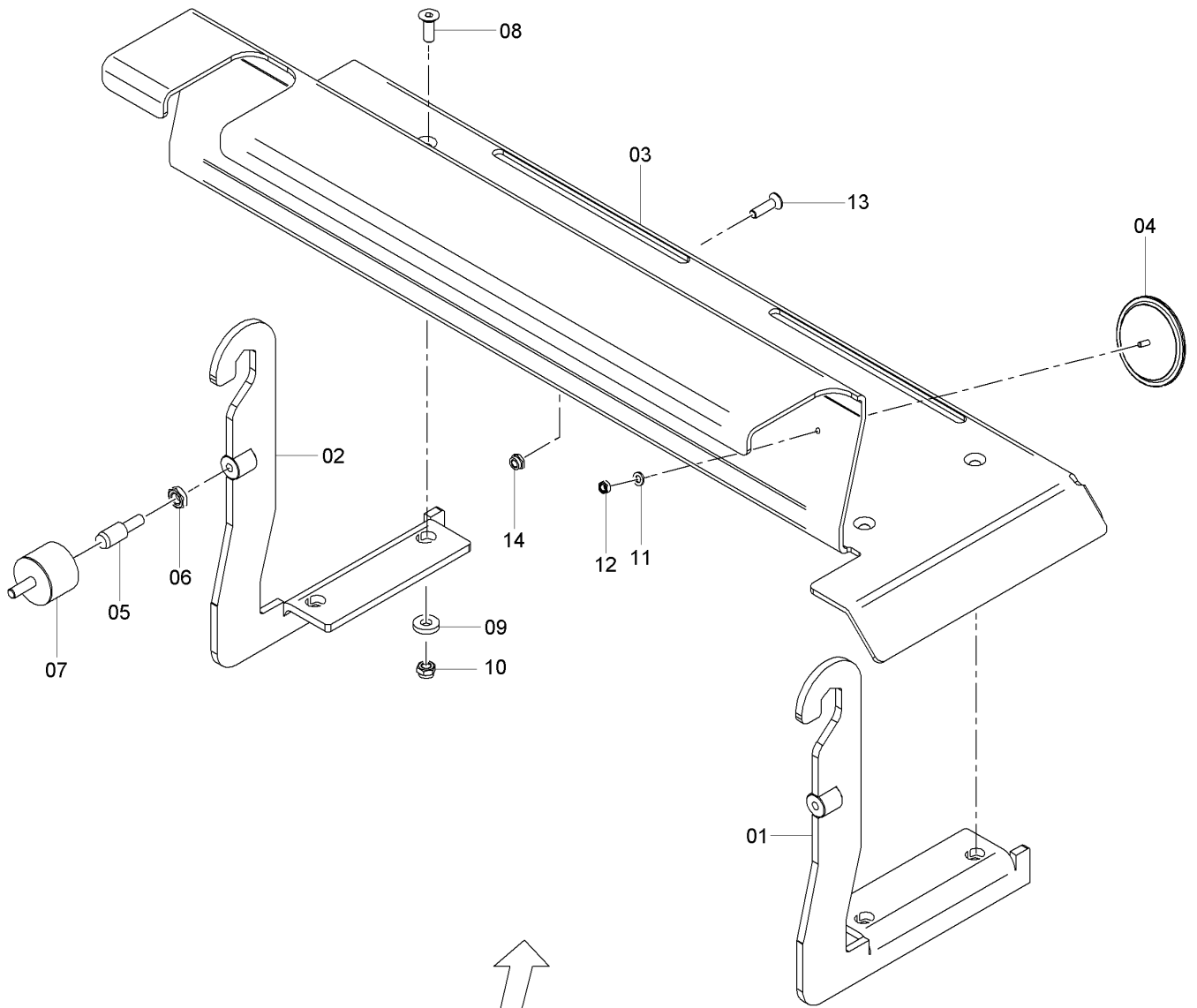
Pos. Item	Best.-Nr. Part No.	Anz. Qty.	Beschreibung Description	Bemerkung Note
	614161000		Adjustment crank assy.	
1	614161100	1	Housing	
2	614161200	1	Spindle	
3	614161300	1	Gear wheel	
4	614161400	1	Hand crank	
5	49900013	4	Washer	
6	614161004	1	Cover top	
7	614161002	1	Spindle nut, clockwise	
8	49900328	2	Nut	
9	614161003	1	Spindle nut, counter clockwise	
10	600004	4	Washer	
11	49901438	4	Screw	
12	614161005	1	Cover	
13	930177009	1	Pressure spring	
14	49901109	4	Washer	
15	500053	4	Screw	
16	49900130	2	Screw	
17	49900811	2	Spherical button	
18	931700593	1	Feather key	
19	508001	1	Cylinder screw	
20	939570514	1	Washer	
21	614161001	1	Spindle	
22	49302381	1	Button	
23	937180512	1	Nut	
			–	06.02.07
Adjustment crank assy.				614-02120

Pos. Item	Best.-Nr. Part No.	Anz. Qty.	Beschreibung Description	Bemerkung Note
1	614-03100		Foot board, assy.	
2	614-03110		Foot board, centre part assy. l.h.	
3	614-03120		Foot board, centre part assy. r.h.	
4	614-03130		Foot board, extension part assy.	
5	614-03150		Cover plates	Gas
6	614-03160		Guide plate, tamper - centre section, l.h.	
7	614-03170		Guide plate, tamper - centre section r.h.	
8	614-03180		Guide plate, tamper - extension l.h.	
9	614-03190		Guide plate, tamper - extension r.h.	
10	614-03200		Lapping unit	
11	614-03210		Protecting hood, center l.h., cpl.	
12	614-03220		Protecting hood, center r.h., cpl.	
13	614-03230		Protecting hood, extension l.h., cpl.	
14	614-03240		Protecting hood, extension r.h., cpl.	

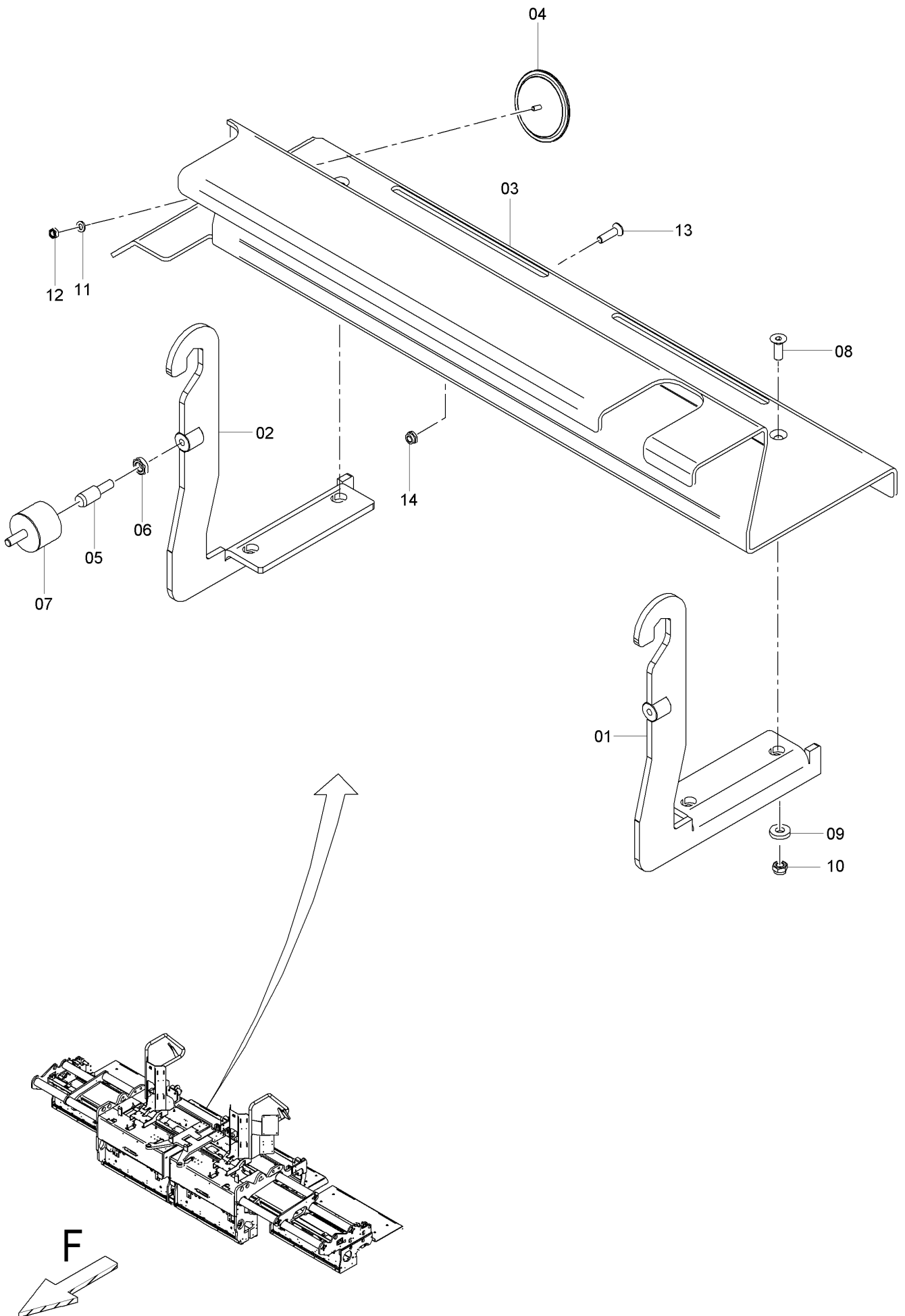
Grp. 03, Coverings



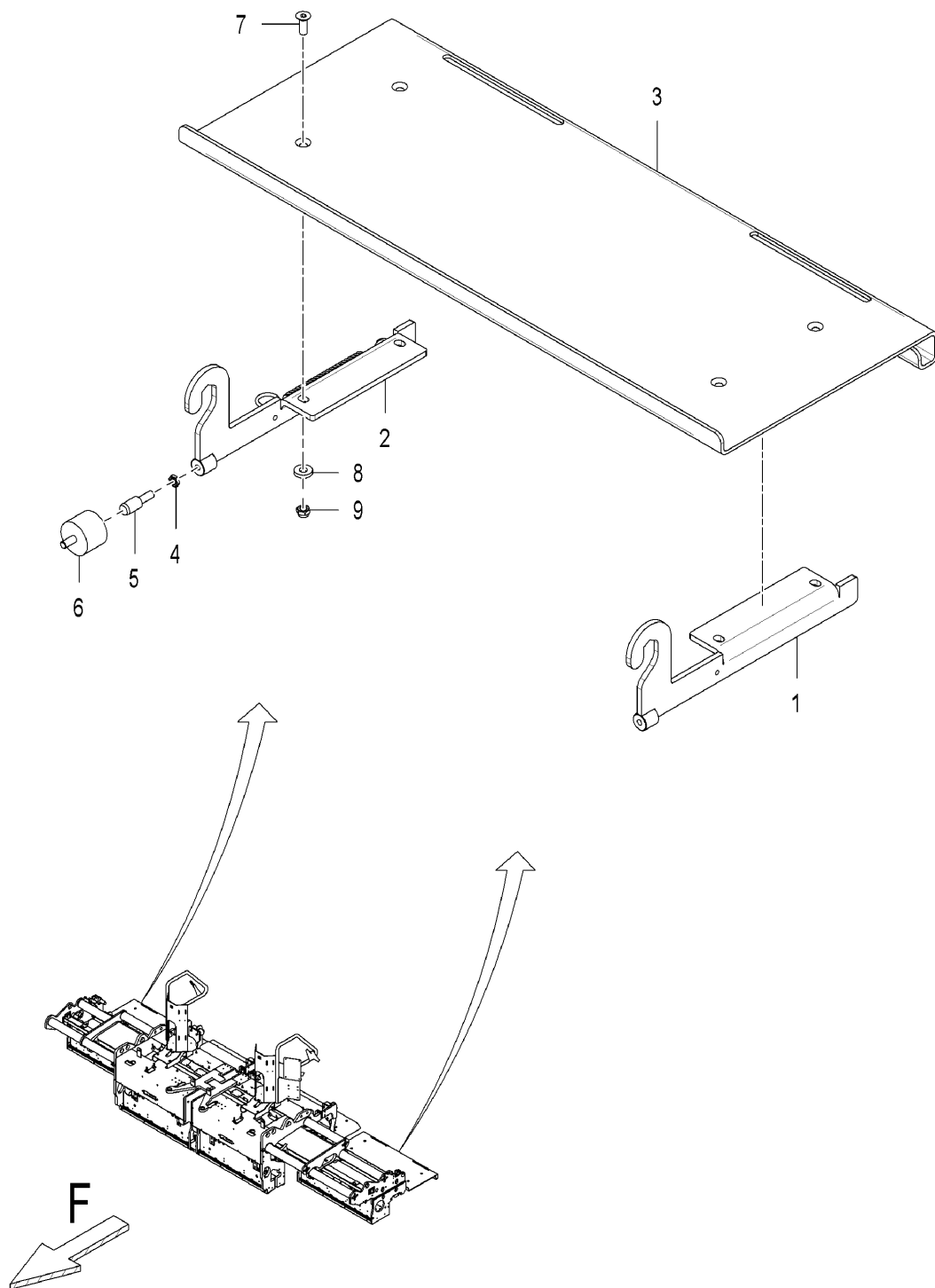
Pos. Item	Best.-Nr. Part No.	Anz. Qty.	Beschreibung Description	Bemerkung Note
	614140000		Foot board, assy.	
1	614-03110		Foot board, centre part assy. l.h.	
2	614-03120		Foot board, centre part assy. r.h.	
3	614-03130		Foot board, extension part assy.	
4	30014638	4	Receptacle, centre part	
5	30014639	4	Receptacle, extension part	
6	49302614	16	Rubber buffer	
7	49901808	24	Screw retention	
8	49901584	8	Nut	
9	49901553	16	Screw	
10	500194	4	Screw	
			—	07.02.07
Foot board, assy.				614-03100



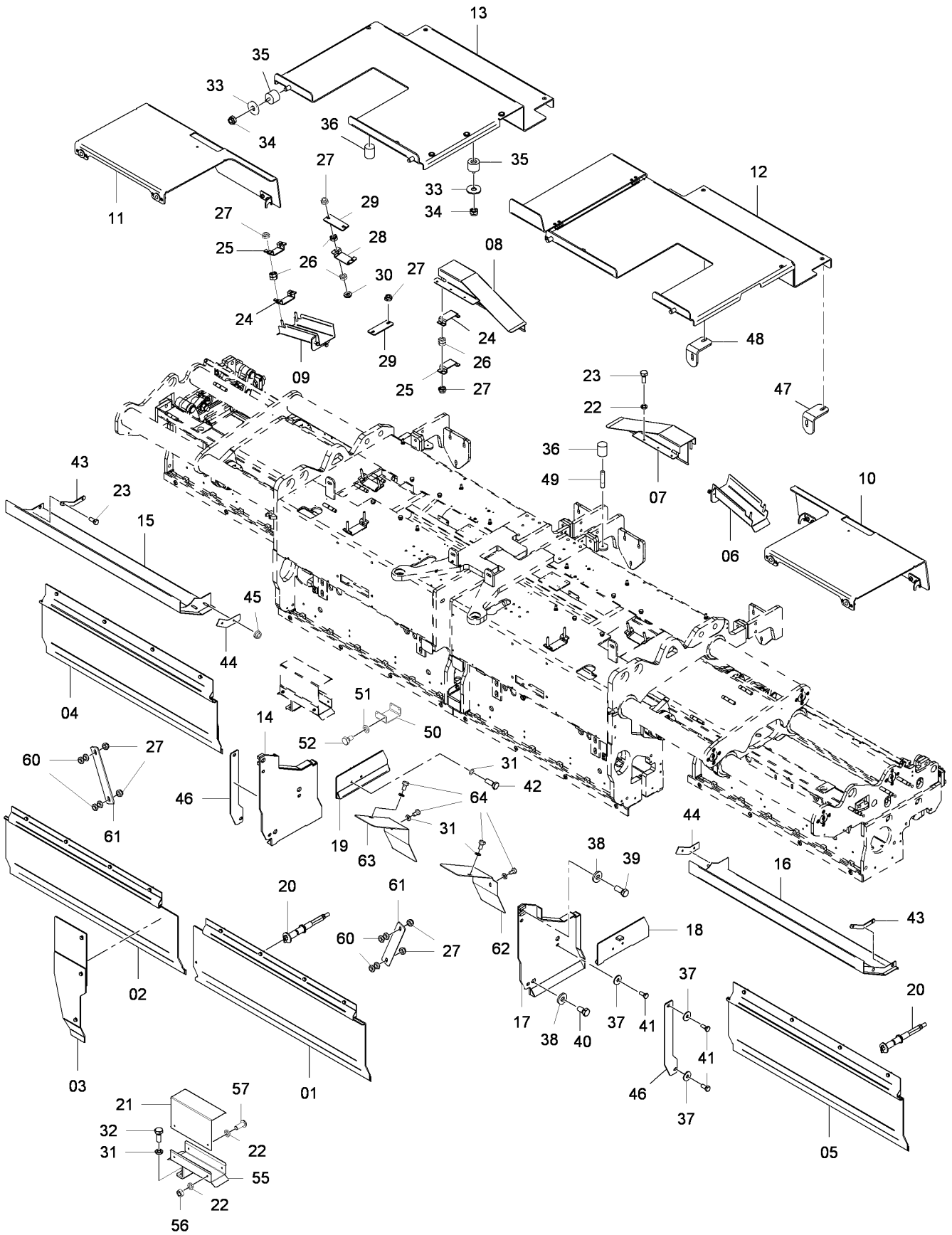
Pos. Item	Best.-Nr. Part No.	Anz. Qty.	Beschreibung Description	Bemerkung Note
	614140100		Foot board, centre part assy. l.h.	
1	20007343	1	Foot board arm l.h.	
2	20007344	1	Foot board arm r.h.	
3	614140101	1	Step plate, left	
4	49300191	1	Reflector, red	
5	606080104	2	Pivot	
6	49900721	2	Nut	
7	614142700	2	Rubber buffer	
8	49900464	4	Screw	
9	49900221	4	Washer	
10	49900220	4	Nut	
11	936907011	1	Spring washer	
12	49900622	1	Nut	
13	939470223	4	Countersunk screw	
14	938500007	4	Nut	
			—	07.02.07
Foot board, centre part assy. l.h.				614-03110



Pos. Item	Best.-Nr. Part No.	Anz. Qty.	Beschreibung Description	Bemerkung Note
	614140200		Foot board, centre part assy. r.h.	
1	20007343	1	Foot board arm l.h.	
2	20007344	1	Foot board arm r.h.	
3	614140201	1	Step plate, right	
4	49300191	1	Reflector, red	
5	606080104	2	Pivot	
6	49900721	2	Nut	
7	614142700	2	Rubber buffer	
8	49900464	4	Screw	
9	49900221	4	Washer	
10	49900220	4	Nut	
11	936907011	1	Spring washer	
12	49900622	1	Nut	
13	939470223	4	Countersunk screw	
14	938500007	4	Nut	
			—	07.02.07
Foot board, centre part assy. r.h.				614-03120



Pos. Item	Best.-Nr. Part No.	Anz. Qty.	Beschreibung Description	Bemerkung Note
	614140300		Foot board, extension part assy.	
1	614140400	1	Foot board arm l.h.	
2	614140500	1	Foot board arm r.h.	
3	614140301	1	Step plate	
4	49900721	2	Nut	
5	606080104	2	Pivot	
6	38000339	2	Rubber buffer	
7	49900464	4	Screw	
8	49900221	4	Washer	
9	49900220	4	Nut	
			–	07.02.07
Foot board, extension part assy.				614-03130

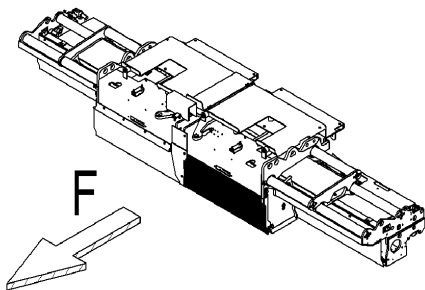
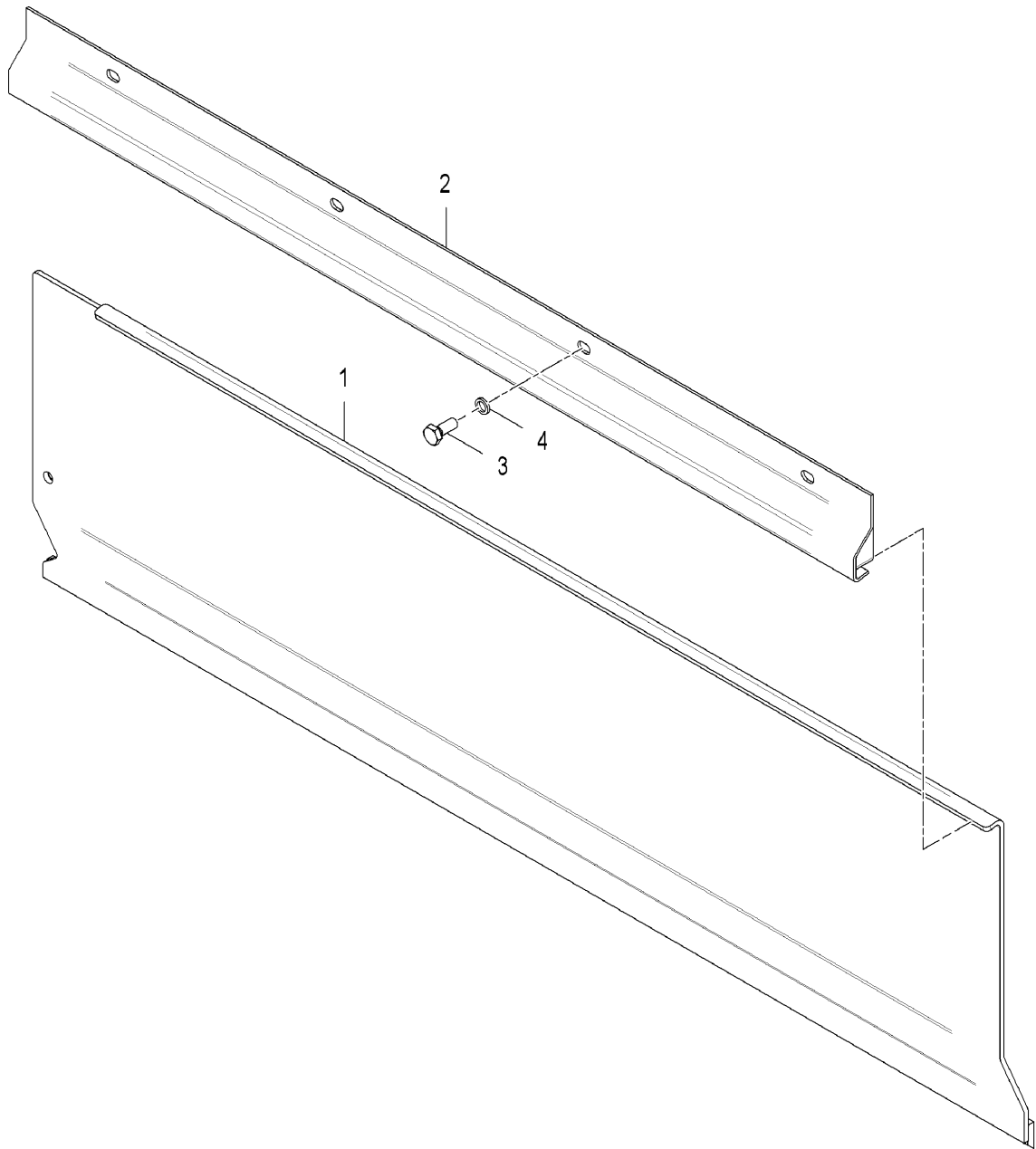


Pos. Item	Best.-Nr. Part No.	Anz. Qty.	Beschreibung Description	Bemerkung Note
	614130001		Cover plates	Gas
1	614-03160		Guide plate, tamper - centre section, l.h.	
2	614-03170		Guide plate, tamper - centre section r.h.	
3	614-03200		Lapping unit	
4	614-03190		Guide plate, tamper - extension r.h.	
5	614-03180		Guide plate, tamper - extension l.h.	
6	20006103	1	Hose guide l.h.	
7	606071800	1	Hose guide top l.h.	
8	606071900	1	Hose guide top r.h.	
9	20006104	1	Hose guide r.h.	
10	614-03230		Protecting hood, extension l.h., cpl.	
11	614-03240		Protecting hood, extension r.h., cpl.	
12	614-03210		Protecting hood, center l.h., cpl.	
13	614-03220		Protecting hood, center r.h., cpl.	
14	614134300	1	Covering	
15	614134100	1	Cover plate	
16	614134000	1	Cover plate	
17	614134200	1	Covering	
18	614134400	1	Covering	
19	614134500	1	Covering	
20	614134600	8	Adjusting screw	
21	614135700	1	Protection plate	
22	49901806	10	Screw retention	
23	500053	10	Screw	
24	30009078	4	Suppression I	
25	20003713	4	Suppression II	
26	938191917	38	Nut	
27	49900157	20	Nut	
28	30014648	2	Suppression II	
29	32305595	4	Suppression III	
30	600008	8	Washer	
31	49901807	10	Screw retention	
32	49901572	2	Screw	
33	49901601	8	Washer	
34	938500009	8	Hex. nut	
35	38000339	8	Rubber buffer	
36	38001045	10	Rubber buffer	
37	49900153	6	Washer	
38	49900550	6	Washer	
39	49900027	2	Hex. screw	
40	500057	4	Screw	
41	500028	6	Screw	
42	500029	4	Screw	
43	614134005	2	Safety plate	
44	614134006	2	Safety plate	
45	938500007	4	Nut	
Cover plates Gas				614-03150

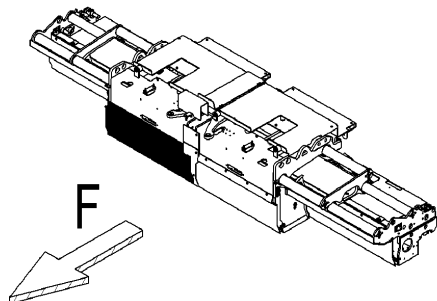
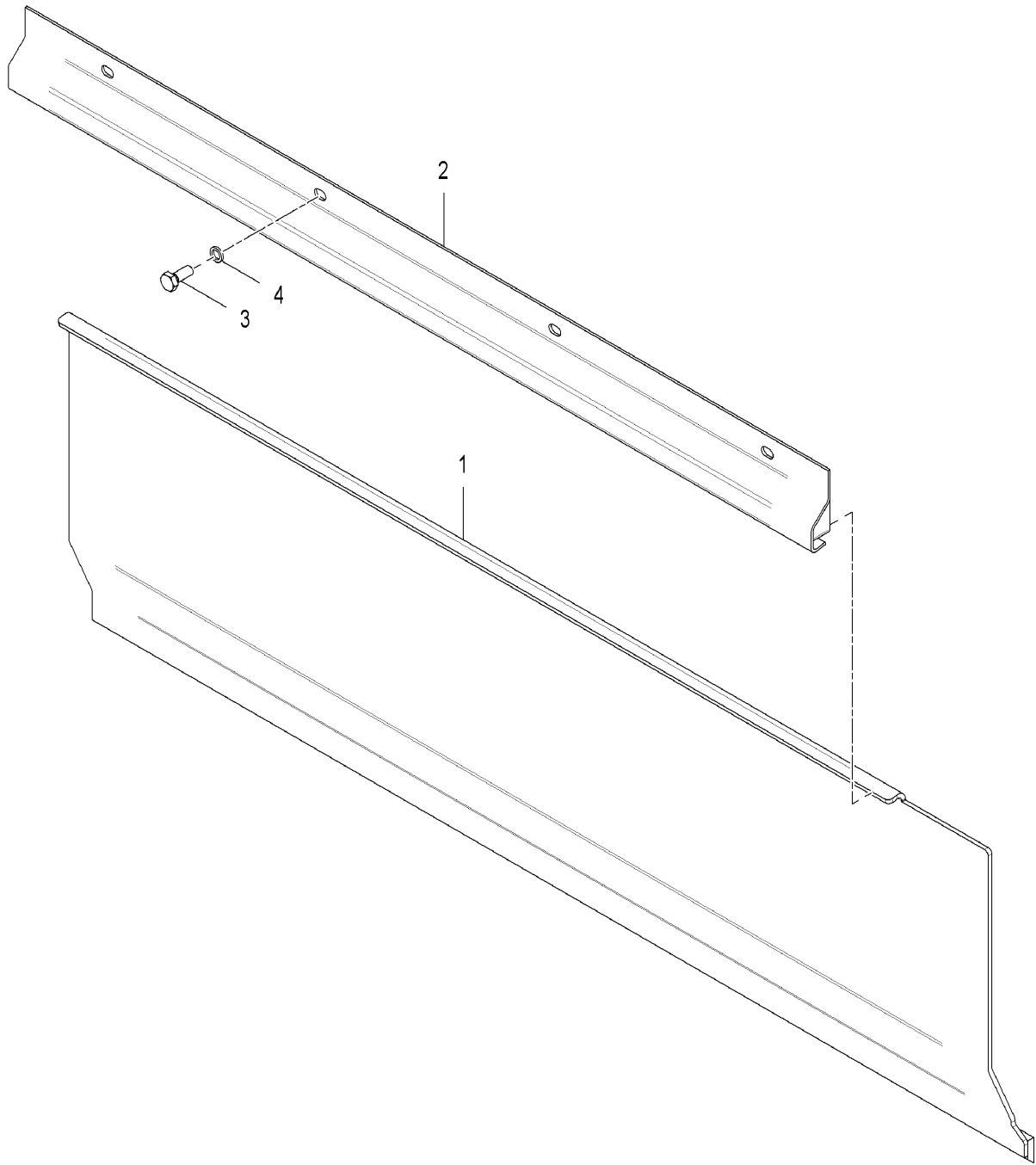
Pos. Item	Best.-Nr. Part No.	Anz. Qty.	Beschreibung Description	Bemerkung Note
46	614130023	2	Sealing	
47	614130027	2	Hood fastener r.h.	
48	614130026	2	Hood fastener l.h.	
49	937948609	2	Threaded pin	
50	614130029	1	Chain protection	
51	49901860	4	Screw retention	
52	49900716	4	Screw	
55	614135600	1	Hose guide	
56	49900428	2	Nut	
57	939143411	2	Screw	
60	49901107	8	Nut	
61	615132201	2	Retainer-Hold Down pin	
62	614136800	1	Protection plate	links/ left
63	614136900	1	Protection plate	rechts/ right
64	49900024	4	Screw	
			—	10.05.07
			—	ÄM WA-01149

Cover plates Gas

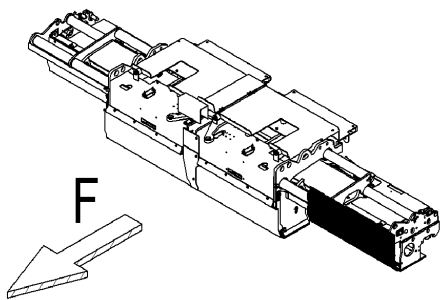
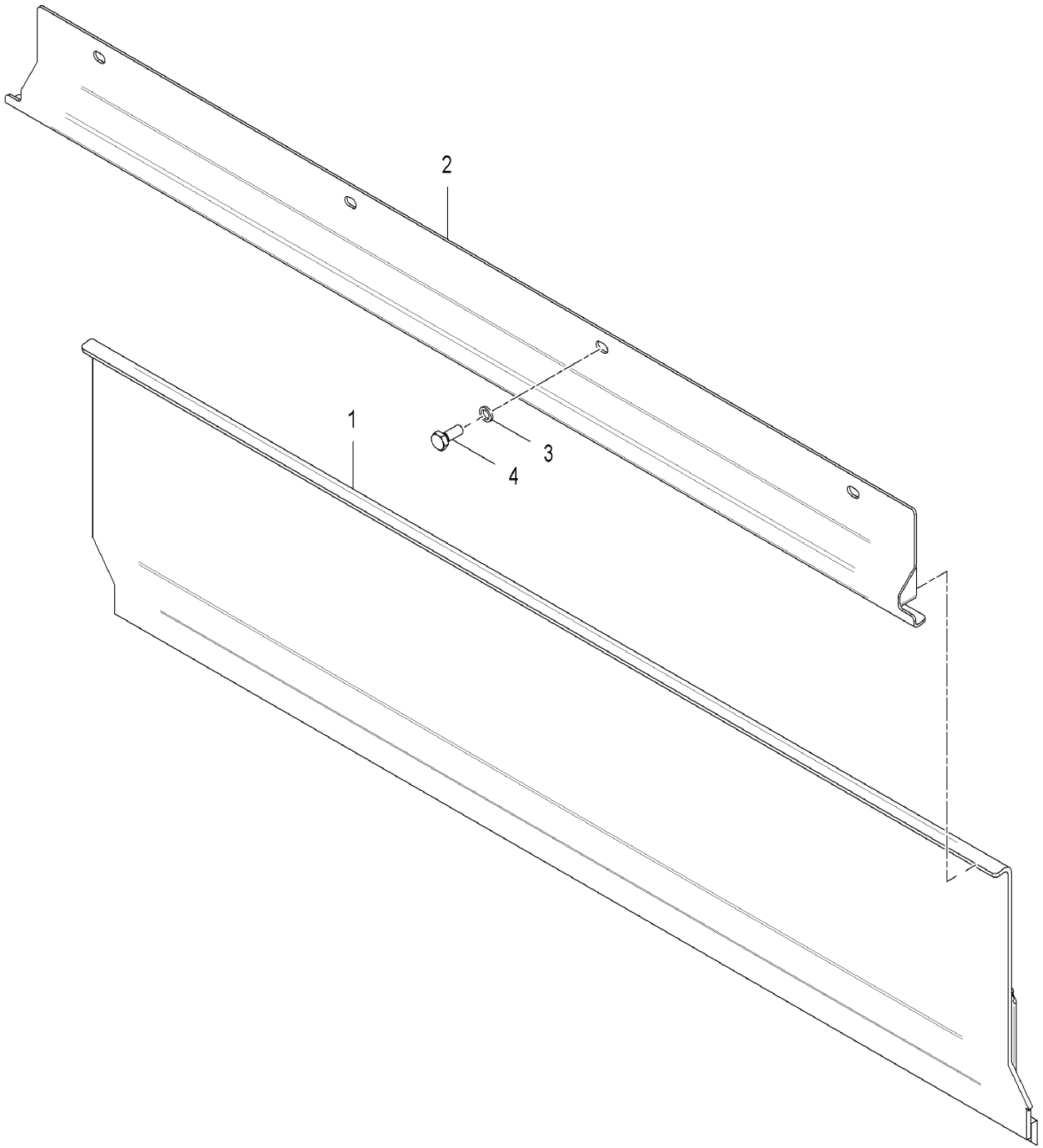
614-03150



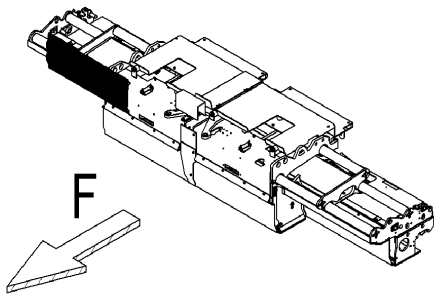
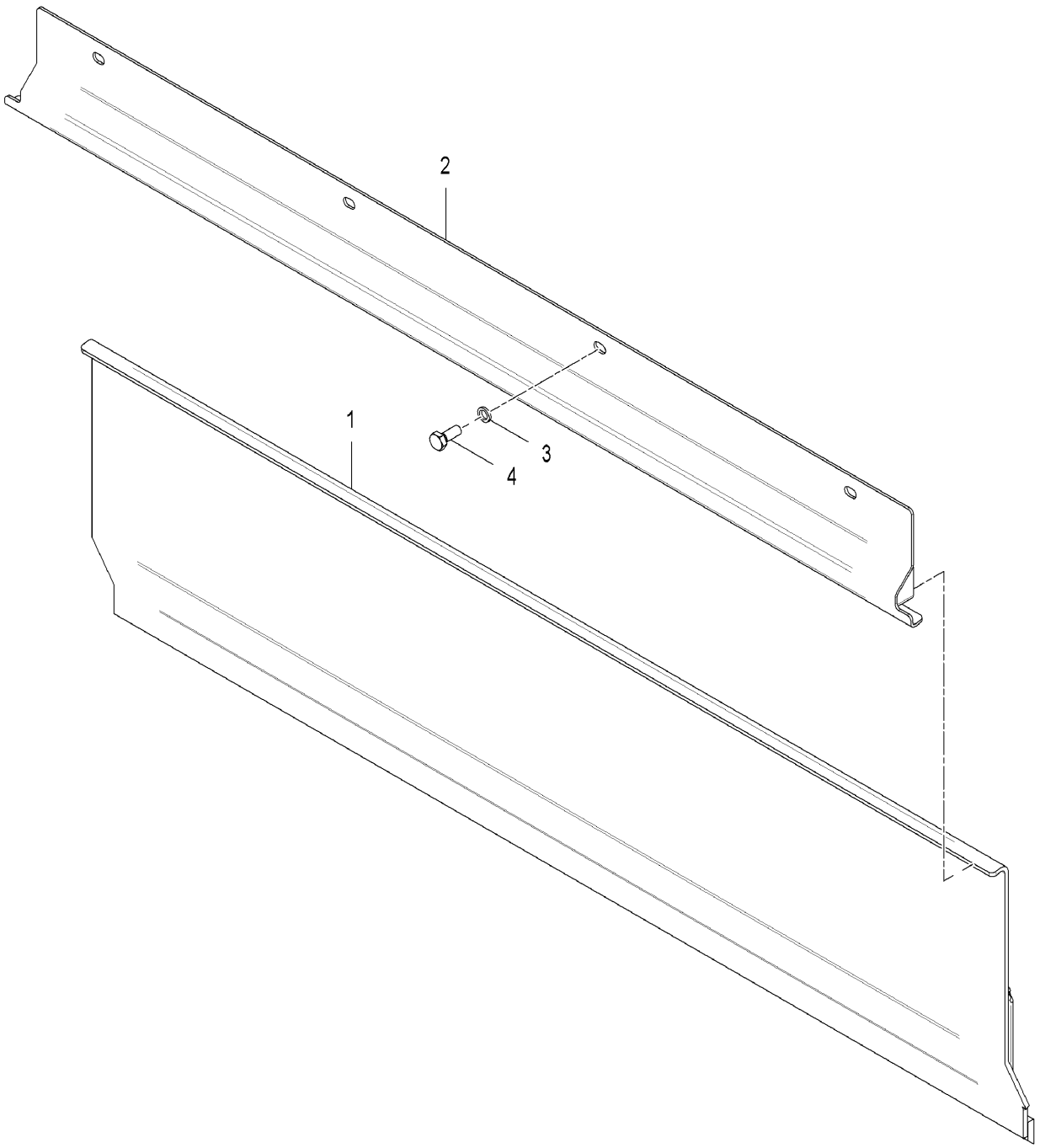
Pos. Item	Best.-Nr. Part No.	Anz. Qty.	Beschreibung Description	Bemerkung Note
	614130100		Guide plate, tamper - centre section, l.h.	
1	614130500	1	Guide plate, tamper, l.h.	
2	614130900	1	Guide rail	
3	500028	4	Screw	
4	49901807	4	Screw retention	
			—	07.02.07
Guide plate, tamper - centre section, l.h.				614-03160



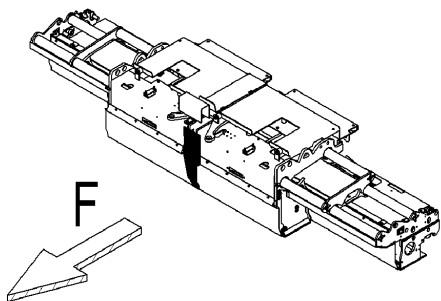
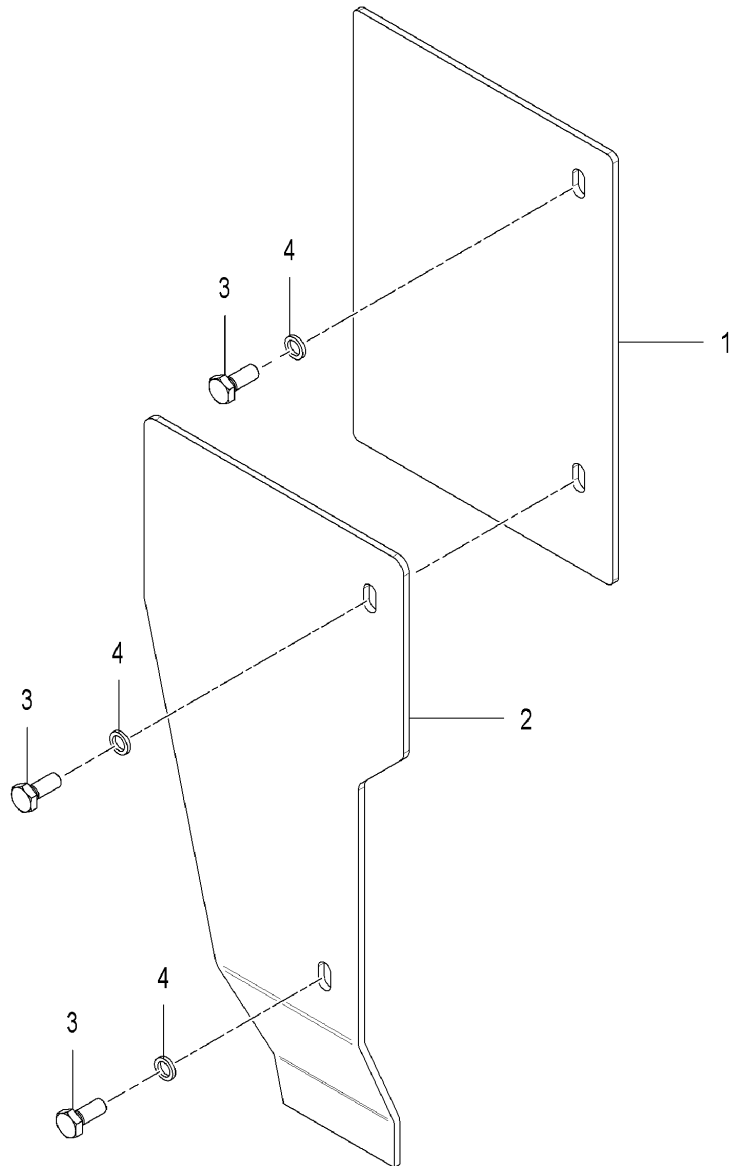
Pos. Item	Best.-Nr. Part No.	Anz. Qty.	Beschreibung Description	Bemerkung Note
	614130200		Guide plate, tamper - centre section r.h.	
1	614130600	1	Guide plate, tamper, r.h.	
2	614130900	1	Guide rail	
3	500028	4	Screw	
4	49901807	4	Screw retention	
			—	07.02.07
Guide plate, tamper - centre section r.h.				614-03170



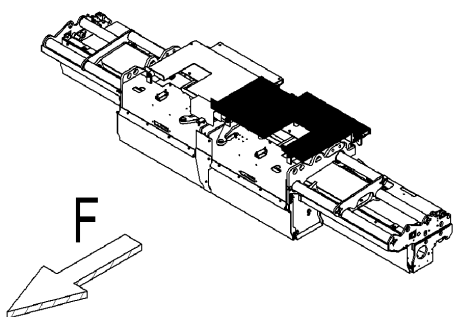
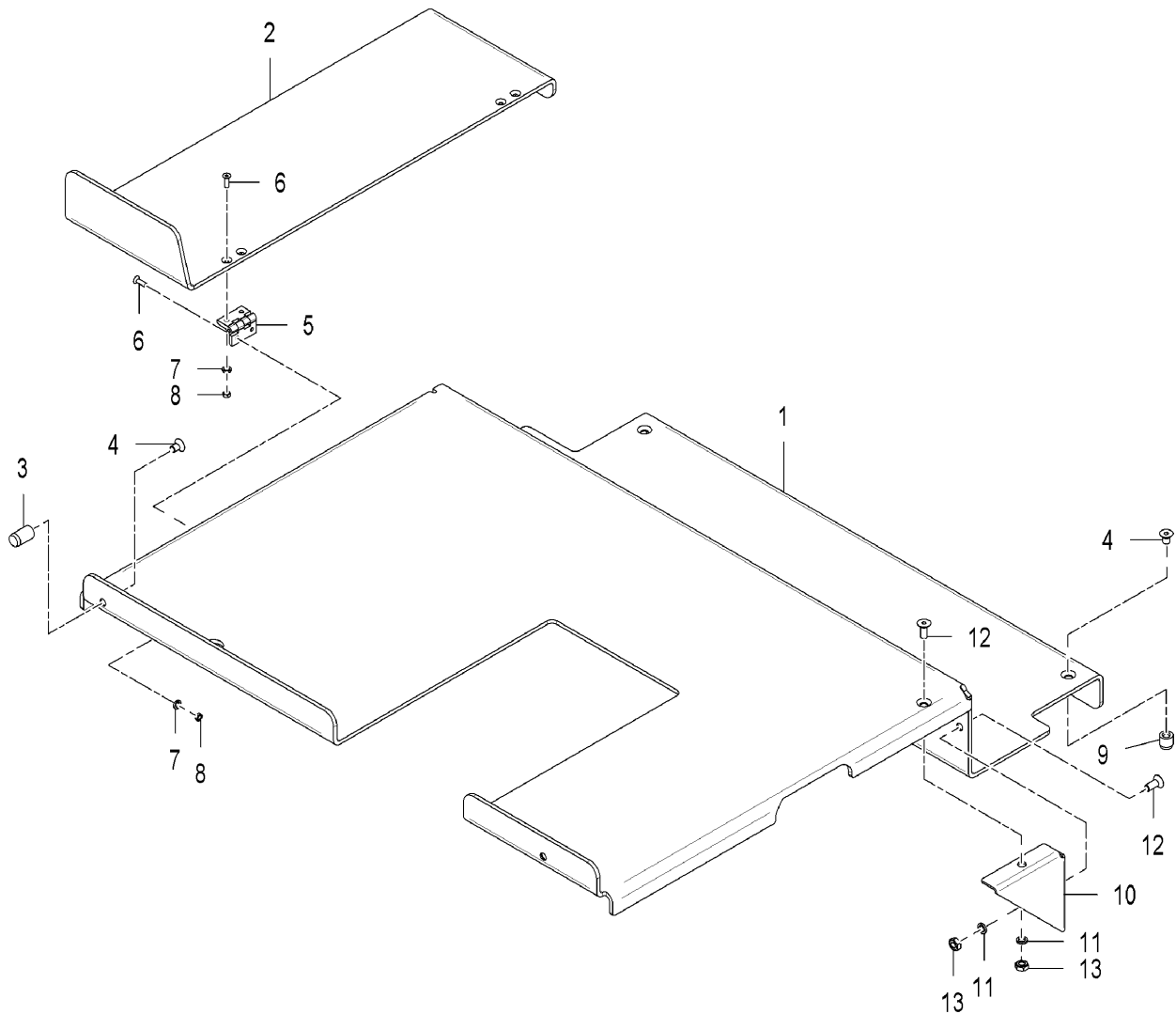
Pos. Item	Best.-Nr. Part No.	Anz. Qty.	Beschreibung Description	Bemerkung Note
	614130300		Guide plate, tamper - extension l.h.	
1	614130700	1	Guide plate, tamper, l.h.	
2	614131200	1	Guide rail	
3	49901807	4	Screw retention	
4	500028	4	Screw	
			—	07.02.07
Guide plate, tamper - extension l.h.				614-03180



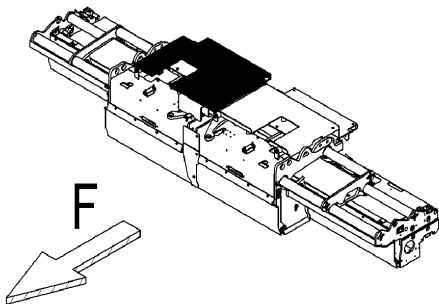
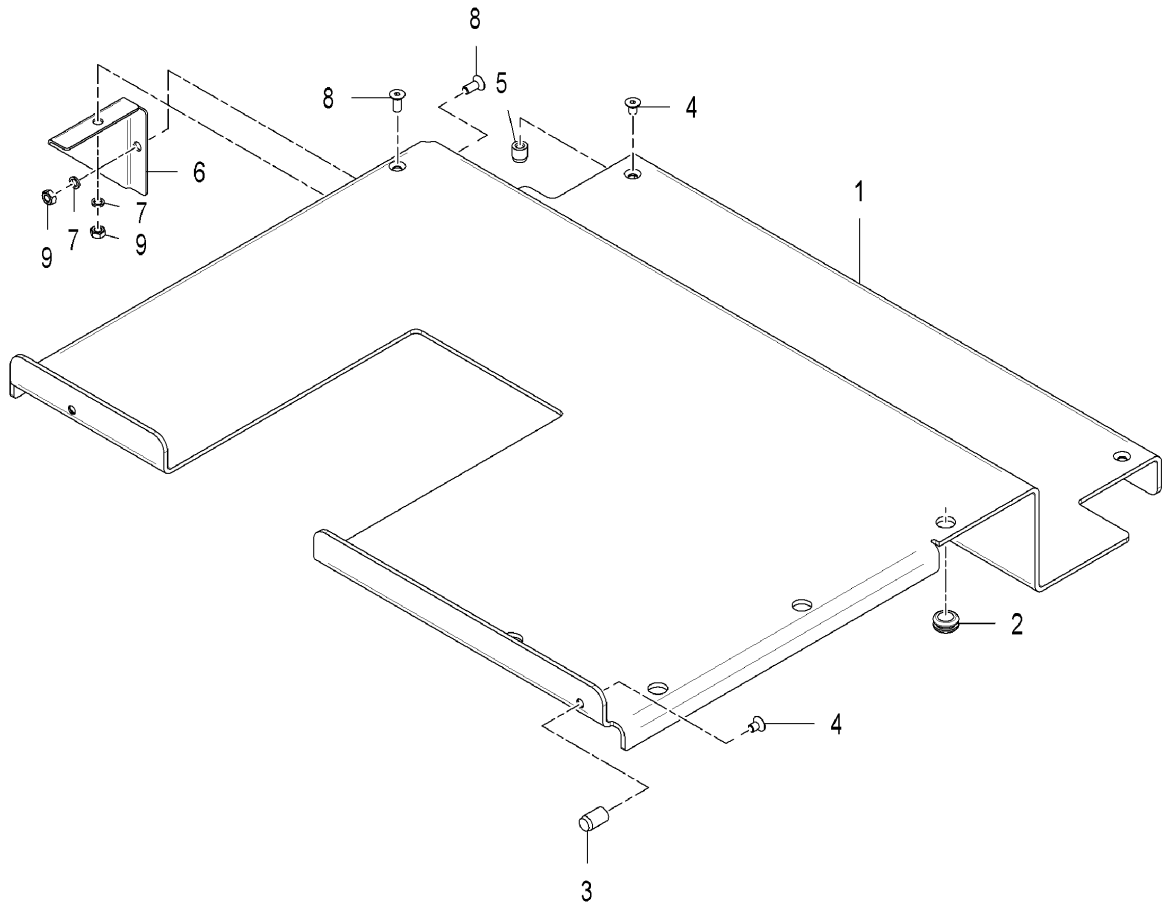
Pos. Item	Best.-Nr. Part No.	Anz. Qty.	Beschreibung Description	Bemerkung Note
	614130400		Guide plate, tamper - extension r.h.	
1	614130800	1	Guide plate, tamper, r.h.	
2	614131200	1	Guide rail	
3	49901807	4	Screw retention	
4	500028	4	Screw	
			—	07.02.07
Guide plate, tamper - extension r.h.				614-03190



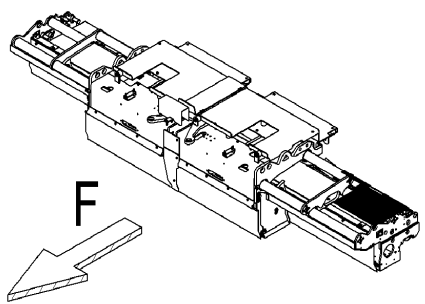
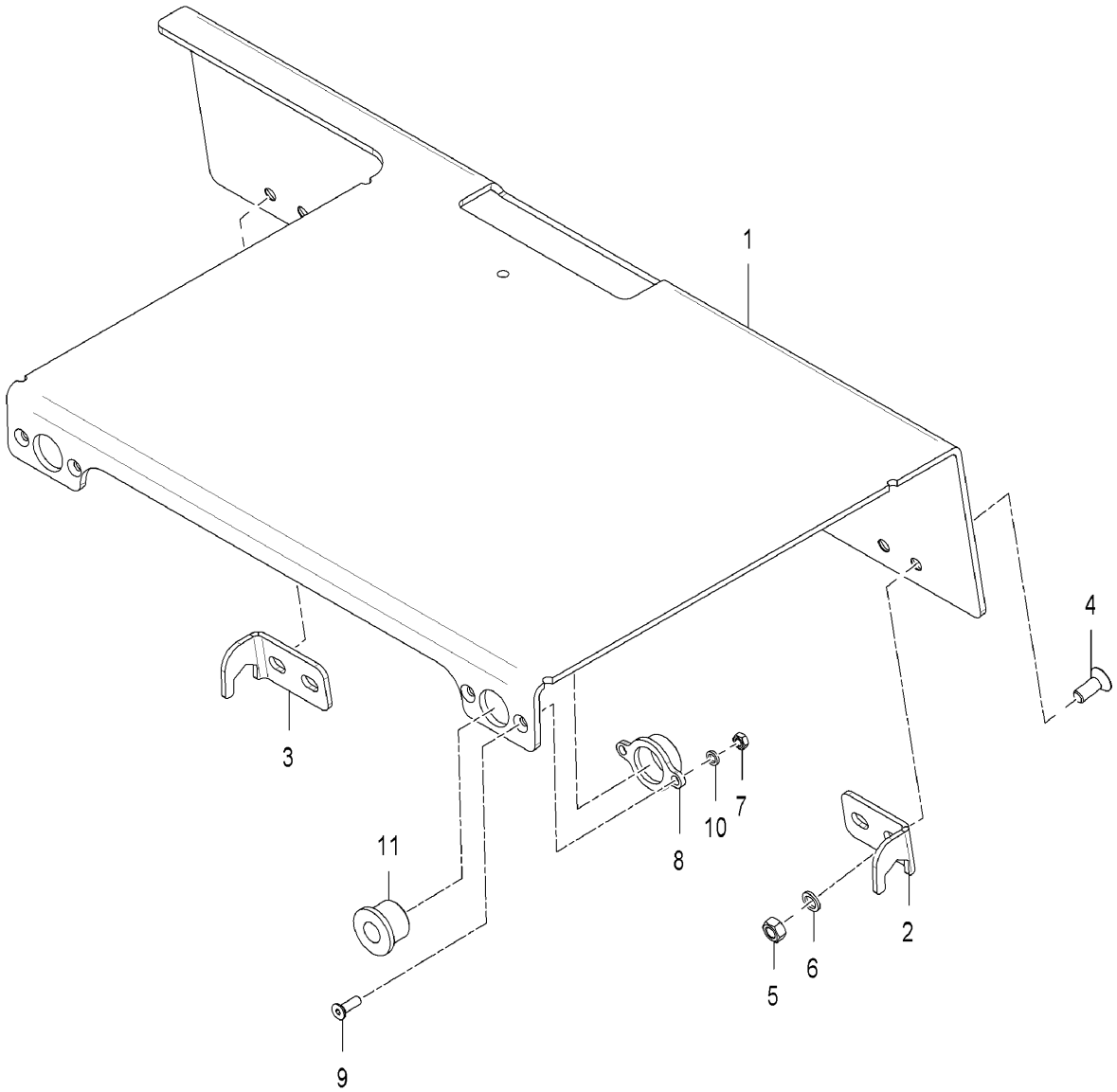
Pos. Item	Best.-Nr. Part No.	Anz. Qty.	Beschreibung Description	Bemerkung Note
	614131000		Lapping unit	
1	614131001	1	Upper part	
2	614131002	1	Lower part	
3	500028	3	Screw	
4	49901807	3	Screw retention	
			—	07.02.07
Lapping unit				614-03200



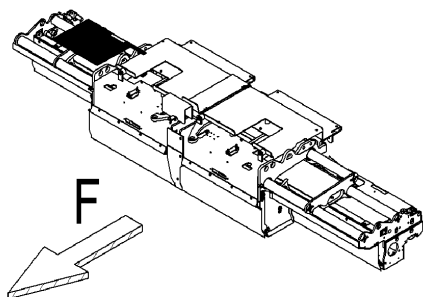
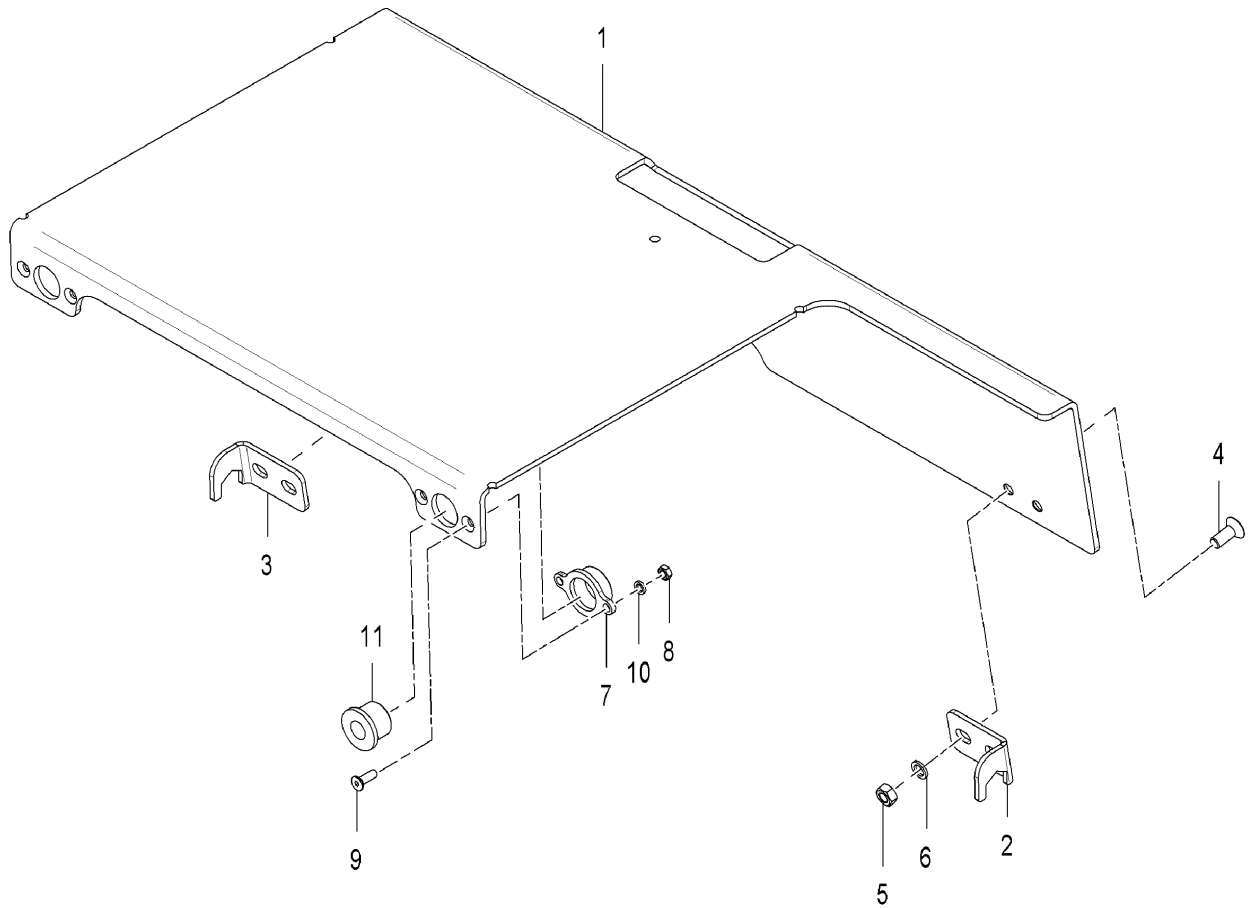
Pos. Item	Best.-Nr. Part No.	Anz. Qty.	Beschreibung Description	Bemerkung Note
	614133000		Protecting hood, center l.h., cpl.	
1	614133001	1	Protecting hood, center l.h.	
2	614133003	1	Covering for roof profile	
3	30013670	2	Receptacle	
4	49900305	4	Screw	
5	49302191	2	Hinge	
6	49900414	8	Screw	
7	49901806	8	Screw retention	
8	49900622	8	Nut	
9	614133005	2	Receptacle	
10	614130024	1	Strengthening	
11	49901807	2	Screw retention	
12	49901055	2	Screw	
13	49901107	2	Nut	
			—	08.02.07
Protecting hood, center l.h., cpl.				614-03210



Pos. Item	Best.-Nr. Part No.	Anz. Qty.	Beschreibung Description	Bemerkung Note
	614133100		Protecting hood, center r.h., cpl.	
1	614133101	1	Protecting hood, centre r.h.	
2	930280175	3	Cable guide	
3	30013670	2	Receptacle	
4	49900305	4	Screw	
5	614133005	2	Receptacle	
6	614130024	1	Strengthening	
7	49901807	2	Screw retention	
8	49901055	2	Screw	
9	49901107	2	Nut	
			–	08.02.07
Protecting hood, center r.h., cpl.				614-03220

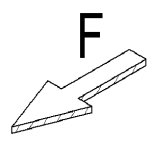
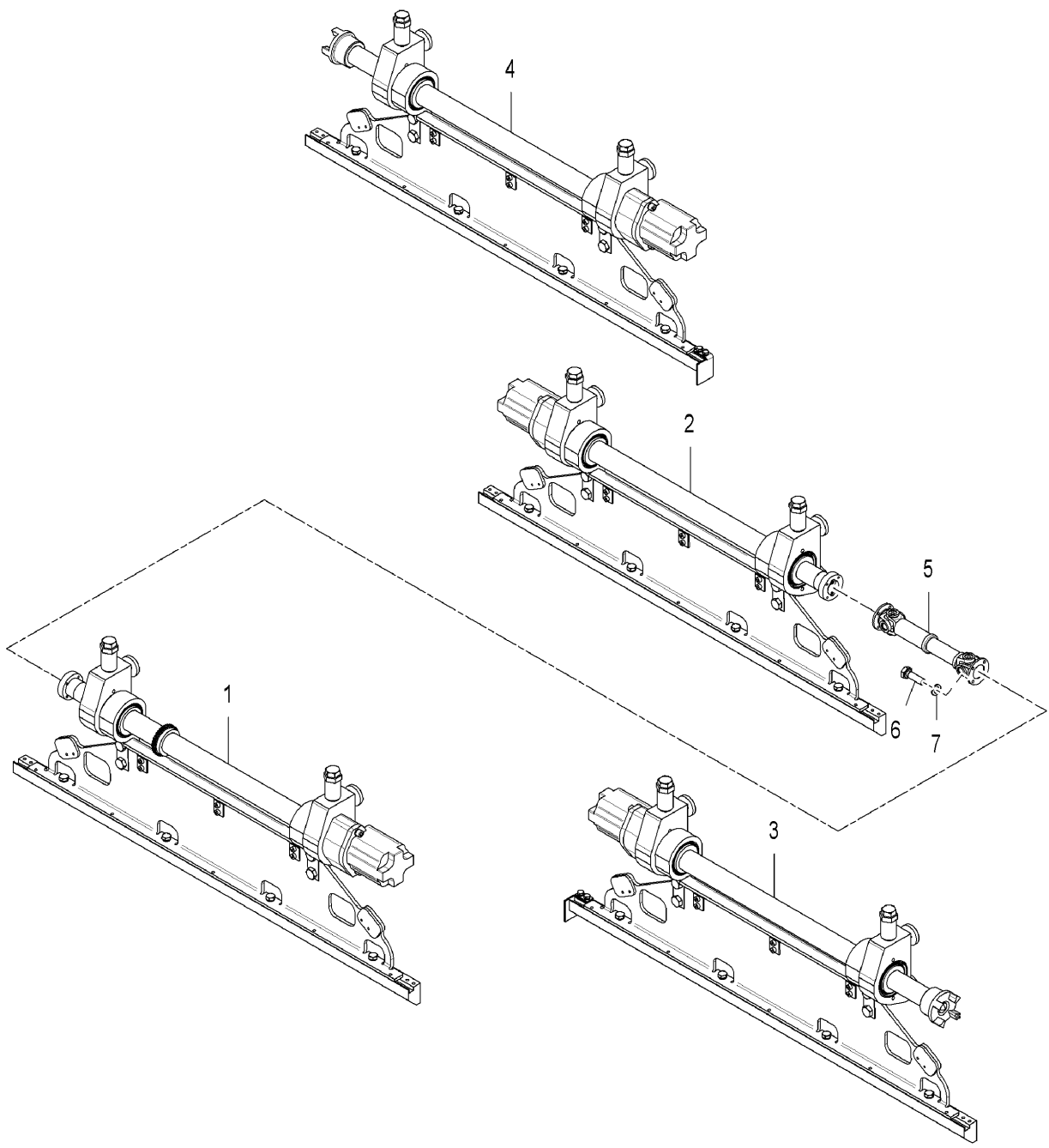


Pos. Item	Best.-Nr. Part No.	Anz. Qty.	Beschreibung Description	Bemerkung Note
	614133400		Protecting hood, extension l.h., cpl.	
1	614133401	1	Protecting hood, extension l.h.	
2	30014650	1	Hood fastener l.h.	
3	30014651	1	Hood fastener r.h.	
4	939475328	4	Countersunk screw	
5	49900625	4	Nut	
6	49901808	4	Screw retention	
7	49900428	4	Nut	
8	614135500	2	Receptacle	
9	939475222	4	Screw	
10	49901806	4	Screw retention	
11	930235540	2	Rubber buffer	
			–	08.02.07
Protecting hood, extension l.h., cpl.				614-03230

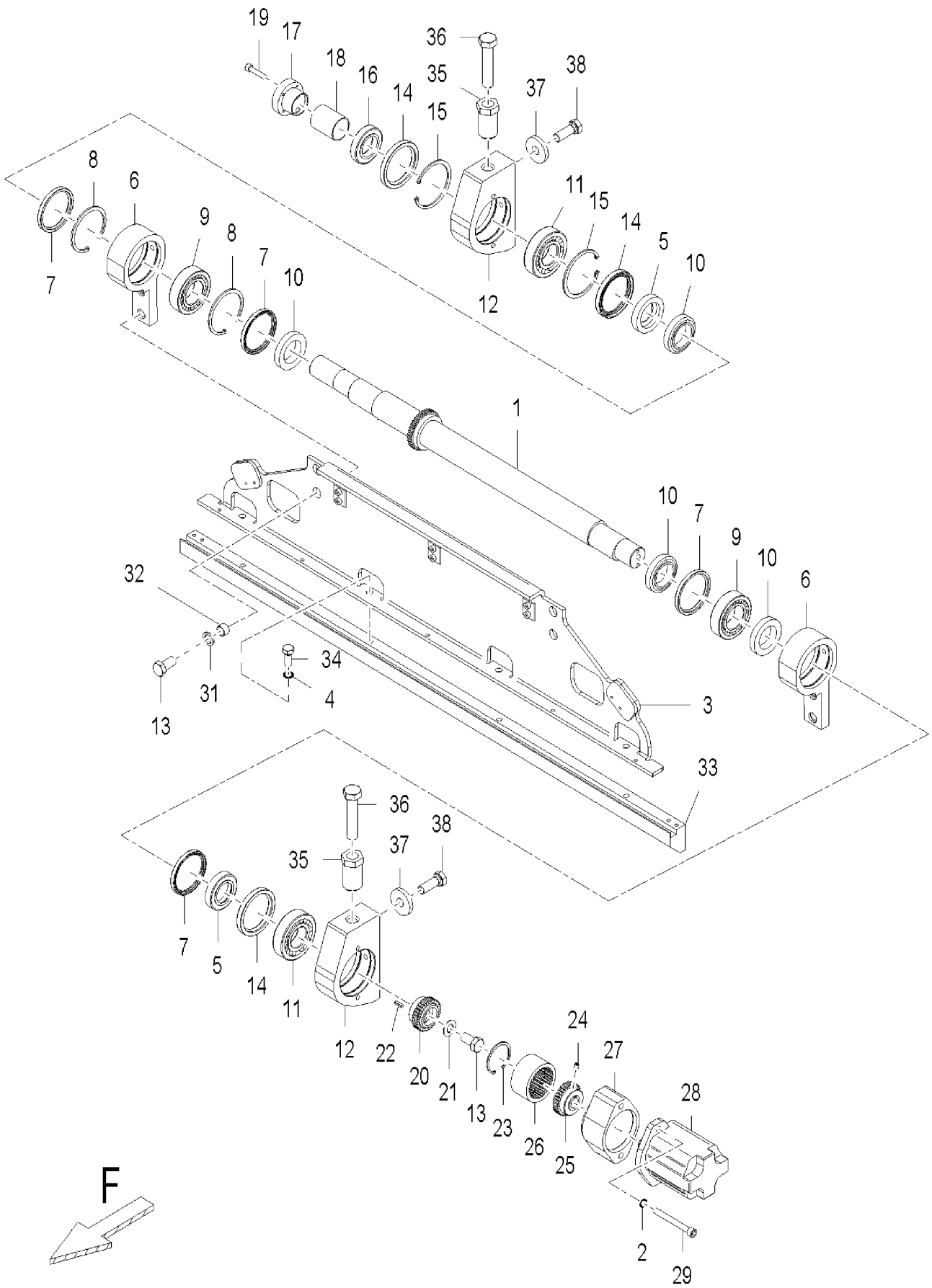


Pos. Item	Best.-Nr. Part No.	Anz. Qty.	Beschreibung Description	Bemerkung Note
	614133500		Protecting hood, extension l.h., cpl.	
1	614133501	1	Protecting hood, extension r.h.	
2	30014650	1	Hood fastener l.h.	
3	30014651	1	Hood fastener r.h.	
4	939475328	4	Countersunk screw	
5	49900625	4	Nut	
6	49901808	4	Screw retention	
7	614135500	2	Receptacle	
8	49900428	4	Nut	
9	939475222	4	Screw	
10	49901806	4	Screw retention	
11	930235540	2	Rubber buffer	
			–	08.02.07
Protecting hood, extension r.h., cpl.				614-03240

Pos. Item	Best.-Nr. Part No.	Anz. Qty.	Beschreibung Description	Bemerkung Note
1	614-04100		Tamper drive assy.	
2	614-04110		Tamper drive, center section, l.h.	
3	614-04120		Tamper drive, center section, r.h.	
4	614-04130		Tamper drive extension, l.h.	
5	614-04140		Tamper drive extension, r.h.	
Grp. 04, Tamper drive				



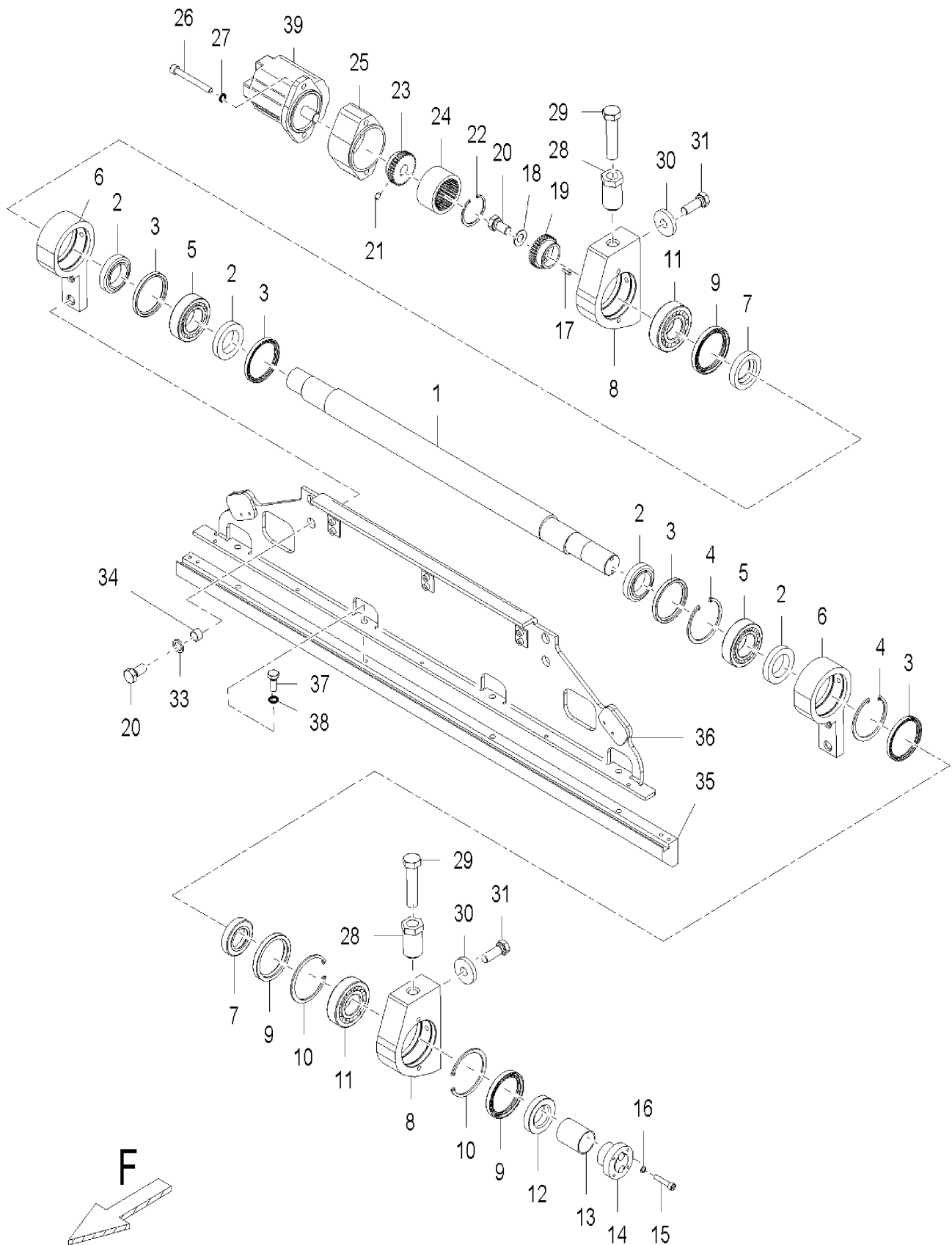
Pos. Item	Best.-Nr. Part No.	Anz. Qty.	Beschreibung Description	Bemerkung Note
	614040000		Tamper drive assy.	
1	614-04110		Tamper drive, center section, l.h.	
2	614-04120		Tamper drive, center section, r.h.	
3	614-04130		Tamper drive extension, l.h.	
4	614-04140		Tamper drive extension, r.h.	
5	49400979	1	Propeller shaft	
6	49901200	8	Screw	
7	49900080	8	Screw retention	
			–	05.02.2007
Tamper drive assy.				614-04100



Pos. Item	Best.-Nr. Part No.	Anz. Qty.	Beschreibung Description	Bemerkung Note
	614040100		Tamper drive, center section, l.h.	
1	614040500	1	Tamper shaft center l.h.	
_01	614040201	1	_Tamper shaft center section, r.h.	
_02	30012672	1	_Gear wheel	
_03	49900988	1	_Threaded pin	
2	49901807	2	Screw retention	
3	614040600	1	Tamper frame	
4	49901808	4	Screw retention	
5	30012257	2	Spacer I	
6	30014428	2	rocker bar	
7	49040079	4	Shaft sealing ring	
8	49900486	2	Circlip	
9	935011814	2	Pendulum roller bearing	
10	30008748	4	Spacer	
11	49540018	2	Pendulum roller bearing	
12	30014426	2	Bearing support	
13	500057	5	Screw	
14	49040059	3	Shaft sealing ring	
15	49900208	2	Circlip	
16	30005134	1	Spacer	
17	606021001	1	Flange	
18	606021002	1	Distance piece	
19	49900360	2	Screw	
20	30012260	1	Coupling	Stampferwelle/Tamper shaft
21	49900508	1	Cup spring	
22	49302757	2	Grooved cylindrical pin	
23	49901657	1	Circlip	
24	49900748	1	Threaded pin	
25	30012261	1	Coupling	Motor
26	30012280	1	Connector socket	
27	606021006	1	Flange case	
28	966136301	1	Motor, hydraulic	
_01	966534213	1	_Seal kit	
29	49900917	2	Screw	
31	49901809	4	Screw retention	
32	49302339	4	Clamping bush	
33	614040101	1	Tamper cutter	
34	49901553	4	Screw	
35	30014442	2	Adjusting screw	
36	49900457	2	Screw	
37	49900538	4	Washer	
38	938150871	4	Screw	
			—	05.02.2007

Tamper drive, center section, l.h.

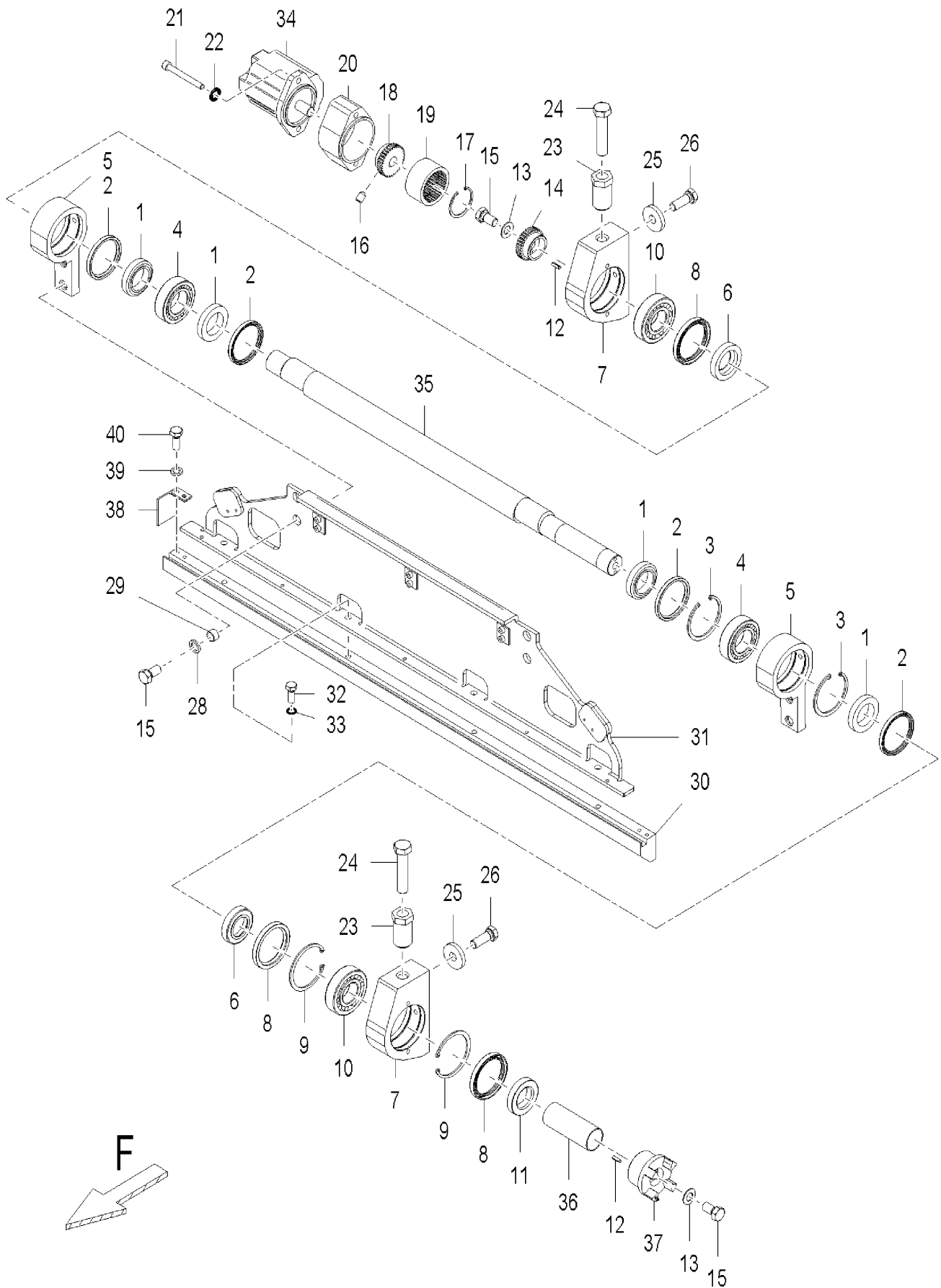
614-04110



Pos. Item	Best.-Nr. Part No.	Anz. Qty.	Beschreibung Description	Bemerkung Note
	614040200		Tamper drive, center section, r.h.	
1	614040201	1	Tamper shaft center section, r.h.	
2	30008748	4	Spacer	
3	49040079	4	Shaft sealing ring	
4	49900486	2	Circlip	
5	935011814	2	Pendulum roller bearing	
6	30014428	2	rocker bar	
7	30012257	2	Spacer I	
8	30014426	2	Bearing support	
9	49040059	3	Shaft sealing ring	
10	49900208	2	Circlip	
11	49540018	2	Pendulum roller bearing	
12	30005134	1	Spacer	
13	606021002	1	Distance piece	
14	606021001	1	Flange	
15	49900360	2	Screw	
16	49900161	2	Screw retention	
17	49302757	2	Grooved cylindrical pin	
18	49900508	1	Cup spring	
19	30012260	1	Coupling	Stampferwelle/Tamper shaft
20	500057	5	Screw	
21	49900748	1	Threaded pin	
22	49901657	1	Circlip	
23	30012261	1	Coupling	Motor
24	30012280	1	Connector socket	
25	606021006	1	Flange case	
26	49900917	2	Screw	
27	49901807	2	Screw retention	
28	30014442	2	Adjusting screw	
29	49900457	2	Screw	
30	49900538	4	Washer	
31	49900009	4	Screw	
33	49901809	4	Screw retention	
34	49302339	4	Clamping bush	
35	614040101	1	Tamper cutter	
36	614040600	1	Tamper frame	
37	938165761	4	Screw	
38	49901808	4	Screw retention	
39	966136300	1	Motor, hydraulic	
_01	966534213	1	_Seal kit	
			-	05.02.07

Tamper drive, center section, r.h.

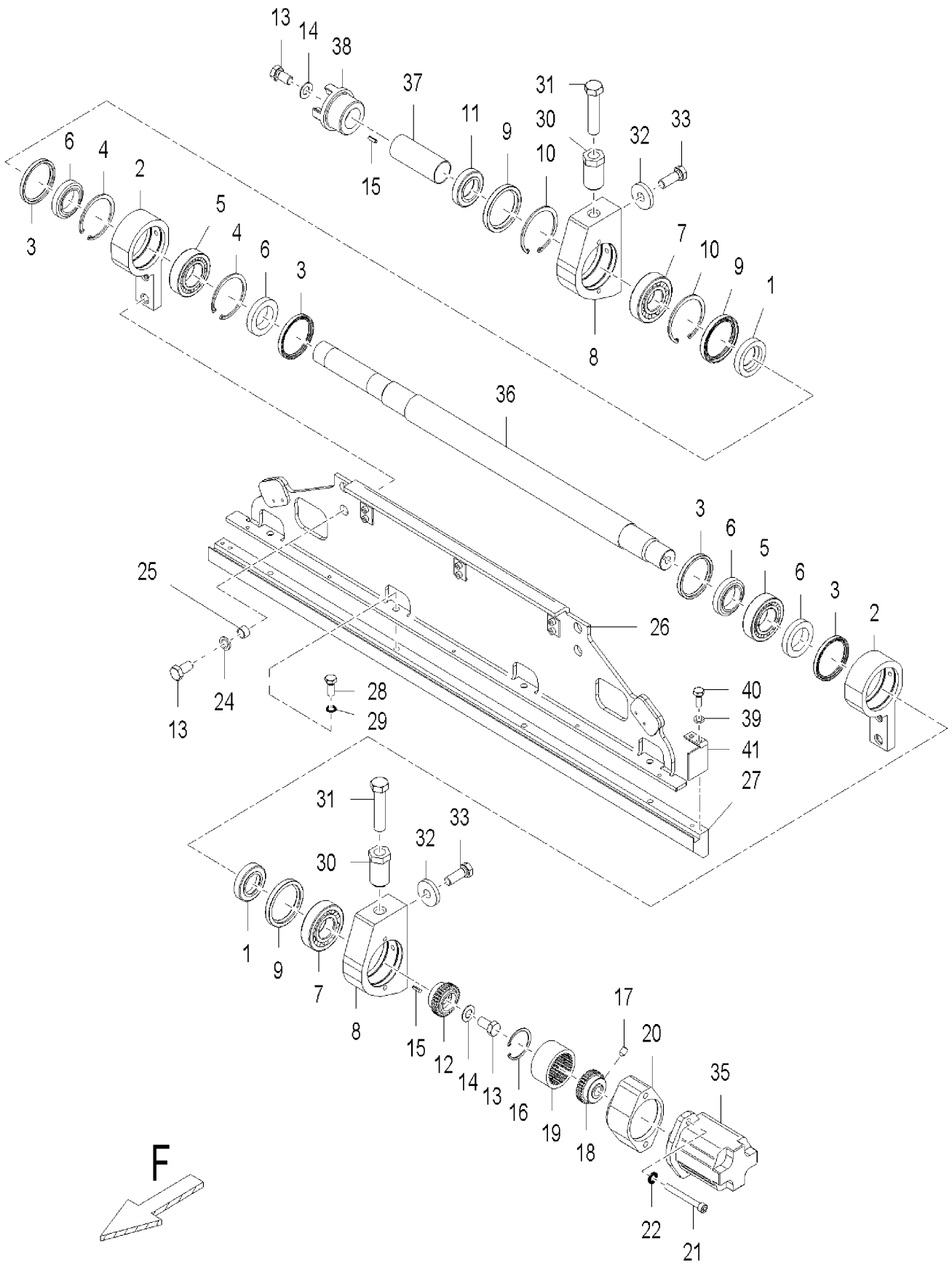
614-04120



Pos. Item	Best.-Nr. Part No.	Anz. Qty.	Beschreibung Description	Bemerkung Note
	614040300		Tamper drive extension, l.h.	
1	30008748	4	Spacer	
2	49040079	4	Shaft sealing ring	
3	49900486	2	Circlip	
4	935011814	2	Pendulum roller bearing	
5	30014428	2	rocker bar	
6	30012257	2	Spacer I	
7	30014426	2	Bearing support	
8	49040059	3	Shaft sealing ring	
9	49900208	2	Circlip	
10	49540018	2	Pendulum roller bearing	
11	30005134	1	Spacer	
12	49302757	4	Grooved cylindrical pin	
13	49900508	2	Cup spring	
14	30012260	1	Coupling	Stampferwelle/Tamper shaft
15	500057	6	Screw	
16	49900748	1	Threaded pin	
17	49901657	1	Circlip	
18	30012261	1	Coupling	Motor
19	30012280	1	Connector socket	
20	606021006	1	Flange case	
21	49900917	2	Screw	
22	49901807	2	Screw retention	
23	30014442	2	Adjusting screw	
24	49900457	2	Screw	
25	49900538	4	Washer	
26	49900009	4	Screw	
28	49901809	4	Screw retention	
29	49302339	4	Clamping bush	
30	614040101	1	Tamper cutter	
31	614040600	1	Tamper frame	
32	938165761	4	Screw	
33	49901808	4	Screw retention	
34	966136302	1	Motor, hydraulic	
_01	966534213	1	_Seal kit	
35	614040301	1	Tamper shaft extension	
36	614040302	1	Distance piece	
37	30014429	1	Coupling extension l.h.	
38	608020600	1	Angle, l.h.	
39	49901806	2	Screw retention	
40	500053	2	Screw	
			–	05.02.2007

Tamper drive extension, l.h.

614-04130

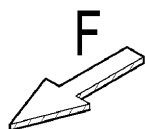
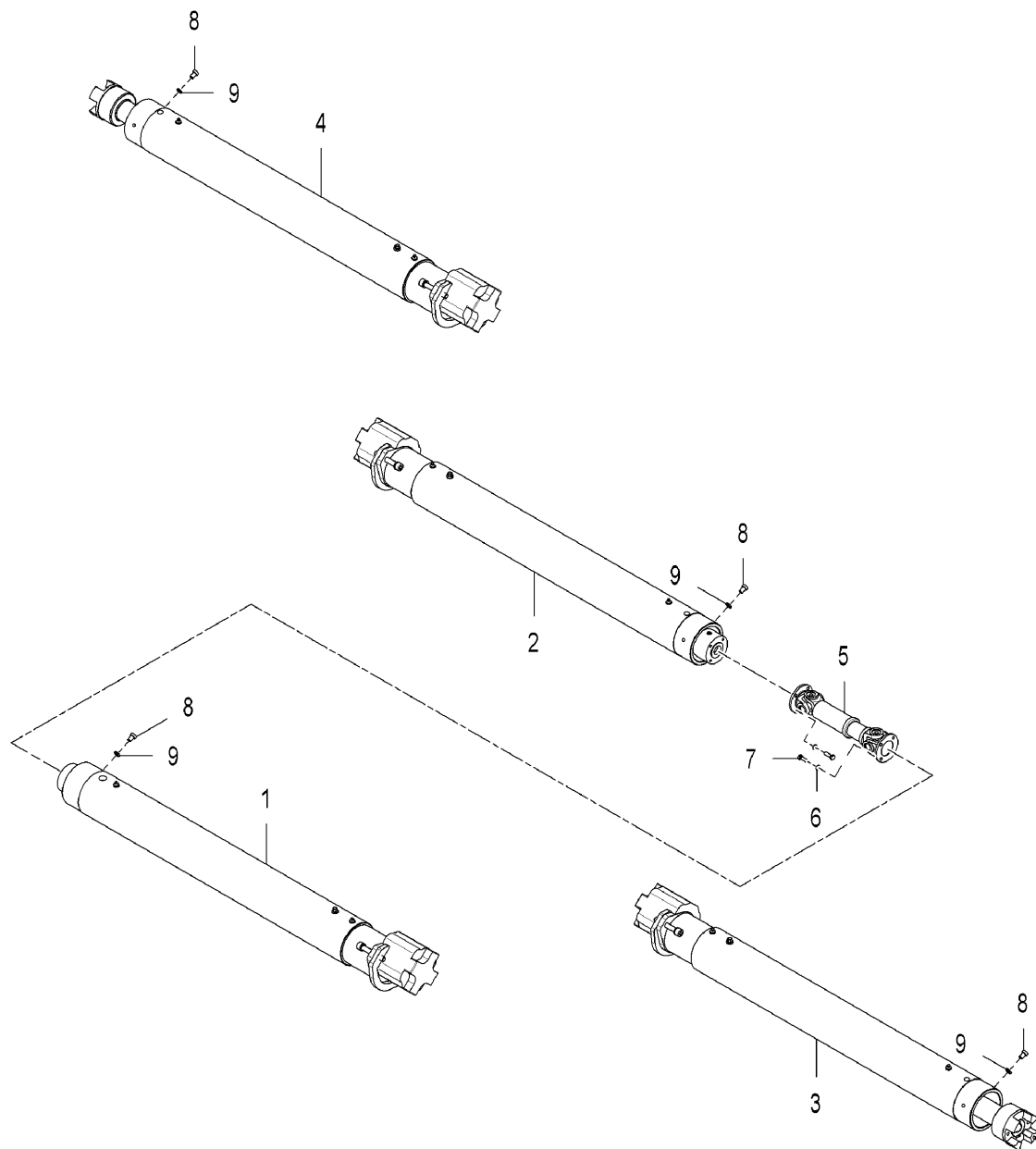


Pos. Item	Best.-Nr. Part No.	Anz. Qty.	Beschreibung Description	Bemerkung Note
	614040400		Tamper drive extension, r.h.	
1	30012257	2	Spacer I	
2	30014428	2	rocker bar	
3	49040079	4	Shaft sealing ring	
4	49900486	2	Circlip	
5	935011814	2	Pendulum roller bearing	
6	30008748	4	Spacer	
7	49540018	2	Pendulum roller bearing	
8	30014426	2	Bearing support	
9	49040059	3	Shaft sealing ring	
10	49900208	2	Circlip	
11	30005134	1	Spacer	
12	30012260	1	Coupling	Stampferwelle/Tamper shaft
13	500057	5	Screw	
14	49900508	2	Cup spring	
15	49302757	4	Grooved cylindrical pin	
16	49901657	1	Circlip	
17	49900748	1	Threaded pin	
18	30012261	1	Coupling	Motor
19	30012280	1	Connector socket	
20	606021006	1	Flange case	
21	49900917	2	Screw	
22	49901807	2	Screw retention	
24	49901809	4	Screw retention	
25	49302339	4	Clamping bush	
26	614040600	1	Tamper frame	
27	614040101	1	Tamper cutter	
28	49901553	4	Screw	
29	49901808	4	Screw retention	
30	30014442	2	Adjusting screw	
31	49900457	2	Screw	
32	49900538	4	Washer	
33	938150871	4	Screw	
35	966136303	1	Motor, hydraulic	
_01	966534213	1	_Seal kit	
36	614040301	1	Tamper shaft extension	
37	614040302	1	Distance piece	
38	30014430	1	Coupling extension r.h.	
39	49901806	2	Screw retention	
40	500053	2	Screw	
41	608020700	1	Angle r.h.	
			–	05.02.2007

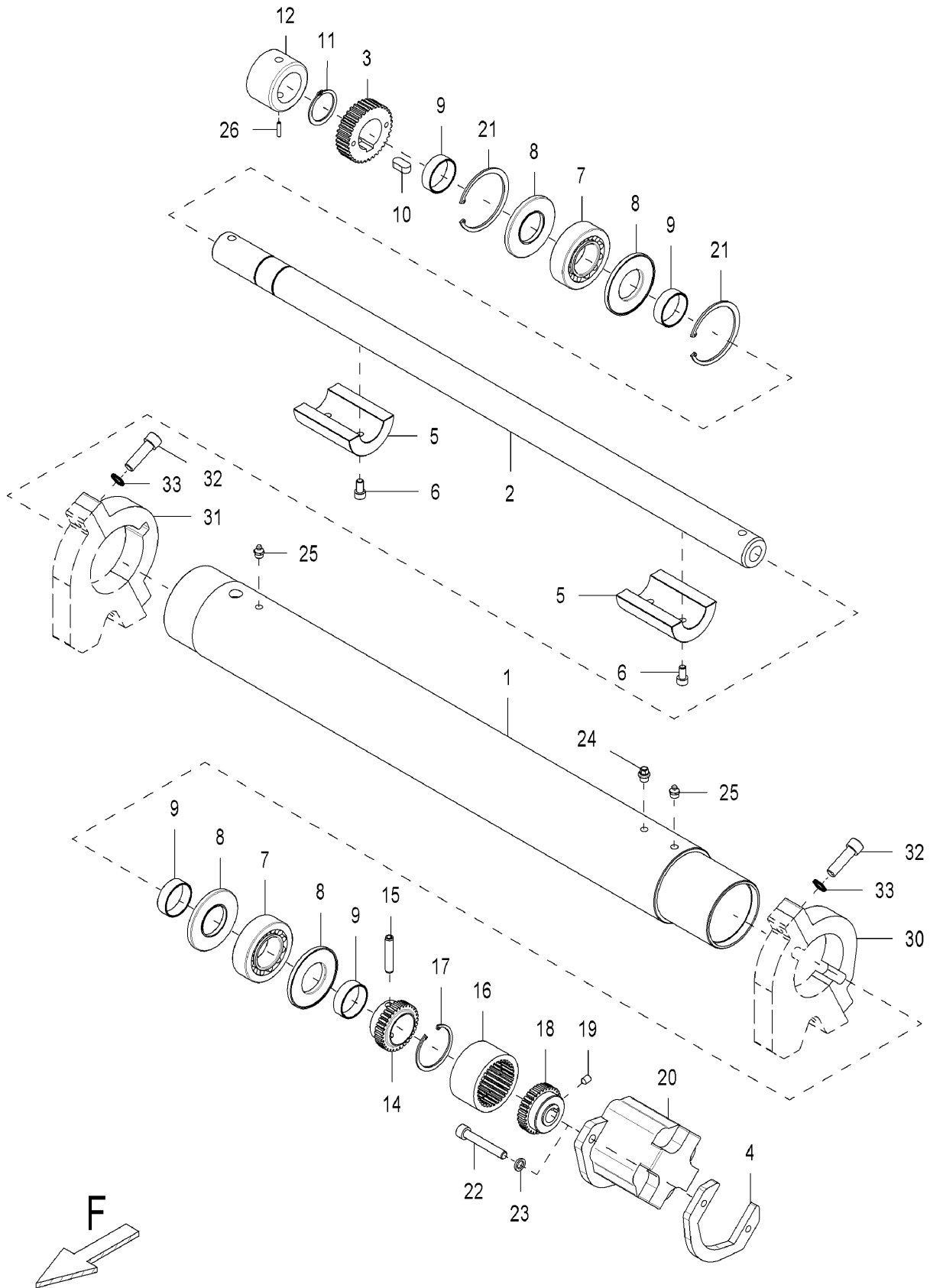
Tamper drive extension, r.h.

614-04140

Pos. Item	Best.-Nr. Part No.	Anz. Qty.	Beschreibung Description	Bemerkung Note
1	614-05100		Vibration assy.	
2	614-05110		Vibration center section, l.h.	
3	614-05120		Vibration center section, r.h.	
4	614-05130		Vibration extension mounts, l.h.	
5	614-05140		Vibration extension mounts, r.h.	
Grp. 05, Vibration				



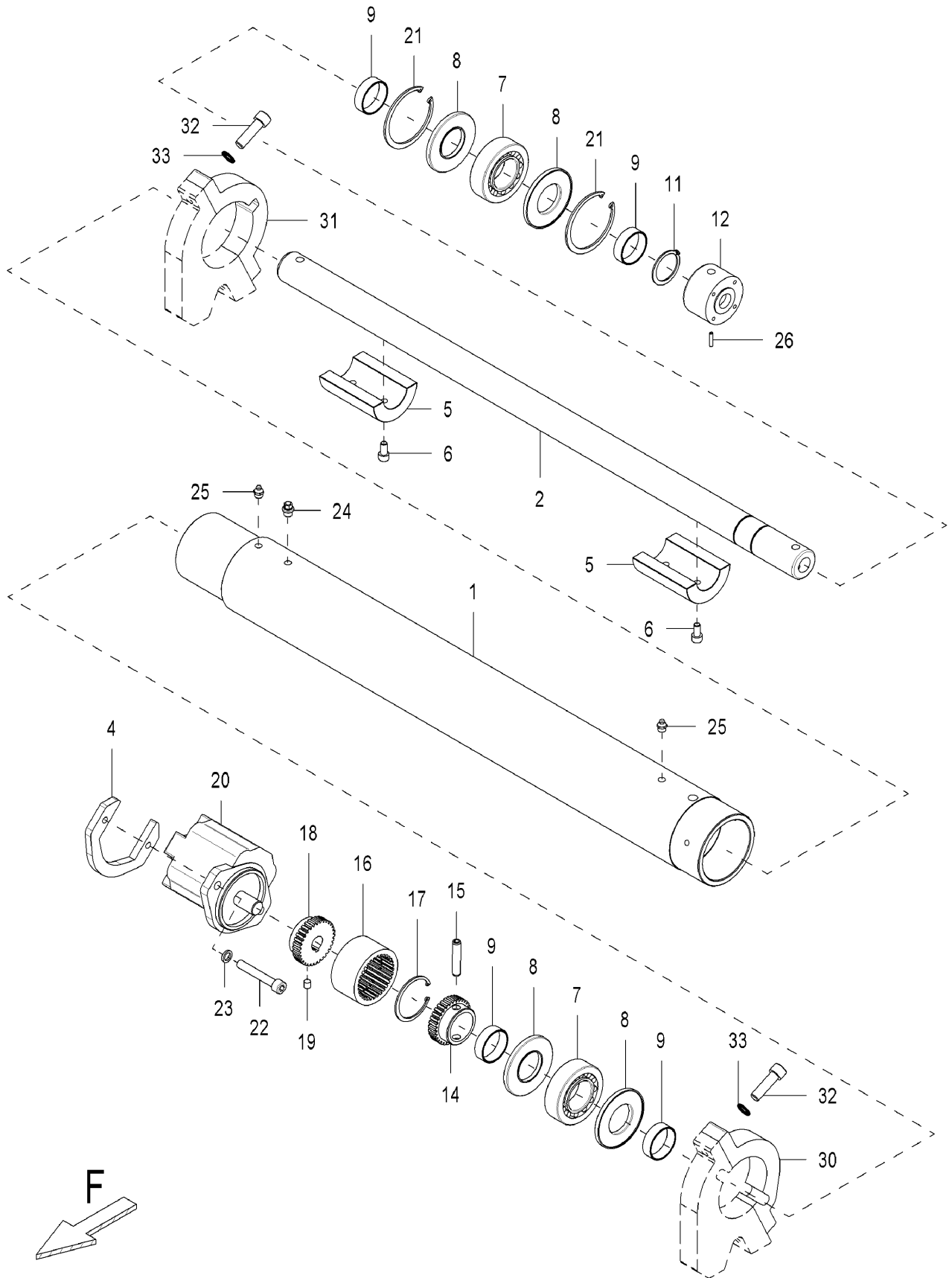
Pos. Item	Best.-Nr. Part No.	Anz. Qty.	Beschreibung Description	Bemerkung Note
	614050000		Vibration assy.	
1	614-05110		Vibration center section, l.h.	
2	614-05120		Vibration center section, r.h.	
3	614-05130		Vibration extension mounts, l.h.	
4	614-05140		Vibration extension mounts, r.h.	
5	494000981	1	Propeller shaft	
6	49900080	8	Screw retention	
7	500040	8	Screw	
8	939390325	4	Cylinder screw	
9	49901806	4	Screw retention	
			—	09.02.07
Vibration assy.				614-05100



Pos. Item	Best.-Nr. Part No.	Anz. Qty.	Beschreibung Description	Bemerkung Note
	614050100		Vibration center section, l.h.	
1	606100105	1	Vibration housing	
2	606101101	1	Vibration pipe centre	
3	30013590	1	Speed adjustment	
4	30012638	1	Motor flange	
5	30013609	2	Kinetic energy mass	
6	49901595	4	Screw	
7	49540044	2	Roller bearing	
8	49302735	4	Sealing disc	
9	30014724	4	Spacer	
10	49901781	1	Feather key	
11	49900349	1	Circlip	
12	606101001	1	Flange	
14	30012328	1	Coupling piece	
15	49901060	1	Clamping sleeve	
16	30012280	1	Connector socket	
17	49901657	1	Circlip	
18	30012261	1	Coupling	Motor
19	49900748	1	Threaded pin	
20	966130012	1	Engine	
_01	966534213	1	_Seal kit	
21	49900351	2	Circlip	
22	49900069	2	Screw	
23	49901807	2	Screw retention	
24	937910060	1	Plug screw	
25	935511210	2	Grease nipple	
26	931501330	1	Clamping sleeve, heavy	
30	30014436	1	Fixture vibration	
31	614010231	1	Fixture vibration	
32	49900887	4	Screw	
33	49901808	4	Screw retention	
			—	12.02.07

Vibration center section, l.h.

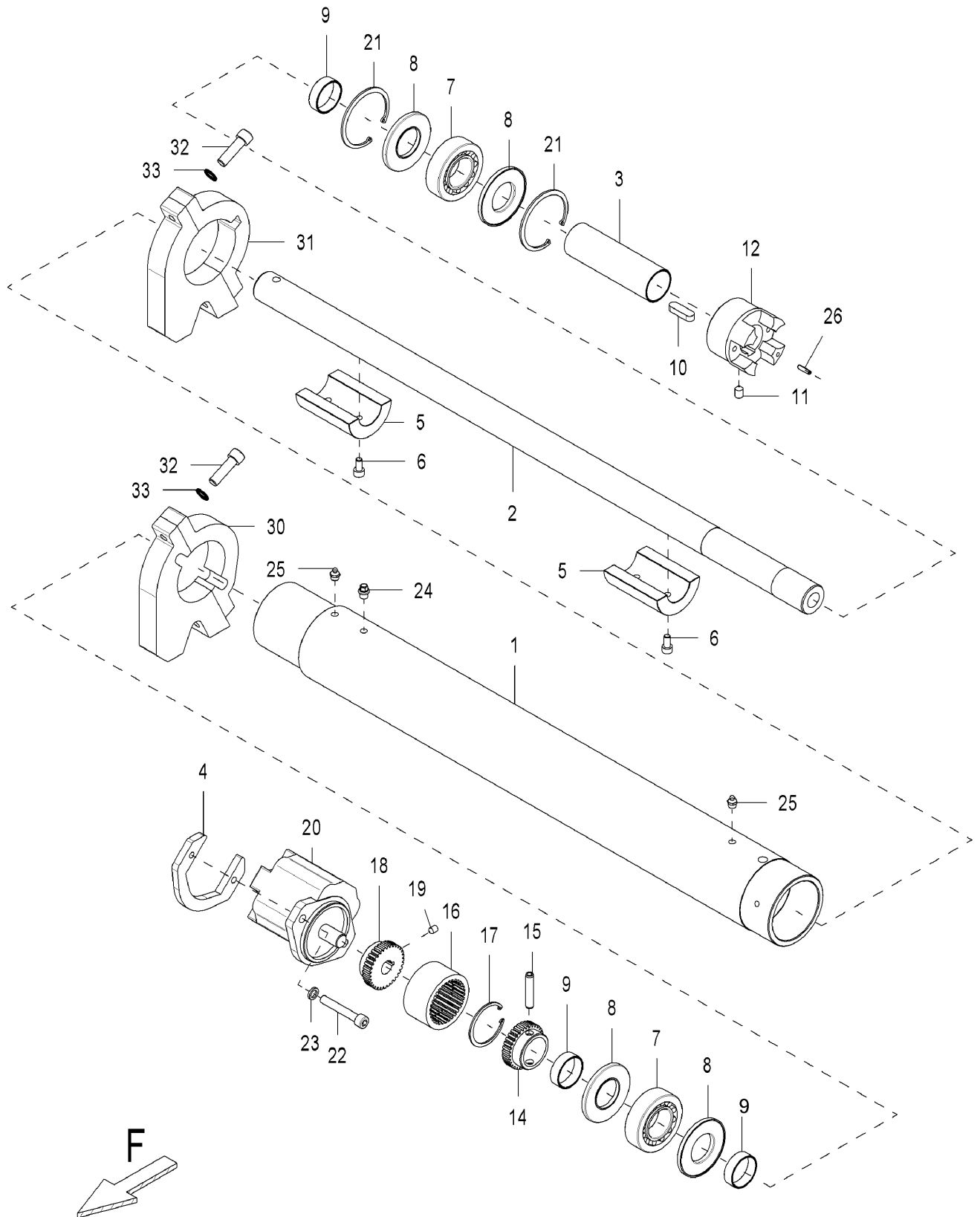
614-05110



Pos. Item	Best.-Nr. Part No.	Anz. Qty.	Beschreibung Description	Bemerkung Note
	614050200		Vibration center section, r.h.	
1	606100203	1	Vibration housing	
2	606101101	1	Vibration pipe centre	
4	30012638	1	Motor flange	
5	30013609	2	Kinetic energy mass	
6	49901595	4	Screw	
7	49540044	2	Roller bearing	
8	49302735	4	Sealing disc	
9	30014724	4	Spacer	
11	49900349	1	Circlip	
12	606101001	1	Flange	
14	30012328	1	Coupling piece	
15	49901060	1	Clamping sleeve	
16	30012280	1	Connector socket	
17	49901657	1	Circlip	
18	30012261	1	Coupling	Motor
19	49900748	1	Threaded pin	
20	966130011	1	Engine	
_01	966534213	1	_Seal kit	
21	49900351	2	Circlip	
22	49900069	2	Screw	
23	49901807	2	Screw retention	
24	937910060	1	Plug screw	
25	935511210	2	Grease nipple	
26	931501330	1	Clamping sleeve, heavy	
30	30014436	1	Fixture vibration	
31	614010231	1	Fixture vibration	
32	49900887	4	Screw	
33	49901808	4	Screw retention	
			–	12.02.07

Vibration center section, r.h.

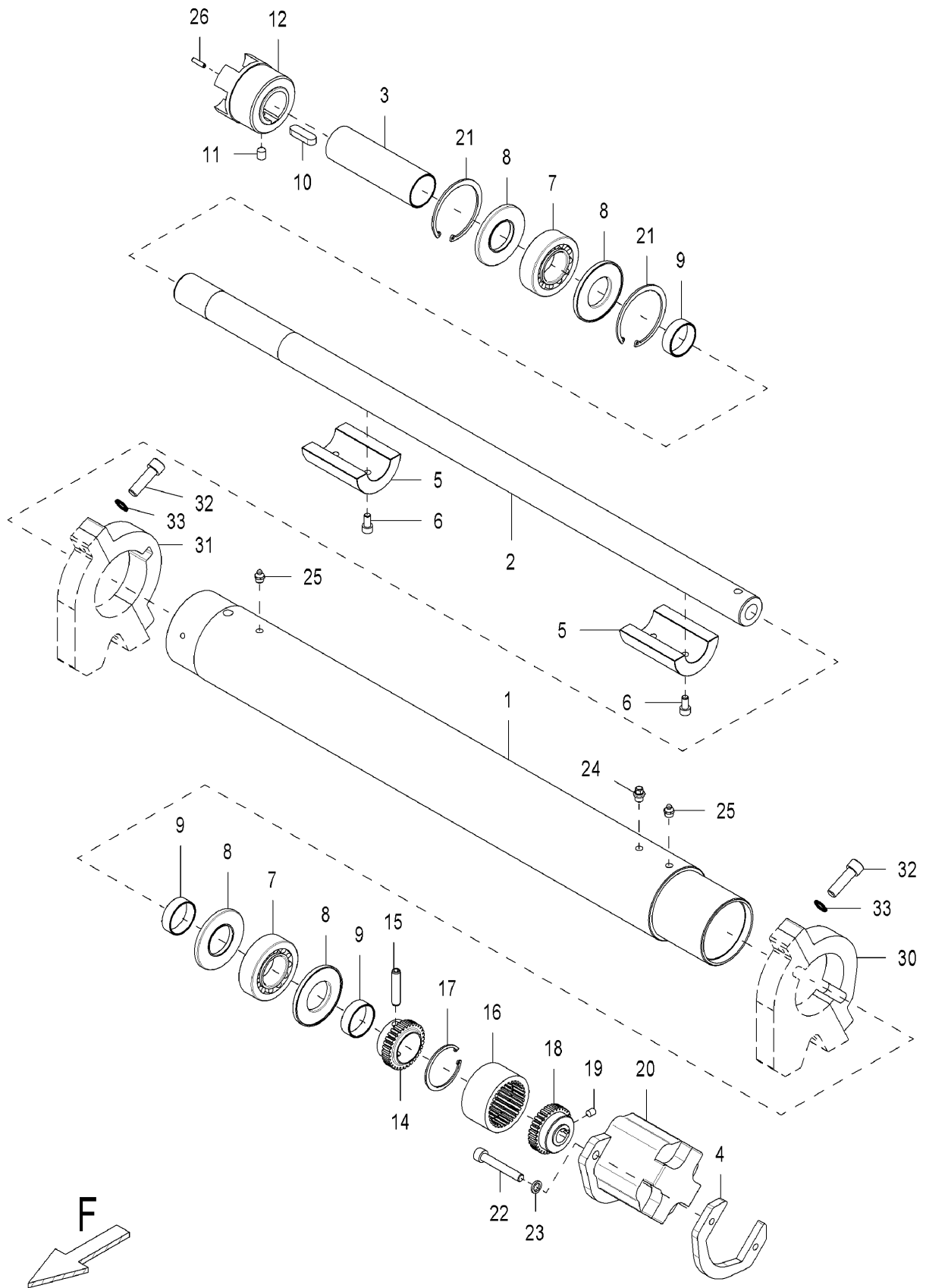
614-05120



Pos. Item	Best.-Nr. Part No.	Anz. Qty.	Beschreibung Description	Bemerkung Note
	614050300		Vibration extension mounts, l.h.	
1	606100203	1	Vibration housing	
2	614050301	1	Vibration tube extension	
3	614050302	1	Spacer	
4	30012638	1	Motor flange	
5	30013609	2	Kinetic energy mass	
6	49901595	4	Screw	
7	49540044	2	Roller bearing	
8	49302735	4	Sealing disc	
9	30014724	3	Spacer	
10	49901033	1	Feather key	
11	49900093	1	Threaded pin	
12	30014757	1	Coupling lks.	
_01	49900664	1	_Clamping sleeve	
14	30012328	1	Coupling piece	
15	49901060	1	Clamping sleeve	
16	30012280	1	Connector socket	
17	49901657	1	Circlip	
18	30012261	1	Coupling	Motor
19	49900748	1	Threaded pin	
20	966130014	1	Motor	
_01	966720003	1	_Shaft sealing ring	
_02	966534213	1	_Seal kit	
21	49900351	2	Circlip	
22	49900069	2	Screw	
23	49901807	2	Screw retention	
24	937910060	1	Plug screw	
25	935511210	2	Grease nipple	
26	49900664	2	Clamping sleeve	
30	30014436	1	Fixture vibration	
31	614010231	1	Fixture vibration	
32	49900887	4	Screw	
33	49901808	4	Screw retention	
			–	12.02.07

Vibration extension mounts, l.h.

614-05130

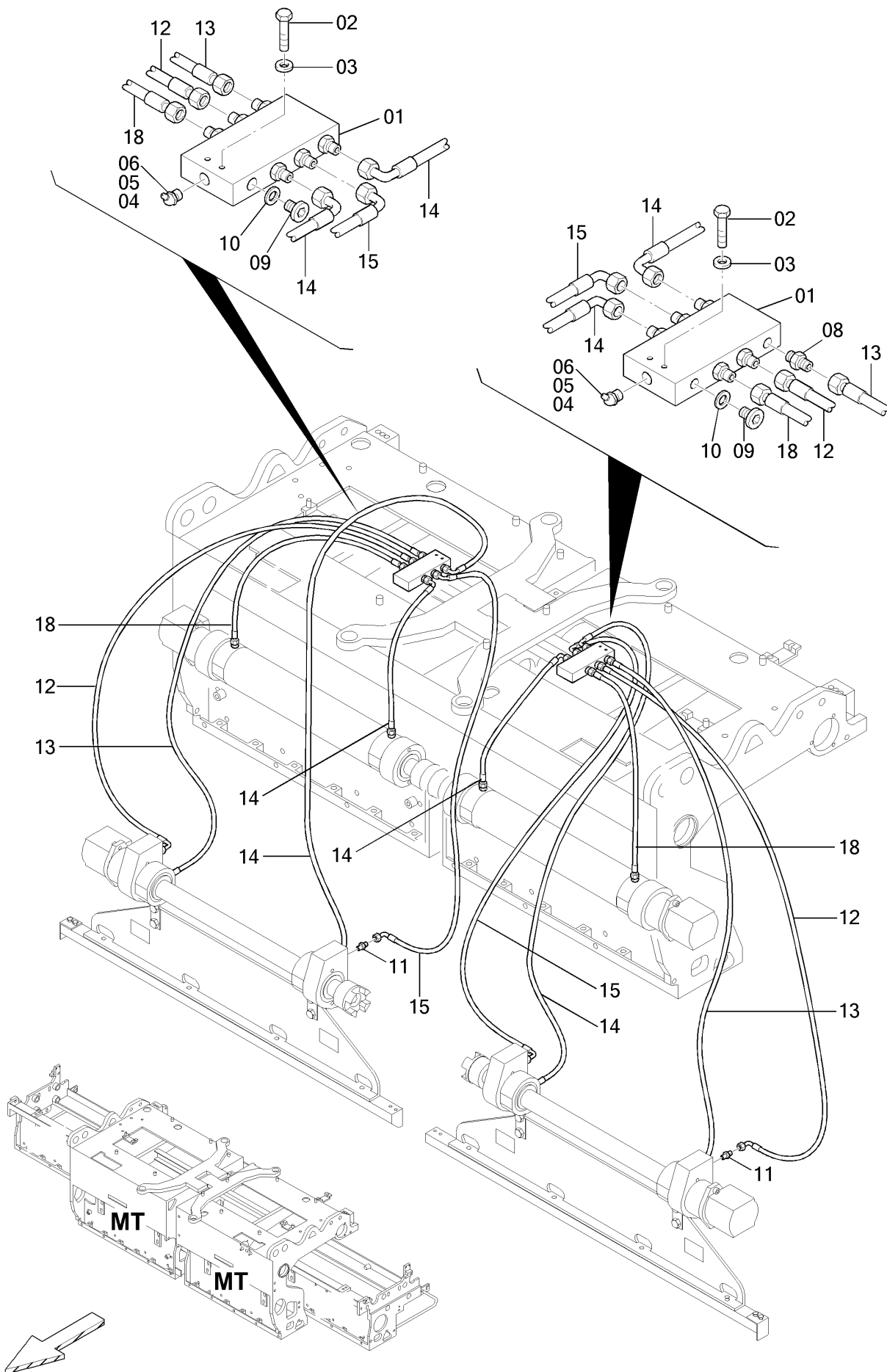


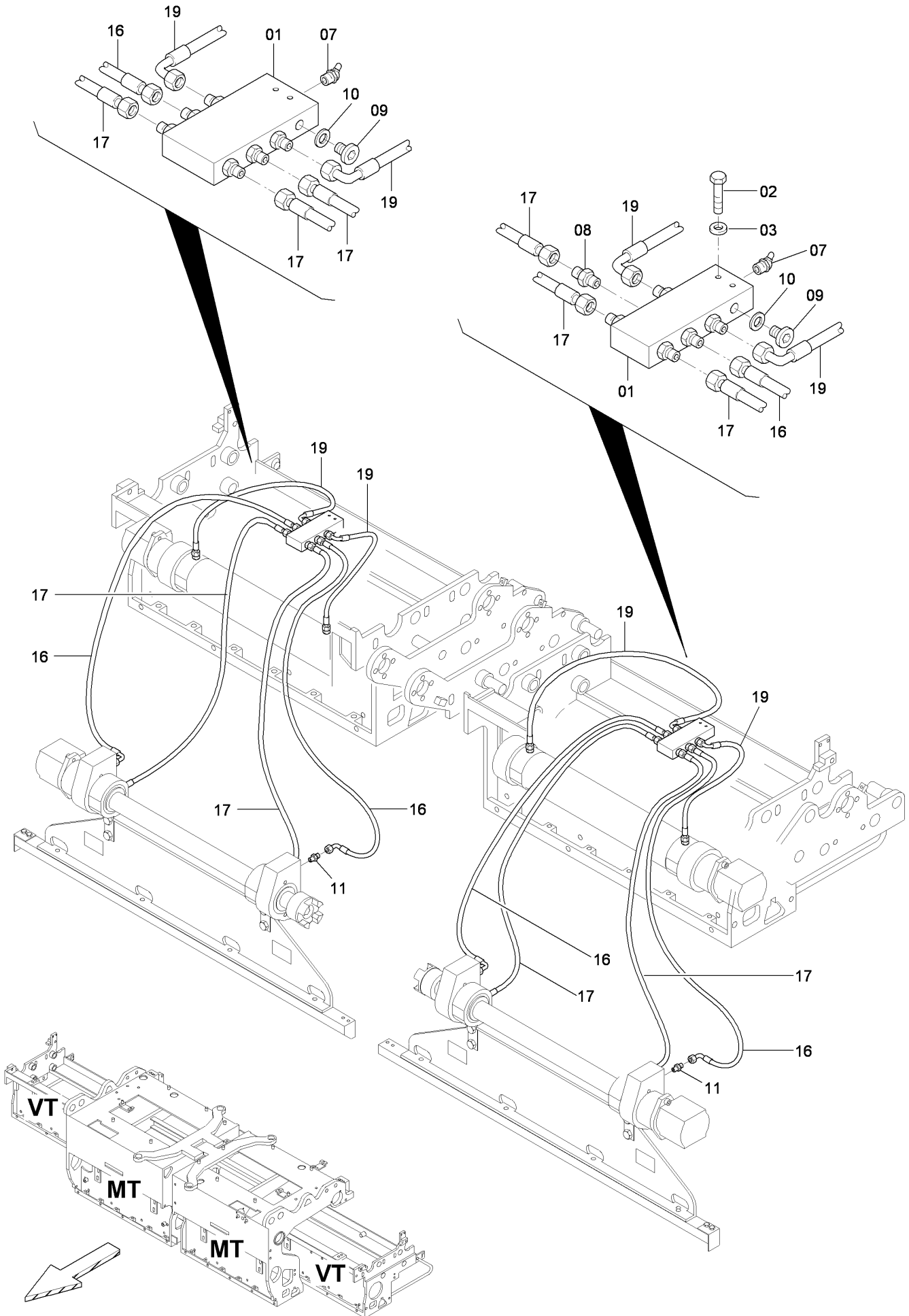
Pos. Item	Best.-Nr. Part No.	Anz. Qty.	Beschreibung Description	Bemerkung Note
	614050400		Vibration extension mounts, r.h.	
1	606100203	1	Vibration housing	
2	614050301	1	Vibration tube extension	
3	614050302	1	Spacer	
4	30012638	1	Motor flange	
5	30013609	2	Kinetic energy mass	
6	49901595	4	Screw	
7	49540044	2	Roller bearing	
8	49302735	4	Sealing disc	
9	30014724	3	Spacer	
10	49901033	1	Feather key	
11	49900093	1	Threaded pin	
12	30014758	1	Coupling r.h.	
_01	49900664	1	_Clamping sleeve	
14	30012328	1	Coupling piece	
15	49901060	1	Clamping sleeve	
16	30012280	1	Connector socket	
17	49901657	1	Circlip	
18	30012261	1	Coupling	Motor
19	49900748	1	Threaded pin	
20	966130013	1	Motor	
_01	966534213	1	_Seal kit	
21	49900351	2	Circlip	
22	49900069	2	Screw	
23	49901807	2	Screw retention	
24	937910060	1	Plug screw	
25	935511210	2	Grease nipple	
26	49900664	2	Clamping sleeve	
30	30014436	1	Fixture vibration	
31	614010231	1	Fixture vibration	
32	49900887	4	Screw	
33	49901808	4	Screw retention	
			—	12.02.07

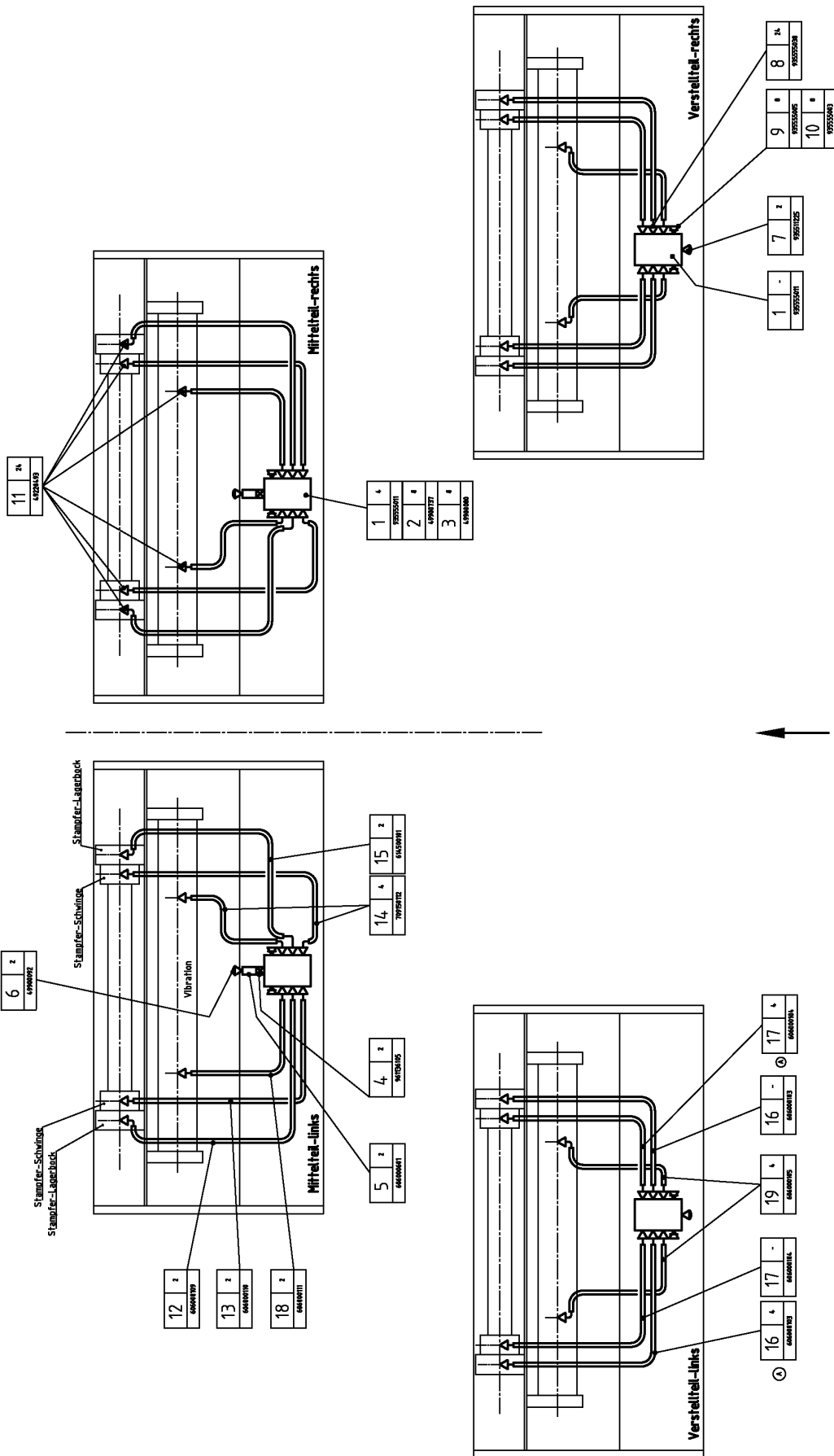
Vibration extension mounts, r.h.

614-05140

Pos. Item	Best.-Nr. Part No.	Anz. Qty.	Beschreibung Description	Bemerkung Note
1	614-06100		Lube arr. - Tamper/Vibration	
Grp. 06, Lube arr. Stampfer/ Tamper+Vibration				



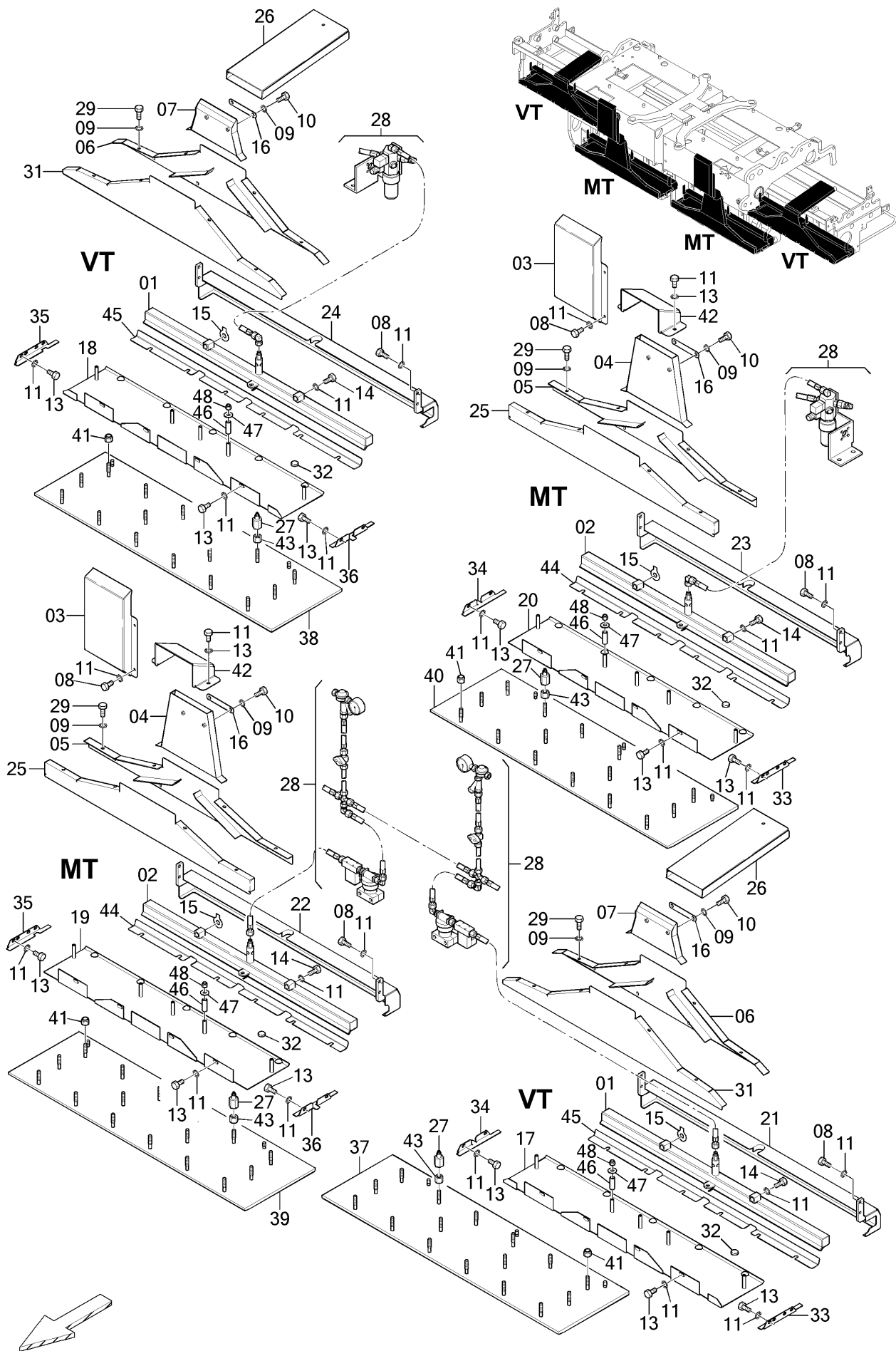




Fahrtrichtung

Pos. Item	Best.-Nr. Part No.	Anz. Qty.	Beschreibung Description	Bemerkung Note
	614500100		Lube arr. - Tamper/Vibration	
1	935555011	4	Distributor box	
2	49900737	8	Screw	
3	49900080	8	Screw retention	
4	961136105	2	Screwing	
5	606000601	2	Intermediate piece	
6	49900092	2	Grease nipple	
7	935511225	2	Grease nipple	
8	935555038	24	Screwing	
9	935555205	8	Plug screw	
10	935555003	8	Sealing washer	
11	49220493	24	Stud	
12	606000109	2	Hose assy	
13	606000110	2	Hose assy	
14	709150112	4	Hose assy	
15	614500101	2	Hose assy	
16	606000103	4	Hose assy	
17	606000104	4	Hose assy	
18	606000111	2	Hose assy	
19	606000105	4	Hose assy	
			–	03.05.07
			–	ÄM WA-01024
Lube arr. - Tamper/Vibration				614-06100

Pos. Item	Best.-Nr. Part No.	Anz. Qty.	Beschreibung Description	Bemerkung Note
1	614-07100A		Gas heating	
2	614-07110		Gas equipment	
Grp. 07, Gas heating				

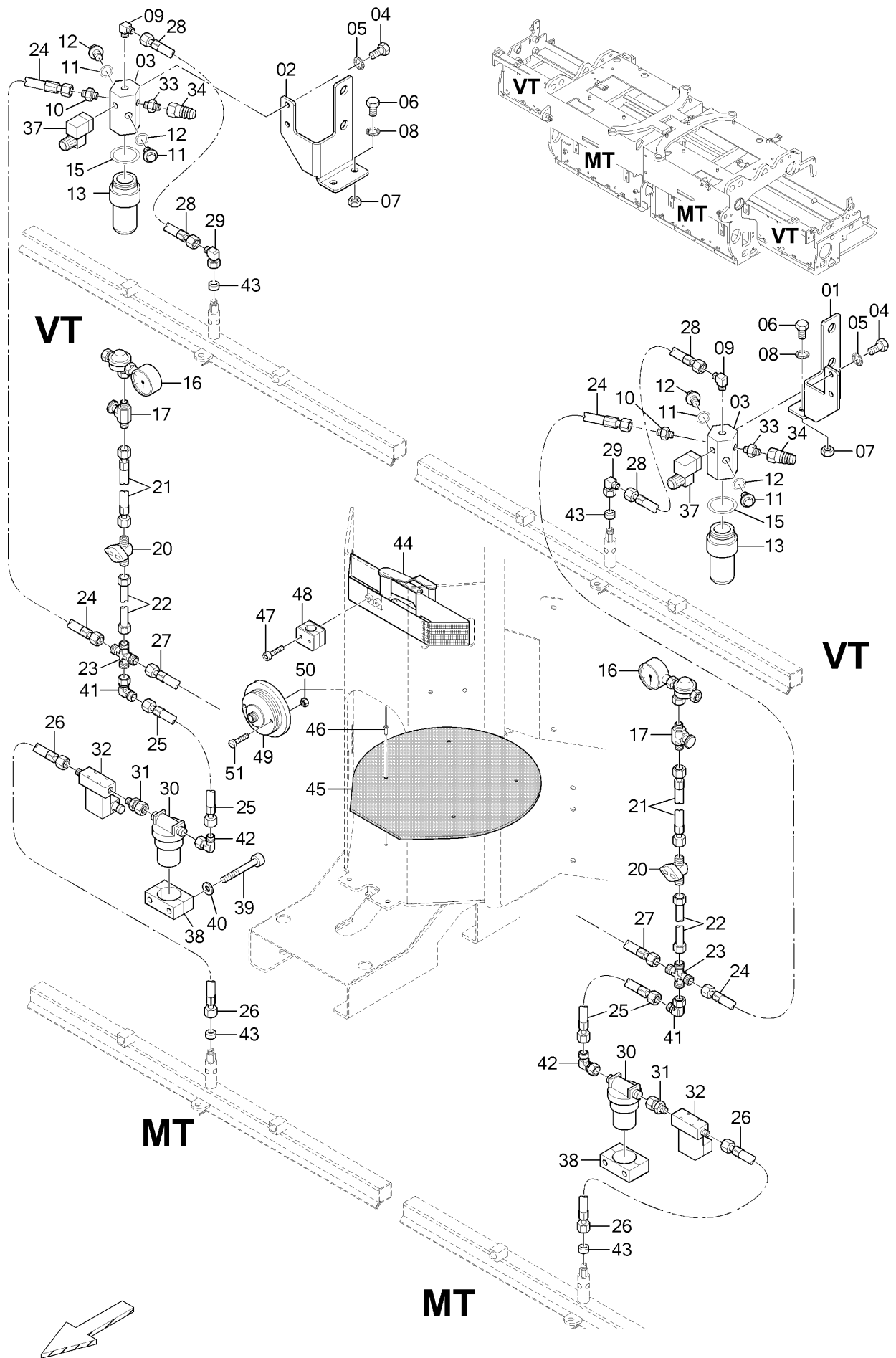


Pos. Item	Best.-Nr. Part No.	Anz. Qty.	Beschreibung Description	Bemerkung Note
	614020000		Gas heating assy.	
1	614020200	2	Injection burner, extension	
	49200198	1	Nozzle	0,8mm
	961375851	2	Screwing	
2	614020400	2	Injection burner, centre	
	49200198	1	Nozzle	0,8mm
	961375851	2	Screwing	
3	614021000	2	Exhaust duct cent. sect., top	
4	615022600	2	Exhaust duct cent. sect., centre	
5	614021200	2	Exhaust duct cent. sect., inner	
6	614021400	2	Exhaust duct extension, inner	
7	614021600	2	Exhaust duct extension, centre	
8	500029	24	Screw	
9	49901808	24	Screw retention	
10	500193	8	Screw	
11	49901807	68	Screw retention	
13	500048	36	Screw	
14	938165713	8	Hex. screw	
15	936780009	4	Washer	
16	614020007	4	Packing plate	
17	614021700	1	Flame baffle, extension l.h.	
18	614021800	1	Flame baffle, extension r.h.	
19	614021900	1	Flame baffle center section l.h.	
20	614022000	1	Flame baffle center section r.h.	
21	614022300	1	Protective strip, extension l.h.	
22	614022100	1	Protective strip center section l.h.	
23	614022200	1	Protective strip center section, r.h.	
24	614022400	1	Protective strip, extension r.h.	
25	614021300	2	Exhaust duct cent. sect., outer	
26	615022500	2	Exhaust duct extension, rear	
27	431309001	4	Screwing	
28	614-07110		Gas equipment	
29	49901576	16	Screw	
31	614021500	2	Exhaust duct extension, outer	
32	930520372	16	Cover	
33	614020012	2	Flame baffle	
34	614020009	2	Flame baffle	
35	614020011	2	Flame baffle	
36	614020008	2	Flame baffle	
37	614022500	1	Screed plate extension part l.h.	Hardox 400
	614022900	1	Screed plate extension part l.h.	Hardox 500 / Option
38	614022600	1	Screed plate extension part r.h.	Hardox 400
	614023000	1	Screed plate extension part r.h.	Hardox 500 / Option
39	614022700	1	Screed plate center section l.h.	Hardox 400
	614023100	1	Screed plate center section l.h.	Hardox 500 / Option
40	614022800	1	Screed plate center section r.h.	Hardox 400

Gas heating

614-07100A

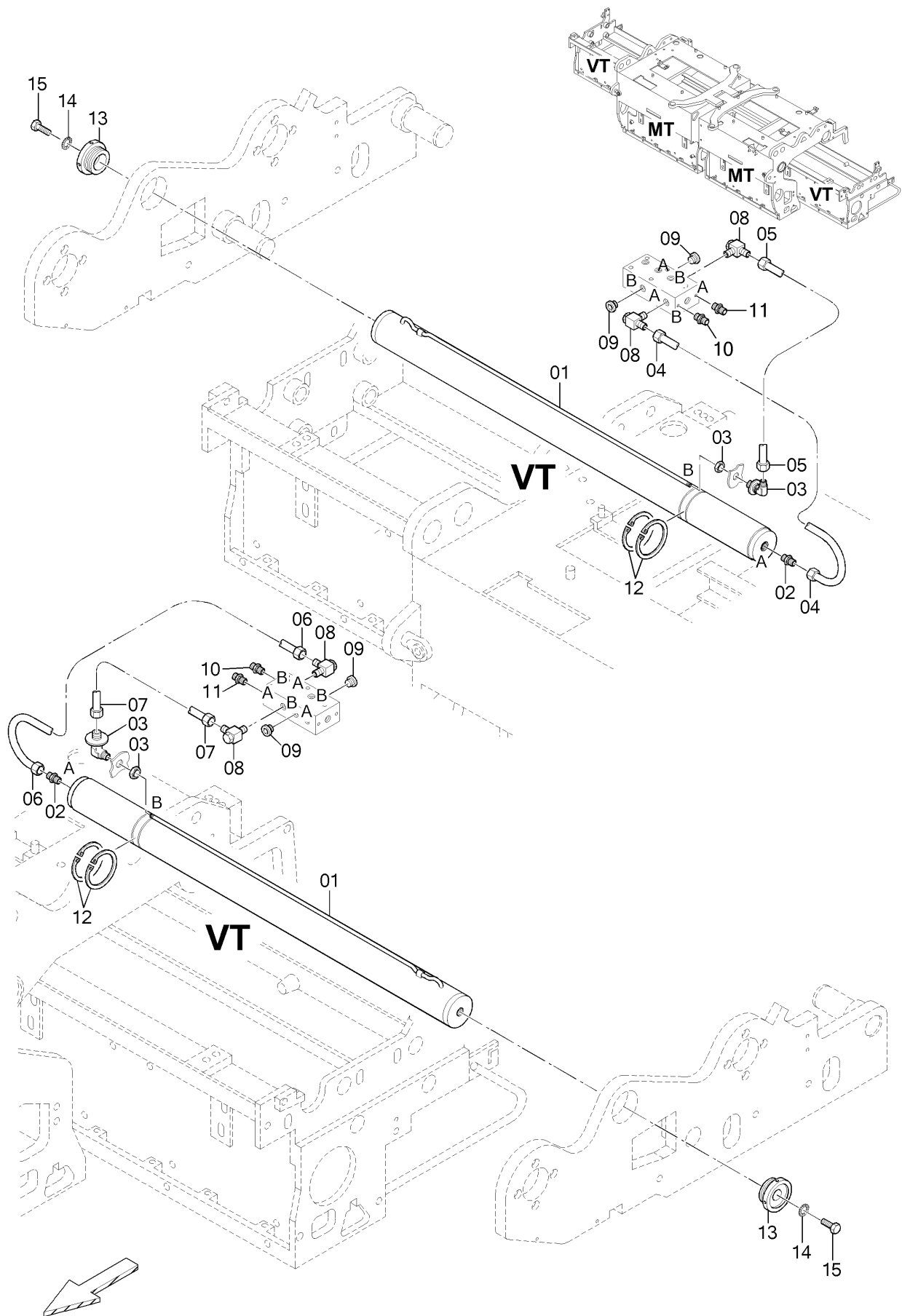
Pos. Item	Best.-Nr. Part No.	Anz. Qty.	Beschreibung Description	Bemerkung Note
40	614023200	1	Screed plate center section r.h.	Hardox 500 / Option
41	49901070	48	Nut	
42	614020014	2	Guide	
43	49220380	4	Nut	
44	614020016	2	Shield plate	
45	614020018	2	Shield plate	
46	614020020	20	Distance pipe	
47	939570516	16	Washer	
48	938481009	20	Nut	
50	299000705		– Set of screed plates	Hardox 400
51	299000706		Set of screed plates w. Tamper bars	Hardox 400
52	299000723		Set of screed plates	Hardox 500
53	299000724		Set of screed plates w. Tamper bars	Hardox 500
			–	14.03.07
			–	ÄM WA-01085
Gas heating				614-07100A



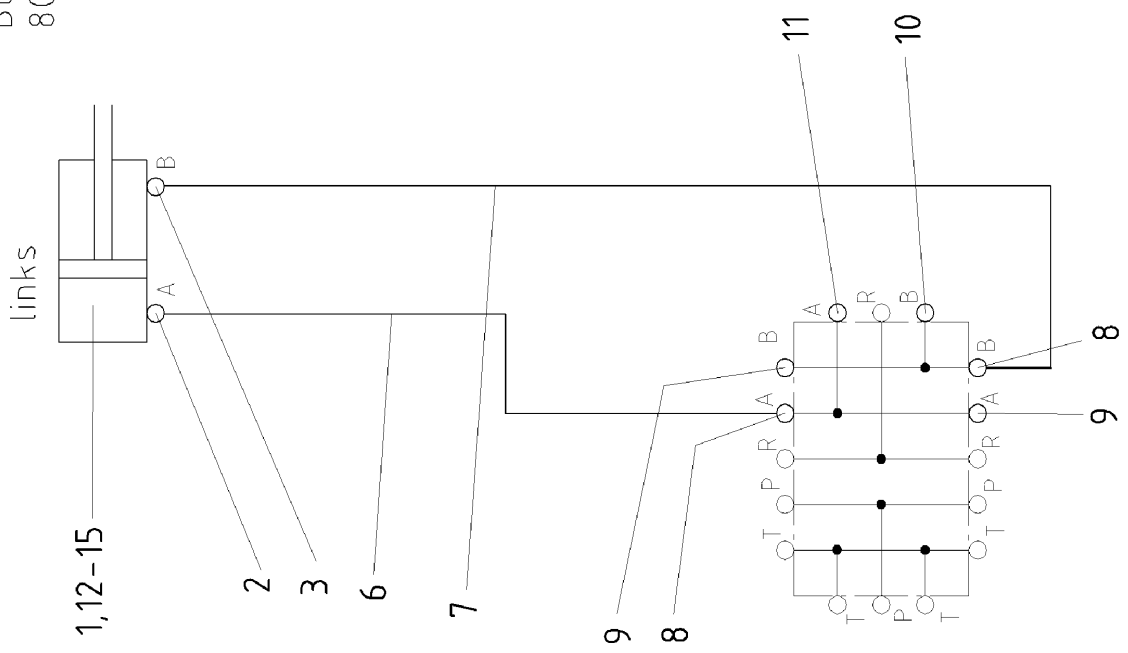
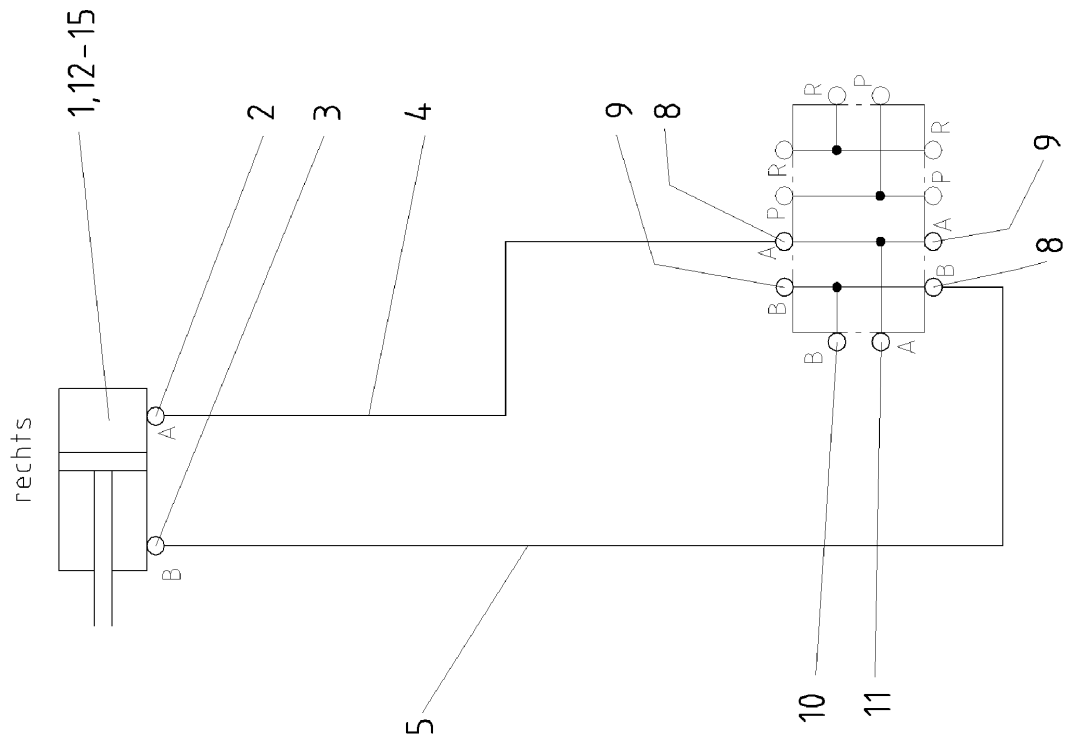
Pos. Item	Best.-Nr. Part No.	Anz. Qty.	Beschreibung Description	Bemerkung Note
	614020100		Gas equipment, cpl.	
1	30010807	1	Retainer, gas distrib. block l.h.	VT
2	30010808	1	Retainer, gas distrib. block r.h.	VT
3	30010812	2	Gas distributor block	
4	500019	4	Screw	
5	49901806	4	Screw retention	
6	500048	4	Screw	
7	938191917	4	Nut	
8	49901807	4	Screw retention	
9	49220436	2	Stud	
10	49220505	2	Stud	
11	961175106	4	Plug screw	
12	49901097	4	Sealing	
13	49302229	2	Filter cup	
_01	49302108	1	_Filter cartridge	
15	932405057	2	O-ring	
16	49302299	2	Pressure reducing valve	
_01	496000477	1	_Sealing kit	
17	49200065	2	Hose break protection	
18	49220195	8	Union nut	
19	961102058	8	Cutting ring	
20	49200178	2	Shut-off cock	
21	49240072	2	High pressure hose	
22	614020101	2	Pipeline	
23	49220584	2	Stud	
24	49241233	2	Gas hose assy.	
25	49241249	2	Gas hose assy.	
26	49240594	2	Gas hose assy.	
27	49241250	1	Gas hose assy.	
28	49240740	2	Gas hose assy.	
29	49220479	2	Stud	
30	49302034	2	Gas filter	
_01	49302108	1	_Filter cartridge	
31	49302244	2	Adapter pipe socket	
32	49100822	2	Gas valve	
33	30010811	2	Screwing	
34	49301652	2	Coupling	
35	49220238	12	Union nut	
36	961102056	12	Cutting ring	
37	963365025	2	Gas valve	
38	49300515	2	Clip	
39	49900234	4	Screw	
40	600004	4	Washer	
41	49220482	2	Stud	
42	49220479	2	Stud	
43	30011597	4	Primary air throttle	
Gas equipment				614-07110

Pos. Item	Best.-Nr. Part No.	Anz. Qty.	Beschreibung Description	Bemerkung Note
44	49301795	2	Strap retainer	
45	614014501	2	Rubber plate	
46	49301933	8	Rivet	
47	49900439	8	Screw	
48	49300187	4	Clip	
49	30014627	2	Fittings bracket	
50	938500005	4	Nut	
51	49900435	4	Screw	
			–	14.03.07
Gas equipment				614-07110

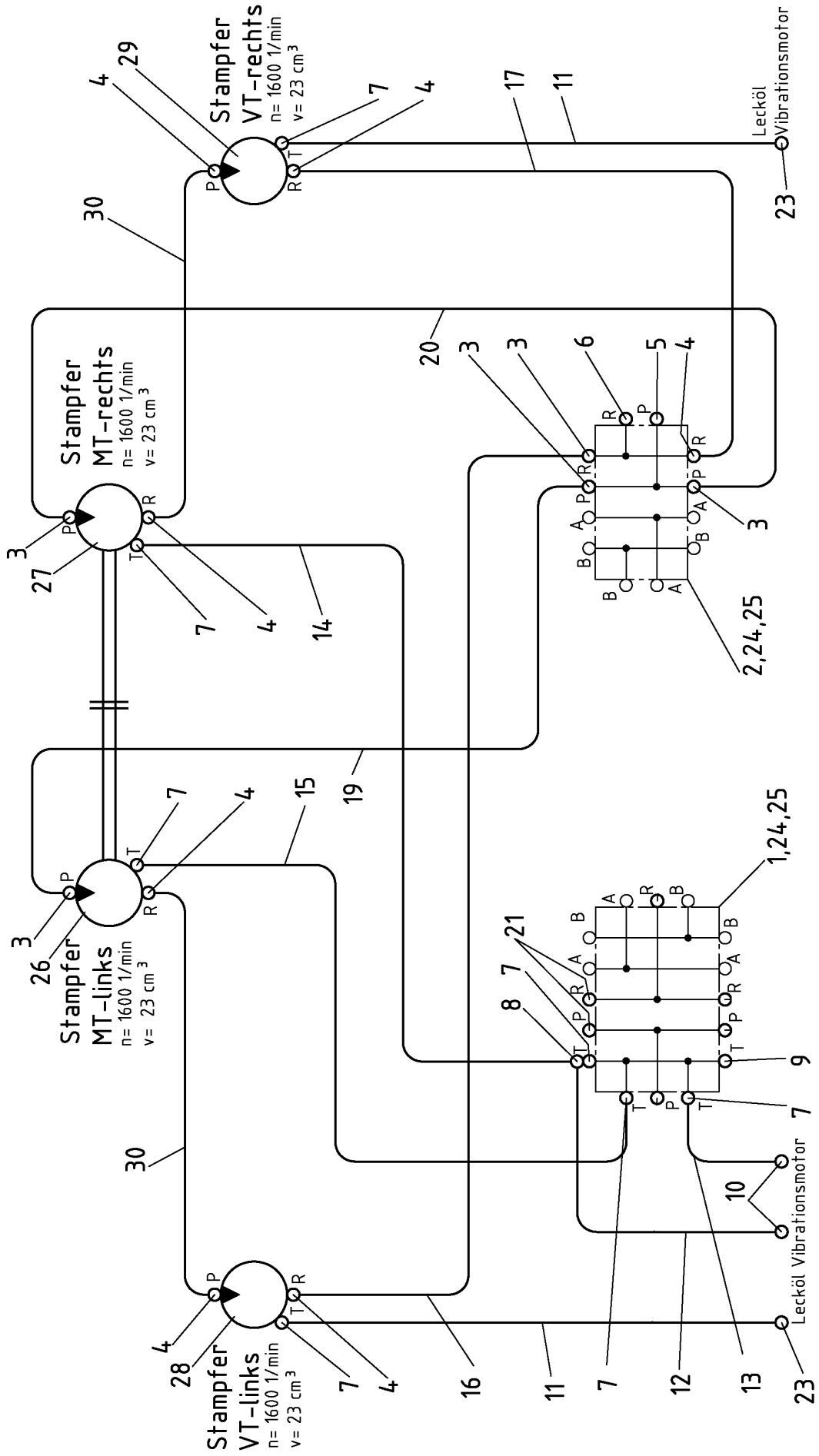
Pos. Item	Best.-Nr. Part No.	Anz. Qty.	Beschreibung Description	Bemerkung Note
1	614-08100		Hydr. plan, cylinder cpl.	
2	614-08110		Hydr. diagram, tamper	
3	614-08120		Hyd. diagram, vibration	
4	614-08130		Hydraulic hoses	
Grp. 08, Hydraulic Stampfer/ Tamper+Vibration				



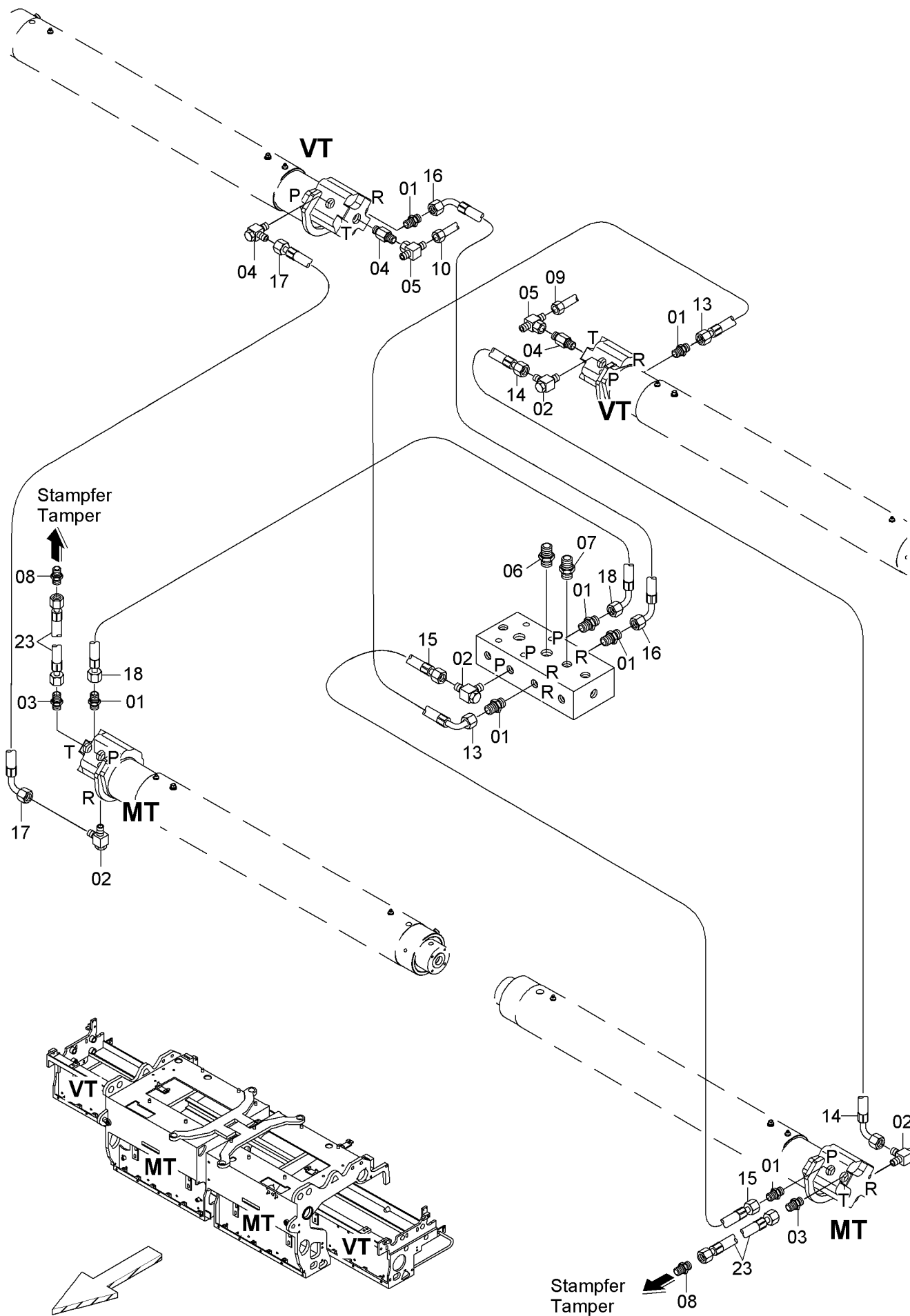
Bohle Ein-Ausfahren
80-60-1275 Hub

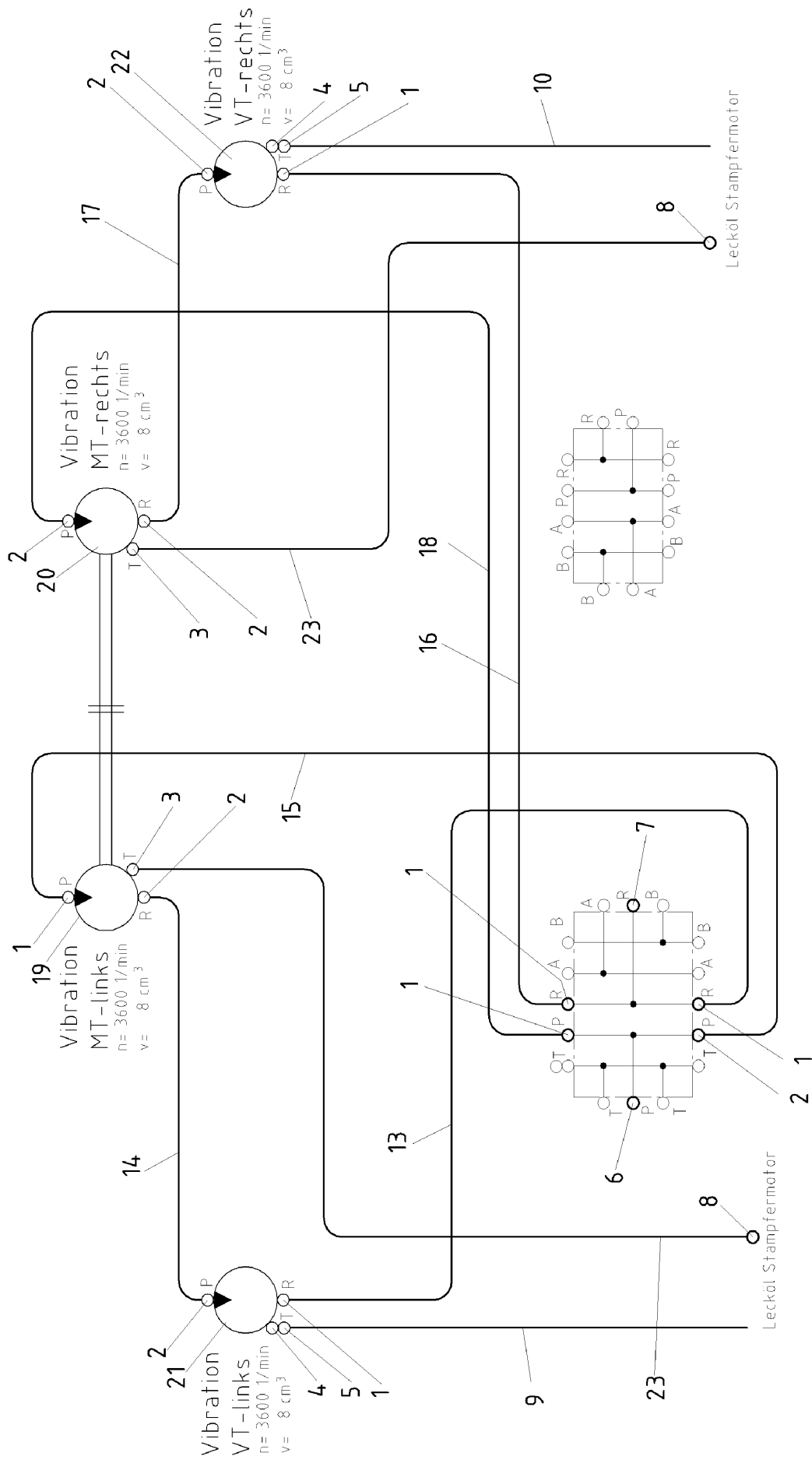


Pos. Item	Best.-Nr. Part No.	Anz. Qty.	Beschreibung Description	Bemerkung Note
	614400400		Hydr. plan, cylinder cpl.	
1	614400300	2	Hydraulic cylinder, cpl.	
2	49220518	2	Stud	
3	606050605	2	Bulkhead union elbow	
4	30015297	1	Pipe assy., extend. r.h.	
5	30015296	1	Pipe assy., retract. r.h.	
6	30015299	1	Pipe assy., extend. l.h.	
7	30015298	1	Pipe assy., retract. l.h.	
8	49220734	4	Stud	
9	49220802	4	Plug screw	
10	49220801	2	Straight screwing	
11	49220710	2	Male connector	
12	936006179	1	Circlip	
13	30014424	2	Setting nut	
14	49900110	2	Screw retention	
15	49901389	2	Screw	
			—	13.02.07
Hydr. plan, cylinder cpl.				614-08100

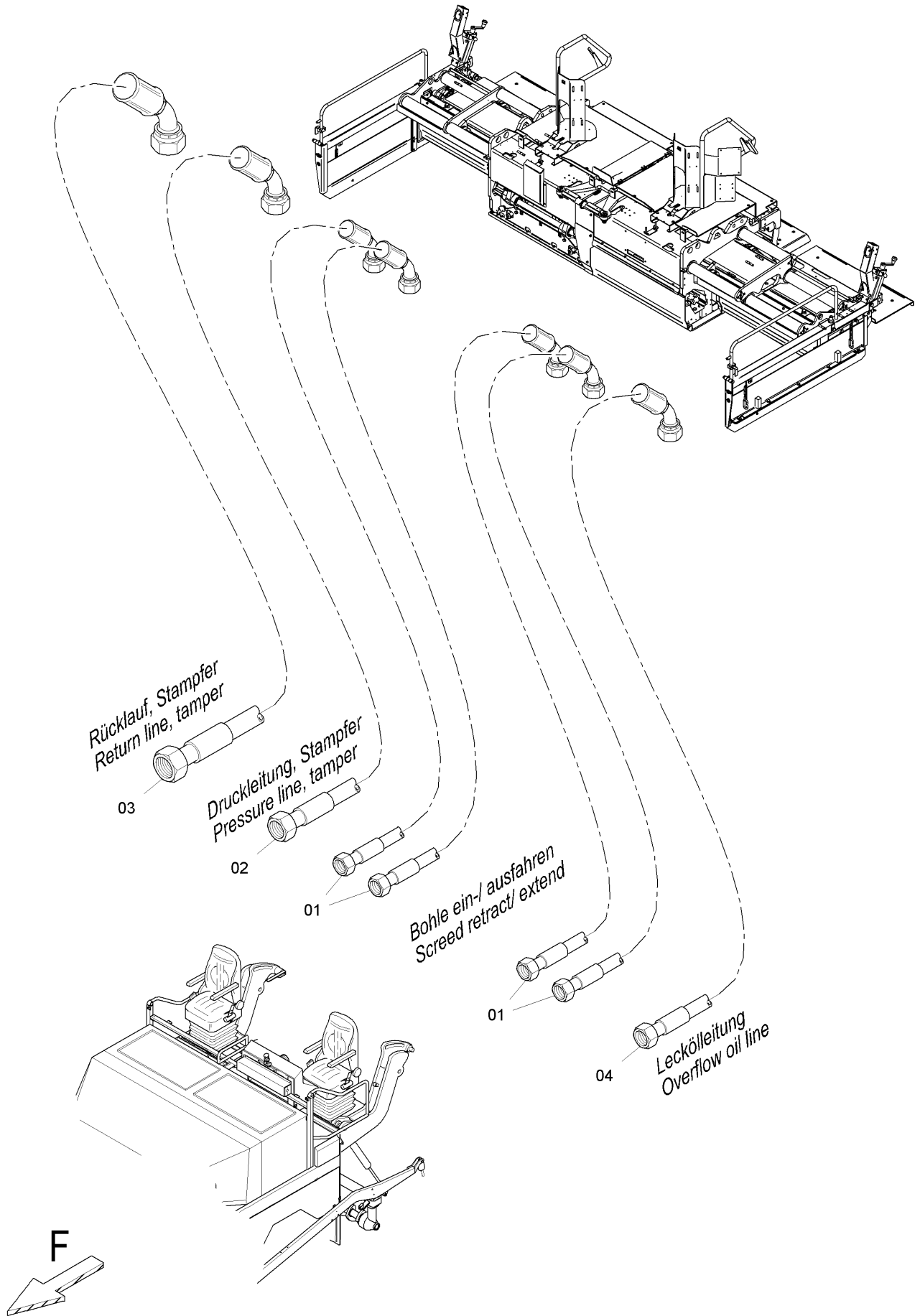


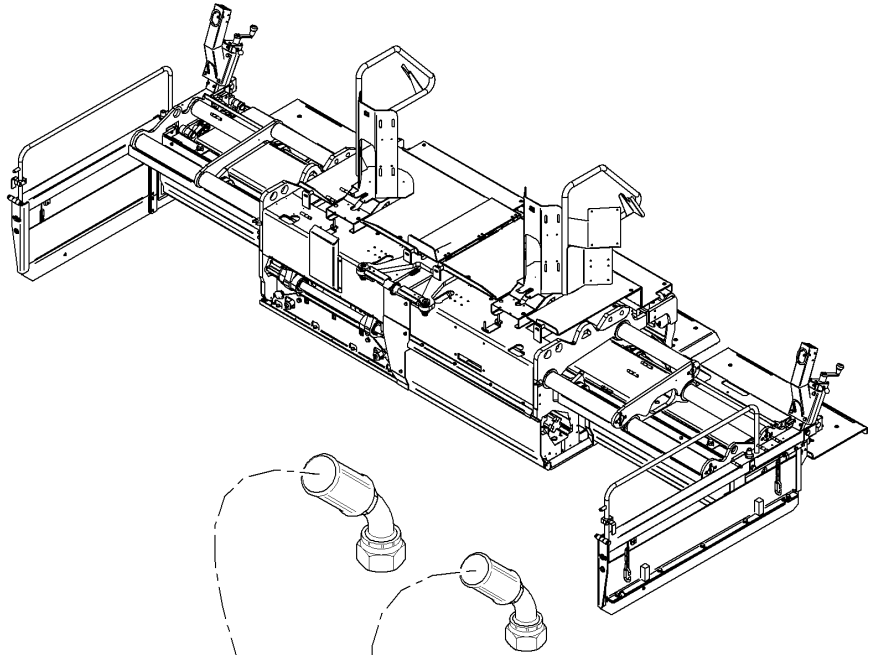
Pos. Item	Best.-Nr. Part No.	Anz. Qty.	Beschreibung Description	Bemerkung Note
	614400500		Hydr. diagram, tamper	
1	30014856	1	Connection block l.h.	
2	30014857	1	Connection block r.h.	
3	49220529	5	Stud	
4	49220723	7	Stud	
5	49220536	1	Stud	
6	49220771	1	Screwing	
7	49220519	7	Stud	
8	49220460	3	Stud	
9	49220736	2	Stud	
10	49220650	2	Stud	
11	960840150	2	Hose assy	
12	960845676	1	Hose assy	
13	49241202	1	Hose assy	
14	960843705	1	Hose assy	
15	960841853	1	Hose assy	
16	49241211	1	Hose assy	
17	49241208	1	Hose assy	
19	49241209	1	Hose assy	
20	49241206	1	Hose assy	
23	49220574	2	Stud	
24	49901451	8	Screw	
25	49901806	8	Screw retention	
30	960856180	2	Hose	
			Hydr. motor see	Stampfer/Tamper
			–	14.02.07
			–	ÄM WA-01093
Hydr. diagram, tamper				614-08110





Pos. Item	Best.-Nr. Part No.	Anz. Qty.	Beschreibung Description	Bemerkung Note
	614400600		Hydr. diagram, vibration	
1	49220529	6	Stud	
2	49220723	5	Stud	
3	49220519	3	Stud	
4	614400601	2	Screwing	
5	49220473	2	Stud	
6	49220771	1	Screwing	
7	49220536	1	Stud	
8	49220460	2	Stud	
9	30015353	1	Pipeline	
10	30015423	1	Pipeline	
13	960856174	1	Hose assy	
14	49241216	1	Hose assy	
15	49241215	1	Hose assy	
16	960856478	1	Hose assy	
17	49241213	1	Hose assy	
18	49241212	1	Hose assy	
23	960840150	2	Hose assy	
			Hydr. motor see	Vibration
			–	14.02.07
Hyd. diagram, vibration				614-08120



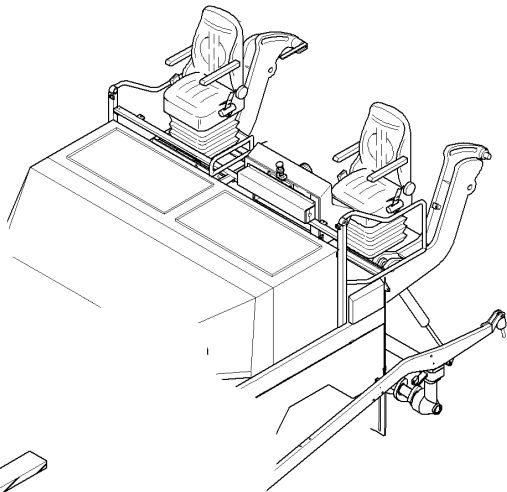


Rücklauf, Vibration
Return line, vibration

03

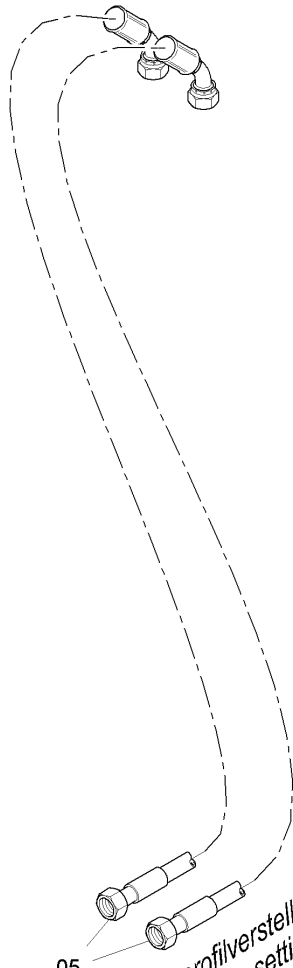
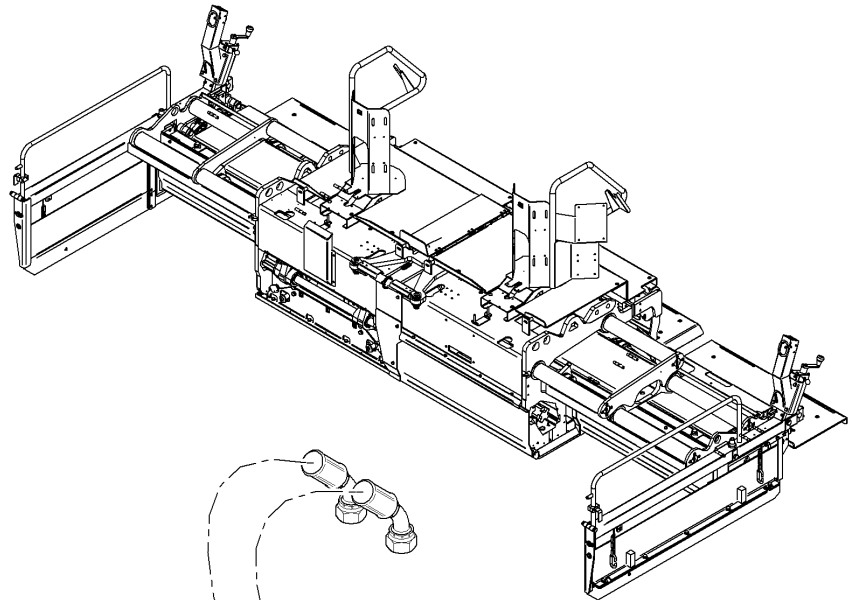
Druckleitung, Vibration
Pressure line, vibration

02



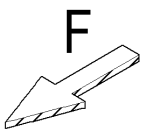
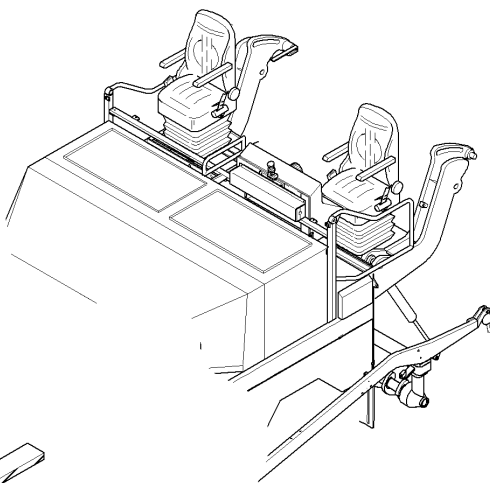
F





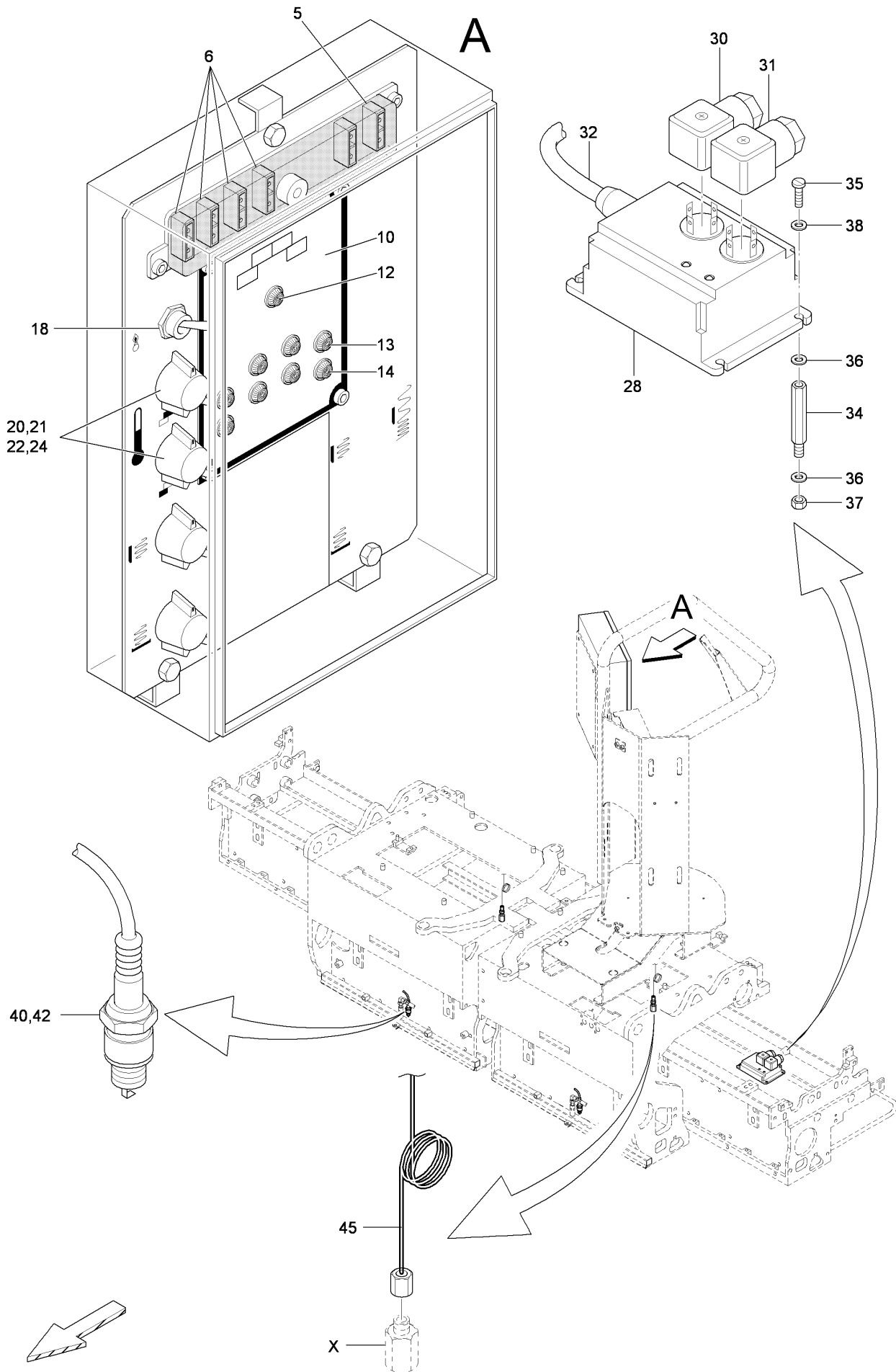
05

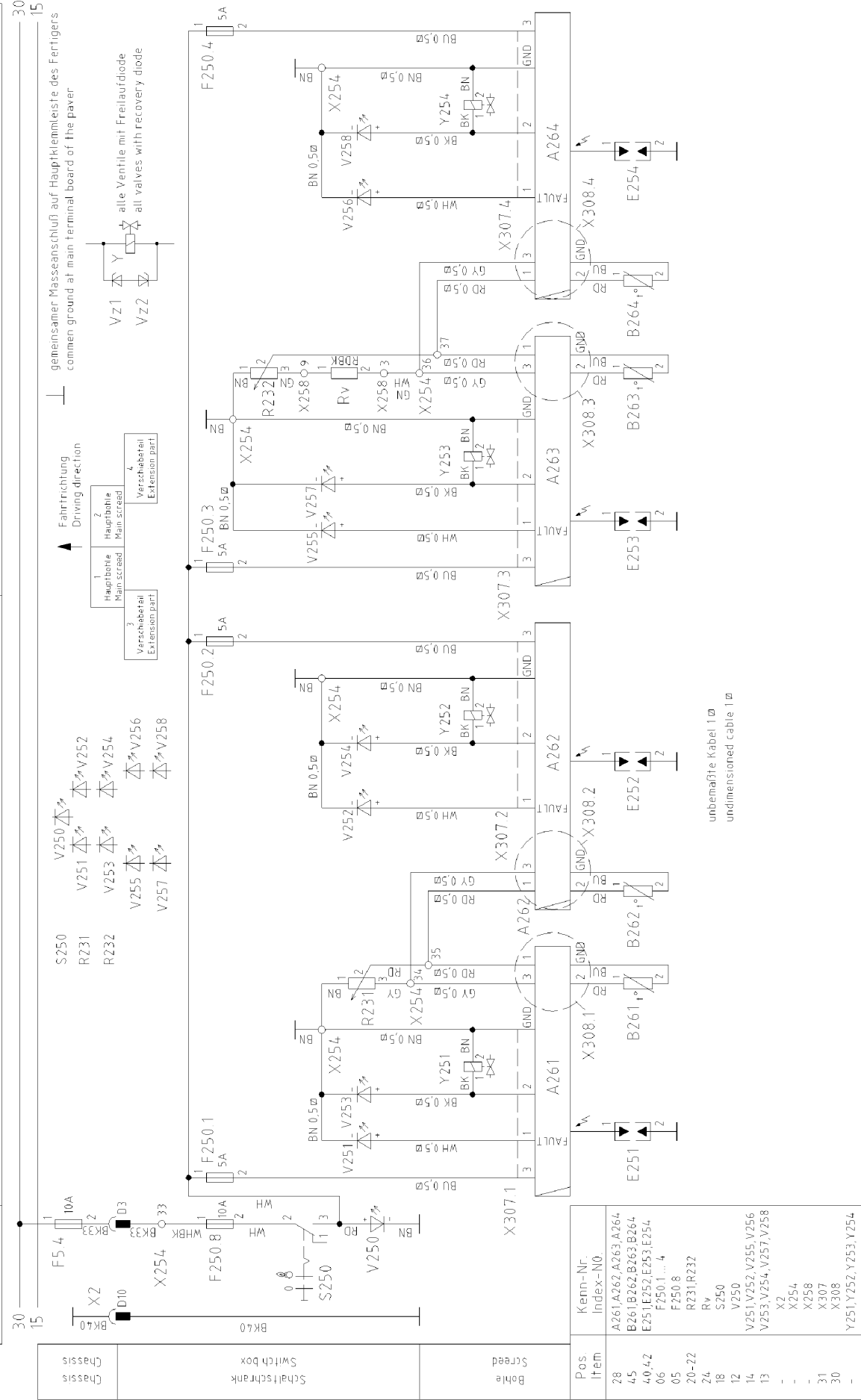
Dachprofilverstellung
Roof profile setting



Pos. Item	Best.-Nr. Part No.	Anz. Qty.	Beschreibung Description	Bemerkung Note
1	960841900	4	Hose	
2	960861551	2	Hose	
3	960872812	2	Hose	
4	960852050	1	Hose	
5	960821605	2	Hose	
			—	06.11.07
Hydraulic hoses				614-08130

Pos. Item	Best.-Nr. Part No.	Anz. Qty.	Beschreibung Description	Bemerkung Note
1	614-09100		Ignition installation with flame control	
2	614-09110A		Screed control	konv./ conv.
Grp. 09, Electric Diagrams Gas, konv./ conv.				

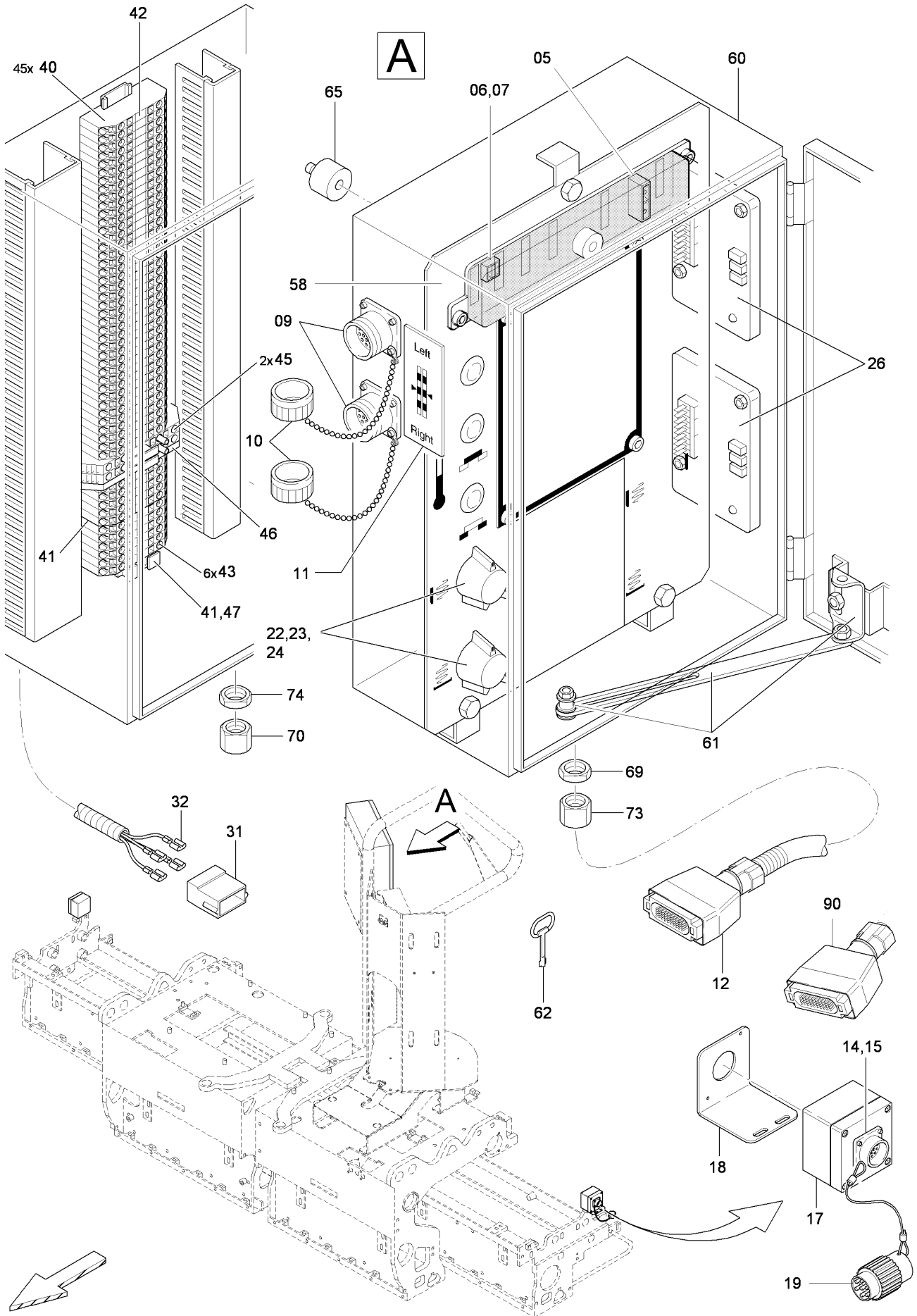




Pos. Item	Best.-Nr. Part No.	Anz. Qty.	Beschreibung Description	Bemerkung Note
	614303200		Ignition installation with flame control	konventionell
5	977454254	1	Fuse	10 Amp.
6	977454252	4	Fuse	5 Amp.
10	990000470	1	Lamp holder	
12	49100745	1	Illuminated diode, green	
13	49100746	4	Illuminated diode, yellow	
14	49100744	4	Illuminated diode, red	
18	977532017	1	Toggle switch	
20	977189850	2	Potentiometer	
21	977599030	2	Adjustment knob	
22	977418710	2	Guide pipe	
24	977180602	1	Resistor	
28	900630302	4	Ignition box	
30	977476436	4	Plug	schwarz/ black
31	977476437	4	Plug	grau/ grey
32	977418054	4	Water shield mounded part	
34	930176953	8	Distance pin	
35	936750216	16	Screw	
36	600002	32	Washer	
37	938191012	16	Nut	
38	49900492	16	Shake-proof washer	
40	38001149	4	Spark plug	
42	977058583	4	Spark plug adapter	
45	49100791	4	Resistor temperaure messure	
50	49110086		Ignition cable	X m
X			Screwing	s. Grp. 07
			–	12.06.07 cf

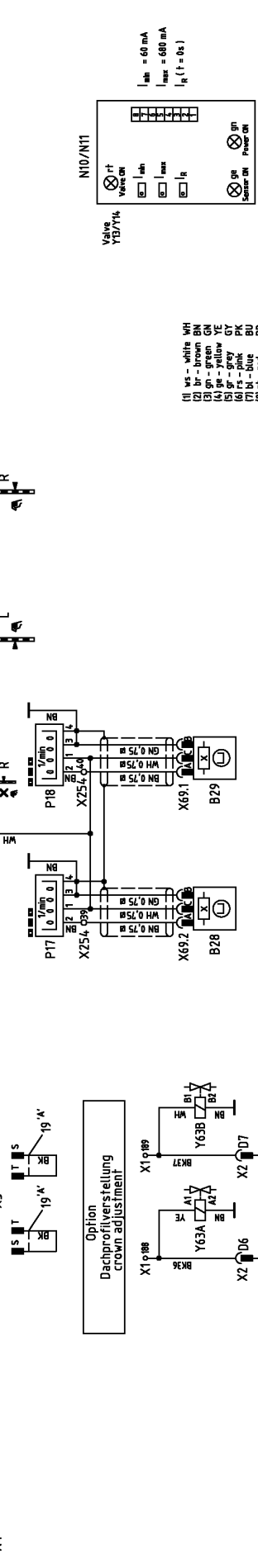
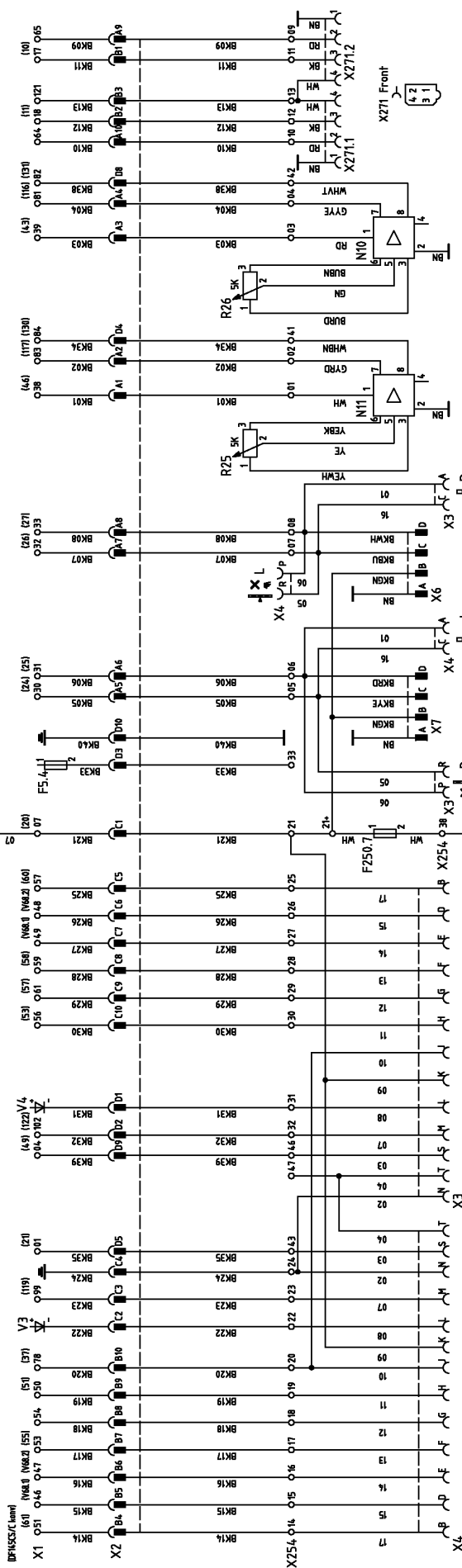
Ignition installation with flame control

614-09100



Zur Fernbedienung links to remote control left side	Zur Fernbedienung rechts to remote control right side	Stromversorgung Power supply	Querneigung / Slope + Nivellierung / Levelling rechts / left	Stampfer Tamper	Vibration Vibration	Beleuchtung Radfertiger Lighting at wheel paver
--------------------------------------------------------	----------------------------------------------------------	---------------------------------	-----------------------------------------------------------------	--------------------	------------------------	----------------------------------------------------

30
15



- (1) w.s. - white
- (2) br. - brown
- (3) gn. - green
- (4) bl. - blue
- (5) gr. - grey
- (6) r. - red
- (7) bk. - black
- (8) vt. - violet
- (9) wh. - white
- (10) br. - brown
- (11) gn. - green
- (12) bl. - blue
- (13) gr. - grey
- (14) r. - red
- (15) bk. - black
- (16) vt. - violet

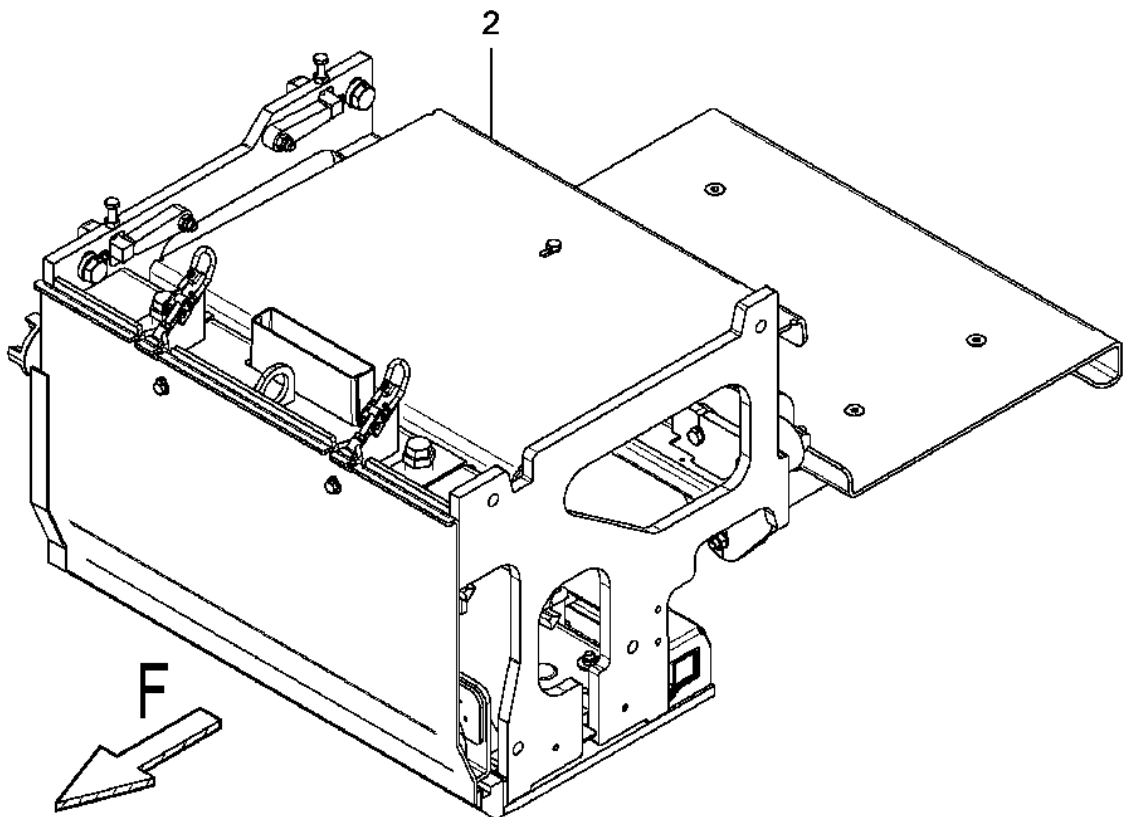
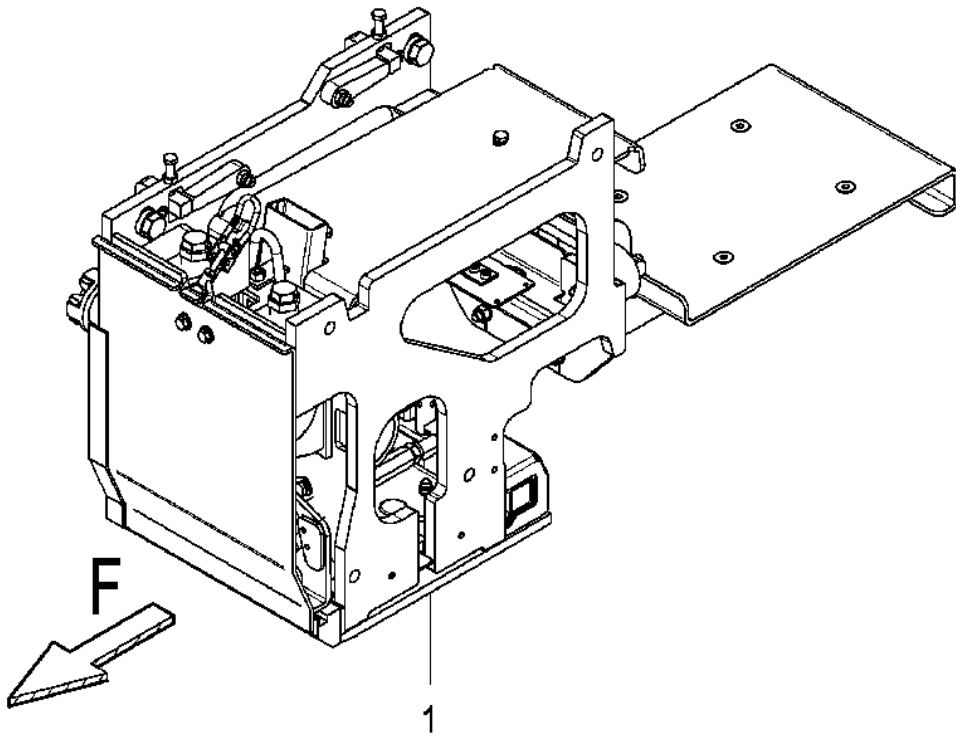
Option: Drehzahlmessung u. -anzeige/ RPM measuring + monitoring
Stampfer/Tamper
Vibration/Vibration

Pos. Item	Kenn-Nr. Index no.
-	B28
-	B29
05-47	F250.7
26	N10/N11
-	P17
-	P18
22-24	R25
22-24	R26
22-24	R27
12	S95
14, 15, 34-46*	X271.1
09-11	X271.2
40-47	X271.3
31, 32	X271.4

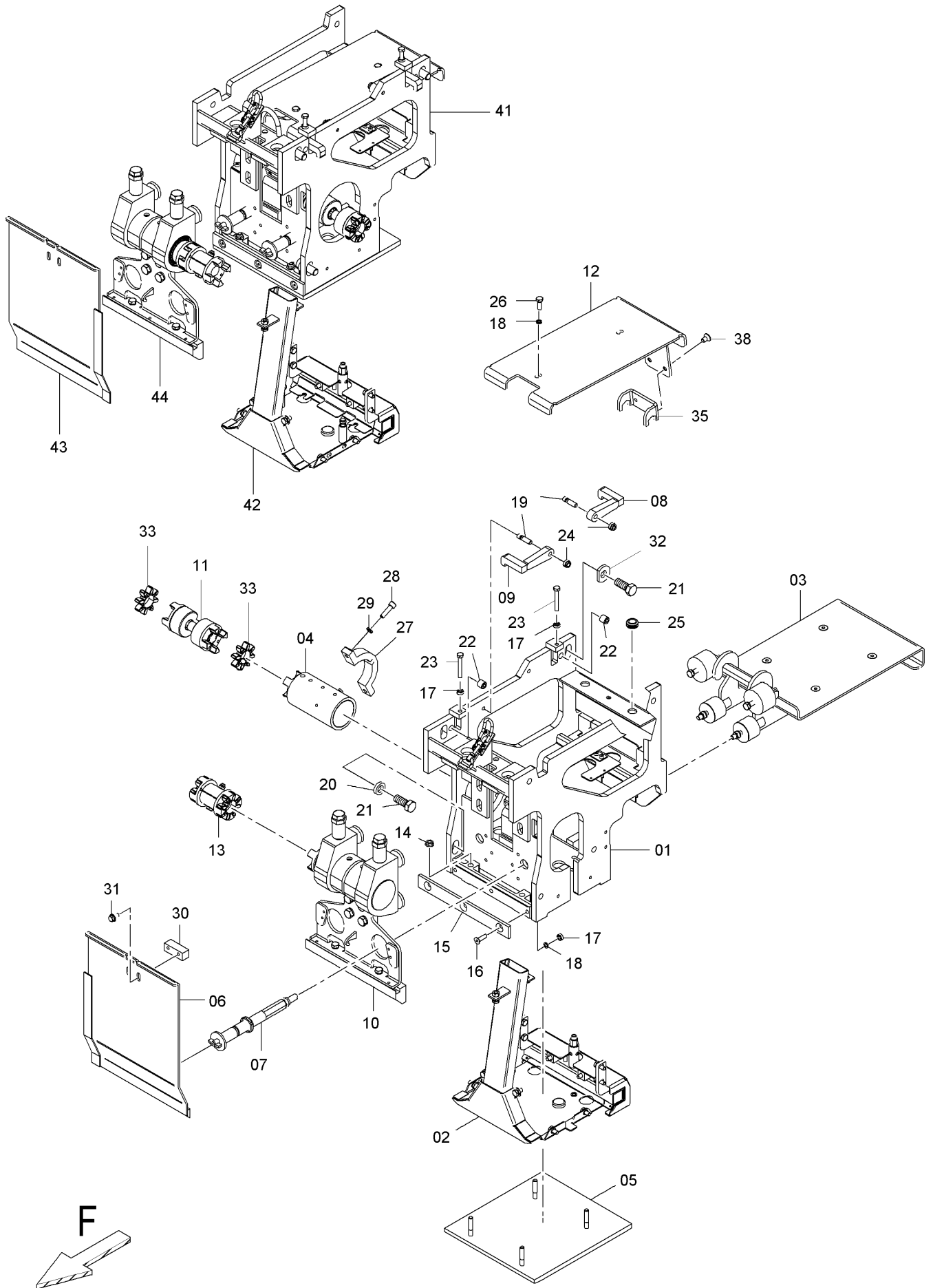
Plan gilt f. Belehren:
Diagram f. screeds:
- EB51 konv. / conv.
- Bohle mit Nivellierungs-Kreuzschaltung + Notaus
- screed with cross mounting for levelling + emerg. stop

Stromlaufplan
circuit diagram

Pos. Item	Best.-Nr. Part No.	Anz. Qty.	Beschreibung Description	Bemerkung Note
	614303500		Screed control	konv. / conv.
5	977454249	1	Fuse	2 Amp.
6	977455748	1	Fuse box	
_01	977455749	1	_Cover	
7	977459518	3	Bridge	
9	977479300	2	Socket	
10	977480018	2	Cap with chain	
11	990000755	1	Label	
12	977463111	1	Plug compl.	
14	977479787	2	Socket	
15	977416567	2	Sealing	
17	606219601	2	Housing	
18	606219602	2	Holder for housing	
19	614309160	1	Bridgeover plug	
22	977189850	2	Potentiometer	
23	977599030	2	Adjustment knob	
24	977418710	2	Guide pipe	
26	978008052	2	Prop. amplifier	
31	977330127	2	Female housing	
32	977397117	8	Flat plug sleeve	
40	977425147	45	Through clamp	
41	977425149	2	End plate	
42	977425111	1	Designation map	
43	977425148	6	Protective wire clip	
45	977425196	2	Terminal	
46	977425197	1	End plate	
47	977425146	1	End bracket	
58	859402150	1	Plate	
60	977450421	1	Housing	
_01	977451040	1	_Door	
61	977451046	1	Door look	
62	977450545	1	Spare key	
65	930235247	4	Rubber buffer	
69	977415429	1	SEM-quick connection	
70	977415471	1	SEM-quick connection	
73	977416529	1	Counter nut	
74	977416536	1	Counter nut	
90	614303590	1	Bridgeover plug	
			—	20.06.07 cf
			—	ÄM WA-00931
			—	ÄM WA-01074
Screed control konv./ conv.				614-09110A

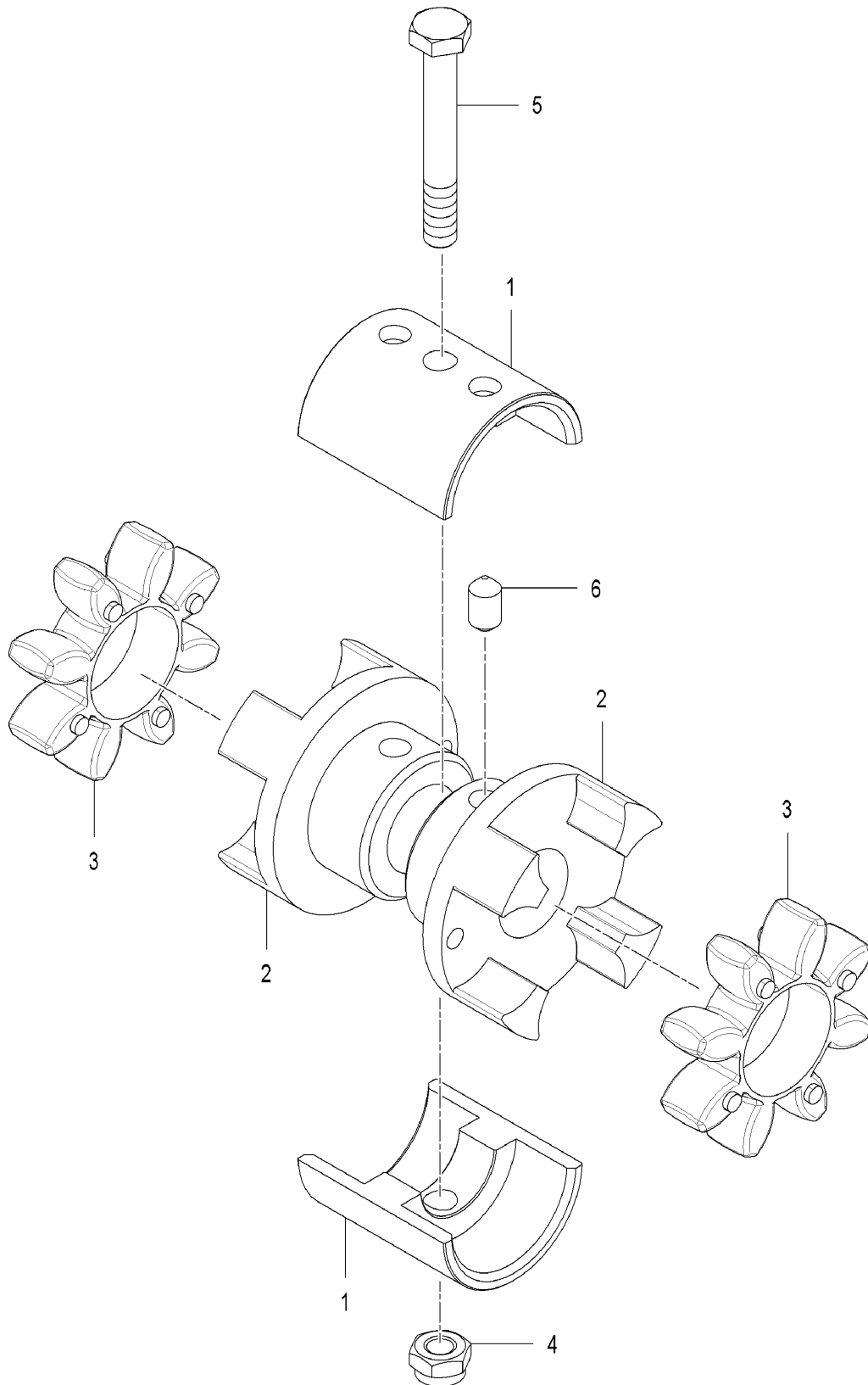


Pos. Item	Best.-Nr. Part No.	Anz. Qty.	Beschreibung Description	Bemerkung Note
1	614-10100A		EXTENSION MOUNT 350mm Extension mount 350mm assy., l.h. + r.h.	
	614-10110A		Gas heating assy.	
	614-10111A		Gas equipment	
	614-10120		Foot board unit, assy.	
	614-10130		Vibration assy.	
	614-10140		Tamper drive assy.	
2	614-10200A		EXTENSION MOUNT 750mm Extension mount 750mm assy., l.h. + r.h.	
	614-10210A		Gas heating assy.	
	614-10211A		Gas equipment	
	614-10220		Foot board unit, assy.	
	614-10230		Vibration assy.	
	614-10240		Tamper drive assy.	
	614-10250		Protecting hood, cpl.	
Grp. 10, Extension mounts				

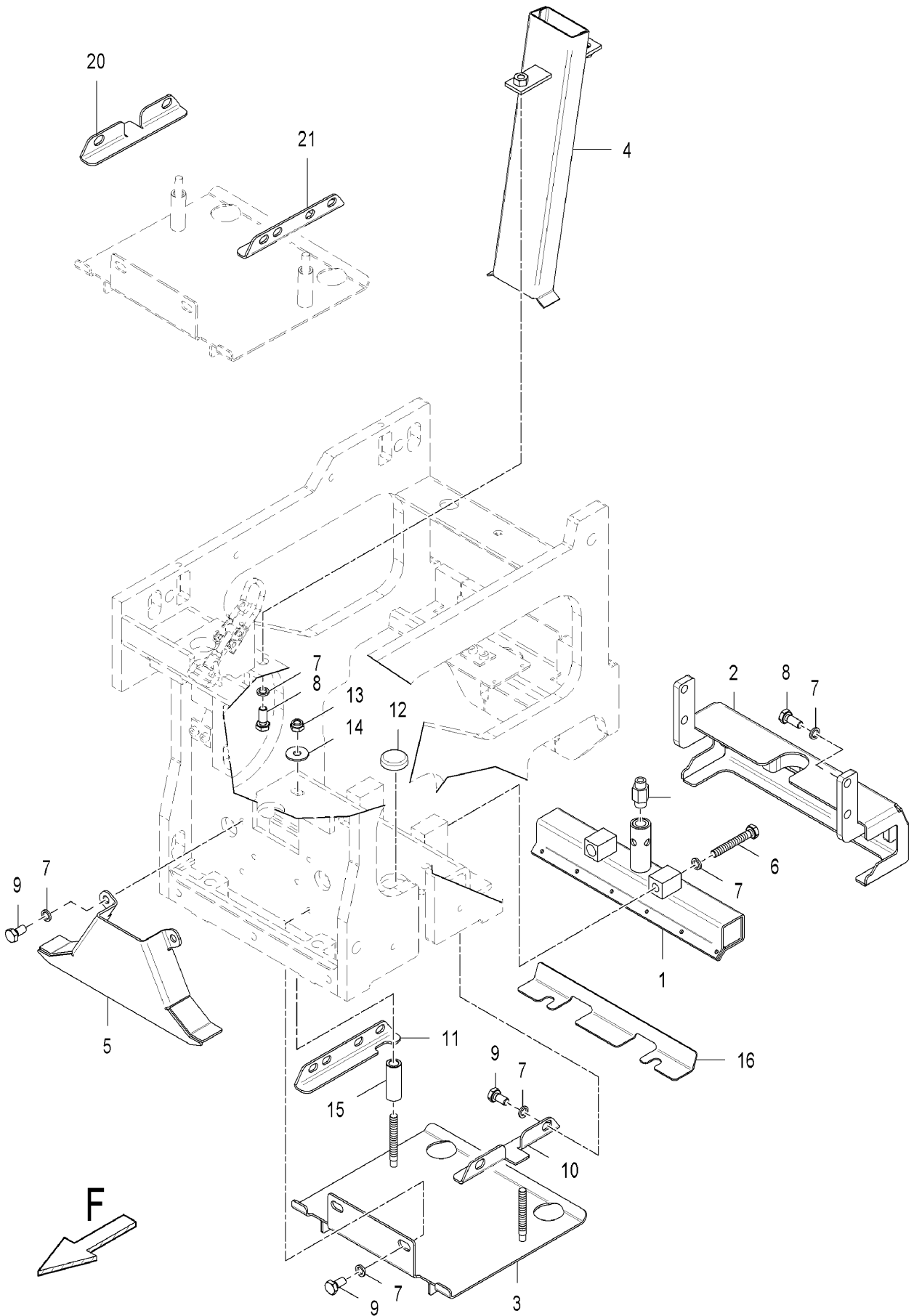


Pos. Item	Best.-Nr. Part No.	Anz. Qty.	Beschreibung Description	Bemerkung Note
	614200100		Extension mount 350mm assy., l.h.	
1	614200900	1	Extension mount 350mm l.h.	
2	614-10110A		Gas heating assy.	
3	614-10120		Foot board unit, assy.	
4	614-10130		Vibration assy.	
5	614202400	1	Screed plate 350mm	
6	614202200	1	Guide plate, tamper, l.h.	
7	614134600	2	Adjusting screw	
*8	614214300	1	Adjustable mount, rear	
**9	614214200	1	Adjustable mount, front	
10	614-10140		Tamper drive assy.	
11	614217500	1	Joint shaft cpl, vibration	
12	614204701	1	Protection cover	
13	20004332	1	Joint shaft	
14	49901070	4	Nut	
15	30008840	1	Wear plate	
16	939470277	3	Countersunk screw	
17	938191917	5	Nut	
18	49901807	5	Screw retention	
19	938280757	2	Stud bolt screw	
20	614210303	2	Washer	
21	49900124	4	Screw	
22	49900112	2	Threaded pin	
23	938165717	2	Hex. screw	
24	938500009	2	Hex. nut	
25	930280175	2	Cable guide	
26	500029	2	Screw	
27	614010231	2	Fixture vibration	
28	49900887	4	Screw	
29	49901808	4	Screw retention	
30	606305603	1	Stop	
31	939786660	2	Tensilock-screw	
32	30013152	2	Disc, flattened	
33	49400265	4	Star coupler	
35	614204703	1	Bonnet holder	
38	939475327	2	Countersunk screw	
	614200200		Extension mount 350mm assy., r.h.	
41	614201100	1	Extension mount 350mm r.h.	
42	614-10110A		Gas heating assy.	
43	614202300	1	Guide plate, tamper, r.h.	
44	614-10140		Tamper drive assy.	
			–	10.04.08 cf
			–	ÄM LI-05089
			–	ÄM LI-05094
	*)		Extension mount right => adjustable mount, front	
	**)		Extension mount right => Adjustable mount, rear	
Extension mount 350mm assy., l.h. + r.h.				614-10100A

Pos. Item	Best.-Nr. Part No.	Anz. Qty.	Beschreibung Description	Bemerkung Note
		-		ÄM WA-01085
			Extension mount 350mm assy., l.h. + r.h.	614-10100A



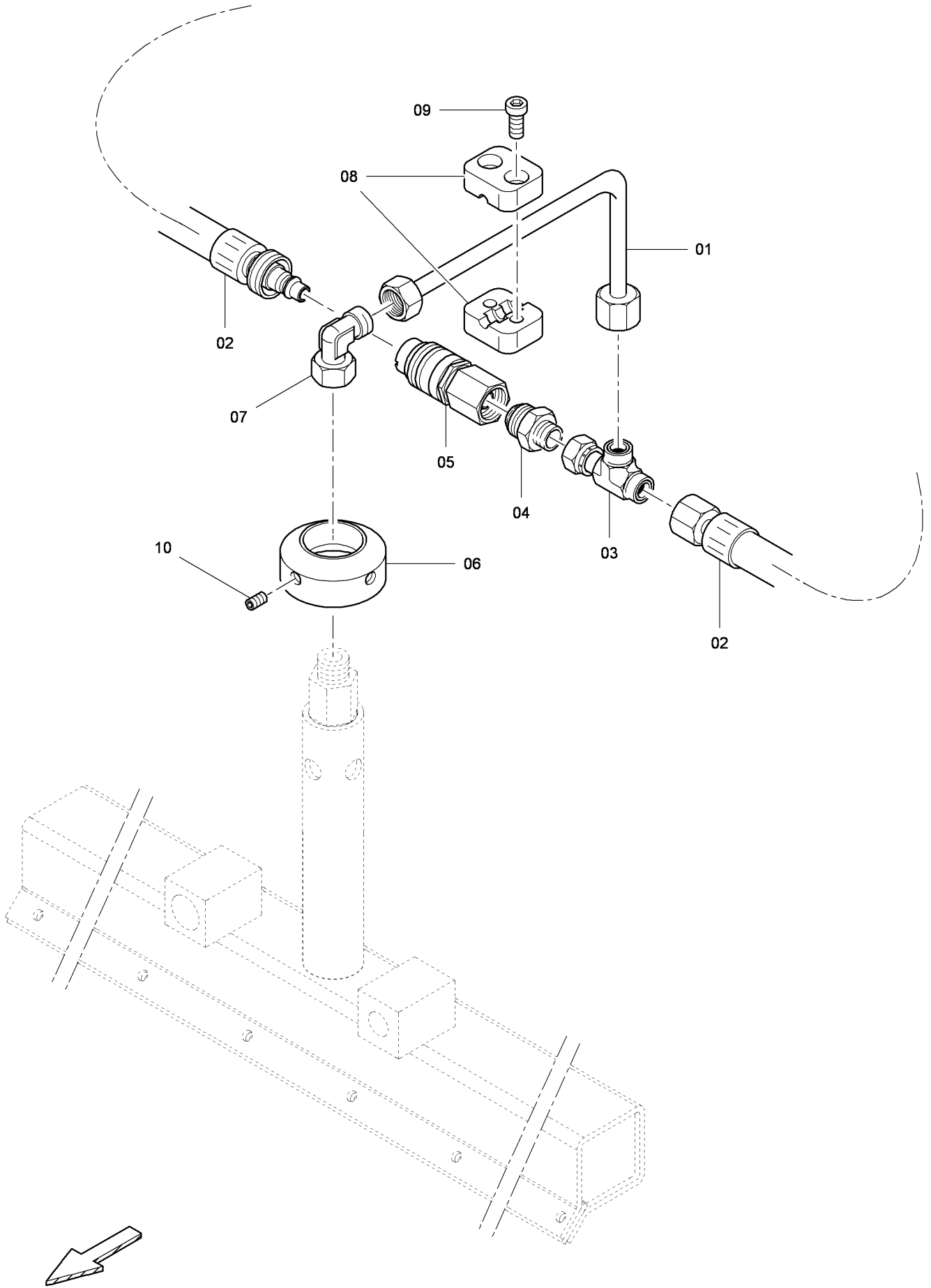
Pos. Item	Best.-Nr. Part No.	Anz. Qty.	Beschreibung Description	Bemerkung Note
	20004332		Joint shaft	
1	30010296	1	Half shells	
2	30010287	2	Coupling piece	
3	49400265	2	Star coupler	
4	49900157	1	Nut	
5	49900854	1	Screw	
6	30010297	2	Journal	
			–	22.02.07
Joint shaft				20004332



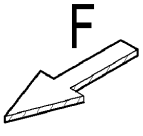
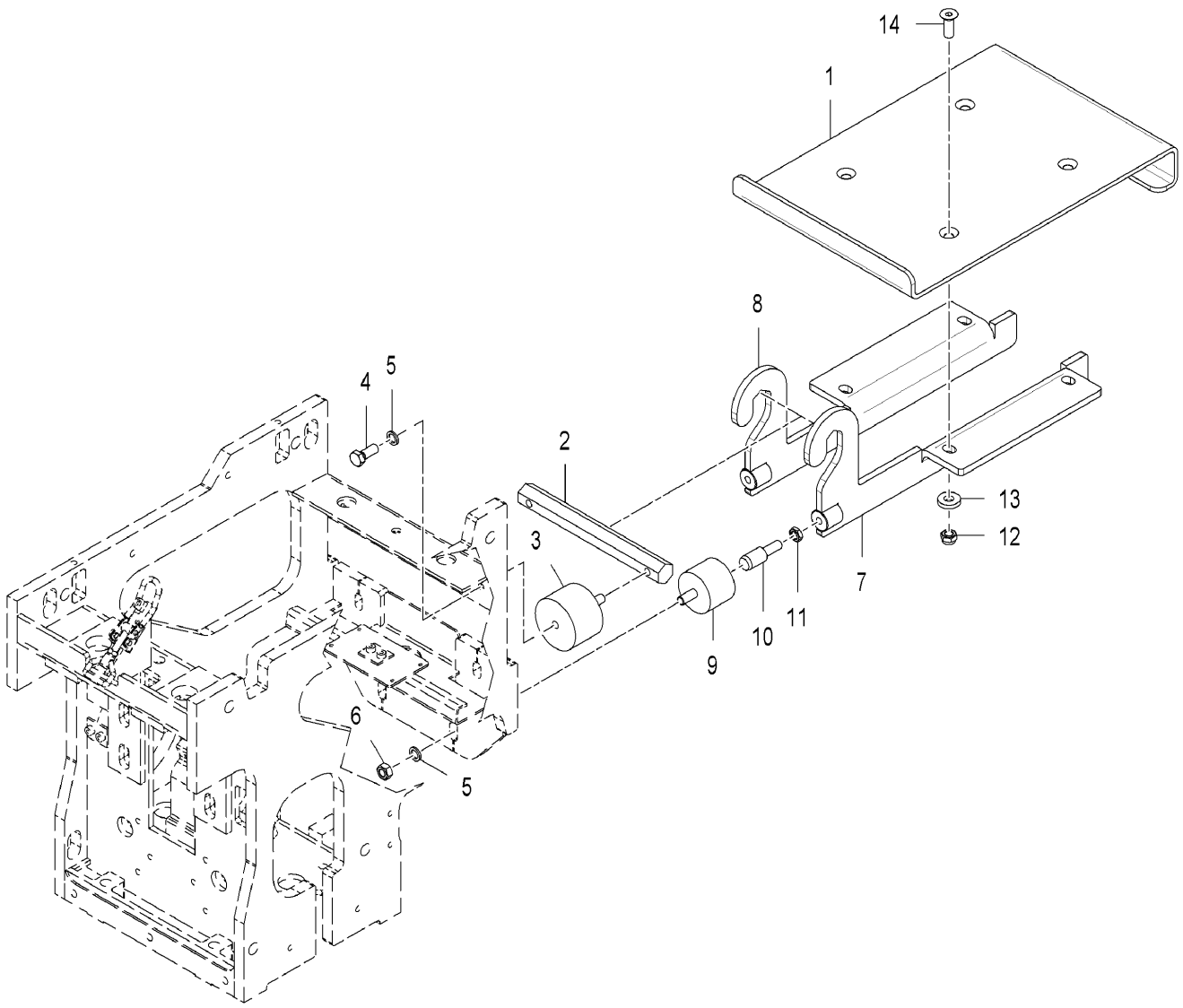
Pos. Item	Best.-Nr. Part No.	Anz. Qty.	Beschreibung Description	Bemerkung Note
	614203500		Gas heating assy.	links / left
1	614203700	1	Injector burner	
	930177533	1	Nozzle	0,44mm
	961375851	1	Screwing	
2	614203800	1	Protective strip	
3	614203900	1	Flame baffle	
4	614204200	1	Exhaust duct	
5	614204100	1	Exhaust duct	
6	938165713	2	Hex. screw	
7	49901807	16	Screw retention	
8	500028	5	Screw	
9	500048	8	Screw	
10	614020008	1	Flame baffle	
11	614020011	1	Flame baffle	
12	930520372	2	Cover	
13	938481009	2	Nut	
14	939570516	1	Washer	
15	614020020	2	Distance pipe	
16	614203501	1	Shield plate	
	614203600		Gas heating assy.	rechts / right
20	614020009	1	Flame baffle	
21	614020012	1	Flame baffle	
22	614-10111A		Gas equipment	10.04.08 cf ÄM WA-01085
			–	
			–	
			–	

Gas heating assy.

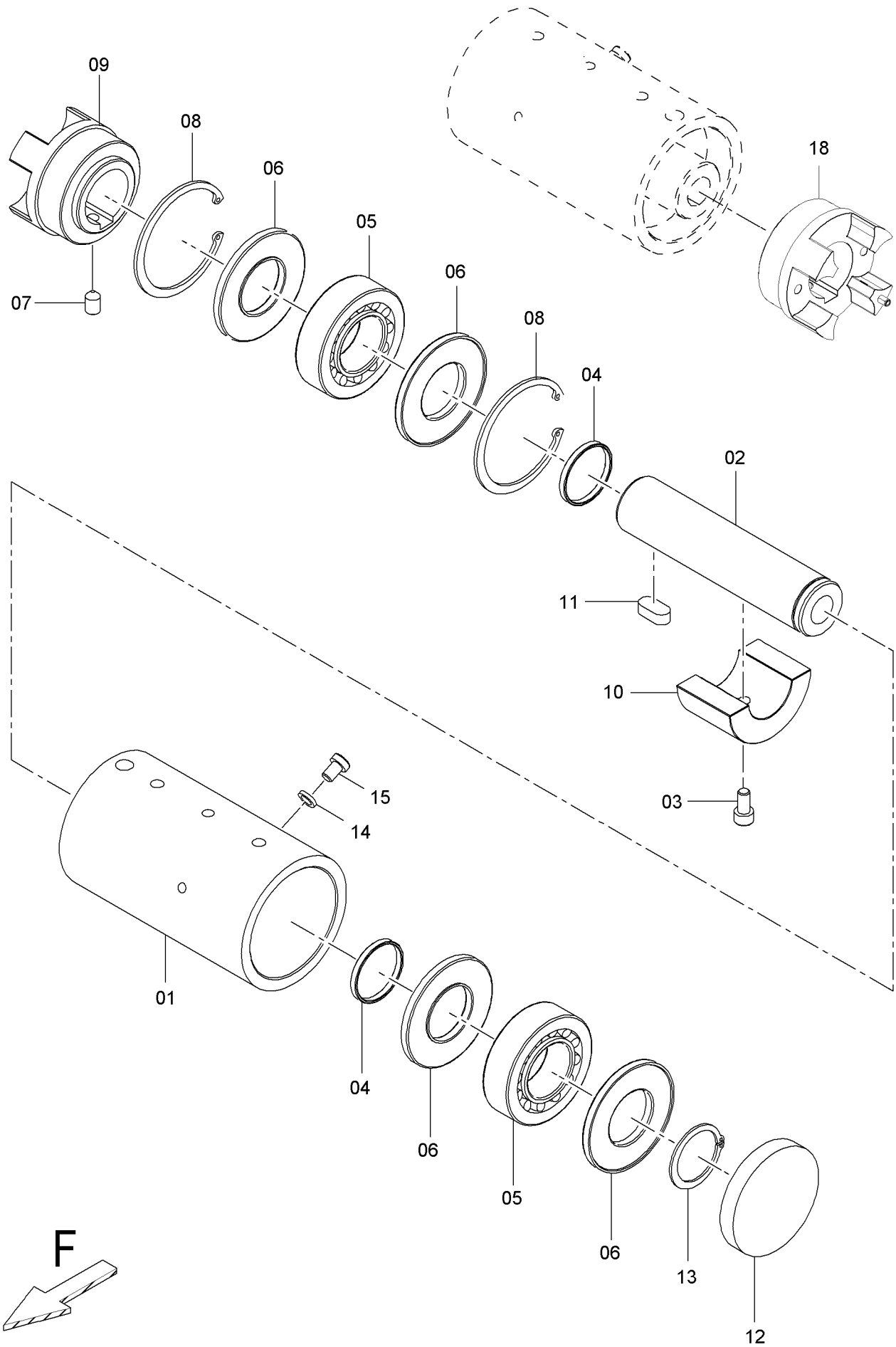
614-10110A



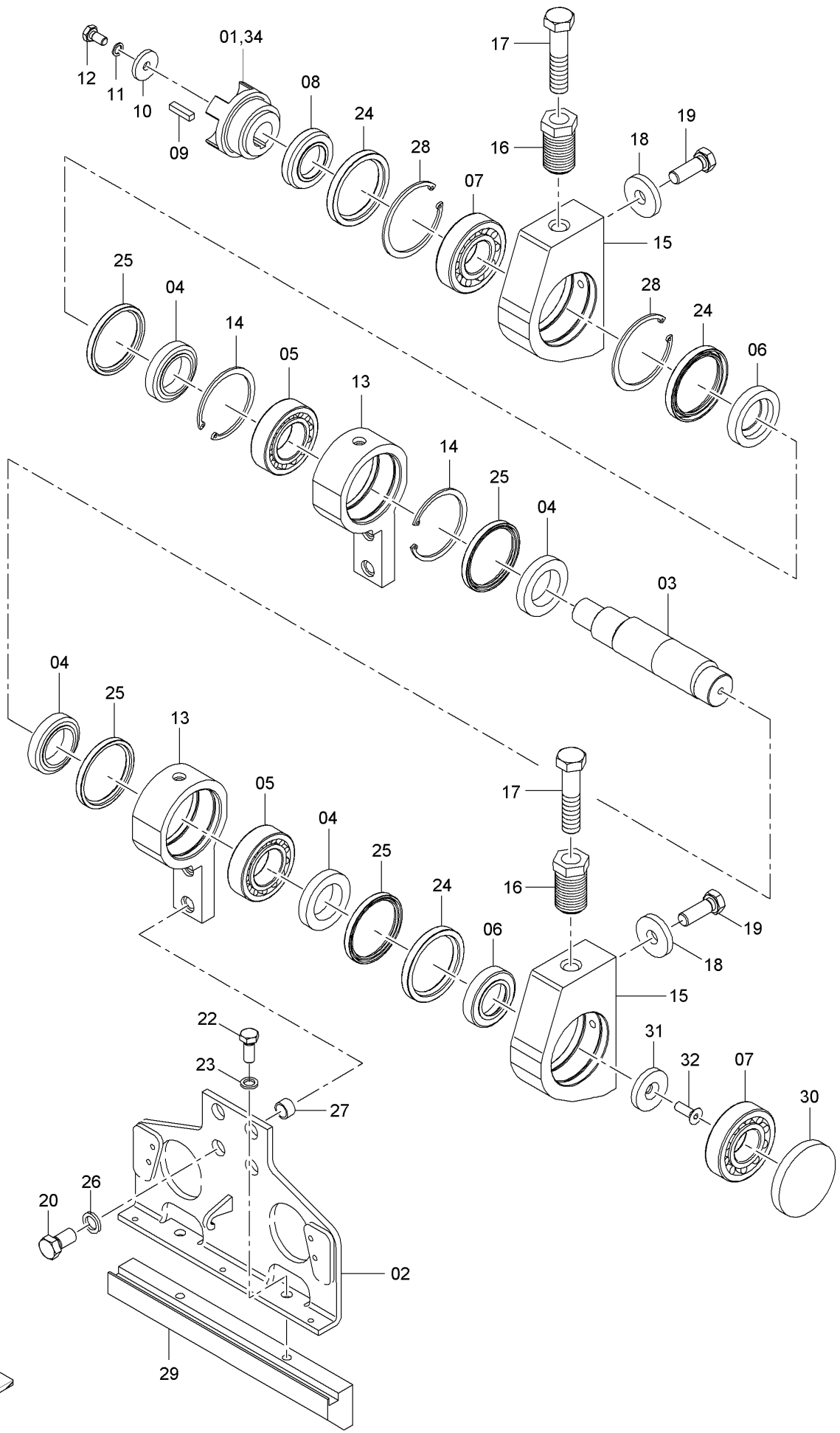
Pos. Item	Best.-Nr. Part No.	Anz. Qty.	Beschreibung Description	Bemerkung Note
	614205100		Gas equipment	
1	614207400	1	Pipe	
2	49240537	1	Hose assy	
3	49220457	1	Stud	
4	30005278	1	Screwing	
5	49301652	1	Coupling	
6	30011597	1	Primary air throttle	
7	961917006	1	Union elbow both ports	
8	934364011	1	Clamp, 2 halves	
9	508025	2	Cylinder screw	
10	49900236	2	Threaded pin	
			–	10.04.08 cf
			–	ÄM WA-01085
Gas equipment				614-10111A



Pos. Item	Best.-Nr. Part No.	Anz. Qty.	Beschreibung Description	Bemerkung Note
	614204400		Foot board unit, assy.	
	614204500		Foot board, assy.	
1	614204501	1	Step plate	
2	606303001	1	Receptacle	
3	49302614	2	Rubber buffer	
4	49901553	2	Screw	
5	49901808	4	Screw retention	
6	49901584	2	Nut	
7	614205000	1	Foot board arm l.h.	
8	614204900	1	Foot board arm r.h.	
9	38000339	2	Rubber buffer	
10	606080104	2	Pivot	
11	49900721	2	Nut	
12	49900220	4	Nut	
13	49900221	4	Washer	
14	49900464	4	Screw	
			—	21.02.07
Foot board unit, assy.				614-10120



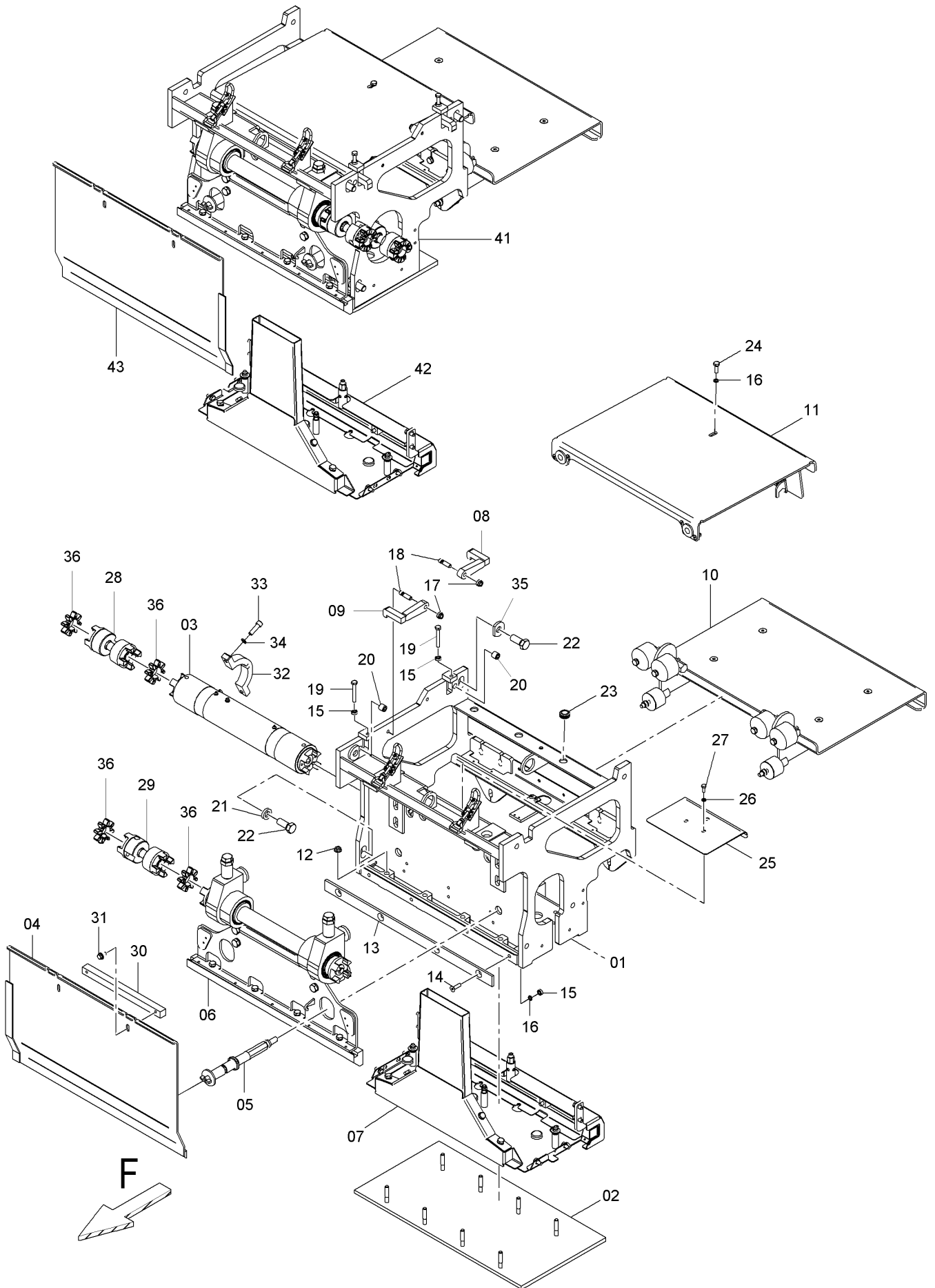
Pos. Item	Best.-Nr. Part No.	Anz. Qty.	Beschreibung Description	Bemerkung Note
	614201500		Vibration l.h.	
1	614201502	1	Vibration housing	
2	614201501	1	Vibration tube	
3	49901595	1	Screw	
4	606303906	2	Spacer	
5	49540044	2	Roller bearing	
6	49302735	4	Sealing disc	
7	49900093	1	Threaded pin	
8	49900351	2	Circlip	
9	606303904	1	Coupling lks.	
_01	49900664	1	_Clamping sleeve	
10	606303903	1	Kinetic energy mass	
11	49901781	1	Feather key	
12	49302340	1	Cover	
13	49900349	1	Circlip	
14	49901806	1	Screw retention	
15	939390325	1	Cylinder screw	
	614203100		Vibration r.h.	
18	606303905	1	Coupling r.h.	
_01	49900664	1	_Clamping sleeve	
			–	21.02.07
			–	ÄM LI-05094
			–	
Vibration assy.				614-10130



Pos. Item	Best.-Nr. Part No.	Anz. Qty.	Beschreibung Description	Bemerkung Note
	614201600		Tamper drive cpl., l.h.	
1	30009581	1	Joint part, r.h.	
_01	49900664	1	_Clamping sleeve	
2	614201700	1	Tamper frame	
3	614201601	1	Tamper shaft	
4	30008748	4	Spacer	
5	935011814	2	Pendulum roller bearing	
6	30012257	2	Spacer I	
7	49540018	2	Pendulum roller bearing	
8	30008628	1	Spacer	
9	49901423	1	Feather key	
10	30008623	1	Washer	
11	49900025	1	Screw retention	
12	500048	1	Screw	
13	606304002	2	rocker bar	
14	49900486	2	Circlip	
15	606301102	2	Bearing support	
16	30014442	2	Adjusting screw	
17	49900457	2	Screw	
18	49900538	4	Washer	
19	938150871	4	Screw	
20	500057	4	Screw	
22	938165761	2	Screw	
23	49901808	2	Screw retention	
24	49040059	3	Shaft sealing ring	
25	49040079	4	Shaft sealing ring	
26	49901809	4	Screw retention	
27	49302339	4	Clamping bush	
28	49900208	2	Circlip	
29	608303901	1	Tamper cutter	
30	49302124	1	Sealing cover	
31	30013970	1	Washer	
32	939475276	1	Countersunk screw	
	614201900		Tamper drive cpl., r.h.	
34	30008622	1	Joint part, l.h.	
_01	49900664	1	_Clamping sleeve	
			–	21.02.07
			–	ÄM LI-05094

Tamper drive assy.

614-10140

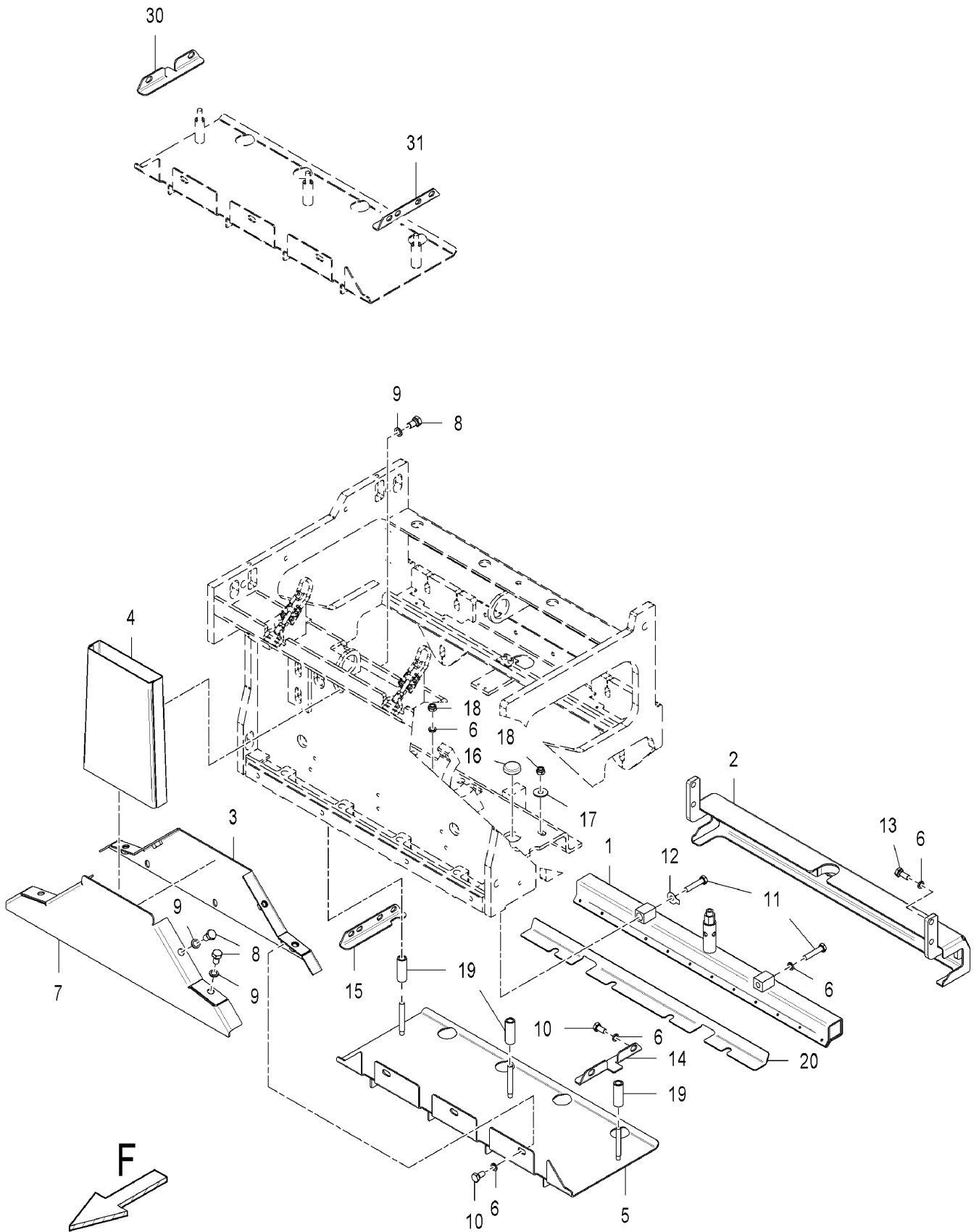


Pos. Item	Best.-Nr. Part No.	Anz. Qty.	Beschreibung Description	Bemerkung Note
	614210100		Extension mount 750mm cpl., l.h.	
1	614210900	1	Extension mount 750mm l.h.	
2	614217400	1	Screed plate 750mm	
3	614-10230		Vibration assy.	
4	614212200	1	Guide plate, tamper, l.h.	
5	614134600	2	Adjusting screw	
6	614-10240		Tamper drive assy.	
7	614-10210A		Gas heating assy.	
*8	614214300	1	Adjustable mount, rear	
**9	614214200	1	Adjustable mount, front	
10	614-10220		Foot board unit, assy.	
11	614-10250		Protecting hood, cpl.	
12	49901070	8	Nut	
13	30008859	1	Wear plate	
14	939470277	4	Countersunk screw	
15	938191917	6	Nut	
16	49901807	5	Screw retention	
17	938500009	2	Hex. nut	
18	938280757	2	Stud bolt screw	
19	938165717	2	Hex. screw	
20	49900112	2	Threaded pin	
21	614210303	2	Washer	
22	49900124	4	Screw	
23	930280175	4	Cable guide	
24	500029	1	Screw	
25	614210105	1	Cover	
26	49901806	2	Screw retention	
27	500053	2	Screw	
28	614217500	1	Joint shaft cpl, vibration	
29	614217600	1	Joint shaft cpl., tamper	
30	609303103	1	Stop	
31	939786660	2	Tensilock-screw	
32	614010231	2	Fixture vibration	
33	49900887	4	Screw	
34	49901808	4	Screw retention	
35	30013152	2	Disc, flattened	
36	49400265	4	Star coupler	
			—	
	614210200		Extension mount 750mm cpl., r.h.	
41	614211100	1	Extension mount 750mm r.h.	
42	614-10210A		Gas heating assy.	
43	614212300	1	Guide plate, tamper, r.h.	
	*)		Extension mount right => Adjustable part, front	
	**)		Extension mount right => Adjustable part, rear	

Extension mount 750mm assy., l.h. + r.h.

614-10200A

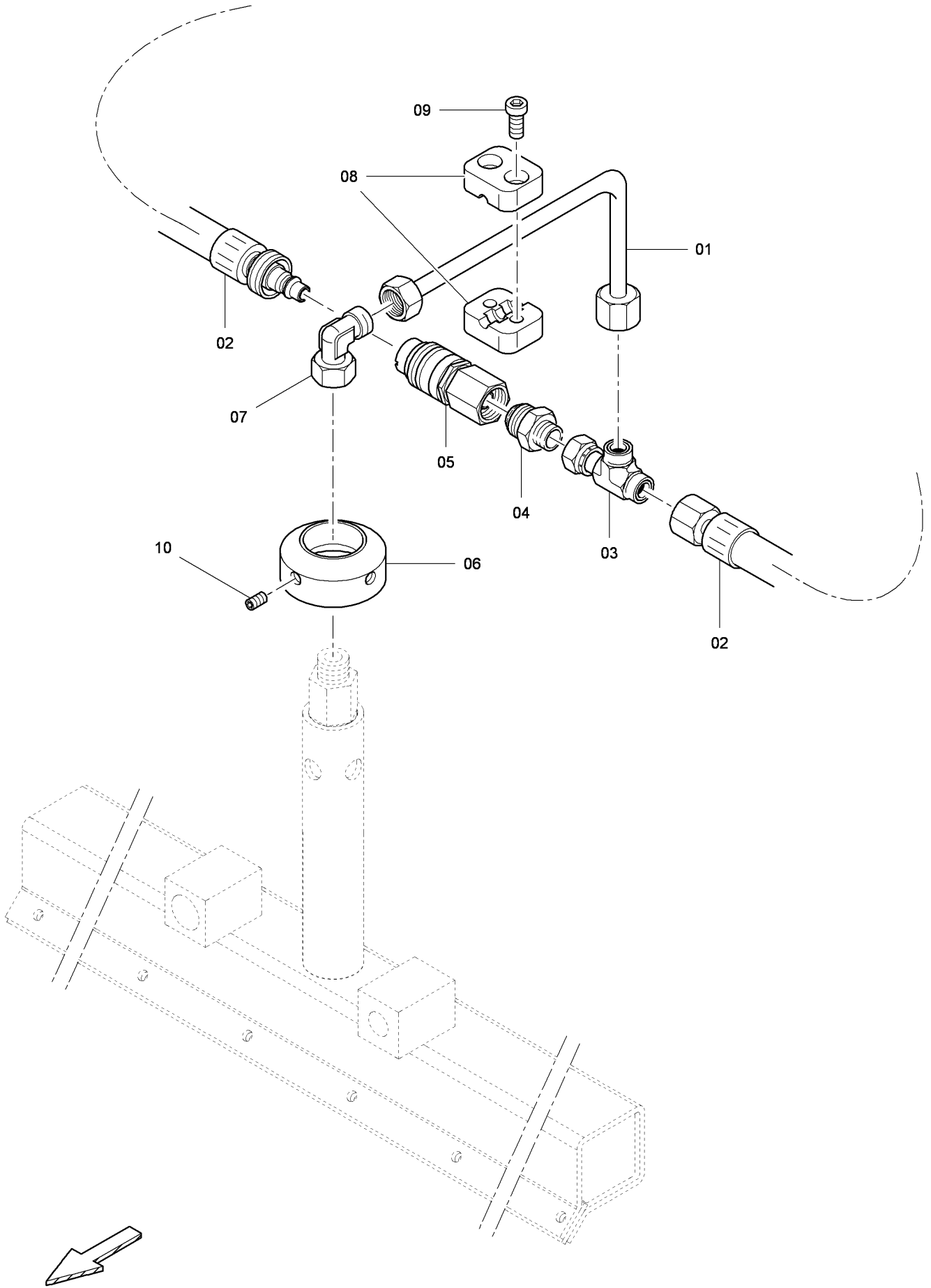
Pos. Item	Best.-Nr. Part No.	Anz. Qty.	Beschreibung Description	Bemerkung Note
			—	10.04.08 cf
			—	ÄM LI-05089
			—	ÄM LI-05094
			—	ÄM WA-01085
Extension mount 750mm assy., l.h. + r.h.				614-10200A



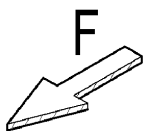
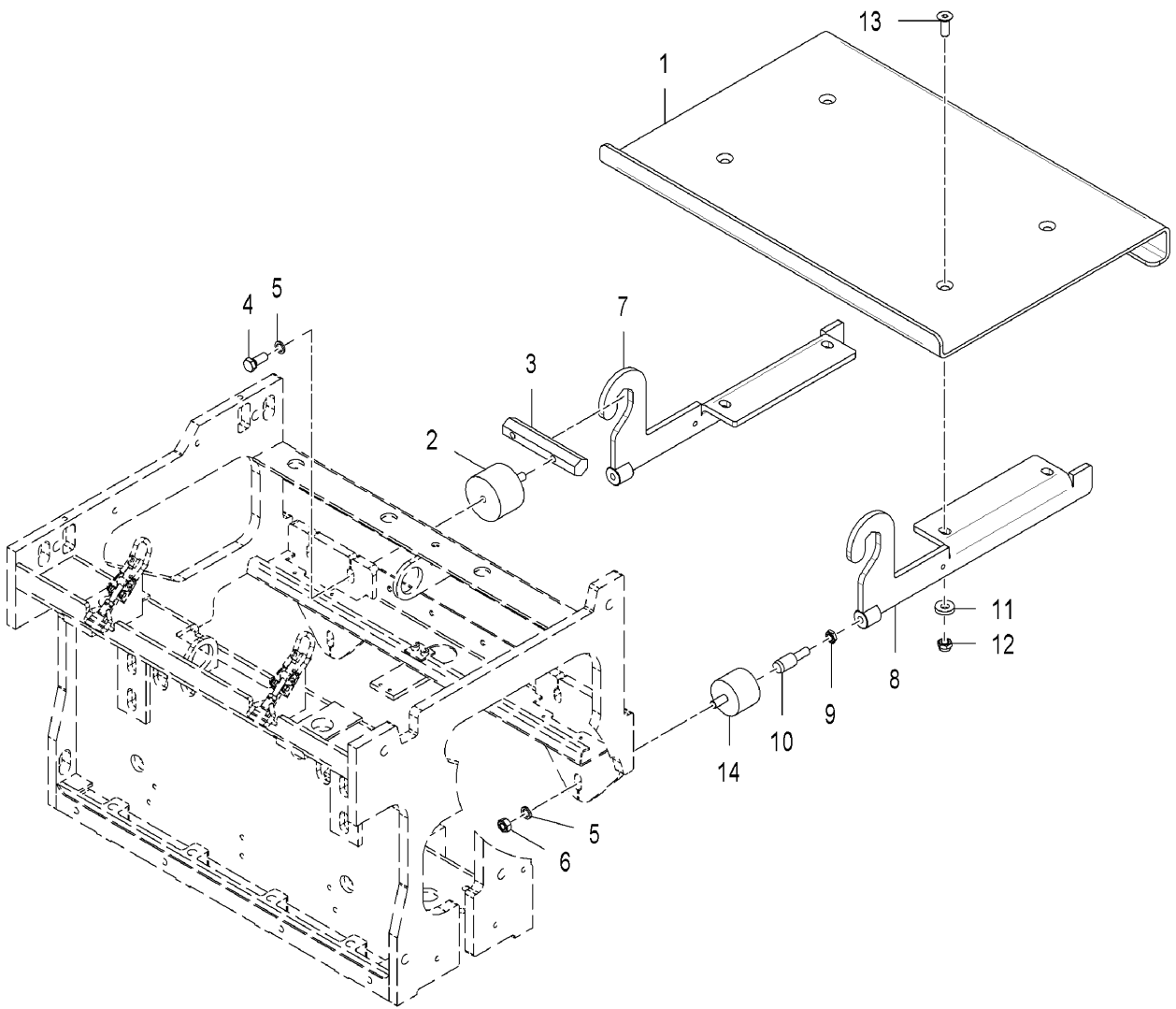
Pos. Item	Best.-Nr. Part No.	Anz. Qty.	Beschreibung Description	Bemerkung Note
	614213500		Gas heating assy.	links / left
1	614213700	1	Injector burner	
	49200240	1	Nozzle	0,6mm
	961375851	1	Screwing	
2	614213800	1	Protective strip	
3	614214000	1	Exhaust duct	
4	614214100	1	Exhaust duct	
5	614213900	1	Flame baffle	
6	49901807	13	Screw retention	
7	614214900	1	Exhaust duct	
8	49901576	5	Screw	
9	49901808	5	Screw retention	
10	500048	7	Screw	
11	938165713	2	Hex. screw	
12	936780009	1	Washer	
13	500028	4	Screw	
14	614020008	1	Flame baffle	
15	614020011	1	Flame baffle	
16	930520372	3	Cover	
17	939570516	2	Washer	
18	938481009	3	Nut	
19	614020020	3	Distance pipe	
20	614213504	1	Shield plate	
			–	
	614213600		Gas heating assy.	rechts / right
30	614020009	1	Flame baffle	
31	614020012	1	Flame baffle	
			–	
32	614-10211A		Gas equipment	
			–	10.04.08 cf
			–	ÄM WA-01085

Gas heating assy.

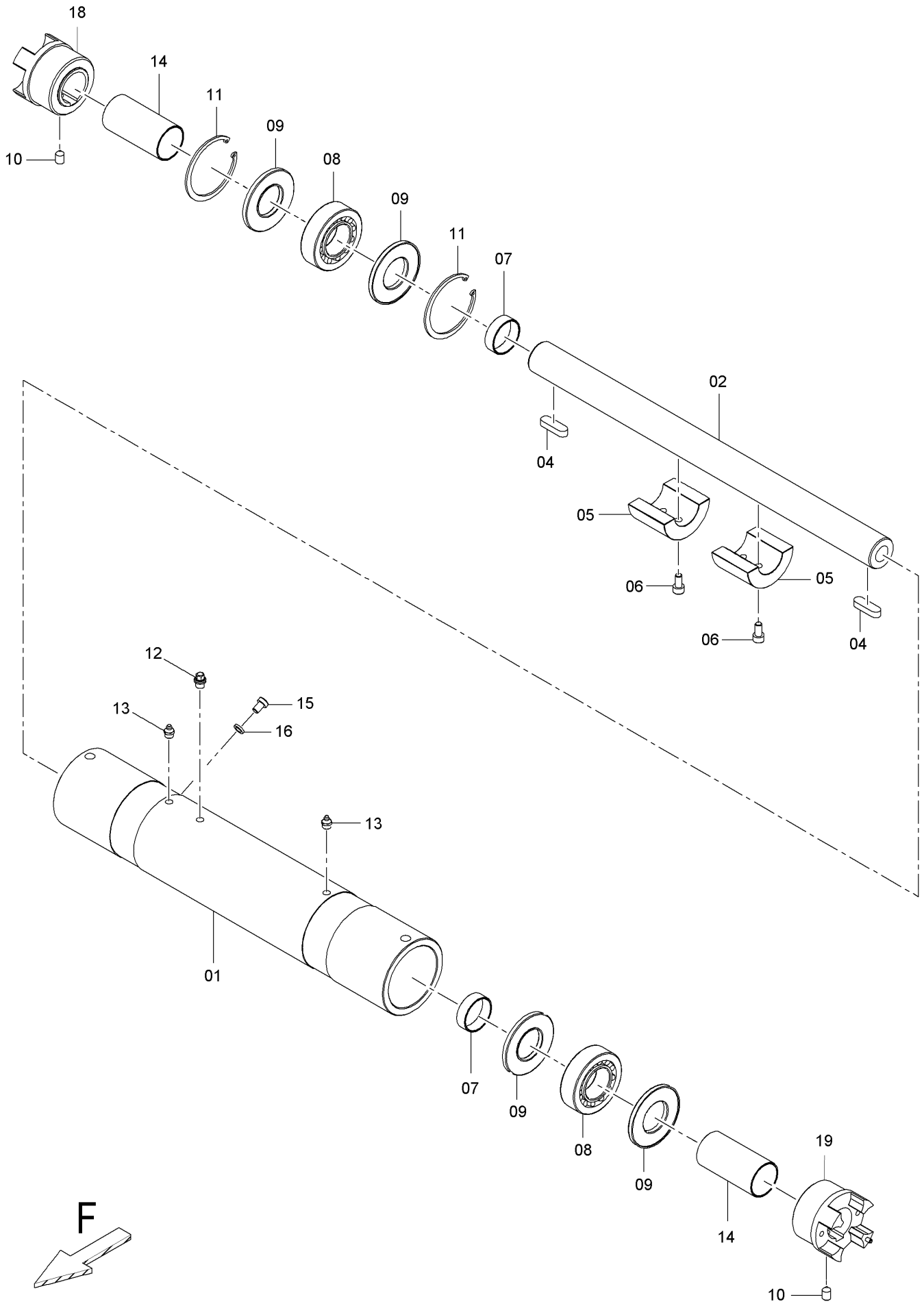
614-10210A



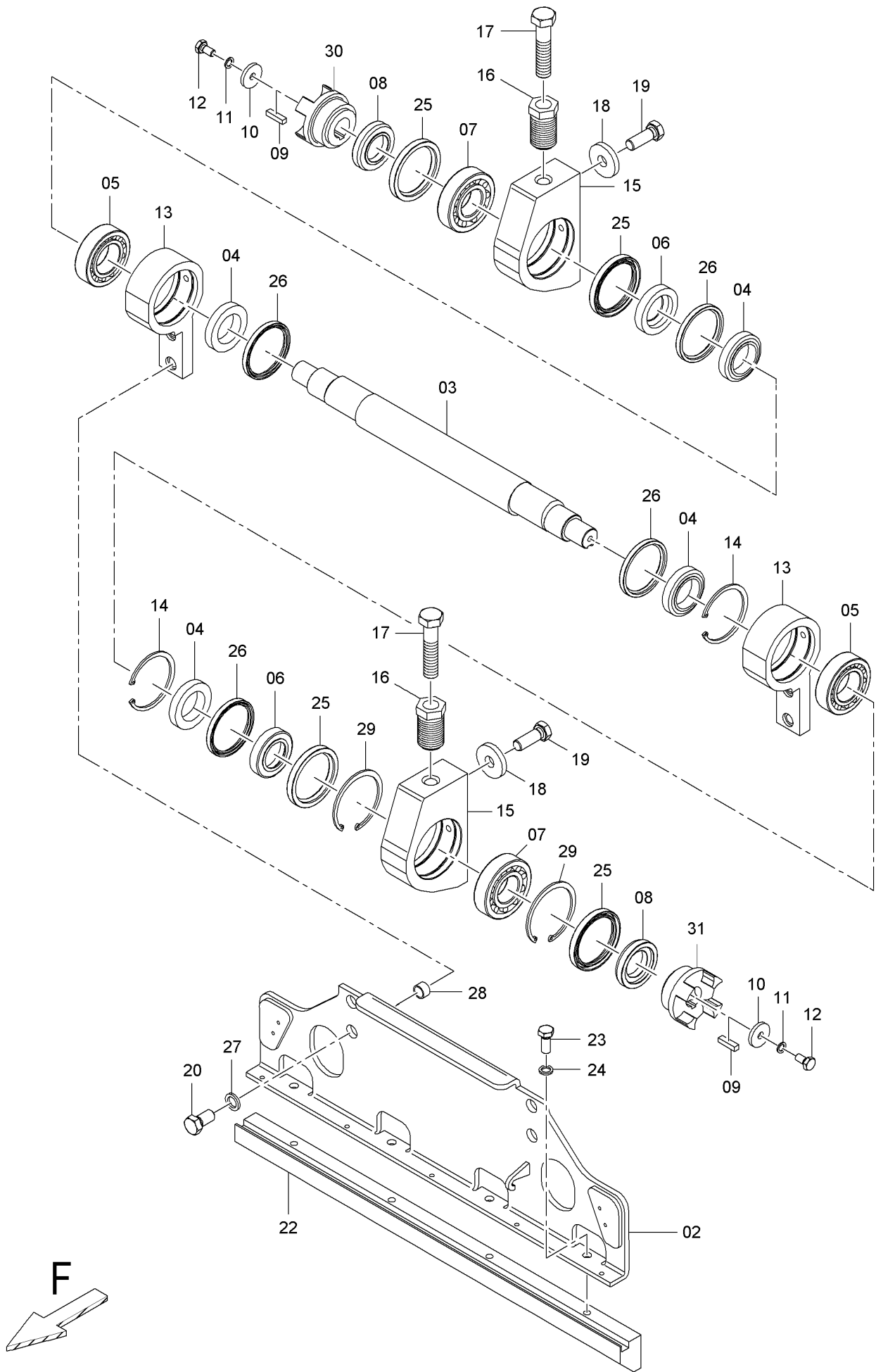
Pos. Item	Best.-Nr. Part No.	Anz. Qty.	Beschreibung Description	Bemerkung Note
	614215100		Gas equipment	
1	614207400	1	Pipe	
2	49240722	1	Hose assy	
3	49220457	1	Stud	
4	30005278	1	Screwing	
5	49301652	1	Coupling	
6	30011597	1	Primary air throttle	
7	961917006	1	Union elbow both ports	
8	934364011	1	Clamp, 2 halves	
9	508025	2	Cylinder screw	
10	49900236	2	Threaded pin	
			–	10.04.08 cf
			–	ÄM WA-01085
Gas equipment				614-10211A



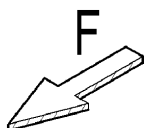
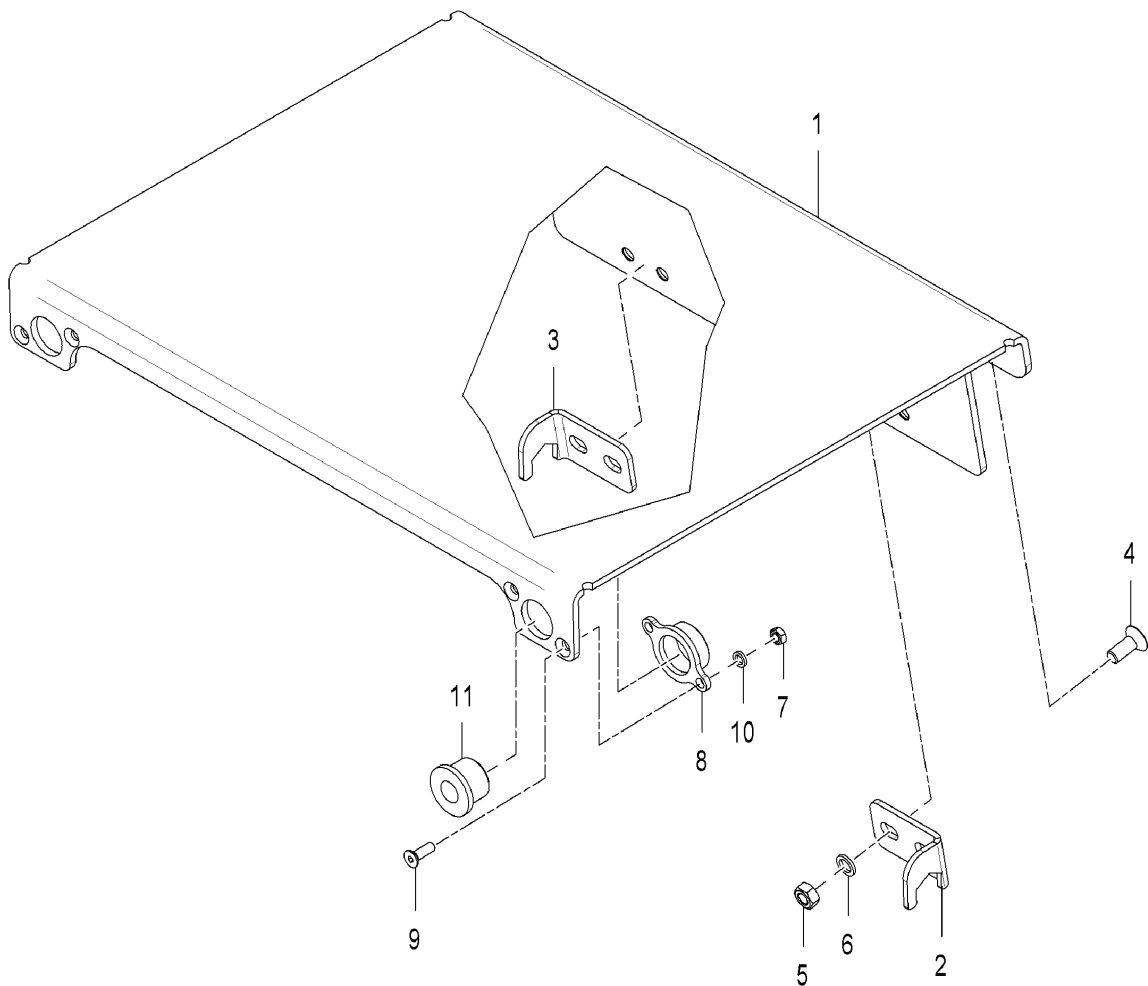
Pos. Item	Best.-Nr. Part No.	Anz. Qty.	Beschreibung Description	Bemerkung Note
	614214400		Foot board unit, assy.	
	614214500		Foot board, assy.	
1	614214501	1	Step plate	
2	49302614	4	Rubber buffer	
3	30014639	2	Receptacle, extension part	
4	49901553	4	Screw	
5	49901808	6	Screw retention	
6	49901584	2	Nut	
7	614214600	1	Foot board arm r.h.	
8	614140400	1	Foot board arm l.h.	
9	49900721	2	Nut	
10	606080104	2	Pivot	
11	49900221	4	Washer	
12	49900220	4	Nut	
13	49900464	4	Screw	
14	38000339	2	Rubber buffer	
			—	26.02.07
Foot board unit, assy.				614-10220



Pos. Item	Best.-Nr. Part No.	Anz. Qty.	Beschreibung Description	Bemerkung Note
	614211500		Vibration assy.	
1	614211502	1	Vibration housing	
2	614211501	1	Vibration tube	
4	49901033	2	Feather key	
5	607100705	2	Kinetic energy mass	
6	49901595	4	Screw	
7	30014724	2	Spacer	
8	49540044	2	Roller bearing	
9	49302735	4	Sealing disc	
10	49900093	2	Threaded pin	
11	49900351	2	Circlip	
12	937910060	1	Plug screw	
13	935511210	2	Grease nipple	
14	614211504	2	Distance pipe	
15	939390325	1	Cylinder screw	
16	49901806	1	Screw retention	
18	30014758	1	Coupling r.h.	
_01	49900664	1	_Clamping sleeve	
19	30014757	1	Coupling lks.	
_01	49900664	1	_Clamping sleeve	
			—	26.02.07
Vibration assy.				614-10230

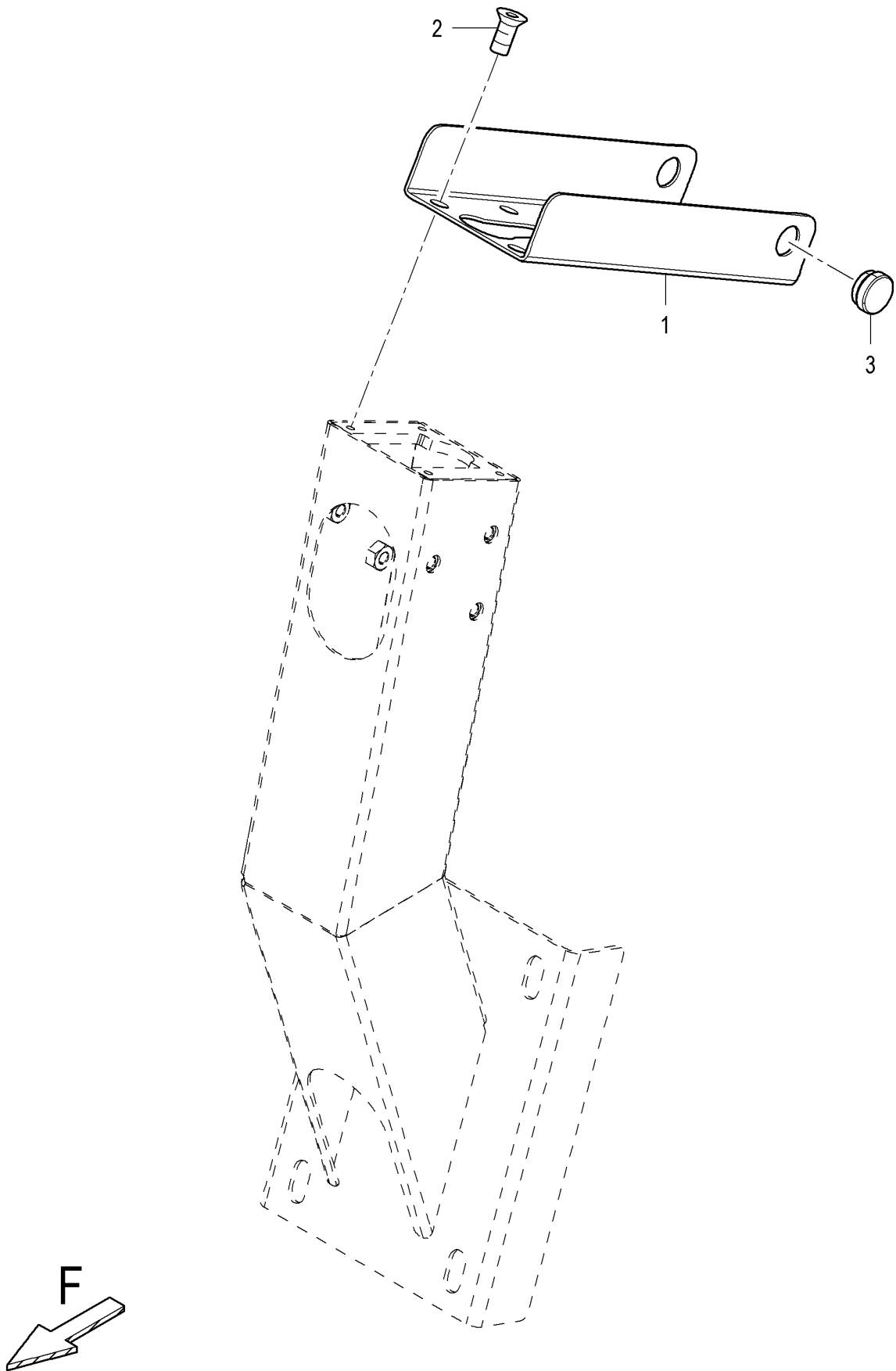


Pos. Item	Best.-Nr. Part No.	Anz. Qty.	Beschreibung Description	Bemerkung Note
	614211600		Tamper drive assy.	
2	614211700	1	Tamper frame	
3	606301101	1	Tamper shaft	AT750
4	30008748	4	Spacer	
5	935011814	2	Pendulum roller bearing	
6	30012257	2	Spacer I	
7	49540018	2	Pendulum roller bearing	
8	30008628	2	Spacer	
9	49901423	2	Feather key	
10	30008623	2	Washer	
11	49900025	2	Screw retention	
12	500048	2	Screw	
13	30014428	2	rocker bar	
14	49900486	2	Circlip	
15	606301102	2	Bearing support	
16	30014442	2	Adjusting screw	
17	49900457	2	Screw	
18	49900538	4	Washer	
19	938150871	4	Screw	
20	500057	4	Screw	
22	608301101	1	Tamper bar AT750	
23	938165761	4	Screw	
24	49901808	4	Screw retention	
25	49040059	4	Shaft sealing ring	
26	49040079	4	Shaft sealing ring	
27	49901809	4	Screw retention	
28	49302339	4	Clamping bush	
29	49900208	2	Circlip	
30	30009581	1	Joint part, r.h.	
_01	49900664	1	_Clamping sleeve	
31	30008622	1	Joint part, l.h.	
_01	49900664	1	_Clamping sleeve	
			–	27.02.07
			–	ÄM LI-05094
Tamper drive assy.				614-10240

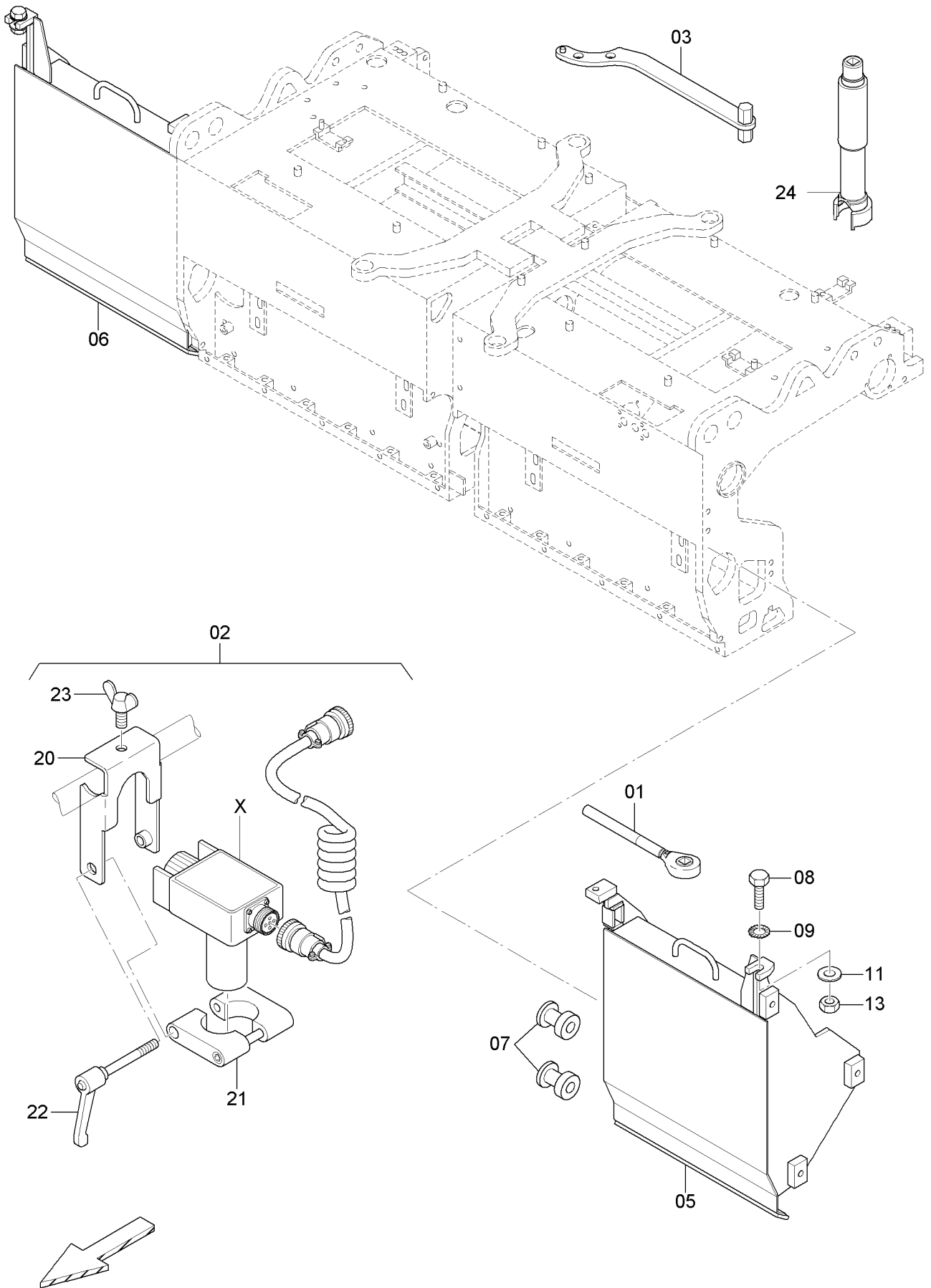


Pos. Item	Best.-Nr. Part No.	Anz. Qty.	Beschreibung Description	Bemerkung Note
	614214700		Protecting hood, cpl.	
1	614214701	1	Protection cover	
2	30014650	1	Hood fastener l.h.	
3	30014651	1	Hood fastener r.h.	
4	939475328	4	Countersunk screw	
5	49900625	4	Nut	
6	49901808	4	Screw retention	
7	49900428	4	Nut	
8	614135500	2	Receptacle	
9	939475222	4	Screw	
10	49901806	4	Screw retention	
11	930235540	2	Rubber buffer	
			–	27.02.07
Protecting hood, cpl.				614-10250

Pos. Item	Best.-Nr. Part No.	Anz. Qty.	Beschreibung Description	Bemerkung Note
1	614-11150	1	Retainer for external control, l.h., r.h.	MOBA, konv.
2	614-11200	1	Tool and assessories	
Grp. 11, Optional equipment				



Pos. Item	Best.-Nr. Part No.	Anz. Qty.	Beschreibung Description	Bemerkung Note
	95004205		Retainer for external control, l.h., r.h.	
	95004206		Retainer for external control, l.h., r.h.	
1	614151008	1	Holder	MOBA
2	939470164	4	Screw	
3	49302522	3	Cable guide	
			—	03.05.07
Retainer for external control, l.h., r.h. MOBA, konv.				614-11150



Pos. Item	Best.-Nr. Part No.	Anz. Qty.	Beschreibung Description	Bemerkung Note
1	49300006	1	Ratchet	
2	20006041	1	Retainer for Sonormatic	
3	20007499	1	Adjusting tool	
5	20004496	1	Material duct 500 l.h.	
6	20004495	1	Material duct 500 r.h.	
7	30010815	2	Bushing	
8	938111728	2	Hex. screw	
9	49900008	2	Screw retention	
10	938111723	1	Screw	
11	49900011	3	Washer	
12	938165878	2	Screw	
13	570008	2	Nut	
20	30012721	1	Support	
21	30013408	1	Clip	
22	930250080	1	Lever	
23	49900177	1	Wing screw	
	937032601	1	Screw	
24	614136100	1	Slot nut key	
X			Sensor	s. Fertiger/ Paver
			–	20.06.07 cf
			–	ÄM WA-00771

Tool and assessories

614-11200