

Manitowoc Cranes MACHINE COMPONENT INDEX

Date: Feb 18, 2010

Rev: 001

Model Number RT530E-2 (30 MT)		Serial Number 258268	
Item	Part	Description	Page
1	80018659	BOOM BOOM ASSEMBLY 95'	3
	6372100411	CYLINDER ASSEMBLY - TELESCOPE (COMPLETE ASSEMBLY)	9
	7926100616	VALVE ASSEMBLY - COUNTERBALANCE	13
	2159210176	SHAFT INSTALLATION - UPPER & BOOM PIVOT	15
	7598100094	KIT INSTALLATION - IFLEX 5 LMI BOOM	19
	9333103873	CABLE REEL LWG508 - IFLEX 5	21
	9333101437	ROLLER GUIDE ASSEMBLY	23
	9333103565	BOX ASSEMBLY - JUNCTION	25
	9333102633	FLAG ASSEMBLY - A2B RETAINER (COMPLETE ASSEMBLY)	27
	9333102765	CONNECTOR ASSEMBLY DUMMY PLUG, 2-PIN	29
5	3486000212	WEIGHT AND CHAIN ASSEMBLY (COMPLETE ASSEMBLY)	31
8	80022630	LMI BOOM INSTL KIT - IFLEX 5	33
10	7086100136	HOOK BLOCK ASSEMBLY - 33 TON (30 MT) (COMPLETE ASSEMBLY)	35
11	7826100017	SOCKET ASSY 5/8"	39
12	2159910036	INDICATOR INSTALLATION - BOOM ANGLE	41
	2114900861	POINTER ASSEMBLY	43
	2159910104	SHEAVE INSTALLATION - 2 OVER 3	45
17	6718100031	SHEAVE ASSEMBLY - 5/8" ROPE	47
	SUPERSTRUCTURE		
1	80014181	TURNTABLE WELD AND DRIVE INSTALLATION	49
	7576134386	MOTOR ASSEMBLY - SWING DRIVE (COMPLETE ASSEMBLY)	55
1	7782161382	16MM DIA HOISTING WIRE ROPE -	59
4	6364101750	SWIVEL INSTALLATION - ELECTRIC, WATER AND HYDRAULIC	61
	6364101749	SWIVEL ASSEMBLY - ELECTRIC, WATER AND HYDRAULIC (COMPLETE ASSEMBLY)	63
	7364100165	SWIVEL ASSEMBLY - 14 PORT HYDRAULIC, WATER AND AIR CONDITIONING (COMPLETE ASSEMBLY)	65

Manitowoc Cranes MACHINE COMPONENT INDEX

Date: Feb 18, 2010

Rev: 001

Model Number RT530E-2 (30 MT)		Serial Number 258268	
Item	Part	Description	Page
	7753100037	RING ASSEMBLY - SLIP 15 CONDUCTOR (COMPLETE ASSEMBLY)	71
5	80005109	CONTROL VALVE INSTALLATION - MAIN AND FUTURE AUXILIARY HOIST	75
	7926100986	VALVE ASSEMBLY - DIRECTIONAL CONTROL 4 SECTION (COMPLETE ASSEMBLY)	77
	80002486	VALVE ASSEMBLY - ACCESSORY WITH SWING AND STEER DIRECTIAL CONTROL (COMPLETE ASSEMBLY)	83
6	80015459	HYDRAULIC LINES INSTALLATION MAIN AND FUTURE AUXILIARY HOIST SUPERSTRUCTURE	87
7	6974100183	HOIST INSTALLATION - MAIN	95
	7974100043	HOIST ASSEMBLY - HP15C/17G (COMPLETE ASSEMBLY)	99
8	2159210143	BOLT INSTALLATION - BEARING	105
8	2159210000	MIRROR INSTALLATION - HOIST	107
10	2159210177	CYLINDER INSTALLATION - LIFT	109
	6372100488	CYLINDER ASSEMBLY - 9" LIFT (COMPLETE ASSEMBLY)	111
	7926100925	VALVE ASSEMBLY - HOLDING (COMPLETE ASSEMBLY)	115
11	2159610145	HYDRAULIC LINES INSTALLATION - CAB	117
13	6245101343	PIN INSTALLATION - TURNTABLE LOCK	119
14	6258100041	COVER INSTALLATION - VALVE	121
17	80009819	HYDRAULIC LINES INSTALLATION-CARRIER	127
20	2159210124	LUBE INSTALLATION - TURNTABLE BEARING MANUAL	133
21	2159210028	COUNTERWEIGHT INSTALLATION	135
		SUPERSTRUCTURE CAB	
1	6245101146	CAB INSTALLATION	137
	6245101147	CAB ASSEMBLY	143
	6245101145	CAB WELD	151
	6245101159	DOOR INSTALLATION - CAB (NOT AVAILABLE AS ASSEMBLY)	153
	7576134398	KIT - SKYLIGHT WIPER (COMPLETE ASSEMBLY)	155

Manitowoc Cranes MACHINE COMPONENT INDEX

Date: Feb 18, 2010

Rev: 001

Model Number RT530E-2 (30 MT)		Serial Number 258268	
Item	Part	Description	Page
	7576134397	KIT - FRONT WIPER (COMPLETE ASSEMBLY)	157
	7498100022	SKYLIGHT ASSEMBLY - SLIDING (COMPLETE ASSEMBLY)	159
	7498000897	WINDOW ASSEMBLY - REAR (COMPLETE ASSEMBLY)	161
	7498100028	WINDOW ASSEMBLY - RIGHT HAND (COMPLETE ASSEMBLY)	163
	7425100015	FAN ASSEMBLY - 12 VOLT CAB (COMPLETE ASSEMBLY)	165
2	80003781	SEAT INSTALLATION WITHOUT AUXILIARY HOIST	167
	80003780	SEAT ASSEMBLY WITHOUT AUXILIARY HOIST (COMPLETE ASSEMBLY)	169
	6872100045	SWITCH ASSEMBLY - PROXIMITY (NORMALLY OPEN) (COMPLETE ASSEMBLY)	173
	7352100097	CONTROLLER ASSEMBLY - 8-32 VOLT LEFT HAND ARMREST WITHOUT AUXILIARY HOIST (COMPLETE ASSEMBLY)	175
	7352100095	CONTROLLER CAN 12V RH ARMREST	177
	6512100837	HARNESS ASSEMBLY - SEAT (COMPLETE ASSEMBLY)	181
3	6001100033	ACOUSTICS INSTALLATION	185
6	80019972	FRONT CONSOLE INSTALLATION	187
	80019971	FRONT CONSOLE ASSEMBLY	189
	80019587	HARNESS ASSEMBLY-FRONT CONSOLE	193
	7486100100	GAUGE, 12 VOLT TACHOMETER (WITH HOURMETER)	197
7	6978100900	ELECTRICAL SYSTEM INSTALLATION - SUPERSTRUCTURE CAB (DOMESTIC)	201
	6679100195	PANEL ASSEMBLY - FUSE AND RELAY (SUPERSTRUCTURE CAB) (COMPLETE ASSEMBLY)	203
	6512100914	HARNESS ASSEMBLY - FUSE AND RELAY PANEL (SUPERSTRUCTURE CAB) (COMPLETE ASSEMBLY)	209
9	6515100078	HEATER/COOLER INSTALLATION - CAB	213

Manitowoc Cranes MACHINE COMPONENT INDEX

Date: Feb 18, 2010

Rev: 001

Model Number RT530E-2 (30 MT)		Serial Number 258268	
Item	Part	Description	Page
	80006745	KIT - CAB HEATER AND AIR CONDITIONER (COMPLETE ASSEMBLY)	215
10	6942100004	SCREEN INSTALLATION - SUN	219
10	6258100005	BINDER INSTALLATION	221
11	7598100092	KIT, LMI S/S IFLEX 5	223
12	6978100727	KIT INSTALLATION - IFLEX 5 LMI SUPERSTRUCTURE	225
15	7598100166	KIT - IFLEX2 LMI CAB (COMPLETE ASSEMBLY)	229
16	80002960	KIT - IFLEX2 LMI CAB	233
19	6245100997	COVER INSTALLATION - REAR CAB	237
22	6245100991	PEDALS INSTALLATION - WITHOUT AUXILIARY HOIST	239
	7926100912	VALVE ASSEMBLY - BRAKE TREADLE (COMPLETE ASSEMBLY)	241
23	6245100995	CONTROLS INSTALLATION - STEER AND DRIVE	243
	7926100899	VALVE ASSEMBLY - STEERING CONTROL (COMPLETE ASSEMBLY)	245
	6326100001	COLUMN ASSEMBLY - MODIFIED TILT STEERING (COMPLETE ASSEMBLY)	247
	7326100007	COLUMN ASSEMBLY - TILT STEERING (COMPLETE ASSEMBLY)	249
	6512100853	HARNESS ASSEMBLY - TURN SIGNAL/WASHER (COMPLETE ASSEMBLY)	251
	6512100854	HARNESS ASSEMBLY - SHIFTER (COMPLETE ASSEMBLY)	253
30	2159210210	HANDLE INSTALLATION HOIST ACCESS	255
39	2159110275	STEP INSTALLATION HOIST ACCESS	257
		LOWERWORKS/CARRIER	
1	80013740	CARRIER FRAME COMPLETE	259
	80013739	CARRIER FRAME INSTALLATION	261
	80013730	CARRIER FRAME ASSEMBLY	263
	80014901	OUTRIGGER BEAM INSTALLATION	265
	80014896	OUTRIGGER BEAM ASSEMBLY	267
	7372100238	CYLINDER ASSEMBLY - 4" OUTRIGGER JACK (COMPLETE ASSEMBLY)	269

Manitowoc Cranes MACHINE COMPONENT INDEX

Date: Feb 18, 2010

Rev: 001

Model Number RT530E-2 (30 MT)		Serial Number 258268	
Item	Part	Description	Page
	80014893	OUTRIGGER EXTENSION CYLINDER ASSEMBLY	271
	80011617	CYLINDER ASSEMBLY MODIFIED	273
	7372100232	CYLINDER ASSEMBLY - 2 1/2" O/R EXTENSION (COMPLETE ASSEMBLY)	275
1	80006891	DECAL INSTALLATION RT535E/540E-STANDARD	277
	80006890	DECAL INSTALLATION RT540E STANDARD-CAB	279
	6376200767	DECAL INSTALLATION - RT535E (STANDARD CARRIER)	283
	6376200776	DECAL INSTALLATION - RT535E (STANDARD SUPERSTRUCTURE)	285
	6376200785	DECAL INSTALLATION - RT535E (STANDARD BOOM)	287
2	80010008	FENDER AND DECK INSTALLATION HOIST ACCESS	289
2	6376206950	DECAL INSTALLATION - RT530E2 (NOMENCLATURE)	293
3	2159810166	HOOD INSTALLATION - ENGINE	295
3	2159210241	COUNTERWEIGHT INSTALLATION - (C.E. CONFORMITY)	297
4	2159110157	FLOAT INSTALLATION - OUTRIGGER	299
	6458100000	FLOAT ASSEMBLY - OUTRIGGER (COMPLETE ASSEMBLY)	301
5	2159110262	LIGHTS INSTALLATION - EXTERIOR (DOMESTIC) (FOR REFERENCE ONLY)	303
6	2159110098	TIE DOWN INSTALLATION - HOOK BLOCK	305
7	2159810191	COVER INSTALLATION-BATTERY BOX	307
9	2159100686	MIRROR INSTALLATION - REAR VIEW	309
10	2159110216	STEP INSTALLATION	311
11	6376100272	HARDWARE KIT - DECAL	313
13	6978100997	ELECTRICAL SYSTEM INSTALLATION - CARRIER (RT540E/RT530E2)	319
	6512101096	HARNESS ASSEMBLY - CARRIER (COMPLETE ASSEMBLY)	331
	6679100157	PANEL ASSEMBLY - ENGINE RELAYS (COMPLETE ASSEMBLY)	337
	6512100807	HARNESS ASSEMBLY - ENGINE RELAY PANEL (COMPLETE ASSEMBLY)	339

Manitowoc Cranes MACHINE COMPONENT INDEX

Date: Feb 18, 2010

Rev: 001

Model Number RT530E-2 (30 MT)		Serial Number 258268	
Item	Part	Description	Page
14	2159110182	TANK INSTALLATION - HYDRAULIC	341
	7880100112	RESERVOIR ASSEMBLY - HYDRAULIC (COMPLETE ASSEMBLY)	343
	9437100891	FILTER ASSY. HYD. RETURN	345
	2159110178	LADDER ASSEMBLY (COMPLETE ASSEMBLY)	347
16	2159110160	COVER INSTALLATION - OUTRIGGER BOX	349
19	80004045	AXLE INSTALLATION - REAR WITHOUT DIFFERENTIAL LOCK	351
	80004039	AXLE ASSEMBLY - DRIVE/STEER (COMPLETE ASSEMBLY)	353
	90014653	DIFF.CARR. GROUP @ 4.67 RATIO	355
	90014663	HOUSING & HUB GROUP	357
	90012613	PLANETARY HUB GROUP	361
	90012614	STEER CYLINDER GROUP	363
	90012615	BRAKE GROUP	365
	7372100255	CYLINDER ASSEMBLY - 5" LOCKOUT (COMPLETE ASSEMBLY)	367
	6872100045	SWITCH ASSEMBLY - PROXIMITY (NORMALLY OPEN) (COMPLETE ASSEMBLY)	369
	20	80004043	AXLE INSTALLATION - FRONT
80004039		AXLE ASSEMBLY - DRIVE/STEER (COMPLETE ASSEMBLY)	373
90014653		DIFF.CARR. GROUP @ 4.67 RATIO	375
90014663		HOUSING & HUB GROUP	377
90012613		PLANETARY HUB GROUP	381
90012614		STEER CYLINDER GROUP	383
90012615		BRAKE GROUP	385
21	80017147	TIRE AND WHEEL INSTALLATION JIANGSU 16X25	387
	80016930	TIRE AND WHEEL ASSEMBLY JIANGSU 16X25	389
	80016930	TIRE AND WHEEL ASSEMBLY JIANGSU 16X25	
22	80011142	DRIVE LINE INSTALLATION	391
	80000554	DRIVE LINE ASSEMBLY WITH CENTER BEARING (COMPLETE ASSEMBLY)	393

Manitowoc Cranes MACHINE COMPONENT INDEX

Date: Feb 18, 2010

Rev: 001

<u>Model Number</u> RT530E-2 (30 MT)		<u>Serial Number</u> 258268	
Item	Part	Description	Page
	80000556	DRIVE LINE ASSEMBLY (COMPLETE ASSEMBLY)	395
	7364100166	DRIVE LINE ASSEMBLY (COMPLETE ASSEMBLY)	397
23	2159810224	ENGINE INSTALLATION	399
	2159810225	ENGINE ASSEMBLY - CUMMINS QSB6.7 (NOT AVAILABLE AS ASSEMBLY)	403
	80011908	TRANSMISSION ASSEMBLY - 6 SPEED 12 VOLT (COMPLETE ASSEMBLY)	409
	9904110609	CONVERTER HOUSING GROUP	411
	9904109807	CASE & REAR COVER GROUP	413
	9904110611	TURBINE SHAFT GROUP	417
	9904110612	DRIVE PLATE GROUP	419
	9904110613	TORQUE CONVERTER GROUP	421
	9904110614	GEAR GROUP	423
	9904110615	AUXILIARY PUMP DRIVE GROUP	425
	9904110616	PUMP DRIVE GROUP	427
	9904110617	FORWARD SHAFT GROUP	429
	9904110618	REVERSE & 2ND. SHAFT GROUP	431
	9904110619	REVERSE IDLER GROUP	433
	9904110620	LOW SPEED SHAFT GROUP	435
	9904110621	3RD. SHAFT GROUP	437
	9904110622	IDLER SHAFT GROUP	439
	90015440	OUTPUT SHAFT GROUP	441
	9904110624	HI/LOW RANGE SHIFT CONT. GROUP	445
	9904110625	DISC BRAKE GROUP	447
	9904110626	CHARGE PUMP & FILTER GROUP	449
	9904110627	CONTROL VALVE MOUNTING GROUP	451
	9904110628	CONTROL VALVE ASSY. GROUP	453
	80022000	BRAKE ASSEMBLY-PARKING	455
	7722100101	PUMP ASSEMBLY - GEAR (COMPLETE ASSEMBLY)	459
	7722100100	PUMP ASSEMBLY - PISTON (COMPLETE ASSEMBLY)	461

Manitowoc Cranes MACHINE COMPONENT INDEX

Date: Feb 18, 2010

Rev: 001

Model Number RT530E-2 (30 MT)		Serial Number 258268	
Item	Part	Description	Page
	6978100956	ELECTRICAL SYSTEM INSTALLATION - ENGINE (NOT AVAILABLE AS ASSEMBLY)	467
	6512100819	HARNESS ASSEMBLY - ENGINE (COMPLETE ASSEMBLY)	471
	7246100345	KIT - CABLE (ENGINE) (COMPLETE ASSEMBLY)	475
24	80014219	RADIATOR INSTALLATION	477
	2159810147	RADIATOR ASSEMBLY (NOT AVAILABLE AS ASSEMBLY)	481
	7726191194	COOLER ASSEMBLY - RADIATOR/CHARGE AIR (COMPLETE ASSEMBLY)	483
	2159810114	TANK ASSEMBLY - SURGE (NOT AVAILABLE AS ASSEMBLY)	485
25	2159110179	TANK INSTALLATION - FUEL	487
	7880100116	TANK ASSEMBLY - 58 GALLON FUEL (COMPLETE ASSEMBLY)	491
	7576001743	MOUNTING KIT - OIL COOLER	493
	2159110178	LADDER ASSEMBLY (COMPLETE ASSEMBLY)	495
26	2159810208	BATTERY INSTALLATION	497
	7246100441	KIT - CABLE (BATTERIES) RT535	501
27	2159810115	SYSTEM INSTALLATION - EXHAUST	503
28	80009949	AIR CLEANER INSTALLATION	505
	7304100012	CLEANER ASSEMBLY - AIR (COMPLETE ASSEMBLY)	507
29	80013440	OIL COOLER INSTALLATION - HYDRAULIC	509
31	80010096	FENDERS KIT-HOIST ACCESS	511
34	2159810143	GRILL INSTALLATION - ENGINE HOOD	513
37	80001526	BLOCK HEATER ASSEMBLY - 120V	515
38	80004881	FAN INSTALLATION - NON CE	517
		SPECS/SCHEMATICS	
1	6294102599	ELECTRICAL SCHEMATIC - RT530E2	
2	80015467	SCHEMATIC_HYDRAULIC	
		ELECTRICAL	
16	80020030	ELECTRICAL SYSTEM INSTALLATION-SS	519

Manitowoc Cranes MACHINE COMPONENT INDEX

Date: Feb 18, 2010

Rev: 001

<u>Model Number</u> RT530E-2 (30 MT)		<u>Serial Number</u> 258268	
Item	Part	Description	Page
	80020029	HARNES ASSEMBLY-SUPERSTRUCTURE	521

Manitowoc Cranes

Notes

Manitowoc Cranes

Notes

Manitowoc Cranes



The drawing or bill of material for this installation was not available when this catalog was created. Please contact Rich Rebok at richard.rebok@manitowoc.com for Grove products or Galen Burkholder at galen.burkholder@manitowoc.com for National products to supply us with your mailing information. Once the drawing or bill of material has been completed, we will send you the appropriate pages to be inserted into your manual.

Regards,

Technical Publications Department
Shady Grove, Pennsylvania
www.cranecare.com

Manitowoc Cranes

Description
BOOM ASSEMBLY 95'

Assembly No.
80018659
 Revision: **B**

Item	FN	Part	Qty	Description
1		80016179	1	BASE SECTION
2		2155910050	1	SECTION, INNER MID
3		2155910052	1	SECTION, OUTER MID
4		80018657	1	NOSE TO FLY WELD
5	+	6372100411	1	CYLINDER ASSEMBLY - TELESCOPE (COMPLETE ASSEMBLY)
6		7949000236	10	FLAT WASHER, 3/4"
7		7110220606	4	CAP SCREW, 3/4" - 10 N.C. X 3/4" GRADE 1
8		7671100116	1	PAD ASSY, FRONT LOWER INCLUDES THE FOLLOWING PARTS
		7671100117	1	PAD, FRONT LOWER WEAR
		7671100081	3	TEFLON PLUG
9		6671001149	1	PAD, SIDE WEAR
10		4159910000	12	SHIM,
11		7115150950	28	CAP SCREW, 5/16" - 18 N.C. X 1 1/8" GRADE 5
12		6671001148	1	PAD, WEAR
13		7111160807	22	SCREW, MACHINE 3/8" - 16 N.C. X 1" GRADE 1
14		6671000166	1	PAD, WEAR
15		4159910001	16	SHIM,
16		4159901578	1	PLATE, KICKBACK
17		7115150550	14	CAP SCREW, 5/16" - 18 N.C. X 5/8" GRADE 5
18		4159910002	2	PLATE, KICKBACK
19		4159901577	6	HOLDER, WEAR PAD
20		7671100118	1	PAD ASSY, REAR UPPER INCLUDES THE FOLLOWING PARTS
		7671100119	1	PAD, REAR UPPER WEAR
		7671100081	2	TEFLON PLUG
21		7671100120	1	PAD ASSY, REAR UPPER INCLUDES THE FOLLOWING PARTS
		7671100121	1	PAD, REAR UPPER WEAR
		7671100081	2	TEFLON PLUG

+ SEE FURTHER BREAKDOWN THIS GROUP

Manitowoc Cranes

Description				Assembly No.
BOOM ASSEMBLY 95'				80018659
				Revision: B
Item	FN	Part	Qty	Description
22		6659000889	6	WASHER, OFFSET
23		7949000317	18	7/16 WASHER-HARD WASHER, 7/16" I.D.
24		7115170650	18	CAP SCREW, 7/16" - 14 N.C. X 3/4" GRADE 5
25		2159910205	1	ANCHOR, RIGHT HAND PLATE SINGLE
26		2159910206	1	ANCHOR, LEFT HAND MOUNTING PLATE DUAL
27		80012762	1	SHEAVE MOUNT
28		7440000000	7	FITTING, 1/8 STRAIGHT GREASE
29		4159901579	1	PLATE, KEEPER
30		6689002074	2	PIN
31		7690051610	6	PIN, COTTER 1/8" X 1"
32		6718100000	2	SHEAVE INCLUDES THE FOLLOWING PARTS
		6069100000	1	BEARING
33		7115163250	2	CAP SCREW, 3/8" - 16 N.C. X 4" GRADE 5
34		7246100048	1	CABLE, EXTENSION
35		7660220008	4	NUT, HEX 3/4" - 10 N.C. GRADE 8
36		7110180605	2	CAP SCREW, 1/2" - 13 N.C. X 3/4" GRADE 1
37		2159910078	4	SHAFT
38		7949000333	8	WASHER, THRUST
39		6718100012	2	SHEAVE, 2 GROOVE INCLUDES THE FOLLOWING PARTS
		6069000445	1	BEARING
40		6200200812	2	BUSHING
41		6718100043	2	SHEAVE ASSY, 1 GROOVE INCLUDES THE FOLLOWING PARTS
		6069000445	1	BEARING
42		7115163450	2	CAP SCREW, 3/8" - 16 N.C. X 4 1/2" GRADE 5

Manitowoc Cranes

<u>Description</u> BOOM ASSEMBLY 95'				<u>Assembly No.</u> 80018659 Revision: B
Item	FN	Part	Qty	Description
43		6689100028	2	PIN
44		7246100049	6	CABLE, RETRACTION
45		7660200008	12	NUT, HEX 5/8" - 11 N.C. GRADE 8
46		2155910039	1	MOUNT, SHEAVE
47		2159910004	1	FOOT
48		6671000177	1	PAD, WEAR
49		6718100006	1	SHEAVE ASSY, 5 GROOVE INCLUDES THE FOLLOWING PARTS
		7069100031	1	BEARING
50		4155910024	1	SHAFT, SHEAVE
51		4140900205	1	RETAINER
52		6949001174	4	PLATE, SPACER
53		7246003554	5	CABLE, EXTENSION
54		2159910055	1	SLED
55		7099100058	2	BOLT, 1" DIAMETER 12" LONG
56		7660260008	4	NUT, HEX 1" - 8 N.C. GRADE 8
57		7115221650	4	CAP SCREW, 3/4" - 10 N.C. X 2" GRADE 5
58		7115151250	6	CAP SCREW, 5/16" - 18 N.C. X 1 1/2" GRADE 5
59		6199100017	2	BUSHING
60		4159910034	1	ANGLE, MOUNTING
61		4159910051	1	ANGLE, MOUNTING
62		4159910036	1	ANGLE, MOUNTING
63		4159910046	1	PLATE, COVER
64		7689000053	2	PIN, CLIP
66		7118181050	4	CAP SCREW, 1/2" - 13 N.C. X 1 1/4" GRADE 8
67		7949000235	8	WASHER, 1/2" I.D. FLAT
68		6199100016	2	BUSHING

Manitowoc Cranes

Description
BOOM ASSEMBLY 95'

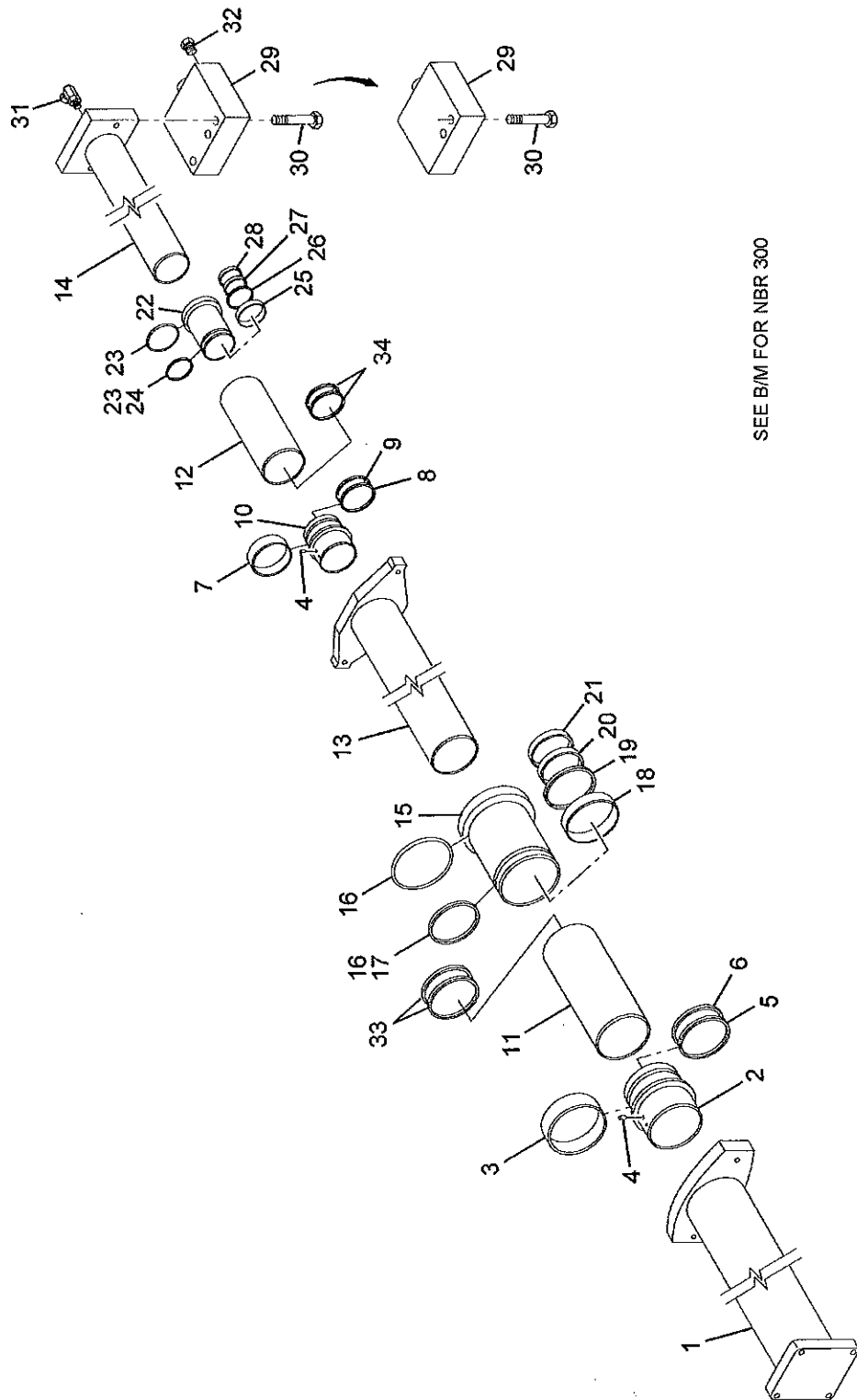
Assembly No.
80018659
Revision: **B**

Item	FN	Part	Qty	Description
69		7110260606	2	CAP SCREW, 1" - 8 N.C. X 3/4" GRADE 1
70		7949000360	2	WASHER, 1" I.D.
71		4159910033	1	ANGLE, MOUNTING
72		4159910142	1	PLATE, KEEPER
73		7118160850	2	CAP SCREW, 3/8" - 16 N.C. X 1" GRADE 8
74		6705006974	2	PLATE
75		7115180850	4	CAP SCREW, 1/2"-13 UNC X 1"
76		7115140650	2	CAP SCREW, 1/4" - 20 N.C. X 3/4" GRADE 5
77		7950140141	2	WASHER, FLAT 1/4" PLAIN NARROW
78		7950150141	48	WASHER, FLAT 5/16"
79		7950150050	48	WASHER, LOCK 5/16" I.D.
80		7364002614	2	JOINT, 90 DEGREE LIVE SWIVEL
81		7447161203	2	ELBOW, 90 DEGREE INCLUDES THE FOLLOWING PARTS
		7755021002	1	O-RING
		7755912002	1	O-RING
82		7013000524	2	REDUCER
83		2159910204	1	ANCHOR, LEFT HAND PLATE SINGLE
84		2159910207	1	ANCHOR, RIGHT HAND MOUNTING PLATE DUAL
85		6200200816	2	BUSHING
88		80014572	1	SHAFT
89		80014544	1	ROLLER, HOIST CABLES
90		7126191353	1	CAP SCREW, M10 X 30MM HEX HEAD
91		7951190210	1	LOCK WASHER, 10MM
92		7951190014	2	FLAT WASHER, 10MM I.D.
93		7661190003	1	NUT, HEX 10MM

Manitowoc Cranes

Notes

Manitowoc Cranes



SEE B/M FOR NBR 300

Manitowoc Cranes

Description CYLINDER ASSEMBLY - TELESCOPE (COMPLETE ASSEMBLY)				Assembly No. 6372100411 Revision: #
Item	FN	Part	Qty	Description
1		6372100049	1	BARREL, TELESCOPE CYLINDER
2		6701100000	1	PISTON, 6.31" CYLINDER
3	*	7794101550	2	SEAL
4		7099000378	2	SCREW, 3/8" - 16NC X 3/8" SET
5	*	7754100000	1	O-RING, LOW TEMPERATURE
6	*	7755351609	2	RING, BACK-UP
7	*	7794101551	2	SEAL
8	*	7754000144	1	O-RING, LOW TEMPERATURE
9	*	7755325609	2	RING, BACK-UP
10		6701100001	1	PISTON, 4 1/4" CYLINDER
11		7910101574	1	SPACER
12		7910101575	1	SPACER
13		6768100005	1	ROD, 5 1/2"
14		6768100000	1	ROD, 3 1/2"
15		6372006097	1	HEAD, CYLINDER
16	*	7754000146	2	O-RING, LOW TEMPERATURE
17	*	7753100052	1	BACK-UP RING;6.34 BORE
18	*	7753000195	1	RING, WEAR
19	*	7794000563	1	BUFFER SEAL ASSY (5.50" ROD)
20	*	7794101552	1	SEAL, ROD
21	*	7794000222	1	5.500" DIA ROD WIPER RING
22		6372006103	1	HEAD, 4 1/4" CYLINDER
23	*	7754000149	2	O-RING, LOW TEMPERATURE
24	*	7753100053	1	BACK-UP RING;4.31 BORE
25	*	7753001461	2	RING, WEAR
26	*	7794000707	1	SEAL, BUFFER
27	*	7794000660	1	SEAL, ROD
28	*	7753000755	1	RING, WIPER
29	+	7926100616	1	VALVE ASSEMBLY - COUNTERBALANCE
30		7110181805	3	CAP SCREW, 1/2" - 13 N.C. X 2" GRADE 1
31		7709000028	1	PLUG, SAE #4
		7755904002	1	INCLUDES THE FOLLOWING PARTS O-RING

* REPAIR KIT AND/OR PART OF KIT

+ SEE FURTHER BREAKDOWN THIS GROUP

Manitowoc Cranes

Description

CYLINDER ASSEMBLY - TELESCOPE (COMPLETE ASSEMBLY)

Assembly No.

6372100411

Revision: #

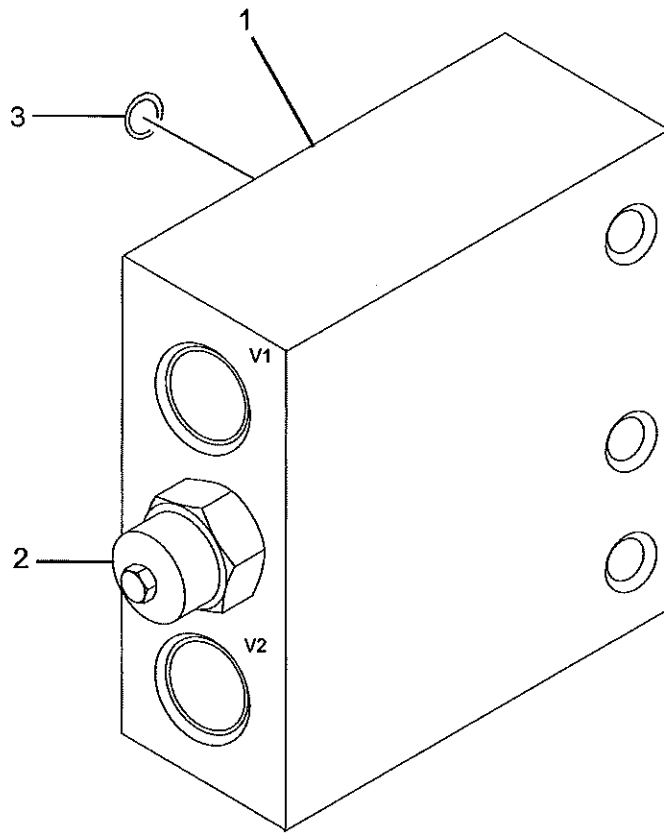
Item	FN	Part	Qty	Description
33		7755161000	2	O-RING
34		7755043000	2	O-RING
300	*	7373100000	1	KIT, CYLINDER SEAL

* REPAIR KIT AND/OR PART OF KIT

Manitowoc Cranes

Notes

Manitowoc Cranes



7926100616

(SHEET 1 OF 1)

Page 12

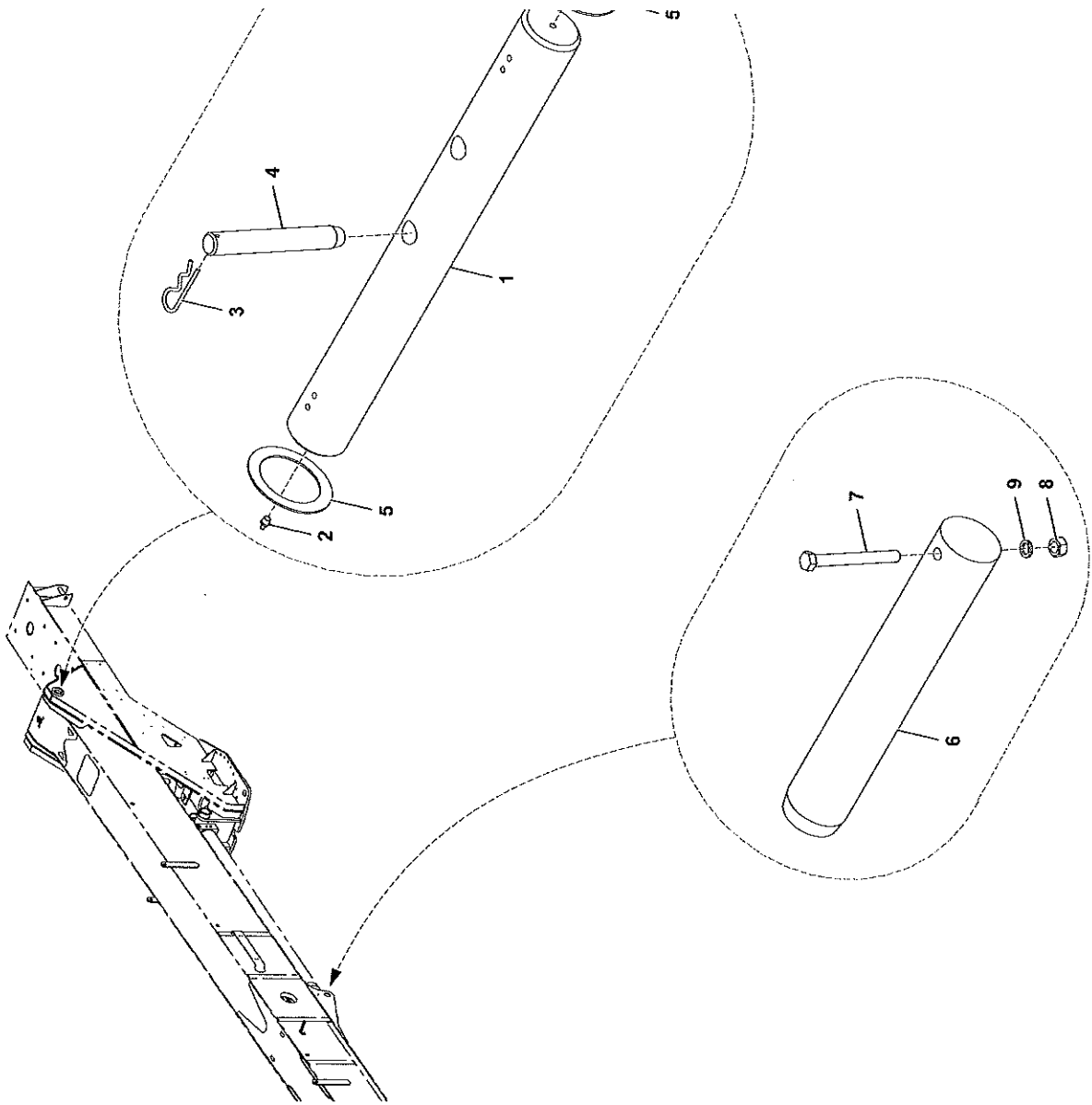
Manitowoc Cranes

Description
VALVE ASSEMBLY - COUNTERBALANCE

Assembly No.
7926100616
Revision:

Item	FN	Part	Qty	Description
1		NSS	1	BODY
2		9926112313	1	VALVE, CARTRIDGE
		9926107803	1	INCLUDES THE FOLLOWING PARTS
		7755017000	1	KIT, SEAL
3			2	O-RING

Manitowoc Cranes



2159210176

(SHEET 1 OF 1)

Page 14

Manitowoc Cranes

Description

SHAFT INSTALLATION - UPPER & BOOM PIVOT

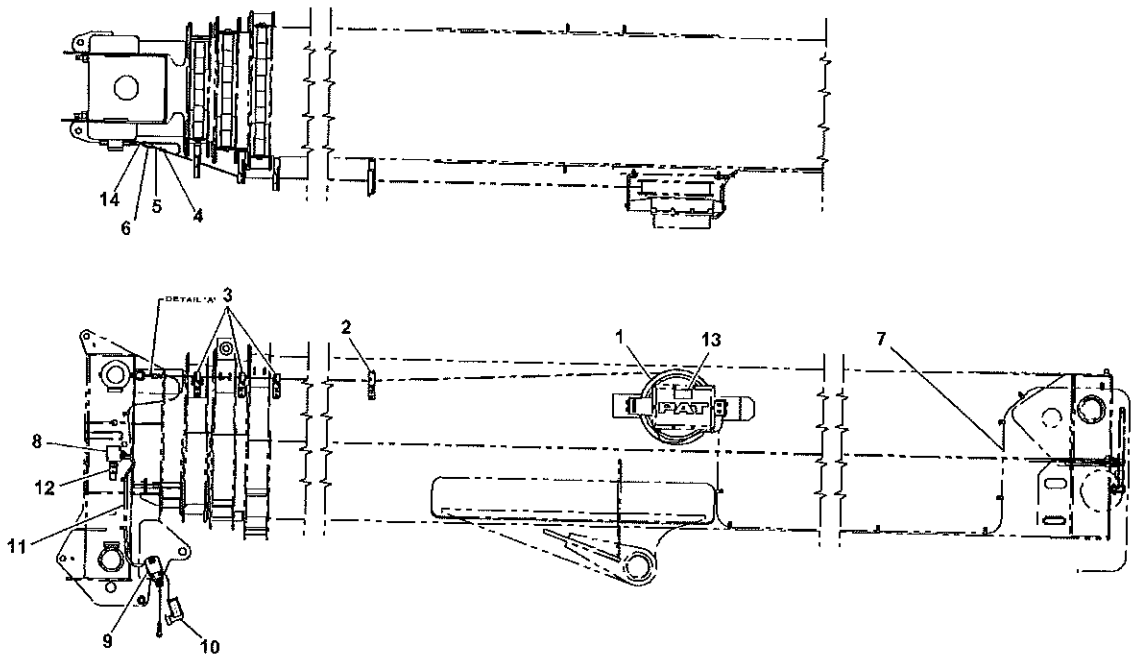
Assembly No.

2159210176

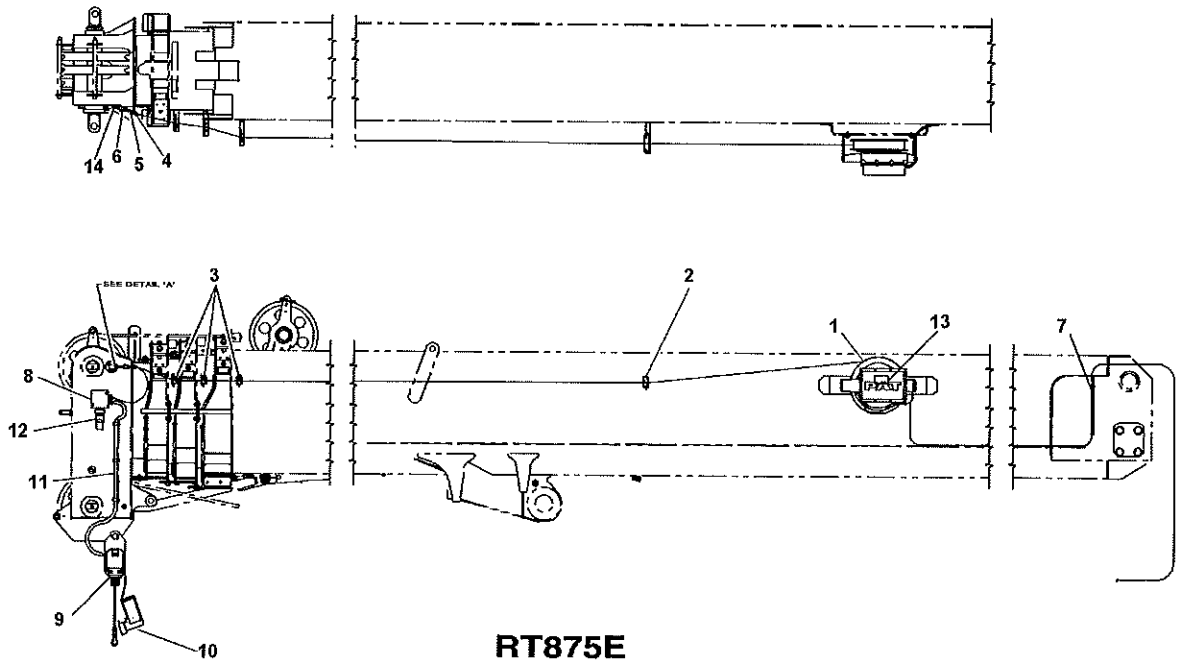
Revision: #

Item	FN	Part	Qty	Description
1		6810100067	1	SHAFT, PIVOT
2		7440000000	2	FITTING, 1/8 STRAIGHT GREASE
3		7689000036	1	PIN, CLIP
4		7689100046	1	PIN
5		7949000385	2	WASHER, THRUST
6		7810100139	1	SHAFT, PIVOT
7		7126243150	1	CAP SCREW, M16X150 HEX HEAD
8		7661240003	1	NUT, HEX 16MM N.C.
9		7951240210	1	SPRING WASHER, 16MM I.D.

Manitowoc Cranes

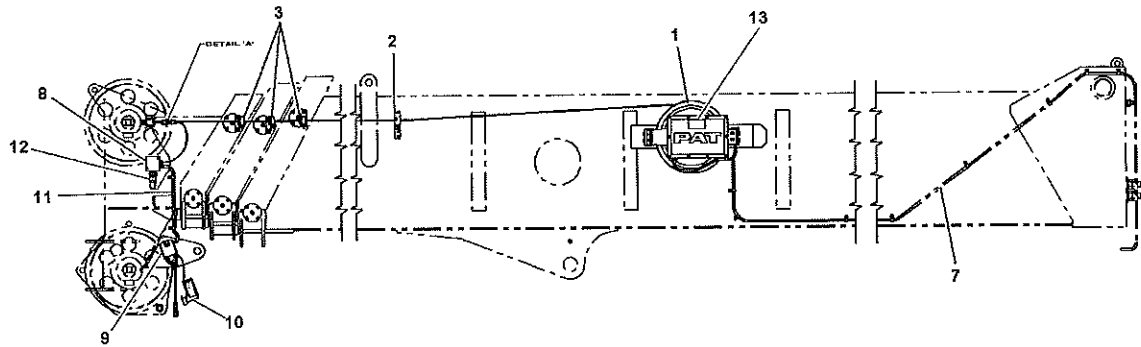
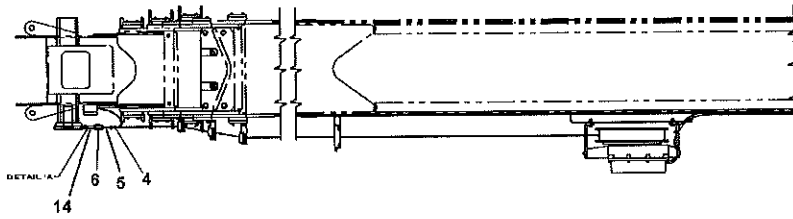


RT700E AND TMS700E

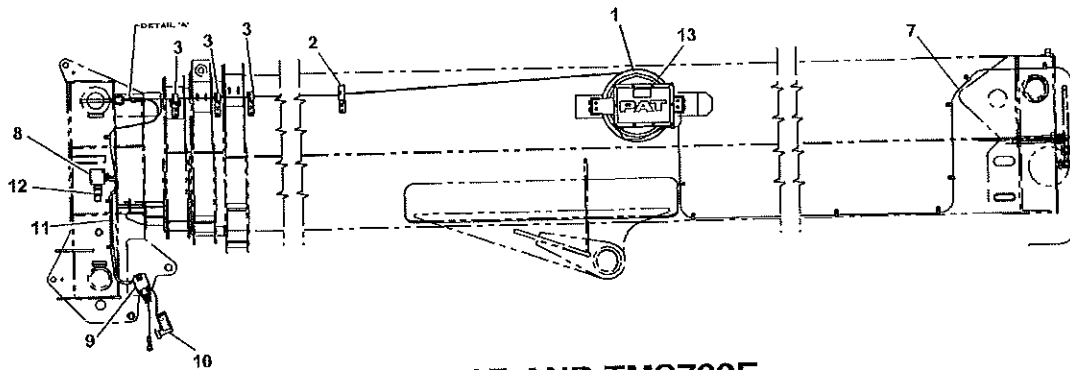
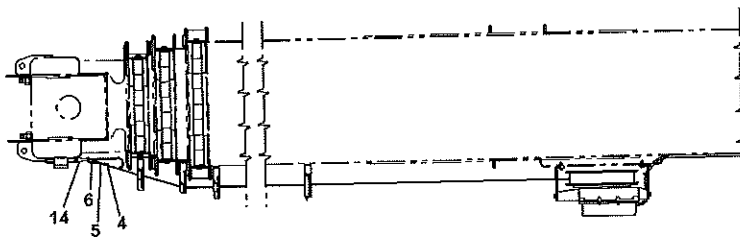


RT875E

Manitowoc Cranes

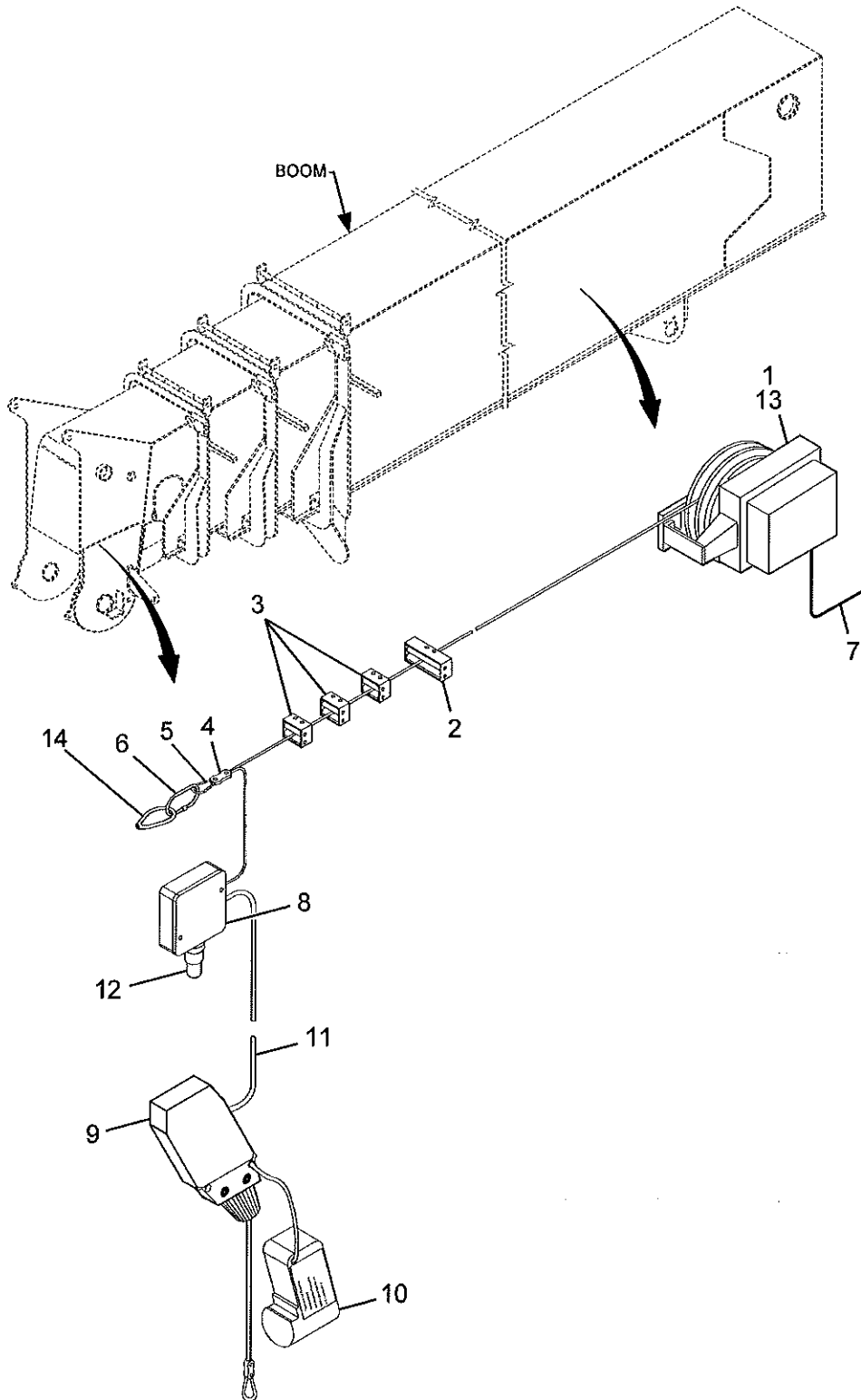


RT600E



RT700E AND TMS700E

Manitowoc Cranes



7598100094

(SHEET 1 OF 3)

Page 18

Manitowoc Cranes

Description
KIT INSTALLATION - IFLEX 5 LMI BOOM

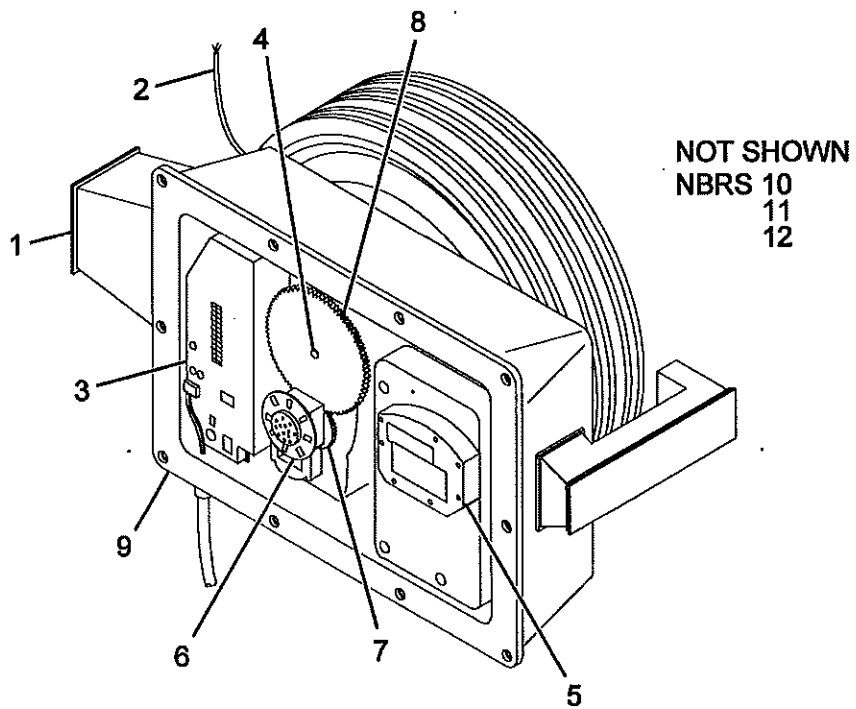
Assembly No.
7598100094
 Revision: **A**

Item	FN	Part	Qty	Description
1	+	9333103873	1	CABLE REEL LWG508 - IFLEX 5
2	+	9333101437	1	ROLLER GUIDE ASSEMBLY
3		9333101435	3	GUIDE, CABLE
4		9333103094	1	CLAMP, CABLE
5		9333103697	1	THIMBLE, 1/8" CABLE
6		9333102620	1	CONNECTOR, CHAIN 2 7/16"
7		9333103872	1	CABLE, CANBUS 11M W/MOLDED M12
8	+	9333103565	1	BOX ASSEMBLY - JUNCTION
9		9333102230	1	A2B SWITCH - WITH RETAINER CRIMP
10	+	9333102633	1	FLAG ASSEMBLY - A2B RETAINER (COMPLETE ASSEMBLY)
11		9333102235	2	CONDUIT (CUT TO LENGTH REQUIRED)
12	+	9333102765	1	CONNECTOR ASSEMBLY DUMMY PLUG, 2-PIN
13	#	7296000004	1	INHIBITOR, CORROSION VAPOR CONTROL
14		9333103768	1	NUT, EYE

+ SEE FURTHER BREAKDOWN THIS GROUP

SERVICED AS AN ASSEMBLY ONLY

Manitowoc Cranes



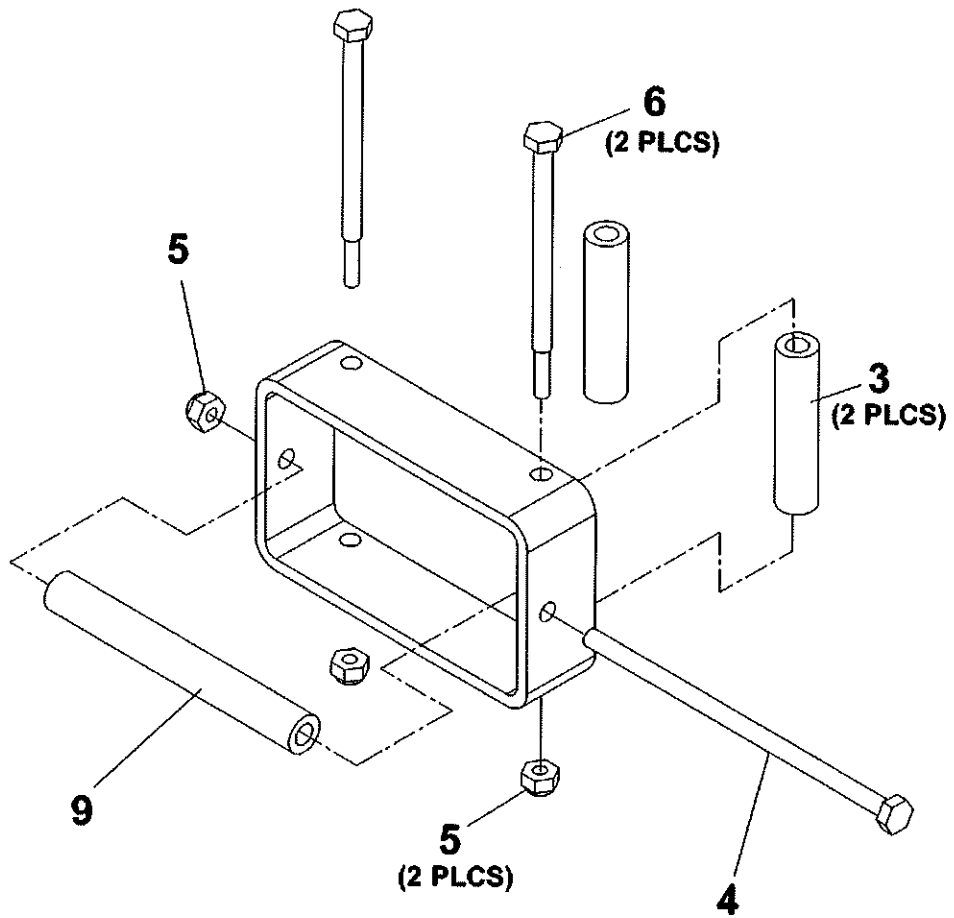
Manitowoc Cranes

Description
CABLE REEL LWG508 - IFLEX 5

Assembly No.
9333103873
 Revision:

Item	FN	Part	Qty	Description
1		NSS	1	DRUM BODY, CABLE REEL
2		9333102986	139	CABLE, LENGTH SENSOR - 1 CORE W/ SCREEN (BULK)
3		9333103896	1	P.C. BOARD
4		9333103897	1	POTENTIOMETER,LENGTH
5		9333103898	1	SENSOR,ANGLE
6		9333103904	1	SLIP RING ASSY. 2 CONN.
7		9333103905	1	GEAR, 25T
8		9333101625	1	GEAR, 75T
9		9333103906	1	PLUG,CONNECTOR ASSY.5 PIN PASS
10		9333103907	1	COVER
11		9333101565	1	SEAL, COVER
12		9333101566	10	SCREW, COVER

Manitowoc Cranes



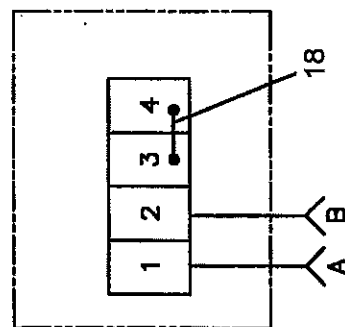
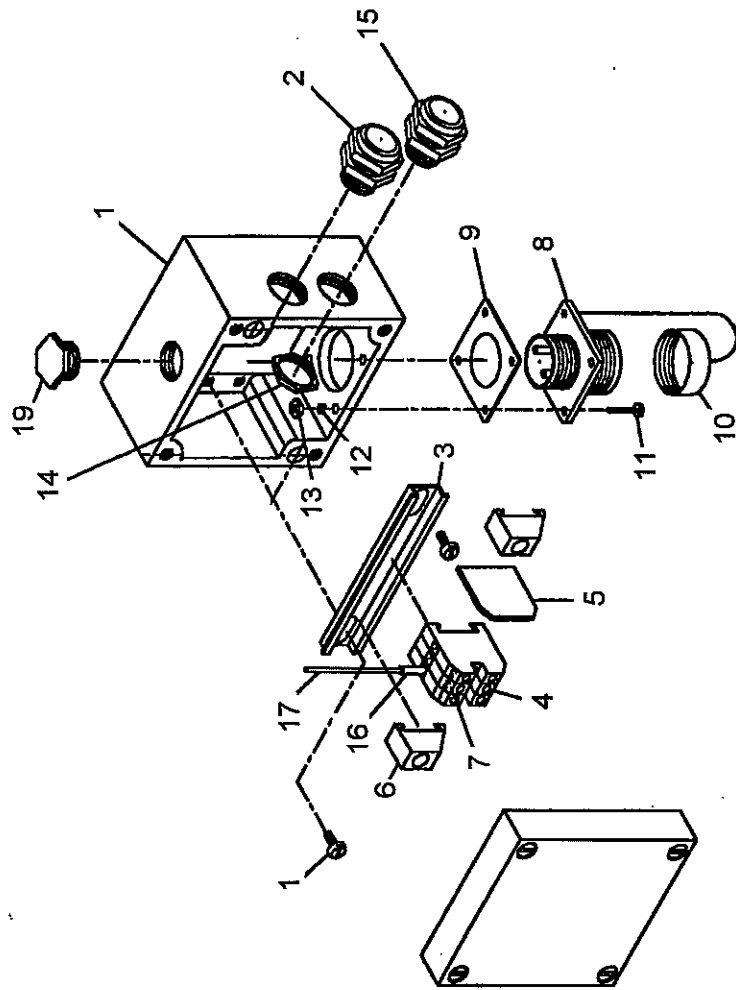
Manitowoc Cranes

Description
ROLLER GUIDE ASSEMBLY

Assembly No.
9333101437
Revision:

Item	FN	Part	Qty	Description
1		203582	1	TUBE
2		203583	1	ROLLER
3		203584	2	ROLLER
4		7115144450	1	CAP SCREW, 1/4-20UNC X 5 1/2
5		846531	3	NUT, SELF-LOCKING
6		7115143250	2	CAP SCREW, 1/4" - 20 N.C. X 4" GRADE 5

Manitowoc Cranes



WIRING DETAIL

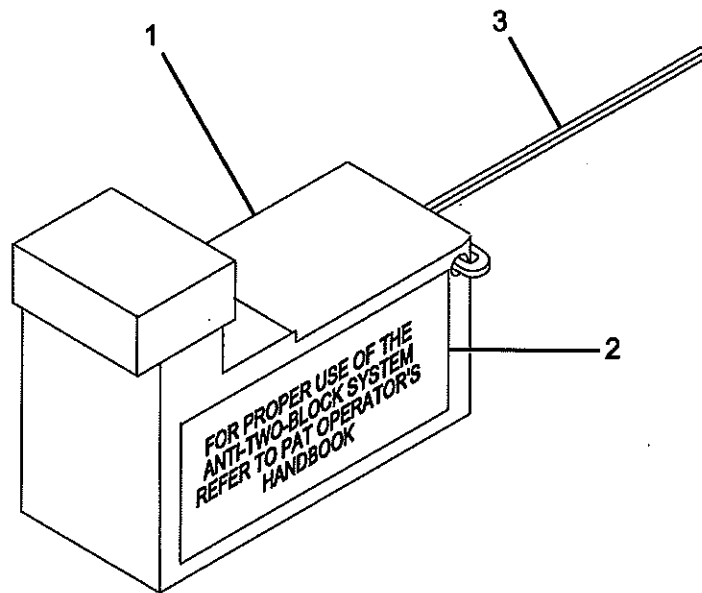
Manitowoc Cranes

Description
BOX ASSEMBLY - JUNCTION

Assembly No.
9333103565
 Revision:

Item	FN	Part	Qty	Description
1		9333103735	1	BOX, JUNCTION
2		9333102056	1	STRAIN RELIEF WHITE INSERT - PG9
3		9333102759	1	RAIL, TERMINAL STRIP MOUNTING
4		9333102663	4	BLOCK, TERMINAL STRIP
5		9333102664	1	PLATE, TERMINAL STRIP END
6		9333102665	2	BRACKET, TERMINAL STRIP END
7		9333103044	1	MARKING TAGS, 1-5
8		9333102792	1	CONNECTOR, CANNON 2-SOCKET RECEPTACLE,
9		9333102482	1	GASKET
10		9333102612	1	COVER, DUST
11		9333102669	4	SCREW #4
12		9333102266	4	WASHER, LOCK #4
13		9333102480	4	NUT #4
14		9333101984	1	LOCKNUT PG9
15		9333103041	1	RELIEF, VALVE PG9 W/ YELLOW INSERT
16		9333103042	2	CRIMP FERRULE, 20 AWG
17		9333102479	1	WIRE
18		9333102717	1	BAR, 2-POLE JUMPER
19		9333102808	1	PLUG, HOLE

Manitowoc Cranes



Manitowoc Cranes

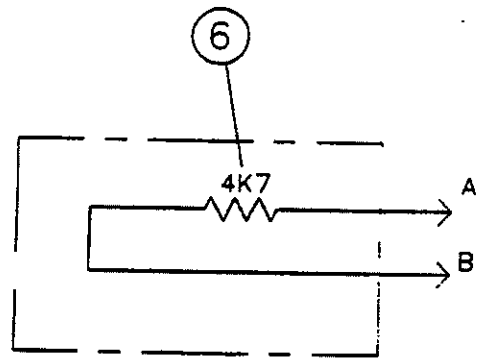
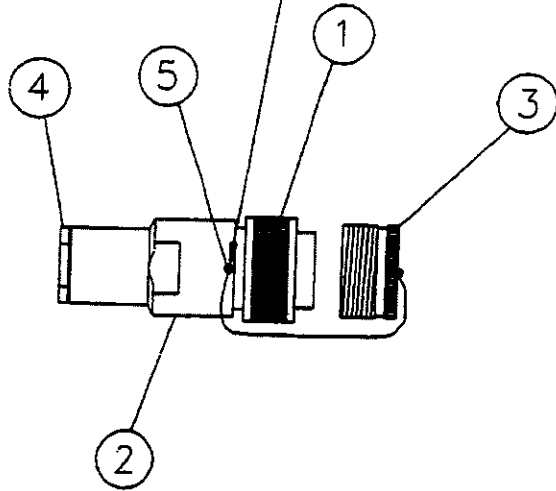
Description
**FLAG ASSEMBLY - A2B RETAINER
(COMPLETE ASSEMBLY)**

Assembly No.
9333102633
Revision:

Item	FN	Part	Qty	Description
1		9333102373	1	FLAG, RETAINER
2		9333102618	1	DECAL, A2B
3		9333102232	1	LANYARD

Manitowoc Cranes

NOTE: SCREW TO HOUSING CONNECTION
MUST BE WATER TIGHT.



WIRING DETAIL

NOTES:

$\text{---}\overset{4K7}{\text{---}}\text{---}$ = 4.7 k Ω RESISTOR (1/4 W)

NC = NOT CONNECTED

CONNECTOR ASSEMBLY

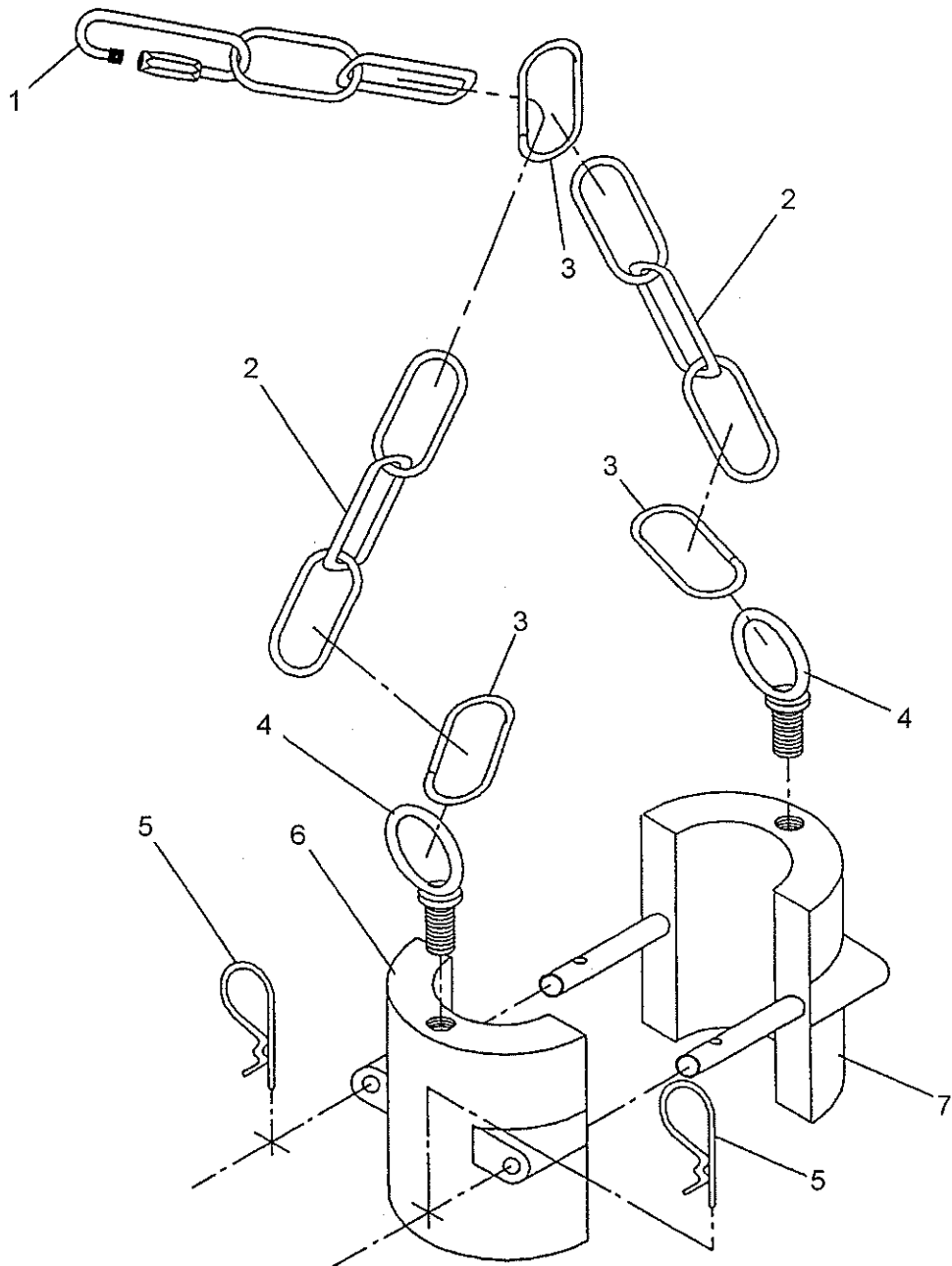
Manitowoc Cranes

Description
CONNECTOR ASSEMBLY DUMMY PLUG, 2-PIN

Assembly No.
9333102765
Revision:

Item	FN	Part	Qty	Description
1		9333103040	1	CANNON CONNECTOR, 2-PIN PLUG
2		9333102770	1	HOUSING, CANNON CONNECTOR END #16
3		9333102615	1	COVER, DUST PLUG END
4		9333102047	1	PLUG, HOLE
5		9333102790	1	SCREW, SLOTTED MACHINE
6		9333101465	1	RESISTOR, 4700 OHMS

Manitowoc Cranes



3486000212

(SHEET 1 OF 1)

Page 30

Manitowoc Cranes

Description
WEIGHT AND CHAIN ASSEMBLY (COMPLETE ASSEMBLY)

Assembly No.
3486000212
Revision:

Item	FN	Part	Qty	Description
1		9333101840	1	CLEVIS
2		9333101921	1	CHAIN ASSEMBLY
3		9333101922	3	CLAMP, CHAIN
4		9333101923	2	EYEBOLT
5		9333101916	2	PIN, COTTER
6		9333101924	1	WEIGHT, FEMALE
7		9333101925	1	WEIGHT, MALE

Manitowoc Cranes



The drawing or bill of material for this installation was not available when this catalog was created. Please contact Rich Rebok at richard.rebok@manitowoc.com for Grove products or Galen Burkholder at galen.burkholder@manitowoc.com for National products to supply us with your mailing information. Once the drawing or bill of material has been completed, we will send you the appropriate pages to be inserted into your manual.

Regards,
Technical Publications Department
Shady Grove, Pennsylvania
www.cranecare.com

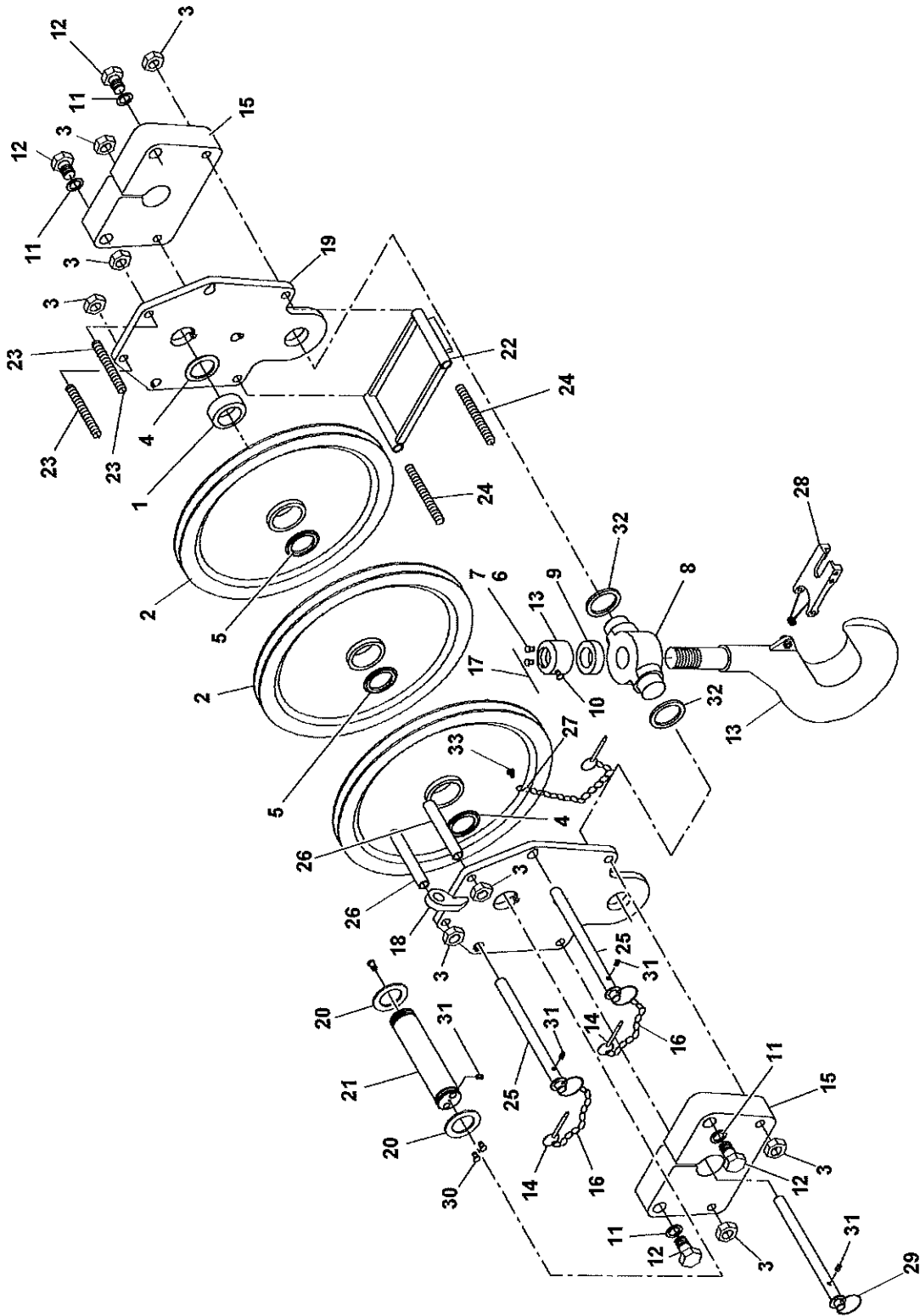
Manitowoc Cranes

Description
LMI BOOM INSTL KIT - IFLEX 5

Assembly No.
80022630
Revision: #

Item	FN	Part	Qty	Description
61		7115160850	4	CAP SCREW, 3/8" - 16 N.C. X 1" GRADE 5
62		7950160161	4	WASHER, FLAT WIDE 3/8
63		7950160050	4	WASHER, LOCK 3/8" I.D.
65		7110151605	2	CAP SCREW, 5/16" -18 N.C. X 2" GRADE 1
66		7110080605	2	CAP SCREW, 5/32" - 32 N.C. X 3/4" GRADE 1
67		7300000102	3	CLAMP, TUBING 5/8" I.D.
68		7950140141	3	WASHER, FLAT 1/4" PLAIN NARROW
69		7950140050	3	WASHER, LOCK 1/4"
70		7660140000	3	NUT, HEX 1/4" - 20 N.C.
71		7300000241	1	CLAMP, TUBING 1/8" I.D.
72		7850000805	1	TIE, CABLE (BLACK) 13 3/8" LONG
73		6705017532	1	SHIM,
74		4197910236	1	PLATE, ANTI 2 BLOCK
75		7690102410	1	PIN, COTTER 3/16" X 1 1/2"
76		7850000237	43	TIE, CABLE (BLACK) 7 5/16" LONG
77		7950150141	2	WASHER, FLAT 5/16"
78		7950150050	2	WASHER, LOCK 5/16" I.D.
79		7660150000	2	NUT, HEX 5/16" - 18 N.C.
80		7300100021	1	TUBING CLAMP - 3/16

Manitowoc Cranes



7086100136

(SHEET 1 OF 1)

Manitowoc Cranes

Description
HOOK BLOCK ASSEMBLY - 33 TON (30 MT) (COMPLETE ASSEMBLY)

Assembly No.
7086100136
Revision:

Item	FN	Part	Qty	Description
1		9086100014	3	BEARING, ROLLER
2		9086100800	3	WHEEL, SHEAVE
3		9086100061	8	NUT
4		9086100802	2	WASHER, THRUST
5		9086100803	2	WASHER, THRUST
6		9086100804	2	WASHER,
7		9086100805	2	SCREW,
8		9086100929	1	HOUSING
9		9086100088	1	BEARING
10		7440030000	1	FITTING, STRAIGHT GREASE 1/4" N.P.T.
11		9086100705	4	WASHER, LOCK
12		9086100806	4	CAP SCREW,
13		9086100495	1	HOOK & NUT
14		9086100584	3	PIN, QUICK RELEASE
15		9086101008	2	PLATE, SIDE
16		9086100919	1	CHAIN
17		9086100933	1	WIRE, SAFETY
18		NSS	1	PLATE, DEAD END
19		9086101336	1	PLATE, SIDE SET
20		9086100011	2	PIN, ROLL
21		9086100214	1	PIN 2.5"
22		9086101337	1	GUIDE ASSY.
23		9086100809	2	BOLT, TIE
24		9086100810	2	BOLT, TIE
25		9086100811	3	PIN
26		9086100812	2	SPACER
27		9086100813	1	S-HOOK
28		9086100491	1	KIT,LATCH
29		9086100815	3	RING, SPLIT
30		9086100151	3	FITTING
31		9086100204	4	PIN, ROLL
32		9086100567	2	SPACER

Manitowoc Cranes

Description

HOOK BLOCK ASSEMBLY - 33 TON (30 MT) (COMPLETE ASSEMBLY)

Assembly No.

7086100136

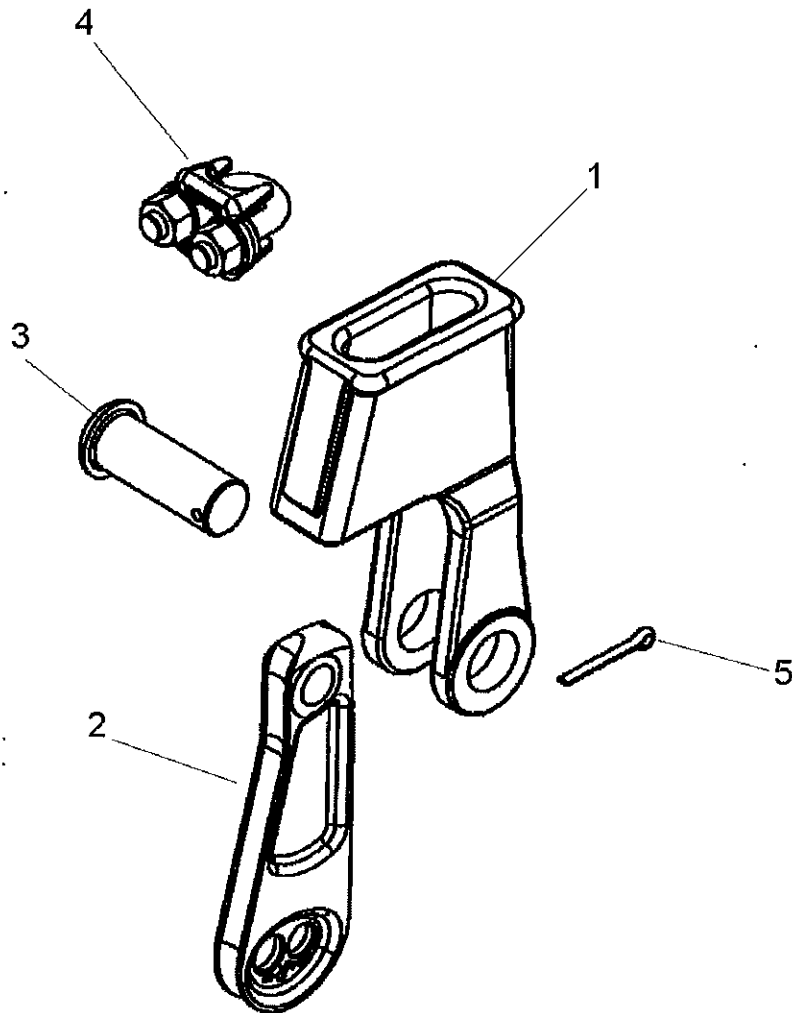
Revision:

Item	FN	Part	Qty	Description
33		9086100801	1	CAP SCREW,

Manitowoc Cranes

Notes

Manitowoc Cranes



7826100017

(SHEET 1 OF 1)

Page 38

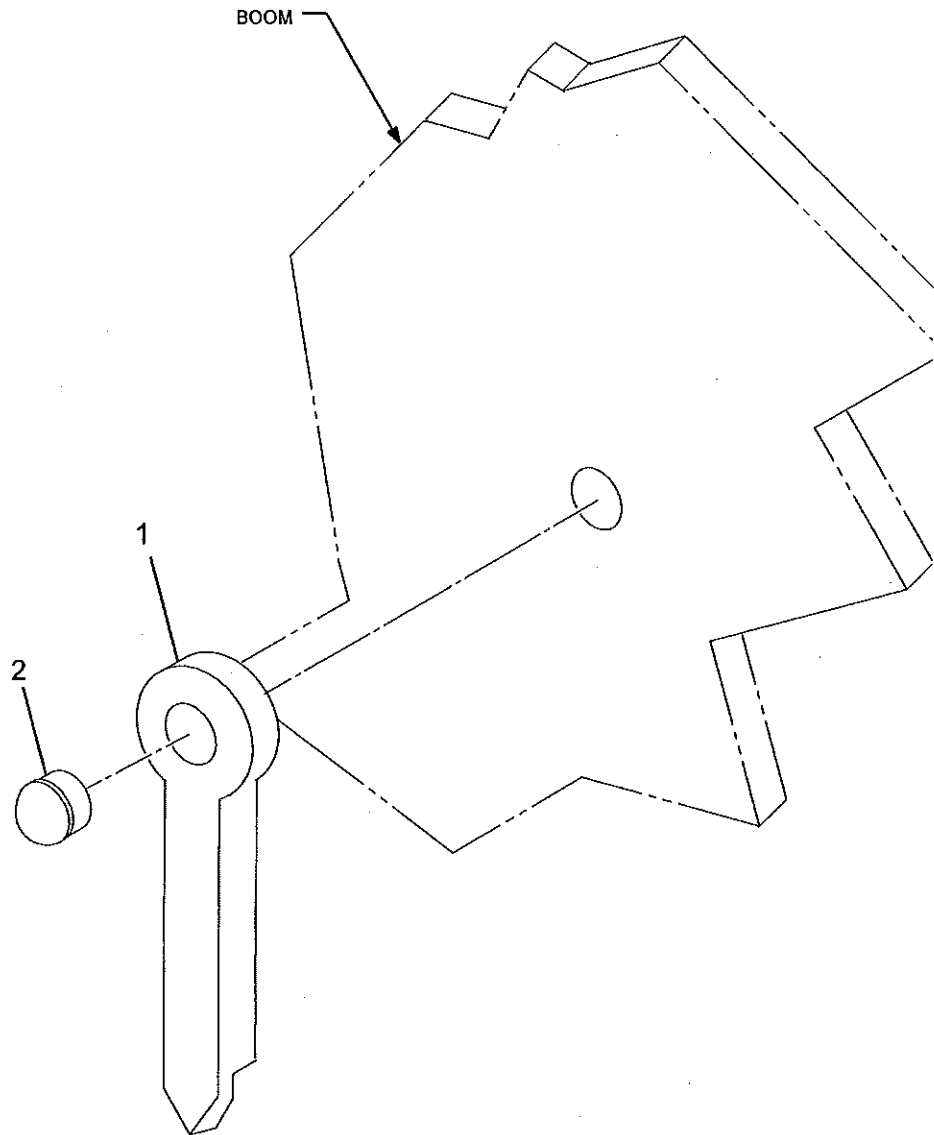
Manitowoc Cranes

Description
SOCKET ASSY 5/8"

Assembly No.
7826100017
Revision:

Item	FN	Part	Qty	Description
1		NSS	1	SOCKET
2		9826100007	1	WEDGE
3		9826100008	1	PIN
4		9914100042	1	CLIP
5		9826100009	1	PIN, COTTER

Manitowoc Cranes



Manitowoc Cranes

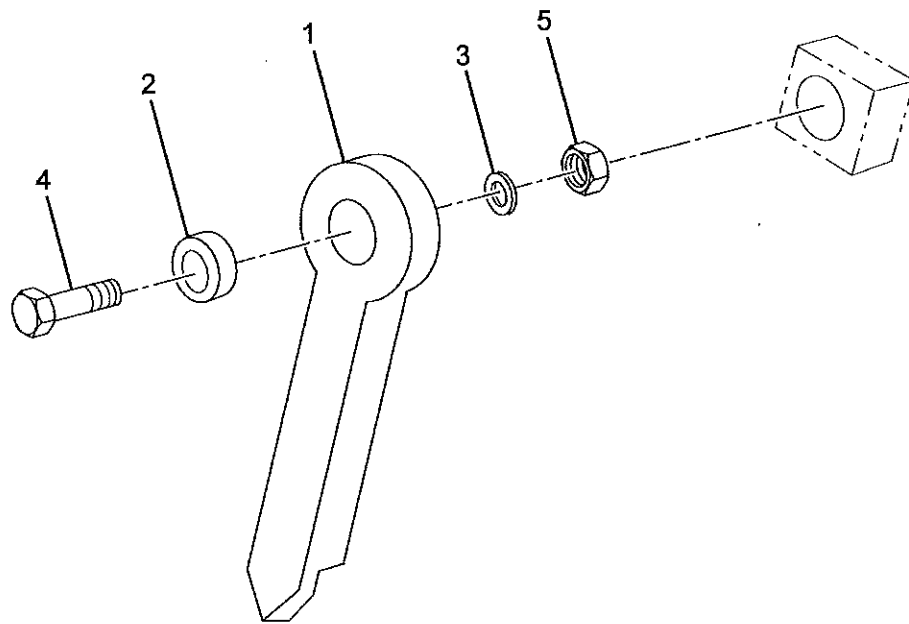
Description
INDICATOR INSTALLATION - BOOM ANGLE

Assembly No.
2159910036
Revision: #

Item	FN	Part	Qty	Description
1	+	2114900861	1	POINTER ASSEMBLY
2		7242000021	1	PLUG, 1" BUTTON

+ SEE FURTHER BREAKDOWN THIS GROUP

Manitowoc Cranes



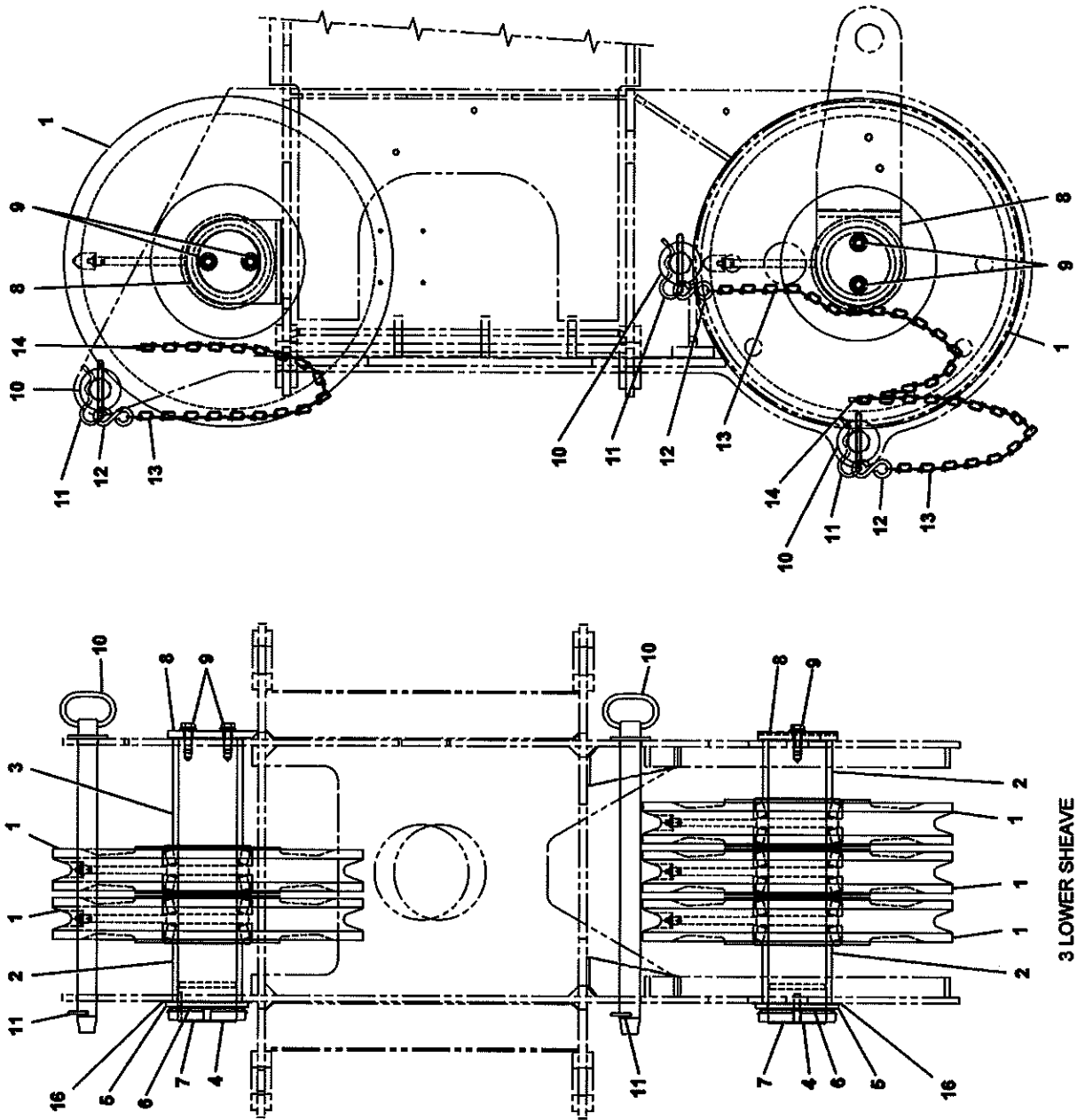
Manitowoc Cranes

Description
POINTER ASSEMBLY

Assembly No.
2114900861
Revision: **A**

Item	FN	Part	Qty	Description
1		4195900219	1	POINTER
2		7069000518	1	BEARING
3		6949001154	2	WASHER,
4		7115150850	1	CAP SCREW, 5/16" - 18 N.C. X 1" GRADE 5
5		7660150200	1	NUT, JAM 5/16" - 18 N.C. GRADE A

Manitowoc Cranes



2159910104

(SHEET 1 OF 1)

Manitowoc Cranes

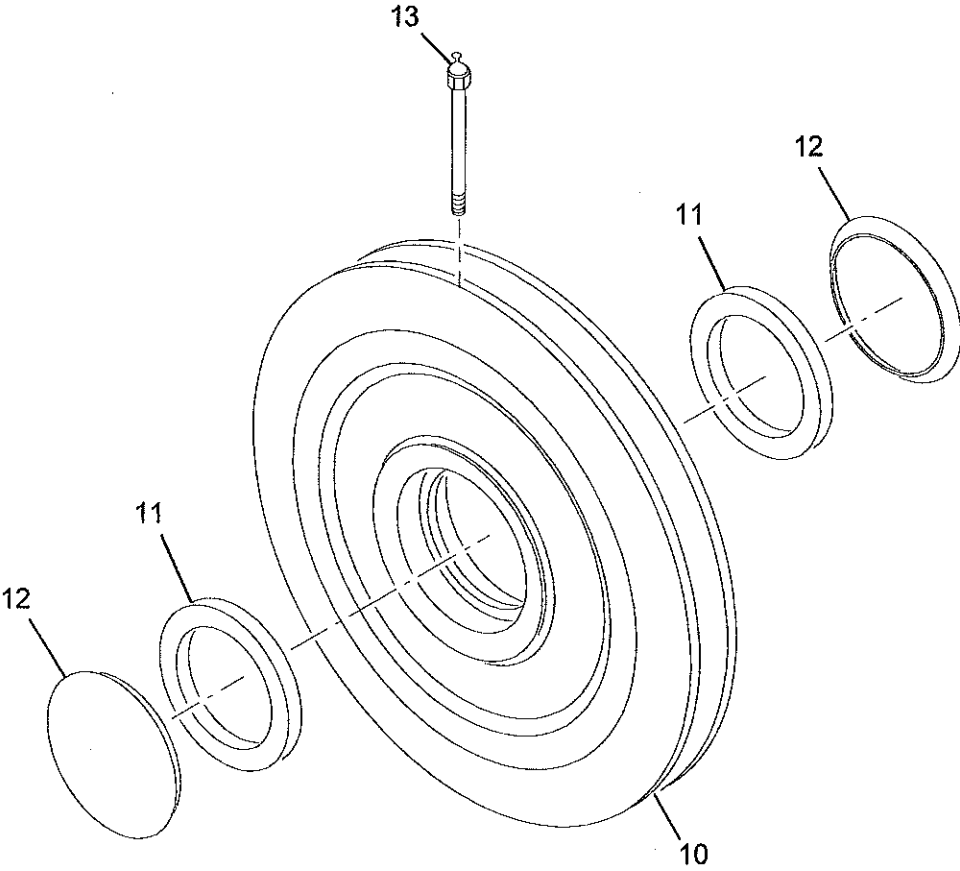
Description
SHEAVE INSTALLATION - 2 OVER 3

Assembly No.
2159910104
Revision: **B**

Item	FN	Part	Qty	Description
1	+	6718100031	5	SHEAVE ASSEMBLY - 5/8" ROPE
2		6910100009	3	SPACER
3		6910010579	1	SPACER
4		6810001156	2	SHAFT
5		7949000269	2	WASHER, KEYED
6		7949000190	2	WASHER,
7		7659000081	2	LOCKNUT
8		4159910026	2	CAP, END
9		7115160878	4	SCREW, FLANGE 3/8" - 16 N.C. X 1" GRADE 5
10		7689000023	3	PIN, LOCK HAIR
11		7689000701	3	CLIP, HITCH PIN
12		7601000955	3	S-HOOK, STANDARD
13		9286100001	3	CHAIN 3' PC. (MUST CUT TO LENGTH NEEDED)
14		7690101610	2	PIN, COTTER 3/16" X 1"
16		4159900304	2	SHIM (.0544")

+ SEE FURTHER BREAKDOWN THIS GROUP

Manitowoc Cranes



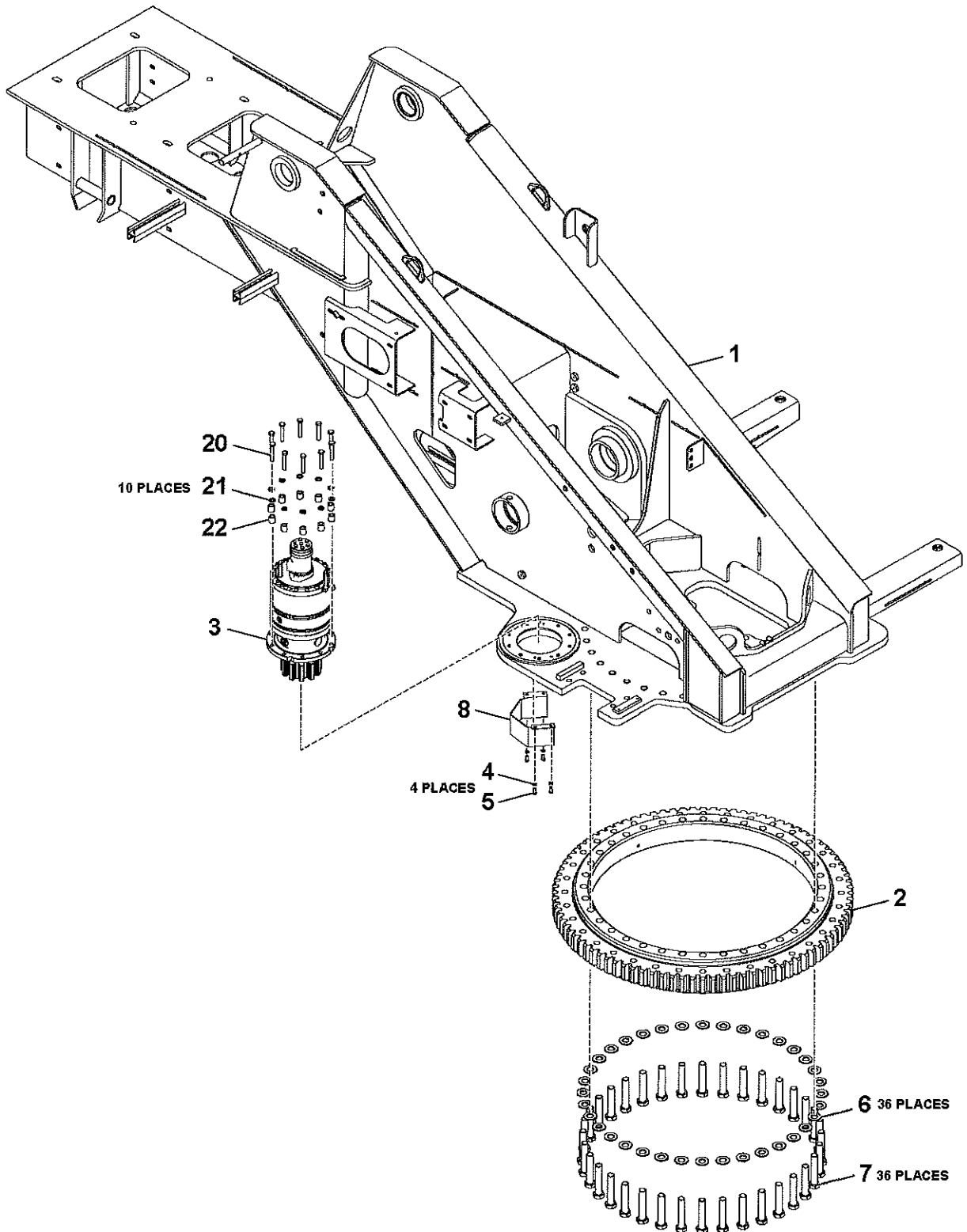
Manitowoc Cranes

Description
SHEAVE ASSEMBLY - 5/8" ROPE

Assembly No.
6718100031
 Revision: **A**

Item	FN	Part	Qty	Description
10		6718100030	1	WHEEL, 5/8" ROPE SHEAVE INCLUDES THE FOLLOWING PARTS
		7794000272	2	CUP, BEARING
11		6069001186	2	CONE, BEARING
12		7069000175	2	CLOSURE, BEARING
13		7440000000	1	FITTING, 1/8 STRAIGHT GREASE

Manitowoc Cranes



80014181

(SHEET 1 OF 1)

Page 48

Manitowoc Cranes

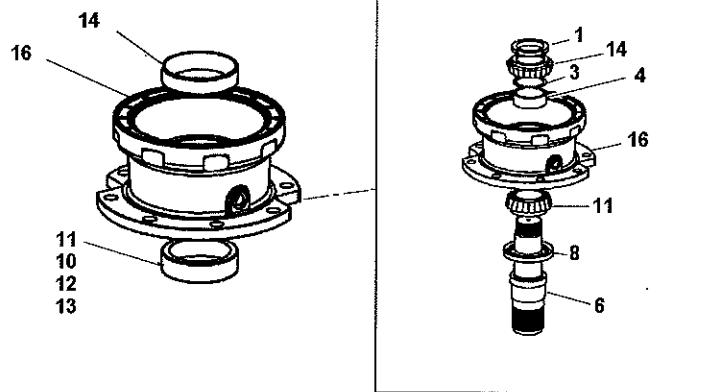
Description
TURNTABLE WELD AND DRIVE INSTALLATION

Assembly No.
80014181
 Revision: **A**

Item	FN	Part	Qty	Description
1		80014148	1	TURNTABLE WELD
2		7069100081	1	BEARING, TURNTABLE
		9069100118	1	INCLUDES THE FOLLOWING PARTS
			1	SEAL, BEARING 21'
3	+	7576134386	1	MOTOR ASSEMBLY - SWING DRIVE (COMPLETE ASSEMBLY)
4		7951170210	4	WASHER, LOCK 8MM
5		7126171150	4	CAP SCREW, M8 X 20MM HEX HEAD
6		7949000359	36	WASHER, 1" I.D. HARDENED ROUND
7		7118264250	36	CAP SCREW, 1" - 8 N.C. X 5 1/4" GRADE 8
8		4159200657	1	GUARD, PINION
20		7126212250	10	CAP SCREW, M12 X 75MM HEX HEAD
21		00437529	10	WASHER, 12 FLAT
22		6199100090	10	BUSHING

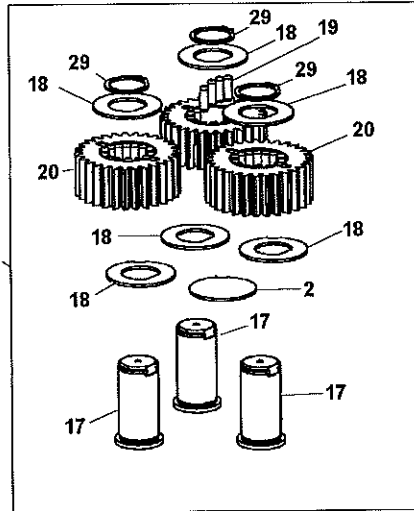
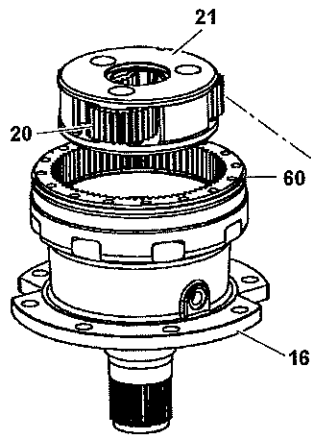
+ SEE FURTHER BREAKDOWN THIS GROUP

Manitowoc Cranes

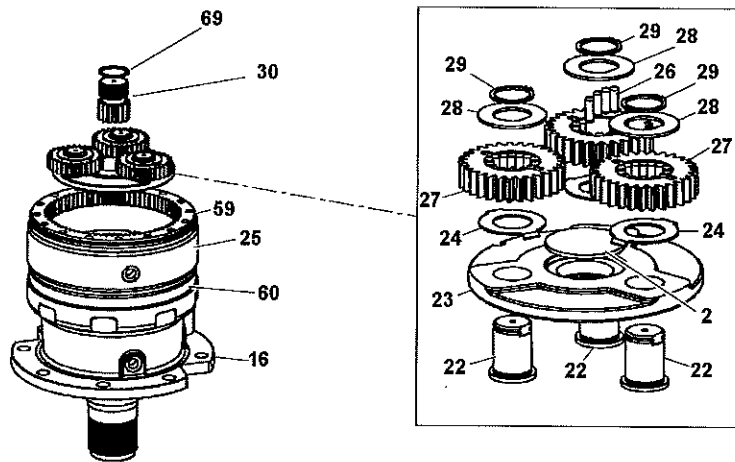


ITEMS NOT SHOWN
NBR 75 PLANET GEAR COMPLETE ASSY SEE PARTS LIST
NBR 76 PLANET GEAR COMPLETE ASSY SEE PARTS LIST
NBR 77 KIT, BRAKE
NBR 80 KIT, SEAL BRAKE
NBR 81 KIT, DISC BRAKE
NBR 82 KIT, SEAL
NBR 62 PLATE, NAME
NBR 70 KIT, SHIM

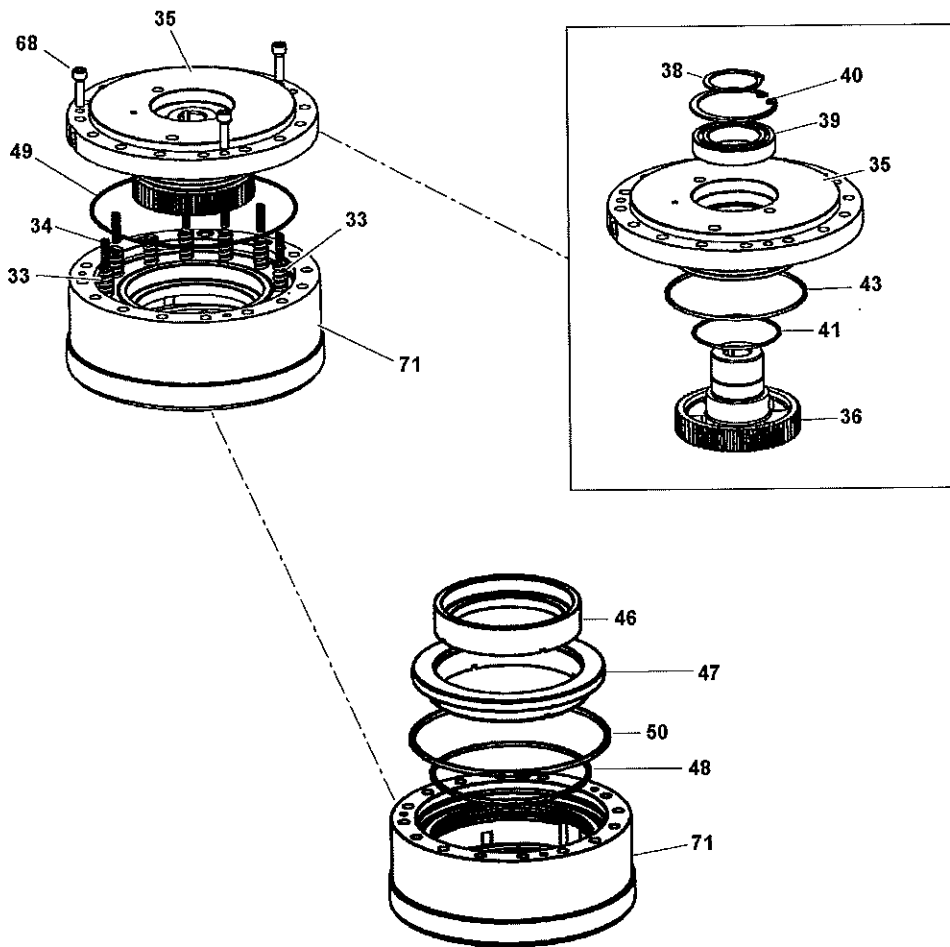
Manitowoc Cranes



Manitowoc Cranes



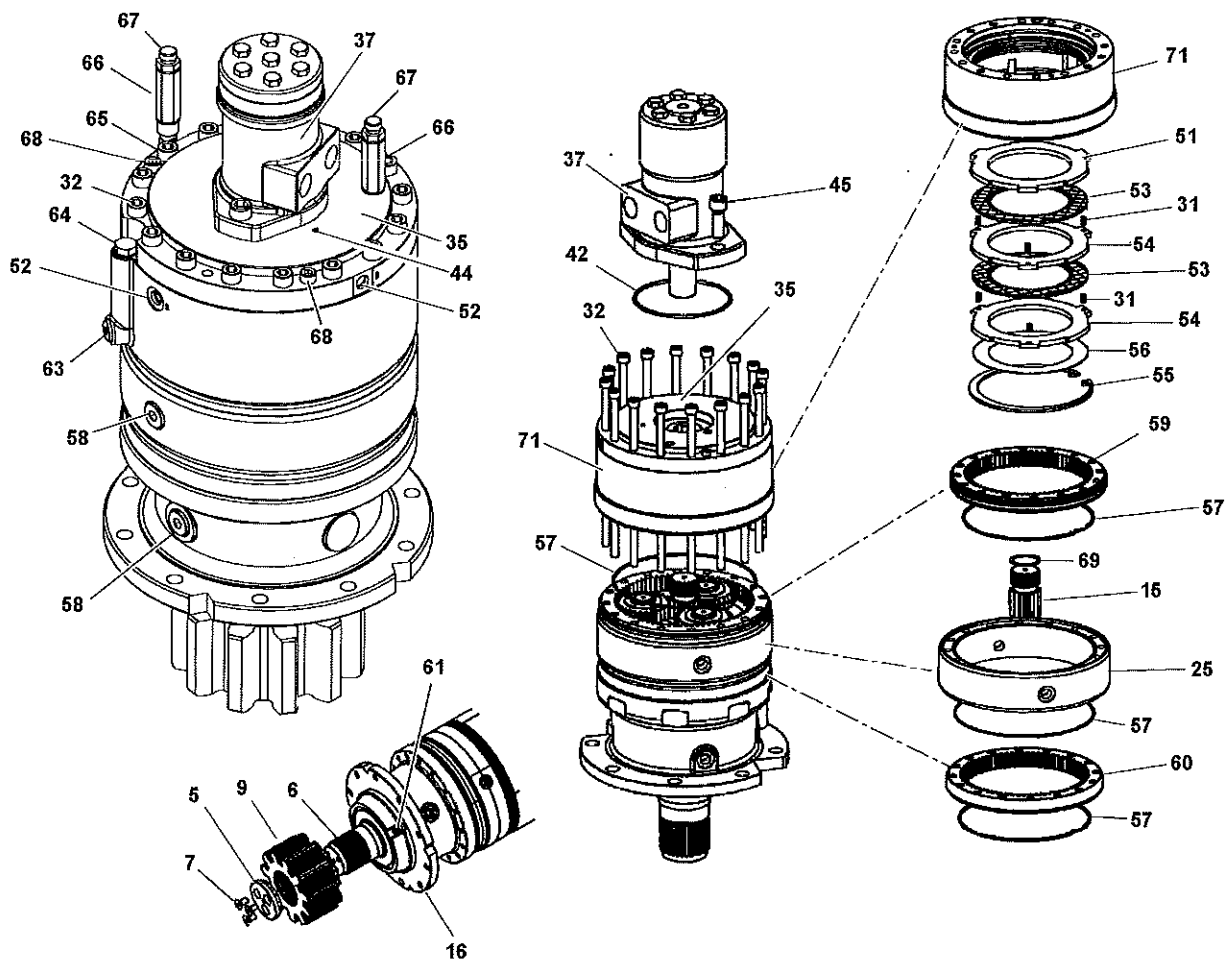
Manitowoc Cranes



7576134386

(SHEET 2 OF 5)

Manitowoc Cranes



7576134386

(SHEET 1 OF 5)

Page 54

Manitowoc Cranes

Description
MOTOR ASSEMBLY - SWING DRIVE (COMPLETE ASSEMBLY)

Assembly No.
7576134386
 Revision:

Item	FN	Part	Qty	Description
1		9576101173	1	NUT,RING
2		9576101142	2	PLATE,END
3		9576101171	1	KIT,SHIM
4		9576101329	1	SPACER
5		9576101307	1	PLATE, RETAINER
6		9576101330	1	SHAFT, OUTPUT
7		9576101308	3	CAPSCREW
8	*	9576101331	1	SEAL, OIL
9		9576101167	1	PINION
10		NSS	1	HOUSING
11		9576101332	1	BEARING
12		9576101333	1	RING, RETAINING
13	*	9576101334	1	O-RING
14		9576101335	1	BEARING
15		9576101180	1	GEAR,SUN
16		NSS	1	HOUSING
17		9576101183	3	PIN
18		9576101124	6	WASHER
19		9576101127	162	BEARING,NEEDLE
20		NSS	3	GEAR, PLANET
21		NSS	1	HOUSING, PLANET
22		9576101181	3	PIN
23		NSS	1	HOUSING, CARRIER PLANET
24		9576101124	3	WASHER
25		NSS	1	HOUSING
26		9576101336	54	BEARING, NEEDLE
27		NSS	3	GEAR, PLANET
28		9576101129	3	WASHER
29		9576101130	3	RING,RETAINER

* REPAIR KIT AND/OR PART OF KIT

Manitowoc Cranes

Description
MOTOR ASSEMBLY - SWING DRIVE (COMPLETE ASSEMBLY)

Assembly No.
7576134386
 Revision:

Item	FN	Part	Qty	Description
30		9576101176	1	GEAR,SUN
31	-	NSS	6	SPRING
32		9576101175	16	CAPSCREW
33	-	NSS	12	SPRING
34	-	NSS	8	SPRING
35		9576101184	1	HOUSING,FLANGE MTG.
36		9576101136	1	COUPLING
37		9576101395	1	MOTOR ASSY. HYD.
		9576101186	1	INCLUDES THE FOLLOWING PARTS KIT,SEAL MOTOR
38		9576101137	1	RING,RETAINER
39		9576101135	1	BEARING
40		9576101138	1	RING,RETAINER
41	@	7755245000	1	O-RING
42	*@	7755152000	1	O-RING
43	@	7755251000	1	O-RING
44		9576101185	1	PLUG
45		9576101100	2	CAPSCREW
46		NSS	1	PISTON
47		NSS	1	PISTON
48	@	7755260000	1	O-RING
49	@	7755170000	1	O-RING
50	@	7755265000	1	O-RING
51	-	NSS	1	SPACER
52		7709800001	2	PLUG, SAE #4
		7755904002	1	INCLUDES THE FOLLOWING PARTS O-RING
53	-	NSS	2	DISK, BRAKE
54	-	NSS	2	DISK, BRAKE

- THIRD REPAIR KIT AND/OR PART OF 3RD KIT
 * REPAIR KIT AND/OR PART OF KIT

@ SECOND REPAIR KIT AND/OR PART OF 2ND KIT

Manitowoc Cranes

Description
MOTOR ASSEMBLY - SWING DRIVE (COMPLETE ASSEMBLY)

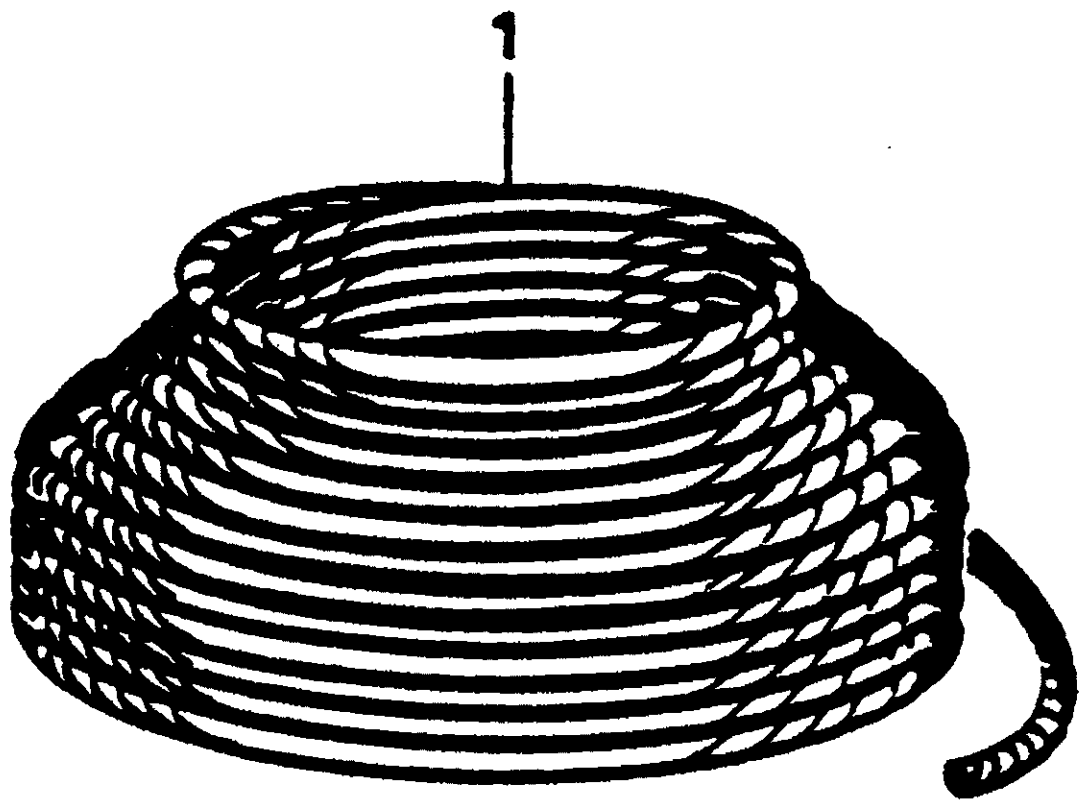
Assembly No.
7576134386
 Revision:

Item	FN	Part	Qty	Description
55	-	NSS	1	KIT, SHIM
56		9576101140	1	RING,RETAINER
57	*	9576101338	4	O-RING
58		9576101141	6	PLUG
59		9576101126	1	GEAR,RING
60		9576101174	1	RING GEAR
61		9576101220	1	PLUG
62		NSS	1	PLATE, NAME
63		9576101154	1	PLUG
64		9576101151	1	DIPSTICK
65		9576101152	1	ELBOW
66		9576101149	2	PIPE
67		9576101189	2	BREATHER
68		9576101148	1	CAPSCREW
69		9576101133	2	RING,RETAINER
70		9576101339	1	KIT, SHIM
71		NSS	1	HOUSING, BRAKE
75		9576101340	1	PLANETARY CARRIER ASSY. INCLUDES ITEMS 2,15,17,19,20, 21,24,60,69
76		9576101341	1	PLANETARY CARRIER ASSY. INCLUDES ITEMS 2,18,22,23,26, 27,28,29,30,59,69
77		9576101165	1	KIT,BRAKE ASSY. INCLUDES ITEMS 31,33,34,35,36, 39,41,42,43,44,46 THRU 55 AND 64 THRU 68 ,71
80	@	9576101101	1	KIT,SEAL BRAKE
81	-	9576101102	1	KIT,DISC BRAKE
82	*	9576101337	1	KIT, SEAL

- THIRD REPAIR KIT AND/OR PART OF 3RD KIT
 @ SECOND REPAIR KIT AND/OR PART OF 2ND KIT

* REPAIR KIT AND/OR PART OF KIT

Manitowoc Cranes



Manitowoc Cranes

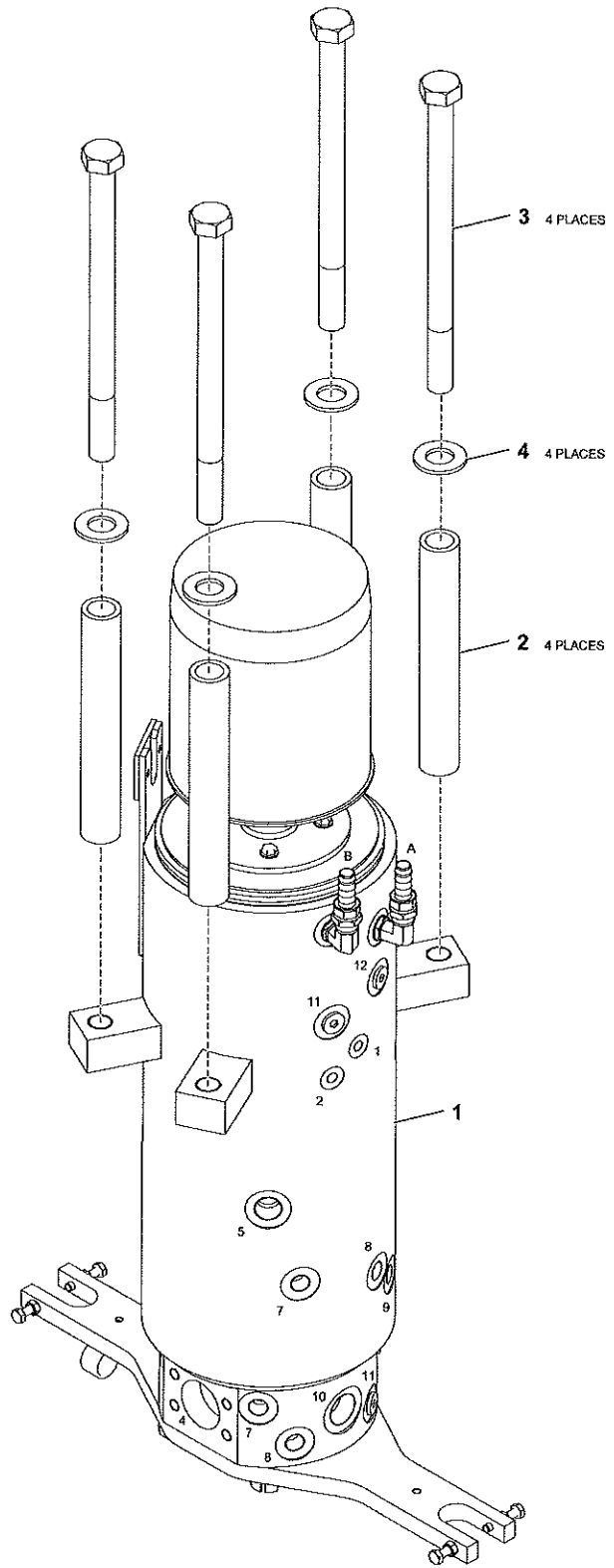
Description
16MM DIA HOISTING WIRE ROPE -

Assembly No.
7782161382
Revision:

Item	FN	Part	Qty	Description
1		NSS	1	HOIST CABLE - PART NUMBER IS 7782161382

Manitowoc Cranes

HYD SWIVEL	
PORT	FUNCTION
1	BRAKE-FRONT
2	LOAD SENSE
3	BRAKE-REAR
4	DUAL RETURN
5	SWING/BRAKE/STEER
6	HOIST/LIFT/TELE
7	FRONT STEER-LEFT
8	NOT USED
9	FRONT STEER-RIGHT
10	CASE DRAIN
D	INTERNAL DRAIN
11	A/C-R134a
12	A/C-R134a
WATER SWIVEL	
PORT	FUNCTION
A	HEATER SUPPLY
B	HEATER RETURN



6364101750

(SHEET 1 OF 1)

Manitowoc Cranes

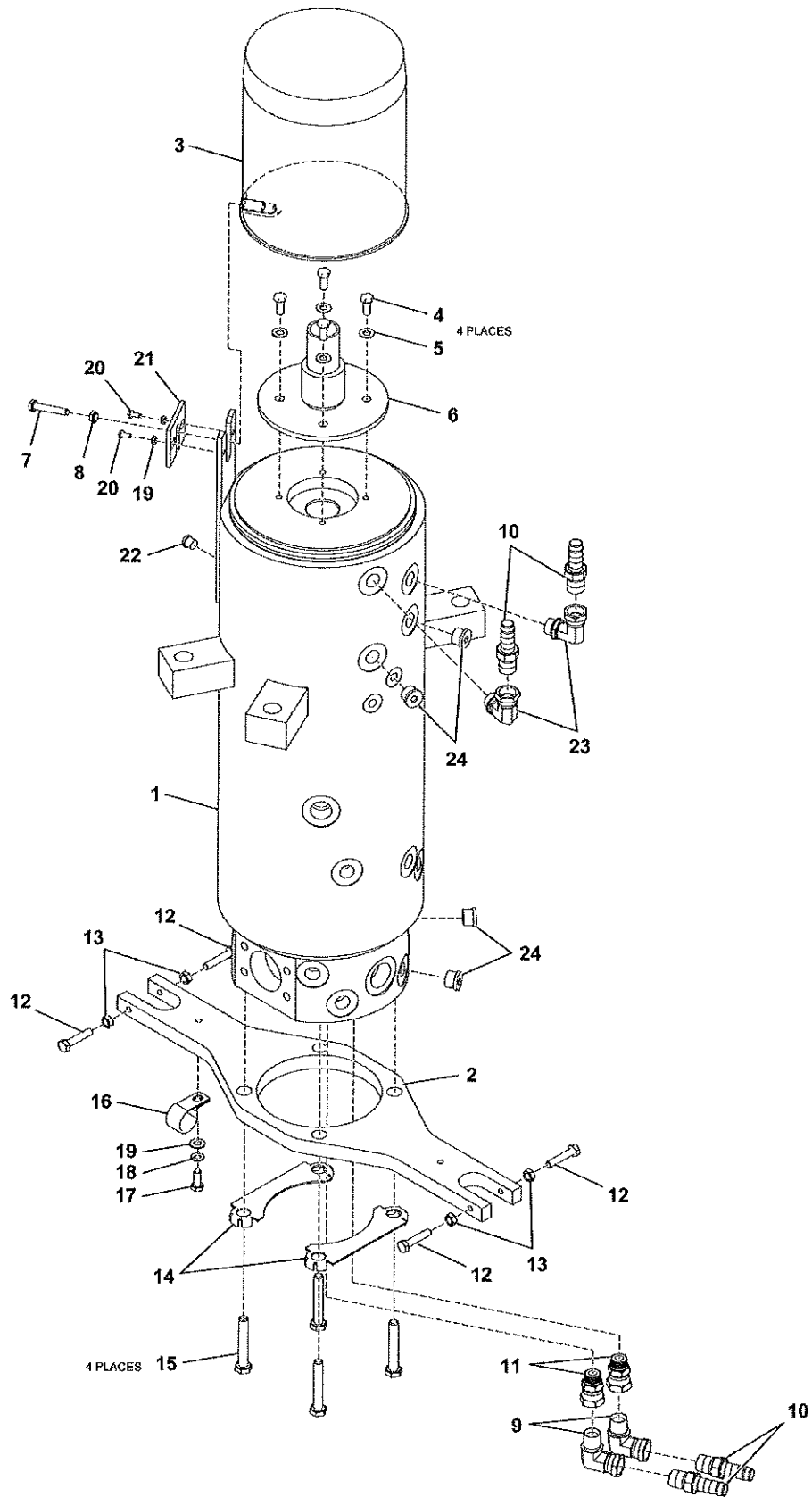
Description
SWIVEL INSTALLATION - ELECTRIC, WATER AND HYDRAULIC

Assembly No.
6364101750
 Revision: **C**

Item	FN	Part	Qty	Description
1	+	6364101749	1	SWIVEL ASSEMBLY - ELECTRIC, WATER AND HYDRAULIC (COMPLETE ASSEMBLY)
2		6199100100	4	BUSHING
3		7126294350	4	CAP SCREW, M24X340 HEX HEAD
4		7949000359	4	WASHER, 1" I.D. HARDENED ROUND

+ SEE FURTHER BREAKDOWN THIS GROUP

Manitowoc Cranes



6364101749

(SHEET 1 OF 1)

Manitowoc Cranes

Description
**SWIVEL ASSEMBLY - ELECTRIC, WATER AND HYDRAULIC
 (COMPLETE ASSEMBLY)**

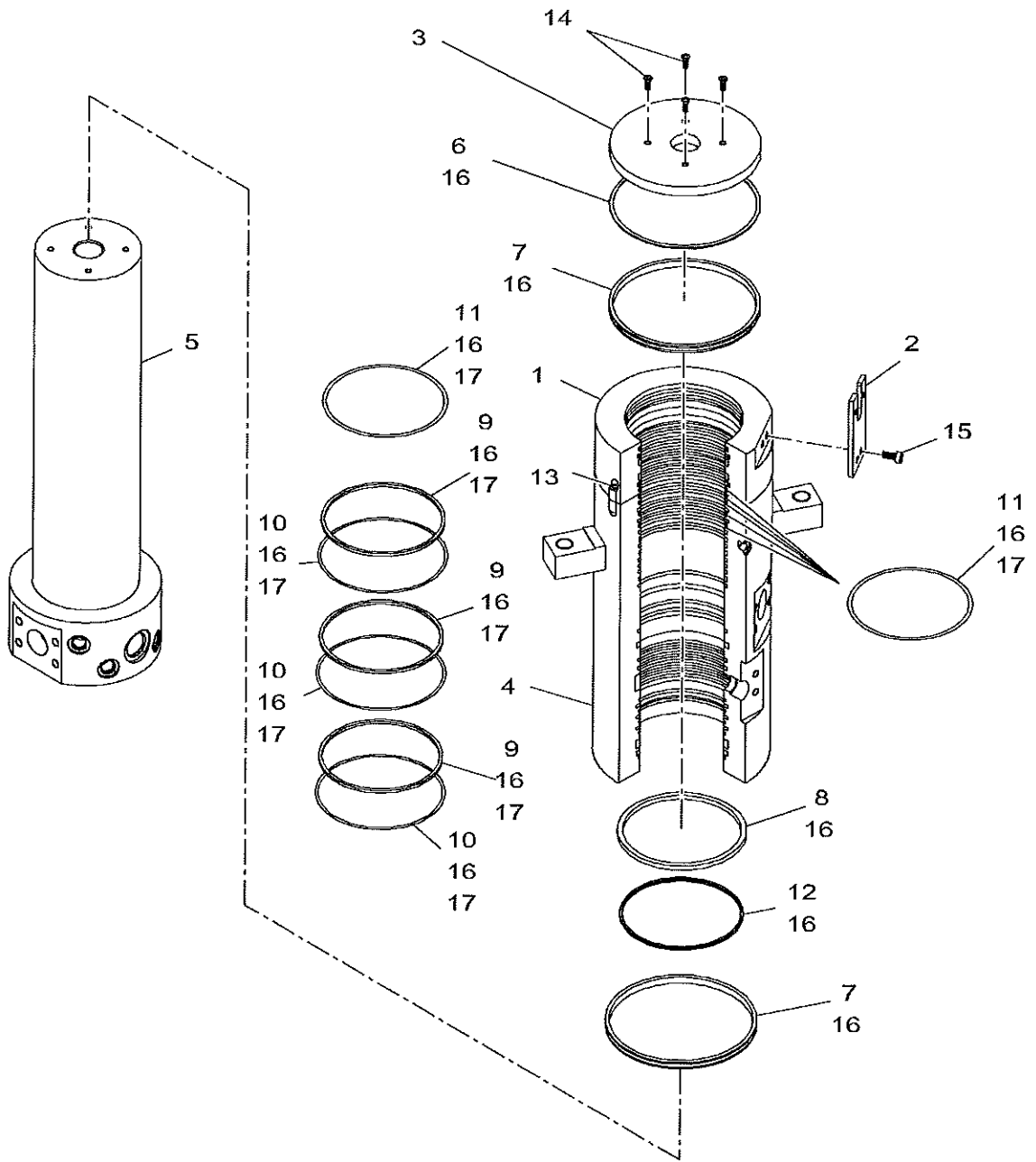
Assembly No.
6364101749
Revision: A

Item	FN	Part	Qty	Description
1	+	7364100165	1	SWIVEL ASSEMBLY - 14 PORT HYDRAULIC, WATER AND AIR CONDITIONING (COMPLETE ASSEMBLY)
2		6705171011	1	PLATE, RETAINER
3	+	7753100037	1	RING ASSEMBLY - SLIP 15 CONDUCTOR (COMPLETE ASSEMBLY)
4		7126171150	4	CAP SCREW, M8 X 20MM HEX HEAD
5		7949000534	4	WASHER, HARDENED ROUND
6		6714100004	1	POST, CENTER
7		7115181650	1	CAP SCREW, 1/2"-13UNCX2"LONG
8		7660180200	1	NUT, HEX 1/2" - 13 N.C.
9		7445080804	2	ELBOW, 90 DEGREE
10		7649000059	4	NIPPLE, HOSE 5/8 ID TO 1/2 NPT
11		7445080803	2	ADAPTER, STRAIGHT
12		7126171550	4	CAP SCREW, M8 X 40MM HEX HEAD
13		7661170003	4	NUT
14		6705100260	2	PLATE, RETAINER
15		7127241550	4	CAP SCREW, M16 X 40MM HEX HEAD
16		7300000244	1	CLAMP, TUBING 1" I.D.
17		7126171150	1	CAP SCREW, M8 X 20MM HEX HEAD
18		7950150050	1	WASHER, LOCK 5/16" I.D.
19		7950150141	3	WASHER, FLAT 5/16"
20		7126171150	2	CAP SCREW, M8 X 20MM HEX HEAD
21		6705016148	1	PLATE
22		7709800001	1	PLUG, SAE #4 INCLUDES THE FOLLOWING PARTS
		7755904002	1	O-RING
23		7445080808	2	ADAPTER, SWIVEL
24	#	7709800000	4	PLUG, SAE #8 INCLUDES THE FOLLOWING PARTS
		7755908002	1	O-RING

+ SEE FURTHER BREAKDOWN THIS GROUP

SERVICED AS AN ASSEMBLY ONLY

Manitowoc Cranes



7364100165

(SHEET 1 OF 1)

Manitowoc Cranes

Description
SWIVEL ASSEMBLY - 14 PORT HYDRAULIC, WATER AND AIR CONDITIONING
(COMPLETE ASSEMBLY)

Assembly No.
7364100165
Revision:

Item	FN	Part	Qty	Description
1		9364101826	1	HOUSING, WATER
2		9364101827	1	BRACKET
3		9364101818	1	PLATE, COVER FLANGE
4		9364101828	1	HOUSING, CASE
5		9364101820	1	SPOOL ASSY. HYD./ WATER
6	*	NSS	2	RING, ANTI-SEIZURE
7	*	NSS	2	V-SEAL
8	*	NSS	13	RING, SEAL
9	*	NSS	3	O-RING
10	*@	NSS	3	RING, GLYD
11	*@	NSS	6	O-RING
12	*@	NSS	1	O-RING
13		9364101821	4	SCREW, GRUB
14		9364101822	4	CAPSCREW
15		9364101823	2	CAPSCREW, M8
16	*	9364101829	1	KIT, SEAL
17	@	9364101830	1	KIT, SEAL SEAL KIT FOR WATER HOUSING INCLUDES ITEMS 10 QTY. 3, ITEM 11 QTY. 3, AND ITEM 12 QTY.2

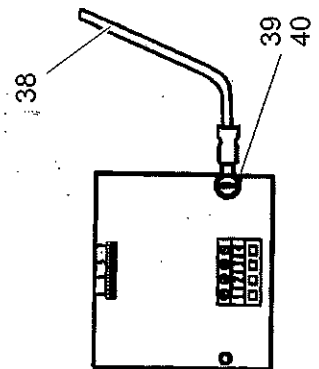
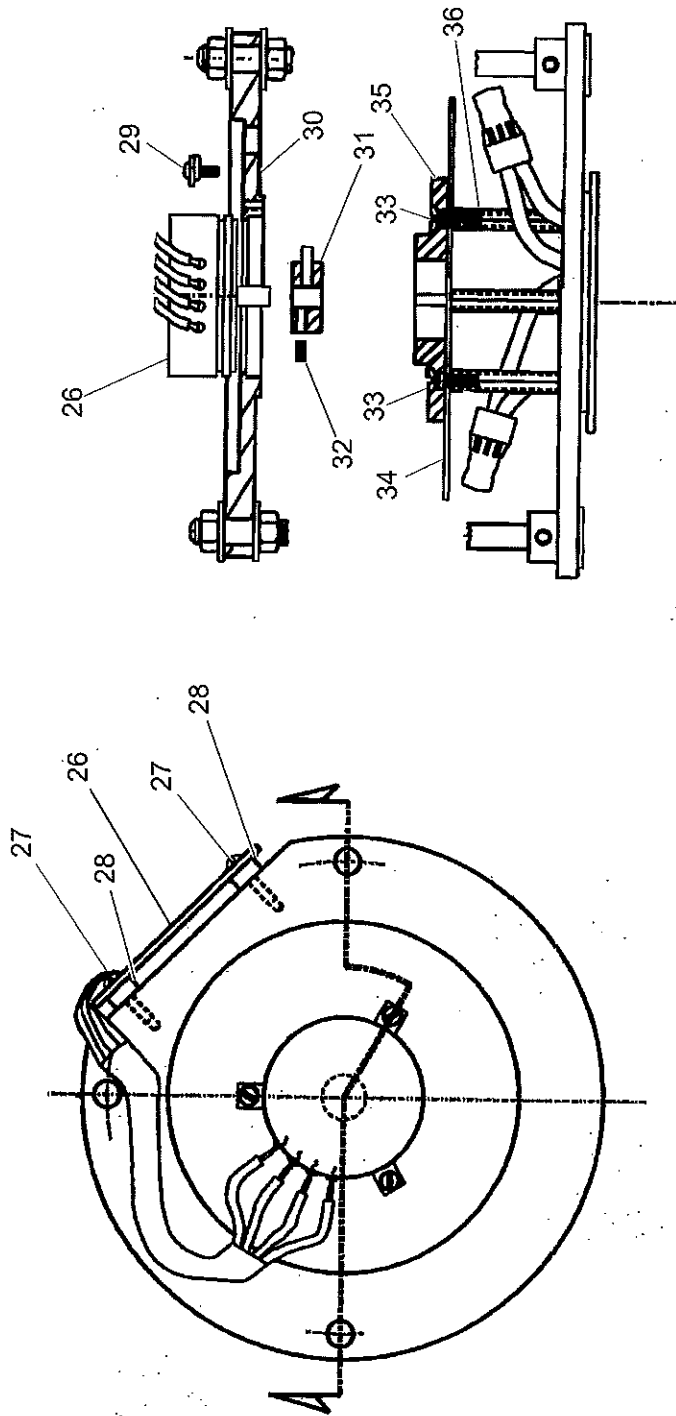
* REPAIR KIT AND/OR PART OF KIT

@ SECOND REPAIR KIT AND/OR PART OF 2ND KIT

Manitowoc Cranes

Notes

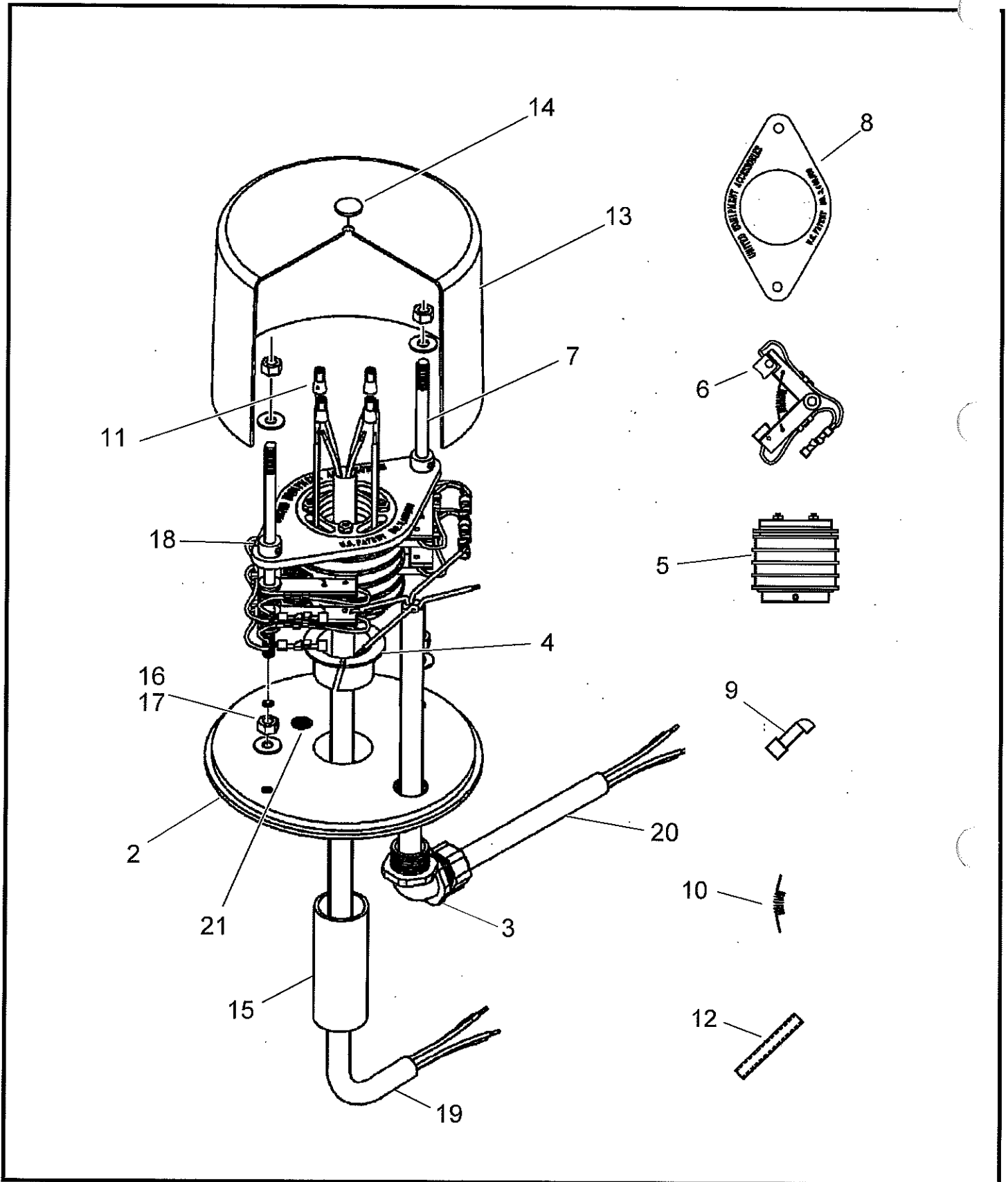
Manitowoc Cranes



7753100037

(SHEET 4 OF 4)

Manitowoc Cranes



7753100037

(SHEET 3 OF 4)

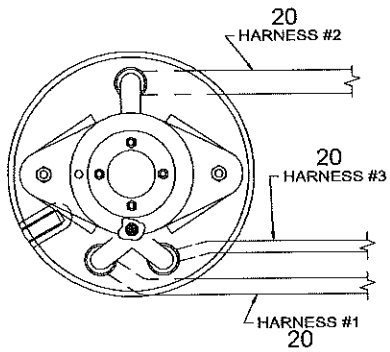
Manitowoc Cranes

SUPERSTRUCTURE HARNESS						
HARNESS NUMBER	SLIP RING #	CON-NEC-TOR	CONN. CAVITY	CABLE	CABLE CONDUCTOR COLOR	TERMINAL (SEE CHART)
1	01	A	1	---	---	R
	02	A	2	---	---	R
	03	A	3	---	---	R
	04	A	4	---	---	R
	05	A	5	---	---	R
	06	A	6	B	SHIELD	R
	07	A	7	B	BLACK	R
	08	A	8	B	RED	R
	09	A	9	A	SHIELD	R
	10	A	10	A	BLACK	R
	11	A	11	A	RED	R
2	12	B	---	---	---	Q
	13	C	---	---	---	Q
	14	D	---	---	---	Q
	15	---	---	---	---	N

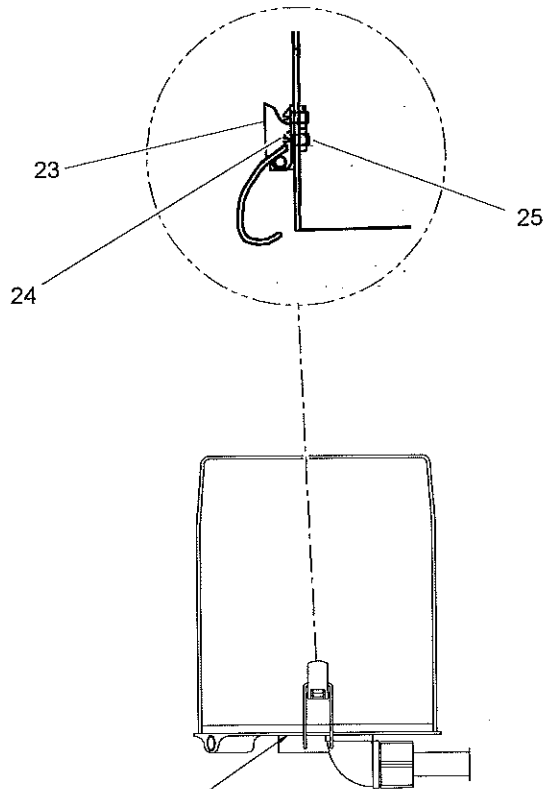
CARRIER HARNESS						
HARNESS NUMBER	SLIP RING #	CON-NEC-TOR	CONN. CAVITY	CABLE	CABLE CONDUCTOR COLOR	TERMINAL (SEE CHART)
4	01	E	1	---	---	S
	02	E	2	---	---	S
	03	E	3	---	---	S
	04	E	4	---	---	S
	05	E	5	---	---	S
	---	E	6	---	---	T
	06	F	1	D	SHIELD	R
	07	F	2	D	BLACK	R
	08	F	3	D	RED	R
	09	F	4	C	SHIELD	R
	10	F	5	C	BLACK	R
5	11	F	6	C	RED	R
	12	G	---	---	---	P
	13	H	---	---	---	P
	14	J	---	---	---	P
	15	---	---	---	---	N

CONNECTORS/TERMINALS/BOOTS				
CONNECTOR/TERMINAL/BOOT	GROVE PART NUMBER	PART DESCRIPTION	QTY	PART NUMBER
A	7892001012	RECEPT 12P FLANGE MOUNT REQUIRES BOOT "K"	1	56
B,C,D	7709000876	PLUG 1S-4, NO BOOT REQ'D	3	41
E	7709000883	PLUG 6S, REQUIRES BOOT "M"	1	42
F	7892000824	RECEPT-6P, REQUIRES BOOT "L"	2	43
G,H,J	7892000939	RECEPT-14P, NO BOOT REQ'D	3	44
K	7172000551	BOOT FOR 12P RECEPTACLE	1	45
L	7172000564	BOOT FOR 6P RECEPTACLE	1	46
M	7172000565	BOOT FOR 6S PLUG	1	47
N	7345242101	3/8" DIA EYELET, 6 GA	2	48
P	7689000813	PIN (4), 6GA NICKEL	3	49
Q	7826000095	SOCKET (4), 6GA NICKEL	3	50
R	7689002053	PIN (16-18 GA), GOLD PLATED	17	51
S	7826100004	SOCKET 16-18 GA GOLD PLATED	9	52
T	7689000503	SEAL PLUG (16-12 GA)	8	53
U	7709000936	PLUG 4S, REQUIRES BOOT "V"	1	54
V	7172000567	BOOT FOR 4S PLUG	1	55

ITEMS NOT SHOWN
NBR 22
NBR 37



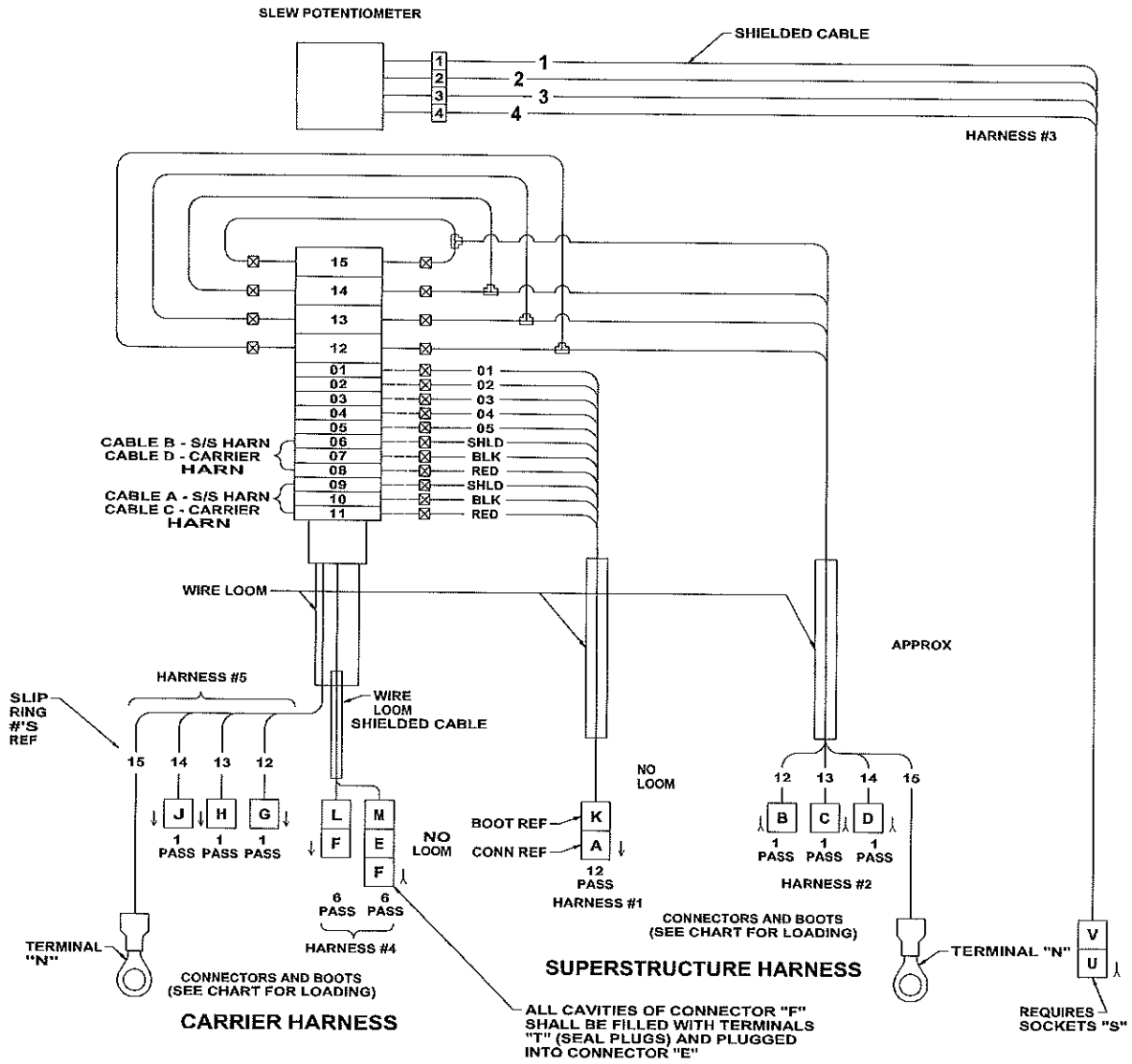
TOP & SIDE VIEW OF SWIVEL TO SHOW HARNESS ROUTING AND LOCATION COVER OMITTED FOR CLARITY



STRAIN RELIEF REMOVED FOR CLARITY

7753100037

Manitowoc Cranes



7753100037

(SHEET 1 OF 4)

Manitowoc Cranes

Description
**RING ASSEMBLY - SLIP 15 CONDUCTOR
 (COMPLETE ASSEMBLY)**

Assembly No.
7753100037
Revision:

Item	FN	Part	Qty	Description
2		9364101731	1	BRACKET, BASE
3		9364101208	1	CONNECTOR
3		9364100968	2	CONNECTOR, LIQUID TIGHT 90 DEGREES 3/4"
4		9364100964	1	BEARING, NYLON
5		9364101838	1	CORE ASSY. SLIP RING
6		9364100437	8	BRUSH AND HOLDER ASSEMBLY (45 AMP)
6		9364101733	6	BRUSH & ARM ASSY. (SILVER)
6		9364100340	5	BRUSH AND HOLDER ASSEMBLY (7.5 AMP)
7		9364101839	2	STUD, 7.75" LEVELING
8		9364100180	1	BEARING, NYLON
9		9364100332	16	TERMINAL, JUMBO KNIFE
9		9364100088	22	TERMINAL, SMALL KNIFE
10		9364100333	8	SPRING, BRUSH (FOR 45 AMP)
10		9364101154	11	SPRING, BRUSH (FOR 7.5 AMP)
11		9364100178	8	CONNECTOR, CRIMPED (FOR 10 GAUGE WIRE)
11		9364101224	11	CONNECTOR, SETSCREW (FOR 16 GAUGE WIRE)
12		9364100334	8	SLEEVE, 5/16" I.D. X 3"
12		9364100092	11	SLEEVE, 3/16" I.D. X 3"
13		9364101840	1	COVER ASSY. W/LATCHES INCLUDES ITEMS 23 THRU 25
14		9364101712	1	PLUG, SEAL
16		9364101429	9	NUT, HEX JAM 5/16" - 18 N.C.
17		7950150141	9	WASHER, FLAT 5/16"
18		9364101601	2	COLLAR, SET 5/16"
19		9364101841	1	HARNESS ASSY. CENTER
20		9364101842	1	HARNESS ASSY. FRONT
20		9364101843	1	HARNESS ASSY. REAR
20		9364101844	1	HARNESS ASSY. POTENTIOMETER

Manitowoc Cranes

Description				Assembly No.
RING ASSEMBLY - SLIP 15 CONDUCTOR (COMPLETE ASSEMBLY)				7753100037
				Revision:
Item	FN	Part	Qty	Description
21		9364101836	1	BREATHER ASSY.
22		9364101845	1	NUT, LOCK 1/2"
22		9364101397	2	NUT, LOCK 3/4"
23		9364101847	2	LATCH
24		9364101846	4	SCREW
25		9364100658	4	NUT
26		9364101848	1	SERVO POT. & BOARD ASSY.
27		9364101727	2	SCREW
28		9364101594	2	SPACER, NYLON
29		9364101889	3	CLAMP, SERVO W/SCREW
30		9364101849	1	PLATE, MTG.
31		9364101850	1	DRIVE, SHAFT
32		9364101615	2	SET SCREW
33		9364101596	4	SCREW, #10-32 X 5/8" FLATHEAD
34		9364101590	1	DISK, RUB
35		9364101595	1	PLATE
36		9364101588	4	SPACER, STAND-OFF
37		9364101851	4	WASHER, #10 FLAT
38		9364101852	1	WIRE, GROUND
39		9364101853	1	SCREW
40		9352100410	1	NUT, KEPS #6 - 32 N.C.
41		7709000876	3	PLUG, 1 SOCKET
42		7709000883	1	PLUG 6 SOCKET
43		7892000824	2	RECEPTACLE, 6 PIN
44		7892000939	3	RECEPTACLE, 1 PIN
45		7172000551	1	BOOT
46		7172000564	1	BOOT
47		7172000565	1	BOOT, CONNECTOR
48		7345242101	2	TERMINAL 6 AWG
49		7689000813	3	PIN 4 AWG

Manitowoc Cranes

Description
**RING ASSEMBLY - SLIP 15 CONDUCTOR
(COMPLETE ASSEMBLY)**

Assembly No.
7753100037
Revision:

Item	FN	Part	Qty	Description
50		7826000095	3	SOCKET, 4 AWG
51		7689002053	17	PIN 16 - 18 AWG
52		7826100004	9	SOCKET, (16 - 18) 30 SERIES
53		7689000503	8	PLUG, SEALING 16 - 12 AWG
54		7709000936	1	PLUG, 4 SOCKET
55		7172000567	1	BOOT, CONNECTOR
56		7892001012	1	RECEPTABLE, 12 P FLANGE

Manitowoc Cranes



The drawing or bill of material for this installation was not available when this catalog was created. Please contact Rich Rebok at richard.rebok@manitowoc.com for Grove products or Galen Burkholder at galen.burkholder@manitowoc.com for National products to supply us with your mailing information. Once the drawing or bill of material has been completed, we will send you the appropriate pages to be inserted into your manual.

Regards,

Technical Publications Department
Shady Grove, Pennsylvania
www.cranecare.com

Manitowoc Cranes

Description
CONTROL VALVE INSTALLATION - MAIN AND FUTURE AUXILIARY HOIST

Assembly No.
80005109
Revision: #

Item	FN	Part	Qty	Description
1	+	7926100986	1	VALVE ASSEMBLY - DIRECTIONAL CONTROL 4 SECTION (COMPLETE ASSEMBLY)
2		7126212150	3	CAP SCREW, M12 X 70MM HEX HEAD
3		7950180141	6	WASHER, FLAT 1/2"
4		7951210210	3	LOCK WASHER, 12MM I.D.
5		7661210003	3	NUT, HEX 12MM N.C.
6	+	80002486	1	VALVE ASSEMBLY - ACCESSORY WITH SWING AND STEER DIRECTIAL CONTROL (COMPLETE ASSEMBLY)
7		7126171150	4	CAP SCREW, M8 X 20MM HEX HEAD
8		7951170210	4	WASHER, LOCK 8MM
9		7950150161	4	WASHER, 5/16" FLAT PLAIN WIDE
10		7926100910	1	VALVE ASSY, DUAL ACCUMULATOR CHARGE INCLUDES THE FOLLOWING PARTS
		9926113270	1	SWITCH ASSY. PRESSURE
11		7126151153	3	CAP SCREW, M6X20 HEX HEAD
12		7951150210	3	LOCKWASHER, 6MM I.D.
13		7950140141	3	WASHER, FLAT 1/4" PLAIN NARROW
14	#	7005100017	2	ACCUMULATOR ASSY, HYDRAULIC OIL INCLUDES THE FOLLOWING PARTS
	#	9005100230	1	VALVE ASSY. GAS
	#	9005100231	1	CAP, VALVE
28		7300100025	4	CLAMP ASSY, 2.38" HYDRA-ZORB

+ SEE FURTHER BREAKDOWN THIS GROUP

SERVICED AS AN ASSEMBLY ONLY

Manitowoc Cranes

Description
**VALVE ASSEMBLY - DIRECTIONAL CONTROL 4 SECTION
 (COMPLETE ASSEMBLY)**

Assembly No.
7926100986
Revision:

Item	FN	Part	Qty	Description
1		9926113280	1	VALVE ASSY. INLET SECTION INCLUDES ITEMS 101 THRU 111
2		9926113281	1	VALVE ASSY. WORK SECTION FOR MAIN HOIST, INCLUDES ITEMS 201 THRU 203 AND 205 THRU 214
3		9926113281	1	VALVE ASSY. WORK SECTION FOR AUX. HOIST, INCLUDES ITEMS 301 THRU 303 AND 305 THRU 314
4		9926113459	1	VALVE ASSY. WORK SECTION TELESCOPE INCLUDES ITEMS 401 THRU 403 AND 405 THRU 414
5		9926113283	1	VALVE ASSY. WORK SECTION FOR LIFT, INCLUDES ITEMS 501 THRU 503 AND 505 THRU 514
6		9926113284	1	VALVE ASSY. OUTLET SECTION INCLUDES ITEMS 601 THRU 602
7		9926111435	8	WASHER, COMPRESSION
8		9926111436	8	NUT
9		9926111533	4	ROD, TIE
10		9926111439	6	PLUG ASSEMBLY, SHUT-OFF INCLUDES THE FOLLOWING PARTS
		9926111468	1	SEAL-SPECIAL
11		9926111999	2	PLUG ASSY
12		9926112141	7	PLUG
13		9926113285	1	PLUG ASSY. INCLUDES THE FOLLOWING PARTS
		7755912002	1	O-RING
14		9926113018	1	VALVE,CART. RELIEF @ 4000 PSI INCLUDES THE FOLLOWING PARTS
		9926111470	1	SEAL-SPECIAL
		9926111469	2	O-RING
15		9926113286	1	VALVE,CART. RELIEF @ 3500 PSI INCLUDES THE FOLLOWING PARTS
		9926112013	1	O-RING
16		9926113287	1	VALVE,CART. RELIEF @ 3250 PSI INCLUDES THE FOLLOWING PARTS
		9926112013	1	O-RING
17		9926113017	1	VALVE,CART. RELIEF @ 4300 PSI INCLUDES THE FOLLOWING PARTS
		9926112013	1	O-RING

Manitowoc Cranes

Description

**VALVE ASSEMBLY - DIRECTIONAL CONTROL 4 SECTION
(COMPLETE ASSEMBLY)**

Assembly No.

7926100986

Revision:

Item	FN	Part	Qty	Description
18		9926111438	4	DISK, SHUTTLE
101		NSS	1	HOUSING
102	*	NSS	5	O-RING
103	*	NSS	1	O-RING
104		9926111439	1	PLUG ASSEMBLY, SHUT-OFF
		9926111468	1	INCLUDES THE FOLLOWING PARTS SEAL-SPECIAL
105		NSS	1	SEAL, INCLUDED WITH PLUG ASSY.
106		9926112004	1	FILTER
107		9926112003	1	SPRING
108	*	NSS	1	O-RING
109		9926112141	1	PLUG
110		9926113285	1	PLUG ASSY.
		7755912002	1	INCLUDES THE FOLLOWING PARTS O-RING
111		NSS	1	O-RING, INCLUDED WITH ITEM 110
201		9926113288	2	SOLENOID & CAP ASSY. 12V. INCLUDES ITEMS 701 THRU 711
202		9926112141	2	PLUG
203		NSS	1	SPOOL
204		9926111439	2	PLUG ASSEMBLY, SHUT-OFF
		9926111468	1	INCLUDES THE FOLLOWING PARTS SEAL-SPECIAL
205		9926112199	1	SET SCREW
206	*	NSS	1	O-RING
207		9926113026	1	PLUG ASSY.
208	*	NSS	1	O-RING
209	*	NSS	5	O-RING
210		9926112200	1	SPRING

* REPAIR KIT AND/OR PART OF KIT

Manitowoc Cranes

Description
**VALVE ASSEMBLY - DIRECTIONAL CONTROL 4 SECTION
 (COMPLETE ASSEMBLY)**

Assembly No.
7926100986
 Revision:

Item	FN	Part	Qty	Description
211	*	NSS	1	O-RING
212		9926113025	1	PLUG ASSY.
213		NSS	1	SPOOL, COMPENSATOR
214		NSS	1	HOUSING
301		9926113288	2	SOLENOID & CAP ASSY. 12V. INCLUDES ITEMS 701 THRU 711
302		9926112141	2	PLUG
303		NSS	1	SPOOL
304		9926111439	2	PLUG ASSEMBLY, SHUT-OFF INCLUDES THE FOLLOWING PARTS
		9926111468	1	SEAL-SPECIAL
305		9926112199	1	SET SCREW
306	*	NSS	1	O-RING
307		9926113026	1	PLUG ASSY.
308	*	NSS	1	O-RING
309	*	NSS	5	O-RING
310		9926112200	1	SPRING
311	*	NSS	1	O-RING
312		9926113025	1	PLUG ASSY.
313		NSS	1	SPOOL, COMPENSATOR
314		NSS	1	HOUSING
401		9926113288	2	SOLENOID & CAP ASSY. 12V. INCLUDES ITEMS 701 THRU 711
402		9926112141	2	PLUG
403		NSS	1	SPOOL
404		9926113287	1	VALVE,CART. RELIEF @ 3250 PSI INCLUDES THE FOLLOWING PARTS
		9926112013	1	O-RING

* REPAIR KIT AND/OR PART OF KIT

Manitowoc Cranes

Description
VALVE ASSEMBLY - DIRECTIONAL CONTROL 4 SECTION
(COMPLETE ASSEMBLY)

Assembly No.
7926100986
Revision:

Item	FN	Part	Qty	Description
405		9926112199	1	SET SCREW
406	*	NSS	1	O-RING
407		9926113026	1	PLUG ASSY.
408	*	NSS	1	O-RING
409	*	NSS	5	O-RING
410		9926112200	1	SPRING
411	*	NSS	1	O-RING
412		9926113025	1	PLUG ASSY.
413		NSS	1	SPOOL, COMPENSATOR
414		NSS	1	
415		9926113286	1	VALVE,CART. RELIEF @ 3500 PSI
		9926112013	1	INCLUDES THE FOLLOWING PARTS
501		9926113288	2	O-RING
				SOLENOID & CAP ASSY. 12V.
				INCLUDES ITEMS 701 THRU 711
502		9926112141	1	PLUG
503		NSS	1	SPOOL
504		9926113017	1	VALVE,CART. RELIEF @ 4300 PSI
		9926112013	1	INCLUDES THE FOLLOWING PARTS
				O-RING
505		9926112199	1	SET SCREW
506	*	NSS	1	O-RING
507		9926113026	1	PLUG ASSY.
508	*	NSS	1	O-RING
509	*	NSS	5	O-RING
510		9926112200	1	SPRING
511	*	NSS	1	O-RING
512		9926113025	1	PLUG ASSY.

* REPAIR KIT AND/OR PART OF KIT

Manitowoc Cranes

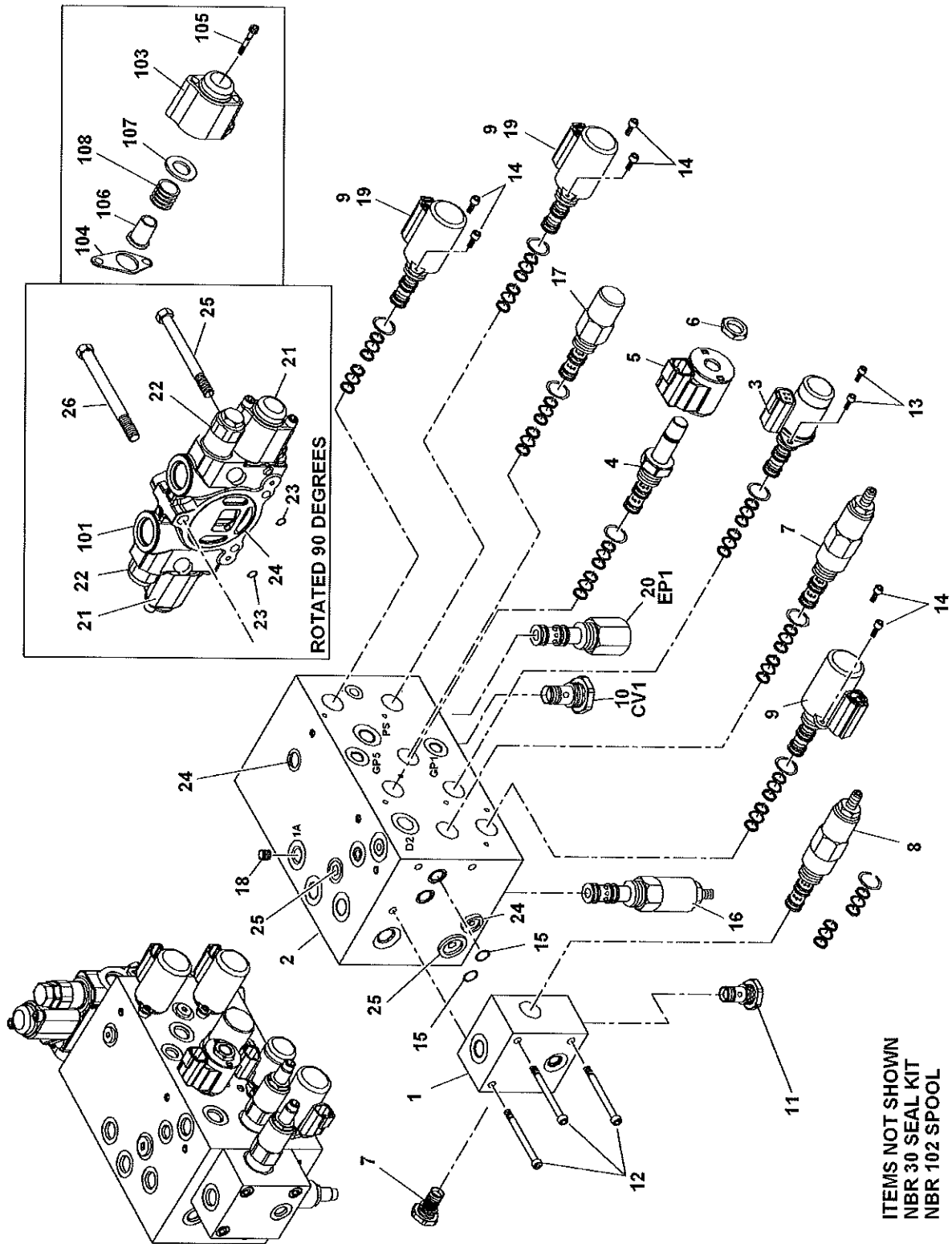
Description
**VALVE ASSEMBLY - DIRECTIONAL CONTROL 4 SECTION
 (COMPLETE ASSEMBLY)**

Assembly No.
7926100986
 Revision:

Item	FN	Part	Qty	Description
513		NSS	1	SPOOL, COMPENSATOR
514		NSS	1	HOUSING
515		9926111439	1	PLUG ASSEMBLY, SHUT-OFF INCLUDES THE FOLLOWING PARTS
		9926111468	1	SEAL-SPECIAL
601		NSS	1	HOUSING
602	*	NSS	2	O-RING
603		9926111999	2	PLUG ASSY
604		9926113018	1	VALVE,CART. RELIEF @ 4000 PSI INCLUDES THE FOLLOWING PARTS
		9926111470	1	SEAL-SPECIAL
		9926111469	2	O-RING
701		7755220000	2	O-RING
702		9926111974	1	SCREW,
703		9926111452	2	SCREW-HEX HEAD
704		9926111453	1	CAP
705		9926111456	1	SPRING
706		9926111457	1	WASHER,
707		9926113030	1	CARTRIDGE & COIL ASSY. 12V. INCLUDES THE FOLLOWING PARTS
		9926113032	1	KIT, SEAL
708		9926113029	2	CAPSCREW
709		NSS	1	CAP, SPOOL
710		9926113289	1	BRACKET
711		7755107002	2	O-RING
800	*	9926113031	1	KIT, SEAL

* REPAIR KIT AND/OR PART OF KIT

Manitowoc Cranes



80002486

(SHEET 1 OF 1)

Manitowoc Cranes

Description

**VALVE ASSEMBLY - ACCESSORY WITH SWING AND STEER DIRECTIAL CONTROL
(COMPLETE ASSEMBLY)**

Assembly No.

80002486

Revision:

Item	FN	Part	Qty	Description
1		NSS	1	BODY, VALVE
2		NSS	1	BODY, VALVE
3		9926113045	1	VALVE, CART. & COIL ASSY. 12V. INCLUDES THE FOLLOWING PARTS
		9926113057	1	KIT, SEAL
4		9926106474	1	VALVE, CARTRIDGE INCLUDES THE FOLLOWING PARTS
		9926108423	1	KIT, SEAL
		9926107745	1	NUT
5		9926112931	1	COIL, 12V.
6		9926107745	1	NUT
7		90012924	1	VALVE,PRESS.REDUCING 250 PSI INCLUDES THE FOLLOWING PARTS
		9926111722	1	KIT, SEAL
8		90012925	1	VALVE,PRESS.REDUCING 2500 PSI INCLUDES THE FOLLOWING PARTS
		9926113058	1	KIT, SEAL
9		9926113165	3	VALVE,CART/COIL PRESS.REDUCING INCLUDES THE FOLLOWING PARTS
		9926113057	1	KIT, SEAL
10		9926113049	1	VALVE, CHECK INCLUDES THE FOLLOWING PARTS
		9926112358	1	KIT, SEAL
11		9926110629	1	CARTRIDGE ASSY. FILTER INCLUDES THE FOLLOWING PARTS
		9752100994	1	KIT, REPAIR
		9926108644	1	KIT, SEAL
12		90012926	3	CAPSCREW, SOCKET HEAD 2-1/4" LG
13		90012927	2	CAPSCREW, 8MM LG
14		9926113051	6	CAPSCREW, SOCKET HEAD 10MM
15		7755014000	2	O-RING
16		9926113167	1	VALVE, RELIEF @ 2500 PSI INCLUDES THE FOLLOWING PARTS
		9926108644	1	KIT, SEAL
17		9926113443	1	VALVE, PRESS. COMPENSATOR INCLUDES THE FOLLOWING PARTS
		9926110372	1	KIT, SEAL
18		9926113171	1	PLUG, ORIFICE .040"

Manitowoc Cranes

Description

**VALVE ASSEMBLY - ACCESSORY WITH SWING AND STEER DIRECTIAL CONTROL
(COMPLETE ASSEMBLY)**

Assembly No.

80002486

Revision:

Item	FN	Part	Qty	Description
19		90000899	2	DISC, ORIFICE .015
20		9926110370	1	CARTRIDGE
		9926107747	1	INCLUDES THE FOLLOWING PARTS KIT, SEAL
21		90012928	1	KIT, VALVE ASSY. WORK SECTION INCLUDES ITEMS 22 THRU 24 AND ITEMS 101 THRU 108
22		9926113254	2	VALVE, CART. RELIEF @ 1800 PSI INCLUDES THE FOLLOWING PARTS
		9926111932	1	O-RING, VITON
		9926111931	1	O-RING, VITON
23		9926112501	2	O-RING, VITON
24		9926113253	1	O-RING SEAL
25		90012929	2	CAPSCREW
26		90012930	1	CAPSCREW
101		NSS	1	HOUSING
102		NSS	1	SPOOL
103		9926113301	2	CAP
104		90000633	2	SEAL, CAP
105		9926113302	4	CAPSCREW
106		9926113298	2	SEAT, SPRING
107		9926113300	2	WASHER
108		9926113299	2	SPRING

Manitowoc Cranes

Notes

Manitowoc Cranes



The drawing or bill of material for this installation was not available when this catalog was created. Please contact Rich Rebok at richard.rebok@manitowoc.com for Grove products or Galen Burkholder at galen.burkholder@manitowoc.com for National products to supply us with your mailing information. Once the drawing or bill of material has been completed, we will send you the appropriate pages to be inserted into your manual.

Regards,

Technical Publications Department
Shady Grove, Pennsylvania
www.cranecare.com

Manitowoc Cranes

Description

**HYDRAULIC LINES INSTALLATION MAIN AND FUTURE AUXILIARY HOIST
SUPERSTRUCTURE**

Assembly No.

80015459

Revision: **A**

Item	FN	Part	Qty	Description
1		7447202032	1	ELBOW, #20 BULKHEAD UNION 90
2		7447121232	1	ELBOW, #12 BULKHEAD UNION 90
3		7447121217	1	UNION, BULKHEAD INCLUDES THE FOLLOWING PARTS
		7755018002	1	O-RING
5		7447121233	1	ELBOW, 90 DEGREE INCLUDES THE FOLLOWING PARTS
		7755018002	1	O-RING
6		7447121601	1	ADAPTER, STRAIGHT INCLUDES THE FOLLOWING PARTS
		7755018002	1	O-RING
		7755916002	1	O-RING
7		7447161601	3	ADAPTER, STRAIGHT INCLUDES THE FOLLOWING PARTS
		7755021002	1	O-RING
		7755916002	1	O-RING
8		7926100959	1	VALVE, #12 INLET CHECK
9		7447060601	21	ADAPTER, STRAIGHT MALE INCLUDES THE FOLLOWING PARTS
		7755012002	1	O-RING
		7755906002	1	O-RING
11		7013001112	1	ADAPTER
12		7447080601	1	ADAPTER, STRAIGHT INCLUDES THE FOLLOWING PARTS
		7755014002	1	O-RING
		7755906002	1	O-RING
13		7447080801	1	ADAPTER, STRAIGHT INCLUDES THE FOLLOWING PARTS
		7755014002	1	O-RING
		7755908002	1	O-RING
14		7447060634	4	TEE, FEMALE RUN INCLUDES THE FOLLOWING PARTS
		7755012002	1	O-RING
		7755906002	1	O-RING
15		7447121203	1	ELBOW, 90 DEGREE INCLUDES THE FOLLOWING PARTS
		7755018002	1	O-RING
		7755912002	1	O-RING
16		7450000400	2	PLUG, FLANGE
17		7447161638	2	ELBOW, 90 DEGREE LONG INCLUDES THE FOLLOWING PARTS
		7755021002	1	O-RING

Manitowoc Cranes

Description

**HYDRAULIC LINES INSTALLATION MAIN AND FUTURE AUXILIARY HOIST
SUPERSTRUCTURE**

Assembly No.

80015459

Revision: **A**

Item	FN	Part	Qty	Description
18		7755916002	2	O-RING
		7447040601	4	ADAPTER, STRAIGHT INCLUDES THE FOLLOWING PARTS
19		7755011002	1	O-RING
		7755906002	1	O-RING
		7447040401	1	ADAPTER, STRAIGHT INCLUDES THE FOLLOWING PARTS
		7755011002	1	O-RING
		7755904002	1	O-RING
20		7910101436	1	TUBE ASSY, D4 MAN TO PD MAIN
22		7910101517	1	TUBE ASSY, 1B MAN TO P STEER
23		7447060617	3	UNION, BULKHEAD INCLUDES THE FOLLOWING PARTS
		7755011002	1	O-RING
24		7447080833	1	ELBOW, 90 DEGREE MALE INCLUDES THE FOLLOWING PARTS
		7755014002	1	O-RING
		7755908002	1	O-RING
25		80000423	1	TUBE ASSY, P1 MAN TO P3 MAIN
26		7910101435	1	TUBE ASSY, PS MAN TO PS MAIN
28		80015247	1	TUBE ASSY
29		7910101628	1	TUBE ASSY, MAIN TANK TO CHECK
30		7910101618	1	TUBE ASSY, MANIFOLD D5 TO 10
32		7910101454	1	TUBE ASSY, INLET MAIN VALVE
33		7910101568	1	TUBE ASSY, PORT 4 SWIVEL TO TANK
34		7910101566	1	TUBE ASSY, PORT 6 SWIVEL TO IN
35		7910101567	1	TUBE ASSY, PORT 4 SWIVEL TO OUT
36		7447060403	3	ELBOW, 90 DEGREE MALE INCLUDES THE FOLLOWING PARTS
		7755012002	1	O-RING
		7755904002	1	O-RING
		7447060803	2	ELBOW, 90 DEGREE MALE INCLUDES THE FOLLOWING PARTS
		7755012002	1	O-RING
		7755908002	1	O-RING
37		7709000038	1	PLUG, O-RING INCLUDES THE FOLLOWING PARTS
		7755908002	1	O-RING
38		7709000038	1	PLUG, O-RING INCLUDES THE FOLLOWING PARTS
		7755908002	1	O-RING
41		7910101519	1	TUBE ASSY, LS BR CHARGE TO TUBE

Manitowoc Cranes

Description
HYDRAULIC LINES INSTALLATION MAIN AND FUTURE AUXILIARY HOIST
SUPERSTRUCTURE

Assembly No.
80015459
Revision: A

Item	FN	Part	Qty	Description
42		7910101513	1	TUBE ASSY, D1 MAN TO TANK CHAR
43		7910101520	1	TUBE ASSY, T BR CHARGE TO TUBE
44		7910101515	1	TUBE ASSY, BR MAN TO P CHARGE
45		7910101518	1	TUBE ASSY, P BR CHARGE TO TUBE
46		7447060801	1	ADAPTER, STRAIGHT MALE INCLUDES THE FOLLOWING PARTS
		7755012002	1	O-RING
		7755908002	1	O-RING
47		7910101516	1	TUBE ASSY, 1A MAN TO LS STEER
48		7447060635	2	TEE, BRANCH INCLUDES THE FOLLOWING PARTS
		7755012002	1	O-RING
49		7300000399	9	CLAMP, TUBING 3/8" I.D.
50		7755012002	7	O-RING
51		7300000401	9	CLAMP, TUBING 5/8" I.D.
52	#	7450000188	6	SPLIT FLANGE HALF, 1 1/4"
53		7115171250	12	CAP SCREW, 7/16" - 14 N.C. X 1 1/2" GRADE 5
54		7755222002	6	O-RING
55		7115181250	8	CAP SCREW, 1/2" - 13 N.C. X 1 1/2" GRADE 5
56		7755225002	4	O-RING
57	#	7450000102	4	FLANGE, SPLIT
59		7447060633	10	ELBOW, 90 DEGREE MALE INCLUDES THE FOLLOWING PARTS
		7755012002	1	O-RING
60		7300000405	9	CLAMP, TUBING
62		80010421	8	SHCS M12x70 -8.8 ISO 4762 PLTD
63		80010420	4	SHCS M10x65 -8.8 ISO 4762 PLTD
64		7910101597	1	TUBE ASSY, LIFT A EXT TO HOSE
65		7910101432	1	TUBE ASSY, LIFT B RET TO HOSE
66		7910101706	1	TUBE ASSY, TELE A EXT TO HOSE
67		7910101707	1	TUBE ASSY, TELE B RET TO HOSE
68		7300000404	2	CLAMP, 1" TUBING

SERVICED AS AN ASSEMBLY ONLY

Manitowoc Cranes

Description

**HYDRAULIC LINES INSTALLATION MAIN AND FUTURE AUXILIARY HOIST
SUPERSTRUCTURE**

Assembly No.

80015459

Revision: **A**

Item	FN	Part	Qty	Description
69		7755021002	3	O-RING
70		7755018002	1	O-RING
71	#	7450000201	8	FLANGE, SPLIT
72		7115161050	16	CAP SCREW, 3/8" - 16 N.C. X 1 1/4" GRADE 5
73		7755219002	4	O-RING
78		7910101437	1	TUBE ASSY, D6 MAN TO PD MAIN
79		7445060439	3	ADAPTER, REDUCING FEMALE
80		7445060642	3	NUT
81		7445040472	1	ELBOW, 90 DEGREE
82		7445040645	1	ELBOW, 90 DEGREE MALE INCLUDES THE FOLLOWING PARTS
		7755906002	1	O-RING
88		7447101001	4	ADAPTER, STRAIGHT INCLUDES THE FOLLOWING PARTS
		7755016002	1	O-RING
		7755910002	1	O-RING
89		7447040403	2	ELBOW, 90 DEGREE INCLUDES THE FOLLOWING PARTS
		7755011002	1	O-RING
		7755904002	1	O-RING
90		7300000102	1	CLAMP, TUBING 5/8" I.D.
95		7447061003	1	FITTING, 90 DEGREE INCLUDES THE FOLLOWING PARTS
		7755012002	1	O-RING
		7755910002	1	O-RING
98		7910101607	1	TUBE ASSY, MAIN HOIST DOWN M&A
99		7910101608	1	TUBE ASSY, MAIN HOIST UP M&A
102		7300000405	2	CLAMP, TUBING
103		7755021002	2	O-RING
104		7447161203	1	ELBOW, 90 DEGREE INCLUDES THE FOLLOWING PARTS
		7755021002	1	O-RING
		7755912002	1	O-RING
105		7447161201	1	ADAPTER, STRAIGHT INCLUDES THE FOLLOWING PARTS
		7755021002	1	O-RING

SERVICED AS AN ASSEMBLY ONLY

Manitowoc Cranes

Description

**HYDRAULIC LINES INSTALLATION MAIN AND FUTURE AUXILIARY HOIST
SUPERSTRUCTURE**

Assembly No.

80015459

Revision: **A**

Item	FN	Part	Qty	Description
		7755912002	1	O-RING
106	#	7450000201	8	FLANGE, SPLIT
107		7115161050	16	CAP SCREW, 3/8" - 16 N.C. X 1 1/4" GRADE 5
108		7755219002	4	O-RING
109		7447060616	1	CAP
110		7926003526	1	FUSE, VELOCITY
111		7443100139	4	COUPLING, 1/8" TEST PORT
112		7543109321	1	HOSE ASSY, 3/4" I.D. X 93"
113		7546706470	1	HOSE, 1 1/4" STR S/F X 64" STR
114		7546806493	1	HOSE, 1 1/2" STR S/F X 64" 90
115		7555107601	1	1/4" I.D. X 76"
116		7555109005	1	HOSE ASSY, 1/4" I.D. 45 X 90"
118		7555207202	1	HOSE, 3/8" I.D X 72" LONG
119		7555503400	1	HOSE ASSY, 3/4" I.D. X 34" LONG
120		7555504201	1	HOSE ASSY, 3/4" I.D. X 42" LONG
121		7555602360	1	HOSE ASSY, 1" STR ORFS X 23"
122		7555603062	1	1" I.D. HYDR HOSE ASSY STR-45
123		7555604400	1	HOSE ASSY, 1" I.D. HYDR STR-STR
124		7555702591	1	HOSE ASSY, 1 1/4" STR ORF X 25"
125		7555103203	1	HOSE ASSY, 1/4" I.D. STR X 32"
126		7555103000	1	HOSE ASSY, 1/4" I.D X 30" LONG
127		7555103600	1	HOSE ASSY, 3/8 X 26" 1/4" I.D. X 36"
128		7555201921	1	HOSE ASSY, 3/8" I.D. X 19" LONG
129		7555208900	1	HOSE ASSY, 3/8" I.D. X 89"
130		7555402101	1	HOSE ASSY, 5/8" STR ORFS X 21"
131		7550104221	1	HOSE ASSY, 1/4" ID STR X 42"
132		7555402403	1	HOSE ASSY, 5/8" I.D. STR-9 HYD
133		7447040408	1	ELBOW, 45 DEGREE MALE INCLUDES THE FOLLOWING PARTS
		7755011002	1	O-RING
		7755904002	1	O-RING
134		7443100140	9	COUPLING, 3/8" TEST PORT
135		7447060403	1	ELBOW, 90 DEGREE MALE

SERVICED AS AN ASSEMBLY ONLY

Manitowoc Cranes

Description

**HYDRAULIC LINES INSTALLATION MAIN AND FUTURE AUXILIARY HOIST
SUPERSTRUCTURE**

Assembly No.

80015459

Revision: **A**

Item	FN	Part	Qty	Description
				INCLUDES THE FOLLOWING PARTS
		7755012002	1	O-RING
		7755904002	1	O-RING
139		7709000031	1	PLUG, SAE #6
				INCLUDES THE FOLLOWING PARTS
		7755906002	1	O-RING
152		7709000038	1	PLUG, O-RING
				INCLUDES THE FOLLOWING PARTS
		7755908002	1	O-RING
153		7814100077	1	GUARD, HOSE
154		7447060413	2	REDUCER
156		7555208900	1	HOSE ASSY, 3/8" I.D. X 89"
157		7550103921	1	HOSE ASSY, 1/4" ID STR X 39"
158		7555604860	1	HOSE ASSY, 1" STR ORFS X 48"
159		7926100948	1	VALVE ASSY, CHECK
				INCLUDES THE FOLLOWING PARTS
		9926113293	1	VALVE, CHECK CART.
160		7910101629	1	TUBE ASSY, COOLER IN TO CHECK
161		7447201603	1	ELBOW, 90 DEGREE MALE
				INCLUDES THE FOLLOWING PARTS
		7755025002	1	O-RING
		7755916002	1	O-RING
162		7872100170	1	SWITCH, 120 TEMPERATURE (N.C.)
163		7447202001	2	ADAPTER, STRAIGHT MALE
				INCLUDES THE FOLLOWING PARTS
		7755025002	1	O-RING
		7755920002	1	O-RING
164		7910101614	1	TUBE ASSY, OIL COOLER OUTLET
165		7910101613	1	TUBE ASSY, OIL COOLER INLET
166		7910101616	1	TUBE ASSY, COOLER OUTLET TO 4
167		7755025002	3	O-RING
168		7115174450	4	CAP SCREW,
169		7950170141	4	WASHER, 7/16" I.D.
170		7910101636	1	TUBE ASSY, LS MAIN TO LS CHARGE
171		7555206001	1	3/8" I.D. X 60"
172		7447060605	1	TEE, RUN
				INCLUDES THE FOLLOWING PARTS
		7755012002	1	O-RING
		7755906002	1	O-RING

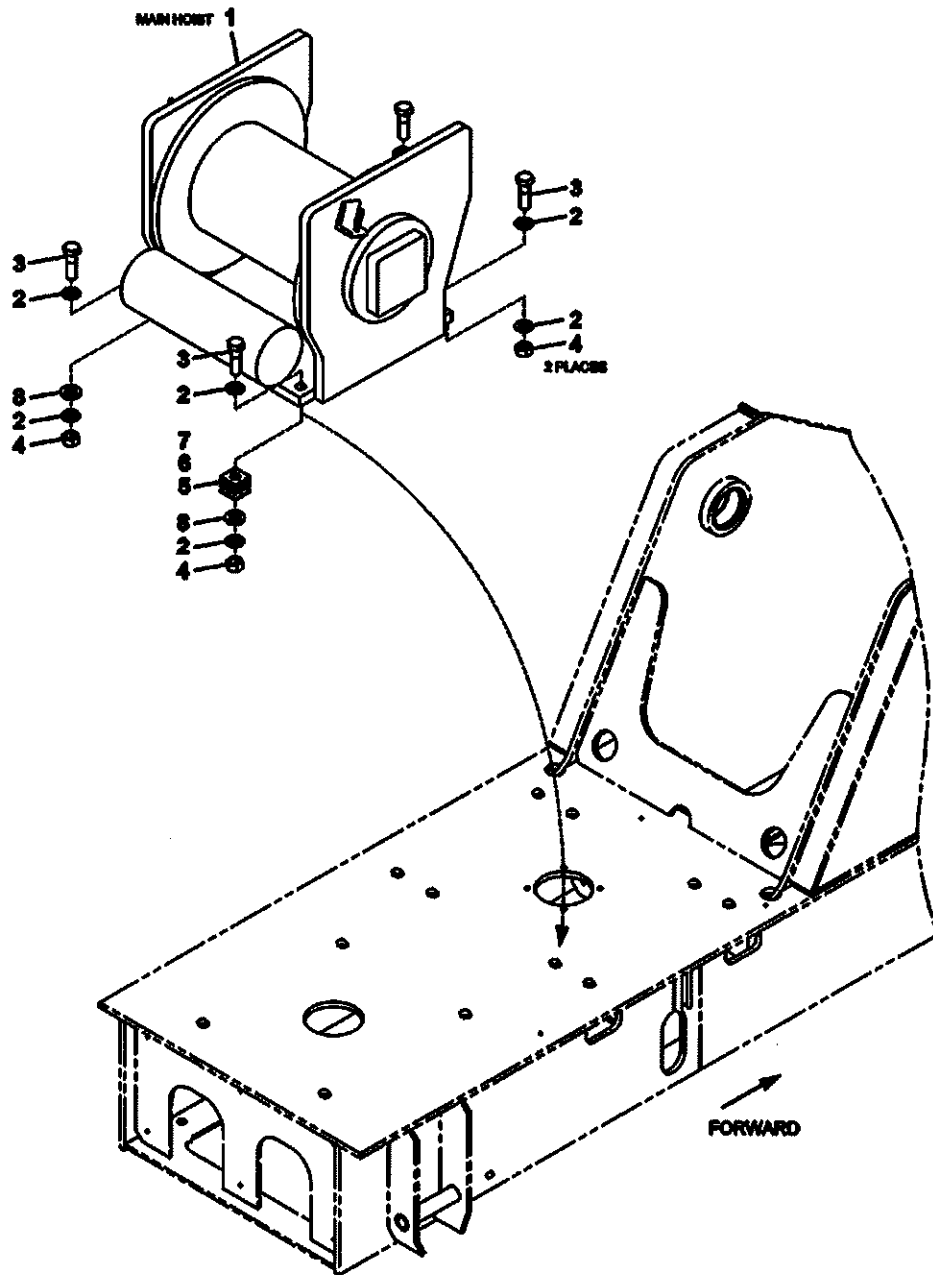
Manitowoc Cranes

Description
**HYDRAULIC LINES INSTALLATION MAIN AND FUTURE AUXILIARY HOIST
 SUPERSTRUCTURE**

Assembly No.
80015459
Revision: **A**

Item	FN	Part	Qty	Description
174		7447101034	2	TEE INCLUDES THE FOLLOWING PARTS
		7755016002	1	O-RING
175		7447100413	2	REDUCER
176		7013100059	1	ADAPTER, 0.062 DIA ORIFICE
177		7555101801	1	HOSE ASSY, 3/8 X 26" 1/4" I.D. X 18"
178		7555207203	1	3/8" X 72"
179		7555207201	1	HOSE ASSY, 3/8" I.D. X 72"
180		7910101638	1	TUBE ASSY, LS MAIN TO PORT 2
181		7910101641	1	TUBE ASSY, 1B MAN TO P STEER
182		7910101642	1	TUBE ASSY, 1A MAN TO LS STEER
183		7447060401	2	ADAPTER, STRAIGHT MALE INCLUDES THE FOLLOWING PARTS
		7755012002	1	O-RING
		7755904002	1	O-RING
184		7555206800	1	3/8" I.D. X 68"
185		7447060401	1	ADAPTER, STRAIGHT MALE INCLUDES THE FOLLOWING PARTS
		7755012002	1	O-RING
		7755904002	1	O-RING
186		7447060603	1	ELBOW, 90 DEGREE INCLUDES THE FOLLOWING PARTS
		7755012002	1	O-RING
		7755906002	1	O-RING
187		7555604400	1	HOSE ASSY, 1" I.D. HYDR STR-STR

Manitowoc Cranes



6974100183

(SHEET 1 OF 1)

Page 94

Manitowoc Cranes

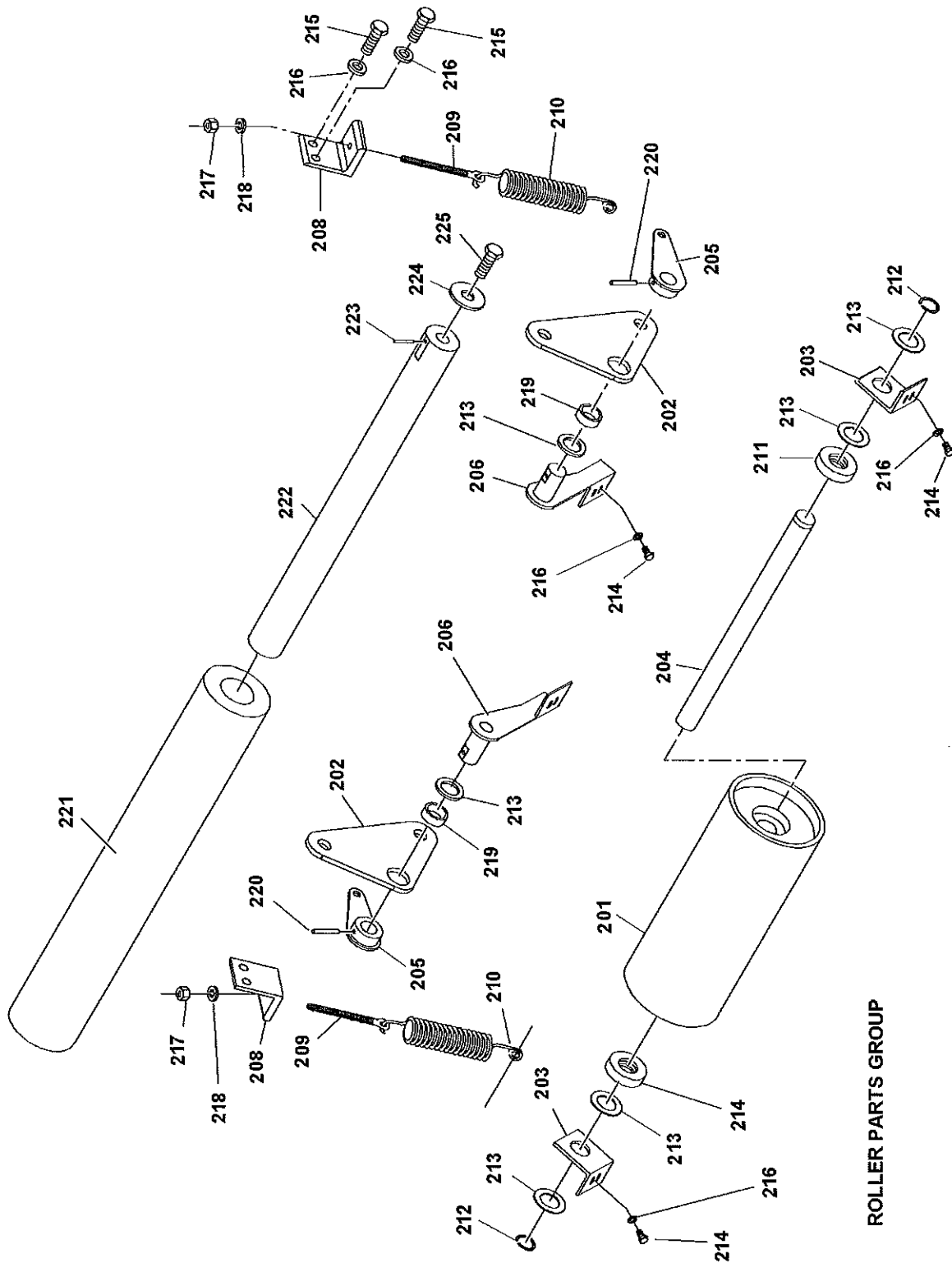
Description
HOIST INSTALLATION - MAIN

Assembly No.
6974100183
Revision: B

Item	FN	Part	Qty	Description
1	+	7974100043	1	HOIST ASSEMBLY - HP15C/17G (COMPLETE ASSEMBLY)
2		7949000236	8	FLAT WASHER, 3/4"
3		7126272353	4	CAP SCREW, M20 X 80MM HEX HEAD
4		7661270003	4	NUT, HEX M20
5		6705004266	1	SHIM (.1250")
6		6705004267	1	SHIM (.0598")
7		6705004268	1	SHIM (.0359")
8		7705100003	2	WASHER, PLATE

+ SEE FURTHER BREAKDOWN THIS GROUP

Manitowoc Cranes

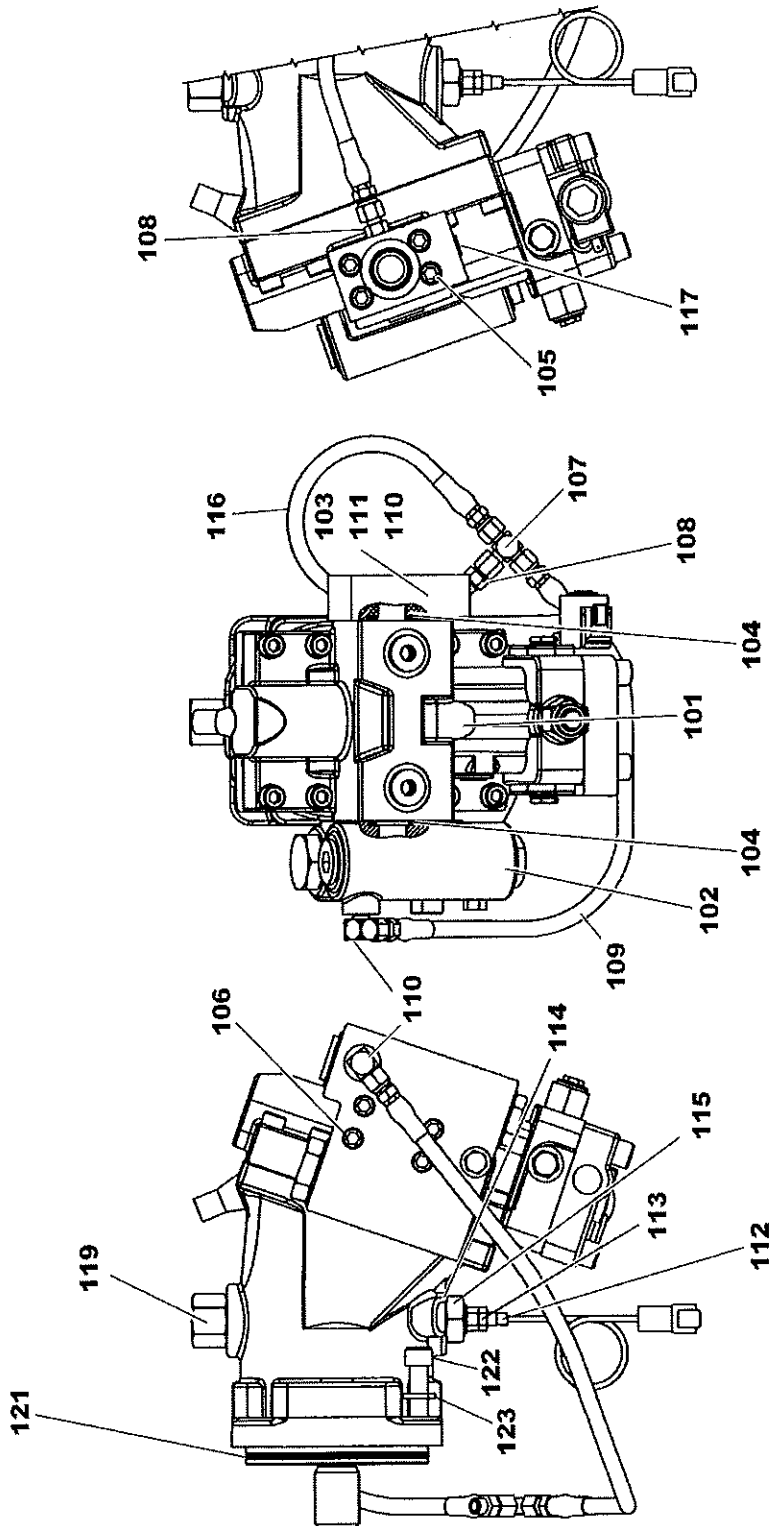


ROLLER PARTS GROUP

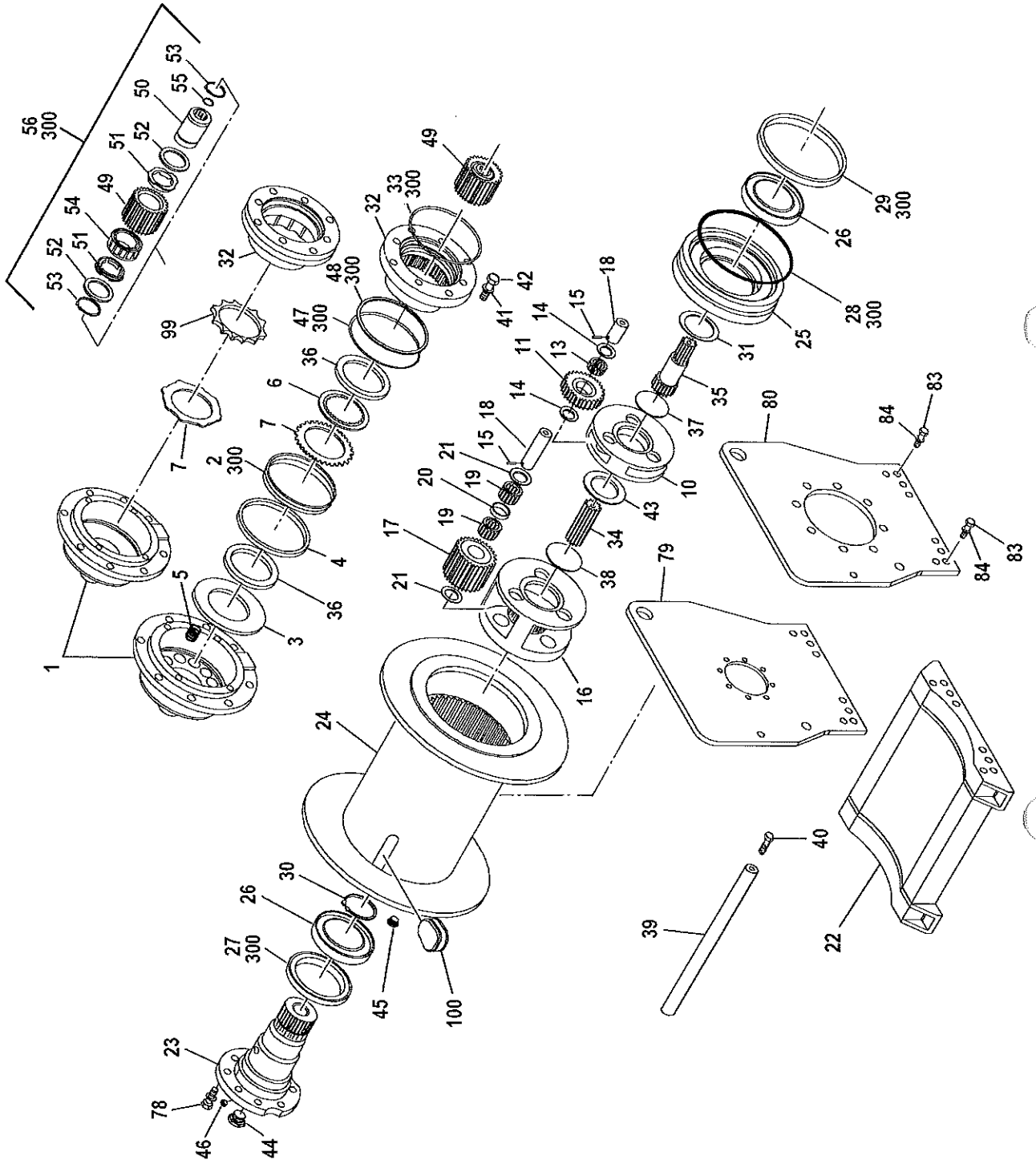
7974100043

(SHEET 3 OF 3)

Manitowoc Cranes



Manitowoc Cranes



7974100043

(SHEET 1 OF 3)

Manitowoc Cranes

Description
HOIST ASSEMBLY - HP15C/17G (COMPLETE ASSEMBLY)

Assembly No.
7974100043
 Revision:

Item	FN	Part	Qty	Description
1		9974102861	1	CYLINDER, BRAKE
2	*	9974102176	1	SEAL, PISTON
3		9974102177	1	PLATE, PRESSURE
4		9974102178	1	RING, BACK-UP
5		9974102179	12	SPRING
6		9974100594	7	DISC, FRICTION
7		9974102704	8	DISK, BRAKE
10		9974102666	1	PLANET CARRIER - PRIMARY
11		9974102667	3	GEAR - PLANET
12		9974102180	3	SHAFT
13		9974101182	3	BEARING, ROLLER
14		9974102181	6	WASHER, THRUST
15		9974101183	3	PIN, SPIRAL 3/16" X 3/4"
15		9576100517	3	PIN
16		9974102668	1	CARRIER, PLANET
17		9974102671	3	GEAR, PLANET
18		9974102182	3	SHAFT
19		9974102183	6	BEARING
20		9974102672	3	SPACER
21		9974102185	6	WASHER, THRUST
22		9974102942	1	BASE
23		9974102846	1	SUPPORT, BEARING
24		9974102941	1	DRUM
25		9974102676	1	CLOSURE, CABLE DRUM
26		9974101211	2	BEARING, BALL
27	*	9974101216	1	SEAL, OIL
28	*	9974102868	1	O-RING
29	*	9974102190	1	SEAL, OIL
30		9974102191	1	RING, RETAINING
31		9974102849	1	WASHER, THRUST
32		9974102731	1	MOUNT, MOTOR BASE
33	*	9974101198	1	O-RING
34		9974102194	1	GEAR, SUN

* REPAIR KIT AND/OR PART OF KIT

Manitowoc Cranes

Description
HOIST ASSEMBLY - HP15C/17G (COMPLETE ASSEMBLY)

Assembly No.
7974100043
Revision:

Item	FN	Part	Qty	Description
35		9974102677	1	PRIMARY SUN GEAR
36		9974102195	2	SPACER
37		9974102196	1	PLATE, THRUST
38		9974102197	1	PLATE, THRUST
39		9974102822	1	BAR, SPACER
40		9974102854	14	CAPSCREW
41		9974100476	18	WASHER, LOCK 1/2" I.D.
42		9974102198	4	CAP SCREW,
43		9974102747	1	WASHER, THRUST
44		9974102855	1	GAUGE, SIGHT
45		9974102201	1	PLUG, FLUSH
		7755908002	1	INCLUDES THE FOLLOWING PARTS
			1	O-RING
46		9974102858	1	PLUG, VENT
47	*	9974102922	1	O-RING
48	*	9974102226	1	RING, BACK-UP
49		NSS	1	RACE, OUTER BRAKE
50		NSS	1	RACE, INNER BRAKE
51		9974102665	2	BEARING, SPRAG
52		9974102218	2	BEARING, THRUST
53		9974102219	2	RING, RETAINING
54		NSS	1	SPRAG, CLUTCH
55		9974102221	1	RING, RETAINING
56		9974102214	1	CLUTCH SPRAG ASSY. BRAKE INCLUDES ITEMS 49 THRU 55
78		9974102859	8	CAPSCREW
79		9974102943	1	SIDEPLATE, MOTOR
80		9974102944	1	SIDEPLATE,SUPPORT
83		9974102820	16	CAP SCREW,
84		9974102821	16	WASHER,
99		9974102705	1	SPACER
100		9974103088	1	WEDGE, CABLE 5/8"
101		90000100	1	MOTOR ASSY. HYD.

* REPAIR KIT AND/OR PART OF KIT

Manitowoc Cranes

Description
HOIST ASSEMBLY - HP15C/17G (COMPLETE ASSEMBLY)

Assembly No.
7974100043
Revision:

Item	FN	Part	Qty	Description
				INCLUDES THE FOLLOWING PARTS
		90001131	1	CART. VALVE ASSY. CONTROL 12V.
		90001067	1	KIT, SEAL
102		9974102885	1	VALVE, BRAKE
				INCLUDES THE FOLLOWING PARTS
		9974101280	1	KIT, SEAL
103		9974103090	1	MANIFOLD
104	*	9974102898	2	O-RING
105		9974102684	4	CAP SCREW
106		981134	4	CAPSCREW
107		9974102211	1	TEE, SWIVEL
108		9974102210	2	ADAPTER
109		981786	1	HOSE ASSEMBLY
110		9974102212	1	ELBOW
112		9974103091	1	SENSOR
113		9974103094	1	NUT, JAM
114		9974103092	1	WASHER, SEAL
115		9974103093	1	FITTING
116		9974102208	1	HOSE ASSY, 3/8 X 26"
117		9974102931	1	PLUG
				INCLUDES THE FOLLOWING PARTS
		7755904002	1	O-RING
118		9974102227	1	O-RING
119		90000104	1	ADAPTER
121		90000105	1	O-RING
122		90000125	4	CAPSCREW
123		9974100476	4	WASHER, LOCK 1/2" I.D.
201		9974103083	1	ROLLER
202		9974102825	2	PLATE
203		9974103084	2	BRACKET, ROLLER
204		9974103085	1	SHAFT, ROLLER
205		9974102828	2	LEVER
206		9974102829	1	LEVER, ROLLER R.H.
207		9974102830	1	LEVER, ROLLER L.H.
208		9974102831	2	BRACKET
209		9974102810	2	ROD

* REPAIR KIT AND/OR PART OF KIT

Manitowoc Cranes

Description

HOIST ASSEMBLY - HP15C/17G (COMPLETE ASSEMBLY)

Assembly No.

7974100043

Revision:

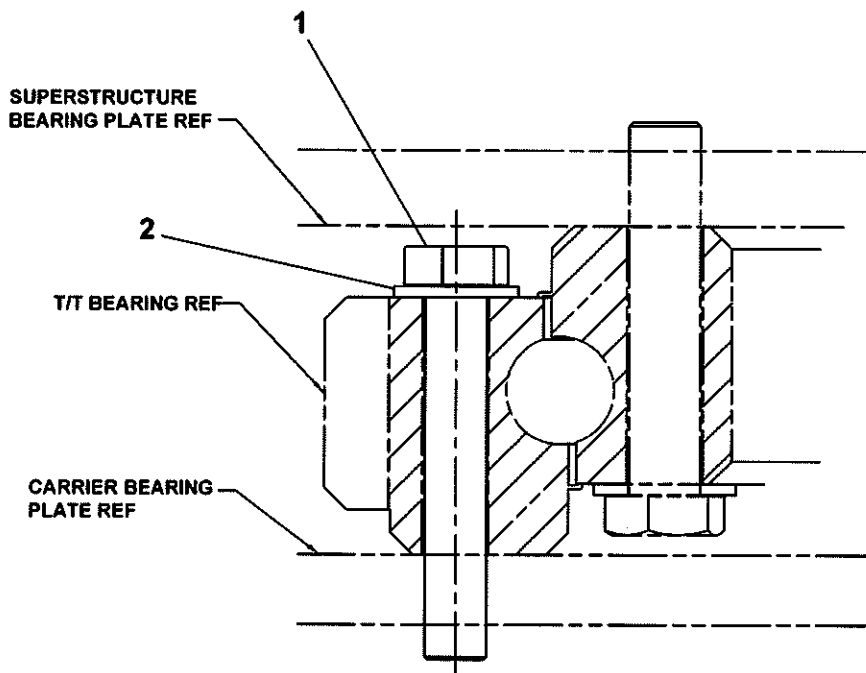
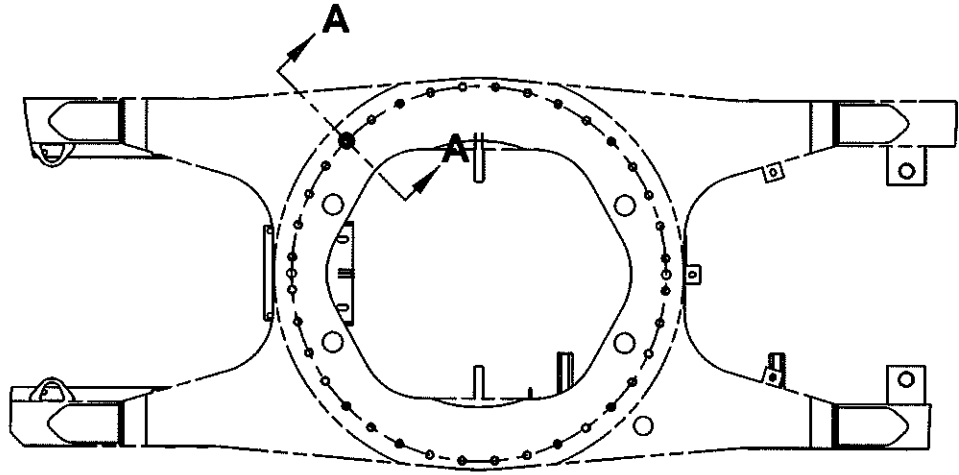
Item	FN	Part	Qty	Description
210		9974102832	2	SPRING
211		9974103086	2	BEARING
212		9974103087	2	RING, RETAINER
213		9974102181	8	WASHER, THRUST
214		9974102835	4	CAP SCREW,
215		9974103043	4	CAPSCREW
216		7950160020	8	WASHER, LOCK 3/8" I.D.
217		9974102995	2	NUT
218		9974102839	2	WASHER
219		9974102808	2	BUSHING
220		9974102814	2	ROLLPIN
221		9974102840	1	ROLLER
222		9974102841	1	SHAFT
223		9974102966	1	PIN
224		9974102843	1	WASHER
225		9974103015	2	CAPSCREW
300	*	9974102222	1	KIT, SEAL

* REPAIR KIT AND/OR PART OF KIT

Manitowoc Cranes

Notes

Manitowoc Cranes



SECTION A-A

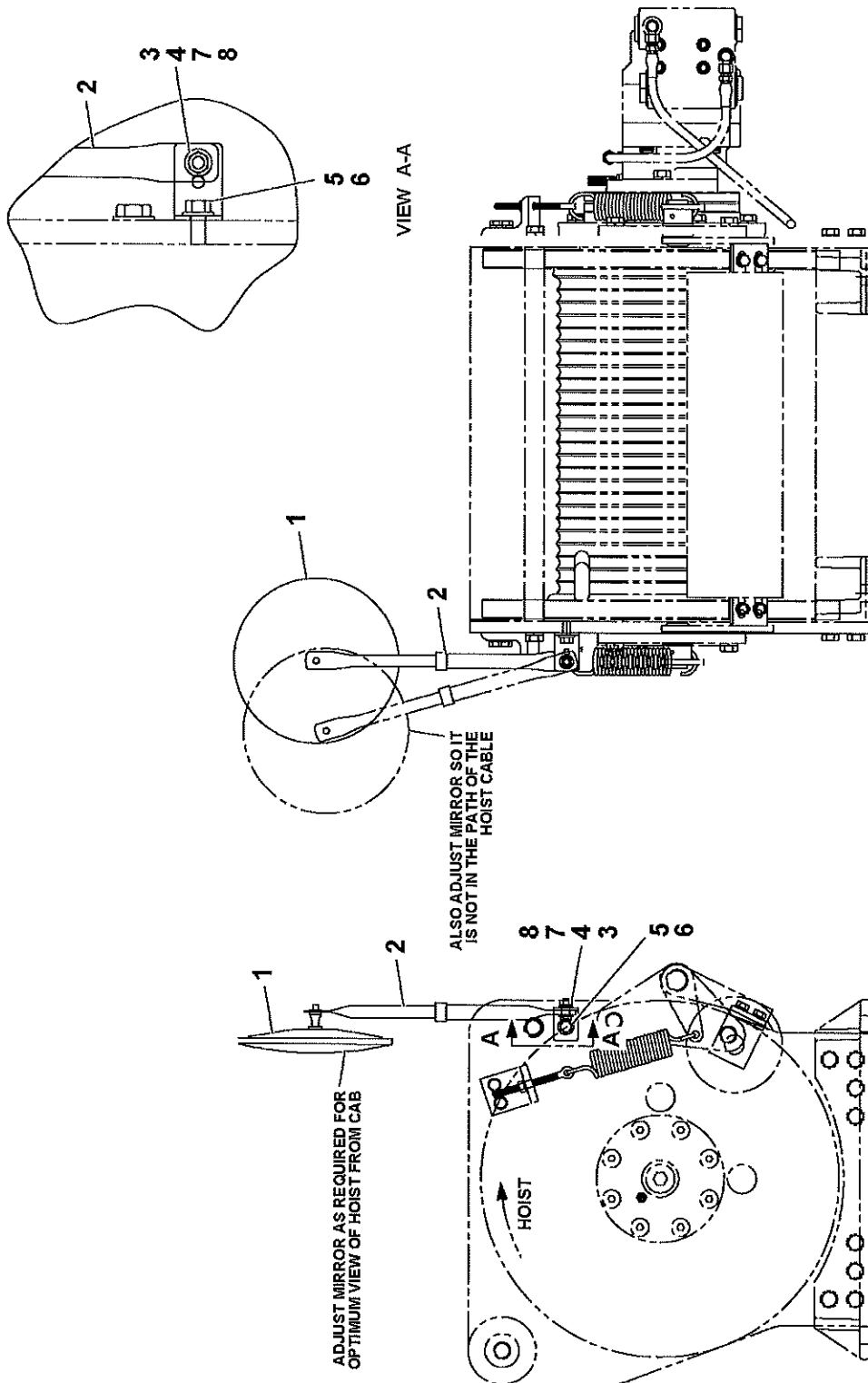
Manitowoc Cranes

Description
BOLT INSTALLATION - BEARING

Assembly No.
2159210143
Revision: #

Item	FN	Part	Qty	Description
1		7118244250	36	CAP SCREW, 7/8" - 9 N.C. X 5 1/4" GRADE 8
2		7949000237	36	WASHER, 7/8" I.D.

Manitowoc Cranes



2159210000

(SHEET 1 OF 1)

Manitowoc Cranes

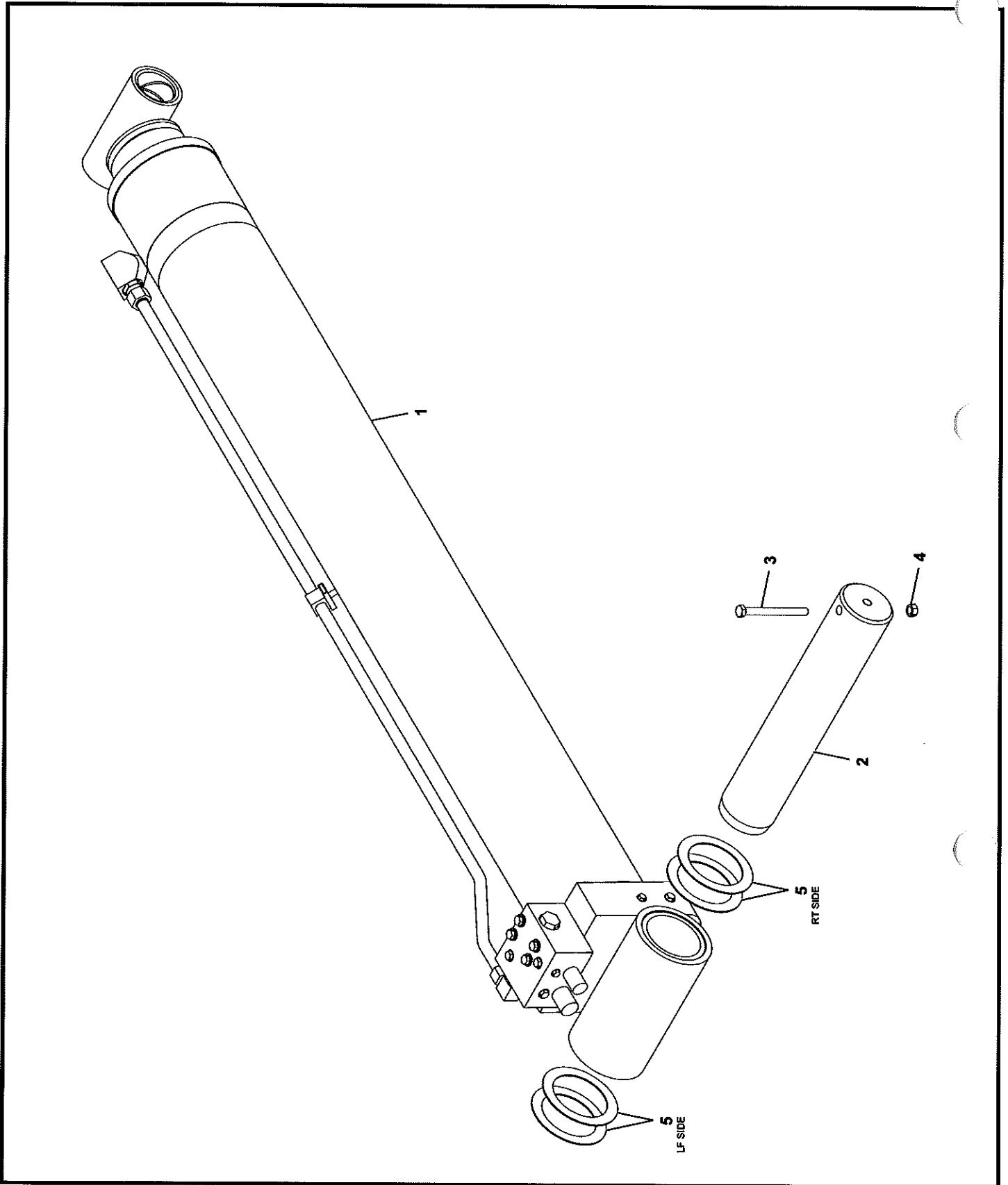
Description
MIRROR INSTALLATION - HOIST

Assembly No.
2159210000
Revision: D

Item	FN	Part	Qty	Description
1		7628000025	1	MIRROR, 8" CONVEX INCLUDES MOUNTING HARDWARE
2	#	7184001014	1	BRACKET, MIRROR ARM INCLUDES MOUNTING HARDWARE
3		7115150850	1	CAP SCREW, 5/16" - 18 N.C. X 1" GRADE 5
4		7950150051	1	WASHER, LOCK 5/16" I.D.
5		7115160650	1	CAP SCREW, 3/8" - 16 N.C. X 3/4" GRADE 5
6		7950160141	1	WASHER, 3/8" PLAIN NARROW
7		7950150141	2	WASHER, FLAT 5/16"
8		7660150001	1	NUT, HEX 5/16" - 18 N.C. GRADE 5

SERVICED AS AN ASSEMBLY ONLY

Manitowoc Cranes



2159210177

(SHEET 1 OF 1)

Page 108

Manitowoc Cranes

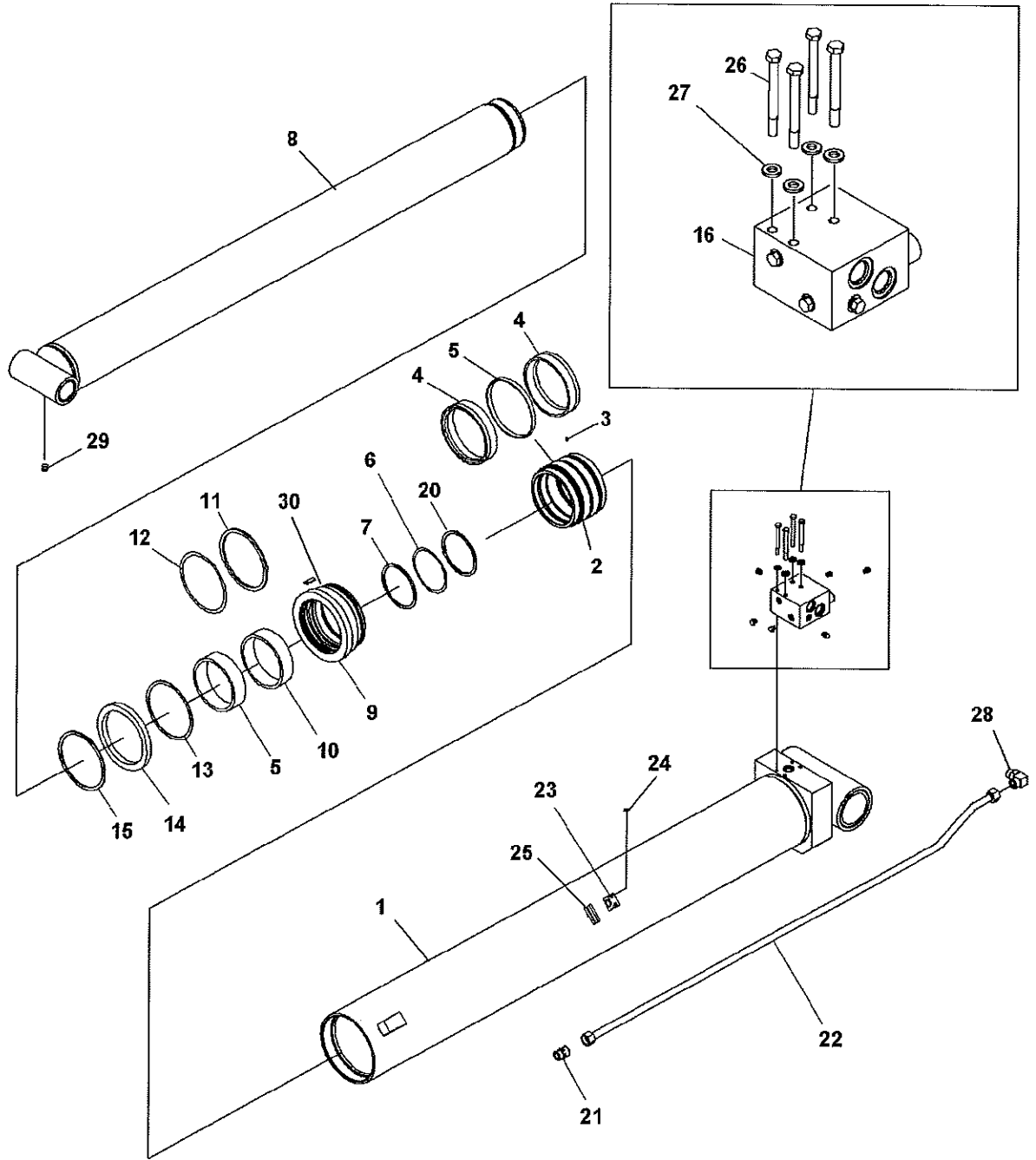
Description
CYLINDER INSTALLATION - LIFT

Assembly No.
2159210177
 Revision: **A**

Item	FN	Part	Qty	Description
1	+	6372100488	1	CYLINDER ASSEMBLY - 9" LIFT (COMPLETE ASSEMBLY)
2		7810100133	1	SHAFT, LOWER PIVOT
3		7126243350	1	HHCS M16x170 -8.8 ISO 4017
4		7661240003	1	NUT, HEX 16MM N.C.
5		7949000383	4	WASHER, THRUST

+ SEE FURTHER BREAKDOWN THIS GROUP

Manitowoc Cranes



SEE BOM FOR ITEM NBR 300 SEAL KIT

Manitowoc Cranes

Description
CYLINDER ASSEMBLY - 9" LIFT (COMPLETE ASSEMBLY)

Assembly No.
6372100488
Revision: #

Item	FN	Part	Qty	Description
1		6372100486	1	BARREL, LIFT CYLINDER INCLUDES THE FOLLOWING PARTS
		7199100029	2	BUSHING, LINER
2		6701000970	1	PISTON, 9" CYLINDER
3		7099000378	1	SCREW, 3/8" - 16NC X 3/8" SET
4	*	7794000577	2	SEAL, PISTON
5	*	7753000477	1	RING, WEAR
6	*	7754000163	1	O-RING, LOW TEMPERATURE
7	*	7753100021	1	BACK-UP RING;7.00 ROD
8		6768100342	1	ROD, 7" CYLINDER INCLUDES THE FOLLOWING PARTS
		7199100029	2	BUSHING, LINER
9		7372100268	1	HEAD, CYLINDER
10	*	7753000307	1	RING, WEAR
11	*	7754000166	1	O-RING, LOW TEMPERATURE
12	*	7755445609	1	RING, BACK-UP
13	*	7794000544	1	SEAL, BUFFER
14	*	7794000642	1	SEAL, DEEP Z ROD
15	*	7753000299	1	RING, WIPER
16	+	7926100925	1	VALVE ASSEMBLY - HOLDING (COMPLETE ASSEMBLY)
20	*	7755365609	2	RING, BACK-UP
21		7447161601	1	ADAPTER, STRAIGHT INCLUDES THE FOLLOWING PARTS
		7755021002	1	O-RING
		7755916002	1	O-RING
22		7910101710	1	TUBE ASSY, LIFT CYLINDER
23		7300000269	1	CLAMP, PIPE
24		01147202	2	CAP SCREW, SOCKET HEAD M6X35
25		01571750	2	NUT, CHANNEL
26		7115184050	4	CAP SCREW, 1/2" - 13 N.C. X 5" GRADE 5
27		7949000235	4	WASHER, 1/2" I.D. FLAT
28		7447161603	1	ELBOW, 90 DEGREE MALE INCLUDES THE FOLLOWING PARTS
		7755021002	1	O-RING

* REPAIR KIT AND/OR PART OF KIT

+ SEE FURTHER BREAKDOWN THIS GROUP

Manitowoc Cranes

Description
CYLINDER ASSEMBLY - 9" LIFT (COMPLETE ASSEMBLY)

Assembly No.
6372100488
Revision: #

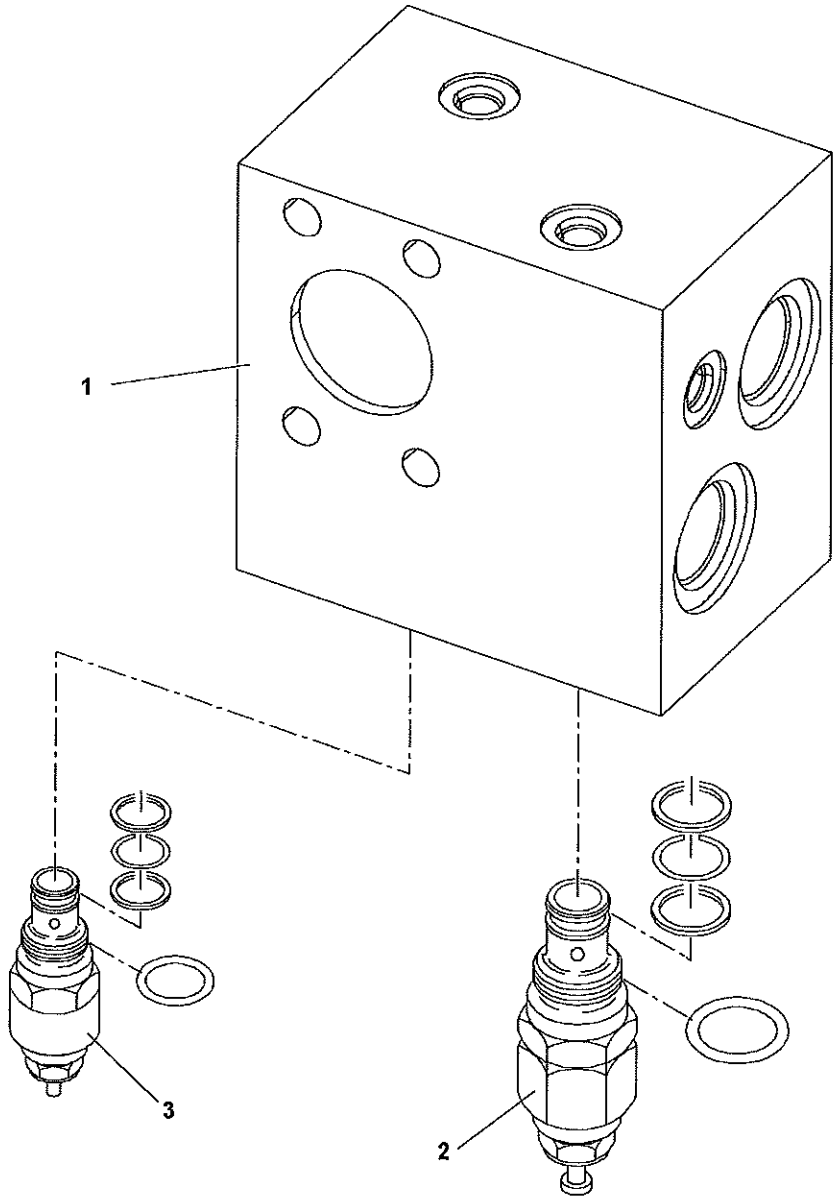
Item	FN	Part	Qty	Description
29		7755916002	1	O-RING
300	*	7440000000	2	FITTING, 1/8 STRAIGHT GREASE
		7373000012	1	KIT, SEAL

* REPAIR KIT AND/OR PART OF KIT

Manitowoc Cranes

Notes

Manitowoc Cranes



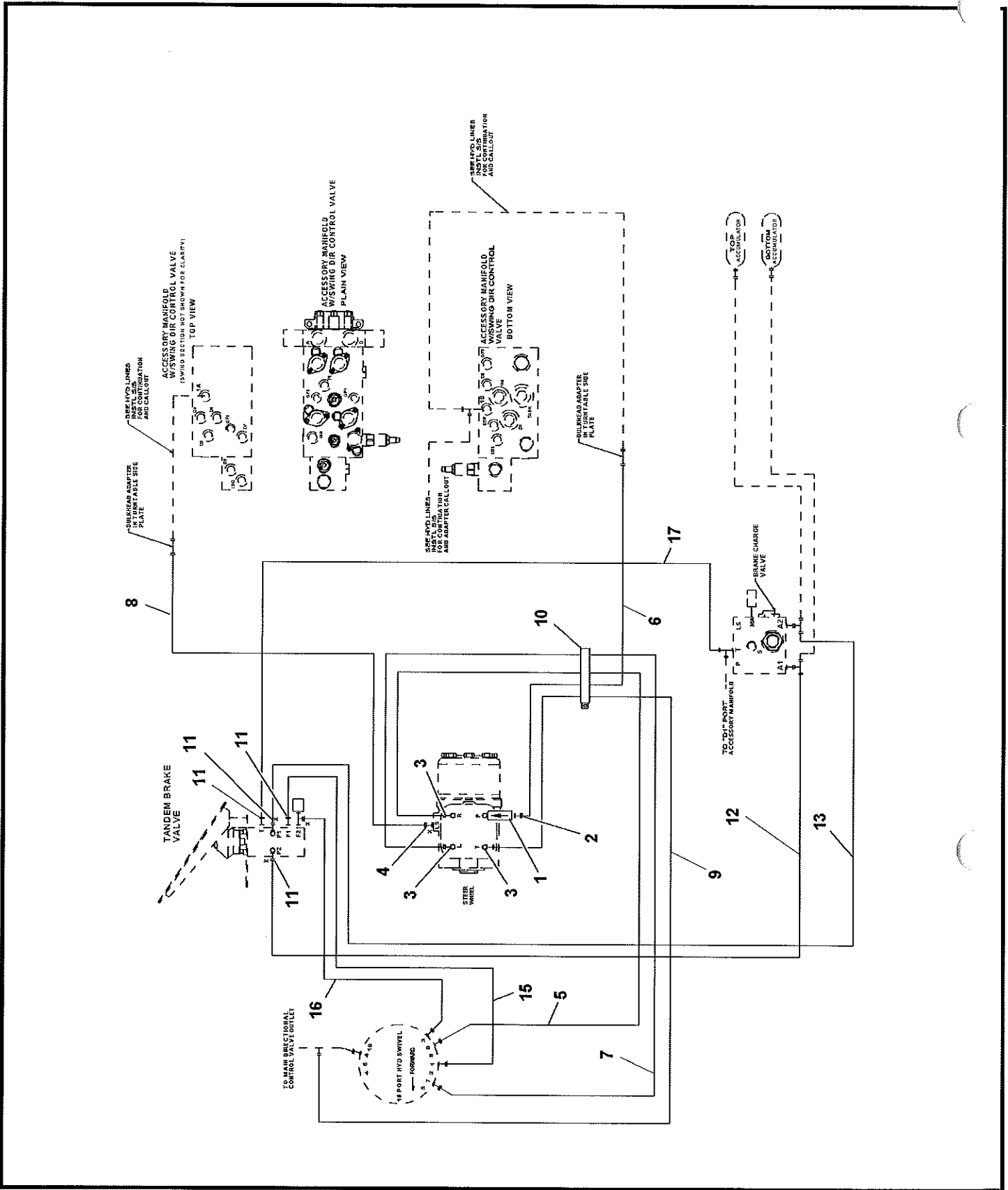
Manitowoc Cranes

Description
VALVE ASSEMBLY - HOLDING (COMPLETE ASSEMBLY)

Assembly No.
7926100925
 Revision:

Item	FN	Part	Qty	Description
1		NSS	1	BODY, MANIFOLD
2		9926113144	1	VALVE, CART. COUNTER BALANCE INCLUDES THE FOLLOWING PARTS
		9926113146	1	KIT, SEAL
3		9926113145	1	VALVE, CART. SEQUENCE @4400 PSI INCLUDES THE FOLLOWING PARTS
		9926113147	1	KIT, SEAL

Manitowoc Cranes



2159610145

(SHEET 1 OF 1)

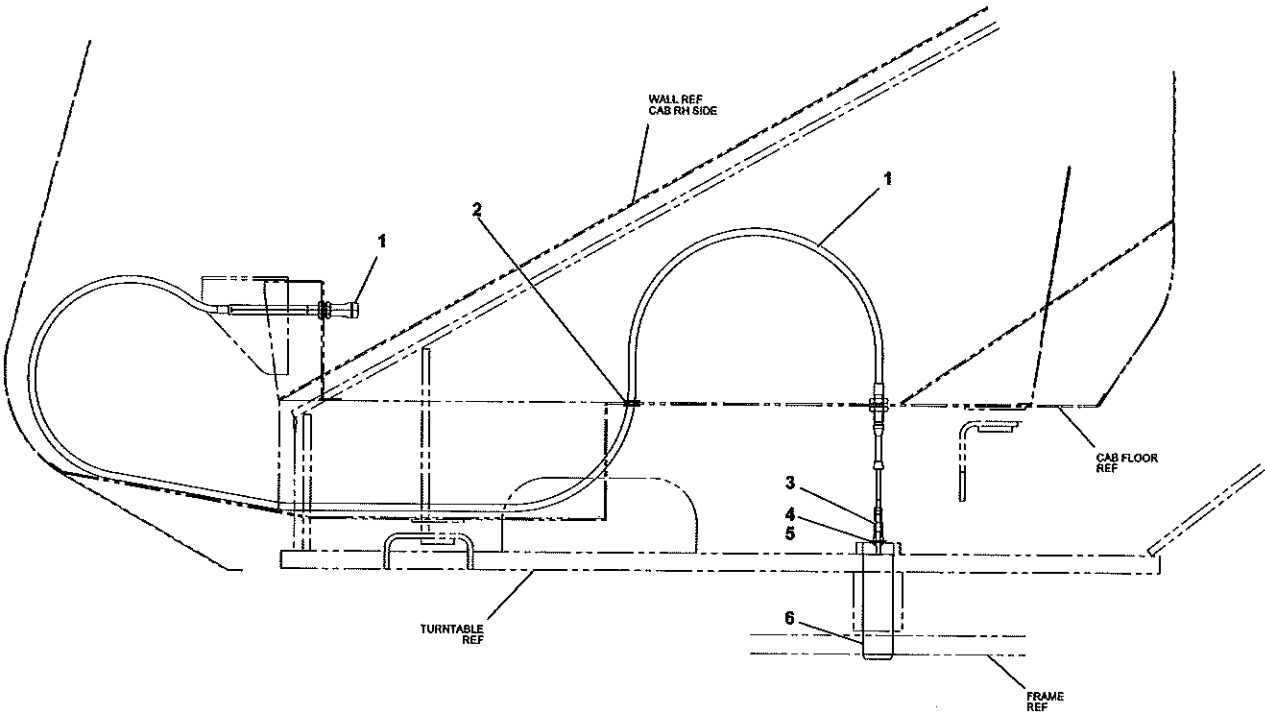
Manitowoc Cranes

Description
HYDRAULIC LINES INSTALLATION - CAB

Assembly No.
2159610145
Revision: C

Item	FN	Part	Qty	Description
1		7926002156	1	VALVE, INLET CHECK INCLUDES THE FOLLOWING PARTS
		9926103232	1	O-RING
		9926106646	1	O-RING
2		7447080613	1	REDUCER
3		7447060801	3	ADAPTER, STRAIGHT MALE INCLUDES THE FOLLOWING PARTS
		7755012002	1	O-RING
		7755908002	1	O-RING
4		7447060401	1	ADAPTER, STRAIGHT MALE INCLUDES THE FOLLOWING PARTS
		7755012002	1	O-RING
		7755904002	1	O-RING
5		7555208203	1	HOSE ASSY, 3/8"IDX90" LONG
6		7555206201	1	3/8" I.D. X 62"
7		7555207203	1	3/8" X 72"
8		7555207401	1	HOSE ASSY, 3/8" I.D. X 74" LONG
9		7555207201	1	HOSE ASSY, 3/8" I.D. X 72"
10		7300000251	1	CLAMP, TUBING 2" I.D.
11		7447060601	4	ADAPTER, STRAIGHT MALE INCLUDES THE FOLLOWING PARTS
		7755012002	1	O-RING
		7755906002	1	O-RING
15		7555204400	1	3/8" I.D. X 44"
16		7555205301	1	HOSE ASSY, 3/8" I.D. X 53" LONG

Manitowoc Cranes



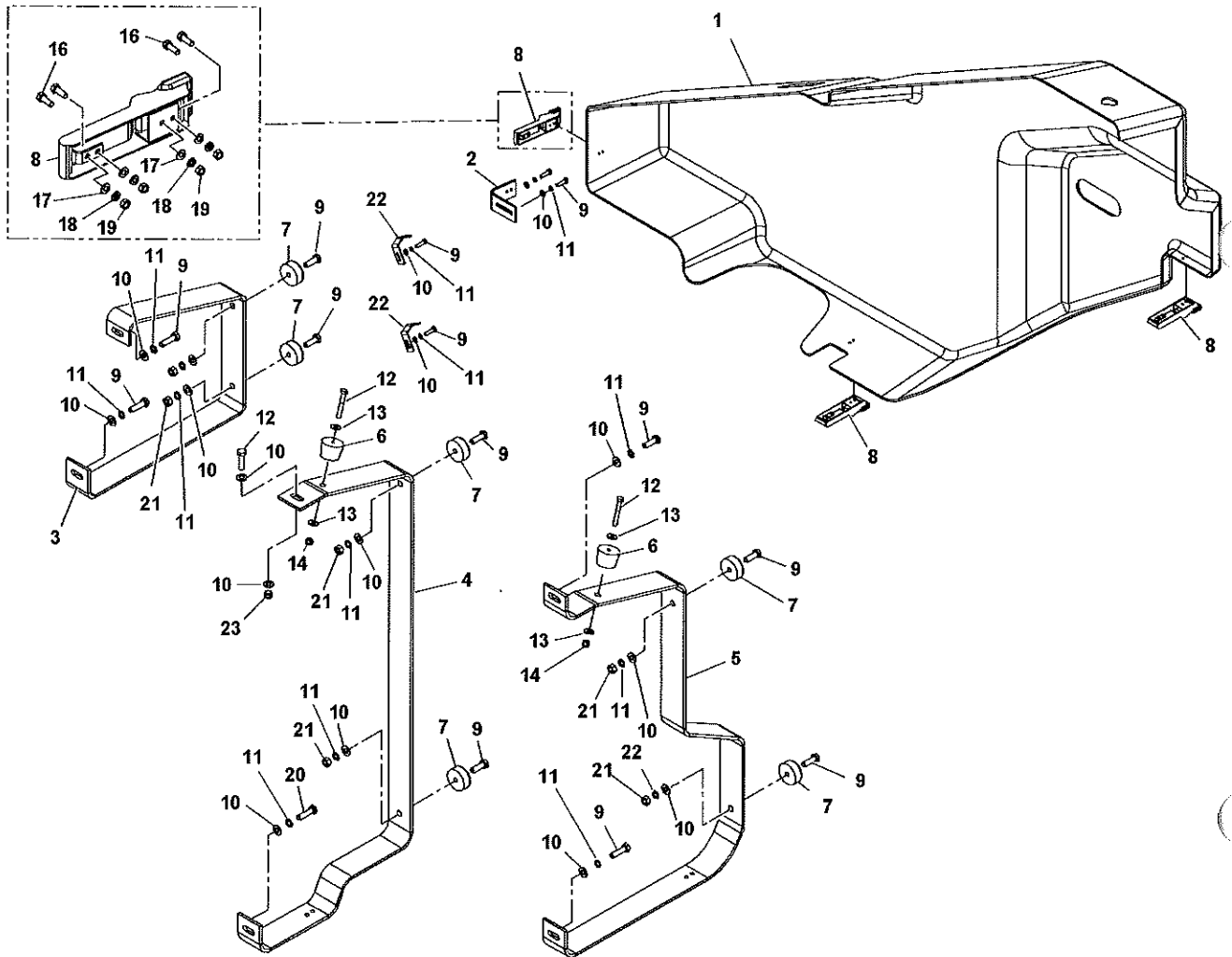
Manitowoc Cranes

Description
PIN INSTALLATION - TURNTABLE LOCK

Assembly No.
6245101343
Revision: #

Item	FN	Part	Qty	Description
1		7246100476	1	CONTROL CABLE W/LOCK HANDLE
		90011630	1	INCLUDES THE FOLLOWING PARTS
2		7506000021	1	KIT, HANDLE
			1	GROMMET
				1/2" I.D.
3		7308000042	1	YOKE
4		7690141600	1	PIN, CLEVIS
				1/4" X 1"
5		7690001210	1	PIN, COTTER
				1/16" X 3/4"
6		2159210126	1	PIN, SWING LOCK

Manitowoc Cranes



6258100041

(SHEET 1 OF 1)

Page 120

Manitowoc Cranes

Description
COVER INSTALLATION - VALVE

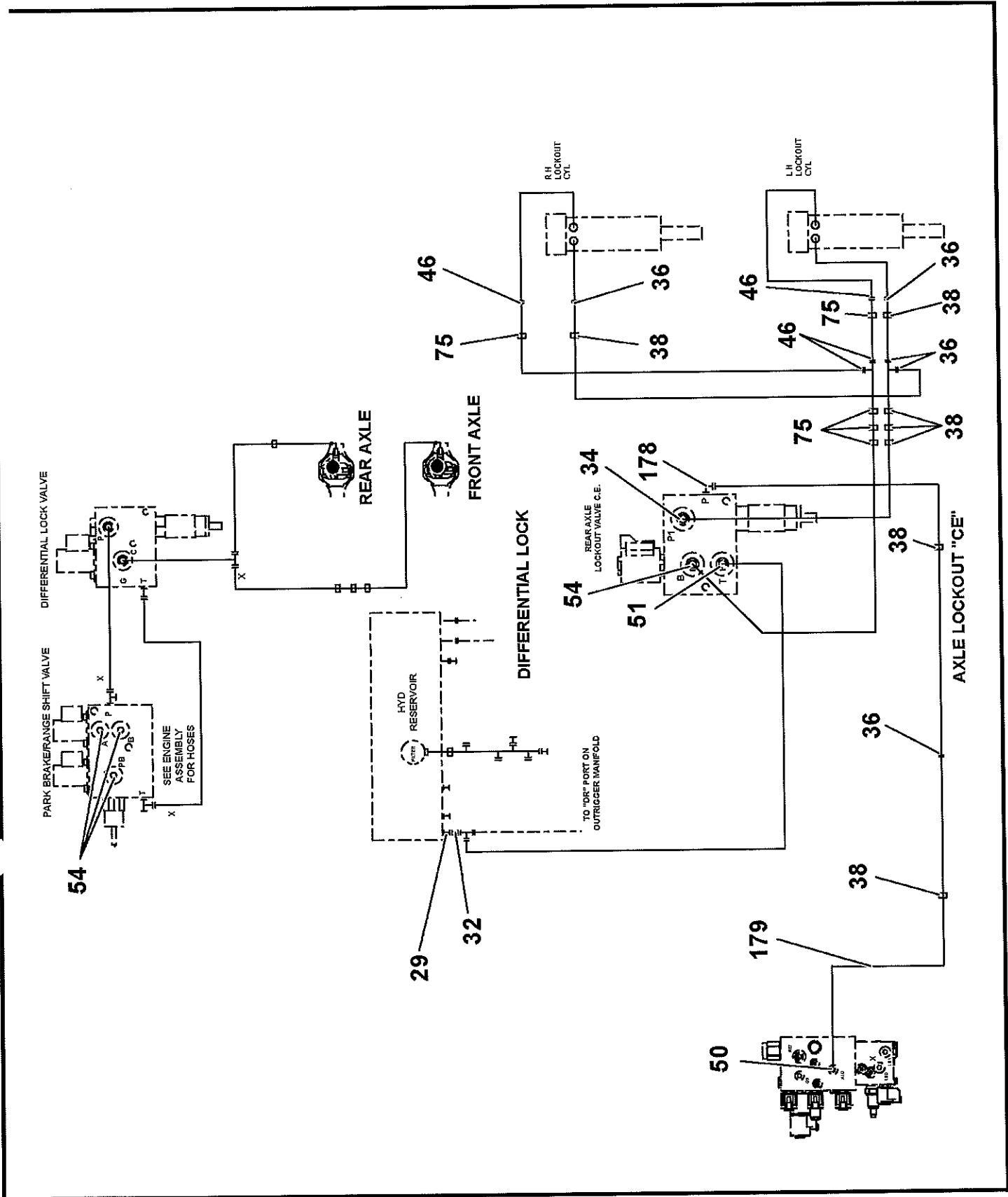
Assembly No.
6258100041
Revision: D

Item	FN	Part	Qty	Description
1		7258100188	1	COVER, VALVE
2		4159210122	1	BRACKET, ANGLE
3		4159210164	1	BRACKET, FRONT
4		4159210165	1	BRACKET, MID
5		4159210166	1	BRACKET, REAR
6		7195100001	2	STOPPER, RUBBER
7		7195000010	6	BUMPER, MOLDED
8		7585000812	3	DRAW LATCH
				INCLUDES THE FOLLOWING PARTS
		9585100055	1	KEEPER
9		7126171353	9	CAP SCREW, HEX HEAD
10		7951170014	17	WASHER, FLAT #8
11		7951170210	15	WASHER, LOCK 8MM
12		7126151650	2	CAP SCREW, M6 X 45MM HEX HEAD
13		7950140141	4	WASHER, FLAT 1/4" PLAIN NARROW
14		00437742	2	HEX HEAD NUT
16		7126130953	12	CAP SCREW, M5 X 14MM HEX HEAD
17		7951130014	12	F WASHER 5
18		7951130210	12	LOCKWASHER, 5MM I.D.
19		7661130003	12	NUT, HEX 5MM
20		7126171253	1	CAP SCREW, M8X25 HEX HEAD
21		7661170003	6	NUT
22		4159210167	1	BRACKET, COVER
23		7661171103	1	NUT, HEX 8MM N.C.

Manitowoc Cranes

Notes

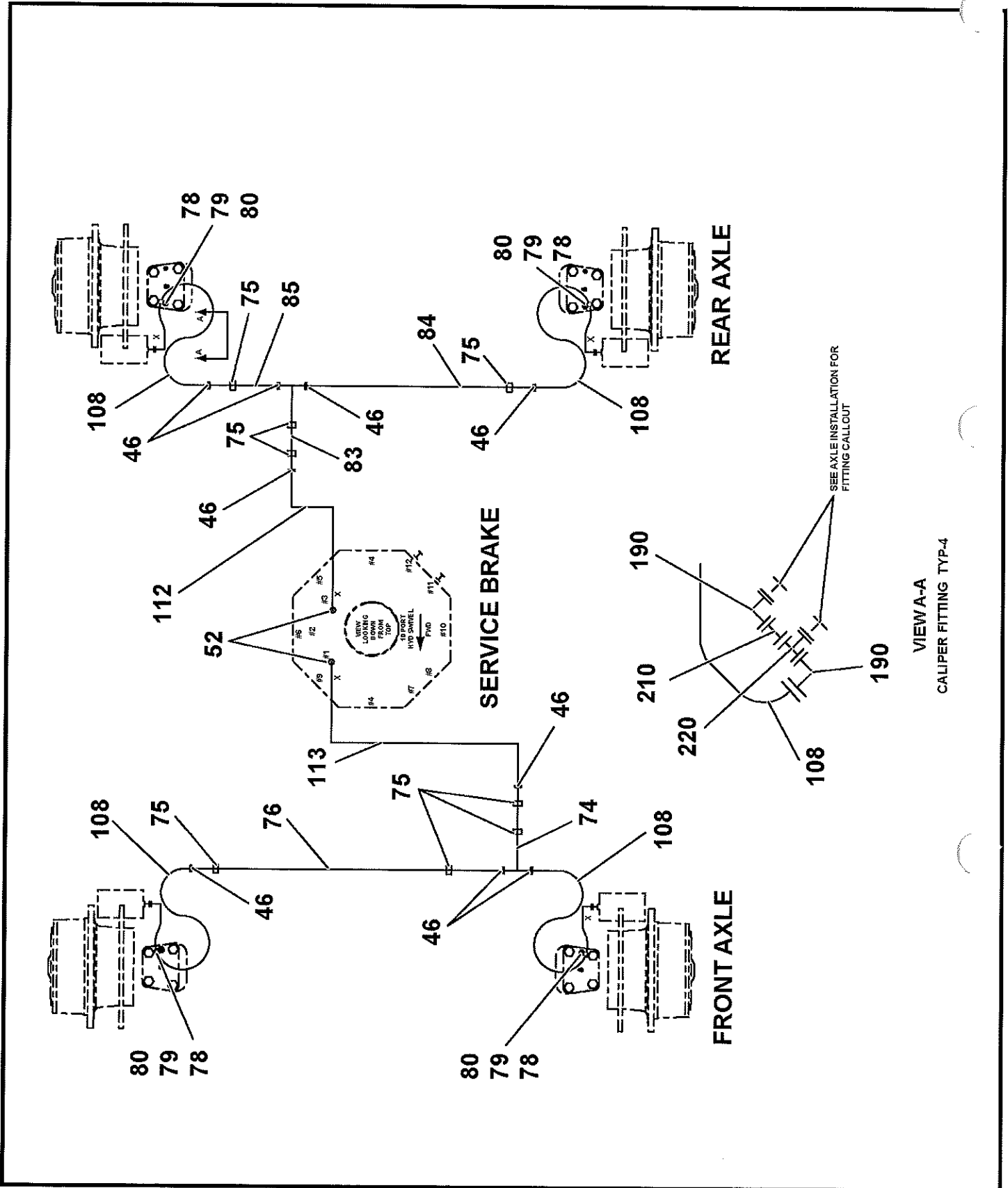
Manitowoc Cranes



80009819

(SHEET 4 OF 4)

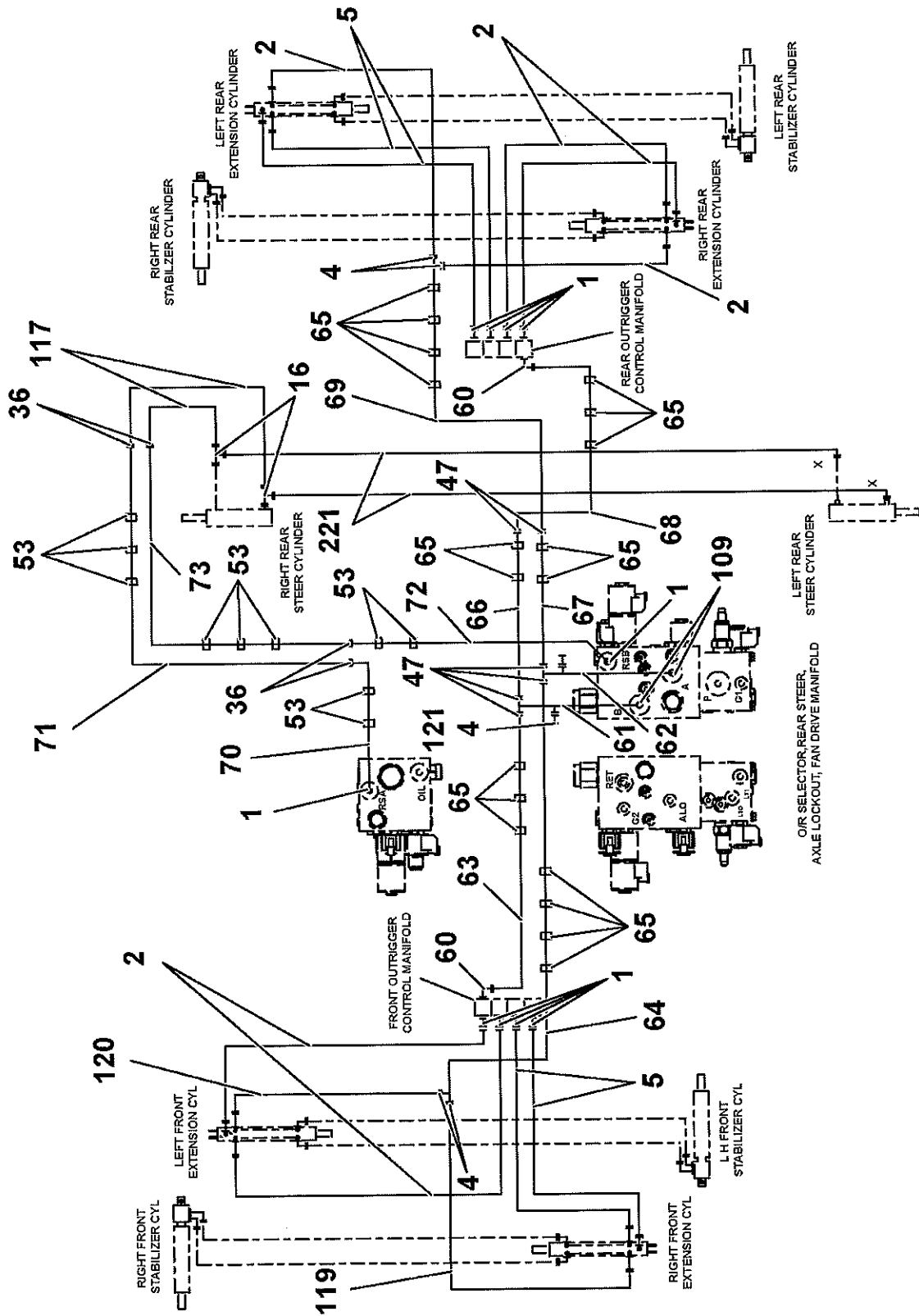
Manitowoc Cranes



80009819

(SHEET 3 OF 4)

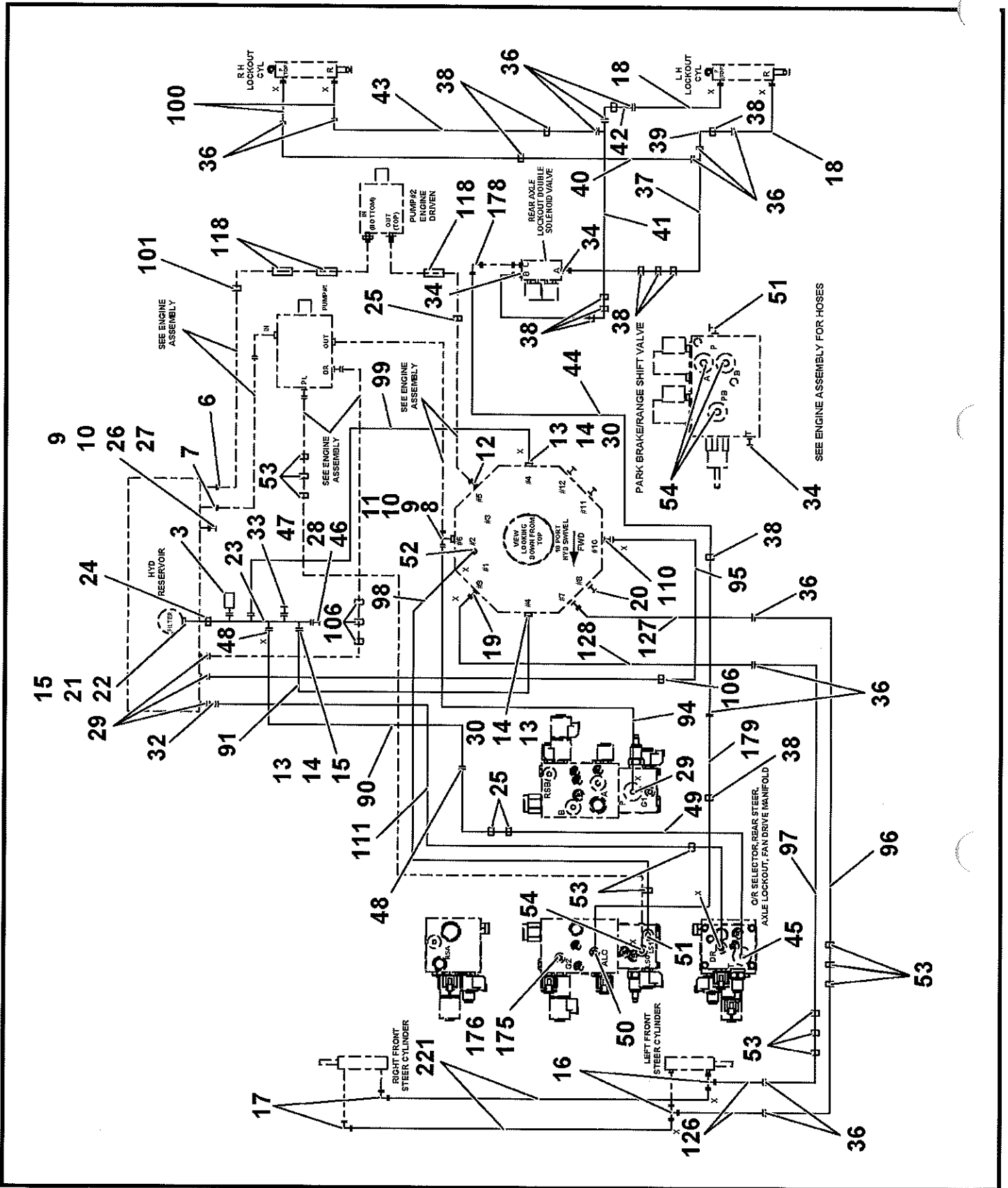
Manitowoc Cranes



80009819

(SHEET 2 OF 4)

Manitowoc Cranes



80009819

(SHEET 1 OF 4)

Manitowoc Cranes

Description
HYDRAULIC LINES INSTALLATION-CARRIER

Assembly No.
80009819
Revision: **A**

Item	FN	Part	Qty	Description
1		7447080801	10	ADAPTER, STRAIGHT INCLUDES THE FOLLOWING PARTS
		7755014002	1	O-RING
		7755908002	1	O-RING
2		7555306000	6	HOSE, 1/2" I.D. HYDR ASST STR B
3		7872100171	1	SWITCH, 190 TEMPERATURE (N.C.)
4		7755014002	6	O-RING
5		7555307200	4	1/2" I.D. X 72" LONG
6		7300100024	1	CLAMP, T-BOLT 1.75" NOM
7		80011312	1	CLAMP, BENT T-BOLT 3.00" NOM
8		7888100000	1	TEE, SPLIT FLANGE BRANCH
9	#	7450000188	4	SPLIT FLANGE HALF, 1 1/4"
10		7755222002	2	O-RING
11		7126191450	4	CAP SCREW, M10 X 35MM HEX HEAD
12		7447121208	1	ELBOW, 45 DEGREE MALE INCLUDES THE FOLLOWING PARTS
		7755018002	1	O-RING
		7755912002	1	O-RING
13	#	7450000102	6	FLANGE, SPLIT
14		7755225002	3	O-RING
15		7115181250	8	CAP SCREW, 1/2" - 13 N.C. X 1 1/2" GRADE 5
16		7447060634	4	TEE, FEMALE RUN INCLUDES THE FOLLOWING PARTS
		7755012002	1	O-RING
		7755906002	1	O-RING
17		7447060633	2	ELBOW, 90 DEGREE MALE INCLUDES THE FOLLOWING PARTS
		7755012002	1	O-RING
18		7555202401	2	HOSE ASSY, 3/8 ID X 24" LONG
19		7447060801	2	ADAPTER, STRAIGHT MALE INCLUDES THE FOLLOWING PARTS
		7755012002	1	O-RING
		7755908002	1	O-RING
20		7709000038	1	PLUG, O-RING INCLUDES THE FOLLOWING PARTS
		7755908002	1	O-RING
21	#	7450000103	2	FLANGE, SPLIT

SERVICED AS AN ASSEMBLY ONLY

Manitowoc Cranes

Description
HYDRAULIC LINES INSTALLATION-CARRIER

Assembly No.
80009819
Revision: **A**

Item	FN	Part	Qty	Description
22		7755228002	1	O-RING, 2"
23		7910101465	1	TUBE ASSY, RETURN MANIFOLD
24		7300000408	1	CLAMP, TUBING
25		7300000404	3	CLAMP, 1" TUBING
26		7450000401	1	PLUG
27		7115171250	4	CAP SCREW, 7/16" - 14 N.C. X 1 1/2" GRADE 5
28		7447040416	1	CAP ASSY, FEMALE ORS THREAD
29		7447121201	4	ADAPTER, STRAIGHT MALE INCLUDES THE FOLLOWING PARTS
		7755018002	1	O-RING
		7755912002	1	O-RING
30		7126211450	8	CAP SCREW, M12 X 35MM HEX HEAD
32		7447120413	2	REDUCER
33		7447121216	1	CAP, 3/4 ORS
34		7447060601	4	ADAPTER, STRAIGHT MALE INCLUDES THE FOLLOWING PARTS
		7755012002	1	O-RING
		7755906002	1	O-RING
36		7755012002	17	O-RING
37		7910101588	1	TUBE ASSY, ALO P2 TO TEE
38		7300000399	12	CLAMP, TUBING 3/8" I.D.
39		7910101509	1	TUBE ASSY, ALO P2 SHORT
40		7910101510	1	TUBE ASSY, ALO P2 LONG
41		7910101587	1	TUBE ASSY, ALO P1 TO TEE
42		7910101507	1	TUBE ASSY, ALO P1 SHORT
43		7910101508	1	TUBE ASSY, ALO P1 LONG
44		80009830	1	TUBE ASSY
45		7447161203	1	ELBOW, 90 DEGREE INCLUDES THE FOLLOWING PARTS
		7755021002	1	O-RING
		7755912002	1	O-RING
46		7755011002	9	O-RING
47		7755018002	7	O-RING
48		7755021002	2	O-RING

Manitowoc Cranes

Description
HYDRAULIC LINES INSTALLATION-CARRIER

Assembly No.
80009819
Revision: **A**

Item	FN	Part	Qty	Description
49		7910101490	1	TUBE ASSY,SEL VALV TO RET MANI
50		7447060401	1	ADAPTER, STRAIGHT MALE INCLUDES THE FOLLOWING PARTS
		7755012002	1	O-RING
		7755904002	1	O-RING
51		7447040603	2	FITTING, 90 DEGREE INCLUDES THE FOLLOWING PARTS
		7755011002	1	O-RING
		7755906002	1	O-RING
52		7447040401	3	ADAPTER, STRAIGHT INCLUDES THE FOLLOWING PARTS
		7755011002	1	O-RING
		7755904002	1	O-RING
53		7300000400	21	CLAMP, TUBING
54		7447040601	5	ADAPTER, STRAIGHT INCLUDES THE FOLLOWING PARTS
		7755011002	1	O-RING
		7755906002	1	O-RING
60		7447120803	2	ELBOW, 90 DEGREE INCLUDES THE FOLLOWING PARTS
		7755018002	1	O-RING
		7755908002	1	O-RING
61		7910101472	1	TUBE ASSY, SEL TO TEE EXT
62		7910101473	1	TUBE ASSY, SEL TO TEE RET
63		7910101474	1	TUBE ASSY, TEE TO STACK FRT
64		7910101475	1	TUBE ASSY, TEE TO HOSE RET FRT
65		7300000402	18	CLAMP, TUBING
66		7910101476	1	TUBE ASSY,TEE TO TUBE EXT REAR
67		7910101478	1	TUBE ASSY,TEE TO TUBE RET REAR
68		7910101477	1	TUBE ASSY, TUBE TO STACK REAR
69		7910101479	1	TUBE ASSY, TUBE TO HOSE RET RE
70		7910101470	1	TUBE ASSY, VALVE TO TUBE RSA
71		7910101471	1	TUBE ASSY, HOSE TO TUBE RSA
72		7910101468	1	TUBE ASSY, VALVE TO TUBE RSB
73		7910101469	1	TUBE ASSY, HOSE TO TUBE RSB
74		7910101571	1	TUBE ASSY,BRAKE HOSE TO TUBE F
75		7300000397	8	CLAMP, TUBING 1/4" I.D.
76		7910101572	1	TUBE ASSY,BRAKE TUBE SHORT FRT

Manitowoc Cranes

Description HYDRAULIC LINES INSTALLATION-CARRIER				Assembly No. 80009819 Revision: A
Item	FN	Part	Qty	Description
78		7126171153	4	CAP SCREW, M8 X 20MM HEX HEAD
79		7300000101	4	CLAMP, TUBING 1/2" I.D.
80		7951170210	4	WASHER, LOCK 8MM
83		7910101496	1	TUBE ASSY,BRK TUBE TO TEE REAR
84		7910101570	1	TUBE ASSY,BRAKE TUBE REAR LONG
85		7910101569	1	TUBE ASSY,BRAKE TUBE REAR SHRT
90		7555603591	1	HOSE ASSY, 1.00 DIA
91		7546803793	1	HOSE ASSY
94		7555502761	1	3/4" I.D. HYDR HOSE ASSY STR-9
95		7555507491	1	HOSE ASSY, .75 DIA
96		7910101640	1	TUBE ASSY, FRONT STEER
97		7910101639	1	TUBE ASSY, FRONT STEER
98		7555104623	1	HOSE ASSY, .25 DIA
99		7546802393	1	HOSE ASSY, 1 1/2" I.D.X 23"
100		7555202801	2	3/8" I.D. X 28"
101		7300000407	1	CLAMP, TUBING 1 3/4" I.D.
106		7300000405	4	CLAMP, TUBING
108		7555104201	4	HOSE ASSY, 3/8 X 26" 1/4" I.D. X 42" LONG
109		7447121001	2	ADAPTER, STRAIGHT INCLUDES THE FOLLOWING PARTS
		7755018002	1	O-RING
		7755910002	1	O-RING
110		7447121601	1	ADAPTER, STRAIGHT INCLUDES THE FOLLOWING PARTS
		7755018002	1	O-RING
		7755916002	1	O-RING
111		7555105401	1	HOSE ASSY, 3/8 X 26" 1/4" I.D. X 54"
112		7555101801	1	HOSE ASSY, 3/8 X 26" 1/4" I.D. X 18"
113		7555102801	1	HOSE ASSY, 3/8 X 26" 1/4" I.D. X 28"
117		7555202402	2	3/8" I.D. X 24"
118		7814100078	3	GUARD, 4 INCH HOSE

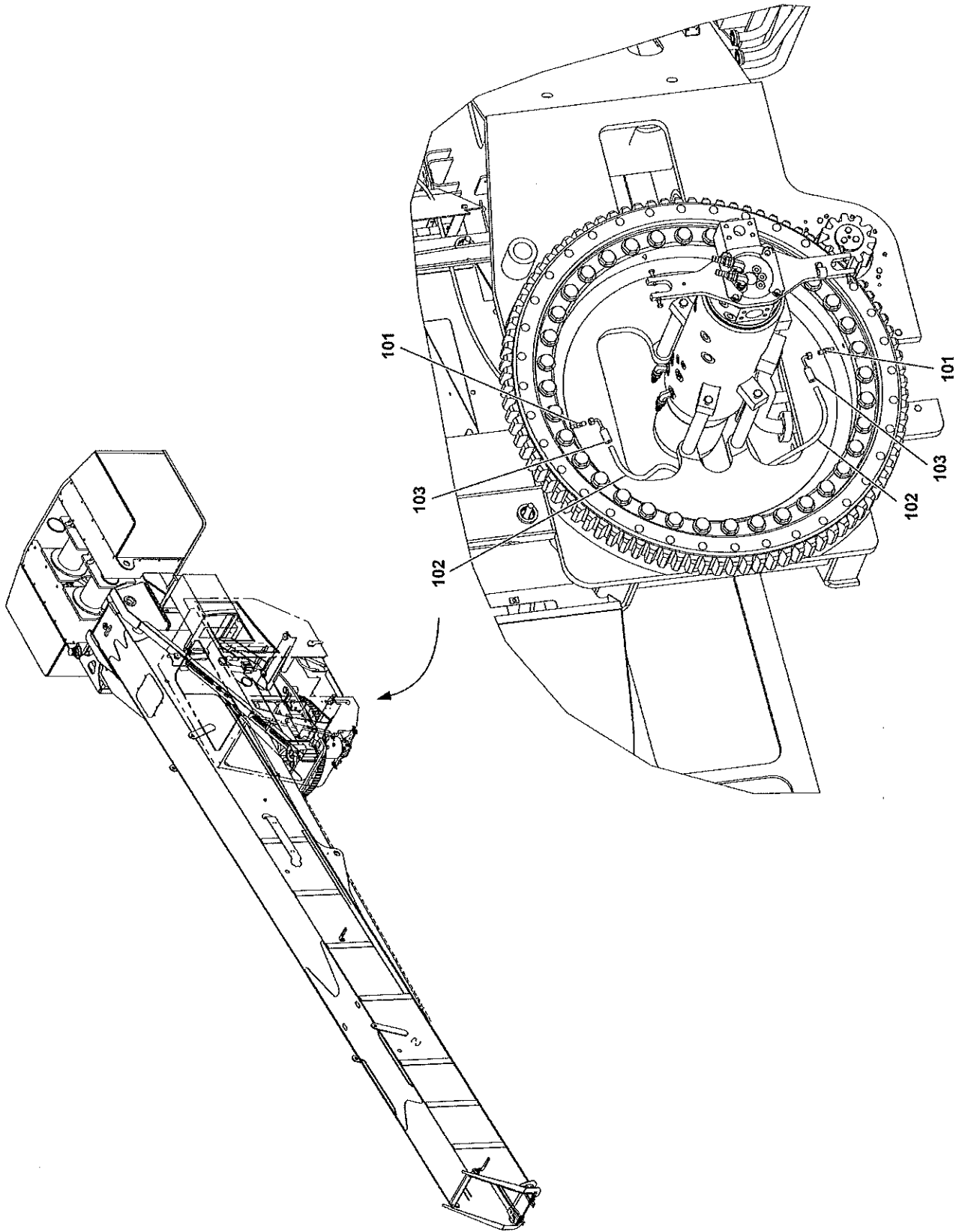
Manitowoc Cranes

Description
HYDRAULIC LINES INSTALLATION-CARRIER

Assembly No.
80009819
Revision: **A**

Item	FN	Part	Qty	Description
119		7555306500	1	HOSE ASSY, HYDRAULIC
120		7555304500	1	HYD HOSE ASSY
121		7447080816	2	CAP
126		7555202400	2	3/8" I.D. X 24"
127		7555202000	1	3/8" I.D. X 20"
128		7555202101	1	3/8" I.D. X 21" LONG
175		7447060403	1	ELBOW, 90 DEGREE MALE INCLUDES THE FOLLOWING PARTS
		7755012002	1	O-RING
		7755904002	1	O-RING
176		7443100140	1	COUPLING, 3/8" TEST PORT
178		7447060603	1	ELBOW, 90 DEGREE INCLUDES THE FOLLOWING PARTS
		7755012002	1	O-RING
		7755906002	1	O-RING
179		7910101672	1	TUBE ASSY SEL AXLE LO P3
190		7447040433	8	ELBOW, 90 DEGREE INCLUDES THE FOLLOWING PARTS
		7755011002	1	O-RING
210		7910101845	4	TUBE ASSY (.25" OD, .035 WALL)
220		7447040434	4	TEE, MALE RUN INCLUDES THE FOLLOWING PARTS
		7755011002	1	O-RING
		7755904002	1	O-RING
221		7555203201	4	3/8" I.D. X 32"

Manitowoc Cranes



2159210124

(SHEET 1 OF 1)

Page 132

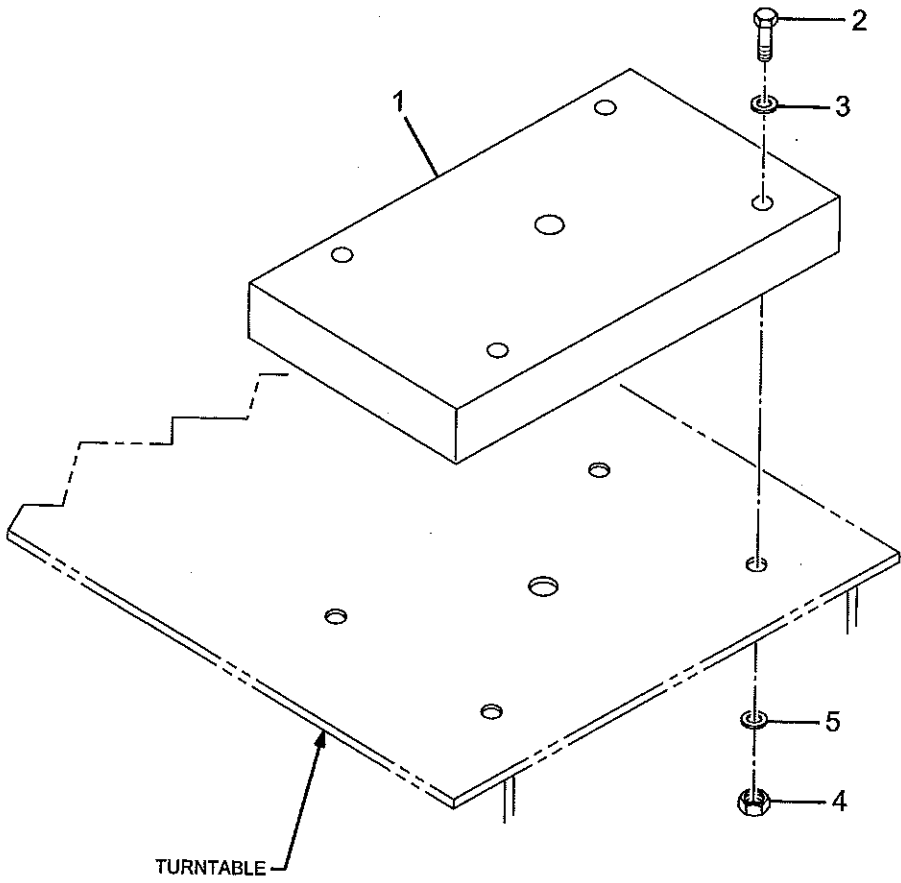
Manitowoc Cranes

Description
LUBE INSTALLATION - TURNTABLE BEARING MANUAL

Assembly No.
2159210124
Revision: #

Item	FN	Part	Qty	Description
101		7445040219	2	ADAPTER, STRAIGHT
102		7550103631	2	HOSE ASSY, 3/8 X 26" 1/4" X 36"
103		7445040220	2	ELBOW, 90 DEGREE

Manitowoc Cranes



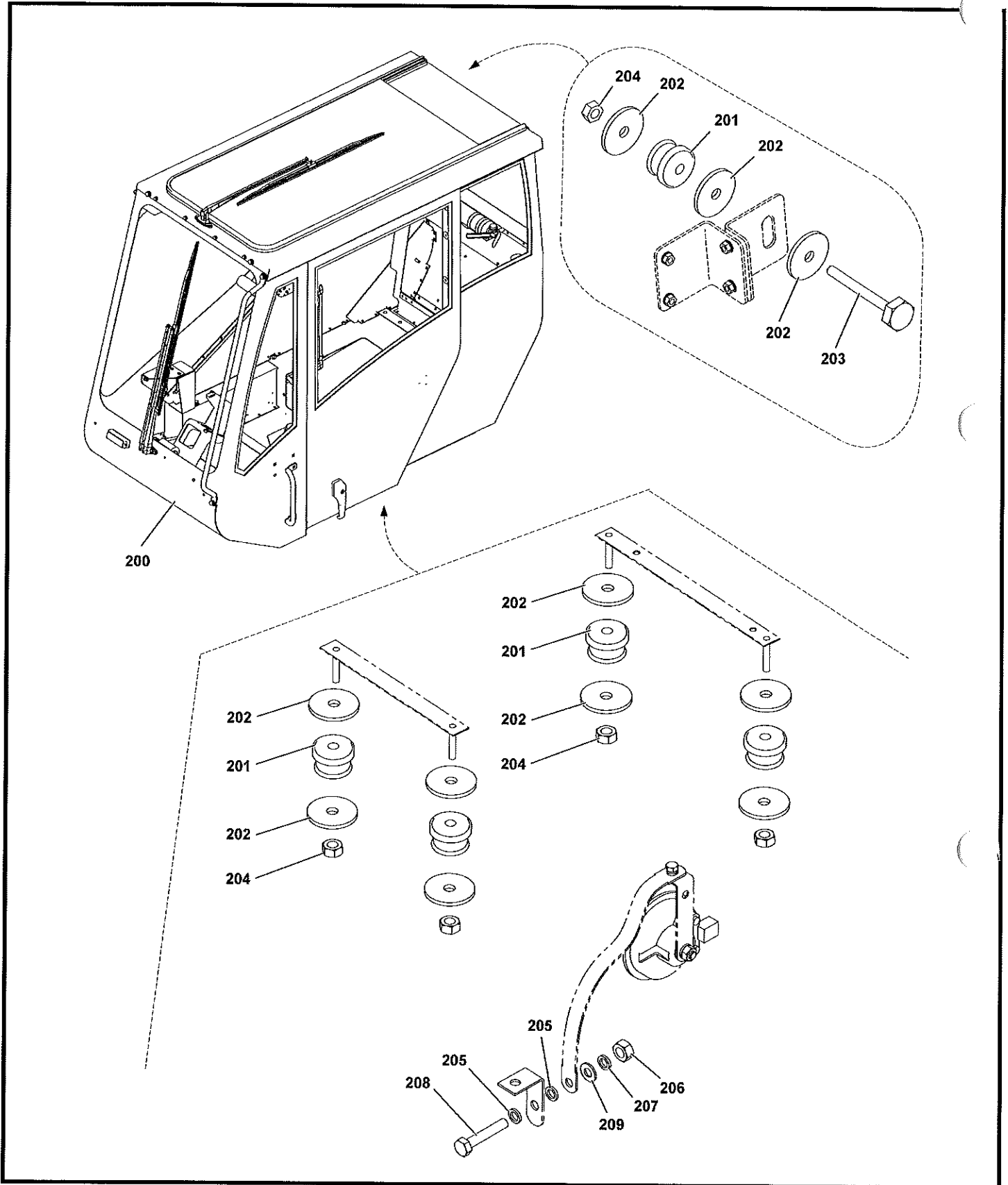
Manitowoc Cranes

Description
COUNTERWEIGHT INSTALLATION

Assembly No.
2159210028
Revision: **B**

Item	FN	Part	Qty	Description
1		4480200017	1	PLATE
2		7115225650	4	CAP SCREW, 3/4" - 10 N.C. X 7" GRADE 5
3		7949000236	8	FLAT WASHER, 3/4"
4		7660220001	4	NUT, HEX 3/4" - 10 N.C.
5		7705100003	2	WASHER, PLATE

Manitowoc Cranes



6245101146

(SHEET 1 OF 1)

Manitowoc Cranes

Description
CAB INSTALLATION

Assembly No.
6245101146
Revision: **A**

Item	FN	Part	Qty	Description
200	+	6245101147	1	CAB ASSEMBLY
201	#	7638000203	5	MOUNT, SHOCK
202		7949000148	12	WASHER, 5/8" I.D. FLAT
203		7115203050	1	CAP SCREW, 5/8" - 11 N.C. X 3 3/4" GRADE 5
204		7660201600	5	LOCKNUT, HEX 5/8" - 11 N.C.
205		7950160350	2	WASHER, LOCK 3/8" I.D.
206		7660160001	1	NUT, HEX 3/8" - 16 N.C. GRADE 5
207		7950160050	1	WASHER, LOCK 3/8" I.D.
208		7115161050	1	CAP SCREW, 3/8" - 16 N.C. X 1 1/4" GRADE 5
209		7950160141	1	WASHER, 3/8" PLAIN NARROW

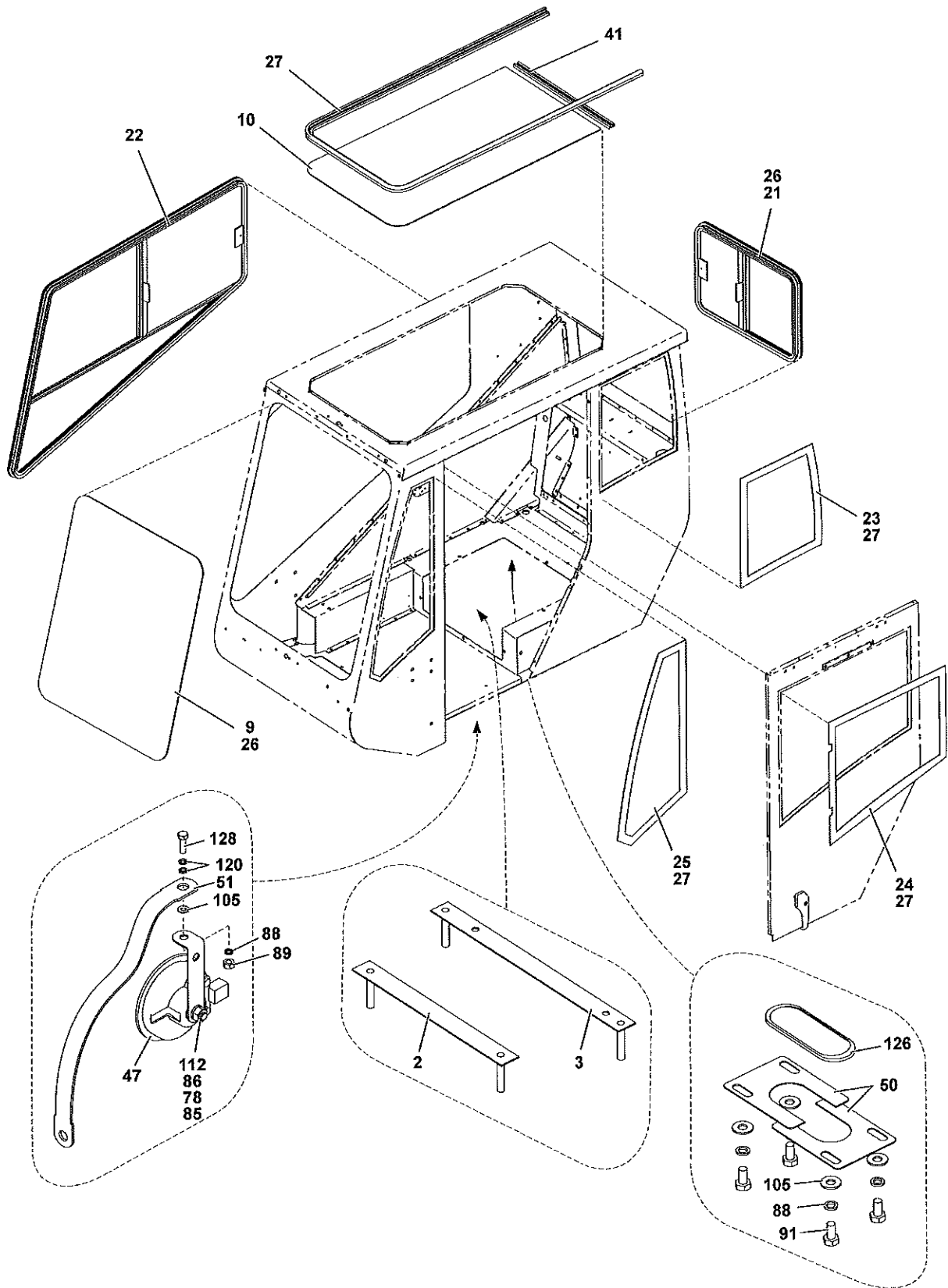
+ SEE FURTHER BREAKDOWN THIS GROUP

SERVICED AS AN ASSEMBLY ONLY

Manitowoc Cranes

Notes

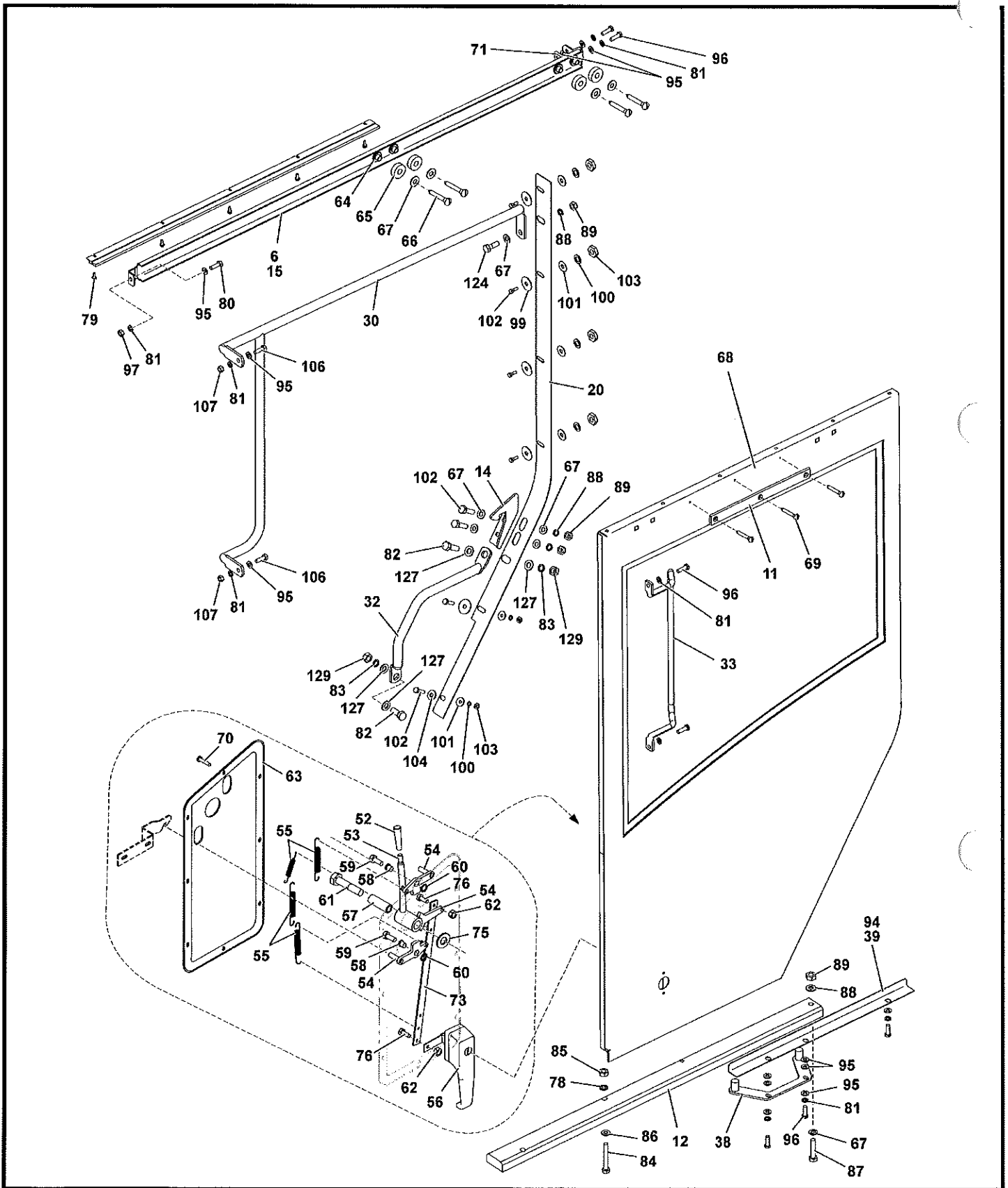
Manitowoc Cranes



6245101147

(SHEET 4 OF 4)

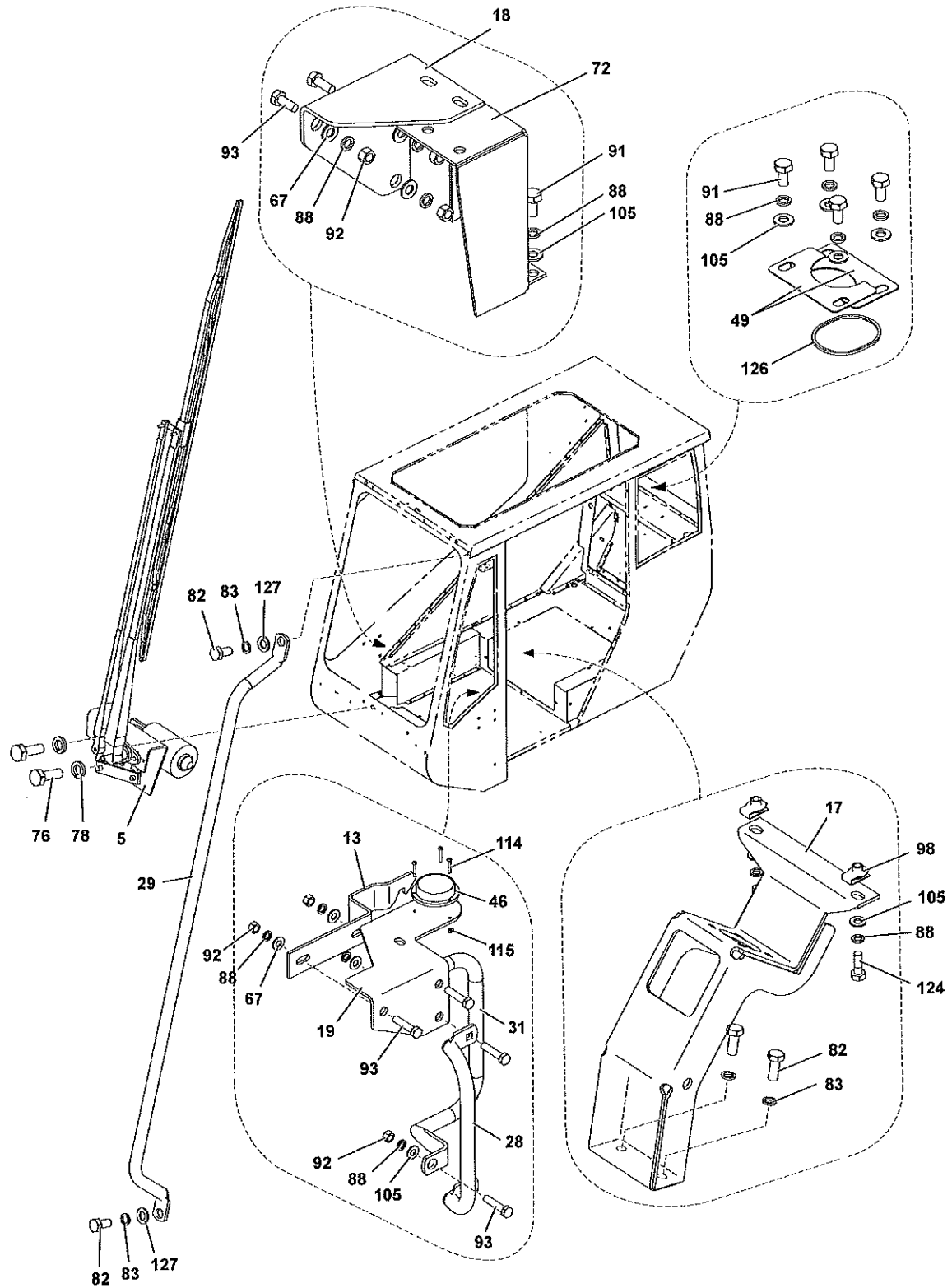
Manitowoc Cranes



6245101147

(SHEET 3 OF 4)

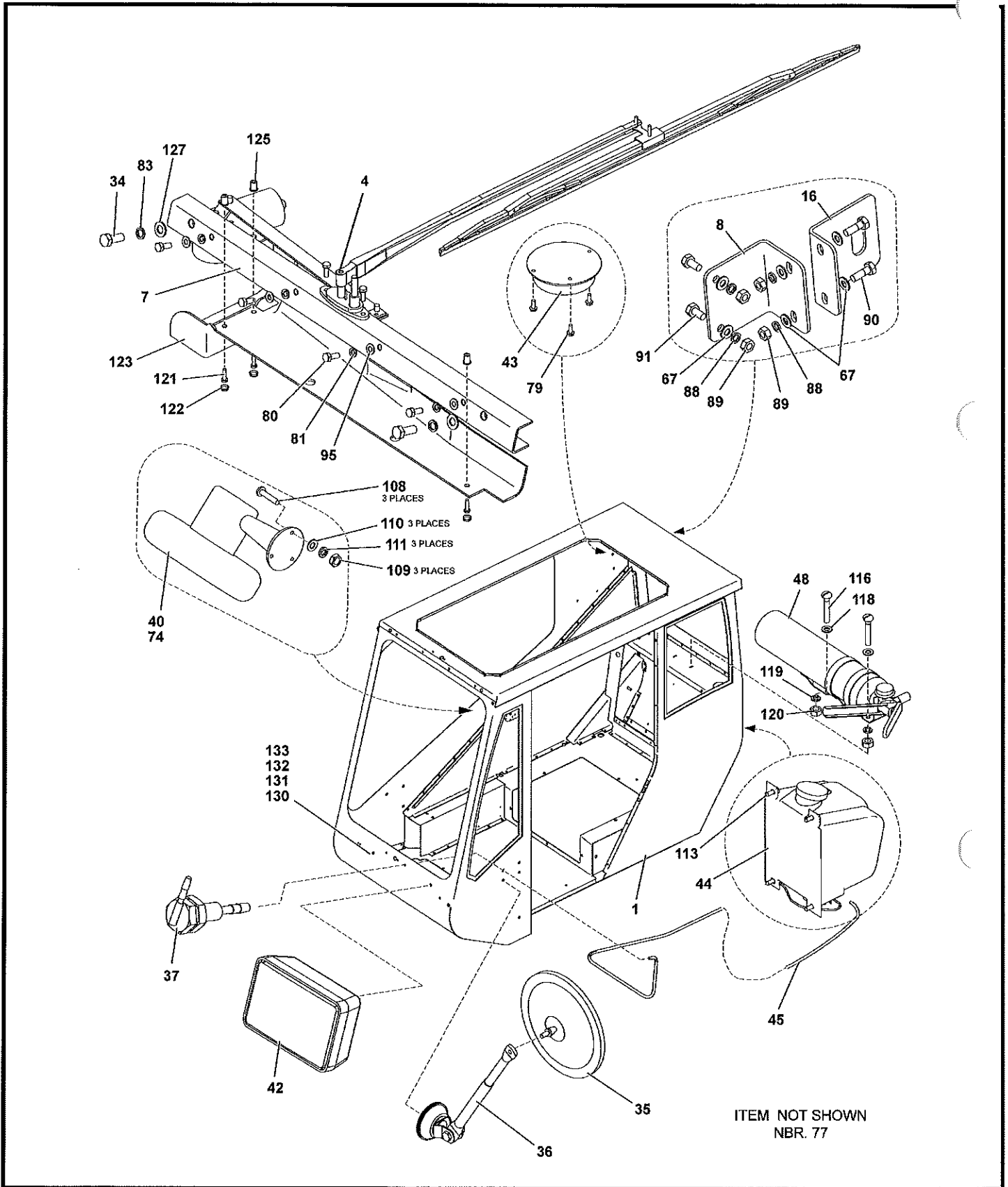
Manitowoc Cranes



6245101147

(SHEET 2 OF 4)

Manitowoc Cranes



6245101147

(SHEET 1 OF 4)

Manitowoc Cranes

Description
CAB ASSEMBLY

Assembly No.
6245101147
Revision: **D**

Item	FN	Part	Qty	Description
1	+	6245101145	1	CAB WELD
2		6705170886	1	PLATE, MOUNTING
3		6705012439	1	PLATE, MOUNTING
4	+	7576134398	1	KIT - SKYLIGHT WIPER (COMPLETE ASSEMBLY)
5	+	7576134397	1	KIT - FRONT WIPER (COMPLETE ASSEMBLY)
6		6860100000	1	SEAL, MODIFIED
7		6245101061	1	CHANNEL
8		6245101030	1	BRACKET, MOUNTING
9		7498100024	1	GLASS, WINDSHIELD
10	+	7498100022	1	SKYLIGHT ASSEMBLY - SLIDING (COMPLETE ASSEMBLY)
11		7086100002	1	BLOCK
12		7086100000	1	BLOCK, SLIDE
13		6585100004	1	CATCH, FRONT LATCH
14		6245101033	1	CATCH, REAR LATCH
15		6245101038	1	CHANNEL, DOOR
16		6245101133	1	BRACKET, MOUNTING
17		6245101005	1	MOUNT, STEERING COLUMN
18		6245101004	1	SUPPORT, CONSOLE
19		6245101002	1	MOUNT, BRACKET LEVEL
20		6245101036	1	JAMB, REAR DOOR
21	+	7498000897	1	WINDOW ASSEMBLY - REAR (COMPLETE ASSEMBLY)
22	+	7498100028	1	WINDOW ASSEMBLY - RIGHT HAND (COMPLETE ASSEMBLY)
23		7498100026	1	GLASS, LEFT REAR
24		7498100025	1	GLASS, SLIDING DOOR
25		7498100027	1	GLASS, LEFT FRONT
26		8496900043	13	MOULDING (QUANTITY IN FEET)
27		6829015131	1	SEALANT, ADHESIVE
28		7511100046	1	HANDRAIL, GRAB
29		7511001140	1	HANDRAIL, GRAB
30		7511001139	1	HANDRAIL, GRAB

+ SEE FURTHER BREAKDOWN THIS GROUP

Manitowoc Cranes

Description CAB ASSEMBLY				Assembly No. 6245101147 Revision: D
Item	FN	Part	Qty	Description
31		7511100048	1	HANDRAIL, GRAB
32		7511100047	1	HANDRAIL, GRAB
33		7511001255	1	HANDLE, GRAB
34		7126211150	4	CAP SCREW, M12 X 20MM HEX HEAD
35		7628000025	1	MIRROR, 8" CONVEX INCLUDES MOUNTING HARDWARE
36	#	7184001014	1	BRACKET, MIRROR ARM INCLUDES MOUNTING HARDWARE
37		7949001149	1	FITTING, WASHER NOZZLE
38		6705100026	1	PLATE, MOUNTING
39		6245101034	1	ANGLE
40	+	7425100015	1	FAN ASSEMBLY - 12 VOLT CAB (COMPLETE ASSEMBLY)
41		8496980002	12	MOULDING (QUANTITY IN FEET)
42		7581100001	1	LIGHT, WORK INCLUDES THE FOLLOWING PARTS
		9581100391	1	BEAM, SEALED 12 VOLT
43		7581000186	1	LIGHT, DOME INCLUDES THE FOLLOWING PARTS
		9581100048	1	BULB
		9581100058	1	LENS, MOONSTONE
44	#	7576000320	1	PUMP ASSY, CANISTER
45		9543100045	1	HOSE ASSY, 3/8 X 26" 25' PC. (MUST CUT TO LENGTH NEEDED)
46		7486000225	1	LEVEL, CIRCULAR
47		7025100013	1	HORN
48		7348000667	1	EXTINGUISHER, FIRE INCLUDES THE FOLLOWING PARTS
		7348000669	1	BRACKET
49		6705016902	2	PLATE, COVER
50		6245101104	2	PLATE, COVER
51		7850000046	1	STRAP, GROUND
52		7511000161	1	HANDLE, TAPERED
53		7585000720	1	HANDLE, LATCH
54		6608001308	2	LUG
55		7834100003	4	SPRING

SERVICED AS AN ASSEMBLY ONLY

+ SEE FURTHER BREAKDOWN THIS GROUP

Manitowoc Cranes

Description
CAB ASSEMBLY

Assembly No.
6245101147
Revision: **D**

Item	FN	Part	Qty	Description
56		6511100009	1	HANDLE, DOOR (MODIFIED) INCLUDES THE FOLLOWING PARTS
		9576101074	1	KEY, SET
57		6810002810	1	SHAFT
58		7069001045	2	BEARING
59		7115160750	2	CAP SCREW, 3/8" - 16 N.C. X 7/8" GRADE 5
60		7949000623	2	WASHER, BLACK PLASTIC
61		7115182250	1	CAP SCREW, 1/2" - 13 N.C. X 2 3/4" GRADE 5
62		7660141601	2	NUT, 1/4-20UNC HEX LOCK
63		7392100011	1	PANEL, INNER DOOR
64		7659000796	4	NUT
65		7069000516	4	BEARING
66		7111161264	8	BOLT, CARRIAGE 3/8" - 16 N.C. X 1 1/2" GRADE 1
67		7951190014	19	FLAT WASHER, 10MM I.D.
68		6245101144	1	DOOR WELDMENT, CAB
69		7790100871	3	SCREW, SELF-TAPPING 3/16" - 24 N.C. X 1/2" GRADE 1
70		7790140853	8	SCREW, SELF-TAPPING 1/4" - 20 N.C. X 1/2"
71		6705100083	1	PLATE, TAP
72		6245101009	1	PLATE, RIGHT HAND CONSOLE
73		6245100273	1	BAR, LATCH
74		7506000001	1	GROMMET .38" I.D.
75		7950180141	1	WASHER, FLAT 1/2"
76		7115140650	2	CAP SCREW, 1/4" - 20 N.C. X 3/4" GRADE 5
77		7105140650	4	CAP SCREW, 1/4" - 28 N.F. X 3/4" GRADE 5
78		7951150210	7	LOCKWASHER, 6MM I.D.

Manitowoc Cranes

Description CAB ASSEMBLY				Assembly No. 6245101147 Revision: D
Item	FN	Part	Qty	Description
79		7790100853	5	SCREW, SELF-TAPPING 3/16" - 24 N.C. X 1/2"
80		7126171250	5	CAP SCREW, M8X25 HEX HEAD
81		7951170210	16	WASHER, LOCK 8MM
82		7126211353	6	CAP SCREW, M12 X 30 HEX HEAD
83		7951210210	10	LOCK WASHER, 12MM I.D.
84		7126151650	1	CAP SCREW, M6 X 45MM HEX HEAD
85	#	7661150003	1	NUT, HEX
86		7951150014	2	WASHER, 6MM I.D.
87		7126191750	1	CAP SCREW, M10 X 50MM HEX HEAD
88		7951190210	28	LOCK WASHER, 10MM
89		7661190003	9	NUT, HEX 10MM
90		7126191450	2	CAP SCREW, M10 X 35MM HEX HEAD
91		7126191153	16	CAP SCREW, M10 X 20 HEX HEAD
92		7660160000	7	NUT, HEX 3/8" - 16 N.C.
93		7111161064	5	BOLT, CARRIAGE 3/8" - 16 N.C. X 1 1/4" GRADE 1
94		8496900046	21	MOULDING
95		7951170014	15	WASHER, FLAT #8
96		7115150850	7	CAP SCREW, 5/16" - 18 N.C. X 1" GRADE 5
97		7661170003	1	NUT
98		7659190033	2	NUT, RETAINING
99		7949000615	6	WASHER,
100		7950100050	6	WASHER, LOCK #10
101		7949001165	6	WASHER, FINISHED
102		7099000154	6	SCREW, CABINET
103		7660101130	6	NUT, HEX 3/16" - 32 N.F. GRADE 1
104		7950100141	6	WASHER, FLAT, #10
105		7951190014	9	FLAT WASHER, 10MM I.D.
106		7111150864	2	BOLT, CARRIAGE 5/16" - 18 N.C. X 1/2" GRADE 1

SERVICED AS AN ASSEMBLY ONLY

Manitowoc Cranes

Description
CAB ASSEMBLY

Assembly No.
6245101147
Revision: **D**

Item	FN	Part	Qty	Description
107		7660150008	2	NUT, HEX 5/16" - 18 N.C. GRADE 8
108		7121111101	3	MACHINE SCREW, M4X20 SLOTTED
109		7661110003	3	NUT, HEX 4 MM N.C.
110		7951110014	3	WASHER, 4MM I.D.
111		7951110210	3	LOCKWASHER, 4MM I.D.
112		7126151153	1	CAP SCREW, M6X20 HEX HEAD
113		7790140853	4	SCREW, SELF-TAPPING 1/4" - 20 N.C. X 1/2"
114		7111040610	3	SCREW, MACHINE 7/64" - 40 N.C. X 3/4" GRADE 1
115		7660041100	3	NUT, HEX 7/64" - 40 N.C. GRADE 1
116		7121131101	2	MACHINE SCREW, M5X20 SLOTTED
117		7661130003	2	NUT, HEX 5MM
118		7951130014	2	F WASHER 5
119		7951130210	2	LOCKWASHER, 5MM I.D.
120		7950160350	2	WASHER, LOCK 3/8" I.D.
121		7101100611	3	SCREW, MACHINE 3/16" - 32 N.F. X 3/4" GRADE 1
122		7258001452	3	CAP #8
123		7245100073	1	COVER, WIPER MOTOR
124		7126191353	3	CAP SCREW, M10 X 30MM HEX HEAD
125		7429000011	3	FASTENER, WELL-NUT
126		8246964300	2	MOULDING (QUANTITY IN FEET)
127		7951210014	10	WASHER, FLAT #12
128		7126191253	3	CAP SCREW
129		7661210003	2	NUT, HEX 12MM N.C.
130		7121110801	3	MACHINE SCREW, M4X12 SLOTTED
131		7661110003	3	NUT, HEX 4 MM N.C.

Manitowoc Cranes

Description
CAB ASSEMBLY

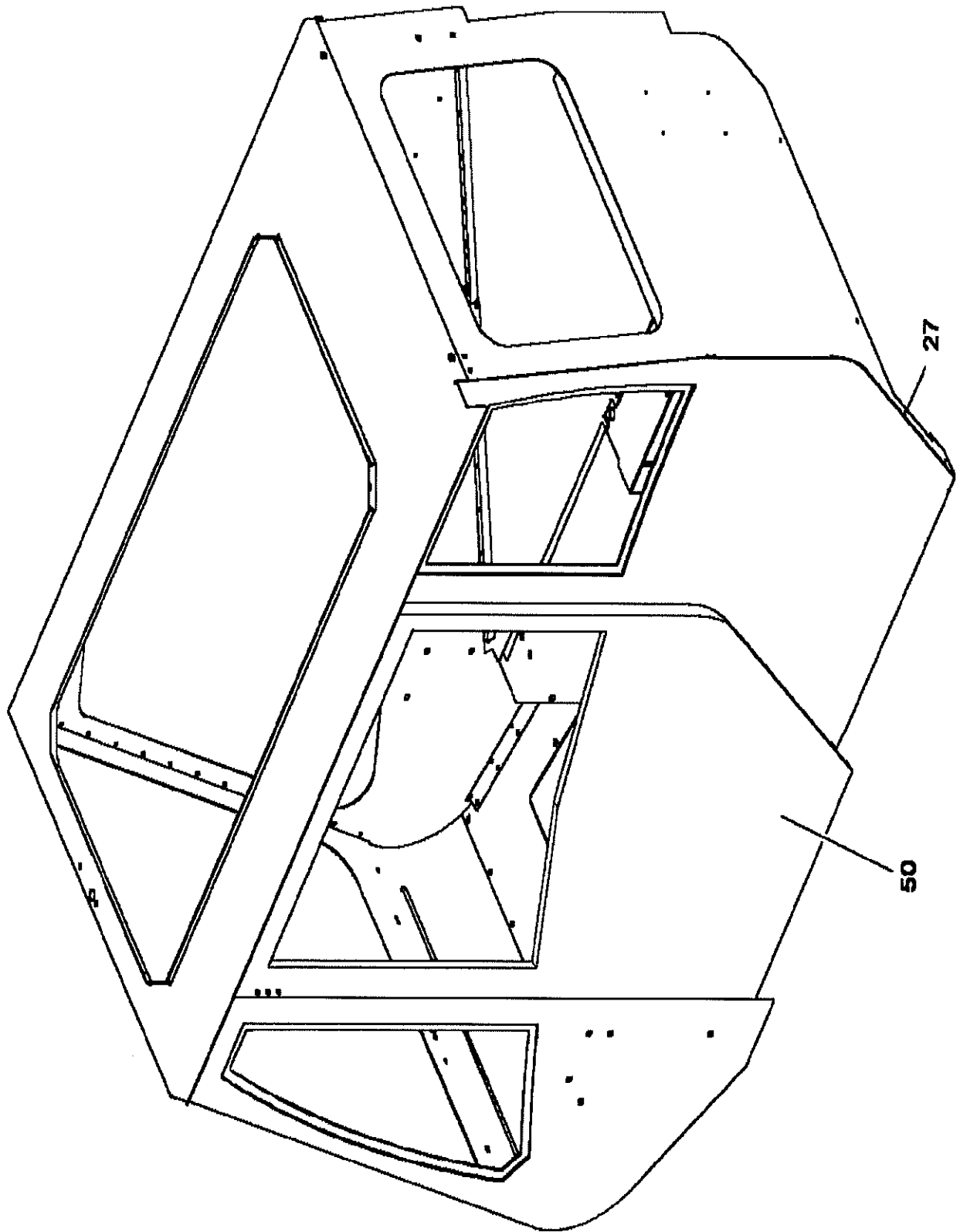
Assembly No.
6245101147
Revision: **D**

Item	FN	Part	Qty	Description
132		7951110210	3	LOCKWASHER, 4MM I.D.
133		7951110014	3	WASHER, 4MM I.D.
135		7105141250	3	1/4" - 28 NF X 1 1/2" GRADE 5
136		7086100144	1	BLOCK, SPACER
137		7822100002	2	SLEEVE, RED VINYL
138		7659190020	2	NUT, RETAINING 8 X 1.25
139		6245101201	1	PLATE, KICK
140		8637052011	1	MOULDING, TRIM LOCK

Manitowoc Cranes

Notes

Manitowoc Cranes



6245101145

(SHEET 1 OF 1)

Page 150

Manitowoc Cranes

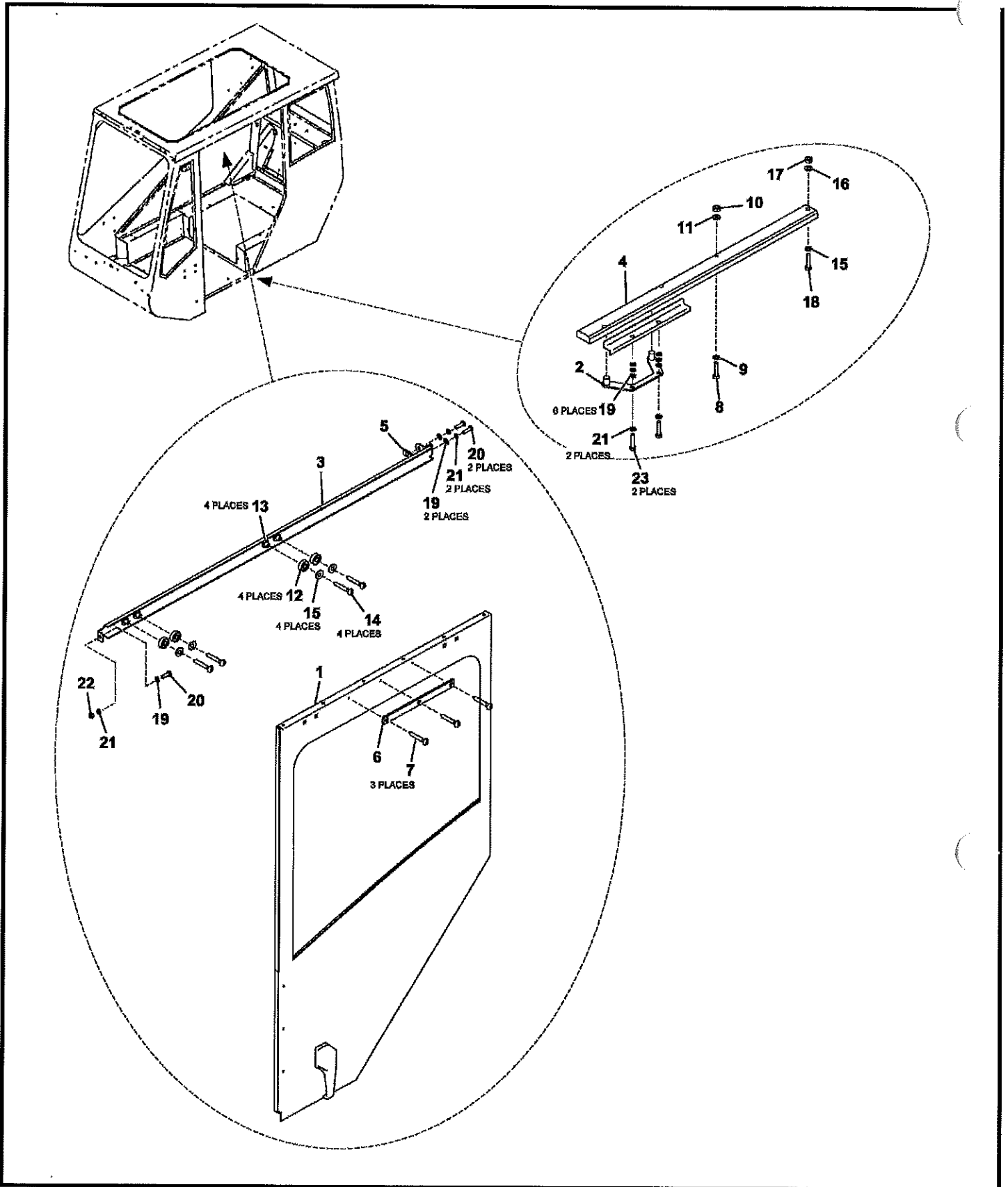
Description
CAB WELD

Assembly No.
6245101145
 Revision: B

Item	FN	Part	Qty	Description
27		7115161250	1	CAP SCREW, 3/8" - 16 N.C. X 1 1/2" GRADE 5
50	+	6245101159	1	DOOR INSTALLATION - CAB (NOT AVAILABLE AS ASSEMBLY)

+ SEE FURTHER BREAKDOWN THIS GROUP

Manitowoc Cranes



6245101159

(SHEET 1 OF 1)

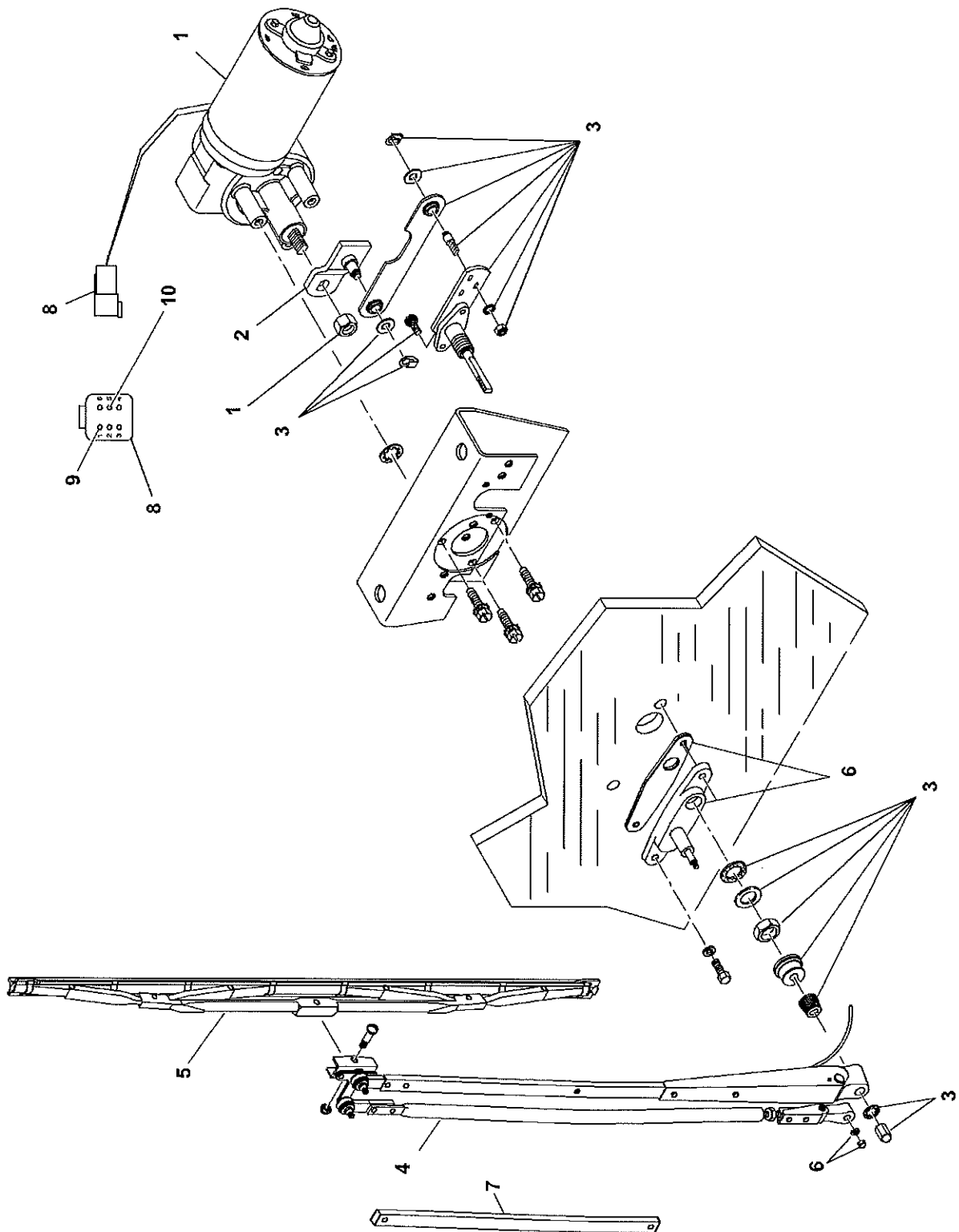
Manitowoc Cranes

Description
DOOR INSTALLATION - CAB (NOT AVAILABLE AS ASSEMBLY)

Assembly No.
6245101159
 Revision: **B**

Item	FN	Part	Qty	Description
1		6245101144	1	DOOR WELDMENT, CAB
2		6705100026	1	PLATE, MOUNTING
3		6245101038	1	CHANNEL, DOOR
4		7086100000	1	BLOCK, SLIDE
5		6705100083	1	PLATE, TAP
6		7086100002	1	BLOCK
7		7790100871	3	SCREW, SELF-TAPPING 3/16" - 24 N.C. X 1/2" GRADE 1
8		7115141450	1	CAP SCREW, 1/4-20UNC X 1 3/4
9		7950140141	1	WASHER, FLAT 1/4" PLAIN NARROW
10		7660140000	1	NUT, HEX 1/4" - 20 N.C.
11		7950140050	1	WASHER, LOCK 1/4"
12		7069000516	4	BEARING
13		7659000796	4	NUT
14		7111161264	4	BOLT, CARRIAGE 3/8" - 16 N.C. X 1 1/2" GRADE 1
15		7950160161	9	WASHER, FLAT WIDE 3/8
16		7950160050	1	WASHER, LOCK 3/8" I.D.
17		7660160000	1	NUT, HEX 3/8" - 16 N.C.
18		7115161450	1	CAP SCREW, 3/8" - 16 N.C. X 1 3/4" GRADE 5
19		7950150141	11	WASHER, FLAT 5/16"
20		7115150850	3	CAP SCREW, 5/16" - 18 N.C. X 1" GRADE 5
21		7950150050	5	WASHER, LOCK 5/16" I.D.
22		7660150008	1	NUT, HEX 5/16" - 18 N.C. GRADE 8
23		7110150818	2	CAP SCREW, 5/16" - 18 N.C. X 1" GRADE 1

Manitowoc Cranes



7576134398

(SHEET 1 OF 1)

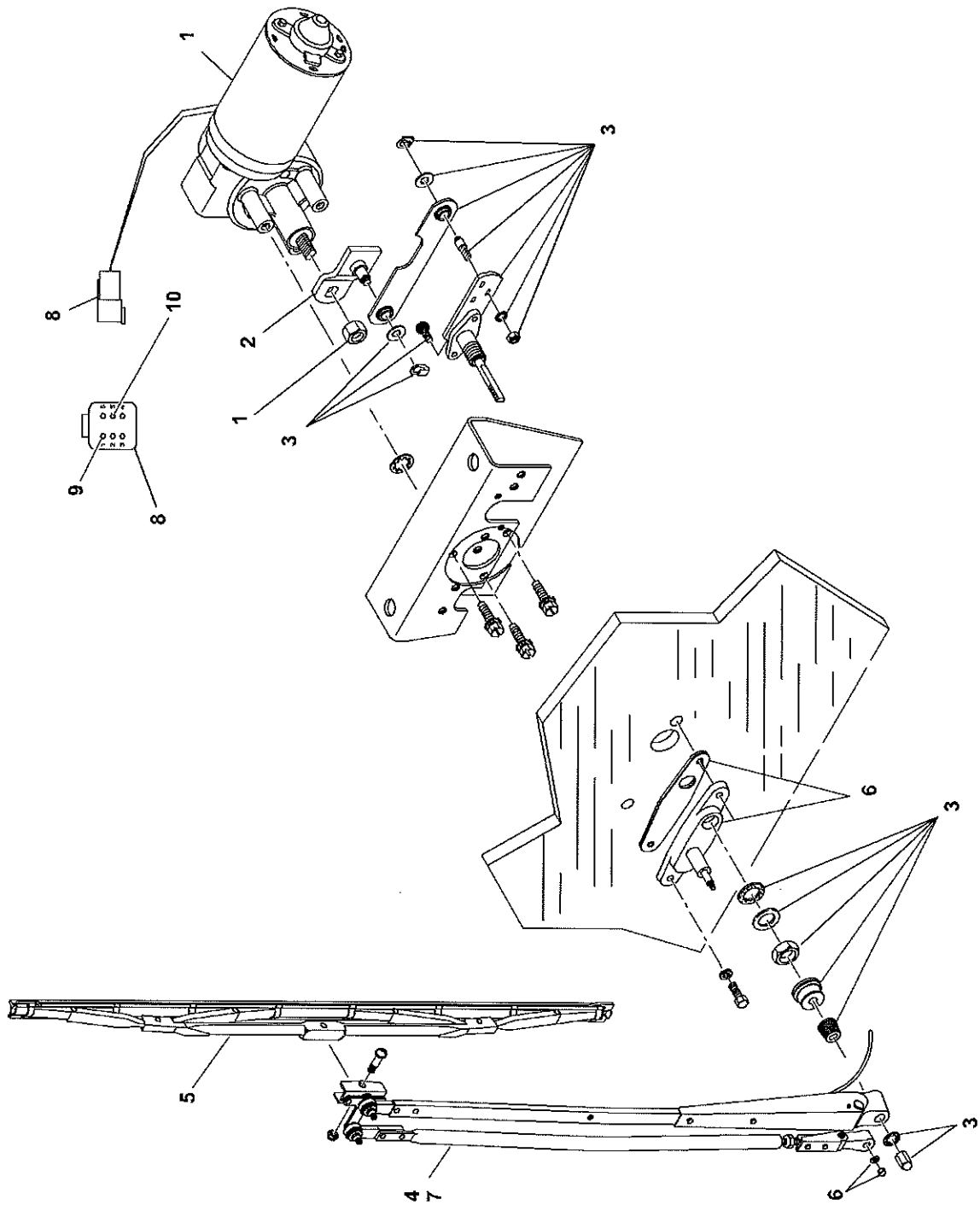
Manitowoc Cranes

Description
KIT - SKYLIGHT WIPER (COMPLETE ASSEMBLY)

Assembly No.
7576134398
 Revision:

Item	FN	Part	Qty	Description
1		9576101343	1	KIT, MOTOR WITH HARDWARE AND BRACKET (12 VOLT)
2		9576101405	1	ARM, DRIVE 60 DEG
3		9576101345	1	SHAFT, PIVOT
4		9576101406	1	ARM, WIPER 24"
5		9576101347	1	BLADE, WIPER 34"
6		9576101348	1	ADAPTER
7		9576101404	1	BAR, LINK 14.64"
8		7892000824	1	RECEPTACLE, 6 PIN
9		7689000704	5	PIN, 16 - 14 GA
10		7689000503	1	PLUG, SEALING 16 - 12 AWG

Manitowoc Cranes



7576134397

(SHEET 1 OF 1)

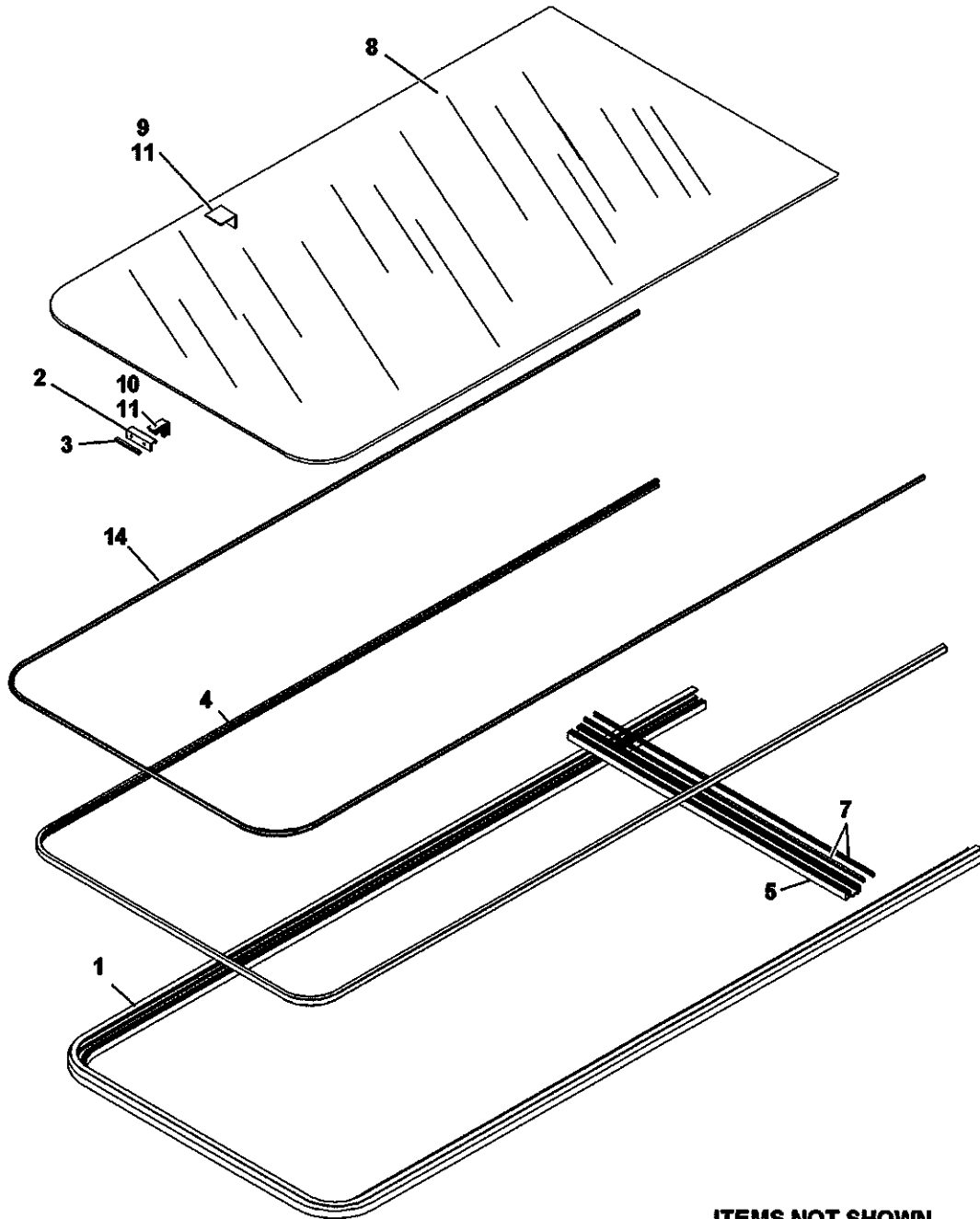
Manitowoc Cranes

Description
KIT - FRONT WIPER (COMPLETE ASSEMBLY)

Assembly No.
7576134397
 Revision:

Item	FN	Part	Qty	Description
1		9576101343	1	KIT, MOTOR WITH HARDWARE AND BRACKET (12 VOLT)
2		9576101405	1	ARM, DRIVE 60 DEG
3		9576101345	1	SHAFT, PIVOT
4		9576101406	1	ARM, WIPER 24"
5		9576101347	1	BLADE, WIPER 34"
6		9576101348	1	ADAPTER
7		9576101349	1	KIT, WET
8		7892000824	1	RECEPTACLE, 6 PIN
9		7689000704	5	PIN, 16 - 14 GA
10		7689000503	1	PLUG, SEALING 16 - 12 AWG

Manitowoc Cranes



ITEMS NOT SHOWN
NBR 12 LOCTITE
NBR 13 BUTYL, LIQUID
NBR 15 LOCK, LOTITE SCREW
NBR 20 KIT, SERVICE

7498100022

(SHEET 1 OF 1)

Page 158

Manitowoc Cranes

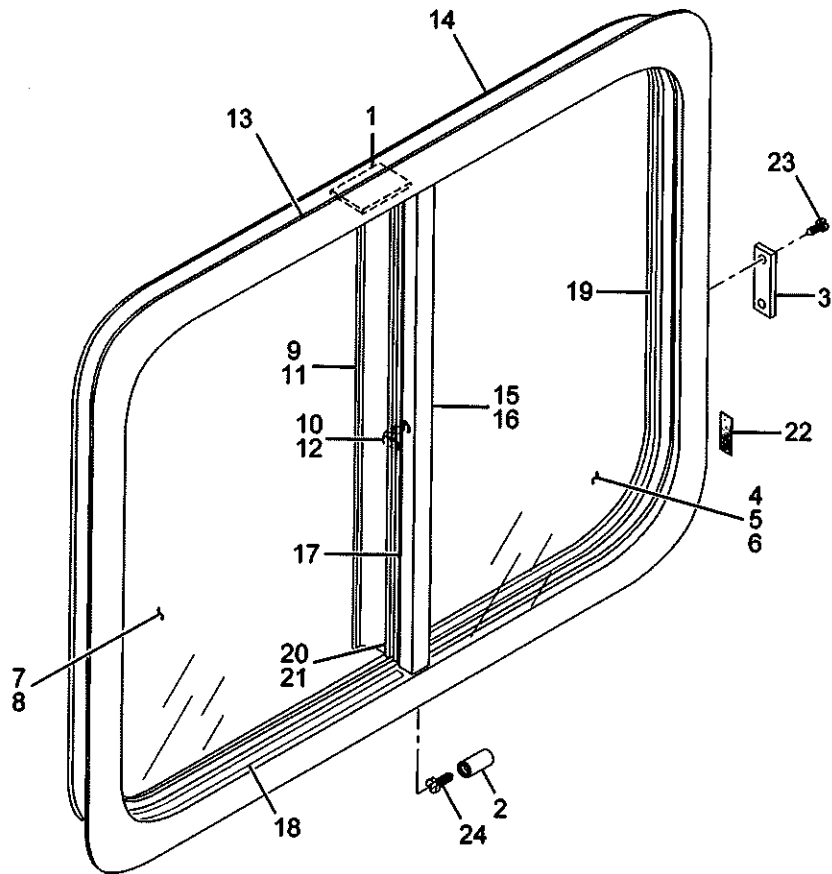
Description
SKYLIGHT ASSEMBLY - SLIDING (COMPLETE ASSEMBLY)

Assembly No.
7498100022
Revision:

Item	FN	Part	Qty	Description
1		NSS	1	FRAME ASSY.
2		7585000790	1	CATCH
3		7786000539	2	SCREW, CATCH
4		7794001721	1	RUBBER, FLOCKED 154" LONG
5		7714000585	1	EXTENSION, CENTER POST
6		7786000537	2	SCREW, CENTER POST
7		9498100339	1	WEATHERSEAL REQUIRES 52"
8	*	NSS	1	GLASS
9	*	7846000680	1	STOP, SLIDE
10	*	7585000789	1	LOCK
11	*	NSS	1	ADHESIVE
12	*	NSS	1	LOCTITE
13	*	NSS	1	BUTYL, LIQUID
14		9498100337	1	WEATHERSEAL REQUIRES 152"
15	*	NSS	0	LOCK, LOCTITE SCREW
20	*	7576001696	1	KIT, SERVICE

* REPAIR KIT AND/OR PART OF KIT

Manitowoc Cranes



7498000897

(SHEET 1 OF 1)

Page 160

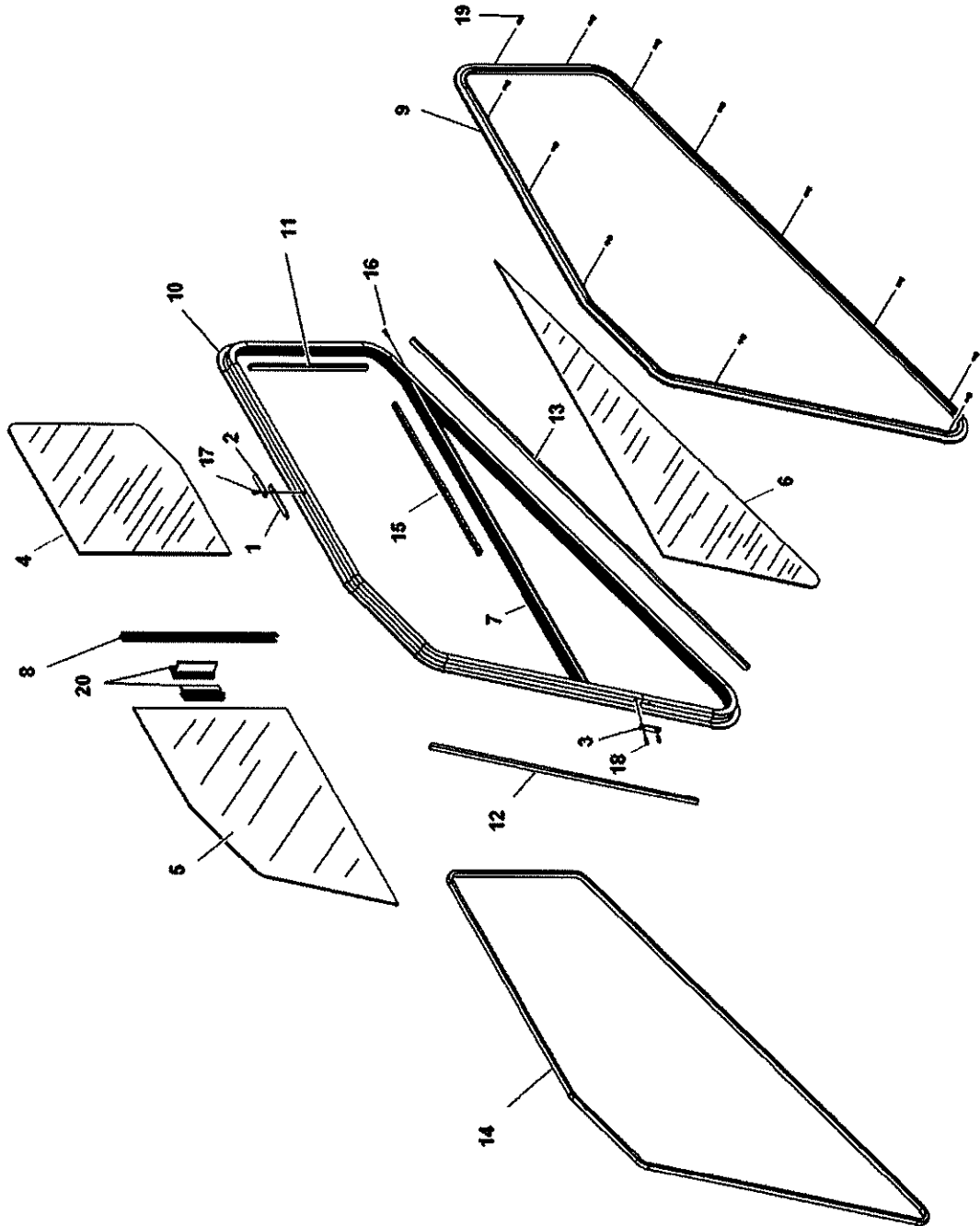
Manitowoc Cranes

Description
WINDOW ASSEMBLY - REAR (COMPLETE ASSEMBLY)

Assembly No.
7498000897
Revision:

Item	FN	Part	Qty	Description
1		9498100145	2	BRACKET, RAIL
2		9498100121	2	RETAINER, KEEPER
3		9498100122	1	NUT
4		9498100191	1	GLASS ASSEMBLY INCLUDES NBRS 5-6
5		9498100192	1	GLASS
6		9498100193	1	GLAZING, PVC
7		9498100194	1	GLASS ASSEMBLY INCLUDES NBRS 8 - 12
8		9498100195	1	GLASS
9		9498100196	1	RAIL
10		9498100156	1	SPRING
11		NSS	1	RAIL, LOCK PART OF NBR 7
12		9498100155	1	LOCK
13		9498100197	1	FRAME
14		9498100198	1	INNER LINER
15		9498100199	1	RAIL INCLUDES NBRS 16-17
16		NSS	1	RAIL, KEEPER PART OF NBR 15
17		9498100200	1	SEAL
18		9498100201	1	TRIM
19		9498100202	1	TRIM
20		9498100203	1	CHANNEL
21		9498100204	1	CHANNEL
22		9498100206	1	TAPE
23		9498100135	2	SCREW, 5/32" X 3/8"
24		9498100167	2	SCREW, PLASTIC

Manitowoc Cranes



7498100028

(SHEET 1 OF 1)

Page 162

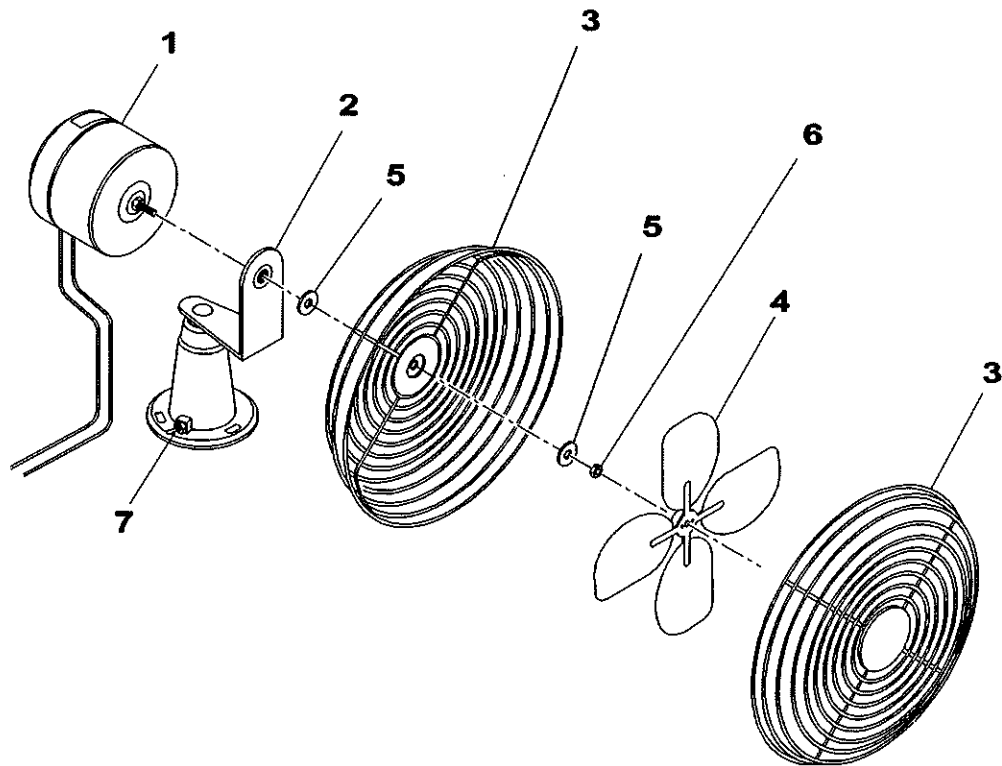
Manitowoc Cranes

Description
WINDOW ASSEMBLY - RIGHT HAND (COMPLETE ASSEMBLY)

Assembly No.
7498100028
 Revision:

Item	FN	Part	Qty	Description
1		9498100387	2	BAR, RETAINER
2		9498100388	2	RETAINER, KEEPER
3		9498100389	1	NUT
4		9498100390	1	GLASS ASSY. INCLUDES ITEM 20
5		9498100391	1	GLASS ASSY.
6		9498100392	1	GLASS ASSY.
7		9498100393	1	MULL, BAR
8		9498100394	1	RAIL ASSY.
9		NSS	1	FRANE, MAIN
10		NSS	1	FRANE, INNER
11		9498100395	1	TRIM, STOP
12		9498100396	1	TRIM, COVER
13		9498100397	1	TRIM, COVER
14		9498100398	1	CHANNEL, RUBBER
15		9498100399	1	CHANNEL, RUBBER
16		9498100400	2	SCREW, #8 X 1"
17		9498100167	2	SCREW, PLASTIC
18		9498100401	2	SCREW, #8 X 3/8"
19		9498100402	13	SCREW
20		9498100155	1	LOCK

Manitowoc Cranes



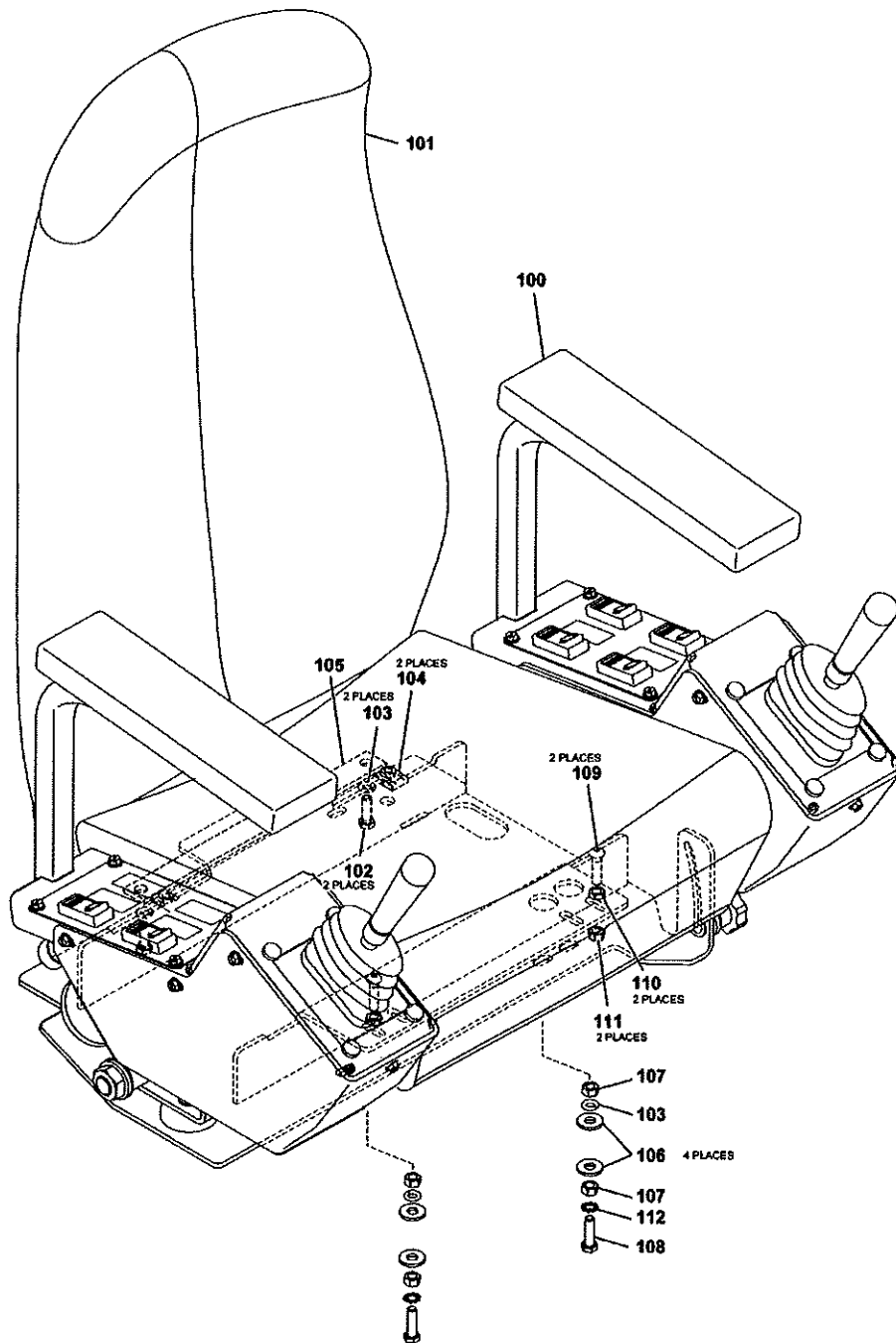
Manitowoc Cranes

Description
FAN ASSEMBLY - 12 VOLT CAB (COMPLETE ASSEMBLY)

Assembly No.
7425100015
 Revision:

Item	FN	Part	Qty	Description
1		9425100077	1	MOTOR ASSY. 12V.
2		NSS	1	HOUSING, BASE
3		9425100078	1	GUARD, FAN
4		NSS	1	BLADE, FAN
5		7950100141	2	WASHER, FLAT, #10
6		7660101630	1	LOCKNUT, HEX 3/16" - 32 N.F. GRADE 1
7		9425100079	1	SWITCH ASSY.

Manitowoc Cranes



80003781

(SHEET 1 OF 1)

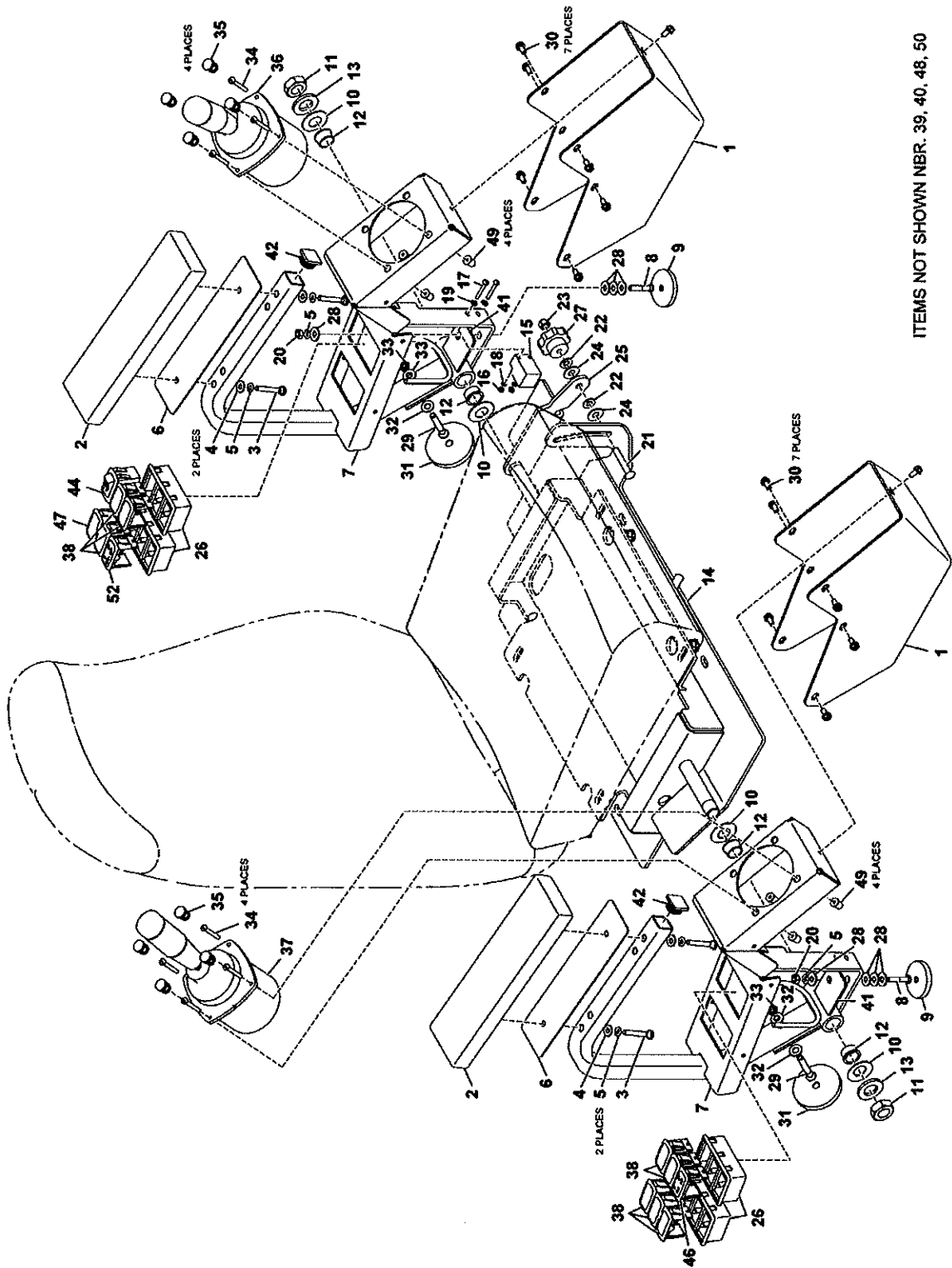
Page 166

Manitowoc Cranes

Description SEAT INSTALLATION WITHOUT AUXILIARY HOIST				Assembly No. 80003781 Revision: A
Item	FN	Part	Qty	Description
100	+	80003780	1	SEAT ASSEMBLY WITHOUT AUXILIARY HOIST (COMPLETE ASSEMBLY)
101		7798000843	1	SEAT INCLUDES THE FOLLOWING PARTS
		9798100584	1	KNOB
		7872001408	1	SWITCH, SEAT
		9798100585	1	CONTROL, ADJUST - BACK INCLUDES CABLE
102		7126171253	2	CAP SCREW, M8X25 HEX HEAD
103		7951170210	6	WASHER, LOCK 8MM
104		7659190020	2	NUT, RETAINING 8 X 1.25
105		6184003088	1	BRACKET, SEAT BAR
106		7951170014	8	WASHER, FLAT #8
107		7661170003	8	NUT
108		7126171350	4	CAP SCREW, M8 X 30MM HEX HEAD
109		7128171454	2	CAP SCREW, MM 8 X 35MM SOCKET
110		7661171103	2	NUT, HEX 8MM N.C.
111		7661170003	2	NUT
112		7951170580	4	WASHER, SHAKE

+ SEE FURTHER BREAKDOWN THIS GROUP

Manitowoc Cranes



ITEMS NOT SHOWN NBR. 39, 40, 48, 50

Manitowoc Cranes

Description
SEAT ASSEMBLY WITHOUT AUXILIARY HOIST
(COMPLETE ASSEMBLY)

Assembly No.
80003780
Revision: #

Item	FN	Part	Qty	Description
1		7245100056	2	COVER, ARMREST
2		7033001063	2	PAD, ARMREST
3		7115141450	4	CAP SCREW, 1/4-20UNC X 1 3/4
4		7950140141	4	WASHER, FLAT 1/4" PLAIN NARROW
5		7950140050	6	WASHER, LOCK 1/4"
6		6705018338	2	PLATE
7		6033100018	2	ARMREST
8		7110141118	2	SCREW,CAP 1/4"-20 N.C X 1 3/8"
9		7616000519	2	MAGNET
10		7949001227	4	WASHER, BEVELED
11		7660220200	2	NUT, HEX JAM 3/4" - 10 N.C.
12		7199001289	4	BUSHING
13		7949000236	2	FLAT WASHER, 3/4"
14		6245100081	2	ARM SUPPORT
15	+	6872100045	1	SWITCH ASSEMBLY - PROXIMITY (NORMALLY OPEN) (COMPLETE ASSEMBLY)
16		7661110003	2	NUT, HEX 4 MM N.C.
17		7121111301	2	SCREW, M4X30 LONG SLOTTED PAN
18		7951110210	2	LOCKWASHER, 4MM I.D.
19		7951110014	2	WASHER, 4MM I.D.
20		7660141601	2	NUT, 1/4-20UNC HEX LOCK
21		7111151664	1	BOLT, CARRIAGE 5/16" -18 N.C. X 2"
22		7950150141	2	WASHER, FLAT 5/16"
23		7660152200	1	NUT, ACORN 5/16" - 18 N.C.
24		7949001186	3	WASHER, BLACK NYLON
25		6245100077	1	BRACKET
26		7364100179	4	BEZEL, L-SERIES 3 GANG LM3
27		7511000093	1	KNOB, FLUTED
28		7950140161	10	WASHER, 1/4" I.D. FLAT WIDE
29		7110151618	2	CAP SCREW, 5/16" -18 N.C. X 2" GRADE 1

+ SEE FURTHER BREAKDOWN THIS GROUP

Manitowoc Cranes

Description
SEAT ASSEMBLY WITHOUT AUXILIARY HOIST
(COMPLETE ASSEMBLY)

Assembly No.
80003780
Revision: #

Item	FN	Part	Qty	Description
30		7792151221	14	WASHER, HEX SELF-TAPPING
31		7616000517	2	MAGNET, CUP
32		7950150141	2	WASHER, FLAT 5/16"
33		7660151601	2	LOCKNUT 5/16" - 18 N.C. GRADE 5
34		7101101210	8	SCREW, MACHINE 3/16" - 32 NF X 1 1/2"
35		7258001451	8	CAP, 1/4"
36	+	7352100097	1	CONTROLLER ASSEMBLY - 8-32 VOLT LEFT HAND ARMREST WITHOUT AUXILIARY HOIST (COMPLETE ASSEMBLY)
37	+	7352100095	1	CONTROLLER CAN 12V RH ARMREST
38		7242100005	8	PLUG, L SERIES LH1 PANEL
39		7345001746	1	TERMINAL, MALE 16 - 14 AWG
40		7345001744	1	TERMINAL, FEMALE 16 - 14 AWG
41		6705170914	1	PLATE
42		7242100002	2	BUTTON, SQUARE
44		7872100146	1	SWITCH, L-SERIES SWING BRAKE
46		7872100118	1	SWITCH, L-SERIES MAIN HOIST
47		7242100005	1	PLUG, L SERIES LH1 PANEL
48	+	6512100837	1	HARNES ASSEMBLY - SEAT (COMPLETE ASSEMBLY)
49		7429000011	8	FASTENER, WELL-NUT
50	#	7576000311	1	BELT, SEAT
52		7872100139	1	SWITCH, L-SERIES REAR STEER

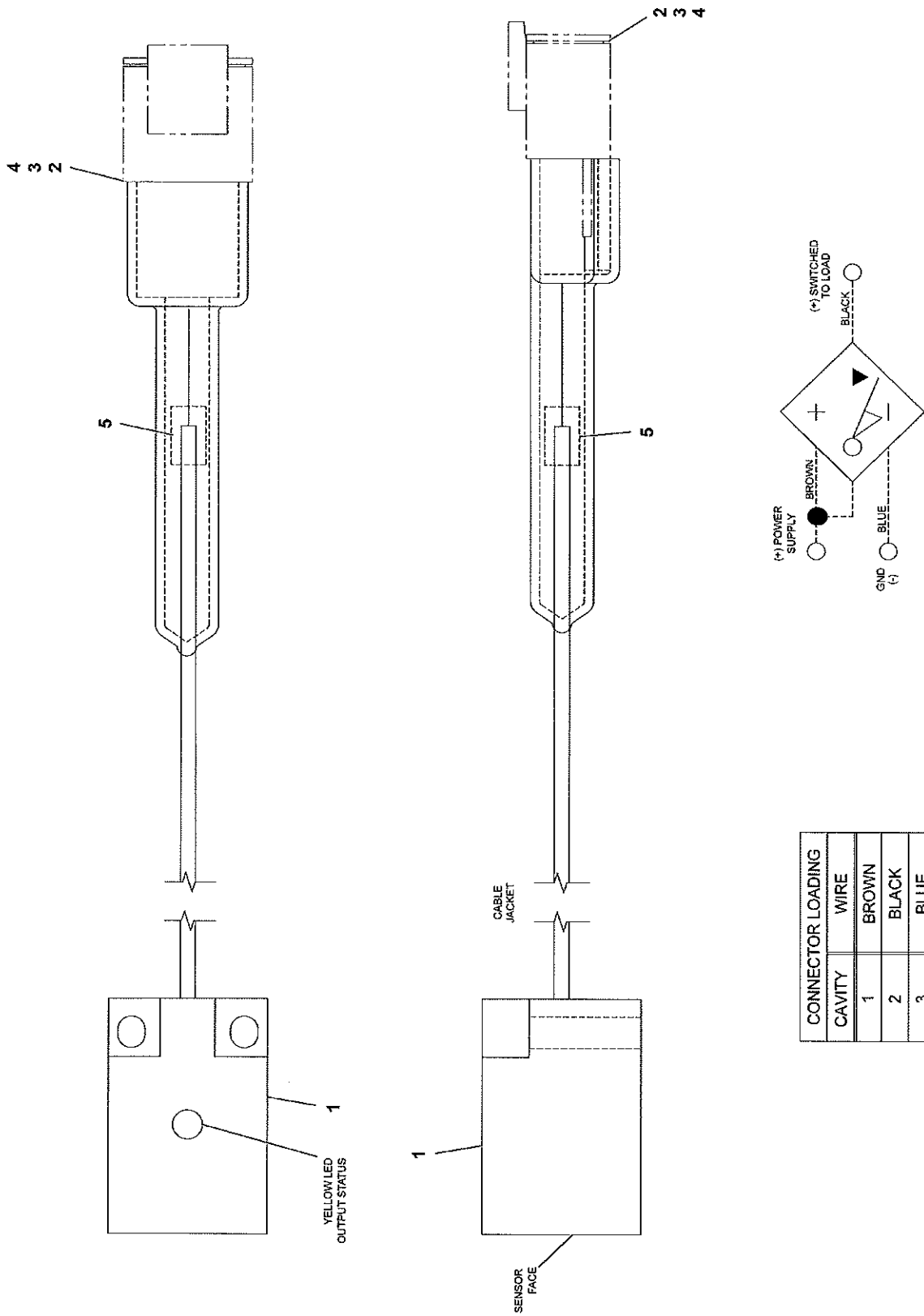
+ SEE FURTHER BREAKDOWN THIS GROUP

SERVICED AS AN ASSEMBLY ONLY

Manitowoc Cranes

Notes

Manitowoc Cranes



6872100045

(SHEET 1 OF 1)

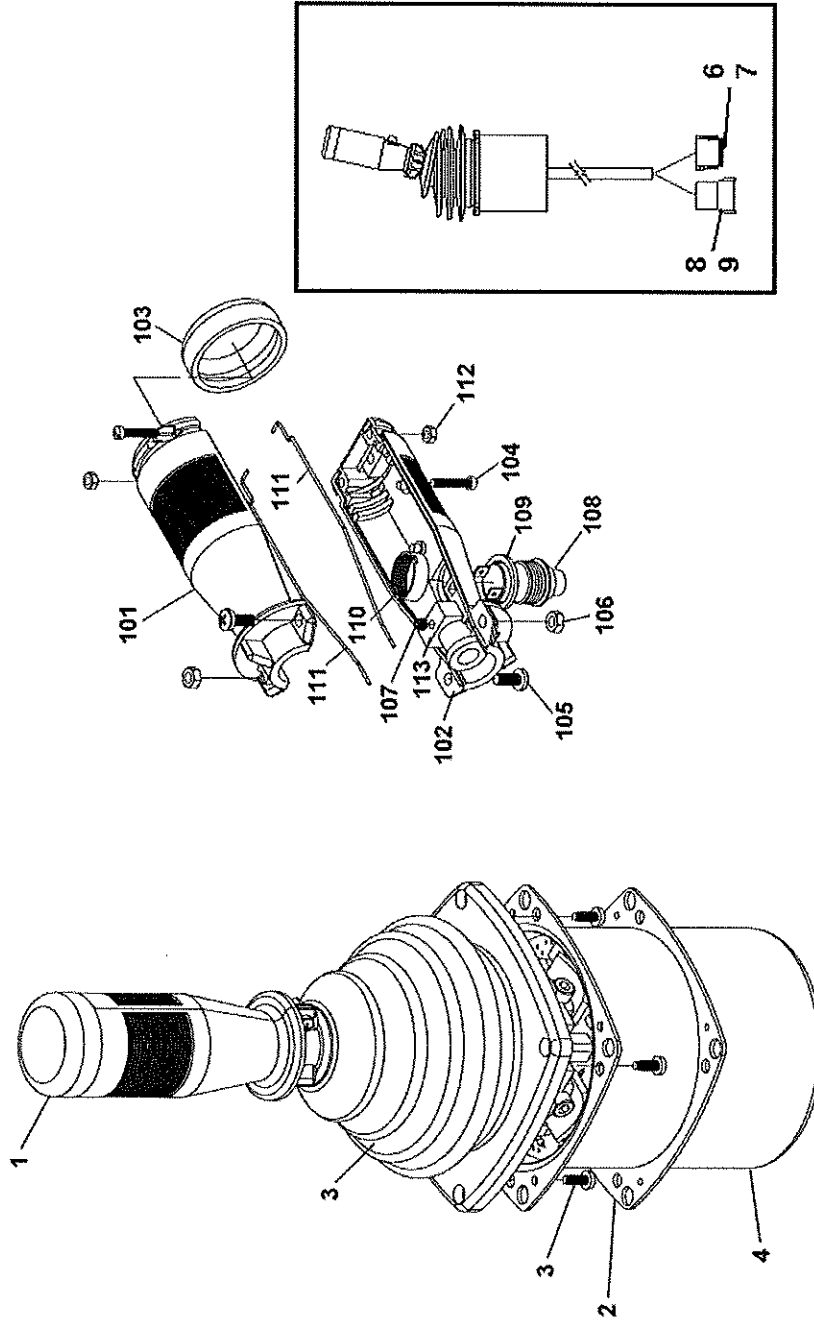
Manitowoc Cranes

Description
SWITCH ASSEMBLY - PROXIMITY (NORMALLY OPEN)
(COMPLETE ASSEMBLY)

Assembly No.
6872100045
 Revision: **A**

Item	FN	Part	Qty	Description
1		7872100062	1	PROXY SENSOR-PNP 10mm RANGE
2		7892100010	1	RECEPTACLE, DTM-3P
3		7172100003	3	BOOT-DTM3P-RECP
4		7689100033	3	PIN
5		8594100256	1	TUBING, HEAT SHRINK 1/4" I.D. LINER, MELTABLE (QUANTITY IN FEET)

Manitowoc Cranes



7352100097

(SHEET 1 OF 1)

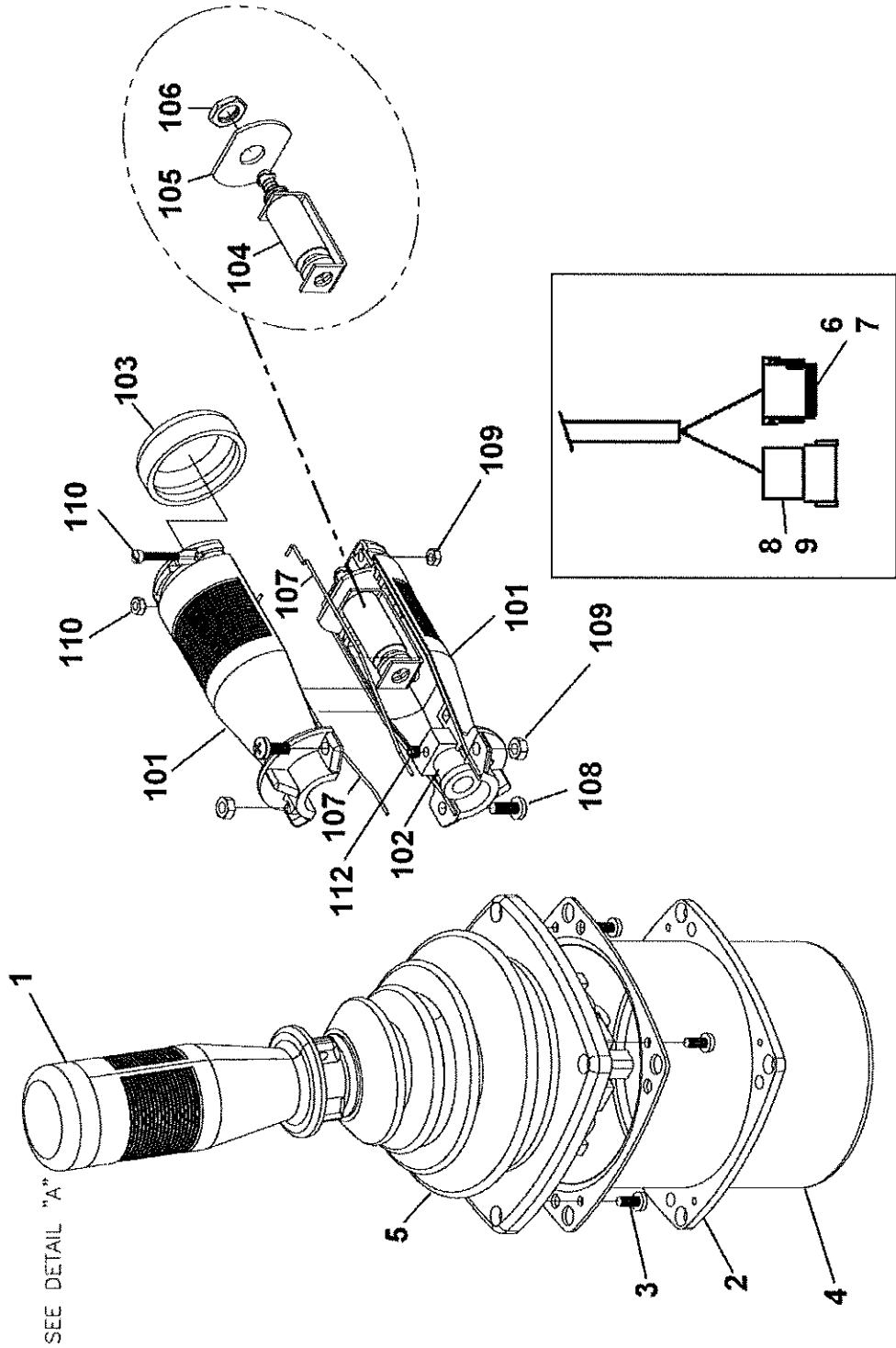
Manitowoc Cranes

Description
**CONTROLLER ASSEMBLY - 8-32 VOLT LEFT HAND ARMREST
 WITHOUT AUXILIARY HOIST**

Assembly No.
7352100097
Revision:

Item	FN	Part	Qty	Description
1		9352100795	1	HANDLE ASSY. INCLUDES ITEMS 101 THRU 113
2		9352100772	1	GASKET
3		90000942	4	SCREW
4		90000943	1	COVER, HOUSING
5		9352100771	1	BOOT
6		7709000812	1	PLUG 12 SOCKET
7		7826000087	12	SOCKET, 16-14 GA
8		7892000832	1	RECEPTACLE, 12 PIN
9		7689001782	12	PIN, 18 - 16 GAGE
101		9352100798	1	HANDLE, HALF
102		9352100797	1	HANDLE, HALF
103		9511100017	1	BOOT
104		9511100007	2	SCREW,
105		9352100777	2	SCREW
106		9352100791	2	NUT
107		9352100669	2	SET SCREW
108		9352100790	1	SWITCH, PUSH BUTTON
109		9176100603	1	O-RING
110		9352100676	1	NUT
111		9352100657	2	GASKET
112		9352100528	2	NUT
113		9352100787	1	COUPLING

Manitowoc Cranes



7352100095

(SHEET 1 OF 1)

Page 176

Manitowoc Cranes

Description
CONTROLLER CAN 12V RH ARMREST

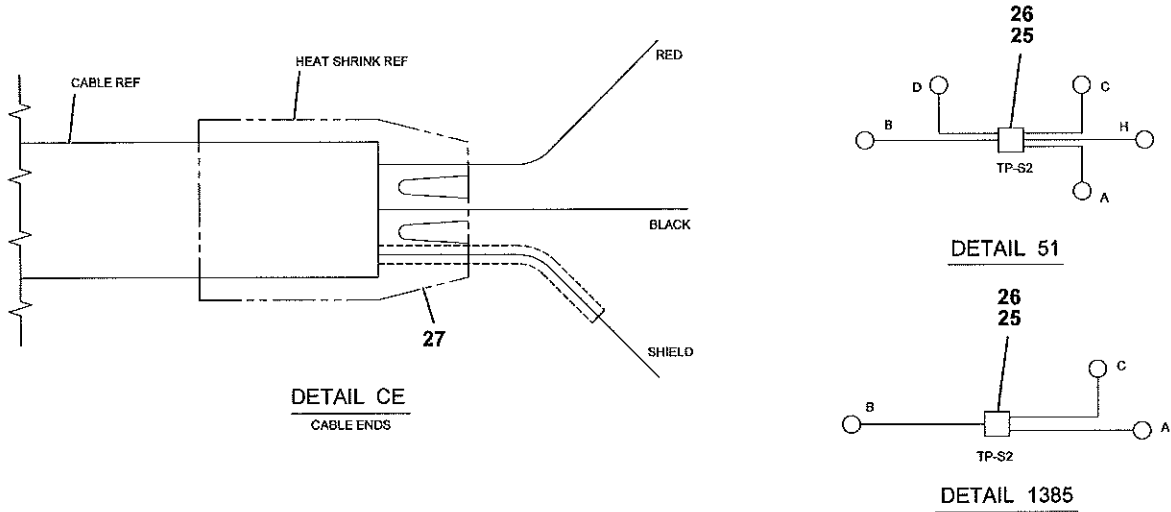
Assembly No.
7352100095
 Revision:

Item	FN	Part	Qty	Description
1		9352100770	1	HANDLE ASSY. INCLUDES ITEMS 101 THRU 112
2		9352100772	1	GASKET
3		90000942	4	SCREW
4		90000943	1	COVER, HOUSING
5		9352100771	1	BOOT
6		7709000812	1	PLUG 12 SOCKET
7		7826000087	12	SOCKET, 16-14 GA
8		7892000832	1	RECEPTACLE, 12 PIN
9		7689001782	12	PIN, 18 - 16 GAGE
101		9352100792	1	HANDLE, SHELL (BOTH HALVES)
102		9352100787	1	COUPLING
103		9511100017	1	BOOT
104		9352100788	1	SOLENIOD, THUMPER
105		9352100789	1	PLATE, MOUNTING
106		9352100692	1	NUT
107		9352100657	2	GASKET
108		9352100777	2	SCREW
109		9352100791	2	NUT
110		9352100528	2	NUT
111		9511100007	2	SCREW,
112		9352100669	2	SET SCREW

Manitowoc Cranes

WIRE NO	COLOR	TYPE	SAE SIZE	LENGTH INCHES	TP	B/M ITEM #	REMARKS	TP	B/M ITEM NO	REMARKS
479	WHT	GXL	18	21	M	6	_____	P	21	_____
506			18	21	A	6	_____	C	21	_____
518			18	24	M	6	_____	R	21	_____
707			18	23	A	6	_____	L	19	_____
792			18	24	A	6	_____	N	21	_____
793			18	24	A	6	_____	N	21	_____
800			20	30	K	22	_____	L	19	_____
1130			18	24	A	6	_____	H	21	_____
1137A			18	21	A	6	_____	C	STRIP	CRIMP W/1137B
1137B			20	3	C	20	CRIMP W/1137A	C	STRIP	CRIMP W/1137C
1137C			20	3	C	21	CRIMP W/1137B	C	21	_____
1384A			16	42	V	18	_____	X	18	_____
1384B			18	37	K	23	_____	X	18	_____
1384C			18	41	H	STRIP	CRIMP W/1384D	X	18	_____
1384D			20	3	H	20	CRIMP W/1384C	H	STRIP	CRIMP W/1384E
1384E			20	3	H	21	CRIMP W/1384D	H	21	_____
1384F			18	44	D	STRIP	CRIMP W/1384G	X	18	_____
1384G			20	3	D	20	CRIMP W/1384F	D	STRIP	CRIMP W/1384H
1384H			20	3	D	21	CRIMP W/1384G	D	21	_____
1384J			18	44	C	STRIP	CRIMP W/1384K	X	18	_____
1384K			20	3	C	20	CRIMP W/1384J	C	STRIP	CRIMP W/1384L
1384L			20	3	C	21	CRIMP W/1384K	C	STRIP	CRIMP W/1384M
1384M			20	3	C	21	CRIMP W/1384L	C	21	_____
1384N			18	17	T	STRIP	CRIMP W/1384P	X	18	_____
1384P			20	3	T	20	CRIMP W/1384N	T	STRIP	CRIMP W/1384Q
1384Q			20	3	T	21	CRIMP W/1384P	T	21	_____
1384R			18	20	P	STRIP	CRIMP W/1384T	X	18	_____
1384T			20	3	P	20	CRIMP W/1384R	P	STRIP	CRIMP W/1384U
1384U			20	3	P	21	CRIMP W/1384T	P	21	_____
1384V			18	17	X	18	_____	R	STRIP	CRIMP W/1384W
1384W			20	3	R	20	CRIMP W/1384V	R	STRIP	CRIMP W/1384X
1384X			20	3	R	21	CRIMP W/1384W	R	STRIP	CRIMP W/1384Y
1384Y			18	52	R	20	CRIMP W/1384X	N	STRIP	CRIMP W/1384Z
1384Z			18	3	N	20	CRIMP W/1384Y	Z	STRIP	CRIMP W/1384AA
1384AA			18	3	N	20	CRIMP W/1384Z	N	21	_____
1385A			14	62	V	16	_____	S2	STRIP	SEE DETAIL
1385B			14	27	A	16	_____	S2	STRIP	SEE DETAIL
1385C			14	49	M	16	_____	S2	STRIP	SEE DETAIL
SHD1	WHT	GXL	18	3	V	SEE	CABLE PC1A	V	SEE	CABLE PC1A

Manitowoc Cranes

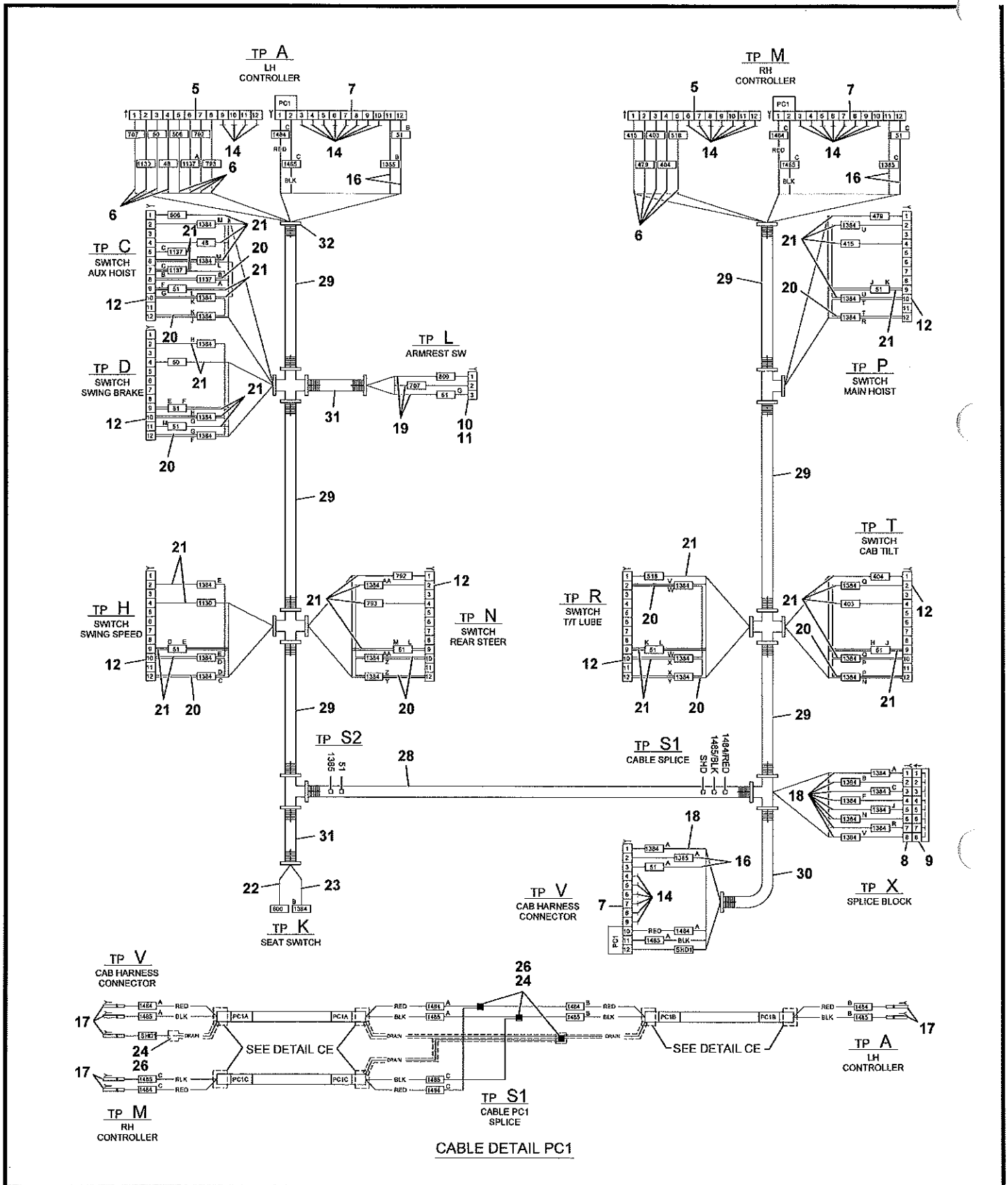


WIRE NUMBER LABELS FOR USE ON CABLE ASSYS										
WIRE NO	CONDUCTOR COLOR	SAE SIZE	LENGTH		CABLE ASSY	TP	REMARKS	TP	REMARKS	LABELS REQ'D
				TOT IN						
1484A	RED	10		5	PC1A	V	USE INSUL	S1	USE INSUL	2
1484B	RED				PC1B	A		S1		2
1484C	RED				PC1C	M		S1		2
1485A	BLK				PC1A	V		S1		2
1485B	BLK				PC1B	A		S1		2
1485C	BLK	10		5	PC1C	M	USE INSUL	S1	USE INSUL	2

WIRE NO	COLOR	TYPE	SAE SIZE	LENGTH INCHES	TP	B/M ITEM #	REMARKS	TP	B/M ITEM NO	REMARKS
48	WHT	GXL	18	21	A	6	_____	C	21	_____
50			18	21	A	6	_____	D	21	_____
51A			14	61	V	16	_____	S2	STRIP	SEE DETAIL
51B			14	28	A	16	_____	S2	STRIP	SEE DETAIL
51C			14	48	M	16	_____	S2	STRIP	SEE DETAIL
51D			20	16	H	STRIP	CRIMP W/51E	S2	STRIP	SEE DETAIL
51E			20	15	H	21	CRIMP W/51D	D	STRIP	CRIMP W/51F
51F			20	12	C	STRIP	CRIMP W/51G	D	21	CRIMP W/51E
51G			20	15	C	21	CRIMP W/51F	L	19	_____
51H			20	36	T	STRIP	CRIMP W/51J	S2	STRIP	SEE DETAIL
51J			20	15	T	21	CRIMP W/51H	P	STRIP	CRIMP W/51K
51K			20	15	P	21	CRIMP W/51J	R	STRIP	CRIMP W/51L
51L			20	52	R	21	CRIMP W/51K	N	21	CRIMP W/51M
51M			20	15	D	21	_____	N	STRIP	CRIMP W/51L
403			18	24	M	6	_____	T	21	_____
404			18	24	M	6	_____	T	21	_____
415	WHT	GXL	18	21	M	6	_____	P	21	_____

6512100837

Manitowoc Cranes



6512100837

(SHEET 1 OF 3)

Manitowoc Cranes

Description
HARNESS ASSEMBLY - SEAT (COMPLETE ASSEMBLY)

Assembly No.
6512100837
 Revision: **A**

Item	FN	Part	Qty	Description
5		7892000832	2	RECEPTACLE, 12 PIN
6		7689001782	13	PIN, 18 - 16 GAGE
7		7709000812	3	PLUG 12 SOCKET
8		7709000811	1	PLUG 8 SOCKET
9		7892100026	1	RECEPT, (8P) SPLICE BLOCK
10		7709100877	1	PLUG
11		7172100002	1	BOOT, PLUG
12		7364100184	7	CONNECTOR, L-SERIES SWITCHES
14		7689000503	33	PLUG, SEALING 16 - 12 AWG
16		7826000087	6	SOCKET, 16-14 GA
17		7826100004	7	SOCKET, (16 - 18) 30 SERIES
18		7826000626	9	SOCKET, 16 - 18 AWG
19		7826100018	3	SOCKET, 20 GAUGE GOLD
20		7892100058	10	TERMINAL, FM MP 630 SERIES
21		7892100059	34	TERMINAL, FM MP 630 SERIES
22		7345001444	1	TERMINAL, FEMALE
23		7345001446	1	TERMINAL, MALE 22 - 18 AWG
24		7892000194	4	PARALLEL, NON - INSULATED 16 - 14 AWG
25		7892000195	2	PARALLEL, NON - INSULATED 12 - 10 AWG
26		8594100256	1	TUBING, HEAT SHRINK 1/4" I.D. LINER, MELTABLE (QUANTITY IN FEET)
27		8594100257	1	TUBING, HEAT SHRINK 1/2" I.D. LINER, MELTABLE (QUANTITY IN FEET)
28		8594000003	2	FLEXGUARD - .625" I.D. (QUANTITY IN FEET)
29		8594000004	4	FLEXGUARD - .500" I.D. (QUANTITY IN FEET)
30		8594000006	3	FLEXGUARD - .350" I.D. (QUANTITY IN FEET)

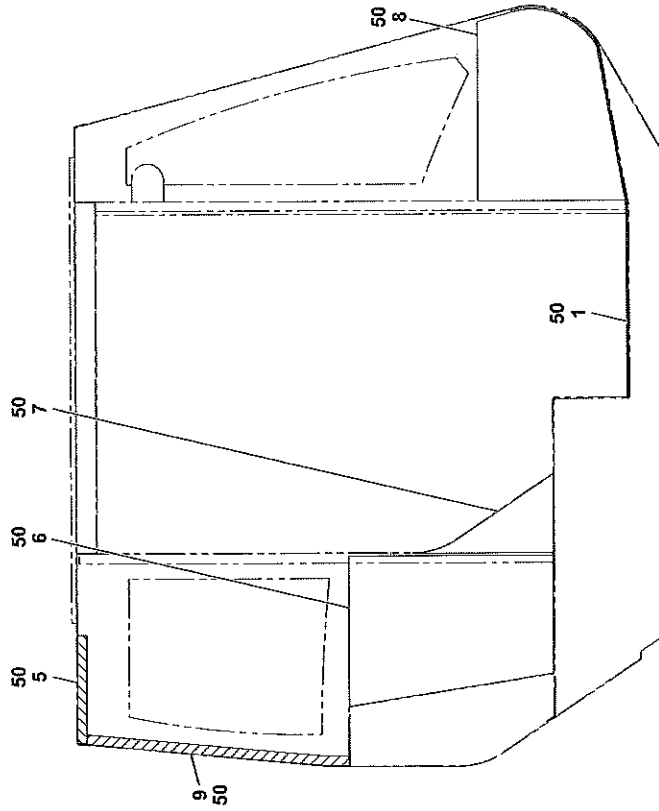
Manitowoc Cranes

Description
HARNESS ASSEMBLY - SEAT (COMPLETE ASSEMBLY)

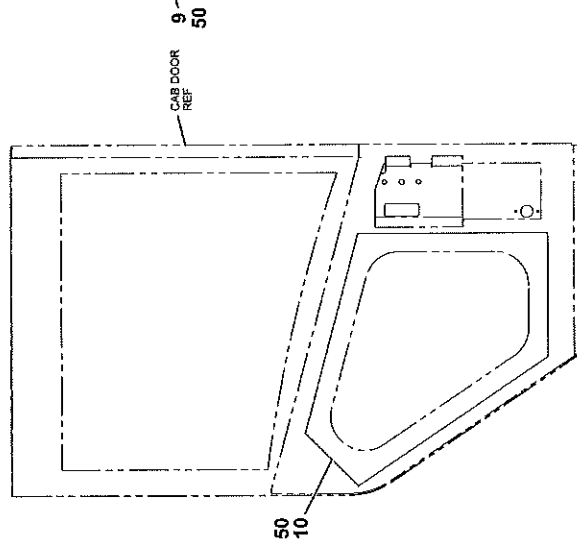
Assembly No.
6512100837
Revision: A

Item	FN	Part	Qty	Description
31		8594000019	2	FLEXGUARD, 1/4" I.D. (QUANTITY IN FEET)
32		7850000208	30	CABLE TIE, BLACK

Manitowoc Cranes



VIEW INSIDE CAB LOOKING
TOWARD LEFT SIDE

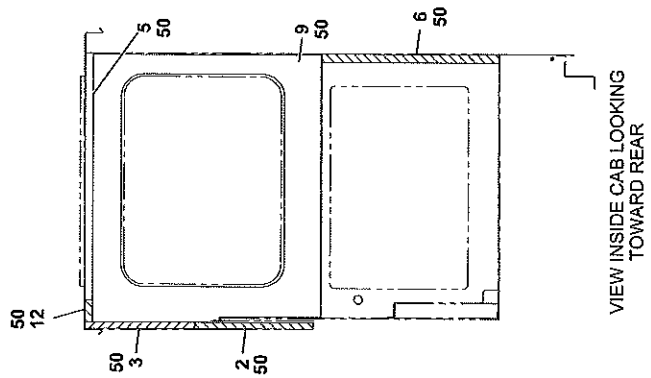
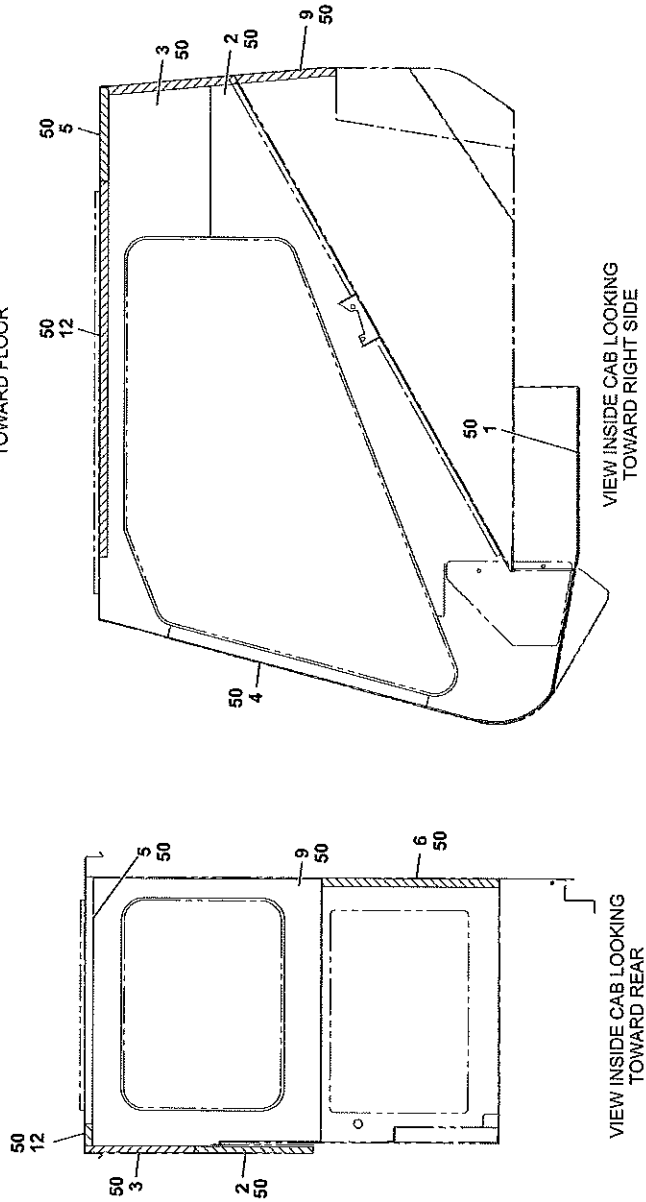
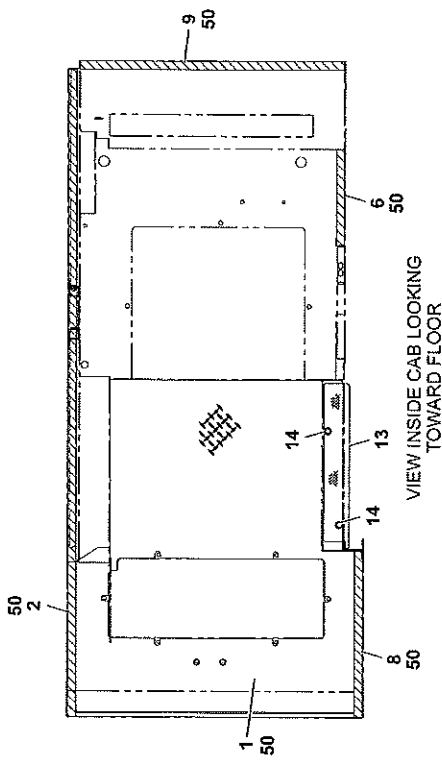


VIEW LOOKING AT INSIDE
OF DOOR

6001100033

(SHEET 2 OF 2)

Manitowoc Cranes



Manitowoc Cranes

Description
ACOUSTICS INSTALLATION

Assembly No.
6001100033
Revision: **B**

Item	FN	Part	Qty	Description
1	*	7001100579	1	MAT, FLOOR
2	*	7001100580	1	FOAM, .75 ACOUSTIC
3	*	7001100581	1	FOAM, .75 ACOUSTIC
4	*	7001100582	1	FOAM, .75 ACOUSTIC
5	*	7001100583	1	FOAM, 1.00 ACOUSTIC
6	*	7001100584	1	FOAM, 1.00 ACOUSTIC
7	*	7001100585	1	FOAM, 1.00 ACOUSTIC
8	*	7001100586	1	FOAM, 1.00 ACOUSTIC
9	*	7001100587	1	FOAM, 1.00 ACOUSTIC
10	*	7001100588	1	FOAM, 1.00 ACOUSTIC
12	*	7001100589	1	FOAM, 1.00 ACOUSTIC
13		6245101035	1	SILL, DOOR
14		7790161253	2	SCREW, 3/8" - 16 N.C. X 3/4"
50	*	80004087	1	KIT, ACOUSTICS

* REPAIR KIT AND/OR PART OF KIT

Manitowoc Cranes



The drawing or bill of material for this installation was not available when this catalog was created. Please contact Rich Rebok at richard.rebok@manitowoc.com for Grove products or Galen Burkholder at galen.burkholder@manitowoc.com for National products to supply us with your mailing information. Once the drawing or bill of material has been completed, we will send you the appropriate pages to be inserted into your manual.

Regards,

Technical Publications Department
Shady Grove, Pennsylvania
www.cranecare.com

Manitowoc Cranes

Description
FRONT CONSOLE INSTALLATION

Assembly No.
80019972
 Revision: #

Item	FN	Part	Qty	Description
1	+	80019971	1	FRONT CONSOLE ASSEMBLY
2		7245100069	1	COVER, CONSOLE
3		6184100007	1	BRACE
4		7661110003	2	NUT, HEX 4 MM N.C.
5		7951110210	2	LOCKWASHER, 4MM I.D.
6		7258001452	2	CAP #8
7		7951110014	4	WASHER, 4MM I.D.
8		01374648	2	SLOTTED CHEESE HEAD SCREW
9		7126171253	3	CAP SCREW, M8X25 HEX HEAD
10		7951170210	3	WASHER, LOCK 8MM
11		7951170014	4	WASHER, FLAT #8
12		7659190020	3	NUT, RETAINING 8 X 1.25
13		7258001451	4	CAP, 1/4"
14		7121151401	4	SCREW, M6X35 LONG SLOTTED PAN
15		7949001186	4	WASHER, BLACK NYLON
16		7659190019	4	NUT, RETAINING M6
17		7425000007	1	FAN ASSY, DEFROSTER INCLUDES THE FOLLOWING PARTS
		9425100009	1	SWITCH, 12 VOLT
18		7126191253	3	CAP SCREW
19		7951190210	3	LOCK WASHER, 10MM
20		7951190014	3	FLAT WASHER, 10MM I.D.
21		7659190033	3	NUT, RETAINING
22		7661170003	1	NUT
23		6245101003	1	MOUNT, BRACKET MODULE

+ SEE FURTHER BREAKDOWN THIS GROUP

Manitowoc Cranes



The drawing or bill of material for this installation was not available when this catalog was created. Please contact Rich Rebok at richard.rebok@manitowoc.com for Grove products or Galen Burkholder at galen.burkholder@manitowoc.com for National products to supply us with your mailing information. Once the drawing or bill of material has been completed, we will send you the appropriate pages to be inserted into your manual.

Regards,

Technical Publications Department
Shady Grove, Pennsylvania
www.cranecare.com

Manitowoc Cranes

Description
FRONT CONSOLE ASSEMBLY

Assembly No.
80019971
Revision: #

Item	FN	Part	Qty	Description
1		7679100268	1	PANEL, FRONT CONSOLE
2	+	80019587	1	HARNES ASSEMBLY-FRONT CONSOLE
3		7486100024	1	GAUGE, CLUSTER 12 VOLT INCLUDES THE FOLLOWING PARTS
		9581100394	1	SOCKET,
		9581100405	1	BULB, 12 VOLT
4	+	7486100100	1	GAUGE, 12 VOLT TACHOMETER (WITH HOURMETER)
5		7872100051	1	SWITCH, IGNITION INCLUDES THE FOLLOWING PARTS
		9872100256	1	SET, KEY
6		7872100071	1	SWITCH, EMERGENCY STOP
7		7872100091	1	SWITCH, HEATER CNTRL EATON 12V
8		7364100182	5	BEZEL, L-SERIES 6 GANG LM6
9		7364100180	1	BEZEL, L-SERIES 4 GANG LM4
10		7364100179	1	BEZEL, L-SERIES 3 GANG LM3
11		7364100177	1	BEZEL, L-SERIES SINGLE LMS
12		7242100005	13	PLUG, L SERIES LH1 PANEL
13		7872100108	1	SWITCH,L-SERIES SKYLIGHT WIPER
14		7872100095	1	SWITCH, L-SERIES ENGNE INC/DEC
16		7872100107	1	SWITCH,L-SERIES CRANE FUNC PWR
17		7872100117	1	SWITCH, L-SERIES O/R EXT/RET
18		7872100105	1	SWITCH, L-SERIES FAN HI/MED/LO
19		7872100106	1	SWITCH, L-SERIES HEATER ON/OFF
20		7872100145	1	SWITCH, L-SERIES DEFROST FAN
21		7872100138	1	SWITCH, L-SERIES DRIVE SELECT
22		7872100115	1	SWITCH,L-SERIES RR O/R BM/STAB
23		7872100114	1	SWITCH,L-SERIES LR O/R BM/STAB
24		7872100110	1	SWITCH, L-SERIES WORK LIGHTS
25		7872100210	1	SWITCH L-SERIES HEADLIGHTS
26		7872100100	1	SWITCH, L-SERIES HAZARDS
27		7872100211	1	SWITCH L-SERIES PARK BRAKE
28		7872100113	1	SWITCH,L-SERIES RF O/R BM/STAB
29		7872100112	1	SWITCH,L-SERIES LF O/R BM/STAB
30	#	7486100110	1	IND LED PARK BRK ENGD/SWG BRK

+ SEE FURTHER BREAKDOWN THIS GROUP

SERVICED AS AN ASSEMBLY ONLY

Manitowoc Cranes

Description FRONT CONSOLE ASSEMBLY				Assembly No. 80019971 Revision: #
Item	FN	Part	Qty	Description
31	#	7486100134	1	IND LED 4WHL ENGED/WHL NOT CNT
32	#	7486100114	1	IND LED HI BEAMS/LAMP OUT WARN
33	#	7486100104	1	IND LED LOW BRK PRESS/LOW FUEL
34	#	7486100103	1	IND LED WAIT TO STR/XMSN WARN
35	#	7486100084	1	IND LED ENG WARN/ELECT SYS DIA
36	#	7486100083	1	IND LED ENG STOP/MODULE ERROR
37	#	7486100115	1	IND LED LEFT TURN/RIGHT TURN
38		6245100947	1	CONSOLE, FRONT FRAME
39		7258001452	6	CAP #8
40		01374648	6	SLOTTED CHEESE HEAD SCREW
41		7661110003	6	NUT, HEX 4 MM N.C.
42		7951110210	6	LOCKWASHER, 4MM I.D.
43		7951110014	12	WASHER, 4MM I.D.
44		7364001457	1	TAB, MALE
45		7660081100	1	NUT, HEX 5/32" - 24 N.F. GRADE 1
46		7345001446	2	TERMINAL, MALE 22 - 18 AWG
47		7345001744	1	TERMINAL, FEMALE 16 - 14 AWG
48	#	7486100128	1	IND LED HYD OIL COOLER TEMP

SERVICED AS AN ASSEMBLY ONLY

Manitowoc Cranes

Notes

Manitowoc Cranes



The drawing or bill of material for this installation was not available when this catalog was created. Please contact Rich Rebok at richard.rebok@manitowoc.com for Grove products or Galen Burkholder at galen.burkholder@manitowoc.com for National products to supply us with your mailing information. Once the drawing or bill of material has been completed, we will send you the appropriate pages to be inserted into your manual.

Regards,

Technical Publications Department
Shady Grove, Pennsylvania
www.cranecare.com

Manitowoc Cranes

<u>Description</u>				<u>Assembly No.</u>
HARNES ASSEMBLY-FRONT CONSOLE				80019587
				Revision: #
Item	FN	Part	Qty	Description
4		7709100883	1	PLUG, 40 SOCKET
5		7709100884	1	PLUG, 40 SOCKET
6		7826100018	98	SOCKET, 20 GAUGE GOLD
7		7709100907	1	PLUG DTM06-12SA W/WM-12S WEDGE
8		7709100908	1	PLUG DTM06-12SB W/WM-12S WEDGE
9		7709000845	2	PLUG 8 SOCKET
10		7826100004	58	SOCKET, (16 - 18) 30 SERIES
11		7709000846	3	PLUG, 12 SOCKET
12		7892001036	2	RECEPTACLE, SPLICE BLOCK
13		7826000087	4	SOCKET, 16-14 GA
14		7689000704	2	PIN, 16 - 14 GA
15		7709000883	3	PLUG 6 SOCKET
16		7892001053	1	RECEPTACLE, 9 PIN
17		7689002053	52	PIN 16 - 18 AWG
18		7892000951	1	RECEPTACLE, 12 PIN
19		7892100086	2	RECEPT, DTO4-12PB-C015 W/WEDGE
20		7892100087	1	RECEPT, DTO4-12PC-C015 W/WEDGE
21		7364100184	32	CONNECTOR, L-SERIES SWITCHES
22		7892100058	1	TERMINAL, FM MP 630 SERIES
23		7892100059	152	TERMINAL, FM MP 630 SERIES
25		7892100026	1	RECEPT, (8P) SPLICE BLOCK
26		7345001746	4	TERMINAL, MALE 16 - 14 AWG
27		7345001444	10	TERMINAL, FEMALE
28		7345001744	8	TERMINAL, FEMALE 16 - 14 AWG
30		7892001001	1	FERRULE, SINGLE WIRE (RED)
31		7345211401	3	TERMINAL 22 - 18 AWG
32		7345001944	1	TERMINAL, FEMALE 12 - 10 AWG
33		7364001684	2	CONNECTOR, 3 CONDUCTOR TOWER WITH SEAL

Manitowoc Cranes

Description
HARNESS ASSEMBLY-FRONT CONSOLE

Assembly No.
80019587
Revision: #

Item	FN	Part	Qty	Description
34		7364001685	1	CONNECTOR, 3 CONDUCTOR SHROUD
35		7709000874	1	PLUG 3 SOCKET
36		7892000254	8	TERMINAL, GREEN CABLE SEAL
37		7892000252	2	TERMINAL, MALE PIN
38		7892000253	6	TERMINAL, FEMALE SLEEVE
39		7892000257	1	TERMINAL, GREEN CAVITY SEAL
41		7246100020	22	CABLE, SHIELDED
42		7246100321	18	CABLE 18GA
43		7892000950	1	RECEPTACLE, 8 PIN
44		7892000194	18	PARALLEL, NON - INSULATED 16 - 14 AWG
45		8594100256	3	TUBING, HEAT SHRINK 1/4" I.D. LINER, MELTABLE (QUANTITY IN FEET)
46		8594100257	2	TUBING, HEAT SHRINK 1/2" I.D. LINER, MELTABLE (QUANTITY IN FEET)
48		7850000208	50	CABLE TIE, BLACK
51		7258100154	1	CAP, DEUTSCH HDC16 - 9 DUST
52		7689000503	23	PLUG, SEALING 16 - 12 AWG
53		7345001446	1	TERMINAL, MALE 22 - 18 AWG
54		7709100902	1	PLUG, 3 PIN
55		7709000874	1	PLUG 3 SOCKET
56		7709100911	1	PLUG,DT06-3S-CEO6 W/BLUE WEDGE
57		7892100036	1	RECEPTACLE, 3 WAY
58		7892001002	1	FERRULE, SINGLE WIRE (BLACK)
59		7892000949	1	RECEPTACLE, 2 PIN
60		7709000874	1	PLUG 3 SOCKET

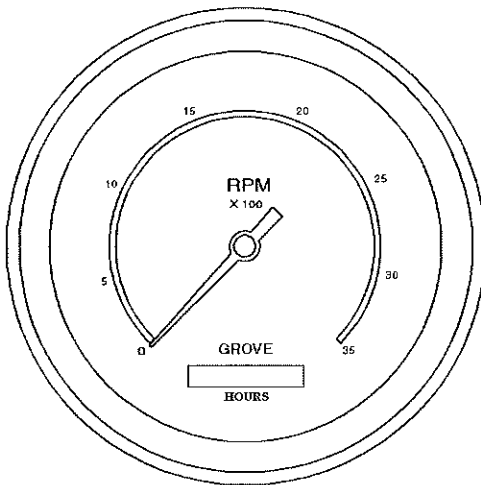
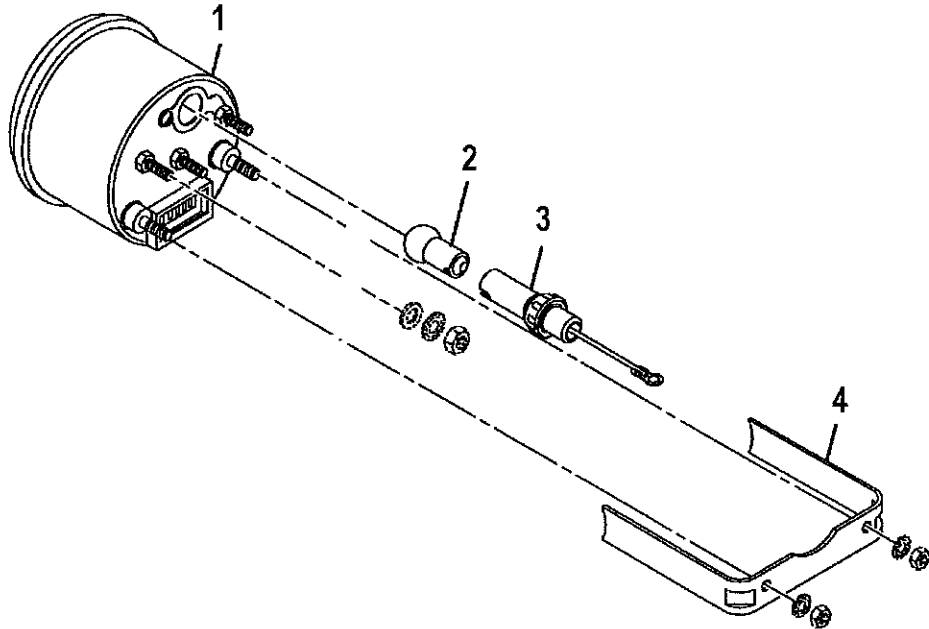
Manitowoc Cranes

Description
HARNES ASSEMBLY-FRONT CONSOLE

Assembly No.
80019587
Revision: #

Item	FN	Part	Qty	Description
61		7345211701	4	TONGUE, INSULATED RING
62		7892000195	1	PARALLEL, NON - INSULATED 12 - 10 AWG
63		8594000019	5	FLEXGUARD, 1/4" I.D. (QUANTITY IN FEET)

Manitowoc Cranes



DIP SWITCH SETTING CODE: 134	
PIN NUMBER	PIN POSITION
1	CLOSED
2	CLOSED
3	OPEN
4	OPEN
5	CLOSED
6	OPEN
7	CLOSED
8	OPEN

Manitowoc Cranes

Description
GAUGE, 12 VOLT TACHOMETER (WITH HOURMETER)

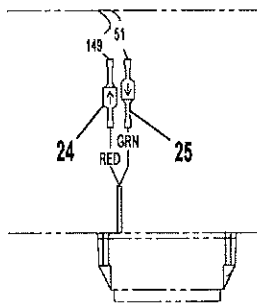
Assembly No.
7486100100
Revision:

Item	FN	Part	Qty	Description
1		NSS	1	GAUGE
2		9581100406	1	BULB, 12 VOLT
3		9581100407	1	SOCKET,
4		9486100290	1	KIT,HARDWARE USE HARDWARE AS REQUIRED

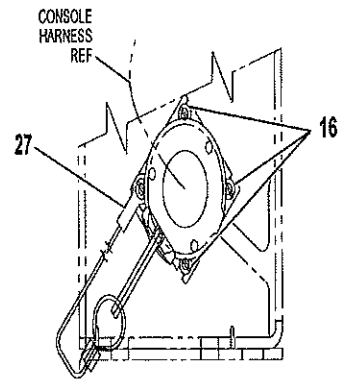
Manitowoc Cranes

Notes

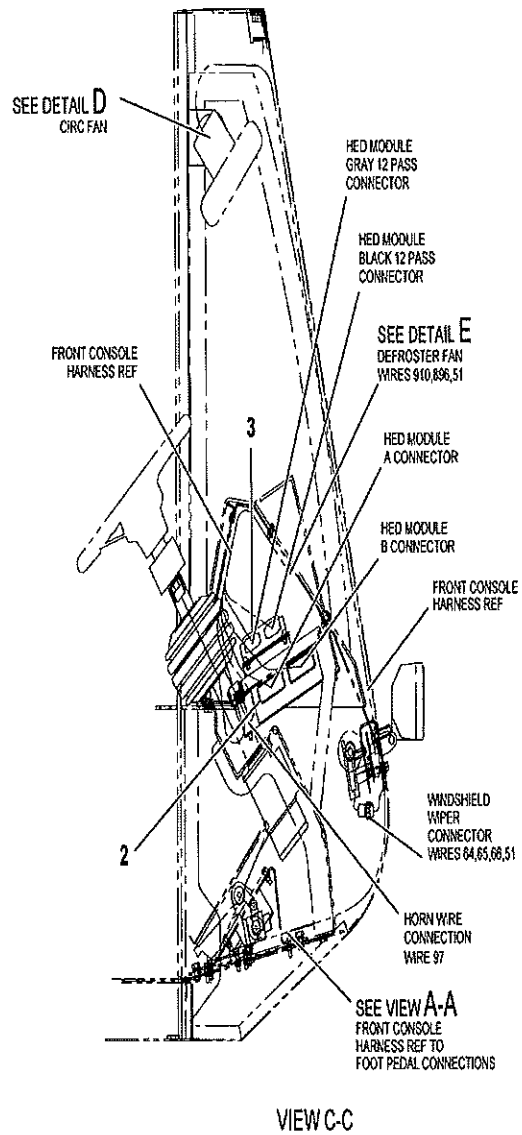
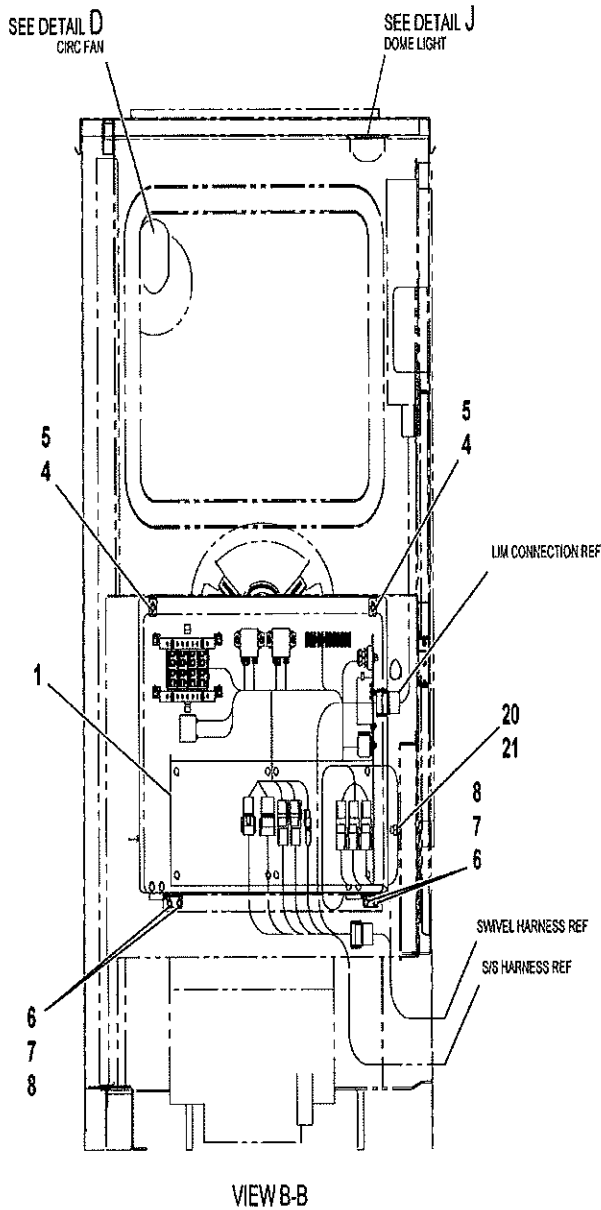
Manitowoc Cranes



DETAIL-K
LIM WARNING LIGHT (CE)
TAPE & STOW WHEN NOT USED.



DETAIL-H
DIAGNOSTIC
CONNECTOR



6978100900

(SHEET 2 OF 2)

Manitowoc Cranes

Description
**ELECTRICAL SYSTEM INSTALLATION - SUPERSTRUCTURE CAB
(DOMESTIC)**

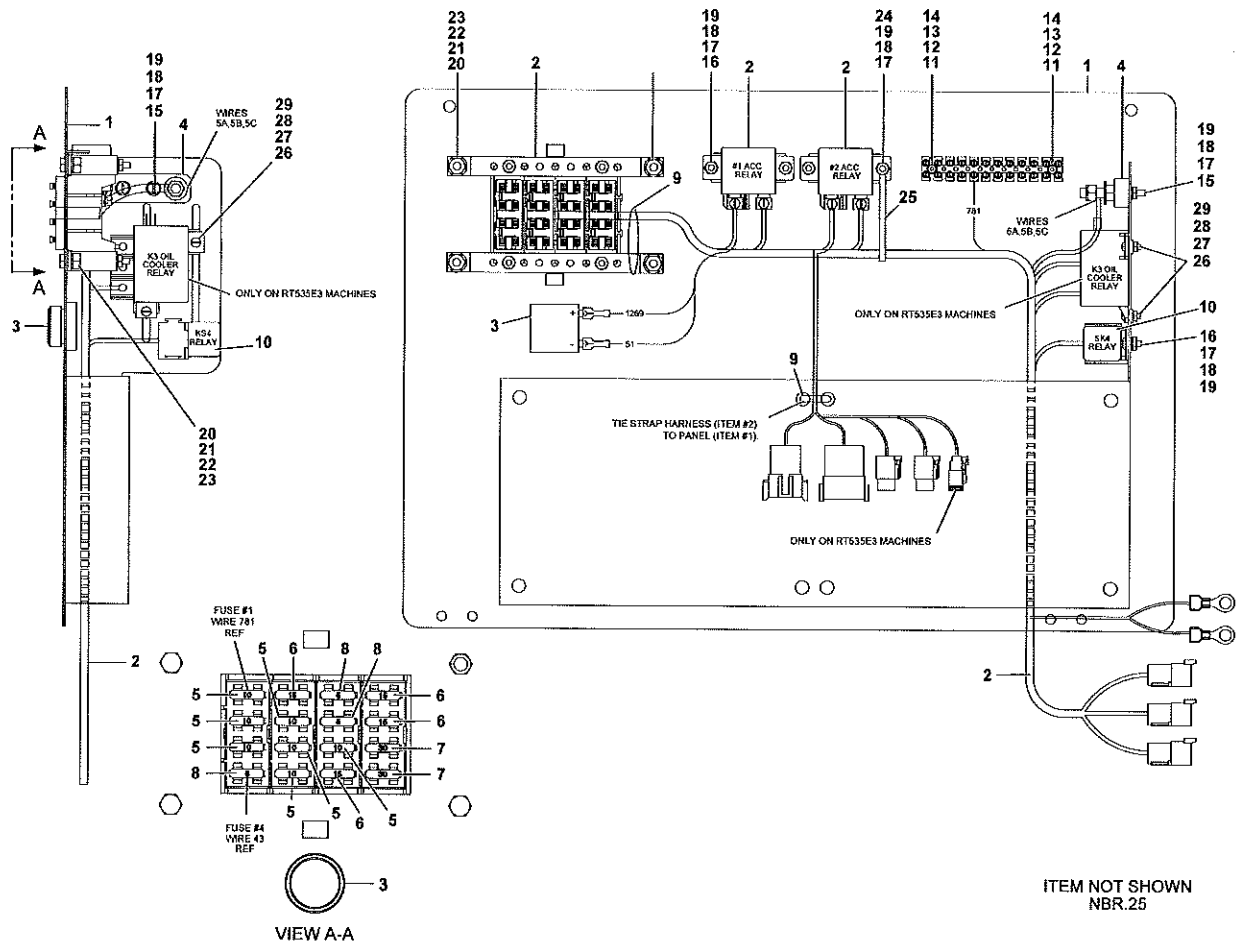
Assembly No.
6978100900
Revision: #

Item	FN	Part	Qty	Description
1	+	6679100195	1	PANEL ASSEMBLY - FUSE AND RELAY (SUPERSTRUCTURE CAB) (COMPLETE ASSEMBLY)
2	#	7352100053	1	MODULE, CONTROL (CAB)
3	#	7352100064	1	I/O CONTROL MODULE
4		7099001159	2	SCREW, THUMB
5		7659000256	2	NUT, RETAINING 5/16" - 18 N.C.
6		7115140550	8	CAP SCREW, 1/4" - 20 N.C. X 5/8" GRADE 5
7		7950140050	8	WASHER, LOCK 1/4"
8		7519000198	2	HINGE, LEFT HAND NYLON LIFT OFF
9		7245100058	1	COVER, FUSE
10		7659190019	8	NUT, RETAINING M6
11		7951150014	8	WASHER, 6MM I.D.
12		7126151153	6	CAP SCREW, M6X20 HEX HEAD
13		7126151353	2	CAP SCREW, M6X30 HEX HEAD
14		6245101066	1	BRACKET, MODULE SUPPORT
15		7892000999	1	RECEPTACLE, 12 VOLT DASH MOUNT
16		7790060673	4	SCREW, SELF-TAPPING
20		7660160000	1	NUT, HEX 3/8" - 16 N.C.
21		7950160350	2	WASHER, LOCK 3/8" I.D.
24		7345001446	6	TERMINAL, MALE 22 - 18 AWG
25		7345001444	4	TERMINAL, FEMALE
26		7850000208	25	CABLE TIE, BLACK
27		7246002555	1	CABLE ASSY

+ SEE FURTHER BREAKDOWN THIS GROUP

SERVICED AS AN ASSEMBLY ONLY

Manitowoc Cranes



6679100195

(SHEET 1 OF 1)

Page 202

Manitowoc Cranes

Description
PANEL ASSEMBLY - FUSE AND RELAY (SUPERSTRUCTURE CAB)
(COMPLETE ASSEMBLY)

Assembly No.
6679100195
Revision: #

Item	FN	Part	Qty	Description
1		2188410002	1	PANEL
2	+	6512100914	1	HARNESS ASSEMBLY - FUSE AND RELAY PANEL (SUPERSTRUCTURE CAB) (COMPLETE ASSEMBLY)
3		7025000821	1	ALARM, FAST PULSE BUZZER
4		7086001082	1	HOLDER, FUSE
5		7482000033	7	FUSE, 10 AMP
6		7482000032	4	FUSE, 15 AMP
7		7482000029	2	FUSE, 30 AMP
8		7482000035	3	FUSE, 5 AMP
9		7850000208	2	CABLE TIE, BLACK
10		7750000055	1	RELAY, 12 VOLT DC
11		7111040610	2	SCREW, MACHINE 7/64" - 40 N.C. X 3/4" GRADE 1
12		7950040050	2	LOCKWASHER, 7/64" I.D.
13		7950040141	2	WASHER, 7/64" I.D.
14		7660041100	2	NUT, HEX 7/64" - 40 N.C. GRADE 1
15		7111100807	2	SCREW, MACHINE 3/16" - 24 N.C. X 1" GRADE 1
16		7111100611	4	SCREW, MACHINE 3/16" - 24 N.C. X 3/4" GRADE 1
17		7950100141	7	WASHER, FLAT, #10
18		7950100050	7	WASHER, LOCK #10
19		7660101100	7	NUT, HEX 3/16" - 32 N.F. GRADE 1
20		7115140450	4	CAP SCREW, 1/4" - 20 N.C. X 1/2" GRADE 5
21		7950140141	4	WASHER, FLAT 1/4" PLAIN NARROW
22		7950140050	4	WASHER, LOCK 1/4"
23		7660140000	4	NUT, HEX 1/4" - 20 N.C.

+ SEE FURTHER BREAKDOWN THIS GROUP

Manitowoc Cranes

Description

**PANEL ASSEMBLY - FUSE AND RELAY (SUPERSTRUCTURE CAB)
(COMPLETE ASSEMBLY)**

Assembly No.

6679100195

Revision: #

Item	FN	Part	Qty	Description
24		7111100811	1	SCREW, MACHINE 3/16" - 24 N.C. X 1" GRADE 1
25		7850000831	1	TIE, 8.14" LONG CABLE (BLACK)
26		7111080410	2	SCREW, MACHINE 5/32" - 32 N.C. X 1/2" GRADE 1
27		7660080000	2	USE 7660081100
28		7950080050	2	LOCKWASHER, 5/32" I.D.
29		7950080141	2	FLATWASHER, 5/32" I.D.

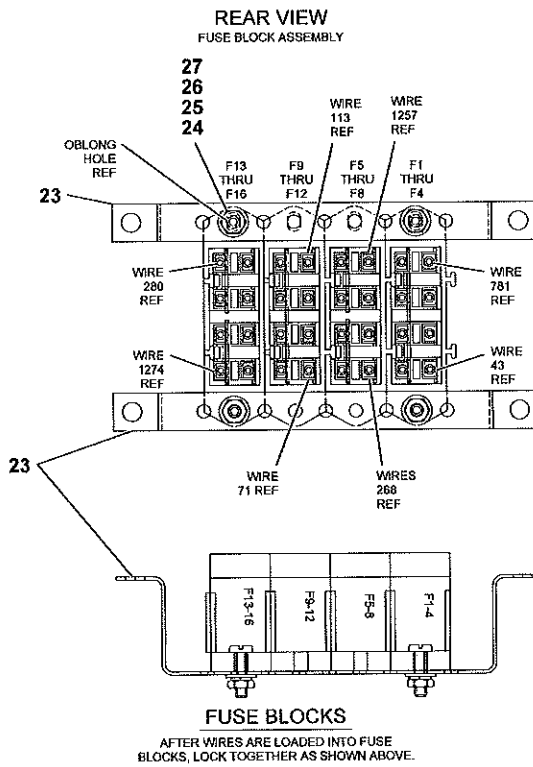
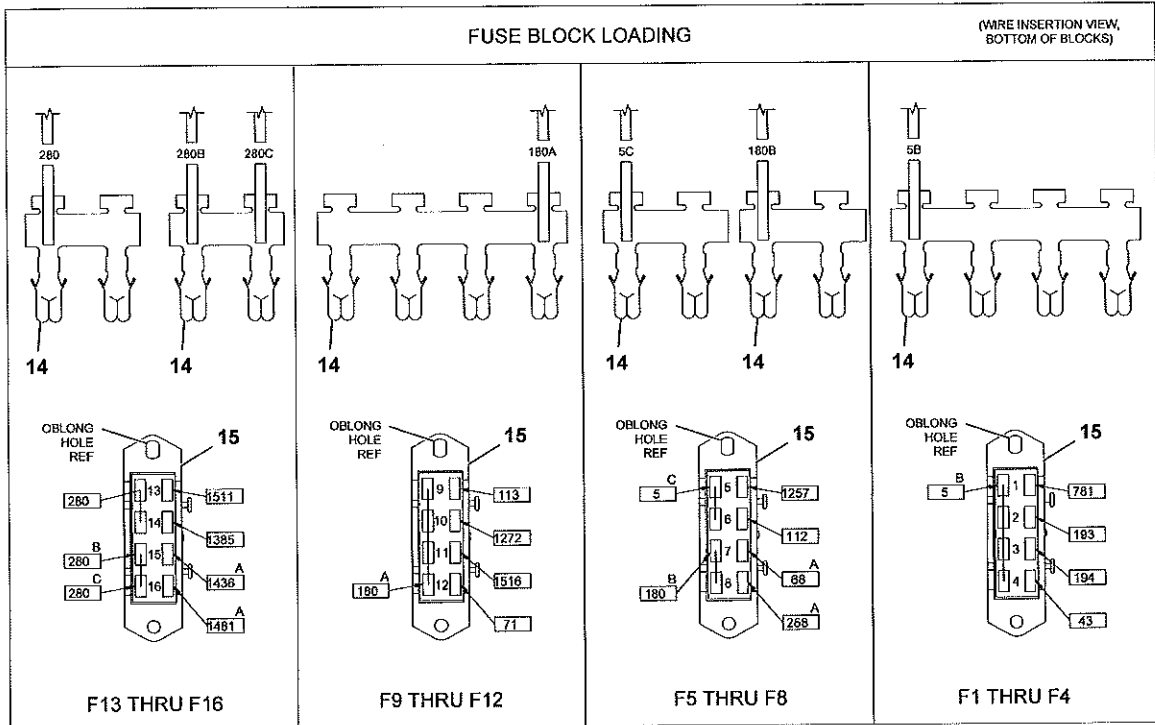
Manitowoc Cranes

Notes

Manitowoc Cranes

WIRE NO	COLOR	SAE SIZE	LENGTH	TP	B/M ITEM NO	REMARKS	TP	B/M ITEM NO	REMARKS
			TOT IN						
5A	WHITE GXL	6	26	AA	11	————	AC	19	————
5B		10	27	AC	28	————	AF	STRIP	SEE DETAIL
5C		10	27	AC	28,32	————	AF	STRIP	SEE DETAIL
6A		6	35	AA	11	————	AE	20	————
35A		18	13	AH	7	————	AE	22	————
43		18	20	AH	7	————	AF	13	————
51A		18	6	AE	22	————	AE	21	CRIMP/W 51B
51B		18	45	AG	39	————	AE	STRIP	CRIMP/W 51A
51C		18	50	AJ	31	————	AG	STRIP	CRIMP/W 51D
51D		18	31	AK	53	————	AG	47	CRIMP/W 51C
68A		16	20	AF	13	————	AH	7	————
71		14	20	AH	7	————	AF	13	————
112		16	20	AH	7	————	AF	13	————
113		18	20	AH	7	————	AF	13	————
137		12	29	AH	48	————	AK	50	————
180A		10	17	AE	30	————	AF	STRIP	SEE DETAIL
180B		12	17	AF	STRIP	SEE DETAIL	AE	30	————
180C		6	6	AE	43	————	AE	30	————
193		16	20	AH	7	————	AF	13	————
194		16	20	AH	7	————	AF	13	————
214		18	26	AH	7	————	AB	12	————
268A		16	30	AF	13	————	AB	12	CRIMP/W 268B
268B		16	3	AB	12	CRIMP/W 268C	AB	STRIP	CRIMP/W 268A
268C		16	26	AB	STRIP	CRIMP/W 268B	AH	7	————
280B		10	17	AE	30	————	AF	STRIP	SEE DETAIL
280C		10	17	AE	30	————	AF	STRIP	SEE DETAIL
280		10	17	AF	STRIP	SEE DETAIL	AE	30	————
520		12	27	AE	43	————	AK	50	————
553		18	29	AK	53	————	AH	7	————
781		16	25	AD	29	————	AF	13	————
1195		18	13	AE	22	————	AH	7	————
1257		14	20	AF	13	————	AH	6	————
1269		18	18	AH	7	————	AJ	31	————
1272		16	20	AH	7	————	AF	13	————
1274A		6	35	AA	11	————	AE	20	————
1385		14	20	AH	6	————	AF	13	————
1436A		10	20	AH	10	————	AF	33	————
1467		16	26	AH	7	————	AB	12	————
1468		18	26	AH	7	————	AB	12	————
1481A		10	20	AH	10	————	AF	33	————
1511		16	20	AH	7	————	AF	13	————
1516	WHITE GXL	16	20	AH	7	————	AF	13	————

Manitowoc Cranes



6512100914

(SHEET 2 OF 3)

Manitowoc Cranes

Description
HARNESS ASSEMBLY - FUSE AND RELAY PANEL (SUPERSTRUCTURE CAB)
(COMPLETE ASSEMBLY)

Assembly No.
6512100914
Revision: #

Item	FN	Part	Qty	Description
6		7689000704	2	PIN, 16 - 14 GA
7		7689001782	18	PIN, 18 - 16 GAGE
8		7709000876	2	PLUG, 1 SOCKET
9		7892000939	3	RECEPTACLE, 1 PIN
10		7826000635	2	SOCKET, 8 AWG
11		7689000813	3	PIN 4 AWG
12		7345001752	5	TERMINAL 16 - 14 AWG
13		7892000218	14	FUSE, TERMINAL 16 - 14 AWG
14		7892000220	16	FUSE, BUSS BAR 12 - 10 AWG
15		7086000947	4	BLOCK, FUSE
16		7086000875	1	STRIP, TERMINAL
17	#	7826000079	1	SOCKET, RELAY
18		7750000056	2	RELAY, 75 AMP
19		7345232101	1	TERMINAL 6 AWG
20		7345212101	2	TERMINAL 6 AWG
21		7345001744	1	TERMINAL, FEMALE 16 - 14 AWG
22		7345001444	3	TERMINAL, FEMALE
23		6184001406	2	BRACKET, FUSE
24		7111100611	4	SCREW, MACHINE 3/16" - 24 N.C. X 3/4" GRADE 1
25		7950100050	4	WASHER, LOCK #10
26		7950100141	4	WASHER, FLAT, #10
27		7660101100	4	NUT, HEX 3/16" - 32 N.F. GRADE 1
28		7345231901	2	TERMINAL 12 - 10 AWG
29		7892001002	1	FERRULE, SINGLE WIRE (BLACK)

SERVICED AS AN ASSEMBLY ONLY

Manitowoc Cranes

Description

**HARNES ASSEMBLY - FUSE AND RELAY PANEL (SUPERSTRUCTURE CAB)
(COMPLETE ASSEMBLY)**

Assembly No.

6512100914

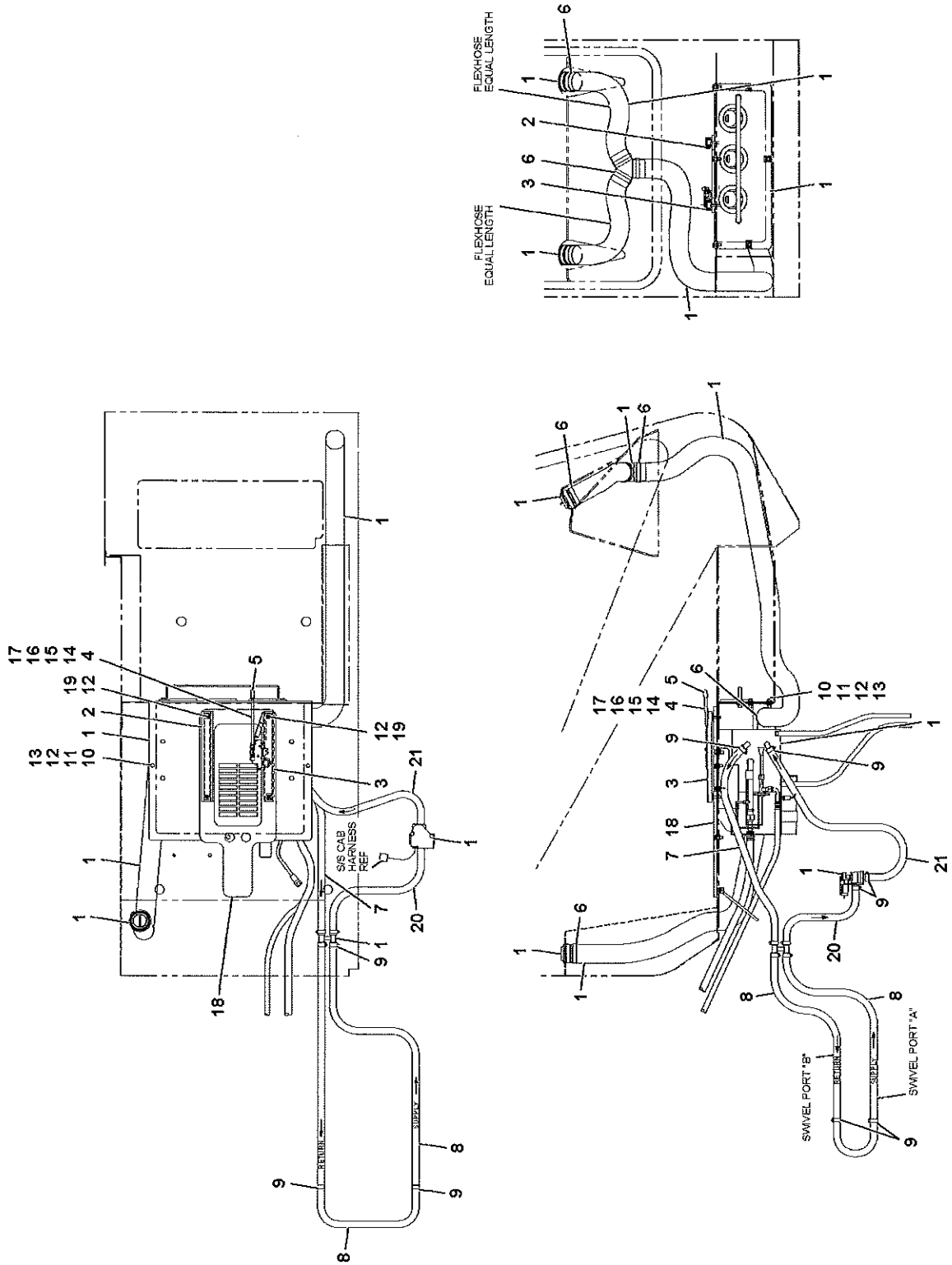
Revision: #

Item	FN	Part	Qty	Description
30		7345211901	6	TERMINAL 12 - 10 AWG
31		7364002417	2	RECEPTACLE, 22 - 18 AWG
32		7172000558	1	BOOT, TERMINAL
33		7892000219	2	FUSE, TERMINAL 12 - 10 AWG
34		7892000950	1	RECEPTACLE, 8 PIN
35		7172000549	1	BOOT
36		7892000951	1	RECEPTACLE, 12 PIN
37		7172000551	1	BOOT
39		7345241401	1	TERMINAL 22 - 18 AWG
40		7689000503	1	PLUG, SEALING 16 - 12 AWG
41		7709100891	1	PLUG, 2-PASS DEUTSCH DTP
42		7892100029	1	2-PASS CONNECTOR/ORANGE SEAL
43		7892100034	2	TERMINAL, FEMALE
44		7892100030	1	CONNECTOR, COVER/SINGLE
45		7482000029	1	FUSE, 30 AMP
46		7850000208	11	CABLE TIE, BLACK
47		7345241701	1	TONGUE, INSULATED RING
48		7826000092	1	SOCKET, (12) 12-14GA
49		7750160021	1	RELAY, 12 VOLT 100AMP
50		7345221901	2	TERMINAL 12 - 10 AWG
51		01923998	2	HEX HEAD NUT M6
52		01925033	2	FLAT WASHER - 6
53		7345001443	2	TERMINAL, FEMALE 22 - 18 AWG

Manitowoc Cranes

Notes

Manitowoc Cranes



6515100078

(SHEET 1 OF 1)

Manitowoc Cranes

Description
HEATER/COOLER INSTALLATION - CAB

Assembly No.
6515100078
 Revision: **E**

Item	FN	Part	Qty	Description
1	+	80006745	1	KIT - CAB HEATER AND AIR CONDITIONER (COMPLETE ASSEMBLY)
2		7798100006	1	TRACK, FREE
3	#	7798100005	1	TRACK, CONTROL
4		7768003904	1	ARM, LEVER
5		7822000598	1	SLEEVE, VINYL
6		7300000035	10	CLAMP, HOSE 1 13/16" TO 2 3/4"
7		8596902528	2	HOSE, 5/8" I.D. (QUANTITY IN FEET)
8		8596902528	8	HOSE, 5/8" I.D. (QUANTITY IN FEET)
9		7300001061	10	CLAMP, LINER
10		7659190020	5	NUT, RETAINING 8 X 1.25
11		7126171350	5	CAP SCREW, M8 X 30MM HEX HEAD
12		7951170210	9	WASHER, LOCK 8MM
13		7950140161	5	WASHER, 1/4" I.D. FLAT WIDE
14		7121130801	2	MACHINE SCREW, M5X12 SLOTTED
15		7951130014	2	F WASHER 5
17		7661131103	2	NUT, M5 -8 ISO 7042 HEX LOCK
18		6184100027	1	BRACKET, SEAT
19		80014956	4	CAP SCREW, M8X25 SOCKET HEAD
20		8596902528	1	HOSE, 5/8" I.D. (QUANTITY IN FEET)
21		8596902528	3	HOSE, 5/8" I.D. (QUANTITY IN FEET)
22		7300000040	4	CLAMP, HOSE 29/32" I.D.

+ SEE FURTHER BREAKDOWN THIS GROUP

SERVICED AS AN ASSEMBLY ONLY

Manitowoc Cranes

Description
KIT - CAB HEATER AND AIR CONDITIONER (COMPLETE ASSEMBLY)

Assembly No.
80006745
 Revision:

Item	FN	Part	Qty	Description
1		NSS	1	HOUSING, CASE
2		9515102920	1	COVER, HOUSING
3		90012227	1	ADAPTER, 3 HOLE FRONT ASSY.
4		9515103058	1	COVER, BASE
5		9515102828	1	CORE ASSY, HEATER
6		90012228	1	BLOWER ASSY, 12 VOLT
7		9515102829	1	FOAM
8		9515102830	1	CLAMP
9		9515102831	1	VALVE, EXPANSION
10		9515102833	10	SEALER, FOAM
11		90012229	1	COVER
12		9515102835	1	COVER,TUBE
13		9515103059	3	LOUVER, 2" BALL
14		9515102837	1	RESISTOR ASSY.
15		9515102838	1	THERMOSTAT
16		9515102839	1	CLAMP
17		9515102840	1	MOUNT, LEFT HAND
18		9515102926	3	LOUVER, 4" W/ADAPTER
19		9515102842	1	MOUNT, RIGHT HAND
20		9515103069	1	HARNES ASSY.
21		9515102844	1	O-RING #8
22		9515102845	1	O-RING
23		9515102846	1	GUARD,LOUVER
24		9515102847	1	INSULATION
25		9515102848	1	GROMMET
26		90012230	3	FOAM
27		9515102849	2	SEAL
28		9515103061	1	CLAMP
29		9515102852	1	FLEXHOSE
30		9515102853	1	SEAL
31		9515102854	1	FILTER
32		9515102855	15	HOSE, DRAIN
33		9515102921	1	CONNECTOR

Manitowoc Cranes

Description

KIT - CAB HEATER AND AIR CONDITIONER (COMPLETE ASSEMBLY)

Assembly No.

80006745

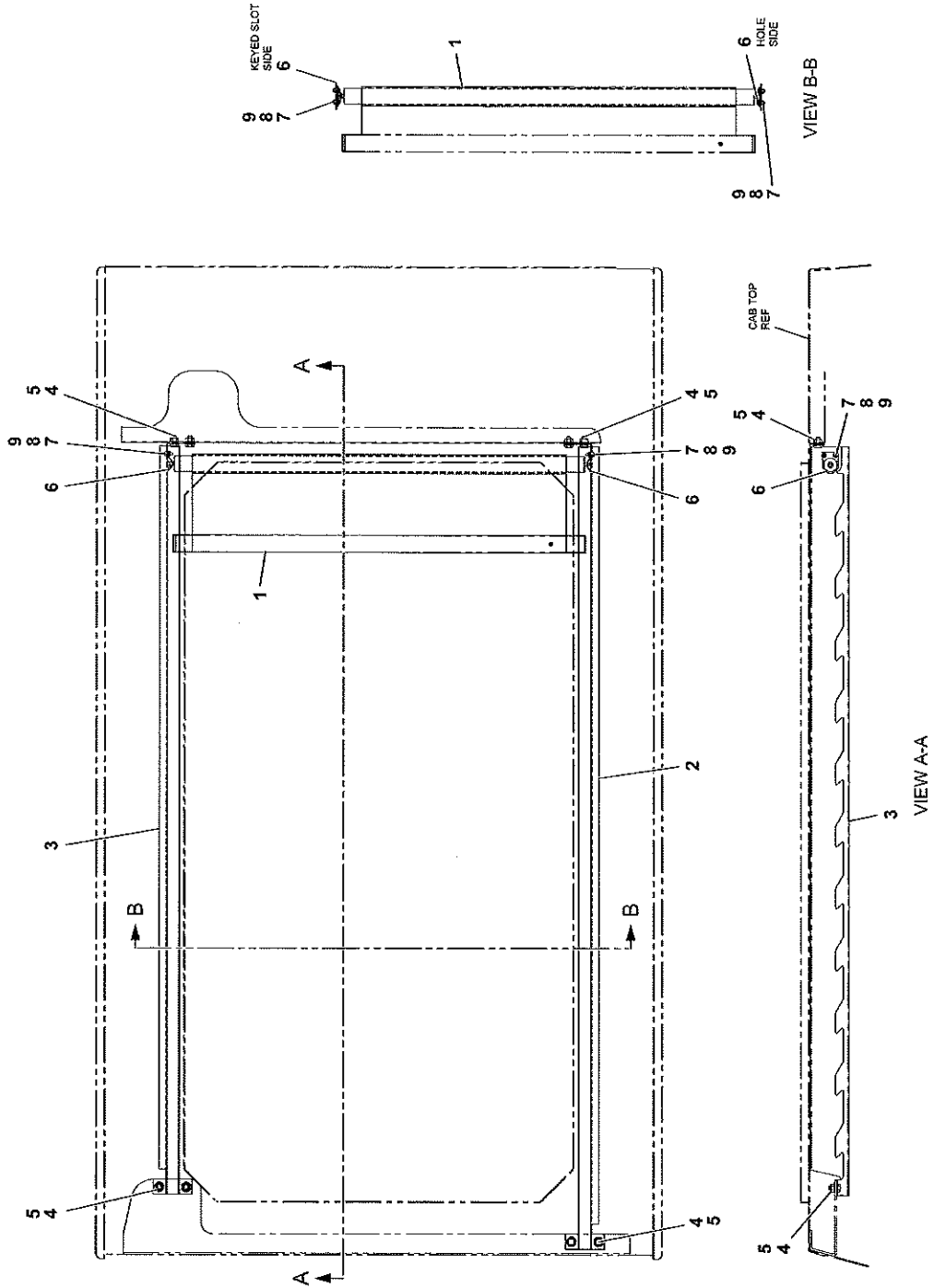
Revision:

Item	FN	Part	Qty	Description
34		9576101439	1	HARNES ASSY. WATER VALVE
35		9515103062	1	CONNECTOR, Y
36		9515102922	1	KIT, VALVE ASSY. WATER INCLUDES ITEMS 37 THRU 41
37		90001014	1	VALVE, WATER
38		NSS	1	BRACKET
39		90001015	2	SPACER
40		90001016	1	BUSHING
41		90001017	1	MOTOR
42		90012231	1	FITTING, ELBOW
43		90012233	2	FITTING, TEE
44		90012234	1	HOSE
45		9515102927	1	RETAINER, FILTER

Manitowoc Cranes

Notes

Manitowoc Cranes



6942100004

(SHEET 1 OF 1)

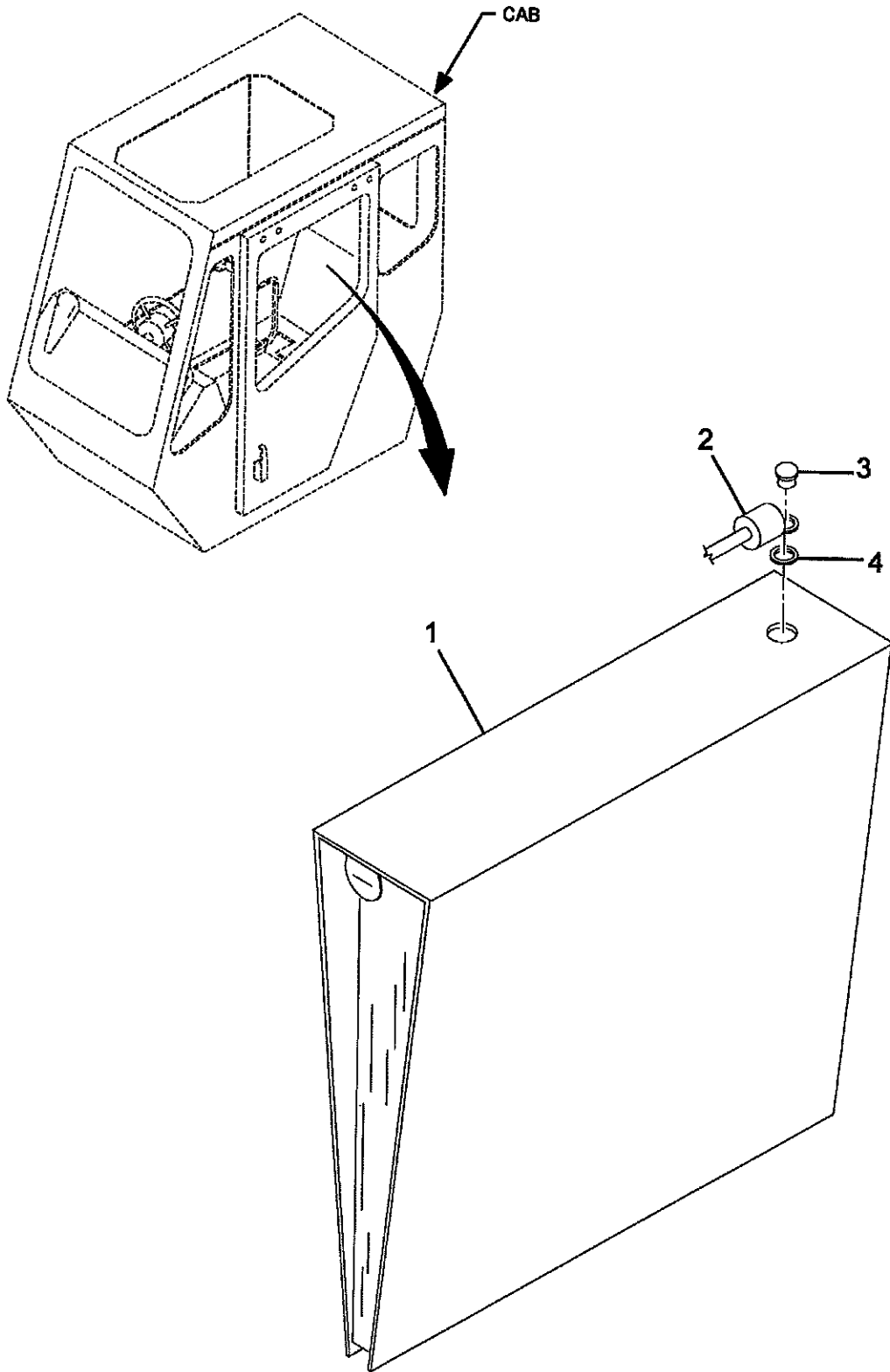
Manitowoc Cranes

Description
SCREEN INSTALLATION - SUN

Assembly No.
6942100004
 Revision: **B**

Item	FN	Part	Qty	Description
1		7942000522	1	MESH, SUNSCREEN
2		6245101062	1	BRACKET, LEFT HAND SUN SCREEN
3		6245101063	1	BRACKET, RIGHT HAND SUN SCREEN
4		7115140478	8	CAP SCREW, 1/4" - 20 N.C. X 1/2" GRADE 5
5		7660142701	8	LOCKNUT, HEX 1/4" - 20 N.C.
6		7942000512	1	BRACKET SET, FOOTLESS BLIND
7		7121110801	4	MACHINE SCREW, M4X12 SLOTTED
8		7661110003	4	NUT, HEX 4 MM N.C.
9		7951110210	4	LOCKWASHER, 4MM I.D.

Manitowoc Cranes



6258100005

(SHEET 1 OF 1)

Page 220

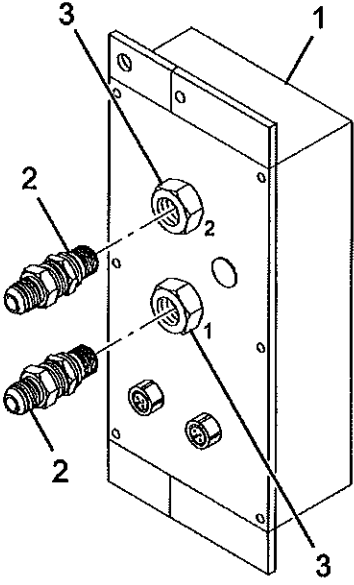
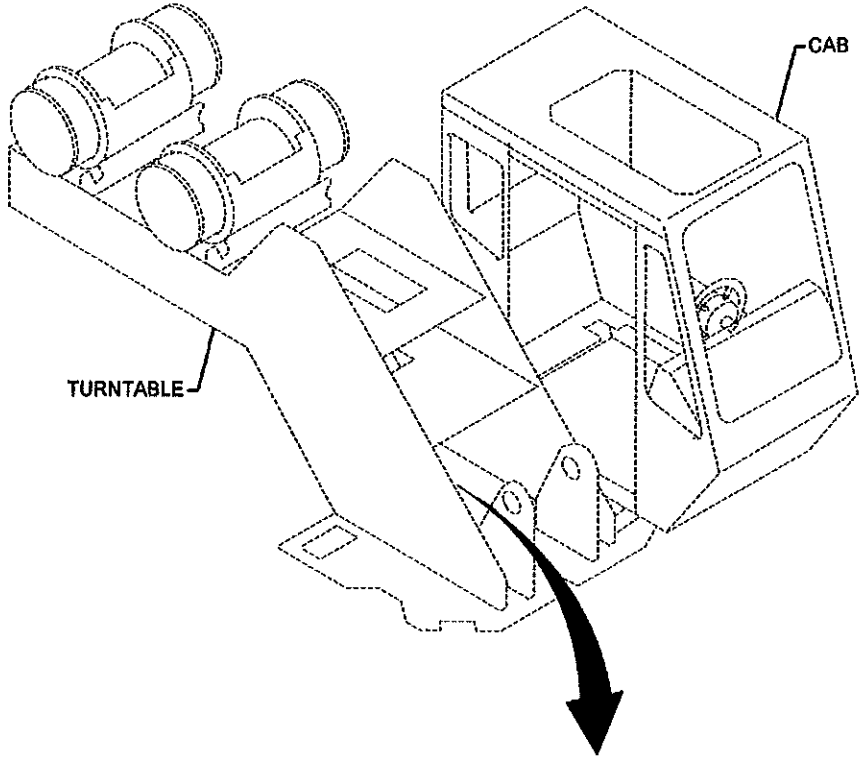
Manitowoc Cranes

Description
BINDER INSTALLATION

Assembly No.
6258100005
 Revision: **A**

Item	FN	Part	Qty	Description
1		7258100138	1	BINDER
2		6246001174	1	LANYARD
		7345211901	1	INCLUDES THE FOLLOWING PARTS
		7345221901	1	TERMINAL
		7892000196	2	12 - 10 AWG
		7364001547	1	TERMINAL
		7760000008	1	12 - 10 AWG
3		7950080141	1	PARALLEL, NON - INSULATED
4			1	8 AWG
			1	SWIVEL
			1	RIVET, POP
			1	FLATWASHER, 5/32" I.D.

Manitowoc Cranes



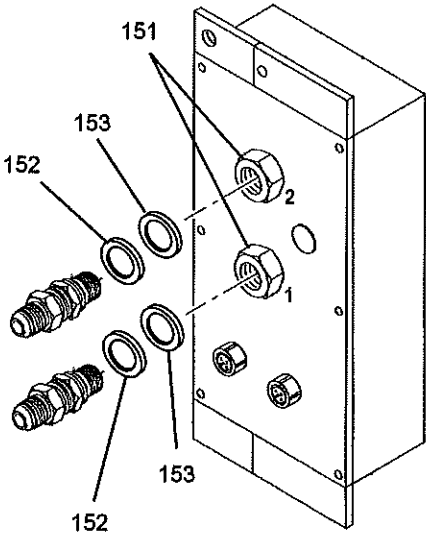
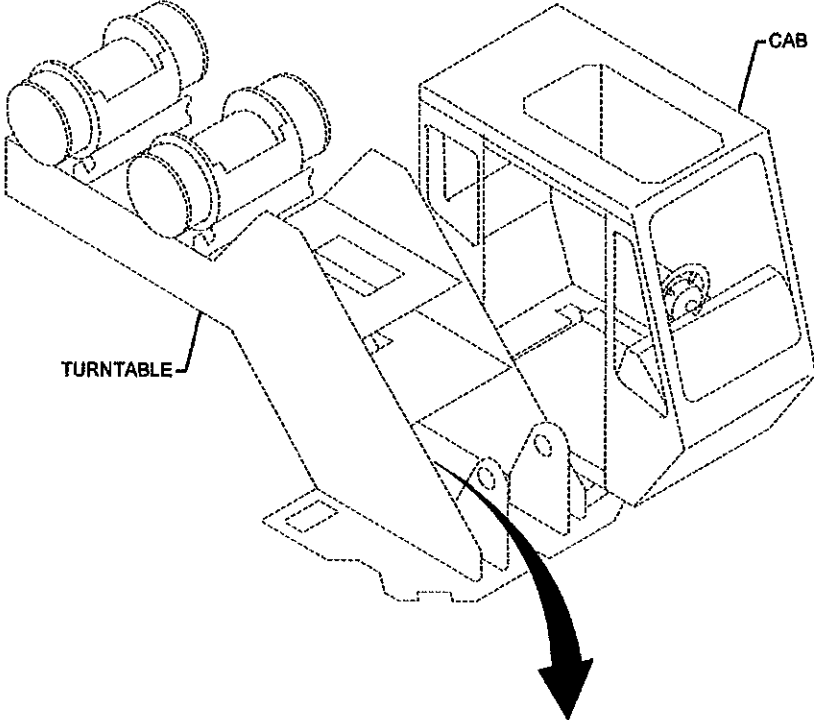
Manitowoc Cranes

Description
KIT, LMI S/S IFLEX 5

Assembly No.
7598100092
Revision: #

Item	FN	Part	Qty	Description
1		9333103870	1	PRESSURE TRANSDUCER, iFLEX 5 (2 PACK)
2		9333101471	2	FITTING, BULKHEAD ADAPTER 9/16-18 JIC
3		9333101472	2	SEAL, CUTTING

Manitowoc Cranes



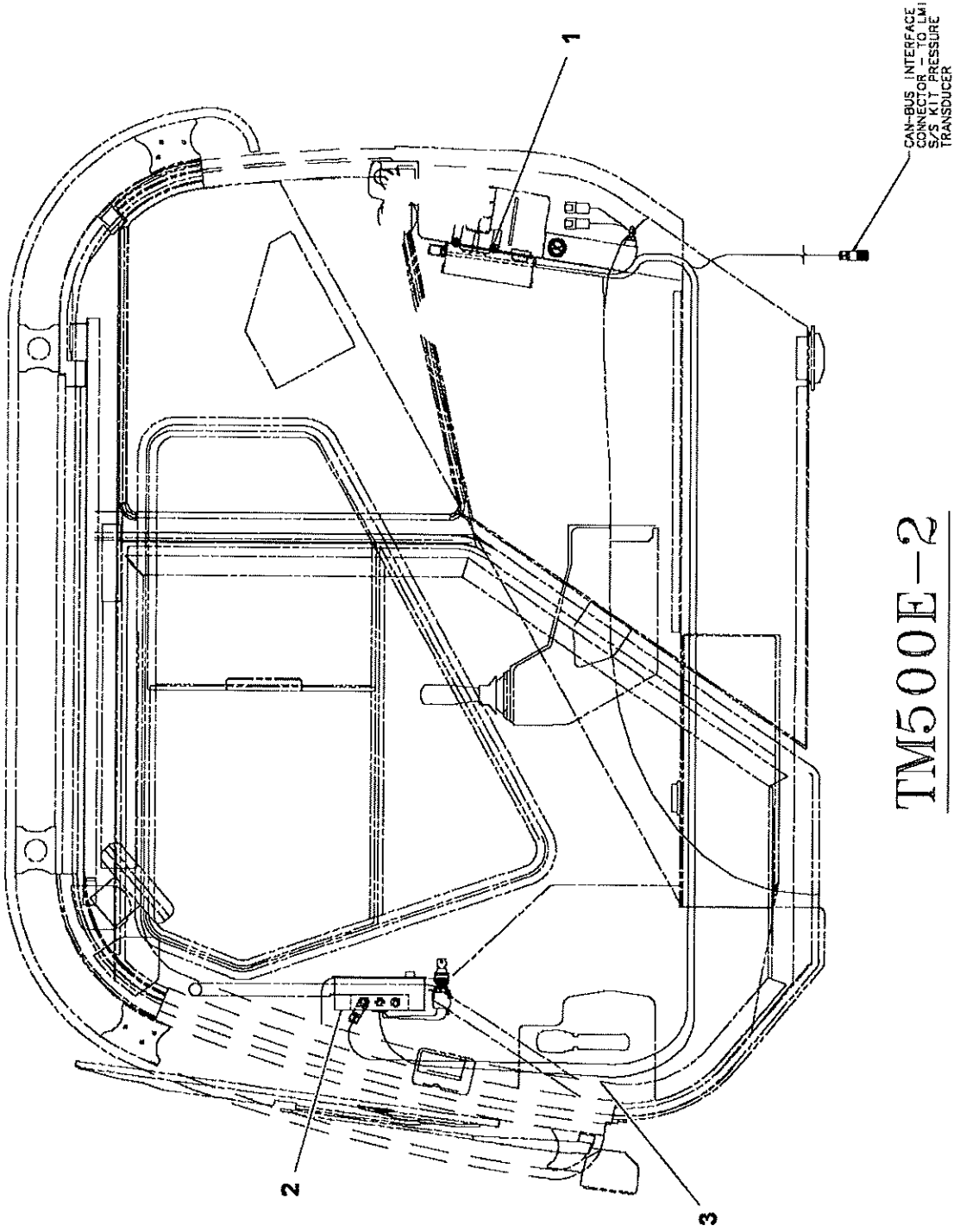
Manitowoc Cranes

Description
KIT INSTALLATION - IFLEX 5 LMI SUPERSTRUCTURE

Assembly No.
6978100727
Revision: A

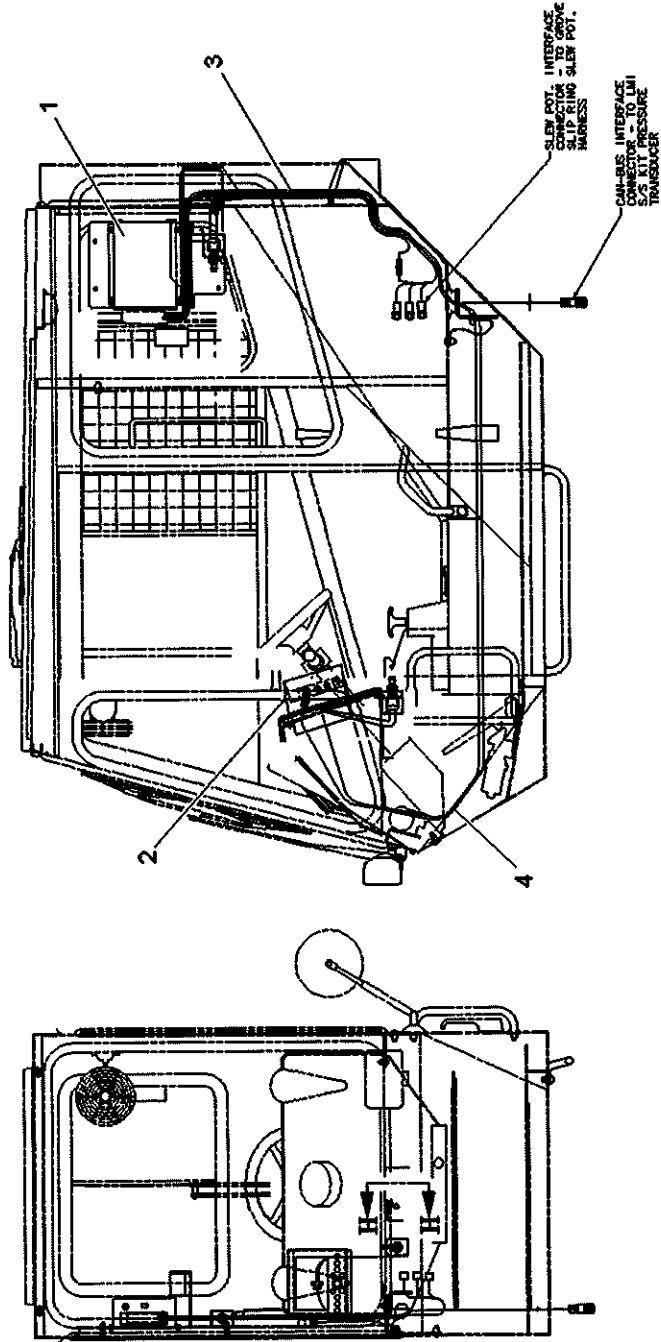
Item	FN	Part	Qty	Description
151		7660190008	2	NUT, HEX 9/16" - 12 N.C.
152		7950190050	2	WASHER, LOCK 9/16" I.D.
153		7950220161	2	WASHER, FLAT 3/4"

Manitowoc Cranes



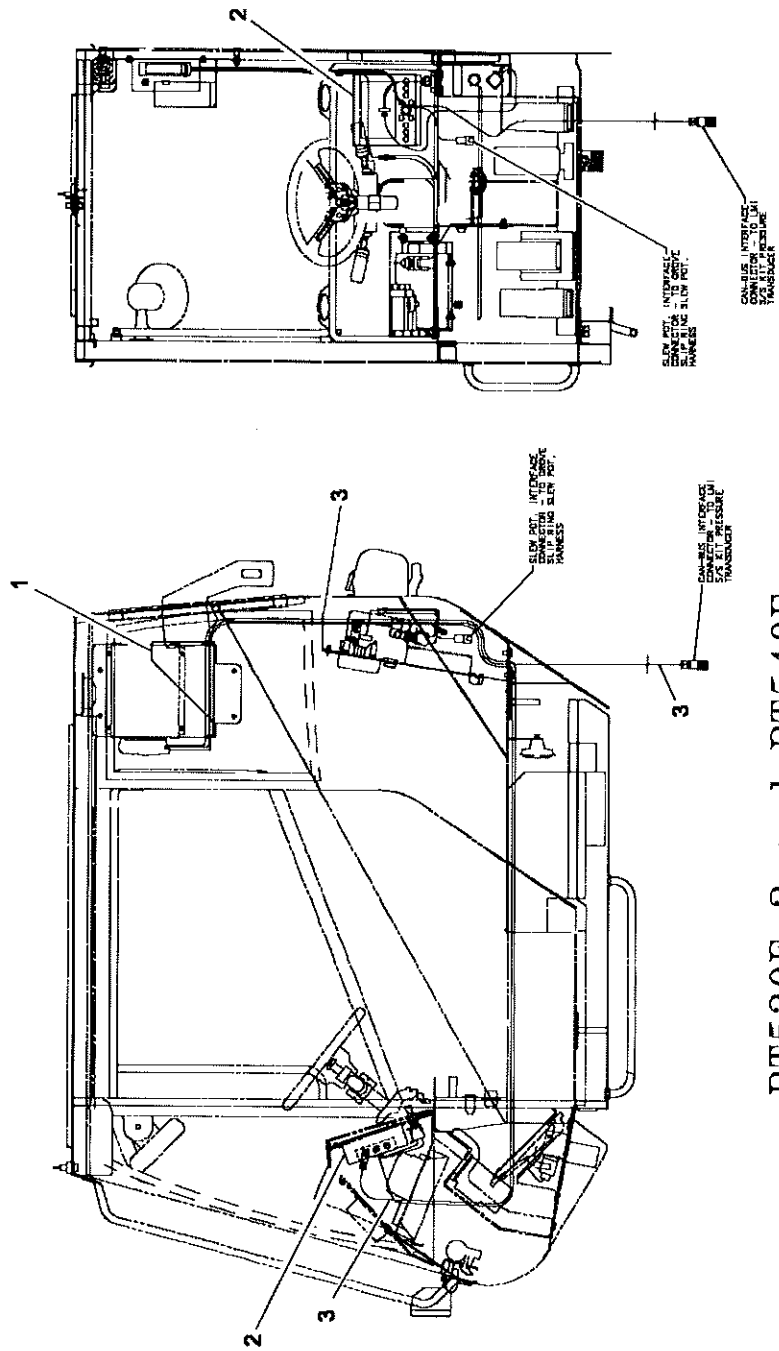
TM500E-2

Manitowoc Cranes



RT600E, RT700E, RT875E

Manitowoc Cranes



RT530E-2 and RT540E

Manitowoc Cranes

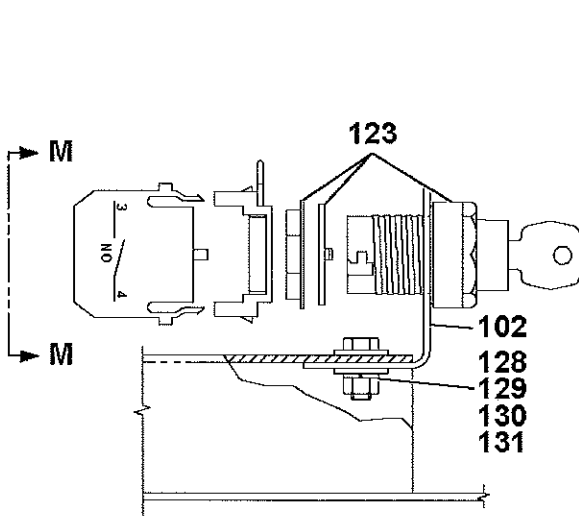
Description
KIT - iFLEX2 LMI CAB (COMPLETE ASSEMBLY)

Assembly No.
7598100166
Revision: #

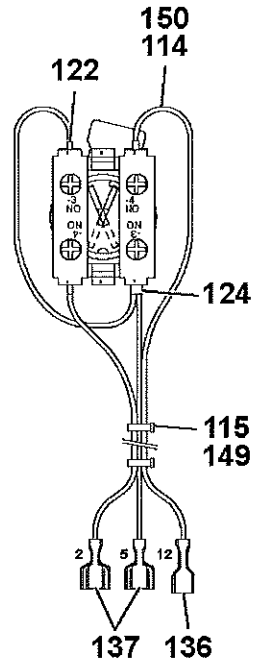
Item	FN	Part	Qty	Description
1		9333107524	1	CENTRAL UNIT ASSEMBLY - iFLEX2 (COMPLETE ASSEMBLY) INCLUDES THE FOLLOWING PARTS
		90011561	1	FUSE,2A
		90011563	1	FUSE,7.5A
		90011562	1	FUSE,15A
2	#	9333107526	1	CONSOLE ASSEMBLY - GRAPHIC (COLOR) (COMPLETE ASSEMBLY) INCLUDES THE FOLLOWING PARTS
	#	90016149	1	KNOB
3		9333107525	1	HARNESS ASSY, S/S (iFLEX2)

SERVICED AS AN ASSEMBLY ONLY

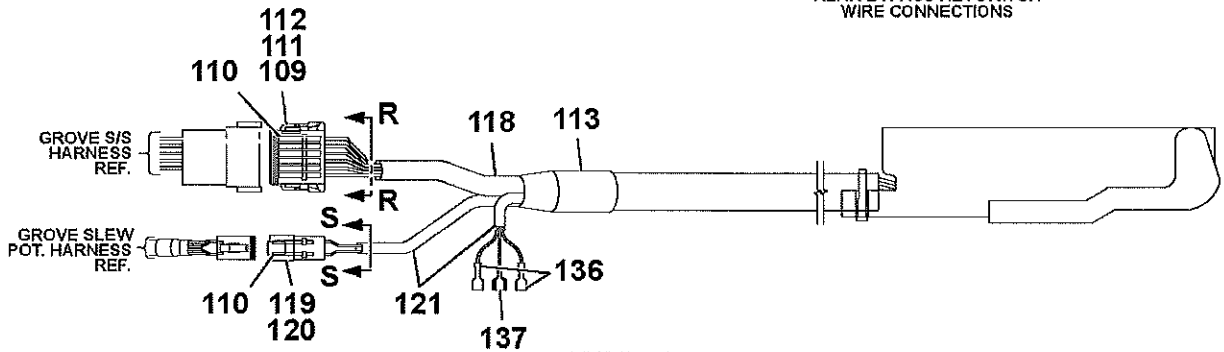
Manitowoc Cranes



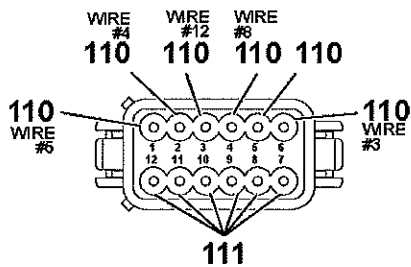
DETAIL K
REAR BYPASS KEYSWITCH
WIRES NOT SHOWN FOR CLARITY



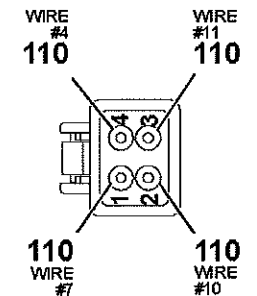
VIEW M - M
REAR BYPASS KEYSWITCH
WIRE CONNECTIONS



DETAIL N
LMI SS HARNESS
ADDITIONAL CABLES NOT
SHOWN FOR CLARITY

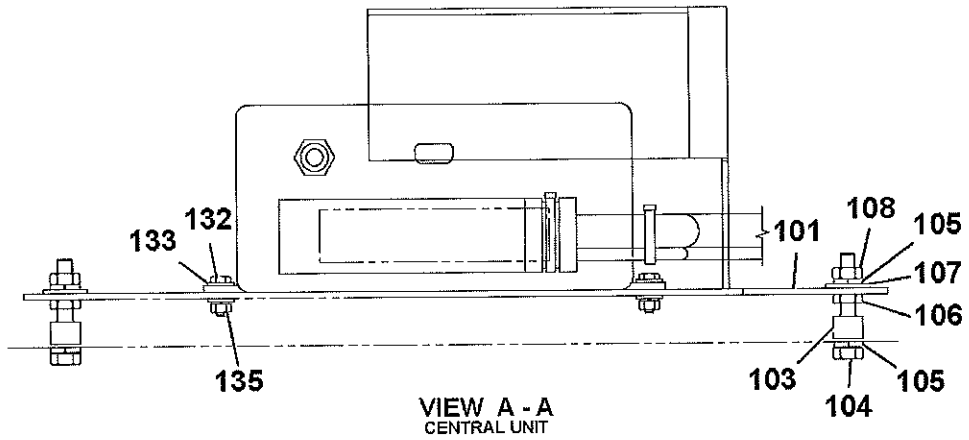


VIEW R - R
CRANE INTERFACE CONN

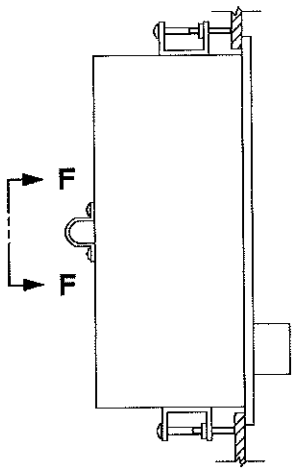


VIEW S - S
SLEW POT INTERFACE CONN

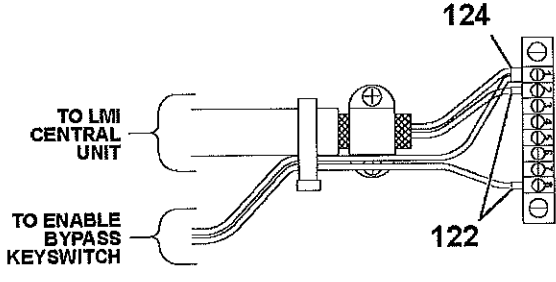
Manitowoc Cranes



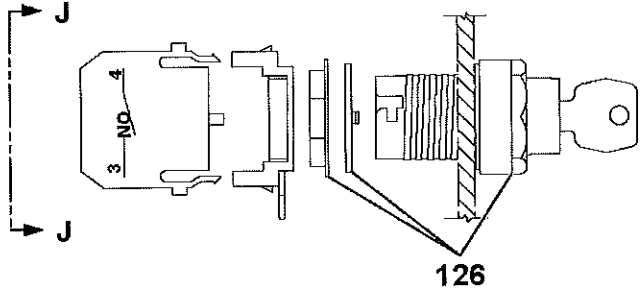
VIEW A - A
CENTRAL UNIT



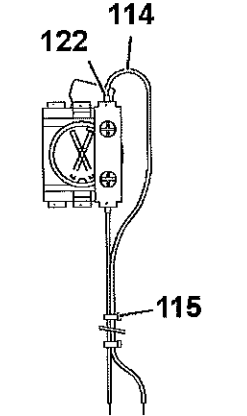
DETAIL E
GRAPHIC CONSOLE -
CABLE, AND CONNECTOR NOT
SHOWN FOR CLARITY



VIEW F - F
CONSOLE GROUND CLAMP
AND CONNECTION

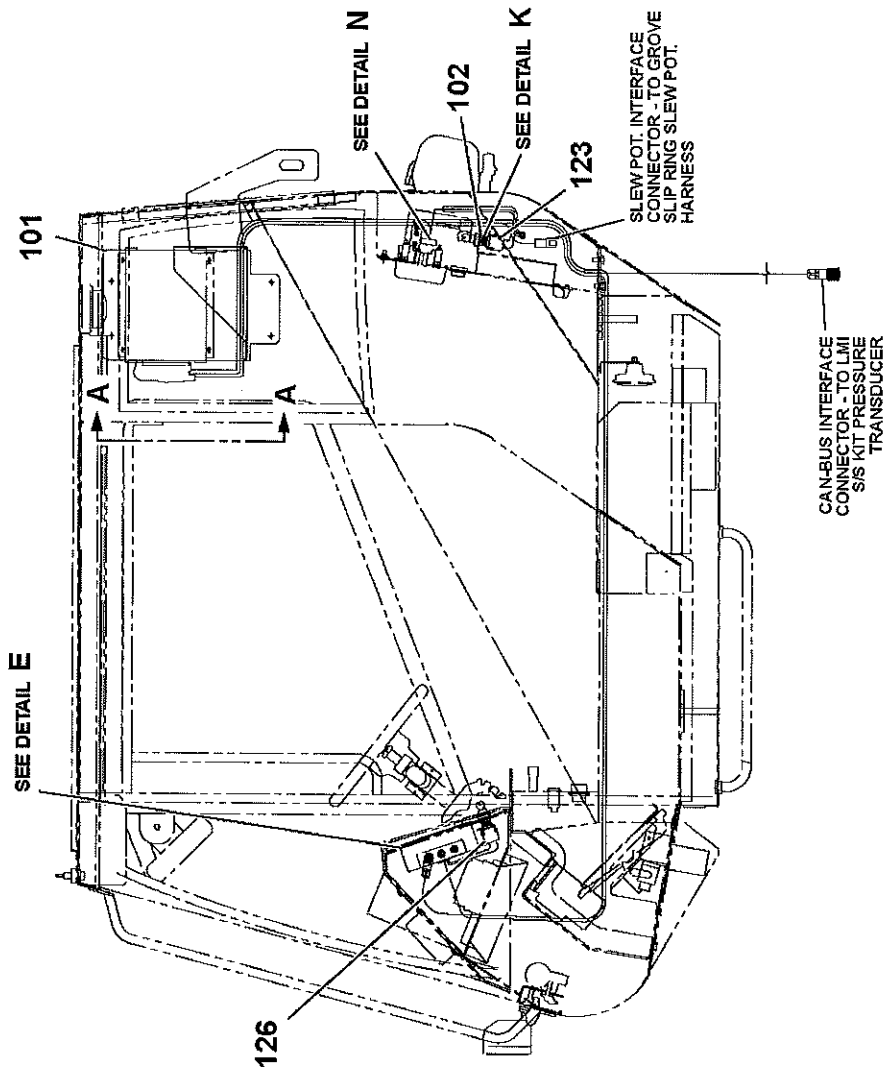
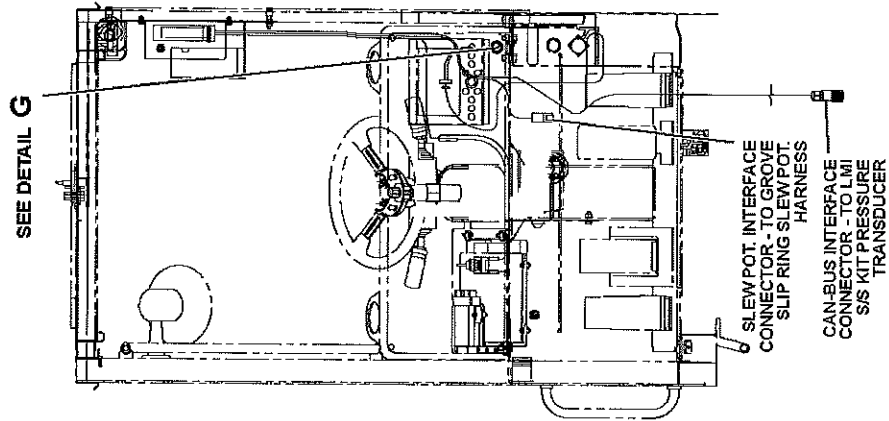


DETAIL G
FRONT BYPASS KEYSWITCH
WRES NOT SHOWN FOR CLARITY



VIEW J - J
FRONT BYPASS KEYSWITCH
WIRE CONNECTIONS

Manitowoc Cranes



ITEMS NOT SHOWN NBR. 108, 116, 117, 134

Manitowoc Cranes

Description
KIT - iFLEX2 LMI CAB

Assembly No.
80002960
Revision: E

Item	FN	Part	Qty	Description
101		80001639	1	BRACKET WELD
102		6184100242	2	BRACKET, SWITCH
103		7099000399	4	BOLT, STACKING
104		7115140550	4	CAP SCREW, 1/4" - 20 N.C. X 5/8" GRADE 5
105		7950140050	8	WASHER, LOCK 1/4"
106		7660140200	4	NUT, HEX JAM 1/4" - 20 N.C.
107		7950140141	4	WASHER, FLAT 1/4" PLAIN NARROW
108		7660140000	5	NUT, HEX 1/4" - 20 N.C.
109		7892100086	1	RECEPT, DTO4-12PB-C015 W/WEDGE
110		7689000704	10	PIN, 16 - 14 GA
111		7689000503	7	PLUG, SEALING 16 - 12 AWG
112		7172000551	1	BOOT
113		8594100265	1	TUBING, HEAT SHRINK 3/4 I.D. LINER, MELTABLE
114		8977010300	10	WIRE, 16 GAUGE WHITE
115		7850000237	1	TIE, CABLE (BLACK) 7 5/16" LONG
116		7892000821	1	CONNECTOR 12 - 10 AWG
117		7345001713	3	CONNECTOR, BUTT
118		8594100257	1	TUBING, HEAT SHRINK 1/2" I.D. LINER, MELTABLE (QUANTITY IN FEET)
119		7172000568	1	BOOT, CONNECTOR
120		7892001051	1	RECEPTACLE, 4 PIN
121		8594100256	1	TUBING, HEAT SHRINK 1/4" I.D. LINER, MELTABLE (QUANTITY IN FEET)
122		7892001002	5	FERRULE, SINGLE WIRE (BLACK)
123		7872100132	1	SWITCH, KEY OPERATED 2 POSITION SELECTOR INCLUDES THE FOLLOWING PARTS
		9872100243	1	KEY

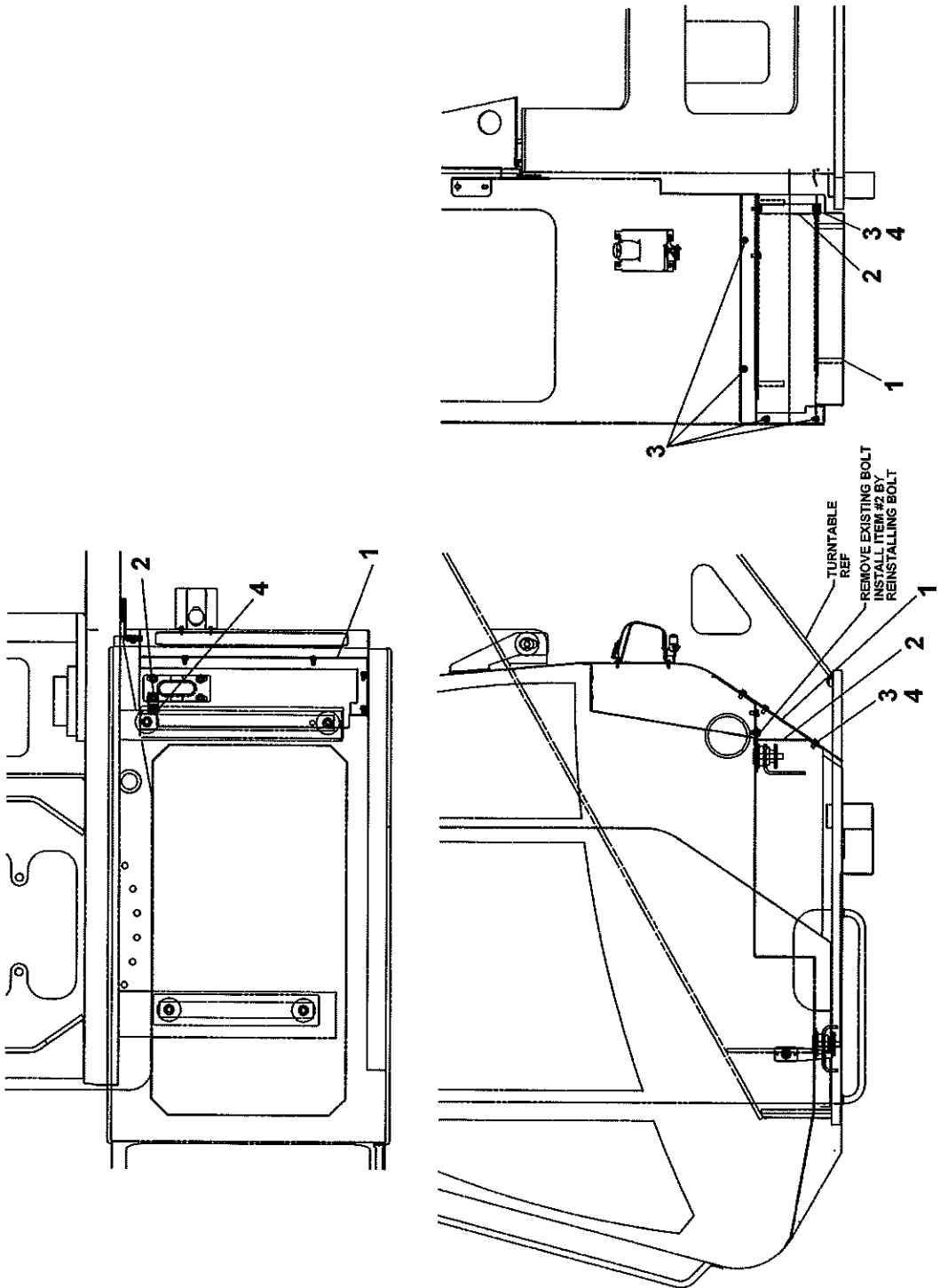
Manitowoc Cranes

Description KIT - iFLEX2 LMI CAB				Assembly No. 80002960 Revision: E
Item	FN	Part	Qty	Description
124		7892001006	3	FERRULE, DUAL WIRE (BLACK)
126		80008491	1	SWITCH, KEY
128		7115150750	1	CAP SCREW, 5/16" -18 N.C. X 7/8" GRADE 5
129		7950150141	2	WASHER, FLAT 5/16"
130		7950150050	1	WASHER, LOCK 5/16" I.D.
131		7660150001	1	NUT, HEX 5/16" - 18 N.C. GRADE 5
132		7111080810	4	SCREW, MACHINE 5/32" - 32 N.C. X 1" GRADE 1
133		7950080141	8	FLATWASHER, 5/32" I.D.
134		7950080050	4	LOCKWASHER, 5/32" I.D.
135		7660081100	4	NUT, HEX 5/32" - 24 N.F. GRADE 1
136		7345001744	3	TERMINAL, FEMALE 16 - 14 AWG
137		7345001746	3	TERMINAL, MALE 16 - 14 AWG
138		8594000019	3	FLEXGUARD, 1/4" I.D. (QUANTITY IN FEET)

Manitowoc Cranes

Notes

Manitowoc Cranes



6245100997

(SHEET 1 OF 1)

Page 236

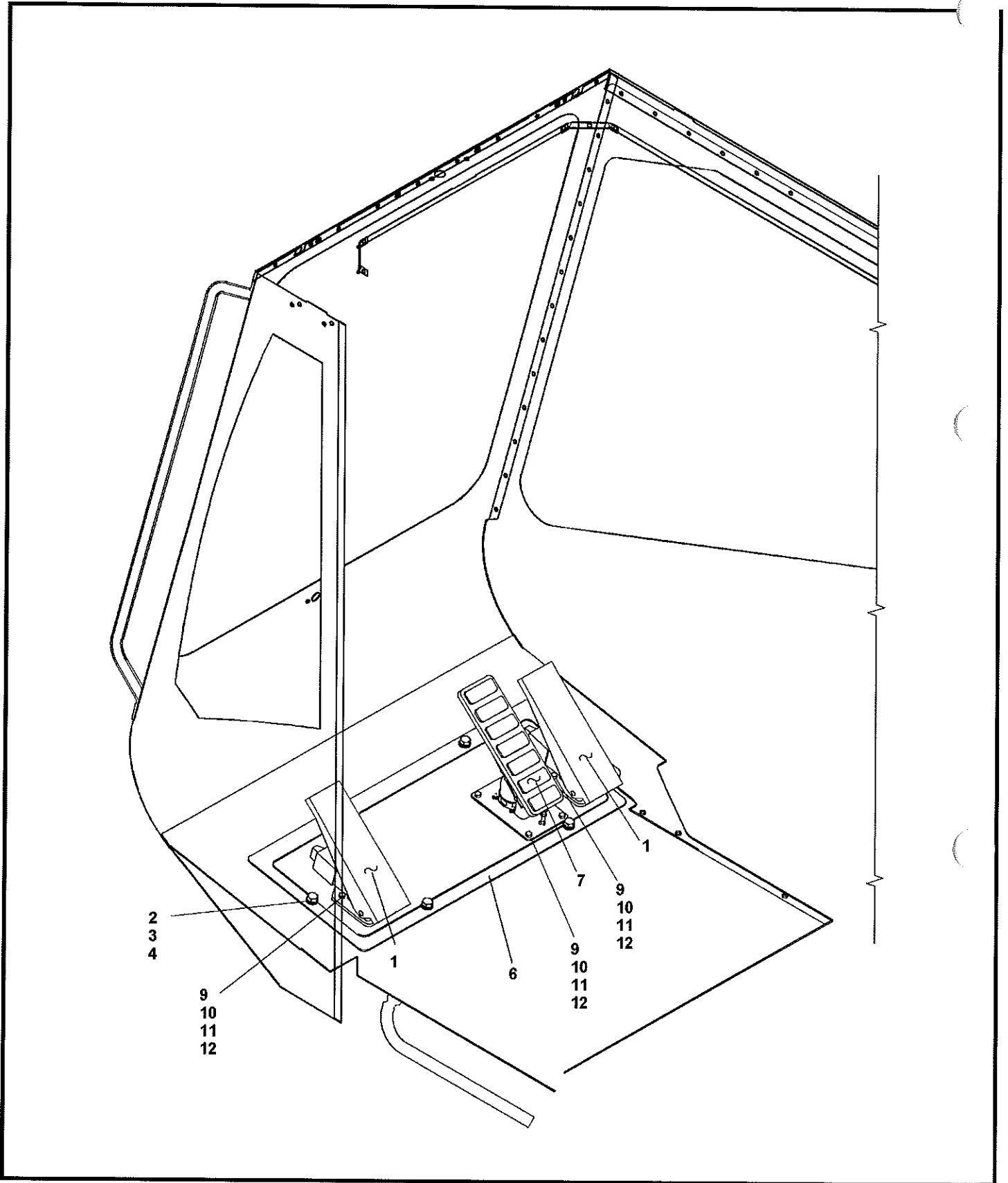
Manitowoc Cranes

Description
COVER INSTALLATION - REAR CAB

Assembly No.
6245100997
Revision: **A**

Item	FN	Part	Qty	Description
1		6245101025	1	PLATE, COVER
2		6245101026	1	BRACKET, MOUNTING
3		7790161253	5	SCREW, 3/8" - 16 N.C. X 3/4"
4		7659000862	1	NUT, RETAINING

Manitowoc Cranes



6245100991

(SHEET 1 OF 1)

Manitowoc Cranes

Description
PEDALS INSTALLATION - WITHOUT AUXILIARY HOIST

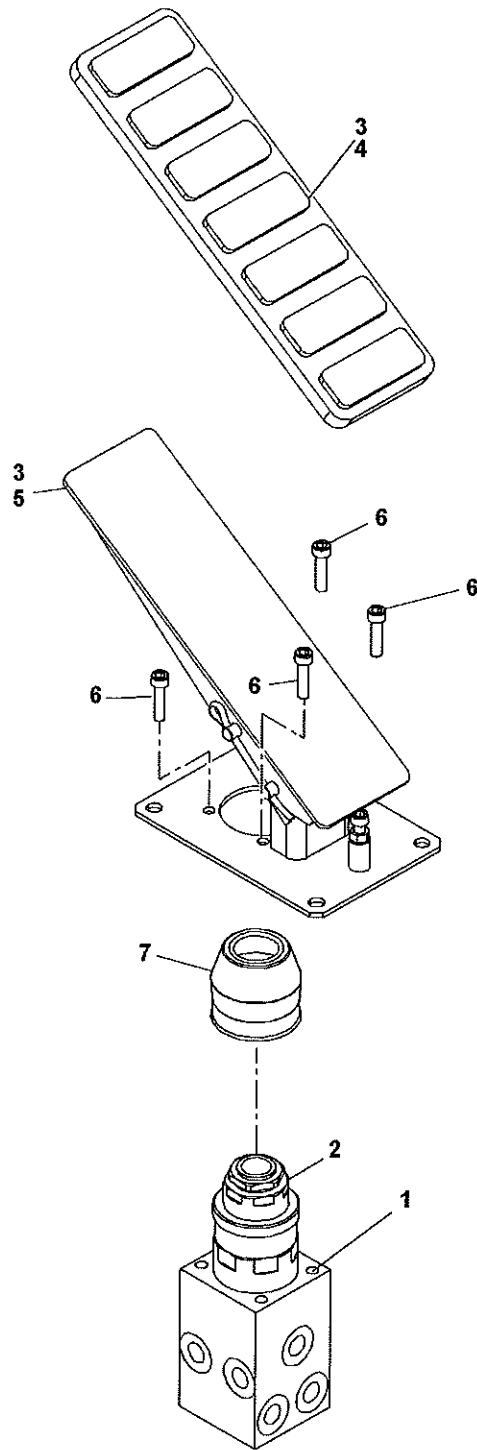
Assembly No.
6245100991
 Revision: **D**

Item	FN	Part	Qty	Description
1		80004293	1	THROTTLE PEDAL 6 WIRE USE 80004942 4 WIRE USE 80004293 INCLUDES THE FOLLOWING PARTS
		90011532	1	HARNESS ASSY.
2		7126191153	6	CAP SCREW, M10 X 20 HEX HEAD
3		7951190014	6	FLAT WASHER, 10MM I.D.
4		7951190210	6	LOCK WASHER, 10MM
6		6245101007	1	PLATE, PEDAL MOUNTING
7	+	7926100912	1	VALVE ASSEMBLY - BRAKE TREADLE (COMPLETE ASSEMBLY)
9		7126151153	15	CAP SCREW, M6X20 HEX HEAD
10		7951150014	15	WASHER, 6MM I.D.
11		7951150210	15	LOCKWASHER, 6MM I.D.
12	#	7661150003	15	NUT, HEX

+ SEE FURTHER BREAKDOWN THIS GROUP

SERVICED AS AN ASSEMBLY ONLY

Manitowoc Cranes



Manitowoc Cranes

Description

VALVE ASSEMBLY - BRAKE TREADLE (COMPLETE ASSEMBLY)

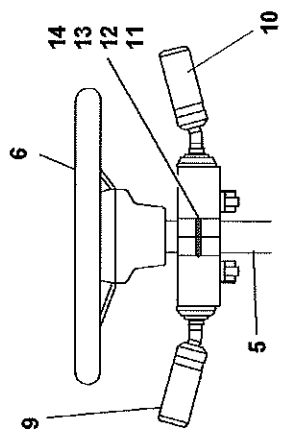
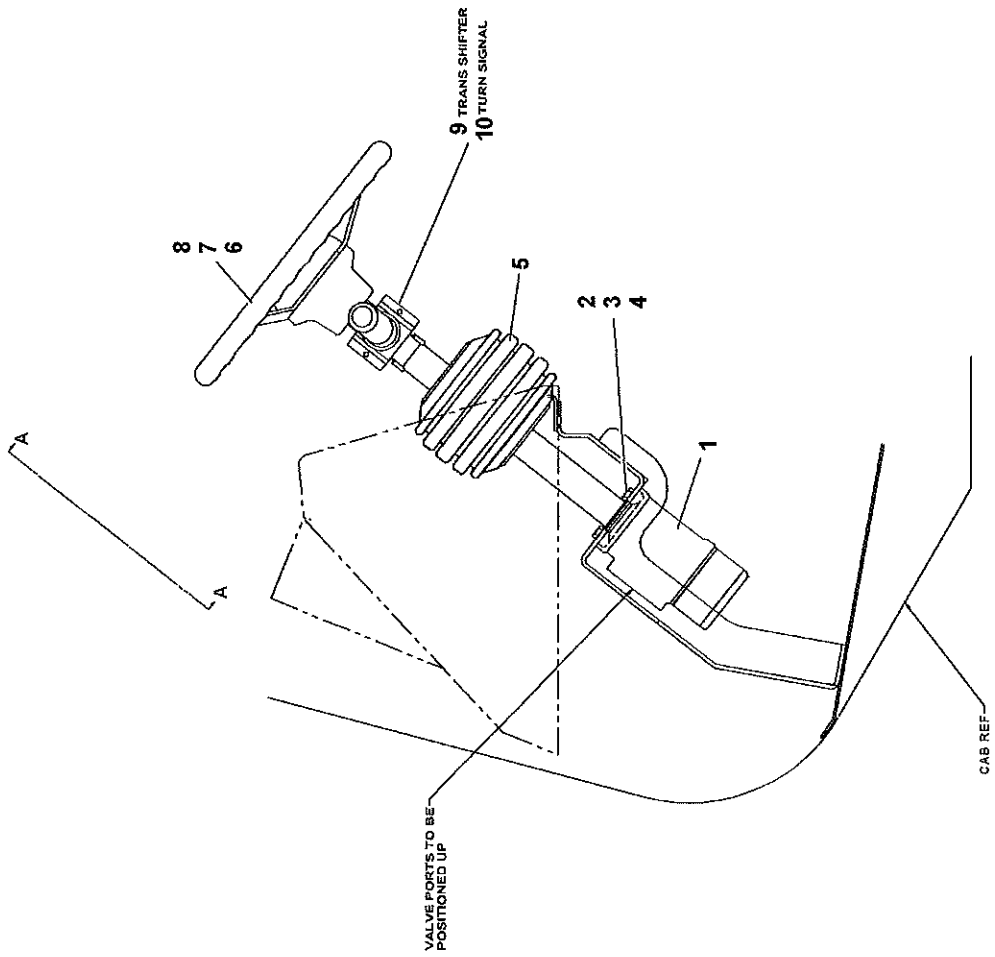
Assembly No.

7926100912

Revision:

Item	FN	Part	Qty	Description
1		9926113271	1	VALVE ASSY. BRAKE INCLUDES ITEM 2
2		NSS	1	VALVE, CARTRIDGE
3		9926113272	1	PEDAL ASSY. INCLUDES ITEMS 4 AND 5
4		9926113273	1	COVER, RUBBER
5		NSS	1	BASE, PEDAL
6		9926113274	4	SCREW
7		9926113275	1	BOOT, RUBBER
8		9926113276	1	SWITCH ASSY. PRESSURE
9		9926113277	1	FITTING, ADAPTOR

Manitowoc Cranes



6245100995

(SHEET 1 OF 1)

Manitowoc Cranes

Description
CONTROLS INSTALLATION - STEER AND DRIVE

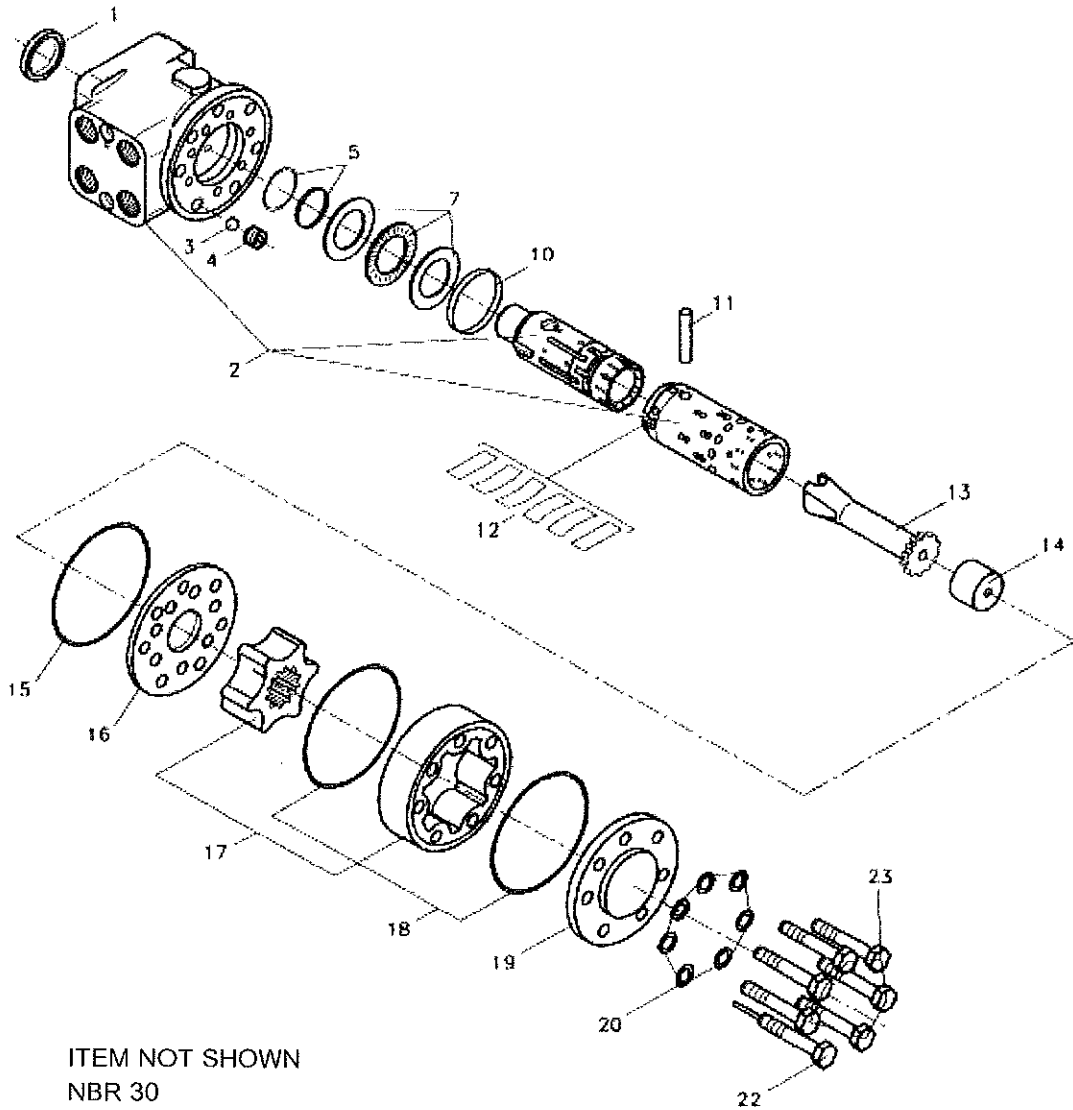
Assembly No.
6245100995
Revision: C

Item	FN	Part	Qty	Description
1	+	7926100899	1	VALVE ASSEMBLY - STEERING CONTROL (COMPLETE ASSEMBLY)
2		7115160850	4	CAP SCREW, 3/8" - 16 N.C. X 1" GRADE 5
3		7950160050	4	WASHER, LOCK 3/8" I.D.
4		7950160141	4	WASHER, 3/8" PLAIN NARROW
5	+=	7326100007	1	COLUMN ASSEMBLY - TILT STEERING (COMPLETE ASSEMBLY)
5	+=	6326100001	1	COLUMN ASSEMBLY - MODIFIED TILT STEERING (COMPLETE ASSEMBLY)
6		7970140706	1	WHEEL, STEERING
7		7659000252	1	NUT
8	#	7970140707	1	BUTTON, HORN
9		7872001734	1	SWITCH, SHIFTER
10		7872001747	1	SWITCH, TURNSIGNAL/WIPER
11		7121131901	2	Slot PMS M5x60 -4.8 ISO 1580
12		7951130014	2	F WASHER 5
13		7951130210	2	LOCKWASHER, 5MM I.D.
14		7661130003	2	NUT, HEX 5MM
15		7950160350	4	WASHER, LOCK 3/8" I.D.

+ SEE FURTHER BREAKDOWN THIS GROUP
SERVICED AS AN ASSEMBLY ONLY

= REFER TO MCI FOR APPLICABLE NUMBER

Manitowoc Cranes



Manitowoc Cranes

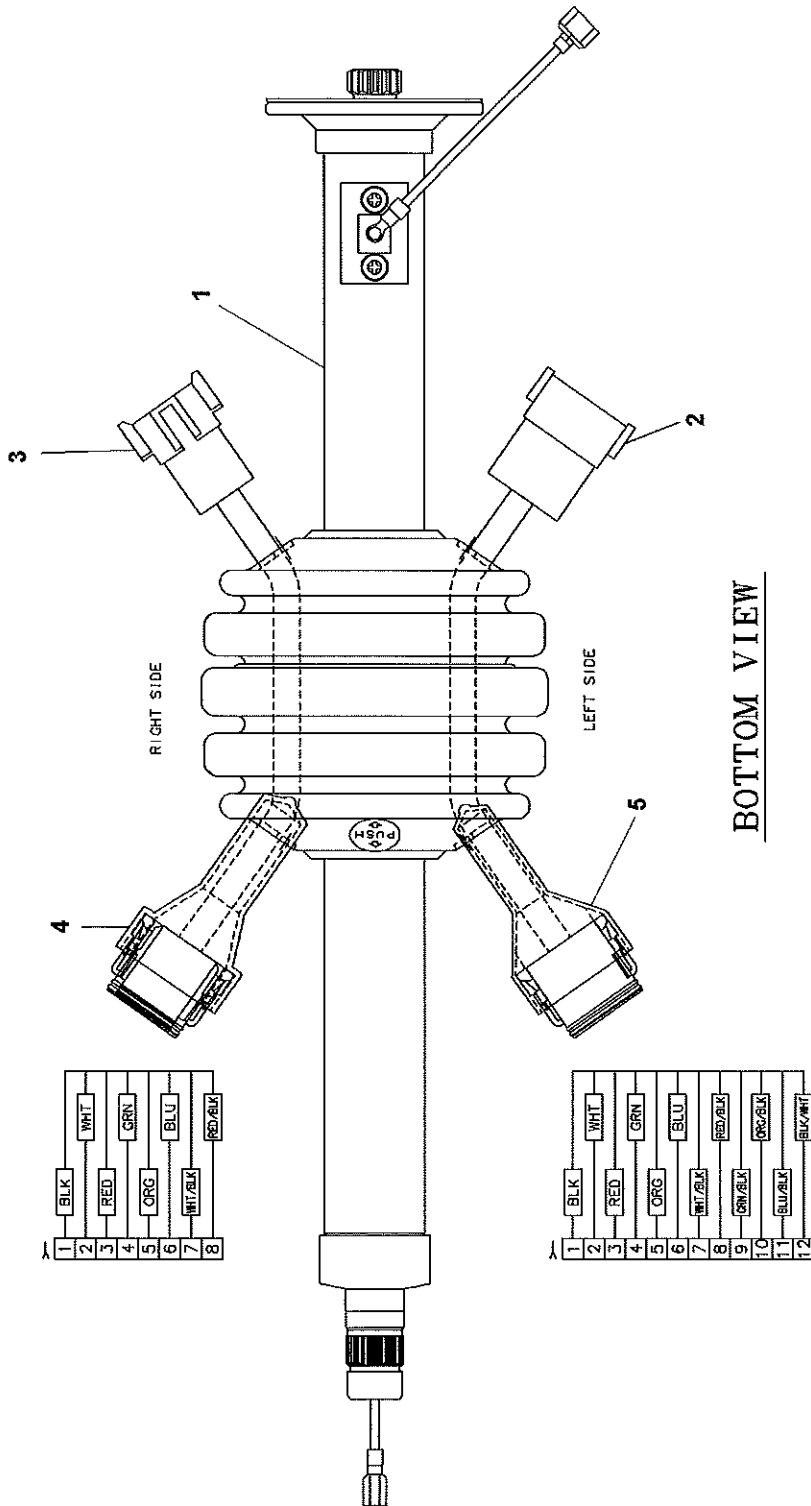
Description
VALVE ASSEMBLY - STEERING CONTROL (COMPLETE ASSEMBLY)

Assembly No.
7926100899
 Revision:

Item	FN	Part	Qty	Description
1	*	9926113110	1	SEAL, DUST RING
2		NSS	1	HOUSING, AND SPOOL W/ SLEEVE
3		9926113111	1	KIT, BUSHING W/BALL INCLUDES ITEMS 4
4		NSS	1	BUSHING
5	*	NSS	1	SEAL, SHAFT
7		9926113112	1	BEARING
10		9926113113	1	KIT, RING W/CROSS PIN INCLUDES ITEM 11
11		NSS	1	CROSS PIN
12		NSS	6	SPRINGS
13		NSS	1	SHAFT
14		NSS	1	SPACER
15	*	NSS	1	O-RING
16		9926110265	1	PLATE, DISTRIBUTOR
17		9926110266	1	GEAR, SET
18		NSS	1	O-RING
19		NSS	1	COVER, END
20	*	9632102851	7	WASHER,
22		9926113114	1	CAPSCREW, SPECIAL
23		9926113115	6	CAPSCREW
30	*	9926113116	1	KIT, SEAL

* REPAIR KIT AND/OR PART OF KIT

Manitowoc Cranes



BOTTOM VIEW

Manitowoc Cranes

Description

COLUMN ASSEMBLY - MODIFIED TILT STEERING (COMPLETE ASSEMBLY)

Assembly No.

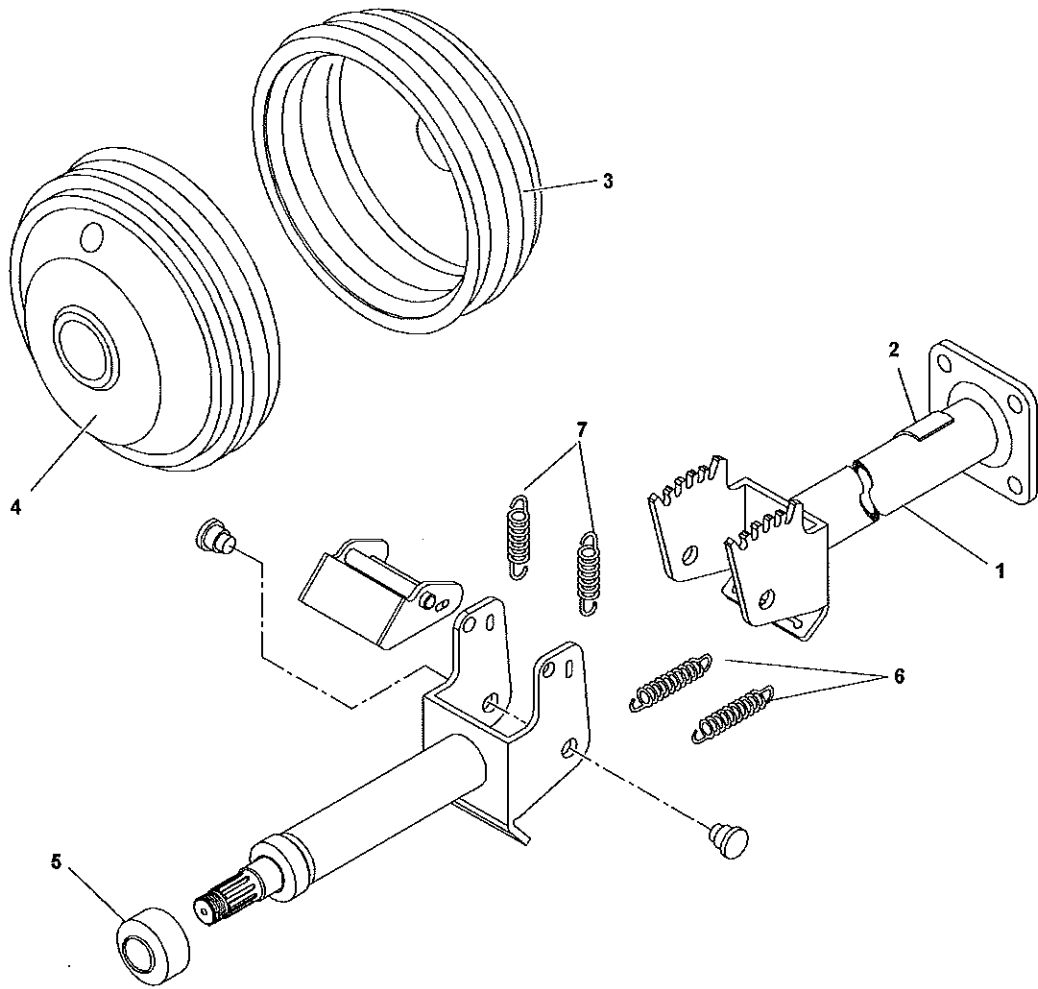
6326100001

Revision: #

Item	FN	Part	Qty	Description
1	+	7326100007	1	COLUMN ASSEMBLY - TILT STEERING (COMPLETE ASSEMBLY)
2	+	6512100853	1	HARNESS ASSEMBLY - TURN SIGNAL/WASHER (COMPLETE ASSEMBLY)
3	+	6512100854	1	HARNESS ASSEMBLY - SHIFTER (COMPLETE ASSEMBLY)
4		7172000550	1	BOOT
5		7172000552	1	BOOT

+ SEE FURTHER BREAKDOWN THIS GROUP

Manitowoc Cranes



732610007

(SHEET 1 OF 1)

Page 248

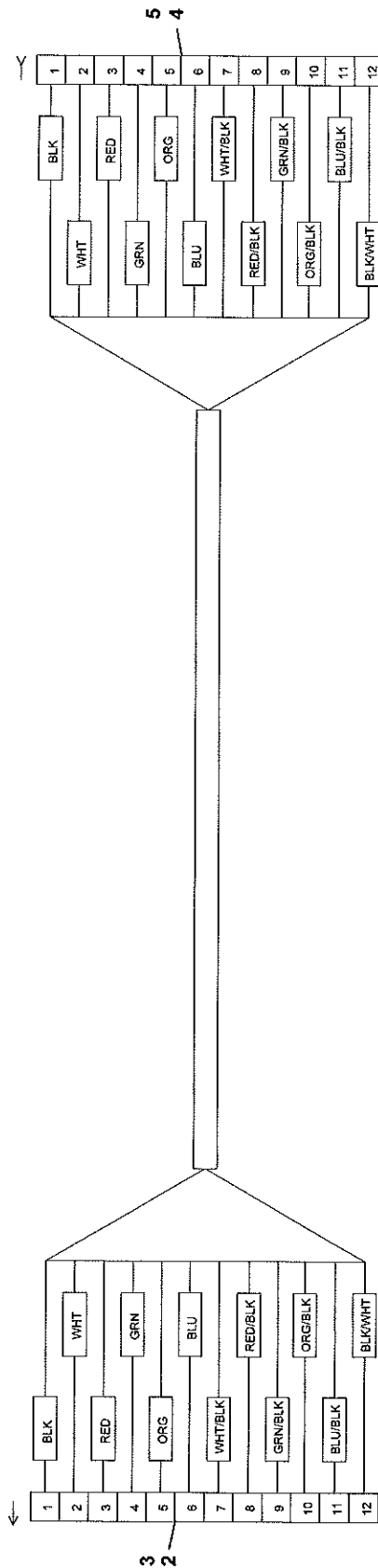
Manitowoc Cranes

Description
COLUMN ASSEMBLY - TILT STEERING (COMPLETE ASSEMBLY)

Assembly No.
7326100007
 Revision:

Item	FN	Part	Qty	Description
1		NSS	1	HOUSING, TUBE COLUMN
2		9326100494	1	KIT, HORN BRUSH W/GREASE
3		9326100495	1	BOOT, LOWER END
4		9326100496	1	BOOT, UPPER END
5		9326100497	1	CAP
6		9326100498	2	SPRING
7		9326100499	2	SPRING

Manitowoc Cranes



6512100853

(SHEET 1 OF 1)

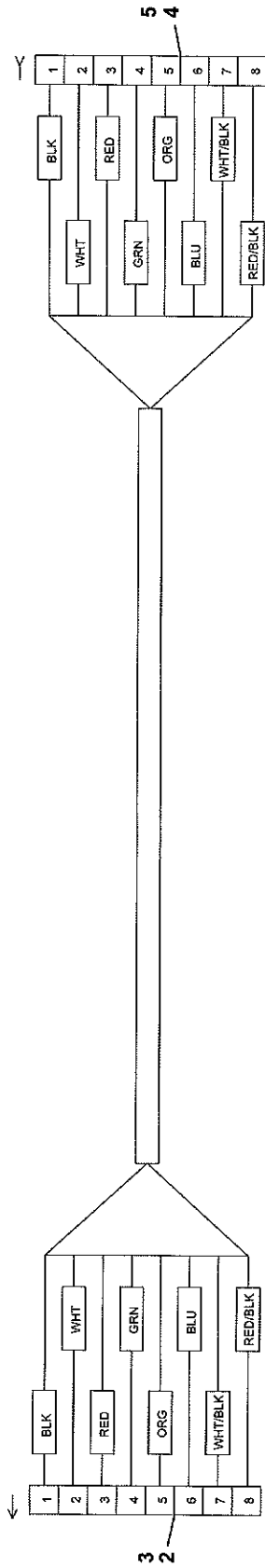
Manitowoc Cranes

Description
HARNES ASSEMBLY - TURN SIGNAL/WASHER (COMPLETE ASSEMBLY)

Assembly No.
6512100853
Revision: #

Item	FN	Part	Qty	Description
2		7892000951	1	RECEPTACLE, 12 PIN
3		7689001782	12	PIN, 18 - 16 GAGE
4		7709000846	1	PLUG, 12 SOCKET
5		7826000626	12	SOCKET, 16 - 18 AWG

Manitowoc Cranes



6512100854

(SHEET 1 OF 1)

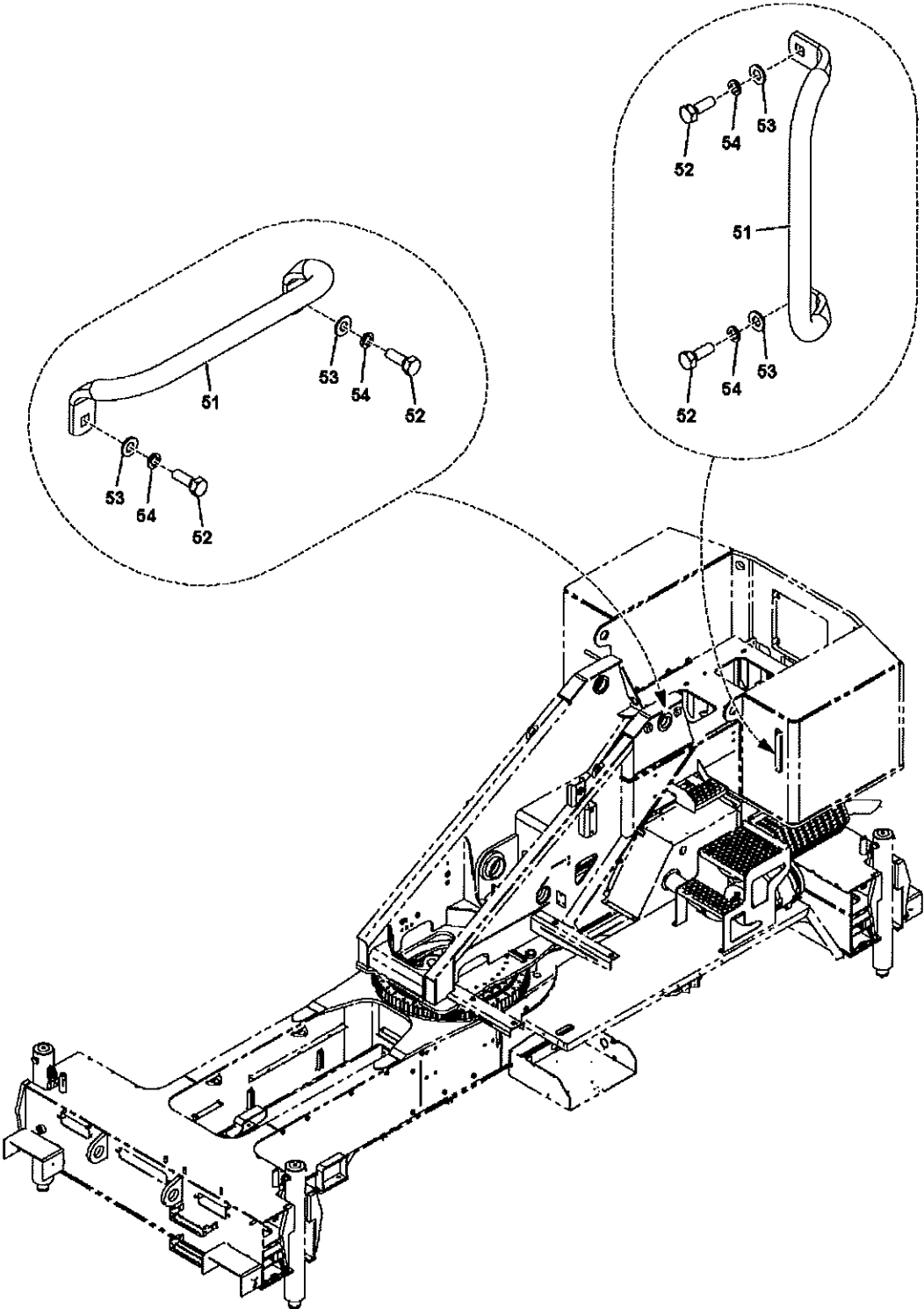
Manitowoc Cranes

Description
HARNES ASSEMBLY - SHIFTER (COMPLETE ASSEMBLY)

Assembly No.
6512100854
Revision: A

Item	FN	Part	Qty	Description
2		7892000831	1	RECEPTACLE, 8 PIN
3		7689001782	12	PIN, 18 - 16 GAGE
4		7709000811	1	PLUG 8 SOCKET
5		7826000626	12	SOCKET, 16 - 18 AWG

Manitowoc Cranes



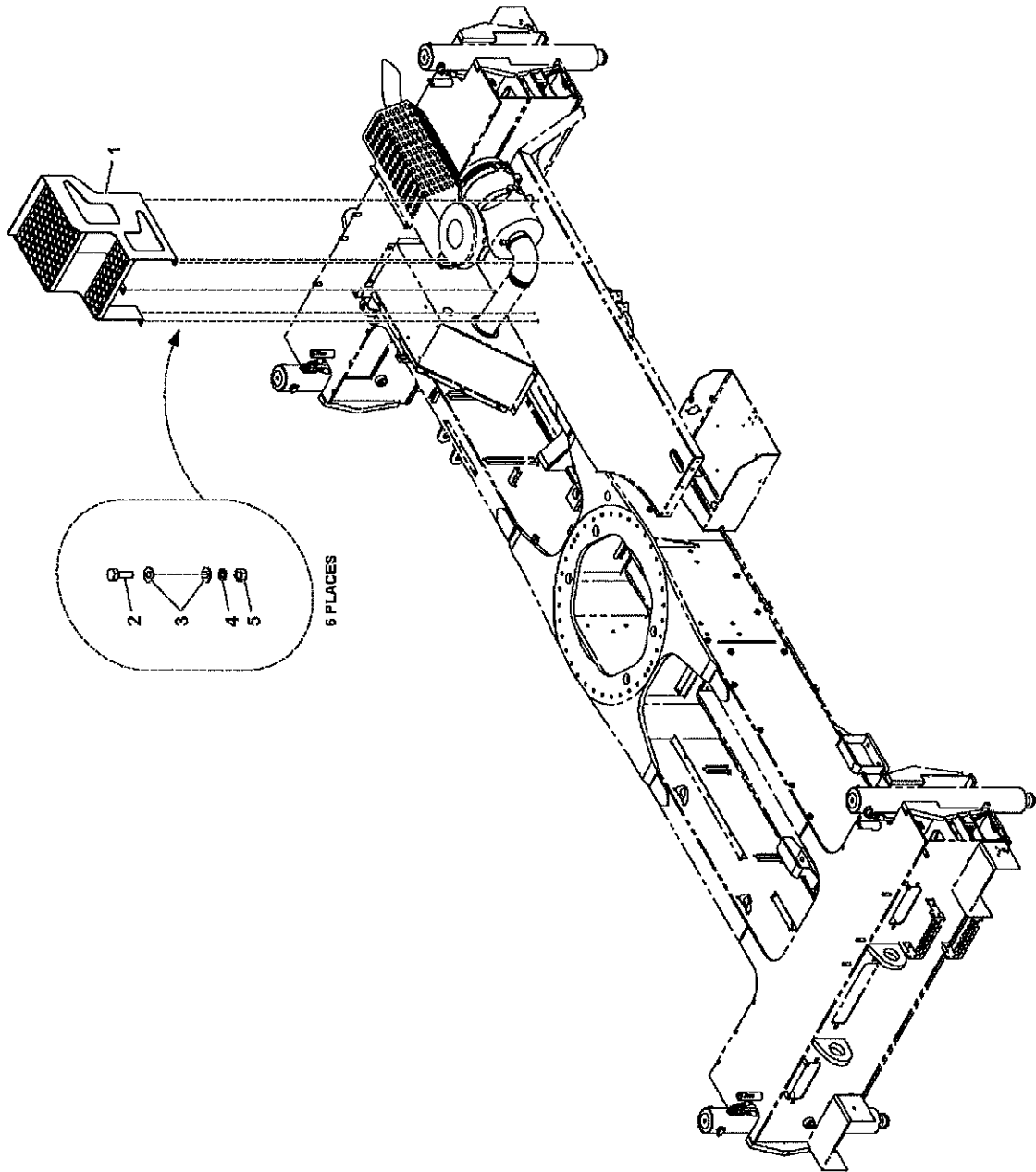
Manitowoc Cranes

Description
HANDLE INSTALLATION HOIST ACCESS

Assembly No.
2159210210
Revision: #

Item	FN	Part	Qty	Description
51		7511100015	2	HANDRAIL, GRAB
52		7126191350	4	CAP SCREW, M10X30 HEX HEAD
53		7951190014	4	FLAT WASHER, 10MM I.D.
54		7951190210	4	LOCK WASHER, 10MM

Manitowoc Cranes



2159110275

(SHEET 1 OF 1)

Page 256

Manitowoc Cranes

Description
STEP INSTALLATION HOIST ACCESS

Assembly No.
2159110275
Revision: #

Item	FN	Part	Qty	Description
1		2159110274	1	STEP, CARRIER DECK
2		7126191350	6	CAP SCREW, M10X30 HEX HEAD
3		7951190014	12	FLAT WASHER, 10MM I.D.
4		7951190210	6	LOCK WASHER, 10MM
5		7661190003	6	NUT, HEX 10MM

Manitowoc Cranes

Notes

Manitowoc Cranes

Description
CARRIER FRAME COMPLETE

Assembly No.
80013740
 Revision: #

Item	FN	Part	Qty	Description
1	+	80013739	1	CARRIER FRAME INSTALLATION
2	+	80014901	1	OUTRIGGER BEAM INSTALLATION

+ SEE FURTHER BREAKDOWN THIS GROUP

Manitowoc Cranes

Notes

Manitowoc Cranes

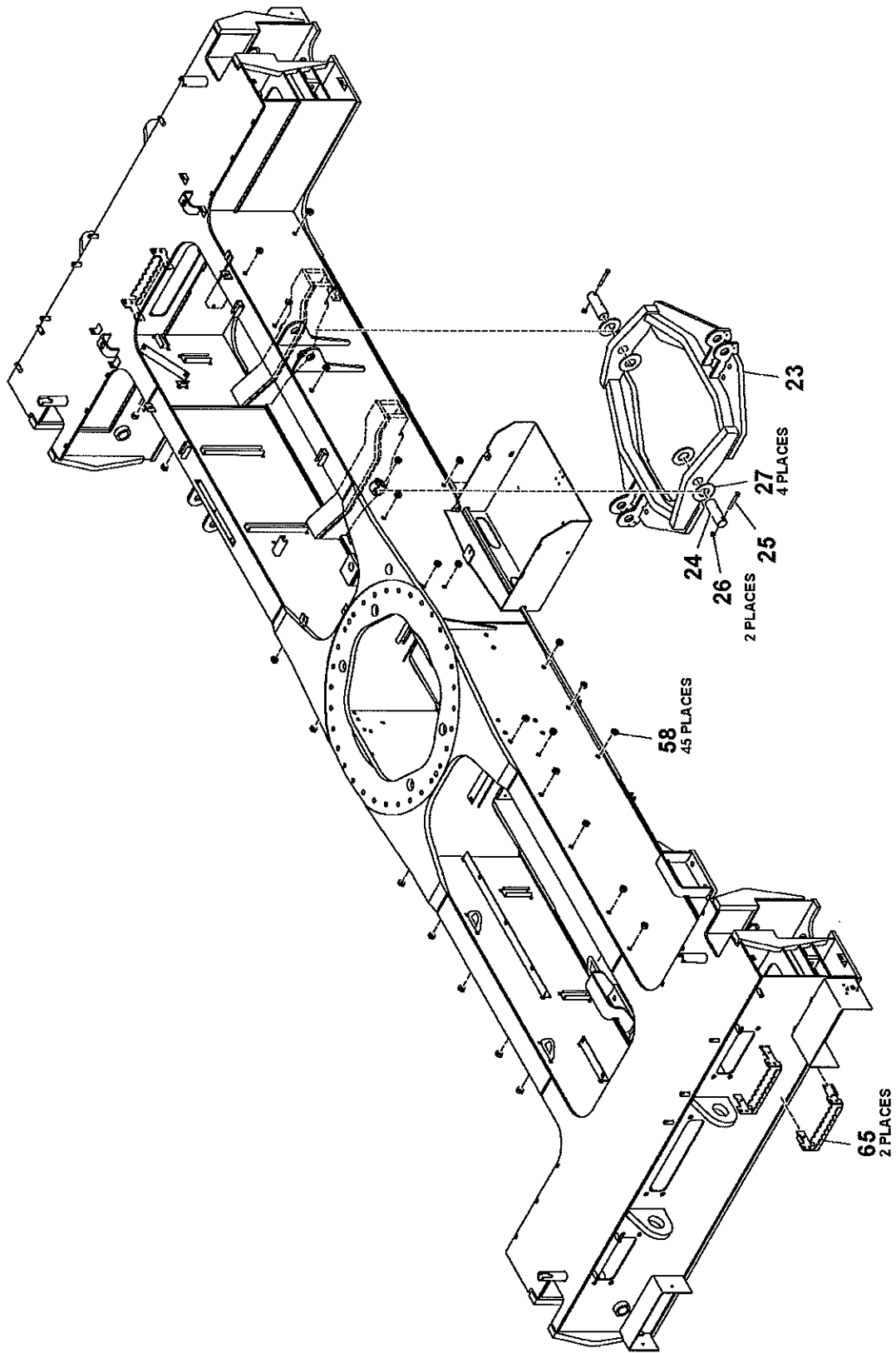
Description
CARRIER FRAME INSTALLATION

Assembly No.
80013739
Revision: #

Item	FN	Part	Qty	Description
1	+	80013730	1	CARRIER FRAME ASSEMBLY
2	+	80013731	1	CARRIER FRAME MODIFIED

+ SEE FURTHER BREAKDOWN THIS GROUP

Manitowoc Cranes



ITEM NOT SHOWN NBR. 28

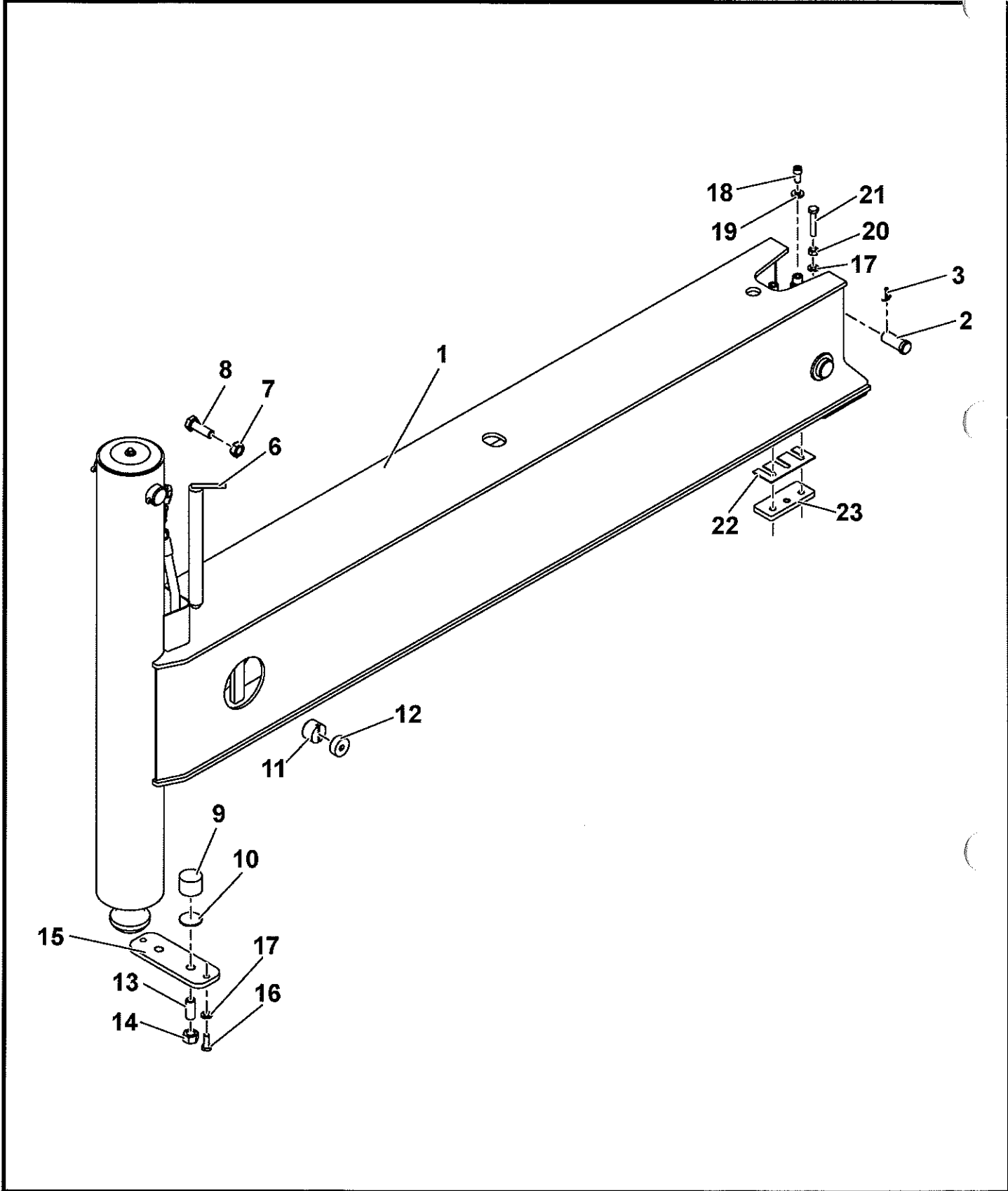
Manitowoc Cranes

Description
CARRIER FRAME ASSEMBLY

Assembly No.
80013730
Revision: **A**

Item	FN	Part	Qty	Description
23		2159110137	1	FIFTH WHEEL
24		6810003003	2	SHAFT
25		7126212650	2	CAP SCREW, M12X100 HEX HEAD
26		7661211103	2	NUT, HEX 12MM N.C.
27		7950420161	4	FLATWASHER 2" I.D.
28		7440000400	2	FITTING, 90 DEGREE GREASE
58		7659190032	45	WELD NUT, M12 X 1.75
65		2159110214	2	STEP

Manitowoc Cranes



80014901

(SHEET 1 OF 1)

Manitowoc Cranes

Description
OUTRIGGER BEAM INSTALLATION

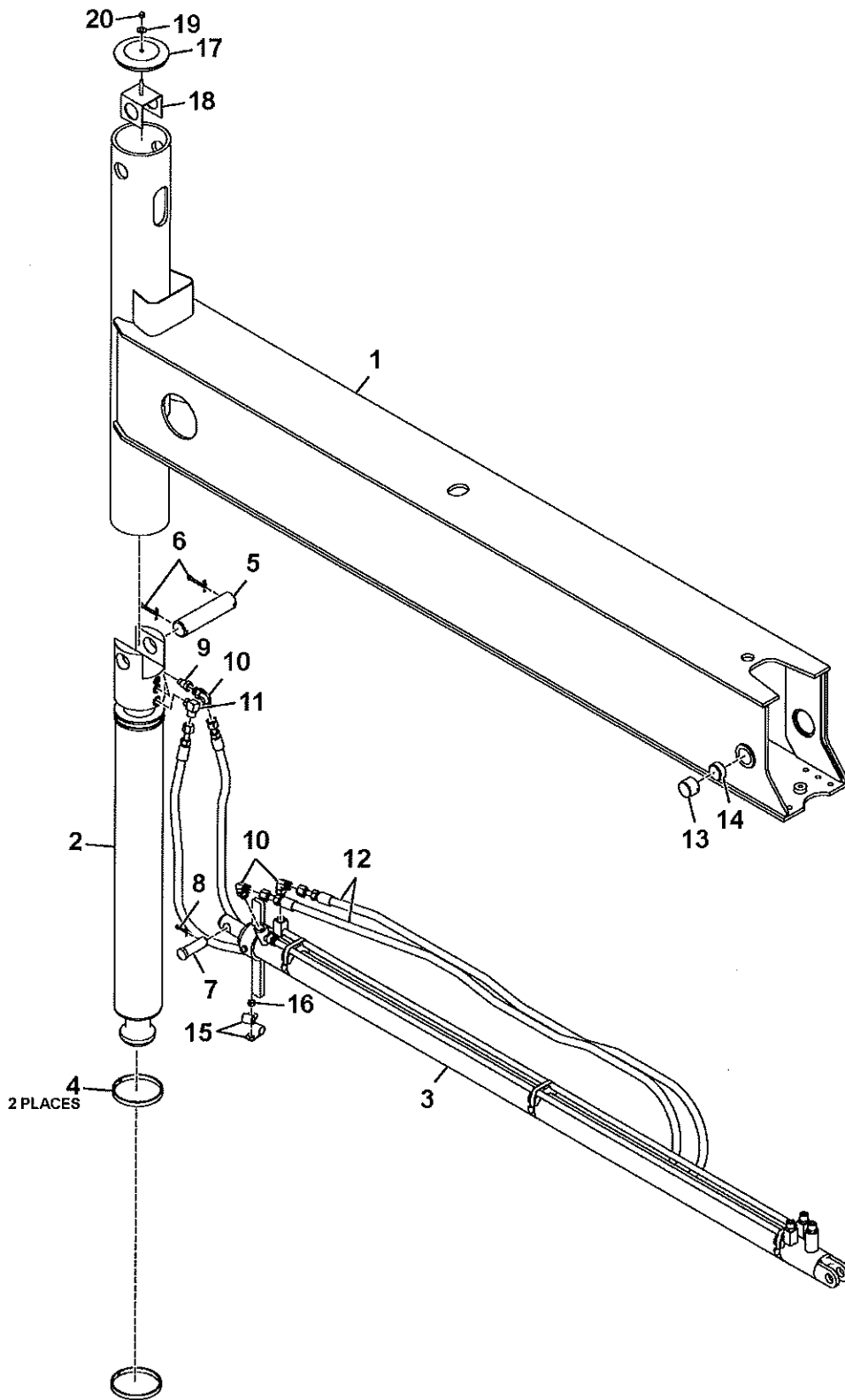
Assembly No.
80014901
 Revision: **A**

Item	FN	Part	Qty	Description
1	+	80014896	4	OURTRIGGER BEAM ASSEMBLY
2		7689100036	4	PIN, CLEVIS
3		7690082410	4	PIN, COTTER 5/32" X 1 1/2"
6		6689001836	4	PIN
7	#	7661150003	4	NUT, HEX
8		7126151253	4	CAP SCREW, M6 X 25MM
9		6671000236	8	PAD, WEAR
10		4159110165	8	PLATE
11		4150101045	4	PAD, WEAR
12		7786000544	4	SCREW, SET (SLOTTED)
13		7126271753	8	CAP SCREW, M20X50 HEX HEAD
14		7661270003	8	NUT, HEX M20
15		4159110308	4	PLATE, ADJUSTING
16		7126211353	8	CAP SCREW, M12 X 30 HEX HEAD
17		7951210014	12	WASHER, FLAT #12
18		7128211254	24	CAP SCREW, SOCKET HEAD M12X25
19		7949000235	24	WASHER, 1/2" I.D. FLAT
20		7661210003	4	NUT, HEX 12MM N.C.
21		7126212053	4	CAP SCREW, HEX HEAD M12 X 65
22		4155110444	8	SPACER
23		4155110443	8	BLOCK, TAPPED

+ SEE FURTHER BREAKDOWN THIS GROUP

SERVICED AS AN ASSEMBLY ONLY

Manitowoc Cranes



80014896

(SHEET 1 OF 1)

Page 266

Manitowoc Cranes

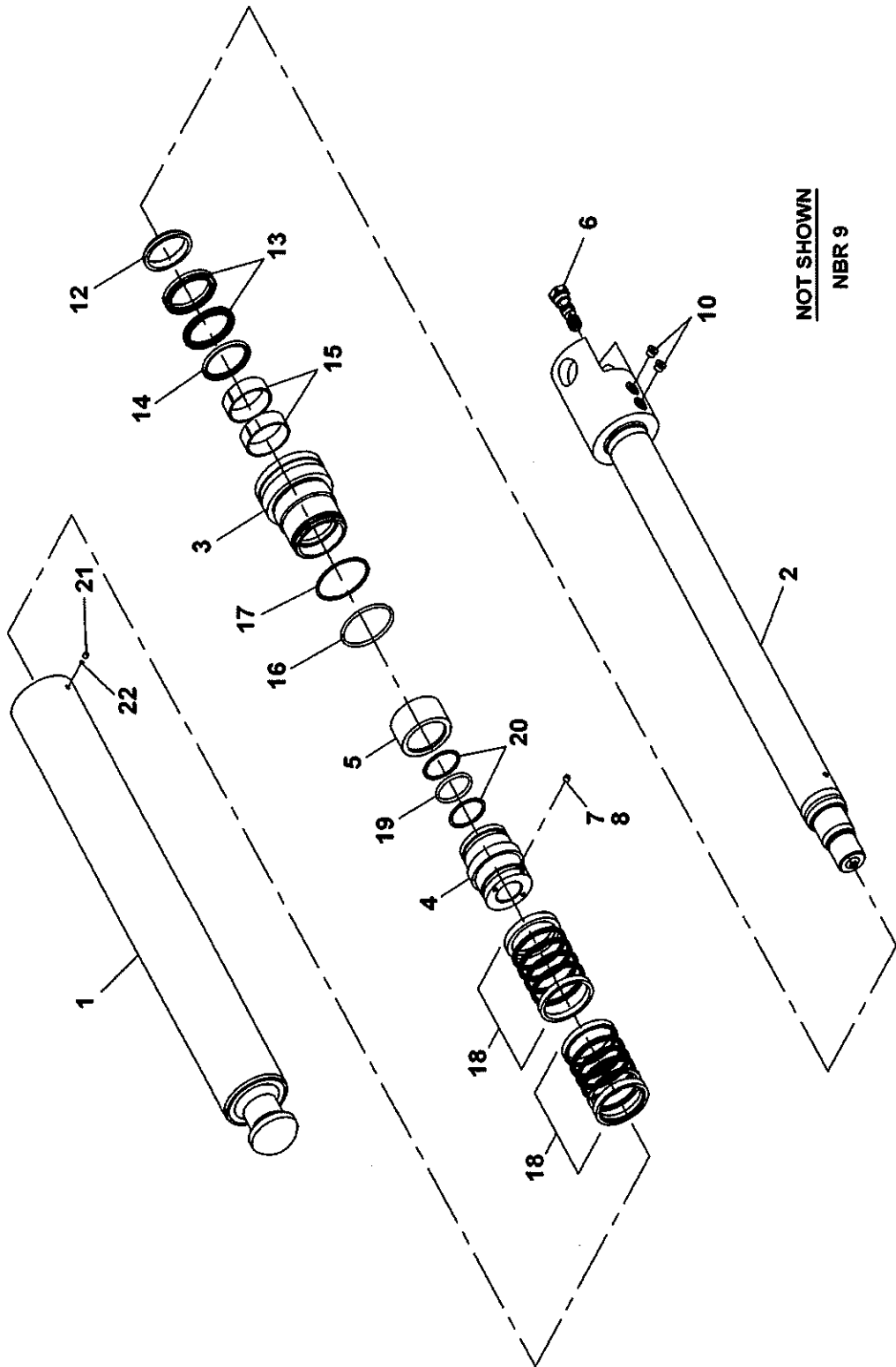
Description
OURTRIGGER BEAM ASSEMBLY

Assembly No.
80014896
Revision: **A**

Item	FN	Part	Qty	Description
1		80002079	1	OUTRIGGER BEAM
2	+	7372100238	1	CYLINDER ASSEMBLY - 4" OUTRIGGER JACK (COMPLETE ASSEMBLY)
3	+	80014893	1	OUTRIGGER EXTENSION CYLINDER ASSEMBLY
4		7753001553	2	RING, WEAR
5		6689002029	1	PIN
6		7690144010	2	PIN, COTTER
7		7690264804	1	PIN, CLEVIS 1" X 3"
8		7690102410	1	PIN, COTTER 3/16" X 1 1/2"
9		7013000384	1	ADAPTER, REDUCING
10		7447080803	3	ELBOW, 90 DEGREE MALE INCLUDES THE FOLLOWING PARTS
		7755014002	1	O-RING
		7755908002	1	O-RING
11		7447080603	1	ELBOW, 90 DEGREE INCLUDES THE FOLLOWING PARTS
		7755014002	1	O-RING
		7755906002	1	O-RING
12		7554315600	2	HOSE ASSY, 1/2" I.D. X 156"
13		4150101045	1	PAD, WEAR
14		7786000544	1	SCREW, SET (SLOTTED)
15		7300000243	2	CLAMP, TUBING 3/4" I.D.
16		7661190003	1	NUT, HEX 10MM
17		7258001691	1	CAP, JACK CYLINDER
18		6184003000	1	BRACKET, CAP
19		7949001186	1	WASHER, BLACK NYLON
20		7660152200	1	NUT, ACORN 5/16" - 18 N.C.

+ SEE FURTHER BREAKDOWN THIS GROUP

Manitowoc Cranes



NOT SHOWN
NBR 9

7372100238

(SHEET 1 OF 1)

Page 268

Manitowoc Cranes

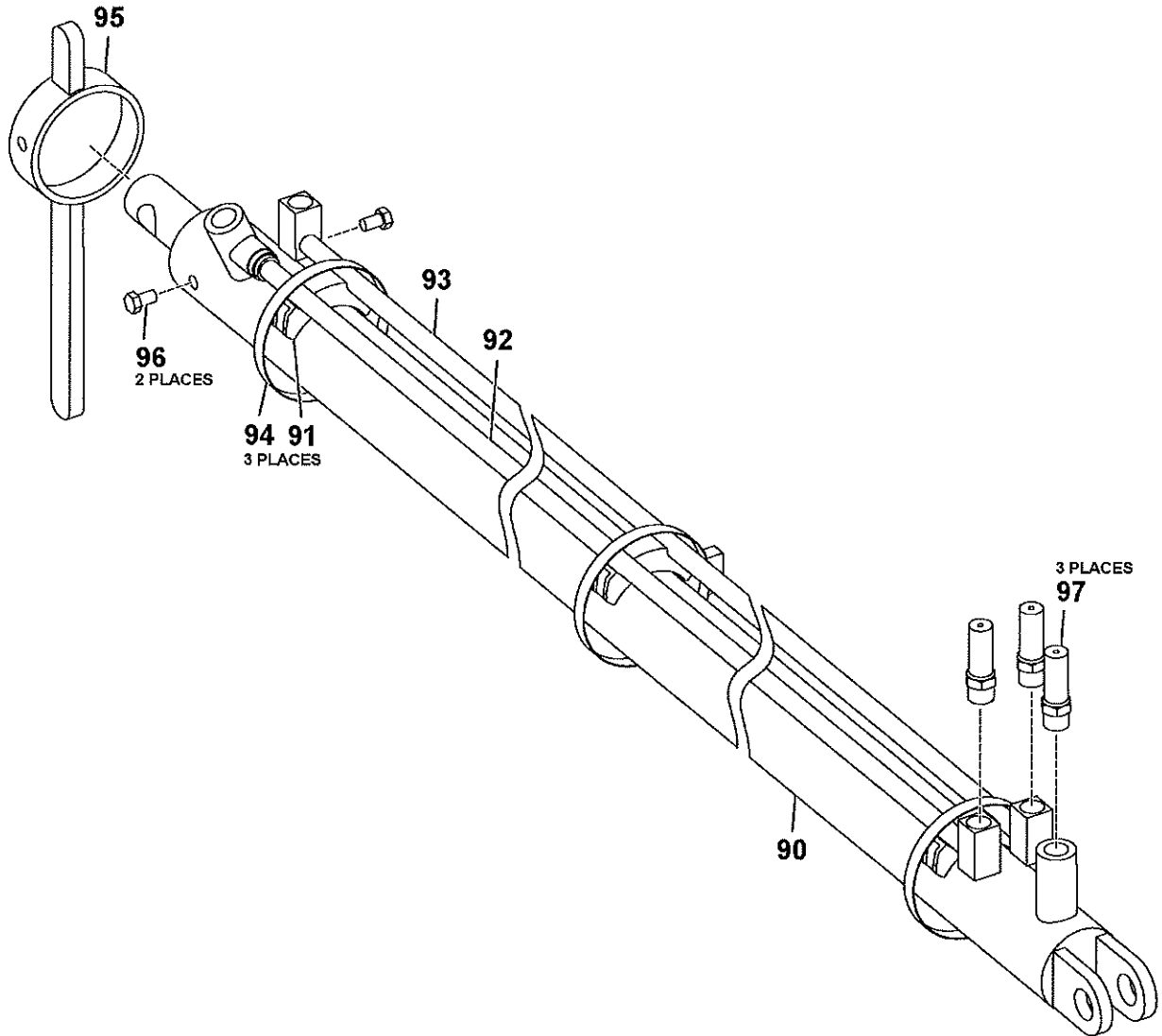
Description
CYLINDER ASSEMBLY - 4" OUTRIGGER JACK (COMPLETE ASSEMBLY)

Assembly No.
7372100238
Revision:

Item	FN	Part	Qty	Description
1		9372103623	1	BARREL ASSY.
2		9372103624	1	ROD ASSY.
3		9372103625	1	HEAD, CYLINDER
4		9372103626	1	PISTON
5		9372103627	1	SPACER
6		7926100828	1	VALVE ASSEMBLY, 3/8 PILOT OPERATED CHECK INCLUDES THE FOLLOWING PARTS
		9926112933	1	KIT, SEAL
7		9372103595	1	SCREW, SET
8		9372103596	1	INSERT, NYLON
9		7709800001	2	PLUG, SAE #4 USE AS REQUIRED INCLUDES THE FOLLOWING PARTS
		7755904002	1	O-RING
10		7709800005	2	PLUG, SAE #6 USE AS REQUIRED INCLUDES THE FOLLOWING PARTS
		7755906002	1	O-RING
12	*	7794000277	1	RING, WIPER
13	*	7794000638	1	SEAL, DEEP Z ROD
14	*	7794000543	1	SEAL, BUFFER
15	*	7753000540	2	RING, WEAR
16	*	7754000140	1	O-RING, LOW TEMPERATURE
17	*	7755342609	1	RING, BACK-UP
18	*	7794000608	2	SEAL
19	*	7754000160	1	O-RING, LOW TEMPERATURE
20	*	7755332609	2	RING, BACK-UP
21		9372103611	1	SCREW, SET
22		9372103612	1	INSERT, NYLON
30	*	7373000159	1	KIT, SEAL

* REPAIR KIT AND/OR PART OF KIT

Manitowoc Cranes



80014893

(SHEET 1 OF 1)

Page 270

Manitowoc Cranes

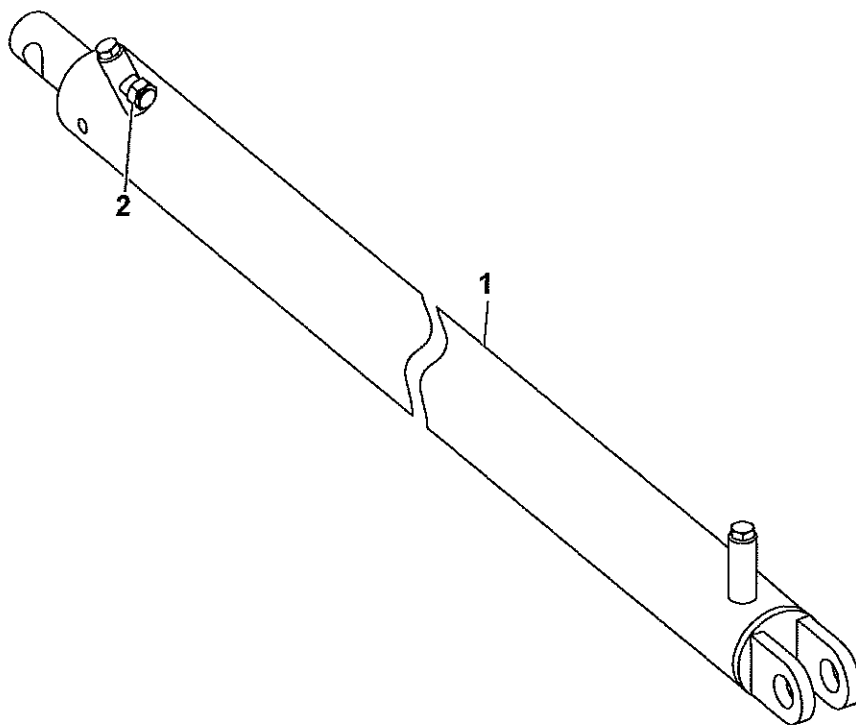
Description
OUTRIGGER EXTENSION CYLINDER ASSEMBLY

Assembly No.
80014893
 Revision: **A**

Item	FN	Part	Qty	Description
90	+	80011617	1	CYLINDER ASSEMBLY MODIFIED
91		7300001082	3	CLAMP, DOUBLE SADDLE
92		7910100671	1	TUBE
93		7910100672	1	TUBE
94		7300000018	3	CLAMP 4 1/2"
95		6608100004	1	LUG
96		7115160550	2	CAP SCREW, 3/8" - 16 N.C. X 5/8" GRADE 5
97		7447080801	3	ADAPTER, STRAIGHT INCLUDES THE FOLLOWING PARTS
		7755014002	1	O-RING
		7755908002	1	O-RING

+ SEE FURTHER BREAKDOWN THIS GROUP

Manitowoc Cranes



80011617

(SHEET 1 OF 1)

Page 272

Manitowoc Cranes

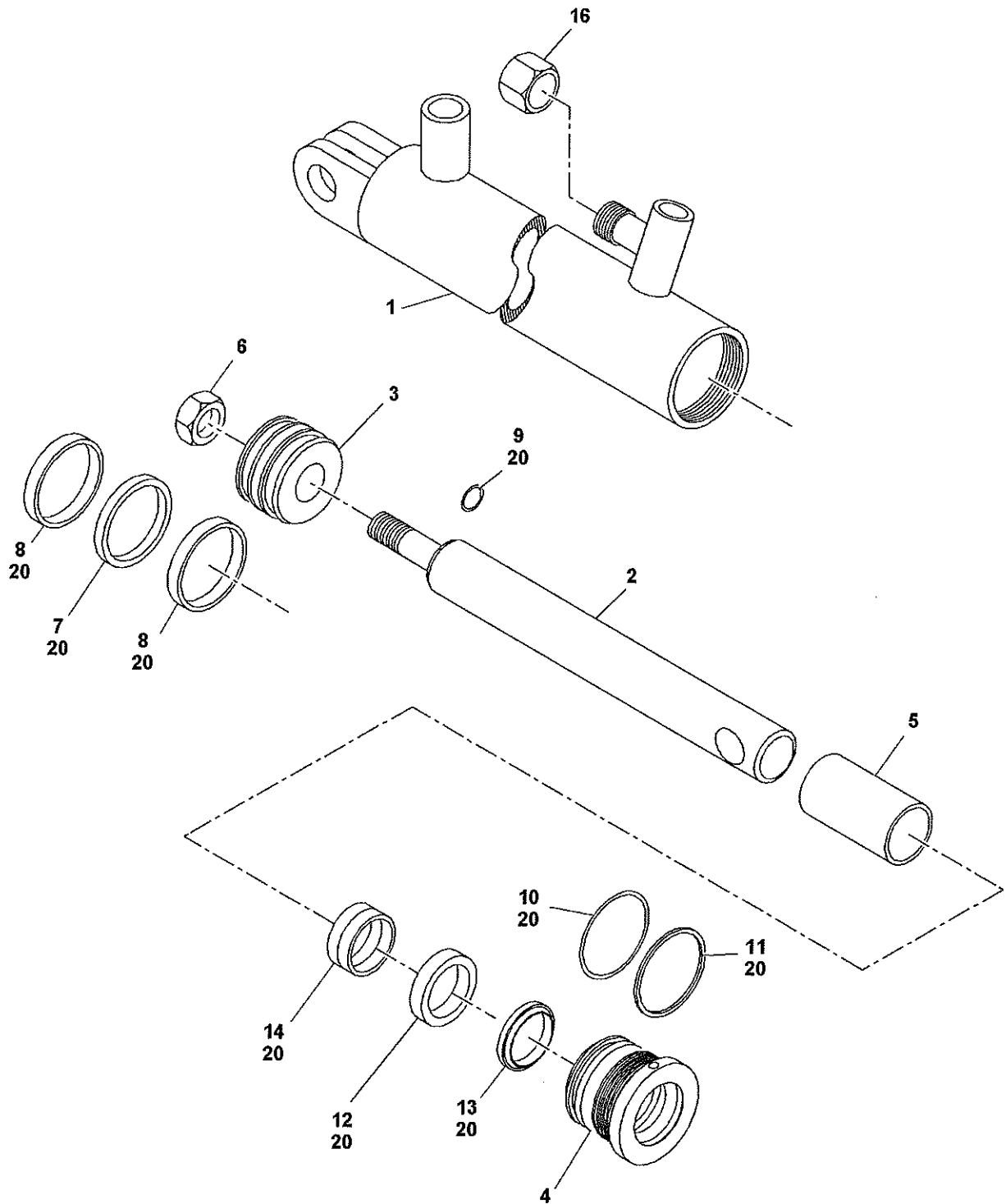
Description
CYLINDER ASSEMBLY MODIFIED

Assembly No.
80011617
Revision: #

Item	FN	Part	Qty	Description
1	+	7372100232	1	CYLINDER ASSEMBLY - 2 1/2" O/R EXTENSION (COMPLETE ASSEMBLY)
2		7755016003	1	O-RING, LOW TEMP #10 ORFS

+ SEE FURTHER BREAKDOWN THIS GROUP

Manitowoc Cranes



7372100232

(SHEET 1 OF 1)

Page 274

Manitowoc Cranes

Description
CYLINDER ASSEMBLY - 2 1/2" O/R EXTENSION (COMPLETE ASSEMBLY)

Assembly No.
7372100232
Revision:

Item	FN	Part	Qty	Description
1		9372103561	1	BARREL ASSY.
2		9372103562	1	ROD ASSY.
3		9372103546	1	PISTON
4		9372103547	1	GLAND, ROD
5		9372103558	1	SPACER
6		9372103549	1	NUT
7	*	NSS	1	RING, SEAL PISTON
8	*	NSS	2	RING, WEAR
9	*	NSS	1	O-RING
10	*	NSS	1	O-RING
11	*	NSS	1	RING, BACK-UP
12	*	NSS	1	RING, SEAL ROD
13	*	NSS	1	RING, WIPER
14	*	NSS	2	RING, WEAR
16		9372103550	1	CAP
		7755910002	1	INCLUDES THE FOLLOWING PARTS
			1	O-RING
20	*	9372103551	1	KIT, SEAL

* REPAIR KIT AND/OR PART OF KIT

Manitowoc Cranes

Notes

Manitowoc Cranes

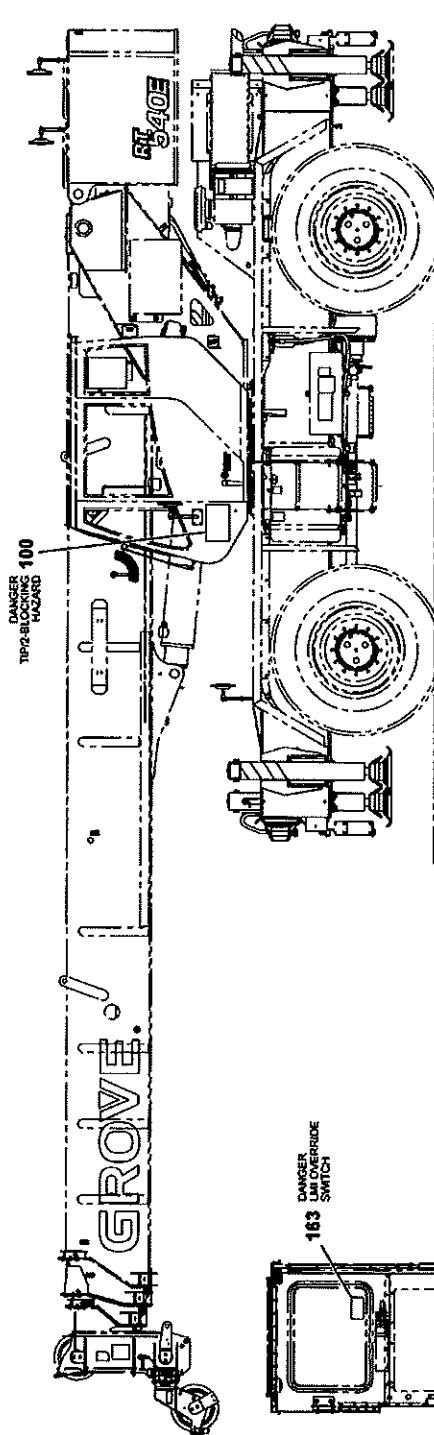
Description
DECAL INSTALLATION RT535E/540E-STANDARD

Assembly No.
80006891
 Revision: #

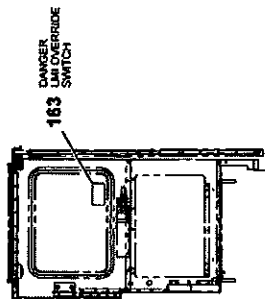
Item	FN	Part	Qty	Description
900	+	80006890	1	DECAL INSTALLATION RT540E STANDARD-CAB
901	+	6376200767	1	DECAL INSTALLATION - RT535E (STANDARD CARRIER)
902	+	6376200776	1	DECAL INSTALLATION - RT535E (STANDARD SUPERSTRUCTURE)
903	+	6376200785	1	DECAL INSTALLATION - RT535E (STANDARD BOOM)

+ SEE FURTHER BREAKDOWN THIS GROUP

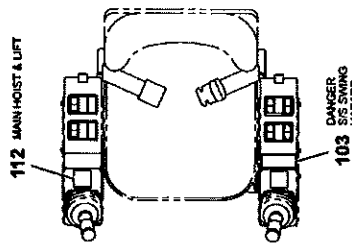
Manitowoc Cranes



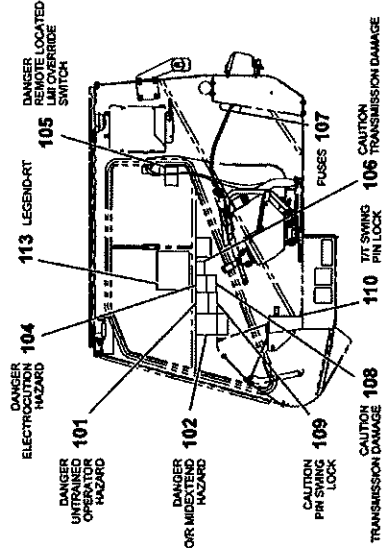
LEFT VIEW



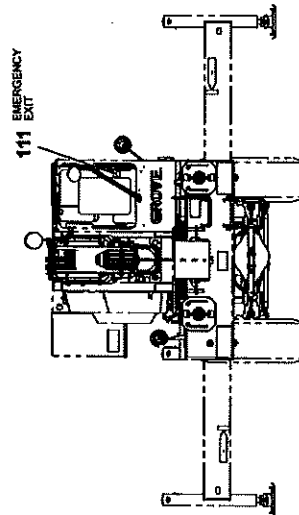
CAB REAR INSIDE VIEW



OPERATOR'S SEAT TOP VIEW



CAB LEFT INSIDE VIEW



FRONT VIEW

Manitowoc Cranes

Description
DECAL INSTALLATION RT540E STANDARD-CAB

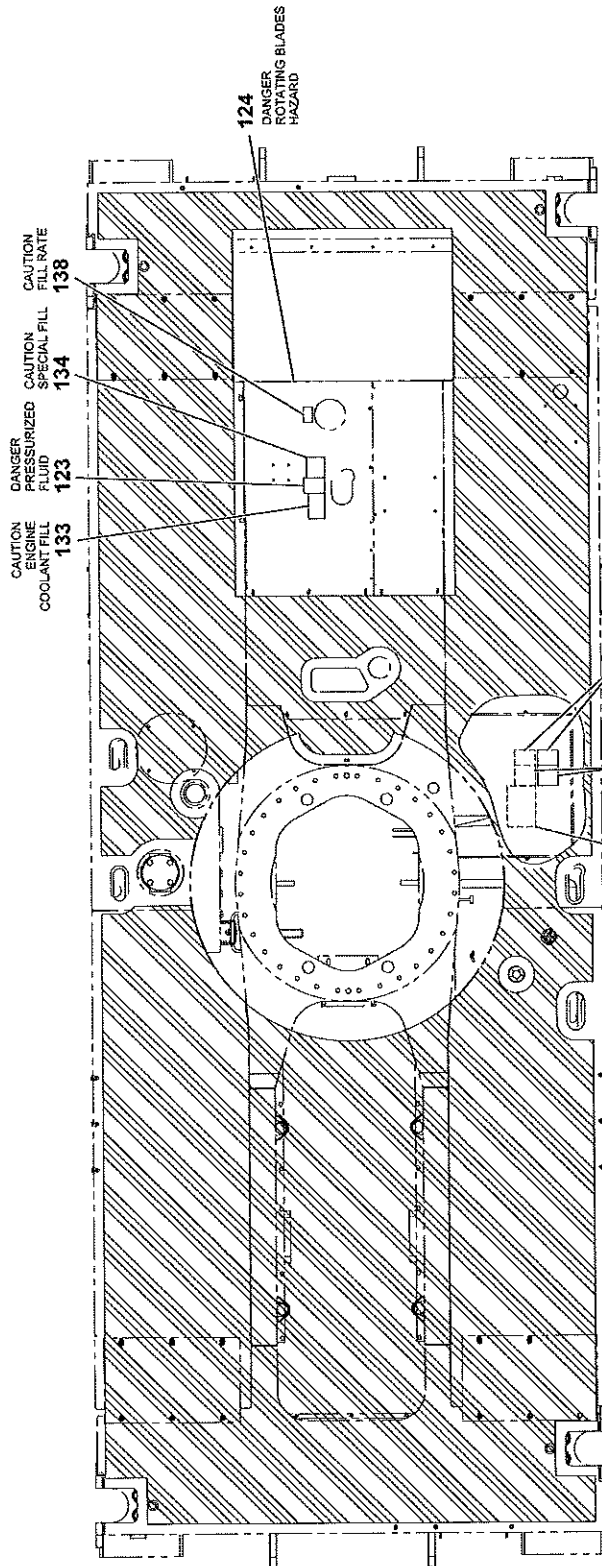
Assembly No.
80006890
 Revision: **D**

Item	FN	Part	Qty	Description
100		7376100175	1	DECAL - DANGER TIPPING/2 BLOCKING HAZARD (ENGLISH)
101		7376007255	1	DECAL - DANGER UNTRAINED OPERATOR (ENGLISH)
102		7376007441	1	DECAL - DANGER OUTRIGGER MID EXTENSION (ENGLISH)
103		7376100080	1	DECAL - DANGER SUPERSTRUCTURE SWING (ENGLISH)
104		7376101865	1	DECAL - DANGER ELECTROCUTION HAZARD (ENGLISH)
105		80005871	1	(ENGLISH)
106		7376102092	1	DECAL - CAUTION TRANSMISSION DAMAGE
107		7376102923	1	DECAL - FUSES (ENGLISH) RT535E
108		7376102417	1	DECAL - CAUTION TRANSMISSION DAMAGE (ENGLISH)
109		7376011340	1	DECAL - CAUTION PIN SWING LOCK (ENGLISH)
110		80002324	1	DECAL - PIN SWING LOCK (ENGLISH)
111		7376009502	1	DECAL - EMERGENCY EXIT (ENGLISH)
112		7376102599	1	DECAL-MAIN HOIST & LIFT -DUAL (ENGLISH)
113		7376102925	1	DECAL - SYMBOLIC ID (ENGLISH)
163		80007945	1	DECAL-DANGER LMI OVERRIDE KEY (ENGLISH)

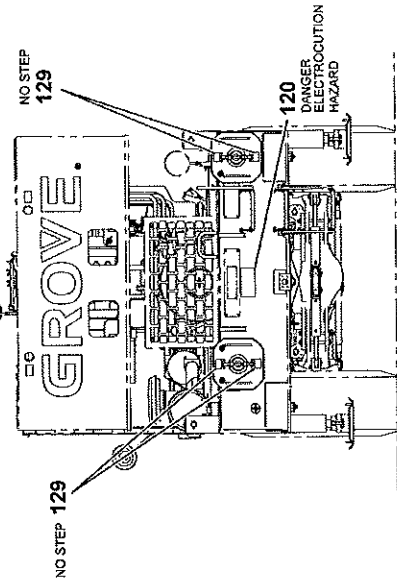
Manitowoc Cranes

Notes

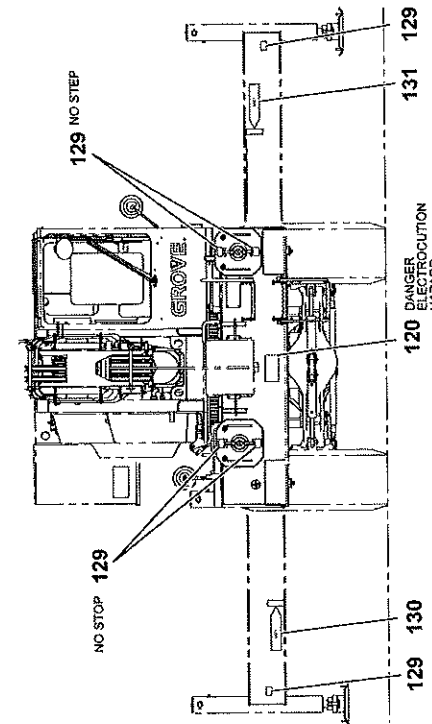
Manitowoc Cranes



TOP VIEW W/O SUPERSTRUCTURE SHOWING NON-SKID PAINT

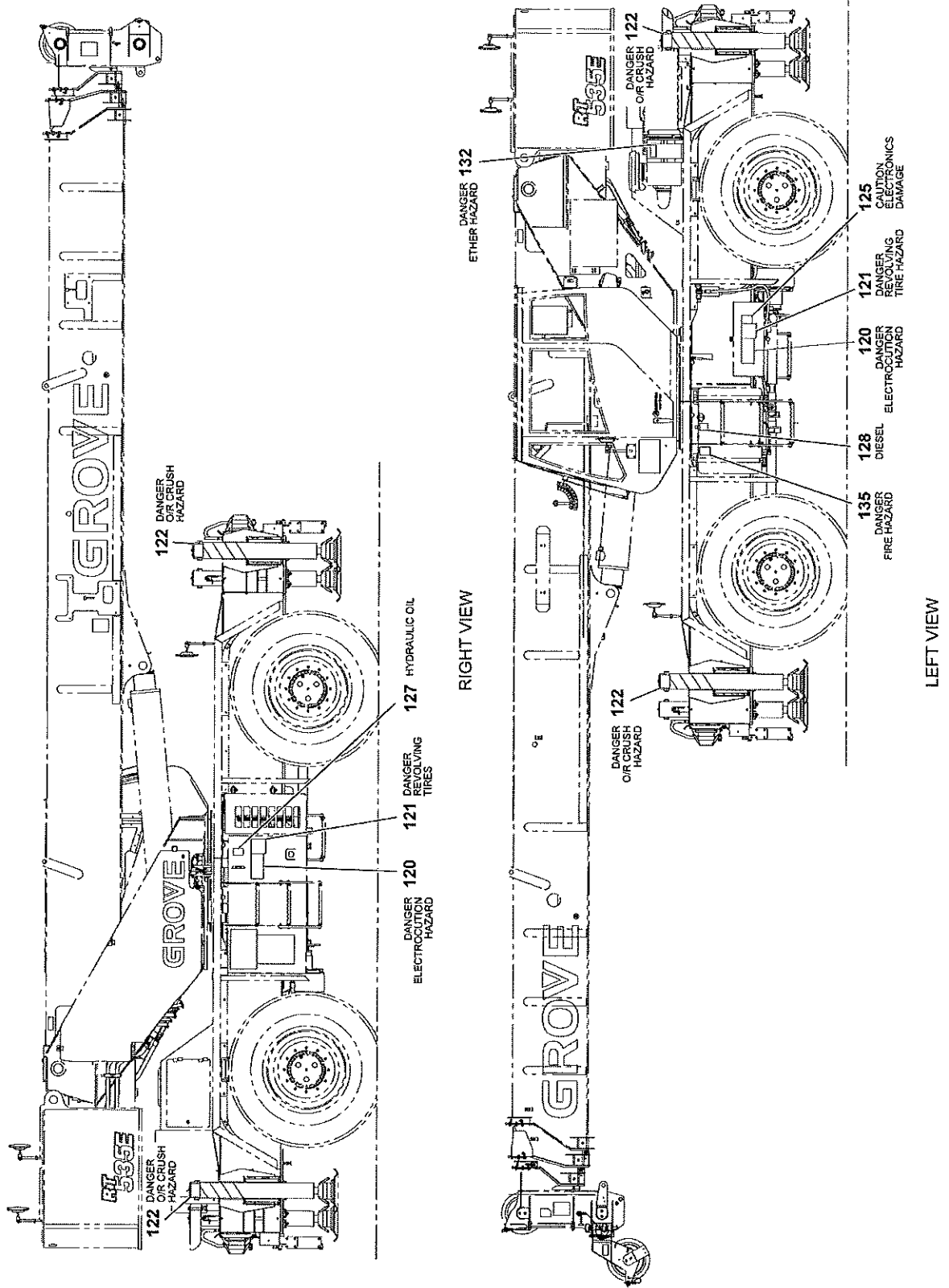


REAR VIEW



FRONT VIEW

Manitowoc Cranes



6376200767

(SHEET 1 OF 2)

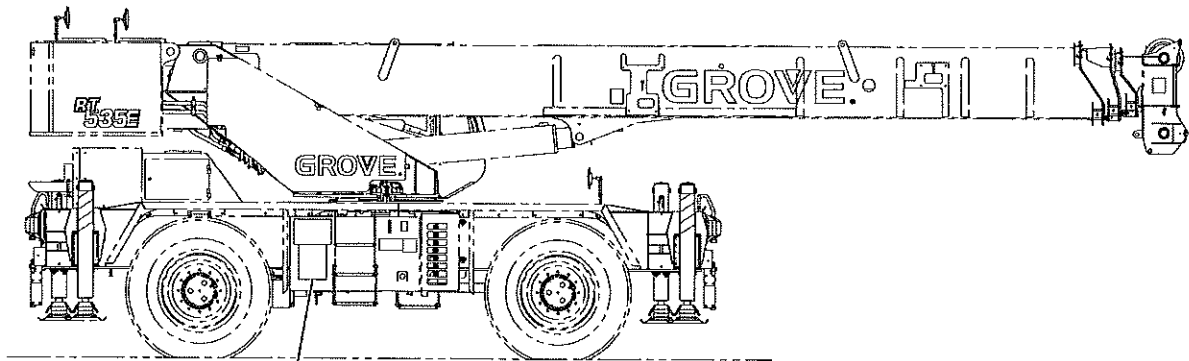
Manitowoc Cranes

Description
DECAL INSTALLATION - RT535E (STANDARD CARRIER)

Assembly No.
6376200767
Revision: **A**

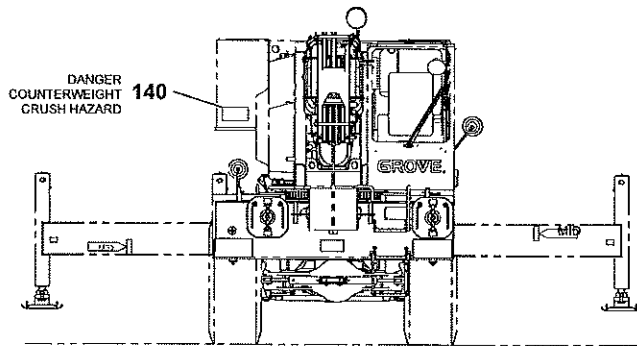
Item	FN	Part	Qty	Description
120		7376009555	4	DECAL - DANGER ELECTROCUTION HAZARD (ENGLISH)
121		7376007446	2	DECAL - DANGER REVOLVING TIRES (ENGLISH)
122		7376011087	4	DECAL - DANGER OUTRIGGER CRUSHING HAZARD (ENGLISH)
123		7376102517	1	DECAL-DANGER PRESSURIZED FLUID
124		7376011364	1	DECAL - FAN DANGER ROTATING BLADES
125		7376102349	1	DECAL - CAUTION ELECTRONICS DAMAGE
126		7376101954	2	DECAL - CAUTION BATTERY DISCONNECT (ENGLISH)
127		7376011335	1	DECAL - HYDRAULIC OIL
128		7376011062	1	DECAL - DIESEL
129		7376010998	16	DECAL - NO STEP
130		7376009372	4	DECAL - MID-EXTEND OUTRIGGERS > (ENGLISH)
131		7376009373	4	DECAL - MID-EXTEND OUTRIGGERS < (ENGLISH)
132		7376101881	1	DECAL - DANGER ETHER HAZARD (ENGLISH)
133		7376102516	1	DECAL - CAUTION ENGINE COOLANT FILL
134		7376102424	1	DECAL - CAUTION SPECIAL FILL REQUIREMENT (ENGLISH)
135		7376102532	1	DECAL - DANGER FIRE HAZARD
136		7376102554	2	DECAL - DANGER BATTERY EXPLOSION HAZARD
137		7376102805	1	DECAL - CAUTION BATTERY CONNECTION (ENGLISH)
138		7376102956	1	DECAL - CAUTION MAXIMUM FILL RATE (ENGLISH)

Manitowoc Cranes



HAND SIGNALS 143

RIGHT VIEW

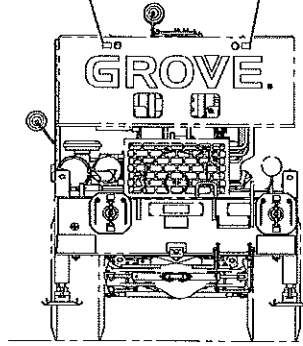


DANGER
COUNTERWEIGHT
CRUSH HAZARD 140

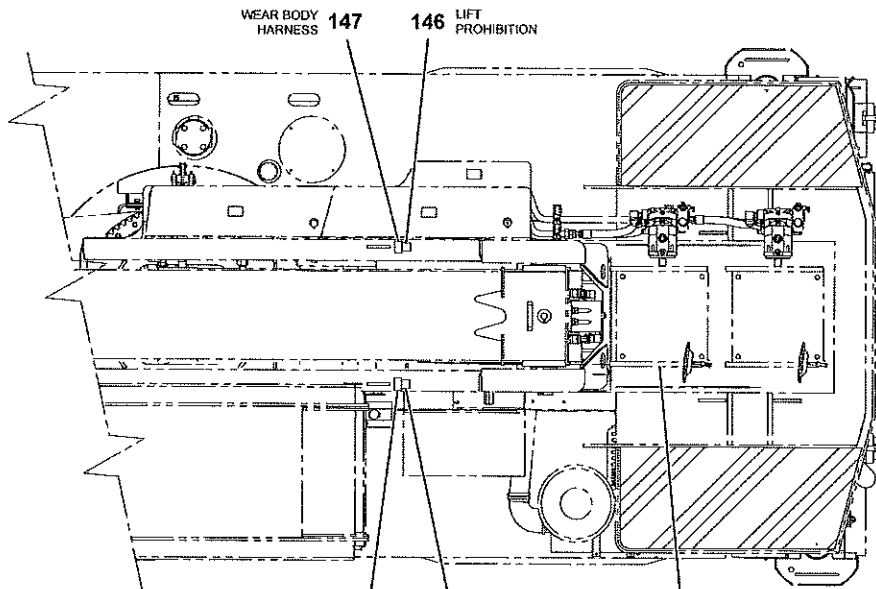
FRONT VIEW

DANGER CWT LIFT HAZARD 141

141 DANGER CWT LIFT HAZARD



REAR VIEW



WEAR BODY
HARNES 147

146 LIFT
PROHIBITION

WEAR BODY
HARNES 147

146 LIFT
PROHIBITION

142 DANGER
CABLE WEDGE

SUPERSTRUCTURE TOP VIEW

ITEM NOT SHOWN
NBR. 144

6376200776

(SHEET 1 OF 1)

Page 284

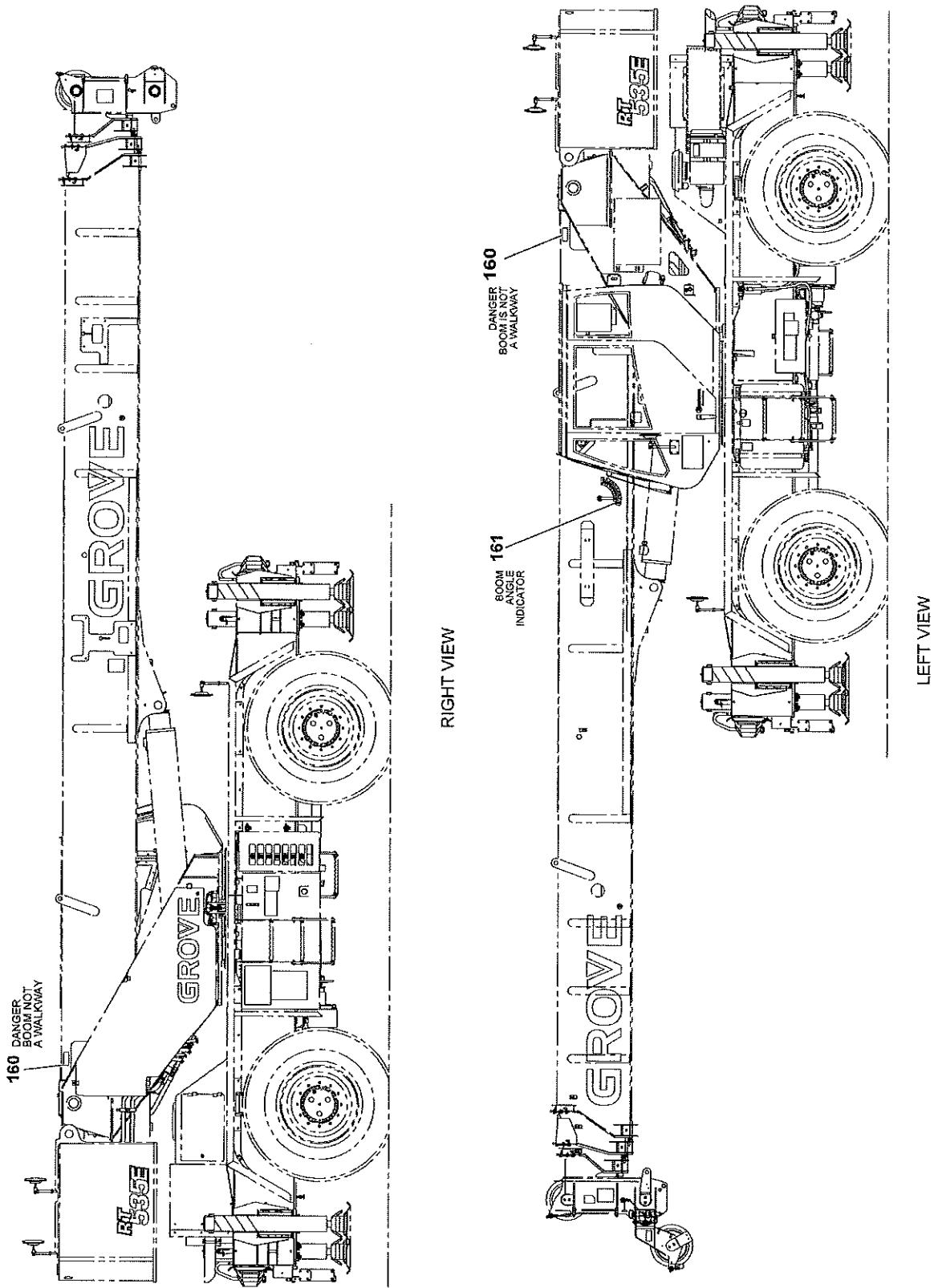
Manitowoc Cranes

Description
DECAL INSTALLATION - RT535E (STANDARD SUPERSTRUCTURE)

Assembly No.
6376200776
Revision: #

Item	FN	Part	Qty	Description
140		7376007213	2	DECAL - DANGER COUNTERWEIGHT CRUSHING HAZARD (ENGLISH)
141		7376100089	4	DECAL - DANGER COUNTERWEIGHT LIFT (ENGLISH)
142		7376100079	1	DECAL-DANGER CABLE WEDGE
143		7376101492	1	DECAL - HAND SIGNALS (ENGLISH)
144		7376102552	1	DECAL - DANGER PRESSURIZED OIL LEAK (ENGLISH)
146		7376102910	2	DECAL - LIFT POINT PROHIBITION
147		7376991722	2	DECAL - WEAR BODY HARNESS

Manitowoc Cranes



6376200785

(SHEET 1 OF 1)

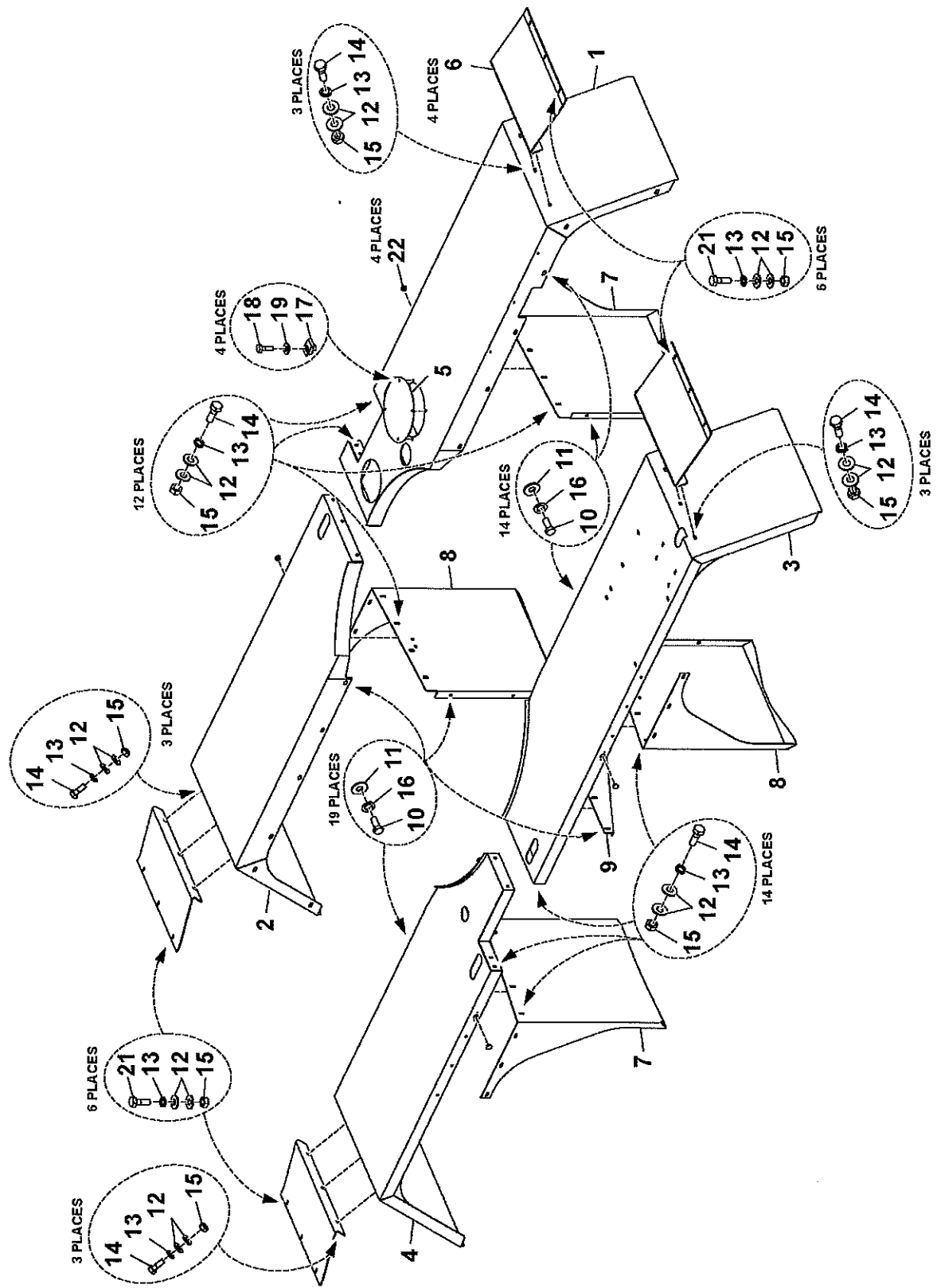
Manitowoc Cranes

Description
DECAL INSTALLATION - RT535E (STANDARD BOOM)

Assembly No.
6376200785
Revision: #

Item	FN	Part	Qty	Description
160		7376007250	2	DECAL - DANGER BOOM NOT WALKWAY (ENGLISH)
161		7376001935	1	DECAL - BOOM ANGLE

Manitowoc Cranes



ITEM NOT SHOWN NBR. 20

80010008

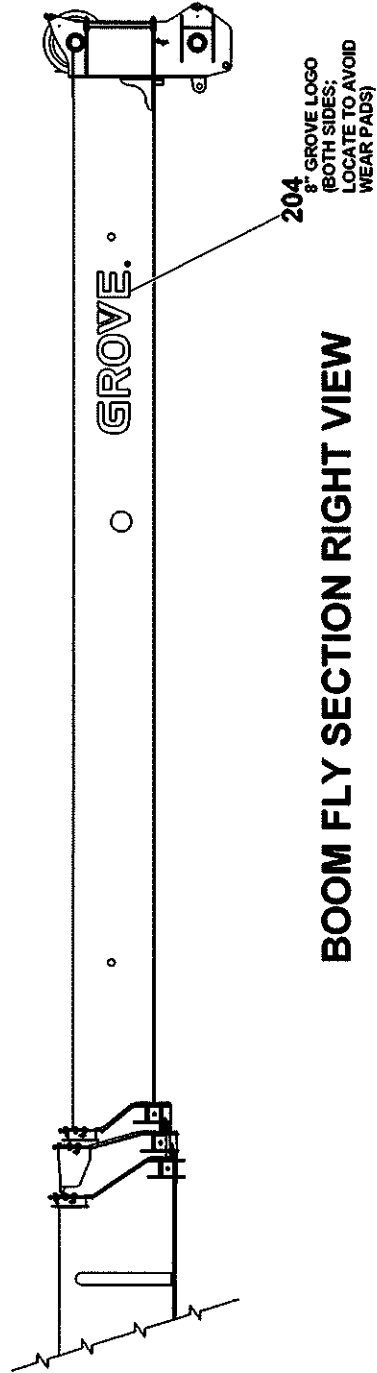
(SHEET 1 OF 1)

Manitowoc Cranes

Description
FENDER AND DECK INSTALLATION HOIST ACCESS

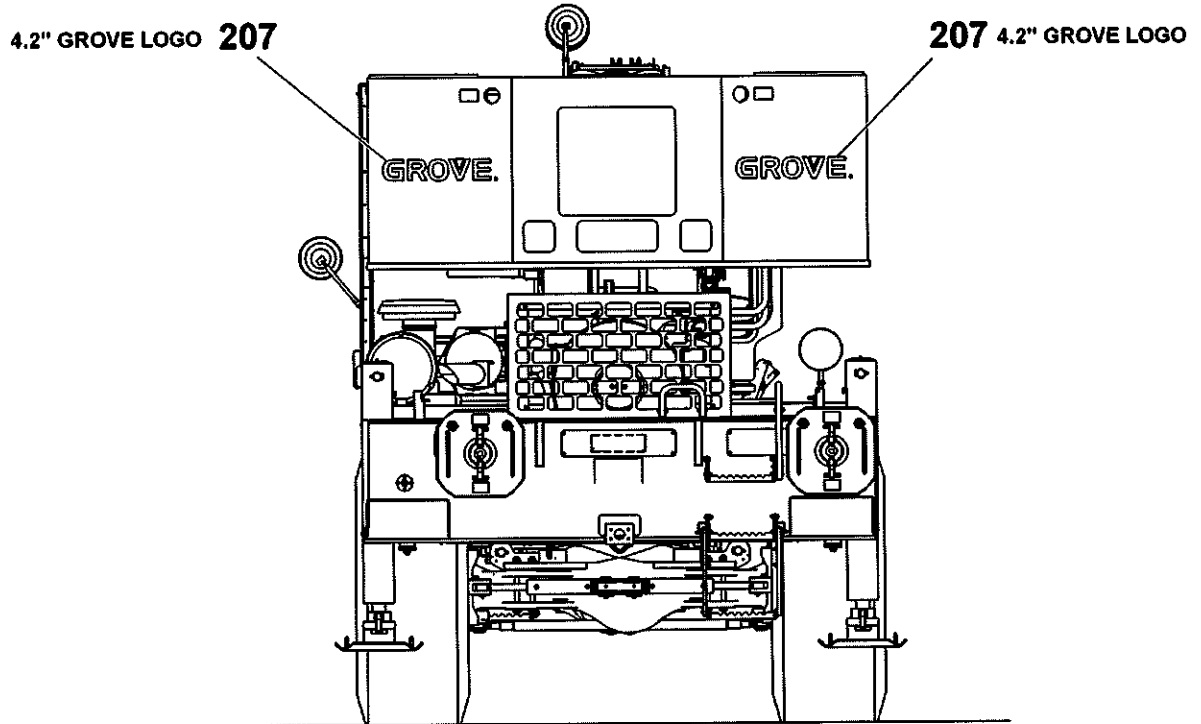
Assembly No.
80010008
 Revision: #

Item	FN	Part	Qty	Description
1		2159110174	1	FENDER, RIGHT HAND REAR INCLUDES THE FOLLOWING PARTS
		7662170100	3	WELD NUT, M8X1.25
2		2159110176	1	FENDER, RIGHT HAND FRONT INCLUDES THE FOLLOWING PARTS
		7662170100	3	WELD NUT, M8X1.25
3		80010000	1	REAR FENDER - LEFT HAND
4		2159110175	1	FRONT FENDER - LEFT HAND
5		4159110256	1	COVER, ACCESS
6		4159110267	4	STEP, TAPERED
7		4159110268	2	GUARD, MUD
8		4159110269	2	GUARD, MUD
9		4159110271	1	SUPPORT, FENDER
10		7126211353	34	CAP SCREW, M12 X 30 HEX HEAD
11		7950180161	34	FLAT WASHER, 1/2" I.D.
12		7950160161	114	WASHER, FLAT WIDE 3/8
13		7951190210	72	LOCK WASHER, 10MM
14		7126191350	60	CAP SCREW, M10X30 HEX HEAD
15		7661190003	66	NUT, HEX 10MM
16		7951210210	34	LOCK WASHER, 12MM I.D.
17		7659190020	4	NUT, RETAINING 8 X 1.25
18		7126171253	4	CAP SCREW, M8X25 HEX HEAD
19		7951170014	4	WASHER, FLAT #8
20		8496980002	7	MOULDING (QUANTITY IN FEET)
21		7126191450	12	CAP SCREW, M10 X 35MM HEX HEAD
22		7242000021	4	PLUG, 1" BUTTON



BOOM FLY SECTION RIGHT VIEW

Manitowoc Cranes

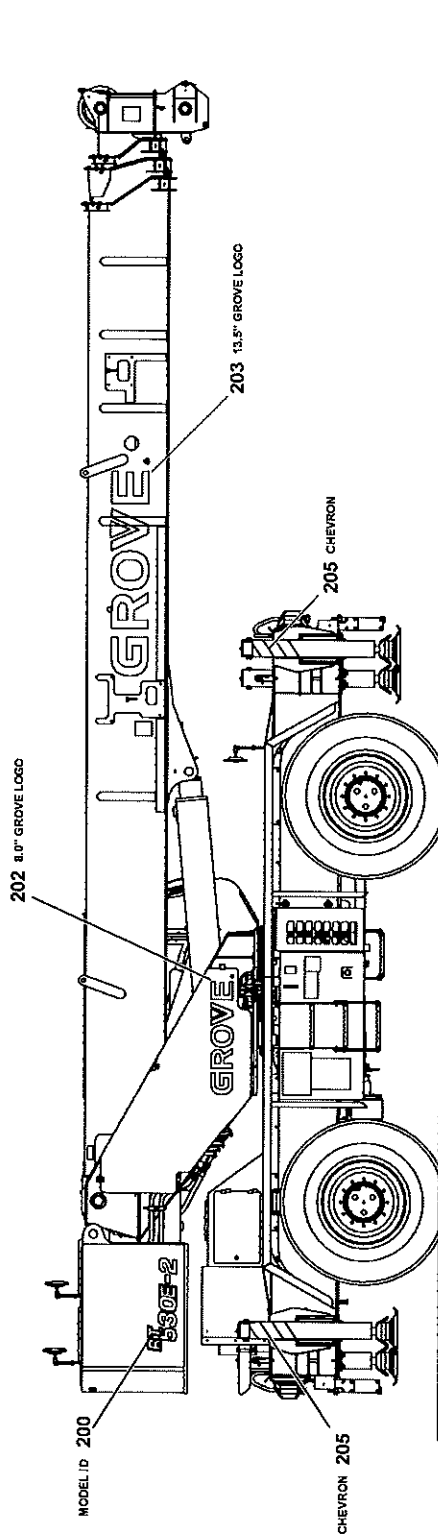


REAR VIEW

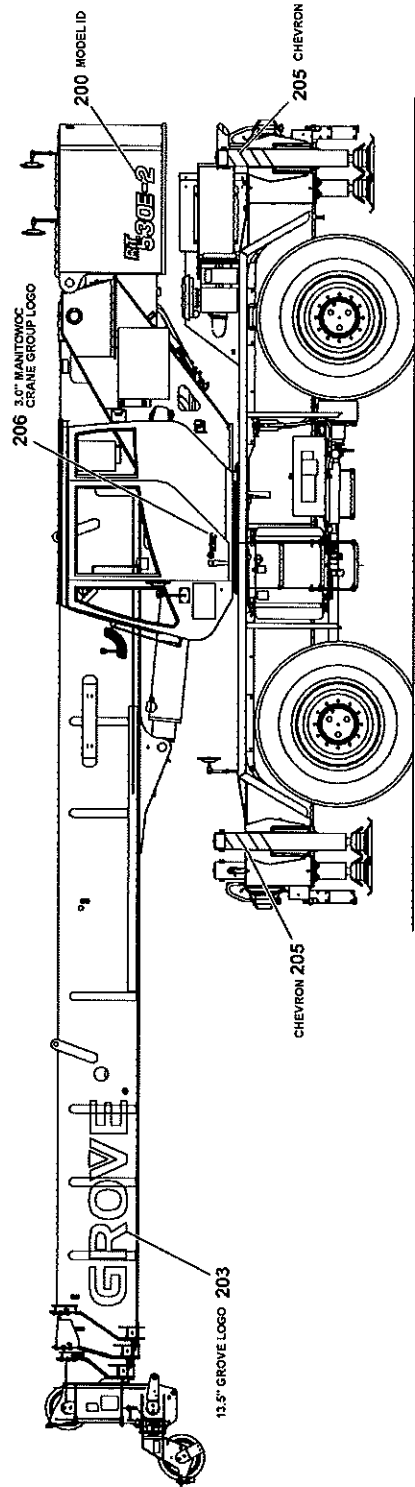
6376206950

(SHEET 2 OF 3)

Manitowoc Cranes



RIGHT VIEW



LEFT VIEW

NOTES:
1. LOCATE DECALS AND PLATES APPROXIMATELY AS SHOWN UNLESS OTHERWISE SPECIFIED.

Manitowoc Cranes

Description
DECAL INSTALLATION - RT530E2 (NOMENCLATURE)

Assembly No.
6376206950
Revision: #

Item	FN	Part	Qty	Description
200		7376102951	2	DECAL - RT530E-2
201		7376241052	1	DECAL - GROVE LOGO (GRAY WITH RED TRIANGLE)
202		7376241080	1	DECAL - GROVE LOGO (GRAY WITH RED TRIANGLE)
203		7376241135	2	DECAL - GROVE LOGO (GRAY WITH RED TRIANGLE)
204		7376221080	2	DECAL - GROVE LOGO (WHITE WITH RED TRIANGLE)
205		7376101141	4	DECAL - CHEVRON OUTRIGGER JACK
206		7376202030	1	DECAL - MANITOWOC CRANE GROUP LOGO 3" GRAY/RED
207		7376241042	2	DECAL - GROVE LOGO (GRAY WITH RED TRIANGLE)

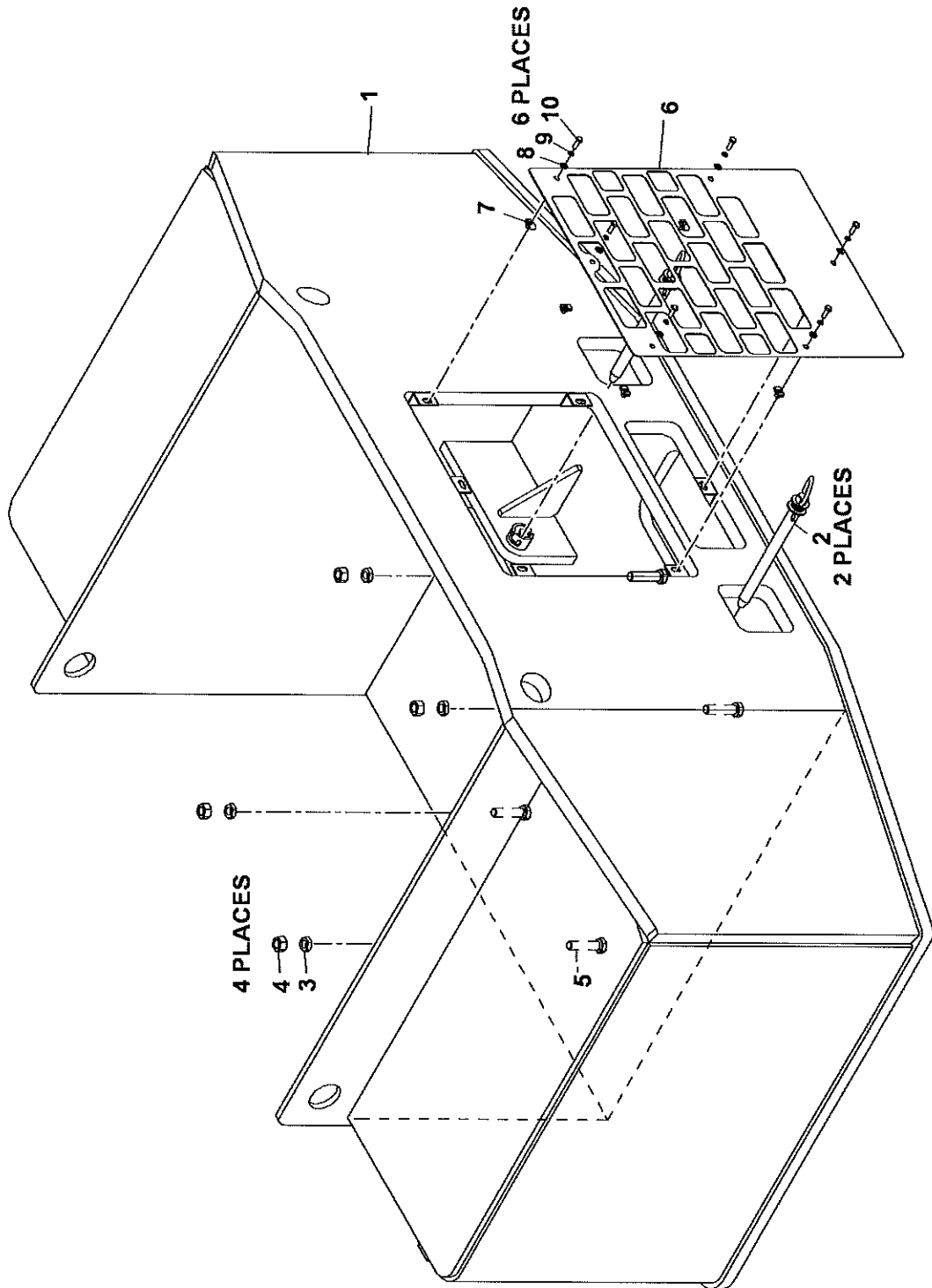
Manitowoc Cranes

Description
HOOD INSTALLATION - ENGINE

Assembly No.
2159810166
 Revision: **A**

Item	FN	Part	Qty	Description
1		2159810140	1	HOOD SECTION, REAR INCLUDES THE FOLLOWING PARTS
		7662190100	13	WELD NUT, M10X1.5
2		4159110294	1	COVER, RIGHT SIDE HOOD
3		4159110295	1	COVER, LEFT SIDE HOOD
4		4159110292	1	COVER, TRANSMISSION ACCESS
5		4159110282	1	COVER, TRANSMISSION ACCESS FRONT
6		4159810070	2	BAFFLE
7		8637054001	1	MOULDING (QUANTITY IN FEET)
8		4159110291	1	PANEL, DOOR
9		7519000198	2	HINGE, LEFT HAND NYLON LIFT OFF
10		7671100005	2	PAD
11		7585000184	1	LATCH, ARROWHEAD
12		7195000032	2	BUMPER, RUBBER
13		8246964300	5	MOULDING (QUANTITY IN FEET)
14		8496900046	5	MOULDING
15		8496980002	4	MOULDING (QUANTITY IN FEET)
16		7126191250	19	CAP SCREW, M10 X 25MM HEX HEAD
17		7950160161	23	WASHER, FLAT WIDE 3/8
18		7659190024	4	M10 X 1.50 RETAINING NUT
19		7951190210	15	LOCK WASHER, 10MM
20		7126171150	16	CAP SCREW, M8 X 20MM HEX HEAD
21		7951170014	16	WASHER, FLAT #8
22		7659190020	10	NUT, RETAINING 8 X 1.25
23		7950150161	6	WASHER, 5/16" FLAT PLAIN WIDE
24		7661170003	6	NUT
25		7661190003	6	NUT, HEX 10MM
26		7950140050	8	WASHER, LOCK 1/4"
27		7111140410	4	SCREW, MACHINE 1/4" - 20 N.C. X 1/2" GRADE 1
28		7111140610	4	SCREW, MACHINE 1/4" - 20 N.C. X 3/4" GRADE 1

Manitowoc Cranes



2159210241

(SHEET 1 OF 1)

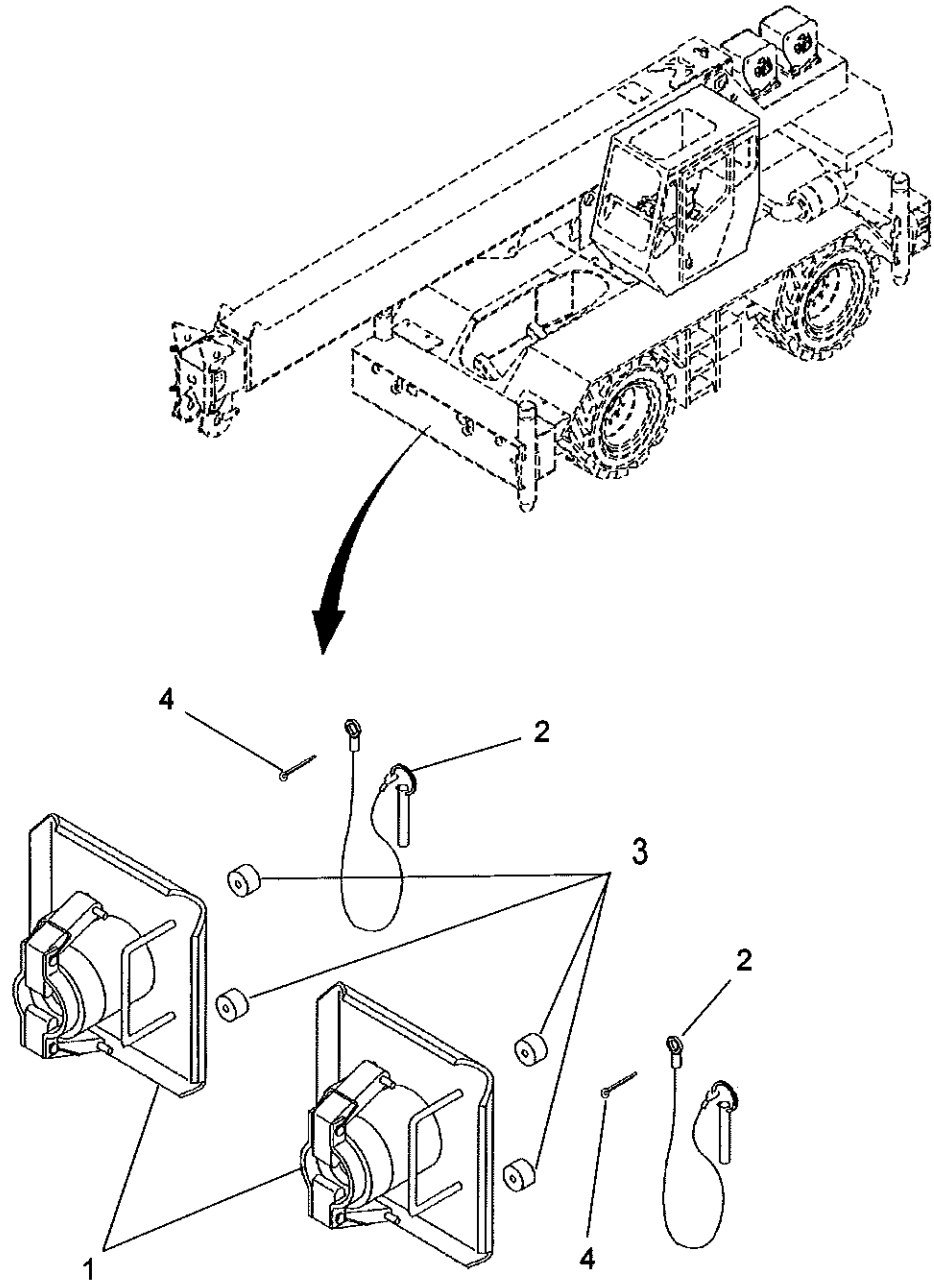
Manitowoc Cranes

Description
COUNTERWEIGHT INSTALLATION - (C.E. CONFORMITY)

Assembly No.
2159210241
 Revision: **A**

Item	FN	Part	Qty	Description
1		6051105003	1	COUNTERWEIGHT, 3810 KG
2		2150200656	2	PIN ASSEMBLY INCLUDES THE FOLLOWING PARTS
		7690143644	1	PIN, ROLL
		7949000360	1	WASHER, 1" I.D.
		7834000786	1	SPRING
3		7126272353	4	CAP SCREW, M20 X 80MM HEX HEAD
4		7661270003	4	NUT, HEX M20
5		7661270103	4	NUT
6		4159210191	1	GRILL
7		7659190020	6	NUT, RETAINING 8 X 1.25
8		7951170014	6	WASHER, FLAT #8
9		7951170210	6	WASHER, LOCK 8MM
10		7126171253	6	CAP SCREW, M8X25 HEX HEAD

Manitowoc Cranes



2159110157

(SHEET 1 OF 1)

Page 298

Manitowoc Cranes

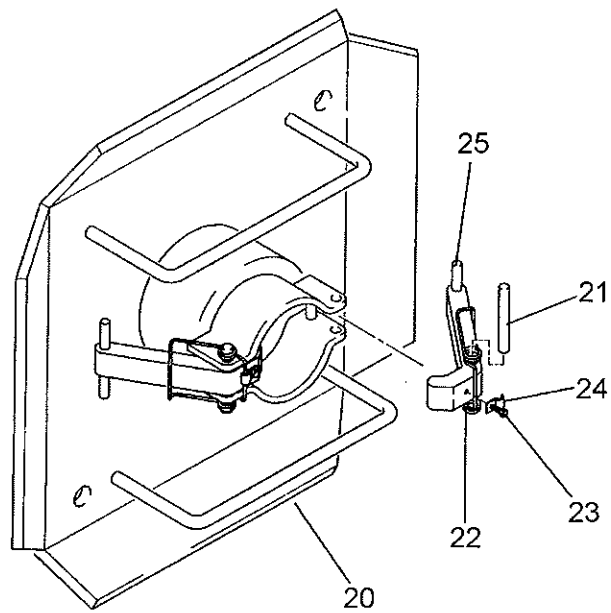
Description
FLOAT INSTALLATION - OUTRIGGER

Assembly No.
2159110157
 Revision: #

Item	FN	Part	Qty	Description
1	+	6458100000	4	FLOAT ASSEMBLY - OUTRIGGER (COMPLETE ASSEMBLY)
2		7689100034	8	PIN, QUICK WITH (LANYARD)
3		7195000037	8	BUMPER, RUBBER
4		7690082010	8	PIN, COTTER

+ SEE FURTHER BREAKDOWN THIS GROUP

Manitowoc Cranes



6458100000

(SHEET 1 OF 1)

Page 300

Manitowoc Cranes

Description
FLOAT ASSEMBLY - OUTRIGGER (COMPLETE ASSEMBLY)

Assembly No.
6458100000
Revision: **A**

Item	FN	Part	Qty	Description
20		6458100001	1	FLOAT, OUTRIGGER
21		7690164845	2	PIN, ROLL 3/8" X 3"
22		7834000120	2	SPRING
23		7790100653	2	SCREW, SELF-TAPPING
24		7300000056	2	CLAMP
25		6593000137	2	LEVER

Manitowoc Cranes

Notes

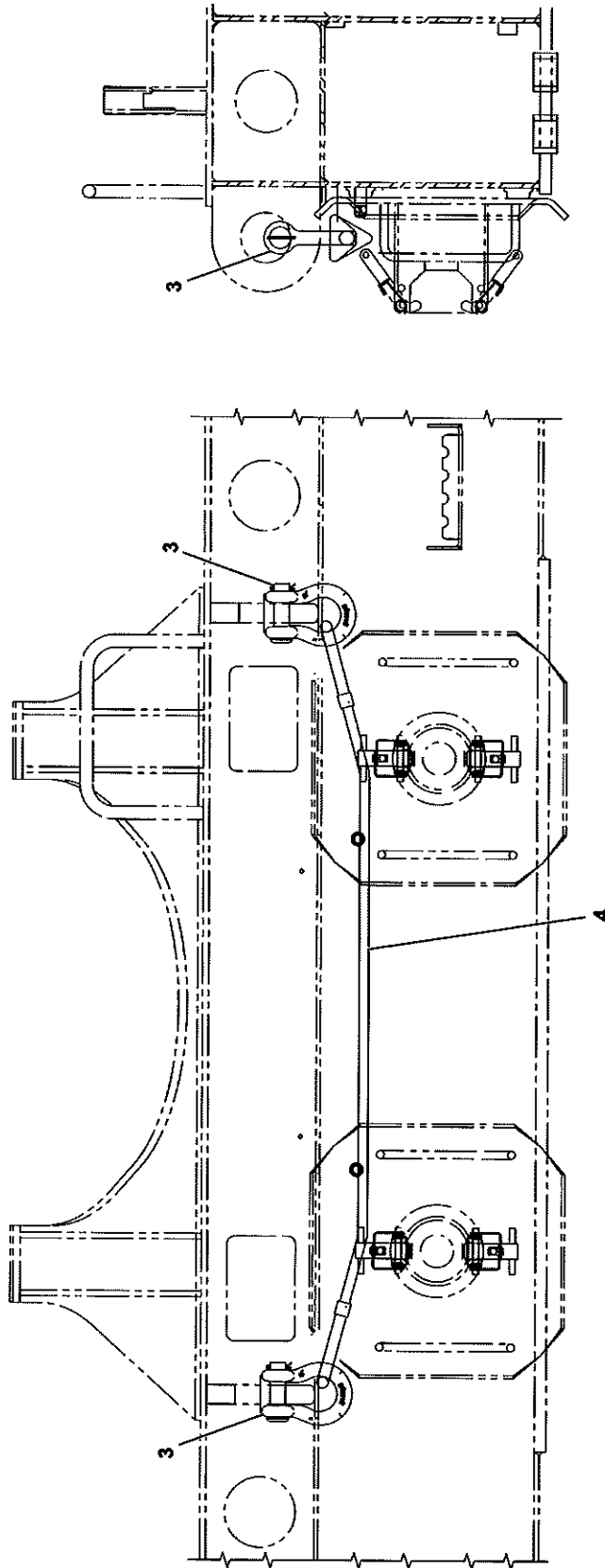
Manitowoc Cranes

Description
LIGHTS INSTALLATION - EXTERIOR (DOMESTIC)
(FOR REFERENCE ONLY)

Assembly No.
2159110262
Revision: #

Item	FN	Part	Qty	Description
300		7581001361	4	LIGHT ASSY, WORK INCLUDES THE FOLLOWING PARTS
		9581100396	1	BULB, HALOGEN
301		7581100048	2	LIGHT, STOP/TURN/TAIL LED RED INCLUDES THE FOLLOWING PARTS
		9581100461	1	GROMMET, RUBBER
		7364100051	1	PLUG
302		7581100050	2	LIGHT, YELLOW REAR TURN (WITH GROMMET) INCLUDES THE FOLLOWING PARTS
		9581100461	1	GROMMET, RUBBER
		7364100051	1	PLUG
303		4159110314	4	BRACKET, HEAD/TAIL LIGHT
304		7126171253	8	CAP SCREW, M8X25 HEX HEAD
305		7951170014	8	WASHER, FLAT #8
306		7951170210	8	WASHER, LOCK 8MM
307		7661170003	8	NUT

Manitowoc Cranes



FRONT O/R BOX

2159110098

(SHEET 1 OF 1)

Page 304

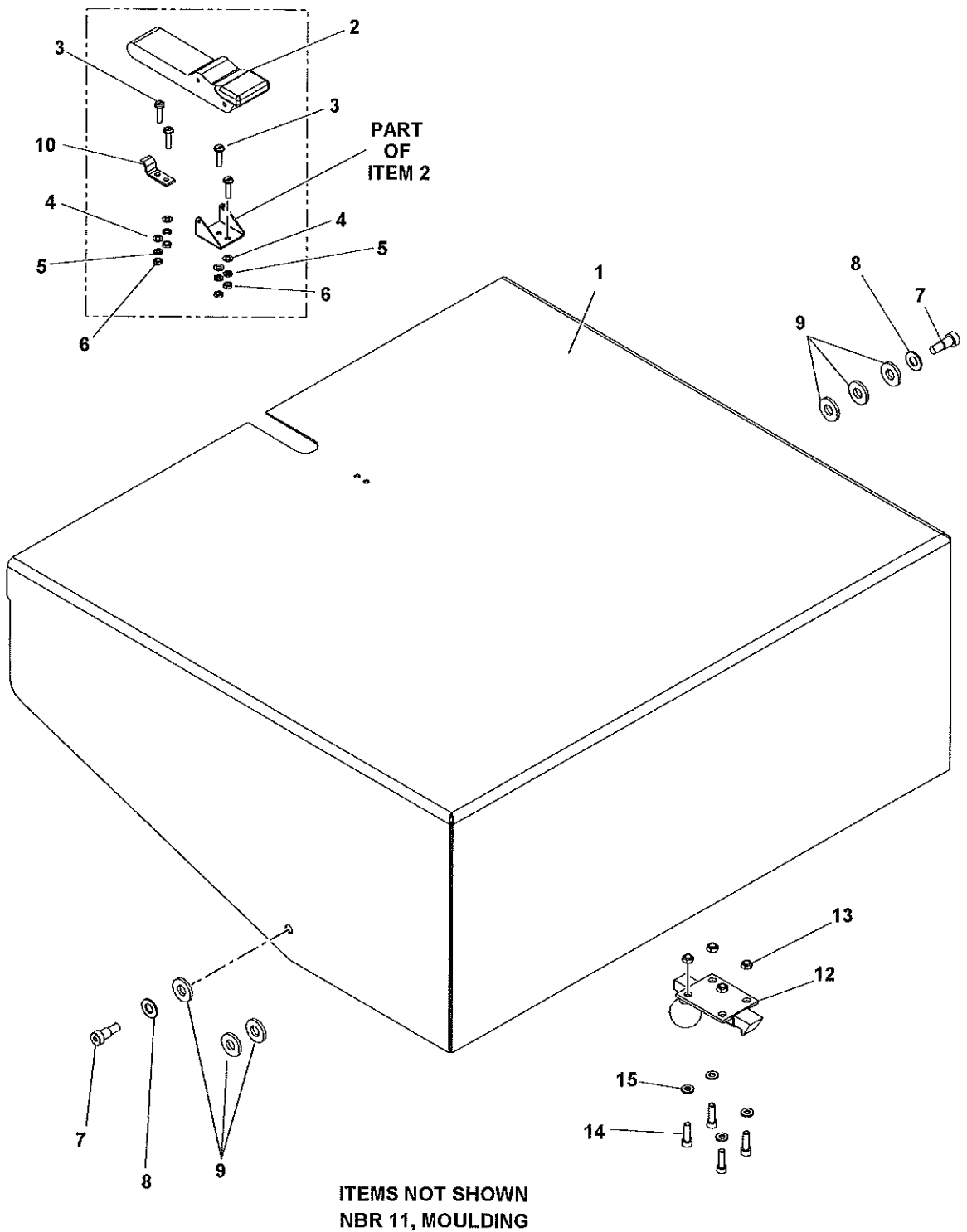
Manitowoc Cranes

Description
TIE DOWN INSTALLATION - HOOK BLOCK

Assembly No.
2159110098
 Revision: **B**

Item	FN	Part	Qty	Description
3		7806100006	2	SHACKLE, 7/8" GALVANIZED
		9086101063	1	INCLUDES THE FOLLOWING PARTS PIN & COTTER
4		7780100877	1	SLING, 5FT X 5/8 WIRE ROPE

Manitowoc Cranes



2159810191

(SHEET 1 OF 1)

Manitowoc Cranes

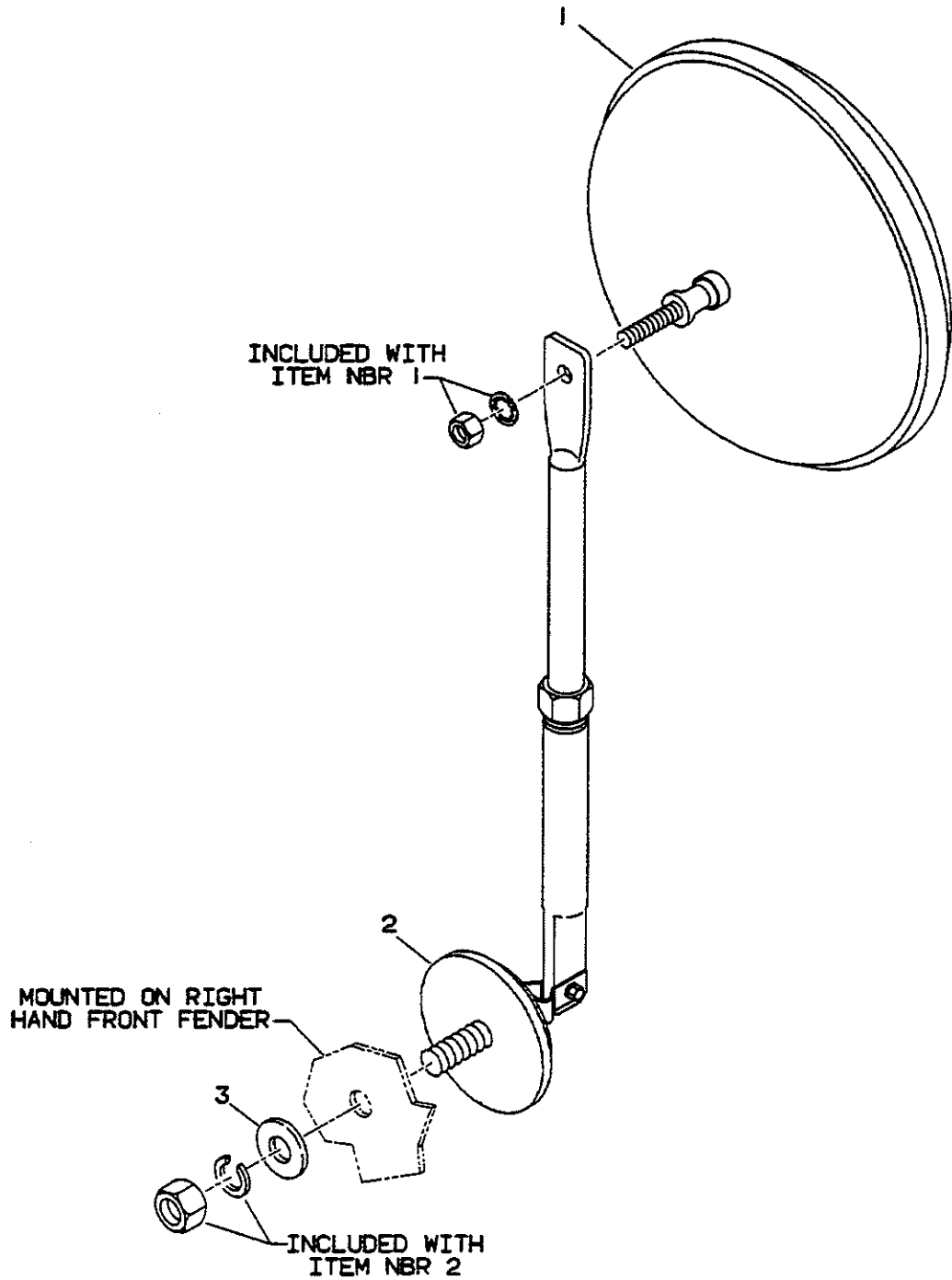
Description
COVER INSTALLATION-BATTERY BOX

Assembly No.
2159810191
Revision: B

Item	FN	Part	Qty	Description
1		4159810085	1	COVER, BATTERY BOX
2		7585000812	1	DRAW LATCH
		9585100055	1	INCLUDES THE FOLLOWING PARTS KEEPER
3		7121131101	4	MACHINE SCREW, M5X20 SLOTTED
4		7951130014	4	F WASHER 5
5		7951130210	4	LOCKWASHER, 5MM I.D.
6		7661130103	4	NUT
7		7099100020	2	SCREW, SOCKET HD 5/16 X 1/2" LG
8		7950160141	2	WASHER, 3/8" PLAIN NARROW
9		7949000561	6	WASHER, .450 I.D. NYLON FLAT
10		6184100054	1	BRACKET, LATCH
11		8496980002	7	MOULDING (QUANTITY IN FEET)
12	#	6585100018	1	LATCH ASSY
13		7661151103	4	NUT 6MM
14		80014955	4	SHCS M6x20 -8.8 ISO 4762
15		7951150014	4	WASHER, 6MM I.D.

SERVICED AS AN ASSEMBLY ONLY

Manitowoc Cranes



2159100686

(SHEET 1 OF 1)

Manitowoc Cranes

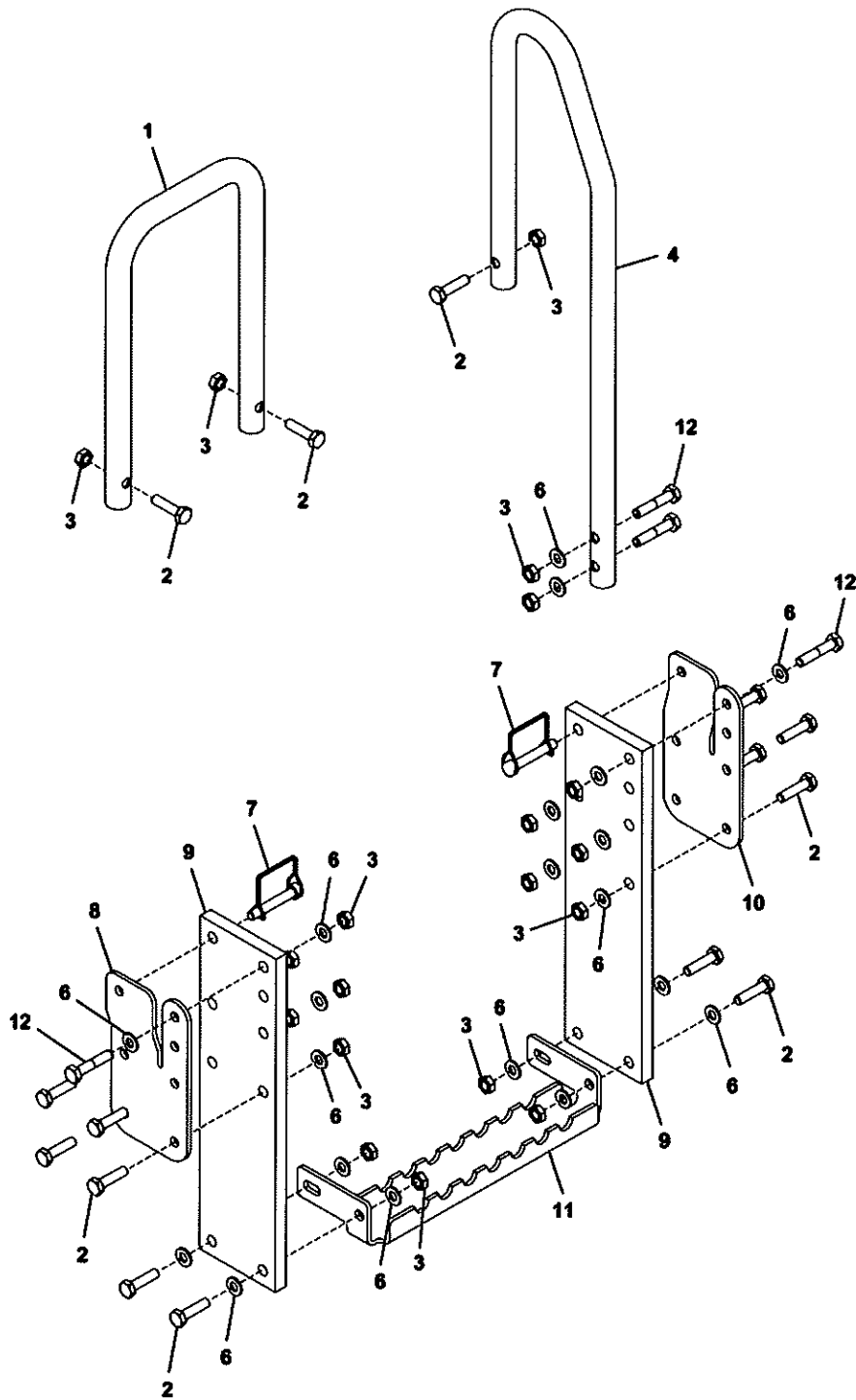
Description
MIRROR INSTALLATION - REAR VIEW

Assembly No.
2159100686
Revision: #

Item	FN	Part	Qty	Description
1	#	7628000025	1	MIRROR, 8" CONVEX INCLUDES MOUNTING HARDWARE
2	#	7184001014	1	BRACKET, MIRROR ARM INCLUDES MOUNTING HARDWARE
3		7950180141	1	WASHER, FLAT 1/2"

SERVICED AS AN ASSEMBLY ONLY

Manitowoc Cranes



TYPICAL FOR FRONT AND REAR OUTRIGGER BOXES

ITEM NOT SHOWN
NBR. 5

2159110216

(SHEET 1 OF 1)

Page 310

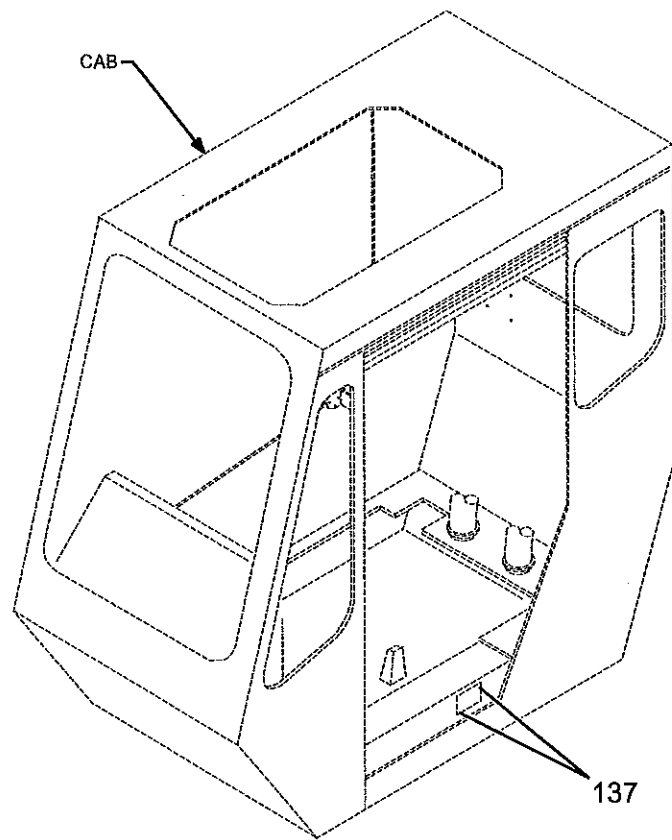
Manitowoc Cranes

Description
STEP INSTALLATION

Assembly No.
2159110216
Revision: **B**

Item	FN	Part	Qty	Description
1		4159110364	2	HANDLE, GRAB
2		7126191550	30	CAP SCREW, M10 X 40MM HEX HEAD
3		7661191103	38	LOCKNUT
4		4159110343	2	HANDLE, GRAB
5		7126191353	16	CAP SCREW, M10 X 30MM HEX HEAD
6		7951190014	44	FLAT WASHER, 10MM I.D.
7		7689001756	4	PIN
8		4197110295	2	PLATE, STEP INNER
9		7418100011	4	EXTENSION, STEP
10		4197110296	2	PLATE, STEP OUTER
11		4159110250	2	STEP
12		7126191750	8	CAP SCREW, M10 X 50MM HEX HEAD

Manitowoc Cranes



Manitowoc Cranes

Description
HARDWARE KIT - DECAL

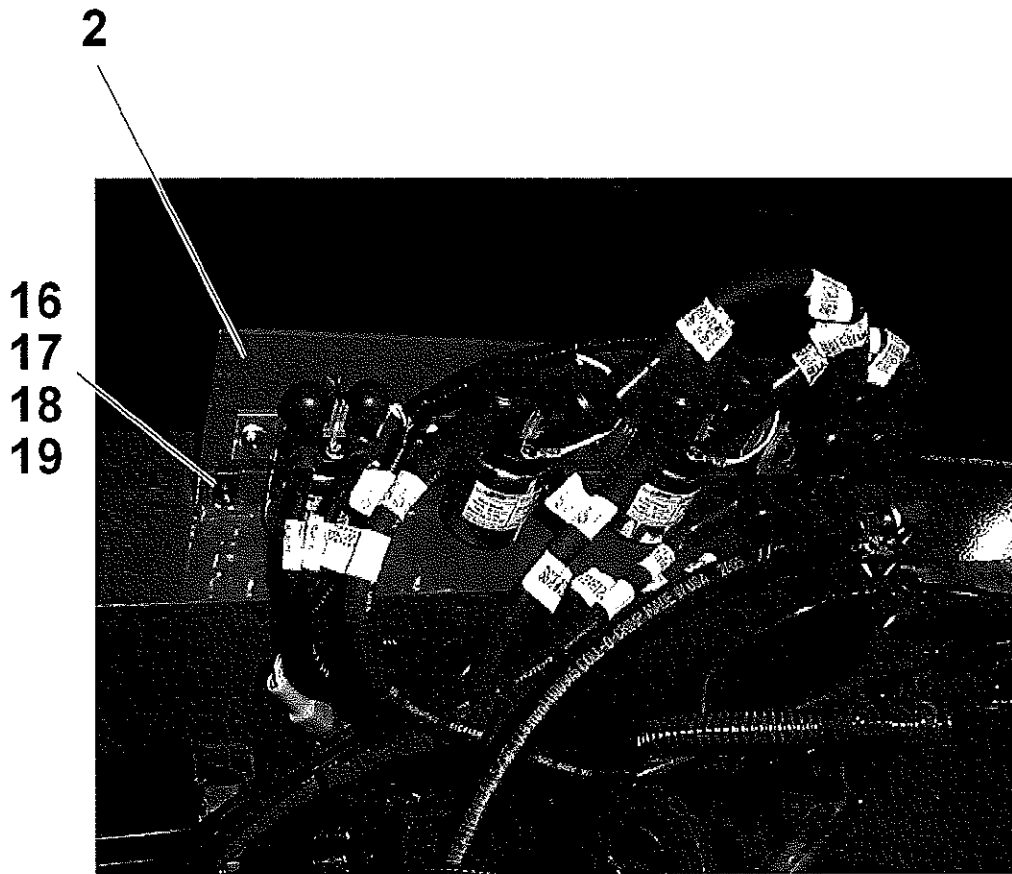
Assembly No.
6376100272
Revision: **A**

Item	FN	Part	Qty	Description
137		7760000011	4	RIVET, POP

Manitowoc Cranes

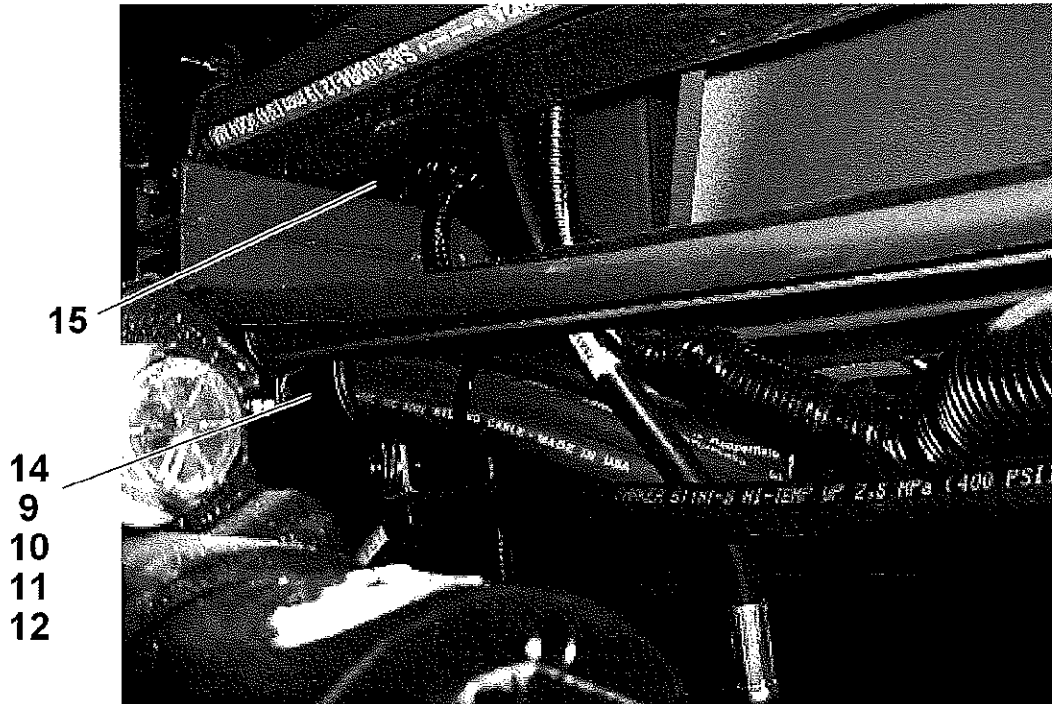
Notes

Manitowoc Cranes

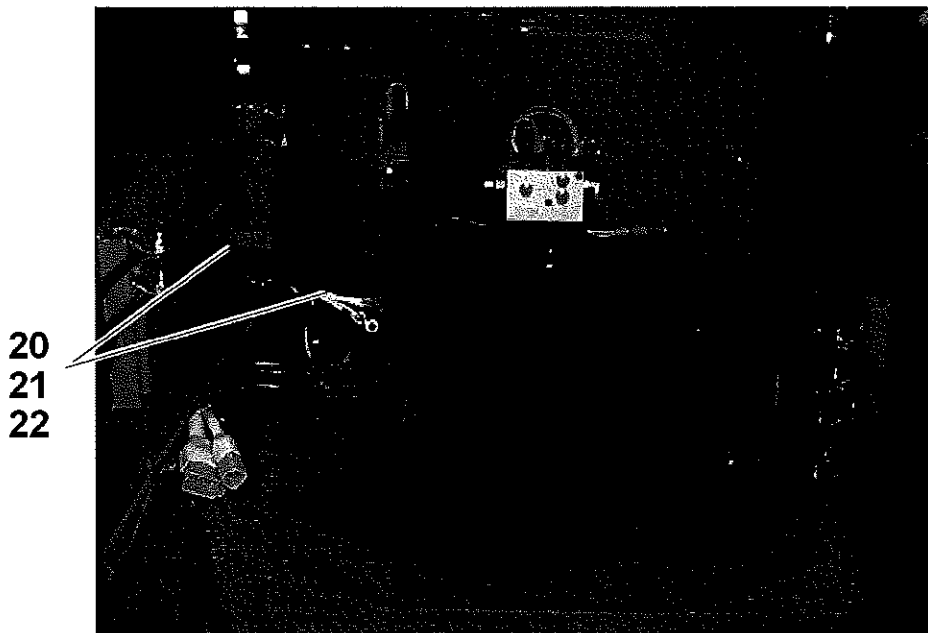


RIGHT SIDE ENGINE

Manitowoc Cranes



REAR CENTER

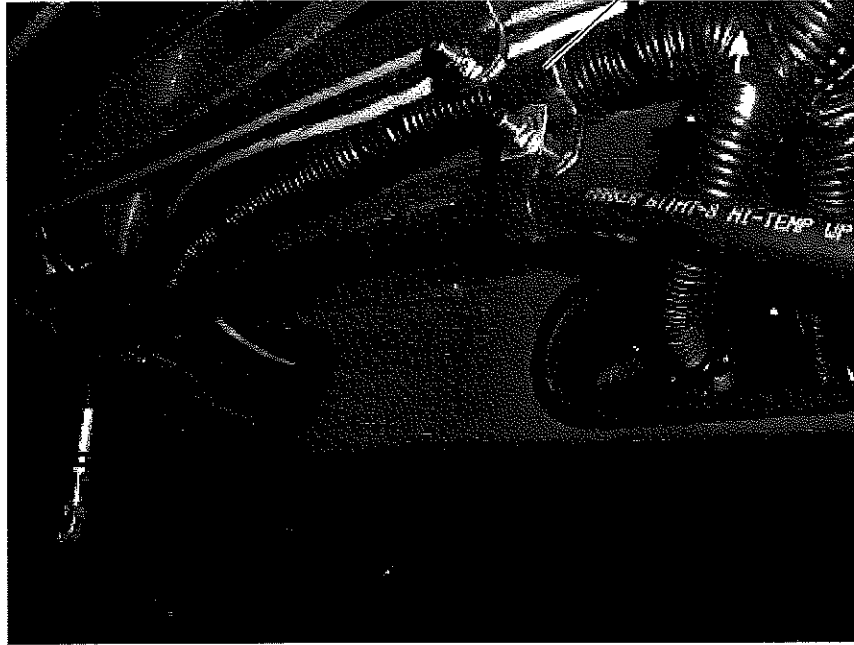


REAR CROSS MEMBER

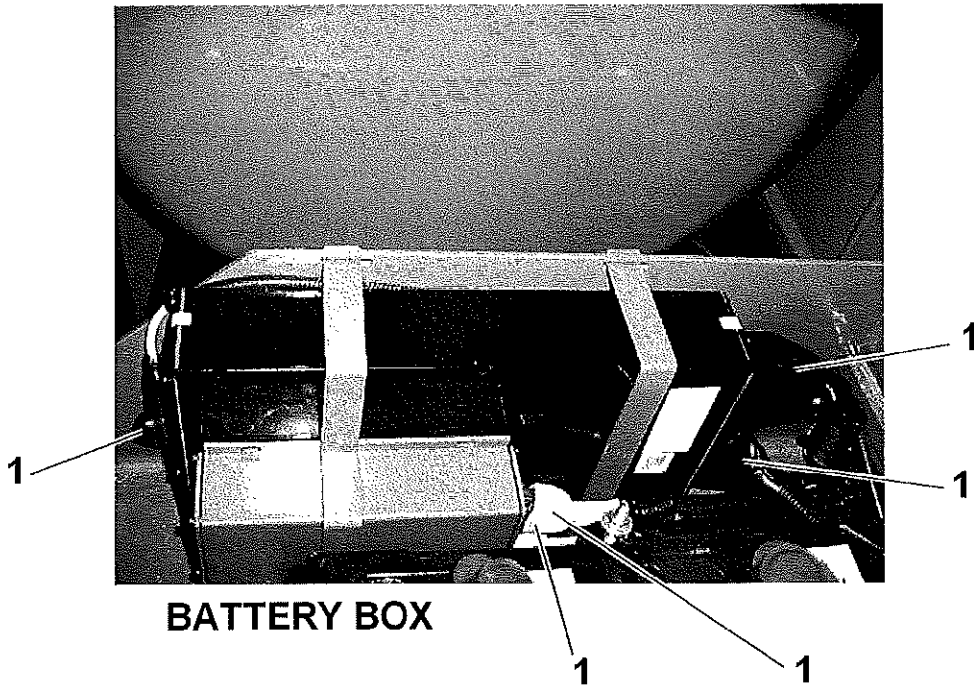
ITEMS NOT SHOWN
NBR 4 CABLE TIE
NBR 13 CABLE

Manitowoc Cranes

23

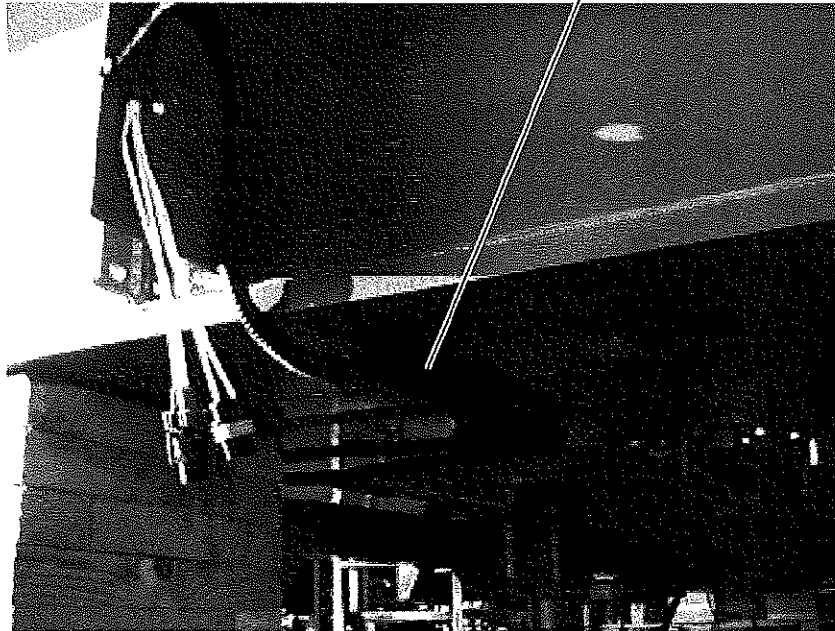


SWIVEL AREA



BATTERY BOX

Manitowoc Cranes



LEFT FRONT



SWIVEL AREA

Manitowoc Cranes

Description				Assembly No.
ELECTRICAL SYSTEM INSTALLATION - CARRIER (RT540E/RT530E2)				6978100997
				Revision: #
Item	FN	Part	Qty	Description
1	+	6512101096	1	HARNESS ASSEMBLY - CARRIER (COMPLETE ASSEMBLY)
2	+	6679100157	1	PANEL ASSEMBLY - ENGINE RELAYS (COMPLETE ASSEMBLY)
3		7025000836	1	ALARM, BACK-UP INCLUDES THE FOLLOWING PARTS
		7172000546	1	BOOT
		7689000704	2	PIN, 16 - 14 GA
4		7850000237	100	TIE, CABLE (BLACK) 7 5/16" LONG
5		7126151153	2	CAP SCREW, M6X20 HEX HEAD
6		7951150210	2	LOCKWASHER, 6MM I.D.
7	#	7661150003	2	NUT, HEX
8		7950140161	2	WASHER, 1/4" I.D. FLAT WIDE
9		7111040410	4	SCREW, MACHINE 7/64" - 40 N.C. X 1/2" GRADE 1
10		7950040141	4	WASHER, 7/64" I.D.
11		7950040050	4	LOCKWASHER, 7/64" I.D.
12		7660041100	4	NUT, HEX 7/64" - 40 N.C. GRADE 1
13		7246002555	1	CABLE ASSY
14		7300000408	1	CLAMP, TUBING
15		7300000404	1	CLAMP, 1" TUBING
16		7126151153	3	CAP SCREW, M6X20 HEX HEAD
17		7950140161	3	WASHER, 1/4" I.D. FLAT WIDE
18		7951150210	3	LOCKWASHER, 6MM I.D.
19		7659190019	3	NUT, RETAINING M6
20		7115161050	2	CAP SCREW, 3/8" - 16 N.C. X 1 1/4" GRADE 5
21		7660160000	2	NUT, HEX 3/8" - 16 N.C.
22		7950160350	4	WASHER, LOCK 3/8" I.D.
23		7300000406	1	CLAMP, TUBING

+ SEE FURTHER BREAKDOWN THIS GROUP

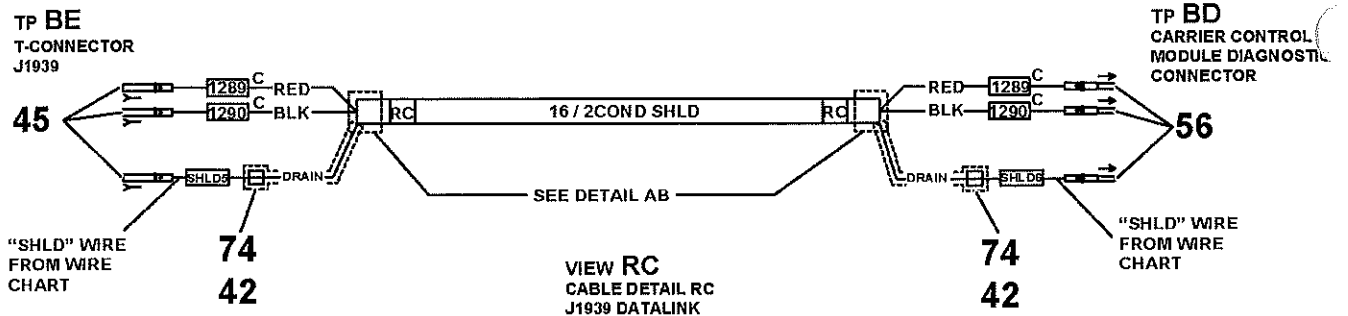
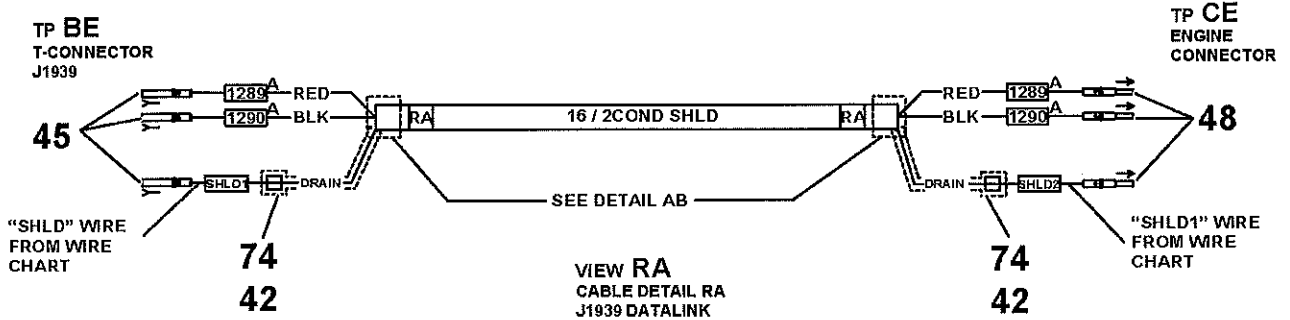
SERVICED AS AN ASSEMBLY ONLY

Manitowoc Cranes

Notes

Manitowoc Cranes

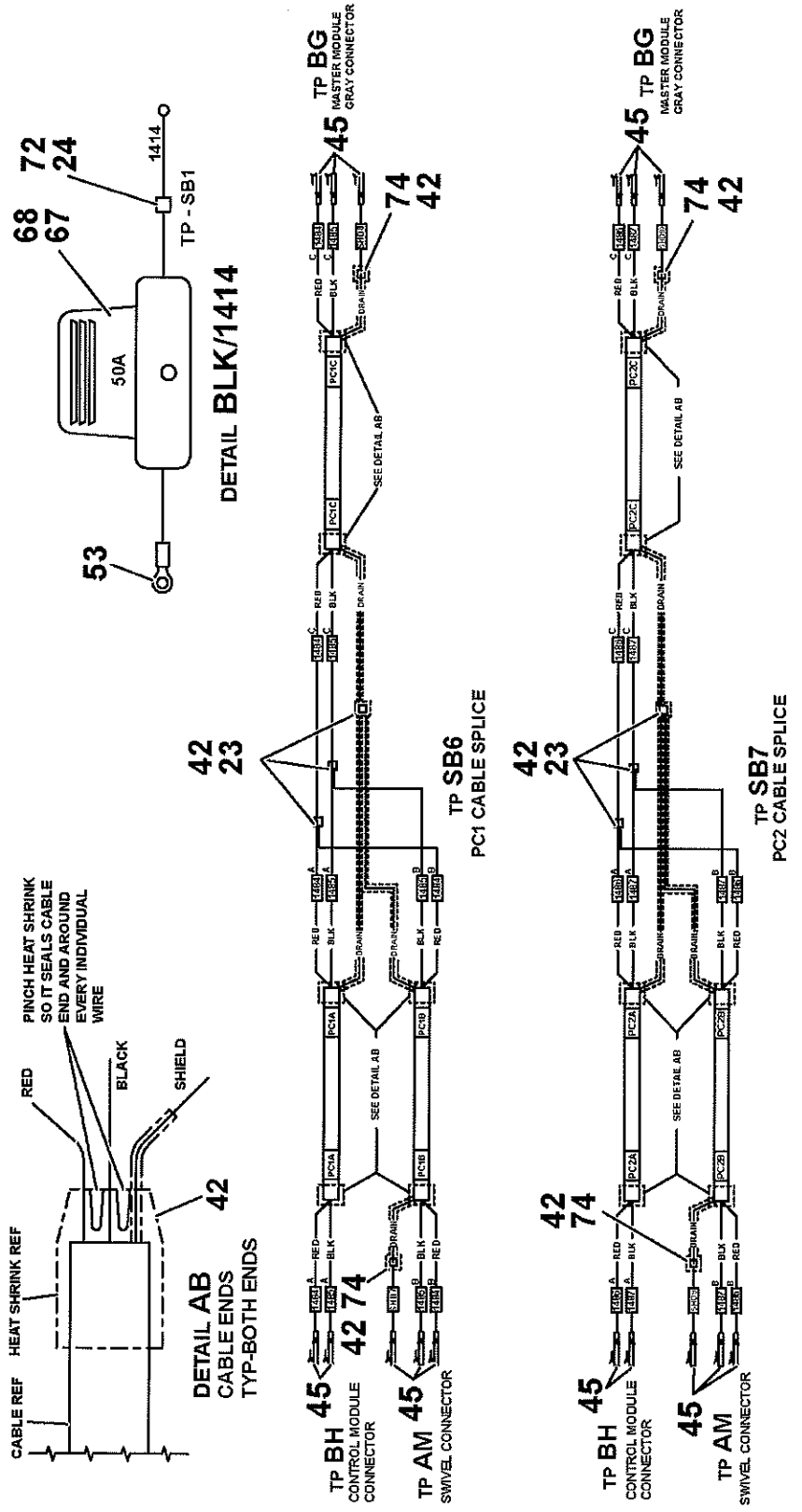
WIRE NUMBER LABELS FOR USE ON CABLE ASSYS										
WIRE NO	CONDUCTOR COLOR	SAE SIZE	LENGTH		CABLE ASSY	TP	REMARKS	TP	REMARKS	LABELS REQ'D
			TOT	IN						
1289A	RED	10	5		RA	BE	USE INSUL	CE	USE INSUL	2
1289B	RED	10	5		RB	BF	USE INSUL	SB2	USE INSUL	2
1289C	RED	10	5		RC	BE	USE INSUL	BD	USE INSUL	2
1289D	RED	10	5		RB	AM	USE INSUL	SB2	USE INSUL	2
1289E	RED	10	5		RB	BE	USE INSUL	SB2	USE INSUL	2
1290A	BLK	10	5		RA	BE	USE INSUL	CE	USE INSUL	2
1290B	BLK	10	5		RB	BF	USE INSUL	SB2	USE INSUL	2
1290C	BLK	10	5		RC	BE	USE INSUL	BD	USE INSUL	2
1290D	BLK	10	5		RB	AM	USE INSUL	SB2	USE INSUL	2
1290E	BLK	10	5		RB	BE	USE INSUL	SB2	USE INSUL	2
1323A	RED	10	5		RS	BF	USE INSUL	BD	USE INSUL	2
1324A	BLK	10	5		RS	BF	USE INSUL	BD	USE INSUL	2



Manitowoc Cranes

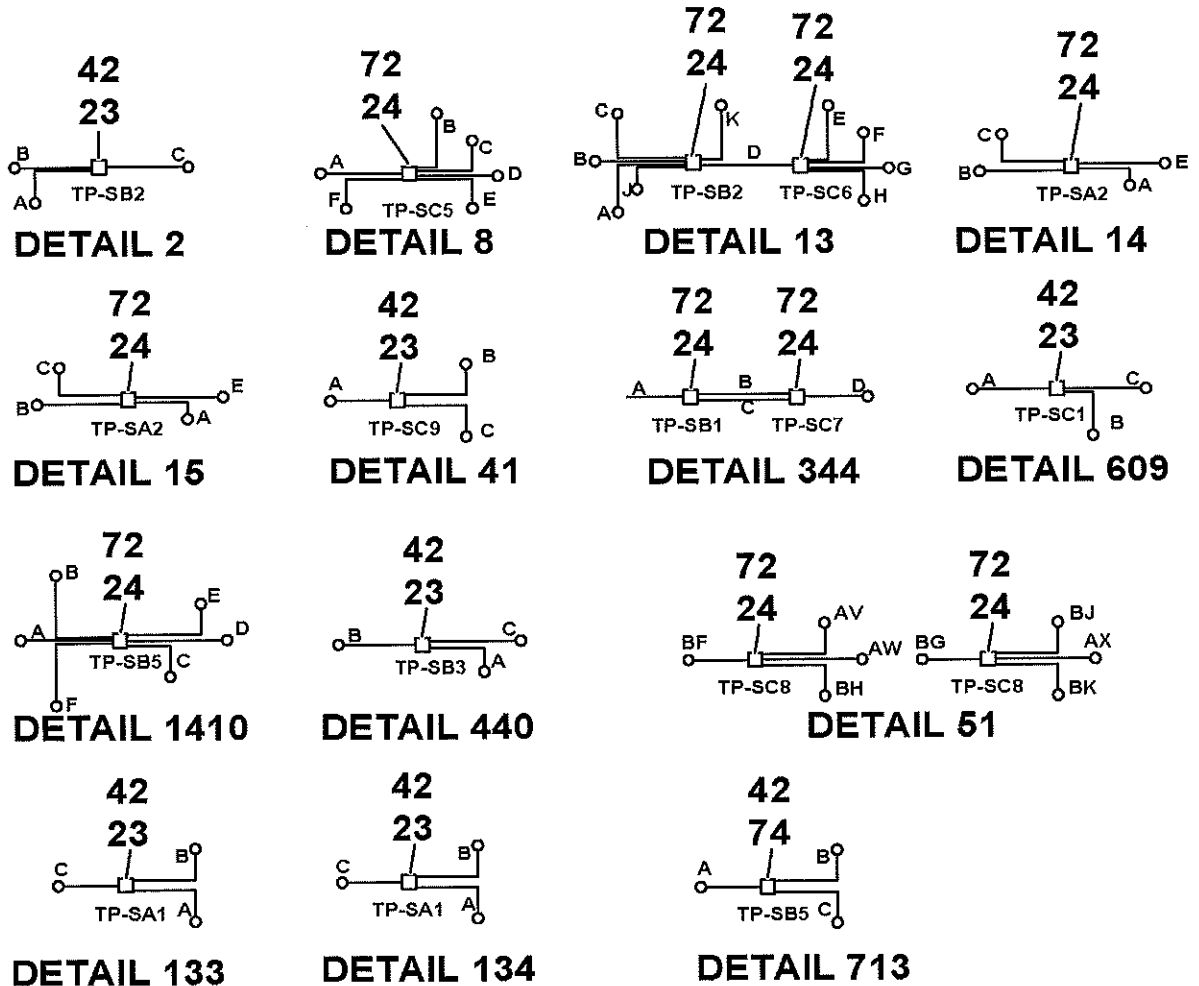
WIRE NUMBER LABELS FOR USE ON CABLE ASSYS

WIRE NO	CONDUCTOR COLOR	SAE SIZE	LENGTH TOT IN	CABLE ASSY	TP	REMARKS	TP	REMARKS	LABELS REQ'D
1484A	RED	10	5	PC1A	BH	USE INSUL	SB6	USE INSUL	2
1484B	RED	10	5	PC1B	AM	USE INSUL	SB6	USE INSUL	2
1484C	RED	10	5	PC1C	BG	USE INSUL	SB6	USE INSUL	2
1485A	BLK	10	5	PC1A	BH	USE INSUL	SB6	USE INSUL	2
1485B	BLK	10	5	PC1B	AM	USE INSUL	SB6	USE INSUL	2
1485C	BLK	10	5	PC1C	BG	USE INSUL	SB6	USE INSUL	2
1486A	RED	10	5	PC2A	BH	USE INSUL	SB7	USE INSUL	2
1486B	RED	10	5	PC2B	AM	USE INSUL	SB7	USE INSUL	2
1486C	RED	10	5	PC2C	BG	USE INSUL	SB7	USE INSUL	2
1487A	BLK	10	5	PC2A	BH	USE INSUL	SB7	USE INSUL	2
1487B	BLK	10	5	PC2B	AM	USE INSUL	SB7	USE INSUL	2
1487C	BLK	10	5	PC2C	BG	USE INSUL	SB7	USE INSUL	2



Manitowoc Cranes

WIRE NO	COLOR		SAE SIZE	LENGTH		TP	B/M ITEM NO	REMARKS	TP	B/M ITEM NO	REMARKS
				TOT	IN						
SHLD11	WHT	GXL	16	4		BE	STRIP	SEE CABLE RB	BE	STRIP	SEE CABLE PB
AE7			16	6		AE	49	---	---	SEE NOTE 8	---
AM1			16	8		AM	48	---	---	SEE NOTE 8	---
AM4			16	8		AM	48	---	---	SEE NOTE 8	---
AM5			16	8		AM	48	---	---	SEE NOTE 8	---
BPA			16	8		BP	49	---	---	SEE NOTE 8	---
CD10			16	6		CD	49	---	---	SEE NOTE 8	---
CD11			16	6		CD	49	---	---	SEE NOTE 8	---
CD12			16	6		CD	49	---	---	SEE NOTE 8	---
CE1			12	8		CE	75	---	---	SEE NOTE 8	---
CE2			16	9		CE	48	---	---	SEE NOTE 8	---
CE3			16	9		CE	48	---	---	SEE NOTE 8	---
CE4			16	9		CE	48	---	---	SEE NOTE 8	---
CM1			16	7		CM	48	---	---	SEE NOTE 8	---
CN1			16	7		CN	48	---	---	SEE NOTE 8	---
CP6			16	8		CP	49	---	---	SEE NOTE 8	---
CP12	WHT	GXL	16	8		CP	49	---	---	SEE NOTE 8	---



Manitowoc Cranes

WIRE NO	COLOR		SAE SIZE	LENGTH		TP	B/M ITEM NO	REMARKS	TP	B/M ITEM NO	REMARKS
				TOT	IN						
134C	WHT	GXL	18	74		AC	13,14	---	SA1	STRIP	SEE DETAIL
343			18	97		BH	45	---	CE	48	---
344A			12	5		SB1	STRIP	SEE DETAIL	BA	STRIP	NOTE 5
344B			12	63		SB1	STRIP	SEE DETAIL	SC7	STRIP	SEE DETAIL
344C			12	63		SB1	STRIP	SEE DETAIL	SC7	STRIP	SEE DETAIL
344D			12	8		CE	75	---	SC7	STRIP	SEE DETAIL
367			18	97		BH	49	---	CE	48	---
368			18	97		BH	49	---	CE	48	---
371			18	97		BH	49	---	CE	48	---
440A			18	25		BH	45	---	SB3	STRIP	SEE DETAIL
440B			18	95		AF	36,37	---	SB3	STRIP	SEE DETAIL
440C			18	102		CA	36,37	---	SB3	STRIP	SEE DETAIL
504			18	78		BH	49	---	BK	49	---
530			18	90		BP	49	---	BH	49	---
609A			18	87		BH	49	---	SC1	STRIP	SEE DETAIL
609B			18	10		CE	48	---	SC1	STRIP	SEE DETAIL
609C			18	96		CC	49	---	SC1	STRIP	SEE DETAIL
631			18	98		BH	49	---	BJ	49	---
713A			18	44		BH	45	---	SB5	STRIP	SEE DETAIL
713B			18	29		BL	49	---	SB5	STRIP	SEE DETAIL
713C			18	29		BL	49	---	SB5	STRIP	SEE DETAIL
787			18	78		BH	49	---	BK	49	---
792			18	105		BH	49	---	AL	49	---
793			18	105		BH	49	---	AL	49	---
842			18	130		BH	45	---	CB	51	---
1253	WHT	GXL	16	33		BA	STRIP	NOTE 9	BD	48	---
1274	YEL	SXL	6	56		AM	20	---	BC	25	---
1280	WHT	GXL	16	81		CE	48	---	BM	45	---
1299			16	81		CE	48	---	BM	45	---
1358A			12	8		BA	STRIP	NOTE 5	BA	41	---
1358B			14	8		BA	STRIP	NOTE 5	BA	92	---
1358C			16	8		BA	STRIP	NOTE 9	BA	92	---
1410A			16	45		BH	49	---	SB5	STRIP	SEE DETAIL
1410B			18	117		AF	36,37	---	SB5	STRIP	SEE DETAIL
1410C			18	31		BK	49	---	SB5	STRIP	SEE DETAIL
1410D			18	85		CB	51	---	SB5	STRIP	SEE DETAIL
1410E			18	80		CA	36,37	---	SB5	STRIP	SEE DETAIL
1410F			18	75		BP	49	---	SB5	STRIP	SEE DETAIL
1414			8	59		BN	26	---	SB1	STRIP	SEE DETAIL
1463			14	62		BA	STRIP	NOTE 5	BG	15	---
1478			18	76		BH	45	---	BK	49	---
SHLD1			16	4		BE	STRIP	SEE CABLE RA	BE	STRIP	SEE CABLE RA
SHLD2			16	4		CE	STRIP	SEE CABLE RA	CE	STRIP	SEE CABLE RA
SHLD3			16	4		BE	STRIP	SEE CABLE RB	BE	STRIP	SEE CABLE RB
SHLD4			16	4		BF	STRIP	SEE CABLE RB	BF	STRIP	SEE CABLE RB
SHLD5			16	4		BE	STRIP	SEE CABLE RC	BE	STRIP	SEE CABLE RC
SHLD6			16	4		BD	STRIP	SEE CABLE RC	BD	STRIP	SEE CABLE RC
SHLD7			16	4		AM	STRIP	SEE CABLE PC1B	AM	STRIP	SEE CABLE PC1B
SHLD8			16	4		BG	STRIP	SEE CABLE PC1C	BG	STRIP	SEE CABLE PC1C
SHLD9			16	4		AM	STRIP	SEE CABLE PC2B	AM	STRIP	SEE CABLE PC2B
SHLD10	WHT	GXL	16	4		BG	STRIP	SEE CABLE PC2C	BG	STRIP	SEE CABLE PC2C

6512101096

(SHEET 6 OF 10)

Manitowoc Cranes

WIRE NO	COLOR		SAE SIZE	LENGTH		TP	B/M ITEM NO	REMARKS	TP	B/M ITEM NO	REMARKS
				TOT	IN						
51T	WHT	GXL	16	85		AL	49	---	AV	49	---
51V			16	85		AL	49	---	AV	49	---
51W			18	78		AN	50	---	AV	49	---
51Y			14	70		AV	15	---	CP	15	---
51AA			16	89		BF	49	---	CG	28	CRIMP W/51AB
51AB			16	89		BF	49	---	CG	STRIP	CRIMP W/51AA
51AC			16	89		BG	49	---	CG	28	---
51AD			14	90		BH	15	---	CG	27	CRIMP W/51AE
51AE			14	90		BH	15	---	CG	STRIP	CRIMP W/51AD
51AG			18	67		BL	49	---	CP	49	---
51AH			18	74		BK	49	---	CP	49	---
51AK			18	72		BK	49	---	CP	49	---
51AL			18	92		BJ	49	---	CP	49	---
51AM			18	56		CB	51	---	CP	49	---
51AN			16	54		CC	49	---	CD	49	---
51AP			18	28		CF	49	---	CD	49	---
51AR			18	26		CF	49	---	CD	49	---
51AS			18	26		CF	49	---	CD	49	---
51AT			18	28		CF	49	---	CD	49	---
51AU			14	85		CD	15	---	CP	15	---
51AV			16	94		CH	46,47	---	SC8	STRIP	SEE DETAIL
51AW			16	94		CJ	13,14	---	SC8	STRIP	SEE DETAIL
51AX			16	97		CK	13,14	---	SC8	STRIP	SEE DETAIL
51AY			16	71		BR	49	---	AV	49	---
51BF			16	4		CD	49	---	SC8	STRIP	SEE DETAIL
51BG			16	5		CD	49	---	SC8	STRIP	SEE DETAIL
51BH			16	29		CM	48	---	SC8	STRIP	SEE DETAIL
51BJ			16	28		CN	48	---	SC8	STRIP	SEE DETAIL
51BK			16	97		CL	46,47	---	SC8	STRIP	SEE DETAIL
51BN			16	77		CP	49	---	BD	48	---
51BP			16	140		CD	49	---	BL	49	---
51BR			14	14		AV	15	---	AH	STRIP	CRIMP W/51BS
51BS			14	14		AV	15	---	AH	27	CRIMP W/51BR
51BT			14	13		CP	15	---	CG	STRIP	CRIMP W/51BV
51BV			14	13		CP	15	---	CG	27	CRIMP W/51BT
75			18	161		AP	49	---	BH	49	---
76			18	161		AP	49	---	BH	49	---
77			18	181		BH	49	---	CF	49	---
78			18	181		BH	49	---	CF	49	---
79A			16	101		AK	49	---	BH	49	---
80A			16	101		AK	49	---	BH	49	---
81A			18	159		AP	49	---	BH	49	---
82			18	159		AP	49	---	BH	49	---
83			18	179		BH	49	---	CF	49	---
84			18	179		BH	49	---	CF	49	---
89A			16	97		BH	49	---	CE	48	---
133A			16	153		BH	49	---	SA1	STRIP	SEE DETAIL
133B			16	22		AR	49	---	SA1	STRIP	SEE DETAIL
133C			16	77		AB	13,14	---	SA1	STRIP	SEE DETAIL
134A			16	152		BH	49	---	SA1	STRIP	SEE DETAIL
134B	WHT	GXL	16	21		AS	48	---	SA1	STRIP	SEE DETAIL

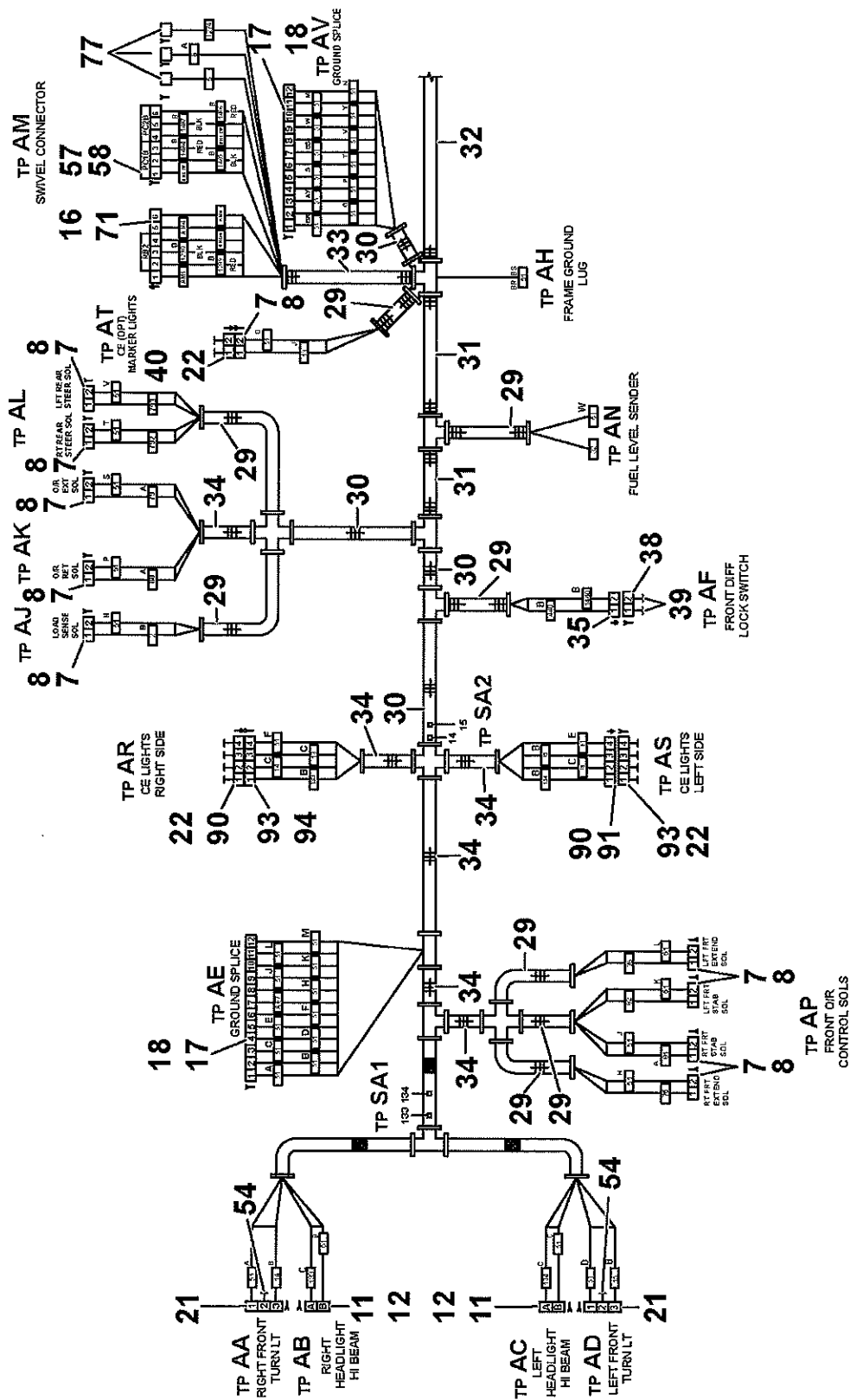
Manitowoc Cranes

WIRE NO	COLOR		SAE SIZE	LENGTH		TP	B/M ITEM NO	REMARKS	TP	B/M ITEM NO	REMARKS
				TOT	IN						
2A	WHT	GXL	18	25		BH	45	---	SB2	STRIP	SEE DETAIL
2B	WHT	GXL	18	82		SB2	STRIP	SEE DETAIL	AJ	49	---
2C	WHT	GXL	18	72		SB2	STRIP	SEE DETAIL	CE	48	---
5	YEL	SXL	6	56		AM	20	---	BC	25	---
6A	YEL	SXL	6	56		AM	20	---	BC	25	---
8A	WHT	GXL	14	164		BH	15	---	SC5	STRIP	SEE DETAIL
8B			18	87		CJ	13,14	---	SC5	STRIP	SEE DETAIL
8C			16	22		CM	48	---	SC5	STRIP	SEE DETAIL
8D			16	22		CN	48	---	SC5	STRIP	SEE DETAIL
8E			16	91		CK	13,14	---	SC5	STRIP	SEE DETAIL
8F			14	164		BH	15	---	SC5	STRIP	SEE DETAIL
13A			14	26		BH	15	---	SB2	STRIP	SEE DETAIL
13B			16	123		AS	48	---	SB2	STRIP	SEE DETAIL
13C			16	123		AR	49	---	SB2	STRIP	SEE DETAIL
13D			14	139		SC6	STRIP	SEE DETAIL	SB2	STRIP	SEE DETAIL
13E			16	86		SC6	STRIP	SEE DETAIL	CH	46,47	---
13F			16	21		SC6	STRIP	SEE DETAIL	CM	48	---
13G			16	21		SC6	STRIP	SEE DETAIL	CN	48	---
13H			16	90		SC6	STRIP	SEE DETAIL	CL	46,47	---
13J			16	10		AT	15	---	SB2	STRIP	SEE DETAIL
13K			16	61		BR	15	---	SB2	STRIP	SEE DETAIL
14A			14	137		BH	15	---	SA2	STRIP	SEE DETAIL
14B			16	93		AA	46,47	---	SA2	STRIP	SEE DETAIL
14C			16	8		AR	49	---	SA2	STRIP	SEE DETAIL
14E			16	275		CM	48	---	SA2	STRIP	SEE DETAIL
15A			14	136		BH	15	---	SA2	STRIP	SEE DETAIL
15B			16	90		AD	46,47	---	SA2	STRIP	SEE DETAIL
15C			16	9		AS	48	---	SA2	STRIP	SEE DETAIL
15E			16	274		CN	48	---	SA2	STRIP	SEE DETAIL
16A			16	251		BH	15	---	CH	46,47	---
17			16	255		BH	15	---	CL	46,47	---
25			18	97		BH	45	---	CE	48	---
32			18	98		AN	50	---	BH	45	---
41A			16	167		BH	15	---	SC9	STRIP	SEE DETAIL
41B			16	19		CM	48	---	SC9	STRIP	SEE DETAIL
41C			16	19		CN	48	---	SC9	STRIP	SEE DETAIL
51A			16	91		AA	46,47	---	AE	49	---
51B			16	91		AB	13,14	---	AE	49	---
51C			16	87		AC	13,14	---	AE	49	---
51D			16	87		AD	46,47	---	AE	49	---
51E			16	14		AE	49	---	AS	48	---
51F			16	14		AE	49	---	AS	49	---
51G			16	12		AT	49	---	AV	49	---
51H			18	22		AE	49	---	AP	49	---
51J			18	20		AE	49	---	AP	49	---
51K			18	20		AE	49	---	AP	49	---
51L			18	22		AE	49	---	AP	49	---
51M			14	125		AV	15	---	AE	15	---
51N			18	85		AJ	49	---	AV	49	---
51P			16	81		AK	49	---	AV	49	---
51S	WHT	GXL	16	81		AK	49	---	AV	49	---

6512101096

(SHEET 4 OF 10)

Manitowoc Cranes



ITEMS NOT SHOWN NBR
13, 14, 15, 20, 25, 26, 27, 28, 36, 37, 41, 46, 47, 49, 50, 51, 75, 92

Manitowoc Cranes

Description				Assembly No.
HARNESS ASSEMBLY - CARRIER (COMPLETE ASSEMBLY)				6512101096
				Revision: B
Item	FN	Part	Qty	Description
7		7709000844	25	PLUG, 2 SOCKET
8		7172000545	25	BOOT, DT2S CONNECTOR
9		7709100877	1	PLUG
10		7172100002	1	BOOT, PLUG
11		7364100008	4	PLUG, 2 PASS
12		7364100009	4	CONNECTOR, LOCKING 2 PASS
13		7892000843	8	TERMINAL, FEMALE 16 - 20 AWG
14		7892000254	8	TERMINAL, GREEN CABLE SEAL
15		7826000087	23	SOCKET, 16-14 GA
16		7892000986	3	RECEPTACLE, 6 PIN
17		7892001036	3	RECEPTACLE, SPLICE BLOCK
18		7709000846	3	PLUG, 12 SOCKET
19		7172000552	2	BOOT
20		7826000095	3	SOCKET, 4 AWG
21		7364100051	4	PLUG
22		7689000503	67	PLUG, SEALING 16 - 12 AWG
23		7892000195	11	PARALLEL, NON - INSULATED 12 - 10 AWG
24		8594100257	1	TUBING, HEAT SHRINK 1/2" I.D. LINER, MELTABLE (QUANTITY IN FEET)
25		7345232101	3	TERMINAL 6 AWG
26		7345242001	1	TERMINAL 8 AWG
27		7345241901	3	TONGUE, INSULATED RING
28		7345241701	2	TONGUE, INSULATED RING
29		8594000019	40	FLEXGUARD, 1/4" I.D. (QUANTITY IN FEET)
30		8594000003	21	FLEXGUARD - .625" I.D. (QUANTITY IN FEET)
31		8594000002	9	FLEXGUARD - .750" I.D. (QUANTITY IN FEET)

Manitowoc Cranes

<u>Description</u>				<u>Assembly No.</u>
HARNESS ASSEMBLY - CARRIER (COMPLETE ASSEMBLY)				6512101096
				Revision: B
Item	FN	Part	Qty	Description
32		8594000022	2	FLEXGUARD - 1.250" I.D. (QUANTITY IN FEET)
33		8594000001	2	FLEXGUARD - 1.00" I.D. (QUANTITY IN FEET)
34		8594000006	21	FLEXGUARD - .350" I.D. (QUANTITY IN FEET)
35		7364001683	2	CONNECTOR, 2 CONDUCTOR SHROUD
36		7892000252	4	TERMINAL, MALE PIN
37		7892100003	4	TERMINAL, DARK RED CABLE SEAL
38		7364001682	2	CONNECTOR, 2 CONDUCTOR TOWER WITH SEAL
39		7892000257	4	TERMINAL, GREEN CAVITY SEAL
40		7892000949	4	RECEPTACLE, 2 PIN
41		7345231901	1	TERMINAL 12 - 10 AWG
42		8594100256	1	TUBING, HEAT SHRINK 1/4" I.D. LINER, MELTABLE (QUANTITY IN FEET)
43		7709000849	1	PLUG 40 SOCKET
44		7172000554	1	BOOT
45		7826100004	40	SOCKET, (16 - 18) 30 SERIES
46		7826100013	10	SOCKET,
47		7364100052	10	SEAL
48		7689001782	41	PIN, 18 - 16 GAGE
49		7826000626	115	SOCKET, 16 - 18 AWG
50		7345211401	3	TERMINAL 22 - 18 AWG
51		7826100016	3	SOCKET, DEUTSCH 22/20 GA NI
52		7892100029	2	2-PASS CONNECTOR/ORANGE SEAL
53		7345232001	1	TERMINAL 8 AWG
54		7364100058	2	SEAL, RED PLUG
56		7689002053	5	PIN 16 - 18 AWG

Manitowoc Cranes

Description
HARNESS ASSEMBLY - CARRIER (COMPLETE ASSEMBLY)

Assembly No.
6512101096
 Revision: **B**

Item	FN	Part	Qty	Description
57		7709000883	3	PLUG 6 SOCKET
58		7172000565	1	BOOT, CONNECTOR
59		7892001053	1	RECEPTACLE, 9 PIN
60		7258100154	1	CAP, DEUTSCH HDC16 - 9 DUST
61		7709000850	1	PLUG 24 SOCKET
62		7172000553	1	BOOT
63		7892000951	1	RECEPTACLE, 12 PIN
64		7172000551	1	BOOT
65		7709100929	1	PLUG, DTO6-12SB-C015 W/WEDGE
66		7709000846	1	PLUG, 12 SOCKET
67		7482100000	1	FUSE, MAXI HOLDER
68		7482100005	1	FUSE, MAXI 50AMP
69		7892100030	3	CONNECTOR, COVER/SINGLE
70		7482000029	1	FUSE, 30 AMP
71		7172000564	3	BOOT
72		7892000196	13	PARALLEL, NON - INSULATED 8 AWG
73		7850000208	100	CABLE TIE, BLACK
74		7892000194	12	PARALLEL, NON - INSULATED 16 - 14 AWG
75		7689000797	2	PIN 12 AWG
76		7892100033	4	TERMINAL, FEMALE 2.94-3.68
77		7709000838	3	PLUG 1 SOCKET
78		7258100165	1	BACKSHELL, DEUTSCH HD10 SERIES
79		7659190018	1	NUT, DEUTSCH HD10-SER/COMPRESS
80		7172100005	1	BOOT, DTP2P-BT
81		7172000558	1	BOOT, TERMINAL
82		7892100036	1	RECEPTACLE, 3 WAY
83		7709100911	2	PLUG,DT06-3S-CEO6 W/BLUE WEDGE
84		7709000874	4	PLUG 3 SOCKET

Manitowoc Cranes

Description

HARNESS ASSEMBLY - CARRIER (COMPLETE ASSEMBLY)

Assembly No.

6512101096

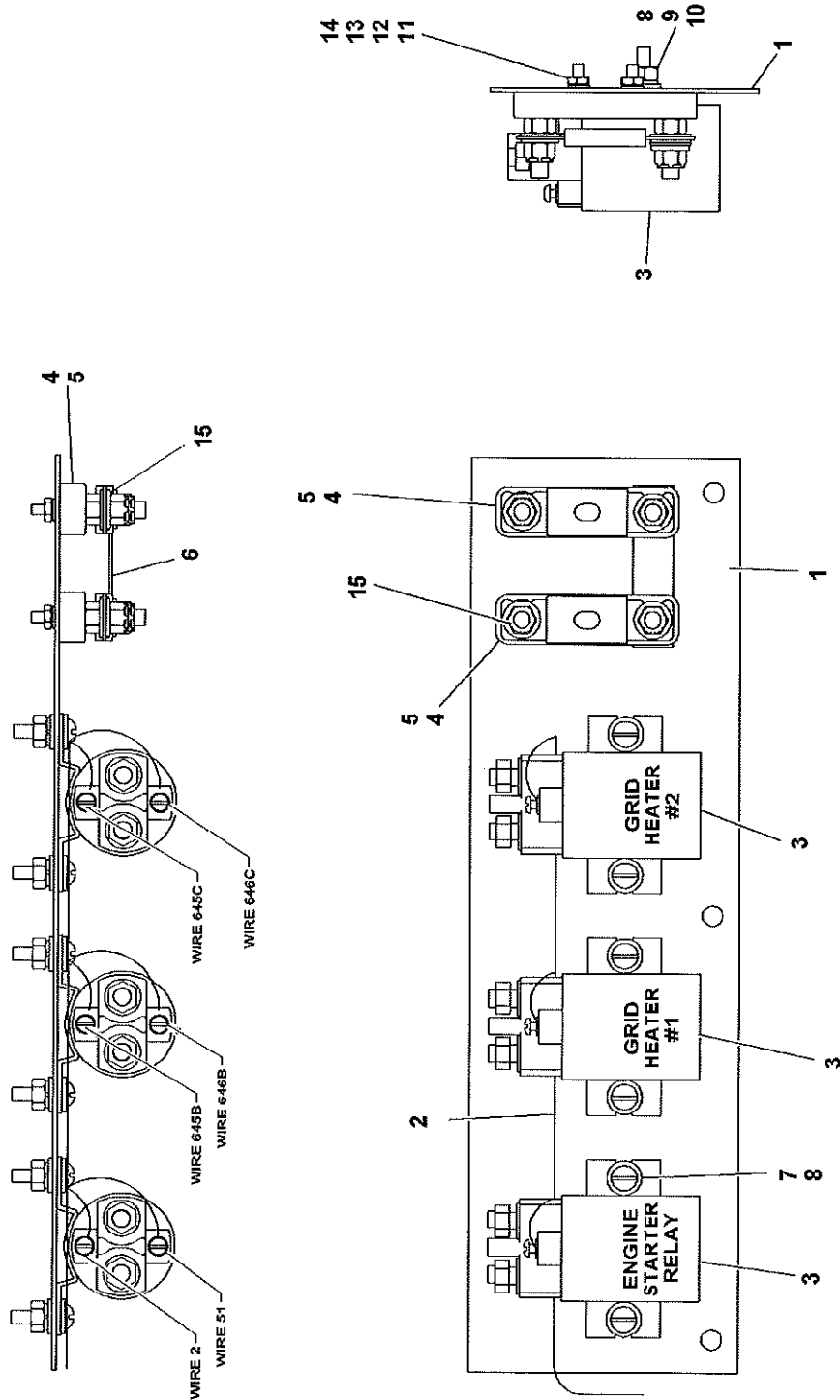
Revision: **B**

Item	FN	Part	Qty	Description
85		7172000547	3	BOOT
87		7892100025	1	DEUTSCH DTP 2-PASS RECEPTACLE
88		7482000033	1	FUSE, 10 AMP
90		7892001051	3	RECEPTACLE, 4 PIN
91		7172000568	2	BOOT, CONNECTOR
92		7345231701	2	TERMINAL 16 - 14 AWG
93		7709000936	2	PLUG, 4 SOCKET
94		7172000567	1	BOOT, CONNECTOR
95		7892000947	1	RECEPTACLE, 3 PIN
96		7709100891	1	PLUG, 2-PASS DEUTSCH DTP
97		7482000035	1	FUSE, 5 AMP
98		7892100028	1	CONNECTOR, 2 - PASS GREEN SEAL
99		7892100034	2	TERMINAL, FEMALE

Manitowoc Cranes

Notes

Manitowoc Cranes



6679100157

(SHEET 1 OF 1)

Manitowoc Cranes

Description
PANEL ASSEMBLY - ENGINE RELAYS (COMPLETE ASSEMBLY)

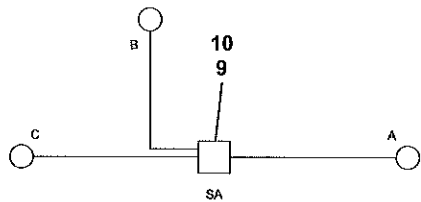
Assembly No.
6679100157
 Revision: **B**

Item	FN	Part	Qty	Description
1		4174810060	1	PANEL, RELAY
2	+	6512100807	1	HARNES ASSEMBLY - ENGINE RELAY PANEL (COMPLETE ASSEMBLY)
3		7750000793	3	RELAY, 200 AMP
4		7086001082	2	HOLDER, FUSE
5		7482000572	2	FUSE 125A/125V
6		6059000910	1	BAR
7		7111140810	6	SCREW, MACHINE 1/4" - 20 N.C. X 1" GRADE 1
8		7950140141	12	WASHER, FLAT 1/4" PLAIN NARROW
9		7950140050	6	WASHER, LOCK 1/4"
10		7660140000	6	NUT, HEX 1/4" - 20 N.C.
11		7111100807	4	SCREW, MACHINE 3/16" - 24 N.C. X 1" GRADE 1
12		7950100141	4	WASHER, FLAT, #10
13		7950100050	4	WASHER, LOCK #10
14		7660101100	4	NUT, HEX 3/16" - 32 N.F. GRADE 1
15		7950150141	4	WASHER, FLAT 5/16"

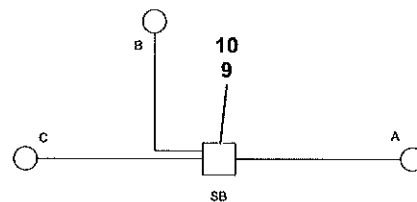
+ SEE FURTHER BREAKDOWN THIS GROUP

Manitowoc Cranes

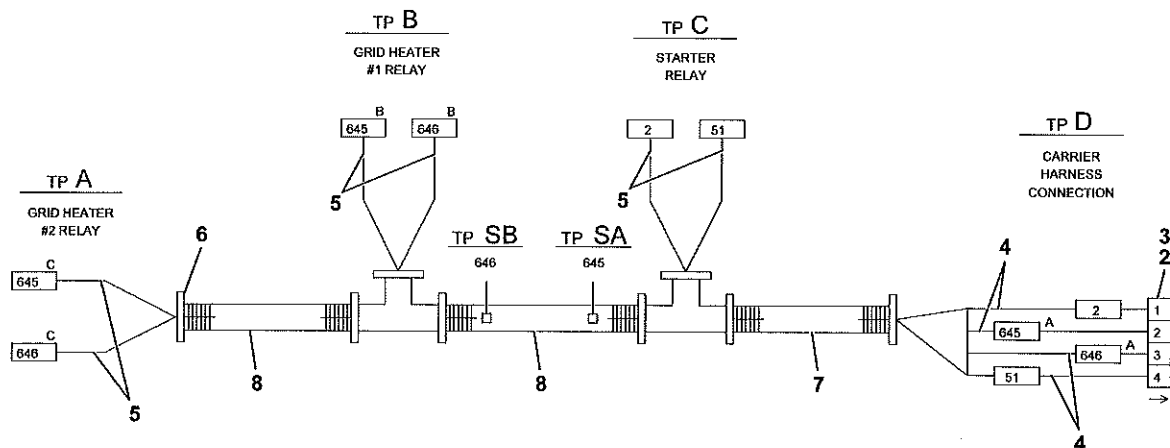
WIRE CHART									
WIRE NO	COLOR	SAE SIZE	LENGTH	TP	B/M ITEM NO	REMARKS	TP	B/M ITEM NO	REMARKS
			TOT IN						
2	WHITE	16	11	C	5	---	D	4	---
51	WHITE	16	13	D	4	---	C	5	---
645A	WHITE	16	10	D	4	---	SA	STRIP	SEE DETAIL
645B	WHITE	16	5	B	5	---	SA	STRIP	SEE DETAIL
645C	WHITE	16	10	A	5	---	SA	STRIP	SEE DETAIL
646A	WHITE	16	12	D	4	---	SB	STRIP	SEE DETAIL
646B	WHITE	16	5	B	5	---	SB	STRIP	SEE DETAIL
646C	WHITE	16	10	A	5	---	SB	STRIP	SEE DETAIL



DETAIL 645



DETAIL 646



6512100807

(SHEET 1 OF 1)

Manitowoc Cranes

Description

HARNES ASSEMBLY - ENGINE RELAY PANEL (COMPLETE ASSEMBLY)

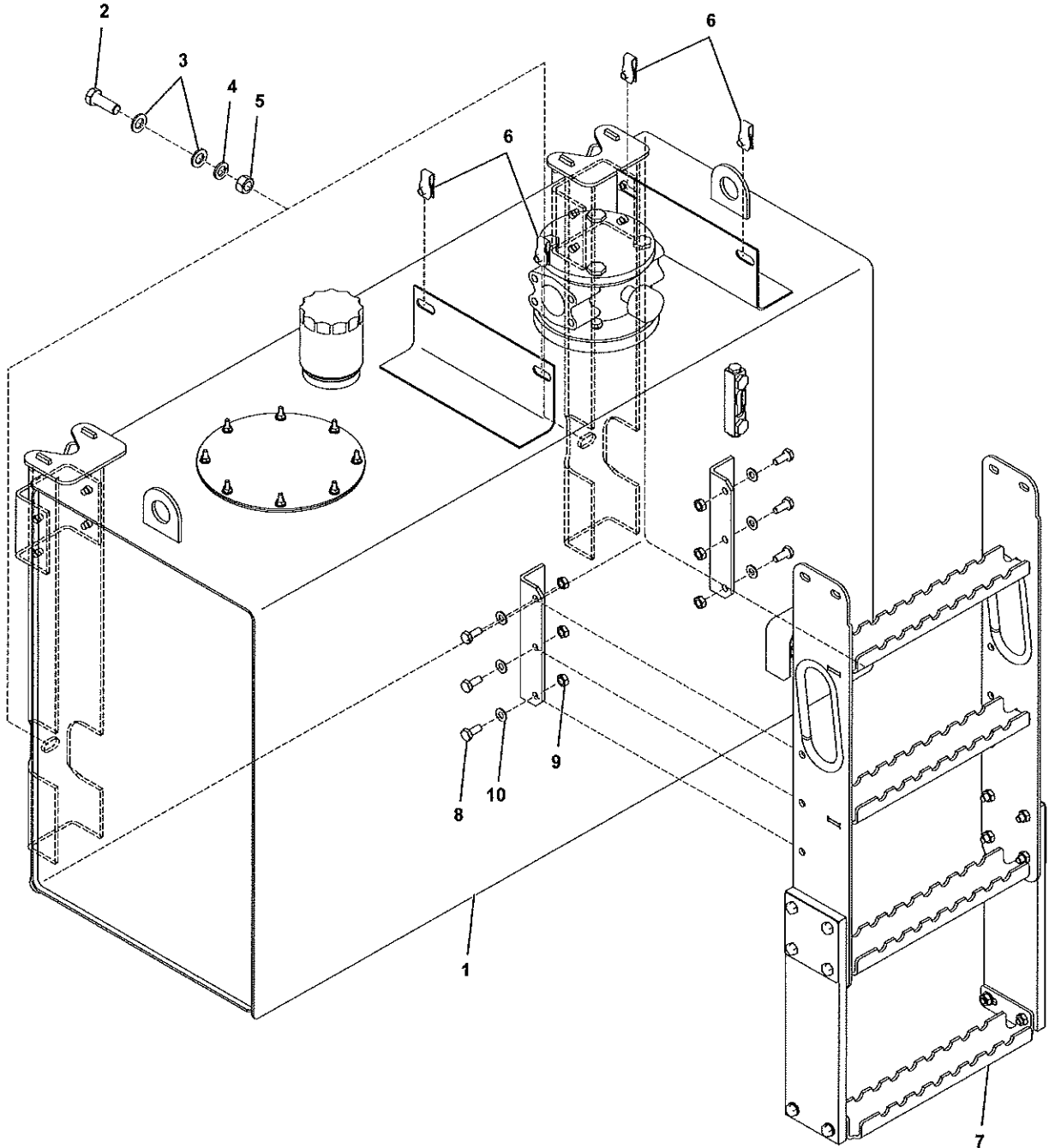
Assembly No.

6512100807

Revision: #

Item	FN	Part	Qty	Description
2		7892001051	1	RECEPTACLE, 4 PIN
3		7172000568	1	BOOT, CONNECTOR
4		7689000704	4	PIN, 16 - 14 GA
5		7345211701	6	TONGUE, INSULATED RING
6		7850000208	8	CABLE TIE, BLACK
7		8594000006	1	FLEXGUARD - .350" I.D. (QUANTITY IN FEET)
8		8594000019	1	FLEXGUARD, 1/4" I.D. (QUANTITY IN FEET)
9		7892000195	2	PARALLEL, NON - INSULATED 12 - 10 AWG
10		8594100257	1	TUBING, HEAT SHRINK 1/2" I.D. LINER, MELTABLE (QUANTITY IN FEET)

Manitowoc Cranes



2159110182

(SHEET 1 OF 1)

Page 340

Manitowoc Cranes

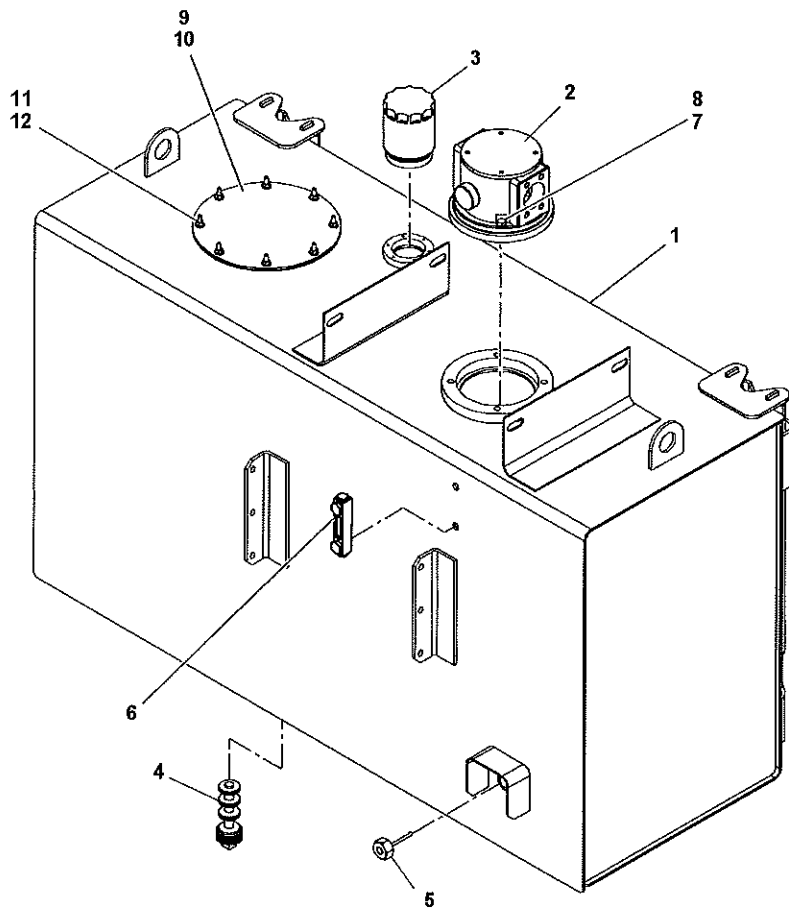
Description
TANK INSTALLATION - HYDRAULIC

Assembly No.
2159110182
 Revision: #

Item	FN	Part	Qty	Description
1	+	7880100112	1	RESERVOIR ASSEMBLY - HYDRAULIC (COMPLETE ASSEMBLY)
2		7126241653	2	CAP SCREW, M16 X 45MM HEX HEAD
3		7951240014	4	FLATWASHER 16MM I.D.
4		7951240210	2	SPRING WASHER, 16MM I.D.
5		7661240003	2	NUT, HEX 16MM N.C.
6		7659190024	4	M10 X 1.50 RETAINING NUT
7	+	2159110178	1	LADDER ASSEMBLY (COMPLETE ASSEMBLY)
8		7126191253	6	CAP SCREW
9		7661191103	6	LOCKNUT
10		7951190014	6	FLAT WASHER, 10MM I.D.

+ SEE FURTHER BREAKDOWN THIS GROUP

Manitowoc Cranes



7880100112

(SHEET 1 OF 1)

Page 342

Manitowoc Cranes

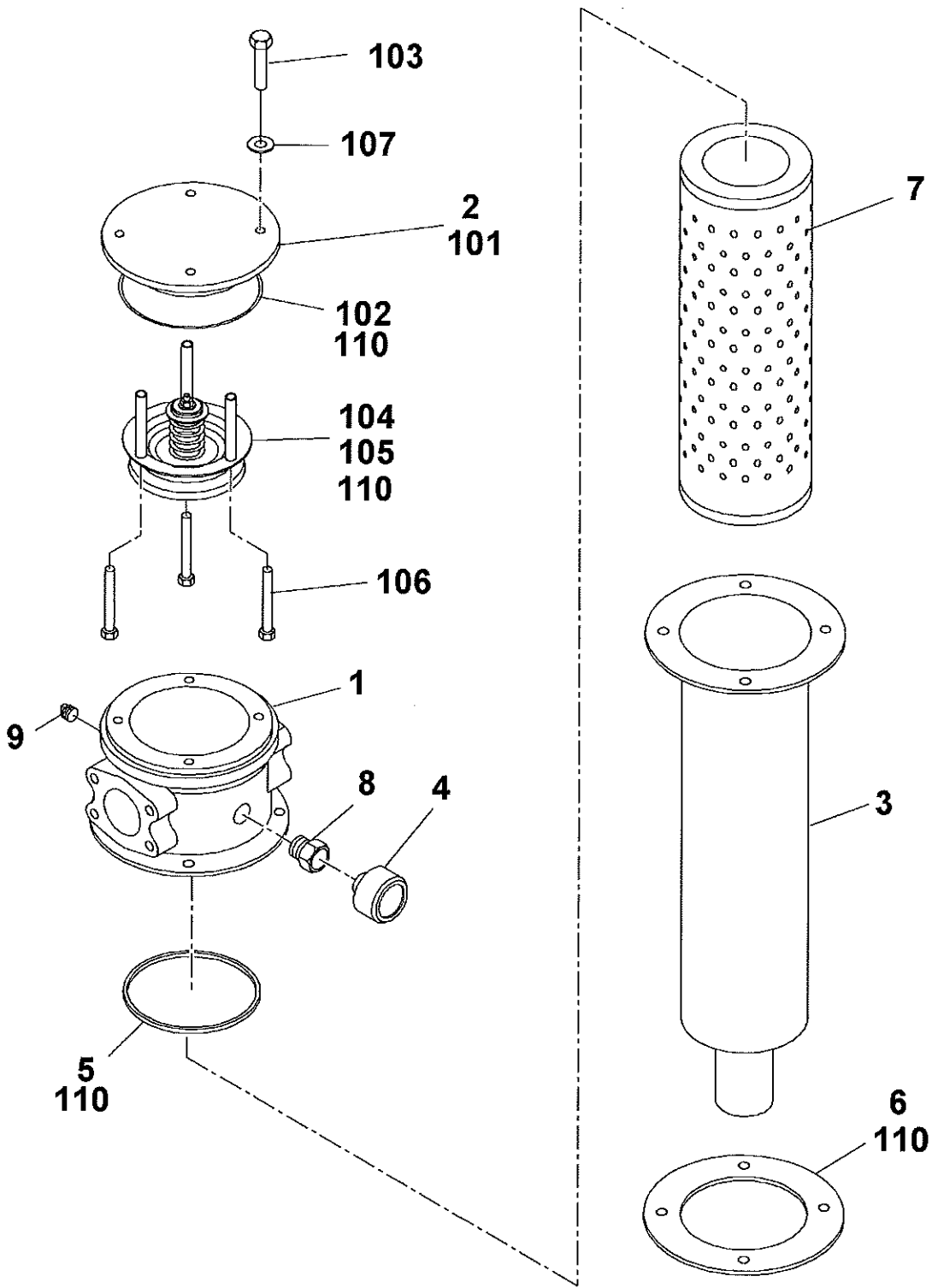
Description
RESERVOIR ASSEMBLY - HYDRAULIC (COMPLETE ASSEMBLY)

Assembly No.
7880100112
Revision:

Item	FN	Part	Qty	Description
1		NSS	1	WELDMENT, TANK
2	+	9437100891	1	FILTER ASSY. HYD. RETURN
3		7258100146	1	CAP, FILL (WITH BREATHER) INCLUDES THE FOLLOWING PARTS
		9258100173	1	BREATHER
		9258100174	1	KIT, STRAINER
4		7709000157	1	PLUG, MAGNETIC
5		7486000836	1	THERMOMETER
6		7486002936	1	GUAGE, OIL LEVEL INCLUDES THE FOLLOWING PARTS
		9752101414	1	KIT, SEAL MOUNTING
7		7126191450	4	CAP SCREW, M10 X 35MM HEX HEAD
8		7951190210	4	LOCK WASHER, 10MM
9		9880100223	1	COVER
10		9880100222	1	GASKET
11		7950140141	8	WASHER, FLAT 1/4" PLAIN NARROW
12		7660140000	8	NUT, HEX 1/4" - 20 N.C.

+ SEE FURTHER BREAKDOWN THIS GROUP

Manitowoc Cranes



Manitowoc Cranes

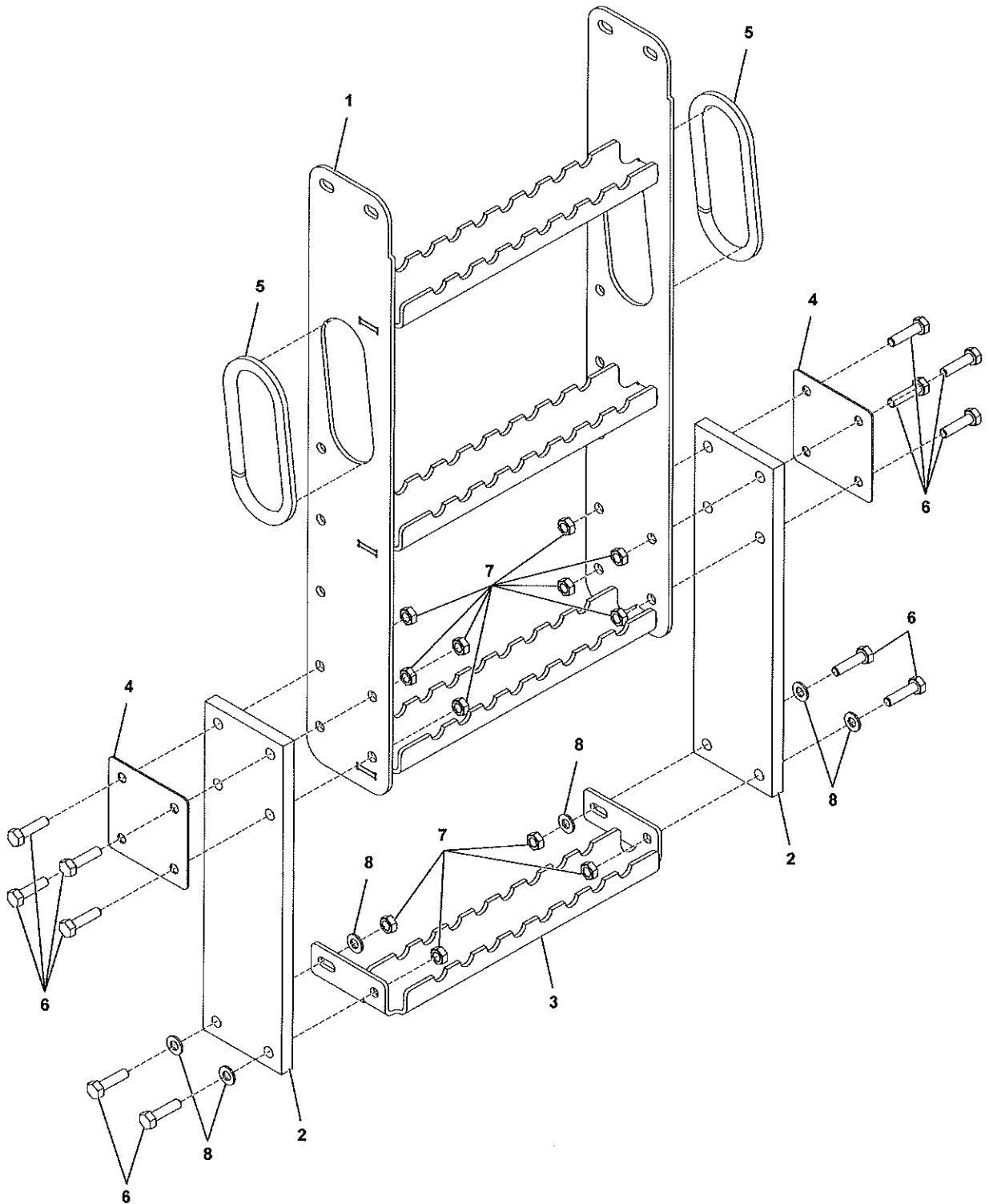
Description
FILTER ASSY. HYD. RETURN

Assembly No.
9437100891
Revision:

Item	FN	Part	Qty	Description
1		9437100842	1	HEAD, FILTER
2		9437100763	1	CAP ASSEMBLY INCLUDES ITEMS 101 THRU 107
3		NSS	1	TUBE, BOWL ASSY.
4		9437100456	1	GAUGE
5	*	9437100479	1	O-RING, SQUARE
6	*	9437100480	1	GASKET
7		9437100825	1	ELEMENT
8		9437100894	1	FITTING, ADAPTER
9		9437100895	1	PLUG
101		9437100828	1	CAP
102	*	9437100575	1	O-RING
103		9437100856	4	CAPSCREW
104		9437100476	1	VALVE, BY-PASS
105		9437100765	3	SPACER
106		9437100766	3	CAP SCREW,
107		9437100857	3	WASHER
110	*	9437100452	1	KIT, SEAL

* REPAIR KIT AND/OR PART OF KIT

Manitowoc Cranes



2159110178

(SHEET 1 OF 1)

Page 346

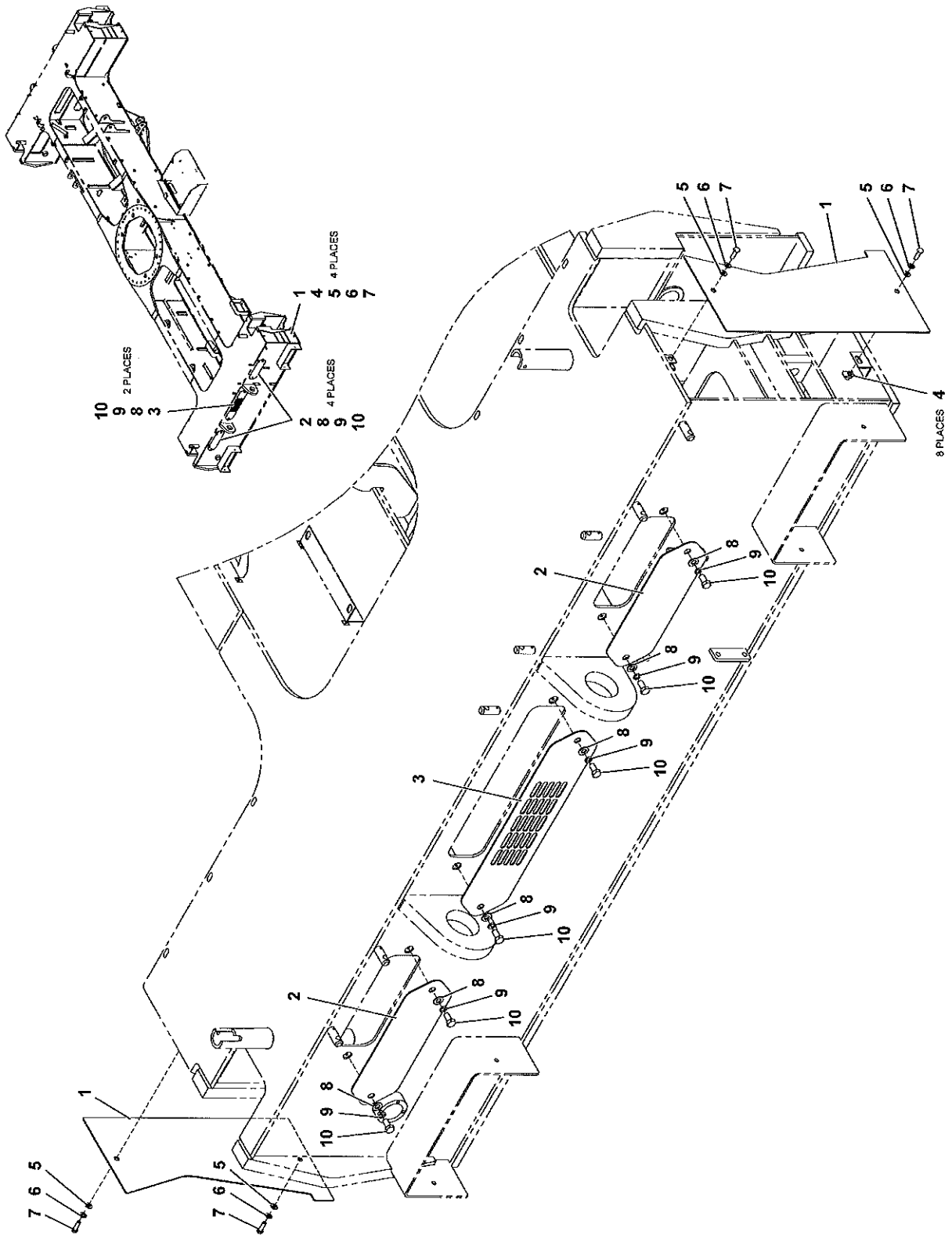
Manitowoc Cranes

Description
LADDER ASSEMBLY (COMPLETE ASSEMBLY)

Assembly No.
2159110178
Revision: **B**

Item	FN	Part	Qty	Description
1		2159110177	1	LADDER
2		7418100008	2	EXTENSION, STEP
3		4174110070	1	STEP
4		4159110071	2	PLATE
5		8496980002	4	MOULDING (QUANTITY IN FEET)
6		7126191550	12	CAP SCREW, M10 X 40MM HEX HEAD
7		7661191103	12	LOCKNUT
8		7951190014	6	FLAT WASHER, 10MM I.D.

Manitowoc Cranes



2159110160

(SHEET 1 OF 1)

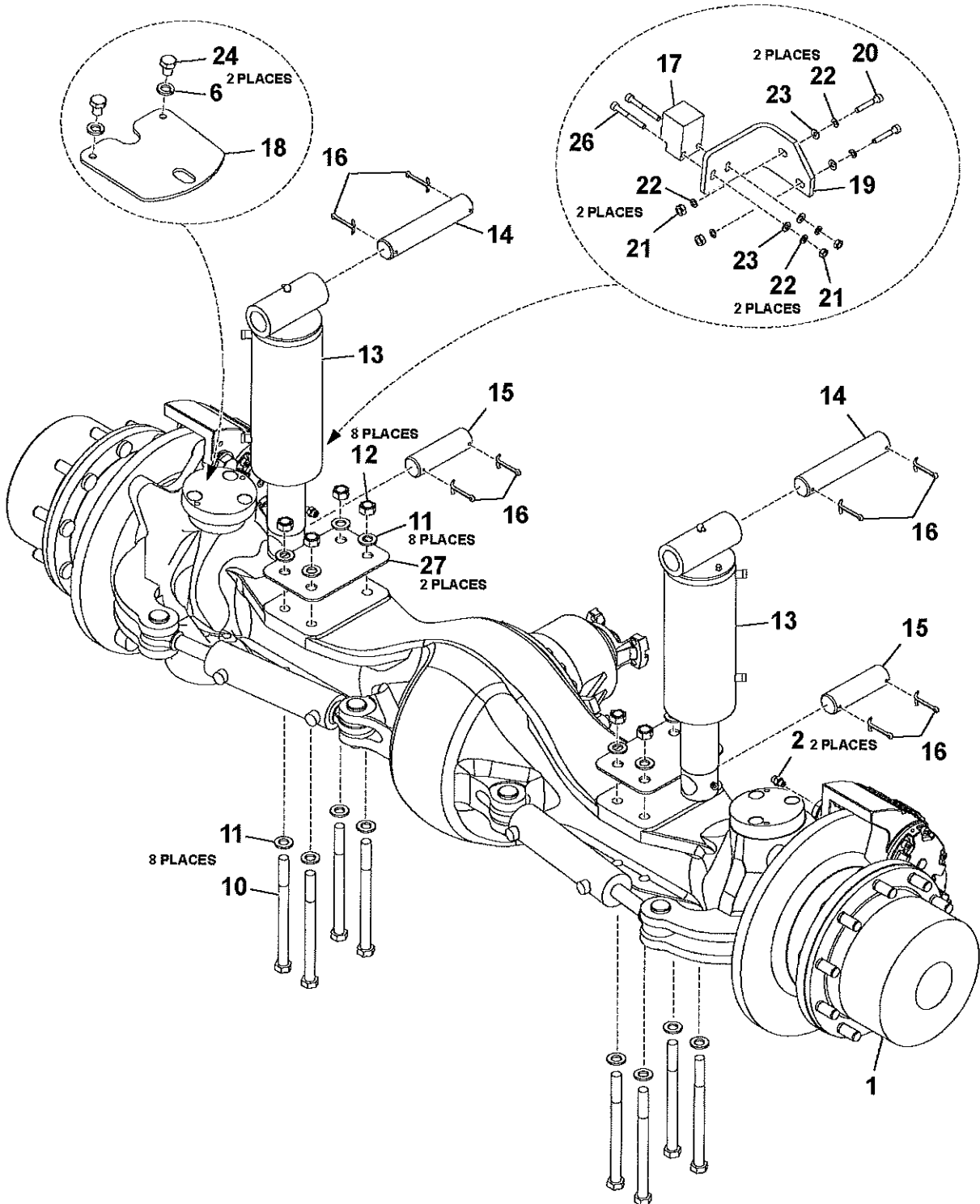
Manitowoc Cranes

Description
COVER INSTALLATION - OUTRIGGER BOX

Assembly No.
2159110160
Revision: #

Item	FN	Part	Qty	Description
1		4159110300	4	PLATE, COVER
2		4159110298	4	PLATE, COVER
3		4159110299	2	PLATE, COVER
4		7659190020	8	NUT, RETAINING 8 X 1.25
5		7951170014	8	WASHER, FLAT #8
6		7951170210	8	WASHER, LOCK 8MM
7		7126171253	8	CAP SCREW, M8X25 HEX HEAD
8		7951210014	12	WASHER, FLAT #12
9		7951210210	12	LOCK WASHER, 12MM I.D.
10		7126211253	12	CAP SCREW, M12 X 25MM HEX HEAD

Manitowoc Cranes



80004045

(SHEET 1 OF 1)

Manitowoc Cranes

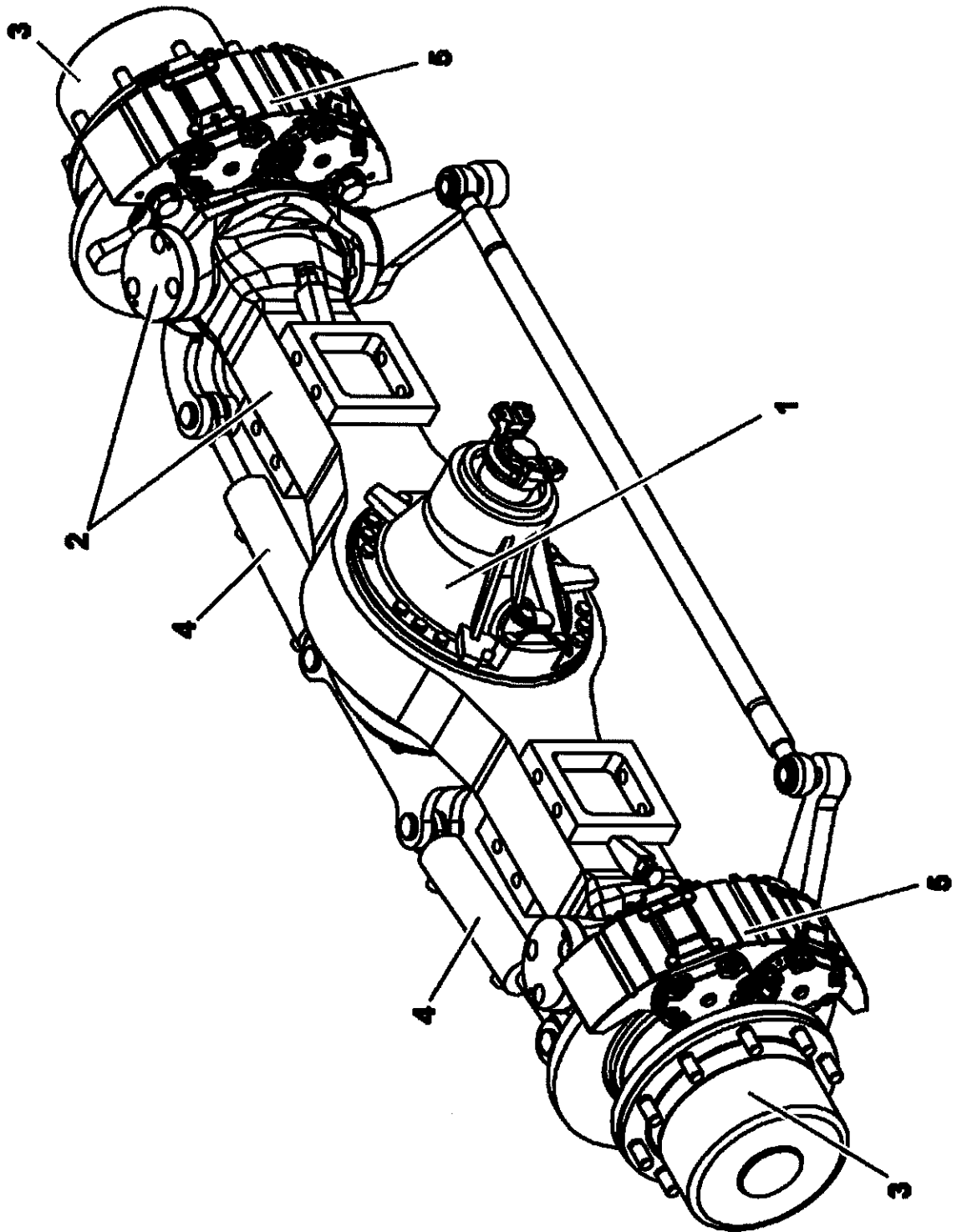
Description
AXLE INSTALLATION - REAR WITHOUT DIFFERENTIAL LOCK

Assembly No.
80004045
Revision: **A**

Item	FN	Part	Qty	Description
1	+	80004039	1	AXLE ASSEMBLY - DRIVE/STEER (COMPLETE ASSEMBLY)
2		7443100153	4	CONNECTOR,M12X1.0-#4 ORFS MALE
6		7951170210	2	WASHER, LOCK 8MM
10		7127274050	8	CAP SCREW, M20X280 -10.9 HH
11		7949000236	16	FLAT WASHER, 3/4"
12		7661270004	8	NUT
13	+	7372100255	2	CYLINDER ASSEMBLY - 5" LOCKOUT (COMPLETE ASSEMBLY)
14		6689100142	2	PIN, LOCK OUT CYLINDER
15		6689100141	2	PIN, LOCK OUT CYLINDER
16		7690144010	8	PIN, COTTER
17	+	6872100045	1	SWITCH ASSEMBLY - PROXIMITY (NORMALLY OPEN) (COMPLETE ASSEMBLY)
18		4159710008	1	PLATE, SENSOR
19		4159710006	1	PLATE, ANGLE SENSOR
20		7128111254	2	CAP SCREW, M4 X 25MM HEX HEAD
21		7661110003	4	NUT, HEX 4 MM N.C.
22		7951110014	6	WASHER, 4MM I.D.
23		7951110210	4	LOCKWASHER, 4MM I.D.
24		7126171153	2	CAP SCREW, M8 X 20MM HEX HEAD
26		7128111454	2	CAP SCREW, M4 X 35MM HEX HEAD
27		80005827	2	PLATE, AXLE SHIM

+ SEE FURTHER BREAKDOWN THIS GROUP

Manitowoc Cranes



80004039

(SHEET 1 OF 1)

Page 352

Manitowoc Cranes

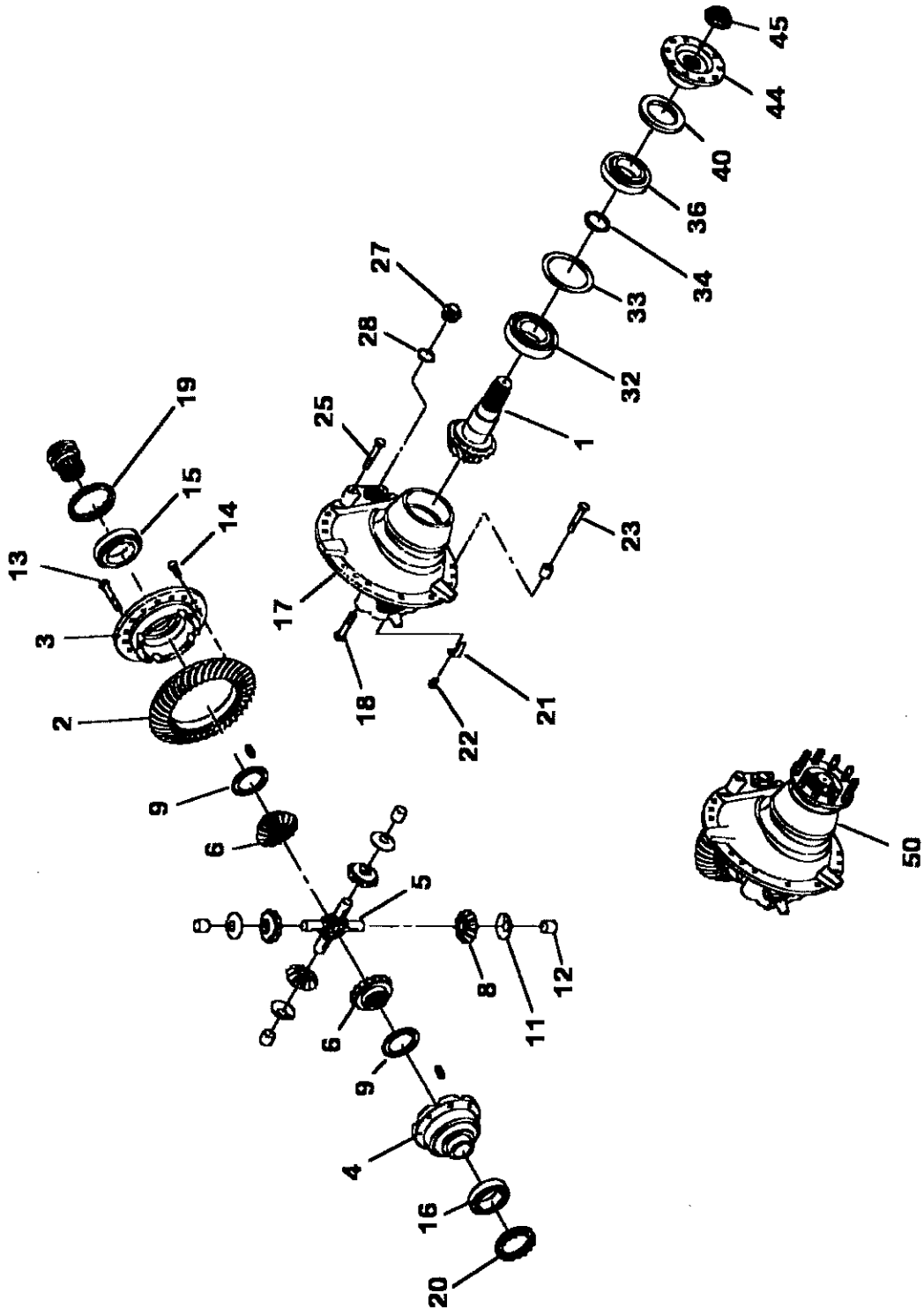
Description
AXLE ASSEMBLY - DRIVE/STEER (COMPLETE ASSEMBLY)

Assembly No.
80004039
Revision:

Item	FN	Part	Qty	Description
1	+	90014653	1	DIFF.CARR. GROUP @ 4.67 RATIO PARTS LIST WAS WORKED AS A FRONT AXLE ASSY. FOR R.H. OR L.H. ID
2	+	90014663	1	HOUSING & HUB GROUP PARTS LIST WAS WORKED AS A FRONT AXLE ASSY. FOR R.H. OR L.H. ID
3	+	90012613	1	PLANETARY HUB GROUP PARTS LIST WAS WORKED AS A FRONT AXLE ASSY. FOR R.H. OR L.H. ID
4	+	90012614	1	STEER CYLINDER GROUP PARTS LIST WAS WORKED AS A FRONT AXLE ASSY. FOR R.H. OR L.H. ID
5	+	90012615	1	BRAKE GROUP PARTS LIST WAS WORKED AS A FRONT AXLE ASSY. FOR R.H. OR L.H. ID

+ SEE FURTHER BREAKDOWN THIS GROUP

Manitowoc Cranes



90014653

(SHEET 1 OF 1)

Page 354

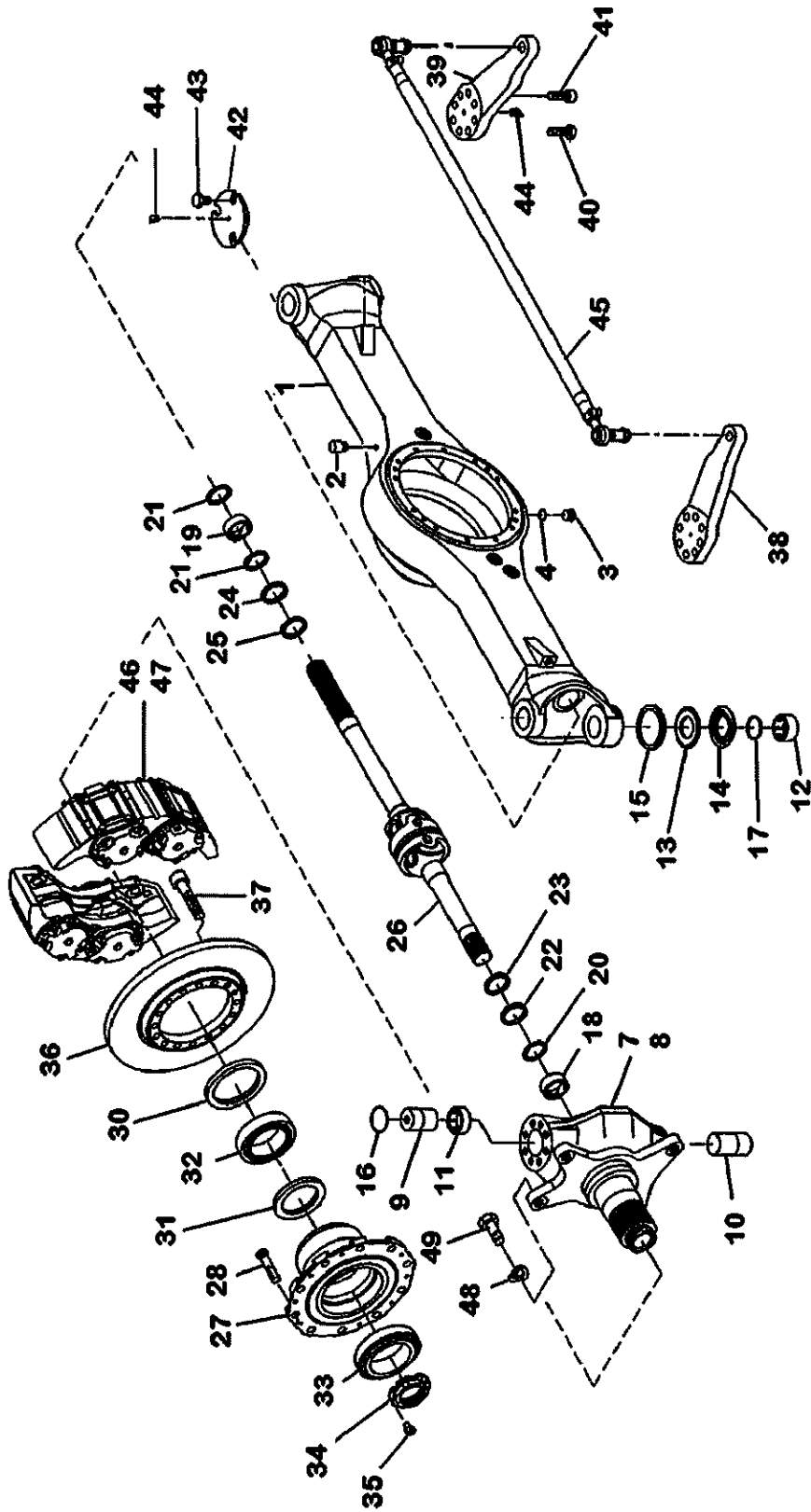
Manitowoc Cranes

Description
DIFF.CARR. GROUP @ 4.67 RATIO

Assembly No.
90014653
 Revision:

Item	FN	Part	Qty	Description
1		9049112892	1	SET, RING & PINION
2		NSS	1	RING GEAR
3		90012606	1	HOUSING, DIFF.
4		9049111704	1	HOUSING, DIFFERENTIAL
5		9049991107	1	SPIDER, DIFFERENTIAL
6		9049991109	2	SIDE GEAR, DIFFERENTIAL
8		9049991108	4	PINION, DIFFERENTIAL
9		9049991103	2	WASHER, THRUST
11		9049109528	4	DISK
12		9049111692	4	BUSHING, BEARING
13		9049111546	8	SCREW,
14		90013521	16	SCREW, HEX
15		9049991842	1	BEARING, TAPERED ROLLER
16		9049991841	1	BEARING, TAPERED ROLLER
17		90012607	1	HOUSING, DIFF. CARRIER
18		9049107039	4	SCREW, HEX
19		9049108267	1	NUT
20		9049991859	1	NUT, ADJUSTING
21		9049111071	2	PLATE, LOCK
22		9049111693	2	SCREW, HEX
23		9049111548	14	SCREW, HEX
25		9049112860	2	CAPSCREW, HEX
27		9049990988	1	PLUG
28		90012608	1	SEAL RING
32		C8391660	1	BEARING
33		9049112861	1	WASHER, THRUST
34		9049107034	1	RING
36		90012609	1	BEARING, ROLLER
40		90012616	1	SEAL RING, VITON
44		9049112862	1	FLANGE, DRIVE
45		9049991785	1	NUT
50		90014652	1	DIFF.CARR ASSY. @ 4.67 RATIO COMPLETE ASSEMBLY

Manitowoc Cranes



90014663

(SHEET 1 OF 1)

Page 356

Manitowoc Cranes

Description
HOUSING & HUB GROUP

Assembly No.
90014663
Revision:

Item	FN	Part	Qty	Description
1		90014662	1	HOUSING, AXLE
2		9049990972	1	BREATHER, SCREW
3		9049990974	1	PLUG
4		9049109352	1	RING, SEAL
7		90013581	1	KNUCKLE, STEERING L.H. FOR FRONT AXLE ASSY. R.H. FOR REAR AXLE ASSY.
8		90013582	1	KNUCKLE, STEERING R.H. FOR FRONT AXLE ASSY. L.H. FOR RAER AXLE ASSY.
9		9049111670	2	PIN, KING
10		C8926135	2	PIN, KING
11		90012598	2	BUSHING, BEARING
12		9049109542	2	BUSHING
13		90012599	2	SPACER, DISK
14		90012600	2	SPACER, DISK
15		9049109546	2	RING
16		9049107885	2	O-RING
17		90012601	2	O-RING
18		9049110137	2	BUSHING
19		9049110137	2	BUSHING
20		9049990921	2	RING, SNAP
21		9049990921	4	RING, SNAP
22		9049991324	2	SEAL
23		9049108804	2	RING, SEAL
24		9049991324	2	SEAL
25		9049108804	2	RING, SEAL
26		9049111671	2	JOINT, UNIVERSAL INCLUDES THE FOLLOWING PARTS
		90012618	1	KIT, U-JOINT BEARING
27		9049112836	2	HUB, WHEEL
28		9049108416	20	STUD, WHEEL
30		90000590	2	RING, RADIAL SEAL
31		90012603	2	SEAL RING
32		9049111674	2	BEARING, ROLLER
33		9049991044	2	BEARING

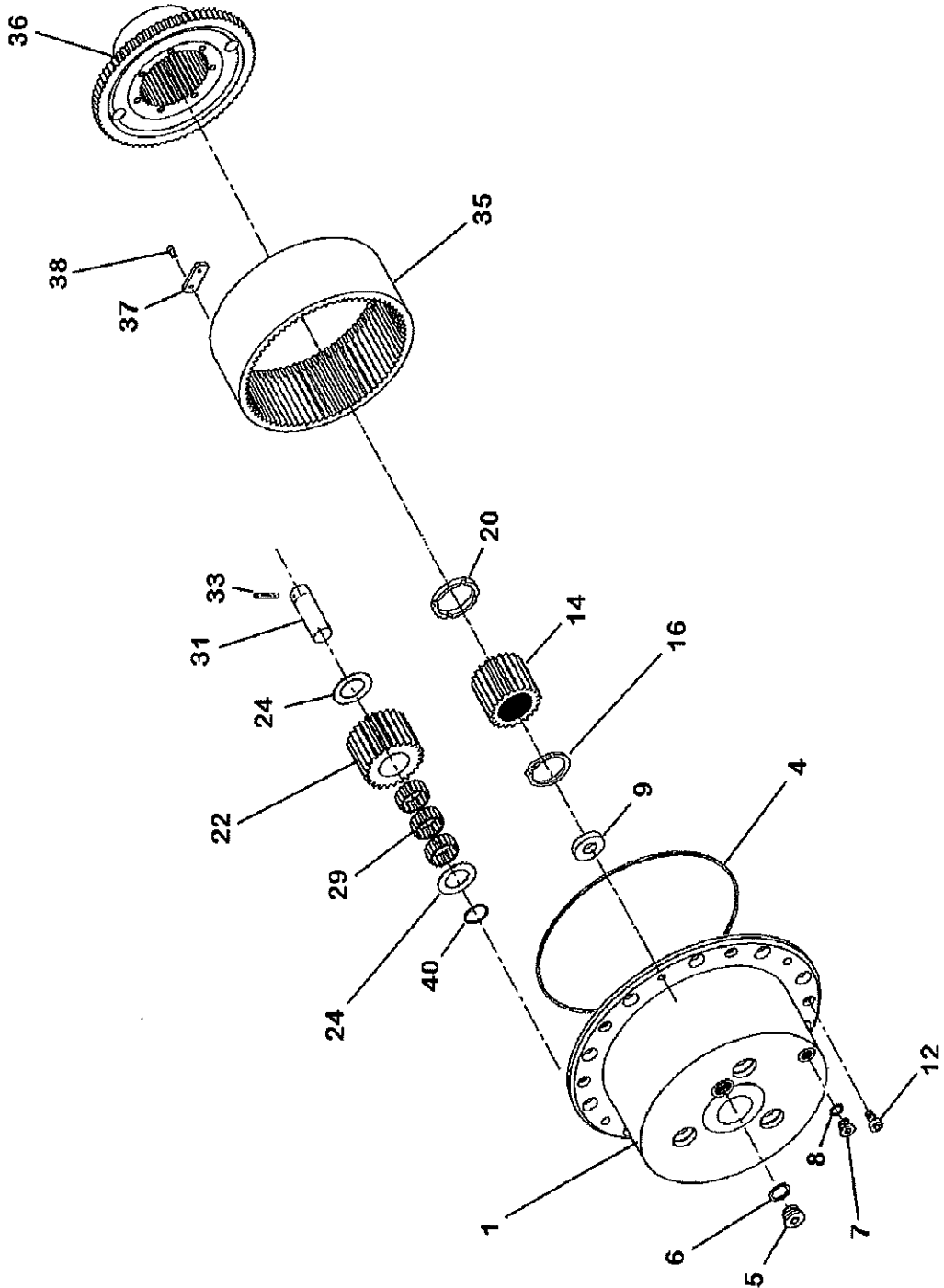
Manitowoc Cranes

Description HOUSING & HUB GROUP				Assembly No. 90014663 Revision:
Item	FN	Part	Qty	Description
34		9049991267	2	NUT
35		9049991238	2	SCREW,
36		9049991911	2	DISK
37		9049991912	32	SCREW, HEX SOCKET
38		9049112838	1	LEVER, STEER R.H. FOR FRONT AXLE ASSY. L.H. FOR REAR AXLE ASSY.
39		9049112839	1	LEVER, STEER L.H. FOR FRONT AXLE ASSY. R.H. FOR REAR AXLE ASSY.
40		9049110524	12	SCREW,
41		9049112840	4	SCREW, HEX SOCKET
42		9049112880	2	COVER
43		9049112881	6	CAPSCREW
44		9049991916	4	NIPPLE, GREASE
45		9049112841	1	ROD ASSY. TIE INCLUDES THE FOLLOWING PARTS
		9601990029	1	ROD END, TIE R.H. THD.
		9601990030	1	ROD END, TIE L.H. THD.
46		9049112846	1	BRAKE, ASSY. L.H. FOR FRONT AXLE ASSY. R.H. FOR REAR AXLE ASSY.
47		9049112847	1	BRAKE, ASSY. R.H. FOR FRONT AXLE ASSY. L.H. FOR REAR AXLE ASSY.
48		9049112848	4	WASHER, SPRING
49		9049991895	4	SCREW,

Manitowoc Cranes

Notes

Manitowoc Cranes



90012613

(SHEET 1 OF 1)

Page 360

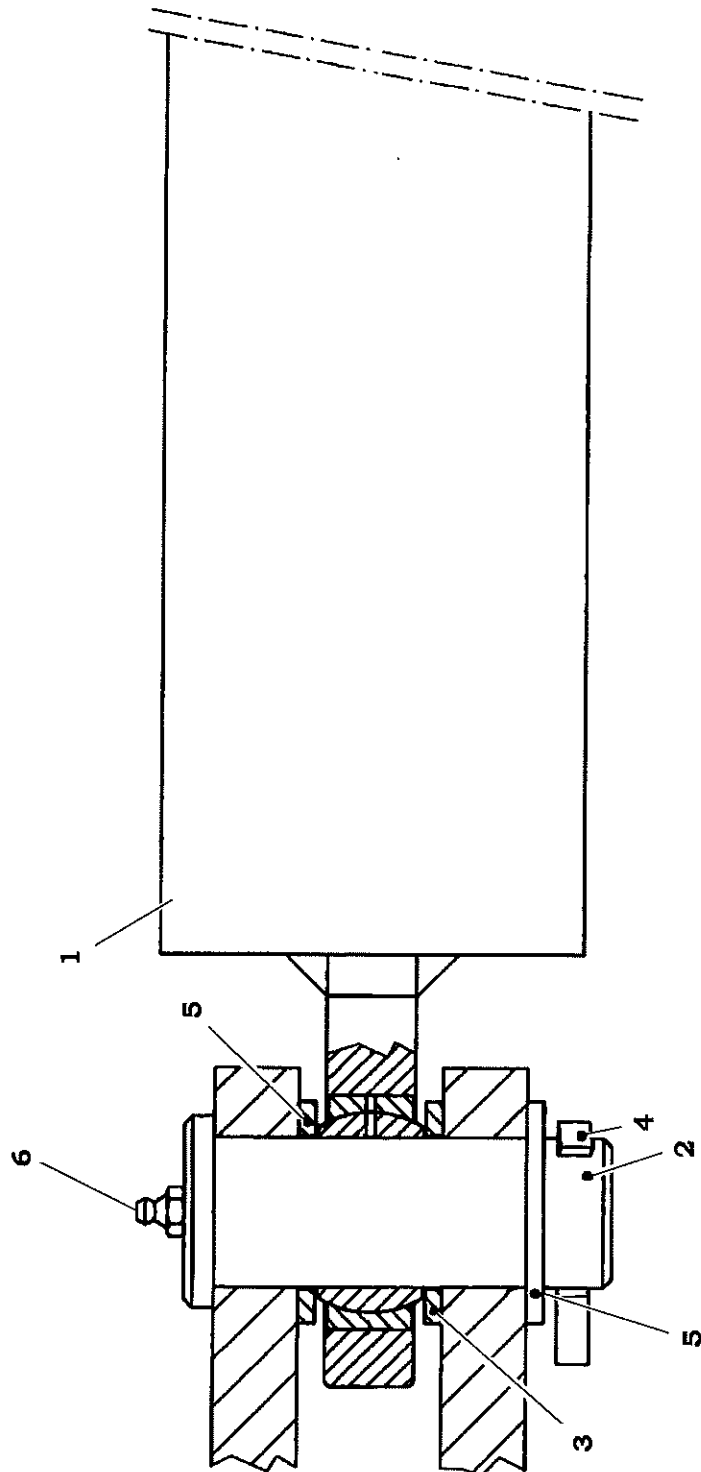
Manitowoc Cranes

Description
PLANETARY HUB GROUP

Assembly No.
90012613
 Revision:

Item	FN	Part	Qty	Description
1		9049112849	2	HOUSING, PLANETARY
4		9049111627	2	O-RING
5		9049108671	2	PLUG
6		9049109351	2	RING, SEAL
7		9049107242	2	PLUG
8		9049109352	2	RING, SEAL
9		90012604	2	WASHER, THRUST
12		7126191153	12	CAP SCREW, M10 X 20 HEX HEAD
14		9049112850	2	GEAR, SUN
16		9049991058	2	RING, CIRCULAR
20		9049112851	2	GEAR, RING
22		9049112852	8	GEAR, PLANETARY
24		C8989364	16	WASHER, THRUST
29		9049111628	24	BEARING, NEEDLE
31		9049112853	8	PIN, PLANETARY
33		9049991890	8	PIN
35		9049112851	2	GEAR, RING
36		9049112856	2	RING GEAR, CARRIER
37		9049112686	6	BREATHER
38		9049108670	12	SCREW, HEX 3/8-24NF
40		9049111629	8	O-RING

Manitowoc Cranes



90012614

(SHEET 1 OF 1)

Page 362

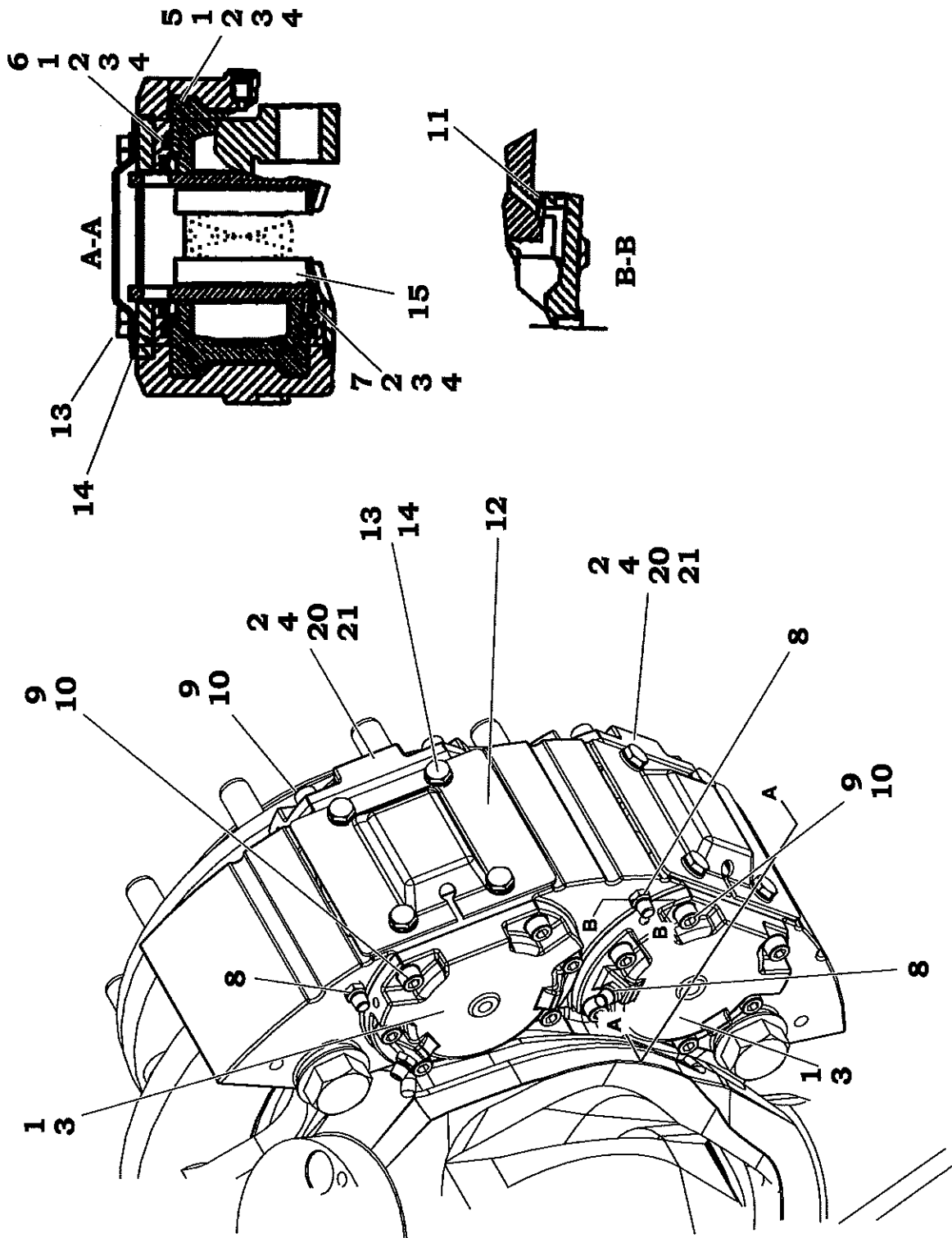
Manitowoc Cranes

Description
STEER CYLINDER GROUP

Assembly No.
90012614
 Revision:

Item	FN	Part	Qty	Description
1		9049112842	2	CYLINDER ASSY. STEER INCLUDES THE FOLLOWING PARTS
		9049112887	1	KIT, SEAL
2		9049112843	4	PIN
3		9049112844	4	WASHER
4		9049112845	4	PIN, SPLINT
5		9049112844	8	WASHER
6		9049991915	4	NIPPLE

Manitowoc Cranes



90012615

(SHEET 1 OF 1)

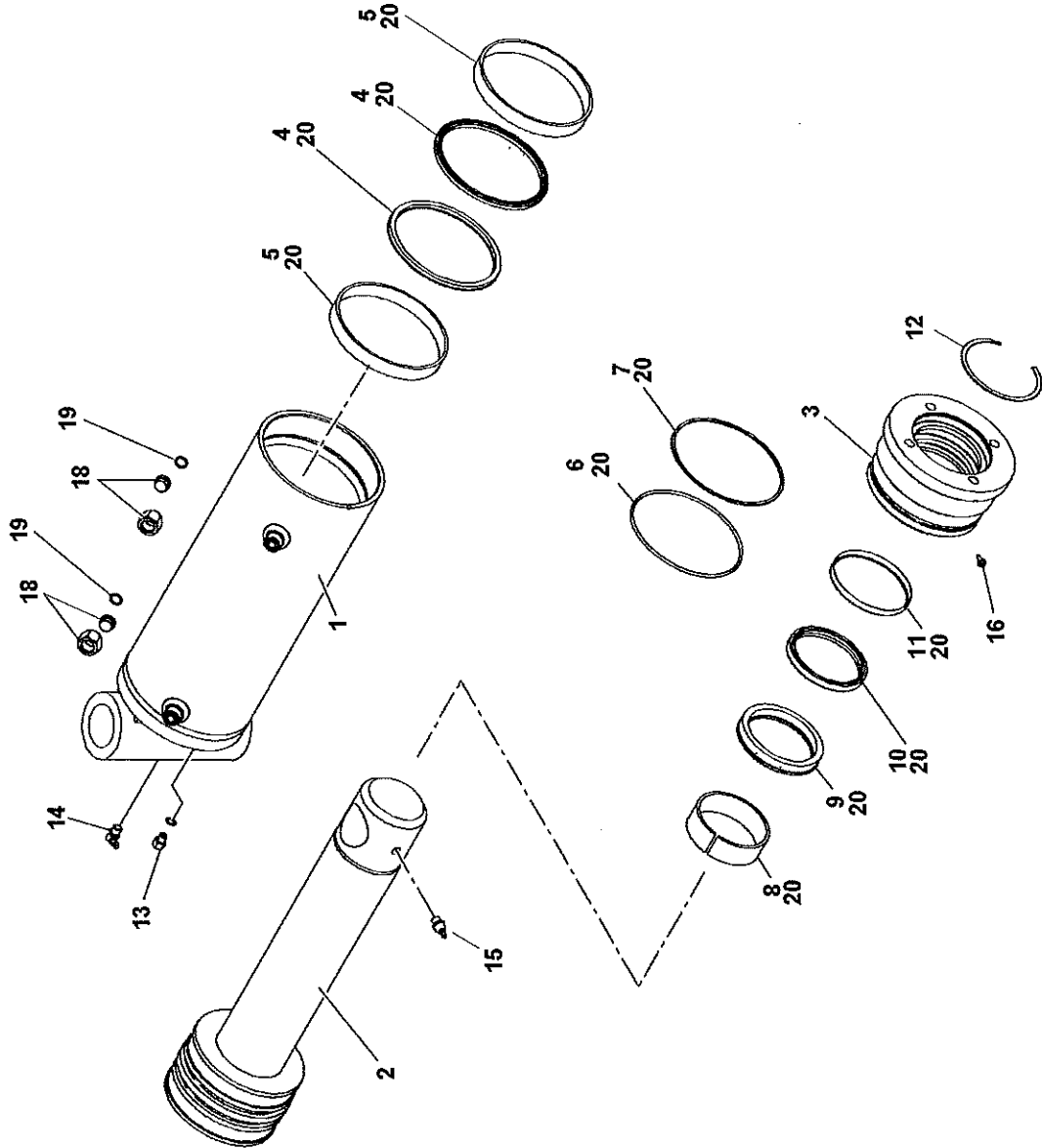
Manitowoc Cranes

Description
BRAKE GROUP

Assembly No.
90012615
Revision:

Item	FN	Part	Qty	Description
1		9049112865	2	CYLINDER
2		9049112866	2	CYLINDER
3		9049112867	2	CYLINDER
4		9049112868	2	CYLINDER
5		9049112869	8	PISTON
6		9049112870	8	GASKET
7		9049112871	8	CAP, DUST
8		9049112872	8	VALVE, BLEEDER
9		9049112873	48	SCREW
10		9049112874	96	PLATE, RETAINER
11		9049112875	8	GASKET
12		9049112876	4	PLATE, COVER
13		9049112877	16	SCREW
14		9049112878	16	DISK
15		9049112879	8	PAD & LINING, BRAKE
20		9049112846	1	BRAKE, ASSY. L.H. FOR FRONT AXLE ASSY. R.H. FOR REAR AXLE ASSY.
21		9049112847	1	BRAKE, ASSY. R.H. FOR FRONT AXLE ASSY. L.H. FOR REAR AXLE ASSY.

Manitowoc Cranes



7372100255

(SHEET 1 OF 1)

Page 366

Manitowoc Cranes

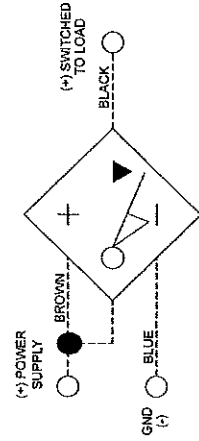
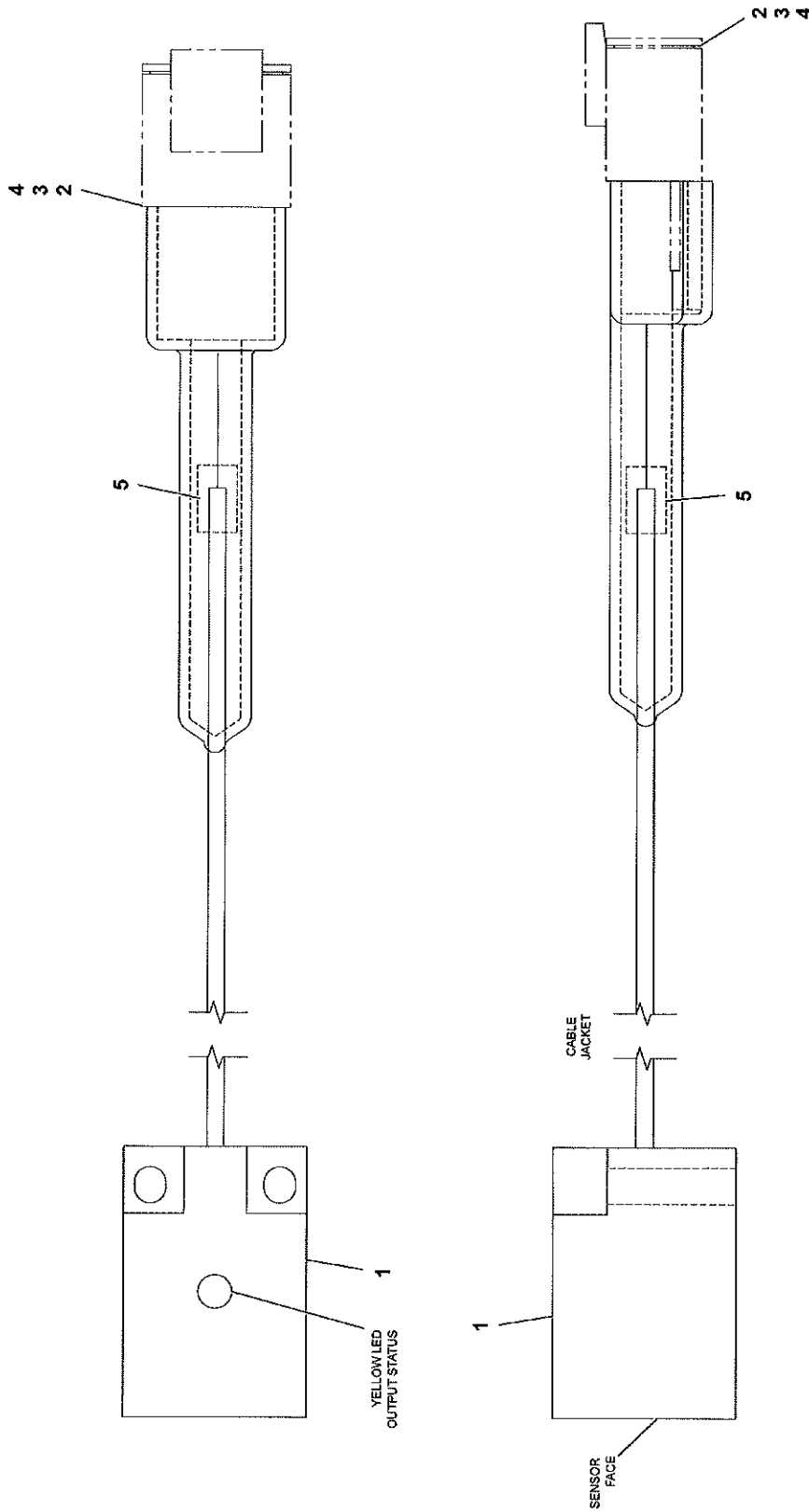
Description
CYLINDER ASSEMBLY - 5" LOCKOUT (COMPLETE ASSEMBLY)

Assembly No.
7372100255
Revision:

Item	FN	Part	Qty	Description
1		9372103588	1	BARREL ASSY.
2		9372103589	1	ROD ASSY.
3		9372103582	1	HEAD ASSY.
4	*	NSS	2	RING, LIP SEAL
5	*	NSS	2	RING, WEAR
6	*	NSS	1	O-RING
7	*	NSS	1	RING, BACK-UP
8	*	NSS	1	RING, WEAR
9	*	NSS	1	RING, BUFFER
10	*	NSS	1	RING, LIP SEAL
11	*	NSS	1	RING, WIPER
12		9372103583	1	RING, RETAINER
13		9372103584	1	PLUG, BLEEDER
14		7440000401	1	FITTING, 90 DEGREE GREASE 1/8" N.P.T.
15		7440000200	1	FITTING, 45 DEGREE GREASE 1/8" N.P.T.
16		9372103585	1	SCREW
19		7755012002	2	O-RING
20	*	9372103587	1	KIT, SEAL

* REPAIR KIT AND/OR PART OF KIT

Manitowoc Cranes



SCHEMATIC SYMBOL

CONNECTOR LOADING	WIRE
1	BROWN
2	BLACK
3	BLUE

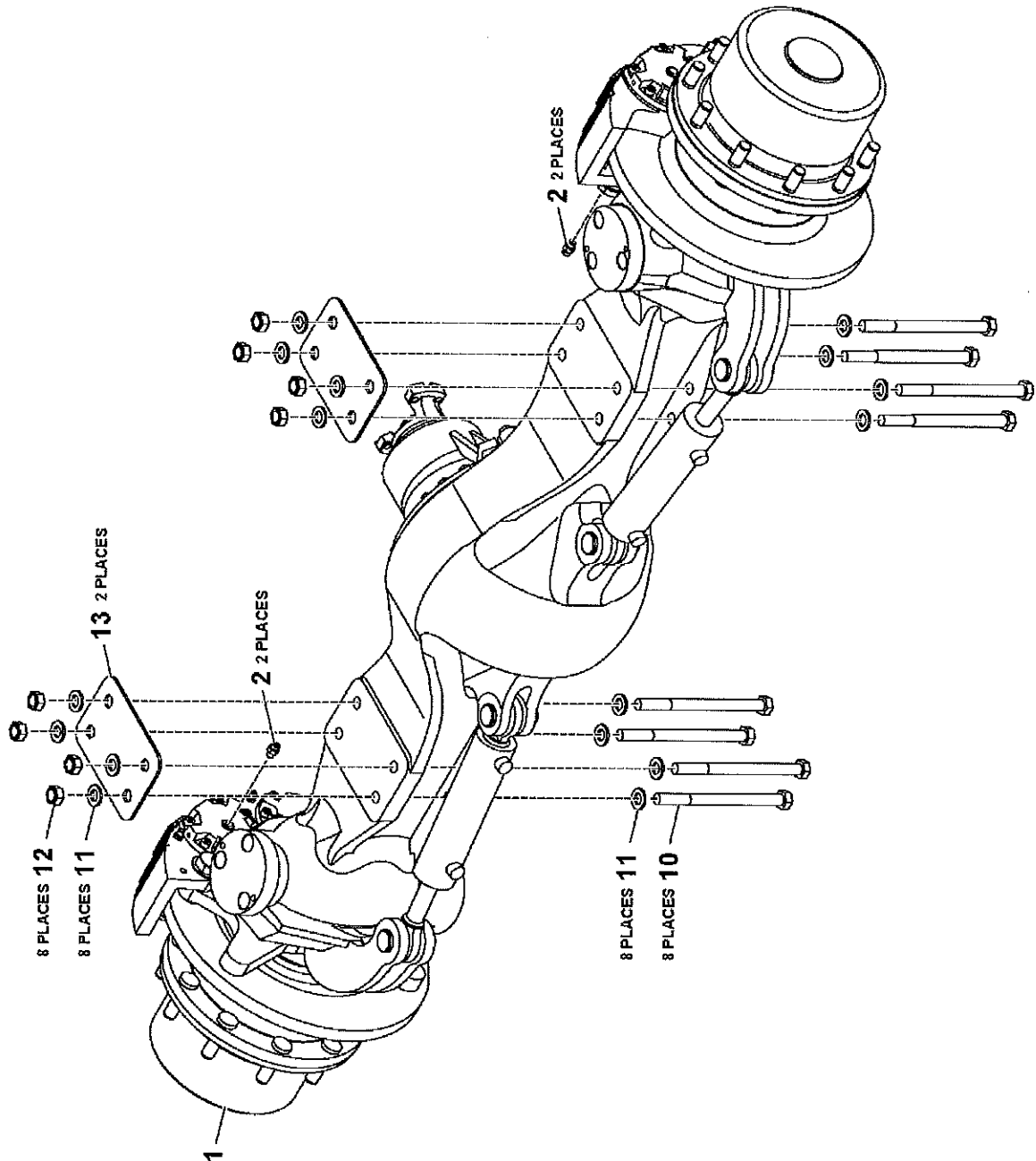
Manitowoc Cranes

Description
SWITCH ASSEMBLY - PROXIMITY (NORMALLY OPEN)
(COMPLETE ASSEMBLY)

Assembly No.
6872100045
 Revision: **A**

Item	FN	Part	Qty	Description
1		7872100062	1	PROXY SENSOR-PNP 10mm RANGE
2		7892100010	1	RECEPTACLE, DTM-3P
3		7172100003	3	BOOT-DTM3P-RECP
4		7689100033	3	PIN
5		8594100256	1	TUBING, HEAT SHRINK 1/4" I.D. LINER, MELTABLE (QUANTITY IN FEET)

Manitowoc Cranes



80004043

(SHEET 1 OF 1)

Page 370

Manitowoc Cranes

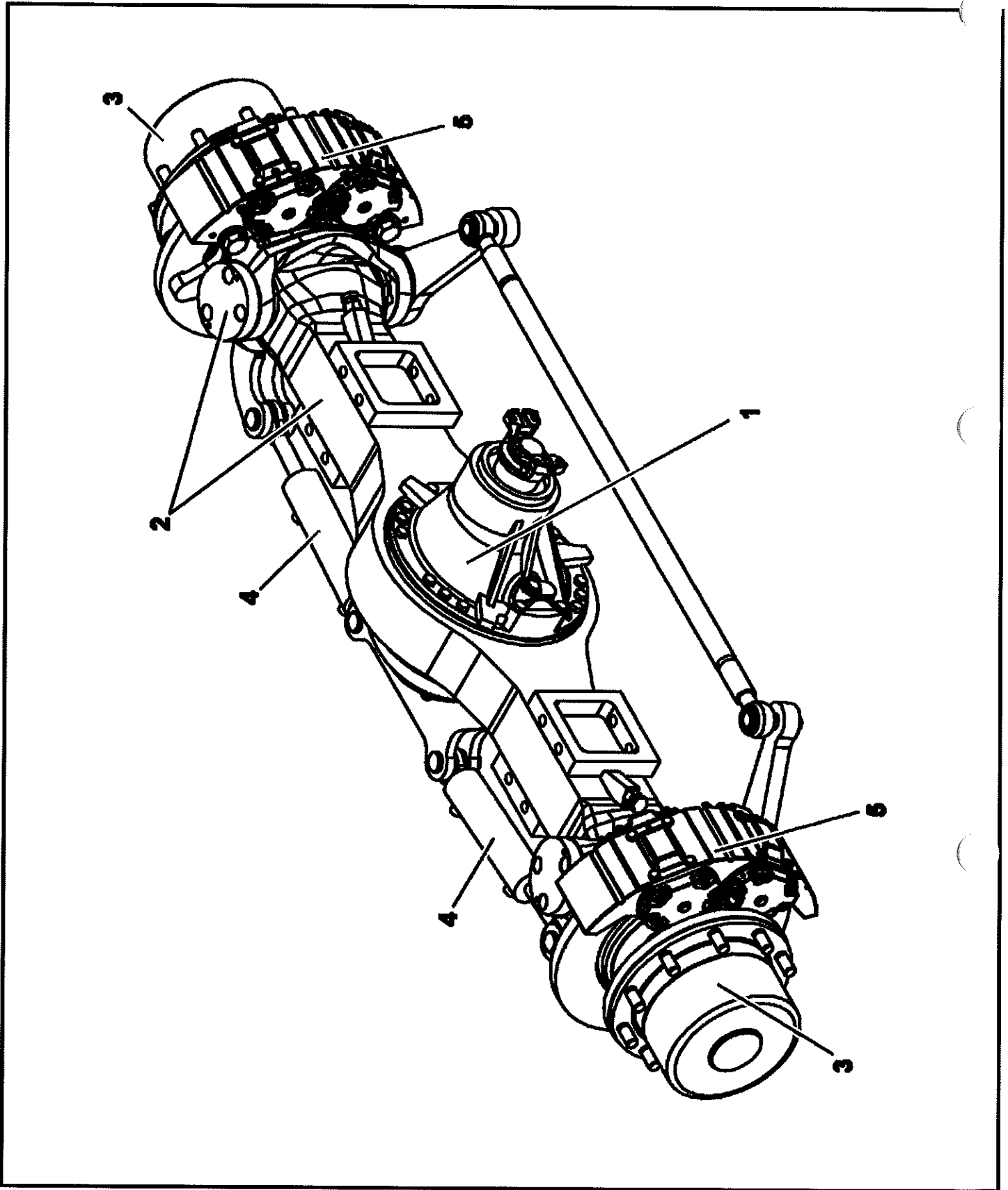
Description
AXLE INSTALLATION - FRONT

Assembly No.
80004043
 Revision: #

Item	FN	Part	Qty	Description
1	+	80004039	1	AXLE ASSEMBLY - DRIVE/STEER (COMPLETE ASSEMBLY)
2		7443100153	4	CONNECTOR,M12X1.0-#4 ORFS MALE
10		7127273950	8	SCREW, M20X260 HEX HEAD CAP
11		7949000236	16	FLAT WASHER, 3/4"
12		7661270004	8	NUT
13		80005827	2	PLATE, AXLE SHIM

+ SEE FURTHER BREAKDOWN THIS GROUP

Manitowoc Cranes



80004039

(SHEET 1 OF 1)

Page 372

Manitowoc Cranes

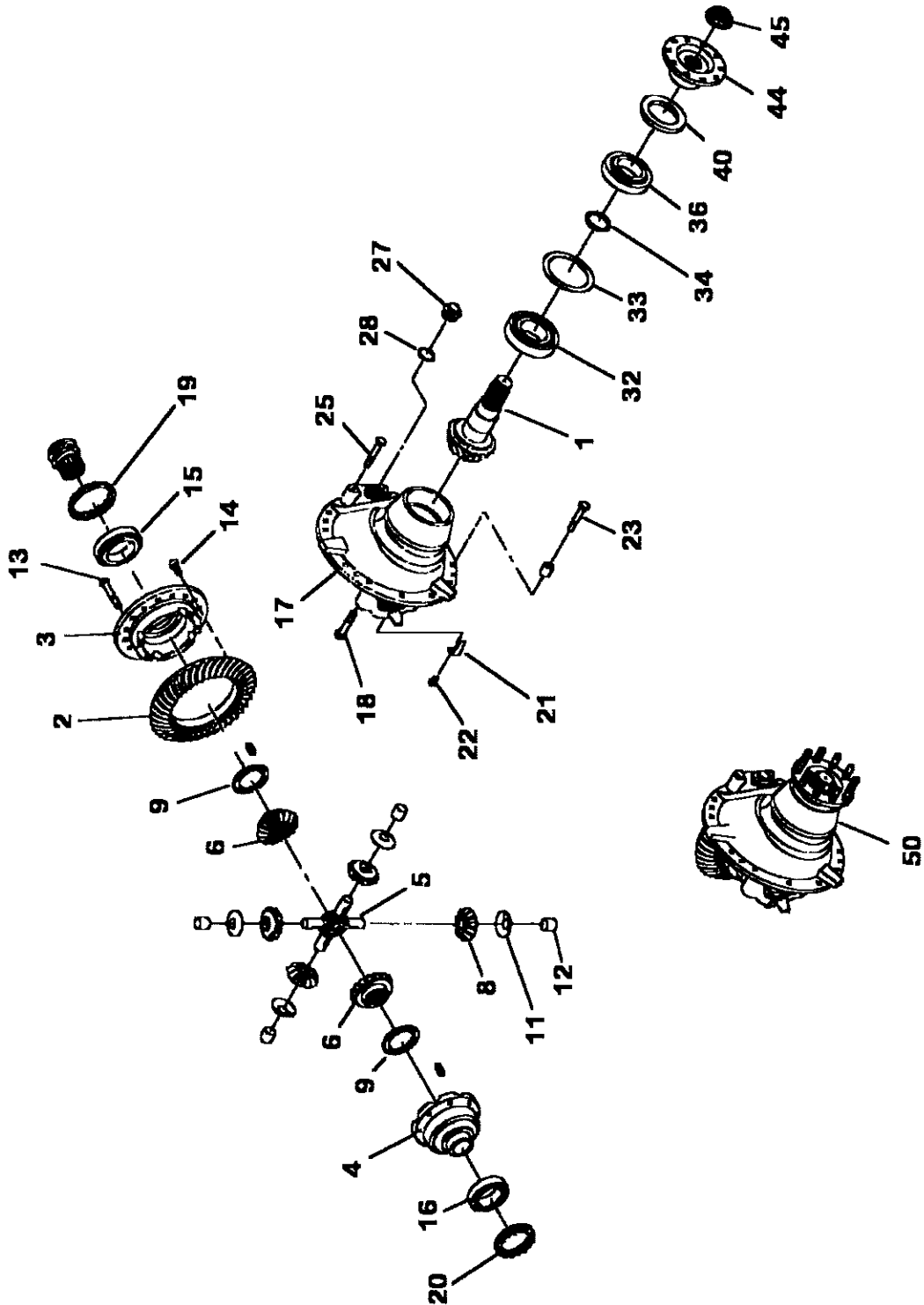
Description
AXLE ASSEMBLY - DRIVE/STEER (COMPLETE ASSEMBLY)

Assembly No.
80004039
 Revision:

Item	FN	Part	Qty	Description
1	+	90014653	1	DIFF.CARR. GROUP @ 4.67 RATIO PARTS LIST WAS WORKED AS A FRONT AXLE ASSY. FOR R.H. OR L.H. ID
2	+	90014663	1	HOUSING & HUB GROUP PARTS LIST WAS WORKED AS A FRONT AXLE ASSY. FOR R.H. OR L.H. ID
3	+	90012613	1	PLANETARY HUB GROUP PARTS LIST WAS WORKED AS A FRONT AXLE ASSY. FOR R.H. OR L.H. ID
4	+	90012614	1	STEER CYLINDER GROUP PARTS LIST WAS WORKED AS A FRONT AXLE ASSY. FOR R.H. OR L.H. ID
5	+	90012615	1	BRAKE GROUP PARTS LIST WAS WORKED AS A FRONT AXLE ASSY. FOR R.H. OR L.H. ID

+ SEE FURTHER BREAKDOWN THIS GROUP

Manitowoc Cranes



90014653

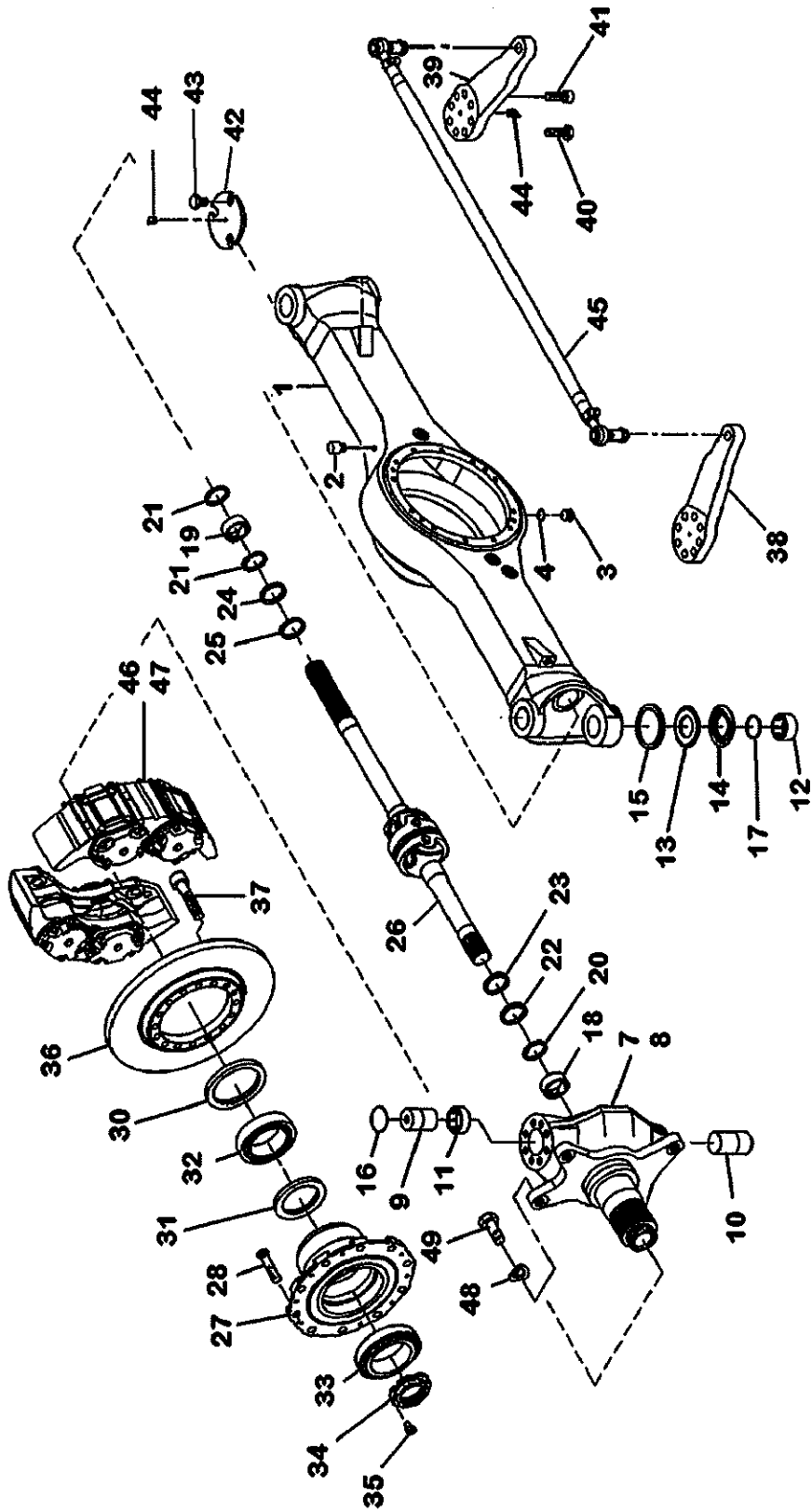
(SHEET 1 OF 1)

Page 374

Manitowoc Cranes

Description DIFF.CARR. GROUP @ 4.67 RATIO				Assembly No. 90014653 Revision:
Item	FN	Part	Qty	Description
1		9049112892	1	SET, RING & PINION
2		NSS	1	RING GEAR
3		90012606	1	HOUSING, DIFF.
4		9049111704	1	HOUSING, DIFFERENTIAL
5		9049991107	1	SPIDER, DIFFERENTIAL
6		9049991109	2	SIDE GEAR, DIFFERENTIAL
8		9049991108	4	PINION, DIFFERENTIAL
9		9049991103	2	WASHER, THRUST
11		9049109528	4	DISK
12		9049111692	4	BUSHING, BEARING
13		9049111546	8	SCREW,
14		90013521	16	SCREW, HEX
15		9049991842	1	BEARING, TAPERED ROLLER
16		9049991841	1	BEARING, TAPERED ROLLER
17		90012607	1	HOUSING, DIFF. CARRIER
18		9049107039	4	SCREW, HEX
19		9049108267	1	NUT
20		9049991859	1	NUT, ADJUSTING
21		9049111071	2	PLATE, LOCK
22		9049111693	2	SCREW, HEX
23		9049111548	14	SCREW, HEX
25		9049112860	2	CAPSCREW, HEX
27		9049990988	1	PLUG
28		90012608	1	SEAL RING
32		C8391660	1	BEARING
33		9049112861	1	WASHER, THRUST
34		9049107034	1	RING
36		90012609	1	BEARING, ROLLER
40		90012616	1	SEAL RING, VITON
44		9049112862	1	FLANGE, DRIVE
45		9049991785	1	NUT
50		90014652	1	DIFF.CARR ASSY. @ 4.67 RATIO COMPLETE ASSEMBLY

Manitowoc Cranes



90014663

(SHEET 1 OF 1)

Manitowoc Cranes

Description
HOUSING & HUB GROUP

Assembly No.
90014663
Revision:

Item	FN	Part	Qty	Description
1		90014662	1	HOUSING, AXLE
2		9049990972	1	BREATHER, SCREW
3		9049990974	1	PLUG
4		9049109352	1	RING, SEAL
7		90013581	1	KNUCKLE, STEERING L.H. FOR FRONT AXLE ASSY. R.H. FOR REAR AXLE ASSY.
8		90013582	1	KNUCKLE, STEERING R.H. FOR FRONT AXLE ASSY. L.H. FOR RAER AXLE ASSY.
9		9049111670	2	PIN, KING
10		C8926135	2	PIN, KING
11		90012598	2	BUSHING, BEARING
12		9049109542	2	BUSHING
13		90012599	2	SPACER, DISK
14		90012600	2	SPACER, DISK
15		9049109546	2	RING
16		9049107885	2	O-RING
17		90012601	2	O-RING
18		9049110137	2	BUSHING
19		9049110137	2	BUSHING
20		9049990921	2	RING, SNAP
21		9049990921	4	RING, SNAP
22		9049991324	2	SEAL
23		9049108804	2	RING, SEAL
24		9049991324	2	SEAL
25		9049108804	2	RING, SEAL
26		9049111671	2	JOINT, UNIVERSAL INCLUDES THE FOLLOWING PARTS
		90012618	1	KIT, U-JOINT BEARING
27		9049112836	2	HUB, WHEEL
28		9049108416	20	STUD, WHEEL
30		90000590	2	RING, RADIAL SEAL
31		90012603	2	SEAL RING
32		9049111674	2	BEARING, ROLLER
33		9049991044	2	BEARING

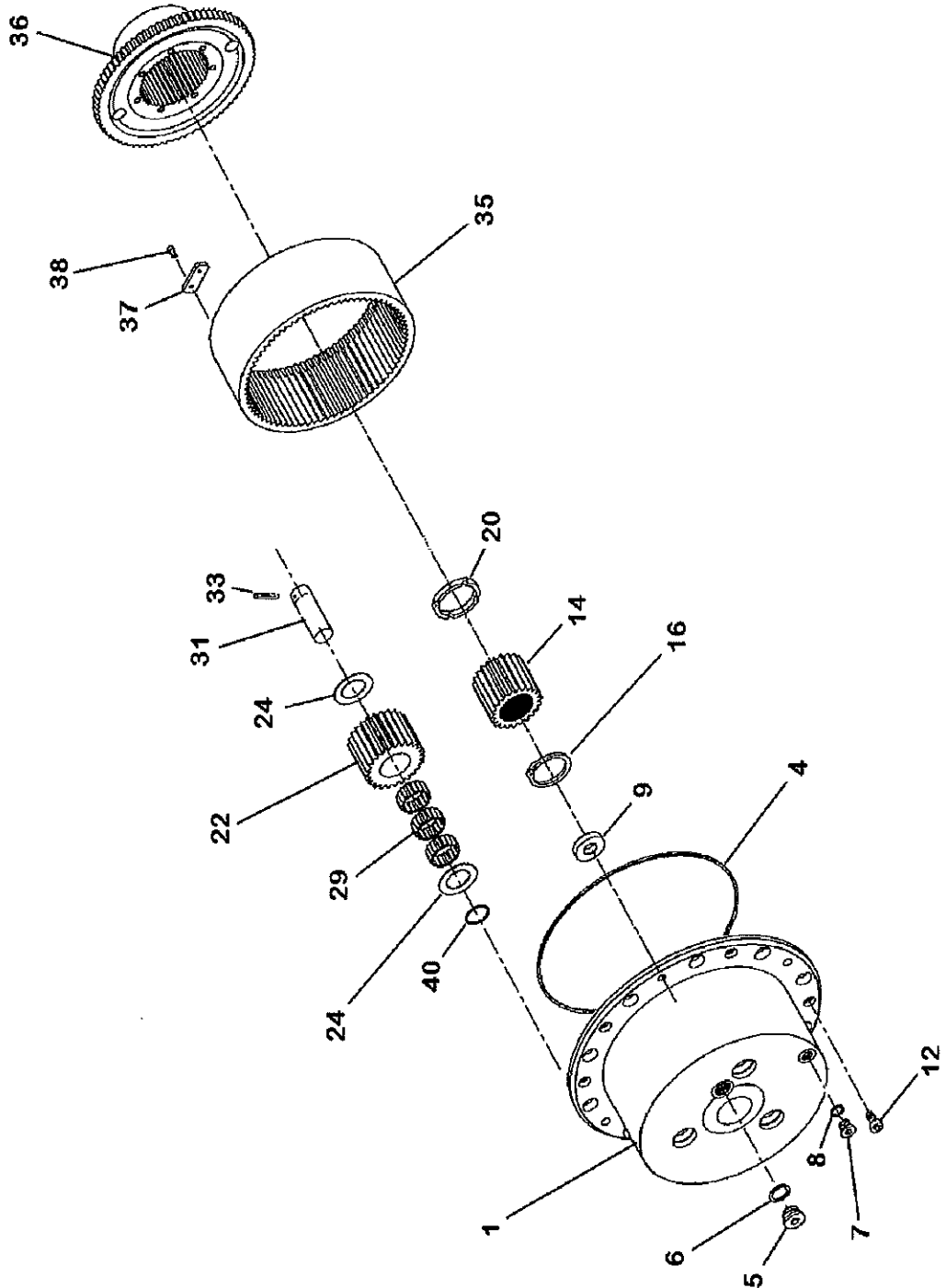
Manitowoc Cranes

Description HOUSING & HUB GROUP				Assembly No. 90014663 Revision:
Item	FN	Part	Qty	Description
34		9049991267	2	NUT
35		9049991238	2	SCREW,
36		9049991911	2	DISK
37		9049991912	32	SCREW, HEX SOCKET
38		9049112838	1	LEVER, STEER R.H. FOR FRONT AXLE ASSY. L.H. FOR REAR AXLE ASSY.
39		9049112839	1	LEVER, STEER L.H. FOR FRONT AXLE ASSY. R.H. FOR REAR AXLE ASSY.
40		9049110524	12	SCREW,
41		9049112840	4	SCREW, HEX SOCKET
42		9049112880	2	COVER
43		9049112881	6	CAPSCREW
44		9049991916	4	NIPPLE, GREASE
45		9049112841	1	ROD ASSY. TIE
		9601990029	1	INCLUDES THE FOLLOWING PARTS ROD END, TIE R.H. THD.
		9601990030	1	ROD END, TIE L.H. THD.
46		9049112846	1	BRAKE, ASSY. L.H. FOR FRONT AXLE ASSY. R.H. FOR REAR AXLE ASSY.
47		9049112847	1	BRAKE, ASSY. R.H. FOR FRONT AXLE ASSY. L.H. FOR REAR AXLE ASSY.
48		9049112848	4	WASHER, SPRING
49		9049991895	4	SCREW,

Manitowoc Cranes

Notes

Manitowoc Cranes



90012613

(SHEET 1 OF 1)

Page 380

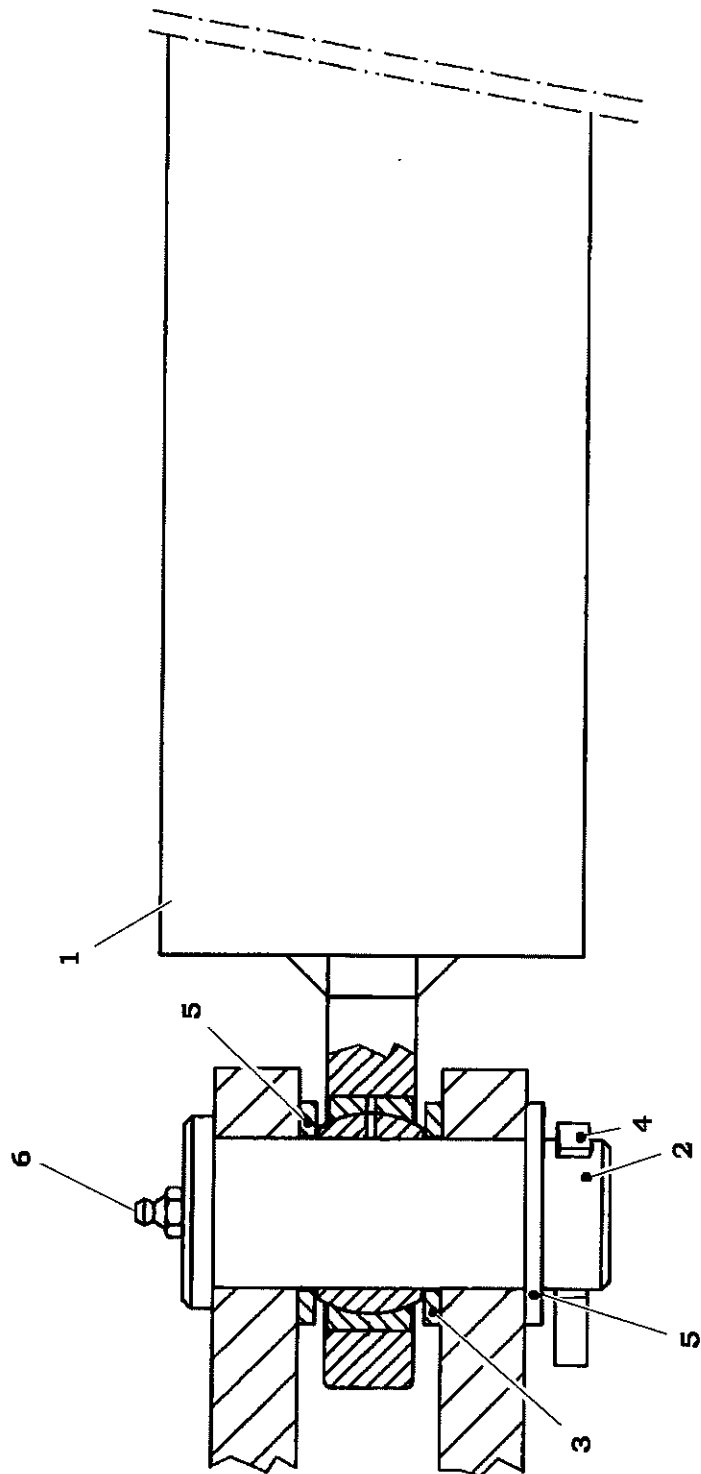
Manitowoc Cranes

Description
PLANETARY HUB GROUP

Assembly No.
90012613
 Revision:

Item	FN	Part	Qty	Description
1		9049112849	2	HOUSING, PLANETARY
4		9049111627	2	O-RING
5		9049108671	2	PLUG
6		9049109351	2	RING, SEAL
7		9049107242	2	PLUG
8		9049109352	2	RING, SEAL
9		90012604	2	WASHER, THRUST
12		7126191153	12	CAP SCREW, M10 X 20 HEX HEAD
14		9049112850	2	GEAR, SUN
16		9049991058	2	RING, CIRCULAR
20		9049112851	2	GEAR, RING
22		9049112852	8	GEAR, PLANETARY
24		C8989364	16	WASHER, THRUST
29		9049111628	24	BEARING, NEEDLE
31		9049112853	8	PIN, PLANETARY
33		9049991890	8	PIN
35		9049112851	2	GEAR, RING
36		9049112856	2	RING GEAR, CARRIER
37		9049112686	6	BREATHER
38		9049108670	12	SCREW, HEX 3/8-24NF
40		9049111629	8	O-RING

Manitowoc Cranes



90012614

(SHEET 1 OF 1)

Page 382

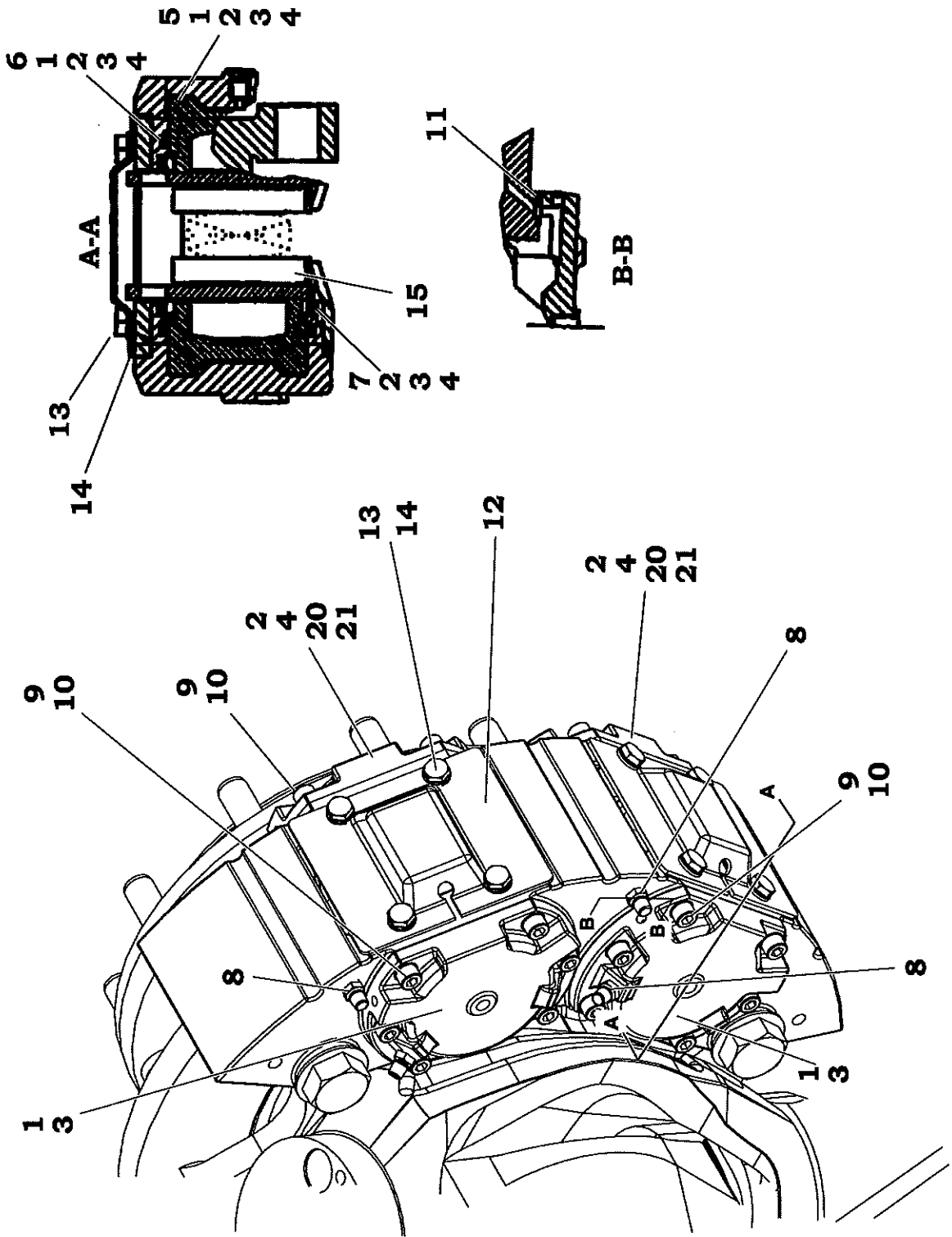
Manitowoc Cranes

Description
STEER CYLINDER GROUP

Assembly No.
90012614
Revision:

Item	FN	Part	Qty	Description
1		9049112842	2	CYLINDER ASSY. STEER INCLUDES THE FOLLOWING PARTS
		9049112887	1	KIT, SEAL
2		9049112843	4	PIN
3		9049112844	4	WASHER
4		9049112845	4	PIN, SPLINT
5		9049112844	8	WASHER
6		9049991915	4	NIPPLE

Manitowoc Cranes



90012615

(SHEET 1 OF 1)

Manitowoc Cranes

Description
BRAKE GROUP

Assembly No.
90012615
Revision:

Item	FN	Part	Qty	Description
1		9049112865	2	CYLINDER
2		9049112866	2	CYLINDER
3		9049112867	2	CYLINDER
4		9049112868	2	CYLINDER
5		9049112869	8	PISTON
6		9049112870	8	GASKET
7		9049112871	8	CAP, DUST
8		9049112872	8	VALVE, BLEEDER
9		9049112873	48	SCREW
10		9049112874	96	PLATE, RETAINER
11		9049112875	8	GASKET
12		9049112876	4	PLATE, COVER
13		9049112877	16	SCREW
14		9049112878	16	DISK
15		9049112879	8	PAD & LINING, BRAKE
20		9049112846	1	BRAKE, ASSY. L.H. FOR FRONT AXLE ASSY. R.H. FOR REAR AXLE ASSY.
21		9049112847	1	BRAKE, ASSY. R.H. FOR FRONT AXLE ASSY. L.H. FOR REAR AXLE ASSY.

Manitowoc Cranes



The drawing or bill of material for this installation was not available when this catalog was created. Please contact Rich Rebok at richard.rebok@manitowoc.com for Grove products or Galen Burkholder at galen.burkholder@manitowoc.com for National products to supply us with your mailing information. Once the drawing or bill of material has been completed, we will send you the appropriate pages to be inserted into your manual.

Regards,

Technical Publications Department
Shady Grove, Pennsylvania
www.cranecare.com

Manitowoc Cranes

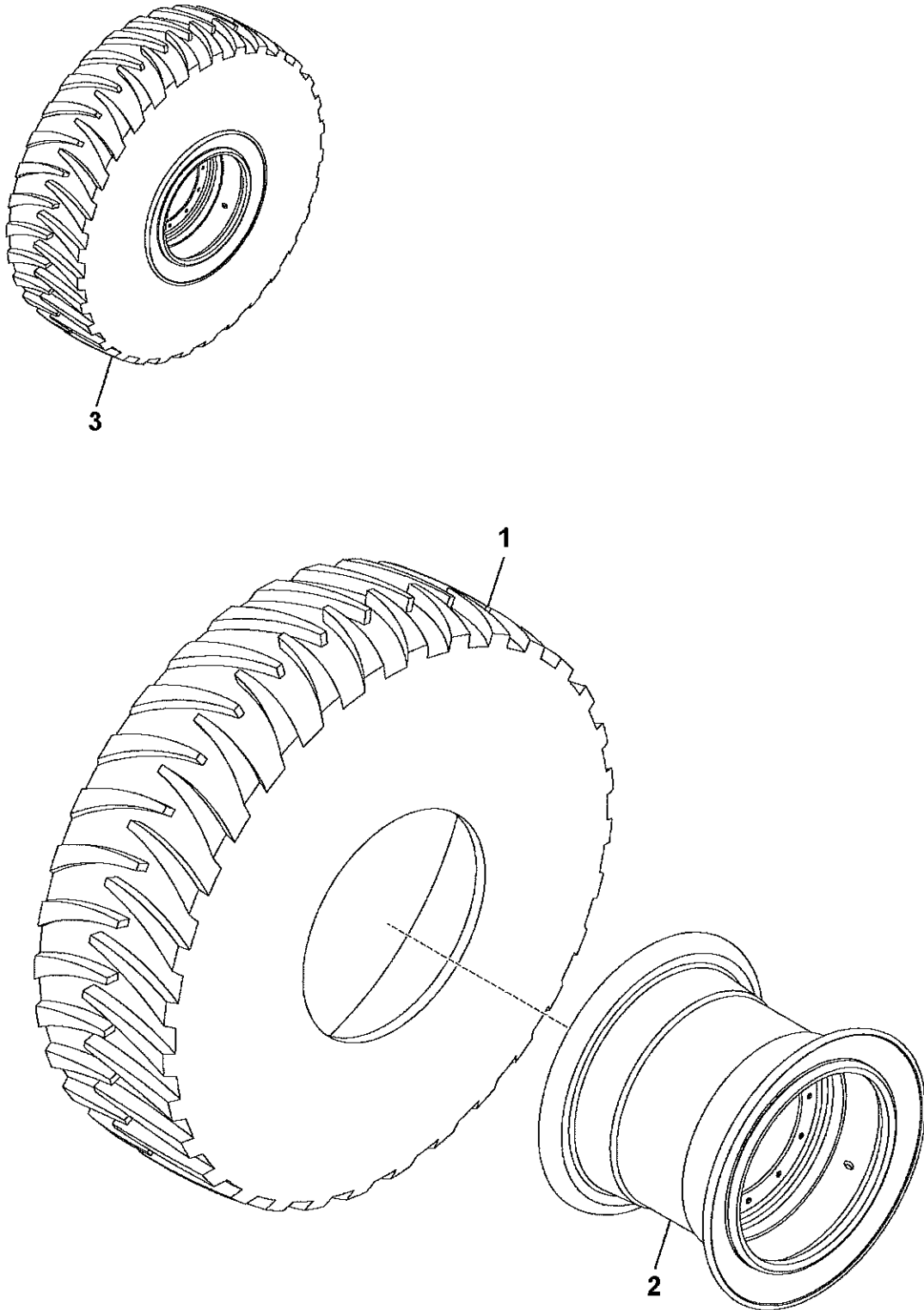
Description
TIRE AND WHEEL INSTALLATION JIANGSU 16X25

Assembly No.
80017147
 Revision: #

Item	FN	Part	Qty	Description
1	+	80016930	2	TIRE AND WHEEL ASSEMBLY JIANGSU 16X25
2		7659000270	40	NUT
3	+	80016930	2	TIRE AND WHEEL ASSEMBLY JIANGSU 16X25

+ SEE FURTHER BREAKDOWN THIS GROUP

Manitowoc Cranes



80016930

(SHEET 1 OF 1)

Page 388

Manitowoc Cranes

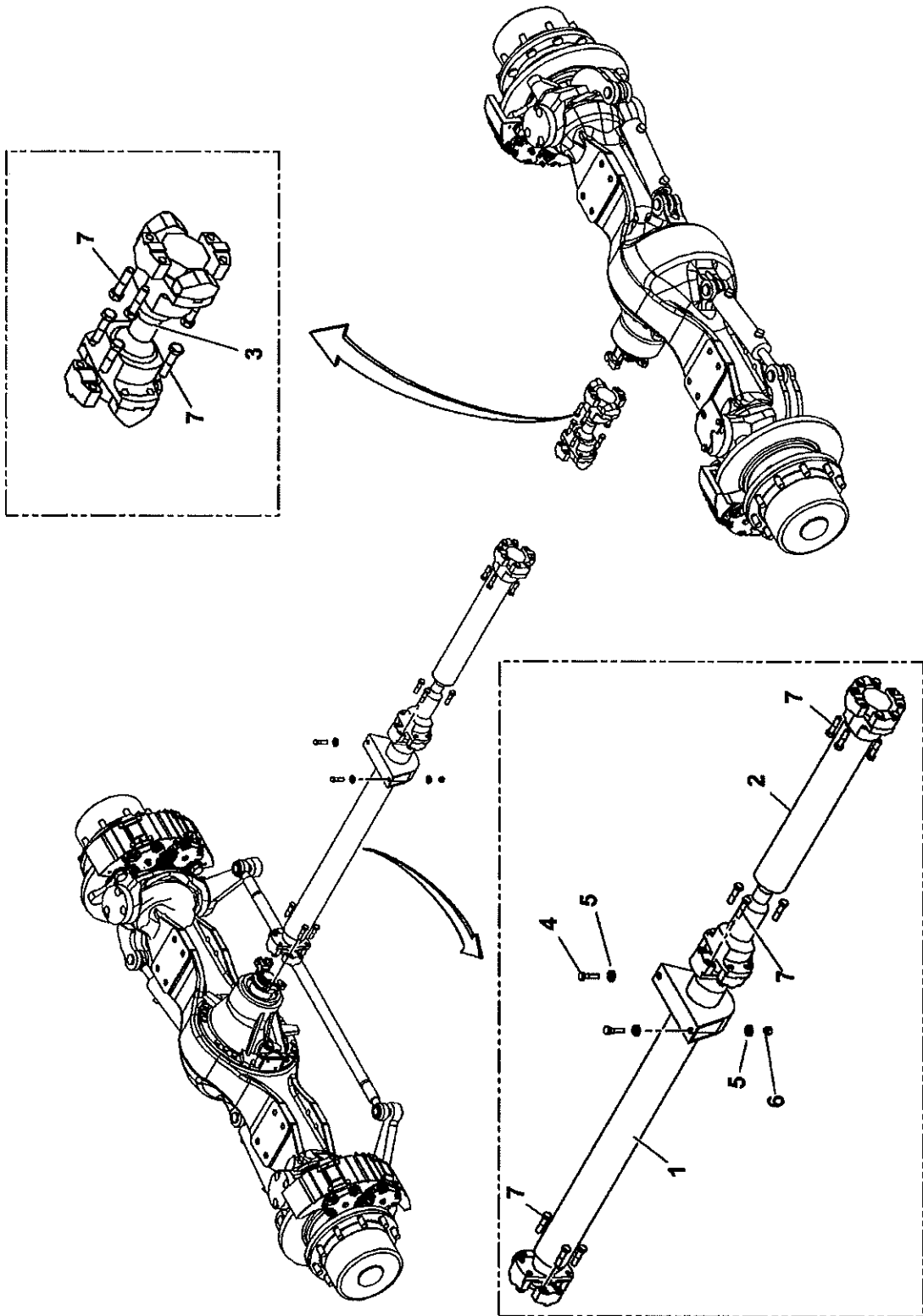
Description
TIRE AND WHEEL ASSEMBLY JIANGSU 16X25

Assembly No.
80016930
Revision: #

Item	FN	Part	Qty	Description
1		80016876	1	TIRE-JIANGSU 16X25 32 PLY
2		80016870	1	WHEEL ASSEMBLY - 11.25 X 25 (CHENGDU)
3		80016872	1	TIRE AND WHEEL MISC PARTS INCLUDES THE FOLLOWING PARTS
	#	7926000196	1	VALVE, AIR
1		80016876	1	TIRE-JIANGSU 16X25 32 PLY
2		80016870	1	WHEEL ASSEMBLY - 11.25 X 25 (CHENGDU)
3		80016872	1	TIRE AND WHEEL MISC PARTS INCLUDES THE FOLLOWING PARTS
	#	7926000196	1	VALVE, AIR

SERVICED AS AN ASSEMBLY ONLY

Manitowoc Cranes



80011142

(SHEET 1 OF 1)

Page 390

Manitowoc Cranes

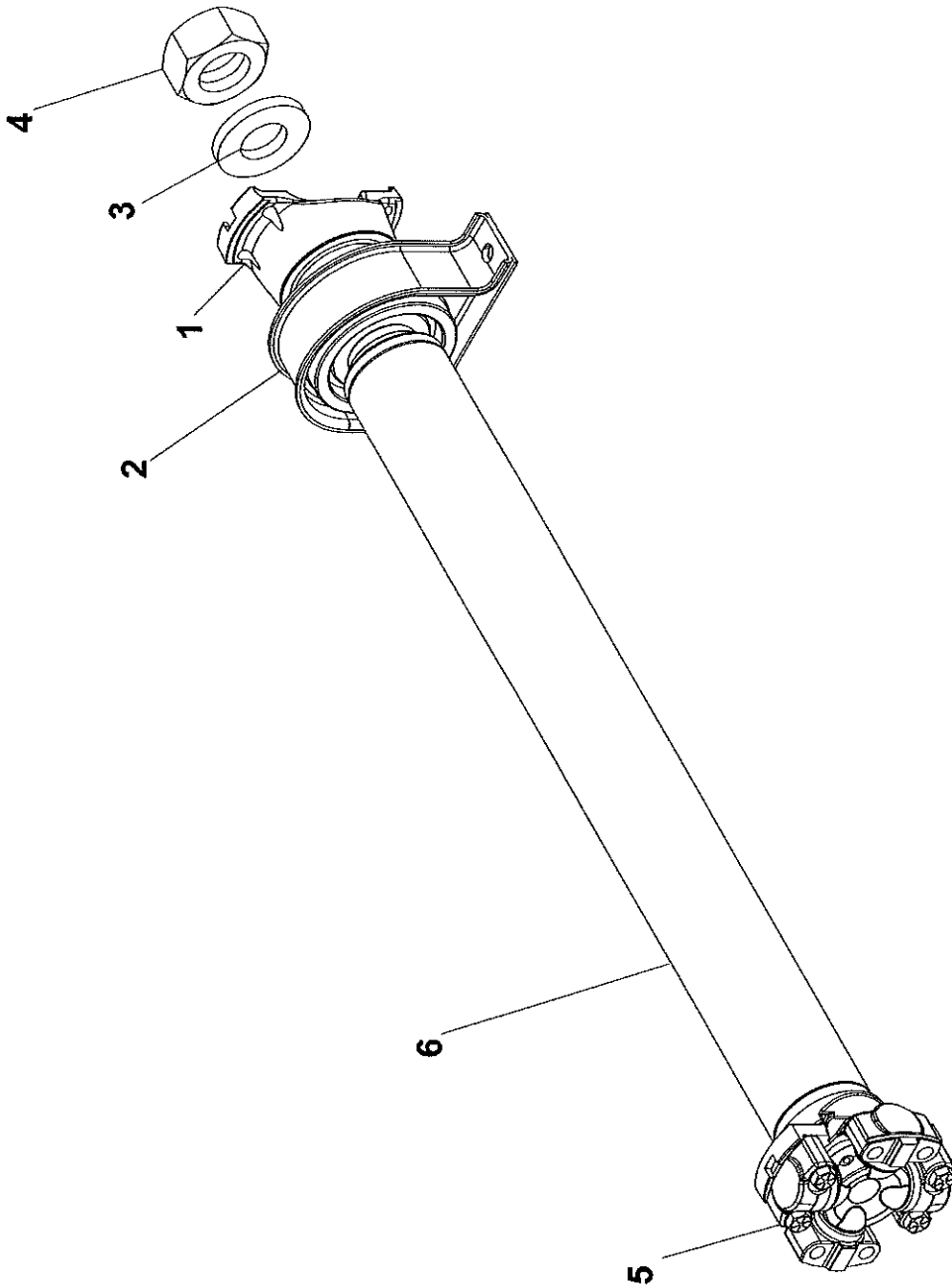
Description
DRIVE LINE INSTALLATION

Assembly No.
80011142
Revision: #

Item	FN	Part	Qty	Description
1	+	80000554	1	DRIVE LINE ASSEMBLY WITH CENTER BEARING (COMPLETE ASSEMBLY)
2	+	80000556	1	DRIVE LINE ASSEMBLY (COMPLETE ASSEMBLY)
3	+	7364100166	1	DRIVE LINE ASSEMBLY (COMPLETE ASSEMBLY)
4		7126211650	2	CAP SCREW, HEX HEAD
5		7949000235	4	WASHER, 1/2" I.D. FLAT
6		7661210003	2	NUT, HEX 12MM N.C.
7		7108181650	20	BOLT, HEX

+ SEE FURTHER BREAKDOWN THIS GROUP

Manitowoc Cranes



80000554

(SHEET 1 OF 1)

Page 392

Manitowoc Cranes

Description

**DRIVE LINE ASSEMBLY WITH CENTER BEARING
(COMPLETE ASSEMBLY)**

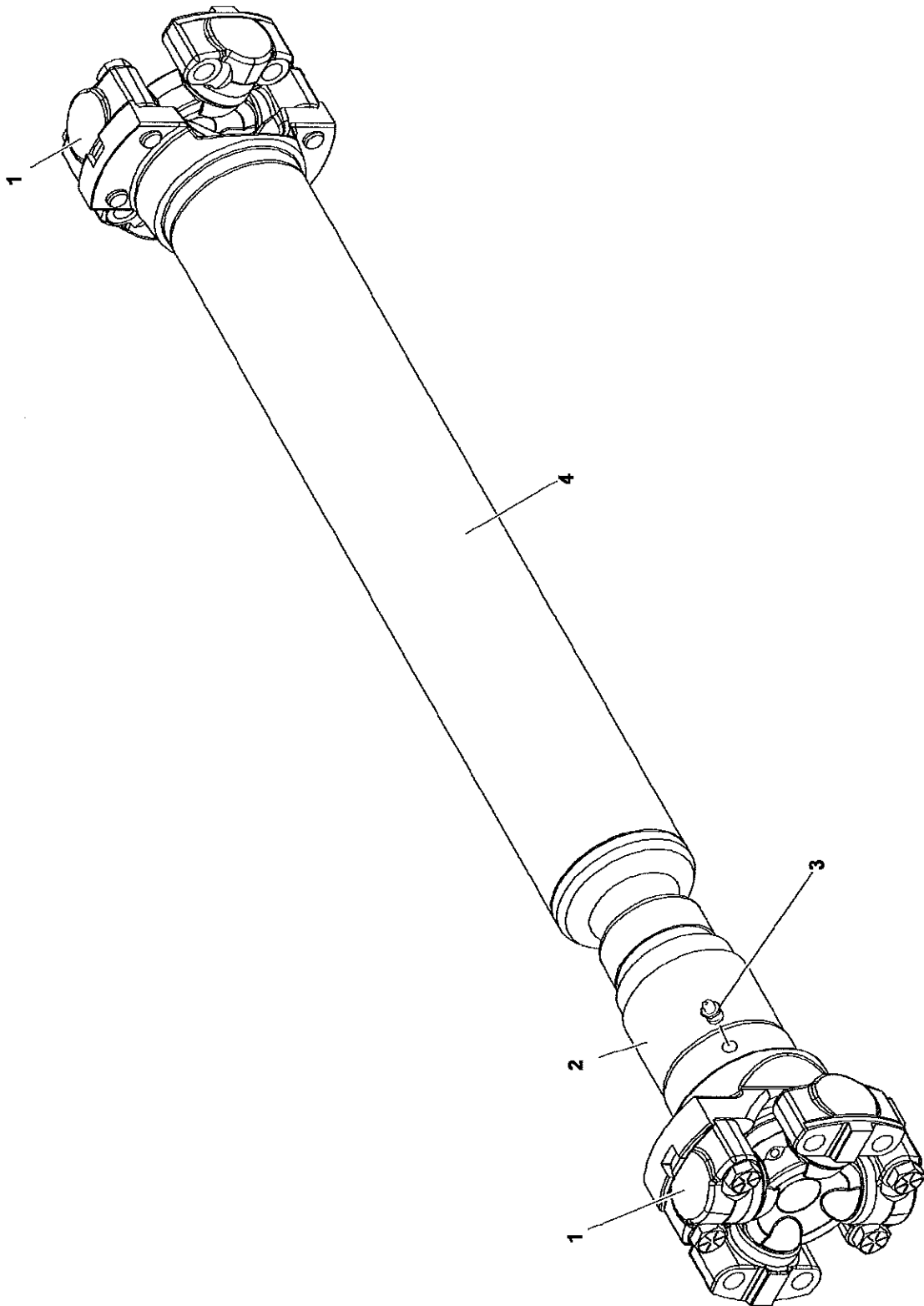
Assembly No.

8000554

Revision:

Item	FN	Part	Qty	Description
1		90012592	1	YOKE ASSY.
2		9364101907	1	BEARING, CENTER
3		9364101903	1	WASHER
4		9364101902	1	LOCKNUT
5		9364101535	1	U-JOINT BEARING WITH HARDWARE
6		NSS	1	TUBE WELDMENT

Manitowoc Cranes



80000556

(SHEET 1 OF 1)

Page 394

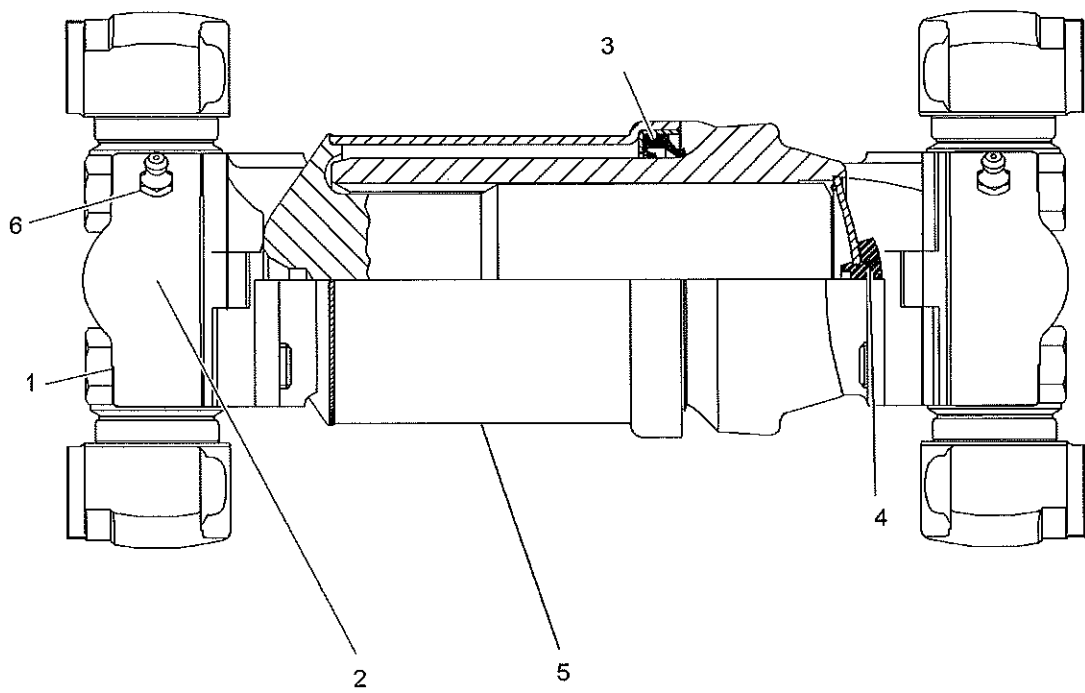
Manitowoc Cranes

Description
DRIVE LINE ASSEMBLY (COMPLETE ASSEMBLY)

Assembly No.
8000556
Revision:

Item	FN	Part	Qty	Description
1		9364101535	2	U-JOINT BEARING WITH HARDWARE
2		90012594	1	YOKE ASSY. W/ DUST CAP
3		9364101577	1	FITTING, GREASE
4		NSS	1	TUBE WELDMENT

Manitowoc Cranes



7364100166

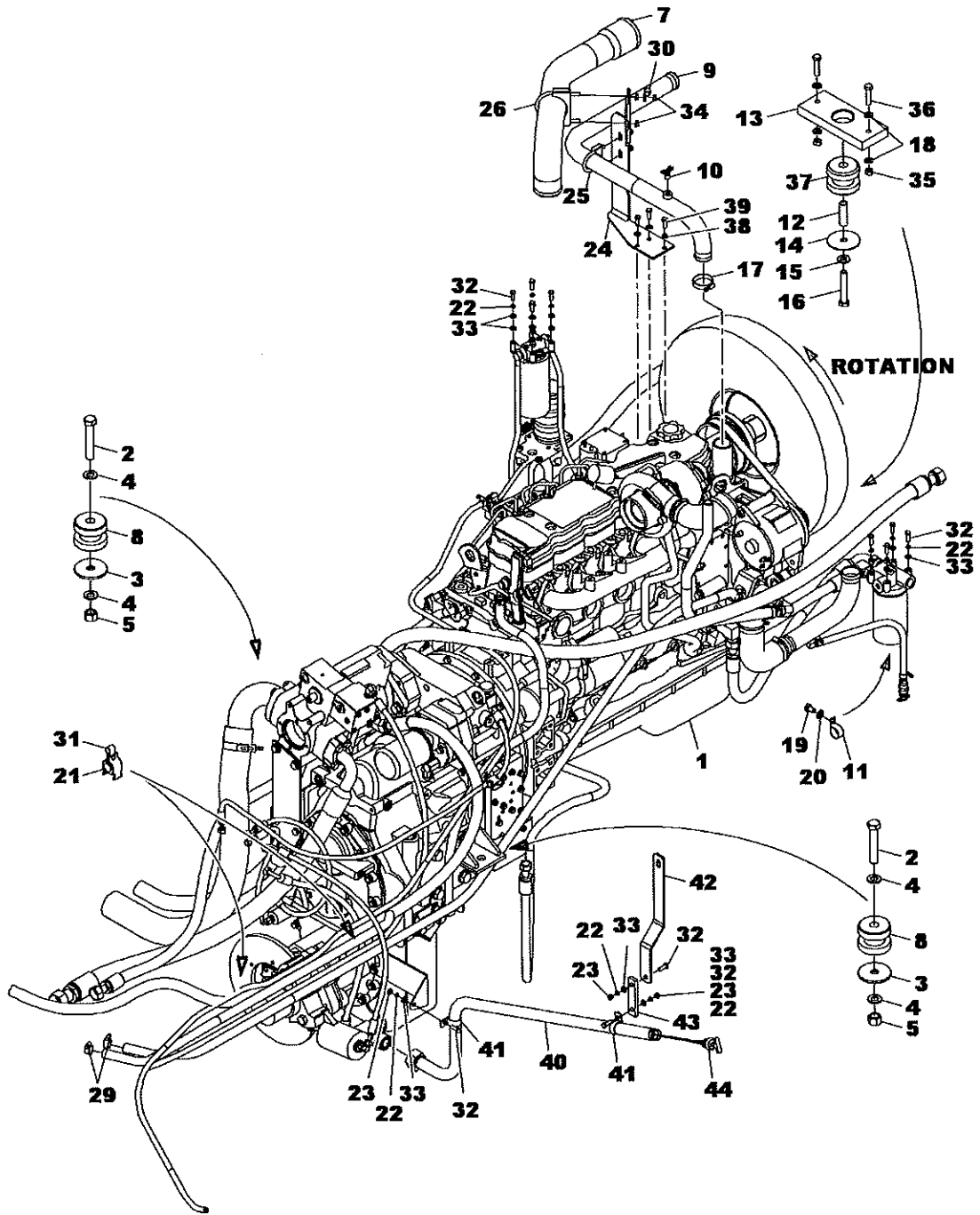
(SHEET 1 OF 1)

Page 396

Manitowoc Cranes

<u>Description</u>				<u>Assembly No.</u>
DRIVE LINE ASSEMBLY (COMPLETE ASSEMBLY)				7364100166
				Revision:
Item	FN	Part	Qty	Description
1		9364101866	8	CAPSCREW
2		9364101867	2	U-JOINT ASSY.
3		9364101868	1	SEAL, SHAFT
4		9364101869	1	VALVE, AIR
5		NSS	1	SHAFT ASSY.
6		9364101870	1	FITTING, GREASE QTY. 1 PER U-JOINT ASSY.

Manitowoc Cranes



**ITEMS NOT SHOWN
NBR. 6, 27, 28**

Manitowoc Cranes

Description ENGINE INSTALLATION				Assembly No. 2159810224 Revision: B
Item	FN	Part	Qty	Description
1	+	2159810225	1	ENGINE ASSEMBLY - CUMMINS QSB6.7 (NOT AVAILABLE AS ASSEMBLY)
2		7127272850	2	CAP SCREW, M20X120 HEX HEAD
3		7949180046	3	WASHER, DOCK
4		7949000236	4	FLAT WASHER, 3/4"
5		7661271104	2	NUT, M20-10 HEX LOCK
6		7126191750	2	CAP SCREW, M10 X 50MM HEX HEAD
7		7910101859	1	CAC TUBE
8	#	7638100033	2	MOUNT, 2-PC ISOLATOR
9		7910101601	1	TUBE, RADIATOR
10		7926000014	1	VALVE-DRAIN COCK
11		7300000243	1	CLAMP, TUBING 3/4" I.D.
12		6199100104	1	BUSHING
13		6705171095	1	PLATE, MOUNT
14		6949100020	1	WASHER, DOCK
15		7949000259	1	WASHER, 5/8" I.D.
16		7127242653	1	CAP SCREW, M16X100 HEX HEAD
17		7300000006	1	CLAMP, HOSE
18		7949000235	4	WASHER, 1/2" I.D. FLAT
19		7126211150	1	CAP SCREW, M12 X 20MM HEX HEAD
20		7951210014	1	WASHER, FLAT #12
21		7300000404	4	CLAMP, 1" TUBING
22		7951170210	11	WASHER, LOCK 8MM
23		7661170003	3	NUT
24		4159810076	1	BRACKET, CLAMP
25		7300001083	1	CLAMP, MUFFLER
26		7300001018	1	ZINC MUFFLER CLAMP
27		7300000461	2	CLAMP, T-BOLT
28		7406000537	1	BELLOWS
29		7300000040	2	CLAMP, HOSE 29/32" I.D.
30		7300000101	1	CLAMP, TUBING 1/2" I.D.
31		7300100014	2	CLAMP, 5/8" TUBING

+ SEE FURTHER BREAKDOWN THIS GROUP

SERVICED AS AN ASSEMBLY ONLY

Manitowoc Cranes

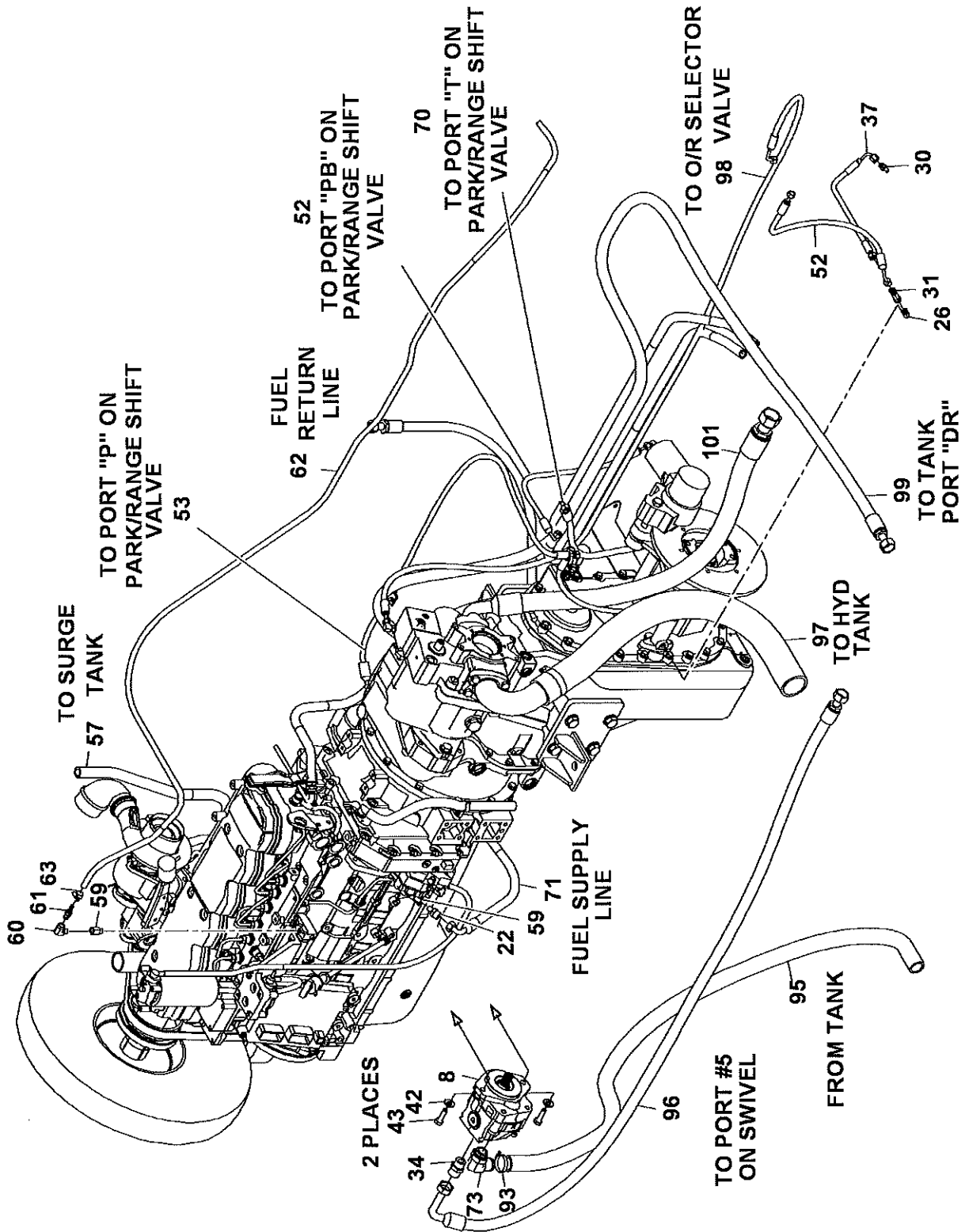
Description
ENGINE INSTALLATION

Assembly No.
2159810224
Revision: **B**

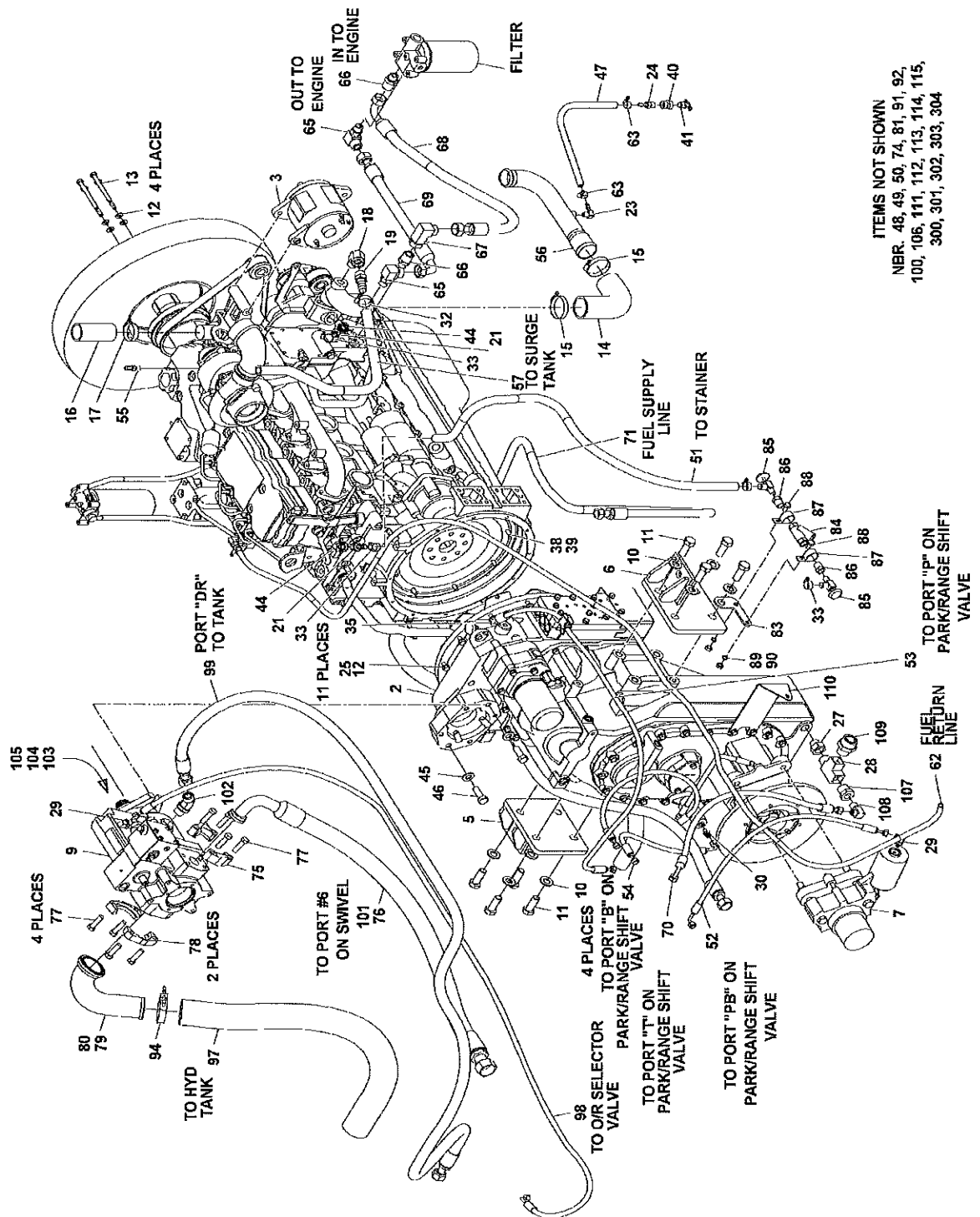
Item	FN	Part	Qty	Description
32		7126171253	11	CAP SCREW, M8X25 HEX HEAD
33		7951170014	15	WASHER, FLAT #8
34		7660152701	2	LOCKNUT 5/16" - 18 N.C.
35		7661210003	2	NUT, HEX 12MM N.C.
36		7126211853	2	CAP SCREW, M12X55 HEX HEAD
37	#	7638100029	1	MOUNT, 2 PIECE ISOLATOR
38		7949000263	3	WASHER, HARDENED
39		7126191253	3	CAP SCREW
40		7910101627	1	TUBE, DIPSTICK
41		7300000246	2	CLAMP, TUBING 1-1/4" I.D.
42		4159810079	1	BRACKET
43		7418100004	1	STRAP, RUBBER
44		7486100132	1	DIPSTICK

SERVICED AS AN ASSEMBLY ONLY

Manitowoc Cranes



Manitowoc Cranes



2159810225

(SHEET 1 OF 2)

Manitowoc Cranes

Description
ENGINE ASSEMBLY - CUMMINS QSB6.7 (NOT AVAILABLE AS ASSEMBLY)

Assembly No.
2159810225
 Revision: E

Item	FN	Part	Qty	Description
2	+	80011908	1	TRANSMISSION ASSEMBLY - 6 SPEED 12 VOLT (COMPLETE ASSEMBLY)
3		7029100003	1	ALTERNATOR
5		2159810022	1	MOUNT, TRANSMISSION
6		2159810023	1	MOUNT, TRANSMISSION
7	+	80022000	1	BRAKE ASSEMBLY-PARKING
8	+	7722100101	1	PUMP ASSEMBLY - GEAR (COMPLETE ASSEMBLY)
9	+	7722100100	1	PUMP ASSEMBLY - PISTON (COMPLETE ASSEMBLY)
10		7949000236	8	FLAT WASHER, 3/4"
11		7115221650	8	CAP SCREW, 3/4" - 10 N.C. X 2" GRADE 5
12		7949000263	15	WASHER, HARDENED
13		7126192650	4	CAP SCREW, M10 X 100MM HEX HEAD
14		8596910250	1	HOSE, HEATER 5/8" I.D. - 60.00" (QUANTITY IN FEET)
15		7300000035	2	CLAMP, HOSE 1 13/16" TO 2 3/4"
16		8596902521	1	1.75"ID X 2.13"OD WRAPPED HOSE
17		7300000006	1	CLAMP, HOSE
18		7445121253	1	ELBOW, 90 DEGREE
19		7649000005	1	NIPPLE
21		7649000059	2	NIPPLE, HOSE 5/8 ID TO 1/2 NPT
22		7447080428	1	ADAPTER, STRAIGHT MALE
23		7649000092	1	NIPPLE, HOSE
24		7649000062	1	NIPPLE
25		7126191550	11	CAP SCREW, M10 X 40MM HEX HEAD
26		7447040430	1	ELBOW, 90 DEGREE INCLUDES THE FOLLOWING PARTS
		7755011002	1	O-RING
27		7445161217	1	REDUCING CONNECTOR
28		7888000045	1	TEE
29		7447040403	2	ELBOW, 90 DEGREE INCLUDES THE FOLLOWING PARTS
		7755011002	1	O-RING

+ SEE FURTHER BREAKDOWN THIS GROUP

Manitowoc Cranes

Description				Assembly No.
ENGINE ASSEMBLY - CUMMINS QSB6.7 (NOT AVAILABLE AS ASSEMBLY)				2159810225
				Revision: E
Item	FN	Part	Qty	Description
		7755904002	1	O-RING
30		7447040428	2	ADAPTER, STRAIGHT INCLUDES THE FOLLOWING PARTS
		7755011002	1	O-RING
		7755904002	1	O-RING
31		7447040434	1	TEE, MALE RUN INCLUDES THE FOLLOWING PARTS
		7755011002	1	O-RING
		7755904002	1	O-RING
32		7300000167	1	CLAMP, HOSE
33		7300000013	5	CLAMP, HOSE
34		7447121201	1	ADAPTER, STRAIGHT MALE INCLUDES THE FOLLOWING PARTS
		7755018002	1	O-RING
		7755912002	1	O-RING
35		7447040601	1	ADAPTER, STRAIGHT INCLUDES THE FOLLOWING PARTS
		7755011002	1	O-RING
		7755906002	1	O-RING
37		7561101503	1	HOSE ASSY, 1/4" I.D. X 15" LONG
38		7950160050	8	WASHER, LOCK 3/8" I.D.
39		7108161450	8	CAP SCREW, 3/8" - 24 N.F. X 1 3/4" GRADE 8
40		7445060651	1	UNION, STRAIGHT
41		7926000557	1	VALVE, DRAIN
42		7949000235	4	WASHER, 1/2" I.D. FLAT
43		7126211454	2	CAP SCREW, M12X35 SOCKET HEAD
44		7445120809	2	ADAPTER, 45 DEGREE SWIVEL
45		7949000259	2	WASHER, 5/8" I.D.
46		7118201450	2	CAP SCREW, 5/8" - 11 N.C. X 1 3/4" GRADE 8
47		8596902527	2	HOSE, HEATER 3/8 ID X 11/16 OD
48		7542506663	1	HOSE ASSY, 3/8 X 26" 7/8" I.D. X 66"
49		7126211253	2	CAP SCREW, M12 X 25MM HEX HEAD
50		8596902528	17	HOSE, 5/8" I.D. (QUANTITY IN FEET)

Manitowoc Cranes

Description				Assembly No.
ENGINE ASSEMBLY - CUMMINS QSB6.7 (NOT AVAILABLE AS ASSEMBLY)				2159810225
				Revision: E
Item	FN	Part	Qty	Description
51		8596902528	4	HOSE, 5/8" I.D. (QUANTITY IN FEET)
52		7561103003	2	HOSE ASSY, 1/4" I.D. X 30" LONG
53		7561106003	1	1/4" I.D. X 60"
54		7561102003	1	1/4" I.D. X 20"
55		7649000061	1	NIPPLE, HOSE
56		7910101584	1	TUBE, LOWER RADIATOR
57		8596902529	4	.75" ID X 1.12" OD HEATER HOSE (
59		7013000405	2	ADAPTER
60		7445040453	1	ELBOW, 90 DEGREE
61		7649000042	1	NIPPLE, HOSE
62		8596931250	10	HOSE ASSY, 5/16" -650'REEL
63		7300000121	3	HOSE CLAMP -0.69" MAX
65		7447121003	2	ELBOW, 90 DEGREE INCLUDES THE FOLLOWING PARTS
		7755018002	1	O-RING
		7755910002	1	O-RING
66		7447121001	2	ADAPTER, STRAIGHT INCLUDES THE FOLLOWING PARTS
		7755018002	1	O-RING
		7755910002	1	O-RING
67		7447121233	1	ELBOW, 90 DEGREE INCLUDES THE FOLLOWING PARTS
		7755018002	1	O-RING
68		7561503852	1	HOSE ASSY, 3/4" I.D. X 38" LONG
69		7561502452	1	HOSE ASSY, 3/4" I.D. X 24" LONG
70		7561203017	1	3/8" I.D. X 30"
71		7561308432	1	HOSE ASSY, 1/2" I.D. X 84" LONG
73		7013100047	1	ADAPTER, ORB TO HOSE BARB 20-16
74		4159810082	1	SUPPORT, PUMP
75	#	7450000254	2	FLANGE, SPLIT
76		7755222002	1	O-RING
77		7115181450	8	CAP SCREW, 1/2" - 13 N.C. X 1 3/4"
78	#	7450000375	2	FLANGE, SPLIT
79		7755232002	1	O-RING
80		7910101464	1	TUBE ASSY, PUMP INLET

SERVICED AS AN ASSEMBLY ONLY

Manitowoc Cranes

Description

ENGINE ASSEMBLY - CUMMINS QSB6.7 (NOT AVAILABLE AS ASSEMBLY)

Assembly No.

2159810225

Revision: **E**

Item	FN	Part	Qty	Description
81		6794001567	1	GASKET
83		4159810060	1	PLATE, MOUNTING
84		7437100220	1	STRAINER, MESH
85	#	7926002329	2	VALVE, SHUT-OFF
86		7445080650	2	BUSHING, REDUCER
87		7300000246	2	CLAMP, TUBING 1-1/4" I.D.
88		7126191250	2	CAP SCREW, M10 X 25MM HEX HEAD
89		7951190210	5	LOCK WASHER, 10MM
90		7661190003	5	NUT, HEX 10MM
91		8596902528	4	HOSE, 5/8" I.D. (QUANTITY IN FEET)
92		7850000237	3	TIE, CABLE (BLACK) 7 5/16" LONG
93		7300100024	1	CLAMP, T-BOLT 1.75" NOM
94		7300100022	1	CLAMP, T-BOLT 3"
95		7566208000	1	HOSE ASSY, 1 1/4" ID
96		7555508503	1	HOSE ASSY, 3/4" ID X 85"
97		7566503700	1	HOSE ASSY
98		7555111021	1	HOSE ASSY, 1/4" ID
99		7555514390	1	HOSE ASSY, 3/4" ID
100	+	6978100956	1	ELECTRICAL SYSTEM INSTALLATION - ENGINE (NOT AVAILABLE AS ASSEMBLY)
101		7543109361	1	HOSE ASSY, 1 1/4" HYDRAULIC
102		7447121208	1	ELBOW, 45 DEGREE MALE INCLUDES THE FOLLOWING PARTS
		7755018002	1	O-RING
		7755912002	1	O-RING
103		6794100011	1	GASKET, 2 BOLT HOLE
104		6794100012	1	GASKET, 2 BOLT HOLE
105		6794000650	1	GASKET
106		7872100179	1	SWITCH, TEMPERATURE 250 (N.C.)
107		7445160850	1	BUSHING, REDUCER
108		7447060830	1	ELBOW, 90 DEGREE MALE INCLUDES THE FOLLOWING PARTS
		7755014002	1	O-RING
		7755906002	1	O-RING

SERVICED AS AN ASSEMBLY ONLY

+ SEE FURTHER BREAKDOWN THIS GROUP

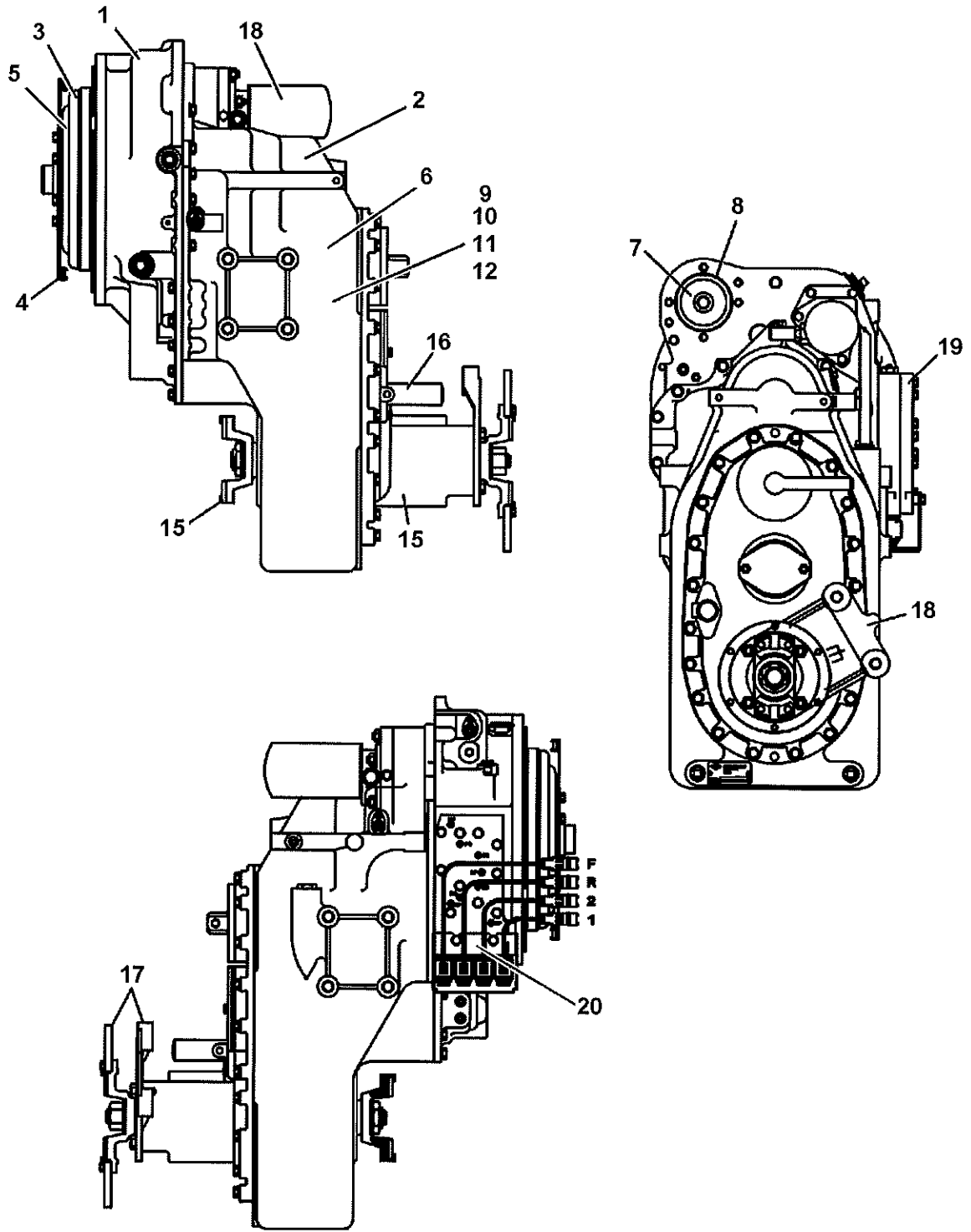
Manitowoc Cranes

Description
ENGINE ASSEMBLY - CUMMINS QSB6.7 (NOT AVAILABLE AS ASSEMBLY)

Assembly No.
2159810225
 Revision: **E**

Item	FN	Part	Qty	Description
109		7447201628	1	ADAPTER, STRAIGHT INCLUDES THE FOLLOWING PARTS
		7755025002	1	O-RING
		7755916002	1	O-RING
110		4159810078	1	BRACKET
111		7542508463	1	HOSE ASSY, 7/8" ID HOT ENG OIL
112		7447161201	2	ADAPTER, STRAIGHT INCLUDES THE FOLLOWING PARTS
		7755021002	1	O-RING
		7755912002	1	O-RING
113		7447161203	2	ELBOW, 90 DEGREE INCLUDES THE FOLLOWING PARTS
		7755021002	1	O-RING
		7755912002	1	O-RING
114		4159810083	1	SUPPORT, PUMP
115		7126191253	3	CAP SCREW
300		9414101679	1	FILTER,OIL
301		9414101755	1	FILTER, PRIMARY FUEL
302		9414101756	1	FILTER, FUEL/WATER SEPARATOR
303		9414101764	1	BELT, DRIVE
304		9414101731	1	STARTER, 12 VOLT

Manitowoc Cranes



80011908

(SHEET 1 OF 1)

Page 408

Manitowoc Cranes

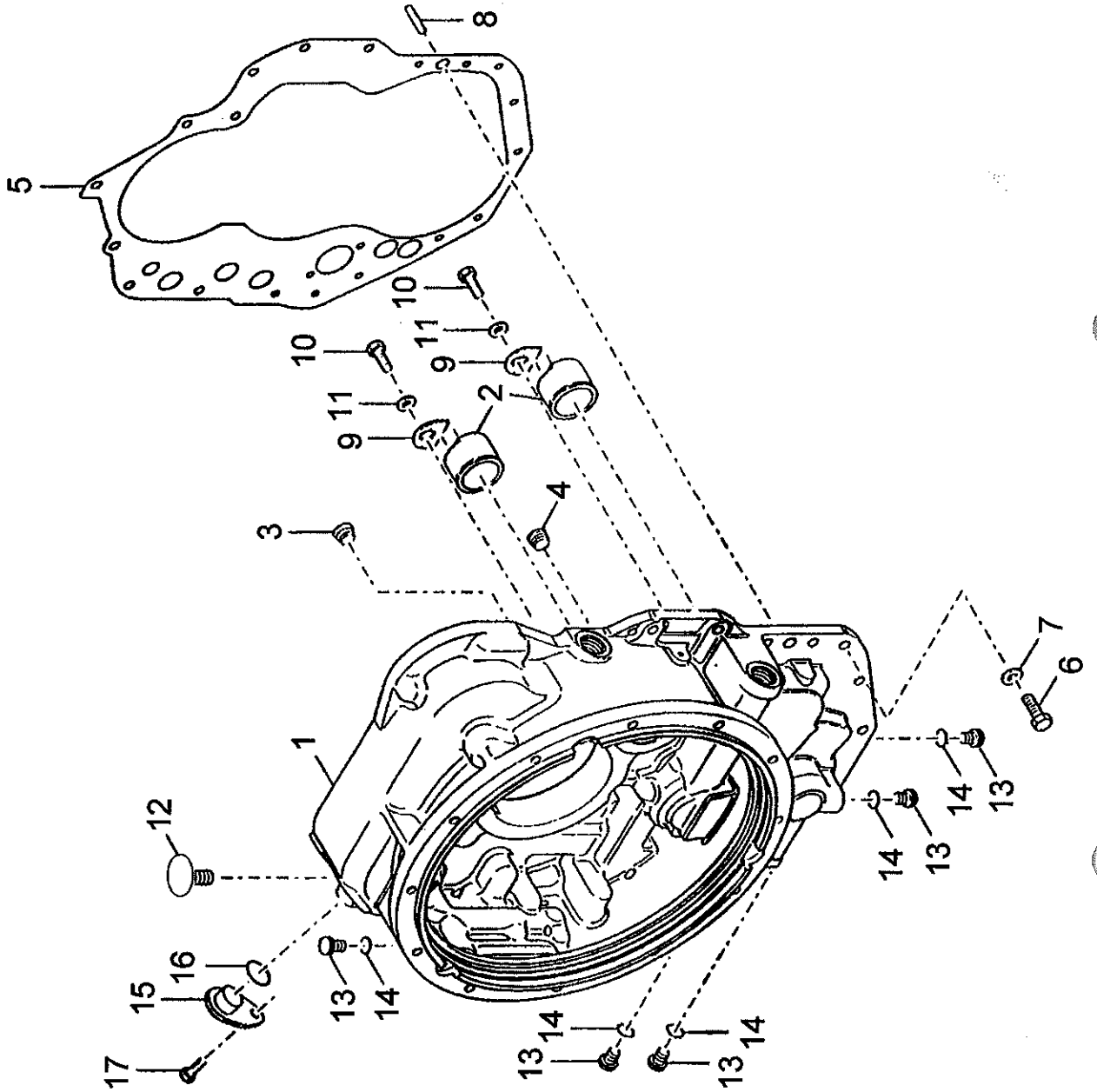
Description
**TRANSMISSION ASSEMBLY - 6 SPEED 12 VOLT
 (COMPLETE ASSEMBLY)**

Assembly No.
80011908
Revision:

Item	FN	Part	Qty	Description
1	+	9904110609	1	CONVERTER HOUSING GROUP
2	+	9904109807	1	CASE & REAR COVER GROUP
3	+	9904110611	1	TURBINE SHAFT GROUP
4	+	9904110612	1	DRIVE PLATE GROUP
5	+	9904110613	1	TORQUE CONVERTER GROUP
6	+	9904110614	1	GEAR GROUP
7	+	9904110615	1	AUXILIARY PUMP DRIVE GROUP
8	+	9904110616	1	PUMP DRIVE GROUP
9	+	9904110617	1	FORWARD SHAFT GROUP
10	+	9904110618	1	REVERSE & 2ND. SHAFT GROUP
11	+	9904110619	1	REVERSE IDLER GROUP
12	+	9904110620	1	LOW SPEED SHAFT GROUP
13	+	9904110621	1	3RD. SHAFT GROUP
14	+	9904110622	1	IDLER SHAFT GROUP
15	+	90015440	1	OUTPUT SHAFT GROUP
16	+	9904110624	1	HI/LOW RANGE SHIFT CONT. GROUP
17	+	9904110625	1	DISC BRAKE GROUP
18	+	9904110626	1	CHARGE PUMP & FILTER GROUP
19	+	9904110627	1	CONTROL VALVE MOUNTING GROUP
20	+	9904110628	1	CONTROL VALVE ASSY. GROUP
30		9904109671	1	KIT, SEAL SEAL KIT FOR COMPLETE ASSY. NOT SHOWN

+ SEE FURTHER BREAKDOWN THIS GROUP

Manitowoc Cranes



9904110609

(SHEET 1 OF 1)

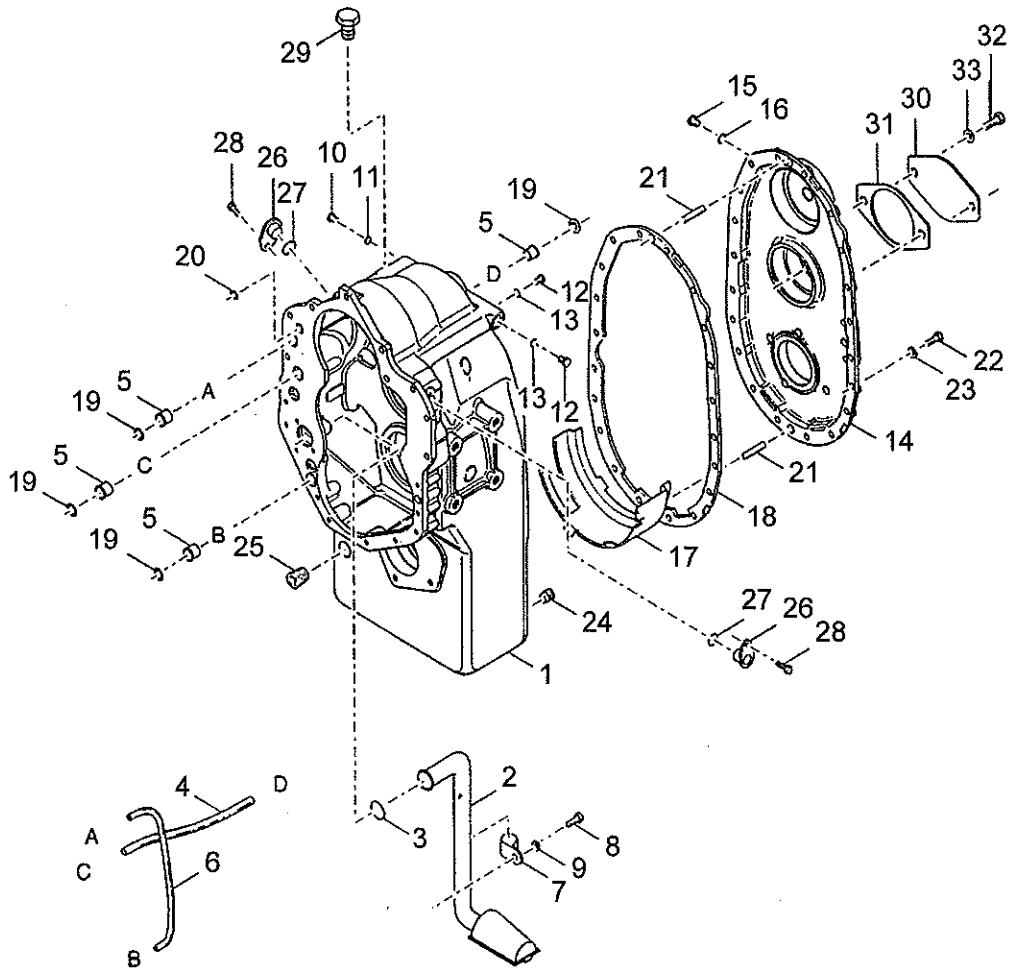
Manitowoc Cranes

Description
CONVERTER HOUSING GROUP

Assembly No.
9904110609
Revision:

Item	FN	Part	Qty	Description
1		9904109562	1	HOUSING, CONVERTER
2		9904105940	2	SLEEVE
3		9904103913	1	PLUG
4		9904104055	1	PLUG
5		9904109563	1	CASE, GASKET
6		7118171050	18	CAP SCREW,
7		7950170050	18	WASHER, LOCK 7/16" I.D.
8		9904109564	1	PIN, DOWEL
9		9904101298	2	LOCK, PLATE
10		9049101125	2	BOLT, CAP SCREW
11		7950150050	2	WASHER, LOCK 5/16" I.D.
12		9904104050	1	BREATHER
13		9904108396	5	PLUG
14		9904106445	5	O-RING
15		9904109356	1	PLUG
16		9904109357	1	O-RING
17		9904109358	1	CAP SCREW

Manitowoc Cranes



Manitowoc Cranes

Description
CASE & REAR COVER GROUP

Assembly No.
9904109807
Revision:

Item	FN	Part	Qty	Description
1		9904109567	1	CASE ASSEMBLY INCLUDES NBRS 2 - 9
2		9904109569	1	TUBE ASSEMBLY, SUCTION
3		9904109570	1	O-RING
4		9904103551	1	TUBE
5		9904100993	4	SLEEVE, TUBE
6		9904109568	1	TUBE, THIRD SPEED
7		9904109571	1	CLIP, TUBE
8		9904103916	1	SCREW,
9		7950170050	1	WASHER, LOCK 7/16" I.D.
10		9904108396	1	PLUG
11		9904106445	1	O-RING
12		9904106063	2	PLUG WITH O-RING INCLUDES THE FOLLOWING PARTS
		9904105336	1	O-RING
13		9904105336	2	O-RING
14		9904109565	1	COVER, REAR AND PLUG ASSEMBLY INCLUDES NBR 15
15		9904108396	1	PLUG INCLUDES NBR 16
16		9904106445	1	O-RING
17		9904109572	1	BAFFLE, OIL
18		9904109566	1	CASE, GASKET
19		9904103779	4	O-RING POLYACUL
20		9904103500	1	O-RING
21		9904109564	2	PIN, DOWEL
22		9049101150	20	CAP SCREW,
23		7950170050	20	WASHER, LOCK 7/16" I.D.
24		9904101317	2	PLUG, MAGNETIC
25		9904108964	1	PLUG, DRAIN
26		9904109356	2	PLUG
27		9904109357	2	O-RING
28		9904109358	2	CAP SCREW
29		9049100054	1	PLUG, FILLER
30		9904105442	1	COVER
31		9904105441	1	GASKET

Manitowoc Cranes

Description
CASE & REAR COVER GROUP

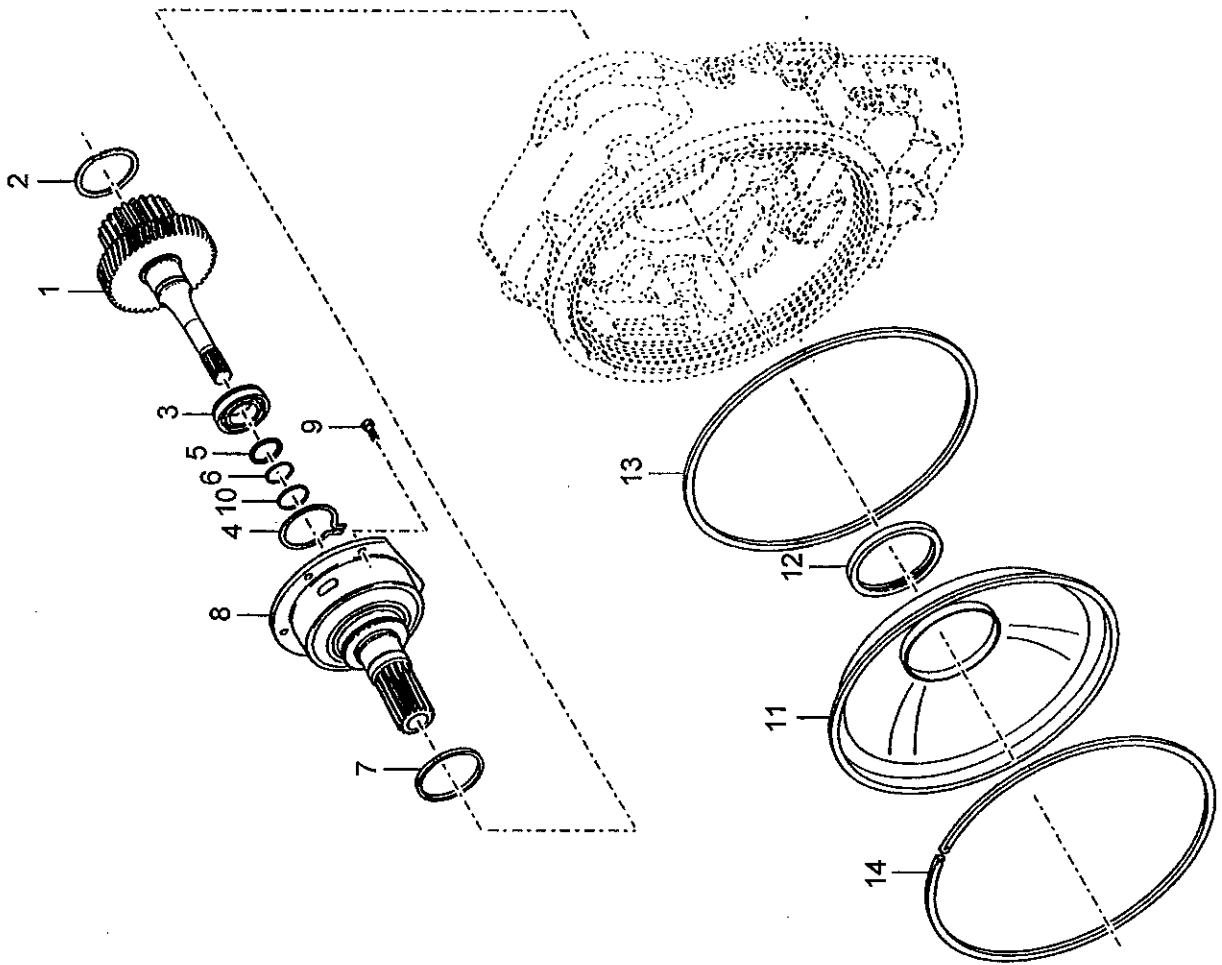
Assembly No.
9904109807
Revision:

Item	FN	Part	Qty	Description
32		9049100263	2	CAPSCREW
33		7950160050	2	WASHER, LOCK 3/8" I.D.

Manitowoc Cranes

Notes

Manitowoc Cranes



9904110611

(SHEET 1 OF 1)

Page 416

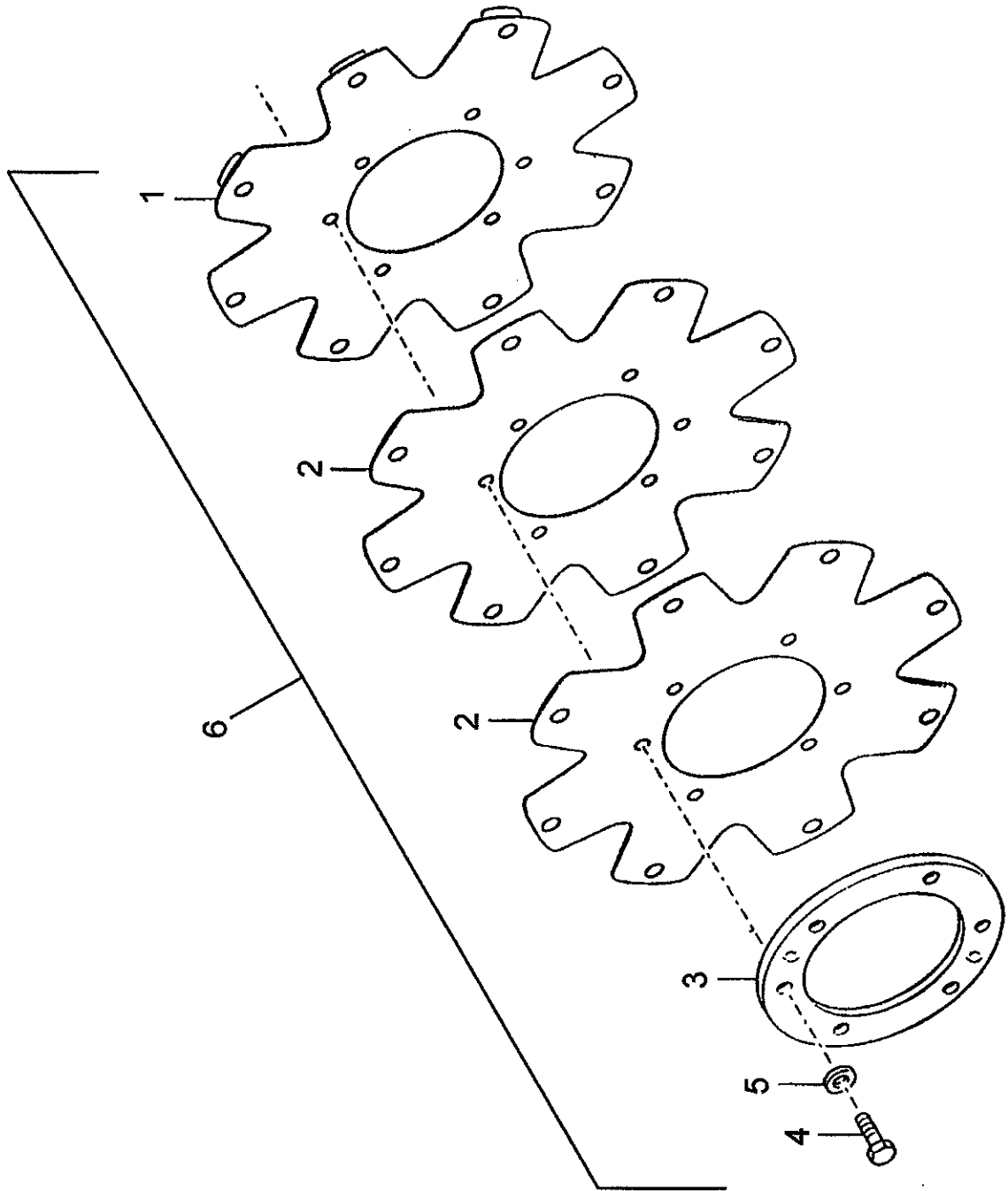
Manitowoc Cranes

Description
TURBINE SHAFT GROUP

Assembly No.
9904110611
 Revision:

Item	FN	Part	Qty	Description
1		9904109573	1	SHAFT & HUB W/ RETAINING RING INCLUDES ITEM 2
2		9904105286	1	RING, SNAP
3		9904109574	1	BEARING, SHAFT
4		9904103906	1	RING, SNAP
5		9904103595	1	WASHER
6		9904103621	1	RING, RETAINING
7		9904109575	1	RING, PISTON
8		9904109576	1	STATOR, SUPPORT
9		9904109704	6	SCREW,
10		9904109646	1	RING, PISTON
11		9904105958	1	BAFFLE AND SEAL INCLUDES ITEM 12
12		9904109139	1	SEAL, OIL
13		9904105957	1	RING, SEAL
14		9904106400	1	RING, RETAINING

Manitowoc Cranes



9904110612

(SHEET 1 OF 1)

Page 418

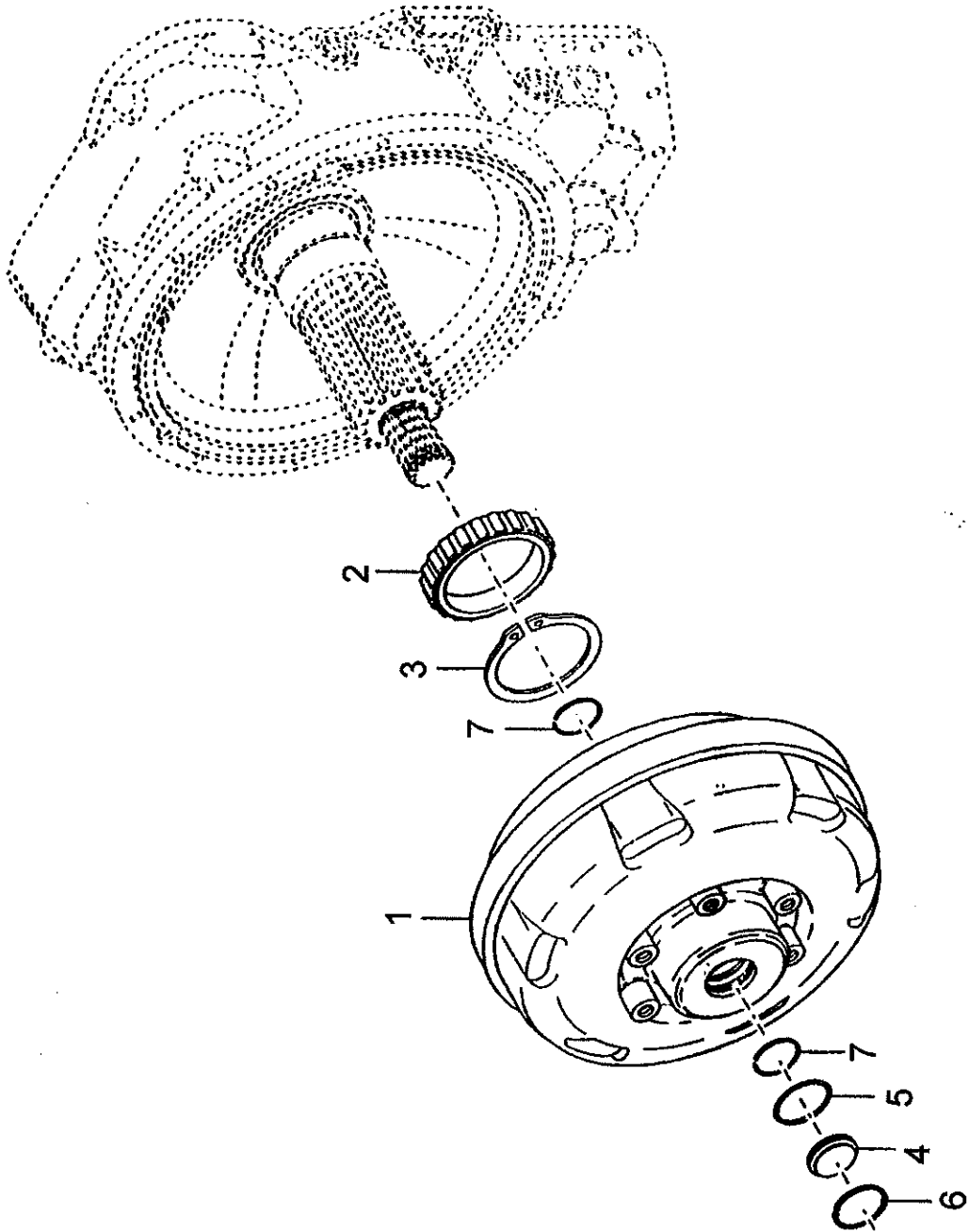
Manitowoc Cranes

Description
DRIVE PLATE GROUP

Assembly No.
9904110612
 Revision:

Item	FN	Part	Qty	Description
1		NSS	1	DRIVE PLATE
2		NSS	1	FLEX PLATE
3		9904109579	1	RING, BACKING
4		9904110596	6	CAPSCREW
5		9904109352	6	WASHER, LOCK
6		9904109669	1	KIT, DRIVE PLATE INCLUDES ITEMS 1 THRU 5

Manitowoc Cranes



9904110613

(SHEET 1 OF 1)

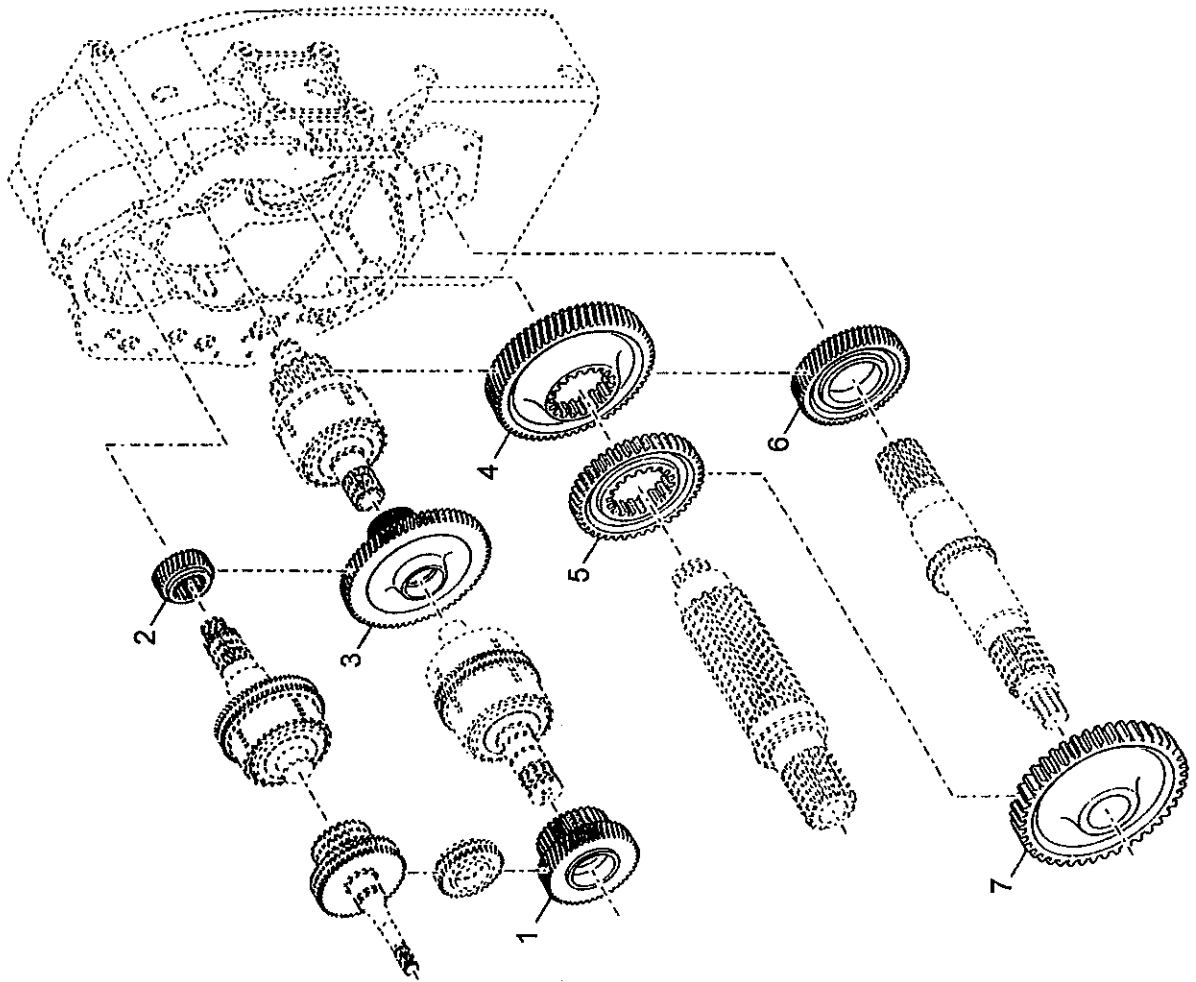
Manitowoc Cranes

Description
TORQUE CONVERTER GROUP

Assembly No.
9904110613
Revision:

Item	FN	Part	Qty	Description
1		9904109582	1	CONVERTER ASSEMBLY - TORQUE
2		9904104428	1	BEARING
3		9904109583	1	RING, SNAP
4		9904103528	1	PLUG
5		9904109561	1	O-RING
6		9904106408	1	RING, RETAINING
7		9904109581	2	RING, SNAP

Manitowoc Cranes



9904110614

(SHEET 1 OF 1)

Page 422

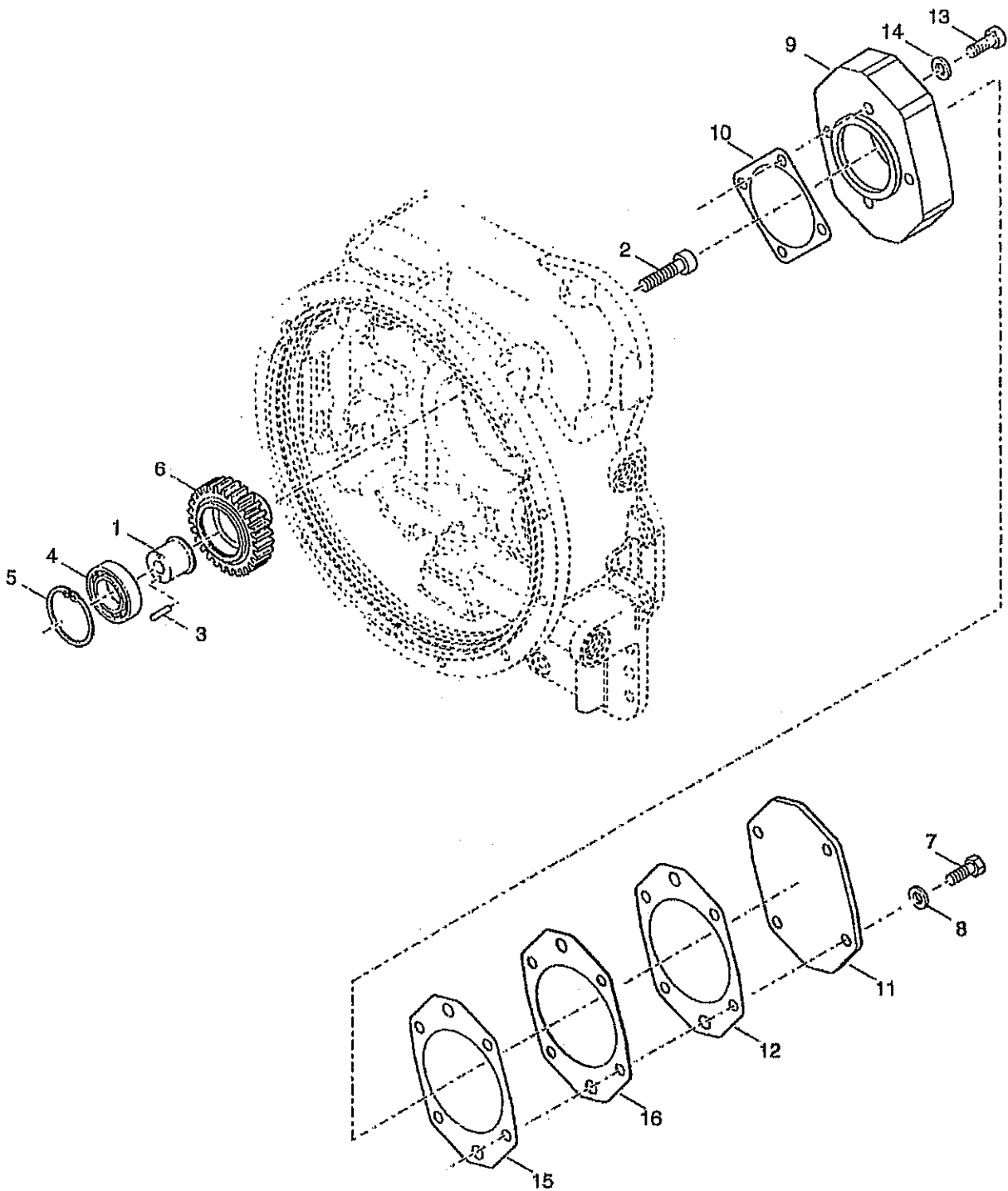
Manitowoc Cranes

Description
GEAR GROUP

Assembly No.
9904110614
Revision:

Item	FN	Part	Qty	Description
1		9904109649	1	GEAR, REVERSE CLUTCH 43T
2		9904109653	1	GEAR, 1ST DRIVE 29T
3		9904109651	1	GEAR, LOW CLUTCH 63T
4		9904109652	1	GEAR, REAR IDLER 51T
5		9904109815	1	GEAR, IDLER FRONT 21T
6		9904109613	1	GEAR, HIGH RANGE 41T
7		9904109816	1	GEAR, LOW RANGE 42T

Manitowoc Cranes



9904110615

(SHEET 1 OF 1)

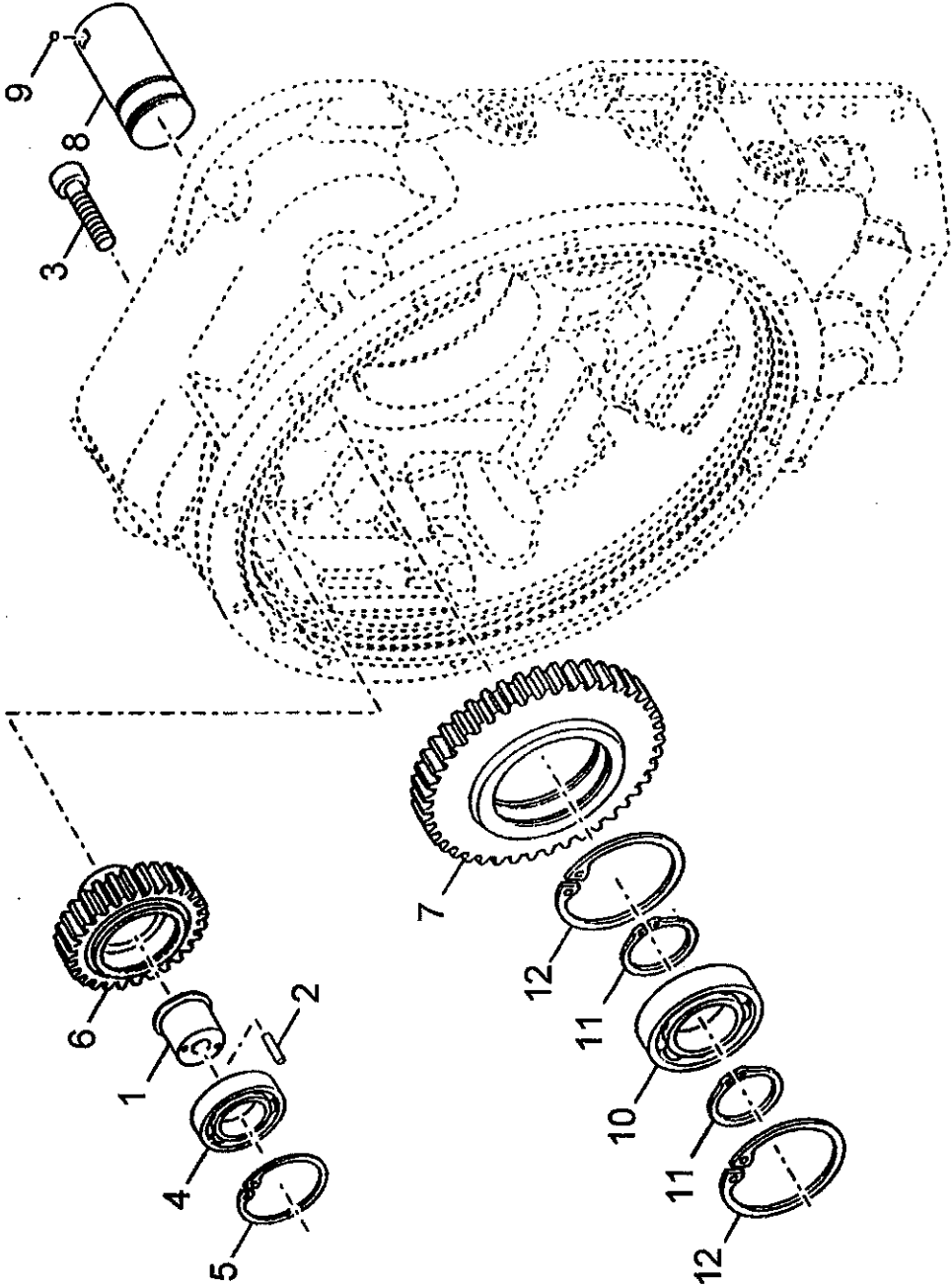
Manitowoc Cranes

Description
AUXILIARY PUMP DRIVE GROUP

Assembly No.
9904110615
 Revision:

Item	FN	Part	Qty	Description
1		9904109585	1	SUPPORT, BEARING
2		9904109584	1	SCREW
3		9904109588	1	PIN
4		9904104432	1	BEARING
5		9904103899	1	RING, RETAINING
6		9904110597	1	GEAR, 37T
7		9904109554	4	CAP SCREW,
8		9049109896	4	WASHER, LOCK
9		9904110598	1	ADAPTER, PUMP MOUNT
10		9904106593	1	GASKET
11		9904110601	1	COVER
12		9904110599	1	GASKET
13		9904110600	4	CAPSCREW
14		9904109676	4	WASHER, LOCK
15		9904110599	1	GASKET
16		9904110602	1	PLATE

Manitowoc Cranes



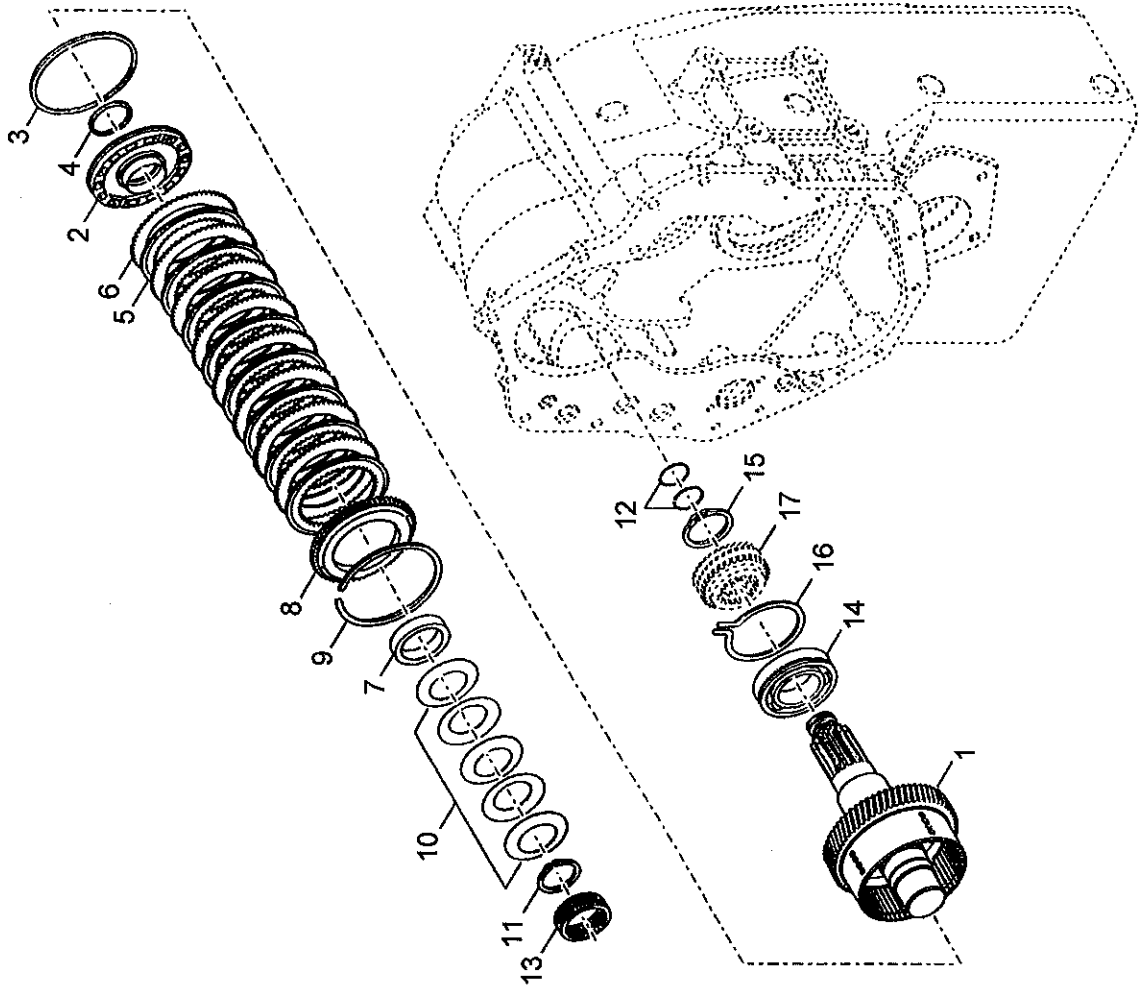
Manitowoc Cranes

Description
PUMP DRIVE GROUP

Assembly No.
9904110616
Revision:

Item	FN	Part	Qty	Description
1		9904109590	1	GEAR, IDLER
2		9904109588	1	PIN
3		9904109584	1	SCREW
4		9904104432	1	BEARING
5		9904103899	1	RING, RETAINING
6		9904109705	1	GEAR, PUMP DRIVE
7		9904109590	1	GEAR, IDLER
8		9904104424	1	SHAFT
9		9904101025	1	BALL, LOCK
10		9904104423	1	BEARING
11		9904103893	2	RING, LOCATING
12		9904101354	2	RING, SNAP

Manitowoc Cranes



9904110617

(SHEET 1 OF 1)

Page 428

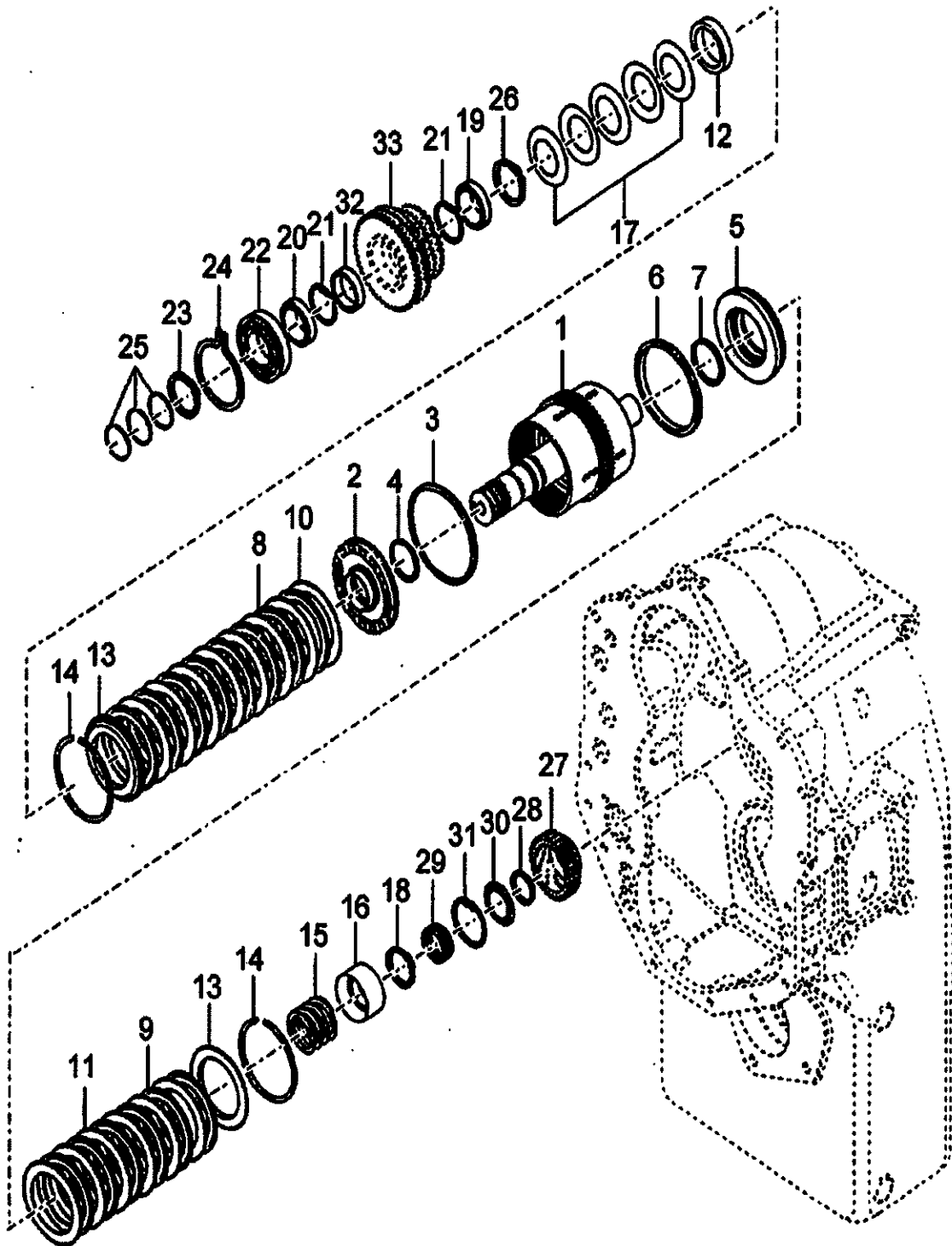
Manitowoc Cranes

Description
FORWARD SHAFT GROUP

Assembly No.
9904110617
Revision:

Item	FN	Part	Qty	Description
1		9904110463	1	FWD SHAFT & DRUM ASSY.
2		9904108934	1	PISTON ASSY, CLUTCH
3		9904103637	1	SEAL, PISTON
4		9904103638	1	SEAL, PISTON
5		9904103988	1	DISC, CLUTCH
6		9904103635	8	DISC, CLUTCH
7		9904103982	1	SPACER
8		9904110464	1	PLATE, END
9		9904103632	1	RING, SNAP
10		9904107838	1	SPRING ASSY
11		9904103980	1	RING, SNAP
12		9904110465	2	RING, PISTON
13		9904103575	1	BEARING, PILOT
14		9904109592	1	BEARING
15		9904103983	1	RING, SNAP
16		9904109593	1	RING, RETAINING
17		9904109653	1	GEAR, 1ST DRIVE 29T

Manitowoc Cranes



9904110618

(SHEET 1 OF 1)

Page 430

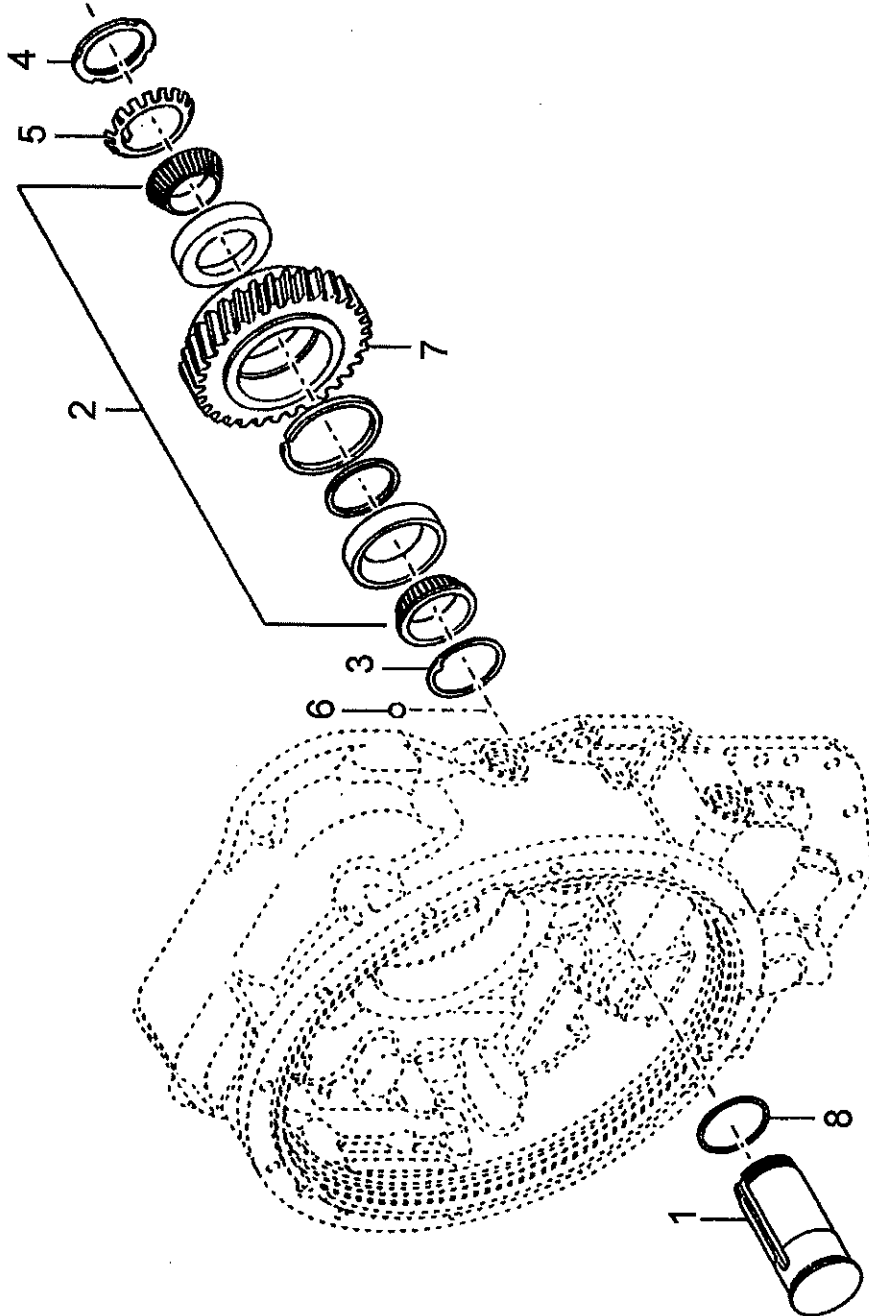
Manitowoc Cranes

Description
REVERSE & 2ND. SHAFT GROUP

Assembly No.
9904110618
 Revision:

Item	FN	Part	Qty	Description
1		9904110466	1	REV. & 2ND, SHAFT & DRUM ASSY
2		9904108934	1	PISTON ASSY, CLUTCH INCLUDES ITEMS 3 AND 4
3		9904103637	1	SEAL, PISTON
4		9904103638	1	SEAL, PISTON
5		9904110467	1	PISTON ASSY.
6		9904103637	1	SEAL, PISTON
7		9904103638	1	SEAL, PISTON
8		9904103988	8	DISC, CLUTCH
9		9904103988	6	DISC, CLUTCH
10		9904103635	8	DISC, CLUTCH
11		9904103635	6	DISC, CLUTCH
12		9904103982	1	SPACER
13		9904110464	2	PLATE, END
14		9904103638	2	SEAL, PISTON
15		9904103569	1	SPRING
16		9904103568	1	RETAINER, SPRING
17		9904107838	1	SPRING ASSY
18		9904103567	1	RING, SNAP
19		9904109595	1	BEARING
20		9904109647	1	BEARING
21		9904103563	2	RING, RETAINING
22		9904105994	1	BEARING, FRONT
23		9904108558	1	KEY
24		9904101348	1	RING, SNAP
25		9904110465	3	RING, PISTON
26		9904103980	1	RING, SNAP
27		9904109597	1	HUB, DISC SECOND CLUTCH
28		9904103567	1	RING, SNAP
29		9904109648	1	BEARING, REAR
30		9904105981	1	RETAINER, SPRING
31		9904105997	1	RING, RETAINING
32		9904109594	1	SPACER
33		9904109649	1	GEAR, REVERSE CLUTCH 43T

Manitowoc Cranes



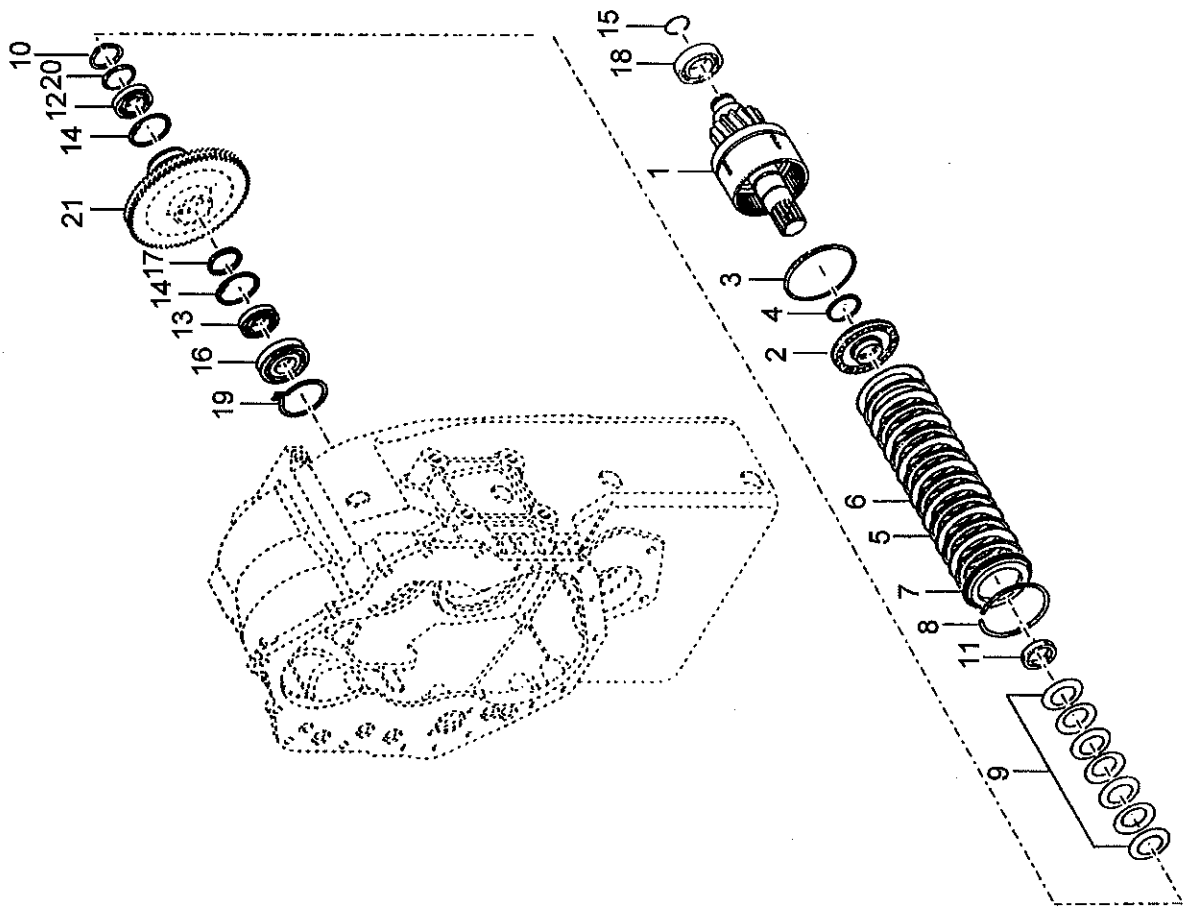
Manitowoc Cranes

Description
REVERSE IDLER GROUP

Assembly No.
9904110619
Revision:

Item	FN	Part	Qty	Description
1		9904109598	1	SHAFT, REVERSE IDLER
2		9904104053	1	BEARING ASSEMBLY
3		9904109599	1	WASHER, THRUST
4		9904109601	1	NUT
5		9904109600	1	WASHER, THRUST
6		9904105989	1	BALL, LOCK
7		9904109602	1	GEAR, REVERSE IDLER
8		9904106805	1	O-RING

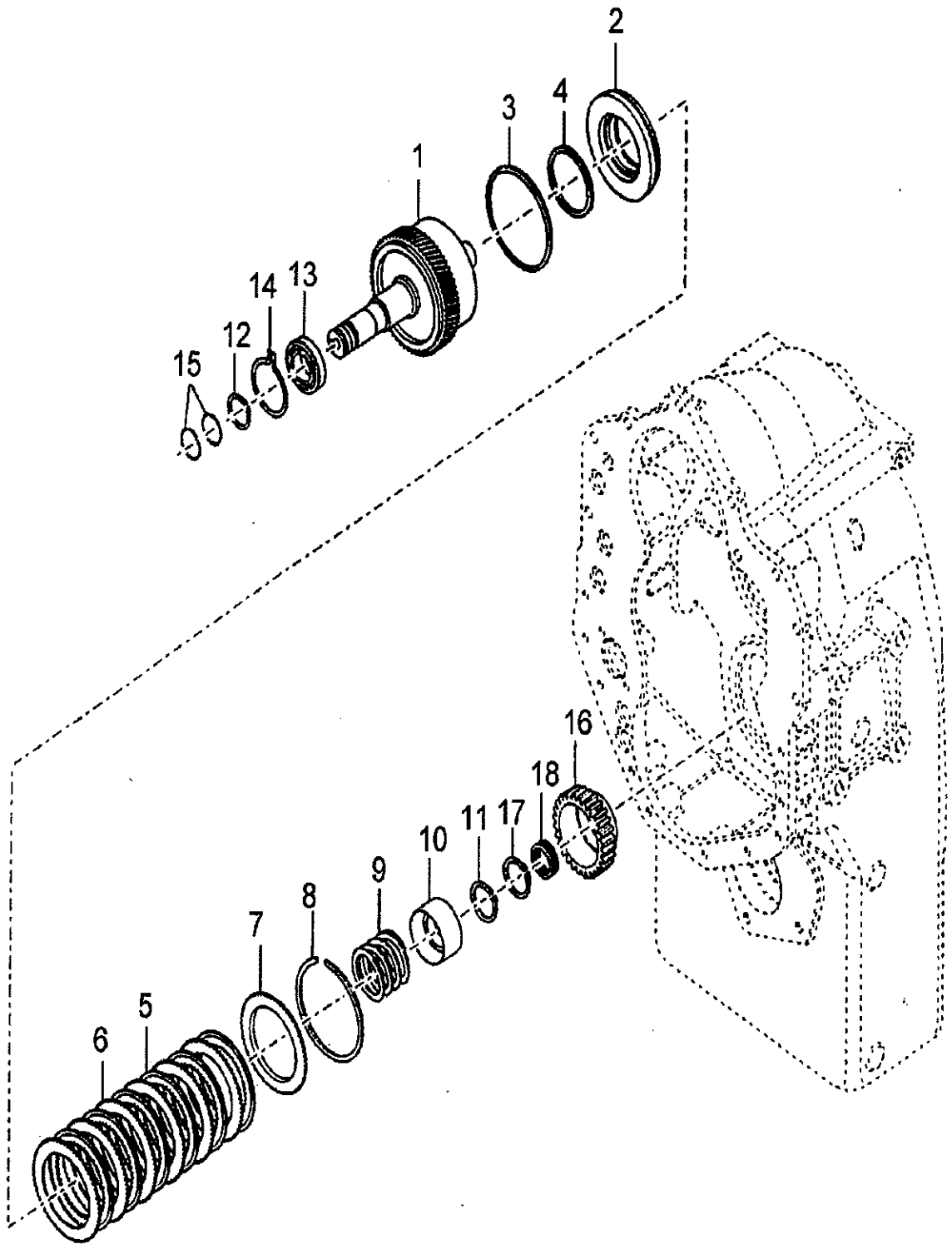
Manitowoc Cranes



Manitowoc Cranes

Description LOW SPEED SHAFT GROUP				Assembly No. 9904110620 Revision:
Item	FN	Part	Qty	Description
1		9904109603	1	LOW SHAFT,HUB & DRUM W/ VALVE
2		9904108934	1	PISTON ASSY, CLUTCH
3		9904103637	1	SEAL, PISTON
4		9904103638	1	SEAL, PISTON
5		9904103987	8	DISC, CLUTCH
6		9904103635	8	DISC, CLUTCH
7		9904110464	1	PLATE, END
8		9904103632	1	RING, SNAP
9		9904107783	1	SPRING, DISC
10		9904103567	1	RING, SNAP
11		9904109650	1	SPACER, DISC SPRING
12		9904101353	1	BEARING, GEAR
13		9904106000	1	BEARING, REAR
14		9904106001	2	RING, SNAP
15		9904108795	1	RING, PISTON
16		9904109574	1	BEARING, SHAFT
17		9904106002	1	SPACER
18		9904109604	1	BEARING
19		9904103906	1	RING, SNAP
20		9904107784	1	RETAINER, SPRING
21		9904109651	1	GEAR, LOW CLUTCH 63T

Manitowoc Cranes



9904110621

(SHEET 1 OF 1)

Page 436

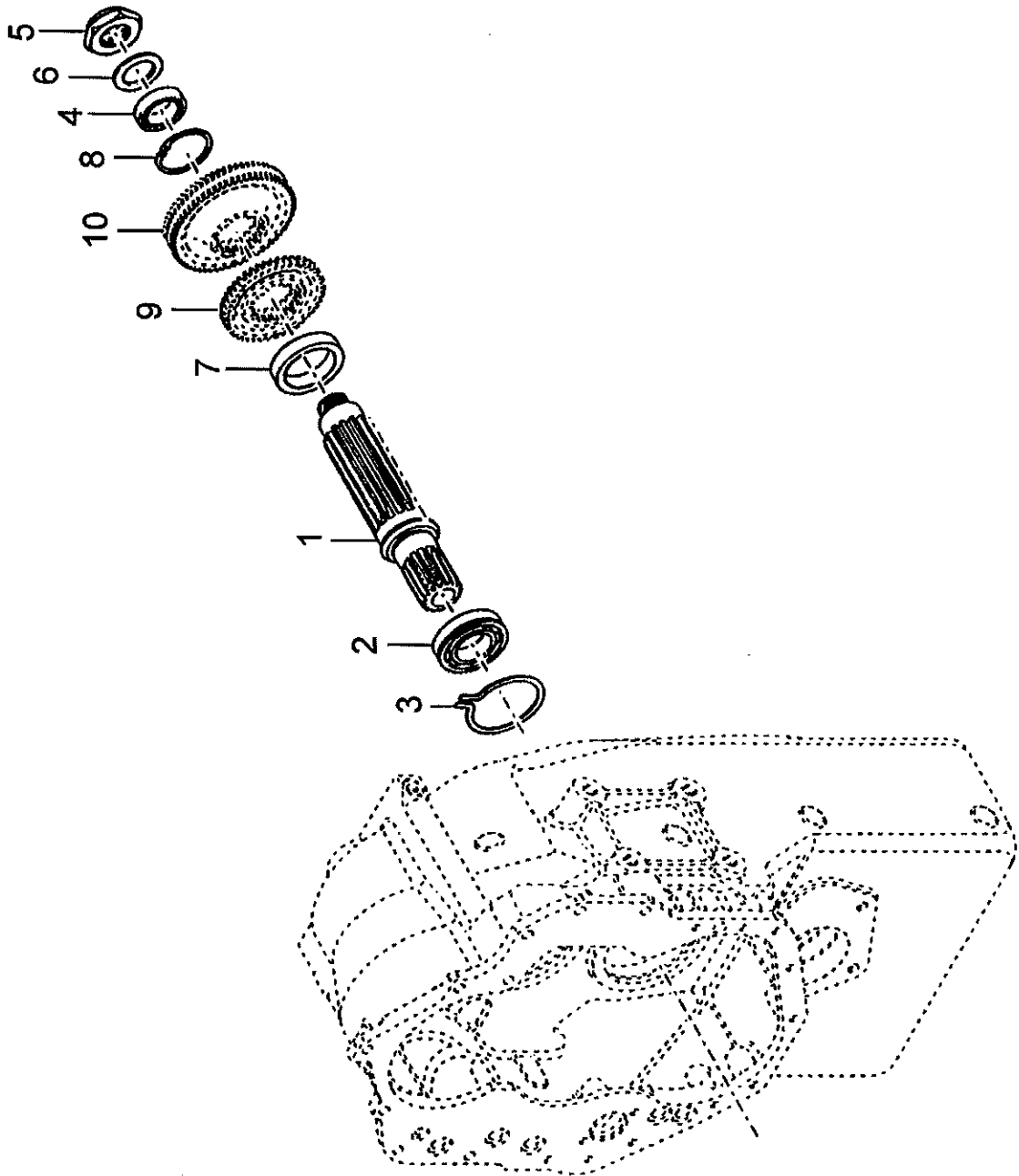
Manitowoc Cranes

Description
3RD. SHAFT GROUP

Assembly No.
9904110621
Revision:

Item	FN	Part	Qty	Description
1		9904110468	1	3rd. SHAFT & DRUM ASSY.
2		9904110467	1	PISTON ASSY.
3		9904103637	1	SEAL, PISTON
4		9904103638	1	SEAL, PISTON
5		9904103988	6	DISC, CLUTCH
6		9904103635	6	DISC, CLUTCH
7		9904110464	1	PLATE, END
8		9904103632	1	RING, SNAP
9		9904103569	1	SPRING
10		9904103568	1	RETAINER, SPRING
11		9904103567	1	RING, SNAP
12		9904107558	1	RING, RETAINING FRONT BEARING
13		9904105994	1	BEARING, FRONT
14		9904101348	1	RING, SNAP
15		9904110465	2	RING, PISTON
16		9904108979	1	HUB, CLUTCH DISC
17		9904103570	1	RING
18		9904109648	1	BEARING, REAR

Manitowoc Cranes



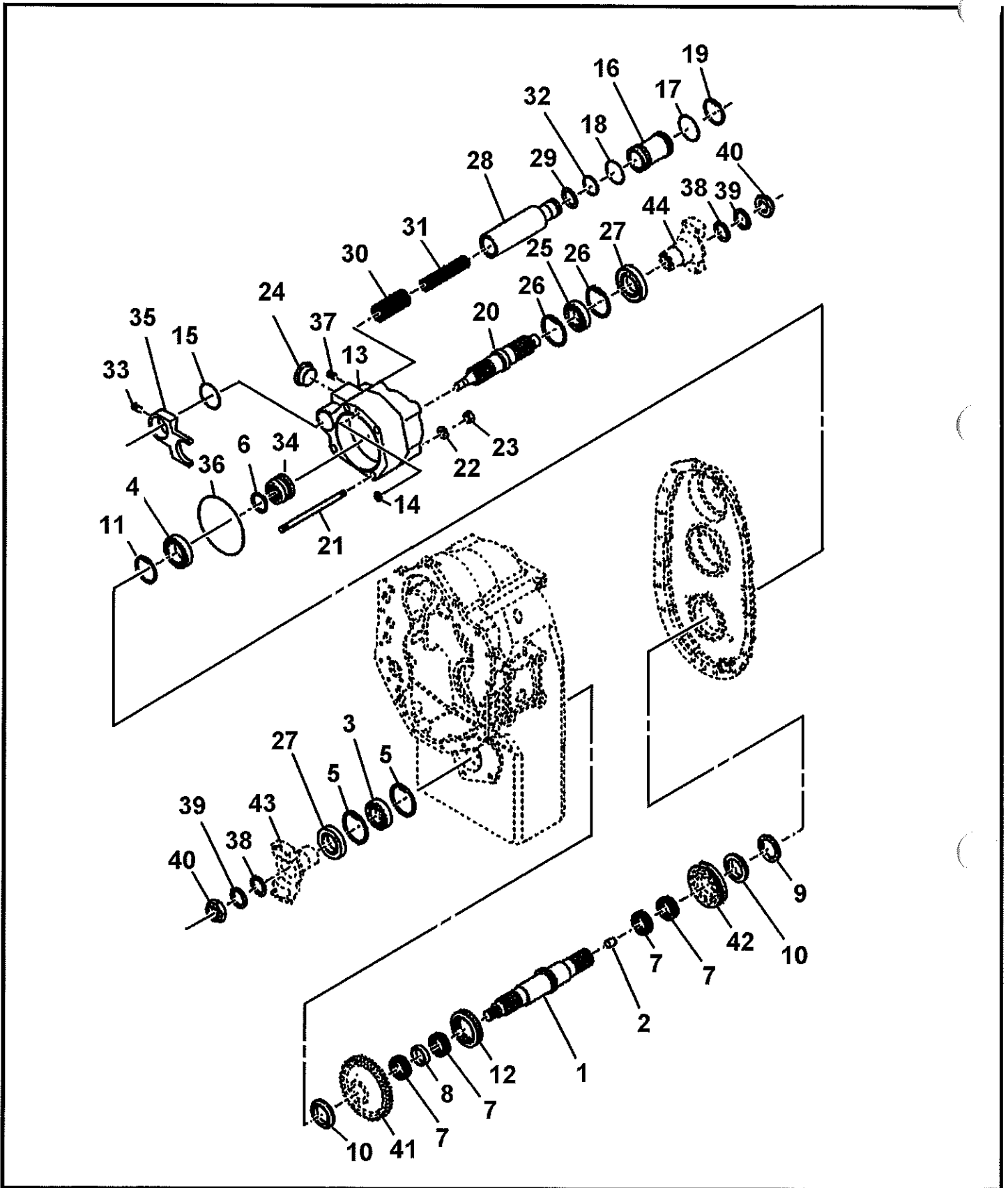
Manitowoc Cranes

Description
IDLER SHAFT GROUP

Assembly No.
9904110622
 Revision:

Item	FN	Part	Qty	Description
1		9904109607	1	SHAFT, IDLER
2		9904109574	1	BEARING, SHAFT
3		9904103906	1	RING, SNAP
4		9904109606	1	BEARING
5		9904102383	1	NUT
6		9904100983	1	WASHER
7		9904103922	1	SPACER
8		9904101209	1	RING, RETAINING
9		9904109815	1	GEAR, IDLER FRONT 21T
10		9904109652	1	GEAR, REAR IDLER 51T
11		9904105442	1	COVER ITEM NOT SHOWN
12		9904106364	1	GASKET ITEM NOT SHOWN
13		9049100263	2	CAPSCREW ITEM NOT SHOWN
14		7950160050	2	WASHER, LOCK 3/8" I.D. ITEM NOT SHOWN

Manitowoc Cranes



90015440

(SHEET 1 OF 1)

Manitowoc Cranes

Description
OUTPUT SHAFT GROUP

Assembly No.
90015440
Revision:

Item	FN	Part	Qty	Description
1		9904109612	1	OUTPUT SHAFT AND BEARING (INCLUDES ITEM 2)
2		9904100967	1	BUSHING
3		9904106320	1	BEARING
4		9904109608	1	BEARING, REAR
5		9904101022	1	RING, RETAINING
6		9904103621	1	RING, RETAINING
7		9904103612	4	BEARING
8		9904109611	1	SPACER
9		9904103595	1	WASHER
10		9904103610	2	WASHER, THRUST
11		9904109459	1	RING, SNAP
12		9904103615	1	HUB
13		9904105289	1	HOUSING
14		9904103993	1	O-RING
15		9904103994	1	O-RING
16		9904108408	1	PLUG
17		9904109561	1	O-RING
18		9904108409	1	O-RING
19		9904106408	1	RING, RETAINING
20		9904105288	1	SHAFT
21		9904103623	4	STUD
22		7950190050	4	WASHER, LOCK 9/16" I.D.
23		9904103605	4	NUT
24		9904101047	1	PLUG
25		9049101566	1	BEARING
26		9904101022	2	RING, RETAINING
27		90012853	2	SEAL
28		9904108406	1	PISTON
29		9904109481	1	O-RING
30		9904105292	1	SPRING
31		9904105293	1	SPRING
32		9904108407	1	RING
33		9904101044	1	SCREW, LOCK

Manitowoc Cranes

Description

OUTPUT SHAFT GROUP

Assembly No.

90015440

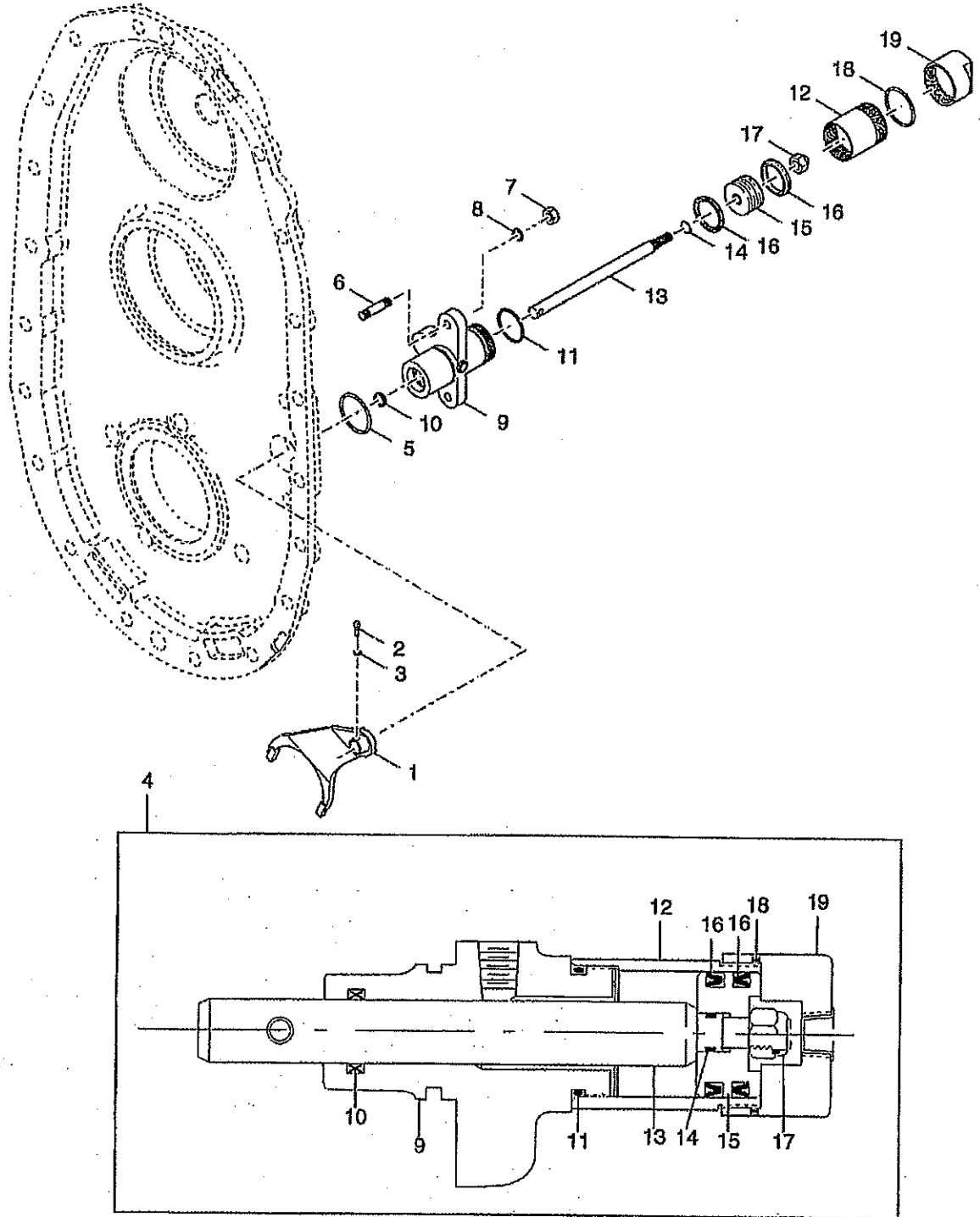
Revision:

Item	FN	Part	Qty	Description
34		9904103626	1	HUB, SHIFT
35		9904105290	1	FORK, SHIFT
36		9904109641	1	O-RING
37		7444020031	1	PLUG, PIPE 1/4" NPT
38		9904103997	2	O-RING
39		9904100983	2	WASHER
40		9904102383	2	NUT
41		9904109816	1	GEAR, LOW RANGE 42T (SEE GEAR GROUP)
42		9904109613	1	GEAR, HIGH RANGE 41T (SEE GEAR GROUP)
43		9904103677	1	FLANGE
44		9904105662	1	FLANGE

Manitowoc Cranes

Notes

Manitowoc Cranes



9904110624

(SHEET 1 OF 1)

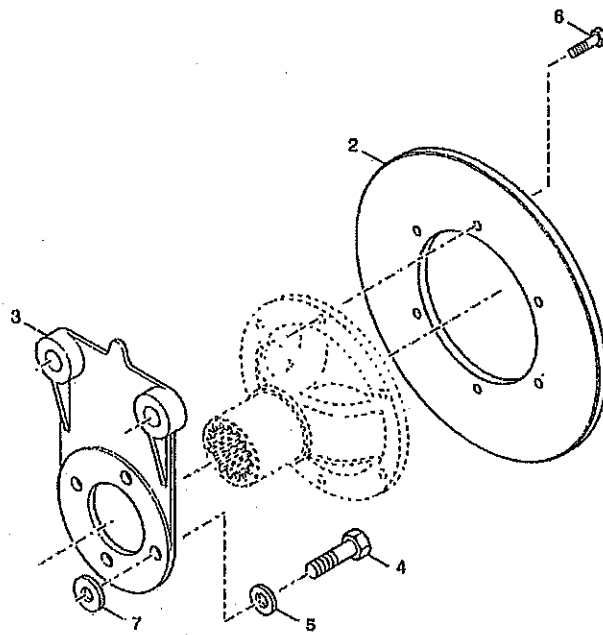
Manitowoc Cranes

Description
HI/LOW RANGE SHIFT CONT. GROUP

Assembly No.
9904110624
 Revision:

Item	FN	Part	Qty	Description
1		9904109622	1	FORK, SHAFT
2		9904109620	1	WASHER, LOCK
3		9904109621	1	SCREW, LOCK
4		9904109623	1	CYLINDER, AIRSHIFT INCLUDES ITEMS 9 THRU 19
5		9904103660	1	O-RING
6		9904103986	2	STUD
7		9904109618	2	NUT
8		9904109617	2	WASHER, LOCK
9		9904105306	1	BODY
10		9904105307	1	SEAL
11		9904105299	1	O-RING
12		9904106482	1	TUBE, CYLINDER
13		9904109619	1	ROD, PISTON
14		7755110000	1	O-RING
15		9904109616	1	PISTON
16		9904105302	2	SEAL
17		9904105301	1	NUT
18		9904107179	1	O-RING
19		9904106483	1	CAP, END

Manitowoc Cranes



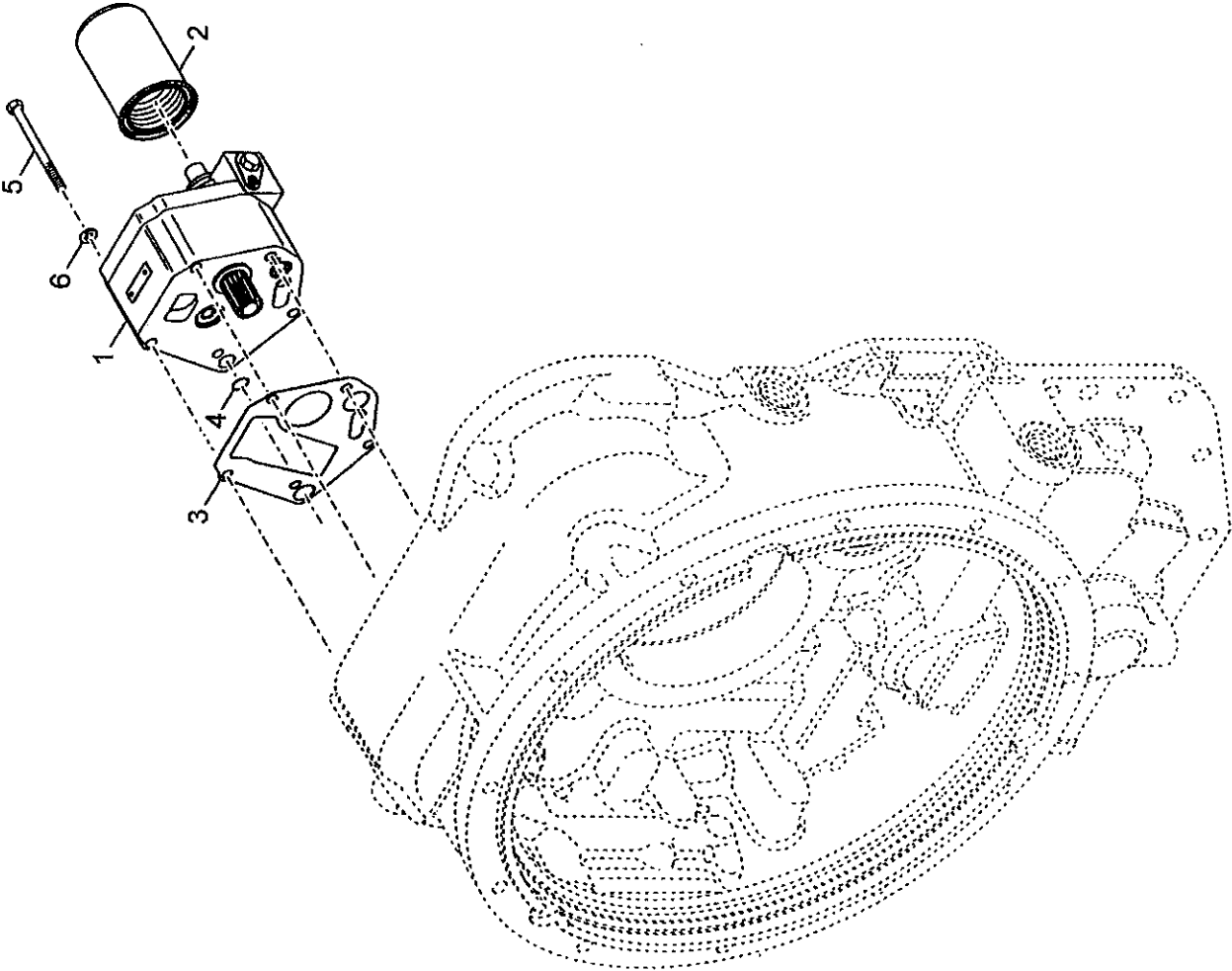
Manitowoc Cranes

Description
DISC BRAKE GROUP

Assembly No.
9904110625
Revision:

Item	FN	Part	Qty	Description
2		7188000165	1	BRAKE, DISC
3		9904110157	1	BRACKET,PARK BRAKE
4		9049106636	4	CAP SCREW,
5		9904106235	4	WASHER
6		9904109531	6	CAPSCREW, DISC BRAKE

Manitowoc Cranes



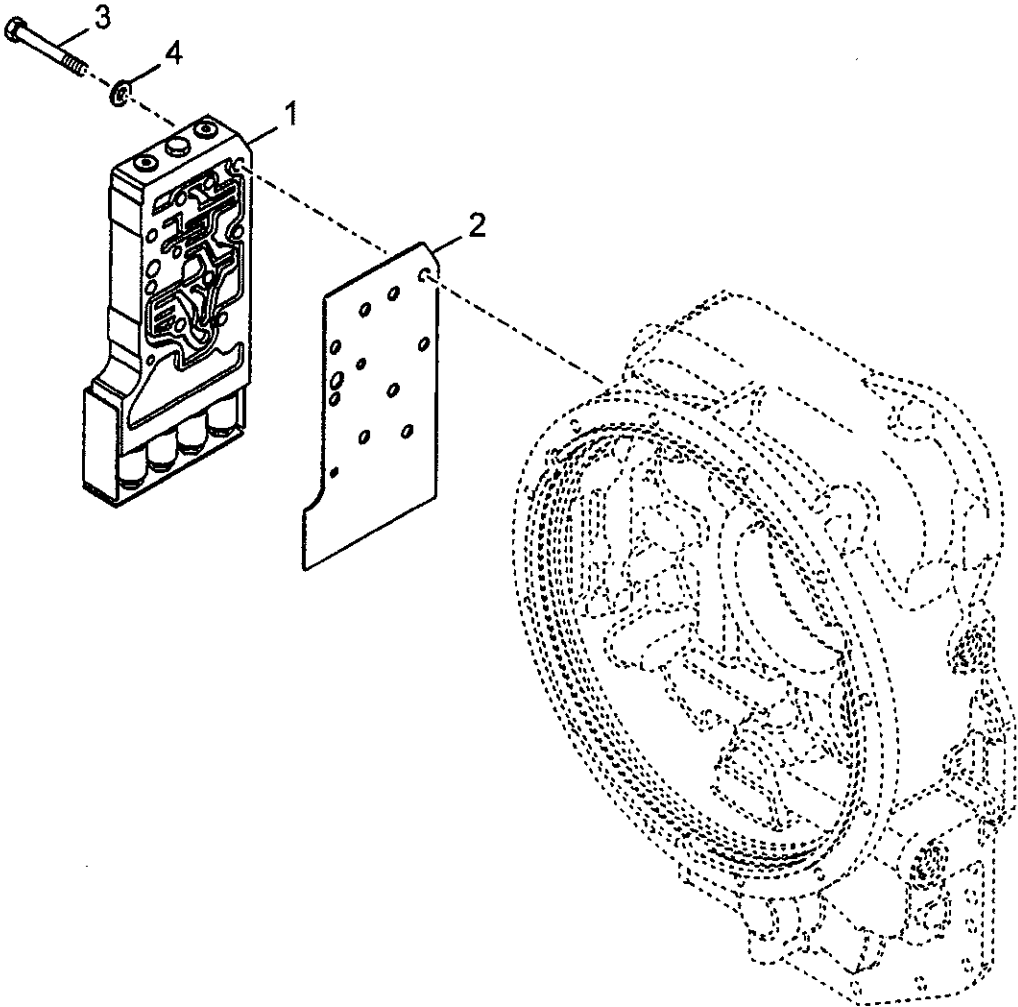
Manitowoc Cranes

Description
CHARGE PUMP & FILTER GROUP

Assembly No.
9904110626
 Revision:

Item	FN	Part	Qty	Description
1		9904110603	1	PUMP ASSY, CHARGE
2		7437000873	1	FILTER, TRANSMISSION FLUID HF 28996.
3		9904103887	1	GASKET
4		9904103500	1	O-RING
5		9904110469	1	CAPSCREW
5		9904104420	4	CAP SCREW,
6		7950170050	5	WASHER, LOCK 7/16" I.D.

Manitowoc Cranes



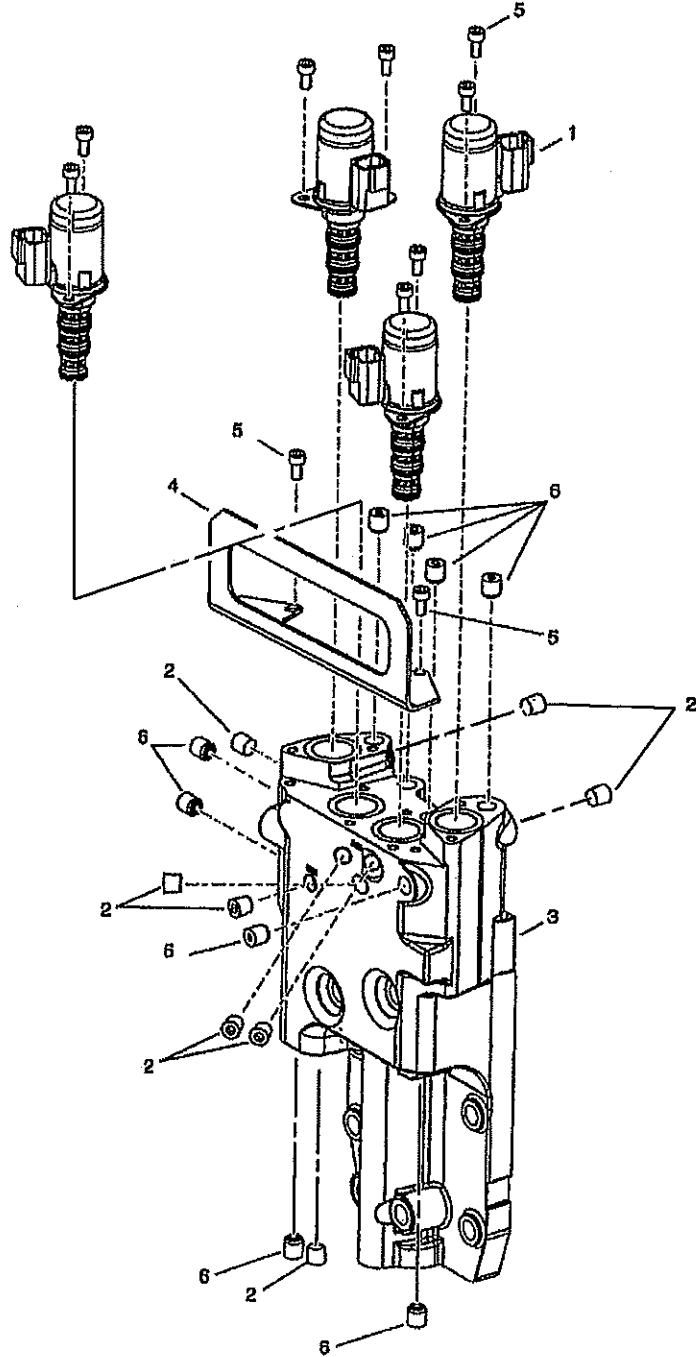
Manitowoc Cranes

Description
CONTROL VALVE MOUNTING GROUP

Assembly No.
9904110627
 Revision:

Item	FN	Part	Qty	Description
1		9904110604	1	BODY ASSY. VALVE BODY, LESS CART. & COIL ASSY.
2		9904110605	1	GASKET
3		7115161250	4	CAP SCREW, 3/8" - 16 N.C. X 1 1/2" GRADE 5
4		9904100974	3	CAP SCREW
5		9904105328	2	SCREW, VALVE MOUNTING
6		9904109625	9	LOCKWASHER, SCREW

Manitowoc Cranes



9904110628

(SHEET 1 OF 1)

Page 452

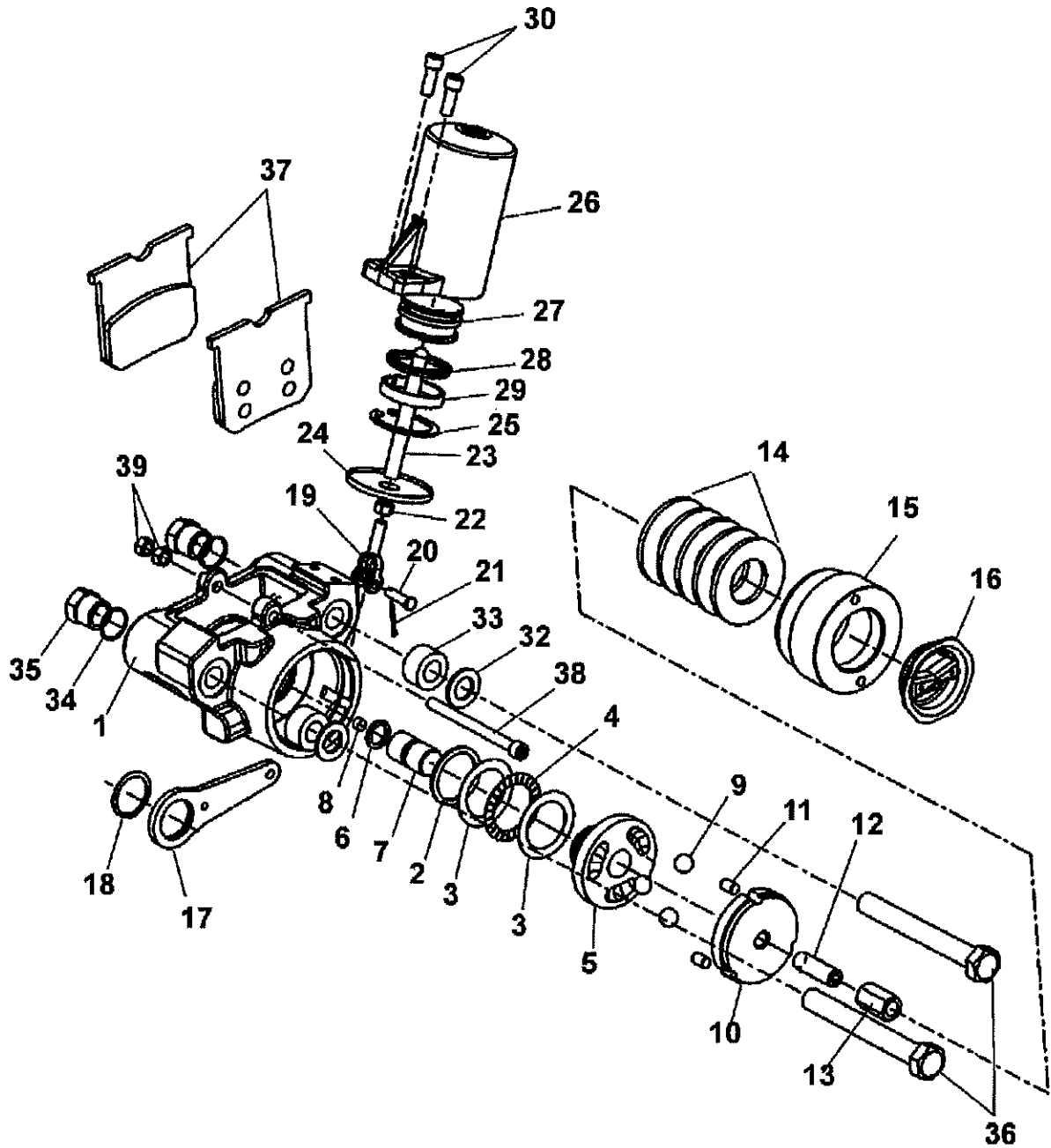
Manitowoc Cranes

Description
CONTROL VALVE ASSY. GROUP

Assembly No.
9904110628
 Revision:

Item	FN	Part	Qty	Description
1		9904110606	4	CART. & COIL ASSY. 12V. INCLUDES THE FOLLOWING PARTS
		9904110793	1	O-RING
		9904110794	1	O-RING
		9904110795	1	O-RING
		9904110796	1	O-RING
2		9904104055	8	PLUG
3		9904110604	1	BODY ASSY. VALVE INCLUDES ITEM 6
4		9904110607	1	COVER
5		9904110608	10	CAPSCREW
6		NSS	9	PLUGS, EXPANSION

Manitowoc Cranes



80022000

(SHEET 1 OF 1)

Page 454

Manitowoc Cranes

Description
BRAKE ASSEMBLY-PARKING

Assembly No.
80022000
Revision:

Item	FN	Part	Qty	Description
1		NSS	1	PLATE, TORQUE
2	@\$	NSS	1	SEAL, O-RING
3	@	NSS	2	WASHER
4	@	NSS	1	BEARING
5		NSS	1	CAM, THRUST SEE ITEM 46 FOR SERVICE
6	@\$	NSS	1	SEAL, O-RING
7	@	NSS	1	PISTON ASSY.
8		NSS	1	MAGNET
9		NSS	3	BEARING, BALL SEE ITEM 46 FOR SERVICE
10		NSS	1	CAM SEE ITEM 46 FOR SERVICE
11		NSS	3	PIN, DOWEL SEE ITEM 46 FOR SERVICE
12	@	NSS	1	SETSCREW
13	@	NSS	1	NUT
14	@-	NSS	5	DISC SPRING
15		NSS	1	HOUSING
16		9188101096	1	PLUG, SCREW TYPE
17	*	NSS	1	LEVER
18	*@	NSS	1	RING, RETAINER
19	*	NSS	1	CLEVIS

@ SECOND REPAIR KIT AND/OR PART OF 2ND KIT
- THIRD REPAIR KIT AND/OR PART OF 3RD KIT

\$ FIFTH REPAIR KIT
* REPAIR KIT AND/OR PART OF KIT

Manitowoc Cranes

Description
BRAKE ASSEMBLY-PARKING

Assembly No.
80022000
Revision:

Item	FN	Part	Qty	Description
20	*	NSS	1	PIN, CLEVIS
21	*	NSS	1	PIN, COTTER
22	*	NSS	1	NUT, JAM
23	*	NSS	1	ROD
24	*\$	NSS	1	EXCLUDER, ROD
25	*	NSS	1	RING, RETAINER
26	*	NSS	1	HOUSING, CYLINDER
27	*	NSS	1	PISTON
28	*\$	NSS	1	SEAL
29	*\$	NSS	1	RING,
30	*	NSS	2	CAPSCREW
32	@	NSS	2	WASHER, FLAT
33	@<	NSS	2	SPRING, URETHANE
34	@\$	NSS	2	SEAL, O-RING
35		9188101097	2	NUT,JAM
36		9188101020	2	CAP SCREW,
37	&	NSS	2	LINING & CARRIER ASSY.
38	&	NSS	1	CAPSCREW
39	&	NSS	2	NUT
40	*	9188101094	1	KIT, HYD.CYLINDER SERVICE
41	@	90011883	1	KIT, OVERHAUL
42	-	90011882	1	KIT, DICS SPRING

* REPAIR KIT AND/OR PART OF KIT
@ SECOND REPAIR KIT AND/OR PART OF 2ND KIT
& SIXTH REPAIR KIT

\$ FIFTH REPAIR KIT
< FOURTH REPAIR KIT AND/OR PART OF 4TH KIT
- THIRD REPAIR KIT AND/OR PART OF 3RD KIT

Manitowoc Cranes

Description
BRAKE ASSEMBLY-PARKING

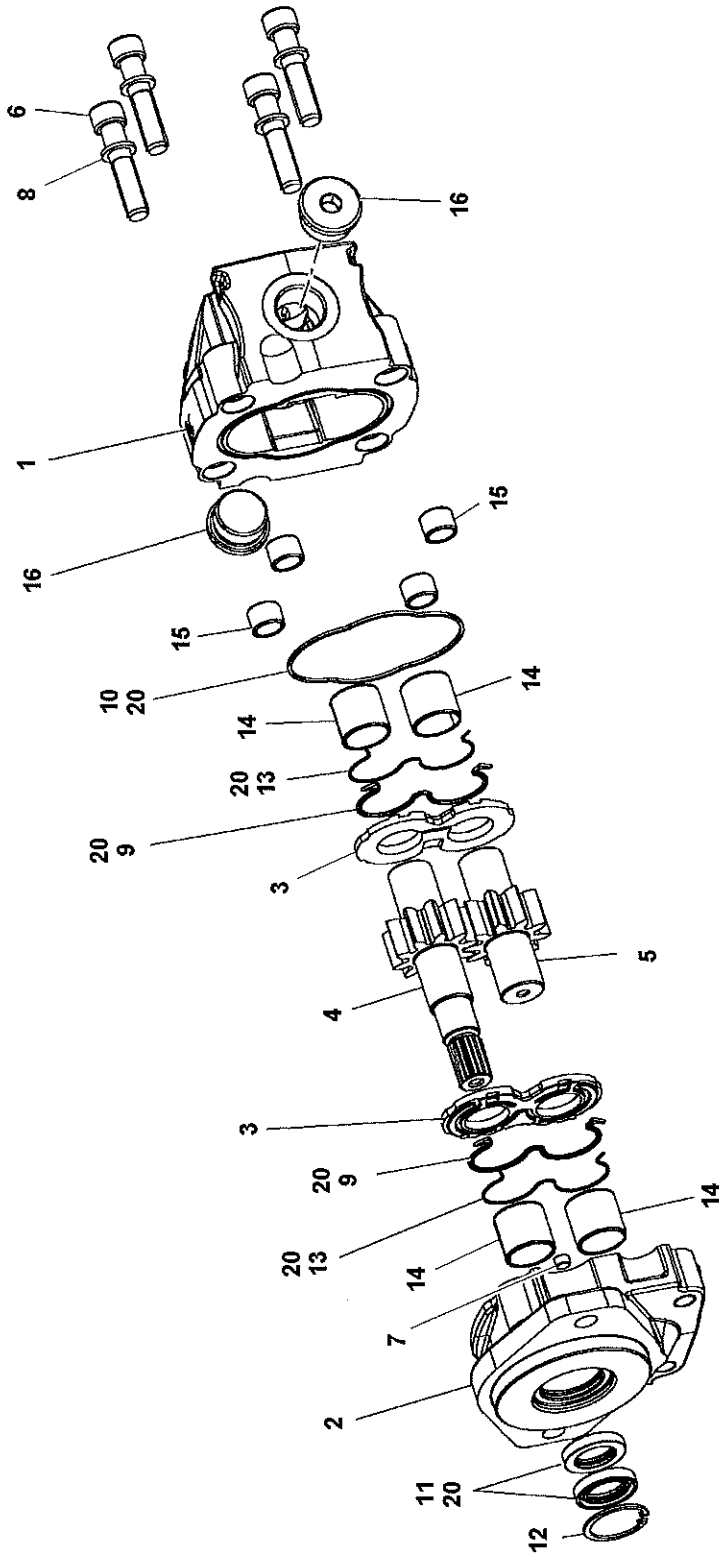
Assembly No.
80022000
 Revision:

Item	FN	Part	Qty	Description
43	<	9188101043	1	KIT, SPRING
44	\$	9188101078	1	KIT,SEAL
45	&	9188101041	1	KIT, LINING
46		90017521	1	KIT, CAM OVERHAUL INCLUDES ITEMS 5, 9 THRU 11

< FOURTH REPAIR KIT AND/OR PART OF 4TH KIT
 & SIXTH REPAIR KIT

\$ FIFTH REPAIR KIT

Manitowoc Cranes



7722100101

(SHEET 1 OF 1)

Manitowoc Cranes

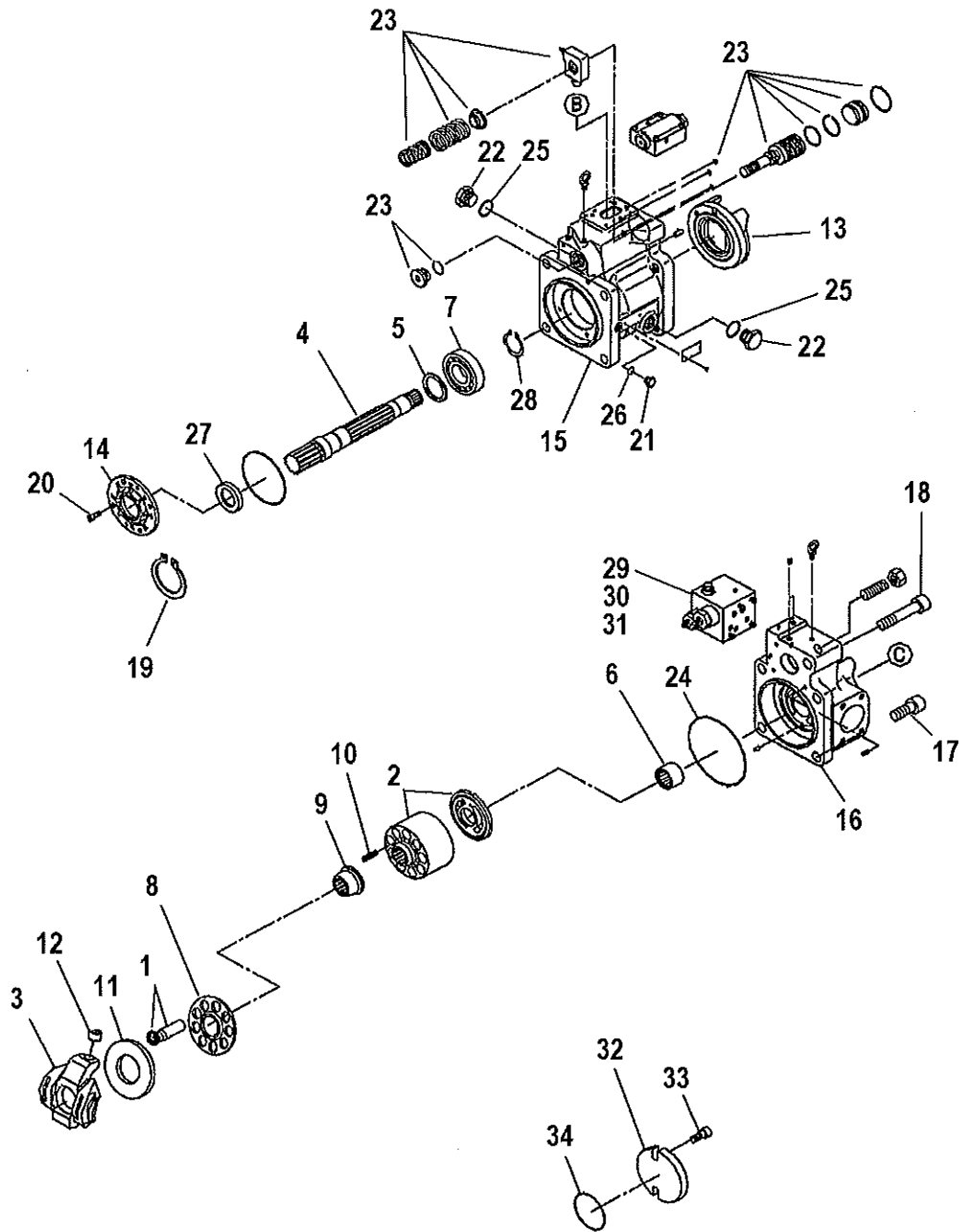
Description
PUMP ASSEMBLY - GEAR (COMPLETE ASSEMBLY)

Assembly No.
7722100101
 Revision:

Item	FN	Part	Qty	Description
1		NSS	1	HOUSING, GEAR
2		9722105433	1	COVER, FRONT
3		9722105434	2	PLATE, THRUST
4		9722105468	1	GEAR, DRIVE SHAFT
5		9722105469	1	GEAR, DRIVEN
6		9722105435	4	CAPSCREW
7		9722105436	1	SCREW, GRUB
8		9722105437	4	WASHER
9	*	NSS	2	SEAL
10	*	NSS	1	SEAL, SECTION
11	*	NSS	2	SEAL, SHAFT
12		9722105441	1	RING, RETAINER
13	*	NSS	2	SEAL
14		9722105443	4	BEARING
15		9722105444	4	BUSHING
16		9722105514	2	PLUG
20	*	9722105445	1	KIT, SEAL

* REPAIR KIT AND/OR PART OF KIT

Manitowoc Cranes



NBR 40 KIT ROTARY

NBR 41 KIT SWASH PLATE

NBR 50 KIT SEAL

Manitowoc Cranes

Description
PUMP ASSEMBLY - PISTON (COMPLETE ASSEMBLY)

Assembly No.
7722100100
Revision:

Item	FN	Part	Qty	Description
1		NSS	1	PISTON ASSY. GROUP
2		NSS	1	CYLINDER ASSY.
3		NSS	1	SWASHPLATE ASSY.
4		9722105546	1	SHAFT ASSY.
5		9722105547	1	BEARING
6		9722105548	1	BEARING
7		9722105549	2	SPACER
8		NSS	1	SET PLATE
9		NSS	1	BUSHING
10		NSS	9	SPRING
11		NSS	1	SHOE PLATE
12		NSS	1	BUSHING
13		NSS	1	SWASHPLATE SUPPORT
14		9722105550	1	COVER
15		NSS	1	HOUSING, PUMP CASE
16		NSS	1	HOUSING, END COVER
17		9722105551	4	CAPSCREW
18		9722105552	1	CAPSCREW
19		9722105553	1	RING, RETAINER
20		9722105554	4	CAPSCREW
21		9722105555	1	PLUG, BLEEDER
22		9722105556	2	PLUG
23		NSS	1	SERVO PISTON ASSY.
24		9722105567	1	O-RING
25		9722105568	2	O-RING

Manitowoc Cranes

Description
PUMP ASSEMBLY - PISTON (COMPLETE ASSEMBLY)

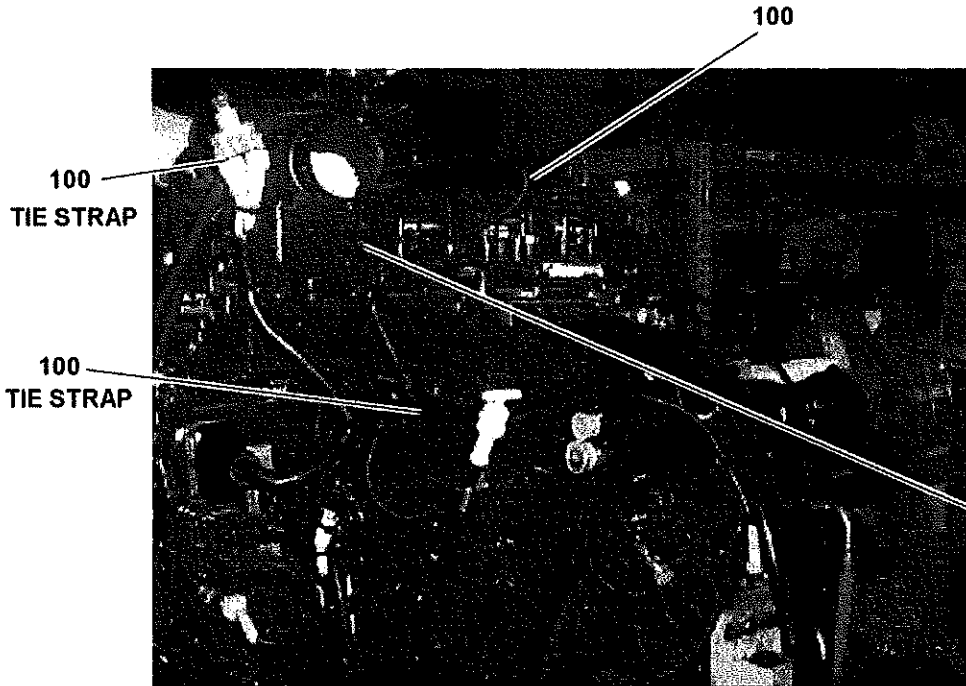
Assembly No.
7722100100
Revision:

Item	FN	Part	Qty	Description
26		9722105569	1	O-RING
27		9722105557	1	SEAL, SHAFT
28		9722105570	1	RING, RETAINER
29		9722105558	1	REGULATOR ASSY.
30		9722105559	4	CAPSCREW
31		9722105560	7	O-RING
32		9722105561	1	PLATE, COVER
33		9722105562	2	CAPSCREW
34		9722105563	1	O-RING
40		9722105564	1	KIT, ROTARY GROUP INCLUDES ITEMS 1, 2, 8 THRU 11
41		9722105565	1	KIT, SWASH PLATE GROUP INCLUDES ITEMS 3 AND 13
50		9722105566	1	KIT, SEAL

Manitowoc Cranes

Notes

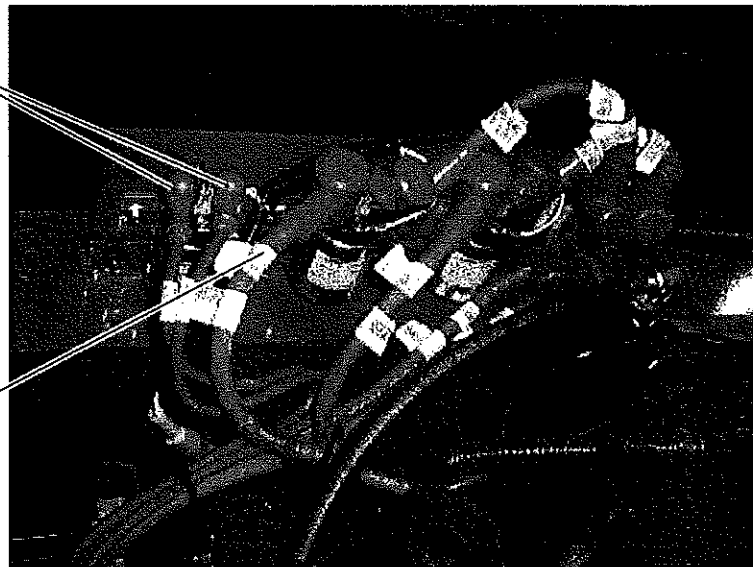
Manitowoc Cranes



101
102
107
108
RED CABLES
GRID HEATER
RELAYS TO POS.
GRID
HEATER

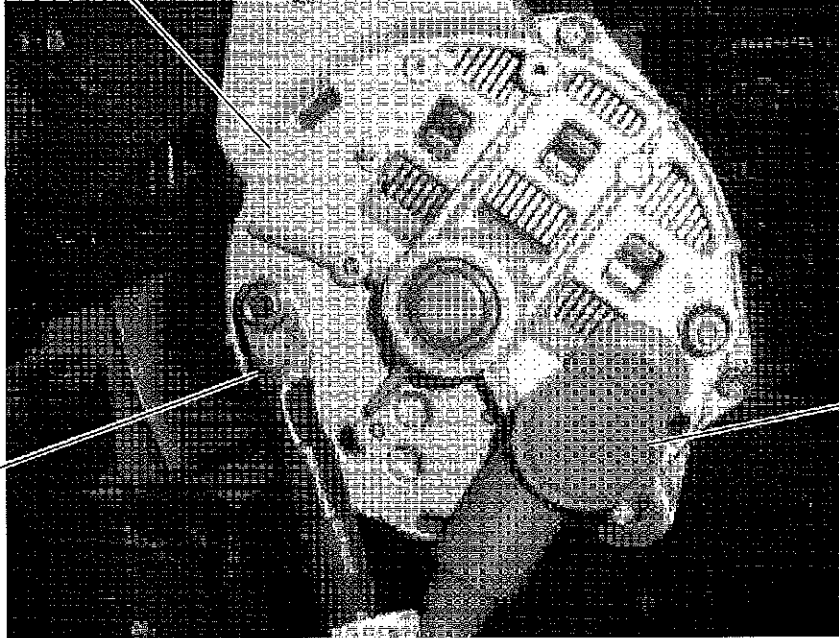
101
CABLES TO "S"
POST AND STARTER
POS POST

101
I/O CABLES FROM
RELAYS TO
GRID HEATER
POS POSTS



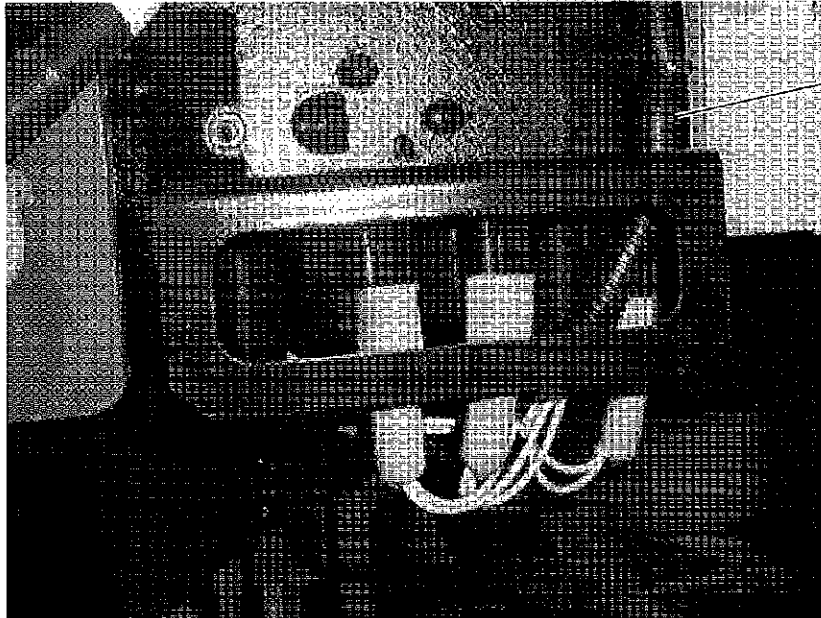
Manitowoc Cranes

ENGINE ALTERNATOR



101
ENGINE
GROUND
ALERNATOR
NEG
POST

101
STARTER
POSITIVE
POS.
ALTERNATOR
POS.
POST



100
ENGINE
HARNESS

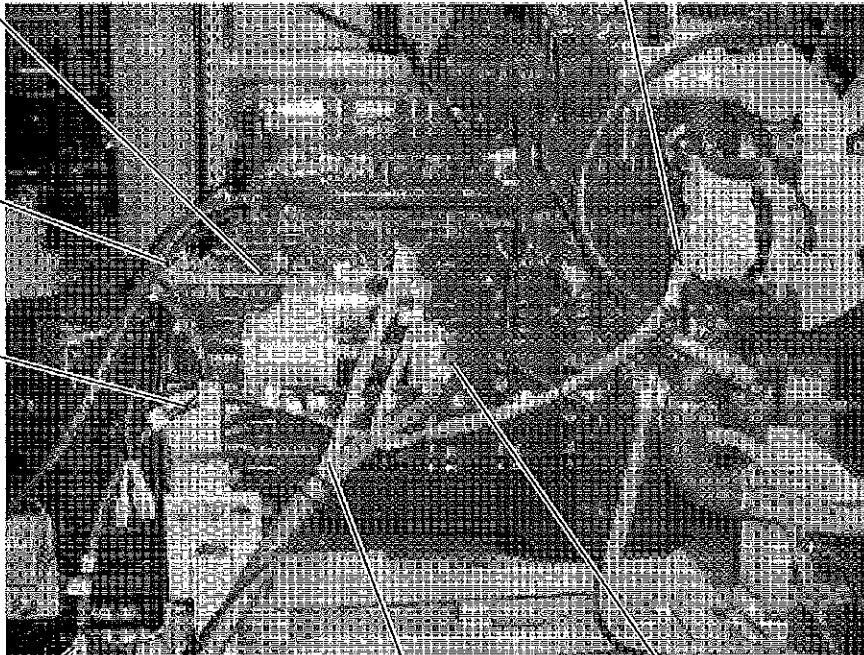
Manitowoc Cranes

I/O CABLES FROM STARTER TO RELAY

101 I/O CABLES

106
109
110
111

103
104
GROUND

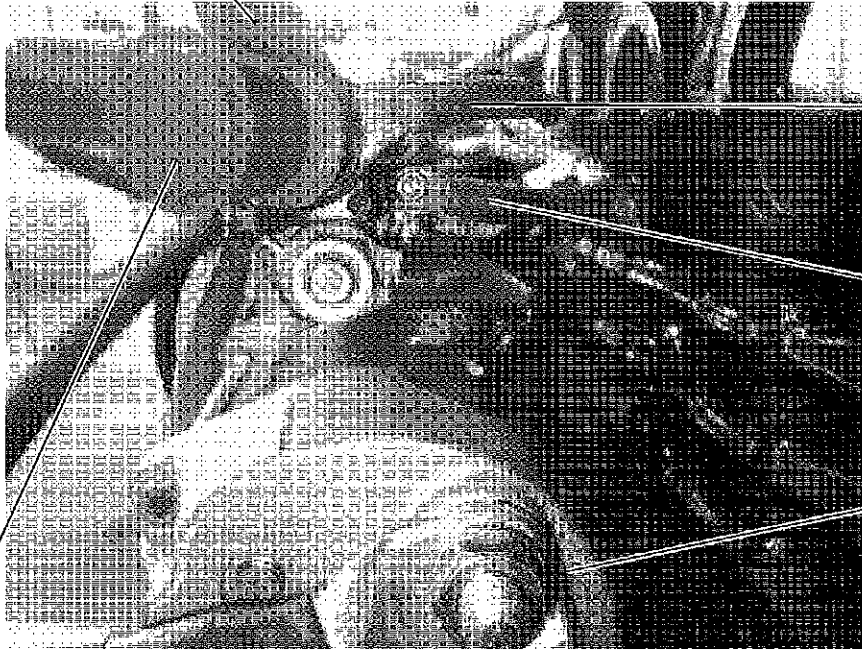


101
2/O CABLE TO GROUND

101
4/O CABLES FROM STARTER
POSITIVE TO BATTERY DISCONNECT.

101 4/O CABLES FROM STARTER
NEG. TO BATTERY NEG

NOT SHOWN
NBR 105
CABLE TIE



101
2/O CABLE FROM ALTERNATOR
POSITIVE TO STARTER POSITIVE POST

101
I/O STARTER
TO START
RELAY

101
RELAY
TO
STARTER
"S" POST

101
BATTERY NEG.
TO
STARTER NEG
POST

Manitowoc Cranes

Description

**ELECTRICAL SYSTEM INSTALLATION - ENGINE
(NOT AVAILABLE AS ASSEMBLY)**

Assembly No.

6978100956

Revision: #

Item	FN	Part	Qty	Description
100	+	6512100819	1	HARNES ASSEMBLY - ENGINE (COMPLETE ASSEMBLY)
101	+	7246100345	1	KIT - CABLE (ENGINE) (COMPLETE ASSEMBLY)
102		7951150210	3	LOCKWASHER, 6MM I.D.
103	#	7950180350	2	LOCK WASHER, 1/2" I.D.
104		7126211353	1	CAP SCREW, M12 X 30 HEX HEAD
105		7850000208	10	CABLE TIE, BLACK
106		7300000247	2	CLAMP, 1 1/4" TUBING
107	#	7661150003	3	NUT, HEX
108		7951150014	3	WASHER, 6MM I.D.
109		7126191250	2	CAP SCREW, M10 X 25MM HEX HEAD
110		7951190014	2	FLAT WASHER, 10MM I.D.
111		7951190210	2	LOCK WASHER, 10MM

+ SEE FURTHER BREAKDOWN THIS GROUP

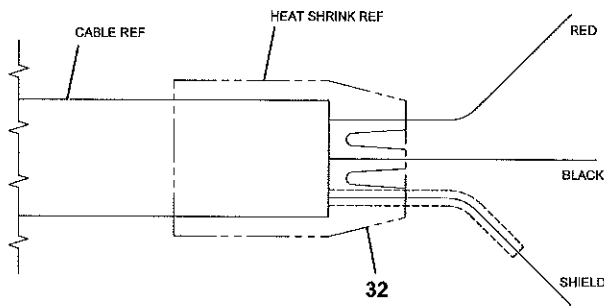
SERVICED AS AN ASSEMBLY ONLY

Manitowoc Cranes

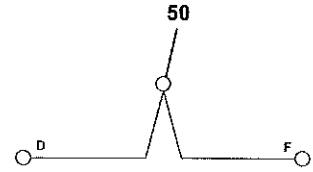
WIRE NO	COLOR	SAE SIZE	LENGTH TOT IN	TP	B/M ITEM NO	REMARKS	TP	B/M ITEM NO	REMARKS
2A	WHITE	16	53	F	17	————	K	17	————
25		16	65	K	17	————	J	17	————
51A		16	44	G	STRIP	SEE DETAIL	H	17	————
51B		16	44	G	STRIP	SEE DETAIL	H	17	————
51C		16	44	G	STRIP	SEE DETAIL	H	17	————
51D		16	44	G	STRIP	SEE DETAIL	H	17	————
51F		16	53	F	17	————	G	STRIP	SEE DETAIL
89A		18	73	B	17	————	K	17	————
343A		16	60	K	16	————	SB	STRIP	SEE DETAIL
343B		18	8	A	15	————	SB	STRIP	SEE DETAIL
343C		18	81	J	17	————	SB	STRIP	SEE DETAIL
344		12	73	K	14	————	C	14	————
345		12	73	G	20	————	C	14	————
367		16	44	K	17	————	H	17	————
368		16	44	K	17	————	H	17	————
371		16	44	K	17	————	H	17	————
609		16	44	K	17	————	H	17	————
645		18	45	F	17	————	A	15	————
646		18	45	F	17	————	A	15	————
695		18	45	A	15	————	B	25,30	————
697		18	45	A	15	————	B	25,30	————
1280		16	67	K	16	————	E	16	————
1299		16	67	K	16	————	E	16	————
SHLD1		16	3	K	STRIP	SEE CABLE 1939A	K	STRIP	SEE CABLE 1939A
SHLD2		16	3	D	STRIP	SEE CABLE 1939A	D	STRIP	SEE CABLE 1939A
SHLD3		16	3	D	STRIP	SEE CABLE 1939B	D	STRIP	SEE CABLE 1939B
SHLD4	WHITE	18	3	A	STRIP	SEE CABLE 1939B	A	STRIP	SEE CABLE 1939B

A1	WHITE	18	6	A	15	————	————	SEE NOTE 5	————
A2		18	6	A	15	————	————	SEE NOTE 5	————
A3		18	6	A	15	————	————	SEE NOTE 5	————
A4		18	6	A	15	————	————	SEE NOTE 5	————
A5		18	6	A	15	————	————	SEE NOTE 5	————
A6		18	6	A	15	————	————	SEE NOTE 5	————
A7		18	6	A	15	————	————	SEE NOTE 5	————
A8		18	6	A	15	————	————	SEE NOTE 5	————
A9		18	6	A	15	————	————	SEE NOTE 5	————
A10		18	6	A	15	————	————	SEE NOTE 5	————
A41		18	6	A	15	————	————	SEE NOTE 5	————
A43		18	6	A	15	————	————	SEE NOTE 5	————
A44		18	6	A	15	————	————	SEE NOTE 5	————
A45		18	6	A	15	————	————	SEE NOTE 5	————
A48		18	6	A	15	————	————	SEE NOTE 5	————
A49		18	6	A	15	————	————	SEE NOTE 5	————
A50		18	6	A	15	————	————	SEE NOTE 5	————
B2		16	6	B	17	————	————	SEE NOTE 5	————
C2		14	10	C	14	————	————	SEE NOTE 5	————
C4		14	10	C	14	————	————	SEE NOTE 5	————
JA		18	6	J	17	————	————	SEE NOTE 5	————
K2		14	10	K	14	————	————	SEE NOTE 5	————
K3		16	6	K	17	————	————	SEE NOTE 5	————
K4		16	6	K	17	————	————	SEE NOTE 5	————
K5	WHITE	16	6	K	17	————	————	SEE NOTE 5	————

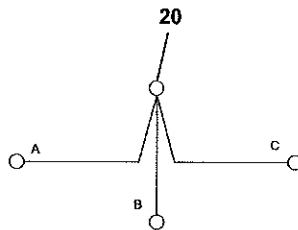
Manitowoc Cranes



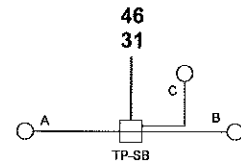
DETAIL AA
CABLE ENDS
TYP-BOTH ENDS



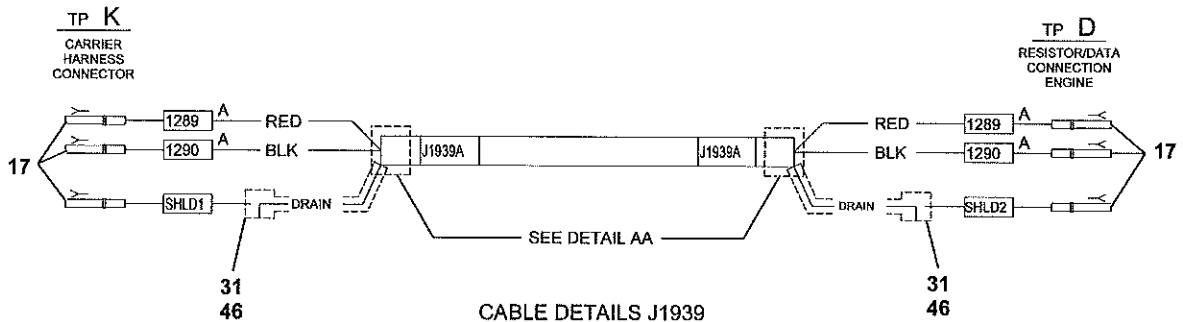
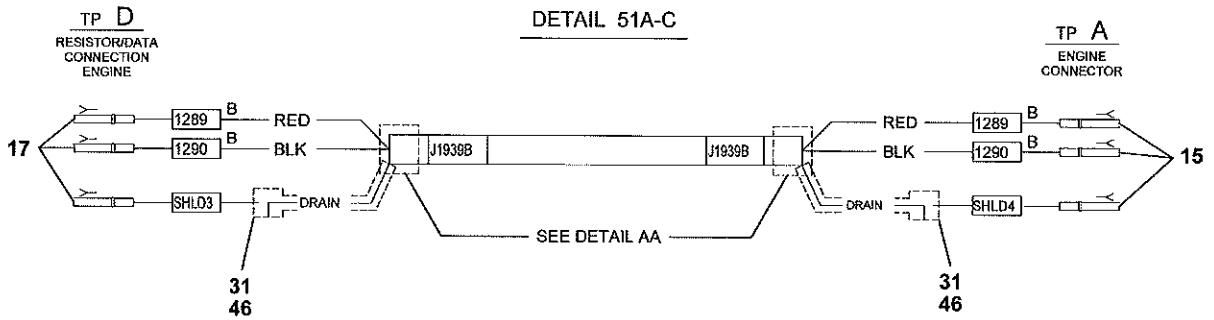
DETAIL 51D-F



DETAIL 51A-C



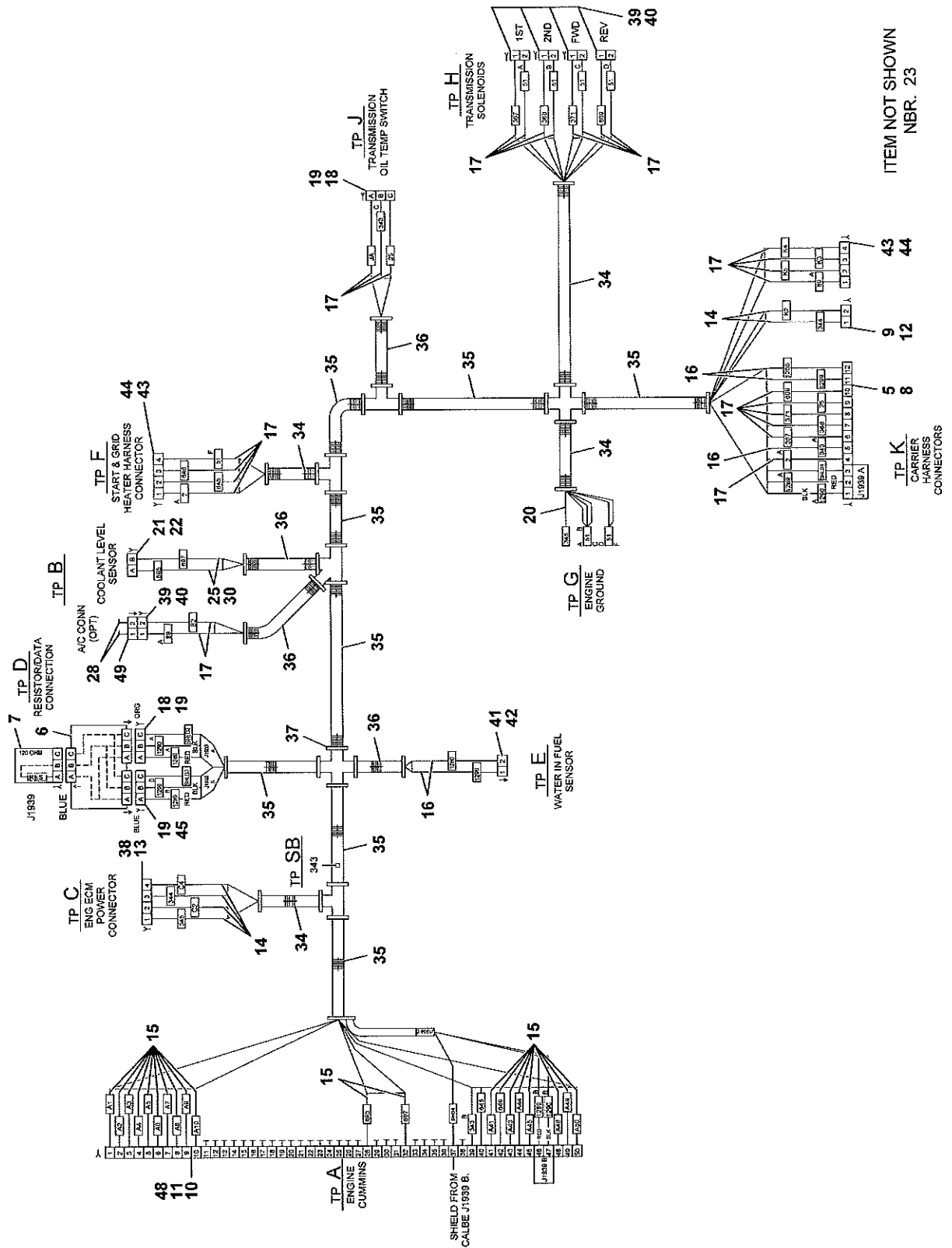
DETAIL 343



CABLE DETAILS J1939

WIRE NUMBER LABELS FOR USE ON CABLE ASSYS									
WIRE NO	CONDUCTOR COLOR	SAE SIZE	LENGTH TOT IN	CABLE ASSY	TP	REMARKS	TP	REMARKS	LABLES REQ'D
1289A	RED	10	5	J1939A	K	USE INSUL	D	USE INSUL	2
1289B	RED	10	5	J1939B	A	USE INSUL	D	USE INSUL	2
1290A	BLK	10	5	J1939A	K	USE INSUL	D	USE INSUL	2
1290B	BLK	10	5	J1939B	A	USE INSUL	D	USE INSUL	2

Manitowoc Cranes



6512100819

(SHEET 1 OF 3)

Page 470

Manitowoc Cranes

Description
HARNESS ASSEMBLY - ENGINE (COMPLETE ASSEMBLY)

Assembly No.
6512100819
 Revision: F

Item	FN	Part	Qty	Description
5		7709000846	1	PLUG, 12 SOCKET
6		7892100036	1	RECEPTACLE, 3 WAY
7		7709100902	1	PLUG, 3 PIN
8		7172000552	1	BOOT
9		7172100004	1	BOOT, DTP2S-BT
10		7709100890	1	PLUG, DEUTSCH DRC26-50S-04
11		7172000554	1	BOOT
12		7709100891	1	PLUG, 2-PASS DEUTSCH DTP
13		7172100006	1	BOOT, DTP4S - BT
14		7826000092	6	SOCKET, (12) 12-14GA
15		7826000651	25	SOCKET, 20 GA AU-PLATE
16		7689000704	7	PIN, 16 - 14 GA
17		7826100004	35	SOCKET, (16 - 18) 30 SERIES
18		7709000874	3	PLUG 3 SOCKET
19		7172000547	4	BOOT
20		7345261901	2	TERMINAL 12 - 10 AWG
21		7364002517	1	CONNECTOR
22		7364002518	1	CONNECTOR
23		7345001744	2	TERMINAL, FEMALE 16 - 14 AWG
25		7892100003	2	TERMINAL, DARK RED CABLE SEAL
28		7689000503	2	PLUG, SEALING 16 - 12 AWG
30		7892000843	2	TERMINAL, FEMALE 16 - 20 AWG
31		8594100256	1	TUBING, HEAT SHRINK 1/4" I.D. LINER, MELTABLE (QUANTITY IN FEET)
32		8594100257	1	TUBING, HEAT SHRINK 1/2" I.D. LINER, MELTABLE (QUANTITY IN FEET)
34		8594000006	5	FLEXGUARD - .350" I.D. (QUANTITY IN FEET)
35		8594000003	6	FLEXGUARD - .625" I.D. (QUANTITY IN FEET)

Manitowoc Cranes

Description

HARNESS ASSEMBLY - ENGINE (COMPLETE ASSEMBLY)

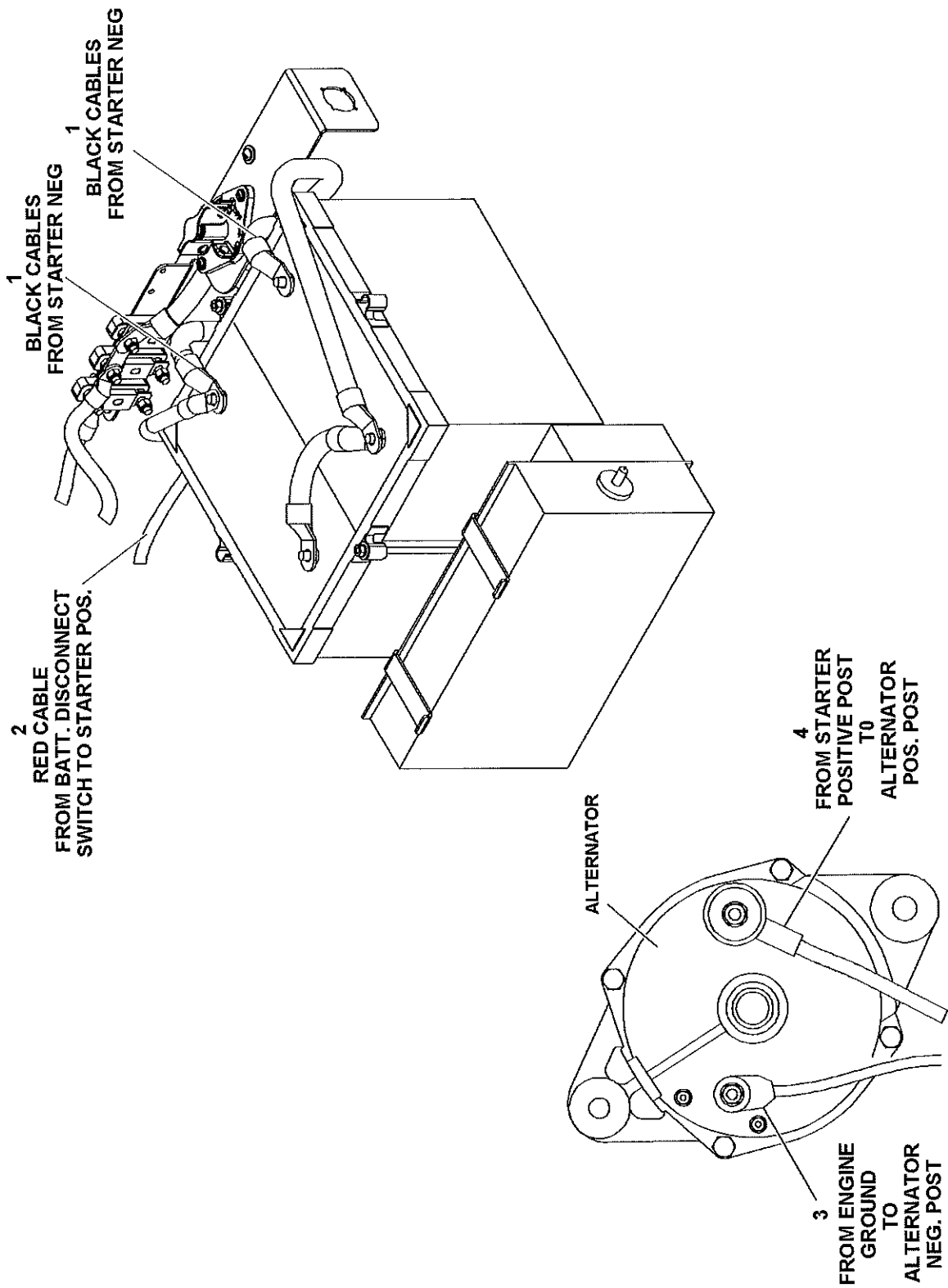
Assembly No.

6512100819

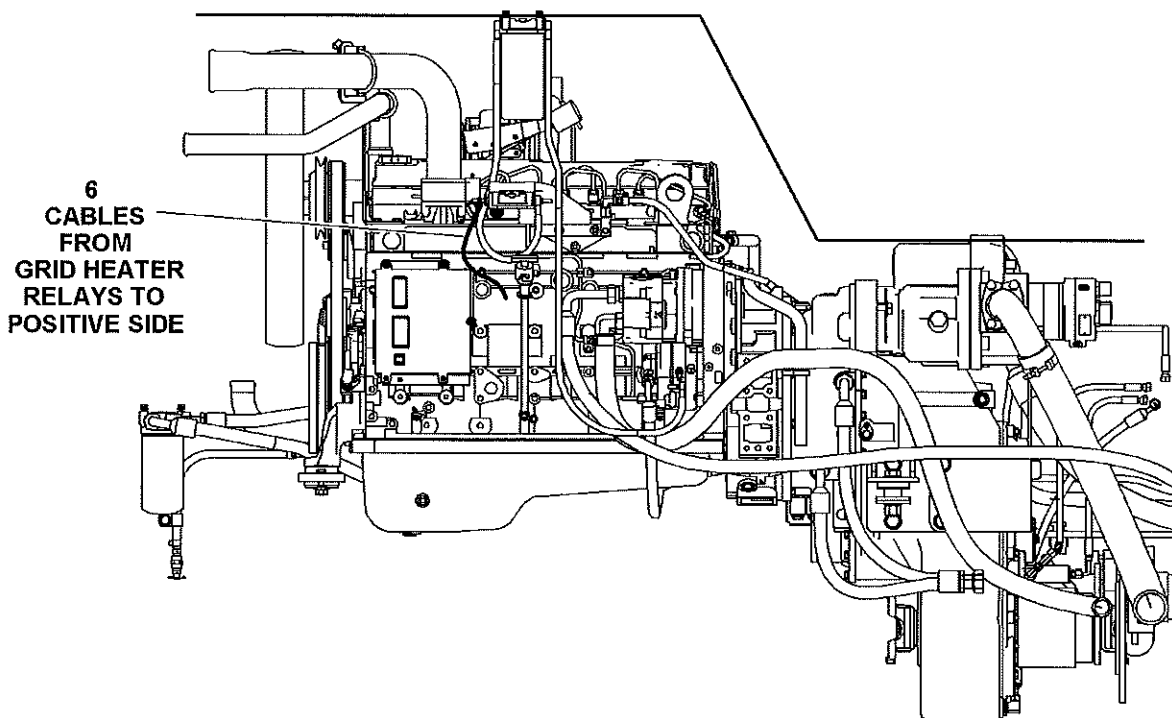
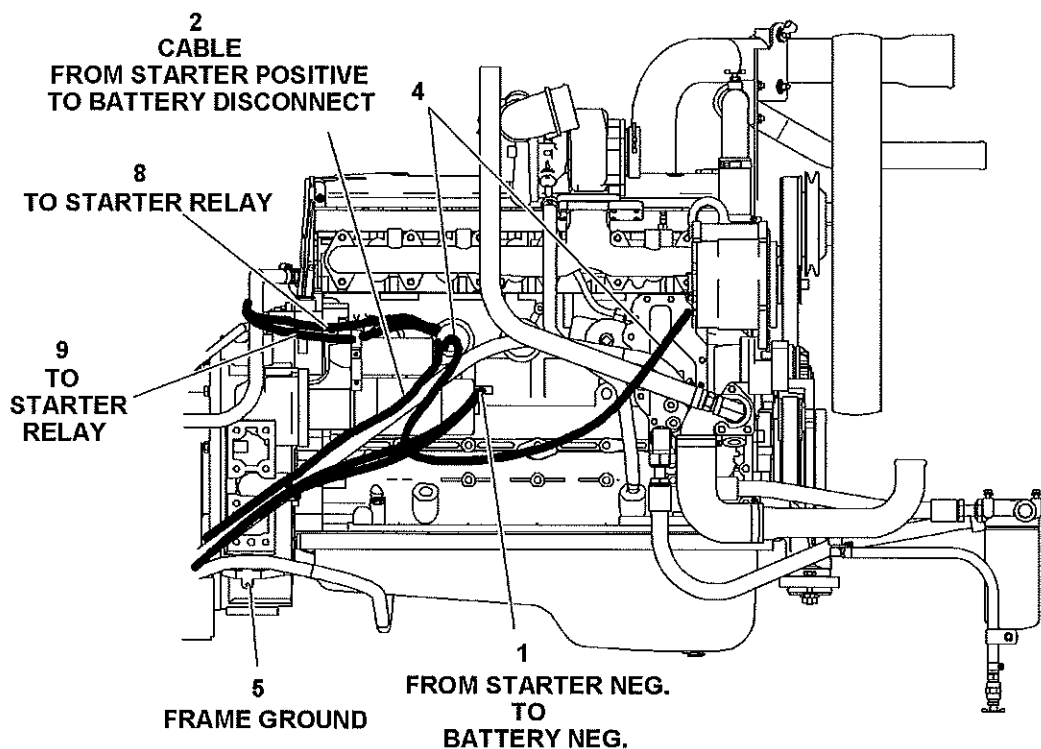
Revision: **F**

Item	FN	Part	Qty	Description
36		8594000019	7	FLEXGUARD, 1/4" I.D. (QUANTITY IN FEET)
37		7850000208	40	CABLE TIE, BLACK
38		7709100870	1	PLUG, 4 PASS
39		7709000844	2	PLUG, 2 SOCKET
40		7172000545	2	BOOT, DT2S CONNECTOR
41		7892000949	3	RECEPTACLE, 2 PIN
42		7172000546	1	BOOT
43		7709000936	2	PLUG, 4 SOCKET
44		7172000567	2	BOOT, CONNECTOR
45		7709100911	1	PLUG,DT06-3S-CEO6 W/BLUE WEDGE
46		7892000194	5	PARALLEL, NON - INSULATED 16 - 14 AWG
48		7826000650	25	PLUG, SEALING
49		7892000949	1	RECEPTACLE, 2 PIN
50		7345261701	1	16 - 14 AWG TERMINAL, ELECTRICAL

Manitowoc Cranes



Manitowoc Cranes



7246100345

(SHEET 1 OF 2)

Page 474

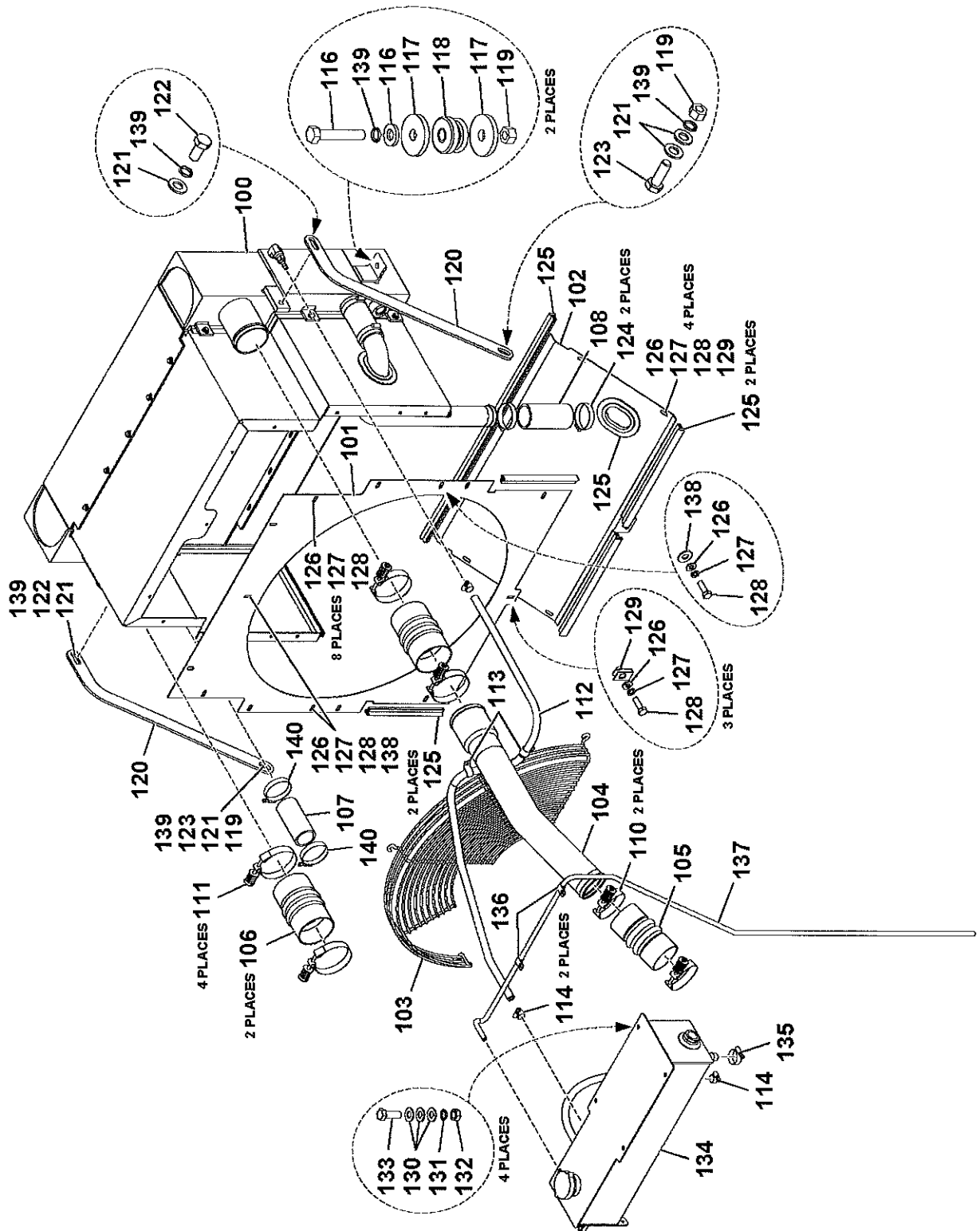
Manitowoc Cranes

Description
KIT - CABLE (ENGINE) (COMPLETE ASSEMBLY)

Assembly No.
7246100345
Revision:

Item	FN	Part	Qty	Description
1		7246100342	2	CBL-BLK 4/0 90" BAT-/START- INCLUDES THE FOLLOWING PARTS
		9246100185	1	BOOT, BLACK
2		7246100343	1	CBL-RED 4/0 84"BAT DISC/START+ INCLUDES THE FOLLOWING PARTS
		9246100177	2	BOOT, RED
3		7246100186	1	CABLE-BLK 60"ENG GND TO ALT -
4		7246100145	1	CABLE-RED 1/0 42" (STR TO ALT) INCLUDES THE FOLLOWING PARTS
		9246100159	2	BOOT, SWIVEL (RED)
5		7246100028	1	CABLE, BLACK
6		7246100198	2	CABLE-RED 1/0 36" (RLY/GRDHTR) INCLUDES THE FOLLOWING PARTS
		9246100159	2	BOOT, SWIVEL (RED)
8		7246100276	1	CABLE-RED 6GA 48" STRTR/RELAY
9		7246100220	1	CABLE-RED 6GA 48" STRTR/RELAY INCLUDES THE FOLLOWING PARTS
		9246100168	1	BOOT, RED

Manitowoc Cranes



80014219

(SHEET 1 OF 1)

Manitowoc Cranes

Description
RADIATOR INSTALLATION

Assembly No.
80014219
Revision: #

Item	FN	Part	Qty	Description
100	+	2159810147	1	RADIATOR ASSEMBLY (NOT AVAILABLE AS ASSEMBLY)
101		4159810075	1	SHROUD BACK PLATE
102		4159810074	1	SHROUD BOTTOM PLATE
103		80012114	1	FAN GUARD
104		7910101599	1	TUBE, CHARGE AIR COOL
105		7406000537	1	BELLOWS
106		7406001053	2	BELLOWS
107		8596902521	1	1.75"ID X 2.13"OD WRAPPED HOSE
108		8596902522	1	2.00"ID X 2.39"OD WRAPPED HOSE
110		7300000461	2	CLAMP, T-BOLT
111		7300001000	4	CLAMP
112		8596902527	5	HOSE, HEATER 3/8 ID X 11/16 OD
113		7300000195	2	CLAMP, TUBING 3/4" I.D.
114		7300000121	3	HOSE CLAMP -0.69"MAX
115		7949000235	2	WASHER, 1/2" I.D. FLAT
116		7126212150	2	CAP SCREW, M12 X 70MM HEX HEAD
117		6949000036	4	WASHER, HARDENED ROUND 1/2" I.D.
118	#	7638000044	2	SHOCK, MOUNTING
119		7661210003	4	NUT, HEX 12MM N.C.
120		4159810077	2	STRAP, MOUNTING
121		7951210014	6	WASHER, FLAT #12
122		7126211250	2	HHCS M12X25
123		7126211450	2	CAP SCREW, M12 X 35MM HEX HEAD
124		7300000035	2	CLAMP, HOSE 1 13/16" TO 2 3/4"
125		8246964300	7	MOULDING (QUANTITY IN FEET)
126		7951150014	18	WASHER, 6MM I.D.
127		7951150210	18	LOCKWASHER, 6MM I.D.
128		7126151153	18	CAP SCREW, M6X20 HEX HEAD
129		7659190019	7	NUT, RETAINING M6
130		7951170014	12	WASHER, FLAT #8
131		7951170210	4	WASHER, LOCK 8MM

+ SEE FURTHER BREAKDOWN THIS GROUP

SERVICED AS AN ASSEMBLY ONLY

Manitowoc Cranes

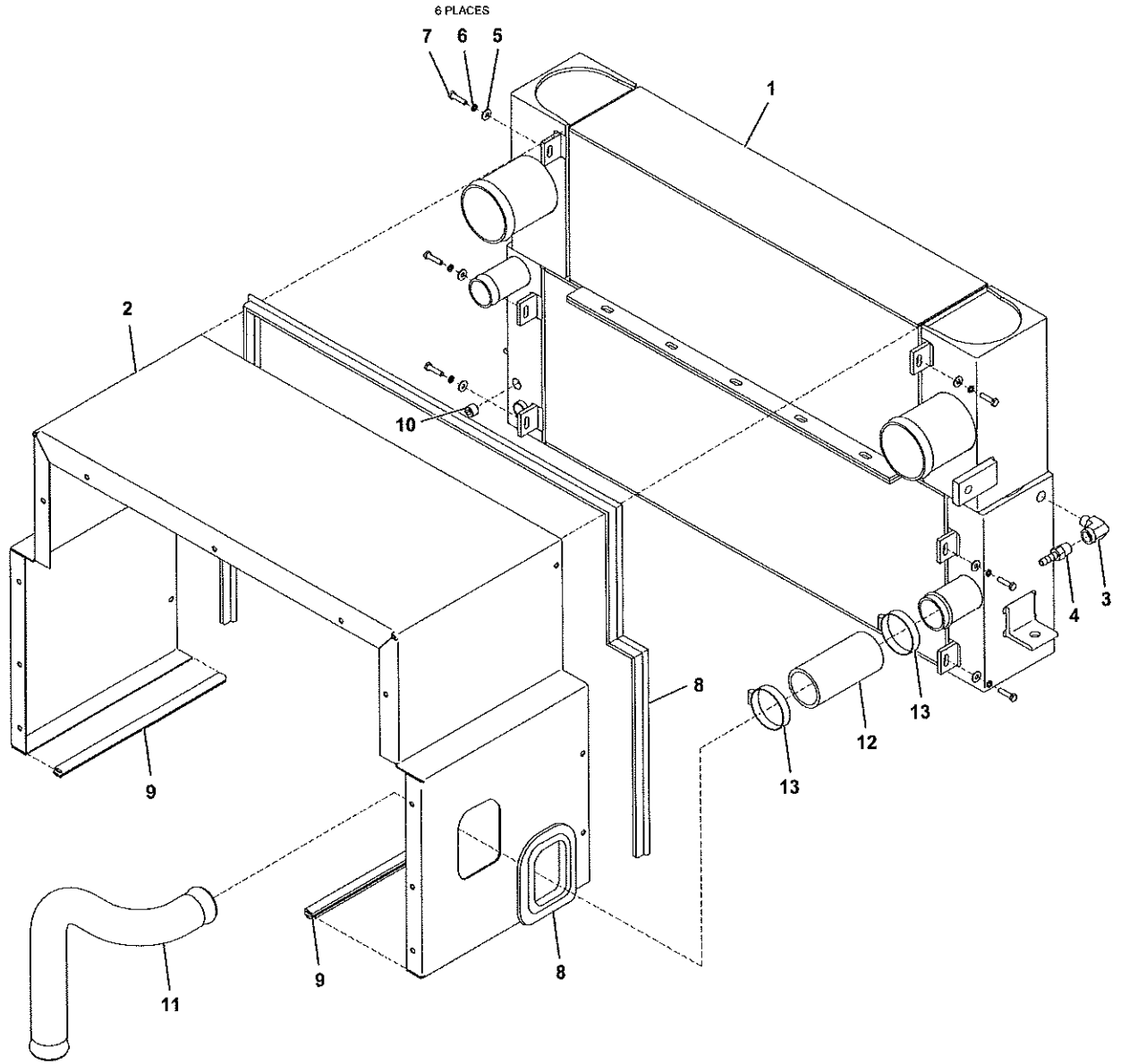
Description RADIATOR INSTALLATION				Assembly No. 80014219 Revision: #
Item	FN	Part	Qty	Description
132		7661170003	4	NUT
133		7126171253	4	CAP SCREW, M8X25 HEX HEAD
134	+	2159810114	1	TANK ASSEMBLY - SURGE (NOT AVAILABLE AS ASSEMBLY)
135		7300000167	1	CLAMP, HOSE
136		7300000101	2	CLAMP, TUBING 1/2" I.D.
137		8596902531	6	TUBE, RUBBER 5/16 ID X 50'LONG
138		7950140161	3	WASHER, 1/4" I.D. FLAT WIDE
139		7951210210	6	LOCK WASHER, 12MM I.D.
140		7300000006	2	CLAMP, HOSE

+ SEE FURTHER BREAKDOWN THIS GROUP

Manitowoc Cranes

Notes

Manitowoc Cranes



2159810147

(SHEET 1 OF 1)

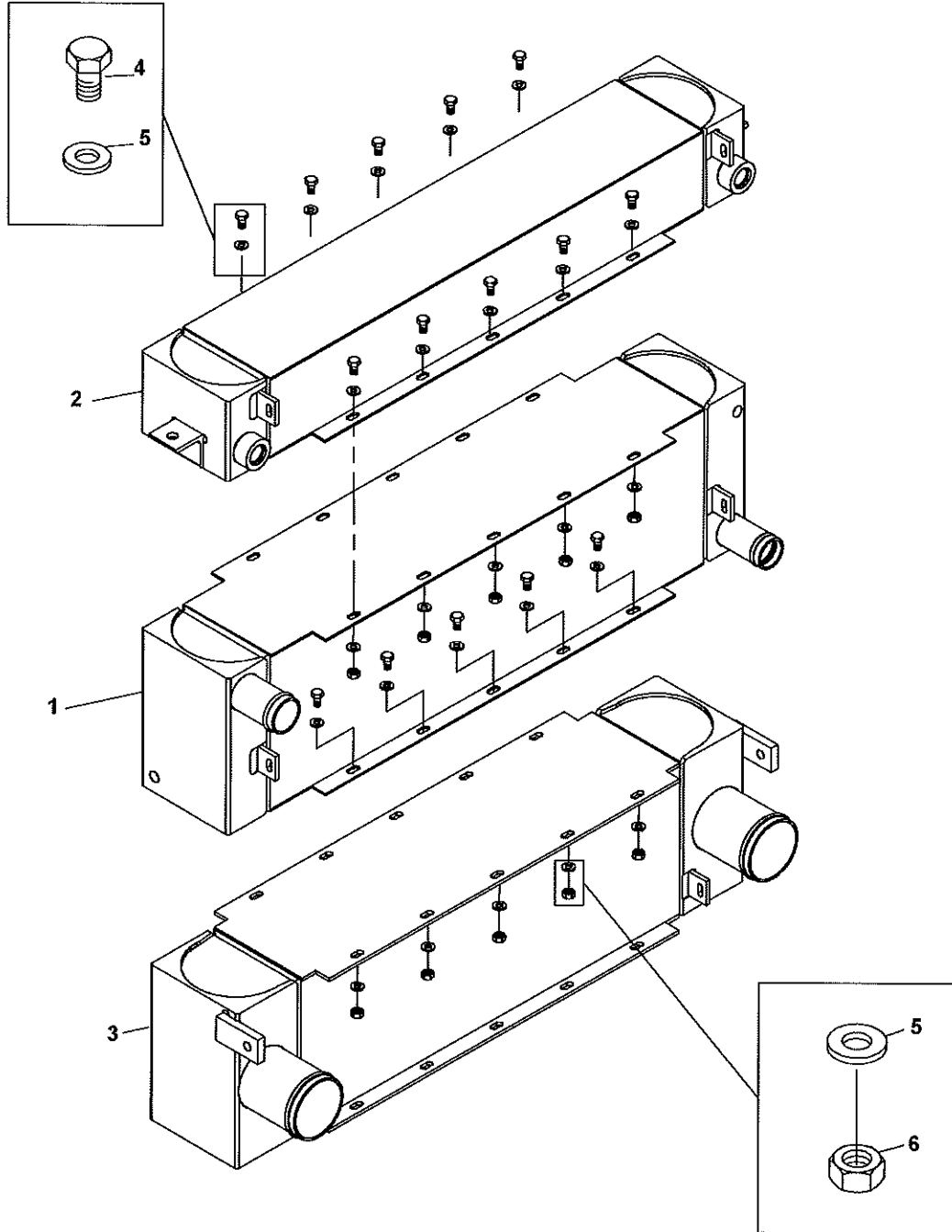
Page 480

Manitowoc Cranes

Description RADIATOR ASSEMBLY (NOT AVAILABLE AS ASSEMBLY)				Assembly No. 2159810147 Revision: #
Item	FN	Part	Qty	Description
1	+	7726191194	1	COOLER ASSEMBLY - RADIATOR/CHARGE AIR (COMPLETE ASSEMBLY)
2		2159810148	1	SHROUD INCLUDES THE FOLLOWING PARTS
		7662150100	22	WELD NUT, M6X1.0
3		7445060653	1	ELBOW, 90 DEGREE
4		7649000062	1	NIPPLE
5		7950140141	11	WASHER, FLAT 1/4" PLAIN NARROW
6		7951150210	11	LOCKWASHER, 6MM I.D.
7		7126151253	11	CAP SCREW, M6 X 25MM
8		8246964300	6	MOULDING (QUANTITY IN FEET)
9		8637062018	2	MOULDING (QUANTITY IN FEET)
10		7444030031	1	PLUG, PIPE
11		7910101600	1	TUBE, RADIATOR
12		8596902522	1	2.00"ID X 2.39"OD WRAPPED HOSE
13		7300000035	2	CLAMP, HOSE 1 13/16" TO 2 3/4"

+ SEE FURTHER BREAKDOWN THIS GROUP

Manitowoc Cranes



7726191194

(SHEET 1 OF 1)

Page 482

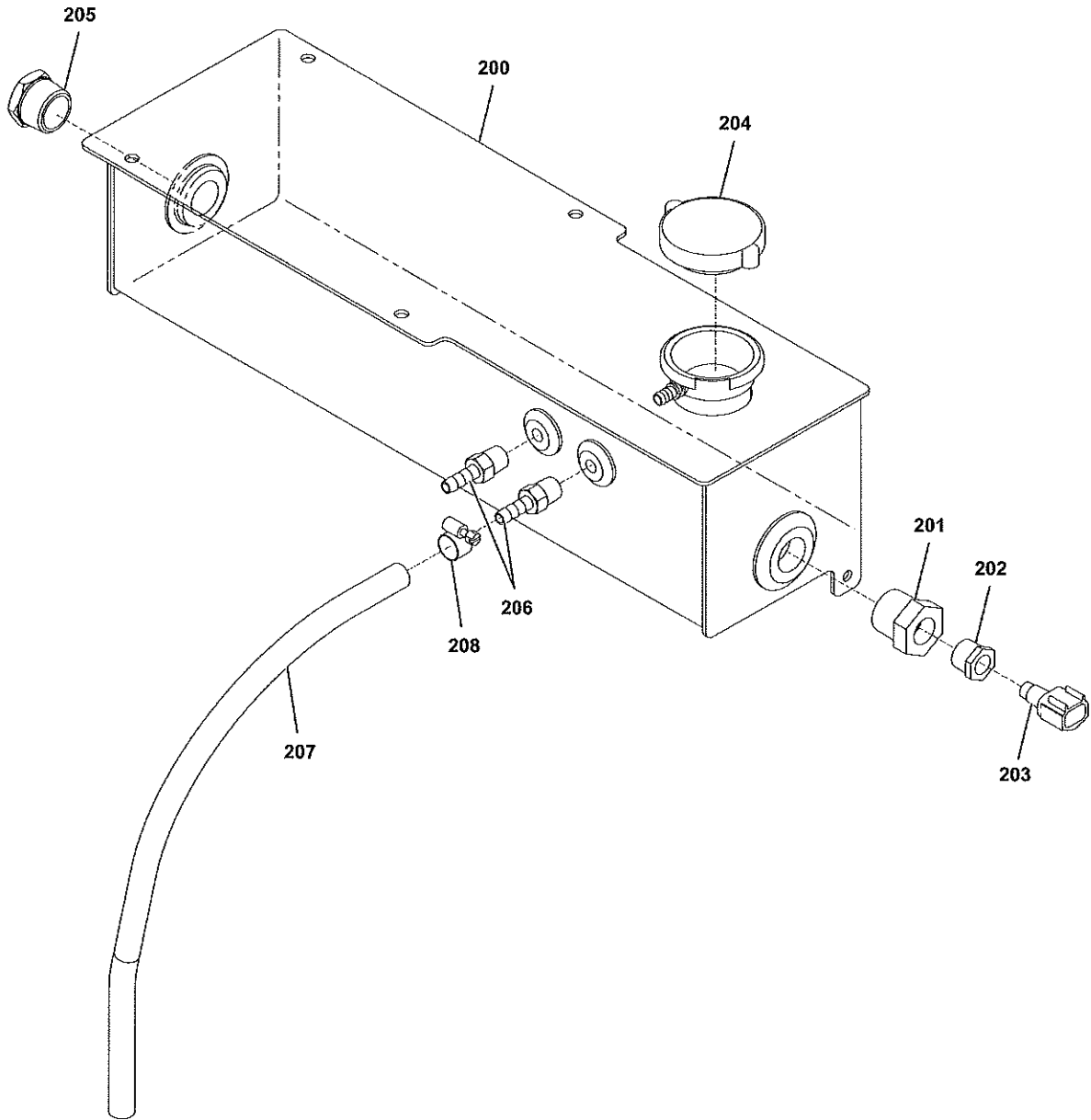
Manitowoc Cranes

Description
COOLER ASSEMBLY - RADIATOR/CHARGE AIR (COMPLETE ASSEMBLY)

Assembly No.
7726191194
 Revision:

Item	FN	Part	Qty	Description
1		9726100338	1	RADIATOR ASSY.
2		9726100337	1	COOLER ASSY. TRANS. OIL
3		9726100339	1	COOLER ASSY. AIR CHARGE
4		9726100326	20	CAPSCREW
5		9726100169	40	FLATWASHER 8MM I.D.
6		9726100327	20	NUT

Manitowoc Cranes



2159810114

(SHEET 1 OF 1)

Page 484

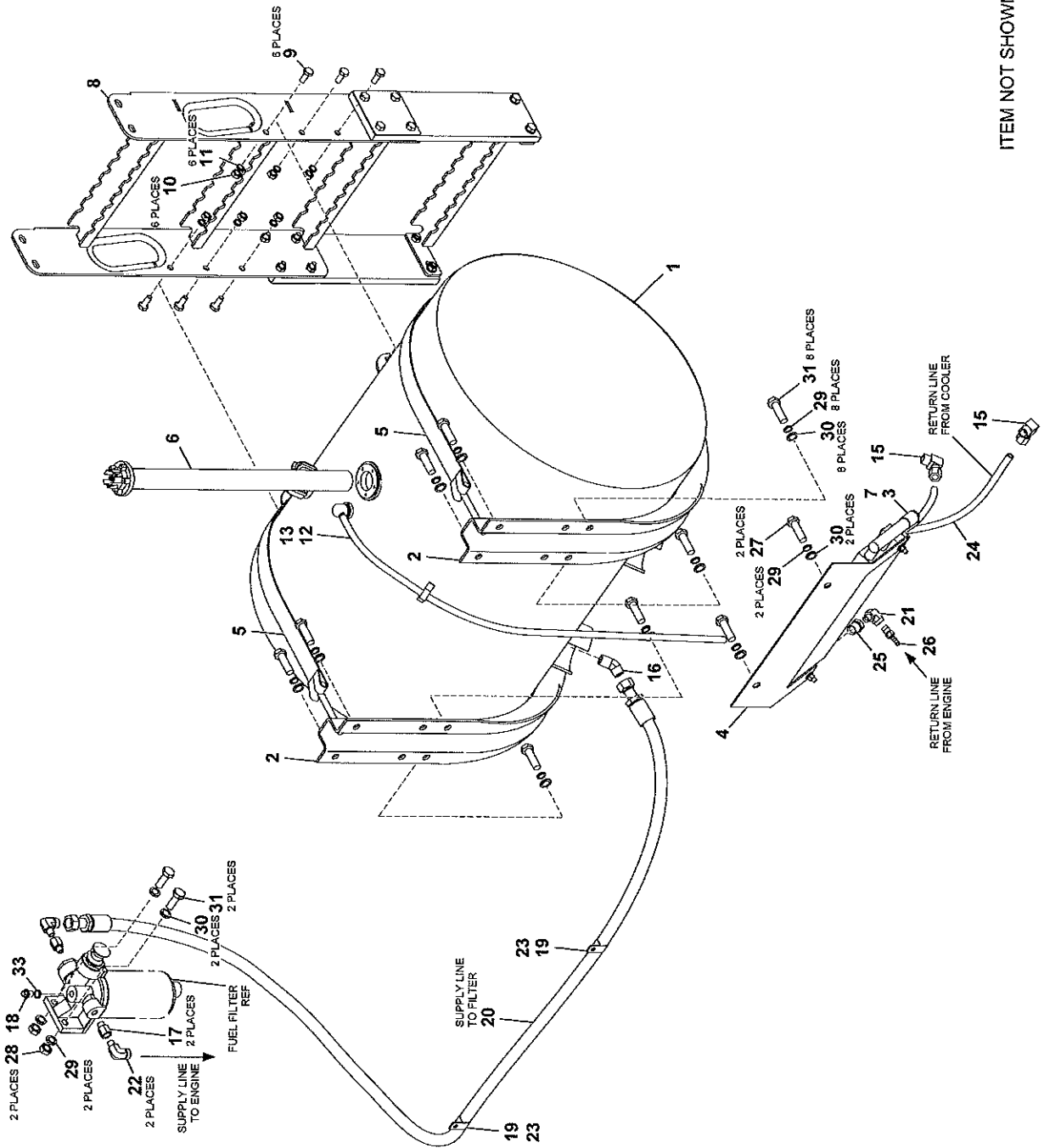
Manitowoc Cranes

Description
TANK ASSEMBLY - SURGE (NOT AVAILABLE AS ASSEMBLY)

Assembly No.
2159810114
 Revision: **B**

Item	FN	Part	Qty	Description
200		2159810180	1	SURGE TANK
201		7445160850	1	BUSHING, REDUCER
202		7445080450	1	BUSHING, REDUCER
203		7352100036	1	SENSOR-COOLANT LEVEL
204		7258001468	1	RADIATOR CAP
205		7486002666	1	GAUGE, WINDOW
206		7649000062	2	NIPPLE
207		8596902527	2	HOSE, HEATER 3/8 ID X 11/16 OD
208		7300000121	1	HOSE CLAMP -0.69"MAX
209		7649000005	1	NIPPLE

Manitowoc Cranes



ITEM NOT SHOWN NBR. 14

Manitowoc Cranes

Description TANK INSTALLATION - FUEL				Assembly No. 2159110179 Revision: C
Item	FN	Part	Qty	Description
1	+	7880100116	1	TANK ASSEMBLY - 58 GALLON FUEL (COMPLETE ASSEMBLY)
2	#	7880000092	2	KIT, JAY BRACKET
3	#	7726000128	1	COOLER, OIL
4		4159110251	1	PLATE, MOUNTING
5		8637059004	6	MOULDING (QUANTITY IN FEET)
6		7352000878	1	SENDER, FUEL LEVEL INCLUDES THE FOLLOWING PARTS
		9352100751	1	KIT, GASKET AND HARDWARE
7	+	7576001743	1	MOUNTING KIT - OIL COOLER
8	+	2159110178	2	LADDER ASSEMBLY (COMPLETE ASSEMBLY)
9		7126191253	6	CAP SCREW
10		7661191103	6	LOCKNUT
11		7951190014	6	FLAT WASHER, 10MM I.D.
12		7300000121	2	HOSE CLAMP -0.69"MAX
13		8596902512	4	HOSE ASSY, 1/4" I.D. X 25'
14		7444040021	1	PLUG, PIPE 1/2" N.P.T.
15		7446080836	2	ELBOW, 90 DEGREE MALE
16		7447080829	1	ELBOW, 45 DEGREE INCLUDES THE FOLLOWING PARTS
		7755014002	1	O-RING
		7755908002	1	O-RING
17		7013000405	2	ADAPTER
18		7709100932	1	PLUG, M12 X 1.5
19		7660152701	2	LOCKNUT 5/16" - 18 N.C.
20		7561308430	1	HOSE ASSY, 1/2" ID STR-STR HYD
21		7445040453	1	ELBOW, 90 DEGREE
22		7447080430	2	ELBOW, MALE ORS THD TO MALE N
23		7300100015	2	CLAMP, 7/8" TUBING
24		8594100012	2	TUBE, 1/2" NYLON FUEL (QUANTITY IN FEET)
25		7445080450	1	BUSHING, REDUCER
26		7649000042	1	NIPPLE, HOSE

+ SEE FURTHER BREAKDOWN THIS GROUP

SERVICED AS AN ASSEMBLY ONLY

Manitowoc Cranes

Description
TANK INSTALLATION - FUEL

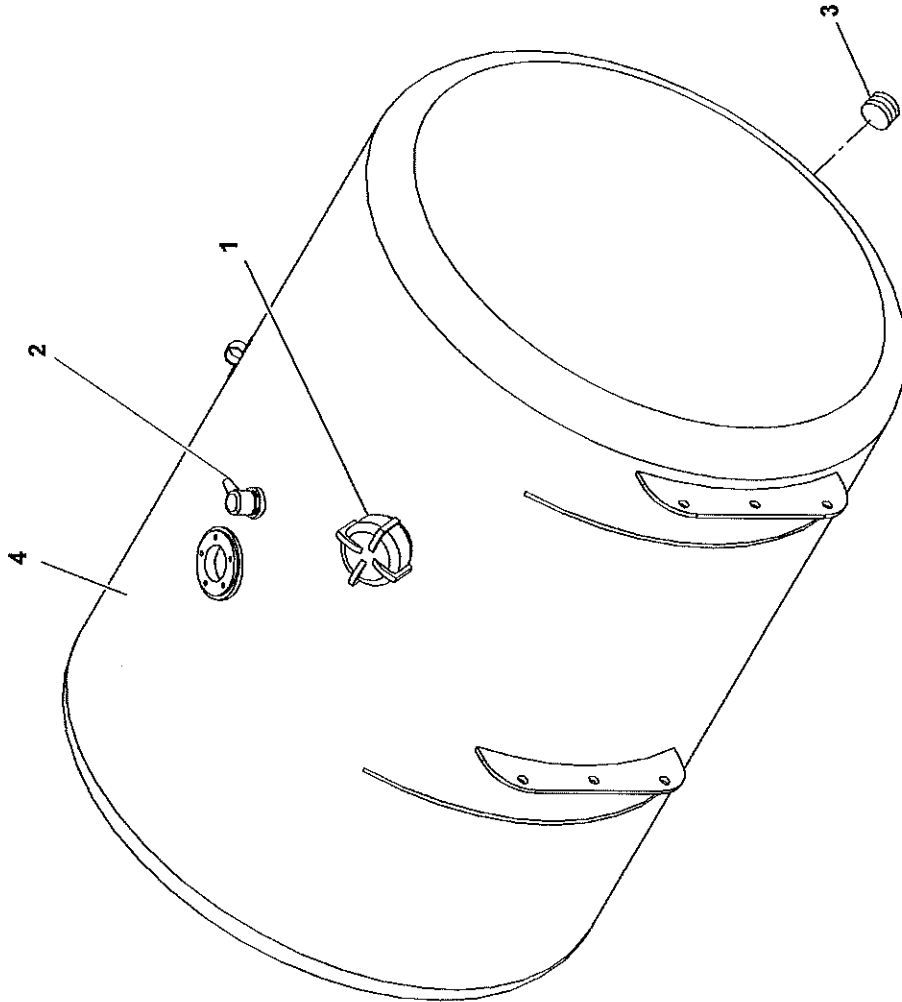
Assembly No.
2159110179
Revision: **C**

Item	FN	Part	Qty	Description
27		7126211253	2	CAP SCREW, M12 X 25MM HEX HEAD
28		7661210003	2	NUT, HEX 12MM N.C.
29		7951210210	12	LOCK WASHER, 12MM I.D.
30		7951210014	14	WASHER, FLAT #12
31		7126211550	10	CAP SCREW M12 X 40
33		7949180045	1	WASHER, COPPER

Manitowoc Cranes

Notes

Manitowoc Cranes



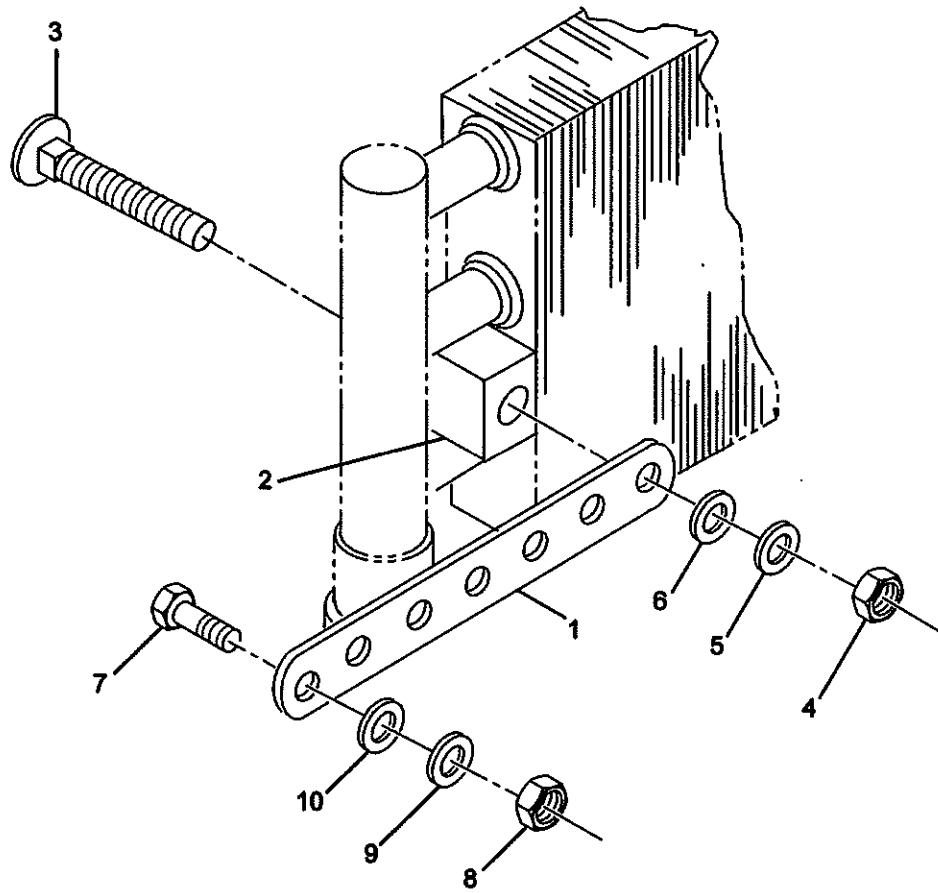
Manitowoc Cranes

Description
TANK ASSEMBLY - 58 GALLON FUEL (COMPLETE ASSEMBLY)

Assembly No.
7880100116
Revision:

Item	FN	Part	Qty	Description
1		9880100202	1	CAP ASSY.
2		9880100073	1	VENT
3		9880100081	2	PLUG, MAGNETIC
4		NSS	1	WELDMENT, TANK

Manitowoc Cranes



7576001743

(SHEET 1 OF 1)

Page 492

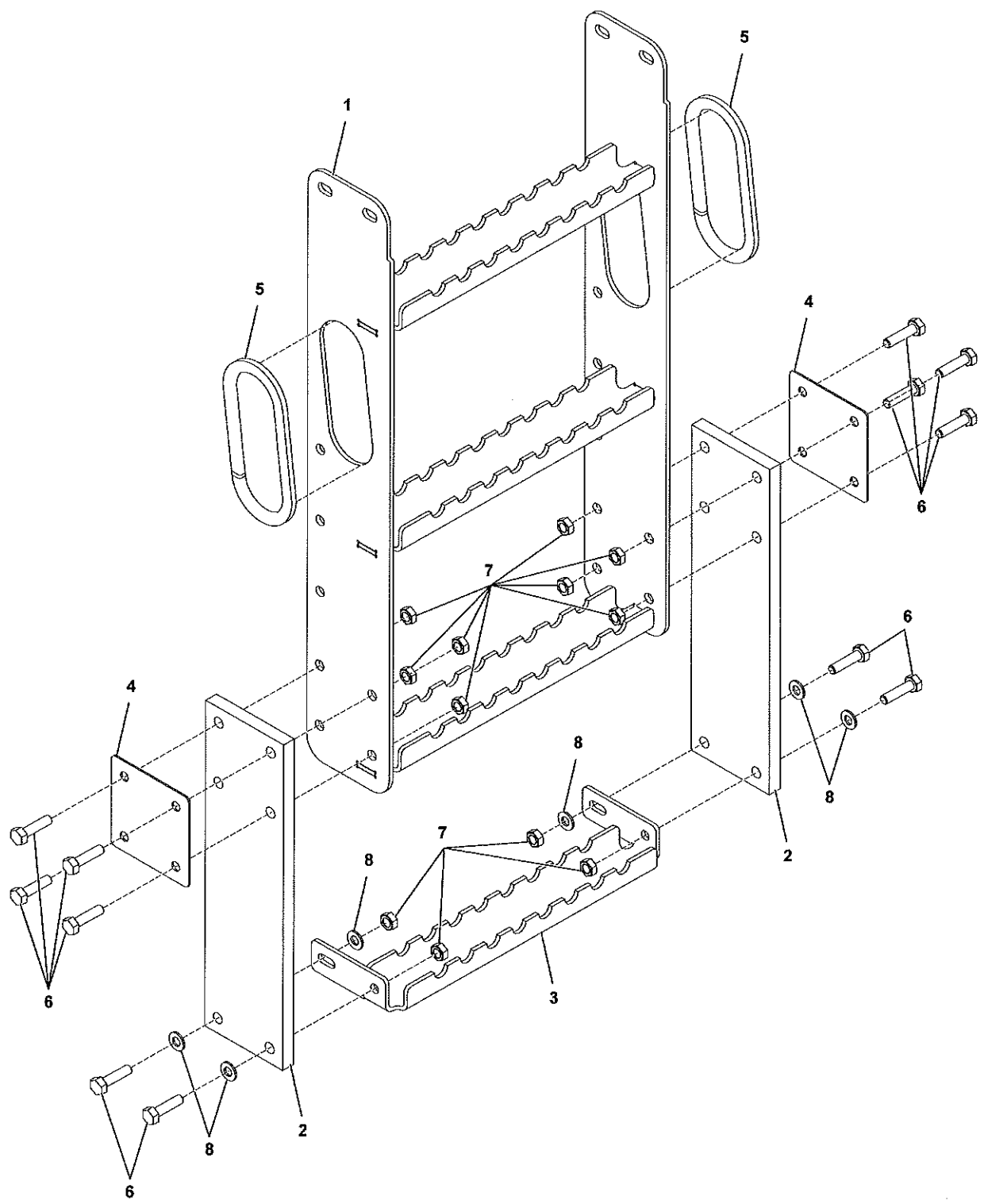
Manitowoc Cranes

Description
MOUNTING KIT - OIL COOLER

Assembly No.
7576001743
 Revision:

Item	FN	Part	Qty	Description
1		9576101028	2	STRAP
2		9576101029	2	BUSHING
3		7115152050	2	CAP SCREW, 5/16" - 18 N.C. X 2 1/2" GRADE 5
4		7660150008	2	NUT, HEX 5/16" - 18 N.C. GRADE 8
5		7950150050	2	WASHER, LOCK 5/16" I.D.
6		7950150141	2	WASHER, FLAT 5/16"
7		7115140650	2	CAP SCREW, 1/4" - 20 N.C. X 3/4" GRADE 5
8		7660140008	2	NUT, HEX 1/4" - 20 N.C.
9		7950140050	2	WASHER, LOCK 1/4"
10		7950140141	2	WASHER, FLAT 1/4" PLAIN NARROW

Manitowoc Cranes



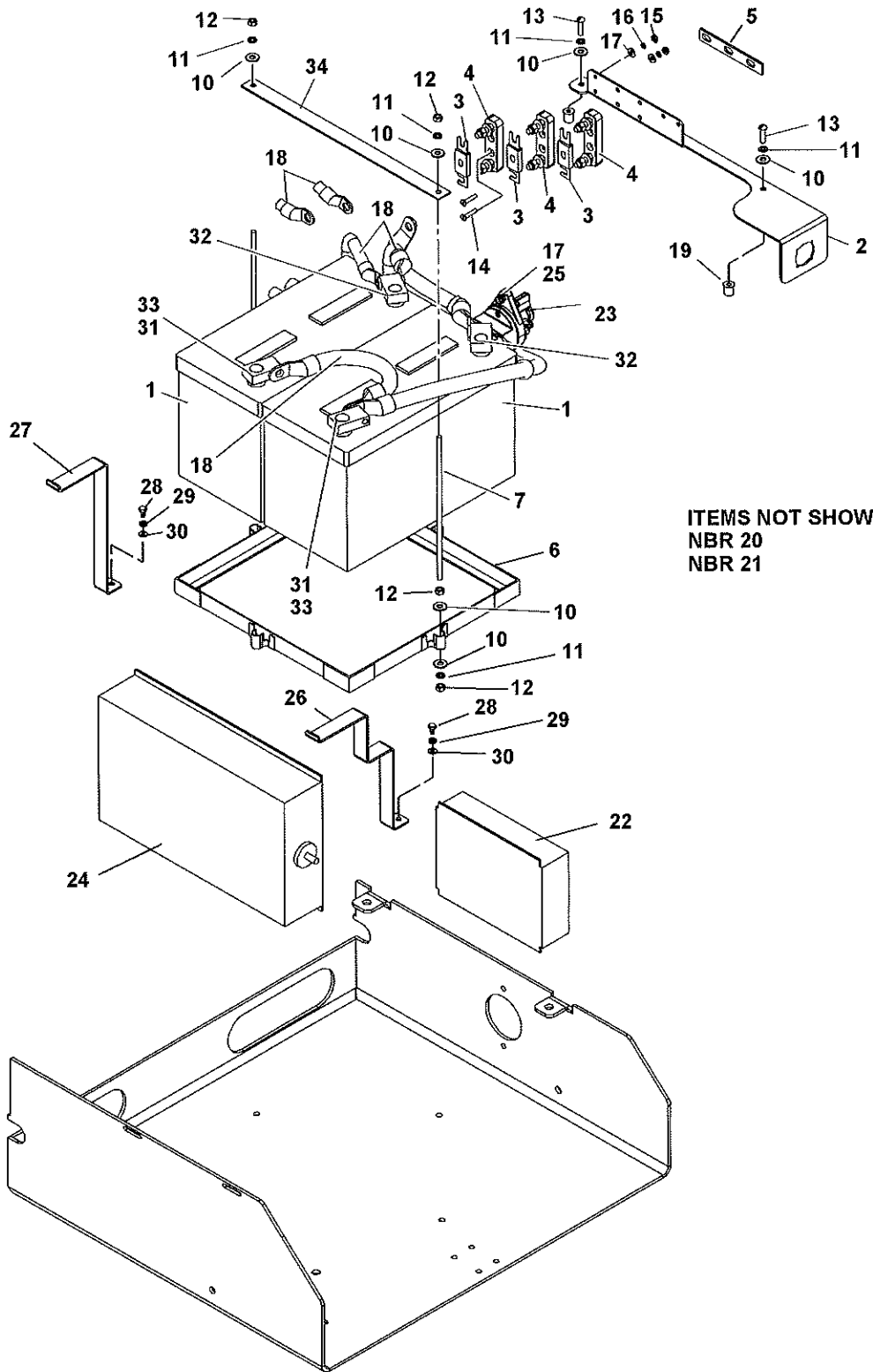
2159110178

(SHEET 1 OF 1)

Manitowoc Cranes

<u>Description</u>				<u>Assembly No.</u>
LADDER ASSEMBLY (COMPLETE ASSEMBLY)				2159110178
				Revision: B
Item	FN	Part	Qty	Description
1		2159110177	1	LADDER
2		7418100008	2	EXTENSION, STEP
3		4174110070	1	STEP
4		4159110071	2	PLATE
5		8496980002	4	MOULDING (QUANTITY IN FEET)
6		7126191550	12	CAP SCREW, M10 X 40MM HEX HEAD
7		7661191103	12	LOCKNUT
8		7951190014	6	FLAT WASHER, 10MM I.D.

Manitowoc Cranes



ITEMS NOT SHOWN
NBR 20
NBR 21

Manitowoc Cranes

Description
BATTERY INSTALLATION

Assembly No.
2159810208
Revision: **B**

Item	FN	Part	Qty	Description
1		7064100004	2	BATTERY, 12 VOLT
2		4159810086	1	BRACKET, POWER FUSES
3		7482000555	3	FUSE, 100 AMP
4		7086001082	3	HOLDER, FUSE
5		6059100001	1	BAR, BUSS
6		7300000393	1	BATTERY, HOLD-DOWN
7		6865148670	2	STUD 1/4" - 20 N.C. X 10 3/4"
10		7950140161	8	WASHER, 1/4" I.D. FLAT WIDE
11		7950140050	6	WASHER, LOCK 1/4"
12		7660140000	6	NUT, HEX 1/4" - 20 N.C.
13		7111140810	2	SCREW, MACHINE 1/4" - 20 N.C. X 1" GRADE 1
14		7111100807	6	SCREW, MACHINE 3/16" - 24 N.C. X 1" GRADE 1
15		7660101100	8	NUT, HEX 3/16" - 32 N.F. GRADE 1
16		7950100050	8	WASHER, LOCK #10
17		7950100141	10	WASHER, FLAT, #10
18	+	7246100441	1	KIT - CABLE (BATTERIES) RT535
19		7429000542	2	FASTENER, NUT 1/4" - 20 N.C.
20		8496980002	5	MOULDING (QUANTITY IN FEET)
21		7850000237	2	TIE, CABLE (BLACK) 7 5/16" LONG
22	#	7352100069	1	MODULE, MASTER CONTROL
23		7872100142	1	DISCONNECT SWITCH
24	#	7352100067	1	MODULE, CARRIER CONTROL
25		7111100811	2	SCREW, MACHINE 3/16" - 24 N.C. X 1" GRADE 1
26		4159110253	1	STRAP, MOUNTING
27		4159110254	1	STRAP, MOUNTING

+ SEE FURTHER BREAKDOWN THIS GROUP

SERVICED AS AN ASSEMBLY ONLY

Manitowoc Cranes

Description

BATTERY INSTALLATION

Assembly No.

2159810208

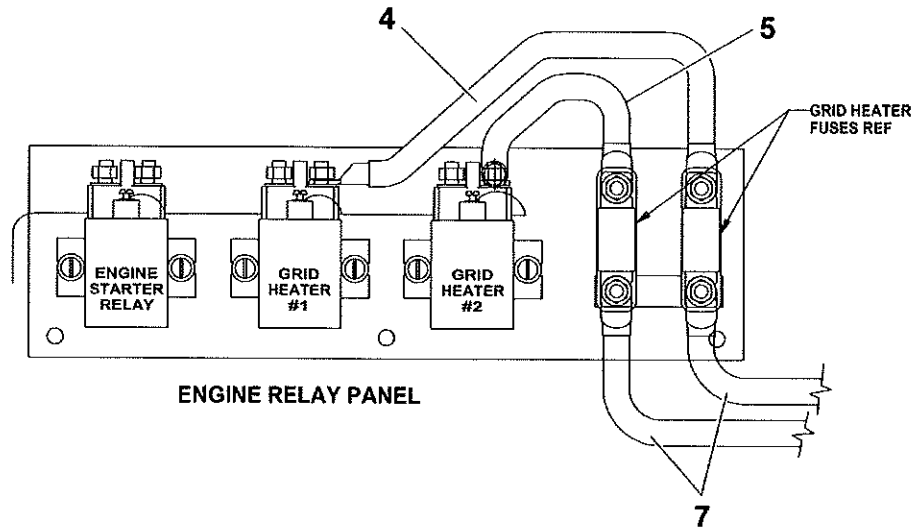
Revision: **B**

Item	FN	Part	Qty	Description
28		7115150650	2	CAP SCREW, 5/16" - 18 N.C. X 3/4" GRADE 5
29		7950150141	2	WASHER, FLAT 5/16"
30		7950150050	2	WASHER, LOCK 5/16" I.D.
31		7892000054	2	TERMINAL, BATTERY CABLE
32		7892000053	2	TERMINAL, BATTERY CABLE
33		7172100011	2	BOOT, POSITIVE TERMINAL
34		6184100206	1	BRACKET, BATTERY HOLD-DOWN

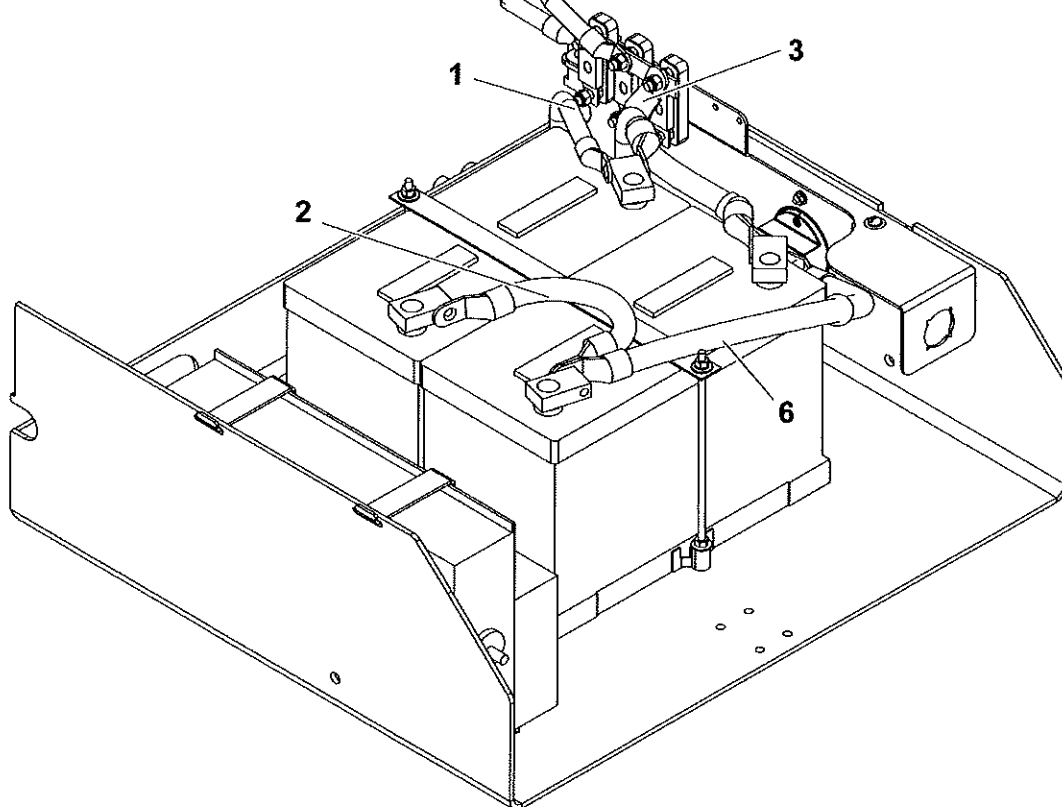
Manitowoc Cranes

Notes

Manitowoc Cranes



1/0 RED CABLES TO GRID HEATER FUSES
SUPPLIED W/ GRID HEATER
PANEL ASSY-SEE ESI-CARRIER



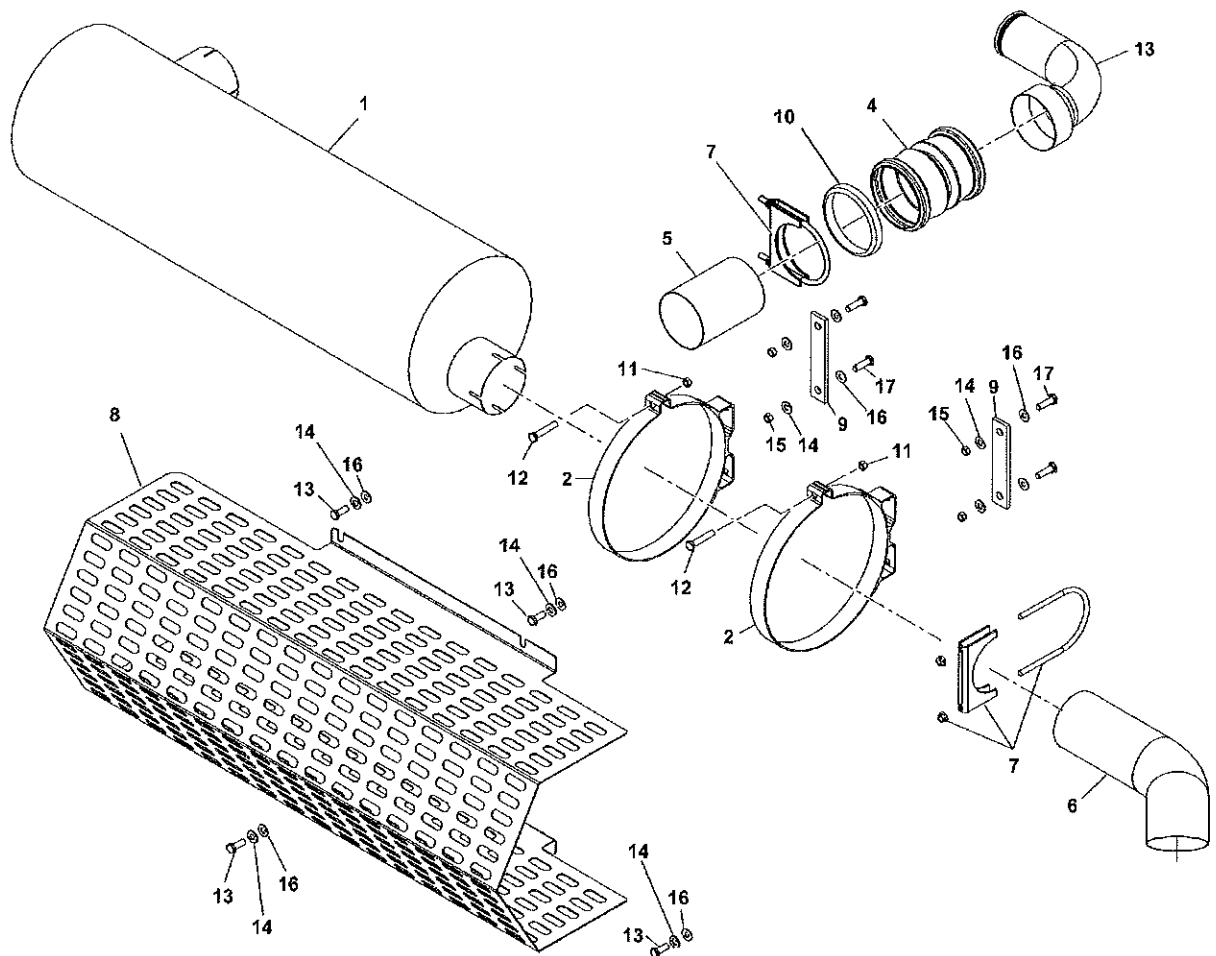
Manitowoc Cranes

Description
KIT - CABLE (BATTERIES) RT535

Assembly No.
7246100441
 Revision:

Item	FN	Part	Qty	Description
1		7246100031	1	CABLE ASSY 2/0 BLK (66" LG)
2		7246100114	1	CABLE ASSY-4/0 RED (9.0")LG
		9246100177	2	INCLUDES THE FOLLOWING PARTS BOOT, RED
3		7246100227	1	CABLE-RED 4/0 10" DISCSW/FUSE
		9246100177	1	INCLUDES THE FOLLOWING PARTS BOOT, RED
4		7246100156	1	CABLE-RED 1/0 12" FUSE/RELAY
		9246100159	2	INCLUDES THE FOLLOWING PARTS BOOT, SWIVEL (RED)
5		7246100157	1	CABLE-RED 1/0 8" FUSE TO RELAY
		9246100159	2	INCLUDES THE FOLLOWING PARTS BOOT, SWIVEL (RED)
6		7246100453	1	CABLE, RED 4/0 32" BAT+/ BAT
		9246100177	1	INCLUDES THE FOLLOWING PARTS BOOT, RED
7		7246100347	2	CABLE-RED 1/0 96" FUSE/FUSE

Manitowoc Cranes



2159810115

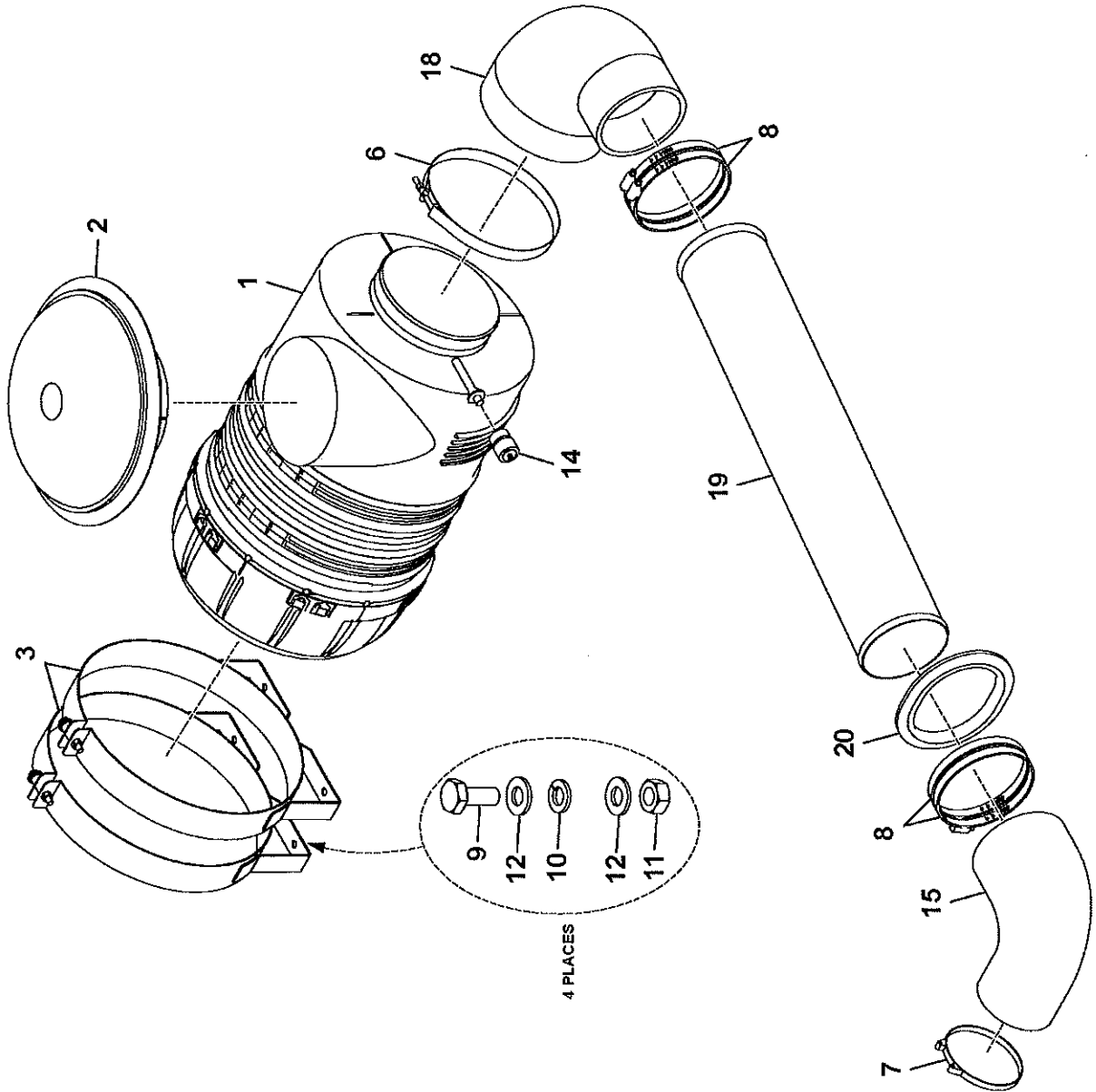
(SHEET 1 OF 1)

Page 502

Manitowoc Cranes

<u>Description</u>				<u>Assembly No.</u>
SYSTEM INSTALLATION - EXHAUST				2159810115
				Revision: C
Item	FN	Part	Qty	Description
1		7642100004	1	MUFFLER
2		7056000620	2	BAND, MOUNTING
3		7910101450	1	TUBE, EXHAUST
4		7364002995	1	COUPLER, FLEX
				INCLUDES THE FOLLOWING PARTS
		9364101388	1	GASKET
		9364101404	1	CLAMP
		9364101403	1	RETAINER
5		6910100085	1	TUBE, STRAIGHT
6		6910100017	1	TAILPIPE
7		7300000231	2	MUFFLER CLAMP
8		6814100042	1	GUARD, MUFFLER
9		6705100115	2	PLATE
10		7300000018	1	CLAMP 4 1/2"
11		7661171103	2	NUT, HEX 8MM N.C.
12		7126171553	2	CAP SCREW, M8 X 40MM HEX HEAD
13		7126191253	4	CAP SCREW
14		7951190220	8	WASHER, LOCK
15		7661190003	4	NUT, HEX 10MM
16		7951190014	8	FLAT WASHER, 10MM I.D.
17		7126191353	4	CAP SCREW, M10 X 30MM HEX HEAD

Manitowoc Cranes



80009949

(SHEET 1 OF 1)

Page 504

Manitowoc Cranes

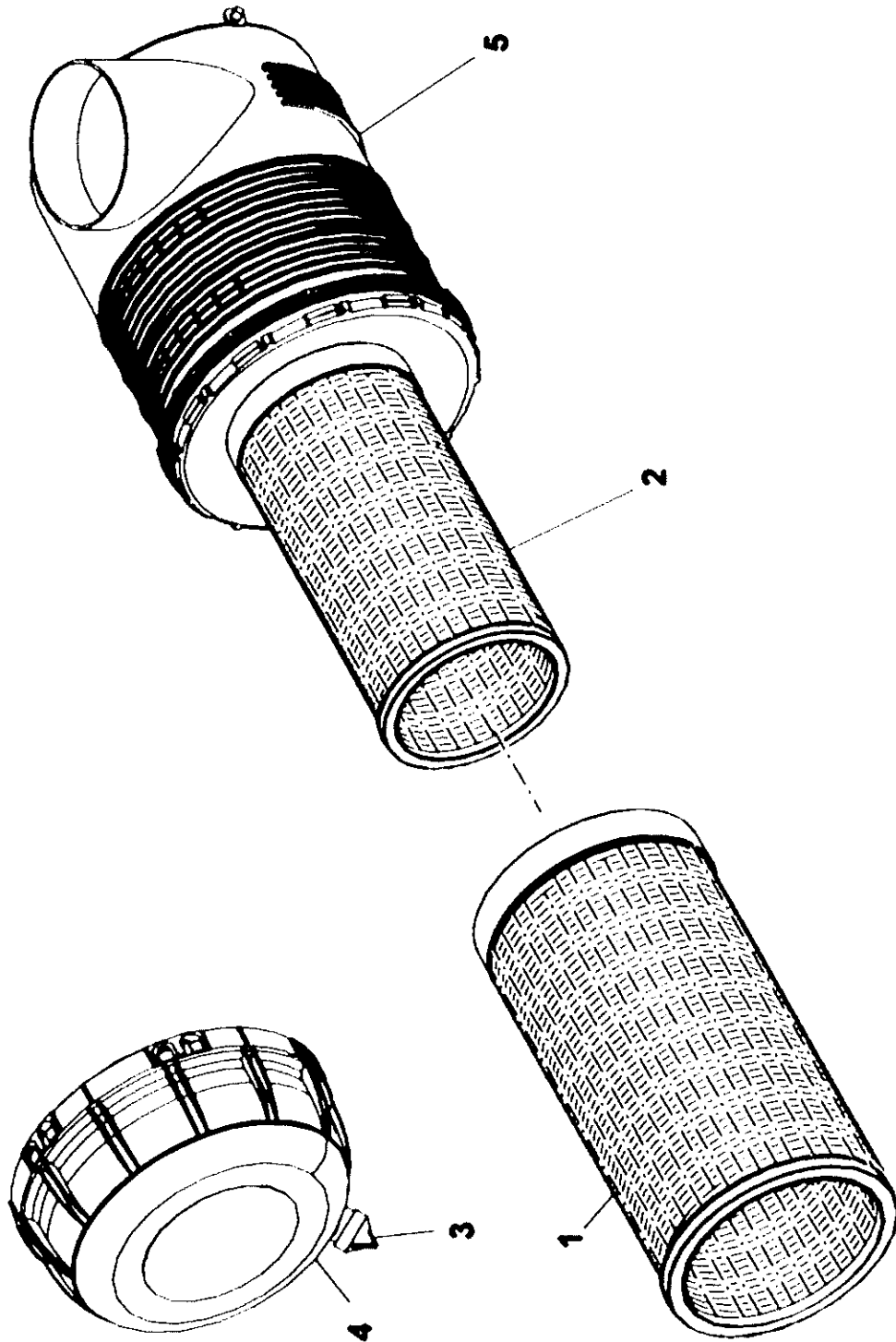
Description
AIR CLEANER INSTALLATION

Assembly No.
80009949
 Revision: #

Item	FN	Part	Qty	Description
1	+	7304100012	1	CLEANER ASSEMBLY - AIR (COMPLETE ASSEMBLY)
2		7535100006	1	HOOD, INLET
3		7056100011	2	BAND, MOUNTING
6		7300100026	1	CLAMP, T-BOLT 7.75 NOM
7		7300000223	1	CLAMP, T-BOLT
8		7300000206	4	CLAMP, HOSE
9		7126191253	4	CAP SCREW
10		7951190220	4	WASHER, LOCK
11		7661190003	4	NUT, HEX 10MM
12		7951190014	8	FLAT WASHER, 10MM I.D.
14		7486000629	1	INDICATOR, SERVICE
15		7013000156	1	ELBOW
18		80010098	1	90 DEG REDUCING ELBOW
19		7910101222	1	TUBE, INTAKE 28"
20		8246964300	2	MOULDING (QUANTITY IN FEET)

+ SEE FURTHER BREAKDOWN THIS GROUP

Manitowoc Cranes



7304100012

(SHEET 1 OF 1)

Page 506

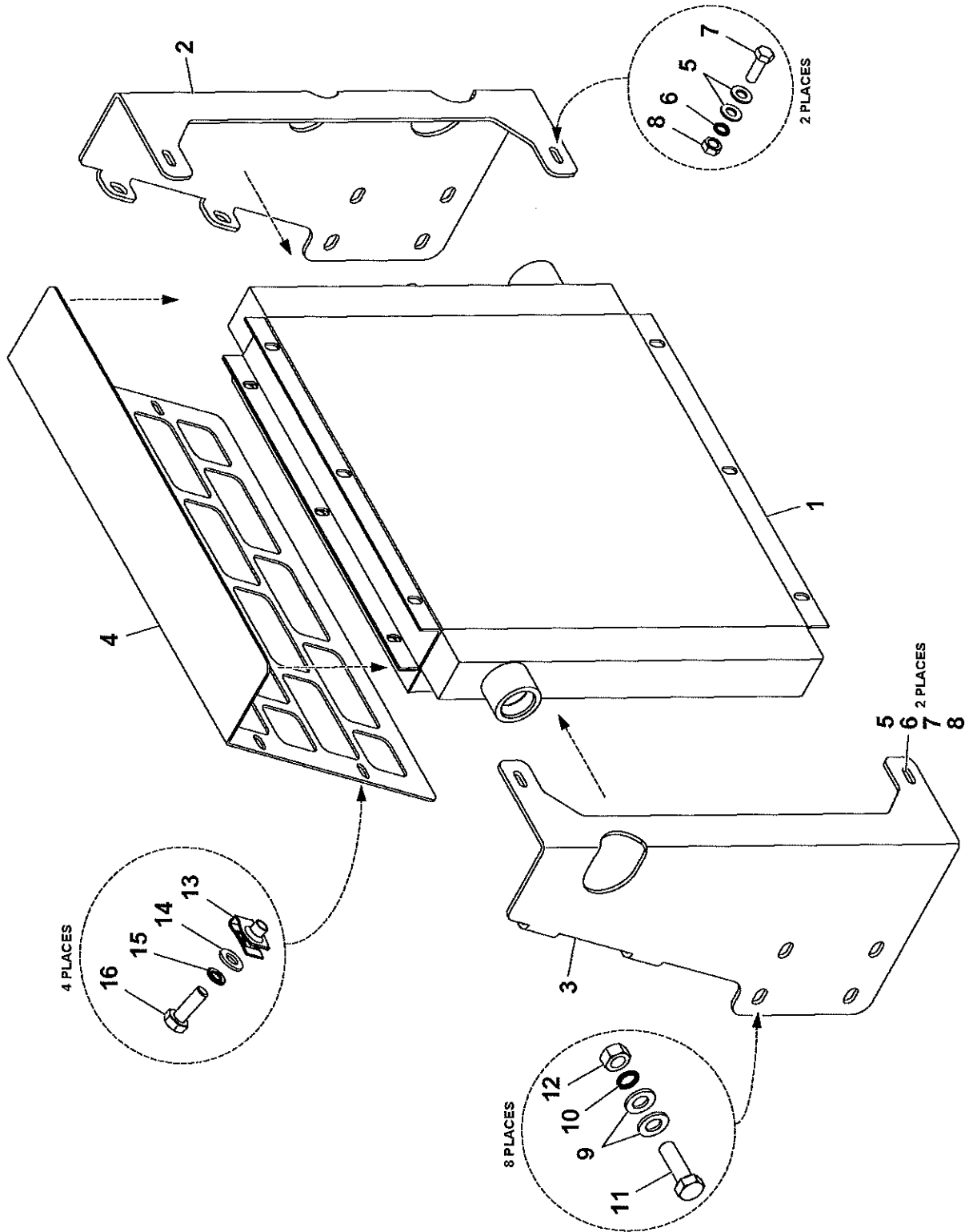
Manitowoc Cranes

Description
CLEANER ASSEMBLY - AIR (COMPLETE ASSEMBLY)

Assembly No.
7304100012
Revision:

Item	FN	Part	Qty	Description
1		90001159	1	ELEMENT, PRIMARY
2		90001160	1	ELEMENT, SECONDARY
3		90001162	1	VALVE, DUST EJECTION
4		90001163	1	COVER ASSY.
5		NSS	1	HOUSING

Manitowoc Cranes



80013440

(SHEET 1 OF 1)

Manitowoc Cranes

Description OIL COOLER INSTALLATION - HYDRAULIC				Assembly No. 80013440 Revision: #
Item	FN	Part	Qty	Description
1		80010553	1	HYDRAULIC COOLER
2		4159210194	1	MOUNTING BRACKET
3		4159210195	1	MOUNTING BRACKET
4		4159210193	1	PLATE - SHIELD
5		7951170014	8	WASHER, FLAT #8
6		7951170210	4	WASHER, LOCK 8MM
7		7126171253	4	CAP SCREW, M8X25 HEX HEAD
8		7661170003	4	NUT
9		7951210014	16	WASHER, FLAT #12
10		7951210210	8	LOCK WASHER, 12MM I.D.
11		7126211550	8	CAP SCREW M12 X 40
12		7661210003	8	NUT, HEX 12MM N.C.
13		7659190033	4	NUT, RETAINING
14		7951190014	4	FLAT WASHER, 10MM I.D.
15		7951190210	4	LOCK WASHER, 10MM
16		7126191353	4	CAP SCREW, M10 X 30MM HEX HEAD

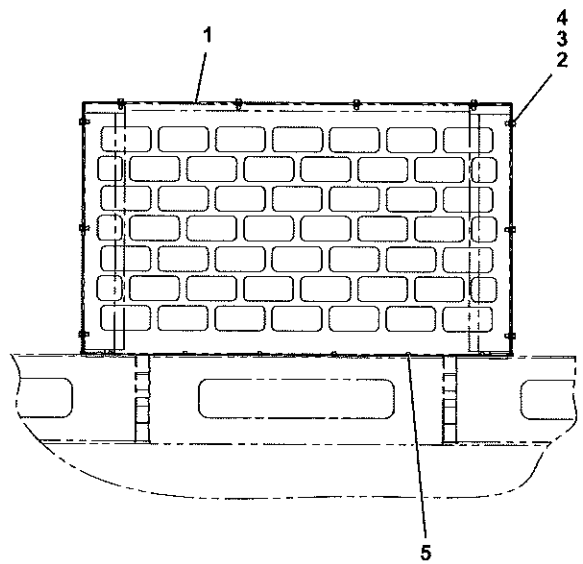
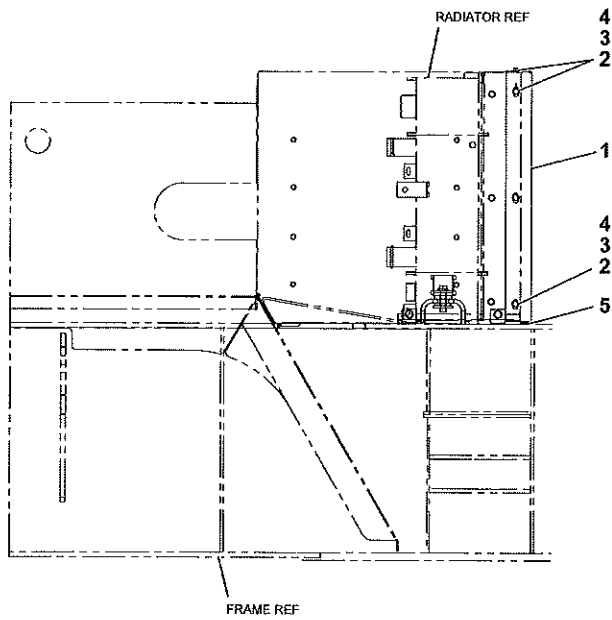
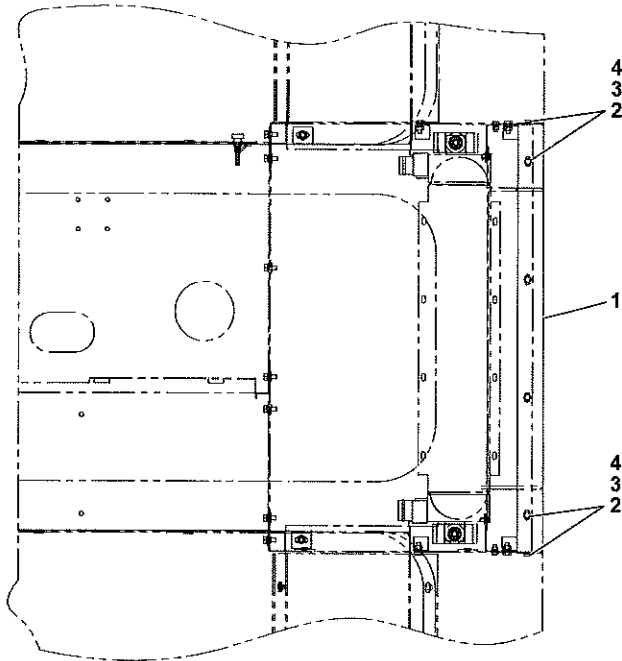
Manitowoc Cranes

Notes

Manitowoc Cranes

Description FENDERS KIT-HOIST ACCESS				Assembly No. 80010096 Revision: #
Item	FN	Part	Qty	Description
1		2159110174	1	FENDER, RIGHT HAND REAR INCLUDES THE FOLLOWING PARTS
		7662170100	3	WELD NUT, M8X1.25
2		2159110175	1	FRONT FENDER - LEFT HAND
3		2159110176	1	FENDER, RIGHT HAND FRONT INCLUDES THE FOLLOWING PARTS
		7662170100	3	WELD NUT, M8X1.25
4		80010000	1	REAR FENDER - LEFT HAND

Manitowoc Cranes



2159810143

(SHEET 1 OF 1)

Manitowoc Cranes

Description
GRILL INSTALLATION - ENGINE HOOD

Assembly No.
2159810143
Revision: #

Item	FN	Part	Qty	Description
1		4159810068	1	GRILL, ENGINE HOOD
2		7126171150	10	CAP SCREW, M8 X 20MM HEX HEAD
3		7951170014	10	WASHER, FLAT #8
4		7659190020	10	NUT, RETAINING 8 X 1.25
5		7195000032	6	BUMPER, RUBBER

Manitowoc Cranes

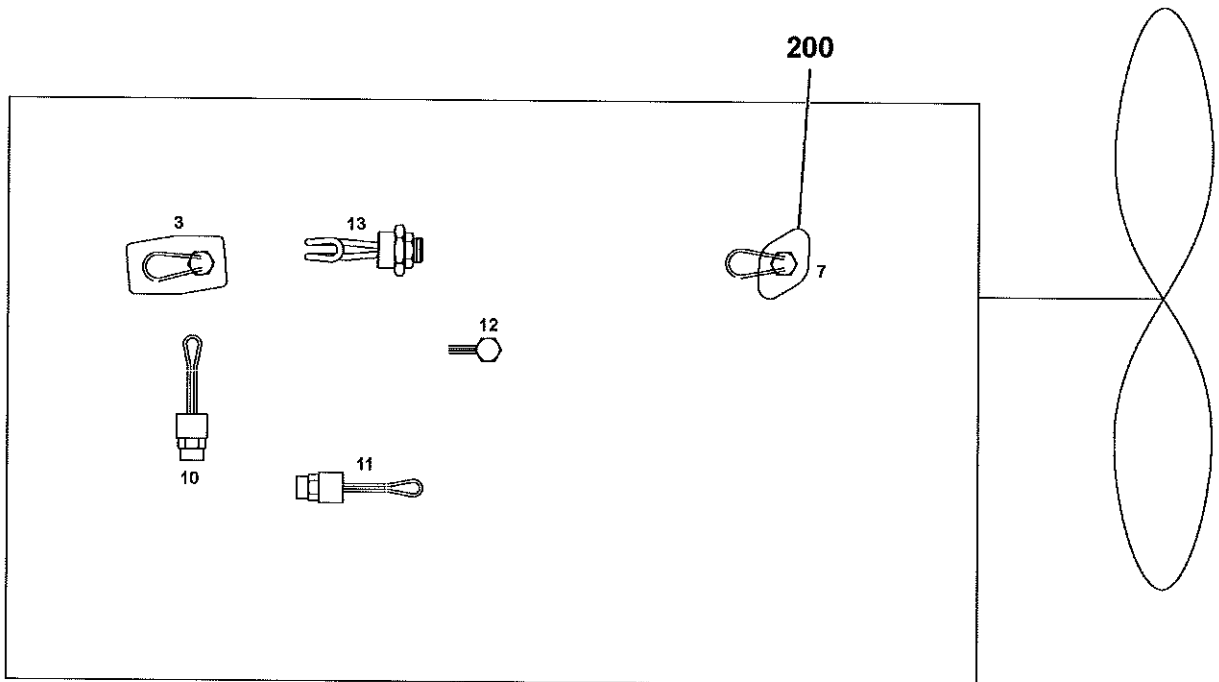


FIGURE 1
R.H. SIDE
SHOWN FOR CLARITY

Manitowoc Cranes

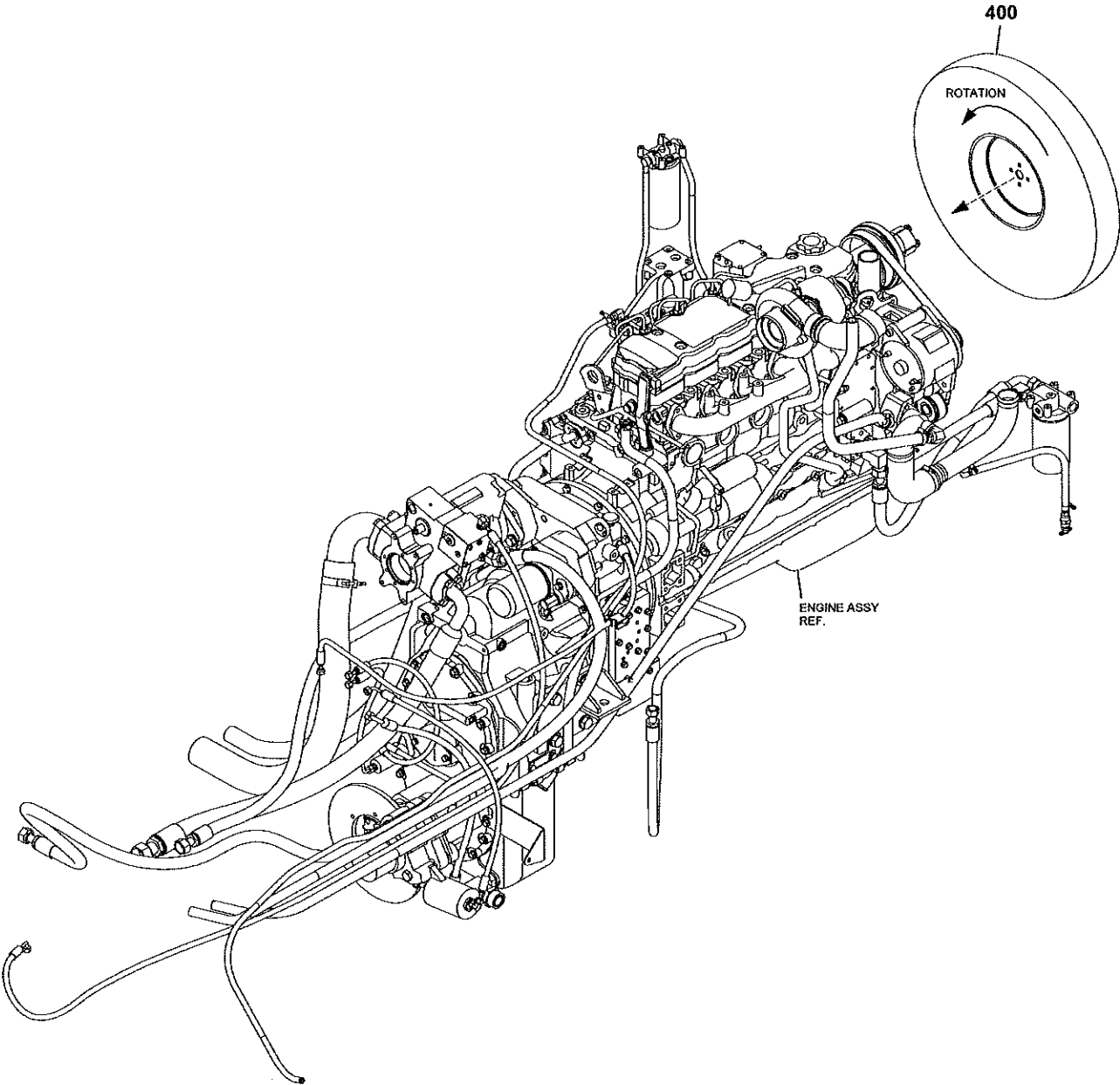
Description
BLOCK HEATER ASSEMBLY - 120V

Assembly No.
80001526
Revision: #

Item	FN	Part	Qty	Description
200	#	7515000877	1	HEATER, 750W 120V ENGINE BLOCK

SERVICED AS AN ASSEMBLY ONLY

Manitowoc Cranes



Manitowoc Cranes

Description
FAN INSTALLATION - NON CE

Assembly No.
80004881
Revision: #

Item	FN	Part	Qty	Description
400		7425100007	1	FAN, 9 BLADE CLOCK WISE SUCKER

Manitowoc Cranes



The drawing or bill of material for this installation was not available when this catalog was created. Please contact Rich Rebok at richard.rebok@manitowoc.com for Grove products or Galen Burkholder at galen.burkholder@manitowoc.com for National products to supply us with your mailing information. Once the drawing or bill of material has been completed, we will send you the appropriate pages to be inserted into your manual.

Regards,

Technical Publications Department
Shady Grove, Pennsylvania
www.cranecare.com

Manitowoc Cranes

Description
ELECTRICAL SYSTEM INSTALLATION-SS

Assembly No.
80020030
Revision: #

Item	FN	Part	Qty	Description
1	#	7352100070	2	MODULE, CONTROL (FRAME AND TURNTABLE)
2		6258100042	1	COVER
4	+	80020029	1	HARNES ASSEMBLY-SUPERSTRUCTURE
5		7850000237	30	TIE, CABLE (BLACK) 7 5/16" LONG
6		7126171253	2	CAP SCREW, M8X25 HEX HEAD
7		7951170014	2	WASHER, FLAT #8
8		7951170210	2	WASHER, LOCK 8MM
9		7661170003	1	NUT
10		7850000805	20	TIE, CABLE (BLACK) 13 3/8" LONG

SERVICED AS AN ASSEMBLY ONLY

+ SEE FURTHER BREAKDOWN THIS GROUP

Manitowoc Cranes



The drawing or bill of material for this installation was not available when this catalog was created. Please contact Rich Rebok at richard.rebok@manitowoc.com for Grove products or Galen Burkholder at galen.burkholder@manitowoc.com for National products to supply us with your mailing information. Once the drawing or bill of material has been completed, we will send you the appropriate pages to be inserted into your manual.

Regards,
Technical Publications Department
Shady Grove, Pennsylvania
www.cranecare.com

Manitowoc Cranes

<u>Description</u> HARNESS ASSEMBLY-SUPERSTRUCTURE				<u>Assembly No.</u> 80020029 Revision: #
Item	FN	Part	Qty	Description
5		7246003369	105	CABLE, 16 GA 19 CONDUCTOR SHIELDED
6		7826100004	94	SOCKET, (16 - 18) 30 SERIES
7		7826000087	47	SOCKET, 16-14 GA
8		7826000626	116	SOCKET, 16 - 18 AWG
9		7709000844	22	PLUG, 2 SOCKET
10		7172000545	21	BOOT, DT2S CONNECTOR
11		7709000845	4	PLUG 8 SOCKET
12		7172000550	3	BOOT
13		7892100026	2	RECEPT, (8P) SPLICE BLOCK
14		7709000846	4	PLUG, 12 SOCKET
15		7172000552	4	BOOT
16		7892001036	2	RECEPTACLE, SPLICE BLOCK
17		7892000949	6	RECEPTACLE, 2 PIN
18		7689000503	98	PLUG, SEALING 16 - 12 AWG
19		7364001683	2	CONNECTOR, 2 CONDUCTOR SHROUD
20		7892000257	4	TERMINAL, GREEN CAVITY SEAL
21		7364001682	2	CONNECTOR, 2 CONDUCTOR TOWER WITH SEAL
22		7892000253	4	TERMINAL, FEMALE SLEEVE
23		7892000254	4	TERMINAL, GREEN CABLE SEAL
24		7709000874	4	PLUG 3 SOCKET
25		7172000547	6	BOOT
26		7892000978	1	RECEPTACLE, 3 PIN
27		7345001444	1	TERMINAL, FEMALE
28		7345241901	5	TONGUE, INSULATED RING
29		7709000850	2	PLUG 24 SOCKET
30		7172000553	2	BOOT

Manitowoc Cranes

Description HARNESS ASSEMBLY-SUPERSTRUCTURE				Assembly No. 80020029 Revision: #
Item	FN	Part	Qty	Description
31		7709000849	2	PLUG 40 SOCKET
32		7172000554	2	BOOT
35		7892000979	2	RECEPTACLE, 1 PIN
36		7689001883	2	PIN 8 AWG
37		7689002053	3	PIN 16 - 18 AWG
38		7892100036	2	RECEPTACLE, 3 WAY
39		7709100911	2	PLUG,DT06-3S-CEO6 W/BLUE WEDGE
40		7709100902	2	PLUG, 3 PIN
41		7689100044	4	PIN, 20GA GOLD
42		7689000704	2	PIN, 16 - 14 GA
43		7246100020	30	CABLE, SHIELDED
44		7892000194	17	PARALLEL, NON - INSULATED 16 - 14 AWG
45		8594100256	2	TUBING, HEAT SHRINK 1/4" I.D. LINER, MELTABLE (QUANTITY IN FEET)
46		7892000197	2	PARALLEL, NON - INSULATED 6 AWG
47		7892000195	6	PARALLEL, NON - INSULATED 12 - 10 AWG
48		7892000198	2	PARALLEL - NON-INSULATED 4 AWG
49		8594100257	1	TUBING, HEAT SHRINK 1/2" I.D. LINER, MELTABLE (QUANTITY IN FEET)
50		7709100929	2	PLUG, DTO6-12SB-C015 W/WEDGE
51		7709100930	1	PLUG, DTO6-12SC-C015 W/WEDGE
54		7850000208	100	CABLE TIE, BLACK
56		7709100877	2	PLUG
57		7172000565	1	BOOT, CONNECTOR
58		7172100002	2	BOOT, PLUG
59		7892100010	1	RECEPTACLE, DTM-3P
60		7826000650	9	PLUG, SEALING
61		7892000951	1	RECEPTACLE, 12 PIN

Manitowoc Cranes

Description HARNESS ASSEMBLY-SUPERSTRUCTURE				Assembly No. 80020029 Revision: #
Item	FN	Part	Qty	Description
62		7709000883	1	PLUG 6 SOCKET
63		7172000551	1	BOOT
64		7709100895	4	PLUG, 4 SOCKET
65		7172000567	2	BOOT, CONNECTOR
66		7826100018	12	SOCKET, 20 GAUGE GOLD
67		7892100039	2	RECEPTACLE, DTM04-4P
68		8594000003	2	FLEXGUARD - .625" I.D. (QUANTITY IN FEET)
70		7364001683	1	CONNECTOR, 2 CONDUCTOR SHROUD
71		7364001846	2	TERMINAL
72		7892100025	1	DEUTSCH DTP 2-PASS RECEPTACLE
73		7689000797	1	PIN 12 AWG
74		7892000256	2	TERMINAL, BLUE CABLE SEAL
75		7709000936	2	PLUG, 4 SOCKET
76		7172000567	1	BOOT, CONNECTOR
77		7892001051	2	RECEPTACLE, 4 PIN
78		7689001782	4	PIN, 18 - 16 GAGE

Manitowoc Cranes

Notes

Manitowoc Cranes

Alphabetical Index	Appendix A	
Description	Part	Page
(ENGLISH)	80005871	279
.75"ID X 1.12"OD HEATER HOSE (8596902529	405
1" I.D. HYDR HOSE ASSY STR-45	7555603062	91
1.75"ID X 2.13"OD WRAPPED HOSE	8596902521	403, 477
1/2" I.D. X 72" LONG	7555307200	127
1/4" I.D. X 20"	7561102003	405
1/4" I.D. X 60"	7561106003	405
1/4" I.D. X 76"	7555107601	91
16 - 14 AWG	7345261701	472
2.00"ID X 2.39"OD WRAPPED HOSE	8596902522	477, 481
2-PASS CONNECTOR/ORANGE SEAL	7892100029	210, 332
3/4" I.D. HYDR HOSE ASSY STR-9	7555502761	130
3/8" I.D. X 44"	7555204400	117
3/8" I.D. X 20"	7555202000	131
3/8" I.D. X 21" LONG	7555202101	131
3/8" I.D. X 24"	7555202400	131
	7555202402	130
3/8" I.D. X 28"	7555202801	130
3/8" I.D. X 30"	7561203017	405
3/8" I.D. X 32"	7555203201	131
3/8" I.D. X 60"	7555206001	92
3/8" I.D. X 62"	7555206201	117
3/8" I.D. X 68"	7555206800	93
3/8" X 72"	7555207203	93, 117
3rd. SHAFT & DRUM ASSY.	9904110468	437
3RD. SHAFT GROUP	9904110621	409
5.500" DIA ROD WIPER RING	7794000222	9
7/16 WASHER-HARD	7949000317	4
90 DEG REDUCING ELBOW	80010098	505
A2B SWITCH - WITH	9333102230	19
ACCUMULATOR ASSY, HYDRAULIC OIL	7005100017	75
ADAPTER	7013000405	405, 487
	7013001112	87
	90000104	101
	9576101348	155, 157
	9974102210	101

From - (ENGLISH)

To - ADAPTER

Manitowoc Cranes

Alphabetical Index	Appendix A	
Description	Part	Page
ADAPTER, 0.062 DIA ORIFICE	7013100059	93
ADAPTER, 3 HOLE FRONT ASSY.	90012227	215
ADAPTER, PUMP MOUNT	9904110598	425
ADAPTER, REDUCING	7013000384	267
ADAPTER,ORB TO HOSE BARB 20-16	7013100047	405
ALARM, BACK-UP	7025000836	319
ALARM, FAST PULSE BUZZER	7025000821	203
ALTERNATOR	7029100003	403
ANCHOR, LEFT HAND MOUNTING PLATE	2159910206	4
ANCHOR, LEFT HAND PLATE SINGLE	2159910204	6
ANCHOR, RIGHT HAND MOUNTING PLATE	2159910207	6
ANCHOR, RIGHT HAND PLATE SINGLE	2159910205	4
ANGLE	6245101034	144
ANGLE, MOUNTING	4159910033	6
	4159910034	5
	4159910036	5
	4159910051	5
ARM SUPPORT	6245100081	169
ARM, DRIVE 60 DEG	9576101405	155, 157
ARM, LEVER	7768003904	213
ARM, WIPER 24"	9576101406	155, 157
ARMREST	6033100018	169
AUXILIARY PUMP DRIVE GROUP	9904110615	409
AXLE ASSEMBLY - DRIVE/STEER	80004039	351, 371
BACKSHELL, DEUTSCH HD10 SERIES	7258100165	333
BACK-UP RING;4.31 BORE	7753100053	9
BACK-UP RING;6.34 BORE	7753100052	9
BACK-UP RING;7.00 ROD	7753100021	111
BAFFLE	4159810070	295
BAFFLE AND SEAL	9904105958	417
BAFFLE, OIL	9904109572	413
BALL, LOCK	9904101025	427
	9904105989	433
BAND, MOUNTING	7056000620	503
	7056100011	505
BAR	6059000910	337

From - ADAPTER, 0.062 DIA ORIFICE

To - BAR

Manitowoc Cranes

Alphabetical Index		Appendix A
Description	Part	Page
BAR, 2-POLE JUMPER	9333102717	25
BAR, BUSS	6059100001	497
BAR, LATCH	6245100273	145
BAR, LINK 14.64"	9576101404	155
BAR, RETAINER	9498100387	163
BAR, SPACER	9974102822	100
BARREL ASSY.	9372103561	275
	9372103588	367
	9372103623	269
BARREL, LIFT CYLINDER	6372100486	111
BARREL, TELESCOPE CYLINDER	6372100049	9
BASE	9974102942	99
BASE SECTION	80016179	3
BATTERY, 12 VOLT	7064100004	497
BATTERY, HOLD-DOWN	7300000393	497
BEAM, SEALED 12 VOLT	9581100391	144
BEARING	6069000445	4
	6069100000	4
	7069000516	145, 153
	7069000518	43
	7069001045	145
	7069100031	5
	9049101566	441
	9049991044	357, 377
	9086100088	35
	9576101135	56
	9576101332	55
	9576101335	55
	9722105443	459
	9722105547	461
	9722105548	461
	9904103612	441
	9904104423	427
	9904104428	421
	9904104432	425, 427
	9904106320	441
	9904109592	429
	9904109595	431
	9904109604	435
	9904109606	439
	9904109647	431
	9926113112	245

From - BAR, 2-POLE JUMPER

To - BEARING

Manitowoc Cranes

Alphabetical Index	Appendix A	
Description	Part	Page
BEARING	9974102183 9974103086 C8391660	99 102 355, 375
BEARING ASSEMBLY	9904104053	433
BEARING, BALL	9974101211	99
BEARING, CENTER	9364101907	393
BEARING, FRONT	9904105994	431, 437
BEARING, GEAR	9904101353	435
BEARING, NEEDLE	9049111628 9576101336	361, 381 55
BEARING, NYLON	9364100180 9364100964	71 71
BEARING, PILOT	9904103575	429
BEARING, REAR	9904106000 9904109608 9904109648	435 441 431, 437
BEARING, ROLLER	90012609 9049111674 9086100014 9974101182	355, 375 357, 377 35 99
BEARING, SHAFT	9904109574	417, 435, 439
BEARING, SPRAG	9974102665	100
BEARING, TAPERED ROLLER	9049991841 9049991842	355, 375 355, 375
BEARING, THRUST	9974102218	100
BEARING, TURNTABLE	7069100081	49
BEARING, NEEDLE	9576101127	55
BELLOWS	7406000537 7406001053	399, 477 477
BELT, DRIVE	9414101764	407
BELT, SEAT	7576000311	170
BEZEL, L-SERIES 3 GANG LM3	7364100179	169, 189
BEZEL, L-SERIES 4 GANG LM4	7364100180	189
BEZEL, L-SERIES 6 GANG LM6	7364100182	189
BEZEL, L-SERIES SINGLE LMS	7364100177	189
BINDER	7258100138	221
BLADE, WIPER 34"	9576101347	155, 157
BLOCK	7086100002	143, 153

From - BEARING

To - BLOCK

Manitowoc Cranes

Alphabetical Index		Appendix A
Description	Part	Page
BLOCK, FUSE	7086000947	209
BLOCK, SLIDE	7086100000	143, 153
BLOCK, SPACER	7086100144	148
BLOCK, TAPPED	4155110443	265
BLOCK, TERMINAL STRIP	9333102663	25
BLOWER ASSY, 12 VOLT	90012228	215
BODY	9904105306	445
BODY ASSY. VALVE	9904110604	451, 453
BOLT, 1" DIAMETER 12" LONG	7099100058	5
BOLT, CAP SCREW	9049101125	411
BOLT, STACKING	7099000399	233
BOLT, TIE	9086100809	35
	9086100810	35
BOOT	7172000546	319, 472
	7172000547	334, 471, 521
	7172000549	210
	7172000550	247, 521
	7172000551	72, 210, 233, 333, 523
	7172000552	247, 331, 471, 521
	7172000553	333, 521
	7172000554	332, 471, 522
	7172000564	72, 333
	9352100771	175, 177
	9511100017	175, 177
BOOT, BLACK	9246100185	475
BOOT, CONNECTOR	7172000565	72, 333, 522
	7172000567	73, 334, 472, 523
	7172000568	233, 334, 339
BOOT, DT2S CONNECTOR	7172000545	331, 472, 521
BOOT, DTP2P-BT	7172100005	333
BOOT, DTP2S-BT	7172100004	471
BOOT, DTP4S - BT	7172100006	471
BOOT, LOWER END	9326100495	249
BOOT, PLUG	7172100002	181, 331, 522
BOOT, POSITIVE TERMINAL	7172100011	498
BOOT, RED	9246100168	475
	9246100177	475, 501
BOOT, RUBBER	9926113275	241
BOOT, SWIVEL (RED)	9246100159	475, 501

From - BLOCK, FUSE

To - BOOT, SWIVEL (RED)

Manitowoc Cranes

Alphabetical Index	Appendix A	
Description	Part	Page
BOOT, TERMINAL	7172000558	210, 333
BOOT, UPPER END	9326100496	249
BOOT-DTM3P-RECP	7172100003	173, 369
BOX ASSEMBLY - JUNCTION	9333103565	19
BOX, JUNCTION	9333103735	25
BRACE	6184100007	187
BRACKET	4159810078	407
	4159810079	400
	6245100077	169
	7348000669	144
	9364101827	65
	9926113289	81
	9974102831	101
BRACKET SET, FOOTLESS BLIND	7942000512	219
BRACKET WELD	80001639	233
BRACKET, ANGLE	4159210122	121
BRACKET, BATTERY HOLD-DOWN	6184100206	498
BRACKET, CAP	6184003000	267
BRACKET, CLAMP	4159810076	399
BRACKET, COVER	4159210167	121
BRACKET, FRONT	4159210164	121
BRACKET, FUSE	6184001406	209
BRACKET, HEAD/TAIL LIGHT	4159110314	303
BRACKET, LATCH	6184100054	307
BRACKET, LEFT HAND SUN SCREEN	6245101062	219
BRACKET, MID	4159210165	121
BRACKET, MIRROR ARM	7184001014	107, 144, 309
BRACKET, MODULE SUPPORT	6245101066	201
BRACKET, MOUNTING	6245101026	237
	6245101030	143
	6245101133	143
BRACKET, POWER FUSES	4159810086	497
BRACKET, RAIL	9498100145	161
BRACKET, REAR	4159210166	121
BRACKET, RIGHT HAND SUN SCREEN	6245101063	219
BRACKET, ROLLER	9974103084	101
BRACKET, SEAT	6184100027	213

From - BOOT, TERMINAL

To - BRACKET, SEAT

Manitowoc Cranes

Alphabetical Index	Appendix A	
Description	Part	Page
BRACKET, SEAT BAR	6184003088	167
BRACKET, SWITCH	6184100242	233
BRACKET, TERMINAL STRIP END	9333102665	25
BRACKET,BASE	9364101731	71
BRACKET,PARK BRAKE	9904110157	447
BRAKE ASSEMBLY-PARKING	80022000	403
BRAKE GROUP	90012615	353, 373
BRAKE, ASSY.	9049112846	358, 365, 378, 385
	9049112847	358, 365, 378, 385
BRAKE, DISC	7188000165	447
BREATHER	9049112686	361, 381
	9258100173	343
	9576101189	57
	9904104050	411
BREATHER ASSY.	9364101836	72
BREATHER, SCREW	9049990972	357, 377
BRUSH & ARM ASSY. (SILVER)	9364101733	71
BRUSH AND HOLDER ASSEMBLY	9364100340	71
	9364100437	71
BUFFER SEAL ASSY (5.50" ROD)	7794000563	9
BULB	9581100048	144
BULB, 12 VOLT	9581100405	189
	9581100406	197
BULB, HALOGEN	9581100396	303
BUMPER, MOLDED	7195000010	121
BUMPER, RUBBER	7195000032	295, 513
	7195000037	299
BUSHING	6199100016	5
	6199100017	5
	6199100090	49
	6199100100	61
	6199100104	399
	6200200812	4
	6200200816	6
	7199001289	169
	90001016	216
	9049109542	357, 377
	9049110137	357, 377
	9576101029	493
	9722105444	459

From - BRACKET, SEAT BAR

To - BUSHING

Manitowoc Cranes

Alphabetical Index	Appendix A	
Description	Part	Page
BUSHING	9904100967	441
	9974102808	102
BUSHING, BEARING	90012598	357, 377
	9049111692	355, 375
BUSHING, LINER	7199100029	111
BUTTON, HORN	7970140707	243
BUTTON, SQUARE	7242100002	170
CAB ASSEMBLY	6245101147	137
CAB WELD	6245101145	143
CABLE 18GA	7246100321	194
CABLE ASSY	7246002555	201, 319
CABLE ASSY 2/0 BLK (66" LG)	7246100031	501
CABLE ASSY-4/0 RED (9.0")LG	7246100114	501
CABLE REEL LWG508 - IFLEX 5	9333103873	19
CABLE TIE, BLACK	7850000208	182, 194, 201, 203, 210, 333, 339, 467, 472, 522
CABLE, 16 GA 19 CONDUCTOR	7246003369	521
CABLE, BLACK	7246100028	475
CABLE, CANBUS 11M W/MOLDED M12	9333103872	19
CABLE, EXTENSION	7246003554	5
	7246100048	4
CABLE, LENGTH SENSOR - 1	9333102986	21
CABLE, RED 4/0 32" BAT+/ BAT	7246100453	501
CABLE, RETRACTION	7246100049	5
CABLE, SHIELDED	7246100020	194, 522
CABLE-BLK 60"ENG GND TO ALT -	7246100186	475
CABLE-RED 1/0 12" FUSE/RELAY	7246100156	501
CABLE-RED 1/0 36" (RLY/GRDHTR)	7246100198	475
CABLE-RED 1/0 42" (STR TO ALT)	7246100145	475
CABLE-RED 1/0 8" FUSE TO RELAY	7246100157	501
CABLE-RED 1/0 96" FUSE/FUSE	7246100347	501
CABLE-RED 4/0 10" DISCSW/FUSE	7246100227	501
CABLE-RED 6GA 48" STRTR/RELAY	7246100220	475
	7246100276	475
CAC TUBE	7910101859	399
CANNON CONNECTOR, 2-PIN	9333103040	29

From - BUSHING

To - CANNON CONNECTOR, 2-PIN

Manitowoc Cranes

Alphabetical Index	Appendix A	
Description	Part	Page
CAP	9326100497	249
	9372103550	275
	9437100828	345
	9926111453	81
	9926113301	84
CAP #8	7258001452	147, 187, 190
CAP ASSEMBLY	9437100763	345
CAP ASSY.	9880100202	491
CAP SCREW	7126191253	147, 187, 341, 400, 407, 487, 503, 505
	9904100974	451
	9904109358	411, 413
	9974102684	101
CAP SCREW M12 X 40	7126211550	488, 509
CAP SCREW,	7115140450	203
	7115140478	219
	7115140550	201, 233
	7115140650	6, 145, 493
	7115143250	23
	7115150550	3
	7115150650	498
	7115150750	234
	7115150850	43, 107, 146, 153
	7115150950	3
	7115151250	5
	7115152050	493
	7115160550	271
	7115160650	107
	7115160750	145
	7115160850	33, 243
	7115161050	90, 91, 137, 319
	7115161250	151, 451
	7115161450	153
	7115163250	4
	7115163450	4
	7115170650	4
	7115171250	89, 128
	7115174450	92
	7115181250	89, 127
	7115181450	405
	7115182250	145
	7115184050	111
	7115203050	137
	7115221650	5, 403
	7115225650	135

From - CAP

To - CAP SCREW,

Manitowoc Cranes

Alphabetical Index	Appendix A	
Description	Part	Page
CAP SCREW,	7118160850	6
	7118171050	411
	7118181050	5
	7118201450	404
	7118244250	105
	7118264250	49
	9049101150	413
	9049106636	447
	9086100801	36
	9086100806	35
	9188101020	456
	9437100766	345
	9904104420	449
	9904109554	425
	9974102198	100
9974102820	100	
9974102835	102	
CAP SCREW, 1/2"-13 UNC X 1"	7115180850	6
CAP SCREW, 1/2"-13UNCX2"LONG	7115181650	63
CAP SCREW, 1/4-20UNC X 1 3/4	7115141450	153, 169
CAP SCREW, 1/4-20UNC X 5 1/2	7115144450	23
CAP SCREW, HEX HEAD	7126171353	121
	7126211650	391
CAP SCREW, HEX HEAD M12 X 65	7126212053	265
CAP SCREW, M10 X 100MM HEX HEAD	7126192650	403
CAP SCREW, M10 X 20 HEX HEAD	7126191153	146, 239, 361, 381
CAP SCREW, M10 X 25MM HEX HEAD	7126191250	295, 406, 467
CAP SCREW, M10 X 30MM HEX HEAD	7126191353	6, 147, 311, 503, 509
CAP SCREW, M10 X 35MM HEX HEAD	7126191450	127, 146, 289, 343
CAP SCREW, M10 X 40MM HEX HEAD	7126191550	311, 347, 403, 495
CAP SCREW, M10 X 50MM HEX HEAD	7126191750	146, 311, 399
CAP SCREW, M10X30 HEX HEAD	7126191350	255, 257, 289
CAP SCREW, M12 X 20MM HEX HEAD	7126211150	144, 399
CAP SCREW, M12 X 25MM HEX HEAD	7126211253	349, 404, 488
CAP SCREW, M12 X 30 HEX HEAD	7126211353	146, 265, 289, 467
CAP SCREW, M12 X 35MM HEX HEAD	7126211450	128, 477
CAP SCREW, M12 X 70MM HEX HEAD	7126212150	75, 477
CAP SCREW, M12 X 75MM HEX HEAD	7126212250	49
CAP SCREW, M12X100 HEX HEAD	7126212650	263
CAP SCREW, M12X35 SOCKET HEAD	7126211454	404

From - CAP SCREW,

To - CAP SCREW, M12X35 SOCKET HE/

Manitowoc Cranes

Alphabetical Index		Appendix A
Description	Part	Page
CAP SCREW, M12X55 HEX HEAD	7126211853	400
CAP SCREW, M16 X 40MM HEX HEAD	7127241550	63
CAP SCREW, M16 X 45MM HEX HEAD	7126241653	341
CAP SCREW, M16X100 HEX HEAD	7127242653	399
CAP SCREW, M16X150 HEX HEAD	7126243150	15
CAP SCREW, M20 X 80MM HEX HEAD	7126272353	95, 297
CAP SCREW, M20X120 HEX HEAD	7127272850	399
CAP SCREW, M20X280 -10.9 HH	7127274050	351
CAP SCREW, M20X50 HEX HEAD	7126271753	265
CAP SCREW, M24X340 HEX HEAD	7126294350	61
CAP SCREW, M4 X 25MM HEX HEAD	7128111254	351
CAP SCREW, M4 X 35MM HEX HEAD	7128111454	351
CAP SCREW, M5 X 14MM HEX HEAD	7126130953	121
CAP SCREW, M6 X 25MM	7126151253	265, 481
CAP SCREW, M6 X 45MM HEX HEAD	7126151650	121, 146
CAP SCREW, M6X20 HEX HEAD	7126151153	75, 147, 201, 239, 319, 477
CAP SCREW, M6X30 HEX HEAD	7126151353	201
CAP SCREW, M8 X 20MM HEX HEAD	7126171150 7126171153	49, 63, 75, 295, 513 130, 351
CAP SCREW, M8 X 30MM HEX HEAD	7126171350	167, 213
CAP SCREW, M8 X 40MM HEX HEAD	7126171550 7126171553	63 503
CAP SCREW, M8X25 HEX HEAD	7126171250 7126171253	146 121, 167, 187, 289, 297, 303, 349, 400, 478, 509, 519
CAP SCREW, M8X25 SOCKET HEAD	80014956	213
CAP SCREW, MM 8 X 35MM SOCKET	7128171454	167
CAP SCREW, SOCKET HEAD M12X25	7128211254	265
CAP SCREW, SOCKET HEAD M6X35	01147202	111
CAP, 1/4"	7258001451	170, 187
CAP, DEUTSCH HDC16 - 9 DUST	7258100154	194, 333
CAP, DUST	9049112871	365, 385
CAP, END	4159910026 9904106483	45 445
CAP, FILL (WITH BREATHER)	7258100146	343
CAP, JACK CYLINDER	7258001691	267

From - CAP SCREW, M12X55 HEX HEAD

To - CAP, JACK CYLINDER

Manitowoc Cranes

Alphabetical Index	Appendix A	
Description	Part	Page
CAP, VALVE	9005100231	75
CAPSCREW	90000125	101
	90012929	84
	90012930	84
	9049100263	414, 439
	9049112881	358, 378
	9364101822	65
	9364101866	397
	9437100856	345
	9576101100	56
	9576101148	57
	9576101175	56
	9576101308	55
	9722105435	459
	9722105551	461
	9722105552	461
	9722105554	461
	9722105559	462
	9722105562	462
	9726100326	483
	981134	101
	9904110469	449
	9904110596	419
	9904110600	425
	9904110608	453
	9926113029	81
	9926113115	245
	9926113302	84
	9974102854	100
	9974102859	100
	9974103015	102
	9974103043	102
CAPSCREW, 8MM LG	90012927	83
CAPSCREW, DISC BRAKE	9904109531	447
CAPSCREW, HEX	9049112860	355, 375
CAPSCREW, M8	9364101823	65
CAPSCREW, SOCKET HEAD 10MM	9926113051	83
CAPSCREW, SPECIAL	9926113114	245
CAPSCREW, SOCKET HEAD 2-1/4" LG	90012926	83
CARRIER FRAME ASSEMBLY	80013730	261
CARRIER FRAME INSTALLATION	80013739	259
CARRIER FRAME MODIFIED	80013731	261
CARRIER, PLANET	9974102668	99

From - CAP, VALVE

To - CARRIER, PLANET

Manitowoc Cranes

Alphabetical Index		Appendix A
Description	Part	Page
CART. VALVE ASSY. CONTROL 12V.	90001131	101
CART.& COIL ASSY. 12V.	9904110606	453
CARTRIDGE	9926110370	84
CARTRIDGE & COIL ASSY. 12V.	9926113030	81
CARTRIDGE ASSY. FILTER	9926110629	83
CASE & REAR COVER GROUP	9904109807	409
CASE ASSEMBLY	9904109567	413
CASE, GASKET	9904109563	411
	9904109566	413
CATCH	7585000790	159
CATCH, FRONT LATCH	6585100004	143
CATCH, REAR LATCH	6245101033	143
CBL-BLK 4/0 90" BAT-/START-	7246100342	475
CBL-RED 4/0 84"BAT DISC/START+	7246100343	475
CENTRAL UNIT ASSEMBLY - IFLEX2	9333107524	229
CHAIN	9086100919	35
	9286100001	45
CHAIN ASSEMBLY	9333101921	31
CHANNEL	6245101061	143
	9498100203	161
	9498100204	161
CHANNEL, DOOR	6245101038	143, 153
CHANNEL, RUBBER	9498100398	163
	9498100399	163
CHARGE PUMP & FILTER GROUP	9904110626	409
CLAMP	7300000018	271, 503
	7300000056	301
	7300001000	477
	9364101404	503
	9515102830	215
	9515102839	215
	9515103061	215
CLAMP ASSY, 2.38" HYDRA-ZORB	7300100025	75
CLAMP, 1 1/4" TUBING	7300000247	467
CLAMP, 1" TUBING	7300000404	89, 128, 319, 399
CLAMP, 5/8" TUBING	7300100014	399
CLAMP, 7/8" TUBING	7300100015	487
CLAMP, BENT T-BOLT 3.00" NOM	80011312	127

From - CART. VALVE ASSY. CONTROL 12V.

To - CLAMP, BENT T-BOLT 3.00" NOM

Manitowoc Cranes

Alphabetical Index	Appendix A	
Description	Part	Page
CLAMP, CABLE	9333103094	19
CLAMP, CHAIN	9333101922	31
CLAMP, DOUBLE SADDLE	7300001082	271
CLAMP, HOSE	7300000006	399, 403, 478
	7300000013	404
	7300000035	213, 403, 477, 481
	7300000040	213, 399
	7300000167	404, 478
	7300000206	505
CLAMP, LINER	7300001061	213
CLAMP, MUFFLER	7300001083	399
CLAMP, PIPE	7300000269	111
CLAMP, SERVO W/SCREW	9364101889	72
CLAMP, T-BOLT	7300000223	505
	7300000461	399, 477
CLAMP, T-BOLT 1.75" NOM	7300100024	127, 406
CLAMP, T-BOLT 3"	7300100022	406
CLAMP, T-BOLT 7.75 NOM	7300100026	505
CLAMP, TUBING	7300000101	130, 399, 478
	7300000102	33, 90
	7300000195	477
	7300000241	33
	7300000243	267, 399
	7300000244	63
	7300000251	117
	7300000397	129
	7300000399	89, 128
	7300000400	129
	7300000401	89
	7300000402	129
	7300000405	89, 90, 130
	7300000406	319
	7300000407	130
	7300000408	128, 319
CLAMP, TUBING 1-1/4" I.D.	7300000246	400, 406
CLEANER ASSEMBLY - AIR	7304100012	505
CLEVIS	9333101840	31
CLIP	9914100042	39
CLIP, HITCH PIN	7689000701	45
CLIP, TUBE	9904109571	413
CLOSURE, BEARING	7069000175	47

From - CLAMP, CABLE

To - CLOSURE, BEARING

Manitowoc Cranes

Alphabetical Index	Appendix A	
Description	Part	Page
CLOSURE, CABLE DRUM	9974102676	99
CLUTCH SPRAG ASSY. BRAKE	9974102214	100
COIL, 12V.	9926112931	83
COLLAR, SET 5/16"	9364101601	71
COLUMN ASSEMBLY - MODIFIED TILT S	6326100001	243
COLUMN ASSEMBLY - TILT STEERING	7326100007	243, 247
CONDUIT	9333102235	19
CONE, BEARING	6069001186	47
CONNECTOR	7364002517	471
	7364002518	471
	7892000821	233
	9364101208	71
	9515102921	215
CONNECTOR ASSEMBLY	9333102765	19
CONNECTOR, 2 - PASS GREEN SEAL	7892100028	334
CONNECTOR, 2 CONDUCTOR	7364001682	332, 521
	7364001683	332, 521, 523
CONNECTOR, 3 CONDUCTOR	7364001684	193
	7364001685	194
CONNECTOR, BUTT	7345001713	233
CONNECTOR, CANNON 2-SOCKET	9333102792	25
CONNECTOR, CHAIN	9333102620	19
CONNECTOR, COVER/SINGLE	7892100030	210, 333
CONNECTOR, CRIMPED	9364100178	71
CONNECTOR, LIQUID TIGHT	9364100968	71
CONNECTOR, LOCKING	7364100009	331
CONNECTOR, L-SERIES SWITCHES	7364100184	181, 193
CONNECTOR, SETSCREW	9364101224	71
CONNECTOR, Y	9515103062	216
CONNECTOR, M12X1.0-#4 ORFS MALE	7443100153	351, 371
CONSOLE ASSEMBLY - GRAPHIC (COLOR	9333107526	229
CONSOLE, FRONT FRAME	6245100947	190
CONTROL CABLE W/LOCK HANDLE	7246100476	119
CONTROL VALVE ASSY. GROUP	9904110628	409
CONTROL VALVE MOUNTING GROUP	9904110627	409
CONTROL, ADJUST - BACK	9798100585	167
CONTROLLER ASSEMBLY - 8-32 VOLT	7352100097	170

From - CLOSURE, CABLE DRUM

To - CONTROLLER ASSEMBLY - 8-32 VOLT

Manitowoc Cranes

Alphabetical Index	Appendix A	
Description	Part	Page
CONTROLLER CAN 12V RH ARMREST	7352100095	170
CONVERTER ASSEMBLY - TORQUE	9904109582	421
CONVERTER HOUSING GROUP	9904110609	409
COOLER ASSEMBLY - RADIATOR/CHARGE	7726191194	481
COOLER ASSY. AIR CHARGE	9726100339	483
COOLER ASSY. TRANS. OIL	9726100337	483
COOLER, OIL	7726000128	487
CORE ASSY, HEATER	9515102828	215
CORE ASSY. SLIP RING	9364101838	71
COUNTERWEIGHT, 3810 KG	6051105003	297
COUPLER, FLEX	7364002995	503
COUPLING	9352100787	175, 177
	9576101136	56
COUPLING, 1/8" TEST PORT	7443100139	91
COUPLING, 3/8" TEST PORT	7443100140	91, 131
COVER	6258100042	519
	90012229	215
	9049112880	358, 378
	9333103907	21
	9722105550	461
	9880100223	343
	9904105442	413, 439
	9904110601	425
	9904110607	453
COVER ASSY.	90001163	507
COVER ASSY. W/LATCHES	9364101840	71
COVER, ACCESS	4159110256	289
COVER, ARMREST	7245100056	169
COVER, BASE	9515103058	215
COVER, BATTERY BOX	4159810085	307
COVER, CONSOLE	7245100069	187
COVER, DUST	9333102612	25
	9333102615	29
COVER, FRONT	9722105433	459
COVER, FUSE	7245100058	201
COVER, HOUSING	90000943	175, 177
	9515102920	215
COVER, LEFT SIDE HOOD	4159110295	295

From - CONTROLLER CAN 12V RH ARMREST

To - COVER, LEFT SIDE HOOD

Manitowoc Cranes

Alphabetical Index	Appendix A	
Description	Part	Page
COVER, REAR AND PLUG ASSEMBLY	9904109565	413
COVER, RIGHT SIDE HOOD	4159110294	295
COVER, RUBBER	9926113273	241
COVER, TRANSMISSION ACCESS	4159110292	295
COVER, TRANSMISSION ACCESS FRONT	4159110282	295
COVER, VALVE	7258100188	121
COVER, WIPER MOTOR	7245100073	147
COVER, TUBE	9515102835	215
CRIMP FERRULE, 20 AWG	9333103042	25
CUP, BEARING	7794000272	47
CYLINDER	9049112865	365, 385
	9049112866	365, 385
	9049112867	365, 385
	9049112868	365, 385
CYLINDER ASSEMBLY - 2 1/2" O/R EX	7372100232	273
CYLINDER ASSEMBLY - 4" OUTRIGGER	7372100238	267
CYLINDER ASSEMBLY - 5" LOCKOUT	7372100255	351
CYLINDER ASSEMBLY - 9" LIFT	6372100488	109
CYLINDER ASSEMBLY - TELESCOPE	6372100411	3
CYLINDER ASSEMBLY MODIFIED	80011617	271
CYLINDER ASSY. STEER	9049112842	363, 383
CYLINDER, AIRSHIFT	9904109623	445
CYLINDER, BRAKE	9974102861	99
DECAL - BOOM ANGLE	7376001935	287
DECAL - CAUTION BATTERY CONNECTIO	7376102805	283
DECAL - CAUTION BATTERY DISCONNEC	7376101954	283
DECAL - CAUTION ELECTRONICS DAMAG	7376102349	283
DECAL - CAUTION ENGINE COOLANT FI	7376102516	283
DECAL - CAUTION MAXIMUM FILL RATE	7376102956	283
DECAL - CAUTION PIN SWING LOCK	7376011340	279
DECAL - CAUTION SPECIAL FILL REQU	7376102424	283
DECAL - CAUTION TRANSMISSION DAMA	7376102092	279
	7376102417	279
DECAL - CHEVRON OUTRIGGER JACK	7376101141	293
DECAL - DANGER BATTERY EXPLOSION	7376102554	283
DECAL - DANGER BOOM NOT WALKWAY	7376007250	287

From - COVER, REAR AND PLUG ASSEMBLY

To - DECAL - DANGER BOOM NOT WAL

Manitowoc Cranes

Alphabetical Index	Appendix A	
Description	Part	Page
DECAL - DANGER COUNTERWEIGHT	7376007213	285
DECAL - DANGER COUNTERWEIGHT LIFT	7376100089	285
DECAL - DANGER ELECTROCUTION HAZA	7376009555	283
	7376101865	279
DECAL - DANGER ETHER HAZARD	7376101881	283
DECAL - DANGER FIRE HAZARD	7376102532	283
DECAL - DANGER OUTRIGGER CRUSHING	7376011087	283
DECAL - DANGER OUTRIGGER MID EXTE	7376007441	279
DECAL - DANGER PRESSURIZED OIL LE	7376102552	285
DECAL - DANGER REVOLVING TIRES	7376007446	283
DECAL - DANGER SUPERSTRUCTURE SWI	7376100080	279
DECAL - DANGER TIPPING/2 BLOCKING	7376100175	279
DECAL - DANGER UNTRAINED OPERATOR	7376007255	279
DECAL - DIESEL	7376011062	283
DECAL - EMERGENCY EXIT	7376009502	279
DECAL - FAN DANGER	7376011364	283
DECAL - FUSES (ENGLISH) RT535E	7376102923	279
DECAL - GROVE LOGO	7376221080	293
	7376241042	293
	7376241052	293
	7376241080	293
	7376241135	293
DECAL - HAND SIGNALS	7376101492	285
DECAL - HYDRAULIC OIL	7376011335	283
DECAL - LIFT POINT PROHIBITION	7376102910	285
DECAL - MANITOWOC CRANE GROUP LOG	7376202030	293
DECAL - MID-EXTEND OUTRIGGERS <	7376009373	283
DECAL - MID-EXTEND OUTRIGGERS >	7376009372	283
DECAL - NO STEP	7376010998	283
DECAL - PIN SWING LOCK	80002324	279
DECAL - RT530E-2	7376102951	293
DECAL - SYMBOLIC ID (ENGLISH)	7376102925	279
DECAL - WEAR BODY HARNESS	7376991722	285
DECAL INSTALLATION - RT535E	6376200767	277
	6376200776	277
	6376200785	277
DECAL INSTALLATION RT540E STANDAR	80006890	277

From - DECAL - DANGER COUNTERWEIGHT

To - DECAL INSTALLATION RT540E
STANDARD CAB

Manitowoc Cranes

Alphabetical Index	Appendix A	
Description	Part	Page
DECAL, A2B	9333102618	27
DECAL-DANGER CABLE WEDGE	7376100079	285
DECAL-DANGER LMI OVERRIDE KEY	80007945	279
DECAL-DANGER PRESSURIZED FLUID	7376102517	283
DECAL-MAIN HOIST & LIFT -DUAL	7376102599	279
DEUTSCH DTP 2-PASS RECEPTACLE	7892100025	334, 523
DIFF.CARR ASSY. @ 4.67 RATIO	90014652	355, 375
DIFF.CARR. GROUP @ 4.67 RATIO	90014653	353, 373
DIPSTICK	7486100132	400
	9576101151	57
DISC BRAKE GROUP	9904110625	409
DISC, CLUTCH	9904103635	429, 431, 435, 437
	9904103987	435
	9904103988	429, 431, 437
DISC, FRICTION	9974100594	99
DISC, ORIFICE .015	90000899	84
DISCONNECT SWITCH	7872100142	497
DISK	9049109528	355, 375
	9049112878	365, 385
	9049991911	358, 378
DISK, BRAKE	9974102704	99
DISK, RUB	9364101590	72
DISK, SHUTTLE	9926111438	78
DOOR INSTALLATION - CAB	6245101159	151
DOOR WELDMENT, CAB	6245101144	145, 153
DRAW LATCH	7585000812	121, 307
DRIVE LINE ASSEMBLY	7364100166	391
	80000554	391
	80000556	391
DRIVE PLATE GROUP	9904110612	409
DRIVE, SHAFT	9364101850	72
DRUM	9974102941	99
ELBOW	7013000156	505
	9576101152	57
	9974102212	101
ELECTRICAL SYSTEM INSTALLATION	6978100956	406
ELEMENT	9437100825	345
ELEMENT, PRIMARY	90001159	507

From - DECAL, A2B

To - ELEMENT, PRIMARY

Manitowoc Cranes

Alphabetical Index	Appendix A	
Description	Part	Page
ELEMENT, SECONDARY	90001160	507
ENGINE ASSEMBLY - CUMMINS QSB6.7	2159810225	399
EXTENSION, CENTER POST	7714000585	159
EXTENSION, STEP	7418100008 7418100011	347, 495 311
EXTINGUISHER, FIRE	7348000667	144
EYEBOLT	9333101923	31
FAN ASSEMBLY - 12 VOLT CAB	7425100015	144
FAN ASSY, DEFROSTER	7425000007	187
FAN GUARD	80012114	477
FAN, 9 BLADE CLOCK WISE SUCKER	7425100007	517
FASTENER, NUT 1/4" - 20 N.C.	7429000542	497
FASTENER, WELL-NUT	7429000011	147, 170
FENDER, RIGHT HAND FRONT	2159110176	289, 511
FENDER, RIGHT HAND REAR	2159110174	289, 511
FERRULE, DUAL WIRE	7892001006	234
FERRULE, SINGLE WIRE	7892001001 7892001002	193 194, 209, 233
FIFTH WHEEL	2159110137	263
FILTER	9515102854 9926112004	215 78
FILTER ASSY. HYD. RETURN	9437100891	343
FILTER, FUEL/WATER SEPARATOR	9414101756	407
FILTER, PRIMARY FUEL	9414101755	407
FILTER, TRANSMISSION FLUID	7437000873	449
FILTER,OIL	9414101679	407
FITTING	9086100151 9974103093	35 101
FITTING, ADAPTER	9437100894	345
FITTING, ADAPTOR	9926113277	241
FITTING, BULKHEAD ADAPTER	9333101471	223
FITTING, ELBOW	90012231	216
FITTING, GREASE	9364101577 9364101870	395 397
FITTING, TEE	90012233	216
FITTING, WASHER NOZZLE	7949001149	144

From - ELEMENT, SECONDARY

To - FITTING, WASHER NOZZLE

Manitowoc Cranes

Alphabetical Index		Appendix A
Description	Part	Page
FLAG ASSEMBLY - A2B	9333102633	19
FLAG, RETAINER	9333102373	27
FLANGE	9904103677	442
	9904105662	442
FLANGE, DRIVE	9049112862	355, 375
FLANGE, SPLIT	7450000102	89, 127
	7450000103	127
	7450000201	90, 91
	7450000254	405
	7450000375	405
FLAT WASHER - 6	01925033	210
FLAT WASHER, 3/4"	7949000236	3, 95, 135, 169, 351, 371, 399, 403
FLATWASHER 8MM I.D.	9726100169	483
FLEXGUARD - .350" I.D.	8594000006	181, 332, 339, 471
FLEXGUARD - .500" I.D.	8594000004	181
FLEXGUARD - .625" I.D.	8594000003	181, 331, 471, 523
FLEXGUARD - .750" I.D.	8594000002	331
FLEXGUARD - 1.00" I.D.	8594000001	332
FLEXGUARD - 1.250" I.D.	8594000022	332
FLEXGUARD, 1/4" I.D.	8594000019	182, 195, 234, 331, 339, 472
FLEXHOSE	9515102852	215
FLOAT ASSEMBLY - OUTRIGGER	6458100000	299
FLOAT, OUTRIGGER	6458100001	301
FOAM	90012230	215
	9515102829	215
FOAM, .75 ACOUSTIC	7001100580	185
	7001100581	185
	7001100582	185
FOAM, 1.00 ACOUSTIC	7001100583	185
	7001100584	185
	7001100585	185
	7001100586	185
	7001100587	185
	7001100588	185
	7001100589	185
FOOT	2159910004	5
FORK, SHAFT	9904109622	445
FORK, SHIFT	9904105290	442

From - FLAG ASSEMBLY - A2B

To - FORK, SHIFT

Manitowoc Cranes

Alphabetical Index	Appendix A	
Description	Part	Page
FORWARD SHAFT GROUP	9904110617	409
FRAME	9498100197	161
FRONT CONSOLE ASSEMBLY	80019971	187
FRONT FENDER - LEFT HAND	2159110175	289, 511
FUSE	7482000572	337
FUSE, 10 AMP	7482000033	203, 334
FUSE, 100 AMP	7482000555	497
FUSE, 15 AMP	7482000032	203
FUSE, 30 AMP	7482000029	203, 210, 333
FUSE, 5 AMP	7482000035	203, 334
FUSE, BUSS BAR	7892000220	209
FUSE, MAXI 50AMP	7482100005	333
FUSE, MAXI HOLDER	7482100000	333
FUSE, TERMINAL	7892000218	209
	7892000219	210
FUSE, VELOCITY	7926003526	91
FUSE,15A	90011562	229
FUSE,2A	90011561	229
FUSE,7.5A	90011563	229
FWD SHAFT & DRUM ASSY.	9904110463	429
GASKET	6794000650	406
	6794001567	406
	9049112870	365, 385
	9049112875	365, 385
	9333102482	25
	9352100657	175, 177
	9352100772	175, 177
	9364101388	503
	9437100480	345
	9880100222	343
	9904103887	449
	9904105441	413
	9904106364	439
	9904106593	425
	9904110599	425
	9904110605	451
GASKET, 2 BOLT HOLE	6794100011	406
	6794100012	406
GAUGE	9437100456	345
GAUGE, 12 VOLT TACHOMETER	7486100100	189

From - FORWARD SHAFT GROUP

To - GAUGE, 12 VOLT TACHOMETER

Manitowoc Cranes

Alphabetical Index	Appendix A	
Description	Part	Page
GAUGE, CLUSTER	7486100024	189
GAUGE, SIGHT	9974102855	100
GAUGE, WINDOW	7486002666	485
GEAR - PLANET	9974102667	99
GEAR GROUP	9904110614	409
GEAR, 1ST DRIVE 29T	9904109653	423, 429
GEAR, 25T	9333103905	21
GEAR, 37T	9904110597	425
GEAR, 75T	9333101625	21
GEAR, DRIVE SHAFT	9722105468	459
GEAR, DRIVEN	9722105469	459
GEAR, HIGH RANGE 41T	9904109613	423, 442
GEAR, IDLER	9904109590	427
GEAR, IDLER FRONT 21T	9904109815	423, 439
GEAR, LOW CLUTCH 63T	9904109651	423, 435
GEAR, LOW RANGE 42T	9904109816	423, 442
GEAR, PLANET	9974102671	99
GEAR, PLANETARY	9049112852	361, 381
GEAR, PUMP DRIVE	9904109705	427
GEAR, REAR IDLER 51T	9904109652	423, 439
GEAR, REVERSE CLUTCH 43T	9904109649	423, 431
GEAR, REVERSE IDLER	9904109602	433
GEAR, RING	9049112851	361, 381
GEAR, SET	9926110266	245
GEAR, SUN	9049112850	361, 381
	9974102194	99
GEAR,RING	9576101126	57
GEAR,SUN	9576101176	56
	9576101180	55
GLAND, ROD	9372103547	275
GLASS	9498100192	161
	9498100195	161
GLASS ASSEMBLY	9498100191	161
	9498100194	161
GLASS ASSY.	9498100390	163
	9498100391	163

From - GAUGE, CLUSTER

To - GLASS ASSY.

Manitowoc Cranes

Alphabetical Index	Appendix A	
Description	Part	Page
GLASS ASSY.	9498100392	163
GLASS, LEFT FRONT	7498100027	143
GLASS, LEFT REAR	7498100026	143
GLASS, SLIDING DOOR	7498100025	143
GLASS, WINDSHIELD	7498100024	143
GLAZING, PVC	9498100193	161
GRILL	4159210191	297
GRILL, ENGINE HOOD	4159810068	513
GROMMET	7506000001	145
	7506000021	119
	9515102848	215
GROMMET, RUBBER	9581100461	303
GUAGE, OIL LEVEL	7486002936	343
GUARD, 4 INCH HOSE	7814100078	130
GUARD, FAN	9425100078	165
GUARD, HOSE	7814100077	92
GUARD, MUD	4159110268	289
	4159110269	289
GUARD, MUFFLER	6814100042	503
GUARD, PINION	4159200657	49
GUARD, LOUVER	9515102846	215
GUIDE ASSY.	9086101337	35
GUIDE, CABLE	9333101435	19
HANDLE ASSY.	9352100770	177
	9352100795	175
HANDLE, DOOR (MODIFIED)	6511100009	145
HANDLE, GRAB	4159110343	311
	4159110364	311
	7511001255	144
HANDLE, HALF	9352100797	175
	9352100798	175
HANDLE, LATCH	7585000720	144
HANDLE, SHELL (BOTH HALVES)	9352100792	177
HANDLE, TAPERED	7511000161	144
HANDRAIL, GRAB	7511001139	143
	7511001140	143
	7511100015	255
	7511100046	143

From - GLASS ASSY.

To - HANDRAIL, GRAB

Manitowoc Cranes

Alphabetical Index	Appendix A	
Description	Part	Page
HANDRAIL, GRAB	7511100047	144
	7511100048	144
HARNESS ASSEMBLY - CARRIER	6512101096	319
HARNESS ASSEMBLY - ENGINE	6512100819	467
HARNESS ASSEMBLY - ENGINE RELAY P	6512100807	337
HARNESS ASSEMBLY - FUSE AND RELAY	6512100914	203
HARNESS ASSEMBLY - SEAT	6512100837	170
HARNESS ASSEMBLY - SHIFTER	6512100854	247
HARNESS ASSEMBLY - TURN SIGNAL/WA	6512100853	247
HARNESS ASSEMBLY-FRONT CONSOLE	80019587	189
HARNESS ASSEMBLY-SUPERSTRUCTURE	80020029	519
HARNESS ASSY, S/S (IFLEX2)	9333107525	229
	90011532	239
HARNESS ASSY.	9515103069	215
	9364101841	71
HARNESS ASSY. CENTER	9364101842	71
HARNESS ASSY. FRONT	9364101844	71
HARNESS ASSY. POTENTIOMETER	9364101843	71
HARNESS ASSY. REAR	9576101439	216
HARNESS ASSY. WATER VALVE	9372103582	367
HEAD ASSY.	6372006103	9
HEAD, 4 1/4" CYLINDER	6372006097	9
HEAD, CYLINDER	7372100268	111
	9372103625	269
	9437100842	345
HEAD, FILTER	7515000877	515
HEATER, 750W 120V ENGINE BLOCK	00437742	121
HEX HEAD NUT	01923998	210
HEX HEAD NUT M6	7126211250	477
HHCS M12X25	7126243350	109
HHCS M16x170 -8.8 ISO 4017	9904110624	409
HI/LOW RANGE SHIFT CONT. GROUP	7519000198	201, 295
HINGE, LEFT HAND NYLON	7974100043	95
HOIST ASSEMBLY - HP15C/17G	7086001082	203, 337, 497
HOLDER, FUSE	4159901577	3
HOLDER, WEAR PAD	2159810140	295
HOOD SECTION, REAR		

From - HANDRAIL, GRAB

To - HOOD SECTION, REAR

Manitowoc Cranes

Alphabetical Index		Appendix A
Description	Part	Page
HOOD, INLET	7535100006	505
HOOK & NUT	9086100495	35
HORN	7025100013	144
HOSE	90012234	216
HOSE ASSEMBLY	981786	101
HOSE ASSY	7546803793	130
	7566503700	406
HOSE ASSY, .25 DIA	7555104623	130
HOSE ASSY, .75 DIA	7555507491	130
HOSE ASSY, 1 1/2" I.D.X 23"	7546802393	130
HOSE ASSY, 1 1/4" HYDRAULIC	7543109361	406
HOSE ASSY, 1 1/4" ID	7566208000	406
HOSE ASSY, 1" STR ORFS X 23"	7555602360	91
HOSE ASSY, 1" STR ORFS X 48"	7555604860	92
HOSE ASSY, 1.00 DIA	7555603591	130
HOSE ASSY, 1/2" I.D. X 156"	7554315600	267
HOSE ASSY, 1/2" ID STR-STR HYD	7561308430	487
HOSE ASSY, 1/2" I.D. X 84" LONG	7561308432	405
HOSE ASSY, 1/4" I.D. STR X 32"	7555103203	91
HOSE ASSY, 1/4" ID	7555111021	406
HOSE ASSY, 1/4" ID STR X 39"	7550103921	92
HOSE ASSY, 1/4" ID STR X 42"	7550104221	91
HOSE ASSY, 1/4" I.D. 45 X 90"	7555109005	91
HOSE ASSY, 1/4" I.D. X 15" LONG	7561101503	404
HOSE ASSY, 1/4" I.D. X 25'	8596902512	487
HOSE ASSY, 1/4" I.D. X 30" LONG	7561103003	405
HOSE ASSY, 1/4" I.D.X30" LONG	7555103000	91
HOSE ASSY, 3/4" I.D. X 93"	7543109321	91
HOSE ASSY, 3/4" ID	7555514390	406
HOSE ASSY, 3/4" ID X 85"	7555508503	406
HOSE ASSY, 3/4" I.D. X 24" LONG	7561502452	405
HOSE ASSY, 3/4" I.D.X 38" LONG	7561503852	405
HOSE ASSY, 3/8 ID X 24" LONG	7555202401	127
HOSE ASSY, 3/8 X 26"	7542506663	404
	7550103631	133
	7555101801	93, 130

From - HOOD, INLET

To - HOSE ASSY, 3/8 X 26"

Manitowoc Cranes

Alphabetical Index	Appendix A	
Description	Part	Page
HOSE ASSY, 3/8 X 26"	7555102801	130
	7555103600	91
	7555104201	130
	7555105401	130
	9543100045	144
	9974102208	101
HOSE ASSY, 3/8" I.D. X 72"	7555207201	93, 117
HOSE ASSY, 3/8" I.D. X 89"	7555208900	91, 92
HOSE ASSY, 3/8" I.D. X 53" LONG	7555205301	117
HOSE ASSY, 3/8" I.D. X 74" LONG	7555207401	117
HOSE ASSY, 3/8" I.D. X 19" LONG	7555201921	91
HOSE ASSY, 3/8" I.D. X 90" LONG	7555208203	117
HOSE ASSY, 5/16" -650' REEL	8596931250	405
HOSE ASSY, 5/8" I.D. STR-9 HYD	7555402403	91
HOSE ASSY, 5/8" STR ORFS X 21"	7555402101	91
HOSE ASSY, 7/8" ID HOT ENG OIL	7542508463	407
HOSE ASSY, HYDRAULIC	7555306500	131
HOSE ASSY, 1 1/4" STR ORF X 25"	7555702591	91
HOSE ASSY, 1" I.D. HYDR STR-STR	7555604400	91, 93
HOSE ASSY, 3/4" I.D. X 34" LONG	7555503400	91
HOSE ASSY, 3/4" I.D. X 42" LONG	7555504201	91
HOSE CLAMP -0.69" MAX	7300000121	405, 477, 485, 487
HOSE, 1 1/2" STR S/F X 64" 90	7546806493	91
HOSE, 1 1/4" STR S/F X 64" STR	7546706470	91
HOSE, 3/8" I.D. X 72" LONG	7555207202	91
HOSE, 5/8" I.D.	8596902528	213, 404, 405, 406
HOSE, DRAIN	9515102855	215
HOSE, HEATER 3/8 ID X 11/16 OD	8596902527	404, 477, 485
HOSE, HEATER 5/8" I.D. - 60.00"	8596910250	403
HOSE, 1/2" I.D. HYDR ASST STR B	7555306000	127
HOUSING	9086100929	35
	9904105289	441
HOUSING & HUB GROUP	90014663	353, 373
HOUSING, AXLE	90014662	357, 377
HOUSING, CANNON CONNECTOR	9333102770	29
HOUSING, CASE	9364101828	65
HOUSING, CONVERTER	9904109562	411

From - HOSE ASSY, 3/8 X 26"

To - HOUSING, CONVERTER

Manitowoc Cranes

Alphabetical Index		Appendix A
Description	Part	Page
HOUSING, DIFF.	90012606	355, 375
HOUSING, DIFF. CARRIER	90012607	355, 375
HOUSING, DIFFERENTIAL	9049111704	355, 375
HOUSING, PLANETARY	9049112849	361, 381
HOUSING, WATER	9364101826	65
HOUSING, FLANGE MTG.	9576101184	56
HUB	9904103615	441
HUB, CLUTCH DISC	9904108979	437
HUB, DISC	9904109597	431
HUB, SHIFT	9904103626	442
HUB, WHEEL	9049112836	357, 377
HYD HOSE ASSY	7555304500	131
HYDRAULIC COOLER	80010553	509
I/O CONTROL MODULE	7352100064	201
IDLER SHAFT GROUP	9904110622	409
IND LED 4WHL ENGED/WHL NOT CNT	7486100134	190
IND LED ENG STOP/MODULE ERROR	7486100083	190
IND LED ENG WARN/ELECT SYS DIA	7486100084	190
IND LED HI BEAMS/LAMP OUT WARN	7486100114	190
IND LED HYD OIL COOLER TEMP	7486100128	190
IND LED LEFT TURN/RIGHT TURN	7486100115	190
IND LED LOW BRK PRESS/LOW FUEL	7486100104	190
IND LED PARK BRK ENGD/SWG BRK	7486100110	189
IND LED WAIT TO STR/XMSN WARN	7486100103	190
INDICATOR, SERVICE	7486000629	505
INHIBITOR, CORROSION	7296000004	19
INNER LINER	9498100198	161
INSERT, NYLON	9372103596	269
	9372103612	269
INSULATION	9515102847	215
JAMB, REAR DOOR	6245101036	143
JOINT, 90 DEGREE LIVE	7364002614	6
JOINT, UNIVERSAL	9049111671	357, 377
KEEPER	9585100055	121, 307
KEY	9872100243	233

From - HOUSING, DIFF.

To - KEY

Manitowoc Cranes

Alphabetical Index	Appendix A	
Description	Part	Page
KEY	9904108558	431
KEY, SET	9576101074	145
KIT - CAB HEATER AND AIR CONDITIO	80006745	213
KIT - CABLE (BATTERIES)	7246100441	497
KIT - CABLE (ENGINE)	7246100345	467
KIT - FRONT WIPER	7576134397	143
KIT - SKYLIGHT WIPER	7576134398	143
KIT, ACOUSTICS	80004087	185
KIT, BUSHING W/BALL	9926113111	245
KIT, CAM OVERHAUL	90017521	457
KIT, CYLINDER SEAL	7373100000	10
KIT, DICS SPRING	90011882	456
KIT, DRIVE PLATE	9904109669	419
KIT, GASKET AND HARDWARE	9352100751	487
KIT, HANDLE	90011630	119
KIT, HORN BRUSH W/GREASE	9326100494	249
KIT, HYD.CYLINDER SERVICE	9188101094	456
KIT, JAY BRACKET	7880000092	487
KIT, LINING	9188101041	457
KIT, MOTOR WITH HARDWARE AND BRAC	9576101343	155, 157
KIT, OVERHAUL	90011883	456
KIT, REPAIR	9752100994	83
KIT, RING W/CROSS PIN	9926113113	245
KIT, ROTARY GROUP	9722105564	462
KIT, SEAL	7373000012	112
	7373000159	269
	90001067	101
	9049112887	363, 383
	9364101829	65
	9364101830	65
	9372103551	275
	9372103587	367
	9437100452	345
	9576101337	57
	9722105445	459
	9722105566	462
	9904109671	409
	9926107747	84
	9926107803	13

From - KEY

To - KIT, SEAL

Manitowoc Cranes

Alphabetical Index	Appendix A		
Description	Part	Page	
KIT, SEAL	9926108423	83	
	9926108644	83	
	9926110372	83	
	9926111722	83	
	9926112358	83	
	9926112933	269	
	9926113031	81	
	9926113032	81	
	9926113057	83	
	9926113058	83	
	9926113116	245	
	9926113146	115	
	9926113147	115	
	9974101280	101	
	9974102222	102	
	KIT, SEAL MOUNTING	9752101414	343
	KIT, SERVICE	7576001696	159
KIT, SHIM	9576101339	57	
KIT, SPRING	9188101043	457	
KIT, STRAINER	9258100174	343	
KIT, SWASH PLATE GROUP	9722105565	462	
KIT, U-JOINT BEARING	90012618	357, 377	
KIT, VALVE ASSY. WATER	9515102922	216	
KIT, VALVE ASSY. WORK SECTION	90012928	84	
KIT, WET	9576101349	157	
KIT, BRAKE ASSY.	9576101165	57	
KIT, DISC BRAKE	9576101102	57	
KIT, HARDWARE	9486100290	197	
KIT, LATCH	9086100491	35	
KIT, SEAL	9188101078	457	
KIT, SEAL BRAKE	9576101101	57	
KIT, SEAL MOTOR	9576101186	56	
KIT, SHIM	9576101171	55	
KNOB	90016149	229	
	9798100584	167	
KNOB, FLUTED	7511000093	169	
KNUCKLE, STEERING	90013581	357, 377	
	90013582	357, 377	
LADDER	2159110177	347, 495	

From - KIT, SEAL

To - LADDER

Manitowoc Cranes

Alphabetical Index	Appendix A	
Description	Part	Page
LADDER ASSEMBLY	2159110178	341, 487
LANYARD	6246001174	221
	9333102232	27
LATCH	9364101847	72
LATCH ASSY	6585100018	307
LATCH, ARROWHEAD	7585000184	295
LENS, MOONSTONE	9581100058	144
LEVEL, CIRCULAR	7486000225	144
LEVER	6593000137	301
	9974102828	101
LEVER, ROLLER R.H.	9974102829	101
LEVER, STEER	9049112838	358, 378
	9049112839	358, 378
LEVER,ROLLER L.H.	9974102830	101
LIGHT ASSY, WORK	7581001361	303
LIGHT, DOME	7581000186	144
LIGHT, STOP/TURN/TAIL LED RED	7581100048	303
LIGHT, WORK	7581100001	144
LIGHT, YELLOW REAR TURN (WITH GRO	7581100050	303
LOCK	7585000789	159
	9498100155	161, 163
LOCK, PLATE	9904101298	411
LOCKNUT	7659000081	45
	9333101984	25
	9364101902	393
LOCKWASHER, SCREW	9904109625	451
LOUVER, 2" BALL	9515103059	215
LOUVER, 4" W/ADAPTER	9515102926	215
LOW SHAFT,HUB & DRUM W/ VALVE	9904109603	435
LOW SPEED SHAFT GROUP	9904110620	409
LUG	6608001308	144
	6608100004	271
M10 X 1.50 RETAINING NUT	7659190024	295, 341
MACHINE SCREW, M4X12 SLOTTED	7121110801	147, 219
MACHINE SCREW, M4X20 SLOTTED	7121111101	147
MACHINE SCREW, M5X12 SLOTTED	7121130801	213
MACHINE SCREW, M5X20 SLOTTED	7121131101	147, 307

From - LADDER ASSEMBLY

To - MACHINE SCREW, M5X20 SLOTTED

Manitowoc Cranes

Alphabetical Index	Appendix A	
Description	Part	Page
MAGNET	7616000519	169
MAGNET, CUP	7616000517	170
MANIFOLD	9974103090	101
MARKING TAGS, 1-5	9333103044	25
MAT, FLOOR	7001100579	185
MESH, SUNSCREEN	7942000522	219
MIRROR, 8" CONVEX	7628000025	107, 144, 309
MODULE, CARRIER CONTROL	7352100067	497
MODULE, CONTROL	7352100053	201
	7352100070	519
MODULE, MASTER CONTROL	7352100069	497
MOTOR	90001017	216
MOTOR ASSEMBLY - SWING DRIVE	7576134386	49
MOTOR ASSY. 12V.	9425100077	165
MOTOR ASSY. HYD.	90000100	100
	9576101395	56
MOULDING	8246964300	147, 295, 477, 481, 505
	8496900043	143
	8496900046	146, 295
	8496980002	144, 289, 295, 307, 347, 495, 497
	8637054001	295
	8637059004	487
	8637062018	481
MOULDING, TRIM LOCK	8637052011	148
MOUNT, 2 PIECE ISOLATOR	7638100029	400
MOUNT, 2-PC ISOLATOR	7638100033	399
MOUNT, BRACKET LEVEL	6245101002	143
MOUNT, BRACKET MODULE	6245101003	187
MOUNT, LEFT HAND	9515102840	215
MOUNT, MOTOR BASE	9974102731	99
MOUNT, RIGHT HAND	9515102842	215
MOUNT, SHEAVE	2155910039	5
MOUNT, SHOCK	7638000203	137
MOUNT, STEERING COLUMN	6245101005	143
MOUNT, TRANSMISSION	2159810022	403
	2159810023	403
MOUNTING BRACKET	4159210194	509

From - MAGNET

To - MOUNTING BRACKET

Manitowoc Cranes

Alphabetical Index	Appendix A	
Description	Part	Page
MOUNTING BRACKET	4159210195	509
MOUNTING KIT - OIL COOLER	7576001743	487
MUFFLER	7642100004	503
MUFFLER CLAMP	7300000231	503
MULL, BAR	9498100393	163
NIPPLE	7649000005	403, 485
	7649000062	403, 481, 485
	9049991915	363, 383
NIPPLE, GREASE	9049991916	358, 378
NIPPLE, HOSE	7649000042	405, 487
	7649000061	405
	7649000092	403
NIPPLE, HOSE 5/8 ID TO 1/2 NPT	7649000059	63, 403
NOSE TO FLY WELD	80018657	3
NUT	7659000252	243
	7659000270	387
	7659000796	145, 153
	9049108267	355, 375
	9049991267	358, 378
	9049991785	355, 375
	9086100061	35
	9352100528	175, 177
	9352100676	175
	9352100692	177
	9352100791	175, 177
	9364100658	72
	9372103549	275
	9498100122	161
	9498100389	163
	9726100327	483
	9904102383	439, 442
	9904103605	441
	9904105301	445
	9904109601	433
	9904109618	445
	9926107745	83
	9926111436	77
	9974102995	102
NUT #4	9333102480	25
NUT, ADJUSTING	9049991859	355, 375
NUT, CHANNEL	01571750	111
NUT, DEUTSCH HD10-SER/COMPRESS	7659190018	333

From - MOUNTING BRACKET

To - NUT, DEUTSCH HD10-SER/COMPRI

Manitowoc Cranes

Alphabetical Index	Appendix A	
Description	Part	Page
NUT, EYE	9333103768	19
NUT, HEX JAM	9364101429	71
NUT, JAM	9974103094	101
NUT, KEPS	9352100410	72
NUT, LOCK 1/2"	9364101845	72
NUT, LOCK 3/4"	9364101397	72
NUT, RETAINING	7659000256	201
	7659000862	237
	7659190033	146, 187, 509
NUT, RETAINING 8 X 1.25	7659190020	148, 167, 187, 213, 289, 295, 297, 349, 513
NUT, RETAINING M6	7659190019	187, 201, 319, 477
NUT, SELF-LOCKING	846531	23
NUT, JAM	9188101097	456
NUT, RING	9576101173	55
O-RING	7755011002	88, 90, 91, 128, 129, 131, 403, 404
	7755012002	87, 88, 89, 90, 92, 93, 117, 127, 128, 129, 131, 367
	7755014000	83
	7755014002	87, 88, 127, 267, 271, 406, 487
	7755016002	90, 93
	7755017000	13
	7755018002	87, 90, 127, 128, 129, 130, 404, 405, 406
	7755021002	6, 87, 90, 111, 128, 407
	7755025002	92, 407
	7755043000	10
	7755107002	81
	7755110000	445
	7755152000	56
	7755161000	10
	7755170000	56
	7755219002	90, 91
	7755220000	81
	7755222002	89, 127, 405
	7755225002	89, 127
	7755232002	405
	7755245000	56
	7755251000	56
	7755260000	56
	7755265000	56

From - NUT, EYE

To - O-RING

Manitowoc Cranes

Alphabetical Index		Appendix A
Description	Part	Page
O-RING	7755904002	9, 56, 63, 88, 90, 91, 92, 93, 101, 117, 129, 131, 269, 404
	7755906002	87, 88, 90, 92, 93, 117, 127, 128, 129, 131, 267, 269, 404, 406
	7755908002	63, 87, 88, 89, 92, 100, 117, 127, 129, 267, 271, 487
	7755910002	90, 130, 275, 405
	7755912002	6, 77, 78, 87, 90, 91, 127, 128, 404, 406, 407
	7755916002	87, 88, 92, 111, 112, 130, 407
	7755920002	92
	90000105	101
	90012601	357, 377
	9049107885	357, 377
	9049111627	361, 381
	9049111629	361, 381
	9176100603	175
	9437100575	345
	9515102845	215
	9576101334	55
	9576101338	57
	9722105560	462
	9722105563	462
	9722105567	461
	9722105568	461
	9722105569	462
	9904103500	413, 449
	9904103660	445
	9904103993	441
	9904103994	441
	9904103997	442
	9904105299	445
	9904105336	413
	9904106445	411, 413
	9904106805	433
	9904107179	445
	9904108409	441
	9904109357	411, 413
	9904109481	441
	9904109561	421, 441
	9904109570	413
	9904109641	442
	9904110793	453
	9904110794	453
9904110795	453	

From - O-RING

To - O-RING

Manitowoc Cranes

Alphabetical Index	Appendix A		
Description	Part	Page	
O-RING	9904110796	453	
	9926103232	117	
	9926106646	117	
	9926111469	77, 81	
	9926112013	77, 79, 80	
	9974101198	99	
	9974102227	101	
	9974102868	99	
	9974102898	101	
	9974102922	100	
	O-RING #8	9515102844	215
	O-RING POLYACUL	9904103779	413
	O-RING SEAL	9926113253	84
O-RING, 2"	7755228002	128	
O-RING, LOW TEMP #10 ORFS	7755016003	273	
O-RING, LOW TEMPERATURE	7754000140	269	
	7754000144	9	
	7754000146	9	
	7754000149	9	
	7754000160	269	
	7754000163	111	
	7754000166	111	
O-RING, SQUARE	7754100000	9	
O-RING, SQUARE	9437100479	345	
O-RING, VITON	9926111931	84	
	9926111932	84	
O-RING, VITON	9926112501	84	
OURTRIGGER BEAM ASSEMBLY	80014896	265	
OUTPUT SHAFT AND BEARING	9904109612	441	
OUTPUT SHAFT GROUP	90015440	409	
OUTRIGGER BEAM	80002079	267	
OUTRIGGER BEAM INSTALLATION	80014901	259	
OUTRIGGER EXTENSION CYLINDER ASSE	80014893	267	
P.C. BOARD	9333103896	21	
PAD	7671100005	295	
PAD & LINING, BRAKE	9049112879	365, 385	
PAD ASSY, FRONT LOWER	7671100116	3	
PAD ASSY, REAR UPPER	7671100118	3	
	7671100120	3	
PAD, ARMREST	7033001063	169	

From - O-RING

To - PAD, ARMREST

Manitowoc Cranes

Alphabetical Index		Appendix A
Description	Part	Page
PAD, FRONT LOWER WEAR	7671100117	3
PAD, REAR UPPER WEAR	7671100119	3
	7671100121	3
	6671001149	3
PAD, SIDE WEAR	6671001149	3
PAD, WEAR	4150101045	265, 267
	6671000166	3
	6671000177	5
	6671000236	265
	6671001148	3
	2188410002	203
PANEL	2188410002	203
PANEL ASSEMBLY - ENGINE RELAYS	6679100157	319
PANEL ASSEMBLY - FUSE AND RELAY	6679100195	201
PANEL, DOOR	4159110291	295
PANEL, FRONT CONSOLE	7679100268	189
PANEL, INNER DOOR	7392100011	145
PANEL, RELAY	4174810060	337
PARALLEL - NON-INSULATED 4 AWG	7892000198	522
PARALLEL, NON - INSULATED	7892000194	181, 194, 333, 472, 522
	7892000195	181, 195, 331, 339, 522
	7892000196	221, 333
	7892000197	522
	9926113272	241
PEDAL ASSY.	9926113272	241
PIN	6689001836	265
	6689002029	267
	6689002074	4
	6689100028	5
	7689000797	333, 523
	7689000813	72, 209
	7689001756	311
	7689001883	522
	7689002053	73, 193, 332, 522
	7689100033	173, 369
	7689100046	15
	9049112843	363, 383
	9049991890	361, 381
	9086100214	35
	9086100811	35
	9576100517	99
	9576101181	55
	9576101183	55
	9826100008	39
	9904109588	425, 427

From - PAD, FRONT LOWER WEAR

To - PIN

Manitowoc Cranes

Alphabetical Index		Appendix A
Description	Part	Page
PIN	9974102966	102
PIN & COTTER	9086101063	305
PIN ASSEMBLY	2150200656	297
PIN, 16 - 14 GA	7689000704	155, 157, 193, 209, 233, 319, 339, 471, 522
PIN, 18 - 16 GAGE	7689001782	175, 177, 181, 209, 251, 253, 332, 523
PIN, 20GA GOLD	7689100044	522
PIN, CLEVIS	7689100036	265
PIN, CLIP	7689000036	15
	7689000053	5
PIN, COTTER	9333101916	31
	9826100009	39
PIN, DOWEL	9904109564	411, 413
PIN, KING	9049111670	357, 377
	C8926135	357, 377
PIN, LOCK HAIR	7689000023	45
PIN, LOCK OUT CYLINDER	6689100141	351
	6689100142	351
PIN, PLANETARY	9049112853	361, 381
PIN, QUICK RELEASE	9086100584	35
PIN, QUICK WITH (LANYARD)	7689100034	299
PIN, ROLL	9086100011	35
	9086100204	35
PIN, SPIRAL	9974101183	99
PIN, SPLINT	9049112845	363, 383
PIN, SWING LOCK	2159210126	119
PINION	9576101167	55
PINION, DIFFERENTIAL	9049991108	355, 375
PIPE	9576101149	57
PISTON	9049112869	365, 385
	9372103546	275
	9372103626	269
	9904108406	441
	9904109616	445
PISTON ASSY, CLUTCH	9904108934	429, 431, 435
PISTON ASSY.	9904110467	431, 437
PISTON, 4 1/4" CYLINDER	6701100001	9

From - PIN

To - PISTON, 4 1/4" CYLINDER

Manitowoc Cranes

Alphabetical Index	Appendix A	
Description	Part	Page
PISTON, 6.31" CYLINDER	6701100000	9
PISTON, 9" CYLINDER	6701000970	111
PLANET CARRIER - PRIMARY	9974102666	99
PLANETARY CARRIER ASSY.	9576101340	57
	9576101341	57
PLANETARY HUB GROUP	90012613	353, 373
PLATE	4159110071	347, 495
	4159110165	265
	4480200017	135
	6705006974	6
	6705016148	63
	6705018338	169
	6705100115	503
	6705170914	170
	9364101595	72
	9904110602	425
	9974102825	101
PLATE - SHIELD	4159210193	509
PLATE, ADJUSTING	4159110308	265
PLATE, ANGLE SENSOR	4159710006	351
PLATE, ANTI 2 BLOCK	4197910236	33
PLATE, AXLE SHIM	80005827	351, 371
PLATE, COVER	4159110298	349
	4159110299	349
	4159110300	349
	4159910046	5
	6245101025	237
	6245101104	144
	6705016902	144
	9049112876	365, 385
	9722105561	462
PLATE, COVER FLANGE	9364101818	65
PLATE, END	9904110464	429, 431, 435, 437
PLATE, KEEPER	4159901579	4
	4159910142	6
PLATE, KICK	6245101201	148
PLATE, KICKBACK	4159901578	3
	4159910002	3
PLATE, LOCK	9049111071	355, 375
PLATE, MOUNT	6705171095	399
PLATE, MOUNTING	4159110251	487

From - PISTON, 6.31" CYLINDER

To - PLATE, MOUNTING

Manitowoc Cranes

Alphabetical Index	Appendix A	
Description	Part	Page
PLATE, MOUNTING	4159810060	406
	6705012439	143
	6705100026	144, 153
	6705170886	143
	9352100789	177
PLATE, MTG.	9364101849	72
PLATE, PEDAL MOUNTING	6245101007	239
PLATE, PRESSURE	9974102177	99
PLATE, RETAINER	6705100260	63
	6705171011	63
	9049112874	365, 385
	9576101307	55
PLATE, RIGHT HAND CONSOLE	6245101009	145
PLATE, SENSOR	4159710008	351
PLATE, SIDE	9086101008	35
PLATE, SIDE SET	9086101336	35
PLATE, SPACER	6949001174	5
PLATE, STEP INNER	4197110295	311
PLATE, STEP OUTER	4197110296	311
PLATE, TAP	6705100083	145, 153
PLATE, TERMINAL STRIP END	9333102664	25
PLATE, THRUST	9722105434	459
	9974102196	100
	9974102197	100
PLATE,DISTRIBUTOR	9926110265	245
PLATE,END	9576101142	55
PLUG	7364100051	303, 331
	7450000401	128
	7709000811	181, 253
	7709000812	175, 177, 181
	7709000838	333
	7709000845	193, 521
	7709000849	332, 522
	7709000850	333, 521
	7709000874	194, 333, 471, 521
	7709000883	72, 193, 333, 523
	7709100877	181, 331, 522
	9049107242	361, 381
	9049108671	361, 381
	9049990974	357, 377
9049990988	355, 375	

From - PLATE, MOUNTING

To - PLUG

Manitowoc Cranes

Alphabetical Index	Appendix A		
Description	Part	Page	
PLUG	9437100895	345	
	9576101141	57	
	9576101154	57	
	9576101185	56	
	9576101220	57	
	9722105514	459	
	9722105556	461	
	9904101047	441	
	9904103528	421	
	9904103913	411	
	9904104055	411, 453	
	9904108396	411, 413	
	9904108408	441	
	9904109356	411, 413	
	9926112141	77, 78, 79, 80	
	9974102931	101	
	PLUG ASSEMBLY, SHUT-OFF	9926111439	77, 78, 79, 81
	PLUG ASSY	9926111999	77, 81
	PLUG ASSY.	9926113025	79, 80
	9926113026	78, 79, 80	
	9926113285	77, 78	
PLUG DTM06-12SA W/WM-12S WEDGE	7709100907	193	
PLUG DTM06-12SB W/WM-12S WEDGE	7709100908	193	
PLUG WITH O-RING	9904106063	413	
PLUG, 1 SOCKET	7709000876	72, 209	
PLUG, 1" BUTTON	7242000021	41, 289	
PLUG, 12 SOCKET	7709000846	193, 251, 331, 333, 471, 521	
PLUG, 2 PASS	7364100008	331	
PLUG, 2 SOCKET	7709000844	331, 472, 521	
PLUG, 2-PASS DEUTSCH DTP	7709100891	210, 334, 471	
PLUG, 3 PIN	7709100902	194, 471, 522	
PLUG, 4 PASS	7709100870	472	
PLUG, 4 SOCKET	7709000936	73, 334, 472, 523	
	7709100895	523	
PLUG, 40 SOCKET	7709100883	193	
	7709100884	193	
PLUG, BLEEDER	9372103584	367	
	9722105555	461	
PLUG, DEUTSCH DRC26-50S-04	7709100890	471	
PLUG, DRAIN	9904108964	413	
PLUG, DTO6-12SB-C015 W/WEDGE	7709100929	333, 522	

From - PLUG

To - PLUG, DTO6-12SB-C015 W/WEDGE

Manitowoc Cranes

Alphabetical Index		Appendix A
Description	Part	Page
PLUG, DTO6-12SC-C015 W/WEDGE	7709100930	522
PLUG, FILLER	9049100054	413
PLUG, FLANGE	7450000400	87
PLUG, FLUSH	9974102201	100
PLUG, HOLE	9333102047	29
	9333102808	25
PLUG, L SERIES LH1 PANEL	7242100005	170, 189
PLUG, M12 X 1.5	7709100932	487
PLUG, MAGNETIC	7709000157	343
	9880100081	491
	9904101317	413
PLUG, ORIFICE .040"	9926113171	83
PLUG, O-RING	7709000038	88, 92, 127
PLUG, SAE #4	7709000028	9
	7709800001	56, 63, 269
PLUG, SAE #6	7709000031	92
	7709800005	269
PLUG, SAE #8	7709800000	63
PLUG, SEAL	9364101712	71
PLUG, SEALING	7689000503	73, 155, 157, 181, 194, 210, 233, 331, 471, 521
	7826000650	472, 522
PLUG, VENT	9974102858	100
PLUG,CONNECTOR ASSY.5 PIN PASS	9333103906	21
PLUG,DT06-3S-CEO6 W/BLUE WEDGE	7709100911	194, 333, 472, 522
PLUG,SCREW TYPE	9188101096	455
POINTER	4195900219	43
POINTER ASSEMBLY	2114900861	41
POST, CENTER	6714100004	63
POTENTIOMETER,LENGTH	9333103897	21
PRESSURE TRANSDUCER, iFLEX 5 (2 P	9333103870	223
PRIMARY SUN GEAR	9974102677	100
PROXY SENSOR-PNP 10mm RANGE	7872100062	173, 369
PUMP ASSEMBLY - GEAR	7722100101	403
PUMP ASSEMBLY - PISTON	7722100100	403
PUMP ASSY, CANISTER	7576000320	144
PUMP ASSY, CHARGE	9904110603	449

From - PLUG, DTO6-12SC-C015 W/WEDGE

To - PUMP ASSY, CHARGE

Manitowoc Cranes

Alphabetical Index	Appendix A	
Description	Part	Page
PUMP DRIVE GROUP	9904110616	409
RADIATOR ASSEMBLY	2159810147	477
RADIATOR ASSY.	9726100338	483
RADIATOR CAP	7258001468	485
RAIL	9498100196	161
	9498100199	161
RAIL ASSY.	9498100394	163
RAIL, TERMINAL STRIP MOUNTING	9333102759	25
REAR FENDER - LEFT HAND	80010000	289, 511
RECEPT, (8P) SPLICE BLOCK	7892100026	181, 193, 521
RECEPT, DTO4-12PB-C015 W/WEDGE	7892100086	193, 233
RECEPT, DTO4-12PC-C015 W/WEDGE	7892100087	193
RECEPTABLE, 12 P FLANGE	7892001012	73
RECEPTACLE,	7364002417	210
	7892000824	72, 155, 157
	7892000831	253
	7892000832	175, 177, 181
	7892000939	72, 209
	7892000947	334
	7892000949	194, 332, 472, 521
	7892000950	194, 210
	7892000951	193, 210, 251, 333, 522
	7892000978	521
	7892000979	522
	7892000986	331
	7892001051	233, 334, 339, 523
RECEPTACLE, 12 VOLT DASH MOUNT	7892000999	201
RECEPTACLE, 3 WAY	7892100036	194, 333, 471, 522
RECEPTACLE, 9 PIN	7892001053	193, 333
RECEPTACLE, DTM04-4P	7892100039	523
RECEPTACLE, DTM-3P	7892100010	173, 369, 522
RECEPTACLE, SPLICE BLOCK	7892001036	193, 331, 521
REDUCER	7013000524	6
REGULATOR ASSY.	9722105558	462
RELAY, 12 VOLT 100AMP	7750160021	210
RELAY, 12 VOLT DC	7750000055	203
RELAY, 200 AMP	7750000793	337
RELAY, 75 AMP	7750000056	209
RELIEF, VALVE	9333103041	25

From - PUMP DRIVE GROUP

To - RELIEF, VALVE

Manitowoc Cranes

Alphabetical Index	Appendix A	
Description	Part	Page
RESERVOIR ASSEMBLY - HYDRAULIC	7880100112	341
RESISTOR ASSY.	9515102837	215
RESISTOR, 4700 OHMS	9333101465	29
RETAINER	4140900205	5
	9364101403	503
RETAINER, FILTER	9515102927	216
RETAINER, KEEPER	9498100121	161
	9498100388	163
RETAINER, SPRING	9904103568	431, 437
	9904105981	431
	9904107784	435
REV. & 2ND, SHAFT & DRUM ASSY	9904110466	431
REVERSE & 2ND. SHAFT GROUP	9904110618	409
REVERSE IDLER GROUP	9904110619	409
RING	9049107034	355, 375
	9049109546	357, 377
	9904103570	437
	9904108407	441
RING ASSEMBLY - SLIP	7753100037	63
RING GEAR	9576101174	57
RING GEAR, CARRIER	9049112856	361, 381
RING, BACKING	9904109579	419
RING, BACK-UP	7755325609	9
	7755332609	269
	7755342609	269
	7755351609	9
	7755365609	111
	7755445609	111
	9974102178	99
	9974102226	100
RING, CIRCULAR	9049991058	361, 381
RING, LOCATING	9904103893	427
RING, PISTON	9904108795	435
	9904109575	417
	9904109646	417
	9904110465	429, 431, 437
RING, RADIAL SEAL	90000590	357, 377
RING, RETAINER	9372103583	367
	9722105441	459
	9722105553	461

From - RESERVOIR ASSEMBLY - HYDRAULIC

To - RING, RETAINER

Manitowoc Cranes

Alphabetical Index	Appendix A	
Description	Part	Page
RING, RETAINER	9722105570	462
	9974103087	102
RING, RETAINING	9576101333	55
	9904101022	441
	9904101209	439
	9904103563	431
	9904103621	417, 441
	9904103899	425, 427
	9904105997	431
	9904106400	417
	9904106408	421, 441
	9904107558	437
	9904109593	429
	9974102191	99
	9974102219	100
	9974102221	100
RING, SEAL	9049108804	357, 377
	9049109351	361, 381
	9049109352	357, 361, 377, 381
	9904105957	417
RING, SNAP	9049990921	357, 377
	9904101348	431, 437
	9904101354	427
	9904103567	431, 435, 437
	9904103632	429, 435, 437
	9904103906	417, 435, 439
	9904103980	429, 431
	9904103983	429
	9904105286	417
	9904106001	435
	9904109459	441
	9904109581	421
	9904109583	421
RING, SPLIT	9086100815	35
RING, WEAR	7753000195	9
	7753000307	111
	7753000477	111
	7753000540	269
	7753001461	9
	7753001553	267
	RING, WIPER	7753000299
	7753000755	9
	7794000277	269
RING,RETAINER	9576101130	55
	9576101133	57

From - RING, RETAINER

To - RING,RETAINER

Manitowoc Cranes

Alphabetical Index	Appendix A		
Description	Part	Page	
RING,RETAINER	9576101137	56	
	9576101138	56	
	9576101140	57	
RIVET, POP	7760000008	221	
	7760000011	313	
ROD	9974102810	101	
ROD ASSY.	9372103562	275	
	9372103589	367	
	9372103624	269	
ROD ASSY. TIE	9049112841	358, 378	
ROD END, TIE L.H. THD.	9601990030	358, 378	
ROD END, TIE R.H. THD.	9601990029	358, 378	
ROD, 3 1/2"	6768100000	9	
ROD, 5 1/2"	6768100005	9	
ROD, 7" CYLINDER	6768100342	111	
ROD, PISTON	9904109619	445	
ROD, TIE	9926111533	77	
ROLLER	203583	23	
	203584	23	
	9974102840	102	
	9974103083	101	
ROLLER GUIDE ASSEMBLY	9333101437	19	
ROLLER, HOIST CABLES	80014544	6	
ROLLPIN	9974102814	102	
RUBBER, FLOCKED 154" LONG SCREW	7794001721	159	
	90000942	175, 177	
	9049112873	365, 385	
	9049112877	365, 385	
	9352100777	175, 177	
	9364101727	72	
	9364101846	72	
	9364101853	72	
	9372103585	367	
	9498100402	163	
	9904109584	425, 427	
	9926113274	241	
	SCREW #4	9333102669	25
	SCREW,	9049110524	358, 378
9049111546		355, 375	
9049991238		358, 378	
9049991895		358, 378	

From - RING,RETAINER

To - SCREW,

Manitowoc Cranes

Alphabetical Index	Appendix A	
Description	Part	Page
SCREW,	9086100805	35
	9498100135	161
	9511100007	175, 177
	9904103916	413
	9904109704	417
	9926111974	81
SCREW, #10-32 X 5/8" FLATHEAD	9364101596	72
SCREW, #8 X 1"	9498100400	163
SCREW, #8 X 3/8"	9498100401	163
SCREW, 3/8" - 16NC X 3/8" SET	7099000378	9, 111
SCREW, CABINET	7099000154	146
SCREW, CATCH	7786000539	159
SCREW, CENTER POST	7786000537	159
SCREW, COVER	9333101566	21
SCREW, FLANGE	7115160878	45
SCREW, GRUB	9364101821	65
	9722105436	459
SCREW, HEX	90013521	355, 375
	9049107039	355, 375
	9049111548	355, 375
	9049111693	355, 375
SCREW, HEX 3/8-24NF	9049108670	361, 381
SCREW, HEX SOCKET	9049112840	358, 378
	9049991912	358, 378
SCREW, LOCK	9904101044	441
	9904109621	445
SCREW, M20X260 HEX HEAD CAP	7127273950	371
SCREW, M4X30 LONG SLOTTED PAN	7121111301	169
SCREW, M6X35 LONG SLOTTED PAN	7121151401	187
SCREW, PLASTIC	9498100167	161, 163
SCREW, SET	9372103595	269
	9372103611	269
SCREW, SET (SLOTTED)	7786000544	265, 267
SCREW, SLOTTED MACHINE	9333102790	29
SCREW, THUMB	7099001159	201
SCREW, VALVE MOUNTING	9904105328	451
SCREW, SOCKET HD 5/16 X 1/2" LG	7099100020	307
SCREW-HEX HEAD	9926111452	81

From - SCREW,

To - SCREW-HEX HEAD

Manitowoc Cranes

Alphabetical Index		Appendix A	
Description	Part	Page	
SEAL	7364100052	332	
	7794000608	269	
	7794101550	9	
	7794101551	9	
	90012853	441	
	9049991324	357, 377	
	9498100200	161	
	9515102849	215	
	9515102853	215	
	9904105302	445	
	9904105307	445	
	SEAL RING	90012603	357, 377
		90012608	355, 375
SEAL RING, VITON	90012616	355, 375	
SEAL, BEARING 21'	9069100118	49	
SEAL, BUFFER	7794000543	269	
	7794000544	111	
	7794000707	9	
SEAL, CAP	90000633	84	
SEAL, COVER	9333101565	21	
SEAL, CUTTING	9333101472	223	
SEAL, DEEP Z ROD	7794000638	269	
	7794000642	111	
SEAL, DUST RING	9926113110	245	
SEAL, MODIFIED	6860100000	143	
SEAL, OIL	9576101331	55	
	9904109139	417	
	9974101216	99	
	9974102190	99	
SEAL, PISTON	7794000577	111	
	9904103637	429, 431, 435, 437	
	9904103638	429, 431, 435, 437	
	9974102176	99	
SEAL, RED PLUG	7364100058	332	
SEAL, ROD	7794000660	9	
	7794101552	9	
SEAL, SHAFT	9364101868	397	
	9722105557	462	
SEALANT, ADHESIVE	6829015131	143	
SEALER, FOAM	9515102833	215	
SEAL-SPECIAL	9926111468	77, 78, 79, 81	

From - SEAL

To - SEAL-SPECIAL

Manitowoc Cranes

Alphabetical Index	Appendix A	
Description	Part	Page
SEAL-SPECIAL	9926111470	77, 81
SEAT	7798000843	167
SEAT ASSEMBLY	80003780	167
SEAT, SPRING	9926113298	84
SECTION, INNER MID	2155910050	3
SECTION, OUTER MID	2155910052	3
SENDER, FUEL LEVEL	7352000878	487
SENSOR	9974103091	101
SENSOR,ANGLE	9333103898	21
SENSOR-COOLANT LEVEL	7352100036	485
SERVO POT. & BOARD ASSY.	9364101848	72
SET SCREW	9352100669	175, 177
	9364101615	72
	9926112199	78, 79, 80
SET, KEY	9872100256	189
SET, RING & PINION	9049112892	355, 375
SHACKLE, 7/8" GALVANIZED	7806100006	305
SHAFT	2159910078	4
	6810001156	45
	6810002810	145
	6810003003	263
	80014572	6
	9904104424	427
	9904105288	441
	9974102180	99
	9974102182	99
	9974102841	102
SHAFT & HUB W/ RETAINING RING	9904109573	417
SHAFT ASSY.	9722105546	461
SHAFT, IDLER	9904109607	439
SHAFT, LOWER PIVOT	7810100133	109
SHAFT, OUTPUT	9576101330	55
SHAFT, PIVOT	6810100067	15
	7810100139	15
	9576101345	155, 157
SHAFT, REVERSE IDLER	9904109598	433
SHAFT, ROLLER	9974103085	101
SHAFT, SHEAVE	4155910024	5
SHCS M10x65 -8.8 ISO 4762 PLTD	80010420	89

From - SEAL-SPECIAL

To - SHCS M10x65 -8.8 ISO 4762 PLTD

Manitowoc Cranes

Alphabetical Index	Appendix A	
Description	Part	Page
SHCS M12x70 -8.8 ISO 4762 PLTD	80010421	89
SHCS M6x20 -8.8 ISO 4762	80014955	307
SHEAVE	6718100000	4
SHEAVE ASSEMBLY - 5/8" ROPE	6718100031	45
SHEAVE ASSY, 1 GROOVE	6718100043	4
SHEAVE ASSY, 5 GROOVE	6718100006	5
SHEAVE MOUNT	80012762	4
SHEAVE, 2 GROOVE	6718100012	4
SHIM (.0359")	6705004268	95
SHIM (.0544")	4159900304	45
SHIM (.0598")	6705004267	95
SHIM (.1250")	6705004266	95
SHIM,	4159910000	3
	4159910001	3
	6705017532	33
SHOCK, MOUNTING	7638000044	477
S-HOOK	9086100813	35
S-HOOK, STANDARD	7601000955	45
SHROUD	2159810148	481
SHROUD BACK PLATE	4159810075	477
SHROUD BOTTOM PLATE	4159810074	477
SIDE GEAR, DIFFERENTIAL	9049991109	355, 375
SIDEPLATE, MOTOR	9974102943	100
SIDEPLATE,SUPPORT	9974102944	100
SILL, DOOR	6245101035	185
SKYLIGHT ASSEMBLY - SLIDING	7498100022	143
SLED	2159910055	5
SLEEVE	9904105940	411
SLEEVE, 3/16" I.D. X 3"	9364100092	71
SLEEVE, 5/16" I.D. X 3"	9364100334	71
SLEEVE, RED VINYL	7822100002	148
SLEEVE, TUBE	9904100993	413
SLEEVE, VINYL	7822000598	213
SLING, 5FT X 5/8 WIRE ROPE	7780100877	305
SLIP RING ASSY. 2 CONN.	9333103904	21
Slot PMS M5x60 -4.8 ISO 1580	7121131901	243

From - SHCS M12x70 -8.8 ISO 4762 PLTD

To - Slot PMS M5x60 -4.8 ISO 1580

Manitowoc Cranes

Alphabetical Index	Appendix A		
Description	Part	Page	
SLOTTED CHEESE HEAD SCREW SOCKET,	01374648	187, 190	
	7826000095	73, 331	
	7826000626	181, 251, 253, 332, 521	
	7826000635	209	
	7826100013	332	
	9581100394	189	
	9581100407	197	
	SOCKET, (12) 12-14GA	7826000092	210, 471
	SOCKET, (16 - 18) 30 SERIES	7826100004	73, 181, 193, 332, 471, 521
	SOCKET, 16-14 GA	7826000087	175, 177, 181, 193, 331, 521
	SOCKET, 20 GA AU-PLATE	7826000651	471
	SOCKET, 20 GAUGE GOLD	7826100018	181, 193, 523
	SOCKET, DEUTSCH 22/20 GA NI	7826100016	332
	SOCKET, RELAY	7826000079	209
	SOLENIOD, THUMPER	9352100788	177
	SOLENOID & CAP ASSY. 12V.	9926113288	78, 79, 80
	SPACER	4155110444	265
6910010579		45	
6910100009		45	
7910101574		9	
7910101575		9	
90001015		216	
9086100567		35	
9086100812		35	
9372103558		275	
9372103627		269	
9437100765		345	
9576101329		55	
9722105549		461	
9904103922		439	
9904103982		429, 431	
9904106002		435	
9904109594		431	
9904109611		441	
9974102195		100	
9974102672		99	
9974102705		100	
SPACER, DISC SPRING		9904109650	435
SPACER, DISK	90012599	357, 377	
	90012600	357, 377	
SPACER, NYLON	9364101594	72	
SPACER, STAND-OFF	9364101588	72	

From - SLOTTED CHEESE HEAD SCREW

To - SPACER, STAND-OFF

Manitowoc Cranes

Alphabetical Index	Appendix A	
Description	Part	Page
SPIDER, DIFFERENTIAL	9049991107	355, 375
SPLIT FLANGE HALF, 1 1/4"	7450000188	89, 127
SPOOL ASSY. HYD./ WATER	9364101820	65
SPRING	7834000120	301
	7834000786	297
	7834100003	144
	9326100498	249
	9326100499	249
	9498100156	161
	9904103569	431, 437
	9904105292	441
	9904105293	441
	9926111456	81
	9926112003	78
	9926112200	78, 79, 80
	9926113299	84
	9974102179	99
	9974102832	102
SPRING ASSY	9904107838	429, 431
SPRING, BRUSH	9364100333	71
	9364101154	71
SPRING, DISC	9904107783	435
STARTER, 12 VOLT	9414101731	407
STATOR, SUPPORT	9904109576	417
STEER CYLINDER GROUP	90012614	353, 373
STEP	2159110214	263
	4159110250	311
	4174110070	347, 495
STEP, CARRIER DECK	2159110274	257
STEP, TAPERED	4159110267	289
STOP, SLIDE	7846000680	159
STOPPER, RUBBER	7195100001	121
STRAIN RELIEF	9333102056	25
STRAINER, MESH	7437100220	406
STRAP	9576101028	493
STRAP, GROUND	7850000046	144
STRAP, MOUNTING	4159110253	497
	4159110254	497
	4159810077	477
STRAP, RUBBER	7418100004	400

From - SPIDER, DIFFERENTIAL

To - STRAP, RUBBER

Manitowoc Cranes

Alphabetical Index	Appendix A	
Description	Part	Page
STRIP, TERMINAL	7086000875	209
STUD	6865148670	497
	9904103623	441
	9904103986	445
STUD, 7.75" LEVELING	9364101839	71
STUD, WHEEL	9049108416	357, 377
SUPPORT, BEARING	9904109585	425
	9974102846	99
SUPPORT, CONSOLE	6245101004	143
SUPPORT, FENDER	4159110271	289
SUPPORT, PUMP	4159810082	405
	4159810083	407
SURGE TANK	2159810180	485
SWITCH ASSEMBLY - PROXIMITY	6872100045	169, 351
SWITCH ASSY.	9425100079	165
SWITCH ASSY. PRESSURE	9926113270	75
	9926113276	241
SWITCH L-SERIES HEADLIGHTS	7872100210	189
SWITCH L-SERIES PARK BRAKE	7872100211	189
SWITCH, 12 VOLT	9425100009	187
SWITCH, 120 TEMPERATURE (N.C.)	7872100170	92
SWITCH, 190 TEMPERATURE (N.C.)	7872100171	127
SWITCH, EMERGENCY STOP	7872100071	189
SWITCH, HEATER CNTRL EATON 12V	7872100091	189
SWITCH, IGNITION	7872100051	189
SWITCH, KEY	80008491	234
SWITCH, KEY OPERATED 2 POSITION S	7872100132	233
SWITCH, L-SERIES DEFROST FAN	7872100145	189
SWITCH, L-SERIES DRIVE SELECT	7872100138	189
SWITCH, L-SERIES ENGNE INC/DEC	7872100095	189
SWITCH, L-SERIES FAN HI/MED/LO	7872100105	189
SWITCH, L-SERIES HAZARDS	7872100100	189
SWITCH, L-SERIES HEATER ON/OFF	7872100106	189
SWITCH, L-SERIES MAIN HOIST	7872100118	170
SWITCH, L-SERIES O/R EXT/RET	7872100117	189
SWITCH, L-SERIES REAR STEER	7872100139	170

From - STRIP, TERMINAL

To - SWITCH, L-SERIES REAR STEER

Manitowoc Cranes

Alphabetical Index	Appendix A	
Description	Part	Page
SWITCH, L-SERIES SWING BRAKE	7872100146	170
SWITCH, L-SERIES WORK LIGHTS	7872100110	189
SWITCH, PUSH BUTTON	9352100790	175
SWITCH, SEAT	7872001408	167
SWITCH, SHIFTER	7872001734	243
SWITCH, TEMPERATURE 250 (N.C.)	7872100179	406
SWITCH, TURNSIGNAL/WIPER	7872001747	243
SWITCH,L-SERIES CRANE FUNC PWR	7872100107	189
SWITCH,L-SERIES LF O/R BM/STAB	7872100112	189
SWITCH,L-SERIES LR O/R BM/STAB	7872100114	189
SWITCH,L-SERIES RF O/R BM/STAB	7872100113	189
SWITCH,L-SERIES RR O/R BM/STAB	7872100115	189
SWITCH,L-SERIES SKYLIGHT WIPER	7872100108	189
SWIVEL	7364001547	221
SWIVEL ASSEMBLY -	6364101749	61
SWIVEL ASSEMBLY - 14 PORT	7364100165	63
TAB, MALE	7364001457	190
TAILPIPE	6910100017	503
TANK ASSEMBLY - 58 GALLON FUEL	7880100116	487
TANK ASSEMBLY - SURGE	2159810114	478
TAPE	9498100206	161
TEE	7888000045	403
TEE, SPLIT FLANGE BRANCH	7888100000	127
TEE, SWIVEL	9974102211	101
TEFLON PLUG	7671100081	3
TERMINAL	7345001752	209
	7345211401	193, 332
	7345211901	210, 221
	7345212101	209
	7345221901	210, 221
	7345231701	334
	7345231901	209, 332
	7345232001	332
	7345232101	209, 331
	7345241401	210
	7345242001	331
	7345242101	72
	7345261901	471

From - SWITCH, L-SERIES SWING BRAKE

To - TERMINAL

Manitowoc Cranes

Alphabetical Index	Appendix A	
Description	Part	Page
TERMINAL	7364001846	523
TERMINAL, BATTERY CABLE	7892000053	498
	7892000054	498
TERMINAL, BLUE CABLE SEAL	7892000256	523
TERMINAL, DARK RED CABLE SEAL	7892100003	332, 471
TERMINAL, FEMALE	7345001443	210
	7345001444	181, 193, 201, 209, 521
	7345001744	170, 190, 193, 209, 234, 471
	7345001944	193
	7892000843	331, 471
	7892100034	210, 334
TERMINAL, FEMALE 2.94-3.68	7892100033	333
TERMINAL, FEMALE SLEEVE	7892000253	194, 521
TERMINAL, FM MP 630 SERIES	7892100058	181, 193
	7892100059	181, 193
TERMINAL, GREEN CABLE SEAL	7892000254	194, 331, 521
TERMINAL, GREEN CAVITY	7892000257	194, 332, 521
TERMINAL, JUMBO KNIFE	9364100332	71
TERMINAL, MALE	7345001446	181, 190, 194, 201
	7345001746	170, 193, 234
TERMINAL, MALE PIN	7892000252	194, 332
TERMINAL, SMALL KNIFE	9364100088	71
THERMOMETER	7486000836	343
THERMOSTAT	9515102838	215
THIMBLE, 1/8" CABLE	9333103697	19
THROTTLE PEDAL	80004293	239
TIE, 8.14" LONG CABLE (BLACK)	7850000831	204
TIE, CABLE (BLACK)	7850000237	33, 233, 319, 406, 497, 519
	7850000805	33, 519
TIRE AND WHEEL ASSEMBLY	80016930	387
TIRE AND WHEEL MISC PARTS	80016872	389
TIRE-JIANGSU 16X25 32 PLY	80016876	389
TONGUE, INSULATED RING	7345211701	195, 339
	7345241701	210, 331
	7345241901	331, 521
TORQUE CONVERTER GROUP	9904110613	409
TRACK, CONTROL	7798100005	213
TRACK, FREE	7798100006	213

From - TERMINAL

To - TRACK, FREE

Manitowoc Cranes

Alphabetical Index	Appendix A	
Description	Part	Page
TRANSMISSION ASSEMBLY - 6 SPEED	80011908	403
TRIM	9498100201	161
	9498100202	161
TRIM, COVER	9498100396	163
	9498100397	163
TRIM, STOP	9498100395	163
TUBE	203582	23
	7910100671	271
	7910100672	271
	9904103551	413
TUBE ASSEMBLY, SUCTION	9904109569	413
TUBE ASSY	80009830	128
	80015247	88
TUBE ASSY (.25" OD, .035 WALL)	7910101845	131
TUBE ASSY SEL AXLE LO P3	7910101672	131
TUBE ASSY, ALO P1 SHORT	7910101507	128
TUBE ASSY, 1A MAN TO LS STEER	7910101516	89
	7910101642	93
TUBE ASSY, 1B MAN TO P STEER	7910101517	88
	7910101641	93
TUBE ASSY, ALO P1 LONG	7910101508	128
TUBE ASSY, ALO P1 TO TEE	7910101587	128
TUBE ASSY, ALO P2 LONG	7910101510	128
TUBE ASSY, ALO P2 SHORT	7910101509	128
TUBE ASSY, ALO P2 TO TEE	7910101588	128
TUBE ASSY, BR MAN TO P CHARGE	7910101515	89
TUBE ASSY, COOLER IN TO CHECK	7910101629	92
TUBE ASSY, COOLER OUTLET TO 4	7910101616	92
TUBE ASSY, D1 MAN TO TANK CHAR	7910101513	89
TUBE ASSY, D4 MAN TO PD MAIN	7910101436	88
TUBE ASSY, D6 MAN TO PD MAIN	7910101437	90
TUBE ASSY, FRONT STEER	7910101639	130
	7910101640	130
TUBE ASSY, HOSE TO TUBE RSA	7910101471	129
TUBE ASSY, HOSE TO TUBE RSB	7910101469	129
TUBE ASSY, INLET MAIN VALVE	7910101454	88
TUBE ASSY, LIFT A EXT TO HOSE	7910101597	89
TUBE ASSY, LIFT B RET TO HOSE	7910101432	89

From - TRANSMISSION ASSEMBLY - 6 SPEED

To - TUBE ASSY, LIFT B RET TO HOSE

Manitowoc Cranes

Alphabetical Index	Appendix A	
Description	Part	Page
TUBE ASSY, LIFT CYLINDER	7910101710	111
TUBE ASSY, LS MAIN TO PORT 2	7910101638	93
TUBE ASSY, MAIN HOIST DOWN M&A	7910101607	90
TUBE ASSY, MAIN HOIST UP M&A	7910101608	90
TUBE ASSY, MAIN TANK TO CHECK	7910101628	88
TUBE ASSY, MANIFOLD D5 TO 10	7910101618	88
TUBE ASSY, OIL COOLER INLET	7910101613	92
TUBE ASSY, OIL COOLER OUTLET	7910101614	92
TUBE ASSY, P BR CHARGE TO TUBE	7910101518	89
TUBE ASSY, P1 MAN TO P3 MAIN	80000423	88
TUBE ASSY, PORT 6 SWIVEL TO IN	7910101566	88
TUBE ASSY, PS MAN TO PS MAIN	7910101435	88
TUBE ASSY, PUMP INLET	7910101464	405
TUBE ASSY, RETURN MANIFOLD	7910101465	128
TUBE ASSY, SEL TO TEE EXT	7910101472	129
TUBE ASSY, SEL TO TEE RET	7910101473	129
TUBE ASSY, T BR CHARGE TO TUBE	7910101520	89
TUBE ASSY, TEE TO HOSE RET FRT	7910101475	129
TUBE ASSY, TEE TO STACK FRT	7910101474	129
TUBE ASSY, TELE A EXT TO HOSE	7910101706	89
TUBE ASSY, TELE B RET TO HOSE	7910101707	89
TUBE ASSY, TUBE TO HOSE RET RE	7910101479	129
TUBE ASSY, TUBE TO STACK REAR	7910101477	129
TUBE ASSY, VALVE TO TUBE RSA	7910101470	129
TUBE ASSY, VALVE TO TUBE RSB	7910101468	129
TUBE ASSY,BRAKE HOSE TO TUBE F	7910101571	129
TUBE ASSY,BRAKE TUBE REAR LONG	7910101570	130
TUBE ASSY,BRAKE TUBE REAR SHRT	7910101569	130
TUBE ASSY,BRAKE TUBE SHORT FRT	7910101572	129
TUBE ASSY,BRK TUBE TO TEE REAR	7910101496	130
TUBE ASSY,LS BR CHARGE TO TUBE	7910101519	88
TUBE ASSY,LS MAIN TO LS CHARGE	7910101636	92
TUBE ASSY,PORT 4 SWIVEL TO OUT	7910101567	88
TUBE ASSY,PORT 4SWIVEL TO TANK	7910101568	88
TUBE ASSY,SEL VALV TO RET MANI	7910101490	129

From - TUBE ASSY, LIFT CYLINDER

To - TUBE ASSY,SEL VALV TO RET MAI

Manitowoc Cranes

Alphabetical Index		Appendix A
Description	Part	Page
TUBE ASSY, TEE TO TUBE EXT REAR	7910101476	129
TUBE ASSY, TEE TO TUBE RET REAR	7910101478	129
TUBE, 1/2" NYLON FUEL	8594100012	487
TUBE, CHARGE AIR COOL	7910101599	477
TUBE, CYLINDER	9904106482	445
TUBE, DIPSTICK	7910101627	400
TUBE, EXHAUST	7910101450	503
TUBE, INTAKE 28"	7910101222	505
TUBE, LOWER RADIATOR	7910101584	405
TUBE, RADIATOR	7910101600	481
	7910101601	399
TUBE, RUBBER 5/16 ID X 50' LONG	8596902531	478
TUBE, STRAIGHT	6910100085	503
TUBE, THIRD SPEED	9904109568	413
TUBING CLAMP - 3/16	7300100021	33
TUBING, HEAT SHRINK 1/2" I.D.	8594100257	181, 194, 233, 331, 339, 471, 522
TUBING, HEAT SHRINK 1/4" I.D.	8594100256	173, 181, 194, 233, 332, 369, 471, 522
TUBING, HEAT SHRINK 3/4 I.D.	8594100265	233
TURBINE SHAFT GROUP	9904110611	409
TURNTABLE WELD	80014148	49
U-JOINT ASSY.	9364101867	397
U-JOINT BEARING WITH HARDWARE	9364101535	393, 395
VALVE ASSEMBLY -	7926100616	9
VALVE ASSEMBLY - ACCESSORY	80002486	75
VALVE ASSEMBLY - BRAKE TREADLE	7926100912	239
VALVE ASSEMBLY - DIRECTIONAL CONT	7926100986	75
VALVE ASSEMBLY - HOLDING	7926100925	111
VALVE ASSEMBLY - STEERING CONTROL	7926100899	243
VALVE ASSEMBLY, 3/8 PILOT OPERATE	7926100828	269
VALVE ASSY, CHECK	7926100948	92
VALVE ASSY, DUAL ACCUMULATOR CHAR	7926100910	75
VALVE ASSY. BRAKE	9926113271	241
VALVE ASSY. GAS	9005100230	75
VALVE ASSY. INLET SECTION	9926113280	77

From - TUBE ASSY, TEE TO TUBE EXT REAR

To - VALVE ASSY. INLET SECTION

Manitowoc Cranes

Alphabetical Index	Appendix A	
Description	Part	Page
VALVE ASSY. OUTLET SECTION	9926113284	77
VALVE ASSY. WORK SECTION	9926113281	77
	9926113283	77
	9926113459	77
VALVE, #12 INLET CHECK	7926100959	87
VALVE, AIR	7926000196	389
	9364101869	397
VALVE, BLEEDER	9049112872	365, 385
VALVE, BRAKE	9974102885	101
VALVE, BY-PASS	9437100476	345
VALVE, CART. & COIL ASSY. 12V.	9926113045	83
VALVE, CART. COUNTER BALANCE	9926113144	115
VALVE, CART. RELIEF @ 1800 PSI	9926113254	84
VALVE, CART.SEQUENCE @4400 PSI	9926113145	115
VALVE, CARTRIDGE	9926106474	83
	9926112313	13
VALVE, CHECK	9926113049	83
VALVE, CHECK CART.	9926113293	92
VALVE, DRAIN	7926000557	404
VALVE, DUST EJECTION	90001162	507
VALVE, EXPANSION	9515102831	215
VALVE, INLET CHECK	7926002156	117
VALVE, PRESS. COMPENSATOR	9926113443	83
VALVE, RELIEF @ 2500 PSI	9926113167	83
VALVE, SHUT-OFF	7926002329	406
VALVE, WATER	90001014	216
VALVE,CART. RELIEF @ 3250 PSI	9926113287	77, 79
VALVE,CART. RELIEF @ 3500 PSI	9926113286	77, 80
VALVE,CART. RELIEF @ 4000 PSI	9926113018	77, 81
VALVE,CART. RELIEF @ 4300 PSI	9926113017	77, 80
VALVE,CART/COIL PRESS.REDUCING	9926113165	83
VALVE,PRESS.REDUCING 250 PSI	90012924	83
VALVE,PRESS.REDUCING 2500 PSI	90012925	83
VALVE-DRAIN COCK	7926000014	399
VENT	9880100073	491
WASHER	9049112844	363, 383

From - VALVE ASSY. OUTLET SECTION

To - WASHER

Manitowoc Cranes

Alphabetical Index	Appendix A	
Description	Part	Page
WASHER	9364101903	393
	9437100857	345
	9576101124	55
	9576101129	55
	9722105437	459
	9904100983	439, 442
	9904103595	417, 441
	9904106235	447
	9926113300	84
	9974102839	102
	9974102843	102
	WASHER,	6949001154
7949000190		45
7949000615		146
9086100804		35
9632102851		245
9926111457		81
9974102821		100
WASHER, #10 FLAT		9364101851
WASHER, .450 I.D. NYLON FLAT	7949000561	307
WASHER, 1" I.D.	7949000360	6, 297
WASHER, 1" I.D. HARDENED ROUND	7949000359	49, 61
WASHER, 1/2" I.D. FLAT	7949000235	5, 111, 265, 391, 399, 404, 477
WASHER, 12 FLAT	00437529	49
WASHER, 5/8" I.D.	7949000259	399, 404
WASHER, 5/8" I.D. FLAT	7949000148	137
WASHER, 7/8" I.D.	7949000237	105
WASHER, BEVELED	7949001227	169
WASHER, BLACK NYLON	7949001186	169, 187, 267
WASHER, BLACK PLASTIC	7949000623	145
WASHER, COMPRESSION	9926111435	77
WASHER, COPPER	7949180045	488
WASHER, DOCK	6949100020	399
	7949180046	399
WASHER, FINISHED	7949001165	146
WASHER, HARDENED	7949000263	400, 403
WASHER, HARDENED ROUND	6949000036	477
	7949000534	63
WASHER, KEYED	7949000269	45

From - WASHER

To - WASHER, KEYED

Manitowoc Cranes

Alphabetical Index	Appendix A	
Description	Part	Page
WASHER, LOCK	9049109896	425
	9086100705	35
	9333102266	25
	9904109352	419
	9904109617	445
	9904109620	445
	9904109676	425
WASHER, LOCK 1/2" I.D.	9974100476	100, 101
WASHER, OFFSET	6659000889	4
WASHER, PLATE	7705100003	95, 135
WASHER, SEAL	9974103092	101
WASHER, SPRING	9049112848	358, 378
WASHER, THRUST	7949000333	4
	7949000383	109
	7949000385	15
	90012604	361, 381
	9049112861	355, 375
	9049991103	355, 375
	9086100802	35
	9086100803	35
	9904103610	441
	9904109599	433
	9904109600	433
	9974102181	99, 102
	9974102185	99
	9974102747	100
	9974102849	99
C8989364	361, 381	
WEATHERSEAL	9498100337	159
	9498100339	159
WEDGE	9826100007	39
WEDGE, CABLE 5/8"	9974103088	100
WEIGHT, FEMALE	9333101924	31
WEIGHT, MALE	9333101925	31
WELD NUT, M12 X 1.75	7659190032	263
WHEEL ASSEMBLY - 11.25 X 25 (CHEN	80016870	389
WHEEL, 5/8" ROPE SHEAVE	6718100030	47
WHEEL, SHEAVE	9086100800	35
WHEEL, STEERING	7970140706	243
WINDOW ASSEMBLY - REAR	7498000897	143
WINDOW ASSEMBLY - RIGHT HAND	7498100028	143

From - WASHER, LOCK

To - WINDOW ASSEMBLY - RIGHT HANI

Manitowoc Cranes

Alphabetical Index		Appendix A
Description	Part	Page
WIRE	9333102479	25
WIRE, 16 GAUGE WHITE	8977010300	233
WIRE, GROUND	9364101852	72
WIRE, SAFETY	9086100933	35
YOKE	7308000042	119
YOKE ASSY.	90012592	393
YOKE ASSY. W/ DUST CAP	90012594	395
ZINC MUFFLER CLAMP	7300001018	399

From - WIRE

To - ZINC MUFFLER CLAMP

Manitowoc Cranes

Numerical Index		Appendix B
Part	Description	Page
00437529	WASHER, 12 FLAT	49
00437742	HEX HEAD NUT	121
01147202	CAP SCREW, SOCKET HEAD M6X35	111
01374648	SLOTTED CHEESE HEAD SCREW	187, 190
01571750	NUT, CHANNEL	111
01923998	HEX HEAD NUT M6	210
01925033	FLAT WASHER - 6	210
203582	TUBE	23
203583	ROLLER	23
203584	ROLLER	23
2114900861	POINTER ASSEMBLY	41
2150200656	PIN ASSEMBLY	297
2155910039	MOUNT, SHEAVE	5
2155910050	SECTION, INNER MID	3
2155910052	SECTION, OUTER MID	3
2159110137	FIFTH WHEEL	263
2159110174	FENDER, RIGHT HAND REAR	289, 511
2159110175	FRONT FENDER - LEFT HAND	289, 511
2159110176	FENDER, RIGHT HAND FRONT	289, 511
2159110177	LADDER	347, 495
2159110178	LADDER ASSEMBLY	341, 487
2159110214	STEP	263
2159110274	STEP, CARRIER DECK	257
2159210126	PIN, SWING LOCK	119
2159810022	MOUNT, TRANSMISSION	403
2159810023	MOUNT, TRANSMISSION	403
2159810114	TANK ASSEMBLY - SURGE	478
2159810140	HOOD SECTION, REAR	295
2159810147	RADIATOR ASSEMBLY	477
2159810148	SHROUD	481
2159810180	SURGE TANK	485
2159810225	ENGINE ASSEMBLY - CUMMINS QSB6.7	399
2159910004	FOOT	5
2159910055	SLED	5
2159910078	SHAFT	4
2159910204	ANCHOR, LEFT HAND PLATE SINGLE	6

From - 00437529

To - 2159910204

Manitowoc Cranes

Numerical Index		Appendix B
Part	Description	Page
2159910205	ANCHOR, RIGHT HAND PLATE SINGLE	4
2159910206	ANCHOR, LEFT HAND MOUNTING PLATE	4
2159910207	ANCHOR, RIGHT HAND MOUNTING PLAT	6
2188410002	PANEL	203
4140900205	RETAINER	5
4150101045	PAD, WEAR	265, 267
4155110443	BLOCK, TAPPED	265
4155110444	SPACER	265
4155910024	SHAFT, SHEAVE	5
4159110071	PLATE	347, 495
4159110165	PLATE	265
4159110250	STEP	311
4159110251	PLATE, MOUNTING	487
4159110253	STRAP, MOUNTING	497
4159110254	STRAP, MOUNTING	497
4159110256	COVER, ACCESS	289
4159110267	STEP, TAPERED	289
4159110268	GUARD, MUD	289
4159110269	GUARD, MUD	289
4159110271	SUPPORT, FENDER	289
4159110282	COVER, TRANSMISSION ACCESS FRONT	295
4159110291	PANEL, DOOR	295
4159110292	COVER, TRANSMISSION ACCESS	295
4159110294	COVER, RIGHT SIDE HOOD	295
4159110295	COVER, LEFT SIDE HOOD	295
4159110298	PLATE, COVER	349
4159110299	PLATE, COVER	349
4159110300	PLATE, COVER	349
4159110308	PLATE, ADJUSTING	265
4159110314	BRACKET, HEAD/TAIL LIGHT	303
4159110343	HANDLE, GRAB	311
4159110364	HANDLE, GRAB	311
4159200657	GUARD, PINION	49
4159210122	BRACKET, ANGLE	121
4159210164	BRACKET, FRONT	121
4159210165	BRACKET, MID	121

From - 2159910205

To - 4159210165

Manitowoc Cranes

Numerical Index		Appendix B
Part	Description	Page
4159210166	BRACKET, REAR	121
4159210167	BRACKET, COVER	121
4159210191	GRILL	297
4159210193	PLATE - SHIELD	509
4159210194	MOUNTING BRACKET	509
4159210195	MOUNTING BRACKET	509
4159710006	PLATE, ANGLE SENSOR	351
4159710008	PLATE, SENSOR	351
4159810060	PLATE, MOUNTING	406
4159810068	GRILL, ENGINE HOOD	513
4159810070	BAFFLE	295
4159810074	SHROUD BOTTOM PLATE	477
4159810075	SHROUD BACK PLATE	477
4159810076	BRACKET, CLAMP	399
4159810077	STRAP, MOUNTING	477
4159810078	BRACKET	407
4159810079	BRACKET	400
4159810082	SUPPORT, PUMP	405
4159810083	SUPPORT, PUMP	407
4159810085	COVER, BATTERY BOX	307
4159810086	BRACKET, POWER FUSES	497
4159900304	SHIM (.0544")	45
4159901577	HOLDER, WEAR PAD	3
4159901578	PLATE, KICKBACK	3
4159901579	PLATE, KEEPER	4
4159910000	SHIM,	3
4159910001	SHIM,	3
4159910002	PLATE, KICKBACK	3
4159910026	CAP, END	45
4159910033	ANGLE, MOUNTING	6
4159910034	ANGLE, MOUNTING	5
4159910036	ANGLE, MOUNTING	5
4159910046	PLATE, COVER	5
4159910051	ANGLE, MOUNTING	5
4159910142	PLATE, KEEPER	6
4174110070	STEP	347, 495

From - 4159210166

To - 4174110070

Manitowoc Cranes

Numerical Index	Appendix B	
Part	Description	Page
4174810060	PANEL, RELAY	337
4195900219	POINTER	43
4197110295	PLATE, STEP INNER	311
4197110296	PLATE, STEP OUTER	311
4197910236	PLATE, ANTI 2 BLOCK	33
4480200017	PLATE	135
6033100018	ARMREST	169
6051105003	COUNTERWEIGHT, 3810 KG	297
6059000910	BAR	337
6059100001	BAR, BUSS	497
6069000445	BEARING	4
6069001186	CONE, BEARING	47
6069100000	BEARING	4
6184001406	BRACKET, FUSE	209
6184003000	BRACKET, CAP	267
6184003088	BRACKET, SEAT BAR	167
6184100007	BRACE	187
6184100027	BRACKET, SEAT	213
6184100054	BRACKET, LATCH	307
6184100206	BRACKET, BATTERY HOLD-DOWN	498
6184100242	BRACKET, SWITCH	233
6199100016	BUSHING	5
6199100017	BUSHING	5
6199100090	BUSHING	49
6199100100	BUSHING	61
6199100104	BUSHING	399
6200200812	BUSHING	4
6200200816	BUSHING	6
6245100077	BRACKET	169
6245100081	ARM SUPPORT	169
6245100273	BAR, LATCH	145
6245100947	CONSOLE, FRONT FRAME	190
6245101002	MOUNT, BRACKET LEVEL	143
6245101003	MOUNT, BRACKET MODULE	187
6245101004	SUPPORT, CONSOLE	143
6245101005	MOUNT, STEERING COLUMN	143

From - 4174810060

To - 6245101005

Manitowoc Cranes

Numerical Index		Appendix B
Part	Description	Page
6245101007	PLATE, PEDAL MOUNTING	239
6245101009	PLATE, RIGHT HAND CONSOLE	145
6245101025	PLATE, COVER	237
6245101026	BRACKET, MOUNTING	237
6245101030	BRACKET, MOUNTING	143
6245101033	CATCH, REAR LATCH	143
6245101034	ANGLE	144
6245101035	SILL, DOOR	185
6245101036	JAMB, REAR DOOR	143
6245101038	CHANNEL, DOOR	143, 153
6245101061	CHANNEL	143
6245101062	BRACKET, LEFT HAND SUN SCREEN	219
6245101063	BRACKET, RIGHT HAND SUN SCREEN	219
6245101066	BRACKET, MODULE SUPPORT	201
6245101104	PLATE, COVER	144
6245101133	BRACKET, MOUNTING	143
6245101144	DOOR WELDMENT, CAB	145, 153
6245101145	CAB WELD	143
6245101147	CAB ASSEMBLY	137
6245101159	DOOR INSTALLATION - CAB	151
6245101201	PLATE, KICK	148
6246001174	LANYARD	221
6258100042	COVER	519
6326100001	COLUMN ASSEMBLY - MODIFIED TILT	243
6364101749	SWIVEL ASSEMBLY -	61
6372006097	HEAD, CYLINDER	9
6372006103	HEAD, 4 1/4" CYLINDER	9
6372100049	BARREL, TELESCOPE CYLINDER	9
6372100411	CYLINDER ASSEMBLY - TELESCOPE	3
6372100486	BARREL, LIFT CYLINDER	111
6372100488	CYLINDER ASSEMBLY - 9" LIFT	109
6376200767	DECAL INSTALLATION - RT535E	277
6376200776	DECAL INSTALLATION - RT535E	277
6376200785	DECAL INSTALLATION - RT535E	277
6458100000	FLOAT ASSEMBLY - OUTRIGGER	299
6458100001	FLOAT, OUTRIGGER	301

From - 6245101007

To - 6458100001

Manitowoc Cranes

Numerical Index		Appendix B
Part	Description	Page
6511100009	HANDLE, DOOR (MODIFIED)	145
6512100807	HARNESS ASSEMBLY - ENGINE RELAY	337
6512100819	HARNESS ASSEMBLY - ENGINE	467
6512100837	HARNESS ASSEMBLY - SEAT	170
6512100853	HARNESS ASSEMBLY - TURN SIGNAL/W	247
6512100854	HARNESS ASSEMBLY - SHIFTER	247
6512100914	HARNESS ASSEMBLY - FUSE AND RELA	203
6512101096	HARNESS ASSEMBLY - CARRIER	319
6585100004	CATCH, FRONT LATCH	143
6585100018	LATCH ASSY	307
6593000137	LEVER	301
6608001308	LUG	144
6608100004	LUG	271
6659000889	WASHER, OFFSET	4
6671000166	PAD, WEAR	3
6671000177	PAD, WEAR	5
6671000236	PAD, WEAR	265
6671001148	PAD, WEAR	3
6671001149	PAD, SIDE WEAR	3
6679100157	PANEL ASSEMBLY - ENGINE RELAYS	319
6679100195	PANEL ASSEMBLY - FUSE AND RELAY	201
6689001836	PIN	265
6689002029	PIN	267
6689002074	PIN	4
6689100028	PIN	5
6689100141	PIN, LOCK OUT CYLINDER	351
6689100142	PIN, LOCK OUT CYLINDER	351
6701000970	PISTON, 9" CYLINDER	111
6701100000	PISTON, 6.31" CYLINDER	9
6701100001	PISTON, 4 1/4" CYLINDER	9
6705004266	SHIM (.1250")	95
6705004267	SHIM (.0598")	95
6705004268	SHIM (.0359")	95
6705006974	PLATE	6
6705012439	PLATE, MOUNTING	143
6705016148	PLATE	63

From - 6511100009

To - 6705016148

Manitowoc Cranes

Numerical Index		Appendix B
Part	Description	Page
6705016902	PLATE, COVER	144
6705017532	SHIM,	33
6705018338	PLATE	169
6705100026	PLATE, MOUNTING	144, 153
6705100083	PLATE, TAP	145, 153
6705100115	PLATE	503
6705100260	PLATE, RETAINER	63
6705170886	PLATE, MOUNTING	143
6705170914	PLATE	170
6705171011	PLATE, RETAINER	63
6705171095	PLATE, MOUNT	399
6714100004	POST, CENTER	63
6718100000	SHEAVE	4
6718100006	SHEAVE ASSY, 5 GROOVE	5
6718100012	SHEAVE, 2 GROOVE	4
6718100030	WHEEL, 5/8" ROPE SHEAVE	47
6718100031	SHEAVE ASSEMBLY - 5/8" ROPE	45
6718100043	SHEAVE ASSY, 1 GROOVE	4
6768100000	ROD, 3 1/2"	9
6768100005	ROD, 5 1/2"	9
6768100342	ROD, 7" CYLINDER	111
6794000650	GASKET	406
6794001567	GASKET	406
6794100011	GASKET, 2 BOLT HOLE	406
6794100012	GASKET, 2 BOLT HOLE	406
6810001156	SHAFT	45
6810002810	SHAFT	145
6810003003	SHAFT	263
6810100067	SHAFT, PIVOT	15
6814100042	GUARD, MUFFLER	503
6829015131	SEALANT, ADHESIVE	143
6860100000	SEAL, MODIFIED	143
6865148670	STUD	497
6872100045	SWITCH ASSEMBLY - PROXIMITY	169, 351
6910010579	SPACER	45
6910100009	SPACER	45

From - 6705016902

To - 6910100009

Manitowoc Cranes

Numerical Index		Appendix B
Part	Description	Page
6910100017	TAILPIPE	503
6910100085	TUBE, STRAIGHT	503
6949000036	WASHER, HARDENED ROUND	477
6949001154	WASHER,	43
6949001174	PLATE, SPACER	5
6949100020	WASHER, DOCK	399
6978100956	ELECTRICAL SYSTEM INSTALLATION	406
7001100579	MAT, FLOOR	185
7001100580	FOAM, .75 ACOUSTIC	185
7001100581	FOAM, .75 ACOUSTIC	185
7001100582	FOAM, .75 ACOUSTIC	185
7001100583	FOAM, 1.00 ACOUSTIC	185
7001100584	FOAM, 1.00 ACOUSTIC	185
7001100585	FOAM, 1.00 ACOUSTIC	185
7001100586	FOAM, 1.00 ACOUSTIC	185
7001100587	FOAM, 1.00 ACOUSTIC	185
7001100588	FOAM, 1.00 ACOUSTIC	185
7001100589	FOAM, 1.00 ACOUSTIC	185
7005100017	ACCUMULATOR ASSY, HYDRAULIC OIL	75
7013000156	ELBOW	505
7013000384	ADAPTER, REDUCING	267
7013000405	ADAPTER	405, 487
7013000524	REDUCER	6
7013001112	ADAPTER	87
7013100047	ADAPTER, ORB TO HOSE BARB 20-16	405
7013100059	ADAPTER, 0.062 DIA ORIFICE	93
7025000821	ALARM, FAST PULSE BUZZER	203
7025000836	ALARM, BACK-UP	319
7025100013	HORN	144
7029100003	ALTERNATOR	403
7033001063	PAD, ARMREST	169
7056000620	BAND, MOUNTING	503
7056100011	BAND, MOUNTING	505
7064100004	BATTERY, 12 VOLT	497
7069000175	CLOSURE, BEARING	47
7069000516	BEARING	145, 153

From - 6910100017

To - 7069000516

Manitowoc Cranes

Numerical Index		Appendix B
Part	Description	Page
7069000518	BEARING	43
7069001045	BEARING	145
7069100031	BEARING	5
7069100081	BEARING, TURNTABLE	49
7086000875	STRIP, TERMINAL	209
7086000947	BLOCK, FUSE	209
7086001082	HOLDER, FUSE	203, 337, 497
7086100000	BLOCK, SLIDE	143, 153
7086100002	BLOCK	143, 153
7086100144	BLOCK, SPACER	148
7099000154	SCREW, CABINET	146
7099000378	SCREW, 3/8" - 16NC X 3/8" SET	9, 111
7099000399	BOLT, STACKING	233
7099001159	SCREW, THUMB	201
7099100020	SCREW, SOCKET HD 5/16 X 1/2" LG	307
7099100058	BOLT, 1" DIAMETER 12" LONG	5
7101100611	SCREW, MACHINE	147
7101101210	SCREW, MACHINE	170
7105140650	CAP SCREW,	145
7105141250	1/4" - 28 NF X 1 1/2" GRADE 5	148
7108161450	CAP SCREW,	404
7108181650	BOLT, HEX	391
7110080605	CAP SCREW,	33
7110141118	SCREW, CAP 1/4"-20 N.C X 1 3/8"	169
7110150818	CAP SCREW,	153
7110151605	CAP SCREW,	33
7110151618	CAP SCREW,	169
7110180605	CAP SCREW,	4
7110181805	CAP SCREW,	9
7110220606	CAP SCREW,	3
7110260606	CAP SCREW,	6
7111040410	SCREW, MACHINE	319
7111040610	SCREW, MACHINE	147, 203
7111080410	SCREW, MACHINE	204
7111080810	SCREW, MACHINE	234
7111100611	SCREW, MACHINE	203, 209

From - 7069000518

To - 7111100611

Manitowoc Cranes

Numerical Index		Appendix B
Part	Description	Page
7111100807	SCREW, MACHINE	203, 337, 497
7111100811	SCREW, MACHINE	204, 497
7111140410	SCREW, MACHINE	295
7111140610	SCREW, MACHINE	295
7111140810	SCREW, MACHINE	337, 497
7111150864	BOLT, CARRIAGE	146
7111151664	BOLT, CARRIAGE	169
7111160807	SCREW, MACHINE	3
7111161064	BOLT, CARRIAGE	146
7111161264	BOLT, CARRIAGE	145, 153
7115140450	CAP SCREW,	203
7115140478	CAP SCREW,	219
7115140550	CAP SCREW,	201, 233
7115140650	CAP SCREW,	6, 145, 493
7115141450	CAP SCREW, 1/4-20UNC X 1 3/4	153, 169
7115143250	CAP SCREW,	23
7115144450	CAP SCREW, 1/4-20UNC X 5 1/2	23
7115150550	CAP SCREW,	3
7115150650	CAP SCREW,	498
7115150750	CAP SCREW,	234
7115150850	CAP SCREW,	43, 107, 146, 153
7115150950	CAP SCREW,	3
7115151250	CAP SCREW,	5
7115152050	CAP SCREW,	493
7115160550	CAP SCREW,	271
7115160650	CAP SCREW,	107
7115160750	CAP SCREW,	145
7115160850	CAP SCREW,	33, 243
7115160878	SCREW, FLANGE	45
7115161050	CAP SCREW,	90, 91, 137, 319
7115161250	CAP SCREW,	151, 451
7115161450	CAP SCREW,	153
7115163250	CAP SCREW,	4
7115163450	CAP SCREW,	4
7115170650	CAP SCREW,	4
7115171250	CAP SCREW,	89, 128

From - 7111100807

To - 7115171250

Manitowoc Cranes

Numerical Index		Appendix B
Part	Description	Page
7115174450	CAP SCREW,	92
7115180850	CAP SCREW, 1/2"-13 UNC X 1"	6
7115181250	CAP SCREW,	89, 127
7115181450	CAP SCREW,	405
7115181650	CAP SCREW, 1/2"-13UNCX2"LONG	63
7115182250	CAP SCREW,	145
7115184050	CAP SCREW,	111
7115203050	CAP SCREW,	137
7115221650	CAP SCREW,	5, 403
7115225650	CAP SCREW,	135
7118160850	CAP SCREW,	6
7118171050	CAP SCREW,	411
7118181050	CAP SCREW,	5
7118201450	CAP SCREW,	404
7118244250	CAP SCREW,	105
7118264250	CAP SCREW,	49
7121110801	MACHINE SCREW, M4X12 SLOTTED	147, 219
7121111101	MACHINE SCREW, M4X20 SLOTTED	147
7121111301	SCREW, M4X30 LONG SLOTTED PAN	169
7121130801	MACHINE SCREW, M5X12 SLOTTED	213
7121131101	MACHINE SCREW, M5X20 SLOTTED	147, 307
7121131901	Slot PMS M5x60 -4.8 ISO 1580	243
7121151401	SCREW, M6X35 LONG SLOTTED PAN	187
7126130953	CAP SCREW, M5 X 14MM HEX HEAD	121
7126151153	CAP SCREW, M6X20 HEX HEAD	75, 147, 201, 239, 319, 477
7126151253	CAP SCREW, M6 X 25MM	265, 481
7126151353	CAP SCREW, M6X30 HEX HEAD	201
7126151650	CAP SCREW, M6 X 45MM HEX HEAD	121, 146
7126171150	CAP SCREW, M8 X 20MM HEX HEAD	49, 63, 75, 295, 513
7126171153	CAP SCREW, M8 X 20MM HEX HEAD	130, 351
7126171250	CAP SCREW, M8X25 HEX HEAD	146
7126171253	CAP SCREW, M8X25 HEX HEAD	121, 167, 187, 289, 297, 303, 349, 400, 478, 509, 519
7126171350	CAP SCREW, M8 X 30MM HEX HEAD	167, 213
7126171353	CAP SCREW, HEX HEAD	121
7126171550	CAP SCREW, M8 X 40MM HEX HEAD	63

From - 7115174450

To - 7126171550

Manitowoc Cranes

Numerical Index		Appendix B
Part	Description	Page
7126171553	CAP SCREW, M8 X 40MM HEX HEAD	503
7126191153	CAP SCREW, M10 X 20 HEX HEAD	146, 239, 361, 381
7126191250	CAP SCREW, M10 X 25MM HEX HEAD	295, 406, 467
7126191253	CAP SCREW	147, 187, 341, 400, 407, 487, 503, 505
7126191350	CAP SCREW, M10X30 HEX HEAD	255, 257, 289
7126191353	CAP SCREW, M10 X 30MM HEX HEAD	6, 147, 311, 503, 509
7126191450	CAP SCREW, M10 X 35MM HEX HEAD	127, 146, 289, 343
7126191550	CAP SCREW, M10 X 40MM HEX HEAD	311, 347, 403, 495
7126191750	CAP SCREW, M10 X 50MM HEX HEAD	146, 311, 399
7126192650	CAP SCREW, M10 X 100MM HEX HEAD	403
7126211150	CAP SCREW, M12 X 20MM HEX HEAD	144, 399
7126211250	HHCS M12X25	477
7126211253	CAP SCREW, M12 X 25MM HEX HEAD	349, 404, 488
7126211353	CAP SCREW, M12 X 30 HEX HEAD	146, 265, 289, 467
7126211450	CAP SCREW, M12 X 35MM HEX HEAD	128, 477
7126211454	CAP SCREW, M12X35 SOCKET HEAD	404
7126211550	CAP SCREW M12 X 40	488, 509
7126211650	CAP SCREW, HEX HEAD	391
7126211853	CAP SCREW, M12X55 HEX HEAD	400
7126212053	CAP SCREW, HEX HEAD M12 X 65	265
7126212150	CAP SCREW, M12 X 70MM HEX HEAD	75, 477
7126212250	CAP SCREW, M12 X 75MM HEX HEAD	49
7126212650	CAP SCREW, M12X100 HEX HEAD	263
7126241653	CAP SCREW, M16 X 45MM HEX HEAD	341
7126243150	CAP SCREW, M16X150 HEX HEAD	15
7126243350	HHCS M16x170 -8.8 ISO 4017	109
7126271753	CAP SCREW, M20X50 HEX HEAD	265
7126272353	CAP SCREW, M20 X 80MM HEX HEAD	95, 297
7126294350	CAP SCREW, M24X340 HEX HEAD	61
7127241550	CAP SCREW, M16 X 40MM HEX HEAD	63
7127242653	CAP SCREW, M16X100 HEX HEAD	399
7127272850	CAP SCREW, M20X120 HEX HEAD	399
7127273950	SCREW, M20X260 HEX HEAD CAP	371
7127274050	CAP SCREW, M20X280 -10.9 HH	351
7128111254	CAP SCREW, M4 X 25MM HEX HEAD	351

From - 7126171553

To - 7128111254

Manitowoc Cranes

Numerical Index		Appendix B
Part	Description	Page
7128111454	CAP SCREW, M4 X 35MM HEX HEAD	351
7128171454	CAP SCREW, MM 8 X 35MM SOCKET	167
7128211254	CAP SCREW, SOCKET HEAD M12X25	265
7172000545	BOOT, DT2S CONNECTOR	331, 472, 521
7172000546	BOOT	319, 472
7172000547	BOOT	334, 471, 521
7172000549	BOOT	210
7172000550	BOOT	247, 521
7172000551	BOOT	72, 210, 233, 333, 523
7172000552	BOOT	247, 331, 471, 521
7172000553	BOOT	333, 521
7172000554	BOOT	332, 471, 522
7172000558	BOOT, TERMINAL	210, 333
7172000564	BOOT	72, 333
7172000565	BOOT, CONNECTOR	72, 333, 522
7172000567	BOOT, CONNECTOR	73, 334, 472, 523
7172000568	BOOT, CONNECTOR	233, 334, 339
7172100002	BOOT, PLUG	181, 331, 522
7172100003	BOOT-DTM3P-RECP	173, 369
7172100004	BOOT, DTP2S-BT	471
7172100005	BOOT, DTP2P-BT	333
7172100006	BOOT, DTP4S - BT	471
7172100011	BOOT, POSITIVE TERMINAL	498
7184001014	BRACKET, MIRROR ARM	107, 144, 309
7188000165	BRAKE, DISC	447
7195000010	BUMPER, MOLDED	121
7195000032	BUMPER, RUBBER	295, 513
7195000037	BUMPER, RUBBER	299
7195100001	STOPPER, RUBBER	121
7199001289	BUSHING	169
7199100029	BUSHING, LINER	111
7242000021	PLUG, 1" BUTTON	41, 289
7242100002	BUTTON, SQUARE	170
7242100005	PLUG, L SERIES LH1 PANEL	170, 189
7245100056	COVER, ARMREST	169
7245100058	COVER, FUSE	201

From - 7128111454

To - 7245100058

Manitowoc Cranes

Numerical Index		Appendix B
Part	Description	Page
7245100069	COVER, CONSOLE	187
7245100073	COVER, WIPER MOTOR	147
7246002555	CABLE ASSY	201, 319
7246003369	CABLE, 16 GA 19 CONDUCTOR	521
7246003554	CABLE, EXTENSION	5
7246100020	CABLE, SHIELDED	194, 522
7246100028	CABLE, BLACK	475
7246100031	CABLE ASSY 2/0 BLK (66" LG)	501
7246100048	CABLE, EXTENSION	4
7246100049	CABLE, RETRACTION	5
7246100114	CABLE ASSY-4/0 RED (9.0")LG	501
7246100145	CABLE-RED 1/0 42" (STR TO ALT)	475
7246100156	CABLE-RED 1/0 12" FUSE/RELAY	501
7246100157	CABLE-RED 1/0 8" FUSE TO RELAY	501
7246100186	CABLE-BLK 60"ENG GND TO ALT -	475
7246100198	CABLE-RED 1/0 36" (RLY/GRDHTR)	475
7246100220	CABLE-RED 6GA 48" STRTR/RELAY	475
7246100227	CABLE-RED 4/0 10" DISCSW/FUSE	501
7246100276	CABLE-RED 6GA 48" STRTR/RELAY	475
7246100321	CABLE 18GA	194
7246100342	CBL-BLK 4/0 90" BAT-/START-	475
7246100343	CBL-RED 4/0 84"BAT DISC/START+	475
7246100345	KIT - CABLE (ENGINE)	467
7246100347	CABLE-RED 1/0 96" FUSE/FUSE	501
7246100441	KIT - CABLE (BATTERIES)	497
7246100453	CABLE, RED 4/0 32" BAT+/- BAT	501
7246100476	CONTROL CABLE W/LOCK HANDLE	119
7258001451	CAP, 1/4"	170, 187
7258001452	CAP #8	147, 187, 190
7258001468	RADIATOR CAP	485
7258001691	CAP, JACK CYLINDER	267
7258100138	BINDER	221
7258100146	CAP, FILL (WITH BREATHER)	343
7258100154	CAP, DEUTSCH HDC16 - 9 DUST	194, 333
7258100165	BACKSHELL, DEUTSCH HD10 SERIES	333
7258100188	COVER, VALVE	121

From - 7245100069

To - 7258100188

Manitowoc Cranes

Numerical Index		Appendix B
Part	Description	Page
7296000004	INHIBITOR, CORROSION	19
7300000006	CLAMP, HOSE	399, 403, 478
7300000013	CLAMP, HOSE	404
7300000018	CLAMP	271, 503
7300000035	CLAMP, HOSE	213, 403, 477, 481
7300000040	CLAMP, HOSE	213, 399
7300000056	CLAMP	301
7300000101	CLAMP, TUBING	130, 399, 478
7300000102	CLAMP, TUBING	33, 90
7300000121	HOSE CLAMP -0.69"MAX	405, 477, 485, 487
7300000167	CLAMP, HOSE	404, 478
7300000195	CLAMP, TUBING	477
7300000206	CLAMP, HOSE	505
7300000223	CLAMP, T-BOLT	505
7300000231	MUFFLER CLAMP	503
7300000241	CLAMP, TUBING	33
7300000243	CLAMP, TUBING	267, 399
7300000244	CLAMP, TUBING	63
7300000246	CLAMP, TUBING 1-1/4" I.D.	400, 406
7300000247	CLAMP, 1 1/4" TUBING	467
7300000251	CLAMP, TUBING	117
7300000269	CLAMP, PIPE	111
7300000393	BATTERY, HOLD-DOWN	497
7300000397	CLAMP, TUBING	129
7300000399	CLAMP, TUBING	89, 128
7300000400	CLAMP, TUBING	129
7300000401	CLAMP, TUBING	89
7300000402	CLAMP, TUBING	129
7300000404	CLAMP, 1" TUBING	89, 128, 319, 399
7300000405	CLAMP, TUBING	89, 90, 130
7300000406	CLAMP, TUBING	319
7300000407	CLAMP, TUBING	130
7300000408	CLAMP, TUBING	128, 319
7300000461	CLAMP, T-BOLT	399, 477
7300001000	CLAMP	477
7300001018	ZINC MUFFLER CLAMP	399

From - 7296000004

To - 7300001018

Manitowoc Cranes

Numerical Index		Appendix B
Part	Description	Page
7300001061	CLAMP, LINER	213
7300001082	CLAMP, DOUBLE SADDLE	271
7300001083	CLAMP, MUFFLER	399
7300100014	CLAMP, 5/8" TUBING	399
7300100015	CLAMP, 7/8" TUBING	487
7300100021	TUBING CLAMP - 3/16	33
7300100022	CLAMP, T-BOLT 3"	406
7300100024	CLAMP, T-BOLT 1.75" NOM	127, 406
7300100025	CLAMP ASSY, 2.38" HYDRA-ZORB	75
7300100026	CLAMP, T-BOLT 7.75 NOM	505
7304100012	CLEANER ASSEMBLY - AIR	505
7308000042	YOKE	119
7326100007	COLUMN ASSEMBLY - TILT STEERING	243, 247
7345001443	TERMINAL, FEMALE	210
7345001444	TERMINAL, FEMALE	181, 193, 201, 209, 521
7345001446	TERMINAL, MALE	181, 190, 194, 201
7345001713	CONNECTOR, BUTT	233
7345001744	TERMINAL, FEMALE	170, 190, 193, 209, 234, 471
7345001746	TERMINAL, MALE	170, 193, 234
7345001752	TERMINAL	209
7345001944	TERMINAL, FEMALE	193
7345211401	TERMINAL	193, 332
7345211701	TONGUE, INSULATED RING	195, 339
7345211901	TERMINAL	210, 221
7345212101	TERMINAL	209
7345221901	TERMINAL	210, 221
7345231701	TERMINAL	334
7345231901	TERMINAL	209, 332
7345232001	TERMINAL	332
7345232101	TERMINAL	209, 331
7345241401	TERMINAL	210
7345241701	TONGUE, INSULATED RING	210, 331
7345241901	TONGUE, INSULATED RING	331, 521
7345242001	TERMINAL	331
7345242101	TERMINAL	72
7345261701	16 - 14 AWG	472

From - 7300001061

To - 7345261701

Manitowoc Cranes

Numerical Index		Appendix B
Part	Description	Page
7345261901	TERMINAL	471
7348000667	EXTINGUISHER, FIRE	144
7348000669	BRACKET	144
7352000878	SENDER, FUEL LEVEL	487
7352100036	SENSOR-COOLANT LEVEL	485
7352100053	MODULE, CONTROL	201
7352100064	I/O CONTROL MODULE	201
7352100067	MODULE, CARRIER CONTROL	497
7352100069	MODULE, MASTER CONTROL	497
7352100070	MODULE, CONTROL	519
7352100095	CONTROLLER CAN 12V RH ARMREST	170
7352100097	CONTROLLER ASSEMBLY - 8-32 VOLT	170
7364001457	TAB, MALE	190
7364001547	SWIVEL	221
7364001682	CONNECTOR, 2 CONDUCTOR	332, 521
7364001683	CONNECTOR, 2 CONDUCTOR	332, 521, 523
7364001684	CONNECTOR, 3 CONDUCTOR	193
7364001685	CONNECTOR, 3 CONDUCTOR	194
7364001846	TERMINAL	523
7364002417	RECEPTACLE,	210
7364002517	CONNECTOR	471
7364002518	CONNECTOR	471
7364002614	JOINT, 90 DEGREE LIVE	6
7364002995	COUPLER, FLEX	503
7364100008	PLUG, 2 PASS	331
7364100009	CONNECTOR, LOCKING	331
7364100051	PLUG	303, 331
7364100052	SEAL	332
7364100058	SEAL, RED PLUG	332
7364100165	SWIVEL ASSEMBLY - 14 PORT	63
7364100166	DRIVE LINE ASSEMBLY	391
7364100177	BEZEL, L-SERIES SINGLE LMS	189
7364100179	BEZEL, L-SERIES 3 GANG LM3	169, 189
7364100180	BEZEL, L-SERIES 4 GANG LM4	189
7364100182	BEZEL, L-SERIES 6 GANG LM6	189
7364100184	CONNECTOR, L-SERIES SWITCHES	181, 193

From - 7345261901

To - 7364100184

Manitowoc Cranes

Numerical Index		Appendix B
Part	Description	Page
7372100232	CYLINDER ASSEMBLY - 2 1/2" O/R E	273
7372100238	CYLINDER ASSEMBLY - 4" OUTRIGGER	267
7372100255	CYLINDER ASSEMBLY - 5" LOCKOUT	351
7372100268	HEAD, CYLINDER	111
7373000012	KIT, SEAL	112
7373000159	KIT, SEAL	269
7373100000	KIT, CYLINDER SEAL	10
7376001935	DECAL - BOOM ANGLE	287
7376007213	DECAL - DANGER COUNTERWEIGHT	285
7376007250	DECAL - DANGER BOOM NOT WALKWAY	287
7376007255	DECAL - DANGER UNTRAINED OPERATO	279
7376007441	DECAL - DANGER OUTRIGGER MID EXT	279
7376007446	DECAL - DANGER REVOLVING TIRES	283
7376009372	DECAL - MID-EXTEND OUTRIGGERS >	283
7376009373	DECAL - MID-EXTEND OUTRIGGERS <	283
7376009502	DECAL - EMERGENCY EXIT	279
7376009555	DECAL - DANGER ELECTROCUTION HAZ	283
7376010998	DECAL - NO STEP	283
7376011062	DECAL - DIESEL	283
7376011087	DECAL - DANGER OUTRIGGER CRUSHIN	283
7376011335	DECAL - HYDRAULIC OIL	283
7376011340	DECAL - CAUTION PIN SWING LOCK	279
7376011364	DECAL - FAN DANGER	283
7376100079	DECAL-DANGER CABLE WEDGE	285
7376100080	DECAL - DANGER SUPERSTRUCTURE SW	279
7376100089	DECAL - DANGER COUNTERWEIGHT LIF	285
7376100175	DECAL - DANGER TIPPING/2 BLOCKIN	279
7376101141	DECAL - CHEVRON OUTRIGGER JACK	293
7376101492	DECAL - HAND SIGNALS	285
7376101865	DECAL - DANGER ELECTROCUTION HAZ	279
7376101881	DECAL - DANGER ETHER HAZARD	283
7376101954	DECAL - CAUTION BATTERY DISCONNE	283
7376102092	DECAL - CAUTION TRANSMISSION DAM	279
7376102349	DECAL - CAUTION ELECTRONICS DAMA	283
7376102417	DECAL - CAUTION TRANSMISSION DAM	279
7376102424	DECAL - CAUTION SPECIAL FILL REQ	283

From - 7372100232

To - 7376102424

Manitowoc Cranes

Numerical Index		Appendix B
Part	Description	Page
7376102516	DECAL - CAUTION ENGINE COOLANT F	283
7376102517	DECAL-DANGER PRESSURIZED FLUID	283
7376102532	DECAL - DANGER FIRE HAZARD	283
7376102552	DECAL - DANGER PRESSURIZED OIL L	285
7376102554	DECAL - DANGER BATTERY EXPLOSION	283
7376102599	DECAL-MAIN HOIST & LIFT -DUAL	279
7376102805	DECAL - CAUTION BATTERY CONNECTI	283
7376102910	DECAL - LIFT POINT PROHIBITION	285
7376102923	DECAL - FUSES (ENGLISH) RT535E	279
7376102925	DECAL - SYMBOLIC ID (ENGLISH)	279
7376102951	DECAL - RT530E-2	293
7376102956	DECAL - CAUTION MAXIMUM FILL RAT	283
7376202030	DECAL - MANITOWOC CRANE GROUP LO	293
7376221080	DECAL - GROVE LOGO	293
7376241042	DECAL - GROVE LOGO	293
7376241052	DECAL - GROVE LOGO	293
7376241080	DECAL - GROVE LOGO	293
7376241135	DECAL - GROVE LOGO	293
7376991722	DECAL - WEAR BODY HARNESS	285
7392100011	PANEL, INNER DOOR	145
7406000537	BELLOWS	399, 477
7406001053	BELLOWS	477
7418100004	STRAP, RUBBER	400
7418100008	EXTENSION, STEP	347, 495
7418100011	EXTENSION, STEP	311
7425000007	FAN ASSY, DEFROSTER	187
7425100007	FAN, 9 BLADE CLOCK WISE SUCKER	517
7425100015	FAN ASSEMBLY - 12 VOLT CAB	144
7429000011	FASTENER, WELL-NUT	147, 170
7429000542	FASTENER, NUT 1/4" - 20 N.C.	497
7437000873	FILTER, TRANSMISSION FLUID	449
7437100220	STRAINER, MESH	406
7440000000	FITTING, 1/8 STRAIGHT GREASE	4, 15, 47, 112
7440000200	FITTING, 45 DEGREE GREASE	367
7440000400	FITTING, 90 DEGREE GREASE	263
7440000401	FITTING, 90 DEGREE GREASE	367

From - 7376102516

To - 7440000401

Manitowoc Cranes

Numerical Index		Appendix B
Part	Description	Page
7440030000	FITTING, STRAIGHT GREASE	35
7443100139	COUPLING, 1/8" TEST PORT	91
7443100140	COUPLING, 3/8" TEST PORT	91, 131
7443100153	CONNECTOR,M12X1.0-#4 ORFS MALE	351, 371
7444020031	PLUG, PIPE	442
7444030031	PLUG, PIPE	481
7444040021	PLUG, PIPE	487
7445040219	ADAPTER, STRAIGHT	133
7445040220	ELBOW, 90 DEGREE	133
7445040453	ELBOW, 90 DEGREE	405, 487
7445040472	ELBOW, 90 DEGREE	90
7445040645	ELBOW, 90 DEGREE MALE	90
7445060439	ADAPTER, REDUCING FEMALE	90
7445060642	NUT	90
7445060651	UNION, STRAIGHT	404
7445060653	ELBOW, 90 DEGREE	481
7445080450	BUSHING, REDUCER	485, 487
7445080650	BUSHING, REDUCER	406
7445080803	ADAPTER, STRAIGHT	63
7445080804	ELBOW, 90 DEGREE	63
7445080808	ADAPTER, SWIVEL	63
7445120809	ADAPTER, 45 DEGREE SWIVEL	404
7445121253	ELBOW, 90 DEGREE	403
7445160850	BUSHING, REDUCER	406, 485
7445161217	REDUCING CONNECTOR	403
7446080836	ELBOW, 90 DEGREE MALE	487
7447040401	ADAPTER, STRAIGHT	88, 129
7447040403	ELBOW, 90 DEGREE	90, 403
7447040408	ELBOW, 45 DEGREE MALE	91
7447040416	CAP ASSY, FEMALE ORS THREAD	128
7447040428	ADAPTER, STRAIGHT	404
7447040430	ELBOW, 90 DEGREE	403
7447040433	ELBOW, 90 DEGREE	131
7447040434	TEE, MALE RUN	131, 404
7447040601	ADAPTER, STRAIGHT	88, 129, 404
7447040603	FITTING, 90 DEGREE	129

From - 7440030000

To - 7447040603

Manitowoc Cranes

Numerical Index		Appendix B
Part	Description	Page
7447060401	ADAPTER, STRAIGHT MALE	93, 117, 129
7447060403	ELBOW, 90 DEGREE MALE	88, 91, 131
7447060413	REDUCER	92
7447060601	ADAPTER, STRAIGHT MALE	87, 117, 128
7447060603	ELBOW, 90 DEGREE	93, 131
7447060605	TEE, RUN	92
7447060616	CAP	91
7447060617	UNION, BULKHEAD	88
7447060633	ELBOW, 90 DEGREE MALE	89, 127
7447060634	TEE, FEMALE RUN	87, 127
7447060635	TEE, BRANCH	89
7447060801	ADAPTER, STRAIGHT MALE	89, 117, 127
7447060803	ELBOW, 90 DEGREE MALE	88
7447060830	ELBOW, 90 DEGREE MALE	406
7447061003	FITTING, 90 DEGREE	90
7447080428	ADAPTER, STRAIGHT MALE	403
7447080430	ELBOW, MALE ORS THD TO MALE N	487
7447080601	ADAPTER, STRAIGHT	87
7447080603	ELBOW, 90 DEGREE	267
7447080613	REDUCER	117
7447080801	ADAPTER, STRAIGHT	87, 127, 271
7447080803	ELBOW, 90 DEGREE MALE	267
7447080816	CAP	131
7447080829	ELBOW, 45 DEGREE	487
7447080833	ELBOW, 90 DEGREE MALE	88
7447100413	REDUCER	93
7447101001	ADAPTER, STRAIGHT	90
7447101034	TEE	93
7447120413	REDUCER	128
7447120803	ELBOW, 90 DEGREE	129
7447121001	ADAPTER, STRAIGHT	130, 405
7447121003	ELBOW, 90 DEGREE	405
7447121201	ADAPTER, STRAIGHT MALE	128, 404
7447121203	ELBOW, 90 DEGREE	87
7447121208	ELBOW, 45 DEGREE MALE	127, 406
7447121216	CAP, 3/4 ORS	128

From - 7447060401

To - 7447121216

Manitowoc Cranes

Numerical Index		Appendix B
Part	Description	Page
7447121217	UNION, BULKHEAD	87
7447121232	ELBOW, #12 BULKHEAD UNION 90	87
7447121233	ELBOW, 90 DEGREE	87, 405
7447121601	ADAPTER, STRAIGHT	87, 130
7447161201	ADAPTER, STRAIGHT	90, 407
7447161203	ELBOW, 90 DEGREE	6, 90, 128, 407
7447161601	ADAPTER, STRAIGHT	87, 111
7447161603	ELBOW, 90 DEGREE MALE	111
7447161638	ELBOW, 90 DEGREE LONG	87
7447201603	ELBOW, 90 DEGREE MALE	92
7447201628	ADAPTER, STRAIGHT	407
7447202001	ADAPTER, STRAIGHT MALE	92
7447202032	ELBOW, #20 BULKHEAD UNION 90	87
7450000102	FLANGE, SPLIT	89, 127
7450000103	FLANGE, SPLIT	127
7450000188	SPLIT FLANGE HALF, 1 1/4"	89, 127
7450000201	FLANGE, SPLIT	90, 91
7450000254	FLANGE, SPLIT	405
7450000375	FLANGE, SPLIT	405
7450000400	PLUG, FLANGE	87
7450000401	PLUG	128
7482000029	FUSE, 30 AMP	203, 210, 333
7482000032	FUSE, 15 AMP	203
7482000033	FUSE, 10 AMP	203, 334
7482000035	FUSE, 5 AMP	203, 334
7482000555	FUSE, 100 AMP	497
7482000572	FUSE	337
7482100000	FUSE, MAXI HOLDER	333
7482100005	FUSE, MAXI 50AMP	333
7486000225	LEVEL, CIRCULAR	144
7486000629	INDICATOR, SERVICE	505
7486000836	THERMOMETER	343
7486002666	GAUGE, WINDOW	485
7486002936	GUAGE, OIL LEVEL	343
7486100024	GAUGE, CLUSTER	189
7486100083	IND LED ENG STOP/MODULE ERROR	190

From - 7447121217

To - 7486100083

Manitowoc Cranes

Numerical Index		Appendix B
Part	Description	Page
7486100084	IND LED ENG WARN/ELECT SYS DIA	190
7486100100	GAUGE, 12 VOLT TACHOMETER	189
7486100103	IND LED WAIT TO STR/XMSN WARN	190
7486100104	IND LED LOW BRK PRESS/LOW FUEL	190
7486100110	IND LED PARK BRK ENGD/SWG BRK	189
7486100114	IND LED HI BEAMS/LAMP OUT WARN	190
7486100115	IND LED LEFT TURN/RIGHT TURN	190
7486100128	IND LED HYD OIL COOLER TEMP	190
7486100132	DIPSTICK	400
7486100134	IND LED 4WHL ENGED/WHL NOT CNT	190
7498000897	WINDOW ASSEMBLY - REAR	143
7498100022	SKYLIGHT ASSEMBLY - SLIDING	143
7498100024	GLASS, WINDSHIELD	143
7498100025	GLASS, SLIDING DOOR	143
7498100026	GLASS, LEFT REAR	143
7498100027	GLASS, LEFT FRONT	143
7498100028	WINDOW ASSEMBLY - RIGHT HAND	143
7506000001	GROMMET	145
7506000021	GROMMET	119
7511000093	KNOB, FLUTED	169
7511000161	HANDLE, TAPERED	144
7511001139	HANDRAIL, GRAB	143
7511001140	HANDRAIL, GRAB	143
7511001255	HANDLE, GRAB	144
7511100015	HANDRAIL, GRAB	255
7511100046	HANDRAIL, GRAB	143
7511100047	HANDRAIL, GRAB	144
7511100048	HANDRAIL, GRAB	144
7515000877	HEATER, 750W 120V ENGINE BLOCK	515
7519000198	HINGE, LEFT HAND NYLON	201, 295
7535100006	HOOD, INLET	505
7542506663	HOSE ASSY, 3/8 X 26"	404
7542508463	HOSE ASSY, 7/8" ID HOT ENG OIL	407
7543109321	HOSE ASSY, 3/4" I.D. X 93"	91
7543109361	HOSE ASSY, 1 1/4" HYDRAULIC	406
7546706470	HOSE, 1 1/4" STR S/F X 64" STR	91

From - 7486100084

To - 7546706470

Manitowoc Cranes

Numerical Index		Appendix B
Part	Description	Page
7546802393	HOSE ASSY, 1 1/2" I.D.X 23"	130
7546803793	HOSE ASSY	130
7546806493	HOSE, 1 1/2" STR S/F X 64" 90	91
7550103631	HOSE ASSY, 3/8 X 26"	133
7550103921	HOSE ASSY, 1/4" ID STR X 39"	92
7550104221	HOSE ASSY, 1/4" ID STR X 42"	91
7554315600	HOSE ASSY, 1/2" I.D. X 156"	267
7555101801	HOSE ASSY, 3/8 X 26"	93, 130
7555102801	HOSE ASSY, 3/8 X 26"	130
7555103000	HOSE ASSY, 1/4" I.D.X30"LONG	91
7555103203	HOSE ASSY, 1/4" I.D. STR X 32"	91
7555103600	HOSE ASSY, 3/8 X 26"	91
7555104201	HOSE ASSY, 3/8 X 26"	130
7555104623	HOSE ASSY, .25 DIA	130
7555105401	HOSE ASSY, 3/8 X 26"	130
7555107601	1/4" I.D. X 76"	91
7555109005	HOSE ASSY, 1/4" I.D. 45 X 90"	91
7555111021	HOSE ASSY, 1/4" ID	406
7555201921	HOSE ASSY, 3/8" I.D.X19"LONG	91
7555202000	3/8" I.D. X 20"	131
7555202101	3/8" I.D. X 21" LONG	131
7555202400	3/8" I.D. X 24"	131
7555202401	HOSE ASSY, 3/8 ID X 24" LONG	127
7555202402	3/8" I.D. X 24"	130
7555202801	3/8" I.D. X 28"	130
7555203201	3/8" I.D. X 32"	131
7555204400	3/8" I.D. X 44"	117
7555205301	HOSE ASSY, 3/8" I.D. X 53" LONG	117
7555206001	3/8" I.D. X 60"	92
7555206201	3/8" I.D. X 62"	117
7555206800	3/8" I.D. X 68"	93
7555207201	HOSE ASSY, 3/8" I.D. X 72"	93, 117
7555207202	HOSE, 3/8" I.D X 72" LONG	91
7555207203	3/8" X 72"	93, 117
7555207401	HOSE ASSY, 3/8" I.D. X 74" LONG	117
7555208203	HOSE ASSY, 3/8" I.D.X90" LONG	117

From - 7546802393

To - 7555208203

Manitowoc Cranes

Numerical Index		Appendix B
Part	Description	Page
7555208900	HOSE ASSY, 3/8" I.D. X 89"	91, 92
7555304500	HYD HOSE ASSY	131
7555306000	HOSE, 1/2" I.D. HYDR ASST STR B	127
7555306500	HOSE ASSY, HYDRAULIC	131
7555307200	1/2" I.D. X 72" LONG	127
7555402101	HOSE ASSY, 5/8" STR ORFS X 21"	91
7555402403	HOSE ASSY, 5/8" I.D. STR-9 HYD	91
7555502761	3/4" I.D. HYDR HOSE ASSY STR-9	130
7555503400	HOSE ASSY, 3/4" I.D. X 34" LONG	91
7555504201	HOSE ASSY, 3/4" I.D. X 42" LONG	91
7555507491	HOSE ASSY, .75 DIA	130
7555508503	HOSE ASSY, 3/4" ID X 85"	406
7555514390	HOSE ASSY, 3/4" ID	406
7555602360	HOSE ASSY, 1" STR ORFS X 23"	91
7555603062	1" I.D. HYDR HOSE ASSY STR-45	91
7555603591	HOSE ASSY, 1.00 DIA	130
7555604400	HOSE ASSY, 1" I.D. HYDR STR-STR	91, 93
7555604860	HOSE ASSY, 1" STR ORFS X 48"	92
7555702591	HOSE ASSY, 1 1/4" STR ORF X 25"	91
7561101503	HOSE ASSY, 1/4" I.D. X 15" LONG	404
7561102003	1/4" I.D. X 20"	405
7561103003	HOSE ASSY, 1/4" I.D. X 30" LONG	405
7561106003	1/4" I.D. X 60"	405
7561203017	3/8" I.D. X 30"	405
7561308430	HOSE ASSY, 1/2" ID STR-STR HYD	487
7561308432	HOSE ASSY, 1/2" I.D. X 84" LONG	405
7561502452	HOSE ASSY, 3/4" I.D. X 24" LONG	405
7561503852	HOSE ASSY, 3/4" I.D. X 38" LONG	405
7566208000	HOSE ASSY, 1 1/4" ID	406
7566503700	HOSE ASSY	406
7576000311	BELT, SEAT	170
7576000320	PUMP ASSY, CANISTER	144
7576001696	KIT, SERVICE	159
7576001743	MOUNTING KIT - OIL COOLER	487
7576134386	MOTOR ASSEMBLY - SWING DRIVE	49
7576134397	KIT - FRONT WIPER	143

From - 7555208900

To - 7576134397

Manitowoc Cranes

Numerical Index		Appendix B
Part	Description	Page
7576134398	KIT - SKYLIGHT WIPER	143
7581000186	LIGHT, DOME	144
7581001361	LIGHT ASSY, WORK	303
7581100001	LIGHT, WORK	144
7581100048	LIGHT, STOP/TURN/TAIL LED RED	303
7581100050	LIGHT, YELLOW REAR TURN (WITH GR	303
7585000184	LATCH, ARROWHEAD	295
7585000720	HANDLE, LATCH	144
7585000789	LOCK	159
7585000790	CATCH	159
7585000812	DRAW LATCH	121, 307
7601000955	S-HOOK, STANDARD	45
7616000517	MAGNET, CUP	170
7616000519	MAGNET	169
7628000025	MIRROR, 8" CONVEX	107, 144, 309
7638000044	SHOCK, MOUNTING	477
7638000203	MOUNT, SHOCK	137
7638100029	MOUNT, 2 PIECE ISOLATOR	400
7638100033	MOUNT, 2-PC ISOLATOR	399
7642100004	MUFFLER	503
7649000005	NIPPLE	403, 485
7649000042	NIPPLE, HOSE	405, 487
7649000059	NIPPLE, HOSE 5/8 ID TO 1/2 NPT	63, 403
7649000061	NIPPLE, HOSE	405
7649000062	NIPPLE	403, 481, 485
7649000092	NIPPLE, HOSE	403
7659000081	LOCKNUT	45
7659000252	NUT	243
7659000256	NUT, RETAINING	201
7659000270	NUT	387
7659000796	NUT	145, 153
7659000862	NUT, RETAINING	237
7659190018	NUT, DEUTSCH HD10-SER/COMPRESS	333
7659190019	NUT, RETAINING M6	187, 201, 319, 477
7659190020	NUT, RETAINING 8 X 1.25	148, 167, 187, 213, 289, 295, 297, 349, 513

From - 7576134398

To - 7659190020

Manitowoc Cranes

Numerical Index		Appendix B
Part	Description	Page
7659190024	M10 X 1.50 RETAINING NUT	295, 341
7659190032	WELD NUT, M12 X 1.75	263
7659190033	NUT, RETAINING	146, 187, 509
7660041100	NUT, HEX	147, 203, 319
7660080000	USE 7660081100	204
7660081100	NUT, HEX	190, 234
7660101100	NUT, HEX	203, 209, 337, 497
7660101130	NUT, HEX	146
7660101630	LOCKNUT, HEX	165
7660140000	NUT, HEX	33, 153, 203, 233, 337, 343, 497
7660140008	NUT, HEX	493
7660140200	NUT, HEX JAM	233
7660141601	NUT, 1/4-20UNC HEX LOCK	145, 169
7660142701	LOCKNUT, HEX	219
7660150000	NUT, HEX	33
7660150001	NUT, HEX	107, 234
7660150008	NUT, HEX	147, 153, 493
7660150200	NUT, JAM	43
7660151601	LOCKNUT	170
7660152200	NUT, ACORN	169, 267
7660152701	LOCKNUT	400, 487
7660160000	NUT, HEX	146, 153, 201, 319
7660160001	NUT, HEX	137
7660180200	NUT, HEX	63
7660190008	NUT, HEX	225
7660200008	NUT, HEX	5
7660201600	LOCKNUT, HEX	137
7660220001	NUT, HEX	135
7660220008	NUT, HEX	4
7660220200	NUT, HEX JAM	169
7660260008	NUT, HEX	5
7661110003	NUT, HEX	147, 169, 187, 190, 219, 351
7661130003	NUT, HEX	121, 147, 243
7661130103	NUT	307
7661131103	NUT, M5 -8 ISO 7042 HEX LOCK	213

From - 7659190024

To - 7661131103

Manitowoc Cranes

Numerical Index		Appendix B
Part	Description	Page
7661150003	NUT, HEX	146, 239, 265, 319, 467
7661151103	NUT	307
7661170003	NUT	63, 121, 146, 167, 187, 295, 303, 399, 478, 509, 519
7661171103	NUT, HEX	121, 167, 503
7661190003	NUT, HEX 10MM	6, 146, 257, 267, 289, 295, 406, 503, 505
7661191103	LOCKNUT	311, 341, 347, 487, 495
7661210003	NUT, HEX 12MM N.C.	75, 147, 265, 391, 400, 477, 488, 509
7661211103	NUT, HEX	263
7661240003	NUT, HEX	15, 109, 341
7661270003	NUT, HEX	95, 265, 297
7661270004	NUT	351, 371
7661270103	NUT	297
7661271104	NUT, M20-10 HEX LOCK	399
7662150100	WELD NUT, M6X1.0	481
7662170100	WELD NUT, M8X1.25	289, 511
7662190100	WELD NUT, M10X1.5	295
7671100005	PAD	295
7671100081	TEFLON PLUG	3
7671100116	PAD ASSY, FRONT LOWER	3
7671100117	PAD, FRONT LOWER WEAR	3
7671100118	PAD ASSY, REAR UPPER	3
7671100119	PAD, REAR UPPER WEAR	3
7671100120	PAD ASSY, REAR UPPER	3
7671100121	PAD, REAR UPPER WEAR	3
7679100268	PANEL, FRONT CONSOLE	189
7689000023	PIN, LOCK HAIR	45
7689000036	PIN, CLIP	15
7689000053	PIN, CLIP	5
7689000503	PLUG, SEALING	73, 155, 157, 181, 194, 210, 233, 331, 471, 521
7689000701	CLIP, HITCH PIN	45
7689000704	PIN, 16 - 14 GA	155, 157, 193, 209, 233, 319, 339, 471, 522

From - 7661150003

To - 7689000704

Manitowoc Cranes

Numerical Index		Appendix B
Part	Description	Page
7689000797	PIN	333, 523
7689000813	PIN	72, 209
7689001756	PIN	311
7689001782	PIN, 18 - 16 GAGE	175, 177, 181, 209, 251, 253, 332, 523
7689001883	PIN	522
7689002053	PIN	73, 193, 332, 522
7689100033	PIN	173, 369
7689100034	PIN, QUICK WITH (LANYARD)	299
7689100036	PIN, CLEVIS	265
7689100044	PIN, 20GA GOLD	522
7689100046	PIN	15
7690001210	PIN, COTTER	119
7690051610	PIN, COTTER	4
7690082010	PIN, COTTER	299
7690082410	PIN, COTTER	265
7690101610	PIN, COTTER	45
7690102410	PIN, COTTER	33, 267
7690141600	PIN, CLEVIS	119
7690143644	PIN, ROLL	297
7690144010	PIN, COTTER	267, 351
7690164845	PIN, ROLL	301
7690264804	PIN, CLEVIS	267
7705100003	WASHER, PLATE	95, 135
7709000028	PLUG, SAE #4	9
7709000031	PLUG, SAE #6	92
7709000038	PLUG, O-RING	88, 92, 127
7709000157	PLUG, MAGNETIC	343
7709000811	PLUG	181, 253
7709000812	PLUG	175, 177, 181
7709000838	PLUG	333
7709000844	PLUG, 2 SOCKET	331, 472, 521
7709000845	PLUG	193, 521
7709000846	PLUG, 12 SOCKET	193, 251, 331, 333, 471, 521
7709000849	PLUG	332, 522
7709000850	PLUG	333, 521

From - 7689000797

To - 7709000850

Manitowoc Cranes

Numerical Index		Appendix B
Part	Description	Page
7709000874	PLUG	194, 333, 471, 521
7709000876	PLUG, 1 SOCKET	72, 209
7709000883	PLUG	72, 193, 333, 523
7709000936	PLUG, 4 SOCKET	73, 334, 472, 523
7709100870	PLUG, 4 PASS	472
7709100877	PLUG	181, 331, 522
7709100883	PLUG, 40 SOCKET	193
7709100884	PLUG, 40 SOCKET	193
7709100890	PLUG, DEUTSCH DRC26-50S-04	471
7709100891	PLUG, 2-PASS DEUTSCH DTP	210, 334, 471
7709100895	PLUG, 4 SOCKET	523
7709100902	PLUG, 3 PIN	194, 471, 522
7709100907	PLUG DTM06-12SA W/WM-12S WEDGE	193
7709100908	PLUG DTM06-12SB W/WM-12S WEDGE	193
7709100911	PLUG,DT06-3S-CEO6 W/BBLUE WEDGE	194, 333, 472, 522
7709100929	PLUG, DTO6-12SB-C015 W/WEDGE	333, 522
7709100930	PLUG, DTO6-12SC-C015 W/WEDGE	522
7709100932	PLUG, M12 X 1.5	487
7709800000	PLUG, SAE #8	63
7709800001	PLUG, SAE #4	56, 63, 269
7709800005	PLUG, SAE #6	269
7714000585	EXTENSION, CENTER POST	159
7722100100	PUMP ASSEMBLY - PISTON	403
7722100101	PUMP ASSEMBLY - GEAR	403
7726000128	COOLER, OIL	487
7726191194	COOLER ASSEMBLY - RADIATOR/CHARG	481
7750000055	RELAY, 12 VOLT DC	203
7750000056	RELAY, 75 AMP	209
7750000793	RELAY, 200 AMP	337
7750160021	RELAY, 12 VOLT 100AMP	210
7753000195	RING, WEAR	9
7753000299	RING, WIPER	111
7753000307	RING, WEAR	111
7753000477	RING, WEAR	111
7753000540	RING, WEAR	269
7753000755	RING, WIPER	9

From - 7709000874

To - 7753000755

Manitowoc Cranes

Numerical Index		Appendix B
Part	Description	Page
7753001461	RING, WEAR	9
7753001553	RING, WEAR	267
7753100021	BACK-UP RING;7.00 ROD	111
7753100037	RING ASSEMBLY - SLIP	63
7753100052	BACK-UP RING;6.34 BORE	9
7753100053	BACK-UP RING;4.31 BORE	9
7754000140	O-RING, LOW TEMPERATURE	269
7754000144	O-RING, LOW TEMPERATURE	9
7754000146	O-RING, LOW TEMPERATURE	9
7754000149	O-RING, LOW TEMPERATURE	9
7754000160	O-RING, LOW TEMPERATURE	269
7754000163	O-RING, LOW TEMPERATURE	111
7754000166	O-RING, LOW TEMPERATURE	111
7754100000	O-RING, LOW TEMPERATURE	9
7755011002	O-RING	88, 90, 91, 128, 129, 131, 403, 404
7755012002	O-RING	87, 88, 89, 90, 92, 93, 117, 127, 128, 129, 131, 367
7755014000	O-RING	83
7755014002	O-RING	87, 88, 127, 267, 271, 406, 487
7755016002	O-RING	90, 93
7755016003	O-RING, LOW TEMP #10 ORFS	273
7755017000	O-RING	13
7755018002	O-RING	87, 90, 127, 128, 129, 130, 404, 405, 406
7755021002	O-RING	6, 87, 90, 111, 128, 407
7755025002	O-RING	92, 407
7755043000	O-RING	10
7755107002	O-RING	81
7755110000	O-RING	445
7755152000	O-RING	56
7755161000	O-RING	10
7755170000	O-RING	56
7755219002	O-RING	90, 91
7755220000	O-RING	81

From - 7753001461

To - 7755220000

Manitowoc Cranes

Numerical Index		Appendix B
Part	Description	Page
7755222002	O-RING	89, 127, 405
7755225002	O-RING	89, 127
7755228002	O-RING, 2"	128
7755232002	O-RING	405
7755245000	O-RING	56
7755251000	O-RING	56
7755260000	O-RING	56
7755265000	O-RING	56
7755325609	RING, BACK-UP	9
7755332609	RING, BACK-UP	269
7755342609	RING, BACK-UP	269
7755351609	RING, BACK-UP	9
7755365609	RING, BACK-UP	111
7755445609	RING, BACK-UP	111
7755904002	O-RING	9, 56, 63, 88, 90, 91, 92, 93, 101, 117, 129, 131, 269, 404
7755906002	O-RING	87, 88, 90, 92, 93, 117, 127, 128, 129, 131, 267, 269, 404, 406
7755908002	O-RING	63, 87, 88, 89, 92, 100, 117, 127, 129, 267, 271, 487
7755910002	O-RING	90, 130, 275, 405
7755912002	O-RING	6, 77, 78, 87, 90, 91, 127, 128, 404, 406, 407
7755916002	O-RING	87, 88, 92, 111, 112, 130, 407
7755920002	O-RING	92
7760000008	RIVET, POP	221
7760000011	RIVET, POP	313
7768003904	ARM, LEVER	213
7780100877	SLING, 5FT X 5/8 WIRE ROPE	305
7786000537	SCREW, CENTER POST	159
7786000539	SCREW, CATCH	159
7786000544	SCREW, SET (SLOTTED)	265, 267
7790060673	SCREW, SELF-TAPPING	201

From - 7755222002

To - 7790060673

Manitowoc Cranes

Numerical Index		Appendix B
Part	Description	Page
7790100653	SCREW, SELF-TAPPING	301
7790100853	SCREW, SELF-TAPPING	146
7790100871	SCREW, SELF-TAPPING	145, 153
7790140853	SCREW, SELF-TAPPING	145, 147
7790161253	SCREW,	185, 237
7792151221	WASHER, HEX SELF-TAPPING	170
7794000222	5.500" DIA ROD WIPER RING	9
7794000272	CUP, BEARING	47
7794000277	RING, WIPER	269
7794000543	SEAL, BUFFER	269
7794000544	SEAL, BUFFER	111
7794000563	BUFFER SEAL ASSY (5.50" ROD)	9
7794000577	SEAL, PISTON	111
7794000608	SEAL	269
7794000638	SEAL, DEEP Z ROD	269
7794000642	SEAL, DEEP Z ROD	111
7794000660	SEAL, ROD	9
7794000707	SEAL, BUFFER	9
7794001721	RUBBER, FLOCKED 154" LONG	159
7794101550	SEAL	9
7794101551	SEAL	9
7794101552	SEAL, ROD	9
7798000843	SEAT	167
7798100005	TRACK, CONTROL	213
7798100006	TRACK, FREE	213
7806100006	SHACKLE, 7/8" GALVANIZED	305
7810100133	SHAFT, LOWER PIVOT	109
7810100139	SHAFT, PIVOT	15
7814100077	GUARD, HOSE	92
7814100078	GUARD, 4 INCH HOSE	130
7822000598	SLEEVE, VINYL	213
7822100002	SLEEVE, RED VINYL	148
7826000079	SOCKET, RELAY	209
7826000087	SOCKET, 16-14 GA	175, 177, 181, 193, 331, 521
7826000092	SOCKET, (12) 12-14GA	210, 471
7826000095	SOCKET,	73, 331

From - 7790100653

To - 7826000095

Manitowoc Cranes

Numerical Index		Appendix B
Part	Description	Page
7826000626	SOCKET,	181, 251, 253, 332, 521
7826000635	SOCKET,	209
7826000650	PLUG, SEALING	472, 522
7826000651	SOCKET, 20 GA AU-PLATE	471
7826100004	SOCKET, (16 - 18) 30 SERIES	73, 181, 193, 332, 471, 521
7826100013	SOCKET,	332
7826100016	SOCKET, DEUTSCH 22/20 GA NI	332
7826100018	SOCKET, 20 GAUGE GOLD	181, 193, 523
7834000120	SPRING	301
7834000786	SPRING	297
7834100003	SPRING	144
7846000680	STOP, SLIDE	159
7850000046	STRAP, GROUND	144
7850000208	CABLE TIE, BLACK	182, 194, 201, 203, 210, 333, 339, 467, 472, 522
7850000237	TIE, CABLE (BLACK)	33, 233, 319, 406, 497, 519
7850000805	TIE, CABLE (BLACK)	33, 519
7850000831	TIE, 8.14" LONG CABLE (BLACK)	204
7872001408	SWITCH, SEAT	167
7872001734	SWITCH, SHIFTER	243
7872001747	SWITCH, TURNSIGNAL/WIPER	243
7872100051	SWITCH, IGNITION	189
7872100062	PROXY SENSOR-PNP 10mm RANGE	173, 369
7872100071	SWITCH, EMERGENCY STOP	189
7872100091	SWITCH, HEATER CNTRL EATON 12V	189
7872100095	SWITCH, L-SERIES ENGNE INC/DEC	189
7872100100	SWITCH, L-SERIES HAZARDS	189
7872100105	SWITCH, L-SERIES FAN HI/MED/LO	189
7872100106	SWITCH, L-SERIES HEATER ON/OFF	189
7872100107	SWITCH,L-SERIES CRANE FUNC PWR	189
7872100108	SWITCH,L-SERIES SKYLIGHT WIPER	189
7872100110	SWITCH, L-SERIES WORK LIGHTS	189
7872100112	SWITCH,L-SERIES LF O/R BM/STAB	189
7872100113	SWITCH,L-SERIES RF O/R BM/STAB	189
7872100114	SWITCH,L-SERIES LR O/R BM/STAB	189
7872100115	SWITCH,L-SERIES RR O/R BM/STAB	189

From - 7826000626

To - 7872100115

Manitowoc Cranes

Numerical Index		Appendix B
Part	Description	Page
7872100117	SWITCH, L-SERIES O/R EXT/RET	189
7872100118	SWITCH, L-SERIES MAIN HOIST	170
7872100132	SWITCH, KEY OPERATED 2 POSITION	233
7872100138	SWITCH, L-SERIES DRIVE SELECT	189
7872100139	SWITCH, L-SERIES REAR STEER	170
7872100142	DISCONNECT SWITCH	497
7872100145	SWITCH, L-SERIES DEFROST FAN	189
7872100146	SWITCH, L-SERIES SWING BRAKE	170
7872100170	SWITCH, 120 TEMPERATURE (N.C.)	92
7872100171	SWITCH, 190 TEMPERATURE (N.C.)	127
7872100179	SWITCH, TEMPERATURE 250 (N.C.)	406
7872100210	SWITCH L-SERIES HEADLIGHTS	189
7872100211	SWITCH L-SERIES PARK BRAKE	189
7880000092	KIT, JAY BRACKET	487
7880100112	RESERVOIR ASSEMBLY - HYDRAULIC	341
7880100116	TANK ASSEMBLY - 58 GALLON FUEL	487
7888000045	TEE	403
7888100000	TEE, SPLIT FLANGE BRANCH	127
7892000053	TERMINAL, BATTERY CABLE	498
7892000054	TERMINAL, BATTERY CABLE	498
7892000194	PARALLEL, NON - INSULATED	181, 194, 333, 472, 522
7892000195	PARALLEL, NON - INSULATED	181, 195, 331, 339, 522
7892000196	PARALLEL, NON - INSULATED	221, 333
7892000197	PARALLEL, NON - INSULATED	522
7892000198	PARALLEL - NON-INSULATED 4 AWG	522
7892000218	FUSE, TERMINAL	209
7892000219	FUSE, TERMINAL	210
7892000220	FUSE, BUSS BAR	209
7892000252	TERMINAL, MALE PIN	194, 332
7892000253	TERMINAL, FEMALE SLEEVE	194, 521
7892000254	TERMINAL, GREEN CABLE SEAL	194, 331, 521
7892000256	TERMINAL, BLUE CABLE SEAL	523
7892000257	TERMINAL, GREEN CAVITY	194, 332, 521
7892000821	CONNECTOR	233
7892000824	RECEPTACLE,	72, 155, 157
7892000831	RECEPTACLE,	253

From - 7872100117

To - 7892000831

Manitowoc Cranes

Numerical Index		Appendix B
Part	Description	Page
7892000832	RECEPTACLE,	175, 177, 181
7892000843	TERMINAL, FEMALE	331, 471
7892000939	RECEPTACLE,	72, 209
7892000947	RECEPTACLE,	334
7892000949	RECEPTACLE,	194, 332, 472, 521
7892000950	RECEPTACLE,	194, 210
7892000951	RECEPTACLE,	193, 210, 251, 333, 522
7892000978	RECEPTACLE,	521
7892000979	RECEPTACLE,	522
7892000986	RECEPTACLE,	331
7892000999	RECEPTACLE, 12 VOLT DASH MOUNT	201
7892001001	FERRULE, SINGLE WIRE	193
7892001002	FERRULE, SINGLE WIRE	194, 209, 233
7892001006	FERRULE, DUAL WIRE	234
7892001012	RECEPTACLE, 12 P FLANGE	73
7892001036	RECEPTACLE, SPLICE BLOCK	193, 331, 521
7892001051	RECEPTACLE,	233, 334, 339, 523
7892001053	RECEPTACLE, 9 PIN	193, 333
7892100003	TERMINAL, DARK RED CABLE SEAL	332, 471
7892100010	RECEPTACLE, DTM-3P	173, 369, 522
7892100025	DEUTSCH DTP 2-PASS RECEPTACLE	334, 523
7892100026	RECEPT, (8P) SPLICE BLOCK	181, 193, 521
7892100028	CONNECTOR, 2 - PASS GREEN SEAL	334
7892100029	2-PASS CONNECTOR/ORANGE SEAL	210, 332
7892100030	CONNECTOR, COVER/SINGLE	210, 333
7892100033	TERMINAL, FEMALE 2.94-3.68	333
7892100034	TERMINAL, FEMALE	210, 334
7892100036	RECEPTACLE, 3 WAY	194, 333, 471, 522
7892100039	RECEPTACLE, DTM04-4P	523
7892100058	TERMINAL, FM MP 630 SERIES	181, 193
7892100059	TERMINAL, FM MP 630 SERIES	181, 193
7892100086	RECEPT, DTO4-12PB-C015 W/WEDGE	193, 233
7892100087	RECEPT, DTO4-12PC-C015 W/WEDGE	193
7910100671	TUBE	271
7910100672	TUBE	271
7910101222	TUBE, INTAKE 28"	505

From - 7892000832

To - 7910101222

Manitowoc Cranes

Numerical Index		Appendix B
Part	Description	Page
7910101432	TUBE ASSY, LIFT B RET TO HOSE	89
7910101435	TUBE ASSY, PS MAN TO PS MAIN	88
7910101436	TUBE ASSY, D4 MAN TO PD MAIN	88
7910101437	TUBE ASSY, D6 MAN TO PD MAIN	90
7910101450	TUBE, EXHAUST	503
7910101454	TUBE ASSY, INLET MAIN VALVE	88
7910101464	TUBE ASSY, PUMP INLET	405
7910101465	TUBE ASSY, RETURN MANIFOLD	128
7910101468	TUBE ASSY, VALVE TO TUBE RSB	129
7910101469	TUBE ASSY, HOSE TO TUBE RSB	129
7910101470	TUBE ASSY, VALVE TO TUBE RSA	129
7910101471	TUBE ASSY, HOSE TO TUBE RSA	129
7910101472	TUBE ASSY, SEL TO TEE EXT	129
7910101473	TUBE ASSY, SEL TO TEE RET	129
7910101474	TUBE ASSY, TEE TO STACK FRT	129
7910101475	TUBE ASSY, TEE TO HOSE RET FRT	129
7910101476	TUBE ASSY, TEE TO TUBE EXT REAR	129
7910101477	TUBE ASSY, TUBE TO STACK REAR	129
7910101478	TUBE ASSY, TEE TO TUBE RET REAR	129
7910101479	TUBE ASSY, TUBE TO HOSE RET RE	129
7910101490	TUBE ASSY, SEL VALV TO RET MANI	129
7910101496	TUBE ASSY, BRK TUBE TO TEE REAR	130
7910101507	TUBE ASSY, ALO P1 SHORT	128
7910101508	TUBE ASSY, ALO P1 LONG	128
7910101509	TUBE ASSY, ALO P2 SHORT	128
7910101510	TUBE ASSY, ALO P2 LONG	128
7910101513	TUBE ASSY, D1 MAN TO TANK CHAR	89
7910101515	TUBE ASSY, BR MAN TO P CHARGE	89
7910101516	TUBE ASSY, 1A MAN TO LS STEER	89
7910101517	TUBE ASSY, 1B MAN TO P STEER	88
7910101518	TUBE ASSY, P BR CHARGE TO TUBE	89
7910101519	TUBE ASSY, LS BR CHARGE TO TUBE	88
7910101520	TUBE ASSY, T BR CHARGE TO TUBE	89
7910101566	TUBE ASSY, PORT 6 SWIVEL TO IN	88
7910101567	TUBE ASSY, PORT 4 SWIVEL TO OUT	88
7910101568	TUBE ASSY, PORT 4 SWIVEL TO TANK	88

From - 7910101432

To - 7910101568

Manitowoc Cranes

Numerical Index		Appendix B
Part	Description	Page
7910101569	TUBE ASSY,BRAKE TUBE REAR SHRT	130
7910101570	TUBE ASSY,BRAKE TUBE REAR LONG	130
7910101571	TUBE ASSY,BRAKE HOSE TO TUBE F	129
7910101572	TUBE ASSY,BRAKE TUBE SHORT FRT	129
7910101574	SPACER	9
7910101575	SPACER	9
7910101584	TUBE, LOWER RADIATOR	405
7910101587	TUBE ASSY, ALO P1 TO TEE	128
7910101588	TUBE ASSY, ALO P2 TO TEE	128
7910101597	TUBE ASSY, LIFT A EXT TO HOSE	89
7910101599	TUBE, CHARGE AIR COOL	477
7910101600	TUBE, RADIATOR	481
7910101601	TUBE, RADIATOR	399
7910101607	TUBE ASSY, MAIN HOIST DOWN M&A	90
7910101608	TUBE ASSY, MAIN HOIST UP M&A	90
7910101613	TUBE ASSY, OIL COOLER INLET	92
7910101614	TUBE ASSY, OIL COOLER OUTLET	92
7910101616	TUBE ASSY, COOLER OUTLET TO 4	92
7910101618	TUBE ASSY, MANIFOLD D5 TO 10	88
7910101627	TUBE, DIPSTICK	400
7910101628	TUBE ASSY, MAIN TANK TO CHECK	88
7910101629	TUBE ASSY, COOLER IN TO CHECK	92
7910101636	TUBE ASSY,LS MAIN TO LS CHARGE	92
7910101638	TUBE ASSY, LS MAIN TO PORT 2	93
7910101639	TUBE ASSY, FRONT STEER	130
7910101640	TUBE ASSY, FRONT STEER	130
7910101641	TUBE ASSY, 1B MAN TO P STEER	93
7910101642	TUBE ASSY, 1A MAN TO LS STEER	93
7910101672	TUBE ASSY SEL AXLE LO P3	131
7910101706	TUBE ASSY, TELE A EXT TO HOSE	89
7910101707	TUBE ASSY, TELE B RET TO HOSE	89
7910101710	TUBE ASSY, LIFT CYLINDER	111
7910101845	TUBE ASSY (.25" OD, .035 WALL)	131
7910101859	CAC TUBE	399
7926000014	VALVE-DRAIN COCK	399
7926000196	VALVE, AIR	389

From - 7910101569

To - 7926000196

Manitowoc Cranes

Numerical Index		Appendix B
Part	Description	Page
7926000557	VALVE, DRAIN	404
7926002156	VALVE, INLET CHECK	117
7926002329	VALVE, SHUT-OFF	406
7926003526	FUSE, VELOCITY	91
7926100616	VALVE ASSEMBLY -	9
7926100828	VALVE ASSEMBLY, 3/8 PILOT OPERAT	269
7926100899	VALVE ASSEMBLY - STEERING CONTRO	243
7926100910	VALVE ASSY, DUAL ACCUMULATOR CHA	75
7926100912	VALVE ASSEMBLY - BRAKE TREADLE	239
7926100925	VALVE ASSEMBLY - HOLDING	111
7926100948	VALVE ASSY, CHECK	92
7926100959	VALVE, #12 INLET CHECK	87
7926100986	VALVE ASSEMBLY - DIRECTIONAL CON	75
7942000512	BRACKET SET, FOOTLESS BLIND	219
7942000522	MESH, SUNSCREEN	219
7949000148	WASHER, 5/8" I.D. FLAT	137
7949000190	WASHER,	45
7949000235	WASHER, 1/2" I.D. FLAT	5, 111, 265, 391, 399, 404, 477
7949000236	FLAT WASHER, 3/4"	3, 95, 135, 169, 351, 371, 399, 403
7949000237	WASHER, 7/8" I.D.	105
7949000259	WASHER, 5/8" I.D.	399, 404
7949000263	WASHER, HARDENED	400, 403
7949000269	WASHER, KEYED	45
7949000317	7/16 WASHER-HARD	4
7949000333	WASHER, THRUST	4
7949000359	WASHER, 1" I.D. HARDENED ROUND	49, 61
7949000360	WASHER, 1" I.D.	6, 297
7949000383	WASHER, THRUST	109
7949000385	WASHER, THRUST	15
7949000534	WASHER, HARDENED ROUND	63
7949000561	WASHER, .450 I.D. NYLON FLAT	307
7949000615	WASHER,	146
7949000623	WASHER, BLACK PLASTIC	145
7949001149	FITTING, WASHER NOZZLE	144

From - 7926000557

To - 7949001149

Manitowoc Cranes

Numerical Index		Appendix B
Part	Description	Page
7949001165	WASHER, FINISHED	146
7949001186	WASHER, BLACK NYLON	169, 187, 267
7949001227	WASHER, BEVELED	169
7949180045	WASHER, COPPER	488
7949180046	WASHER, DOCK	399
7950040050	LOCKWASHER, 7/64" I.D.	203, 319
7950040141	WASHER, 7/64" I.D.	203, 319
7950080050	LOCKWASHER, 5/32" I.D.	204, 234
7950080141	FLATWASHER, 5/32" I.D.	204, 221, 234
7950100050	WASHER, LOCK #10	146, 203, 209, 337, 497
7950100141	WASHER, FLAT, #10	146, 165, 203, 209, 337, 497
7950140050	WASHER, LOCK 1/4"	33, 153, 169, 201, 203, 233, 295, 337, 493, 497
7950140141	WASHER, FLAT 1/4" PLAIN NARROW	6, 33, 75, 121, 153, 169, 203, 233, 337, 343, 481, 493
7950140161	WASHER, 1/4" I.D. FLAT WIDE	169, 213, 319, 478, 497
7950150050	WASHER, LOCK 5/16" I.D.	6, 33, 63, 153, 234, 411, 493, 498
7950150051	WASHER, LOCK 5/16" I.D.	107
7950150141	WASHER, FLAT 5/16"	6, 33, 63, 71, 107, 153, 169, 170, 234, 337, 493, 498
7950150161	WASHER, 5/16" FLAT PLAIN WIDE	75, 295
7950160020	WASHER, LOCK 3/8" I.D.	102
7950160050	WASHER, LOCK 3/8" I.D.	33, 137, 153, 243, 404, 414, 439
7950160141	WASHER, 3/8" PLAIN NARROW	107, 137, 243, 307
7950160161	WASHER, FLAT WIDE 3/8	33, 153, 289, 295
7950160350	WASHER, LOCK 3/8" I.D.	137, 147, 201, 243, 319
7950170050	WASHER, LOCK 7/16" I.D.	411, 413, 449
7950170141	WASHER, 7/16" I.D.	92
7950180141	WASHER, FLAT 1/2"	75, 145, 309
7950180161	FLAT WASHER, 1/2" I.D.	289
7950180350	LOCK WASHER, 1/2" I.D.	467
7950190050	WASHER, LOCK	225, 441
7950220161	WASHER, FLAT 3/4"	225
7950420161	FLATWASHER	263

From - 7949001165

To - 7950420161

Manitowoc Cranes

Numerical Index		Appendix B
Part	Description	Page
7951110014	WASHER, 4MM I.D.	147, 148, 169, 187, 190, 351
7951110210	LOCKWASHER, 4MM I.D.	147, 148, 169, 187, 190, 219, 351
7951130014	F WASHER 5	121, 147, 213, 243, 307
7951130210	LOCKWASHER, 5MM I.D.	121, 147, 243, 307
7951150014	WASHER, 6MM I.D.	146, 201, 239, 307, 467, 477
7951150210	LOCKWASHER, 6MM I.D.	75, 145, 239, 319, 467, 477, 481
7951170014	WASHER, FLAT #8	121, 146, 167, 187, 289, 295, 297, 303, 349, 400, 477, 509, 513, 519
7951170210	WASHER, LOCK 8MM	49, 75, 121, 130, 146, 167, 187, 213, 297, 303, 349, 351, 399, 477, 509, 519
7951170580	WASHER, SHAKE	167
7951190014	FLAT WASHER, 10MM I.D.	6, 145, 146, 187, 239, 255, 257, 311, 341, 347, 467, 487, 495, 503, 505, 509
7951190210	LOCK WASHER, 10MM	6, 146, 187, 239, 255, 257, 289, 295, 343, 406, 467, 509
7951190220	WASHER, LOCK	503, 505
7951210014	WASHER, FLAT #12	147, 265, 349, 399, 477, 488, 509
7951210210	LOCK WASHER, 12MM I.D.	75, 146, 289, 349, 478, 488, 509
7951240014	FLATWASHER 16MM I.D.	341
7951240210	SPRING WASHER, 16MM I.D.	15, 341
7970140706	WHEEL, STEERING	243
7970140707	BUTTON, HORN	243
7974100043	HOIST ASSEMBLY - HP15C/17G	95
80000423	TUBE ASSY, P1 MAN TO P3 MAIN	88
80000554	DRIVE LINE ASSEMBLY	391
80000556	DRIVE LINE ASSEMBLY	391
80001639	BRACKET WELD	233
80002079	OUTRIGGER BEAM	267
80002324	DECAL - PIN SWING LOCK	279

From - 7951110014

To - 80002324

Manitowoc Cranes

Numerical Index		Appendix B
Part	Description	Page
80002486	VALVE ASSEMBLY - ACCESSORY	75
80003780	SEAT ASSEMBLY	167
80004039	AXLE ASSEMBLY - DRIVE/STEER	351, 371
80004087	KIT, ACOUSTICS	185
80004293	THROTTLE PEDAL	239
80005827	PLATE, AXLE SHIM	351, 371
80005871	(ENGLISH)	279
80006745	KIT - CAB HEATER AND AIR CONDITI	213
80006890	DECAL INSTALLATION RT540E STANDA	277
80007945	DECAL-DANGER LMI OVERRIDE KEY	279
80008491	SWITCH, KEY	234
80009830	TUBE ASSY	128
80010000	REAR FENDER - LEFT HAND	289, 511
80010098	90 DEG REDUCING ELBOW	505
80010420	SHCS M10x65 -8.8 ISO 4762 PLTD	89
80010421	SHCS M12x70 -8.8 ISO 4762 PLTD	89
80010553	HYDRAULIC COOLER	509
80011312	CLAMP, BENT T-BOLT 3.00" NOM	127
80011617	CYLINDER ASSEMBLY MODIFIED	271
80011908	TRANSMISSION ASSEMBLY - 6 SPEED	403
80012114	FAN GUARD	477
80012762	SHEAVE MOUNT	4
80013730	CARRIER FRAME ASSEMBLY	261
80013731	CARRIER FRAME MODIFIED	261
80013739	CARRIER FRAME INSTALLATION	259
80014148	TURNTABLE WELD	49
80014544	ROLLER, HOIST CABLES	6
80014572	SHAFT	6
80014893	OUTRIGGER EXTENSION CYLINDER ASS	267
80014896	OURTRIGGER BEAM ASSEMBLY	265
80014901	OUTRIGGER BEAM INSTALLATION	259
80014955	SHCS M6x20 -8.8 ISO 4762	307
80014956	CAP SCREW, M8X25 SOCKET HEAD	213
80015247	TUBE ASSY	88
80016179	BASE SECTION	3
80016870	WHEEL ASSEMBLY - 11.25 X 25 (CHE	389

From - 80002486

To - 80016870

Manitowoc Cranes

Numerical Index		Appendix B
Part	Description	Page
80016872	TIRE AND WHEEL MISC PARTS	389
80016876	TIRE-JIANGSU 16X25 32 PLY	389
80016930	TIRE AND WHEEL ASSEMBLY	387
80018657	NOSE TO FLY WELD	3
80019587	HARNES ASSEMBLY-FRONT CONSOLE	189
80019971	FRONT CONSOLE ASSEMBLY	187
80020029	HARNES ASSEMBLY-SUPERSTRUCTURE	519
80022000	BRAKE ASSEMBLY-PARKING	403
8246964300	MOULDING	147, 295, 477, 481, 505
846531	NUT, SELF-LOCKING	23
8496900043	MOULDING	143
8496900046	MOULDING	146, 295
8496980002	MOULDING	144, 289, 295, 307, 347, 495, 497
8594000001	FLEXGUARD - 1.00" I.D.	332
8594000002	FLEXGUARD - .750" I.D.	331
8594000003	FLEXGUARD - .625" I.D.	181, 331, 471, 523
8594000004	FLEXGUARD - .500" I.D.	181
8594000006	FLEXGUARD - .350" I.D.	181, 332, 339, 471
8594000019	FLEXGUARD, 1/4" I.D.	182, 195, 234, 331, 339, 472
8594000022	FLEXGUARD - 1.250" I.D.	332
8594100012	TUBE, 1/2" NYLON FUEL	487
8594100256	TUBING, HEAT SHRINK 1/4" I.D.	173, 181, 194, 233, 332, 369, 471, 522
8594100257	TUBING, HEAT SHRINK 1/2" I.D.	181, 194, 233, 331, 339, 471, 522
8594100265	TUBING, HEAT SHRINK 3/4 I.D.	233
8596902512	HOSE ASSY, 1/4" I.D. X 25'	487
8596902521	1.75" ID X 2.13" OD WRAPPED HOSE	403, 477
8596902522	2.00" ID X 2.39" OD WRAPPED HOSE	477, 481
8596902527	HOSE, HEATER 3/8 ID X 11/16 OD	404, 477, 485
8596902528	HOSE, 5/8" I.D.	213, 404, 405, 406
8596902529	.75" ID X 1.12" OD HEATER HOSE (405
8596902531	TUBE, RUBBER 5/16 ID X 50' LONG	478
8596910250	HOSE, HEATER 5/8" I.D. - 60.00"	403
8596931250	HOSE ASSY, 5/16" -650'REEL	405

From - 80016872

To - 8596931250

Manitowoc Cranes

Numerical Index		Appendix B
Part	Description	Page
8637052011	MOULDING, TRIM LOCK	148
8637054001	MOULDING	295
8637059004	MOULDING	487
8637062018	MOULDING	481
8977010300	WIRE, 16 GAUGE WHITE	233
90000100	MOTOR ASSY. HYD.	100
90000104	ADAPTER	101
90000105	O-RING	101
90000125	CAPSCREW	101
90000590	RING, RADIAL SEAL	357, 377
90000633	SEAL, CAP	84
90000899	DISC, ORIFICE .015	84
90000942	SCREW	175, 177
90000943	COVER, HOUSING	175, 177
90001014	VALVE, WATER	216
90001015	SPACER	216
90001016	BUSHING	216
90001017	MOTOR	216
90001067	KIT, SEAL	101
90001131	CART. VALVE ASSY. CONTROL 12V.	101
90001159	ELEMENT, PRIMARY	507
90001160	ELEMENT, SECONDARY	507
90001162	VALVE, DUST EJECTION	507
90001163	COVER ASSY.	507
90011532	HARNES ASSY.	239
90011561	FUSE,2A	229
90011562	FUSE,15A	229
90011563	FUSE,7.5A	229
90011630	KIT, HANDLE	119
90011882	KIT, DICS SPRING	456
90011883	KIT, OVERHAUL	456
90012227	ADAPTER, 3 HOLE FRONT ASSY.	215
90012228	BLOWER ASSY, 12 VOLT	215
90012229	COVER	215
90012230	FOAM	215
90012231	FITTING, ELBOW	216

From - 8637052011

To - 90012231

Manitowoc Cranes

Numerical Index		Appendix B
Part	Description	Page
90012233	FITTING, TEE	216
90012234	HOSE	216
90012592	YOKE ASSY.	393
90012594	YOKE ASSY. W/ DUST CAP	395
90012598	BUSHING, BEARING	357, 377
90012599	SPACER, DISK	357, 377
90012600	SPACER, DISK	357, 377
90012601	O-RING	357, 377
90012603	SEAL RING	357, 377
90012604	WASHER, THRUST	361, 381
90012606	HOUSING, DIFF.	355, 375
90012607	HOUSING, DIFF. CARRIER	355, 375
90012608	SEAL RING	355, 375
90012609	BEARING, ROLLER	355, 375
90012613	PLANETARY HUB GROUP	353, 373
90012614	STEER CYLINDER GROUP	353, 373
90012615	BRAKE GROUP	353, 373
90012616	SEAL RING, VITON	355, 375
90012618	KIT, U-JOINT BEARING	357, 377
90012853	SEAL	441
90012924	VALVE,PRESS.REDUCING 250 PSI	83
90012925	VALVE,PRESS.REDUCING 2500 PSI	83
90012926	CAPSCREW,SOCKET HEAD 2-1/4" LG	83
90012927	CAPSCREW, 8MM LG	83
90012928	KIT, VALVE ASSY. WORK SECTION	84
90012929	CAPSCREW	84
90012930	CAPSCREW	84
90013521	SCREW, HEX	355, 375
90013581	KNUCKLE, STEERING	357, 377
90013582	KNUCKLE, STEERING	357, 377
90014652	DIFF.CARR ASSY. @ 4.67 RATIO	355, 375
90014653	DIFF.CARR. GROUP @ 4.67 RATIO	353, 373
90014662	HOUSING, AXLE	357, 377
90014663	HOUSING & HUB GROUP	353, 373
90015440	OUTPUT SHAFT GROUP	409
90016149	KNOB	229

From - 90012233

To - 90016149

Manitowoc Cranes

Numerical Index		Appendix B
Part	Description	Page
90017521	KIT, CAM OVERHAUL	457
9005100230	VALVE ASSY. GAS	75
9005100231	CAP, VALVE	75
9049100054	PLUG, FILLER	413
9049100263	CAPSCREW	414, 439
9049101125	BOLT, CAP SCREW	411
9049101150	CAP SCREW,	413
9049101566	BEARING	441
9049106636	CAP SCREW,	447
9049107034	RING	355, 375
9049107039	SCREW, HEX	355, 375
9049107242	PLUG	361, 381
9049107885	O-RING	357, 377
9049108267	NUT	355, 375
9049108416	STUD, WHEEL	357, 377
9049108670	SCREW, HEX 3/8-24NF	361, 381
9049108671	PLUG	361, 381
9049108804	RING, SEAL	357, 377
9049109351	RING, SEAL	361, 381
9049109352	RING, SEAL	357, 361, 377, 381
9049109528	DISK	355, 375
9049109542	BUSHING	357, 377
9049109546	RING	357, 377
9049109896	WASHER, LOCK	425
9049110137	BUSHING	357, 377
9049110524	SCREW,	358, 378
9049111071	PLATE, LOCK	355, 375
9049111546	SCREW,	355, 375
9049111548	SCREW, HEX	355, 375
9049111627	O-RING	361, 381
9049111628	BEARING, NEEDLE	361, 381
9049111629	O-RING	361, 381
9049111670	PIN, KING	357, 377
9049111671	JOINT, UNIVERSAL	357, 377
9049111674	BEARING, ROLLER	357, 377
9049111692	BUSHING, BEARING	355, 375

From - 90017521

To - 9049111692

Manitowoc Cranes

Numerical Index		Appendix B
Part	Description	Page
9049111693	SCREW, HEX	355, 375
9049111704	HOUSING, DIFFERENTIAL	355, 375
9049112686	BREATHER	361, 381
9049112836	HUB, WHEEL	357, 377
9049112838	LEVER, STEER	358, 378
9049112839	LEVER, STEER	358, 378
9049112840	SCREW, HEX SOCKET	358, 378
9049112841	ROD ASSY. TIE	358, 378
9049112842	CYLINDER ASSY. STEER	363, 383
9049112843	PIN	363, 383
9049112844	WASHER	363, 383
9049112845	PIN, SPLINT	363, 383
9049112846	BRAKE, ASSY.	358, 365, 378, 385
9049112847	BRAKE, ASSY.	358, 365, 378, 385
9049112848	WASHER, SPRING	358, 378
9049112849	HOUSING, PLANETARY	361, 381
9049112850	GEAR, SUN	361, 381
9049112851	GEAR, RING	361, 381
9049112852	GEAR, PLANETARY	361, 381
9049112853	PIN, PLANETARY	361, 381
9049112856	RING GEAR, CARRIER	361, 381
9049112860	CAPSCREW, HEX	355, 375
9049112861	WASHER, THRUST	355, 375
9049112862	FLANGE, DRIVE	355, 375
9049112865	CYLINDER	365, 385
9049112866	CYLINDER	365, 385
9049112867	CYLINDER	365, 385
9049112868	CYLINDER	365, 385
9049112869	PISTON	365, 385
9049112870	GASKET	365, 385
9049112871	CAP, DUST	365, 385
9049112872	VALVE, BLEEDER	365, 385
9049112873	SCREW	365, 385
9049112874	PLATE, RETAINER	365, 385
9049112875	GASKET	365, 385
9049112876	PLATE, COVER	365, 385

From - 9049111693

To - 9049112876

Manitowoc Cranes

Numerical Index		Appendix B
Part	Description	Page
9049112877	SCREW	365, 385
9049112878	DISK	365, 385
9049112879	PAD & LINING, BRAKE	365, 385
9049112880	COVER	358, 378
9049112881	CAPSCREW	358, 378
9049112887	KIT, SEAL	363, 383
9049112892	SET, RING & PINION	355, 375
9049990921	RING, SNAP	357, 377
9049990972	BREATHER, SCREW	357, 377
9049990974	PLUG	357, 377
9049990988	PLUG	355, 375
9049991044	BEARING	357, 377
9049991058	RING, CIRCULAR	361, 381
9049991103	WASHER, THRUST	355, 375
9049991107	SPIDER, DIFFERENTIAL	355, 375
9049991108	PINION, DIFFERENTIAL	355, 375
9049991109	SIDE GEAR, DIFFERENTIAL	355, 375
9049991238	SCREW,	358, 378
9049991267	NUT	358, 378
9049991324	SEAL	357, 377
9049991785	NUT	355, 375
9049991841	BEARING, TAPERED ROLLER	355, 375
9049991842	BEARING, TAPERED ROLLER	355, 375
9049991859	NUT, ADJUSTING	355, 375
9049991890	PIN	361, 381
9049991895	SCREW,	358, 378
9049991911	DISK	358, 378
9049991912	SCREW, HEX SOCKET	358, 378
9049991915	NIPPLE	363, 383
9049991916	NIPPLE, GREASE	358, 378
9069100118	SEAL, BEARING 21'	49
9086100011	PIN, ROLL	35
9086100014	BEARING, ROLLER	35
9086100061	NUT	35
9086100088	BEARING	35
9086100151	FITTING	35

From - 9049112877

To - 9086100151

Manitowoc Cranes

Numerical Index		Appendix B
Part	Description	Page
9086100204	PIN, ROLL	35
9086100214	PIN	35
9086100491	KIT,LATCH	35
9086100495	HOOK & NUT	35
9086100567	SPACER	35
9086100584	PIN, QUICK RELEASE	35
9086100705	WASHER, LOCK	35
9086100800	WHEEL, SHEAVE	35
9086100801	CAP SCREW,	36
9086100802	WASHER, THRUST	35
9086100803	WASHER, THRUST	35
9086100804	WASHER,	35
9086100805	SCREW,	35
9086100806	CAP SCREW,	35
9086100809	BOLT, TIE	35
9086100810	BOLT, TIE	35
9086100811	PIN	35
9086100812	SPACER	35
9086100813	S-HOOK	35
9086100815	RING, SPLIT	35
9086100919	CHAIN	35
9086100929	HOUSING	35
9086100933	WIRE, SAFETY	35
9086101008	PLATE, SIDE	35
9086101063	PIN & COTTER	305
9086101336	PLATE, SIDE SET	35
9086101337	GUIDE ASSY.	35
9176100603	O-RING	175
9188101020	CAP SCREW,	456
9188101041	KIT, LINING	457
9188101043	KIT, SPRING	457
9188101078	KIT,SEAL	457
9188101094	KIT, HYD.CYLINDER SERVICE	456
9188101096	PLUG,SCREW TYPE	455
9188101097	NUT,JAM	456
9246100159	BOOT, SWIVEL (RED)	475, 501

From - 9086100204

To - 9246100159

Manitowoc Cranes

Numerical Index		Appendix B
Part	Description	Page
9246100168	BOOT, RED	475
9246100177	BOOT, RED	475, 501
9246100185	BOOT, BLACK	475
9258100173	BREATHER	343
9258100174	KIT, STRAINER	343
9286100001	CHAIN	45
9326100494	KIT, HORN BRUSH W/GREASE	249
9326100495	BOOT, LOWER END	249
9326100496	BOOT, UPPER END	249
9326100497	CAP	249
9326100498	SPRING	249
9326100499	SPRING	249
9333101435	GUIDE, CABLE	19
9333101437	ROLLER GUIDE ASSEMBLY	19
9333101465	RESISTOR, 4700 OHMS	29
9333101471	FITTING, BULKHEAD ADAPTER	223
9333101472	SEAL, CUTTING	223
9333101565	SEAL, COVER	21
9333101566	SCREW, COVER	21
9333101625	GEAR, 75T	21
9333101840	CLEVIS	31
9333101916	PIN, COTTER	31
9333101921	CHAIN ASSEMBLY	31
9333101922	CLAMP, CHAIN	31
9333101923	EYEBOLT	31
9333101924	WEIGHT, FEMALE	31
9333101925	WEIGHT, MALE	31
9333101984	LOCKNUT	25
9333102047	PLUG, HOLE	29
9333102056	STRAIN RELIEF	25
9333102230	A2B SWITCH - WITH	19
9333102232	LANYARD	27
9333102235	CONDUIT	19
9333102266	WASHER, LOCK	25
9333102373	FLAG, RETAINER	27
9333102479	WIRE	25

From - 9246100168

To - 9333102479

Manitowoc Cranes

Numerical Index		Appendix B
Part	Description	Page
9333102480	NUT #4	25
9333102482	GASKET	25
9333102612	COVER, DUST	25
9333102615	COVER, DUST	29
9333102618	DECAL, A2B	27
9333102620	CONNECTOR, CHAIN	19
9333102633	FLAG ASSEMBLY - A2B	19
9333102663	BLOCK, TERMINAL STRIP	25
9333102664	PLATE, TERMINAL STRIP END	25
9333102665	BRACKET, TERMINAL STRIP END	25
9333102669	SCREW #4	25
9333102717	BAR, 2-POLE JUMPER	25
9333102759	RAIL, TERMINAL STRIP MOUNTING	25
9333102765	CONNECTOR ASSEMBLY	19
9333102770	HOUSING, CANNON CONNECTOR	29
9333102790	SCREW, SLOTTED MACHINE	29
9333102792	CONNECTOR, CANNON 2-SOCKET	25
9333102808	PLUG, HOLE	25
9333102986	CABLE, LENGTH SENSOR - 1	21
9333103040	CANNON CONNECTOR, 2-PIN	29
9333103041	RELIEF, VALVE	25
9333103042	CRIMP FERRULE, 20 AWG	25
9333103044	MARKING TAGS, 1-5	25
9333103094	CLAMP, CABLE	19
9333103565	BOX ASSEMBLY - JUNCTION	19
9333103697	THIMBLE, 1/8" CABLE	19
9333103735	BOX, JUNCTION	25
9333103768	NUT, EYE	19
9333103870	PRESSURE TRANSDUCER, IFLEX 5 (2	223
9333103872	CABLE, CANBUS 11M W/MOLDED M12	19
9333103873	CABLE REEL LWG508 - IFLEX 5	19
9333103896	P.C. BOARD	21
9333103897	POTENTIOMETER,LENGTH	21
9333103898	SENSOR,ANGLE	21
9333103904	SLIP RING ASSY. 2 CONN.	21
9333103905	GEAR, 25T	21

From - 9333102480

To - 9333103905

Manitowoc Cranes

Numerical Index		Appendix B
Part	Description	Page
9333103906	PLUG,CONNECTOR ASSY.5 PIN PASS	21
9333103907	COVER	21
9333107524	CENTERAL UNIT ASSEMBLY - iFLEX2	229
9333107525	HARNESS ASSY, S/S (IFLEX2)	229
9333107526	CONSOLE ASSEMBLY - GRAPHIC (COLO	229
9352100410	NUT, KEPS	72
9352100528	NUT	175, 177
9352100657	GASKET	175, 177
9352100669	SET SCREW	175, 177
9352100676	NUT	175
9352100692	NUT	177
9352100751	KIT, GASKET AND HARDWARE	487
9352100770	HANDLE ASSY.	177
9352100771	BOOT	175, 177
9352100772	GASKET	175, 177
9352100777	SCREW	175, 177
9352100787	COUPLING	175, 177
9352100788	SOLENIOD, THUMPER	177
9352100789	PLATE, MOUNTING	177
9352100790	SWITCH, PUSH BUTTON	175
9352100791	NUT	175, 177
9352100792	HANDLE, SHELL (BOTH HALVES)	177
9352100795	HANDLE ASSY.	175
9352100797	HANDLE, HALF	175
9352100798	HANDLE, HALF	175
9364100088	TERMINAL, SMALL KNIFE	71
9364100092	SLEEVE, 3/16" I.D. X 3"	71
9364100178	CONNECTOR, CRIMPED	71
9364100180	BEARING, NYLON	71
9364100332	TERMINAL, JUMBO KNIFE	71
9364100333	SPRING, BRUSH	71
9364100334	SLEEVE, 5/16" I.D. X 3"	71
9364100340	BRUSH AND HOLDER ASSEMBLY	71
9364100437	BRUSH AND HOLDER ASSEMBLY	71
9364100658	NUT	72
9364100964	BEARING, NYLON	71

From - 9333103906

To - 9364100964

Manitowoc Cranes

Numerical Index		Appendix B
Part	Description	Page
9364100968	CONNECTOR, LIQUID TIGHT	71
9364101154	SPRING, BRUSH	71
9364101208	CONNECTOR	71
9364101224	CONNECTOR, SETSCREW	71
9364101388	GASKET	503
9364101397	NUT, LOCK 3/4"	72
9364101403	RETAINER	503
9364101404	CLAMP	503
9364101429	NUT, HEX JAM	71
9364101535	U-JOINT BEARING WITH HARDWARE	393, 395
9364101577	FITTING, GREASE	395
9364101588	SPACER, STAND-OFF	72
9364101590	DISK, RUB	72
9364101594	SPACER, NYLON	72
9364101595	PLATE	72
9364101596	SCREW, #10-32 X 5/8" FLATHEAD	72
9364101601	COLLAR, SET 5/16"	71
9364101615	SET SCREW	72
9364101712	PLUG, SEAL	71
9364101727	SCREW	72
9364101731	BRACKET, BASE	71
9364101733	BRUSH & ARM ASSY. (SILVER)	71
9364101818	PLATE, COVER FLANGE	65
9364101820	SPOOL ASSY. HYD./ WATER	65
9364101821	SCREW, GRUB	65
9364101822	CAPSCREW	65
9364101823	CAPSCREW, M8	65
9364101826	HOUSING, WATER	65
9364101827	BRACKET	65
9364101828	HOUSING, CASE	65
9364101829	KIT, SEAL	65
9364101830	KIT, SEAL	65
9364101836	BREATHER ASSY.	72
9364101838	CORE ASSY. SLIP RING	71
9364101839	STUD, 7.75" LEVELING	71
9364101840	COVER ASSY. W/LATCHES	71

From - 9364100968

To - 9364101840

Manitowoc Cranes

Numerical Index		Appendix B
Part	Description	Page
9364101841	HARNESS ASSY. CENTER	71
9364101842	HARNESS ASSY. FRONT	71
9364101843	HARNESS ASSY. REAR	71
9364101844	HARNESS ASSY. POTENTIOMETER	71
9364101845	NUT, LOCK 1/2"	72
9364101846	SCREW	72
9364101847	LATCH	72
9364101848	SERVO POT. & BOARD ASSY.	72
9364101849	PLATE, MTG.	72
9364101850	DRIVE, SHAFT	72
9364101851	WASHER, #10 FLAT	72
9364101852	WIRE, GROUND	72
9364101853	SCREW	72
9364101866	CAPSCREW	397
9364101867	U-JOINT ASSY.	397
9364101868	SEAL, SHAFT	397
9364101869	VALVE, AIR	397
9364101870	FITTING, GREASE	397
9364101889	CLAMP, SERVO W/SCREW	72
9364101902	LOCKNUT	393
9364101903	WASHER	393
9364101907	BEARING, CENTER	393
9372103546	PISTON	275
9372103547	GLAND, ROD	275
9372103549	NUT	275
9372103550	CAP	275
9372103551	KIT, SEAL	275
9372103558	SPACER	275
9372103561	BARREL ASSY.	275
9372103562	ROD ASSY.	275
9372103582	HEAD ASSY.	367
9372103583	RING, RETAINER	367
9372103584	PLUG, BLEEDER	367
9372103585	SCREW	367
9372103587	KIT, SEAL	367
9372103588	BARREL ASSY.	367

From - 9364101841

To - 9372103588

Manitowoc Cranes

Numerical Index		Appendix B
Part	Description	Page
9372103589	ROD ASSY.	367
9372103595	SCREW, SET	269
9372103596	INSERT, NYLON	269
9372103611	SCREW, SET	269
9372103612	INSERT, NYLON	269
9372103623	BARREL ASSY.	269
9372103624	ROD ASSY.	269
9372103625	HEAD, CYLINDER	269
9372103626	PISTON	269
9372103627	SPACER	269
9414101679	FILTER,OIL	407
9414101731	STARTER, 12 VOLT	407
9414101755	FILTER, PRIMARY FUEL	407
9414101756	FILTER, FUEL/WATER SEPARATOR	407
9414101764	BELT, DRIVE	407
9425100009	SWITCH, 12 VOLT	187
9425100077	MOTOR ASSY. 12V.	165
9425100078	GUARD, FAN	165
9425100079	SWITCH ASSY.	165
9437100452	KIT, SEAL	345
9437100456	GAUGE	345
9437100476	VALVE, BY-PASS	345
9437100479	O-RING, SQUARE	345
9437100480	GASKET	345
9437100575	O-RING	345
9437100763	CAP ASSEMBLY	345
9437100765	SPACER	345
9437100766	CAP SCREW,	345
9437100825	ELEMENT	345
9437100828	CAP	345
9437100842	HEAD, FILTER	345
9437100856	CAPSCREW	345
9437100857	WASHER	345
9437100891	FILTER ASSY. HYD. RETURN	343
9437100894	FITTING, ADAPTER	345
9437100895	PLUG	345

From - 9372103589

To - 9437100895

Manitowoc Cranes

Numerical Index		Appendix B
Part	Description	Page
9486100290	KIT,HARDWARE	197
9498100121	RETAINER, KEEPER	161
9498100122	NUT	161
9498100135	SCREW,	161
9498100145	BRACKET, RAIL	161
9498100155	LOCK	161, 163
9498100156	SPRING	161
9498100167	SCREW, PLASTIC	161, 163
9498100191	GLASS ASSEMBLY	161
9498100192	GLASS	161
9498100193	GLAZING, PVC	161
9498100194	GLASS ASSEMBLY	161
9498100195	GLASS	161
9498100196	RAIL	161
9498100197	FRAME	161
9498100198	INNER LINER	161
9498100199	RAIL	161
9498100200	SEAL	161
9498100201	TRIM	161
9498100202	TRIM	161
9498100203	CHANNEL	161
9498100204	CHANNEL	161
9498100206	TAPE	161
9498100337	WEATHERSEAL	159
9498100339	WEATHERSEAL	159
9498100387	BAR, RETAINER	163
9498100388	RETAINER, KEEPER	163
9498100389	NUT	163
9498100390	GLASS ASSY.	163
9498100391	GLASS ASSY.	163
9498100392	GLASS ASSY.	163
9498100393	MULL, BAR	163
9498100394	RAIL ASSY.	163
9498100395	TRIM, STOP	163
9498100396	TRIM, COVER	163
9498100397	TRIM, COVER	163

From - 9486100290

To - 9498100397

Manitowoc Cranes

Numerical Index		Appendix B
Part	Description	Page
9498100398	CHANNEL, RUBBER	163
9498100399	CHANNEL, RUBBER	163
9498100400	SCREW, #8 X 1"	163
9498100401	SCREW, #8 X 3/8"	163
9498100402	SCREW	163
9511100007	SCREW,	175, 177
9511100017	BOOT	175, 177
9515102828	CORE ASSY, HEATER	215
9515102829	FOAM	215
9515102830	CLAMP	215
9515102831	VALVE, EXPANSION	215
9515102833	SEALER, FOAM	215
9515102835	COVER,TUBE	215
9515102837	RESISTOR ASSY.	215
9515102838	THERMOSTAT	215
9515102839	CLAMP	215
9515102840	MOUNT, LEFT HAND	215
9515102842	MOUNT, RIGHT HAND	215
9515102844	O-RING #8	215
9515102845	O-RING	215
9515102846	GUARD,LOUVER	215
9515102847	INSULATION	215
9515102848	GROMMET	215
9515102849	SEAL	215
9515102852	FLEXHOSE	215
9515102853	SEAL	215
9515102854	FILTER	215
9515102855	HOSE, DRAIN	215
9515102920	COVER, HOUSING	215
9515102921	CONNECTOR	215
9515102922	KIT, VALVE ASSY. WATER	216
9515102926	LOUVER, 4" W/ADAPTER	215
9515102927	RETAINER, FILTER	216
9515103058	COVER, BASE	215
9515103059	LOUVER, 2" BALL	215
9515103061	CLAMP	215

From - 9498100398

To - 9515103061

Manitowoc Cranes

Numerical Index		Appendix B
Part	Description	Page
9515103062	CONNECTOR, Y	216
9515103069	HARNESS ASSY.	215
9543100045	HOSE ASSY, 3/8 X 26"	144
9576100517	PIN	99
9576101028	STRAP	493
9576101029	BUSHING	493
9576101074	KEY, SET	145
9576101100	CAPSCREW	56
9576101101	KIT,SEAL BRAKE	57
9576101102	KIT,DISC BRAKE	57
9576101124	WASHER	55
9576101126	GEAR,RING	57
9576101127	BEARING,NEEDLE	55
9576101129	WASHER	55
9576101130	RING,RETAINER	55
9576101133	RING,RETAINER	57
9576101135	BEARING	56
9576101136	COUPLING	56
9576101137	RING,RETAINER	56
9576101138	RING,RETAINER	56
9576101140	RING,RETAINER	57
9576101141	PLUG	57
9576101142	PLATE,END	55
9576101148	CAPSCREW	57
9576101149	PIPE	57
9576101151	DIPSTICK	57
9576101152	ELBOW	57
9576101154	PLUG	57
9576101165	KIT,BRAKE ASSY.	57
9576101167	PINION	55
9576101171	KIT,SHIM	55
9576101173	NUT,RING	55
9576101174	RING GEAR	57
9576101175	CAPSCREW	56
9576101176	GEAR,SUN	56
9576101180	GEAR,SUN	55

From - 9515103062

To - 9576101180

Manitowoc Cranes

Numerical Index		Appendix B
Part	Description	Page
9576101181	PIN	55
9576101183	PIN	55
9576101184	HOUSING,FLANGE MTG.	56
9576101185	PLUG	56
9576101186	KIT,SEAL MOTOR	56
9576101189	BREATHER	57
9576101220	PLUG	57
9576101307	PLATE, RETAINER	55
9576101308	CAPSCREW	55
9576101329	SPACER	55
9576101330	SHAFT, OUTPUT	55
9576101331	SEAL, OIL	55
9576101332	BEARING	55
9576101333	RING, RETAINING	55
9576101334	O-RING	55
9576101335	BEARING	55
9576101336	BEARING, NEEDLE	55
9576101337	KIT, SEAL	57
9576101338	O-RING	57
9576101339	KIT, SHIM	57
9576101340	PLANETARY CARRIER ASSY.	57
9576101341	PLANETARY CARRIER ASSY.	57
9576101343	KIT, MOTOR WITH HARDWARE AND BRA	155, 157
9576101345	SHAFT, PIVOT	155, 157
9576101347	BLADE, WIPER 34"	155, 157
9576101348	ADAPTER	155, 157
9576101349	KIT, WET	157
9576101395	MOTOR ASSY. HYD.	56
9576101404	BAR, LINK 14.64"	155
9576101405	ARM, DRIVE 60 DEG	155, 157
9576101406	ARM, WIPER 24"	155, 157
9576101439	HARNES ASSY. WATER VALVE	216
9581100048	BULB	144
9581100058	LENS, MOONSTONE	144
9581100391	BEAM, SEALED 12 VOLT	144
9581100394	SOCKET,	189

From - 9576101181

To - 9581100394

Manitowoc Cranes

Numerical Index	Appendix B	
Part	Description	Page
9581100396	BULB, HALOGEN	303
9581100405	BULB, 12 VOLT	189
9581100406	BULB, 12 VOLT	197
9581100407	SOCKET,	197
9581100461	GROMMET, RUBBER	303
9585100055	KEEPER	121, 307
9601990029	ROD END, TIE R.H. THD.	358, 378
9601990030	ROD END, TIE L.H. THD.	358, 378
9632102851	WASHER,	245
9722105433	COVER, FRONT	459
9722105434	PLATE, THRUST	459
9722105435	CAPSCREW	459
9722105436	SCREW, GRUB	459
9722105437	WASHER	459
9722105441	RING, RETAINER	459
9722105443	BEARING	459
9722105444	BUSHING	459
9722105445	KIT, SEAL	459
9722105468	GEAR, DRIVE SHAFT	459
9722105469	GEAR, DRIVEN	459
9722105514	PLUG	459
9722105546	SHAFT ASSY.	461
9722105547	BEARING	461
9722105548	BEARING	461
9722105549	SPACER	461
9722105550	COVER	461
9722105551	CAPSCREW	461
9722105552	CAPSCREW	461
9722105553	RING, RETAINER	461
9722105554	CAPSCREW	461
9722105555	PLUG, BLEEDER	461
9722105556	PLUG	461
9722105557	SEAL, SHAFT	462
9722105558	REGULATOR ASSY.	462
9722105559	CAPSCREW	462
9722105560	O-RING	462

From - 9581100396

To - 9722105560

Manitowoc Cranes

Numerical Index		Appendix B
Part	Description	Page
9722105561	PLATE, COVER	462
9722105562	CAPSCREW	462
9722105563	O-RING	462
9722105564	KIT, ROTARY GROUP	462
9722105565	KIT, SWASH PLATE GROUP	462
9722105566	KIT, SEAL	462
9722105567	O-RING	461
9722105568	O-RING	461
9722105569	O-RING	462
9722105570	RING, RETAINER	462
9726100169	FLATWASHER 8MM I.D.	483
9726100326	CAPSCREW	483
9726100327	NUT	483
9726100337	COOLER ASSY. TRANS. OIL	483
9726100338	RADIATOR ASSY.	483
9726100339	COOLER ASSY. AIR CHARGE	483
9752100994	KIT, REPAIR	83
9752101414	KIT, SEAL MOUNTING	343
9798100584	KNOB	167
9798100585	CONTROL, ADJUST - BACK	167
981134	CAPSCREW	101
981786	HOSE ASSEMBLY	101
9826100007	WEDGE	39
9826100008	PIN	39
9826100009	PIN, COTTER	39
9872100243	KEY	233
9872100256	SET, KEY	189
9880100073	VENT	491
9880100081	PLUG, MAGNETIC	491
9880100202	CAP ASSY.	491
9880100222	GASKET	343
9880100223	COVER	343
9904100967	BUSHING	441
9904100974	CAP SCREW	451
9904100983	WASHER	439, 442
9904100993	SLEEVE, TUBE	413

From - 9722105561

To - 9904100993

Manitowoc Cranes

Numerical Index		Appendix B
Part	Description	Page
9904101022	RING, RETAINING	441
9904101025	BALL, LOCK	427
9904101044	SCREW, LOCK	441
9904101047	PLUG	441
9904101209	RING, RETAINING	439
9904101298	LOCK, PLATE	411
9904101317	PLUG, MAGNETIC	413
9904101348	RING, SNAP	431, 437
9904101353	BEARING, GEAR	435
9904101354	RING, SNAP	427
9904102383	NUT	439, 442
9904103500	O-RING	413, 449
9904103528	PLUG	421
9904103551	TUBE	413
9904103563	RING, RETAINING	431
9904103567	RING, SNAP	431, 435, 437
9904103568	RETAINER, SPRING	431, 437
9904103569	SPRING	431, 437
9904103570	RING	437
9904103575	BEARING, PILOT	429
9904103595	WASHER	417, 441
9904103605	NUT	441
9904103610	WASHER, THRUST	441
9904103612	BEARING	441
9904103615	HUB	441
9904103621	RING, RETAINING	417, 441
9904103623	STUD	441
9904103626	HUB, SHIFT	442
9904103632	RING, SNAP	429, 435, 437
9904103635	DISC, CLUTCH	429, 431, 435, 437
9904103637	SEAL, PISTON	429, 431, 435, 437
9904103638	SEAL, PISTON	429, 431, 435, 437
9904103660	O-RING	445
9904103677	FLANGE	442
9904103779	O'RING POLYACUL	413
9904103887	GASKET	449

From - 9904101022

To - 9904103887

Manitowoc Cranes

Numerical Index		Appendix B
Part	Description	Page
9904103893	RING, LOCATING	427
9904103899	RING, RETAINING	425, 427
9904103906	RING, SNAP	417, 435, 439
9904103913	PLUG	411
9904103916	SCREW,	413
9904103922	SPACER	439
9904103980	RING, SNAP	429, 431
9904103982	SPACER	429, 431
9904103983	RING, SNAP	429
9904103986	STUD	445
9904103987	DISC, CLUTCH	435
9904103988	DISC, CLUTCH	429, 431, 437
9904103993	O-RING	441
9904103994	O-RING	441
9904103997	O-RING	442
9904104050	BREATHER	411
9904104053	BEARING ASSEMBLY	433
9904104055	PLUG	411, 453
9904104420	CAP SCREW,	449
9904104423	BEARING	427
9904104424	SHAFT	427
9904104428	BEARING	421
9904104432	BEARING	425, 427
9904105286	RING, SNAP	417
9904105288	SHAFT	441
9904105289	HOUSING	441
9904105290	FORK, SHIFT	442
9904105292	SPRING	441
9904105293	SPRING	441
9904105299	O-RING	445
9904105301	NUT	445
9904105302	SEAL	445
9904105306	BODY	445
9904105307	SEAL	445
9904105328	SCREW, VALVE MOUNTING	451
9904105336	O-RING	413

From - 9904103893

To - 9904105336

Manitowoc Cranes

Numerical Index		Appendix B
Part	Description	Page
9904105441	GASKET	413
9904105442	COVER	413, 439
9904105662	FLANGE	442
9904105940	SLEEVE	411
9904105957	RING, SEAL	417
9904105958	BAFFLE AND SEAL	417
9904105981	RETAINER, SPRING	431
9904105989	BALL, LOCK	433
9904105994	BEARING, FRONT	431, 437
9904105997	RING, RETAINING	431
9904106000	BEARING, REAR	435
9904106001	RING, SNAP	435
9904106002	SPACER	435
9904106063	PLUG WITH O-RING	413
9904106235	WASHER	447
9904106320	BEARING	441
9904106364	GASKET	439
9904106400	RING, RETAINING	417
9904106408	RING, RETAINING	421, 441
9904106445	O-RING	411, 413
9904106482	TUBE, CYLINDER	445
9904106483	CAP, END	445
9904106593	GASKET	425
9904106805	O-RING	433
9904107179	O-RING	445
9904107558	RING, RETAINING	437
9904107783	SPRING, DISC	435
9904107784	RETAINER, SPRING	435
9904107838	SPRING ASSY	429, 431
9904108396	PLUG	411, 413
9904108406	PISTON	441
9904108407	RING	441
9904108408	PLUG	441
9904108409	O-RING	441
9904108558	KEY	431
9904108795	RING, PISTON	435

From - 9904105441

To - 9904108795

Manitowoc Cranes

Numerical Index		Appendix B
Part	Description	Page
9904108934	PISTON ASSY, CLUTCH	429, 431, 435
9904108964	PLUG, DRAIN	413
9904108979	HUB, CLUTCH DISC	437
9904109139	SEAL, OIL	417
9904109352	WASHER, LOCK	419
9904109356	PLUG	411, 413
9904109357	O-RING	411, 413
9904109358	CAP SCREW	411, 413
9904109459	RING, SNAP	441
9904109481	O-RING	441
9904109531	CAPSCREW, DISC BRAKE	447
9904109554	CAP SCREW,	425
9904109561	O-RING	421, 441
9904109562	HOUSING, CONVERTER	411
9904109563	CASE, GASKET	411
9904109564	PIN, DOWEL	411, 413
9904109565	COVER, REAR AND PLUG ASSEMBLY	413
9904109566	CASE, GASKET	413
9904109567	CASE ASSEMBLY	413
9904109568	TUBE, THIRD SPEED	413
9904109569	TUBE ASSEMBLY, SUCTION	413
9904109570	O-RING	413
9904109571	CLIP, TUBE	413
9904109572	BAFFLE, OIL	413
9904109573	SHAFT & HUB W/ RETAINING RING	417
9904109574	BEARING, SHAFT	417, 435, 439
9904109575	RING, PISTON	417
9904109576	STATOR, SUPPORT	417
9904109579	RING, BACKING	419
9904109581	RING, SNAP	421
9904109582	CONVERTER ASSEMBLY - TORQUE	421
9904109583	RING, SNAP	421
9904109584	SCREW	425, 427
9904109585	SUPPORT, BEARING	425
9904109588	PIN	425, 427
9904109590	GEAR, IDLER	427

From - 9904108934

To - 9904109590

Manitowoc Cranes

Numerical Index		Appendix B
Part	Description	Page
9904109592	BEARING	429
9904109593	RING, RETAINING	429
9904109594	SPACER	431
9904109595	BEARING	431
9904109597	HUB, DISC	431
9904109598	SHAFT, REVERSE IDLER	433
9904109599	WASHER, THRUST	433
9904109600	WASHER, THRUST	433
9904109601	NUT	433
9904109602	GEAR, REVERSE IDLER	433
9904109603	LOW SHAFT, HUB & DRUM W/ VALVE	435
9904109604	BEARING	435
9904109606	BEARING	439
9904109607	SHAFT, IDLER	439
9904109608	BEARING, REAR	441
9904109611	SPACER	441
9904109612	OUTPUT SHAFT AND BEARING	441
9904109613	GEAR, HIGH RANGE 41T	423, 442
9904109616	PISTON	445
9904109617	WASHER, LOCK	445
9904109618	NUT	445
9904109619	ROD, PISTON	445
9904109620	WASHER, LOCK	445
9904109621	SCREW, LOCK	445
9904109622	FORK, SHAFT	445
9904109623	CYLINDER, AIRSHIFT	445
9904109625	LOCKWASHER, SCREW	451
9904109641	O-RING	442
9904109646	RING, PISTON	417
9904109647	BEARING	431
9904109648	BEARING, REAR	431, 437
9904109649	GEAR, REVERSE CLUTCH 43T	423, 431
9904109650	SPACER, DISC SPRING	435
9904109651	GEAR, LOW CLUTCH 63T	423, 435
9904109652	GEAR, REAR IDLER 51T	423, 439
9904109653	GEAR, 1ST DRIVE 29T	423, 429

From - 9904109592

To - 9904109653

Manitowoc Cranes

Numerical Index		Appendix B
Part	Description	Page
9904109669	KIT, DRIVE PLATE	419
9904109671	KIT, SEAL	409
9904109676	WASHER, LOCK	425
9904109704	SCREW,	417
9904109705	GEAR, PUMP DRIVE	427
9904109807	CASE & REAR COVER GROUP	409
9904109815	GEAR, IDLER FRONT 21T	423, 439
9904109816	GEAR, LOW RANGE 42T	423, 442
9904110157	BRACKET,PARK BRAKE	447
9904110463	FWD SHAFT & DRUM ASSY.	429
9904110464	PLATE, END	429, 431, 435, 437
9904110465	RING, PISTON	429, 431, 437
9904110466	REV. & 2ND, SHAFT & DRUM ASSY	431
9904110467	PISTON ASSY.	431, 437
9904110468	3rd. SHAFT & DRUM ASSY.	437
9904110469	CAPSCREW	449
9904110596	CAPSCREW	419
9904110597	GEAR, 37T	425
9904110598	ADAPTER, PUMP MOUNT	425
9904110599	GASKET	425
9904110600	CAPSCREW	425
9904110601	COVER	425
9904110602	PLATE	425
9904110603	PUMP ASSY, CHARGE	449
9904110604	BODY ASSY. VALVE	451, 453
9904110605	GASKET	451
9904110606	CART.& COIL ASSY. 12V.	453
9904110607	COVER	453
9904110608	CAPSCREW	453
9904110609	CONVERTER HOUSING GROUP	409
9904110611	TURBINE SHAFT GROUP	409
9904110612	DRIVE PLATE GROUP	409
9904110613	TORQUE CONVERTER GROUP	409
9904110614	GEAR GROUP	409
9904110615	AUXILIARY PUMP DRIVE GROUP	409
9904110616	PUMP DRIVE GROUP	409

From - 9904109669

To - 9904110616

Manitowoc Cranes

Numerical Index		Appendix B
Part	Description	Page
9904110617	FORWARD SHAFT GROUP	409
9904110618	REVERSE & 2ND. SHAFT GROUP	409
9904110619	REVERSE IDLER GROUP	409
9904110620	LOW SPEED SHAFT GROUP	409
9904110621	3RD. SHAFT GROUP	409
9904110622	IDLER SHAFT GROUP	409
9904110624	HI/LOW RANGE SHIFT CONT. GROUP	409
9904110625	DISC BRAKE GROUP	409
9904110626	CHARGE PUMP & FILTER GROUP	409
9904110627	CONTROL VALVE MOUNTING GROUP	409
9904110628	CONTROL VALVE ASSY. GROUP	409
9904110793	O-RING	453
9904110794	O-RING	453
9904110795	O-RING	453
9904110796	O-RING	453
9914100042	CLIP	39
9926103232	O-RING	117
9926106474	VALVE, CARTRIDGE	83
9926106646	O-RING	117
9926107745	NUT	83
9926107747	KIT, SEAL	84
9926107803	KIT, SEAL	13
9926108423	KIT, SEAL	83
9926108644	KIT, SEAL	83
9926110265	PLATE,DISTRIBUTOR	245
9926110266	GEAR, SET	245
9926110370	CARTRIDGE	84
9926110372	KIT, SEAL	83
9926110629	CARTRIDGE ASSY. FILTER	83
9926111435	WASHER, COMPRESSION	77
9926111436	NUT	77
9926111438	DISK, SHUTTLE	78
9926111439	PLUG ASSEMBLY, SHUT-OFF	77, 78, 79, 81
9926111452	SCREW-HEX HEAD	81
9926111453	CAP	81
9926111456	SPRING	81

From - 9904110617

To - 9926111456

Manitowoc Cranes

Numerical Index		Appendix B
Part	Description	Page
9926111457	WASHER,	81
9926111468	SEAL-SPECIAL	77, 78, 79, 81
9926111469	O-RING	77, 81
9926111470	SEAL-SPECIAL	77, 81
9926111533	ROD, TIE	77
9926111722	KIT, SEAL	83
9926111931	O-RING, VITON	84
9926111932	O-RING, VITON	84
9926111974	SCREW,	81
9926111999	PLUG ASSY	77, 81
9926112003	SPRING	78
9926112004	FILTER	78
9926112013	O-RING	77, 79, 80
9926112141	PLUG	77, 78, 79, 80
9926112199	SET SCREW	78, 79, 80
9926112200	SPRING	78, 79, 80
9926112313	VALVE, CARTRIDGE	13
9926112358	KIT, SEAL	83
9926112501	O-RING, VITON	84
9926112931	COIL, 12V.	83
9926112933	KIT, SEAL	269
9926113017	VALVE, CART. RELIEF @ 4300 PSI	77, 80
9926113018	VALVE, CART. RELIEF @ 4000 PSI	77, 81
9926113025	PLUG ASSY.	79, 80
9926113026	PLUG ASSY.	78, 79, 80
9926113029	CAPSCREW	81
9926113030	CARTRIDGE & COIL ASSY. 12V.	81
9926113031	KIT, SEAL	81
9926113032	KIT, SEAL	81
9926113045	VALVE, CART. & COIL ASSY. 12V.	83
9926113049	VALVE, CHECK	83
9926113051	CAPSCREW, SOCKET HEAD 10MM	83
9926113057	KIT, SEAL	83
9926113058	KIT, SEAL	83
9926113110	SEAL, DUST RING	245
9926113111	KIT, BUSHING W/BALL	245

From - 9926111457

To - 9926113111

Manitowoc Cranes

Numerical Index		Appendix B
Part	Description	Page
9926113112	BEARING	245
9926113113	KIT, RING W/CROSS PIN	245
9926113114	CAPSCREW, SPECIAL	245
9926113115	CAPSCREW	245
9926113116	KIT, SEAL	245
9926113144	VALVE, CART. COUNTER BALANCE	115
9926113145	VALVE, CART.SEQUENCE @4400 PSI	115
9926113146	KIT, SEAL	115
9926113147	KIT, SEAL	115
9926113165	VALVE,CART/COIL PRESS.REDUCING	83
9926113167	VALVE, RELIEF @ 2500 PSI	83
9926113171	PLUG, ORIFICE .040"	83
9926113253	O-RING SEAL	84
9926113254	VALVE, CART. RELIEF @ 1800 PSI	84
9926113270	SWITCH ASSY. PRESSURE	75
9926113271	VALVE ASSY. BRAKE	241
9926113272	PEDAL ASSY.	241
9926113273	COVER, RUBBER	241
9926113274	SCREW	241
9926113275	BOOT, RUBBER	241
9926113276	SWITCH ASSY. PRESSURE	241
9926113277	FITTING, ADAPTOR	241
9926113280	VALVE ASSY. INLET SECTION	77
9926113281	VALVE ASSY. WORK SECTION	77
9926113283	VALVE ASSY. WORK SECTION	77
9926113284	VALVE ASSY. OUTLET SECTION	77
9926113285	PLUG ASSY.	77, 78
9926113286	VALVE,CART. RELIEF @ 3500 PSI	77, 80
9926113287	VALVE,CART. RELIEF @ 3250 PSI	77, 79
9926113288	SOLENOID & CAP ASSY. 12V.	78, 79, 80
9926113289	BRACKET	81
9926113293	VALVE, CHECK CART.	92
9926113298	SEAT, SPRING	84
9926113299	SPRING	84
9926113300	WASHER	84
9926113301	CAP	84

From - 9926113112

To - 9926113301

Manitowoc Cranes

Numerical Index		Appendix B
Part	Description	Page
9926113302	CAPSCREW	84
9926113443	VALVE, PRESS. COMPENSATOR	83
9926113459	VALVE ASSY. WORK SECTION	77
9974100476	WASHER, LOCK 1/2" I.D.	100, 101
9974100594	DISC, FRICTION	99
9974101182	BEARING, ROLLER	99
9974101183	PIN, SPIRAL	99
9974101198	O-RING	99
9974101211	BEARING, BALL	99
9974101216	SEAL, OIL	99
9974101280	KIT, SEAL	101
9974102176	SEAL, PISTON	99
9974102177	PLATE, PRESSURE	99
9974102178	RING, BACK-UP	99
9974102179	SPRING	99
9974102180	SHAFT	99
9974102181	WASHER, THRUST	99, 102
9974102182	SHAFT	99
9974102183	BEARING	99
9974102185	WASHER, THRUST	99
9974102190	SEAL, OIL	99
9974102191	RING, RETAINING	99
9974102194	GEAR, SUN	99
9974102195	SPACER	100
9974102196	PLATE, THRUST	100
9974102197	PLATE, THRUST	100
9974102198	CAP SCREW,	100
9974102201	PLUG, FLUSH	100
9974102208	HOSE ASSY, 3/8 X 26"	101
9974102210	ADAPTER	101
9974102211	TEE, SWIVEL	101
9974102212	ELBOW	101
9974102214	CLUTCH SPRAG ASSY. BRAKE	100
9974102218	BEARING, THRUST	100
9974102219	RING, RETAINING	100
9974102221	RING, RETAINING	100

From - 9926113302

To - 9974102221

Manitowoc Cranes

Numerical Index		Appendix B
Part	Description	Page
9974102222	KIT, SEAL	102
9974102226	RING, BACK-UP	100
9974102227	O-RING	101
9974102665	BEARING, SPRAG	100
9974102666	PLANET CARRIER - PRIMARY	99
9974102667	GEAR - PLANET	99
9974102668	CARRIER, PLANET	99
9974102671	GEAR, PLANET	99
9974102672	SPACER	99
9974102676	CLOSURE, CABLE DRUM	99
9974102677	PRIMARY SUN GEAR	100
9974102684	CAP SCREW	101
9974102704	DISK, BRAKE	99
9974102705	SPACER	100
9974102731	MOUNT, MOTOR BASE	99
9974102747	WASHER, THRUST	100
9974102808	BUSHING	102
9974102810	ROD	101
9974102814	ROLLPIN	102
9974102820	CAP SCREW,	100
9974102821	WASHER,	100
9974102822	BAR, SPACER	100
9974102825	PLATE	101
9974102828	LEVER	101
9974102829	LEVER, ROLLER R.H.	101
9974102830	LEVER, ROLLER L.H.	101
9974102831	BRACKET	101
9974102832	SPRING	102
9974102835	CAP SCREW,	102
9974102839	WASHER	102
9974102840	ROLLER	102
9974102841	SHAFT	102
9974102843	WASHER	102
9974102846	SUPPORT, BEARING	99
9974102849	WASHER, THRUST	99
9974102854	CAPSCREW	100

From - 9974102222

To - 9974102854

Manitowoc Cranes

Numerical Index		Appendix B
Part	Description	Page
9974102855	GAUGE, SIGHT	100
9974102858	PLUG, VENT	100
9974102859	CAPSCREW	100
9974102861	CYLINDER, BRAKE	99
9974102868	O-RING	99
9974102885	VALVE, BRAKE	101
9974102898	O-RING	101
9974102922	O-RING	100
9974102931	PLUG	101
9974102941	DRUM	99
9974102942	BASE	99
9974102943	SIDEPLATE, MOTOR	100
9974102944	SIDEPLATE,SUPPORT	100
9974102966	PIN	102
9974102995	NUT	102
9974103015	CAPSCREW	102
9974103043	CAPSCREW	102
9974103083	ROLLER	101
9974103084	BRACKET, ROLLER	101
9974103085	SHAFT, ROLLER	101
9974103086	BEARING	102
9974103087	RING, RETAINER	102
9974103088	WEDGE, CABLE 5/8"	100
9974103090	MANIFOLD	101
9974103091	SENSOR	101
9974103092	WASHER, SEAL	101
9974103093	FITTING	101
9974103094	NUT, JAM	101
C8391660	BEARING	355, 375
C8926135	PIN, KING	357, 377
C8989364	WASHER, THRUST	361, 381

From - 9974102855

To - C8989364

Manitowoc Cranes

Notes

Manitowoc Cranes

Recommended Spare Parts List					Appendix C	
Part No.	1 Yr	2 Yr	3 Yr	Qty	Description	Page
4150101045	1	1	2	5	PAD, WEAR	265, 267
4159910000	0	0	2	12	SHIM,	3
6069001186	0	0	1	2	CONE, BEARING	47
6372006097	0	0	0	1	HEAD, CYLINDER	9
6372006103	0	0	0	2	HEAD, 4 1/4" CYLINDER	9
6511100009	0	0	0	1	HANDLE, DOOR (MODIFIED)	145
6671000166	1	1	2	1	PAD, WEAR	3
6671000177	1	1	2	1	PAD, WEAR	5
6671000236	1	1	2	8	PAD, WEAR	265
6671001148	1	1	2	1	PAD, WEAR	3
6671001149	1	1	2	1	PAD, SIDE WEAR	3
6689002029	0	0	0	1	PIN	267
6689002074	0	0	0	2	PIN	4
6689100028	0	0	0	2	PIN	5
6701000970	0	0	0	1	PISTON, 9" CYLINDER	111
6701100000	0	0	0	1	PISTON, 6.31" CYLINDER	9
6701100001	0	0	0	2	PISTON, 4 1/4" CYLINDER	9
6718100000	0	0	1	2	SHEAVE	4
6718100006	0	0	1	2	SHEAVE ASSY, 5 GROOVE	5
6718100012	0	0	1	2	SHEAVE, 2 GROOVE	4
6718100030	0	0	1	2	WHEEL, 5/8" ROPE SHEAVE	47
6718100043	0	0	1	4	SHEAVE ASSY, 1 GROOVE	4
6794000650	0	0	2	1	GASKET	406
6794001567	0	0	2	1	GASKET	406
6794100011	0	0	2	2	GASKET, 2 BOLT HOLE	406
6794100012	0	0	2	2	GASKET, 2 BOLT HOLE	406
6949001154	0	0	0	2	WASHER,	43
7013000384	0	0	1	1	ADAPTER, REDUCING	267
7013000405	0	0	1	4	ADAPTER	405, 487
7013000524	0	0	1	2	REDUCER	6
7013001112	0	0	1	1	ADAPTER	87
7013100047	0	0	1	2	ADAPTER, ORB TO HOSE BARB 20-16	405
7013100059	0	0	1	2	ADAPTER, 0.062 DIA ORIFICE	93
7069000175	0	0	1	2	CLOSURE, BEARING	47
7069000516	0	0	1	8	BEARING	145, 153
7069000518	0	0	1	1	BEARING	43
7069001045	0	0	1	2	BEARING	145
7069100031	0	0	1	1	BEARING	5
7118244250	0	0	0	36	CAP SCREW,	105
7118264250	0	0	0	36	CAP SCREW,	49
7172000545	1	1	3	96	BOOT, DT2S CONNECTOR	331, 472, 521
7172000546	1	1	3	2	BOOT	319, 472
7172000547	1	1	3	13	BOOT	334, 471, 521
7172000549	1	1	3	1	BOOT	210

From - 4150101045

To - 7172000549

Manitowoc Cranes

Recommended Spare Parts List					Appendix C	
Part No.	1 Yr	2 Yr	3 Yr	Qty	Description	Page
7172000550	1	1	3	4	BOOT	247, 521
7172000551	1	1	3	5	BOOT	72, 210, 233, 333, 523
7172000552	1	1	3	8	BOOT	247, 331, 471, 521
7172000553	0	0	2	3	BOOT	333, 521
7172000554	0	0	2	4	BOOT	332, 471, 522
7172000564	0	0	2	4	BOOT	72, 333
7172000565	1	1	3	3	BOOT, CONNECTOR	72, 333, 522
7172000567	1	1	3	7	BOOT, CONNECTOR	73, 334, 472, 523
7172000568	1	1	3	4	BOOT, CONNECTOR	233, 334, 339
7172100002	1	1	3	4	BOOT, PLUG	181, 331, 522
7172100003	0	0	2	12	BOOT-DTM3P-RECP	173, 369
7172100004	1	1	3	2	BOOT, DTP2S-BT	471
7172100006	1	1	3	2	BOOT, DTP4S - BT	471
7172100011	0	0	2	4	BOOT, POSITIVE TERMINAL	498
7195000032	0	0	2	8	BUMPER, RUBBER	295, 513
7195000037	0	0	2	8	BUMPER, RUBBER	299
7242000021	1	1	3	10	PLUG, 1" BUTTON	41, 289
7242100005	1	1	2	44	PLUG, L SERIES LH1 PANEL	170, 189
7246003554	0	0	1	5	CABLE, EXTENSION	5
7246100048	0	0	1	1	CABLE, EXTENSION	4
7246100049	0	0	1	6	CABLE, RETRACTION	5
7246100476	0	0	1	2	CONTROL CABLE W/LOCK HANDLE	119
7258001468	0	0	0	2	RADIATOR CAP	485
7345001444	1	1	3	19	TERMINAL, FEMALE	181, 193, 201, 209, 521
7345001446	1	1	3	10	TERMINAL, MALE	181, 190, 194, 201
7345001713	1	1	3	3	CONNECTOR, BUTT	233
7345001744	1	1	3	16	TERMINAL, FEMALE	170, 190, 193, 209, 234, 471
7345001746	1	1	3	8	TERMINAL, MALE	170, 193, 234
7345001752	1	1	3	5	TERMINAL	209
7345001944	1	1	3	1	TERMINAL, FEMALE	193
7345211701	1	1	3	10	TONGUE, INSULATED RING	195, 339
7345211901	1	1	3	7	TERMINAL	210, 221
7345212101	1	1	3	2	TERMINAL	209
7345221901	1	1	3	3	TERMINAL	210, 221
7345231701	1	1	3	2	TERMINAL	334
7345231901	1	1	3	3	TERMINAL	209, 332
7345232001	1	1	3	1	TERMINAL	332
7345232101	1	1	3	4	TERMINAL	209, 331
7345241701	1	1	3	3	TONGUE, INSULATED RING	210, 331
7345241901	1	1	3	8	TONGUE, INSULATED RING	331, 521
7345242001	1	1	3	1	TERMINAL	331
7345242101	1	1	3	2	TERMINAL	72
7345261701	1	1	3	1	16 - 14 AWG	472

From - 7172000550

To - 7345261701

Manitowoc Cranes

Recommended Spare Parts List					Appendix C	
Part No.	1 Yr	2 Yr	3 Yr	Qty	Description	Page
7345261901	1	1	3	2	TERMINAL	471
7352000878	0	0	1	1	SENDER, FUEL LEVEL	487
7352100036	0	0	1	1	SENSOR-COOLANT LEVEL	485
7364001457	1	1	3	1	TAB, MALE	190
7364001682	1	1	3	4	CONNECTOR, 2 CONDUCTOR	332, 521
7364001683	1	1	3	5	CONNECTOR, 2 CONDUCTOR	332, 521, 523
7364001684	1	1	3	2	CONNECTOR, 3 CONDUCTOR	193
7364001685	1	1	3	1	CONNECTOR, 3 CONDUCTOR	194
7364001846	1	1	3	2	TERMINAL	523
7364002614	0	0	1	2	JOINT, 90 DEGREE LIVE	6
7364002995	0	0	0	1	COUPLER, FLEX	503
7364100051	1	1	3	6	PLUG	303, 331
7364100052	1	1	3	10	SEAL	332
7364100058	1	1	3	4	SEAL, RED PLUG	332
7364100165	0	0	0	2	SWIVEL ASSEMBLY - 14 PORT	63
7364100166	0	0	0	9	DRIVE LINE ASSEMBLY	391
7372100268	0	0	0	2	HEAD, CYLINDER	111
7373000012	1	1	2	1	KIT, SEAL	112
7373000159	1	1	2	1	KIT, SEAL	269
7406000537	0	0	2	2	BELLOWS	399, 477
7406001053	0	0	2	2	BELLOWS	477
7437000873	4	4	6	1	FILTER, TRANSMISSION FLUID	449
7440000000	0	0	1	24	FITTING, 1/8 STRAIGHT GREASE	4, 15, 47, 112
7440000200	0	0	1	1	FITTING, 45 DEGREE GREASE	367
7440000400	0	0	1	2	FITTING, 90 DEGREE GREASE	263
7440000401	0	0	1	1	FITTING, 90 DEGREE GREASE	367
7440030000	0	0	1	1	FITTING, STRAIGHT GREASE	35
7443100139	0	0	0	8	COUPLING, 1/8" TEST PORT	91
7443100140	0	0	1	20	COUPLING, 3/8" TEST PORT	91, 131
7443100153	0	0	1	16	CONNECTOR, M12X1.0-#4 ORFS MALE	351, 371
7444020031	1	1	3	1	PLUG, PIPE	442
7445040219	0	0	1	2	ADAPTER, STRAIGHT	133
7445040220	0	0	1	2	ELBOW, 90 DEGREE	133
7445040453	0	0	1	2	ELBOW, 90 DEGREE	405, 487
7445040472	0	0	1	1	ELBOW, 90 DEGREE	90
7445040645	0	0	1	1	ELBOW, 90 DEGREE MALE	90
7445060439	0	0	1	3	ADAPTER, REDUCING FEMALE	90
7445060642	0	0	1	3	NUT	90
7445060651	0	0	1	1	UNION, STRAIGHT	404
7445060653	0	0	1	1	ELBOW, 90 DEGREE	481
7445080450	0	0	1	2	BUSHING, REDUCER	485, 487
7445080650	0	0	1	2	BUSHING, REDUCER	406
7445080803	0	0	1	2	ADAPTER, STRAIGHT	63
7445080804	0	0	1	2	ELBOW, 90 DEGREE	63

From - 7345261901

To - 7445080804

Manitowoc Cranes

Recommended Spare Parts List					Appendix C	
Part No.	1 Yr	2 Yr	3 Yr	Qty	Description	Page
7445080808	0	0	1	2	ADAPTER, SWIVEL	63
7445120809	0	0	1	2	ADAPTER, 45 DEGREE SWIVEL	404
7445121253	0	0	1	1	ELBOW, 90 DEGREE	403
7445160850	0	0	1	2	BUSHING, REDUCER	406, 485
7445161217	0	0	1	2	REDUCING CONNECTOR	403
7446080836	0	0	1	2	ELBOW, 90 DEGREE MALE	487
7447040401	0	0	1	4	ADAPTER, STRAIGHT	88, 129
7447040403	0	0	1	4	ELBOW, 90 DEGREE	90, 403
7447040408	0	0	1	1	ELBOW, 45 DEGREE MALE	91
7447040416	0	0	1	2	CAP ASSY, FEMALE ORS THREAD	128
7447040428	0	0	1	2	ADAPTER, STRAIGHT	404
7447040430	0	0	1	1	ELBOW, 90 DEGREE	403
7447040433	0	0	1	8	ELBOW, 90 DEGREE	131
7447040434	0	0	1	5	TEE, MALE RUN	131, 404
7447040601	0	0	1	10	ADAPTER, STRAIGHT	88, 129, 404
7447040603	0	0	1	2	FITTING, 90 DEGREE	129
7447060401	0	0	1	5	ADAPTER, STRAIGHT MALE	93, 117, 129
7447060403	0	0	1	5	ELBOW, 90 DEGREE MALE	88, 91, 131
7447060413	0	0	1	2	REDUCER	92
7447060601	0	0	1	29	ADAPTER, STRAIGHT MALE	87, 117, 128
7447060603	0	0	1	2	ELBOW, 90 DEGREE	93, 131
7447060605	0	0	1	1	TEE, RUN	92
7447060617	0	0	1	3	UNION, BULKHEAD	88
7447060633	0	0	1	12	ELBOW, 90 DEGREE MALE	89, 127
7447060634	0	0	1	8	TEE, FEMALE RUN	87, 127
7447060635	0	0	1	2	TEE, BRANCH	89
7447060801	0	0	1	6	ADAPTER, STRAIGHT MALE	89, 117, 127
7447060803	0	0	1	2	ELBOW, 90 DEGREE MALE	88
7447060830	0	0	1	1	ELBOW, 90 DEGREE MALE	406
7447061003	0	0	1	1	FITTING, 90 DEGREE	90
7447080428	0	0	1	2	ADAPTER, STRAIGHT MALE	403
7447080430	0	0	1	4	ELBOW, MALE ORS THD TO MALE N	487
7447080601	0	0	1	1	ADAPTER, STRAIGHT	87
7447080603	0	0	1	1	ELBOW, 90 DEGREE	267
7447080613	0	0	1	1	REDUCER	117
7447080801	0	0	1	14	ADAPTER, STRAIGHT	87, 127, 271
7447080803	0	0	1	3	ELBOW, 90 DEGREE MALE	267
7447080816	0	0	1	2	CAP	131
7447080829	0	0	1	1	ELBOW, 45 DEGREE	487
7447080833	0	0	1	1	ELBOW, 90 DEGREE MALE	88
7447100413	0	0	1	2	REDUCER	93
7447101001	0	0	1	4	ADAPTER, STRAIGHT	90
7447101034	0	0	1	2	TEE	93
7447120413	0	0	1	2	REDUCER	128

From - 7445080808

To - 7447120413

Manitowoc Cranes

Recommended Spare Parts List					Appendix C	
Part No.	1 Yr	2 Yr	3 Yr	Qty	Description	Page
7447120803	0	0	1	2	ELBOW, 90 DEGREE	129
7447121001	0	0	1	4	ADAPTER, STRAIGHT	130, 405
7447121003	0	0	1	2	ELBOW, 90 DEGREE	405
7447121201	0	0	1	5	ADAPTER, STRAIGHT MALE	128, 404
7447121203	0	0	1	1	ELBOW, 90 DEGREE	87
7447121208	0	0	1	2	ELBOW, 45 DEGREE MALE	127, 406
7447121216	0	0	1	2	CAP, 3/4 ORS	128
7447121217	0	0	1	1	UNION, BULKHEAD	87
7447121232	0	0	1	2	ELBOW, #12 BULKHEAD UNION 90	87
7447121233	0	0	1	2	ELBOW, 90 DEGREE	87, 405
7447121601	0	0	1	2	ADAPTER, STRAIGHT	87, 130
7447161201	0	0	1	3	ADAPTER, STRAIGHT	90, 407
7447161203	0	0	1	6	ELBOW, 90 DEGREE	6, 90, 128, 407
7447161601	0	0	1	4	ADAPTER, STRAIGHT	87, 111
7447161603	0	0	1	1	ELBOW, 90 DEGREE MALE	111
7447161638	0	0	1	2	ELBOW, 90 DEGREE LONG	87
7447201603	0	0	1	1	ELBOW, 90 DEGREE MALE	92
7447201628	0	0	1	1	ADAPTER, STRAIGHT	407
7447202001	0	0	1	2	ADAPTER, STRAIGHT MALE	92
7447202032	0	0	1	2	ELBOW, #20 BULKHEAD UNION 90	87
7482000029	1	1	1	4	FUSE, 30 AMP	203, 210, 333
7482000032	1	1	1	4	FUSE, 15 AMP	203
7482000033	1	1	1	8	FUSE, 10 AMP	203, 334
7482000035	1	1	1	4	FUSE, 5 AMP	203, 334
7482000555	1	1	1	3	FUSE, 100 AMP	497
7482000572	1	1	1	2	FUSE	337
7482100000	1	1	1	2	FUSE, MAXI HOLDER	333
7482100005	1	1	1	2	FUSE, MAXI 50AMP	333
7486000225	0	0	1	1	LEVEL, CIRCULAR	144
7486000629	0	0	1	1	INDICATOR, SERVICE	505
7486000836	0	0	1	1	THERMOMETER	343
7486002666	0	0	1	1	GAUGE, WINDOW	485
7486002936	0	0	1	1	GUAGE, OIL LEVEL	343
7486100024	0	0	1	1	GAUGE, CLUSTER	189
7486100100	0	0	1	2	GAUGE, 12 VOLT TACHOMETER	189
7506000021	0	0	2	1	GROMMET	119
7511000161	0	0	0	1	HANDLE, TAPERED	144
7511001255	0	0	0	1	HANDLE, GRAB	144
7542506663	0	0	0	1	HOSE ASSY, 3/8 X 26"	404
7542508463	0	0	0	2	HOSE ASSY, 7/8" ID HOT ENG OIL	407
7543109321	0	0	0	2	HOSE ASSY, 3/4" I.D. X 93"	91
7543109361	0	0	0	2	HOSE ASSY, 1 1/4" HYDRAULIC	406
7546706470	0	0	0	2	HOSE, 1 1/4" STR S/F X 64" STR	91
7546802393	0	0	0	2	HOSE ASSY, 1 1/2" I.D.X 23"	130

From - 7447120803

To - 7546802393

Manitowoc Cranes

Recommended Spare Parts List						Appendix C
Part No.	1 Yr	2 Yr	3 Yr	Qty	Description	Page
7546803793	0	0	0	2	HOSE ASSY	130
7546806493	0	0	0	2	HOSE, 1 1/2" STR S/F X 64" 90	91
7550103631	0	0	0	2	HOSE ASSY, 3/8 X 26"	133
7550103921	0	0	0	2	HOSE ASSY, 1/4" ID STR X 39"	92
7550104221	0	0	0	2	HOSE ASSY, 1/4" ID STR X 42"	91
7554315600	0	0	0	4	HOSE ASSY, 1/2" I.D. X 156"	267
7555101801	0	0	0	2	HOSE ASSY, 3/8 X 26"	93, 130
7555102801	0	0	0	1	HOSE ASSY, 3/8 X 26"	130
7555103000	0	0	0	2	HOSE ASSY, 1/4" I.D.X30"LONG	91
7555103203	0	0	0	2	HOSE ASSY, 1/4" I.D. STR X 32"	91
7555103600	0	0	0	1	HOSE ASSY, 3/8 X 26"	91
7555104201	0	0	0	4	HOSE ASSY, 3/8 X 26"	130
7555104623	0	0	0	2	HOSE ASSY, .25 DIA	130
7555105401	0	0	0	1	HOSE ASSY, 3/8 X 26"	130
7555107601	0	0	0	1	1/4" I.D. X 76"	91
7555109005	0	0	0	2	HOSE ASSY, 1/4" I.D. 45 X 90"	91
7555111021	0	0	0	2	HOSE ASSY, 1/4" ID	406
7555201921	0	0	0	2	HOSE ASSY, 3/8" I.D.X19"LONG	91
7555202000	0	0	0	1	3/8" I.D. X 20"	131
7555202101	0	0	0	1	3/8" I.D. X 21" LONG	131
7555202400	0	0	0	2	3/8" I.D. X 24"	131
7555202401	0	0	0	4	HOSE ASSY, 3/8 ID X 24" LONG	127
7555202402	0	0	0	2	3/8" I.D. X 24"	130
7555202801	0	0	0	2	3/8" I.D. X 28"	130
7555203201	0	0	0	4	3/8" I.D. X 32"	131
7555204400	0	0	0	1	3/8" I.D. X 44"	117
7555206001	0	0	0	1	3/8" I.D. X 60"	92
7555206201	0	0	0	1	3/8" I.D. X 62"	117
7555206800	0	0	0	1	3/8" I.D. X 68"	93
7555207201	0	0	0	4	HOSE ASSY, 3/8" I.D. X 72"	93, 117
7555207202	0	0	0	2	HOSE, 3/8" I.D X 72" LONG	91
7555207203	0	0	0	2	3/8" X 72"	93, 117
7555207401	0	0	0	2	HOSE ASSY, 3/8" I.D. X 74" LONG	117
7555208203	0	0	0	2	HOSE ASSY, 3/8" I.D X 90" LONG	117
7555208900	0	0	0	4	HOSE ASSY, 3/8" I.D. X 89"	91, 92
7555304500	0	0	0	2	HYD HOSE ASSY	131
7555306000	0	0	0	12	HOSE, 1/2" I.D. HYDR ASST STR B	127
7555306500	0	0	0	2	HOSE ASSY, HYDRAULIC	131
7555307200	0	0	0	4	1/2" I.D. X 72" LONG	127
7555402101	0	0	0	2	HOSE ASSY, 5/8" STR ORFS X 21"	91
7555402403	0	0	0	2	HOSE ASSY, 5/8" I.D. STR-9 HYD	91
7555502761	0	0	0	2	3/4" I.D. HYDR HOSE ASSY STR-9	130
7555503400	0	0	0	2	HOSE ASSY, 3/4" I.D. X 34" LONG	91
7555504201	0	0	0	2	HOSE ASSY, 3/4" I.D. X 42" LONG	91

From - 7546803793

To - 7555504201

Manitowoc Cranes

Recommended Spare Parts List					Appendix C	
Part No.	1 Yr	2 Yr	3 Yr	Qty	Description	Page
755507491	0	0	0	2	HOSE ASSY, .75 DIA	130
755508503	0	0	0	2	HOSE ASSY, 3/4" ID X 85"	406
755514390	0	0	0	2	HOSE ASSY, 3/4" ID	406
7555602360	0	0	0	2	HOSE ASSY, 1" STR ORFS X 23"	91
7555603591	0	0	0	2	HOSE ASSY, 1.00 DIA	130
7555604400	0	0	0	4	HOSE ASSY, 1" I.D. HYDR STR-STR	91, 93
7555604860	0	0	0	2	HOSE ASSY, 1" STR ORFS X 48"	92
7555702591	0	0	0	2	HOSE ASSY, 1 1/4" STR ORF X 25"	91
7561101503	0	0	0	2	HOSE ASSY, 1/4" I.D. X 15" LONG	404
7561102003	0	0	0	1	1/4" I.D. X 20"	405
7561103003	0	0	0	4	HOSE ASSY, 1/4" I.D. X 30" LONG	405
7561106003	0	0	0	1	1/4" I.D. X 60"	405
7561203017	0	0	0	1	3/8" I.D. X 30"	405
7561308430	0	0	0	2	HOSE ASSY, 1/2" ID STR-STR HYD	487
7561308432	0	0	0	2	HOSE ASSY, 1/2" I.D. X 84" LONG	405
7561502452	0	0	0	2	HOSE ASSY, 3/4" I.D. X 24" LONG	405
7561503852	0	0	0	2	HOSE ASSY, 3/4" I.D. X 38" LONG	405
7566208000	0	0	0	2	HOSE ASSY, 1 1/4" ID	406
7566503700	0	0	0	2	HOSE ASSY	406
7576134386	0	0	0	2	MOTOR ASSEMBLY - SWING DRIVE	49
7585000720	0	0	0	1	HANDLE, LATCH	144
7642100004	0	0	0	1	MUFFLER	503
7659000270	0	0	0	40	NUT	387
7671100005	0	0	2	2	PAD	295
7671100081	1	1	2	14	TEFLON PLUG	3
7671100116	1	1	2	2	PAD ASSY, FRONT LOWER	3
7671100118	1	1	2	2	PAD ASSY, REAR UPPER	3
7671100120	1	1	2	2	PAD ASSY, REAR UPPER	3
7689000023	0	0	0	3	PIN, LOCK HAIR	45
7689000036	0	0	0	1	PIN, CLIP	15
7689000053	0	0	0	2	PIN, CLIP	5
7689000503	1	1	3	241	PLUG, SEALING	73, 155, 157, 181, 194, 210, 233, 331, 471, 521
7689000701	0	0	0	3	CLIP, HITCH PIN	45
7689000704	0	0	0	78	PIN, 16 - 14 GA	155, 157, 193, 209, 233, 319, 339, 471, 522
7689000797	0	0	0	3	PIN	333, 523
7689000813	1	1	3	6	PIN	72, 209
7689001756	0	0	0	4	PIN	311
7689001782	0	0	0	248	PIN, 18 - 16 GAGE	175, 177, 181, 209, 251, 253, 332, 523
7689001883	0	0	0	2	PIN	522
7689002053	0	0	0	77	PIN	73, 193, 332, 522
7689100033	0	0	0	12	PIN	173, 369

From - 755507491

To - 7689100033

Manitowoc Cranes

Recommended Spare Parts List					Appendix C	
Part No.	1 Yr	2 Yr	3 Yr	Qty	Description	Page
7689100034	0	0	0	16	PIN, QUICK WITH (LANYARD)	299
7689100036	0	0	0	8	PIN, CLEVIS	265
7689100046	0	0	0	2	PIN	15
7690001210	0	0	0	1	PIN, COTTER	119
7690051610	0	0	0	6	PIN, COTTER	4
7690082010	0	0	0	8	PIN, COTTER	299
7690082410	0	0	0	4	PIN, COTTER	265
7690101610	0	0	0	2	PIN, COTTER	45
7690102410	0	0	0	2	PIN, COTTER	33, 267
7690144010	0	0	0	10	PIN, COTTER	267, 351
7690264804	0	0	0	1	PIN, CLEVIS	267
7709000031	0	0	1	1	PLUG, SAE #6	92
7709000038	0	0	1	3	PLUG, O-RING	88, 92, 127
7709000157	0	0	1	1	PLUG, MAGNETIC	343
7709000811	1	1	3	2	PLUG	181, 253
7709000812	1	1	3	5	PLUG	175, 177, 181
7709000838	1	1	3	3	PLUG	333
7709000844	1	1	3	98	PLUG, 2 SOCKET	331, 472, 521
7709000845	1	1	3	6	PLUG	193, 521
7709000846	1	1	3	26	PLUG, 12 SOCKET	193, 251, 331, 333, 471, 521
7709000849	1	1	3	3	PLUG	332, 522
7709000850	1	1	3	3	PLUG	333, 521
7709000874	1	1	3	14	PLUG	194, 333, 471, 521
7709000876	1	1	3	10	PLUG, 1 SOCKET	72, 209
7709000883	1	1	3	8	PLUG	72, 193, 333, 523
7709000936	1	1	3	7	PLUG, 4 SOCKET	73, 334, 472, 523
7709100870	1	1	3	1	PLUG, 4 PASS	472
7709100877	1	1	2	4	PLUG	181, 331, 522
7709100883	1	1	3	2	PLUG, 40 SOCKET	193
7709100884	1	1	3	2	PLUG, 40 SOCKET	193
7709100890	1	1	3	2	PLUG, DEUTSCH DRC26-50S-04	471
7709100891	1	1	3	6	PLUG, 2-PASS DEUTSCH DTP	210, 334, 471
7709100895	1	1	3	8	PLUG, 4 SOCKET	523
7709100902	1	1	3	8	PLUG, 3 PIN	194, 471, 522
7709100907	1	1	3	2	PLUG DTM06-12SA W/WM-12S WEDGE	193
7709100908	1	1	3	2	PLUG DTM06-12SB W/WM-12S WEDGE	193
7709100929	1	1	3	6	PLUG, DTO6-12SB-C015 W/WEDGE	333, 522
7709100930	1	1	3	2	PLUG, DTO6-12SC-C015 W/WEDGE	522
7709800000	1	1	3	4	PLUG, SAE #8	63
7722100100	0	0	0	2	PUMP ASSEMBLY - PISTON	403
7722100101	0	0	0	2	PUMP ASSEMBLY - GEAR	403
7726000128	0	0	0	1	COOLER, OIL	487
7726191194	0	0	0	2	COOLER ASSEMBLY - RADIATOR/CHA	481

From - 7689100034

To - 7726191194

Manitowoc Cranes

Recommended Spare Parts List					Appendix C	
Part No.	1 Yr	2 Yr	3 Yr	Qty	Description	Page
7750000055	0	0	1	1	RELAY, 12 VOLT DC	203
7750000056	0	0	1	2	RELAY, 75 AMP	209
7750000793	0	0	1	3	RELAY, 200 AMP	337
7750160021	0	0	1	2	RELAY, 12 VOLT 100AMP	210
7753001553	0	0	2	2	RING, WEAR	267
7753100021	0	0	2	2	BACK-UP RING;7.00 ROD	111
7753100037	0	0	0	2	RING ASSEMBLY - SLIP	63
7754000140	0	0	2	2	O-RING, LOW TEMPERATURE	269
7754000144	0	0	2	1	O-RING, LOW TEMPERATURE	9
7754000146	0	0	2	2	O-RING, LOW TEMPERATURE	9
7754000149	0	0	2	2	O-RING, LOW TEMPERATURE	9
7754000160	0	0	2	1	O-RING, LOW TEMPERATURE	269
7754000163	0	0	2	1	O-RING, LOW TEMPERATURE	111
7754000166	0	0	2	1	O-RING, LOW TEMPERATURE	111
7754100000	0	0	2	1	O-RING, LOW TEMPERATURE	9
7755011002	0	0	2	24	O-RING	88, 90, 91, 128, 129, 131, 403, 404
7755012002	0	0	2	49	O-RING	87, 88, 89, 90, 92, 93, 117, 127, 128, 129, 131, 367
7755014000	0	0	2	2	O-RING	83
7755014002	0	0	2	15	O-RING	87, 88, 127, 267, 271, 406, 487
7755016002	0	0	2	2	O-RING	90, 93
7755016003	0	0	2	2	O-RING, LOW TEMP #10 ORFS	273
7755017000	0	0	2	2	O-RING	13
7755018002	0	0	2	22	O-RING	87, 90, 127, 128, 129, 130, 404, 405, 406
7755021002	0	0	2	17	O-RING	6, 87, 90, 111, 128, 407
7755025002	0	0	2	6	O-RING	92, 407
7755043000	0	0	2	2	O-RING	10
7755107002	0	0	2	4	O-RING	81
7755110000	0	0	2	1	O-RING	445
7755152000	0	0	2	1	O-RING	56
7755161000	0	0	2	4	O-RING	10
7755219002	0	0	2	8	O-RING	90, 91
7755220000	0	0	2	2	O-RING	81
7755222002	0	0	2	9	O-RING	89, 127, 405
7755225002	0	0	2	7	O-RING	89, 127
7755228002	0	0	2	2	O-RING, 2"	128
7755232002	0	0	2	1	O-RING	405
7755245000	0	0	2	2	O-RING	56
7755260000	0	0	2	1	O-RING	56

From - 7750000055

To - 7755260000

Manitowoc Cranes

Recommended Spare Parts List					Appendix C	
Part No.	1 Yr	2 Yr	3 Yr	Qty	Description	Page
7755265000	0	0	2	1	O-RING	56
7755325609	0	0	2	2	RING, BACK-UP	9
7755332609	0	0	2	2	RING, BACK-UP	269
7755342609	0	0	2	1	RING, BACK-UP	269
7755904002	0	0	2	40	O-RING	9, 56, 63, 88, 90, 91, 92, 93, 101, 117, 129, 131, 269, 404
7755906002	0	0	2	18	O-RING	87, 88, 90, 92, 93, 117, 127, 128, 129, 131, 267, 269, 404, 406
7755908002	0	0	2	16	O-RING	63, 87, 88, 89, 92, 100, 117, 127, 129, 267, 271, 487
7755910002	0	0	2	6	O-RING	90, 130, 275, 405
7755912002	0	0	2	13	O-RING	6, 77, 78, 87, 90, 91, 127, 128, 404, 406, 407
7755916002	0	0	2	9	O-RING	87, 88, 92, 111, 112, 130, 407
7755920002	0	0	2	1	O-RING	92
7794000272	0	0	1	2	CUP, BEARING	47
7794001721	0	0	2	1	RUBBER, FLOCKED 154" LONG	159
7826000087	1	1	3	208	SOCKET, 16-14 GA	175, 177, 181, 193, 331, 521
7826000092	1	1	3	14	SOCKET, (12) 12-14GA	210, 471
7826000095	1	1	3	6	SOCKET,	73, 331
7826000626	1	1	3	264	SOCKET,	181, 251, 253, 332, 521
7826000635	1	1	3	2	SOCKET,	209
7826000650	1	1	3	34	PLUG, SEALING	472, 522
7826000651	1	1	3	50	SOCKET, 20 GA AU-PLATE	471
7826100004	1	1	3	486	SOCKET, (16 - 18) 30 SERIES	73, 181, 193, 332, 471, 521
7826100013	1	1	3	10	SOCKET,	332
7826100016	1	1	3	6	SOCKET, DEUTSCH 22/20 GA NI	332
7826100018	1	1	3	226	SOCKET, 20 GAUGE GOLD	181, 193, 523
7834100003	0	0	1	4	SPRING	144
7872001408	0	0	1	1	SWITCH, SEAT	167
7872001734	0	0	1	1	SWITCH, SHIFTER	243
7872001747	0	0	1	1	SWITCH, TURNSIGNAL/WIPER	243
7872100051	0	0	1	1	SWITCH, IGNITION	189
7872100071	0	0	1	2	SWITCH, EMERGENCY STOP	189
7872100091	0	0	1	2	SWITCH, HEATER CNTRL EATON 12V	189
7872100095	0	0	1	2	SWITCH, L-SERIES ENGE INC/DEC	189
7872100100	0	0	1	2	SWITCH, L-SERIES HAZARDS	189

From - 7755265000

To - 7872100100

Manitowoc Cranes

Recommended Spare Parts List

Appendix C

Part No.	1 Yr	2 Yr	3 Yr	Qty	Description	Page
7872100105	0	0	1	2	SWITCH, L-SERIES FAN HI/MED/LO	189
7872100106	0	0	1	2	SWITCH, L-SERIES HEATER ON/OFF	189
7872100107	0	0	1	2	SWITCH, L-SERIES CRANE FUNC PWR	189
7872100108	0	0	1	2	SWITCH, L-SERIES SKYLIGHT WIPER	189
7872100110	0	0	1	2	SWITCH, L-SERIES WORK LIGHTS	189
7872100112	0	0	1	2	SWITCH, L-SERIES LF O/R BM/STAB	189
7872100113	0	0	1	2	SWITCH, L-SERIES RF O/R BM/STAB	189
7872100114	0	0	1	2	SWITCH, L-SERIES LR O/R BM/STAB	189
7872100115	0	0	1	2	SWITCH, L-SERIES RR O/R BM/STAB	189
7872100117	0	0	1	2	SWITCH, L-SERIES O/R EXT/RET	189
7872100118	0	0	1	2	SWITCH, L-SERIES MAIN HOIST	170
7872100132	0	0	1	1	SWITCH, KEY OPERATED 2 POSITIO	233
7872100138	0	0	1	2	SWITCH, L-SERIES DRIVE SELECT	189
7872100139	0	0	1	2	SWITCH, L-SERIES REAR STEER	170
7872100142	0	0	1	2	DISCONNECT SWITCH	497
7872100145	0	0	1	2	SWITCH, L-SERIES DEFROST FAN	189
7872100146	0	0	1	2	SWITCH, L-SERIES SWING BRAKE	170
7872100170	0	0	1	2	SWITCH, 120 TEMPERATURE (N.C.)	92
7872100171	0	0	1	2	SWITCH, 190 TEMPERATURE (N.C.)	127
7872100179	0	0	1	2	SWITCH, TEMPERATURE 250 (N.C.)	406
7872100210	0	0	1	2	SWITCH L-SERIES HEADLIGHTS	189
7872100211	0	0	1	2	SWITCH L-SERIES PARK BRAKE	189
7888000045	0	0	1	1	TEE	403
7888100000	0	0	1	2	TEE, SPLIT FLANGE BRANCH	127
7892000195	1	1	3	22	PARALLEL, NON - INSULATED	181, 195, 331, 339, 522
7892000196	1	1	3	15	PARALLEL, NON - INSULATED	221, 333
7892000198	1	1	3	2	PARALLEL - NON-INSULATED 4 AWG	522
7892000218	1	1	1	14	FUSE, TERMINAL	209
7892000219	1	1	1	2	FUSE, TERMINAL	210
7892000220	1	1	1	16	FUSE, BUSS BAR	209
7892000252	1	1	3	6	TERMINAL, MALE PIN	194, 332
7892000253	1	1	3	10	TERMINAL, FEMALE SLEEVE	194, 521
7892000254	1	1	3	20	TERMINAL, GREEN CABLE SEAL	194, 331, 521
7892000256	1	1	3	2	TERMINAL, BLUE CABLE SEAL	523
7892000257	1	1	3	9	TERMINAL, GREEN CAVITY	194, 332, 521
7892000824	1	1	3	4	RECEPTACLE,	72, 155, 157
7892000831	1	1	3	1	RECEPTACLE,	253
7892000832	1	1	3	4	RECEPTACLE,	175, 177, 181
7892000843	1	1	3	10	TERMINAL, FEMALE	331, 471
7892000939	1	1	3	6	RECEPTACLE,	72, 209
7892000949	1	1	3	15	RECEPTACLE,	194, 332, 472, 521
7892000951	1	1	3	5	RECEPTACLE,	193, 210, 251, 333, 522
7892000978	1	1	3	1	RECEPTACLE,	521
7892000979	1	1	3	2	RECEPTACLE,	522

From - 7872100105

To - 7892000979

Manitowoc Cranes

Recommended Spare Parts List

Appendix C

Part No.	1 Yr	2 Yr	3 Yr	Qty	Description	Page
7892000986	1	1	3	3	RECEPTACLE,	331
7892000999	0	0	0	2	RECEPTACLE, 12 VOLT DASH MOUNT	201
7892001012	1	1	3	2	RECEPTACLE, 12 P FLANGE	73
7892001036	1	1	3	7	RECEPTACLE, SPLICE BLOCK	193, 331, 521
7892001051	1	1	3	7	RECEPTACLE,	233, 334, 339, 523
7892001053	1	1	3	2	RECEPTACLE, 9 PIN	193, 333
7892100003	1	1	3	6	TERMINAL, DARK RED CABLE SEAL	332, 471
7892100010	0	0	0	6	RECEPTACLE, DTM-3P	173, 369, 522
7892100025	1	1	3	4	DEUTSCH DTP 2-PASS RECEPTACLE	334, 523
7892100026	1	1	3	8	RECEPT, (8P) SPLICE BLOCK	181, 193, 521
7892100036	1	1	3	10	RECEPTACLE, 3 WAY	194, 333, 471, 522
7892100039	1	1	3	4	RECEPTACLE, DTM04-4P	523
7892100086	1	1	3	6	RECEPT, DTO4-12PB-C015 W/WEDGE	193, 233
7892100087	1	1	3	2	RECEPT, DTO4-12PC-C015 W/WEDGE	193
7926000014	0	0	0	1	VALVE-DRAIN COCK	399
7926000557	0	0	0	1	VALVE, DRAIN	404
7926002156	0	0	0	1	VALVE, INLET CHECK	117
7926002329	0	0	0	2	VALVE, SHUT-OFF	406
7926003526	1	1	1	1	FUSE, VELOCITY	91
7926100828	0	0	0	1	VALVE ASSEMBLY, 3/8 PILOT OPER	269
7926100899	0	0	0	2	VALVE ASSEMBLY - STEERING CONT	243
7926100910	0	0	0	1	VALVE ASSY, DUAL ACCUMULATOR C	75
7926100912	0	0	0	2	VALVE ASSEMBLY - BRAKE TREADLE	239
7926100925	0	0	0	2	VALVE ASSEMBLY - HOLDING	111
7926100948	0	0	0	2	VALVE ASSY, CHECK	92
7926100959	0	0	0	2	VALVE, #12 INLET CHECK	87
7949000333	0	0	1	8	WASHER, THRUST	4
7949000383	0	0	1	4	WASHER, THRUST	109
7949000385	0	0	1	2	WASHER, THRUST	15
80002486	0	0	0	2	VALVE ASSEMBLY - ACCESSORY	75
80008491	0	2	3	2	SWITCH, KEY	234
90000100	0	0	0	2	MOTOR ASSY. HYD.	100
90000105	0	0	2	2	O-RING	101
90001014	0	0	0	2	VALVE, WATER	216
90001067	1	1	2	2	KIT, SEAL	101
90001131	0	0	0	2	CART. VALVE ASSY. CONTROL 12V.	101
90001159	4	4	6	2	ELEMENT, PRIMARY	507
90001160	4	4	6	2	ELEMENT, SECONDARY	507
90011561	1	1	1	2	FUSE, 2A	229
90011562	1	1	1	2	FUSE, 15A	229
90011563	1	1	1	2	FUSE, 7.5A	229
90012231	0	0	1	2	FITTING, ELBOW	216
90012233	0	0	1	4	FITTING, TEE	216
90012853	0	0	2	4	SEAL	441

From - 7892000986

To - 90012853

Manitowoc Cranes

Recommended Spare Parts List					Appendix C	
Part No.	1 Yr	2 Yr	3 Yr	Qty	Description	Page
90012924	0	0	0	2	VALVE,PRESS.REDUCING 250 PSI	83
90012925	0	0	0	2	VALVE,PRESS.REDUCING 2500 PSI	83
90012928	0	0	0	2	KIT, VALVE ASSY. WORK SECTION	84
9005100230	0	0	0	2	VALVE ASSY. GAS	75
9049101566	0	0	1	1	BEARING	441
9049108804	0	0	2	8	RING, SEAL	357, 377
9049109546	0	0	2	4	RING	357, 377
9049112856	0	0	0	8	RING GEAR, CARRIER	361, 381
9049112861	0	0	1	4	WASHER, THRUST	355, 375
9049112870	0	0	2	32	GASKET	365, 385
9049112875	0	0	2	32	GASKET	365, 385
9049112879	0	0	1	32	PAD & LINING, BRAKE	365, 385
9049112887	1	1	2	4	KIT, SEAL	363, 383
9049112892	0	0	0	4	SET, RING & PINION	355, 375
9049991324	0	0	2	8	SEAL	357, 377
9176100603	0	0	2	1	O-RING	175
9188101041	0	0	1	1	KIT, LINING	457
9188101043	0	0	1	1	KIT, SPRING	457
9188101078	1	1	2	2	KIT,SEAL	457
9246100168	0	0	2	1	BOOT, RED	475
9246100177	0	0	2	12	BOOT, RED	475, 501
9246100185	0	0	2	2	BOOT, BLACK	475
9326100495	0	0	2	2	BOOT, LOWER END	249
9326100496	0	0	2	2	BOOT, UPPER END	249
9326100498	0	0	1	4	SPRING	249
9326100499	0	0	1	4	SPRING	249
9333101471	0	0	1	2	FITTING, BULKHEAD ADAPTER	223
9333102230	0	0	1	1	A2B SWITCH - WITH	19
9333102232	0	0	1	1	LANYARD	27
9333102373	0	0	1	1	FLAG, RETAINER	27
9333102765	1	1	3	2	CONNECTOR ASSEMBLY	19
9333103897	0	0	1	2	POTENTIOMETER,LENGTH	21
9333103898	0	0	1	2	SENSOR,ANGLE	21
9333103904	0	0	0	2	SLIP RING ASSY. 2 CONN.	21
9333103905	0	0	0	2	GEAR, 25T	21
9333103906	1	1	3	2	PLUG,CONNECTOR ASSY.5 PIN PASS	21
9352100657	0	0	2	4	GASKET	175, 177
9352100751	1	1	2	1	KIT, GASKET AND HARDWARE	487
9352100771	0	0	2	4	BOOT	175, 177
9352100772	0	0	2	4	GASKET	175, 177
9352100790	0	0	1	2	SWITCH, PUSH BUTTON	175
9364100340	0	0	0	5	BRUSH AND HOLDER ASSEMBLY	71
9364100437	0	0	0	8	BRUSH AND HOLDER ASSEMBLY	71
9364101577	0	0	1	1	FITTING, GREASE	395

From - 90012924

To - 9364101577

Manitowoc Cranes

Recommended Spare Parts List

Appendix C

Part No.	1 Yr	2 Yr	3 Yr	Qty	Description	Page
9364101733	0	0	0	12	BRUSH & ARM ASSY. (SILVER)	71
9364101829	1	1	2	2	KIT, SEAL	65
9364101830	1	1	2	2	KIT, SEAL	65
9364101867	0	0	0	4	U-JOINT ASSY.	397
9364101868	0	0	2	2	SEAL, SHAFT	397
9364101869	0	0	0	2	VALVE, AIR	397
9364101870	0	0	1	2	FITTING, GREASE	397
9364101907	0	0	0	2	BEARING, CENTER	393
9372103546	0	0	0	2	PISTON	275
9372103551	1	1	2	2	KIT, SEAL	275
9372103582	0	0	0	2	HEAD ASSY.	367
9372103587	1	1	2	2	KIT, SEAL	367
9372103625	0	0	0	2	HEAD, CYLINDER	269
9372103626	0	0	0	2	PISTON	269
9414101679	4	4	6	2	FILTER,OIL	407
9414101755	4	4	6	2	FILTER, PRIMARY FUEL	407
9414101756	4	4	6	2	FILTER, FUEL/WATER SEPARATOR	407
9414101764	1	1	1	2	BELT, DRIVE	407
9425100079	0	0	1	2	SWITCH ASSY.	165
9437100452	1	1	2	1	KIT, SEAL	345
9437100456	0	0	1	1	GAUGE	345
9437100479	0	0	2	1	O-RING, SQUARE	345
9437100480	0	0	2	1	GASKET	345
9437100825	1	2	3	1	ELEMENT	345
9511100017	0	0	2	2	BOOT	175, 177
9515102838	0	0	1	2	THERMOSTAT	215
9515102848	0	0	2	2	GROMMET	215
9515102922	0	0	0	2	KIT, VALVE ASSY. WATER	216
9576101074	1	1	1	1	KEY, SET	145
9576101101	1	1	2	2	KIT,SEAL BRAKE	57
9576101102	1	1	2	2	KIT,DISC BRAKE	57
9576101126	0	0	0	2	GEAR,RING	57
9576101127	0	0	1	324	BEARING,NEEDLE	55
9576101135	0	0	1	2	BEARING	56
9576101167	0	0	0	2	PINION	55
9576101174	0	0	0	2	RING GEAR	57
9576101176	0	0	0	2	GEAR,SUN	56
9576101180	0	0	0	2	GEAR,SUN	55
9576101186	1	1	2	2	KIT,SEAL MOTOR	56
9576101331	0	0	2	2	SEAL, OIL	55
9576101332	0	0	1	2	BEARING	55
9576101334	0	0	2	2	O-RING	55
9576101335	0	0	1	2	BEARING	55
9576101336	0	0	1	108	BEARING, NEEDLE	55

From - 9364101733

To - 9576101336

Manitowoc Cranes

Recommended Spare Parts List					Appendix C	
Part No.	1 Yr	2 Yr	3 Yr	Qty	Description	Page
9576101337	1	1	2	2	KIT, SEAL	57
9576101338	0	0	2	8	O-RING	57
9576101343	0	0	1	2	KIT, MOTOR WITH HARDWARE AND B	155, 157
9576101347	1	1	2	4	BLADE, WIPER 34"	155, 157
9576101395	0	0	0	2	MOTOR ASSY. HYD.	56
9576101406	0	0	0	4	ARM, WIPER 24"	155, 157
9581100048	1	1	1	2	BULB	144
9581100396	1	1	1	1	BULB, HALOGEN	303
9581100405	1	1	1	1	BULB, 12 VOLT	189
9581100406	1	1	1	1	BULB, 12 VOLT	197
9581100461	0	0	2	4	GROMMET, RUBBER	303
9722105443	0	0	1	8	BEARING	459
9722105445	1	1	2	2	KIT, SEAL	459
9722105468	0	0	0	2	GEAR, DRIVE SHAFT	459
9722105469	0	0	0	2	GEAR, DRIVEN	459
9722105547	0	0	1	2	BEARING	461
9722105548	0	0	1	2	BEARING	461
9722105557	0	0	2	2	SEAL, SHAFT	462
9722105560	0	0	2	14	O-RING	462
9722105563	0	0	2	2	O-RING	462
9722105566	1	1	2	2	KIT, SEAL	462
9722105567	0	0	2	2	O-RING	461
9722105568	0	0	2	4	O-RING	461
9722105569	0	0	2	2	O-RING	462
9726100337	0	0	0	2	COOLER ASSY. TRANS. OIL	483
9726100338	0	0	0	2	RADIATOR ASSY.	483
9726100339	0	0	0	2	COOLER ASSY. AIR CHARGE	483
9752100994	1	1	2	1	KIT, REPAIR	83
9752101414	1	1	2	2	KIT, SEAL MOUNTING	343
9826100008	0	0	0	2	PIN	39
9826100009	0	0	0	2	PIN, COTTER	39
9872100243	1	1	1	2	KEY	233
9872100256	1	1	1	1	SET, KEY	189
9880100222	0	0	2	2	GASKET	343
9904101047	1	1	3	1	PLUG	441
9904101348	0	0	2	2	RING, SNAP	431, 437
9904101353	0	0	1	1	BEARING, GEAR	435
9904101354	0	0	2	4	RING, SNAP	427
9904103500	0	0	2	2	O-RING	413, 449
9904103570	0	0	2	1	RING	437
9904103575	0	0	1	1	BEARING, PILOT	429
9904103612	0	0	1	4	BEARING	441
9904103621	0	0	2	2	RING, RETAINING	417, 441
9904103635	0	0	0	36	DISC, CLUTCH	429, 431, 435, 437

From - 9576101337

To - 9904103635

Manitowoc Cranes

Recommended Spare Parts List					Appendix C	
Part No.	1 Yr	2 Yr	3 Yr	Qty	Description	Page
9904103637	0	0	0	5	SEAL, PISTON	429, 431, 435, 437
9904103638	0	0	0	7	SEAL, PISTON	429, 431, 435, 437
9904103660	0	0	2	1	O-RING	445
9904103779	0	0	2	8	O-RING POLYACUL	413
9904103887	0	0	2	1	GASKET	449
9904103893	0	0	2	2	RING, LOCATING	427
9904103899	0	0	1	2	RING, RETAINING	425, 427
9904103993	0	0	2	1	O-RING	441
9904103994	0	0	2	1	O-RING	441
9904103997	0	0	2	2	O-RING	442
9904104053	0	0	1	1	BEARING ASSEMBLY	433
9904104423	0	0	1	1	BEARING	427
9904104428	0	0	1	1	BEARING	421
9904104432	0	0	1	2	BEARING	425, 427
9904105299	0	0	2	1	O-RING	445
9904105302	0	0	2	2	SEAL	445
9904105307	0	0	2	1	SEAL	445
9904105336	0	0	2	3	O-RING	413
9904105441	0	0	2	2	GASKET	413
9904105957	0	0	2	1	RING, SEAL	417
9904106063	1	1	3	2	PLUG WITH O-RING	413
9904106364	0	0	2	1	GASKET	439
9904106445	0	0	2	7	O-RING	411, 413
9904106593	0	0	2	1	GASKET	425
9904107179	0	0	2	1	O-RING	445
9904108409	0	0	2	1	O-RING	441
9904109651	0	0	0	4	GEAR, LOW CLUTCH 63T	423, 435
9904110599	0	0	2	4	GASKET	425
9904110605	0	0	2	2	GASKET	451
9904110606	0	0	0	8	CART. & COIL ASSY. 12V.	453
9904110793	0	0	2	2	O-RING	453
9904110794	0	0	2	2	O-RING	453
9904110795	0	0	2	2	O-RING	453
9904110796	0	0	2	2	O-RING	453
9926106474	0	0	0	2	VALVE, CARTRIDGE	83
9926107803	1	1	2	1	KIT, SEAL	13
9926108423	1	1	2	1	KIT, SEAL	83
9926108644	1	1	2	2	KIT, SEAL	83
9926111468	0	0	2	5	SEAL-SPECIAL	77, 78, 79, 81
9926111469	0	0	2	4	O-RING	77, 81
9926111470	0	0	2	2	SEAL-SPECIAL	77, 81
9926112313	0	0	0	1	VALVE, CARTRIDGE	13
9926112358	1	1	2	1	KIT, SEAL	83
9926112501	0	0	2	4	O-RING, VITON	84

From - 9904103637

To - 9926112501

Manitowoc Cranes

Recommended Spare Parts List						Appendix C
Part No.	1 Yr	2 Yr	3 Yr	Qty	Description	Page
9926112931	0	0	0	2	COIL, 12V.	83
9926112933	1	1	2	2	KIT, SEAL	269
9926113017	0	0	0	4	VALVE,CART. RELIEF @ 4300 PSI	77, 80
9926113018	0	0	0	4	VALVE,CART. RELIEF @ 4000 PSI	77, 81
9926113030	0	0	0	2	CARTRIDGE & COIL ASSY. 12V.	81
9926113031	1	1	2	2	KIT, SEAL	81
9926113032	1	1	2	2	KIT, SEAL	81
9926113045	0	0	0	2	VALVE, CART. & COIL ASSY. 12V.	83
9926113049	0	0	0	2	VALVE, CHECK	83
9926113057	1	1	2	4	KIT, SEAL	83
9926113058	0	0	0	2	KIT, SEAL	83
9926113110	0	0	2	2	SEAL, DUST RING	245
9926113112	0	0	1	2	BEARING	245
9926113116	1	1	2	2	KIT, SEAL	245
9926113144	0	0	0	2	VALVE, CART. COUNTER BALANCE	115
9926113145	0	0	0	2	VALVE, CART.SEQUENCE @4400 PSI	115
9926113146	1	1	2	2	KIT, SEAL	115
9926113147	1	1	2	2	KIT, SEAL	115
9926113165	0	0	0	6	VALVE,CART/COIL PRESS.REDUCING	83
9926113167	0	0	0	2	VALVE, RELIEF @ 2500 PSI	83
9926113253	0	0	2	2	O-RING SEAL	84
9926113254	0	0	0	4	VALVE, CART. RELIEF @ 1800 PSI	84
9926113270	0	0	1	2	SWITCH ASSY. PRESSURE	75
9926113271	0	0	0	2	VALVE ASSY. BRAKE	241
9926113275	0	0	2	2	BOOT, RUBBER	241
9926113276	0	0	1	2	SWITCH ASSY. PRESSURE	241
9926113277	0	0	1	2	FITTING, ADAPTOR.	241
9926113280	0	0	0	2	VALVE ASSY. INLET SECTION	77
9926113281	0	0	0	4	VALVE ASSY. WORK SECTION	77
9926113283	0	0	0	2	VALVE ASSY. WORK SECTION	77
9926113284	0	0	0	2	VALVE ASSY. OUTLET SECTION	77
9926113286	0	0	0	4	VALVE,CART. RELIEF @ 3500 PSI	77, 80
9926113287	0	0	0	4	VALVE,CART. RELIEF @ 3250 PSI	77, 79
9926113293	0	0	0	2	VALVE, CHECK CART.	92
9926113299	0	0	1	4	SPRING	84
9926113443	0	0	0	2	VALVE, PRESS. COMPENSATOR	83
9926113459	0	0	0	2	VALVE ASSY. WORK SECTION	77
9974102176	0	0	2	1	SEAL, PISTON	99
9974102222	1	1	2	1	KIT, SEAL	102
9974102898	0	0	2	4	O-RING	101
9974102922	0	0	2	1	O-RING	100
9974103086	0	0	1	4	BEARING	102
9974103091	0	0	1	2	SENSOR	101
9974103092	0	0	2	2	WASHER, SEAL	101

From - 9926112931

To - 9974103092

Manitowoc Cranes

Recommended Spare Parts List

Appendix C

Part No.	1 Yr	2 Yr	3 Yr	Qty	Description	Page
9974103093	0	0	1	2	FITTING	101

From - 9974103093

To - 9974103093

Manitowoc Cranes

Belt and Filter Maintenance List

Appendix D

Part No.	1000 Hrs	2000 Hrs	Qty	Description	Page
7437000873	2	4	1	FILTER, TRANSMISSION FLUID	449
90001159	2	4	2	ELEMENT, PRIMARY	507
90001160	2	4	2	ELEMENT, SECONDARY	507
9414101679	2	4	2	FILTER,OIL	407
9414101755	2	4	2	FILTER, PRIMARY FUEL	407
9414101756	2	4	2	FILTER, FUEL/WATER SEPARATOR	407
9414101764		1	2	BELT, DRIVE	407
9437100825	1	1	1	ELEMENT	345

From - 7437000873

To - 9437100825

Manitowoc Cranes

Notes

Manitowoc Cranes

Foot Note Index	Appendix E
Foot Note	Description
-	THIRD REPAIR KIT AND/OR PART OF 3RD KIT
!	SUB ASSY AND/OR PART OF SUB ASSY
#	SERVICED AS AN ASSEMBLY ONLY
\$	FIFTH REPAIR KIT
%	SEE NOTE AT END OF LIST
&	SIXTH REPAIR KIT
(4TH SUB ASSY AND/OR PART OF 4TH SUB ASSY
)	5TH SUB ASSY AND/OR PART OF 5TH SUB ASSY
*	REPAIR KIT AND/OR PART OF KIT
/	2ND SUB ASSY AND/OR PART OF 2ND SUB ASSY
@	SECOND REPAIR KIT AND/OR PART OF 2ND KIT
^	3RD SUB ASSY AND/OR PART OF 3RD SUB ASSY
{	6TH SUB ASSY AND/OR PART OF 6TH SUB ASSY
}	7TH SUB ASSY AND/OR PART OF 7TH SUB ASSY
~	SEE ALLISON DEALER FOR REPAIR PARTS
+	SEE FURTHER BREAKDOWN THIS GROUP
<	FOURTH REPAIR KIT AND/OR PART OF 4TH KIT
=	REFER TO MCI FOR APPLICABLE NUMBER
>	REFER TO MCI FOR BREAKDOWN LOCATION

