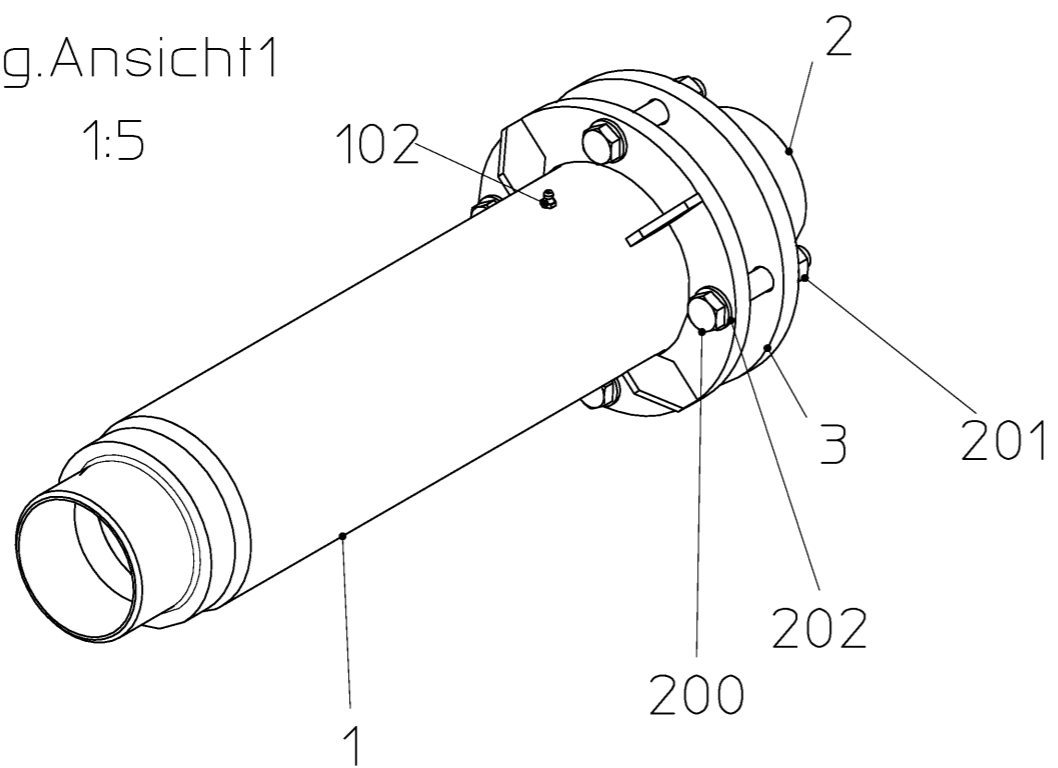


Allg. Ansicht 1
1:5



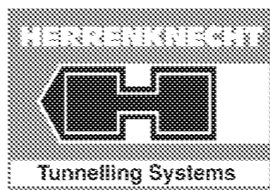
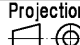
Wenn nicht anderweitig angegeben, sind metrische Schafftschrauben entsprechend den HERRENKNECHT-Anweisungen nach folgender Tabelle anzuziehen

Schrauben-Anzugsmomente in Nm
nach AA-HKAG-2.5-026
Reibungskoeffizient $\mu_{ges.} = 0,12$

If not defined otherwise, metric screws have to be tightened in accordance with the prescriptions from HERRENKNECHT in the following table

Screw tightening torques in Nm
according to AA-HKAG-2.5-026
coefficient of friction $\mu_{tot.} = 0,12$

	5.6	8.8	10.9	12.9
M16	85	180	265	310

Revision	Change	Date	Drawn	Date	Released
The reproduction, distribution and utilization of this document as well as the communication of its contents to others without express authorization is prohibited. Offenders will be held liable for the payment of damages. All rights reserved in the event of the grant of a patent, utility model or design. ISO 16016					General Tolerances
Geometrical product specification (GPS) EN ISO 1101:2013		Edges of undefined shape ISO 13715:2000			
Surface specifications according to EN ISO 1302:1992		Drawing type assembly	Project STANDARD-AVN	Machine Type	
 www.herrenknecht.com		Name TELESCOPIC PIPE TELESKOPROHR DN100-L700-S/S-HUB350-PN10			
		Drawing number 809-25-001-10	Sheet 1/1	Revision -	Format A3
drawn	09.03.2018	Wagner Lukas	Scale 1:3	Material no. 40351312	Material
released	09.03.2018	Mannherz Daniel	Weight 35 kg	Projection 	

Baukastenstückliste modular BOM



Projekt
Material 40351312
Bezeichnung 1 TELESKOPROHR
Zchnng.Nr/ver 809-25-001-10 / -
Gewicht 35 KG
Werk 1000

project
material 40351312
designation 1 TELESCOPIC PIPE
draw.No/ver 809-25-001-10 / -
weight 35 KG
plant 1000

Pos.	Typ type	Material	Menge/Einheit qty/unit	Bezeichnung 1 / Bezeichnung 2	designation 1 / designation 2	Zchnng.Nr/ver/Bpf draw.No/ver	Gewicht weight
1	L	40351301	1,000 ST	TELESKOPAUSSENROHR	TELESCOPE OUTER PIPE	809-25-001-11/-	22,00 KG
2	L	40351306	1,000 ST	TELESKOPINNENROHR	TELESCOPE INNER PIPE	809-25-001-12/-	5,80 KG
3	L	25608424	1,000 ST	FLANSCHRING	FLANGE RING	809-25-001-03/B	2,50 KG
4	L	25608427	3,000 ST	DISTANZRING	SPACER RING	809-25-001-09/-	0,01 KG
5	L	25608425	1,000 ST	GLEITBUCHSE	SLIDING BUSH	809-25-001-04/C	0,50 KG
6	L	25608426	1,000 ST	GLEITBUCHSE	SLIDING BUSH	809-25-001-05/B	1,70 KG
100	Z	28200468	1,000 ST	RUNDSCHNUR ENDLOS	ROUND CORD ENDLESS		0,00 KG
101	R	28100012	0,040 M	STOPFBUCHSENPACKUNG	GLAND PACKING		0,15 KG
102	L	24900030	2,000 ST	SCHMIERNIPPEL	LUBRICATING NIPPLE		10,00 G
200	L	40145663	4,000 ST	SECHSKANTSCHRAUBE M.SCHAFT GVZ M16X95-8.8-DIN931	HEX.HEAD BOLT ZP M16X95-8.8-DIN931		0,18 KG
201	L	24002160	4,000 ST	SECHSKANTMUTTER GVZ M16-8-DIN934	HEX.NUT ZP M16-8-DIN934		33,30 G
202	L	24001372	8,000 ST	SCHEIBE GVZ A17-140HV-DIN125	WASHER ZP A17-140HV-DIN125		11,30 G