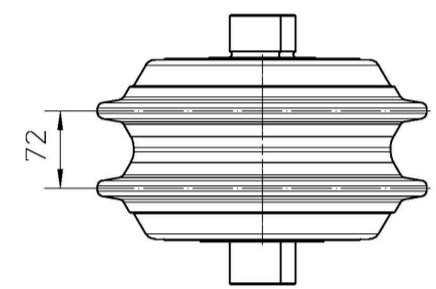
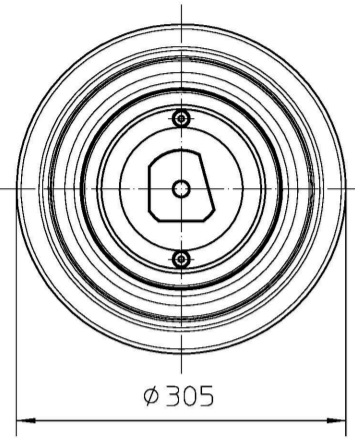


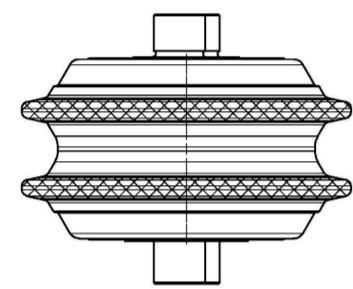
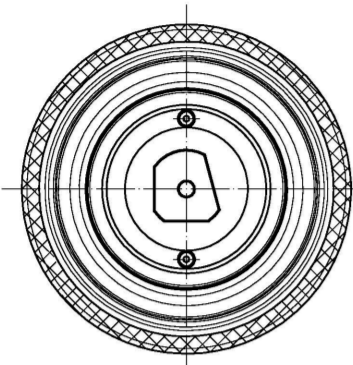
DISC CUTTER Ø305 / 12 Inch  
2 cutting rings  
cutter space 72mm

Pos. 200



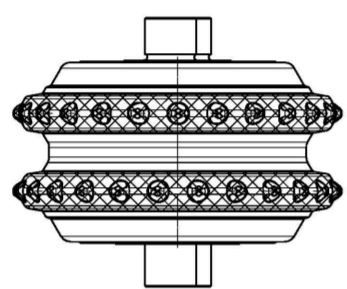
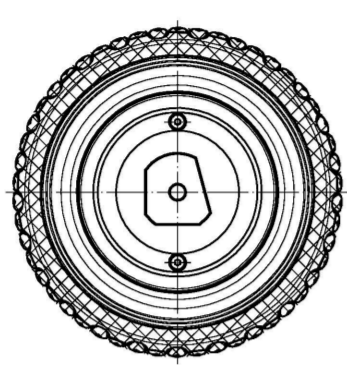
Type: standard  
monoblock-hub  
max. contact force: 20 to.

Pos. 210



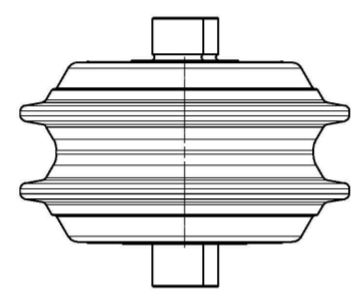
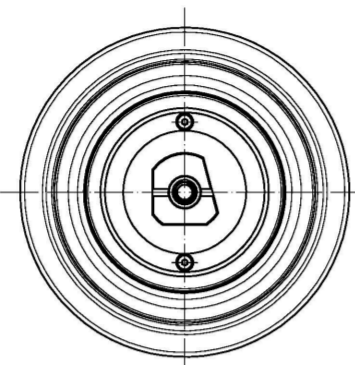
Type: hard-facing  
monoblock-hub  
max. contact force: 20 to.

Pos. 230



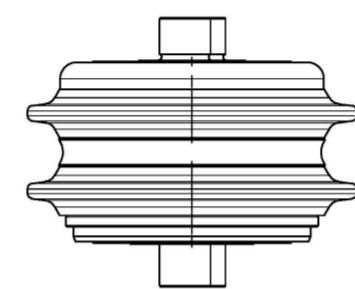
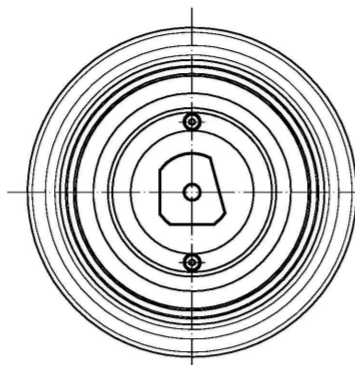
Type: tungsten carbide insert  
monoblock-hub  
hard-facing  
max. contact force: 20 to.

Pos. 250



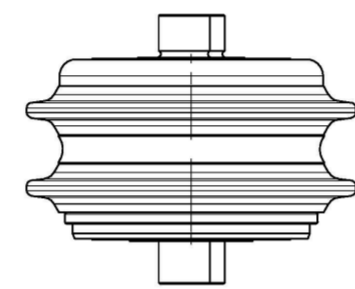
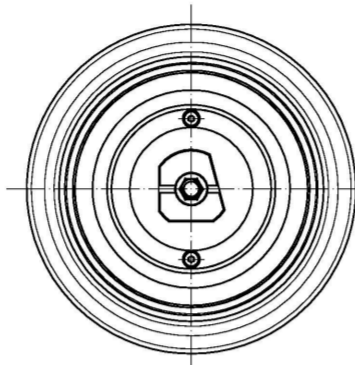
Type: standard  
monoblock-hub  
pressure compensated  
max. contact force: 20 to.

Pos. 300



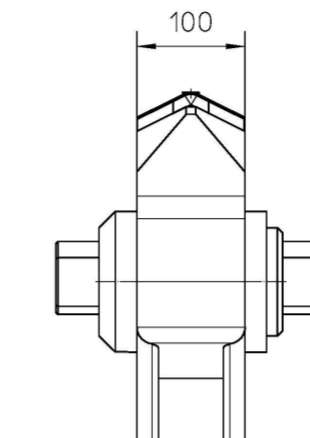
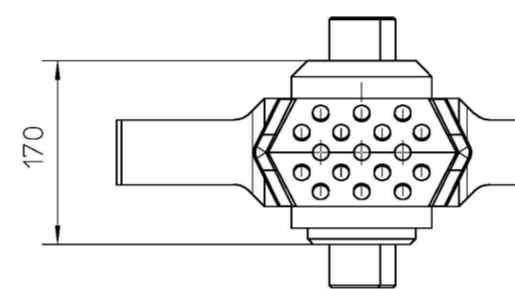
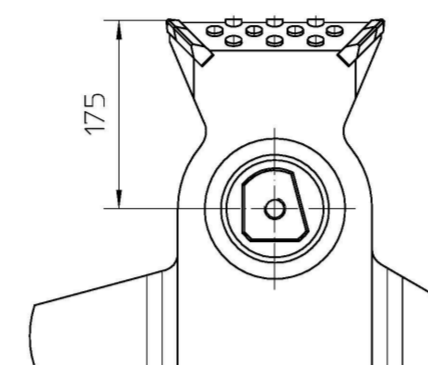
Type: standard  
changeable cutter-ring  
max. contact force: 20 to.

Pos. 350



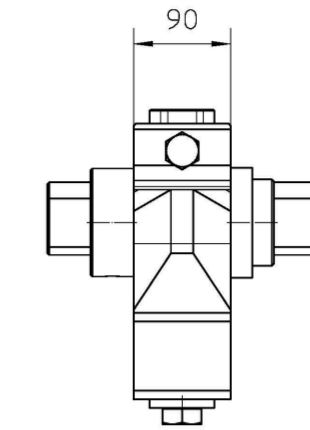
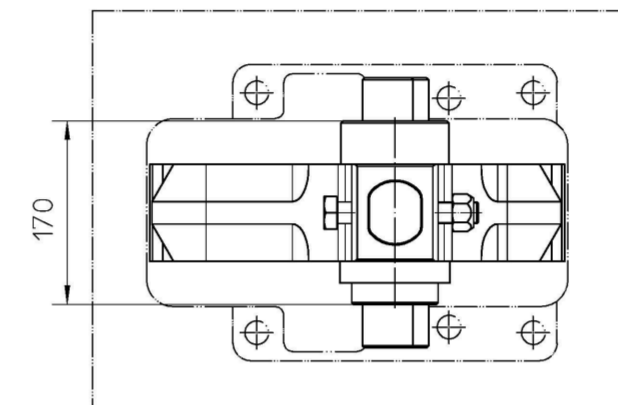
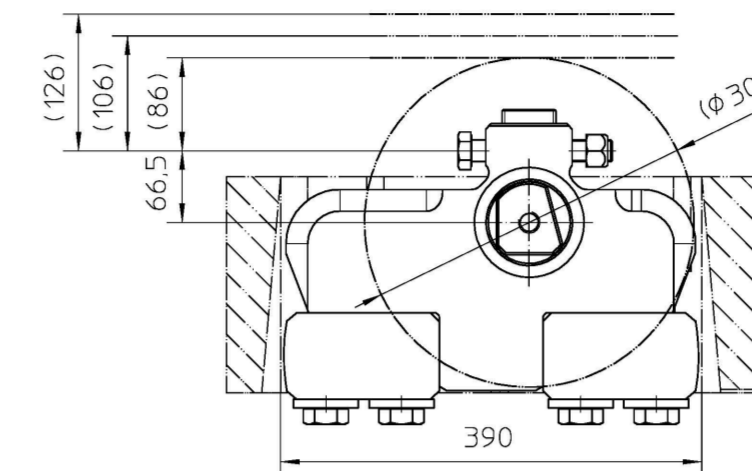
Type: standard  
changeable cutter-ring  
pressure compensated  
max. contact force: 20 to.

Pos. 400



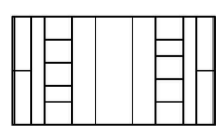
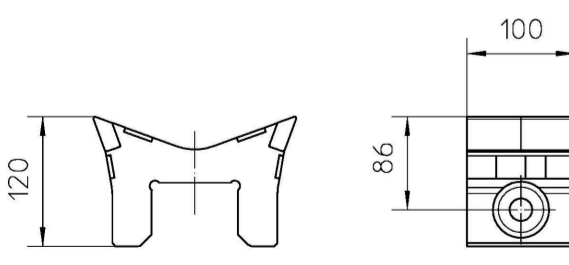
CUTTING KNIFE  
for Ø305 disc box  
height: 175mm  
width: 100mm

Pos. 410



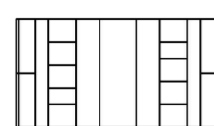
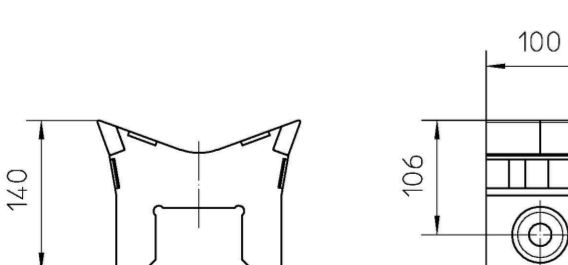
SUPPORT RIPPER  
for Ø305 disc box  
height: 66.5mm + 86 or 106 or 126  
width: for 100mm ripper tool

Pos. 510



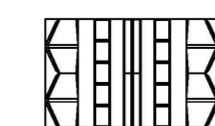
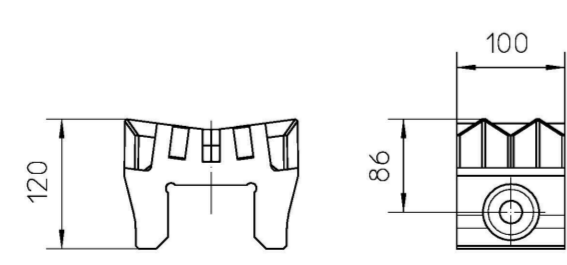
RIPPER TOOL  
width: 100mm

Pos. 511



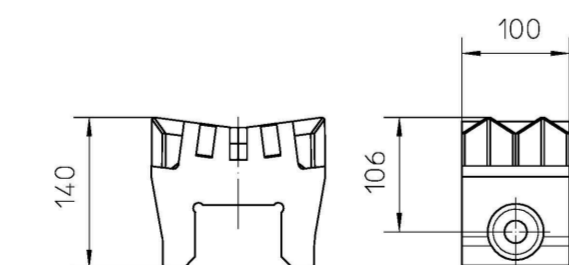
RIPPER TOOL  
width: 100mm

Pos. 520



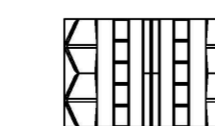
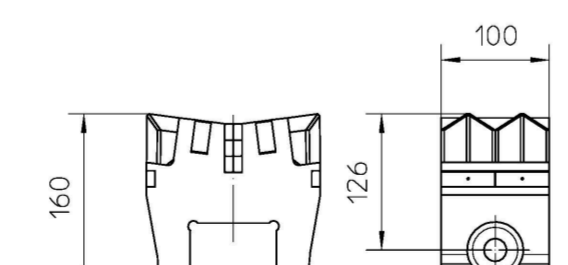
RIPPER TOOL  
width: 100mm

Pos. 521



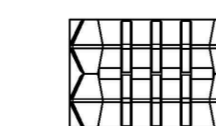
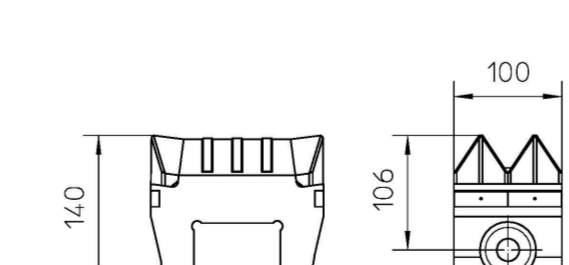
RIPPER TOOL  
width: 100mm

Pos. 522



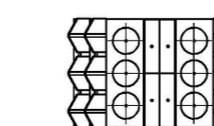
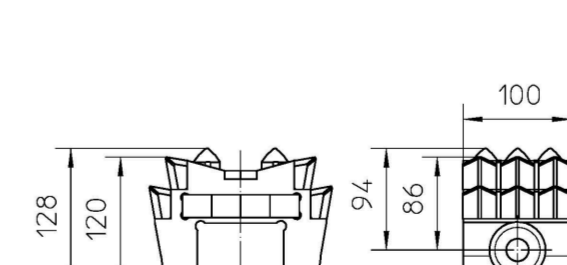
RIPPER TOOL  
width: 100mm

Pos. 531



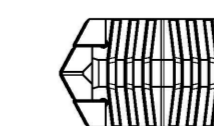
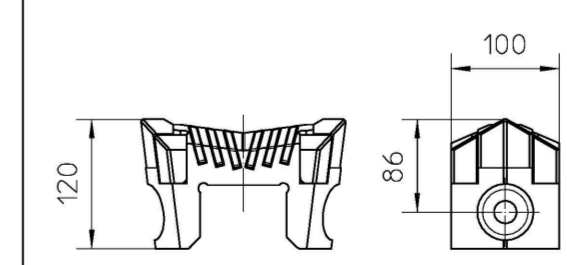
RIPPER TOOL  
width: 100mm

Pos. 540



RIPPER TOOL  
width: 100mm


Pos. 570



RIPPER TOOL  
for overcut gauge area  
width: 100mm

| Pos. | Qty. | Designation 1  | Designation 2                 | Material | Drawing no. | Material | Partname | Dimension | Material-number | Weight |
|------|------|----------------|-------------------------------|----------|-------------|----------|----------|-----------|-----------------|--------|
|      |      |                |                               |          |             |          |          |           |                 | kg/pc. |
| 570  | 1    | RIPPER TOOL    | B100H106-20/A80D60/2HZ6+M     |          |             |          |          |           | 40320865        | 9.1    |
| 540  | 1    | RIPPER TOOL    | B100H106-20/A80D60/2HZ+M2+P   |          |             |          |          |           | 40312945        | 9.7    |
| 531  | 1    | RIPPER TOOL    | B100H106/A80D60/HM+Z703HMS    |          |             |          |          |           | 40019827        | 7.9    |
| 522  | 1    | RIPPER TOOL    | B100H106+20/A80D60/HZ3+MS     |          |             |          |          |           | 40408384        | 15.4   |
| 521  | 1    | RIPPER TOOL    | B100H106/A80D60/HZ3HMS        |          |             |          |          |           | 40164064        | 12.4   |
| 520  | 1    | RIPPER TOOL    | B100H106-20/A80D60/HZ3+MS     |          |             |          |          |           | 40316243        | 9.9    |
| 511  | 1    | RIPPER TOOL    | B100/H106/A80D60/HMS2HM/CL    |          |             |          |          |           | 40263096        | 11     |
| 510  | 1    | RIPPER TOOL    | B100/H106-20/A80D60/HMS2HM/CL |          |             |          |          |           | 40320908        | 8.6    |
| 410  | 1    | SUPPORT RIPPER | H66.5/A80D60-M20/3R/HD/KL     |          |             |          |          |           | 40616842        | 59.5   |
| 400  | 1    | CUTTING KNIFE  | B100-DA305-R3-DISKENKASTEN    |          |             |          |          |           | 30013410        | 53.4   |
| 350  | 1    | DISC CUTTER    | D305/2SR-13S/S72/3R/PC/T      |          |             |          |          |           | 29603717        | 63.5   |
| 300  | 1    | DISC CUTTER    | D305/2SR-13S/S72/3R/T         |          |             |          |          |           | 29600969        | 63.5   |
| 250  | 1    | DISC CUTTER    | D305/2MB-13S/S72/3R/PC/T      |          |             |          |          |           | 40353719        | 62.5   |
| 230  | 1    | DISC CUTTER    | D305/2MB/TCL-HF/S72/3R/W10/T  |          |             |          |          |           | 40373522        | 66.5   |
| 210  | 1    | DISC CUTTER    | D305/2MB-13S/S72/3R/HF/W14/T  |          |             |          |          |           | 40517094        | 63     |
| 200  | 1    | DISC CUTTER    | D305/2MB-13S/S72/3R/W14/T     |          |             |          |          |           | 29604335        | 62.5   |

| Revision | Change  | Date       | Drawn     | Date       | Released |
|----------|---|------------|-----------|------------|----------|
| P        | Pos.410 durch 40616842 ersetzt, Pos.411 entfernt, Pos.531 war Pos.530 | 16.03.2022 | zettwita  | 17.03.2022 | malikd   |
| O        | Pos.210, 411, 530, 540 hinzu  | 04.10.2021 | zettwita  | 23.11.2021 | malikd   |
| N        | Pos.100, 150 entfernt, Pos.250, 522 hinzu, Pos.410 war 40386861       | 15.08.2019 | schroetiv | 12.09.2019 | malikd   |

| Edges of undefined shape  |                 | ISO 13715:2000  | Drawing type |
|---|-----------------|---|--------------|
| Geometrical product specification   |                 | (GPS) EN ISO 1101:2013  | Assembly     |
| Surface specifications according to   |                 | EN ISO 1302:1992  | Machine type |
| <br>www.herrenknecht.com |                 | Name<br><b>DISC CUTTER BASIC</b><br>SCHNEIDROLLE BASIS<br>D305/S72/3R<br>Drawing number<br><b>809-90-090-08</b> |              |
| Date  | Name            | Sheet   | Revision     |
| 29.11.2010  | Weiß Vitall     | 1/1   | P            |
| Released  | 12.07.2013      | Scale   | Material no. |
|   | Steiner, Thomas | 1:7   | 29600889     |
|   |                 | Material  | Weight/kg    |
|   |                 |   | Projection   |

# Baukastenstückliste modular BOM



Projekt  
Material 29600889  
Bezeichnung 1 SCHNEIDROLLE BASIS  
  
Zchnng.Nr/ver 809-90-090-08 / P  
Gewicht 67 KG  
Werk 1000

project  
material 29600889  
description 1 DISC CUTTER BASIC  
  
draw.No/ver 809-90-090-08 / P  
weight 67 KG  
plant

| Pos. | Typ<br>type | Material | Menge<br>qty | Bezeichnung 1 / Bezeichnung 2 | description 1 / description 2 | Zchnng.Nr/ver/Bpf<br>draw.No/ver | Gewicht<br>weight |
|------|-------------|----------|--------------|-------------------------------|-------------------------------|----------------------------------|-------------------|
| 200  | L           | 29604335 | 1,000 ST     | SCHNEIDROLLE                  | DISC CUTTER                   | C1272-MB/F                       | 62,50 KG          |
| 210  | L           | 40517094 | 1,000 ST     | SCHNEIDROLLE                  | DISC CUTTER                   | C1272-MB-HF/-                    | 63,00 KG          |
| 230  | L           | 40373522 | 1,000 ST     | SCHNEIDROLLE                  | DISC CUTTER                   | C1272-MB-TCI/A                   | 66,50 KG          |
| 250  | L           | 40353719 | 1,000 ST     | SCHNEIDROLLE                  | DISC CUTTER                   | C1272-MB-PC/A                    | 62,50 KG          |
| 300  | L           | 29600969 | 1,000 ST     | SCHNEIDROLLE                  | DISC CUTTER                   | C1272/H                          | 63,50 KG          |
| 350  | L           | 29603717 | 1,000 ST     | SCHNEIDROLLE                  | DISC CUTTER                   | C1272-PC/C                       | 63,50 KG          |
| 400  | L           | 30013410 | 1,000 ST     | SCHÄLMESSER                   | CUTTING KNIFE                 | 809-91-100-00/E                  | 53,40 KG          |
| 410  | L           | 40616842 | 1,000 ST     | HALTER STICHEL                | SUPPORT RIPPER                | 1501-305-041-000/-               | 59,50 KG          |
| 510  | L           | 40320908 | 1,000 ST     | STICHELKOPF                   | RIPPER TOOL                   | 1503-100-100-080/A               | 8,60 KG           |
| 511  | L           | 40263096 | 1,000 ST     | STICHELKOPF                   | RIPPER TOOL                   | 1503-100-100-063/A               | 11,00 KG          |
| 520  | L           | 40316243 | 1,000 ST     | STICHELKOPF                   | RIPPER TOOL                   | 1503-100-100-071/-               | 9,90 KG           |
| 521  | L           | 40164064 | 1,000 ST     | STICHELKOPF                   | RIPPER TOOL                   | 1503-100-100-033/-               | 12,40 KG          |
| 522  | L           | 40408384 | 1,000 ST     | STICHELKOPF                   | RIPPER TOOL                   | 1503-100-100-091/-               | 15,40 KG          |
| 531  | L           | 40019827 | 1,000 ST     | STICHELKOPF                   | RIPPER TOOL                   | 1503-100-001-330/-               | 7,90 KG           |
| 540  | L           | 40312945 | 1,000 ST     | STICHELKOPF                   | RIPPER TOOL                   | 1503-100-001-580/-               | 9,70 KG           |
| 570  | L           | 40320865 | 1,000 ST     | STICHELKOPF                   | RIPPER TOOL                   | 1503-100-100-074/-               | 9,10 KG           |