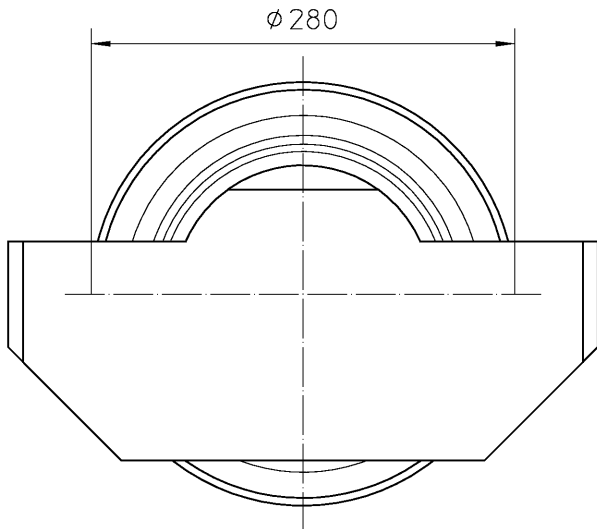
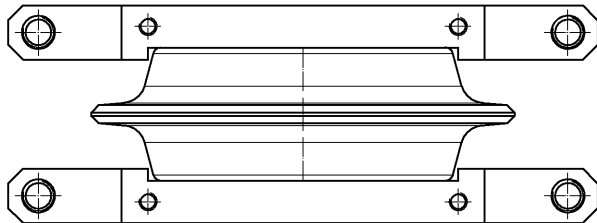


DISC CUTTER Ø280 / 11 Inch
 1 cutting ring monoblock
 center roller

Pos. 100



Type: standard
 max. contact force: 14 to.

100	1	DISC CUTTER D280/1MB/18U/Z					29603644	51			
Pos.	Qty.	Designation 1 Designation 2	Material Drawing no.	Material proper	Partname Dimension		Material- number	Weight kg/pc.			
D		STL aktualisiert, Zeichnungsindex dem Artikelindex angepasst				28.07.2017	schroetv	22.12.2017	malukd		
A		Zeichnungsindex dem Artikelindex angepasst				20.04.2016	schroetv	20.04.2016	ramsteic		
Revision		Change				Date	Drawn	Date	Released		
The reproduction, distribution and utilization of this document as well as the communication of its contents to others without express authorization is prohibited. Offenders will be held liable for the payment of damages. All rights reserved in the event of the grant of a patent, utility model or design. ISO 16016							General Tolerances				
5		Geometrical product specification (GPS) EN ISO 1101:2013		Edges of undefined shape ISO 13715:2000							
		Surface specifications according to EN ISO 1302:1992		Drawing type assembly		Project STANDARD-AVN		Machine Type			
		 www.herrenknecht.com		Name DISC CUTTER BASIC SCHNEIDROLLE BASIS D280/1MB/18U/Z							
				Date		Name		Drawing number		Sheet	Revision
drawn		30.04.2013		Elison Jonas		809-90-088-01		1/1	D	A4	
released		29.05.2013		Steiner Thomas		Scale 1:5		Material no. 29603502	Material	Weight	Projection

Baukastenstückliste modular BOM



Projekt
Material [29603502](#)
Bezeichnung 1 SCHNEIDROLLE BASIS

Zchng.Nr/ver 809-90-088-01 / D
Gewicht 51 KG
Werk 1000

project
material [29603502](#)
description 1 DISC CUTTER BASIC

draw.No/ver 809-90-088-01 / D
weight 51 KG
plant

Pos.	Typ type	Material	Menge qty	Bezeichnung 1 / Bezeichnung 2	description 1 / description 2	Zchng.Nr/ver/Bpf draw.No/ver	Gewicht weight
100	L	29603644	1,000 ST	SCHNEIDROLLE	DISC CUTTER		51,00 KG