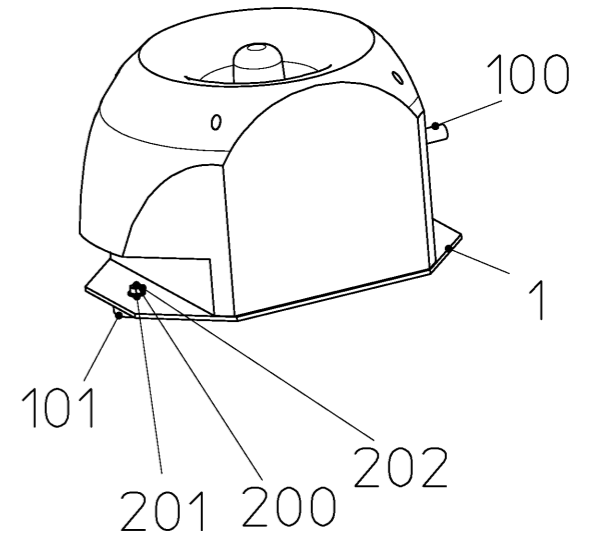


Allg.Ansicht 1:5



Wenn nicht anderweitig angegeben, sind metrische Schiffschrauben entsprechend den HERRENKNECHT-Anweisungen nach folgender Tabelle anzuziehen

Schrauben-Anzugsmomente in Nm
nach A-MBQ002, A-GW002, A-FS003 und A-MT005
Reibungskoeffizient $\mu_{ges.} = 0,12$

If not defined otherwise, metric screws have to be tightened in accordance with the prescriptions from HERRENKNECHT in the following table

Screw tightening torques in Nm
following A-MBQ002, A-GW002, A-FS003 and A-MT005
coefficient of friction $\mu_{tot.} = 0,12$

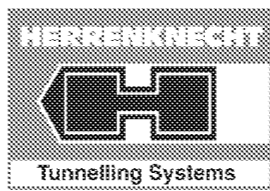

	5.6	8.8	10.9	12.9
M6	4,3	9,9	14	16,5

Pos.102	Art.Nr.: 40087627	Bez.1: KABEL	Kabellänge: 10M
Pos.103	Art.Nr.: 26907062	Bez.1: STECKER	

C	Pos.200-202 geändert.	26.09.2018	wagnerlu	26.09.2018	mannherd
B	Pos.102 Abmessung geändert.	08.04.2016	wagnerlu	08.04.2016	mannherd
A	Abmessung Pos.102 geändert.	07.04.2016	wagnerlu	08.04.2016	mannherd
Revision	Change	Date	Drawn	Date	Released

The reproduction, distribution and utilization of this document as well as the communication of its contents to others without express authorization is prohibited. Offenders will be held liable for the payment of damages. All rights reserved in the event of the grant of a patent, utility model or design. ISO 16016

General tolerances

Edges of undefined shape	ISO 13715:2000	Drawing type	assembly
Geometrical product specification	(GPS) EN ISO 1101:2013	Project	M-1600C
Surface specifications according to	EN ISO 1302:1992	Machine type	C20-01
 www.herrenknecht.com		Name	
		WARNING LIGHT ASSEMBLY WARNLEUCHTE BAUGRUPPE NEXUS110/18	
Date		Name	
Drawn	07.04.2016	Wagner Lukas	
Released	07.04.2016	Mannherz Daniel	
Drawing number	2900-04-000-40	Sheet	1/1
Scale	1:2	Revision	C
Material no.	40165723	Format	A3
Material		Weight/kg	2
		Projection	

Baukastenstückliste modular BOM



Projekt
Material 40165723
Bezeichnung 1 WARNLEUCHTE BAUGRUPPE
Zchnng.Nr/ver 2900-04-000-40 / C
Gewicht 3,050 KG
Werk 1000

project
material 40165723
description 1 WARNING LIGHT ASSEMBLY
draw.No/ver 2900-04-000-40 / C
weight 3,050 KG
plant

Pos.	Typ type	Material	Menge qty	Bezeichnung 1 / Bezeichnung 2	description 1 / description 2	Zchnng.Nr/ver/Bpf draw.No/ver	Gewicht weight
1	L	40165053	1,000 ST	MONTAGEBLECH	MOUNTING PANEL	809-01-001-79/B	0,30 KG
100	L	26908551	1,000 ST	WARNLEUCHTE+HUPE	WARNING LIGHT+HORN		1,20 KG
101	L	26913743	2,000 ST	PERMANENTMAGNET	PERMANENT MAGNET		37,50 G
103	L	26907062	1,000 ST	STECKER	MALE PLUG		0,04 KG
104	R	40555141	10,000 M	KABEL L = 10.000,0	CABLE		0,14 KG
200	L	24004124	6,000 ST	SENKSCBRAUBE GVZ M5X16-8.8-DIN7991	COUNTERSUNK HEAD SCREW ZP M5X16-8.8-DIN7991		0,00 KG
201	L	24001961	10,000 ST	SPANNSCHEIBE GVZ 5-DIN6796	CONICAL SPRING WASHER ZP 5-DIN6796		0,69 G
202	L	24000311	6,000 ST	SECHSKANTMUTTER GVZ M5-8-DIN934	HEX.NUT ZP M5-8-DIN934		1,23 G