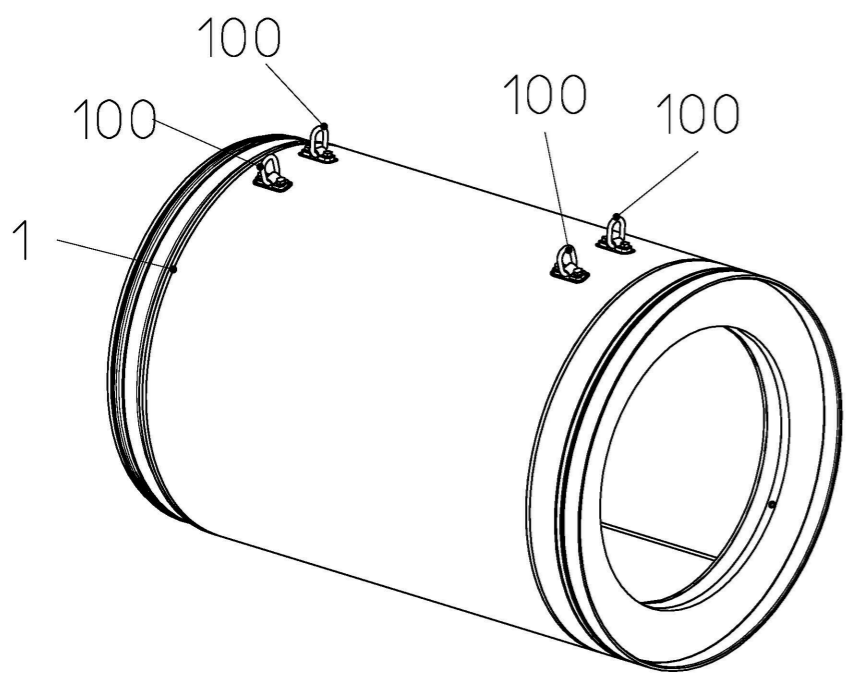


3D-Ansicht



Maschinenrohr 2/  
machine pipe 2  
Art.Nr.:30207768  
Zn.Nr.:3474-01-006-00

	Maschinenrohr 2/ machine pipe 2	Gesamtgewicht/ total weight
Maschine/ machine	7350kg	12530kg
AD/ upsized shell	5180kg	

Pos. 500 Transportsituation Art.Nr. 4062 6864

Werksmontagenäht  
Workshop assembly welding seam  
Soudure de montage d'atelier

=Schweißnähte druckdicht  
Weld seams pressure-tight

A Pos.500 hinzu		05.04.2022	farinac	05.04.2022	steinert
Revision	Change	Date	Drawn	Date	Released
The reproduction, distribution and utilization of this document as well as the communication of its contents to others without express authorization is prohibited. Offenders will be held liable for the payment of damages. All rights reserved in the event of the grant of a patent, utility model or design. ISO 16016		General tolerances			
Edges of undefined shape	ISO 13715:2000	Drawing type		assembly	
Geometrical product specification	(GPS) EN ISO 1101:2013	Project		Machine type	
Surface specifications according to	EN ISO 1302:1992	M-1641M		EPB1500T-03	
 <b>HERRENKNECHT</b> Tunnelling Systems www.herrenknecht.com		Name		UPSIZED SHELL	
		AUFDOPPELMANTEL		DA2155-MR2	
Drawing number		Sheet	Revision	Format	
3474-08-006-00		1/1	A	A3	
Drawn	Date	Name	Scale	Material no.	Material
Released	01.04.2022	Steiner, Thomas	1:20	40623067	
		Weight/kg	Projection		
		5180			

# Baukastenstückliste modular BOM



Projekt  
Material 40623067  
Bezeichnung 1 AUFDOPPELMANTEL  
  
Zchnng.Nr/ver 3474-08-006-00 / A  
Gewicht 5.180 KG  
Werk 1000

project  
material 40623067  
description 1 UPSIZE SHELL  
  
draw.No/ver 3474-08-006-00 / A  
weight 5.180 KG  
plant 1000

Pos.	Typ type	Material	Menge qty	Bezeichnung 1 / Bezeichnung 2	description 1 / description 2	Zchnng.Nr/ver/Bpf draw.No/ver	Gewicht weight
1	L	40623161	1,000 ST	AUFDOPPELMANTEL STAHLBAU	UPSIZESH SHELL STEEL STRUCTURE	3474-08-006-01/-	5.150,00 KG
100	L	29900016	4,000 ST	ANSCHLAGPUNKT	LIFTING POINT		3,32 KG
101	L	28100543	1,000 ST	DICHTUNGSPROFILRING	SEALING PROFILE RING		16,00 KG
200	L	24007218	8,000 ST	VERSCHLUSSSCHRAUBE M27X3-5.8-DIN906	PLUG SCREW M27X3-5.8-DIN906		30,00 G
500	L	40626864	1,000 ST	TRANSPORTSITUATION	TRANSPORT SITUATION	3474-08-006-90/-	21,00 KG

\* Z = Infoteil  
\* Z = reference part