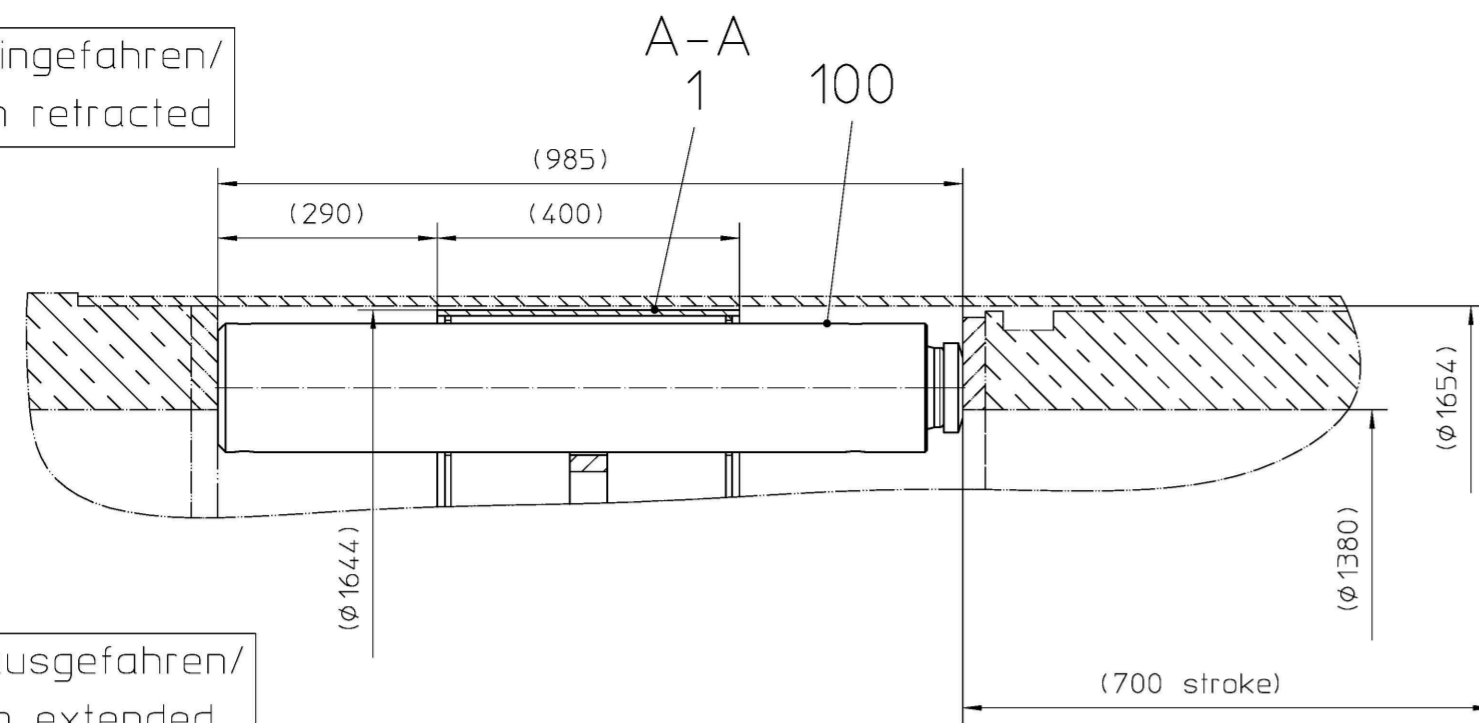
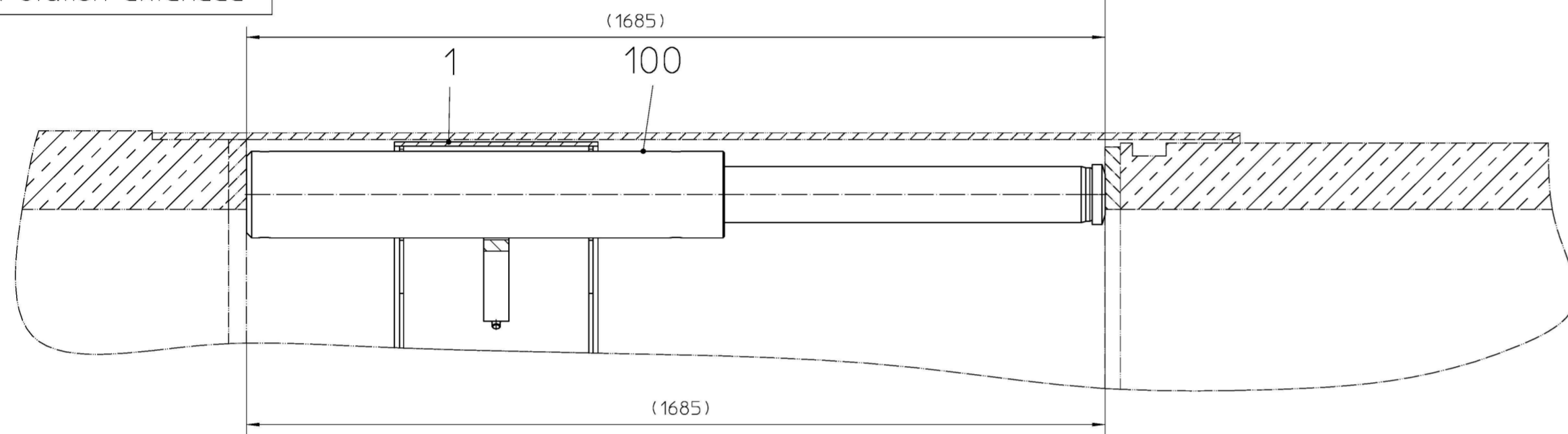


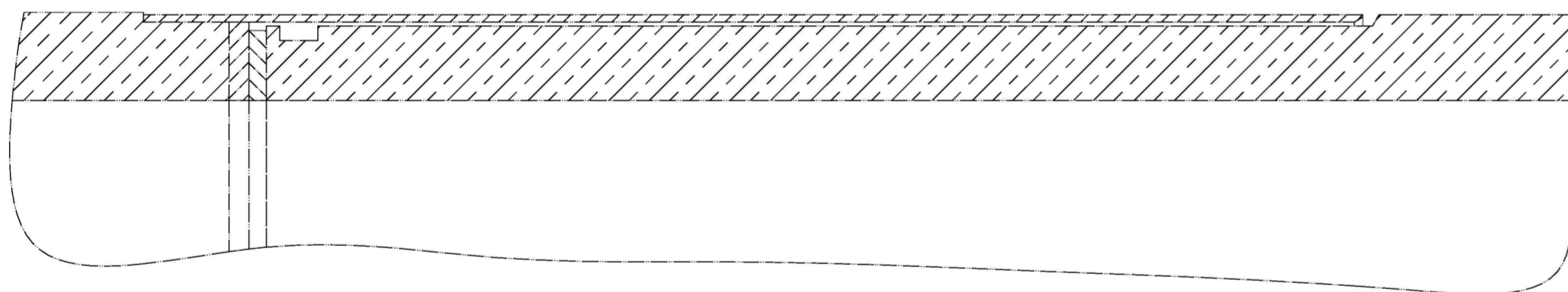
Dehnerstation eingefahren/
interjack station retracted



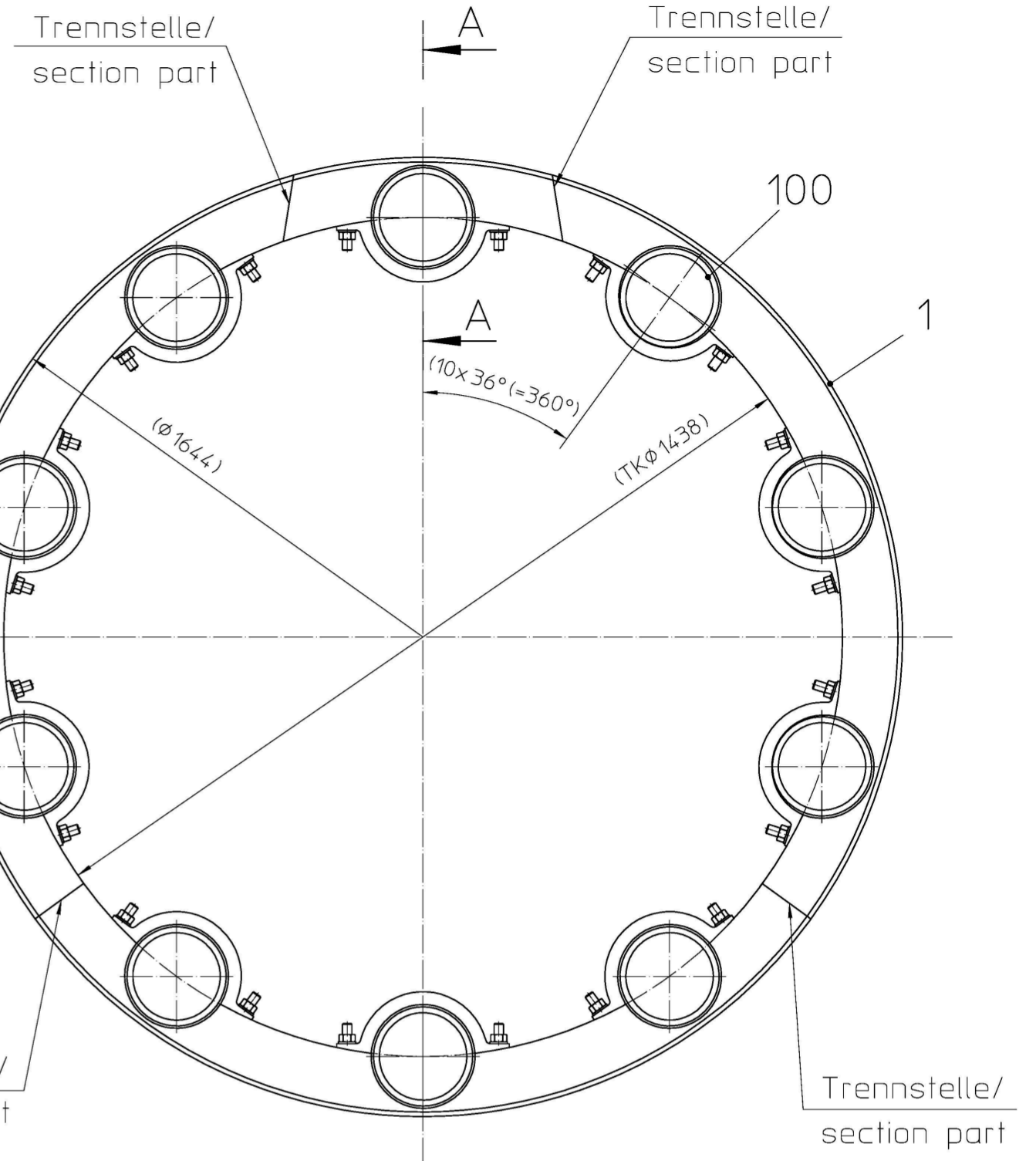
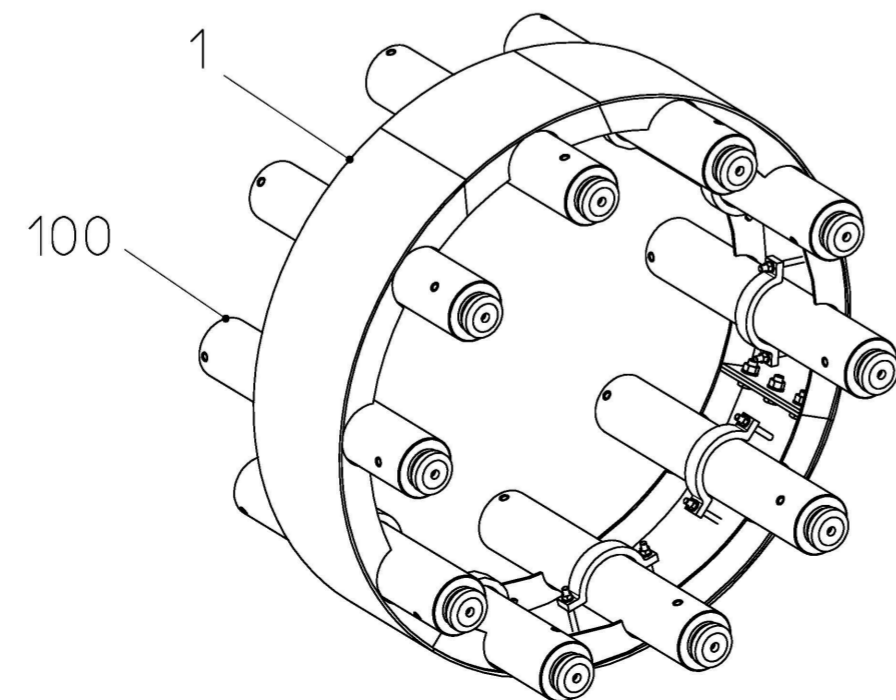
Dehnerstation ausgefahren/
interjack station extended



Dehnerstation ausgebaut/
without interjack station




3D-Ansicht



Pos. 300 Hydraulikschema Art.Nr. 40128777

max. Druckkraft Dehnerstation bei 550 bar max. force interjacking station at 550 bar	8500kN
---	--------

techn. Daten Hydraulikzylinder hydraulic cylinder specifications	
max. Anzahl max. quantity	10
Kolben-Ø piston-Ø	140mm
Stangen-Ø rod-Ø	110mm
Hub stroke	700mm

Revision	Change	Date	Drawn	Date	Released
The reproduction, distribution and utilization of this document as well as the communication of its contents to others without express authorization is prohibited. Offenders will be held liable for the payment of damages. All rights reserved in the event of the grant of a patent, utility model or design. ISO 16016					General tolerances
Edges of undefined shape	ISO 13715:2000	Drawing type	assembly		
Geometrical product specification (GPS)	EN ISO 1101:2013	Project	STANDARD-AVN		
Surface specifications according to	EN ISO 1302:1992	Machine type			
 www.herrenknecht.com		Name			
		INTERJACK STATION LOST DEHNERSTATION VERLOREN DD1654/1400-Z10/85/700-O.DTR			
Date	Name	Drawing number	Sheet	Revision	Format
07.04.2022	Farinacci, Francesco	809-61-446-00	1/1	-	A2
Released	13.04.2022	Steiner, Thomas	Scale	Material no.	Material
	1:10	40627742	Weight/kg	Projection	
			1700		

Baukastenstückliste modular BOM



Projekt
Material 40627742
Bezeichnung 1 DEHNERSTATION VERLOREN
Zchnng.Nr/ver 809-61-446-00 / -
Gewicht 1.700 KG
Werk 1000

project
material 40627742
description 1 INTERJACK STATION LOST
draw.No/ver 809-61-446-00 / -
weight 1.700 KG
plant 1000

Pos.	Typ type	Material	Menge qty	Bezeichnung 1 / Bezeichnung 2	description 1 / description 2	Zchnng.Nr/ver/Bpf draw.No/ver	Gewicht weight
1	L	40627768	1,000 ST	ZYLINDERHALTERING	CYLINDER RETAINING RING	809-61-446-20/-	240,00 KG
100	Z	20000831	10,000 ST	DEHNERZYLINDER	INTERJACK CYLINDER		110,00 KG
300	L	40128777	1,000 ST	HYDRAULIKSCHEMA DEHNERSTATION	HYDR.DIAGR.INTERJACK STATION	3939-45-035-02/D	0,00 KG

* Z = Infoteil
* Z = reference part