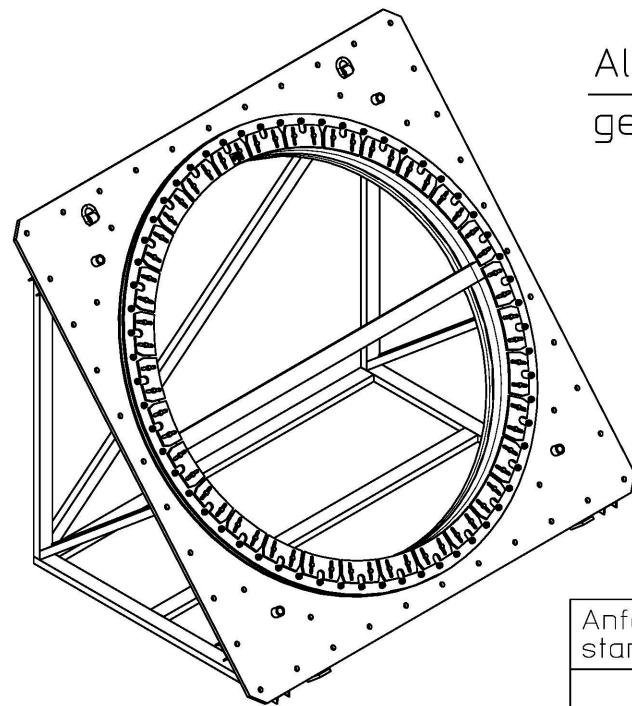
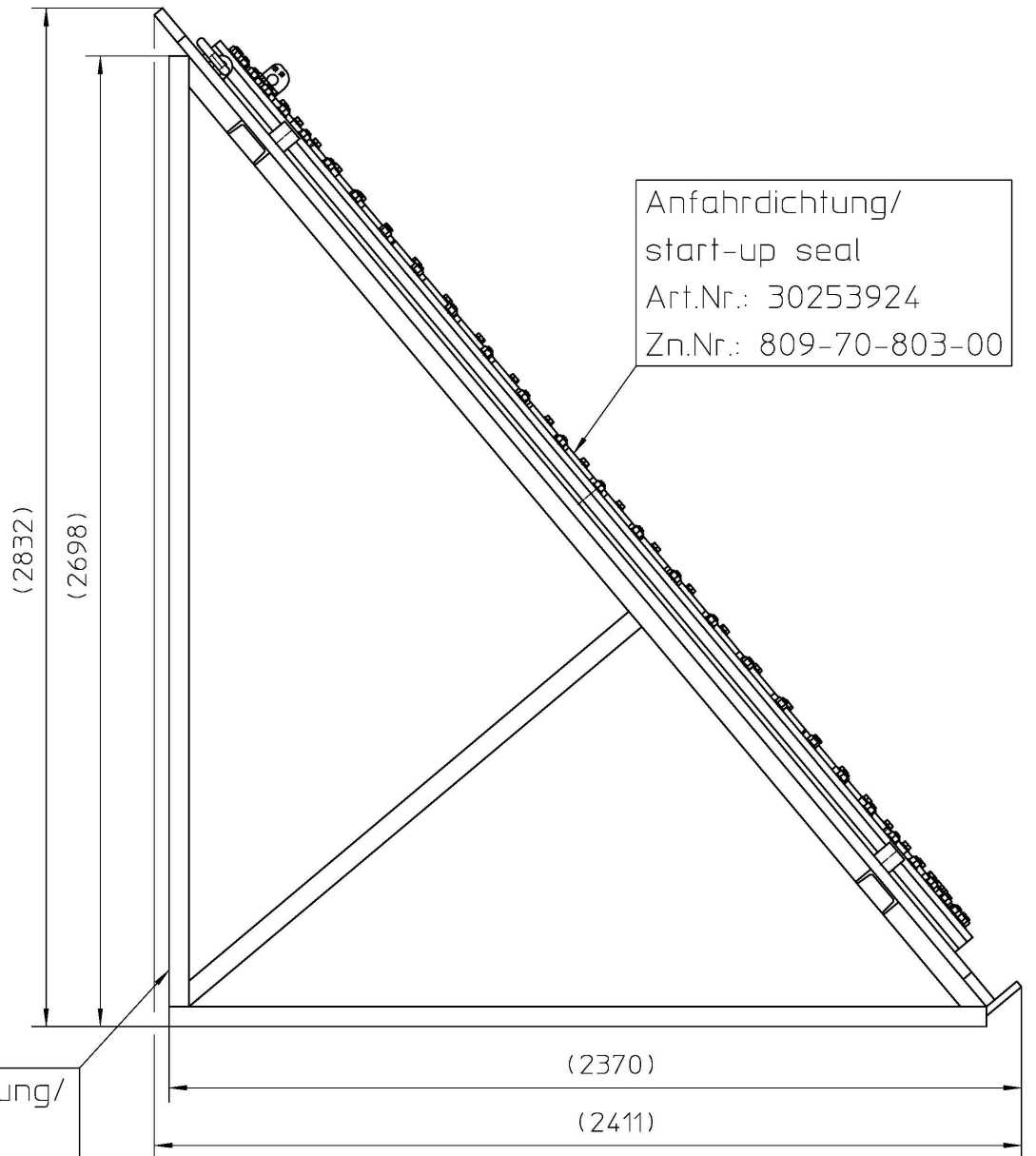


Allg. Ansicht  
general view  
1:50




Transportabmessungen  
L=3600xB=2411xH=2832

Anfahrtdichtung/ start-up seal	Transportvorrichtung/ transport device	Gesamtgewicht/ total weight
1992kg	505kg	2497kg



Anfahrtdichtung/  
start-up seal  
Art.Nr.: 30253924  
Zn.Nr.: 809-70-803-00

Transportvorrichtung/  
transport device  
Art.Nr.: 40314059  
Zn.Nr.: 809-70-803-06

Revision	Change	Date	Drawn	Date	Released
The reproduction, distribution and utilization of this document as well as the communication of its contents to others without express authorization is prohibited. Offenders will be held liable for the payment of damages. All rights reserved in the event of the grant of a patent, utility model or design. ISO 16016					General tolerances
Edges of undefined shape	ISO 13715:2000	Drawing type		Machine type	
Geometrical product specification	(GPS) EN ISO 1101:2013	general layout			
Surface specifications according to	EN ISO 1302:1992	Project		STANDARD-AVN	
 <a href="http://www.herrenknecht.com">www.herrenknecht.com</a>		Name			
		<b>START-UP SEAL</b> <b>ANFAHRDICHTUNG</b> <b>DD2800-RE-H1</b>			
Drawing number		Sheet	Revision	Format	
809-70-803-00		1/1	-	A3	
Drawn	Date	Name	Scale	Material no.	Material
Released	05.04.2022	Steiner, Thomas	1:20	30253924	
			Weight/kg	Projection	
			1992	1/1	