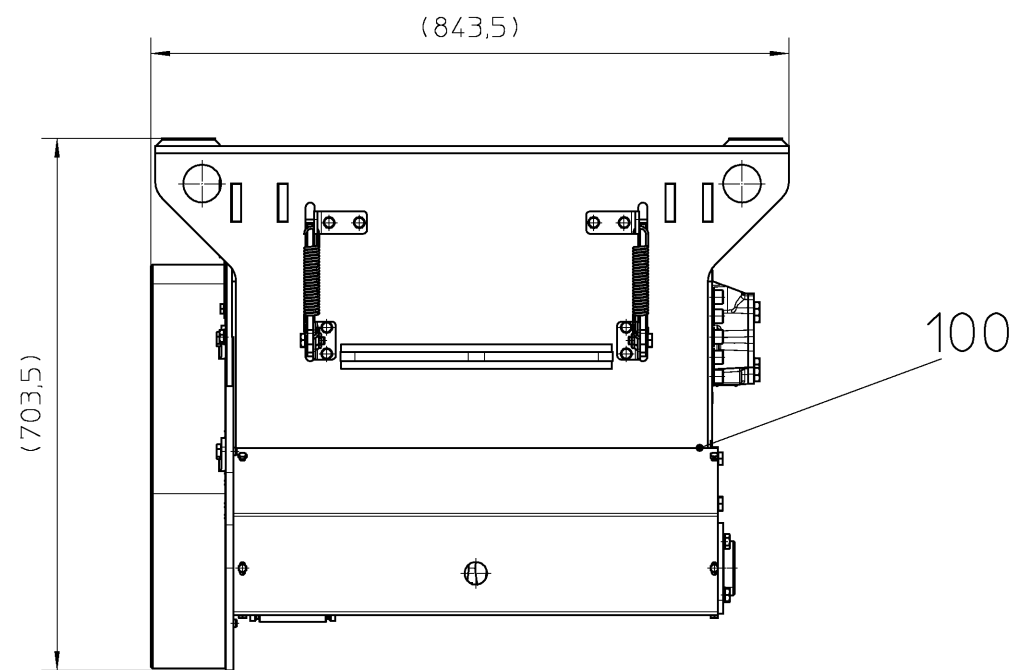
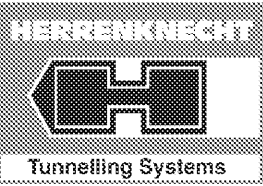
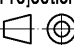


Allg. Ansicht



Pos.

300 Hydraulikschema Winde Art.Nr. 40447489

Revision	Change	Date	Drawn	Date	Released	
The reproduction, distribution and utilization of this document as well as the communication of its contents to others without express authorization is prohibited. Offenders will be held liable for the payment of damages. All rights reserved in the event of the grant of a patent, utility model or design. ISO 16016						
Edges of undefined shape ISO 13715:2000				Drawing type		
Geometrical product specification (GPS) EN ISO 1101:2013				assembly		
Surface specifications according to EN ISO 1302:1992				Project		
 <p>www.herrenknecht.com</p>				STANDARD-AVN		
				Machine type		
				Name		
				CABLE WINCH ASSEMBLY		
				SEILWINDE ZUSAMMENBAU		
				RWM-F011-V6.7-1000-06-1-0		
Drawing number				Sheet	Revision	Format
809-75-002-00				1/1	-	A3
Drawn	Date	Name		Scale	Material no.	Material
	25.07.2019	Schlenz André		1:10	40450942	
Released	Date	Name		Weight/kg	Projection	
	26.07.2019	Steiner Thomas		330		

# Baukastenstückliste modular BOM



Projekt  
Material 40450942  
Bezeichnung 1 SEILWINDE ZUSAMMENBAU  
Zchnng.Nr/ver 809-75-002-00 / -  
Gewicht 330 KG  
Werk 1000

project  
material 40450942  
description 1 CABLE WINCH ASSEMBLY  
draw.No/ver 809-75-002-00 / -  
weight 330 KG  
plant

Pos.	Typ type	Material	Menge qty	Bezeichnung 1 / Bezeichnung 2	description 1 / description 2	Zchnng.Nr/ver/Bpf draw.No/ver	Gewicht weight
100	L	40231936	1,000 ST	SEILWINDE	CABLE WINCH		330,00 KG
300	L	40447489	1,000 ST	HYDRAULIKSCHEMA WINDE	HYDRAULIC DIAGRAM WINCH	3939-45-056-05/B	0,00 KG

\* Z = Infoteil  
\* Z = reference part