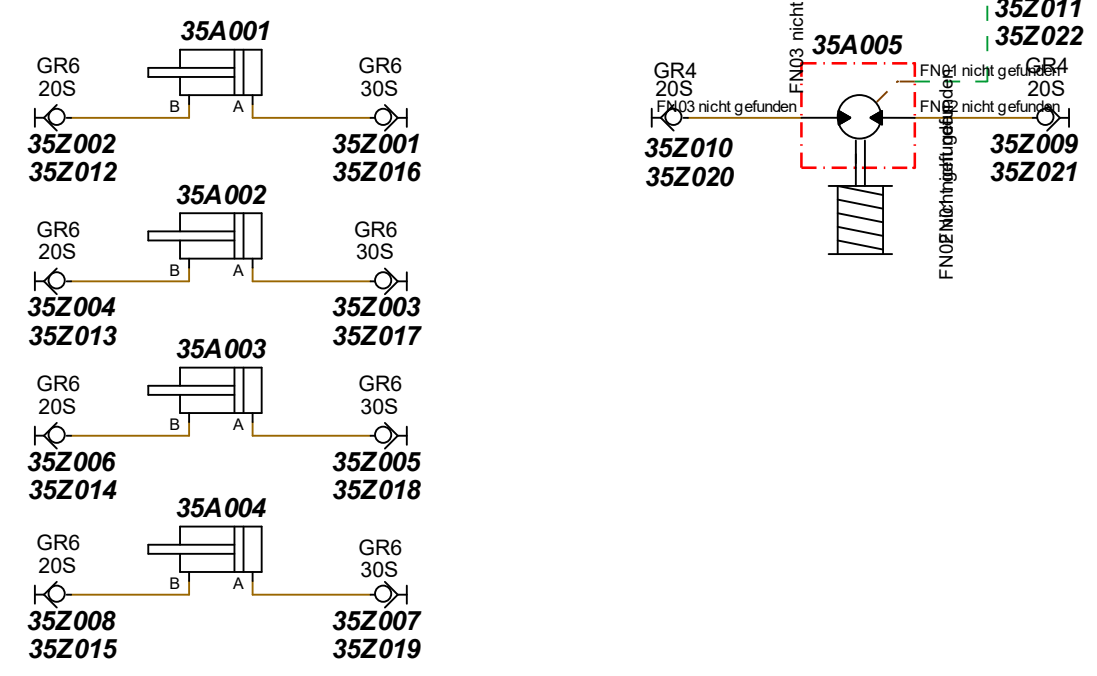


+1.3939
Standard


jacking frame



approved for manufacturing
subject to modifications

checker: FLITTNEK

Date: 02.05.2016

A	35Z012-Z022 ergänzt (1B-C2-5)	29.04.2016	JUNGHANM	02.05.2016	FLITTNEK
	Fertigungsfreigabe	26.02.2016	JUNGHANM	04.03.2016	FLITTNEK
Index	Revision	Date	Editor	Date	Ch. by
The reproduction, distribution and utilization of this document as well as the communication of the contents to others without express authorization is prohibited. Offenders will be held liable for the payment of damages. All rights reserved in the event of a patent, utility model or design. ISO 16016					
HERRENKNECHT AG Schlehenweg 2 D-77963 Schwanau Tel.: 07824/302-0 Fax: 07824/3403 Info@Herrenknecht.de		 Tunnelvortriebstechnik		Type of drawing	Project
				schematic	AVN_Standard_3939
				Name	
				HYDRAULIKSCHEMA PRESSENRAHMEN	
				H-Z4-W	
	Date	Name		Draw ing no.	Page no. Index
Edited	29.04.2016	JUNGHANM		3939-45-070-52	1 / 1 A
Checked	29.04.2016	JUNGHANM			
approved	02.05.2016	FLITTNEK		Norm	Article number
				40057457	Developed from
					Weight/kg
					Format
					A3

26.08.2022
[Structure]

Strukturstückliste Modular parts list



Projekt
Teilenummer 40057457
HYDRAULIKSCHEMA PRESSENRAHMEN
Zeichnungsnr. 3939-45-070-52 A

Project
Part number 40057457
HYDR.DIAGRAM JACKING FRAME
Drawing no. 3939-45-070-52 A

Item	Operating resources structure	Document path	Material number	description	Designation	Drawing no.	Quantity
12	35A001	1B3					1,00 ST
13	35A002	1B3					1,00 ST
14	35A003	1C3					1,00 ST
15	35A004	1C3					1,00 ST
16	35A005	1B5					1,00 ST
1	35Z001	1B3	27300008	SCHRAUBKUPPLUNG MUFFE	SCREW COUPLING SOCKET	27300008	1,00 ST
2	35Z002	1B3	27400112	SCHRAUBKUPPLUNG STECKER	SCREW COUPLING PLUG	27400112	1,00 ST
3	35Z003	1B3	27300008	SCHRAUBKUPPLUNG MUFFE	SCREW COUPLING SOCKET	27300008	1,00 ST
4	35Z004	1B3	27400112	SCHRAUBKUPPLUNG STECKER	SCREW COUPLING PLUG	27400112	1,00 ST
5	35Z005	1C3	27300008	SCHRAUBKUPPLUNG MUFFE	SCREW COUPLING SOCKET	27300008	1,00 ST
6	35Z006	1C3	27400112	SCHRAUBKUPPLUNG STECKER	SCREW COUPLING PLUG	27400112	1,00 ST
7	35Z007	1C3	27300008	SCHRAUBKUPPLUNG MUFFE	SCREW COUPLING SOCKET	27300008	1,00 ST
8	35Z008	1C3	27400112	SCHRAUBKUPPLUNG STECKER	SCREW COUPLING PLUG	27400112	1,00 ST
9	35Z009	1B5	27300014	SCHRAUBKUPPLUNG MUFFE	SCREW COUPLING SOCKET	27300014	1,00 ST
10	35Z010	1B4	27400104	SCHRAUBKUPPLUNG STECKER	SCREW COUPLING PLUG	27400104	1,00 ST
11	35Z011	1A5	27400007	SCHRAUBKUPPLUNG MUFFE	SCREW COUPLING SOCKET	27400007	1,00 ST
17	35Z012	1B3	29900592	STAUBSCHUTZKAPPE	DUST PROTECTION CAP	29900592	1,00 ST
18	35Z013	1B3	29900592	STAUBSCHUTZKAPPE	DUST PROTECTION CAP	29900592	1,00 ST
19	35Z014	1C3	29900592	STAUBSCHUTZKAPPE	DUST PROTECTION CAP	29900592	1,00 ST
20	35Z015	1C3	29900592	STAUBSCHUTZKAPPE	DUST PROTECTION CAP	29900592	1,00 ST
21	35Z016	1B3	29900597	STAUBSCHUTZKAPPE	DUST PROTECTION CAP	930-10082	1,00 ST
22	35Z017	1B3	29900597	STAUBSCHUTZKAPPE	DUST PROTECTION CAP	930-10082	1,00 ST
23	35Z018	1C3	29900597	STAUBSCHUTZKAPPE	DUST PROTECTION CAP	930-10082	1,00 ST
24	35Z019	1C3	29900597	STAUBSCHUTZKAPPE	DUST PROTECTION CAP	930-10082	1,00 ST
25	35Z020	1B4	29901954	STAUBSCHUTZSTECKER	DUST PROTECTION PLUG	29901954	1,00 ST
26	35Z021	1B5	29901953	SCHUTZKAPPE	PROTECTIVE CAP	29901953	1,00 ST
27	35Z022	1A5	29900597	STAUBSCHUTZKAPPE	DUST PROTECTION CAP	930-10082	1,00 ST