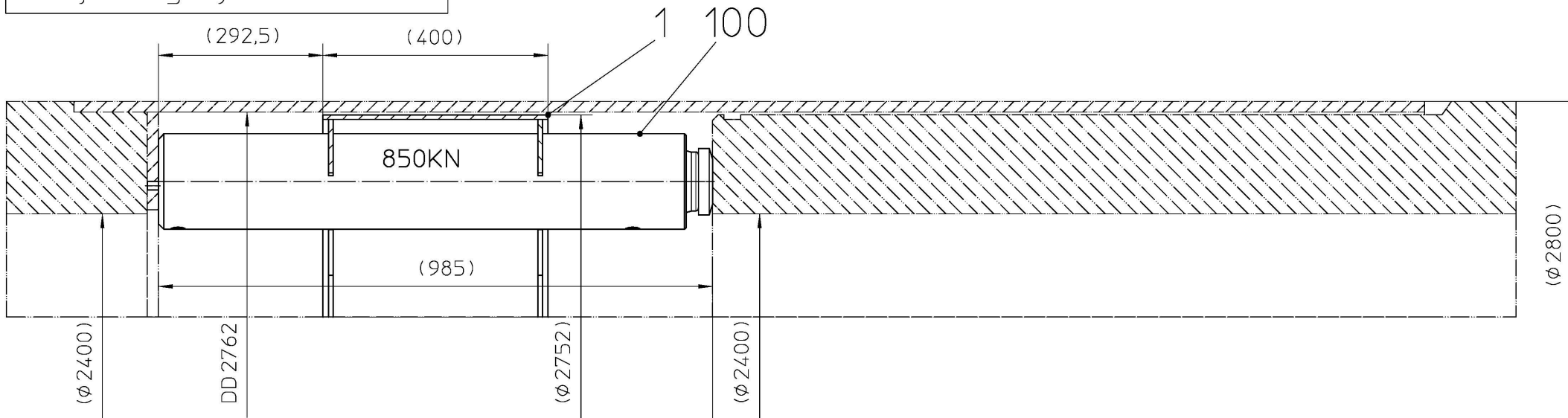
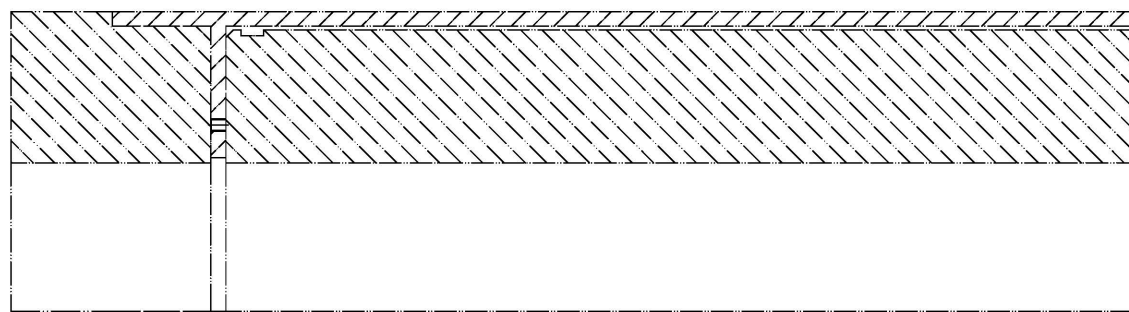
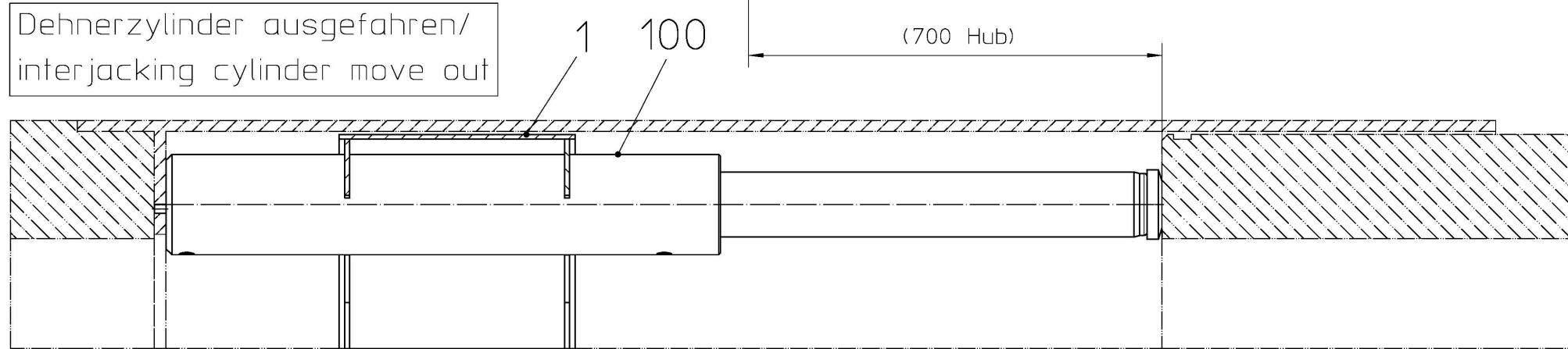


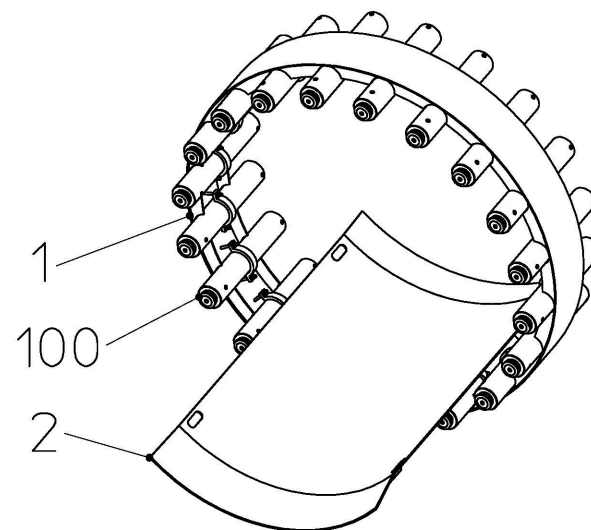
Dehnerzylinder eingefahren/
interjacking cylinder move in



Dehnerzylinder ausgefahren/
interjacking cylinder move out



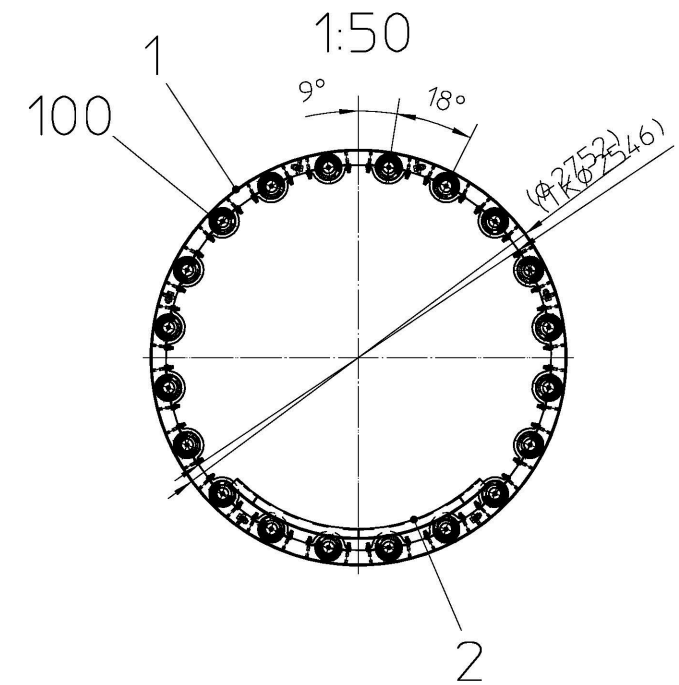
Dehner ausgebaut/
interjacking station move out





max. Druckkraft Dehnerstation bei 550 bar max. force interjacking station at 550 bar	17000kN
---	---------

techn. Daten Hydraulikzylinder
hydraulic cylinder specifications

max. Anzahl max. quantity	20
Kolben-Ø piston-Ø	140mm
Stangen-Ø rod-Ø	110mm
Hub stroke	700mm



Pos.300 | HYDRAULIKSCHEMA DEHNERSTATION | Art.Nr.:40157358

Revision	Change	Date	Drawn	Date	Released
The reproduction, distribution and utilization of this document as well as the communication of its contents to others without express authorization is prohibited. Offenders will be held liable for the payment of damages. All rights reserved in the event of the grant of a patent, utility model or design. ISO 16016					
Edges of undefined shape		ISO 13715:2000		Drawing type	
Geometrical product specification		(GPS) EN ISO 1101:2013		assembly	
Surface specifications according to		EN ISO 1302:1992		Project	
 www.herrenknecht.com		STANDARD-AVN		Machine type	
		Name			
INTERJACK STATION LOST DEHNERSTATION VERLOREN DD2762/2400-Z20/85T/700-O.DTR					
Drawing number		Sheet	Revision	Format	
809-61-744-00		1/1	-	A3	
Drawn	Date	Name	Scale	Material no.	Material
Released	14.04.2022	Rieber, Stefan	1:10	40626795	Weight/kg
	22.04.2022	Mannherz, Daniel			3707.7
					Projection
					

Baukastenstückliste modular BOM



Projekt
Material 40626795
Bezeichnung 1 DEHNERSTATION VERLOREN

Zchng.Nr/ver 809-61-744-00 / -
Gewicht 3.707,700 KG
Werk 1000

project
material 40626795
description 1 INTERJACK STATION LOST

draw.No/ver 809-61-744-00 / -
weight 3.707,700 KG
plant

Pos.	Typ type	Material	Menge qty	Bezeichnung 1 / Bezeichnung 2	description 1 / description 2	Zchng.Nr/ver/Bpf draw.No/ver	Gewicht weight
1	L	40626759	1,000 ST	ZYLINDERTRAGRING	CYLINDER SUPPORT RING	809-61-744-20/-	436,00 KG
2	L	40629729	1,000 ST	ÜBERFAHRBLECH	DRIVE-OVER SHEET	809-61-744-01/-	351,67 KG
100	Z	20000831	20,000 ST	DEHNERZYLINDER	INTERJACK CYLINDER		110,00 KG
300	L	40157358	1,000 ST	HYDRAULIKSCHEMA DEHNERSTATION	HYDR.DIAGR.INTERJACK STATION	3939-45-035-08/C	0,00 KG

* Z = Infoteil
* Z = reference part