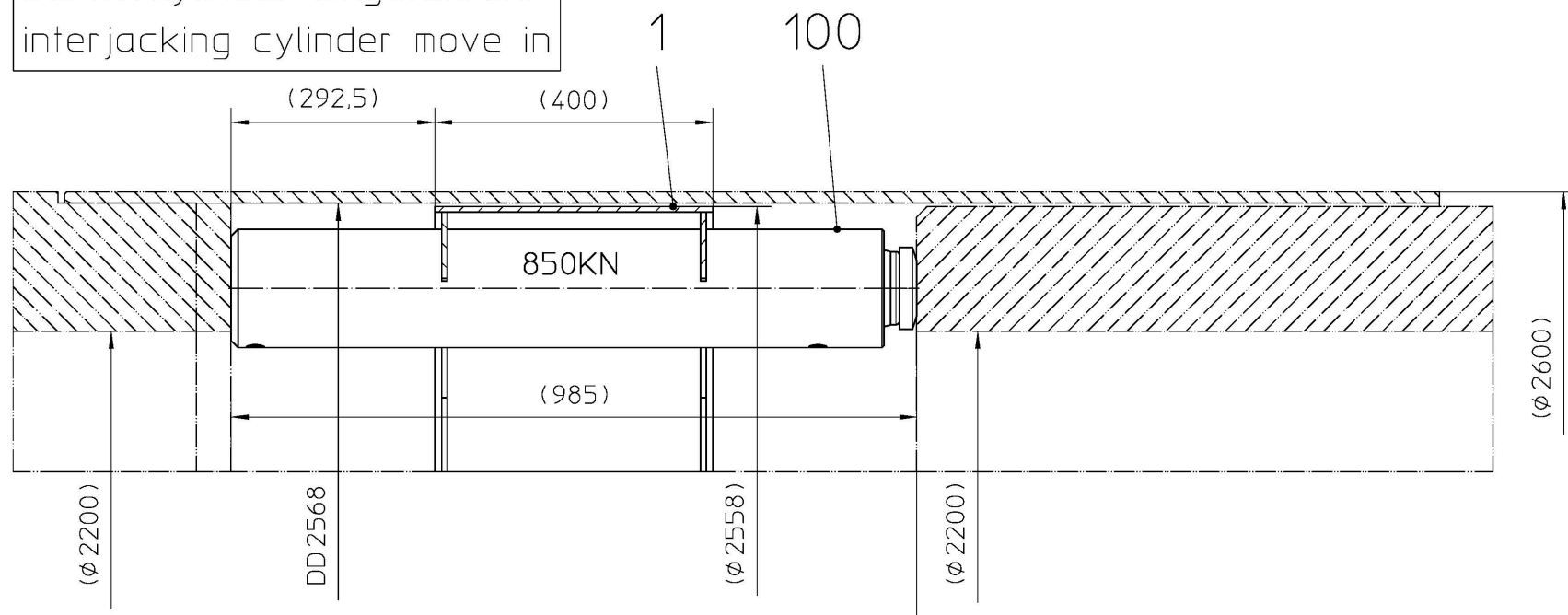
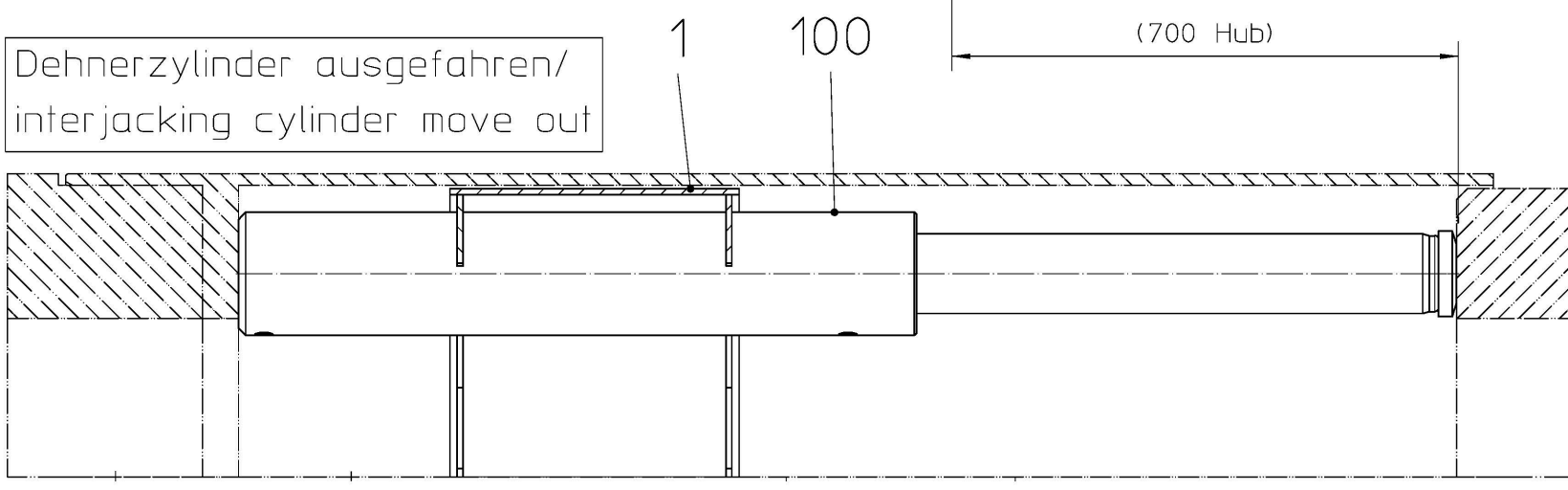


Dehnerzylinder eingefahren/
interjacking cylinder move in



Dehnerzylinder ausgefahren/
interjacking cylinder move out

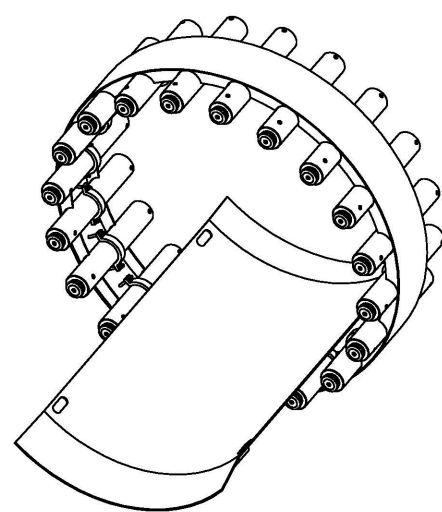


Dehner ausgebaut/
interjacking station move out

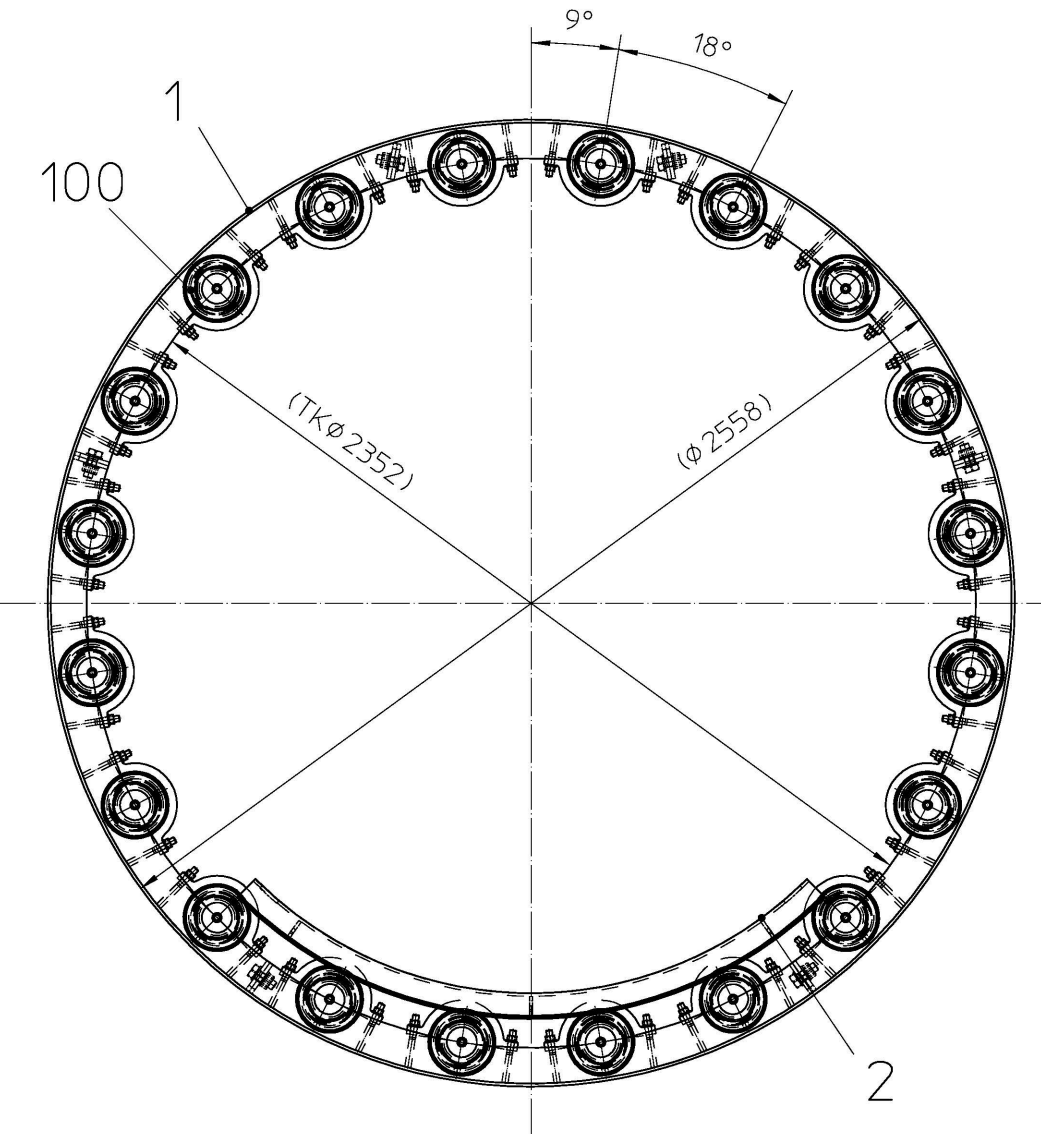
max. Druckkraft Dehnerstation bei 550 bar	17000kN
max. force interjacking station at 550 bar	

techn. Daten Hydraulikzylinder hydraulic cylinder specifications	
max. Anzahl max. quantity	20
Kolben-Ø piston-Ø	140mm
Stangen-Ø rod-Ø	110mm
Hub stroke	700mm



3D-Ansicht



1:20



Pos.300 | HYDRAULIKSCHEMA DEHNERSTATION | Art.Nr.:40157358

A		war Z18		26.04.2022	hurstk	27.04.2022	mannherd
Revision	Change			Date	Drawn	Date	Released
The reproduction, distribution and utilization of this document as well as the communication of its contents to others without express authorization is prohibited. Offenders will be held liable for the payment of damages. All rights reserved in the event of the grant of a patent, utility model or design. ISO 16016				General tolerances			
Edges of undefined shape		ISO 13715:2000		Drawing type		assembly	
Geometrical product specification		(GPS) EN ISO 1101:2013		Project		Machine type	
Surface specifications according to		EN ISO 1302:1992		STANDARD-AVN			
 www.herrenknecht.com				Name			
				INTERJACK STATION LOST DEHNERSTATION VERLOREN DD2568/2200-Z20/85T/700-O.DTR			
Drawn		Date	Name	Drawing number		Sheet	Revision
Released		22.04.2022	Mannherz, Daniel	809-61-745-00		1/1	A
Scale		Material no.		Material		Weight/kg	
1:10		40626832				3630	
						Projection	
							

Baukastenstückliste modular BOM



Projekt
Material 40626832
Bezeichnung 1 DEHNERSTATION VERLOREN

Zchng.Nr/ver 809-61-745-00 / A
Gewicht 3.630 KG
Werk 1000

project
material 40626832
description 1 INTERJACK STATION LOST

draw.No/ver 809-61-745-00 / A
weight 3.630 KG
plant

Pos.	Typ type	Material	Menge qty	Bezeichnung 1 / Bezeichnung 2	description 1 / description 2	Zchng.Nr/ver/Bpf draw.No/ver	Gewicht weight
1	L	40626845	1,000 ST	ZYLINDERTRAGRING	CYLINDER SUPPORT RING	809-61-745-20/A	380,00 KG
2	L	40629735	1,000 ST	ÜBERFAHRBLECH	DRIVE-OVER SHEET	809-61-745-01/-	321,49 KG
100	Z	20000831	20,000 ST	DEHNERZYLINDER	INTERJACK CYLINDER		110,00 KG
300	L	40157358	1,000 ST	HYDRAULIKSCHEMA DEHNERSTATION	HYDR.DIAGR.INTERJACK STATION	3939-45-035-08/C	0,00 KG

* Z = Infoteil
* Z = reference part