

0CW10-M38101EN

P R E F A C E

1. This Parts Catalog carries all parts incorporated in YANMAR Model 4TNV98T-ZNSAD, 4TNV98T-ZNSADC, 4TNV98T-ZNSADT engine manufactured since February,2012.
2. Each illustration corresponds to the parts list on the following page.
3. When ordering parts, clearly write down the engine model and serial number, as well as the name and number of each part in your order sheet. This will help insure reliable delivery of the parts you have ordered.

Directions for the Parts Catalog.

1. This Parts Catalog shows both standard and optional parts.
2. Parts may change without prior notice.
3. The following is an example of the Parts Catalog format.

REF.	LEV.	PARTS NO.	DESCRIPTION	Q'TY						I	R
				(A)	(B)	(C)	(D)	(E)	(F)		
1	1	729595-51390	FUEL INJECTION PUMP	1	1	1	1	1			1
1-1	1	729595-51391	FUEL INJECTION PUMP	1	1	1	1	1		N	1
		(A=E00185) (B=E00200)									
3	2	26022-060162	SCREW M 6X 16	9	9	9	9	9			
3-1	2	26022-060162	SCREW M 6X 16	4	4	4	4	4		K	
		(A=E00156) (B=E00156) (C=E00156) (D=E00156) (E=E00156)									
4	2	129470-51040	CAMSHAFT	1	1	1	1	1			
5	2	122710-51050	BEARING, ROLLER	2	2	2	2	2			
6	2	129470-51060	RETAINER	1	1	1	1	1			

Remarks
(1) BOOST COMPEMSATOR TYPE. OPTIONAL PART, TO E00155,(4JH-DT, 4JH-DTZ

① Ref. No.

The Ref. No. listed may not be in accordance with the illustration Ref. No.

(Ex.) Illustration No.

List Ref No.

1

1

(Before change) → 1-1 (After change)

For interchangeable symbols N, R and K, illustrations for new parts may be abbreviated.

② Lev. (Level)

Level indication

The numbers below indicate the level of relativity towards the main part.

1 ----- Main parts (Assembly parts)

2 ----- Sub component included in " 1 ".

3 ----- Sub component included in " 2 ".

Note) Parts that are not for sale are partially illustrated but not listed.

③ Interchangeability Symbol

When a part change takes place, one of the following interchangeability symbols is indicated beside the part.

Symbol	Interchangeability	Contents note
N	Old $\begin{matrix} \leftarrow \text{Yes} \\ \text{No} \rightarrow \end{matrix}$ New	New Part is interchangeable for Old Part but Old Part is not interchangeable for New Part.
Q	Old $\begin{matrix} \leftarrow \text{No} \\ \text{Yes} \rightarrow \end{matrix}$ New	New Part is not interchangeable for Old Part but Old Part is interchangeable for New Part.
R	Old $\begin{matrix} \leftarrow \text{Yes} \\ \text{Yes} \rightarrow \end{matrix}$ New	New/ Old Parts are both interchangeable.
S	Old $\begin{matrix} \leftarrow \text{No} \\ \text{No} \rightarrow \end{matrix}$ New	New/ Old Parts are both not interchangeable.
W		Part newly added.
Z		Part discontinued.
F		Not interchangeable by a single part but interchangeable together with related parts.
K		Changes only for used parts quantities.

④ Effective Machine No.

When a part changes, the effective Machine No. will be indicated in the (A)-(F) column.

Product Symbol	Product No.	Product Symbol	Product No.
C	Clutch No. Compressor No.	F	Machine No. (Agricultural Equip.)
D	Drive No.	M	Machine No.
E	Engine No.		

Note 1) A date may follow the symbol. (Ex.) 1996.01

Note 2) "XXXXX" and "ZZZZZ" are for parts that could not be predicted or for engine models that could not be identified.

Note 3) (A=E00185) is the E (Engine Serial Number) for the column (A) model (in this case 4JH-DT) after the parts design change.

⑤ Remarks

Figures or alphabets (symbols) are entered in the remarks column.

The comments (remarks) on parts that are indicated at the bottom of the illustration are the same symbols as those stated above.

Contents

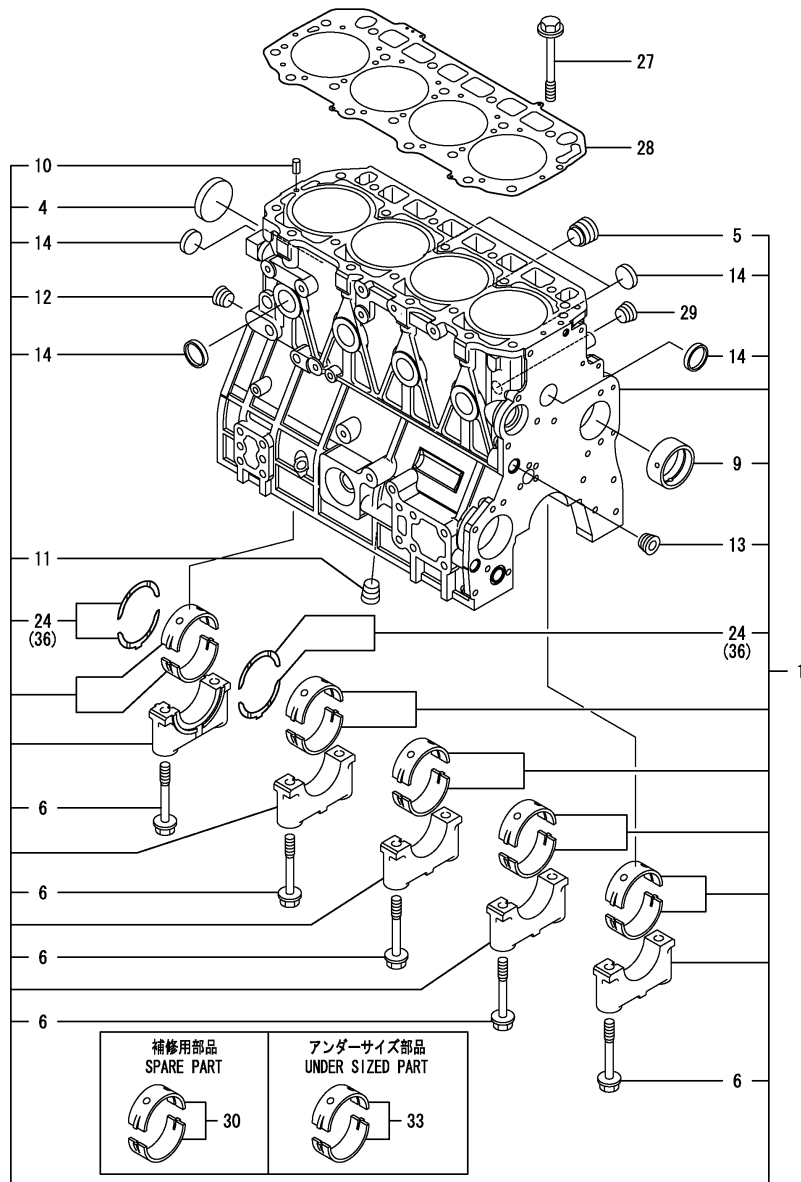
Fig. No.	Fig. Name
4	TNV98T-ZNSAD,4TNV98T-ZNSADT
1.	CYLINDER BLOCK
2.	GEAR HOUSING
3.	FLYWHEEL HOUSING & OIL SUMP
4.	CYLINDER HEAD & BONNET
5.	SUCTION MANIFOLD
6.	EXHAUST MANIFOLD
7.	CAMSHAFT & DRIVING GEAR
8.	TURBINE
9.	CRANKSHAFT & PISTON
10.	LUB. OIL SYSTEM
11.	LUB. OIL LINE
12.	COOLING WATER SYSTEM
13.	FUEL INJECTION PUMP
14.	GOVERNOR
15.	FUEL INJECTION VALVE
16.	FUEL LINE
17.	STARTING MOTOR
18.	GENERATOR
19.	ELECTRONIC CONTROL UNIT (ECU)
20.	GASKET SET

Fig. No.	Fig. Name
----------	-----------

Fig.1. CYLINDER BLOCK

(A)=4TNV98T-ZNSAD
 (B)=4TNV98T-ZNSADT
 (C)=4TNV98T-ZNSADC

(D)=
 (E)=
 (F)=

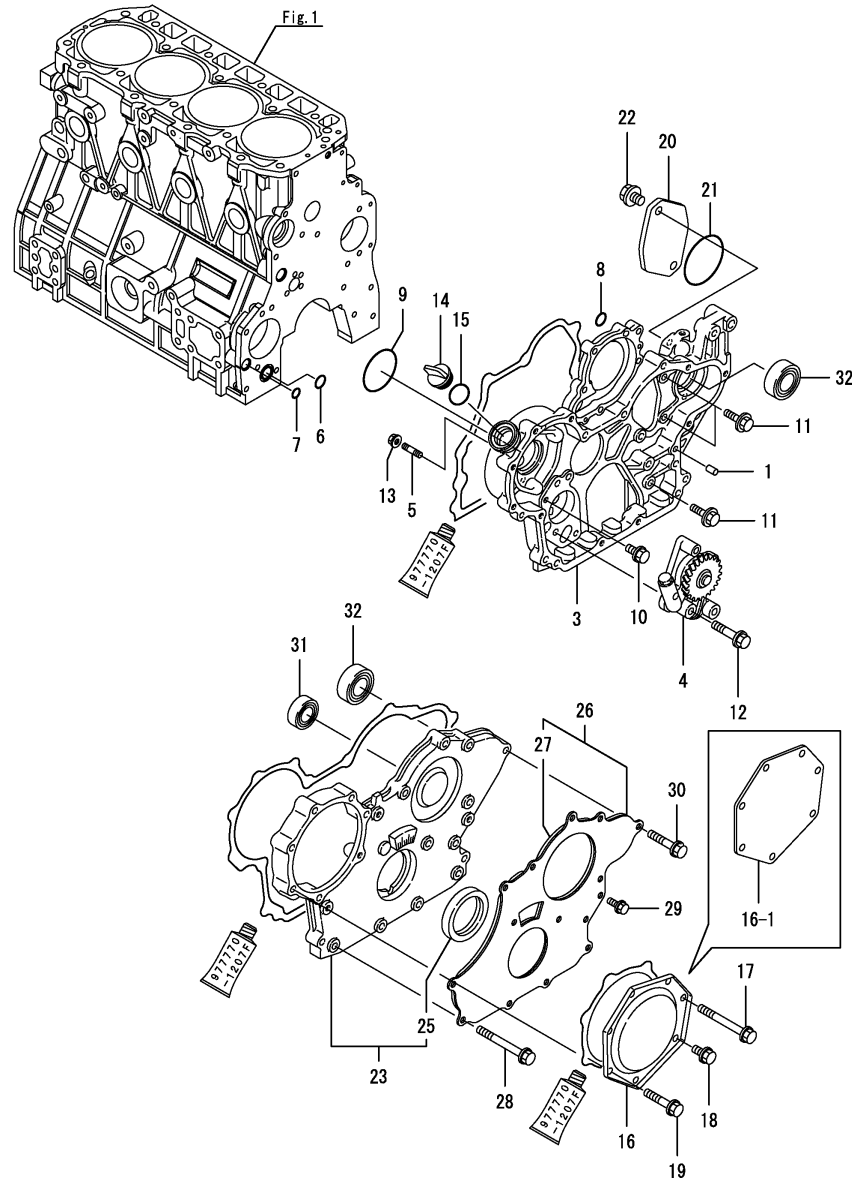


No.	Lev.	Parts No.	Description	Q'ty						I	R
				(A)	(B)	(C)	(D)	(E)	(F)		
1	1	729928-01560	BLOCK ASSY, CYLINDER	1	1	1					
4	2	129900-01250	PLUG, 55	1	1	1					
5	2	171051-01921	PLUG, NPTF1	1	1	1					
6	2	129900-02020	BOLT, METAL CAP	10	10	10					
9	2	129900-02410	BUSH, CAMSHAFT	1	1	1					
10	2	22351-060012	PIN, SPRING 6.0X12	2	2	2					
11	2	23876-030000	PLUG, R03	1	1	1					
12	2	23876-030000	PLUG, R03	1	1	1					
13	2	23876-030000	PLUG, R03	1	1	1					
14	2	27241-300000	PLUG 30	8	8	8					
24	2	129900-02931	BEARING, THRUST	2	2	2					
27	1	129900-01200	BOLT, HEAD	18	18	18					
28	1	129907-01331	GASKET, HEAD	1	1	1					
29	1	23876-030000	PLUG, R03	1	1	1					
30	1	729900-02801	BEARING, MAIN	5	5	5					1
33	1	129900-02341	BEARING, 0.25 US	5	5	5					2
36	1	129900-02941	BEARING, THRUST 0.25	2	2	2					3

Remarks

- (1) Spare part.
- (2) Under-sized(U.S.=0.25)part.
- (3) Over-sized(O.S.=0.25)part.

Fig.2. GEAR HOUSING



(A)=4TNV98T-ZNSAD
 (B)=4TNV98T-ZNSADT
 (C)=4TNV98T-ZNSADC

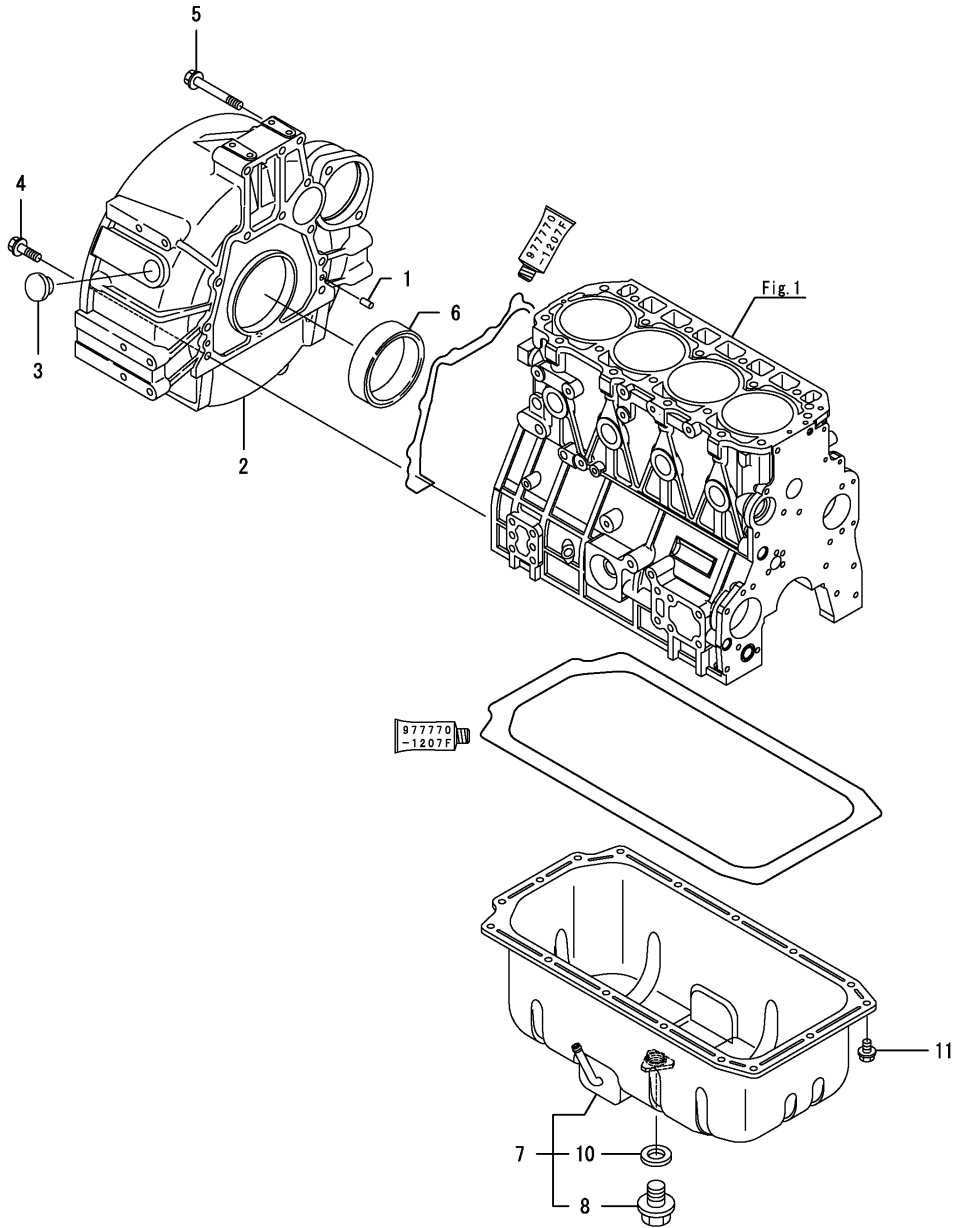
(D)=
 (E)=
 (F)=

No.	Lev.	Parts No.	Description	Qty						I	R
				(A)	(B)	(C)	(D)	(E)	(F)		
1	1	129100-01580	PIN, M8X16	4	4	4					
3	1	129933-01500	CASE, GEAR	1	1	1					
4	1	129908-32060	PUMP ASSY, OIL	1	1	1					
5	1	26216-100302	STUD, M10X 30	4	4	4					
6	1	129900-32030	O-RING, P20	1	1	1					
7	1	129900-32040	O-RING, P14	1	1	1					
8	1	24311-000070	O-RING, 1AP7.0	1	1	1					
9	1	24351-030750	O-RING, 1A3075	1	1	1					
10	1	26106-080162	BOLT, M8X 16 PLATED	1	1	1					
11	1	26106-080202	BOLT, M8X 20 PLATED	3	3	3					
12	1	26106-080452	BOLT, M8X 45 PLATED	3	3	3					
13	1	26306-100002	NUT, M10	4	4	4					
14	1	124160-01751	COVER, FILLER	1	1	1					
15	1	24311-000320	O-RING, 1AP32.0	1	1	1					
16	1	129900-01740	COVER	1	1	1					
16-1	1	129951-01740	COVER	1	1	1				F	1
		(A=EXXXXX)	(C=EXXXXX)								
17	1	129001-91810	BOLT, M8X70	1	1	1					
17-1	1	26106-080702	BOLT, M8X 70 PLATED	1	1	1					R
		(A=EXXXXX)	(C=EXXXXX)								
17-2	1	26106-080752	BOLT, M8X 75 PLATED	1	1	1					N
		(A=EXXXXX)	(C=EXXXXX)								
18	1	26106-080162	BOLT, M8X 16 PLATED	1	1	1					
18-1	1	26106-080202	BOLT, M8X 20 PLATED	1	1	1					N
		(A=EXXXXX)	(C=EXXXXX)								
19	1	26106-080402	BOLT, M8X 40 PLATED	5	5	5					
19-1	1	26106-080452	BOLT, M8X 45 PLATED	5	5	5					N
		(A=EXXXXX)	(C=EXXXXX)								
20	1	121023-26070	COVER	1	1	1					
20-1	1	121023-26071	COVER	1	1	1					N
		(A=EXXXXX)	(C=EXXXXX)								
21	1	24321-000850	O-RING, 1AG85.0	1	1	1					
22	1	26106-100202	BOLT, M10X 20 PLATED	2	2	2					
23	1	729906-01550	COVER ASSY,GEAR CASE	1	1	1					
25	2	129916-01800	SEAL, OIL	1	1	1					
26	1	129900-01850	COVER ASSY,GEAR CASE	1	1	1					
27	2	129900-01870	SPONGE	1	1	1					
28	1	129001-91810	BOLT, M8X70	6	6	6					
28-1	1	26106-080702	BOLT, M8X 70 PLATED	6	6	6					R
		(A=EXXXXX)	(C=EXXXXX)								
29	1	26106-080162	BOLT, M8X 16 PLATED	3	3	3					
30	1	26106-080402	BOLT, M8X 40 PLATED	5	5	5					
31	1	129900-14140	BEARING, BALL 6205	1	1	1					
32	1	129900-26250	BEARING, BALL 6206C3	2	2	2					

Remarks

(1)Ref.16 is interchangeable with a set of 16-1,17-2,18-1 & 19-1.

Fig.3. FLYWHEEL HOUSING & OIL SUMP

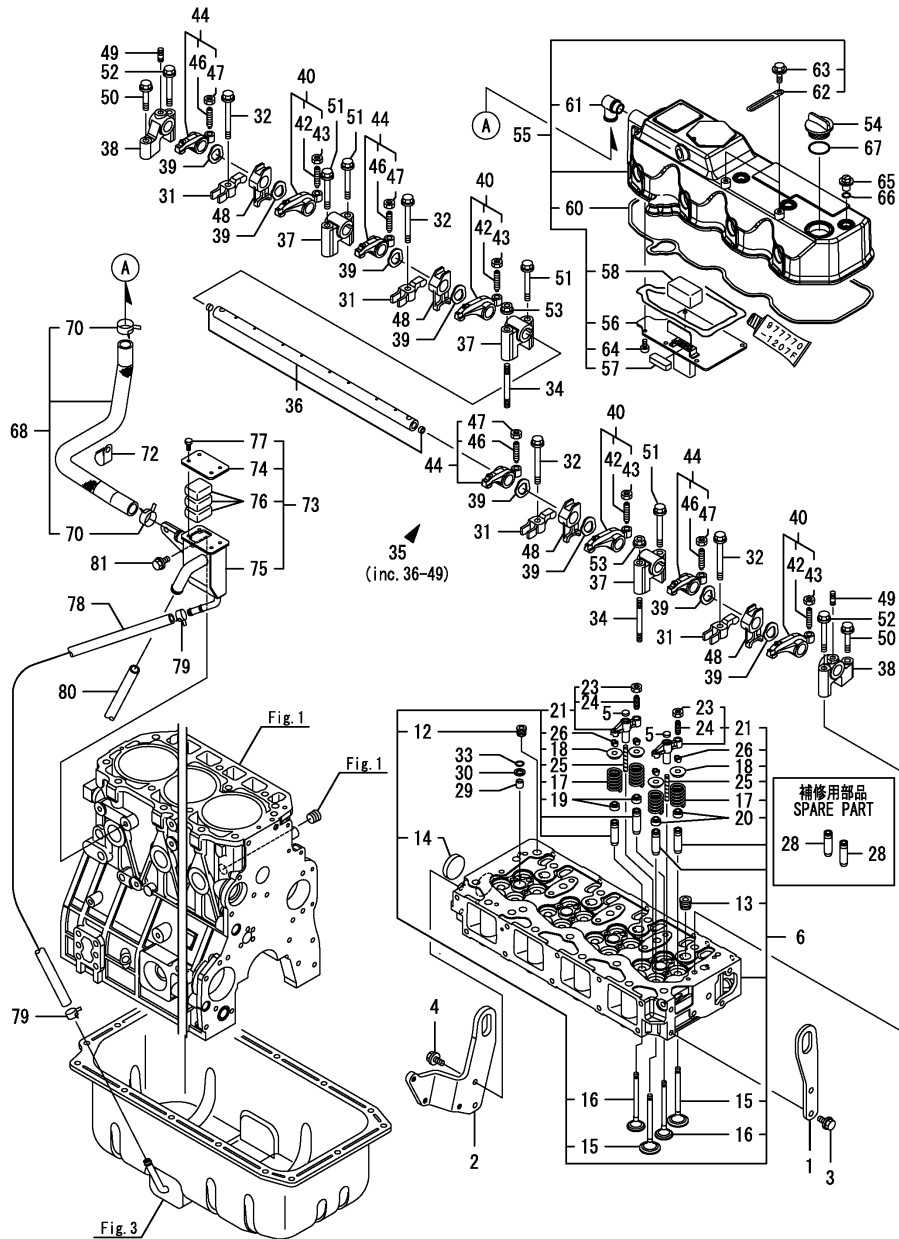


(A)=4TNV98T-ZNSAD
 (B)=4TNV98T-ZNSADT
 (C)=4TNV98T-ZNSADC

(D)=
 (E)=
 (F)=

No.	Lev.	Parts No.	Description	Q'ty						I	R
				(A)	(B)	(C)	(D)	(E)	(F)		
1	1	129100-01580	PIN, M8X16	2	2	2					
2	1	129955-01600	HOUSING, FLYWHEEL	1	1	1					
3	1	119620-01750	CAP	1	1	1					
4	1	26206-100352	BOLT, M10X 35 PLATED	9	9	9					
5	1	26206-100702	BOLT, M10X 70 PLATED	3	3	3					
6	1	129916-01790	SEAL, D115/95XT11	1	1	1					
7	1	129948-01740	SUMP ASSY, OIL	1	1	1					
8	2	119640-01640	PLUG, DRAIN M22	1	1	1					
10	2	22190-220002	WASHER, SEAL 22	1	1	1					
11	1	26106-080122	BOLT, M8X 12 PLATED	16	16	16					

Fig.4. CYLINDER HEAD & BONNET



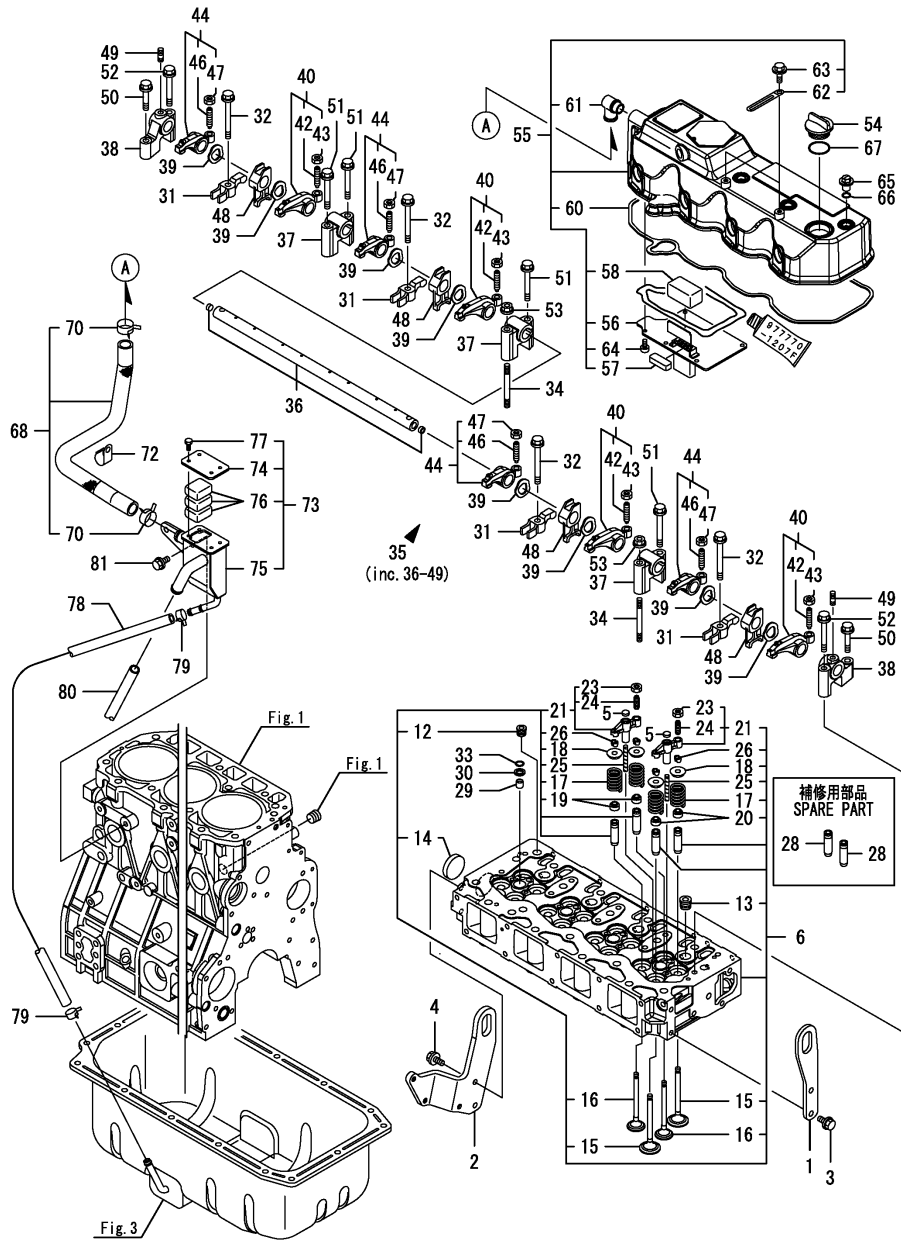
(A)=4TNV98T-ZNSAD
 (B)=4TNV98T-ZNSADT
 (C)=4TNV98T-ZNSADC

(D)=
 (E)=
 (F)=

No.	Lev.	Parts No.	Description	Q'ty						I	R
				(A)	(B)	(C)	(D)	(E)	(F)		
1	1	129907-07900	LIFTER	1	1	1					
2	1	129948-07900	LIFTER	1	1	1					
3	1	26106-080162	BOLT, M8X 16 PLATED	2	2	2					
4	1	26106-080202	BOLT, M8X 20 PLATED	2	2	2					
5	1	123907-11550	SEAT, VALVE BRIDGE	8	8	8					
6	1	129928-11700	HEAD ASSY, CYLINDER	1	1	1					
12	2	23876-020000	PLUG, R02	1	1	1					
13	2	23876-030000	PLUG, R03	4	4	4					
14	2	27241-400000	PLUG, 40	1	1	1					
15	2	129907-11100	VALVE, INTAKE	8	8	8					
16	2	129907-11110	VALVE, EXHAUST	8	8	8					
17	2	129907-11120	SPRING, VALVE	16	16	16					
18	2	119620-11180	RETAINER, SPRING	16	16	16					
19	2	119803-11340	SEAL, VALVE STEM	8	8	8					
20	2	124160-11340	SEAL, VALVE STEM	8	8	8					
21	2	129907-11510	BRIDGE ASSY, VALVE	8	8	8					
23	3	129150-11750	NUT, M8	8	8	8					
24	3	123907-11830	ADJUSTER	8	8	8					
25	2	123907-11820	GUIDE	8	8	8					
26	2	27310-070001	COTTER, 7	16	16	16					
28	1	129907-11800	GUIDE, VALVE	16	16	16					1
29	1	119802-11870	PROTECTOR, NOZZLE	4	4	4					
30	1	119625-11880	SEAT, NOZZLE	4	4	4					
31	1	129907-11910	RETAINER, NOZZLE	4	4	4					
32	1	129907-11950	BOLT, M8X75	4	4	4					
33	1	24311-000120	O-RING, 1AP12.0	4	4	4					
34	1	119593-11301	STUD, M8X80	2	2	2					
35	1	129907-11341	SHAFT ASSY, ROCKER	1	1	1					
36	2	129907-11250	SHAFT, ROCKER ARM	1	1	1					
37	2	129907-11260	SUPPORT, ROCKER ARM	3	3	3					
38	2	129907-11270	SUPPORT, ROCKER ARM	2	2	2					
39	2	123907-11280	WASHER	8	8	8					
40	2	129907-11650	ARM, ROCKER	4	4	4					
42	3	129150-11230	SCREW, VALVE ADJUST	4	4	4					
43	3	129150-11750	NUT, M8	4	4	4					
44	2	129907-11660	ARM, ROCKER	4	4	4					
46	3	129150-11230	SCREW, VALVE ADJUST	4	4	4					
47	3	129150-11750	NUT, M8	4	4	4					
48	2	129907-11920	RETAINER	4	4	4					
49	2	26226-080222	STUD, M8X 22	2	2	2					
50	1	26106-080402	BOLT, M8X 40 PLATED	2	2	2					
51	1	26106-080602	BOLT, M8X 60 PLATED	4	4	4					
52	1	26106-080602	BOLT, M8X 60 PLATED	2	2	2					
53	1	26306-080002	NUT, M8	2	2	2					
54	1	124160-01751	COVER, FILLER	1	1	1					
55	1	129948-11300	BONNET ASSY, HEAD	1	1	1					
56	2	129907-03011	PLATE	1	1	1					
57	2	129907-03061	BAFFLE, BREATHER	1	1	1					
58	2	129907-03070	BAFFLE, BREATHER	1	1	1					
60	2	129933-11310	GASKET, BONNET	1	1	1					
61	2	119100-11330	ELBOW	1	1	1					

Remarks
 (1) Spare part.

Fig.4. CYLINDER HEAD & BONNET



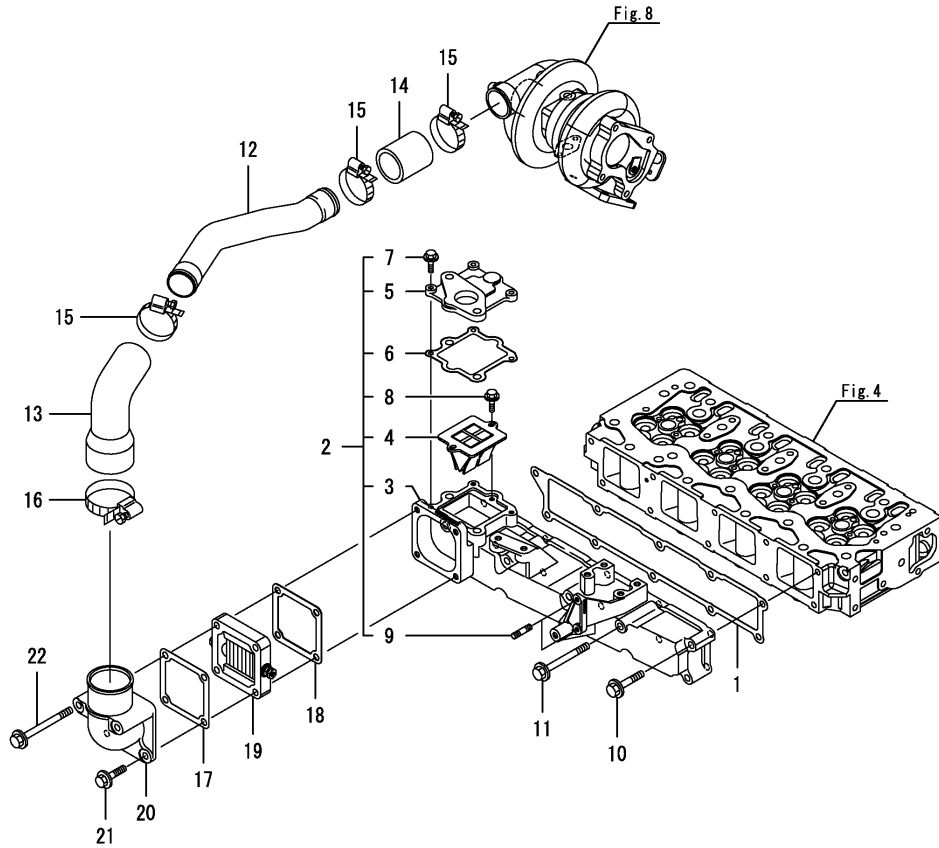
(A)=4TNV98T-ZNSAD
 (B)=4TNV98T-ZNSADT
 (C)=4TNV98T-ZNSADC

(D)=
 (E)=
 (F)=

No.	Lev.	Parts No.	Description	Qty						I	R
				(A)	(B)	(C)	(D)	(E)	(F)		
62	2	129509-79700	CLIP	2	2	2					
63	2	26106-060122	BOLT, M6X 12 PLATED	2	2	2					
64	2	22857-500100	SCREW, 5X10	6	6	6					
65	1	124160-11360	KNOB	4	4	4					
66	1	24311-000120	O-RING, 1AP12.0	4	4	4					
67	1	24311-000320	O-RING, 1AP32.0	1	1	1					
68	1	129948-03080	HOSE ASSY, BREATHER	1	1	1					
70	2	129410-03990	CLIP	2	2	2					
72	1	129150-03100	RETAINER, PIPE	1	1	1					
73	1	129972-03240	SEPARATOR ASSY, MIST	1	1	1					
74	2	129972-03220	COVER, SEPARATOR	1	1	1					
75	2	129972-03230	SEPARATOR, MIST	1	1	1					
76	2	123901-03240	FILTER	3	3	3					
77	2	26116-050102	BOLT, M5X 10 PLATED	4	4	4					
78	1	123912-03250	HOSE	1	1	1					
79	1	23000-022000	CLAMP, 22	2	2	2					
80	1	23065-160250	PIPE, 16X 250	1	1	1					
81	1	26106-080142	BOLT, M8X 14 PLATED	2	2	2					

Remarks
 (1) Spare part.

Fig.5. SUCTION MANIFOLD



(A)=4TNV98T-ZNSAD
 (B)=4TNV98T-ZNSADT
 (C)=4TNV98T-ZNSADC

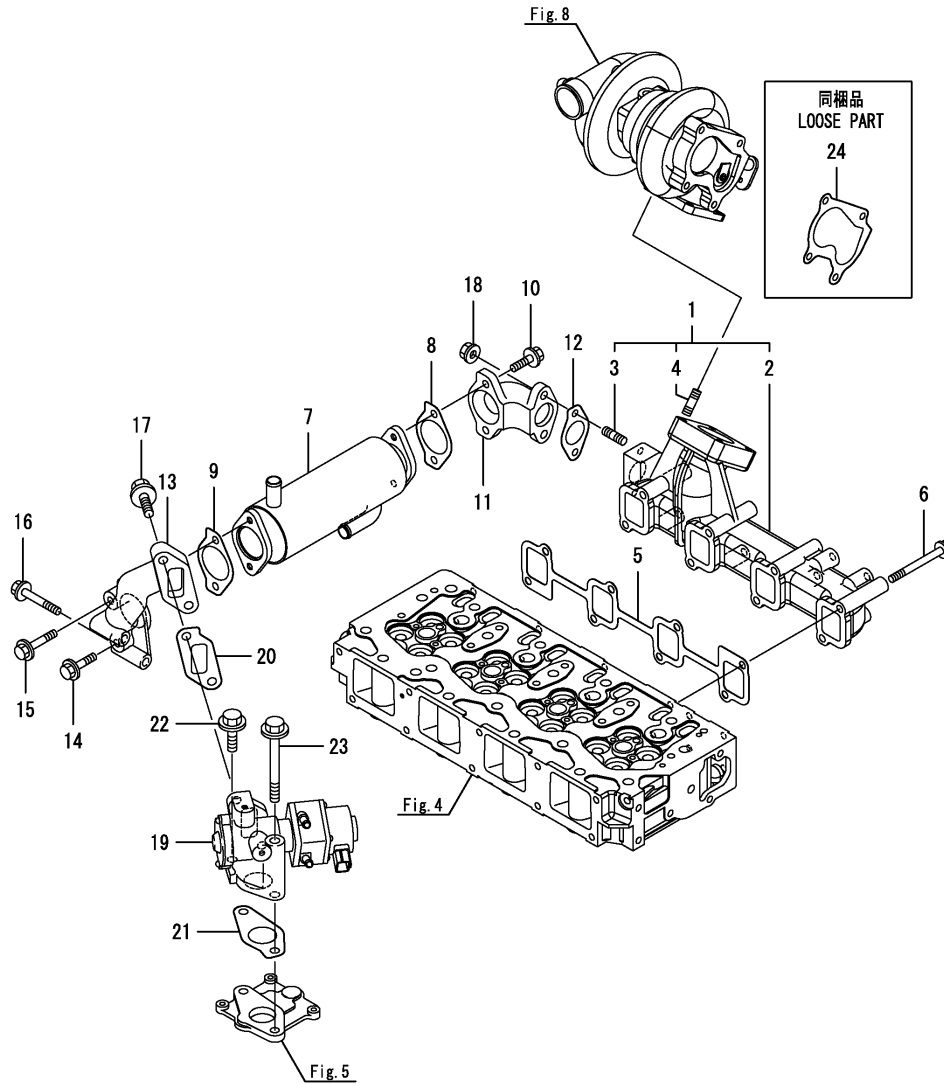
(D)=
 (E)=
 (F)=

No.	Lev.	Parts No.	Description	Q'ty						I	R
				(A)	(B)	(C)	(D)	(E)	(F)		
1	1	129907-12110	GASKET, MANIFOLD	1	1	1					
2	1	129928-12150	MANIFOLD ASSY,INTAKE	1	1	1					
3	2	129928-12100	MANIFOLD, AIR INTAKE	1	1	1					
4	2	129928-13700	VALVE	1	1	1					
5	2	129928-13710	SPACER	1	1	1					
6	2	129928-13720	GASKET	1	1	1					
7	2	26106-060202	BOLT, M6X 20 PLATED	3	3	3					
8	2	26106-060202	BOLT, M6X 20 PLATED	2	2	2					
9	2	26216-060202	STUD, M6X 20	2	2	2					
10	1	26106-080452	BOLT, M8X 45 PLATED	6	6	6					
11	1	26106-080802	BOLT, M8X 80 PLATED	4	4	4					
12	1	129928-18200	DUCT, AIR	1	1	1					
13	1	129974-18210	JOINT, RUBBER	1	1	1					
14	1	123951-18220	JOINT, RUBBER	1	1	1					
15	1	23000-054000	CLAMP, 54	3	3	3					
16	1	23000-080000	CLAMP, 80	1	1	1					
17	1	119129-77020	GASKET	1	1	1					
18	1	121850-77021	GASKET	1	1	1					
19	1	119005-77051	HEATER	1	1	1					
20	1	119129-77520	BEND	1	1	1					
21	1	26106-080402	BOLT, M8X 40 PLATED	2	2	2					
22	1	26106-080902	BOLT, M8X 90 PLATED	2	2	2					

Fig.6. EXHAUST MANIFOLD

(A)=4TNV98T-ZNSAD
 (B)=4TNV98T-ZNSADT
 (C)=4TNV98T-ZNSADC

(D)=
 (E)=
 (F)=

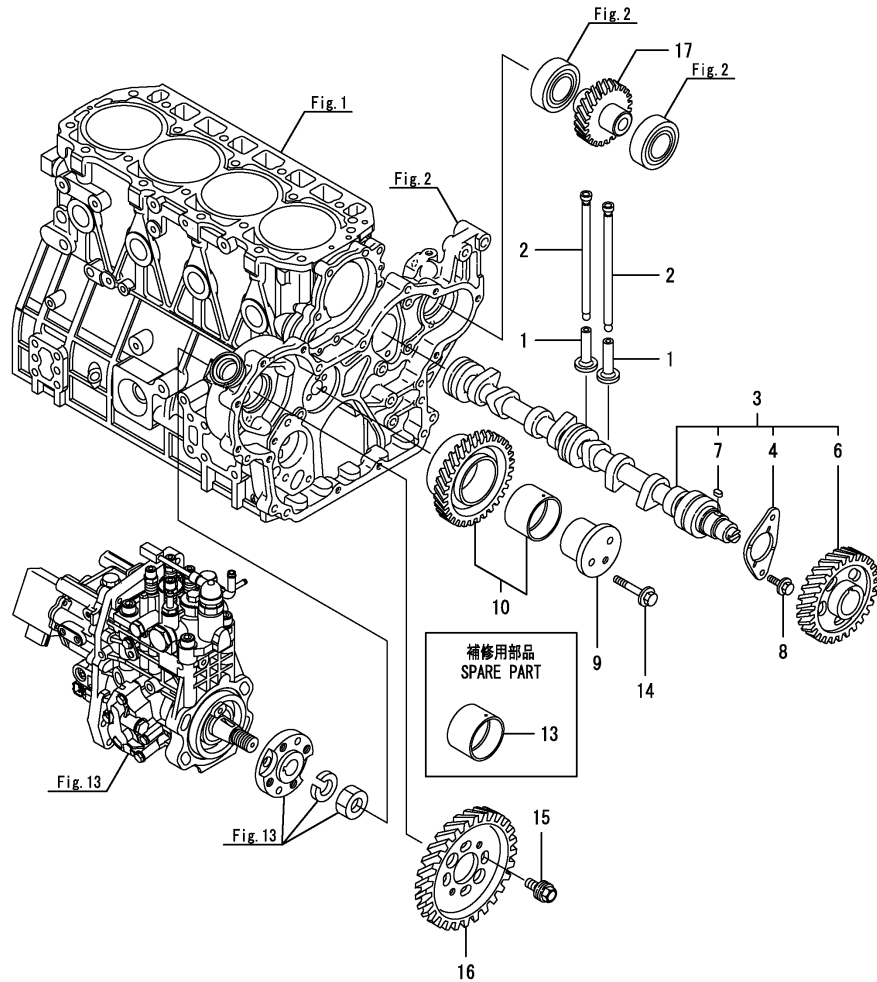


No.	Lev.	Parts No.	Description	Qty						I	R
				(A)	(B)	(C)	(D)	(E)	(F)		
1	1	129928-13150	MANIFOLD ASSY	1	1	1					
2	2	129928-13100	MANIFOLD, EXHAUST	1	1	1					
3	2	129418-18320	STUD, M8X20	2	2	2					
4	2	129418-18320	STUD, M8X20	4	4	4					
5	1	129900-13251	GASKET	1	1	1					
6	1	123900-13630	BOLT, M8X80	8	8	8					
7	1	129928-13400	COOLER, EGR	1	1	1					
8	1	129928-13410	GASKET	1	1	1					
9	1	129928-13410	GASKET	1	1	1					
10	1	119802-13790	BOLT, M8X25 10.9T	2	2	2					
11	1	129948-13800	PIPE	1	1	1					
12	1	129927-13810	GASKET	1	1	1					
13	1	129948-13810	PIPE	1	1	1					
14	1	26106-080352	BOLT, M8X 35 PLATED	1	1	1					
15	1	26106-080452	BOLT, M8X 45 PLATED	1	1	1					
16	1	26106-080552	BOLT, M8X 55 PLATED	2	2	2					
17	1	26106-100252	BOLT, M10X 25 PLATED	2	2	2					
18	1	26306-080002	NUT, M8	2	2	2					
19	1	129927-13900	VALVE	1		1					
19-1	1	129928-13900	VALVE	1	1	1					N
		(A=EC6570)	(C=EC6570)								
20	1	129927-13910	GASKET	1	1	1					
21	1	129927-13920	GASKET	1	1	1					
22	1	26106-100402	BOLT, M10X 40 PLATED	1	1	1					
23	1	26106-101052	BOLT, M10X105 PLATED	1	1	1					
24	1	123901-18080	GASKET	1	1	1					

Fig.7. CAMSHAFT & DRIVING GEAR

(A)=4TNV98T-ZNSAD
 (B)=4TNV98T-ZNSADT
 (C)=4TNV98T-ZNSADC

(D)=
 (E)=
 (F)=



No.	Lev.	Parts No.	Description	Qty						I	R
				(A)	(B)	(C)	(D)	(E)	(F)		
1	1	129150-14200	TAPPET	8	8	8					
2	1	129907-14400	ROD, PUSH	8	8	8					
3	1	129908-14590	CAMSHAFT ASSY	1	1	1					
4	2	129150-02450	BEARING, THRUST	1	1	1					
6	2	129900-14110	GEAR, CAMSHAFT	1	1	1					
7	2	22512-070140	KEY, 7X 14	1	1	1					
8	1	26106-080162	BOLT, M8X 16 PLATED	2	2	2					
9	1	123900-25060	SHAFT, IDLE GEAR	1	1	1					
10	1	129900-25110	GEAR ASSY, IDLE	1	1	1					
13	1	129150-25920	BUSH, IDLE GEAR	1	1	1					1
14	1	26106-080552	BOLT, M8X 55 PLATED	3	3	3					
15	1	129953-25300	BOLT	4	4	4					
16	1	129907-25900	GEAR, PUMP	1	1	1					
17	1	129900-26030	GEAR ASSY, PUMP	1	1	1					

Remarks
 (1) Spare part.

Fig.8. TURBINE

(A)=4TNV98T-ZNSAD
 (B)=4TNV98T-ZNSADT
 (C)=4TNV98T-ZNSADC

(D)=
 (E)=
 (F)=

No.	Lev.	Parts No.	Description	Q'ty						I	R
				(A)	(B)	(C)	(D)	(E)	(F)		
1	1	129935-18010	TURBINE, RHF5	1	1	1					
2	1	129472-18090	GASKET	1	1	1					
3	1	119131-18320	STUD, M8X22	4	4	4					
4	1	26306-080002	NUT, M8	4	4	4					

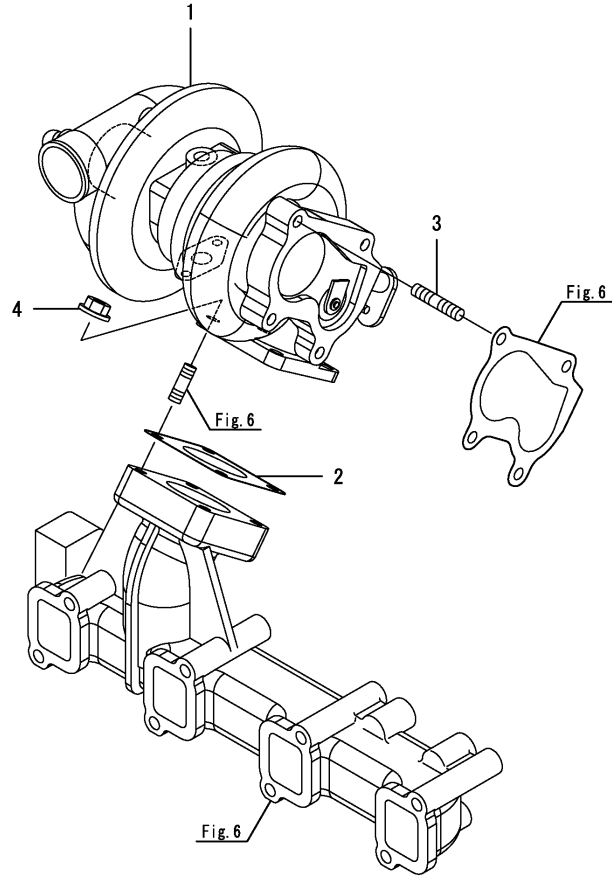
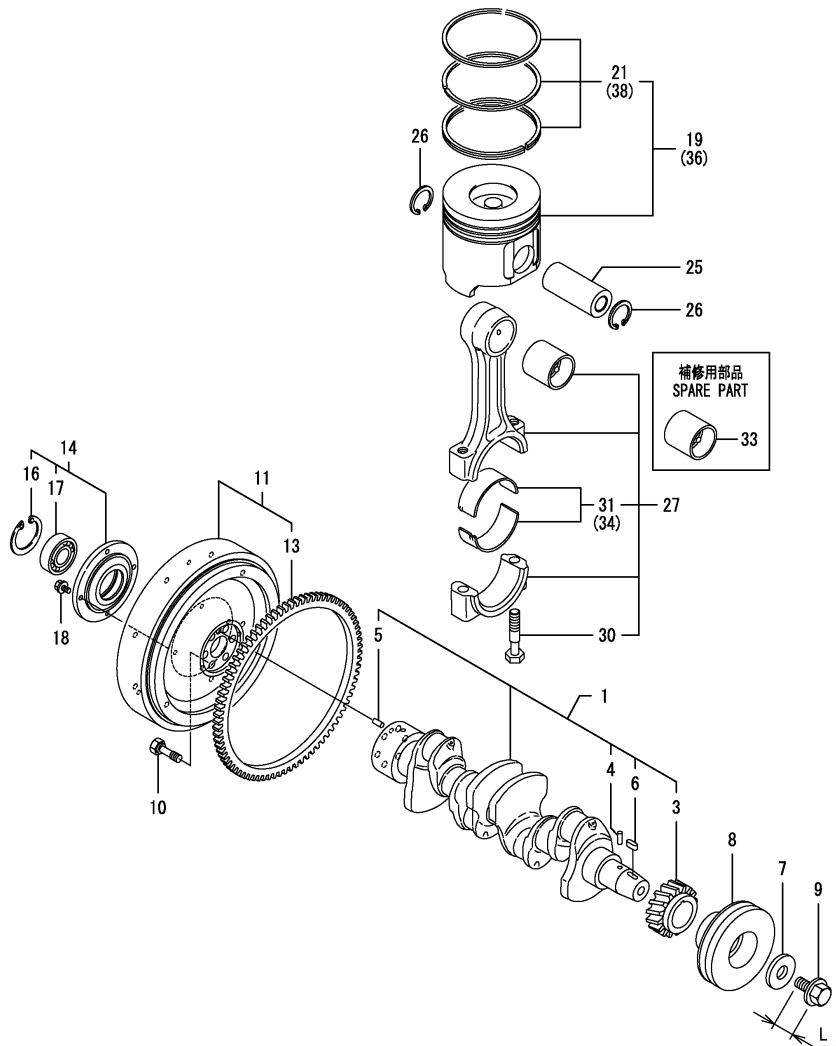


Fig.9. CRANKSHAFT & PISTON

(A)=4TNV98T-ZNSAD
 (B)=4TNV98T-ZNSADT
 (C)=4TNV98T-ZNSADC

(D)=
 (E)=
 (F)=



No.	Lev.	Parts No.	Description	Qty						I	R
				(A)	(B)	(C)	(D)	(E)	(F)		
1	1	129908-21100	CRANKSHAFT ASSY	1	1	1					
3	2	129900-21220	GEAR, CRANKSHAFT	1	1	1					
4	2	121850-21290	PIN	1	1	1					
5	2	121850-21920	PIN, M10X22	1	1	1					
6	2	22512-070140	KEY, 7X 14	1	1	1					
7	1	129900-21640	WASHER	1	1	1					
8	1	129907-21660	V-PULLEY, 130	1	1	1					
9	1	121850-21680	BOLT	1	1	1					
9-1	1	129916-21610	BOLT	1	1	1					S 4
(A=EC6570)				(C=EC6570)							
10	1	121850-21130	BOLT, FLYWHEEL	6	6	6					
11	1	129955-21590	FLYWHEEL ASSY	1	1	1					
13	2	129900-21600	GEAR, RING	1	1	1					
14	1	129955-21460	CASE ASSY	1	1	1					
16	2	22252-000721	CIRCLIP	1	1	1					
17	2	24105-063064	BEARING, BALL 6306Z	1	1	1					
17-1	2	24107-063064	BEARING, BALL 6306ZZ	1	1	1					N
(A=EXXXXX)				(C=EXXXXX)							
18	1	26106-080222	BOLT, M8X 22 PLATED	4	4	4					
19	1	129928-22080	PISTON ASSY	4	4	4					
21	2	129927-22050	RING SET, PISTON	4	4	4					
25	1	120130-22301	PIN, PISTON	4	4	4					
26	1	22252-000300	RING, 30	8	8	8					
27	1	129900-23001	ROD ASSY, CONNECTING	4	4	4					
30	2	129900-23200	BOLT, CONNECTING ROD	8	8	8					
31	2	129900-23601	BEARING, CRANK PIN	4	4	4					
33	1	129900-23911	BEARING, PISTON PIN	4	4	4					1
34	1	129900-23611	BEARING, 0.25 US	4	4	4					2
36	1	729928-22900	PISTON ASSY, 0.25 OS	4	4	4					3
38	2	729927-22950	RING SET, 0.25 OS	4	4	4					3

Remarks

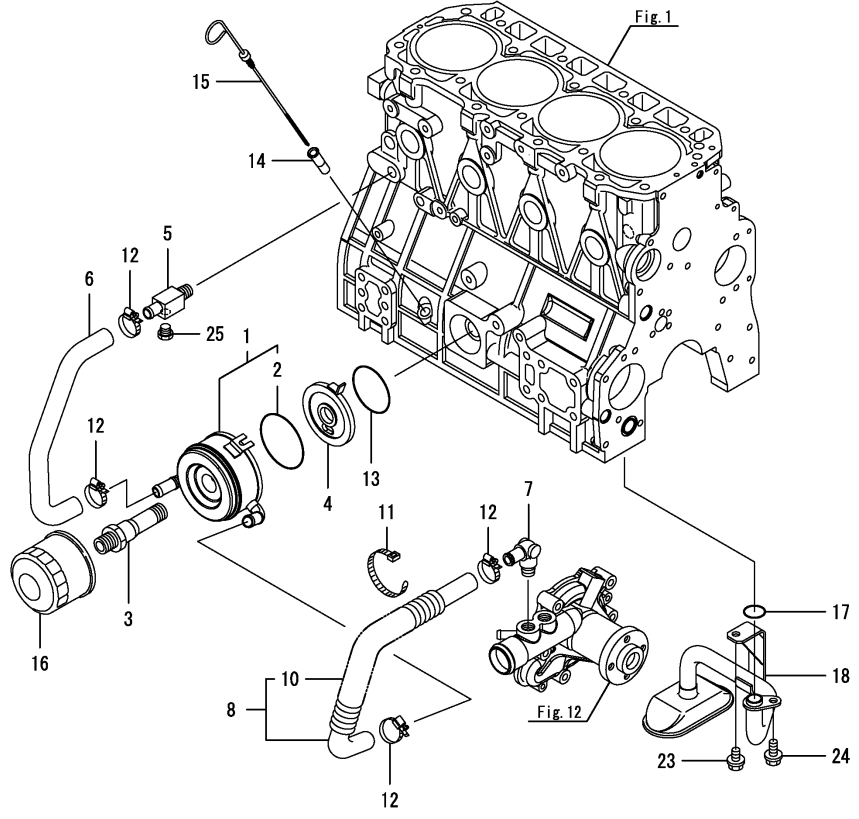
- (1) Spare part.
- (2) Under-sized(U.S.=0.25)part.
- (3) Over-sized(O.S.=0.25)part.
- (4) L=Ref.No.9 30M/M,9-1 35M/M.

Fig.10. LUB. OIL SYSTEM

(A)=4TNV98T-ZNSAD
 (B)=4TNV98T-ZNSADT
 (C)=4TNV98T-ZNSADC

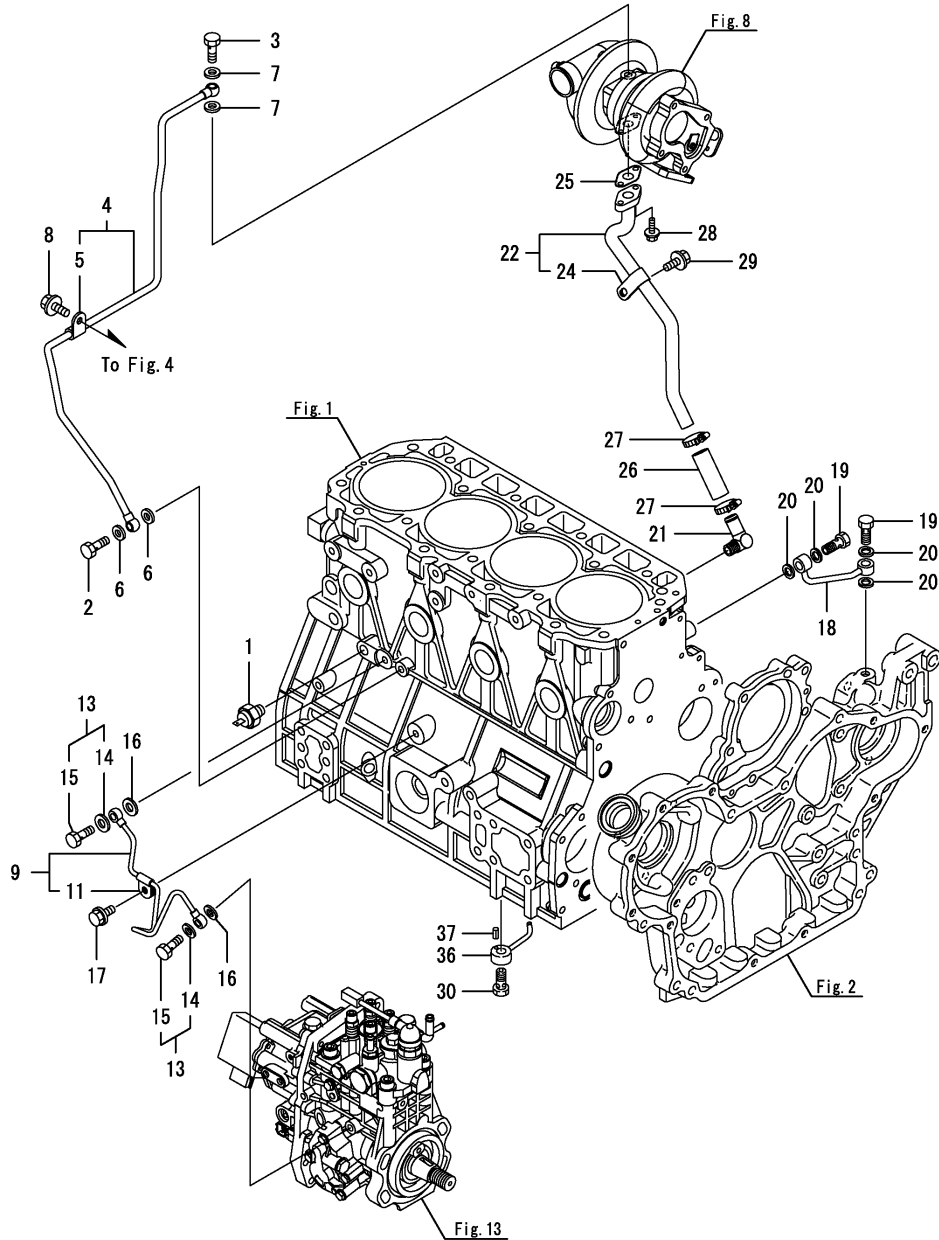
(D)=
 (E)=
 (F)=

No.	Lev.	Parts No.	Description	Qty						I	R
				(A)	(B)	(C)	(D)	(E)	(F)		
1	1	129908-33010	COOLER ASSY, OIL	1	1	1					
2	2	123912-33050	O-RING	1	1	1					
3	1	123912-33100	BOLT, COOLER	1	1	1					
4	1	129908-33101	BRACKET, COOLER	1	1	1					
5	1	129006-44480	JOINT	1	1	1					
6	1	129908-49060	PIPE, WATER	1	1	1					
7	1	129466-49300	ELBOW, PT3/8	1	1	1					
8	1	123910-49600	PIPE, WATER	1	1	1					
10	2	123910-49610	TUBE, CORRUGATED	1	1	1					
11	1	121750-59890	BAND, 140	1	1	1					
12	1	23000-025000	CLAMP, 25	4	4	4					
13	1	24321-000600	O-RING, 1AG60.0	1	1	1					
14	1	121520-34810	GUIDE, DIPSTICK	1	1	1					
15	1	129953-34830	DIPSTICK, OIL	1	1	1					
16	1	129150-35153	FILTER	1	1	1					1
17	1	129900-32030	O-RING, P20	1	1	1					
18	1	129953-35000	PIPE ASSY, OIL INLET	1	1	1					
23	1	26106-080122	BOLT, M8X 12 PLATED	1	1	1					
24	1	26106-080162	BOLT, M8X 16 PLATED	1	1	1					
25	1	171056-49120	PLUG, DRAIN	1	1	1					



Remarks
 (1) Spare part.

Fig.11. LUB. OIL LINE

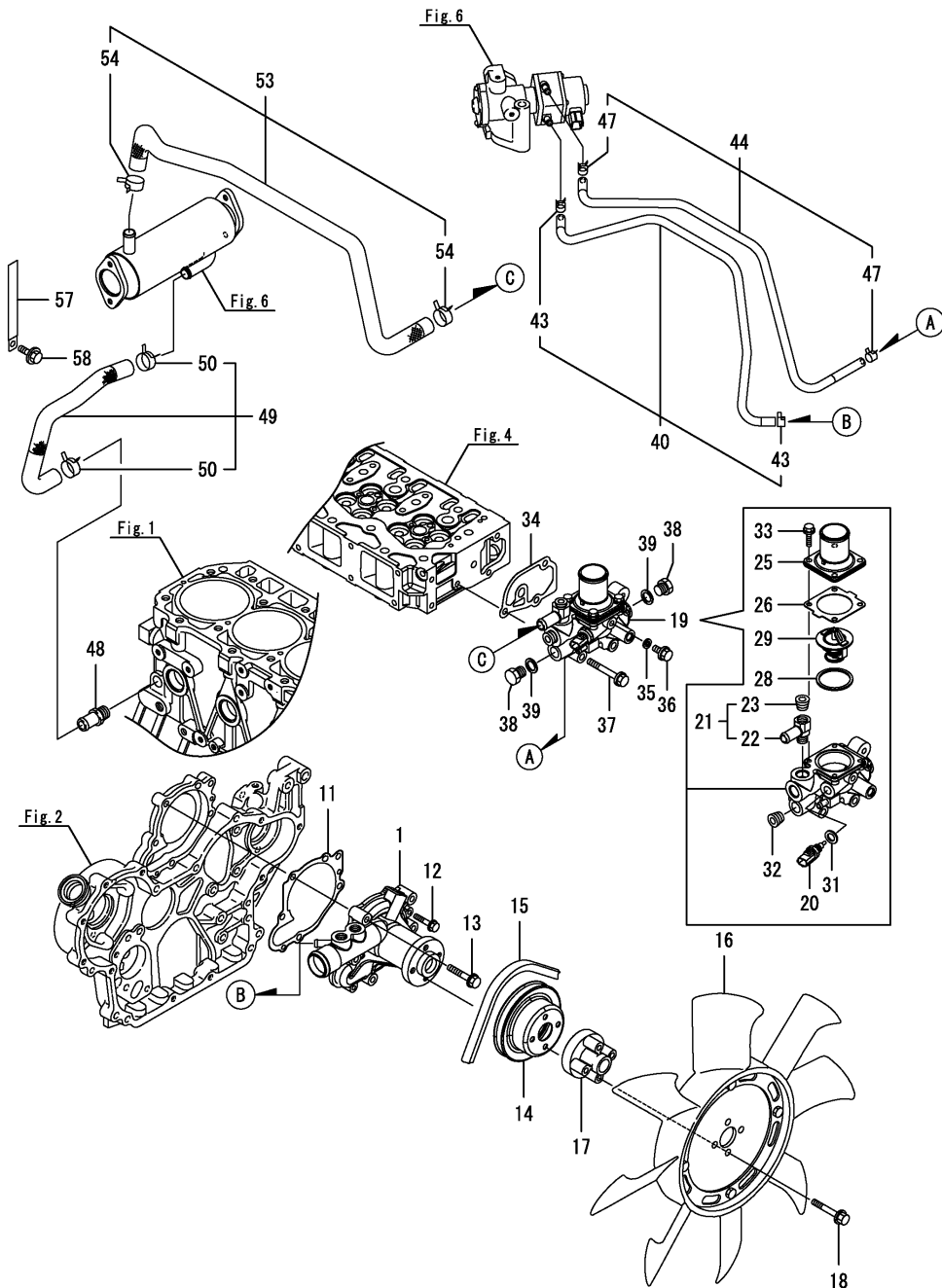


(A)=4TNV98T-ZNSAD
 (B)=4TNV98T-ZNSADT
 (C)=4TNV98T-ZNSADC

(D)=
 (E)=
 (F)=

No.	Lev.	Parts No.	Description	Qty						I	R
				(A)	(B)	(C)	(D)	(E)	(F)		
1	1	119761-39450	SWITCH, 0.5KG	1	1	1					
2	1	105010-39140	BOLT, PIPE JOINT	1	1	1					
3	1	121252-39150	BOLT, JOINT M10X1.5	1	1	1					
4	1	129928-39450	PIPE ASSY, OIL	1	1	1					
5	2	124223-39900	RETAINER	1	1	1					
6	1	22190-080002	WASHER, SEAL 6	2	2	2					
7	1	23414-100000	GASKET, 10X1.0	2	2	2					
8	1	26106-080122	BOLT, M8X 12 PLATED	1	1	1					
9	1	129927-39060	PIPE ASSY, OIL	1	1	1					
11	2	123907-39500	RETAINER	1	1	1					
13	1	129005-59830	BOLT ASSY, JOINT M8	2	2	2					
14	2	22190-080002	WASHER, SEAL 6	2	2	2					
15	2	23857-030000	BOLT, JOINT 3	2	2	2					
16	1	22190-080002	WASHER, SEAL 6	2	2	2					
17	1	26106-080122	BOLT, M8X 12 PLATED	1	1	1					
18	1	129930-39050	PIPE, OIL	1	1	1					
19	1	105010-39140	BOLT, PIPE JOINT	2	2	2					
20	1	22190-080002	WASHER, SEAL 6	4	4	4					
21	1	124070-13300	ELBOW, PT3/8	1	1	1					
22	1	129935-39610	PIPE, OIL	1	1	1					
24	2	123910-39850	RETAINER	1	1	1					
25	1	129908-39690	GASKET	1	1	1					
26	1	123901-39820	HOSE	1	1	1					
27	1	23000-025000	CLAMP, 25	2	2	2					
28	1	26106-060162	BOLT, M6X 16 PLATED	2	2	2					
29	1	26106-080122	BOLT, M8X 12 PLATED	1	1	1					
30	1	129908-39410	VALVE ASSY, CHECK	4	4	4					
36	1	119000-39650	NOZZLE	4	4	4					
37	1	22351-030010	PIN, SPRING 3.0X10	4	4	4					

Fig.12. COOLING WATER SYSTEM



(A)=4TNV98T-ZNSAD
 (B)=4TNV98T-ZNSADT
 (C)=4TNV98T-ZNSADC

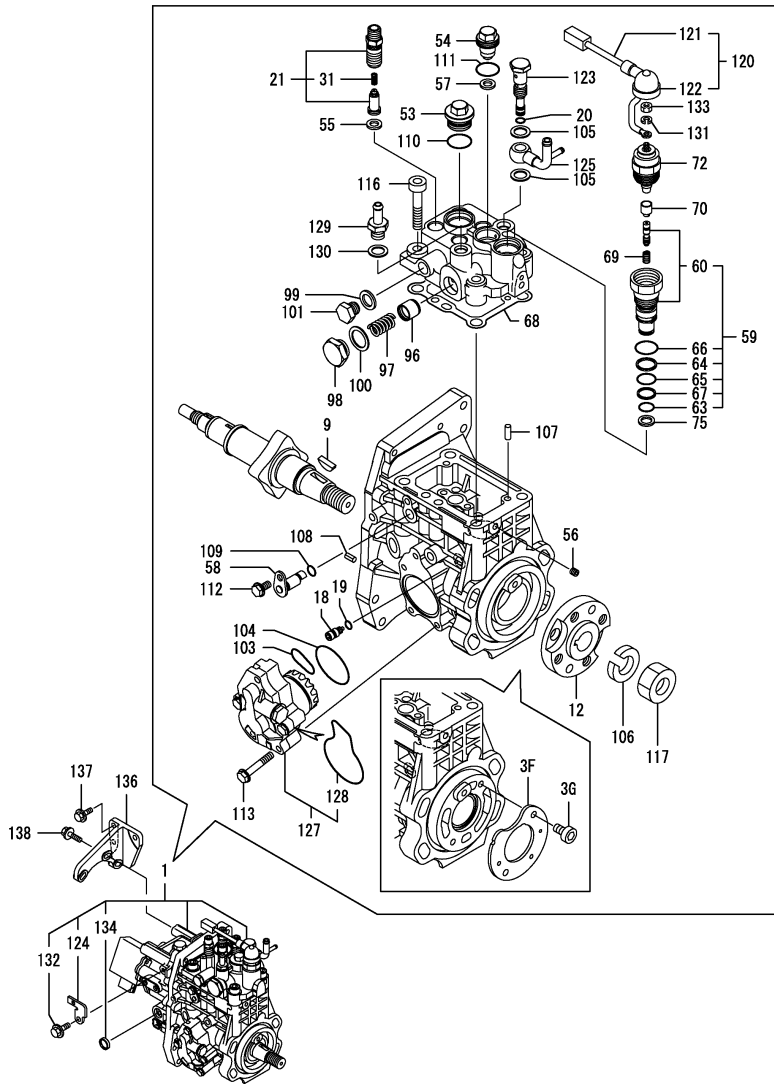
(D)=
 (E)=
 (F)=

No.	Lev.	Parts No.	Description	Qty						I	R
				(A)	(B)	(C)	(D)	(E)	(F)		
1	1	129927-42000	PUMP ASSY, WATER	1	1	1					
11	1	129900-42020	GASKET, WATER PUMP	1	1	1					
12	1	26106-060302	BOLT, M6X 30 PLATED	2	2	2					
13	1	26106-080552	BOLT, M8X 55 PLATED	5	5	5					
14	1	129900-42461	V-PULLEY	1		1					
14-1	1	129900-42462	V-PULLEY, CW PUMP	1	1	1					R
(A=EJ2397) (C=EJ2397)											
15	1	25132-004150	V-BELT, A41.5	1	1	1					
16	1	129920-44740	FAN, COOLING	1	1	1					
17	1	119141-44760	SPACER, FAN	1	1	1					
18	1	26106-080552	BOLT, M8X 55 PLATED	4	4	4					
19	1	129928-49800	CASE ASSY, THERMOSTAT	1	1	1					
20	2	129927-44900	SENSOR	1	1	1					
21	2	129928-49400	JOINT ASSY	1	1	1					
22	3	129928-49410	JOINT	1	1	1					
23	3	23875-030000	PLUG, R03	1	1	1					
25	2	129916-49530	COVER, THERMOSTAT	1	1	1					
26	2	121850-49540	GASKET, THERMOSTAT	1	1	1					
28	2	121850-49550	GASKET, THERMOSTAT	1	1	1					
29	2	121850-49810	THERMOSTAT, 71	1		1					
29-1	2	121850-49811	THERMOSTAT	1	1	1					N
(A=EE6220) (C=EE6220)											
31	2	22190-120002	WASHER, SEAL 12	1	1	1					
32	2	23875-030000	PLUG, R03	1	1	1					
33	2	26106-060202	BOLT, M6X 20 PLATED	4	4	4					
34	1	129900-49870	GASKET	1	1	1					
35	1	23414-080000	GASKET, 8X1.0	1	1	1					
36	1	26106-080122	BOLT, M8X 12 PLATED	1	1	1					
37	1	26106-080602	BOLT, M8X 60 PLATED	3	3	3					
38	1	121450-42450	PLUG, M16	2	2	2					
39	1	124465-44950	GASKET, 16	2	2	2					
40	1	129927-49610	PIPE, WATER	1	1	1					
43	2	23080-012000	CLAMP, 12	2	2	2					
44	1	129927-49620	PIPE ASSY, WATER	1	1	1					
47	2	23080-012000	CLAMP, 12	2	2	2					
48	1	129928-49420	JOINT	1	1	1					
49	1	129948-49610	PIPE ASSY, WATER	1	1	1					
50	2	129960-03990	CLIP, HOSE 22	2	2	2					
53	1	129948-49620	PIPE ASSY, WATER	1	1	1					
54	2	129960-03990	CLIP, HOSE 22	2	2	2					
57	1	129928-79700	CLIP	1	1	1					
58	1	26106-080122	BOLT, M8X 12 PLATED	1	1	1					

Fig.13. FUEL INJECTION PUMP

(A)=4TNV98T-ZNSAD
 (B)=4TNV98T-ZNSADT
 (C)=4TNV98T-ZNSADC

(D)=
 (E)=
 (F)=



No.	Lev.	Parts No.	Description	Q'ty						I	R
				(A)	(B)	(C)	(D)	(E)	(F)		
		(A=EXXXXX)	(C=EXXXXX)								
111	2	24356-020210	O-RING, 4D2021	1		1					
111-1	2	24356-240210	O-RING, 4D24021	1	1	1					R
		(A=EXXXXX)	(C=EXXXXX)								
112	2	26106-060102	BOLT, M6X 10 PLATED	1	1	1					
113	2	26106-060352	BOLT, M6X 35 PLATED	4	4	4					
116	2	26450-100452	BOLT, M10X 45	4	4	4					
117	2	26776-180002	NUT, LOCK M18	1	1	1					
120	2	129927-51650	HARNESS ASSY, WIRE	1	1	1					
121	3	129927-51660	HARNESS	1	1	1					
122	3	129263-77941	CAP, RUBBER	1	1	1					
123	2	158601-51650	JOINT, OVER FLOW	1	1	1					
124	2	129927-51670	BRACKET	1	1	1					
125	2	158552-51670	JOINT, OVER FLOW	1	1	1					
127	2	158552-52100	PUMP ASSY, FUEL FEED	1	1	1					
128	3	158552-52500	O-RING	1	1	1					
129	2	119934-59910	JOINT, PIPE	1	1	1					
130	2	22190-120002	WASHER, SEAL 12	1	1	1					
131	2	22217-050000	WASHER, SPRING 5	1	1	1					
132	2	26106-060122	BOLT, M6X 12 PLATED	1	1	1					
133	2	26716-050002	NUT, M5	1	1	1					
134	2	27241-160000	PLUG, 16	1	1	1					
136	1	129927-51250	RETAINER, PUMP	1	1	1					
137	1	26106-080202	BOLT, M8X 20 PLATED	3	3	3					
138	1	26106-080302	BOLT, M8X 30 PLATED	3	3	3					

Remarks

(1)Governor(Fig.14)is incorporated in this Fuel Injection Pump (Ref.1).

(1)Eco Pump

Make sure to update the engines ECU information when replacing the Eco Pump.

Failing to do so will result in engine malfunction.

Fig.14. GOVERNOR

(A)=4TNV98T-ZNSAD
 (B)=4TNV98T-ZNSADT
 (C)=4TNV98T-ZNSADC

(D)=
 (E)=
 (F)=

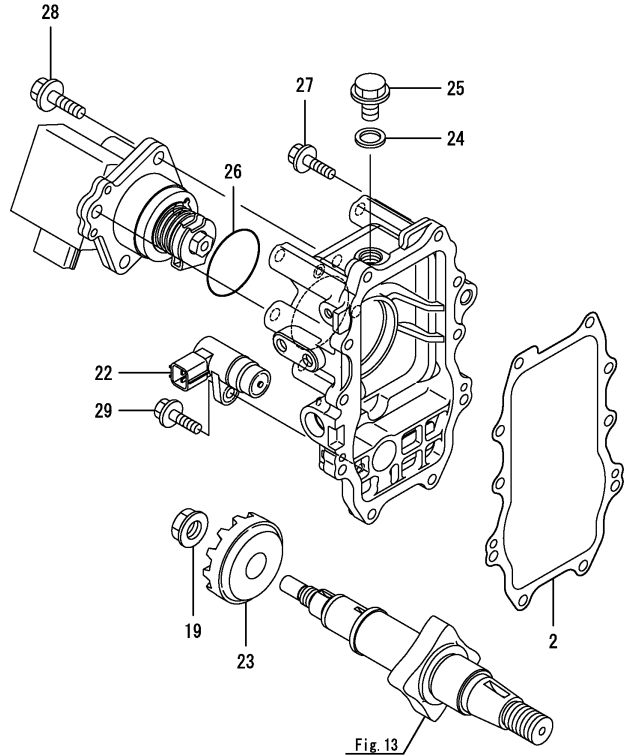


Fig. 13

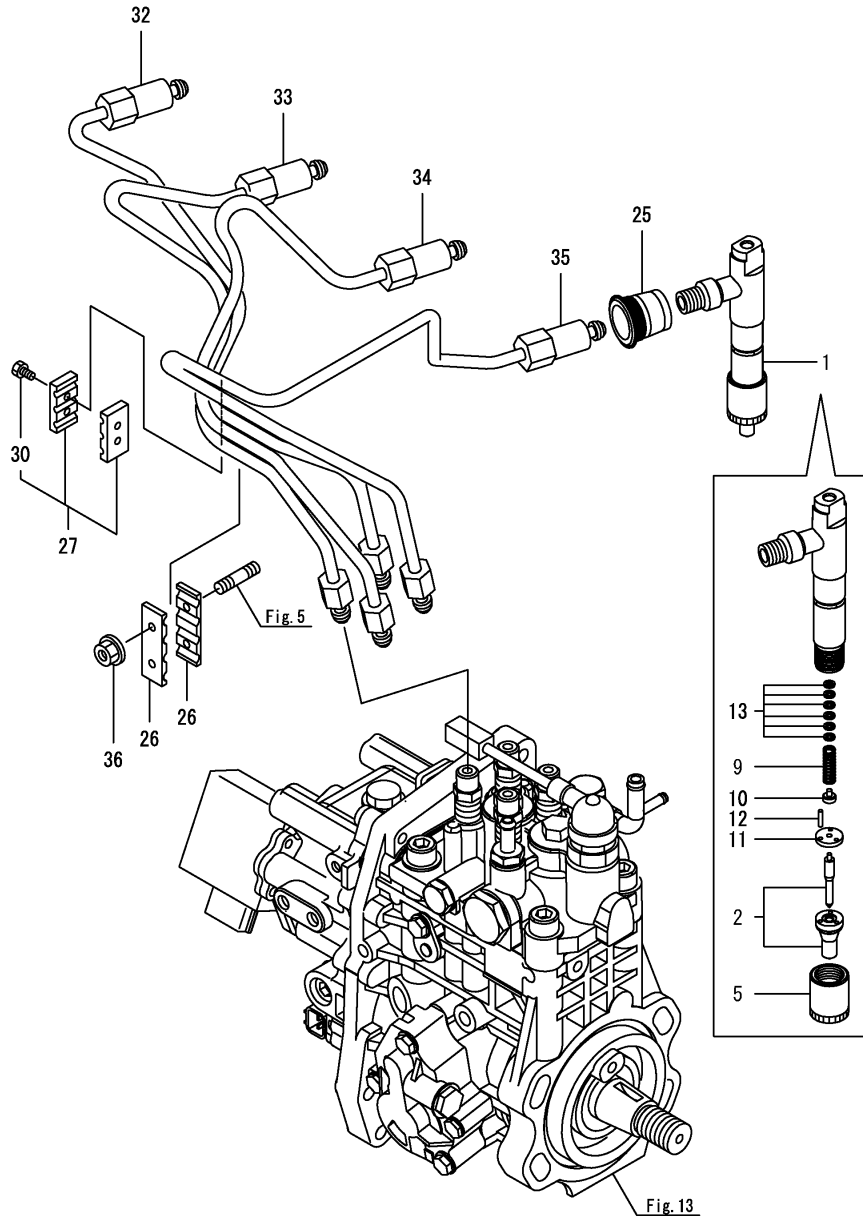
No.	Lev.	Parts No.	Description	Q'ty						I	R
				(A)	(B)	(C)	(D)	(E)	(F)		
2	2	158560-61050	GASKET	1	1	1					
19	2	129008-61301	NUT	1	1	1					
22	2	158557-61720	SENSOR	1	1	1					
23	2	158553-61780	GEAR, SENSOR	1	1	1					
24	2	23414-120000	GASKET, 12X1.0	1		1					
24-1	2	22190-120002	WASHER, SEAL 12	1	1	1					N
(A=EXXXXX) (C=EXXXXX)											
25	2	23887-120002	PLUG, 12	1		1					
25-1	2	158553-51930	PLUG, M12	1	1	1					R
(A=EC6570) (C=EC6570)											
26	2	24341-000480	O-RING, 1AS48.0	1	1	1					
27	2	26106-060252	BOLT, M6X 25 PLATED	10	10	10					
28	2	26106-080252	BOLT, M8X 25 PLATED	3	3	3					
29	2	26106-060162	BOLT, M6X 16 PLATED	1	1	1					

Remarks
 *This figure(Governor)is incorporated
 in the Fuel Injection Pump (Fig.13).

Fig.15. FUEL INJECTION VALVE

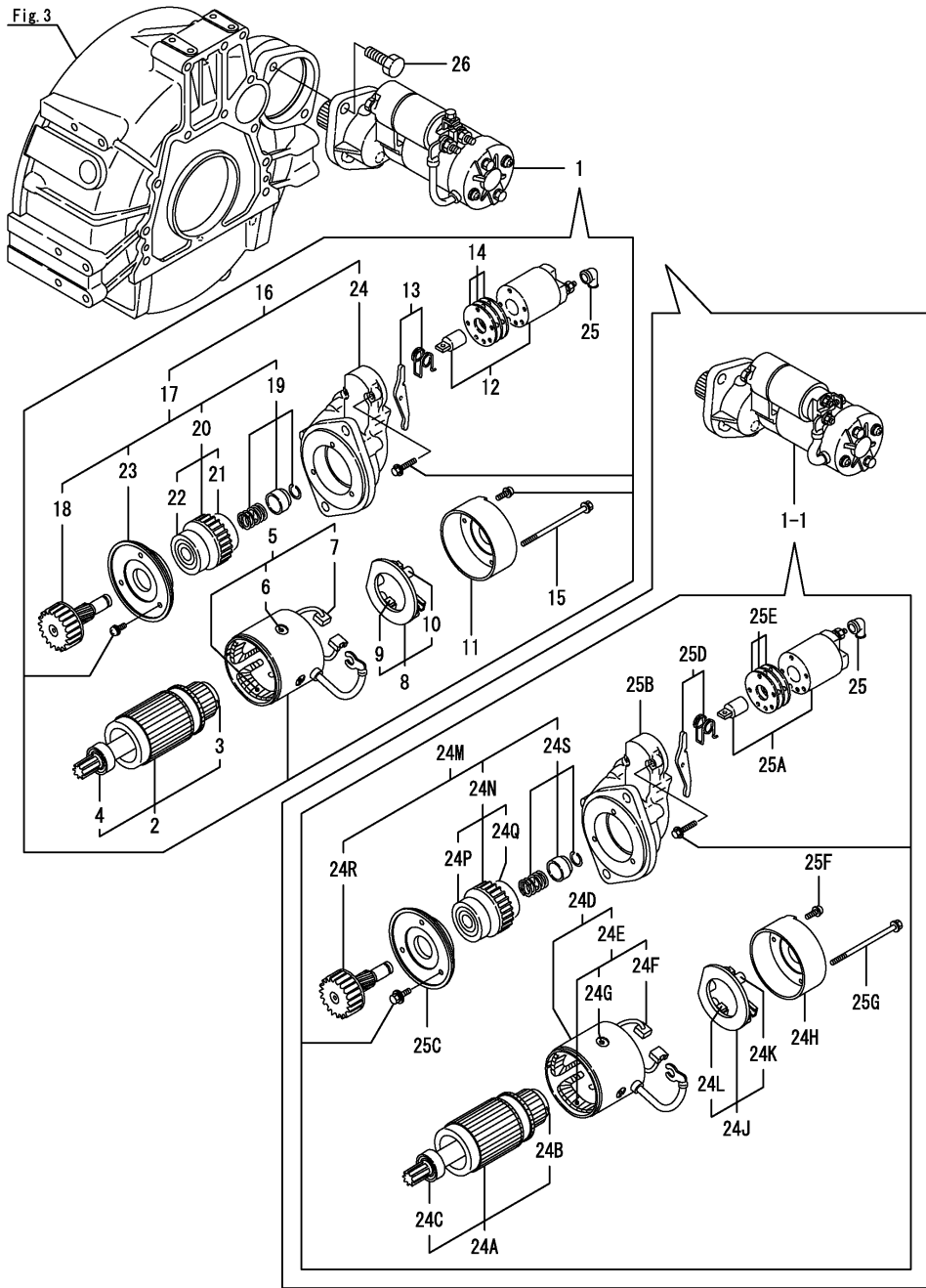
(A)=4TNV98T-ZNSAD
 (B)=4TNV98T-ZNSADT
 (C)=4TNV98T-ZNSADC

(D)=
 (E)=
 (F)=



No.	Lev.	Parts No.	Description	Qty						I	R
				(A)	(B)	(C)	(D)	(E)	(F)		
1	1	729928-53100	VALVE ASSY,INJECTION	4	4	4					
2	2	129928-53000	VALVE ASSY,INJECTION	4	4	4					
5	2	114250-53080	NUT, NOZZLE D16.95	4	4	4					
9	2	114250-53120	SPRING, NOZZLE	4	4	4					
10	2	114250-53130	SEAT, SPRING	4	4	4					
11	2	114250-53140	PLATE	4	4	4					
12	2	114250-53210	PIN	8	8	8					
13	2	114250-53400	SHIM SET	4	4	4					
13-1	2	119803-53400	SHIM SET	4	4	4					R
(A=EC6570)				(C=EC6570)							
25	1	123907-11601	SEAL	4	4	4					
26	1	123472-59120	RETAINER, PIPE	2	2	2					
27	1	129150-59120	RETAINER, PIPE	1	1	1					
30	2	129150-59131	BOLT, M4X14	2	2	2					
32	1	129927-59810	PIPE ASSY, INJECTION	1	1	1					
33	1	129927-59820	PIPE ASSY, INJECTION	1	1	1					
34	1	129927-59830	PIPE ASSY, INJECTION	1	1	1					
35	1	129927-59840	PIPE ASSY, INJECTION	1	1	1					
36	1	26366-060002	NUT, M6	2	2	2					

Fig.17. STARTING MOTOR

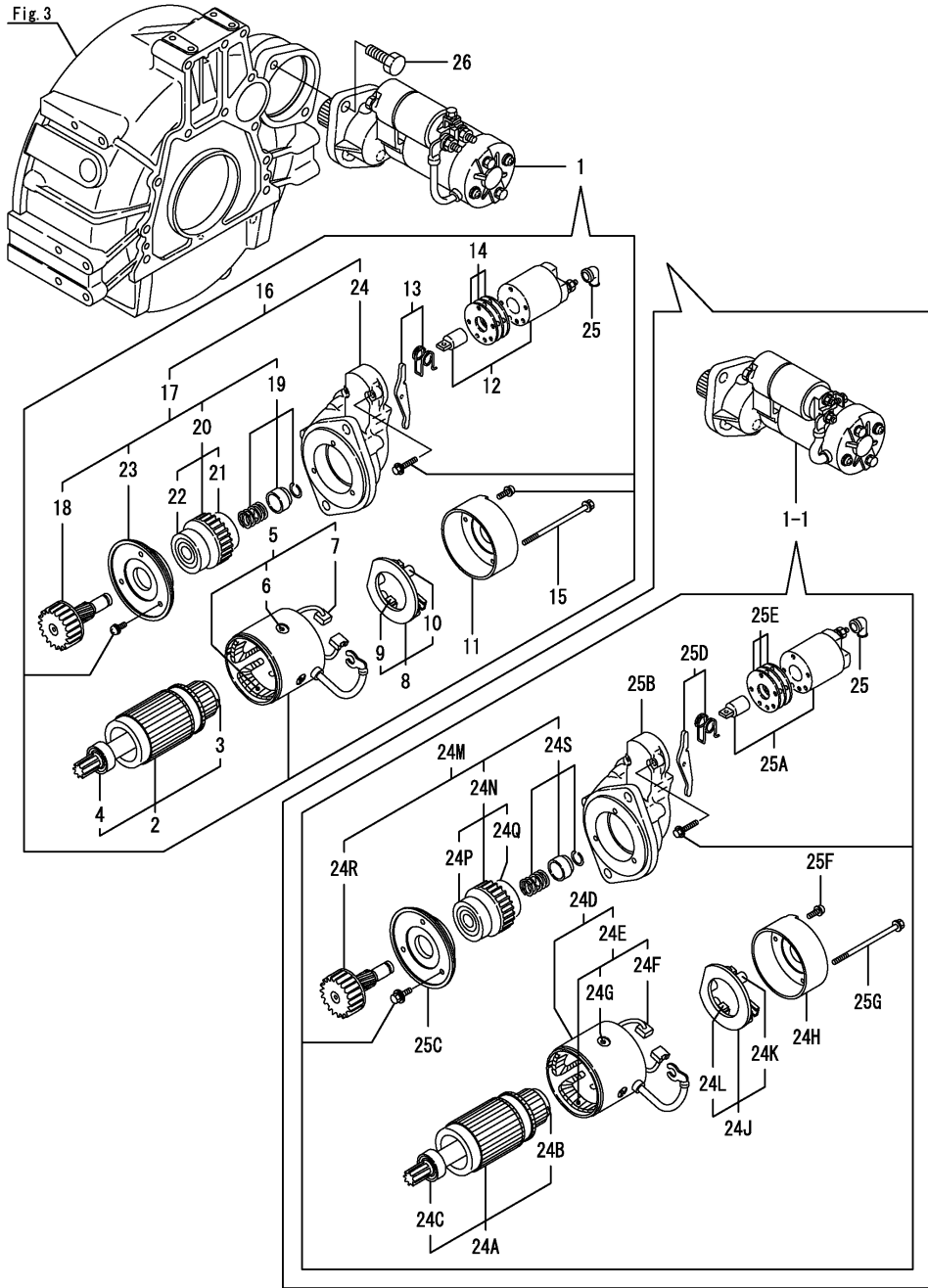


(A)=4TNV98T-ZNSAD
(B)=4TNV98T-ZNSADT
(C)=4TNV98T-ZNSADC

(D)=
(E)=
(F)=

No.	Lev.	Parts No.	Description	Qty						I	R
				(A)	(B)	(C)	(D)	(E)	(F)		
1	1	129900-77010	STARTER	1		1					
1-1	1	129900-77040	STARTER	1	1	1					R
		(A=EC6570)	(C=EC6570)								
2	2	129900-77400	ARMATURE ASSY	1		1					Z
		(A=EC6570)	(C=EC6570)								
3	3	X2114155110	BEARING, BALL	1		1					Z
		(A=EC6570)	(C=EC6570)								
4	3	X2114255110	BEARING, BALL	1		1					Z
		(A=EC6570)	(C=EC6570)								
5	2	129900-77440	COIL ASSY, FIELD	1		1					Z
		(A=EC6570)	(C=EC6570)								
6	3	171008-77450	SCREW	4		4					Z
		(A=EC6570)	(C=EC6570)								
7	3	129900-77450	BRUSH	2		2					Z
		(A=EC6570)	(C=EC6570)								
8	2	129900-77480	HOLDER ASSY, BRUSH	1		1					Z
		(A=EC6570)	(C=EC6570)								
9	3	129900-77450	BRUSH	2		2					Z
		(A=EC6570)	(C=EC6570)								
10	3	X2130631300	SPRING, BRUSH	4		4					Z
		(A=EC6570)	(C=EC6570)								
11	2	129900-77460	COVER	1		1					Z
		(A=EC6570)	(C=EC6570)								
12	2	129900-77591	SWITCH ASSY	1		1					Z
		(A=EC6570)	(C=EC6570)								
13	2	129900-77620	LEVER SET	1		1					Z
		(A=EC6570)	(C=EC6570)								
14	2	129900-77650	COVER ASSY, DUST	1		1					Z
		(A=EC6570)	(C=EC6570)								
15	2	129900-77640	BOLT, THROUGH	2		2					Z
		(A=EC6570)	(C=EC6570)								
16	2	129900-77700	CASE ASSY	1		1					Z
		(A=EC6570)	(C=EC6570)								
17	3	129900-77510	PINION ASSY	1		1					Z
		(A=EC6570)	(C=EC6570)								
18	4	129900-77540	SHAFT	1		1					Z
		(A=EC6570)	(C=EC6570)								
19	4	129900-77550	STOPPER SET	1		1					Z
		(A=EC6570)	(C=EC6570)								
20	4	129900-77520	CLUTCH ASSY	1		1					Z
		(A=EC6570)	(C=EC6570)								
21	5	171008-77730	BEARING, BALL	1		1					Z
		(A=EC6570)	(C=EC6570)								
22	5	171008-77740	BEARING	1		1					Z
		(A=EC6570)	(C=EC6570)								
23	4	129900-77610	RETAINER	1		1					Z
		(A=EC6570)	(C=EC6570)								
24	3	129900-77710	CASE, GEAR	1		1					Z
		(A=EC6570)	(C=EC6570)								
24A	2	129900-77120	ARMATURE ASSY	1	1	1					W
		(A=EC6570)	(C=EC6570)								

Fig.17. STARTING MOTOR



(A)=4TNV98T-ZNSAD
(B)=4TNV98T-ZNSADT
(C)=4TNV98T-ZNSADC

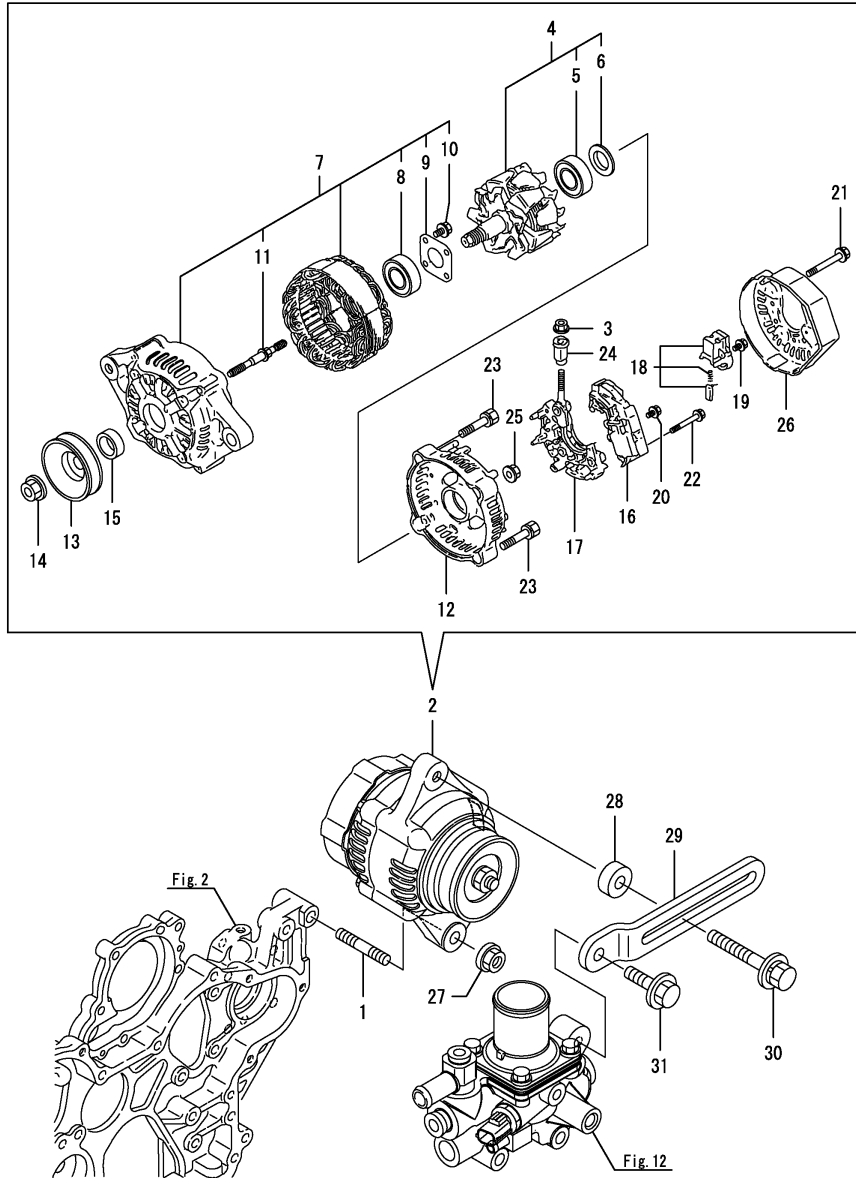
(D)=
(E)=
(F)=

No.	Lev.	Parts No.	Description	Qty						I	R
				(A)	(B)	(C)	(D)	(E)	(F)		
24B	3	171008-77410 (A=EC6570)	BEARING (C=EC6570)	1	1	1					W
24C	3	171008-77420 (A=EC6570)	BEARING (C=EC6570)	1	1	1					W
24D	2	129900-77130 (A=EC6570)	YOKE ASSY (C=EC6570)	1	1	1					W
24E	3	129900-77140 (A=EC6570)	COIL ASSY, FIELD (C=EC6570)	1	1	1					W
24F	4	129900-77450 (A=EC6570)	BRUSH (C=EC6570)	2	2	2					W
24G	4	171008-77450 (A=EC6570)	SCREW (C=EC6570)	4	4	4					W
24H	2	129900-77150 (A=EC6570)	COVER (C=EC6570)	1	1	1					W
24J	2	129900-77160 (A=EC6570)	HOLDER ASSY, BRUSH (C=EC6570)	1	1	1					W
24K	3	X2130631300 (A=EC6570)	SPRING, BRUSH (C=EC6570)	4	4	4					W
24L	3	129900-77450 (A=EC6570)	BRUSH (C=EC6570)	2	2	2					W
24M	2	129900-77170 (A=EC6570)	CLUTCH (C=EC6570)	1	1	1					W
24N	3	129900-77180 (A=EC6570)	CLUTCH ASSY (C=EC6570)	1	1	1					W
24P	4	X2114955020 (A=EC6570)	BEARING, BALL (C=EC6570)	1	1	1					W
24Q	4	129900-77190 (A=EC6570)	BEARING, BALL (C=EC6570)	1	1	1					W
24R	3	129900-77270 (A=EC6570)	SHAFT, PINION (C=EC6570)	1	1	1					W
24S	3	171008-77670 (A=EC6570)	STOPPER SET (C=EC6570)	1	1	1					W
25	2	171008-77750	COVER	1	1	1					
25A	2	129900-77280 (A=EC6570)	SWITCH ASSY (C=EC6570)	1	1	1					W
25B	2	129900-77290 (A=EC6570)	CASE, GEAR (C=EC6570)	1	1	1					W
25C	2	129900-77380 (A=EC6570)	RETAINER, BEARING (C=EC6570)	1	1	1					W
25D	2	129900-77390 (A=EC6570)	LEVER ASSY, SHIFT (C=EC6570)	1	1	1					W
25E	2	129900-77420 (A=EC6570)	COVER KIT (C=EC6570)	1	1	1					W
25F	2	129900-77430 (A=EC6570)	SCREW, M4X10 (C=EC6570)	2	2	2					W
25G	2	129685-77640 (A=EC6570)	BOLT, THROUGH (C=EC6570)	2	2	2					W
26	1	26116-120302	BOLT, M12X 30 PLATED	2	2	2					
26-1	1	26106-120252 (A=EXXXXX)	BOLT, M12X 25 PLATED (C=EXXXXX)	2	2	2					R

Fig.18. GENERATOR

(A)=4TNV98T-ZNSAD
 (B)=4TNV98T-ZNSADT
 (C)=4TNV98T-ZNSADC

(D)=
 (E)=
 (F)=



No.	Lev.	Parts No.	Description	Qty						I	R
				(A)	(B)	(C)	(D)	(E)	(F)		
1	1	129795-01900	STUD	1	1	1					
2	1	119626-77210	ALTERNATOR, 12V-55A	1	1	1					
3	2	X9490561001	NUT	1	1	1					
4	2	129052-77380	ROTOR ASSY	1	1	1					
5	3	123501-79240	BEARING, BALL	1	1	1					
6	3	119620-79250	COVER	1	1	1					
7	2	129052-77422	FRAME ASSY	1	1	1					
8	3	119620-79200	BEARING, BALL	1	1	1					
9	3	119620-79210	PLATE, RETAINER	1	1	1					
10	3	119620-79220	SCREW	4	4	4					
11	3	119620-79230	STUD	2	2	2					
12	2	128401-77440	FRAME	1	1	1					
13	2	119620-77461	PULLEY	1	1	1					
14	2	119620-77471	NUT	1	1	1					
15	2	119620-77490	COLLAR	1	1	1					
16	2	119626-77710	REGULATOR ASSY	1	1	1					
17	2	129052-79260	HOLDER	1	1	1					
18	2	129052-79270	HOLDER, BRUSH	1	1	1					
19	2	119620-79290	SCREW	6	6	6					
20	2	119620-79300	SCREW	1	1	1					
21	2	119620-79310	BOLT	3	3	3					
22	2	119620-79320	SCREW	2	2	2					
23	2	119620-79330	BOLT	2	2	2					
24	2	119620-79340	BUSH, INSULATION	1	1	1					
25	2	119620-79350	NUT	2	2	2					
26	2	119626-77450	COVER	1	1	1					
27	1	26306-100002	NUT, M10	1	1	1					
28	1	119940-77270	SPACER, GENERATOR (A=EXXXXX) (C=EXXXXX)	1		1					Z
29	1	129972-77330	ADJUSTER	1		1					
29-1	1	129988-77330	ADJUSTER (A=EXXXXX) (C=EXXXXX)	1	1	1					F 1
30	1	129972-77341	BOLT, ADJUSTER L=50	1		1					
30-1	1	119810-77340	BOLT, ADJUSTER (A=EXXXXX) (C=EXXXXX)	1	1	1					S
31	1	26106-080222	BOLT, M8X 22 PLATED	1		1					
31-1	1	26014-080252	BOLT, M8X 25 (A=EXXXXX) (C=EXXXXX)	1	1	1					S
32	1	198461-52950	RELAY, CA TYPE C	1	1	1					
33	1	198461-52950	RELAY, CA TYPE C	1	1	1					
34	1	129927-77690	WASHER	3	3	3					
35	1	129927-77920	RELAY	1	1	1					
36	1	129927-77920	RELAY	1	1	1					

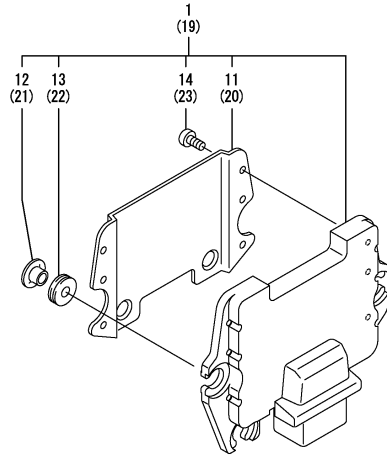
Remarks

(1)Ref.29 is interchangeable with a set of 29-1,30-1 & 31-1.

Fig.19. ELECTRONIC CONTROL UNIT (ECU)

(A)=4TNV98T-ZNSAD
 (B)=4TNV98T-ZNSADT
 (C)=4TNV98T-ZNSADC

(D)=
 (E)=
 (F)=



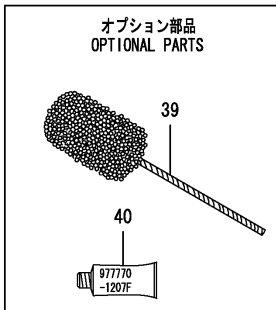
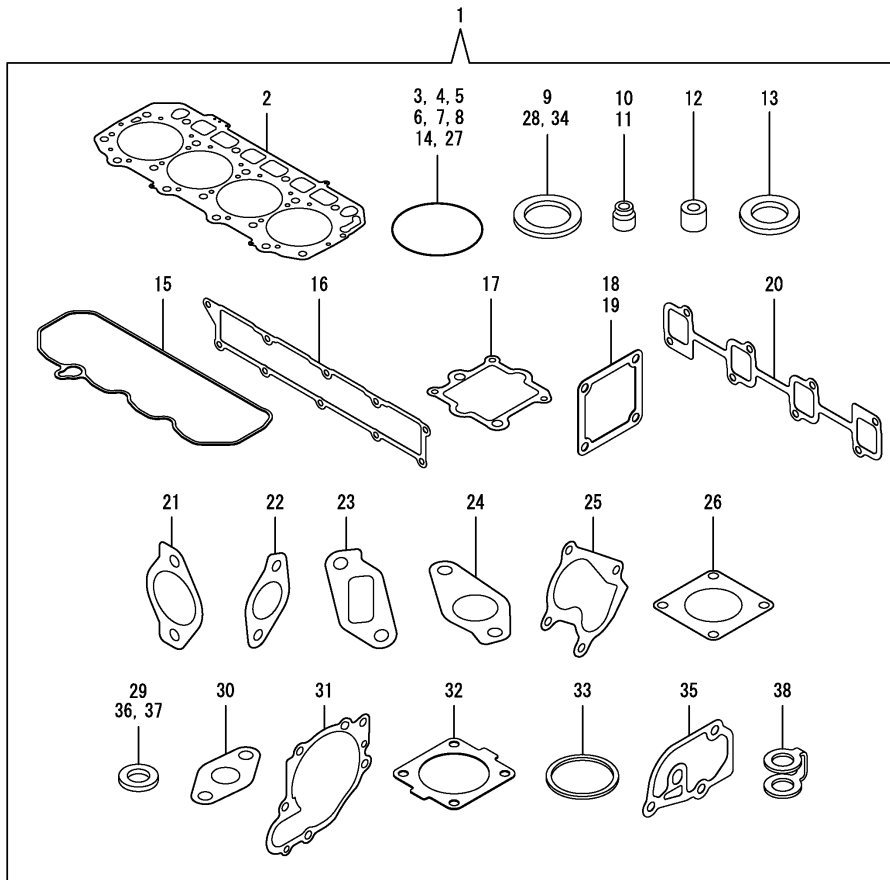
No.	Lev.	Parts No.	Description	Q'ty						I	R
				(A)	(B)	(C)	(D)	(E)	(F)		
1	1	129977-75010	CONTROLLER ASSY, EUC	1	1	1					1
11	2	129927-77600	SHIELD	1	1	1					
12	2	129927-77680	COLLAR	3	3	3					
13	2	119578-91351	ABSORBER	3	3	3					
14	2	22877-500080	SCREW, 5X 8	6	6	6					
19	1	129927-75900	CONTROLLER ASSY, EUC	1	1	1					2
20	2	129927-77600	SHIELD	1	1	1					
21	2	129927-77680	COLLAR	3	3	3					
22	2	119578-91351	ABSORBER	3	3	3					
23	2	22877-500080	SCREW, 5X 8	6	6	6					

Remarks
 (1)Eco ECU
 This part cannot be ordered.
 Replace the part using a Service ECU with the proper engine information installed.
 (2)Service ECU
 If the proper information is not installed, the engine will not operate.
 To install proper information, go to an authorized Distributor.

Fig.20. GASKET SET

(A)=4TNV98T-ZNSAD
 (B)=4TNV98T-ZNSADT
 (C)=4TNV98T-ZNSADC

(D)=
 (E)=
 (F)=



No.	Lev.	Parts No.	Description	Qty						I	R
				(A)	(B)	(C)	(D)	(E)	(F)		
1	1	729928-92660	GASKET SET	1	1	1					1
2	2	129907-01331	GASKET, HEAD	1	1	1					
3	2	129900-32030	O-RING, P20	2	2	2					
4	2	129900-32040	O-RING, P14	1	1	1					
5	2	24311-000070	O-RING, 1AP7.0	1	1	1					
6	2	24351-030750	O-RING, 1A3075	1	1	1					
7	2	24311-000320	O-RING, 1AP32.0	2	2	2					
8	2	24321-000850	O-RING, 1AG85.0	1	1	1					
9	2	22190-220002	WASHER, SEAL 22	1	1	1					
10	2	119803-11340	SEAL, VALVE STEM	8	8	8					
11	2	124160-11340	SEAL, VALVE STEM	8	8	8					
12	2	119802-11870	PROTECTOR, NOZZLE	4	4	4					
13	2	119625-11880	SEAT, NOZZLE	4	4	4					
14	2	24311-000120	O-RING, 1AP12.0	8	8	8					
15	2	129933-11310	GASKET, BONNET	1	1	1					
16	2	129907-12110	GASKET, MANIFOLD	1	1	1					
17	2	129928-13720	GASKET	1	1	1					
18	2	119129-77020	GASKET	1	1	1					
19	2	121850-77021	GASKET	1	1	1					
20	2	129900-13251	GASKET	1	1	1					
21	2	129928-13410	GASKET	2	2	2					
22	2	129927-13810	GASKET	1	1	1					
23	2	129927-13910	GASKET	1	1	1					
24	2	129927-13920	GASKET	1	1	1					
25	2	123901-18080	GASKET	1	1	1					
26	2	129472-18090	GASKET	1	1	1					
27	2	24321-000600	O-RING, 1AG60.0	1	1	1					
28	2	22190-080002	WASHER, SEAL 6	11	11	11					
29	2	23414-100000	GASKET, 10X1.0	2	2	2					
30	2	129908-39690	GASKET	1	1	1					
31	2	129900-42020	GASKET, WATER PUMP	1	1	1					
32	2	121850-49540	GASKET, THERMOSTAT	1	1	1					
33	2	121850-49550	GASKET, THERMOSTAT	1	1	1					
34	2	22190-120002	WASHER, SEAL 12	1	1	1					
35	2	129900-49870	GASKET	1	1	1					
36	2	23414-080000	GASKET, 8X1.0	1	1	1					
37	2	124465-44950	GASKET, 16	2	2	2					
38	2	123907-59550	GASKET	5	5	5					
39	1	129400-92450	HONE	1	1	1					1
40	1	977770-1207F	GASKET.LIQUID	1	1	1					1

Remarks
 (1)Optional parts.

Parts No. Index

Parts No.	Fig. No.	Ref. No.
105010-39140	11	2
		19
105025-59750	16	7
114110-07760	16	22
114110-07761	16	22 -1
114250-53080	15	5
114250-53120	15	9
114250-53130	15	10
114250-53140	15	11
114250-53210	15	12
114250-53400	15	13
119000-39650	11	36
119005-77051	5	19
119100-11330	4	61
119129-77020	5	17
	20	18
	5	20
119131-18320	8	3
119141-44760	12	17
119225-52102	16	23
119578-91351	19	13
		22
		34
119593-11301	4	34
119620-01750	3	3
119620-11180	4	18
119620-77461	18	13
119620-77471	18	14
119620-77490	18	15
119620-79200	18	8
119620-79210	18	9
119620-79220	18	10
119620-79230	18	11
119620-79250	18	6
119620-79290	18	19
119620-79300	18	20
119620-79310	18	21
119620-79320	18	22
119620-79330	18	23
119620-79340	18	24
119620-79350	18	25
119625-11880	4	30
	20	13
119626-77210	18	2
119626-77450	18	26
119626-77710	18	16
119640-01640	3	8
119761-39450	11	1
119802-11870	4	29
	20	12
119802-13790	6	10

Parts No.	Fig. No.	Ref. No.
119802-51680	13	64
119802-51690	13	65
119803-11340	4	19
	20	10
119803-53400	15	13 -1
119810-77340	18	30 -1
119852-51630	13	69
119852-51640	13	70
119852-51650	13	72
119934-59910	13	129
119940-77270	18	28
120130-22301	9	25
121023-26070	2	20
121023-26071	2	20 -1
121252-39150	11	3
121450-42450	12	38
121520-34810	10	14
121750-59890	10	11
	16	12
	9	10
121850-21130	9	10
121850-21290	9	4
121850-21680	9	9
121850-21920	9	5
121850-49540	12	26
	20	32
121850-49550	12	28
	20	33
	12	29
121850-49810	12	29
121850-49811	12	29 -1
121850-77021	5	18
	20	19
	15	26
123472-59120	15	26
123501-79240	18	5
123900-13630	6	6
123900-25060	7	9
123901-03240	4	76
123901-18080	6	24
	20	25
	11	26
123901-39820	11	26
123907-11280	4	39
123907-11550	4	5
123907-11601	15	25
123907-11820	4	25
123907-11830	4	24
123907-39500	11	11
123907-55801	16	2
123907-59540	16	14
123907-59550	16	15
	20	38
123907-59560	16	20

Parts No.	Fig. No.	Ref. No.
123910-39850	11	24
123910-49600	10	8
123910-49610	10	10
123912-03250	4	78
123912-33050	10	2
123912-33100	10	3
123951-18220	5	14
124070-13300	11	21
124160-01751	2	14
	4	54
	4	20
124160-11340	4	20
	20	11
124160-11360	4	65
124223-39900	11	5
124465-44950	12	39
	20	37
	16	18
124722-59050	16	18
124766-59050	16	5
	9	
	18	12
128401-77440	18	12
129001-91810	2	17
		28
	16	1
129004-55612	16	1
129005-59830	11	13
129006-44480	10	5
129008-51920	13	3 G
129008-61301	14	19
129052-77380	18	4
129052-77422	18	7
129052-79260	18	17
129052-79270	18	18
129100-01580	2	1
	3	1
	16	10
129136-59110	16	10
129150-02450	7	4
129150-03100	4	72
129150-11230	4	42
		46
	4	23
129150-11750	4	23
		43
		47
	7	1
129150-14200	7	1
129150-25920	7	13
129150-35153	10	16
129150-59120	15	27
129150-59131	15	30
129242-55700	16	24
129242-55701	16	24 -1
129242-55720	16	25
129242-55730	16	26

Parts No.	Fig. No.	Ref. No.
129242-55740	16	27
129242-55750	16	28
129242-55760	16	29
129242-55770	16	30
129263-49750	16	17
129263-77941	13	122
129400-92450	20	39
129410-03990	4	70
129418-18320	6	3
		4
	16	4
129457-59010	16	4
129466-49300	10	7
129472-18090	8	2
	20	26
	4	62
129509-79700	4	62
129657-51590	13	59
129657-51600	13	60
129685-77640	17	25 G
129795-01900	18	1
129900-01200	1	27
129900-01250	1	4
129900-01740	2	16
129900-01850	2	26
129900-01870	2	27
129900-02020	1	6
129900-02341	1	33
129900-02410	1	9
129900-02931	1	24
129900-02941	1	36
129900-13251	6	5
	20	20
	7	6
129900-14110	7	6
129900-14140	2	31
129900-21220	9	3
129900-21600	9	13
129900-21640	9	7
129900-23001	9	27
129900-23200	9	30
129900-23601	9	31
129900-23611	9	34
129900-23911	9	33
129900-25110	7	10
129900-26030	7	17
129900-26250	2	32
129900-32030	2	6
	10	17
	20	3
	2	7
129900-32040	2	7
	20	4
	12	11
129900-42020	12	11

Parts No. Index

Parts No.	Fig. No.	Ref. No.
129900-42020	20	31
129900-42461	12	14
129900-42462	12	14 -1
129900-49870	12	34
	20	35
129900-77010	17	1
129900-77040	17	1 -1
129900-77120	17	24 A
129900-77130	17	24 D
129900-77140	17	24 E
129900-77150	17	24 H
129900-77160	17	24 J
129900-77170	17	24 M
129900-77180	17	24 N
129900-77190	17	24 Q
129900-77270	17	24 R
129900-77280	17	25 A
129900-77290	17	25 B
129900-77380	17	25 C
129900-77390	17	25 D
129900-77400	17	2
129900-77420	17	25 E
129900-77430	17	25 F
129900-77440	17	5
129900-77450	17	7
		9
		24 F
		24 L
129900-77460	17	11
129900-77480	17	8
129900-77510	17	17
129900-77520	17	20
129900-77540	17	18
129900-77550	17	19
129900-77591	17	12
129900-77610	17	23
129900-77620	17	13
129900-77640	17	15
129900-77650	17	14
129900-77700	17	16
129900-77710	17	24
129906-51580	13	57
129907-01331	1	28
	20	2
129907-03011	4	56
129907-03061	4	57
129907-03070	4	58
129907-07900	4	1
129907-11100	4	15
129907-11110	4	16

Parts No.	Fig. No.	Ref. No.
129907-11120	4	17
129907-11250	4	36
129907-11260	4	37
129907-11270	4	38
129907-11341	4	35
129907-11510	4	21
129907-11650	4	40
129907-11660	4	44
129907-11800	4	28
129907-11910	4	31
129907-11920	4	48
129907-11950	4	32
129907-12110	5	1
	20	16
129907-14400	7	2
129907-21660	9	8
129907-25900	7	16
129907-51560	13	54
129907-59140	16	13
129908-14590	7	3
129908-21100	9	1
129908-32060	2	4
129908-33010	10	1
129908-33101	10	4
129908-39410	11	30
129908-39690	11	25
	20	30
129908-49060	10	6
129916-01790	3	6
129916-01800	2	25
129916-21610	9	9 -1
129916-49530	12	25
129920-44740	12	16
129927-13810	6	12
	20	22
129927-13900	6	19
129927-13910	6	20
	20	23
129927-13920	6	21
	20	24
129927-22050	9	21
129927-39060	11	9
129927-42000	12	1
129927-44900	12	20
129927-49610	12	40
129927-49620	12	44
129927-51250	13	136
129927-51650	13	120
129927-51660	13	121
129927-51670	13	124

Parts No.	Fig. No.	Ref. No.
129927-59550	16	16
129927-59810	15	32
129927-59820	15	33
129927-59830	15	34
129927-59840	15	35
129927-75900	19	19
129927-77600	19	11
		20
129927-77680	19	12
		21
129927-77690	18	34
129927-77920	18	35
		36
129928-11700	4	6
129928-12100	5	3
129928-12150	5	2
129928-13100	6	2
129928-13150	6	1
129928-13400	6	7
129928-13410	6	8
		9
	20	21
129928-13700	5	4
129928-13710	5	5
129928-13720	5	6
	20	17
129928-13900	6	19 -1
129928-18200	5	12
129928-22080	9	19
129928-39450	11	4
129928-49400	12	21
129928-49410	12	22
129928-49420	12	48
129928-49800	12	19
129928-51390	13	21
129928-51900	13	3 F
129928-53000	15	2
129928-79700	12	57
129930-39050	11	18
129933-01500	2	3
129933-11310	4	60
	20	15
129935-18010	8	1
129935-39610	11	22
129948-01740	3	7
129948-03080	4	68
129948-07900	4	2
129948-11300	4	55
129948-13800	6	11
129948-13810	6	13

Parts No.	Fig. No.	Ref. No.
129948-49610	12	49
129948-49620	12	53
129951-01740	2	16 -1
129953-25300	7	15
129953-34830	10	15
129953-35000	10	18
129955-01600	3	2
129955-21460	9	14
129955-21590	9	11
129957-59120	16	6
129960-03990	12	50
		54
129961-59110	16	11
129961-59310	16	8
129972-03220	4	74
129972-03230	4	75
129972-03240	4	73
129972-77330	18	29
129972-77341	18	30
129974-18210	5	13
129977-75010	19	1
129988-77330	18	29 -1
144626-51090	13	9
158552-51571	13	55
158552-51580	13	58
158552-51670	13	125
158552-51781	13	97
158552-52100	13	127
158552-52310	13	103
158552-52311	13	103 -1
158552-52400	13	104
158552-52500	13	128
158553-51670	13	63
158553-51680	13	75
158553-51930	13	101 -1
	14	25 -1
158553-61780	14	23
158557-51570	13	56
158557-61720	14	22
158560-51600	13	68
158560-61050	14	2
158563-51150	13	12
158563-51281	13	19
		20
158563-51330	13	31
158600-51270	13	18
158601-51550	13	53
158601-51650	13	123
158601-51770	13	96
158601-51790	13	98

Parts No. Index

Parts No.	Fig. No.	Ref. No.
171008-77410	17	24 B
171008-77420	17	24 C
171008-77450	17	6
		24 G
171008-77670	17	24 S
171008-77730	17	21
171008-77740	17	22
171008-77750	17	25
171051-01921	1	5
171056-49120	10	25
198461-52950	18	32
		33
22190-080002	11	6
		14
		16
		20
	16	21
	20	28
22190-120002	12	31
	13	99
		105
		130
	14	24 -1
	20	34
22190-180002	13	100
22190-220002	3	10
	20	9
22217-050000	13	131
22217-180000	13	106
22252-000300	9	26
22252-000721	9	16
22312-050140	13	107
22351-030010	11	37
22351-050010	13	108
22351-060012	1	10
22512-070140	7	7
	9	6
22857-500100	4	64
22877-500080	19	14
		23
23000-022000	4	79
23000-025000	10	12
	11	27
23000-054000	5	15
23000-080000	5	16
23065-160250	4	80
23080-012000	12	43
		47
23414-080000	12	35
	20	36

Parts No.	Fig. No.	Ref. No.
23414-100000	11	7
	20	29
23414-120000	14	24
23857-030000	11	15
23875-030000	12	23
		32
23876-020000	4	12
23876-030000	1	11
		12
		13
		29
	4	13
23887-120002	13	101
	14	25
24105-063064	9	17
24107-063064	9	17 -1
24311-000070	2	8
	13	109
	20	5
24311-000120	4	33
		66
	20	14
24311-000160	16	31
24311-000320	2	15
	4	67
	20	7
24321-000600	10	13
	20	27
24321-000750	16	32
24321-000850	2	21
	20	8
24341-000480	14	26
24351-030750	2	9
	20	6
24356-010200	13	66
		110
24356-020210	13	111
24356-190200	13	66 -1
		110 -1
24356-240210	13	111 -1
24372-000150	13	67
25132-004150	12	15
26014-080252	18	31 -1
26106-060102	13	112
26106-060122	4	63
	13	132
26106-060162	11	28
	14	29
26106-060202	5	7
		8

Parts No.	Fig. No.	Ref. No.
26106-060202	12	33
26106-060252	14	27
26106-060302	12	12
26106-060352	13	113
26106-080122	3	11
	10	23
	11	8
		17
		29
	12	36
		58
26106-080142	4	81
26106-080162	2	10
		18
		29
	4	3
	7	8
	10	24
26106-080202	2	11
		18 -1
	4	4
	13	137
26106-080222	9	18
	18	31
26106-080252	14	28
26106-080302	13	138
	16	3
26106-080352	6	14
26106-080402	2	19
		30
	4	50
	5	21
26106-080452	2	12
		19 -1
	5	10
	6	15
26106-080552	6	16
	7	14
	12	13
		18
26106-080602	4	51
		52
	12	37
26106-080702	2	17 -1
		28 -1
26106-080752	2	17 -2
26106-080802	5	11
26106-080902	5	22
26106-100202	2	22
26106-100252	6	17

Parts No.	Fig. No.	Ref. No.
26106-100402	6	22
26106-101052	6	23
26106-120252	17	26 -1
26116-050102	4	77
26116-120302	17	26
26206-100352	3	4
26206-100702	3	5
26216-060202	5	9
26216-100302	2	5
26226-080222	4	49
26306-080002	4	53
	6	18
	8	4
26306-100002	2	13
	18	27
26366-060002	15	36
26450-100452	13	116
26716-050002	13	133
26776-180002	13	117
27241-160000	13	134
27241-300000	1	14
27241-400000	4	14
27310-070001	4	26
729900-02801	1	30
729906-01550	2	23
729927-22950	9	38
729928-01560	1	1
729928-22900	9	36
729928-51300	13	1
729928-53100	15	1
729928-92660	20	1
977770-1207F	20	40
X2114155110	17	3
X2114255110	17	4
X2114955020	17	24 P
X2130631300	17	10
		24 K
X9490561001	18	3