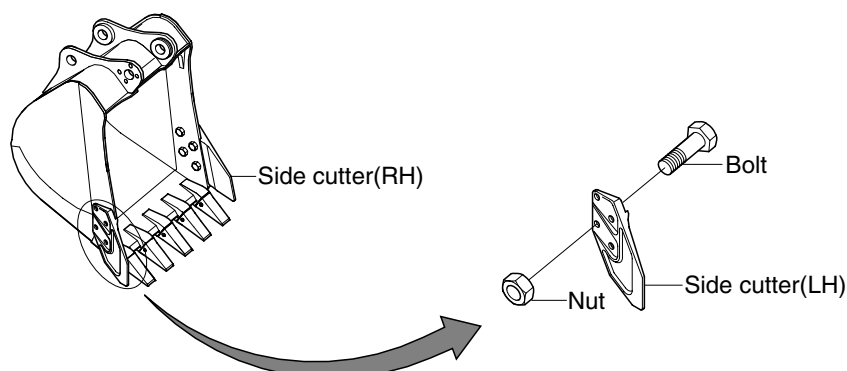


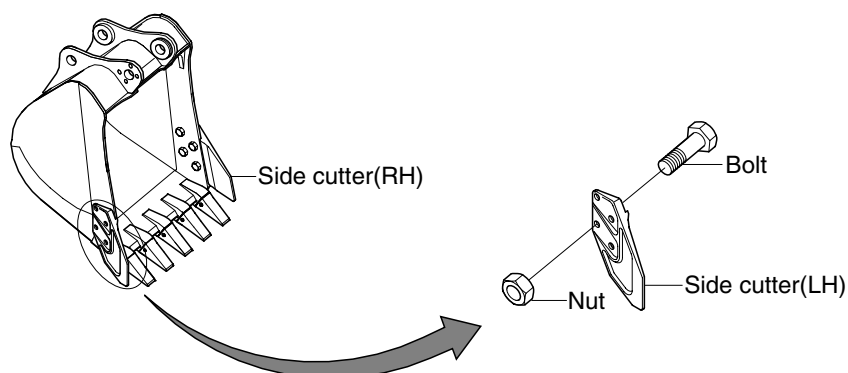
General bucket



Hydraulic excavator

Model	Capacity (m ³)		Bucket assy	Side cutter (LH)		Side cutter (RH)		Bolt		Nut	
	SAE	CECE		Part no.	Qty	Part no.	Qty	Part no.	Qty	Part no.	Qty
R80-7	0.15	0.12	61N1-30200 #0090-	61EE-01260	1	61EE-01270	1	S017-200452	8	S205-201002	8
	0.28	0.25	61N1-30101 #0089-	61EE-01260	1	61EE-01270	1	S017-200452	8	S205-201002	8
	0.28	0.25	61N1-30102 #0090-	61EE-01260	1	61EE-01270	1	S017-200452	8	S205-201002	8
	0.30	0.27	62N1-30100 #0204-	61EE-01260	1	61EE-01270	1	S017-20045D	8	S205-201006	8
R80-7A	0.28	0.25	61N1-30600	61EE-01260	1	61EE-01270	1	S017-20045D	8	S205-20100B	8
	0.15	0.12	61N1-30700	61EE-01260	1	61EE-01270	1	S017-20045D	8	S205-20100B	8
R110-7	0.30	0.27	61N3-32000 #0392-	61E3-3033	1	61E3-3034	1	S017-200502	8	S205-201002	8
			61N3-32001 #0393-0457			61E3-3034BG					
			62N3-32000 #0458-			61E3-3034BG					
	0.40	0.44	61N3-33000 #0392-	61E3-3033	1	61E3-3034	1	S017-200502	8	S205-201002	8
			61N3-33001 #0393-0457			61E3-3034BG					
			62N3-33000 #0458-			61E3-3034BG					
	0.45	0.40	61N3-31001 #0392-	61E3-3033	1	61E3-3034	1	S017-200502	8	S205-201002	8
			61N3-31002 #0393-0457			61E3-3034BG					
			62N3-31000 #0458-			61E3-3034BG					
	0.50	0.45	61N3-34000 #0392-	61E3-3033	1	61E3-3034	1	S017-200502	8	S205-201002	8
			61N3-34001 #0393-0457			61E3-3034BG					
			62N3-34000 #0458-			61E3-3034BG					
0.59	0.52	61N3-35000 #0392-	61E3-3033	1	61E3-3034	1	S017-200502	8	S205-201002	8	
		61N3-35001 #0393-0457			61E3-3034BG						
		62N3-35000 #0458-			61E3-3034BG						
R110-7A	0.30	0.27	62N3-32000	61E3-3033BG	1	61E3-3034BG	1	S017-200502	8	S205-201002	8
	0.40	0.44	62N3-33000	61E3-3033BG	1	61E3-3034BG	1	S017-200502	8	S205-201002	8
	0.45	0.40	62N3-31000	61E3-3033BG	1	61E3-3034BG	1	S017-200502	8	S205-201002	8
	0.50	0.45	62N3-34000	61E3-3033BG	1	61E3-3034BG	1	S017-200502	8	S205-201002	8
	0.59	0.52	62N3-35000	61E3-3033BG	1	61E3-3034BG	1	S017-200502	8	S205-201002	8
R95W-3	0.15	0.12	61EE-30010	61EE-01260	1	61EE-01270	1	S017-200452	8	S205-201002	8
	0.18	0.15	61EE-30020	61EE-01260	1	61EE-01270	1	S017-200452	8	S205-201002	8
	0.22	0.20	61EE-30030	61EE-01260	1	61EE-01270	1	S017-200452	8	S205-201002	8
	0.27	0.24	61EE-30040	61EE-01260	1	61EE-01270	1	S017-200452	8	S205-201002	8
	0.30	0.27	61EE-30000	61EE-01260	1	61EE-01270	1	S017-200452	8	S205-201002	8
	0.35	0.32	61EE-30050	61EE-01260	1	61EE-01270	1	S017-200452	8	S205-201002	8

General bucket



Hydraulic excavator

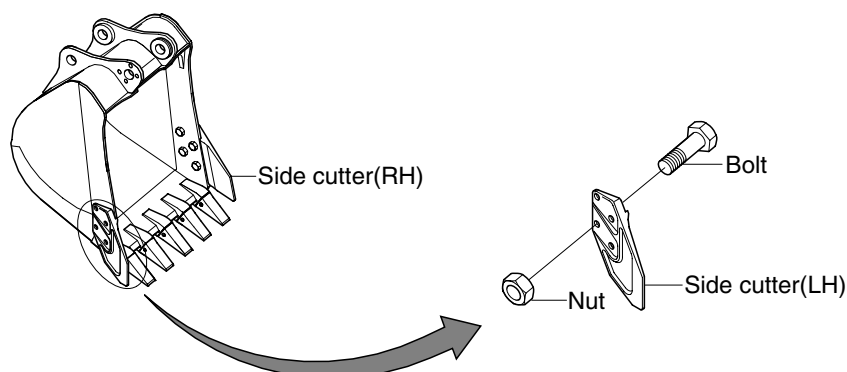
Model	Capacity (m ³)		Bucket assy	Side cutter (LH)		Side cutter (RH)		Bolt		Nut	
	SAE	CECE		Part no.	Qty	Part no.	Qty	Part no.	Qty	Part no.	Qty
R130LC R130LC-3 R130LCM-3 R120W R130W	0.22	0.20	61E3-3200* ² 61E3-32001* ³	61E3-3033	1	61E3-3034	1	S017-200502	8	S205-201002	8
	0.40	0.35	61E3-3201* ² 61E3-32011* ³	61E3-3033	1	61E3-3034	1	S017-200502	8	S205-201002	8
	0.46	0.40	61E3-3202* ² 61E3-32021* ³	61E3-3033	1	61E3-3034	1	S017-200502	8	S205-201002	8
	0.51	0.45	61E3-3100* ² 61E3-31001* ³	61E3-3033	1	61E3-3034	1	S017-200502	8	S205-201002	8
	0.56	0.50	61E6-30000* ⁴	-		-		-		-	
	0.58	0.50	61E3-3203* ² 61E3-32031* ³	61E3-3033	1	61E3-3034	1	S017-200502	8	S205-201002	8
	0.63	0.55	61E3-3204* ² 61E3-32041* ³	61E3-3033	1	61E3-3034	1	S017-200502	8	S205-201002	8
	0.68	0.60	61E6-33000	-		-		-		-	
	0.70	0.60	62E3-36000	61E3-3033	1	61E3-3034	1	S017-200502	8	S205-201002	8
	0.76* ¹	0.65	61E3-3205* ² 62E3-32051* ³	-		-		-		-	
R130W-3	0.22	0.20	61E3-32001	61E3-3034	1	61E3-3034	1	S017-200502	8	S205-201002	8
	0.40	0.35	61E3-32011	61E3-3034	1	61E3-3034	1	S017-200502	8	S205-201002	8
	0.46	0.40	61E3-32021	61E3-3034	1	61E3-3034	1	S017-200502	8	S205-201002	8
	0.51	0.45	61E3-31001	61E3-3034	1	61E3-3034	1	S017-200502	8	S205-201002	8
	0.58	0.50	61E3-32031	61E3-3034	1	61E3-3034	1	S017-200502	8	S205-201002	8
	0.63	0.55	61E3-32041	61E3-3034	1	61E3-3034	1	S017-200502	8	S205-201002	8
	0.70	0.60	61E3-32051	-		-		-		-	

*Crawler type only

Applicable machine serial No.

-	Model	Serial No.	Model	Serial No.
*2	R130LC-3, R130LCM-3	-#1312	R130LC, R120W, R130W	#0001-
*3	R130LC-3, R130LCM-3	#1313-	-	
*4	R130LC-3, R130LCM-3	#1503-	-	

General bucket

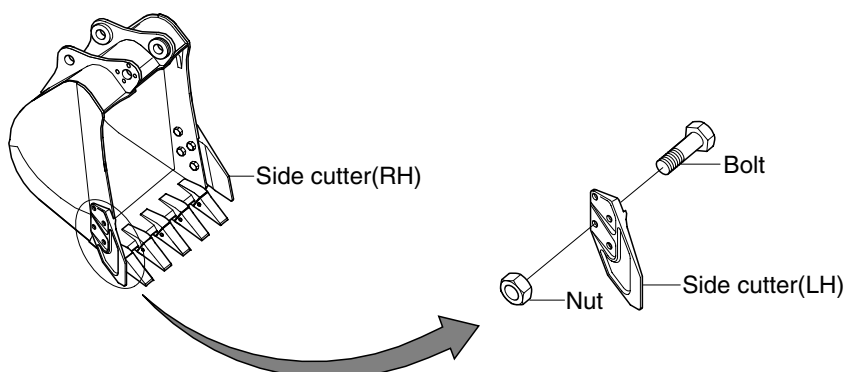


Hydraulic excavator

Model	Capacity (m ³)		Bucket assy	Side cutter (LH)		Side cutter (RH)		Bolt		Nut		
	SAE	CECE		Part no.	Qty	Part no.	Qty	Part no.	Qty	Part no.	Qty	
R140W-7	0.58	0.50	61N4-31000 #0239	61E3-3033 #0614	1	61E3-3034 #0614	1	S017-200552	8	S205-201002	8	
			61N4-31001 #0557-0614									61E3-3033BG #0615-
			61N4-31002 #0615-									61E3-3034BG #0615-
	0.23	0.20	61N4-32000 #0239	61E3-3033 #0614	1	61E3-3034 #0614	1	S017-200552	8	S205-201002	8	
			61N4-32001 #0240-0556									61E3-3033BG #0615-
			61N4-32002 #0557-0614 #0615-									61E3-3034BG #0615-
	0.40	0.35	61N4-33000 #0239	61E3-3033 #0614	1	61E3-3034 #0614	1	S017-200552	8	S205-201002	8	
61N4-33001 #0240-0556			61E3-3033BG #0615-									
61N4-33002 #0557-0614 #0615-			61E3-3034BG #0615-									
0.46	0.40	61N4-34000 #0239	61E3-3033 #0614	1	61E3-3034 #0614	1	S017-200552	8	S205-201002	8		
		61N4-34001 #0240-0556									61E3-3033BG #0615-	
		61N4-34002 #0557-0614 #0615-									61E3-3034BG #0615-	
0.52	0.45	61N4-35000 #0239	61E3-3033 #0614	1	61E3-3034 #0614	1	S017-200552	8	S205-201002	8		
		61N4-35001 #0240-0556									61E3-3033BG #0615-	
		61N4-35002 #0557-0614 #0615-									61E3-3034BG #0615-	
0.65	0.55	61N4-36000 #0239	61E3-3033 #0614	1	61E3-3034 #0614	1	S017-200552	8	S205-201002	8		
		61N4-36001 #0240-0556									61E3-3033BG #0615-	
		61N4-36002 #0557-0614 #0615-									61E3-3034BG #0615-	
0.71	0.60	61N4-37000 #0239	61E3-3033 #0614	1	61E3-3034 #0614	1	S017-200552	8	S205-201002	8		
		61N4-37001 #0240-0556									61E3-3033BG #0615-	
		61N4-37002 #0557-0614 #0615-									61E3-3034BG #0615-	
R140W-7A	0.58	0.50	66N4-31000	61E3-3033BG	1	61E3-3034BG	1	S017-20055D	8	S205-20100B	8	
	0.23	0.20	66N4-32000	61E3-3033BG	1	61E3-3034BG	1	S017-20055D	8	S205-20100B	8	
	0.40	0.35	66N4-33000	61E3-3033BG	1	61E3-3034BG	1	S017-20055D	8	S205-20100B	8	
	0.46	0.40	66N4-34000	61E3-3033BG	1	61E3-3034BG	1	S017-20055D	8	S205-20100B	8	
	0.52	0.45	66N4-35000	61E3-3033BG	1	61E3-3034BG	1	S017-20055D	8	S205-20100B	8	
	0.65	0.55	66N4-36000	61E3-3033BG	1	61E3-3034BG	1	S017-20055D	8	S205-20100B	8	
	0.71	0.60	66N4-37000	61E3-3033BG	1	61E3-3034BG	1	S017-20055D	8	S205-20100B	8	
R140W-9	0.58	0.50	61Q4-31100	61E3-3033GG	1	61E3-3034GG	1	S017-20055D	8	S205-20100B	8	
	0.23	0.20	66N4-32000GG	61E3-3033GG	1	61E3-3034GG	1	S017-20055D	8	S205-20100B	8	
	0.40	0.35	66N4-33000GG	61E3-3033GG	1	61E3-3034GG	1	S017-20055D	8	S205-20100B	8	
	0.46	0.40	66N4-34000GG	61E3-3033GG	1	61E3-3034GG	1	S017-20055D	8	S205-20100B	8	
	0.52	0.45	66N4-35000GG	61E3-3033GG	1	61E3-3034GG	1	S017-20055D	8	S205-20100B	8	
	0.58*5	0.50	64Q4-35000 #0044-	64Q4-35500	1	64Q4-35500	1	S017-20055D	6	S205-20100B	6	
	0.65	0.55	66N4-36000GG	61E3-3033GG	1	61E3-3034GG	1	S017-20055D	8	S205-20100B	8	
	0.71	0.60	66N4-37000GG	61E3-3033GG	1	61E3-3034GG	1	S017-20055D	8	S205-20100B	8	
	0.73*5	0.62	64Q4-36000 #0057-	64Q4-35500	1	64Q4-35500	1	S017-20055D	6	S205-20100B	6	

*5 Heavy duty bucket

General bucket

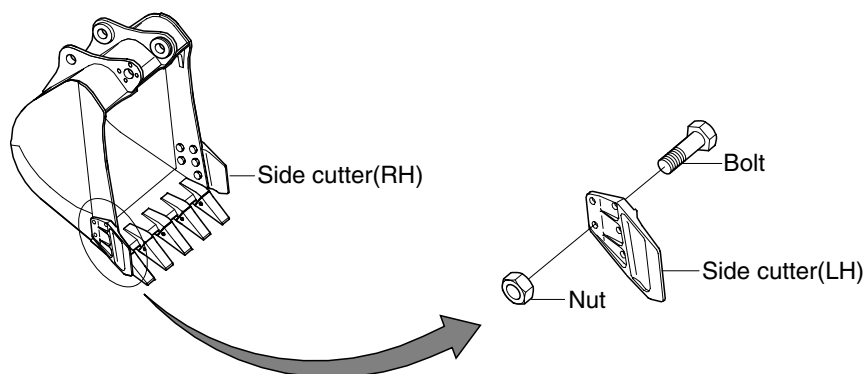


Hydraulic excavator

Model	Capacity (m ³)		Bucket assy	Side cutter (LH)		Side cutter (RH)		Bolt		Nut	
	SAE	CECE		Part no.	Qty	Part no.	Qty	Part no.	Qty	Part no.	Qty
R140LC-7	0.58	0.50	61N4-31000 -#1939	61E3-3033	1	61E3-3034	1	S017-200552	8	S205-201002	8
			61N4-31001 #1940-2800	#2947		#2947					
			61N4-31002 #2801-2947	#2948-		#2948-					
	0.23	0.20	61N4-32000 -#1939	61E3-3033	1	61E3-3034	1	S017-200552	8	S205-201002	8
			61N4-32001 #1940-2800	#2947		#2947					
			61N4-32002 #2801-2947	#2948-		#2948-					
	0.40	0.35	61N4-33000 -#1939	61E3-3033	1	61E3-3034	1	S017-200552	8	S205-201002	8
61N4-33001 #1940-2800			#2947	#2947							
61N4-33002 #2801-2947			#2948-	#2948-							
0.46	0.40	61N4-34000 -#1939	61E3-3033	1	61E3-3034	1	S017-200552	8	S205-201002	8	
		61N4-34001 #1940-2800	#2947		#2947						
		61N4-34002 #2801-2947	#2948-		#2948-						
0.52	0.45	61N4-35000 -#1939	61E3-3033	1	61E3-3034	1	S017-200552	8	S205-201002	8	
		61N4-35001 #1940-2800	#2947		#2947						
		61N4-35002 #2801-2947	#2948-		#2948-						
0.65	0.55	61N4-36000 -#1939	61E3-3033	1	61E3-3034	1	S017-200552	8	S205-201002	8	
		61N4-36001 #1940-2800	#2947		#2947						
		61N4-36002 #2801-2947	#2948-		#2948-						
0.71	0.60	61N4-37000 -#1939	61E3-3033	1	61E3-3034	1	S017-200552	8	S205-201002	8	
		61N4-37001 #1940-2800	#2947		#2947						
		61N4-37002 #2801-2947	#2948-		#2948-						
R140LC-7A	0.58	0.50	66N4-31000	61E3-3033BG	1	61E3-3034BG	1	S017-20055D	8	S205-20100B	8
	0.23	0.20	66N4-32000	61E3-3033BG	1	61E3-3034BG	1	S017-20055D	8	S205-20100B	8
	0.40	0.35	66N4-33000	61E3-3033BG	1	61E3-3034BG	1	S017-20055D	8	S205-20100B	8
	0.46	0.40	66N4-34000	61E3-3033BG	1	61E3-3034BG	1	S017-20055D	8	S205-20100B	8
	0.52	0.45	66N4-35000	61E3-3033BG	1	61E3-3034BG	1	S017-20055D	8	S205-20100B	8
	0.65	0.55	66N4-36000	61E3-3033BG	1	61E3-3034BG	1	S017-20055D	8	S205-20100B	8
	0.71	0.60	66N4-37000	61E3-3033BG	1	61E3-3034BG	1	S017-20055D	8	S205-20100B	8
R140LC-9	0.58	0.50	61Q4-31100	61E3-3033GG	1	61E3-3034GG	1	S017-20055D	8	S205-20100B	8
	0.23	0.20	66N4-32000GG	61E3-3033GG	1	61E3-3034GG	1	S017-20055D	8	S205-20100B	8
	0.40	0.35	66N4-33000GG	61E3-3033GG	1	61E3-3034GG	1	S017-20055D	8	S205-20100B	8
	0.46	0.40	66N4-34000GG	61E3-3033GG	1	61E3-3034GG	1	S017-20055D	8	S205-20100B	8
	0.52	0.45	66N4-35000GG	61E3-3033GG	1	61E3-3034GG	1	S017-20055D	8	S205-20100B	8
	0.58*5	0.50	64Q4-35000 #0088-	64Q4-35500	1	64Q4-35500	1	S017-20055D	6	S205-20100B	6
	0.65	0.55	66N4-36000GG	61E3-3033GG	1	61E3-3034GG	1	S017-20055D	8	S205-20100B	8
	0.71	0.60	66N4-37000GG	61E3-3033GG	1	61E3-3034GG	1	S017-20055D	8	S205-20100B	8
	0.73*5	0.62	64Q4-36000 #0084-	64Q4-35500	1	64Q4-35500	1	S017-20055D	6	S205-20100B	6

*5 Heavy duty bucket

General bucket

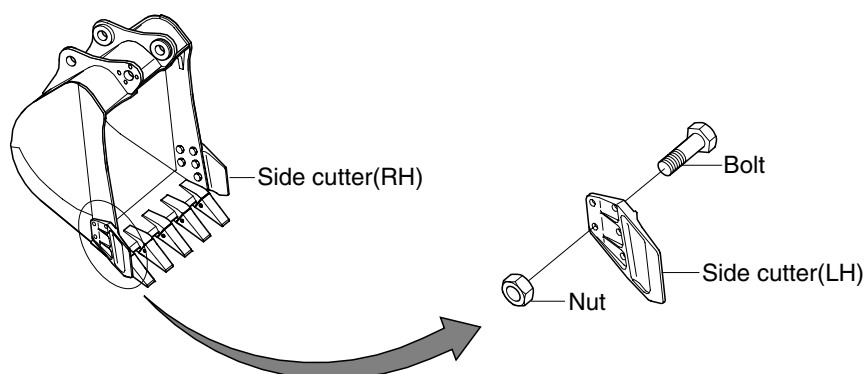


Hydraulic excavator

Model	Capacity (m ³)		Bucket assy	Side cutter (LH)		Side cutter (RH)		Bolt		Nut	
	SAE	CECE		Part no.	Qty	Part no.	Qty	Part no.	Qty	Part no.	Qty
R160LC-3	0.39	0.35	61EK-31001	61E3-3033	1	61E3-3034	1	S017-20052	8	S205-201002	8
	0.57	0.50	61EK-32001	61E3-3033	1	61E3-3034	1	S017-20052	8	S205-201002	8
	0.65	0.55	61EK-35001	61E3-3033	1	61E3-3034	1	S017-20052	8	S205-201002	8
	0.69* ⁵	0.60	62EK-33000 #0184-	-		-		-		-	
	0.70	0.60	61EK-30001	61E3-3033	1	61E3-3034	1	S017-20052	8	S205-201002	8
	0.80	0.70	61EK-33001	61E3-3033	1	61E3-3034	1	S017-20052	8	S205-201002	8
R160LC-7	0.39	0.34	61N5-32000 #0900 66N5-32000 #0901-	61E3-3033 #0900 61E3-3033BG #0901-	1	61E3-3034 #0900 61E3-3034BG #0901-	1	S017-200552	8	S205-201002	8
	0.50	0.44	61N5-33000 #0900 66N5-33000 #0901-	61E3-3033 #0900 61E3-3033BG #0901-	1	61E3-3034 #0900 61E3-3034BG #0901-	1	S017-200552	8	S205-201002	8
	0.64	0.55	61N5-34000 #0900 66N5-34000 #0901-	61E3-3033 #0900 61E3-3033BG #0901-	1	61E3-3034 #0900 61E3-3034BG #0901-	1	S017-200552	8	S205-201002	8
	0.69* ⁵	0.62	62N5-30000 #0900 66N5-38000 #0901-	-		-		-		-	
	0.70	0.60	61N5-30000 #0900 66N5-30000 #0901-	61E3-3033 #0900 61E3-3033BG #0901-	1	61E3-3034 #0900 61E3-3034BG #0901-	1	S017-200552	8	S205-201002	8
	0.89	0.77	61N5-36000 #0900 66N5-36000 #0901-	61E3-3033 #0900 61E3-3033BG #0901-	1	61E3-3034 #0900 61E3-3034BG #0901-	1	S017-200552	8	S205-201002	8
R160LC-7A	0.39	0.34	66N5-32000	61E3-3033BG #0001-	1	61E3-3034BG #0001-	1	S017-20055D	8	S205-201006	8
	0.50	0.44	66N5-33000	61E3-3033BG #0001-	1	61E3-3034BG #0001-	1	S017-20055D	8	S205-201006	8
	0.64	0.55	66N5-34000	61E3-3033BG #0001-	1	61E3-3034BG #0001-	1	S017-20055D	8	S205-201006	8
	0.69* ⁵	0.62	66N5-38000	-		-		-		-	
	0.70	0.60	66N5-30000	61E3-3033BG #0001-	1	61E3-3034BG #0001-	1	S017-20055D	8	S205-201006	8
	0.89	0.77	66N5-36000	61E3-3033BG #0001-	1	61E3-3034BG #0001-	1	S017-20055D	8	S205-201006	8
R160LC-9	0.39	0.34	61Q5-32000	61E3-3033GG	1	61E3-3034GG	1	S017-20055D	8	S205-201006	8
	0.50	0.44	61Q5-33000	61E3-3033GG	1	61E3-3034GG	1	S017-20055D	8	S205-201006	8
	0.70	0.60	61Q5-30000	61E3-3033GG	1	61E3-3034GG	1	S017-20055D	8	S205-201006	8
	0.64	0.55	61Q5-34000	61E3-3033GG	1	61E3-3034GG	1	S017-20055D	8	S205-201006	8
	0.69* ⁵	0.62	61Q5-38000	-		-		-		-	
	0.76	0.65	61Q5-31000	61E3-3033GG	1	61E3-3034GG	1	S017-20055D	8	S205-201006	8
	0.72* ⁵	0.60	61Q5-35000 #0010-	64Q4-35500	1	64Q4-35500	1	S017-20055D	6	S205-201006	6
	0.89	0.77	61Q5-36000	61E3-3033GG	1	61E3-3034GG	1	S017-20055D	8	S205-201006	8
	1.05	0.90	61Q5-37000	61E3-3033GG	1	61E3-3034GG	1	S017-20055D	8	S205-201006	8

*Heavy duty bucket

General bucket



Hydraulic excavator

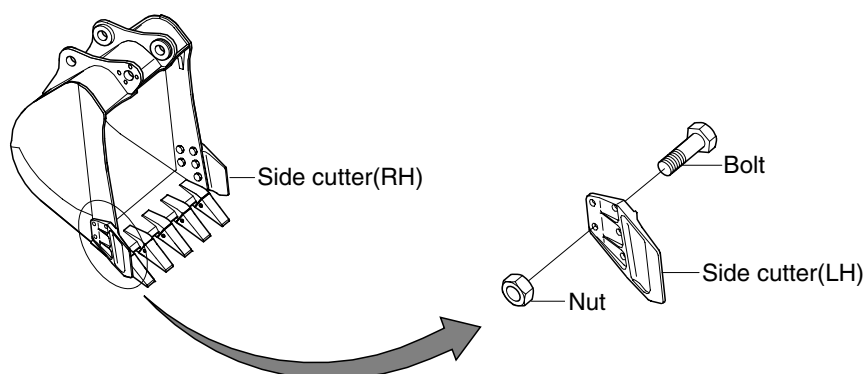
Model	Capacity (m ³)		Bucket assy	Side cutter (LH)		Side cutter (RH)		Bolt		Nut	
	SAE	CECE		Part no.	Qty	Part no.	Qty	Part no.	Qty	Part no.	Qty
R180LC-3 R170W-3	0.39	0.35	61EK-31000* ² 61EK-31001* ³	61E3-3033	1	61E3-3034	1	S017-200552	8	S205-201002	8
	0.57	0.50	61EK-32000* ² 61EK-32001* ³	61E3-3033	1	61E3-3034	1	S017-200552	8	S205-201002	8
	0.69* ¹	0.62	62EK-33000* ⁴	-		-		-		-	
	0.70	0.60	61EK-30000* ² 61EK-30001* ³	61E3-3033	1	61E3-3034	1	S017-200552	8	S205-201002	8
	0.80	0.70	61EK-33000* ² 61EK-33001* ³	61E3-3033	1	61E3-3034	1	S017-200552	8	S205-201002	8
	1.03	0.90	61EK-34000* ² 61EK-34001* ³	61E3-3033	1	61E3-3034	1	S017-200552	8	S205-201002	8
R180LC-7 R170W-7	0.76	0.65	61N5-31000* ⁹ 66N5-31000* ¹⁰	61E3-3033* ⁹ 61E3-3033BG* ¹⁰	1	61E3-3034* ⁹ 61E3-3034BG* ¹⁰	1	S017-200552	8	S205-201002	8
	0.39	0.34	61N5-32000* ⁹ 66N5-32000* ¹⁰	61E3-3033* ⁹ 61E3-3033BG* ¹⁰	1	61E3-3034* ⁹ 61E3-3034BG* ¹⁰	1	S017-200552	8	S205-201002	8
	0.50	0.44	61N5-33000* ⁹ 66N5-33000* ¹⁰	61E3-3033* ⁹ 61E3-3033BG* ¹⁰	1	61E3-3034* ⁹ 61E3-3034BG* ¹⁰	1	S017-200552	8	S205-201002	8
	0.64	0.55	61N5-34000* ⁹ 66N5-34000* ¹⁰	61E3-3033* ⁹ 61E3-3033BG* ¹⁰	1	61E3-3034* ⁹ 61E3-3034BG* ¹⁰	1	S017-200552	8	S205-201002	8
	0.89	0.77	61N5-36000* ⁹ 66N5-36000* ¹⁰	61E3-3033* ⁹ 61E3-3033BG* ¹⁰	1	61E3-3034* ⁹ 61E3-3034BG* ¹⁰	1	S017-200552	8	S205-201002	8
	1.05	0.90	61N5-37000* ⁹ 66N5-37000* ¹⁰	61E3-3033* ⁹ 61E3-3033BG* ¹⁰	1	61E3-3034* ⁹ 61E3-3034BG* ¹⁰	1	S017-200552	8	S205-201002	8
	0.69* ¹	0.62	62N5-30000* ⁹ 66N5-38000* ¹⁰	-		-		-		-	
R180LC-7A R170W-7A	0.76	0.65	66N5-31000	61E3-3033BG #0001-	1	61E3-3034BG #0001-	1	S017-20055D	8	S205-201006	8
	0.39	0.34	66N5-32000	61E3-3033BG #0001-	1	61E3-3034BG #0001-	1	S017-20055D	8	S205-201006	8
	0.50	0.44	66N5-33000	61E3-3033BG #0001-	1	61E3-3034BG #0001-	1	S017-20055D	8	S205-201006	8
	0.64	0.55	66N5-34000	61E3-3033BG #0001-	1	61E3-3034BG #0001-	1	S017-20055D	8	S205-201006	8
	0.69* ¹	0.62	66N5-38000	-		-		-		-	
	0.89	0.77	66N5-36000	61E3-3033BG #0001-	1	61E3-3034BG #0001-	1	S017-20055D	8	S205-201006	8
	1.05	0.90	66N5-37000	61E3-3033BG #0001-	1	61E3-3034BG #0001-	1	S017-20055D	8	S205-201006	8

*Heavy duty bucket

Applicable machine serial No.

-	Model	Serial No.	Model	Serial No.	-	Model	Serial No.	Model	Serial No.
*2	R180LC-3	-#0456	R170W-3	-#0173	*9	R180LC-7	-#0445	R170W-7	-#1255
*3	R180LC-3	#0457-	R170W-3	#0174-	*10	R180LC-7	#0446-	R170W-7	#1256-
*4	R180LC-3	#0402-	R170W-3	#0202-					

General bucket



Hydraulic excavator

Model	Capacity (m ³)		Bucket assy	Side cutter (LH)		Side cutter (RH)		Bolt		Nut	
	SAE	CECE		Part no.	Qty	Part no.	Qty	Part no.	Qty	Part no.	Qty
R180LC-9 R170W-9	0.39	0.34	61Q5-32000	61E3-3033GG	1	61E3-3034GG	1	S017-20055D	8	S205-201006	8
	0.50	0.44	61Q5-33000	61E3-3033GG	1	61E3-3034GG	1	S017-20055D	8	S205-201006	8
	0.70	0.60	61Q5-30000	61E3-3033GG	1	61E3-3034GG	1	S017-20055D	8	S205-201006	8
	0.64	0.55	61Q5-34000	61E3-3033GG	1	61E3-3034GG	1	S017-20055D	8	S205-201006	8
	0.69* ¹	0.62	61Q5-38000	-		-		-		-	
	0.76	0.65	61Q5-31000	61E3-3033GG	1	61E3-3034GG	1	S017-20055D	8	S205-201006	8
	0.72* ¹	0.60	61Q5-35000* ³	64Q4-35500	1	64Q4-35500	1	S017-20055D	8	S205-201006	8
	0.89	0.77	61Q5-36000	61E3-3033GG	1	61E3-3034GG	1	S017-20055D	8	S205-201006	8
	1.05	0.90	61Q5-37000	61E3-3033GG	1	61E3-3034GG	1	S017-20055D	8	S205-201006	8
R200LC R210LC-3 R200W R200W-3	0.51	0.45	64E1-4003(20)* ⁵ 64E1-4003(30)* ⁶ 64E1-40031* ⁷	63E1-3533	1	63E1-3534	1	S017-220602 S017-220652	4 6	S205-221002	10
	0.51* ²	0.45	61E3-31001	61E3-3033	1	61E3-3034	1	S017-200502	8	S205-201002	8
	0.72* ¹	0.60	61EM-33000* ⁸	-		-		-		-	
	0.80	0.70	63E1-3500* ⁵ 63E1-3500(10)* ⁶ 63E1-35001* ⁷	63E1-3533	1	63E1-3534	1	S017-220602 S017-220652	4 6	S205-221002	10
	0.82* ¹	0.70	61EM-34000* ⁹	-		-		-		-	
	0.87	0.75	63E1-3600(50)* ⁵ 63E1-3600(60)* ⁶ 63E1-36001* ⁷	63E1-3533	1	63E1-3534	1	S017-220602 S017-220652	4 6	S205-221002	10
	0.92	0.80	64E1-4001(20)* ⁵ 64E1-4001(30)* ⁶ 64E1-40011* ⁷	63E1-3533	1	63E1-3534	1	S017-220602 S017-220652	4 6	S205-221002	10
	1.05	0.90	64E1-4004(20)* ⁵ 64E1-4004(30)* ⁶ 64E1-40041* ⁷	63E1-3533	1	63E1-3534	1	S017-220602 S017-220652	4 6	S205-221002	10
	1.16* ¹	1.00	61EM-35000* ⁸	-		-		-		-	
	1.20	1.00	63E1-38009(10)* ⁵ 63E1-38009(20)* ⁶ 63E1-38500* ⁷	63E1-3533	1	63E1-3534	1	S017-220602 S017-220652	4 6	S205-221002	10
1.34	1.15	64E1-4002(20)* ⁵ 64E1-4002(30)* ⁶ 64E1-40021* ⁷	63E1-3533	1	63E1-3534	1	S017-220602 S017-220652	4 6	S205-221002	10	

*Heavy duty bucket

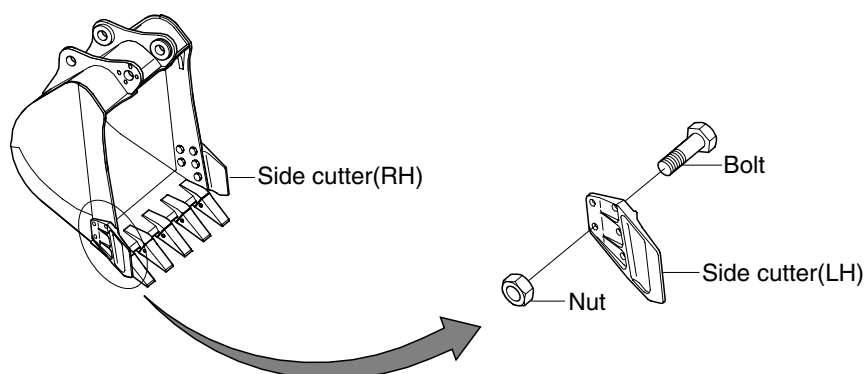
*²Long reach

*³R180LC-9 (#0005-), R170W-9(#0004-)

Applicable machine serial No.

-	Model	Serial No.	Model	Serial No.
* ⁵	R210LC-3	-#0093	R200LC, R200W	#0001-
* ⁶	R210LC-3	#0094-1226	-	
* ⁷	R210LC-3	#1227-	R200W-3	#0001-
* ⁸	R210LC-3	#1321-	-	
* ⁹	R210LC-3	#1202-	-	

General bucket



Hydraulic excavator

Model	Capacity (m ³)		Bucket assy	Side cutter (LH)		Side cutter (RH)		Bolt		Nut				
	SAE	CECE		Part no.	Qty	Part no.	Qty	Part no.	Qty	Part no.	Qty			
R210LC-7	0.92	0.80	61N6-31001 #0061	63E1-3533 #7171	1	63E1-3534 #7171	1	S017-22060D	4	S205-22100B	10			
			61N6-31002 #0062-2924									63E1-3533BG #7172-	63E1-3534BG #7172-	S017-22065D
			61N6-31003 #2925-7171											
			61N6-31003BG #7172-A677											
	61N6-31004BG #A678-													
	0.92* ³	0.80	66N6-31000BG #7104-A677	63E1-3533BG	1	63E1-3534BG	1	S017-22060D	4	S205-22100B	10			
			66N6-31001BG #A678-											
	0.92* ⁴	0.80	67N6-31000 #2885-9907	67N6-31040 #2885-A716	1	67N6-31050 #2885-A716	1	S019-16060D	6	S205-16100B	6			
			67N6-31001 #9908-A716									67N6-31041 #A717-	67N6-31051 #A717-	
			67N6-31002 #A717-											
	0.51	0.45	61N6-32000 #2924	63E1-3533 #7171	1	63E1-3534 #7171	1	S017-22060D	4	S205-22100B	10			
			61N6-32001 #2925-7171									63E1-3533BG #7172-	63E1-3534BG #7172-	S017-22065D
			61N6-32001BG #7172-A677											
			61N6-32002BG #A678-											
	0.80	0.70	61N6-33000 #2924	63E1-3533 #7171	1	63E1-3534 #7171	1	S017-22060D	4	S205-22100B	10			
			61N6-33001 #2925-7171									63E1-3533BG #7172-	63E1-3534BG #7172-	S017-22065D
61N6-33001BG #7172-A677														
61N6-33002BG #A678-														
0.80* ³	0.70	66N6-33000BG #7104-A677	63E1-3533BG	1	63E1-3534BG	1	S017-22060D	4	S205-22100B	10				
		66N6-33001BG #A678-												
1.10	0.96	61N6-39000 #2924	63E1-3533 #7171	1	63E1-3534 #7171	1	S017-22060D	4	S205-22100B	10				
		61N6-39001 #2925-7171									63E1-3533BG #7172-	63E1-3534BG #7172-	S017-22065D	
		61N6-39001BG #7172-A677												
		61N6-39002BG #A678-												
1.20	1.00	61N6-34000 #2924	63E1-3533 #7171	1	63E1-3534 #7171	1	S017-22060D	4	S205-22100B	10				
		61N6-34001 #2925-7171									63E1-3533BG #7172-	63E1-3534BG #7172-	S017-22065D	
		61N6-34001BG #7172-A677												
		61N6-34002BG #A678-												
1.34	1.15	61N6-35000 #2924	63E1-3533 #7171	1	63E1-3534 #7171	1	S017-22060D	4	S205-22100B	10				
		61N6-35001 #2925-7171									63E1-3533BG #7172-	63E1-3534BG #7172-	S017-22065D	
		61N6-35001BG #7172-A677												
		61N6-35002BG #A678-												
1.05	0.90	63N6-39000 #4822-7171	63E1-3533 #7171	1	63E1-3534 #7171	1	S017-22060D	4	S205-22100B	10				
		63N6-39000BG #7172-A677									63E1-3533BG #7172-	63E1-3534BG #7172-	S017-22065D	
		63N6-39001BG #A678-												
1.05* ⁴	0.90	67N6-32000 #9908-	67N6-31040 #9908-B764	1	67N6-31050 #9908-B764	1	S019-16060D	6	S205-16100B	6				
											67N6-31041 #B765-	67N6-31051 #B765-		
0.52* ¹	0.45	61N4-35000 #0400-3220	61E3-3033 #7103	1	61E3-3034 #7103	1	S017-20050D	8	S205-20100B	8				
		61N4-35001 #3221-7102												
		62N6-33001BG #7103-7103												
		66N4-35000 #7104-												
0.74* ²	0.65	62N6-31000 #0088-2924	-		-		-		-					
		62N6-31001 #2925-7171												
		62N6-31001BG #7172-A677												
		62N6-31002BG #A678-												
0.90* ²	0.80	62N6-32000 #0088-2924	-		-		-		-					
		62N6-32001 #2925-7171												
		62N6-32001BG #7172-A677												
		62N6-32002BG #A678-												
1.05* ²	0.92	62N6-33000 #0088-2924	-		-		-		-					
		62N6-33001 #2925-7171												
		62N6-33001BG #7172-A677												
		62N6-33002BG #A678-												

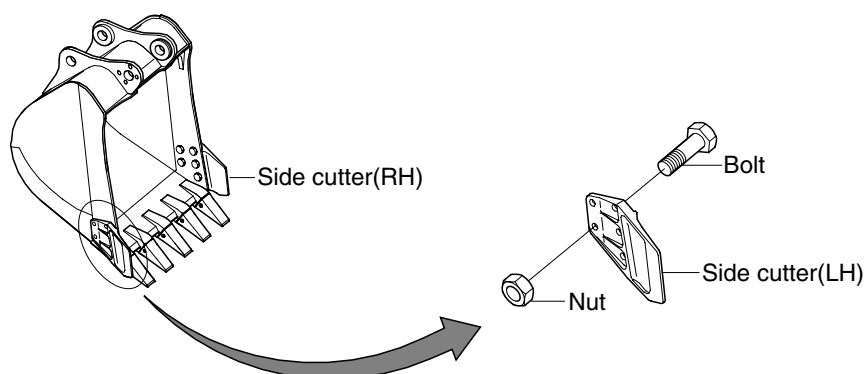
*1Long reach

*2Heavy duty bucket

*3Wear-resistant

*4Casting

General bucket



Hydraulic excavator

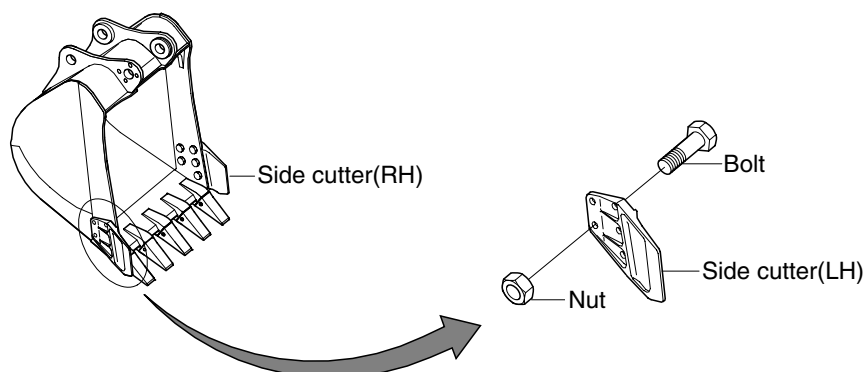
Model	Capacity (m ³)		Bucket assy	Side cutter (LH)		Side cutter (RH)		Bolt		Nut	
	SAE	CECE		Part no.	Qty	Part no.	Qty	Part no.	Qty	Part no.	Qty
R210LC-7A	0.92	0.80	61N6-31003BG 61N6-31004BG -#0715 #0716-	63E1-3533BG	1	63E1-3534BG	1	S017-22060D S017-22065D	4 6	S205-22100B	10
	0.92* ³	0.80	66N6-31000BG 66N6-31001BG #0324-0715 #0716-	63E1-3533BG	1	63E1-3534BG	1	S017-22060D S017-22065D	4 6	S205-22100B	10
	0.51	0.45	61N6-32001BG 61N6-32002BG -#0715 #0716-	63E1-3533BG	1	63E1-3534BG	1	S017-22060D S017-22065D	4 6	S205-22100B	10
	0.80	0.70	61N6-33001BG 61N6-33002BG -#0715 #0716-	63E1-3533BG	1	63E1-3534BG	1	S017-22060D S017-22065D	4 6	S205-22100B	10
	0.80* ³	0.70	66N6-33000BG 66N6-33001BG #0324-0715 #0716-	63E1-3533BG	1	63E1-3534BG	1	S017-22060D S017-22065D	4 6	S205-22100B	10
	1.05	0.90	63N6-39000BG 63N6-39001BG -#0715 #0716-	63E1-3533BG	1	63E1-3534BG	1	S017-22060D S017-22065D	4 6	S205-22100B	10
	1.10	0.96	61N6-39001BG 61N6-39002BG -#0715 #0716-	63E1-3533BG	1	63E1-3534BG	1	S017-22060D S017-22065D	4 6	S205-22100B	10
	1.20	1.00	61N6-39001BG 61N6-39002BG -#0715 #0716-	63E1-3533BG	1	63E1-3534BG	1	S017-22060D S017-22065D	4 6	S205-22100B	10
	1.34	1.15	61N6-34001BG 61N6-34002BG -#0715 #0716-	63E1-3533BG	1	63E1-3534BG	1	S017-22060D S017-22065D	4 6	S205-22100B	10
	0.52* ¹	0.45	66N4-35000BG 61N4-35001BG -#0318 #0319-	61E3-3033 61E3-3033BG -#0318 #0319-	1	61E3-3034 61E3-3034BG -#0318 #0319-	1	S017-20050D	8	S205-20100B	8
	0.74* ²	0.65	62N6-31001BG	-	-	-	-	-	-	-	-
	0.90* ²	0.80	62N6-32001BG	-	-	-	-	-	-	-	-
1.05* ²	0.92	62N6-33001BG	-	-	-	-	-	-	-	-	

*¹Long reach

*²Heavy duty bucket

*³Wear-resistant

General bucket



Hydraulic excavator

Model	Capacity (m ³)		Bucket assy	Side cutter (LH)		Side cutter (RH)		Bolt		Nut		
	SAE	CECE		Part no.	Qty	Part no.	Qty	Part no.	Qty	Part no.	Qty	
R210LC-9	0.92	0.80	61Q6-31000	61E3-3033BG #0099 61E3-3033GG #0100-	1	61E3-3034BG #0099 61E3-3034GG #0100-	1	S017-22060D S017-22065D	4 6	S205-22100B	10	
	0.92* ⁴	0.80	67N6-31000 67N6-31001	#0061-0136 #0137-	67N6-31040GG	1	67N6-31050GG	1	S019-16060D	6	S205-16100B	6
	1.05* ⁴	0.90	67N6-32000GG	#0137-	67N6-31040GG	1	67N6-31050GG	1	S019-16060D	6	S205-16100B	6
	0.51	0.45	61Q6-32000		63E1-3533GG	1	63E1-3534GG	1	S017-22060D S017-22065D	4 6	S205-22100B	10
	0.80	0.70	61Q6-33000		63E1-3533GG	1	63E1-3534GG	1	S017-22060D S017-22065D	4 6	S205-22100B	10
	0.87	0.75	61Q6-38000		63E1-3533GG	1	63E1-3534GG	1	S017-22060D S017-22065D	4 6	S205-22100B	10
	1.05	0.92	61Q6-36000		63E1-3533GG	1	63E1-3534GG	1	S017-22060D S017-22065D	4 6	S205-22100B	10
	1.10	0.96	61Q6-39000		63E1-3533GG	1	63E1-3534GG	1	S017-22060D S017-22065D	4 6	S205-22100B	10
	1.20	1.00	61Q6-34000		63E1-3533GG	1	63E1-3534GG	1	S017-22060D S017-22065D	4 6	S205-22100B	10
	1.34	1.15	61Q6-35000		63E1-3533GG	1	63E1-3534GG	1	S017-22060D S017-22065D	4 6	S205-22100B	10
	0.90	0.80	62N6-32001GG 62Q6-32000	#0008-0099 #0100-	-	-	-	-	-	-	-	-
	0.74* ²	0.65	62N6-31001GG 62Q6-31000	#0008-0099 #0100-	-	-	-	-	-	-	-	-
	1.05* ²	0.92	62N6-33001GG 62Q6-33000	#0008-0099 #0100-	-	-	-	-	-	-	-	-
	1.05* ⁵	0.92	63Q6-39000	#0008-	63E1-3533GG	1	63E1-3534GG	1	S017-22060D S017-22065D	4 6	S205-22100B	10
	0.52* ¹	0.45	66N4-35000GG	#0008-	61E3-3033GG	1	63E3-3534GG	1	S017-20055D	8	S205-20100B	8
	0.90* ²	0.80	64Q6-31000	#0178-	63Q6-31400	1	64Q6-31400	1	S017-22060D #0178-0262 S017-24060D #0263-	6	S205-22100B #0178-0262 S205-24100B #0263-	6
	0.74* ²	0.65	64Q6-32000		63Q6-31400	1	64Q6-31400	1	S017-24060D	6	S205-24100B	6
	0.80* ³	0.70	66Q6-33000		63E1-3533GG	1	63E1-3534GG	1	S017-22060D S017-22065D	4 6	S205-22100B	10
	0.87* ³	0.75	66Q6-38000		63E1-3533GG	1	63E1-3534GG	1	S017-22060D S017-22065D	4 6	S205-22100B	10
	0.92* ³	0.80	66Q6-31000		63E1-3533BG 63E1-3533GG	1	63E1-3534BG 63E1-3534GG	1	S017-22060D S017-22065D	4 6	S205-22100B	10

*¹Long reach

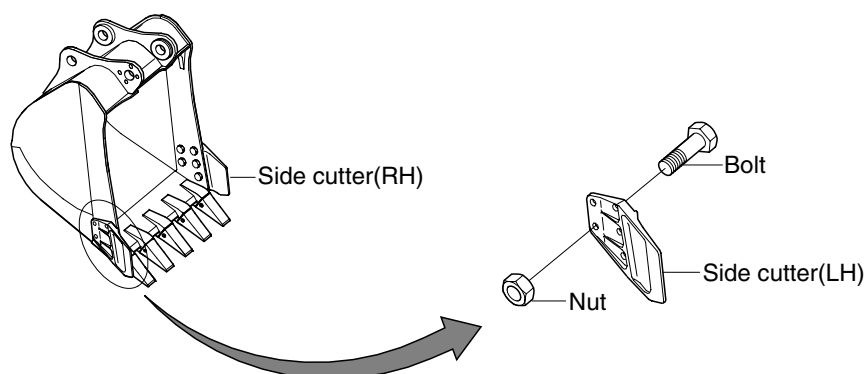
*²Heavy duty bucket

*³Wear-resistant

*⁴Casting

*⁵Narrow

General bucket



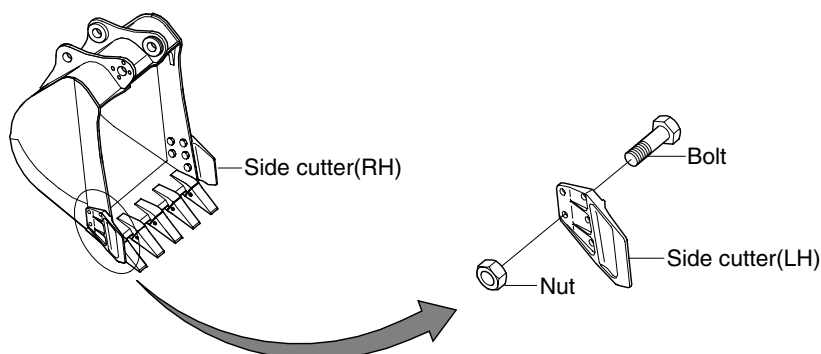
Hydraulic excavator

Model	Capacity (m ³)		Bucket assy	Side cutter (LH)		Side cutter (RH)		Bolt		Nut		
	SAE	CECE		Part no.	Qty	Part no.	Qty	Part no.	Qty	Part no.	Qty	
R200W-7	0.92	0.80	61N6-31002 #0291	63E1-3533 #1300	1	63E1-3534 #1300	1	S017-22060D S017-22065D	4 6	S205-22100B	10	
			61N6-31003 #1301-1975									63E1-3533BG #1301-
			61N6-31003BG #1976-									63E1-3534BG #1301-
	0.92*2	0.80	66N6-31000BG #1381-1975	63E1-3533BG	1	63E1-3534BG	1	S017-22060D S017-22065D	4 6	S205-22100B	10	
			66N6-31001BG #1976-									
	0.51	0.45	61N6-32000 #0291	63E1-3533 #1300	1	63E1-3534 #1300	1	S017-22060D S017-22065D	4 6	S205-22100B	10	
			61N6-32001 #0292-1300									63E1-3533BG #1301-
			61N6-32001BG #1301-1975									63E1-3533BG #1301-
	0.80	0.70	61N6-33000 #0291	63E1-3533 #1300	1	63E1-3534 #1300	1	S017-22060D S017-22065D	4 6	S205-22100B	10	
			61N6-33001 #0292-1300									63E1-3533BG #1301-
	0.80*2	0.70	61N6-33001BG #1301-1975	63E1-3533BG	1	63E1-3534BG	1	S017-22060D S017-22065D	4 6	S205-22100B	10	
			61N6-33002BG #1976-									
	0.87	0.75	61N6-38000 #0291	63E1-3533 #1300	1	63E1-3534 #1300	1	S017-22060D S017-22065D	4 6	S205-22100B	10	
			61N6-38001 #0292-1300									63E1-3533BG #1301-
61N6-38001BG #1301-1975			63E1-3533BG #1301-									
0.87*2	0.75	61N6-38002BG #1976-	63E1-3533BG	1	63E1-3534BG	1	S017-22060D S017-22065D	4 6	S205-22100B	10		
		66N6-38000GG #1381-1975	66N6-38001GG #1976-									
1.05	0.92	61N6-36000 #0291	63E1-3533 #1300	1	63E1-3534 #1300	1	S017-22060D S017-22065D	4 6	S205-22100B	10		
		61N6-36001 #0292-1300									63E1-3533BG #1301-	
		61N6-36001BG #1301-1975									63E1-3533BG #1301-	
1.10	0.96	61N6-36002BG #1976-	63E1-3533BG	1	63E1-3534BG	1	S017-22060D S017-22065D	4 6	S205-22100B	10		
		61N6-39000 #0291	63E1-3533 #1300	1	63E1-3534 #1300	1	S017-22060D S017-22065D	4 6	S205-22100B	10		
61N6-39001 #0292-1300	63E1-3533BG #1301-											
1.20	1.00	61N6-39001BG #1301-1975	63E1-3533BG	1	63E1-3534BG	1	S017-22060D S017-22065D	4 6	S205-22100B	10		
		61N6-39002BG #1976-										
1.34	1.15	61N6-35000 #0291	63E1-3533 #1300	1	63E1-3534 #1300	1	S017-22060D S017-22065D	4 6	S205-22100B	10		
		61N6-35001 #0292-1300									63E1-3533BG #1301-	
		61N6-35001BG #1301-1975									63E1-3533BG #1301-	
0.74*1	0.65	61N6-35002BG #1976-	-		-		-		-			
		62N6-31000 #0291										
0.90*1	0.80	62N6-31001 #0292-1300										
		62N6-31001BG #1301-1975										
1.05*1	0.92	62N6-31002BG #1976-										
		62N6-32000 #0291										
		62N6-32001 #0292-1300										
		62N6-32001BG #1301-1975										
		62N6-32002BG #1976-										
		62N6-33000 #0291										
		62N6-33001 #0292-1300										
		62N6-33001BG #1301-1975										
		62N6-33002BG #1976-										

*Heavy duty bucket

**Wear-resistant

General bucket



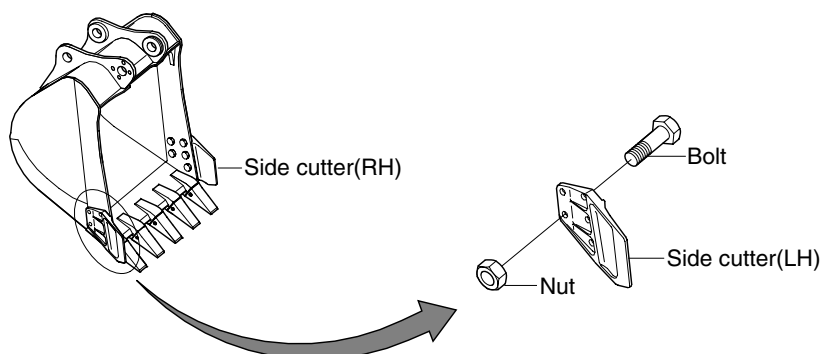
Hydraulic excavator

Model	Capacity (m ³)		Bucket assy	Side cutter (LH)		Side cutter (RH)		Bolt		Nut	
	SAE	CECE		Part no.	Qty	Part no.	Qty	Part no.	Qty	Part no.	Qty
R200W-7A	0.92	0.80	61N6-31003BG #2193	63E1-3533BG	1	63E1-3534BG	1	S017-22060D	4	S205-22100B	10
			61N6-31004BG #2194					S017-22065D			
	0.92*2	0.80	66N6-31000BG #0058-2193	63E1-3533BG #0058-	1	63E1-3534BG #0058-	1	S017-22060D	4	S205-22100B	10
			66N6-31001BG #2194	S017-22065D				6			
	0.51	0.45	61N6-32001BG #2193	63E1-3533BG	1	63E1-3534BG	1	S017-22060D	4	S205-22100B	10
			61N6-32002BG #2194					S017-22065D			
	0.80	0.70	61N6-33001BG #2193	63E1-3533BG	1	63E1-3534BG	1	S017-22060D	4	S205-22100B	10
			61N6-33002BG #2194					S017-22065D			
	0.80*2	0.70	61N6-33000BG #2193	63E1-3533BG	1	63E1-3534BG	1	S017-22060D	4	S205-22100B	10
			61N6-33001BG #2194					S017-22065D			
	0.87	0.75	61N6-38001BG #2193	63E1-3533BG	1	63E1-3534BG	1	S017-22060D	4	S205-22100B	10
			61N6-38002BG #2194					S017-22065D			
	0.87*2	0.75	66N6-38001BG #0058-2193	63E1-3533BG	1	63E1-3534BG	1	S017-22060D	4	S205-22100B	10
			66N6-38002BG #2194					S017-22065D			
1.05	0.92	61N6-36001BG #2193	63E1-3533BG	1	63E1-3534BG	1	S017-22060D	4	S205-22100B	10	
		61N6-36002BG #2194					S017-22065D				6
1.10	0.96	61N6-39001BG #2193	63E1-3533BG	1	63E1-3534BG	1	S017-22060D	4	S205-22100B	10	
		61N6-39002BG #2194					S017-22065D				6
1.20	1.00	61N6-34001BG #2193	63E1-3533BG	1	63E1-3534BG	1	S017-22060D	4	S205-22100B	10	
		61N6-34002BG #2194					S017-22065D				6
1.34	1.15	61N6-35001BG #2193	63E1-3533BG	1	63E1-3534BG	1	S017-22060D	4	S205-22100B	10	
		61N6-35002BG #2194					S017-22065D				6
0.74*1	0.65	62N6-31001BG #2193	-		-		-		-		
0.90*1	0.80	62N6-32001BG #2193	-		-		-		-		
1.05*1	0.92	62N6-33001BG #2193	-		-		-		-		
		62N6-33002BG #2194	-		-		-		-		

*1 Heavy duty bucket

*2 Wear-resistant

General bucket



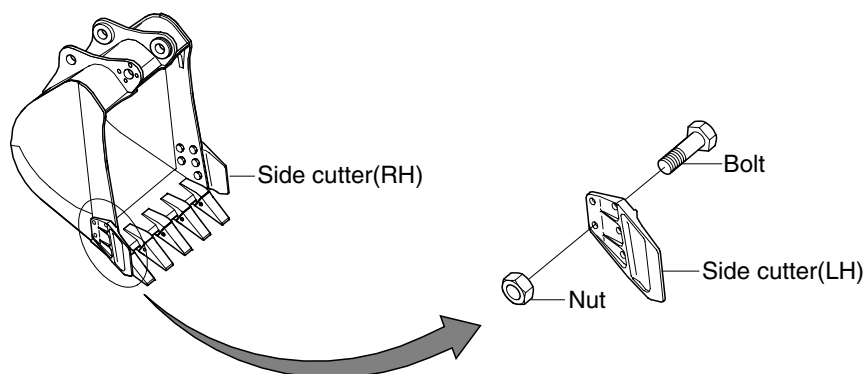
Hydraulic excavator

Model	Capacity (m ³)		Bucket assy	Side cutter (LH)		Side cutter (RH)		Bolt		Nut	
	SAE	CECE		Part no.	Qty	Part no.	Qty	Part no.	Qty	Part no.	Qty
R210W-9	0.51	0.45	61Q6-32000	63E1-3533GG	1	63E1-3534GG	1	S017-22060D S017-22065D	4 6	S205-22100B	10
	0.80	0.70	61Q6-33000 66Q6-33000* ²	63E1-3533GG	1	63E1-3534GG	1	S017-22060D S017-22065D	4 6	S205-22100B	10
	0.87	0.75	61Q6-38000 66Q6-38000* ²	63E1-3533GG	1	63E1-3534GG	1	S017-22060D S017-22065D	4 6	S205-22100B	10
	0.92	0.80	61Q6-31000 66Q6-31000* ²	63E1-3533GG	1	63E1-3534GG	1	S017-22060D S017-22065D	4 6	S205-22100B	10
	1.05	0.90	61Q6-36000	63E1-3533GG	1	63E1-3534GG	1	S017-22060D S017-22065D	4 6	S205-22100B	10
	1.10	0.96	61Q6-39000	63E1-3533GG	1	63E1-3534GG	1	S017-22060D S017-22065D	4 6	S205-22100B	10
	1.20	1.00	61Q6-34000	63E1-3533GG	1	63E1-3534GG	1	S017-22060D S017-22065D	4 6	S205-22100B	10
	1.34	1.15	61Q6-35000	63E1-3533GG	1	63E1-3534GG	1	S017-22065D S017-22065D	4 6	S205-22100B	10
	0.74* ¹	0.65	62Q6-31000	-		-		-		-	
	0.90* ¹	0.80	62Q6-32000	-		-		-		-	
	1.05* ¹	0.92	62Q6-33000	-		-		-		-	

*¹Heavy duty bucket

*²Wear-resistance

General bucket

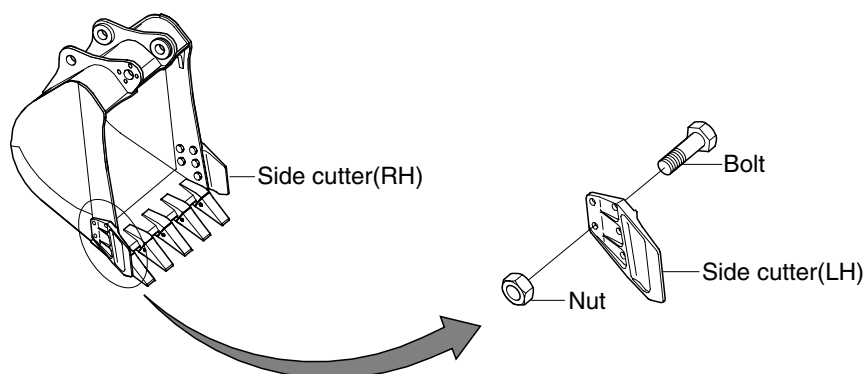


Hydraulic excavator

Model	Capacity (m ³)		Bucket assy	Side cutter (LH)		Side cutter (RH)		Bolt		Nut	
	SAE	CECE		Part no.	Qty	Part no.	Qty	Part no.	Qty	Part no.	Qty
R210NLC-7	0.92	0.80	61N6-31002 -#0189	63E1-3533 -#0514	1	63E1-3534 -#0514	1	S017-22060D	4	S205-22100B	10
			61N6-31003 #0190-0514	63E1-3533BG #0515-		63E1-3534BG #0515-		S017-22065D			
	0.51	0.45	61N6-32000 -#0189	63E1-3533 -#0514	1	63E1-3534 -#0514	1	S017-22060D	4	S205-22100B	10
			61N6-32001 #0190-0514	63E1-3533BG #0515-		63E1-3534BG #0515-		S017-22065D			
	0.80	0.70	61N6-33000 -#0189	63E1-3533 -#0514	1	63E1-3534 -#0514	1	S017-22060D	4	S205-22100B	10
			61N6-33001 #0190-0514	63E1-3533BG #0515-		63E1-3534BG #0515-		S017-22065D			
	0.80* ¹	0.70	66N6-33000BG #0515-	63E1-3533BG	1	63E1-3534BG	1	S017-22060D	4	S205-22100B	10
	0.87	0.75	61N6-38000 -#0189	63E1-3533 -#0514	1	63E1-3534 -#0514	1	S017-22060D	4	S205-22100B	10
			61N6-38001 #0190-0514	63E1-3533BG #0515-		63E1-3534BG #0515-		S017-22065D			
	0.87* ¹	0.75	66N6-38000BG #0515-	63E1-3533BG	1	63E1-3534BG	1	S017-22060D	4	S205-22100B	10
	1.05	0.90	61N6-36000 -#0189	63E1-3533 -#0514	1	63E1-3534 -#0514	1	S017-22060D	4	S205-22100B	10
			61N6-36001 #0190-0514	63E1-3533BG #0515-		63E1-3534BG #0515-		S017-22065D			
	1.10	0.96	61N6-39000 -#0189	63E1-3533 -#0514	1	63E1-3534 -#0514	1	S017-22060D	4	S205-22100B	10
			61N6-39001 #0190-0514	63E1-3533BG #0515-		63E1-3534BG #0515-		S017-22065D			
1.20	1.00	61N6-34000 -#0189	63E1-3533 -#0514	1	63E1-3534 -#0514	1	S017-22060D	4	S205-22100B	10	
		61N6-34001 #0190-0514	63E1-3533BG #0515-		63E1-3534BG #0515-		S017-22065D				6
1.34	1.15	61N6-35000 -#0189	63E1-3533 -#0514	1	63E1-3534 -#0514	1	S017-22060D	4	S205-22100B	10	
		61N6-35001 #0190-0514	63E1-3533BG #0515-		63E1-3534BG #0515-		S017-22065D				6
0.74* ¹	0.65	62N6-31000 -#0189	-	-	-	-	-	-	-	-	
		62N6-31001 #0190-0514	-	-	-	-	-	-	-	-	
0.90* ¹	0.80	62N6-32000 -#0189	-	-	-	-	-	-	-	-	
		62N6-32001 #0190-0514	-	-	-	-	-	-	-	-	
1.05* ¹	0.92	62N6-33000 -#0189	-	-	-	-	-	-	-	-	
		62N6-33001 #0190-0514	-	-	-	-	-	-	-	-	

*¹Heavy duty bucket

General bucket



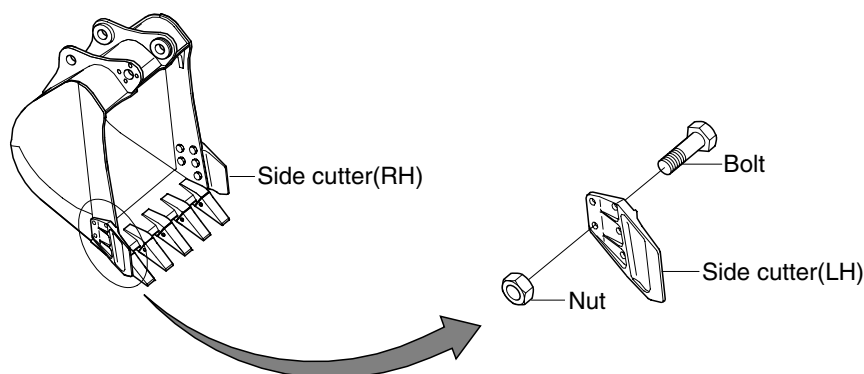
Hydraulic excavator

Model	Capacity (m ³)		Bucket assy	Side cutter (LH)		Side cutter (RH)		Bolt		Nut	
	SAE	CECE		Part no.	Qty	Part no.	Qty	Part no.	Qty	Part no.	Qty
R210NLC-7A	0.92	0.80	61N6-31003BG -#0170	63E1-3533BG	1	63E1-3534BG	1	S017-22060D	4	S205-22100B	10
			61N6-31004BG #0171-					S017-22065D			
	0.92* ²	0.80	66N6-31000BG #0029-0170	63E1-3533BG	1	63E1-3534BG	1	S017-22060D	4	S205-22100B	10
			66N6-31001BG #0171-					S017-22065D			
	0.51	0.45	61N6-32001BG -#0170	63E1-3533BG	1	63E1-3534BG	1	S017-22060D	4	S205-22100B	10
			61N6-32002BG #0171-					S017-22065D			
	0.8	0.70	61N6-33001BG -#0170	63E1-3533BG	1	63E1-3534BG	1	S017-22060D	4	S205-22100B	10
			61N6-33002BG #0171-					S017-22065D			
	0.8* ²	0.70	66N6-33001BG -#0170	63E1-3533BG	1	63E1-3534BG	1	S017-22060D	4	S205-22100B	10
			66N6-33002BG #0171-					S017-22065D			
	0.87	0.75	61N6-38001BG -#0170	63E1-3533BG	1	63E1-3534BG	1	S017-22060D	4	S205-22100B	10
			61N6-38002BG #0171-					S017-22065D			
	0.87* ²	0.75	66N6-38000BG #0029-0170	63E1-3533BG	1	63E1-3534BG	1	S017-22060D	4	S205-22100B	10
			66N6-38001BG #0171-					S017-22065D			
1.05	0.90	61N6-36001BG -#0170	63E1-3533BG	1	63E1-3534BG	1	S017-22060D	4	S205-22100B	10	
		61N6-36002BG #0171-					S017-22065D				6
1.10	0.96	61N6-39001BG -#0170	63E1-3533BG	1	63E1-3534BG	1	S017-22060D	4	S205-22100B	10	
		61N6-39002BG #0171-					S017-22065D				6
1.20	1.00	61N6-34001BG #0001-0170	63E1-3533BG	1	63E1-3534BG	1	S017-22060D	4	S205-22100B	10	
		61N6-34002BG #0171-					S017-22065D				6
1.34	1.15	61N6-35001BG -#0170	63E1-3533BG	1	63E1-3534BG	1	S017-22060D	4	S205-22100B	10	
		61N6-35002BG #0171-					S017-22065D				6
0.74* ¹	0.65	62N6-31001BG -#0170	-	-	-	-	-	-	-	-	
0.90* ¹	0.80	62N6-33001BG -#0170	-	-	-	-	-	-	-	-	
1.05* ¹	0.92	62N6-33001BG -#0170	-	-	-	-	-	-	-	-	
		62N6-33002BG #0171-	-	-	-	-	-	-	-	-	

*1 Heavy duty bucket

*2 Wear-resistant

General bucket



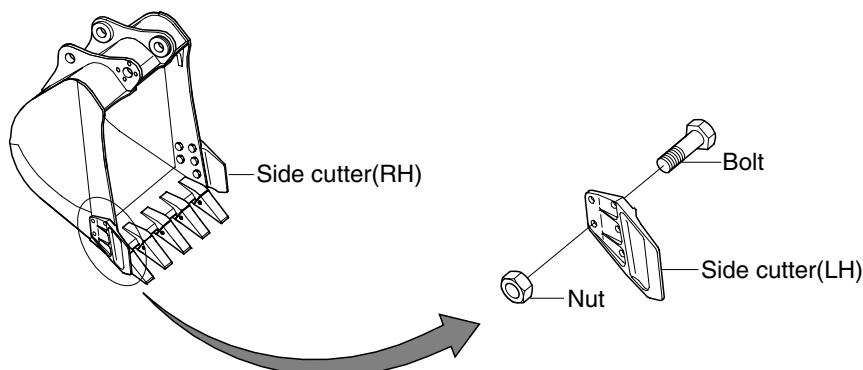
Hydraulic excavator

Model	Capacity (m ³)		Bucket assy	Side cutter (LH)		Side cutter (RH)		Bolt		Nut	
	SAE	CECE		Part no.	Qty	Part no.	Qty	Part no.	Qty	Part no.	Qty
R210NLC-9	0.51	0.45	61Q6-32000	63E1-3533GG	1	63E1-3534GG	1	S017-22060D S017-22065D	4 6	S205-22100B	10
	0.92	0.80	61Q6-31000	63E1-3533GG	1	63E1-3534GG	1	S017-22060D S017-22065D	4 6	S205-22100B	10
	0.80	0.70	61Q6-33000	63E1-3533GG	1	63E1-3534GG	1	S017-22060D S017-22065D	4 6	S205-22100B	10
	1.20	1.00	61Q6-34000	63E1-3533GG	1	63E1-3534GG	1	S017-22060D S017-22065D	4 6	S205-22100B	10
	1.05	0.90	61Q6-36000	63E1-3533GG	1	63E1-3534GG	1	S017-22060D S017-22065D	4 6	S205-22100B	10
	0.87	0.75	61Q6-38000	63E1-3533GG	1	63E1-3534GG	1	S017-22060D S017-22065D	4 6	S205-22100B	10
	1.10	0.96	61Q6-39000	63E1-3533GG	1	63E1-3534GG	1	S017-22060D S017-22065D	4 6	S205-22100B	10
	0.80* ²	0.70	66Q6-33000	63E1-3533GG	1	63E1-3534GG	1	S017-22060D S017-22065D	4 6	S205-22100B	10
	0.87* ²	0.75	66Q6-38000	63E1-3533GG	1	63E1-3534GG	1	S017-22060D S017-22065D	4 6	S205-22100B	10
	0.92* ²	0.80	66Q6-31000	63E1-3533GG	1	63E1-3534GG	1	S017-22060D S017-22065D	4 6	S205-22100B	10
	1.34	1.15	61Q6-35000	63E1-3533GG	1	63E1-3534GG	1	S017-22060D S017-22065D	4 6	S205-22100B	10
	0.74* ¹	0.65	62Q6-31000	-	-	-	-	-	-	-	-
	0.90* ¹	0.80	62Q6-32000	-	-	-	-	-	-	-	-
1.05* ¹	0.92	62Q6-33000	-	-	-	-	-	-	-	-	
R250LC-3	0.79	0.70	61E9-3001	63E1-3533	1	63E1-3534	1	S017-220602 S017-220652	4 6	S205-221002	10
	1.03	0.90	61E9-3002	63E1-3533	1	63E1-3534	1	S017-220602 S017-220652	4 6	S205-221002	10
	1.07* ¹	0.95	62EN-34000	#0186- -	-	-	-	-	-	-	-
	1.08	0.95	61EN-31001	#0090- 63E1-3533	1	63E1-3534	1	S017-220602 S017-220652	4 6	S205-221002	10
	1.08* ¹	0.95	62EN-32000	#0158- -	-	-	-	-	-	-	-
	1.16	1.00	62EN-35000	#0280- 63E1-3533	1	63E1-3534	1	S017-220602 S017-220652	4 6	S205-221002	10
	1.27	1.00	61E9-30001	#0090- 63E1-3533	1	63E1-3534	1	S017-220602 S017-220652	4 6	S205-221002	10
	1.38	1.20	61E9-3006	63E1-3533	1	63E1-3534	1	S017-220602 S017-220652	4 6	S205-221002	10
	1.46* ¹	1.28	62EN-33000	#0186- -	-	-	-	-	-	-	-
1.50	1.30	61E9-3003	63E1-3533	1	63E1-3534	1	S017-220602 S017-220652	4 6	S205-221002	10	

*1 Heavy duty bucket

*2 Wear-resistant

General bucket



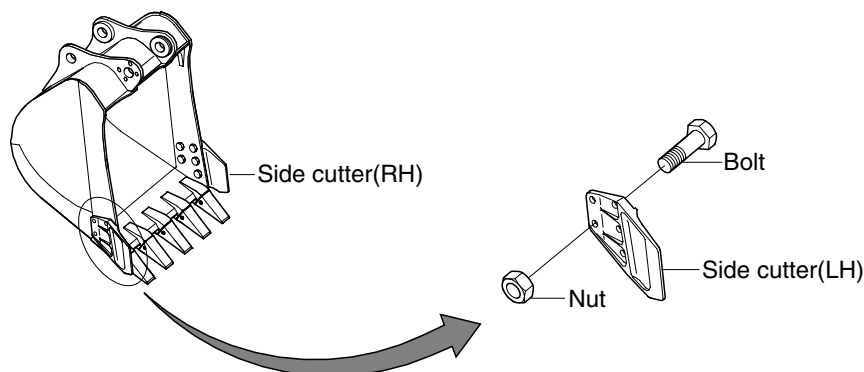
Hydraulic excavator

Model	Capacity (m ³)		Bucket assy	Side cutter (LH)		Side cutter (RH)		Bolt		Nut								
	SAE	CECE		Part no.	Qty	Part no.	Qty	Part no.	Qty	Part no.	Qty							
R250LC-7	0.79	0.70	61N8-31001 #0283	63E1-3533 #1117	63E1-3533BG #1118-	1	63E1-3534 #1117	63E1-3534BG #1118-	S017-220602	4	S205-221002	10						
			61N8-31002 #0284-1117										63E1-3533BG #1118-	63E1-3534BG #1118-	S017-220652	6	S205-221002	10
			61N8-31002BG #1118-															
	1.03	0.90	61N8-32001 #0283	63E1-3533 #1117	63E1-3533BG #1118-	1	63E1-3534 #1117	63E1-3534BG #1118-	S017-220602	4	S205-221002	10						
			61N8-32002 #0284-1117										63E1-3533BG #1118-	63E1-3534BG #1118-	S017-220652	6	S205-221002	10
			61N8-32002BG #1118-															
	1.08	0.95	61N8-36000 #0283	63E1-3533 #1117	63E1-3533BG #1118-	1	63E1-3534 #1117	63E1-3534BG #1118-	S017-220602	4	S205-221002	10						
			61N8-36001 #0284-1117										63E1-3533BG #1118-	63E1-3534BG #1118-	S017-220652	6	S205-221002	10
			61N8-36001BG #1118-															
	1.08*2	0.95	66N8-36000BG #1152-	63E1-3533BG	63E1-3533BG	1	63E1-3534BG	63E1-3534BG	1	S017-220602	4	S205-221002	10					
1.50	1.30	61N8-33001 #0283	63E1-3533 #1117	63E1-3533BG #1118-	1	63E1-3534 #1117	63E1-3534BG #1118-	S017-220602	4	S205-221002	10							
		61N8-33002 #0284-1117										63E1-3533BG #1118-	63E1-3534BG #1118-	S017-220652	6	S205-221002	10	
		61N8-33002BG #1118-																
1.07*1	0.95	62N8-31000 #0283	-	-	-	-	-	-	-	-	-							
		62N8-31001 #0284-1117	-	-	-	-	-	-	-	-	-							
		62N8-31001BG #1118-	-	-	-	-	-	-	-	-	-							
1.15*1	1.00	62N8-32000 #0283	-	-	-	-	-	-	-	-	-							
		62N8-32001 #0284-1117	-	-	-	-	-	-	-	-	-							
		62N8-32001BG #1118-	-	-	-	-	-	-	-	-	-							
1.27*1	1.10	62N8-36000 #0944-1117	-	-	-	-	-	-	-	-	-							
		62N8-36000BG #1118-	-	-	-	-	-	-	-	-	-							
		62N8-39000 #0944-1117	-	-	-	-	-	-	-	-	-							
1.27*1	1.10	62N8-36000BG #1118-	-	-	-	-	-	-	-	-	-							
		62N8-39000 #0944-1117	-	-	-	-	-	-	-	-	-							
		62N8-36000BG #1118-	-	-	-	-	-	-	-	-	-							
1.46*1	1.28	62N8-33000 #0283	-	-	-	-	-	-	-	-	-							
		62N8-33001 #0284-1117	-	-	-	-	-	-	-	-	-							
		62N8-33001BG #1118-	-	-	-	-	-	-	-	-	-							
R250LC-7A	0.60	0.55	62N8-37000BG	63E1-3533BG	63E1-3533BG	1	63E1-3534BG	63E1-3534BG	1	S017-22060D	4	S205-22100B	10					
	1.08	0.95	61N8-36001BG	63E1-3533BG	63E1-3533BG	1	63E1-3534BG	63E1-3534BG	1	S017-22060D	4	S205-22100B	10					
	1.08*4	0.95	66N8-36000BG #0153-	63E1-3533BG	63E1-3533BG	1	63E1-3534BG	63E1-3534BG	1	S017-22060D	4	S205-22100B	10					
	0.79	0.70	61N8-31002BG	63E1-3533BG	63E1-3533BG	1	63E1-3534BG	63E1-3534BG	1	S017-22060D	4	S205-22100B	10					
	1.03	0.90	61N8-32002BG	63E1-3533BG	63E1-3533BG	1	63E1-3534BG	63E1-3534BG	1	S017-22060D	4	S205-22100B	10					
	1.50	1.30	61N8-33002BG	63E1-3533BG	63E1-3533BG	1	63E1-3534BG	63E1-3534BG	1	S017-22060D	4	S205-22100B	10					
	1.07*1	0.95	62N8-31001BG	-	-	-	-	-	-	-	-	-						
	1.15*1	1.00	62N8-32001BG	-	-	-	-	-	-	-	-	-						
	1.27*1	1.10	62N8-36000BG #0005-	-	-	-	-	-	-	-	-	-						
	1.27*1	1.10	62N8-39000BG #0005-	-	-	-	-	-	-	-	-	-						
1.46*1	1.28	62N8-33001BG	-	-	-	-	-	-	-	-	-							

*Heavy duty bucket

**Wear-resistant

General bucket



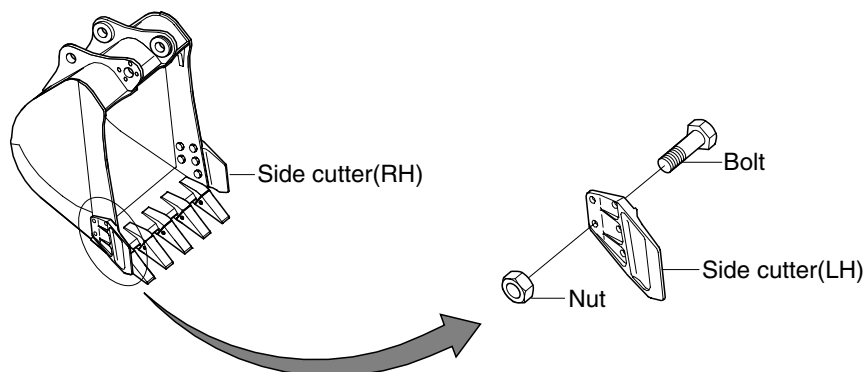
Hydraulic excavator

Model	Capacity (m ³)		Bucket assy	Side cutter (LH)		Side cutter (RH)		Bolt		Nut	
	SAE	CECE		Part no.	Qty	Part no.	Qty	Part no.	Qty	Part no.	Qty
R250LC-9	0.60	0.55	62Q8-37000	63E1-3533GG	1	63E1-3534GG	1	S017-22060D S017-22065D	4 6	S205-22100B	10
	0.79	0.70	61Q8-31000	63E1-3533GG	1	63E1-3534GG	1	S017-22060D S017-22065D	4 6	S205-22100B	10
	1.03	0.90	61Q8-32000	63E1-3533GG	1	63E1-3534GG	1	S017-22060D S017-22065D	4 6	S205-22100B	10
	1.08	0.95	61Q8-36000	63E1-3533GG	1	63E1-3534GG	1	S017-22060D S017-22065D	4 6	S205-22100B	10
	1.08* ²	0.95	66Q8-36000	63E1-3533GG	1	63E1-3534GG	1	S017-22060D S017-22065D	4 6	S205-22100B	10
	1.27	1.10	61Q8-30000	63E1-3533GG	1	63E1-3534GG	1	S017-22060D S017-22065D	4 6	S205-22100B	10
	1.27* ²	1.10	66Q8-30000	63E1-3533GG	1	63E1-3534GG	1	S017-22060D S017-22065D	4 6	S205-22100B	10
	1.50	1.30	61Q8-33000	63E1-3533GG	1	63E1-3534GG	1	S017-22060D S017-22065D	4 6	S205-22100B	10
	1.07* ¹	0.95	62Q8-31000	-		-		-		-	
	1.15* ¹	1.00	62Q8-32000	-		-		-		-	
	1.27* ¹	1.10	62Q8-39000	-		-		-		-	
	1.46* ¹	1.28	62Q8-33000	-		-		-		-	
	0.89* ¹	0.80	64Q8-34000	#0156- 64Q6-31400	1	64Q6-31400	1	S017-24065D	6	S205-24100B	6
	1.09* ¹	0.95	64Q8-35000	#0156- 64Q6-31400	1	64Q6-31400	1	S017-24065D	6	S205-24100B	6
R280LC	0.68	0.60	63E2-3006	63E1-3533	1	63E1-3534	1	S017-220602 S017-220652	4 6	S205-221002	10
	1.17	1.00	E262-3000	63E1-3533	1	63E1-3534	1	S017-220602 S017-220652	4 6	S205-221002	10
	1.28	1.10	63E2-3003	63E1-3533	1	63E1-3534	1	S017-220602 S017-220652	4 6	S205-221002	10
	1.39	1.20	63E2-3001	63E1-3533	1	63E1-3534	1	S017-220602 S017-220652	4 6	S205-221002	10
	1.50	1.30	63E2-3002	63E1-3533	1	63E1-3534	1	S017-220602 S017-220652	4 6	S205-221002	10
	1.62	1.40	63E2-3004	63E1-3533	1	63E1-3534	1	S017-220602 S017-220652	4 6	S205-221002	10
	1.75	1.50	63E2-3005	63E1-3533	1	63E1-3534	1	S017-220602 S017-220652	4 6	S205-221002	10

*¹Heavy duty bucket

*²Wear-resistant

General bucket



Hydraulic excavator

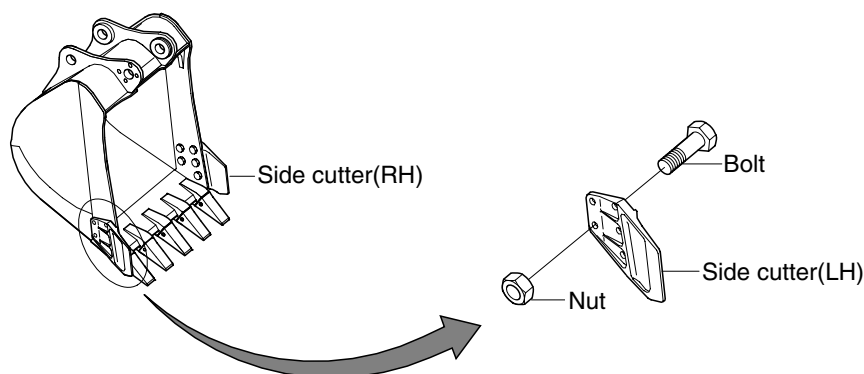
Model	Capacity (m ³)		Bucket assy	Side cutter (LH)		Side cutter (RH)		Bolt		Nut	
	SAE	CECE		Part no.	Qty	Part no.	Qty	Part no.	Qty	Part no.	Qty
R290LC R290LC-3	0.79	0.70	61E9-3001	63E1-3533	1	63E1-3534	1	S017-220602 S017-220652	4 6	S205-221002	10
	1.03	0.90	61E9-3002	63E1-3533	1	63E1-3534	1	S017-220602 S017-220652	4 6	S205-221002	10
	1.08* ¹	0.95	62EN-32000* ²	-		-		-		-	
	1.16	1.00	62EN-35000	63E1-3533	1	63E1-3534	1	S017-220602 S017-220652	4 6	S205-221002	10
	1.27	1.10	61E9-3000 61E9-30001* ³	#1923- 63E1-3533	1	63E1-3534	1	S017-220602 S017-220652	4 6	S205-221002	10
	1.38	1.20	61E9-3006	63E1-3533	1	63E1-3534	1	S017-220602 S017-220652	4 6	S205-221002	10
	1.50	1.30	61E9-3003	63E1-3533	1	63E1-3534	1	S017-220602 S017-220652	4 6	S205-221002	10
	1.62	1.40	61E9-3007	63E1-3533	1	63E1-3534	1	S017-220602 S017-220652	4 6	S205-221002	10
	1.73	1.50	61E9-3004	-		-		-		-	
1.85	1.60	61E9-3005	-		-		-		-		
R290LC-3RB 39HDRB	1.28	1.10	61FR-30001	63E1-3533	1	63E1-3534	1	S017-220602 S017-220652	4 6	S205-221002	10

*¹Heavy duty bucket

*²R290LC-3(#1082-)

*³R290LC-3

General bucket



Hydraulic excavator

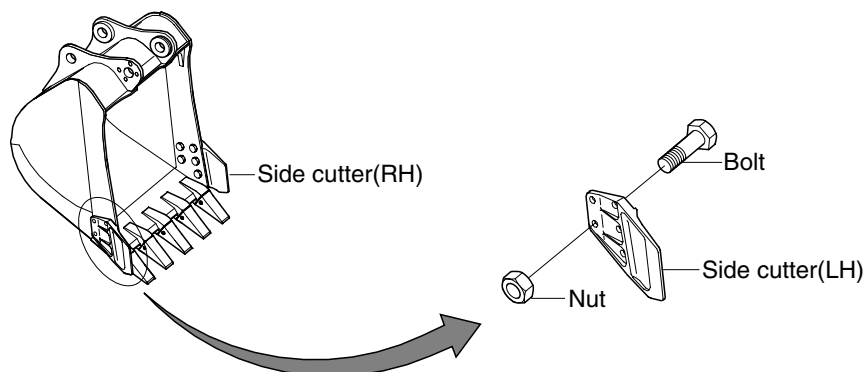
Model	Capacity (m ³)		Bucket assy	Side cutter (LH)		Side cutter (RH)		Bolt		Nut		
	SAE	CECE		Part no.	Qty	Part no.	Qty	Part no.	Qty	Part no.	Qty	
R290LC-7	1.27	1.10	61N8-30000 #0160	63E1-3533 #1312	1	63E1-3534 #1312	1	S017-220602	4	S205-221002	10	
			61N8-30001 #0161-1090	63E1-3533BG #1313-		63E1-3534BG #1313-		S017-220652				
			61N8-30002 #1091-1312									
			61N8-30002BG #1313-									
	1.27* ⁴	1.10	66N8-30000BG #1811-	63E1-3533BG	1	63E1-3534BG	1	S017-220602	4	S205-221002	10	
								S017-220652	6			
	0.79	0.70	61N8-31000 #0160	63E1-3533 #1312	1	63E1-3534 #1312	1	S017-220602	4	S205-221002	10	
			61N8-31001 #0161-1090	63E1-3533BG #1313-		63E1-3534BG #1313-		S017-220652				
			61N8-31002 #1091-1312									
			61N8-31002BG #1313-									
	1.03	0.90	61N8-32000 #0160	63E1-3533 #1312	1	63E1-3534 #1312	1	S017-220602	4	S205-221002	10	
			61N8-32001 #0161-1090	63E1-3533BG #1313-		63E1-3534BG #1313-		S017-220652				
			61N8-32002 #1091-1312									
			61N8-32002BG #1313-									
	1.20	1.00	61N6-34000 #0038-1090	63E1-3533 #1312	1	63E1-3534 #1312	1	S017-220602	4	S205-221002	10	
			61N6-34001 #1091-1312	63E1-3533BG #1313-		63E1-3534BG #1313-		S017-220652				
61N6-34001BG #1313-												
1.50	1.30	61N8-33000 #0160	63E1-3533 #1312	1	63E1-3534 #1312	1	S017-220602	4	S205-221002	10		
		61N8-33001 #0161-1090	63E1-3533BG #1313-		63E1-3534BG #1313-		S017-220652					
		61N8-33002 #1091-1312										
		61N8-33002BG #1313-										
1.73	1.50	61N8-34000 #0160	63E1-3533 #1312	1	63E1-3534 #1312	1	S017-220602	4	S205-221002	10		
		61N8-34001 #0161-1090	63E1-3533BG #1313-		63E1-3534BG #1313-		S017-220652					
		61N8-34002 #1091-1312										
		61N8-34002BG #1313-										
1.85	1.60	61N8-35000 #0160	63E1-3533 #1312	1	63E1-3534 #1312	1	S017-220602	4	S205-221002	10		
		61N8-35001 #0161-1090	63E1-3533BG #1313-		63E1-3534BG #1313-		S017-220652					
		61N8-35002 #1091-1312										
		61N8-35002BG #1313-										
1.07* ¹	0.95	62N8-31000 #0038-1090	-		-		-		-			
		62N8-31001 #1091-1312										
		62N8-31001BG #1313-										
1.15* ¹	1.00	62N8-32000 #0038-1090	-		-		-		-			
		62N8-32001 #1091-1312										
		62N8-32001BG										
1.27* ¹	1.10	62N8-36000BG #1313-	-		-		-		-			
1.27* ¹	1.10	62N8-39000BG #1313-	-		-		-		-			
1.46* ¹	1.28	62N8-33000 #0038-1090	-		-		-		-			
		62N8-33001 #1091-1312										
		62N8-33001BG #1313-										
0.52* ³	0.45	61N4-35000 #0167-1214	63E1-3533 #1312	1	63E1-3534 #1312	1	S017-200502	8	S205-201002	10		
		61N4-35001 #1215-1312	63E1-3533BG #1313-		63E1-3534BG #1313-							
		62N4-35001BG #1313-										

*¹Heavy duty bucket

*³Long reach

*⁴Wear-resistant

General bucket



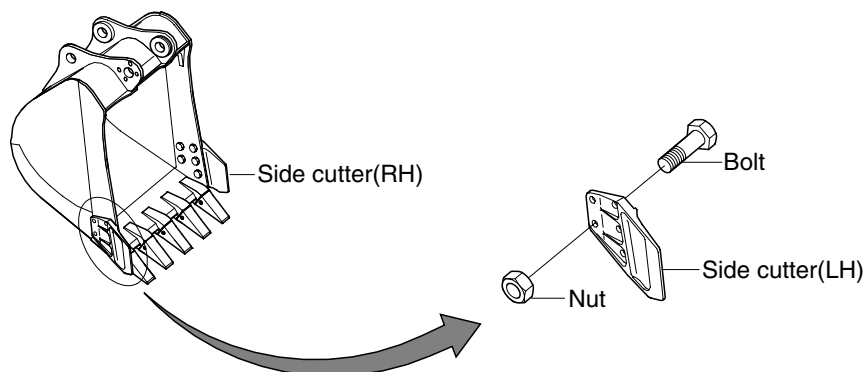
Hydraulic excavator

Model	Capacity (m ³)		Bucket assy		Side cutter (LH)		Side cutter (RH)		Bolt		Nut		
	SAE	CECE			Part no.	Qty	Part no.	Qty	Part no.	Qty	Part no.	Qty	
R290LC-7A	1.27	1.10	61N8-30002	-#0284	63E1-3533	-#0284	1	63E1-3534	-#0284	S017-22060D	4	S205-22100B	10
			61N8-30002BG	#0285	63E1-3533BG	#0285-		63E1-3534BG	#0285-	S017-22065D	6		
	0.79	0.70	61N8-31002	-#0284	63E1-3533	-#0284	1	63E1-3534	-#0284	S017-22060D	4	S205-22100B	10
			61N8-31002BG	#0285	63E1-3533BG	#0285-		63E1-3534BG	#0285-	S017-22065D	6		
	1.03	0.90	61N8-32002	-#0284	63E1-3533	-#0284	1	63E1-3534	-#0284	S017-22060D	4	S205-22100B	10
			61N8-32002BG	#0285	63E1-3533BG	#0285-		63E1-3534BG	#0285-	S017-22065D	6		
	1.20	1.00	61N6-34001	-#0284	63E1-3533	-#0284	1	63E1-3534	-#0284	S017-22060D	4	S205-22100B	10
			61N6-34001BG	#0285	63E1-3533BG	#0285-		63E1-3534BG	#0285-	S017-22065D	6		
	1.50	1.30	61N8-33002	-#0284	63E1-3533	-#0284	1	63E1-3534	-#0284	S017-22060D	4	S205-22100B	10
			61N8-33002BG	#0285	63E1-3533BG	#0285-		63E1-3534BG	#0285-	S017-22065D	6		
	1.73	1.50	61N8-34002	-#0284	63E1-3533	-#0284	1	63E1-3534	-#0284	S017-22060D	4	S205-22100B	10
			61N8-34002BG	#0285	63E1-3533BG	#0285-		63E1-3534BG	#0285-	S017-22065D	6		
	1.85	1.60	61N8-35002	-#0284	63E1-3533	-#0284	1	63E1-3534	-#0284	S017-22060D	4	S205-22100B	10
			61N8-35002BG	#0285	63E1-3533BG	#0285-		63E1-3534BG	#0285-	S017-22065D	6		
1.07* ¹	0.95	62N8-31001	-#0284	-			-		-		-		
		62N8-31001BG	#0285-										
1.15* ¹	1.00	62N8-32001	-#0284	-			-		-		-		
		62N8-32001BG	#0285-										
1.27* ¹	1.10	62N8-36000BG	#0259-	-			-		-		-		
1.27* ¹	1.10	62N8-39000BG	#0259-	-			-		-		-		
1.46* ¹	1.28	62N8-33001	-#0284	-			-		-		-		
		62N8-33001BG	#0285-										
0.52* ³	0.45	61N4-35001	-#0284	61E3-3033	-#0284	1	61E1-3034	-#0284	S017-20055D	8	S205-20100B	8	
		61N4-35001BG	#0285-0668	61E3-3033BG	#0285-0668		61E1-3034BG	#0285-0668					
		66N4-35000BG	#0669-	61E3-3033BG	#0669-		61E3-3034BG	#0669-					
R290LC-7H	1.27	1.10	61N8-30001		63E1-3533		1	63E1-3534		S017-220602	4	S205-221002	10
									S017-220652	6			
	0.79	0.70	61N8-31001		63E1-3533		1	63E1-3534		S017-220602	4	S205-221002	10
									S017-220652	6			
	1.03	0.90	61N8-32001		63E1-3533		1	63E1-3534		S017-220602	4	S205-221002	10
									S017-220652	6			
	1.08	0.95	61N8-36000		63E1-3533		1	63E1-3534		S017-220602	4	S205-221002	10
									S017-220652	6			
	1.50	1.30	61N8-33001		63E1-3533		1	63E1-3534		S017-220602	4	S205-221002	10
									S017-220652	6			
1.73	1.50	61N8-34001		63E1-3533		1	63E1-3534		S017-220602	4	S205-221002	10	
								S017-220652	6				
1.85	1.60	61N8-35001		63E1-3533		1	63E1-3534		S017-220602	4	S205-221002	10	
								S017-220652	6				
1.07* ¹	0.95	62N8-31000		-			-		-		-		
1.27* ¹	1.10	62N8-32000		-			-		-		-		
1.46* ¹	1.28	62N8-33000		-			-		-		-		

*Heavy duty bucket

*³Long reach

General bucket



Hydraulic excavator

Model	Capacity (m ³)		Bucket assy	Side cutter (LH)		Side cutter (RH)		Bolt		Nut	
	SAE	CECE		Part no.	Qty	Part no.	Qty	Part no.	Qty	Part no.	Qty
R290LC-9	1.27	1.10	61Q8-30000	63E1-3533GG	1	63E1-3534GG	1	S017-22060D S017-22065D	4 6	S205-22100B	10
	1.27* ⁴	1.10	66Q8-30000	63E1-3533GG	1	63E1-3534GG	1	S017-22060D S017-22065D	4 6	S205-22100B	10
	1.27	1.10	65Q8-30000	63E1-3533GG	1	63E1-3534GG	1	S017-22060D S017-22065D	4 6	S205-22100B	10
	1.20	1.00	61N6-34001GG #0083	63E1-3533GG	1	63E1-3534GG	1	S017-220602 S017-220652	4 6	S205-221002	10
	0.79	0.70	61Q8-31000	63E1-3533GG	1	63E1-3534GG	1	S017-22060D S017-22065D	4 6	S205-22100B	10
	1.03	0.90	61Q8-32000	63E1-3533GG	1	63E1-3534GG	1	S017-22060D S017-22065D	4 6	S205-22100B	10
	1.50	1.30	61Q8-33000	63E1-3533GG	1	63E1-3534GG	1	S017-22060D S017-22065D	4 6	S205-22100B	10
	1.73	1.50	61Q8-34000	63E1-3533GG	1	63E1-3534GG	1	S017-22060D S017-22065D	4 6	S205-22100B	10
	1.85	1.60	61Q8-35000	63E1-3533GG	1	63E1-3534GG	1	S017-22060D S017-22065D	4 6	S205-22100B	10
	1.38	1.20	61Q8-37000	63E1-3533GG	1	63E1-3534GG	1	S017-22060D S017-22065D	4 6	S205-22100B	10
	1.07* ¹	0.95	62Q8-31000	-		-		-		-	
	1.15* ¹	1.00	62Q8-32000	-		-		-		-	
	1.27* ¹	1.10	62Q8-39000	-		-		-		-	
	1.46* ¹	1.28	62Q8-33000	-		-		-		-	
	1.27* ³	1.10	68N8-30001GG #0356 68N8-30002GG #0357-0537 68N8-30003GG #0528-	68N8-30040GG #0356 68N8-30041GG #0357-0670 68N8-31040 #0671-	1	68N8-30050GG #0356 68N8-30051GG #0357-0670 68N8-31050 #0671-	1	S019-18065D #0670 S019-18065D #0671-	6 8	S205-18100B #0670 S205-18100B #0671-	6 8
	1.38* ³	1.20	68N8-32000GG #0356 68N8-32001GG #0357-	68N8-30040GG #0670 68N8-31040 #0671-	1	68N8-30050GG #0670 68N8-31050 #0671-	1	S019-18065D #0670 S019-18065D #0671-	6 8	S205-18100B #0670 S205-18100B #0671-	6 8
0.52* ²	0.45	66N4-35000GG	61E3-3033GG	1	61E3-3034GG	1	S017-20055D	8	S205-20100B	8	
1.27* ³	1.10	68N8-30000GG #0040-0209 68N8-30001GG #0210-	68N8-30040 #0040-0209 68N8-30040GG #0210-	1	68N8-30050 #0040-0209 68N8-30050GG #0210-	1	S019-18070D #0040-0209 S019-18065D #0210-	6	S205-18100B	6	
1.09* ¹	0.95	64Q8-35000 #0603-	64Q6-31400	1	64Q6-31400	1	S017-24065D	6	S205-24100B	6	

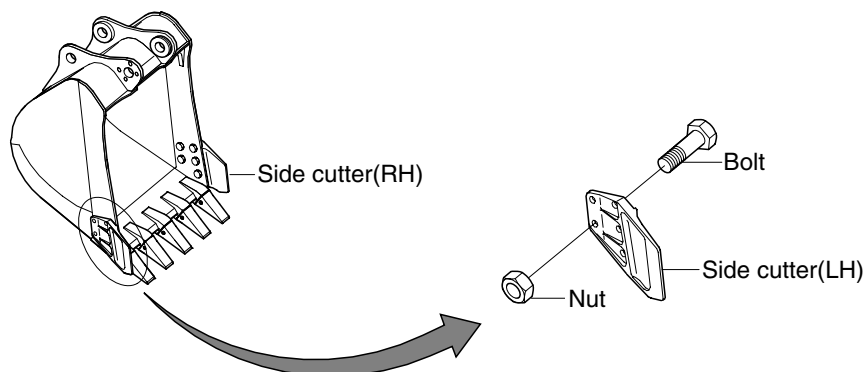
*¹Heavy duty bucket

*²Long reach bucket

*³Casting

*⁴Wear-resistant

General bucket



Hydraulic excavator

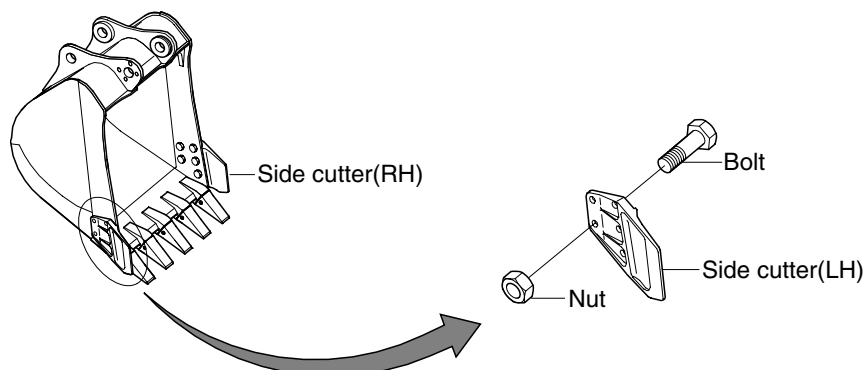
Model	Capacity (m ³)		Bucket assy	Side cutter (LH)		Side cutter (RH)		Bolt		Nut	
	SAE	CECE		Part no.	Qty	Part no.	Qty	Part no.	Qty	Part no.	Qty
R305LC-7	1.27	1.10	61N8-30001 #0119	63E1-3533 #0380	1	63E1-3534 #0380	1	S017-220602	4	S205-221002	10
			61N8-30002 #0120-0380	63E1-3533BG #0381-		63E1-3534BG #0381-					
	1.27* ³	1.10	66N8-30000 #0340-#0380	63E1-3533 #0340-0380	1	63E1-3534 #0340-0380	1	S017-220602	4	S205-221002	10
			66N8-30000BG #0381-	63E1-3533BG #0381-		63E1-3534BG #0381-					
	0.79	0.70	61N8-31001 #0119	63E1-3533 #0363	1	63E1-3534 #0363	1	S017-220602	4	S205-221002	10
			61N8-31002 #0120-0363	63E1-3533BG #0364-		63E1-3534BG #0364-					
	1.03	0.90	61N8-32001 #0119	63E1-3533 #0363	1	63E1-3534 #0363	1	S017-220602	4	S205-221002	10
			61N8-32002 #0120-0363	63E1-3533BG #0364-		63E1-3534BG #0364-					
	1.08	0.95	61N8-36000 #0119	63E1-3533 #0363	1	63E1-3534 #0363	1	S017-220602	4	S205-221002	10
			61N8-36001 #0120-0363	63E1-3533BG #0364-		63E1-3534BG #0364-					
	1.50	1.30	61N8-33001 #0119	63E1-3533 #0380	1	63E1-3534 #0380	1	S017-220602	4	S205-221002	10
			61N8-33002 #0120-0380	63E1-3533BG #0381-		63E1-3534BG #0381-					
	1.73	1.50	61N8-34001 #0119	63E1-3533 #0363	1	63E1-3534 #0363	1	S017-220602	4	S205-221002	10
61N8-34002 #0120-0363			63E1-3533BG #0364-	63E1-3534BG #0364-							
1.85	1.60	61N8-35001 #0119	63E1-3533 #0363	1	63E1-3534 #0363	1	S017-220602	4	S205-221002	10	
		61N8-35002 #0120-0363	63E1-3533BG #0364-		63E1-3534BG #0364-						
1.07* ¹	0.95	62N8-31000 #0119	-		-		-		-		
		62N8-31001 #0120-0363									
1.15* ¹	1.00	62N8-32000 #0119	-		-		-		-		
		62N8-32001 #0120-0363									
1.46* ¹	1.28	62N8-33000 #0119	-		-		-		-		
		62N8-33001 #0120-0380									
0.52* ²	0.45	61N4-35000 #0108-0123	61E1-3033 #0380	1	61E1-3034 #0380	1	S017-200502 #0108-0419	8	S205-221002 #0108-0419	8	
		61N4-35001 #0124-0380	61E1-3033BG #0381-0419		61E1-3034BG #0381-0419						
		61N4-35001BG #0381-0419	61E3-3033BG #0420-		61E3-3034BG #0420-		S017-20055D #0420-		S205-20100B #0420-		
		66N4-35000BG #0420-									

*¹Heavy duty bucket

*²Long reach

*³Wear-resistant

General bucket



Hydraulic excavator

Model	Capacity (m ³)		Bucket assy	Side cutter (LH)		Side cutter (RH)		Bolt		Nut	
	SAE	CECE		Part no.	Qty	Part no.	Qty	Part no.	Qty	Part no.	Qty
R320LC R320LC-3	0.90	0.80	61E5-3001* ⁴ 61E5-30011* ⁵	63E1-3533	1	63E1-3534	1	S017-220652 S017-220702	4 6	S205-221002	10
	1.14	1.00	61E5-3002* ⁴ 61E5-30021* ⁵	63E1-3533	1	63E1-3534	1	S017-220652 S017-220702	4 6	S205-221002	10
	1.38	1.20	61E5-3000* ⁴ 61E5-30001* ⁵	63E1-3533	1	63E1-3534	1	S017-220652 S017-220702	4 6	S205-221002	10
	1.44	1.25	61E5-3003* ² 61E5-30032* ³	63E1-3533	1	63E1-3534	1	S017-220652 S017-220702	4 6	S205-221002	10
	1.74	1.50	61E5-3004* ⁴ 61E5-30041* ⁵	63E1-3533	1	63E1-3534	1	S017-220652 S017-220702	4 6	S205-221002	10
	1.97	1.70	61E5-3005* ⁴ 61E5-30051* ⁵	-		-		-		-	
	2.10	1.80	61E5-3006* ⁴ 61E5-30061* ⁵	-		-		-		-	
	2.10	1.80	62E5-30900* ⁴ 61E5-30901* ⁵	63E1-3533	1	63E1-3534	1	S017-220652 S017-220702	4 6	S205-221002	10
R320LC-7	0.9	0.8	61N9-30200 #0345 61N9-30201 #0346-1118 61N9-30201BG #1119-	63E1-3533 #1118 63E1-3533BG #1119-	1	63E1-3534 #1118 63E1-3534BG #1119-	1	S017-220652 S017-220702	4 6	S205-221002	10
	1.44	1.25	61N9-30101 #0345 61N9-30102 #0346-1118 61N9-30102BG #1119-	63E1-3533 #1118 63E1-3533BG #1119-	1	63E1-3534 #1118 63E1-3534BG #1119-	1	S017-220652 S017-220702	4 6	S205-221002	10
	1.44* ⁶	1.25	66N9-30100BG #1125-	63E1-3533BG	1	63E1-3534BG	1	S017-220652 S017-220702	4 6	S205-221002	10
	1.44* ¹	1.25	61N9-30600 #0016-0345 61N9-30601 #0346-1118 61N9-30601BG #1119-	-		-		-		-	
	1.74	1.5	61N9-30400 #0034-0345 61N9-30401 #0346-1118 61N9-30401BG #1119-	63E1-3533 #1118 63E1-3533BG #1119-	1	63E1-3534 #1118 63E1-3534BG #1119-	1	S017-220652 S017-220702	4 6	S205-221002	10
	2.10* ⁷	1.8	61N9-30500 #0045 61N9-30501 #0346-1118 61N9-30501BG #1119-	63E1-3533 #1118 63E1-3533BG #1119-	1	63E1-3534 #1118 63E1-3534BG #1119-	1	S017-220652 S017-220702	4 6	S205-221002	10
R320LC-7A	0.9	0.80	61N9-30201 #0151 61N9-30201BG #0152-	63E1-3533 #0151 63E1-3533BG #0152-	1	63E1-3534 #0151 63E1-3534BG #0152-	1	S017-22065D S017-22070D	4 6	S205-22100B	10
	1.44	1.25	61N9-30102 #0151 61N9-30102BG #0152-	63E1-3533 #0151 63E1-3533BG #0152-	1	63E1-3534 #0151 63E1-3534BG #0152-	1	S017-22065D S017-22070D	4 6	S205-22100B	10
	1.44* ⁶	1.25	66N9-30100BG #0269-	63E1-3533BG	1	63E1-3534BG	1	S017-22065D S017-22070D	4 6	S205-22100B	10
	1.74	1.50	61N9-30401 #0151 61N9-30401BG #0152-	63E1-3533 #0151 63E1-3533BG #0152-	1	63E1-3534 #0151 63E1-3534BG #0152-	1	S017-22065D S017-22070D	4 6	S205-22100B	10
	2.10	1.80	61N9-30501 #0151 61N9-30501BG #0152-	63E1-3533 #0151 63E1-3533BG #0152-	1	63E1-3534 #0151 63E1-3534BG #0152-	1	S017-22065D S017-22070D	4 6	S205-22100B	10
	1.44* ¹	1.25	61N9-30601 #0151 61N9-30601BG #0152-	-		-		-		-	

**Heavy duty bucket

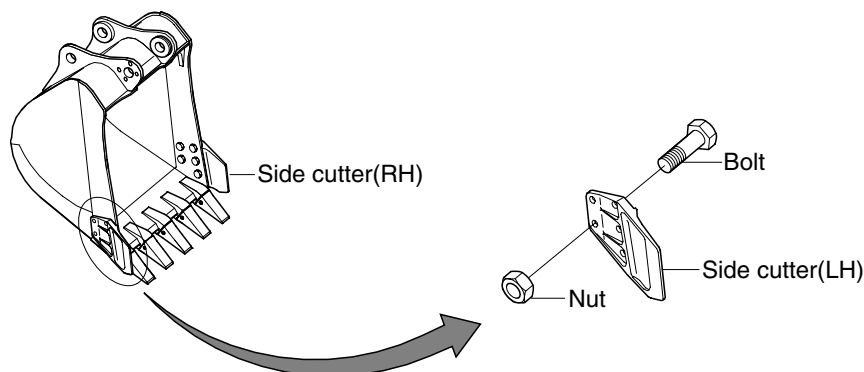
*⁵Wear-resistant

*⁷Light duty bucket

Applicable machine serial No.

Model	R320LC* ²	R320LC-3* ²	R320LC-3* ³	R320LC-3* ⁴	R320LC-3* ⁵
Serial No.	#0001-	-#0107	#0108-	-#0150	#0151-

General bucket



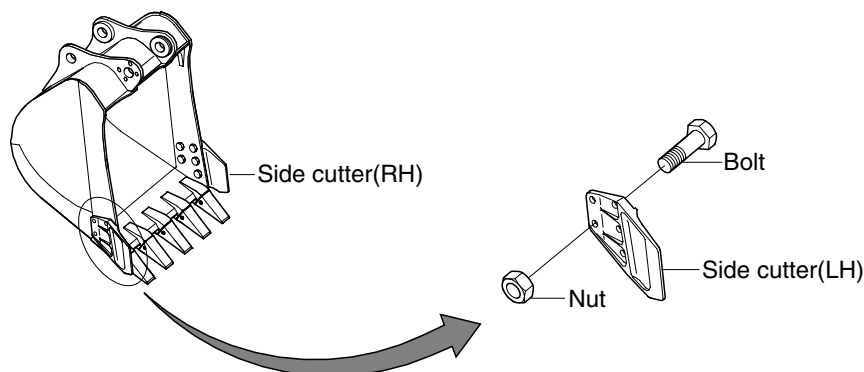
Hydraulic excavator

Model	Capacity (m ³)		Bucket assy	Side cutter (LH)		Side cutter (RH)		Bolt		Nut	
	SAE	CECE		Part no.	Qty	Part no.	Qty	Part no.	Qty	Part no.	Qty
R320LC-9	0.90	0.80	61Q9-30200	63E1-3533GG	1	63E1-3534GG	1	S017-22065D S017-22070D	4 6	S205-22100B	10
	1.14	1.00	61Q9-30300	63E1-3533GG	1	63E1-3534GG	1	S017-22065D S017-22070D	4 6	S205-22100B	10
	1.44	1.25	61N9-30102GG 61Q9-30100	-#0004 #0005- 63E1-3533GG	1	63E1-3534GG	1	S017-22065D S017-22070D	4 6	S205-22100B	10
	1.44*2	1.25	66N9-30100BG 66Q9-30100	-#0004 #0005- 63E1-3533GG	1	63E1-3534GG	1	S017-22065D S017-22070D	4 6	S205-22100B	10
	1.74	1.50	61Q9-30400	63E1-3533GG	1	63E1-3534GG	1	S017-22065D S017-22070D	4 6	S205-22100B	10
	2.1*1	1.80	61Q9-30500	63E1-3533GG	1	63E1-3534GG	1	S017-22065D S017-22070D	4 6	S205-22100B	10
	1.39*1	1.22	64Q9-30100	-#0012 64Q6-31400	1	64Q6-31400	1	S017-22065D	6	S205-22100B	6
	1.44*1	1.25	61Q9-30600	-	-	-	-	-	-	-	-
R360LC-3	2.10	1.8	61N9-30500	63E1-3533	1	63E1-3534	1	S017-220652 S017-220702	4 6	S205-221002	10
	1.15	1.00	61EH-31000 61EH-31001	-#0202 #0203- 61E7-0102	1	61E7-0103	1	S017-300752 S017-300802	4 6	S205-301002	10
	1.62	1.42	61EH-30000 61EH-30002	-#0202 #0203- 61E7-0102	1	61E7-0103	1	S017-300752 S017-300802	4 6	S205-301002	10
	1.86	1.60	61EH-32000 61EH-32001	-#0202 #0203- 61E7-0102	1	61E7-0103	1	S017-300752 S017-300802	4 6	S205-301002	10
	2.10	1.80	61EH-33000 61EH-33001	-#0202 #0203- 61E7-0102	1	61E7-0103	1	S017-300752 S017-300802	4 6	S205-301002	10
	2.32*1	2.00	61EH-39000 61EH-39001	-#0202 #0203- 61E7-0102	1	61E7-0103	1	S017-300752 S017-300802	4 6	S205-301002	10
	2.32	2.00	61EH-34000 61EH-34001	-#0202 #0203- -	-	-	-	-	-	-	-
R360LC-7	1.62	1.40	61NA-30101 61NA-30102 61NA-30102BG	-#0451 #0452-0929 #0930- 61E7-0102	-#0929 #0930- 1	61E7-0103 61E7-0103BG	-#0929 #0930- 1	S017-300752 S017-300802	4 6	S205-301002	10
	1.62*2	1.40	66NA-30100BG	#0930- 61E7-0102BG	1	61E7-0103BG	1	S017-300752 S017-300802	4 6	S205-301002	10
	1.62*1	1.40	61NA-30600 61NA-30601 61NA-30601BG	#0041-#0451 #0452-0929 #0930- -	-	-	-	-	-	-	
	1.86	1.60	61NA-30300 61NA-30301 61NA-30301BG	-#0451 #0452-0929 #0930- 61E7-0102	-#0929 #0930- 1	61E7-0103 61E7-0103BG	-#0929 #0930- 1	S017-300752 S017-300802	4 6	S205-301002	10
	2.10	1.80	61NA-30400 61NA-30401 61NA-30401BG	-#0451 #0452-0929 #0930- 61E7-0102	-#0929 #0930- 1	61E7-0103 61E7-0103BG	-#0929 #0930- 1	S017-300752 S017-300802	4 6	S205-301002	10
	2.32	2.00	61NA-30800 61NA-30801 61NA-30801BG	#0034-#0451 #0452-0929 #0930- 61E7-0102	-#0929 #0930- 1	61E7-0103 61E7-0103BG	-#0929 #0930- 1	S017-300752 S017-300802	4 6	S205-301002	10
	1.46	1.27	61NA-30900 61NA-30901 61NA-30901BG	#0058-#0451 #0452-0929 #0930- 61E7-0102	-#0929 #0930- 1	61E7-0103 61E7-0103BG	-#0929 #0930- 1	S017-300752 S017-300802	4 6	S205-301002	10

*1Heavy duty bucket

*2Wear-resistant

General bucket



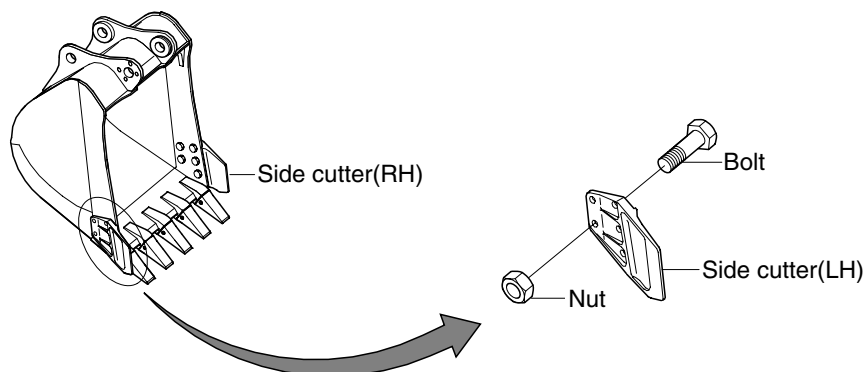
Hydraulic excavator

Model	Capacity (m ³)		Bucket assy	Side cutter (LH)		Side cutter (RH)		Bolt		Nut	
	SAE	CECE		Part no.	Qty	Part no.	Qty	Part no.	Qty	Part no.	Qty
R360LC-7A	1.62	1.40	61NA-30102 61NA-30102BG 61NA-30103BG #0077 #0078-0537 #0538-	61E7-0102 61E7-0102BG #0078- #0077	1	61E7-0103 61E7-0103BG #0078- #0077	1	S017-30075D S017-30080D	4 6	S205-30100B	10
	1.62*2	1.40	66NA-30100BG 66NA-30101BG #0118-0537 #0538-	61E7-0102BG	1	61E7-0103BG	1	S017-30075D S017-30080D	4 6	S205-30100B	10
	1.86	1.60	61NA-30301 61NA-30301BG 61NA-30302BG #0077 #0078-0537 #0538-	61E7-0102 61E7-0102BG #0078- #0077	1	61E7-0103 61E7-0103BG #0078- #0077	1	S017-30075D S017-30080D	4 6	S205-30100B	10
	2.10	1.80	61NA-30401 61NA-30401BG 61NA-30402BG #0077 #0078-0537 #0538-	61E7-0102 61E7-0102BG #0078- #0077	1	61E7-0103 61E7-0103BG #0078- #0077	1	S017-30075D S017-30080D	4 6	S205-30100B	10
	2.32	2.00	61NA-30801 61NA-30801BG 61NA-30802BG #0077 #0078-0537 #0538-	61E7-0102 61E7-0102BG #0078- #0077	1	61E7-0103 61E7-0103BG #0078- #0077	1	S017-30075D S017-30080D	4 6	S205-30100B	10
	1.62*1	1.40	61NA-30601 61NA-30601BG 61NA-30602BG #0077 #0078-0537 #0538-	-		-		-		-	
	1.46	1.27	61NA-30901 61NA-30901BG 61NA-30902BG #0077 #0078-0537 #0538-	61E7-0102 61E7-0102BG #0078- #0077	1	61E7-0103 61E7-0103BG #0078- #0077	1	S017-30075D S017-30080D	4 6	S205-30100B	10
R380LC-9	1.46	1.27	61NA-30901GG 61QA-30900 61QA-30901 #0010 #0011-0132 #0133-	61E7-0102GG		61E7-0103GG	1	S017-30075D S017-30080D	4 6	S205-30100B	10
	1.62	1.40	61NA-30102GG 61QA-30100 61QA-30101 #0010 #0011-0132 #0133-	61E7-0102GG	1	61E7-0103GG	1	S017-30075D S017-30080D	4 6	S205-30100B	10
	1.62*2	1.40	66NA-30100GG 66QA-30100 66QA-30101 #0010 #0011-0132 #0133-	61E7-0102GG	1	61E7-0103GG	1	S017-30075D S017-30080D	4 6	S205-30100B	10
	1.86	1.60	61NA-30301GG 61QA-30300 61QA-30301 #0010 #0011-0132 #0133-	61E7-0102GG	1	61E7-0103GG	1	S017-30075D S017-30080D	4 6	S205-30100B	10
	2.10	1.80	61NA-30401GG 61QA-30400 61QA-30401 #0010 #0011-0132 #0133-	61E7-0102GG	1	61E7-0103GG	1	S017-30075D S205-30100B	4 6	S205-30100B	10
	2.32	2.00	61NA-30801GG 61QA-30800 61QA-30801 #0010 #0011-0132 #0133-	61E7-0102GG	1	61E7-0103GG	1	S017-30075D S205-30100B	4 6	S205-30100B	10
	1.45*2	1.28	64QA-30100 64QA-30101 #0132 #0133-	64QA-31400	1	64QA-31400	1	S017-30080D #0076 S017-30075D #0077-0132 S017-22060D #0133-	6	S205-30100B #0132 S205-22100B #0133-	6
	1.62*1	1.40	61NA-30601GG 61QA-30600 61QA-30601 #0010 #0011-0132 #0133-	-		-		-		-	
	1.67*1	1.47	64QA-30200 #0189-	64QA-31400	1	64QA-31400	1	S017-30075D	6	S205-30100B	6

**Heavy duty bucket

*2Wear-resistant

General bucket



Hydraulic excavator

Model	Capacity (m ³)		Bucket assy	Side cutter (LH)		Side cutter (RH)		Bolt		Nut	
	SAE	CECE		Part no.	Qty	Part no.	Qty	Part no.	Qty	Part no.	Qty
R450LC R450LC-3	1.35	1.20	61E7-04061** 61E7-04061**S #1163	61E7-0102	1	61E7-0103	1	S017-300752 S017-300802	6	S 2 0 5 - 30100B	10
	1.35*3	1.20	61E7-00500** 64E7-00500**S #1163	61E7-0102		61E7-0103		S017-300752 S017-300802		S205-301002	10
	1.83*1	1.60	61E7-03451** 61E7-03451**S #1163	-		-		-		-	
	1.83*1	1.60	61E7-03511** 61E7-03511**S #1163	61E7-0102	1	61E7-0103	1	S017-300752 S017-300802	4 6	61EH-11150	5
	1.97	1.70	61E7-00331** 61E7-00331**S #1000	61E7-0102	1	61E7-0103	1	S017-300752 S017-300802	4 6	S205-301002	10
	2.09	1.80	61E7-02541** 61E7-02541**S #1163	61E7-0102	1	61E7-0103	1	S017-300752 S017-300802	4 6	S205-301002	10
	2.33	2.00	61E7-02551** 61E7-02551**S #1000	61E7-0102	1	61E7-0103	1	S017-300752 S017-300802	4 6	S205-301002	10
	2.57	2.20	61E7-02561** 61E7-02561**S #1163	61E7-0102	1	61E7-0103	1	S017-300752 S017-300802	4 6	S205-301002	10
	2.80	2.40	61E7-02571** 61E7-02571**S #1163	61E7-0102	1	61E7-0103	1	S017-300752 S017-300802	4 6	S205-301002	10
R450LC-3	1.39	1.20	64E7-02470 #1164-	61E7-0102	1	61E7-0103	1	S017-300752 S017-300802	4 6	S205-301002	10
	1.37*3	1.20	64E7-03360 #1164-	61E7-0102	1	61E7-0103	1	S017-300752 S017-300802	4 6	S205-301002	10
	1.76*1	1.60	64E7-03170 #1164-	-		-		-		-	
	1.76*1	1.60	64E7-03320 #1164-	61E7-0102	1	61E7-0103	1	S017-300752 S017-300802	4 6	S205-301002	5
	1.95	1.70	64E7-02171 #1001-	61E7-0102	1	61E7-0103	1	S017-300752 S017-300802	4 6	S205-301002	10
	2.30	2.00	64E7-02690 #1164-	61E7-0102	1	61E7-0103	1	S017-300752 S017-300802	4 6	S205-301002	10
	2.07	1.80	64E7-01650 #1001-1163 64E7-01651 #1164-	61E7-0102	1	61E7-0103	1	S017-300752 S017-300802	4 6	S205-301002	10
	2.53	2.20	64E7-02810 #1164-	61E7-0102	1	61E7-0103	1	S017-300752 S017-300802	4 6	S205-301002	10
	2.77	2.40	64E7-02910 #1164-	61E7-0102	1	61E7-0103	1	S017-300752 S017-300802	4 6	S205-301002	10

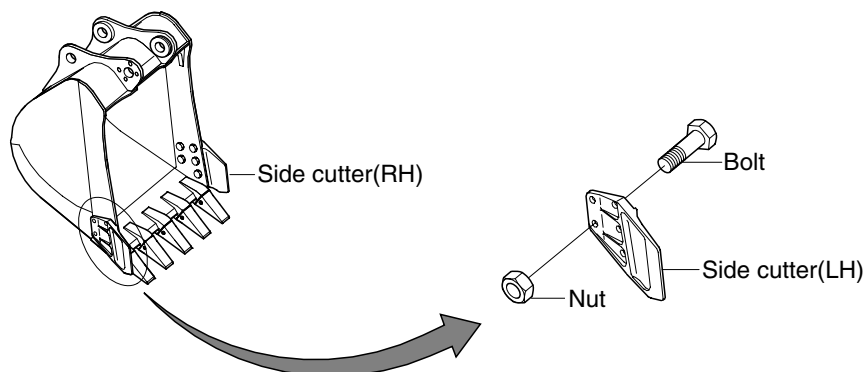
**Heavy duty bucket

**3Long reach bucket

**R450LC

**R450LC-3

General bucket



Hydraulic excavator

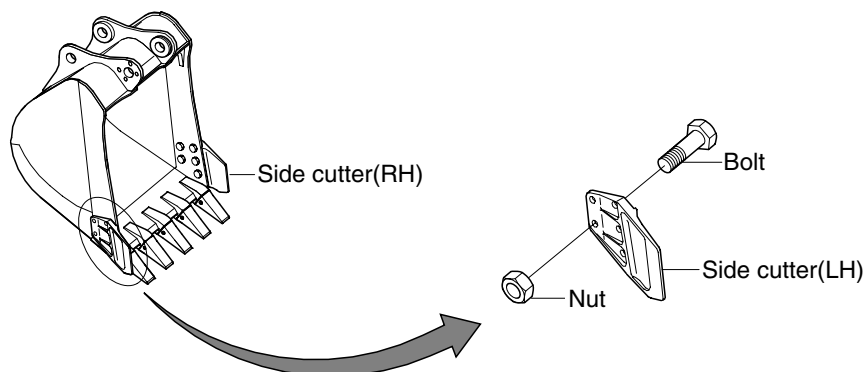
Model	Capacity (m ³)		Bucket assy	Side cutter (LH)		Side cutter (RH)		Bolt		Nut			
	SAE	CECE		Part no.	Qty	Part no.	Qty	Part no.	Qty	Part no.	Qty		
R450LC-7	1.38	1.20	61NB-30200 #0171-0332 61NB-30201 #0333-0758 61NB-30201BG #0759-	61E7-0102 #0758 61E7-0102BG #0759-	1	61E7-0103 #0758 61E7-0103BG #0759-	1	S017-300752 S017-300802	4 6	205-301002	10		
			1.65* ²	1.44	62NB-30200 #0086-0332 62NB-30201 #0333-0758 62NB-30201BG #0759-	61E7-0102 #0758 61E7-0102BG #0759-	1	61E7-0103 #0758 61E7-0103BG #0759-	1	S017-300752 S017-300802	4 6	S205-301002	10
					1.84	1.60	61NB-30300 #0086-0332 61NB-30301 #0333-0758 61NB-30301BG #0759-	61E7-0102 #0758 61E7-0102BG #0759-	1	61E7-0103 #0758 61E7-0103BG #0759-	1	S017-300752 S017-300802	4 6
	2.15	1.80					61NB-30101 #0253 61NB-30400 #0254-0332 61NB-30401 #0333-0758 61NB-30401BG #0759-	61E7-0102 #0758 61E7-0102BG #0759-	1	61E7-0103 #0758 61E7-0103BG #0759-	1	S017-300752 S017-300802	4 6
			2.15* ³	1.80			66NB-30400 #0746-0758 66NB-30400BG #0759-	61E7-0102 #0758 61E7-0102BG #0759-	1	61E7-0103 #0758 61E7-0103BG #0759-	1	S017-300752 S017-300802	4 6
					2.20* ¹	1.80	61NB-30800 #0038-0332 61NB-30801 #0333-0737 61NB-30802 #0738-0758 61NB-30802BG #0759-	-	-	-	-	-	-
	2.56	2.20					61NB-30500 #0038-0332 61NB-30501 #0333-0758 61NB-30501BG #0759-	61E7-0102 #0758 61E7-0102BG #0759-	1	61E7-0103 #0758 61E7-0103BG #0759-	1	S017-300752 S017-300802	4 6
			2.77	2.40			61NB-30600 #0005-0332 61NB-30601 #0333-0758 61NB-30601BG #0759-	61E7-0102 #0758 61E7-0102BG #0759-	1	61E7-0103 #0758 61E7-0103BG #0759-	1	S017-300752 S017-300802	4 6
					3.03	2.60	61NB-30700 #0016-0332 61NB-30701 #0333-0758 61NB-30701BG #0759-	61E7-0102 #0758 61E7-0102BG #0759-	1	61E7-0103 #0758 61E7-0103BG #0759-	1	S017-300752 S017-300802	4 6
	3.20	2.78					62NB-30600 #0177-0332 62NB-30601 #0333-0758 62NB-30601BG #0759-	61E7-0102 #0758 61E7-0102BG #0759-	1	61E7-0103 #0758 61E7-0103BG #0759-	1	S017-300752 S017-300802	4 6
			3.60	3.15			63NB-30100 #0201-0332 63NB-30101 #0333-0758 63NB-30101BG #0759-	61E7-0102 #0758 61E7-0102BG #0759-	1	61E7-0103 #0758 61E7-0103BG #0759-	1	S017-300752 S017-300802	4 6

*¹Heavy duty bucket

*²Long reach bucket

*³Wear-resistant

General bucket



Hydraulic excavator

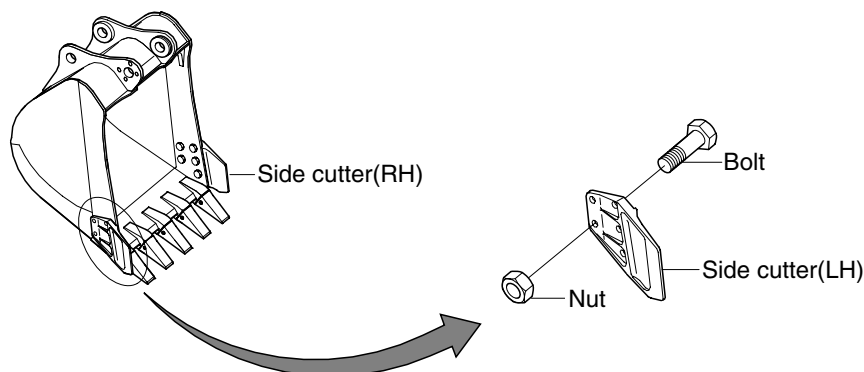
Model	Capacity (m ³)		Bucket assy		Side cutter (LH)		Side cutter (RH)		Bolt		Nut				
	SAE	CECE			Part no.	Qty	Part no.	Qty	Part no.	Qty	Part no.	Qty			
R450LC-7A	1.38	1.20	61NB-30201 61NB-30201BG	-#0125 #0126-	61E7-0102 61E7-0102BG	-#0125 #0126-	1	61E7-0103 61E7-0103BG	-#0125 #0126-	1	S017-30075D S017-30080D	4 6	S205-30100B	10	
	1.84	1.60	61NB-30301 61NB-30301BG	-#0125 #0126-	61E7-0102 61E7-0102BG	-#0125 #0126-	1	61E7-0103 61E7-0103BG	-#0125 #0126-	1	S017-30075D S017-30080D	4 6	S205-30100B	10	
	2.15	1.80	61NB-30401 61NB-30401BG	-#0125 #0126-	61E7-0102 61E7-0102BG	-#0125 #0126-	1	61E7-0103 61E7-0103BG	-#0125 #0126-	1	S017-30075D S017-30080D	4 6	S205-30100B	10	
	2.15* ³	1.80	66NB-30400BG	#0181-	61E7-0102BG		1	61E7-0103BG			1	S017-30075D S017-30080D	4 6	S205-30100B	10
	2.56	2.20	61NB-30501 61NB-30501BG	-#0125 #0126-	61E7-0102 61E7-0102BG	-#0125 #0126-	1	61E7-0103 61E7-0103BG	-#0125 #0126-	1	S017-30075D S017-30080D	4 6	S205-30100B	10	
	2.77	2.40	61NB-30601 61NB-30601BG	-#0125 #0126-	61E7-0102 61E7-0102BG	-#0125 #0126-	1	61E7-0103 61E7-0103BG	-#0125 #0126-	1	S017-30075D S017-30080D	4 6	S205-30100B	10	
	3.03	2.60	61NB-30701 61NB-30701BG	-#0125 #0126-	61E7-0102 61E7-0102BG	-#0125 #0126-	1	61E7-0103 61E7-0103BG	-#0125 #0126-	1	S017-30075D S017-30080D	4 6	S205-30100B	10	
	3.20	2.78	62NB-30601 62NB-30601BG	-#0125 #0126-	61E7-0102 61E7-0102BG	-#0125 #0126-	1	61E7-0103 61E7-0103BG	-#0125 #0126-	1	S017-30075D S017-30080D	4 6	S205-30100B	10	
	3.60	3.15	63NB-30101 63NB-30101BG	-#0125 #0126-	61E7-0102 61E7-0102BG	-#0125 #0126-	1	61E7-0103 61E7-0103BG	-#0125 #0126-	1	S017-30075D S017-30080D	4 6	S205-30100B	10	
	2.20* ¹	1.80	61NB-30801 61NB-30801BG 61NB-30802BG	-#0125 #0126-0171 #0172-	-			-				-			
	1.65* ²	1.44	62NB-30201 62NB-30201BG	-#0125 #0126-	61E7-0102 61E7-0102BG	-#0125 #0126-	1	61E7-0103 61E7-0103BG	-#0125 #0126-	1	S017-30075D S017-30080D	4 6	S205-30100B	10	
R480LC-9	1.0	1.27	63QB-30800	#0010-	61E7-0102GG	#0010-	1	61E7-0103GG	#0010-	1	S017-30085D S017-30080D	6 4	S205-30100B	10	
	1.38	1.40	61QB-30200	#0010-	61E7-0102GG		1	61E7-0103GG	#0010-	1	S017-30085D S017-30080D	4 6	S205-30100B	10	
	1.84	1.60	61QB-30300	#0010-	61E7-0102GG		1	61E7-0103GG		1	S017-30080D S017-30085D	4 6	S205-30100B	10	
	2.15	1.80	61QB-30400 66QB-30400* ³	#0010-	61E7-0102GG		1	61E7-0103GG		1	S017-30080D S017-30085D	4 6	S205-30100B	10	
	2.79	2.47	61QB-30600	#0010-	61E7-0102GG		1	61E7-0103GG	#0010-	1	S017-30085D S017-30080D	6 4	S205-30100B	10	
	3.03	2.67	61QB-30700	#0010-	61E7-0102GG		1	61E7-0103GG	#0010-	1	S017-30085D S017-30080D	6 4	S205-30100B	10	
	2.03* ¹	1.18	67QB-30100		64QA-31400		1	64QA-31400		1	S017-30075D	6	S205-30100B	6	
	2.31* ¹	2.00	67QB-30200	#0050-	64QA-31400		1	64QA-31400		1	S017-30075D	6	S205-30100B	6	

*¹Heavy duty bucket

*²Long reach bucket

*³Wear-resistant

General bucket



Hydraulic excavator

Model	Capacity (m ³)		Bucket assy	Side cutter (LH)		Side cutter (RH)		Bolt		Nut	
	SAE	CECE		Part no.	Qty	Part no.	Qty	Part no.	Qty	Part no.	Qty
R500LC-7	1.65	1.44	64NB-30300 #0015-0166	61E7-0102 -#0166	1	61E7-0103 -#0166	1	S017-300752	4	S205-301002	10
			64NB-30300BG #0167-	61E7-0102BG #0167-		61E7-0103BG #0167-		S017-300802			
	1.81 ^{*4}	1.50	66NB-30101 #0424-	63NB-37030	1	63NB-37040	1	S019-20095D	8	S205-20100B	8
	2.15	1.85	61NB-30401 -#0014	61E7-0102 -#0166	1	61E7-0103 -#0166	1	S017-30075D	4	S205-30100B	10
			64NB-30100 #0015-0166	61E7-0102BG #0167-		61E7-0103BG #0167-		S017-30080D			
	2.15 ^{*3}	1.85	68NB-30100 #0155-0166	61E7-0102 -#0166	1	61E7-0103 -#0166	1	S017-30075D	4	S205-30100B	10
			64NB-30100BG #0167-	61E7-0102BG #0167-		61E7-0103BG #0167-		S017-30080D			
	2.56	2.20	64NB-30500 #0024-0166	61E7-0102 -#0166	1	61E7-0103 -#0166	1	S017-300752	4	S205-301002	10
			64NB-30500BG #0167-	61E7-0102BG #0167-		61E7-0103BG #0167-		S017-300802			
	2.79	2.40	4NB-30600 -#0166	61E7-0102 -#0166	1	61E7-0103 -#0166	1	S017-300752	4	S205-301002	10
			64NB-30600BG #0167-0423	61E7-0102BG #0167-		61E7-0103BG #0167-		S017-300802			
	3.03	2.60	64NB-30700 -#0166	61E7-0102 -#0166	1	61E7-0103 -#0166	1	S017-300752	4	S205-301002	10
64NB-30700BG #0167-			61E7-0102BG #0167-	61E7-0103BG #0167-		S017-300802		6			
3.20	2.78	64NB-30800 #0088-0166	61E7-0102 -#0166	1	61E7-0103 -#0166	1	S017-300752	4	S205-30100B	10	
		64NB-30800BG #0167-	61E7-0102BG #0167-		61E7-0103BG #0167-		S017-300802				6
3.60	3.15	64NB-30900 #0088-0166	61E7-0102 -#0166	1	61E7-0103 -#0166	1	S017-30075D	4	S205-30100B	10	
		64NB-30900BG #0167-	61E7-0102BG #0167-		61E7-0103BG #0167-		S017-30080D				6
2.20 ^{*1}	1.80	65NB-30200 #0117-0154	-		-		-		-		
1.38 ^{*2}	1.2	61NB-30201BG #0323-	61E7-0102BG	1	61E7-0103BG	1	S017-30075D	4	S205-30100B	10	
1.0 [\]	0.9	63NB-30800 #0322-	61E7-0102BG	1	61E7-0103BG	1	S017-30075D	4	S205-30100B	10	

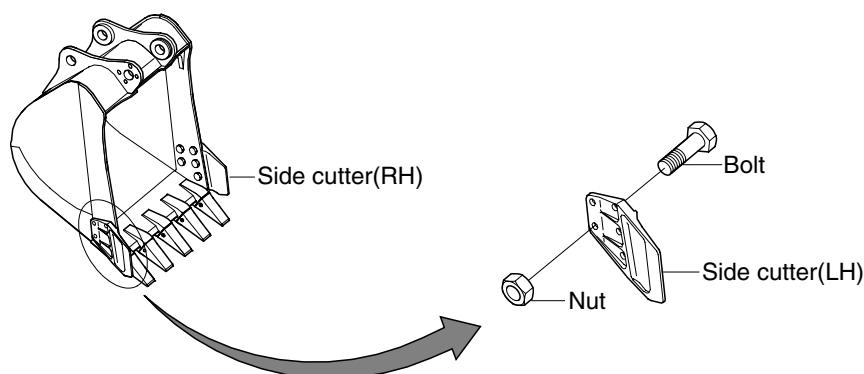
*¹Heavy duty bucket

*²Long reach bucket

*³Wear-resistant

*⁴Casting

General bucket



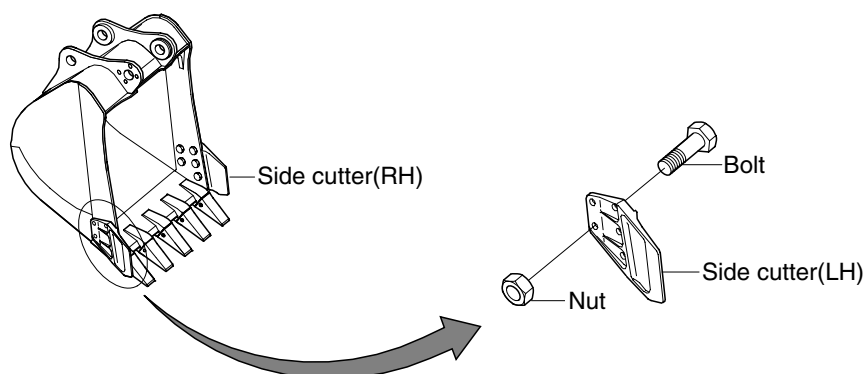
Hydraulic excavator

Model	Capacity (m ³)		Bucket assy	Side cutter (LH)		Side cutter (RH)		Bolt		Nut			
	SAE	CECE		Part no.	Qty	Part no.	Qty	Part no.	Qty	Part no.	Qty		
R500LC-7A	1.65	1.44	64NB-30300	-#0062	61E7-0102	-#0062	1	61E7-0103	-#0062	S017-30075D	4	S205-30100B	10
			64NB-30300BG	#0063-	61E7-0102BG	#0063-		61E7-0103BG	#0063-	S017-30080D	6		
	2.15	1.85	64NB-30100	-#0062	61E7-0102	-#0062	1	61E7-0103	-#0062	S017-30075D	4	S205-30100B	10
			64NB-30100BG	#0063-	61E7-0102BG	#0063-		61E7-0103BG	#0063-	S017-30080D	6		
	2.15*2	1.85	68NB-30100BG	#0085-	61E7-0102BG		1	61E7-0103BG		S017-30075D	4	S205-30100B	10
					61E7-0102BG		1	61E7-0103BG		S017-30080D	6		
	2.56	2.20	64NB-30500	#0009-0062	61E7-0102	-#0062	1	61E7-0103	-#0062	S017-30075D	4	S205-30100B	10
			64NB-30500BG	#0063-	61E7-0102BG	#0063-		61E7-0103BG	#0063-	S017-30080D	6		
	2.79	2.40	64NB-30600	-#0062	61E7-0102	-#0062	1	61E7-0103	-#0062	S017-30075D	4	S205-30100B	10
64NB-30600BG			#0063-1226	61E7-0102BG	#0063-		61E7-0103BG	#0063-	S017-30080D	6			
		64NB-30601BG	#1227-										
3.03	2.60	64NB-30700	-#0062	61E7-0102	-#0062	1	61E7-0103	-#0062	S017-30075D	4	S205-30100B	10	
		64NB-30700BG	#0063-	61E7-0102BG	#0063-		61E7-0103BG	#0063-	S017-30080D	6			
3.20	2.78	64NB-30800	#0050-0062	61E7-0102	-#0062	1	61E7-0103	-#0062	S017-30075D	4	S205-30100B	10	
		64NB-30800BG	#0063-	61E7-0102BG	#0063-		61E7-0103BG	#0063-	S017-30080D	6			
3.60	3.15	64NB-30900	#0050-0062	61E7-0102	-#0062	1	61E7-0103	-#0062	S017-30075D	4	S205-30100B	10	
		64NB-30900BG	#0063-	61E7-0102BG	#0063-		61E7-0103BG	#0063-	S017-30080D	6			
2.20*1	1.80	65NB-30200BG	#0069-0082	-			-		-		-		
		65NB-30201BG	#0083-										
R520LC-9	1.0	1.27	63QB-30800	#0009-	61E7-0102GG		1	61E7-0103GG		S017-30085D	6	S205-30100B	10
							1			S017-30080D	4		
	1.38	1.20	61QB-30200	#0009-	61E7-0102GG		1	61E7-0103GG		S017-30085D	4	S205-30100B	10
							1			S017-30080D	6		
	1.65	1.44	64QB-30300	#0010-	61E7-0102GG		1	61E7-0103GG		S017-30085D	6	S205-30100B	10
							1			S017-30080D	4		
	2.15	1.85	63QB-30100	-#0008	61E7-0102GG		1	61E7-0103GG		S017-30085D	6	S205-30100B	10
			64QB-30100	#0009-				1			S017-30080D	4	
			68QB-30100*2	#0009-									
	2.79	2.40	64QB-30600	#0009-0024	61E7-0102GG		1	61E7-0103GG		S017-30085D	6	S205-30100B	10
64QB-30601			#0025-				1			S017-30080D	4		
3.03	2.60	64QB-30700	#0009-	61E7-0102GG		1	61E7-0103GG		S017-30085D	6	S205-30100B	10	
						1			S017-30080D	4			
3.20	2.78	64QB-30800	#0009-	61E7-0102GG		1	61E7-0103GG		S017-30085D	6	S205-30100B	10	
						1			S017-30080D	4			
3.60	3.15	64NB-30900BG		61E7-0102GG		1	61E7-0103GG		S017-30080D	6	S205-30100B	10	
						1			S017-30075D	4			
2.20*1	1.80	65QB-30200	#0009-	64QA-31400		1	61QA-31400		S017-30075D	6	S205-30100B	6	
2.31*1	2.04	67QB-30500	#0025-	64QA-31400		1	61QA-31400		S017-30075D	6	S205-30100B	6	
R800LC-7A	4.53	3.95	61ND-30500		61EF-00281		1	61EF-00291		S017-331056	12	S205-331006	12
	3.40	3.00	61ND-30101		61EF-00281		1	61EF-00291		S017-331056	12	S205-331006	12
	4.80	4.19	61ND-30600		61EF-00281		1	61EF-00291		S017-331056	12	S205-331006	12
	5.10	4.44	61ND-30700		61EF-00281		1	61EF-00291		S017-331056	12	S205-331006	12

*Heavy duty bucket

*2Wear-resistant

General bucket



Mini excavator

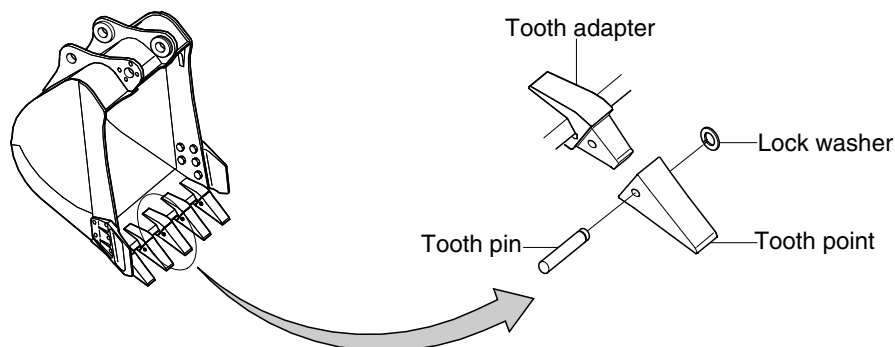
Model	Capacity (m ³)		Bucket assy	Side cutter (LH)		Side cutter (RH)		Bolt		Nut	
	SAE	CECE		Part no.	Qty	Part no.	Qty	Part no.	Qty	Part no.	Qty
R16-9	0.04	0.03	61MJ-30000	61MJ-30020	1	61MJ-30030	1	S017-120406	6	S205-121006	6
R27Z-9	0.08	0.07	61MK-30000	61MK-30210	1	61MK-30220	1	S017-120406	6	S205-121006	6
R35Z-7	0.11	0.09	61MH-31001	61MH-31250	1	61MH-31260	1	S017-16040D	6	S205-161006	6
R35Z-7A	0.11	0.09	61MH-31001	61MH-31250	1	61MH-31260	1	S017-16040D	6	S205-161006	6
R35Z-9	0.11	0.09	61MH-31001GG	61MH-31250GG	1	61MH-31260GG	1	S017-16040D	6	S205-161006	6
R55-3 R55W-3	0.06	0.05	61M6-51600 61M6-51601 -#1139 -#1140-	61M5-30270	1	61M5-30280	1	S017-160452	6	S205-161002	6
	0.18*1	0.15	61M6-51120 61M6-51121 -#1139 -#1140-	61M5-30270	1	61M5-30280	1	S017-160452	6	S205-161002	6
	0.18*2	0.15	61M6-51170 61M6-51171 -#1139 -#1140-	61M5-30270	1	61M5-30280	1	S017-160452	6	S205-161002	6
R55-7 R55W-7	0.18	0.15	61M8-30000	61M5-30270	1	61M5-30280	1	S017-160452	6	S205-161002	6
R55-7	0.07	0.06	61M8-33000	61M5-30270	1	61M5-30280	1	S017-160452	6	S205-161002	6
	0.18	0.15	61M8-38000	61M5-30270	1	61M5-30280	1	S017-160452	6	S205-161002	6
R55-7A	0.07	0.06	61M8-39000	61M5-30270	1	61M5-30280	1	S017-160452	6	S205-161002	6
	0.18	0.15	61M8-38000GG	61M9-35510	1	61M9-35520	1	S017-16045D	6	S205-16100B	6
R55-9	0.18*3	0.15	61M9-34000 #0504-	61M9-35510	1	61M9-35520	1	S017-16045D	6	S205-16100B	6
	0.07	0.06	61M8-39000GG	61M5-30270GG	1	61M5-30280GG	1	S017-16045D	6	S205-16100B	6
	0.18	0.15	61M8-38000	61M5-30270	1	61M5-30280	1	S017-16045D	6	S205-16100B	6
R55W-7A	0.07	0.06	61M8-39000	61M5-30270	1	61M5-30280	1	S017-16045D	6	S205-16100B	6
	0.18	0.15	61M8-38000GG	61M5-30270GG	1	61M5-30280GG	1	S017-16045D	6	S205-16100B	6
R55W-9	0.18*3	0.15	61M9-34000 #0266-	61M9-35510	1	61M9-35520	1	S017-16045D	6	S205-16100B	6
	0.07	0.06	61M8-39000GG	61M5-30270GG	1	61M5-30280GG	1	S017-16045D	6	S205-16100B	6
	0.18	0.15	61M8-38000GG	61M5-30270GG	1	61M5-30280GG	1	S017-16045D	6	S205-16100B	6

*130" Width

*224" Width

*3Heavy duty

General bucket



Hydraulic excavator

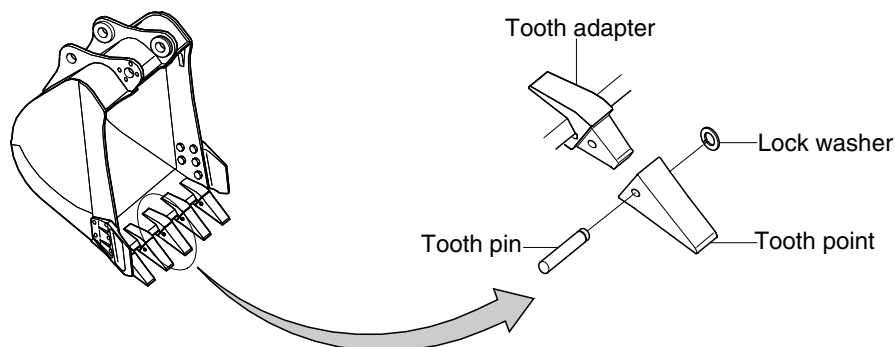
Model	Capacity (m ³)		Bucket assy	Tooth adapter		Tooth point		Tooth pin		Lock washer						
	SAE	CECE		Part no.	Qty	Part no.	Qty	Part no.	Qty	Part no.	Qty					
R110-7	0.30	0.27	61N3-32000	-#0392	E161-3017	-#0392	3	E161-3027	-#0392	3	E161-3035	-#0392	3	61E5-11150	-#0392	3
			61N3-32001	#0393-0457	61N4-31200	#0393-	61N4-31210	#0393-0457	66N4-30350	#0393-	66N4-11150	#0393-0472				
	62N3-32000	#0458-	61N4-3120BG	#0458-	61N4-31210BG	#0458-	61E5-11150	#0473-								
	0.40	0.35	61N3-33000	-#0392	E161-3017	-#0392	4	E161-3027	-#0392	4	E161-3035	-#0392	4	61E5-11150	-#0392	4
			61N3-33001	#0393-0457	61N4-31200	#0393-	61N4-31210	#0393-0457	66N4-30350	#0393-	66N4-11150	#0393-0472				
62N3-33000	#0458-	61N4-3120BG	#0458-	61N4-31210BG	#0458-	61E5-11150	#0473-									
0.45	0.40	61N3-31001	-#0392	E161-3017	-#0392	4	E161-3027	-#0392	4	E161-3035	-#0392	4	61E5-11150	-#0392	4	
		61N3-31002	#0393-0457	61N4-31200	#0393-	61N4-31210	#0393-0457	66N4-30350	#0393-	66N4-11150	#0393-0472					
62N3-31000	#0458-	61N4-3120BG	#0458-	61N4-31210BG	#0458-	61E5-11150	#0473-									
0.50	0.45	61N3-34000	-#0392	E161-3017	-#0392	4	E161-3027	-#0392	4	E161-3035	-#0392	4	61E5-11150	-#0392	4	
		61N3-34001	#0393-0457	61N4-31200	#0393-	61N4-31210	#0393-0457	66N4-30350	#0393-	66N4-11150	#0393-0472					
62N3-34000	#0458-	61N4-3120BG	#0458-	61N4-31210BG	#0458-	61E5-11150	#0473-									
0.59	0.52	61N3-35000	-#0392	E161-3017	-#0392	5	E161-3027	-#0392	5	E161-3035	-#0392	5	61E5-11150	-#0392	5	
		61N3-35001	#0393-0457	61N4-31200	#0393-	61N4-31210	#0393-0457	66N4-30350	#0393-	66N4-11150	#0393-0472					
62N3-35000	#0458-	61N4-3120BG	#0458-	61N4-31210BG	#0458-	61E5-11150	#0473-									
R110-7A	0.30	0.27	62N3-32000		61N4-31200	3	61N4-31210BG	3	66N4-30350	3	66N4-11150	3				
	0.40	0.35	62N3-33000		61N4-31200	4	61N4-31210BG	4	66N4-30350	4	66N4-11150	4				
	0.45	0.40	62N3-31000		61N4-31200	4	61N4-31210BG	4	66N4-30350	4	66N4-11150	4				
	0.50	0.45	62N3-34000		61N4-31200	4	61N4-31210BG	4	66N4-30350	4	66N4-11150	4				
	0.59	0.52	62N3-35000		61N4-31200	5	61N4-31210BG	5	66N4-30350	5	66N4-11150	5				
R130LC R130LC-3 R130LCM-3 R120W R130W	0.22	0.20	61E3-3200* ²		E161-3017	3	E161-3027	3	E161-3035	3	S411-180002	3				
			61E3-32001* ³		E161-3017	3	E161-3027	3	E161-3035	3	S411-180002	3				
	0.40	0.35	61E3-3201* ²		E161-3017	4	E161-3027	4	E161-3035	4	S411-180002	4				
			61E3-32011* ³		E161-3017	4	E161-3027	4	E161-3035	4	S411-180002	4				
	0.46	0.40	61E3-3202* ²		E161-3017	4	E161-3027	4	E161-3035	4	S411-180002	4				
			61E3-32021* ³		E161-3017	4	E161-3027	4	E161-3035	4	S411-180002	4				
	0.51	0.45	61E3-3100* ²		E161-3017	5	E161-3027	5	E161-3035	5	S411-180002	5				
			61E3-31001* ³		E161-3017	5	E161-3027	5	E161-3035	5	S411-180002	5				
	0.56	0.50	63E6-30000* ⁴		E161-3017	5	E161-3027	5	E161-3035	5	61E5-11150	5				
	0.58	0.50	61E3-3203* ²		E161-3017	5	E161-3027	5	E161-3035	5	S411-180002	5				
61E3-32031* ³				E161-3017	5	E161-3027	5	E161-3035	5	S411-180002	5					
0.63	0.55	61E3-3204* ²		E161-3017	5	E161-3027	5	E161-3035	5	S411-180002	5					
		61E3-32041* ³		E161-3017	5	E161-3027	5	E161-3035	5	S411-180002	5					
0.68	0.60	63E6-33000		E161-3017	5	E161-3027	5	E161-3035	5	61E5-11150	5					
0.70	0.60	62E3-36000		E161-3017	5	E161-3027	5	E161-3035	5	61E5-11150	5					
0.76* ¹	0.65	62E3-3205* ²		E161-3017	6	E161-3027	6	E161-3035	6	S411-180002	6					
		62E3-32051* ³		E161-3017	6	E161-3027	6	E161-3035	6	S411-180002	6					

*1Crawler type only

Applicable machine serial No.

-	Model	Serial No.	Model	Serial No.
*2	R130LC-3, R130LCM-3	-#1312	R130LC, R120W, R130W	#0001-
*3	R130LC-3, R130LCM-3	#1313-	-	
*4	R130LC-3, R130LCM-3	#1503-	-	

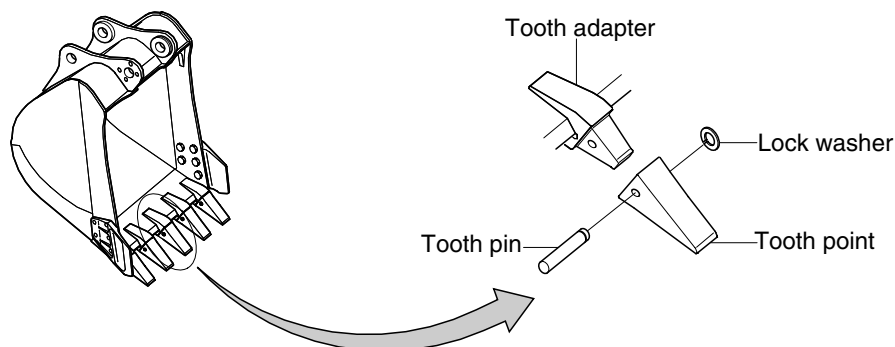
General bucket



Hydraulic excavator

Model	Capacity (m ³)		Bucket assy	Tooth adapter		Tooth point		Tooth pin		Lock washer	
	SAE	CECE		Part no.	Qty	Part no.	Qty	Part no.	Qty	Part no.	Qty
R130W-3	0.22	0.20	61E3-32001	E161-3017	3	E161-3027	3	E161-3035	3	61E5-11150	3
	0.40	0.35	61E3-32011	E161-3017	4	E161-3027	4	E161-3035	4	61E5-11150	4
	0.46	0.40	61E3-32021	E161-3017	4	E161-3027	4	E161-3035	4	61E5-11150	4
	0.51	0.45	61E3-31001	E161-3017	5	E161-3027	5	E161-3035	5	61E5-11150	5
	0.58	0.50	61E3-32031	E161-3017	5	E161-3027	5	E161-3035	5	61E5-11150	5
	0.63	0.55	61E3-32041	E161-3017	5	E161-3027	5	E161-3035	5	61E5-11150	5
	0.70	0.60	61E3-32051	E161-3017	6	E161-3027	6	E161-3035	6	61E5-11150	6
R140LC-7	0.58	0.50	61N4-31000 #1939	E161-3017 #2800	5	E161-3027 #2800	5	E161-3035 #2800	5	61E5-11150 #2800	5
			61N4-31001 #1940-2800	61N4-31200 #2801-2947	4	61N4-31210 #2801-2947	4	66N4-30350 #2801-2947	4	66N4-11150 #2801-2947	4
			61N4-31002 #2801-2947	61N4-31200 #2948-	5	61N4-31210BG #2948-	5	66N4-30350 #2948-	5	66N4-11150 #2948-2966	5
			66N4-31000 #2948-					61E5-11150 #2967-	5		
	0.23	0.20	61N4-32000 #1939	E161-3017 #2800	3	E161-3027 #2800	3	E161-3035 #2800	3	61E5-11150 #2800	3
			61N4-32001 #1940-2800	61N4-31200 #2801-2947	4	61N4-31210 #2801-2947	4	66N4-30350 #2801-2947	4	66N4-11150 #2801-2947	4
			61N4-32002 #2801-2947	61N4-31200 #2948-	5	61N4-31210BG #2948-	3	66N4-30350 #2948-	3	66N4-11150 #2948-2966	3
			66N4-32000 #2948-					61E5-11150 #2967-	3		
	0.40	0.35	61N4-33000 #1939	E161-3017 #2800	4	E161-3027 #2800	4	E161-3035 #2800	4	61E5-11150 #2800	4
			61N4-33001 #1940-2800	61N4-31200 #2801-		61N4-31210 #2801-2947	4	66N4-30350 #2801-2947	4	66N4-11150 #2801-2966	4
			61N4-33002 #2801-2947	61N4-31200 #2801-		61N4-31210BG #2948-	4	66N4-30350 #2948-	4	61E5-11150 #2967-	4
			66N4-33000 #2948-								
	0.46	0.40	61N4-34000 #1939	E161-3017 #2800	4	E161-3027 #2800	4	E161-3035 #2800	4	61E5-11150 #2800	4
			61N4-34001 #1940-2800	61N4-31200 #2801-		61N4-31210 #2801-2947	4	66N4-30350 #2801-2947	4	66N4-11150 #2801-2966	4
61N4-34002 #2801-2947			61N4-31200 #2801-		61N4-31210BG #2948-	4	66N4-30350 #2948-	4	61E5-11150 #2967-	4	
66N4-34000 #2948-											
0.52	0.45	61N4-35000 #1939	E161-3017 #2800	5	E161-3027 #2800	5	E161-3035 #2800	5	61E5-11150 #2800	5	
		61N4-35001 #1940-2800	61N4-31200 #2801-2947	4	61N4-31210 #2801-2947	4	66N4-30350 #2801-2947	4	66N4-11150 #2801-2947	4	
		61N4-35002 #2801-2947	61N4-31200 #2948-	5	61N4-31210BG #2948-	5	66N4-30350 #2948-	5	66N4-11150 #2948-2966	5	
		66N4-35000 #2948-					61E5-11150 #2967-	5			
0.65	0.55	61N4-36000 #1939	E161-3017 #2800	5	E161-3027 #2800	5	E161-3035 #2800	5	61E5-11150 #2800	5	
		61N4-36001 #1940-2800	61N4-31200 #2801-2947	4	61N4-31210 #2801-2947	4	66N4-30350 #2801-2947	4	66N4-11150 #2801-2947	4	
		61N4-36002 #2801-2947	61N4-31200 #2948-	5	61N4-31210BG #2948-	5	66N4-30350 #2948-	5	66N4-11150 #2948-2966	5	
		66N4-36000 #2948-					61E5-11150 #2967-	5			
0.71	0.60	61N4-37000 #1939	E161-3017 #2800	5	E161-3027 #2800	5	E161-3035 #2800	5	61E5-11150 #2800	5	
		61N4-37001 #1940-2800	61N4-31200 #2801-2947	4	61N4-31210 #2801-2947	4	66N4-30350 #2801-2947	4	66N4-11150 #2801-2947	4	
		61N4-37002 #2801-2947	61N4-31200 #2948-	5	61N4-31210BG #2948-	5	66N4-30350 #2948-	5	66N4-11150 #2948-2966	5	
		66N4-37000 #2948-					61E5-11150 #2967-	5			

General bucket

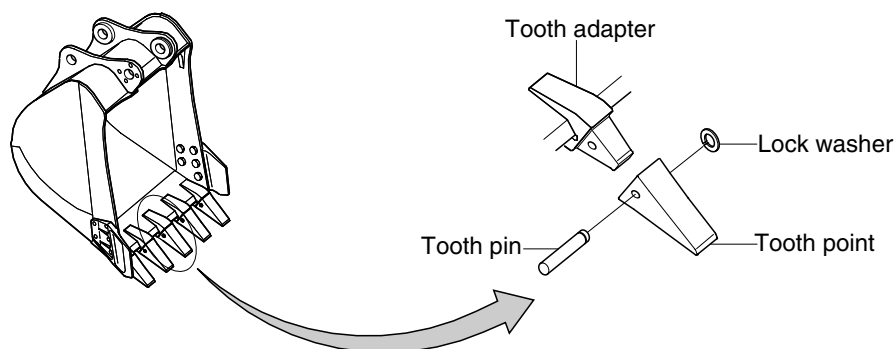


Hydraulic excavator

Model	Capacity (m ³)		Bucket assy	Tooth adapter		Tooth point		Tooth pin		Lock washer		
	SAE	CECE		Part no.	Qty	Part no.	Qty	Part no.	Qty	Part no.	Qty	
R140LC-7A	0.58	0.50	66N4-31000	61N4-31200	5	61N4-31210BG	5	66N4-30350	5	66N4-11150 61E5-11150	-#0210 #0211-	5
	0.23	0.20	66N4-32000	61N4-31200	3	61N4-31210BG	3	66N4-30350	3	66N4-11150 61E5-11150	-#0210 #0211-	3
	0.40	0.35	66N4-33000	61N4-31200	4	61N4-31210BG	4	66N4-30350	4	66N4-11150 61E5-11150	-#0210 #0211-	4
	0.46	0.40	66N4-34000	61N4-31200	4	61N4-31210BG	4	66N4-30350	4	66N4-11150 61E5-11150	-#0210 #0211-	4
	0.52	0.45	66N4-35000	61N4-31200	5	61N4-31210BG	5	66N4-30350	5	66N4-11150 61E5-11150	-#0210 #0211-	5
	0.65	0.55	66N4-36000	61N4-31200	5	61N4-31210BG	5	66N4-30350	5	66N4-11150 61E5-11150	-#0210 #0211-	5
	0.71	0.60	66N4-37000	61N4-31200	5	61N4-31210BG	5	66N4-30350	5	66N4-11150 61E5-11150	-#0210 #0211-	5
R140LC-9	0.58	0.50	66N4-31000GG	61N4-31200	5	61N4-31210GG	5	66N4-30350	5	61E5-11150		5
	0.58*1	0.50	64Q4-35000 #0088-	61N4-31200	5	61N4-31210GG	5	66N4-30350	5	61E5-11150		5
	0.23	0.20	66N4-32000GG	61N4-31200	3	61N4-31210GG	3	66N4-30350	3	61E5-11150		3
	0.40	0.35	66N4-33000GG	61N4-31200	4	61N4-31210GG	4	66N4-30350	4	61E5-11150		4
	0.46	0.40	66N4-34000GG	61N4-31200	4	61N4-31210GG	4	66N4-30350	4	61E5-11150		4
	0.52	0.45	66N4-35000GG	61N4-31200	5	61N4-31210GG	5	66N4-30350	5	61E5-11150		5
	0.65	0.55	66N4-36000GG	61N4-31200	5	61N4-31210GG	5	66N4-30350	5	61E5-11150		5
	0.71	0.60	66N4-37000GG	61N4-31200	5	61N4-31210GG	5	66N4-30350	5	61E5-11150		5
0.73*1	0.62	64Q4-36000	61N4-31200	5	61N4-31210GG	5	66N4-30350	5	61E5-11150		5	
R140W-7	0.58	0.50	61N4-31000 #0239	E161-3017 #0556	5	E161-3027 #0556	5	E161-3035 #0556	5	61E5-11150 #0556		5
			61N4-31001 #0240-0556	61N4-31200 #0557-0614	4	61N4-31210 #0557-0614	4	66N4-30350 #0557-0614	4	66N4-11150 #0557-0630		4
			61N4-31002 #0557-0614	61N4-31200 #0615-	5	61N4-31210BG #0615-	4	66N4-30350 #0615-	5	66N4-11150 #0615-0630		5
			66N4-31000 #0615-							61E5-11150 #0631-		5
	0.23	0.20	61N4-32000 #0239	E161-3017 #0556	3	E161-3027 #0556	3	E161-3035 #0556	3	61E5-11150 #0556		3
			61N4-32001 #0240-0556	61N4-31200 #0557-0614	4	61N4-31210 #0557-0614	4	66N4-30350 #0557-0614	4	66N4-11150 #0557-0630		4
			61N4-32002 #0557-0614	61N4-31200 #0615-	3	61N4-31210BG #0615-	4	66N4-30350 #0615-	3	66N4-11150 #0615-0630		4
			66N4-32000 #0615-							61E5-11150 #0631-		3
	0.40	0.35	61N4-33000 #0239	E161-3017 #0556	4	E161-3027 #0556	4	E161-3035 #0556	4	61E5-11150 #0556		4
			61N4-33001 #0240-0556	61N4-31200 #0557-		61N4-31210 #0557-0614	4	66N4-30350 #0557-	4	66N4-11150 #0557-0630		4
			61N4-33002 #0557-0614			61N4-31210BG #0615-				61E5-11150 #0631-		4
			66N4-33000 #0615-									
	0.46	0.40	61N4-34000 #0239	E161-3017 #0556	4	E161-3027 #0556	4	E161-3035 #0556	4	61E5-11150 #0556		4
			61N4-34001 #0240-0556	61N4-31200 #0557-		61N4-31210 #0557-0614	4	66N4-30350 #0557-	4	66N4-11150 #0557-0630		4
61N4-34002 #0557-0614					61N4-31210BG #0615-				61E5-11150 #0631-		4	
66N4-34000 #0615-												
0.52	0.45	61N4-35000 #0239	E161-3017 #0556	5	E161-3027 #0556	5	E161-3035 #0556	5	61E5-11150 #0556		5	
		61N4-35001 #0240-0556	61N4-31200 #0557-	4	61N4-31210 #0557-0614	4	66N4-30350 #0557-	4	66N4-11150 #0557-0630		4	
		61N4-35002 #0557-0614			61N4-31210BG #0615-	4			61E5-11150 #0631-		4	
		66N4-35000 #0615-										
0.65	0.55	61N4-36000 #0239	E161-3017 #0556	5	E161-3027 #0556	5	E161-3035 #0556	5	61E5-11150 #0556		5	
		61N4-36001 #0240-0556	61N4-31200 #0557-	4	61N4-31210 #0557-0614	4	66N4-30350 #0557-	4	66N4-11150 #0557-0630		4	
		61N4-36002 #0557-0614			61N4-31210BG #0615-	4			61E5-11150 #0631-		4	
		66N4-36000 #0615-										
0.71	0.60	61N4-37000 #0239	E161-3017 #0556	5	E161-3027 #0556	5	E161-3035 #0556	5	61E5-11150 #0556		5	
		61N4-37001 #0240-0556	61N4-31200 #0557-	4	61N4-31210 #0557-0614	4	66N4-30350 #0557-	4	66N4-11150 #0557-0630		4	
		61N4-37002 #0557-0614			61N4-31210BG #0615-	4			61E5-11150 #0631-		4	
		66N4-37000 #0615-										

*Heavy duty bucket

General bucket

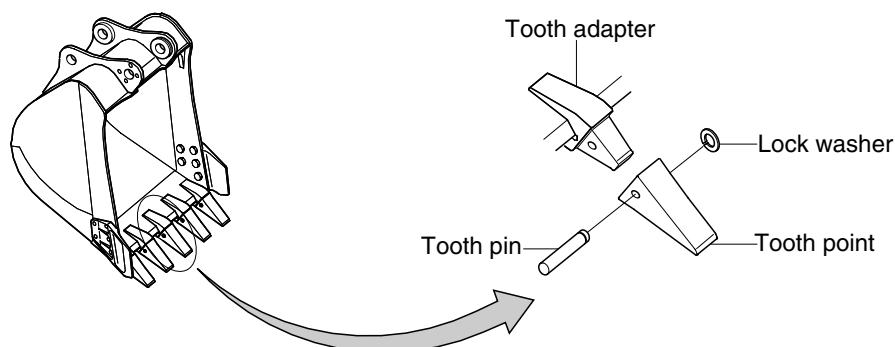


Hydraulic excavator

Model	Capacity (m ³)		Bucket assy	Tooth adapter		Tooth point		Tooth pin		Lock washer		
	SAE	CECE		Part no.	Qty	Part no.	Qty	Part no.	Qty	Part no.	Qty	
R140W-7A	0.58	0.50	66N4-31000	61N4-31200	5	61N4-31210BG	5	66N4-30350	5	66N4-11150 61E5-11150	-#0099 #0100-	5
	0.23	0.20	66N4-32000	61N4-31200	3	61N4-31210BG	3	66N4-30350	3	66N4-11150 61E5-11150	-#0099 #0100-	3
	0.40	0.35	66N4-33000	61N4-31200	4	61N4-31210BG	4	66N4-30350	4	66N4-11150 61E5-11150	-#0099 #0100-	4
	0.46	0.40	66N4-34000	61N4-31200	4	61N4-31210BG	4	66N4-30350	4	66N4-11150 61E5-11150	-#0099 #0100-	4
	0.52	0.45	66N4-35000	61N4-31200	5	61N4-31210BG	5	66N4-30350	5	66N4-11150 61E5-11150	-#0099 #0100-	5
	0.65	0.55	66N4-36000	61N4-31200	5	61N4-31210BG	5	66N4-30350	5	66N4-11150 61E5-11150	-#0099 #0100-	5
	0.71	0.60	66N4-37000	61N4-31200	5	61N4-31210BG	5	66N4-30350	5	66N4-11150 61E5-11150	-#0099 #0100-	5
R140W-9	0.58	0.50	66N4-31000GG	61N4-31200	5	61N4-31210GG	5	66N4-30350	5	61E5-11150		5
	0.58*1	0.50	64Q4-35000 #0044-	61N4-31200	5	61N4-31210GG	5	66N4-30350	5	61E5-11150		5
	0.23	0.20	66N4-32000GG	61N4-31200	3	61N4-31210GG	3	66N4-30350	3	61E5-11150		3
	0.40	0.35	66N4-33000GG	61N4-31200	4	61N4-31210GG	4	66N4-30350	4	61E5-11150		4
	0.46	0.40	66N4-34000GG	61N4-31200	4	61N4-31210GG	4	66N4-30350	4	61E5-11150		4
	0.52	0.45	66N4-35000GG	61N4-31200	5	61N4-31210GG	5	66N4-30350	5	61E5-11150		5
	0.65	0.55	66N4-36000GG	61N4-31200	5	61N4-31210GG	5	66N4-30350	5	61E5-11150		5
	0.71	0.60	66N4-37000GG	61N4-31200	5	61N4-31210GG	5	66N4-30350	5	61E5-11150		5
0.73*1	0.62	64Q4-36000	61N4-31200	5	61N4-31210GG	5	66N4-30350	5	61E5-11150		5	
R160LC-3	0.39	0.35	61EK-31001	E161-3017	3	E161-3027	3	E161-3035	3	61E5-11150		3
	0.57	0.50	61EK-32001	E161-3017	4	E161-3027	4	E161-3035	4	61E5-11150		4
	0.65	0.55	61EK-35001	E161-3017	5	E161-3027	5	E161-3035	5	61E5-11150		5
	0.69*1	0.60	62EK-33000 #0184-	E161-3017	5	E161-3027	5	E161-3035	5	61E5-11150		5
	0.70	0.60	61EK-30001	E161-3017	5	E161-3027	5	E161-3035	5	61E5-11150		5
	0.80	0.70	61EK-33001	E161-3017	5	E161-3027	5	E161-3035	5	61E5-11150		5

*1Heavy duty bucket

General bucket

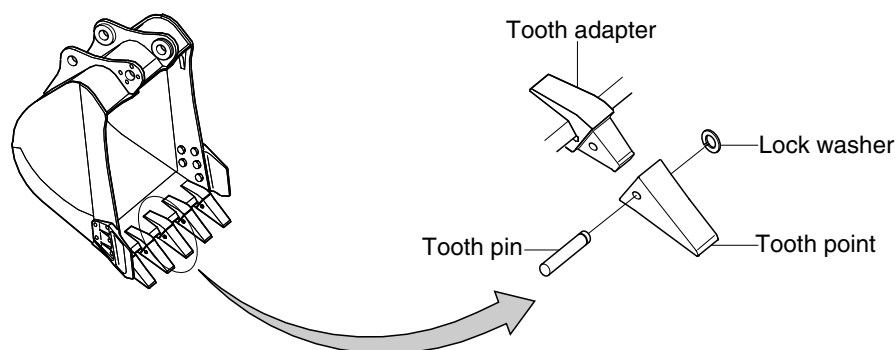


Hydraulic excavator

Model	Capacity (m ³)		Bucket assy		Tooth adapter		Tooth point		Tooth pin		Lock washer			
	SAE	CECE			Part no.	Qty	Part no.	Qty	Part no.	Qty	Part no.	Qty		
R160LC-7	0.39	0.34	61N5-32000 66N5-32000	-#0900 #0901-	E161-3017 61N6-31320	-#0900 #0901-	3	E161-3027 61N6-31310BG	-#0900 #0901-	3	E161-3035	3	61E5-11150	3
	0.50	0.44	61N5-33000 66N5-33000	-#0900 #0901-	E161-3017 61N6-31320	-#0900 #0901-	4	E161-3027 61N6-31310BG	-#0900 #0901-	4	E161-3035	4	61E5-11150	4
	0.64	0.55	61N5-34000 66N5-34000	-#0900 #0901-	E161-3017 61N6-31320	-#0900 #0901-	5	E161-3027 61N6-31310BG	-#0900 #0901-	5	E161-3035	5	61E5-11150	5
	0.69* ¹	0.62	62N5-30000 66N5-38000	-#0900 #0901-	E161-3017 61N6-31320	-#0900 #0901-	5	E161-3027 61N6-31310BG	-#0900 #0901-	5	E161-3035	5	61E5-11150	5
	0.70	0.60	61N5-30000 66N5-30000	-#0900 #0901-	E161-3017 61N6-31320	-#0900 #0901-	5	E161-3027 61N6-31310BG	-#0900 #0901-	5	E161-3035	5	61E5-11150	5
	0.89	0.77	61N5-36000 66N5-36000	-#0900 #0901-	E161-3017 61N6-31320	-#0900 #0901-	6	E161-3027 61N6-31310BG	-#0900 #0901-	6	E161-3035	6	61E5-11150	6
R160LC-7A	0.39	0.34	66N5-32000		61N6-31320		3	61N6-31310BG		3	E161-3035	3	61E5-11150	3
	0.50	0.44	66N5-33000		61N6-31320		4	61N6-31310BG		4	E161-3035	4	61E5-11150	4
	0.64	0.55	66N5-34000		61N6-31320		5	61N6-31310BG		5	E161-3035	5	61E5-11150	5
	0.69* ¹	0.62	66N5-38000		61N6-31320		5	61N6-31310BG		5	E161-3035	5	61E5-11150	5
	0.70	0.60	66N5-30000		61N6-31320		5	61N6-31310BG		5	E161-3035	5	61E5-11150	5
	0.89	0.77	66N5-36000		61N6-31320		6	61N6-31310BG		6	E161-3035	6	61E5-11150	6
R160LC-9	0.39	0.34	61Q5-32000		61N6-31320		3	61N6-31310GG		3	E161-3035	3	61E5-11150	3
	0.50	0.44	61Q5-33000		61N6-31320		4	61N6-31310GG		4	E161-3035	4	61E5-11150	4
	0.64	0.55	61Q5-34000		61N6-31320		5	61N6-31310GG		5	E161-3035	5	61E5-11150	5
	0.69* ¹	0.62	61Q5-38000		61N6-31320		5	61N6-31310GG		5	E161-3035	5	61E5-11150	5
	0.70	0.60	61Q5-30000		61N6-31320		5	61N6-31310GG		5	E161-3035	5	61E5-11150	5
	0.72* ¹	0.60	61Q5-35000		61N6-31320		5	61N6-31310GG		5	E161-3035	5	61E5-11150	5
	0.76	0.65	61Q5-31000		61N6-31320		5	61N6-31310GG		5	E161-3035	5	61E5-11150	5
	0.89	0.77	61Q5-36000		61N6-31320		6	61N6-31310GG		6	E161-3035	6	61E5-11150	6
1.05	0.90	61Q5-37000		61N6-31320		6	61N6-31310GG		6	E161-3035	6	61E5-11150	6	

*¹Heavy duty bucket

General bucket



Hydraulic excavator

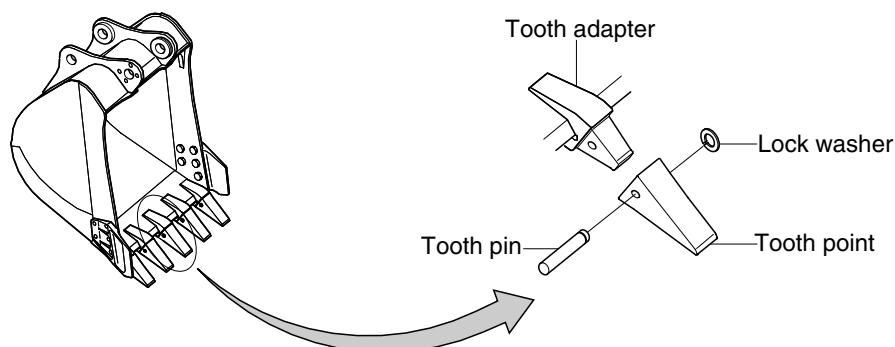
Model	Capacity (m ³)		Bucket assy	Tooth adapter		Tooth point		Tooth pin		Lock washer	
	SAE	CECE		Part no.	Qty	Part no.	Qty	Part no.	Qty	Part no.	Qty
R180LC-3 R170W-3	0.39	0.35	61EK-31000* ² 61EK-31001* ³	E161-3017	3	E161-3027	3	E161-3035	3	61E5-11150	3
	0.57	0.50	61EK-32000* ² 61EK-32001* ³	E161-3017	4	E161-3027	4	E161-3035	4	61E5-11150	4
	0.69	0.60	62EK-33000* ⁴	E161-3017	5	E161-3027	5	E161-3035	5	61E5-11150	5
	0.70	0.60	61EK-30000* ² 61EK-30001* ³	E161-3017	5	E161-3027	5	E161-3035	5	61E5-11150	5
	0.80	0.70	61EK-33000* ² 61EK-33001* ³	E161-3017	5	E161-3027	5	E161-3035	5	61E5-11150	5
	1.03	0.90	61EK-34000* ² 61EK-34001* ³	E161-3017	6	E161-3027	6	E161-3035	6	61E5-11150	6
R180LC-7 R170W-7	0.76	0.65	61N5-31000* ⁵ 66N5-31000* ⁶	E161-3017* ⁵ 61N6-31320* ⁶	5	E161-3027* ⁵ 61N6-31310BG* ⁶	5	E161-3035	5	61E5-11150	5
	0.39	0.34	61N5-32000* ⁵ 66N5-32000* ⁶	E161-3017* ⁵ 61N6-31320* ⁶	3	E161-3027* ⁵ 61N6-31310BG* ⁶	3	E161-3035	3	61E5-11150	3
	0.50	0.44	61N5-33000* ⁵ 66N5-33000* ⁶	E161-3017* ⁵ 61N6-31320* ⁶	4	E161-3027* ⁵ 61N6-31310BG* ⁶	4	E161-3035	4	61E5-11150	4
	0.64	0.55	61N5-34000* ⁵ 66N5-34000* ⁶	E161-3017* ⁵ 61N6-31320* ⁶	5	E161-3027* ⁵ 61N6-31310BG* ⁶	5	E161-3035	5	61E5-11150	5
	0.89	0.77	61N5-36000* ⁵ 66N5-36000* ⁶	E161-3017* ⁵ 61N6-31320* ⁶	6	E161-3027* ⁵ 61N6-31310BG* ⁶	6	E161-3035	6	61E5-11150	6
	1.05	0.90	61N5-37000* ⁵ 66N5-37000* ⁶	E161-3017* ⁵ 61N6-31320* ⁶	6	E161-3027* ⁵ 61N6-31310BG* ⁶	6	E161-3035	6	61E5-11150	6
	0.69* ¹	0.62	62N5-30000* ⁵ 66N5-38000* ⁶	E161-3017* ⁵ 61N6-31320* ⁶	5	E161-3027* ⁵ 61N6-31310BG* ⁶	5	E161-3035	5	61E5-11150	5
R180LC-7A R170W-7A	0.76	0.65	66N5-31000	61N6-31320	5	61N6-31310BG	5	E161-3035	5	61E5-11150	5
	0.39	0.34	66N5-32000	61N6-31320	3	61N6-31310BG	3	E161-3035	3	61E5-11150	3
	0.50	0.44	66N5-33000	61N6-31320	4	61N6-31310BG	4	E161-3035	4	61E5-11150	4
	0.64	0.55	66N5-34000	61N6-31320	5	61N6-31310BG	5	E161-3035	5	61E5-11150	5
	0.89	0.77	66N5-36000	61N6-31320	6	61N6-31310BG	6	E161-3035	6	61E5-11150	6
	1.05	0.90	66N5-37000	61N6-31320	6	61N6-31310BG	6	E161-3035	6	61E5-11150	6
	0.69* ¹	0.62	66N5-38000	61N6-31320	5	61N6-31310BG	5	E161-3035	5	61E5-11150	5

*¹Heavy duty bucket

Applicable machine serial No.

-	Model	Serial No.	Model	Serial No.
* ²	R180LC-3	-#0456	R170W-3	-#0173
* ³	R180LC-3	#0457-	R170W-3	#0174-
* ⁴	R180LC-3	#0422-	R170W-3	#0202-
* ⁵	R180LC-7	-#1255	R170W-7	-#0445
* ⁶	R180LC-7	#1256-	R170W-7	#0446-

General bucket



Hydraulic excavator

Model	Capacity (m ³)		Bucket assy	Tooth adapter		Tooth point		Tooth pin		Lock washer	
	SAE	CECE		Part no.	Qty	Part no.	Qty	Part no.	Qty	Part no.	Qty
R180LC-9 R170W-9	0.39	0.34	61Q5-32000	61N6-31320	3	61N6-31310GG	3	E161-3035	3	61E5-11150	3
	0.50	0.44	61Q5-33000	61N6-31320	4	61N6-31310GG	4	E161-3035	4	61E5-11150	4
	0.70	0.60	61Q5-30000	61N6-31320	5	61N6-31310GG	5	E161-3035	5	61E5-11150	5
	0.64	0.55	61Q5-34000	61N6-31320	5	61N6-31310GG	5	E161-3035	5	61E5-11150	5
	0.76	0.65	61Q5-31000	61N6-31320	5	61N6-31310GG	5	E161-3035	5	61E5-11150	5
	0.72* ²	0.60	61Q5-35000 #0005-	61N6-31320	5	61N6-31310GG	5	E161-3035	5	61E5-11150	5
	0.89	0.77	61Q5-36000	61N6-31320	6	61N6-31310GG	6	E161-3035	6	61E5-11150	6
	1.05	0.90	61Q5-37000	61N6-31320	6	61N6-31310GG	6	E161-3035	6	61E5-11150	6
0.69* ²	0.62	61Q5-38000	61N6-31320	5	61N6-31310GG	5	E161-3035	5	61E5-11150	5	
R200LC R210LC-3 R200W R200W-3	0.51	0.45	64E1-4003(20) ^{*5} 64E1-4003(30) ^{*6} 64E1-40031 ^{*7}	E161-3017	3	E161-3027	3	E161-3035	3	61E5-11150	3
	0.51* ¹	0.45	61E3-31001	E161-3017	5	E161-3027	5	E161-3035	5	61E5-11150	5
	0.72	0.60	61EM-33000 ^{*8}	E161-3017	5	E161-3027	5	E161-3035	5	61E5-11150	5
	0.80	0.70	63E1-3500 ^{*5} 63E1-3500(10) ^{*6} 63E1-35001 ^{*7}	E161-3017	5	E161-3027	5	E161-3035	5	61E5-11150	5
	0.82	0.70	61EM-34000 ^{*9}	E161-3017	5	E161-3027	5	E161-3035	5	61E5-11150	5
	0.87	0.75	63E1-3600(50) ^{*5} 63E1-3600(60) ^{*6} 63E1-36001 ^{*7}	E161-3017	5	E161-3027	5	E161-3035	5	61E5-11150	5
	0.92	0.80	64E1-4001(20) ^{*5} 64E1-4001(30) ^{*6} 64E1-40011 ^{*7}	E161-3017	5	E161-3027	5	E161-3035	5	61E5-11150	5
	1.05	0.90	64E1-4004(20) ^{*5} 64E1-4004(30) ^{*6} 64E1-40041 ^{*7}	E161-3017	5	E161-3027	5	E161-3035	5	61E5-11150	5
	1.16* ²	1.00	61EM-35000 ^{*8}	E161-3017	5	E161-3027	5	E161-3035	5	61E5-11150	5
	1.20	1.00	63E1-38009(10) ^{*5} 63E1-380 09(20) ^{*6} 63E1-38500 ^{*7}	E161-3017	5	E161-3027	5	E161-3035	5	61E5-11150	5
	1.34	1.15	64E1-4002(20) ^{*5} 64E1-4002(30) ^{*6} 64E1-40021 ^{*7}	E161-3017	6	E161-3027	6	E161-3035	6	61E5-11150	6

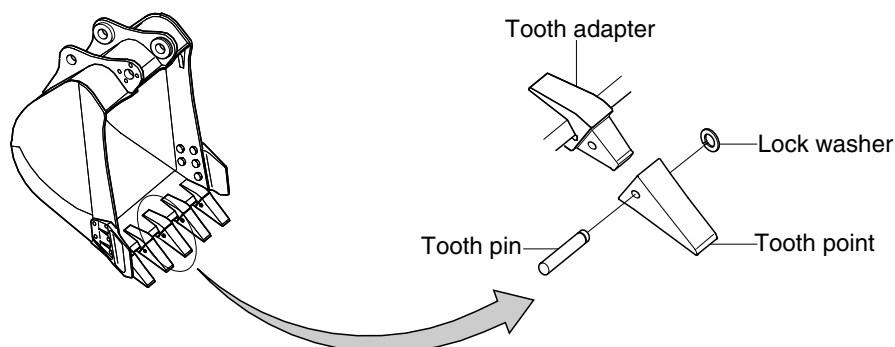
*1R210LC-3 Long reach

*2Heavy duty bucket

Applicable machine serial No.

-	Model	Serial No.	Model	Serial No.
*5	R210LC-3	-#0093	R200LC, R200W	#0001-
*6	R210LC-3	#0094-1226	-	
*7	R210LC-3	#1227-	R200W-3	#0001-
*8	R210LC-3	#1321-	-	
*9	R210LC-3	#1020-	-	

General bucket



Hydraulic excavator

Model	Capacity (m ³)		Bucket assy	Tooth adapter		Tooth point		Tooth pin		Lock washer	
	SAE	CECE		Part no.	Qty	Part no.	Qty	Part no.	Qty	Part no.	Qty
R210LC-7	0.92	0.80	61N6-31001 #0061 61N6-31002 #0062-2924 61N6-31003 #2925-7171 61N6-31003BG #7172-A677 61N6-31004BG #A678-	E161-3017 #2924 61N6-31320 #2925-A677 61Q6-31320 #A678-	5	E161-3027 #2924 61N6-31310 #2925-7171 61N6-31310BG #7172-A677 61Q6-31310 #A678-	5	E161-3035	5	61E5-11150	5
			66N6-31000BG #7104-A677 66N6-31001BG #A678-	61N6-31320 #7104-A677 61Q6-31320 #A678-	5	61N6-31310BG #7104-A677 61Q6-31310 #A678-	5	E161-3035	5	61E5-11150	5
	0.92 ^{*3}	0.80	67N6-31000BG #2885-9907 67N6-31001BG #9908-A716 67N6-31002BG #A717-	67N6-31320	5	61Q6-31310	5	E161-3035	5	61E5-11150	5
			61N6-32000 #2924 61N6-32001 #2925-7171 61N6-32001BG #7172-A677 61N6-32002BG #A678-	E161-3017 #2924 61N6-31320 #2925-A677 61Q6-31320 #A678-	3	E161-3027 #2924 61N6-31310 #2925-7171 61N6-31310BG #7172-A677 61Q6-31310 #A678-	3	E161-3035	3	61E5-11150	3
	0.92 ^{*4}	0.80	61N6-33000 #2924 61N6-33001 #2925-7171 61N6-33001BG #7172-A677 61N6-33002BG #A678-	E161-3017 #2924 61N6-31320 #2925-A677 61Q6-31320 #A677-	5	E161-3027 #2924 61N6-31310 #2925-7171 61N6-31310BG #7172-A677 61Q6-31310 #A678-	5	E161-3035	5	61E5-11150	5
			66N6-33000BG #7104-A677 66N6-33001BG #A678-	61N6-31320 #A677 61Q6-31320 #A678-	5	61N6-31310BG #A677 61Q6-31310 #A678-	5	E161-3035	5	61E5-11150	5
	0.80	0.70	61N6-39000 #1771-#2924 61N6-39001 #2925-7171 61N6-39001BG #7172-A677 61N6-39002BG #A678-	E161-3017 #2924 61N6-31320 #2925-A677 61Q6-31320 #A678-	5	E161-3027 #2924 61N6-31310 #2925-7171 61N6-31310BG #7172-A677 61Q6-31310 #A678-	5	E161-3035	5	61E5-11150	5
			61N6-34000 #0062-#2924 61N6-34001 #2925-7171 61N6-34001BG #7172-A677 61N6-34002BG #A678-	E161-3017 #2924 61N6-31320 #2925-A677 61Q6-31320 #A678-	5	E161-3027 #2924 61N6-31310 #2925-7171 61N6-31310BG #7172-A677 61Q6-31310 #A678-	5	E161-3035	5	61E5-11150	5
	0.80 ^{*3}	0.70	61N6-35000 #0062-#2924 61N6-35001 #2925-7171 61N6-35001BG #7172-A677 61N6-35002BG #A678-	E161-3017 #2924 61N6-31320 #2925-A677 61Q6-31320 #A678-	6	E161-3027 #2924 61N6-31310 #2925-7171 61N6-31310BG #7172-A677 61Q6-31310 #A678-	6	E161-3035	6	61E5-11150	6
			66N6-33000BG #7104-A677 66N6-33001BG #A678-	61N6-31320 #A677 61Q6-31320 #A678-	5	61N6-31310BG #A677 61Q6-31310 #A678-	5	E161-3035	5	61E5-11150	5
	1.10	0.96	63N6-39000 #4822-7171 63N6-39000BG #7172-	61N6-31320 #4822-A677 61Q6-31320 #A678-	5	61N6-31310 #4822-7171 61N6-31310BG #7172-A677 61Q6-31310 #A678-	5	E161-3035	5	61E5-11150	5
			61N6-39001BG #7172-A677 61N6-39002BG #A678-	61Q6-31320	5	61Q6-31310	5	E161-3035	5	61E5-11150	5
	1.20	1.00	61N4-35000 #0004-3220 61N4-35001 #3221-7101 61N4-35001BG #7102-7103 66N4-35000 #7104-	E161-3017 #7103 61N4-31200 #7104-	5	E161-3027 #7103 61N4-31210BG #7104-	5	E161-3035 #7103 66N4-30350 #7104-	5	61E5-11150	5
			62N6-31000 #0088-2924 62N6-31001 #2925-7171 62N6-31001BG #7172-A677 62N6-31002BG #A678-	E161-3017 #2924 61N6-31320 #2925-	5	E161-3027 #2924 61N6-31310 #2925-7171 61N6-31310BG #7172-	5	E161-3035	5	61E5-11150	5
0.74 ^{*2}	0.65	62N6-32000 #0088-2924 62N6-32001 #2925-7171 62N6-32001BG #7172-A677 62N6-32002BG #A678-	E161-3017 #2924 61N6-31320 #2925-	5	E161-3027 #2924 61N6-31310 #2925-7171 61N6-31310BG #7172-	5	E161-3035	5	61E5-11150	5	
		62N6-33000 #0088-2924 62N6-33001 #2925-7171 62N6-33001BG #7172-A677 62N6-33002BG #A678-	E161-3017 #2924 61N6-31320 #2925-	5	E161-3027 #2924 61N6-31310 #2925-7171 61N6-31310BG #7172-	5	E161-3035	5	61E5-11150	5	
0.90 ^{*2}	0.80	67N6-32000 #9908-	67N6-31320	5	61Q6-31310	5	E161-3035	5	61E5-11150	5	
		61N6-31000BG #7104-A677 61N6-31001BG #A678-	61N6-31320 #7104-A677 61Q6-31320 #A678-	5	61N6-31310BG #7104-A677 61Q6-31310 #A678-	5	E161-3035	5	61E5-11150	5	
1.05 ^{*2}	0.90	61N6-39001BG #7172-A677 61N6-39002BG #A678-	61N6-31320 #2925- 61Q6-31320 #A678-	5	E161-3027 #2924 61N6-31310 #2925-7171 61N6-31310BG #7172-	5	E161-3035	5	61E5-11150	5	
		61N6-39000BG #7172- 61N6-39001BG #A678-	61Q6-31320 #A678- 61Q6-31320 #A678-	5	61Q6-31310 #A678- 61Q6-31310 #A678-	5	E161-3035	5	61E5-11150	5	
1.05 ^{*4}	0.90	61N6-39001BG #7172-A677 61N6-39002BG #A678-	61N6-31320 #2925- 61Q6-31320 #A678-	5	E161-3027 #2924 61N6-31310 #2925-7171 61N6-31310BG #7172-	5	E161-3035	5	61E5-11150	5	
		67N6-32000 #9908-	67N6-31320	5	61Q6-31310	5	E161-3035	5	61E5-11150	5	

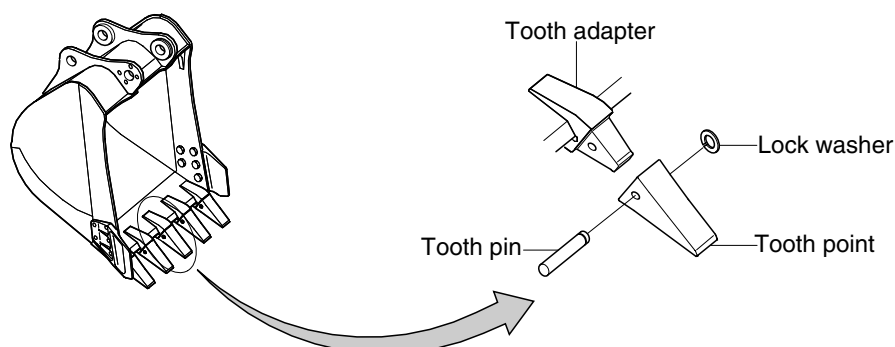
*1 Long reach

*2 Heavy duty bucket

*3 Wear-resistant

*4 Casting

General bucket



Hydraulic excavator

Model	Capacity (m ³)		Bucket assy	Tooth adapter		Tooth point		Tooth pin		Lock washer	
	SAE	CECE		Part no.	Qty	Part no.	Qty	Part no.	Qty	Part no.	Qty
R210LC-7A	0.92	0.80	61N6-31003BG #0715 61N6-31004BG #0716	61N6-31320 #0715 61Q6-31320 #0716	5	61N6-31310BG #0715 61Q6-31310 #0716	5	E161-3035	5	61E5-11150	5
	0.92* ³	0.80	66N6-31000BG #0324/0715 66N6-31001BG #0716	61N6-31320 #0324/0715 61Q6-31320 #0716	5	61N6-31310BG #0324/0715 61Q6-31310 #0716	5	E161-3035	5	61E5-11150	5
	0.92* ⁴	0.80	67N6-31000BG #0672-0680 67N6-31001BG #0681-0715 67N6-31002BG #0716	67N6-31320	5	61Q6-31310	5	E161-3035	5	61E5-11150	5
	0.51	0.45	61N6-32001BG #0715 61N6-32002BG #0716	61N6-31320 #0715 61Q6-31320 #0716	3	61N6-31310BG #0715 61Q6-31310 #0716	3	E161-3035	3	61E5-11150	3
	0.80	0.70	61N6-33001BG #0715 61N6-33002BG #0716	61N6-31320 #0715 61Q6-31320 #0716	5	61N6-31310BG #0715 61Q6-31310 #0716	5	E161-3035	5	61E5-11150	5
	0.80* ³	0.70	66N6-33000BG #0715 66N6-33001BG #0716	61N6-31320 #0324/0715 61Q6-31320 #0716	5	61N6-31310BG #0324/0715 61Q6-31310 #0716	5	E161-3035	5	61E5-11150	5
	1.05	0.90	63N6-39000BG #0715 63N6-39001BG #0716	61N6-31320 #0715 61Q6-31320 #0716	5	61N6-31310BG #0715 61Q6-31310 #0716	5	E161-3035	5	61E5-11150	5
	1.10	0.96	61N6-39000BG #0715 61N6-39001BG #0716	61N6-31320 #0715 61Q6-31320 #0716	5	61N6-31310BG #0715 61Q6-31310 #0716	5	E161-3035	5	61E5-11150	5
	1.20	1.00	61N6-34001BG #0715 61N6-34002BG #0716	61N6-31320 #0715 61Q6-31320 #0716	5	61N6-31310BG #0715 61Q6-31310 #0716	5	E161-3035	5	61E5-11150	5
	1.34	1.15	61N6-35001BG #0715 61N6-35002BG #0716	61N6-31320 #0715 61Q6-31320 #0716	6	61N6-31310BG #0715 61Q6-31310 #0716	6	E161-3035	6	61E5-11150	6
	0.52* ¹	0.45	61N4-35001BG #0318 66N4-35000 #0319	E161-3017 #0318 61N4-31200 #0319	5	E161-3027 #0318 61N4-31210BG #0319	5	E161-3035 #0318 66N4-30350 #0319	5	61E5-11150	5
	0.74* ²	0.65	61N6-31001BG #0715 61N6-31002BG #0716	61N6-31320 #0715 61Q6-31320 #0716	5	61N6-31310BG #0715 61Q6-31310 #0716	5	E161-3035	5	61E5-11150	5
	0.90* ²	0.80	61N6-32001BG #0715 61N6-32002BG #0716	61N6-31320 #0715 61Q6-31320 #0716	5	61N6-31310BG #0715 61Q6-31310 #0716	5	E161-3035	5	61E5-11150	5
	1.05* ²	0.92	61N6-32001BG #0715 61N6-32002BG #0716	61N6-31320 #0715 61Q6-31320 #0716	5	61N6-31310BG #0715 61Q6-31310 #0716	5	E161-3035	5	61E5-11150	5
	1.05* ⁴	0.92	67N6-32000 #0681	67N6-31320	5	61Q6-31310	5	E161-3035	5	61E5-11150	5

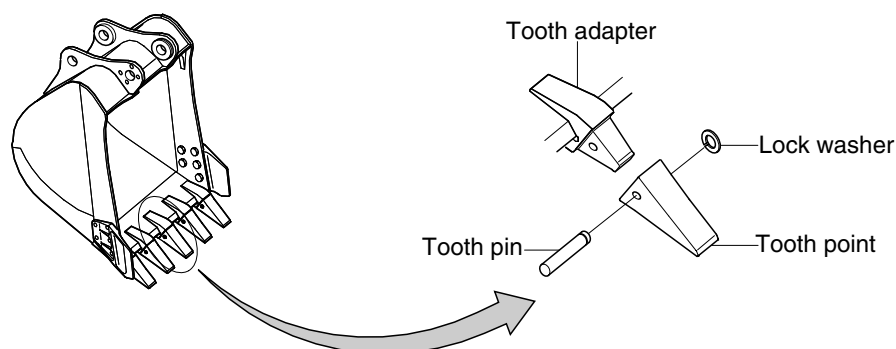
*¹Long reach

*²Heavy duty bucket

*³Wear-resistance

*⁴Casting

General bucket



Hydraulic excavator

Model	Capacity (m ³)		Bucket assy	Tooth adapter		Tooth point		Tooth pin		Lock washer	
	SAE	CECE		Part no.	Qty	Part no.	Qty	Part no.	Qty	Part no.	Qty
R210LC-9	0.92	0.80	61Q6-31000	61Q6-31320	5	61Q6-31310 #0099 61Q6-31310GG #0100.	5	E161-3035	5	61E5-11150	5
	0.92*4	0.80	67N6-31000 #0061-0136 67N6-31001 #0137.	67N6-31320	5	61Q6-31310GG	5	E161-3035	5	61E5-11150	5
	1.05*4	0.90	67N6-32000GG #0137.	67N6-31320	5	61Q6-31310GG	5	E161-3035	5	61E5-11150	5
	0.51	0.45	61Q6-32000	61Q6-31320	3	61Q6-31310	3	E161-3035	3	61E5-11150	3
	0.80	0.70	61Q6-33000	61Q6-31320	5	61Q6-31310	5	E161-3035	5	61E5-11150	5
	0.87	0.75	61Q6-38000	61Q6-31320	5	61Q6-31310	5	E161-3035	5	61E5-11150	5
	1.05	0.90	61Q6-36000	61Q6-31320	5	61Q6-31310	5	E161-3035	5	61E5-11150	5
	1.10	0.96	61Q6-39000	61Q6-31320	5	61Q6-31310	5	E161-3035	5	61E5-11150	5
	1.20	1.00	61Q6-34000	61Q6-31320	5	61Q6-31310	5	E161-3035	5	61E5-11150	5
	1.34	1.15	61Q6-35000	61Q6-31320	6	61Q6-31310	6	E161-3035	6	61E5-11150	6
	0.90	0.80	62N6-32001GG #008-008 62Q6-32000GG #0100.	61N6-31320	5	61N6-31310GG #008-008 61Q6-31310GG #0100.	5	E161-3035	5	61E5-11150	5
	0.74*2	0.65	62N6-31001GG #008-008 62Q6-31000 #0100.	61N6-31320	5	61N6-31310GG #008-008 61Q6-31310GG #0100.	5	E161-3035	5	61E5-11150	5
	1.05*2	0.92	62N6-33001GG #008-008 62Q6-33000 #0100.	61N6-31320	5	61N6-31310GG #008-008 61Q6-31310GG #0100.	5	E161-3035	5	61E5-11150	5
	1.05*5	0.90	63Q6-39000 #0008.	61Q6-31320	5	61Q6-31310GG	5	E161-3035	5	61E5-11150	5
	0.52*1	0.45	66N4-35000GG	61N4-31200	5	61N4-31210GG	5	66N4-30350	5	66N4-11150	5
	0.90*2	0.80	64Q6-31000 #0178.	61Q6-31320	5	61Q6-31310GG	5	E161-3035	5	61E5-11150	5
	0.74*2	0.65	64Q6-32000 #0263.	61Q6-31320	4	61Q6-31310GG	4	E161-3035	4	61E5-11150	4
	0.80*3	0.70	66Q6-33000	61Q6-31320	5	61Q6-31310	5	E161-3035	5	61E5-11150	5
	0.87*3	0.75	66Q6-38000	61Q6-31320	5	61Q6-31310	5	E161-3035	5	61E5-11150	5
	0.92*3	0.80	66Q6-31000	61Q6-31320	5	61N6-31310BG #0715 61Q6-31310 #0716.	5	E161-3035	5	61E5-11150	5

*1 Long reach

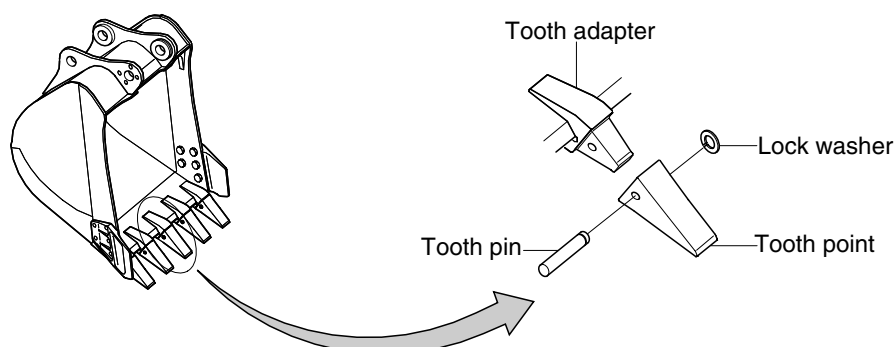
*2 Heavy duty bucket

*3 Wear-resistance

*4 Casting

*5 Narrow

General bucket



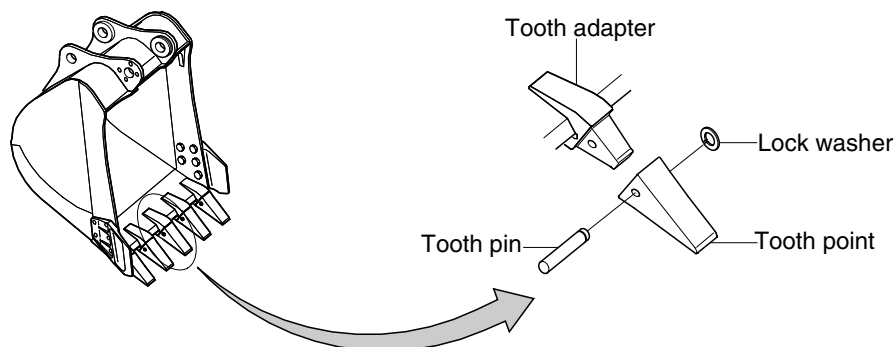
Hydraulic excavator

Model	Capacity (m ³)		Bucket assy	Tooth adapter		Tooth point		Tooth pin		Lock washer	
	SAE	CECE		Part no.	Qty	Part no.	Qty	Part no.	Qty	Part no.	Qty
R200W-7	0.92	0.80	61N6-31002 #0292-1300 #1301-1975 #1976- -#0291	E161-3017 #0292-1975 -#0291	5	E161-3027 #0292-1300 #1301-1975 #1976- -#0291	5	E161-3035	5	61E5-11150	5
			61N6-31003BG #1301-1975 #1976- -#0291	61N6-31320 #0292-1975 -#0291	5	61N6-31310BG #1301-1975 #1976- -#0291	5	E161-3035	5	61E5-11150	5
			61N6-31004BG #1301-1975 #1976- -#0291	61Q6-31320 #0292-1975 -#0291	5	61Q6-31310 #1301-1975 #1976- -#0291	5	E161-3035	5	61E5-11150	5
	0.92 ^{*3}	0.80	66N6-31000BG #1381-1975 #1976- -#0291	61N6-31320 #1381-1975 #1976- -#0291	5	61N6-31310BG #1381-1975 #1976- -#0291	5	E161-3035	5	61E5-11150	5
			66N6-31001BG #1381-1975 #1976- -#0291	61Q6-31320 #1381-1975 #1976- -#0291	5	61Q6-31310 #1381-1975 #1976- -#0291	5	E161-3035	5	61E5-11150	5
	0.51	0.45	61N6-32000 #0292-1300 #1301-1975 #1976- -#0291	E161-3017 #0292-1975 -#0291	3	E161-3027 #0292-1300 #1301-1975 #1976- -#0291	3	E161-3035	3	61E5-11150	3
			61N6-32001BG #0292-1300 #1301-1975 #1976- -#0291	61N6-31320 #0292-1975 -#0291	3	61N6-31310BG #0292-1300 #1301-1975 #1976- -#0291	3	E161-3035	3	61E5-11150	3
	0.80	0.70	61N6-32002BG #0292-1300 #1301-1975 #1976- -#0291	61Q6-31320 #0292-1975 -#0291	3	61Q6-31310 #0292-1300 #1301-1975 #1976- -#0291	3	E161-3035	3	61E5-11150	3
			61N6-33000 #0292-1300 #1301-1975 #1976- -#0291	E161-3017 #0292-1975 -#0291	5	E161-3027 #0292-1300 #1301-1975 #1976- -#0291	5	E161-3035	5	61E5-11150	5
	0.80 ^{*3}	0.70	61N6-33001 #0292-1300 #1301-1975 #1976- -#0291	61N6-31320 #0292-1975 -#0291	5	61N6-31310 #0292-1300 #1301-1975 #1976- -#0291	5	E161-3035	5	61E5-11150	5
			61N6-33001BG #0292-1300 #1301-1975 #1976- -#0291	61Q6-31320 #0292-1975 -#0291	5	61Q6-31310 #0292-1300 #1301-1975 #1976- -#0291	5	E161-3035	5	61E5-11150	5
	0.87	0.75	66N6-33000 #1381-1975 #1976- -#0291	61N6-31320 #1381-1975 #1976- -#0291	5	61N6-31310BG #1381-1975 #1976- -#0291	5	E161-3035	5	61E5-11150	5
			66N6-33001BG #1381-1975 #1976- -#0291	61Q6-31320 #1381-1975 #1976- -#0291	5	61Q6-31310 #1381-1975 #1976- -#0291	5	E161-3035	5	61E5-11150	5
	0.87 ^{*3}	0.75	61N6-38000 #0292-1300 #1301-1975 #1976- -#0291	E161-3017 #0292-1975 -#0291	5	E161-3027 #0292-1300 #1301-1975 #1976- -#0291	5	E161-3035	5	61E5-11150	5
			61N6-38001BG #0292-1300 #1301-1975 #1976- -#0291	61N6-31320 #0292-1975 -#0291	5	61N6-31310BG #0292-1300 #1301-1975 #1976- -#0291	5	E161-3035	5	61E5-11150	5
	1.05	0.92	61N6-38002BG #0292-1300 #1301-1975 #1976- -#0291	61Q6-31320 #0292-1975 -#0291	5	61Q6-31310 #0292-1300 #1301-1975 #1976- -#0291	5	E161-3035	5	61E5-11150	5
66N6-38000BG #1381-1975 #1976- -#0291			61N6-31320 #1381-1975 #1976- -#0291	5	61N6-31310BG #1381-1975 #1976- -#0291	5	E161-3035	5	61E5-11150	5	
1.10	0.96	66N6-38001BG #1381-1975 #1976- -#0291	61Q6-31320 #1381-1975 #1976- -#0291	5	61Q6-31310 #1381-1975 #1976- -#0291	5	E161-3035	5	61E5-11150	5	
		61N6-36000 #0292-1300 #1301-1975 #1976- -#0291	E161-3017 #0292-1975 -#0291	5	E161-3027 #0292-1300 #1301-1975 #1976- -#0291	5	E161-3035	5	61E5-11150	5	
1.20	1.00	61N6-36001BG #0292-1300 #1301-1975 #1976- -#0291	61N6-31320 #0292-1975 -#0291	5	61N6-31310BG #0292-1300 #1301-1975 #1976- -#0291	5	E161-3035	5	61E5-11150	5	
		61N6-36002BG #0292-1300 #1301-1975 #1976- -#0291	61Q6-31320 #0292-1975 -#0291	5	61Q6-31310 #0292-1300 #1301-1975 #1976- -#0291	5	E161-3035	5	61E5-11150	5	
1.34	1.15	61N6-34000 #0292-1300 #1301-1975 #1976- -#0291	E161-3017 #0292-1975 -#0291	5	E161-3027 #0292-1300 #1301-1975 #1976- -#0291	5	E161-3035	5	61E5-11150	5	
		61N6-34001BG #0292-1300 #1301-1975 #1976- -#0291	61N6-31320 #0292-1975 -#0291	5	61N6-31310BG #0292-1300 #1301-1975 #1976- -#0291	5	E161-3035	5	61E5-11150	5	
1.34	1.15	61N6-34002BG #0292-1300 #1301-1975 #1976- -#0291	61Q6-31320 #0292-1975 -#0291	5	61Q6-31310 #0292-1300 #1301-1975 #1976- -#0291	5	E161-3035	5	61E5-11150	5	
		61N6-35000 #0292-1300 #1301-1975 #1976- -#0291	E161-3017 #0292-1975 -#0291	6	E161-3027 #0292-1300 #1301-1975 #1976- -#0291	6	E161-3035	6	61E5-11150	6	
0.74 ^{*2}	0.65	61N6-35001BG #0292-1300 #1301-1975 #1976- -#0291	61N6-31320 #0292-1975 -#0291	6	61N6-31310BG #0292-1300 #1301-1975 #1976- -#0291	6	E161-3035	6	61E5-11150	6	
		61N6-35002BG #0292-1300 #1301-1975 #1976- -#0291	61Q6-31320 #0292-1975 -#0291	6	61Q6-31310 #0292-1300 #1301-1975 #1976- -#0291	6	E161-3035	6	61E5-11150	6	
0.74 ^{*2}	0.65	62N6-31000 #0292-1300 #1301-1975 #1976- -#0291	E161-3017 #0292-1975 -#0291	5	E161-3027 #0292-1300 #1301-1975 #1976- -#0291	5	E161-3035	5	61E5-11150	5	
		62N6-31001BG #0292-1300 #1301-1975 #1976- -#0291	61N6-31320 #0292-1975 -#0291	5	61N6-31310BG #0292-1300 #1301-1975 #1976- -#0291	5	E161-3035	5	61E5-11150	5	
0.90 ^{*2}	0.80	62N6-31002BG #0292-1300 #1301-1975 #1976- -#0291	61Q6-31320 #0292-1975 -#0291	5	61Q6-31310 #0292-1300 #1301-1975 #1976- -#0291	5	E161-3035	5	61E5-11150	5	
		62N6-32000 #0292-1300 #1301-1975 #1976- -#0291	E161-3017 #0292-1975 -#0291	5	E161-3027 #0292-1300 #1301-1975 #1976- -#0291	5	E161-3035	5	61E5-11150	5	
1.05 ^{*2}	0.92	62N6-32001BG #0292-1300 #1301-1975 #1976- -#0291	61N6-31320 #0292-1975 -#0291	5	61N6-31310BG #0292-1300 #1301-1975 #1976- -#0291	5	E161-3035	5	61E5-11150	5	
		62N6-32002BG #0292-1300 #1301-1975 #1976- -#0291	61Q6-31320 #0292-1975 -#0291	5	61Q6-31310 #0292-1300 #1301-1975 #1976- -#0291	5	E161-3035	5	61E5-11150	5	
1.05 ^{*2}	0.92	62N6-33000 #0292-1300 #1301-1975 #1976- -#0291	E161-3017 #0292-1975 -#0291	5	E161-3027 #0292-1300 #1301-1975 #1976- -#0291	5	E161-3035	5	61E5-11150	5	
		62N6-33001BG #0292-1300 #1301-1975 #1976- -#0291	61N6-31320 #0292-1975 -#0291	5	61N6-31310BG #0292-1300 #1301-1975 #1976- -#0291	5	E161-3035	5	61E5-11150	5	
1.05 ^{*2}	0.92	62N6-33001BG #0292-1300 #1301-1975 #1976- -#0291	61N6-31320 #0292-1975 -#0291	5	61N6-31310BG #0292-1300 #1301-1975 #1976- -#0291	5	E161-3035	5	61E5-11150	5	
		62N6-33002BG #0292-1300 #1301-1975 #1976- -#0291	61Q6-31320 #0292-1975 -#0291	5	61Q6-31310 #0292-1300 #1301-1975 #1976- -#0291	5	E161-3035	5	61E5-11150	5	

*Heavy duty bucket

*Wear-resistant

General bucket



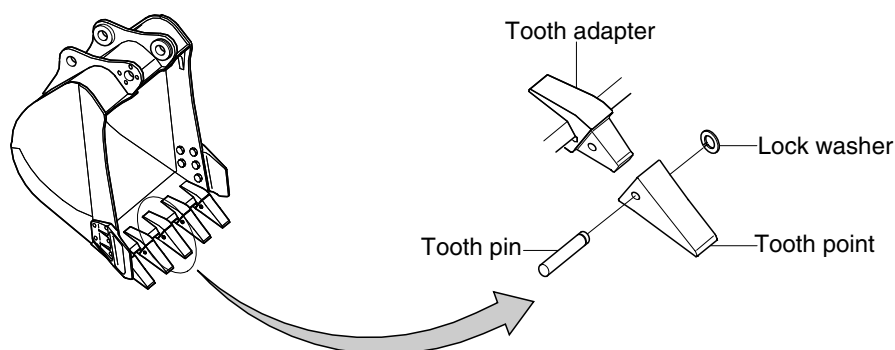
Hydraulic excavator

Model	Capacity (m ³)		Bucket assy		Tooth adapter		Tooth point		Tooth pin		Lock washer	
	SAE	CECE			Part no.	Qty	Part no.	Qty	Part no.	Qty	Part no.	Qty
R200W-7A	0.92	0.80	61N6-31003BG	-#2193	61N6-31320	-#2193	61N6-31310	-#0046	E161-3035	5	61E5-11150	5
			61N6-31004BG	#2194-	61Q6-31320	#2194-	61N6-31310BG	#0042193				
	0.92* ³	0.80	66N6-31000BG	#0058-#2193	61N6-31320	#0058-2193	61N6-31310BG	#0058-2193	E161-3035	5	61E5-11150	5
			66N6-31001BG	#2194-	61Q6-31320	#2194-	61Q6-31310	#2194-				
	0.51	0.45	66N6-32001BG	-#2193	61N6-31320	-#2193	61N6-31310	-#0046	E161-3035	3	61E5-11150	3
			66N6-32002BG	#2194-	61Q6-31320	#2194-	61N6-31310BG	#0042193				
	0.80	0.70	61N6-33001BG	-#2193	61N6-31320	-#2193	61N6-31310	-#0046	E161-3035	5	61E5-11150	5
			61N6-33002BG	#2194-	61Q6-31320	#2194-	61N6-31310BG	#0042193				
	0.80* ³	0.70	66N6-33000BG	#0058-2193	61N6-31320	-#2193	61N6-31310	-#0046	E161-3035	5	61E5-11150	5
			66N6-33001BG	#2194-	61Q6-31320	#2194-	61N6-31310BG	#0042193				
	0.87	0.75	61N6-38001BG	-#2913	61N6-31320	-#2193	61N6-31310	-#0046	E161-3035	5	61E5-11150	5
			61N6-38002BG	#2194-	61Q6-31320	#2194-	61N6-31310BG	#0042193				
	0.87* ³	0.75	66N6-38000BG	#0058-2193	61N6-31320	-#2193	61N6-31310	-#2193	E161-3035	5	61E5-11150	5
			66N6-38001BG	#2194-	61Q6-31320	#2194-	61Q6-31310	#2194-				
1.05	0.92	61N6-36001BG	-#2913	61N6-31320	-#2193	61N6-31310	-#0046	E161-3035	5	61E5-11150	5	
		61N6-36002BG	#2194-	61Q6-31320	#2194-	61N6-31310BG	#0042193					61Q6-31310
1.10	0.96	61N6-39001BG	-#2913	61N6-31320	-#2193	61N6-31310	-#0046	E161-3035	5	61E5-11150	5	
		61N6-39002BG	#2194-	61Q6-31320	#2194-	61N6-31310BG	#0042193					61Q6-31310
1.20	1.00	61N6-34001BG	-#2913	61N6-31320	-#2193	61N6-31310	-#0046	E161-3035	5	61E5-11150	5	
		61N6-34002BG	#2194-	61Q6-31320	#2194-	61N6-31310BG	#0042193					61Q6-31310
1.34	1.15	61N6-35001BG	-#2193	61N6-31320	-#2193	61N6-31310	-#0046	E161-3035	6	61E5-11150	6	
		61N6-35002BG	#2194-	61Q6-31320	#2194-	61N6-31310BG	#0042193					61Q6-31310
0.74* ²	0.65	62N6-31001BG	-#2913	61N6-31320	-#2193	61N6-31310	-#0046	E161-3035	5	61E5-11150	5	
		62N6-31002BG	#2194-	61Q6-31320	#2194-	61N6-31310BG	#0042193					61Q6-31310
0.90* ²	0.80	62N6-32001BG	-#2913	61N6-31320	-#2193	61N6-31310	-#0046	E161-3035	5	61E5-11150	5	
		62N6-32002BG	#2194-	61Q6-31320	#2194-	61N6-31310BG	#0042193					61Q6-31310
1.05* ²	0.92	62N6-33001BG	-#2913	61N6-31320	-#2193	61N6-31310	-#0046	E161-3035	5	61E5-11150	5	
		62N6-33002BG	#2194-	61Q6-31320	#2194-	61N6-31310BG	#0042193					61Q6-31310
R210W-9	0.51	0.45	61Q6-32000		61Q6-31320		61Q6-31310GG		E161-3035	3	61E5-11150	3
	0.80	0.70	61Q6-33000		61Q6-31320	5	61Q6-31310GG	5	E161-3035	5	61E5-11150	5
			66Q6-33000* ²									
	0.87	0.75	61Q6-33000		61Q6-31320	5	61Q6-31310GG	5	E161-3035	5	61E5-11150	5
			66Q6-33000* ²									
	0.92	0.80	61Q6-31000		61Q6-31320	5	61Q6-31310GG	5	E161-3035	5	61E5-11150	5
	1.05	0.90	61Q6-36000		61Q6-31320	5	61Q6-31310GG	5	E161-3035	5	61E5-11150	5
1.10	0.96	61Q6-39000		61Q6-31320	5	61Q6-31310GG	5	E161-3035	5	61E5-11150	5	
1.20	1.00	61Q6-34000		61Q6-31320	5	61Q6-31310GG	5	E161-3035	5	61E5-11150	5	

*²Heavy duty bucket

*³Wear-resistant

General bucket

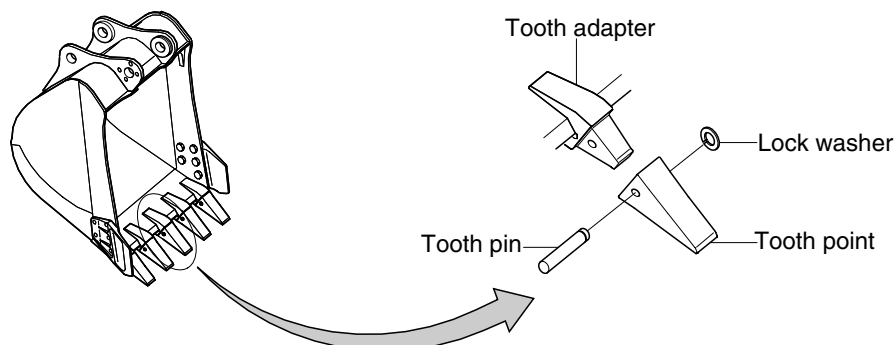


Hydraulic excavator

Model	Capacity (m ³)		Bucket assy	Tooth adapter		Tooth point		Tooth pin		Lock washer					
	SAE	CECE		Part no.	Qty	Part no.	Qty	Part no.	Qty	Part no.	Qty				
R210W-9	1.34	1.15	61Q6-35000	61Q6-31320	6	61Q6-31310GG	6	E161-3035	6	61E5-11150	6				
	0.74* ¹	0.65	62Q6-31000	61Q6-31320	5	61Q6-31310GG	5	E161-3035	5	61E5-11150	5				
	0.90* ¹	0.80	62Q6-32000	61Q6-31320	5	61Q6-31310GG	5	E161-3035	5	61E5-11150	5				
	1.15* ¹	0.92	62Q6-33000	61Q6-31320	5	61Q6-31310GG	5	E161-3035	5	61E5-11150	5				
R210NLC-7	0.92	0.80	61N6-31002 61N6-31003 61N6-31003BG	E161-3017 61N6-31320	5	E161-3027 61N6-31310 61N6-31310BG	5	E161-3035	5	61E5-11150	5				
			61N6-32000 61N6-32001 61N6-32001BG	E161-3017 61N6-31320		3						E161-3027 61N6-31310 61N6-31310BG	3	61E5-11150	3
			61N6-33000 61N6-33001 61N6-33001BG	E161-3017 61N6-31320		5						E161-3027 61N6-31310 61N6-31310BG	5	61E5-11150	5
	0.87	0.75	61N6-38000 61N6-38001 61N6-38001BG	E161-3017 61N6-31320	5	E161-3027 61N6-31310 61N6-31310BG	5	E161-3035	5	61E5-11150	5				
			61N6-36000 61N6-36001 61N6-36001BG	E161-3017 61N6-31320		5						E161-3027 61N6-31310 61N6-31310BG	5	61E5-11150	5
	1.10	0.96	61N6-39000 61N6-39001 61N6-39001BG	E161-3017 61N6-31320	5	E161-3027 61N6-31310 61N6-31310BG	5	E161-3035	5	61E5-11150	5				
			61N6-34000 61N6-34001 61N6-34001BG	E161-3017 61N6-31320		5						E161-3027 61N6-31310 61N6-31310BG	5	61E5-11150	5
	1.34	1.15	61N6-35000 61N6-35001 61N6-35001BG	E161-3017 61N6-31320	6	E161-3027 61N6-31310 61N6-31310BG	6	E161-3035	6	61E5-11150	6				
			61N6-31000 61N6-31001 61N6-31001BG	E161-3017 61N6-31320		5						E161-3027 61N6-31310 61N6-31310BG	5	61E5-11150	5
	0.90* ¹	0.80	61N6-32000 61N6-32001 61N6-32001BG	E161-3017 61N6-31320	5	E161-3027 61N6-31310 61N6-31310BG	5	E161-3035	5	61E5-11150	5				
			61N6-33000 61N6-33001 61N6-33001BG	E161-3017 61N6-31320		5						E161-3027 61N6-31310 61N6-31310BG	5	61E5-11150	5

*Heavy duty bucket

General bucket



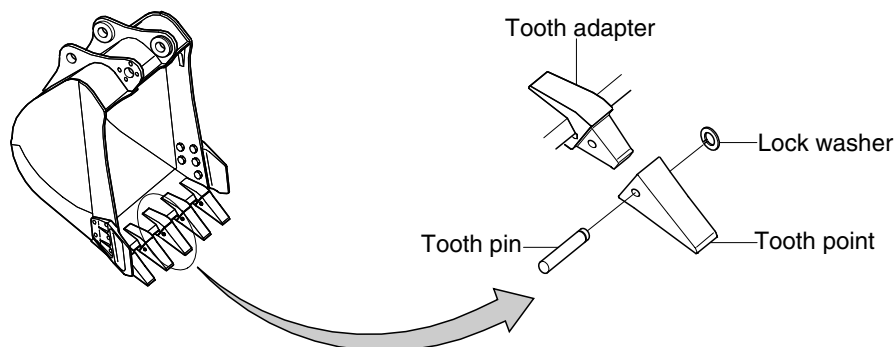
Hydraulic excavator

Model	Capacity (m ³)		Bucket assy		Tooth adapter		Tooth point		Tooth pin		Lock washer	
	SAE	CECE			Part no.	Qty	Part no.	Qty	Part no.	Qty	Part no.	Qty
R210NLC-7A	0.51	0.45	61N6-32001BG	#0170	61N6-31320	#0170	61N6-31310BG	#0170	E161-3035	3	61E5-11150	3
			61N6-32002BG	#0171-	61Q6-31320	#0171-	61Q6-31310	#0171-				
	0.80	0.70	61N6-33001BG	#0170	61N6-31320	#0170	61N6-31310BG	#0170	E161-3035	5	61E5-11150	5
			61N6-33002BG	#0171-	61Q6-31320	#0171-	61Q6-31310	#0171-				
	0.80* ²	0.70	66N6-33000BG	#029-0170	61N6-31320	#0170	61N6-31310BG	#0170	E161-3035	5	61E5-11150	5
			66N6-33001BG	#0171-	61Q6-31320	#0171-	61Q6-31310	#0171-				
	0.87	0.75	61N6-38001BG	#0170	61N6-31320	#0170	61N6-31310BG	#0170	E161-3035	5	61E5-11150	5
			61N6-38002BG	#0171-	61Q6-31320	#0171-	61Q6-31310	#0171-				
	0.87* ²	0.75	66N6-38000BG	#029-0170	61N6-31320	#0170	61N6-31310BG	#0170	E161-3035	5	61E5-11150	5
			66N6-38001BG	#0171-	61Q6-31320	#0171-	61Q6-31310	#0171-				
	0.92	0.80	61N6-31003BG	#0170	61N6-31320	#0170	61N6-31310BG	#0170	E161-3035	5	61E5-11150	5
			61N6-31004BG	#0171-	61Q6-31320	#0171-	61Q6-31310	#0171-				
	0.92* ²	0.80	66N6-31001BG	#029-0170	61N6-31320	#029-0170	61N6-31310BG	#029-0170	E161-3035	5	61E5-11150	5
			66N6-31002BG	#0171-	61Q6-31320	#0171-	61Q6-31310	#0171-				
1.05	0.90	61N6-36001	#0170	61N6-31320	#0170	61N6-31310BG	#0170	E161-3035	5	61E5-11150	5	
		61N6-36002BG	#0171-	61Q6-31320	#0171-	61Q6-31320	#0171-					
1.10	0.96	61N6-39001BG	#0170	61N6-31320	#0170	61N6-31310BG	#0170	E161-3035	5	61E5-11150	5	
		61N6-39002BG	#0171-	61Q6-31320	#0171-	61Q6-31310	#0171-					
1.20	1.00	61N6-34001BG	#0170	61N6-31320	#0170	61N6-31310BG	#0170	E161-3035	5	61E5-11150	5	
		61N6-34002BG	#0171-	61Q6-31320	#0171-	61Q6-31310	#0171-					
1.34	1.15	61N6-35001BG	#0170	61N6-31320	#0170	61N6-31310BG	#0170	E161-3035	6	61E5-11150	6	
		61N6-35002BG	#0171-	61Q6-31320	#0171-	61Q6-31310	#0171-					
0.74* ¹	0.65	62N6-31001BG	#0170	61N6-31320	#0170	61N6-31310BG	#0170	E161-3035	5	61E5-11150	5	
		62N6-31002BG	#0171-	61Q6-31320	#0171-	61Q6-31310	#0171-					
0.90* ¹	0.80	62N6-32001BG	#0170	61N6-31320	#0170	61N6-31310BG	#0170	E161-3035	5	61E5-11150	5	
		62N6-32002BG	#0171-	61Q6-31320	#0171-	61Q6-31310	#0171-					
1.05* ¹	0.92	62N6-33001BG	#0170	61N6-31320	#0170	61N6-31310BG	#0170	E161-3035	5	61E5-11150	5	
		62N6-33002BG	#0171-	61Q6-31320	#0171-	61Q6-31310	#0171-					
R210NLC-9	0.51	0.45	61Q6-32000		61Q6-31320	3	61Q6-31310GG	3	E161-3035	3	61E5-11150	3
	0.92	0.80	61Q6-31000		61Q6-31320	5	61Q6-31310GG	5	E161-3035	5	61E5-11150	5
	0.80	0.70	61Q6-33000		61Q6-31320	5	61Q6-31310GG	5	E161-3035	5	61E5-11150	5
	1.20	1.00	61Q6-34000		61Q6-31320	5	61Q6-31310GG	5	E161-3035	5	61E5-11150	5
	1.05	0.90	61Q6-36000		61Q6-31320	5	61Q6-31310GG	5	E161-3035	5	61E5-11150	5
	0.87	0.75	61Q6-38000		61Q6-31320	5	61Q6-31310GG	5	E161-3035	5	61E5-11150	5
	1.10	0.96	61Q6-39000		61Q6-31320	5	61Q6-31310GG	5	E161-3035	5	61E5-11150	5
	0.92* ²	0.80	66Q6-31000		61Q6-31320	5	61Q6-31310GG	5	E161-3035	5	61E5-11150	5
	0.8* ²	0.70	66Q6-33000		61Q6-31320	5	61Q6-31310GG	5	E161-3035	5	61E5-11150	5
	0.87* ²	0.75	66Q6-38000		61Q6-31320	5	61Q6-31310GG	5	E161-3035	5	61E5-11150	5
	0.74* ¹	0.65	62Q6-31000		61Q6-31320	5	61Q6-31310GG	5	E161-3035	5	61E5-11150	5

*1 Heavy duty bucket

*2 Wear-resistance

General bucket

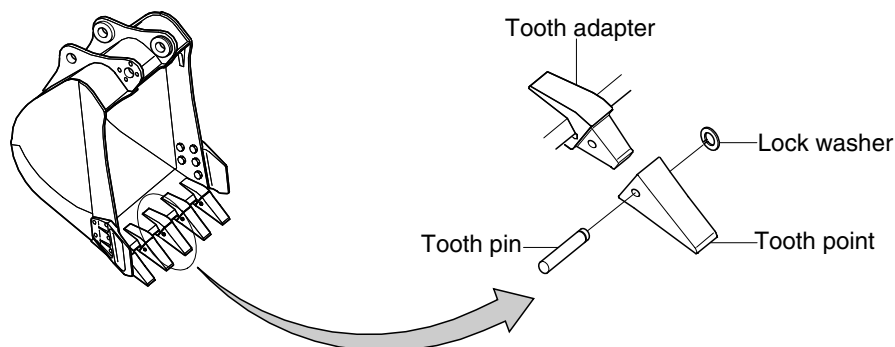


Hydraulic excavator

Model	Capacity (m ³)		Bucket assy	Tooth adapter		Tooth point		Tooth pin		Lock washer	
	SAE	CECE		Part no.	Qty	Part no.	Qty	Part no.	Qty	Part no.	Qty
R210NLC-9	0.90 ^{*1}	0.80	62Q6-32000	61Q6-31320	5	61Q6-31310GG	5	E161-3035	5	61E5-11150	5
	1.05 ^{*1}	0.92	62Q6-33000	61Q6-31320	5	61Q6-31310GG	5	E161-3035	5	61E5-11150	5
	1.34	1.15	61Q6-35000	61Q6-31320	6	61Q6-31310GG	6	E161-3035	6	61E5-11150	6
R250LC-3	0.79	0.70	61E9-3001	E262-3027	3	E262-3046	3	E262-5004	3	S411-180002	3
	1.03	0.90	61E9-3002	E262-3027	4	E262-3046	4	E262-5004	4	S411-180002	4
	1.07 ^{*1}	0.95	62EN-34000 #0186-	E262-3027	5	E262-3046	5	E262-5004	5	61E5-11150	5
	1.08	0.95	61EN-31001 #0090-	E262-3027	5	E262-3046	5	E262-5004	5	61E5-11150	5
	1.08 ^{*1}	0.95	62EN-32000 #0158-	E262-3027	5	E262-3046	5	E262-5004	5	61E5-11150	5
	1.16	1.00	62EN-35000 #0280-	E262-3027	5	E262-3046	5	E262-5004	5	61E5-11150	5
	1.27	1.00	61E9-30001 #0090-	E262-3027	5	E262-3046	5	E262-5004	5	61E5-11150	5
	1.38	1.20	61E9-3006	E262-3027	5	E262-3046	5	E262-5004	5	61E5-11150	5
	1.46 ^{*1}	1.28	62EN-33000 #0186-	E262-3027	6	E262-3046	6	E262-5004	6	61E5-11150	6
	1.50	1.30	61E9-3003	E262-3027	5	E262-3046	5	E262-5004	5	61E5-11150	5

^{*1}Heavy duty bucket

General bucket

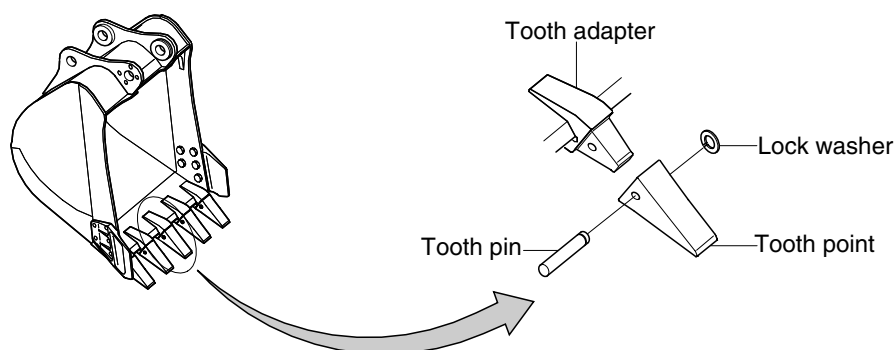


Hydraulic excavator

Model	Capacity (m ³)		Bucket assy	Tooth adapter		Tooth point		Tooth pin		Lock washer	
	SAE	CECE		Part no.	Qty	Part no.	Qty	Part no.	Qty	Part no.	Qty
R250LC-7	0.60	0.55	62N8-37000 #0857-1117 62N8-37000BG #1118-	61N8-31320	3	61N8-31310 -#1117 61N8-31310BG #1118-	3	E262-5004	3	61E5-11150	3
	0.79	0.70	61N8-31001 -#0283 61N8-31002 #0284-1117 61N8-31002BG #1118-	E262-3027 -#0283 61N8-31320 #0284-	3	E262-3046 -#0283 61N8-31310 #0284-1117 61N8-31310BG #1118-	3	E262-5004	3	61E5-11150	3
	1.03	0.90	61N8-32001 -#0283 61N8-32002 #0284-1117 61N8-32002BG #1118-	E262-3027 -#0283 61N8-31320 #0284-	4	E262-3046 -#0283 61N8-31310 #0284-1117 61N8-31310BG #1118-	4	E262-5004	4	61E5-11150	4
	1.08	0.95	61N8-36000 -#0283 61N8-36001 #0284-1117 61N8-36001BG #1118-	E262-3027 -#0283 61N8-31320 #0284-	5	E262-3046 -#0283 61N8-31310 #0284-1117 61N8-31310BG #1118-	5	E262-5004	5	61E5-11150	5
	1.50	1.30	61N8-33001 -#0283 61N8-33002 #0284-1117 61N8-33002BG #1118-	E262-3027 -#0283 61N8-31320 #0284-	5	E262-3046 -#0283 61N8-31310 #0284-1117 61N8-31310BG #1118-	5	E262-5004	5	61E5-11150	5
	1.07* ¹	0.95	62N8-31000 -#0283 62N8-31001 #0284-1117 62N8-31001BG #1118-	E262-3027 -#0283 61N8-31320 #0284-	5	E262-3046 -#0283 61N8-31310 #0284-1117 61N8-31310BG #1118-	5	E262-5004	5	61E5-11150	5
	1.15* ¹	1.10	62N8-32000 -#0283 62N8-32001 #0284-1117 62N8-32001BG #1118-	E262-3027 -#0283 61N8-31320 #0284-	5	E262-3046 -#0283 61N8-31310 #0284-1117 61N8-31310BG #1118-	5	E262-5004	5	61E5-11150	5
	1.27* ¹	1.10	62N8-36000 #0944-1117 62N8-36000BG #1118-	61N8-31320	5	61N8-31310 -#1117 61N8-31310BG #1118-	5	E262-5004	5	61E5-11150	5
	1.27* ¹	1.10	62N8-39000 #0944-1117 62N8-39000BG #1118-	61N8-31320	5	61N8-31310 -#1117 61N8-31310BG #1118-	5	E262-5004	5	61E5-11150	5
	1.46* ¹	1.28	62N8-33000 -#0283 62N8-33001 #0284-1117 62N8-33001BG #1118-	E262-3027 -#0283 61N8-31320 #0284-	6	E262-3046 -#0283 61N8-31310 #0284-1117 61N8-31310BG #1118-	6	E262-5004	6	61E5-11150	6
R250LC-7A	0.60	0.55	62N8-37000BG	61N8-31320	3	61N8-31310BG	3	E262-5004	3	61E5-11150	3
	1.08	0.95	61N8-36001BG	61N8-31320	5	61N8-31310BG	5	E262-5004	5	61E5-11150	5
	0.79	0.70	61N8-31002BG	61N8-31320	3	61N8-31310BG	3	E262-5004	3	61E5-11150	3
	1.03	0.90	61N8-32002BG	61N8-31320	4	61N8-31310BG	4	E262-5004	4	61E5-11150	4
	1.50	1.30	61N8-33002BG	61N8-31320	5	61N8-31310BG	5	E262-5004	5	61E5-11150	5
	1.07* ¹	0.95	62N8-31001BG	61N8-31320	5	61N8-31310BG	5	E262-5004	5	61E5-11150	5
	1.15* ¹	1.00	62N8-32001BG	61N8-31320	5	61N8-31310BG	5	E262-5004	5	61E5-11150	5
	1.27* ¹	1.10	62N8-36000BG #0005-	61N8-31320	5	61N8-31310BG	5	E262-5004	5	61E5-11150	5
	1.27* ¹	1.10	62N8-39000BG #0005-	61N8-31320	5	61N8-31310BG	5	E262-5004	5	61E5-11150	5
1.46* ¹	1.28	62N8-33001BG	61N8-31320	6	61N8-31310BG	6	E262-5004	6	61E5-11150	6	

*¹Heavy duty bucket

General bucket



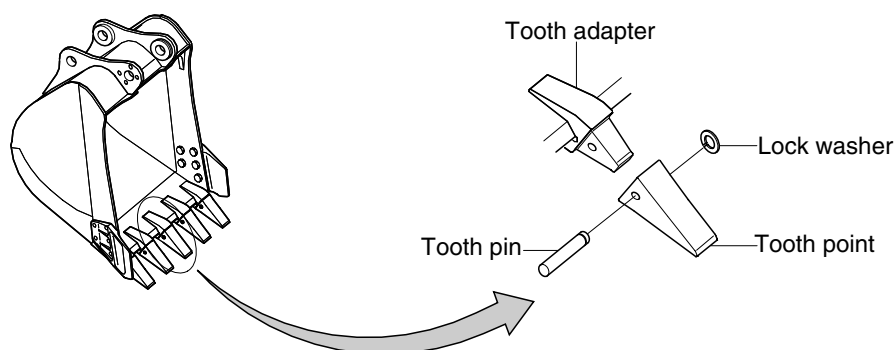
Hydraulic excavator

Model	Capacity (m ³)		Bucket assy	Tooth adapter		Tooth point		Tooth pin		Lock washer	
	SAE	CECE		Part no.	Qty	Part no.	Qty	Part no.	Qty	Part no.	Qty
R250LC-9	0.60	0.55	62Q8-37000	61N8-31320	3	61N8-31310GG	3	E262-5004	3	61E5-11150	3
	0.79	0.70	61Q8-31000	61N8-31320	3	61N8-31310GG	3	E262-5004	3	61E5-11150	3
	1.03	0.90	61Q8-32000	61N8-31320	4	61N8-31310GG	4	E262-5004	4	61E5-11150	4
	1.08	0.95	61Q8-36000	61N8-31320	5	61N8-31310GG	5	E262-5004	5	61E5-11150	5
	1.08* ²	0.95	66Q8-36000	61N8-31320	5	61N8-31310GG	5	E262-5004	5	61E5-11150	5
	1.27	1.10	61Q8-30000	61N8-31320	5	61N8-31310GG	5	E262-5004	5	61E5-11150	5
	1.27* ²	1.10	66Q8-30000	61N8-31320	5	61N8-31310GG	5	E262-5004	5	61E5-11150	5
	1.50	1.30	61Q8-33000	61N8-31320	5	61N8-31310GG	5	E262-5004	5	61E5-11150	5
	0.89* ¹	0.80	64Q8-34000 #0156-	61N8-31320	4	61N8-31310GG	4	E262-5004	4	61E5-11150	4
	1.09* ¹	0.95	64Q8-35000 #0156-	61N8-31320	4	61N8-31310GG	4	E262-5004	4	61E5-11150	4
	1.07* ¹	0.95	62Q8-31000	61N8-31320	5	61N8-31310GG	5	E262-5004	5	61E5-11150	5
	1.15* ¹	1.00	62Q8-32000	61N8-31320	5	61N8-31310GG	5	E262-5004	5	61E5-11150	5
	1.27* ¹	1.10	62Q8-39000	61N8-31320	5	61N8-31310GG	5	E262-5004	5	61E5-11150	5
	1.46* ¹	1.28	62Q8-33000	61N8-31320	6	61N8-31310GG	6	E262-5004	6	61E5-11150	6
R280LC	0.68	0.60	63E2-3006	E262-3027	3	E262-3046	3	E262-5004	3	S411-180002	3
	1.17	1.00	E262-3000	E262-3027	5	E262-3046	5	E262-5004	5	S411-180002	5
	1.28	1.10	63E2-3003	E262-3027	5	E262-3046	5	E262-5004	5	S411-180002	5
	1.39	1.20	63E2-3001	E262-3027	5	E262-3046	5	E262-5004	5	S411-180002	5
	1.50	1.30	63E2-3002	E262-3027	5	E262-3046	5	E262-5004	5	S411-180002	5
	1.62	1.40	63E2-3004	E262-3027	6	E262-3046	6	E262-5004	6	S411-180002	6
	1.75	1.50	63E2-3005	E262-3027	6	E262-3046	6	E262-5004	6	S411-180002	6

*1Heavy duty bucket

*2Wear-resistance

General bucket



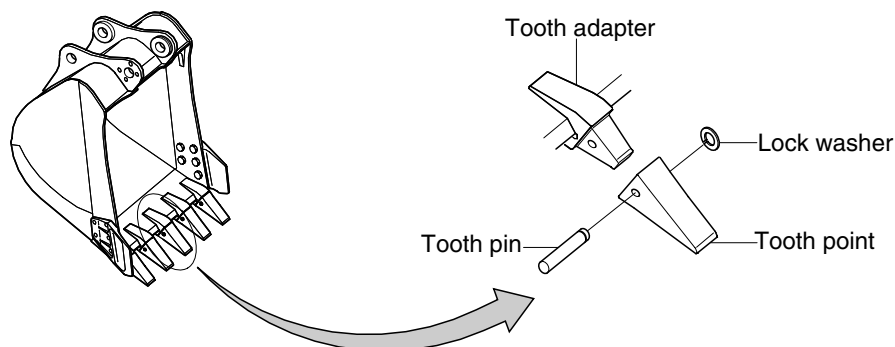
Hydraulic excavator

Model	Capacity (m ³)		Bucket assy	Tooth adapter		Tooth point		Tooth pin		Lock washer		
	SAE	CECE		Part no.	Qty	Part no.	Qty	Part no.	Qty	Part no.	Qty	
R290LC R290LC-3	0.79	0.70	61E9-3001	E262-3027	3	E262-3046	3	E262-5004	3	S411-180002	3	
	1.03	0.90	61E9-3002	E262-3027	4	E262-3046	4	E262-5004	4	S411-180002	4	
	1.08* ¹	0.95	62EN-32000* ²	E262-3027	5	E262-3046	5	E262-5004	5	61E5-11150	5	
	1.16	1.00	62EN-35000	E262-3027	3	E262-3046	3	E262-5004	3	61E5-11150	5	
	1.27	1.10	61E9-3000 61E9-30001	#1922 #1923-	E262-3027	5	E262-3046	5	E262-5004	5	S411-180002	5
	1.38	1.20	61E9-3006	E262-3027	5	E262-3046	5	E262-5004	5	S411-180002	5	
	1.50	1.30	61E9-3003	E262-3027	5	E262-3046	5	E262-5004	5	S411-180002	5	
	1.62	1.40	61E9-3007	E262-3027	5	E262-3046	5	E262-5004	5	S411-180002	5	
	1.73	1.50	61E9-3004	E262-3027	6	E262-3046	6	E262-5004	6	S411-180002	6	
1.85	1.60	61E9-3005	E262-3027	6	E262-3046	6	E262-5004	6	S411-180002	6		
R290LC-3RB 39HDLL	1.28	1.10	61FR-30001	E262-3027	5	E262-3046	5	E262-5004	5	61E5-11150	5	

*¹Heavy duty bucket

*²R290LC-3(#1082-)

General bucket



Hydraulic excavator

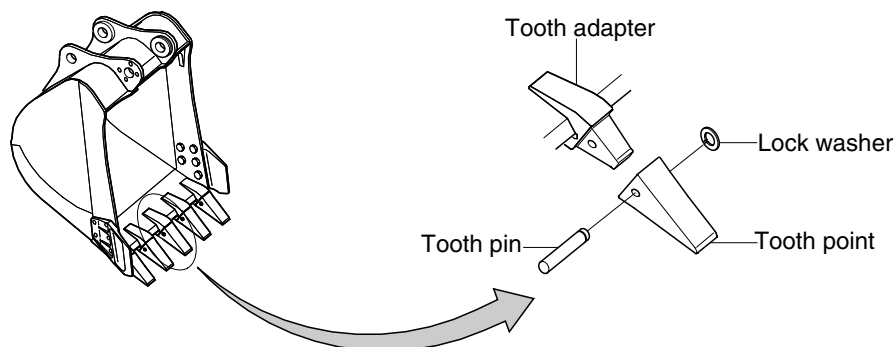
Model	Capacity (m ³)		Bucket assy	Tooth adapter		Tooth point		Tooth pin		Lock washer	
	SAE	CECE		Part no.	Qty	Part no.	Qty	Part no.	Qty	Part no.	Qty
R290LC-7	1.20	1.00	61N6-34000 #0001-1090	E161-3017 #1090	5	E161-3027 #1090	5	E161-3035	5	61E5-11150	5
			61N6-34001 #1091-1312			61N6-31310 #1091-1312					
			61N6-34001BG #1313-			61N8-31320 #1091-					
	1.27	1.10	61N8-30000 #0160	E262-3027 #1090	5	E262-3046 #1090	5	E262-5004	5	61E5-11150	5
			61N8-30001 #1091-1312			61N8-31310 #1091-1312					
			61N8-30002 #1313-			61N8-31310BG #1313-					
	1.27* ⁶	1.10	66N8-30000BG #1181-	61N8-31320	5	61N8-31310BG	5	E262-5004	5	61E5-11150	5
	0.79	0.70	61N8-31000 #0160	E262-3027 #1090	3	E262-3046 #1090	3	E262-5004	3	61E5-11150	3
			61N8-31001 #1091-1312			61N8-31310 #1091-1312					
			61N8-31002 #1313-			61N8-31310BG #1313-					
	1.03	0.90	61N8-32000 #0160	E262-3027 #1090	4	E262-3046 #1090	4	E262-5004	4	61E5-11150	3
			61N8-32001 #1091-1312			61N8-31310 #1091-1312					
61N8-32002 #1313-			61N8-31310BG #1313-								
1.50	1.30	61N8-33000 #0160	E262-3027 #1090	5	E262-3046 #1090	5	E262-5004	5	61E5-11150	5	
		61N8-33001 #1091-1312			61N8-31310 #1091-1312						
		61N8-33001BG #1313-			61N8-31310BG #1313-						
1.73	1.50	61N8-34000 #0160	E262-3027 #1090	6	E262-3046 #1090	6	E262-5004	6	61E5-11150	6	
		61N8-34001 #1091-1312			61N8-31310 #1091-1312						
		61N8-34002 #1313-			61N8-31310BG #1313-						
1.85	1.60	61N8-35000 #0160	E262-3027 #1090	6	E262-3046 #1090	6	E262-5004	6	61E5-11150	6	
		61N8-35001 #1091-1312			61N8-31310 #1091-1312						
		61N8-35002 #1313-			61N8-31310BG #1313-						
1.07* ¹	0.95	62N8-31000 #0038-1090	E262-3027 #1090	5	E262-3046 #1090	5	E262-5004	5	61E5-11150	5	
		62N8-31001 #1091-1312			61N8-31310 #1091-1312						
		62N8-31001BG #1313-			61N8-31310BG #1313-						
1.15* ¹	1.00	62N8-32000 #0038-1090	E262-3027 #1090	5	E262-3046 #1090	5	E262-5004	5	61E5-11150	5	
		62N8-32001 #1091-1312			61N8-31310 #1091-1312						
		62N8-32001BG #1313-			61N8-31310BG #1313-						
1.46* ¹	1.28	62N8-33000 #0038-1090	E262-3027 #1090	6	E262-3046 #1090	6	E262-5004	6	61E5-11150	6	
		62N8-33001 #1091-1312			61N8-31310 #1091-1312						
		62N8-33001BG #1313-			61N8-31310BG #1313-						
0.52* ⁵	0.45	61N4-35000 #0167-1214	E262-3027 #1214	5	E161-3027	5	E161-3035	5	61E5-11150	5	
		61N4-35001 #1215-1312			61N8-31320 #1215-						
		61N4-35001BG #1313-									

*¹Heavy duty bucket

*³Long reach

*⁶Wear-resistant

General bucket



Hydraulic excavator

Model	Capacity (m ³)		Bucket assy	Tooth adapter		Tooth point		Tooth pin		Lock washer	
	SAE	CECE		Part no.	Qty	Part no.	Qty	Part no.	Qty	Part no.	Qty
R290LC-7A	0.79	0.70	61N8-31002 61N8-31002BG	61N8-31320	3	61N8-31310 61N8-31310BG	3	E262-5004	3	61E5-11150	3
	1.20	1.00	61N6-34001 61N6-34001BG	61N8-31320	5	61N8-31310 61N8-31310BG	5	E161-3035	5	61E5-11150	5
	1.27	1.10	61N8-30002 61N8-30002BG	61N8-31320	5	61N8-31310 61N8-31310BG	5	E262-5004	5	61E5-11150	5
	1.27* ⁶	1.10	66N8-30000BG	61N8-31320	5	61N8-31310 61N8-31310BG	5	E262-5004	5	61E5-11150	5
	1.27* ⁷	1.10	68N8-30000 68N8-30001 68N8-30002 68N8-30003	61N8-31320 68N8-31321	5	61N8-31310BG	5	E262-5004	5	61E5-11150	5
	1.03	0.90	61N8-32002 61N8-32002BG	61N8-31320	4	61N8-31310 61N8-31310BG	4	E262-5004	4	61E5-11150	4
	1.50	1.30	61N8-33002 61N8-33002BG	61N8-31320	5	61N8-31310 61N8-31310BG	5	E262-5004	5	61E5-11150	5
	1.73	1.50	61N8-34002 61N8-34002BG	61N8-31320	6	61N8-31310 61N8-31310BG	6	E262-5004	6	61E5-11150	6
	1.85	1.60	61N8-35002 61N8-35002BG	61N8-31320	6	61N8-31310 61N8-31310BG	6	E262-5004	6	61E5-11150	6
	1.07* ¹	0.95	62N8-31001 62N8-31001BG	61N8-31320	5	61N8-31310 61N8-31310BG	5	E262-5004	5	61E5-11150	5
	1.15* ¹	1.00	62N8-32001 62N8-32001BG	61N8-31320	5	61N8-31310 61N8-31310BG	5	E262-5004	5	61E5-11150	5
	1.27* ¹	1.10	62N8-36000BG	61N8-31320	5	61N8-31310BG	5	E262-5004	5	61E5-11150	5
	1.27* ¹	1.10	62N8-39000BG	61N8-31320	5	61N8-31310BG	5	E262-5004	5	61E5-11150	5
	1.46* ¹	1.28	62N8-33001 62N8-33001BG	61N8-31320	6	61N8-31310 61N8-31310BG	6	E262-5004	6	61E5-11150	6
	0.52* ⁵	0.45	61N4-35001 61N4-35001BG 66N4-35000	E161-3017 61N4-31320	5	E161-3027 61N4-31210BG	5	E161-3035 66N4-30350	5	61E5-11150 66N4-11150	5
1.38* ⁷	1.20	68N8-32000 68N8-32001	68N8-31320 68N8-31321	5	61N8-31310BG	5	E262-5004	5	61E5-11150	5	
R290LC-7H	1.27	1.10	61N8-30001	E262-3027	5	E262-3046	5	E262-5004	5	61E5-11150	5
	0.79	0.70	61N8-31001	E262-3027	3	E262-3046	3	E262-5004	3	61E5-11150	3
	1.03	0.90	61N8-32001	E262-3027	4	E262-3046	4	E262-5004	4	61E5-11150	4
	1.08	0.95	61N8-36000	E262-3027	5	E262-3046	5	E262-5004	5	61E5-11150	5
	1.50	1.30	61N8-33001	E262-3027	5	E262-3046	5	E262-5004	5	61E5-11150	5
	1.73	1.50	61N8-34001	E262-3027	6	E262-3046	6	E262-5004	6	61E5-11150	6
	1.85	1.60	61N8-35001	E262-3027	6	E262-3046	6	E262-5004	6	61E5-11150	6
	1.07* ¹	0.95	62N8-31000	E262-3027	5	E262-3046	5	E262-5004	5	61E5-11150	5
	1.27* ¹	1.10	62N8-32000	E262-3027	5	E262-3046	5	E262-5004	5	61E5-11150	5
1.46* ¹	1.28	62N8-33000	E262-3027	6	E262-3046	6	E262-5004	6	61E5-11150	6	

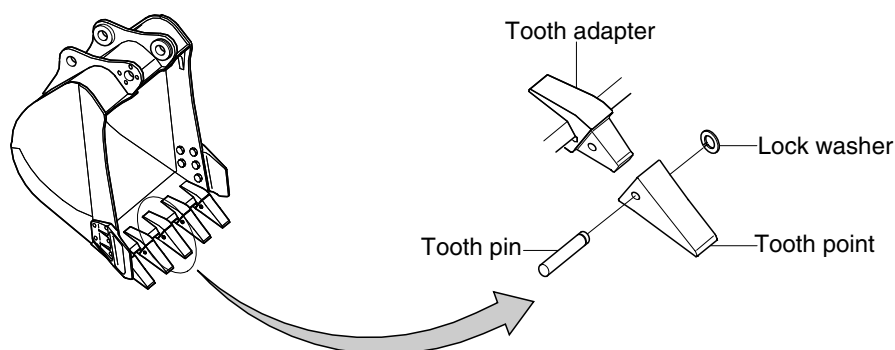
*¹Heavy duty bucket

*⁵Long reach

*⁶Wear-resistant

*⁷Casting

General bucket



Hydraulic excavator

Model	Capacity (m ³)		Bucket assy	Tooth adapter		Tooth point		Tooth pin		Lock washer	
	SAE	CECE		Part no.	Qty	Part no.	Qty	Part no.	Qty	Part no.	Qty
R290LC-9	0.79	0.70	61Q8-31000	61N8-31320	3	61N8-31310GG	3	E262-5004	3	61E5-11150	3
	1.27	1.10	61Q8-30000	61N8-31320	5	61N8-31310GG	5	E262-5004	5	61E5-11150	5
	1.27* ⁶	1.10	66Q8-30000	61N8-31320	5	61N8-31310GG	5	E262-5004	5	61E5-11150	5
	1.27	1.10	65Q8-30000	61N8-31320	5	61N8-31310GG	5	E262-5004	5	61E5-11150	5
	1.20	1.00	61N6-34001GG -#0083	61N8-31320	5	61N6-31310GG	5	E161-3035	5	61E5-11150	5
	1.03	0.90	61Q8-32000	61N8-31320	4	61N8-31310GG	4	E262-5004	6	61E5-11150	6
	1.38	1.20	61Q8-37000	61N8-31320	5	61N8-31310GG	5	E262-5004	5	61E5-11150	5
	1.50	1.30	61Q8-33000	61N8-31320	5	61N8-31310GG	5	E262-5004	5	61E5-11150	5
	1.73	1.50	61Q8-34000	61N8-31320	6	61N8-31310GG	6	E262-5004	6	61E5-11150	6
	1.85	1.60	61Q8-35000	61N8-31320	6	61N8-31310GG	6	E262-5004	6	61E5-11150	6
	1.07* ¹	1.07	62Q8-31000	61N8-31320	5	61N8-31310GG	5	E262-5004	5	61E5-11150	5
	1.15* ¹	1.00	62Q8-32000	61N8-31320	5	61N8-31310GG	5	E262-5004	5	61E5-11150	5
	1.27* ¹	1.10	62Q8-39000	61N8-31320	5	61N8-31310GG	5	E262-5004	5	61E5-11150	5
	1.46* ¹	1.28	62Q8-33000	61N8-31320	6	61N8-31310GG	6	E262-5004	6	61E5-11150	6
	1.27* ⁷	1.10	68N8-30001GG -#0356 68N8-30002GG #0357-#027 68N8-30003GG #0528-	68N8-31320 -#0356 68N8-31321 #0357-	5	61N8-31310GG	5	E262-5004	5	61E5-11150	5
	1.38* ⁷	1.20	68N8-32000GG -#0356 68N8-32001GG #0357-	68N8-31320 -#0356 68N8-31321 #0357-	5	61N8-31310GG	5	E262-5004	5	61E5-11150	5
	0.52* ⁵	0.45	66N4-35000GG	61N4-31200	5	61N4-31210GG	5	66N4-30350	5	61E5-11150	5
	1.27* ⁷	1.10	68N8-30000GG #040-#008 68N8-30001GG #0210-	61N8-31320	5	61N8-31310GG	5	E262-5004	5	61E5-11150	5
	1.38* ⁷	1.20	68N8-32000GG #0210-	61N8-31320	5	68N8-32010GG	5	E262-5004	5	61E5-11150	5
	1.09* ¹	0.95	64Q8-35000 #0603-	61N8-31320	4	61N8-31310GG	4	E262-5004	4	61E5-11150	4

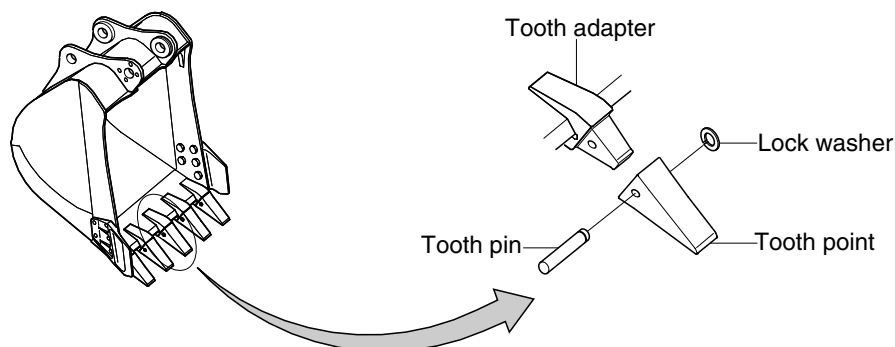
*¹Heavy duty bucket

*⁵Long reach

*⁶Wear-resistant

*⁷Casting

General bucket



Hydraulic excavator

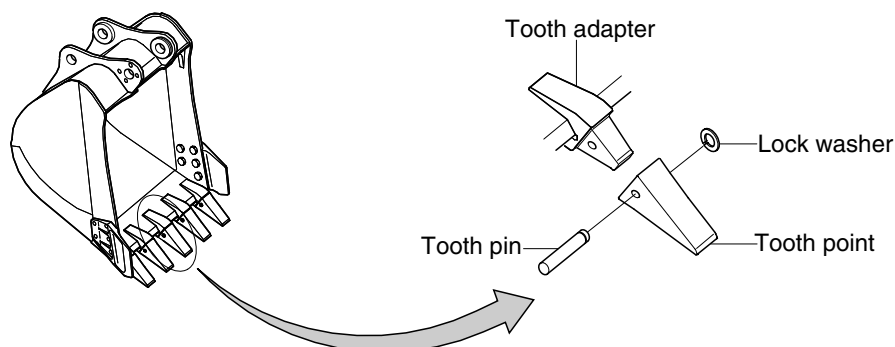
Model	Capacity (m ³)		Bucket assy	Tooth adapter		Tooth point		Tooth pin		Lock washer	
	SAE	CECE		Part no.	Qty	Part no.	Qty	Part no.	Qty	Part no.	Qty
R305LC-7	1.27	1.10	61N8-30001 #0120-0380	E262-3027 #0119	5	E262-3046 #0119	5	E262-5004	5	61E5-11150	5
			61N8-30002 #0381-			61N8-31320 #0120-					
	0.79	0.70	61N8-30001 #0120-0383	E262-3027 #0119	3	E262-3046 #0119	3	E262-5004	3	61E5-11150	3
			61N8-30002BG #0364-			61N8-31320 #0120-					
	1.03	0.90	61N8-32001 #0120-0383	E262-3027 #0119	4	E262-3046 #0119	4	E262-5004	4	61E5-11150	4
			61N8-32002BG #0364-			61N8-31320 #0120-					
	1.08	0.95	61N8-36000 #0120-0383	E262-3027 #0119	5	E262-3046 #0119	5	E262-5004	5	61E5-11150	5
			61N8-36001BG #0364-			61N8-31320 #0120-					
	1.50	1.30	61N8-33001 #0120-0380	E262-3027 #0119	5	E262-3046 #0119	5	E262-5004	5	61E5-11150	5
			61N8-33002BG #0381-			61N8-31320 #0120-					
	1.73	1.50	61N8-34001 #0120-0383	E262-3027 #0119	6	E262-3046 #0119	6	E262-5004	6	61E5-11150	6
			61N8-34002BG #0364-			61N8-31320 #0120-					
	1.85	1.60	61N8-35001 #0120-0383	E262-3027 #0119	6	E262-3046 #0119	6	E262-5004	6	61E5-11150	6
61N8-35002BG #0364-			61N8-31320 #0120-			61N8-31310BG #0364-					
1.07* ¹	0.95	62N8-31000 #0120-0383	E262-3027 #0119	5	E262-3046 #0119	5	E262-5004	5	61E5-11150	5	
		62N8-31001BG #0364-			61N8-31320 #0120-						61N8-31310BG #0364-
1.15* ¹	1.00	62N8-32000 #0120-0383	E262-3027 #0119	5	E262-3046 #0119	5	E262-5004	5	61E5-11150	5	
		62N8-32001BG #0364-			61N8-31320 #0120-						61N8-31310BG #0364-
1.46* ¹	1.28	62N8-33000 #0120-0380	E262-3027 #0119	6	E262-3046 #0119	6	E262-5004	6	61E5-11150	6	
		62N8-33001BG #0381-			61N8-31320 #0120-						61N8-31310BG #0381-
1.27* ⁴	1.10	66N8-30000 #0340-0380	61N8-31320	5	61N8-31310 #0340-0380	5	E262-5004	5	61E5-11150	5	
		66N8-30000BG #0381-			61N8-31310BG #0381-						
0.52* ⁵	0.45	62N4-35000 #0108-0123	E161-3017 #0108-0123	5	E161-3027 #0108-0419	5	E161-3035 #0108-0419	5	61E5-11150 #0108-0419	5	
		62N4-35001BG #0381-0419	61N8-31320 #0124-0419	5	61N4-31210BG #0420-	5	66N4-30350 #0420-	5	66N4-11150 #0420-	5	
R320LC R320LC-3	0.90	0.80	61E5-3001* ²	E262-3027	3	E262-3046	3	E262-5004	3	61E5-11150	3
			61E5-30011* ³								
	1.14	1.00	61E5-3002* ²	E262-3027	4	E262-3046	4	E262-5004	4	61E5-11150	4
			61E5-30021* ³								
	1.38	1.20	61E5-3000* ²	E262-3027	5	E262-3046	5	E262-5004	5	61E5-11150	5
			61E5-300001* ³								
	1.44	1.25	61E5-3003* ²	E262-3027	5	E262-3046	5	E262-5004	5	61E5-11150	5
			61E5-30032* ³								
1.74	1.50	61E5-3004* ²	E262-3027	6	E262-3046	6	E262-5004	6	61E5-11150	6	
		61E5-30041* ³									
1.97	1.70	61E5-3005* ²	E262-3027	6	E262-3046	6	E262-5004	6	61E5-11150	6	
		61E5-30051* ³									
2.10	1.80	61E5-3006* ²	E262-3027	6	E262-3046	6	E262-5004	6	61E5-11150	6	
		61E5-30061* ³									
2.10	1.80	62E5-30900* ²	E262-3027	5	E262-3046	5	E262-5004	5	61E5-11150	5	
		62E5-30901* ³									

*¹Heavy duty bucket *²Wear-resistant *³Long reach

Applicable machine serial No.

-	Model	Serial No.	Model	Serial No.
* ²	R320LC-3	-#0107	R320LC	#0001-
* ³	R320LC-3	#0108-	-	

General bucket



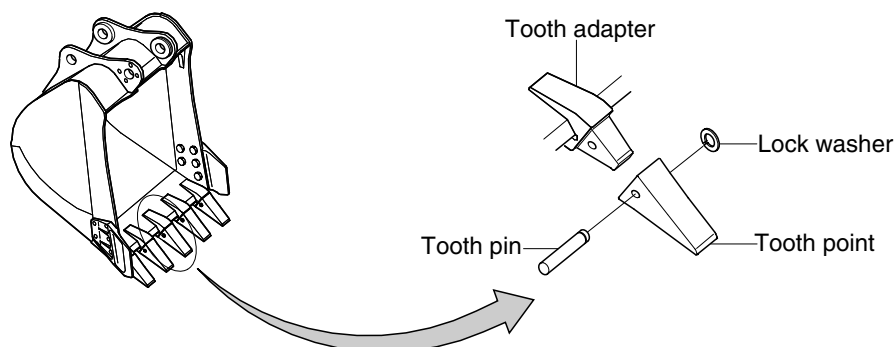
Hydraulic excavator

Model	Capacity (m ³)		Bucket assy	Tooth adapter		Tooth point		Tooth pin		Lock washer		
	SAE	CECE		Part no.	Qty	Part no.	Qty	Part no.	Qty	Part no.	Qty	
R320LC-7	0.9	0.8	61N9-30200 #0345	E262-3027 #0345	3	61N8-31320 #0346	3	E262-3046 #0345	E262-5004	3	61E5-11150	3
			61N9-30201 #0346-1118			61N8-31310 #0346-1119		61N8-31310BG #1119				
	1.44	1.25	61N9-30101 #0345	E262-3027 #0345	5	61N8-31320 #0346	5	E262-3046 #0345	E262-5004	5	61E5-11150	5
			61N9-30102 #0346-1118			61N8-31310 #0346-1119		61N8-31310BG #1119				
	1.44*1	1.25	61N9-30600 #0016-0345	61E7-0100 #0345	5	61NA-31320 #0346	5	61E7-0101 #0345	E262-5004	5	61E5-11150	5
			61N9-30601 #0346-1118			61NA-31310 #0346-1119		61N8-31310BG #1119				
1.44*2	1.25	66N9-30100BG #1125	61N8-31320	5	61N8-31310BG	5	E262-5004	5	61E5-11150	5		
1.74	1.5	61N9-30400 #0034-0345	E262-3027 #0345	6	61N8-31320 #0346	6	E262-3046 #0345	E262-5004	6	61E5-11150	6	
		61N9-30401 #0346-1118			61N8-31310 #0346-1119		61N8-31310BG #1119					
2.10	1.8	61N9-30500 #0345	E262-3027 #0345	6	61N8-31320 #0346	6	E262-3046 #0345	E262-5004	6	61E5-11150	6	
		61N9-30501 #0346-1118			61N8-31310 #0346-1119		61N8-31310BG #1119					
R320LC-7A	0.9	0.8	61N9-30201 #0151	61N8-31320	3	61N8-31310 #0151	3	E262-5004	E262-5004	3	61E5-11150	3
			61N9-30201BG #0152			61N8-31310BG #0152						
	1.44	1.25	61N9-30102 #0151	61N8-31320	5	61N8-31310 #0151	5	E262-5004	E262-5004	5	61E5-11150	5
			61N9-30102BG #0152			61N8-31310BG #0152						
	1.74	1.5	61N9-30401 #0151	61N8-31320	6	61N8-31310 #0151	6	E262-5004	E262-5004	6	61E5-11150	6
61N9-30401BG #0152			61N8-31310BG #0152									
2.10	1.8	61N9-30501 #0151	61N8-31320	6	61N8-31310 #0151	6	E262-5004	E262-5004	6	61E5-11150	6	
		61N9-30501BG #0152			61N8-31310BG #0152							
1.44*1	1.25	61N9-30601 #0151	61N8-31320	5	61N8-31310 #0151	5	61E7-0105	E262-5004	5	61EH-11150	5	
R320LC-9	0.9	0.8	61Q9-30200	61N8-31320	3	61N8-31310GG	3	E262-5004	E262-5004	3	61E5-11150	3
			61Q9-30300			61N8-31310GG		4				
	1.44	1.25	61N9-30102GG #0004	61N8-31320	5	61N8-31310GG	5	E262-5004	E262-5004	5	61E5-11150	5
			61Q9-30100 #0005			61N8-31310GG		5				
	1.44*2	1.25	66N9-30100BG #0004	61N8-31320	5	61N8-31310GG	5	E262-5004	E262-5004	5	61E5-11150	5
			66Q9-30100 #0005			61N8-31310GG		5				
	1.74	1.5	61Q9-30400	61N8-31320	6	61N8-31310GG	6	E262-5004	E262-5004	6	61E5-11150	6
			61Q9-30500			61N8-31310GG		6				
2.10	1.8	61Q9-30500	61N8-31320	6	61N8-31310GG	6	E262-5004	E262-5004	6	61E5-11150	6	
1.44*1	1.25	61Q9-30600	61NA-31320	5	61NA-31310GG	5	61E7-0105	E262-5004	5	61EH-11150	5	
1.39*1	1.22	64Q9-30100 #0012	61NA-31320	4	61NA-31310GG	4	61E7-0105	E262-5004	4	61EH-11150	4	

*1 Heavy duty bucket

*2 Wear-resistant

General bucket

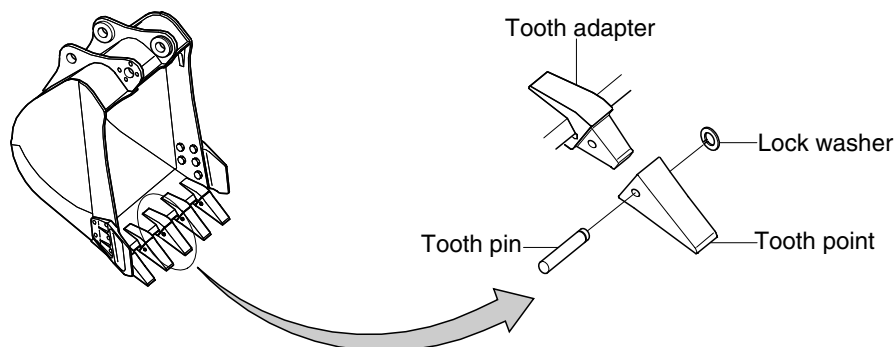


Hydraulic excavator

Model	Capacity (m ³)		Bucket assy	Tooth adapter		Tooth point		Tooth pin		Lock washer		
	SAE	CECE		Part no.	Qty	Part no.	Qty	Part no.	Qty	Part no.	Qty	
R360LC-3	1.15	1.00	61EH-31000 61EH-31001	-#0202 #0203-	61E7-0100	4	61E7-0101	4	61E7-0105	4	61EH-11150	4
	1.62	1.42	61EH-31000 61EH-31002	-#0202 #0203-	61E7-0100	5	61E7-0101	5	61E7-0105	5	61EH-11150	5
	1.86	1.60	61EH-31000 61EH-31001	-#0202 #0203-	61E7-0100	5	61E7-0101	5	61E7-0105	5	61EH-11150	5
	2.10	1.80	61EH-31000 61EH-31001	-#0202 #0203-	61E7-0100	6	61E7-0101	6	61E7-0105	6	61EH-11150	6
	2.32*1	2.00	61EH-31000 61EH-31001	-#0202 #0203-	E262-3027	6	E262-3046	6	E262-5004	6	61EH-11150	6
	2.32	2.00	61EH-31000 61EH-31001	-#0202 #0203-	61E7-0100	6	61E7-0101	6	61E7-0105	6	61EH-11150	6
	1.15	1.00	61NA-30200		61NA-31320 #0001-	4	61NA-31310 #0001-	4	61E7-0105	4	61EH-11150	6
	1.62	1.40	61NA-30101 61NA-30102	-#0451 #0452-	61E7-0100 #0451 61NA-31320 #0452-	5	61E7-0101 #0451 61NA-31310 #0452-	5	61E7-0105	5	61EH-11150	5

*1Heavy duty bucket

General bucket



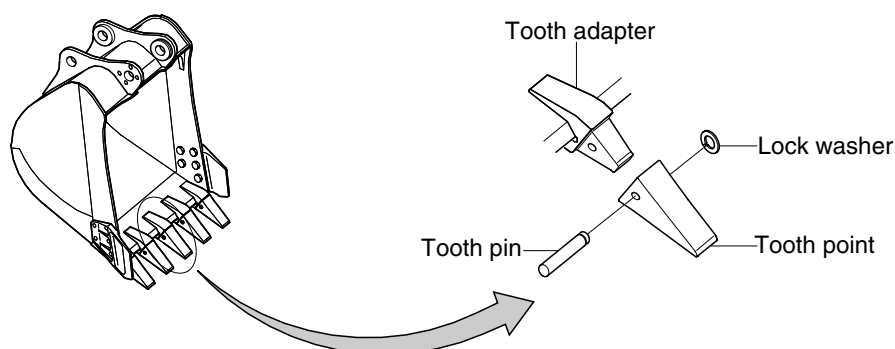
Hydraulic excavator

Model	Capacity (m ³)		Bucket assy	Tooth adapter		Tooth point		Tooth pin		Lock washer	
	SAE	CECE		Part no.	Qty	Part no.	Qty	Part no.	Qty	Part no.	Qty
R360LC-7	1.62	1.40	61NA-30101 #0041-0451 61NA-30102 #0452-0929 61NA-30102BG #0930-	61E7-0100 #0451 61NA-31320 #0452-	5	61E7-0101 #0451 61NA-31310 #0452-0929 61NA-31310BG #0930-	5	61E7-0105	5	61EH-11150	5
			61NA-30600 #0041-0451 61NA-30601 #0452-0929 61NA-30601BG #0930-	61E7-0100 #0451 61NA-31320 #0452-	5	61E7-0101 #0451 61NA-31310 #0452-0929 61NA-31310BG #0930-	5	61E7-0105	5	61EH-11150	5
			66NA-30100BG #0930-	61NA-31320	5	61NA-31310BG	5	61E7-0105	5	61EH-11150	5
	1.15	1.00	61NA-30200 #0928 61NA-30200BG #0930-	61NA-31320	4	61NA-31310 #0928 61NA-31310BG #0930-	4	61E7-0105	4	61EH-11150	4
			61NA-30300 #0451 61NA-30301 #0452-0929 61NA-30301BG #0930-	61E7-0100 #0451 61NA-31320 #0452-	5	61E7-0101 #0451 61NA-31310 #0452-0929 61NA-31310BG #0930-	5	61E7-0105	5	61EH-11150	5
	2.10	1.80	61NA-30400 #0451 61NA-30401 #0452-0929 61NA-30401BG #0930-	61E7-0100 #0451 61NA-31320 #0452-	6	61E7-0101 #0451 61NA-31310 #0452-0929 61NA-31310BG #0930-	6	61E7-0105	6	61EH-11150	6
			61NA-30800 #0034-0451 61NA-30801 #0452-0929 61NA-30801BG #0930-	61E7-0100 #0451 61NA-31320 #0452-	6	61E7-0101 #0451 61NA-31310 #0452-0929 61NA-31310BG #0930-	6	61E7-0105	6	61EH-11150	6
	1.46	1.27	61NA-30900 #0058-0451 61NA-30901 #0452-0929 61NA-30901BG #0930-	61E7-0100 #0451 61NA-31320 #0452-	4	61E7-0101 #0451 61NA-31310 #0452-0929 61NA-31310BG #0930-	4	61E7-0105	4	61EH-11150	4
R360LC-7A	1.15	1.00	61NA-30200 #0077 61NA-30200BG #0078-	61NA-31320	4	61NA-31310 #0077 61NA-31310BG #0078-	4	61E7-0105	4	61EH-11150	4
	1.62	1.40	61NA-30102 #0077 61NA-30102BG #0078-0537 61NA-30103BG #0538-	61NA-31320 #0537 61QA-31320 #0538-	5	61NA-31310 #0077 61NA-31310BG #0078-0537 61QA-31310 #0538-	5	61E7-0105	5	61EH-11150	5
			66NA-30100BG #0118-0537 66NA-30101BG #0538-	61NA-31320 #0118-0537 61QA-31320 #0538-	5	61NA-31310BG #0118-0537 61QA-31310 #0538-	5	61E7-0105	5	61EH-11150	5
	1.86	1.60	61NA-30301 #0077 61NA-30301BG #0078-0537 61NA-30302BG #0538-	61NA-31320 #0537 61QA-31320 #0538-	5	61NA-31310 #0077 61NA-31310BG #0078-0537 61QA-31310 #0538-	5	61E7-0105	5	61EH-11150	5
			61NA-30401 #0077 61NA-30401BG #0078-0537 61NA-30402BG #0538-	61NA-31320 #0537 61QA-31320 #0538-	6	61NA-31310 #0077 61NA-31310BG #0078-0537 61QA-31310 #0538-	6	61E7-0105	6	61EH-11150	6
	2.32	2.00	61NA-30801 #0077 61NA-30801BG #0078-0537 61NA-30802BG #0538-	61NA-31320 #0537 61QA-31320 #0538-	6	61NA-31310 #0077 61NA-31310BG #0078-0537 61QA-31310 #0538-	6	61E7-0105	6	61EH-11150	6
			61NA-30601 #0077 61NA-30601BG #0078-0537 61NA-30602BG #0538-	61NA-31320 #0537 61QA-31320 #0538-	5	61NA-31310 #0077 61NA-31310BG #0078-0537 61QA-31310 #0538-	5	61E7-0105	5	61EH-11150	5
	1.46	1.27	61NA-30901 #0077 61NA-30901BG #0078-0537 61NA-30902BG #0538-	61NA-31320 #0537 61QA-31320 #0538-	4	61NA-31310 #0077 61NA-31310BG #0078-0537 61QA-31310 #0538-	4	61E7-0105	4	61EH-11150	4

*1Heavy duty bucket

*2Wear-resistant

General bucket



Hydraulic excavator

Model	Capacity (m ³)		Bucket assy	Tooth adapter		Tooth point		Tooth pin		Lock washer			
	SAE	CECE		Part no.	Qty	Part no.	Qty	Part no.	Qty	Part no.	Qty		
R380LC-9	1.46	1.27	61NA-30901GG #0010 61QA-30900 #011-0132 61QA-30901 #0133-	61NA-31320 #0132 61QA-31320 #0133-	4	61NA-31310BG #0132 61QA-31310 #0133-	4	61E7-0105	4	61EH-11150	4		
			1.62	1.40	61NA-30102GG #0010 61QA-30100 #011-0132 61QA-30101 #0133-	61NA-31320 #0132 61QA-31320 #0133-	5	61NA-31310BG #0132 61QA-31310 #0133-	5	61E7-0105	5	61EH-11150	5
					66NA-30100GG #0010 66QA-30100 #011-0132 66QA-30101 #0133-	61NA-31320 #0132 61QA-31320 #0133-	5	61NA-31310BG #0132 61QA-31310 #0133-	5	61E7-0105	5	61EH-11150	5
	1.86	1.60	61NA-30301GG #0010 61QA-30300 #011-0132 61QA-30301 #0133-	61NA-31320 #0132 61QA-31320 #0133-	5	61NA-31310BG #0132 61QA-31310 #0133-	5	61E7-0105	5	61EH-11150	5		
			2.10	1.80	61NA-30401GG #0010 61QA-30400 #011-0132 61QA-30401 #0133-	61NA-31320 #0132 61QA-31320 #0133-	6	61NA-31310BG #0132 61QA-31310 #0133-	6	61E7-0105	6	61EH-11150	6
	2.32	2.00			61NA-30801GG #0010 61QA-30800 #011-0132 61QA-30801 #0133-	61NA-31320 #0132 61QA-31320 #0133-	6	61NA-31310BG #0132 61QA-31310 #0133-	6	61E7-0105	6	61EH-11150	6
			1.45* ¹	1.28	64QA-30100 #0132 64QA-30101 #0133-	61NA-31320 #0132 61QA-31320 #0133-	4	61NA-31310BG #0132 61QA-31310 #0133-	4	61E7-0105	4	61EH-11150	4
	1.62* ¹	1.40			61NA-30601GG #0010 61QA-30600 #011-0132 61QA-30601 #0133-	61NA-31320 #0132 61QA-31320 #0133-	5	61NA-31310BG #0132 61QA-31310 #0133-	5	61E7-0105	5	61EH-11150	5
			1.67* ¹	1.47	64QA-30200 #0189-	61NA-31321	5	61QA-31310	5	61E7-0105	5	61EH-11150	5
R450LC R450LC-3	1.35	1.20	61E7-04061* ⁴ 61E7-04061* ⁵ #1163	61E7-0100	4	61E7-0101	4	61E7-0105	4	61EH-11150	4		
			61E7-00500* ⁴ 64E7-00500* ⁵ #1163	61E7-0100	4	61E7-0101	4	61E7-0105	4	61EH-11150	4		
	1.83* ¹	1.60	61E7-03451* ⁴ 61E7-03451* ⁵ #1163	61E7-0100	5	61E7-0101	5	61E7-0105	5	61EH-11150	5		
			61E7-03511* ⁴ 61E7-03511* ⁵ #1163	61E7-0100	5	61E7-0101	5	61E7-0105	5	61EH-11150	5		
	1.97	1.70	61E7-00331* ⁴ 61E7-00331* ⁵ #1000	61E7-0100	5	61E7-0101	5	61E7-0105	5	61EH-11150	5		
			61E7-02541* ⁴ 61E7-02541* ⁵ #1163	61E7-0100	5	61E7-0101	5	61E7-0105	5	61EH-11150	5		
	2.33	2.00	61E7-02551* ⁴ 61E7-02551* ⁵ #1000	61E7-0100	5	61E7-0101	5	61E7-0105	5	61EH-11150	5		
			61E7-02561* ⁴ 61E7-02561* ⁵ #1163	61E7-0100	5	61E7-0101	5	61E7-0105	5	61EH-11150	5		
	2.80	2.40	61E7-02571* ⁴ 61E7-02571* ⁵ #1163	61E7-0100	5	61E7-0101	5	61E7-0105	5	61EH-11150	5		

*¹Heavy duty bucket

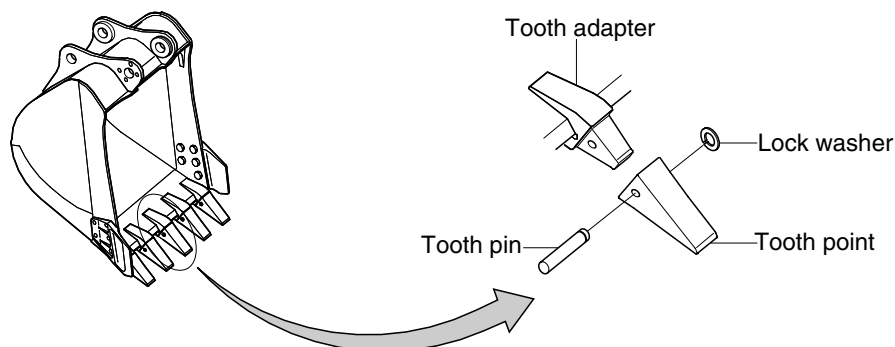
*³Long reach bucket

*⁴R450LC

*⁵R450LC-3

*⁶Wear-resistant

General bucket



Hydraulic excavator

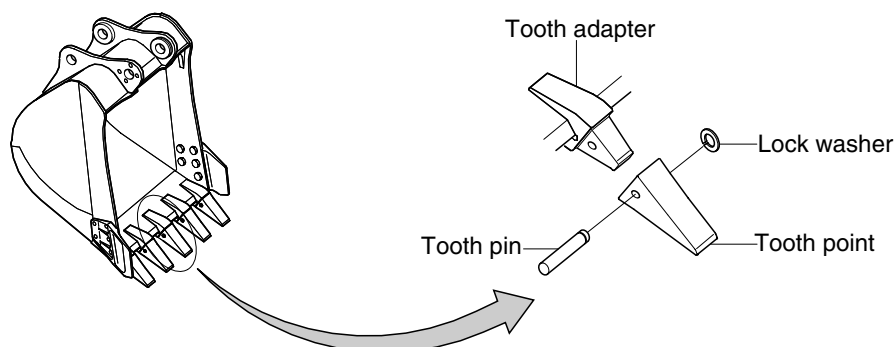
Model	Capacity (m ³)		Bucket assy	Tooth adapter		Tooth point		Tooth pin		Lock washer	
	SAE	CECE		Part no.	Qty	Part no.	Qty	Part no.	Qty	Part no.	Qty
R450LC-3	1.39	1.20	64E7-02470 #1164-	61E7-04600	4	61E7-04610	5	61E7-04620	5	61E7-04630	5
	1.37* ³	1.20	64E7-03360 #1164-	61E7-04600	4	61E7-04610	4	61E7-04620	4	61E7-04630	4
	1.76* ¹	1.60	64E7-03170 #1164-	61E7-04600	5	61E7-04610	5	61E7-04620	5	61E7-04630	5
	1.76* ¹	1.60	64E7-03320 #1164-	61E7-04600	5	61E7-04610	5	61E7-04620	5	61E7-04630	5
	1.95	1.70	64E7-02171 #1001-	61E7-04600	5	61E7-04610	5	61E7-04620	5	61E7-04630	5
	2.30	2.00	64E7-02690 #1164-	61E7-04600	5	61E7-04610	5	61E7-04620	5	61E7-04630	5
	2.07	1.80	64E7-01650 #1001-1163 64E7-01651 #1164-	61E7-04600	5	61E7-04610	5	61E7-04620	5	61E7-04630	5
	2.53	2.20	64E7-02810 #1164-	61E7-04600	6	61E7-04610	6	61E7-04620	6	61E7-04630	6
	2.77	2.40	64E7-02910 #1164-	61E7-04600	6	61E7-04610	6	61E7-04620	6	61E7-04630	6
R450LC-7	1.38	1.20	61NB-30200 #0171-0332 61NB-30201 #0333-0758 61NB-30201BG #0759-	61E7-04600 #0332 61NB-31320 #0333-	4	61E7-04610 #0332 61NB-31310 #0333-0758 61NB-31310BG #0759-	4	61E7-04620	4	61E7-04630	4
	1.65	1.44	62NB-30200 #0086-0332 62NB-30201 #0333-0758 62NB-30201BG #0759-	61E7-04600 #0332 61NB-31320 #0333-	5	61E7-04610 #0332 61NB-31310 #0333-0758 61NB-31310BG #0759-	5	61E7-04620	5	61E7-04630	5
	1.81	1.50	63NB-30700BG #0795-	66NB-31320	4	66NB-31310	4	66NB-31340	4	66NB-31350	4
	1.84	1.60	61NB-30300 #0086-0332 61NB-30301 #0333-0758 61NB-30301BG #0759-	61E7-04600 #0332 61NB-31320 #0333-	5	61E7-04610 #0332 61NB-31310 #0333-0758 61NB-31310BG #0759-	5	61E7-04620	5	61E7-04630	5
	2.15	1.80	61NB-30101 #0253 61NB-30400 #0254-0332 61NB-30401 #0333-0758 61NB-30401BG #0759-	61E7-04600 #0332 61NB-31320 #0333-	5	61E7-04610 #0332 61NB-31310 #0333-0758 61NB-31310BG #0759-	5	61E7-04620	5	61E7-04630	5
	2.15* ²	1.80	66NB-30400 #0746-0758 66NB-30400BG #0759-	61NB-31320	5	61NB-31310 #0746-0758 61NB-31310BG #0759-	5	61E7-04620	5	61E7-04630	5
	2.20* ¹	1.80	61NB-30800 #0038-0332 61NB-30801 #0333-0737 61NB-30802 #0738-0758 61NB-30802BG #0759-	61E7-04600 #0332 61NB-31320 #0333-0737 62NB-31320 #0738-	5	61E7-04610 #0332 61NB-31310 #0333-0737 66NB-31310 #0738-0758 61NB-31310BG #0759-	5	61E7-04620 #0737 66NB-31340 #0738-	5	61E7-04630 #0737 66NB-31350 #0738-	5
	2.56	2.20	61NB-30500 #0038-0332 61NB-30501 #0333-0758 61NB-30501BG #0759-	61E7-04600 #0332 61NB-31320 #0333-	6	61E7-04610 #0332 61NB-31310 #0333-0758 61NB-31310BG #0759-	6	61E7-04620	6	61E7-04630	6
	2.77	2.40	61NB-30600 #0005-0332 61NB-30601 #0333-0758 61NB-30601BG #0759-	61E7-04600 #0332 61NB-31320 #0333-	7	61E7-04610 #0332 61NB-31310 #0333-0758 61NB-31310BG #0759-	7	61E7-04620	7	61E7-04630	7
	3.03	2.60	61NB-30700 #0016-0332 61NB-30701 #0333-0758 61NB-30701BG #0759-	61E7-04600 #0332 61NB-31320 #0333-	7	61E7-04610 #0016-0332 61NB-31310 #0333-0758 61NB-31310BG #0759-	7	61E7-04620	7	61E7-04630	7
	3.20	2.78	62NB-30600 #0177-0332 62NB-30601 #0333-0758 62NB-30601BG #0759-	61E7-04600 #0332 61NB-31320 #0333-	7	61E7-04610 #0332 61NB-31310 #0333-0758 61NB-31310BG #0759-	7	61E7-04620	7	61E7-04630	7
	3.60	3.15	63NB-30100 #0201-0332 63NB-30101 #0333-0758 63NB-30101BG #0759-	61E7-04600	7	61NB-31310 #0758 61NB-31310BG #0759-	7	61E7-04620 #0201-	7	61E7-04630 #0201-	7

*1 Heavy duty bucket

*2 Wear-resistant

*3 Super long

General bucket



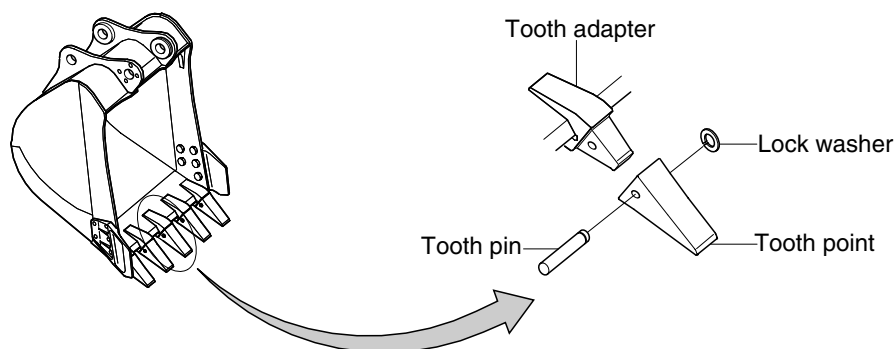
Hydraulic excavator

Model	Capacity (m ³)		Bucket assy	Tooth adapter		Tooth point		Tooth pin		Lock washer	
	SAE	CECE		Part no.	Qty	Part no.	Qty	Part no.	Qty	Part no.	Qty
R450LC-7A	1.38	1.20	61NB-30201 #0125 61NB-30201BG #0126-	61NB-31320	4	61NB-31310 #0125 61NB-31310BG #0126-	4	61E7-04620	4	61E7-04630	4
	1.84	1.60	61NB-30301 #0125 61NB-30301BG #0126-	61NB-31320	5	61NB-31310 #0125 61NB-31310BG #0126-	5	61E7-04620	5	61E7-04630	5
	2.15	1.80	61NB-30401 #0125 61NB-30401BG #0126-	61NB-31320	5	61NB-31310 #0125 61NB-31310BG #0126-	5	61E7-04620	5	61E7-04630	5
	2.15* ²	1.80	66NB-30400BG #0181-	61NB-31320	5	61NB-31310BG	5	61E7-04620	5	61E7-04630	5
	2.56	2.20	61NB-30501 #0125 61NB-30501BG #0126-	61NB-31320	6	61NB-31310 #0125 61NB-31310BG #0126-	6	61E7-04620	6	61E7-04630	6
	2.77	2.40	61NB-30601 #0125 61NB-30601BG #0126-	61NB-31320	7	61NB-31310 #0125 61NB-31310BG #0126-	7	61E7-04620	7	61E7-04630	7
	3.03	2.60	61NB-30701 #0125 61NB-30701BG #0126-	61NB-31320	7	61NB-31310 #0125 61NB-31310BG #0126-	7	61E7-04620	7	61E7-04630	7
	3.20	2.78	62NB-30601 #0125 62NB-30601BG #0126-	61NB-31320	7	61NB-31310 #0125 61NB-31310BG #0126-	7	61E7-04620	7	61E7-04630	7
	3.60	3.15	63NB-30101 #0125 63NB-30101BG #0126-	61NB-31320	7	61NB-31310 #0125 61NB-31310BG #0126-	7	61E7-04620	7	61E7-04630	7
	2.20* ¹	1.80	61NB-30801 #0125 61NB-30801BG #0126-0171 61NB-30802BG #0172-	61NB-31320 #0171 62NB-31320 #0172-	5	61NB-31310 #0125 61NB-31310BG #0126-0171 66NB-31310BG #0172-	5	61E7-04620 #0171 66NB-31340 #0172-	5	61E7-04630 #0171 66NB-31350 #0172-	5
1.65	1.44	62NB-30201 #0125 62NB-30201BG #0126-	61NB-31320	5	61NB-31310 #0125 61NB-31310BG #0126-	5	61E7-04620	5	61E7-04630	5	
R480LC-9	1.0	1.27	63QB-30800 #0010-	61NB-31320	3	61NB-31310GG	3	61E7-04620	3	61E7-04630	3
	1.38	1.40	61QB-30200 #0010-	61NB-31320	4	61NB-31310GG	4	61E7-04620	4	61E7-04630	4
	1.84	1.60	61QB-30300 #0010-	61NB-31320	5	61NB-31310GG	5	61E7-04620	5	61E7-04630	5
	2.15	1.80	61QB-30400 #0010- 66QB-30400* ²	61NB-31320	5	61NB-31310GG	5	61E7-04620	5	61E7-04630	5
	2.79	2.47	61QB-30600 #0010-	61NB-31320	7	61NB-31310GG	7	61E7-04620	7	61E7-04630	7
	3.03	2.67	61QB-30700 #0010-	61NB-31320	7	61NB-31310GG	7	61E7-04620	7	61E7-04630	7
	2.03* ¹	1.81	67QB-30100	61NB-31320	5	61NB-31310GG	5	66NB-31340	5	66NB-31350	5
	2.31* ¹	2.00	67QB-30200 #0050-	61NB-31320	5	61NB-31310GG	5	66NB-31340	5	66NB-31350	5

*1 Heavy duty bucket

*2 Wear-resistant

General bucket



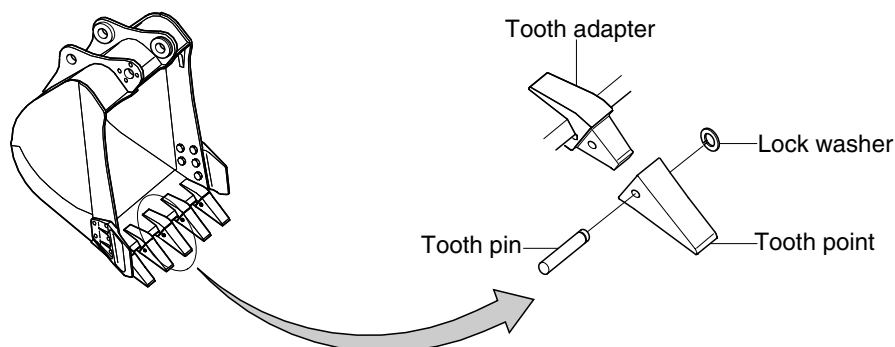
Hydraulic excavator

Model	Capacity (m ³)		Bucket assy	Tooth adapter		Tooth point		Tooth pin		Lock washer	
	SAE	CECE		Part no.	Qty	Part no.	Qty	Part no.	Qty	Part no.	Qty
R500LC-7	1.65	1.44	64NB-30300 #0015-0166 64NB-30300BG #0167-	61NB-31320	4	61NB-31310 -#0166 61NB-31310BG #0167-	4	61E7-04620	4	61E7-04630	4
	2.15	1.85	61NB-30401 -#0014 64NB-30100 #0015-0166 64NB-30100BG #0167-	61NB-31320	5	61NB-31310 -#0166 61NB-31310BG #0167-	5	61E7-04620	5	61E7-04630	5
	2.15* ²	1.85	68NB-30100 #0155-0166 68NB-30100BG #0167-	61NB-31320	5	61NB-31310 #0155-0166 61NB-31310BG #0167-	5	61E7-04620	5	61E7-04630	5
	2.56	2.20	64NB-30500 #0024-0166 64NB-30500BG #0167-	61NB-31320	5	61NB-31310 -#0166 61NB-31310BG #0167-	5	61E7-04620	5	61E7-04630	5
	2.79	2.40	64NB-30600 -#0166 64NB-30600BG #0167- 64NB-30601BG #0424-	61NB-31320	5	61NB-31310 -#0166 61NB-31310BG #0167-	5	61E7-04620	5	61E7-04630	5
	3.03	2.60	64NB-30700 -#0166 64NB-30700BG #0167-	61NB-31320	6	61NB-31310 -#0166 61NB-31310BG #0167-	6	61E7-04620	6	61E7-04630	6
	3.20	2.78	64NB-30800 #0088-0166 64NB-30800BG #0167-	61NB-31320	6	61NB-31310 -#0166 61NB-31310BG #0167-	6	61E7-04620	6	61E7-04630	6
	3.60	3.15	64NB-30900 #0088-0166 64NB-30900BG #0167-	61NB-31320	7	61NB-31310 -#0166 61NB-31310BG #0167-	7	61E7-04620	7	61E7-04630	7
	2.20* ¹	1.80	65NB-30200 #0117-0154 65NB-30201 #0155-0166 65NB-30201BG #0167-	61NB-31320 -#0154 62NB-31320 #0155-	5	61NB-31310 -#0154 66NB-31310 #0155-0166 66NB-31310BG #0167-	5	61E7-04620 -#0154 66NB-31340 #0155-	5	61E7-04630 -#0154 66NB-31350 #0155-	5

*¹Heavy duty bucket

*²Wear-resistant

General bucket



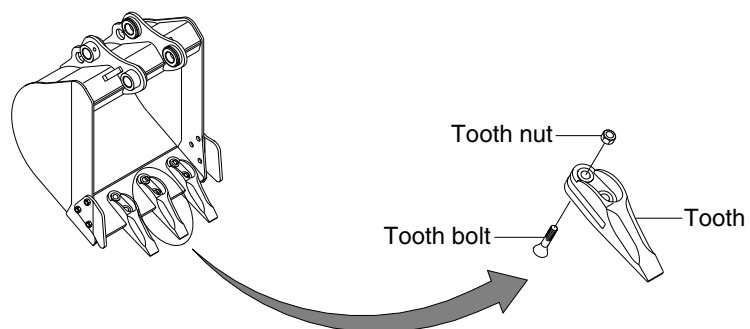
Hydraulic excavator

Model	Capacity (m ³)		Bucket assy	Tooth adapter		Tooth point		Tooth pin		Lock washer	
	SAE	CECE		Part no.	Qty	Part no.	Qty	Part no.	Qty	Part no.	Qty
R500LC-7A	1.65	1.44	64NB-30300 64NB-30300BG #0062-#0063-	61NB-31320	4	61NB-31310 61NB-31310BG #0062-#0063-	4	61E7-04620	4	61E7-04630	4
	2.15	1.85	64NB-30100 64NB-30100BG #0062-#0063-	61NB-31320	5	61NB-31310 61NB-31310BG #0062-#0063-	5	61E7-04620	5	61E7-04630	5
	2.15* ⁶	1.85	68NB-30100BG #0085-	61NB-31320	5	61NB-31310BG	5	61E7-04620	5	61E7-04630	5
	2.56	2.20	64NB-30500 64NB-30500BG #008-#002-#0063-	61NB-31320	5	61NB-31310 61NB-31310BG #0062-#0063-	5	61E7-04620	5	61E7-04630	5
	2.79	2.40	64NB-30600 64NB-30600BG #003-#1227-#0062-#0063-	61NB-31320	5	61NB-31310 61NB-31310BG #0062-#0063-	5	61E7-04620	5	61E7-04630	5
	3.03	2.60	64NB-30700 64NB-30700BG #0062-#0063-	61NB-31320	6	61NB-31310 61NB-31310BG #0062-#0063-	6	61E7-04620	6	61E7-04630	6
	3.20	2.78	64NB-30800 64NB-30800BG #0050-#0062-#0063-	61NB-31320	6	61NB-31310 61NB-31310BG #0062-#0063-	6	61E7-04620	6	61E7-04630	6
	3.60	3.15	64NB-30900 64NB-30900BG #0050-#0062-#0063-	61NB-31320	7	61NB-31310 61NB-31310BG #0062-#0063-	7	61E7-04620	7	61E7-04630	7
	2.20* ¹	1.80	65NB-30200BG #0069-#0082-#0083- 65NB-30201BG	61NB-31320	5	61NB-31310BG #0069-#0082-#0083- 66NB-31310BG	5	61E7-04620 #0082-#0083- 66NB-31340	5	61E7-04630 #0082-#0083- 66NB-31350	5
R520LC-9	1.0	1.27	63QB-30800 #0009-	61NB-31320	3	61NB-31310GG	3	61E7-04620	3	61E7-04630	3
	1.38	1.20	61QB-30200 #0009-	61NB-31320	4	61NB-31310GG	4	61E7-04620	4	61E7-04630	4
	1.65	1.44	64QB-30300 #0010-	61NB-31320	4	61NB-31310GG	4	61E7-04620	4	61E7-04630	4
	2.15	1.85	63QB-30100 #0008- 64QB-30100 #0009- 68QB-30100* ⁶ #0009-	61NB-31320	5	61NB-31310GG	5	61E7-04620	5	61E7-04630	5
	2.79	2.40	64QB-30600 #0009-#0024-#0025- 64QB-30601	61NB-31320	5	61NB-31310GG	5	61E7-04620	5	61E7-04630	5
	3.03	2.60	64QB-30700 #0009-	61NB-31320	6	61NB-31310GG	6	61E7-04620	6	61E7-04630	6
	3.20	2.78	64QB-30800 #0009-	61NB-31320	6	61NB-31310GG	6	61E7-04620	6	61E7-04630	6
	3.60	3.15	64NB-30900BG	61NB-31320	7	61NB-31310GG	7	61E7-04620	7	61E7-04630	7
	2.20* ¹	1.80	65QB-30200 #0009-	62NB-31320	5	61NB-31310GG	5	66NB-31340	5	66NB-31350	5
	2.31* ¹	2.04	67QB-30500 #0025-	62NB-31320	5	61NB-31310GG	5	66NB-31340	5	66NB-31350	5
R800LC-7A	4.53	3.95	61ND-30500	61EQ-30040	5	61EQ-30030BG	5	61EQ-30460	5	61EQ-30510	5
	3.40	3.00	61ND-30101	61EQ-30040	4	61EQ-30030BG	4	61EQ-30460	4	61EQ-30510	4
	4.80	4.19	61ND-30600	61EQ-30040	5	61EQ-30030BG	5	61EQ-30460	5	61EQ-30510	5
	5.10	4.44	61ND-30700	61EQ-30040	6	61EQ-30030BG	6	61EQ-30460	6	61EQ-30510	6

*¹Heavy duty bucket

*⁶Wear-resistant

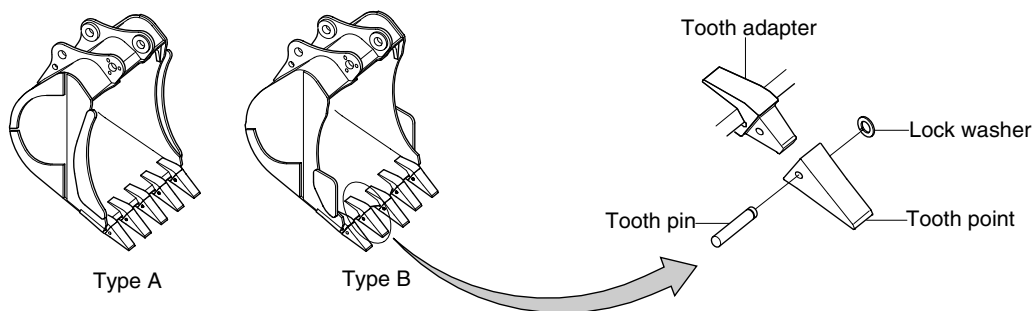
General bucket



Hydraulic excavator

Model	Capacity (m ³)		Bucket assy	Tooth		Tooth bolt		Tooth nut	
	SAE	CECE		Part no.	Qty	Part no.	Qty	Part no.	Qty
R16-9	0.04	0.03	61MJ-30000	61MJ-30040GG	3	61MJ-31210	6	S206-161006	6
R27Z-9	0.08	0.07	61MK-30000	61MK-30040	3	61MJ-31210	6	S206-161006	6
R35Z-7	0.11	0.09	61MH-31001	61MH-31201	4	61MH-31210	8	S206-161006	8
R35Z-7A	0.11	0.09	61MH-31001	61MH-31201	4	61MH-31210	8	S206-161006	8
R35Z-9	0.11	0.09	61MH-31001GG	61MH-31201GG	4	61MH-31210	8	S206-161006	8

Rock bucket(Pin type)



Hydraulic excavator

Model	Capacity (m ³)		Type	Bucket assy	Tooth adapter		Tooth point		Tooth pin		Lock washer	
	SAE	CECE			Part no.	Qty	Part no.	Qty	Part no.	Qty	Part no.	Qty
R200LC R210LC-3 R200W R200W-3	0.87	0.75	B	61E1-31200* ¹ 61E1-31200(01)* ²	E262-3027	5	E262-3046	5	E262-5004	5	61E5-11150	5
R200W-7	0.87	0.75	B	62N6-34000 ^{-#0291} 62N6-34001 ^{#0292-1300} 62N6-34001BG ^{#1301}	E161-3017 ^{-#0291} 61N8-31320 ^{#0292-}	5	E262-3046 ^{-#0291} 61N8-31310 ^{#0292-1300} 61N8-31310BG ^{#1301-}	5	E262-5004	5	61E5-11150	5
	0.87* ³	0.75	B	63N6-38000 ^{#0478-1300} 63N6-38000BG ^{#1301}	61N8-31320 ^{#0478-}	5	61N8-31310 ^{#0478-1300} 61N8-31310BG ^{#1301-}	5	E262-5004	5	61E5-11150	5
R200W-7A	0.87	0.75	B	62N6-34001BG	61N8-31320	5	61N8-31310BG	5	E262-5004	5	61E5-11150	5
	0.87* ³	0.75	B	63N6-38000BG	61N8-31320	5	61N8-31310BG	5	E262-5004	5	61E5-11150	5
R210W-9	0.87	0.75	B	62Q6-34000 63Q6-38000* ³	61Q6-31320	5	61N8-31310GG	5	E262-5004	5	61E5-11150	5
R210LC-7	0.87	0.75	B	62N6-34000 ^{#0088-2924} 62N6-34001 ^{#2925-7171} 62N6-34001BG ^{#7172-}	E161-3027 ^{-#2924} 61N8-31320 ^{#2925-}	5	E262-3046 ^{-#2924} 61N8-31310 ^{#2925-7171} 61N8-31310BG ^{#7172-}	5	E262-5004	5	61E5-11150	5
	0.87* ³	0.75	A	63N6-38000 ^{#3559-7171} 63N6-38000BG ^{#7172-}	61N8-31320 ^{#3559-}	5	61N8-31310 ^{#3559-7171} 61N8-31310BG ^{#7172-}	5	E262-5004	5	61E5-11150	5
	1.20	1.00	B	62N6-35000 ^{#1859-2924} 62N6-35001 ^{#2925-7171} 62N6-35001BG ^{#7172-}	E161-3027 ^{-#2924} 61N8-31320 ^{#2925-}	5	E262-3046 ^{-#2924} 61N8-31310 ^{#2925-7171} 61N8-31310BG ^{#7172-}	5	E262-5004	5	61E5-11150	5
R210LC-7A	0.87	0.75	B	62N6-34001BG	61N8-31320	5	61N8-31310	5	E262-5004	5	61E5-11150	5
	0.87* ³	0.75	A	63N6-38000BG	61N8-31320	5	61N8-31310	5	E262-5004	5	61E5-11150	5
	1.20	1.00	B	62N6-35001BG	61N8-31320	5	61N8-31310	5	E262-5004	5	61E5-11150	5
R210LC-9	0.87	0.75	B	62N6-34001GG ^{#0008-0099} 62Q6-34000 ^{#0100-}	61N8-31320	5	61N8-31310GG	5	E262-5004	5	61E5-11150	5
	0.87* ³	0.75	B	63N6-38000GG ^{#0008-0099} 63Q6-38000 ^{#0100-}	61N8-31320	5	61N8-31310GG	5	E262-5004	5	61E5-11150	5
	1.20	1.00	B	62N6-35001GG ^{#0008-0099} 62Q6-35000 ^{#0100-}	61N8-31320	5	61N8-31310GG	5	E262-5004	5	61E5-11150	5
R210NLC-7	0.87	1.00	B	62N6-34000 ^{-#0189} 62N6-34001 ^{#0190-0514} 62N6-34001BG ^{#0515-}	E161-3027 ^{-#0189} 61N8-31320 ^{#0190-}	5	E262-3046 ^{-#0189} 61N8-31310 ^{#0190-0514} 61N8-31310BG ^{#0515-}	5	E262-5004	5	61E5-11150	5
	0.87* ³	0.9	B	63N6-38000 ^{#0224-0514} 63N6-38000BG ^{#0515-}	61N8-31320 ^{#0224-}	5	61N8-31310 ^{#0224-0514} 61N8-31310BG ^{#0515-}	5	E262-5004	5	61E5-11150	5
R210NLC-7A	0.87	0.75	B	62N6-34001BG	61N8-31320BG	5	61N8-31310	5	E262-5004	5	61E5-11150	5
	0.87* ³	0.75	B	63N6-38000BG	61N8-31320BG	5	61N8-31310	5	E262-5004	5	61E5-11150	5
R210NLC-9	0.87	0.75	B	62Q6-34000	61Q6-31320	5	61N8-31310GG	5	E262-5004	5	61E5-11150	5
	0.87* ³	0.75	B	63Q6-38000	61Q6-31320	5	61N8-31310GG	5	E262-5004	5	61E5-11150	5
R250LC-3	1.03	1.00	A	62EN-31000	61E7-0100	5	61E7-0101	5	61E7-0105	5	61EH-11150	5

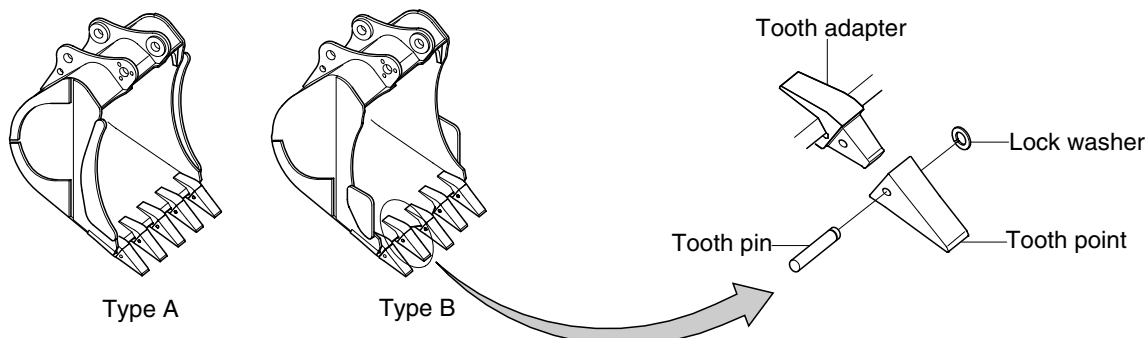
Applicable machine serial No.

*¹R210LC-3(-#0993), R200LC(#0001-), R200W(#0001-)

*²R210LC-3(#0994-), R200W-3(#0001-)

*³Narrow

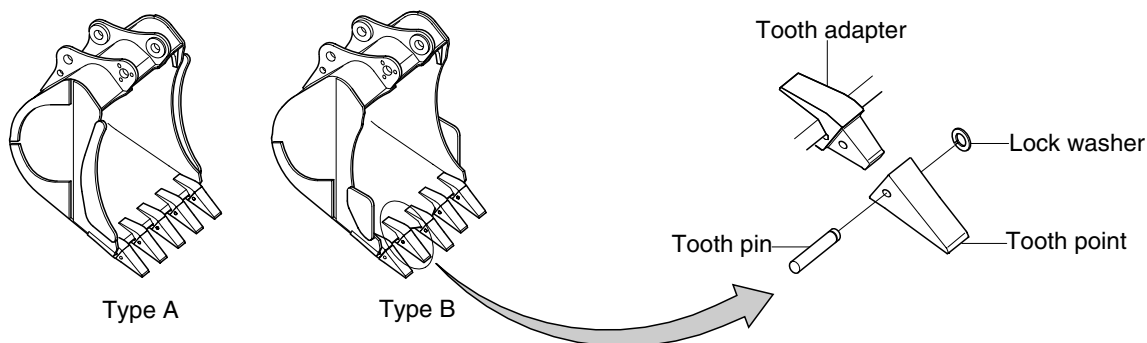
Rock bucket(Pin type)



Hydraulic excavator

Model	Capacity (m ³)		Type	Bucket assy	Tooth adapter		Tooth point		Tooth pin		Lock washer	
	SAE	CECE			Part no.	Qty	Part no.	Qty	Part no.	Qty	Part no.	Qty
R250LC-7	1.16	1.00	B	62N8-34000 #0283 62N8-34001 #0284-1117 62N8-34001BG #1118	61E7-0100 #0283 61N8-31320 #0284-1117 61N8-31320BG #1118	5	61E7-0101 #0283 61NA-31310 #0284-1117 61NA-31310BG #1118	5	61E7-0105	5	61EH-11150	5
	0.92	0.82	A	63N8-36000 #0420-1117 63N8-36000BG #1118	61NA-31320 #1117 61N8-31320BG #1118	5	61NA-31310 #0420-1117 61NA-31310BG #1118	4	61E7-0105	5	61EH-11150	5
R250LC-7A	1.16	1.00	B	62N8-34001BG	61N8-31320BG	5	61NA-31310BG	5	61E7-0105	5	61EH-11150	5
	0.92	0.82	A	63N8-36000BG	61N8-31320BG	5	61NA-31310BG	5	61E7-0105	5	61EH-11150	5
R250LC-9	1.16	1.00	A	62Q8-34000	61NA-31320	5	61NA-31310GG	5	61E7-0105	5	61EH-11150	5
	0.92	0.82	B	63Q8-36000	61NA-31320	5	61NA-31310GG	5	61E7-0105	5	61EH-11150	5
R280LC	1.14	1.00	B	63E2-30070	E262-3027	5	E262-3046	5	61E7-0105	5	61EH-11150	5
R290LC R290LC-3	1.16	1.00	B	63E2-30010	E262-3027	5	E262-3046	5	61E7-0105	5	61EH-11150	5
	1.16	1.00	B	62E9-31000	61E7-0100	5	61E7-0101	5	61E7-0105	5	61EH-11150	5
R290LC-7	1.16	1.00	B	62N8-34000 #0038-1090 62N8-34001 #1091-1312 62N8-34001BG #1313	61E7-0100 #1090 61N8-31320 #1091	5	61E7-0101 #1090 61NA-31310 #1091-1312 61NA-31310BG #1313	5	61E7-0105	5	61EH-11150	5
	1.16	1.03	A	63N8-35000 #1404	61NA-31320	5	61NA-31310	5	61E7-0105	5	61EH-11150	5
	1.49	1.28	B	62N8-35000 #0617-1090 62N8-35001 #1091-1312 62N8-35001BG #1313	61E7-0100 #1090 61N8-31320 #1091	5	61E7-0101 #1090 61NA-31310 #1091-1312 61NA-31310BG #1313	5	61E7-0105	5	61EH-11150	5
R290LC-7A	1.16	1.00	B	62N8-34001 #0284 62N8-34001BG #0285	61N8-31320	5	61NA-31310 #0284 61NA-31310BG #0285	5	61E7-0105	5	61EH-11150	5
	1.16	1.03	A	63N8-35000 #0284 63N8-35000BG #0285	61NA-31320	5	61NA-31310 #0284 61NA-31310BG #0285	5	61E7-0105	5	61EH-11150	5
	1.49	1.28	B	62N8-35001 #0284 62N8-35001BG #0285	61N8-31320	5	61NA-31310 #0284 61NA-31310BG #0285	5	61E7-0105	5	61EH-11150	5
R290LC-7H	1.16	1.00	B	62N8-34000	61E7-0100	5	61E7-0101	5	61E7-0105	5	61EH-11150	5
	1.49	1.33	B	62N8-35000	61E7-0100	5	61E7-0101	5	61E7-0105	5	61EH-11150	5
R290LC-9	1.16	1.00	B	62Q8-34000	61NA-31320	5	61NA-31310GG	5	61E7-0105	5	61EH-11150	5
	1.16	1.00	B	63Q8-35000	61NA-31320	5	61NA-31310GG	5	61E7-0105	5	61EH-11150	5
	1.49	1.28	B	62Q8-35000	61NA-31320	5	61NA-31310GG	5	61E7-0105	5	61EH-11150	5
R305LC-7	1.16	1.00	B	62N8-34000 #0119 62N8-34001 #0120-0363 62N8-34001BG #0364	61E7-0100 #0119 61N8-31320 #0120	5	61E7-0101 #0119 61NA-31310 #0120-0363 61NA-31310BG #0364	5	61E7-0105	5	61EH-11150	5
	1.16	1.00	B	63N8-35000 #0128-0380 63N8-35000BG #0381	61NA-31320	5	61NA-31310 #0128-0380 61NA-31310BG #0381	5	61E7-0105	5	61EH-11150	5
	1.49	1.33	B	62N8-35001 #0001-0380 62N8-35001BG #0381	61N8-31320	5	61NA-31310 #0380 61NA-31310BG #0381	5	61E7-0105	5	61EH-11150	5

Rock bucket(Pin type)



Hydraulic excavator

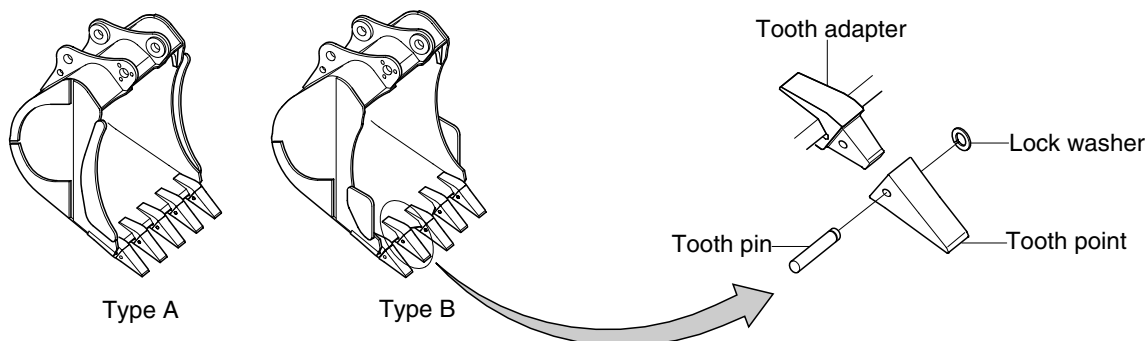
Model	Capacity (m ³)		Type	Bucket assy	Tooth adapter		Tooth point		Tooth pin		Lock washer	
	SAE	CECE			Part no.	Qty	Part no.	Qty	Part no.	Qty	Part no.	Qty
R320LC R320LC-3	0.90	0.80	A	62E5-32000* ³ 62E5-32001* ⁴	61E7-0100	4	61E7-0101	4	61E7-0105	4	61EH-11150	4
	1.38	1.20	A	62E5-3000* ³ 62E5-30001* ⁴	E262-3027	5	E262-3046	5	E262-5004	5	61EH-11150	5
	1.38	1.20	B	62E5-31000* ³ 62E5-31001* ⁴	61E7-0100	5	61E7-0101	5	61E7-0105	5	61EH-11150	5
R320LC-7	1.38	1.22	A	61N9-30900 #0497-1118 61N9-30900BG #1119-	61NA-31320	5	61NA-31310 #1118 61NA-31310BG #1119-	5	61E7-0105	5	61EH-11150	5
	1.44	1.25	B	61N9-30700 #0016-0345 61N9-30701 #0346-1118 61N9-30701BG #1119-	61E7-0100 #0345 61NA-31320 #0346-	5	61E7-0101 #0345 61NA-31310 #0346-1118 61NA-31310BG #1119-	5	61E7-0105	5	61EH-11150	5
	1.73	1.50	A	61N9-30800 #0177-0345 61N9-30801 #0346-1118 61N9-30801BG #1119-	61E7-0100 #0345 61NA-31320 #0346-	5	61E7-0101 #0345 61NA-31310 #0346-1118 61NA-31310BG #1119-	5	61E7-0105	5	61EH-11150	5
R320LC-7A	1.38	1.22	A	61N9-30900 #0151- 61N9-30900BG #0152-	61NA-31320	5	61NA-31310 #0151 61NA-31310BG #0152-	5	61E7-0105	5	61EH-11150	5
	1.44	1.25	B	61N9-30701 #0151- 61N9-30701BG #0152-	61NA-31320	5	61NA-31310 #0151 61NA-31310BG #0152-	5	61E7-0105	5	61EH-11150	5
	1.73	1.50	A	61N9-30801 #0151- 61N9-30801BG #0152-	61NA-31320	5	61NA-31310 #0151 61NA-31310BG #0152-	5	61E7-0105	5	61EH-11150	5
R320LC-9	1.38	1.22	B	61Q9-30900	61NA-31320	5	61NA-31310GG	5	61E7-0105	5	61EH-11150	5
	1.44	1.25	B	61Q9-30700	61NA-31320	5	61NA-31310GG	5	61E7-0105	5	61EH-11150	5
	1.73	1.50	B	61Q9-30800	61NA-31320	5	61NA-31310GG	5	61E7-0105	5	61EH-11150	5
R360LC-3	1.62	1.40	A	61EH-31000	61E7-0100	5	61E7-0101	5	61E7-0105	5	61EH-11150	5
	1.62	1.40	B	62EH-31000 #0202 62EH-31002 #0203-	61E7-0100	5	61E7-0101	5	61E7-0105	5	61EH-11150	5

Applicable machine serial No.

*³R320LC-3(-#0150), R320LC(#0001-)

*⁴R320LC-3(#0151-)

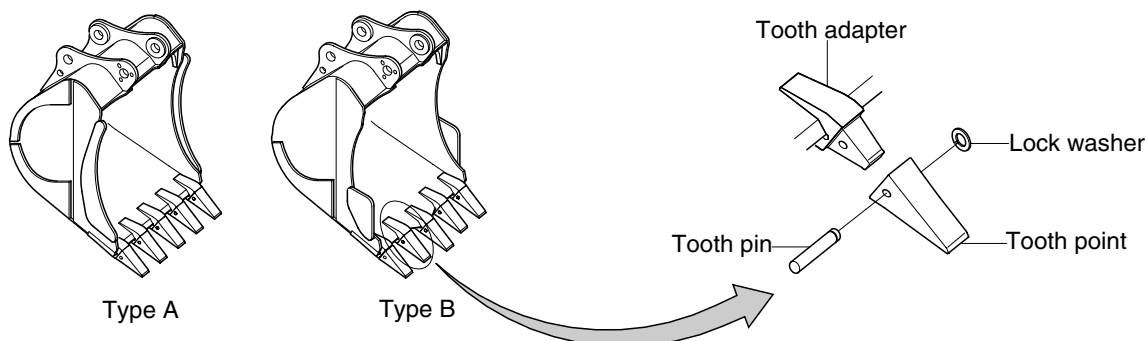
Rock bucket(Pin type)



Hydraulic excavator

Model	Capacity (m ³)		Type	Bucket assy	Tooth adapter		Tooth point		Tooth pin		Lock washer	
	SAE	CECE			Part no.	Qty	Part no.	Qty	Part no.	Qty	Part no.	Qty
R360LC-7	0.85	0.78	A	62NA-30400 #0844-0929 62NA-30400BG #0930-	61NA-31320	3	61NA-31310 #0929 61NA-31310BG #0930-	3	61E7-0105	3	61EH-11150	3
	1.44	1.27	A	62NA-30200 #0635-0929 62NA-30200BG #0930-	61NA-31320	5	61NA-31310 #0929 61NA-31310BG #0930-	5	61E7-0105	5	61EH-11150	5
	1.62	1.40	B	61NA-30700 #0451 61NA-30701 #0452-0929 61NA-30701BG #0930-	61E7-0100 #0451 61NA-31320 #0452-	5	61E7-0101 #0451 61NA-31310 #0452-0929 61NA-31310BG #0930-	5	61E7-0105	5	61EH-11150	5
	1.86	1.60	B	62NA-30100 #0192-0451 62NA-30101 #0452-0929 62NA-30101BG #0930-	61E7-0100 #0451 61NA-31320 #0452-	5	61E7-0101 #0451 61NA-31310 #0452-0929 61NA-31310BG #0930-	5	61E7-0105	5	61EH-11150	5
R360LC-7A	0.85	0.78	A	62NA-30400 #0007-0077 62NA-30400BG #0078-6537 62NA-30401BG #0538-	61NA-31320 #007-6537 61QA-31320 #0538-	3	61NA-31310 #0007-0077 61NA-31310BG #0078-6537 61QA-31310 #0538-	3	61E7-0105	3	61EH-11150	3
	1.44	1.27	A	62NA-30200 #0077 62NA-30200BG #0078-6537 62NA-30201BG #0538-	61NA-31320 #0537 61QA-31320 #0538-	5	61NA-31310 #0077 61NA-31310BG #0078-6537 61QA-31310 #0538-	5	61E7-0105	5	61EH-11150	5
	1.62	1.40	B	61NA-30701 #0077 61NA-30701BG #0078-6537 61NA-30702BG #0538-	61NA-31320 #0537 61QA-31320 #0538-	5	61NA-31310 #0077 61NA-31310BG #0078-6537 61QA-31310 #0538-	5	61E7-0105	5	61EH-11150	5
	1.86	1.60	B	62NA-30101 #0077 62NA-30101BG #0078-6537 62NA-30102BG #0538-	61NA-31320 #0537 61QA-31320 #0538-	5	61NA-31310 #0077 61NA-31310BG #0078-6537 61QA-31310 #0538-	5	61E7-0105	5	61EH-11150	5
R380LC-9	0.85	0.78	A	62NA-30400GG #0010 62QA-30400 #0011-0132 62QA-30401 #0133-	61NA-31320 #0132 61QA-31310 #0133-	3	61NA-31310GG #0132 61QA-31310 #0133-	3	61E7-0105	3	61E7-0105	3
	1.44	1.27	B	62NA-30200GG #0010 62QA-30200 #0011-0132 62QA-30201 #0133-	61NA-31320 #0132 61QA-31310 #0133-	5	61QA-31310 #0132 61NA-31310GG #0133-	5	61E7-0105	5	61E7-0105	5
	1.62	1.40	A	61NA-30701GG #0010 61QA-30700 #0011-0132 61QA-30701 #0133-	61NA-31320 #0132 61QA-31310 #0133-	5	61QA-31310 #0132 61NA-31310GG #0133-	5	61E7-0105	5	61E7-0105	5
	1.86	1.60	A	62NA-30101GG #0010 62QA-30100 #0011-0132 62QA-30101 #0133-	61NA-31320 #0132 61QA-31310 #0133-	5	61QA-31310 #0132 61NA-31310GG #0133-	5	61E7-0105	5	61E7-0105	5
	1.90	1.70	B	62QA-30500 #0011-0132 62QA-30501 #0133-	61NA-31320 #0132 61QA-31310 #0133-	5	61QA-31310 #0132 61NA-31310GG #0133-	5	61E7-0105	5	61E7-0105	5
R450LC	1.49	1.33	A	64E7-01450	61E7-04600	5	61E7-04610	5	61E7-04620	5	61E7-04630	5
	2.20	1.8	A	61E7-04640	61E7-04600	5	61E7-04610	5	61E7-04620	5	61E7-04630	5
R450LC-3	1.49	1.33	A	64E7-01450 #1163 64E7-03460 #1164-	61E7-04600	5	61E7-04610	5	61E7-04620	5	61E7-04630	5
	1.80	1.5	A	61E7-03271 #0029 64E7-03272 #0030-1163	61E7-0100	5	61E7-0101 61E7-04610	5	61E7-0105 61E7-04620	5	61EH-11150 61E7-04630	5
	1.80	1.5	A	64E7-02010 #1063-1163 64E7-03520 #1164-	64E7-01990	5	64E7-02000	5	64E7-02150	5	64E7-02160	5
	2.20	1.5	A	61E7-04640 #1163 64E7-02640 #1164-	61E7-0100 64E7-04600	5	61E7-04610	5	61E7-04620	5	61E7-04630	5

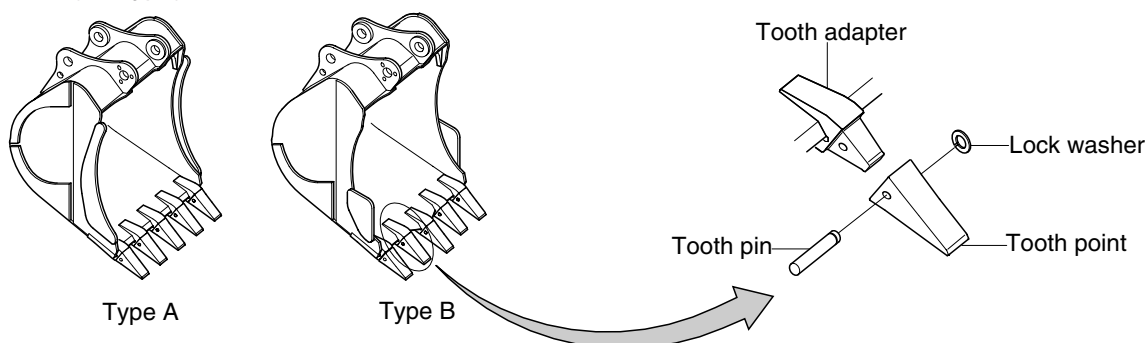
Rock bucket(Pin type)



Hydraulic excavator

Model	Capacity (m ³)		Type	Bucket assy	Tooth adapter		Tooth point		Tooth pin		Lock washer		
	SAE	CECE			Part no.	Qty	Part no.	Qty	Part no.	Qty	Part no.	Qty	
R450LC-7	1.09	1.01	A	63NB-30500 #0600-0737	61NB-31320 #0737	61NB-31310 #0737	61E7-04610 #0332	61E7-04620 #0737	61E7-04630 #0737	61E7-04630 #0737	61E7-04630 #0737	3	
				63NB-30501 #0738-0758	62NB-31320 #0738-	66NB-31310 #0738-0758	61E7-04610 #0332	61E7-04620 #0737	61E7-04630 #0737	61E7-04630 #0737	3		
				63NB-30501BG #0759-		66NB-31310BG #0759-							
	1.80	1.50	B	62NB-30400 #0149-0332	61E7-04600 #0332	61NB-31310 #0332	61E7-04610 #0332	61E7-04620 #0737	61E7-04630 #0737	61E7-04630 #0737	61E7-04630 #0737	5	
				62NB-30401 #0333-0737	61NB-31320 #0333-0737	61NB-31310 #0333-0737	61E7-04610 #0332	61E7-04620 #0737	61E7-04630 #0737	61E7-04630 #0737	5		
	1.80	1.50	A	62NB-30402 #0738-0758	62NB-31320 #0738-	66NB-31310 #0738-0758	61NB-31310 #0332	61E7-04620 #0737	61E7-04630 #0737	61E7-04630 #0737	61E7-04630 #0737	5	
				62NB-30402BG #0759-		66NB-31310BG #0759-							
1.80	1.50	B	63NB-30300 #0464-0737	61NB-31320 #0737	61NB-31310 #0737	61E7-04610 #0332	61E7-04620 #0737	61E7-04630 #0737	61E7-04630 #0737	61E7-04630 #0737	5		
			63NB-30301 #0738-0758	62NB-31320 #0738-	66NB-31310 #0738-0758	61NB-31310 #0332	61E7-04620 #0737	61E7-04630 #0737	61E7-04630 #0737	5			
2.20	1.80	B	63NB-30301BG #0759-		66NB-31310BG #0759-	61E7-04610 #0332	61E7-04620 #0737	61E7-04630 #0737	61E7-04630 #0737	61E7-04630 #0737	5		
			62NB-30900 #0331-0737	61NB-31320 #0737	66NB-31310 #0331-0737	61E7-04610 #0332	61E7-04620 #0737	61E7-04630 #0737	61E7-04630 #0737	5			
2.43	2.10	B	62NB-30901 #0738-0758	62NB-31320 #0738-	66NB-31310 #0738-0758	61NB-31310 #0332	61E7-04620 #0737	61E7-04630 #0737	61E7-04630 #0737	61E7-04630 #0737	5		
			62NB-30901BG #0759-		66NB-31310BG #0759-								
3.20	2.80	A	62NB-30700 #0296-0332	61E7-04600 #0332	61NB-31310 #0332	61E7-04610 #0332	61E7-04620 #0737	61E7-04630 #0737	61E7-04630 #0737	61E7-04630 #0737	5		
			62NB-30701 #0333-0737	61NB-31320 #0333-0737	66NB-31310 #0333-0737	61NB-31310 #0332	61E7-04620 #0737	61E7-04630 #0737	61E7-04630 #0737	5			
R450LC-7A	1.09	1.01	A	62NB-30702 #0738-0758	62NB-31320 #0738-	66NB-31310 #0738-0758	61NB-31310 #0332	61E7-04620 #0737	61E7-04630 #0737	61E7-04630 #0737	61E7-04630 #0737	5	
				62NB-30702BG #0759-		66NB-31310BG #0759-							
				62NB-30500 #0177-0332	61E7-04600 #0332	61NB-31310 #0332	61E7-04610 #0332	61E7-04620 #0737	61E7-04630 #0737	61E7-04630 #0737	7		
	1.80	1.50	B	62NB-30501 #0333-0737	61NB-31320 #0333-0737	66NB-31310 #0333-0737	61NB-31310 #0332	61E7-04620 #0737	61E7-04630 #0737	61E7-04630 #0737	61E7-04630 #0737	7	
				62NB-30502 #0738-0758	62NB-31320 #0738-	66NB-31310 #0738-0758	61NB-31310 #0332	61E7-04620 #0737	61E7-04630 #0737	61E7-04630 #0737	7		
	1.80	1.55	A	62NB-30502BG #0759-		66NB-31310BG #0759-	61NB-31310 #0332	61E7-04620 #0737	61E7-04630 #0737	61E7-04630 #0737	61E7-04630 #0737	7	
				63NB-30300 #0125	61NB-31320 #0171	61NB-31310 #0125	61E7-04610 #0125	61E7-04620 #0171	61E7-04630 #0171	61E7-04630 #0171	5		
	1.80	1.55	B	63NB-30300BG #0126-0171	62NB-31320 #0172-	66NB-31310BG #0126-0171	61NB-31310 #0125	61E7-04620 #0171	61E7-04630 #0171	61E7-04630 #0171	61E7-04630 #0171	5	
				63NB-30301BG #0172-		66NB-31310BG #0172-							
	1.80	1.55	A	62NB-30100 #0125	61E7-04600 #0125	61NB-31310 #0125	61E7-04610 #0125	61E7-04620 #0171	61E7-04630 #0171	61E7-04630 #0171	61E7-04630 #0171	5	
62NB-30800 #0172-					66NB-31310BG #0172-								
1.80	1.55	A	62NB-30900 #0125	61NB-31320 #0171	61NB-31310 #0125	61E7-04610 #0125	61E7-04620 #0171	61E7-04630 #0171	61E7-04630 #0171	61E7-04630 #0171	7		
			62NB-30900BG #0126-0171	62NB-31320 #0172-	66NB-31310BG #0126-0171	61NB-31310 #0125	61E7-04620 #0171	61E7-04630 #0171	61E7-04630 #0171	7			
2.20	1.80	B	62NB-30901BG #0172-		66NB-31310BG #0172-	61NB-31310 #0125	61E7-04620 #0171	61E7-04630 #0171	61E7-04630 #0171	61E7-04630 #0171	5		
			62NB-30301 #0125	61NB-31320 #0171	61NB-31310 #0125	61E7-04610 #0125	61E7-04620 #0171	61E7-04630 #0171	61E7-04630 #0171	5			
2.20	1.80	B	62NB-30301BG #0126-0171	62NB-31320 #0172-	66NB-31310BG #0126-0171	61NB-31310 #0125	61E7-04620 #0171	61E7-04630 #0171	61E7-04630 #0171	61E7-04630 #0171	5		
			62NB-30302BG #0172-		66NB-31310BG #0172-								
2.43	2.10	B	61NB-30900 #0125	61E7-04600 #0125	61NB-31310 #0125	61E7-04610 #0125	61E7-04620 #0171	61E7-04630 #0171	61E7-04630 #0171	61E7-04630 #0171	5		
			62NB-30701 #0125	61NB-31320 #0171	61NB-31310 #0125	61E7-04610 #0125	61E7-04620 #0171	61E7-04630 #0171	61E7-04630 #0171	5			
3.20	2.80	A	62NB-30701BG #0126-0171	62NB-31320 #0172-	66NB-31310BG #0126-0171	61NB-31310 #0125	61E7-04620 #0171	61E7-04630 #0171	61E7-04630 #0171	61E7-04630 #0171	5		
			62NB-30702BG #0172-		66NB-31310BG #0172-								
3.20	2.80	A	62NB-30501 #0125	61NB-31320 #0171	61NB-31310 #0125	61E7-04610 #0125	61E7-04620 #0171	61E7-04630 #0171	61E7-04630 #0171	61E7-04630 #0171	7		
			62NB-30501BG #0126-0171	62NB-31320 #0172-	66NB-31310BG #0126-0171	61NB-31310 #0125	61E7-04620 #0171	61E7-04630 #0171	61E7-04630 #0171	7			
3.20	2.80	A	62NB-30502BG #0172-		66NB-31310BG #0172-	61NB-31310 #0125	61E7-04620 #0171	61E7-04630 #0171	61E7-04630 #0171	61E7-04630 #0171	7		

Rock bucket(Pin type)

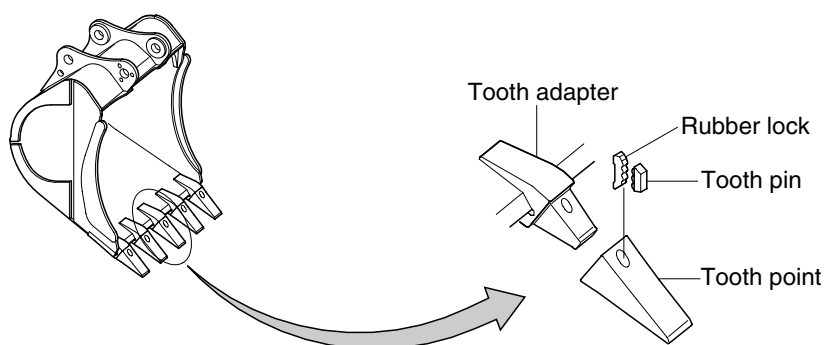


Hydraulic excavator

Model	Capacity (m ³)		Type	Bucket assy	Tooth adapter		Tooth point		Tooth pin		Lock washer	
	SAE	CECE			Part no.	Qty	Part no.	Qty	Part no.	Qty	Part no.	Qty
R480LC-9	1.80	1.50	A	62QB-30900	62NB-31320	5	66NB-31310GG	5	66NB-31340	5	66NB-31350	5
	2.20	1.80	A	62QB-30300	62NB-31320	5	66NB-31310GG	5	66NB-31340	5	66NB-31350	5
	2.43	2.10	A	62QB-30700	62NB-31320	5	66NB-31310GG	5	66NB-31340	5	66NB-31350	5
	2.70	2.50	A	62QB-30800	62NB-31320	5	66NB-31310GG	5	66NB-31340	5	66NB-31350	5
R500LC-7	1.80	1.50	B	65NB-30400 #0032- 65NB-30401 #0155-0166 65NB-30401BG #0167-	61NB-31320 -#0154 62NB-31320 #0155-	5	61NB-31310 -#0154 66NB-31310 #0155-0166 66NB-31310BG #0167-	5	61E7-04620 -#0154 66NB-31340 #0155-	5	61E7-04630 -#0154 66NB-31350 #0155-	5
				65NB-30300 #0015-0154 65NB-30301 #0155-0166 65NB-30301BG #0167-	61NB-31320 -#0154 62NB-31320 #0155-	5	61NB-31310 -#0154 66NB-31310 #0155-0166 66NB-31310BG #0167-	5	61E7-04620 -#0154 66NB-31340 #0155-	5	61E7-04630 -#0154 66NB-31350 #0155-	5
	2.43	2.10	B	65NB-30500 #0032- 65NB-30501 #0155-0166 65NB-30501BG #0167-	61NB-31320 -#0154 62NB-31320 #0155-	5	61NB-31310 -#0154 61NB-31310BG #0155-0166 66NB-31310BG #0167-	5	61E7-04620 -#0154 66NB-31340 #0155-	5	61E7-04630 -#0154 66NB-31350 #0155-	5
				65NB-30600 #0032- 65NB-30601 #0155-0166 65NB-30601BG #0167-0382 65NB-30602BG #0383-	61NB-31320 -#0154 62NB-31320 #0155-	7	61NB-31310 -#0154 66NB-31310 #0155-0166 66NB-31310BG #0167-	7	61E7-04620 -#0154 66NB-31340 #0155-	7	61E7-04630 -#0154 66NB-31350 #0155-	7
R500LC-7A	1.80	1.50	B	65NB-30400 #0023-0062 65NB-30400BG #0063-0082 65NB-30401BG #0083-	61NB-31320 -#0082 62NB-31320 #0083-	5	61NB-31310 -#0062 61NB-31310BG #0063-0082 66NB-31310BG #0083-	5	61E7-04620 -#0082 66NB-31340 #0083-	5	61E7-04630 -#0082 66NB-31350 #0083-	5
				65NB-30300 #0015-0062 65NB-30300BG #0063-0082 65NB-30301BG #0083-	61NB-31320 -#0082 62NB-31320 #0083-	5	61NB-31310 -#0062 61NB-31310BG #0063-0082 66NB-31310BG #0083-	5	61E7-04620 -#0082 66NB-31340 #0083-	5	61E7-04630 -#0082 66NB-31350 #0083-	5
	2.43	2.10	B	65NB-30500 #0020-0062 65NB-30500BG #0063-0082 65NB-30501BG #0083-	61NB-31320 -#0082 62NB-31320 #0083-	5	61NB-31310 -#0062 61NB-31310BG #0063-0082 66NB-31310BG #0083-	5	61E7-04620 -#0082 66NB-31340 #0083-	5	61E7-04630 -#0082 66NB-31350 #0083-	5
				65NB-30600 #0020-0062 65NB-30600BG #0063-0082 65NB-30601BG #0083-1190 65NB-30602BG #1191-	61NB-31320 -#0082 62NB-31320 #0083-	7	61NB-31310 -#0062 61NB-31310BG #0063-0082 66NB-31310BG #0083-	7	61E7-04620 -#0082 66NB-31340 #0083-	7	61E7-04630 -#0082 66NB-31350 #0083-	7
R520LC-9	1.80	1.50	A	65QB-30400 #0009-	62NB-31320	5	66NB-31310GG	5	66NB-31340	5	66NB-31350	5
	1.81	1.50	A	69QB-30100*1 #0009- 63QB-30200 #0009-	61EQ-30040	4	61EQ-30030*1 61EQ-30030GG	4	61EQ-30460	4	61EQ-30510	4
	2.70	2.50	A	65QB-30800 #0031-	62NB-31320	5	66NB-31310GG	3	66NB-31340	3	66NB-31350	3
	3.20	2.80	A	65QB-30600 #0010-0015 65QB-30601 #0016-	62NB-31320	7	66NB-31310BG	7	66NB-31340	7	66NB-31350	7
R800LC-7A	3.40	3.00	A	62ND-30101 -#0039	61EQ-30040	4	61EQ-30030	4	61EQ-30460	4	61EQ-30510	4

*1 Wear-resistant

Rock bucket(Rubber lock type)



Hydraulic excavator

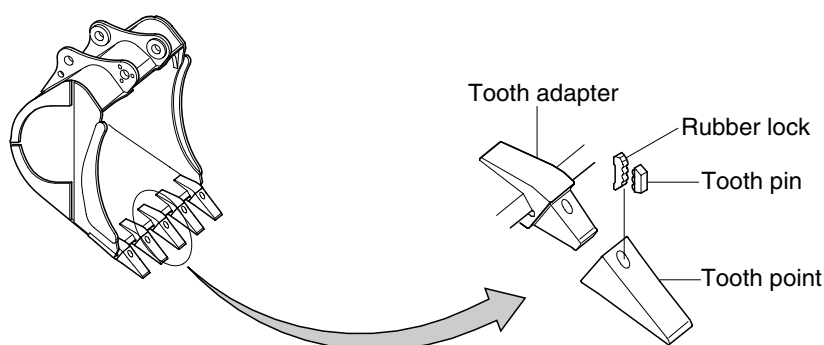
Model	Capacity (m ³)		Type	Bucket assy	Tooth adapter		Tooth point		Tooth pin		Lock washer	
	SAE	CECE			Part no.	Qty	Part no.	Qty	Part no.	Qty	Part no.	Qty
R200LC R210LC-3	0.87	0.75	ESCO	61E1-31500	61EM-30270	5	61EM-30460	5	61EM-30470	5	61EM-30480	5
R200W R200W-3	0.87	0.75	ESCO	*163E1-31200 **63E1-31200(01)	63E1-30270	5	63E1-30460	5	63E1-30470	5	E262-3048	5
R290LC R290LC-3	1.16	1.0	ESCO	62E9-31500	62E9-31610	5	62E9-31620	5	62E9-31630	5	62E9-31640	5
	-	-	-	-	-	-	-	-	-	-	-	-

Applicable machine serial No.

*R210LC-3(-#0993), R200LC(#0001-), R200W(#0001-)

**R210CL-3(#0994-), R200W-3(#0001-)

General bucket(Rubber lock type)



Hydraulic excavator

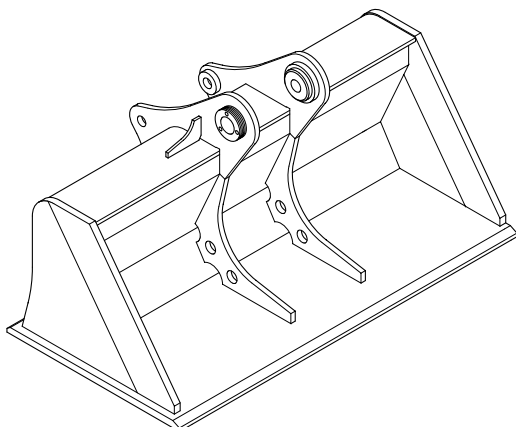
Model	Capacity (m ³)		Type	Bucket assy	Tooth adapter		Tooth point		Tooth pin		Lock washer	
	SAE	CECE			Part no.	Qty	Part no.	Qty	Part no.	Qty	Part no.	Qty
R55-3	0.06	0.05	ESCO	61M6-51600 #1139 61M6-51601 #1140-	61M5-31130	3	952-36001A	3	952-40001A	3	952-50001A	3
	0.18* ⁴	0.15	ESCO	61M6-51120 #1139 61M6-51121 #1140-	61M5-31130	5	952-36001A	5	952-40001A	5	952-50001A	5
	0.18* ⁵	0.15	ESCO	61M6-51170 #1139 61M6-51171 #1140-	61M5-31130	5	952-36001A	5	952-40001A	5	952-50001A	5
R55-7	0.07	0.06	ESCO	61M8-33000	61M5-31130	3	952-36001A	3	952-40001A	3	952-50001A	3
	0.18	0.15	ESCO	61M8-30000	61M5-31130	5	952-36001A	5	952-40001A	5	952-50001A	5
R55-7A	0.07	0.06	ESCO	61M8-39000	61M5-31130	3	952-36001A	3	952-40001A	3	952-50001A	3
	0.18	0.15	ESCO	61M8-38000	61M5-31130	5	952-36001A	5	952-40001A	5	952-50001A	5
R55-9	0.07	0.06	ESCO	61M8-39000GG	61M5-31130	3	952-36001ABGG	3	952-40001A	3	952-50001A	3
	0.18	0.15	ESCO	61M8-38000GG	61M5-31130	5	952-36001A	5	952-40001A	5	952-50001A	5
	0.18* ¹	0.15	ESCO	61M9-34000 #0504-	61M5-31130	5	952-36001ABGG	5	952-40001A	5	952-50001A	5
R55W-3	0.06	0.05	ESCO	61M6-51600 #0134 61M6-51601 #0135-	61M5-31130	3	952-36001A	3	952-40001A	3	952-50001A	3
	0.18* ⁴	0.15	ESCO	61M6-51120 #0134 61M6-51121 #0135-	61M5-31130	5	952-36001A	5	952-40001A	5	952-50001A	5
	0.18* ⁵	0.15	ESCO	61M6-51170 #0134 61M6-51171 #0135-	61M5-31130	5	952-36001A	5	952-40001A	5	952-50001A	5
R55W-7A	0.07	0.06	ESCO	61M8-39000	61M5-31130	3	952-36001AB	3	952-40001A	3	952-50001A	3
	0.18	0.15	ESCO	61M8-38000	61M5-31130	5	952-36001AB	5	952-40001A	5	952-50001A	5
R55W-9	0.07	0.06	ESCO	61M8-39000GG	61M5-31130	3	952-36001ABGG	3	952-40001A	3	952-50001A	3
	0.18	0.15	ESCO	61M8-38000GG	61M5-31130	5	952-36001A	5	952-40001A	5	952-50001A	5
	0.18* ¹	0.15	ESCO	62M9-34000 #0266-	61M5-31130	5	952-36001ABGG	5	952-40001A	5	952-50001A	5
R80-7	0.15	0.12	ESCO	61N1-30200 #0090-	61EE-00970	3	61EE-01300	3	61EE-01320	3	61EE-01330	3
	0.28	0.25	ESCO	61N1-30101 #0089 61N1-30102 #0090-	61EE-00970	4	61EE-01300	4	61EE-01320	4	61EE-01330	4
	0.30	0.27	ESCO	62N1-30100 #0204-	61EE-00970	4	61EE-01300	4	61EE-01320	4	61EE-01330	4
R80-7A	0.15	0.12	ESCO	61N1-30700	61EE-00970	3	61EE-01300B	3	61EE-01320	3	61EE-01330	3
	0.28	0.25	ESCO	61N1-30600	61EE-00970	4	61EE-01300B	4	61EE-01320	4	61EE-01330	4
R95W-3	0.15	0.12	ESCO	61EE-30010	61EE-00970	3	61EE-01300	3	61EE-01320	3	61EE-01330	3
	0.18	0.15	ESCO	61EE-30020	61EE-00970	3	61EE-01300	3	61EE-01320	3	61EE-01330	3
	0.22	0.20	ESCO	61EE-30030	61EE-00970	3	61EE-01300	3	61EE-01320	3	61EE-01330	3
	0.27	0.24	ESCO	61EE-30040	61EE-00970	4	61EE-01300	4	61EE-01320	4	61EE-01330	4
	0.30	0.27	ESCO	61EE-30000	61EE-00970	4	61EE-01300	4	61EE-01320	4	61EE-01330	4
	0.35	0.32	ESCO	61EE-30050	61EE-00970	4	61EE-01300	4	61EE-01320	4	61EE-01330	4

*Heavy duty bucket

**30" width

*524" width

Slope finishing bucket



Hydraulic excavator

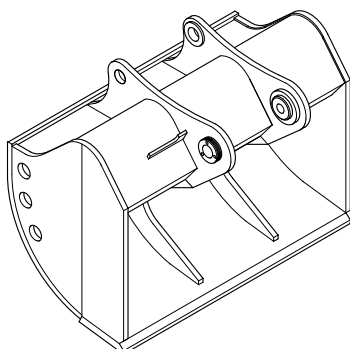
Model	Capacity (m ³)		Bucket assy
	SAE	CECE	
R130LC-3	0.55	0.45	62E6-32000
R140LC-7	0.55	0.45	61N4-39000 61N4-39001 #1939 66N4-39000 #1940-2947 #2948-
R140LC-7A	0.55	0.45	66N4-39000
R140LC-9 R140W-9	0.55	0.45	66N4-39000GG
R140W-7	0.55	0.45	61N4-39000 #0239 61N4-39001 #0240-
R140W-7A	0.55	0.45	66N4-39000
R210LC-3 R290LC-3 R130W	0.55	0.45	62E6-32000
R200LC R210LC-3	0.75	0.65	64E1-43000* ¹ 64E1-43000(01)* ²
R200W R200W-3	0.86	0.75	64E1-42000* ¹ 64E1-42000(01)* ²
R200W-7A	0.75	0.65	62N6-36001BG #0046 62N6-36001BG #0047-
R210W-9 R210NLC-9 R235LCR-9	0.75	0.65	62Q6-36000
R210LC-7	0.50	0.44	62N4-39010 #3409-7171 62N4-39010BG #7172-
	0.55	0.45	63N4-31010 #5372-7171 63N4-31010BG #7172-
	0.75	0.65	62N6-36000 #1242-1386 62N6-36001 #1387-7171 62N6-36001BG #7172-
R210LC-7A	0.50	0.44	62N4-39010BG
	0.55	0.45	63N4-31010BG
	0.75	0.65	62N6-36001BG
R210NLC-7H	0.50	0.44	62N4-39010 #0487 62N4-39010BG #0488-
	0.55	0.45	63N4-31010 #0212-0487 63N4-31010BG #0488-
	0.75	0.65	62N6-36001 #0487 62N6-36001BG #0488-
R210LC-9	0.50	0.44	62N4-39010GG #0008-
	0.55	0.45	63N4-31010GG #0008-
	0.75	0.65	62Q6-36000 #0008-
R290LC-7	0.55	0.45	63N4-31010 #1811-
R290LC-7A	0.55	0.45	63N4-31010 #0154-0284 63N4-31010BG #0285-
R290LC-9	0.50	0.44	62N4-39010GG
	0.55	0.45	63N4-31010GG

Applicable machine serial No.

*¹R210LC-3(-#0993), R200LC(#0001-), R200W(#0001-)

*²R210LC-3(#0994-), R200W-3(#0001-)

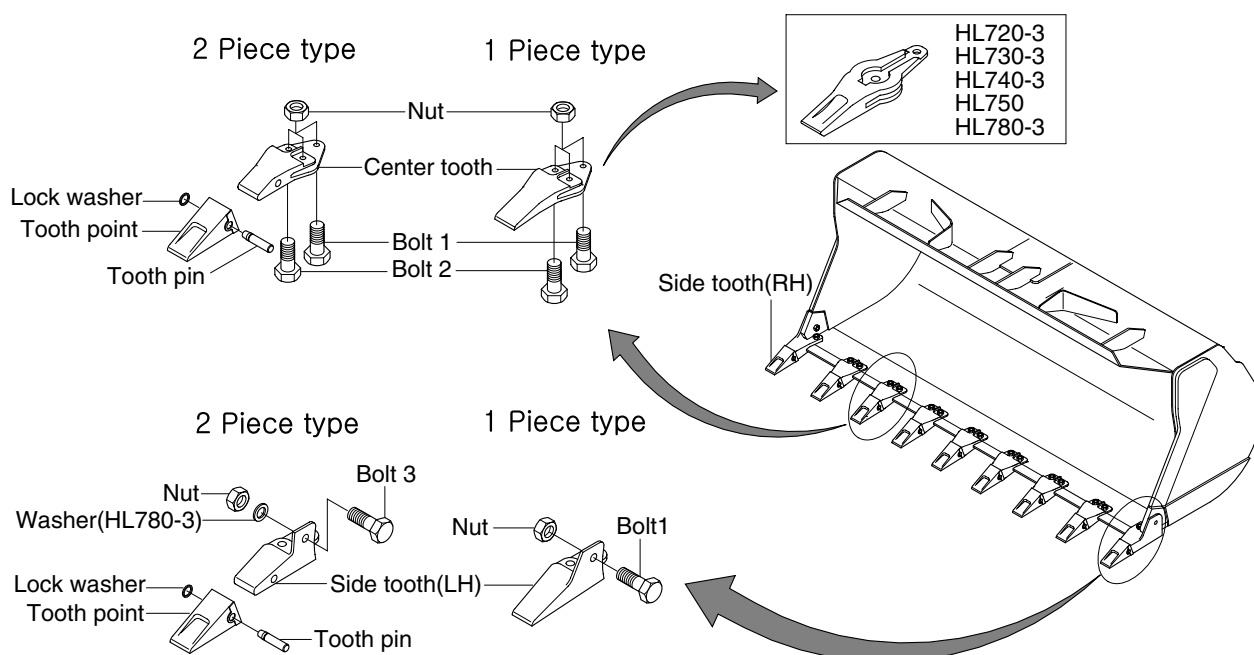
Ditch cleaning bucket



Hydraulic excavator

Model	Capacity (m ³)		Bucket assy
	SAE	CECE	
R130LC-3	0.45	0.40	62E6-33000
R140LC-7	0.45	0.40	61N4-38000 #1939 61N4-38001 #1940-2947 66N4-38000 #2948-
R140LC-7A	0.45	0.40	66N4-38000
R140LC-9 R140W-9	0.45	0.40	66N4-38000GG
R140W-7	0.45	0.40	61N4-38000 #0239 61N4-38001 #0240-
R140W-7A	0.45	0.40	66N4-38000
R170W-9	0.75	0.65	62N5-33000GG
R210LC-3 R290LC-3 R130W-3	0.45	0.40	62E6-33000

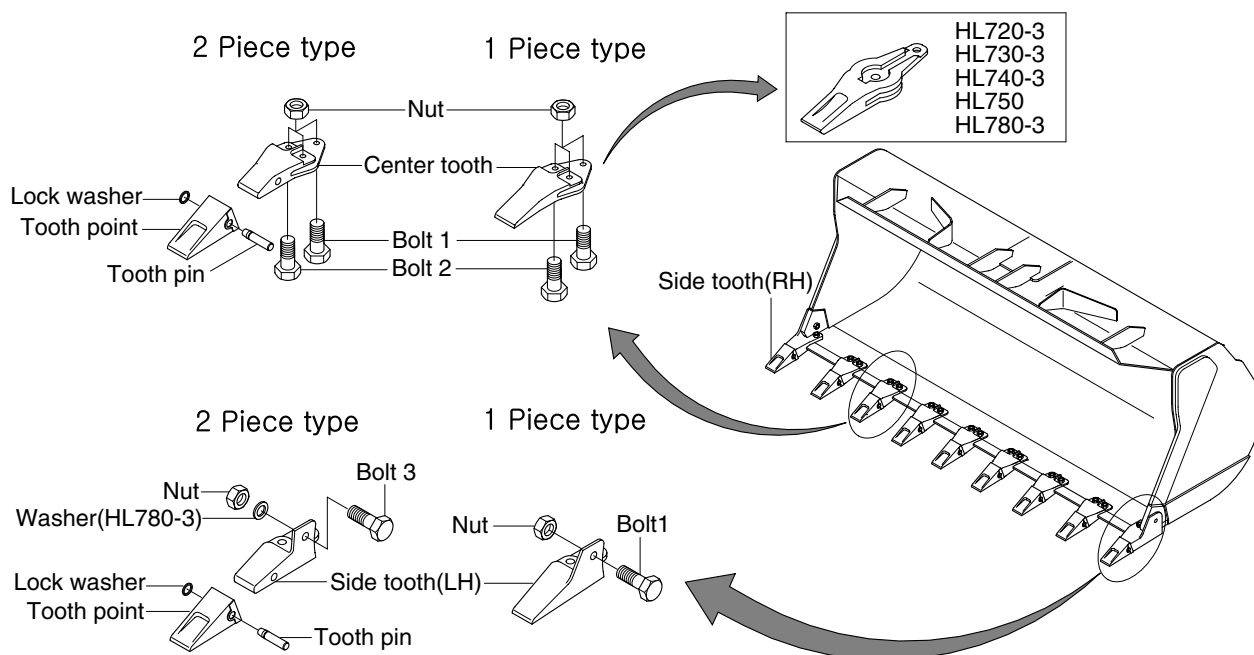
Tooth type bucket(Bolt-on)



Wheel loader

Model	Capacity (m ³)		Bucket assy		Side tooth		Center tooth		Bolt 1 / 2 / 3		Nut	
	Struck	Heaped	Part no.	Qty	Part no.	Qty	Part no.	Qty	Part no.	Qty	Part no.	Qty
HL17	1.3	1.5	61L3-02400	1	61L3-0170(LH) 61L3-0171(RH)	1 1	61L3-0169	5	S018-200652 S018-200752	7 7	S208-201002	14
	1.4	1.7	61L3-02390	1	61L3-0170(LH) 61L3-0171(RH)	1 1	61L3-0169	5	S018-200652 S018-200752	7 7	S208-201002	14
	1.7	2.0	61L3-02410	1	61L3-0170(LH) 61L3-0171(RH)	1 1	61L3-0169	5	S018-200652 S018-200752	7 7	S208-201002	14
HL25	2.2	2.5	61L4-01540	1	61L1-3028(LH) 61L1-3029(RH)	1 1	61L1-3022	7	61L1-3027 61L1-3025	11 16	S208-221003	27
	2.37	2.7	61L4-01550	1	61L1-3028(LH) 61L1-3029(RH)	1 1	61L1-3022	7	61L1-3027 61L1-3025	11 16	S208-221003	27
HL35	2.8	3.3	61L1-31920	1	61L1-3028(LH) 61L1-3029(RH)	1 1	61L1-3022	7	61L1-3027 61L1-3025	11 16	S208-221003	27
	3.0	3.5	61L1-31910	1	61L1-3028(LH) 61L1-3029(RH)	1 1	61L1-3022	7	61L1-3027 61L1-3025	11 16	S208-221003	27
	3.0	3.5	61L1-31940	1	61L1-3028(LH) 61L1-3029(RH)	1 1	61L1-3022	7	61L1-3027 61L1-3025	11 16	S208-221003	27
	3.3	3.8	61L1-31930	1	61L1-3028(LH) 61L1-3029(RH)	1 1	61L1-3022	7	61L1-3027 61L1-3025	11 16	S208-221003	27
HL720-3	1.1	1.3	61L9-00450	1	61L8-00501(LH) 61L8-00511(RH)	1 1	61L8-00521	5	S018-200552 S018-200702	7 7	S208-201002	14
HL730-3	1.3	1.5	61L8-00530	1	61L8-00500(LH) #0097	1	61L8-00520 #0097 61L8-00521 #0098	7 7	S018-200552 S018-200702	7 7	S208-201002	14
					61L8-00501(LH) #0098- 61L8-00510(RH) #0097 61L8-00511(RH) #0098-	1 1 1						
	1.69	1.9	61L8-00840	1	61L3-0170(LH) 61L3-0171(RH)	1 1	61L3-0169	5	S018-200652 S018-200752	7 7	S208-201002	14
HL730-7	1.4	1.7	61LG-00020 #0337 61LG-00020BG #0338-	1	61L8-00501(LH) #0337	1	61L8-00521 #0337 61L8-00521BG #0338-	7 7	S018-20070D S018-20055D	7 7	S206-20100B	14
					61L8-00501BG(LH) #0338- 61L8-00511(RH) #0337 61L8-00511BG(RH) #0338-	1 1 1						
	1.7	2.0	61LG-02500 #0354-	1	61L8-00501BG(LH) 61L8-00511BG(RH)	1 1	61L8-00521BG	5	S018-20070D S018-20055D	7 7	S206-20100B	14
HL730-7A	1.4	1.7	61LG-00020BG	1	61L8-00501BG(LH)	1	61L8-00521BG	5	S018-20070D S018-20055D	7 7	S206-20100B	14
					61L8-00511BG(RH)	1						
	1.7	2.0	61LG-02500	1	61L8-00501BG(LH) 61L8-00511BG(RH)	1 1	61L8-00521BG	5	S018-20070D S018-20055D	7 7	S206-20100B	14
HL730-9	1.5	1.8	61LP-00500	1	61L8-00501BG(LH) 61L8-00511BG(RH)	1 1	61L8-00521BG	5	S018-20070D S018-20055D	7 7	S206-20100B	14

Tooth type bucket(Bolt-on)



Wheel loader

Model	Capacity (m ³)		Bucket assy		Side tooth		Center tooth		Bolt 1 / 2 / 3		Nut	
	Struck	Heaped	Part no.	Qty	Part no.	Qty	Part no.	Qty	Part no.	Qty	Part no.	Qty
HL740-3	1.6	1.9	61L7-00022	1	61L3-0170(LH) 61L3-0171(RH)	1 1	61L3-0169	5	S018-200652 S018-200752	7 7	S208-201002	14
	1.6*1	1.9	61L7-00400	1	64L3-01270(LH) 64L3-01280(RH) 64L3-01290*2	1 1 7	64L3-01260 64L3-01300*3	5 7	64L3-01330 64L3-01320 64L3-01340	5 7 2	S208-201002 64L3-01300*4	14 7
HL740-7	1.7	2.0	61LF-00020 #1205 61LF-00020BG #1206	1	61L3-0170(LH) #1205 61L3-0170BG(LH) #1206 61L3-0171(RH) #1205 61L3-0171BG(RH) #1206	1 1 1 1	61L3-0169 #1205 61L3-0169BG #1206	5 5	S018-20075D S018-20065D	7 7	S206-20100B	14
	1.7*1	2.0	61LF-00390 #0291-1205 61LF-00390BG #1206	1	64L3-01270(LH) #1205 64L3-01270BG(LH) #1206 64L3-01280(LH) #1205 64L3-01280BG(LH) #1206 64L3-01290*2 #1205 64L3-01290BG*2 #1206	1 1 1 1 7 7	64L3-01260 #1205 64L3-01260BG #1206 64L3-01300*3	5 5 7	64L3-01320 64L3-01330 64L3-01340	7 5 2	S206-20100B 64L3-01310*4	14 7
	2.0*1	2.3	61LF-03700 #1547	1	64L3-01270BG(LH) 64L3-01280BG(RH)	1 1	64L3-01260BG 64L3-01300*3	5 7	64L3-01320 64L3-01330 64L3-01340	7 5 2	S206-20100B 64L3-01310*4	14 7
	2.3	2.7	61LF-02500 #0052-1205 61LF-02500BG #1206	1	61L3-0170(LH) #1205 61L3-0170BG(LH) #1206 61L3-0171(RH) #1205 61L3-0171BG(RH) #1206	1 1 1 1	61L3-0169 #1205 61L3-0169BG #1206	6 6	S018-20075D S018-20065D	8 8	S206-20100B	16
	2.3*1	2.7	61LF-02700 #0052-1205 61LF-02700BG #1206	1	64L3-01270(LH) #1205 64L3-01270BG(LH) #1206 64L3-01280(LH) #1205 64L3-01280BG(LH) #1206 64L3-01290*2 #1205 64L3-01290BG*2 #1206	1 1 1 1 8 8	64L3-01260 #1205 64L3-01260BG #1206 64L3-01300*3	6 6 8	64L3-01320 64L3-01330 64L3-01340	8 6 2	S206-20100B 64L3-01310*4	16 8
HL740-7A	1.7	2.0	61LF-00020BG	1	61L3-0170BG(LH) 61L3-0171BG(RH)	1 1	61L3-0169BG	5	S018-20065D S018-20075D	7 7	S206-20100B	14
	1.7*1	2.0	61LF-00390BG	1	64L3-01270BG(LH) 64L3-01280BG(RH) 64L3-01290BG*2	1 1 7	64L3-01260BG 64L3-01300*3	5 7	64L3-01320 64L3-01330 64L3-01340	7 5 2	S206-20100B 64L3-01310*4	14 7
	2.3	2.7	61LF-02500BG	1	61L3-0170BG(LH) 61L3-0171BG(RH)	1 1	61L3-0169BG	6	S018-20065D S018-20075D	8 8	S206-20100B	16
	2.3*1	2.7	61LF-02700BG	1	64L3-01270BG(LH) 64L3-01280BG(RH) 64L3-01290BG*2	1 1 8	64L3-01260BG 64L3-01300*3	6 8	64L3-01320 64L3-01330 64L3-01340	8 6 2	S206-20100B 64L3-01310*4	16 8

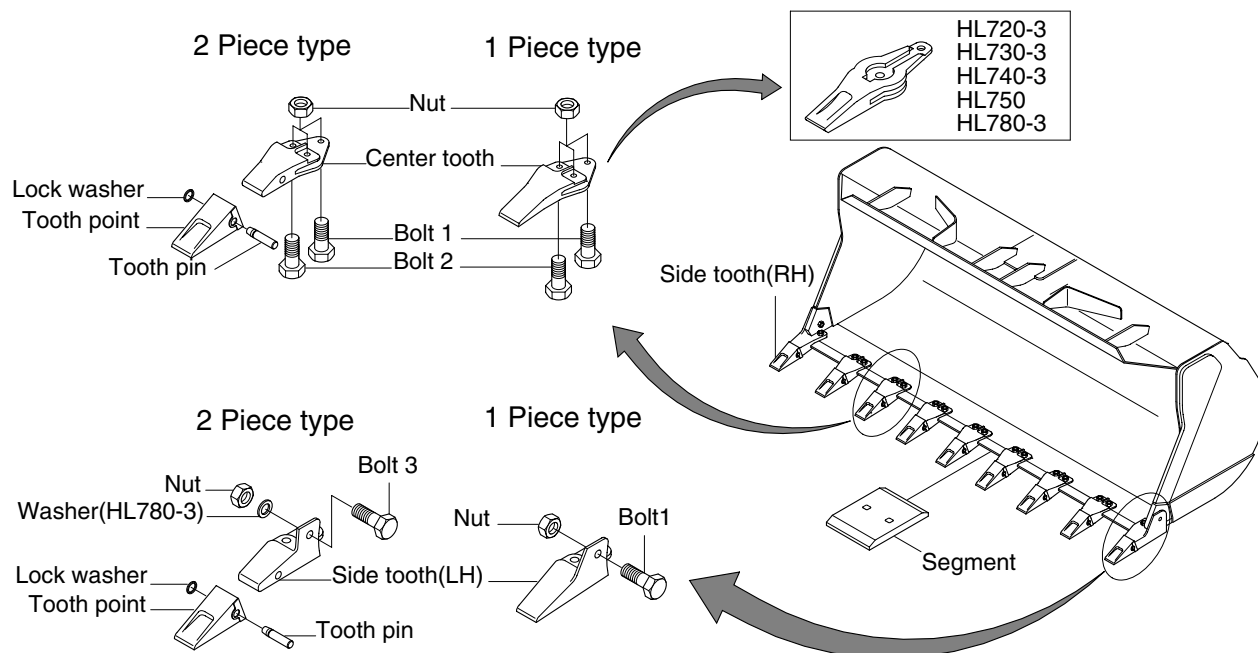
*2 piece type

*2 Tooth point

*3 Tooth pin

*4 Lock washer

Tooth type bucket(Bolt-on)

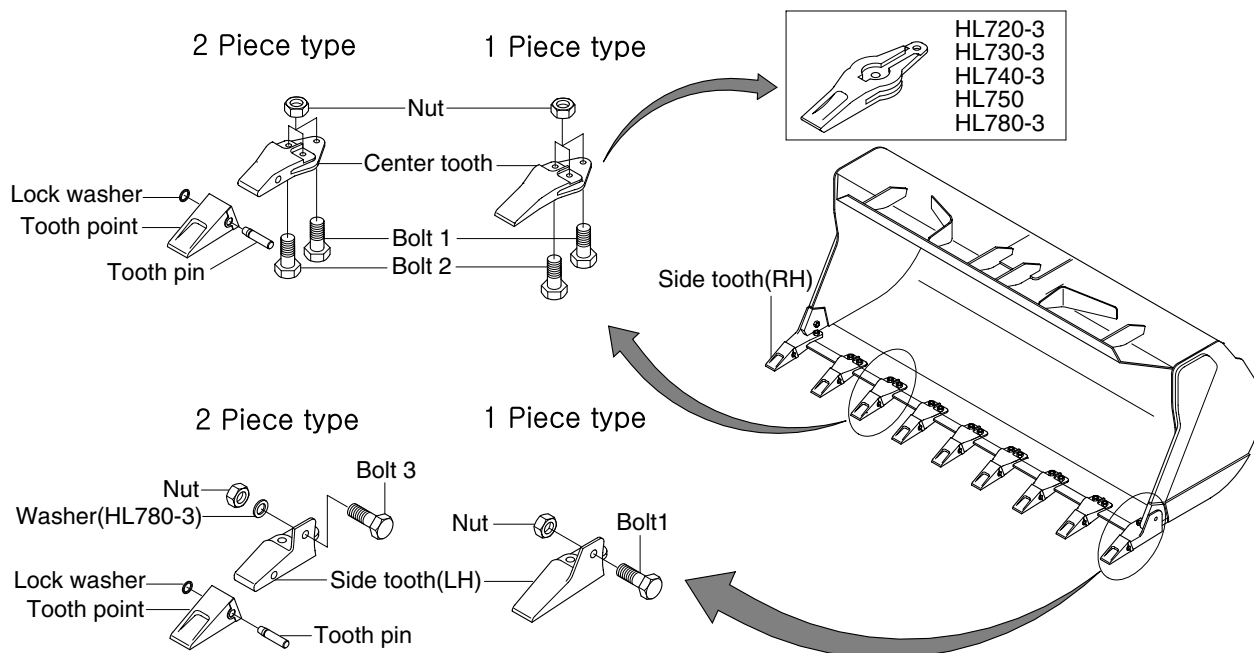


Wheel loader

Model	Capacity (m ³)		Bucket assy		Side tooth		Center tooth		Bolt 1 / 2 / 3		Nut	
	Struck	Heaped	Part no.	Qty	Part no.	Qty	Part no.	Qty	Part no.	Qty	Part no.	Qty
HL740-9	2.0	2.2	61LN-00500	1	61L3-0170GG(LH) 61L3-0171GG(RH)	1 1	61L3-0169GG	5	S018-20075D S018-20065D	7 7	S206-20100B	14
	2.0* ¹	2.2	61LN-00700	1	64L3-01270GG(LH) 64L3-01280GG(RH) 64L3-01290GG* ²	1 1 7	64L3-01260GG 64L3-01300* ³	5 7	64L3-01320 64L3-01330 64L3-01340	7 5 2	S206-20100B 64L3-01310* ⁴	14 7
HL750	1.8	2.1	64L3-10060	1	61L3-0170(LH) 61L3-0171(RH)	1 1	61L3-0169	5	S018-200652 S018-200752	7 7	S208-201002	14
	1.9	2.2	64L3-10020	1	61L3-0170(LH) 61L3-0171(RH)	1 1	61L3-0169	5	S018-200652 S018-200752	7 7	S208-201002	14
	2.2	2.5	64L3-10080	1	61L3-0170(LH) 61L3-0171(RH)	1 1	61L3-0169	5	S018-200652 S018-200752	7 7	S208-201002	14
	1.9* ¹	2.2	64L3-10090	1	64L3-01270(LH) 64L3-01280(RH) 64L3-01290* ²	1 1 7	64L3-01260 64L3-01300* ³	5 7	64L3-01330 64L3-01320 64L3-01340	5 7 2	S208-201002 64L3-01310* ⁴	14 7
	2.0* ¹	2.3	64L3-10100	1	64L3-01270(LH) 64L3-01280(RH) 64L3-01290* ²	1 1 7	64L3-01260 64L3-01300* ³	5 7	64L3-01330 64L3-01320 64L3-01340	5 7 2	S208-201002 64L3-01310* ⁴	14 7
	2.0	2.3	64L3-10040	1	61L3-0170(LH) 61L3-0171(RH)	1 1	61L3-0169	5	S018-200652 S018-200752	7 7	S208-201002	14

*¹2 piece type *²Tooth point *³Tooth pin *⁴Lock washer

Tooth type bucket(Bolt-on)



Wheel loader

Model	Capacity (m ³)		Bucket assy		Side tooth		Center tooth		Bolt 1 / 2 / 3		Nut	
	Struck	Heaped	Part no.	Qty	Part no.	Qty	Part no.	Qty	Part no.	Qty	Part no.	Qty
HL757-7	2.2	2.6	61LD-00021 #1210 61LD-00021BG #1211-	1	61L3-0170(LH) #1210	1	61L3-0169 #1210	6	S018-20065D S018-20075D	8 8	S206-20100B	16
					61L3-0170BG(LH) #1211-		61L3-0171(RH) #1210					
	2.2* ¹	2.6	61LD-00390 #1210 61LD-00390BG #1211-	1	64L3-01270(LH) #1210	1	64L3-01260 #1210	6	64L3-01320 64L3-01330 64L3-01340	8 6 2	S206-20100B 64L3-01310* ⁴	16 8
					64L3-01270BG(LH) #1211-							
	2.3* ⁶	2.7	61LD-06200 #0969-	1	61L3-0170BG(LH) #1210	1	61L3-0169BG #1210	6	S018-20065D S018-20075D	8 8	S206-20100B	30
					61L3-0171BG(RH) #1211-		61LD-06240* ⁵ #1211-					
	2.3* ⁶	2.7	61LD-06210 #1327-	1	64L3-01270BG(LH) #1210	1	64L3-01260BG #1210	6	64L3-01320 64L3-01330 64L3-01340	8 6 2	S206-20100B	30
					64L3-01280BG(RH) #1211-		64L3-01290BG* ² #1211-					
2.3	2.8	61LD-02500 #0211-1210 61LD-02500BG #1211-	1	61L3-0170(LH) #1210	1	61L3-0169 #1210	6	S018-20065D S018-20075D	8 8	S206-20100B	16	
				61L3-0170BG(LH) #1211-		61L3-0171(RH) #1210						61L3-0169BG #1211-
2.3* ¹	2.8	61LD-02700 #0211-1210 61LD-02700BG #1211-	1	64L3-01270(LH) #1210	1	64L3-01260 #1210	6	64L3-01320 64L3-01330 64L3-01340	8 6 2	S206-20100B	16	
				64L3-01270BG(LH) #1211-		64L3-01280(RH) #1210						64L3-01260BG #1211-
2.7	3.1	61LD-03500 #1210 61LD-03500BG #1211-	1	64L3-0170(LH) #1210	1	61L3-0169 #1210	6	S018-20065D S018-20075D	8 8	S206-20100B	16	
				64L3-0170BG(LH) #1211-		61L3-0171(RH) #1210						61L3-0169BG #1211-
2.7* ⁶	3.1	61LD-03700 #1210 61LD-03700BG #1211-	1	64L3-01270(LH) #1210	1	64L3-01260 #1210	6	64L3-01320 64L3-01330 64L3-01340	8 6 2	S206-20100B	16	
				64L3-01270BG(LH) #1211-		64L3-01280(RH) #1210						64L3-01260BG #1211-

*¹2 piece type

*²Tooth point

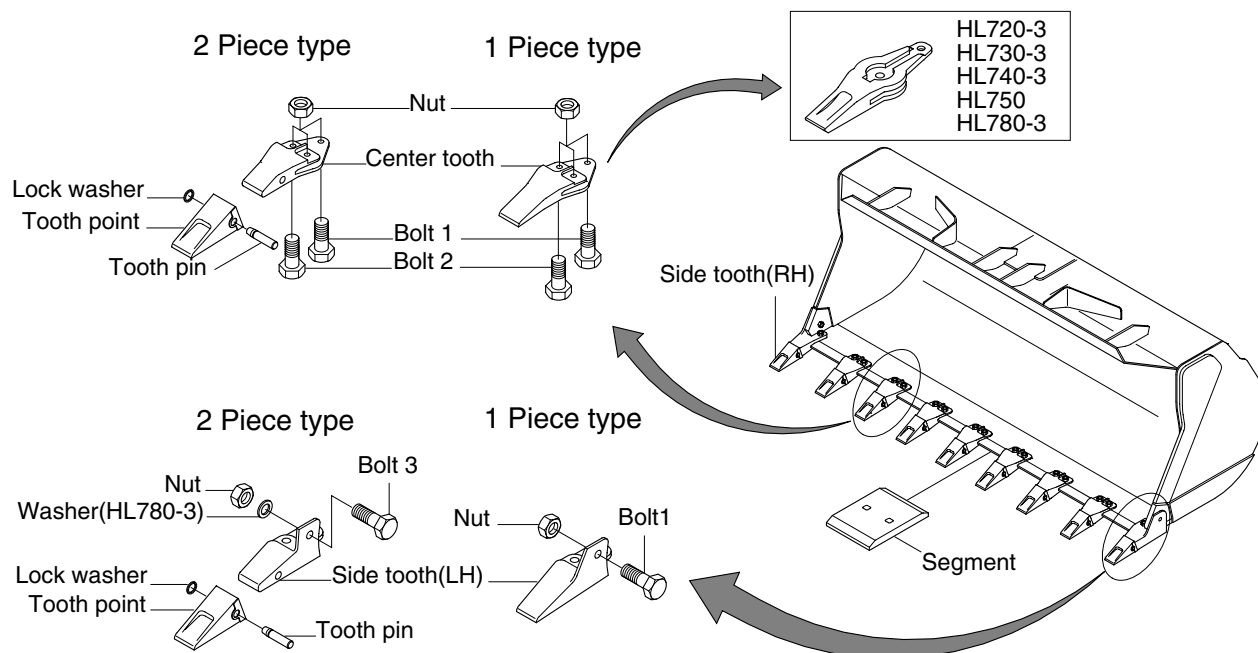
*³Tooth pin

*⁴Lock washer

*⁵Segment

*⁶Tooth & segment

Tooth type bucket(Bolt-on)



Wheel loader

Model	Capacity (m ³)		Bucket assy		Side tooth		Center tooth		Bolt 1 / 2 / 3		Nut	
	Struck	Heaped	Part no.	Qty	Part no.	Qty	Part no.	Qty	Part no.	Qty	Part no.	Qty
HL757-7A	2.2	2.6	61LD-00021BG	1	61E3-0170BG(LH) 61E3-0171BG(RH)	1 1	61L3-0169BG	6	S018-20065D S018-20075D	8 8	S206-20100B	16
	2.2* ¹	2.6	61LD-00390BG	1	64L3-01270BG(LH) 64L3-01280BG(RH) 64L3-01290BG* ²	1 1 8	64L3-01260BG 64L3-01300* ³	6 8	64L3-01320 64L3-01330 64L3-01340	8 6 2	S206-20100B 64L3-01310* ⁴	16 8
	2.3* ⁶	2.7	61LD-06200 #0196-	1	61L3-0170BG(LH) 61L3-0171BG(RH)	1 1	61L3-0169BG 61LD-06240* ⁵	6 7	S018-20065D S018-20075D	8 8	S206-20100B	30
	2.3* ^{1,6}	2.7	61LD-06210 #0196-	1	64L3-01270BG(LH) 64L3-01280BG(RH) 64L3-01290BG* ²	1 1 8	64L3-01260BG 64L3-01300* ³ 61LD-06240BG* ⁵	6 8 7	64L3-01320 64L3-01330 64L3-01340	8 6 2	S206-20100B 64L3-01310* ⁴	30 8
	2.3	2.8	61LD-02500BG	1	61L3-0170BG(LH) 61L3-0171BG(RH)	1 1	61L3-0169BG	6	S018-20065D S018-20075D	8 8	S206-20100B	16
	2.3* ¹	2.8	61LD-02700BG	1	64L3-01270BG(LH) 64L3-01280BG(RH) 64L3-01290* ²	1 1 6	64L3-01260BG 64L3-01300* ³	6 8	64L3-01320 64L3-01330 64L3-01340	8 6 2	S206-20100B 64L3-01310* ⁴	16 8
	2.7	3.1	61LD-03500BG	1	61L3-0170BG(LH) 61L3-0171BG(RH)	1 1	61L3-0169BG	6	S018-20065D S018-20075D	8 8	S206-20100B	16
	2.7* ¹	3.1	61LD-03700BG	1	64L3-01270BG(LH) 64L3-01280BG(RH) 64L3-01290* ²	1 1 8	64L3-01260BG 64L3-01300* ³	6 8	64L3-01320 64L3-01330 64L3-01340	8 6 2	S206-20100B 64L3-01310* ⁴	16 8
HL757-9	2.4	2.6	61LM-00500	1	61L3-0170GG(LH) 61L3-0171GG(RH)	1 1	61L3-0169GG	6	S018-20065D S018-20075D	8 8	S206-20100B	16
	2.4* ¹	2.6	61LD-00390BG	1	64L3-01270GG(LH) 64L3-01280GG(RH) 64L3-01290GG* ²	1 1 8	64L3-01260GG 64L3-01300* ³	6 8	64L3-01320 64L3-01330 64L3-01340	8 6 2	S206-20100B 64L3-01310* ⁴	16 8
HL760	2.6	3.0	64L4-10020	1	61L1-3028(LH) 61L1-3029(RH)	1 1	61L1-3022	7	61L1-3027 61L1-3025	11 16	S208-221003	27
	2.6	3.0	64L4-10090	1	61L1-3028(LH) 61L1-3029(RH)	1 1	61L1-3022	7	61L1-3027 61L1-3025	11 16	S208-221003	27
	2.6* ¹	3.0	64L4-10070	1	64L1-01210(LH) 64L1-01220(RH) 61L6-00800* ²	1 1 9	64L1-01200 61L6-00810* ³	7 9	61L1-3027 61L1-3025 61L1-3027	11 16 2	S208-221003 61L6-00820* ⁴	27 9
	2.6* ¹	3.0	64L4-10100	1	64L1-01210(LH) 64L1-01220(RH) 61L6-00800* ²	1 1 9	64L1-01200 61L6-00810* ³	7 9	61L1-3027 61L1-3025 61L1-3025	11 16 2	S208-221003 61L6-00820* ⁴	27 9

*2 piece type

*²Tooth point

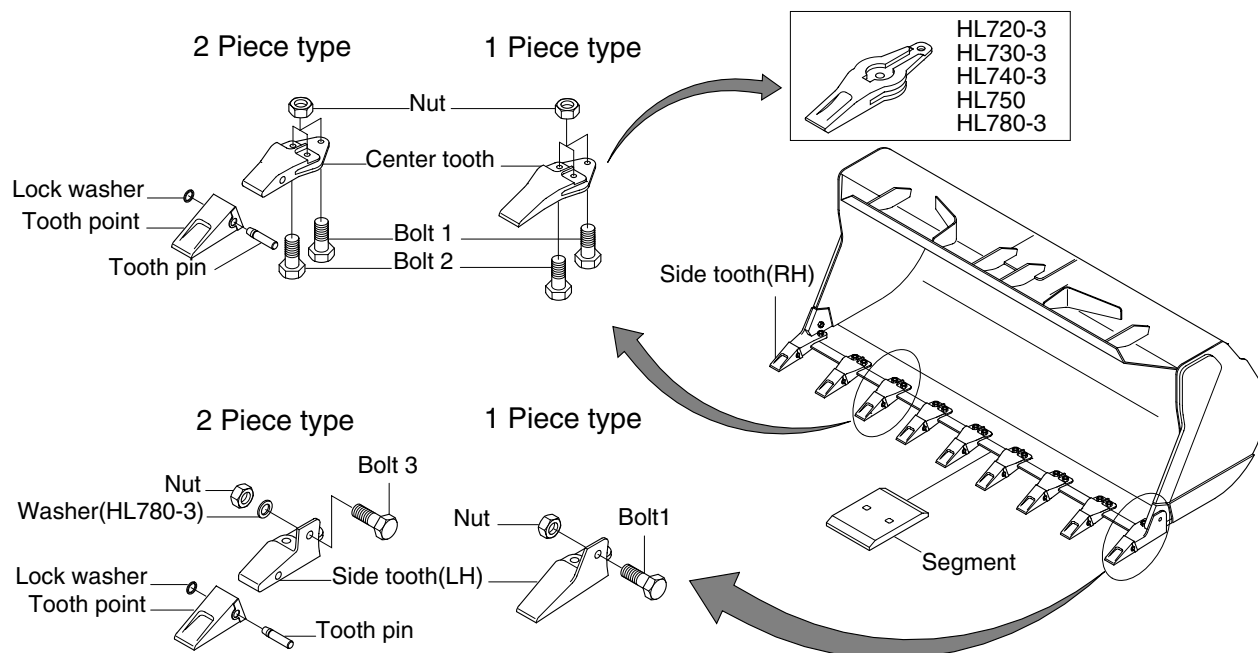
*³Tooth pin

*⁴Lock washer

*⁵Segment

*⁶Tooth & segment

Tooth type bucket(Bolt-on)

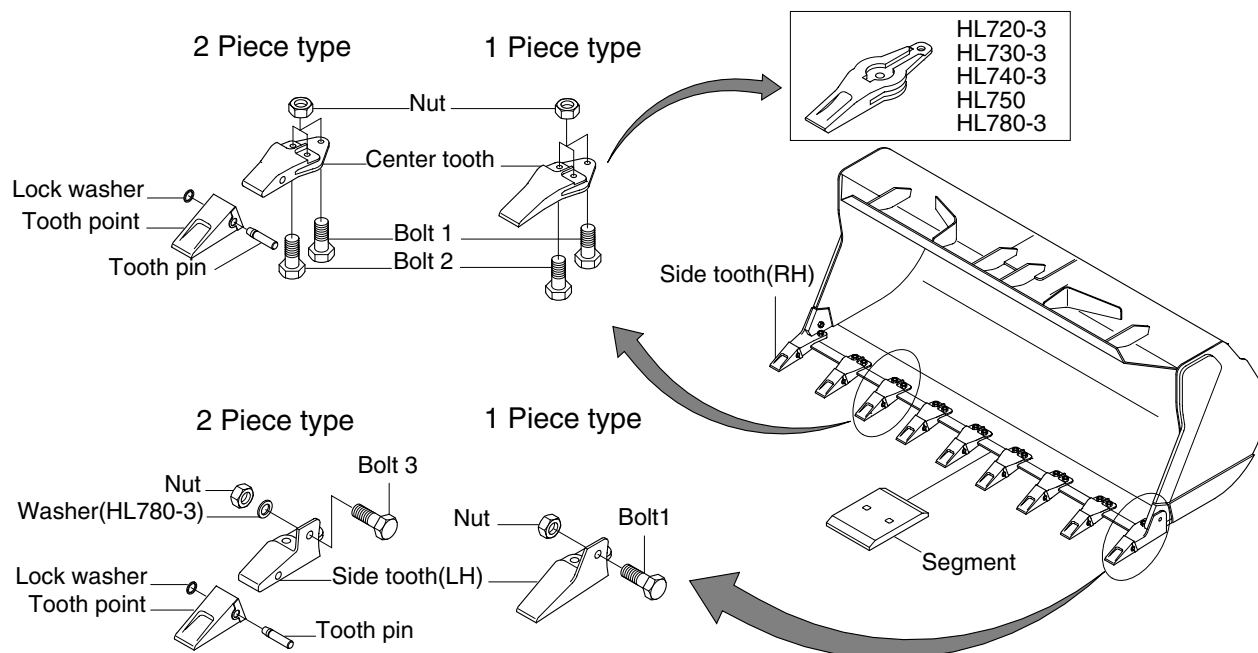


Wheel loader

Model	Capacity (m ³)		Bucket assy		Side tooth		Center tooth		Bolt 1 / 2 / 3		Nut	
	Struck	Heaped	Part no.	Qty	Part no.	Qty	Part no.	Qty	Part no.	Qty	Part no.	Qty
HL760-7	2.6	3.0	61LC-00021 #1255	1	61L1-3028(LH) #1255	1	61L1-3022 #1255	7	61L1-3027	11	S206-22100B	27
			61LC-00021BG #1256-		61L1-3028BG(LH) #1256-	1	61L1-3022BG #1256-	7	61L1-3025	16		
	2.6* ¹	3.0	61LC-00390 #1255	1	64L1-01210(LH) #1255	1	64L1-01200 #1255	7	61L1-3027	9	S206-22100B	27
			61LC-00390BG #1256-		64L1-01210BG(LH) #1256-	1	64L1-01200BG #1256-	7	61L1-3025	16		
2.8	3.2	61LC-02500 #0610-1255	1	61L1-3028(LH) #1255	1	61L1-3022 #1255	7	61L1-3027	11	S206-221003B	27	
		61LC-02500BG #1256-		61L1-3028BG(LH) #1256-	1	61L1-3022BG #1256-	7	61L1-3025	16			
2.8* ¹	3.2	61LC-02700 #0610-1255	1	64L1-01210(LH) #1255	1	64L1-01200 #1255	7	61L1-3027	9	S208-221003	27	
		61LC-02700BG #1256-		64L1-01210BG(LH) #1256-	1	64L1-01200BG #1256-	7	61L1-3025	14			
				64L1-01220(RH) #1255	1	61L6-00810* ³	9	61L1-3027	2	61L6-00820* ⁴	9	
				64L1-01220BG(RH) #1256-	1							
				61L6-00800* ² #1255	9							
				61L6-00800BG* ² #1256-	9							

*¹2 piece type *²Tooth point *³Tooth pin *⁴Lock washer

Tooth type bucket(Bolt-on)



Wheel loader

Model	Capacity (m ³)		Bucket assy		Side tooth		Center tooth		Bolt 1 / 2 / 3		Nut			
	Struck	Heaped	Part no.	Qty	Part no.	Qty	Part no.	Qty	Part no.	Qty	Part no.	Qty		
HL760-7A	2.6	3.0	61LC-00021 #0174	1	61L1-3028(LH) #0174	1	61L1-3022 #0174	7	61L1-3027	11	S208-221003 #0174	27		
			61LC-00021BG #0175-		61L1-3028BG(LH) #0175-	1	61L1-3022BG #0175-	7	61L1-3025	16	S206-22100B #0175-	27		
					61L1-3029(RH) #0174	1	61L1-3029BG(RH) #0175-	1						
	2.6* ¹	3.0	61LC-00390 #0174	1	64L1-01210(LH) #0174	1	64L1-01200 #0174	7	61L1-3027	9	S208-221003 #0174	27		
			61LC-00390BG #0175-		64L1-01210BG(LH) #0175-	1	64L1-01220(RH) #0174	7	61L1-3025	16	S206-22100B #0175-	27		
					64L1-01220(RH) #0175-	1	61L6-00800* ² #0174	1	61L6-00810* ³	9	61L1-3027	2	61L6-00820* ⁴	9
					61L6-00800BG* ² #0175-	1								
	2.8	3.2	61LC-02500 #0174	1	61L1-3028(LH) #0174	1	61L1-3022 #0174	7	61L1-3027	11	S208-221003 #0174	27		
			61LC-02500BG #0175-		61L1-3028BG(LH) #0175-	1	61L1-3022BG #0175-	7	61L1-3025	16	S206-22100B #0175-	27		
2.8* ¹	3.2	61LC-02700 #0174	1	64L1-01210(LH) #0174	1	64L1-01200 #0174	7	61L1-3027	9	S208-221003 #0174	27			
		61LC-02700BG #0175-		64L1-01210BG(LH) #0175-	1	64L1-01220(RH) #0174	7	61L1-3025	16	S206-22100B #0175-	27			
				64L1-01220(RH) #0175-	1	61L6-00800* ² #0174	9	61L6-00810* ³	9	61L1-3025	2	61L6-00820* ⁴	9	
				61L6-00800BG* ² #0175-	1									
3.0	3.5	61LC-03500 #0640-	1	61L1-3028BG(LH)	1	61L1-3022BG	7	61L1-3027	11	S206-22100B	27			
				61L1-3029BG(RH)	1	61L1-3025	16							
3.0* ¹	3.5	61LC-03700 #0640-	1	64L1-01210(LH)	1	64L1-01200BG	7	61L1-3027	11	S206-22100B	27			
				64L1-01220(RH)	1	61L6-00810* ³	9	61L1-3025	16	61L6-00820* ⁴	9			
2.3* ⁷	2.8	61LC-06000 #0505-	1	61L1-3028BG(LH)	1	61L1-3022BG	6	61L1-3027	24	S206-22100B	38			
				61L1-3029BG(RH)	1	61LC-06240BG* ⁶	7	61L1-3025	14					
2.3* ¹ * ⁷	2.8	61LC-06010 #0505-	1	64L1-01210BG(LH)	1	64L1-01200BG	6	61L1-3027	24	S206-22100B	38			
				64L1-01220BG(RH)	1	61L6-00810* ³	8	61L1-3025	14					
				61L6-00800BG* ²	8	61LC-06240BG* ⁶	7							
HL760-9	2.8	3.1	61LL-00500	1	61L1-3028GG(LH)	1	61L1-3022GG	7	61L1-3027	11	S206-22100B	27		
					61L1-3029GG(RH)	1	61L1-3025	16						
	2.8* ¹	3.1	61LL-00700	1	64L1-01210GG(LH)	1	64L1-01200GG	7	61L1-3027	11	S206-22100B	27		
			64L1-01220GG(RH)		1	61L6-00810* ³	9	61L1-3025	16	61L6-00820* ⁴	9			

*2 piece type

*²Tooth point

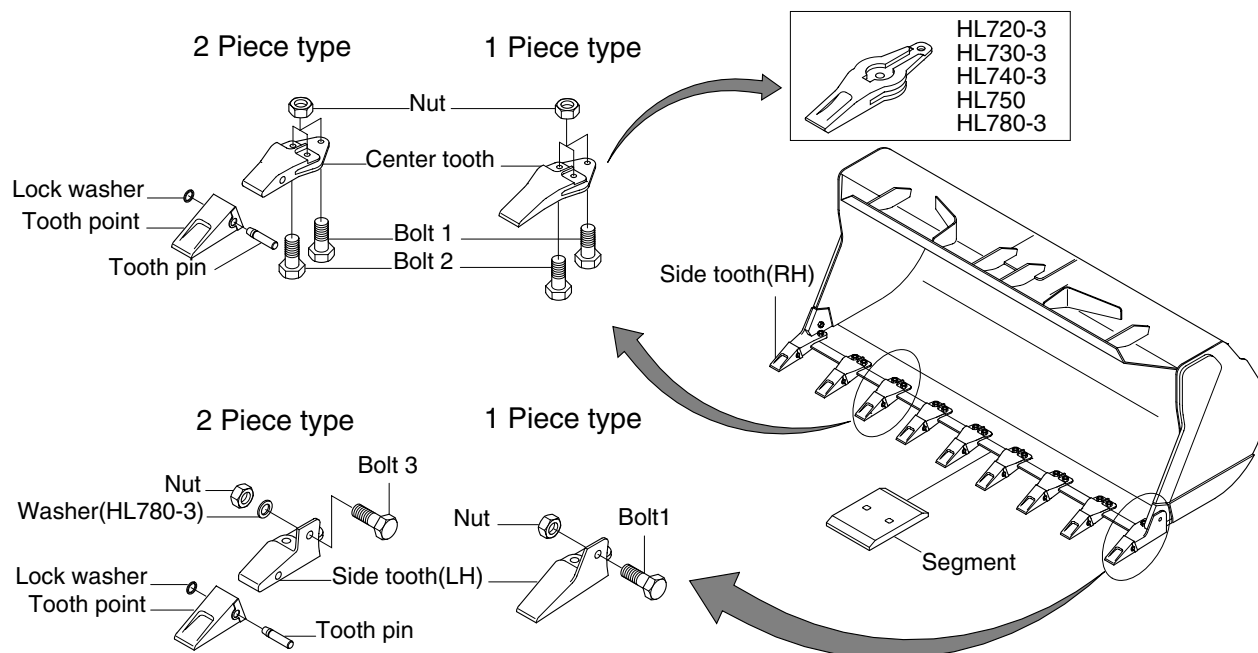
*³Tooth pin

*⁴Lock washer

*⁶Segment

*⁷Tooth & segment

Tooth type bucket(Bolt-on)



Wheel loader

Model	Capacity (m ³)		Bucket assy		Side tooth		Center tooth		Bolt 1 / 2 / 3		Nut	
	Struck	Heaped	Part no.	Qty	Part no.	Qty	Part no.	Qty	Part no.	Qty	Part no.	Qty
HL770-7	3.4	3.9	61LB-00020	1	61L1-3028(LH) 61L1-3029(RH)	1 1	61L1-3022	7	61L1-3027 61L1-3025	11 16	S208-221003	27
	3.4 ^{*1}	3.9	61LB00410	1	64L1-01210(LH) 64L1-01220(RH) 61L6-00800 ^{*2}	1 1 9	64L1-01200 61L6-00810 ^{*3}	7 9	61L1-3027 61L1-3025 61L1-3025	11 14 2	S208-221003 61L6-00820 ^{*4}	27 9
	3.0 ^{*1,7}	3.5	61LB-06000 #0534-	1	64L1-01210(LH) 64L1-01220(RH) 61L6-00800 ^{*2}	1 1 8	64L1-01200 61L6-00810 ^{*3} 61L6-00810 ^{*6}	6 8 7	61L1-3027 61L1-3025 61L1-3027	20 12 2	S208-221003 61L6-00820 ^{*4}	35 8
	4.2	5.0	61LB-02500 #0756-	1	61L1-3028(LH) 61L1-3029(RH)	1 1	61L1-3022	7	61L1-3025 61L1-3027	16 11	S208-221003	27
HL770-7A	3.4	3.9	61LB-00020 #0232 61LB-00020BG #0233-	1	61L1-3028(LH) #0232 61L1-3028BG(LH) #0233- 61L1-3029(RH) #0232 61L1-3029BG(RH) #0233-	1 1 1 1	61L1-3022 #0232 61L1-3022BG #0233-	7 7	61L1-3027 61L1-3025	11 16	S208-221003 #0232 S206-22100B #0233-	27 27
	3.4 ^{*1}	3.9	61LB00410 #0232 61LB00410BG #0233-	1	64L1-01210(LH) #0232 64L1-01210BG(LH) #0233- 64L1-01220(RH) #0232 64L1-01220BG(RH) #0233- 61L6-00800 ^{*2} #0232 61L6-00800BG ^{*2} #0233-	1 1 1 1 9 9	64L1-01200 #0232 64L1-01200BG #0233- 61L6-00810 ^{*3}	7 7 9	61L1-3027 61L1-3025	11 16	S208-221003 #0232 S206-22100B #0233- 61L6-00820 ^{*4}	27 27 9
	3.0 ^{*1,7}	3.5	61LB-06000BG #0233-	1	64L1-01210BG(LH) 64L1-01220BG(RH) 61L6-00800BG ^{*2}	1 1 8	64L1-01200BG 61L6-00810 ^{*3} 61LB-06160BG ^{*6}	6 8 7	61L1-3027 61L1-3025 61L1-3027	20 12 2	S206-22100B	35
	3.5 ^{*7}	4.0	61LB-06200 #0917-	1	61L1-3028BG(LH) 61L1-3029BG(RH)	1 1	61L1-3022BG 61LB-06160BG ^{*6}	6 7	61L1-3027 61L1-3025	24 14	S206-22100B	38
	3.5 ^{*1,7}	4.0	61LB-06210 #0917-	1	64L1-01210BG(LH) 64L1-01220BG(RH) 61L6-00800BG ^{*2}	1 1 8	64L1-01200BG 61L6-00810 ^{*3} 61LB-06160BG ^{*6}	6 8 7	61L1-3027 61L1-3025 61L1-3027	22 12 2	S206-22100B	36
	3.6 ^{*1}	4.3	61LB-03700 #0192-	1	64L1-01210BG(LH) 64L1-01220BG(RH) 61L6-00800BG ^{*2}	1 1 9	64L1-01200BG 61L6-00810 ^{*3}	7 7	61L1-3027 61L1-3025 61L1-3027	7 16 4	S206-22100B 61L6-00820 ^{*4}	27 9
	4.2	5.0	61LB-02500 #045022 61LB-02500BG #0233-	1	61L1-3028(LH) #0232 61L1-3028BG(LH) #0233- 61L1-3029(RH) #0232 61L1-3029BG(RH) #0233-	1 1 1 1	61L1-3022 #0232 61L1-3022BG #0233-	7 7	61L1-3027 61L1-3025 61L1-3027	7 16 11	S208-221002 #0232 S206-22100B #0233-	27 27
HL770-9	3.6	4.0	61LK-00500	1	61L1-3028GG(LH) 61L1-3029GG(RH)	1 1	61L1-3022GG	7	61L1-3027 61L1-3025	11 16	S206-22100B	27
	3.6 ^{*1}	4.0	61LK-00700	1	64L1-01210GG(LH) 64L1-01220GG(RH) 61L6-00800GG ^{*2}	1 1 9	64L1-01200GG 61L6-00810 ^{*3}	7 9	61L1-3027 61L1-3025	11 16	S206-22100B 61L6-00820 ^{*4}	27 9

^{*1}2 piece type

^{*2}Tooth point

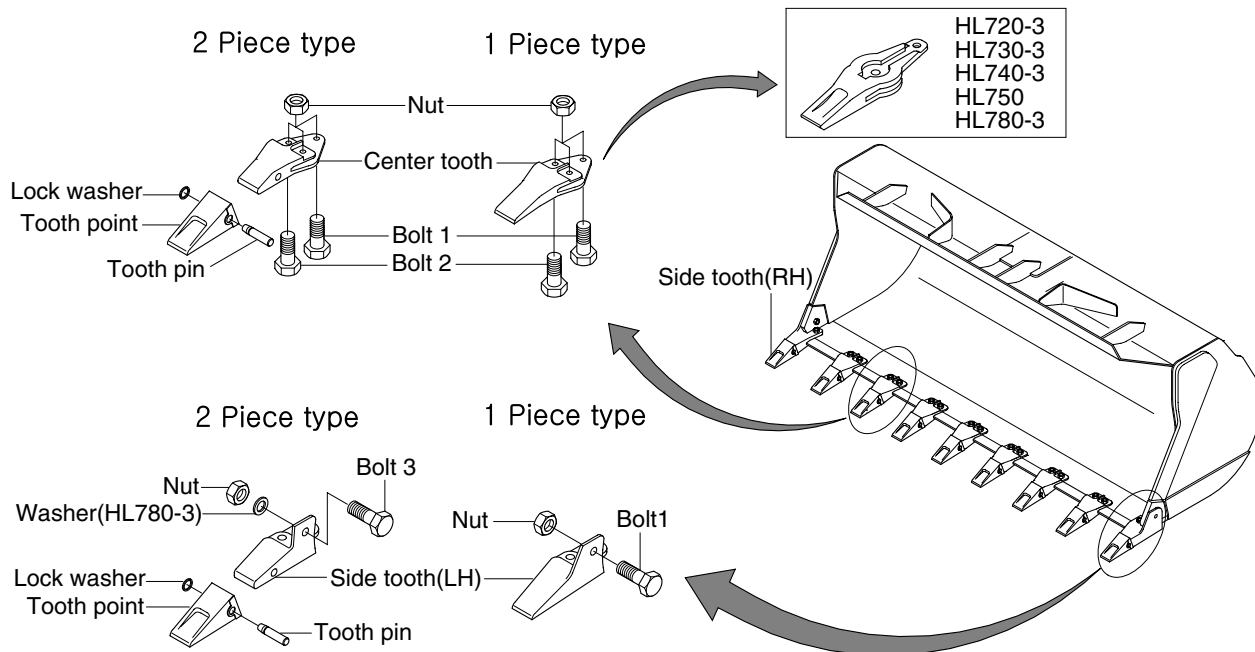
^{*3}Tooth pin

^{*4}Lock washer

^{*6}Segment

^{*7}Tooth & segment

Tooth type bucket(Bolt-on)



Wheel loader

Model	Capacity (m ³)		Bucket assy		Side tooth		Center tooth		Bolt 1 / 2 / 3		Nut	
	Struck	Heaped	Part no.	Qty	Part no.	Qty	Part no.	Qty	Part no.	Qty	Part no.	Qty
HL780-3	4.0*1	4.7	61L6-10020	1	61L6-00780(LH) 61L6-00790(RH) 61L6-00800*2	1 1 8	61L6-00770 61L6-00810*3	6 8	61L6-00830 61L6-00830 61L6-00840 -#0034 61L6-00841 #0035-	6 6 2 2	S208-221003 61L6-00820*4 S403-362002 #0035-	14 8 2
	4.2*1	4.8	61L6-10040	1	61L6-00780(LH) 61L6-00790(RH) 61L6-00800*2	1 1 8	61L6-00770 61L6-00810*3	7 8	61L6-00830 61L6-00830	12 2	S208-221003 61L6-00820*4	14 8
HL780-3A	4.0*1	4.7	61L6-10090	1	61L6-00780(LH) 61L6-00790(RH) 61L6-00800*2	1 1 8	61L6-00770 61L6-00810*3	6 8	61L6-00830 61L6-00841	12 2	S208-361002 61L6-00820*4 S403-362002*5	14 8 2
HL780-7A	4.1*1	4.8	61LH-00020 -#0136 61LH-00020BG #0137-	1	61L6-00780HN(LH) -#0136 61L6-00780BG(LH) -#0137- 61L6-00790HN(RH) -#0136 61L6-00790BG(RH) -#0137- 61L6-00800HN*2 -#0136 61L6-00800BG*2 -#0137-	1 1 1 1 8 8	61L6-00770HN -#0136 61L6-00770BG #0137- 61L6-00810*3	6 6 8	61L6-00830 61L6-00841	12 2	S206-361006 -#0136 S206-36100B #0137- 61L6-00820*4 S403-362006*5	14 14 8 2
	4.8*1	5.6	61LH-02500 #004-0136 61LH-02500BG #0137-	1	61L6-00780HN(LH) -#0136 61L6-00780BG(LH) -#0137- 61L6-00790HN(RH) -#0136 61L6-00790BG(RH) -#0137- 61L6-00800HN*2 -#0136 61L6-00800BG*2 -#0137-	1 1 1 1 8 8	61L6-00770HN -#0136 61L6-00770BG #0137- 61L6-00810*3	6 6 8	61L6-00830 61L6-00841	12 2	S206-361006 -#0136 S206-36100B #0137- 61L6-00820*4 S403-362006*5	14 14 8 2
HL780-9	4.6	5.2	61LQ-00500	1	61L6-00780BG 61L6-00790BG	1 1	61L6-00770BG	6	61L6-00830 61L6-00841	12 2	S206-361006 S403-362006*5	14 2

*1 2 piece type

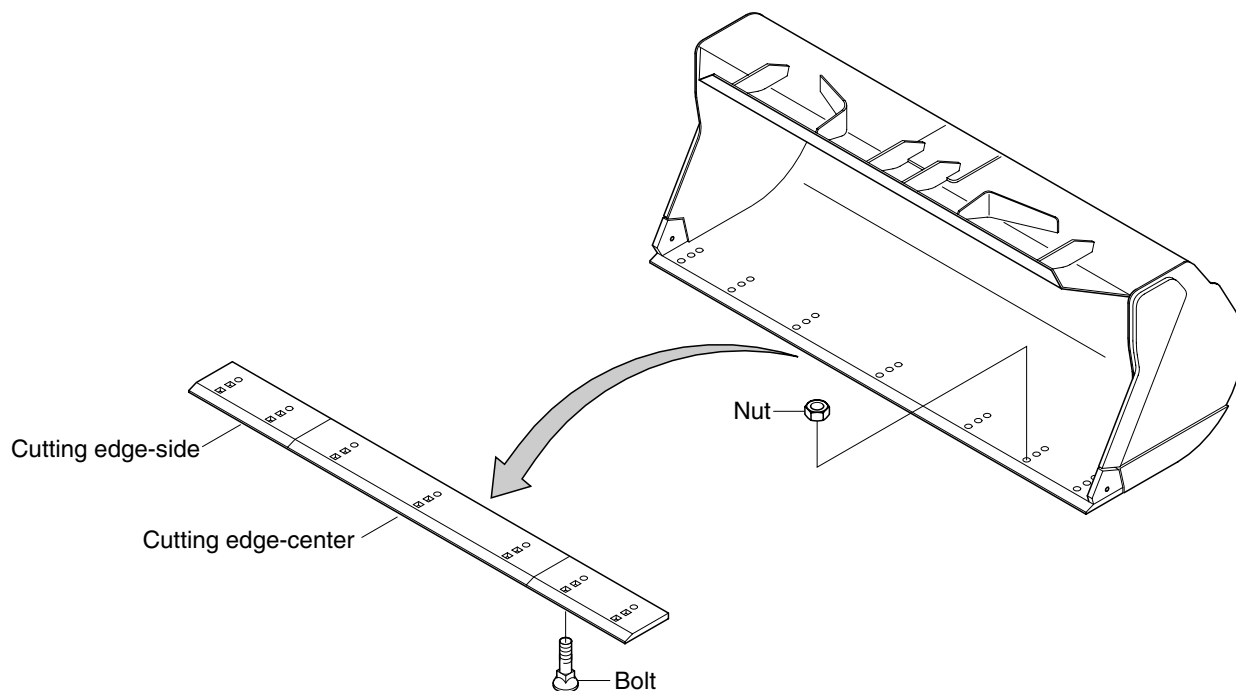
*2 Tooth point

*3 Tooth pin

*4 Lock washer

*5 Bolt3

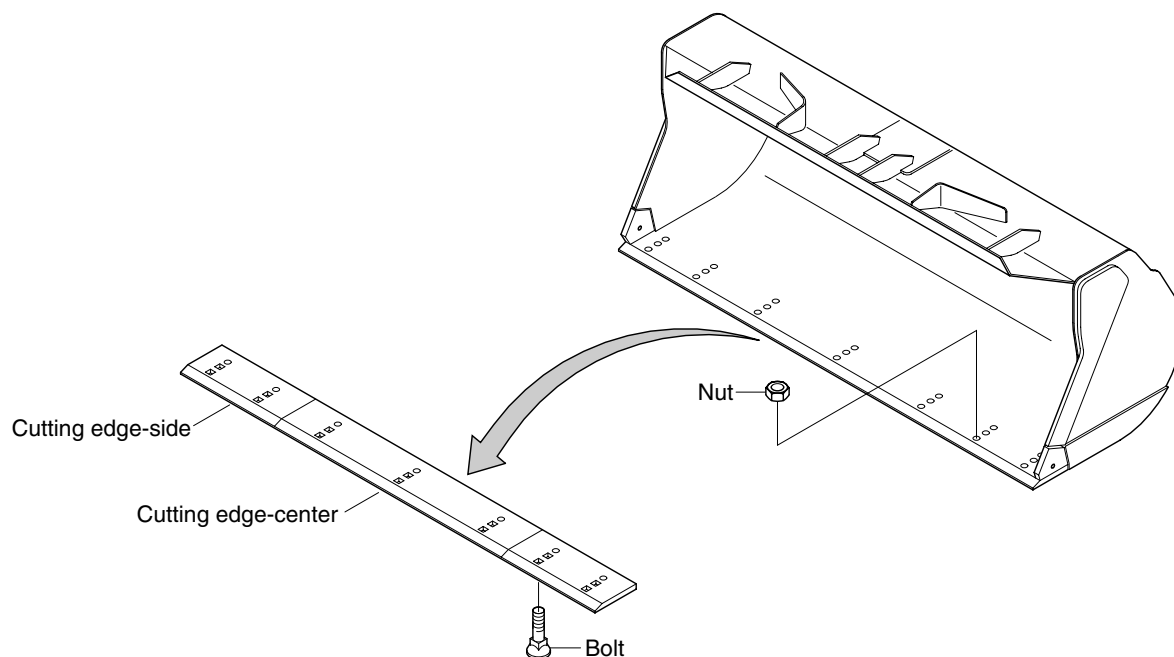
Cutting edge type bucket(Bolt-on)



Wheel loader

Model	Capacity (m ³)		Bucket assy		Cutting edge-Side		Cutting edge-Center		Bolt		Nut		
	Struck	Heaped	Part no.	Qty	Part no.	Qty	Part no.	Qty	Part no.	Qty	Part no.	Qty	
HL17	1.4	1.6	61L3-02350	1	61L3-0174	2	61L3-0175	1	61L3-0198	14	S208-201002	14	
	1.5	1.8	61L3-02340	1	61L3-0174	2	61L3-0175	1	61L3-0198	14	S208-201002	14	
	1.8	2.1	61L3-02360	1	61L3-0174	2	61L3-0175	1	61L3-0198	14	S208-201002	14	
	1.7	2.0	61L3-02370	1	61L3-02240	2	61L3-02230	1	61L3-0198	14	S208-201002	14	
	2.0	2.3	61L3-02380	1	61L3-02240	2	61L3-02230	1	61L3-0198	14	S208-201002	14	
HL25	2.3	2.7	61L4-01520	1	61L1-3039	2	61L4-01111	2	61L1-3027	18	S208-221003	18	
	2.5	2.8	61L4-01530	1	61L1-3039	2	61L4-01111	2	61L1-3027	18	S208-221003	18	
HL35	3.0	3.5	61L1-31880	1	61L1-3039	2	61L1-30381	2	61L1-3027	18	S208-221003	18	
	3.1	3.7	61L1-31870	1	61L1-3039	2	61L1-30381	2	61L1-3027	18	S208-221003	18	
	3.2	3.7	61L1-31900	1	61L1-3039	2	61L1-30381	2	61L1-3027	18	S208-221003	18	
	3.4	4.0	61L1-31890	1	61L1-3039	2	61L1-31071	2	61L1-3027	18	S208-221003	18	
HL720-3	1.4	1.6	61L9-00440	1	61L9-00361	2	61L9-00351 61L9-00352	#0010 #0011-1	1	61L3-0198	14	S208-201002	14
HL730-3	1.4	1.6	61L8-00540	1	61L8-00360 61L8-00361	#0097 #0098-2	61L8-00350 61L8-00351	#0097 #0098-1	1	61L3-0198	14	S208-201002	14
HL730TM-3	1.6	1.9	61L8-20020	1	61L7-20040	2	61L8-20170	1	61L3-0198	10	S208-201002	10	
HL730-7	1.5	1.8	61LG-00010 61LG-00010BG	#0337 #0338-1	61LG-00370 61LG-00370BG	#0337 #0338-2	61LG-00360 61LG-00360BG	#0337 #0338-1	2	61L3-0198	12	S206-20100B	12
HL730-7A	1.8	2.1	61LG-00010BG	1	61LG-00370BG	2	61LG-00360BG	2	61L3-0198	12	S206-20100B	12	
HL730-9	1.6	1.9	61LP-00011	1	61LP-00331	2	61LP-00311	1	61L3-0198	13	S206-20100B	13	
HL730TM-7	1.6	1.9	61L8-20020 61L8-20020BG	#0133 #0134-1	61L7-20040BG 61L7-20040BG	#0133 #0134-2	61L8-20170 61L8-20170BG	#0133 #0134-1	2	61L3-0198	10	S206-20100B	10
HL730TM-7A	1.6	1.9	61L8-20020BG	1	61L7-20040BG	2	61L8-20170BG	2	61L3-0198	10	S206-20100B	10	

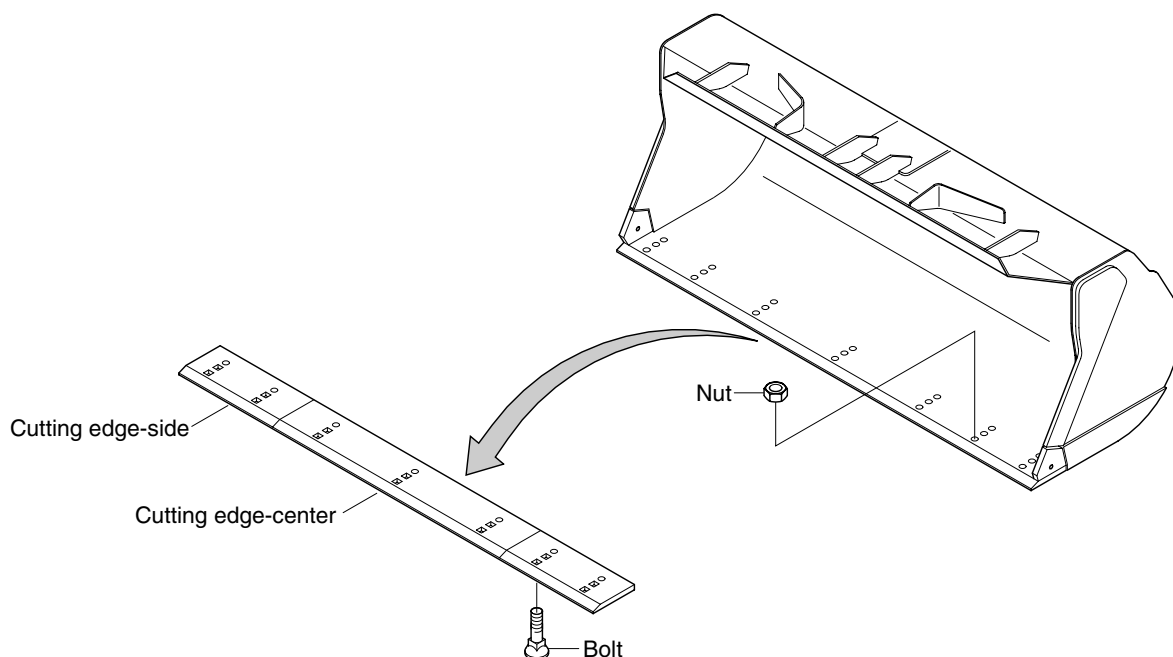
Cutting edge type bucket(Bolt-on)



Wheel loader

Model	Capacity (m ³)		Bucket assy		Cutting edge-Side		Cutting edge-Center		Bolt		Nut	
	Struck	Heaped	Part no.	Qty	Part no.	Qty	Part no.	Qty	Part no.	Qty	Part no.	Qty
HL730TM-9	1.5	1.6	61LP-20010	1	61LN-20140	2	61LP-20170	1	61L3-0198	13	S206-20100B	13
HL740-3	1.7	2.0	61L7-00012	1	61L7-00340	2	61L3-02230	1	61L3-0198	14	S208-201002	14
HL740TM-3	1.7	2.0	61L7-20010	1	61L7-20040	2	61L7-20030	2	61L3-0198	10	S208-201002	10
HL740-7	1.8	2.1	61LF-00010 61LF-00010BG #1206-	1	61LD-00370 61LD-00370BG #1206-	2	61LF-00330 61LF-00330BG #1206-	2	61L3-0198	12	S206-20100B	12
	2.3	2.8	61LF-02000 61LF-02000BG #1206-	1	61LD-00370 61LD-00370BG #1206-	2	61LD-00360 61LD-00360BG #1206-	2	61L3-0198	14	S206-20100B	14
HL740-7A	1.8	2.1	61LF-00010BG	1	61LD-00370BG	2	61LF-00330BG	2	61L3-0198	12	S206-20100B	12
	2.3	2.8	61LF-02000BG	1	61LD-00370BG	2	61LF-00360BG	2	61L3-0198	14	S206-20100B	14
HL740-9	2.0	2.3	61LN-00011	1	61LM-00320	2	61LN-00311	2	61L3-0198	12	S206-20100B	12
HL740TM-7	1.7	2.0	61L7-20010 61L7-20010BG #0413-	1	61L7-20040 61L7-20040BG #0413-	2	61L7-20030 61L7-20030BG #0413-	2	61L3-0198	10	S206-20100B	10
	2.1	2.5	61LF-20010 61LF-20010BG #0413-	1	61L7-20040 61L7-20040BG #0413-	2	61L7-20030 61L7-20030BG #0413-	2	61L3-0198	10	S206-20100B	10
HL740TM-7A	1.7	2.0	61L7-20010BG	1	61L7-20040BG	2	61L7-20030BG	2	61L3-0198	10	S206-20100B	10
	2.1	2.5	61LF-20010BG	1	61L7-20040BG	2	61L7-20030BG	2	61L3-0198	10	S206-20100B	10
HL740TM-9	2.0	2.3	61LN-20011	1	61LN-20140	2	61LN-20130	1	61L3-0198	13	S206-20100B	13
HL750	1.9	2.2	64L3-10050	1	64L3-00721	2	64L3-00710	1	61L3-0198	14	S208-201002	14
	2.0	2.3	64L3-10010	1	64L3-00780	2	61L3-02230	1	61L3-0198	14	S208-201002	14
	2.1	2.4	64L3-10030	1	64L3-01040	2	64L3-01030	1	61L3-0198	14	S208-201002	14
	2.3	2.6	64L3-10070	1	64L3-00780	2	61L3-02230	1	61L3-0198	14	S208-201002	14
HL750TM	2.0	2.3	64L3-40010	1	61L7-20040	2	64L3-40030	2	61L3-0198	10	S208-201002	10

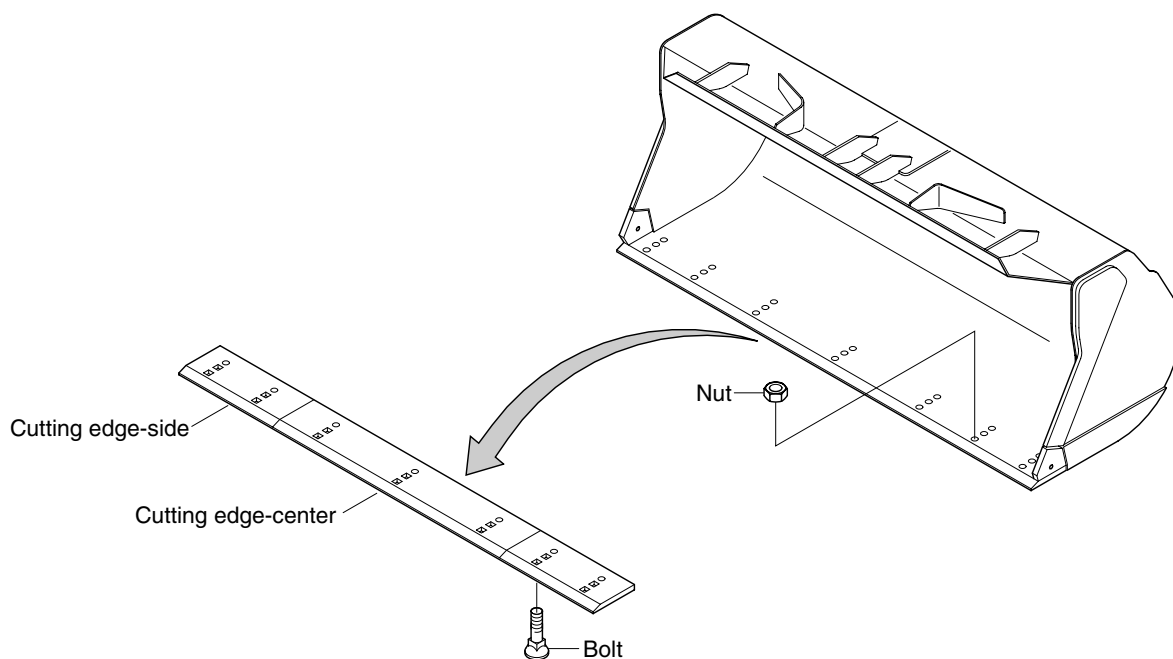
Cutting edge type bucket(Bolt-on)



Wheel loader

Model	Capacity (m ³)		Bucket assy		Cutting edge-Side		Cutting edge-Center		Bolt		Nut	
	Struck	Heaped	Part no.	Qty	Part no.	Qty	Part no.	Qty	Part no.	Qty	Part no.	Qty
HL757-7	2.3	2.7	61LD-00011 #1210 61LD-00011BG #1211-	1	61LD-00370 #1210 61LD-00370BG #1211-	2	61LD-00360 #1210 61LD-00360BG #1211-	1	61L3-0198	14	S206-20100B	14
	1.8	2.1	61LD-01010 #0452-1210 61LD-01010BG #1211-	1	61LD-00370 #1210 61LD-00370BG #1211-	2	61LD-00360 #1210 61LD-00360BG #1211-	2	61L3-0198	14	S206-20100B	14
	2.3	2.6	61LD-04000 #0161-1210 61LD-04000BG #1211-	1	61LD-00370	2	61LD-04050	2	61L3-0198	12	S206-20100B	12
	2.6	2.9	61LD-02000 #0211-1210 61LD-02000BG #1211-	1	61LD-00370	2	61LD-00360	2	61L3-0198	14	S206-20100B	14
	2.8	3.2	61LD-03000 #0001-1210 61LD-03000BG #1211-	1	61LD-00370 #1210 61LD-00370BG #1211-	2	61LD-00360 #1210 61LD-00360BG #1211-	2	61L3-0198	14	S206-20100B	14
HL757-7A	2.3	2.7	61LD-00011BG	1	61LD-00370BG	2	61LD-00360BG	2	61L3-0198	14	S206-20100B	14
	2.3	2.6	61LD-04000BG	1	61LD-00370BG	2	61LD-04050BG	2	61L3-0198	12	S206-20100B	12
	2.6	2.9	61LD-02000BG	1	61LD-00370BG	2	61LD-00360BG	2	61L3-0198	14	S206-20100B	14
	1.8	2.1	61LD-01010BG	1	61LD-00370BG	2	61LD-00360BG	2	61L3-0198	14	S206-20100B	14
	2.8	3.2	61LD-03000BG	1	61LD-00370BG	2	61LD-00360BG	2	61L3-0198	14	S206-20100B	14
HL757-9	2.4	2.8	61LM-00011	1	61LM-00320	2	61LM-00310	2	61L3-0198	14	S206-20100B	14
HL757TM-7	2.1	2.5	61LD-20010 #0110 61LD-20010BG #0111-	1	61LD-20180 #0110 61LD-20180BG #0111-	2	61LD-20170 #0110 61LD-20170BG #0111-	2	61L3-0198	14	S206-20100B	14
			61LD-20010BG	1	61LD-20180BG	2	61LD-20170BG	2	61L3-0198	14	S206-20100B	14
HL757TM-7A	2.1	2.5	61LD-20010BG	1	61LD-20180BG	2	61LD-20170BG	2	61L3-0198	14	S206-20100B	14
HL757TM-9	2.4	2.8	61LM-20011	1	61LM-20220	2	61LM-20210	1	61L3-0198	14	S206-20100B	14
HL760	2.7	3.1	64L4-10010	1	64L1-00710	2	61L1-30381	2	61L1-3027	18	S208-221003	18
	2.7	3.1	64L4-10080	1	64L1-00710	2	64L1-01310	2	62L1-3027	18	S208-221003	18
HL760-7	2.7	3.1	61LC-00011 #1255 61LC-00011BG #1256-	1	61LB-00370 #1255 61LB-00370BG #1256-	2	61LC-00340 #1255 61LC-00340BG #1256-	2	61L1-3027	14	S206-22100B	14
	2.9	3.3	61LC-02000 #0610-1255 61LC-02000BG #1256-	1	61LB-00370 #1255 61LB-00370BG #1256-	2	61LC-00340 #1255 61LC-00340BG #1256-	2	61L1-3027	14	S208-22100B	14
HL760-7A	2.7	3.1	61LC-00011 #0174 61LC-00011BG #0175-	1	61LB-00370 #0174 61LB-00370BG #0175-	2	61LC-00340 #0174 61LC-00340BG #0175-	2	61L1-3027	14	S208-221003 #0174 S206-22100B #0175-	14
	2.9	3.3	61LC-02000 #0174 61LC-02000BG #0175-	1	61LB-00370 #0174 61LB-00370BG #0175-	2	61LC-00340 #0174 61LC-00340BG #0175-	2	61L1-3027	14	S208-221003 #0174 S206-22100B #0175-	14

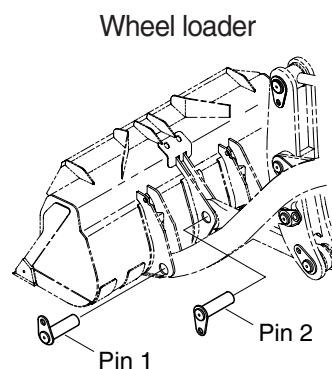
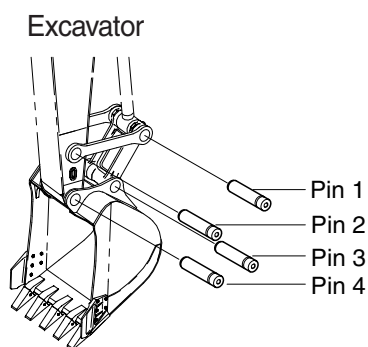
Cutting edge type bucket(Bolt-on)



Wheel loader

Model	Capacity (m ³)		Bucket assy		Cutting edge-Side		Cutting edge-Center		Bolt		Nut	
	Struck	Heaped	Part no.	Qty	Part no.	Qty	Part no.	Qty	Part no.	Qty	Part no.	Qty
HL760-9	2.9	3.3	61LL-00011	1	61LK-00370	2	61LL-00340	1	61L1-3027	13	S206-22100B	13
HL770	3.3	3.8	64L1-10010	1	64L1-00710	2	64L1-00350	2	61L1-3027	18	S208-221003	18
	3.6	4.1	64L1-10070	1	64L1-00710	2	61L1-30381	2	61L1-3027	18	S208-221003	18
	3.6	4.1	61L1-10030	1	64L1-00710	2	64L1-00350	2	61L1-3027	18	S208-221003	18
HL770-7	3.5	4.0	61LB-00011	1	61LB-00370	2	61LB-00360	2	61L1-3027	14	S206-22100B	14
	3.1	3.6	61LB-01000 #0714-	1	61LB-00370	2	61LB-00360	2	61L1-3027	14	S206-22100B	14
HL770-7A	3.5	4.0	61LB-00011 #0232 61LB-00011BG #0233-	1	61LB-00370 #0232 61LB-00370BG #0233-	2	61LB-00360 #0232 61LB-00360BG #0233-	2	61L1-3027	14	S208-221003 #0232 S206-22100B #0233-	14
	3.1	3.6	61LB-01000 #004-022 61LB-01000BG #0233-	1	61LB-00370 #0232 61LB-00370BG #0233-	2	61LB-00360 #0232 61LB-00360BG #0233-	2	61L1-3027	14	S208-221003 #0232 S206-22100B #0233-	14
HL770-9	3.6	4.2	61LK-00011	1	61LK-00370	2	61LK-00360	1	61L1-3027	15	S206-22100B	15
HL780-3	4.2	5.0	61L6-10010	1	61L6-00311	2	61L6-00301 #0093 61L6-00302 #0094-	2	61L6-00850 #0093 61L6-00850 #0094-	12 16	S208-361002 #0093 S208-361002 #0094-	12 16
	4.3	5.1	61L6-10030	1	61L6-00311	2	61L6-00301 #0093 61L6-00302 #0094-	2	61L6-00850 #0093 61L6-00850 #0094-	12 16	S208-361002 #0093 S208-361002 #0094-	12 16
HL780-3A	4.3	5.1	61L6-10080	1	61L6-00311	2	61L6-00302	1	61L6-00850	16	S208-361002	16
HL780-7A	4.1	5.1	61LH-00010 #0136 61LH-00010BG #0137-	1	61L6-00311HN #0136 61L6-00311BG #0137-	2	61L6-00302HN #0136 61L6-00302BG #0137-	2	61L6-00850	16	S206-36100B	16
	5.0	5.8	61LH-02000 #0191-	1	61L6-00311BG	2	61L6-00302BG	2	61L6-00850	16	S206-36100B	16
	6.1	7.0	61LH-03000 #005-0136 61LH-03000BG #0137-	1	61L6-00311HN #0136 61L6-00311BG #0137-	2	61L6-01050 #0136 61L6-01050BG #0137-	2	61L6-00850	16	S206-361006 #0136 S206-36100B #0137-	16
HL780-9	4.6	5.4	61LQ-00011	1	61LQ-00311	2	61LQ-00320	1	61L6-00850	14	S206-36100B	14

Hinge pins



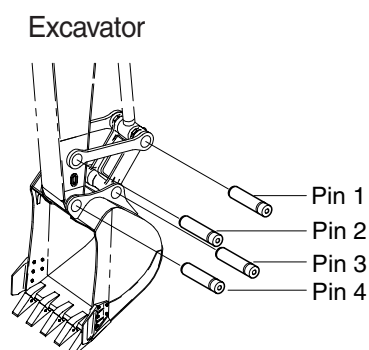
Hydraulic excavator

Model	Pin 1		Pin 2		Pin 3		Pin 4	
	Part no.	Qty	Part no.	Qty	Part no.	Qty	Part no.	Qty
R80-7	61N1-40070 61N1-40071	-#0115 #0116- 1	61N1-40051 61N1-40052	-#0115 #0116- 1	61N1-40061 61N1-40062	-#0115 #0116- 1	61N1-40040 61N1-40061 61N1-40062	-#0089 #0090-0115 #0116- 1
R80-7A	61N1-40071	1	61N1-40052	1	61N1-40062	1	61N1-40062	1
R110-7	61N3-11100 61N3-11101 61N3-11101-AS	-#0336 #0337- #0001- 1	61N4-11090 61N4-11091 61N4-11091-AS	-#0336 #0337- #0001- 1	61N3-11100 61N3-11101 61N3-11101-AS	-#0336 #0337- #0001- 1	61E3-11081 61E3-12061 61E3-12061-AS	-#0097 #0098- #0001- 1
R110-7A	61N3-11101	1	61N4-11091	1	61E3-12061	1	61E3-12061	1
R130LC	61E6-1107	1	61E3-1106	1	61E3-1108	1	61E3-1108	1
R130LC-3	61E6-1107	1	61E3-1106	1	61E3-1108	1	61E3-1108	1
R140LC-7	61N4-11100 61N4-11101 61N4-11100-AS 61N4-11101-AS	-#2619 #2620- -#2619 #2620- 1	61N4-11090 61N4-11091 61N4-11091-AS	-#2619 #2620- #0001- 1	61N4-11110 61E3-12060 61E3-12061 61E3-12061-AS	-#0034 #0035-1491 #1492- #0001- 1	61N4-11110 61E3-1108 61E3-11081 61E3-12061 61E3-12061-AS	-#0034 #0035-1491 #1492-1939 #1940- #0001- 1
R140LC-7A	61N4-11101	1	61N4-11091	1	61E3-12061	1	61E3-12061	1
R140LC-9	61N4-11101	1	61N4-11091	1	61E3-12061 61Q4-12060	-#0067 #0068- 1	61E3-12061 61Q4-12060	-#0067 #0068- 1
R140CR-9	61N4-11101	1	61N4-11091	1	61E3-12061 61Q4-12060	-#0037 #0038- 1	61E3-12061 61Q4-12060	-#0037 #0038- 1
R160LC-3	61EK-11080	1	61EK-11080	1	61EK-11110	1	61EK-11100 61EK-11101	-#0162 #0163- 1
R160LC-7	61EK-11080 61EK-11081 61EK-11081-AS	-#0752 #0753- #0001- 1	61N5-11080 61N5-11081 61N5-11081-AS	-#0752 #0753- #0001- 1	61EK-11110 61EK-11111 61EK-11111-AS	-#0752 #0753- #0001- 1	61EK-11101 61EK-11102 61EK-11102-AS	-#0752 #0753- #0001- 1
R160LC-7A	61EK-11081	1	61N5-11081	1	61EK-11111	1	61EK-11102	1
R160LC-9	61EK-11081	1	61N5-11081	1	61EK-11111	1	61EK-11111	1
R180LC-3	61NK-11080	1	61EK-11080	1	61EK-11110	1	61EK-11100 61EK-11101	-#0416 #0417- 1
R180LC-7	61EK-11080 61EK-11081 61EK-11081-AS	-#0352 #0353- #0001- 1	61N5-11080 61N5-11081 61N5-11081-AS	-#0352 #0353- #0001- 1	61EK-11110 61EK-11111 61EK-11111-AS	-#0352 #0353- #0001- 1	61EK-11101 61EK-11102 61EK-11102-AS	-#0352 #0353- #0001- 1
R180LC-7A	61EK-11081	1	61N5-11081	1	61EK-11111	1	61EK-11102	1
R180LC-9	61EK-11081	1	61N5-11081	1	61EK-11111	1	61EK-11102	1
R200LC	E161-1104	1	E161-1104	1	E161-1105	1	E161-1111	1
R210LC-3	E161-1104	1	E161-1104	1	E161-1105	1	E161-1111	1
R210LC-3*1	61E3-1107 61E3-1107(10)	-#1304 #1305- 1	61E3-1106 61E3-1106(10)	-#1304 #1305- 1	61E3-1108 61E3-12060	-#1304 #1305- 1	61E3-1108 61E3-1108(30)	-#1304 #1305- 1
R210LC-7	61N6-11111 61N6-11112 61N6-11112-AS	-#3989 #3990- #0001- 1	61N6-11081 61N6-11082 61N6-11082-AS	-#4968 #4969- #0001- 1	61N6-11091 61N6-11092 61N6-11092-AS	-#4968 #4969- #0001- 1	61N6-11100 61N6-11101 61N6-11100-AS 61N6-11101-AS	-#4968 #4969- #4968 #4969- 1
R210LC-7A	61N6-11112	1	61N6-11082	1	61N6-11092	1	61N6-11101	1
R210LC-9	61N6-11112	1	61N6-11082	1	61Q6-40060	1	61Q6-40050	1
R210LC-7*1	61E3-1107 61N4-11130 61N4-11131	-#1184 #1185-2431 #2432- 1	61E3-1106 61N4-11090 61N4-11091	-#1184 #1185-#5406 #5407- 1	61E3-12060 61E3-12061	-#2431 #2432- 1	61E3-1108 61N3-11081	-#2431 #2432- 1

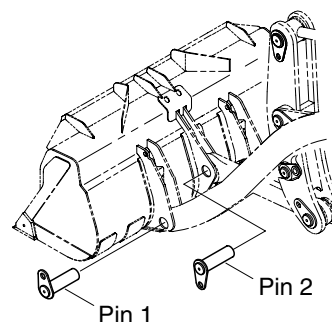
*1 Long reach

*2 Super long

Hinge pins



Wheel loader



Hydraulic excavator

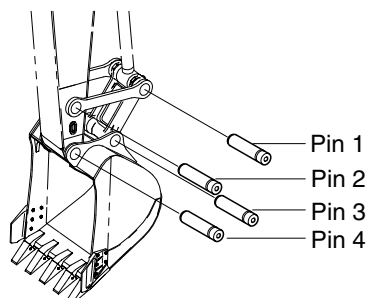
Model	Pin 1		Pin 2		Pin 3		Pin 4			
	Part no.	Qty	Part no.	Qty	Part no.	Qty	Part no.	Qty		
R210NLC-7	61N6-11111 61N6-11112 61N6-11112-AS	-#0270 #0271- #0271-	1	61N6-11081 61N6-11082 61N6-11082-AS	-#0370 #0371- #0371-	1	61N6-11091 61N6-11092 61N6-11092-AS	-#0370 #0371- #0371- 61N6-11100 61N6-11101 61N6-11100-AS 61N6-11101-AS	-#0370 #0371- #0370 #0371-	1
R210NLC-7A	61N6-11112		1	61N6-11082		1	61N6-11092	61N6-11101		1
R210NLC-9	61N6-11112		1	61N6-11082		1	61Q6-40060	61Q6-40050		1
R235LCR-9	61N6-11112		1	61N6-11082		1	61Q6-40060	61Q6-40050		1
R250LC-3	61E9-1108		1	61E9-1108		1	61E9-1111	61E9-1110 61E9-11101	-#1057 #1058-	1
R250LC-7	61N8-11081 61N8-11082 61N8-11083	-#0014 #0015-0766 #0767-	1	61N8-11090 61N8-11091	-#0766 #0767-	1	61N8-11111 61N8-11112	61N8-11101 61N8-11102	-#0240 #0241-	1
R250LC-7A	61N8-11083		1	61N8-11091		1	61N8-11112	61N8-11102		1
R250LC-9	61N8-11083		1	61N8-11091		1	61Q8-40060	61Q8-40050		1
R280LC	E262-1102		1	E262-1102		1	E262-1111	E262-5005		1
R290LC	61E9-1108		1	61E9-1108		1	61E9-1111	61E9-1110		1
R290LC-3	61E9-1108		1	61E9-1108		1	61E9-1111	61E9-1110 61E9-11101	-#1052 #1053-	1
R290LC-3*1	61E3-1107		1	61E3-1106		1	61E3-1108	61E3-1108		1
R290LC-7	61N8-11081 61N8-11082 61N8-11083 61N8-11083-AS	-#0347 #0348-1810 #1811- #0001-	1	61N8-11090 61N8-11091 61N8-11091-AS	-#1810 #1811- #0001-	1	61N8-11111 61N8-11112 61N8-11112-AS	61N8-11101 61N8-11102 61N8-11102-AS	-#0892 #0893- #0001-	1
R290LC-7*1	61E3-1107 61N4-11130 61N4-11131	#0024-0324 #0325-0892 #0893-	1	61E3-1106 61N4-11090 61N4-11091	#0024-0324 #0325-1810 #1811-	1	61E3-12060 61E3-12061	61E3-1108 61E3-11081 61E3-12061	#0024-0892 #0893- #1215-	1
R290LC-7A	61N8-11082 61N8-11083 61N8-11083-AS	-#0100 #0101- #0001-	1	61N8-11090 61N8-11091 61N8-11091-AS	-#0100 #0101- #0001-	1	61N8-11112 61N8-11112-AS	61N8-11102 61N8-11102-AS		1
R290LC-7H	61N8-11082		1	61N8-11090		1	61N8-11112	61N8-11102		1
R290LC-7H*1	61N4-11131		1	61N4-11090		1	61E3-11081	61E3-12061		1
R290LC-9	61N8-11083		1	61N8-11091		1	61Q8-40060	61Q8-40050		1
R290LC3 RB	61E9-1108		1	61E9-1108		1	61FR-40040	61FR-40030		1
39HDRB	61N8-11080		1	61N8-11080		1	62W5-40040	61E3-12061	#0108-	1
R305LC-7	61N8-11082 61N8-11083 61N8-11083-AS	-#0191 #0192- #0001-	1	61N8-11090 61N8-11091 61N8-11091-AS	-#0191 #0192- #0001-	1	61N8-11111 61N8-11112 61N8-11112-AS	61N8-11101 61N8-11102 61N8-11102-AS	-#0114 #0115- #0001-	1
R305LC-7*1	61N4-11130	#0108-	1	61N4-11090 61N4-11091	-#0206 #0207-	1	61E3-11081 61E3-12061	61E3-12061	-#0123 #0124-	1
R320LC	61E5-1109		1	1E5-1109		1	61E5-1111	61E5-1110		1
R320LC-3	61E5-1109 61E5-11091	-#0150 #0151-	1	61E5-1109 31E5-11091	-#0150 #0151-	1	61E5-1111 31E5-11111	61E5-1110 31E5-11101	-#0150 #0151-	1

*1 Long reach

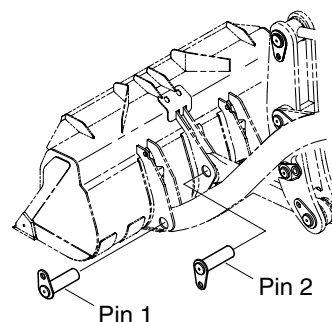
*2 2.9m BOOM, 5.85m ARM

Hinge pins

Excavator



Wheel loader



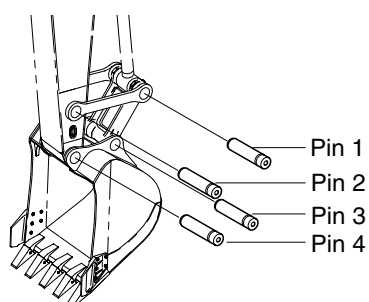
Hydraulic excavator

Model	Pin 1		Pin 2		Pin 3		Pin 4	
	Part no.	Qty	Part no.	Qty	Part no.	Qty	Part no.	Qty
R320LC-7	61NA-40080 61NA-40081	-#0574 #0575- 1	61NA-40060 61NA-40061	-#0854 #0855- 1	61NA-40070 61NA-40071 61NA-40072	-#0282 #0283-0574 #0575- 1	61NA-40050 61NA-40051 61NA-40052	-#0282 #0283-0574 #0575- 1
R320LC-7A	61NA-40081	1	61NA-40060 61NA-40061	-#0088 #0089- 1	61NA-40072	1	61NA-40052	1
R320LC-9	61NA-40081	1	61NA-40061	1	61NA-40072	1	61NA-40052	1
R360LC-3	61E5-1109 61E5-11091	-#0250 #0251- 1	61E5-1109 61E5-11091	-#0250 #0251- 1	61E5-1111 61E5-11111	-#0250 #0251- 1	61E5-1110 61E5-11101	-#0250 #0251- 1
R360LC-7	61NA-40080 61NA-40081 61NA-40081-AS	-#0687 #0688- #0001- 1	61NA-40060 61NA-40061 61NA-40061-AS	-#0687 #0688- #0001- 1	61NA-40070 61NA-40071 61NA-40072 61NA-40072-AS	-#0363 #0364-0687 #0688- #0001- 1	61NA-40050 61NA-40051 61NA-40052 61NA-40052-AS	-#0363 #0364-0687 #0688- #0001- 1
R360LC-7A	61NA-40081 61NA-40081-AS	#0001- 1	61NA-40060 61NA-40061 61NA-40061-AS	-#0055 #0056- #0001- 1	61NA-40072 61NA-40072-AS	#0001- 1	61NA-40052 61NA-40052-AS	#0001- 1
R380LC-9	61NA-40081	1	61NA-40061	1	61NA-40072	1	61NA-40052	1
R450LC	61E7-0039	1	61E7-0039	1	61E7-0038	1	61E7-0038	1
R450LC-3	61E7-0039	1	61E7-0039	1	61E7-0038	1	61E7-0038	1
R450LC-7	61NB-40080 61NB-40081 61NB-40080-AS 61NB-40081-AS	-#0519 #0520- #0519 #0520- 1	61NB-40060 61NB-40061 61NB-40061-AS	-#0658 #0659- #0659- 1	61NB-40070 61NB-40071 61NB-40072 61NB-40070-AS 61NB-40072-AS	-#0275 #0276-0519 #0520- #0275 #0276- 1	61NB-40050 61NB-40051 61NB-40052 61NB-40050-AS 61NB-40052-AS	-#0275 #0276-0519 #0520- #0275 #0276- 1
R450LC-7A	61NB-40081 61NB-40081-AS	#0001- 1	61NB-40060 61NB-40061 61NB-40061-AS	-#0092 #0093- #0001- 1	61NB-40072 61NB-40072-AS	#0001- 1	61NB-40052 61NB-40052-AS	#0001- 1
R480LC-9	63QB-40080	1	63QB-40060	1	61NB-40072	1	61NB-40052	1
R500LC-7	63NB-40080 63NB-40081 63NB-40081-AS 63NB-40080*2 63NB-40081*2 63NB-40081-AS*2	-#0019 #0020- #0001- #0015-0019 #0020- #0001- 1	61NB-40060 61NB-40061 61NB-40060*2 61NB-40061*2	-#0075 #0076- #0015-#0075 #0076- 1	61NB-4007*1 61NB-40072 61NB-40071*2 61NB-40072*2	-#0019 #0020- #0015-0019 #0020- 1	61NB-40051 61NB-40052 61NB-40051*2 61NB-40052*2	-#0019 #0020- #0015-0019 #0020- 1
R500LC-7A	63NB-40081 63NB-40081-AS 63NB-40080*2 63NB-40081*2 63NB-40081-AS*2	-#0019 #0020- #0001- 1	61NB-40060 61NB-40061 61NB-40060*2 61NB-40061*2	-#0046 #0047- #0046 #0047- 1	63NB-40140 63NB-40140-AS 61NB-40071*2 61NB-40072*2	-#0019 #0020- 1	63NB-40130 63NB-40130-AS 61NB-40051*2 61NB-40052*2	-#0019 #0020- 1
R520LC-9	63QB-40070	1	63QB-40060	1	63NB-40140	1	63NB-40130	1
R800LC-7A	61ND-40050	1	61ND-40050	1	61ND-40040	1	61ND-40040	1

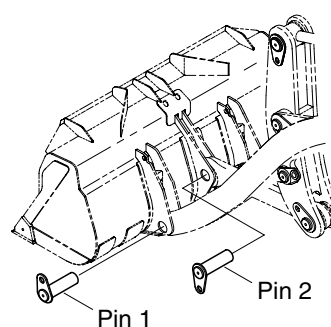
*9m BOOM, 5.85m ARM

Hinge pins

Excavator



Wheel loader

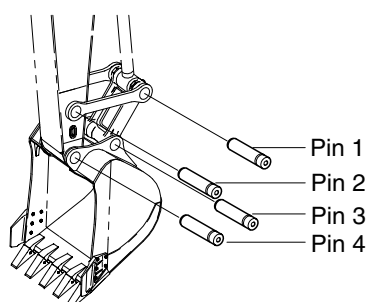


Hydraulic excavator

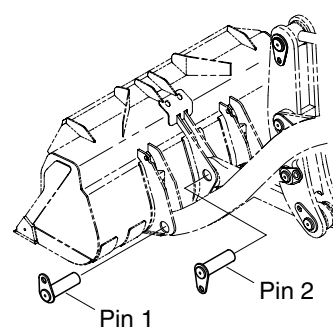
Model	Pin 1		Pin 2		Pin 3		Pin 4	
	Part no.	Qty	Part no.	Qty	Part no.	Qty	Part no.	Qty
R95W-3	61EE-11121	1	61EE-11130	1	61EE-11150	1	61EE-11140	1
	61E3-1107	1	61E3-1106	1	61E3-1108	1	61E3-1108	1
R130W	61E3-1107	1	61E3-1106	1	61E3-1108	1	61E3-1108	1
R130W-3	61E3-1107	1	61E3-1106	1	61E3-1108	1	61E3-1108	1
R140W-7	61N4-11100 -#0457	1	61N4-11090 -#0457	1	61E3-12060 -#0071	1	61E3-1108 -#0071	1
	61N4-11101 #0458-							
R140W-7A	61N4-11101	1	61N4-11091	1	61E3-12061	1	61E3-12061	1
R140W-9	61N4-11101	1	61N4-11091	1	61E3-12061 -#0032	1	61E3-12061 -#0032	1
R170W-3	61EK-11080	1	61EK-11080	1	61EK-11110	1	61EK-11100 -#0178	1
R170W-7	61EK-11080 -#0783	1	61N5-11080 -#0783	1	61EK-11110 -#0783	1	61EK-11101 -#0783	1
	61EK-11081 #0784-		61N5-11081 #0784-		61EK-11111 #0784-		61EK-11102 #0784-	
R170W-7A	61EK-11081	1	61N5-11081	1	61EK-11111	1	61EK-11102	1
R170W-9	61EK-11081	1	61N5-11081	1	61EK-11111	1	61EK-11102	1
R200W	E161-1104	1	E161-1104	1	E161-1105	1	E161-1111	1
R200W-3	E161-1104	1	E161-1104	1	E161-1105	1	E161-1111	1
R200W-7	61N6-11111 -#0590	1	61N6-11081 -#0794	1	61N6-11091 -#0794	1	61N6-11100 -#0794	1
	61N6-11112 #0591-		61N6-11082 #0795-		61N6-11092 #0795-		61N6-11101 -#0794	
R200W-7A	61N6-11112	1	61N6-11082	1	61N6-11092	1	61N6-11101	1
R210W-9	61N6-11112	1	61N6-11082	1	61Q6-40060	1	61Q6-40050	1

Hinge pins

Excavator



Wheel loader

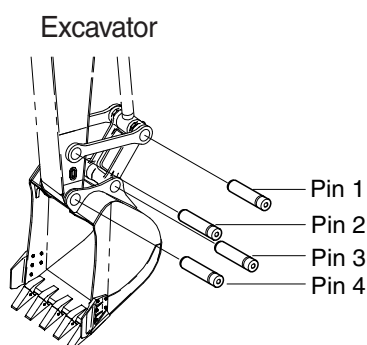


Mini excavator

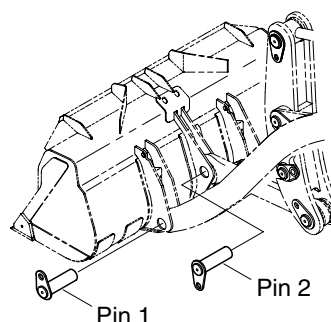
Model	Pin 1		Pin 2		Pin 3		Pin 4	
	Part no.	Qty	Part no.	Qty	Part no.	Qty	Part no.	Qty
R16-9	61MJ-02500	1	61MJ-01510	1	61MJ-01500	1	61MJ-01500	1
R27Z-9	61MK-01510	1	61MK-01500	1	61MK-01521	1	61MK-01521	1
R35Z-7	61MH-02501	1	61MH-01501	1	61MH-01501	1	61MH-01501	1
R35Z-7A	61MH-02501	1	61MH-01501	1	61MH-01501	1	61MH-01501	1
R35Z-9	61MH-02501	1	61MH-01501	1	61MH-01501	1	61MH-01501	1
R55	61M5-30220 61M7-40050 -#1206 #1207-	1	61M5-30220 61M7-10050 -#1206 #1207-	1	61M5-30210 61M5-30211 61M7-40041 -#0642 #0643-1206 #1207-	1	61M5-30210 61M5-30211 61M7-40041 -#0642 #0643-1206 #1207-	1
R55W-3	61M5-30220 61M7-40050 -#0167 #0168-	1	61M5-30220 61M7-40050 -#0167 #0168-	1	61M5-30211 61M7-40041 -#0167 #0168-	1	61M5-30211 61M7-40041 -#0167 #0168-	1
R55-7	61M7-40051 61M8-53200 61M8-53201 -#0037 #0038-2407 #2408-	1	61M7-10051 61M8-53100 61M8-53101 -#0037 #0038-2407 #2408-	1	61M7-40042 61M8-53100 61M8-53101 -#0037 #0038-2407 #2408-	1	61M7-40042 61M8-53100 61M8-53101 -#0037 #0038-2407 #2408-	1
R55-7A	61M8-53201	1	61M8-53101	1	61M8-53101	1	61M8-53101	1
R55-9	61M9-53200	1	61M9-53100	1	61M9-53300	1	61M9-53100 61M9-53300*1	1
R55W-7	61M8-53200 61M8-53201 -#0482 #0483-	1	61M8-53100 61M8-53101 -#0482 #0483-	1	61M8-53100 61M8-53101 -#0482 #0483-	1	61M8-53100 61M8-53101 -#0482 #0483-	1
R55W-7A	61M8-53201	1	61M8-53101	1	61M8-53101	1	61M8-53101	1
R55W-9	61M9-53200	1	61M9-53100	1	61M9-53300	1	61M9-53100 61M9-53300*1	1

*Quick coupler

Hinge pins



Wheel loader

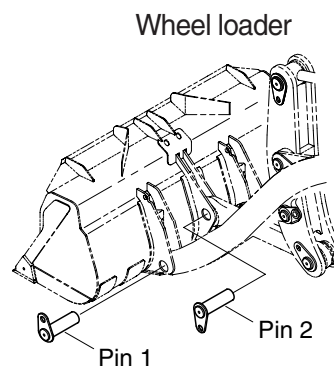
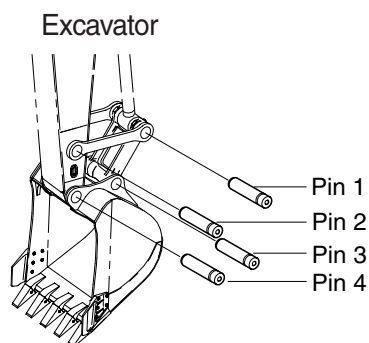


Wheel loader

Model	Pin 1		Pin 2		Pin 3		Pin 4	
	Part no.	Qty	Part no.	Qty	Part no.	Qty	Part no.	Qty
HL17	61L3-0140	2	61L3-0140	1	-		-	
HL25	61L4-0110	2	61L4-0110	1	-		-	
HL35	61L1-2022	2	61L1-2021	1	-		-	
HL720-3	61L9-10620	2	61L9-10620	1	-		-	
HL730-3	61L8-10610	1	61L8-10620	1	-		-	
HL730TM-3	61L8-30300	2	61L8-30300	2	-		-	
HL730-7	61N8-05100 61LB-15100 61LB-15230 61N8-05170* ¹ 61LB-15170* ¹ 61LB-15250* ¹	-#0305 #0306-0337 #0338- #0194-0305 #0306-0337 #0338-	2	61N8-05110 61LB-15110 61LB-15240	-#0305 #0306-0337 #0338-	1	-	-
HL730-7A	61LB-15230 61LB-15250* ¹		2	61LB-15240		1	-	-
HL730-9	61LM-15230	2	61LM-15240	1				
HL730TM-7	61LG-30161 61LG-35160 61LG-35170 61LG-35171 61N8-05760* ¹ 61LB-15760* ¹ 61LB-15860* ¹ 61LB-15861* ¹	-#0129 #0130-0133 #0134-0135 #0136- #0085-0129 #0130-0133 #0134-0135 #0136-	2	61LG-30161 61LG-35160 61LG-35170 61LG-35171 61N8-05760* ¹ 61LB-15760* ¹ 61LB-15860* ¹ 61LB-15861* ¹	-#0129 #0130-0133 #0134-0135 #0136- #0085-0129 #0130-0133 #0134-0135 #0136-	2	-	-
HL730TM-7A	61LG-35170 61LG-35171 61LB-15860* ¹ 61LB-15861* ¹	-#0074 #0075- #0074 #0075-	2	61LG-35170 61LG-35171 61LB-15860* ¹ 61LB-15861* ¹	-#0074 #0075- #0074 #0075-	2	-	-
HL730TM-9	61LP-30110 61LM-15860* ¹		2	61LP-30110 61LM-15860* ¹		2	-	-
HL740-3	61L7-10310	2	61L7-10320	1	-		-	
HL740TM-3	61L7-30351 61L7-30760	-#0250 #0251-	2	61L7-30351 61L7-30760	-#0250 #0251-	2	-	-
HL740-7	61N8-05010 61LB-15010 61LB-15200 61N8-05180* ¹ 61N8-05180* ¹ 61LB-15220* ¹	-#1094 #1095-1205 #1206- #1206-1094 #1095-1205 #1206-	2	61N8-05020 61LB-15020 61LB-15210	-#1094 #1095-1205 #1206-	1	-	-
HL740-7A	61LB-15200 61LB-15220* ¹		2	61LB-15210		1	-	-
HL740-9	61LM-15200	2	61LM-15210	1	-		-	
HL740TM-7	61LF-30142 61LF-35140 61LF-35150 61N8-05940* ¹ 61LB-15940* ¹ 61LB-15990* ¹	-#0388 #0389-0412 #0413- #0261-0388 #0389-0412 #0413-	2	61LF-30142 61LF-35140 61LF-35150 61N8-05940* ¹ 61LB-15940* ¹ 61LB-15990* ¹	-#0388 #0389-0412 #0413- #0261-0388 #0389-0412 #0413-	2	-	-
HL740TM-7A	61LF-35150 61LB-15990* ¹		2	61LF-35150 61LB-15990* ¹		2	-	-

*VOLVO type

Hinge pins



Wheel loader

Model	Pin 1		Pin 2		Pin 3		Pin 4	
	Part no.	Qty	Part no.	Qty	Part no.	Qty	Part no.	Qty
HL740TM-9	61LN-30120 61LM-15990*1	2	61LN-30120 61LM-15990*1	2	-		-	
HL750	64L3-00061	2	64L3-00061	1	-		-	
HL750TM	61L7-30351	2	61L7-30351	2	-		-	
HL757-7	61N8-05310 #1121 61LB-15310 #1122-1210 61LB-15350 #1211-	2	61N8-05320 #1121 61LB-15320 #1122-1210 61LB-15360 #1211	1	-		-	
HL757-7A	61LB-15350	2	61LB-15360	1	-		-	
HL757-9	61LM-15350	2	61LM-15360	1	-		-	
HL757TM-7	61N8-05910 #0101 61LB-15910 #0102-0110 61LB-15960 #0111-	2	61N8-05910 #0101 61LB-15910 #0102-0110 61LB-15960 #0111-	2	-		-	
HL757TM-7A	61LB-15960	2	61LB-15960	2	-		-	
HL757TM-9	61LM-15960	2	61LM-15960	2	-		-	
HL760	64L4-00250	2	64L4-00250	1	-		-	
HL760-7	61N8-06010 #1199 61LB-16010 #1200-1255 61LB-16070 #1256-	2	61N8-06020 #1199 61LB-16020 #1200-1255 61LB-16080 #1256-	1	-		-	
HL760-7A	61N8-06010 #0174 61LB-16070 #0175-	2	61N8-06020 #0174 61LB-16080 #0175-	1	-		-	
HL760-9	61LM-16070	2	61LM-16080	1	-		-	
HL770	64L1-00590	2	64L1-00600	1	-		-	
HL770-7	61N8-06110	2	61N8-06120	1	-		-	
HL770-7A	61N8-06110 #0232 61LB-16110 #0233-	2	61N8-06120 #0232 61LB-16120 #0233-	1	-		-	
HL770-9	61LM-16110	2	61LM-16120	1	-		-	
HL780-3	61L6-00580	2	61L6-00590 #0094 61L6-00591 #0095-	2	-		-	
HL780-3A	61L6-00580	2	61L6-00591	2	-		-	
HL780-7A	61N8-06180 #0136 61LB-16180 #0137-	2	61N8-05331 #0136 61LB-15330 #0137-	2	-		-	
HL780-9	61LM-16180	2	61LM-15330	2	-		-	

*VOLVO type