



INDECO

YOUR PARTNERS IN DEMOLITION



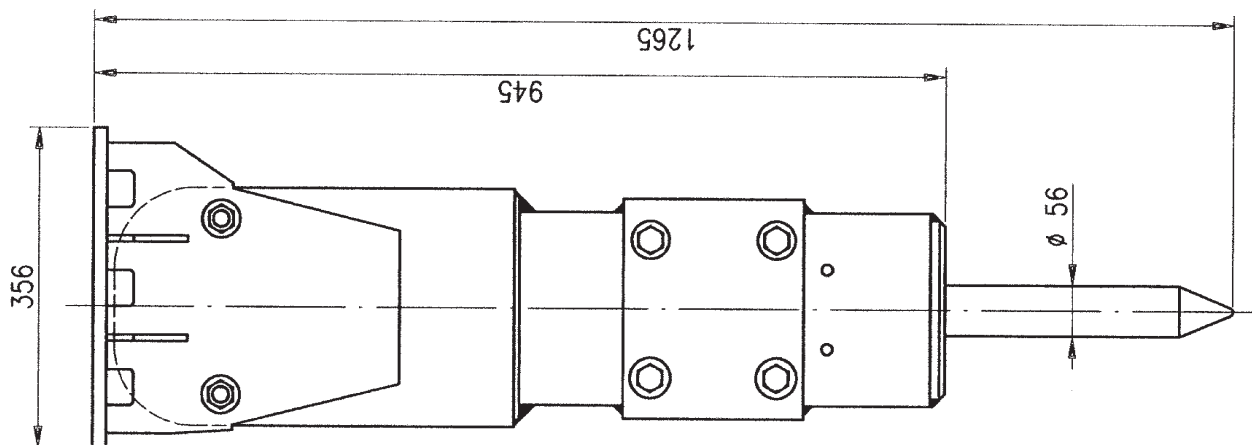
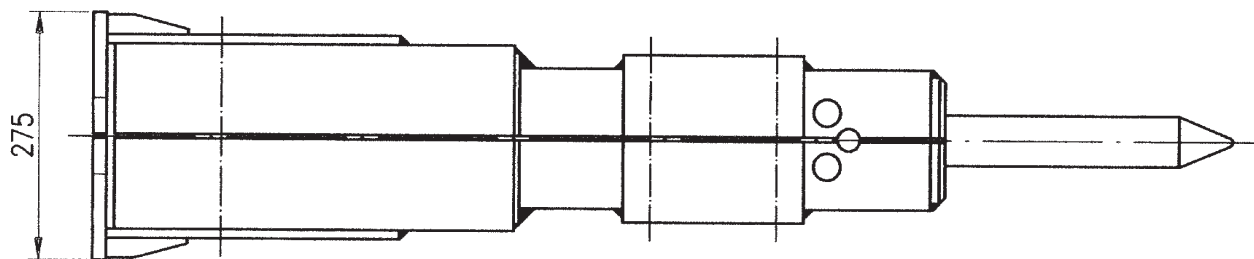
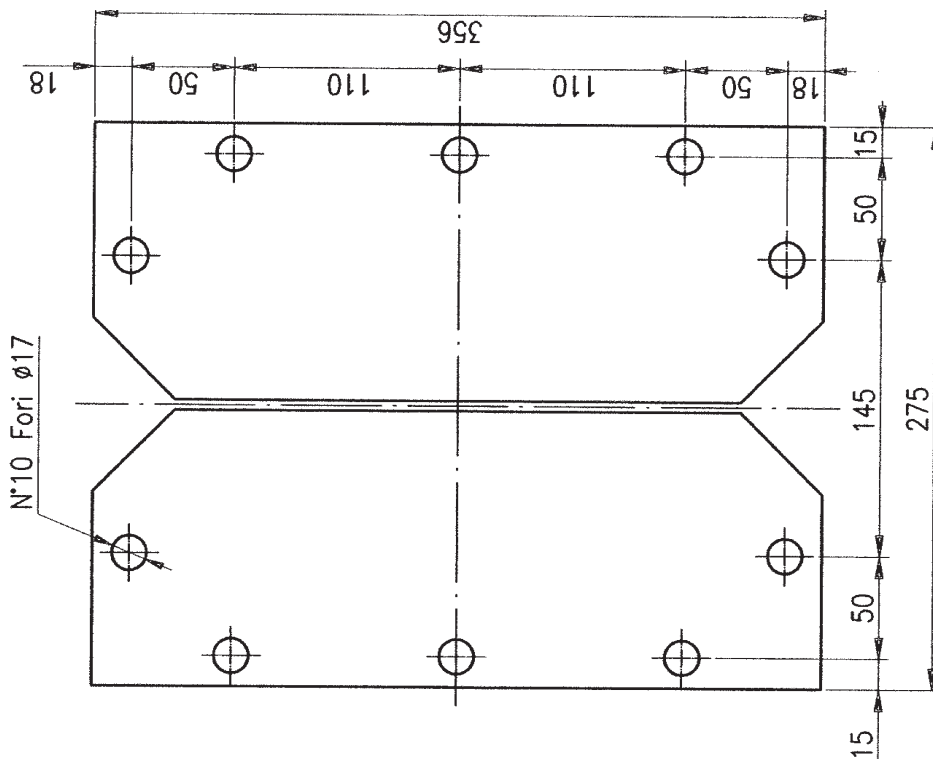
Parts Manual

HP500

HYDRAULIC BREAKER

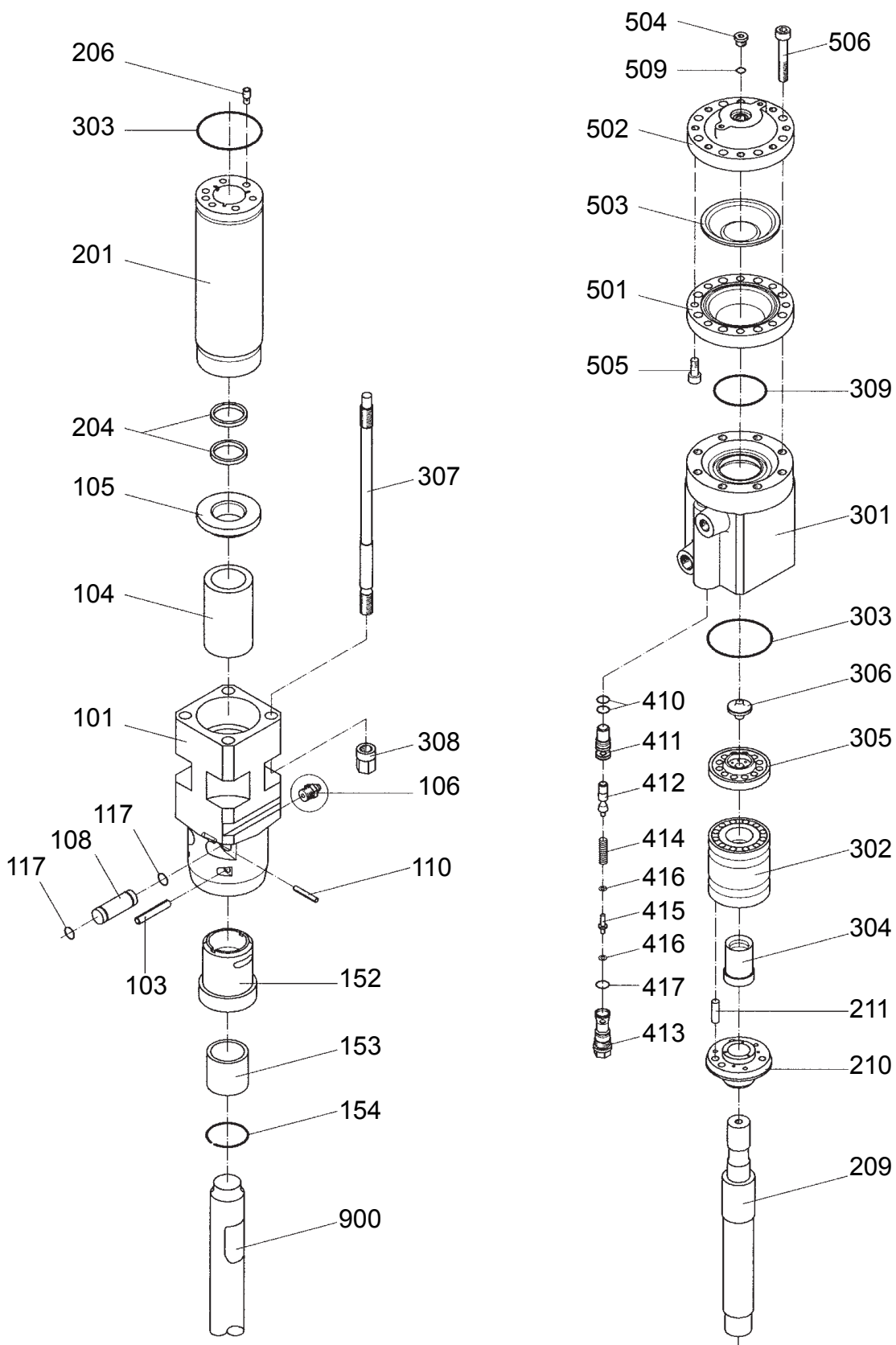
HP500 Hydraulic Breaker - PARTS MANUAL

Technical Specifications



HP500 Hydraulic Breaker - PARTS MANUAL

Exploded View



HP500 Hydraulic Breaker - PARTS MANUAL

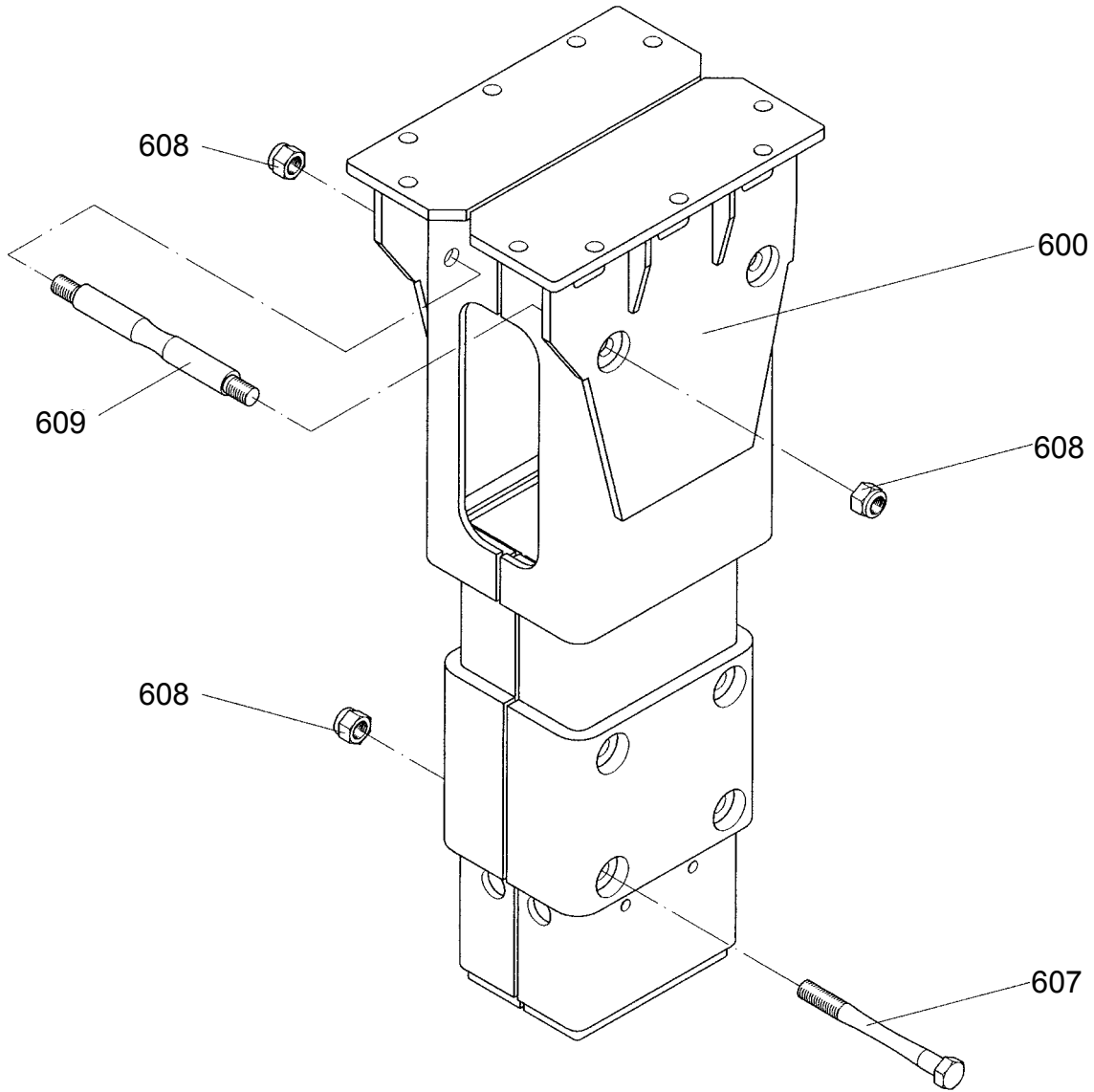
Part List

INDECO - HP 500

POS #	QTY	INA Part #	Description
101	1	HP00500 1010A	CHUCK HOUSING - ASSEMBLY
103	2	330051	INSERT BUSH PIN
104	1	HP00500 1040	SPACER
105	1	HP00500 1050	SPACER RING
106	1	270021	GREASE NIPPLE
108	2	HP00500 1080	RETAINING AXLE
110	2	HW008M01200	ELASTIC PIN
117	4	100122	O-RING
152	1	HP00500 1520	INSERT HOLDER
153a	1	HP00500 1538	INSERT BUSH - STEEL
153b	1	HP00500 1537	INSERT BUSH - BRONZE
154	1	HP00500 1540	CIRCLIP
201	1	HP00500 2010	CYLINDER
204	2	110131	SEAL - U JOINT
206	3	302061	VALVE
209a	1	HP00500 2090	PISTON <i>s/n 24020 and lower</i>
209b	1	HP00500 2096	PISTON <i>s/n 24021 and higher</i>
210	1	HP00500 2100	GUIDE ADAPTER
211	1	340121	PIN
301	1	HP00500 3010	HEAD
302	1	HP00500 3020	DISTRIBUTOR BOX BODY
303	2	100151	O-RING
304	1	HP00500 3040	DISTRIBUTOR
305	1	HP00500 3050	BOX BODY COVER
305a	1	HP00500 3050A	COVER ASSEMBLY
306	1	HP00500 3060	STEEL DIAPHRAGM
307	4	HP00500 3070	SIDE ROD
308	4	HP00500 3080	NUT
309	1	100112	O-RING
410	2	100242	O-RING
411	1	0104110B	BARREL
412	1	0204122C	SLIDE
413	1	0204132	GUIDING PLUG
414	1	400081	SPRING
415	1	0104150	SPACER BARREL
416	11	360031	ADJUSTMENT SHIM
417	1	100121	O-RING
501	1	HP00500 5010	ACC. SHELL-LOWER HALF
502	1	HP00500 5020	ACC. SHELL-UPPER HALF
503	1	HP00500 5030P	DIAPHRAGM
504	1	0105040	INFLATION SCREW
505	8	300051	SHELL FIXING SCREW
506	8	HP00500 5070	ACCUMULATOR BOLT
509	1	100491	O-RING

HP500 Hydraulic Breaker - PARTS MANUAL

Exploded View



Part List

INDECO - HP 500				
POS #	QTY	INA Part #	Description	
600	1 set	H0406010	SIDE PLATES - PIN-ON 50mm	
600a	1 set	H0406030	SIDE PLATES - FLAT TOP	
607	4	H0406070	BOLT	
608	8	320021	LOCK NUT	
609	2	H0406090	SPACER	
800	1	HP00500 8000K	SEAL KIT	
900a	1	HP00500 9100	MOIL	
900b	1	HP00500 9010	CHISEL	
900c	1	HP00500 9030	BLUNT	
900d	1	HP00500 9010IL	INLINE CHISEL (Special Order)	