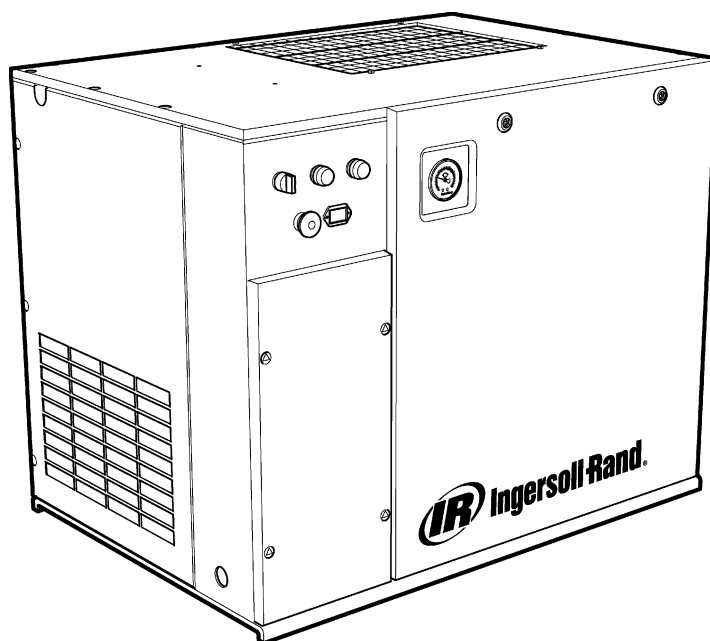




SSR UP5-4, UP5-5.5, UP5-7.5, UP5-11c
50Hz
SSR UP6-5, UP6-7.5, UP6-10, UP6-15c
60Hz



cz	KATALOG DÍLŮ	lv	DETAĻU KATALOGS
da	RESERVEDELSKATALOG	mt	KATALGU TAL-PARTIJET
de	ERSATZTEILLISTE	nl	ONDERDELENKATALOGUS
el	ΚΑΤΑΛΟΓΟΣ ΕΞΑΡΤΗΜΑΤΩΝ	no	RESERVEDELSKATALOG
en	PARTS CATALOGUE	pl	KATALOG CZĘŚCI
es	LISTA DE REPUESTOS	pt	LISTA DE PEÇAS
et	OSADE SPETSIFIKATSIOON	sk	KATALÓG DIELOV
fi	VARAOSALUETTELO	sl	KATALOG DELOV
fr	CATALOGUE DE PIÈCES DÉTACHÉES	sv	RESERVEDELSKATALOG
hu	ALKATRÉSZ-KATALÓGUS	ru	КАТАЛОГ ДЕТАЛЕЙ
it	LISTA RICAMBI	zh	零件目录
lt	DALIŲ KATALOGAS		

C.C.N : 22425342
 REV. : B
 DATE : JULY 2005

Page	Description	'T' N°	Page	Description	'T' N°	Page	Description	'T' N°
1	Enclosure	T5976	8	Control Piping – Electro–Pneumatic	T5982	54	Documentation	
2	Motor/Airend Assembly	T5979	9	Dryer	T5986	55	Recommended Parts	
5	Airend Assembly	T5980	13	Instrumentation / Electrical System	T5983	101	CCN Index	
6	Cooling System	T5981						
7	Tank Assembly	T5977						

ABBREVIATIONS & SYMBOLS

->####	Up to Serial No.	cs	Czech	lt	Lithuanian
####->	From Serial No.	da	Danish	lv	Latvian, Lettish
####	Contact Ingersoll–Rand for Serial No.	de	German	mt	Maltese
*	Not illustrated	el	Greek	nl	Dutch
†	Option	en	English	no	Norwegian
NR	Not required	es	Spanish	pl	Polish
AR	As required	et	Estonian	pt	Portuguese
SM	Sitemaster/Sitepack	fi	Finnish	ru	Russian
HA	High ambient machine	fr	French	sk	Slovak
WC	Watercooled machine	hu	Hungarian	sl	Slovenian
AC	Aircooled machine	it	Italian	sv	Swedish
ERS	Energy recovery system			zh	Chinese
T.E.F.C.	Totally enclosed fan cooled motor (IP55)				
O.D.P.	Open drip proof (motor)				

General

This manual, which contains an illustrated parts breakdown, has been prepared as an aid in identifying and ordering parts for the machine. All of the parts, listed in the parts breakdown, are manufactured with the same precision as the original equipment.

Ingersoll–Rand Company service facilities and parts are available worldwide. There are Ingersoll–Rand Company Branch Offices and authorised distributors located in the principle cities of the United States. In Canada, our customers are serviced by the Canadian Ingersoll–Rand Company, Limited. There are also Ingersoll–Rand Company subsidiaries and authorised distributors located in the principle cities throughout the world.

Description

The illustrated parts breakdown identifies the various assemblies, sub-assemblies and detailed parts which make up this machine.

A series of illustrations show each part clearly and in its correct location relative to the other parts in the illustration. Each part in an illustration is referenced with a number. The number, description and quantity needed per assembly are listed in numerical order on the following pages.

How to use this parts manual

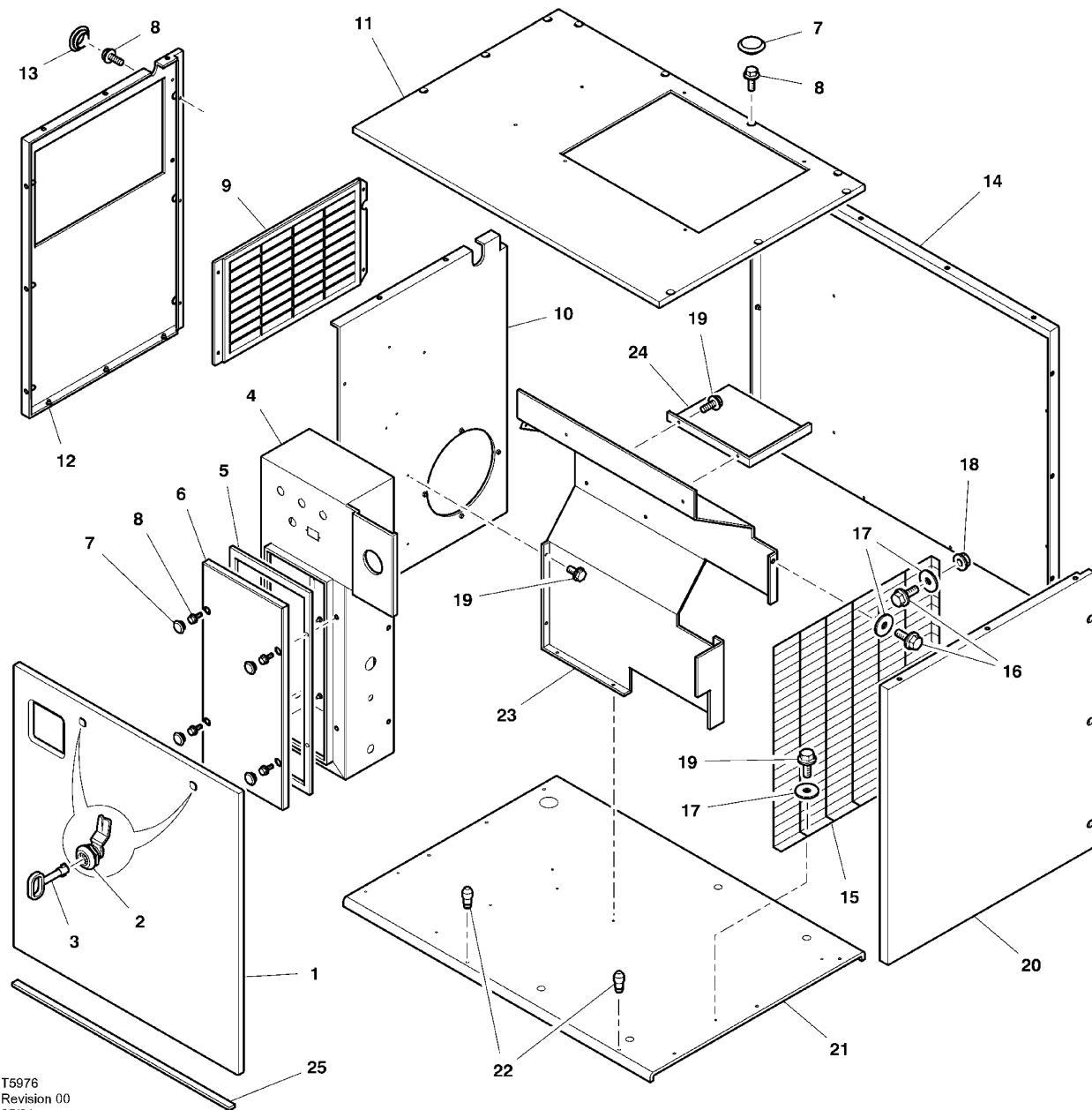
1. Locate the desired illustration.
2. Locate the part on the illustration by visual identification and note the reference number.
3. Find the reference number on the tabulated page, along with the Part Number and Description.

How to order parts

In order that all avoidable errors be eliminated when ordering parts, please specify the following:

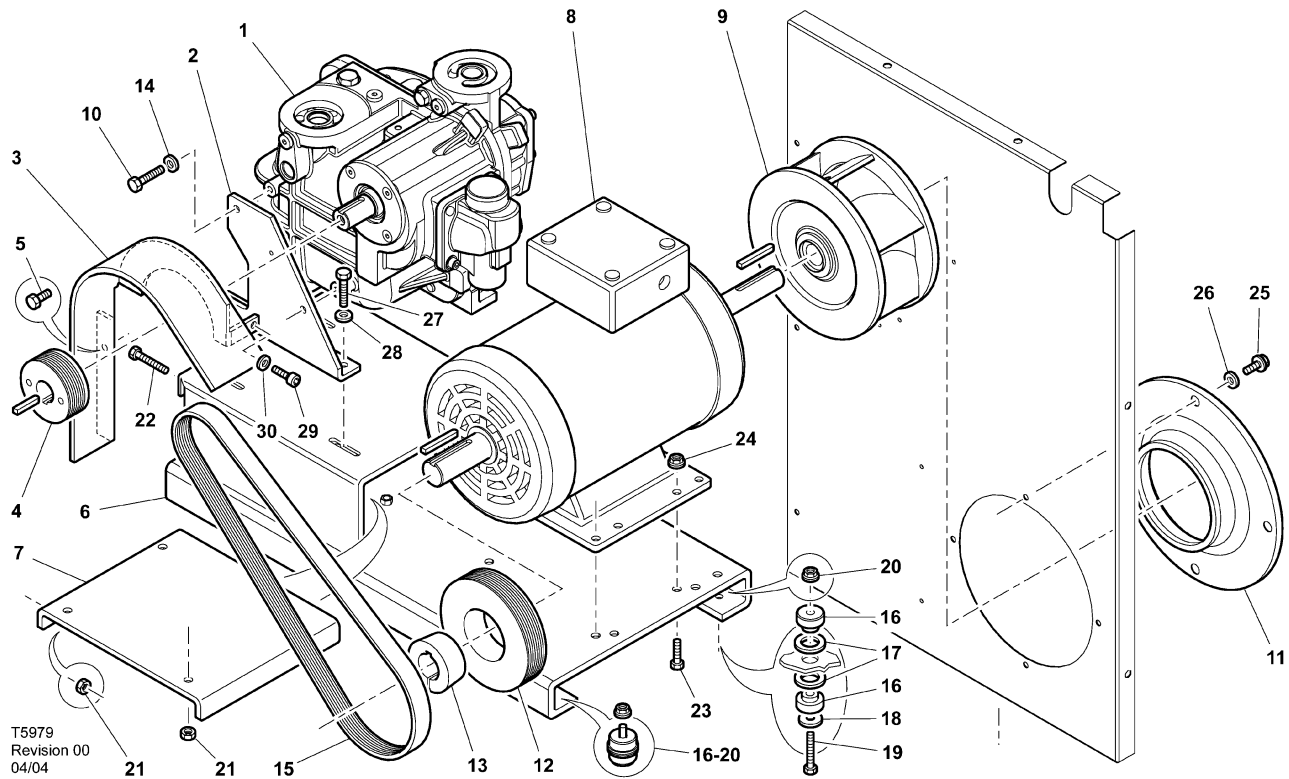
1. The model number of the unit as shown on the Compressor Data Plate.
2. The serial number of the unit as shown on the Compressor Data Plate.
3. The part number of this manual.
4. The part number, description and quantity needed exactly as listed.
5. The motor data code shown on the motor data plate.

1 ENCLOSURE



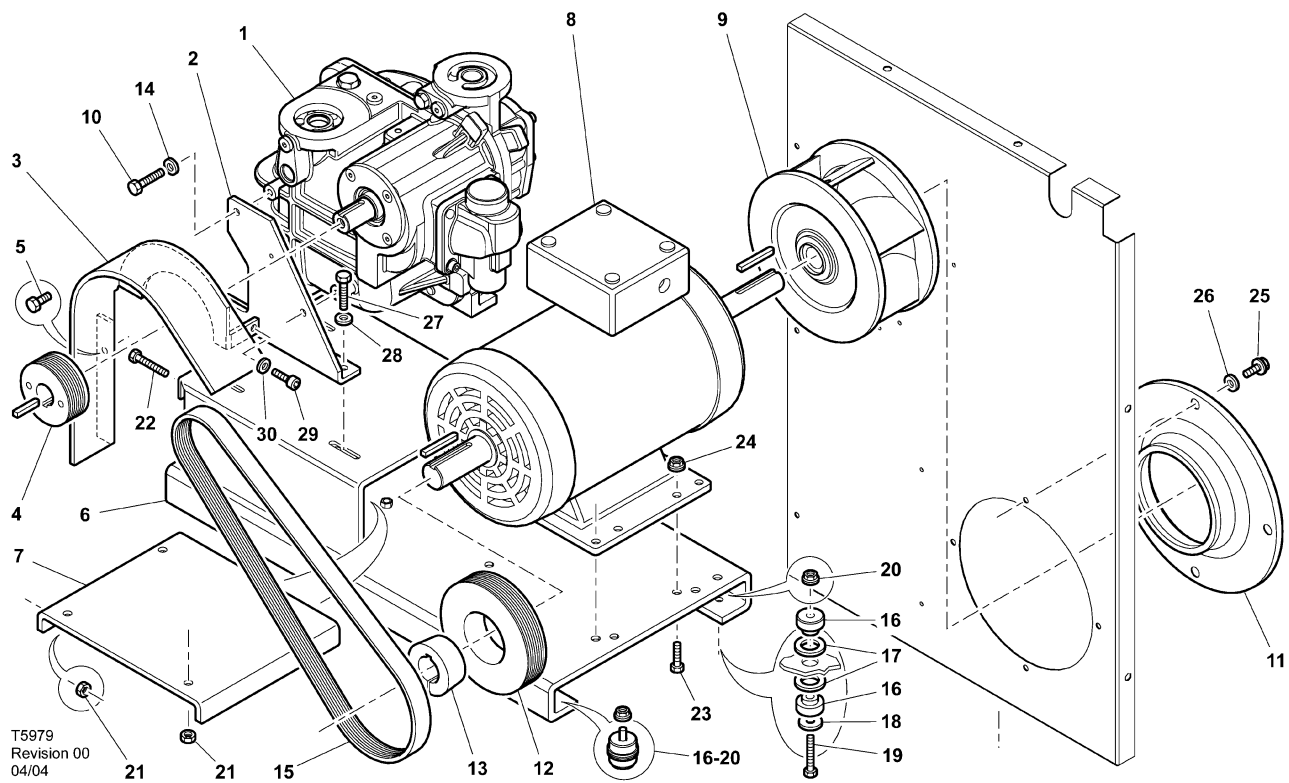
T5976
Revision 00
05/04

Item	ccn	Qty.	Description	Item	ccn	Qty.	Description
1	22398358	1	Panel	11	22398341	1	Panel
2	85584340	2	Latch	12	22398325	1	Panel
3	89295091	1	Key	13	22380422	3	Cap
4-8	42569715	1	Starter box assy (NEMA 1)	14	22368039	1	Panel
4-8	42569723	1	Starter box assy (IP55)	15	22401244	1	Grille
4	22452429	1	Cabinet, starter	16	96742689	AR	Screw
5	85034544	58"	Gasket	17	96745559	AR	Washer
6	22398366	1	Door	18	96737564	2	Nut
7	22053433	AR	Cap	19	92368687	AR	Screw
8	96742689	AR	Screw	20	22398333	1	Panel
9	22421143	1	Grille	21	22313001	1	Base
10	22317788	1	Panel 10/15HP	22	39138490	AR	Pin, locating
10	22394506	1	Panel 5/7.5HP	23	22357354	1	Panel
				24	22417166	1	Panel
				25	85038412	1	Gasket

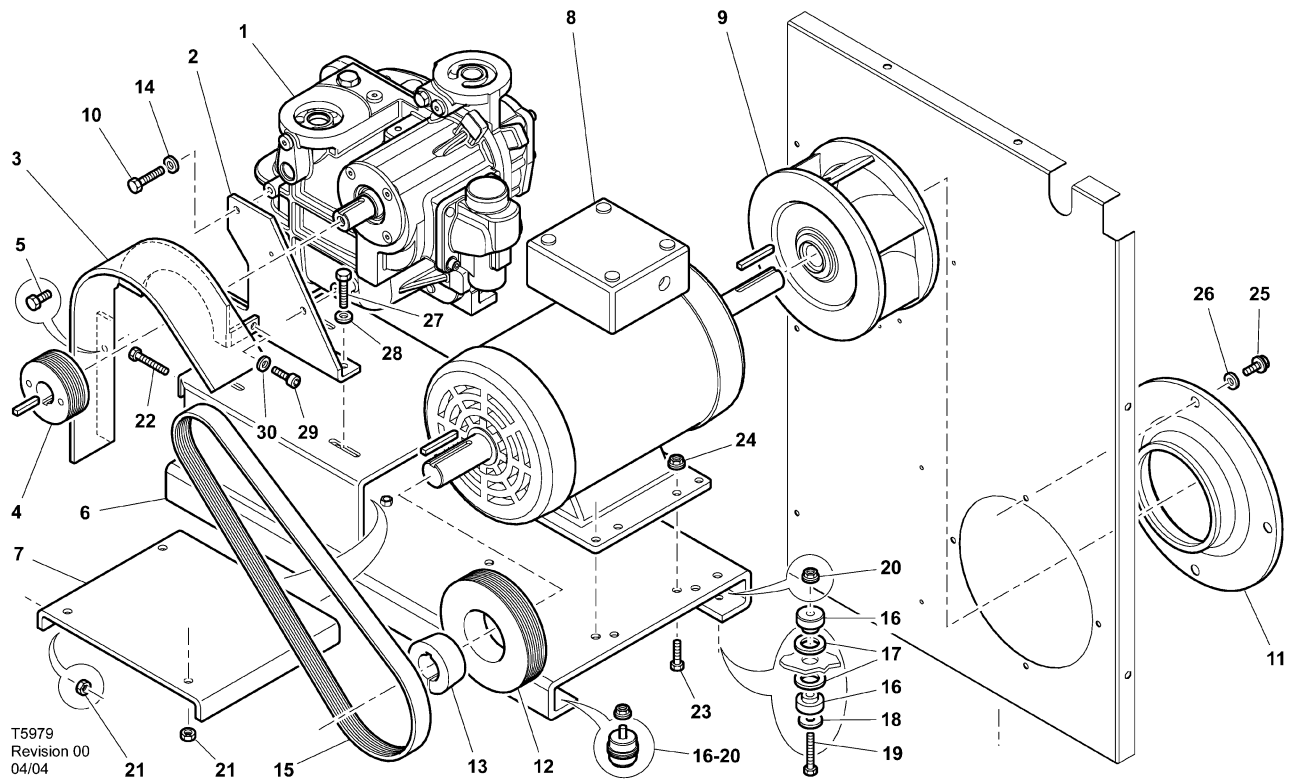


Item	ccn	Qty.	Description	Item	ccn	Qty.	Description
1	22321061	1	Compressor	4	22386577	1	5HP 125PSIG
2	22288633	1	Bracket	5	92368687	1	Screw
3	22404834	1	Guard	6	22348486	1	Base
			Pulley	7	22357388	1	Plate
4	22386684	1	11KW 14BAR				Motor
4	22386676	1	11KW 10BAR	8	22368203	1	60HZ 15HP 200V FV ODP
4	22409304	1	11KW 8.5BAR	8	22368211	1	60HZ 15HP 200/460V FV ODP
4	22386718	1	7.5KW 14BAR	8	22374862	1	60HZ 15HP 200/460V FV/SD TEFC
4	22386700	1	7.5KW 10BAR	8	22368229	1	60HZ 15HP 575V ODP
4	22409296	1	7.5KW 8.5BAR	8	22368237	1	60HZ 10HP 200V FV ODP
4	22408801	1	5.5KW 14BAR	8	22368245	1	60HZ 10HP 200V FV ODP
4	22409288	1	5.5KW 10BAR	8	22368526	1	60HZ 10HP 230/460V FV/SD TEFC
4	22386635	1	5.5KW 8.5BAR	8	22368252	1	60HZ 10HP 575V FV ODP
4	22386650	1	4KW 14BAR	8	22368260	1	60HZ 7.5HP 200V FV ODP
4	22386643	1	4KW 10BAR	8	22368278	1	60HZ 7.5HP 230/460V FV ODP
4	22386635	1	4KW 8.5BAR	8	22374870	1	60HZ 7.5HP 230/460V FV/SD TEFC
4	22375281	1	15HP 210PSIG	8	22368286	1	60HZ 7.5HP 575V FV ODP
4	22375273	1	15HP 150PSIG	8	22368294	1	60HZ 5HP 200V FV ODP
4	22375265	1	15HP 125PSIG	8	22368302	1	60HZ 5HP 230/460V FV ODP
4	22375315	1	10HP 210PSIG	8	22368534	1	60HZ 5HP 230/460V FV/SD TEFC
4	22375307	1	10HP 150PSIG	8	22368310	1	60HZ 5HP 575V FV ODP
4	22375299	1	10HP 125PSIG	8	22376073	1	50HZ 11KW 380V S/D IP55
4	22408819	1	7.5HP 210PSIG	8	22384986	1	50HZ 11KW 400V S/D IP55
4	22408801	1	7.5HP 150PSIG	8	22376057	1	50HZ 7.5KW 380V S/D IP55
4	22386544	1	7.5HP 125PSIG	8	22384994	1	50HZ 7.5KW 400V S/D IP55
4	22386593	1	5HP 210PSIG	8	22376065	1	50HZ 5.5KW 380V S/D IP55
4	22386585	1	5HP 150PSIG	8	22384978	1	50HZ 5.5KW 400V S/D IP55

3 MOTOR/AIREND ASSEMBLY

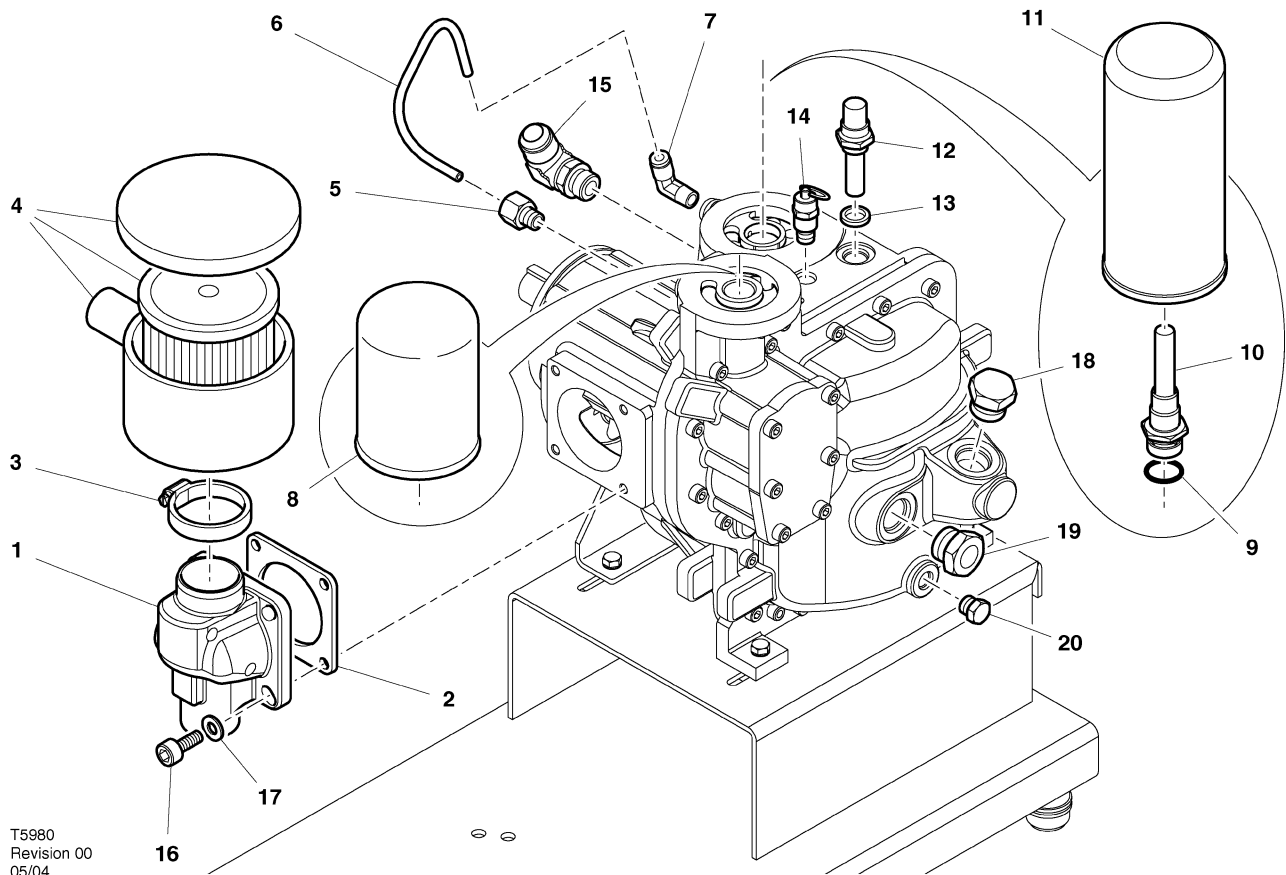


Item	ccn	Qty.	Description	Item	ccn	Qty.	Description
8	22378103	1	50HZ 4KW 380V S/D IP55	12	22386775	1	4KW 8.5BAR
8	22384960	1	50HZ 4KW 400V S/D IP55	12	22386742	1	15HP 210PSIG
			Fan	12	22386734	1	15HP 150PSIG
9	22436349	1	60HZ 15HP	12	22386734	1	15HP 125PSIG
9	22436398	1	60HZ 10HP	12	22386742	1	10HP 210PSIG
9	22436406	1	60HZ 5/7.5HP	12	22386742	1	10HP 150PSIG
9	22442115	1	50HZ 7.5/11KW	12	22386742	1	10HP 125PSIG
9	22436398	1	50HZ 4.5/5KW	12	22408769	1	7.5HP 210PSIG
10	96702824	2	Screw	12	22408769	1	7.5HP 150PSIG
			Flange	12	22386775	1	7.5HP 125PSIG
11	22348239	1	60HZ 15HP	12	22386783	1	5HP 210PSIG
	22348239	1	60HZ 10HP	12	22387683	1	5HP 150PSIG
	22348221	1	60HZ 5/7.5HP	12	22386775	1	5HP 125PSIG
	22348247	1	50HZ 7.5/11KW				Bush
	22348239	1	50HZ 4.5/5KW	13	22386882	1	11KW 14BAR
			Pulley	13	22386882	1	11KW 10BAR
12	22386734	1	11KW 14BAR	13	22386882	1	11KW 8.5BAR
12	22386759	1	11KW 10BAR	13	22386882	1	7.5KW 14BAR
12	22386759	1	11KW 8.5BAR	13	22386882	1	7.5KW 10BAR
12	22386742	1	7.5KW 14BAR	13	22386882	1	7.5KW 8.5BAR
12	22386742	1	7.5KW 10BAR	13	22386890	1	5.5KW 14BAR
12	22386734	1	7.5KW 8.5BAR	13	22386890	1	5.5KW 10BAR
12	22408769	1	5.5KW 14BAR	13	22386890	1	5.5KW 8.5BAR
12	22408744	1	5.5KW 10BAR	13	22386890	1	4KW 14BAR
12	22408744	1	5.5KW 8.5BAR	13	22386890	1	4KW 10BAR
12	22386783	1	4KW 14BAR	13	22386890	1	4KW 8.5BAR
12	22386783	1	4KW 10BAR	13	22375125	1	15HP 210PSIG



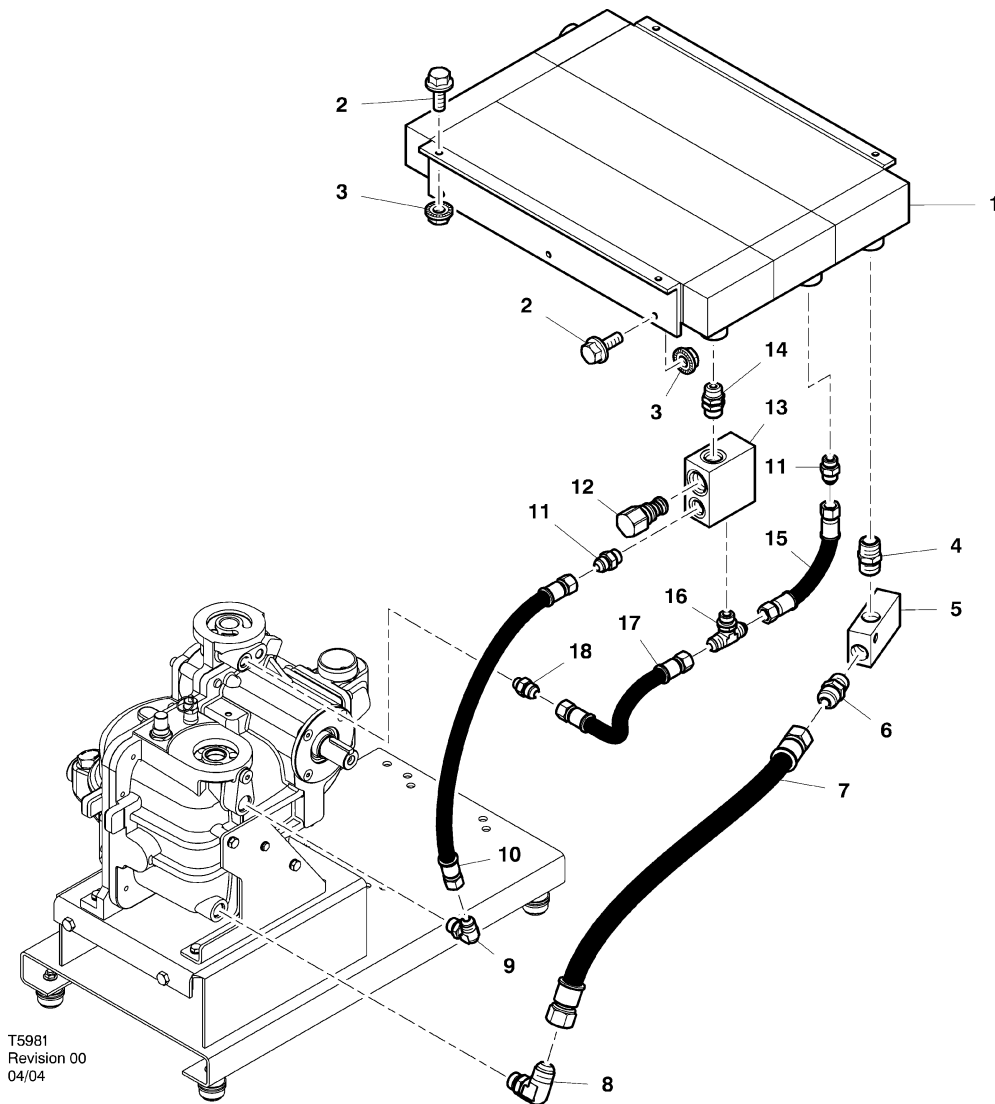
Item	ccn	Qty.	Description	Item	ccn	Qty.	Description
13	22375125	1	15HP 150PSIG	15	54400726	1	15HP 150PSIG
13	22375125	1	15HP 125PSIG	15	89306302	1	15HP 125PSIG
13	22375125	1	10HP 210PSIG	15	89296586	1	10HP 210PSIG
13	22375125	1	10HP 150PSIG	15	89306302	1	10HP 150PSIG
13	22375125	1	10HP 125PSIG	15	54420708	1	10HP 125PSIG
13	22386908	1	7.5HP 210PSIG	15	89296578	1	7.5HP 210PSIG
13	22386908	1	7.5HP 150PSIG	15	89296560	1	7.5HP 150PSIG
13	22386908	1	7.5HP 125PSIG	15	89306294	1	7.5HP 125PSIG
13	22386908	1	5HP 210PSIG	15	89296578	1	5HP 210PSIG
13	22386908	1	5HP 150PSIG	15	89296560	1	5HP 150PSIG
13	22386908	1	5HP 125PSIG	15	89296560	1	5HP 125PSIG
14	96728316	2	Washer	16	22419923	4	Isolator, vibration
			Belt, drive	17	96726971	8	Washer
15	54400726	1	11KW 14BAR	18	96740188	4	Washer
15	89296586	1	11KW 10BAR	19	96702402	4	Screw
15	89296586	1	11KW 8.5BAR	20	96704416	4	Nut
15	54400726	1	7.5KW 14BAR	21	96701370	6	Nut
15	54420708	1	7.5KW 10BAR	22	96704960	2	Screw
15	54400726	1	7.5KW 8.5BAR	23	96705983	4	Screw
15	89296560	1	5.5KW 14BAR	24	96704846	4	Nut
15	89296578	1	5.5KW 10BAR	25	96742689	4	Screw
15	54438106	1	5.5KW 8.5BAR	26	14084123	4	Washer
15	89296560	1	4KW 14BAR	27	96702261	4	Screw
15	89296552	1	4KW 10BAR	28	96728316	4	Lockwasher
15	89296552	1	4KW 8.5BAR	29	96702824	2	Capscrew
15	54420708	1	15HP 210PSIG	30	96728316	2	Washer

5 AIREND ASSEMBLY



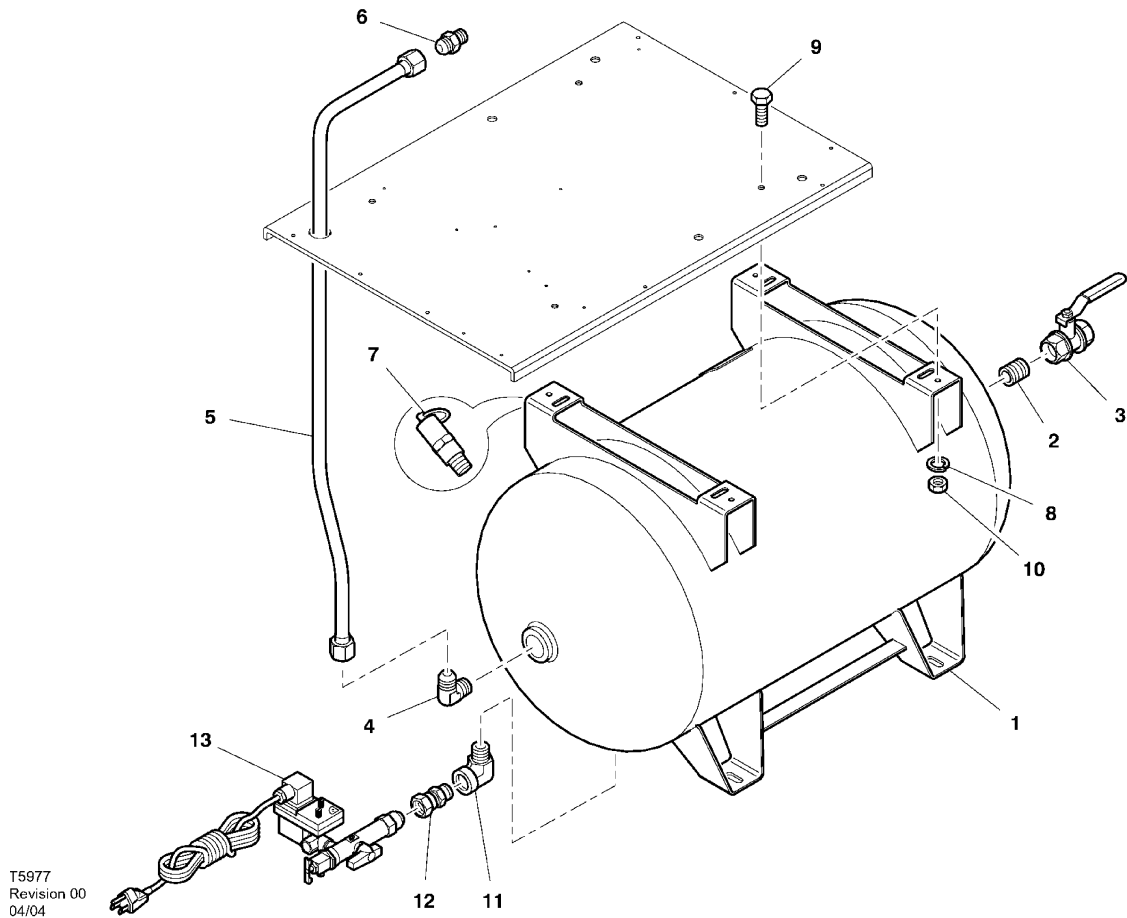
T5980
Revision 00
05/04

Item	ccn	Qty.	Description	Item	ccn	Qty.	Description
1	22415137	1	Valve, inlet	14	22378665	1	Valve, safety 60HZ (ASME)
1	22407803	1	Valve, inlet Star Delta	14	22401590	1	Valve, safety 50HZ (PED)
2	54636501	1	Gasket	14	22431761	1	Valve, safety 8.8BAR (GB)
3	95235156	1	Clamp	14	22431779	1	Valve, safety 11BAR (GB)
4	89243778	1	Filter assembly	14	22431787	1	Valve, safety 14BAR (GB)
5	22380216	1	Valve, check	15	95984563	1	Elbow
6	92490358	AR	Tube (Nylon)	16	96708060	4	Screw
7	92067933	1	Elbow	17	96704671	4	Washer
8	39329602	1	Filter	18	22182265	1	Cap
9	95025466	1	'O' Ring	19	39324496	1	Sight-glass
10	22232813	1	Stem	20	95938205	1	Plug
11	22388045	1	Element, separator				
12	22275879	1	High air temperature switch				
13	39404165	1	'O' Ring				

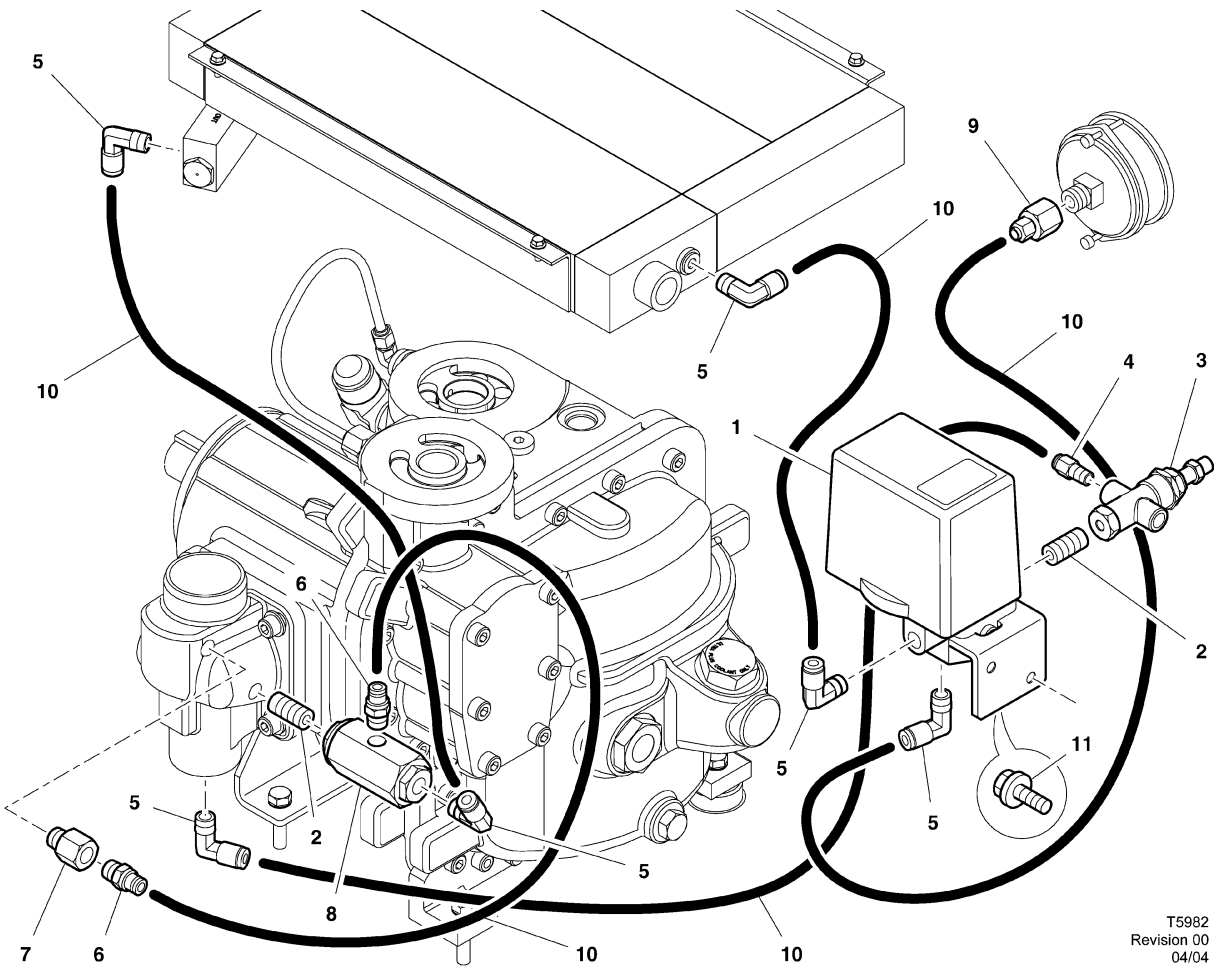


Item	ccn	Qty.	Description	Item	ccn	Qty.	Description
1	22357941	1	Cooler, Oil/Air	10	39172432	1	Hose assembly
2	96742689	6	Screw	11	95938122	2	Adaptor
3	96737564	6	Nut	12	22282024	1	Valve, thermostatic
4	92255934	1	Adaptor	13	22362198	1	Block, thermostatic valve
5	22245617	1	Valve, minimum pressure	14	22305965	1	Connector
6	92106210	1	Connector	15	39580725	1	Hose assembly
7	22418776	1	Hose assembly	16	95959615	1	Tee
8	95984563	1	Elbow	17	22418784	1	Hose assembly
9	95992822	1	Elbow	18	95993523	1	Connector

7 TANK ASSEMBLY



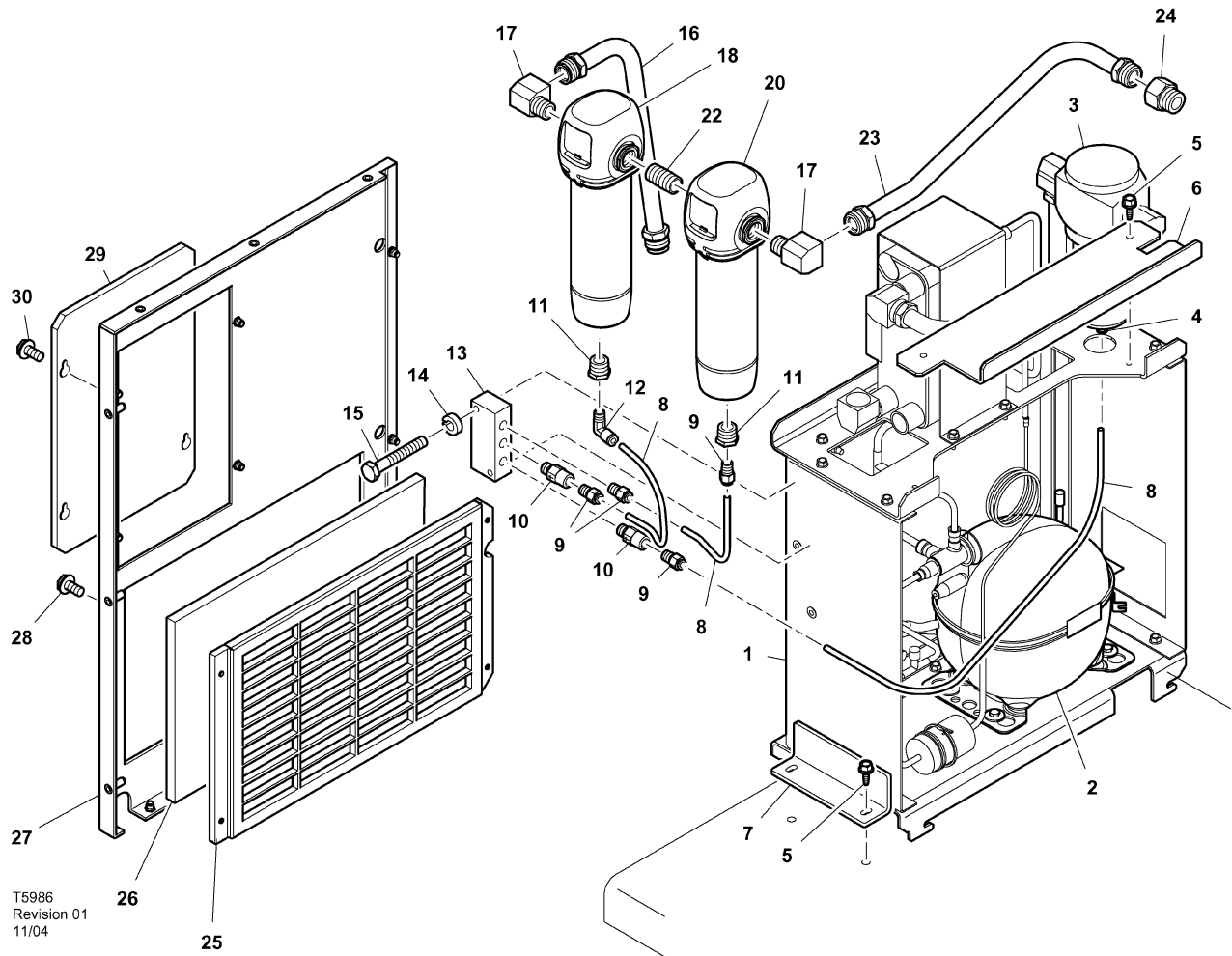
Item	ccn	Qty.	Description	Item	ccn	Qty.	Description
1	22325500	1	Tank 80 Gal.	5	22435200	1	Tube assembly 80 Gal
	22348296	1	Tank 120 Gal.		22441414	1	Tube assembly 120 Gal
	22436307	1	Tank 272 Litre.		22469597	1	Tube assembly 272 Litre
	22391023	1	Tank 500 Litre.		22469613	1	Tube assembly 500 Litre
2	95458808	1	Nipple 80 Gal / 120 Gal		22420582	1	Tube assembly Baseplate (NPT)
3	32106569	1	Valve, ball 80 Gal / 120 Gal		22389472	1	Tube assembly Baseplate (BSPT)
	93179661	1	Valve, ball 272 Litre / 500 Litre	6	92106210	1	Connector
4	95937637	1	Elbow 80 Gal / 120 Gal	7	22052450	1	Valve, safety
	92176692	1	Elbow 272 Litre / 500 Litre	8	32346439	4	Lockwasher
				9	96719869	4	Screw
				10	96701743	4	Nut
				11	54393335	1	Elbow
				12	95989638	1	Adaptor
				13	54579248	1	Valve, drain



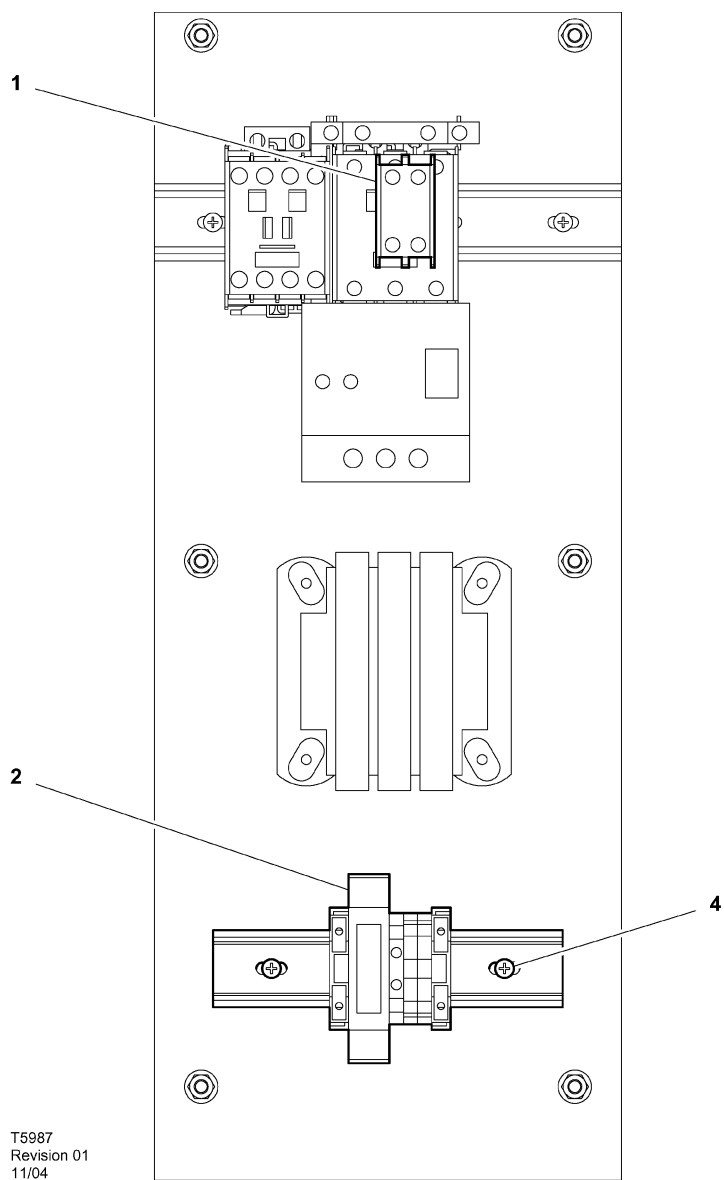
T5982
Revision 00
04/04

Item	ccn	Qty.	Description	Item	ccn	Qty.	Description
			Switch, pressure				
1	22370753	1	125PSIG (UP Series) 5-15HP	5	54403266	6	Elbow
1	22393987	1	150PSIG (UP Series) 5-15HP	6	92788959	2	Connector
1	22394001	1	210PSIG (UP Series) 5-15HP	7	22442487	1	Adaptor
1	22393995	1	10BAR (UP Series) 5-15HP				Valve, blowdown
2	92354539	2	Nipple	8	22359764	1	125PSIG (UP Series) 5-15HP
			Valve, pilot	8	22359764	1	150PSIG (UP Series) 5-15HP
3	22394829	1	125PSIG (UP Series) 5-15HP	8	22359764	1	210PSIG (UP Series) 5-15HP
3	22394837	1	150PSIG (UP Series) 5-15HP	8	22359764	1	10BAR (UP Series) 5-15HP
3	22394852	1	210PSIG (UP Series) 5-15HP	9	22420376	1	Connector
3	22394837	1	10BAR (UP Series) 5-15HP	10	92490358	AR	Tube (Nylon)
4	92715051	1	Connector	11	92368687	2	Screw

9 DRYER

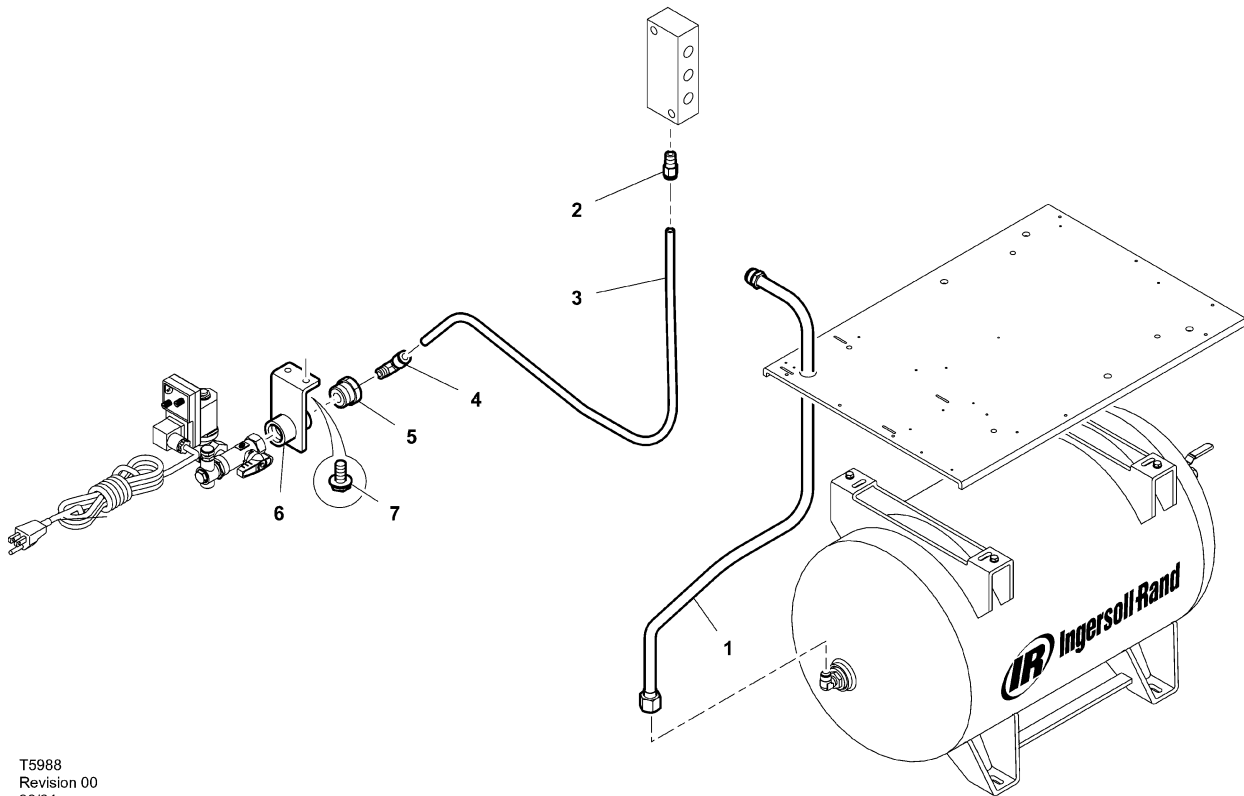


Item	ccn	Qty.	Description	Item	ccn	Qty.	Description
1	42578740	1	Dryer 50Hz	16	22402820	1	Pipe
	42578732	1	Dryer 60Hz	17	95031779	2	Elbow
2	22381628	1	Compressor	18	42515957	1	Filter IRHE64
3	22455513	1	Separator, water	*19	88343025	1	Element IRHE64
4	39156435	1	Adaptor	20	42515825	1	Filter IRGP64
5	96738695	4	Setscrew	*21	88342993	1	Element IRGP64
6	22479356	1	Panel	22	95436242	1	Nipple
7	22458756	1	Bracket	23	22402838	1	Pipe
8	22415186	AR	Tube (Nylon)	24	95083275	1	Adaptor
9	39156435	4	Connector	25	22421143	1	Grille
10	22483515	2	Valve, check	26	22421853	1	Filter
11	95245361	2	Adaptor	27	22481485	1	Panel
12	39155478	1	Elbow	28	92368687	4	Setscrew
13	22480107	1	Manifold	29	22481493	1	Cover
14	96727573	2	Lockwasher	30	96742689	4	Setscrew
15	96706809	2	Screw				



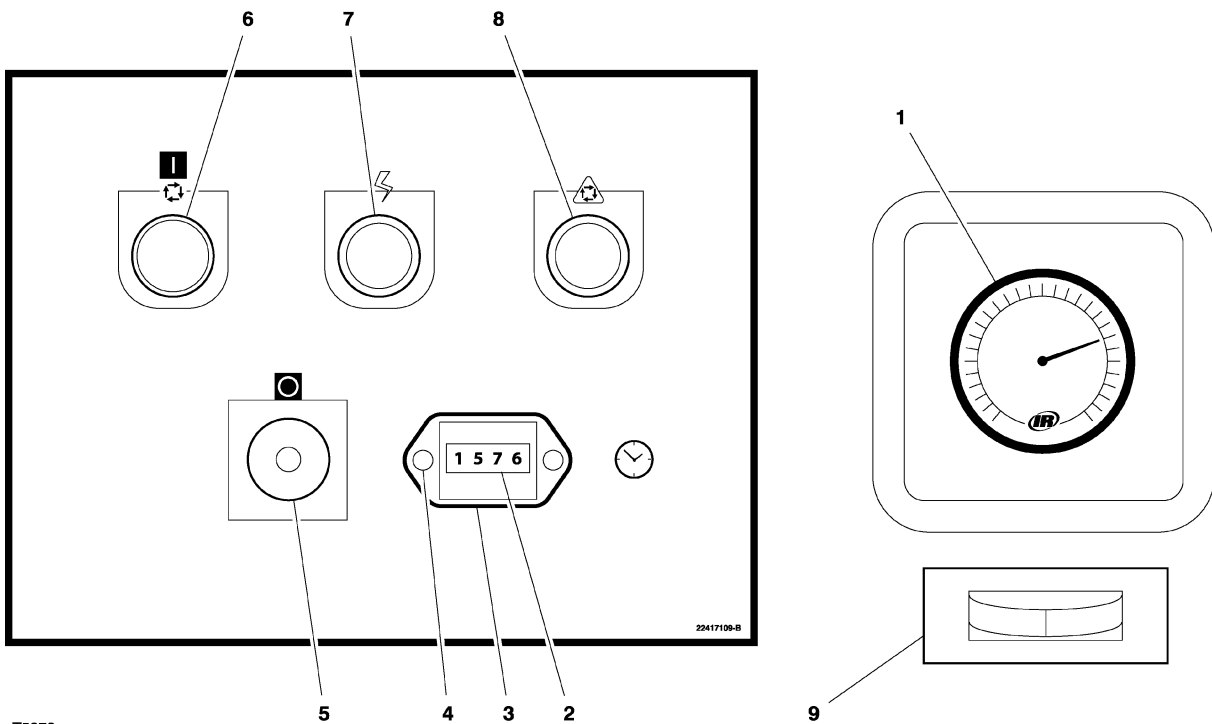
Item	ccn	Qty.	Description	Item	ccn	Qty.	Description
1	39251137	1	Contact, auxilliary	22480313	2	Fuse 60Hz	
2	22505762	1	Starter assembly	95162020	2	Screw	
*3	22480305	2	Fuse 50Hz				

11 DRYER



T5988
Revision 00
08/04

Item	ccn	Qty.	Description	Item	ccn	Qty.	Description
1	22479794	1	Tube assembly	5	95037412	1	Adaptor
2	39156419	1	Adaptor	6	22480735	1	Bracket
3	42578245	1	Tube (Nylon)	7	92368687	2	Screw
4	42578245	1	Elbow				

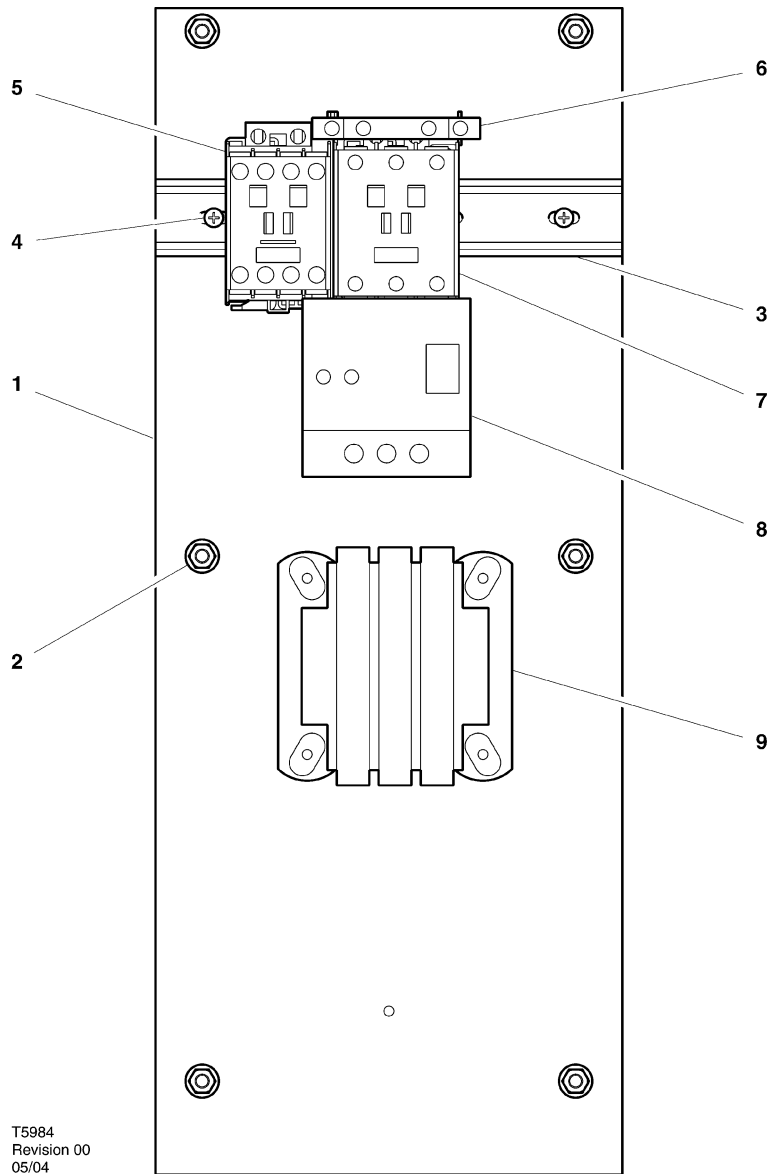


T5972
Revision 03
05/04

Item	ccn	Qty.	Description	Item	ccn	Qty.	Description
1	54772058	1	Gauge	7	22384929	1	Indicator (Green)
*	22451140	1	Washer, sealing IP55	8	22384937	1	Indicator (Amber)
2	32342131	1	Hourmeter	9	22454540	1	Indicator, dewpoint (Dryer option)
3	39237086	1	Gasket	*	22160030	4	Washer, sealing IP55
4	39127295	2	Screw				
5	22384952	1	Button, emergency stop				
6	22441489	1	Button, start				* Not illustrated

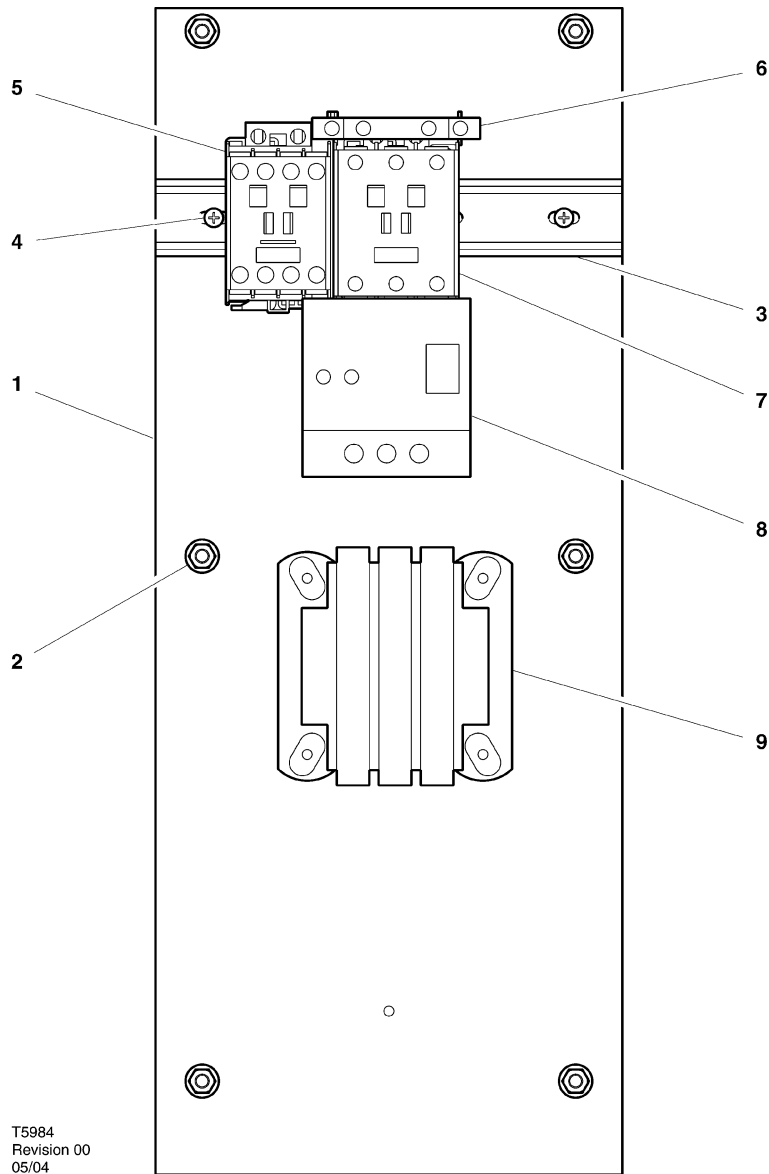
13 INSTRUMENTATION / ELECTRICAL SYSTEM

4kW
220V
50Hz
F.V.



Item	ccn	Qty.	Description	Item	ccn	Qty.	Description
1	22413991	1	Panel	6	22132963	1	Contact, auxilliary
2	96737564	6	Screw	7	22384408	1	Contactor (43A)
3	22411987	1	Rail	8	22395933	1	Relay, overload
4	96714357	2	Screw	9	22395891	1	Transformer, fuse block
5	39255559	1	Relay, control				

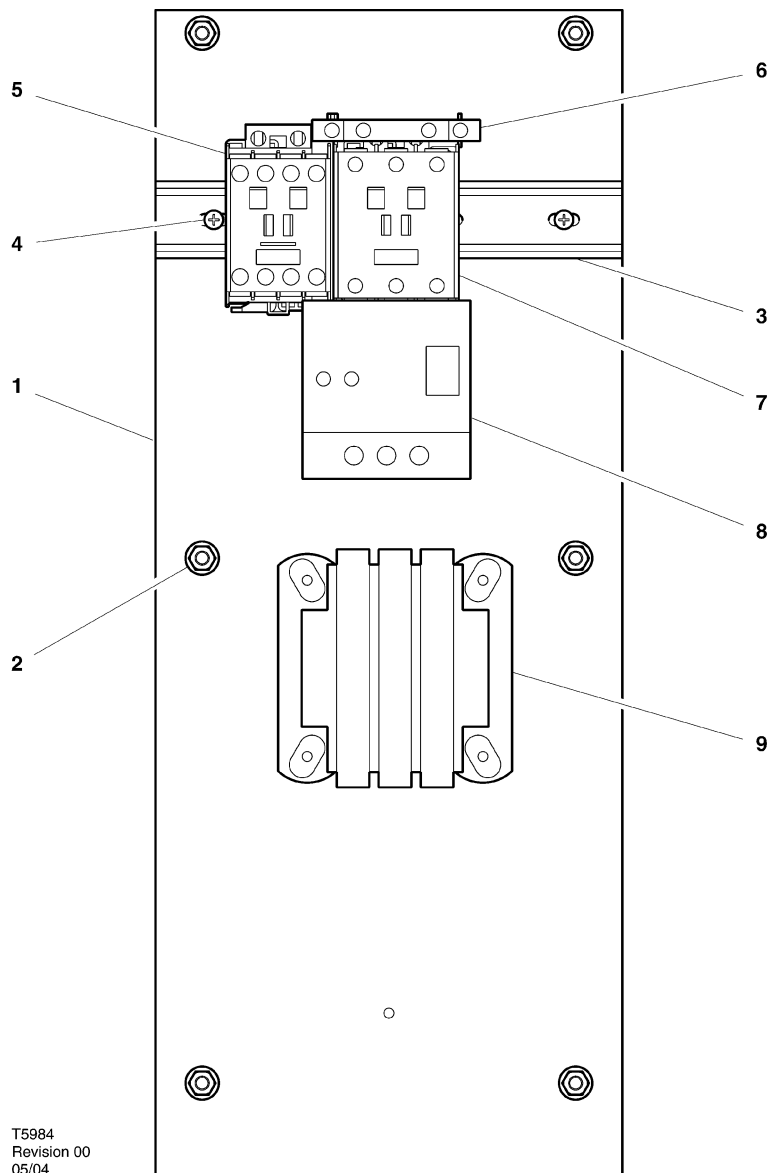
4kW
380/400/
415V
50Hz
F.V.



Item	ccn	Qty.	Description	Item	ccn	Qty.	Description
1	22413991	1	Panel	6	22132963	1	Contact, auxilliary
2	96737564	6	Screw	7	22395966	1	Contactur (43A)
3	22411987	1	Rail	8	22409411	1	Relay, overload
4	96714357	2	Screw	9	22409387	1	Transformer, fuse block
5	39255559	1	Relay, control				

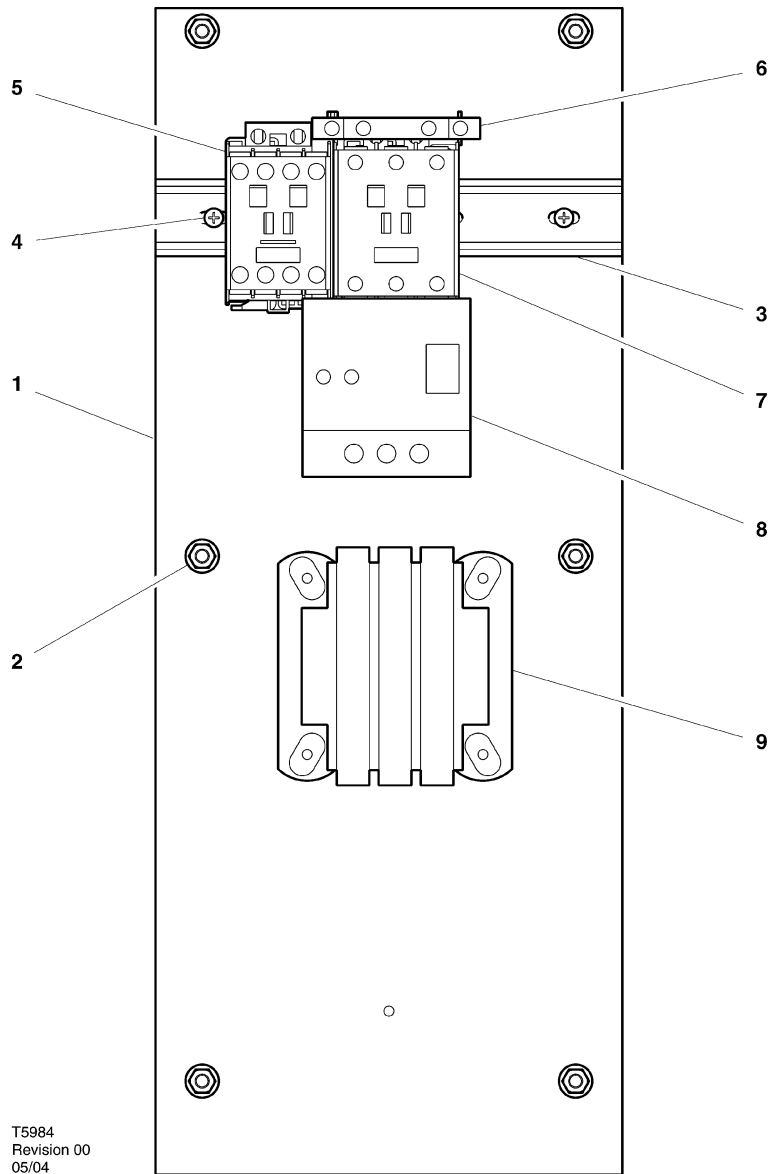
15 INSTRUMENTATION / ELECTRICAL SYSTEM

5.5kW
220V
50Hz
F.V.



Item	ccn	Qty.	Description	Item	ccn	Qty.	Description
1	22413991	1	Panel	6	22132963	1	Contact, auxilliary
2	96737564	6	Screw	7	22384416	1	Contactor (43A)
3	22411987	1	Rail	8	22395917	1	Relay, overload
4	96714357	2	Screw	9	22395891	1	Transformer, fuse block
5	39255559	1	Relay, control				

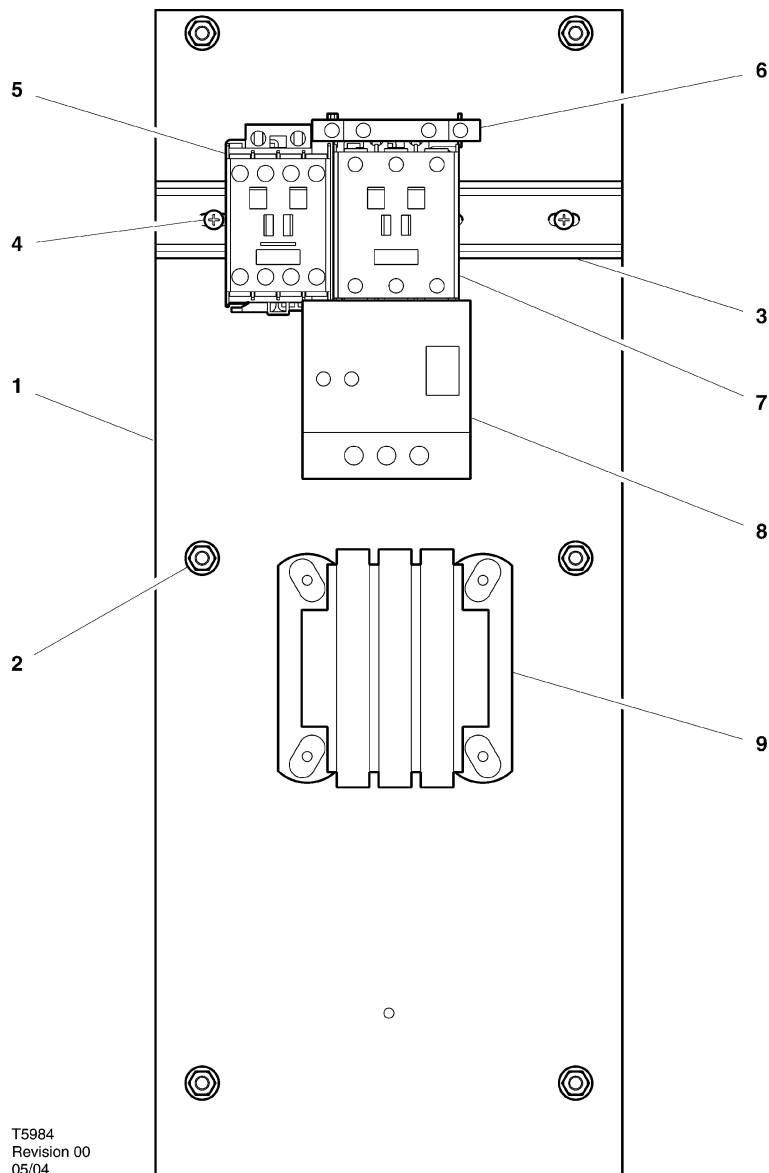
5.5kW
380/400/
415V
50Hz
F.V.



Item	ccn	Qty.	Description	Item	ccn	Qty.	Description
1	22413991	1	Panel	6	22132963	1	Contact, auxilliary
2	96737564	6	Screw	7	22395941	1	Contactor (43A)
3	22411987	1	Rail	8	22395958	1	Relay, overload
4	96714357	2	Screw	9	22409387	1	Transformer, fuse block
5	39255559	1	Relay, control				

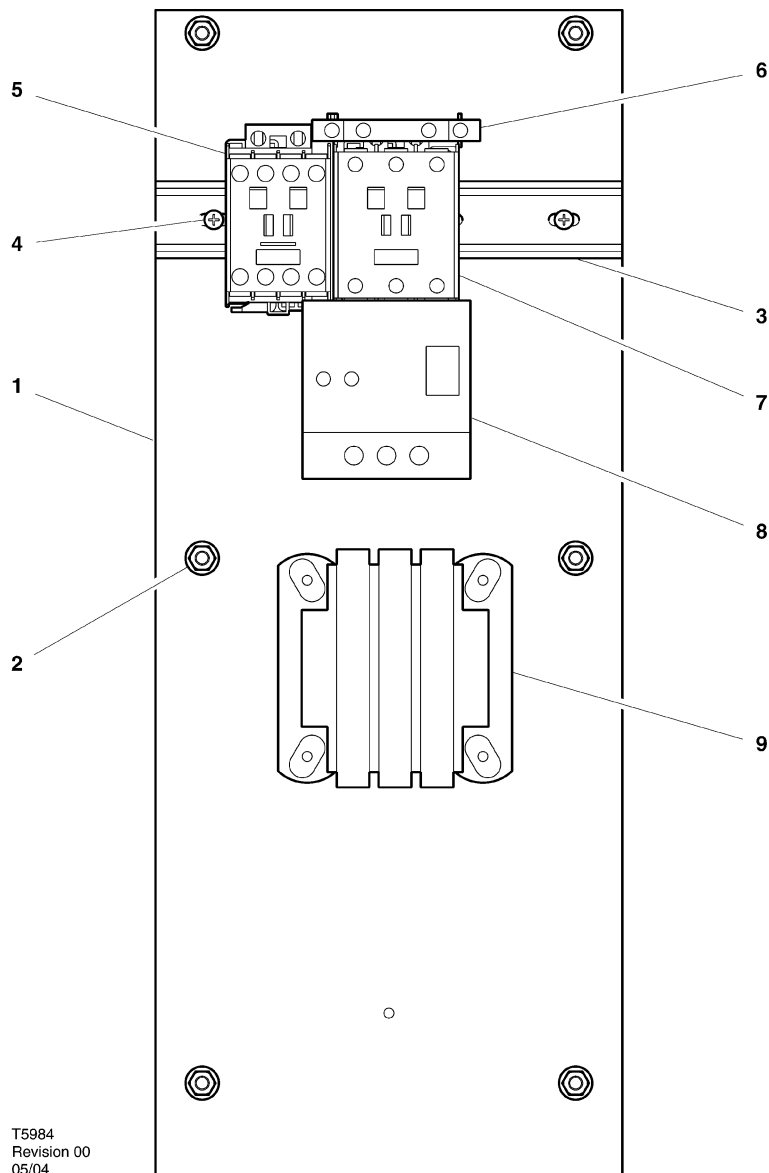
17 INSTRUMENTATION / ELECTRICAL SYSTEM

7.5kW
220V
50Hz
F.V.



Item	ccn	Qty.	Description	Item	ccn	Qty.	Description
1	22413991	1	Panel	6	22132963	1	Contact, auxilliary
2	96737564	6	Screw	7	22384424	1	Contactore (43A)
3	22411987	1	Rail	8	22395925	1	Relay, overload
4	96714357	2	Screw	9	22395891	1	Transformer, fuse block
5	39255559	1	Relay, control				

7.5kW
380/400/
415V
50Hz
F.V.

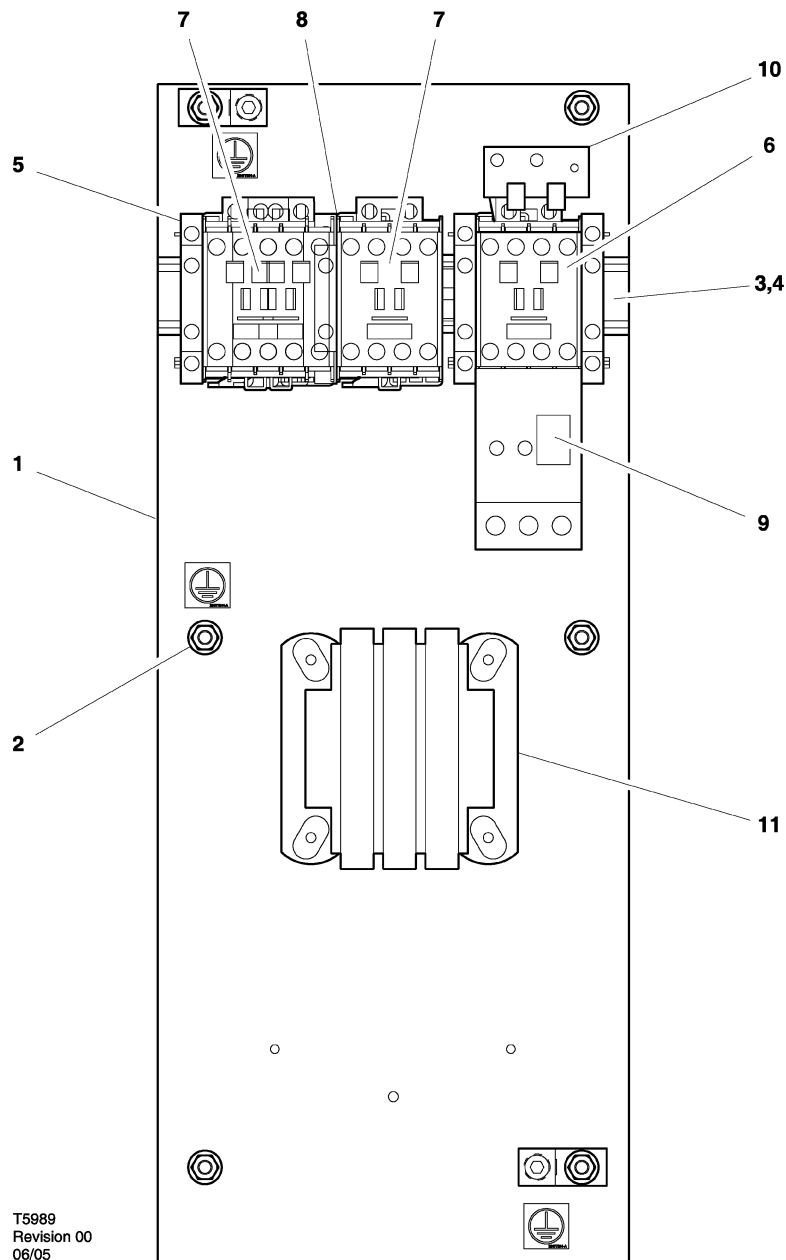


T5984
Revision 00
05/04

Item	ccn	Qty.	Description	Item	ccn	Qty.	Description
1	22413991	1	Panel	6	22132963	1	Contact, auxilliary
2	96737564	6	Screw	7	22384408	1	Contactor (43A)
3	22411987	1	Rail	8	22395933	1	Relay, overload
4	96714357	2	Screw	9	22409387	1	Transformer, fuse block
5	39255559	1	Relay, control				

19 INSTRUMENTATION / ELECTRICAL SYSTEM

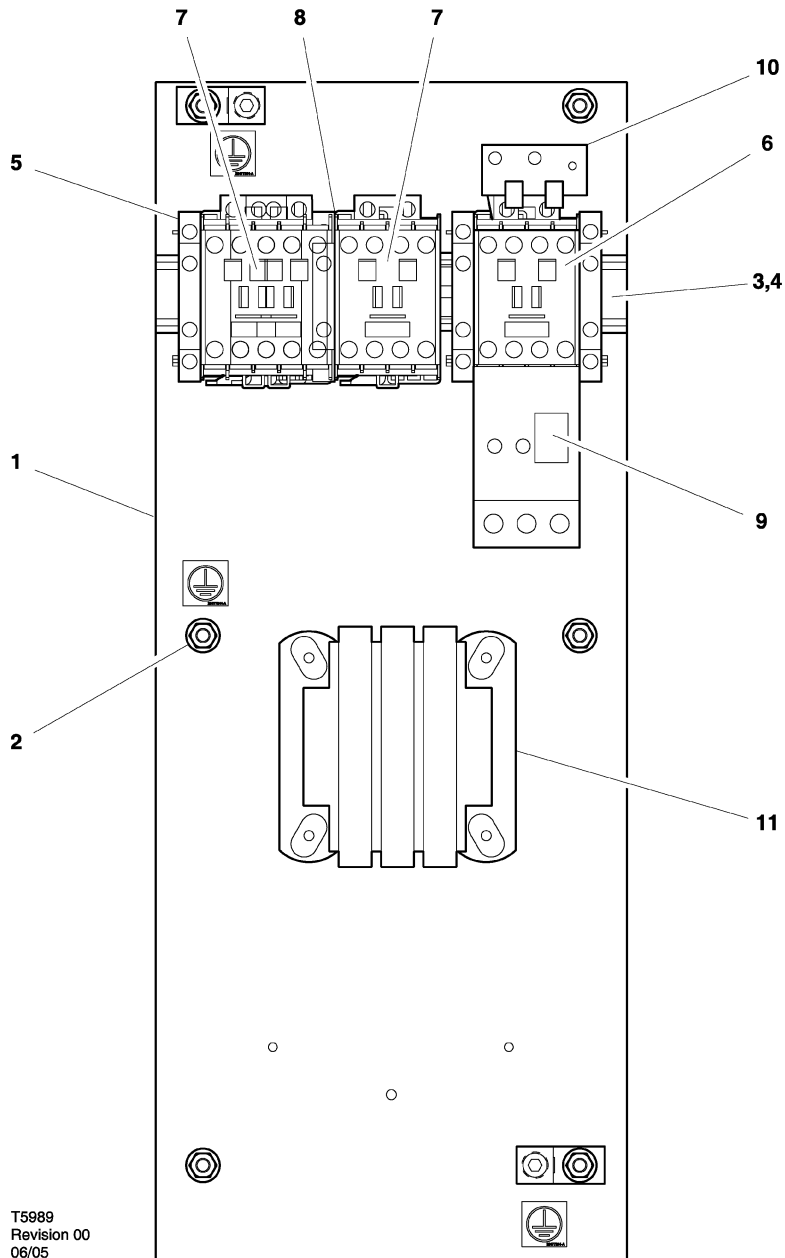
4kW
220V
50Hz
S/D



T5989
Revision 00
06/05

Item	ccn	Qty.	Description	Item	ccn	Qty.	Description
1	22413991	1	Panel	7	22395941	2	Contactors
2	96737564	6	Screw	8	22409031	1	Interlock, mechanical
3	22411987	1	Rail	9	22395958	1	Relay, overload
4	96714357	2	Screw	10	22218648	1	Timer
5	N/A			11	22395891	1	Transformer, fuse block
6	22395966	1	Contactors				

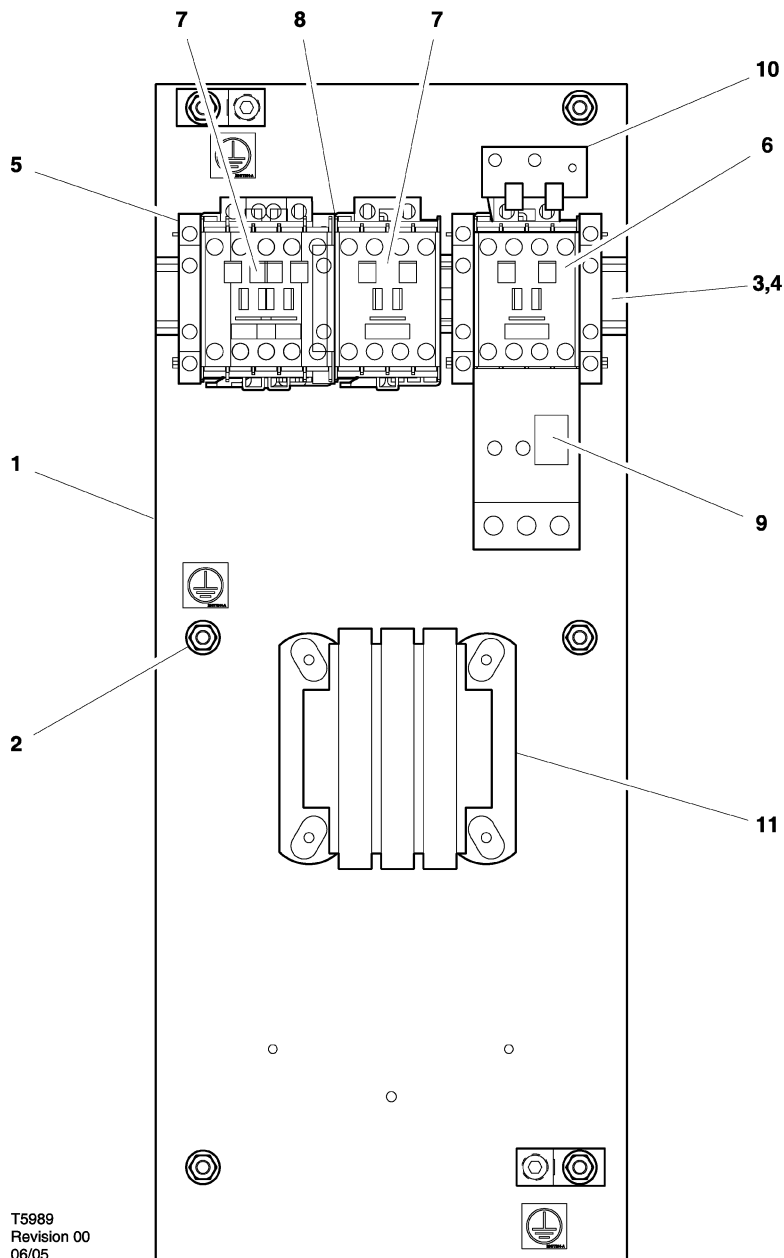
4kW
380/400/415V
50Hz
S/D



Item	ccn	Qty.	Description	Item	ccn	Qty.	Description
1	22413991	1	Panel	7	22395966	2	Contactors
2	96737564	6	Screw	8	22409031	1	Interlock, mechanical
3	22411987	1	Rail	9	22409429	1	Relay, overload
4	96714357	2	Screw	10	22218648	1	Timer
5	N/A			11	22409387	1	Transformer, fuse block
6	22395966	1	Contactors				

21 INSTRUMENTATION / ELECTRICAL SYSTEM

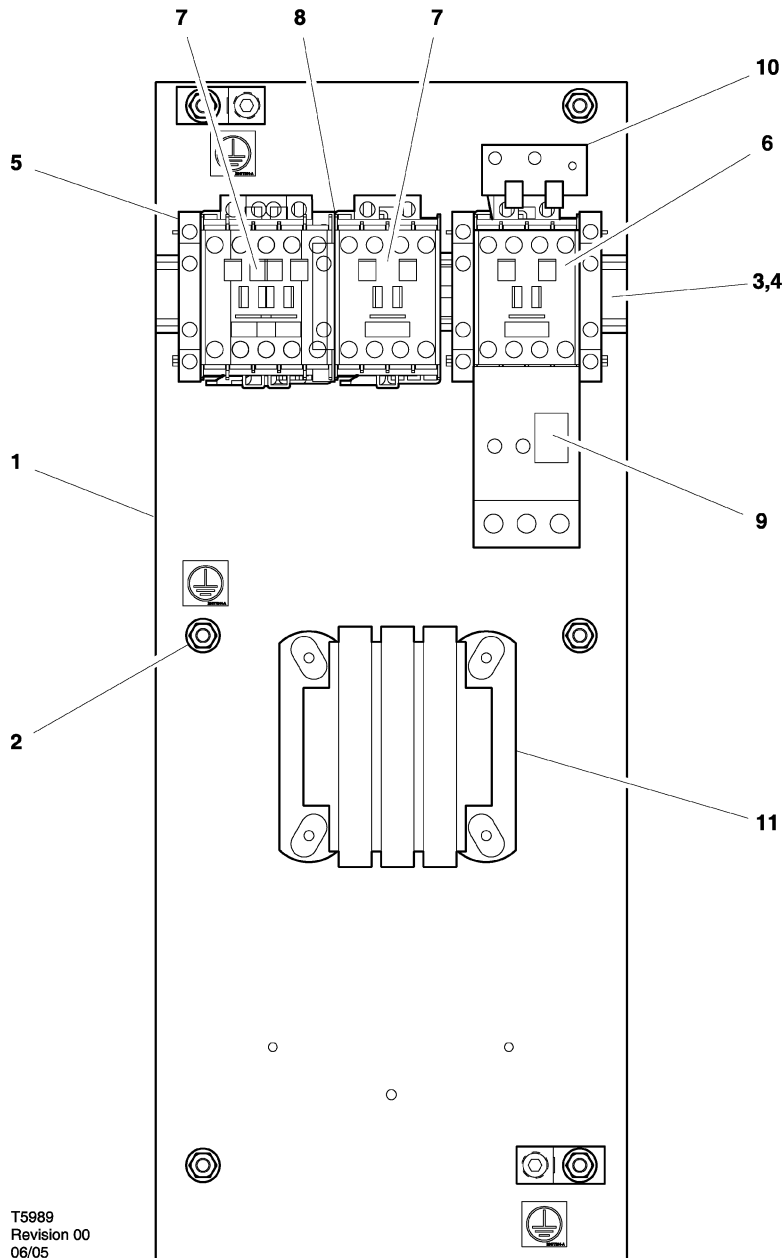
5.5kW
220V
50Hz
S/D



T5989
Revision 00
06/05

Item	ccn	Qty.	Description	Item	ccn	Qty.	Description
1	22413991	1	Panel	7	22395941	2	Contactors
2	96737564	6	Screw	8	22409031	1	Interlock, mechanical
3	22411987	1	Rail	9	22395958	1	Relay, overload
4	96714357	2	Screw	10	22218648	1	Timer
5	22132963	2	Contact, auxilliary	11	22395891	1	Transformer, fuse block
6	22395966	1	Contactors				

5.5kW
380/400/415V
50Hz
S/D

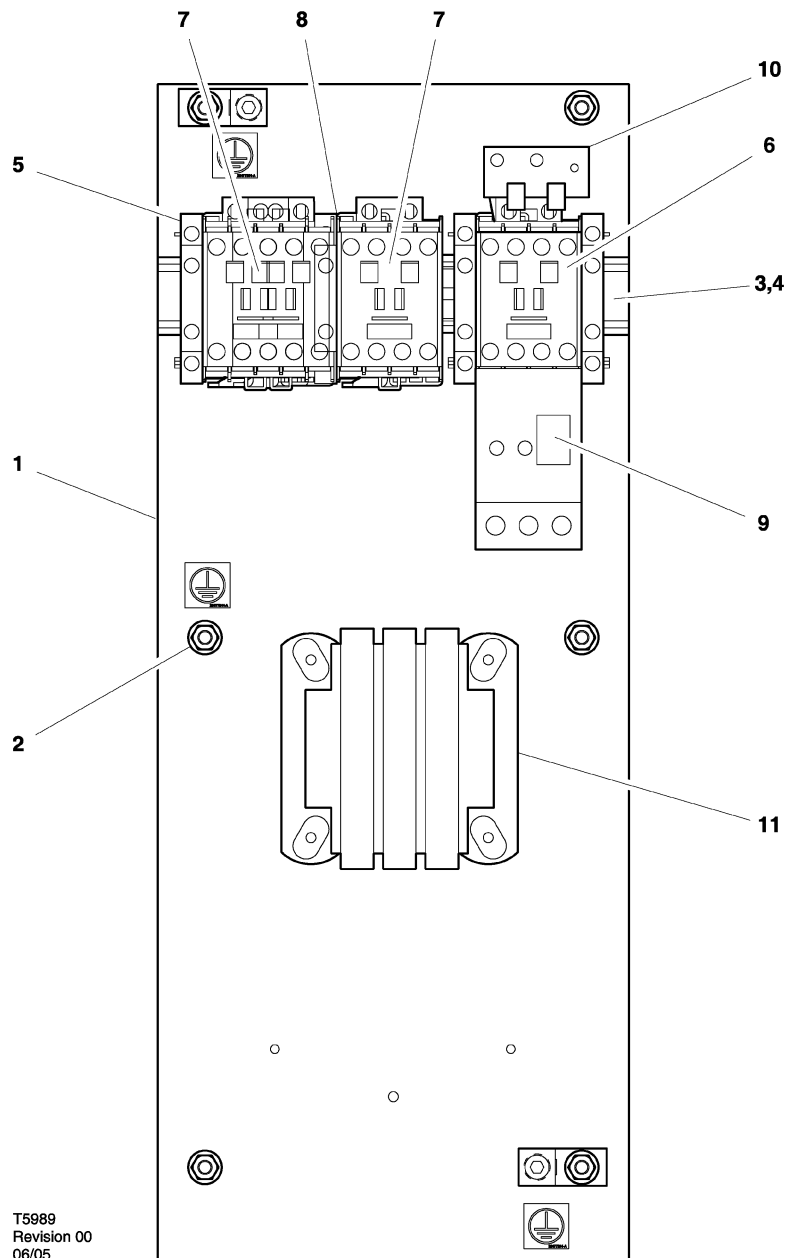


Item	ccn	Qty.	Description	Item	ccn	Qty.	Description
1	22413991	1	Panel	7	22395941	2	Contactors
2	96737564	6	Screw	8	22409031	1	Interlock, mechanical
3	22411987	1	Rail	9	22409411	1	Relay, overload
4	96714357	2	Screw	10	22218648	1	Timer
5	22132963	2	Contact, auxilliary	11	22409387	1	Transformer, fuse block
6	22395966	1	Contactors				

23

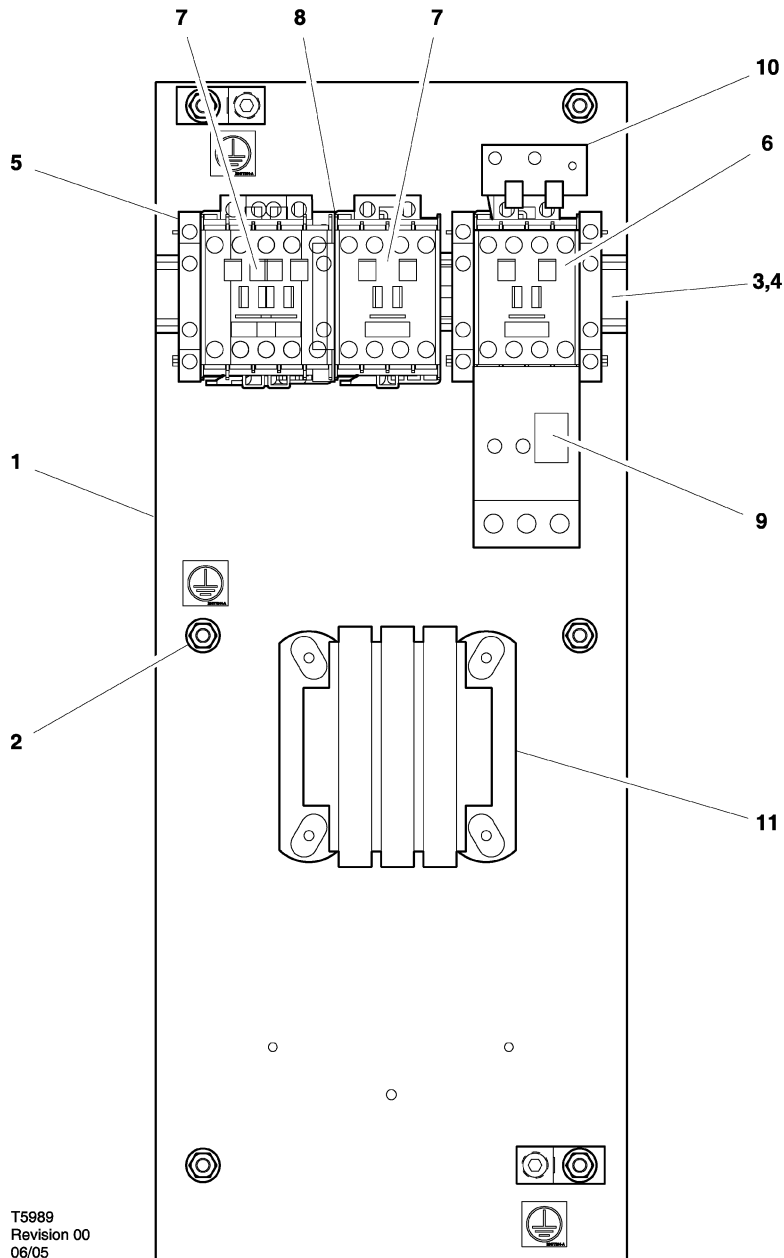
INSTRUMENTATION / ELECTRICAL SYSTEM

7.5kW
220V
50Hz
S/D



Item	ccn	Qty.	Description	Item	ccn	Qty.	Description
1	22413991	1	Panel	7	22384416	2	Contactors
2	96737564	6	Screw	8	22409031	1	Interlock, mechanical
3	22411987	1	Rail	9	22395917	1	Relay, overload
4	96714357	2	Screw	10	22218648	1	Timer
5	22132963	2	Contact, auxilliary	11	22395891	1	Transformer, fuse block
6	22384408	1	Contactors				

7.5kW
380/400/415V
50Hz
S/D

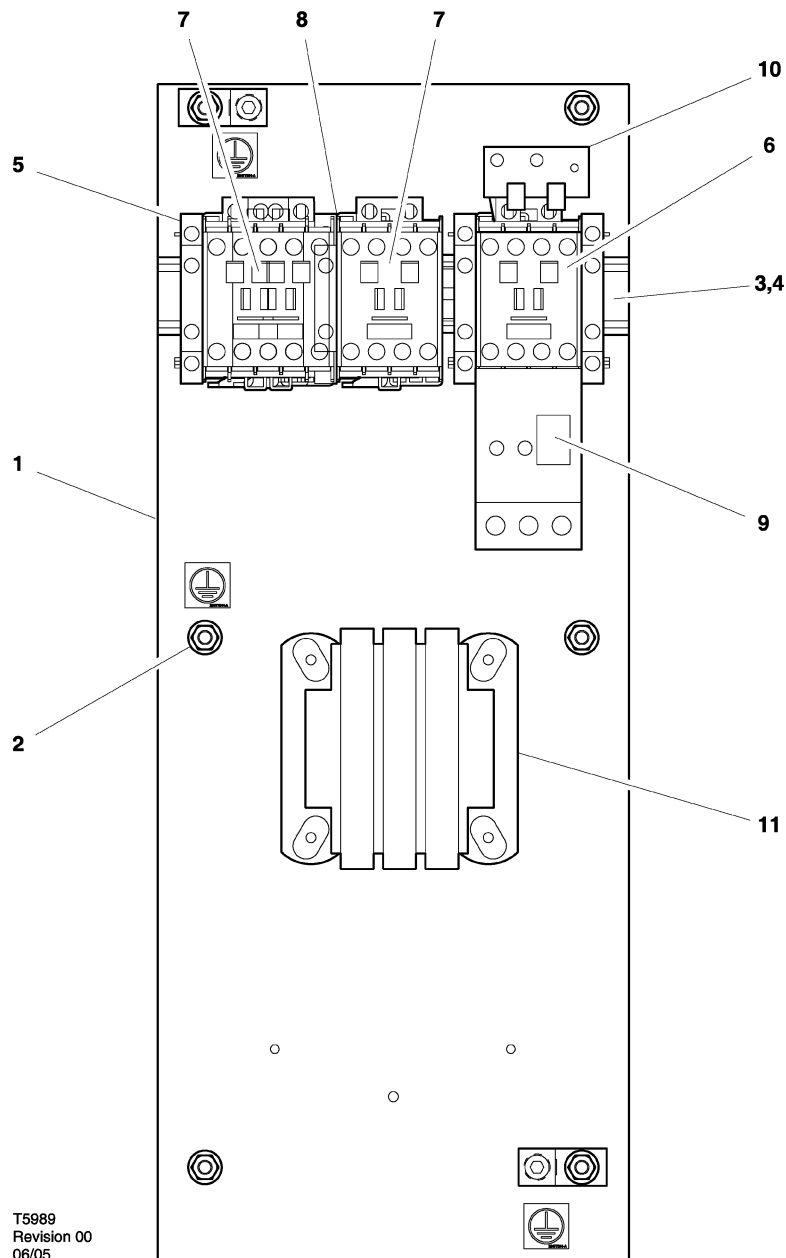


Item	ccn	Qty.	Description	Item	ccn	Qty.	Description
1	22413991	1	Panel	7	22395941	2	Contactors
2	96737564	6	Screw	8	22409031	1	Interlock, mechanical
3	22411987	1	Rail	9	22395958	1	Relay, overload
4	96714357	2	Screw	10	22218648	1	Timer
5	22132963	2	Contact, auxilliary	11	22409387	1	Transformer, fuse block
6	22395966	1	Contactors				

25

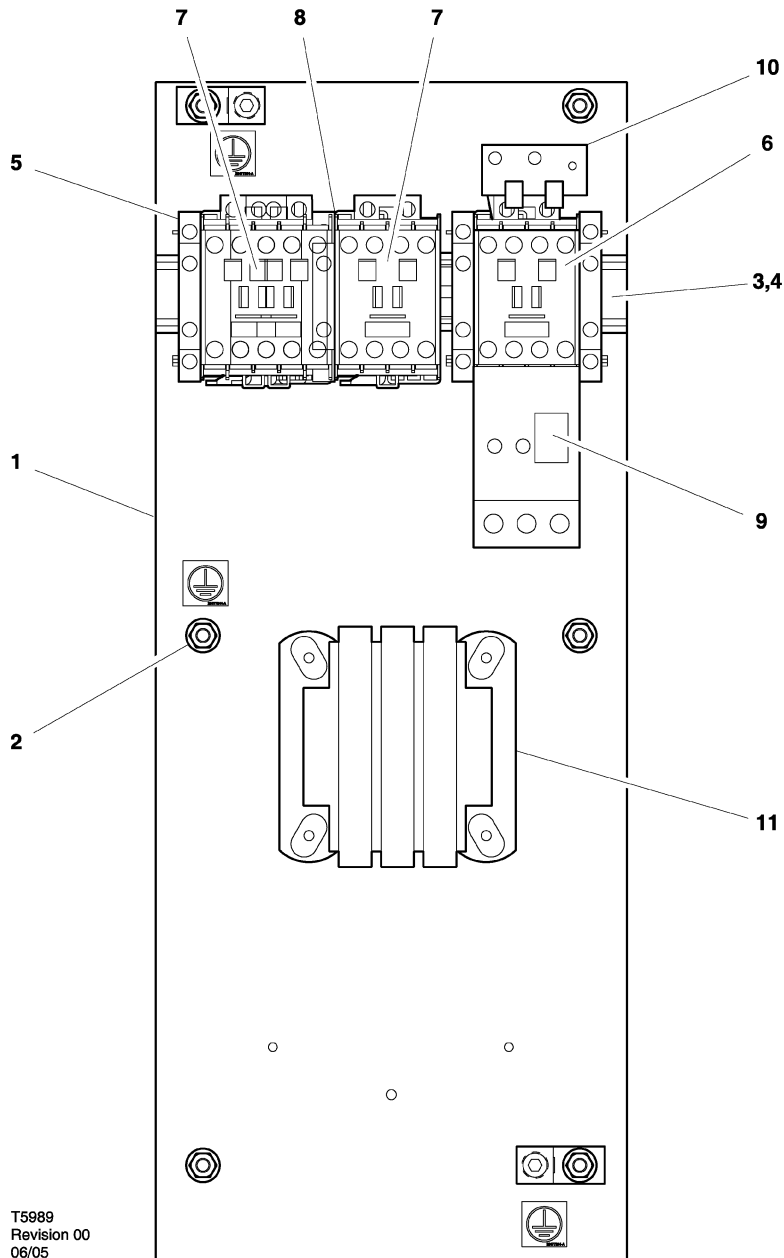
INSTRUMENTATION / ELECTRICAL SYSTEM

11kW
220V
50Hz
S/D



Item	ccn	Qty.	Description	Item	ccn	Qty.	Description
1	22413991	1	Panel	7	22384416	2	Contactors
2	96737564	6	Screw	8	22409031	1	Interlock, mechanical
3	22411987	1	Rail	9	22395917	1	Relay, overload
4	96714357	2	Screw	10	22218648	1	Timer
5	22132963	2	Contact, auxilliary	11	22395891	1	Transformer, fuse block
6	22384408	1	Contactors				

11kW
380/400/415V
50Hz
S/D

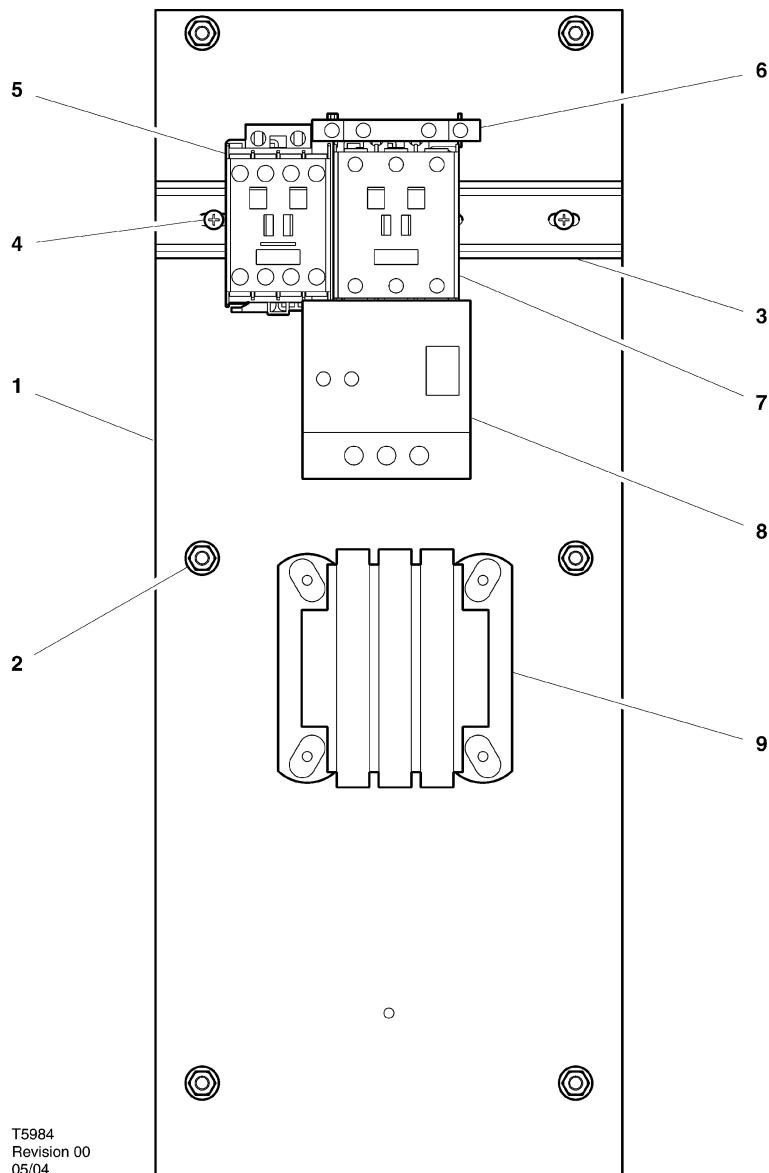


Item	ccn	Qty.	Description	Item	ccn	Qty.	Description
1	22413991	1	Panel	7	22384408	2	Contactors
2	96737564	6	Screw	8	22409031	1	Interlock, mechanical
3	22411987	1	Rail	9	22395933	1	Relay, overload
4	96714357	2	Screw	10	22218648	1	Timer
5	22132963	2	Contact, auxilliary	11	22409387	1	Transformer, fuse block
6	22395941	1	Contactors				

27

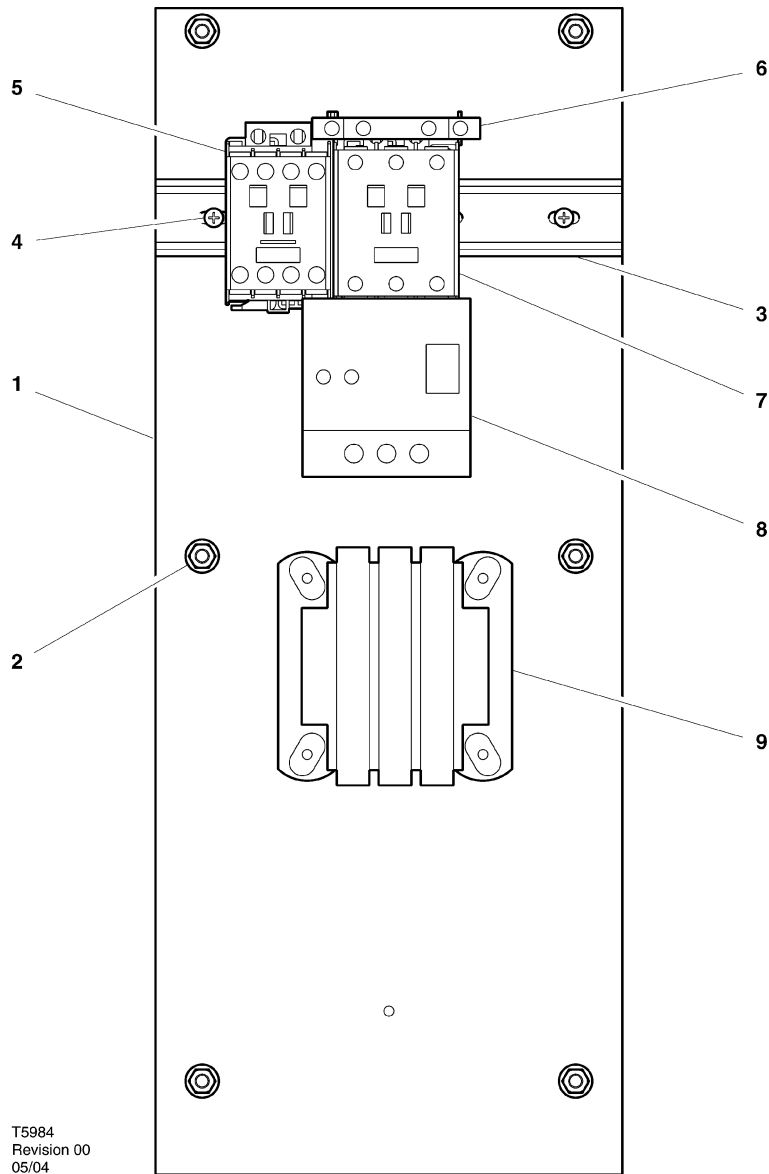
INSTRUMENTATION / ELECTRICAL SYSTEM

5HP
200V 1PH
60Hz
F.V.



Item	ccn	Qty.	Description	Item	ccn	Qty.	Description
1	22413991	1	Panel	6	N/A		
2	96737564	6	Screw	7	22384424	1	Contactor
3	22411987	1	Rail	8	22395925	1	Relay, overload
4	96714357	2	Screw	9	22410724	1	Transformer, fuse block
5	N/A						

5HP
230V 1PH
60Hz
F.V.

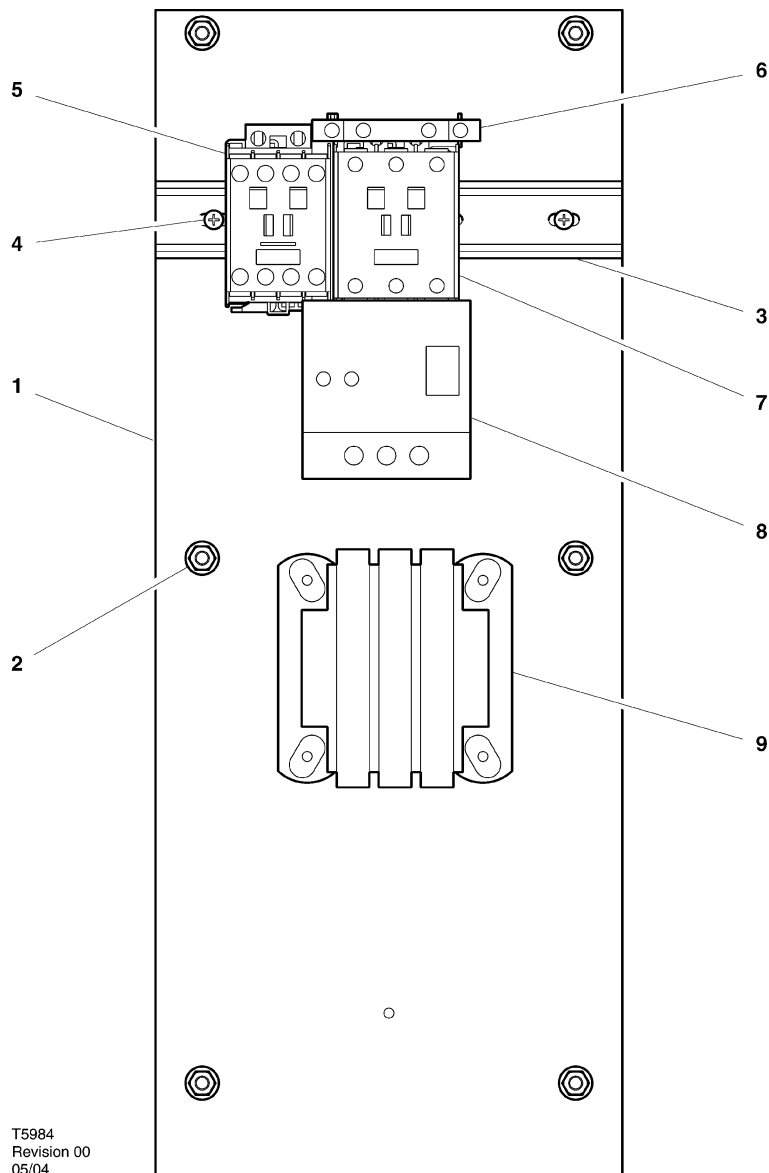


Item	ccn	Qty.	Description	Item	ccn	Qty.	Description
1	22413991	1	Panel	6	N/A		
2	96737564	6	Screw	7	22384424	1	Contactors
3	22411987	1	Rail	8	22395925	1	Relay, overload
4	96714357	2	Screw	9	22395891	1	Transformer, fuse block
5	N/A						

29

INSTRUMENTATION / ELECTRICAL SYSTEM

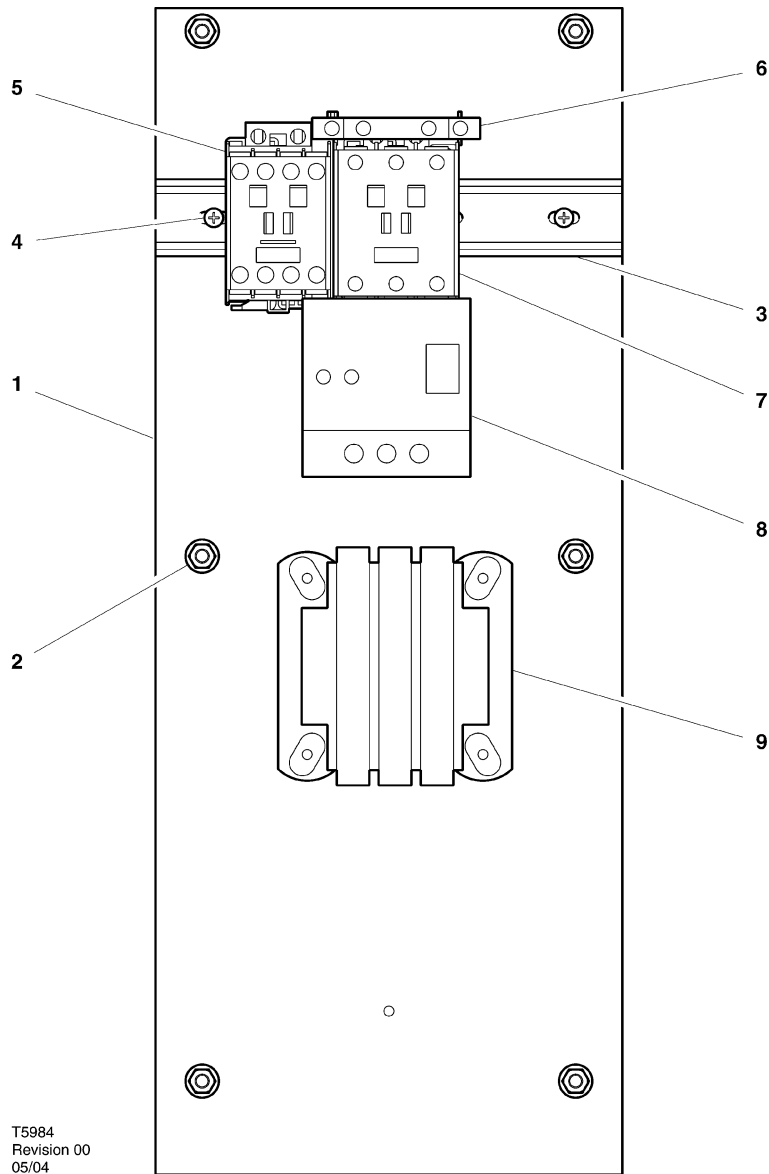
7.5HP
230V 1PH
60Hz
F.V.



T5984
Revision 00
05/04

Item	ccn	Qty.	Description	Item	ccn	Qty.	Description
1	22413991	1	Panel	6	N/A		
2	96737564	6	Screw	7	22384432	1	Contactor
3	22411987	1	Rail	8	22395883	1	Relay, overload
4	96714357	2	Screw	9	22395891	1	Transformer, fuse block
5	N/A						

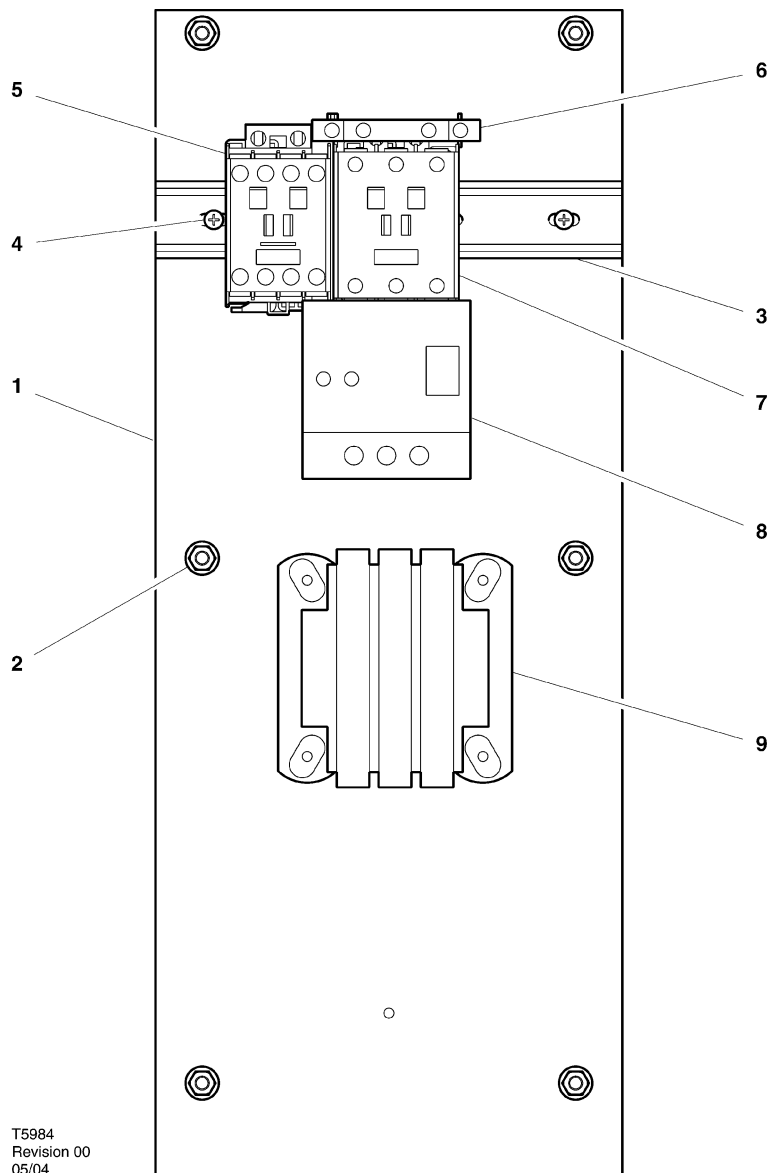
5HP
200V
60Hz
F.V.



Item	ccn	Qty.	Description	Item	ccn	Qty.	Description
1	22413991	1	Panel	6	22132963	1	Contact, auxilliary
2	96737564	6	Screw	7	22384408	1	Contact (43A)
3	22411987	1	Rail	8	22395933	1	Relay, overload
4	96714357	2	Screw	9	22410724	1	Transformer, fuse block
5	39255559	1	Relay, control				

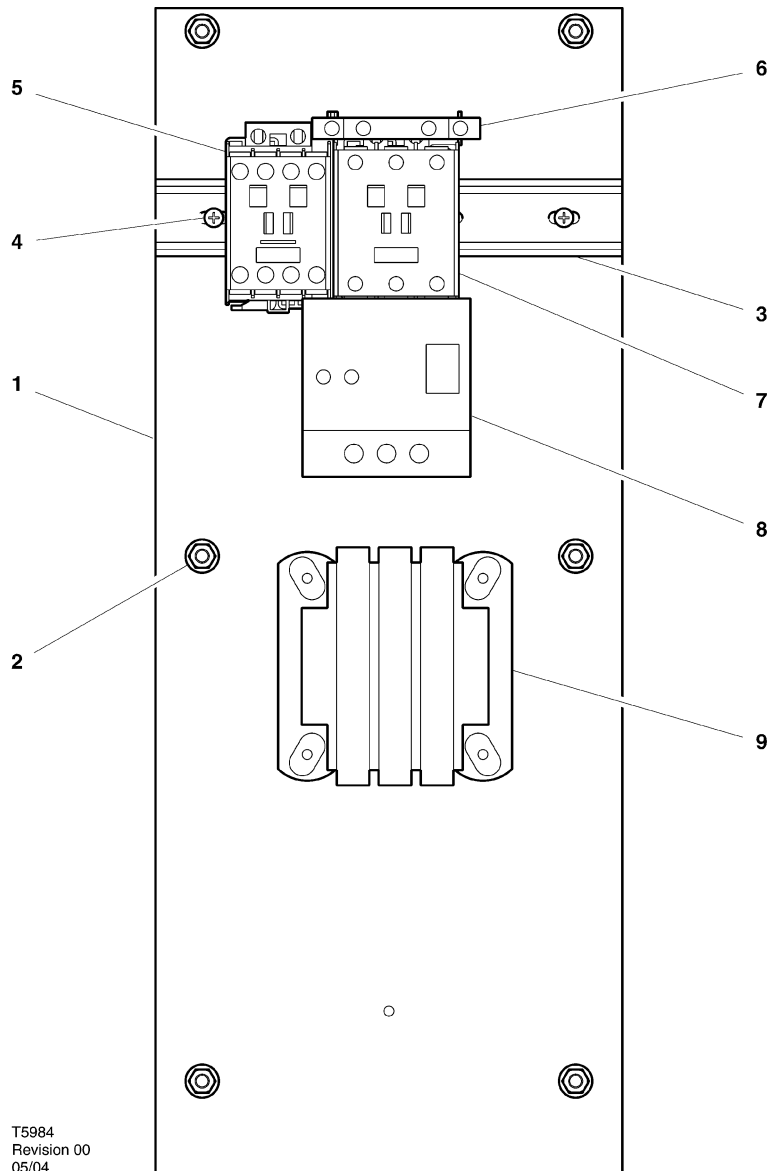
31 INSTRUMENTATION / ELECTRICAL SYSTEM

5HP
230V
60Hz
F.V.



Item	ccn	Qty.	Description	Item	ccn	Qty.	Description
1	22413991	1	Panel	6	22132963	1	Contact, auxilliary
2	96737564	6	Screw	7	22384408	1	Contactor (43A)
3	22411987	1	Rail	8	22395933	1	Relay, overload
4	96714357	2	Screw	9	22395891	1	Transformer, fuse block
5	39255559	1	Relay, control				

5HP
380V
60Hz
F.V.

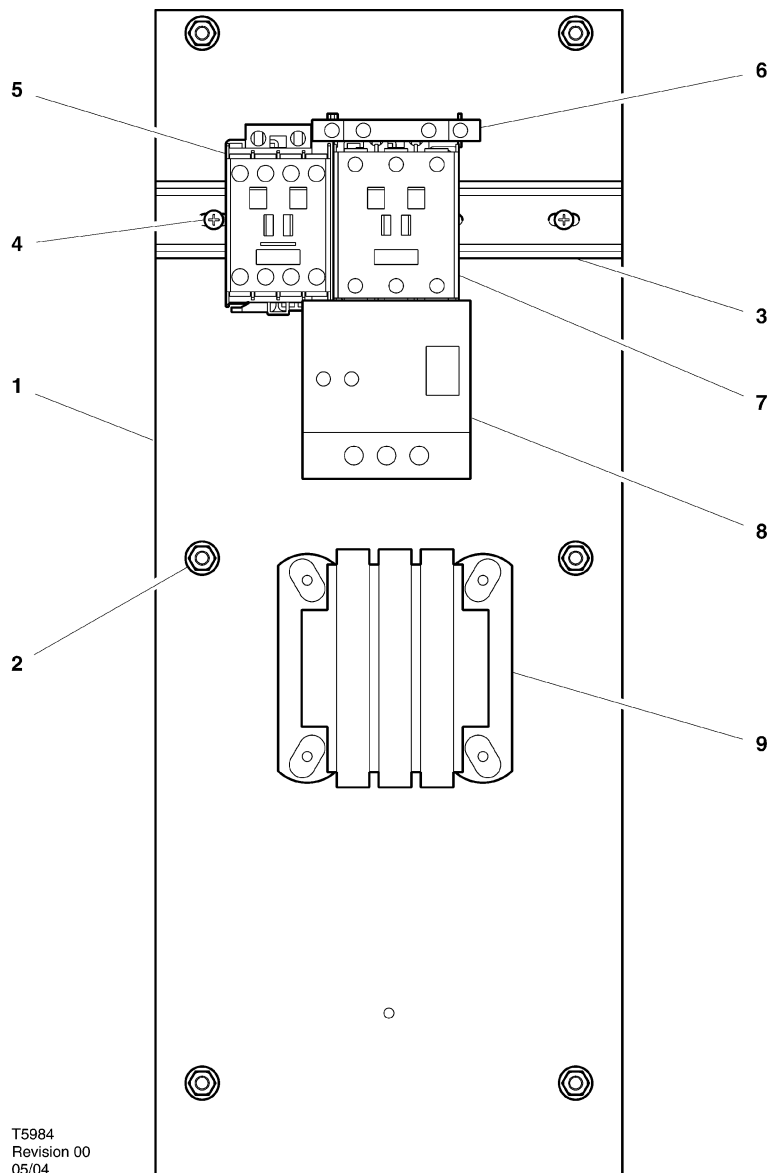


Item	ccn	Qty.	Description	Item	ccn	Qty.	Description
1	22413991	1	Panel	6	N/A		
2	96737564	6	Screw	7	22395966	1	Contactor
3	22411987	1	Rail	8	22409411	1	Relay, overload
4	96714357	2	Screw	9	22409387	1	Transformer, fuse block
5	N/A						

33

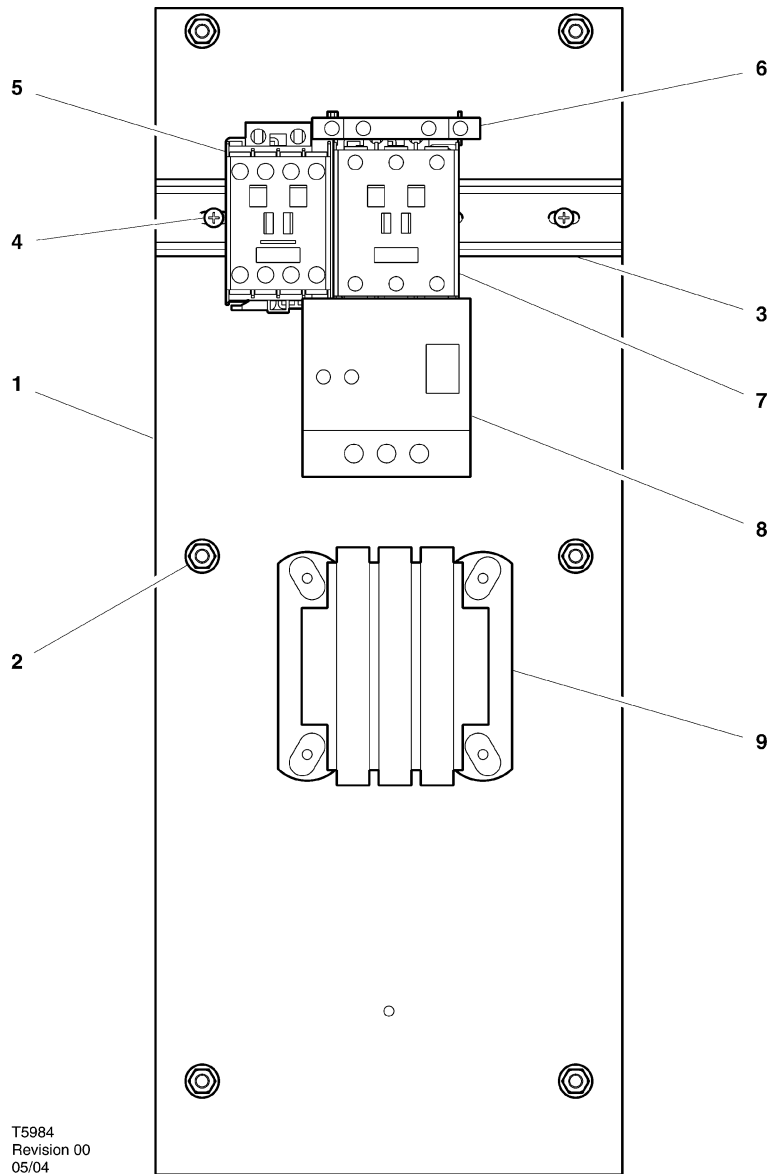
INSTRUMENTATION / ELECTRICAL SYSTEM

5HP
460V
60Hz
F.V.



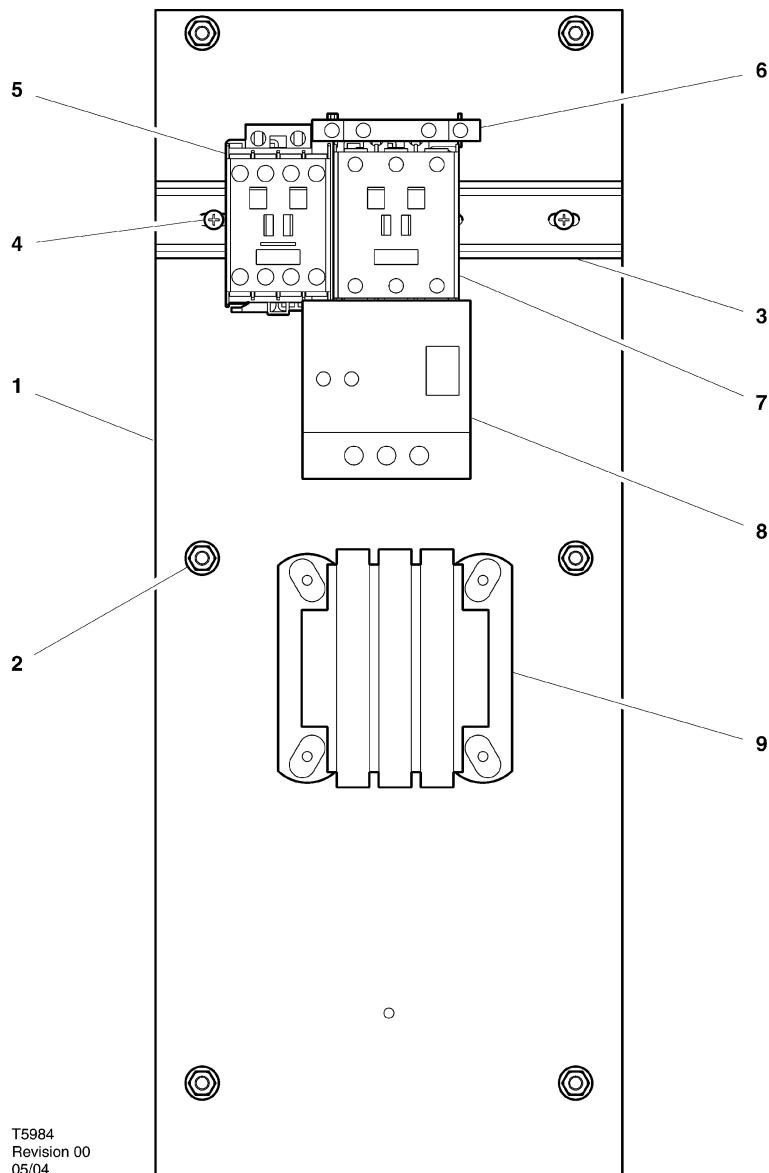
Item	ccn	Qty.	Description	Item	ccn	Qty.	Description
1	22413991	1	Panel	6	22132963	1	Contact, auxilliary
2	96737564	6	Screw	7	22395966	1	Contactor (43A)
3	22411987	1	Rail	8	22395958	1	Relay, overload
4	96714357	2	Screw	9	22395891	1	Transformer, fuse block
5	39255559	1	Relay, control				

5HP
575V
60Hz
F.V.



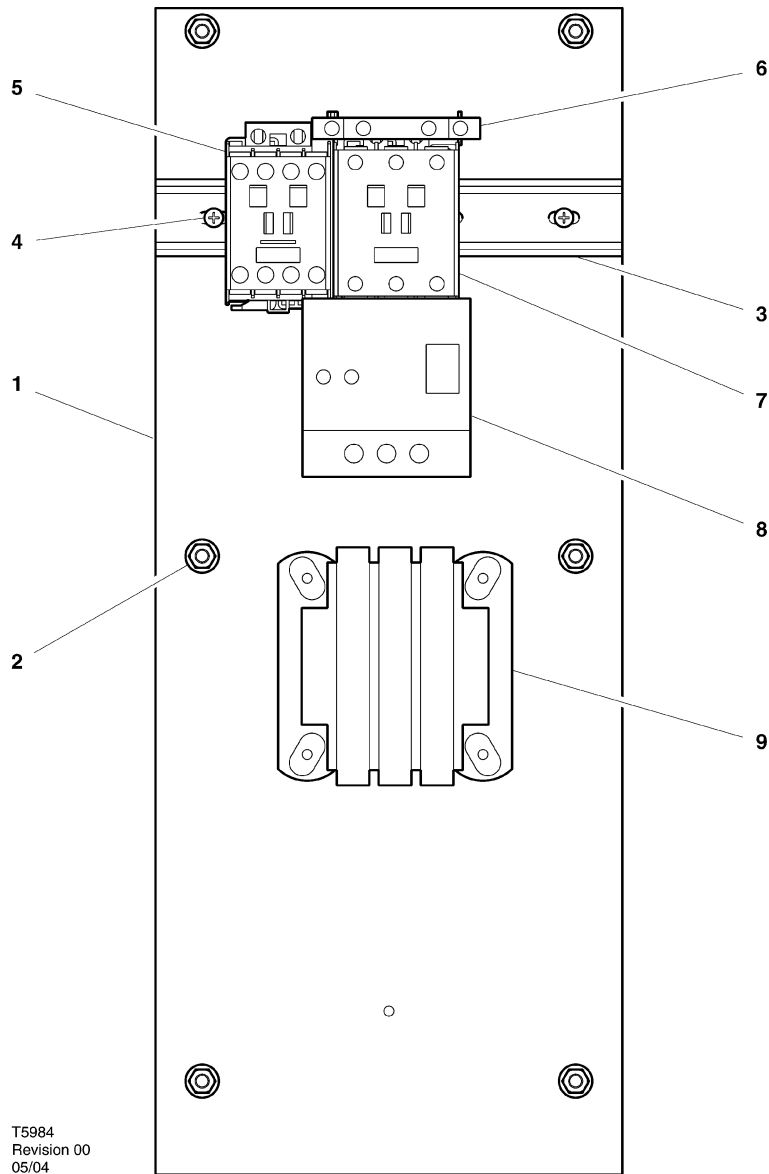
Item	ccn	Qty.	Description	Item	ccn	Qty.	Description
1	22413991	1	Panel	6	22132963	1	Contact, auxilliary
2	96737564	6	Screw	7	22395966	1	Contactor (43A)
3	22411987	1	Rail	8	22409411	1	Relay, overload
4	96714357	2	Screw	9	22410732	1	Transformer, fuse block
5	39255559	1	Relay, control				

7.5HP
200V
60Hz
F.V.



Item	ccn	Qty.	Description	Item	ccn	Qty.	Description
1	22413991	1	Panel	6	22132963	1	Contact, auxilliary
2	96737564	6	Screw	7	22384424	1	Contactor (43A)
3	22411987	1	Rail	8	22395925	1	Relay, overload
4	96714357	2	Screw	9	22410724	1	Transformer, fuse block
5	39255559	1	Relay, control				

7.5HP
230V
60Hz
F.V.

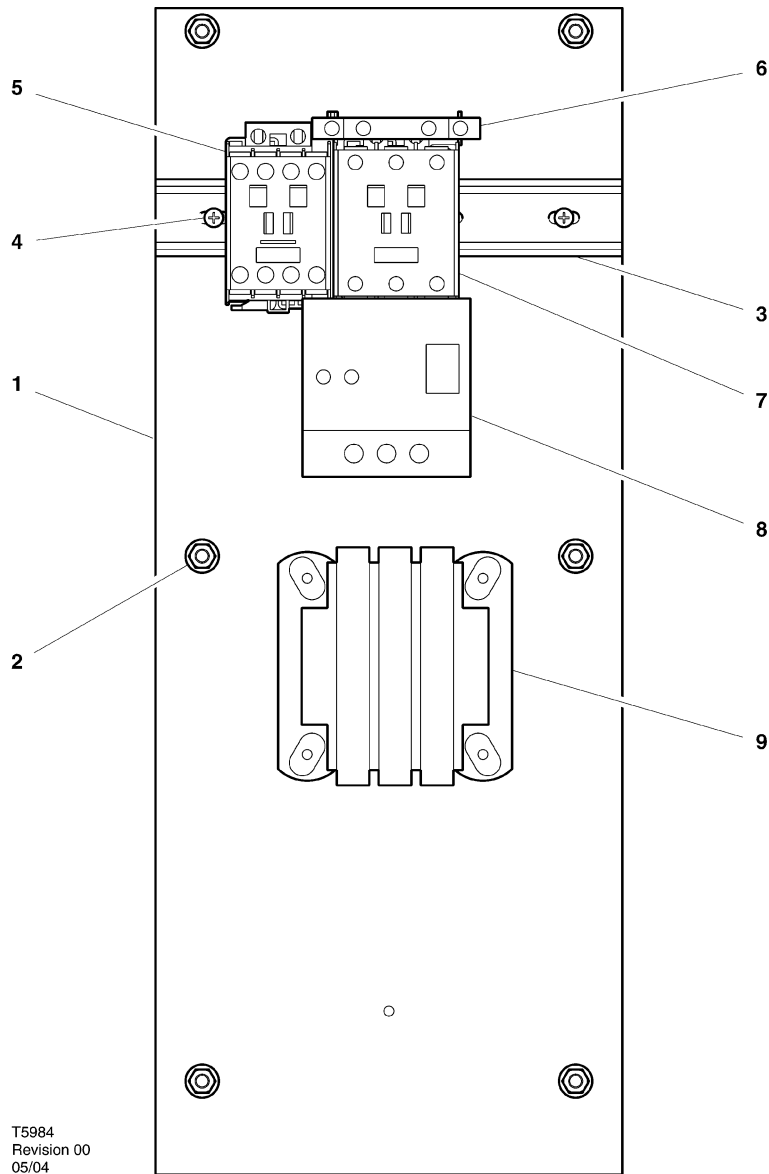


Item	ccn	Qty.	Description	Item	ccn	Qty.	Description
1	22413991	1	Panel	6	22132963	1	Contact, auxilliary
2	96737564	6	Screw	7	22384416	1	Contactur (43A)
3	22411987	1	Rail	8	22395917	1	Relay, overload
4	96714357	2	Screw	9	22395891	1	Transformer, fuse block
5	39255559	1	Relay, control				

37

INSTRUMENTATION / ELECTRICAL SYSTEM

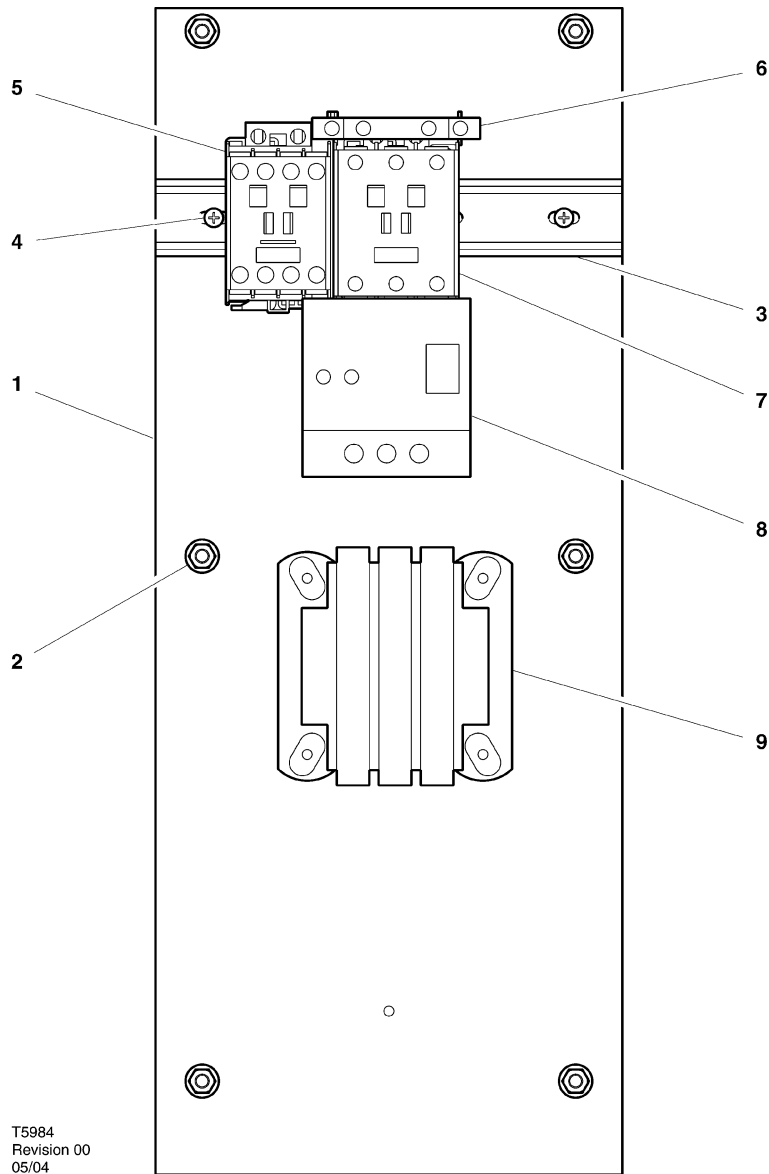
7.5HP
380V
60Hz
F.V.



T5984
Revision 00
05/04

Item	ccn	Qty.	Description	Item	ccn	Qty.	Description
1	22413991	1	Panel	6	N/A		
2	96737564	6	Screw	7	22384408	1	Contactors
3	22411987	1	Rail	8	22395917	1	Relay, overload
4	96714357	2	Screw	9	22409387	1	Transformer, fuse block
5	N/A						

7.5HP
460V
60Hz
F.V.

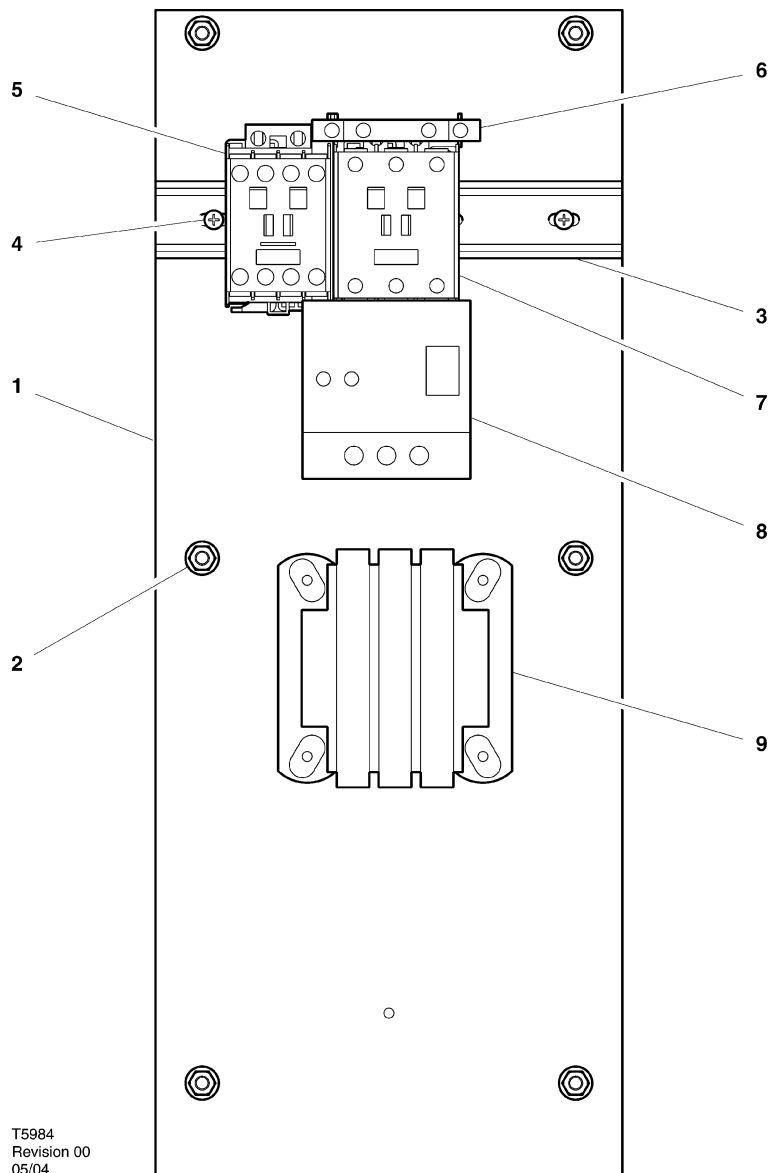


Item	ccn	Qty.	Description	Item	ccn	Qty.	Description
1	22413991	1	Panel	6	22132963	1	Contact, auxilliary
2	96737564	6	Screw	7	22395941	1	Contactur (43A)
3	22411987	1	Rail	8	22395958	1	Relay, overload
4	96714357	2	Screw	9	22395891	1	Transformer, fuse block
5	39255559	1	Relay, control				

39

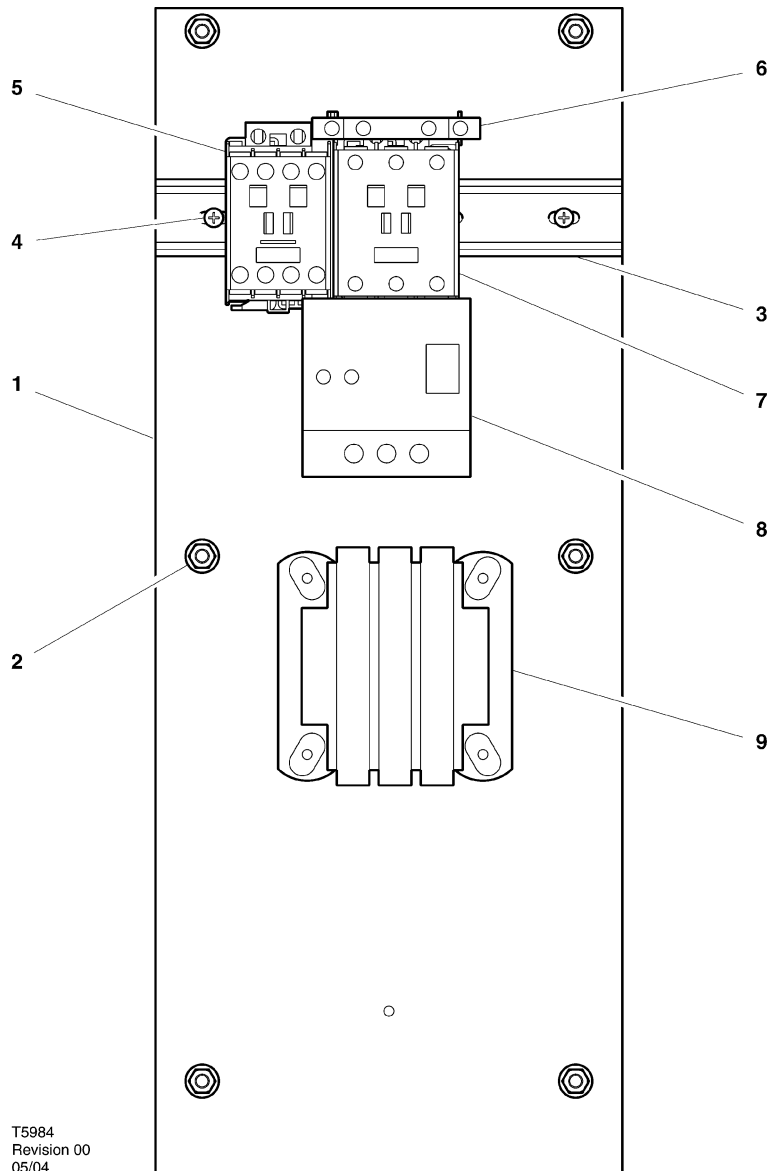
INSTRUMENTATION / ELECTRICAL SYSTEM

7.5HP
575V
60Hz
F.V.



Item	ccn	Qty.	Description	Item	ccn	Qty.	Description
1	22413991	1	Panel	6	22132963	1	Contact, auxilliary
2	96737564	6	Screw	7	22395966	1	Contactore (43A)
3	22411987	1	Rail	8	22395958	1	Relay, overload
4	96714357	2	Screw	9	22410732	1	Transformer, fuse block
5	39255559	1	Relay, control				

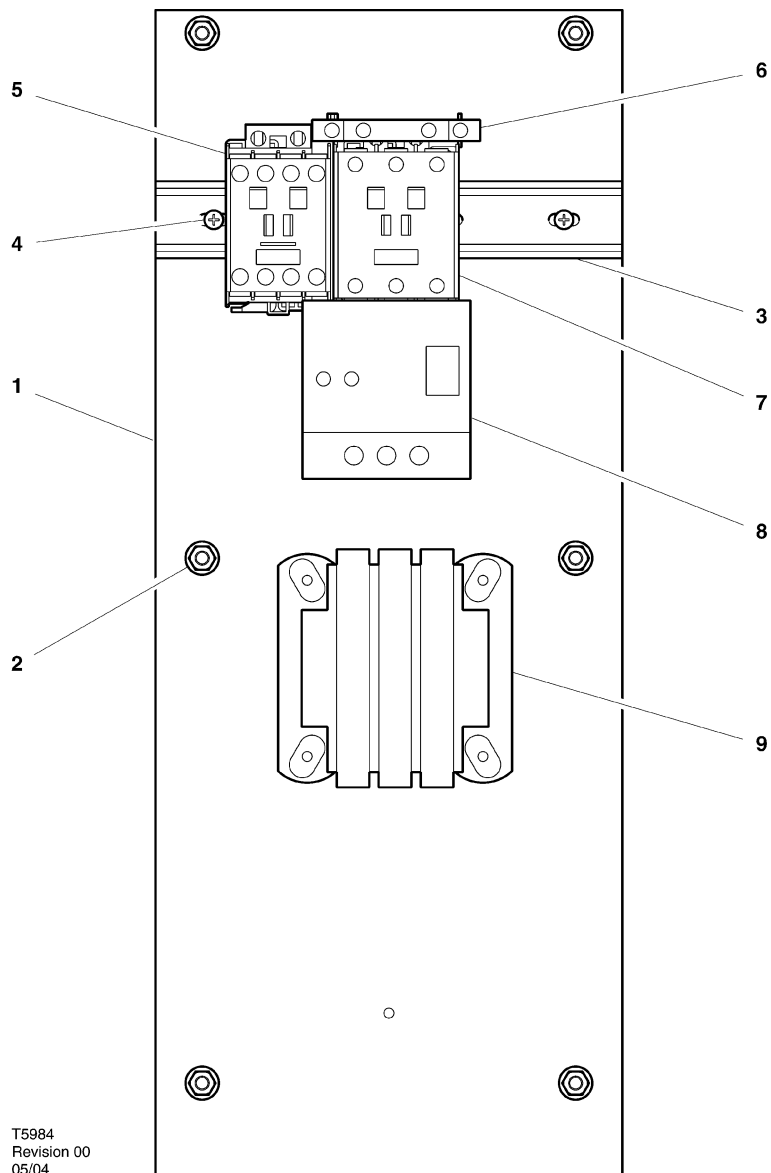
10HP
200V
60Hz
F.V.



Item	ccn	Qty.	Description	Item	ccn	Qty.	Description
1	22413991	1	Panel	6	22132963	1	Contact, auxilliary
2	96737564	6	Screw	7	22384424	1	Contactor (43A)
3	22411987	1	Rail	8	22395925	1	Relay, overload
4	96714357	2	Screw	9	22410724	1	Transformer, fuse block
5	39255559	1	Relay, control				

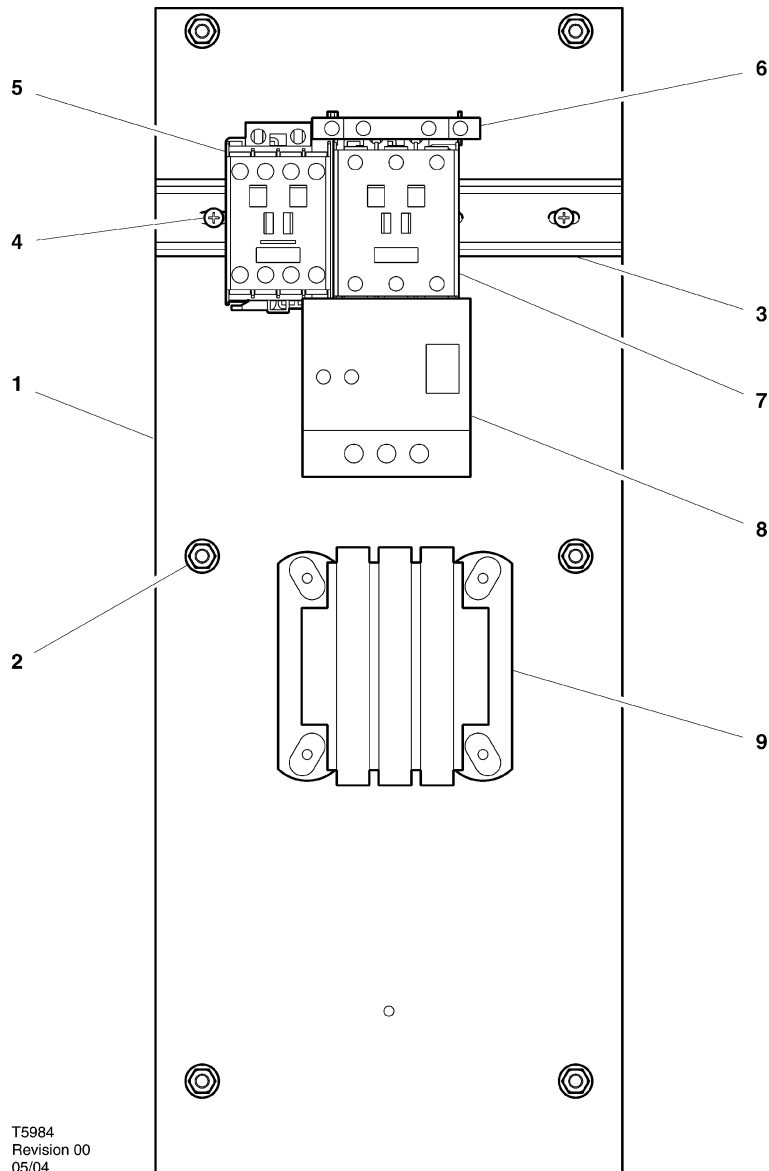
41 INSTRUMENTATION / ELECTRICAL SYSTEM

10HP
230V
60Hz
F.V.



Item	ccn	Qty.	Description	Item	ccn	Qty.	Description
1	22413991	1	Panel	6	22132963	1	Contact, auxilliary
2	96737564	6	Screw	7	22384424	1	Contactor (43A)
3	22411987	1	Rail	8	22395925	1	Relay, overload
4	96714357	2	Screw	9	22395891	1	Transformer, fuse block
5	39255559	1	Relay, control				

10HP
380V
60Hz
F.V.

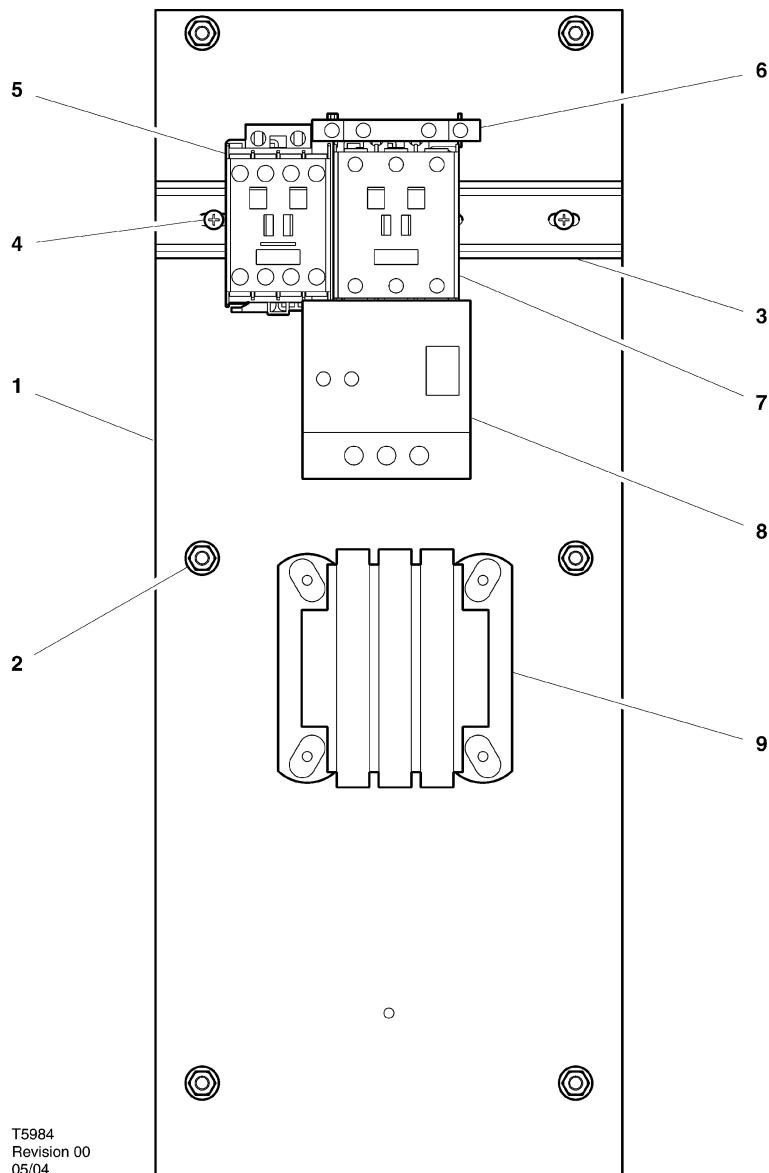


Item	ccn	Qty.	Description	Item	ccn	Qty.	Description
1	22413991	1	Panel	6	N/A		
2	96737564	6	Screw	7	22384416	1	Contactor
3	22411987	1	Rail	8	22395917	1	Relay, overload
4	96714357	2	Screw	9	22409387	1	Transformer, fuse block
5	N/A						

43

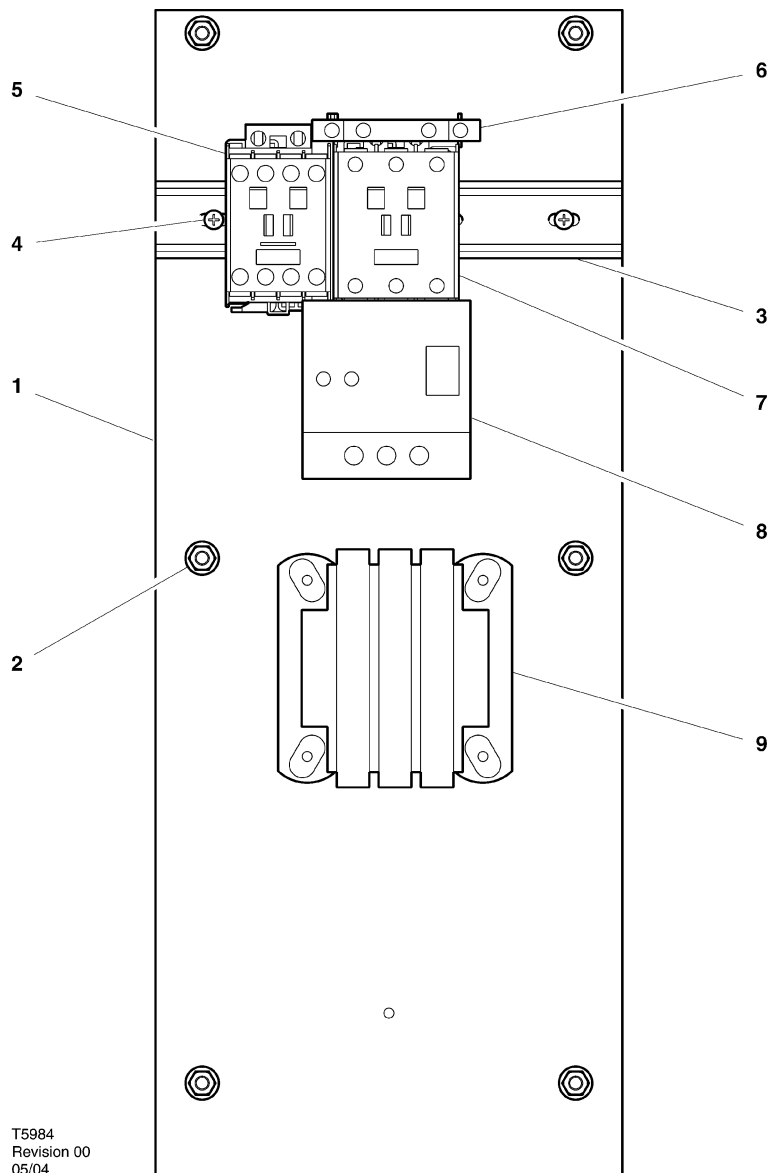
INSTRUMENTATION / ELECTRICAL SYSTEM

10HP
460V
60Hz
F.V.



Item	ccn	Qty.	Description	Item	ccn	Qty.	Description
1	22413991	1	Panel	6	22132963	1	Contact, auxilliary
2	96737564	6	Screw	7	22384408	1	Contactur (43A)
3	22411987	1	Rail	8	22395933	1	Relay, overload
4	96714357	2	Screw	9	22395891	1	Transformer, fuse block
5	39255559	1	Relay, control				

10HP
575V
60Hz
F.V.

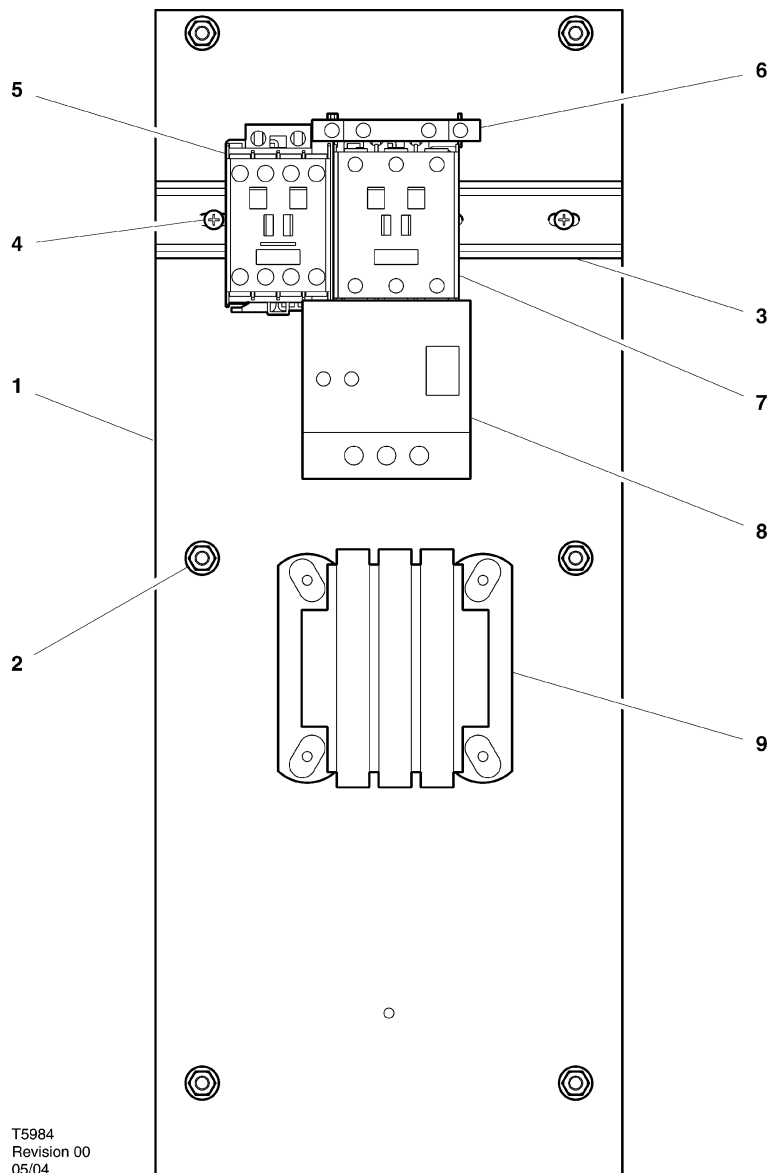


Item	ccn	Qty.	Description	Item	ccn	Qty.	Description
1	22413991	1	Panel	6	22132963	1	Contact, auxilliary
2	96737564	6	Screw	7	22395941	1	Contactur (43A)
3	22411987	1	Rail	8	22395958	1	Relay, overload
4	96714357	2	Screw	9	22410732	1	Transformer, fuse block
5	39255559	1	Relay, control				

45

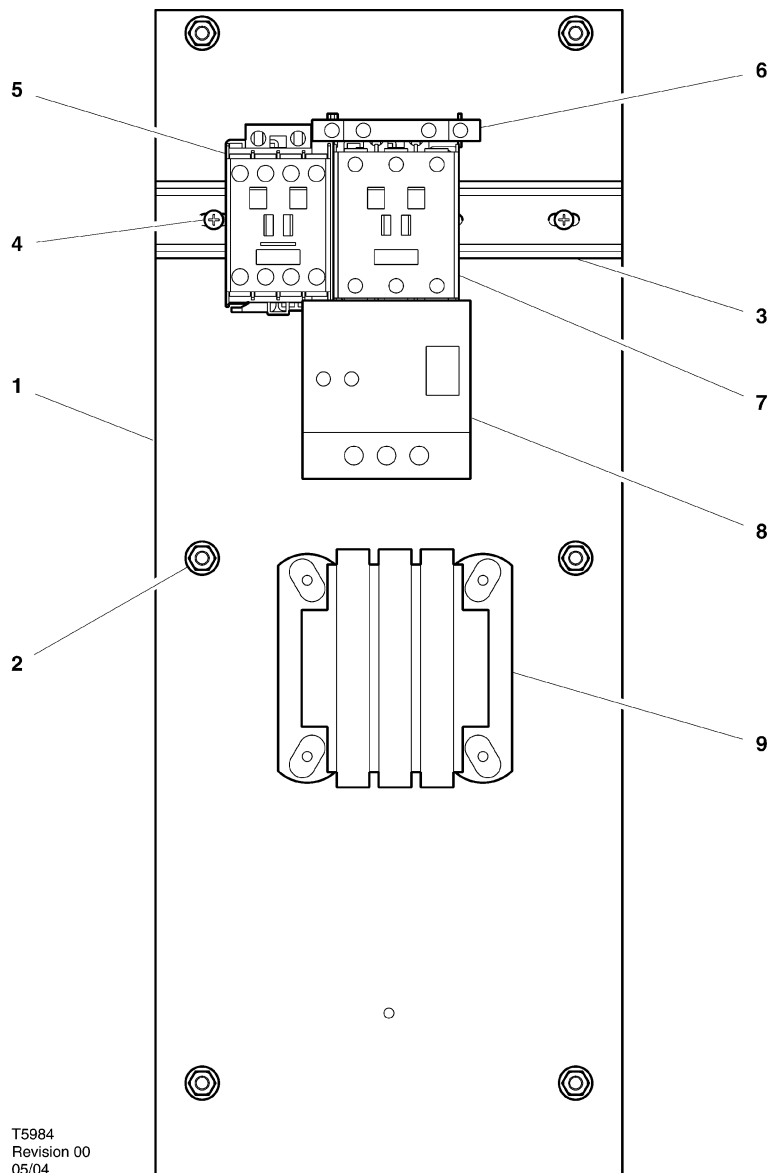
INSTRUMENTATION / ELECTRICAL SYSTEM

15HP
200V
60Hz
F.V.



Item	ccn	Qty.	Description	Item	ccn	Qty.	Description
1	22413991	1	Panel	6	22132963	1	Contact, auxilliary
2	96737564	6	Screw	7	22384457	1	Contactor (43A)
3	22411987	1	Rail	8	22410716	1	Relay, overload
4	96714357	2	Screw	9	22410724	1	Transformer, fuse block
5	39255559	1	Relay, control				

15HP
230V
60Hz
F.V.

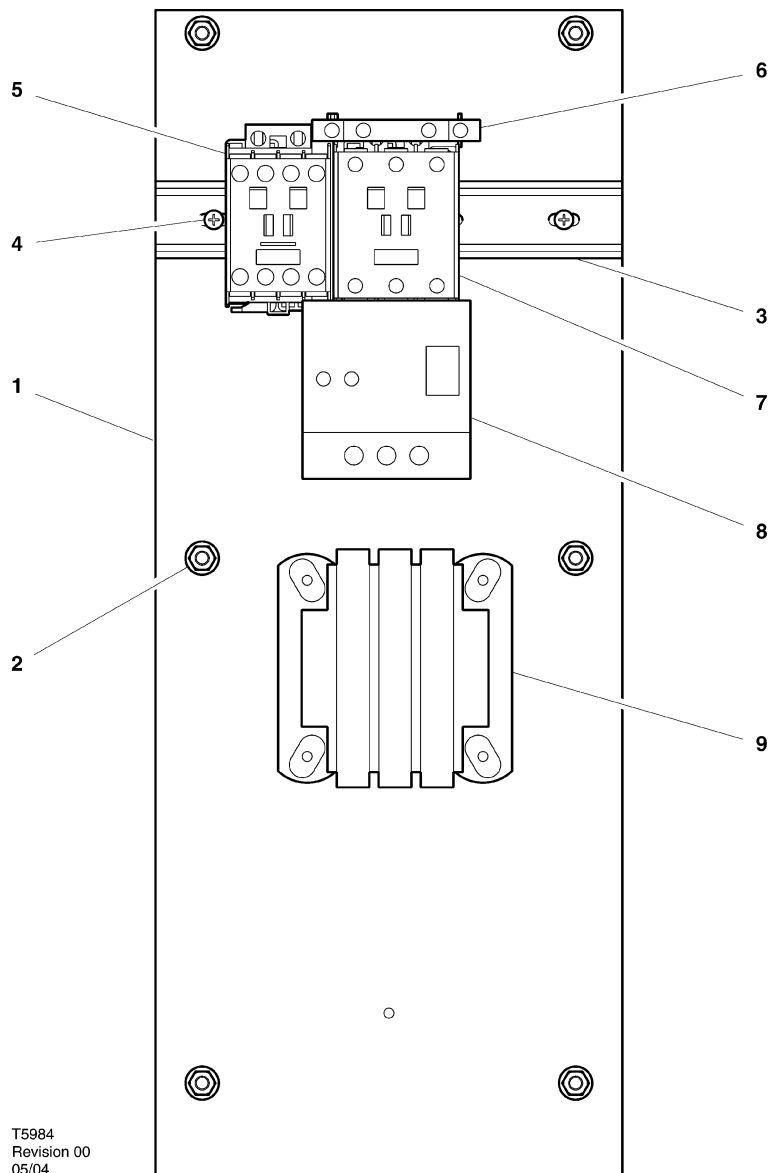


Item	ccn	Qty.	Description	Item	ccn	Qty.	Description
1	22413991	1	Panel	6	22132963	1	Contact, auxilliary
2	96737564	6	Screw	7	22384440	1	Contactur (43A)
3	22411987	1	Rail	8	22395883	1	Relay, overload
4	96714357	2	Screw	9	22395891	1	Transformer, fuse block
5	39255559	1	Relay, control				

47

INSTRUMENTATION / ELECTRICAL SYSTEM

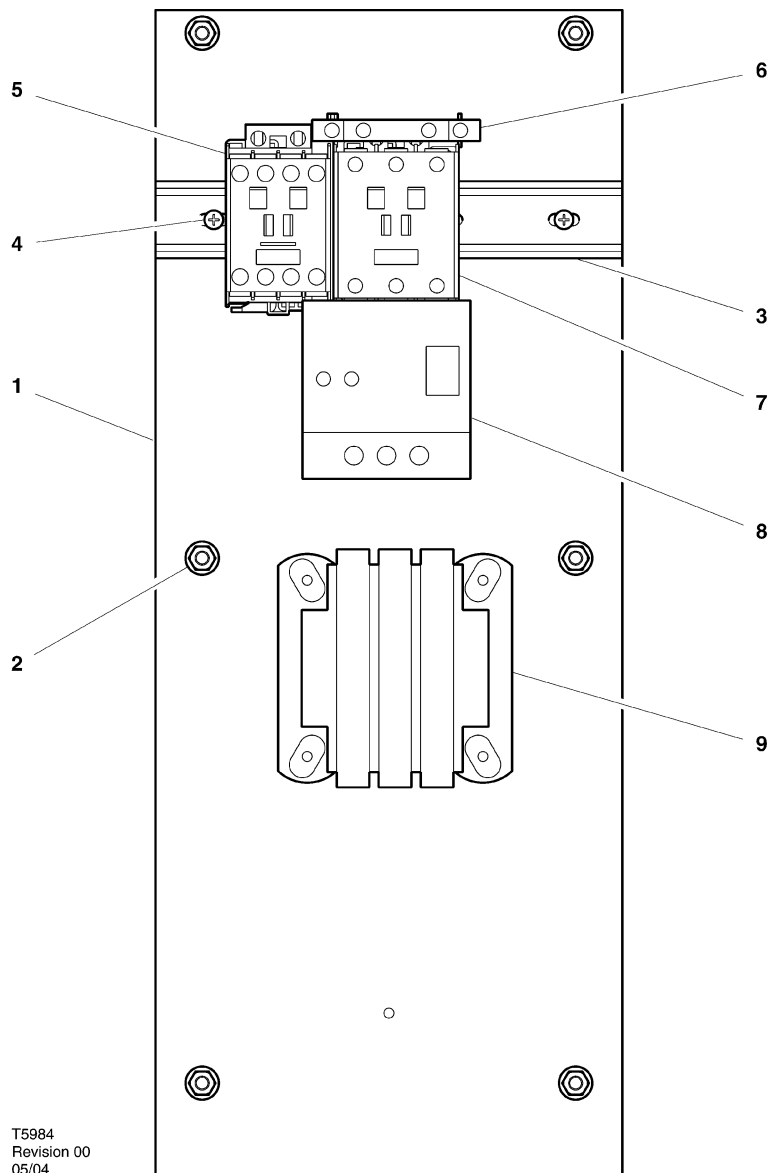
15HP
380V
60Hz
F.V.



T5984
Revision 00
05/04

Item	ccn	Qty.	Description	Item	ccn	Qty.	Description
1	22413991	1	Panel	6	N/A		
2	96737564	6	Screw	7	22384424	1	Contactors
3	22411987	1	Rail	8	22395925	1	Relay, overload
4	96714357	2	Screw	9	22409387	1	Transformer, fuse block
5	N/A						

15HP
460V
60Hz
F.V.

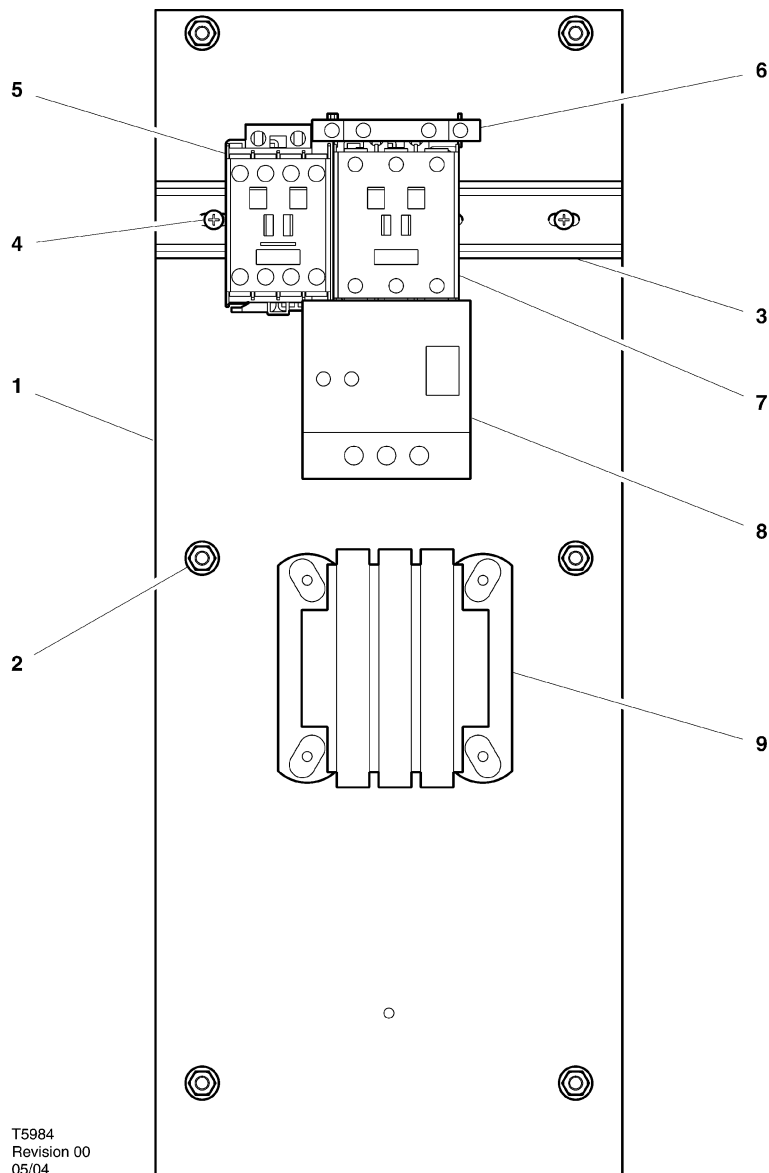


Item	ccn	Qty.	Description	Item	ccn	Qty.	Description
1	22413991	1	Panel	6	22132963	1	Contact, auxilliary
2	96737564	6	Screw	7	22384416	1	Contactur (43A)
3	22411987	1	Rail	8	22395917	1	Relay, overload
4	96714357	2	Screw	9	22395891	1	Transformer, fuse block
5	39255559	1	Relay, control				

49

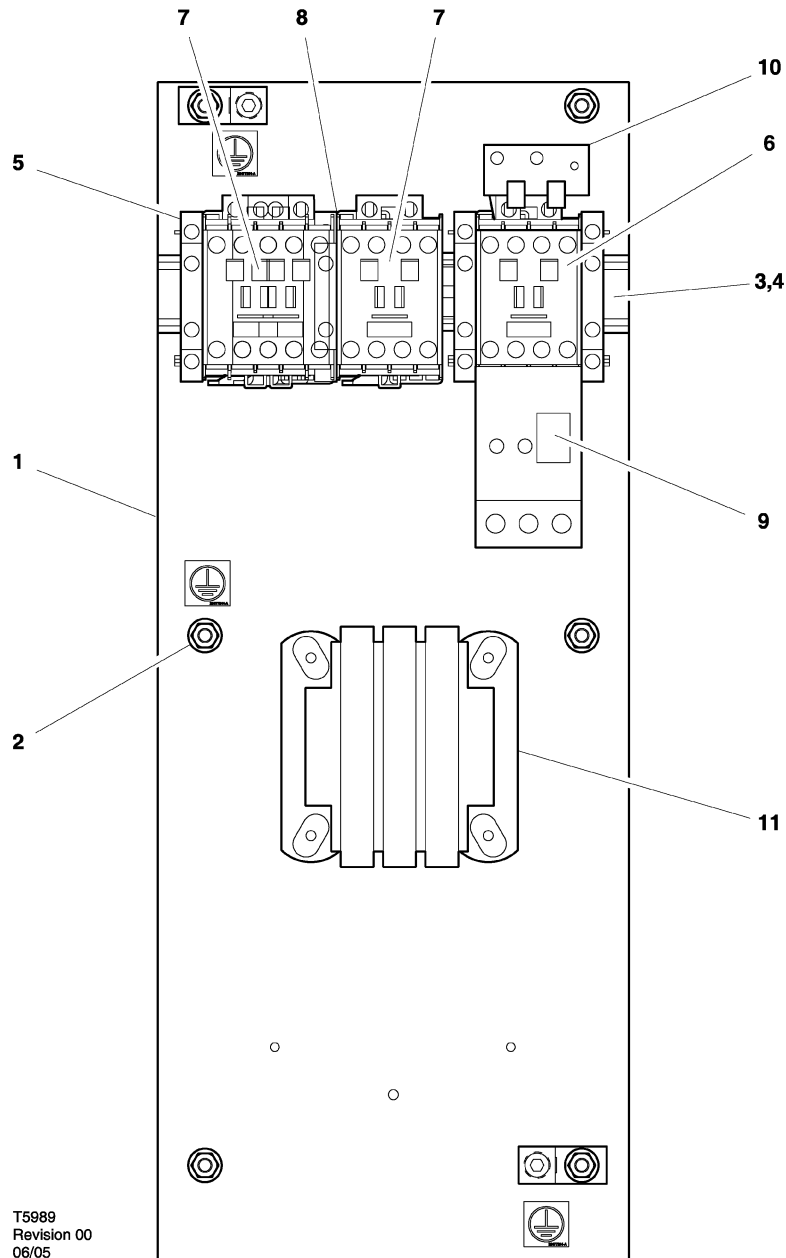
INSTRUMENTATION / ELECTRICAL SYSTEM

15HP
575V
60Hz
F.V.



Item	ccn	Qty.	Description	Item	ccn	Qty.	Description
1	22413991	1	Panel	6	22132963	1	Contact, auxilliary
2	96737564	6	Screw	7	22384408	1	Contactor (43A)
3	22411987	1	Rail	8	22395933	1	Relay, overload
4	96714357	2	Screw	9	22410732	1	Transformer, fuse block
5	39255559	1	Relay, control				

10HP
230V
60Hz
S/D

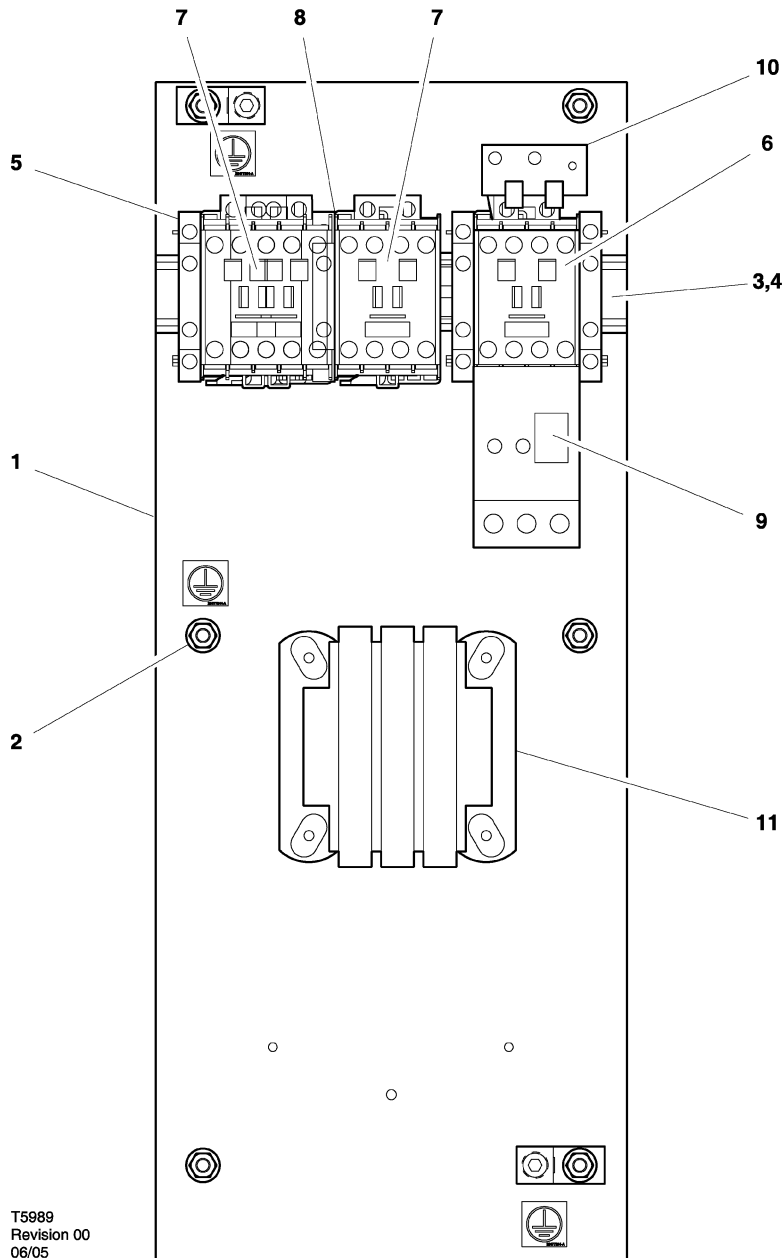


Item	ccn	Qty.	Description	Item	ccn	Qty.	Description
1	22413991	1	Panel	7	22384416	2	Contactors
2	96737564	6	Screw	8	22409031	1	Interlock, mechanical
3	22411987	1	Rail	9	22395917	1	Relay, overload
4	96714357	2	Screw	10	22218648	1	Timer
5	22132963	2	Contact, auxilliary	11	22395891	1	Transformer, fuse block
6	22384408	1	Contactors				

51

INSTRUMENTATION / ELECTRICAL SYSTEM

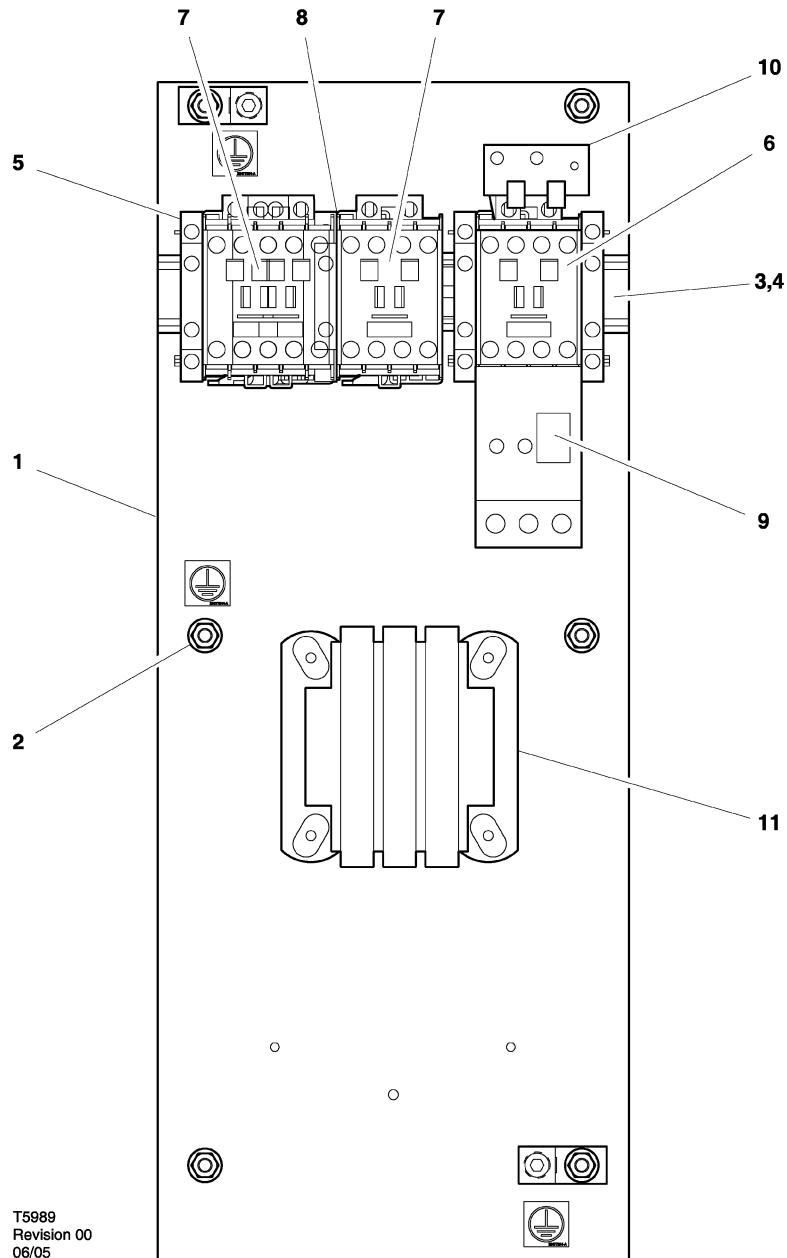
10HP
460V
60Hz
S/D



T5989
Revision 00
06/05

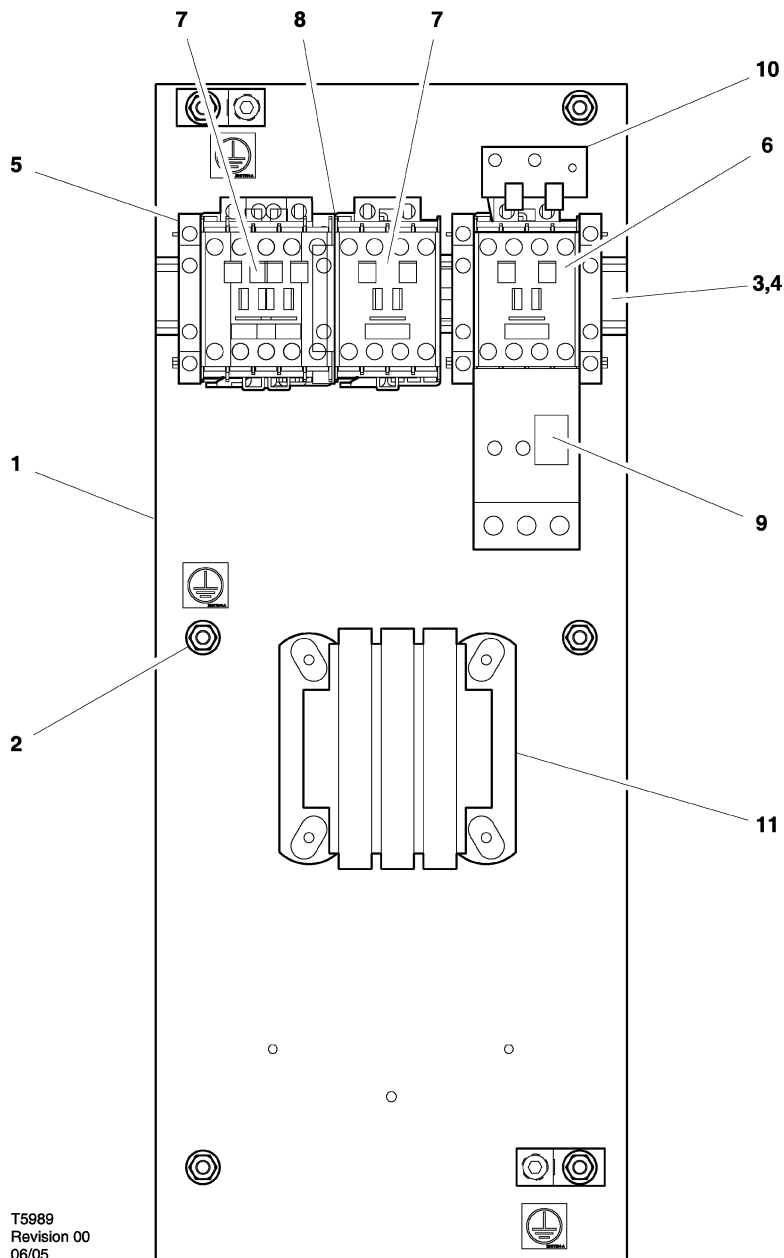
Item	ccn	Qty.	Description	Item	ccn	Qty.	Description
1	22413991	1	Panel	7	22384416	2	Contactors
2	96737564	6	Screw	8	22409031	1	Interlock, mechanical
3	22411987	1	Rail	9	22409411	1	Relay, overload
4	96714357	2	Screw	10	22218648	1	Timer
5	22132963	2	Contact, auxilliary	11	22395891	1	Transformer, fuse block
6	22384408	1	Contactors				

15HP
230V
60Hz
S/D



Item	ccn	Qty.	Description	Item	ccn	Qty.	Description
1	22413991	1	Panel	7	22384416	2	Contactors
2	96737564	6	Screw	8	22409031	1	Interlock, mechanical
3	22411987	1	Rail	9	22395917	1	Relay, overload
4	96714357	2	Screw	10	22218648	1	Timer
5	22132963	2	Contact, auxilliary	11	22395891	1	Transformer, fuse block
6	22384408	1	Contactors				

15HP
460V
60Hz
S/D



T5989
Revision 00
06/05

Item	ccn	Qty.	Description	Item	ccn	Qty.	Description
1	22413991	1	Panel	7	22384416	2	Contactors
2	96737564	6	Screw	8	22409031	1	Interlock, mechanical
3	22411987	1	Rail	9	22395958	1	Relay, overload
4	96714357	2	Screw	10	22218648	1	Timer
5	22132963	2	Contact, auxilliary	11	22395891	1	Transformer, fuse block
6	22384408	1	Contactors				

Item	ccn	Qty.	Description
*1-2	22425409	1	Manual, Operation and Maintenance, with parts catalogue (Americas)
*1-2	22425391	1	Manual, Operation and Maintenance, with parts catalogue (Europe)
*1-2	22451900	1	Manual, Operation and Maintenance, with parts catalogue (Asia-Pacific)
*1	22451884	1	Manual, Operation and Maintenance (Americas)
*1	22425375	1	Manual, Operation and Maintenance (Europe)
*1	22451892	1	Manual, Operation and Maintenance (Asia-Pacific)
*2	22425342	1	Manual, Parts catalogue

55 RECOMMENDED PARTS

ccn	Description	ccn	Description
Service Items			
22114185	UltraPlus coolant 5 L	39329602	Filter, coolant
88306055	UltraPlus coolant 20 L	22388045	Cartridge, separator
54772595	UltraPlus coolant 1 gallon - AP	22441489	Pushbutton, re-set
54772595	UltraPlus coolant 1 gallon	22384952	Button, emergency stop
54772603	UltraPlus coolant 5 gallon	22384929	Indicator (Green)
54772603	UltraPlus coolant 5 gallon - AP	22401590	Valve, safety 16 BAR (PED)
		22431761	Valve, safety 8.8 BAR - AP
		22431779	Valve, safety 11 BAR - AP
		22431787	Valve, safety 16 BAR - AP
		22378665	Valve, safety (ASME)
		22359871	Silencer - Valve, blowdown
88168265	KIT - <i>ULTRAPLUSCHECK</i> 4 x SAMPLE 1 x PUMP		
		22480313	Fuse Dryer, 60Hz
88168273	KIT - <i>ULTRAPLUSCHECK</i> 10 x SAMPLE	22480305	Fuse Dryer, 50Hz
		81291601	Fuse .5A
88176367	KIT - <i>ULTRAPLUSCHECK</i> 1 x SAMPLE	22177307	Fuse .75A
		39193289	Fuse 1A (Time delay)
88176383	KIT - <i>ULTRAPLUSCHECK</i> 1 x PUMP 1 x TUBE	32203176	Fuse 1A (Non time delay)
		22177299	Fuse 1.5A
37990736	KIT - SAMPLE, <i>ULTRAPLUSCHECK</i>	38342028	Filter, Panel 4-Pack Small UP Series
89438285	KIT - SAMPLE, <i>ULTRAPLUSCHECK</i> - AP	38341723	Kit, Rebuild Inlet Valve for valve 22415137
37990678	PUMP <i>ULTRAPLUSCHECK</i> - AP		
37990751	TUBE <i>ULTRAPLUSCHECK</i> - AP	22282024	Valve, Thermal Control
		54579248	Valve, drain
88171913	Element, air filter		
88343025	Element Filter/Dryer IRHE64		
88342993	Element Filter/Dryer IRGP64		

AP - Asia Pacific Market

ccn	Description	ccn	Description
Start Up Kit		Maintenance Kits - Every 3000, 6000, 9000 Hours (With Dryer)	
38339297	Kit - Start up	22485726	Kit - 3000, 6000, 9000 Hours (With Dryer)
1	Filter, coolant	54772595	UltraPlus coolant 1 gallon
1	UltraPlus coolant 1 gallon	88171913	Element, air filter
Suggested Change - Every 9000 Hours / 2 years		88342993	Element GP64 Replacement
22282024	Cartridge, thermal valve	88343025	Element HE64 Replacement
38343513	Gauge, belt tension - "Krikrit I" (30-150lb. (13-68 Kg))	39329602	Filter,oil
38343521	Gauge, belt tension - "Krikrit II" (100-300lb. (45-136 Kg))	22388045	Element, separator
Maintenance Kits - Every 3000, 6000, 9000 Hours (Standard)		38342028	Filter, Panel 4-Pack Small UP Series
22469183	Kit - 3000, 6000, 9000 Hours (Standard)		
54772595	UltraPlus coolant 1 gallon		
88171913	Element, air filter		
39329602	Filter,oil		
22388045	Element, separator		
38342028	Filter, Panel 4-Pack Small UP Series		