

670G/670GP MOTOR GRADER



JOHN DEERE

PARTS CATALOG

670G/670GP MOTOR GRADER

PC10100 (Apr-09) English

Worldwide Construction and Forestry Division

Worldwide Edition
Litho in U.S.A. (Revised)
COPYRIGHT © 2009
DEERE & COMPANY
Moline, Illinois
All rights reserved

INTRODUCTION AND CUSTOMER INFORMATION

TX1052960A

-UN-29DEC08



*RIGHT SIDE VIEW OF JOHN DEERE 670G MOTOR GRADER EQUIPPED WITH MID-MOUNTED SCARIFIER
(MANUFACTURED 2009-)*
TO THE CUSTOMER

THE PART NUMBERS IN THIS PARTS CATALOG WERE CORRECT AT THE TIME THIS CATALOG WAS PUBLISHED. IT IS OUR POLICY TO CONSTANTLY IMPROVE OUR MACHINES AND THEREFORE, PART NUMBERS MAY CHANGE. WHEN ORDERING PARTS, VERIFY PART NUMBERS THROUGH YOUR DEALER.

(SPECIFICATIONS AND DESIGN SUBJECT TO CHANGE WITHOUT NOTICE.)

SERIAL NUMBER LOCATION

EACH 670G MOTOR GRADER MAY HAVE FIVE SERIAL NUMBER PLATES: ONE FOR THE PRODUCT IDENTIFICATION NUMBER, ONE FOR THE ENGINE, ONE FOR THE TRANSMISSION, ONE FOR THE HYDRAULIC PUMP AND ONE FOR THE DIFFERENTIAL.

THE PRODUCT IDENTIFICATION NUMBER PLATE IS LOCATED BELOW THE OPERATOR'S PLATFORM ON THE LEFT-HAND SIDE OF THE MAIN FRAME. THIS IS THE SERIAL NUMBER USED IN THIS CATALOG UNLESS OTHERWISE NOTED IN THE SERIAL NUMBER COLUMN.

THE ENGINE SERIAL NUMBER PLATE IS LOCATED ON THE LEFT-HAND SIDE OF THE CYLINDER BLOCK ABOVE THE STARTING MOTOR FOR 9.0L TIER 3 ENGINES.

THE ENGINE SERIAL NUMBER PLATE IS LOCATED ON THE SIDE OF THE ENGINE NEAR THE FUEL TRANSFER PUMP FOR 6.8L STAGE II ENGINES.

THE TRANSMISSION SERIAL NUMBER PLATE IS LOCATED ON THE LOWER LEFT OF THE TRANSMISSION HOUSING.

THE HYDRAULIC PUMP SERIAL NUMBER PLATE IS LOCATED ON THE BOTTOM OF THE PUMP.

THE DIFFERENTIAL SERIAL NUMBER PLATE IS LOCATED ON THE COVER, RIGHT LOWER, BELOW THE DRIVESHAFT INPUT.

NOTE: IN THE TRANSMISSION SECTION, TRANSMISSION SERIAL NUMBER INFORMATION IS PROVIDED AS FOLLOWS: (1) WHEN ASTERISKS (*****) ARE LISTED IN PLACE OF A SERIAL NUMBER, A SERIAL NUMBER CHANGE WAS MADE AND "IT" CAN BE FOUND IN THE REMARKS COLUMN IN THE PUBLICATION. (2) WHEN X'S (XXXXXX) ARE LISTED IN PLACE OF A SERIAL NUMBER, A SERIAL NUMBER CHANGE WAS NOT AVAILABLE AT TIME OF PUBLICATION.

LEFT SIDE AND RIGHT SIDE, FRONT AND REAR OF THE MOTOR GRADER ARE VIEWED BY FACING IN THE DIRECTION OF MOTOR GRADER FORWARD TRAVEL.

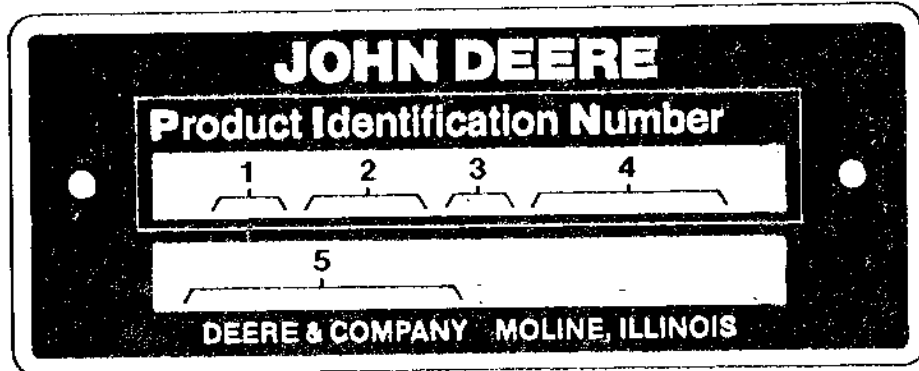
WHENEVER SERIAL NUMBERS ARE REQUIRED ON ALL WARRANTY CLAIMS OR CORRESPONDENCE PERTAINING TO THIS PRODUCT, IT IS EXTREMELY IMPORTANT THAT ALL CHARACTERS BE FURNISHED. THIS POINT CANNOT BE OVEREMPHASIZED.

000I-3

670G/670GP MOTOR GRADER

PRODUCT IDENTIFICATION NUMBER

TP16004 -UN-01JAN94



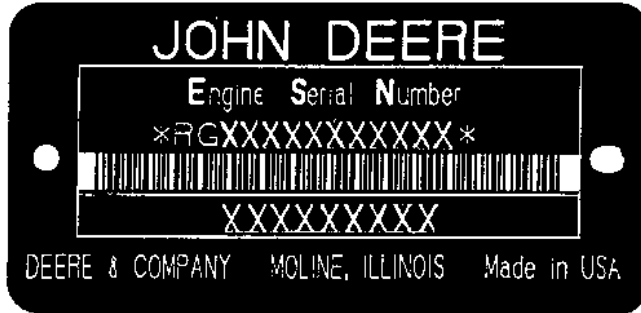
TP16004

1. DESIGNATES GRADER MANUFACTURER
2. DESIGNATES GRADER MODEL
3. DESIGNATES GRADER CONFIGURATION
4. DESIGNATES GRADER SERIAL NUMBER
5. DESIGNATES UNIT TYPE

DW - JOHN DEERE DAVENPORT WORKS
670G
X
123456
MOTOR GRADER

ENGINE SERIAL NUMBER PLATE

RGP3513 -UN-01JAN94



RGP3513

FIRST LINE (ENGINE SERIAL NUMBER)

RG - JOHN DEERE WATERLOO ENGINE WORKS
PE - JOHN DEERE TORREON ENGINE WORKS

6

090 (9.0 LITERS)
068 (6.8 LITERS)

H - TURBOCHARGED DIESEL WITH AIR-TO-AIR INTERCOOLER

XXXXXX (SIX DIGITS)

SECOND LINE (ENGINE MODEL NUMBER)

6090HDW01
6068HDW75

6

090 (9.0 LITERS)
068 (6.8 LITERS)

H - TURBOCHARGED DIESEL WITH AIR-TO-AIR INTERCOOLER

DW - JOHN DEERE DAVENPORT WORKS

XX (TWO DIGITS)

DEFINES

MANUFACTURER

NUMBER OF CYLINDERS

TOTAL DISPLACEMENT

TYPE OF ASPIRATION

ENGINE SERIAL NUMBER

DEFINES

670G TIER 3 MOTOR GRADER
670G STAGE II MOTOR GRADER

NUMBER OF CYLINDERS

TOTAL DISPLACEMENT

TYPE OF ASPIRATION

USER FACTORY

SPECIFIC APPLICATION

SERIAL NUMBER LISTING INFORMATION

SERIAL NUMBER INFORMATION IS LISTED TO SHOW ON WHICH MACHINES EACH PART CAN BE USED; FOR EXAMPLE:

- THE PART CAN BE USED ON ALL MACHINES.
- 000000- THE PART CAN BE USED ON ALL MACHINES BEGINNING WITH THE SERIAL NUMBER LISTED.
- 000000 THE PART CAN BE USED ON ALL MACHINES UP TO AND INCLUDING THE SERIAL NUMBER LISTED.
- 000000-000000 THE PART CAN BE USED ON ALL MACHINES BETWEEN AND INCLUDING THE SERIAL NUMBERS LISTED.

WHEN XXXXXX'S ARE LISTED IN PLACE OF A SERIAL NUMBER, A SERIAL NUMBER CHANGE WAS MADE BUT THE EXACT SERIAL NUMBER WAS NOT AVAILABLE WHEN THE CATALOG WAS PRODUCED.

DIRECTION ARROW

ARROWS ARE USED WITH ILLUSTRATIONS TO INDICATE THE FRONT OF THE UNIT. "RIGHT-HAND" AND "LEFT-HAND" SIDES ARE DETERMINED BY FACING IN THE DIRECTION OF MACHINE FORWARD TRAVEL.

BOX-ENCLOSED ILLUSTRATIONS

A KEY NUMBER, SHOWN IN THE PARTS LIST, IS ASSIGNED TO A BOX ENCLOSING ALL PARTS SOLD AS A SERVICE ASSEMBLY.

COMPLETE GOODS LISTINGS

COMPLETE GOODS ARE LISTED IN BOLD FACE TYPE. ORDER SEPARATELY. DO NOT INCLUDE ON REPLACEMENT PARTS ORDER.

SI UNITS OF MEASURE

METRIC DIMENSIONS ARE GIVEN, WHERE APPLICABLE, THROUGHOUT THIS PARTS CATALOG.

REMARKS AND ABBREVIATIONS

REMARKS AND ABBREVIATIONS MAY APPEAR THROUGHOUT THE PARTS CATALOG. REFER TO THE FOLLOWING CHARTS FOR TRANSLATIONS TO LANGUAGES OTHER THAN ENGLISH.

REMARKS AND ABBREVIATIONS

TX1057440 -UN-

PHRASE	ENGLISH	FRENCH	GERMAN	ITALIAN	SPANISH	SWEDISH	RUSSIAN
ALSO ORDER, ORD W/	Also Order	Commander aussi	Ebenso bestellen	Ordinare anche	También pedir	Beställ även	Также закажите
AMP	Ampere	Ampère	Ampere	Ampere	Amperios	Amper e	Ампер
APPL, APPL ONLY	This application only	Cette application uniquement	Nur für diese Anwendung	Solo per questa applicazione	Esta aplicación solamente	Endast denna tillämpning	Только этот способ применения
AR	As required	Selon le besoin	Nach Bedarf	Secondo necessità	Según se requiera	Som krävs	По мере необходимости
ASSY	Complete assembly	Ensemble complet	Kompletter Zusammenbau	Gruppo completo	Conjunto completo	Komplett enhet	Узел в сборе
BOAC	Bolt-on cutting edge	Tranchant boulonné	Anschraubbare Schar	Bordo di taglio Imbullonato	Filo fijado con pernos	Paabullad skaereg g	Режущая лезвие с болтовым креплением
CCW	Counter-clockwise	Vers la gauche	Gegen Uhrzeigersinn	Senso antiorario	Sentido contrario	Motsols	Против часовой стрелки
COMPLETE	Complete	Complet	Vollständig	Completo	Completo	Komplett	В сборе
COMPLETE GOODS	Complete goods	Articles complets	Maschinenversand	Merci complete	Mercancia completa	Komplett material	Товары в сборе
CONVENIENCE ASSY, CA	Convenience assembly	Ensemble utilitaire	Komfort-Zusammenbau	Gruppo ausiliario	Conjunto auxiliar	Bekvaemlighetsen	Узел механизма
CTL, CUT TO LENGTH	Cut to length	Couper à la longueur nécessaire	Auf Länge zurechtschneiden	Tagliare a misura	Recortar al largo deseado	Skaer till rätt laengd	Отрежьте по длине
CW	Clockwise	Vers la droite	Im Uhrzeigersinn	Senso orario	Sentido horario	Modsois	По часовой стрелке
ENGINE	Engine	Moteur	Motor	Motore	Motor	Motor	Двигатель
FOR	For	Pour	Für	Per	Para	För	Для
FRONT	Front	Avant	Vorn	Anteriore	Frente	Fram	Передний
GAS	Gasoline	Essence	Benzin	Benzina	Gasolina	Bensin	Бензин
HFWD	Hydraulic Front-Wheel Drive	Traction avant hydraulique	Hydraulischer Frontantrieb	Trazione anteriore Idrraulica	Tracción delantera hidráulica	Hydraulisk framhjulsdrift	Гидравлический привод передних колес
HP	Horsepower	Puissance	Leistung	Potenza	Potencia en hp	Haestkrafter	Лошадиная сила
HS, HEAD MARKED	High Strength, head marked	Haute résistance, tête marquée	Hochfest, vorn gekennzeichnet	Contrassegnato in testa, ad alta resistenza	Fuerza alta, marca en cabeza	Hög styrka, huvudet markerat	Повышенная прочность, маркировка на головке
ID	Inside diameter	Diamètre Intérieur	Innendurchmesser	Diametro Interno	Diámetro Interior	Invaendlg diameter	Внутренний диаметр
INCH	Inch	Boullonnerie US	In.	Pollice	Inch	Tum	Дюйм
INCL KEYS	Includes keys...	Inclut les chiffres clés...	Einschließlich Schlüssel...	Include le chiavette...	Incluye llaves...	Inkludera r nycklar...	Содержит ключи...
INCL, INCLUDES	Includes ...	Comprend ...	Enthält...	Include ...	Incluye...	Inkludera r...	Содержит...
INCLUDES PARTS/ ITEMS MARKED	Includes parts/items marked...	Comprend les pièces/articles marqués ...	Enthält gekennzeichnete Teile/Pos. ...	Include i pezzl/gli elementi contrassegnat...	Incluye las piezas/articulos marcados ...	Inkludera r delar/punkter markerade...	Содержит детали/элементы с маркировкой...
INNER	Inner	Intérieur	Innerer	Interno	Interior	Inre	Внутренний
KIT	Kit	Kit	Satz	Kit	Juego	Sats	Комплект
L	Number of links	Nombre de maillons	Anzahl der Glieder	Numero di maglie	Numero de eslabones	Antal laenkar	Число звеньев
LF, LINE FILL	Line Fill	Pris de la chaîne	Linie ausfüllen	Riempimento linea	Llenado de líneas	Fyllinje	Заливка строки
LGP	Low Ground Pressure	Faible pression au sol	Niederer Auflagedruck	Bassa pressione al suolo	Baja presión sobre el suelo	Laagt marktryck	Малое давление на грунт
LGTH	Length	Longueur	Länge	Lunghezza	Largo	Laengd	Длина
LH	Left-hand	Gauche	Links	Sinistra	Izquierdo	Vaenster	Левый
LOW, LOWER	Lower	Inférieur	Unterer	Inferiore	Inferior	Laegre/saenk	Нижний
LT	Long Track	Chenille longue	Mit langem Laufwerk	Cingolo lungo	Cadena larga	Laengt larvband	Длинный трак

REMARKS AND ABBREVIATIONS

TX1057441

-UN-

PHRASE	ENGLISH	FRENCH	GERMAN	ITALIAN	SPANISH	SWEDISH	RUSSIAN
		FRANCAIS	DEUTSCH	ITALIANO	ESPANOL	SVENSKA	РУССКИЙ
MAKE FROM, MF	Make from	Fabriquer de	Herstellen von	Fabbricare da	Fabricar de	Tillverka av	Сделанный из
MARKED	Marked	Marqué	Markiert	Contrassegnato	Marcado	Markerad	Промаркированный
MATCHED SET	Matched set	Ensemble assorti	Passender Satz	Set abbinato	Juego equiparado	Anpassad sats	Комплект
MFWD	Mechanical Front Wheel Drive	Pont avant	Mechanischer Frontantrieb	Trazione anteriore meccanica	Traacción delantera mecánica	Mekanisk fremhjulsdrift	Механический привод передних колес
NA, NOT USED THIS APPL	Not used in this application	Non utilisé pour cette application	Anwendung nicht benutzt	Non usato in questa applicazione	No se usa en esta aplicación	Anvaends inte i denna tillämpning	Не используется на этой машине
NLA	No longer available	Epuisé	Nicht mehr lieferbar	Non più disponibile	Ya no se encuentra disponible	Inte längre tillgänglig	Больше недоступно
NSEP	Not available separately	Non disponible séparément	Nicht einzeln lieferbar	Non fornito separatamente	No disponible por separado	Inte tillgänglig separat	Недоступно по отдельности
OD	Outside diameter	Diamètre extérieur	Außendurchmesser	Diametro esterno	Diámetro exterior	Utvaendig diameter	Наружный диаметр
OPTIONAL	Optional	En option	Wahlweise	Opzionale	Opcional	Extrautrustning	Дополнительное оборудование
OR	Or	Ou	Oder	Oppure	O	eller	Или
ORD, ORDER	Order	Ordre	Bestellen	Ordinare	Pedir	Beställa	Заказ
OS	Oversize	Surdimension	Übergröße	Sovradimensionato	Sobretamaño	OVerdimensionerad	Увеличенного размера
OUTER	Outer	Extérieur	Außerer	Esterno	Exterior	Yttre	Внешний
PKG, PACK G	Package, Packet of	Ensemble, paquet de	Verpackung, verpackt mit	Confezione, pacco da	Conjunto, paquete de	Paket, Paket med	Упаковка, пакет
PTO	Power Take Off	Prise de force	Zapfwelle	Presa di forza	Toma de fuerza	Kraftuttag	Отбор мощности
RATIO	Ratio	Rapport	Übersetzungsverhältnis	Rapporto	Relación	Foerhaellande	Соотношение
REAR	Rear	Arrière	Hinten	Posteriore	Trasero	Bak	Задний
REMAN	Remanufactured	Réusiné	Generalüberholt	Rilavorato	Reconstruido	Omräbetad	Восстановленный
REPL	Replaces	Remplace	Ersetzt	Sostituisce	Sustituye	Ersätter	Заменяет
RH	Right-hand	Droite	Rechts	Destra	Derecho	Hoeger	Правый
SN	Serial number	Numéro de série	Seriennummer	Numero di matricola	Numero de serie	Seriennummer	Серийный номер
STD	Standard	Standard	Standard	Standard	Estándar	Standard	Стандартный
SUB	Replaced by	Remplacé par	Ersetzt durch	Sostituito da	Sustituido por	Ersatt av	Заменено
SUB COMPONENTS	Substitute components (of the kit or assy)	Substituer les composants (du kit ou de l'ensemble)	Komponenten ersetzen (des Satzes oder der Baugruppe)	Sostituire i componenti (del kit o del gruppo)	Componentes sustitutos (del juego o conjunto)	Ersatt komponenterna (i satsen eller enheten)	Заменяющие компоненты (комплекта или узла)
SUB FOR	Substitutes for	Remplace	Ersatz für	Sostituisce	Sustitutos para	Ersätter	Заменяет
TEETH, Z	Number of gear teeth	Nombre de dents d'engrenage	Zahl der Zahnradzähne	Numero di denti dell'ingranaggio	Número de dientes en engraneje	Antal kuggar	Число зубьев шестерни
TK	Thickness	Épaisseur	Stärke	Spessore	Grosor	Tjocklek	Толщина
UP, UPPER	Upper	Supérieur	Oberer	Superiore	Superior	Övre	Верхний
US	Undersize	Sous-dimension	Untergroße	Sottodimensionato	Subtamaño	Underdimensionerad	Уменьшенного размера
USE UNTIL EXHAUSTED	Use until exhausted	Utiliser jusqu'à épuisement	Verwenden, bis erschöpft	Usare fino ad esaurimento	Usar hasta que se agote	Anvaend tills foerbrukad	Использовать до истощения
USE WITH	Use with	Utiliser avec	Verwenden mit	Usare con	Usar con	Anvaend med	Использовать с
VEC	Vehicle Electronic Controller	Contrôleur électronique du véhicule	Elektronisches Steuergerät des Fahrzeugs	Unità di comando elettronica del veicolo	Controlador electrónico del vehículo	Fordonets elektroniska styrenhet	Электронный контроллер машины
VLC	Vehicle Load Center	Coffret de répartition du véhicule	Verteilerstation des Fahrzeugs	Centro di carico del veicolo	Centro de cargas del vehículo	Fordonets elcentral	Центр нагрузки машины
W/	With	Avec	Mit	Con	Con	med	С
W/O	Without	Sans	Ohne	Senza	Sin	utan	Без
WHOLE GOODS	Whole Goods	Marchandises complètes	Fabrikbestellung	Merci intere	Mercancia completa	Hela varor	Все товары
WT	Wide Track	Chenille large	Breitspur	Cingolo largo	Ancho de vía amplio	Bredspårig	Широкий трак
XLT	Extra Long Track	Chenille extra longue	Mit extra langem Laufwerk	Cingolo extra lungo	Cadenas extra largas	Extra långt larvband	Особо длинный трак

THIS PARTS LISTING IS CONTINUED

ALPHABETICAL INDEX

PAGE

PAGE

A

A/C AND HEAT TEMPERATURE CONTROL SWITCH.....	1832-2	AID, STARTING (4397) (HDW01).....	0400A-38
A/C AND HEATER CONTROL CABLE.....	1832-2	AIR BAG KIT (GRADE PRO SEAT).....	1821-12
A/C AND HEATER CONTROL KNOB.....	1832-2	AIR BAG KIT (PREMIUM SEAT).....	1821-8
A/C AND HEATER THERMOSTAT SWITCH.....	1832-4	AIR BAG KIT (STANDARD SEAT).....	1821-4
A/C AND HEATER WIRING HARNESS.....	1832-2	AIR CLEANER (6068HDW75).....	0521-4
A/C BLOWER MOTOR AND SWITCH.....	1832-4	AIR CLEANER (6090HDW01 / 6090HDW04).....	0521-2
A/C COMPRESSOR (COMPLETE) (6090HDW01 / 6090HDW04).....	1832-6	AIR CLEANER LABEL (ENGLISH).....	1322-2
A/C COMPRESSOR (COMPLETE) (6068HDW75).....	1832-8	AIR CLEANER LABEL (FRENCH).....	1322-8
A/C COMPRESSOR (COMPONENTS).....	1832-10	AIR CLEANER LABEL (SPANISH).....	1322-10
A/C CONDENSER (6068HDW75).....	0510-12	AIR COMPRESSOR (GRADE PRO SEAT).....	1821-12
A/C CONDENSER (6090HDW01 / 6090HDW04).....	0510-8	AIR COMPRESSOR (PREMIUM SEAT).....	1821-8
A/C CONTROL SWITCH.....	1832-2	AIR COMPRESSOR (STANDARD SEAT).....	1821-4
A/C HOSES (6068HDW75).....	1832-8	AIR COMPRESSOR (9902).....	0400A-97
A/C HOSES (6090HDW01 / 6090HDW04).....	1832-6	AIR COMPRESSOR MOUNTING PLUG (7899) HDW01.....	0400A-64
A/C MANIFOLD.....	1832-10	AIR COMPRESSOR,MIDLAND AUX DRIVE (9901) (HDW75).....	0400B-86
A/C PRESSURE SWITCH.....	1832-2	AIR CONDITIONER AND HEATER COVER.....	1831-10
A/C PULLEY KIT.....	1832-10	AIR CONDITIONER AND HEATER DUCTS.....	1831-8
ACCUMULATOR LABEL (FRENCH).....	1322-8	AIR COOLER HOSES (6068HDW75).....	0510-14
ACCUMULATOR LABEL (SPANISH).....	1322-10	AIR COOLER HOSES (6090HDW01 / 6090HDW04).....	0510-10
ACCUMULATOR, A/C (6068HDW75).....	1832-8	AIR FILTER, CAB FRESH.....	1831-10
ACCUMULATOR, A/C (6090HDW01 / 6090HDW04).....	1832-6	AIR HEATER, ENGINE.....	0505-2
ACCUMULATOR, BLADE IMPACT.....	3463-22	AIR INLET (1701) (HDW01).....	0400A-12
ACCUMULATOR, BRAKE.....	1064-2	AIR INTAKE (1701) (HDW01).....	0400A-12
ACCUMULATOR, SECONDARY STEERING.....	0930-6	AIR INTAKE (1797) (HDW75).....	0400B-10
ACCUMULATOR, SECONDARY STEERING (FIELD KIT).....	0930-4	AIR PRESSURE SENSOR (6744) (HDW75).....	0400B-58
ACCUMULATOR, SECONDARY STEERING (GRADE PRO).....	0930-2	AIR TEMPERATURE SENSOR (1797) (HDW75).....	0400B-10
ACTUATOR LINKAGE 6511.....	0400A-60	AIR TEMPERATURE SENSOR (6744) (HDW75).....	0400B-58
ACTUATOR 6511.....	0400A-60	ALARM.....	2004-4
ACTUATOR, BLADE SIDE SHIFT VALVE SECTION (EH) (GRADE PRO).....	2162-106	ALTERNATOR, 100AMP (6090HDW01 / 6090HDW04).....	1672-2
ACTUATOR, BLADE SIDE SHIFT VALVE SECTION (STD).....	2162-32	ALTERNATOR, 100AMP (6068HDW75).....	1672-6
ACTUATOR, BLADE TILT VALVE SECTION (STD).....	2162-36	ALTERNATOR, 130AMP (6090HDW01 / 6090HDW04).....	1672-4
ACTUATOR, CIRCLE ROTATE VALVE SECTION (STD).....	2162-34	ALTERNATOR, 130AMP (6068HDW75).....	1672-8
ACTUATOR, CIRCLE SIDE SHIFT VALVE SECTION (EH) (GRADE PRO).....	2162-110	ANTENNA, JD LINK™.....	2601-2
ACTUATOR, CIRCLE SIDE SHIFT VALVE SECTION (STD).....	2162-30	ANTENNA, RADIO.....	2001-2
ACTUATOR, LEFT AUX VALVE WITH FLOAT (STD).....	2162-50	ARM REST (DELUXE).....	1821-6
ACTUATOR, LEFT AUXILIARY VALVE SECTION (WITHOUT FLOAT) (STD).....	2162-54	ARM REST (STD).....	1821-2
ACTUATOR, LEFT BLADE LIFT VALVE SECTION (STD).....	2162-24	ARMREST WIRING HARNESSES (GRADE PRO).....	1674-12
ACTUATOR, MID MOUNTED SCARIFIER VALVE SECTION (STD).....	2162-44	ARMREST WIRING HARNESSES, LEFT (GRADE PRO) (CONNECTORS).....	1674-66
ACTUATOR, REAR STEERING VALVE SECTION (STD).....	2162-26	ARMREST WIRING HARNESSES, RIGHT (GRADE PRO) (CONNECTORS).....	1674-64
ACTUATOR, RIGHT AUX VALVE WITH FLOAT (STD).....	2162-48	ARMRESTS, SEAT (GRADE PRO).....	1821-14
ACTUATOR, RIGHT AUXILIARY VALVE SECTION (WITHOUT FLOAT) (STD).....	2162-52	ARTICULATION CYLINDER PINS.....	0965-6
ACTUATOR, RIGHT BLADE LIFT VALVE SECTION (STD) (BREAKDOWN).....	2162-22	ARTICULATION CYLINDER COMPONENTS.....	0965-8
ACTUATOR, RIPPER VALVE SECTION (STD).....	2162-46	ARTICULATION CYLINDER HOSES (STANDARD CONTROLS).....	0963-6
ACTUATOR, SCARIFIER VALVE SECTION (STD).....	2162-42	ARTICULATION CYLINDER PIN.....	1741-2
ACTUATOR, WHEEL LEAN VALVE SECTION (EH) (GRADE PRO).....	2162-108	ARTICULATION LOCK LABEL.....	1322-2
ACTUATOR, WHEEL LEAN VALVE SECTION (STD).....	2162-28	ARTICULATION PIN.....	1741-2
ADU (GRADE PRO).....	1675-10	ARTICULATION SENSOR (GRADE PRO).....	1676-8
ADU (STD CONTROLS).....	1675-8	ARTICULATION SENSOR (STD CONTROLS).....	1676-6
		ARTICULATION VALVE SECTION (EH) (GRADE PRO) (BREAKDOWN).....	2162-96
		ARTICULATION VALVE SECTION (STD) (BREAKDOWN).....	2162-26
		ARTICULATION WARNING LABEL (ENGLISH).....	1322-2

ALPHABETICAL INDEX - CONTINUED

	PAGE		PAGE
ARTICULATION WARNING LABEL (FRENCH)	1322-8	BACKREST CUSHION (GRADE PRO)	1821-10
ASSEMBLY, BRAKE- W/O FINAL DRIVE	0210-10	BACKREST CUSHION (STD).....	1821-2
ASSEMBLY, FIFTH STAGE SHAFT DF180	0350-12	BAFFLE, RADIATOR (6068HDW75).....	0510-12
ASSEMBLY, FIRST STAGE SHAFT DF180.....	0350-4	BAFFLE, RADIATOR (6090HDW01 / 6090HDW04)	0510-8
ASSEMBLY, FOURTH STAGE SHAFT DF180.....	0350-10	BALL RETAINER, DRAFT FRAME	3441-2
ASSEMBLY, OUTPUT GROUP DF180	0350-16	BATTERIES (1000 CCA)	
ASSEMBLY, SECOND STAGE SHAFT DF180.....	0350-6	(6090HDW01 / 6090HDW04)	1671-2
ASSEMBLY, SIXTH STAGE SHAFT DF180.....	0350-14	BATTERIES (1000 CCA) (6068HDW75).....	1671-6
ASSEMBLY, SPIRAL BEVEL 4.364	0210-2	BATTERIES (1400 CCA)	
ASSEMBLY, THIRD STAGE SHAFT DF180	0350-8	(6090HDW01 / 6090HDW04)	1671-4
AUX CONTROL VALVE KIT W/ FLOAT (SIXTH		BATTERIES (1400 CCA) (6068HDW75).....	1671-8
FUNCTION LH)	2162-62	BATTERY BOX	2164-4
AUX CONTROL VALVE KIT W/O FLOAT (SEVENTH		BATTERY CABLES (1000 CCA)	
FUNCTION LH)	2162-66	(6068HDW75).....	1671-6
AUX CONTROL VALVE KIT W/O FLOAT (SEVENTH		BATTERY CABLES (1000 CCA)	
FUNCTION RH)	2162-64	(6090HDW01 / 6090HDW04)	1671-2
AUX W/ FLOAT CONTROL LINKAGE (SEVENTH		BATTERY CABLES (1400 CCA)	
FUNCTION RIGHT)	1816-20	(6090HDW01 / 6090HDW04)	1671-4
AUX W/ FLOAT CONTROL LINKAGE (SIXTH		BATTERY CABLES (1400 CCA) (6068HDW75)	1671-8
FUNCTION LEFT).....	1816-18	BATTERY COVERS	1912-2
AUX W/ FLOAT CONTROL LINKAGE (SIXTH		BATTERY DISCONNECT LABEL (FRENCH).....	1322-8
FUNCTION RIGHT)	1816-16	BATTERY DISCONNECT LABEL (SPANISH)	1322-10
AUX W/O FLOAT CONTROL LINKAGE (SEVENTH		BATTERY DISCONNECT SWITCH BRACKET	2164-4
FUNCTION LEFT).....	1816-22	BEACON LIGHT BRACKET.....	1673-16
AUXILIARY CONTROL VALVE KIT, EH		BEARING CONNECTING ROD (9901) (HDW75).....	0400B-74
(GRADE PRO)	2162-118	BEARING KIT (9901)	
AUXILIARY CONTROLS, EH (GRADE PRO).....	3415-10	(HDW75).....	0400B-71
AUXILIARY DRIVE COVER (HDW01) 5299	0400A-54	BEARING KIT (9901)	
AUXILIARY DRIVE, MAIN HYDRAULIC PUMP.....	2161-2	(HDW75).....	0400B-72
AUXILIARY HOSES, REAR (SIXTH FUNCTION)		BEARING KIT (9901) (HDW75)	0400B-69
(STANDARD CONTROLS)	4263-24	BEARING KIT (9901) (HDW75)	0400B-70
AUXILIARY PLUMBING, REAR		BEARING KIT, CONNECTING ROD (9901)	
(SIXTH FUNCTION) (GRADE PRO).....	4263-26	(HDW01).....	0400A-78
AUXILIARY PLUMBING, REAR (GRADE PRO)		BEARING KIT, MAIN (9901)	
(FIFTH FUNCTION)	4263-22	(HDW01).....	0400A-77
AUXILIARY REAR HOSES (STANDARD)	4263-20	BEARING KIT, THRUST (9901)	
AUXILIARY VALVE CONTROLLER, EH		(HDW01).....	0400A-79
(GRADE PRO)	1675-6	BEARING, AXLE	0201-10
AUXILIARY VALVE SECTION		BEARING, CIRCLE DRIVE GEARBOX	3450-2
(6 FUNCTION EH REAR) (GRADE PRO)	2162-90	BEARING, CIRCLE DRIVE GEARBOX WITH SLIP	
AUXILIARY VALVE SECTION		CLUTCH	3450-4
(7 FUNCTION EH REAR) (GRADE PRO)	2162-92	BEARING, CRANKSHAFT THRUST (HDW01) 4701	0400A-44
AUXILIARY VALVE SECTION		BEARING, MANUAL CONTROL LEVER SHAFT	1816-8
(8 FUNCTION EH FRONT) (GRADE PRO)	2162-94	BEARING, THRUST (9901)	
AUXILIARY VALVE SECTION (EH) (BREAKDOWN)		(HDW75).....	0400B-73
(GRADE PRO)	2162-116	BEARINGS / CONNECTING ROD (4834)	
AUXILIARY VALVE SECTION, LEFT		(HDW75).....	0400B-42
(WITHOUT FLOAT) (STD) (BREAKDOWN).....	2162-54	BEARINGS / CRANKSHAFT (4712) (HDW75)	0400B-40
AUXILIARY VALVE SECTION, RIGHT		BEARINGS, CONNECTING ROD (4801)	0400A-46
(WITHOUT FLOAT) (STD) (BREAKDOWN).....	2162-52	BEARINGS, MAIN (HDW01) 4701	0400A-44
AXLE AND DRIVE CHAIN	0201-10	BELT, ENGINE W/ 100A ALTERNATOR	
AXLE BEARING.....	0201-10	(6068HDW75).....	1672-6
AXLE COOLER HOSES	0510-2	BELT, ENGINE W/ 100A ALTERNATOR	
AXLE DRIVE SHAFT	0201-6	(6090HDW01 / 6090HDW04)	1672-2
AXLE DRIVE SPROCKET	0201-10	BELT, ENGINE W/ 130A ALTERNATOR	
AXLE DRIVESHAFT	0225-2	(6068HDW75).....	1672-8
AXLE HOUSING	0201-10	BELT, ENGINE W/ 130A ALTERNATOR	
AXLE HOUSING AND SHAFT (RE44158)	0210-6	(6090HDW01 / 6090HDW04)	1672-4
AXLE HOUSING OIL SEAL	0201-10	BINARY PRESSURE SWITCH, A/C	1832-2
AXLE/GEARBOX OIL LABEL	1322-2	BIT, END (USE WITH 14' X 24" X 7/8"	
AXLE, FRONT.....	0240-2	MOLDBOARD WITH 5/8"X8" CUTTING EDGES)	3401-12
AXLE, FRONT, TIE ROD	0240-6	BIT, END (12' X 24" X 7/8" MOLDBOARD	
		WITH 5/8"X 6" CUTTING EDGES).....	3401-2
B		BIT, END (12' X 24" X 7/8" MOLDBOARD	
BACKREST CUSHION (DELUXE)	1821-6	WITH 5/8"X8" CUTTING EDGES).....	3401-4
		BIT, END (12' X 27" X 1" MOLDBOARD WITH	
		5/8"X8" CUTTING EDGES).....	3401-6

ALPHABETICAL INDEX - CONTINUED

	PAGE		PAGE
BIT, END (13' X 27" X 1" MOLDBOARD WITH 5/8"X8" CUTTING EDGES).....	3401-8	BLADE SIDE SHIFT CONTROL, LEFT 5 FUNCTION (EH) (GRADE PRO).....	3415-8
BIT, END (14' X 24" X 7/8" MOLDBOARD WITH 5/8"X 6" CUTTING EDGES).....	3401-10	BLADE SIDE SHIFT CYLINDER HOSES (GRADE PRO).....	3463-8
BIT, END (14' X 24" X 7/8" MOLDBOARD WITH 5/8"X8" CUTTING EDGES).....	3401-12	BLADE SIDE SHIFT CYLINDER HOSES (STANDARD CONTROLS).....	3463-6
BIT, END (14' X 27" X 1" MOLDBOARD WITH 5/8"X8" CUTTING EDGES).....	3401-14	BLADE SIDE SHIFT VALVE SECTION (4 FUNCTION LEFT) (COMPLETE).....	2162-6
BIT, END (14' X 27" X 1" MOLDBOARD WITH 5/8"X8" CUTTING EDGES) (3/4" HARDWARE).....	3401-16	BLADE SIDE SHIFT VALVE SECTION (5 FUNCTION EH FRONT) (GRADE PRO).....	2162-82
BLADE IMPACT ACCUMULATOR.....	3463-22	BLADE SIDE SHIFT VALVE SECTION (5 FUNCTION LEFT) (COMPLETE).....	2162-12
BLADE IMPACT HOSES (GRADE PRO).....	3463-20	BLADE SIDE SHIFT VALVE SECTION (6 FUNCTION EH FRONT) (GRADE PRO).....	2162-86
BLADE IMPACT HOSES (STANDARD CONTROLS).....	3463-18	BLADE SIDE SHIFT VALVE SECTION (6 FUNCTION LEFT) (COMPLETE).....	2162-16
BLADE IMPACT SWITCH (GRADE PRO).....	3460-14	BLADE SIDE SHIFT VALVE SECTION (7 FUNCTION LEFT) (COMPLETE).....	2162-20
BLADE IMPACT SWITCH (STD CONTROLS).....	3460-12	BLADE SIDE SHIFT VALVE SECTION (8 FUNCTION EH FRONT) (GRADE PRO).....	2162-94
BLADE IMPACT SYSTEM KIT (GRADE PRO).....	3460-8	BLADE SIDE SHIFT VALVE SECTION (EH) (GRADE PRO) (BREAKDOWN).....	2162-106
BLADE IMPACT SYSTEM KIT (STANDARD CONTROLS).....	3460-6	BLADE SIDE SHIFT VALVE SECTION (STD) (BREAKDOWN).....	2162-32
BLADE IMPACT VALVE.....	3460-10	BLADE SIDE SHIFT VALVE SECTION (6 FUNCTION W/ MMS EH FRONT) (GRADE PRO).....	2162-88
BLADE IMPACT WIRING HARNESS.....	1674-22	BLADE SLIDE CYLINDER.....	3465-4
BLADE INSERTS (STANDARD).....	3443-12	BLADE TILT CONTROL LINKAGE.....	1816-10
BLADE LIFT ARM AND BUSHINGS.....	3442-2	BLADE TILT CONTROL, LEFT 4 FUNCTION (EH) (GRADE PRO).....	3415-4
BLADE LIFT CYLINDER.....	3465-2	BLADE TILT CONTROL, LEFT 5 FUNCTION (EH) (GRADE PRO).....	3415-8
BLADE LIFT CYLINDER HOSES (STANDARD CONTROLS).....	3463-2	BLADE TILT CYLINDER.....	3465-6
BLADE LIFT CYLINDER HOSES (GRADE PRO).....	3463-4	BLADE TILT CYLINDER HOSES (STANDARD CONTROLS).....	3463-6
BLADE LIFT VALVE RELIEF VALVE (EH) (GRADE PRO) (BREAKDOWN).....	2162-100	BLADE TILT CYLINDER HOSES (GRADE PRO).....	3463-8
BLADE LIFT VALVE RELIEF VALVE, RIGHT (STD) (BREAKDOWN).....	2162-22	BLADE TILT FRAME.....	3443-2
BLADE LIFT VALVE SECTION (4 FUNCTION EH REAR) (GRADE PRO).....	2162-80	BLADE TILT VALVE SECTION (4 FUNCTION LEFT) (COMPLETE).....	2162-6
BLADE LIFT VALVE SECTION (4 FUNCTION LEFT) (COMPLETE).....	2162-6	BLADE TILT VALVE SECTION (5 FUNCTION EH FRONT) (GRADE PRO).....	2162-82
BLADE LIFT VALVE SECTION (4 FUNCTION RIGHT) (COMPLETE).....	2162-4	BLADE TILT VALVE SECTION (5 FUNCTION LEFT) (COMPLETE).....	2162-12
BLADE LIFT VALVE SECTION (5 FUNCTION EH REAR) (GRADE PRO).....	2162-84	BLADE TILT VALVE SECTION (6 FUNCTION EH FRONT) (GRADE PRO).....	2162-86
BLADE LIFT VALVE SECTION (5 FUNCTION LEFT) (COMPLETE).....	2162-12	BLADE TILT VALVE SECTION (6 FUNCTION LEFT) (COMPLETE).....	2162-16
BLADE LIFT VALVE SECTION (5 FUNCTION RIGHT) (COMPLETE).....	2162-8	BLADE TILT VALVE SECTION (6 FUNCTION RIGHT) (COMPLETE).....	2162-14
BLADE LIFT VALVE SECTION (6 FUNCTION EH REAR) (GRADE PRO).....	2162-90	BLADE LIFT VALVE SECTION (7 FUNCTION EH REAR) (GRADE PRO).....	2162-92
BLADE LIFT VALVE SECTION (6 FUNCTION LEFT) (COMPLETE).....	2162-16	BLADE LIFT VALVE SECTION (7 FUNCTION LEFT) (COMPLETE).....	2162-20
BLADE LIFT VALVE SECTION (6 FUNCTION RIGHT) (COMPLETE).....	2162-14	BLADE LIFT VALVE SECTION (7 FUNCTION RIGHT) (COMPLETE).....	2162-18
BLADE LIFT VALVE SECTION (7 FUNCTION EH REAR) (GRADE PRO).....	2162-92	BLADE LIFT VALVE SECTION (EH)(BREAKDOWN) (GRADE PRO).....	2162-100
BLADE LIFT VALVE SECTION (7 FUNCTION LEFT) (COMPLETE).....	2162-20	BLADE LIFT VALVE SECTION (5 FUNCTION RH) (COMPLETE) (MID MOUNTED SCARIFIER).....	2162-10
BLADE LIFT VALVE SECTION (7 FUNCTION RIGHT) (COMPLETE).....	2162-18	BLADE LIFT VALVE SECTION, LEFT (STD) (BREAKDOWN).....	2162-24
BLADE LIFT VALVE SECTION (EH)(BREAKDOWN) (GRADE PRO).....	2162-100	BLADE LIFT VALVE SECTION, RIGHT (STD) (BREAKDOWN).....	2162-22
BLADE LIFT VALVE SECTION (5 FUNCTION RH) (COMPLETE) (MID MOUNTED SCARIFIER).....	2162-10	BLADE ROTATION SENSOR.....	1676-10
BLADE LIFT VALVE SECTION, LEFT (STD) (BREAKDOWN).....	2162-24	BLADE SIDE SHIFT CONTROL LINKAGE.....	1816-10
BLADE LIFT VALVE SECTION, RIGHT (STD) (BREAKDOWN).....	2162-22	BLADE SIDE SHIFT CONTROL, LEFT 4 FUNCTION (EH) (GRADE PRO).....	3415-4
BLADE ROTATION SENSOR.....	1676-10		
BLADE SIDE SHIFT CONTROL LINKAGE.....	1816-10	BLADE SIDE SHIFT CONTROL, LEFT 5 FUNCTION (EH) (GRADE PRO).....	3415-8
BLADE SIDE SHIFT CONTROL, LEFT 4 FUNCTION (EH) (GRADE PRO).....	3415-4	BLADE SIDE SHIFT CYLINDER HOSES (GRADE PRO).....	3463-8
		BLADE SIDE SHIFT CYLINDER HOSES (STANDARD CONTROLS).....	3463-6
		BLADE SIDE SHIFT VALVE SECTION (4 FUNCTION LEFT) (COMPLETE).....	2162-6
		BLADE SIDE SHIFT VALVE SECTION (5 FUNCTION EH FRONT) (GRADE PRO).....	2162-82
		BLADE SIDE SHIFT VALVE SECTION (5 FUNCTION LEFT) (COMPLETE).....	2162-12
		BLADE SIDE SHIFT VALVE SECTION (6 FUNCTION EH FRONT) (GRADE PRO).....	2162-86
		BLADE SIDE SHIFT VALVE SECTION (6 FUNCTION LEFT) (COMPLETE).....	2162-16
		BLADE SIDE SHIFT VALVE SECTION (7 FUNCTION LEFT) (COMPLETE).....	2162-20
		BLADE SIDE SHIFT VALVE SECTION (8 FUNCTION EH FRONT) (GRADE PRO).....	2162-94
		BLADE SIDE SHIFT VALVE SECTION (EH) (BREAKDOWN) (GRADE PRO).....	2162-102
		BLADE TILT CONTROL LINKAGE.....	1816-10
		BLADE TILT CONTROL, LEFT 4 FUNCTION (EH) (GRADE PRO).....	3415-4
		BLADE TILT CONTROL, LEFT 5 FUNCTION (EH) (GRADE PRO).....	3415-8
		BLADE TILT CYLINDER.....	3465-6
		BLADE TILT CYLINDER HOSES (STANDARD CONTROLS).....	3463-6
		BLADE TILT CYLINDER HOSES (GRADE PRO).....	3463-8
		BLADE TILT FRAME.....	3443-2
		BLADE TILT VALVE SECTION (4 FUNCTION LEFT) (COMPLETE).....	2162-6
		BLADE TILT VALVE SECTION (5 FUNCTION EH FRONT) (GRADE PRO).....	2162-82
		BLADE TILT VALVE SECTION (5 FUNCTION LEFT) (COMPLETE).....	2162-12
		BLADE TILT VALVE SECTION (6 FUNCTION EH FRONT) (GRADE PRO).....	2162-86
		BLADE TILT VALVE SECTION (6 FUNCTION LEFT) (COMPLETE).....	2162-16
		BLADE TILT VALVE SECTION (7 FUNCTION LEFT) (COMPLETE).....	2162-20
		BLADE TILT VALVE SECTION (8 FUNCTION EH FRONT) (GRADE PRO).....	2162-94
		BLADE TILT VALVE SECTION (EH) (BREAKDOWN) (GRADE PRO).....	2162-102
		BLADE TILT VALVE SECTION (STD) (BREAKDOWN).....	2162-36
		BLADE TILT VALVE SECTION (6 FUNCTION W/ MMS EH FRONT) (GRADE PRO).....	2162-88
		BLADE, FRONT WINDSHIELD WIPER (FULL HEIGHT CAB).....	1814-4
		BLADE, FRONT WINDSHIELD WIPER (LOW PROFILE CAB).....	1814-2
		BLADE, REAR WINDSHIELD WIPER (FULL HEIGHT CAB).....	1814-8
		BLADE, REAR WINDSHIELD WIPER (LOW PROFILE CAB).....	1814-6
		BLOCK ASSEMBLY SHORT (9901) (HDW75).....	0400B-84
		BLOCK ASSEMBLY, COMPLETE (9901) (HDW01).....	0400A-84

ALPHABETICAL INDEX - CONTINUED

	PAGE		PAGE
BLOCK, CAMSHAFT(4633) (HDW75).....	0400B-38	BRACKET, FRONT EH VALVE MOUNT (GRADE PRO).....	2162-76
BLOCK, CYLINDER (4601).....	0400A-40	BRACKET, FRONT MOUNTED SCARIFIER.....	4243-4
BLOCK, CYLINDER (4606) (HDW01).....	0400A-42	BRACKET, HVAC MODE ACTUATOR.....	1831-8
BLOCK, PUSH.....	1749-2	BRACKET, IGC MAST MOUNTS (3/4" HARDWARE).....	3402-4
BLOCK, SHORT (9901) (HDW01).....	0400A-86	BRACKET, IGC MAST MOUNTS (5/8" HARDWARE).....	3402-2
BLOCK, SHORT (9901) HDW01.....	0400A-82	BRACKET, LEFT MOLDBOARD EXTENSION (24" WITH 5/8" HARDWARE).....	3401-28
BLOWER MOTOR AND SWITCH, HEATER AND A/C.....	1832-4	BRACKET, LEFT MOLDBOARD EXTENSION (27" WITH 3/4" HARDWARE).....	3401-36
BOLT KIT, CYLINDER HEAD (9902).....	0400A-91	BRACKET, LEFT MOLDBOARD EXTENSION (27" WITH 5/8" HARDWARE).....	3401-32
BOLT, HOOK (1000 CCA BATTERIES) (6068HDW75).....	1671-6	BRACKET, MACHINE INFORMATION GATEWAY (MIG).....	2601-4
BOLT, HOOK (1000 CCA BATTERIES) (6090HDW01 / 6090HDW04).....	1671-2	BRACKET, MAIN CONTROL VALVE MOUNTING.....	2162-2
BOLT, HOOK (1400 CCA BATTERIES) (6068HDW75).....	1671-8	BRACKET, MAIN MANIFOLD VALVE (W/ SEC. STEERING).....	2162-70
BOLT, HOOK (1400 CCA BATTERIES) (6090HDW01 / 6090HDW04).....	1671-4	BRACKET, MAIN MANIFOLD VALVE (W/O SEC. STEERING).....	2162-72
BOOM SCARIFIER, LIFT (FIELD KIT).....	4243-17	BRACKET, MID MOUNTED SCARIFIER.....	4243-18
BOTTOM GUARD (FUEL TANK).....	1746-2	BRACKET, MID MOUNTED SCARIFIER (FIELD KIT).....	4243-20
BOTTOM GUARD KIT.....	1746-2	BRACKET, POWER CONVERTER (15 AMP).....	1672-10
BOX, BATTERY.....	2164-4	BRACKET, POWER CONVERTER (25 AMP).....	1672-12
BRACKET, AIR CLEANER (6090HDW01 / 6090HDW04).....	0521-2	BRACKET, RADIO.....	2001-2
BRACKET, AIR CLEANER (6068HDW75).....	0521-4	BRACKET, REAR EH VALVE MOUNT (GRADE PRO).....	2162-78
BRACKET, ALTERNATOR, 100AMP (6090HDW01 / 6090HDW04).....	1672-2	BRACKET, REAR WORK LIGHTS.....	1673-6
BRACKET, ALTERNATOR, 100AMP (6068HDW75).....	1672-6	BRACKET, RIGHT MOLDBOARD EXTENSION (24" WITH 5/8" HARDWARE).....	3401-26
BRACKET, ALTERNATOR, 130AMP (6090HDW01 / 6090HDW04).....	1672-4	BRACKET, RIGHT MOLDBOARD EXTENSION (27" WITH 3/4" HARDWARE).....	3401-34
BRACKET, ALTERNATOR, 130AMP (6068HDW75).....	1672-8	BRACKET, RIGHT MOLDBOARD EXTENSION (27" WITH 5/8" HARDWARE).....	3401-30
BRACKET, BATTERY (1000 CCA) (6068HDW75).....	1671-6	BRACKET, SADDLE LOCK PIN.....	3442-2
BRACKET, BATTERY (1000 CCA) (6090HDW01 / 6090HDW04).....	1671-2	BRACKET, STEERING TILT (GRADE PRO).....	1816-26
BRACKET, BATTERY (1400 CCA) (6068HDW75).....	1671-8	BRACKET, STEERING TILT (STD CONTROLS).....	1816-8
BRACKET, BATTERY (1400 CCA) (6090HDW01 / 6090HDW04).....	1671-4	BRACKET, TRANSMISSION CONTROL UNIT MOUNTING.....	0315-6
BRACKET, BATTERY DISCONNECT SWITCH.....	2164-4	BRACKET, TRANSMISSION GEAR SELECTOR (GRADE PRO).....	0315-4
BRACKET, BEACON LIGHT.....	1673-16	BRACKET, TRANSMISSION GEAR SELECTOR (STANDARD CONTROLS).....	0315-2
BRACKET, BLADE IMPACT ACCUMULATOR.....	3463-22	BRACKET, TRANSMISSION WIRING HARNESS.....	1674-8
BRACKET, BOTTOM GUARD.....	1746-2	BRACKET, TURBO AIR INLET (5497) (HDW75).....	0400B-50
BRACKET, BRAKE VALVE/PEDAL MOUNTING.....	1062-2	BRACKETS, ENGINE MOUNTING (6090HDW01 / 6090HDW04).....	0540-2
BRACKET, CAB STEP.....	1822-2	BRACKETS, ENGINE MOUNTING (6068HDW75).....	0540-4
BRACKET, COOLANT HEATER (120V) (6068HDW75).....	0505-8	BRACKETS, SEAT (DELUXE).....	1821-6
BRACKET, COOLANT HEATER (120V) (6090HDW01 / 6090HDW04).....	0505-6	BRACKETS, SEAT (GRADE PRO).....	1821-10
BRACKET, DISPLAY MONITOR (GRADE PRO).....	1675-10	BRACKETS, SEAT (STD).....	1821-2
BRACKET, DISPLAY MONITOR (STD CONTROLS).....	1675-8	BRACKETS, SNOW LIGHTS.....	1673-14
BRACKET, EH CONTROLLER MOUNTING (GRADE PRO).....	1675-6	BRAKE ACCUMULATOR.....	1064-2
BRACKET, EH VALVE HARNESS BULKHEAD (GRADE PRO).....	1674-14	BRAKE ACCUMULATOR HOSES.....	1063-2
BRACKET, ENGINE COMPARTMENT WORK LIGHTS.....	1673-12	BRAKE ASSEMBLY WITHOUT FINAL DRIVE (RE65559).....	0210-10
BRACKET, ENGINE WIRING HARNESS (8499) HDW01.....	0400A-68	BRAKE COVER (SPANISH).....	1322-10
BRACKET, ETHER START AID.....	0505-4	BRAKE COVER LABEL (ENGLISH).....	1322-2
BRACKET, EXTERIOR MIRROR.....	2002-4	BRAKE COVER LABEL (FRENCH).....	1322-8
BRACKET, EXTERIOR MIRROR (HEATED).....	2002-6	BRAKE DISK.....	0201-8
BRACKET, FAN DRIVE (4436) (HDW75).....	0400B-36	BRAKE LIGHT SWITCH.....	1062-2
BRACKET, FIRE EXTINGUISHER.....	2003-2	BRAKE LIGHTS, LED.....	1673-4
BRACKET, FLC MOUNTING (GRADE PRO).....	1816-6	BRAKE PEDAL.....	1062-2
BRACKET, FLC MOUNTING (STD CONTROLS).....	1816-4	BRAKE VALVE.....	1062-2
		BRAKE VALVE HOSES.....	1063-2
		BRAKE VALVE/PEDAL MOUNTING BRACKET.....	1062-2
		BRAKES, SERVICE.....	0201-8

ALPHABETICAL INDEX - CONTINUED

	PAGE	PAGE	
BREAKER, CIRCUIT, ENGINE AIR HEATER (120A).....	0505-2	CAB ROOF WIRING HARNESS.....	1674-16
BREAKER, CIRCUIT, GLOW PLUG (120A).....	0505-10	CAB SIDE CONSOLE (GRADE PRO).....	1816-6
BREATHING FILTER, HYDRAULIC RESERVOIR.....	2164-4	CAB SIDE CONSOLE (STD CONTROLS).....	1816-4
BREATHING, FAST FILL FUEL SYSTEM.....	0564-4	CAB STATIONARY FRONT CONSOLE.....	1816-2
BREATHING, FUEL TANK.....	0564-2	CAB STEPS.....	1822-2
BREATHING, TANDEM HOUSING.....	0201-2	CAB TRAY.....	1831-10
BULB, FRONT AND REAR CAB WORK LIGHTS.....	1673-8	CAB TRIM (FULL HEIGHT CAB).....	1812-6
BULB, FRONT AND REAR WORK LIGHT.....	1673-6	CAB TRIM (GRADE PRO).....	1812-4
BULB, FRONT DRIVING LIGHTS.....	1673-2	CAB TRIM (LOW PROFILE - STD).....	1812-2
BULB, FRONT SIGNAL LIGHT.....	1673-2	CAB WIRING HARNESS (GRADE PRO).....	1674-12
BULB, INTERIOR DOME.....	1673-18	CAB WIRING HARNESS (GRADE PRO) (CONNECTORS).....	1674-60
BULB, SIDE CAB WORK LIGHTS.....	1673-10	CAB WORK LIGHTS, LOWER.....	1673-6
BUMPER, DOOR, SERVICE.....	1912-2	CABLE, A/C AND HEATER CONTROL.....	1832-2
BUSHING, BLADE LIFT CYLINDER.....	3442-2	CABLE, BATTERY (1000 CCA) (6068HDW75).....	1671-6
BUSHING, BLADE TILT FRAME.....	3443-2	CABLE, BATTERY (1000 CCA) (6090HDW01 / 6090HDW04).....	1671-2
BUSHING, CIRCLE FRAME.....	3443-4	CABLE, BATTERY (1400 CCA) (6090HDW01 / 6090HDW04).....	1671-4
BUSHING, MID MOUNTED SCARIFIER HYDRAULIC CYLINDER.....	4265-6	CABLE, BATTERY (1400 CCA) (6068HDW75).....	1671-8
BUSHING, RIPPER CYLINDER.....	4265-4	CABLE, BATTERY GROUND (1000 CCA) (6090HDW01 / 6090HDW04).....	1671-2
BUSHING, SADDLE FRAME.....	3442-2	CABLE, BATTERY GROUND (1400 CCA) (6068HDW75).....	1671-8
BUTTON, HORN.....	1676-2	CABLE, BATTERY GROUND (1400 CCA) (6090HDW01 / 6090HDW04).....	1671-4
BUTTON, HORN (GRADE PRO).....	1674-12	CABLE, BATTERY TO BATTERY (1000 CCA) BATTERIES (6090HDW01 / 6090HDW04).....	1671-2
BUZZER, PRIMARY WARNING.....	1676-2	CABLE, BATTERY TO BATTERY (1000 CCA) (6068HDW75).....	1671-6
BUZZER, PRIMARY WARNING (GRADE PRO).....	1676-4	CABLE, BATTERY TO BATTERY (1400 CCA) BATTERIES (6090HDW01 / 6090HDW04).....	1671-4
C			
CAB DISPLAY MONITOR (GRADE PRO).....	1675-10	CABLE, BATTERY TO BATTERY (1400 CCA) BATTERIES (6090HDW01 / 6090HDW04).....	1671-8
CAB DISPLAY MONITOR (STD CONTROLS).....	1675-8	CABLE, BATTERY TO DISCONNECT (1000 CCA) BATTERIES (6090HDW01 / 6090HDW04).....	1671-2
CAB DOORS (FULL HEIGHT CAB).....	1813-6	CABLE, BATTERY TO DISCONNECT (1000 CCA) (6068HDW75).....	1671-6
CAB DOORS (LOW PROFILE CAB).....	1813-4	CABLE, BATTERY TO DISCONNECT (1400 CCA) BATTERIES (6090HDW01 / 6090HDW04).....	1671-4
CAB ENCLOSURE, FULL HEIGHT W/ DOORS AND FIXED WINDOWS (COMPLETE).....	1811-6	CABLE, BATTERY TO DISCONNECT (1400 CCA) (6068HDW75).....	1671-8
CAB ENCLOSURE, GRADE PRO W/ AND OPENING WINDOWS (COMPLETE).....	1811-8	CABLE, BATTERY TO STARTER (1000 CCA) BATTERIES (6090HDW01 / 6090HDW04).....	1671-2
CAB ENCLOSURE, LOW PROFILE W/ DOORS AND FIXED WINDOWS (COMPLETE).....	1811-2	CABLE, BATTERY TO STARTER (1000 CCA) (6068HDW75).....	1671-6
CAB ENCLOSURE, LOW PROFILE W/ DOORS AND OPENING WINDOWS (COMPLETE).....	1811-4	CABLE, BATTERY TO STARTER (1400 CCA) BATTERIES (6090HDW01 / 6090HDW04).....	1671-4
CAB FLOORMAT (GRADE PRO).....	1812-10	CABLE, BATTERY TO STARTER (1400 CCA) (6068HDW75).....	1671-8
CAB FLOORMAT (STD CONTROLS).....	1812-8	CABLE, DISCONNECT TO GROUND (1000 CCA) BATTERIES (6090HDW01 / 6090HDW04).....	1671-2
CAB FRESH AIR FILTER.....	1831-10	CABLE, DISCONNECT TO GROUND (1400 CCA) BATTERIES (6090HDW01 / 6090HDW04).....	1671-4
CAB FRESH AIR FILTER HOUSING.....	1831-10	CABLE, DISCONNECT TO STARTER (1000 CCA) (6068HDW75).....	1671-6
CAB FRONT CONSOLE (GRADE PRO).....	1816-26	CABLE, DISCONNECT TO STARTER (1400 CCA) (6068HDW75).....	1671-8
CAB FRONT CONSOLE (STD CONTROLS).....	1816-8	CABLE, GROUND, FRAME TO FRAME (1000 CCA) BATTERIES (6068HDW75).....	1671-6
CAB HEATER HOSES (6068HDW75).....	1831-6	CABLE, GROUND, FRAME TO FRAME (1000 CCA) BATTERIES (6090HDW01 / 6090HDW04).....	1671-2
CAB HEATER HOSES (6090HDW01 / 6090HDW04) (W COOLANT HEATER).....	1831-4	CABLE, GROUND, FRAME TO FRAME (1400 CCA) BATTERIES (6068HDW75).....	1671-8
CAB HEATER HOSES (6090HDW01 / 6090HDW04) (W/O COOLANT HEATER).....	1831-2	CAB INTERIOR WIRING HARNESS.....	1674-10
CAB INTERIOR WIRING HARNESS.....	1674-10	CAB INTERIOR WIRING HARNESS (CONNECTORS).....	1674-48
CAB INTERIOR WIRING HARNESS (CONNECTORS).....	1674-48	CAB INTERIOR WIRING HARNESS (CONNECTORS).....	1674-50
CAB INTERIOR WIRING HARNESS (CONNECTORS).....	1674-50	CAB INTERIOR WIRING HARNESS (CONNECTORS).....	1674-52
CAB ISOLATORS.....	1811-10	CAB ISOLATORS.....	1811-10
CAB LABELS, ENGLISH (GRADE PRO).....	1322-6	CAB LABELS, ENGLISH (GRADE PRO).....	1322-6
CAB LABELS, ENGLISH (STD CAB).....	1322-4	CAB LABELS, ENGLISH (STD CAB).....	1322-4
CAB LIGHTS, FRONT AND REAR.....	1673-8	CAB LIGHTS, FRONT AND REAR.....	1673-8
CAB LIGHTS, SIDE WORK.....	1673-10	CAB LIGHTS, SIDE WORK.....	1673-10
CAB POWER WIRING HARNESS (FLC).....	1674-10	CAB POWER WIRING HARNESS (FLC).....	1674-10
CAB POWER WIRING HARNESS (FLC) (CONNECTORS).....	1674-56	CAB POWER WIRING HARNESS (FLC) (CONNECTORS).....	1674-56
CAB REAR INTERIOR PANELS.....	1812-12	CAB REAR INTERIOR PANELS.....	1812-12
CAB REAR WIRING HARNESS CONNECTOR COVER.....	1674-2	CAB REAR WIRING HARNESS CONNECTOR COVER.....	1674-2
CAB ROOF.....	1813-2	CAB ROOF.....	1813-2

ALPHABETICAL INDEX - CONTINUED

	PAGE		PAGE
CABLE, GROUND, FRAME TO FRAME (1400 CCA BATTERIES) (6090HDW01 / 6090HDW04)	1671-4	CHECK VALVE, REAR STEERING VALVE SECTION (EH) (GRADE PRO) (BREAKDOWN)	2162-96
CABLE, RADIO ANTENNA.....	2001-2	CHECK VALVE, REAR STEERING VALVE SECTION (STD)	2162-26
CABLE, STARTER TO GROUND (1000 CCA) (6068HDW75).....	1671-6	CHECK VALVE, RIGHT AUX VALVE WITH FLOAT (STD)	2162-48
CABLE, STARTER TO GROUND (1400 CCA) (6068HDW75).....	1671-8	CHECK VALVE, SCARIFIER VALVE SECTION (STD)	2162-42
CAM FOLLOWER (4606) (HDW01).....	0400A-42	CHECK VALVE, STEERING VALVE SECTION (EH) (GRADE PRO) (BREAKDOWN)	2162-98
CAMERA.....	2004-6	CHECK VALVE, WHEEL LEAN VALVE SECTION (EH) (GRADE PRO)	2162-108
CAMERA, REAR.....	2004-6	CHECK VALVE, WHEEL LEAN VALVE SECTION (STD)	2162-28
CAMSHAFT KIT (9902)	0400A-93	CIRCLE DRIVE GEARBOX	3450-2
CAN TERMINATOR (ENGINE FRAME HARNESS)	1674-44	CIRCLE DRIVE GEARBOX WITH SLIP CLUTCH	3450-4
CAP, ENGINE OIL FILLER NECK(1230) (HDW75).....	0400B-4	CIRCLE FRAME	3443-4
CAP, FUEL TANK	0564-2	CIRCLE INSERTS (EXTENDED LIFE)	3443-10
CAP, HYDRAULIC RESERVOIR.....	2164-4	CIRCLE INSERTS (STANDARD) (WITHOUT SLIP CLUTCH)	3443-6
CAP, MAIN BEARING (4606) (HDW01).....	0400A-42	CIRCLE INSERTS, (STANDARD) (WITH SLIP CLUTCH)	3443-8
CAP, TRANSMISSION DIAGNOSTIC FITTINGS	0363-8	CIRCLE ROTATE CONTROL LINKAGE.....	1816-10
CARGO NET (FULL HEIGHT CAB)	1812-6	CIRCLE ROTATE CONTROLS, LEFT 4 FUNCTION (EH) (GRADE PRO).....	3415-4
CARGO NET (GRADE PRO).....	1812-4	CIRCLE ROTATE CONTROLS, LEFT 5 FUNCTION (EH) (GRADE PRO).....	3415-8
CARGO NET (LOW PROFILE CAB - STD)	1812-2	CIRCLE ROTATE MOTOR	3467-2
CARRIER, PLANET PINION	0201-4	CIRCLE ROTATE MOTOR HYDRAULIC HOSES (GRADE PRO).....	3463-12
CARTRIDGE, PRESSURE REDUCING MAIN MANIFOLD VALVE (W/ SEC. STEERING)	2162-70	CIRCLE ROTATE MOTOR HYDRAULIC HOSES (STANDARD CONTROLS)	3463-10
CARTRIDGE, PRESSURE REDUCING MAIN MANIFOLD VALVE (W/O SEC. STEERING).....	2162-72	CIRCLE ROTATE VALVE SECTION (EH) (GRADE PRO) (BREAKDOWN)	2162-104
CD PLAYER.....	2001-2	CIRCLE ROTATE VALVE SECTION (STD) (BREAKDOWN)	2162-34
CENTER COVER, STEERING WHEEL	0962-2	CIRCLE ROTATE VALVE SECTION (4 FUNCTION LEFT) (COMPLETE).....	2162-6
CENTER COVER, STEERING WHEEL (GRADE PRO)	0962-4	CIRCLE ROTATE VALVE SECTION (5 FUNCTION EH FRONT) (GRADE PRO)	2162-82
CENTRAL LUBRICATION, FRAME HINGE.....	1370-2	CIRCLE ROTATE VALVE SECTION (5 FUNCTION LEFT) (COMPLETE).....	2162-12
CHAIN CASE DEBRIS MAGNET	0201-10	CIRCLE ROTATE VALVE SECTION (6 FUNCTION EH FRONT) (GRADE PRO)	2162-86
CHAIN, TANDEM DRIVE	0201-10	CIRCLE ROTATE VALVE SECTION (6 FUNCTION LEFT) (COMPLETE).....	2162-16
CHARGE AIR COOLER (6090HDW01 / 6090HDW04)	0510-8	CIRCLE ROTATE VALVE SECTION (7 FUNCTION LEFT) (COMPLETE).....	2162-20
CHARGE AIR COOLER (6068HDW75).....	0510-12	CIRCLE ROTATE VALVE SECTION (8 FUNCTION EH FRONT) (GRADE PRO)	2162-94
CHARGE AIR COOLER HOSES (6090HDW01 / 6090HDW04)	0510-10	CIRCLE ROTATE VALVE SECTION (6 FUNCTION W/ MMS EH FRONT) (GRADE PRO)	2162-88
CHARGE AIR COOLER HOSES (6068HDW75)	0510-14	CIRCLE SIDE SHIFT CONTROL LINKAGE	1816-10
CHECK VALVE (REVERSING FAN).....	0512-10	CIRCLE SIDE SHIFT CONTROLS, RIGHT 4 FUNCTION (EH) (GRADE PRO).....	3415-2
CHECK VALVE, A/C EVAPORATION (6090HDW01 / 6090HDW04)	1832-6	CIRCLE SIDE SHIFT CONTROLS, RIGHT 5 FUNCTION (EH) (GRADE PRO).....	3415-6
CHECK VALVE, A/C EVAPORATION (6068HDW75)	1832-8	CIRCLE SIDE SHIFT CYLINDER	3465-8
CHECK VALVE, AUX/RIPPER/SCAIFIER VALVE SECTION (EH) (GRADE PRO)	2162-116	CIRCLE SIDE SHIFT CYLINDER HOSES (GRADE PRO).....	3463-16
CHECK VALVE, BLADE SIDE SHIFT VALVE SECTION (EH) (GRADE PRO)	2162-106	CIRCLE SIDE SHIFT CYLINDER HOSES (STANDARD CONTROLS)	3463-14
CHECK VALVE, BLADE SIDE SHIFT VALVE SECTION (STD)	2162-32	CIRCLE SIDE SHIFT VALVE SECTION (4 FUNCTION RIGHT) (COMPLETE)	2162-4
CHECK VALVE, BLADE TILT VALVE SECTION (EH) (GRADE PRO)	2162-102	CIRCLE SIDE SHIFT VALVE SECTION (5 FUNCTION EH FRONT) (GRADE PRO)	2162-82
CHECK VALVE, BLADE TILT VALVE SECTION (STD).....	2162-36		
CHECK VALVE, BRAKE ACCUMULATOR	1064-2		
CHECK VALVE, CIRCLE SIDE SHIFT VALVE SECTION (EH) (GRADE PRO)	2162-110		
CHECK VALVE, CIRCLE SIDE SHIFT VALVE SECTION (STD)	2162-30		
CHECK VALVE, HYDRAULIC OIL COOLER BYPASS	2162-74		
CHECK VALVE, LEFT AUX VALVE WITH FLOAT (STD).....	2162-50		
CHECK VALVE, MAIN MANIFOLD VALVE (W/ SEC. STEERING).....	2162-70		
CHECK VALVE, MAIN MANIFOLD VALVE (W/O SEC. STEERING)	2162-72		
CHECK VALVE, MID MOUNTED SCARIFIER VALVE SECTION (STD).....	2162-44		

ALPHABETICAL INDEX - CONTINUED

	PAGE		PAGE
CIRCLE SIDE SHIFT VALVE SECTION (5 FUNCTION RIGHT) (COMPLETE)	2162-8	CODE 3508 FUEL FILTER (HDW01)	0400A-30
CIRCLE SIDE SHIFT VALVE SECTION (6 FUNCTION EH FRONT) (GRADE PRO)	2162-86	CODE 3612 - FRONT PLATE AND IDLE GEARS (HDW75)	0400B-26
CIRCLE SIDE SHIFT VALVE SECTION (6 FUNCTION RIGHT) (COMPLETE)	2162-14	CODE 3713 - FUEL TRANSFER PUMP (HDW75)	0400B-28
CIRCLE SIDE SHIFT VALVE SECTION (7 FUNCTION RIGHT) (COMPLETE)	2162-18	CODE 3903 THERMOSTAT THOUSING (HDW01)	0400A-32
CIRCLE SIDE SHIFT VALVE SECTION (8 FUNCTION EH FRONT) (GRADE PRO)	2162-94	CODE 3926 THERMOSTAT HOUSING (HDW75)	0400B-30
CIRCLE SIDE SHIFT VALVE SECTION (EH) (BREAKDOWN) (GRADE PRO)	2162-110	CODE 4018 ENGINE OIL DIPSTICK (HDW01)	0400A-34
CIRCLE SIDE SHIFT VALVE SECTION (STD) (BREAKDOWN)	2162-30	CODE 4301 STARTING AID (HDW01)	0400A-36
CIRCLE SIDE SHIFT VALVE SECTION (5 FUNCTION RH) (COMPLETE) (MM SCARIFIER)	2162-10	CODE 4330 STARTING AID (HDW75)	0400B-34
CIRCLE SIDE SHIFT VALVE SECTION (6 FUNCTION W/ MMS EH FRONT) (GRADE PRO)	2162-88	CODE 4397 STARTING AID (HDW01)	0400A-38
CIRCUIT BREAKER LABEL (ENGLISH)	1322-2	CODE 4436 - TIMING GEAR COVER/WATER PUMP (HDW75)	0400B-36
CIRCUIT BREAKER LABEL (FRENCH)	1322-8	CODE 4601 CYLINDER BLOCK	0400A-40
CIRCUIT BREAKER LABEL (SPANISH)	1322-10	CODE 4606 CYLINDER BLOCK (HDW01)	0400A-42
CIRCUIT BREAKER, ENGINE AIR HEATER (120A)	0505-2	CODE 4701 CRANKSHAFT (HDW01)	0400A-44
CIRCUIT BREAKER, GLOW PLUG (120A)	0505-10	CODE 4712 - CRANKSHAFT / BEARINGS (HDW75)	0400B-40
CLAMP, FRONT FENDER	1927-4	CODE 4801 CONNECTING ROD, PISTON	0400A-46
CLAMP, REAR FENDER	1927-6	CODE 4834 (CONNECTING RODS AND PISTONS) (HDW75)	0400B-42
CLEANER, AIR (6068HDW75)	0521-4	CODE 4901 ROCKER ARMS (HDW01)	0400A-48
CLEANER, AIR (6090HDW01 / 6090HDW04)	0521-2	CODE 4905 - ROCKER ARM/SHAFT/PUSH ROD (HDW75)	0400B-44
CLEANOUT COVER LABEL (ENGLISH)	1322-2	CODE 5001 OIL PUMP (HDW01)	0400A-50
CLEANOUT COVER LABEL (FRENCH)	1322-8	CODE 5024 - OIL PUMP (HDW75)	0400B-46
CLEANOUT COVER LABEL (SPANISH)	1322-10	CODE 5101 CYLINDER HEAD (HDW01)	0400A-52
CLUTCH PEDAL COVER (LOW PROFILE CAB - STD)	1812-2	CODE 5128 CYLINDER HEAD (HDW75)	0400B-48
CLUTCH PEDAL COVER (FULL HEIGHT CAB)	1812-6	CODE 5299 AUXILIARY DRIVE COVER (HDW01)	0400A-54
CLUTCH PEDAL COVER (GRADE PRO)	1812-4	CODE 5497 TURBO AIR INLET (HDW75)	0400B-50
CLUTCH, SLIP, CIRCLE DRIVE GEARBOX	3450-4	CODE 5701 WATER PUMP INLET (HDW01)	0400A-55
COAT HOOK (FULL HEIGHT CAB)	1812-6	CODE 5722 - WATER PUMP INLET (HDW75)	0400B-51
COAT HOOK (GRADE PRO)	1812-4	CODE 5912 OIL FILTER HOUSING	0400A-56
COAT HOOK (LOW PROFILE CAB - STD)	1812-2	CODE 6401 - EXHAUST ELBOW (HDW75)	0400B-53
CODE 1102 ROCKER ARM COVER (HDW01)	0400A-4	CODE 6401 EXHAUST ELBOW (HDW01)	0400A-58
CODE 1320 - CRANKSHAFT PULLEY (HDW75)	0400B-5	CODE 6511 TURBOCHARGER	0400A-60
CODE 1346 CRANKSHAFT PULLEY (HDW01)	0400A-6	CODE 6698 TEMPERATURE SWITCH PLUG (HDW75)	0400B-56
CODE 1412 FLYWHEEL HOUSING (HDW01)	0400A-7	CODE 7701 - TIMING GEAR COVER (HDW01)	0400A-62
CODE 1520 FLYWHEEL (HDW01)	0400A-8	CODE 7899 AIR COMPRESSOR MOUNTING PLUG (HDW01)	0400A-64
CODE 1603 FUEL INJECTION PUMP (HDW01)	0400A-10	CODE 8497 WIRING HARNESS BRACKET AND ECU (HDW01)	0400A-66
CODE 169Z - FUEL INJECTION PUMP (HDW75)	0400B-8	CODE 8499 ENGINE WIRING HARNESS BRACKET (HDW01)	0400A-68
CODE 1701 AIR INTAKE (HDW01)	0400A-12	CODE 8860 - OIL FILTER / FILTER HEAD (HDW75)	0400B-66
CODE 1909 OIL PAN (HDW01)	0400A-14	CODE 8902 EXHAUST GAS RECIRCULATION (HDW01)	0400A-70
CODE 2001 - WATER PUMP PULLEY (HDW75)	0400B-14	CODE 9801 LIFT STRAPS (HDW01)	0400A-72
CODE 2001 WATER PUMP (HDW01)	0400A-16	CODE 9807 LIFT STRAPS (HDW01)	0400A-73
CODE 2107 THERMOSTAT COVER (HDW01)	0400A-17	CODE 9901 BEARING KIT (HDW75)	0400B-70
CODE 2201 THERMOSTAT (HDW01)	0400A-18	CODE 9901 BEARING KIT (HDW75)	0400B-71
CODE 2255 - THERMOSTAT (HDW75)	0400B-16	CODE 9901 BEARING KIT (HDW75)	0400B-72
CODE 2310 FAN DRIVE (HDW01)	0400A-19		
CODE 2697 ENGINE HEATER (HDW01)	0400A-20		
CODE 2699 COOLANT HEATER PLUG (HDW01)	0400A-22		
CODE 2802 EXHAUST MANIFOLD (HDW01)	0400A-23		
CODE 2901 VENTILATING SYSTEM (HDW01)	0400A-24		
CODE 3005 STARTER, 24V (HDW01)	0400A-26		
CODE 3501 FUEL FILTER	0400A-28		

ALPHABETICAL INDEX - CONTINUED

	PAGE		PAGE
CODE 9901 BEARING KIT (HDW75).....	0400B-69	COMPRESSOR AIR (9902).....	0400A-97
CODE 9901 COMPLETE BLOCK ASSEMBLY HDW01	0400A-84	COMPRESSOR MOUNTING PLUG, AIR (7899)	
CODE 9901 CONNECTING ROD BEARINGS		HDW01	0400A-64
(HDW01).....	0400A-78	COMPRESSOR, A/C (COMPLETE)	
CODE 9901 ENGINE SHORT BLOCK (HDW01)	0400A-82	(6090HDW01 / 6090HDW04)	1832-6
CODE 9901 FUEL FILTER ELEMENT		COMPRESSOR, A/C (COMPLETE) (6068HDW75)	1832-8
(HDW01).....	0400A-81	COMPRESSOR, A/C (COMPONENTS)	1832-10
CODE 9901 MAIN BEARING KIT		COMPRESSOR, AIR (GRADE PRO SEAT)	1821-12
(HDW01).....	0400A-77	COMPRESSOR, AIR (PREMIUM SEAT).....	1821-8
CODE 9901 O-RING KIT		COMPRESSOR, AIR (STANDARD SEAT).....	1821-4
(HDW75).....	0400B-87	CONDENSER HOSES, A/C	
CODE 9901 PISTON RING KIT		(6090HDW01 / 6090HDW04)	1832-6
(HDW75).....	0400B-88	CONDENSER HOSES, A/C (6068HDW75).....	1832-8
CODE 9901 PISTON-LINER KIT (HDW01)	0400A-88	CONDENSER, A/C (6068HDW75)	0510-12
CODE 9901 PRIMARY FUEL FILTER	0400A-75	CONDENSER, A/C (6090HDW01 / 6090HDW04)	0510-8
CODE 9901 REAR OIL SEAL		CONNECTING ROD BEARING (9901) (HDW75).....	0400B-74
(HDW75).....	0400B-90	CONNECTING ROD BEARING KIT (9901)	
CODE 9901 SEAL KIT, FUEL INJ CONNECTOR		(HDW01).....	0400A-78
(HDW01).....	0400A-90	CONNECTING ROD, BEARINGS (4801)	0400A-46
CODE 9901 SERVICE KIT		CONNECTING RODS AND PISTONS (4834)	
(HDW75).....	0400B-91	(HDW75).....	0400B-42
CODE 9901 SHORT BLOCK		CONNECTOR, A/C COMPRESSOR CLUTCH	
(HDW01).....	0400A-86	SOLENOID (6068HDW75)	1674-40
CODE 9901 SHORT BLOCK ASSEMBLY (HDW75)	0400B-84	CONNECTOR, ACCELERATOR PEDAL	1674-48
CODE 9901 SUCTION CONTROL VALVE		CONNECTOR, ADU.....	1674-48
(HDW01).....	0400A-80	CONNECTOR, AIR FILTER RESTRICTION SWITCH	
CODE 9901 THRUST BEARING KIT		(6068HDW75).....	1674-40
(HDW01).....	0400A-79	CONNECTOR, AIR FILTER RESTRICTION SWITCH	
CODE 9901 WATER PUMP REPLACEMENT	0400A-76	(6090HDW01).....	1674-36
CODE 9902 AIR COMPRESSOR.....	0400A-97	CONNECTOR, AIR HEATER COILS	1674-44
CODE 9902 CAMSHAFT KIT	0400A-93	CONNECTOR, ALTERNATOR EXCITATION	
CODE 9902 CYLINDER HEAD BOLT KIT (HDW01).....	0400A-91	(6068HDW75).....	1674-40
CODE 9902 CYLINDER HEAD KIT.....	0400A-94	CONNECTOR, ALTERNATOR EXCITATION	
CODE 9902 CYLINDER HEAD REMOVAL KIT	0400A-104	(6090HDW01).....	1674-38
CODE 9902 CYLINDER LINER PACKING KIT.....	0400A-92	CONNECTOR, ALTERNATOR GROUND	
CODE 9902 EGR VALVE GASKET KIT.....	0400A-101	(6090HDW01).....	1674-36
CODE 9902 ENGINE OVERHAUL KIT	0400A-108	CONNECTOR, ALTERNATOR GROUND AND OUTPUT	
CODE 9902 ENGINE OVERHAUL KIT-CONTINUED	0400A-110	(6068HDW75).....	1674-40
CODE 9902 ENGINE REBUILD GASKET KIT	0400A-106	CONNECTOR, ARTICULATION ANGLE SENSOR	1674-26
CODE 9902 EXHAUST MANIFOLD REMOVAL KIT.....	0400A-100	CONNECTOR, AUXILIARY GRADE PRO CONTROLS	1674-64
CODE 9902 FUEL FILTER ELEMENT KIT	0400A-96	CONNECTOR, BATTERY DISCONNECT	1674-28
CODE 9902 PISTON RING KIT.....	0400A-98	CONNECTOR, BEACON LIGHTS.....	1674-16
CODE 9902 STARTER MOTOR KIT.....	0400A-112	CONNECTOR, BLADE IMPACT SOLENOID.....	1674-22
CODE3008 STARTER MOTOR		CONNECTOR, BLADE IMPACT SWITCH	
(HDW01).....	0400A-27	(GRADE PRO).....	1674-20
CODE9902 EGR SERVICE KIT		CONNECTOR, BLADE IMPACT SWITCH	
(HDW01).....	0400A-102	(STANDARD CONTROLS).....	1674-18
COIL, SOLENOID VALVE, MAIN MANIFOLD		CONNECTOR, BLADE IMPACT VALVE HARNESS	
VALVE (W/ SEC. STEERING)	2162-70	(FRONT PLATFORM HARNESS)	1674-26
COIL, SOLENOID VALVE, MAIN MANIFOLD		CONNECTOR, BLADE ROTATION SENSOR.....	1674-70
VALVE (W/O SEC. STEERING)	2162-72	CONNECTOR, BRAKE ACCUMULATOR PRESSURE	
COIL, SOLENOID, BLADE IMPACT VALVE.....	3460-10	SWITCH	1674-26
COIL, SOLENOID, HYDRAULIC PUMP		CONNECTOR, BRAKE LIGHT SWITCH	1674-26
DISCONNECT, COLD START (BREAKDOWN).....	2163-8	CONNECTOR, BRAKE/TAILO LIGHT	1673-4
COIL, SOLENOID, REVERSING FAN VALVE	0512-10	CONNECTOR, BUS FAN MOTOR.....	1674-50
COLD START DISCONNECT HOSES AND FITTINGS	2163-6	CONNECTOR, CAB DIAGNOSTIC	1674-50
COLD WEATHER START AID, ETHER	0505-4	CONNECTOR, CAB DISPLAY MONITOR	1674-48
COLD WEATHER STARTING AID (HDW01) 4301.....	0400A-36	CONNECTOR, CAB FUSES.....	1674-48
COLD WEATHER STARTING AID (4330) (HDW75).....	0400B-34	CONNECTOR, CAB GRADE PRO HARNESS	
COLUMN, STEERING	0962-2	(REAR GRADE PRO VALVE HARNESS)	1674-68
COLUMN, STEERING (GRADE PRO).....	0962-4	CONNECTOR, CAB HARNESS (CAB ROOF	
COMMON RAIL SYSTEM, HIGH PRESSURE (169Z)		HARNESS).....	1674-16
(HDW75).....	0400B-8	CONNECTOR, CAB HARNESS (FRONT TILT	
COMMUNICATION CONTROLLER.....	2601-2	CONSOLE HARNESS) (GRADE PRO)	1674-20
COMPARTMENT LIGHTS, ENGINE.....	1673-12	CONNECTOR, CAB HARNESS (FRONT TILT	
COMPLETE BLOCK ASSEMBLY (9901) (HDW01).....	0400A-84	CONSOLE HARNESS) (STANDARD CONTROLS).....	1674-18
COMPONENTS, HVAC MODULE	1832-4		

ALPHABETICAL INDEX - CONTINUED

	PAGE		PAGE
CONNECTOR, CAB HARNESS, GRADE PRO (CAB INTERIOR HARNESS).....	1674-50	CONNECTOR, EGR MANIFOLD AIR TEMP SENSOR (6090HDW01).....	1674-36
CONNECTOR, CAB INTERIOR HARNESS (ENGINE FRAME HARNESS).....	1674-44	CONNECTOR, EGR VALVE (6090HDW01).....	1674-38
CONNECTOR, CAB INTERIOR HARNESS (FRONT PLATFORM HARNESS).....	1674-26	CONNECTOR, ELECTROHYDRAULIC VALVE CONTROLLERS (GRADE PRO).....	1674-68
CONNECTOR, CAB INTERIOR HARNESS (RADIO HARNESS).....	1674-58	CONNECTOR, ELECTROHYDRAULIC VALVE, FRONT (GRADE PRO).....	1674-70
CONNECTOR, CAB INTERIOR HARNESS (REAR PLATFORM HARNESS).....	1674-28	CONNECTOR, ELECTROHYDRAULIC VALVE, REAR (GRADE PRO).....	1674-68
CONNECTOR, CAB ROOF HARNESS (CAB INTERIOR HARNESS).....	1674-52	CONNECTOR, ENGINE COMPARTMENT WORK LIGHTS.....	1673-12
CONNECTOR, CAB ROOF LIGHTS.....	1674-16	CONNECTOR, ENGINE COMPARTMENT WORK LIGHTS SWITCH.....	1673-12
CONNECTOR, CAB WORK LIGHTS, LOWER.....	1674-26	CONNECTOR, ENGINE CONTROLLER (BROWN).....	1674-44
CONNECTOR, CAMSHAFT SPEED SENSOR (6068HDW75).....	1674-40	CONNECTOR, ENGINE CONTROLLER (ECU) (BLUE AND BLACK) (6068HDW75).....	1674-40
CONNECTOR, CAMSHAFT SPEED SENSOR (6090HDW01).....	1674-36	CONNECTOR, ENGINE CONTROLLER (ECU) (BLUE AND BLACK) (6090HDW01).....	1674-38
CONNECTOR, CAN BUS (LEFT GRADE PRO ARMREST HARNESS).....	1674-66	CONNECTOR, ENGINE FRAME GROUND.....	1674-44
CONNECTOR, CAN BUS (RIGHT GRADE PRO ARMREST HARNESS).....	1674-64	CONNECTOR, ENGINE FRAME HARNESS (CAB INTERIOR HARNESS).....	1674-52
CONNECTOR, CAN TERMINATOR (CAB INTERIOR HARNESS).....	1674-50	CONNECTOR, ENGINE FRAME HARNESS (ENGINE HARNESS 6068HDW75).....	1674-40
CONNECTOR, CAN TERMINATOR (ENGINE FRAME HARNESS).....	1674-44	CONNECTOR, ENGINE FRAME HARNESS (ENGINE HARNESS 6090HDW01).....	1674-38
CONNECTOR, CAN TERMINATOR (GRADE PRO IGC HARNESS).....	1674-62	CONNECTOR, ENGINE HARNESS (ENGINE FRAME HARNESS).....	1674-44
CONNECTOR, CAN TO JDLINK™ SYSTEM (MIG HARNESS).....	2601-4	CONNECTOR, ENGINE OIL PRESSURE SENSOR (6068HDW75).....	1674-40
CONNECTOR, CIRCUIT BREAKER, CAB POWER.....	1674-44	CONNECTOR, ENGINE OIL PRESSURE SENSOR (6090HDW01).....	1674-36
CONNECTOR, CIRCUIT BREAKER, CAB POWER.....	1674-28	CONNECTOR, ENGINE SPEED CONTROL MODE SWITCH.....	1674-52
CONNECTOR, COMPRESSOR CLUTCH SOLENOID (6068HDW75).....	1674-40	CONNECTOR, ENGINE SPEED CONTROL SET SWITCH.....	1674-50
CONNECTOR, COMPRESSOR CLUTCH SOLENOID (6090HDW01).....	1674-36	CONNECTOR, ENGINE WORK LIGHT HARNESS (MIDSTRUCTURE HARNESS).....	1674-30
CONNECTOR, COMPRESSOR INLET TEMP SENSOR (6068HDW75).....	1674-40	CONNECTOR, ETHER START AID SOLENOID (6090HDW01).....	1674-36
CONNECTOR, COMPRESSOR INLET TEMP SENSOR (6090HDW01).....	1674-36	CONNECTOR, ETHERNET.....	2601-4
CONNECTOR, CONTROLLERS, GRADE PRO VALVE.....	1674-68	CONNECTOR, EXHAUST AIR TEMP SENSOR (6090HDW01).....	1674-36
CONNECTOR, CONVERTOR, 12V/15A.....	1674-52	CONNECTOR, FAN DIRECTION SOLENOID.....	1674-30
CONNECTOR, COOLANT TEMPERATURE SENSOR (6068HDW75).....	1674-40	CONNECTOR, FAN DOOR HARNESS (REAR PLATFORM HARNESS).....	1674-28
CONNECTOR, COOLANT TEMPERATURE SENSOR (6090HDW01).....	1674-36	CONNECTOR, FAN DOOR HARNESS (TAIL LIGHT HARNESS).....	1673-4
CONNECTOR, CRANKSHAFT SPEED SENSOR (6068HDW75).....	1674-40	CONNECTOR, FAN MOTOR, BUS.....	1674-50
CONNECTOR, CRANKSHAFT SPEED SENSOR (6090HDW01).....	1674-36	CONNECTOR, FAN PRESSURE SENSOR.....	1674-30
CONNECTOR, CYLINDER SHAFT SPEED SENSOR.....	1674-28	CONNECTOR, FAN SPEED SOLENOID.....	1674-30
CONNECTOR, DECELERATOR PEDAL.....	1674-48	CONNECTOR, FLEX LOAD CONTROLLER.....	1674-50
CONNECTOR, DIAGNOSTIC, CAB.....	1674-50	CONNECTOR, FLEX LOAD CONTROLLER POWER.....	1674-56
CONNECTOR, DIFFERENTIAL FILTER RESTRICTION SWITCH.....	1674-30	CONNECTOR, FLOAT SWITCH.....	1674-66
CONNECTOR, DIFFERENTIAL LOCK SOLENOID.....	1674-28	CONNECTOR, FORWARD/REVERSE MODULE.....	1674-48
CONNECTOR, DIFFERENTIAL LOCK SWITCH.....	1674-18	CONNECTOR, FRESH AIR TEMP SENSOR (6090HDW01).....	1674-36
CONNECTOR, DIFFERENTIAL LOCK SWITCH.....	1674-64	CONNECTOR, FRONT AND REAR CAB WORK LIGHTS.....	1673-8
CONNECTOR, DIODE, SOFT START.....	1674-30	CONNECTOR, FRONT DRIVE LIGHTS.....	1674-26
CONNECTOR, DOME LIGHT.....	1674-58	CONNECTOR, FRONT DRIVING LIGHTS.....	1673-2
CONNECTOR, DRAFT FRAME PITCH/ROLL INCLINOMETER.....	1674-70	CONNECTOR, FRONT GRADE PRO VALVE.....	1674-70
CONNECTOR, DRIVE LIGHTS.....	1674-16	CONNECTOR, FRONT GRADE PRO VALVE HARNESS (REAR GRADE PRO VALVE HARNESS).....	1674-68
CONNECTOR, DRIVING LIGHTS.....	1674-34	CONNECTOR, FRONT LOWER WIPER.....	1674-26
CONNECTOR, ECU FUSE.....	1674-44	CONNECTOR, FRONT PLATFORM (BLADE IMPACT HARNESS).....	1674-22
CONNECTOR, EGR MANIFOLD AIR TEMP SENSOR (6068HDW75).....	1674-40		

ALPHABETICAL INDEX - CONTINUED

	PAGE		PAGE
CONNECTOR, FRONT PLATFORM HARNESS (CAB INTERIOR HARNESS).....	1674-52	CONNECTOR, HYDRAULIC OIL TEMPERATURE SENSOR	1674-30
CONNECTOR, FRONT PLATFORM HARNESS (FRONT LIGHT HARNESS).....	1674-34	CONNECTOR, HYDRAULIC PUMP PRESSURE SENSOR JUMPER.....	1674-26
CONNECTOR, FRONT PLATFORM HARNESS (WHEEL LEAN SENSOR HARNESS).....	1674-32	CONNECTOR, IGC HARNESS (CAB INTERIOR HARNESS).....	1674-50
CONNECTOR, FRONT SIGNAL LIGHTS	1673-2	CONNECTOR, INCHING PEDAL	1674-48
CONNECTOR, FRONT TILT CONSOLE (CAB INTERIOR HARNESS).....	1674-50	CONNECTOR, INCLINOMETER, DRAFT FRAME PITCH/ROLL	1674-70
CONNECTOR, FRONT WIPER MOTOR.....	1674-58	CONNECTOR, INCLINOMETER, MAINFALL ANGLE	1674-68
CONNECTOR, FUEL INJECTORS (6068HDW75).....	1674-40	CONNECTOR, INPUT SHAFT SPEED SENSOR	1674-46
CONNECTOR, FUEL INJECTORS (6090HDW01).....	1674-36	CONNECTOR, JOYSTICKS, LEFT (GRADE PRO).....	1674-66
CONNECTOR, FUEL LEVEL SENSOR	1674-28	CONNECTOR, JOYSTICKS, RIGHT (GRADE PRO).....	1674-64
CONNECTOR, FUEL PRESSURE SENSOR (6068HDW75).....	1674-40	CONNECTOR, LEFT BLADE IMPACT SOLENOID	1674-22
CONNECTOR, FUEL PRESSURE SENSOR (6090HDW01).....	1674-36	CONNECTOR, LEFT JOYSTICKS (GRADE PRO).....	1674-66
CONNECTOR, FUEL RAIL PRESSURE SENSOR (6068HDW75).....	1674-40	CONNECTOR, LICENSE PLATE HARNESS (TAIL LIGHT HARNESS).....	1673-4
CONNECTOR, FUEL RAIL PRESSURE SENSOR (6090HDW01).....	1674-36	CONNECTOR, LIGHT, DOME	1674-58
CONNECTOR, FUEL TEMPERATURE SENSOR (6068HDW75).....	1674-40	CONNECTOR, LIGHTS, FRONT DRIVE.....	1674-26
CONNECTOR, FUEL TEMPERATURE SENSOR (6090HDW01).....	1674-36	CONNECTOR, LIGHTS, FRONT DRIVING.....	1674-34
CONNECTOR, FUEL TRANSFER PUMP (6090HDW01).....	1674-38	CONNECTOR, LOWER WIPER DISABLE SWITCH.....	1674-26
CONNECTOR, FUSES, CAB.....	1674-48	CONNECTOR, MACHINE INFORMATION GATEWAY (MIG)	2601-4
CONNECTOR, GEAR POSITION MODULE	1674-48	CONNECTOR, MAIN HARNESS (ENGINE WORK LIGHT HARNESS)	1673-12
CONNECTOR, GLOW PLUG COILS.....	1674-44	CONNECTOR, MAIN HARNESS (FAN DOOR HARNESS).....	1673-4
CONNECTOR, GLOW PLUGS AND GLOW PLUG RELAY (6068HDW75).....	1674-40	CONNECTOR, MAINFALL ANGLE INCLINOMETER	1674-68
CONNECTOR, GRADE PRO CAB HARNESS (CAB INTERIOR HARNESS).....	1674-50	CONNECTOR, MANIFOLD AIR PRESSURE SENSOR (6090HDW01).....	1674-36
CONNECTOR, GRADE PRO CAB HARNESS (GRADE PRO IGC HARNESS).....	1674-62	CONNECTOR, MIDFRAME WORK LIGHTS.....	1674-26
CONNECTOR, GRADE PRO CAB HARNESS (LEFT GRADE PRO ARMREST HARNESS).....	1674-66	CONNECTOR, MIDSTRUCTURE HARNESS (REAR PLATFORM HARNESS).....	1674-28
CONNECTOR, GRADE PRO CAB HARNESS (RIGHT GRADE PRO ARMREST HARNESS).....	1674-64	CONNECTOR, MIG HARNESS (CAB INTERIOR HARNESS).....	1674-52
CONNECTOR, GRADE PRO JOYSTICKS, LEFT	1674-66	CONNECTOR, MIG HARNESS (GTT HARNESS).....	2601-2
CONNECTOR, GRADE PRO JOYSTICKS, RIGHT	1674-64	CONNECTOR, MIG POWER.....	2601-4
CONNECTOR, GRADE PRO VALVE CONTROLLERS.....	1674-68	CONNECTOR, MONITOR, CAB DISPLAY	1674-48
CONNECTOR, GRADE PRO VALVE, FRONT	1674-70	CONNECTOR, MOTOR, REAR WIPER	1674-52
CONNECTOR, GRADE PRO VALVE, REAR.....	1674-68	CONNECTOR, OUTPUT SHAFT SPEED SENSOR.....	1674-46
CONNECTOR, GROUND, FRONT PLATFORM WIRING HARNESS	1674-26	CONNECTOR, PARK BRAKE PRESSURE SWITCH.....	1674-46
CONNECTOR, GROUND, REAR PLATFORM HARNESS	1674-28	CONNECTOR, PARK BRAKE SOLENOID	1674-46
CONNECTOR, GTT DIAGNOSTIC (RS232)	2601-2	CONNECTOR, PARK/NEUTRAL MODULE.....	1674-48
CONNECTOR, HEATED MIRRORS.....	1674-16	CONNECTOR, POWER PORT	1674-50
CONNECTOR, HEATED SEAT	1674-50	CONNECTOR, POWER TO GTT HARNESS (MIG HARNESS).....	2601-4
CONNECTOR, HEATED SEAT SWITCH.....	1674-52	CONNECTOR, POWER, FLEX LOAD CONTROLLER	1674-56
CONNECTOR, HFWD FRONT HARNESS (REAR PLATFORM HARNESS).....	1674-28	CONNECTOR, POWER, GTT	2601-2
CONNECTOR, HI/LOW BEAM SWITCH (GRADE PRO)	1674-20	CONNECTOR, POWER, 12V SWITCHED	1674-48
CONNECTOR, HI/LOW BEAM SWITCH (STANDARD CONTROLS).....	1674-18	CONNECTOR, POWER, 24 VOLT (SWITCHED AND UNSWITCHED).....	1674-50
CONNECTOR, HORN	1674-18	CONNECTOR, PUMP, WINDSHIELD WASHER FLUID.....	1674-50
CONNECTOR, HORN	1674-26	CONNECTOR, RADIO	1674-58
CONNECTOR, HORN SWITCH (GRADE PRO)	1674-66	CONNECTOR, RADIO HARNESS (CAB INTERIOR HARNESS).....	1674-50
CONNECTOR, HVAC HARNESS (CAB INTERIOR HARNESS).....	1674-48	CONNECTOR, REAR CAMERA HARNESS (REAR PLATFORM HARNESS).....	1674-28
CONNECTOR, HVAC POWERED PRECLEANER.....	1674-16	CONNECTOR, REAR DEFROST.....	1674-50
CONNECTOR, HYDRAULIC FILTER RESTRICTION SWITCH	1674-30	CONNECTOR, REAR GRADE PRO VALVE.....	1674-68
		CONNECTOR, REAR GRADE PRO VALVE HARNESS (FRONT GRADE PRO VALVE HARNESS).....	1674-70
		CONNECTOR, REAR PLATFORM HARNESS (MIDSTRUCTURE HARNESS).....	1674-30
		CONNECTOR, REAR PLATFORM HARNESS (CAB INTERIOR HARNESS).....	1674-52
		CONNECTOR, REAR WIPER MOTOR	1674-52
		CONNECTOR, REAR WORK LIGHTS	1673-4

ALPHABETICAL INDEX - CONTINUED

	PAGE		PAGE
CONNECTOR, RETURN TO STRAIGHT SWITCH.....	1674-68	CONNECTOR, WIPER DISABLE SENSOR.....	1814-12
CONNECTOR, REVERSE WARNING ALARM.....	1673-4	CONNECTOR, WIPER MOTOR, FRONT.....	1674-58
CONNECTOR, RIGHT BLADE IMPACT SOLENOID.....	1674-22	CONNECTOR, WIPER, FRONT LOWER.....	1674-26
CONNECTOR, RIGHT JOYSTICKS (GRADE PRO).....	1674-64	CONNECTOR, WORK LIGHT, ENGINE	
CONNECTOR, ROTARY MANIFOLD SENSOR.....	1674-70	COMPARTMENT.....	1673-12
CONNECTOR, RS232.....	2601-2	CONNECTOR, WORK LIGHTS, CAB.....	1674-16
CONNECTOR, SADDLE LOCK PIN SOLENOID.....	1674-26	CONNECTOR, WORK LIGHTS, CAB, LOWER.....	1674-26
CONNECTOR, SADDLE LOCK PIN SWITCH.....	1674-26	CONNECTOR, WORK LIGHTS, MIDFRAME.....	1674-26
CONNECTOR, SEALED SWITCH MODULE.....	1674-52	CONNECTOR, 12V SWITCHED POWER.....	1674-48
CONNECTOR, SEAT AIR COMPRESSOR.....	1674-48	CONNECTOR, 24 VOLT POWER (SWITCHED AND	
CONNECTOR, SEAT HEATER.....	1674-50	UNSWITCHED).....	1674-50
CONNECTOR, SENSOR, ROTARY MANIFOLD.....	1674-70	CONSOLE COVER, FRONT	
CONNECTOR, SIDE CAB WORK LIGHTS.....	1673-10	(Low Profile Cab - STD).....	1812-2
CONNECTOR, SLEEVE FRONT GRADE PRO VALVE.....	1674-70	CONSOLE COVER, FRONT (FULL HEIGHT CAB).....	1812-6
CONNECTOR, SNOW LIGHT.....	1673-14	CONSOLE COVER, FRONT (GRADE PRO).....	1812-4
CONNECTOR, SOFT START SOLENOID AND DIODE.....	1674-30	CONSOLE WIRING HARNESS, FRONT TILT	
CONNECTOR, SOLENOID, BLADE IMPACT.....	1674-22	(GRADE PRO).....	1674-20
CONNECTOR, SOLENOID, TRANSMISSION.....	1674-46	CONSOLE WIRING HARNESS, FRONT TILT	
CONNECTOR, SPEAKER.....	1674-58	(STANDARD CONTROLS).....	1674-18
CONNECTOR, SSM.....	1674-52	CONSOLE, CAB FRONT (STATIONARY).....	1816-2
CONNECTOR, STARTER GROUND		CONSOLE, CAB FRONT (TILT) (GRADE PRO).....	1816-26
(6090HDW01).....	1674-36	CONSOLE, CAB FRONT (TILT) (STD CONTROLS).....	1816-8
CONNECTOR, STARTER GROUND (6068HDW75).....	1674-40	CONSOLE, CAB SIDE (GRADE PRO).....	1816-6
CONNECTOR, STARTER RELAY.....	1674-44	CONSOLE, CAB SIDE (STD CONTROLS).....	1816-4
CONNECTOR, STARTER SOLENOID.....	1674-44	CONTROL KIT, ONE HAND BLADE LIFT.....	1816-24
CONNECTOR, SWITCH, ENGINE SPEED CONTROL		CONTROL LINKAGE, AUX W/ FLOAT (SIXTH	
MODE.....	1674-52	FUNCTION LH).....	1816-18
CONNECTOR, SWITCH, ENGINE SPEED CONTROL		CONTROL LINKAGE, AUX W/ FLOAT (SIXTH	
SET.....	1674-50	FUNCTION RH).....	1816-16
CONNECTOR, SWITCH, HEATED SEAT.....	1674-52	CONTROL LINKAGE, AUX W/O FLOAT (SEVENTH	
CONNECTOR, SWITCH, RETURN TO STRAIGHT.....	1674-68	FUNCTION LH).....	1816-22
CONNECTOR, TAIL LIGHT HARNESS (FAN DOOR		CONTROL LINKAGE, AUX W/O FLOAT (SEVENTH	
HARNESS).....	1673-4	FUNCTION RH).....	1816-20
CONNECTOR, TO GTT HARNESS (MIG HARNESS).....	2601-4	CONTROL LINKAGE, RIPPER (FIFTH FUNCTION	
CONNECTOR, TRANSMISSION RUN/CAL.....	1674-50	LH).....	1816-14
CONNECTOR, TRANSMISSION AND SOLENOIDS.....	1674-46	CONTROL LINKAGE, SCARIFIER (FIFTH	
CONNECTOR, TRANSMISSION CAL MODE.....	1674-52	FUNCTION RH).....	1816-12
CONNECTOR, TRANSMISSION CONTROLLER.....	1674-48	CONTROL LINKAGES, STANDARD.....	1816-10
CONNECTOR, TRANSMISSION FILTER		CONTROL UNIT, ENGINE (6068HDW75).....	0575-4
RESTRICTION SWITCH.....	1674-30	CONTROL UNIT, ENGINE (6090HDW01).....	0575-2
CONNECTOR, TRANSMISSION HARNESS (REAR		CONTROL UNIT, FLEX LOAD	
PLATFORM HARNESS).....	1674-28	(WITH AUTOSHIFT).....	1675-4
CONNECTOR, TRANSMISSION OIL SENSOR.....	1674-46	CONTROL UNIT, FLEX LOAD	
CONNECTOR, TRANSMISSION RUN MODE.....	1674-52	(WITHOUT AUTOSHIFT).....	1675-2
CONNECTOR, TURBO INLET TEMP SENSOR		CONTROL VALVE.....	0962-2
(6068HDW75).....	1674-40	CONTROL VALVE (GRADE PRO).....	0962-4
CONNECTOR, TURBO INLET TEMP SENSOR		CONTROL VALVE (9901) (HDW75).....	0400B-75
(6090HDW01).....	1674-36	CONTROL VALVE COVER, FRONT (GRADE PRO).....	1913-10
CONNECTOR, TURN SIGNAL.....	1674-34	CONTROL VALVE COVER, REAR (GRADE PRO).....	1913-8
CONNECTOR, TURN SIGNAL LIGHT.....	1673-4	CONTROL VALVE COVERS (STANDARD).....	1913-6
CONNECTOR, TURN SIGNAL SWITCH		CONTROL VALVE KIT, AUX W/ FLOAT (SIXTH	
(GRADE PRO).....	1674-20	FUNCTION LH).....	2162-62
CONNECTOR, TURN SIGNAL SWITCH		CONTROL VALVE KIT, AUX W/ FLOAT (SIXTH	
(STANDARD CONTROLS).....	1674-18	FUNCTION RH).....	2162-60
CONNECTOR, VTG SPEED SENSOR AND ACTUATOR		CONTROL VALVE KIT, AUX W/O FLOAT	
(6090HDW01).....	1674-38	(SEVENTH FUNCTION LEFT).....	2162-66
CONNECTOR, WARNING BUZZER		CONTROL VALVE KIT, AUX W/O FLOAT	
(GRADE PRO).....	1674-20	(SEVENTH FUNCTION RIGHT).....	2162-64
CONNECTOR, WARNING BUZZER		CONTROL VALVE KIT, ELECTROHYDRAULIC	
(STANDARD CONTROLS).....	1674-18	AUXILIARY (GRADE PRO).....	2162-118
CONNECTOR, WATER IN FUEL SENSOR		CONTROL VALVE KIT, ONE HAND BLADE LIFT.....	2162-68
(6068HDW75).....	1674-40	CONTROL VALVE KIT, RIPPER (FIFTH	
CONNECTOR, WATER IN FUEL SENSOR		FUNCTION LH).....	2162-58
(6090HDW01).....	1674-36	CONTROL VALVE KIT, SCARIFIER (FIFTH	
CONNECTOR, WHEEL ANGLE SENSOR.....	1674-32	FUNCTION RH).....	2162-56
CONNECTOR, WHEEL LEAN SENSOR HARNESS.....	1674-26	CONTROL VALVE MOUNTING BRACKETS.....	2162-2
CONNECTOR, WINDSHIELD WASHER PUMP.....	1674-50		

ALPHABETICAL INDEX - CONTINUED

	PAGE		PAGE
CONTROL VALVE, EH FRONT (5 FUNCTION) (GRADE PRO)	2162-82	COOLER HOSES, HYDRAULIC OIL	0510-4
CONTROL VALVE, EH FRONT (6 FUNCTION MMS) (GRADE PRO)	2162-88	COOLER HOSES, TRANSMISSION	0510-6
CONTROL VALVE, EH FRONT (6 FUNCTION) (GRADE PRO)	2162-86	COOLER, AIR (6068HDW75)	0510-12
CONTROL VALVE, EH FRONT (8 FUNCTION) (GRADE PRO)	2162-94	COOLER, AIR (6090HDW01 / 6090HDW04)	0510-8
CONTROL VALVE, EH REAR (4 FUNCTION) (GRADE PRO)	2162-80	COOLER, DIFFERENTIAL OIL (6090HDW01 / 6090HDW04)	0510-8
CONTROL VALVE, EH REAR (5 FUNCTION) (GRADE PRO)	2162-84	COOLER, DIFFERENTIAL OIL (6068HDW75)	0510-12
CONTROL VALVE, EH REAR (6 FUNCTION) (GRADE PRO)	2162-90	COOLER, ENGINE OIL (5951) (HDW75)	0400B-52
CONTROL VALVE, EH REAR (7 FUNCTION) (GRADE PRO)	2162-92	COOLER, FUEL (6090HDW01 / 6090HDW04)	0510-8
CONTROL VALVE, HEATER	1832-4	COOLER, OIL (HDW01) (5912)	0400A-56
CONTROL VALVE, LEFT (4 FUNCTION)	2162-6	COOLER, TRANSMISSION OIL (6090HDW01 / 6090HDW04)	0510-8
CONTROL VALVE, LEFT (5 FUNCTION)	2162-12	COOLER, TRANSMISSION OIL (6068HDW75)	0510-12
CONTROL VALVE, LEFT (6 FUNCTION)	2162-16	CORE, RADIATOR (6068HDW75)	0510-12
CONTROL VALVE, LEFT (7 FUNCTION)	2162-20	CORE, RADIATOR (6090HDW01 / 6090HDW04)	0510-8
CONTROL VALVE, RIGHT (4 FUNCTION)	2162-4	COUNTERWEIGHT (FIELD KIT), REAR	1749-4
CONTROL VALVE, RIGHT (5 FUNCTION)	2162-8	COUPLING, DIFF LOCK PUMP TO TRANS	0261-2
CONTROL VALVE, RIGHT (5 FUNCTION) (MID MOUNTED SCARIFIER)	2162-10	COVER-VALVE (1102) (HDW01)	0400A-4
CONTROL VALVE, RIGHT (6 FUNCTION)	2162-14	COVER, AIR CONDITIONER AND HEATER	1831-10
CONTROL VALVE, RIGHT (7 FUNCTION)	2162-18	COVER, AUXILIARY DRIVE (5299) HDW01	0400A-54
CONTROL VALVE, SUCTION (9901) (HDW01)	0400A-80	COVER, BATTERY TERMINAL (1000 CCA) (6068HDW75)	1671-6
CONTROL, MAIN HYDRAULIC PUMP	2161-2	COVER, BATTERY TERMINAL (1000 CCA) (6090HDW01 / 6090HDW04)	1671-2
CONTROLLER MOUNTING BRACKET, FLEX LOAD (GRADE PRO)	1816-6	COVER, BATTERY TERMINAL (1400 CCA) (6068HDW75)	1671-8
CONTROLLER MOUNTING BRACKET, FLEX LOAD (STD CONTROLS)	1816-4	COVER, BATTERY TERMINAL (1400 CCA) (6090HDW01 / 6090HDW04)	1671-4
CONTROLLER, COMMUNICATION (GLOBALTRACS™ TERMINAL (GTT))	2601-2	COVER, CAB REAR	1812-12
CONTROLLER, ELECTROHYDRAULIC VALVE (GRADE PRO)	1675-6	COVER, CAB REAR WIRING HARNESS CONNECTOR	1674-2
CONTROLLER, ENGINE (6090HDW01)	0575-2	COVER, CIRCLE DRIVE GEARBOX	3450-2
CONTROLLER, ENGINE (8497)	0400A-66	COVER, CIRCLE DRIVE GEARBOX WITH SLIP CLUTCH	3450-4
CONTROLLER, FLEX LOAD (WITH AUTOSHIFT)	1675-4	COVER, CLUTCH PEDAL (LOW PROFILE CAB - STD)	1812-2
CONTROLLER, FLEX LOAD (WITHOUT AUTOSHIFT)	1675-2	COVER, CLUTCH PEDAL (FULL HEIGHT CAB)	1812-6
CONTROLLER, MIG	2601-4	COVER, CLUTCH PEDAL (GRADE PRO)	1812-4
CONTROLLER, TRANSMISSION	0315-6	COVER, ENGINE OIL FILLER NECK(1230) (HDW75)	0400B-4
CONTROLS, EH AUXILIARY (GRADE PRO)	3415-10	COVER, FRONT CONSOLE (LOW PROFILE CAB - STD)	1812-2
CONTROLS, LEFT FIVE FUNCTION (EH) (GRADE PRO)	3415-8	COVER, FRONT CONSOLE (FULL HEIGHT CAB)	1812-6
CONTROLS, LEFT FOUR FUNCTION (EH) (GRADE PRO)	3415-4	COVER, FRONT CONSOLE (GRADE PRO)	1812-4
CONTROLS, RIGHT FIVE FUNCTION (EH) (GRADE PRO)	3415-6	COVER, FRONT CONSOLE (GRADE PRO)	1816-26
CONTROLS, RIGHT FOUR FUNCTION (EH) (GRADE PRO)	3415-2	COVER, FRONT WIPER (LOW PROFILE CAB - STD)	1812-2
CONVERTER, 15 AMP POWER	1672-10	COVER, FRONT WIPER (FULL HEIGHT CAB)	1812-6
CONVERTER, 25 AMP POWER	1672-12	COVER, FRONT WIPER (GRADE PRO)	1812-4
COOLANT HEATER (120V) (6090HDW01 / 6090HDW04)	0505-6	COVER, HEATER AND AIR CONDITIONER	1831-10
COOLANT HEATER (120V) (6068HDW75)	0505-8	COVER, HYDRAULIC RESERVOIR CLEAN OUT	2164-4
COOLANT HEATER (2694) (HDW75)	0400B-17	COVER, INCHING PEDAL	0715-2
COOLANT HEATER PLUG (2699) (HDW01)	0400A-22	COVER, INTEGRATED GRADE CONTROL (IGC) (FULL HEIGHT CAB)	1812-6
COOLANT OVERFLOW TANK (6090HDW01 / 6090HDW04)	0510-10	COVER, INTEGRATED GRADE CONTROL (IGC) (GRADE PRO)	1812-4
COOLANT OVERFLOW TANK (6068HDW75)	0510-14	COVER, INTEGRATED GRADE CONTROL (IGC) (LOW PROFILE CAB - STD)	1812-2
COOLER HOSES, DIFFERENTIAL	0510-2	COVER, LOWER FRONT WINDSHIELD WIPER	1814-10
		COVER, MAIN FRAME SIDE	1913-4
		COVER, REAR WIPER (LOW PROFILE CAB - STD)	1812-2
		COVER, REAR WIPER (FULL HEIGHT CAB)	1812-6
		COVER, REAR WIPER (GRADE PRO)	1812-4
		COVER, ROCKER ARM (1102) HDW01	0400A-4
		COVER, ROCKER ARM (1144) (HDW75)	0400B-2

ALPHABETICAL INDEX - CONTINUED

	PAGE		PAGE
COVER, STEERING WHEEL CENTER (GRADE PRO)	0962-4	CYLINDER HOSES, ARTICULATION (STANDARD CONTROLS)	0963-6
COVER, THERMOSTAT (HDW01) 2107	0400A-17	CYLINDER HOSES, BLADE LIFT (STANDARD CONTROLS)	3463-2
COVER, THERMOSTAT (2154) (HDW75)	0400B-15	CYLINDER HOSES, BLADE LIFT (GRADE PRO)	3463-4
COVER, TIMING GEAR (7701) (HDW01)	0400A-62	CYLINDER HOSES, BLADE SIDE SHIFT (GRADE PRO)	3463-8
COVER, TIMING GEAR AND WATER PUMP (4436) (HDW75)	0400B-36	CYLINDER HOSES, BLADE SIDE SHIFT (STANDARD CONTROLS)	3463-6
COVER, TRANSMISSION DIAGNOSTIC FITTINGS	0363-8	CYLINDER HOSES, BLADE TILT (STANDARD CONTROLS)	3463-6
COVER, W/O RADIO (LOW PROFILE CAB - STD)	1812-2	CYLINDER HOSES, BLADE TILT (GRADE PRO)	3463-8
COVER, W/O RADIO (FULL HEIGHT CAB)	1812-6	CYLINDER HOSES, CIRCLE SIDE SHIFT (GRADE PRO)	3463-16
COVER, W/O RADIO (GRADE PRO)	1812-4	CYLINDER HOSES, CIRCLE SIDE SHIFT (STANDARD CONTROLS)	3463-14
COVERS, BATTERY	1912-2	CYLINDER LINER (4834) (HDW75)	0400B-42
COVERS, CONTROL VALVE (STANDARD)	1913-6	CYLINDER LINER AND PISTON KIT (9901)	0400A-88
COVERS, FRONT CONTROL VALVE (GRADE PRO)	1913-10	CYLINDER LINER PACKING (9901) (HDW75)	0400B-80
COVERS, FRONT FRAME	1913-2	CYLINDER LINER PACKING KIT (9902)	0400A-92
COVERS, REAR CONTROL VALVE (GRADE PRO)	1913-8	CYLINDER LINER 4601	0400A-40
COVERS, TANDEM HOUSING	0201-2	CYLINDER, REAR RIPPER/SCARIFIER	4265-4
CRANKSHAFT / BEARINGS (4712) (HDW75)	0400B-40	CYLINDER, ARTICULATION PINS	0965-6
CRANKSHAFT DAMPER (HDW01) 1346	0400A-6	CYLINDER, ARTICULATION COMPONENTS	0965-8
CRANKSHAFT GEAR (HDW01) 4701	0400A-44	CYLINDER, BLADE LIFT	3465-2
CRANKSHAFT POSITION SENSOR (4601)	0400A-40	CYLINDER, BLADE SLIDE	3465-4
CRANKSHAFT PULLEY (HDW01) 1346	0400A-6	CYLINDER, BLADE TILT	3465-6
CRANKSHAFT PULLEY (1320) (HDW75)	0400B-5	CYLINDER, CIRCLE SIDE SHIFT	3465-8
CRANKSHAFT THRUST BEARING (HDW01) 4701	0400A-44	CYLINDER, ETHER	0505-4
CROSS OVER TUBE, OIL (HDW01) (5912)	0400A-56	CYLINDER, FRONT MOUNTED DOZER BLADE (BREAKDOWN)	4265-2
CUSHION, SEAT (DELUXE)	1821-6	CYLINDER, FRONT STEERING	0965-2
CUSHION, SEAT (GRADE PRO)	1821-10	CYLINDER, FRONT STEERING, COMPONENTS	0965-4
CUSHION, SEAT (STD)	1821-2	CYLINDER, MID MOUNTED SCARIFIER	4265-6
CUTTING EDGE, 5/8" X 6" (USE WITH 12' X 24" X 7/8" MOLDBOARD)	3401-2	CYLINDER, PARALLEL LIFT GROUP (BREAKDOWN)	4265-2
CUTTING EDGE, 5/8" X 6" (USE WITH 14' X 24" X 7/8" MOLDBOARD)	3401-10	CYLINDER, REAR STEERING PINS	0965-6
CUTTING EDGE, 5/8" X 8" (USE WITH 12' X 24" X 7/8" MOLDBOARD)	3401-4	CYLINDER, REAR STEERING COMPONENTS	0965-8
CUTTING EDGE, 5/8" X 8" (USE WITH 12' X 27" X 1" MOLDBOARD)	3401-6	CYLINDER, SCARIFIER (BREAKDOWN)	4265-2
CUTTING EDGE, 5/8" X 8" (USE WITH 13' X 27" X 1" MOLDBOARD)	3401-8	CYLINDER, WHEEL LEAN	0965-10
CUTTING EDGE, 5/8" X 8" (USE WITH 14' X 24" X 7/8" MOLDBOARD)	3401-12	CYLINDER, WHEEL LEAN COMPONENTS	0965-12
CUTTING EDGE, 5/8" X 8" (USE WITH 14' X 27" X 1" MOLDBOARD)	3401-14		
CUTTING EDGE, 5/8" X 8" (USE WITH 14' X 27" X 1" MOLDBOARD) (3/4" HARDWARE)	3401-16	D	
CYLINDER BLOCK (4601)	0400A-40	DAMPENER, TORSIONAL	0325-2
CYLINDER BLOCK (4606) (HDW01)	0400A-42	DAMPER (HDW01) 1346	0400A-6
CYLINDER BLOCK WITH CAMSHAFT (4633) (HDW75)	0400B-38	DEBRIS MAGNET, CHAIN CASE	0201-10
CYLINDER BLOCK WITH LINERS (4633) (HDW75)	0400B-38	DECAL, BATTERY DISCONNECT (1000 CCA) (6068HDW75)	1671-6
CYLINDER HEAD (5101) (HDW01)	0400A-52	DECAL, BATTERY DISCONNECT (1000 CCA) (6090HDW01 / 6090HDW04)	1671-2
CYLINDER HEAD (5128) (HDW75)	0400B-48	DECAL, BATTERY DISCONNECT (1400 CCA) (6068HDW75)	1671-8
CYLINDER HEAD GASKET (5101) (HDW01)	0400A-52	DECAL, BATTERY DISCONNECT (1400 CCA) (6090HDW01 / 6090HDW04)	1671-4
CYLINDER HEAD GASKET (5128) (HDW75)	0400B-48	DECAL, BRAKE ACCUMULATOR	1064-2
CYLINDER HEAD KIT (9902)	0400A-94	DECAL, DIFFERENTIAL LOCK SWITCH	1676-2
CYLINDER HEAD REMOVAL KIT (9902)	0400A-104	DECAL, ENGINE COMPARTMENT WORK LIGHTS SWITCH	1673-12
CYLINDER HOSE, WHEEL LEAN (GRADE PRO)	0963-16	DECAL, FUSE PANEL	1674-10
CYLINDER HOSE, WHEEL LEAN (STANDARD CONTROLS)	0963-14	DECAL, GRAY CIRCLE (LOW PROFILE CAB - STD)	1812-2
		DECAL, GRAY CIRCLE (FULL HEIGHT CAB)	1812-6
		DECALS, ENGLISH	1322-2

ALPHABETICAL INDEX - CONTINUED

	PAGE		PAGE
DECALS, ENGLISH (GRADE PRO CAB).....	1322-6	DISCONNECT SWITCH, BATTERY (1000 CCA) (6068HDW75).....	1671-6
DECALS, ENGLISH (STANDARD CAB).....	1322-4	DISCONNECT SWITCH, BATTERY (1400 CCA BATTERIES) (6090HDW01 / 6090HDW04)	1671-4
DECALS, FRENCH.....	1322-8	DISCONNECT SWITCH, BATTERY (1400 CCA) (6068HDW75).....	1671-8
DECALS, SPANISH.....	1322-10	DISCONNECT, MAIN HYD PUMP COLD START.....	2163-6
DECELERATOR PEDAL.....	0515-6	DISK, BRAKE.....	0201-8
DEFLECTOR (1102) (HDW01).....	0400A-4	DISPLAY MONITOR, CAB (GRADE PRO).....	1675-10
DEFROST DUCT, CENTER CAB.....	1816-2	DISPLAY MONITOR, CAB (STD CONTROLS).....	1675-8
DIAGNOSTIC FITTING, DIFFERENTIAL.....	0201-12	DOME LIGHT.....	1673-18
DIAGNOSTIC FITTING, ENGINE COOLANT (6068HDW75).....	1369-8	DOMELIGHT HOUSING (LOW PROFILE CAB - STD).....	1812-2
DIAGNOSTIC FITTING, ENGINE OIL (6068HDW75).....	1369-8	DOMELIGHT HOUSING (FULL HEIGHT CAB).....	1812-6
DIAGNOSTIC FITTING, ENGINE OIL (6090HDW01 / 6090HDW04).....	1369-6	DOMELIGHT HOUSING (GRADE PRO).....	1812-4
DIAGNOSTIC FITTING, HYDRAULIC OIL (6068HDW75).....	1369-8	DOOR BUMPER, SERVICE.....	1912-2
DIAGNOSTIC FITTING, HYDRAULIC OIL (6090HDW01 / 6090HDW04).....	1369-6	DOOR HINGE, SERVICE.....	1912-2
DIAGNOSTIC FITTING, TRANSMISSION OIL (6068HDW75).....	1369-8	DOOR LATCH (FULL HEIGHT CAB).....	1813-6
DIAGNOSTIC FITTING, TRANSMISSION OIL (6090HDW01 / 6090HDW04).....	1369-6	DOOR LATCH (LOW PROFILE CAB).....	1813-4
DIAGNOSTIC FITTINGS, TRANSMISSION.....	0363-8	DOOR, FAN.....	0512-2
DIFF CASE, MULT DISK BRAKE.....	0210-14	DOOR, HVAC MODE.....	1831-8
DIFF LOCK PUMP.....	0261-2	DOORS, ENGINE.....	1912-2
DIFF LOCK PUMP MOUNTING.....	0261-2	DOORS, FULL HEIGHT CAB.....	1813-6
DIFFERENTIAL BREATHER FITTING.....	0201-12	DOORS, LOW PROFILE CAB.....	1813-4
DIFFERENTIAL COOLER HOSES.....	0510-2	DOORS, SERVICE.....	1912-2
DIFFERENTIAL DIAGNOSTIC FITTING.....	0201-12	DRAFT FRAME.....	3441-2
DIFFERENTIAL FILTER LABEL (ENGLISH).....	1322-2	DRAFT FRAME BALL RETAINER.....	3441-2
DIFFERENTIAL FILTER LABEL (FRENCH).....	1322-8	DRAFT FRAME PITCH AND ROLL SENSOR.....	1676-10
DIFFERENTIAL FILTER LABEL (SPANISH).....	1322-10	DRAFT FRAME WORK LIGHTS.....	1673-6
DIFFERENTIAL LOCK FILTER.....	0263-4	DRAIN VALVE, ENGINE OIL PAN (19BR) (HDW75).....	0400B-12
DIFFERENTIAL LOCK HOSES.....	0263-2	DRAIN, FLYWHEEL HOUSING (6090HDW01 / 6090HDW04).....	0363-4
DIFFERENTIAL LOCK HYDRAULIC HOSES.....	0263-2	DRAIN, FLYWHEEL HOUSING (6068HDW75).....	0363-6
DIFFERENTIAL LOCK LABEL (ENGLISH, GRADE PRO).....	1322-6	DRIVE CHAIN, TANDEM.....	0201-10
DIFFERENTIAL LOCK PUMP.....	0261-2	DRIVE LIGHTS WIRING HARNESS, FRONT.....	1674-2
DIFFERENTIAL LOCK PUMP HOSES.....	0263-2	DRIVE LIGHTS WIRING HARNESS, FRONT (CONNECTORS).....	1674-34
DIFFERENTIAL LOCK SWITCH (GRADE PRO).....	1674-12	DRIVE MOTOR, FAN.....	0512-6
DIFFERENTIAL LOCK SWITCH AND LABEL.....	1676-2	DRIVE SHAFT, FINAL DRIVE AND TANDEM PIVOT.....	0201-6
DIFFERENTIAL LOCK W. VALVE LOW PRESSURE (YZ120521).....	0210-12	DRIVE SPROCKET.....	0201-6
DIFFERENTIAL OIL COOLER (6090HDW01 / 6090HDW04).....	0510-8	DRIVE, AUXILIARY, MAIN HYDRAULIC PUMP.....	2161-2
DIFFERENTIAL OIL COOLER (6068HDW75).....	0510-12	DRIVE, FAN (2310) HDW01.....	0400A-19
DIFFERENTIAL OIL COOLER HOSES (6068HDW75).....	0510-14	DRIVE, TANDEM.....	0201-4
DIFFERENTIAL OIL COOLER HOSES (6090HDW01 / 6090HDW04).....	0510-10	DRIVESHAFT.....	0225-2
DIODE, A/C COMPRESSOR CLUTCH SOLENOID (6068HDW75).....	1674-40	DRIVING LIGHTS, FRONT.....	1673-2
DIODE, A/C COMPRESSOR CLUTCH SOLENOID (6090HDW01).....	1674-38	DUCT, DEFROST, CENTER CAB.....	1816-2
DIODE, ENGINE AIR HEATER.....	1674-44		
DIODE, GLOW PLUGS.....	1674-44	E	
DIODE, PARK BRAKE SOLENOID.....	1674-46	ECU (6068HDW75).....	0575-4
DIODE, SOFT START.....	1674-30	ECU (6090HDW01).....	0575-2
DIODE, STARTER RELAY AND MOTOR.....	1674-44	ECU (8497).....	0400A-66
DIPSTICK-OIL (4048) (HDW75).....	0400B-32	EDGE, CUTTING, 5/8 X 6" (USE WITH 12' X 24" X 7/8" MOLDBOARD).....	3401-2
DIPSTICK, OIL (HDW01) 4018.....	0400A-34	EDGE, CUTTING, 5/8 X 6" (USE WITH 14' X 24" X 7/8" MOLDBOARD).....	3401-10
DIPSTICK, TRANSMISSION OIL.....	0342-2	EDGE, CUTTING, 5/8 X 8" (USE WITH 12' X 24" X 7/8" MOLDBOARD).....	3401-4
DIRECTIONAL VALVE (REVERSING FAN).....	0512-10	EDGE, CUTTING, 5/8" X 8" (USE WITH 12' X 27" X 1" MOLDBOARD).....	3401-6
DISCONNECT SWITCH, BATTERY (1000 CCA BATTERIES) (6090HDW01 / 6090HDW04)	1671-2	EDGE, CUTTING, 5/8" X 8" (USE WITH 13' X 27" X 1" MOLDBOARD).....	3401-8
		EDGE, CUTTING, 5/8" X 8" (USE WITH 14' X 24" X 7/8" MOLDBOARD).....	3401-12

ALPHABETICAL INDEX - CONTINUED

	PAGE		PAGE
EDGE, CUTTING, 5/8" X 8" (USE WITH 14' X 27" X 1" MOLDBOARD).....	3401-14	ELECTROHYDRAULIC SIX FUNCTION CONTROL VALVE (REAR) (GRADE PRO).....	2162-90
EDGE, CUTTING, 5/8" X 8" (USE WITH 14' X 27" X 1" MOLDBOARD) (3/4" HARDWARE).....	3401-16	ELECTROHYDRAULIC SIX FUNCTION CONTROL VALVE W/ MID SCARIFIER (GRADE PRO).....	2162-88
EGR (8902) (HDW01).....	0400A-70	ELECTROHYDRAULIC STEERING VALVE SECTION (GRADE PRO) (BREAKDOWN).....	2162-98
EGR SERVICE KIT (9902) (HDW01).....	0400A-102	ELECTROHYDRAULIC VALVE CONTROLLER (GRADE PRO).....	1675-6
EGR VALVE GASKET KIT (9901) (HDW75).....	0400B-78	ELECTROHYDRAULIC VALVE MOUNT, FRONT (GRADE PRO).....	2162-76
EGR VALVE GASKET KIT (9902).....	0400A-101	ELECTROHYDRAULIC VALVE MOUNT, REAR (GRADE PRO).....	2162-78
EH STEERING HYDRAULIC HOSES (GRADE PRO).....	0963-4	ELECTROHYDRAULIC VALVE WIRING HARNESSSES, FRONT (GRADE PRO) (CONNECTORS).....	1674-70
EH STEERING PLUMBING (GRADE PRO).....	0963-4	ELECTROHYDRAULIC VALVE WIRING HARNESSSES, FRONT AND REAR (GRADE PRO).....	1674-14
EH VALVE CONTROLLER (GRADE PRO).....	1675-6	ELECTROHYDRAULIC VALVE WIRING HARNESSSES, REAR (GRADE PRO) (CONNECTORS).....	1674-68
EH VALVE COVER, (GRADE PRO).....	1913-8	ELECTROHYDRAULIC WHEEL LEAN VALVE SECTION (GRADE PRO) (BREAKDOWN).....	2162-108
EH VALVE COVER, FRONT (GRADE PRO).....	1913-10	ELECTROHYDRAULIC 4 FUNCTION CONTROLS (LH) (GRADE PRO).....	3415-4
EH VALVE COVER, REAR (GRADE PRO).....	1913-8	ELECTROHYDRAULIC 4 FUNCTION CONTROLS (RH) (GRADE PRO).....	3415-2
EIGHT FUNCTION CONTROL VALVE, FRONT (EH) (GRADE PRO).....	2162-94	ELECTROHYDRAULIC 5 FUNCTION CONTROLS (LH) (GRADE PRO).....	3415-8
ELBOW, EXHAUST (HDW01) 6401.....	0400A-58	ELECTROHYDRAULIC 5 FUNCTION CONTROLS (RH) (GRADE PRO).....	3415-6
ELBOW, EXHAUST (6401) (HDW75).....	0400B-53	ELEMENT, TRANSMISSION FILTER.....	0364-2
ELECTROHYDRAULIC ARMREST WIRING HARNESS (GRADE PRO).....	1674-12	ELEMENT, WATER SEPARATOR (81AL) (HDW75).....	0400B-60
ELECTROHYDRAULIC ARMREST WIRING HARNESS, LEFT (GRADE PRO) (CONNECTORS).....	1674-66	ENCLOSURE, FULL HEIGHT CAB W/ DOORS AND FIXED WINDOWS (COMPLETE).....	1811-6
ELECTROHYDRAULIC ARMREST WIRING HARNESS, RIGHT (GRADE PRO) (CONNECTORS).....	1674-64	ENCLOSURE, GRADE PRO CAB W/ DOORS AND OPENING FIXED WINDOWS (COMPLETE).....	1811-8
ELECTROHYDRAULIC AUX/RIPPER/SCAIFIER VALVE SECTION (GRADE PRO) (BREAKDOWN).....	2162-116	ENCLOSURE, LOW PROFILE CAB W/ DOORS AND FIXED WINDOWS (COMPLETE).....	1811-2
ELECTROHYDRAULIC AUXILIARY CONTROLS (GRADE PRO).....	3415-10	ENCLOSURE, LOW PROFILE CAB W/ DOORS AND OPENING FIXED WINDOWS (COMPLETE).....	1811-4
ELECTROHYDRAULIC AUXILIARY VALVE KIT (GRADE PRO).....	2162-118	END BIT (12' X 24" X 7/8" MOLDBOARD WITH 5/8" X 6" CUTTING EDGES).....	3401-2
ELECTROHYDRAULIC BLADE LIFT VALVE SECTION (GRADE PRO) (BREAKDOWN).....	2162-100	END BIT (12' X 24" X 7/8" MOLDBOARD WITH 5/8" X 8" CUTTING EDGES).....	3401-4
ELECTROHYDRAULIC BLADE SIDE SHIFT VALVE SECTION (GRADE PRO) (BREAKDOWN).....	2162-106	END BIT (12' X 27" X 1" MOLDBOARD WITH 5/8" X 8" CUTTING EDGES).....	3401-6
ELECTROHYDRAULIC BLADE TILT VALVE SECTION (BREAKDOWN) (GRADE PRO).....	2162-102	END BIT (13' X 27" X 1" MOLDBOARD WITH 5/8" X 8" CUTTING EDGES).....	3401-8
ELECTROHYDRAULIC CAB WIRING HARNESS (GRADE PRO).....	1674-12	END BIT (14' X 24" X 7/8" MOLDBOARD WITH 5/8" X 6" CUTTING EDGES).....	3401-10
ELECTROHYDRAULIC CAB WIRING HARNESS (GRADE PRO) (CONNECTORS).....	1674-60	END BIT (14' X 24" X 7/8" MOLDBOARD WITH 5/8" X 8" CUTTING EDGES).....	3401-12
ELECTROHYDRAULIC CIRCLE ROTATE VALVE SECTION (GRADE PRO) (BREAKDOWN).....	2162-104	END BIT (14' X 27" X 1" MOLDBOARD WITH 5/8" X 8" CUTTING EDGES).....	3401-14
ELECTROHYDRAULIC CIRCLE SIDE SHIFT VALVE SECTION (GRADE PRO) (BREAKDOWN).....	2162-110	END BIT (14' X 27" X 1" MOLDBOARD WITH 5/8" X 8" CUTTING EDGES) (3/4" HARDWARE).....	3401-16
ELECTROHYDRAULIC EIGHT FUNCTION CONTROL VALVE (FRONT) (GRADE PRO).....	2162-94	END BIT OVERLAYS FOR 6" CUTTING EDGE (5/8" HARDWARE).....	3401-20
ELECTROHYDRAULIC FIVE FUNCTION CONTROL VALVE (FRONT) (GRADE PRO).....	2162-82	END BIT OVERLAYS FOR 8" CUTTING EDGE (3/4" HARDWARE).....	3401-24
ELECTROHYDRAULIC FIVE FUNCTION CONTROL VALVE (REAR) (GRADE PRO).....	2162-84	END BIT OVERLAYS FOR 8" CUTTING EDGE (5/8" HARDWARE).....	3401-22
ELECTROHYDRAULIC FOUR FUNCTION CONTROL VALVE (REAR) (GRADE PRO).....	2162-80	END, TIE ROD, FRONT AXLE.....	0240-6
ELECTROHYDRAULIC IGC WIRING HARNESS (GRADE PRO).....	1674-12	ENDCAPS, FRONT EH 5 FUNCTION CONTROL VALVE (GRADE PRO).....	2162-82
ELECTROHYDRAULIC IGC WIRING HARNESS (GRADE PRO) (CONNECTORS).....	1674-62	ENDCAPS, FRONT EH 6 FUNCTION CONTROL VALVE (GRADE PRO).....	2162-86
ELECTROHYDRAULIC REAR STEERING VALVE SECTION (GRADE PRO) (BREAKDOWN).....	2162-96	ENDCAPS, FRONT EH 6 FUNCTION CONTROL VALVE W/ MMS (GRADE PRO).....	2162-88
ELECTROHYDRAULIC SEVEN FUNCTION CONTROL VALVE (REAR) (GRADE PRO).....	2162-92		
ELECTROHYDRAULIC SIX FUNCTION CONTROL VALVE (FRONT) (GRADE PRO).....	2162-86		

ALPHABETICAL INDEX - CONTINUED

	PAGE		PAGE
ENDCAPS, FRONT EH 8 FUNCTION CONTROL VALVE (GRADE PRO).....	2162-94	ENGINE OVERHAUL KIT (9902).....	0400A-108
ENDCAPS, LEFT 4 FUNCTION CONTROL VALVE.....	2162-6	ENGINE OVERHAUL KIT (9902) CONTINUED.....	0400A-110
ENDCAPS, LEFT 5 FUNCTION CONTROL VALVE.....	2162-12	ENGINE REBUILD GASKET KIT (9902) (HDW01).....	0400A-106
ENDCAPS, LEFT 6 FUNCTION CONTROL VALVE.....	2162-16	ENGINE SPEED CONTROL ON/OFF SWITCH (GRADE PRO).....	0515-4
ENDCAPS, LEFT 7 FUNCTION CONTROL VALVE.....	2162-20	ENGINE SPEED CONTROL ON/OFF SWITCH (STANDARD).....	0515-2
ENDCAPS, REAR EH 4 FUNCTION CONTROL VALVE (GRADE PRO).....	2162-80	ENGINE SPEED CONTROL PEDAL (GRADE PRO).....	0515-4
ENDCAPS, REAR EH 5 FUNCTION CONTROL VALVE (GRADE PRO).....	2162-84	ENGINE SPEED CONTROL PEDAL (STANDARD).....	0515-2
ENDCAPS, REAR EH 6 FUNCTION CONTROL VALVE (GRADE PRO).....	2162-90	ENGINE SPEED DECELERATOR PEDAL.....	0515-6
ENDCAPS, REAR EH 7 FUNCTION CONTROL VALVE (GRADE PRO).....	2162-92	ENGINE SPEED, SENSOR (6744) (HDW75).....	0400B-58
ENDCAPS, RIGHT 4 FUNCTION CONTROL VALVE.....	2162-4	ENGINE WIRING HARNESS (CONNECTORS) (6068HDW75).....	1674-40
ENDCAPS, RIGHT 5 FUNCTION CONTROL VALVE.....	2162-8	ENGINE WIRING HARNESS (CONNECTORS) (6090HDW01).....	1674-36
ENDCAPS, RIGHT 5 FUNCTION CONTROL VALVE (MID MOUNTED SCARIFIER).....	2162-10	ENGINE WIRING HARNESS (CONNECTORS) (6090HDW01).....	1674-38
ENDCAPS, RIGHT 6 FUNCTION CONTROL VALVE.....	2162-14	ENGINE WIRING HARNESSES (6068HDW75).....	1674-6
ENDCAPS, RIGHT 7 FUNCTION CONTROL VALVE.....	2162-18	ENGINE WIRING HARNESSES (6090HDW01).....	1674-4
ENGINE AIR CLEANER AND FILTERS (6068HDW75).....	0521-4	ENGINE, REPLACEMENT (4601).....	0400A-40
ENGINE AIR CLEANER AND FILTERS (6090HDW01 / 6090HDW04).....	0521-2	ENGLISH LABELS AND TRADEMARKS (STD CAB).....	1322-4
ENGINE AIR HEATER.....	0505-2	ENGLISH TRADEMARKS AND LABELS (GRADE PRO CAB).....	1322-6
ENGINE AIR HEATER WIRING HARNESS.....	0505-2	ETHER START AID.....	0505-4
ENGINE BELT, W/ 100A ALTERNATOR (6068HDW75).....	1672-6	EVAPORATION CHECK VALVE, A/C (6090HDW01 / 6090HDW04).....	1832-6
ENGINE BELT, W/ 100A ALTERNATOR (6090HDW01 / 6090HDW04).....	1672-2	EVAPORATION CHECK VALVE, A/C (6068HDW75).....	1832-8
ENGINE BELT, W/ 130A ALTERNATOR (6068HDW75).....	1672-8	EXHAUST ELBOW (6401).....	0400B-53
ENGINE BELT, W/ 130A ALTERNATOR (6090HDW01 / 6090HDW04).....	1672-4	EXHAUST ELBOW (6401) HDW01.....	0400A-58
ENGINE COMPARTMENT WORK LIGHTS.....	1673-12	EXHAUST GAS RECIRCULATION (8902) (HDW01).....	0400A-70
ENGINE CONTROL UNIT (6068HDW75).....	0575-4	EXHAUST MANIFOLD (HDW01) 2802.....	0400A-23
ENGINE CONTROL UNIT (6090HDW01).....	0575-2	EXHAUST MANIFOLD REMOVAL KIT (9902).....	0400A-100
ENGINE CONTROL UNIT (8497).....	0400A-66	EXHAUST MANIFOLD 2870 (HDW75).....	0400B-18
ENGINE COOLANT HEATER (120V) (6090HDW01 / 6090HDW04).....	0505-6	EXHAUST MUFFLER AND CLAMPS (6090HDW01 / 6090HDW04).....	0531-2
ENGINE COOLANT HEATER (120V) (6068HDW75).....	0505-8	EXHAUST MUFFLER AND CLAMPS (6068HDW75).....	0531-4
ENGINE COOLANT LABEL (6090HDW01 / 6090HDW04).....	0510-10	EXHAUST VALVE (5101) (HDW01).....	0400A-52
ENGINE COOLANT LABEL (6068HDW75).....	0510-14	EXHAUST VALVE (5128) (HDW75).....	0400B-48
ENGINE DOORS.....	1912-2	EXPANSION VALVE WITH TEMP SWITCH.....	1832-4
ENGINE FRAME.....	1741-4	EXTENDED LIFE CIRCLE INSERTS.....	3443-10
ENGINE FRAME HARNESS (CONNECTORS).....	1674-44	EXTENSION, CAB FLOOR MAT (GRADE PRO).....	1812-10
ENGINE GASKET KIT 9901 (HDW75).....	0400B-76	EXTENSION, LEFT MOLDBOARD (24" WITH 5/8" HARDWARE).....	3401-28
ENGINE GASKET KIT, LONG BLOCK (9902) (HDW01).....	0400A-114	EXTENSION, LEFT MOLDBOARD (27" WITH 3/4" HARDWARE).....	3401-36
ENGINE HEATER (2697) (HDW01).....	0400A-20	EXTENSION, LEFT MOLDBOARD (27" WITH 5/8" HARDWARE).....	3401-32
ENGINE MOUNTING SUPPORTS (6090HDW01 / 6090HDW04).....	0540-2	EXTENSION, RIGHT MOLDBOARD (24" WITH 5/8" HARDWARE).....	3401-26
ENGINE MOUNTING SUPPORTS (6068HDW75).....	0540-4	EXTENSION, RIGHT MOLDBOARD (27" WITH 3/4" HARDWARE).....	3401-34
ENGINE OIL BY-PASS VALVE (4606) (HDW01).....	0400A-42	EXTENSION, RIGHT MOLDBOARD (27" WITH 5/8" HARDWARE).....	3401-30
ENGINE OIL DRAIN (6068HDW75).....	1369-4	EXTENSIONS, SNOW LIGHT.....	1673-14
ENGINE OIL DRAIN HOSE (6090HDW01 / 6090HDW04).....	1369-2	EXTERIOR MIRROR.....	2002-4
ENGINE OIL DRAIN HOSE (6068HDW75).....	1369-4	EXTERIOR MIRROR (HEATED).....	2002-6
ENGINE OIL FILLER NECK CAP(1230) (HDW75).....	0400B-4	EXTINGUISHER, FIRE.....	2003-2
ENGINE OIL FILLER NECK COVER(1230) (HDW75).....	0400B-4		
ENGINE OIL FILLER NECK GASKET(1230) (HDW75).....	0400B-4	F	
ENGINE OIL FILLER NECK(1230) (HDW75).....	0400B-4	FACTORY, REAR RIPPER/SCARIFIER.....	4243-6

ALPHABETICAL INDEX - CONTINUED

	PAGE		PAGE
FAN	0512-2	FILTER, WATER SEPARATOR (81AL) (HDW75)	0400B-60
FAN DOOR WIRING HARNESS	1673-4	FINAL DRIVE HOUSING	0201-6
FAN DRIVE (HDW01) 2310	0400A-19	FIRE EXTINGUISHER	2003-2
FAN DRIVE HOSES	0512-8	FIRE EXTINGUISHER BRACKET	2003-2
FAN DRIVE MOTOR	0512-6	FIRST STAGE SHAFT ASSEMBLY (YZ106678)	0350-4
FAN DRIVE PULLEY (8724) (HDW75)	0400B-64	FITTING, DIFFERENTIAL BREATHER	0201-12
FAN DRIVE VALVE, REVERSING	0512-10	FITTING, DIFFERENTIAL DIAGNOSTIC	0201-12
FAN PUMP	0512-4	FITTINGS, ARTICULATION CYLINDER HOSE (STANDARD CONTROLS)	0963-6
FAN SHROUD (6068HDW75)	0510-12	FITTINGS, PARK BRAKE VALVE	1100-2
FAN SHROUD (6090HDW01 / 6090HDW04)	0510-8	FITTINGS, RIPPER CYLINDER	4263-6
FAST FILL FUEL SYSTEM	0564-4	FITTINGS, RIPPER CYLINDER	4263-8
FENDER MOUNT, FRONT	1927-4	FITTINGS, SCARIFIER CYLINDER (FRONT)	4263-4
FENDER, FRONT (FIELD KIT)	1927-4	FITTINGS, SCARIFIER CYLINDER (REAR)	4263-6
FENDERS, FRONT	1927-4	FITTINGS, SCARIFIER CYLINDER (REAR)	4263-8
FENDERS, REAR	1927-6	FITTINGS, SERVICE BRAKE VALVE	1062-2
FIELD KIT, BEACON BRACKET	1673-16	FITTINGS, TRANSMISSION DIAGNOSTIC	0363-8
FIELD KIT, BLADE IMPACT SYSTEM (GRADE PRO)	3460-8	FIVE FUNCTION CONTROL VALVE, FRONT (EH) (GRADE PRO)	2162-82
FIELD KIT, BLADE IMPACT SYSTEM (STANDARD CONTROLS)	3460-6	FIVE FUNCTION CONTROL VALVE, LEFT	2162-12
FIELD KIT, FAST FILL FUEL SYSTEM	0564-4	FIVE FUNCTION CONTROL VALVE, REAR (EH) (GRADE PRO)	2162-84
FIELD KIT, PUSH BLOCK	1749-2	FIVE FUNCTION CONTROL VALVE, RIGHT	2162-8
FIELD KIT, REAR FENDERS	1927-6	FIVE FUNCTION CONTROL VALVE, RIGHT (MID MOUNTED SCARIFIER)	2162-10
FIELD KIT, REAR HITCH	1511-2	FIVE FUNCTION CONTROLS, LEFT (EH) (GRADE PRO)	3415-8
FIELD KIT, REAR RIPPER/SCARIFIER	4243-8	FIVE FUNCTION CONTROLS, RIGHT (EH) (GRADE PRO)	3415-6
FIFTH FUNCTION CONTROL LINKAGE (LEFT) (SCARIFIER)	1816-14	FIXED WINDOWS (FULL HEIGHT CAB)	1813-12
FIFTH FUNCTION CONTROL LINKAGE (RIGHT) (SCARIFIER)	1816-12	FIXED WINDOWS (LOW PROFILE CAB)	1813-8
FIFTH FUNCTION CONTROL VALVE KIT (LEFT) (RIPPER)	2162-58	FLC (WITH AUTOSHIFT)	1675-4
FIFTH FUNCTION CONTROL VALVE KIT (RIGHT) (SCARIFIER)	2162-56	FLC (WITHOUT AUTOSHIFT)	1675-2
FIFTH FUNCTION HYDRAULICS (GRADE PRO)	4263-14	FLC MOUNTING BRACKET (GRADE PRO)	1816-6
FIFTH FUNCTION HYDRAULICS (STANDARD)	4263-12	FLC MOUNTING BRACKET (STD CONTROLS)	1816-4
FIFTH FUNCTION HYDRAULICS (STANDARD)	4263-20	FLEX LOAD CONTROLLER (FLC) (WITH AUTOSHIFT)	1675-4
FIFTH FUNCTION PLUMBING (GRADE PRO)	4263-14	FLEX LOAD CONTROLLER (FLC) (WITHOUT AUTOSHIFT)	1675-2
FIFTH FUNCTION PLUMBING (STANDARD)	4263-12	FLEX LOAD CONTROLLER MOUNTING BRACKET (GRADE PRO)	1816-6
FIFTH FUNCTION PLUMBING (STANDARD)	4263-20	FLEX LOAD CONTROLLER MOUNTING BRACKET (STD CONTROLS)	1816-4
FIFTH FUNCTION REAR AUXILIARY HOSES (GRADE PRO) (FIFTH FUNCTION)	4263-22	FLEX LOAD CONTROLLER POWER CABLE	1674-10
FIFTH FUNCTION REAR AUXILIARY PLUMBING (GRADE PRO) (FIFTH FUNCTION)	4263-22	FLEX LOAD CONTROLLER POWER CABLE (CONNECTORS)	1674-56
FIFTH STAGE SHAFT ASSEMBLY (YZ106564)	0350-12	FLOAT SWITCH (GRADE PRO)	1674-12
FILTER ELEMENT SERVICE KIT, FUEL (9902)	0400A-96	FLOORMAT, CAB (GRADE PRO)	1812-10
FILTER ELEMENT, FUEL (9901) (HDW01)	0400A-81	FLOORMAT, CAB (STD CONTROLS)	1812-8
FILTER HEAD / OIL FILTER (8860) (HDW75)	0400B-66	FLYWHEEL 1530 (HDW75)	0400B-7
FILTER RESTRICTION SWITCH, MAIN HYDRAULIC FILTER	2164-2	FLYWHEEL (HDW01) 1520	0400A-8
FILTER-OIL / FILTER HEAD (8860) (HDW75)	0400B-66	FLYWHEEL HOUSING (HDW01) 1412	0400A-7
FILTER, CAB FRESH AIR	1831-10	FLYWHEEL HOUSING (1423) (HDW75)	0400B-6
FILTER, DIFFERENTIAL LOCK	0263-4	FLYWHEEL HOUSING DRAIN (6090HDW01 / 6090HDW04)	0363-4
FILTER, ENGINE AIR (6090HDW01 / 6090HDW04)	0521-2	FLYWHEEL HOUSING DRAIN (6068HDW75)	0363-6
FILTER, ENGINE AIR (6068HDW75)	0521-4	FOLLOWER, CAM (4606) (HDW01)	0400A-42
FILTER, FUEL (HDW01) 3508	0400A-30	FOUR FUNCTION CONTROL VALVE, LEFT	2162-6
FILTER, FUEL (3501) HDW01	0400A-28	FOUR FUNCTION CONTROL VALVE, REAR (EH) (GRADE PRO)	2162-80
FILTER, FUEL FINAL (35DZ) (HFW75)	0400B-24	FOUR FUNCTION CONTROL VALVE, RIGHT	2162-4
FILTER, FUEL, INLINE (6090HDW01 / 6090HDW04)	0563-2	FOUR FUNCTION CONTROLS, LEFT (EH) (GRADE PRO)	3415-4
FILTER, FUEL, INLINE (6068HDW75)	0563-4	FOUR FUNCTION CONTROLS, RIGHT (EH) (GRADE PRO)	3415-2
FILTER, HYDRAULIC	2164-2	FOUR WHEEL DRIVE INSTRUMENT PANEL LABEL (ENGLISH, GRADE PRO)	1322-6
FILTER, OIL (HDW01) (5912)	0400A-56		
FILTER, PRIMARY FUEL (9901)	0400A-75		
FILTER, TRANSMISSION	0364-2		

ALPHABETICAL INDEX - CONTINUED

	PAGE	PAGE
FOUR WHEEL DRIVE INSTRUMENT PANEL LABEL (FRENCH).....	1322-8	
FOUR WHEEL DRIVE INSTRUMENT PANEL LABEL (SPANISH).....	1322-10	
FOURTH STAGE SHAFT ASSEMBLY (YZ106665).....	0350-10	
FRAME ARTICULATION SENSOR (GRADE PRO).....	1676-8	
FRAME ARTICULATION SENSOR (STD CONTROLS).....	1676-6	
FRAME BRIDGE, GROUND CABLE (1000 CCA BATTERIES) (6068HDW75).....	1671-6	
FRAME BRIDGE, GROUND CABLE (1000 CCA BATTERIES) (6090HDW01 / 6090HDW04).....	1671-2	
FRAME BRIDGE, GROUND CABLE (1400 CCA BATTERIES) (6068HDW75).....	1671-8	
FRAME BRIDGE, GROUND CABLE (1400 CCA BATTERIES) (6090HDW01 / 6090HDW04).....	1671-4	
FRAME SHIELDS.....	1913-2	
FRAME, CIRCLE.....	3443-4	
FRAME, DRAFT.....	3441-2	
FRAME, ENGINE.....	1741-4	
FRAME, MAIN.....	1741-2	
FRAME, REAR RIPPER/SCARIFIER.....	4243-6	
FRAME, SADDLE.....	3442-2	
FRAME, TILT, BLADE.....	3443-2	
FRENCH LABELS AND TRADEMARKS.....	1322-8	
FRESH AIR FILTER, CAB.....	1831-10	
FRESH AIR INTAKE PLATE (CAB ROOF).....	1813-2	
FRONT AND REAR CAB WORK LIGHTS.....	1673-8	
FRONT AUX HOSES (GRADE PRO).....	4263-14	
FRONT AUX HOSES (GRADE PRO).....	4263-18	
FRONT AUX HOSES (STANDARD).....	4263-12	
FRONT AUX HOSES (STANDARD).....	4263-16	
FRONT AUX HYDRAULIC HOSES (STANDARD).....	4263-12	
FRONT AUX HYDRUALIC HOSES (GRADE PRO).....	4263-14	
FRONT AUX HYDRUALIC HOSES (GRADE PRO).....	4263-18	
FRONT AUX HYDRUALIC HOSES (STANDARD).....	4263-16	
FRONT AXLE.....	0240-2	
FRONT AXLE GUARD.....	0240-2	
FRONT AXLE PIVOT PIN.....	0240-2	
FRONT AXLE TIE ROD.....	0240-6	
FRONT CONSOLE COVER (LOW PROFILE CAB - STD).....	1812-2	
FRONT CONSOLE COVER (FULL HEIGHT CAB).....	1812-6	
FRONT CONSOLE COVER (GRADE PRO).....	1812-4	
FRONT DRIVE/TURN LIGHTS WIRING HARNESS.....	1674-2	
FRONT DRIVE/TURN LIGHTS WIRING HARNESS (CONNECTORS).....	1674-34	
FRONT DRIVING LIGHTS.....	1673-2	
FRONT EH VALVE HARNESS (GRADE PRO).....	1674-14	
FRONT EH VALVE HARNESS (GRADE PRO) (CONNECTORS).....	1674-70	
FRONT EH VALVE MOUNT (GRADE PRO).....	2162-76	
FRONT EIGHT FUNCTION CONTROL VALVE (EH) (GRADE PRO).....	2162-94	
FRONT ELECTROHYDRAULIC CONTROL VALVE INLET SECTION (GRADE PRO) (BREAKDOWN).....	2162-114	
FRONT FENDER.....	1927-4	
FRONT FENDER CLAMP.....	1927-4	
FRONT FENDER FIELD KIT.....	1927-4	
FRONT FIVE FUNCTION CONTROL VALVE (EH) (GRADE PRO).....	2162-82	
FRONT MOUNTED DOZER BLADE CYLINDER (BREAKDOWN).....	4265-2	
FRONT MOUNTED SCARIFIER.....	4243-4	
FRONT MOUNTED SCARIFIER KIT.....	4243-4	
FRONT MOUNTED SCARIFIER MOUNTING BRACKET.....	4243-4	
FRONT PLATE (3612) (HDW75).....	0400B-26	
FRONT PLATFORM WIRING HARNESS.....	1674-2	
FRONT PLATFORM WIRING HARNESS (CONNECTORS).....	1674-26	
FRONT SCARIFIER FIELD KIT.....	4263-2	
FRONT SCARIFIER HOSE KIT.....	4263-4	
FRONT SCARIFIER HYDRAULIC HOSES.....	4263-2	
FRONT SCARIFIER HYDRAULIC HOSES.....	4263-4	
FRONT SIGNAL LIGHTS.....	1673-2	
FRONT SIX FUNCTION CONTROL VALVE (EH) (GRADE PRO).....	2162-86	
FRONT SIX FUNCTION CONTROL VALVE W/MID MOUNTED SCARIFIER (GRADE PRO).....	2162-88	
FRONT STEERING CYLINDER.....	0965-2	
FRONT STEERING CYLINDER COMPONENTS.....	0965-4	
FRONT STEERING HYDRAULICS (GRADE PRO).....	0963-4	
FRONT STEERING HYDRAULICS (STANDARD CONTROLS).....	0963-2	
FRONT STEERING PLUMBING (GRADE PRO).....	0963-4	
FRONT TILT CONSOLE WIRING HARNESS (GRADE PRO).....	1674-20	
FRONT TILT CONSOLE WIRING HARNESS (STANDARD CONTROLS).....	1674-18	
FRONT VALVE COVER (GRADE PRO).....	1913-10	
FRONT WHEEL BEARING (LEFT).....	0240-10	
FRONT WHEEL BEARING (RIGHT).....	0240-8	
FRONT WHEEL DRIVE HOSES (GRADE PRO).....	0963-16	
FRONT WHEEL HUB (LEFT).....	0240-10	
FRONT WHEEL HUB (RIGHT).....	0240-8	
FRONT WINDOW SUNVISOR.....	2007-2	
FRONT WINDOWS, LOWER FIXED (FULL HEIGHT CAB).....	1813-12	
FRONT WINDOWS, LOWER FIXED (LOW PROFILE CAB).....	1813-8	
FRONT WINDOWS, LOWER OPENING (LOW PROFILE CAB).....	1813-10	
FRONT WINDSHIELD WIPER (FULL HEIGHT CAB).....	1814-4	
FRONT WINDSHIELD WIPER (LOW PROFILE CAB).....	1814-2	
FRONT WIPER HOUSING (LOW PROFILE CAB - STD).....	1812-2	
FRONT WIPER HOUSING (FULL HEIGHT CAB).....	1812-6	
FRONT WIPER HOUSING (GRADE PRO).....	1812-4	
FRONT WORK LIGHTS.....	1673-6	
FUEL AND WATER SEPARATOR (HDW01) 3508.....	0400A-30	
FUEL AND WATER SEPARATOR (3501) HDW01.....	0400A-28	
FUEL COOLER (6090HDW01 / 6090HDW04).....	0510-8	
FUEL FILTER (HDW01) 3508.....	0400A-30	
FUEL FILTER (3501) HDW01.....	0400A-28	
FUEL FILTER ELEMENT (9901) (HDW01).....	0400A-81	
FUEL FILTER ELEMENT SERVICE KIT (9902).....	0400A-96	
FUEL FILTER GASKET KIT (35DZ) (HFW75).....	0400B-24	
FUEL FILTER, FINAL (35DZ) (HFW75).....	0400B-24	
FUEL FILTER, IN-LINE (6090HDW01 / 6090HDW04).....	0563-2	
FUEL FILTER, IN-LINE (6068HDW75).....	0563-4	
FUEL FILTER, PRIMARY (9901).....	0400A-75	
FUEL HOSES AND FITTINGS (6090HDW01 / 6090HDW04).....	0563-2	
FUEL HOSES AND FITTINGS (6068HDW75).....	0563-4	
FUEL INJECTION LINES (HDW01) 1603.....	0400A-10	
FUEL INJECTION NOZZLE (HDW01) 1603.....	0400A-10	

ALPHABETICAL INDEX - CONTINUED

	PAGE		PAGE
FUEL INJECTION NOZZLE SERVICE KIT (9901) (HDW75).....	0400B-82	GEARS-IDLE (UPPER AND LOWER) (3612) (HDW75).....	0400B-26
FUEL INJECTION PUMP (HDW01) 1603.....	0400A-10	GLASS, DOOR (FULL HEIGHT CAB)	1813-6
FUEL INJECTION PUMP, COMMON RAIL (169Z) (HDW75).....	0400B-8	GLASS, DOOR (LOW PROFILE CAB)	1813-4
FUEL INJECTOR CONNECTOR SEAL KIT (9901) (HDW01).....	0400A-90	GLOBALTRACS™ TERMINAL (GTT).....	2601-2
FUEL LINES, HIGH PRESSURE (169Z) (HDW75).....	0400B-8	GLOW PLUG WIRING HARNESS.....	0505-10
FUEL SYSTEM UNIT PUMP (HDW01) 1603	0400A-10	GLOW PLUGS (4330) (HDW75).....	0400B-34
FUEL TANK.....	0564-2	GRADE CONTROL (IGC) COVER (FULL HEIGHT CAB).....	1812-6
FUEL TRANSFER PUMP (3713) (HDW75).....	0400B-28	GRADE CONTROL (IGC) COVER (LOW PROFILE CAB - STD).....	1812-2
FUEL, FAST FILL SYSTEM.....	0564-4	GRADE CONTROL (IGC) COVER (GRADE PRO).....	1812-4
FUEL, FUEL INJECTION, COMMON RAIL (169Z) (HDW75).....	0400B-8	GRADE CONTROL WIRING HARNESS (GRADE PRO)	1674-12
FULL HEIGHT CAB DOORS	1813-6	GRADE CONTROL WIRING HARNESS (GRADE PRO) (CONNECTORS).....	1674-62
FUSE PANEL DECAL	1674-10	GRADE PRO CAB ENCLOSURE W/ DOORS AND OPENING WINDOWS (COMPLETE)	1811-8
FUSE PANEL LABEL (ENGLISH, GRADE PRO)	1322-6	GRAY CIRCLE DECAL (LOW PROFILE CAB - STD).....	1812-2
FUSE PANEL LABEL (ENGLISH, STD CAB)	1322-4	GRAY CIRCLE DECAL (FULL HEIGHT CAB)	1812-6
FUSE PANEL LABEL (FRENCH)	1322-8	GREASE FITTINGS, FRAME HINGE CENTRAL LUBRICATION.....	1370-2
FUSE PANEL LABEL (SPANISH)	1322-10	GRILLE	1747-2
FUSE, ECU.....	1674-44	GRILLE HOUSING.....	1747-2
G			
GAS VALVE, BLADE IMPACT ACCUMULATOR.....	3463-22	GRILLE HOUSING, REAR.....	1747-2
GASKET KIT , EGR VALVE (9901) (HDW75).....	0400B-78	GRILLE, FAN.....	0512-2
GASKET KIT, EGR VALVE (9902)	0400A-101	GRILLE, REAR	1747-2
GASKET KIT, ENGINE LONG BLOCK (9902) (HDW01).....	0400A-114	GRILLE, SPEAKER (FULL HEIGHT CAB)	1812-6
GASKET KIT, REBUILD ENGINE (9902) HDW01	0400A-106	GRILLE, SPEAKER (GRADE PRO).....	1812-4
GASKET, CYLINDER HEAD (5101) (HDW01).....	0400A-52	GRILLE, SPEAKER (LOW PROFILE CAB - STD).....	1812-2
GASKET, CYLINDER HEAD (5128) (HDW75).....	0400B-48	GROMMET, TAIL AND SIGNAL LAMPS	1673-4
GASKET, DOOR LATCH (FULL HEIGHT CAB).....	1813-6	GROUND CABLE, BATTERY (1000 CCA) (6068HDW75).....	1671-6
GASKET, DOOR LATCH (LOW PROFILE CAB).....	1813-4	GROUND CABLE, BATTERY (1000 CCA) (6090HDW01 / 6090HDW04)	1671-2
GASKET, ENGINE AIR HEATER.....	0505-2	GROUND CABLE, BATTERY (1400 CCA) (6068HDW75).....	1671-8
GASKET, ENGINE OIL FILLER NECK(1230) (HDW75).....	0400B-4	GROUND CABLE, BATTERY (1400 CCA) (6090HDW01 / 6090HDW04)	1671-4
GASKET, HYDRAULIC RESERVOIR CLEAN OUT GASKET	2164-4	GROUND CABLE, FRAME TO FRAME (1000 CCA BATTERIES) (6068HDW75).....	1671-6
GASKET, ROCKER ARM COVER (1144) (HDW75).....	0400B-2	GROUND CABLE, FRAME TO FRAME (1000 CCA BATTERIES) (6090HDW01 / 6090HDW04)	1671-2
GASKET, ROTARY EJECTOR PRECLEANER (6068HDW75).....	0521-8	GROUND CABLE, FRAME TO FRAME (1400 CCA BATTERIES) (6068HDW75).....	1671-8
GASKET, ROTARY EJECTOR PRECLEANER (6090HDW01 / 6090HDW04).....	0521-6	GROUND CABLE, FRAME TO FRAME (1400 CCA BATTERIES) (6090HDW01 / 6090HDW04)	1671-4
GASKET, THERMOSTAT HOUSING (3926) (HDW75)	0400B-30	GROUND TERMINAL, FRONT PLATFORM WIRING HARNESS	1674-26
GASKET, THERMOSTAT HOUSING 3903 (HDW01).....	0400A-32	GROUND TERMINAL, REAR PLATFORM HARNESS.....	1674-28
GAUGE, SIGHT, HYDRAULIC RESERVOIR	2164-4	GROUND, CAB	1674-48
GEAR SELECTOR, TRANSMISSION (GRADE PRO)	0315-4	GROUP, CHARGE PUMP DF180	0350-28
GEAR SELECTOR, TRANSMISSION (STANDARD CONTROLS).....	0315-2	GROUP, HOSE AND FITTING -DF180	0350-30
GEAR, CRANKSHAFT (HDW01) 4701	0400A-44	GROUP, INPUT -DF180	0350-2
GEAR, FLYWHEEL RING 1530 (HDW75)	0400B-7	GROUP, MAIN CASE DF180	0350-20
GEAR, OIL PUMP (5001) (HDW01).....	0400A-50	GROUP, MAIN CASE DF180	0350-22
GEAR, OIL PUMP (5024) (HDW75).....	0400B-46	GROUP, VALVE CONTROL DF180.....	0350-24
GEARBOX, CIRCLE DRIVE	3450-2	GROUP, WET BRAKE DF180.....	0350-18
GEARBOX, CIRCLE DRIVE WITH SLIP CLUTCH.....	3450-4	GROUP, YOKE 7C DF180.....	0350-26
		GUARD, BOTTOM.....	1746-2
		GUARD, FAN.....	0512-2
		GUARD, FRONT AXLE	0240-2
		GUARD, VALVE, TRANSMISSION	1913-14

ALPHABETICAL INDEX - CONTINUED

	PAGE		PAGE
H			
HARNESS BRACKET, ENGINE WIRING (8497).....	0400A-66	HARNESS, TRANSMISSION WIRING	1674-8
HARNESS BRACKET, WIRING (HDW01) 8499.....	0400A-68	HARNESS, TRANSMISSION WIRING (CONNECTORS).....	1674-46
HARNESS, A/C AND HEATER WIRING.....	1832-2	HARNESS, WHEEL LEAN SENSOR.....	1674-2
HARNESS, BLADE IMPACT.....	1674-22	HARNESS, WHEEL LEAN SENSOR (CONNECTORS).....	1674-32
HARNESS, CAB INTERIOR WIRING.....	1674-10	HEAD BOLT KIT, CYLINDER (9902)	0400A-91
HARNESS, CAB INTERIOR WIRING (CONNECTORS).....	1674-48	HEAD KIT, CYLINDER (9902)	0400A-94
HARNESS, CAB INTERIOR WIRING (CONNECTORS).....	1674-50	HEAD REMOVAL KIT, CYLINDER (9902)	0400A-104
HARNESS, CAB INTERIOR WIRING (CONNECTORS).....	1674-52	HEAD-FILTER / OIL FILTER (8860) (HDW75)	0400B-66
HARNESS, CAB ROOF WIRING.....	1674-16	HEAD, CYLINDER (5128) (HDW75).....	0400B-48
HARNESS, EH VALVE FRONT (GRADE PRO) (CONNECTORS).....	1674-70	HEAD, HYDRAULIC FILTER	2164-2
HARNESS, EH VALVE REAR (GRADE PRO) (CONNECTORS).....	1674-68	HEAD, TRANSMISSION FILTER	0364-2
HARNESS, EH VALVE REAR AND FRONT (GRADE PRO)	1674-14	HEADLINER (FULL HEIGHT CAB)	1812-6
HARNESS, ENGINE COMPARTMENT WORK LIGHTS	1673-12	HEADLINER (GRADE PRO).....	1812-4
HARNESS, ENGINE FRAME (CONNECTORS).....	1674-44	HEADLINER (LOW PROFILE CAB - STD)	1812-2
HARNESS, ENGINE WIRING (CONNECTORS) (6068HDW75).....	1674-40	HEADREST (DELUXE).....	1821-6
HARNESS, ENGINE WIRING (CONNECTORS) (6090HDW01).....	1674-36	HEADREST (GRADE PRO).....	1821-10
HARNESS, ENGINE WIRING (CONNECTORS) (6090HDW01).....	1674-38	HEADREST (STD).....	1821-2
HARNESS, ENGINE WIRING (6068HDW75).....	1674-6	HEATED EXTERIOR MIRROR	2002-6
HARNESS, ENGINE WIRING (6090HDW01).....	1674-4	HEATED SEAT SWITCH (DELUXE)	1821-6
HARNESS, FAN DOOR WIRING.....	1673-4	HEATED SEAT SWITCH (GRADE PRO).....	1821-10
HARNESS, FLEX LOAD CONTROLLER POWER.....	1674-10	HEATER AND AIR CONDITIONER COVER.....	1831-10
HARNESS, FLEX LOAD CONTROLLER POWER (CONNECTORS).....	1674-56	HEATER AND AIR CONDITIONER DUCTS	1831-8
HARNESS, FRONT DRIVE/TURN LIGHTS WIRING.....	1674-2	HEATER AND AIR CONDITIONER FILTER, FILTER HOUSING, AND COVER.....	1831-10
HARNESS, FRONT DRIVE/TURN LIGHTS WIRING (CONNECTORS).....	1674-34	HEATER AND AIR CONDITIONER LINES AND CONTROLS.....	1832-2
HARNESS, FRONT PLATFORM	1674-2	HEATER BLOWER MOTOR AND SWITCH.....	1832-4
HARNESS, FRONT PLATFORM (CONNECTORS)	1674-26	HEATER CONTROL CABLE.....	1832-2
HARNESS, FRONT TILT CONSOLE WIRING (GRADE PRO)	1674-20	HEATER CONTROL VALVE.....	1832-4
HARNESS, FRONT TILT CONSOLE WIRING (STANDARD CONTROLS).....	1674-18	HEATER HOSES, CAB (6068HDW75)	1831-6
HARNESS, GLOW PLUGS, WIRING (4330) (HDW75)	0400B-34	HEATER HOSES, CAB (6090HDW01/6090HDW04) (W COOLANT HEATER)	1831-4
HARNESS, GRADE PRO ARMREST WIRING	1674-12	HEATER HOSES, CAB (6090HDW01/6090HDW04) W/O COOLANT HEATER).....	1831-2
HARNESS, GRADE PRO ARMREST WIRING, LEFT (CONNECTORS).....	1674-66	HEATER PLUG (2699) (HDW01).....	0400A-22
HARNESS, GRADE PRO ARMREST WIRING, RIGHT (CONNECTORS).....	1674-64	HEATER, COOLANT (120V) (6090HDW01 / 6090HDW04)	0505-6
HARNESS, GRADE PRO CAB WIRING	1674-12	HEATER, COOLANT (120V) (6068HDW75)	0505-8
HARNESS, GRADE PRO CAB WIRING (CONNECTORS).....	1674-60	HEATER, COOLANT (2694) (HDW75)	0400B-17
HARNESS, IGC (GRADE PRO)	1674-12	HEATER, ENGINE (2697) (HDW01)	0400A-20
HARNESS, IGC (GRADE PRO) (CONNECTORS).....	1674-62	HEATER, ENGINE AIR	0505-2
HARNESS, JD LINK™ COMMUNICATION CONTROLLER.....	2601-2	HI-LOW BEAM SWITCH	1676-2
HARNESS, MACHINE INFORMATION GATEWAY (MIG)	2601-4	HI-LOW BEAM SWITCH (GRADE PRO)	1676-4
HARNESS, MIDSTRUCTURE	1674-2	HIGH PRESSURE, COMMON RAIL SYSTEM (169Z) (HDW75).....	0400B-8
HARNESS, MIDSTRUCTURE (CONNECTORS)	1674-30	HINGE, DOOR, SERVICE	1912-2
HARNESS, REAR PLATFORM.....	1674-2	HITCH COUPLING	4243-14
HARNESS, REAR PLATFORM (CONNECTORS).....	1674-28	HITCH, REAR	1511-2
HARNESS, SNOW LIGHT WIRING.....	1673-14	HOLD OPEN ROD, FAN DOOR.....	0512-2
HARNESS, STARTER JUMPER (6068HDW75).....	1674-6	HOOD (6068HDW75).....	1911-4
HARNESS, STARTER JUMPER (6090HDW01).....	1674-4	HOOD (6090HDW01 / 6090HDW04)	1911-2
HARNESS, TAIL LIGHT WIRING.....	1673-4	HOOD SUPPORT (6068HDW75)	1911-4
		HOOD SUPPORT (6090HDW01 / 6090HDW04).....	1911-2
		HOOK BOLT, BATTERY (1000 CCA (6068HDW75).....	1671-6
		HOOK BOLT, BATTERY (1000 CCA) (6090HDW01 / 6090HDW04)	1671-2
		HOOK BOLT, BATTERY (1400 CCA (6068HDW75).....	1671-8
		HOOK BOLT, BATTERY (1400 CCA) (6090HDW01 / 6090HDW04)	1671-4
		HOOK, COAT (FULL HEIGHT CAB).....	1812-6
		HOOK, COAT (GRADE PRO)	1812-4
		HOOK, COAT (LOW PROFILE CAB - STD).....	1812-2

ALPHABETICAL INDEX - CONTINUED

	PAGE		PAGE
HORN	2004-2	HOSES, DIFFERENTIAL OIL COOLER (6068HDW75)	0510-14
HORN SWITCH	1676-2	HOSES, DIFFERENTIAL OIL COOLER (6090HDW01 / 6090HDW04)	0510-10
HORN SWITCH (GRADE PRO)	1674-12	HOSES, ENGINE OIL DRAIN (6090HDW01 / 6090HDW04)	1369-2
HOSE, CIRCLE ROTATE MOTOR (STANDARD CONTROLS)	3463-10	HOSES, ENGINE OIL DRAIN (6068HDW75)	1369-4
HOSE, CIRCLE ROTATE MOTOR (GRADE PRO)	3463-12	HOSES, FAN DRIVE	0512-8
HOSE, DIFFERENTIAL LOCK FILTER TO DIFFERENTIAL LOCK VALVE	0263-2	HOSES, FRONT SCARIFIER	4263-2
HOSE, DIFFERENTIAL LOCK PUMP TO DIFFERENTIAL LOCK VALVE	0263-2	HOSES, FRONT SCARIFIER	4263-4
HOSE, FAST FILL FUEL TANK BREATHER	0564-4	HOSES, FUEL (6068HDW75)	0563-4
HOSE, FUEL TANK BREATHER	0564-2	HOSES, FUEL (6090HDW01 / 6090HDW04)	0563-2
HOSE, HYDRAULIC LOAD SENSE (STD CONTROLS)	2163-10	HOSES, HYDRAULIC OIL COOLER	0510-4
HOSE, HYDRAULIC LOAD SENSE (GRADE PRO)	2163-12	HOSES, MID-SCARIFIER	4263-10
HOSE, HYDRAULIC, MAIN HYD COLD START DISCONNECT	2163-6	HOSES, PARK BRAKE	1100-2
HOSE, MAIN HYDRAULIC PUMP LOAD SENSE (GRADE PRO)	2163-12	HOSES, RADIATOR (6068HDW75)	0510-14
HOSE, MAIN HYDRAULIC PUMP LOAD SENSE (STD CONTROLS)	2163-10	HOSES, RADIATOR (6090HDW01 / 6090HDW04)	0510-10
HOSE, PARK BRAKE VALVE TO TRANSMISSION	1100-2	HOSES, SCARIFIER (FRONT)	4263-2
HOSE, REAR SCARIFIER	4263-6	HOSES, SCARIFIER (FRONT)	4263-4
HOSE, REAR SCARIFIER	4263-8	HOSES, SCARIFIER (MIDDLE)	4263-10
HOSE, RIPPER	4263-6	HOSES, SERVICE BRAKE	1063-2
HOSE, RIPPER	4263-8	HOSES, STEERING VALVE (STANDARD CONTROLS)	0963-10
HOSE, ROTARY MANIFOLD (GRADE PRO)	3463-12	HOSES, STEERING VALVE (GRADE PRO)	0963-12
HOSE, SADDLE LOCK PIN	3463-24	HOSES, TRANSMISSION	0363-2
HOSE, SECONDARY STEERING	0930-6	HOSES, TRANSMISSION COOLING	0510-6
HOSE, VENT (2901) (HDW01)	0400A-24	HOSES, TRANSMISSION OIL COOLER (6068HDW75)	0510-14
HOSE, VENTILATING (2943) (HDW75)	0400B-20	HOSES, TRANSMISSION OIL COOLER (6090HDW01 / 6090HDW04)	0510-10
HOSES, AIR CONDITIONING (6090HDW01 / 6090HDW04)	1832-6	HOSES, WHEEL LEAN CYLINDER (GRADE PRO)	0963-16
HOSES, AIR CONDITIONING (6068HDW75)	1832-8	HOSES, WHEEL LEAN CYLINDER (STANDARD CONTROLS)	0963-14
HOSES, AIR COOLER (6090HDW01 / 6090HDW04)	0510-10	HOUSING COVER, FRONT (LOW PROFILE CAB - STD)	1812-2
HOSES, AIR COOLER (6068HDW75)	0510-14	HOUSING COVER, FRONT (FULL HEIGHT CAB)	1812-6
HOSES, ARTICULATION CYLINDER (STANDARD CONTROLS)	0963-6	HOUSING COVER, FRONT (GRADE PRO)	1812-4
HOSES, BLADE IMPACT (GRADE PRO)	3463-20	HOUSING COVER, REAR (LOW PROFILE CAB - STD)	1812-2
HOSES, BLADE IMPACT (STANDARD CONTROLS)	3463-18	HOUSING COVER, REAR (FULL HEIGHT CAB)	1812-6
HOSES, BLADE LIFT CYLINDER (STANDARD CONTROLS)	3463-2	HOUSING COVER, REAR (GRADE PRO)	1812-4
HOSES, BLADE LIFT CYLINDER (GRADE PRO)	3463-4	HOUSING, AXLE	0201-10
HOSES, BLADE SIDE SHIFT CYLINDER (GRADE PRO)	3463-8	HOUSING, CAB FRESH AIR FILTER	1831-10
HOSES, BLADE SIDE SHIFT CYLINDER (STANDARD CONTROLS)	3463-6	HOUSING, CIRCLE DRIVE MOTOR	3467-2
HOSES, BLADE TILT CYLINDER (STANDARD CONTROLS)	3463-6	HOUSING, FINAL DRIVE	0201-6
HOSES, BLADE TILT CYLINDER (GRADE PRO)	3463-8	HOUSING, FLYWHEEL (HDW01) 1412	0400A-7
HOSES, BRAKE ACCUMULATOR	1063-2	HOUSING, FLYWHEEL (1423) (HDW75)	0400B-6
HOSES, BRAKE VALVE	1063-2	HOUSING, GRILLE	1747-2
HOSES, CAB HEATER (6068HDW75)	1831-6	HOUSING, HVAC	1832-4
HOSES, CAB HEATER (6090HDW01/6090HDW04) (W COOLANT HEATER)	1831-4	HOUSING, INPUT	0210-8
HOSES, CAB HEATER (6090HDW01/6090HDW04) (W/O COOLANT HEATER)	1831-2	HOUSING, OIL PUMP (5001) (HDW01)	0400A-50
HOSES, CIRCLE SIDE SHIFT CYLINDER (GRADE PRO)	3463-16	HOUSING, OIL PUMP (5024) (HDW75)	0400B-46
HOSES, CIRCLE SIDE SHIFT CYLINDER (STANDARD CONTROLS)	3463-14	HOUSING, PIVOT	0201-6
HOSES, DIFFERENTIAL COOLER	0510-2	HOUSING, RADIO/DOMELIGHT (FULL HEIGHT CAB)	1812-6
HOSES, DIFFERENTIAL LOCK PUMP	0263-2	HOUSING, RADIO/DOMELIGHT (LOW PROFILE CAB - STD)	1812-2
		HOUSING, RADIO/DOMELIGHT (GRADE PRO)	1812-4
		HOUSING, REAR GRILLE	1747-2
		HOUSING, SIDE CONSOLE (GRADE PRO)	1816-6
		HOUSING, SIDE CONSOLE (STD CONTROLS)	1816-4
		HOUSING, TANDEM	0201-2
		HOUSING, THERMOSTAT (HDW01) 3903	0400A-32
		HOUSING, THERMOSTAT (3926) (HDW75)	0400B-30

ALPHABETICAL INDEX - CONTINUED

	PAGE		PAGE
HUB, FRONT WHEEL (LEFT)	0240-10	I	
HUB, FRONT WHEEL (RIGHT)	0240-8	IDLE GEARS (UPPER AND LOWER) (3612)	
HVAC DUCTS	1831-8	(HDW75)	0400B-26
HVAC MODULE COMPONENTS	1832-4	IDLER, ALTERNATOR, 100AMP (6068HDW75)	1672-6
HVAC POWERED PRECLEANER	1831-12	IDLER, ALTERNATOR, 130AMP (6068HDW75)	1672-8
HYDRAULIC CYLINDER, ARTICULATION		IGC CONTROLS, LEFT 4 FUNCTION (EH)	
COMPONENTS	0965-8	(GRADE PRO)	3415-4
HYDRAULIC CYLINDER, ARTICULATION		IGC CONTROLS, LEFT 5 FUNCTION (EH)	
PINS	0965-6	(GRADE PRO)	3415-8
HYDRAULIC CYLINDER, BLADE LIFT	3465-2	IGC CONTROLS, RIGHT 4 FUNCTION (EH)	
HYDRAULIC CYLINDER, BLADE SLIDE	3465-4	(GRADE PRO)	3415-2
HYDRAULIC CYLINDER, BLADE TILT	3465-6	IGC CONTROLS, RIGHT 5 FUNCTION (EH)	
HYDRAULIC CYLINDER, CIRCLE SIDE SHIFT	3465-8	(GRADE PRO)	3415-6
HYDRAULIC CYLINDER, MID MOUNTED		IGNITION RELAY	1674-10
SCARIFIER	4265-6	IN-LINE FUEL FILTER	
HYDRAULIC CYLINDER, REAR RIPPER/		(6090HDW01 / 6090HDW04)	0563-2
SCARIFIER	4265-4	IN-LINE FUEL FILTER (6068HDW75)	0563-4
HYDRAULIC CYLINDER, SCARIFIER		INCHING PEDAL	0715-2
(BREAKDOWN)	4265-2	INCHING PEDAL COVER	0715-2
HYDRAULIC CYLINDER, STEERING	0965-2	INDICATOR SWITCH, SADDLE LOCKING PIN	3465-10
HYDRAULIC CYLINDER, STEERING, COMPONENTS	0965-4	INJECTION NOZZLE & WIRING HARNESS (169Z)	
HYDRAULIC CYLINDER, WHEEL LEAN	0965-10	(HDW75)	0400B-8
HYDRAULIC CYLINDER, WHEEL LEAN		INLET SECTION, FRONT ELECTROHYDRAULIC	
COMPONENTS	0965-12	CONTROL VALVE (GRADE PRO)	2162-114
HYDRAULIC FILTER LABEL (ENGLISH)	1322-2	INLET SECTION, LEFT MAIN HYDRAULIC	
HYDRAULIC FILTER LABEL (FRENCH)	1322-8	CONTROL VALVE (STD)	2162-40
HYDRAULIC FILTER LABEL (SPANISH)	1322-10	INLET SECTION, REAR ELECTROHYDRAULIC	
HYDRAULIC HOSES, AUX FIFTH FUNCTION,		CONTROL VALVE (GRADE PRO) (BREAKDOWN)	2162-112
(GRADE PRO)	4263-14	INLET SECTION, RIGHT MAIN HYDRAULIC	
HYDRAULIC HOSES, AUX FIFTH FUNCTION,		CONTROL VALVE (STD)	2162-38
(STANDARD)	4263-12	INLET VALVE SECTION, MID	
HYDRAULIC HOSES, AUX SIXTH FUNCTION,		(4 FUNCTION EH REAR) (GRADE PRO)	2162-80
(GRADE PRO)	4263-18	INLET VALVE SECTION, MID	
HYDRAULIC HOSES, AUX SIXTH FUNCTION,		(4 FUNCTION LEFT) (COMPLETE)	2162-6
(STANDARD)	4263-16	INLET VALVE SECTION, MID	
HYDRAULIC HOSES, FIFTH FUNCTION AUX,		(4 FUNCTION RIGHT) (COMPLETE)	2162-4
(GRADE PRO)	4263-14	INLET VALVE SECTION, MID	
HYDRAULIC HOSES, FIFTH FUNCTION AUX,		(5 FUNCTION EH FRONT) (GRADE PRO)	2162-82
(STANDARD)	4263-12	INLET VALVE SECTION, MID	
HYDRAULIC HOSES, REAR AUX		(5 FUNCTION EH REAR) (GRADE PRO)	2162-84
(SIXTH FUNCTION) (GRADE PRO)	4263-26	INLET VALVE SECTION, MID	
HYDRAULIC HOSES, REAR AUX		(5 FUNCTION LEFT) (COMPLETE)	2162-12
(SIXTH FUNCTION) (STANDARD CONTROLS)	4263-24	INLET VALVE SECTION, MID	
HYDRAULIC HOSES, SIXTH FUNCTION AUX,		(5 FUNCTION RIGHT) (COMPLETE)	2162-8
(GRADE PRO)	4263-18	INLET VALVE SECTION, MID	
HYDRAULIC HOSES, SIXTH FUNCTION AUX,		(6 FUNCTION EH FRONT) (GRADE PRO)	2162-86
(STANDARD)	4263-16	INLET VALVE SECTION, MID	
HYDRAULIC LOAD SENSE HOSES		(6 FUNCTION EH REAR) (GRADE PRO)	2162-90
(STD CONTROLS)	2163-10	INLET VALVE SECTION, MID	
HYDRAULIC LOAD SENSE HOSES (GRADE PRO)	2163-12	(6 FUNCTION LEFT) (COMPLETE)	2162-16
HYDRAULIC OIL COOLER BYPASS MANIFOLD AND		INLET VALVE SECTION, MID	
VALVE	2162-74	(6 FUNCTION RIGHT) (COMPLETE)	2162-14
HYDRAULIC OIL COOLER HOSES	0510-4	INLET VALVE SECTION, MID	
HYDRAULIC OIL LABEL	1322-2	(7 FUNCTION EH REAR) (GRADE PRO)	2162-92
HYDRAULIC OIL LEVEL LABEL (ENGLISH)	1322-2	INLET VALVE SECTION, MID	
HYDRAULIC OIL LEVEL LABEL (FRENCH)	1322-8	(7 FUNCTION LEFT) (COMPLETE)	2162-20
HYDRAULIC OIL LEVEL LABEL (SPANISH)	1322-10	INLET VALVE SECTION, MID	
HYDRAULIC PLUMBING, MAIN (GRADE PRO)	2163-4	(7 FUNCTION RIGHT) (COMPLETE)	2162-18
HYDRAULIC PLUMBING, MAIN (STD CONTROLS)	2163-2	INLET VALVE SECTION, MID	
HYDRAULIC PUMP DISCONNECT, COLD START	2163-6	(8 FUNCTION EH FRONT) (GRADE PRO)	2162-94
HYDRAULIC PUMP, MAIN	2161-2	INLET VALVE SECTION, MID (5 FUNCTION RH)	
HYDRAULIC RESERVOIR	2164-4	(COMPLETE) (MID MOUNTED SCARIFIER)	2162-10
HYDRAULIC 6WD HOSES		INLET VALVE SECTION, MID (6 FUNCTION	
(GRADE PRO)	0963-16	W/ MMS EH FRONT) (GRADE PRO)	2162-88
HYDRAULICS, REAR STEERING (GRADE PRO)	0963-8	INLET-PUMP, WATER (5722)	
HYDRAULICS, STEERING		(HDW75)	0400B-51
(STANDARD CONTROLS)	0963-2		

ALPHABETICAL INDEX - CONTINUED

	PAGE		PAGE
INLET, WATER PUMP (HDW01) 5701.....	0400A-55	JOYSTICKS, RIGHT 4 FUNCTION (EH)	
INPUT GROUP (YZ103439).....	0350-2	(GRADE PRO).....	3415-2
INPUT HOUSING WITH PARK BRAKE COVER		JOYSTICKS, RIGHT 5 FUNCTION (EH)	
(RE46977).....	0210-8	(GRADE PRO).....	3415-6
INPUT YOKE 7C (RE35714).....	0210-4	JUMPER HARNESS, STARTER (6068HDW75).....	1674-6
INSERTS, BLADE (STANDARD).....	3443-12	JUMPER HARNESS, STARTER (6090HDW01).....	1674-4
INSERTS, CIRCLE (EXTENDED LIFE).....	3443-10	JUMPER, SNOW LIGHT WIRING HARNESS.....	1673-14
INSERTS, CIRCLE (STANDARD)			
(WITH SLIP CLUTCH).....	3443-8		
INSERTS, CIRCLE (STANDARD)			
(WITHOUT SLIP CLUTCH).....	3443-6		
INSTRUMENT PANEL, SIDE CONSOLE			
4WD (STD CONTROLS).....	1816-4		
INTAKE MANIFOLD (1797)			
(HDW75).....	0400B-10		
INTAKE MANIFOLD AND GASKET (1797)			
(HDW75).....	0400B-10		
INTAKE VALVE (5101)			
(HDW01).....	0400A-52		
INTAKE VALVE (5128)			
(HDW75).....	0400B-48		
INTAKE, AIR (1701)			
(HDW01).....	0400A-12		
INTAKE, OIL PUMP (1909).....	0400A-14		
INTEGRATED GRADE CONTROL (IGC) COVER			
(FULL HEIGHT CAB).....	1812-6		
INTEGRATED GRADE CONTROL (IGC) COVER			
(GRADE PRO).....	1812-4		
INTEGRATED GRADE CONTROL (IGC) COVER			
(LOW PROFILE CAB - STD).....	1812-2		
INTEGRATED GRADE CONTROL MAST MOUNTS			
(3/4" HARDWARE).....	3402-4		
INTEGRATED GRADE CONTROL MAST MOUNTS			
(5/8" HARDWARE).....	3402-2		
INTEGRATED GRADE CONTROL WIRING HARNESS			
(GRADE PRO).....	1674-12		
INTEGRATED GRADE CONTROL WIRING HARNESS			
(GRADE PRO) (CONNECTORS).....	1674-62		
INTERIOR LIGHT.....	1673-18		
INTERIOR REARVIEW MIRROR.....	2002-2		
ISO 9001 LABEL.....	1322-2		
ISOLATOR, TORSIONAL.....	0325-2		
ISOLATORS, CAB.....	1811-10		
ISOLATORS, ENGINE MOUNTING			
(6090HDW01 / 6090HDW04).....	0540-2		
ISOLATORS, ENGINE MOUNTING (6068HDW75).....	0540-4		
J			
JD LINK™ COMMUNICATION CONTROLLER.....	2601-2		
JOINT, DRIVESHAFT.....	0225-2		
JOYSTICK ARMREST ADJUSTMENT LABEL			
(ENGLISH, GRADE PRO).....	1322-6		
JOYSTICK ARMREST ADJUSTMENT LABEL			
(FRENCH).....	1322-8		
JOYSTICK ARMREST ADJUSTMENT LABEL			
(SPANISH).....	1322-10		
JOYSTICK FUNCTIONS LABEL			
(ENGLISH, GRADE PRO).....	1322-6		
JOYSTICK STEERING LABEL (ENGLISH, GRADE			
PRO).....	1322-6		
JOYSTICKS, LEFT 4 FUNCTION (EH)			
(GRADE PRO).....	3415-4		
JOYSTICKS, LEFT 5 FUNCTION (EH)			
(GRADE PRO).....	3415-8		
		K	
		KEY (ENGLISH, GRADE PRO).....	1322-6
		KEY (STD CAB).....	1322-4
		KEY, DOOR (ENGLISH, GRADE PRO).....	1322-6
		KEY, DOOR (STD CAB).....	1322-4
		KEY, FAN DRIVE MOTOR.....	0512-6
		KIT, ENGINE GASKET 9901 (HDW75).....	0400B-76
		KIT SEAL, REVERSING FAN VALVE.....	0512-10
		KIT, A/C PULLEY.....	1832-10
		KIT, A/C SERVICE.....	1832-10
		KIT, A/C SHAFT SEAL.....	1832-10
		KIT, AUX CONTROL VALVE KIT W/ FLOAT	
		(SIXTH FUNCTION LH).....	2162-62
		KIT, AUX CONTROL VALVE KIT W/ FLOAT	
		(SIXTH FUNCTION RH).....	2162-60
		KIT, AUX CONTROL VALVE KIT W/O FLOAT	
		(SEVENTH FUNCTION LH).....	2162-66
		KIT, AUX CONTROL VALVE KIT W/O FLOAT	
		(SEVENTH FUNCTION RH).....	2162-64
		KIT, BEACON BRACKET.....	1673-16
		KIT, BEARING (9901)	
		(HDW75).....	0400B-70
		KIT, BEARING (9901)	
		(HDW75).....	0400B-71
		KIT, BEARING (9901)	
		(HDW75).....	0400B-72
		KIT, BEARING (9901) (HDW75).....	0400B-69
		KIT, BLADE IMPACT SYSTEM (GRADE PRO).....	3460-8
		KIT, BLADE IMPACT SYSTEM (STANDARD	
		CONTROLS).....	3460-6
		KIT, BLADE LIFT CYLINDER SEAL.....	3465-2
		KIT, BLADE SLIDE CYLINDER SEAL.....	3465-4
		KIT, BLADE TILT CYLINDER SEAL.....	3465-6
		KIT, BOTTOM GUARD.....	1746-2
		KIT, CAMSHAFT (9902).....	0400A-93
		KIT, CIRCLE DRIVE MOTOR SEAL.....	3467-2
		KIT, CIRCLE SIDE SHIFT CYLINDER SEAL.....	3465-8
		KIT, CONNECTING ROD BEARING (9901)	
		(HDW01).....	0400A-78
		KIT, CYLINDER HEAD (9902).....	0400A-94
		KIT, CYLINDER HEAD BOLT (9902).....	0400A-91
		KIT, CYLINDER HEAD REMOVAL (9902).....	0400A-104
		KIT, CYLINDER LINER (9901) (HDW75).....	0400B-80
		KIT, CYLINDER LINER PACKING (9902).....	0400A-92
		KIT, EGR SERVICE (9902)	
		(HDW01).....	0400A-102
		KIT, EGR VALVE GASKET (9902).....	0400A-101
		KIT, ELECTROHYDRAULIC AUXILIARY CONTROL	
		VALVE (GRADE PRO).....	2162-118
		KIT, ENGINE LONG BLOCK GASKET (9902).....	0400A-114
		KIT, ENGINE OVERHAUL (9902).....	0400A-108
		KIT, ENGINE OVERHAUL (9902) CONTINUED.....	0400A-110
		KIT, EXHAUST MANIFOLD REMOVAL (9902).....	0400A-100
		KIT, FAST FILL FUEL SYSTEM.....	0564-4
		KIT, FRONT MOUNTED SCARIFIER.....	4243-4
		KIT, FRONT STEERING CYLINDER SEAL.....	0965-4
		KIT, FUEL FILTER ELEMENT SERVICE (9902).....	0400A-96

ALPHABETICAL INDEX - CONTINUED

	PAGE		PAGE
KIT, FUEL INJECTION NOZZLE SERVICE KIT (9901) (HDW75)	0400B-82	L	
KIT, LEFT MOLDBOARD EXTENSION (24" WITH 5/8" HARDWARE)	3401-28	LABEL, ACCUMULATOR (FRENCH).....	1322-8
KIT, LEFT MOLDBOARD EXTENSION (27" WITH 3/4" HARDWARE)	3401-36	LABEL, ACCUMULATOR (SPANISH)	1322-10
KIT, LEFT MOLDBOARD EXTENSION (27" WITH 5/8" HARDWARE)	3401-32	LABEL, AIR CLEANER (ENGLISH)	1322-2
KIT, MAIN BEARING (9901) (HDW01).....	0400A-77	LABEL, AIR CLEANER (FRENCH).....	1322-8
KIT, MID MOUNTED SCARIFIER CYLINDER SEAL.....	4265-6	LABEL, AIR CLEANER (SPANISH)	1322-10
KIT, O-RING (9901) (HDW75).....	0400B-87	LABEL, ARTICULATION LOCK	1322-2
KIT, ONE HAND BLADE LIFT CONTROL	1816-24	LABEL, AXLE/GEARBOX OIL	1322-2
KIT, ONE HAND BLADE LIFT CONTROL AND VALVE	2162-68	LABEL, BATTERY DISCONNECT (FRENCH)	1322-8
KIT, PISTON RING (9901) (HDW75).....	0400B-88	LABEL, BATTERY DISCONNECT (SPANISH)	1322-10
KIT, PISTON RING (9902)	0400A-98	LABEL, BATTERY DISCONNECT (1000 CCA) (6068HDW75).....	1671-6
KIT, PISTON-LINER (9901)	0400A-88	LABEL, BATTERY DISCONNECT (1000 CCA) (6090HDW01 / 6090HDW04)	1671-2
KIT, REAR FENDERS.....	1927-6	LABEL, BATTERY DISCONNECT (1400 CCA) (6068HDW75).....	1671-8
KIT, REAR HITCH.....	1511-2	LABEL, BATTERY DISCONNECT (1400 CCA) (6090HDW01 / 6090HDW04)	1671-4
KIT, REAR RIPPER/SCARIFIER	4243-8	LABEL, BLADE IMPACT ACCUMULATOR	3463-22
KIT, REAR RIPPER/SCARIFIER CYLINDER SEAL	4265-4	LABEL, BLADE IMPACT ACCUMULATOR (STANDARD CONTROLS FIELD KIT)	3460-6
KIT, RIGHT MOLDBOARD EXTENSION (24" WITH 5/8" HARDWARE)	3401-26	LABEL, BLADE IMPACT ACCUMULATOR (GRADE PRO FIELD KIT).....	3460-8
KIT, RIGHT MOLDBOARD EXTENSION (27" WITH 3/4" HARDWARE)	3401-34	LABEL, BRAKE ACCUMULATOR.....	1064-2
KIT, RIGHT MOLDBOARD EXTENSION (27" WITH 5/8" HARDWARE)	3401-30	LABEL, BRAKE COVER (ENGLISH)	1322-2
KIT, RIPPER CONTROL VALVE KIT (FIFTH FUNCTION LH).....	2162-58	LABEL, BRAKE COVER (FRENCH).....	1322-8
KIT, RIPPER/REAR SCARIFIER HYDRAULIC HOSES.....	4263-8	LABEL, BRAKE COVER (SPANISH)	1322-10
KIT, SCARIFIER CONTROL VALVE KIT (FIFTH FUNCTION RH).....	2162-56	LABEL, CAUTION SHUTDOWN (ENGLISH, GRADE PRO).....	1322-6
KIT, SCARIFIER CYLINDER SEAL	4265-2	LABEL, CAUTION SHUTDOWN (ENGLISH, STD CAB).....	1322-4
KIT, SCARIFIER HYDRAULIC HOSE (FRONT)	4263-4	LABEL, CAUTION SHUTDOWN (FRENCH).....	1322-8
KIT, SEAL - FUEL INJECTOR CONNECTOR 9901 (HDW01).....	0400A-90	LABEL, CAUTION SHUTDOWN (SPANISH)	1322-10
KIT, SEAL, ARTICULATION CYLINDER.....	0965-8	LABEL, CIRCUIT BREAKER (ENGLISH)	1322-2
KIT, SEAL, MAIN HYDRAULIC PUMP.....	2161-2	LABEL, CIRCUIT BREAKER (FRENCH)	1322-8
KIT, SECONDARY STEERING	0930-4	LABEL, CIRCUIT BREAKER (SPANISH)	1322-10
KIT, SERVICE BRAKE VALVE SEAL	1062-2	LABEL, CLEANOUT COVER (ENGLISH).....	1322-2
KIT, STARTER MOTOR (9902)	0400A-112	LABEL, CLEANOUT COVER (FRENCH)	1322-8
KIT, STEERING VALVE SEAL (STANDARD CONTROLS).....	0963-10	LABEL, CLEANOUT COVER (SPANISH)	1322-10
KIT,INJECTION NOZZLE (9901) (HDW75)	0400B-82	LABEL, DIFFERENTIAL FILTER (ENGLISH)	1322-2
KNOB, AUX W/ FLOAT CONTROL LINKAGE (SIXTH FUNCTION LEFT).....	1816-18	LABEL, DIFFERENTIAL FILTER (FRENCH)	1322-8
KNOB, AUX W/ FLOAT CONTROL LINKAGE (SIXTH FUNCTION RH).....	1816-16	LABEL, DIFFERENTIAL FILTER (SPANISH).....	1322-10
KNOB, AUX W/O FLOAT CONTROL LINKAGE (SEVENTH FUNCTION LEFT).....	1816-22	LABEL, DIFFERENTIAL LOCK (ENGLISH, GRADE PRO).....	1322-6
KNOB, RIPPER CONTROL LINKAGE (FIFTH FUNCTION LH)	1816-14	LABEL, DIFFERENTIAL LOCK SWITCH	1676-2
KNOB, SCARIFIER CONTROL LINKAGE (FIFTH FUNCTION RIGHT)	1816-12	LABEL, ENGINE COMPARTMENT WORK LIGHTS SWITCH	1673-12
KNOB, SEVENTH FUNCTION CONTROL LINKAGE (RIGHT) (AUX W/O FLOAT)	1816-20	LABEL, ENGINE COOLANT (6090HDW01 / 6090HDW04)	0510-10
KNOB, STANDARD CONTROL LINKAGES	1816-10	LABEL, ENGINE COOLANT (6068HDW75)	0510-14
KNOB, TRANSMISSION GEAR SELECTOR (GRADE PRO)	0315-4	LABEL, FUSE PANEL	1674-10
KNOB, TRANSMISSION GEAR SELECTOR (STANDARD CONTROLS).....	0315-2	LABEL, FUSE PANEL (ENGLISH, GRADE PRO)	1322-6
		LABEL, FUSE PANEL (ENGLISH, STD CAB)	1322-4
		LABEL, FUSE PANEL (FRENCH).....	1322-8
		LABEL, FUSE PANEL (SPANISH)	1322-10
		LABEL, GRAY CIRCLE (FULL HEIGHT CAB).....	1812-6
		LABEL, HVAC CONTROLS	1832-2
		LABEL, HYDRAULIC FILTER (ENGLISH)	1322-2
		LABEL, HYDRAULIC FILTER (FRENCH).....	1322-8
		LABEL, HYDRAULIC FILTER (SPANISH).....	1322-10
		LABEL, HYDRAULIC OIL.....	1322-2
		LABEL, HYDRAULIC OIL LEVEL (ENGLISH)	1322-2
		LABEL, HYDRAULIC OIL LEVEL (FRENCH).....	1322-8
		LABEL, HYDRAULIC OIL LEVEL (SPANISH).....	1322-10
		LABEL, ISO 9001 REGISTERED	1322-2

ALPHABETICAL INDEX - CONTINUED

	PAGE		PAGE
LABEL, JOYSTICK ARMREST ADJUSTMENT (ENGLISH, GRADE PRO).....	1322-6	LABEL, WARNING ARTICULATION (ENGLISH).....	1322-2
LABEL, JOYSTICK ARMREST ADJUSTMENT (FRENCH).....	1322-8	LABEL, WARNING ARTICULATION (FRENCH).....	1322-8
LABEL, JOYSTICK ARMREST ADJUSTMENT (SPANISH).....	1322-10	LABEL, WARNING ARTICULATION (SPANISH).....	1322-10
LABEL, JOYSTICK FUNCTIONS (ENGLISH, GRADE PRO).....	1322-6	LABEL, WARNING SEAT BELT (ENGLISH, GRADE PRO).....	1322-6
LABEL, JOYSTICK STEERING (ENGLISH, GRADE PRO).....	1322-6	LABEL, WARNING SEAT BELT (ENGLISH, STD CAB).....	1322-4
LABEL, JOYSTICK STEERING (GRADE PRO).....	3415-4	LABEL, WARNING SEAT BELT (FRENCH).....	1322-8
LABEL, JOYSTICK STEERING 5 FUNCTION (GRADE PRO).....	3415-8	LABEL, WARNING SEAT BELT (SPANISH).....	1322-10
LABEL, LEAPING DEER.....	1322-2	LABEL, 4WD INSTRUMENT PANEL (ENGLISH, GRADE PRO).....	1322-6
LABEL, MODEL DESIGNATION.....	1322-2	LABEL, 4WD INSTRUMENT PANEL (FRENCH).....	1322-8
LABEL, OIL DESCRIPTION (ENGLISH).....	1322-2	LABEL, 4WD INSTRUMENT PANEL (SPANISH).....	1322-10
LABEL, OIL DESCRIPTION (FRENCH).....	1322-8	LABEL, 4WD INSTRUMENT PANEL, SIDE CONSOLE (STD CONTROLS).....	1816-4
LABEL, OIL DESCRIPTION (SPANISH).....	1322-10	LABEL, 6WD INSTRUMENT PANEL (FRENCH).....	1322-8
LABEL, PARK BRAKE RELEASE (ENGLISH).....	1322-2	LABEL, 6WD INSTRUMENT PANEL (SPANISH).....	1322-10
LABEL, PARK BRAKE RELEASE (FRENCH).....	1322-8	LABELS AND TRADEMARKS, ENGLISH.....	1322-2
LABEL, PARK BRAKE RELEASE (SPANISH).....	1322-10	LABELS AND TRADEMARKS, ENGLISH (GRADE PRO CAB).....	1322-6
LABEL, PERIODIC MAINTENANCE (ENGLISH).....	1322-2	LABELS AND TRADEMARKS, ENGLISH (STANDARD CAB).....	1322-4
LABEL, PERIODIC MAINTENANCE (FRENCH).....	1322-8	LABELS AND TRADEMARKS, FRENCH.....	1322-8
LABEL, PERIODIC MAINTENANCE (SPANISH).....	1322-10	LABELS AND TRADEMARKS, SPANISH.....	1322-10
LABEL, QUICK SERVICE.....	1369-6	LAMPS, LED TAIL AND SIGNAL.....	1673-4
LABEL, QUICK SERVICE (6068HDW75).....	1369-8	LATCH, DOOR (FULL HEIGHT CAB).....	1813-6
LABEL, RECEIVER/DRIER (6090HDW01 / 6090HDW04).....	1832-6	LATCH, DOOR (LOW PROFILE CAB).....	1813-4
LABEL, RECEIVER/DRIER (6068HDW75).....	1832-8	LATCH, ENGINE DOOR.....	1912-2
LABEL, RECEIVER/DRYER (FRENCH).....	1322-8	LATCH, REAR CAB PANEL DOOR.....	1812-12
LABEL, RECEIVER/DRYER (SPANISH).....	1322-10	LATCH, SERVICE DOORS.....	1912-2
LABEL, REFLECTIVE RED.....	1322-2	LATCH, TOOLBOX SPRING HOOK.....	2005-2
LABEL, REFLECTIVE YELLOW.....	1322-2	LEAN BAR LINK.....	0240-4
LABEL, ROPS (ENGLISH, GRADE PRO).....	1322-6	LEAN CYLINDER PINS.....	0965-10
LABEL, ROPS (ENGLISH, STD CAB).....	1322-4	LEAN CYLINDER, WHEEL.....	0965-10
LABEL, ROPS (FRENCH).....	1322-8	LEAN CYLINDER, WHEEL COMPONENTS.....	0965-12
LABEL, ROPS (SPANISH).....	1322-10	LEAN SENSOR WIRING HARNESS, WHEEL.....	1674-2
LABEL, SECONDARY STEERING ACCUMULATOR WARNING (FIELD KIT).....	0930-4	LEAN SENSOR WIRING HARNESS, WHEEL (CONNECTORS).....	1674-32
LABEL, SECONDARY STEERING ACCUMULATOR WARNING (GRADE PRO).....	0930-2	LEAPING DEERE LABEL.....	1322-2
LABEL, SHIFTER (ENGLISH, GRADE PRO).....	1322-6	LED FRONT SIGNAL LIGHT.....	1673-2
LABEL, SHIFTER (ENGLISH, STD CAB).....	1322-4	LED TAIL AND SIGNAL LAMPS.....	1673-4
LABEL, SSM ICON DESCRIPTION (ENGLISH, GRADE PRO).....	1322-6	LEFT AUXILIARY VALVE SECTION (WITHOUT FLOAT) (STD) (BREAKDOWN).....	2162-54
LABEL, SSM ICON DESCRIPTION (ENGLISH, STD CAB).....	1322-4	LEFT AUXILIARY VALVE SECTION WITH FLOAT (STD) (BREAKDOWN).....	2162-50
LABEL, SSM ICON DESCRIPTION (FRENCH).....	1322-8	LEFT AUXILIARY VALVE SECTION WITH FLOAT (6 FUNCTION LEFT) (COMPLETE).....	2162-16
LABEL, SSM ICON DESCRIPTION (SPANISH).....	1322-10	LEFT AUXILIARY VALVE SECTION WITH FLOAT (7 FUNCTION LEFT) (COMPLETE).....	2162-20
LABEL, START AND STOP PROCEDURE (ENGLISH, GRADE PRO).....	1322-6	LEFT AUXILIARY VALVE SECTION WITHOUT FLOAT (7 FUNCTION LEFT) (COMPLETE).....	2162-20
LABEL, START AND STOP PROCEDURE (ENGLISH, STD CAB).....	1322-4	LEFT BLADE LIFT CONTROL LINKAGE.....	1816-10
LABEL, START/STOP PROCEDURE (FRENCH).....	1322-8	LEFT BLADE LIFT CONTROL, 4 FUNCTION (EH) (GRADE PRO).....	3415-4
LABEL, START/STOP PROCEDURE (SPANISH).....	1322-10	LEFT BLADE LIFT CONTROL, 5 FUNCTION (EH) (GRADE PRO).....	3415-8
LABEL, STARTER (3005) (HDW01).....	0400A-26	LEFT BLADE LIFT VALVE SECTION (4 FUNCTION EH REAR) (GRADE PRO).....	2162-80
LABEL, STARTER BY-PASS (FRENCH).....	1322-8	LEFT BLADE LIFT VALVE SECTION (4 FUNCTION LEFT) (COMPLETE).....	2162-6
LABEL, STARTER BY-PASS (SPANISH).....	1322-10	LEFT BLADE LIFT VALVE SECTION (5 FUNCTION EH REAR) (GRADE PRO).....	2162-84
LABEL, TIE DOWN.....	1322-2	LEFT BLADE LIFT VALVE SECTION (5 FUNCTION LEFT) (COMPLETE).....	2162-12
LABEL, TRANSMISSION FILTER (ENGLISH).....	1322-2	LEFT BLADE LIFT VALVE SECTION (6 FUNCTION EH REAR) (GRADE PRO).....	2162-90
LABEL, TRANSMISSION FILTER (FRENCH).....	1322-8		
LABEL, TRANSMISSION FILTER (SPANISH).....	1322-10		
LABEL, TRANSMISSION OIL.....	1322-2		
LABEL, TRANSMISSION OIL LEVEL (ENGLISH).....	1322-2		
LABEL, TRANSMISSION OIL LEVEL (FRENCH).....	1322-8		
LABEL, TRANSMISSION OIL LEVEL (SPANISH).....	1322-10		

ALPHABETICAL INDEX - CONTINUED

	PAGE	PAGE	
LEFT BLADE LIFT VALVE SECTION (6 FUNCTION LEFT) (COMPLETE)	2162-16	LIGHT, INTERIOR DOME	1673-18
LEFT BLADE LIFT VALVE SECTION (7 FUNCTION EH REAR) (GRADE PRO)	2162-92	LIGHTS, CAB, FRONT AND REAR	1673-8
LEFT BLADE LIFT VALVE SECTION (7 FUNCTION LEFT) (COMPLETE)	2162-20	LIGHTS, CAB, SIDE	1673-10
LEFT BLADE LIFT VALVE SECTION (STD) (BREAKDOWN)	2162-24	LIGHTS, DRAFT FRAME WORK	1673-6
LEFT CAB DOOR (FULL HEIGHT CAB)	1813-6	LIGHTS, ENGINE COMPARTMENT	1673-12
LEFT CAB DOOR (LOW PROFILE CAB)	1813-4	LIGHTS, FRONT AND REAR WORK	1673-6
LEFT FIFTH FUNCTION CONTROL LINKAGE (RIPPER)	1816-14	LIGHTS, FRONT DRIVING	1673-2
LEFT FIFTH FUNCTION CONTROL VALVE KIT (RIPPER)	2162-58	LIGHTS, FRONT SIGNAL	1673-2
LEFT FIVE FUNCTION CONTROL VALVE	2162-12	LIGHTS, HI-LOW BEAM SWITCH	1676-2
LEFT FIVE FUNCTION CONTROLS (EH) (GRADE PRO)	3415-8	LIGHTS, HI-LOW BEAM SWITCH (GRADE PRO)	1676-4
LEFT FOUR FUNCTION CONTROL VALVE	2162-6	LIGHTS, LED TAIL AND SIGNAL	1673-4
LEFT FOUR FUNCTION CONTROLS (EH) (GRADE PRO)	3415-4	LINE, HVAC	1832-2
LEFT GRADE PRO ARMREST WIRING HARNESS	1674-12	LINER KIT, PISTON AND CYLINDER (9901)	0400A-88
LEFT GRADE PRO ARMREST WIRING HARNESS (CONNECTORS)	1674-66	LINER PACKING KIT, CYLINDER (9902)	0400A-92
LEFT MAIN HYDRAULIC CONTROL VALVE INLET AND OUTLET SECTIONS (STD)	2162-40	LINER, CYLINDER (4834) (HDW75)	0400B-42
LEFT MOLDBOARD EXTENSION (24" WITH 5/8" HARDWARE)	3401-28	LINER, CYLINDER 4601	0400A-40
LEFT MOLDBOARD EXTENSION (27" WITH 3/4" HARDWARE)	3401-36	LINERS, BLOCK (4633) (HDW75)	0400B-38
LEFT MOLDBOARD EXTENSION (27" WITH 5/8" HARDWARE)	3401-32	LINES AND FITTINGS, FRAME HINGE CENTRAL LUBRICATION	1370-2
LEFT SEVEN FUNCTION CONTROL VALVE	2162-20	LINES-FUEL, HIGH PRESSURE (169Z) (HDW75)	0400B-8
LEFT SEVENTH FUNCTION CONTROL LINKAGE (AUX W/O FLOAT)	1816-22	LINES, FUEL INJECTION (HDW01) 1603	0400A-10
LEFT SEVENTH FUNCTION CONTROL VALVE KIT (AUX W/O FLOAT)	2162-66	LINES, TURBOCHARGER (65VS) (HDW75)	0400B-54
LEFT SIX FUNCTION CONTROL VALVE	2162-16	LINES, TURBOCHARGER OIL 6511	0400A-60
LEFT SIXTH FUNCTION CONTROL LINKAGE (AUX W/ FLOAT)	1816-18	LINK SCARIFIER, LIFT (FIELD KIT)	4243-17
LEFT SIXTH FUNCTION CONTROL VALVE KIT (AUX W/ FLOAT)	2162-62	LINK, LEAN BAR	0240-4
LEFT STANDARD CONTROL LINKAGES	1816-10	LINK, WHEEL LEAN BAR	0240-4
LEVER, DOOR LATCH (FULL HEIGHT CAB)	1813-6	LINKAGE, AUX W/ FLOAT CONTROL (SIXTH FUNCTION LEFT)	1816-18
LEVER, DOOR LATCH (LOW PROFILE CAB)	1813-4	LINKAGE, AUX W/ FLOAT CONTROL (SIXTH FUNCTION RIGHT)	1816-16
LEVER, SEAT ARMRESTS (GRADE PRO)	1821-14	LINKAGE, AUX W/O FLOAT CONTROL (SEVENTH FUNCTION LEFT)	1816-22
LEVER, STEERING TILT (GRADE PRO)	1816-26	LINKAGE, AUX W/O FLOAT CONTROL (SEVENTH FUNCTION RIGHT)	1816-20
LEVER, STEERING TILT (STD CONTROLS)	1816-8	LINKAGE, LEFT AND RIGHT STANDARD CONTROL VALVES	1816-10
LEVER, TRANSMISSION GEAR SELECTOR (GRADE PRO)	0315-4	LINKAGE, REAR STEERING SENSOR (GRADE PRO)	1676-8
LEVER, TRANSMISSION GEAR SELECTOR (STANDARD CONTROLS)	0315-2	LINKAGE, REAR STEERING SENSOR (STD CONTROLS)	1676-6
LIFT ARM, BLADE	3442-2	LINKAGE, RIPPER CONTROL (FIFTH FUNCTION LH)	1816-14
LIFT CYLINDER HOSES, BLADE (STANDARD CONTROLS)	3463-2	LINKAGE, SCARIFIER CONTROL (FIFTH FUNCTION RH)	1816-12
LIFT CYLINDER HOSES, BLADE (GRADE PRO)	3463-4	LOAD CENTER (WITH AUTOSHIFT)	1675-4
LIFT CYLINDER, BLADE	3465-2	LOAD CENTER (WITHOUT AUTOSHIFT)	1675-2
LIFT GROUP	4243-14	LOAD SENSE HOSES, HYDRAULIC (STD CONTROLS)	2163-10
LIFT GROUP (FIELD KIT)	4243-16	LOAD SENSE HOSES, HYDRAULIC (GRADE PRO)	2163-12
LIFT STRAPS (9801) (HDW75)	0400B-68	LOCK PIN, SADDLE	3465-10
LIFT STRAPS (9801) HDW01	0400A-72	LOCK, DIFF (LOW PRESSURE)	0210-12
LIFT STRAPS (9807) (HDW01)	0400A-73	LOCK, SERVICE DOORS	1912-2
LIGHT BRACKET, BEACON	1673-16	LOCKOUT VALVE, BLADE LIFT VALVE SECTION (EH) (GRADE PRO) (BREAKDOWN)	2162-100
LIGHT PANEL, REAR	1747-2	LOCKOUT VALVE, BLADE TILT VALVE SECTION (EH) (GRADE PRO)	2162-102
LIGHT WIRING HARNESS, FRONT DRIVE/TURN	1674-2	LOCKOUT VALVE, BLADE TILT VALVE SECTION (STD)	2162-36
LIGHT WIRING HARNESS, FRONT DRIVE/TURN (CONNECTORS)	1674-34	LOCKOUT VALVE, CIRCLE SIDE SHIFT VALVE SECTION (EH) (GRADE PRO)	2162-110
		LOCKOUT VALVE, CIRCLE SIDE SHIFT VALVE SECTION (STD)	2162-30

ALPHABETICAL INDEX - CONTINUED

	PAGE		PAGE
LOCKOUT VALVE, LEFT AUX VALVE WITH FLOAT (STD).....	2162-50	MAIN FRAME, SHIELDS.....	1913-2
LOCKOUT VALVE, LEFT AUXILIARY VALVE SECTION (WITHOUT FLOAT) (STD).....	2162-54	MAIN HYDRAULIC CONTROL VALVE INLET SECTI ON (FRONT EH) (GRADE PRO) (BREAKDOWN).....	2162-114
LOCKOUT VALVE, LEFT BLADE LIFT VALVE SECTION (STD).....	2162-24	MAIN HYDRAULIC CONTROL VALVE INLET SECTI ON (REAR EH) (GRADE PRO) (BREAKDOWN).....	2162-112
LOCKOUT VALVE, MID MOUNTED SCARIFIER VALVE SECTION (STD).....	2162-44	MAIN HYDRAULIC CONTROL VALVE OUTLET AND INLET SECTION (LEFT) (STD).....	2162-38
LOCKOUT VALVE, REAR STEER VALVE SECTION (EH) (GRADE PRO) (BREAKDOWN).....	2162-96	MAIN HYDRAULIC CONTROL VALVE OUTLET AND INLET SECTION (LEFT) (STD).....	2162-40
LOCKOUT VALVE, REAR STEER VALVE SECTION (STD).....	2162-26	MAIN HYDRAULIC FILTER.....	2164-2
LOCKOUT VALVE, RIGHT AUX VALVE WITH FLOAT (STD).....	2162-48	MAIN HYDRAULIC PLUMBING (GRADE PRO).....	2163-4
LOCKOUT VALVE, RIGHT AUXILIARY VALVE SECTION (WITHOUT FLOAT) (STD).....	2162-52	MAIN HYDRAULIC PLUMBING (STD CONTROLS).....	2163-2
LOCKOUT VALVE, RIGHT BLADE LIFT VALVE SECTION (STD) (BREAKDOWN).....	2162-22	MAIN HYDRAULIC PUMP.....	2161-2
LOCKOUT VALVE, RIPPER VALVE SECTION (STD).....	2162-46	MAIN HYDRAULIC PUMP LOAD SENSE HOSE (GRADE PRO).....	2163-12
LOCKOUT VALVE, SCARIFIER VALVE SECTION (STD).....	2162-42	MAIN HYDRAULIC PUMP LOAD SENSE HOSE (STD CONTROLS).....	2163-10
LOCKOUT VALVE, STEERING VALVE SECTION (EH) (GRADE PRO) (BREAKDOWN).....	2162-98	MAIN MANIFOLD VALVE.....	0962-6
LOCKOUT VALVE, WHEEL LEAN VALVE SECTION (EH) (GRADE PRO).....	2162-108	MAIN MANIFOLD VALVE AND BRACKET (W/ SEC. STEERING).....	2162-70
LOCKOUT VALVE, WHEEL LEAN VALVE SECTION (STD).....	2162-28	MAIN MANIFOLD VALVE AND BRACKET (W/O SEC. STEERING).....	2162-72
LONG BLOCK GASKET KIT (9902) (HDW01).....	0400A-114	MAIN WIRING HARNESS, FRONT.....	1674-2
LOUVERS, HVAC.....	1831-8	MAIN WIRING HARNESS, FRONT (CONNECTORS).....	1674-26
LOW PROFILE CAB DOORS.....	1813-4	MAIN WIRING HARNESS, REAR.....	1674-2
LOWER FRONT WINDSHIELD WIPER.....	1814-10	MAIN WIRING HARNESS, REAR (CONNECTORS).....	1674-28
LOWER FRONT WINDSHIELD WIPER DISABLE SENSOR.....	1814-12	MAINFALL ANGLE SENSOR.....	1676-10
LUBRICATION LINES, FRAME HINGE.....	1370-2	MANIFOLD REMOVAL KIT, EXHAUST (9902).....	0400A-100
LUBRICATION, CENTRAL, FRAME HINGE.....	1370-2	MANIFOLD VALVE.....	0962-6
LUG BOLT, FRONT WHEEL (10" X 24") (FOR 14X24 OR 14R24 TIRES).....	0111-4	MANIFOLD VALVE, MAIN (W/ SEC. STEERING).....	2162-70
LUG BOLT, FRONT WHEEL (13" X 25") (FOR 17.5X25 OR 17.5R25 TIRES).....	0111-6	MANIFOLD VALVE, MAIN (W/O SEC. STEERING).....	2162-72
LUG BOLT, FRONT WHEEL (14" X 25") (FOR 17.5X25 OR 17.5R25 TIRES).....	0111-8	MANIFOLD, A/C.....	1832-10
LUG BOLT, FRONT WHEEL (9" X 24") (FOR 14X24 OR 14R24 TIRES).....	0111-2	MANIFOLD, EXHAUST (2802) HDW01.....	0400A-23
LUMBAR KIT (DELUXE SEAT).....	1821-6	MANIFOLD, EXHAUST 2870 (HDW75).....	0400B-18
LUMBAR KIT (GRADE PRO SEAT).....	1821-10	MANIFOLD, GASKET 2870 (HDW75).....	0400B-18
LUMBAR KIT (STANDARD SEAT).....	1821-2	MANIFOLD, HYDRAULIC OIL COOLER BYPASS.....	2162-74
		MANIFOLD, INTAKE (1797) (HDW75).....	0400B-10
M		MANIFOLD, ROTARY (GRADE PRO).....	3460-4
MACHINE INFORMATION GATEWAY (MIG).....	2601-4	MANIFOLD, ROTARY (STD CONTROLS).....	3460-2
MAGNET, A/C COMPRESSOR.....	1832-10	MAP SENSOR (1701) (HDW01).....	0400A-12
MAGNET, CHAIN CASE DEBRIS.....	0201-10	MAT, FLOOR (GRADE PRO).....	1812-10
MAGNETIC PICK-UP SENSOR (6744) (HDW75).....	0400B-58	MAT, FLOOR (STD CONTROLS).....	1812-8
MAIN BEARING CAP (4606) (HDW01).....	0400A-42	MID MOUNTED SCARIFIER.....	4243-18
MAIN BEARING KIT (9901) (HDW01).....	0400A-77	MID MOUNTED SCARIFIER (FIELD KIT).....	4243-20
MAIN BEARINGS (HDW01) 4701.....	0400A-44	MID MOUNTED SCARIFIER HYDRAULIC CYLINDER.....	4265-6
MAIN CASE GROUP - YZ106537.....	0350-20	MID MOUNTED SCARIFIER MOUNTING BRACKET.....	4243-18
MAIN CASE GROUP - YZ106540.....	0350-22	MID MOUNTED SCARIFIER MOUNTING BRACKET (FIELD KIT).....	4243-20
MAIN CONTROL VALVE MOUNTING BRACKETS.....	2162-2	MID MOUNTED SCARIFIER VALVE SECTION (5 FUNCTION RIGHT) (COMPLETE).....	2162-10
MAIN DRIVE AXLE HOUSING.....	0201-6	MID MOUNTED SCARIFIER VALVE SECTION (6 FUNCTION EH FRONT) (GRADE PRO).....	2162-88
MAIN FRAME.....	1741-2	MID-INLET VALVE SECTION (4 FUNCTION EH REAR) (GRADE PRO).....	2162-80
MAIN FRAME FRONT SIDE COVERS.....	1913-4	MID-INLET VALVE SECTION (4 FUNCTION LEFT) (COMPLETE).....	2162-6
		MID-INLET VALVE SECTION (4 FUNCTION RIGHT) (COMPLETE).....	2162-4
		MID-INLET VALVE SECTION (5 FUNCTION EH FRONT) (GRADE PRO).....	2162-82
		MID-INLET VALVE SECTION (5 FUNCTION EH REAR) (GRADE PRO).....	2162-84
		MID-INLET VALVE SECTION (5 FUNCTION LEFT) (COMPLETE).....	2162-12

ALPHABETICAL INDEX - CONTINUED

	PAGE		PAGE
MID-INLET VALVE SECTION (5 FUNCTION RIGHT) (COMPLETE)	2162-8	MOLDBOARD OVERLAYS FOR 6" CUTTING EDGE (5/8" HARDWARE)	3401-20
MID-INLET VALVE SECTION (6 FUNCTION EH FRONT) (GRADE PRO)	2162-86	MOLDBOARD OVERLAYS FOR 8" CUTTING EDGE (3/4" HARDWARE)	3401-24
MID-INLET VALVE SECTION (6 FUNCTION EH REAR) (GRADE PRO)	2162-90	MOLDBOARD OVERLAYS FOR 8" CUTTING EDGE (5/8" HARDWARE)	3401-22
MID-INLET VALVE SECTION (6 FUNCTION LEFT) (COMPLETE)	2162-16	MONITOR, CAB DISPLAY (GRADE PRO)	1675-10
MID-INLET VALVE SECTION (6 FUNCTION RIGHT) (COMPLETE)	2162-14	MONITOR, CAB DISPLAY (STD CONTROLS)	1675-8
MID-INLET VALVE SECTION (7 FUNCTION EH REAR) (GRADE PRO)	2162-92	MOTOR AND SWITCH, HEATER AND A/C BLOWER	1832-4
MID-INLET VALVE SECTION (7 FUNCTION LEFT) (COMPLETE)	2162-20	MOTOR KIT, STARTER (9902)	0400A-112
MID-INLET VALVE SECTION (7 FUNCTION RIGHT) (COMPLETE)	2162-18	MOTOR STARTER (3059) (HDW75)	0400B-22
MID-INLET VALVE SECTION (8 FUNCTION EH FRONT) (GRADE PRO)	2162-94	MOTOR, CIRCLE DRIVE	3467-2
MID-INLET VALVE SECTION (5 FUNCTION RH) (COMPLETE) (MID MOUNTED SCARIFIER)	2162-10	MOTOR, FAN DRIVE	0512-6
MID-INLET VALVE SECTION (6 FUNCTION W/ MMS EH FRONT) (GRADE PRO)	2162-88	MOTOR, FRONT WINDSHIELD WIPER (FULL HEIGHT CAB)	1814-4
MID-SCARIFIER HOSE KIT	4263-10	MOTOR, FRONT WINDSHIELD WIPER (LOW PROFILE CAB)	1814-2
MID-SCARIFIER HYDRAULIC HOSES	4263-10	MOTOR, LOWER FRONT WINDSHIELD WIPER	1814-10
MID-SCARIFIER PLUMBING KIT	4263-10	MOTOR, REAR WINDSHIELD WIPER (FULL HEIGHT CAB)	1814-8
MIDLAND AUX DRIVE AIR COMPRESSOR (9901) (HDW75)	0400B-86	MOTOR, REAR WINDSHIELD WIPER (LOW PROFILE CAB)	1814-6
MIDSTRUCTURE WIRING HARNESS	1674-2	MOTOR, STARTING (3005) HDW01	0400A-26
MIDSTRUCTURE WIRING HARNESS (CONNECTORS)	1674-30	MOTOR, STARTING (3008) (HDW01)	0400A-27
MIRROR BRACKET, EXTERIOR	2002-4	MOUNT ISOLATORS, CAB	1811-10
MIRROR BRACKET, EXTERIOR (HEATED)	2002-6	MOUNT, COOLING SYSTEM (6090HDW01 / 6090HDW04)	0510-8
MIRROR, EXTERIOR	2002-4	MOUNT, COOLING SYSTEM (6068HDW75)	0510-12
MIRROR, EXTERIOR (HEATED)	2002-6	MOUNT, FRONT EH VALVE (GRADE PRO)	2162-76
MIRROR, INTERIOR REARVIEW	2002-2	MOUNT, FRONT FENDER	1927-4
MODEL DESIGNATION LABEL	1322-2	MOUNT, JD LINK™ COMMUNICATION CONTROLLER	2601-2
MODULE, HVAC	1832-4	MOUNT, REAR EH VALVE (GRADE PRO)	2162-78
MODULE, SSM (GRADE PRO)	1674-82	MOUNT, REAR FENDER	1927-6
MODULE, SSM (STD CONTROLS)	1674-80	MOUNTING BOLTS, TRANSMISSION	0342-2
MOLDBOARD (12' X 24" X 7/8" WITH 5/8"X6" CUTTING EDGES)	3401-2	MOUNTING BRACKET, TCU	0315-6
MOLDBOARD (12' X 24" X 7/8" WITH 5/8"X8" CUTTING EDGES)	3401-4	MOUNTING BRACKETS, MAIN CONTROL VALVE	2162-2
MOLDBOARD (12' X 27" X 1" WITH 5/8" X 8" CUTTING EDGES)	3401-6	MOUNTING, DIFF LOCK PUMP	0261-2
MOLDBOARD (13' X 27" X 1" WITH 5/8" X 8" CUTTING EDGES)	3401-8	MOUNTING, ENGINE (6068HDW75)	0540-4
MOLDBOARD (14' X 24" X 7/8" WITH 5/8"X6" CUTTING EDGES)	3401-10	MOUNTING, ENGINE (6090HDW01 / 6090HDW04)	0540-2
MOLDBOARD (14' X 24" X 7/8" WITH 5/8X8" CUTTING EDGES)	3401-12	MOUNTS, IGC MAST (3/4" HARDWARE)	3402-4
MOLDBOARD (14' X 27" X 1" WITH 5/8 X 8" CUTTING EDGES)	3401-14	MOUNTS, IGC MAST (5/8" HARDWARE)	3402-2
MOLDBOARD (14' X 27" X 1" WITH 5/8 X 8" CUTTING EDGES) (3/4" HARDWARE)	3401-16	MUFFLER AND CLAMPS (6090HDW01 / 6090HDW04)	0531-2
MOLDBOARD EXTENSION, LEFT (24" WITH 5/8" HARDWARE)	3401-28	MUFFLER AND CLAMPS (6068HDW75)	0531-4
MOLDBOARD EXTENSION, LEFT (27" WITH 3/4" HARDWARE)	3401-36	MULTIPLE DISK BRAKE DIFFERENTIAL CASE (RE65558)	0210-14
MOLDBOARD EXTENSION, LEFT (27" WITH 5/8" HARDWARE)	3401-32	N	
MOLDBOARD EXTENSION, RIGHT (24" WITH 5/8" HARDWARE)	3401-26	NECK, ENGINE OIL FILLER(1230) (HDW75)	0400B-4
MOLDBOARD EXTENSION, RIGHT (27" WITH 3/4" HARDWARE)	3401-34	NET, CARGO (FULL HEIGHT CAB)	1812-6
MOLDBOARD EXTENSION, RIGHT (27" WITH 5/8" HARDWARE)	3401-30	NET, CARGO (GRADE PRO)	1812-4
		NET, CARGO (LOW PROFILE CAB - STD)	1812-2
		NO WIRING HARNESS (8485) (HDW75)	0400B-62
		NOZZLE INJECTION & WIRING HARNESS (169Z) (HDW75)	0400B-8
		O	
		O-RING KIT (9901) (HDW75)	0400B-87

ALPHABETICAL INDEX - CONTINUED

	PAGE		PAGE
OIL COOLER (HDW01) (5912).....	0400A-56	OPTION 1797 - INTAKE MANIFOLD	
OIL COOLER BYPASS VALVE, HYDRAULIC.....	2162-74	(HDW75).....	0400B-10
OIL COOLER HOSES, HYDRAULIC.....	0510-4	OPTION 19BR - OIL PAN	
OIL COOLER, DIFFERENTIAL		(HDW75).....	0400B-12
(6090HDW01 / 6090HDW04).....	0510-8	OPTION 2001-WATER PUMP PULLEY	
OIL COOLER, DIFFERENTIAL (6068HDW75).....	0510-12	(HDW75).....	0400B-14
OIL COOLER, ENGINE (5951)		OPTION 2154 THERMOSTAT COVER (HDW75).....	0400B-15
(HDW75).....	0400B-52	OPTION 2694 COOLANT HEATER (HDW75).....	0400B-17
OIL COOLER, TRANSMISSION		OPTION 2870 EXHAUST MANIFOLD (HDW75).....	0400B-18
(6090HDW01 / 6090HDW04).....	0510-8	OPTION 2943 VENTILATING SYSTEM	
OIL COOLER, TRANSMISSION (6068HDW75).....	0510-12	(HDW75).....	0400B-20
OIL DESCRIPTION LABEL (ENGLISH).....	1322-2	OPTION 3059 STARTER (HDW75).....	0400B-22
OIL DESCRIPTION LABEL (FRENCH).....	1322-8	OPTION 35DZ FUEL FILTER, FINAL	
OIL DESCRIPTION LABEL (SPANISH).....	1322-10	(HFW75).....	0400B-24
OIL DIPSTICK (HDW01) 4018.....	0400A-34	OPTION 3926 THERMOSTAT HOUSING	
OIL DIPSTICK (4048) (HDW75).....	0400B-32	(HDW75).....	0400B-30
OIL FILTER (HDW01) (5912).....	0400A-56	OPTION 4048 - OIL DIPSTICK (HDW75).....	0400B-32
OIL FILTER / FILTER HEAD (8860) (HDW75).....	0400B-66	OPTION 4330 STARTING AID (HDW75).....	0400B-34
OIL GASKET, TURBOCHARGER (65VS)		OPTION 5128 CYLINDER HEAD	
(HDW75).....	0400B-54	(HDW75).....	0400B-48
OIL LINES, TURBOCHARGER 6511.....	0400A-60	OPTION 5497 TURBO AIR INLET	
OIL PAN (1909) HDW01.....	0400A-14	(HDW75).....	0400B-50
OIL PAN, ENGINE (19BR)		OPTION 5951 OIL COOLER	
(HDW75).....	0400B-12	(HDW75).....	0400B-52
OIL PUMP (5001)		OPTION 65VS - TURBOCHARGER	
(HDW01).....	0400A-50	(HDW75).....	0400B-54
OIL PUMP (5024)		OPTION 6698 TEMPERATURE SWITCH PLUG	
(HDW75).....	0400B-46	(HDW75).....	0400B-56
OIL PUMP INTAKE (1909).....	0400A-14	OPTION 6744 - ENGINE SENSORS	
OIL SEAL, AXLE HOUSING.....	0201-10	(HDW75).....	0400B-58
OIL SEAL, REAR (1423) (HDW75).....	0400B-6	OPTION 81AL - WATER SEPARATOR (HDW75).....	0400B-60
OIL SEAL, REAR (9901)		OPTION 8724 FAN DRIVE TENSIONER (HDW75).....	0400B-64
(HDW75).....	0400B-90	OPTION 9801 LIFT STRAPS (HDW75).....	0400B-68
ONE HAND BLADE LIFT CONTROL AND VALVE		OPTION 9901 - CONTROL VALVE (HDW75).....	0400B-75
KIT.....	2162-68	OPTION 9901 CONNECTING ROD BEARING	
ONE HAND BLADE LIFT CONTROL KIT.....	1816-24	(HDW75).....	0400B-74
OPENING WINDOWS (LOW PROFILE CAB).....	1813-10	OPTION 9901 EGR VALVE GASKET KIT	
OPERATORS STATION, FULL HEIGHT W/ DOORS		(HDW75).....	0400B-78
AND FIXED WINDOWS (COMPLETE).....	1811-6	OPTION 9901 MAIN THRUST BEARING	
OPERATORS STATION, GRADE PRO W/		(HDW75).....	0400B-73
DOORS AND OPENING WINDOWS (COMPLETE).....	1811-8	OPTION 9901 MAIN THRUST BEARING (HDW75).....	0400B-70
OPERATORS STATION, LOW PROFILE W/ DOORS		OPTION 9901 SERVICE KIT FOR FUEL	
AND FIXED WINDOWS (COMPLETE).....	1811-2	INJECTION NOZZLE (HDW75).....	0400B-82
OPERATORS STATION, LOW PROFILE W/ DOORS		ORIFICE, PISTON COOLING (4601).....	0400A-40
AND OPENING WINDOWS (COMPLETE).....	1811-4	ORIFICE, PISTON COOLING (4606) (HDW01).....	0400A-42
OPTION - 4633 CYLINDER BLOCK WITH LINERS		OUTLET SECTION, ELECTROHYDRAULIC	
(HDW75).....	0400B-38	SIX FUNCTION VALVE, REAR (GRADE PRO).....	2162-90
OPTION CODE -9901 SERVICE PARTS ASSEMBLY		OUTLET SECTION, ELECTROHYDRAULIC EIGHT	
(HDW75).....	0400B-92	FUNCTION CONTROL VALVE (GRADE PRO).....	2162-94
OPTION CODE 8485 NO WIRING HARNESS		OUTLET SECTION, ELECTROHYDRAULIC FIVE	
(HDW75).....	0400B-62	FUNCTION CONTROL VALVE (GRADE PRO).....	2162-82
OPTION CODE 9901 CYLINDER LINER KIT		OUTLET SECTION, ELECTROHYDRAULIC FIVE	
(HDW75).....	0400B-80	FUNCTION CONTROL VALVE (GRADE PRO).....	2162-84
OPTION CODE 9901 STARTER RELAY		OUTLET SECTION, ELECTROHYDRAULIC FOUR	
(HDW75).....	0400B-89	FUNCTION CONTROL VALVE (GRADE PRO).....	2162-80
OPTION CODE 9901- SERVICE PARTS ASSEMBLY		OUTLET SECTION, ELECTROHYDRAULIC SEVEN	
(HDW75).....	0400B-94	FUNCTION CONTROL VALVE (GRADE PRO).....	2162-92
OPTION CODE 9901, AIR COMPRESSOR		OUTLET SECTION, ELECTROHYDRAULIC SIX	
(HDW75).....	0400B-86	FUNCTION VALVE W/ MMS (GRADE PRO).....	2162-88
OPTION CODE-9901 ENGINE GASKET KIT		OUTLET SECTION, ELECTROHYDRAULIC SIX	
(HDW75).....	0400B-76	FUNCTION VALVE, FRONT (GRADE PRO).....	2162-86
OPTION 1144 ROCKER ARM COVER (HDW75).....	0400B-2	OUTLET SECTION, LEFT MAIN HYDRAULIC	
OPTION 1230 - OIL FILLER NECK		CONTROL VALVE (STD).....	2162-40
(HDW75).....	0400B-4	OUTLET SECTION, RIGHT MAIN HYDRAULIC	
OPTION 1320 CRANKSHAFT PULLEY (HDW75).....	0400B-5	CONTROL VALVE (STD).....	2162-38
OPTION 1530 FLYWHEEL (HDW75).....	0400B-7	OUTLET, 12V POWER.....	1674-10

ALPHABETICAL INDEX - CONTINUED

	PAGE		PAGE
OVERFLOW TANK, COOLANT (6090HDW01 / 6090HDW04)	0510-10	PISTON LINER KIT (9901) (HDW75).....	0400B-80
OVERFLOW TANK, COOLANT (6068HDW75)	0510-14	PISTON RING KIT (9901) (HDW75).....	0400B-88
OVERHAUL KIT, ENGINE (9902)	0400A-108	PISTON RING KIT (9902)	0400A-98
OVERHAUL KIT, ENGINE (9902) CONTINUED	0400A-110	PISTON-LINER KIT (9901)	0400A-88
OVERLAYS, MOLDBOARD (6" CUTTING EDGE) (5/8" HARDWARE)	3401-20	PISTON, TILT STEERING (GRADE PRO).....	1816-26
OVERLAYS, MOLDBOARD (8" CUTTING EDGE) (3/4" HARDWARE)	3401-24	PISTON, TILT STEERING (STD CONTROLS)	1816-8
OVERLAYS, MOLDBOARD (8" CUTTING EDGE) (5/8" HARDWARE)	3401-22	PIVOT HOUSING	0201-6
OVERLOAD PROTECTION DEVICE (GRADE PRO).....	1674-12	PIVOT PIN	0201-6
		PIVOT PIN, MAIN FRAME	1741-2
		PIVOT, DRAFT FRAME BALL	3441-2
		PIVOT, TANDEM	0201-6
		PLANET PINION CARRIER	0201-4
		PLANETARY, TANDEM DRIVE	0201-4
		PLATE-FRONT (3612) (HDW75).....	0400B-26
		PLATE, CAB ROOF	1813-2
		PLATE, FRESH AIR INTAKE (CAB ROOF)	1813-2
		PLATE, FRONT SWITCHES (GRADE PRO).....	1816-26
		PLATE, FRONT SWITCHES (STD CONTROLS)	1816-8
		PLATE, INTERIOR DOME LIGHT	1673-18
		PLATE, REAR MOUNTED WEIGHT	1749-4
		PLATE, SEPARATOR, BRAKE	0201-8
		PLATE, TRANSMISSION COOLING HOSE BULKHEAD	0510-6
		PLATFORM, TANDEM HOUSING.....	0201-2
		PLUG, MAIN MANIFOLD VALVE (W/ SEC. STEERING)	2162-70
		PLUG, MAIN MANIFOLD VALVE (W/O SEC. STEERING)	2162-72
		PLUG, TEMPERATURE SWITCH (6698) (HDW75).....	0400B-56
		PLUG, COOLANT HEATER (2699) (HDW01).....	0400A-22
		PLUGS, GLOW (4330) (HDW75).....	0400B-34
		PLUMBING, BLADE IMPACT SYSTEM (GRADE PRO).....	3463-20
		PLUMBING, BLADE IMPACT SYSTEM (STANDARD CONTROLS)	3463-18
		PLUMBING, BLADE LIFT CYLINDER (GRADE PRO)	3463-4
		PLUMBING, BLADE LIFT CYLINDER (STANDARD CONTROLS)	3463-2
		PLUMBING, BLADE SIDE SHIFT CYLINDER (GRADE PRO).....	3463-8
		PLUMBING, BLADE SIDE SHIFT CYLINDER (STANDARD CONTROLS)	3463-6
		PLUMBING, BLADE TILT CYLINDER (GRADE PRO).....	3463-8
		PLUMBING, BLADE TILT CYLINDER (STANDARD CONTROLS)	3463-6
		PLUMBING, CIRCLE ROTATE MOTOR (GRADE PRO).....	3463-12
		PLUMBING, CIRCLE ROTATE MOTOR (STANDARD CONTROLS)	3463-10
		PLUMBING, CIRCLE SIDE SHIFT CYLINDER (GRADE PRO).....	3463-16
		PLUMBING, CIRCLE SIDE SHIFT CYLINDER (STANDARD CONTROLS)	3463-14
		PLUMBING, DIFFERENTIAL COOLER.....	0510-2
		PLUMBING, FAN.....	0512-8
		PLUMBING, HYDRAULIC OIL COOLER	0510-4
		PLUMBING, MAIN HYDRAULIC (GRADE PRO).....	2163-4
		PLUMBING, MAIN HYDRAULIC (STD CONTROLS)	2163-2
		PLUMBING, ROTARY MANIFOLD (GRADE PRO).....	3463-12
		PLUMBING, SADDLE LOCK PIN	3463-24
P			
PAD, SEAT ARMRESTS (GRADE PRO)	1821-14		
PAN, ENGINE OIL (19BR) (HDW75).....	0400B-12		
PAN, OIL (1909).....	0400A-14		
PANEL, REAR LIGHT	1747-2		
PANEL, SIDE (FULL HEIGHT CAB)	1812-6		
PANEL, SIDE (GRADE PRO)	1812-4		
PANEL, SIDE (LOW PROFILE CAB - STD).....	1812-2		
PANEL, 4WD INSTRUMENT (STD CONTROLS).....	1816-4		
PANELS, CAB REAR INTERIOR	1812-12		
PARALLEL LIFT (FIELD KIT).....	4243-17		
PARALLEL LIFT GROUP	4243-14		
PARALLEL LIFT GROUP (FIELD KIT).....	4243-16		
PARALLEL LIFT GROUP (FIELD KIT).....	4243-17		
PARALLEL LIFT GROUP CYLINDER (BREAKDOWN).....	4265-2		
PARK BRAKE HOSES	1100-2		
PARK BRAKE RELEASE LABEL (ENGLISH)	1322-2		
PARK BRAKE RELEASE LABEL (FRENCH)	1322-8		
PARK BRAKE RELEASE LABEL (SPANISH).....	1322-10		
PARK BRAKE VALVE FITTINGS	1100-2		
PARK BRAKE VALVE HOSES	1100-2		
PEDAL, BRAKE	1062-2		
PEDAL, DECELERATOR	0515-6		
PEDAL, ENGINE SPEED CONTROL (GRADE PRO)	0515-4		
PEDAL, ENGINE SPEED CONTROL (STANDARD)	0515-2		
PEDAL, INCHING	0715-2		
PEDAL, SERVICE BRAKE	1062-2		
PEDAL, STEERING TILT (GRADE PRO)	1816-26		
PEDAL, STEERING TILT (STD CONTROLS)	1816-8		
PERIODIC MAINTENANCE LABEL (ENGLISH)	1322-2		
PERIODIC MAINTENANCE LABEL (FRENCH)	1322-8		
PERIODIC MAINTENANCE LABEL (SPANISH).....	1322-10		
PIN, ARTICULATION CYLINDER	1741-2		
PIN, BLADE SLIDE CYLINDER	3465-4		
PIN, BLADE TILT CYLINDER	3465-6		
PIN, CIRCLE FRAME TILT/PIVOT	3443-4		
PIN, FRONT AXLE PIVOT	0240-2		
PIN, HITCH	1511-2		
PIN, PIVOT	0201-6		
PIN, PIVOT, MAIN FRAME	1741-2		
PIN, SADDLE	3442-2		
PIN, WHEEL LEAN BAR LINK	0240-4		
PINS, HYDRAULIC CYLINDER	0965-10		
PINS, STEERING CYLINDER	0965-2		
PINS, STEERING CYLINDER	0965-4		
PINS, WHEEL LEAN CYLINDER	0965-10		
PISTON (4801)	0400A-46		
PISTON (4834) (HDW75).....	0400B-42		
PISTON COOLING ORIFICE (4601)	0400A-40		
PISTON COOLING ORIFICE (4606) (HDW01)	0400A-42		

ALPHABETICAL INDEX - CONTINUED

	PAGE		PAGE
PLUMBING, STEERING		PUMP, REAR WINDSHIELD WASHER	
(STANDARD CONTROLS).....	0963-2	(FULL HEIGHT CAB).....	1814-8
PLUMBING, TRANSMISSION.....	0363-2	PUMP, REAR WINDSHIELD WASHER	
POWER CONNECTOR, GTT.....	2601-2	(LOW PROFILE CAB).....	1814-6
POWER CONVERTER, 15 AMP.....	1672-10	PUMP, TRANSFER FUEL (3713)	
POWER CONVERTER, 25 AMP.....	1672-12	(HDW75).....	0400B-28
POWER OUTLET (12V).....	1674-10	PUMP, WATER (HDW01) 2001.....	0400A-16
POWERED PRECLEANER, HVAC.....	1831-12	PUSH BLOCK.....	1749-2
PRECLEANER, HVAC POWERED.....	1831-12	PUSH BLOCK, FIELD KIT.....	1749-2
PRECLEANER, ROTARY EJECTOR		PUSH ROD (4901)	
(6090HDW01 / 6090HDW04).....	0521-6	(HDW01).....	0400A-48
PRECLEANER, ROTARY EJECTOR (6068HDW75).....	0521-8	PUSH ROD/ROCKER ARM/SHAFT/TAPPET (4905)	
PRESSURE DIFFERENTIAL SWITCH		(HDW75).....	0400B-44
TRANSMISSION FILTER.....	0364-2		
PRESSURE REDUCING CARTRIDGE, MAIN		Q	
MANIFOLD VALVE (W/ SEC. STEERING).....	2162-70	QUICK SERVICE (6068HDW75).....	1369-8
PRESSURE REDUCING CARTRIDGE, MAIN		QUICK SERVICE (6090HDW01 / 6090HDW04).....	1369-6
MANIFOLD VALVE (W/O SEC. STEERING).....	2162-72	QUICK SERVICE, LABEL.....	1369-6
PRESSURE RELIEF VALVE (MID MOUNTED			
SCARIFIER VALVE SECTION).....	2162-10	R	
PRESSURE RELIEF VALVE, MID MOUNTED		RADIATOR (6068HDW75).....	0510-12
SCARIFIER VALVE SECTION (STD).....	2162-44	RADIATOR (6090HDW01 / 6090HDW04).....	0510-8
PRESSURE SWITCH.....	0263-4	RADIATOR HOSES (6068HDW75).....	0510-14
PRESSURE SWITCH,		RADIATOR HOSES (6090HDW01 / 6090HDW04).....	0510-10
DIFFERENTIAL LOCK FILTER.....	0263-4	RADIO.....	2001-2
PRESSURE SWITCH, MAIN HYDRAULIC.....	2164-2	RADIO HOUSING (FULL HEIGHT CAB).....	1812-6
PRESSURE TRANSDUCER, REVERSING FAN VALVE.....	0512-10	RADIO HOUSING (GRADE PRO).....	1812-4
PRIMARY FUEL FILTER (9901).....	0400A-75	RADIO HOUSING (LOW PROFILE CAB - STD).....	1812-2
PRIMARY WARNING ALARM.....	1676-2	RADIO SPEAKER WIRING HARNESS.....	1674-10
PRIMARY WARNING ALARM (GRADE PRO).....	1676-4	RADIO SPEAKER WIRING HARNESS	
PRIORITY VALVE, STEERING.....	0962-6	(CONNECTORS).....	1674-58
PROP ROD, FAN DOOR.....	0512-2	REAR AUX HOSES (GRADE PRO)	
PULLEY, ALTERNATOR, 100AMP		(FIFTH FUNCTION).....	4263-22
(6090HDW01 / 6090HDW04).....	1672-2	REAR AUX HYDRAULIC HOSES (GRADE PRO)	
PULLEY, ALTERNATOR, 100AMP (6068HDW75).....	1672-6	(FIFTH FUNCTION).....	4263-22
PULLEY, ALTERNATOR, 130AMP		REAR AUXILIARY HOSES (SIXTH FUNCTION)	
(6090HDW01 / 6090HDW04).....	1672-4	(STANDARD CONTROLS).....	4263-24
PULLEY, ALTERNATOR, 130AMP (6068HDW75).....	1672-8	REAR AUXILIARY HOSES (STANDARD).....	4263-20
PULLEY, CRANKSHAFT (HDW01) 1346.....	0400A-6	REAR AUXILIARY HYDRAULICS	
PULLEY, CRANKSHAFT (1320) (HDW75).....	0400B-5	(SIXTH FUNCTION) (GRADE PRO).....	4263-26
PULLEY, FAN DRIVE (8724) (HDW75).....	0400B-64	REAR AUXILIARY HYDRAULICS (GRADE PRO)	
PULLEY, TENSIONER (8724) (HDW75).....	0400B-64	(FIFTH FUNCTION).....	4263-22
PULLEY, WATERPUMP (2001)		REAR CAMERA.....	2004-6
(HDW75).....	0400B-14	REAR COUNTERWEIGHT (FIELD KIT).....	1749-4
PUMP INLET, WATER (HDW01) 5701.....	0400A-55	REAR CRANKSHAFT SEAL (HDW01) 1412.....	0400A-7
PUMP INLET, WATER (5722)		REAR EH VALVE HARNESS (GRADE PRO).....	1674-14
(HDW75).....	0400B-51	REAR EH VALVE HARNESS (GRADE PRO)	
PUMP PLUMBING, HYDRAULIC (GRADE PRO).....	2163-4	(CONNECTORS).....	1674-68
PUMP PLUMBING, HYDRAULIC (STD CONTROLS).....	2163-2	REAR EH VALVE MOUNT (GRADE PRO).....	2162-78
PUMP REPLACEMENT, WATER (9901).....	0400A-76	REAR ELECTROHYDRAULIC CONTROL VALVE	
PUMP-WATER (4436)		INLET SECTION (GRADE PRO) (BREAKDOWN).....	2162-112
(HDW75).....	0400B-36	REAR FENDER.....	1927-6
PUMP, DIFF LOCK.....	0261-2	REAR FIVE FUNCTION CONTROL VALVE	
PUMP, DIFFERENTIAL LOCK.....	0261-2	(EH) (GRADE PRO).....	2162-84
PUMP, FAN.....	0512-4	REAR FOUR FUNCTION CONTROL VALVE	
PUMP, FRONT WINDSHIELD WASHER		(EH) (GRADE PRO).....	2162-80
(FULL HEIGHT CAB).....	1814-4	REAR GRILLE.....	1747-2
PUMP, FRONT WINDSHIELD WASHER		REAR GRILLE HOUSING.....	1747-2
(LOW PROFILE CAB).....	1814-2	REAR HITCH.....	1511-2
PUMP, FUEL INJECTION (HDW01) 1603.....	0400A-10	REAR LIGHT PANEL.....	1747-2
PUMP, INTAKE OIL (1909).....	0400A-14	REAR MOUNTED WEIGHT.....	1749-4
PUMP, LOWER FRONT WINDSHIELD WIPER.....	1814-10	REAR OIL SEAL (1423) (HDW75).....	0400B-6
PUMP, MAIN HYDRAULIC.....	2161-2		
PUMP, OIL (5001)			
(HDW01).....	0400A-50		
PUMP, OIL (5024)			
(HDW75).....	0400B-46		

ALPHABETICAL INDEX - CONTINUED

	PAGE		PAGE
REAR OIL SEAL (9901) (HDW75).....	0400B-90	REAR WORK LIGHTS	1673-6
REAR PLATFORM WIRING HARNESS	1674-2	REARVIEW MIRROR, INTERIOR	2002-2
REAR PLATFORM WIRING HARNESS (CONNECTORS).....	1674-28	REBUILD ENGINE GASKET KIT (9902) (HDW01)	0400A-106
REAR PTO (HDW01) 1412.....	0400A-7	RECEIVER/DRIER, A/C (6090HDW01 / 6090HDW04)	1832-6
REAR RIPPER SHANK	4243-6	RECEIVER/DRIER, A/C (6068HDW75).....	1832-8
REAR RIPPER/SCARIFIER	4243-6	RECEIVER/DRYER LABEL (FRENCH).....	1322-8
REAR RIPPER/SCARIFIER FACTORY	4243-6	RECEIVER/DRYER LABEL (SPANISH)	1322-10
REAR RIPPER/SCARIFIER FIELD KIT.....	4243-8	REFLECTIVE LABELS, RED AND YELLOW	1322-2
REAR RIPPER, FIELD KIT.....	4243-6	REFRIGERANT LINES, A/C (6090HDW01 / 6090HDW04)	1832-6
REAR SCARIFIER FIELD KIT	4243-6	REFRIGERANT LINES, A/C (6068HDW75)	1832-8
REAR SCARIFIER SHANK	4243-12	RELAY STARTER(9901) (HDW75).....	0400B-89
REAR SCARIFIER TEETH.....	4243-12	RELAY, ENGINE AIR HEATER START	0505-2
REAR SEVEN FUNCTION CONTROL VALVE (EH) (GRADE PRO)	2162-92	RELAY, GLOW PLUG START	0505-10
REAR SIX FUNCTION CONTROL VALVE (EH) (GRADE PRO)	2162-90	RELAY, IGNITION	1674-10
REAR STEER CONTROL LINKAGE	1816-10	RELAY, STARTER (24V/100A) (6068HDW75).....	1674-6
REAR STEER CONTROL, RIGHT 4 FUNCTION (EH) (GRADE PRO)	3415-2	RELAY, STARTER (24V/100A) (6090HDW01).....	1674-4
REAR STEER CONTROL, RIGHT 5 FUNCTION (EH) (GRADE PRO)	3415-6	RELIEF VALVE (MID MOUNTED SCARIFIER VALVE SECTION)	2162-10
REAR STEER VALVE SECTION (4 FUNCTION EH REAR) (GRADE PRO)	2162-80	RELIEF VALVE (REVERSING FAN).....	0512-10
REAR STEER VALVE SECTION (4 FUNCTION RIGHT) (COMPLETE)	2162-4	RELIEF VALVE, BLADE LIFT VALVE SECTION (EH) (GRADE PRO) (BREAKDOWN)	2162-100
REAR STEER VALVE SECTION (5 FUNCTION EH REAR) (GRADE PRO)	2162-84	RELIEF VALVE, LEFT BLADE LIFT VALVE SECTION (STD)	2162-24
REAR STEER VALVE SECTION (5 FUNCTION RIGHT) (COMPLETE)	2162-8	RELIEF VALVE, MAIN MANIFOLD VALVE (W/ SEC. STEERING).....	2162-70
REAR STEER VALVE SECTION (6 FUNCTION EH REAR) (GRADE PRO)	2162-90	RELIEF VALVE, MAIN MANIFOLD VALVE (W/O SEC. STEERING)	2162-72
REAR STEER VALVE SECTION (6 FUNCTION RIGHT) (COMPLETE)	2162-14	RELIEF VALVE, MID MOUNTED SCARIFIER VALVE SECTION (STD).....	2162-44
REAR STEER VALVE SECTION (7 FUNCTION EH REAR) (GRADE PRO)	2162-92	RELIEF VALVE, RIGHT BLADE LIFT VALVE SECTION (STD) (BREAKDOWN)	2162-22
REAR STEER VALVE SECTION (7 FUNCTION RIGHT) (COMPLETE)	2162-18	REMANUFACTURED TRANSMISSION	0341-2
REAR STEER VALVE SECTION (5 FUNCTION RH) (COMPLETE) (MID MOUNTED SCARIFIER).....	2162-10	REPLACEMENT ENGINE (4601)	0400A-40
REAR STEERING CYLINDER PINS	0965-6	REPLACEMENT WATER PUMP (9901)	0400A-76
REAR STEERING CYLINDER COMPONENTS.....	0965-8	RESERVOIR, HYDRAULIC.....	2164-4
REAR STEERING HYDRAULICS (GRADE PRO).....	0963-8	RESERVOIR, WINDSHIELD WASHER (FULL HEIGHT CAB)	1814-4
REAR STEERING PLUMBING (STANDARD CONTROLS).....	0963-6	RESERVOIR, WINDSHIELD WASHER (LOW PROFILE CAB)	1814-2
REAR STEERING PLUMBING (GRADE PRO).....	0963-8	RETAINER, CIRCLE FRAME SUPPORT	3443-4
REAR STEERING SENSOR (GRADE PRO).....	1676-8	RETAINER, DRAFT FRAME BALL	3441-2
REAR STEERING SENSOR (STD CONTROLS).....	1676-6	REVERSE ALARM.....	2004-4
REAR STEERING VALVE SECTION (EH) (GRADE PRO) (BREAKDOWN).....	2162-96	REVERSING FAN DRIVE VALVE	0512-10
REAR STEERING VALVE SECTION (STD) (BREAKDOWN)	2162-26	RIGHT AUXILIARY VALVE SECTION (WITHOUT FLOAT) (STD) (BREAKDOWN).....	2162-52
REAR VALVE COVER (GRADE PRO).....	1913-8	RIGHT AUXILIARY VALVE SECTION W/O FLOAT (7 FUNCTION RIGHT) (COMPLETE)	2162-18
REAR WINDOW (FULL HEIGHT CAB)	1813-12	RIGHT AUXILIARY VALVE SECTION WITH FLOAT (STD) (BREAKDOWN)	2162-48
REAR WINDOW (LOW PROFILE CAB W/ FIXED WINDOWS).....	1813-8	RIGHT AUXILIARY VALVE SECTION WITH FLOAT (6 FUNCTION RIGHT) (COMPLETE)	2162-14
REAR WINDOW (LOW PROFILE CAB W/ OPENING WINDOWS)	1813-10	RIGHT AUXILIARY VALVE SECTION WITH FLOAT (7 FUNCTION RIGHT) (COMPLETE)	2162-18
REAR WINDOW SUNVISOR.....	2007-4	RIGHT BLADE LIFT CONTROL LINKAGE	1816-10
REAR WINDSHIELD WIPER (FULL HEIGHT CAB)	1814-8	RIGHT BLADE LIFT CONTROL, 4 FUNCTION (EH) (GRADE PRO).....	3415-2
REAR WINDSHIELD WIPER (LOW PROFILE CAB)	1814-6	RIGHT BLADE LIFT CONTROL, 5 FUNCTION (EH) (GRADE PRO).....	3415-6
REAR WIPER HOUSING (LOW PROFILE CAB - STD).....	1812-2	RIGHT BLADE LIFT VALVE SECTION (4 FUNCTION EH REAR) (GRADE PRO).....	2162-80
REAR WIPER HOUSING (FULL HEIGHT CAB)	1812-6	RIGHT BLADE LIFT VALVE SECTION (4 FUNCTION RIGHT) (COMPLETE)	2162-4
REAR WIPER HOUSING (GRADE PRO).....	1812-4	RIGHT BLADE LIFT VALVE SECTION (5 FUNCTION EH REAR) (GRADE PRO).....	2162-84

ALPHABETICAL INDEX - CONTINUED

	PAGE		PAGE
RIGHT BLADE LIFT VALVE SECTION (5 FUNCTION RIGHT) (COMPLETE)	2162-8	RIPPER CONTROLS, LEFT 5 FUNCTION (EH) (GRADE PRO).....	3415-8
RIGHT BLADE LIFT VALVE SECTION (6 FUNCTION EH REAR) (GRADE PRO)	2162-90	RIPPER FIELD KIT, REAR	4243-6
RIGHT BLADE LIFT VALVE SECTION (6 FUNCTION RIGHT) (COMPLETE)	2162-14	RIPPER HYDRAULIC HOSES.....	4263-6
RIGHT BLADE LIFT VALVE SECTION (7 FUNCTION EH REAR) (GRADE PRO)	2162-92	RIPPER HYDRAULIC HOSES.....	4263-8
RIGHT BLADE LIFT VALVE SECTION (7 FUNCTION RIGHT) (COMPLETE)	2162-18	RIPPER PLUMBING FIELD KIT	4263-6
RIGHT BLADE LIFT VALVE SECTION (STD) (BREAKDOWN)	2162-22	RIPPER TEETH.....	4243-6
RIGHT BLADE LIFT VALVE SECTION (5 FUNCTION RH)(COMPLETE) (MM SCARIFIER).....	2162-10	RIPPER VALVE SECTION (5 FUNCTION EH REAR) (COMPLETE)	2162-84
RIGHT CAB DOOR (FULL HEIGHT CAB)	1813-6	RIPPER VALVE SECTION (6 FUNCTION RIGHT) (COMPLETE)	2162-12
RIGHT CAB DOOR (LOW PROFILE CAB)	1813-4	RIPPER VALVE SECTION (6 FUNCTION EH REAR) (GRADE PRO).....	2162-90
RIGHT FIFTH FUNCTION CONTROL LINKAGE (SCARIFIER).....	1816-12	RIPPER VALVE SECTION (6 FUNCTION RIGHT) (COMPLETE)	2162-16
RIGHT FIFTH FUNCTION CONTROL VALVE KIT (SCARIFIER).....	2162-56	RIPPER VALVE SECTION (7 FUNCTION EH REAR) (GRADE PRO).....	2162-92
RIGHT FIVE FUNCTION CONTROL VALVE	2162-8	RIPPER VALVE SECTION (7 FUNCTION LEFT) (COMPLETE).....	2162-20
RIGHT FIVE FUNCTION CONTROL VALVE (MID MOUNTED SCARIFIER)	2162-10	RIPPER VALVE SECTION (EH) (BREAKDOWN) (GRADE PRO).....	2162-116
RIGHT FIVE FUNCTION CONTROLS (EH) (GRADE PRO)	3415-6	RIPPER VALVE SECTION (STD) (BREAKDOWN)	2162-46
RIGHT FOUR FUNCTION CONTROL VALVE	2162-4	RIPPER/REAR SCARIFIER HYDRAULIC HOSES	4263-6
RIGHT FOUR FUNCTION CONTROLS (EH) (GRADE PRO)	3415-2	RIPPER/REAR SCARIFIER HYDRAULIC HOSES.....	4263-8
RIGHT GRADE PRO ARMREST WIRING HARNESS.....	1674-12	RIPPER/REAR SCARIFIER HYDRAULIC HOSE KIT	4263-8
RIGHT GRADE PRO ARMREST WIRING HARNESS (CONNECTORS).....	1674-64	RIPPER/SCARIFIER CYLINDER, REAR	4265-4
RIGHT MAIN HYDRAULIC CONTROL VALVE INLET AND OUTLET SECTIONS (STD).....	2162-38	RIPPER, REAR.....	4243-6
RIGHT MOLDBOARD EXTENSION (24" WITH 5/8" HARDWARE)	3401-26	ROCKER ARM (4901) (HDW01).....	0400A-48
RIGHT MOLDBOARD EXTENSION (27" WITH 3/4" HARDWARE)	3401-34	ROCKER ARM COVER (1102) HDW01	0400A-4
RIGHT MOLDBOARD EXTENSION (27" WITH 5/8" HARDWARE)	3401-30	ROCKER ARM COVER (1144) (HDW75).....	0400B-2
RIGHT SEVEN FUNCTION CONTROL VALVE.....	2162-18	ROCKER ARM/SHAFT/TAPPET/PUSH ROD (4905) (HDW75).....	0400B-44
RIGHT SEVENTH FUNCTION CONTROL LINKAGE (AUX W/O FLOAT)	1816-20	ROD BEARING KIT, CONNECTING (9901) HDW01	0400A-78
RIGHT SEVENTH FUNCTION CONTROL VALVE KIT (AUX W/O FLOAT)	2162-64	ROD BEARINGS, CONNECTING (4801) HDW01	0400A-46
RIGHT SIX FUNCTION CONTROL VALVE.....	2162-14	ROD, DOOR LATCH (FULL HEIGHT CAB)	1813-6
RIGHT SIXTH FUNCTION CONTROL LINKAGE (AUX W/ FLOAT)	1816-16	ROD, DOOR LATCH (LOW PROFILE CAB)	1813-4
RIGHT SIXTH FUNCTION CONTROL VALVE KIT (AUX W/ FLOAT)	2162-60	ROD, FAN DOOR HOLD OPEN.....	0512-2
RIGHT STANDARD CONTROL LINKAGES	1816-10	ROD, PUSH (4901) HDW01.....	0400A-48
RIM, WHEEL (10" X 24") (FOR 14X24 OR 14R24 TIRES).....	0111-4	ROD, TIE, FRONT EH EIGHT FUNCTION CONTROL VALVE (GRADE PRO)	2162-94
RIM, WHEEL (13" X 25") (FOR 17.5X25 OR 17.5R25 TIRES).....	0111-6	ROD, TIE, FRONT EH FIVE FUNCTION CONTROL VALVE (GRADE PRO)	2162-82
RIM, WHEEL (14" X 25") (FOR 17.5X25 OR 17.5R25 TIRES).....	0111-8	ROD, TIE, FRONT EH SIX FUNCTION CONTROL VALVE (GRADE PRO)	2162-86
RIM, WHEEL (9" X 24") (FOR 14X24 OR 14R24 TIRES).....	0111-2	ROD, TIE, FRONT EH SIX FUNCTION CONTROL VALVE W/ MMS (GRADE PRO)	2162-88
RING GEAR, FLYWHEEL (HDW01) 1520	0400A-8	ROD, TIE, LEFT FIVE FUNCTION CONTROL VALVE.....	2162-12
RING GEAR, FLYWHEEL 1530 (HDW75)	0400B-7	ROD, TIE, LEFT FOUR FUNCTION CONTROL VALVE.....	2162-6
RING KIT, PISTON (4801)	0400A-46	ROD, TIE, LEFT SEVEN FUNCTION CONTROL VALVE.....	2162-20
RING KIT, PISTON (4834) (HDW75).....	0400B-42	ROD, TIE, LEFT SIX FUNCTION CONTROL VALVE.....	2162-16
RING KIT, PISTON (9902)	0400A-98	ROD, TIE, REAR EH FIVE FUNCTION CONTROL VALVE (GRADE PRO)	2162-84
RIPPER CONTROL LINKAGE (FIFTH FUNCTION LH).....	1816-14	ROD, TIE, REAR EH FOUR FUNCTION CONTROL VALVE (GRADE PRO)	2162-80
RIPPER CONTROL VALVE KIT.....	2162-58	ROD, TIE, REAR EH SEVEN FUNCTION CONTROL VALVE (GRADE PRO)	2162-92
		ROD, TIE, REAR EH SIX FUNCTION CONTROL VALVE (GRADE PRO)	2162-90
		ROD, TIE, RIGHT FIVE FUNCTION CONTROL VALVE.....	2162-8

ALPHABETICAL INDEX - CONTINUED

	PAGE		PAGE
ROD, TIE, RIGHT FIVE FUNCTION CONTROL VALVE (MID MOUNTED SCARIFIER)	2162-10	ROTARY MANIFOLD SENSOR	1676-10
ROD, TIE, RIGHT FOUR FUNCTION CONTROL VALVE	2162-4	ROTATE VALVE SECTION, CIRCLE (5 FUNCTION EH FRONT) (GRADE PRO)	2162-82
ROD, TIE, RIGHT SEVEN FUNCTION CONTROL VALVE	2162-18	ROTATE VALVE SECTION, CIRCLE (6 FUNCTION EH FRONT) (GRADE PRO)	2162-86
ROD, TIE, RIGHT SIX FUNCTION CONTROL VALVE	2162-14	ROTATE VALVE SECTION, CIRCLE (8 FUNCTION EH FRONT) (GRADE PRO)	2162-94
ROOF WIRING HARNESS	1674-16	ROTATE VALVE SECTION, CIRCLE (6 FUNCTION W/ MMS EH FRONT) (GRADE PRO)	2162-88
ROOF WORK LIGHTS, FRONT AND REAR	1673-8		
ROOF WORK LIGHTS, SIDE	1673-10	S	
ROOF, CAB	1813-2	SADDLE FRAME	3442-2
ROPS LABEL (ENGLISH, GRADE PRO)	1322-6	SADDLE LOCK PIN	3465-10
ROPS LABEL (ENGLISH, STD CAB)	1322-4	SADDLE LOCK PIN BRACKET	3442-2
ROPS LABEL (FRENCH)	1322-8	SADDLE LOCK PIN HOSES	3463-24
ROPS LABEL (SPANISH)	1322-10	SCARIFIER BOOM	4243-14
ROPS, FULL HEIGHT ENCLOSURE W/ DOORS AND FIXED WINDOWS (COMPLETE)	1811-6	SCARIFIER CONTROL LINKAGE (FIFTH FUNCTION RIGHT)	1816-12
ROPS, GRADE PRO ENCLOSURE W/ DOORS AND OPENING WINDOWS (COMPLETE)	1811-8	SCARIFIER CONTROL VALVE KIT	2162-56
ROPS, LOW PROFILE ENCLOSURE W/ DOORS AND FIXED WINDOWS (COMPLETE)	1811-2	SCARIFIER CONTROL, RIGHT 5 FUNCTION (EH) (GRADE PRO)	3415-6
ROPS, LOW PROFILE ENCLOSURE W/ DOORS AND OPENING WINDOWS (COMPLETE)	1811-4	SCARIFIER CYLINDER (BREAKDOWN)	4265-2
ROTARY ACTUATOR, BLADE SIDE SHIFT VALVE SECTION (EH) (GRADE PRO)	2162-106	SCARIFIER FIELD KIT, REAR	4243-6
ROTARY ACTUATOR, BLADE SIDE SHIFT VALVE SECTION (STD)	2162-32	SCARIFIER HOSES, FRONT	4263-2
ROTARY ACTUATOR, BLADE TILT VALVE SECTION (STD)	2162-36	SCARIFIER HOSES, FRONT	4263-4
ROTARY ACTUATOR, CIRCLE ROTATE VALVE SECTION (STD)	2162-34	SCARIFIER HOSES, MIDDLE	4263-10
ROTARY ACTUATOR, CIRCLE SIDE SHIFT VALVE SECTION (EH) (GRADE PRO)	2162-110	SCARIFIER HYDRAULIC HOSE KIT (FRONT)	4263-4
ROTARY ACTUATOR, CIRCLE SIDE SHIFT VALVE SECTION (STD)	2162-30	SCARIFIER HYDRAULIC HOSES (REAR)	4263-6
ROTARY ACTUATOR, LEFT AUX VALVE WITH FLOAT (STD)	2162-50	SCARIFIER HYDRAULIC HOSES (REAR)	4263-8
ROTARY ACTUATOR, LEFT AUXILIARY VALVE SECTION (WITHOUT FLOAT) (STD)	2162-54	SCARIFIER PLUMBING KIT	4263-6
ROTARY ACTUATOR, LEFT BLADE LIFT VALVE SECTION (STD)	2162-24	SCARIFIER TEETH, REAR	4243-12
ROTARY ACTUATOR, MID MOUNTED SCARIFIER VALVE SECTION (STD)	2162-44	SCARIFIER VALVE SECTION (5 FUNCTION RIGHT) (COMPLETE)	2162-8
ROTARY ACTUATOR, REAR STEER VALVE SECTION (STD)	2162-26	SCARIFIER VALVE SECTION (6 FUNCTION EH FRONT) (GRADE PRO)	2162-86
ROTARY ACTUATOR, RIGHT AUX VALVE WITH FLOAT (STD)	2162-48	SCARIFIER VALVE SECTION (6 FUNCTION RIGHT) (COMPLETE)	2162-14
ROTARY ACTUATOR, RIGHT AUXILIARY VALVE SECTION (WITHOUT FLOAT) (STD)	2162-52	SCARIFIER VALVE SECTION (7 FUNCTION RIGHT) (COMPLETE)	2162-18
ROTARY ACTUATOR, RIGHT BLADE LIFT VALVE SECTION (STD) (BREAKDOWN)	2162-22	SCARIFIER VALVE SECTION (8 FUNCTION EH FRONT) (GRADE PRO)	2162-94
ROTARY ACTUATOR, RIPPER VALVE SECTION (STD)	2162-46	SCARIFIER VALVE SECTION (EH) (BREAKDOWN) (GRADE PRO)	2162-116
ROTARY ACTUATOR, SCARIFIER VALVE SECTION (STD)	2162-42	SCARIFIER VALVE SECTION (STD) (BREAKDOWN)	2162-42
ROTARY ACTUATOR, WHEEL LEAN VALVE SECTION (EH) (GRADE PRO)	2162-108	SCARIFIER VALVE SECTION, MID MOUNTED (STD) (BREAKDOWN)	2162-44
ROTARY ACTUATOR, WHEEL LEAN VALVE SECTION (STD)	2162-28	SCARIFIER VALVE SECTION, MID MOUNTED (6 FUNCTION EH FRONT) (GRADE PRO)	2162-88
ROTARY EJECTOR PRECLEANER (6090HDW01 / 6090HDW04)	0521-6	SCARIFIER, FRONT MOUNTED	4243-4
ROTARY EJECTOR PRECLEANER (6068HDW75)	0521-8	SCARIFIER, MID MOUNTED	4243-18
ROTARY MANIFOLD (GRADE PRO)	3460-4	SCARIFIER, MID MOUNTED (FIELD KIT)	4243-20
ROTARY MANIFOLD (STD CONTROLS)	3460-2	SCARIFIER, MID MOUNTED HYDRAULIC CYLINDER	4265-6
ROTARY MANIFOLD HYDRAULIC HOSES (GRADE PRO)	3463-12	SCARIFIER, MID MOUNTED VALVE SECTION (5 FUNCTION RIGHT) (COMPLETE)	2162-10
		SCARIFIER, REAR	4243-6
		SCREW, FLYWHEEL TO CRANKSHAFT (HDW01) 4701	0400A-44
		SEAL KIT, ARTICULATION CYLINDER	0965-8
		SEAL KIT, BLADE IMPACT VALVE	3460-10
		SEAL KIT, BLADE LIFT CYLINDER	3465-2
		SEAL KIT, BLADE SLIDE CYLINDER	3465-4
		SEAL KIT, BLADE TILT CYLINDER	3465-6

ALPHABETICAL INDEX - CONTINUED

	PAGE		PAGE
SEAL KIT, CHECK VALVE MAIN MANIFOLD VALVE (W/ SEC. STEERING)	2162-70	SECTION, AUXILIARY VALVE (8 FUNCTION EH FRONT) (GRADE PRO)	2162-94
SEAL KIT, CHECK VALVE MAIN MANIFOLD VALVE (W/O SEC. STEERING)	2162-72	SECTION, BLADE SIDE SHIFT VALVE (4 FUNCTION LEFT) (COMPLETE)	2162-6
SEAL KIT, CIRCLE DRIVE MOTOR	3467-2	SECTION, BLADE SIDE SHIFT VALVE (5 FUNCTION EH FRONT) (GRADE PRO)	2162-82
SEAL KIT, CIRCLE SIDE SHIFT CYLINDER	3465-8	SECTION, BLADE SIDE SHIFT VALVE (5 FUNCTION LEFT) (COMPLETE)	2162-12
SEAL KIT, FRONT STEERING CYLINDER	0965-4	SECTION, BLADE SIDE SHIFT VALVE (6 FUNCTION EH FRONT) (GRADE PRO)	2162-86
SEAL KIT, FUEL INJECTOR CONNECTOR (9901) (HDW01)	0400A-90	SECTION, BLADE SIDE SHIFT VALVE (6 FUNCTION LEFT) (COMPLETE)	2162-16
SEAL KIT, HYDRAULIC OIL COOLER BYPASS VALVE	2162-74	SECTION, BLADE SIDE SHIFT VALVE (7 FUNCTION LEFT) (COMPLETE)	2162-20
SEAL KIT, HYDRAULIC PUMP DISCONNECT VALVE, COLD START (BREAKDOWN)	2163-8	SECTION, BLADE SIDE SHIFT VALVE (8 FUNCTION EH FRONT) (GRADE PRO)	2162-94
SEAL KIT, MAIN HYDRAULIC PUMP	2161-2	SECTION, BLADE SIDE SHIFT VALVE (6 FUNCTION W/ MMS EH FRONT) (GRADE PRO)	2162-88
SEAL KIT, MID MOUNTED SCARIFIER CYLINDER	4265-6	SECTION, BLADE TILT VALVE (4 FUNCTION LEFT) (COMPLETE)	2162-6
SEAL KIT, REAR RIPPER/SCARIFIER CYLINDER	4265-4	SECTION, BLADE TILT VALVE (5 FUNCTION LEFT) (COMPLETE)	2162-12
SEAL KIT, RELIEF VALVE MAIN MANIFOLD VALVE (W/ SEC. STEERING)	2162-70	SECTION, BLADE TILT VALVE (6 FUNCTION LEFT) (COMPLETE)	2162-16
SEAL KIT, RELIEF VALVE MAIN MANIFOLD VALVE (W/O SEC. STEERING)	2162-72	SECTION, BLADE TILT VALVE (7 FUNCTION LEFT) (COMPLETE)	2162-20
SEAL KIT, REVERSING FAN VALVE	0512-10	SECTION, CIRCLE ROTATE VALVE (4 FUNCTION LEFT) (COMPLETE)	2162-6
SEAL KIT, SCARIFIER CYLINDER	4265-2	SECTION, CIRCLE ROTATE VALVE (5 FUNCTION EH FRONT) (GRADE PRO)	2162-82
SEAL KIT, SERVICE BRAKE VALVE	1062-2	SECTION, CIRCLE ROTATE VALVE (5 FUNCTION LEFT) (COMPLETE)	2162-12
SEAL KIT, SOLENOID VALVE, MAIN MANIFOLD VALVE (W/ SEC. STEERING)	2162-70	SECTION, CIRCLE ROTATE VALVE (6 FUNCTION EH FRONT) (GRADE PRO)	2162-86
SEAL KIT, SOLENOID VALVE, MAIN MANIFOLD VALVE (W/O SEC. STEERING)	2162-72	SECTION, CIRCLE ROTATE VALVE (6 FUNCTION LEFT) (COMPLETE)	2162-16
SEAL KIT, STEERING VALVE (STANDARD CONTROLS)	0963-10	SECTION, CIRCLE ROTATE VALVE (7 FUNCTION LEFT) (COMPLETE)	2162-20
SEAL KIT, WATER SEPARATOR (81AL) (HDW75)	0400B-60	SECTION, CIRCLE ROTATE VALVE (8 FUNCTION EH FRONT) (GRADE PRO)	2162-94
SEAL, AXLE HOUSING OIL	0201-10	SECTION, CIRCLE ROTATE VALVE (6 FUNCTION W/ MMS EH FRONT) (GRADE PRO)	2162-88
SEAL, DOOR (FULL HEIGHT CAB)	1813-6	SECTION, CIRCLE SIDE SHIFT VALVE (4 FUNCTION RIGHT) (COMPLETE)	2162-4
SEAL, DOOR (LOW PROFILE CAB)	1813-4	SECTION, CIRCLE SIDE SHIFT VALVE (5 FUNCTION EH FRONT) (GRADE PRO)	2162-82
SEAL, HVAC DUCTING	1831-8	SECTION, CIRCLE SIDE SHIFT VALVE (5 FUNCTION RIGHT) (COMPLETE)	2162-8
SEAL, REAR OIL (1423) (HDW75)	0400B-6	SECTION, CIRCLE SIDE SHIFT VALVE (6 FUNCTION EH FRONT) (GRADE PRO)	2162-86
SEAL, REAR OIL (9901) (HDW75)	0400B-90	SECTION, CIRCLE SIDE SHIFT VALVE (6 FUNCTION RIGHT) (COMPLETE)	2162-14
SEALED SWITCH MODULE (SSM) (STD CONTROLS)	1674-80	SECTION, CIRCLE SIDE SHIFT VALVE (7 FUNCTION RIGHT) (COMPLETE)	2162-18
SEALED SWITCH MODULE (SSM) (GRADE PRO)	1674-82	SECTION, CIRCLE SIDE SHIFT VALVE (8 FUNCTION EH FRONT) (GRADE PRO)	2162-94
SEAT (DELUXE)	1821-6	SECTION, CIRCLE SIDE SHIFT VALVE (5 FUNCTION RH) (COMPLETE) (MM SCARIFIER)	2162-10
SEAT (GRADE PRO)	1821-10	SECTION, CIRCLE SIDE SHIFT VALVE (6 FUNCTION W/ MMS EH FRONT) (GRADE PRO)	2162-88
SEAT (STD)	1821-2	SECTION, LEFT AUXILIARY VALVE WITH FLOAT (6 FUNCTION LEFT) (COMPLETE)	2162-16
SEAT ARMRESTS (GRADE PRO)	1821-14	SECTION, LEFT AUXILIARY VALVE WITH FLOAT (7 FUNCTION LEFT) (COMPLETE)	2162-20
SEAT BELT WARNING LABEL (ENGLISH, STD CAB)	1322-4	SECTION, LEFT AUXILIARY VALVE WITHOUT FLOAT (7 FUNCTION LEFT) (COMPLETE)	2162-20
SEAT BELT WARNING LABEL (ENGLISH, GRADE PRO)	1322-6		
SEAT BELT WARNING LABEL (FRENCH)	1322-8		
SEAT BELT WARNING LABEL (SPANISH)	1322-10		
SEAT SUSPENSION (GRADE PRO)	1821-12		
SEAT SUSPENSION (PREMIUM)	1821-8		
SEAT SUSPENSION (STANDARD)	1821-4		
SECONDARY STEERING	0930-6		
SECONDARY STEERING (GRADE PRO)	0930-2		
SECONDARY STEERING ACCUMULATOR	0930-6		
SECONDARY STEERING ACCUMULATOR (FIELD KIT)	0930-4		
SECONDARY STEERING ACCUMULATOR (GRADE PRO)	0930-2		
SECONDARY STEERING HOSE	0930-6		
SECONDARY STEERING KIT	0930-4		
SECTION, AUXILIARY VALVE (6 FUNCTION EH REAR) (GRADE PRO)	2162-90		
SECTION, AUXILIARY VALVE (7 FUNCTION EH REAR) (GRADE PRO)	2162-92		

ALPHABETICAL INDEX - CONTINUED

	<i>PAGE</i>		<i>PAGE</i>
SECTION, LEFT BLADE LIFT VALVE (4 FUNCTION EH REAR) (GRADE PRO)	2162-80	SECTION, REAR STEER VALVE (7 FUNCTION EH REAR) (GRADE PRO).....	2162-92
SECTION, LEFT BLADE LIFT VALVE (4 FUNCTION LEFT) (COMPLETE)	2162-6	SECTION, REAR STEER VALVE (7 FUNCTION RIGHT) (COMPLETE)	2162-18
SECTION, LEFT BLADE LIFT VALVE (5 FUNCTION EH REAR) (GRADE PRO)	2162-84	SECTION, REAR STEER VALVE (5 FUNCTION RH) (COMPLETE) (MID MOUNTED SCARIFIER).....	2162-10
SECTION, LEFT BLADE LIFT VALVE (5 FUNCTION LEFT) (COMPLETE)	2162-12	SECTION, RIGHT AUXILIARY VALVE WITH FLOAT (6 FUNCTION RIGHT) (COMPLETE)	2162-14
SECTION, LEFT BLADE LIFT VALVE (6 FUNCTION EH REAR) (GRADE PRO)	2162-90	SECTION, RIGHT AUXILIARY VALVE WITH FLOAT (7 FUNCTION RIGHT) (COMPLETE)	2162-18
SECTION, LEFT BLADE LIFT VALVE (6 FUNCTION LEFT) (COMPLETE)	2162-16	SECTION, RIGHT AUXILIARY VALVE, WITHOUT FLOAT (7 FUNCTION RIGHT) (COMPLETE)	2162-18
SECTION, LEFT BLADE LIFT VALVE (7 FUNCTION EH REAR) (GRADE PRO)	2162-92	SECTION, RIGHT BLADE LIFT VALVE (4 FUNCTION EH REAR) (GRADE PRO).....	2162-80
SECTION, LEFT BLADE LIFT VALVE (7 FUNCTION LEFT) (COMPLETE)	2162-20	SECTION, RIGHT BLADE LIFT VALVE (4 FUNCTION RIGHT) (COMPLETE)	2162-4
SECTION, MID MOUNTED SCARIFIER VALVE (5 FUNCTION RIGHT) (COMPLETE)	2162-10	SECTION, RIGHT BLADE LIFT VALVE (5 FUNCTION EH REAR) (GRADE PRO).....	2162-84
SECTION, MID MOUNTED SCARIFIER VALVE (6 FUNCTION EH FRONT) (GRADE PRO)	2162-88	SECTION, RIGHT BLADE LIFT VALVE (5 FUNCTION RIGHT) (COMPLETE)	2162-8
SECTION, MID-INLET VALVE (4 FUNCTION EH REAR) (GRADE PRO)	2162-80	SECTION, RIGHT BLADE LIFT VALVE (6 FUNCTION EH REAR) (GRADE PRO).....	2162-90
SECTION, MID-INLET VALVE (4 FUNCTION LEFT) (COMPLETE)	2162-6	SECTION, RIGHT BLADE LIFT VALVE (6 FUNCTION RIGHT) (COMPLETE)	2162-14
SECTION, MID-INLET VALVE (4 FUNCTION RIGHT) (COMPLETE)	2162-4	SECTION, RIGHT BLADE LIFT VALVE (7 FUNCTION EH REAR) (GRADE PRO).....	2162-92
SECTION, MID-INLET VALVE (5 FUNCTION EH FRONT) (GRADE PRO)	2162-82	SECTION, RIGHT BLADE LIFT VALVE (7 FUNCTION RIGHT) (COMPLETE)	2162-18
SECTION, MID-INLET VALVE (5 FUNCTION EH REAR) (GRADE PRO)	2162-84	SECTION, RIGHT BLADE LIFT VALVE (5 FUNCTION RH)(COMPLETE) (MM SCARIFIER).....	2162-10
SECTION, MID-INLET VALVE (5 FUNCTION LEFT) (COMPLETE)	2162-12	SECTION, RIPPER VALVE (5 FUNCTION EH REAR) (GRADE PRO).....	2162-84
SECTION, MID-INLET VALVE (5 FUNCTION RIGHT) (COMPLETE)	2162-8	SECTION, RIPPER VALVE (5 FUNCTION RIGHT) (COMPLETE)	2162-12
SECTION, MID-INLET VALVE (6 FUNCTION EH FRONT) (GRADE PRO)	2162-86	SECTION, RIPPER VALVE (6 FUNCTION EH REAR) (GRADE PRO).....	2162-90
SECTION, MID-INLET VALVE (6 FUNCTION EH REAR) (GRADE PRO)	2162-90	SECTION, RIPPER VALVE (6 FUNCTION RIGHT) (COMPLETE)	2162-16
SECTION, MID-INLET VALVE (6 FUNCTION LEFT) (COMPLETE)	2162-16	SECTION, RIPPER VALVE (7 FUNCTION EH REAR) (GRADE PRO).....	2162-92
SECTION, MID-INLET VALVE (6 FUNCTION RIGHT) (COMPLETE)	2162-14	SECTION, RIPPER VALVE (7 FUNCTION LEFT) (COMPLETE).....	2162-20
SECTION, MID-INLET VALVE (7 FUNCTION EH REAR) (GRADE PRO)	2162-92	SECTION, SCARIFIER VALVE (5 FUNCTION RIGHT) (COMPLETE)	2162-8
SECTION, MID-INLET VALVE (7 FUNCTION LEFT) (COMPLETE)	2162-20	SECTION, SCARIFIER VALVE (6 FUNCTION EH FRONT) (GRADE PRO)	2162-86
SECTION, MID-INLET VALVE (7 FUNCTION RIGHT) (COMPLETE)	2162-18	SECTION, SCARIFIER VALVE (6 FUNCTION RIGHT) (COMPLETE)	2162-14
SECTION, MID-INLET VALVE (8 FUNCTION EH FRONT) (GRADE PRO)	2162-94	SECTION, SCARIFIER VALVE (7 FUNCTION RIGHT) (COMPLETE)	2162-18
SECTION, MID-INLET VALVE (5 FUNCTION RH) (COMPLETE) (MID MOUNTED SCARIFIER).....	2162-10	SECTION, SCARIFIER VALVE (8 FUNCTION EH FRONT) (GRADE PRO)	2162-94
SECTION, MID-INLET VALVE (6 FUNCTION W/ MMS EH FRONT) (GRADE PRO)	2162-88	SECTION, STEERING VALVE (4 FUNCTION EH REAR) (GRADE PRO).....	2162-80
SECTION, REAR STEER VALVE (4 FUNCTION EH REAR) (GRADE PRO)	2162-80	SECTION, STEERING VALVE (5 FUNCTION EH REAR) (GRADE PRO).....	2162-84
SECTION, REAR STEER VALVE (4 FUNCTION RIGHT) (COMPLETE)	2162-4	SECTION, STEERING VALVE (6 FUNCTION EH REAR) (GRADE PRO).....	2162-90
SECTION, REAR STEER VALVE (5 FUNCTION EH REAR) (GRADE PRO)	2162-84	SECTION, STEERING VALVE (7 FUNCTION EH REAR) (GRADE PRO).....	2162-92
SECTION, REAR STEER VALVE (5 FUNCTION RIGHT) (COMPLETE)	2162-8	SECTION, WHEEL LEAN VALVE (4 FUNCTION RIGHT) (COMPLETE)	2162-4
SECTION, REAR STEER VALVE (6 FUNCTION EH REAR) (GRADE PRO)	2162-90	SECTION, WHEEL LEAN VALVE (5 FUNCTION EH FRONT) (GRADE PRO)	2162-82
SECTION, REAR STEER VALVE (6 FUNCTION RIGHT) (COMPLETE)	2162-14	SECTION, WHEEL LEAN VALVE (5 FUNCTION RIGHT) (COMPLETE)	2162-8

ALPHABETICAL INDEX - CONTINUED

	PAGE		PAGE
SECTION, WHEEL LEAN VALVE (6 FUNCTION EH FRONT) (GRADE PRO)	2162-86	SEVENTH FUNCTION CONTROL LINKAGE (RIGHT) (AUX W/O FLOAT)	1816-20
SECTION, WHEEL LEAN VALVE (6 FUNCTION RIGHT) (COMPLETE)	2162-14	SEVENTH FUNCTION CONTROL VALVE KIT (LEFT) (AUX W/O FLOAT)	2162-66
SECTION, WHEEL LEAN VALVE (7 FUNCTION RIGHT) (COMPLETE)	2162-18	SEVENTH FUNCTION CONTROL VALVE KIT (RIGHT) (AUX W/O FLOAT)	2162-64
SECTION, WHEEL LEAN VALVE (8 FUNCTION EH FRONT) (GRADE PRO)	2162-94	SHAFT/TAPPET/PUSH ROD/ROCKER ARM (4905) (HDW75)	0400B-44
SECTION, WHEEL LEAN VALVE (5 FUNCTION RH) (COMPLETE) (MID MOUNTED SCARIFIER)	2162-10	SHAFT, AND AXLE HOUSING	0210-6
SECTION, WHEEL LEAN VALVE (6 FUNCTION W/ MMS EH FRONT) (GRADE PRO)	2162-88	SHAFT, DRIVE, FINAL DRIVE AND TANDEM PIVOT	0201-6
SECTIONAL INDEX	0400A-1	SHAFT, ROCKER ARM (4901) (HDW01)	0400A-48
SELECTOR, TRANSMISSION GEAR (GRADE PRO)	0315-4	SHANK, FRONT MOUNTED SCARIFIER	4243-4
SELECTOR, TRANSMISSION GEAR (STANDARD CONTROLS)	0315-2	SHANK, MID MOUNTED SCARIFIER	4243-18
SENDING UNIT, FUEL TANK	0564-2	SHANK, MID MOUNTED SCARIFIER (FIELD KIT)	4243-20
SENSOR, AIR FILTER RESTRICTION (6068HDW75)	0521-4	SHANK, REAR RIPPER	4243-6
SENSOR, AIR FILTER RESTRICTION (6090HDW01 / 6090HDW04)	0521-2	SHANK, REAR SCARIFIER	4243-12
SENSOR, AIR PRESSURE (6744) (HDW75)	0400B-58	SHIELDS, FRONT FRAME	1913-2
SENSOR, AIR TEMPERATURE (1797) (HDW75)	0400B-10	SHIFT CYLINDER HOSES, BLADE (STANDARD CONTROLS)	3463-6
SENSOR, AIR TEMPERATURE (6744) (HDW75)	0400B-58	SHIFT CYLINDER HOSES, BLADE (GRADE PRO)	3463-8
SENSOR, CRANKSHAFT POSITION (4606) (HDW01)	0400A-42	SHIFTER LABEL (ENGLISH, GRADE PRO)	1322-6
SENSOR, CRANKSHAFT POSITION (4601)	0400A-40	SHIFTER LABEL (ENGLISH, STD CAB)	1322-4
SENSOR, DRAFT FRAME PITCH AND ROLL	1676-10	SHIFTER, TRANSMISSION GEAR (STANDARD CONTROLS)	0315-2
SENSOR, ENGINE SPEED (6744) (HDW75)	0400B-58	SHIFTER, TRANSMISSION GEAR (GRADE PRO)	0315-4
SENSOR, MAGNETIC PICK-UP (6744) (HDW75)	0400B-58	SHIM, BLADE LIFT CYLINDER	3465-2
SENSOR, MAINFALL ANGLE	1676-10	SHIM, CIRCLE FRAME	3443-4
SENSOR, MAP (1701) (HDW01)	0400A-12	SHIM, CIRCLE SIDE SHIFT CYLINDER	3465-8
SENSOR, REAR STEERING (GRADE PRO)	1676-8	SHIM, DRAFT FRAME	3443-4
SENSOR, REAR STEERING (STD CONTROLS)	1676-6	SHOCK ABSORBER KIT (GRADE PRO SEAT)	1821-12
SENSOR, ROTARY MANIFOLD	1676-10	SHOCK ABSORBER KIT (PREMIUM SEAT)	1821-8
SENSOR, TEMPERATURE (1701) (HDW01)	0400A-12	SHOCK ABSORBER KIT (STANDARD SEAT)	1821-4
SENSOR, TRANSMISSION	0341-2	SHORT BLOCK (9901) (HDW01)	0400A-86
SEPARATOR PLATE, BRAKE	0201-8	SHORT BLOCK (9901) HDW01	0400A-82
SEPARATOR, FUEL AND WATER (3501) HDW01	0400A-28	SHORT BLOCK ASSEMBLY (9901) (HDW75)	0400B-84
SEPARATOR, FUEL AND WATER (3508) HDW01	0400A-30	SHROUD, FAN	0512-2
SERVICE BRAKE ACCUMULATOR	1064-2	SHROUD, FAN (6068HDW75)	0510-12
SERVICE BRAKE ACCUMULATOR AND HOSES	1063-2	SHROUD, FAN (6090HDW01 / 6090HDW04)	0510-8
SERVICE BRAKE PEDAL	1062-2	SHUTDOWN CAUTION LABEL (ENGLISH, STD CAB)	1322-4
SERVICE BRAKE VALVE	1062-2	SHUTDOWN CAUTION LABEL (ENGLISH, GRADE PRO)	1322-6
SERVICE BRAKE VALVE SEAL KIT	1062-2	SHUTDOWN CAUTION LABEL (FRENCH)	1322-8
SERVICE BRAKES	0201-8	SHUTDOWN CAUTION LABEL (SPANISH)	1322-10
SERVICE DOOR LATCH	1912-2	SIDE CAB WORK LIGHTS	1673-10
SERVICE DOORS	1912-2	SIDE COVERS, MAIN FRAME	1913-4
SERVICE KIT (9901) (HDW75)	0400B-91	SIDE PANEL (FULL HEIGHT CAB)	1812-6
SERVICE PARTS ASSEMBLY (9901) (HDW75)	0400B-92	SIDE PANEL (GRADE PRO)	1812-4
SERVICE PARTS ASSEMBLY (9901) (HDW75)	0400B-94	SIDE PANEL (LOW PROFILE CAB - STD)	1812-2
SEVEN FUNCTION CONTROL VALVE, LEFT	2162-20	SIDE SHIFT CYLINDER HOSES, CIRCLE (GRADE PRO)	3463-16
SEVEN FUNCTION CONTROL VALVE, REAR (EH) (GRADE PRO)	2162-92	SIDE SHIFT CYLINDER HOSES, CIRCLE (STANDARD CONTROLS)	3463-14
SEVEN FUNCTION CONTROL VALVE, RIGHT	2162-18	SIDE SHIFT CYLINDER, CIRCLE	3465-8
SEVENTH FUNCTION CONTROL LINKAGE (LEFT) (AUX W/O FLOAT)	1816-22	SIDE SHIFT VALVE SECTION, BLADE (5 FUNCTION EH FRONT) (GRADE PRO)	2162-82
		SIDE SHIFT VALVE SECTION, BLADE (6 FUNCTION EH FRONT) (GRADE PRO)	2162-86
		SIDE SHIFT VALVE SECTION, BLADE (8 FUNCTION EH FRONT) (GRADE PRO)	2162-94
		SIDE SHIFT VALVE SECTION, BLADE (6 FUNCTION W/MMS EH FRONT) (GRADE PRO)	2162-88

ALPHABETICAL INDEX - CONTINUED

	PAGE		PAGE
SIDE SHIFT VALVE SECTION, CIRCLE (5 FUNCTION EH FRONT) (GRADE PRO)	2162-82	SOLENOID VALVE, HYDRAULIC PUMP DISCONNECT, COLD START (BREAKDOWN)	2163-8
SIDE SHIFT VALVE SECTION, CIRCLE (6 FUNCTION EH FRONT) (GRADE PRO)	2162-86	SOLENOID VALVE, HYDRAULIC PUMP DISCONNECT, COLD START (COMPLETE)	2163-6
SIDE SHIFT VALVE SECTION, CIRCLE (8 FUNCTION EH FRONT) (GRADE PRO)	2162-94	SOLENOID VALVE, MAIN MANIFOLD VALVE (W/ SEC. STEERING)	2162-70
SIDE SHIFT VALVE SECTION, CIRCLE (6 FUNCTION W/ MMS EH FRONT) (GRADE PRO)	2162-88	SOLENOID VALVE, MAIN MANIFOLD VALVE (W/O SEC. STEERING)	2162-72
SIGHT GAUGE, HYDRAULIC RESERVOIR	2164-4	SOLENOID, A/C COMPRESSOR	1832-10
SIGNAL LIGHTS, FRONT	1673-2	SOLENOID, BLADE IMPACT VALVE	3460-10
SIX FUNCTION CONTROL VALVE, FRONT (EH) (GRADE PRO)	2162-86	SOUND ABSORPTION	1913-12
SIX FUNCTION CONTROL VALVE, FRONT W/ MID MOUNTED SCARIFIER (GRADE PRO)	2162-88	SOUND PROTECTION	1913-12
SIX FUNCTION CONTROL VALVE, LEFT	2162-16	SPACER, FAN	0512-2
SIX FUNCTION CONTROL VALVE, REAR (EH) (GRADE PRO)	2162-90	SPANISH LABELS AND TRADEMARKS	1322-10
SIX FUNCTION CONTROL VALVE, RIGHT	2162-14	SPEAKER GRILLE (FULL HEIGHT CAB)	1812-6
SIX WHEEL DRIVE INSTRUMENT PANEL LABEL (FRENCH)	1322-8	SPEAKER GRILLE (GRADE PRO)	1812-4
SIXTH FUNCTION (GRADE PRO)	4263-18	SPEAKER GRILLE (LOW PROFILE CAB - STD)	1812-2
SIXTH FUNCTION (STANDARD CONTROLS)	4263-16	SPEAKERS	2001-2
SIXTH FUNCTION CONTROL LINKAGE (LEFT) (AUX W/ FLOAT)	1816-18	SPEED CONTROL PEDAL, ENGINE (GRADE PRO)	0515-4
SIXTH FUNCTION CONTROL LINKAGE (RIGHT) (AUX W/ FLOAT)	1816-16	SPEED CONTROL PEDAL, ENGINE (STANDARD)	0515-2
SIXTH FUNCTION CONTROL VALVE KIT (LEFT) (AUX W/ FLOAT)	2162-62	SPINDLE, STEERING (LEFT)	0240-10
SIXTH FUNCTION CONTROL VALVE KIT (RIGHT) (AUX W/ FLOAT)	2162-60	SPINDLE, STEERING (RIGHT)	0240-8
SIXTH FUNCTION HYDRAULICS (GRADE PRO)	4263-18	SPIRAL BEVEL ASSEMBLY 4.364 (RE35708)	0210-2
SIXTH FUNCTION HYDRAULICS (STANDARD)	4263-16	SPRING, DOOR LATCH (FULL HEIGHT CAB)	1813-6
SIXTH FUNCTION PLUMBING (GRADE PRO)	4263-18	SPRING, DOOR LATCH (LOW PROFILE CAB)	1813-4
SIXTH FUNCTION PLUMBING (STANDARD)	4263-16	SPROCKET, AXLE DRIVE	0201-10
SIXTH FUNCTION REAR AUX HOSES (STANDARD CONTROLS)	4263-24	SPROCKET, DRIVE	0201-6
SIXTH FUNCTION REAR AUXILIARY HOSES (SIXTH FUNCTION) (GRADE PRO)	4263-26	SSM ICON DESCRIPTION LABEL (ENGLISH, GRADE PRO)	1322-6
SIXTH FUNCTION, REAR AUXILIARY HOSES (SIXTH FUNCTION) (GRADE PRO)	4263-26	SSM ICON DESCRIPTION LABEL (ENGLISH, STD CAB)	1322-4
SIXTH FUNCTION, REAR AUXILIARY HOSES (STANDARD CONTROLS)	4263-24	SSM ICON DESCRIPTION LABEL (FRENCH)	1322-8
SIXTH STAGE SHAFT ASSEMBLY (YZ106680)	0350-14	SSM ICON DESCRIPTION LABEL (SPANISH)	1322-10
SLEEVE, FRONT GRADE PRO VALVE CONNECTORS	1674-70	STANDARD CONTROL LINKAGES	1816-10
SLEEVE, FUEL HOSE (6090HDW01 / 6090HDW04)	0563-2	START AID, EITHER	0505-4
SLEEVE, FUEL HOSE (6068HDW75)	0563-4	START AND STOP PROCEDURE LABEL (ENGLISH, GRADE PRO)	1322-6
SLEEVE, SHIFTER LOCK (GRADE PRO)	0315-4	START AND STOP PROCEDURE LABEL (ENGLISH, STD CAB)	1322-4
SLEEVE, SHIFTER LOCK (STANDARD CONTROLS)	0315-2	START/STOP PROCEDURE LABEL (FRENCH)	1322-8
SLIDE CONTROL KIT (DELUXE SEAT)	1821-6	START/STOP PROCEDURE LABEL (SPANISH)	1322-10
SLIDE CONTROL KIT (GRADE PRO SEAT)	1821-10	STARTER (3005) 24V (HDW01)	0400A-26
SLIDE CONTROL KIT (STANDARD SEAT)	1821-2	STARTER (3008) (HDW01)	0400A-27
SLIDE CYLINDER, BLADE	3465-4	STARTER BY-PASS LABEL (FRENCH)	1322-8
SLIDE PUCK KIT (DELUXE SEAT)	1821-6	STARTER BY-PASS LABEL (SPANISH)	1322-10
SLIDE PUCK KIT (GRADE PRO SEAT)	1821-10	STARTER JUMPER WIRING HARNESS (6068HDW75)	1674-6
SLIDE PUCK KIT (STANDARD SEAT)	1821-2	STARTER JUMPER WIRING HARNESS (6090HDW01)	1674-4
SLIDE SPRING KIT (DELUXE SEAT)	1821-6	STARTER MOTOR (3008) (HDW01)	0400A-27
SLIDE SPRING KIT (GRADE PRO SEAT)	1821-10	STARTER MOTOR (3059) (HDW75)	0400B-22
SLIDE SPRING KIT (STANDARD SEAT)	1821-2	STARTER MOTOR KIT (9902)	0400A-112
SLIP CLUTCH, CIRCLE DRIVE GEARBOX	3450-4	STARTER RELAY (24V/100A) (6068HDW75)	1674-6
SLOW MOVING VEHICLE SIGN	2008-2	STARTER RELAY (24V/100A) (6090HDW01)	1674-4
SMV SIGN	2008-2	STARTER RELAY (9901) (HDW75)	0400B-89
SNOW LIGHT BRACKET WIRING HARNESS	1673-14	STARTING AID (HDW01) 4301	0400A-36
SNOW LIGHT BRACKETS	1673-14	STARTING AID (4330) (HDW75)	0400B-34
SOLENOID VALVE (REVERSING FAN)	0512-10	STARTING AID (4397) (HDW01)	0400A-38
SOLENOID VALVE, ETHER START AID	0505-4	STARTING MOTOR (3005) (HDW01)	0400A-26
		STATIONARY CONSOLE, CAB FRONT	1816-2
		STATIONARY WINDOWS (FULL HEIGHT CAB)	1813-12

ALPHABETICAL INDEX - CONTINUED

	<i>PAGE</i>		<i>PAGE</i>
STATIONARY WINDOWS (LOW PROFILE CAB).....	1813-8	STUD, FRONT EH EIGHT FUNCTION	
STEERING COLUMN (GRADE PRO).....	0962-4	CONTROL VALVE (GRADE PRO).....	2162-94
STEERING COLUMN STANDARD.....	0962-2	STUD, FRONT EH FIVE FUNCTION	
STEERING CYLINDER PINS.....	0965-2	CONTROL VALVE (GRADE PRO).....	2162-82
STEERING CYLINDER, FRONT.....	0965-2	STUD, FRONT EH SIX FUNCTION	
STEERING CYLINDER, FRONT, COMPONENTS.....	0965-4	CONTROL VALVE (GRADE PRO).....	2162-86
STEERING CYLINDER, REAR		STUD, FRONT EH SIX FUNCTION	
PINS.....	0965-6	CONTROL VALVE W/ MMS (GRADE PRO).....	2162-88
STEERING CYLINDER, REAR COMPONENTS.....	0965-8	STUD, LEFT FIVE FUNCTION CONTROL VALVE.....	2162-12
STEERING JOYSTICK, LEFT 4 FUNCTION (EH)		STUD, LEFT FOUR FUNCTION CONTROL VALVE.....	2162-6
(GRADE PRO).....	3415-4	STUD, LEFT SEVEN FUNCTION CONTROL VALVE.....	2162-20
STEERING JOYSTICK, LEFT 5 FUNCTION (EH)		STUD, LEFT SIX FUNCTION CONTROL VALVE.....	2162-16
(GRADE PRO).....	3415-8	STUD, REAR EH FIVE FUNCTION CONTROL	
STEERING PRIORITY VALVE.....	0962-6	VALVE (GRADE PRO).....	2162-84
STEERING SENSOR, REAR (GRADE PRO).....	1676-8	STUD, REAR EH FOUR FUNCTION CONTROL	
STEERING SENSOR, REAR (STD CONTROLS).....	1676-6	VALVE (GRADE PRO).....	2162-80
STEERING SPINDLE (LEFT).....	0240-10	STUD, REAR EH SEVEN FUNCTION CONTROL	
STEERING SPINDLE (RIGHT).....	0240-8	VALVE (GRADE PRO).....	2162-92
STEERING VALVE.....	0962-2	STUD, REAR EH SIX FUNCTION CONTROL	
STEERING VALVE		VALVE (GRADE PRO).....	2162-90
(STANDARD CONTROLS).....	0963-10	STUD, RIGHT FIVE FUNCTION CONTROL VALVE.....	2162-8
STEERING VALVE HOSES		STUD, RIGHT FIVE FUNCTION CONTROL VALVE	
(STANDARD CONTROLS).....	0963-10	(MID MOUNTED SCARIFIER).....	2162-10
STEERING VALVE HOSES (GRADE PRO).....	0963-12	STUD, RIGHT FOUR FUNCTION CONTROL VALVE.....	2162-4
STEERING VALVE SEAL KIT		STUD, RIGHT SEVEN FUNCTION CONTROL VALVE.....	2162-18
(STANDARD CONTROLS).....	0963-10	STUD, RIGHT SIX FUNCTION CONTROL VALVE.....	2162-14
STEERING VALVE SECTION		SUCTION CONTROL VALVE (1603) (HDW01).....	0400A-10
(4 FUNCTION EH REAR) (GRADE PRO).....	2162-80	SUCTION CONTROL VALVE (169Z)	
STEERING VALVE SECTION		(HDW75).....	0400B-8
(5 FUNCTION EH REAR) (GRADE PRO).....	2162-84	SUCTION CONTROL VALVE (9901)	
STEERING VALVE SECTION		(HDW01).....	0400A-80
(6 FUNCTION EH REAR) (GRADE PRO).....	2162-90	SUNSCREEN (FULL HEIGHT CAB).....	1812-6
STEERING VALVE SECTION		SUNSCREEN (GRADE PRO).....	1812-4
(7 FUNCTION EH REAR) (GRADE PRO).....	2162-92	SUNSCREEN (LOW PROFILE CAB - STD).....	1812-2
STEERING VALVE SECTION (EH)		SUNSHADE, FRONT WINDOW.....	2007-2
(GRADE PRO) (BREAKDOWN).....	2162-98	SUNSHADE, REAR WINDOW.....	2007-4
STEERING WHEEL.....	0962-2	SUNVISOR, FRONT WINDOW.....	2007-2
STEERING WHEEL (GRADE PRO).....	0962-4	SUNVISOR, REAR WINDOW.....	2007-4
STEERING WHEEL CENTER COVER.....	0962-2	SUPPORT, CIRCLE FRAME.....	3443-4
STEERING WHEEL CENTER COVER		SUPPORT, DEFROST HOSES.....	1831-8
(GRADE PRO).....	0962-4	SUPPORT, HOOD (6068HDW75).....	1911-4
STEM, VALVE, WHEEL (10" X 24") (FOR		SUPPORT, HOOD (6090HDW01 / 6090HDW04).....	1911-2
14X24 OR 14R24 TIRES).....	0111-4	SUPPORTS, ENGINE MOUNTING	
STEM, VALVE, WHEEL (13" X 25") (FOR		(6090HDW01 / 6090HDW04).....	0540-2
17.5X25 OR 17.5R25 TIRES).....	0111-6	SUPPORTS, ENGINE MOUNTING (6068HDW75).....	0540-4
STEM, VALVE, WHEEL (14" X 25") (FOR		SURGE TANK (6068HDW75).....	0510-14
17.5X25 OR 17.5R25 TIRES).....	0111-8	SURGE TANK (6090HDW01 / 6090HDW04).....	0510-10
STEM, VALVE, WHEEL (9" X 24") (FOR 14X24		SUSPENSION SEAT (GRADE PRO).....	1821-12
OR 14R24 TIRES).....	0111-2	SUSPENSION SEAT (PREMIUM).....	1821-8
STEP.....	1746-2	SUSPENSION SEAT (STANDARD).....	1821-4
STEP, BOTTOM GUARD.....	1746-2	SUSPENSION, SEAT (DELUXE).....	1821-6
STEP, TANDEM HOUSING.....	0201-2	SUSPENSION, SEAT (GRADE PRO).....	1821-10
STEPS, CAB.....	1822-2	SUSPENSION, SEAT (STD).....	1821-2
STRAINER, HYDRAULIC RESERVOIR.....	2164-4	SWASHPLATE, MAIN HYDRAULIC PUMP.....	2161-2
STRAP, ALTERNATOR, 100AMP		SWITCH MODULE, SEALED (GRADE PRO).....	1674-82
(6090HDW01 / 6090HDW04).....	1672-2	SWITCH MODULE, SEALED (STD CONTROLS).....	1674-80
STRAP, ALTERNATOR, 100AMP (6068HDW75).....	1672-6	SWITCH, A/C AND HEAT TEMPERATURE CONTROL.....	1832-2
STRAP, ALTERNATOR, 130AMP		SWITCH, A/C AND HEATER FAN SPEED.....	1832-2
(6090HDW01 / 6090HDW04).....	1672-4	SWITCH, A/C AND HEATER ON/OFF.....	1832-2
STRAP, ALTERNATOR, 130AMP (6068HDW75).....	1672-8	SWITCH, A/C AND HEATER THERMOSTAT.....	1832-4
STRAP, CAB STEPS.....	1822-2	SWITCH, ACCUMULATOR CHARGE.....	1062-2
STRAPS (9801) (HDW75).....	0400B-68	SWITCH, BATTERY DISCONNECT (1000 CCA	
STRAPS, LIFT (9801) HDW01.....	0400A-72	BATTERIES) (6090HDW01 / 6090HDW04).....	1671-2
STRAPS, LIFT (9807) HDW01.....	0400A-73	SWITCH, BATTERY DISCONNECT (1000 CCA)	
STRIKER, DOOR (FULL HEIGHT CAB).....	1813-6	(6068HDW75).....	1671-6
STRIKER, DOOR (LOW PROFILE CAB).....	1813-4	SWITCH, BATTERY DISCONNECT (1400 CCA	
		BATTERIES) (6090HDW01 / 6090HDW04).....	1671-4

ALPHABETICAL INDEX - CONTINUED

	PAGE		PAGE
SWITCH, BATTERY DISCONNECT (1400 CCA) (6068HDW75).....	1671-8	TEETH, MID MOUNTED SCARIFIER	4243-18
SWITCH, BLADE IMPACT (GRADE PRO).....	3460-14	TEETH, MID MOUNTED SCARIFIER (FIELD KIT)	4243-20
SWITCH, BLADE IMPACT (STD CONTROLS)	3460-12	TEETH, REAR SCARIFIER	4243-12
SWITCH, BRAKE LIGHT	1062-2	TEETH, RIPPER	4243-6
SWITCH, DIFFERENTIAL LOCK	1676-2	TEMPERATURE SENSOR (1701) (HDW01).....	0400A-12
SWITCH, DIFFERENTIAL LOCK (GRADE PRO).....	1674-12	TEMPERATURE SENSOR, AIR (1797) (HDW75).....	0400B-10
SWITCH, EH AUXILIARY CONTROLS (GRADE PRO).....	3415-10	TEMPERATURE SWITCH PLUG (6698) (HDW75).....	0400B-56
SWITCH, ENGINE COMPARTMENT WORK LIGHTS	1673-12	TENSIONER (8724) (HDW75).....	0400B-64
SWITCH, ENGINE SPEED CONTROL ON/OFF (GRADE PRO)	0515-4	TERMINAL, CAB GROUND	1674-48
SWITCH, ENGINE SPEED CONTROL ON/OFF (STANDARD).....	0515-2	TERMINAL, REAR DEFROST	1674-50
SWITCH, ENGINE SPEED CONTROL SET (GRADE PRO)	0515-4	TERMINATOR, CAN (GRADE PRO IGC HARNESS).....	1674-62
SWITCH, ENGINE SPEED CONTROL SET (STANDARD).....	0515-2	THERMOCOUPLE (6744) (HDW75).....	0400B-58
SWITCH, FILTER RESTRICTION, MAIN HYDRAULIC FILTER.....	2164-2	THERMOSTAT (2201) (HDW01)	0400A-18
SWITCH, FLOAT (GRADE PRO).....	1674-12	THERMOSTAT (2255) (HDW75).....	0400B-16
SWITCH, HEATED SEAT (DELUXE).....	1821-6	THERMOSTAT COVER (2107) HDW01	0400A-17
SWITCH, HEATED SEAT (GRADE PRO).....	1821-10	THERMOSTAT COVER (2154) (HDW75)	0400B-15
SWITCH, HEATER AND A/C BLOWER MOTOR.....	1832-4	THERMOSTAT HOUSING (3903) HDW01	0400A-32
SWITCH, HI-LOW BEAM.....	1676-2	THERMOSTAT HOUSING (3926) (HDW75)	0400B-30
SWITCH, HI-LOW BEAM (GRADE PRO).....	1676-4	THERMOSTAT, A/C AND HEATER SWITCH.....	1832-4
SWITCH, HORN	1676-2	THIRD STAGE SHAFT ASSEMBLY (YZ106563).....	0350-8
SWITCH, HORN (GRADE PRO).....	1674-12	THRUST BEARING (9901) (HDW75).....	0400B-72
SWITCH, MAIN HYD FILTER PRESSURE	2164-2	THRUST BEARING (9901) (HDW75).....	0400B-73
SWITCH, PRESSURE DIFFERENTIAL LOCK FILTER	0263-4	THRUST BEARING KIT (9901) (HDW01).....	0400A-79
SWITCH, PRESSURE DIFFERENTIAL, TRANSMISSION FILTER	0364-2	THRUST BEARING MAIN (9901) (HDW75).....	0400B-73
SWITCH, SADDLE LOCKING PIN INDICATOR	3465-10	TIE DOWN, LABEL	1322-2
SWITCH, SEALED (GRADE PRO).....	1674-82	TIE ROD END, FRONT AXLE	0240-6
SWITCH, SEALED (STD CONTROLS)	1674-80	TIE ROD, FRONT AXLE	0240-6
SWITCH, TURN SIGNAL.....	1676-2	TIE ROD, FRONT EH EIGHT FUNCTION CONTROL VALVE (GRADE PRO)	2162-94
SWITCH, TURN SIGNAL (GRADE PRO).....	1676-4	TIE ROD, FRONT EH FIVE FUNCTION CONTROL VALVE (GRADE PRO)	2162-82
SWIVEL (GRADE PRO).....	3460-4	TIE ROD, FRONT EH SIX FUNCTION CONTROL VALVE (GRADE PRO)	2162-86
SWIVEL (STD CONTROLS).....	3460-2	TIE ROD, FRONT EH SIX FUNCTION CONTROL VALVE W/ MMS (GRADE PRO)	2162-88
T			
TAIL LIGHT WIRING HARNESS	1673-4	TIE ROD, LEFT FIVE FUNCTION CONTROL VALVE	2162-12
TAIL LIGHTS	1673-4	TIE ROD, LEFT FOUR FUNCTION CONTROL VALVE	2162-6
TANDEM DRIVE	0201-4	TIE ROD, LEFT SEVEN FUNCTION CONTROL VALVE	2162-20
TANDEM DRIVE CHAIN	0201-10	TIE ROD, LEFT SIX FUNCTION CONTROL VALVE	2162-16
TANDEM DRIVE PLANETARY.....	0201-4	TIE ROD, REAR EH FIVE FUNCTION CONTROL VALVE (GRADE PRO)	2162-84
TANDEM HOUSING	0201-2	TIE ROD, REAR EH FOUR FUNCTION CONTROL VALVE (GRADE PRO)	2162-80
TANDEM PIVOT	0201-6	TIE ROD, REAR EH SEVEN FUNCTION CONTROL VALVE (GRADE PRO)	2162-92
TANK, COOLANT HEATER (120V) (6090HDW01 / 6090HDW04)	0505-6	TIE ROD, REAR EH SIX FUNCTION CONTROL VALVE (GRADE PRO)	2162-90
TANK, COOLANT HEATER (120V) (6068HDW75).....	0505-8	TIE ROD, RIGHT FIVE FUNCTION CONTROL VALVE	2162-8
TANK, FUEL.....	0564-2	TIE ROD, RIGHT FIVE FUNCTION CONTROL VALVE (MID MOUNTED SCARIFIER)	2162-10
TANK, SURGE (6068HDW75)	0510-14	TIE ROD, RIGHT FOUR FUNCTION CONTROL VALVE	2162-4
TANK, SURGE (6090HDW01 / 6090HDW04).....	0510-10		
TANK, WINDSHIELD WASHER (FULL HEIGHT CAB)	1814-4		
TANK, WINDSHIELD WASHER (LOW PROFILE CAB)	1814-2		
TAPPET (4901) (HDW01).....	0400A-48		
TAPPET/PUSH ROD/ROCKER ARM/SHAFT (4905) (HDW75).....	0400B-44		
TCU.....	0315-6		
TEETH, FRONT MOUNTED SCARIFIER.....	4243-4		

ALPHABETICAL INDEX - CONTINUED

	PAGE		PAGE
TIE ROD, RIGHT SEVEN FUNCTION CONTROL VALVE	2162-18	TRANSMISSION OIL COOLER HOSES (6090HDW01 / 6090HDW04)	0510-10
TIE ROD, RIGHT SIX FUNCTION CONTROL VALVE	2162-14	TRANSMISSION OIL LABEL	1322-2
TILT CONSOLE WIRING HARNESS, FRONT (GRADE PRO)	1674-20	TRANSMISSION OIL LEVEL (SPANISH)	1322-10
TILT CONSOLE WIRING HARNESS, FRONT (STANDARD CONTROLS)	1674-18	TRANSMISSION OIL LEVEL LABEL (ENGLISH)	1322-2
TILT CYLINDER HOSES, BLADE (STANDARD CONTROLS)	3463-6	TRANSMISSION OIL LEVEL LABEL (FRENCH)	1322-8
TILT CYLINDER HOSES, BLADE (GRADE PRO)	3463-8	TRANSMISSION OUTPUT GROUP (YZ106448)	0350-16
TILT CYLINDER, BLADE	3465-6	TRANSMISSION SECOND STAGE ASSEMBLY (YZ106765)	0350-6
TILT FRAME, BLADE	3443-2	TRANSMISSION SENSOR	0341-2
TILT STEERING CONSOLE (GRADE PRO)	1816-26	TRANSMISSION VALVE GUARD	1913-14
TILT STEERING CONSOLE (STD CONTROLS)	1816-8	TRANSMISSION WIRING HARNESS	1674-8
TILT VALVE SECTION, BLADE (5 FUNCTION EH FRONT) (GRADE PRO)	2162-82	TRANSMISSION WIRING HARNESS (CONNECTORS)	1674-46
TILT VALVE SECTION, BLADE (6 FUNCTION EH FRONT) (GRADE PRO)	2162-86	TRAVEL ALARM	2004-4
TILT VALVE SECTION, BLADE (8 FUNCTION EH FRONT) (GRADE PRO)	2162-94	TRAY, CAB	1831-10
TILT VALVE SECTION, BLADE (6 FUNCTION EH FRONT) (GRADE PRO)	2162-88	TRAY, TOOLBOX	2005-2
TIMING GEAR COVER (7701) (HDW01)	0400A-62	TRIM, CAB (FULL HEIGHT CAB)	1812-6
TIMING GEAR COVER AND WATER PUMP (4436) (HDW75)	0400B-36	TRIM, CAB (GRADE PRO)	1812-4
TOOLBOX	2005-2	TRIM, CAB (LOW PROFILE - STD)	1812-2
TOOLBOX TRAY	2005-2	TUBE, OIL PUMP INTAKE (5001) (HDW01)	0400A-50
TORSIONAL DAMPENER	0325-2	TUBE, OIL PUMP INTAKE (5024) (HDW75)	0400B-46
TORSIONAL ISOLATOR	0325-2	TUBE, ROTARY EJECTOR PRECLEANER (6068HDW75)	0521-8
TRADEMARKS AND LABELS, ENGLISH (GRADE PRO CAB)	1322-6	TUBE, ROTARY EJECTOR PRECLEANER (6090HDW01 / 6090HDW04)	0521-6
TRADEMARKS AND LABELS, ENGLISH (STANDARD CAB)	1322-4	TUBE, THERMOSTAT HOUSING (3926) (HDW75)	0400B-30
TRADEMARKS AND LABELS, FRENCH	1322-8	TUBE, TRANSMISSION OIL DIPSTICK	0342-2
TRADEMARKS AND LABELS, SPANISH	1322-10	TUBE, WATER PUMP BYPASS (HDW01) 2107	0400A-17
TRANSDUCER, PRESSURE, REVERSING FAN VALVE	0512-10	TURBO AIR INLET BRACKET (5497) (HDW75)	0400B-50
TRANSFER FUEL, PUMP (3713) (HDW75)	0400B-28	TURBO OIL SUPPLY LINE (HDW01) (5912)	0400A-56
TRANSMISSION (COMPLETE)	0341-2	TURBOCHARGER (65VS) (HDW75)	0400B-54
TRANSMISSION CHARGE PUMP GROUP (YZ106549)	0350-28	TURBOCHARGER 6511	0400A-60
TRANSMISSION CONTROL UNIT	0315-6	TURN LIGHT WIRING HARNESS, FRONT	1674-2
TRANSMISSION CONTROL UNIT MOUNTING BRACKET	0315-6	TURN LIGHT WIRING HARNESS, FRONT (CONNECTORS)	1674-34
TRANSMISSION CONTROLLER	0315-6	TURN SIGNAL LIGHTS, LED	1673-4
TRANSMISSION COOLING HOSES	0510-6	TURN SIGNAL SWITCH	1676-2
TRANSMISSION DIAGNOSTIC FITTINGS	0363-8	TURN SIGNAL SWITCH (GRADE PRO)	1676-4
TRANSMISSION DIPSTICK AND TUBE	0342-2		
TRANSMISSION FILTER	0364-2	U	
TRANSMISSION FILTER LABEL (ENGLISH)	1322-2	UNIVERSAL JOINT, DRIVESHAFT	0225-2
TRANSMISSION FILTER LABEL (FRENCH)	1322-8		
TRANSMISSION FILTER LABEL (SPANISH)	1322-10	V	
TRANSMISSION GEAR SELECTOR (STANDARD CONTROLS)	0315-2	VALVE , CONTROLLING (9901) (HDW75)	0400B-75
TRANSMISSION GEAR SELECTOR (GRADE PRO)	0315-4	VALVE CONTROL GROUP (YZ106603)	0350-24
TRANSMISSION HOSE FITTING (YZ106766)	0350-30	VALVE COVER (1102) (HDW01)	0400A-4
TRANSMISSION HOSES	0363-2	VALVE COVER, FRONT (GRADE PRO) (EH)	1913-10
TRANSMISSION MOUNTING BOLTS	0342-2	VALVE EGR , GASKET KIT (9901) (HDW75)	0400B-78
TRANSMISSION OIL COOLER (6090HDW01 / 6090HDW04)	0510-8	VALVE GUARD, TRANSMISSION	1913-14
TRANSMISSION OIL COOLER (6068HDW75)	0510-12	VALVE HOSES, FAN	0512-8
TRANSMISSION OIL COOLER HOSES (6068HDW75)	0510-14	VALVE KIT, AUX W/ FLOAT (SIXTH FUNCTION LH)	2162-62
		VALVE KIT, AUX W/ FLOAT (SIXTH FUNCTION RH)	2162-60
		VALVE KIT, AUX W/O FLOAT (SEVENTH FUNCTION LEFT)	2162-66

ALPHABETICAL INDEX - CONTINUED

	PAGE		PAGE
VALVE KIT, AUX W/O FLOAT (SEVENTH FUNCTION RIGHT)	2162-64	VALVE SECTION, CIRCLE ROTATE (4 FUNCTION LEFT) (COMPLETE)	2162-6
VALVE KIT, ELECTROHYDRAULIC AUXILIARY (GRADE PRO)	2162-118	VALVE SECTION, CIRCLE ROTATE (5 FUNCTION EH FRONT) (GRADE PRO)	2162-82
VALVE KIT, ONE HAND BLADE LIFT KIT	2162-68	VALVE SECTION, CIRCLE ROTATE (5 FUNCTION LEFT) (COMPLETE)	2162-12
VALVE KIT, RIPPER (FIFTH FUNCTION LH)	2162-58	VALVE SECTION, CIRCLE ROTATE (6 FUNCTION EH FRONT) (GRADE PRO)	2162-86
VALVE KIT, SCARIFIER (FIFTH FUNCTION RH)	2162-56	VALVE SECTION, CIRCLE ROTATE (6 FUNCTION LEFT) (COMPLETE)	2162-16
VALVE MANIFOLD	0962-6	VALVE SECTION, CIRCLE ROTATE (7 FUNCTION LEFT) (COMPLETE)	2162-20
VALVE MOUNT, FRONT EH (GRADE PRO)	2162-76	VALVE SECTION, CIRCLE ROTATE (8 FUNCTION EH FRONT) (GRADE PRO)	2162-94
VALVE MOUNT, REAR EH (GRADE PRO)	2162-78	VALVE SECTION, CIRCLE ROTATE (6 FUNCTION W/ MMS EH FRONT) (GRADE PRO)	2162-88
VALVE MOUNTING BRACKETS, MAIN CONTROL	2162-2	VALVE SECTION, CIRCLE SIDE SHIFT (4 FUNCTION RIGHT) (COMPLETE)	2162-4
VALVE RELIEF, MID MOUNTED SCARIFIER VALVE SECTION (STD)	2162-44	VALVE SECTION, CIRCLE SIDE SHIFT (5 FUNCTION EH FRONT) (GRADE PRO)	2162-82
VALVE SECTION, AUXILIARY (6 FUNCTION EH REAR) (GRADE PRO)	2162-90	VALVE SECTION, CIRCLE SIDE SHIFT (5 FUNCTION RIGHT) (COMPLETE)	2162-8
VALVE SECTION, AUXILIARY (7 FUNCTION EH REAR) (GRADE PRO)	2162-92	VALVE SECTION, CIRCLE SIDE SHIFT (6 FUNCTION EH FRONT) (GRADE PRO)	2162-86
VALVE SECTION, AUXILIARY (8 FUNCTION EH FRONT) (GRADE PRO)	2162-94	VALVE SECTION, CIRCLE SIDE SHIFT (6 FUNCTION RIGHT) (COMPLETE)	2162-14
VALVE SECTION, AUXILIARY (EH) (GRADE PRO) (BREAKDOWN)	2162-116	VALVE SECTION, CIRCLE SIDE SHIFT (7 FUNCTION RIGHT) (COMPLETE)	2162-18
VALVE SECTION, BLADE LIFT (EH) (GRADE PRO) (BREAKDOWN)	2162-100	VALVE SECTION, CIRCLE SIDE SHIFT (8 FUNCTION EH FRONT) (GRADE PRO)	2162-94
VALVE SECTION, BLADE SIDE SHIFT (4 FUNCTION LEFT) (COMPLETE)	2162-6	VALVE SECTION, CIRCLE SIDE SHIFT (EH) (BREAKDOWN) (GRADE PRO)	2162-110
VALVE SECTION, BLADE SIDE SHIFT (5 FUNCTION EH FRONT) (GRADE PRO)	2162-82	VALVE SECTION, CIRCLE SIDE SHIFT (STD) (BREAKDOWN)	2162-30
VALVE SECTION, BLADE SIDE SHIFT (5 FUNCTION LEFT) (COMPLETE)	2162-12	VALVE SECTION, CIRCLE SIDE SHIFT (5 FUNCTION RH) (COMPLETE) (MM SCARIFIER)	2162-10
VALVE SECTION, BLADE SIDE SHIFT (6 FUNCTION EH FRONT) (GRADE PRO)	2162-86	VALVE SECTION, CIRCLE SIDE SHIFT (6 FUNCTION W/ MMS EH FRONT) (GRADE PRO)	2162-88
VALVE SECTION, BLADE SIDE SHIFT (6 FUNCTION LEFT) (COMPLETE)	2162-16	VALVE SECTION, INLET (FRONT EH) (GRADE PRO) (BREAKDOWN)	2162-114
VALVE SECTION, BLADE SIDE SHIFT (7 FUNCTION LEFT) (COMPLETE)	2162-20	VALVE SECTION, INLET (REAR EH) (GRADE PRO) (BREAKDOWN)	2162-112
VALVE SECTION, BLADE SIDE SHIFT (8 FUNCTION EH FRONT) (GRADE PRO)	2162-94	VALVE SECTION, INLET AND OUTLET (LEFT) (STD)	2162-40
VALVE SECTION, BLADE SIDE SHIFT (EH) (GRADE PRO) (BREAKDOWN)	2162-106	VALVE SECTION, INLET AND OUTLET (RIGHT) (STD)	2162-38
VALVE SECTION, BLADE SIDE SHIFT (STD) (BREAKDOWN)	2162-32	VALVE SECTION, LEFT AUX VALVE WITH FLOAT (STD) (BREAKDOWN)	2162-50
VALVE SECTION, BLADE SIDE SHIFT (6 FUNCTION W/ MMS EH FRONT) (GRADE PRO)	2162-88	VALVE SECTION, LEFT AUXILIARY (WITHOUT FLOAT) (STD) (BREAKDOWN)	2162-54
VALVE SECTION, BLADE TILT (4 FUNCTION LEFT) (COMPLETE)	2162-6	VALVE SECTION, LEFT AUXILIARY, WITH FLOAT (6 FUNCTION LEFT) (COMPLETE)	2162-16
VALVE SECTION, BLADE TILT (5 FUNCTION EH FRONT) (GRADE PRO)	2162-82	VALVE SECTION, LEFT AUXILIARY, WITH FLOAT (7 FUNCTION LEFT) (COMPLETE)	2162-20
VALVE SECTION, BLADE TILT (5 FUNCTION LEFT) (COMPLETE)	2162-12	VALVE SECTION, LEFT AUXILIARY, WITHOUT FLOAT (7 FUNCTION LEFT) (COMPLETE)	2162-20
VALVE SECTION, BLADE TILT (6 FUNCTION EH FRONT) (GRADE PRO)	2162-86	VALVE SECTION, LEFT BLADE LIFT (4 FUNCTION EH REAR) (GRADE PRO)	2162-80
VALVE SECTION, BLADE TILT (6 FUNCTION LEFT) (COMPLETE)	2162-16	VALVE SECTION, LEFT BLADE LIFT (4 FUNCTION LEFT) (COMPLETE)	2162-6
VALVE SECTION, BLADE TILT (7 FUNCTION LEFT) (COMPLETE)	2162-20	VALVE SECTION, LEFT BLADE LIFT (5 FUNCTION EH REAR) (GRADE PRO)	2162-84
VALVE SECTION, BLADE TILT (8 FUNCTION EH FRONT) (GRADE PRO)	2162-94	VALVE SECTION, LEFT BLADE LIFT (5 FUNCTION LEFT) (COMPLETE)	2162-12
VALVE SECTION, BLADE TILT (EH) (BREAKDOWN) (GRADE PRO)	2162-102	VALVE SECTION, LEFT BLADE LIFT (6 FUNCTION EH REAR) (GRADE PRO)	2162-90
VALVE SECTION, BLADE TILT (STD) (BREAKDOWN)	2162-36		
VALVE SECTION, BLADE TILT (6 FUNCTION W/ MMS EH FRONT) (GRADE PRO)	2162-88		
VALVE SECTION, CIRCLE ROTATE (EH) (GRADE PRO) (BREAKDOWN)	2162-104		
VALVE SECTION, CIRCLE ROTATE (STD) (BREAKDOWN)	2162-34		

ALPHABETICAL INDEX - CONTINUED

	PAGE		PAGE
VALVE SECTION, LEFT BLADE LIFT (6 FUNCTION LEFT) (COMPLETE)	2162-16	VALVE SECTION, REAR STEER (STD) (BREAKDOWN).....	2162-26
VALVE SECTION, LEFT BLADE LIFT (7 FUNCTION EH REAR) (GRADE PRO)	2162-92	VALVE SECTION, REAR STEER (5 FUNCTION RH) (COMPLETE) (MID MOUNTED SCARIFIER).....	2162-10
VALVE SECTION, LEFT BLADE LIFT (7 FUNCTION LEFT) (COMPLETE)	2162-20	VALVE SECTION, RIGHT AUX VALVE WITH FLOAT (STD) (BREAKDOWN).....	2162-48
VALVE SECTION, LEFT BLADE LIFT (STD) (BREAKDOWN)	2162-24	VALVE SECTION, RIGHT AUXILIARY (WITHOUT FLOAT) (STD) (BREAKDOWN).....	2162-52
VALVE SECTION, MID MOUNTED SCARIFIER (STD) (BREAKDOWN).....	2162-44	VALVE SECTION, RIGHT AUXILIARY, WITH FLOAT (6 FUNCTION RIGHT) (COMPLETE)	2162-14
VALVE SECTION, MID MOUNTED SCARIFIER (5 FUNCTION RIGHT) (COMPLETE).....	2162-10	VALVE SECTION, RIGHT AUXILIARY, WITH FLOAT (7 FUNCTION RIGHT) (COMPLETE).....	2162-18
VALVE SECTION, MID MOUNTED SCARIFIER (6 FUNCTION EH FRONT) (GRADE PRO)	2162-88	VALVE SECTION, RIGHT AUXILIARY, WITHOUT FLOAT (7 FUNCTION RIGHT) (COMPLETE)	2162-18
VALVE SECTION, MID-INLET (4 FUNCTION EH REAR) (GRADE PRO)	2162-80	VALVE SECTION, RIGHT BLADE LIFT (4 FUNCTION RIGHT) (COMPLETE)	2162-4
VALVE SECTION, MID-INLET (4 FUNCTION LEFT) (COMPLETE)	2162-6	VALVE SECTION, RIGHT BLADE LIFT (5 FUNCTION EH REAR) (GRADE PRO).....	2162-84
VALVE SECTION, MID-INLET (4 FUNCTION RIGHT) (COMPLETE).....	2162-4	VALVE SECTION, RIGHT BLADE LIFT (5 FUNCTION RIGHT) (COMPLETE)	2162-8
VALVE SECTION, MID-INLET (5 FUNCTION EH FRONT) (GRADE PRO)	2162-82	VALVE SECTION, RIGHT BLADE LIFT (6 FUNCTION EH REAR) (GRADE PRO).....	2162-90
VALVE SECTION, MID-INLET (5 FUNCTION EH REAR) (GRADE PRO)	2162-84	VALVE SECTION, RIGHT BLADE LIFT (6 FUNCTION RIGHT) (COMPLETE)	2162-14
VALVE SECTION, MID-INLET (5 FUNCTION LEFT) (COMPLETE)	2162-12	VALVE SECTION, RIGHT BLADE LIFT (7 FUNCTION EH REAR) (GRADE PRO).....	2162-92
VALVE SECTION, MID-INLET (5 FUNCTION RIGHT) (COMPLETE).....	2162-8	VALVE SECTION, RIGHT BLADE LIFT (7 FUNCTION RIGHT) (COMPLETE)	2162-18
VALVE SECTION, MID-INLET (6 FUNCTION EH FRONT) (GRADE PRO)	2162-86	VALVE SECTION, RIGHT BLADE LIFT (STD) (BREAKDOWN).....	2162-22
VALVE SECTION, MID-INLET (6 FUNCTION EH REAR) (GRADE PRO)	2162-90	VALVE SECTION, RIGHT BLADE LIFT (5 FUNCTION RH)(COMPLETE) (MM SCARIFIER).....	2162-10
VALVE SECTION, MID-INLET (6 FUNCTION LEFT) (COMPLETE)	2162-16	VALVE SECTION, RIPPER (5 FUNCTION EH REAR) (GRADE PRO).....	2162-84
VALVE SECTION, MID-INLET (6 FUNCTION RIGHT) (COMPLETE).....	2162-14	VALVE SECTION, RIPPER (5 FUNCTION RIGHT) (COMPLETE)	2162-12
VALVE SECTION, MID-INLET (7 FUNCTION EH REAR) (GRADE PRO)	2162-92	VALVE SECTION, RIPPER (6 FUNCTION EH REAR) (GRADE PRO).....	2162-90
VALVE SECTION, MID-INLET (7 FUNCTION LEFT) (COMPLETE)	2162-20	VALVE SECTION, RIPPER (6 FUNCTION RIGHT) (COMPLETE)	2162-16
VALVE SECTION, MID-INLET (7 FUNCTION RIGHT) (COMPLETE).....	2162-18	VALVE SECTION, RIPPER (7 FUNCTION EH REAR) (GRADE PRO).....	2162-92
VALVE SECTION, MID-INLET (8 FUNCTION EH FRONT) (GRADE PRO)	2162-94	VALVE SECTION, RIPPER (7 FUNCTION LEFT) (COMPLETE).....	2162-20
VALVE SECTION, MID-INLET (5 FUNCTION RH) (COMPLETE) (MID MOUNTED SCARIFIER).....	2162-10	VALVE SECTION, RIPPER (EH) (BREAKDOWN) (GRADE PRO).....	2162-116
VALVE SECTION, MID-INLET (6 FUNCTION W/ MMS EH FRONT) (GRADE PRO)	2162-88	VALVE SECTION, RIPPER (STD) (BREAKDOWN)	2162-46
VALVE SECTION, REAR STEER (4 FUNCTION EH REAR) (GRADE PRO)	2162-80	VALVE SECTION, SCARIFIER (5 FUNCTION RIGHT) (COMPLETE)	2162-8
VALVE SECTION, REAR STEER (4 FUNCTION RIGHT) (COMPLETE).....	2162-4	VALVE SECTION, SCARIFIER (6 FUNCTION EH FRONT) (GRADE PRO)	2162-86
VALVE SECTION, REAR STEER (5 FUNCTION EH REAR) (GRADE PRO)	2162-84	VALVE SECTION, SCARIFIER (6 FUNCTION RIGHT) (COMPLETE)	2162-14
VALVE SECTION, REAR STEER (5 FUNCTION RIGHT) (COMPLETE).....	2162-8	VALVE SECTION, SCARIFIER (7 FUNCTION RIGHT) (COMPLETE)	2162-18
VALVE SECTION, REAR STEER (6 FUNCTION EH REAR) (GRADE PRO)	2162-90	VALVE SECTION, SCARIFIER (8 FUNCTION EH FRONT) (GRADE PRO)	2162-94
VALVE SECTION, REAR STEER (6 FUNCTION RIGHT) (COMPLETE).....	2162-14	VALVE SECTION, SCARIFIER (EH) (GRADE PRO) (BREAKDOWN).....	2162-116
VALVE SECTION, REAR STEER (7 FUNCTION EH REAR) (GRADE PRO)	2162-92	VALVE SECTION, SCARIFIER (STD) (BREAKDOWN).....	2162-42
VALVE SECTION, REAR STEER (7 FUNCTION RIGHT) (COMPLETE).....	2162-18	VALVE SECTION, STEERING (4 FUNCTION EH REAR) (GRADE PRO).....	2162-80
VALVE SECTION, REAR STEER (EH) (GRADE PRO) (BREAKDOWN).....	2162-96	VALVE SECTION, STEERING (5 FUNCTION EH REAR) (GRADE PRO).....	2162-84

ALPHABETICAL INDEX - CONTINUED

	PAGE		PAGE
VALVE SECTION, STEERING (6 FUNCTION EH REAR) (GRADE PRO)	2162-90	VALVE, EXHAUST (5101) (HDW01).....	0400A-52
VALVE SECTION, STEERING (7 FUNCTION EH REAR) (GRADE PRO)	2162-92	VALVE, EXHAUST (5128) (HDW75).....	0400B-48
VALVE SECTION, STEERING (EH) (GRADE PRO) (BREAKDOWN).....	2162-98	VALVE, EXPANSION, WITH TEMP SWITCH	1832-4
VALVE SECTION, WHEEL LEAN (4 FUNCTION RIGHT) (COMPLETE)	2162-4	VALVE, FAST FILL INLET	0564-4
VALVE SECTION, WHEEL LEAN (5 FUNCTION EH FRONT) (GRADE PRO)	2162-82	VALVE, HEATER CONTROL.....	1832-4
VALVE SECTION, WHEEL LEAN (5 FUNCTION RIGHT) (COMPLETE)	2162-8	VALVE, HYDRAULIC OIL COOLER BYPASS.....	2162-74
VALVE SECTION, WHEEL LEAN (6 FUNCTION EH FRONT) (GRADE PRO)	2162-86	VALVE, HYDRAULIC PUMP DISCONNECT, COLD START (BREAKDOWN)	2163-8
VALVE SECTION, WHEEL LEAN (6 FUNCTION RIGHT) (COMPLETE)	2162-14	VALVE, HYDRAULIC PUMP DISCONNECT, COLD START (COMPLETE)	2163-6
VALVE SECTION, WHEEL LEAN (7 FUNCTION RIGHT) (COMPLETE)	2162-18	VALVE, INTAKE (5101) (HDW01).....	0400A-52
VALVE SECTION, WHEEL LEAN (8 FUNCTION EH FRONT) (GRADE PRO)	2162-94	VALVE, INTAKE (5128) (HDW75).....	0400B-48
VALVE SECTION, WHEEL LEAN (EH) (GRADE PRO) (BREAKDOWN).....	2162-108	VALVE, LEFT BLADE LIFT (STD) (BREAKDOWN)	2162-24
VALVE SECTION, WHEEL LEAN (STD) (BREAKDOWN)	2162-28	VALVE, LEFT CONTROL (4 FUNCTION)	2162-6
VALVE SECTION, WHEEL LEAN (5 FUNCTION RH) (COMPLETE) (MID MOUNTED SCARIFIER)	2162-10	VALVE, LEFT CONTROL (5 FUNCTION)	2162-12
VALVE SECTION, WHEEL LEAN (6 FUNCTION W/ MMS EH FRONT) (GRADE PRO).....	2162-88	VALVE, LEFT CONTROL (6 FUNCTION)	2162-16
VALVE STEM, WHEEL (10" X 24") (FOR 14X24 OR 14R24 TIRES).....	0111-4	VALVE, LEFT CONTROL (7 FUNCTION)	2162-20
VALVE STEM, WHEEL (13" X 25") (FOR 17.5X25 OR 17.5R25 TIRES)	0111-6	VALVE, LOCKOUT, BLADE LIFT VALVE SECTION (EH) (GRADE PRO) (BREAKDOWN)	2162-100
VALVE STEM, WHEEL (14" X 25") (FOR 17.5X25 OR 17.5R25 TIRES)	0111-8	VALVE, LOCKOUT, LEFT BLADE LIFT VALVE SECTION (STD)	2162-24
VALVE STEM, WHEEL (9" X 24") (FOR 14X24 OR 14R24 TIRES).....	0111-2	VALVE, LOCKOUT, RIGHT BLADE LIFT VALVE SECTION (STD) (BREAKDOWN)	2162-22
VALVE, BLADE IMPACT	3460-10	VALVE, MAIN MANIFOLD (W/ SEC. STEERING)	2162-70
VALVE, BLADE LIFT (EH) (BREAKDOWN) (GRADE PRO)	2162-100	VALVE, MAIN MANIFOLD (W/O SEC. STEERING)	2162-72
VALVE, BRAKE	1062-2	VALVE, RELIEF (REVERSING FAN)	0512-10
VALVE, CHECK (REVERSING FAN)	0512-10	VALVE, RELIEF, BLADE LIFT VALVE SECTION (EH) (GRADE PRO) (BREAKDOWN)	2162-100
VALVE, CHECK, A/C EVAPORATION (6068HDW75).....	1832-8	VALVE, RELIEF, LEFT BLADE LIFT VALVE SECTION (STD)	2162-24
VALVE, CHECK, A/C EVAPORATION (6090HDW01 / 6090HDW04)	1832-6	VALVE, RELIEF, RIGHT BLADE LIFT VALVE SECTION (STD) (BREAKDOWN)	2162-22
VALVE, CONTROL COVERS (STANDARD)	1913-6	VALVE, REVERSING FAN DRIVE	0512-10
VALVE, DIRECTIONAL (REVERSING FAN)	0512-10	VALVE, RIGHT BLADE LIFT (STD)(BREAKDOWN)	2162-22
VALVE, EH FRONT CONTROL (6 FUNCTION MMS) (GRADE PRO)	2162-88	VALVE, RIGHT CONTROL (4 FUNCTION)	2162-4
VALVE, EH FRONT, CONTROL (5 FUNCTION) (GRADE PRO)	2162-82	VALVE, RIGHT CONTROL (5 FUNCTION)	2162-8
VALVE, EH FRONT, CONTROL (6 FUNCTION) (GRADE PRO)	2162-86	VALVE, RIGHT CONTROL (5 FUNCTION) (MID MOUNTED SCARIFIER)	2162-10
VALVE, EH FRONT, CONTROL (8 FUNCTION) (GRADE PRO)	2162-94	VALVE, RIGHT CONTROL (6 FUNCTION)	2162-14
VALVE, EH REAR, CONTROL (4 FUNCTION) (GRADE PRO)	2162-80	VALVE, RIGHT CONTROL (7 FUNCTION).....	2162-18
VALVE, EH REAR, CONTROL (5 FUNCTION) (GRADE PRO)	2162-84	VALVE, SERVICE BRAKE	1062-2
VALVE, EH REAR, CONTROL (6 FUNCTION) (GRADE PRO)	2162-90	VALVE, SOLENOID (REVERSING FAN)	0512-10
VALVE, EH REAR, CONTROL (7 FUNCTION) (GRADE PRO)	2162-92	VALVE, STEERING (STANDARD CONTROLS)	0963-10
VALVE, ENGINE OIL BY-PASS (4601)	0400A-40	VALVE, SUCTION CONTROL (9901) HDW01	0400A-80
VALVE, ENGINE OIL BY-PASS (4606) (HDW01).....	0400A-42	VALVE, WATER	1832-4
VALVE, ENGINE OIL PAN DRAIN (19BR) (HDW75).....	0400B-12	VENTILATING HOSE (2901) (HDW01).....	0400A-24
		VENTILATING HOSE (2943) (HDW75).....	0400B-20
		VGT 6511	0400A-60
		VIBRATION DAMPER (HDW01) 1346	0400A-6
		W	
		WARNING ALARM.....	1676-2
		WARNING ALARM (GRADE PRO).....	1676-4
		WARNING ARTICULATION LABEL (SPANISH)	1322-10
		WATER PUMP (HDW01) 2001	0400A-16
		WATER PUMP (4436) (HDW75).....	0400B-36

ALPHABETICAL INDEX - CONTINUED

	PAGE		PAGE
WATER PUMP BYPASS TUBE (HDW01) 2107.....	0400A-17	WINDOWS, STATIONARY (FULL HEIGHT CAB).....	1813-12
WATER PUMP INLET (HDW01) 5701.....	0400A-55	WINDOWS, STATIONARY (LOW PROFILE CAB).....	1813-8
WATER PUMP INLET (5722) (HDW75).....	0400B-51	WINDSHIELD WASHER RESERVOIR (FULL HEIGHT CAB).....	1814-4
WATER PUMP REPLACEMENT (9901).....	0400A-76	WINDSHIELD WASHER RESERVOIR (LOW PROFILE CAB).....	1814-2
WATER SEPARATOR (81AL) (HDW75).....	0400B-60	WINDSHIELD WIPER DISABLE SENSOR, LOWER.....	1814-12
WATER VALVE.....	1832-4	WINDSHIELD WIPER, FRONT (FULL HEIGHT CAB).....	1814-4
WATERPUMP PULLEY (2001) (HDW75).....	0400B-14	WINDSHIELD WIPER, FRONT (LOW PROFILE CAB).....	1814-2
WEIGHT, REAR MOUNTED.....	1749-4	WINDSHIELD WIPER, LOWER FRONT.....	1814-10
WET BRAKE GROUP (YZ104053).....	0350-18	WINDSHIELD WIPER, REAR (FULL HEIGHT CAB).....	1814-8
WHEEL (10" X 24") (FOR 14X24 OR 14R24 TIRES).....	0111-4	WINDSHIELD WIPER, REAR (LOW PROFILE CAB).....	1814-6
WHEEL (13" X 25") (FOR 17.5X25 OR 17.5R25 TIRES).....	0111-6	WIPER BLADE, FRONT WINDSHIELD (FULL HEIGHT CAB).....	1814-4
WHEEL (14" X 25") (FOR 17.5X25 OR 17.5R25 TIRES).....	0111-8	WIPER BLADE, FRONT WINDSHIELD (LOW PROFILE CAB).....	1814-2
WHEEL (9" X 24") (FOR 14X24 OR 14R24 TIRES).....	0111-2	WIPER BLADE, REAR WINDSHIELD (FULL HEIGHT CAB).....	1814-8
WHEEL BEARING, FRONT (LEFT).....	0240-10	WIPER BLADE, REAR WINDSHIELD (LOW PROFILE CAB).....	1814-6
WHEEL BEARING, FRONT (RIGHT).....	0240-8	WIPER COVER, FRONT (LOW PROFILE CAB - STD).....	1812-2
WHEEL HUB, FRONT (LEFT).....	0240-10	WIPER COVER, FRONT (FULL HEIGHT CAB).....	1812-6
WHEEL HUB, FRONT (RIGHT).....	0240-8	WIPER COVER, FRONT (GRADE PRO).....	1812-4
WHEEL LEAN BAR LINK.....	0240-4	WIPER DISABLE SENSOR, LOWER WINDSHIELD.....	1814-12
WHEEL LEAN CONTROL LINKAGE.....	1816-10	WIPER HOUSING, REAR (LOW PROFILE CAB - STD).....	1812-2
WHEEL LEAN CONTROL, RIGHT 4 FUNCTION (EH) (GRADE PRO).....	3415-2	WIPER HOUSING, REAR (FULL HEIGHT CAB).....	1812-6
WHEEL LEAN CONTROL, RIGHT 5 FUNCTION (EH) (GRADE PRO).....	3415-6	WIPER HOUSING, REAR (GRADE PRO).....	1812-4
WHEEL LEAN CYLINDER.....	0965-10	WIPER, LOWER FRONT WINDSHIELD.....	1814-10
WHEEL LEAN CYLINDER COMPONENTS.....	0965-12	WIRING HARNESS & INJECTION NOZZLE (169Z) (HDW75).....	0400B-8
WHEEL LEAN CYLINDER HOSES (GRADE PRO).....	0963-16	WIRING HARNESS BRACKET (8485) (HDW75).....	0400B-62
WHEEL LEAN CYLINDER HOSES (STANDARD CONTROLS).....	0963-14	WIRING HARNESS BRACKET (8497).....	0400A-66
WHEEL LEAN CYLINDER PINS.....	0965-10	WIRING HARNESS BRACKET, ENGINE (8499) HDW01.....	0400A-68
WHEEL LEAN SENSOR WIRING HARNESS.....	1674-2	WIRING HARNESS, A/C AND HEATER.....	1832-2
WHEEL LEAN SENSOR WIRING HARNESS (CONNECTORS).....	1674-32	WIRING HARNESS, BLADE IMPACT.....	1674-22
WHEEL LEAN VALVE SECTION (4 FUNCTION RIGHT) (COMPLETE).....	2162-4	WIRING HARNESS, CAB INTERIOR.....	1674-10
WHEEL LEAN VALVE SECTION (5 FUNCTION EH FRONT) (GRADE PRO).....	2162-82	WIRING HARNESS, CAB INTERIOR (CONNECTORS).....	1674-48
WHEEL LEAN VALVE SECTION (5 FUNCTION RIGHT) (COMPLETE).....	2162-8	WIRING HARNESS, CAB INTERIOR (CONNECTORS).....	1674-50
WHEEL LEAN VALVE SECTION (6 FUNCTION EH FRONT) (GRADE PRO).....	2162-86	WIRING HARNESS, CAB INTERIOR (CONNECTORS).....	1674-52
WHEEL LEAN VALVE SECTION (6 FUNCTION RIGHT) (COMPLETE).....	2162-14	WIRING HARNESS, CAB ROOF.....	1674-16
WHEEL LEAN VALVE SECTION (7 FUNCTION RIGHT) (COMPLETE).....	2162-18	WIRING HARNESS, ENGINE (CONNECTORS) (6068HDW75).....	1674-40
WHEEL LEAN VALVE SECTION (8 FUNCTION EH FRONT) (GRADE PRO).....	2162-94	WIRING HARNESS, ENGINE (CONNECTORS) (6090HDW01).....	1674-36
WHEEL LEAN VALVE SECTION (EH) (GRADE PRO) (BREAKDOWN).....	2162-108	WIRING HARNESS, ENGINE (CONNECTORS) (6090HDW01).....	1674-38
WHEEL LEAN VALVE SECTION (STD) (BREAKDOWN).....	2162-28	WIRING HARNESS, ENGINE AIR HEATER.....	0505-2
WHEEL LEAN VALVE SECTION (5 FUNCTION RH) (COMPLETE) (MID MOUNTED SCARIFIER).....	2162-10	WIRING HARNESS, ENGINE COMPARTMENT WORK LIGHTS.....	1673-12
WHEEL LEAN VALVE SECTION (6 FUNCTION W/ MMS EH FRONT) (GRADE PRO).....	2162-88	WIRING HARNESS, ENGINE FRAME (CONNECTORS).....	1674-44
WHEEL, STEERING.....	0962-2	WIRING HARNESS, FAN DOOR.....	1673-4
WHEEL, STEERING (GRADE PRO).....	0962-4	WIRING HARNESS, FLEX LOAD CONTROLLER POWER.....	1674-10
WINDOW SHADE, REAR.....	2007-4	WIRING HARNESS, FLEX LOAD CONTROLLER POWER (CONNECTORS).....	1674-56
WINDOW, DOOR (FULL HEIGHT CAB).....	1813-6	WIRING HARNESS, FRONT DRIVE/TURN LIGHTS.....	1674-2
WINDOW, DOOR (LOW PROFILE CAB).....	1813-4		
WINDOWS, OPENING (LOW PROFILE CAB).....	1813-10		

ALPHABETICAL INDEX - CONTINUED

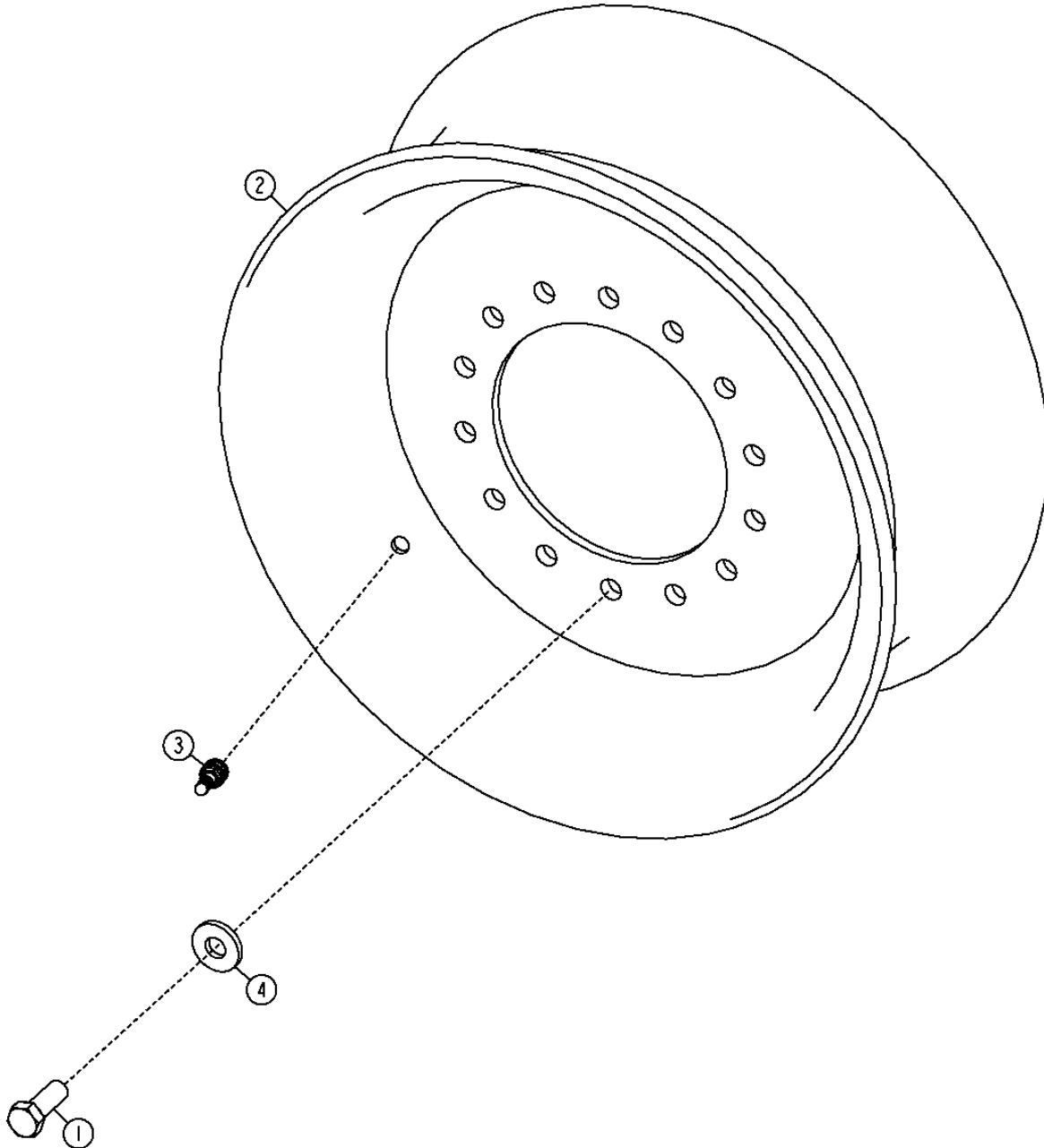
	<i>PAGE</i>		<i>PAGE</i>
WIRING HARNESS, FRONT DRIVE/TURN LIGHTS (CONNECTORS).....	1674-34		
WIRING HARNESS, FRONT EH VALVE (GRADE PRO)	1674-14		
WIRING HARNESS, FRONT EH VALVE (GRADE PRO) (CONNECTORS).....	1674-70		
WIRING HARNESS, FRONT PLATFORM.....	1674-2		
WIRING HARNESS, FRONT PLATFORM (CONNECTORS).....	1674-26		
WIRING HARNESS, FRONT TILT CONSOLE (GRADE PRO)	1674-20		
WIRING HARNESS, FRONT TILT CONSOLE (STANDARD CONTROLS).....	1674-18		
WIRING HARNESS, GLOW PLUG.....	0505-10		
WIRING HARNESS, GLOW PLUGS (4330) (HDW75)	0400B-34		
WIRING HARNESS, GRADE PRO ARMREST	1674-12		
WIRING HARNESS, GRADE PRO ARMREST, LEFT (CONNECTORS).....	1674-66		
WIRING HARNESS, GRADE PRO ARMREST, RIGHT (CONNECTORS).....	1674-64		
WIRING HARNESS, GRADE PRO CAB	1674-12		
WIRING HARNESS, GRADE PRO CAB (CONNECTORS).....	1674-60		
WIRING HARNESS, IGC (GRADE PRO).....	1674-12		
WIRING HARNESS, IGC (GRADE PRO) (CONNECTORS).....	1674-62		
WIRING HARNESS, JD LINK™ COMMUNICATION CONTROLLER.....	2601-2		
WIRING HARNESS, MACHINE INFORMATION GATEWAY (MIG)	2601-4		
WIRING HARNESS, MIDSTRUCTURE.....	1674-2		
WIRING HARNESS, MIDSTRUCTURE (CONNECTORS).....	1674-30		
WIRING HARNESS, RADIO SPEAKER.....	1674-10		
WIRING HARNESS, RADIO SPEAKER (CONNECTORS).....	1674-58		
WIRING HARNESS, REAR EH VALVE (GRADE PRO)	1674-14		
WIRING HARNESS, REAR EH VALVE (GRADE PRO) (CONNECTORS).....	1674-68		
WIRING HARNESS, REAR PLATFORM	1674-2		
WIRING HARNESS, REAR PLATFORM (CONNECTORS).....	1674-28		
WIRING HARNESS, SNOW LIGHT.....	1673-14		
WIRING HARNESS, STARTER JUMPER (6068HDW75).....	1674-6		
WIRING HARNESS, STARTER JUMPER (6090HDW01).....	1674-4		
WIRING HARNESS, TAIL LIGHT.....	1673-4		
WIRING HARNESS, TRANSMISSION	1674-8		
WIRING HARNESS, TRANSMISSION (CONNECTORS).....	1674-46		
WIRING HARNESS, WHEEL LEAN SENSOR	1674-2		
WIRING HARNESS, WHEEL LEAN SENSOR (CONNECTORS).....	1674-32		
WIRING HARNESSES, ENGINE (6068HDW75)	1674-6		
WIRING HARNESSES, ENGINE (6090HDW01).....	1674-4		
Y			
YOKE GROUP 7C (YZ106449).....	0350-26		
YOKE, DRIVESHAFT.....	0225-2		
YOKE, INPUT.....	0210-4		

0111-2

WHEELS & TIRES & TRACKS 01
POWERED WHEELS, RIM 0111

WHEEL (9 IN. X 24 IN.)
RUEDA (9 XX 24)
RUEDA (9 XX 24)

TX1048526 -UN-



TX1048526

0111-3

WHEELS & TIRES & TRACKS 01

POWERED WHEELS, RIM 0111

WHEEL (9 IN. X 24 IN.)
RUEDA (9 XX 24)
RUEDA (9 XX 24)

KEY	PART NO.	PART NAME	QTY.	SERIAL NO.	REMARKS
1	19H2158	CAP SCREW	14		
2	AT103567	WHEEL	1		(FOR 14 X 24 TIRE) (FOR 14R24 TIRE)
3	AT25226	TIRE VALVE STEM	1		
4	T151797	WASHER	14		

0111-4

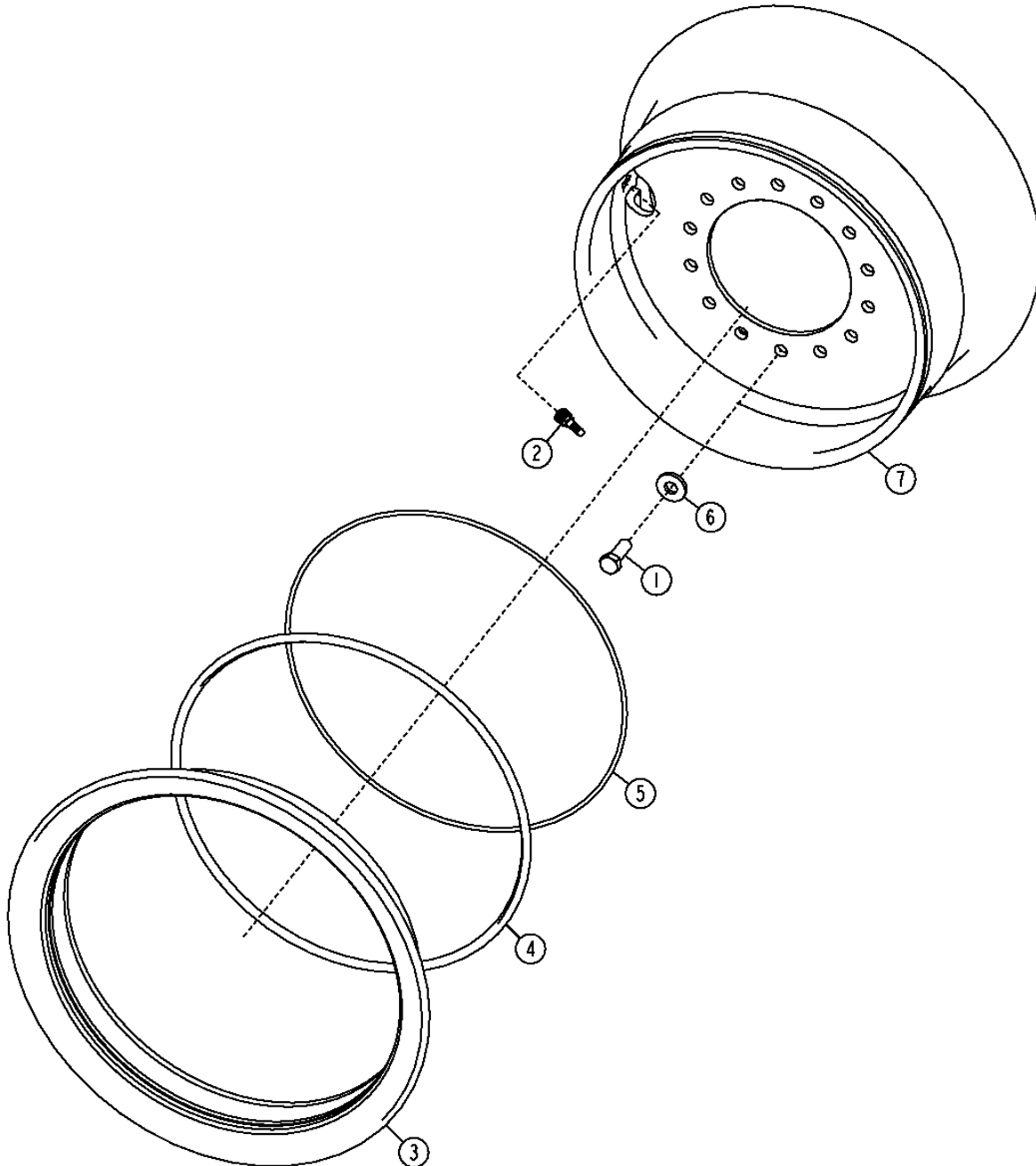
WHEELS & TIRES & TRACKS 01

POWERED WHEELS, RIM 0111

WHEEL (10 IN. X 24 IN.)
ROUE (10 XX 24)
RUEDA (10 XX 24)

TX1048529

-UN-



TX1048529

0111-5

WHEELS & TIRES & TRACKS 01

POWERED WHEELS, RIM 0111

WHEEL (10 IN. X 24 IN.)
ROUE (10 XX 24)
RUEDA (10 XX 24)

KEY	PART NO.	PART NAME	QTY.	SERIAL NO.	REMARKS
1	19H2158	CAP SCREW	14		
2	AT25226	TIRE VALVE STEM	1		
3	T27183	WHEEL RING	1		
4	T27184	WHEEL RING	1		
5	T59932	O-RING	1		
6	T151797	WASHER	14		
7	AT43231	RIM	1		(FOR 14 X 24 TIRE) (FOR 14R24 TIRE)

0111-6

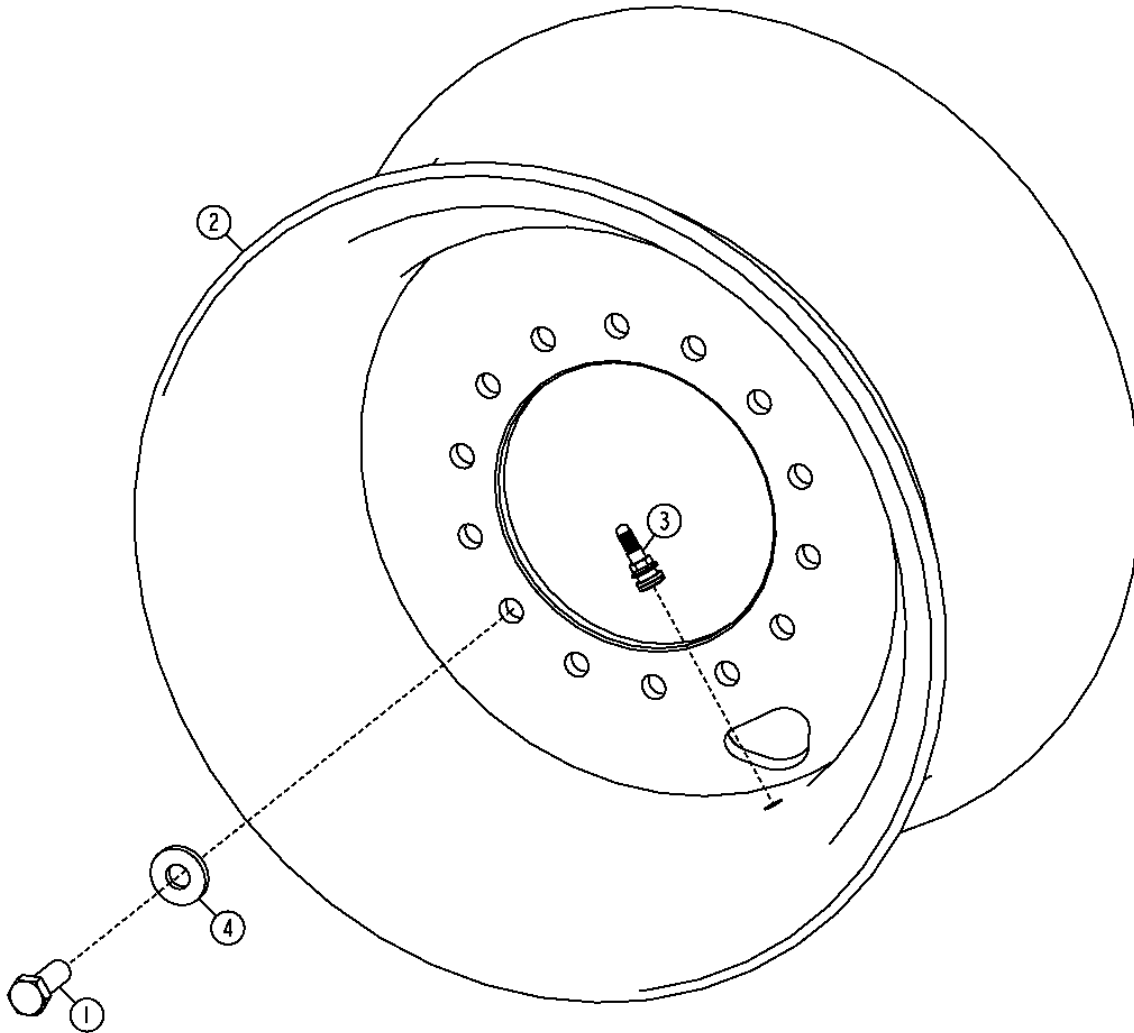
WHEELS & TIRES & TRACKS 01

POWERED WHEELS, RIM 0111

WHEEL (13 IN. X 25 IN.)
ROUE (13" X 25" D'UNE SEULE PIECE)
RUEDA (13 XX 25)

TX1048527

-UN-



TX1048527

0111-7

WHEELS & TIRES & TRACKS 01

POWERED WHEELS, RIM 0111

WHEEL (13 IN. X 25 IN.)
ROUE (13 XX 25)
RUEDA (13 XX 25)

KEY	PART NO.	PART NAME	QTY.	SERIAL NO.	REMARKS
1	19H3158	CAP SCREW	14		
2	AT105608	WHEEL	1		(FOR 17.5 X 25 TIRE) (FOR 17.5R25 TIRE)
3	AT25226	TIRE VALVE STEM	1		
4	T151797	WASHER	14		

0111-8

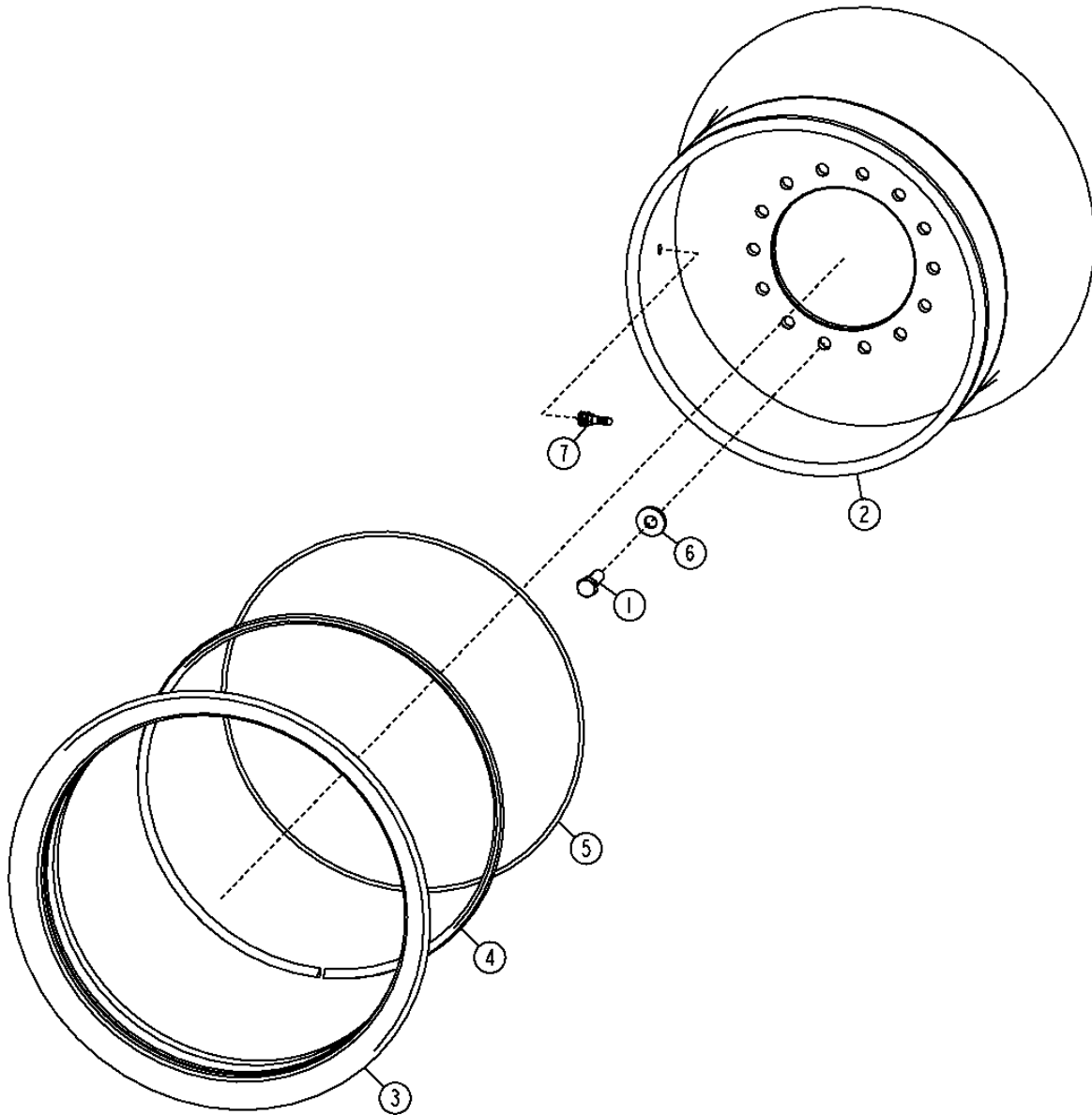
WHEELS & TIRES & TRACKS 01

POWERED WHEELS, RIM 0111

WHEEL (14 IN. X 25 IN.)
ROUE (14 XX 25)
RUEDA (14 XX 25)

TX1048528

-UN-



TX1048528

0111-9

WHEELS & TIRES & TRACKS 01

POWERED WHEELS, RIM 0111

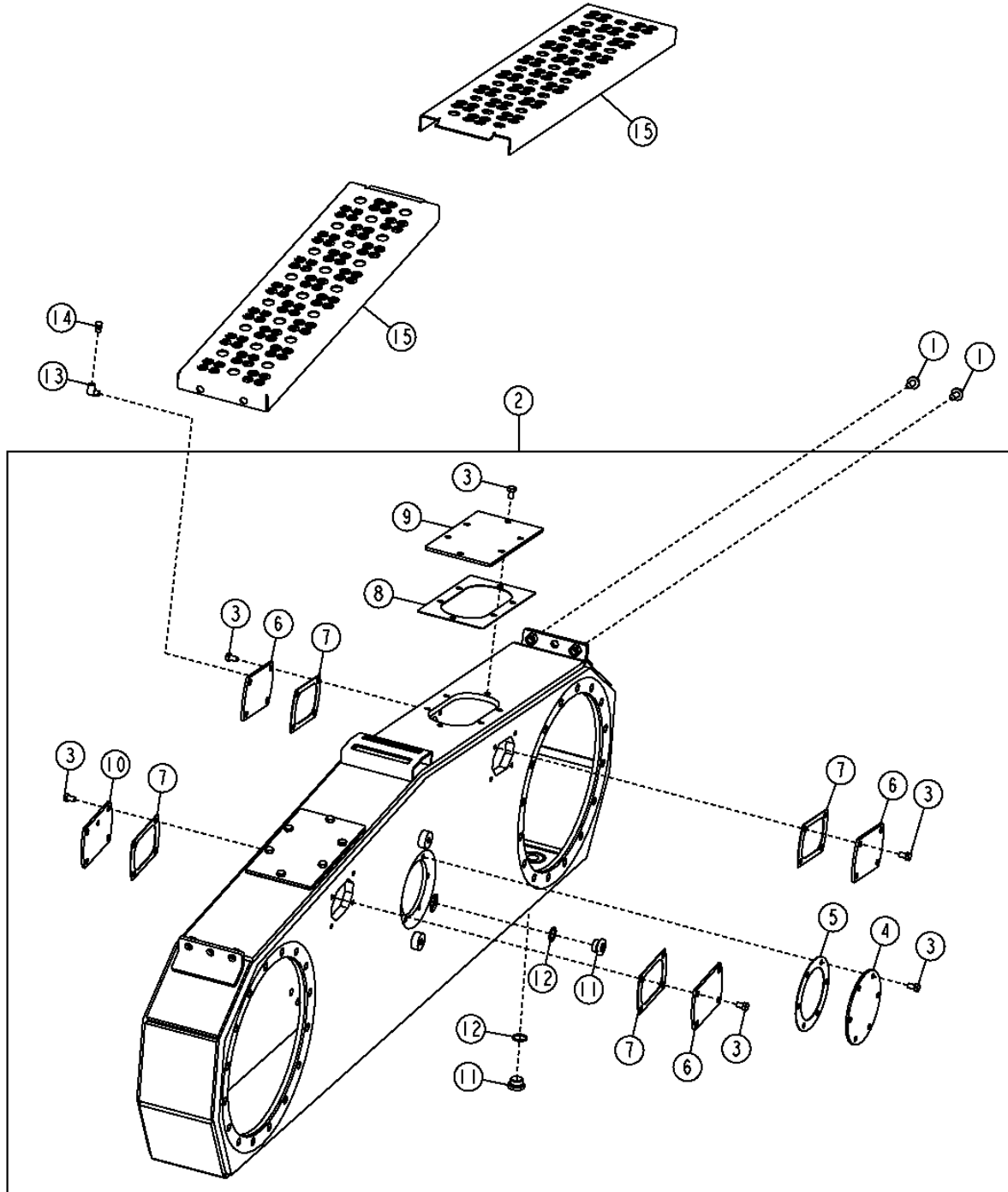
WHEEL (14 IN. X 25 IN.)
ROUE (14 XX 25)
RUEDA (14 XX 25)

KEY	PART NO.	PART NAME	QTY.	SERIAL NO.	REMARKS
1	19H3158	CAP SCREW	14		
2	AT68940	WHEEL	1		(FOR 17.5 X 25 TIRE) (FOR 17.5R25 TIRE)
3	T27193	WHEEL RING	1		
4	T27194	WHEEL RING	1		
5	T59933	O-RING	1		
6	T151797	WASHER	14		
7	AT25226	TIRE VALVE STEM	1		

0201-2

TANDEM HOUSING CARTER TANDEM CAJA DE TANDEM

TX1051757 -UN-01DEC08



TX1051757

0201-3

AXLES AND SUSPENSION SYSTEMS 02
DRIVE AXLE HOUSING AND SUPPORT 0201

**TANDEM HOUSING
CARTER TANDEM
CAJA DE TANDEM**

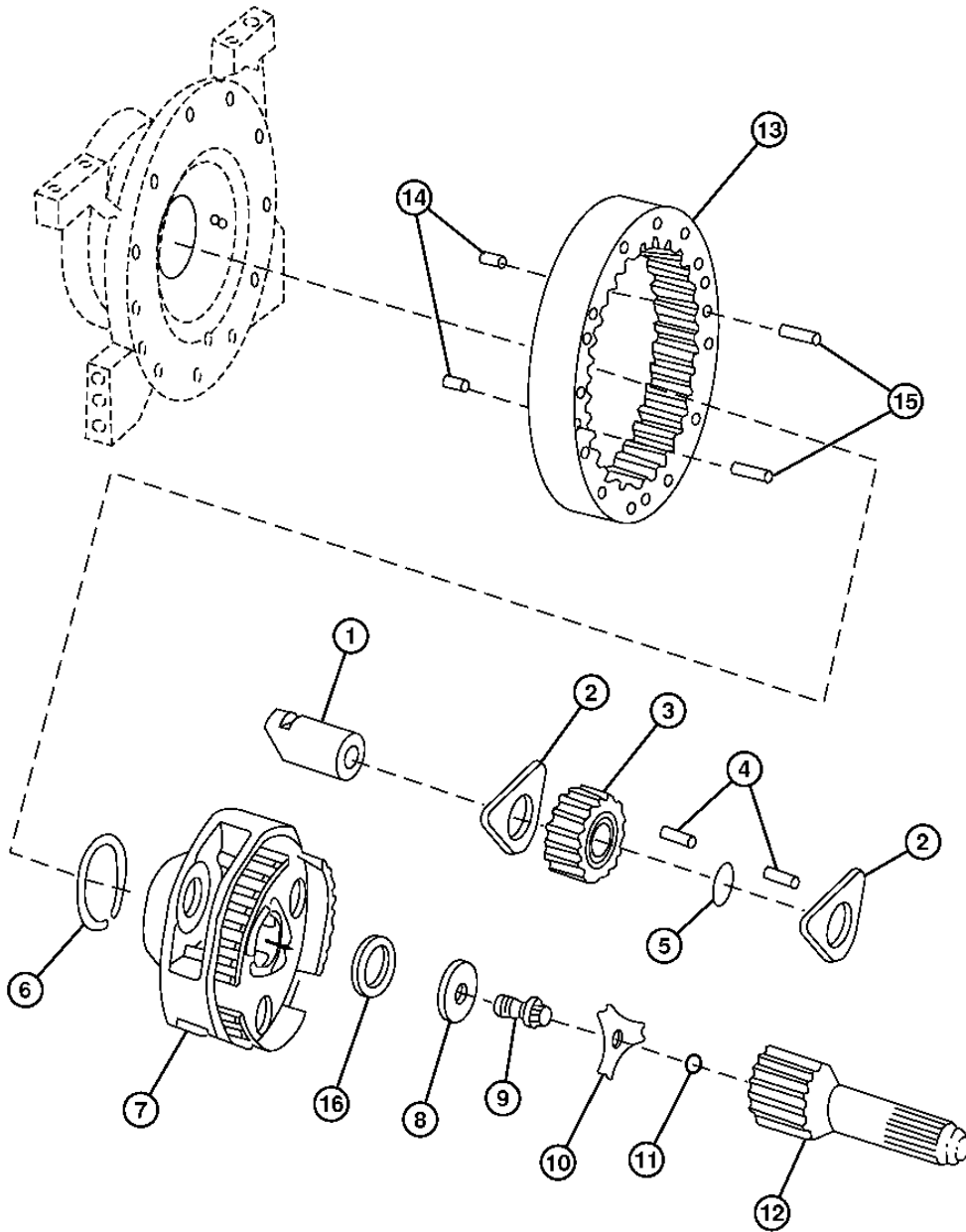
KEY	PART NO.	PART NAME	QTY.	SERIAL NO.	REMARKS
1	19M7788	SCREW	8		M12 X 25
2	AT345242	HOUSING	1		(CA)
3	H150941	CAP SCREW	34		M10 X 16
4	T158338	COVER	1		
5	T158340	GASKET	1		
6	T158509	COVER	3		
7	T158511	GASKET	4		
8	T233898	GASKET	2		
9	T233899	PLATE	2		
10	T251312	COVER	1		
11	T78662	DRAIN PLUG	2		
12	U17409	O-RING	2		
13	T56112	ELBOW FITTING	2		
14	U14273	BREATHER	2		
15	T246935	PLATFORM	4		

0201-4

AXLES AND SUSPENSION SYSTEMS 02
DRIVE AXLE HOUSING AND SUPPORT 0201

TANDEM DRIVE AND PLANETARY
ENTRAÎNEMENT TANDEM ET TRAIN PLANÉTAIRE
MANDO TANDEM Y PLANETARIOS

TX1058258 -UN-



TX1058258

0201-5

AXLES AND SUSPENSION SYSTEMS 02

DRIVE AXLE HOUSING AND SUPPORT 0201

**TANDEM DRIVE AND PLANETARY
ENTRAÎNEMENT TANDEM ET TRAIN PLANÉTAIRE
MANDO TANDEM Y PLANETARIOS**

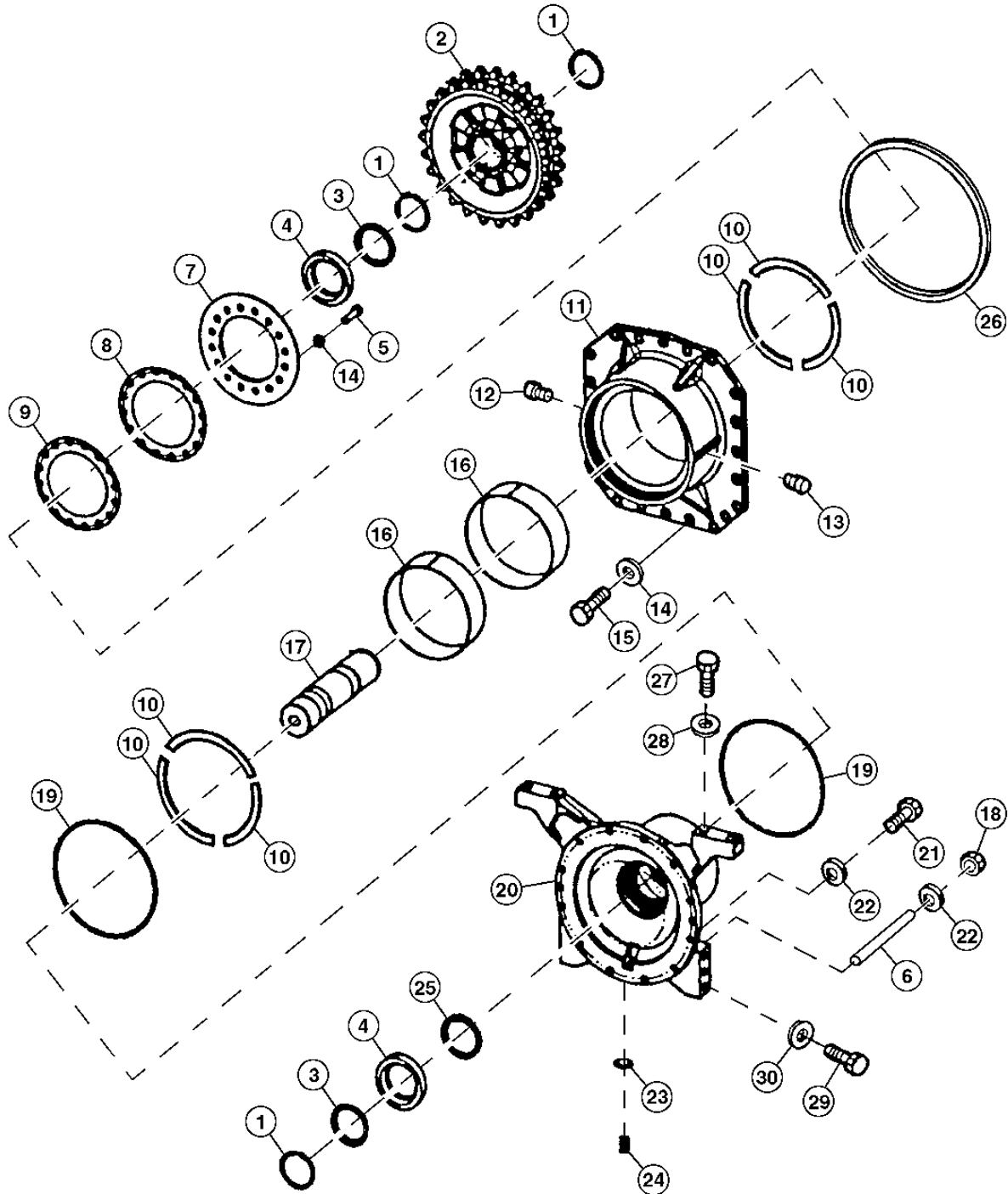
KEY	PART NO.	PART NAME	QTY.	SERIAL NO.	REMARKS
1	R77664	SHAFT	3		
2	R112079	THRUST WASHER	6		
3	R108997	PLANET PINION	3		
4	R63575	NEEDLE ROLLER	144		
5	R71929	WASHER	3		
6	R72430	SNAP RING	1		
7	R131113	PLANET PINION CARRIER	1		
8	R94546	SPACER	1		
9	R81162	BOLT	1		
10	R94545	LOCK PLATE	1		
11	F3171R	O-RING	3		
12	R131114	PINION SHAFT	1		
13	R165474	GEAR	1		
14	R54380	DOWEL PIN	2		
15	R27315	DOWEL PIN	2		
16	R52389	SHIM	1		

0201-6

AXLES AND SUSPENSION SYSTEMS 02
DRIVE AXLE HOUSING AND SUPPORT 0201

FINAL DRIVE AND TANDEM PIVOT REDUCTION FINALE ET PIVOT DE TANDEM MANDO FINAL Y PIVOTE EN TANDEM

TX1057155 -UN-18MAR09



TX1057155

0201-7

AXLES AND SUSPENSION SYSTEMS 02

DRIVE AXLE HOUSING AND SUPPORT 0201

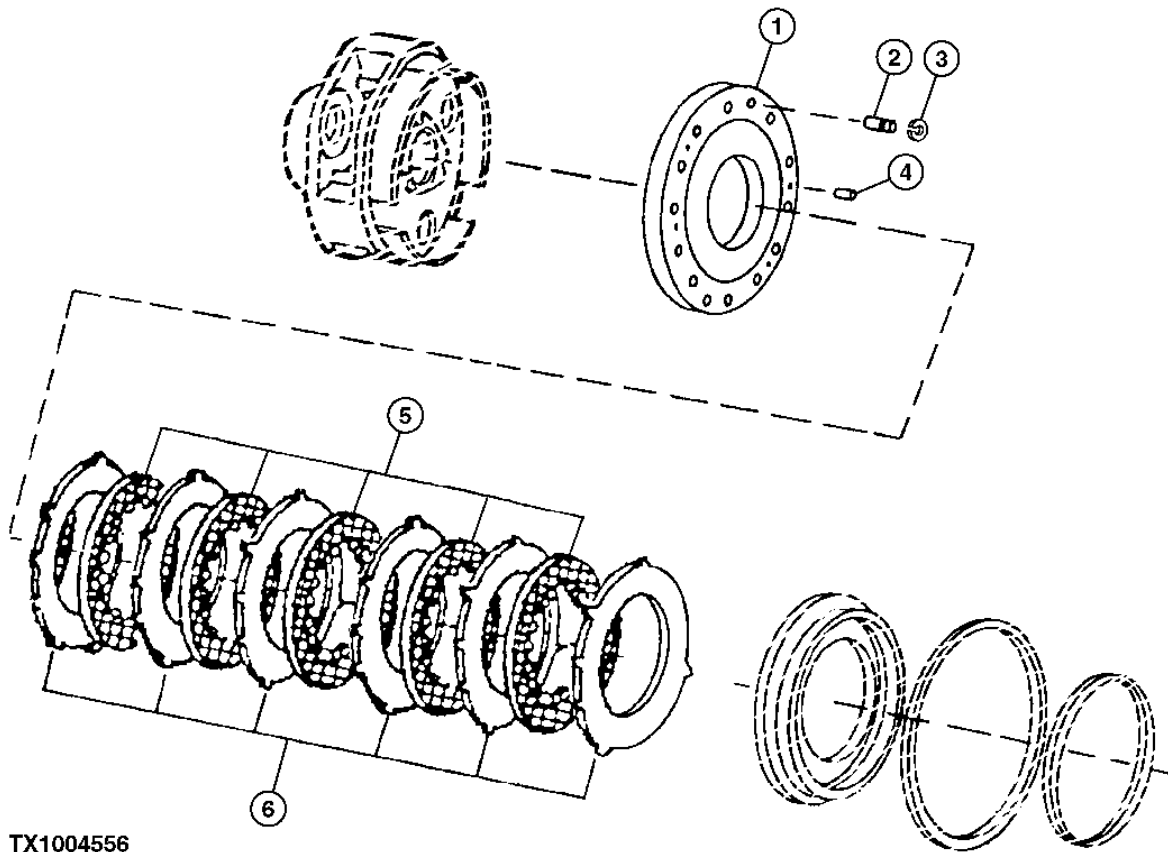
FINAL DRIVE AND TANDEM PIVOT
REDUCTION FINALE ET PIVOT DE TANDEM
MANDO FINAL Y PIVOTE EN TANDEM

KEY	PART NO.	PART NAME	QTY.	SERIAL NO.	REMARKS
1	T157952	SNAP RING	3		
2	T157945	DRIVE SPROCKET	1		
3	JD8989	BEARING CONE	2		
4	JD8272	BEARING CUP	2		
5	19M7417	CAP SCREW	16		M16 X 65
6	T241241	ROD	8		
7	T157944	RETAINER	1		
8	T158335	SHIM	AR		.07 MM
9	T158334	SHIM	AR		.2 MM
10	T215516	THRUST WASHER	6		
11	T157943	PIVOT	1		(TANDEM)
12	T71306	ORIFICE	1		
13	JD7781	LUBRICATION FITTING	1		
14	R135543	WASHER	22		
15	19M7488	CAP SCREW	22		M16 X 40
16	T215515	WEAR RING	2		
17	T157942	DRIVE SHAFT	1		(TANDEM)
18	14M7398	NUT	8		M16
19	T206434	O-RING	2		
20	T229191	HOUSING	1		(FINAL DRIVE AXLE)
21	19M8190	CAP SCREW	12		M16 X 180
22	R135543	WASHER	12		
23	U17409	O-RING	1		
24	T78662	DRAIN PLUG	1		
25	AR75527	SEAL	1		
26	T41677	O-RING	1		
27	19M7889	CAP SCREW	4		M24 X 80
28	24M7294	WASHER	4		
29	19M7892	CAP SCREW	3		M20 X 80
30	24M7242	WASHER	3		

0201-8

SERVICE BRAKES
FREINS DE SERVICE
FRENOS DE SERVICIO

TX1004556 -UN-09MAR06



TX1004556

0201-9

AXLES AND SUSPENSION SYSTEMS 02
DRIVE AXLE HOUSING AND SUPPORT 0201

**SERVICE BRAKES
FREINS DE SERVICE
FRENOS DE SERVICIO**

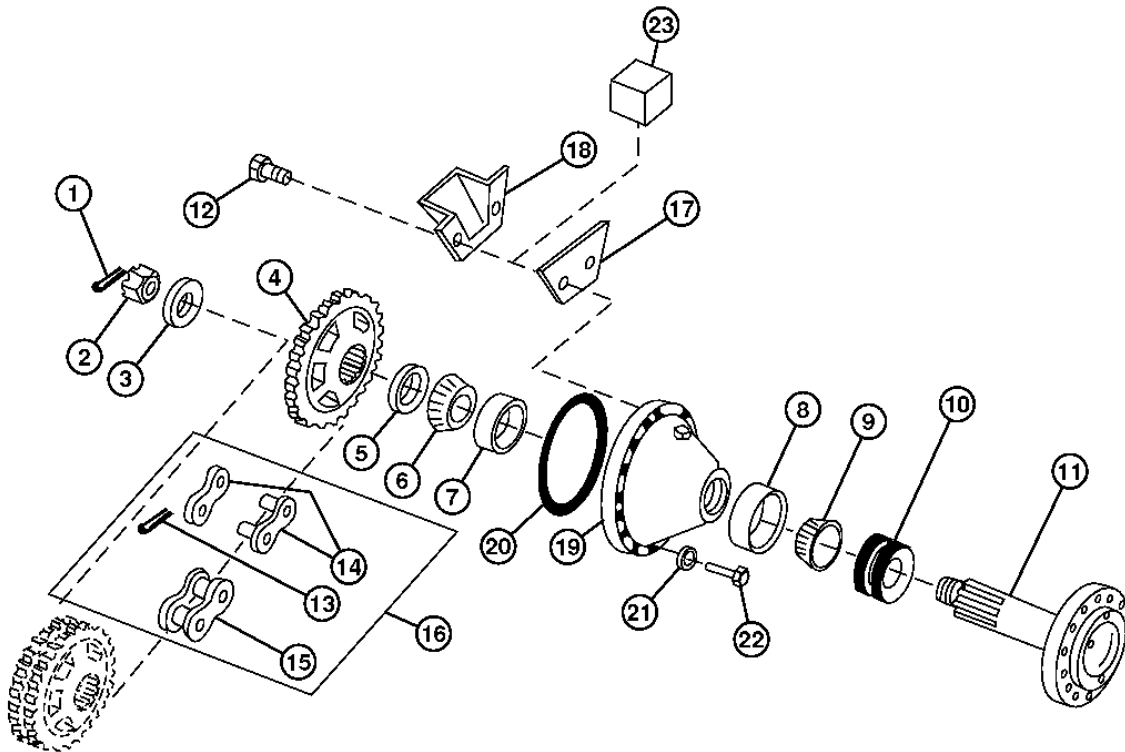
KEY	PART NO.	PART NAME	QTY.	SERIAL NO.	REMARKS
1	R131225	PLATE	1		
2	R129628	DOWEL PIN	2		
3	40M7042	SNAP RING	2		
4	R27315	DOWEL PIN	2		5/8" X 1-1/8"
5	RE65008	BRAKE DISK	5		
6	R150895	PLATE	6		SEPARATOR

0201-10

AXLES AND SUSPENSION SYSTEMS 02
DRIVE AXLE HOUSING AND SUPPORT 0201

AXLE AND DRIVE CHAIN
ESSIEU ET CHAÎNE D'ENTRAÎNEMENT
CADENA DE MANDO Y EJE

TX1058282 -UN-



TX1058282

0201-11

AXLES AND SUSPENSION SYSTEMS 02

DRIVE AXLE HOUSING AND SUPPORT 0201

AXLE AND DRIVE CHAIN ESSIEU ET CHAINE D'ENTRAINEMENT CADENA DE MANDO Y EJE

KEY	PART NO.	PART NAME	QTY.	SERIAL NO.	REMARKS
1	11M7085	COTTER PIN	1		
2	CE19711	NUT	1		
3	T158599	SPACER	1		
4	T158248	CHAIN SPROCKET	1		
5	R48437	SHIM	1		.202 MM (.008")
6	JD9080	BEARING CONE	1		
7	JD9138	BEARING CUP	1		
8	JD9120	BEARING CUP	1		
9	JD8962	BEARING CONE	1		
10	AT362293	SEAL	1		
11	CE19992	HALF AXLE	1		(ALSO ORDER CE19711)
12	19M7300	CAP SCREW	1		M6 X 10
13	11M7021	COTTER PIN	2		4 X 25 MM
14	AT334299	LINK	4		(CONNECTING)
15	AT44583	CHAIN LINK	AR		(ROLLER)
16	AT334298	ROLLER CHAIN	1		
17	T159985	PLATE	1		(USE ON FRONT AXLE ONLY)
18	T159984	OIL CUP	1		(USE ON REAR AXLE ONLY)
19	T158249	HOUSING	1		
20	T158339	O-RING	1		
21	R135543	WASHER	16		
22	19M7489	CAP SCREW	16		
23	KV26460	MAGNET	4		

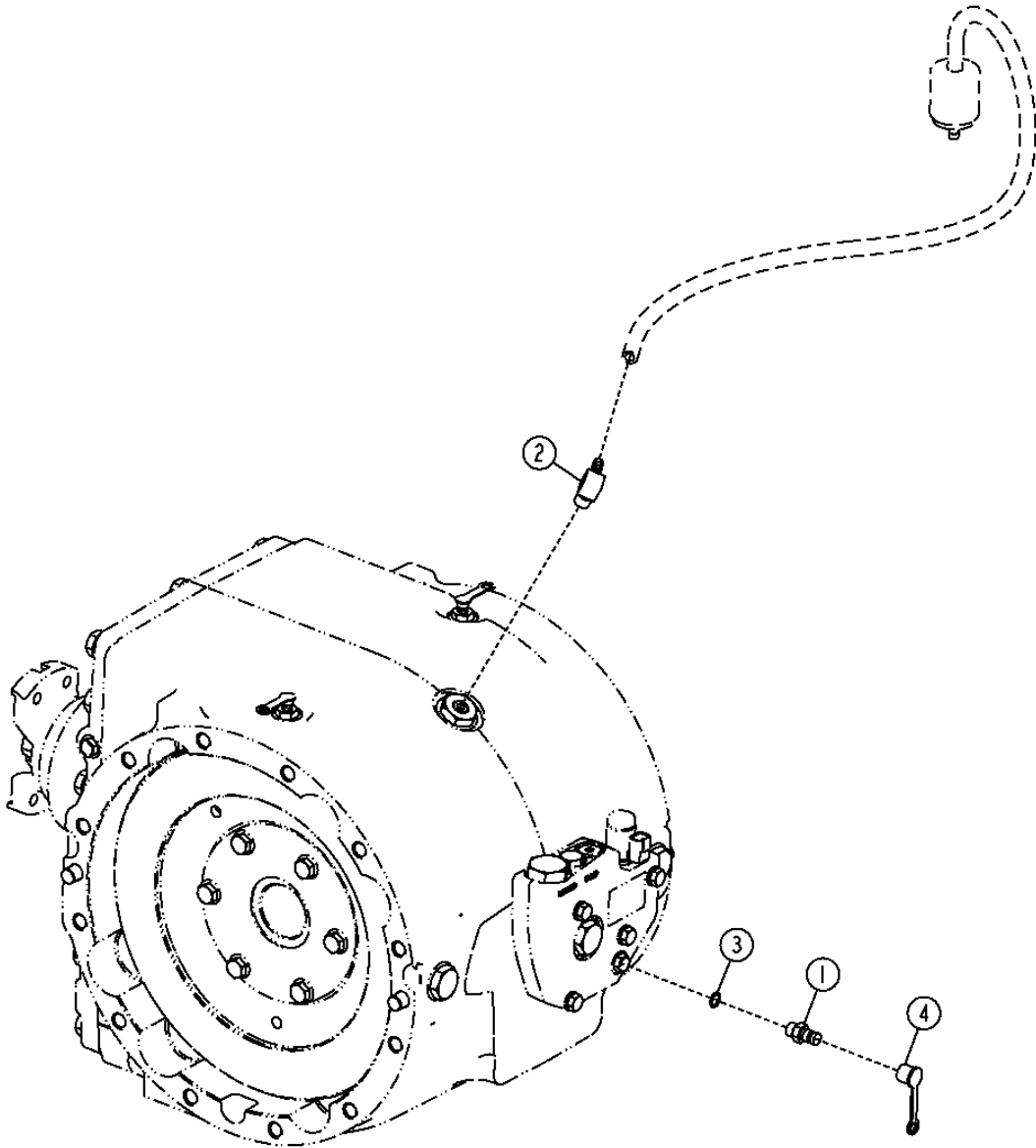
0201-12

AXLES AND SUSPENSION SYSTEMS 02
DRIVE AXLE HOUSING AND SUPPORT 0201

DIFFERENTIAL FITTINGS
RACCORDS DE DIFFERENTIEL
ADAPTADORES DEL DIFERENCIAL

TX1051765

-UN-25NOV08



TX1051765

0201-13

AXLES AND SUSPENSION SYSTEMS 02
DRIVE AXLE HOUSING AND SUPPORT 0201

**DIFFERENTIAL FITTINGS
RACCORDS DE DIFFERENTIEL
ADAPTADORES DEL DIFERENCIAL**

KEY	PART NO.	PART NAME	QTY.	SERIAL NO.	REMARKS
1	AH125760	HYD. QUICK-CONNECT COUPLER	1		
2	R132115	ELBOW FITTING	1		
3	R26448	O-RING	1		
4	R77175	COVER	1		

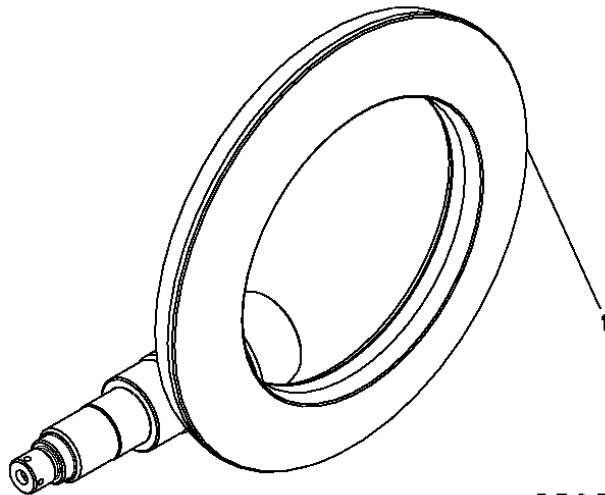
0210-2

AXLES AND SUSPENSION SYSTEMS 02

DIFFERENTIAL OR BEVEL DRIVE 0210

SPIRAL BEVEL ASSEMBLY 4.364 (RE35708)
ENSEMBLE DE PIGNONS CONIQUES 4.364 (RE35708)
CONJUNTO DE PINON CONICO 4.364 (RE35708)

RE35708PCD -UN-03NOV08



RE35708PCD

0210-3

AXLES AND SUSPENSION SYSTEMS 02
DIFFERENTIAL OR BEVEL DRIVE 0210

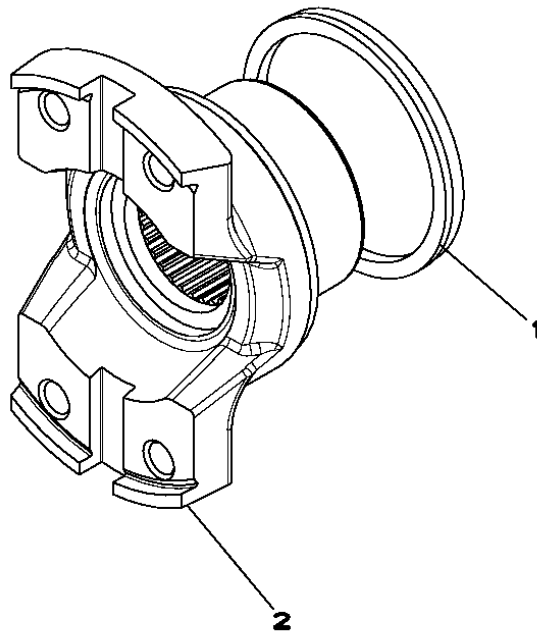
<i>KEY</i>	<i>PART NO.</i>	<i>PART NAME</i>	<i>QTY.</i>	<i>SERIAL NO.</i>	<i>REMARKS</i>
1	YZ120662	RING GEAR AND PINION	1		

0210-4

AXLES AND SUSPENSION SYSTEMS 02

DIFFERENTIAL OR BEVEL DRIVE 0210

INPUT YOKE 7C (RE35714)
CHAPE D'ENTREE (RE35714)
HORQUILLA DE ENTRADA (RE35714)
RE35714APCD -UN-03NOV08



RE35714APCD

0210-5

AXLES AND SUSPENSION SYSTEMS 02
DIFFERENTIAL OR BEVEL DRIVE 0210

KEY	PART NO.	PART NAME	QTY.	SERIAL NO.	REMARKS
1	R100500	SEAL	1		
2	R107600	UNIVERSAL JOINT YOKE	1		

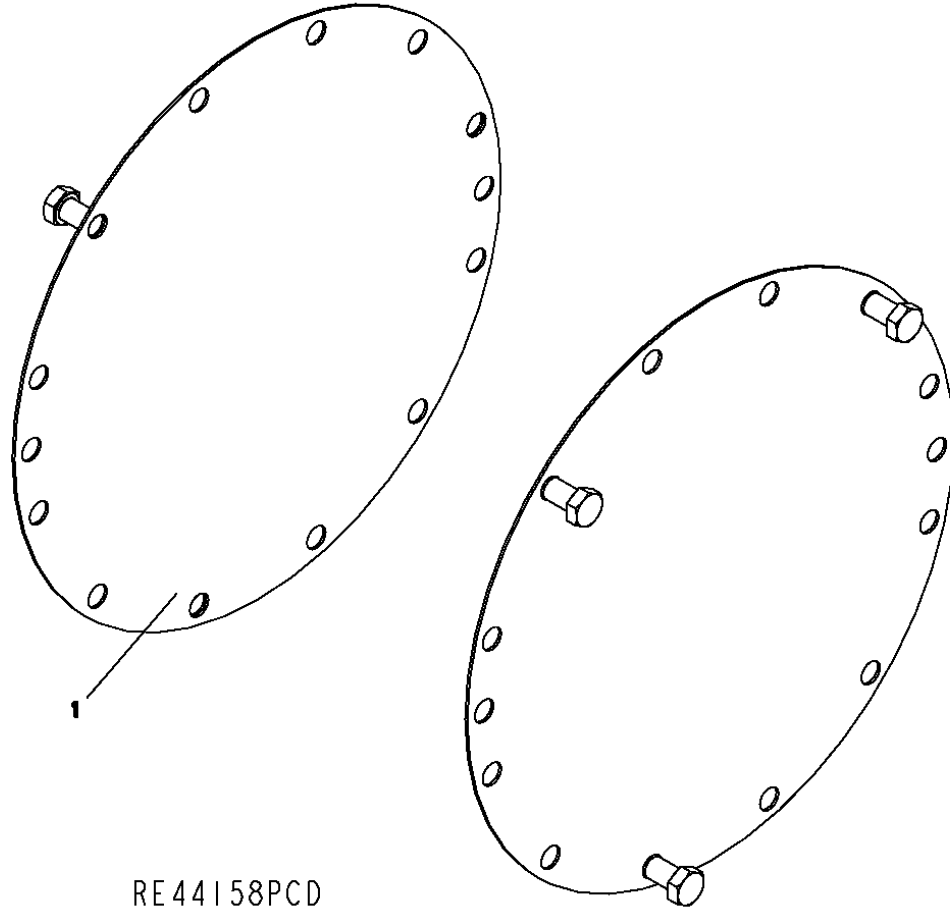
0210-6

AXLES AND SUSPENSION SYSTEMS 02

DIFFERENTIAL OR BEVEL DRIVE 0210

AXLE HOUSING AND SHAFT (RE44158)
CORPS DE PONT ET ARBRE (RE44158)
CARCASA DEL EJE Y EJE (RE44158)

RE44158PCD -UN-03NOV08



RE44158PCD

0210-7

AXLES AND SUSPENSION SYSTEMS 02
DIFFERENTIAL OR BEVEL DRIVE 0210

<i>KEY</i>	<i>PART NO.</i>	<i>PART NAME</i>	<i>QTY.</i>	<i>SERIAL NO.</i>	<i>REMARKS</i>
1	19M7394	CAP SCREW	6		M16 X 25

0210-8

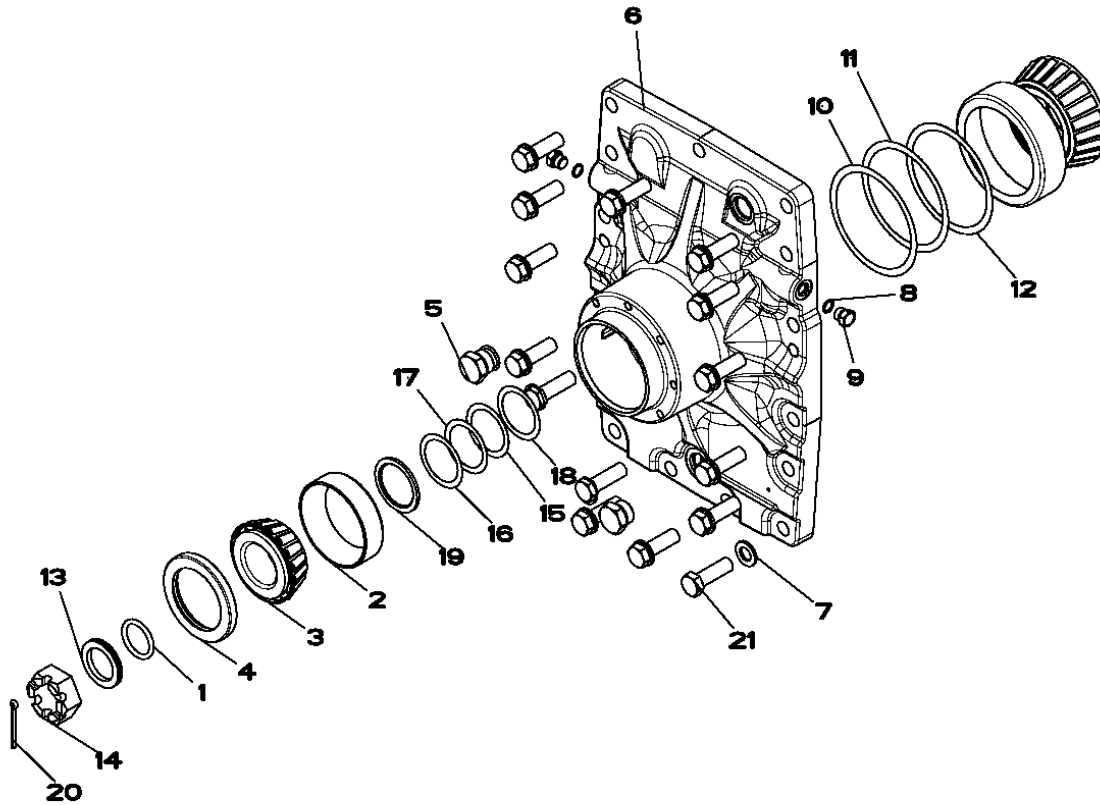
AXLES AND SUSPENSION SYSTEMS 02

DIFFERENTIAL OR BEVEL DRIVE 0210

INPUT HOUSING WITH PARK BRAKE COVER (RE46977)

RE46977PCD

-UN-03NOV08



RE46977PCD

0210-9

AXLES AND SUSPENSION SYSTEMS 02

DIFFERENTIAL OR BEVEL DRIVE 0210

KEY	PART NO.	PART NAME	QTY.	SERIAL NO.	REMARKS
1	A4540R	O-RING	1		
2	JD8255	BEARING CUP	1		
3	JD9078	BEARING CONE	1		
4	RE33887	SEAL	1		
5	RE58664	FITTING	2		
6	R126117	COVER	1		
7	R135543	WASHER	15		
8	R26448	O-RING	2		
9	R27218	FITTING PLUG	2		
10	R35365	SHIM	2		
11	R35366	SHIM	2		
12	R35367	SHIM	1		
13	YZ120167	WASHER	1		
14	R48776	NUT	1		
15	R51196	SHIM	1		0.178 MM
16	R51197	SHIM	1		0.254 MM
17	R51198	SHIM	1		0.305 MM
18	R51199	SHIM	1		0.381 MM
19	R56308	WASHER	1		
20	11M7032	COTTER PIN	1		
21	19M7409	CAP SCREW	15		

0210-10

AXLES AND SUSPENSION SYSTEMS 02

DIFFERENTIAL OR BEVEL DRIVE 0210

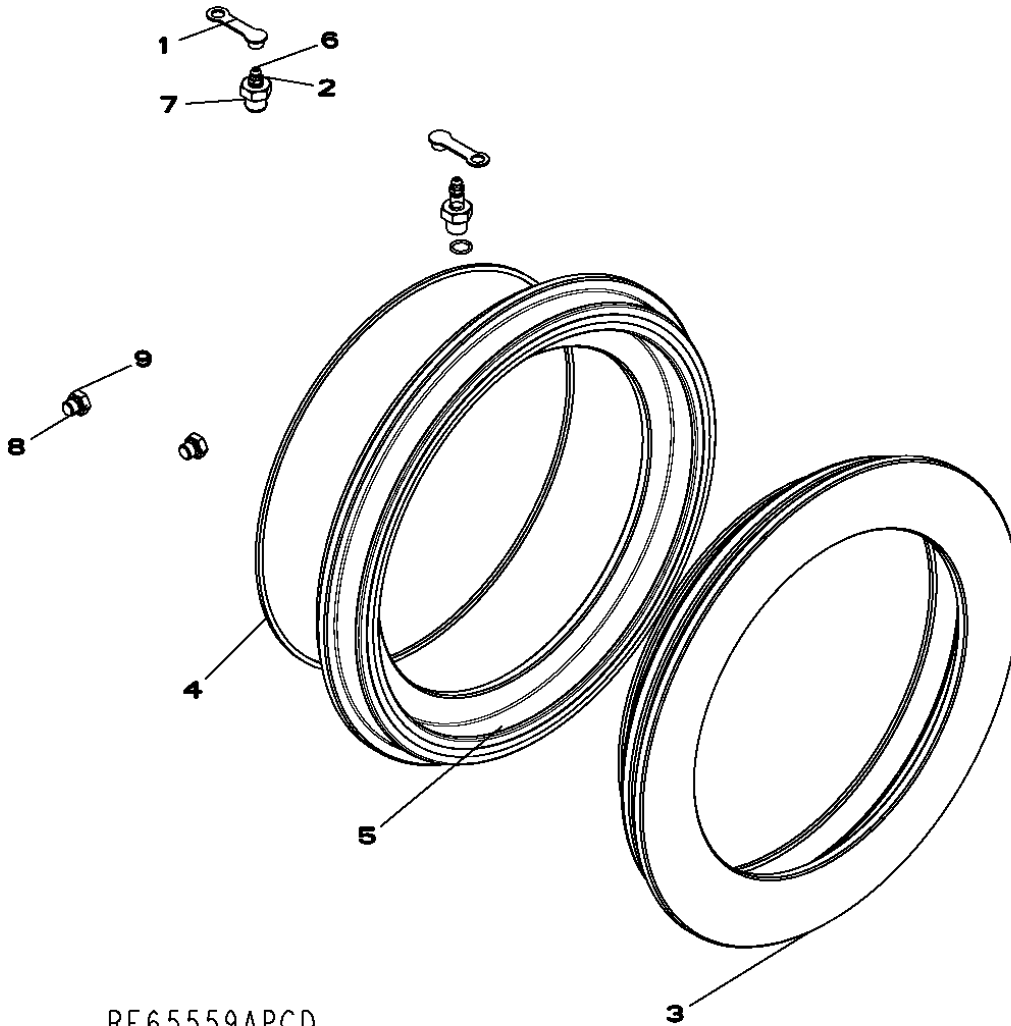
BRAKE ASSEMBLY WITHOUT FINAL DRIVE (RE65559)

FREINS - ELEMENTS

CONJUNTO DE FRENO MONTADO

RE65559APCD

-UN-03NOV08



RE65559APCD

0210-11

AXLES AND SUSPENSION SYSTEMS 02
DIFFERENTIAL OR BEVEL DRIVE 0210

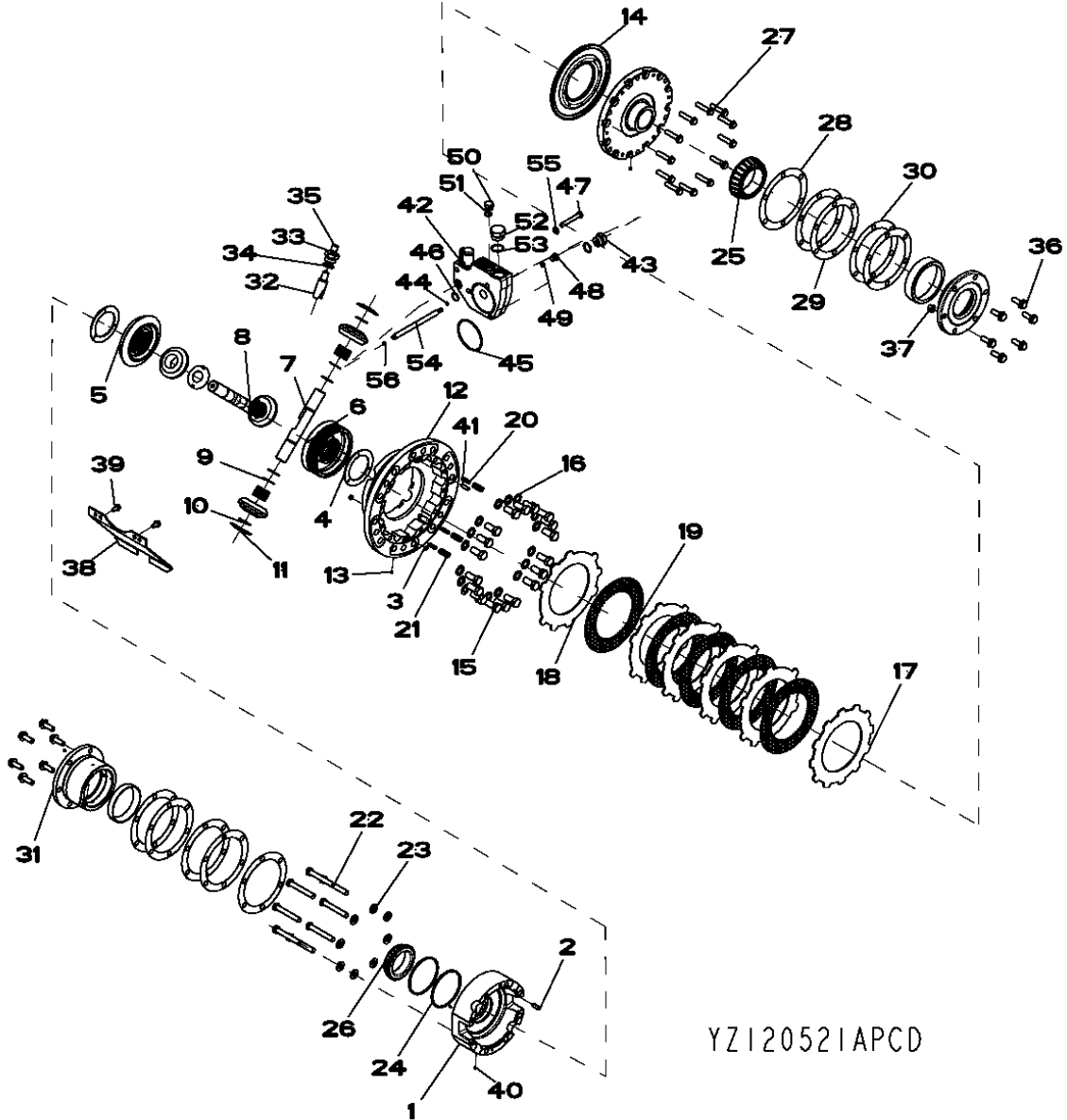
KEY	PART NO.	PART NAME	QTY.	SERIAL NO.	REMARKS
1	YZ120455	PLUG	2		
2	R106789	PIPE BUSHING	2		
3	R129458	PISTON	2		
4	R131477	SEAL	2		
5	R131478	SEAL	2		
6	R21612	BLEED VALVE	2		
7	R26448	O-RING	2		
8	R28782	O-RING	2		
9	R51031	FITTING	2		

0210-12

DIFFERENTIAL LOCK W. VALVE LOW PRESSURE (YZ120521)

BLOQUEO DEL DIFERENCIAL CON VALVULA (YZ120521)

YZ120521APCD -UN-25NOV08



YZ120521APCD

0210-13

AXLES AND SUSPENSION SYSTEMS 02
DIFFERENTIAL OR BEVEL DRIVE 0210

KEY	PART NO.	PART NAME	QTY.	SERIAL NO.	REMARKS
1	34H171	SPRING PIN	1		
	YZ120690	HOUSING	1		
2	34H348	SPRING PIN	1		
3	R60038	PACKING	2		
4	R93623	THRUST WASHER	2		
5	YZ121133	BEVEL GEAR	1		
6	YZ121134	BEVEL GEAR	1		
7	R70111	PINION SHAFT	2		
8	YZ120471	RING	4		
9	R70113	THRUST WASHER	4		
10	R70112	THRUST WASHER	4		
11	R59460	THRUST WASHER	4		
12	YZ120913	HOUSING	1		
13	400R	BALL	2		
14	R95116	PISTON	1		
15	19H3718	CAP SCREW	18		
16	R85226	WASHER	18		
17	R34857	CLUTCH PLATE	1		
18	R34858	CLUTCH PLATE	5		
19	RE53823	DISK	5		
20	34H328	SPRING PIN	3		
21	YZ120398	COMPRESSION SPRING	3		
22	19H2668	CAP SCREW	8		
23	24H1111	WASHER	8		
24	R34513	RING	2		
25	JD9601	BEARING CONE	1		
26	JD8159	BEARING CONE	1		
27	R116214	SELF-LOCKING SCREW	12		
28	R46323	SHIM	2		0.076 MM
29	R46324	SHIM	4		0.127 MM
30	R46325	SHIM	4		0.254 MM
31	YZ120507	BEARING HOUSING W/O BEARING	1		
32	R132574	STRUCTURAL TUBING	1		
33	R112210	ADAPTER FITTING	1		
34	U17409	O-RING	1		
35	15H563	PIPE PLUG	1		
36	R120194	CAP SCREW	12		
37	14M7295	NUT	2		
38	R130036	DEFLECTOR	1		
39	T106596	SCREW	2		
40	H871R	BALL	2		
41	34M7224	SPRING PIN	1		
42	YZ120442	HOUSING	1		
43	RE58664	FITTING	1		
44	F37010010	O-RING	1		
45	F37020153	O-RING	1		
46	F37010020	O-RING	1		
47	19M7328	CAP SCREW	4		
48	R27218	FITTING PLUG	1		
49	R26448	O-RING	1		
50	R39112	FITTING	1		
51	R26375	O-RING	1		
52	R36636	FITTING PLUG	1		
53	R29936	O-RING	1		
54	YZ120826	OIL LINE	1		
55	24M7028	WASHER	4		
56	R26287	O-RING	1		

0210-14

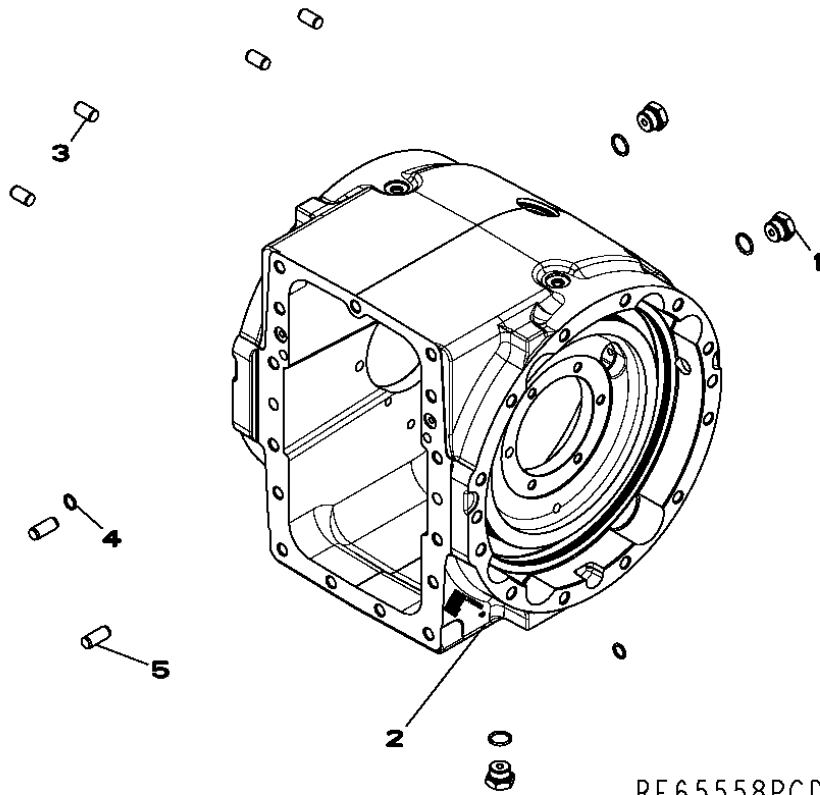
AXLES AND SUSPENSION SYSTEMS 02

DIFFERENTIAL OR BEVEL DRIVE 0210

MULTIPLE DISK BRAKE DIFF CASE (RE65558)

RE65558PCD

-UN-04NOV08



RE65558PCD

0210-15

AXLES AND SUSPENSION SYSTEMS 02

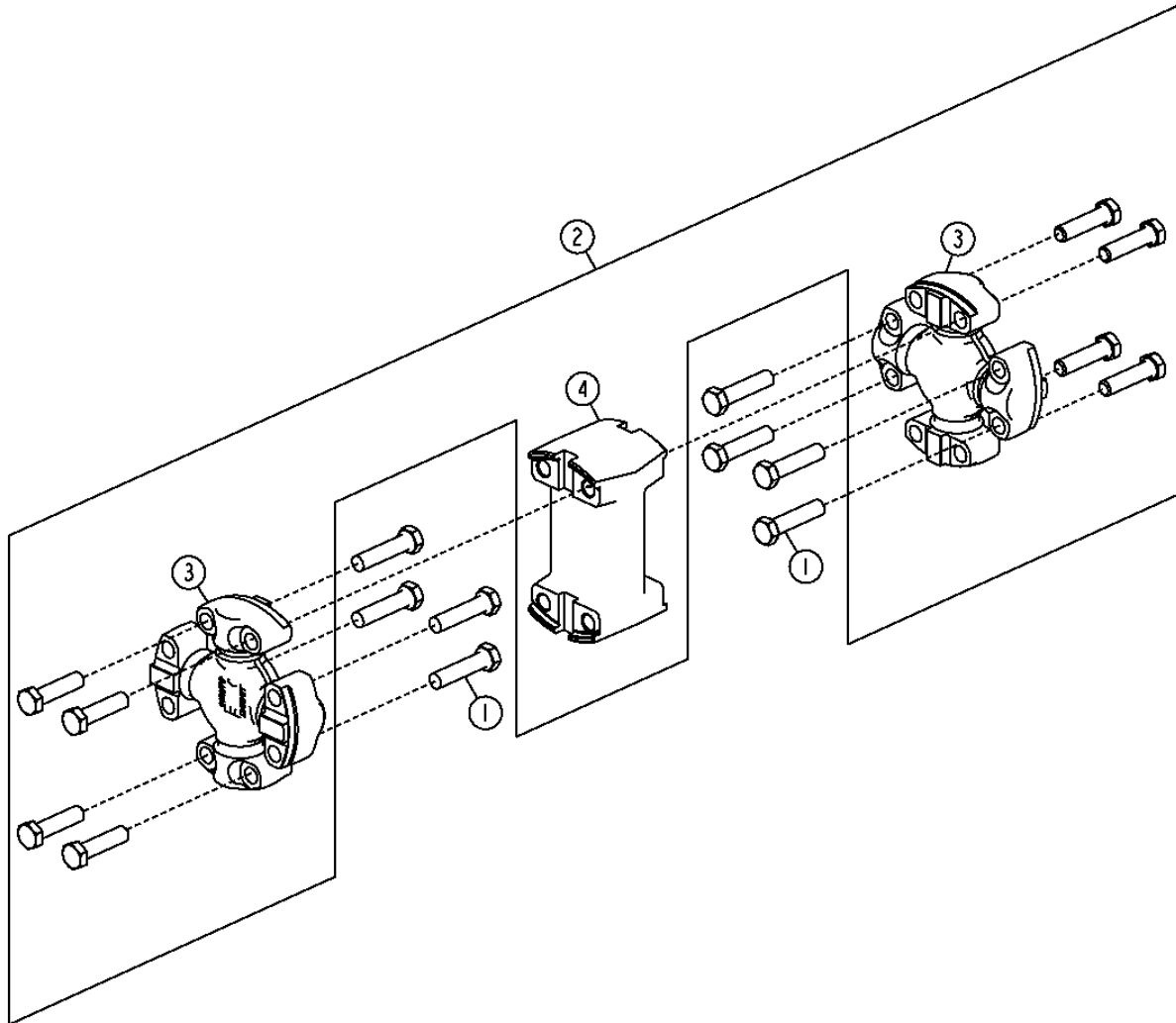
DIFFERENTIAL OR BEVEL DRIVE 0210

KEY	PART NO.	PART NAME	QTY.	SERIAL NO.	REMARKS
1	RE58664	FITTING	4		
2	YZ120522	CASE	1		
3	R27315	DOWEL PIN	4		
4	R375R	O-RING	2		
5	R54380	DOWEL PIN	2		

0225-2

DRIVESHAFT
ARBRE D'ENTRAINEMENT
EJE DE TRANSMISION

TX1048682 -UN-15SEP08



TX1048682

0225-3

AXLES AND SUSPENSION SYSTEMS 02
INPUT DRIVE SHAFTS AND U-JOINTS 0225

**DRIVESHAFT
ARBRE D'ENTRAINEMENT
EJE DE TRANSMISION**

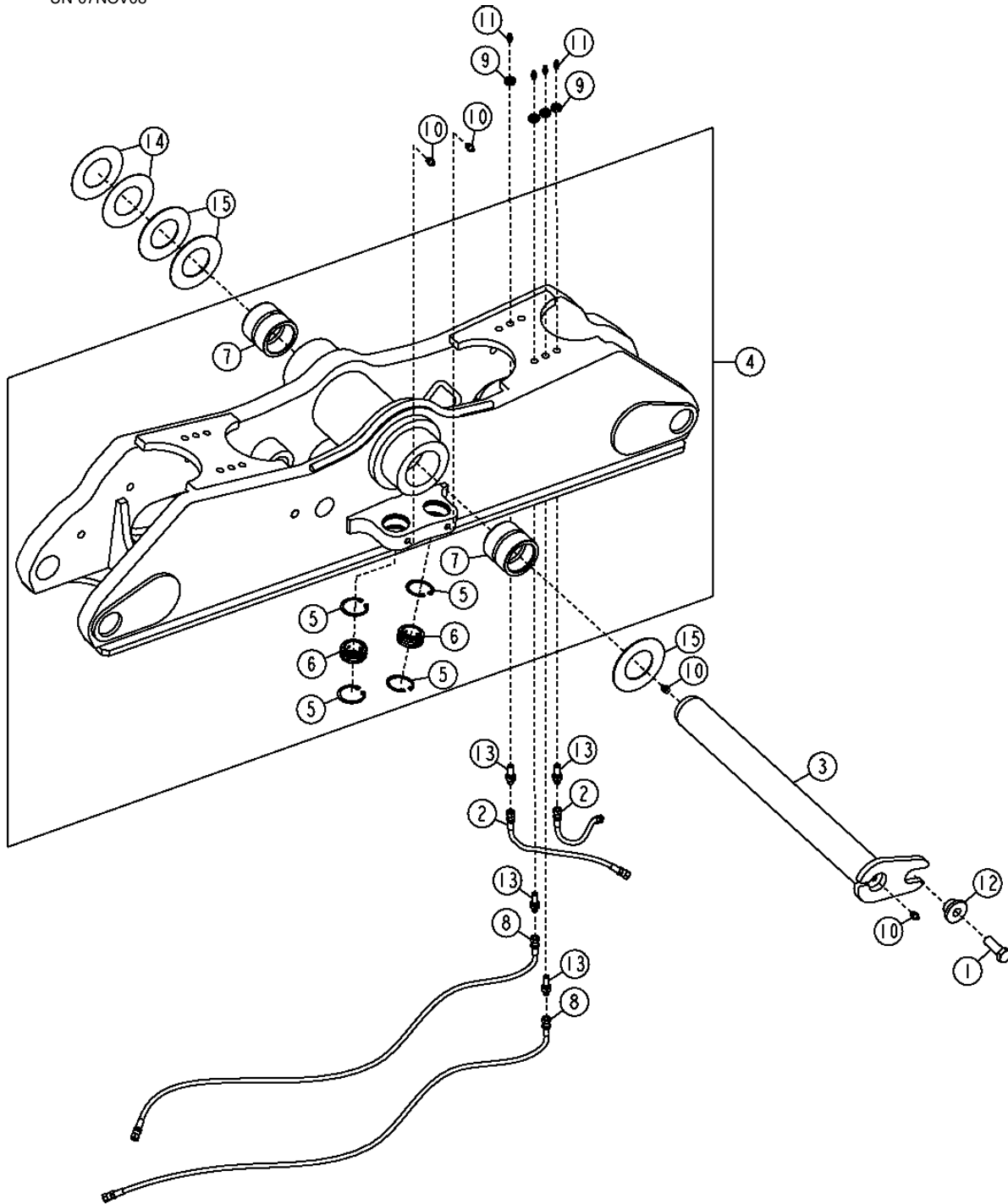
KEY	PART NO.	PART NAME	QTY.	SERIAL NO.	REMARKS
1	19H3752	CAP SCREW	8		1/2" X 2-1/8"
2	AT199661	UNIVERSAL DRIVESHAFT	1		
3	AT199084	CROSS AND BEARING ASSEMBLY	2		
4	T191021	YOKE	1		

0240-2

FRONT AXLE AND MOUNTING PIN ESSIEU AVANT ET AXE DE MONTAGE EJE DELANTERO Y PASADOR DE MONTAJE

TX1050974

-UN-07NOV08



TX1050974

0240-3

AXLES AND SUSPENSION SYSTEMS 02

POWERED WHEEL AXLE 0240

**FRONT AXLE AND MOUNTING PIN
ESSIEU AVANT ET AXE DE MONTAGE
EJE DELANTERO Y PASADOR DE MONTAJE (672D)**

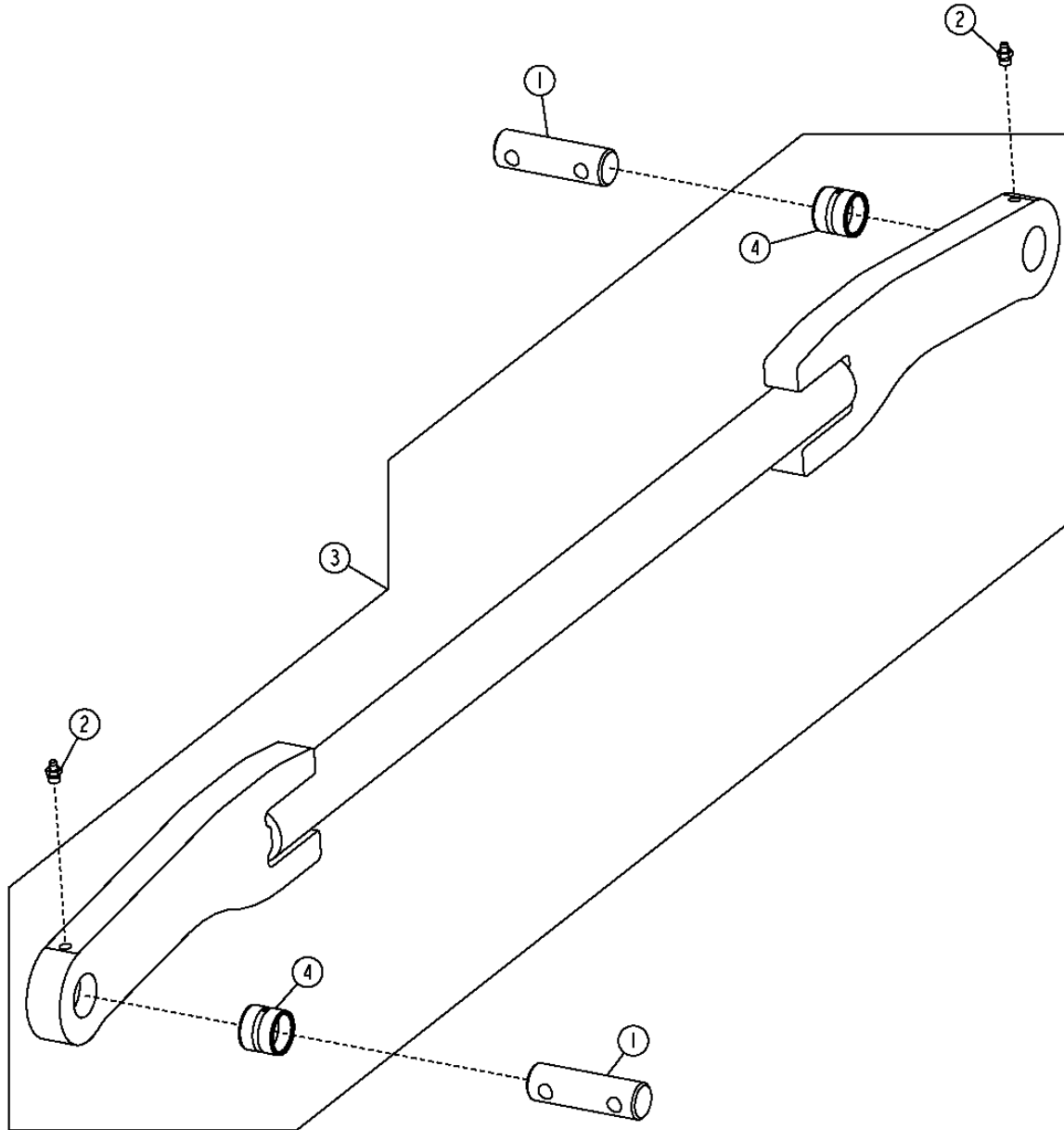
KEY	PART NO.	PART NAME	QTY.	SERIAL NO.	REMARKS
1	19M7489	CAP SCREW	1		M16 X 45
2	AT194405	HYDRAULIC HOSE	2		
3	AT345331	PIN	1		
4	AT345539	AXLE	1		
5	40M1863	SNAP RING	4		
6	AT101224	BUSHING	2		
7	T205219	BUSHING	2		
8	AT57326	HYDRAULIC HOSE	2		
9	E12379	NUT	2		
10	JD7759	LUBRICATION FITTING	4		
11	JD7797	LUBRICATION FITTING	4		
12	T176064	BUSHING	1		
13	T252675	ADAPTER FITTING	4		
14	T253341	WASHER	2		
15	T253342	WASHER	3		

0240-4

WHEEL LEAN BAR
BARRE D'INCLINAISON DES ROUES
BARRA DE INCLINACION DE RUEDAS

T145721

-UN-23OCT01



T145721

THIS PARTS LISTING IS CONTINUED

0240-5

AXLES AND SUSPENSION SYSTEMS 02

POWERED WHEEL AXLE 0240

**WHEEL LEAN BAR
BARRE D'INCLINAISON DES ROUES
BARRA DE INCLINACION DE RUEDAS**

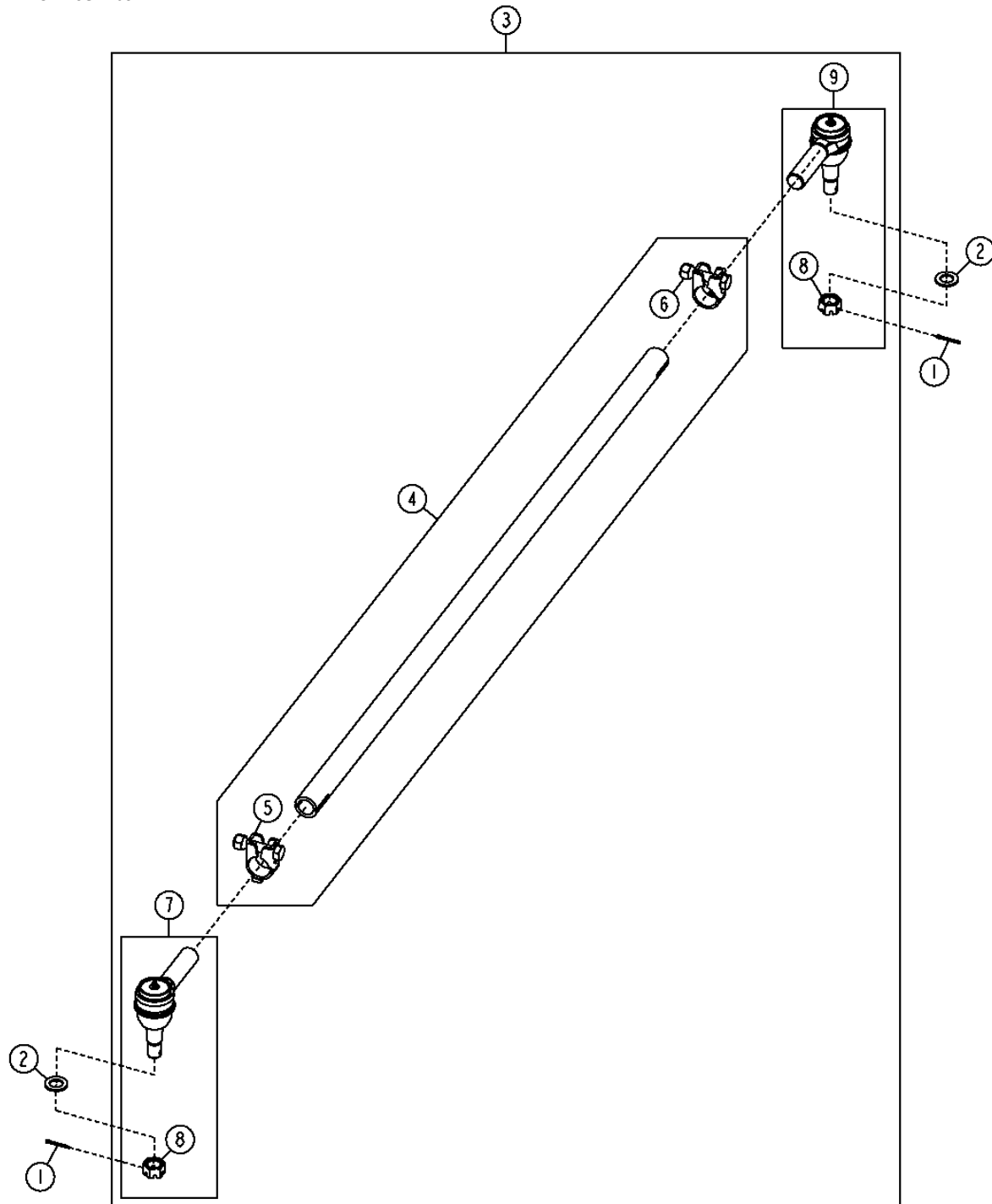
KEY	PART NO.	PART NAME	QTY.	SERIAL NO.	REMARKS
1	T187561	PIN	2		
2	JD7759	LUBRICATION FITTING	2		
3	AT195880	LINK	1		LEAN BAR
4	T187566	BUSHING	2		

0240-6

FRONT AXLE TIE ROD BARRE D'ACCOUPLMENT DE L'ESSIEU AVANT BARRA DE ACOPLAMIENTO DE EJE DELANTERO

TX1048692

-UN-15SEP08



TX1048692

THIS PARTS LISTING IS CONTINUED

0240-7

AXLES AND SUSPENSION SYSTEMS 02

POWERED WHEEL AXLE 0240

**FRONT AXLE TIE ROD
BARRE D'ACCOUPLMENT DE L'ESSIEU AVANT
BARRA DE ACOPLAMIENTO DE EJE DELANTERO**

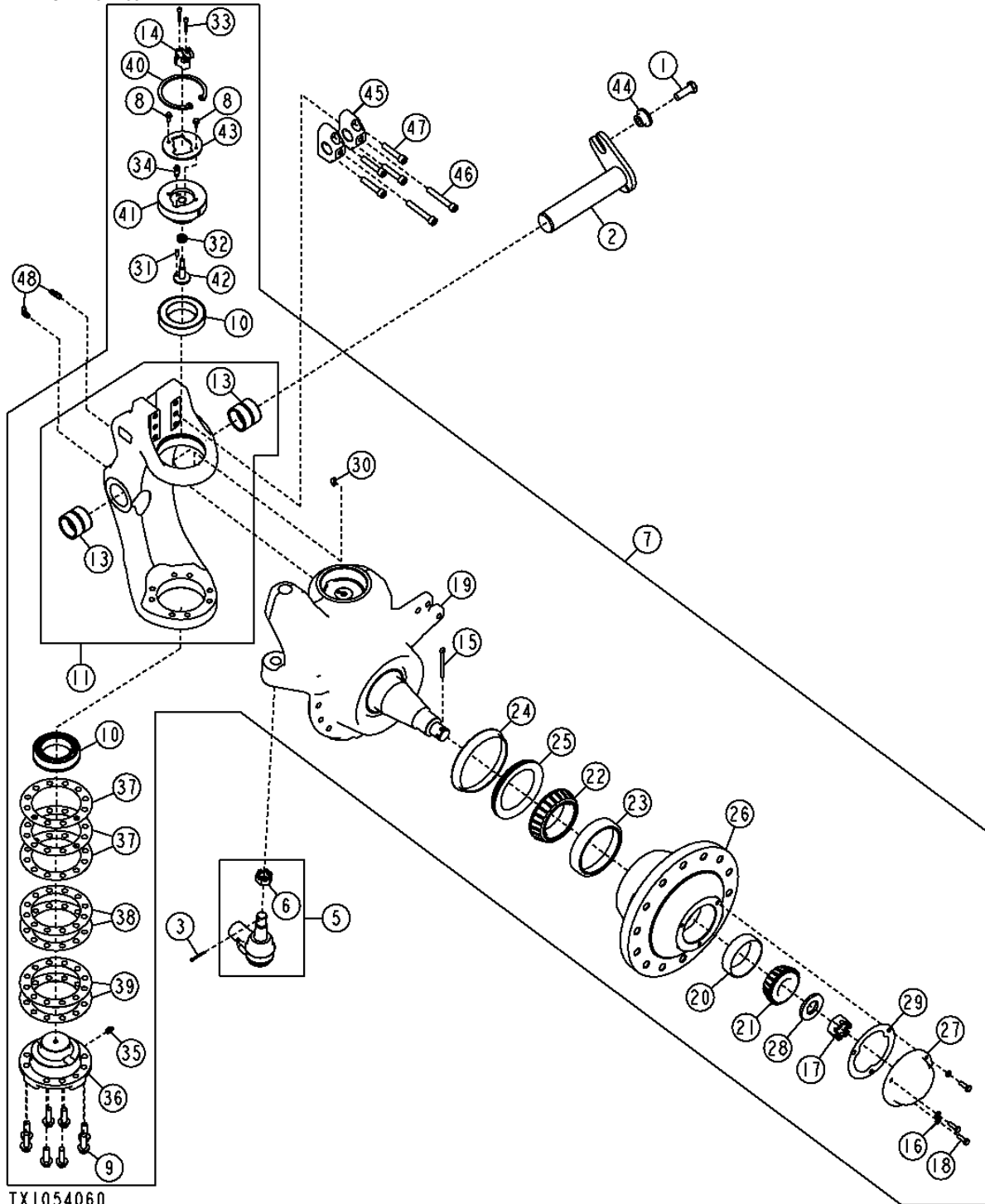
KEY	PART NO.	PART NAME	QTY.	SERIAL NO.	REMARKS
1	11M7023	COTTER PIN	2		4 X 32 MM
2	24M7359	WASHER	2		23 X 39 X 3 MM
3	AT345656	TIE ROD ASSEMBLY	1		
4	AT336461	TURNBUCKLE	1		
5	AT191299	CLAMP	1		(RH)
6	AT191739	CLAMP	1		(LH)
7	AT349128	TIE ROD END	1		(RH)
8	14H875	NUT	2		
9	AT349129	TIE ROD END	1		(LH)

0240-8

FRONT WHEEL HUB (RIGHT) MOYEU DE ROUE (DROIT) CUBO DE LA RUEDA (DERECHO)

TX1054060

-UN-14JAN09



TX1054060

THIS PARTS LISTING IS CONTINUED

0240-9

AXLES AND SUSPENSION SYSTEMS 02

POWERED WHEEL AXLE 0240

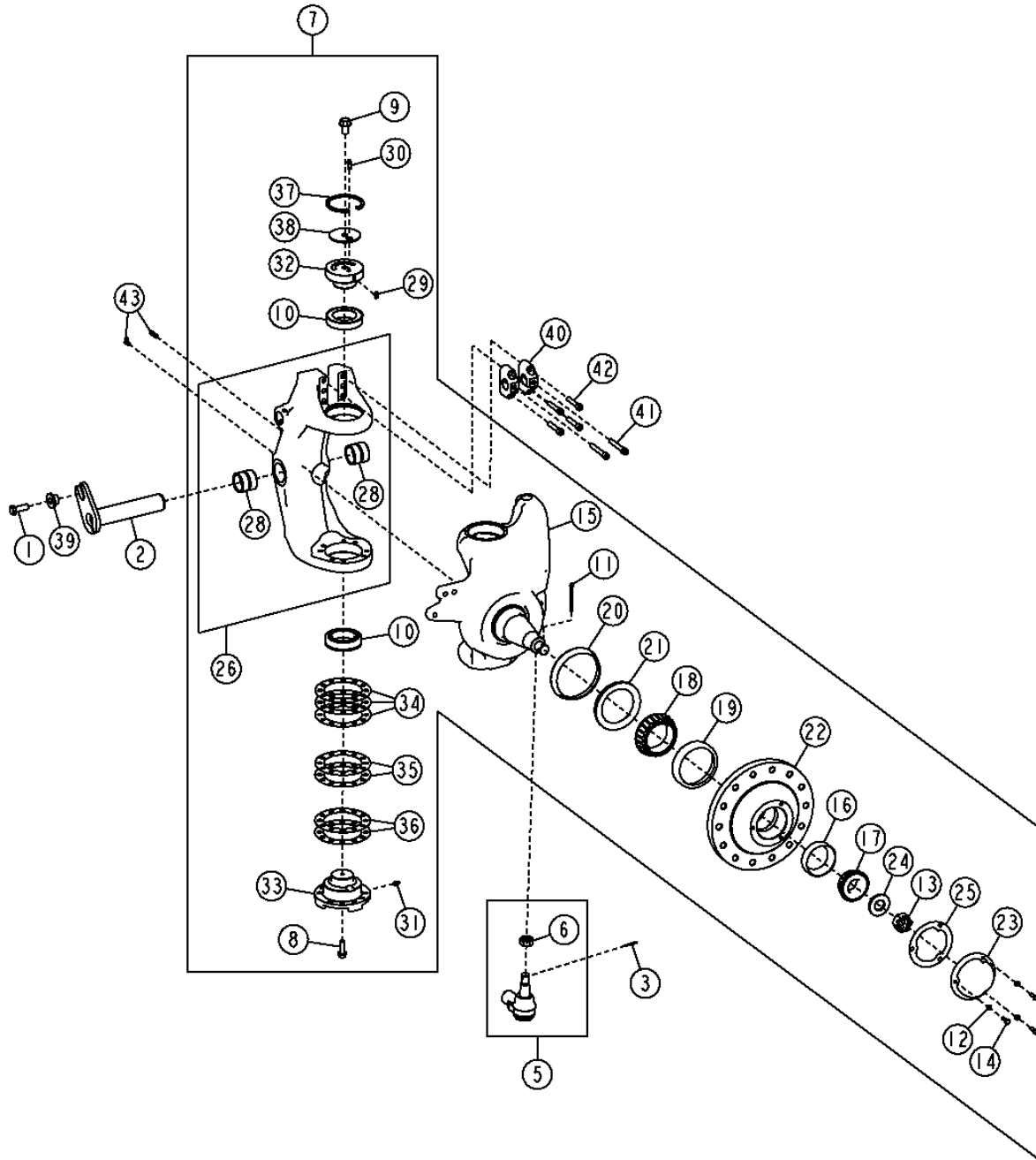
**FRONT WHEEL HUB (RIGHT)
MOYEU DE LA ROUE AVANT (DROIT)
CUBO DEL NEUMATICO DELANTERO (DERECHO)**

KEY	PART NO.	PART NAME	QTY.	SERIAL NO.	REMARKS
1	19M7489	CAP SCREW	1		M16 X 45
2	AT198517	PIN FASTENER	1		
3	11M7023	COTTER PIN	1		4 X 32 MM
5	AT169864	TIE ROD END	1		
6	14H875	NUT	1		7/8"
7	AT345337	WHEEL	1		(CA)
8	19M7775	SCREW	2		M6 X 16
9	19M7791	BOLT	8		M12 X 40
10	AT188662	TAPERED ROLLER BEARING	2		
11	AT333590	YOKE	1		(CA)
13	T41953	BUSHING	2		
14	AT333680	SENSOR	1		
15	11M7100	COTTER PIN	1		6.300 X 80 MM
16	12M7065	LOCK WASHER	3		8 MM
17	14H927	NUT	1		1-1/4"
18	19M7407	CAP SCREW	3		M8 X 25
19	AT345525	FRONT AXLE	1		
20	JD8255	BEARING CUP	1		
21	JD8997	BEARING CONE	1		
22	JD9082	BEARING CONE	1		
23	JD9141	BEARING CUP	1		
24	R59074	OIL CUP	1		
25	RE31702	SEAL	1		
26	T234170	HUB	1		
27	T234171	CAP	1		
28	T234321	WASHER	1		
29	T234549	GASKET	1		
30	CE17368	SHAFT KEY	1		
31	CE19646	NEEDLE ROLLER	1		
32	CE19663	SEAL	1		
33	CE19678	CAP SCREW	2		
34	JD7771	LUBRICATION FITTING	1		
35	JD7798	LUBRICATION FITTING	1		
36	T183817	KINGPIN	1		
37	T183818	SHIM	3		
38	T183819	SHIM	2		
39	T183820	SHIM	2		
40	T183822	WEAR RING	1		
41	T224469	PIN	1		
42	T224470	ROD	1		
43	T224471	WASHER	1		
44	T176064	BUSHING	1		
45	T187196	RETAINER	2		
46	T188856	SCREW	2		
47	T188857	SCREW	4		
48	T75447	ELBOW FITTING	2		

0240-10

WHEEL HUB (FRONT LEFT)
 MOYEU DE ROUE (AVANT GAUCHE)
 CUBO DE LA RUEDA (DELANTERO IZQUIERDO)

TX1056848 -UN-11MAR09



TX1054061

0240-11

AXLES AND SUSPENSION SYSTEMS 02

POWERED WHEEL AXLE 0240

**WHEEL HUB (FRONT LEFT)
MOYEU DE ROUE (AVANT GAUCHE)
CUBO DE LA RUEDA (DELANTERO IZQUIERDO)**

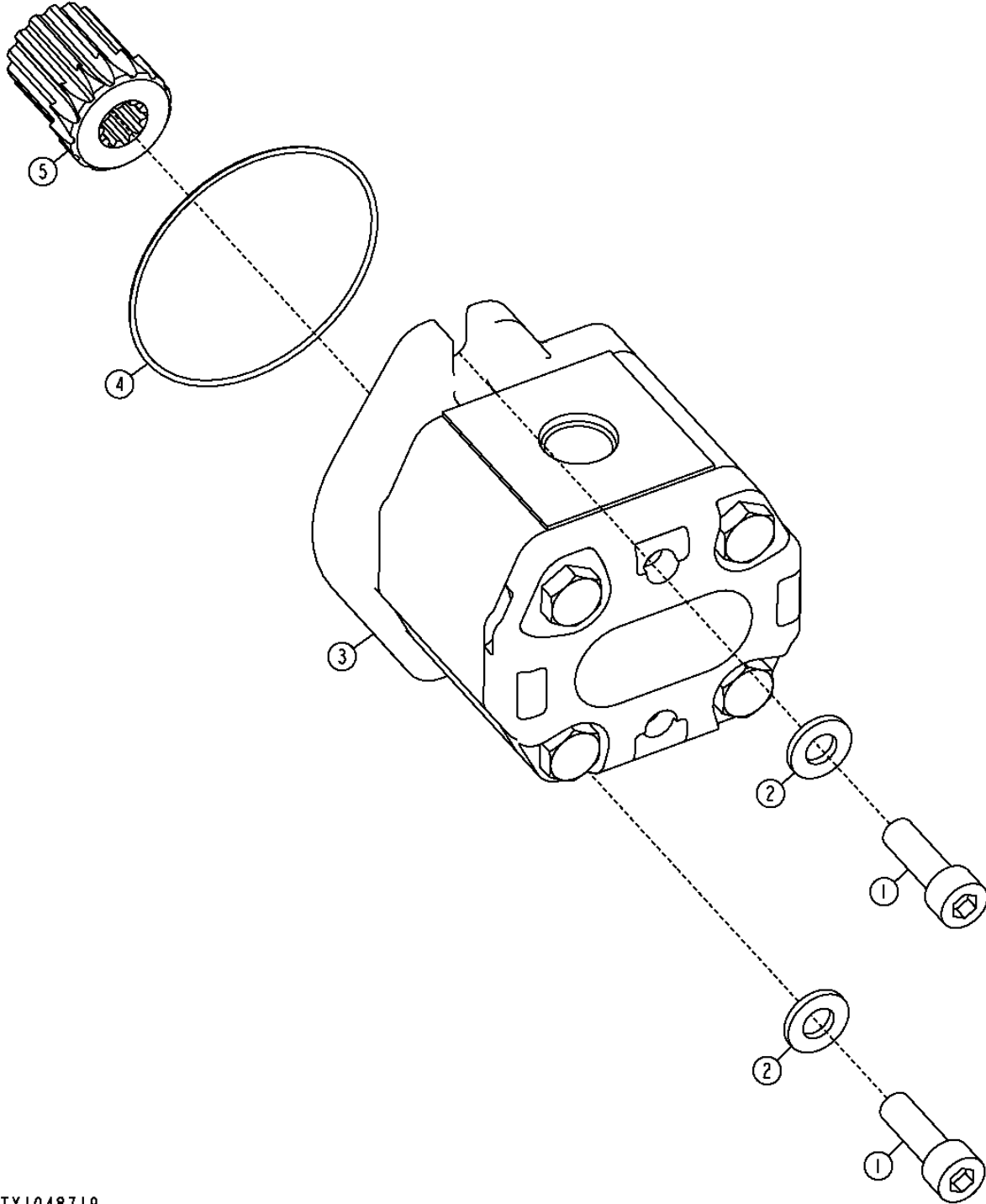
KEY	PART NO.	PART NAME	QTY.	SERIAL NO.	REMARKS
1	19M7489	CAP SCREW	1		M16 X 45
2	AT198517	PIN FASTENER	1		
3	11M7023	COTTER PIN	1		4 X 32 MM
5	AT169864	TIE ROD END	1		
6	14H875	NUT	1		
7	AT345338	WHEEL	1		(CA)
8	19M7791	BOLT	8		M12 X 40
9	19M7792	SCREW	1		M16 X 30
10	AT188662	TAPERED ROLLER BEARING	2		
11	11M7100	COTTER PIN	1		6.300 X 80 MM
12	12M7065	LOCK WASHER	3		8 MM
13	14H927	NUT	1		1-1/4"
14	19M7407	CAP SCREW	3		M8 X 25
15	AT345527	AXLE	1		
16	JD8255	BEARING CUP	1		
17	JD8997	BEARING CONE	1		
18	JD9082	BEARING CONE	1		
19	JD9141	BEARING CUP	1		
20	R59074	OIL CUP	1		
21	RE31702	SEAL	1		
22	T234170	HUB	1		
23	T234171	CAP	1		
24	T234321	WASHER	1		
25	T234549	HUB	1		
26	AT348629	TIRE AND WHEEL ASSEMBLY	1		(CA)
28	T41953	BUSHING	2		
29	CE17368	SHAFT KEY	1		
30	JD7771	LUBRICATION FITTING	1		
31	JD7798	LUBRICATION FITTING	1		
32	T183816	KINGPIN	1		
33	T183817	KINGPIN	1		
34	T183818	SHIM	3		
35	T183819	SHIM	2		
36	T183820	SHIM	2		
37	T183822	WEAR RING	1		
38	T184460	PLATE	1		
39	T176064	BUSHING	1		
40	T187196	RETAINER	2		
41	T188856	SCREW	2		
42	T188857	SCREW	4		
43	T75447	ELBOW FITTING	2		

0261-2

DIFFERENTIAL LOCK PUMP, HYDRAULIC FITTINGS AND MOUNTING
POMPE, RACCORDS HYDRAULIQUES ET SUPPORT DE MONTAGE DE BLOCAGE DE DIFFERENTIEL
BOMBA DE TRABA DE DIFERENCIAL, ADAPTADORES HIDRAULICOS Y MONTAJE

TX1048719

-UN-18SEP08



TX1048719

0261-3

AXLES AND SUSPENSION SYSTEMS 02

DIFFERENTIAL PUMP 0261

DIFFERENTIAL LOCK PUMP, HYDRAULIC FITTINGS AND MOUNTING
POMPE, RACCORDS HYDRAULIQUES ET SUPPORT DE MONTAGE DE BLOCAGE DE DIFFERENTIEL
BOMBA DE TRABA DE DIFERENCIAL, ADAPTADORES HIDRAULICOS Y MONTAJE

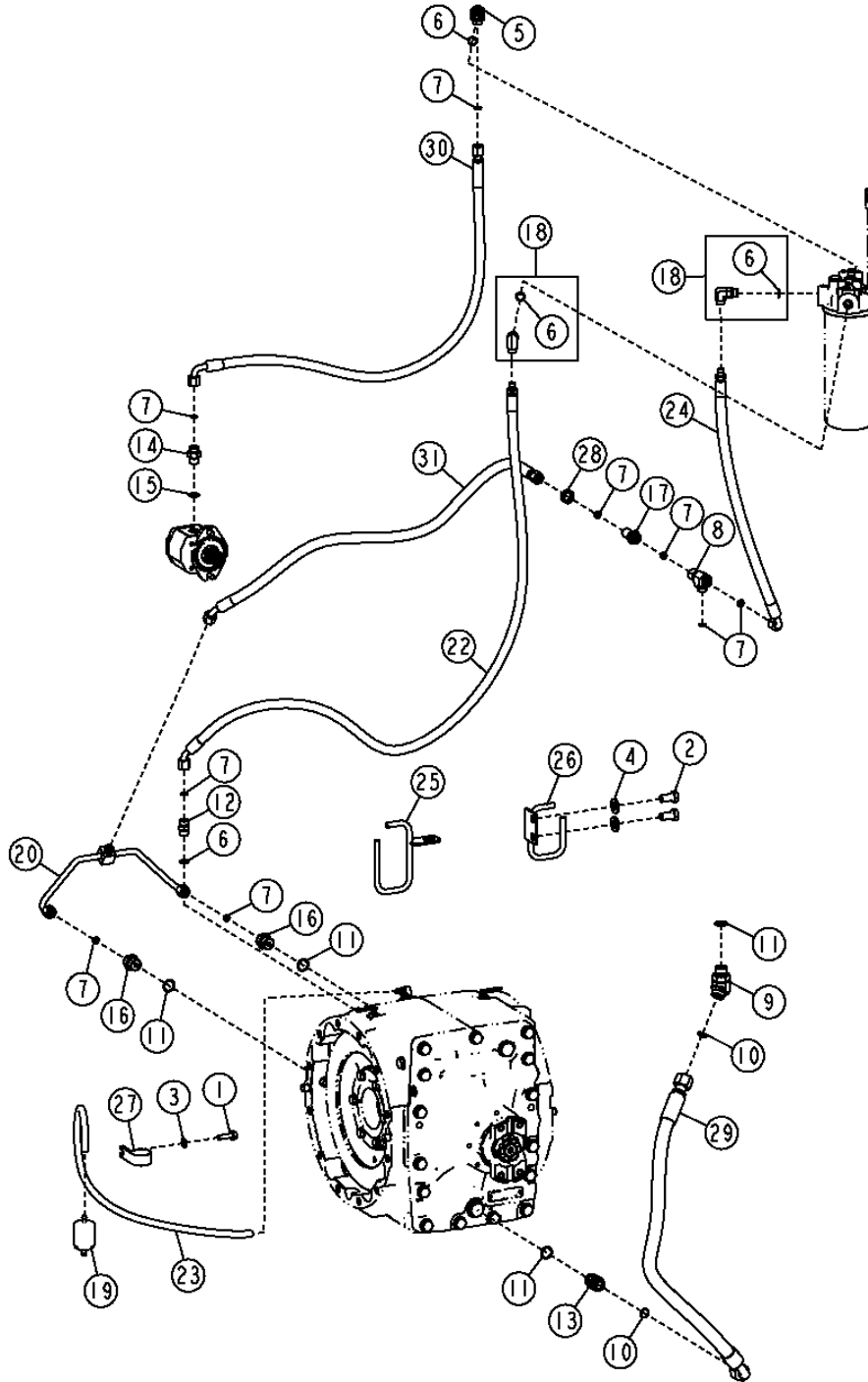
KEY	PART NO.	PART NAME	QTY.	SERIAL NO.	REMARKS
1	19M7576	SCREW	2		M10 X 30
2	24M7239	WASHER	2		10.700 X 21 X 2.500 MM
3	AT191095	PUMP	1		
4	T160541	O-RING	1		
5	YZ103042	SLEEVE	1		

0263-2

DIFFERENTIAL LOCK HYDRAULIC HOSES FLEXIBLES DE BLOQUE DE DIFFERENTIAL MANGUERAS DE TRABA DE DIFERENCIAL

TX1048733

-UN-30DEC08



TX1048733

THIS PARTS LISTING IS CONTINUED

0263-3

AXLES AND SUSPENSION SYSTEMS 02

LINES, HOSES AND FITTINGS 0263

**DIFFERENTIAL LOCK HYDRAULIC HOSES
FLEXIBLES DE BLOCAJE DE DIFFERENTIEL
MANGUERAS DE TRABA DE DIFERENCIAL**

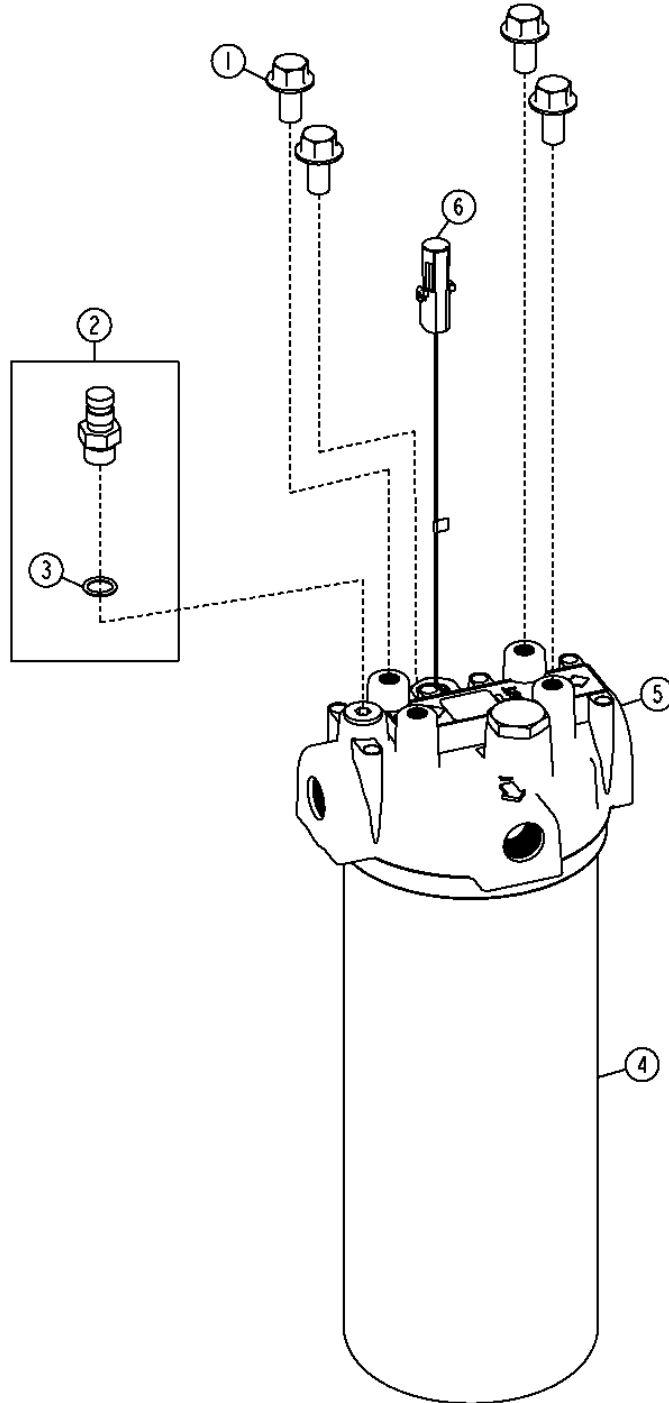
KEY	PART NO.	PART NAME	QTY.	SERIAL NO.	REMARKS
1	19M7835	SCREW	1		M10 X 35
2	19M8029	CAP SCREW	2		M16 X 30
3	24M7239	WASHER	1		10.700 X 21 X 2.500 MM
4	24M7241	WASHER	2		17 X 34 X 4 MM
5	38H1005	ELBOW FITTING	1		
6	R26375	O-RING	3		
7	T77857	O-RING	9		
8	38H1031	TEE FITTING	1		
9	38H1048	ELBOW FITTING	1		
10	T77858	O-RING	2		
11	U12547	O-RING	4		
12	38H1161	ADAPTER FITTING	1		
13	38H1163	ADAPTER FITTING	1		
14	38H1174	ADAPTER FITTING	1		
15	R26906	O-RING	1		
16	38H1175	ADAPTER FITTING	2		
17	38H1275	ADAPTER FITTING	1		
18	62H1012	ADAPTER FITTING	2		
19	AT101565	AIR FILTER	1		
20	AT305833	OIL LINE	1		
22	AT317643	HYDRAULIC HOSE	1		
23	BULK HOSE	1		(MAKE FROM TY22503) (CTL 2.8FT) (AT325699 NLA)
24	AT337794	HYDRAULIC HOSE - FABRICATE	1		
25	AT351895	HOSE SUPPORT	1		
26	AT357294	STRAP	1		
27	E69975	CLAMP	1		
28	T78716	NUT	1		
29	AT317573	HYDRAULIC HOSE	1		
30	AT317575	HYDRAULIC HOSE	1		
31	AT335270	HYDRAULIC HOSE	1		

0263-4

DIFFERENTIAL LOCK FILTER FILTRE DE BLOCAGE DE DIFFERENTIEL FILTRO DE LA TRABA DEL DIFERENCIAL

TX1051233

-UN-15DEC08



TX1051233

0263-5

AXLES AND SUSPENSION SYSTEMS 02

LINES, HOSES AND FITTINGS 0263

**DIFFERENTIAL LOCK FILTER
FILTRE DE BLOCAGE DE DIFFERENTIEL
FILTRO DE LA TRABA DEL DIFERENCIAL**

KEY	PART NO.	PART NAME	QTY.	SERIAL NO.	REMARKS
1	19M7784	SCREW	4		M10 X 20
2	AT306111	FITTING	1		
3	R26448	O-RING	1		
4	AT335492	HYDRAULIC FILTER	1		
5	AT341088	FILTER HEAD	1		
	P46051	O-RING	1		(NOT ILLUSTRATED)
6	AT307045	PRESSURE SWITCH	1		

0315-2

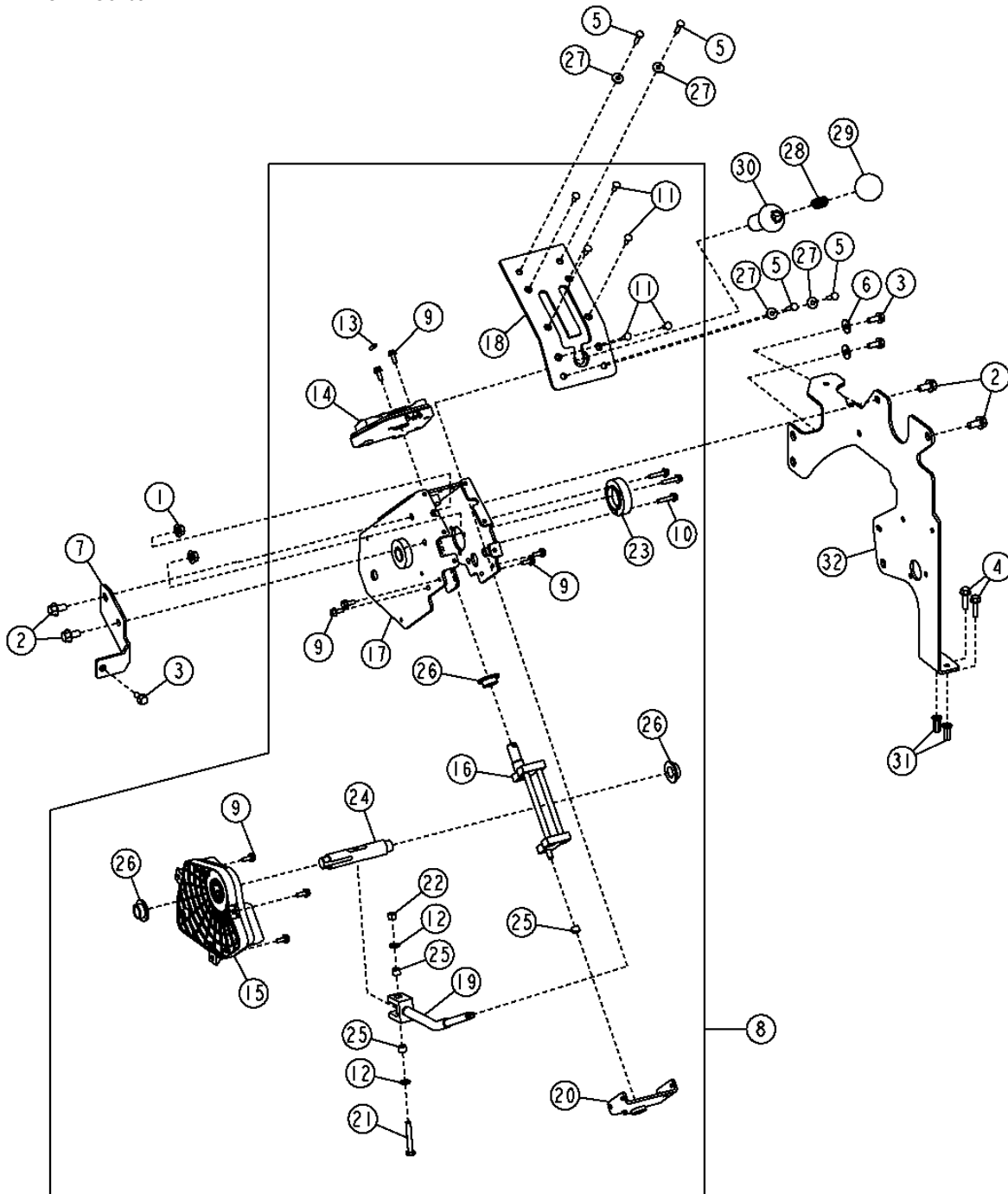
TRANSMISSION 03

CONTROLS 0315

TRANSMISSION GEAR SELECTOR (STANDARD CONTROLS) SELECTEUR DE RAPPORT DE TRANSMISSION (COMMANDES STANDARD) SELECTOR DE MARCHAS DE LA TRANSMISION (CONTROLES ESTANDAR)

TX1049867

-UN-22OCT08



TX1049867

0315-3

TRANSMISSION 03

CONTROLS 0315

**TRANSMISSION GEAR SELECTOR (STANDARD CONTROLS)
SELECTEUR DE RAPPORT DE TRANSMISSION (COMMANDES STANDARD)
SELECTOR DE MARCHAS DE LA TRANSMISION (CONTROLES ESTANDAR)**

KEY	PART NO.	PART NAME	QTY.	SERIAL NO.	REMARKS
1	14M7296	FLANGE NUT	2		M10
2	19M7784	SCREW	4		M10 X 20
3	19M7866	SCREW	3		M8 X 20
4	19M7868	SCREW	2		M8 X 30
5	21M7310	SCREW	4		M6 X 25
6	24M7298	WASHER	2		8.400 X 25 X 2 MM
7	AT305433	BRACKET	1		
8	AT360391	SHIFTER	1		
9	19M7775	SCREW	9		M6 X 16
10	19M7796	SCREW	3		M6 X 30
11	21M7399	SCREW	6		M6 X 16
12	24M7238	WASHER	2		8.700 X 17 X 2 MM
13	34H280	SPRING PIN	1		3/16" X 7/8"
14	AT174935	MODULE	1		
15	AT184684	TRANSMISSION CONTROLLER	1		
16	AT360390	CRADLE	1		
17	AT360392	FRAME	1		
18	AT360393	PLATE	1		
19	AT360394	GEARSHIFT LEVER	1		
20	AT360395	BRACKET	1		
21	T163333	CAP SCREW	1		
22	T16464	LOCK NUT	1		
23	T250916	BUSHING	1		
24	T250917	SHAFT	1		
25	T250918	BUSHING	3		
26	T250919	BUSHING	3		
27	24H1821	WASHER	4		9/32" X 47/64" X 1/16"
28	T140922	COMPRESSION SPRING	1		
29	T162876	KNOB	1		
30	T164264	LOCKING COLLAR	1		
31	T196079	NUT	2		
32	T231568	PLATE	1		

0315-4

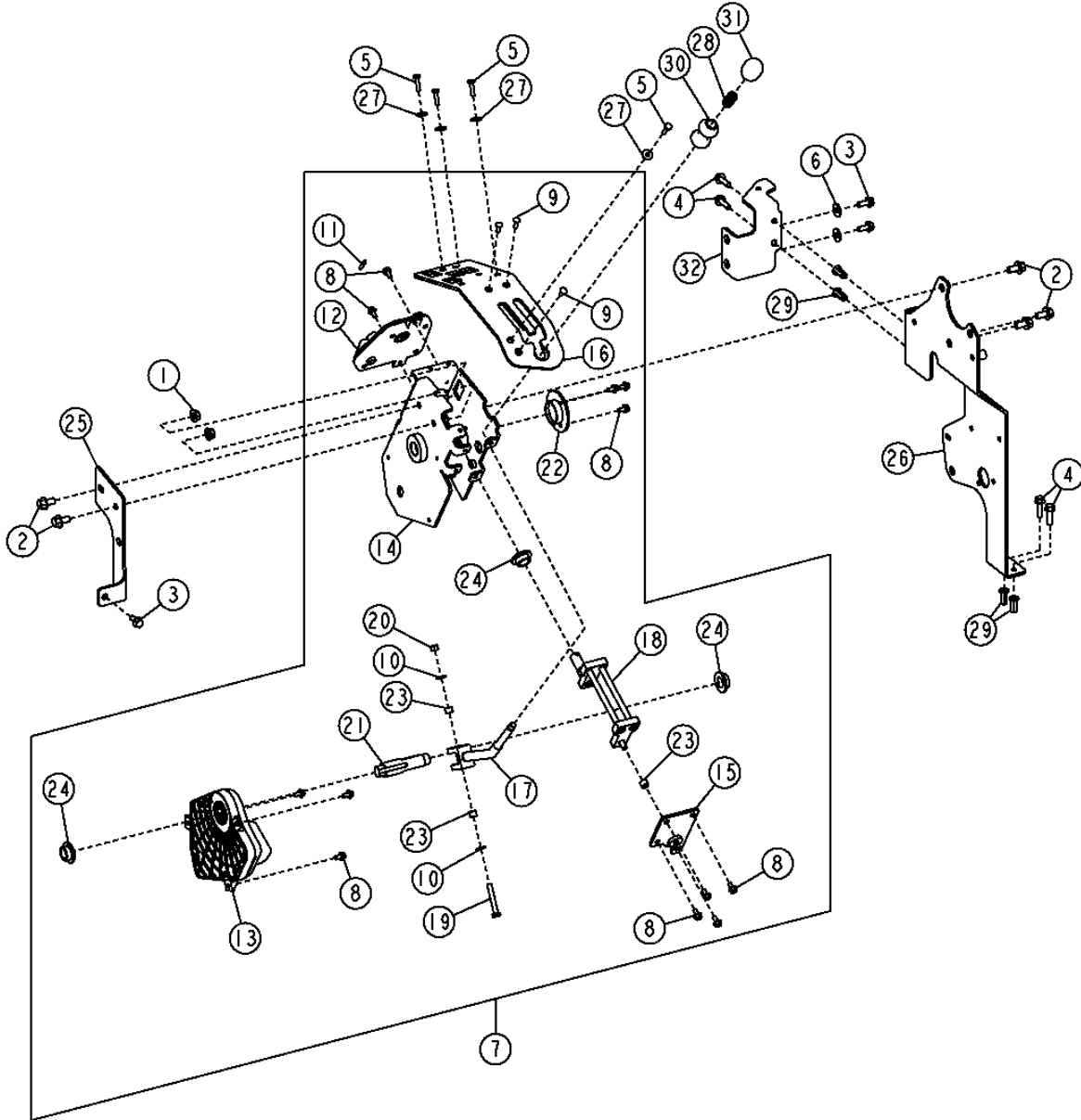
TRANSMISSION 03

CONTROLS 0315

TRANSMISSION GEAR SELECTOR (GRADE PRO) SELECTEUR DE RAPPORT DE TRANSMISSION (GRADE PRO) SELECTOR DE MARCHAS DE LA TRANSMISSION (GRADE PRO)

TX1049874

-UN-22OCT08



TX1049874

THIS PARTS LISTING IS CONTINUED

0315-5

TRANSMISSION 03

CONTROLS 0315

TRANSMISSION GEAR SELECTOR (GRADE PRO)
SELECTEUR DE RAPPORT DE TRANSMISSION (GRADE PRO)
SELECTOR DE MARCHAS DE LA TRANSMISION (GRADE PRO)

KEY	PART NO.	PART NAME	QTY.	SERIAL NO.	REMARKS
1	14M7296	FLANGE NUT	2		M10
2	19M7784	SCREW	5		M10 X 20
3	19M7866	SCREW	3		M8 X 20
4	19M7868	SCREW	4		M8 X 30
5	21M7310	SCREW	4		M6 X 25
6	24M7298	WASHER	2		8.400 X 25 X 2 MM
7	AT353903	ELECTRICAL SHIFTER	1		
8	19M7774	SCREW	12		M6 X 12
9	21M7399	SCREW	3		M6 X 16
10	24M7238	WASHER	2		8.700 X 17 X 2 MM
11	34H280	SPRING PIN	1		3/16" X 7/8"
12	AT174935	MODULE	1		
13	AT184684	TRANSMISSION CONTROLLER	1		
14	AT353904	FRAME	1		
15	AT353908	PIVOT	1		
16	AT353909	COVER	1		
17	AT353910	GEARSHIFT LEVER	1		
18	AT353999	CRADLE	1		
19	T163333	CAP SCREW	1		
20	T16464	LOCK NUT	1		
21	T242284	SHAFT	1		
22	T242452	BUSHING	1		
23	T250918	BUSHING	3		
24	T250919	BUSHING	3		
25	AT354176	BRACKET	1		
26	AT357388	BRACKET	1		
27	24H1821	WASHER	4		9/32" X 47/64" X 1/16"
28	T140922	COMPRESSION SPRING	1		
29	T196079	NUT	4		
30	T241401	GEARSHIFT LEVER	1		
31	T241913	KNOB	1		
32	T242506	PLATE	1		

0315-6

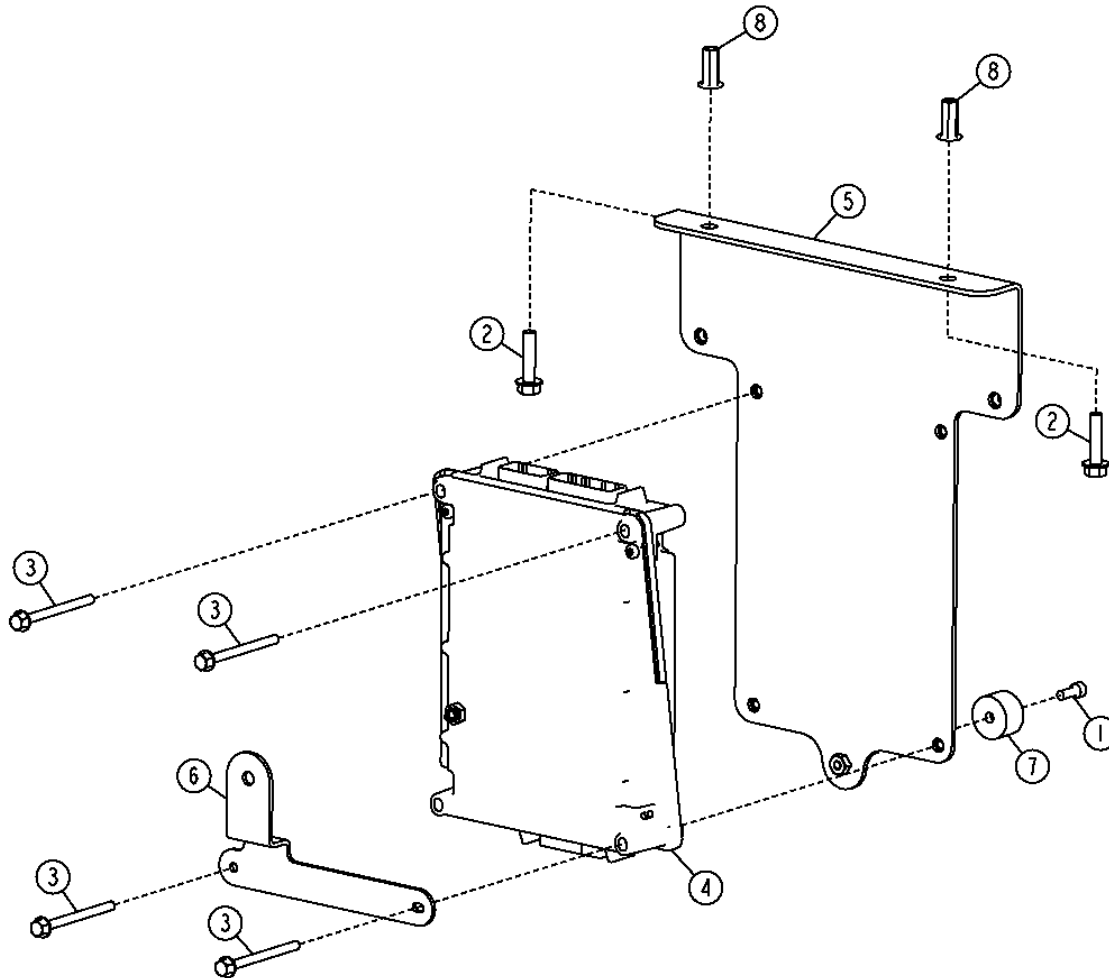
TRANSMISSION 03

CONTROLS 0315

TRANSMISSION CONTROL UNIT UNITE DE COMMANDE DE TRANSMISSION UNIDAD DE CONTROL DE TRANSMISION

TX1048421

-UN-09DEC08



TX1048421

0315-7

TRANSMISSION 03

CONTROLS 0315

**TRANSMISSION CONTROL UNIT
UNITE DE COMMANDE DE TRANSMISSION
UNIDAD DE CONTROL DE TRANSMISION**

KEY	PART NO.	PART NAME	QTY.	SERIAL NO.	REMARKS
1	19M7768	SCREW	1		M6 X 16
2	19M7897	SCREW	2		M8 X 35
3	19M8484	SCREW	4		M6 X 75
4	YZ106486	TRANSMISSION CONTROLLER	1		
5	AT346415	BRACKET	1		
6	AT362128	BRACKET	1		(REAR COVER SUPPORT)
7	T184135	BUMPER	1		
8	T196079	NUT	2		

0325-2

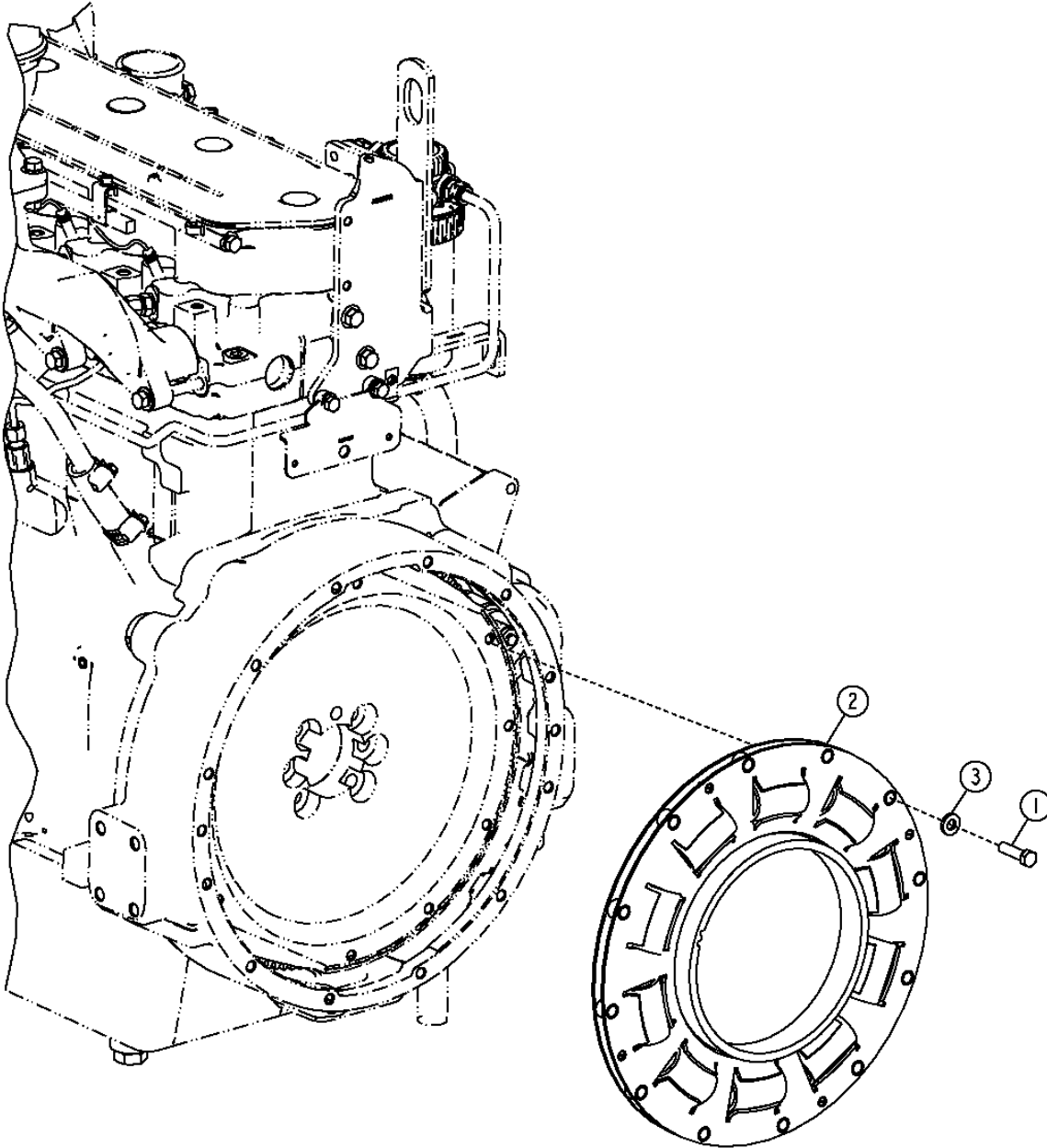
TRANSMISSION 03

INPUT DRIVE SHAFTS AND U-JOINTS 0325

TORSIONAL ISOLATOR
ISOLATEUR DE TORSION
AMORTIGUADOR DE TORSION

TX1048218

-UN-05SEP08



TX1048218

0325-3

TRANSMISSION 03

INPUT DRIVE SHAFTS AND U-JOINTS 0325

**TORSIONAL ISOLATOR
ISOLATEUR DE TORSION
AMORTIGUADOR DE TORSION**

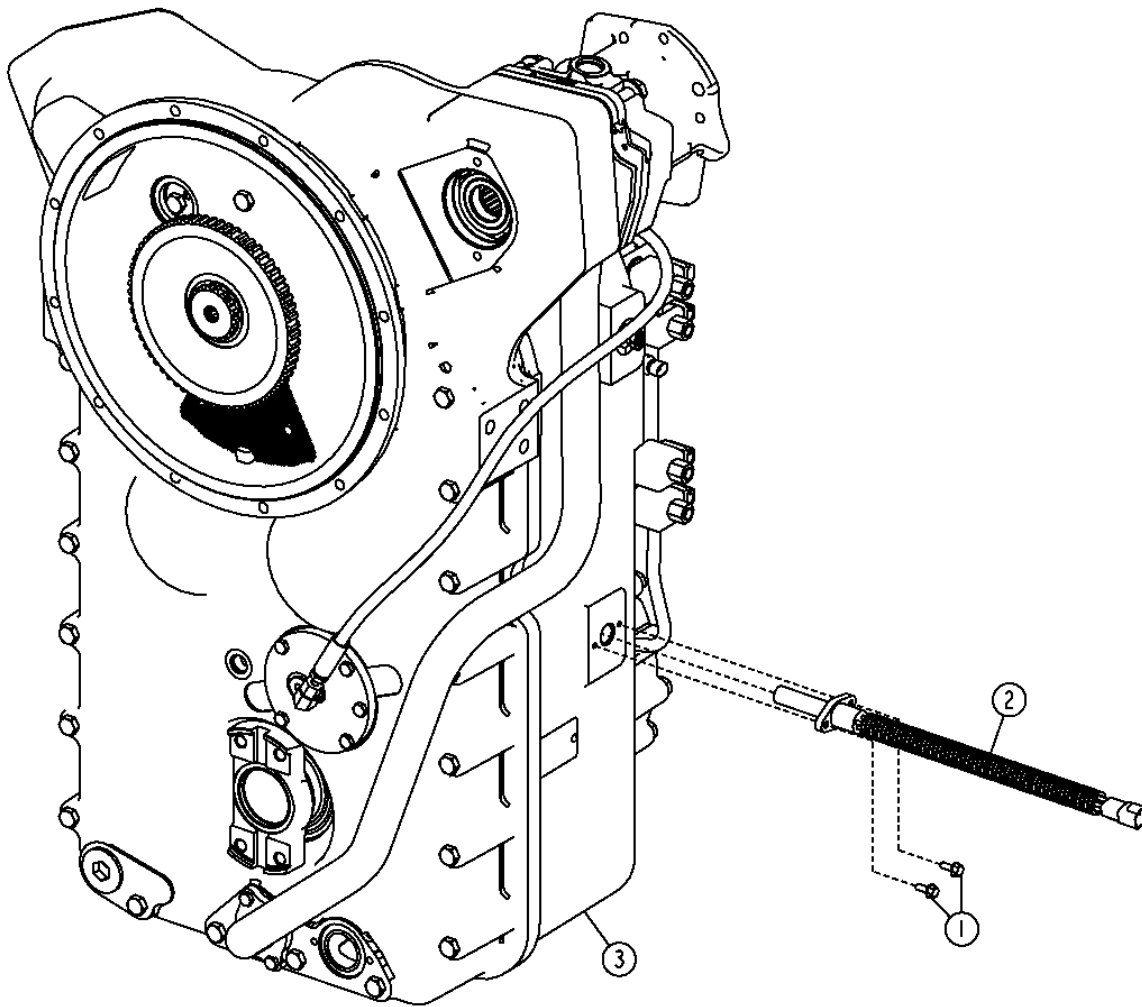
KEY	PART NO.	PART NAME	QTY.	SERIAL NO.	REMARKS
1	19H3219	CAP SCREW	12		3/8" X 1-3/8"
2	AT328374	ABSORBER	1		
3	T185424	WASHER	12		

0341-2

TRANSMISSION 03
HOUSINGS AND COVERS 0341

TRANSMISSION
TRANSMISSION
TRANSMISSION

TX1054082 -UN-12JAN09



TX1054082

0341-3

TRANSMISSION 03
HOUSINGS AND COVERS 0341

**TRANSMISSION
TRANSMISSION
TRANSMISSION**

KEY	PART NO.	PART NAME	QTY.	SERIAL NO.	REMARKS
1	19M7775	SCREW	2		M6 X 16
2	YZ106512	SENSOR	1		
3	YZ19238	TRANSMISSION	1		(CA) (COMPONENTS ON SEPARATE PAGES)
	PG200717	TRANSMISSION REMAN	1		REMAN

0342-2

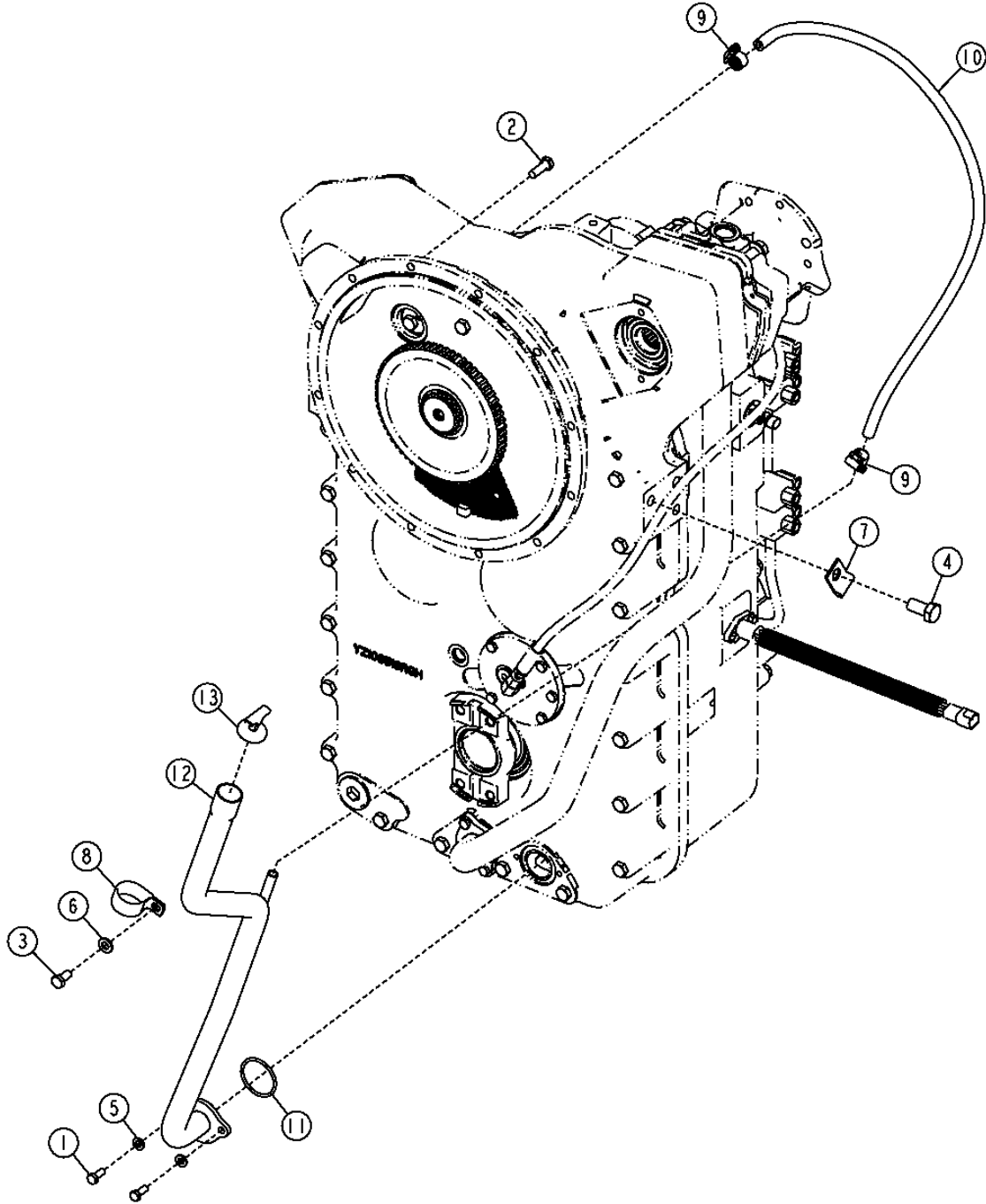
TRANSMISSION 03

TRANS. MOUNTING PARTS 0342

TRANSMISSION MOUNTING PARTS AND DIPSTICK
JAUGE DE NIVEAU ET PIECES DE MONTAGE DE TRANSMISSION
VARILLA DE MEDICION Y PIEZAS DE MONTAJE DE TRANSMISION

TX1048811

-UN-25SEP08



TX1048811

0342-3

TRANSMISSION 03

TRANS. MOUNTING PARTS 0342

TRANSMISSION MOUNTING PARTS AND DIPSTICK
JAUGE DE NIVEAU ET PIECES DE MONTAGE DE TRANSMISSION
VARILLA DE MEDICION Y PIEZAS DE MONTAJE DE TRANSMISION

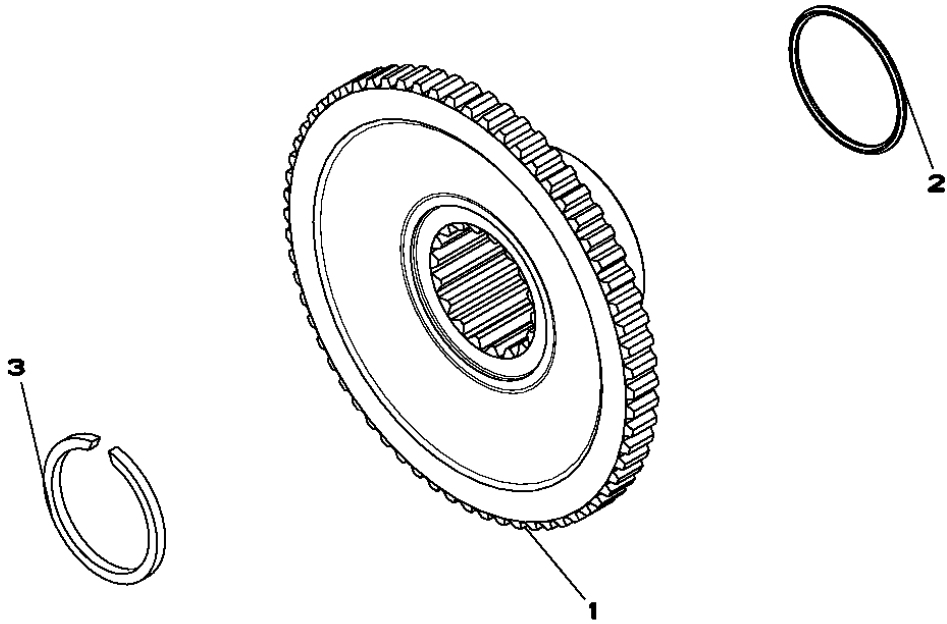
KEY	PART NO.	PART NAME	QTY.	SERIAL NO.	REMARKS
1	19M7881	SCREW	2		M8 X 20
2	19M7662	CAP SCREW	12		M10 X 30
3	19M7938	CAP SCREW	1		M10 X 20
4	19M8029	CAP SCREW	1		M16 X 30
5	24M7238	WASHER	2		8.700 X 17 X 2 MM
6	24M7239	WASHER	1		10.700 X 21 X 2.500 MM
7	AA31281	CLAMP	1		
8	AH77714	CLIP	1		
9	TY22464	CLAMP	2		
10	BULK HOSE	1		(MAKE FROM T168383)
11	P50631	O-RING	1		
12	YZ104048	DIPSTICK TUBE	1		
13	YZ105042	DIPSTICK	1		

0350-2

TRANSMISSION 03

GEARS, SHAFTS & POWER SHIFT CLUTCHES 0350

INPUT GROUP (YZ103439)
GROUPE D'ENTREE (YZ103439)
GRUPO DE ENTRADA (YZ103439)
YZ104174APCD -UN-30OCT08



YZ104174APCD

0350-3

TRANSMISSION 03

GEARS, SHAFTS & POWER SHIFT CLUTCHES 0350

<i>KEY</i>	<i>PART NO.</i>	<i>PART NAME</i>	<i>QTY.</i>	<i>SERIAL NO.</i>	<i>REMARKS</i>
1	YZ104151	HUB	1		
2	F37030229	O-RING	1		
3	R26264	SNAP RING	1		

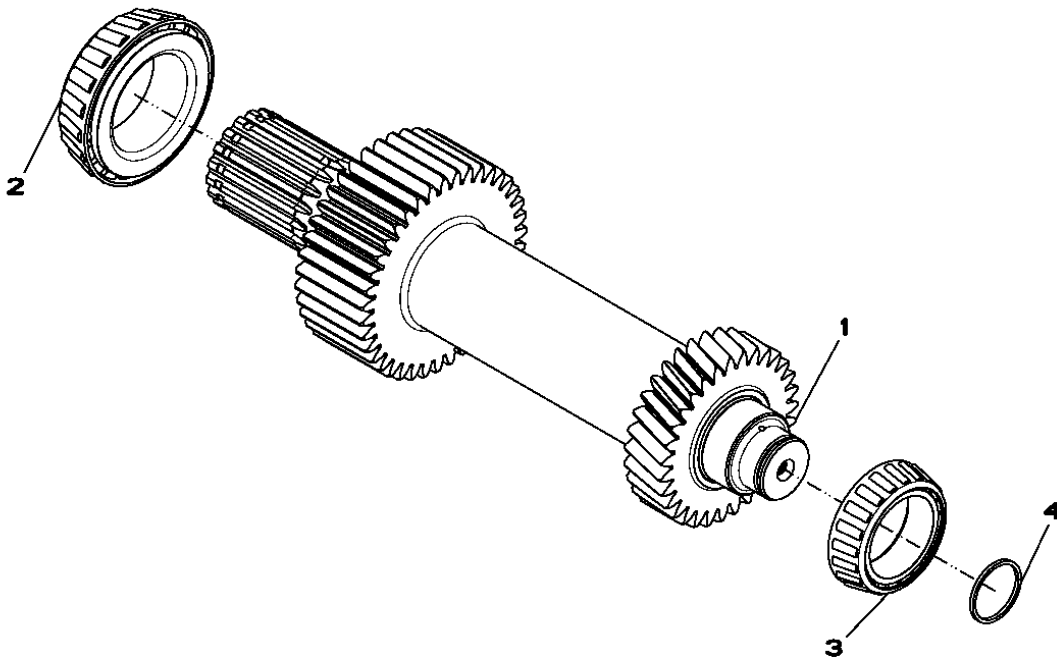
0350-4

TRANSMISSION 03

GEARS, SHAFTS & POWER SHIFT CLUTCHES 0350

FIRST STAGE SHAFT ASSEMBLY (YZ106678)
ENSEMBLE ARBRE DE PREMIER NIVEAU (YZ106678)
CONJUNTO DEL EJE DE PRIMER NIVEL (YZ106678)

YZ106678PCD -UN-22OCT08



YZ106678PCD

0350-5

TRANSMISSION 03

GEARS, SHAFTS & POWER SHIFT CLUTCHES 0350

KEY	PART NO.	PART NAME	QTY.	SERIAL NO.	REMARKS
1	YZ106677	SHAFT	1		
2	YZ103188	BEARING CONE	1		
3	YZ104281	BEARING CONE	1		
4	YZ250161	SEAL	1		

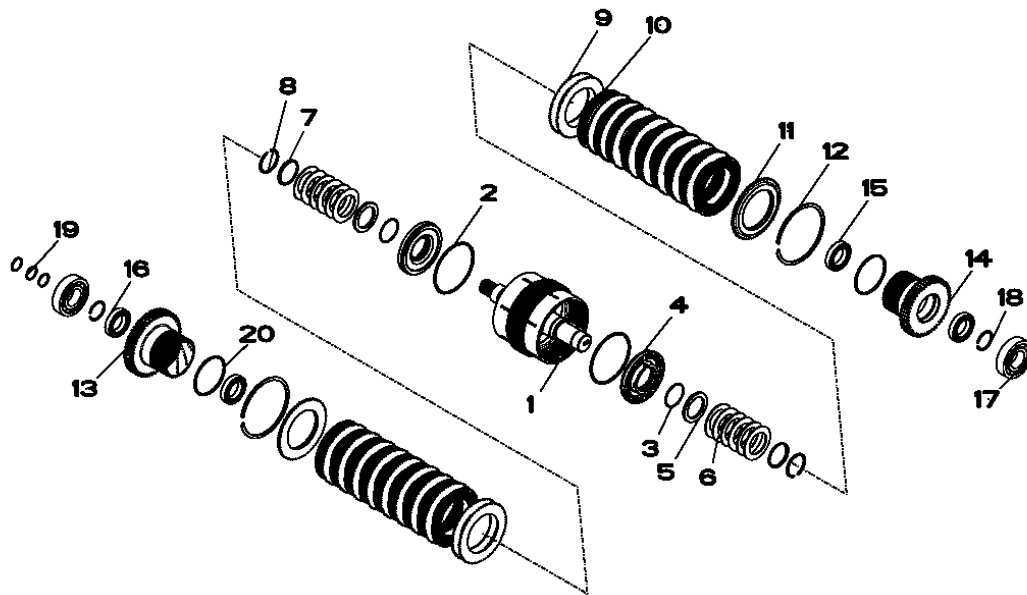
0350-6

TRANSMISSION 03

GEARS, SHAFTS & POWER SHIFT CLUTCHES 0350

TRANSMISSION SECOND STAGE ASSEMBLY (YZ106765)
TRANSMISSION, DEUXIEME ETAGE
TRANSMISSION, CONJUNTO DE SEGUNDA ETAPA

YZ106765PCD -UN-11DEC08



YZ106765PCD

0350-7

TRANSMISSION 03
GEARS, SHAFTS & POWER SHIFT CLUTCHES 0350

KEY	PART NO.	PART NAME	QTY.	SERIAL NO.	REMARKS
1	YZ105508	UNIVERSAL DRIVESHAFT	1		
2	YZ150119	SEAL	2		
3	F37020144	O-RING	2		
4	YZ105689	PISTON	2		
5	4008521	WASHER	2		
6	4003725	DISK SPRING	12		
7	4009711	RETAINER	2		
8	F81743	SNAP RING	2		
9	YZ106211	SEPARATOR	20		
10	YZ105493	CLUTCH PLATE	18		
11	YZ105454	RETAINER	2		
12	YZ105465	SNAP RING	2		
13	YZ106565	HELICAL GEAR	1		
14	YZ103113	GEAR	1		
15	YZ105415	BALL BEARING	2		
16	YZ106078	BALL BEARING	2		
17	YZ106184	BALL BEARING	2		
18	YZ105485	SNAP RING	2		
19	YZ250161	SEAL	3		
20	F37030244G	O-RING	2		

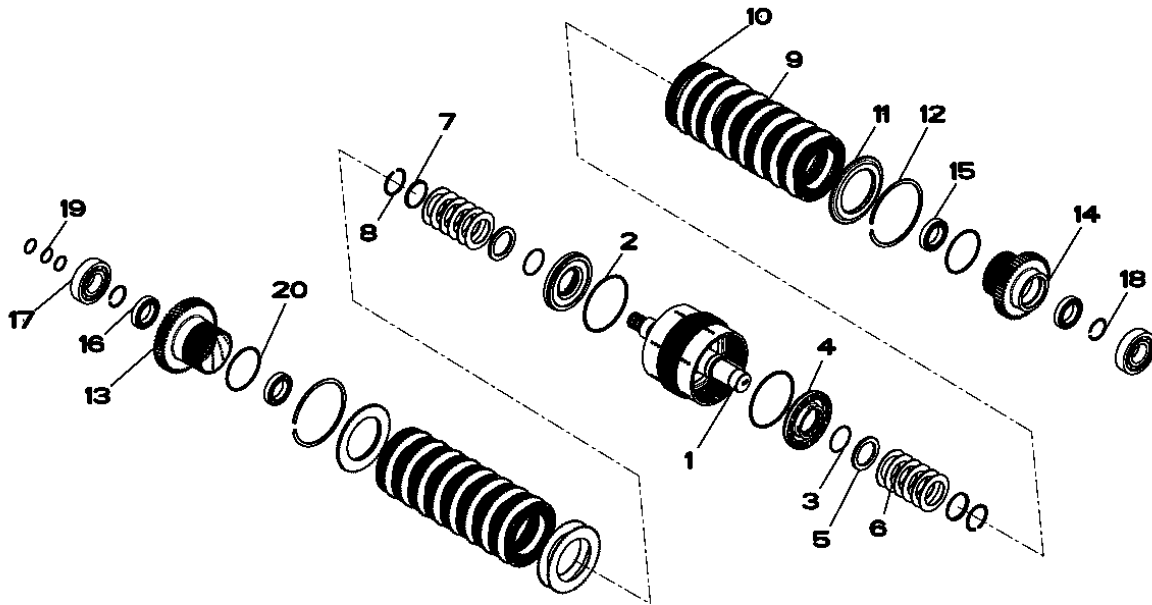
0350-8

TRANSMISSION 03

GEARS, SHAFTS & POWER SHIFT CLUTCHES 0350

THIRD STAGE SHAFT ASSEMBLY (YZ106563)
GROUPE DE TROISIEME PALIER (YZ106563)
GRUPO DE TERCER NIVEL (YZ106563)

YZ106563PCD -UN-23OCT08



YZ106563PCD

0350-9

TRANSMISSION 03

GEARS, SHAFTS & POWER SHIFT CLUTCHES 0350

KEY	PART NO.	PART NAME	QTY.	SERIAL NO.	REMARKS
1	YZ105509	UNIVERSAL DRIVESHAFT	1		
2	YZ150119	SEAL	2		
3	F37020144	O-RING	2		
4	YZ105689	PISTON	2		
5	4008521	WASHER	2		
6	4003725	DISK SPRING	12		
7	4009711	RETAINER	2		
8	F81743	SNAP RING	2		
9	YZ106211	SEPARATOR	20		
10	YZ105493	CLUTCH PLATE	18		
11	YZ105454	RETAINER	2		
12	YZ105465	SNAP RING	2		
13	YZ106565	HELICAL GEAR	1		
14	YZ103112	GEAR	1		
15	YZ105415	BALL BEARING	2		
16	YZ106078	BALL BEARING	2		
17	YZ106184	BALL BEARING	2		
18	YZ105485	SNAP RING	2		
19	YZ250161	SEAL	3		
20	F37030244G	O-RING	2		

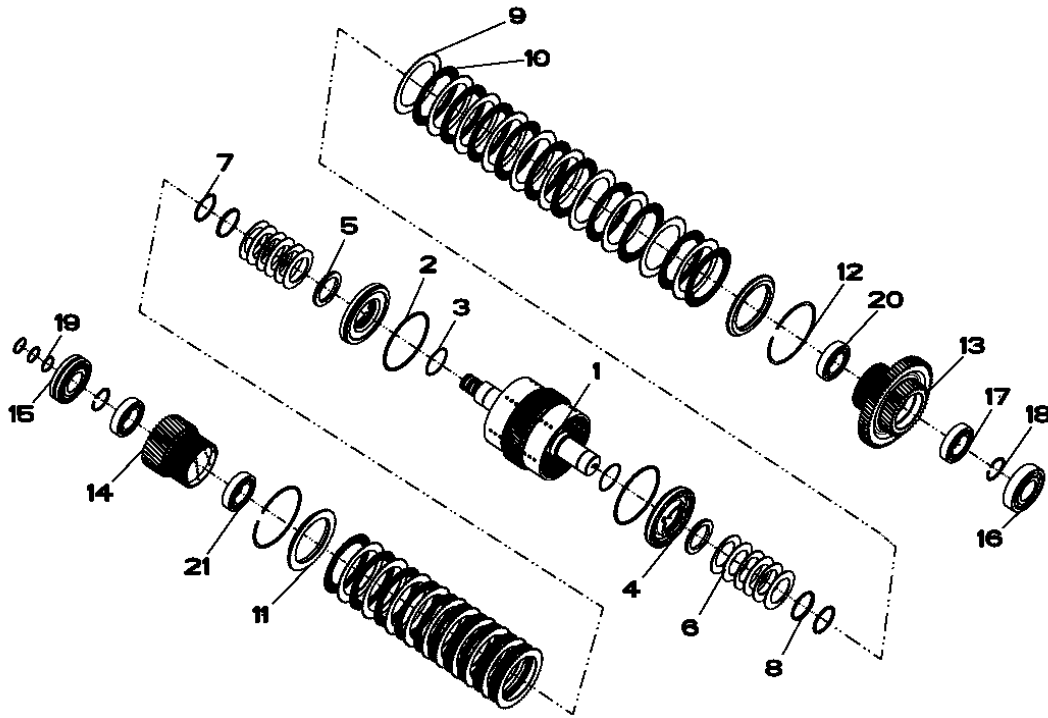
0350-10

TRANSMISSION 03

GEARS, SHAFTS & POWER SHIFT CLUTCHES 0350

FOURTH STAGE SHAFT ASSEMBLY (YZ106665)
ENSEMBLE EMBRAYAGE DE QUATRIEME NIVEAU (YZ106665)
CONJUNTO DEL EMBRAGUE DE CUARTO NIVEL (YZ106665)

YZ106665PCD -UN-24OCT08



YZ106665PCD

0350-11

TRANSMISSION 03

GEARS, SHAFTS & POWER SHIFT CLUTCHES 0350

KEY	PART NO.	PART NAME	QTY.	SERIAL NO.	REMARKS
1	YZ106664	SHAFT	1		
2	YZ150119	SEAL	2		
3	F37020144	O-RING	2		
4	YZ105689	PISTON	2		
5	4008521	WASHER	2		
6	4003725	DISK SPRING	12		
7	F81743	SNAP RING	2		
8	4009711	RETAINER	2		
9	YZ106212	SEPARATOR	20		
10	YZ105494	CLUTCH PLATE	20		
11	YZ150217	RETAINER	2		
12	YZ105982	SNAP RING	2		
13	YZ106734	GEAR	1		
14	YZ103100	GEAR	1		
15	YZ106492	SPHERICAL ROLLER BEARING	1		
16	YZ106163	BALL BEARING	1		
17	YZ103875	BALL BEARING	1		
18	YZ105485	SNAP RING	2		
19	YZ250161	SEAL	3		
20	YZ103144	BALL BEARING	1		
21	YZ104733	BALL BEARING	2		

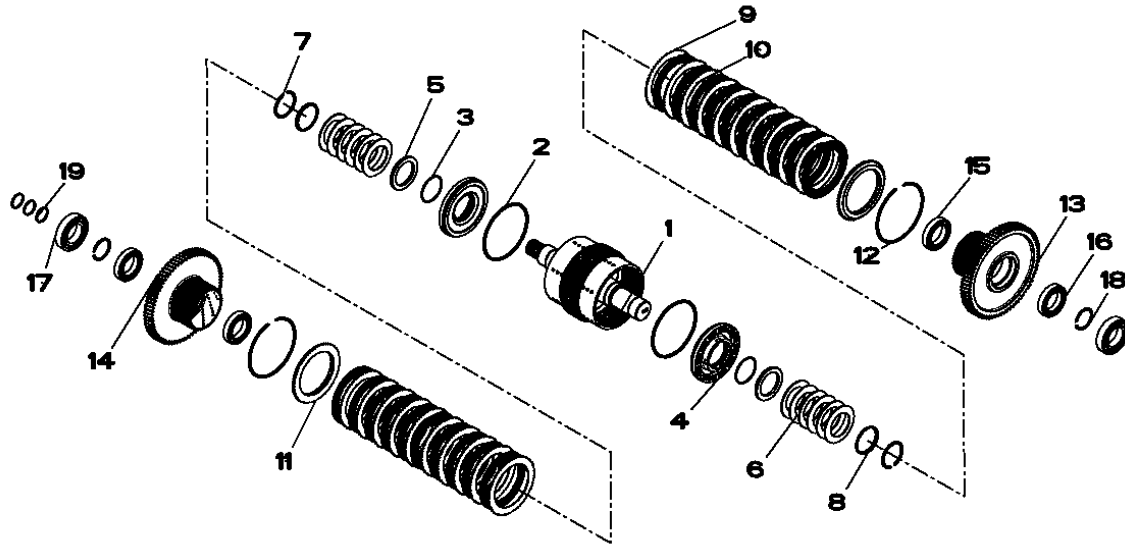
0350-12

TRANSMISSION 03

GEARS, SHAFTS & POWER SHIFT CLUTCHES 0350

FIFTH STAGE SHAFT ASSEMBLY (YZ106564)
ENSEMBLE EMBRAYAGE DE CINQUIEME NIVEAU (YZ106564)
CONJUNTO DEL EMBRAGUE DE QUINTO NIVEL (YZ106564)

YZ106564PCD -UN-24OCT08



YZ106564PCD

0350-13

TRANSMISSION 03

GEARS, SHAFTS & POWER SHIFT CLUTCHES 0350

KEY	PART NO.	PART NAME	QTY.	SERIAL NO.	REMARKS
1	YZ105463	UNIVERSAL DRIVESHAFT	1		
2	YZ150119	SEAL	2		
3	F37020144	O-RING	2		
4	YZ105689	PISTON	2		
5	4008521	WASHER	2		
6	4003725	DISK SPRING	12		
7	F81743	SNAP RING	2		
8	4009711	RETAINER	2		
9	YZ106212	SEPARATOR	20		
10	YZ105494	CLUTCH PLATE	20		
11	YZ150217	RETAINER	2		
12	YZ105982	SNAP RING	2		
13	YZ103102	GEAR	1		
14	YZ106562	HELICAL GEAR	1		
15	YZ105415	BALL BEARING	2		
16	YZ106078	BALL BEARING	2		
17	YZ106185	BALL BEARING	2		
18	YZ105485	SNAP RING	2		
19	YZ250161	SEAL	3		

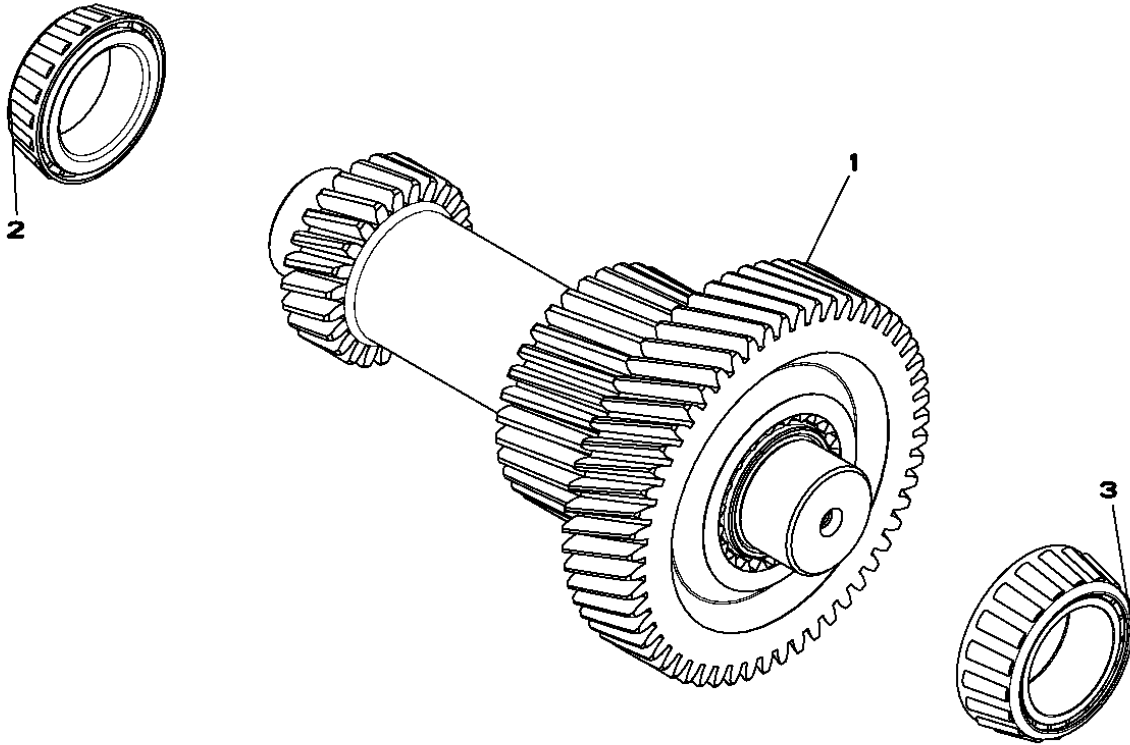
0350-14

TRANSMISSION 03

GEARS, SHAFTS & POWER SHIFT CLUTCHES 0350

SIXTH STAGE SHAFT ASSEMBLY (YZ106680)
ENSEMBLE ARBRE DE SIXIEME NIVEAU (YZ106680)
CONJUNTO DEL EJE PARA SEXTO NIVEL (YZ106680)

YZ106680PCD -UN-24OCT08



YZ106680PCD

0350-15

TRANSMISSION 03

GEARS, SHAFTS & POWER SHIFT CLUTCHES 0350

KEY	PART NO.	PART NAME	QTY.	SERIAL NO.	REMARKS
1	YZ106679	PINION SHAFT	1		
2	YZ104281	BEARING CONE	1		
3	YZ104088	BEARING CONE	1		

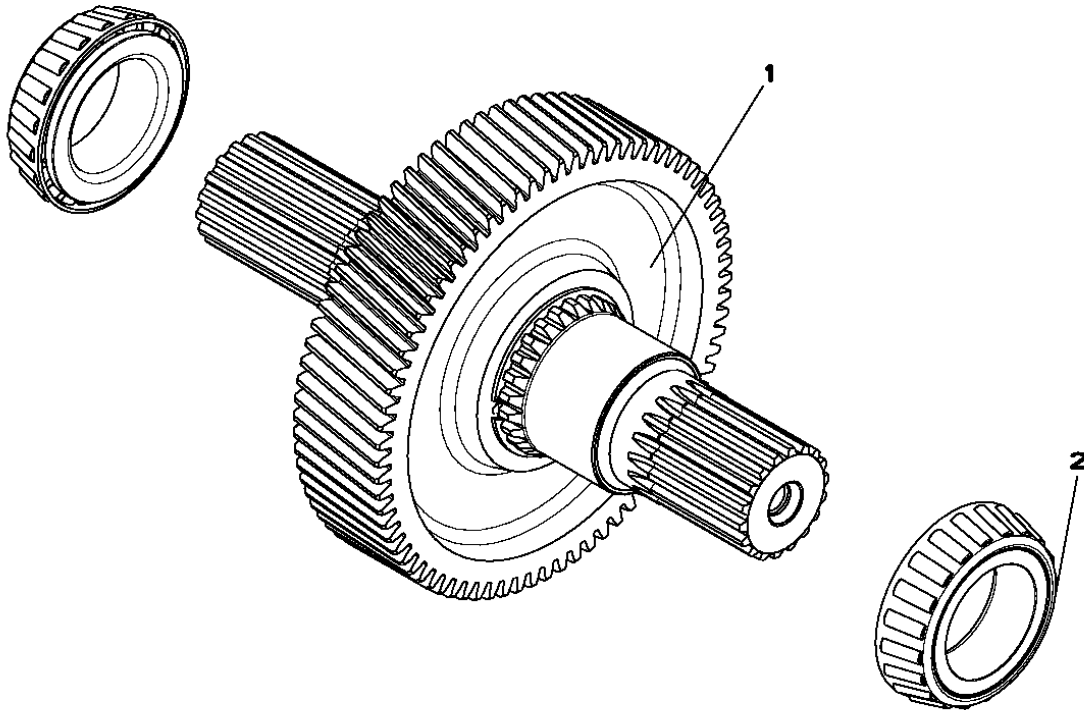
0350-16

TRANSMISSION 03

GEARS, SHAFTS & POWER SHIFT CLUTCHES 0350

TRANSMISSION OUTPUT GROUP(YZ106448)
ENSEMBLE DE SORTIE DE LA TRANSMISSION
GRUPO DE SALIDA DE TRANSMISION

YZ106448PCD -UN-24OCT08



YZ106448PCD

0350-17

TRANSMISSION 03

GEARS, SHAFTS & POWER SHIFT CLUTCHES 0350

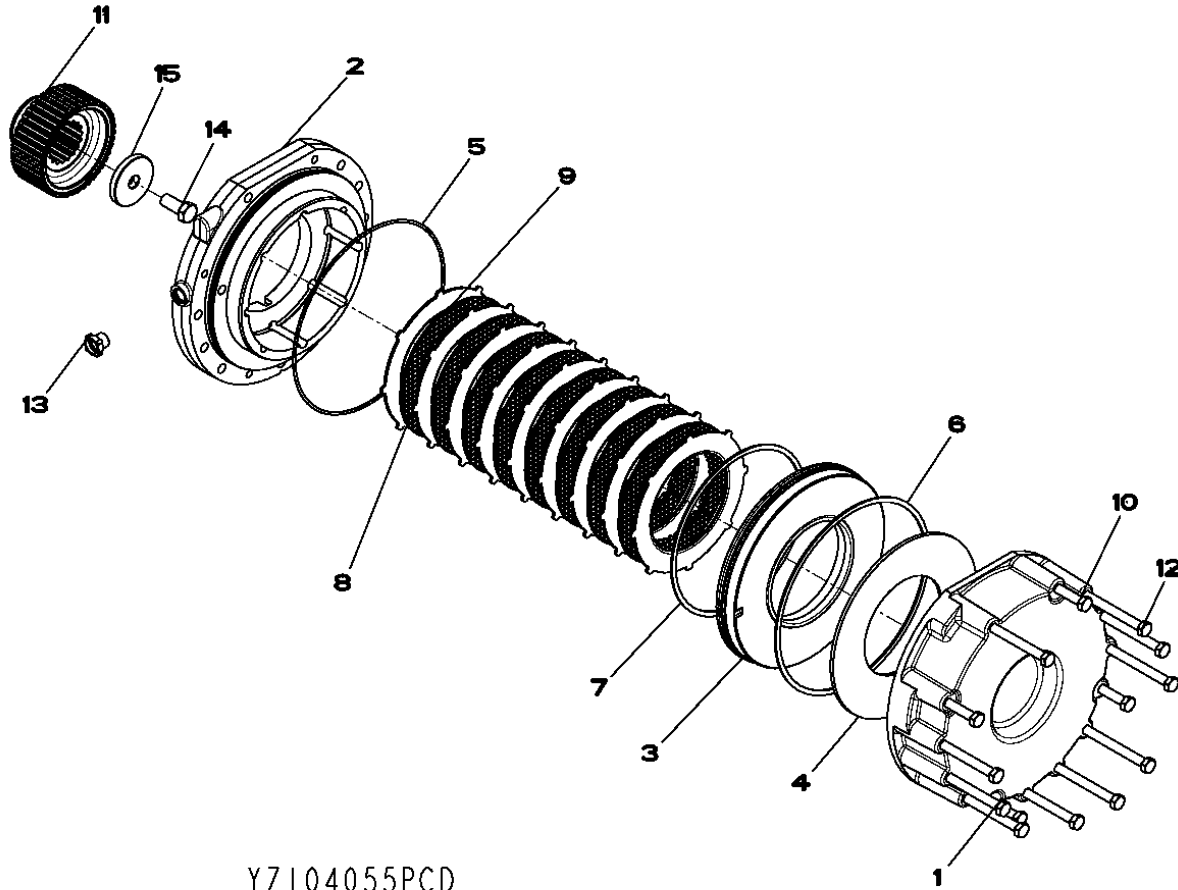
KEY	PART NO.	PART NAME	QTY.	SERIAL NO.	REMARKS
1	YZ106447	SHAFT	1		
2	YZ103188	BEARING CONE	2		

0350-18

TRANSMISSION 03

GEARS, SHAFTS & POWER SHIFT CLUTCHES 0350

WET BRAKE GROUP (YZ104053)
GROUPE FREIN A BAIN D'HUILE (YZ104053)
GRUPO DE FRENO HIDRAULICO (YZ104053)
YZ104055PCD -UN-18JUN07



YZ104055PCD

0350-19

TRANSMISSION 03

GEARS, SHAFTS & POWER SHIFT CLUTCHES 0350

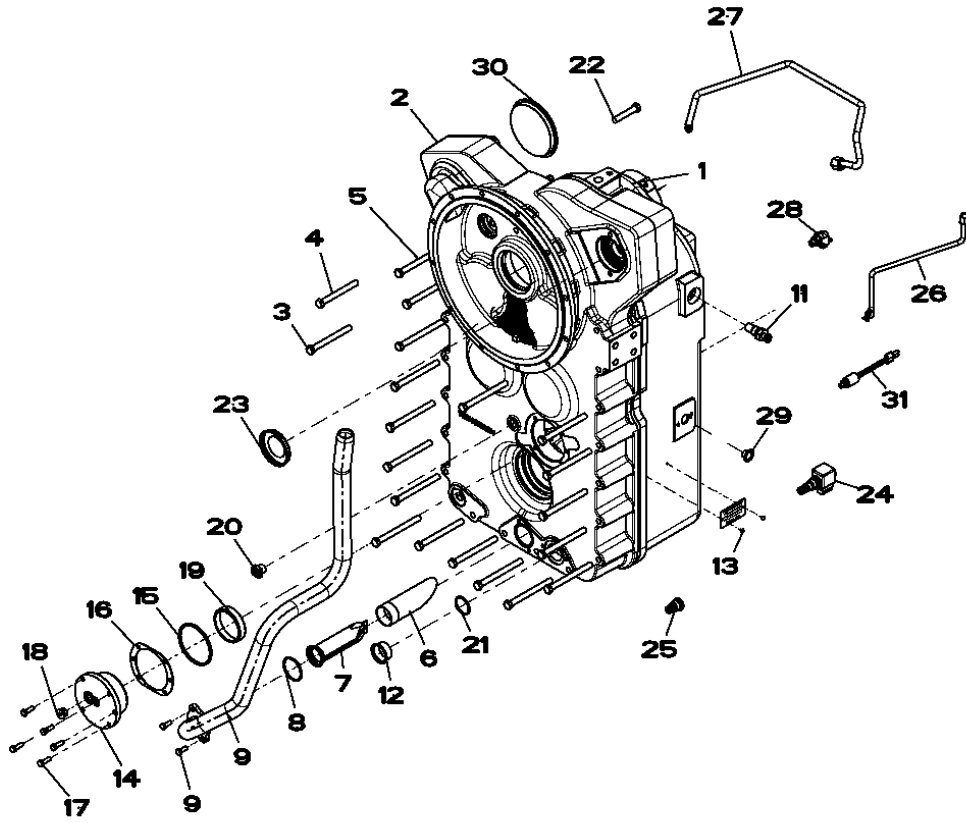
KEY	PART NO.	PART NAME	QTY.	SERIAL NO.	REMARKS
1	YZ104052	COVER	1		
2	YZ103067	HOUSING	1		
3	YZ106498	PISTON	1		
4	YZ103115	DISK	1		
5	F37030275	O-RING	1		
6	YZ101349	SEAL	1		
7	YZ101350	SEAL	1		
8	YZ100952	CLUTCH PLATE	9		
9	RE234261	BRAKE DISK	8		
10	19M2903	CAP SCREW	4		M12 X 110
11	YZ105386	SPLINED COUPLING	1		
12	19M7716	CAP SCREW	10		M12 X 140
13	R66405	PLUG	1		
14	19M7283	CAP SCREW	1		M16 X 35
15	4005234	SPACER	1		

0350-20

TRANSMISSION 03

GEARS, SHAFTS & POWER SHIFT CLUTCHES 0350

MAIN CASE GROUP (YZ106537)
GROUPE CARTER PRINCIPAL (YZ106537)
GRUPO DE CAJA PRINCIPAL (YZ106537)
YZ106537PCD -UN-11DEC08



YZ106537PCD

0350-21

TRANSMISSION 03

GEARS, SHAFTS & POWER SHIFT CLUTCHES 0350

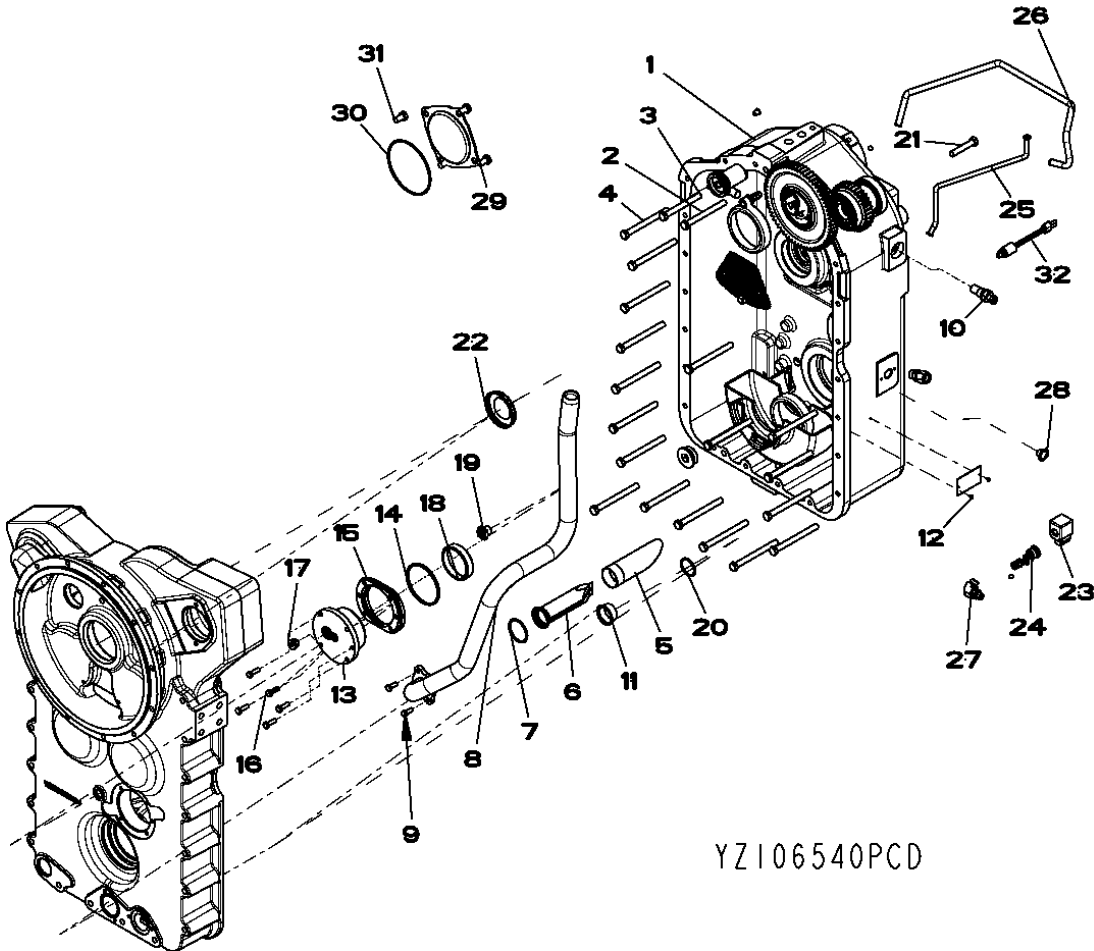
KEY	PART NO.	PART NAME	QTY.	SERIAL NO.	REMARKS
1	YZ106980	HOUSING	1		
2	YZ106981	HOUSING	1		
3	19M2905	CAP SCREW	1		M12 X 120
4	19M2903	CAP SCREW	1		M12 X 110
5	19M2906	CAP SCREW	18		M12 X 130
6	YZ102234	TUBE	1		
7	YZ104125	SCREEN	1		
8	P50631	O-RING	1		
9	YZ106475	OIL LINE	1		
10	19M3129	CAP SCREW	2		
11	RE519144	SENSOR	2		
12	F2310039	PLUG	1		
13	F310063	SCREW	2		
14	YZ104140	BEARING HOUSING W/O BEARING	1		
15	F37030239	O-RING	1		
16	YZ104736	SHIM KIT	1		
17	19M3131	CAP SCREW	5		M8 X 25
18	F85108	FITTING PLUG	1		
	R26375	O-RING	1		
19	YZ104280	BEARING CUP	1		
20	R66405	PLUG	1		
21	F37030222	O-RING	1		
22	19M6458	CAP SCREW	1		
23	F23303	PLUG	1		
24	YZ501988	SOLENOID VALVE	1		
	YZ501919	KIT	1		
25	YZ501855	VALVE	1		
	YZ501921	KIT	1		
26	YZ106505	OIL TUBE	1		
27	YZ106876	OIL TUBE	1		
28	38H1004	ELBOW FITTING	1		
	R26448	O-RING	1		
	T77613	O-RING	1		
29	F2310022	PLUG	1		
30	F23048	PLUG	1		
31	AT223537	PRESSURE SWITCH	1		

0350-22

TRANSMISSION 03

GEARS, SHAFTS & POWER SHIFT CLUTCHES 0350

MAIN CASE GROUP - YZ106540
GROUPE CARTER PRINCIPAL - YZ106540
GRUPO DE CAJA PRINCIPAL - YZ106540
YZ106540PCD -UN-27OCT08



YZ106540PCD

0350-23

TRANSMISSION 03

GEARS, SHAFTS & POWER SHIFT CLUTCHES 0350

KEY	PART NO.	PART NAME	QTY.	SERIAL NO.	REMARKS
1	YZ106981	HOUSING	1		
2	19M2905	CAP SCREW	1		M12 X 120
3	19M2903	CAP SCREW	1		M12 X 110
4	19M2906	CAP SCREW	18		M12 X 130
5	YZ102234	TUBE	1		
6	YZ104125	SCREEN	1		
7	P50631	O-RING	1		
8	YZ106475	OIL LINE	1		
9	19M3129	CAP SCREW	2		
10	RE519144	SENSOR	2		
11	F2310039	PLUG	1		
12	F310063	SCREW	2		
13	YZ104140	BEARING HOUSING W/O BEARING	1		
14	F37030239	O-RING	1		
15	YZ104736	SHIM KIT	1		
16	19M3131	CAP SCREW	5		M8 X 25
17	F85108	FITTING PLUG	1		
	R26375	O-RING	1		
18	YZ104280	BEARING CUP	1		
19	R66405	PLUG	1		
20	F37030222	O-RING	1		
21	19M6458	CAP SCREW	1		M12 X 65
22	F23303	PLUG	1		
23	YZ501988	SOLENOID VALVE	1		
	YZ501919	KIT	1		
24	YZ501855	VALVE	1		
	YZ501921	KIT	1		
25	YZ106505	OIL TUBE	1		
26	YZ106876	OIL TUBE	1		
27	38H1004	ELBOW FITTING	1		
	R26448	O-RING	1		
	T77613	O-RING	1		
28	F2310022	PLUG	1		
29	YZ105724	PLATE	1		
30	F37030250	O-RING	1		
31	19M3160	CAP SCREW	4		M12 X 20
32	AT223537	PRESSURE SWITCH	1		

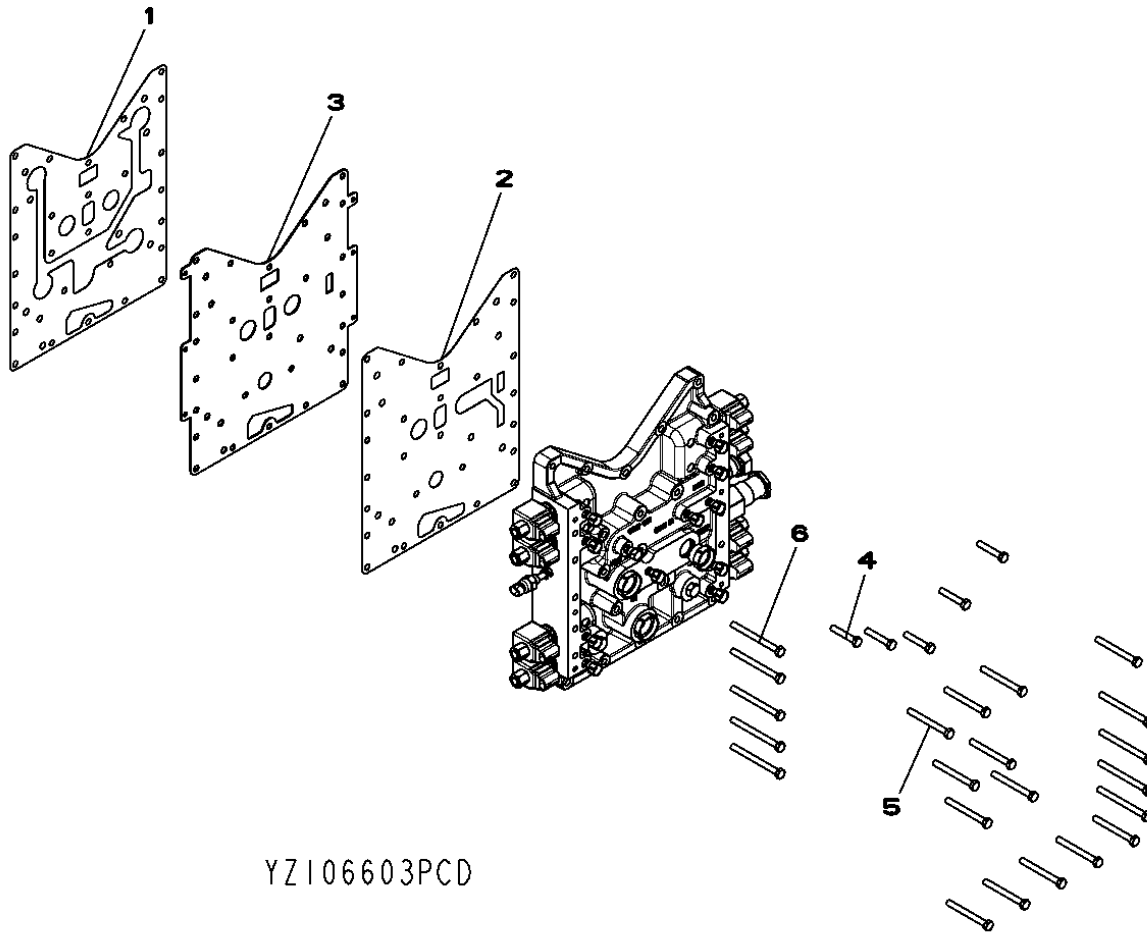
0350-24

TRANSMISSION 03

GEARS, SHAFTS & POWER SHIFT CLUTCHES 0350

VALVE CONTROL GROUP (YZ106603)
COMMANDE DU DISTRIBUTEUR
CONTROL DE VALVULA GRUPO

YZ106603PCD -UN-29OCT08



YZ106603PCD

0350-25

TRANSMISSION 03

GEARS, SHAFTS & POWER SHIFT CLUTCHES 0350

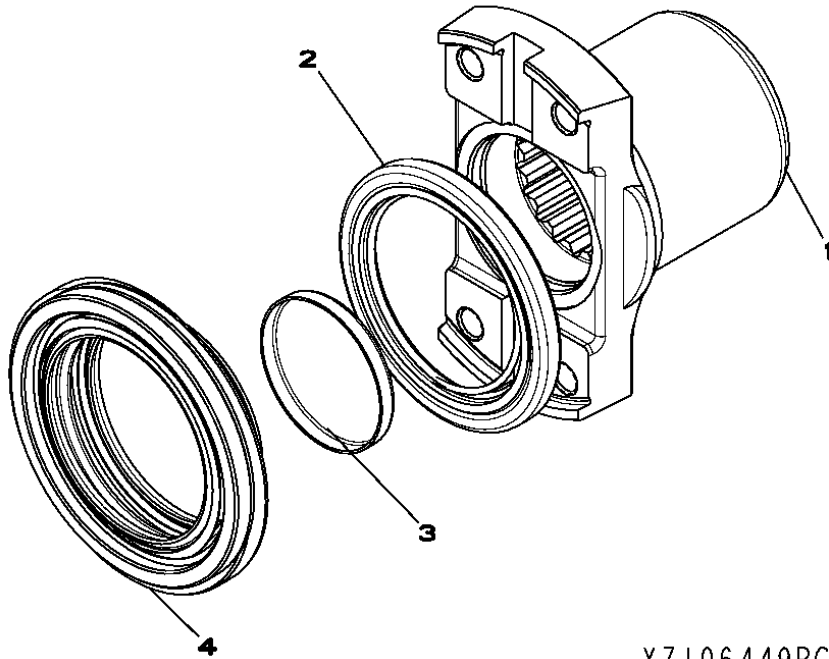
KEY	PART NO.	PART NAME	QTY.	SERIAL NO.	REMARKS
1	YZ104179	GASKET	1		
2	YZ104180	GASKET	1		
3	YZ104959	PLATE	1		
4	19M2972	CAP SCREW	5		M8 X 45
5	19M9050	CAP SCREW	13		M8 X 75
6	19M9066	CAP SCREW	9		M8 X 90

0350-26

TRANSMISSION 03

GEARS, SHAFTS & POWER SHIFT CLUTCHES 0350

YOKE GROUP 7C (YZ106449)
GROUPE CHAPE (YZ106449)
GRUPO DE HORQUILLA (YZ106449)
YZ106449PCD -UN-11DEC08



YZ106449PCD

0350-27

TRANSMISSION 03
GEARS, SHAFTS & POWER SHIFT CLUTCHES 0350

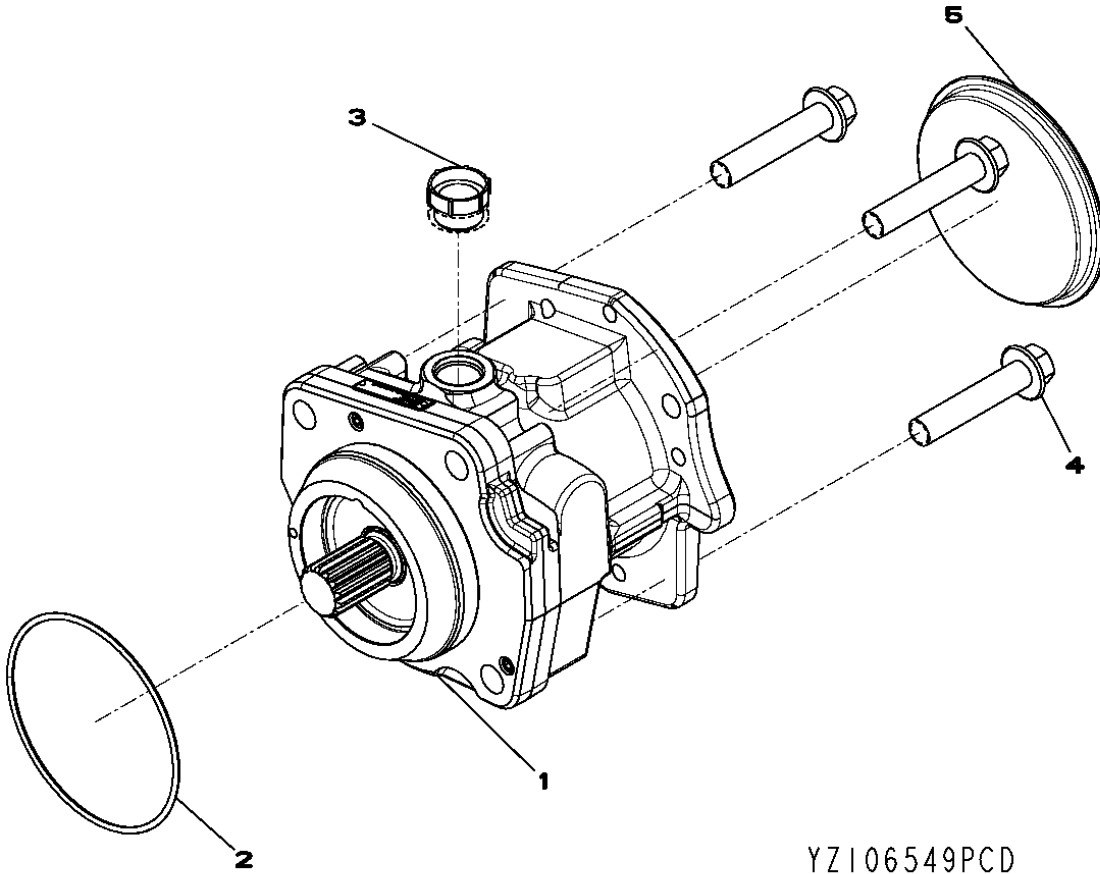
KEY	PART NO.	PART NAME	QTY.	SERIAL NO.	REMARKS
1	YZ106979	ASSEMBLY LINE PARTS	1		
2	YZ106948	SEAL	1		
3	YZ101905	CAP	1		
4	YZ105896	ASSEMBLY LINE PARTS	1		

0350-28

TRANSMISSION 03

GEARS, SHAFTS & POWER SHIFT CLUTCHES 0350

TRANSMISSION CHARGE PUMP GROUP (YZ106549)
GROUPE POMPE DE GAVAGE DE LA TRANSMISSION (YZ106549)
GRUPO DE LA BOMBA DE CARGA DE TRANSMISION (YZ106549)
YZ106549PCD -UN-29OCT08



YZ106549PCD

0350-29

TRANSMISSION 03

GEARS, SHAFTS & POWER SHIFT CLUTCHES 0350

KEY	PART NO.	PART NAME	QTY.	SERIAL NO.	REMARKS
1	YZ106839	OIL PUMP	1		(SUB YZ106838)
2	F37030250	O-RING	1		
3	R66407	PLUG	1		
4	YZ106581	SCREW	3		
5	F23048	PLUG	1		

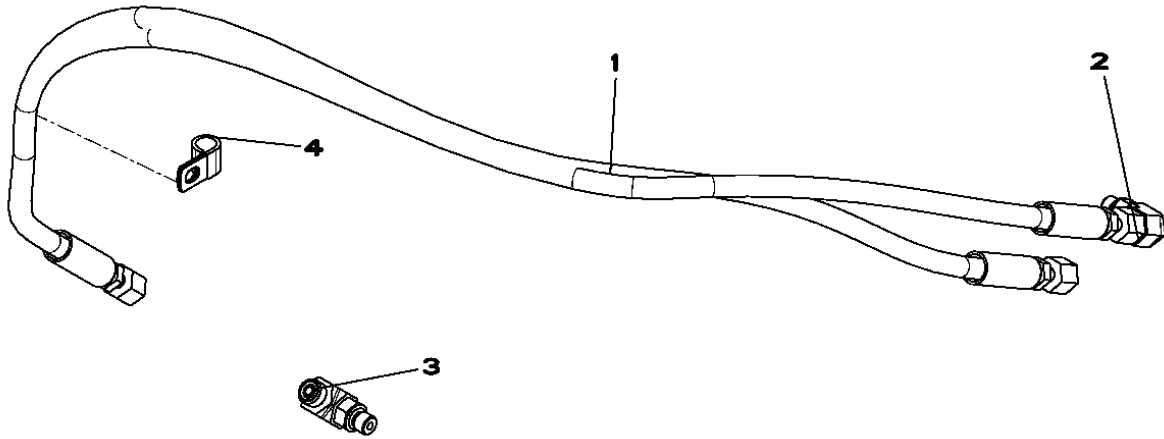
0350-30

TRANSMISSION 03

GEARS, SHAFTS & POWER SHIFT CLUTCHES 0350

TRANSMISSION HOSE FITTING (YZ106766)
RACCORD DE FLEXIBLE DE TRANSMISSION (YZ106766)
RACOR DE MANGUERA DE TRANSMISION (YZ106766)

YZ106766PCD -UN-29OCT08



YZ106766PCD

0350-31

TRANSMISSION 03

GEARS, SHAFTS & POWER SHIFT CLUTCHES 0350

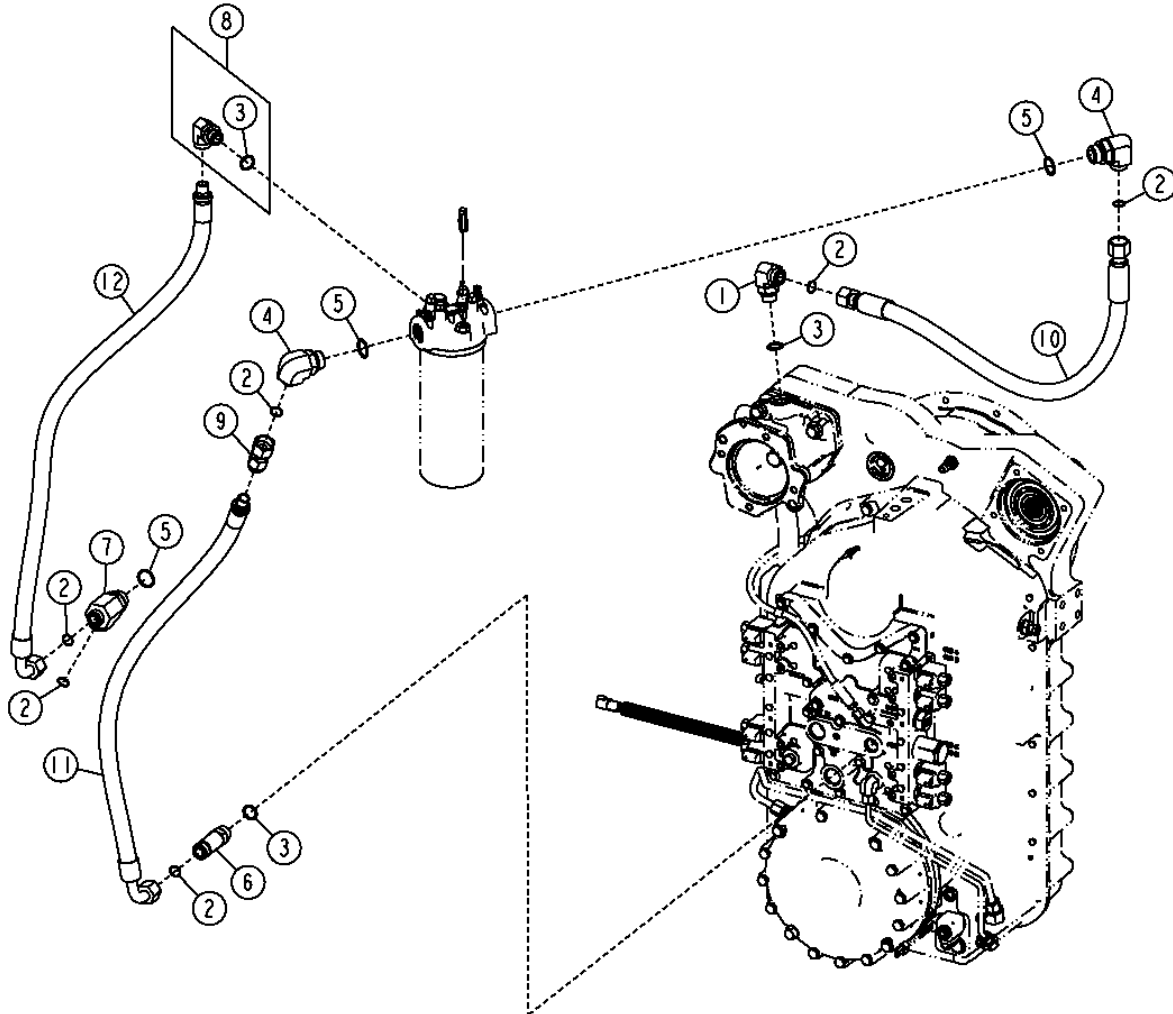
KEY	PART NO.	PART NAME	QTY.	SERIAL NO.	REMARKS
1	YZ105581	HOSE	1		
2	YZ105343	ELBOW FITTING	1		
3	38H1003	ELBOW FITTING	1		
	R28782	O-RING	1		
	T77814	O-RING	1		
4	YZ105419	CLAMP	1		

0363-2

TRANSMISSION 03
TRANSMISSION OIL LINES 0363

TRANSMISSION HOSES FLEXIBLES DE TRANSMISSION MANGUERAS DE LA TRANSMISION

TX1050013 -UN-22OCT08



TX1050013

0363-3

TRANSMISSION 03

TRANSMISSION OIL LINES 0363

**TRANSMISSION HOSES
FLEXIBLES DE TRANSMISSION
MANGUERAS DE LA TRANSMISION**

KEY	PART NO.	PART NAME	QTY.	TRANSMISSION SERIAL NO.	REMARKS
1	38H1007	ELBOW FITTING	1		
2	T77858	O-RING	6		
3	U12547	O-RING	3		
4	38H1052	ELBOW FITTING	2		
5	R29936	O-RING	3		
6	38H1215	ADAPTER FITTING	1		
7	38H1438	TEE FITTING	1		
8	62H1014	ADAPTER FITTING	1		
9	62H1065	ADAPTER FITTING	1		
10	AT317690	HYDRAULIC HOSE - FABRICATE	1		
11	AT317691	HYDRAULIC HOSE - FABRICATE	1		
12	AT317692	HYDRAULIC HOSE - FABRICATE	1		

0363-4

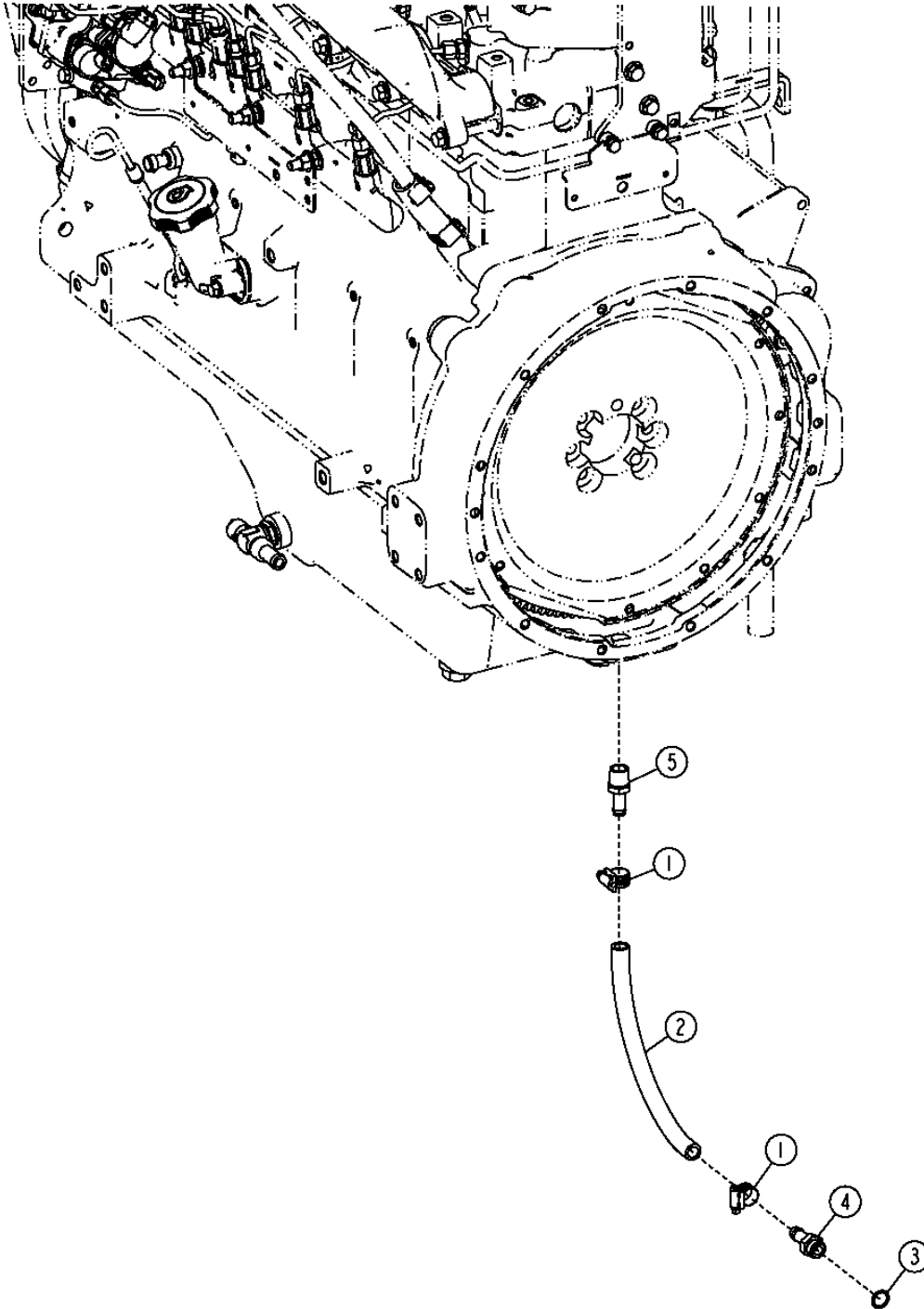
TRANSMISSION 03

TRANSMISSION OIL LINES 0363

FLYWHEEL HOUSING DRAIN (6090HDW01 / 6090HDW04)
VIDANGE DE CARTER DE VOLANT-MOTEUR (6090HDW01 / 6090HDW04)
VACIADO DE CAJA DEL VOLANTE (6090HDW01 / 6090HDW04)

TX1048221

-UN-08SEP08



TX1048221

0363-5

TRANSMISSION 03

TRANSMISSION OIL LINES 0363

FLYWHEEL HOUSING DRAIN (6090HDW01 / 6090HDW04)
VIDANGE DE CARTER DE VOLANT-MOTEUR (6090HDW01 / 6090HDW04)
VACIADO DE CAJA DEL VOLANTE (6090HDW01 / 6090HDW04)

KEY	PART NO.	PART NAME	QTY.	SERIAL NO.	REMARKS
1	TY22464	CLAMP	2		
2	BULK HOSE	1		(MAKE FROM T168383) (CTL)
3	R26375	O-RING	1		
4	T38282	HOSE FITTING	1		
5	R112291	FITTING	1		

0363-6

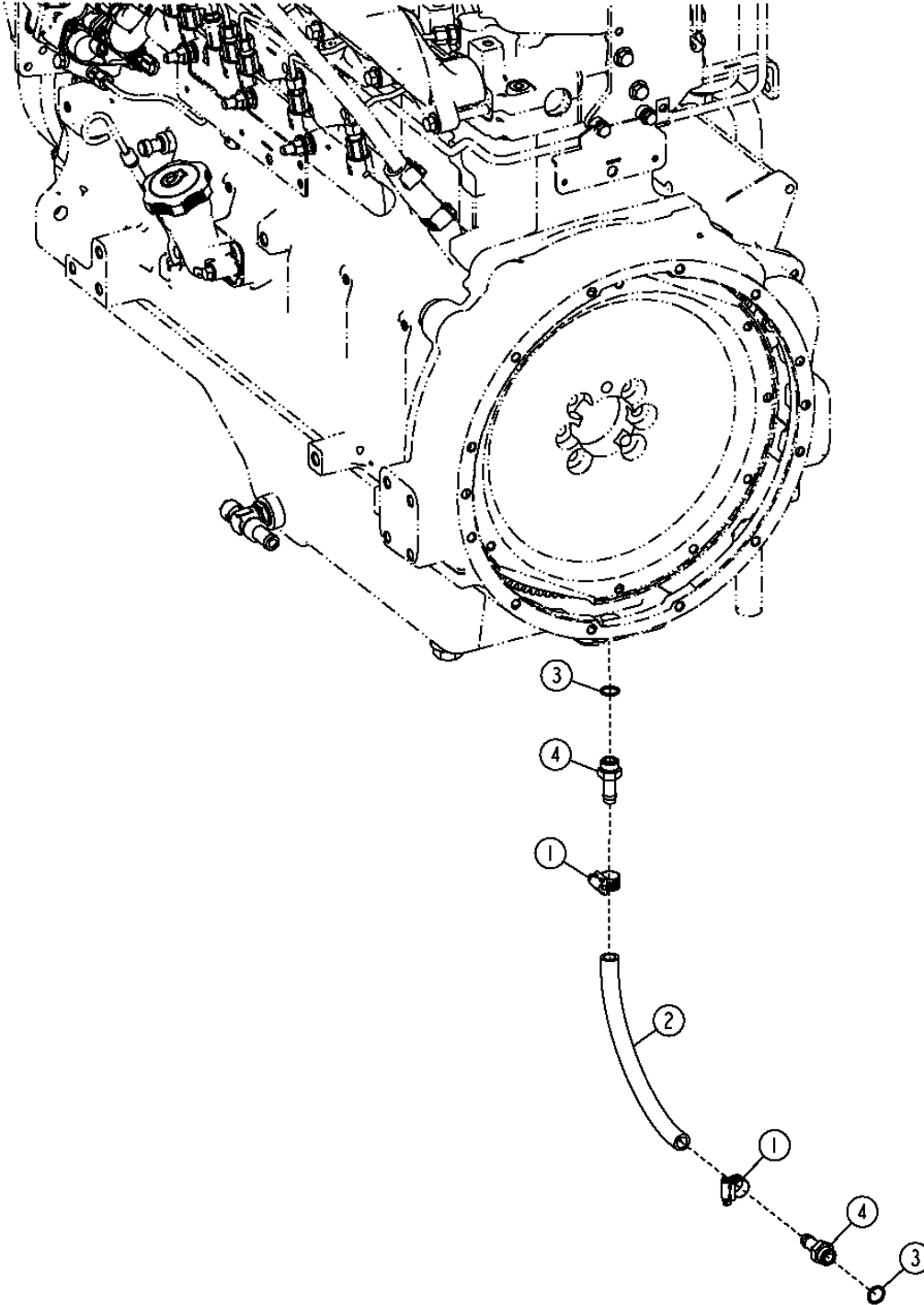
TRANSMISSION 03

TRANSMISSION OIL LINES 0363

FLYWHEEL HOUSING DRAIN (6068HDW75)
VIDANGE DE CARTER DE VOLANT-MOTEUR (6068HDW75)
VACIADO DE CAJA DEL VOLANTE (6068HDW75)

TX1048223

-UN-08SEP08



TX1048223

0363-7

TRANSMISSION 03

TRANSMISSION OIL LINES 0363

FLYWHEEL HOUSING DRAIN (6068HDW75)
VIDANGE DE CARTER DE VOLANT-MOTEUR (6068HDW75)
VACIADO DE CAJA DEL VOLANTE (6068HDW75)

KEY	PART NO.	PART NAME	QTY.	SERIAL NO.	REMARKS
1	TY22464	CLAMP	2		
2	BULK HOSE	1		(MAKE FROM T168383) (CTL)
3	R26375	O-RING	2		
4	T38282	HOSE FITTING	2		

0363-8

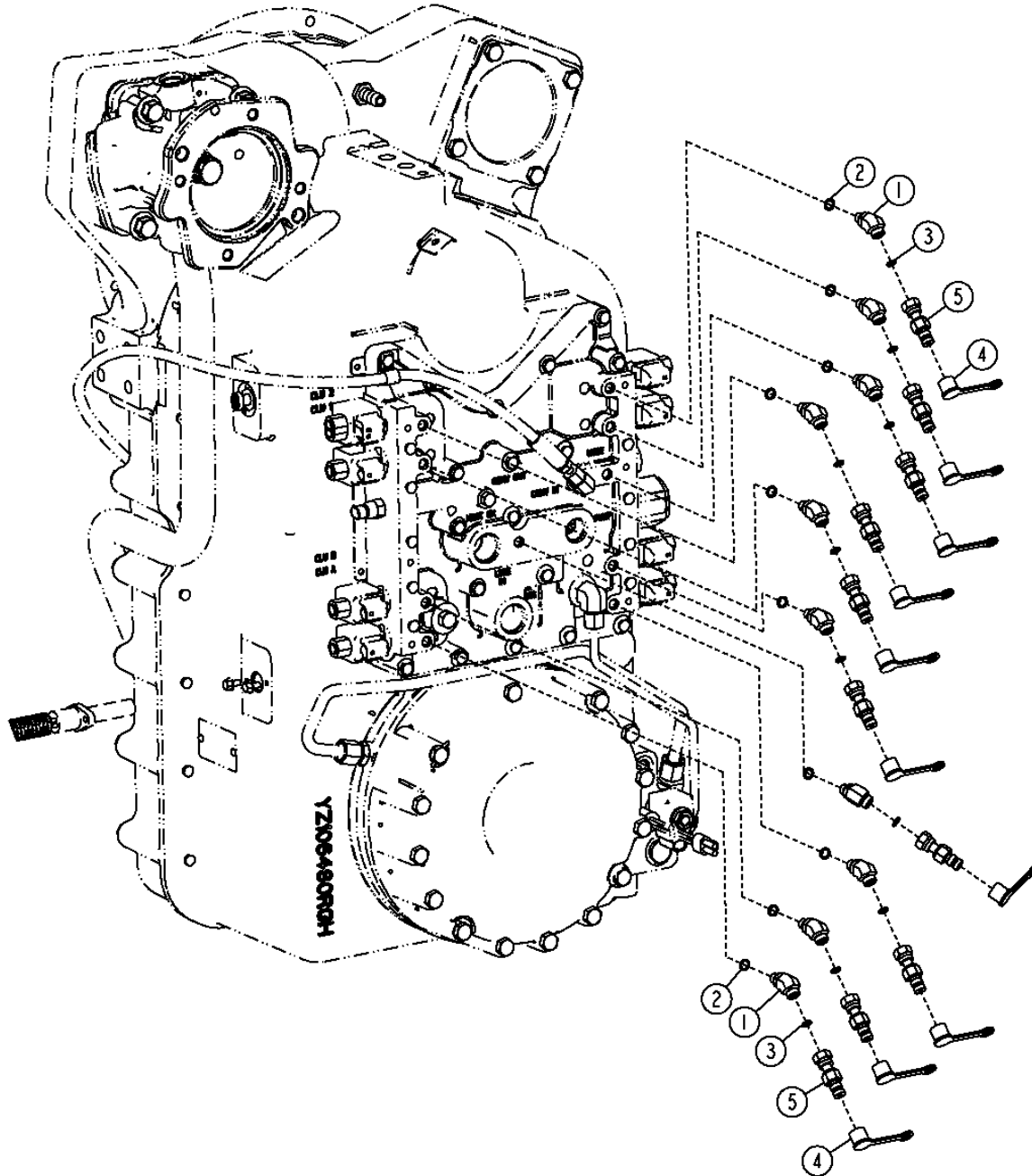
TRANSMISSION 03

TRANSMISSION OIL LINES 0363

TRANSMISSION DIAGNOSTIC FITTINGS RACCORDS DE DIAGNOSTIC DE TRANSMISSION ADAPTADORES DE DIAGNOSTICO DE TRANSMISION

TX1048224

-UN-15SEP08



TX1048224

0363-9

TRANSMISSION 03

TRANSMISSION OIL LINES 0363

**TRANSMISSION DIAGNOSTIC FITTINGS
RACCORDS DE DIAGNOSTIC DE TRANSMISSION
ADAPTADORES DE DIAGNOSTICO DE TRANSMISION**

<i>KEY</i>	<i>PART NO.</i>	<i>PART NAME</i>	<i>QTY.</i>	<i>SERIAL NO.</i>	<i>REMARKS</i>
1	38H1044	ELBOW FITTING	10		
2	R28782	O-RING	10		
3	T77814	O-RING	10		
4	R77175	COVER	10		
5	RE60700	DIAGNOSTIC COUPLING	10		

0364-2

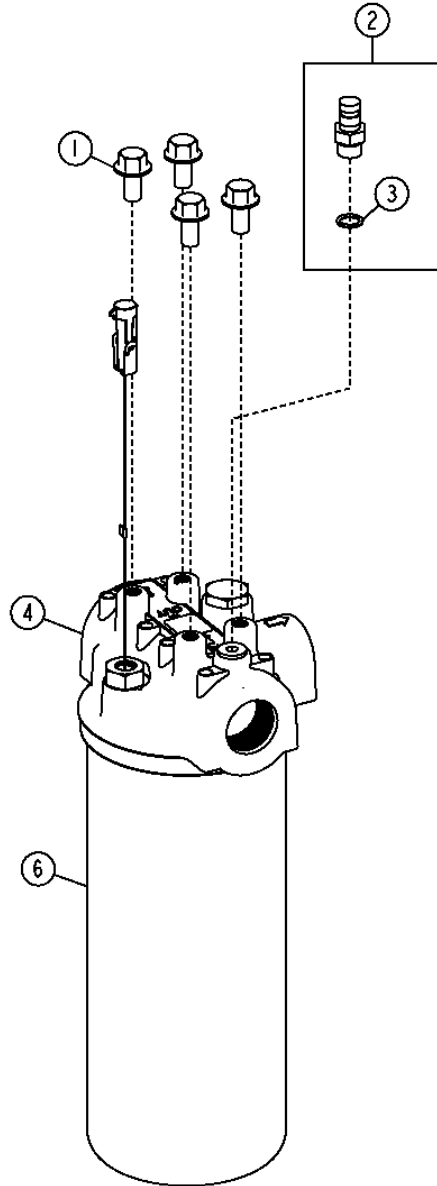
TRANSMISSION 03

TRANS. FILTER, COOLER & AUX. RESERVOIR 0364

TRANSMISSION FILTER
FILTRE A HUILE DE TRANSMISSION
FILTRO DE LA TRANSMISION

TX1057050

-UN-23MAR09



TX1057050

0364-3

TRANSMISSION 03

TRANS. FILTER, COOLER & AUX. RESERVOIR 0364

TRANSMISSION FILTER
FILTRE A HUILE DE TRANSMISSION
FILTRO DE LA TRANSMISION

KEY	PART NO.	PART NAME	QTY.	SERIAL NO.	REMARKS
1	19M7784	SCREW	4		M10 X 20
2	AT306111	FITTING	1		
3	R26448	O-RING	1		
4	AT305048	FILTER HEAD	1		(INCLUDES AT307045 AND P46051)
	AT307045	PRESSURE SWITCH	1		(INCLUDES P46051)
	P46051	O-RING	1		
6	AT335492	HYDRAULIC FILTER	1		(ELEMENT)

0364-4

TRANSMISSION 03

TRANS. FILTER, COOLER & AUX. RESERVOIR 0364

MEMORANDA
MEMORANDA
MEMORANDA

0400A-1

ENGINE 4





















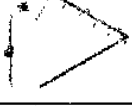





6090HDW01 0400A

SECTIONAL INDEX INDEX DE SECTION INDICE DE GRUPOS

RGP12237A

-UN-08SEP06

6090HDW01

1102 		1303 	1405 	1505 
1604 	1701 	1908 	2001 	2107 
2201 	2301 	2402 	2699 	2804 
2901 	3003 	3100 	3508 	
	3902 	4021 	4397 	
4601 	4701 	4801 	4901 	5001 

RGP12237A

0400A-2

ENGINE 4



















6090HDW01 0400A

SECTIONAL INDEX INDEX DE SECTION INDICA DE SECCION

RGP12237B

-UN-08SEP06

6090HDW01

5101 	5299 	5701 	5919 	6297 
	6400 	6513 	6600 	6700 
7404 	7701 	7899 	8300 	8499 
8700 	8800 	8902 	9801 	

RGP12237B

0400A-3

ENGINE 4
6090HDW01 0400A

MEMORANDA
MEMORANDA
MEMORANDA

0400A-4

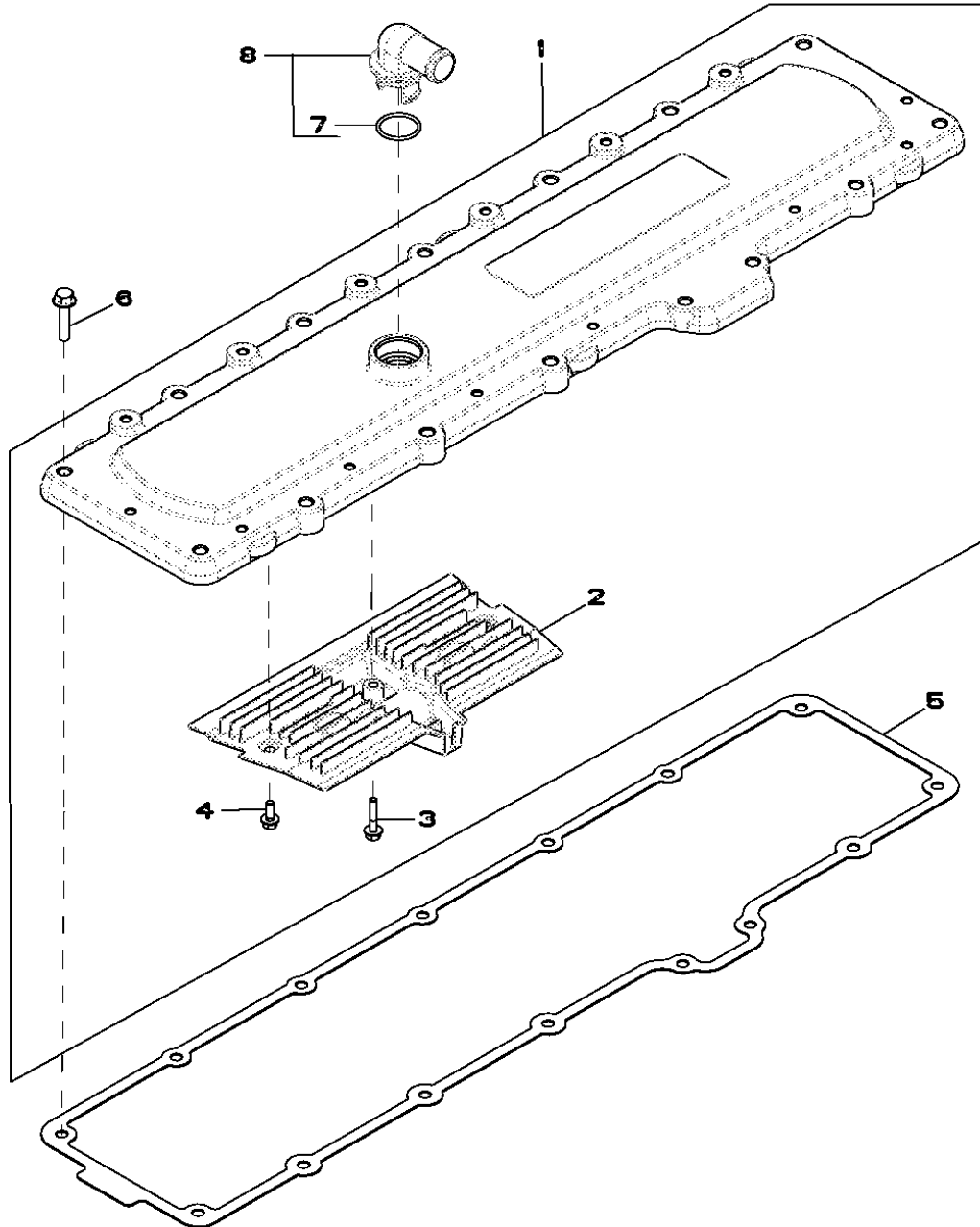
ENGINE 4

6090HDW01 0400A

1102 (ROCKER ARM COVER)
1102 (CULBUTEURS)
1102 (TAPA DE BALANCINES)

RE523109PCDE02

-UN-06MAR09



RE523109PCDE02

0400A-5

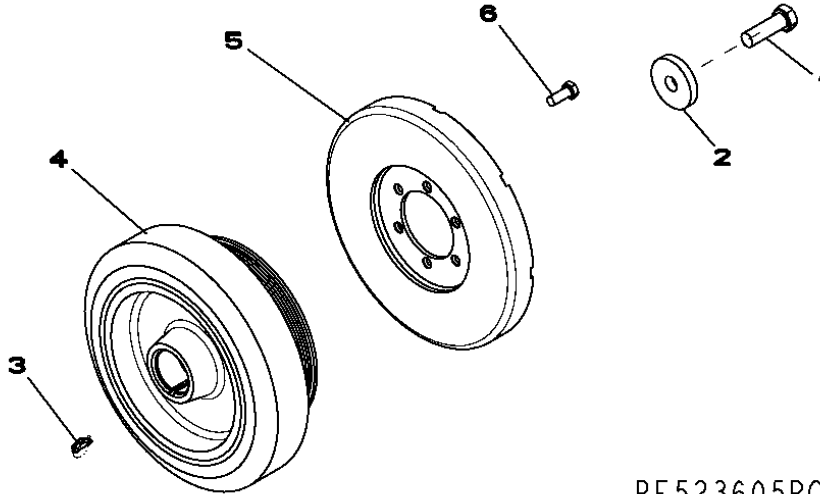
ENGINE 4
6090HDW01 0400A

KEY	PART NO.	PART NAME	QTY.	ENGINE SERIAL NO.	REMARKS
1	RE536705	COVER	1		(SUB FOR RE529972)
	RE529972	COVER	1		
2	R523317	BREATHER	1		
3	19M7796	SCREW	1		M6 X 30
4	19M7775	SCREW	2		M6 X 16
5	R526607	SEAL	1		(USE WITH RE536705)
	R527884	GASKET	1		(SUB FOR R518263)
6	19M8291	SCREW	15		M8 X 35
7	T122075	O-RING	1		
8	RE529871	ELBOW FITTING	1		(SUB FOR RE527976)

0400A-6

ENGINE 4
6090HDW01 0400A

1346 CRANKSHAFT PULLEY
1346 POULIE DU VILEBREQUIN
1346 POLEA DEL CIGUENAL
RE523605PCDC01 -UN-10JAN06



RE523605PCDC01

KEY	PART NO.	PART NAME	QTY.	ENGINE SERIAL NO.	REMARKS
1	19M8889	CAP SCREW	1	M16 X 50	
2	R26333	WASHER	1		
3	R523306	KEY	1		
4	RE522932	TORSIONAL DAMPER	1		
5	RE57604	TORSIONAL DAMPER	1		
6	19M7402	CAP SCREW	6		

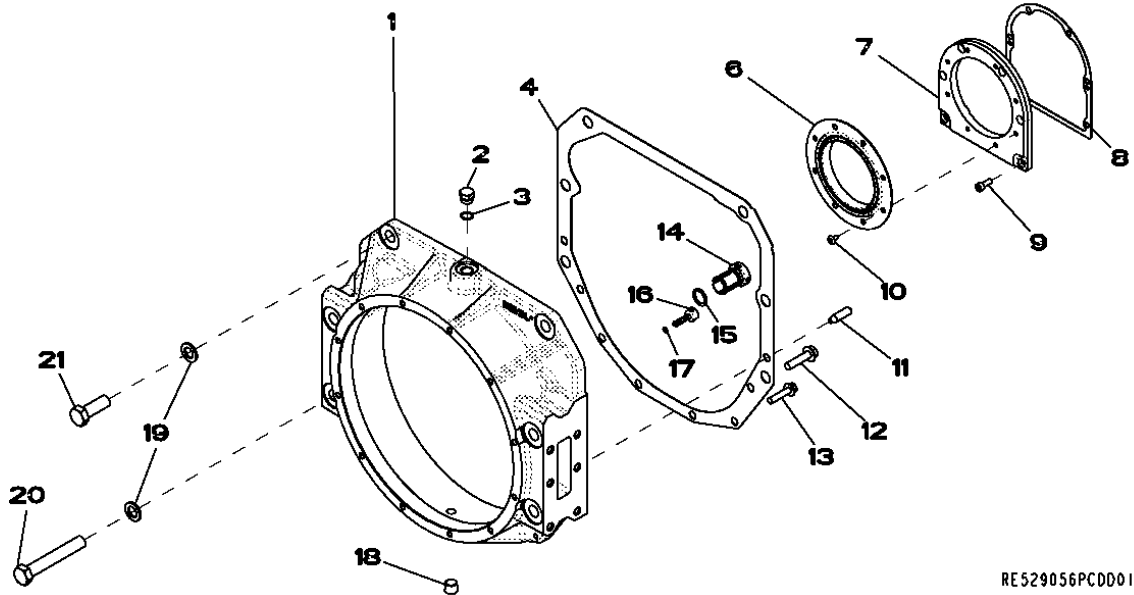
0400A-7

ENGINE 4

6090HDW01 0400A

1412 (FLYWHEEL HOUSING)
1412 (CARTER VOLANT)
1412 (CARCASAVOLANTE)

RE529056PCDD01 -UN-18JUN07



RE529056PCDD01

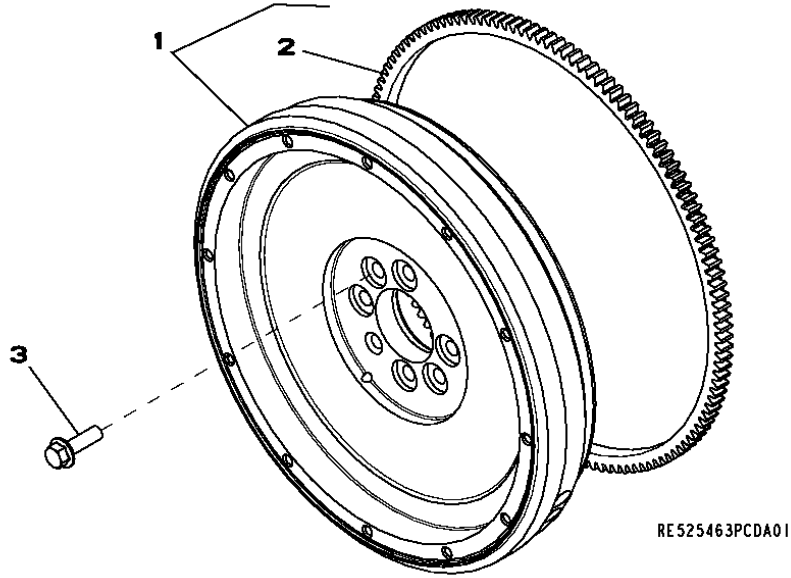
KEY	PART NO.	PART NAME	QTY.	ENGINE SERIAL NO.	REMARKS
1	R520219	HOUSING	1		
2	R39112	FITTING	1		
3	R47150	O-RING	1		
4	R518995	GASKET	1		
6	RE530121	SEAL	1		
7	R518551	HOUSING	1		
8	R522768	GASKET	1		
9	19M8446	SCREW	6		M8 X 20
10	R522160	SCREW	8		
11	H79910	DOWEL PIN	2		
12	19M8306	SCREW	2		M12 X 50
13	19M7805	SCREW	4		M10 X 45
14	AR61533	PLUG	1		
15	R27149	O-RING	1		
16	AR61589	PLUG	1		
17	A4365R	O-RING	1		
18	RE57836	PIPE PLUG	1		
19	24M7353	WASHER	6		20 X 34 X 3 MM
20	19M7968	CAP SCREW	4		M20 X 130
21	19M8002	CAP SCREW	2		M20 X 55

0400A-8

ENGINE 4
6090HDW01 0400A

1520 (FLYWHEEL)
1520 (VOLANT)
1520 (VOLANTE)

RE525463PCDA01 -UN-22MAY06



KEY	PART NO.	PART NAME	QTY.	ENGINE SERIAL NO.	REMARKS
1	AR68167	FLYWHEEL	1		(SUB FOR RE505428)
2	R28811	RING GEAR	1		
3	19M7791	BOLT	6	M12 X 40	

0400A-9

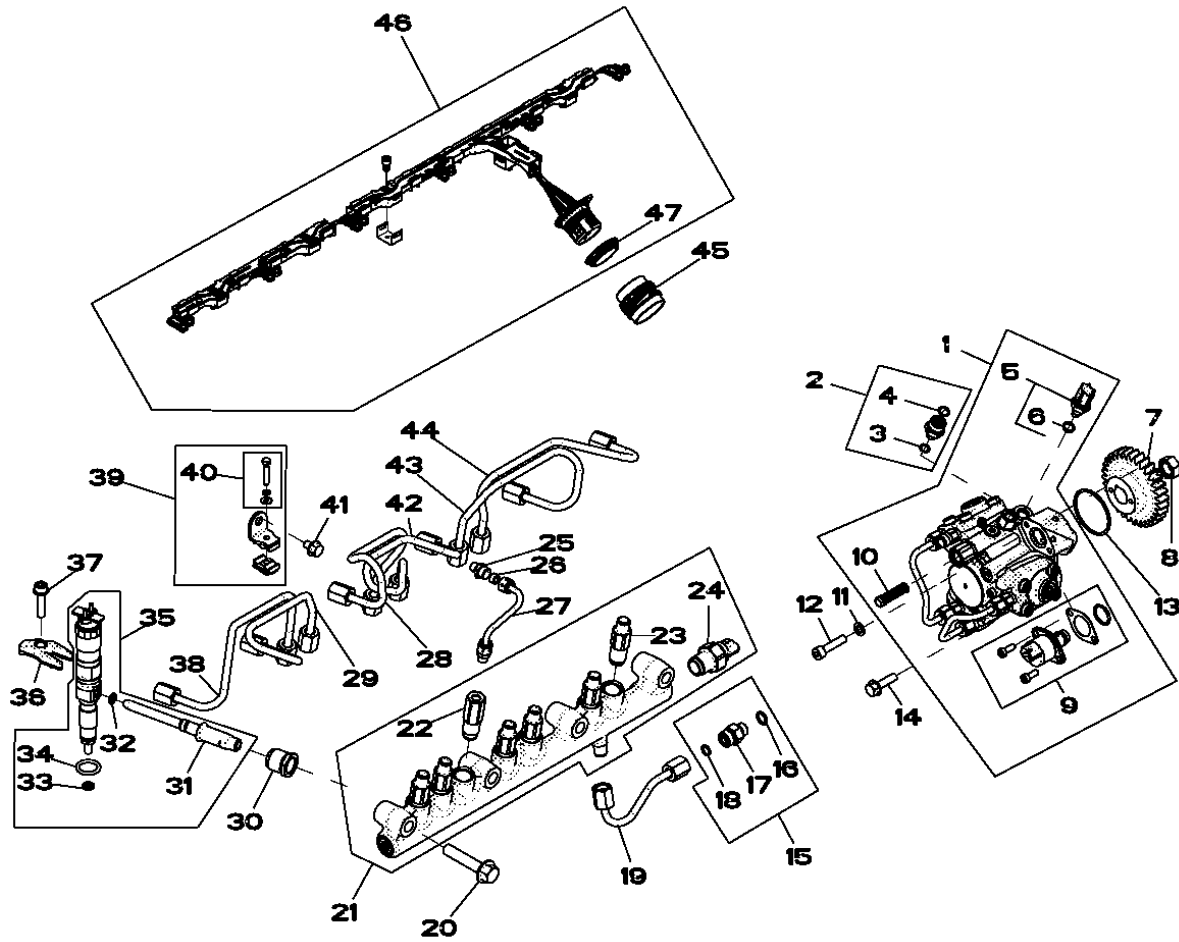
ENGINE 4
6090HDW01 0400A

MEMORANDA
MEMORANDA
MEMORANDA

0400A-10

ENGINE 4
6090HDW01 0400A

1603 (FUEL INJECTION PUMP)
1603 (POMPE D'INJECTION)
1603 (BOMBA DE INYECCION)
RE524203PCDJ02 -UN-22JUL08



RE524203PCDJ02

0400A-11

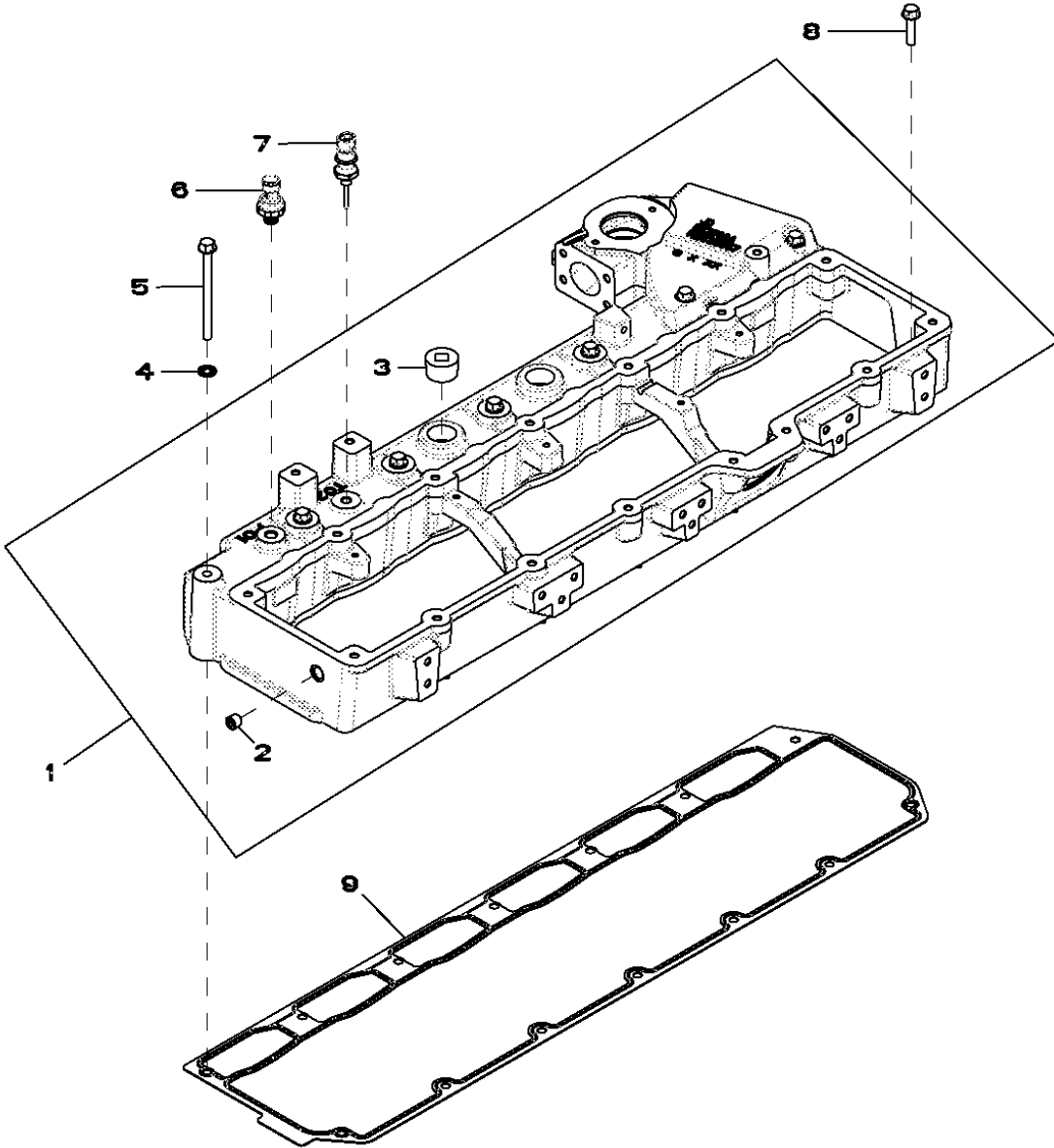
ENGINE 4
6090HDW01 0400A

KEY	PART NO.	PART NAME	QTY.	ENGINE SERIAL NO.	REMARKS
1	RE534156	FUEL INJECTION PUMP	1		
2	51M7039	O-RING	1		
3	RE524399	ADAPTER FITTING	1		
4	T77613	O-RING	1		
5	RE516336	FUEL TEMPERATURE SENSOR	1		
6	R524234	O-RING	1		
7	R518254	GEAR	1		
8	R91360	NUT	1		
9	RE532171	CONTROL VALVE	1		(INCLUDES RE531207)
10	RE524528	KIT	1		
11	24M7095	WASHER	1		
12	19M8274	SCREW	1		M8 X 35
13	R521040	O-RING	1		
14	19M7868	SCREW	2		M8 X 30
15	RE522616	FITTING	1		
16	51M7095	O-RING	1		
17	38H5002	ADAPTER FITTING	1		
18	R63548	O-RING	1		
19	RE520030	FUEL LINE	1		
20	19M7815	SCREW	4		M12 X 60
21	RE521599	RAIL	1		
22	RE524529	PRESSURE RELIEF VALVE	1		
23	RE515636	RESTRICTOR	6		
24	RE523811	SENSOR	1		
25	RE506624	ADAPTER FITTING	2		
26	R51936	SEALING WASHER	2		
27	RE520032	LINE	1		
28	RE525516	FUEL LINE	1		
29	RE525517	FUEL LINE	1		
30	R518871	TUBE NUT	6		
31	RE531195	FITTING	6		
32	R63548	O-RING	6		
33	R131051	WASHER	6		
34	R505452	O-RING	6		
35	RE528408	INJECTION NOZZLE	6		(INCLUDES RE531195, RE529151, R505452, R63548, R131051 AND RE527756)
36	R522417	CLAMP	6		
37	RE528096	SCREW WITH WASHER	6		
38	RE525518	FUEL LINE	1		
39	RE525519	CLAMP	3		
40	RE527756	SCREW WITH WASHER	1		
41	RE524730	CAP SCREW	3		
42	RE525515	FUEL LINE	1		
43	RE525514	FUEL LINE	1		
44	RE525513	FUEL LINE	1		
45	R520441	ELEC. CONNECTOR ACCESSORY	1		
46	RE535070	WIRING HARNESS	1		
47	R526154	SEALING RING	1		

0400A-12

ENGINE 4
6090HDW01 0400A

1701 (AIR INTAKE)
1701 (ADMISSION D'AIR)
1701 (ENTRADA DE AIRE)
RE523114PCDG02 -UN-27NOV08



RE523114PCDG02

0400A-13

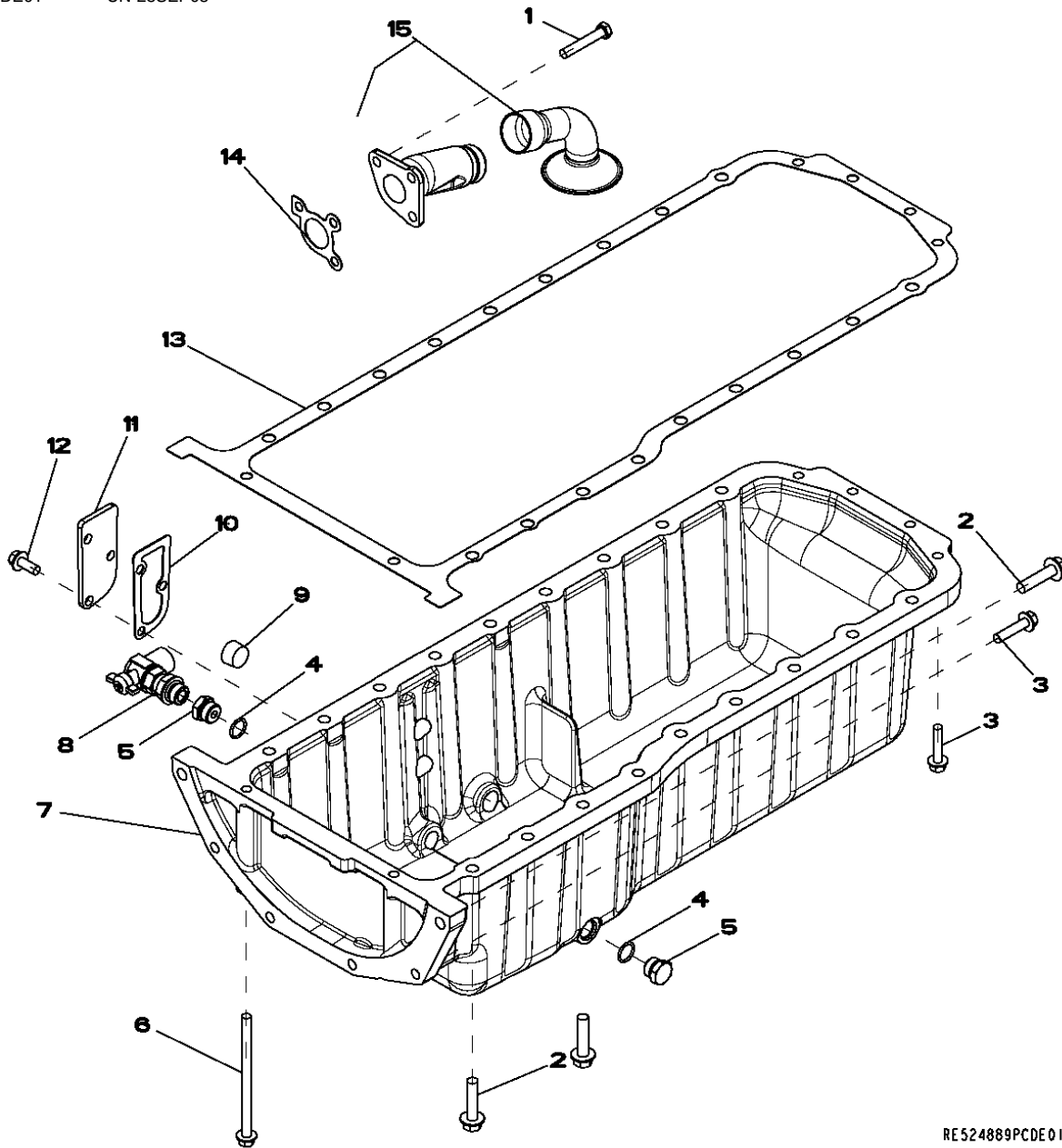
ENGINE 4
6090HDW01 0400A

KEY	PART NO.	PART NAME	QTY.	ENGINE SERIAL NO.	REMARKS
1	RE520442	INTAKE MANIFOLD	1	--XXXXX	(MARKED R518132) (USE WITH R527884) (SUB RE536258)
	RE536258	INTAKE MANIFOLD	1	XXXXX--	(MARKED R527004) (USE WITH R526607 OR R527884 OR R518263) (SUB FOR RE520442)
2	15H685	PIPE PLUG	1		
3	15H686	PIPE PLUG	2		
4	R520424	SEALING WASHER	7		
5	19M7873	SCREW	7		M8 X 110
6	RE522723	MANIFOLD AIR PRESS. SENSOR	1		
7	RE522823	TEMPERATURE SENSOR	1		
8	R527684	SCREW	7		
9	R518260	GASKET	1		

0400A-14

ENGINE 4
6090HDW01 0400A

1909 (OIL PAN)
1909 (CARTER D'HUILE)
1909 (CARTER DE ACEITE)
RE524889PCDE01 -UN-28SEP05



RE524889PCDE01

0400A-15

ENGINE 4
6090HDW01 0400A

KEY	PART NO.	PART NAME	QTY.	ENGINE SERIAL NO.	REMARKS
1	19M9399	CAP SCREW	3		M10 X 60
2	19M8306	SCREW	20		M12 X 50
3	19M7805	SCREW	8		M10 X 45
4	R47151	O-RING	2		
5	R27474	DRAIN PLUG	2		
6	19M8952	SCREW	2		M10 X 160
7	RE525915	OIL PAN	1		
8	RE509097	DRAIN VALVE	1		
10	RE63439	GASKET	1		
11	R519285	COVER	1		
12	19M7785	SCREW	3		M10 X 25
13	R523503	GASKET	1		
14	R100569	GASKET	1		
15	RE520585	OIL PUMP INTAKE	1		

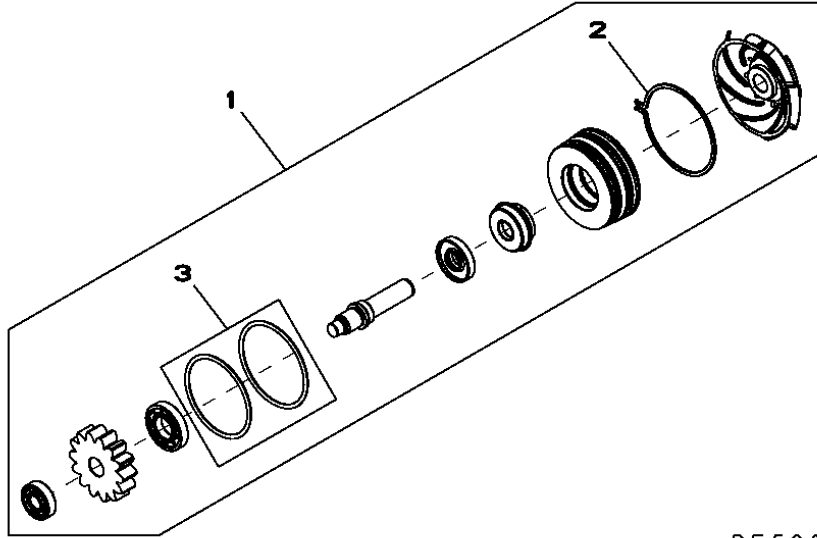
0400A-16

ENGINE 4
6090HDW01 0400A

2001 (WATER PUMP)
2001 (POMPE A EAU)
2001 (BOMBA DE AGUA)

RE523116PCDC01

-UN-17MAY06



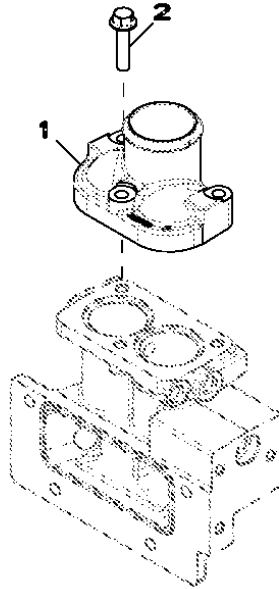
RE523116PCDC01

KEY	PART NO.	PART NAME	QTY.	ENGINE SERIAL NO.	REMARKS
1	RE530194	WATER PUMP	1		(SUB FOR RE523828)
	SE501228	WATER PUMP REMAN	1		
2	R520701	SNAP RING	1		
3	RE509463	KIT	1		

0400A-17

ENGINE 4
6090HDW01 0400A

2107 (THERMOSTAT COVER)
2107 (COUVERCLE DE THERMOSTAT)
2107 (TAPADERA TERMOSTATO)
RE527033PCDA01 -UN-10DEC08



RE527033PCDA01

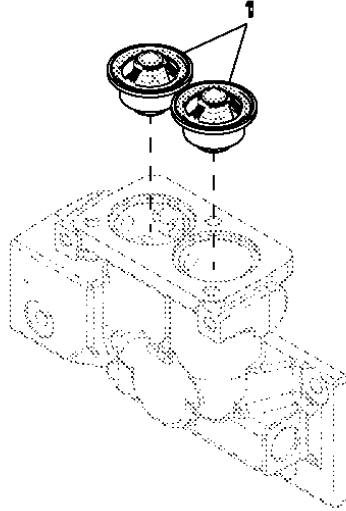
KEY	PART NO.	PART NAME	QTY.	ENGINE SERIAL NO.	REMARKS
1	R522011	HOUSING	1		
2	19M8320	SCREW	3	M10 X 45	

0400A-18

ENGINE 4
6090HDW01 0400A

2201 (THERMOSTAT)
2201 (THERMOSTAT)
2201 (THERMOSTATO)

RE522968PCDD01 -UN-13OCT08



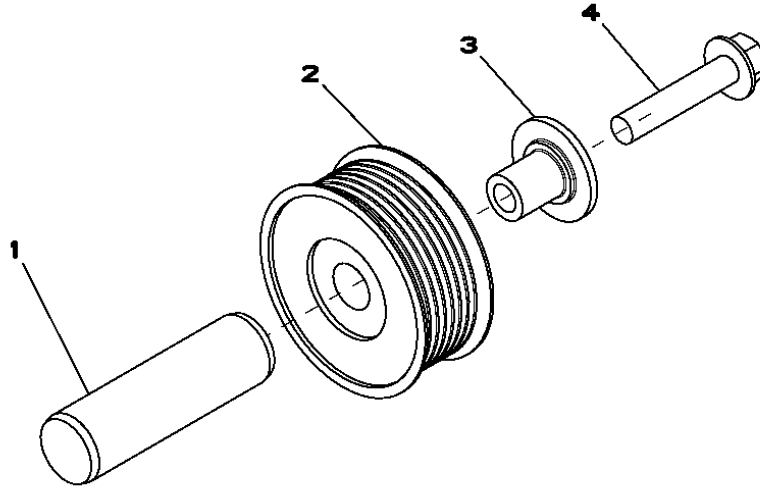
RE522968PCDD01

KEY	PART NO.	PART NAME	QTY.	ENGINE SERIAL NO.	REMARKS
1	RE528652	THERMOSTAT	2		(INCLUDES R521548)

0400A-19

ENGINE 4
6090HDW01 0400A

2310 (FAN DRIVE)
2310 (ENTRAÎNEMENT DU VENTILATEUR)
2310 (TRANSMISION DEL VENTILADOR)
RE527587PCDA01 -UN-22MAY06



RE527587PCDA01

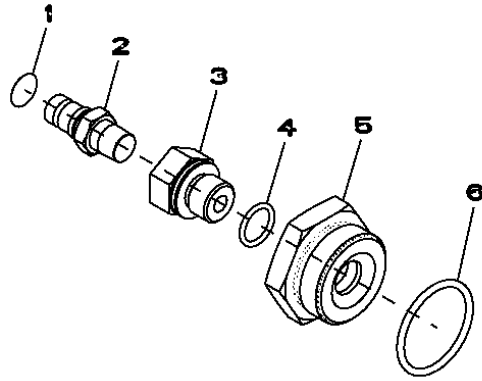
KEY	PART NO.	PART NAME	QTY.	ENGINE SERIAL NO.	REMARKS
1	R131001	SHAFT	1		
2	AT211041	IDLER	1		
3	R502079	SLEEVE	1		
4	19M8292	SCREW	1	M10 X 50	

0400A-20

ENGINE 4

6090HDW01 0400A

2697 (ENGINE HEATER)
2697 (MOTEUR)
2697 (CALEFACTOR DE MOTOR)
RE536289PCDA01 -UN-12AUG08



RE536289PCDA01

KEY	PART NO.	PART NAME	QTY.	ENGINE SERIAL NO.	REMARKS
1	T217789	LABEL	1		
2	AT318950	FITTING	1		
3	R113419	ADAPTER FITTING	1		
4	51M7043	O-RING	1		
5	R123616	PLUG	1		
6	U13639	O-RING	1		

0400A-21

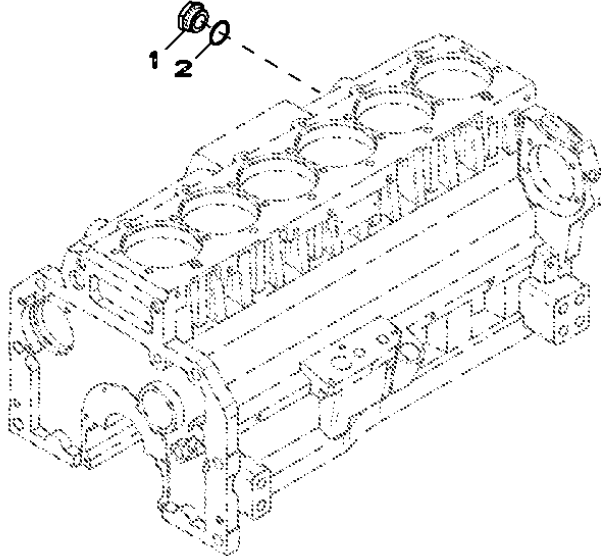
ENGINE 4
6090HDW01 0400A

MEMORANDA
MEMORANDA
MEMORANDA

0400A-22

ENGINE 4
6090HDW01 0400A

2699 (NO ENGINE HEATER)
2699 (SANS PRECHAUFFAGE DU MOTEUR)
2699 (SIN CALEFACTOR DE MOTOR)
RE523120PCDB02 -UN-10DEC08



RE523120PCDB02

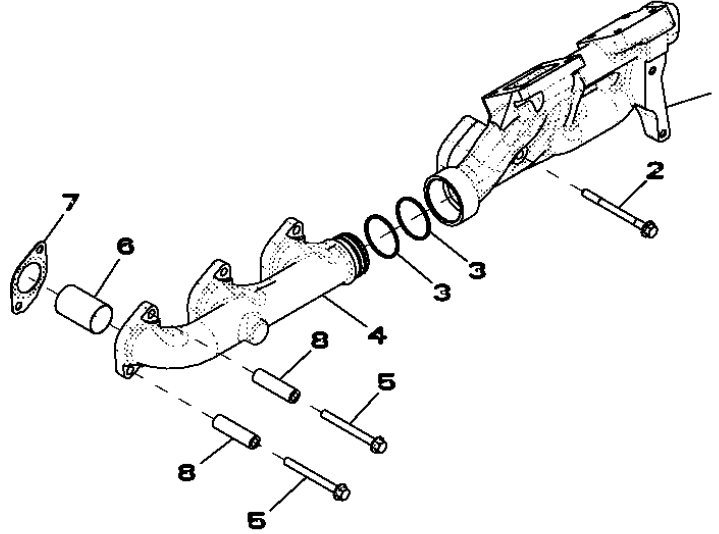
KEY	PART NO.	PART NAME	QTY.	ENGINE SERIAL NO.	REMARKS
1	R39741	DRAIN PLUG	1		
2	U13639	O-RING	1		

0400A-23

ENGINE 4
6090HDW01 0400A

2802 (EXHAUST MANIFOLD)
2802 (COLLECTEUR D'ÉCHAPPEMENT)
2802 (COLECTOR DE ESCAPE)

RE523121PCDG02 -UN-27AUG07



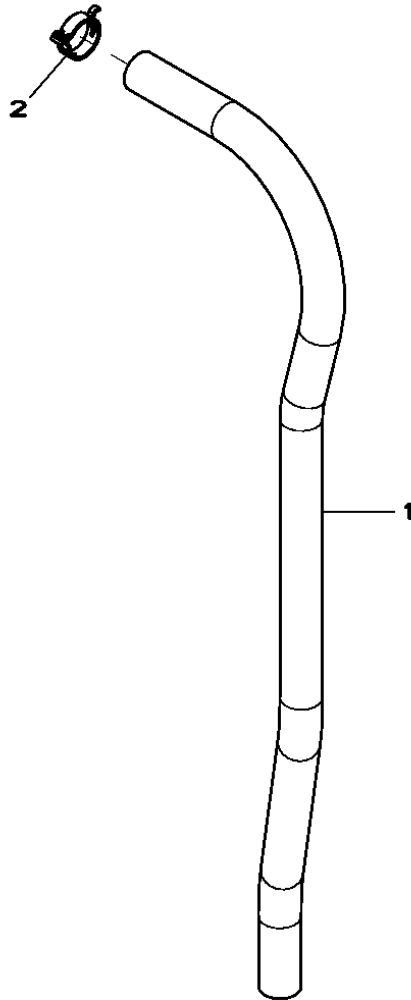
RE523121PCDG02

KEY	PART NO.	PART NAME	QTY.	ENGINE SERIAL NO.	REMARKS
1	R518851	EXHAUST MANIFOLD	1		
2	R520410	CAP SCREW	1		
3	R135482	RING	1		
4	R518852	EXHAUST MANIFOLD	1		
5	R521323	SCREW	11		
6	R522574	SLEEVE	6		
7	R519361	GASKET	6		
8	R520632	SPACER	11		

0400A-24

ENGINE 4
6090HDW01 0400A

2901 (VENTILATING SYSTEM)
2901 (SYSTEME DE VENTILATION)
2901 (SISTEMA DE VENTILACION)
RE523122PCDC01 -UN-27JUL06



RE523122PCDC01

0400A-25

ENGINE 4
6090HDW01 0400A

KEY	PART NO.	PART NAME	QTY.	ENGINE SERIAL NO.	REMARKS
1	R522948	HOSE	1		(1100 MM LENGTH) (SUB FOR R522347)
2	RE528750	CLAMP	1		

0400A-26

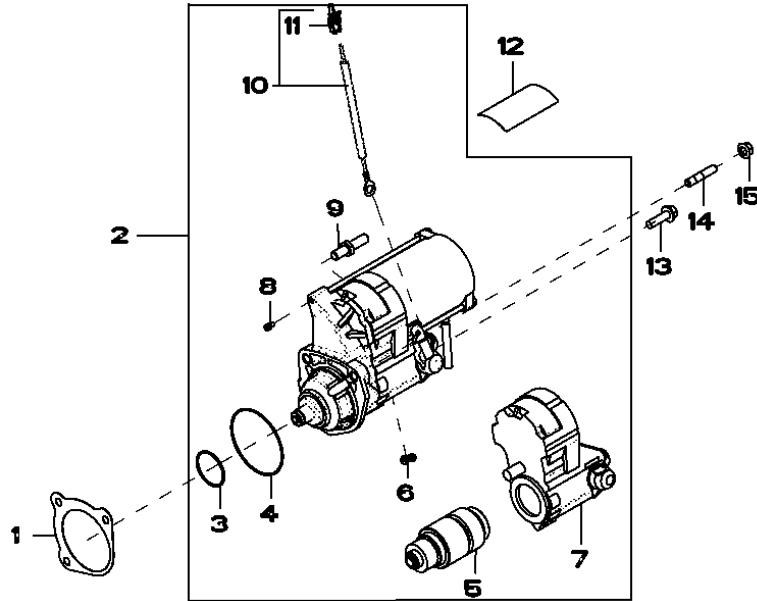
ENGINE 4

6090HDW01 0400A

3005 (STARTING MOTOR)
 3005 (DEMARREUR)
 3005 (MOTOR DA ARRANQUE)

RE525528PCDA03 -UN-26FEB08

RE525528PCDA03

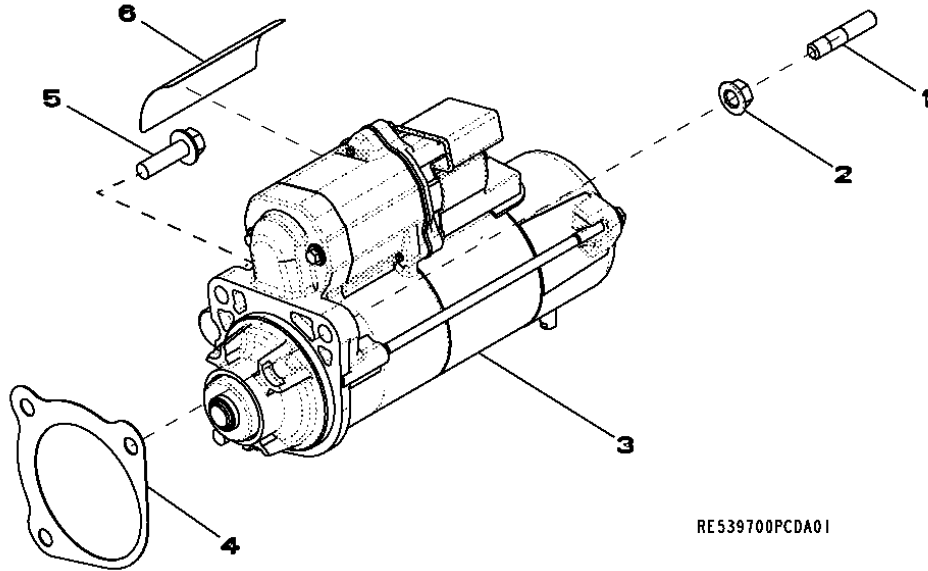


KEY	PART NO.	PART NAME	QTY.	ENGINE SERIAL NO.	REMARKS
1	R53108	GASKET	1		
2	RE506103	STARTER MOTOR KIT	1		(MARKED RE504245) (INCLUDES T146102 AND R53108)
3	R135510	O-RING	1		
4	R135509	SEAL	1		
5	RE70682	CLUTCH	1		
6	RE70756	STARTER MOTOR KIT	1		(INCLUDES T146102)
7	RE70678	SWITCH	1		
8	RE71256	SCREW WITH WASHER	1		
9	R516315	STUD	1		
10	RE505399	WIRING LEAD	1		
11	RE12362	ELECTRICAL CONNECTOR ASSY	1		
12	T146102	LABEL	1		
13	19M7835	SCREW	2		M10 X 35
14	42M7036	STUD	1		
15	14M7296	FLANGE NUT	1		M10

0400A-27

ENGINE 4
6090HDW01 0400A

3008 (STARTER MOTOR)
3008 (DEMARREUR)
3008 (MOTOR DE ARRANQUE)
RE539700PCDA01 -UN-09OCT08

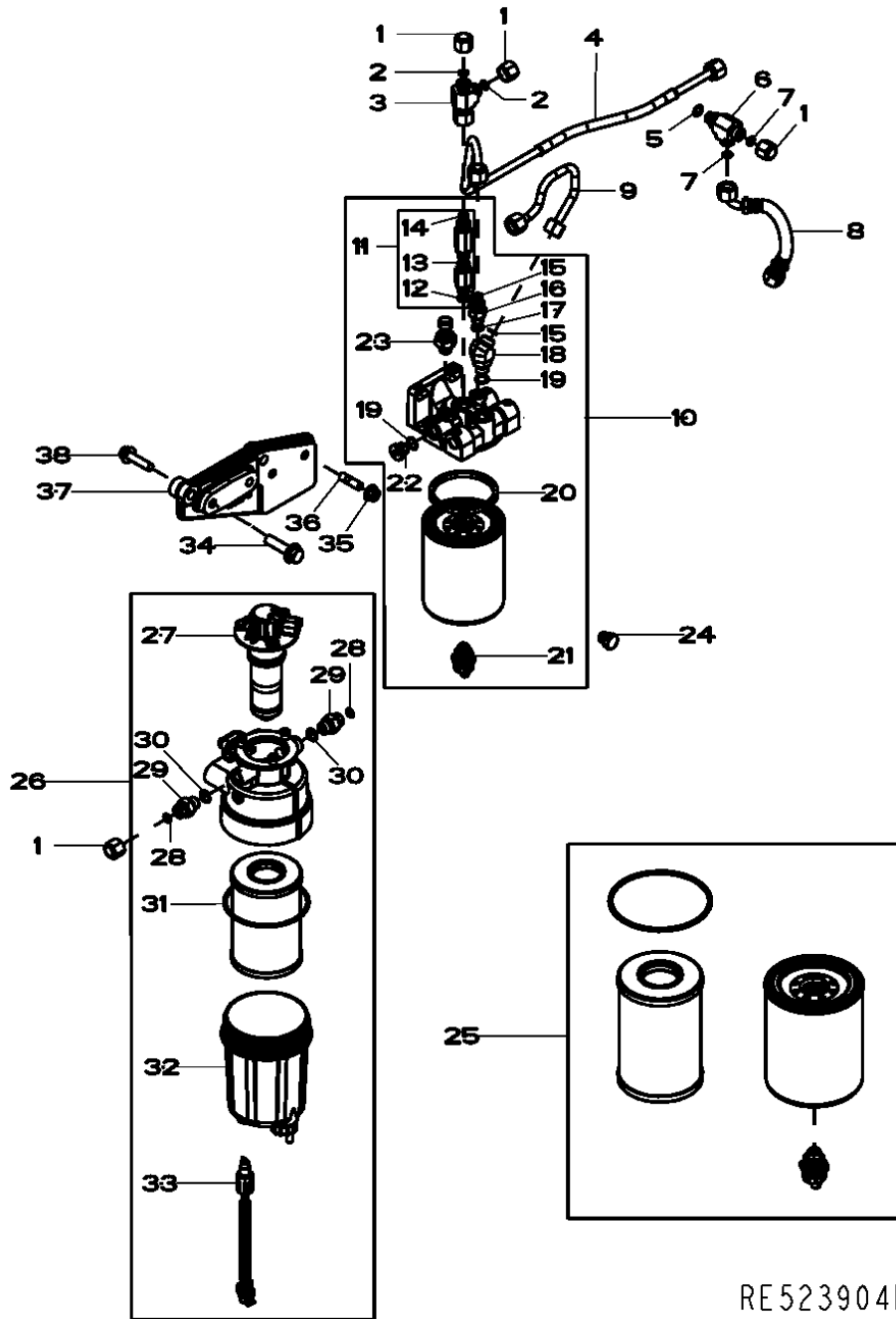


KEY	PART NO.	PART NAME	QTY.	ENGINE SERIAL NO.	REMARKS
1	42M7036	STUD	1		
2	14M7296	FLANGE NUT	1		
3	RE539695	STARTER MOTOR KIT	1		(MARKED RE537519)
4	R53108	GASKET	1		
5	19M7835	SCREW	2		M10 X 35
6	T146195	SAFETY SIGN	1		

0400A-28

ENGINE 4
6090HDW01 0400A

3502 (FUEL FILTER)
3502 (FILTRE A COMBUSTIBLE)
3502 (FILTRO DE COMBUSTIBLE)
RE523904PCDC03 -UN-21AUG06



RE523904PCDC03

0400A-29

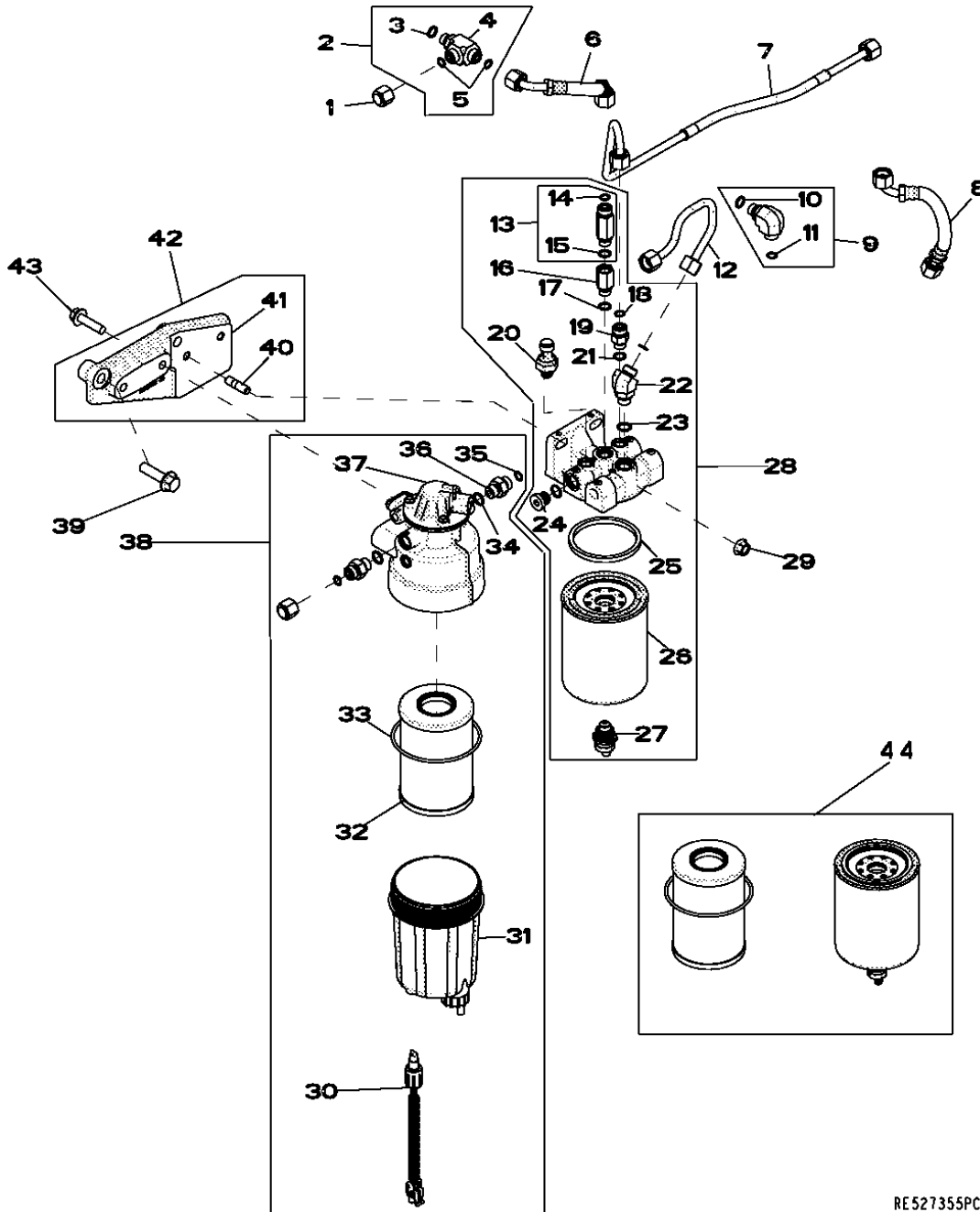
ENGINE 4
6090HDW01 0400A

KEY	PART NO.	PART NAME	QTY.	ENGINE SERIAL NO.	REMARKS
1	38H1415	FITTING	3		
2	T77613	O-RING	2		
3	38H5105	TEE FITTING	1		
4	RE520044	FUEL LINE	1		
5	51M7041	O-RING	1		
6	38H5067	TEE FITTING	1		
7	T77613	O-RING	2		
8	RE525509	FUEL LINE	1		
9	RE523346	FUEL LINE	1		
10	RE528865	FILTER	1		
11	RE528864	BLEED VALVE	1		
12	51M7095	O-RING	1		
13	51M7095	O-RING	1		
14	R63548	O-RING	1		
15	R63548	O-RING	2		
16	38H5002	ADAPTER FITTING	1		
17	51M7095	O-RING	1		
18	38H5154	ELBOW FITTING	1		
19	51M7096	O-RING	2		
20	R501388	PACKING	1		
21	RE523787	DRAIN VALVE	1		
22	T122803	FITTING PLUG	1		
23	RE522794	SENSOR	1		
24	RE46684	FITTING PLUG	1		
25	RE525523	FILTER ELEMENT	1		(2 AND 10 MICRON) (SUB FOR RE520906) (INCLUDES RE520906 AND R522921 AND RE523236 AND R501388 AND RE523787)
26	RE523400	FILTER	1		
27	RE523783	FUEL PUMP	1		24V
28	R63548	O-RING	2		
29	38H5037	ADAPTER FITTING	2		
30	51M7096	O-RING	2		
31	R522921	O-RING	1		
32	RE523785	BOWL	1		
33	RE503590	MOISTURE SENSOR	1		
34	19M7813	SCREW	2		M12 X 45
35	14M7296	FLANGE NUT	2		M10
36	42M7089	STUD	2		
37	R520102	BRACKET	1		
38	19M7804	SCREW	2		

0400A-30

ENGINE 4
6090HDW01 0400A

3508 (FUEL FILTER)
3508 (FILTRE A COMBUSTIBLE)
3508 (FILTRO DE COMBUSTIBLE)
RE527355PCDF01 -UN-02AUG07



RE527355PCDF01

0400A-31

ENGINE 4
6090HDW01 0400A

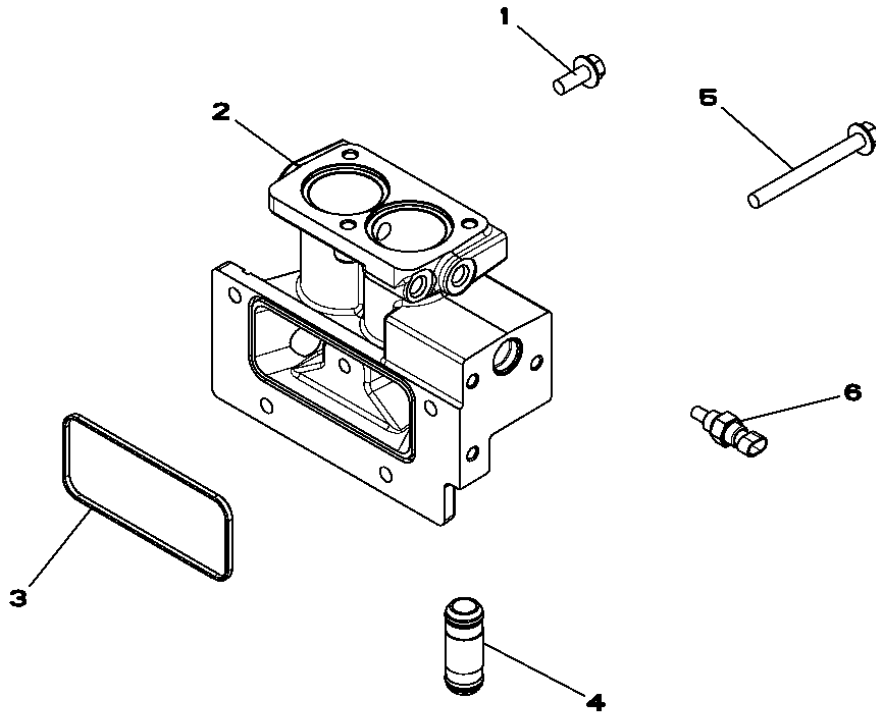
KEY	PART NO.	PART NAME	QTY.	ENGINE SERIAL NO.	REMARKS
1	38H1415	FITTING	2		
2	61M5067	TEE FITTING	1		(ORDER 38H5067)
3	51M7041	O-RING	1		
4	38H5067	TEE FITTING	1		
5	T77613	O-RING	2		
6	RE531700	FUEL LINE	1		
7	RE520044	FUEL LINE	1		
8	RE525509	FUEL LINE	1		
9	RE532429	ELBOW FITTING	1		
10	51M7095	O-RING	1		
11	R63548	O-RING	1		
12	RE523346	FUEL LINE	1		
13	RE528864	BLEED VALVE	1		(ORDER RE528864) (INCLUDES RE528221 AND 51M7095)
14	R63548	O-RING	1		
15	51M7095	O-RING	1		
16	RE528864	BLEED VALVE	1		
17	51M7095	O-RING	1		
18	R63548	O-RING	2		
19	38H5002	ADAPTER FITTING	1		
20	RE522794	SENSOR	1		
21	51M7095	O-RING	1		
22	38H5154	ELBOW FITTING	1		
23	51M7096	O-RING	2		
24	T122803	FITTING PLUG	1		
25	R501388	PACKING	1		
26	RE525523	FILTER ELEMENT	1		(INCLUDES RE520906, RE523236, R522921, R501388 AND RE523787)
27	RE523787	DRAIN VALVE	1		
28	RE528865	FILTER	1		(INCLUDES 38H5002, 38H5154, 51M7095, R63548, RE522794, RE523236, RE528864, T122803, RE523787, R501388, RE528221)
29	14M7296	FLANGE NUT	2		
30	RE503590	MOISTURE SENSOR	1		
31	RE523785	BOWL	1		
32	RE520906	FILTER ELEMENT	1		(ORDER RE525523) (INCLUDES RE520906, RE523236, R522921, R501388 AND RE523787)
33	R522921	O-RING	1		
34	51M7096	O-RING	2		
35	R63548	O-RING	2		
36	38H5037	ADAPTER FITTING	2		
37	RE532522	FUEL PUMP	1		
38	RE532523	FILTER	1		(INCLUDES RE520906, RE523236, R522921, R501388 AND RE523787)
39	19M7813	SCREW	2		
40	42M7089	STUD	2		
41	R520102	BRACKET	1		
42	BRACKET	1		
43	19M7804	SCREW	2		
44	RE525523	FILTER ELEMENT	1		(ORDER RE525523) (INCLUDES RE520906, RE523236, R522921, R501388 AND RE523787)

0400A-32

ENGINE 4

6090HDW01 0400A

3903 (THERMOSTAT HOUSING / BY PASS TUBE TO WATER PUMP)
3903 (BOITIER DE THERMOSTAT / TUBE DE DERIVATION A LA POMPE A EAU)
3903 (CARCASA DEL TERMOSTATO / TUBO DE DERIVACION A LA BOMBA DE AGUA)
RE524179PCDA01 -UN-10MAR05



RE524179PCDA01

0400A-33

ENGINE 4
6090HDW01 0400A

KEY	PART NO.	PART NAME	QTY.	ENGINE SERIAL NO.	REMARKS
1	19M7785	SCREW	3		M10 X 25
2	RE523818	HOUSING	1		
3	R515407	GASKET	1		
4	RE508648	TUBE	1		
5	19M7812	SCREW	1		M10 X 100
6	RE48419	SENSOR	1		

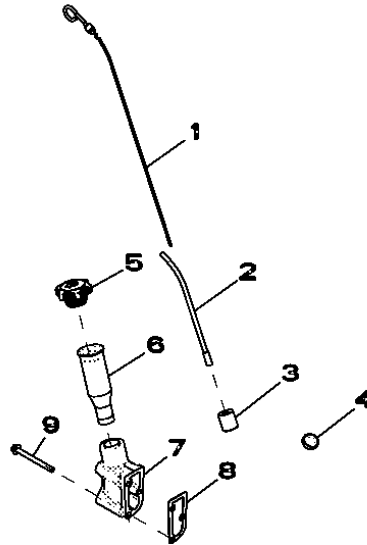
0400A-34

ENGINE 4

6090HDW01 0400A

4018 (ENGINE OIL DIPSTICK)
 4018 (JAUGE A HUILE MOTEUR)
 4018 (ASPILLA PARA MEDIR EL NIVEL DE ACEITE DEL MOTOR)

RE527117PCDC02 -UN-28JUL08



RE527117PCDC02

KEY	PART NO.	PART NAME	QTY.	ENGINE SERIAL NO.	REMARKS
1	RE531616	DIPSTICK	1		
2	RE526432	DIPSTICK TUBE	1		
3	R107623	SPACER	1		
4	T35390	PLUG	1		
5	RE535517	FILLER CAP	1		
6	R126352	TUBE	1		
7	R521258	HOUSING	1		
8	RE63439	GASKET	1		
9	19M7836	SCREW	3	M10 X 110	

0400A-35

ENGINE 4

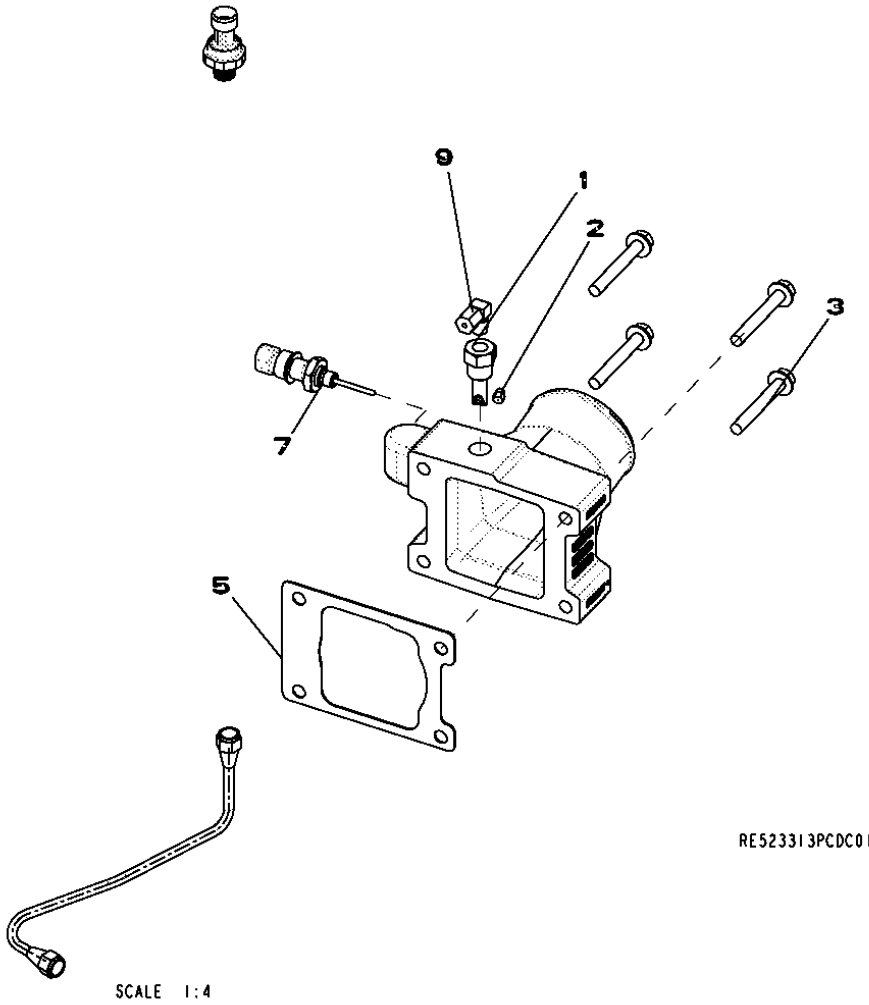
6090HDW01 0400A

MEMORANDA
MEMORANDA
MEMORANDA

0400A-36

ENGINE 4
6090HDW01 0400A

4301 (STARTING AID)
4301 (AIDE AU DEMARRAGE)
4301 (TERMOARRANQUE)
RE523313PCDC01 -UN-15JAN08



RE523313PCDC01

0400A-37

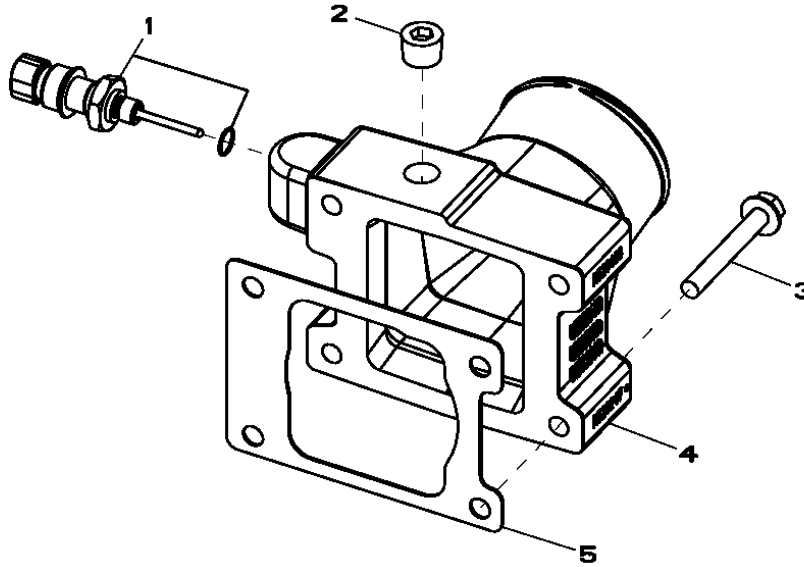
ENGINE 4
6090HDW01 0400A

KEY	PART NO.	PART NAME	QTY.	ENGINE SERIAL NO.	REMARKS
1	R28583	NOZZLE	1		
2	19M7801	SCREW	4		M8 X 60
3	R520247	AIR INTAKE	1		
4	R519414	GASKET	1		
5	RE522823	TEMPERATURE SENSOR	1		
6	R47160	NOZZLE HOLDER	1		
7	RE21790	ELBOW FITTING	1		
9	TEMPERATURE SENSOR	1		NLA
10	TEMPERATURE SENSOR	1		NLA

0400A-38

ENGINE 4
6090HDW01 0400A

4397 (STARTING AID)
4397 (AIDE AU DEMARRAGE)
4397 (TERMOARRANQUE)
RE523304PCDC01 -UN-19OCT06



RE523304PCDC01

KEY	PART NO.	PART NAME	QTY.	ENGINE SERIAL NO.	REMARKS
1	RE522823	TEMPERATURE SENSOR	1		
2	15H666	PIPE PLUG	1		
3	19M7801	SCREW	4		M8 X 60
4	RE523861	AIR INTAKE	1		
5	R519414	GASKET	1		

0400A-39

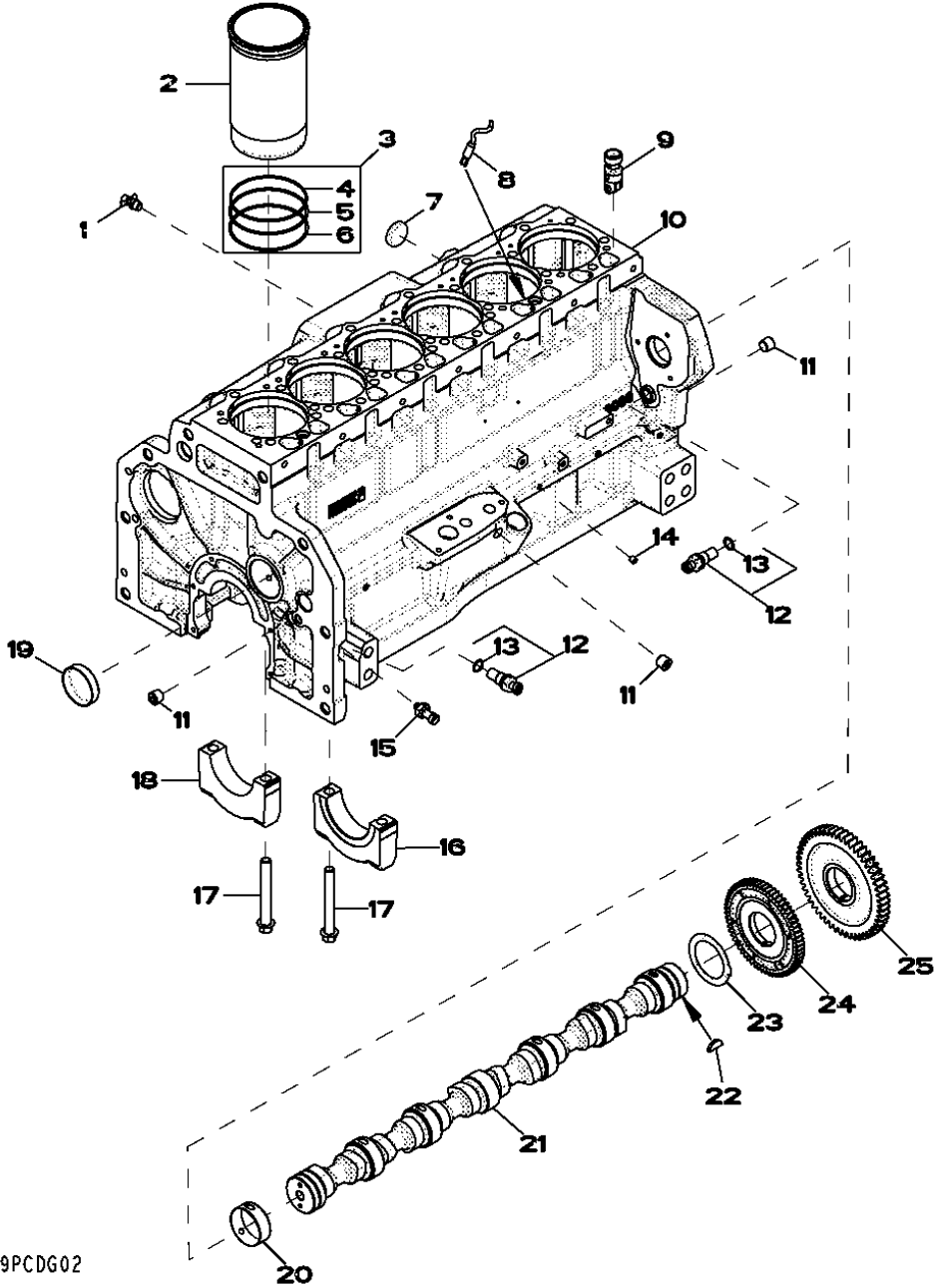
ENGINE 4
6090HDW01 0400A

MEMORANDA
MEMORANDA
MEMORANDA

0400A-40

ENGINE 4
6090HDW01 0400A

4601 (CYLINDER BLOCK)
4601 (BLOC-CYLINDRES)
4601 (BLOQUE DE CILINDROS)
RE523129PCDG02 -UN-21FEB08



RE523129PCDG02

0400A-41

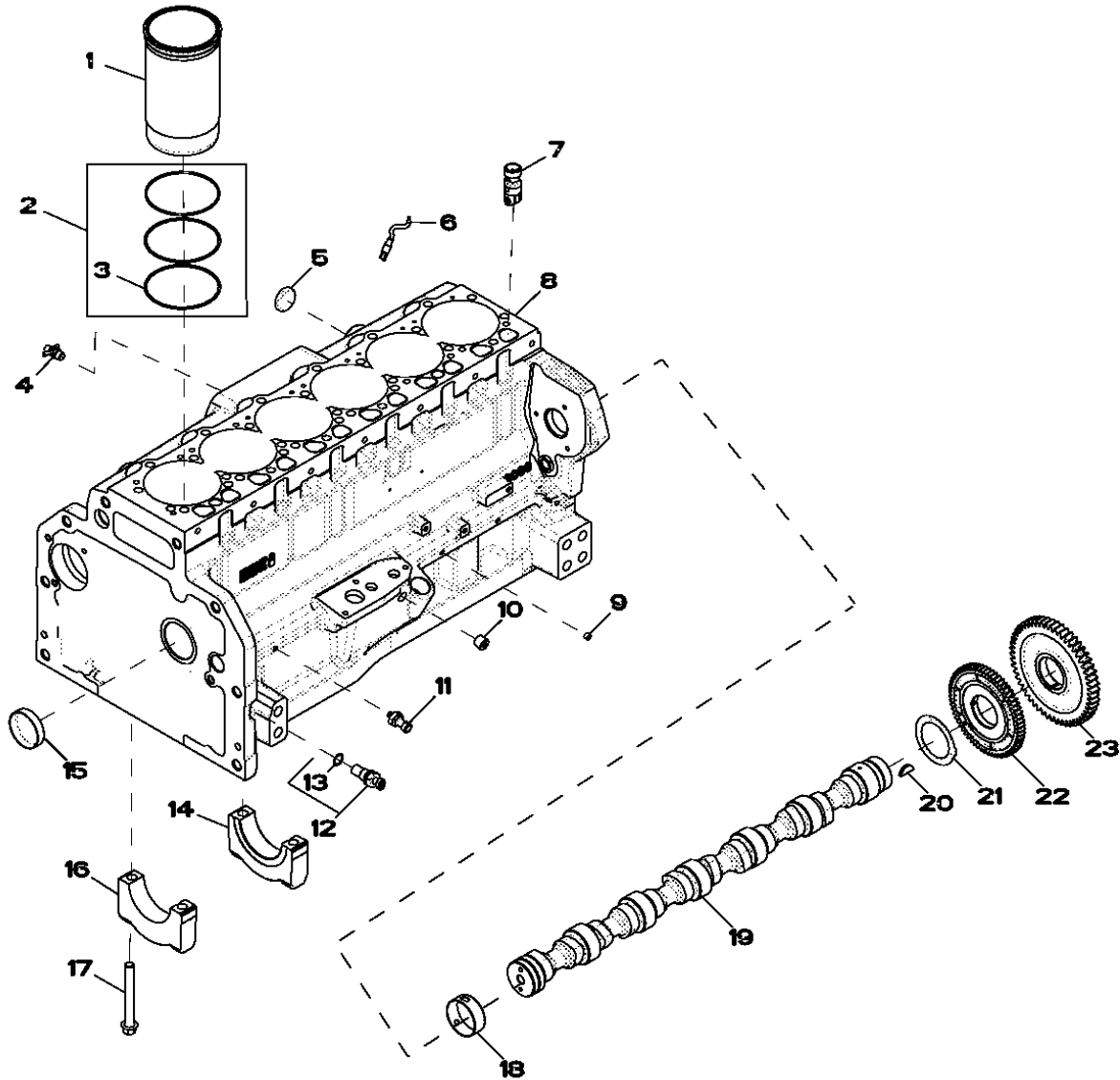
ENGINE 4
6090HDW01 0400A

KEY	PART NO.	PART NAME	QTY.	ENGINE SERIAL NO.	REMARKS
1	AT13740	DRAIN VALVE	1		
2	RE531072	PISTON-LINER KIT	6		
3	AR98850	O-RING KIT	6		
4	O-RING	6		(ORDER AR98850) NSEP
5	O-RING	6		(ORDER AR98850) NSEP
6	R54326	O-RING	6		
7	R43409	PLUG	1		
8	RE522991	ORIFICE	6		
9	RE535576	CAM FOLLOWER	12		
10	CYLINDER BLOCK	1		(MARKED R518738) (ORDER RE531095) NSEP
11	RE57836	PIPE PLUG	3		
12	RE519144	SENSOR	2		
13	51M7044	O-RING	1		
14	RE71255	PIPE PLUG	5		
15	RE167207	PRESSURE SENSOR	1		
16	R120954	BEARING CAP	1		
17	R519287	CAP SCREW	14		
18	R120953	BEARING CAP	6		
19	R82007	PLUG	1		
20	R527877	BUSHING	6		
21	R522884	CAMSHAFT	1		
22	26H91	SHAFT KEY	1		
23	R504811	WASHER	1		
24	R518255	GEAR	1		
25	R518212	GEAR	1		

0400A-42

ENGINE 4
6090HDW01 0400A

4606 (CYLINDER BLOCK)
4606 (BLOC-CYLINDRES)
4606 (BLOQUE DE CILINDROS)
RE529567PCDD03 -UN-21AUG08



RE529567PCDD03

0400A-43

ENGINE 4
6090HDW01 0400A

KEY	PART NO.	PART NAME	QTY.	ENGINE SERIAL NO.	REMARKS
1	CYLINDER LINER	6		(ORDER RE531072) NSEP
2	AR98850	O-RING KIT	6		
3	R54326	O-RING	6		
4	AT13740	DRAIN VALVE	1		
5	R43409	PLUG	1		
6	RE522991	ORIFICE	6		
7	RE535576	CAM FOLLOWER	12		(SUB FOR RE519889)
8	CYLINDER BLOCK	1		(MARKED R502997) (ORDER RE531095) NSEP
9	RE71255	PIPE PLUG	5		
10	RE57836	PIPE PLUG	3		
11	RE167207	PRESSURE SENSOR	1		
12	RE519144	SENSOR	2		
13	51M7044	O-RING	1		
14	R120954	BEARING CAP	1		THRUST BEARING CAP
15	R82007	PLUG	1		
16	R120953	BEARING CAP	6		MAIN BEARING CAP
17	R519287	CAP SCREW	14		
18	R527877	BUSHING	6		
19	R522884	CAMSHAFT	1		
20	26H91	SHAFT KEY	1		
21	R504811	WASHER	1		
22	R518255	GEAR	1		
23	R518212	GEAR	1		

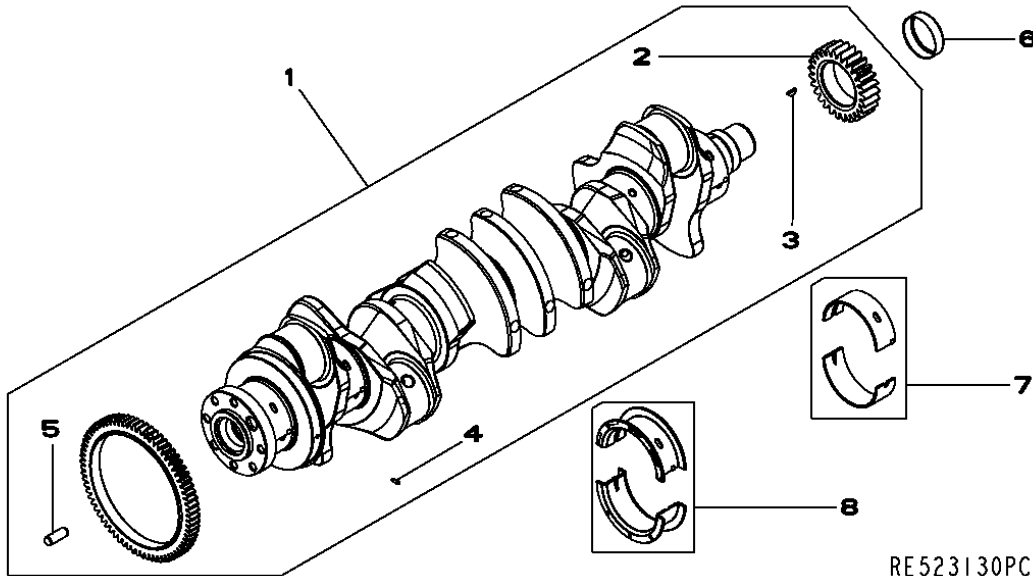
0400A-44

ENGINE 4

6090HDW01 0400A

4701 (CRANKSHAFT / BEARINGS)
 4701 (VILEBREQUIN / COUSSINETS)
 4701 (CIGUENAL / COJINETE)

RE523130PCDC01 -UN-24FEB06



RE 5231 30PCDC01

KEY	PART NO.	PART NAME	QTY.	ENGINE SERIAL NO.	REMARKS
1	RE532615	CRANKSHAFT	1	-034027	(SUB FOR RE530668) (MARKED R520806) (ALSO ORDER RE534261)
	RE534315	CRANKSHAFT	1	034028-	(ALSO ORDER RE529775)
2	R104587	GEAR	1		
3	R120752	KEY	1		
4	34M7089	DOWEL PIN	1		4 X 12 MM
5	R41934	DOWEL PIN	6		
6	R32617	RETAINER	1		
7	RE529319	BEARING	1		
8	RE529320	THRUST BEARING	1		

0400A-45

ENGINE 4

6090HDW01 0400A

MEMORANDA
MEMORANDA
MEMORANDA

0400A-46

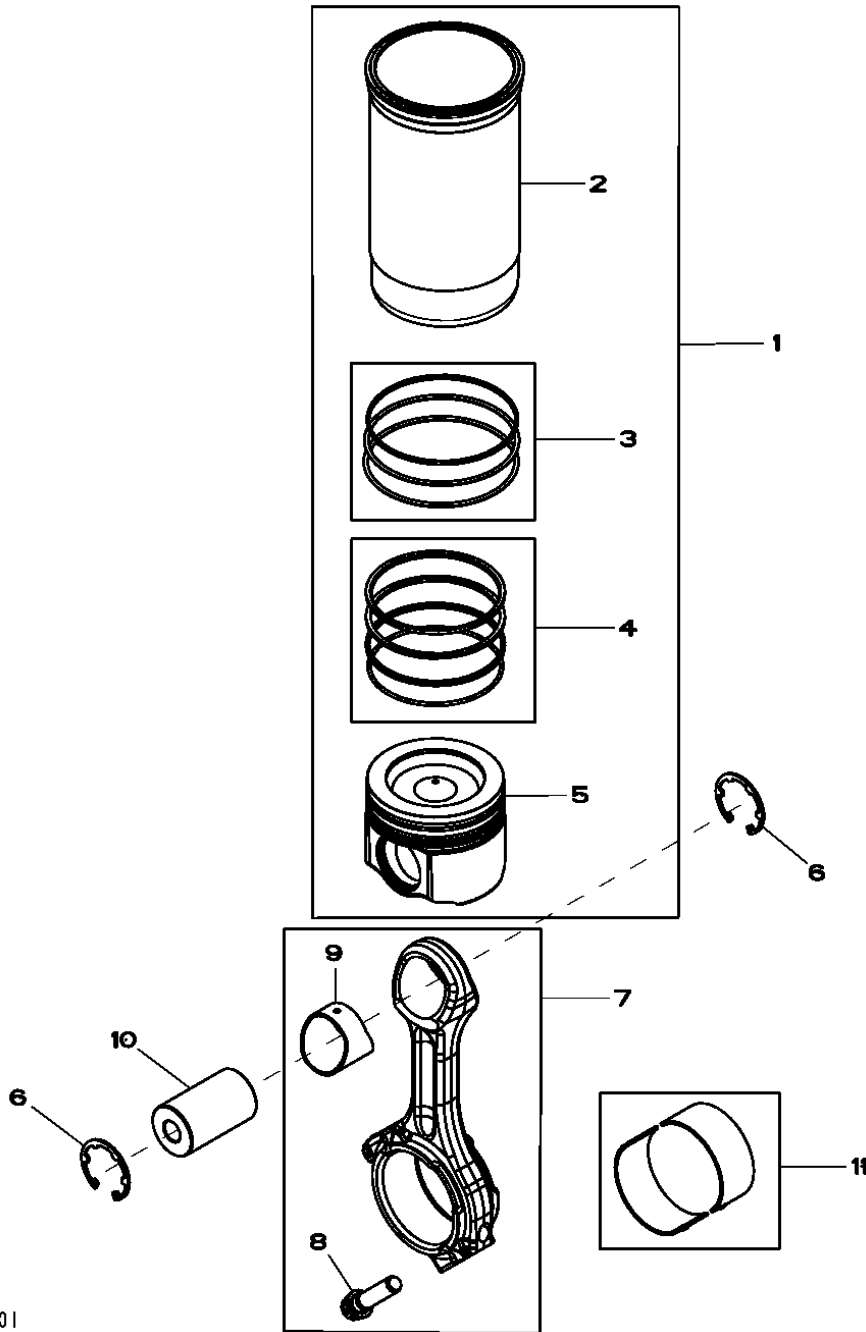
ENGINE 4

6090HDW01 0400A

4801 (CONNECTING RODS AND PISTONS) 4801 (BIELLES ET PISTONS) 4801 (BIELA Y PISTONES)

RE523131PCDG01

-UN-03OCT07



RE523131PCDG01

0400A-47

ENGINE 4
6090HDW01 0400A

KEY	PART NO.	PART NAME	QTY.	ENGINE SERIAL NO.	REMARKS
1	RE531072	PISTON-LINER KIT	6		
2	CYLINDER LINER	1		(ORDER RE531072) NSEP
3	AR98850	O-RING KIT	1		PKG 3
4	RE531077	PISTON RING KIT	1		PKG 3
5	PISTON	1		(MARKED RE529264) (ORDER RE531072) NSEP
6	R519640	SNAP RING	12		
7	RE535554	CONNECTING ROD	6		(SUB FOR RE517436)
	SE501759	CONNECTING ROD REMAN	6		(JOHN DEERE REMAN)
8	R501035	CAP SCREW	2		
9	R74008	BUSHING	1		
10	R517073	PISTON PIN	6		OD 47MM, LGTH 79MM
11	RE529318	BEARING	6		

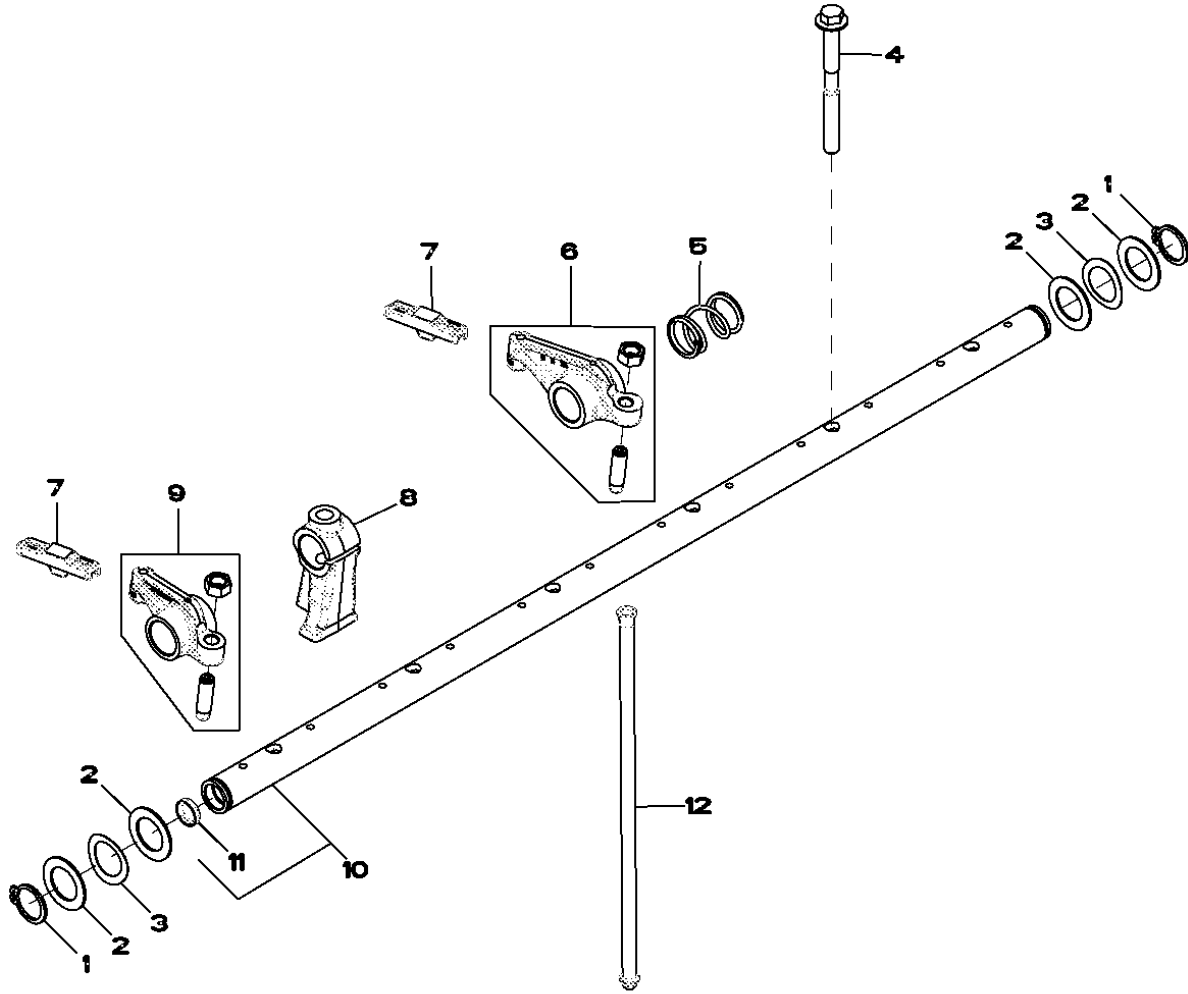
0400A-48

ENGINE 4

6090HDW01 0400A

4901 (ROCKER ARM / SHAFT / TAPPET / PUSH ROD)
4901 (CULBUTEUR / ARBRE / POUSSOIR DE SOUPAPE / TIGE)
4901 (BALANCIN / ARBOL / BOTADOR / VARILLA DE EMPUJE)

RE523132PCDC02 -UN-28NOV08



RE523132PCDC02

0400A-49

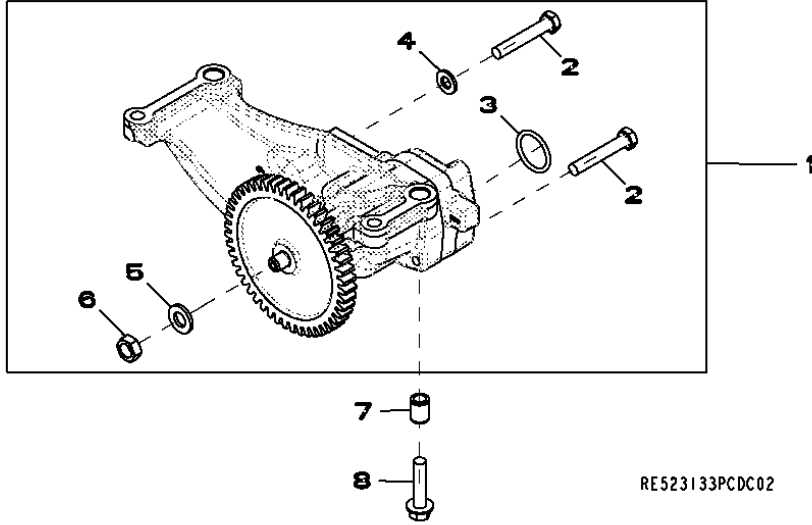
ENGINE 4
6090HDW01 0400A

KEY	PART NO.	PART NAME	QTY.	ENGINE SERIAL NO.	REMARKS
1	40M7259	SNAP RING	2		
2	R521316	WASHER	4		
3	R35022	WASHER	2		
4	R521261	CAP SCREW	6		
5	R517522	SPRING	5		
6	RE519802	ROCKER ARM	6		
7	R526781	GUIDE	12		
8	R518087	PEDESTAL	6		
9	RE519803	ROCKER ARM	6		
10	RE519810	ROCKER ARM SHAFT	1		
11	30M7024	PLUG	2		
12	R85027	PUSH ROD	12		

0400A-50

ENGINE 4
6090HDW01 0400A

5001 (OIL PUMP)
5001 (POMPE A HUILE)
5001 (BOMBA DE ACEITE)
RE523133PCDC02 -UN-26NOV08



KEY	PART NO.	PART NAME	QTY.	ENGINE SERIAL NO.	REMARKS
1	RE533975	OIL PUMP	1		
2	19M9399	CAP SCREW	3		
3	R71732	O-RING	1		
4	24M7239	WASHER	2		
5	T21242	WASHER	1		
6	14H826	NUT	1		
7	R500642	BUSHING	2		
8	19M9766	SCREW	4	M10 X 45	

0400A-51

ENGINE 4

6090HDW01 0400A

MEMORANDA
MEMORANDA
MEMORANDA

0400A-52

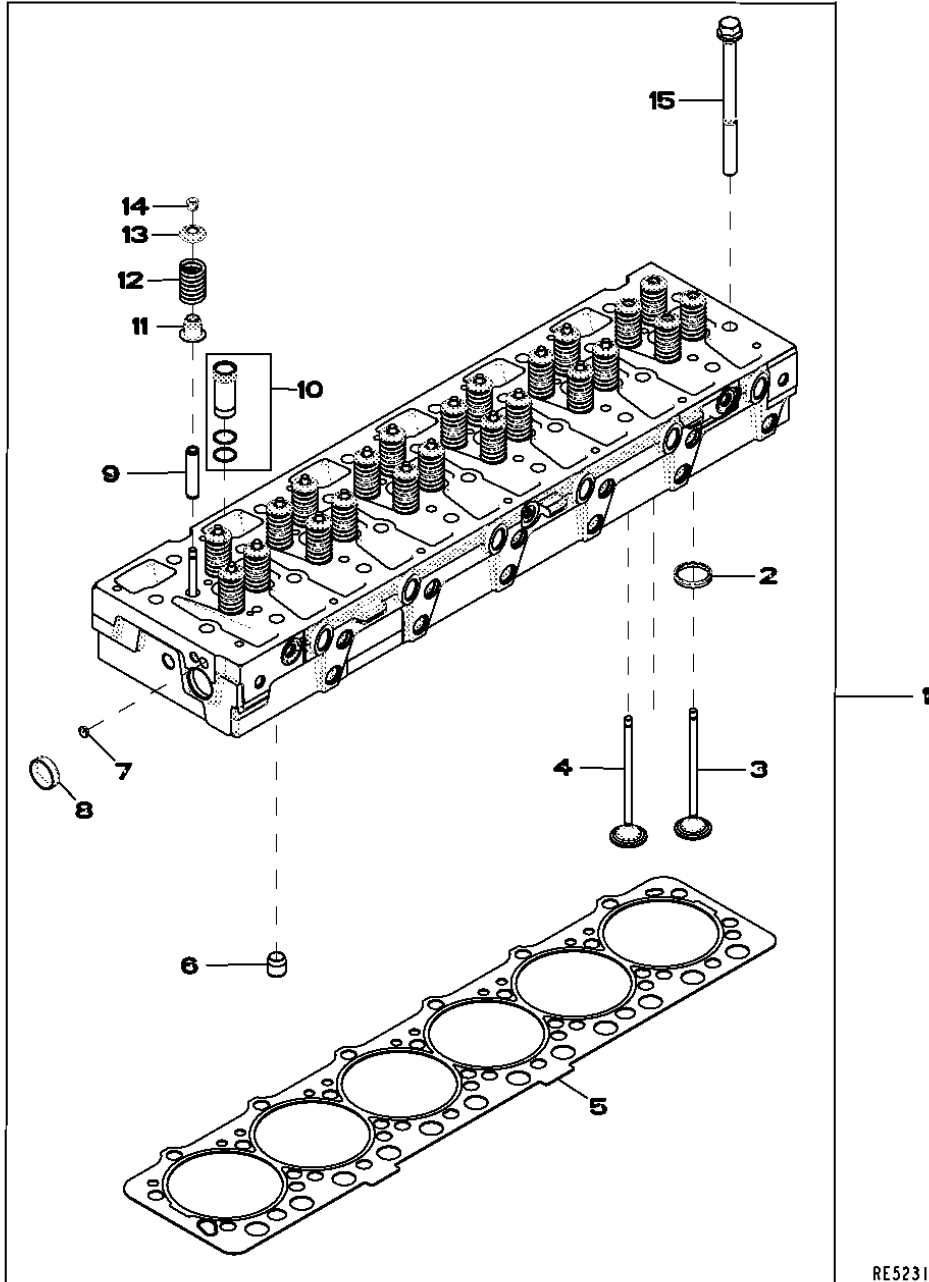
ENGINE 4

6090HDW01 0400A

5101 (CYLINDER HEAD WITH VALVES)
5101 (CULASSE)
5101 (CULATA)

RE523134PCDE07

-UN-17FEB09



RE523134PCDE07

0400A-53

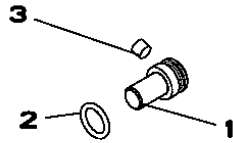
ENGINE 4
6090HDW01 0400A

KEY	PART NO.	PART NAME	QTY.	ENGINE SERIAL NO.	REMARKS
1	RE530370	CYLINDER HEAD	1		(INCLUDES R525541, R42340, R121322)
2	R527285	VALVE SEAT INSERT	24		(SUB FOR R522049)
3	R520224	EXHAUST VALVE	12		
4	R520223	INTAKE VALVE	12		
5	R525541	ENGINE CYLINDER HEAD GASKET	1		
6	R42340	BUSHING	2		
7	30M7029	PLUG	3		
8	T13519	PLUG	1		
9	R527286	GUIDE	24		
10	RE517435	SLEEVE	6		
11	RE529187	SEAL	24		
12	R504235	SPRING	24		
13	R518233	RETAINER	24		
14	R520798	RETAINER	48		
15	R121322	SCREW	26		

0400A-54

ENGINE 4
6090HDW01 0400A

5299 (AUXILIARY DRIVE)
5299 (ENTRAÎNEMENT AUXILIAIRE)
5299 (TRANSMISION ADICIONAL)
RE525552PCDA01 -UN-03JAN05



RE525552PCDA01

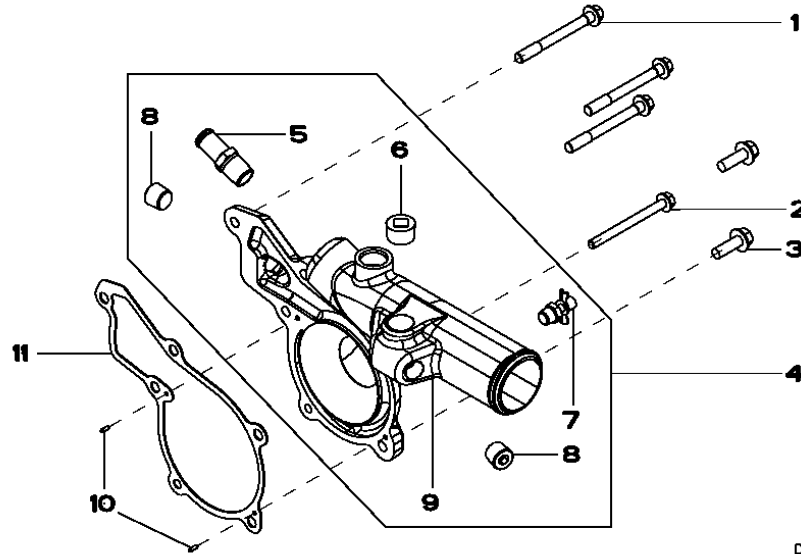
KEY	PART NO.	PART NAME	QTY.	ENGINE SERIAL NO.	REMARKS
1	R128670	CAP SCREW	1		
2	B2762R	O-RING	1		
3	RE71255	PIPE PLUG	1		

0400A-55

ENGINE 4
6090HDW01 0400A

5701 (WATER PUMP INLET)
5701 (ENTREE DE LA POMPE A EAU)
5701 (ENTRADA DE BOMBA DE AGUA)

RE523138PCDC02 -UN-27MAR06



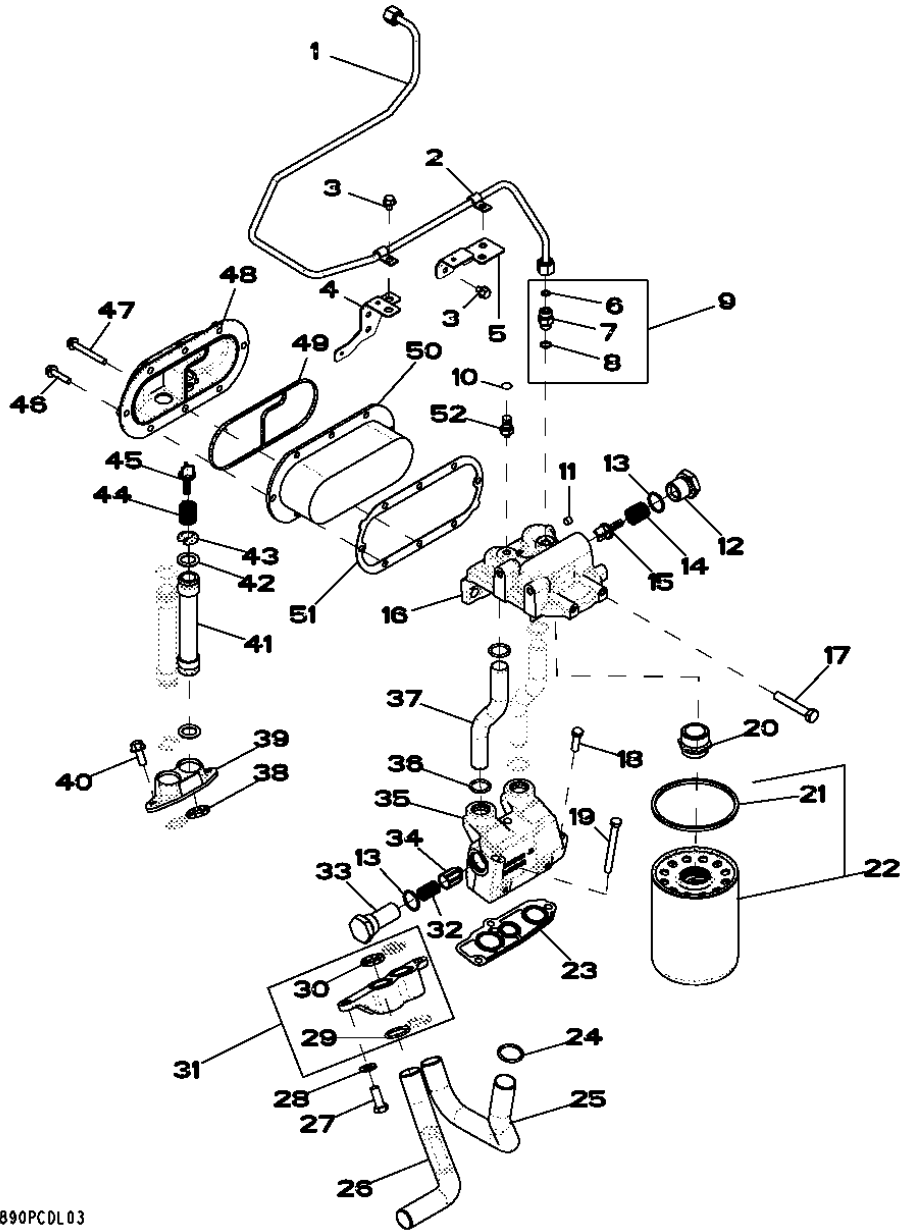
RE523138PCDC02

KEY	PART NO.	PART NAME	QTY.	ENGINE SERIAL NO.	REMARKS
1	R134414	SCREW	3		
2	R504604	SCREW	1		
3	19M7786	SCREW	2		M10 X 30
4	RE523340	WATER PUMP CONNECTION	1		
5	R39503	FITTING	1		
6	15H690	PIPE PLUG	1		
7	AT13740	DRAIN VALVE	1		
8	RE57836	PIPE PLUG	2		
9	R518239	COVER	1		
10	R11086	DOWEL PIN	2		
11	R119383	GASKET	1		

0400A-56

ENGINE 4
6090HDW01 0400A

5912 (OIL COOLER)
5912 (REFROIDISSEUR D'HUILE)
5912 (REFRIGERADOR DE ACEITE)
RE524890PCDL03 -UN-06AUG08



RE524890PCDL03

0400A-57

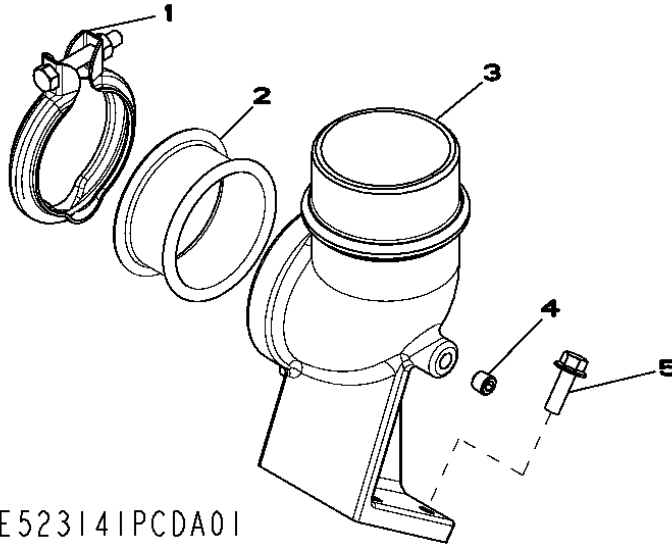
ENGINE 4
6090HDW01 0400A

KEY	PART NO.	PART NAME	QTY.	ENGINE SERIAL NO.	REMARKS
1	RE531863	OIL LINE	1		
2	T13814	CLAMP	2		
3	RE524730	CAP SCREW	6		
4	RE529920	BRACKET	1		
5	RE525963	BRACKET	1		
6	R63548	O-RING	1		
7	38H5002	ADAPTER FITTING	1		
8	51M7095	O-RING	1		
9	RE522616	FITTING	1		
10	T217790	LABEL	1		
11	RE71255	PIPE PLUG	1		
12	R117073	FITTING PLUG	1		
13	U17409	O-RING	2		
14	R98064	SPRING	1		
15	R500055	VALVE	1		
16	R526836	BASE	1		
17	19M7753	CAP SCREW	2		M12 X 70
18	19H3239	CAP SCREW	1		9.525 X 31.750 MM
19	19H3445	CAP SCREW	2		9.525 X 95.250 MM
20	R518382	ADAPTER FITTING	1		
21	R43660	PACKING	1		
22	RE521420	OIL FILTER	1		
23	R119847	GASKET	1		
24	R71732	O-RING	1		
25	R518376	OIL TUBE	1		
26	R524512	OIL TUBE	1		
27	19M3205	CAP SCREW	2		M12 X 30
28	24M7240	WASHER	2		
29	R71732	O-RING	2		
30	R504669	SEAL	2		
31	RE524007	ADAPTER FITTING	1		
32	R500330	COMPRESSION SPRING	1		
33	R129821	FITTING PLUG	1		
34	R124186	PRESSURE RELIEF VALVE	1		
35	R520912	HOUSING	1		
36	R47153	O-RING	4		
37	R520869	TUBE	2		
38	R504669	SEAL	2		
39	R518353	ADAPTER FITTING	1		
40	19M7785	SCREW	2		M10 X 25
41	RE515781	OIL TUBE	2		
42	R505146	O-RING	4		
43	R504670	RETAINER	1		
44	R98064	SPRING	1		
45	R500055	VALVE	1		
46	19M7897	SCREW	7		M8 X 35
47	19M7802	SCREW	1		M8 X 65
48	R504289	COVER	1		
49	R526807	SEAL	1		
50	AR55394	OIL COOLER	1		
51	RE524105	GASKET	1		
52	AT306133	FITTING	1		

0400A-58

ENGINE 4
6090HDW01 0400A

6401 (EXHAUST ELBOW)
6401 (COUDE D'ECHAPPEMENT)
6401 (CODO DE ESCAPE)
RE523141PCDA01 -UN-09JUL04



KEY	PART NO.	PART NAME	QTY.	ENGINE SERIAL NO.	REMARKS
1	AT103553	CLAMP	1		
2	R87732	ADAPTER FITTING	1		
3	R519699	ELBOW FITTING	1		
4	15H685	PIPE PLUG	1		
5	19M7786	SCREW	4	M10 X 30	

0400A-59

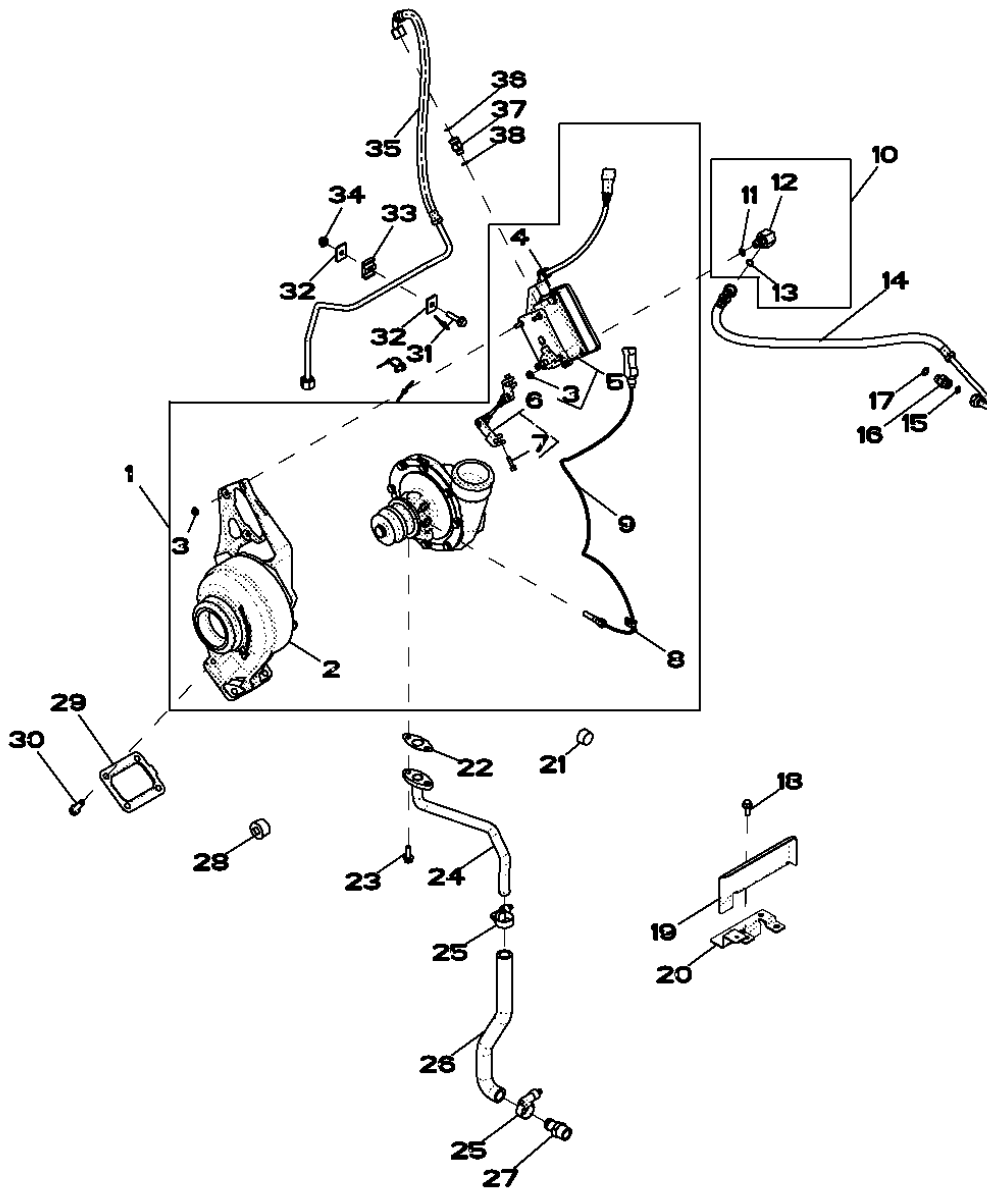
ENGINE 4
6090HDW01 0400A

MEMORANDA
MEMORANDA
MEMORANDA

0400A-60

ENGINE 4
6090HDW01 0400A

6511 (TURBOCHARGER)
6511 (TURBOCOMPRESSEUR)
6511 (TURBOCARGADOR)
RE524862PCDF02 -UN-20JUN08



RE524862PCDF02

0400A-61

ENGINE 4
6090HDW01 0400A

KEY	PART NO.	PART NAME	QTY.	ENGINE SERIAL NO.	REMARKS
1	RE535699	TURBOCHARGER	1		(INCLUDES RE535990) (SUB FOR RE534537)
	RE534537	TURBOCHARGER	1		(INCLUDES RE523819) (SUB RE535699)
2	RE538116	TURBOCHARGER KIT	1		(USE WITH RE535990)
3	E63524	NUT	4		
4	R521407	CLAMP	1		
5	RE523491	ACTUATOR	1		
6	RE535990	LINKAGE	1		(A) (USE WITH RE535699 AND RE538116) (MARKED 177665)
	RE523819	LINKAGE	1		(B) (USE WITH RE534537) (MARKED 175505 AND 175506)
7	RE528219	SCREW WITH WASHER	2		
8	R524453	CLAMP	2		
9	RE523319	SENSOR	1		
10	61M5022	ELBOW FITTING	1		
11	51M7040	O-RING	1		
12	38H5022	ELBOW FITTING	1		
13	T77613	O-RING	1		
14	RE523699	LINE	1		
15	T77613	O-RING	1		
16	38H5002	ADAPTER FITTING	1		
17	51M7041	O-RING	1		
18	19M7866	SCREW	2		M8 X 20
19	R520786	HEAT SHIELD	1		
20	RE528831	BRACKET	1		
21	15H690	PIPE PLUG	1		
22	R521158	GASKET	1		
23	N275830	SCREW	2		
24	RE526518	LINE	1		
25	R524513	HOSE CLAMP	2		
26	R521379	HOSE	1		
27	RE524539	FITTING	1		
28	15H686	PIPE PLUG	1		
29	R92097	GASKET	1		
30	R520121	CAP SCREW	4		
31	19M8291	SCREW	1		M8 X 35
32	H121163	STRAP	2		
33	H128515	CLAMP	2		
34	14M7298	FLANGE NUT	1		M8
35	RE531836	LINE	1		
36	T77613	O-RING	1		
37	38H5008	ADAPTER FITTING	1		
38	51M7040	O-RING	1		

(A) BALL JOINT STYLE
VERSION AVEC ARTICULATION A ROTULE
ARTICULACION CON ROTULA

(B) PIN JOINT STYLE
VERSION AVEC ARTICULATION A AXE
ARTICULACION CON PASADOR

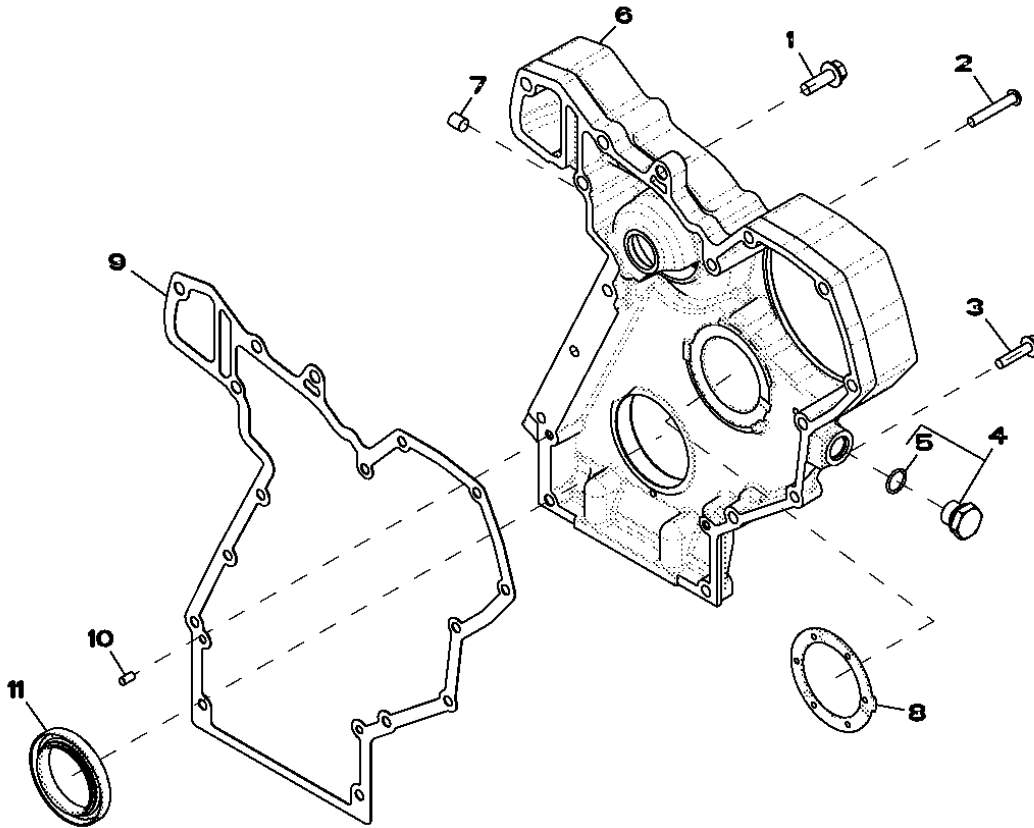
0400A-62

ENGINE 4
6090HDW01 0400A

7701 (TIMING GEAR COVER)
7701 (COUVERCLE DE DISTRIBUTION)
7701 (TAPA DE LA DISTRIBUCION)

RE523149PCDE02

-UN-29FEB08



RE523149PCDE02

0400A-63

ENGINE 4
6090HDW01 0400A

KEY	PART NO.	PART NAME	QTY.	ENGINE SERIAL NO.	REMARKS
1	19M7786	SCREW	1		M10 X 30
2	21M7473	SCREW	3		
3	19M8291	SCREW	3		M8 X 35
4	RE517370	FITTING	1		
5	51M7044	O-RING	1		17.300 X 2.200 MM
6	R518319	COVER	1		
7	R98527	FILTER	1		
8	R504811	WASHER	1		
9	R119384	GASKET	1		
10	F1743R	DOWEL PIN	2		
11	RE529775	SEAL	1		(USE WITH RE534315)

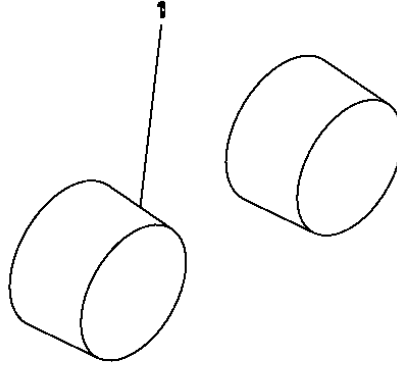
0400A-64

ENGINE 4

6090HDW01 0400A

7899 (AIR COMPRESSOR MOUNTING)
7899 (SUPPORT DU COMPRESSEUR D'AIR)
7899 (SOPORTE DEL COMPRESOR DE AIRE)

RE523150PCDB01 -UN-20JUL07



RE523150PCDB01

KEY	PART NO.	PART NAME	QTY.	ENGINE SERIAL NO.	REMARKS
1	15H690	PIPE PLUG	2		

0400A-65

ENGINE 4

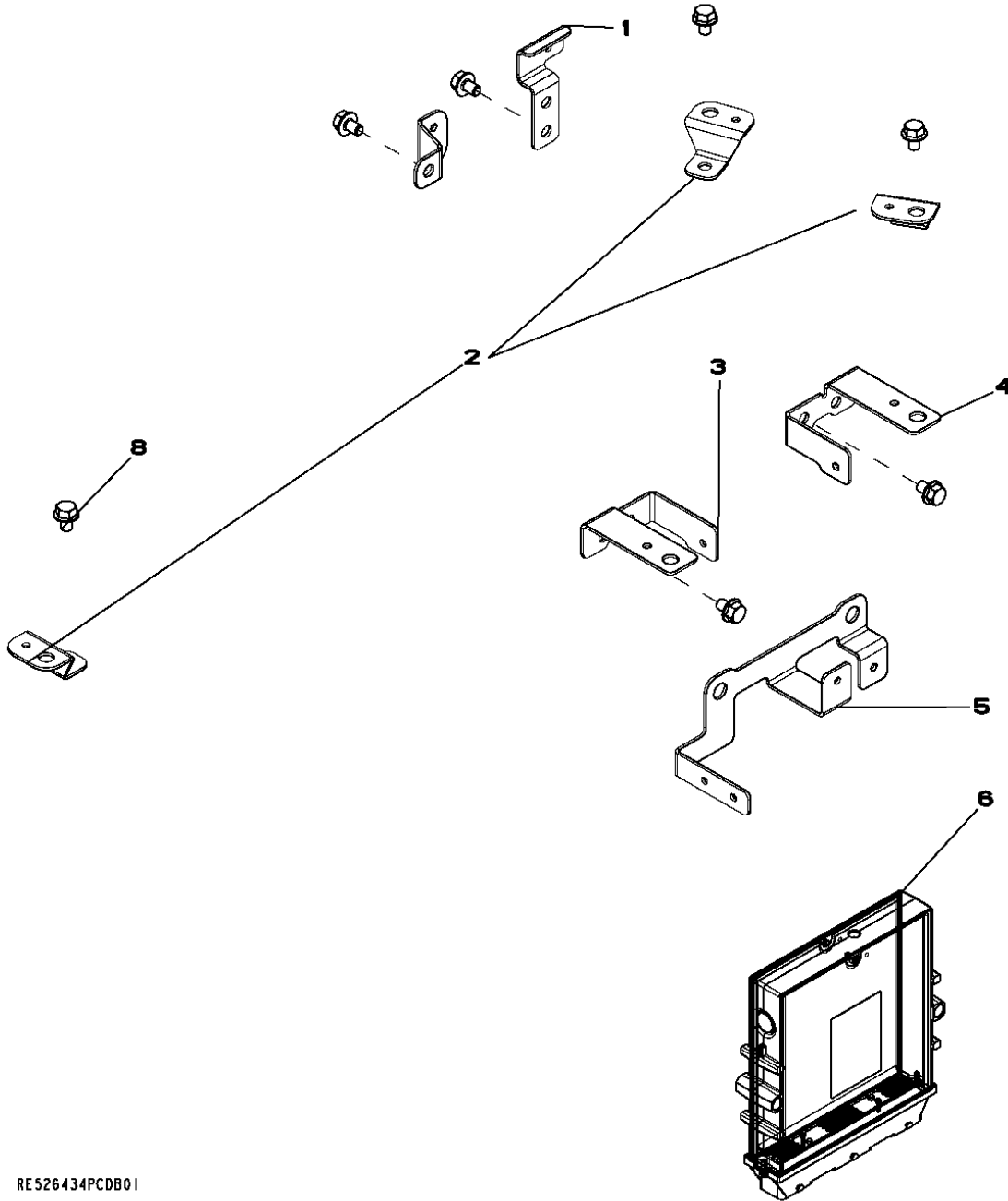
6090HDW01 0400A

MEMORANDA
MEMORANDA
MEMORANDA

0400A-66

ENGINE 4
6090HDW01 0400A

8497 (ENGINE WIRING HARNESS)
8497 (FAISCEAU MOTEUR)
8497 (GRUPO DE CABLES DEL MOTOR)
RE526434PCDB01 -UN-18JUL07



RE526434PCDB01

0400A-67

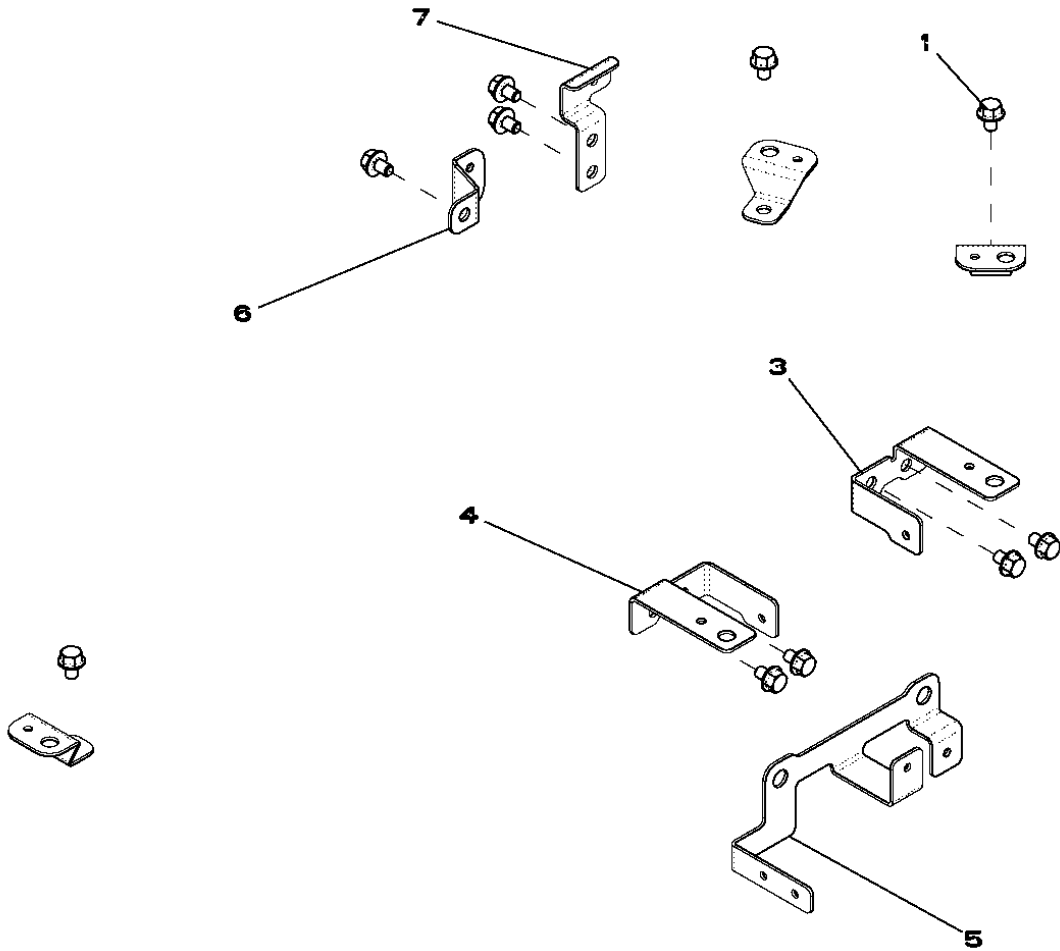
ENGINE 4
6090HDW01 0400A

KEY	PART NO.	PART NAME	QTY.	ENGINE SERIAL NO.	REMARKS
1	R521288	BRACKET	1		
2	R522798	BRACKET	4		
3	R522797	BRACKET	1		
4	R522799	BRACKET	1		
5	R522014	BRACKET	1		
6	RE520953	ENGINE CONTROLLER	1		
8	RE524730	CAP SCREW	10		

0400A-68

ENGINE 4
6090HDW01 0400A

8499 (ENGINE WIRING HARNESS)
8499 (FAISCEAU MOTEUR)
8499 (GRUPO DE CABLES DEL MOTOR)
RE525372PCDC02 -UN-30JUL07



RE525372PCDC02

0400A-69

ENGINE 4
6090HDW01 0400A

KEY	PART NO.	PART NAME	QTY.	ENGINE SERIAL NO.	REMARKS
1	RE524730	CAP SCREW	10		
3	R522799	BRACKET	1		
4	R522797	BRACKET	1		
5	R522014	BRACKET	1		
6	R522798	BRACKET	4		
7	R521288	BRACKET	1		

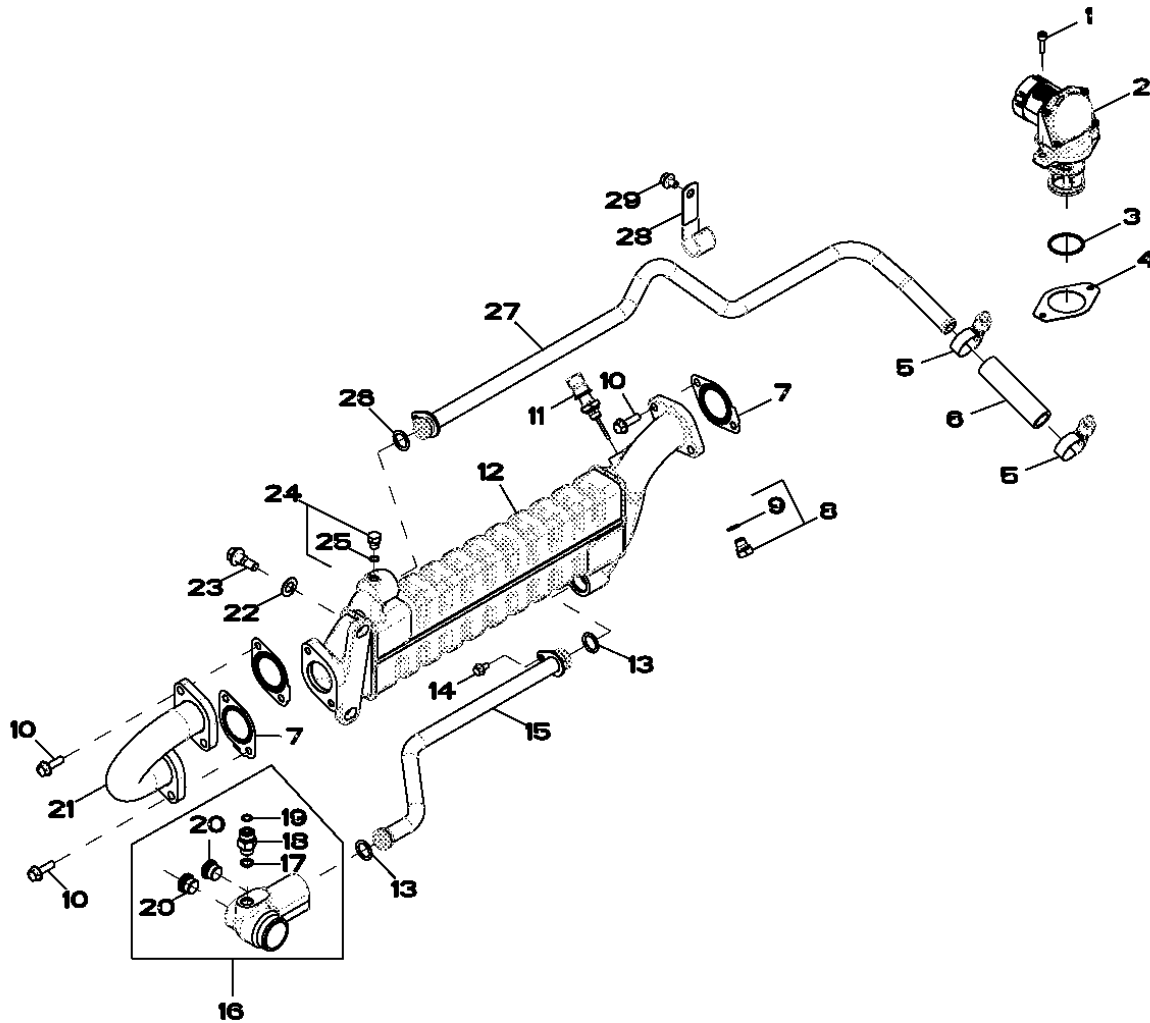
0400A-70

ENGINE 4

6090HDW01 0400A

8902 (EXHAUST GAS RECIRCULATION (EGR))
8902 (RECIRCULATION DES GAZ D'ÉCHAPPEMENT (EGR))
8902 (RECIRCULACISN DEL GAS DE ESCAPE (EGR))

RE523152PCDL03 -UN-20FEB09



RE523152PCDL03

0400A-71

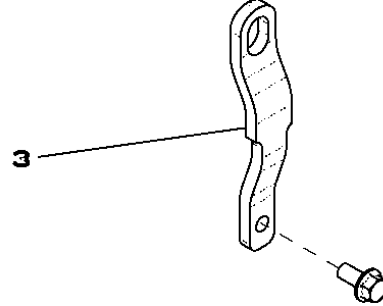
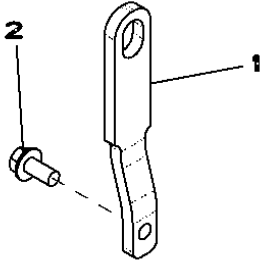
ENGINE 4
6090HDW01 0400A

KEY	PART NO.	PART NAME	QTY.	ENGINE SERIAL NO.	REMARKS
1	19M8627	SCREW	2		M6 X 20
2	RE537144	EXHAUST GAS RECYCLING VALVE	1		(SUB FOR RE535294)
3	R519989	O-RING	2		
4	R519398	GASKET	1		
5	R524513	HOSE CLAMP	2		
6	R528286	RADIATOR HOSE	1		
7	R518619	GASKET	3		
8	RE528232	FITTING PLUG	1		
9	WASHER	1		
10	R519439	CAP SCREW	6		
11	RE522824	TEMPERATURE SENSOR	1		
12	RE522210	HEAT EXCHANGER	1		
13	R504810	O-RING	2		
14	19M7774	SCREW	2		M6 X 12
15	RE526287	LINE	1		
16	RE526285	COOLANT MANIFOLD	1		
17	51M7041	O-RING	1		
18	38H5002	ADAPTER FITTING	1		
19	T77613	O-RING	1		
20	RE63751	PIPE PLUG	2		
21	RE523377	HOSE	1		
22	12M1646	WASHER	2		
23	R519426	BOLT	2		
24	RE60071	FITTING	1		
25	51M7039	O-RING	1		
26	R504810	O-RING	1		
27	RE522368	TUBE	1		
28	R42045	CLIP	1		
29	RE524730	CAP SCREW	1		

0400A-72

ENGINE 4
6090HDW01 0400A

9801 (LIFT STRAPS)
9801 (OEILLETTS DE LEVAGE)
9801 (CINTAS DE ELEVACION)
RE523156PCDB01 -UN-25APR07



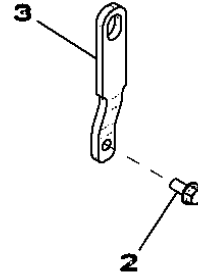
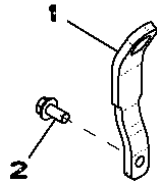
RE523156PCDB01

KEY	PART NO.	PART NAME	QTY.	SCALE 1:2.16 ENGINE SERIAL NO.	REMARKS
1	R520718	STRAP	1		
2	19M8832	SCREW	2		M14 X 30
3	R504016	STRAP	1		

0400A-73

ENGINE 4
6090HDW01 0400A

9807 (LIFT STRAPS)
9807 (OEILLETS DE LEVAGE)
9807 (CINTAS DE ELEVACION)
RE537549PCDA01 -UN-12AUG08



RE537549PCDA01

KEY	PART NO.	PART NAME	QTY.	ENGINE SERIAL NO.	REMARKS
1	R520755	STRAP	1		
2	19M8832	SCREW	2		M14 X 30
3	R504016	STRAP	1		

0400A-74

ENGINE 4
6090HDW01 0400A

MEMORANDA
MEMORANDA
MEMORANDA

0400A-75

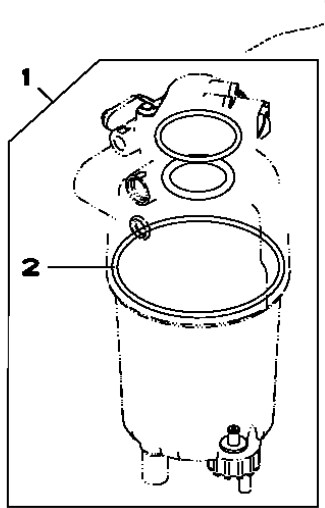
ENGINE 4

6090HDW01 0400A

9901 (PRIMARY FUEL FILTER SEAL KIT)
9901(JEU DE PIECES, FILTRE A COMBUSTIBLE PRIMAIRE)
9901(JUEGO, FILTRO PRIMARIO DE COMBUSTIBLE)

RE523784PCDA01

-UN-12JUL07



RE523784PCDA01

KEY	PART NO.	PART NAME	QTY.	ENGINE SERIAL NO.	REMARKS
1	RE523784	SEAL KIT	1		
2	R522921	O-RING	1		

0400A-76

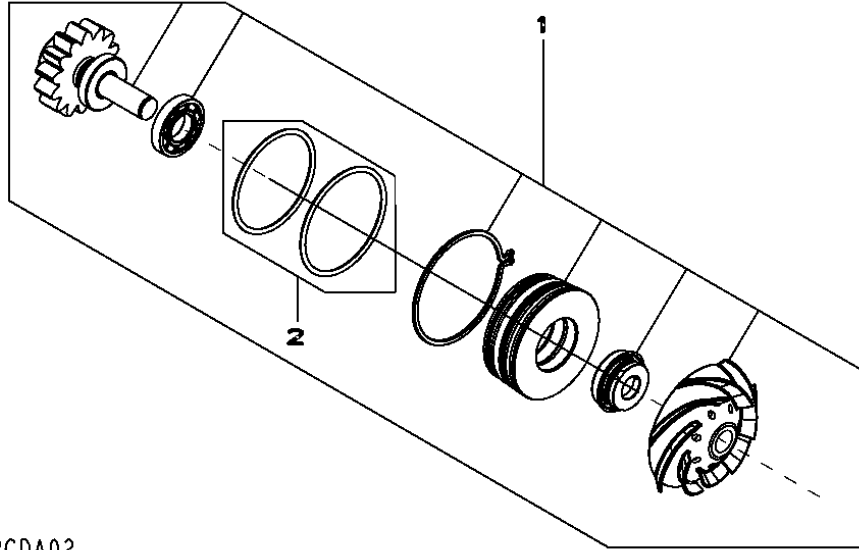
ENGINE 4

6090HDW01 0400A

9901 REPLACEMENT - WATER PUMP
 9901 REMPLACEMENT - POMPE A EAU
 9901 REPUESTO - BOMBA DE AGUA

RE530194PCDA02

-UN-21MAY07



RE530194PCDA02

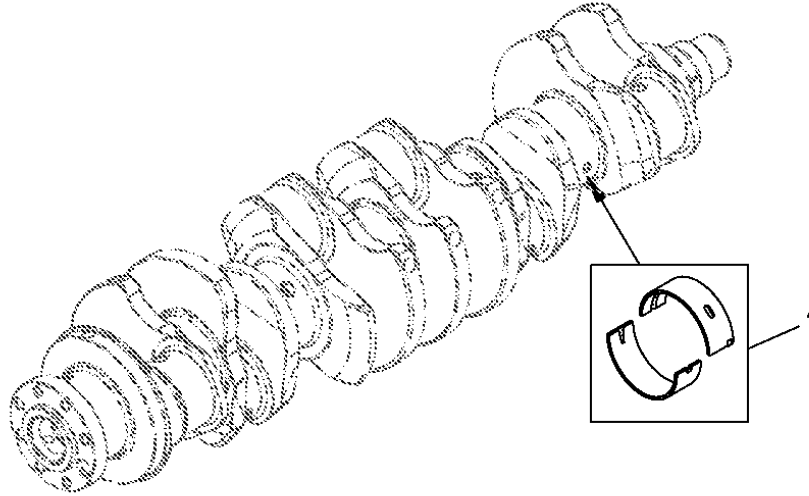
KEY	PART NO.	PART NAME	QTY.	ENGINE SERIAL NO.	REMARKS
1	RE530194	WATER PUMP	1		
	SE501228	WATER PUMP REMAN	1		
2	RE509463	KIT	1		

0400A-77

ENGINE 4
6090HDW01 0400A

9901 (MAIN BEARING)
9901 (PALIER PRINCIPAL)
9901 (COJINETE PRINCIPAL)

RE529319PCDA01 -UN-24MAR08



RE529319PCDA01

KEY	PART NO.	PART NAME	QTY.	ENGINE SERIAL NO.	REMARKS
1	RE529319	BEARING	1		

0400A-78

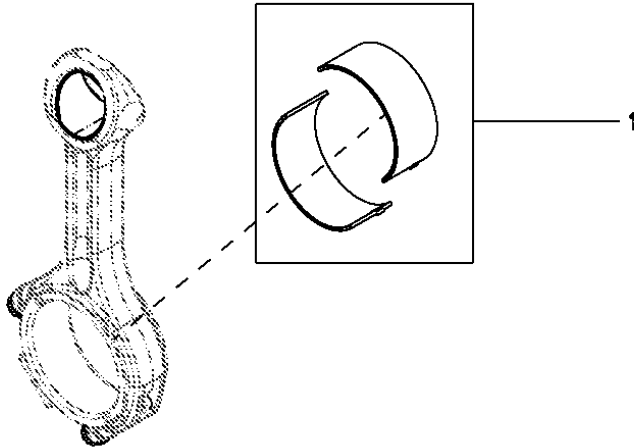
ENGINE 4

6090HDW01 0400A

9901 (CONNECTING ROD BEARINGS)
9901 (BIELLE COUSSINETS)
9901 (BIELA COJINETES)

RE529318PCDA01

-UN-02APR08



RE529318PCDA01

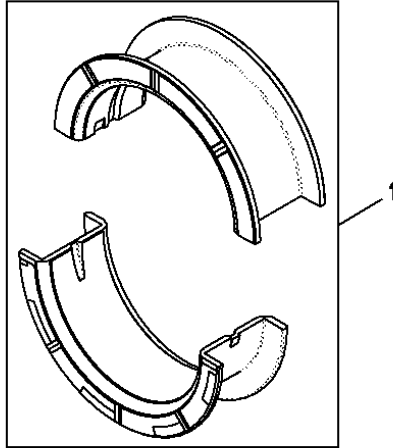
KEY	PART NO.	PART NAME	QTY.	ENGINE SERIAL NO.	REMARKS
1	RE529318	BEARING	1		

0400A-79

ENGINE 4
6090HDW01 0400A

9901 (THRUST BEARING)
9901 (COUSSINETS DE BUTTE)
9901 (COJINETE DE EMPUJE)

RE529320PCDA01 -UN-31MAR08



RE529320PCDA01

KEY	PART NO.	PART NAME	QTY.	ENGINE SERIAL NO.	REMARKS
1	RE529320	THRUST BEARING	1		

0400A-80

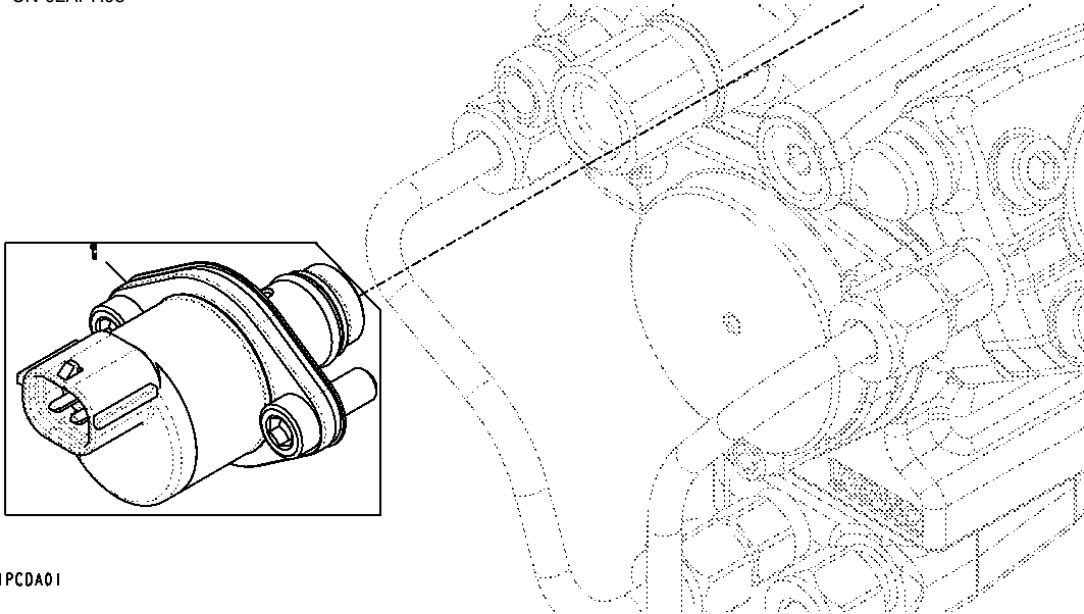
ENGINE 4

6090HDW01 0400A

9901 (SUCTION CONTROL VALVE)
9901 CLAPET DOSEUR DE CARBURANT
9901 AOADUCCION NO DISPONIBLE

RE532171PCDA01

-UN-02APR08



RE532171PCDA01

KEY	PART NO.	PART NAME	QTY.	ENGINE SERIAL NO.	REMARKS
1	RE532171	CONTROL VALVE	1		

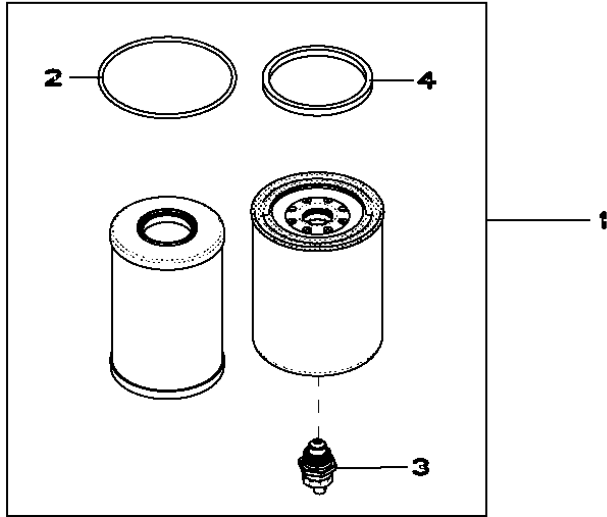
0400A-81

ENGINE 4
6090HDW01 0400A

9901 (FUEL FILTER ELEMENT SERVICE KIT)
9901 (JEU D'ENTRETIEN POUR ELEMENT DU FILTRE A COMBUSTIBLE)
9901 (CONJUNTO DE MANTENIMIENTO DEL ELEMENTO DEL FILTRO DE COMBUSTIBLE)

RE525523PCDA01

-UN-02APR08



RE525523PCDA01

KEY	PART NO.	PART NAME	QTY.	ENGINE SERIAL NO.	REMARKS
1	RE525523	FILTER ELEMENT	1		
2	R522921	O-RING	1		
3	RE523787	DRAIN VALVE	1		
4	R501388	PACKING	1		

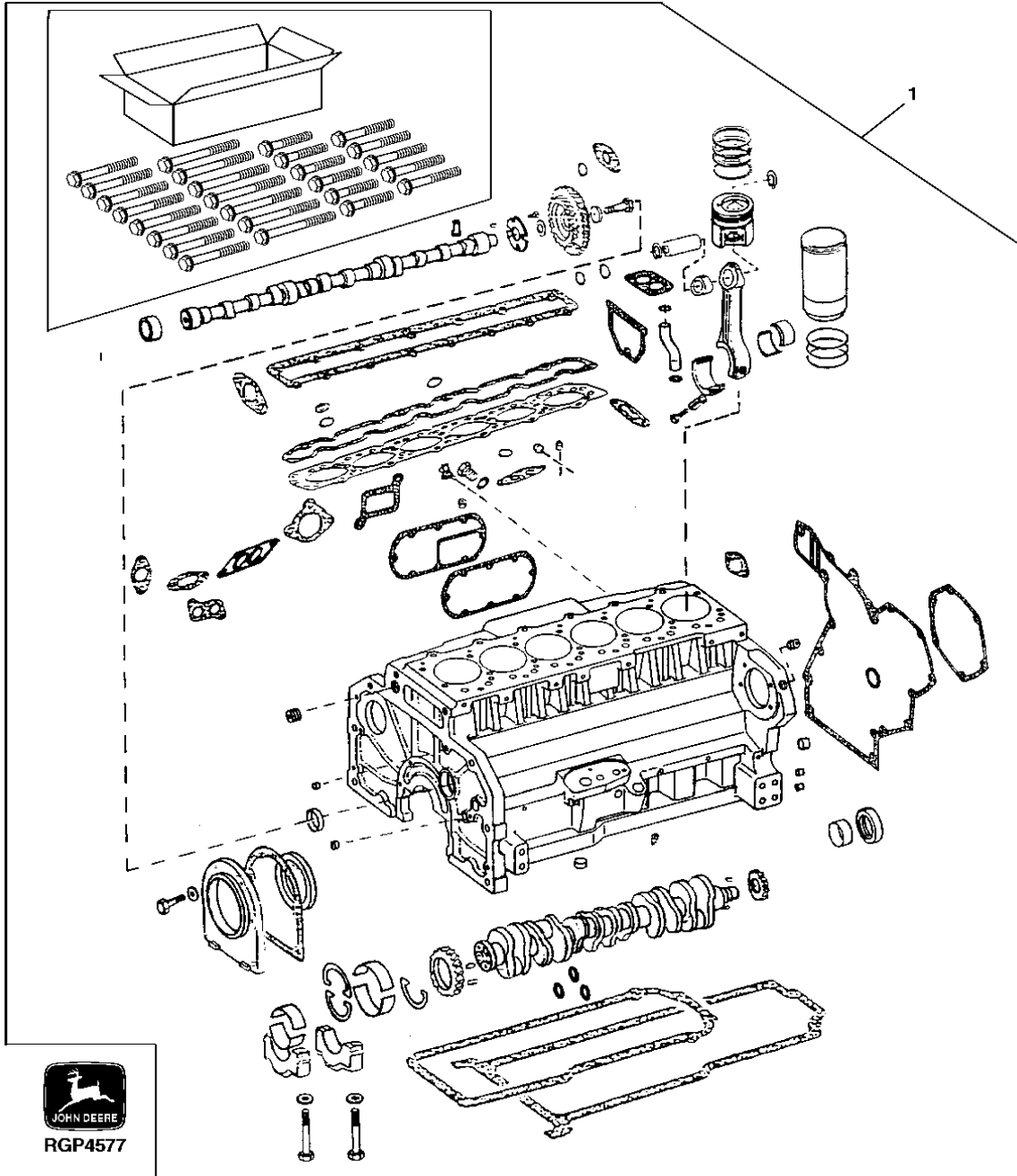
0400A-82

ENGINE 4
6090HDW01 0400A

9901 (ENGINE SHORT BLOCK)
9901 (MONTEUR DEPOUILLE POUR RECHANGE)
9901 (MOTOR BASICO)

RGP4577

-UN-02NOV95



0400A-83

ENGINE 4
6090HDW01 0400A

<i>KEY</i>	<i>PART NO.</i>	<i>PART NAME</i>	<i>QTY.</i>	<i>ENGINE SERIAL NO.</i>	<i>REMARKS</i>
1	RE531095	SHORT BLOCK ASSEMBLY	1		

0400A-84

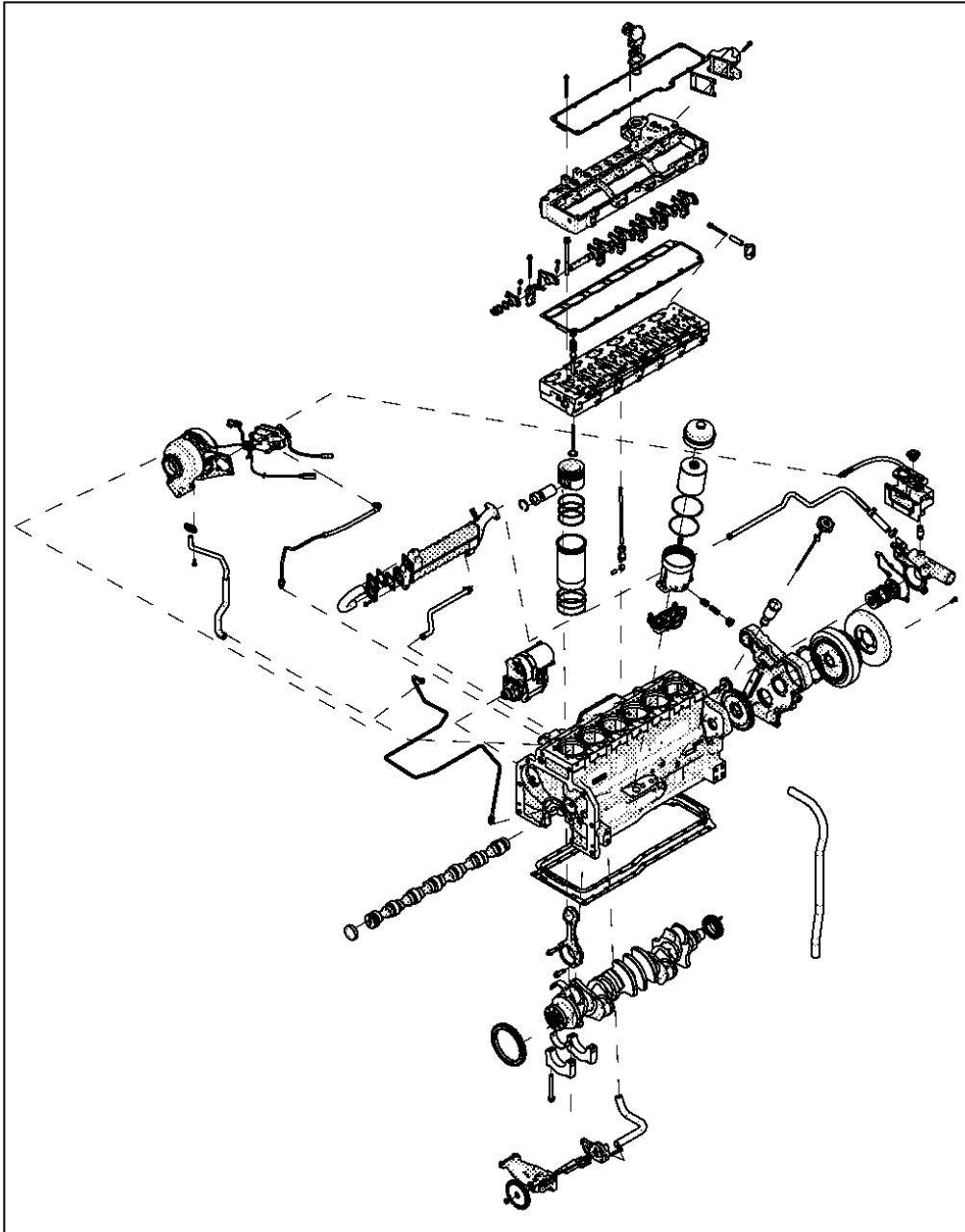
ENGINE 4

6090HDW01 0400A

9901 (COMPLETE BLOCK ASSEMBLY)
9901 (ENSEMBLE BLOC-CYL.COMPLET)
9901 (BLOQUE MOTOR COMPLETO)

RE531096PCDD01

-UN-14APR08



RE531096PCDD01

0400A-85

ENGINE 4
6090HDW01 0400A

KEY	PART NO.	PART NAME	QTY.	ENGINE SERIAL NO.	REMARKS
1	SE501746	COMPLETE BLOCK ASSY REMAN	1		

0400A-86

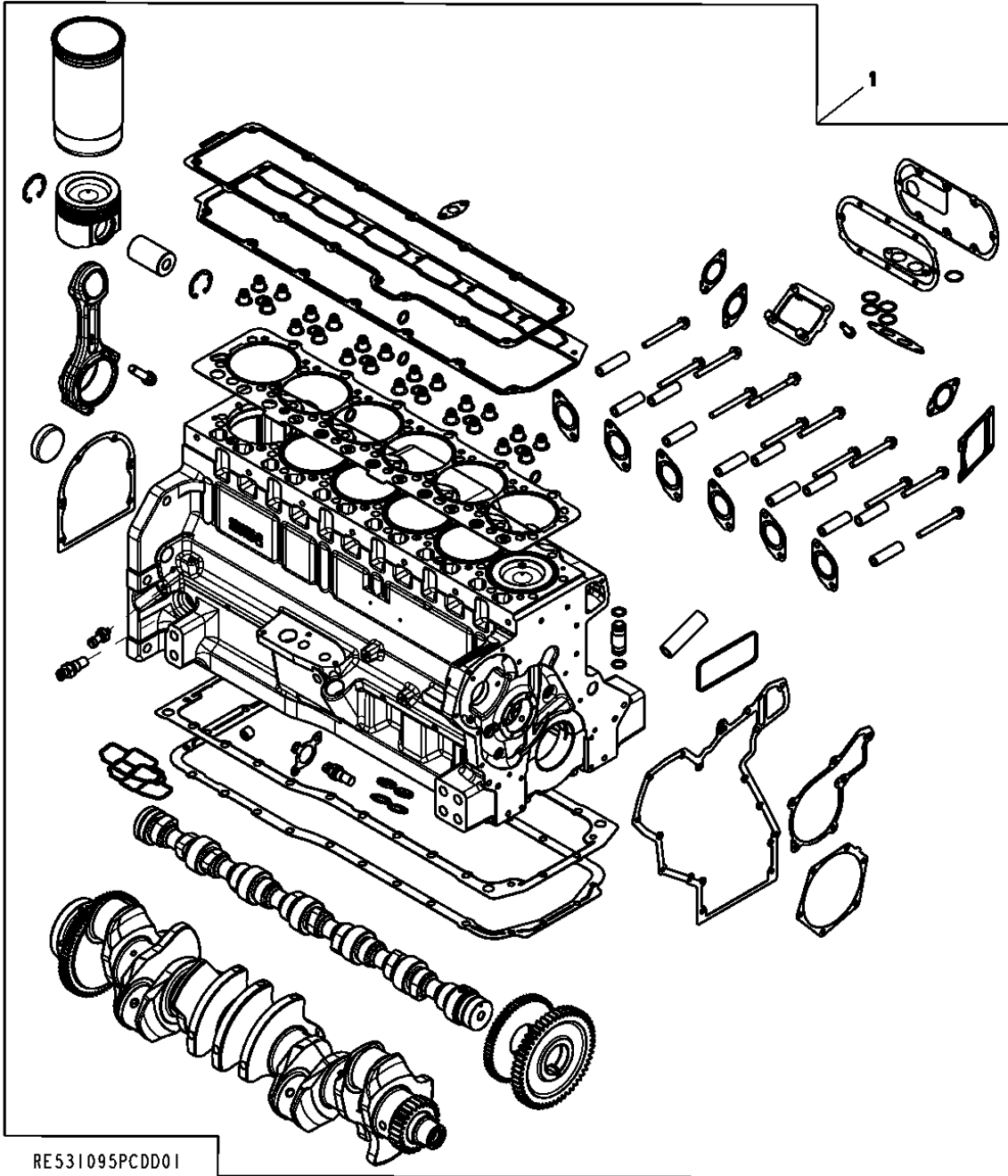
ENGINE 4

6090HDW01 0400A

9901 (ENGINE SHORT BLOCK)
9901 (MONTEUR DEPOUILLE POUR RECHANGE)
9901 (MOTOR BASICO)

RE531095PCDD01

-UN-05OCT07



0400A-87

ENGINE 4
6090HDW01 0400A

<i>KEY</i>	<i>PART NO.</i>	<i>PART NAME</i>	<i>QTY.</i>	<i>ENGINE SERIAL NO.</i>	<i>REMARKS</i>
1	RE531095	SHORT BLOCK ASSEMBLY	1		

0400A-88

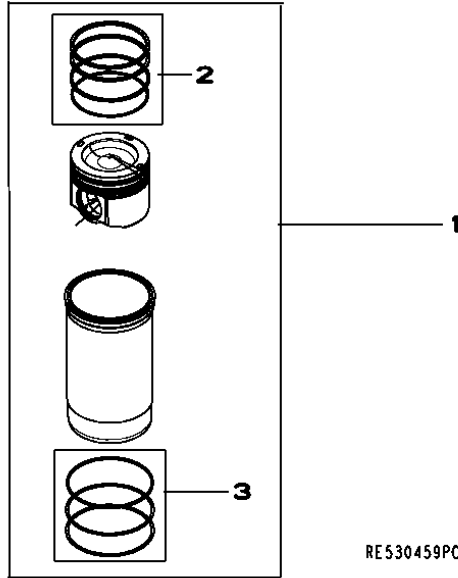
ENGINE 4

6090HDW01 0400A

9901 PISTON-LINER KIT
 9901 ENSEMBLE PISTON/CHEMISE
 9901 JUEGO DE PISTON Y CAMISA

RE530459PCDA01

-UN-27SEP06



RE530459PCDA01

KEY	PART NO.	PART NAME	QTY.	ENGINE SERIAL NO.	REMARKS
1	RE530459	PISTON-LINER KIT	1		
2	RE531077	PISTON RING KIT	1		
3	AR98850	O-RING KIT	1		

0400A-89

ENGINE 4
6090HDW01 0400A

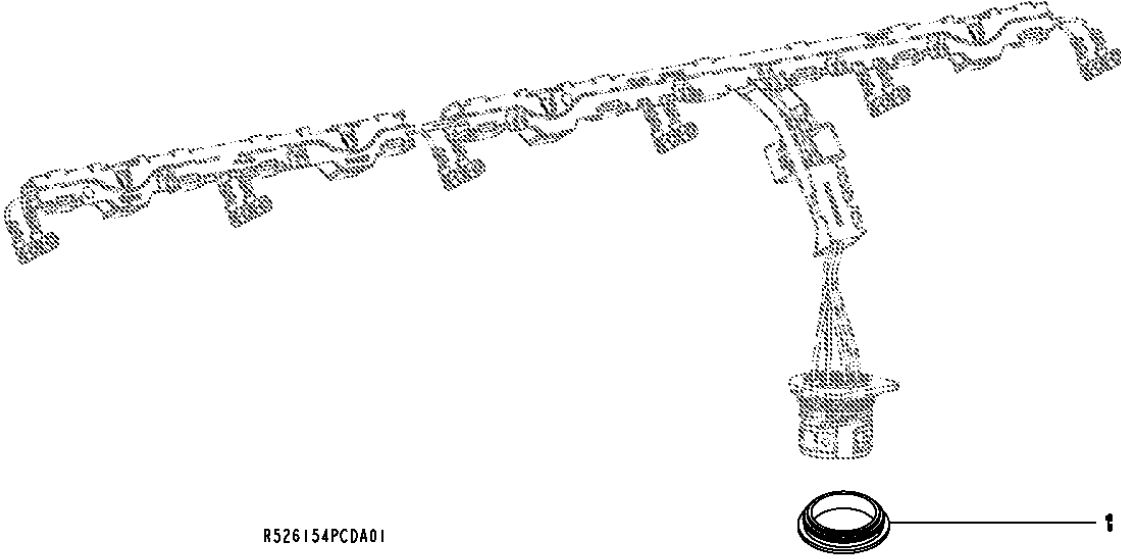
MEMORANDA
MEMORANDA
MEMORANDA

0400A-90

ENGINE 4
6090HDW01 0400A

9901 (SEAL KIT)
9901 (JEU D'ETANCHEITE)
9901 (JUEGO DE JUNTAS)

R526154PCDA01 -UN-02APR08



R526154PCDA01

KEY	PART NO.	PART NAME	QTY.	ENGINE SERIAL NO.	REMARKS
1	R526154	SEALING RING	1		

0400A-91

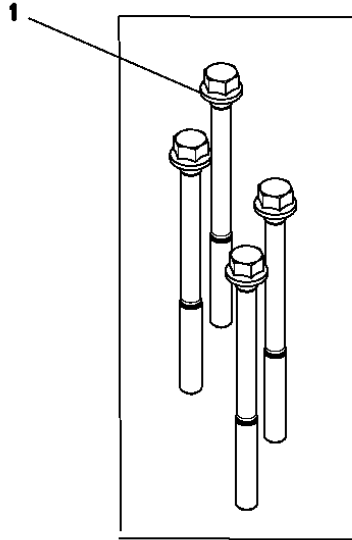
ENGINE 4

6090HDW01 0400A

9902 (SERVICE KIT CYLINDER HEAD BOLTS)
9902 (JEU D'ENTRETIEN, VIS DE CULASSE)
9902 (CONJUNTO DE SERVICIO PARA TORNILLOS DE LA CULATA DEL CILINDRO)

RE528399PCDA01

-UN-29NOV05



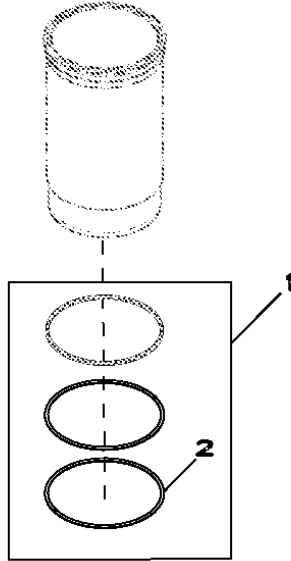
RE528399PCDA01

KEY	PART NO.	PART NAME	QTY.	ENGINE SERIAL NO.	REMARKS
1	RE528399	KIT	1		

0400A-92

ENGINE 4
6090HDW01 0400A

9902 (CYLINDER LINER PACKING)
9902 (JOINT DE CHEMISE)
9902 (CAMISAS DE SELLADO DEL CILINDRO)
AR98850PCDA01 -UN-04DEC08



AR98850PCDA01

KEY	PART NO.	PART NAME	QTY.	ENGINE SERIAL NO.	REMARKS
1	AR98850	O-RING KIT	1		

0400A-93

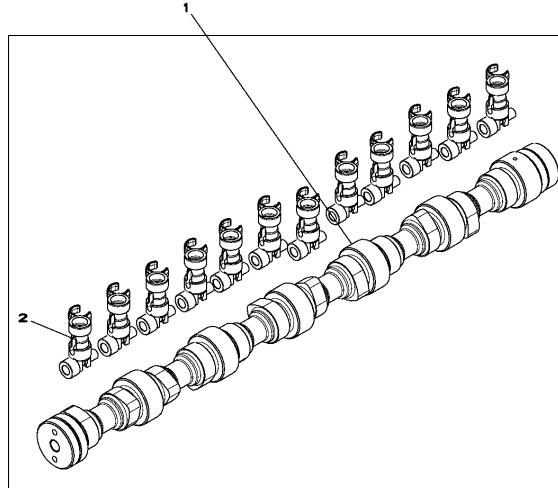
ENGINE 4

6090HDW01 0400A

9902 (CAMSHAFT KIT)
9902 (JEU POUR ARBRE A CAMES)
9902 (CONJUNTO DEL ARBOL DE LEVAS)

RE530594PCDA01

-UN-29NOV05



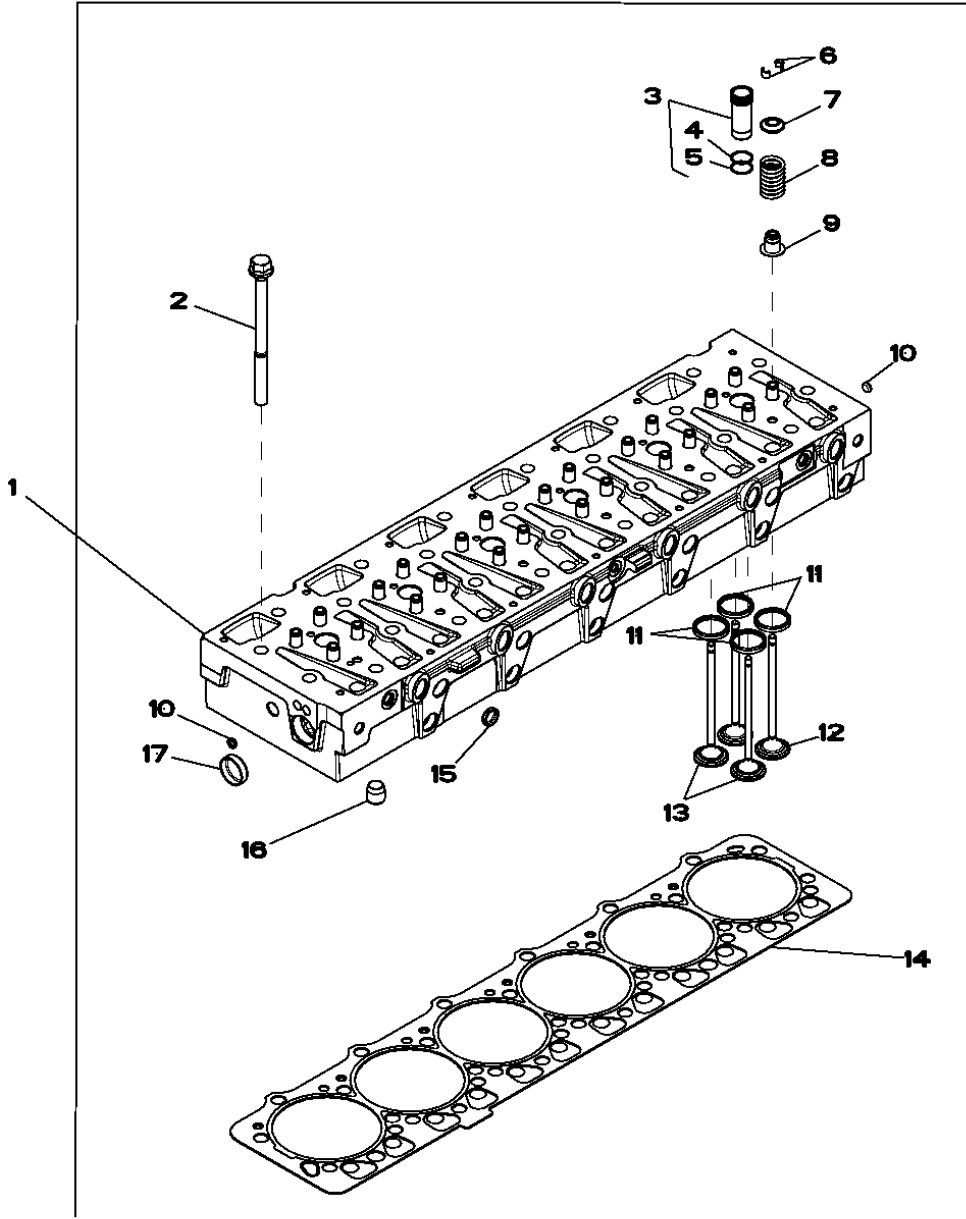
RE530594PCDA01

KEY	PART NO.	PART NAME	QTY.	ENGINE SERIAL NO.	REMARKS
1	RE530594	KIT	1		(SUB (12) RE519889 AND R520366)
2	RE519889	CAM FOLLOWER ROLLER	12		

0400A-94

ENGINE 4
6090HDW01 0400A

9902 (CYLINDER HEAD KIT)
9902 (JEU DE PIÈCES POUR CULASSE)
9902 (CONJUNTO DE PIEZAS DE CULATA DEL CILINDRO)
RE530370PCDA01 -UN-29NOV05



RE530370PCDA0

0400A-95

ENGINE 4
6090HDW01 0400A

KEY	PART NO.	PART NAME	QTY.	ENGINE SERIAL NO.	REMARKS
1	RE530370	CYLINDER HEAD	1		
2	R121322	SCREW	26		
3	RE517435	SLEEVE	6		
4	O-RING	1		(ORDER RE517435) NSEP
5	O-RING	1		(ORDER RE517435) NSEP
6	R520798	RETAINER	48		
7	R518233	RETAINER	24		
8	R504235	SPRING	24		
9	RE529187	SEAL	24		
10	30M7029	PLUG	3		
11	R522049	VALVE SEAT INSERT	24		
12	R520224	EXHAUST VALVE	12		
13	R520223	INTAKE VALVE	12		
14	R525541	ENGINE CYLINDER HEAD GASKET	1		
15	30M5581	PLUG	17		
16	R42340	BUSHING	2		
17	T13519	PLUG	1		

0400A-96

ENGINE 4

6090HDW01 0400A

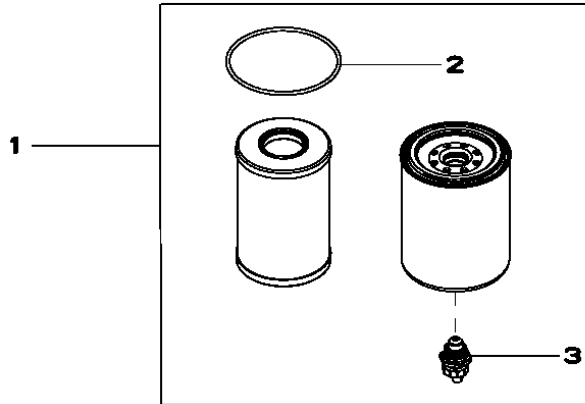
9902 (FUEL FILTER ELEMENT SERVICE KIT)

9902 (JEU D'ENTRETIEN POUR ELEMENT DU FILTRE A COMBUSTIBLE)

9902 (CONJUNTO DE MANTENIMIENTO DEL ELEMENTO DEL FILTRO DE COMBUSTIBLE)

RE525523PCDA02

-UN-13SEP06



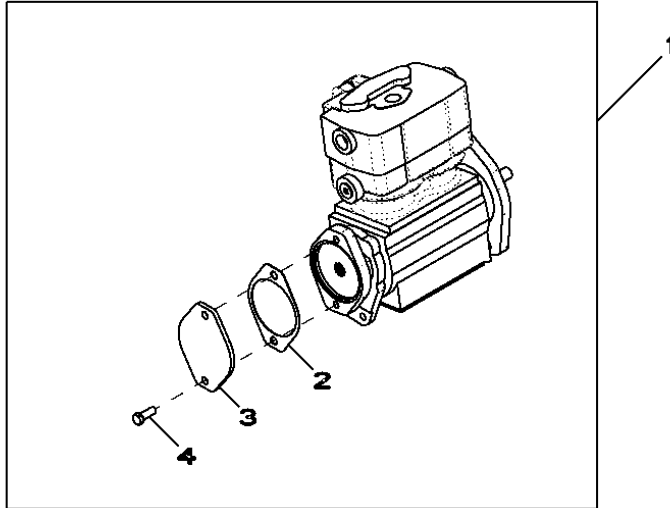
RE 525523PCDA02

KEY	PART NO.	PART NAME	QTY.	ENGINE SERIAL NO.	REMARKS
1	RE525523	FILTER ELEMENT	1		(CONTAINS RE520906 AND R522921 AND RE523236 AND RE523787 AND R501388)
2	R522921	O-RING	1		
3	RE523787	DRAIN VALVE	1		

0400A-97

ENGINE 4
6090HDW01 0400A

9902 (AIR COMPRESSOR KIT)
9902 (JEU DE COMPRESSEUR D'AIR)
9902 (CONJUNTO DEL COMPRESOR DE AIRE)
RE70987PCDA01 -UN-03DEC08



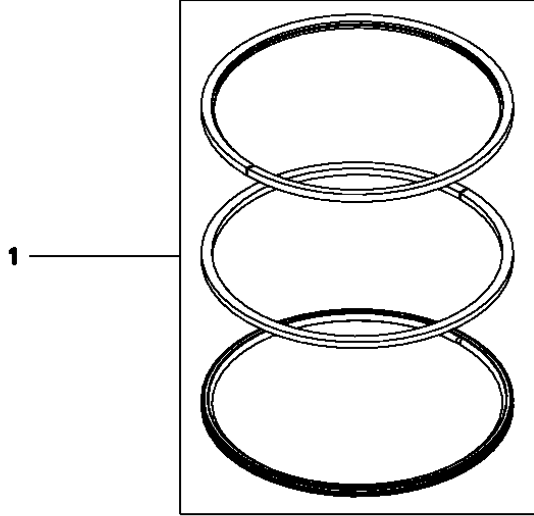
RE70987PCDA01

KEY	PART NO.	PART NAME	QTY.	ENGINE SERIAL NO.	REMARKS
1	RE70987	COMPRESSOR	1		
2	19H1731	CAP SCREW	2		
3	R85145	COVER	1		
4	R96935	GASKET	1		

0400A-98

ENGINE 4
6090HDW01 0400A

9902 (PISTON RING PACK)
9902 (JEU DE SEGMENTS DE PISTON)
9902 (ANILLO RETEN DEL EMBOLO)
RE523781PCDA01 -UN-24MAR06



RE523781PCDA01

KEY	PART NO.	PART NAME	QTY.	ENGINE SERIAL NO.	REMARKS
1	RE531077	PISTON RING KIT	1		

0400A-99

ENGINE 4
6090HDW01 0400A

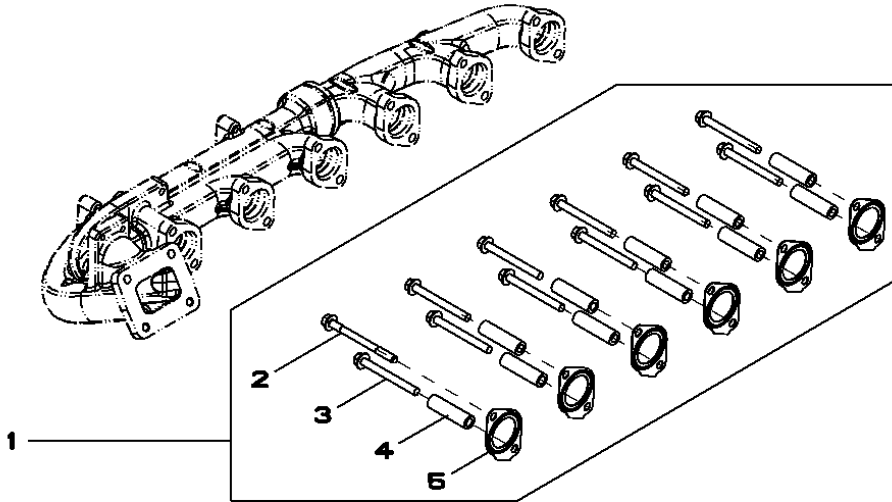
MEMORANDA
MEMORANDA
MEMORANDA

0400A-100

ENGINE 4
6090HDW01 0400A

9902 (EXHAUST MANIFOLD REMOVAL)
9902 (DEPOSE DU COLLECTEUR D'ÉCHAPPEMENT)
9902 (SEPARACION DEL COLECTOR DE ESCAPE)

RE528413PCDC01 -UN-20MAR06



RE528413PCDC01

KEY	PART NO.	PART NAME	QTY.	ENGINE SERIAL NO.	REMARKS
1	RE528413	KIT	1		
2	R520410	CAP SCREW	1		
3	R521323	SCREW	11		
4	R520632	SPACER	11		
5	R519361	GASKET	6		

0400A-101

ENGINE 4

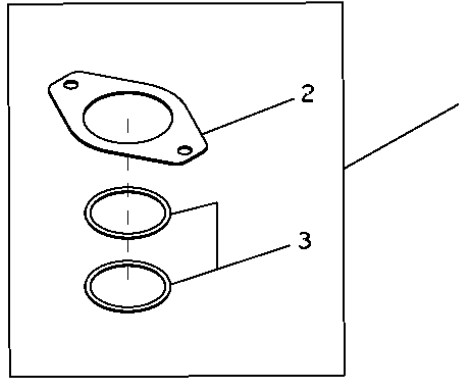
6090HDW01 0400A

9902 (EGR VALVE GASKET KIT)

9902 (JEU DE JOINTS DE SOUPAPE POUR RETOUR DES GAZ D'ECHAPPEMENT)

9902 (CONJUNTO DE EMPAQUETADURAS DE LA VALVULA PARA RETORNO DE GASES DE ESCAPE)

RE528207PCDA01 -UN-12FEB08



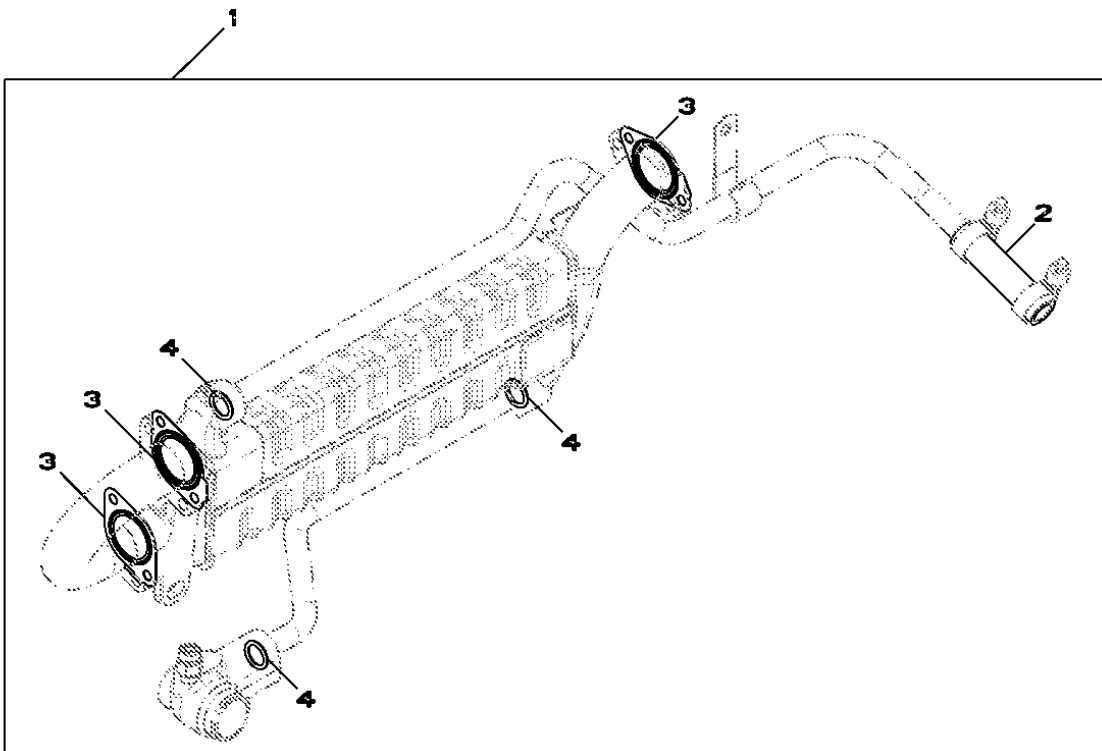
RE528207PCDA01

KEY	PART NO.	PART NAME	QTY.	ENGINE SERIAL NO.	REMARKS
1	RE528207	GASKET KIT	1		
2	R519398	GASKET	1		
3	R519989	O-RING	2		

0400A-102

ENGINE 4
6090HDW01 0400A

9902 (SERVICE KIT - EGR)
9902 (JEU D'ENTRETIEN - EGR)
9902 (CONJUNTO MANTENIMIENTO - EGR)
RE528410PCDA02 -UN-09FEB09



RE528410PCDA02

0400A-103

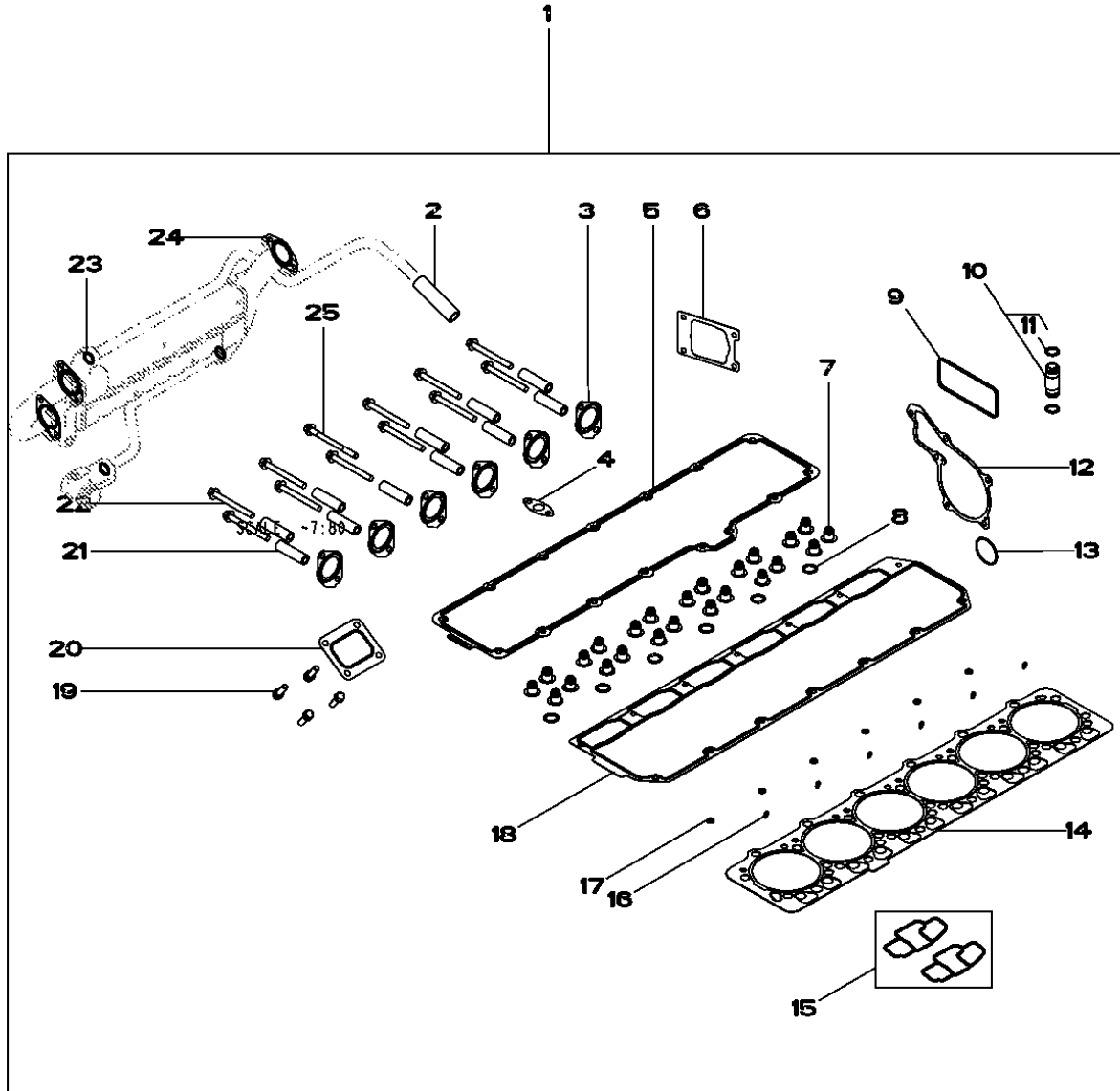
ENGINE 4
6090HDW01 0400A

KEY	PART NO.	PART NAME	QTY.	ENGINE SERIAL NO.	REMARKS
1	RE528410	GASKET KIT	1		
2	R519344	RADIATOR HOSE	1		
3	R518619	GASKET	3		
4	R504810	O-RING	3		

0400A-104

ENGINE 4
6090HDW01 0400A

9902 (CYLINDER HEAD REMOVAL)
9902 (JEU DE PIÈCES POUR CULASSE)
9902 (CONJUNTO DE PIEZAS DE CULATA DEL CILINDRO)
RE528402PCDB03 -UN-19MAY06



RE528402PCDB03

0400A-105

ENGINE 4
6090HDW01 0400A

KEY	PART NO.	PART NAME	QTY.	ENGINE SERIAL NO.	REMARKS
1	RE528402	GASKET KIT	1		
2	R519344	RADIATOR HOSE	1		
3	R519361	GASKET	6		
4	R521158	GASKET	1		
5	R518263	GASKET	1		
6	R519414	GASKET	1		
7	RE529187	SEAL	24		
8	R505452	O-RING	6		
9	R515407	GASKET	1		
10	RE508648	TUBE	1		(INCLUDES (2) R504810)
11	R504810	O-RING	2		
12	R119383	GASKET	1		
13	R521040	O-RING	1		
14	R525541	ENGINE CYLINDER HEAD GASKET	1		
15	RE516171	SEAL KIT	2		
16	R63548	O-RING	6		
17	R131051	WASHER	6		
18	R518260	GASKET	1		
19	R520121	CAP SCREW	4		
20	R92097	GASKET	1		
21	R520632	SPACER	11		
22	R521323	SCREW	11		
23	R504810	O-RING	5		
24	R518619	GASKET	3		
25	R520410	CAP SCREW	1		

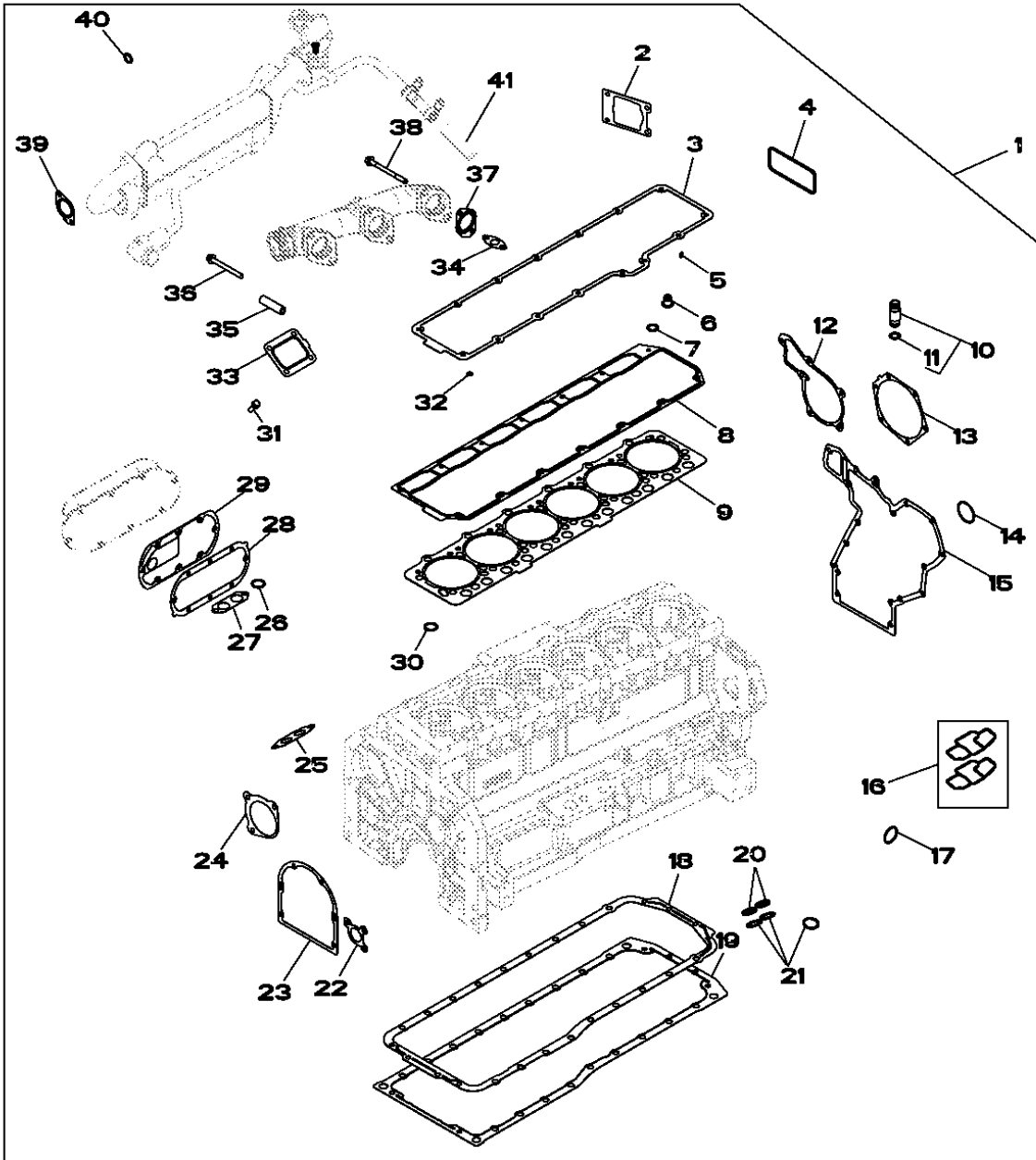
0400A-106

ENGINE 4

6090HDW01 0400A

9902 (ENGINE GASKET KIT)
9902 (JEU DE JOINTS DE MOTEUR)
9902 (CONJUNTO PARA JUNTA DE MOTOR)

RE528400PCDH02 -UN-25NOV08



RE528400PCDH02

0400A-107

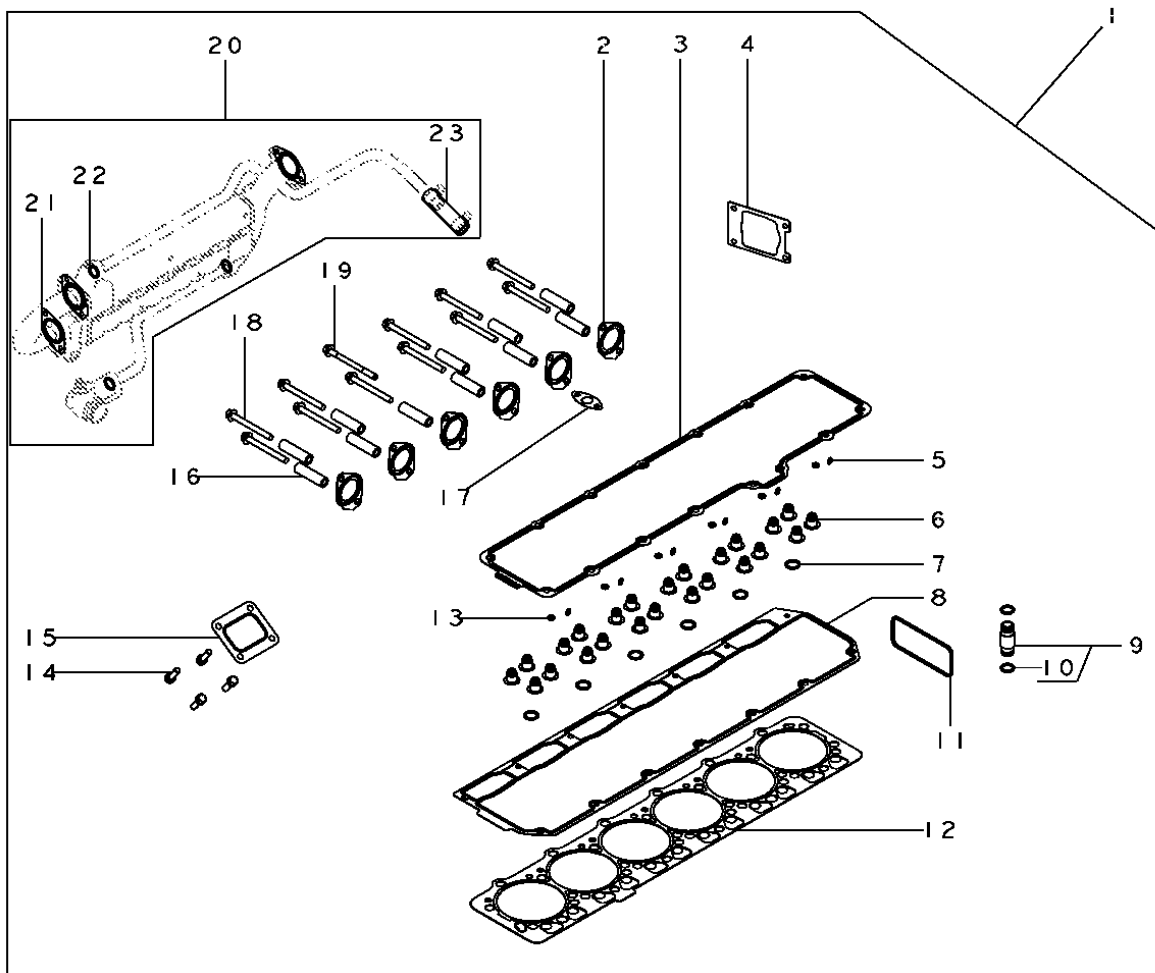
ENGINE 4
6090HDW01 0400A

KEY	PART NO.	PART NAME	QTY.	ENGINE SERIAL NO.	REMARKS
1	RE528400	GASKET KIT	1		
2	R519414	GASKET	1		
3	R527884	GASKET	1		
4	R527592	GASKET	1		
5	R63548	O-RING	6		
6	RE529187	SEAL	24		
7	R505452	O-RING	6		
8	R518260	GASKET	1		
9	R525541	ENGINE CYLINDER HEAD GASKET	1		
10	RE508648	TUBE	1		(INCLUDES (2) R504810)
11	R504810	O-RING	2		
12	R119383	GASKET	1		
13	R502011	GASKET	1		
14	R521040	O-RING	1		
15	R119384	GASKET	1		
16	RE516171	SEAL KIT	2		
17	U13639	O-RING	1		
18	RE520777	GASKET	1		
19	R520844	GASKET	1		
20	R504669	SEAL	2		
21	R71732	O-RING	4		
22	R100569	GASKET	1		
23	R522768	GASKET	1		
24	R53108	GASKET	1		
25	R520547	GASKET	1		
26	U17409	O-RING	1		
27	R520091	GASKET	1		
28	RE524105	GASKET	1		
29	R132396	GASKET	1		
30	R47153	O-RING	4		
31	R520121	CAP SCREW	4		
32	R131051	WASHER	6		
33	R92097	GASKET	1		
34	R521158	GASKET	1		
35	R520632	SPACER	11		
36	R521323	SCREW	11		
37	R519361	GASKET	6		
38	R520410	CAP SCREW	1		
39	R518619	GASKET	3		
40	R504810	O-RING	5		
41	R519344	RADIATOR HOSE	1		

0400A-108

ENGINE 4
6090HDW01 0400A

9902 (ENGINE OVERHAUL KIT)
9902 (JEU DE REMISE EN ETAT MOTEUR)
9902 (CONJUNTO REPARACION MOTOR)
ARE528398PCDC2 -UN-19MAY06



ARE528398PCDC2

0400A-109

ENGINE 4
6090HDW01 0400A

KEY	PART NO.	PART NAME	QTY.	ENGINE SERIAL NO.	REMARKS
1	RE531100	ENGINE OVERHAUL KIT	1		
2	R519361	GASKET	6		
3	R518263	GASKET	1		
4	R519414	GASKET	1		
5	R63548	O-RING	6		
6	RE529187	SEAL	24		
7	R505452	O-RING	6		
8	R518260	GASKET	1		
9	RE508648	TUBE	1		(INCLUDES (2) R504810)
10	R504810	O-RING	2		
11	R515407	GASKET	1		
12	R525541	ENGINE CYLINDER HEAD GASKET	1		
13	R131051	WASHER	6		
14	R520121	CAP SCREW	4		
15	R92097	GASKET	1		
16	R520632	SPACER	11		
17	R521158	GASKET	1		
18	R521323	SCREW	11		
19	R520410	CAP SCREW	1		
20	RE528410	GASKET KIT	1		
21	R518619	GASKET	3		
22	R504810	O-RING	5		
23	R519344	RADIATOR HOSE	1		

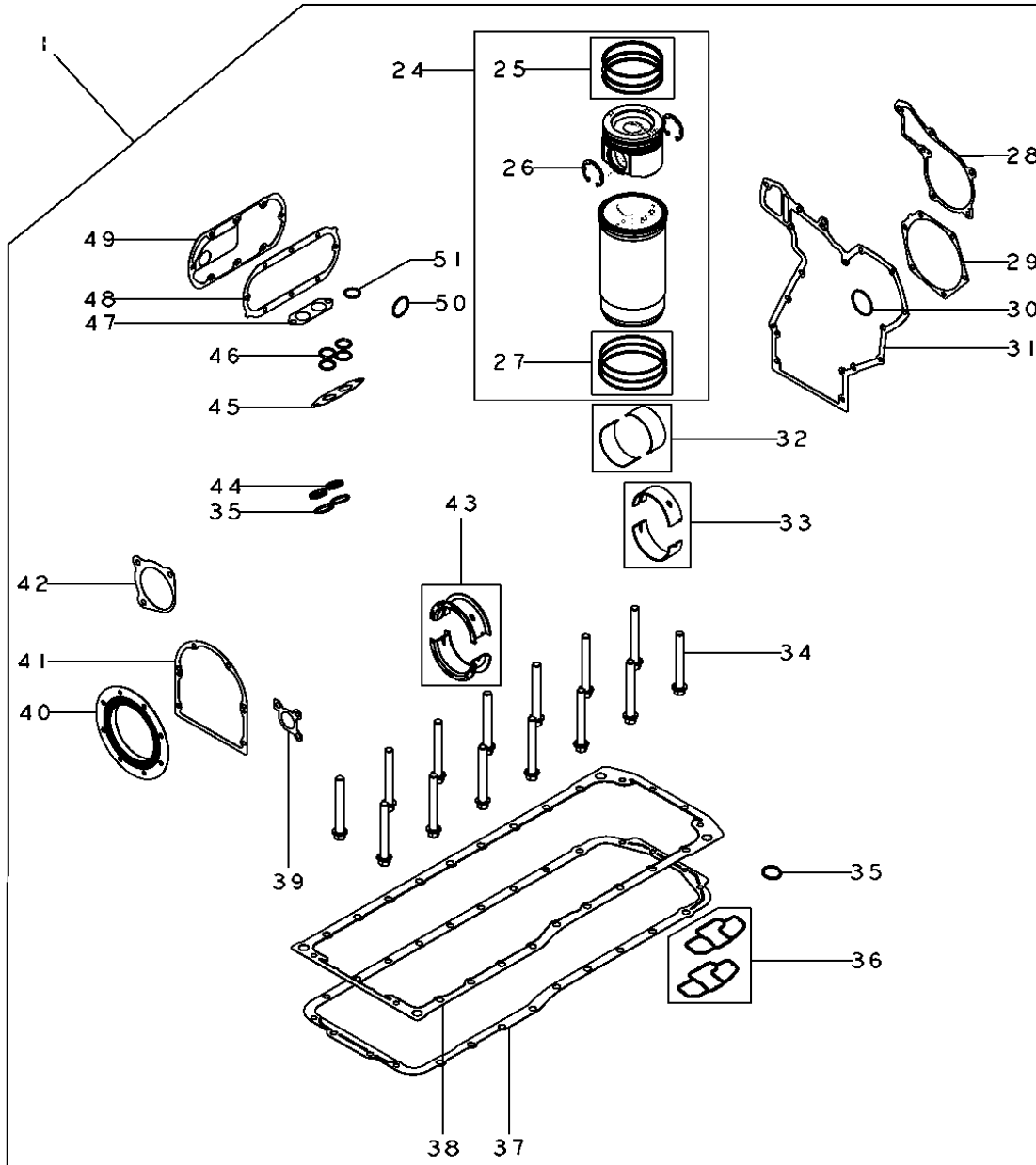
0400A-110

ENGINE 4

6090HDW01 0400A

9902 (ENGINE OVERHAUL KIT)
9902 (JEU DE REMISE EN ETAT MOTEUR)
9902 (CONJUNTO REPARACION MOTOR)

BRE528398PCDC2 -UN-27MAR06



BRE528398PCDC2

0400A-111

ENGINE 4
6090HDW01 0400A

KEY	PART NO.	PART NAME	QTY.	ENGINE SERIAL NO.	REMARKS
1	RE531100	ENGINE OVERHAUL KIT	1		
24	RE531072	PISTON-LINER KIT	6		
25	RE531077	PISTON RING KIT	6		
26	R519640	SNAP RING	12		
27	AR98850	O-RING KIT	1		
28	R119383	GASKET	1		
29	R502011	GASKET	1		
30	R521040	O-RING	1		
31	R119384	GASKET	1		
32	RE529318	BEARING	6		
33	RE529319	BEARING	6		MAIN BEARING
34	R519287	CAP SCREW	14		
35	R71732	O-RING	4		
36	RE516171	SEAL KIT	2		
37	RE520777	GASKET	1		
38	R520844	GASKET	1		
39	R100569	GASKET	1		
40	RE530121	SEAL	1		
41	R522768	GASKET	1		
42	R53108	GASKET	1		
43	RE529320	THRUST BEARING	1		MAIN THRUST
44	R504669	SEAL	2		
45	R520547	GASKET	1		
46	R47153	O-RING	4		
47	R520091	GASKET	1		
48	RE528401	KIT	1		(SUB RE524105)
49	R132396	GASKET	1		
50	U13639	O-RING	1		
51	U17409	O-RING	1		

0400A-112

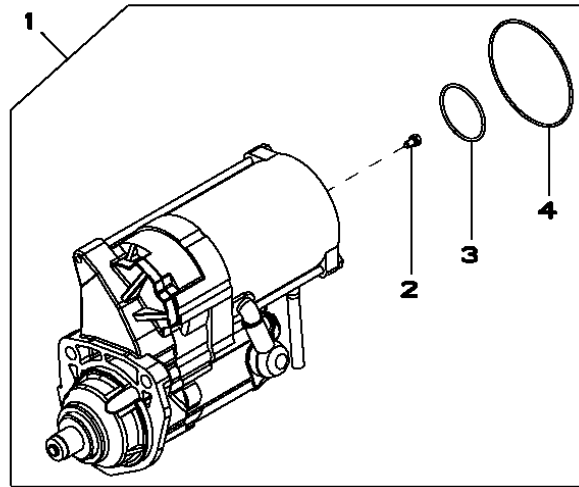
ENGINE 4

6090HDW01 0400A

9902 (STARTER MOTOR KIT)
9902 (COLIS DEMARREUR)
9902 (JUEGO P. MOTOR DE ARRANQUE)

RE529661PCDA01

-UN-24MAR06



RE529661PCDA01

KEY	PART NO.	PART NAME	QTY.	ENGINE SERIAL NO.	REMARKS
1	RE529661	STARTER MOTOR	1		(MARKED RE528619 OR RE520634)
2	RE71256	SCREW WITH WASHER	1		
3	R135510	O-RING	1		
4	R135509	SEAL	1		

0400A-113

ENGINE 4
6090HDW01 0400A

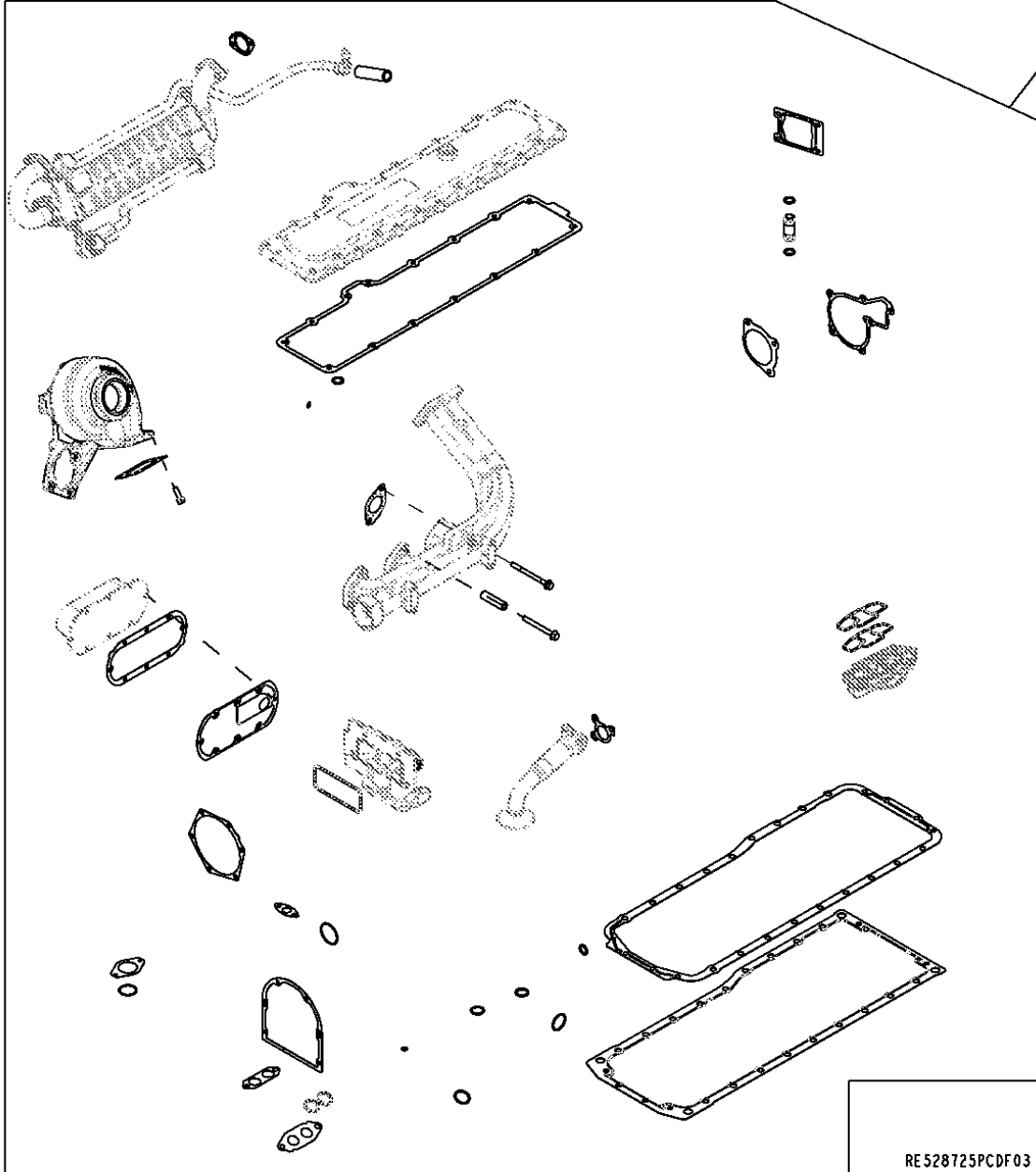
MEMORANDA
MEMORANDA
MEMORANDA

0400A-114

ENGINE 4

6090HDW01 0400A

9902 ENGINE GASKET KIT FOR LONG BLOCK
9902 JEU DE JOINTS DE MOTEUR POUR BLOC LONG
9902 CONJUNTO PARA JUNTA DE MOTOR PARA BLOQUE LARGO
RE528725PCDF03 -UN-10DEC08



0400A-115

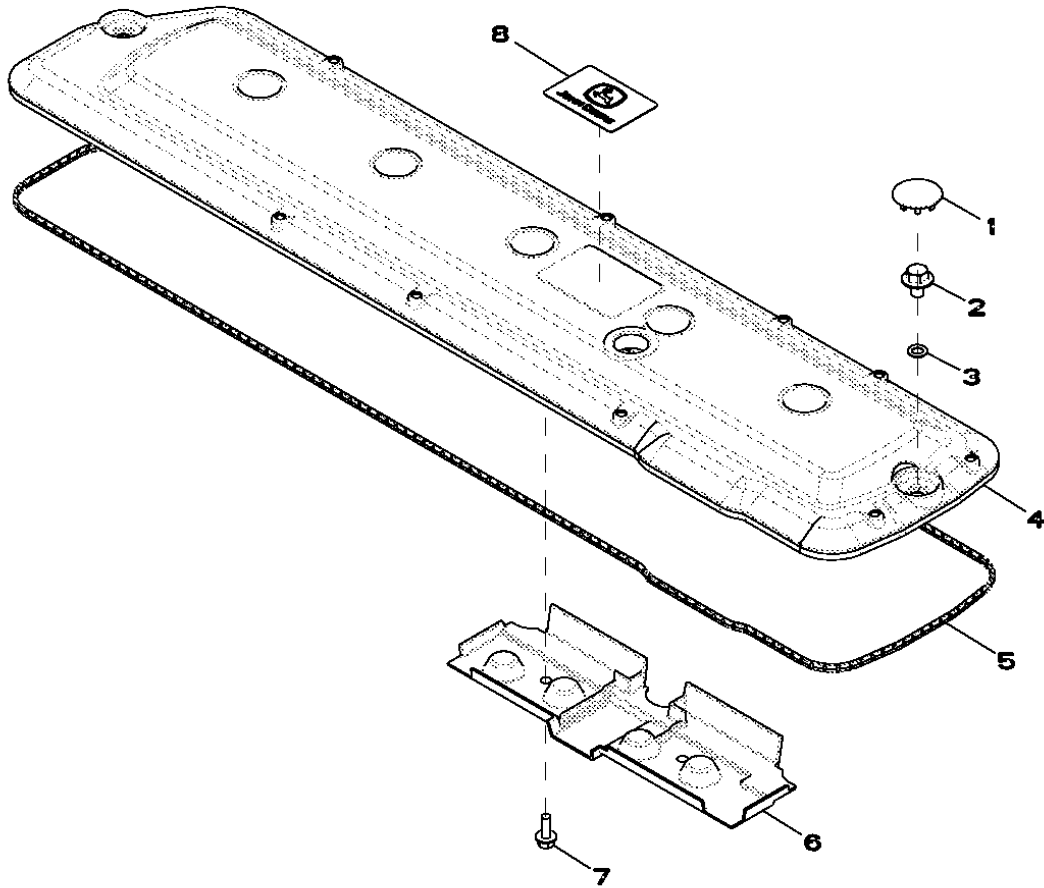
ENGINE 4
6090HDW01 0400A

KEY	PART NO.	PART NAME	QTY.	ENGINE SERIAL NO.	REMARKS
1	RE528725	GASKET KIT	1		

0400B-2

ENGINE 4
6068HDW75 0400B

1144 (ROCKER ARM COVER)
1144 (CULBUTEURS)
1144 (TAPA DE BALANÇINES)
RE527023PCDC02 -UN-24JUN08



RE527023PCDC02

0400B-3

ENGINE 4
6068HDW75 0400B

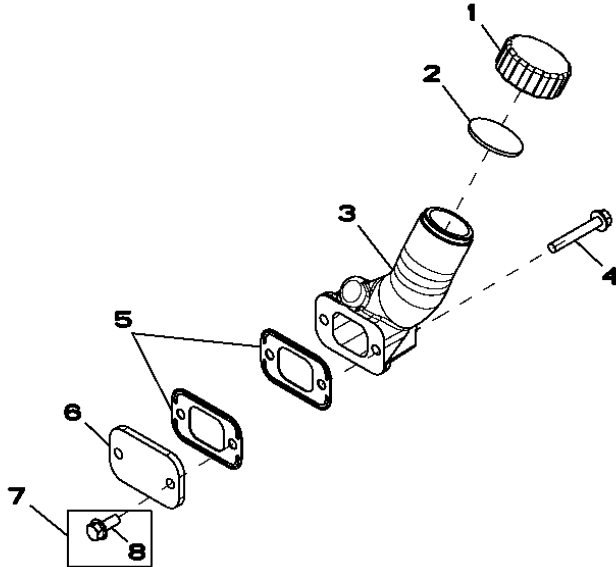
KEY	PART NO.	PART NAME	QTY.	ENGINE SERIAL NO.	REMARKS
1	H23125	PLUG	7		
2	R521390	SCREW	7		
3	R123575	O-RING	7		
4	R522198	VALVE COVER	1		
5	R524497	GASKET	1		
6	R515555	DEFLECTOR	1		
7	19M7775	SCREW	2		M6 X 16
8	R521401	MEDALLION	1		

0400B-4

ENGINE 4
6068HDW75 0400B

1230 (OIL FILLER NECK)
1230 (GOULOTTE DE REMPLISSAGE)
1230 (BOCA DE LLENADO)

RE519564PCDD01 -UN-25OCT07



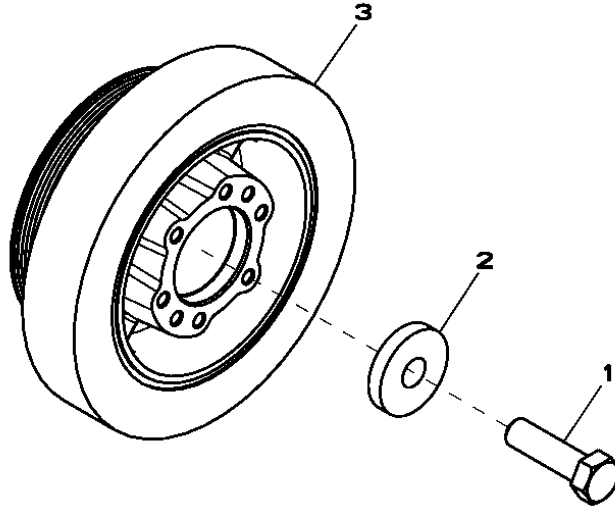
RE519564PCDD01

KEY	PART NO.	PART NAME	QTY.	ENGINE SERIAL NO.	REMARKS
1	R80136	FILLER CAP	1		
2	R80135	GASKET	1		
3	R517353	FILLER NECK	1		
4	19M7979	SCREW	2		LH M8 X 55
5	R136495	GASKET	2		
6	R116296	COVER	1		RH
7	RE67238	SCREW	2		M8 X 20 (INCLUDES 19M7866)
8	19M7866	SCREW	1		M8 X 20

0400B-5

ENGINE 4
6068HDW75 0400B

1320 (CRANKSHAFT PULLEY)
1320 (POULIE DU VILEBREQUIN)
1320 (POLEA DEL CIGUENAL)
RE508845PCDF01 -UN-24JUL06



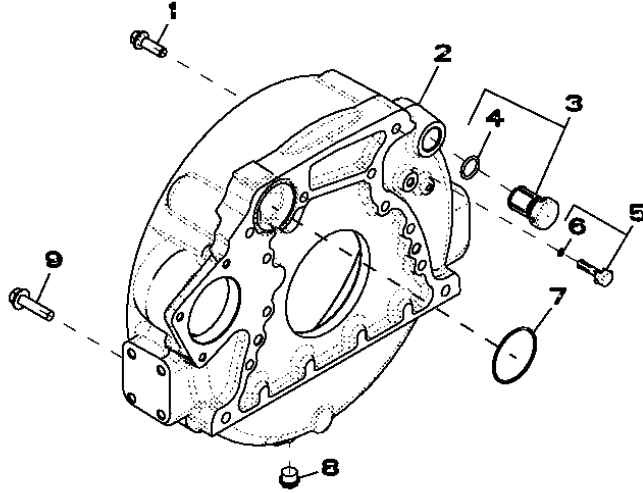
RE 508845PCDF01

KEY	PART NO.	PART NAME	QTY.	ENGINE SERIAL NO.	REMARKS
1	R516648	CAP SCREW	1		
2	R517237	WASHER	1		
3	RE508578	PULLEY WITH DAMPENER	1		OD= 188MM

0400B-6

ENGINE 4
6068HDW75 0400B

1423 (FLYWHEEL HOUSING)
1423 (CARTER VOLANT)
1423 (CAJA DEL VOLANTE MOTOR)
RE500859PCDD01 -UN-05AUG08



RE500859PCDD01

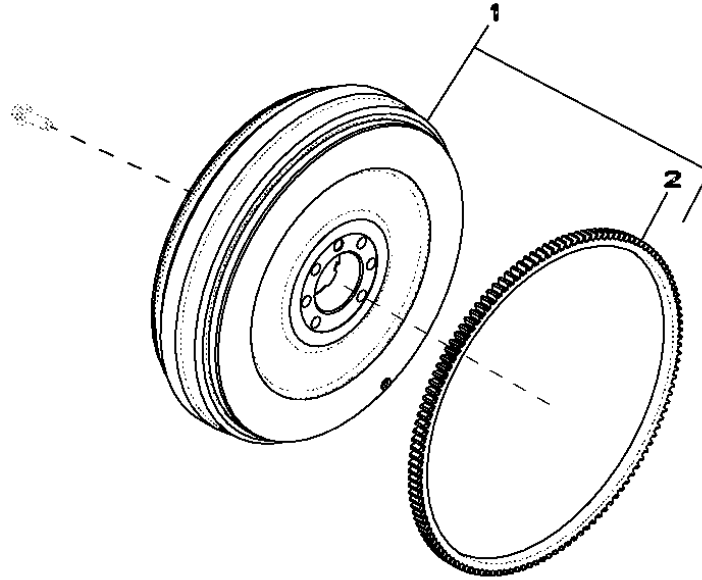
KEY	PART NO.	PART NAME	QTY.	ENGINE SERIAL NO.	REMARKS
1	R135918	BOLT	8		
2	R518550	HOUSING	1		(ALSO ORDER R61467)
3	AR61533	PLUG	1		
4	R27149	O-RING	1		23.393 X 3.531 MM (0.921" X 0.139")
5	RE504552	PLUG	1		
6	A4365R	O-RING	1		0.239" X 0.070"
7	R61467	O-RING	1		69.520 X 2.616 MM (2.737" X 0.103")
8	AR106083	PLUG	1		3/4"-16UNF
9	19M8306	SCREW	4		M12 X 50, M12 X 50

0400B-7

ENGINE 4
6068HDW75 0400B

1530 (FLYWHEEL)
1530 (VOLANT)
1530 (VOLANTE MOTOR)

RE500361PCDD01 -UN-05AUG08



RE500361PCDD01

KEY	PART NO.	PART NAME	QTY.	ENGINE SERIAL NO.	REMARKS
1	RE515257	FLYWHEEL	1		(MARKED R515039)
2	R28811	RING GEAR	1		129 Z
..	R135918	BOLT	6		

0400B-9

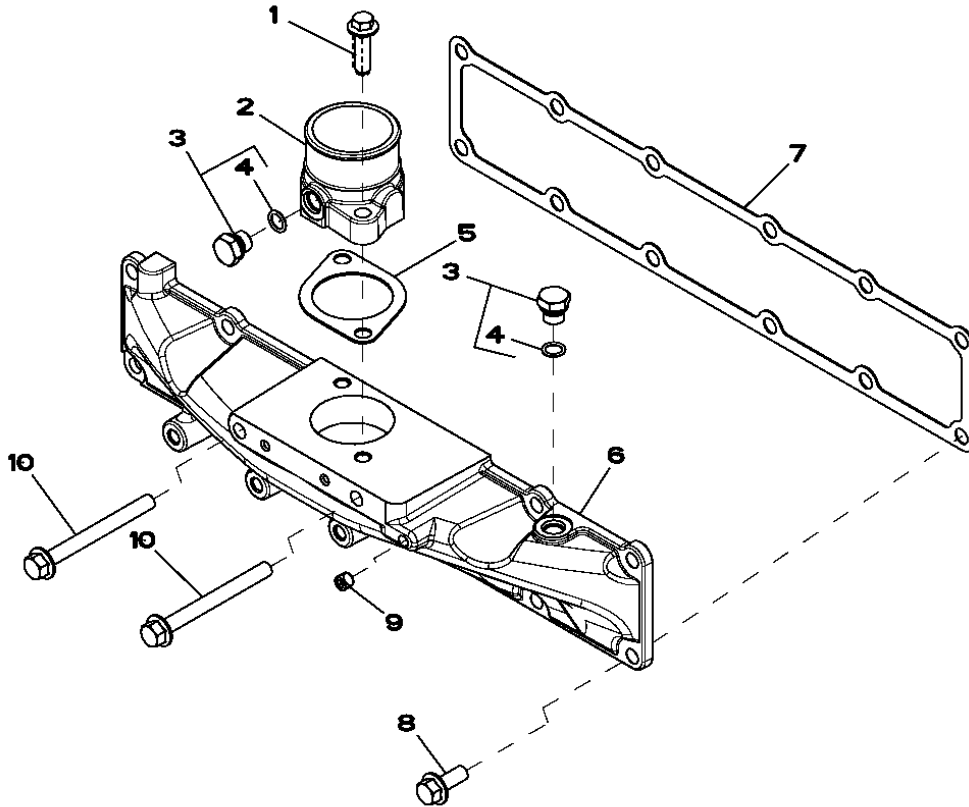
ENGINE 4
6068HDW75 0400B

KEY	PART NO.	PART NAME	QTY.	ENGINE SERIAL NO.	REMARKS
1	R518345	CLAMP	6		
2	R504781	CAP SCREW	6		
3	19M7775	SCREW	2		M6 X 16
4	RE509093	WIRING HARNESS	1		
5	RE524382	INJECTION NOZZLE	AR		
6	R134920	NUT	12		
7	R65397	O-RING	6		
8	RE522594	TUBE	6		LGTH= 61MM
9	INJECTION NOZZLE	6		NSEP. (TYPE 70 - 1200CC) (ORDER RE524382)
10	R505452	O-RING	6		
11	R515535	WASHER	6		
12	R515044	FITTING	6		M16 X 1.5 X M14 X 1.5 (ALSO ORDER R65397)
13	RE523249	FUEL LINE	2		(SUB FOR RE507541)
14	RE507540	FUEL LINE	2		
15	RE507539	FUEL LINE	2		
16	R521159	STUD	3		M10, LGTH= 90MM
17	RE527528	FUEL INJECTION PUMP	1		(SUB FOR RE522595)
18	RE534110	SOLENOID VALVE	1		INCL. INSTRUCTION
19	RE516336	FUEL TEMPERATURE SENSOR	1		
20	R524234	O-RING	1		
21	RE516999	SCREEN	1		
22	R516125	O-RING	1		
23	14M7298	FLANGE NUT	3		M8
24	R504577	ADAPTER FITTING	1		
25	R55453	O-RING	1		
26	R502541	GEAR	1		Z= 30
27	R91360	NUT	1		
28	R116031	O-RING	1		
29	RE517370	FITTING	1		
30	51M7044	O-RING	1		
31	RE527055	FUEL LINE	1		(SUB FOR RE507538)
32	RE527054	FUEL LINE	1		(SUB FOR RE507537)
33	19M7868	SCREW	2		M8 X 30
34	R521530	BRACKET	1		
35	19M7785	SCREW	2		M10 X 25
36	RE520928	RAIL	1		(SUB FOR RE522596)
37	RE515636	RESTRICTOR	6		
38	RE516335	PRESSURE RELIEF VALVE	1		KIT WITH O-RING
39	RE520930	SENSOR	1		

0400B-10

ENGINE 4
6068HDW75 0400B

1797 (INTAKE MANIFOLD)
1797 (PIPE D'ADMISSION)
1797 (COLECTOR DE ADMISION DE AIRE)
RE516480PCDD02 -UN-11JUN07



RE516480PCDD02

0400B-11

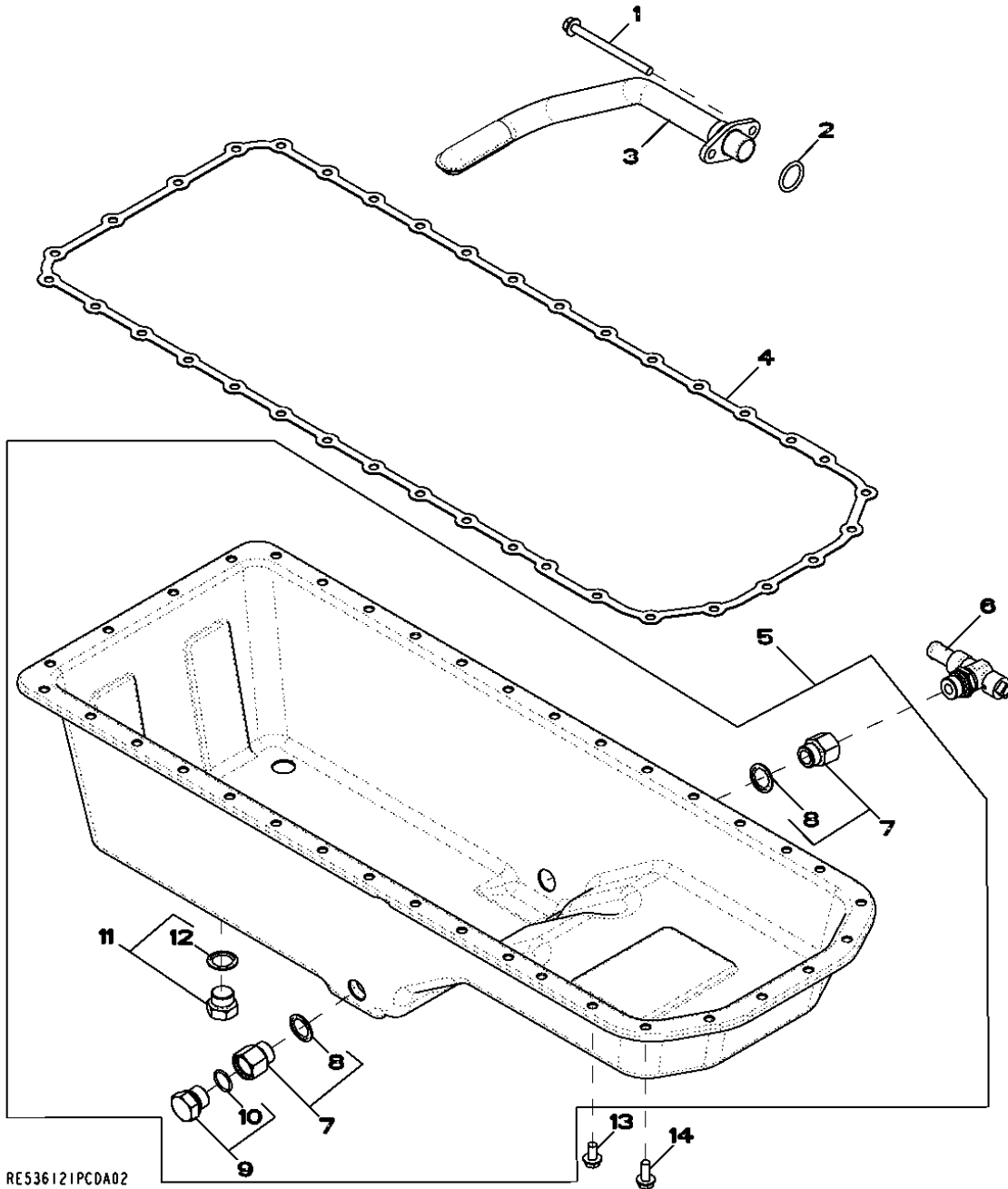
ENGINE 4
6068HDW75 0400B

KEY	PART NO.	PART NAME	QTY.	ENGINE SERIAL NO.	REMARKS
1	R500394	SCREW	2		
2	R505166	AIR INTAKE	1		
3	RE46684	FITTING PLUG	2		INCL KEY 4
4	51M7041	O-RING	2		
5	R81275	GASKET	1		
6	R515029	COVER	1		
7	R515030	GASKET	1		
8	19M7785	SCREW	10		M10 X 25
9	RE71255	PIPE PLUG	1		
10	19M7812	SCREW	2		M10 X 100

0400B-12

ENGINE 4
6068HDW75 0400B

19BR (OIL PAN)
19BR (CARTER D'HUILE)
19BR (CARTER DE ACEITE)
RE536121PCDA02 -UN-13NOV08



RE536121PCDA02

0400B-13

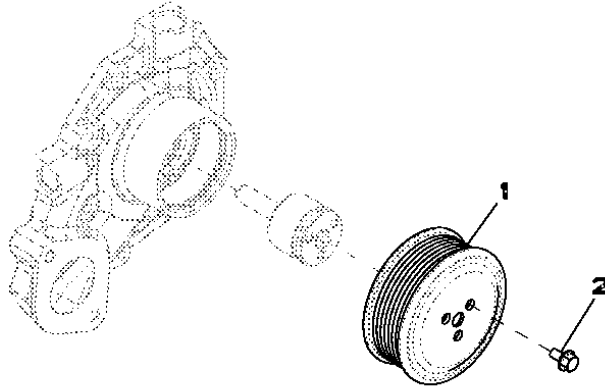
ENGINE 4
6068HDW75 0400B

KEY	PART NO.	PART NAME	QTY.	ENGINE SERIAL NO.	REMARKS
1	19M9355	SCREW	2		M8 X 105
2	R61871	O-RING	1		
3	RE515881	OIL PUMP INTAKE	1		
4	R521498	GASKET	1		
5	OIL PAN	1		
6	RE507950	DRAIN VALVE	1		(ORDER RE519643)
7	RE523253	SEAL	2		
8	R519742	SEAL	1		
9	RE46687	DRAIN PLUG	1		
10	51M7045	O-RING	1		
11	RE523251	FITTING PLUG	1		
12	R519742	SEAL	1		
13	19M8163	BOLT	30		M8 X 16
14	19M8062	SCREW	6		M8 X 20

0400B-14

ENGINE 4
6068HDW75 0400B

2001 (WATER PUMP PULLEY)
2001 (POMPE A EAU)
2001 (BOMBA DE AGUA)
RE58175PCDD02 -UN-23SEP08



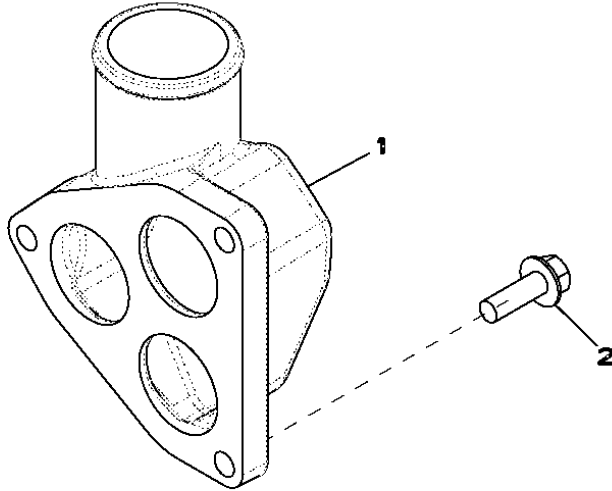
RE58175PCDD02

KEY	PART NO.	PART NAME	QTY.	ENGINE SERIAL NO.	REMARKS
1	R115250	PULLEY	1		
2	19M7774	SCREW	3	M6 X 12	

0400B-15

ENGINE 4
6068HDW75 0400B

2154 (THERMOSTAT COVER)
2154 (COUVERCLE DE THERMOSTAT)
2154 (TAPA TERMOSTATO)
RE522740PCDB02 -UN-26NOV08



RE 522740PCDB02

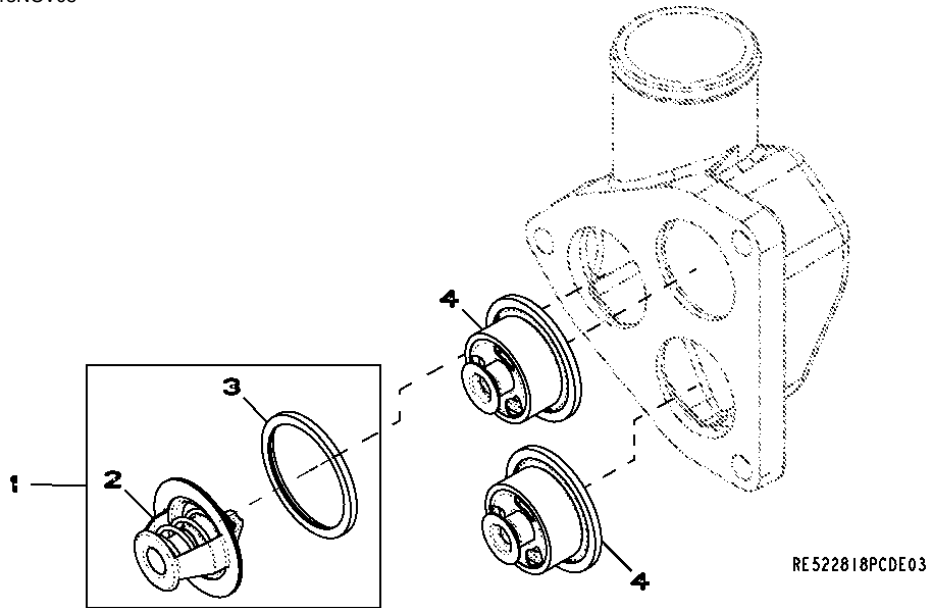
KEY	PART NO.	PART NAME	QTY.	ENGINE SERIAL NO.	REMARKS
1	R519491	COVER	1		
2	19M7786	SCREW	3	M10 X 30	

0400B-16

ENGINE 4
6068HDW75 0400B

2255 (THERMOSTAT)
2255 (THERMOSTAT)
2255 (THERMOSTATO)

RE522818PCDE03 -UN-13NOV08



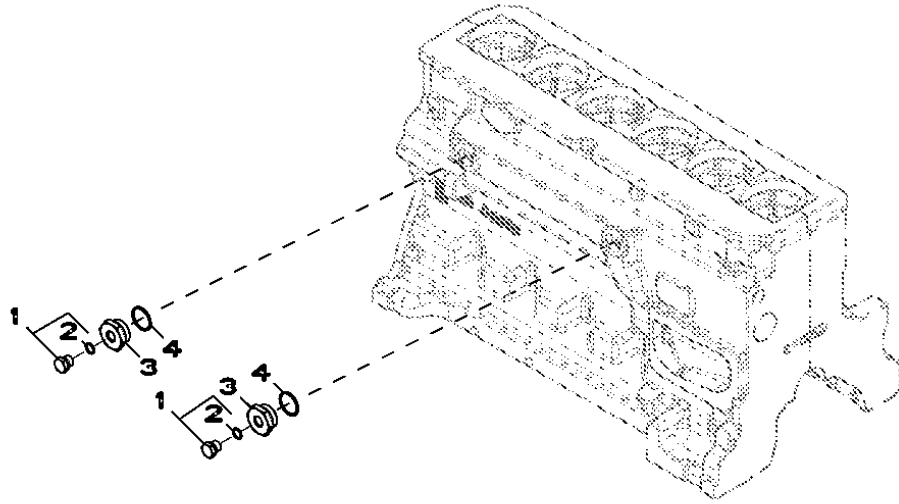
KEY	PART NO.	PART NAME	QTY.	ENGINE SERIAL NO.	REMARKS
1	RE527018	THERMOSTAT	1		
2	RE33705	THERMOSTAT	1		
3	R521548	SEAL	1		
4	RE538806	THERMOSTAT	2		

0400B-17

ENGINE 4

6068HDW75 0400B

2694 (ENGINE COOLANT HEATER)
 2694 (RECHAUFFEUR DU LIQUIDE DE REFROIDISSEMENT)
 2694 (DISPOSITIVO PARA EL CALENTAMIENTO DEL LIQUIDO REFRIGERANTE)
 RE527415PCDA02 -UN-26NOV08



RE527415PCDA02

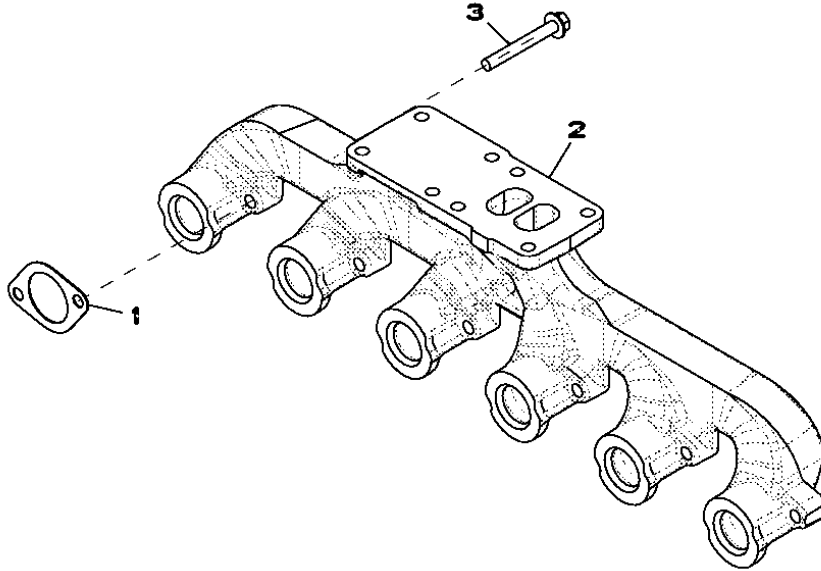
KEY	PART NO.	PART NAME	QTY.	ENGINE SERIAL NO.	REMARKS
1	RE46685	FITTING PLUG	1		
2	51M7043	O-RING	1		
3	R123616	PLUG	1		
4	U13639	O-RING	1		

0400B-18

ENGINE 4
6068HDW75 0400B

2870 (EXHAUST MANIFOLD)
2870 (COLLECTEUR D'ÉCHAPPEMENT)
2870 (COLECTOR DE ESCAPE)

RE520805PCDA01 -UN-06AUG08



RE520805PCDA01

KEY	PART NO.	PART NAME	QTY.	ENGINE SERIAL NO.	REMARKS
1	R521439	GASKET	6		
2	R133819	MANIFOLD	1		
3	19M7810	SCREW	12	M10 X 80	

0400B-19

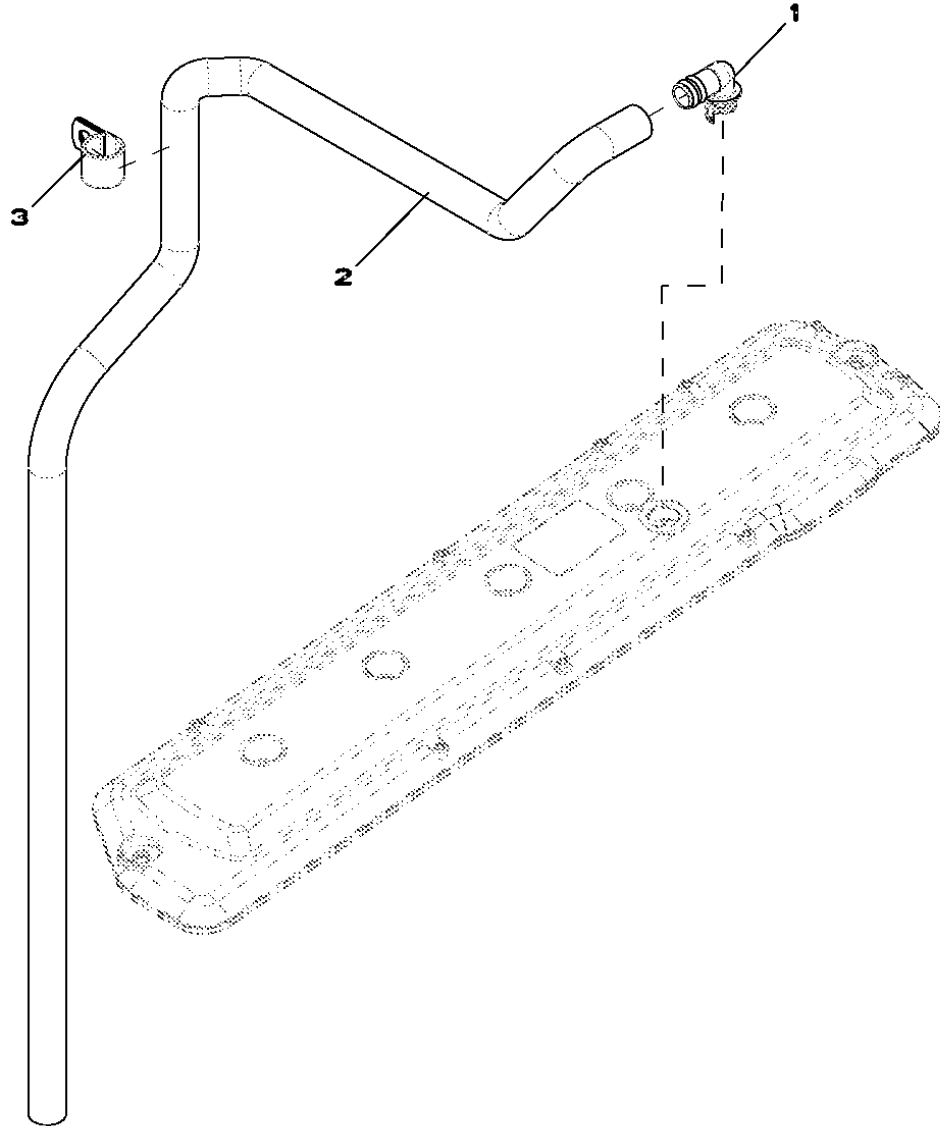
ENGINE 4
6068HDW75 0400B

MEMORANDA
MEMORANDA
MEMORANDA

0400B-20

ENGINE 4
6068HDW75 0400B

2943 (VENTILATING SYSTEM)
2943 (SYSTEME DE VENTILATION)
2943 (SISTEMA DE VENTILACION)
RE518238PCDD02 -UN-26NOV08



RE518238PCDD02

0400B-21

ENGINE 4
6068HDW75 0400B

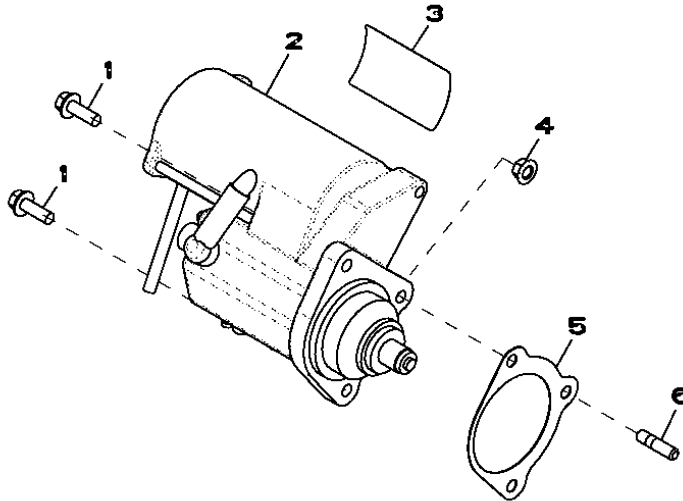
KEY	PART NO.	PART NAME	QTY.	ENGINE SERIAL NO.	REMARKS
1	R120467	ELBOW FITTING	1		
2	TY22450	BULK HOSE	1		(A)
3	R72659	CLAMP	1		

(A) CUT TO LENGTH
COUPER A LONGUEUR
CORTAR A LONGITUD

0400B-22

ENGINE 4
6068HDW75 0400B

3059 (STARTER MOTOR)
3059 (DEMARREUR)
3059 (MOTOR DE ARRANQUE)
RE505531PCDE01 -UN-06AUG08



RE505531PCDE01

KEY	PART NO.	PART NAME	QTY.	ENGINE SERIAL NO.	REMARKS
1	19M7786	SCREW	1		M10 X 30
2	RE506078	STARTER MOTOR KIT	1		(MARKED RE505465)
3	T146195	SAFETY SIGN	1		
4	14M7296	FLANGE NUT	1		M10
5	R53108	GASKET	1		
6	42M7058	STUD	1		

0400B-23

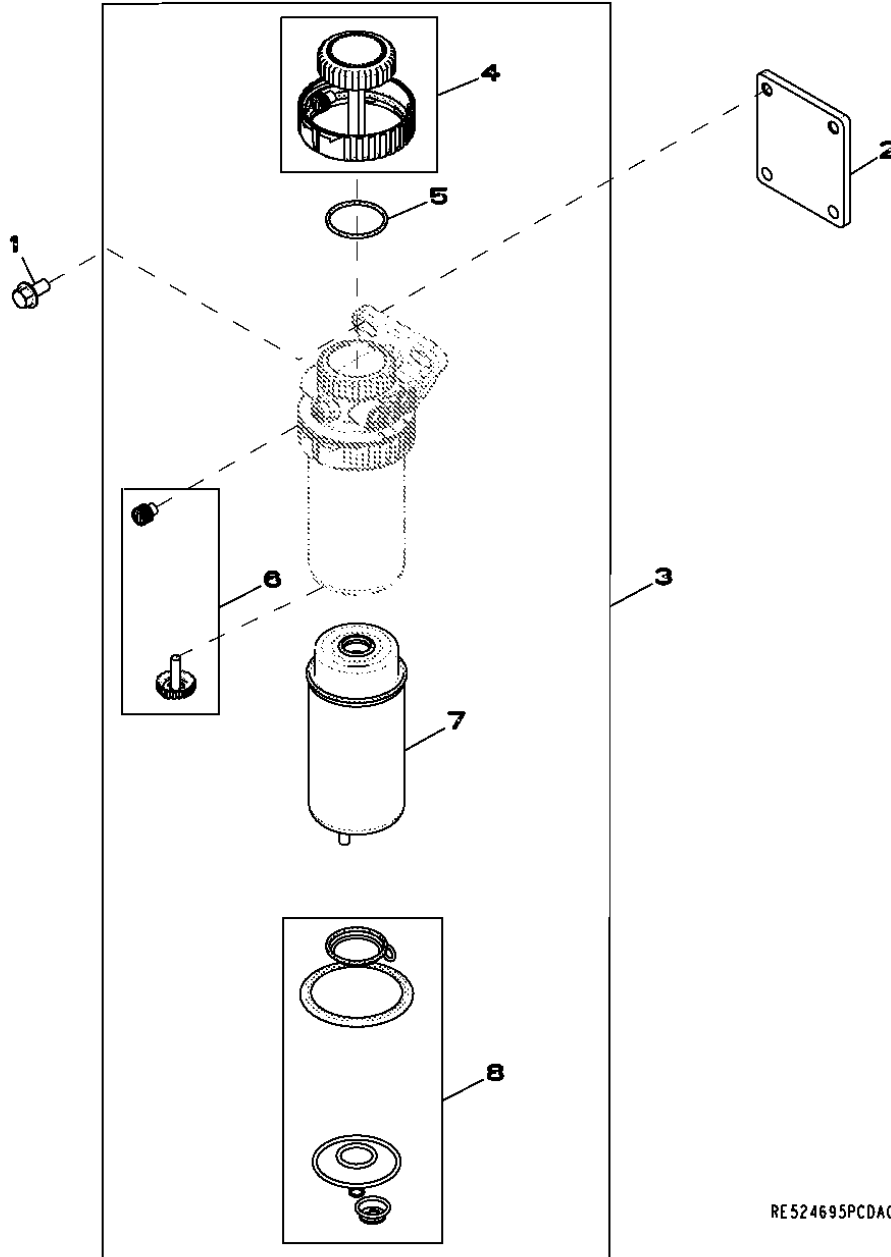
ENGINE 4
6068HDW75 0400B

MEMORANDA
MEMORANDA
MEMORANDA

0400B-24

ENGINE 4
6068HDW75 0400B

35DZ (FUEL FILTER)
35DZ (FILTRE A COMBUSTIBLE)
35DZ (FILTRO DE COMBUSTIBLE)
RE524695PCDA03 -UN-23MAY08



RE524695PCDA03

0400B-25

ENGINE 4
6068HDW75 0400B

KEY	PART NO.	PART NAME	QTY.	ENGINE SERIAL NO.	REMARKS
1	19M7784	SCREW	4		M10 X 20
2	R516437	BRACKET	1		
3	RE524723	FILTER	1		(INCL KEY'S 4,5,6,7,8)
4	RE526834	SEAL KIT	1		
5	RE516512	O-RING KIT	1		
6	RE60854	DRAIN VALVE	1		
7	RE522878	FILTER ELEMENT	1		
8	RE516553	SEAL KIT	1		

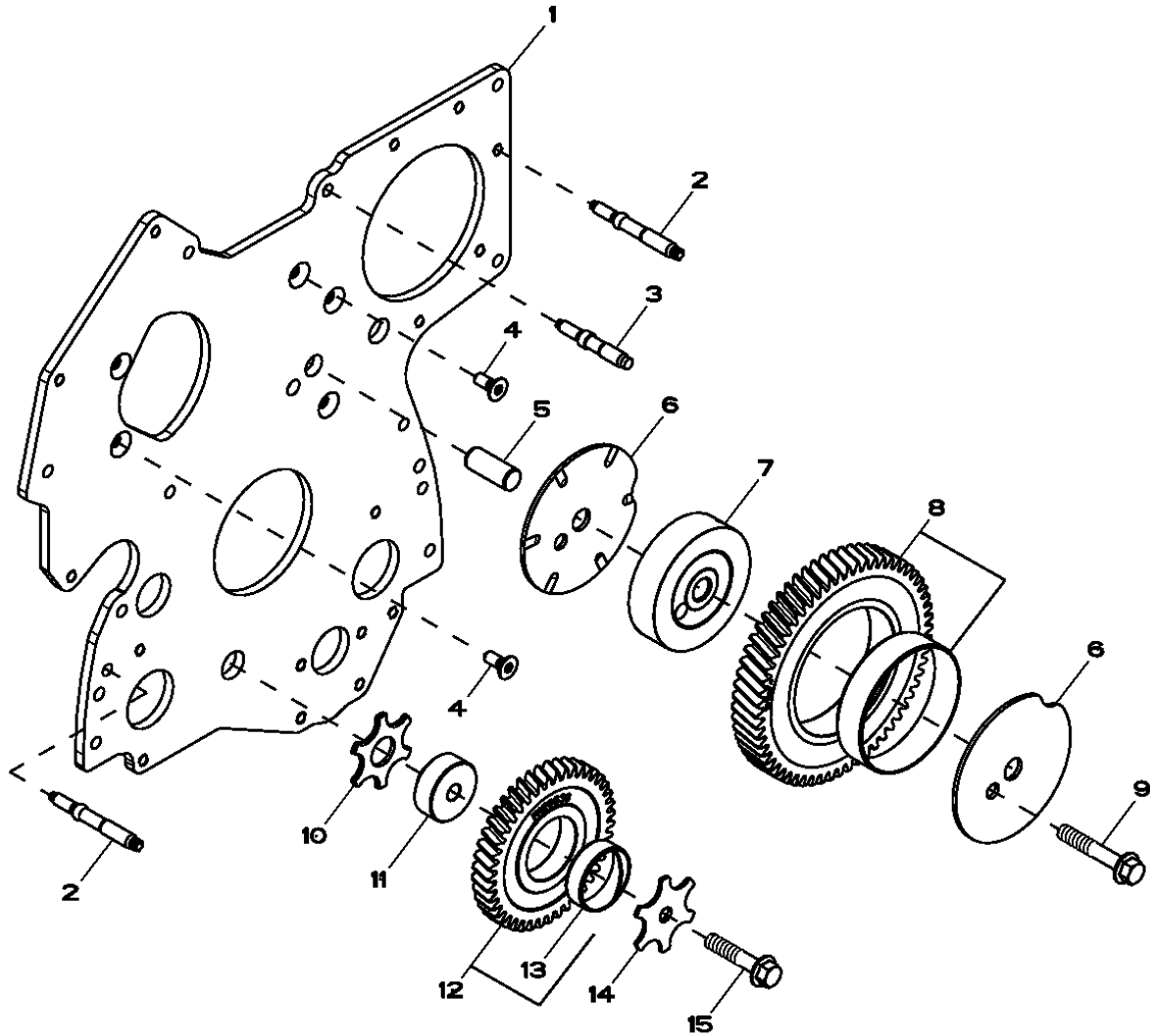
0400B-26

ENGINE 4

6068HDW75 0400B

3612 (FRONT PLATE AND IDLE GEARS (UPPER AND LOWER))
3612 (PLAQUE AVANT ET PIGNONS DE LA DISTRIBUTION (SUPERIEUR ET INFERIEUR))
3612 (PLACA DELANTERA Y ENGRANAJE DE DISTRIBUCION (SUPERIOR Y INFERIOR))

RE505834PCDD02 -UN-19JAN06



RE505834PCDD02

0400B-27

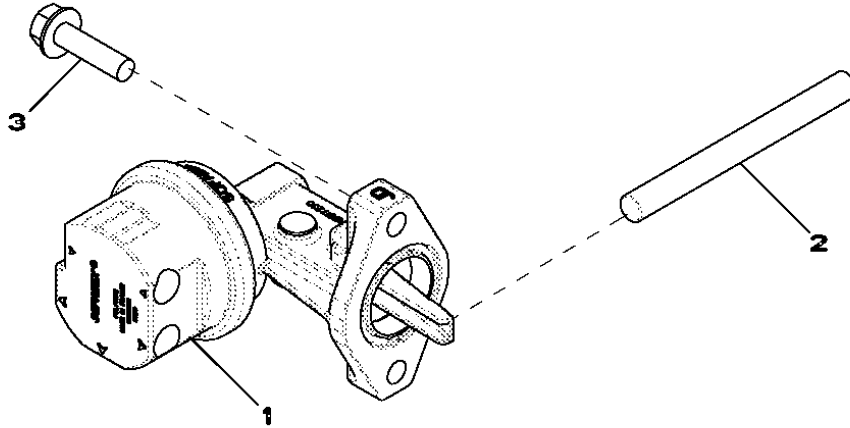
ENGINE 4
6068HDW75 0400B

KEY	PART NO.	PART NAME	QTY.	ENGINE SERIAL NO.	REMARKS
1	R504576	PLATE	1		
2	R520139	STUD	7		LGTH= 84MM
3	R134518	STUD	2		LGTH= 68MM
4	R136475	SCREW	5		
5	R515408	DOWEL PIN	1		LGTH= 38.5MM
6	R515494	LOCK WASHER	2		
7	R504843	SHAFT	1		OD= 93MM
8	RE508489	GEAR	1		Z= 60, (MARKED R504614)
9	19M8844	SCREW	1		M10 X 60
10	R101225	THRUST WASHER	1		
11	R114194	SHAFT	1		OD= 44.5MM, TK= 16MM
12	RE56369	GEAR	1		Z= 43, (MARKED R120636)
13	R114193	BUSHING	1		
14	R131283	THRUST WASHER	1		
15	19M8966	SCREW	1		M10 X 50

0400B-28

ENGINE 4
6068HDW75 0400B

3713 (FUEL TRANSFER PUMP)
3713 (POMPE D'ALIMENTATION)
3713 (BOMBA DE ALIMENTACION DE COMBUSTIBLE)
RE506491PCDE02 -UN-12SEP08



RE506491PCDE02

KEY	PART NO.	PART NAME	QTY.	ENGINE SERIAL NO.	REMARKS
1	RE517230	FUEL PUMP	1		
2	R133405	PIN	1		LGTH= 102MM
3	RE504233	CAP SCREW	2		

0400B-29

ENGINE 4
6068HDW75 0400B

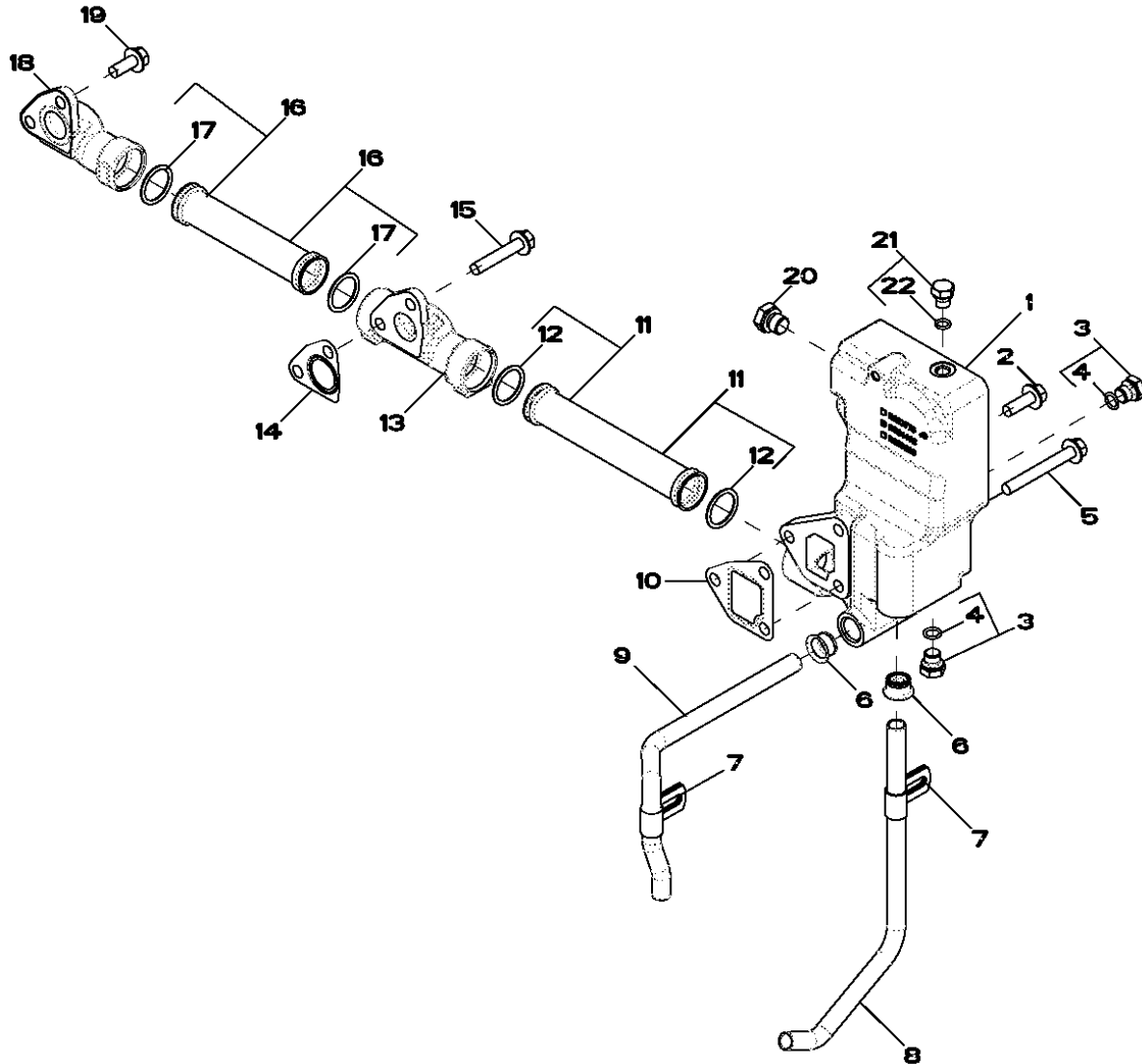
MEMORANDA
MEMORANDA
MEMORANDA

0400B-30

ENGINE 4

6068HDW75 0400B

3926 (THERMOSTAT HOUSING / BY PASS TUBE TO WATER PUMP)
3926 (BOITIER DE THERMOSTAT / TUBE DE DERIVATION A LA POMPE A EAU)
3926 (CARCASA DEL TERMOSTATO / TUBO DE DERIVACION A LA BOMBA DE AGUA)
RE531514PCDA02 -UN-26NOV08



RE531514PCDA02

0400B-31

ENGINE 4
6068HDW75 0400B

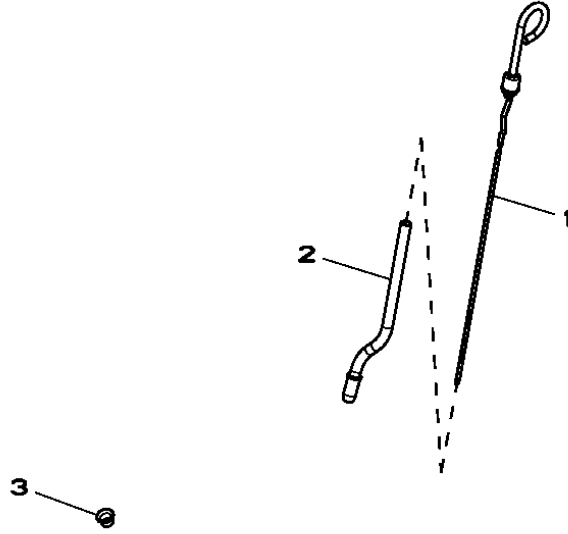
KEY	PART NO.	PART NAME	QTY.	ENGINE SERIAL NO.	REMARKS
1	R524482	HOUSING	1		
2	19M7786	SCREW	1		M10 X 30
3	RE46684	FITTING PLUG	3		
4	51M7041	O-RING	1		
5	19M7810	SCREW	2		M10 X 80
6	R123226	GASKET	2		
7	R123324	CLAMP	2		
8	R519517	TUBE	1		
9	R519025	TUBE	1		
10	R505479	GASKET	1		
11	RE516026	TUBE	1		
12	R63185	O-RING	2		
13	R519737	MANIFOLD	1		
14	R505480	GASKET	2		
15	19M8528	SCREW	1		M10 X 55
16	RE523250	MANIFOLD	1		
17	R63185	O-RING	2		
18	R504754	MANIFOLD	1		
19	19M7785	SCREW	3		M10 X 25
20	RE46716	FITTING	1		
21	RE46686	FITTING PLUG	1		
22	51M7040	O-RING	1		

0400B-32

ENGINE 4

6068HDW75 0400B

4048 (ENGINE OIL DIPSTICK)
 4048 (JAUGE A HUILE MOTEUR)
 4048 (ASPILLA PARA MEDIR EL NIVEL DE ACEITE DEL MOTOR)
 RE506798PCDD01 -UN-01DEC05



RE506798PCDD01

KEY	PART NO.	PART NAME	QTY.	ENGINE SERIAL NO.	REMARKS
1	RE69243	DIPSTICK	1	LH	
2	R130055	DIPSTICK TUBE	1	LH	
3	R502725	PLUG	1	RH	

0400B-33

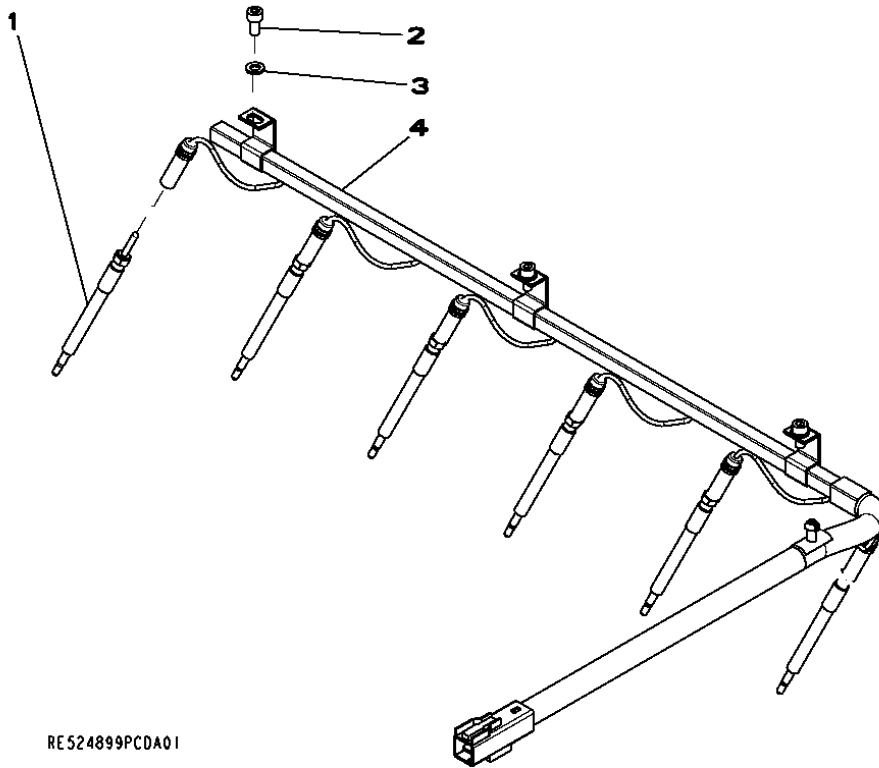
ENGINE 4
6068HDW75 0400B

MEMORANDA
MEMORANDA
MEMORANDA

0400B-34

ENGINE 4
6068HDW75 0400B

4330 (STARTING AID)
4330 (AIDE AU DEMARRAGE)
4330 (TERMOARRANQUE)
RE524899PCDA01 -UN-16SEP05



RE524899PCDA01

0400B-35

ENGINE 4
6068HDW75 0400B

KEY	PART NO.	PART NAME	QTY.	ENGINE SERIAL NO.	REMARKS
1	RE515622	GLOW PLUG	6		
2	19M8618	SCREW	3		M6 X 12
3	24M7088	WASHER	3		6.600 X 12 X 1.600 MM
4	RE527098	WIRING HARNESS	1		

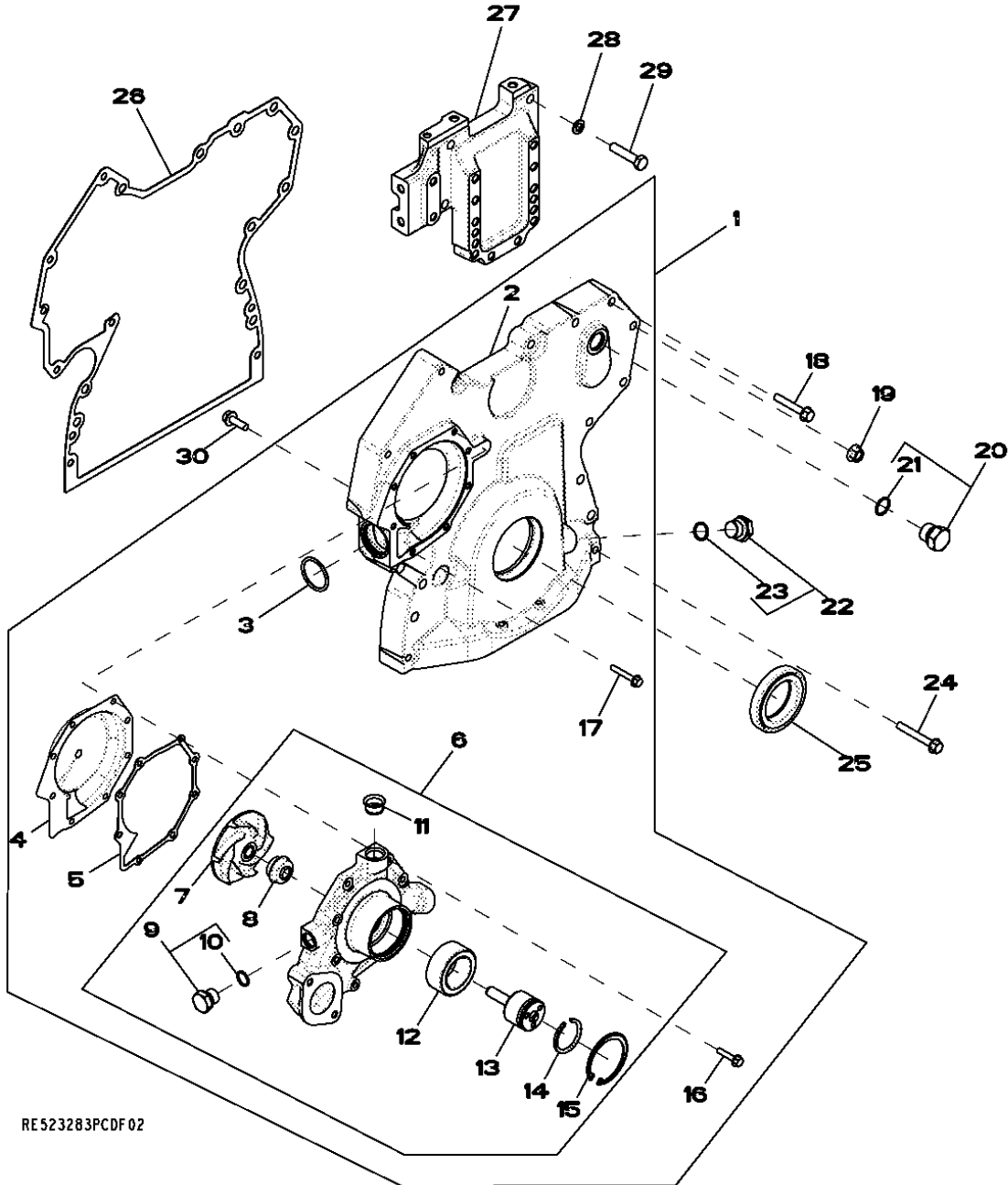
0400B-36

ENGINE 4
6068HDW75 0400B

4436 (TIMING GEAR COVER)
4436 (COUVERCLE DE DISTRIBUTION)
4436 (TAPA DE DISTRIBUCION PARA TRANSMISION)

RE523283PCDF02

-UN-07OCT08



0400B-37

ENGINE 4
6068HDW75 0400B

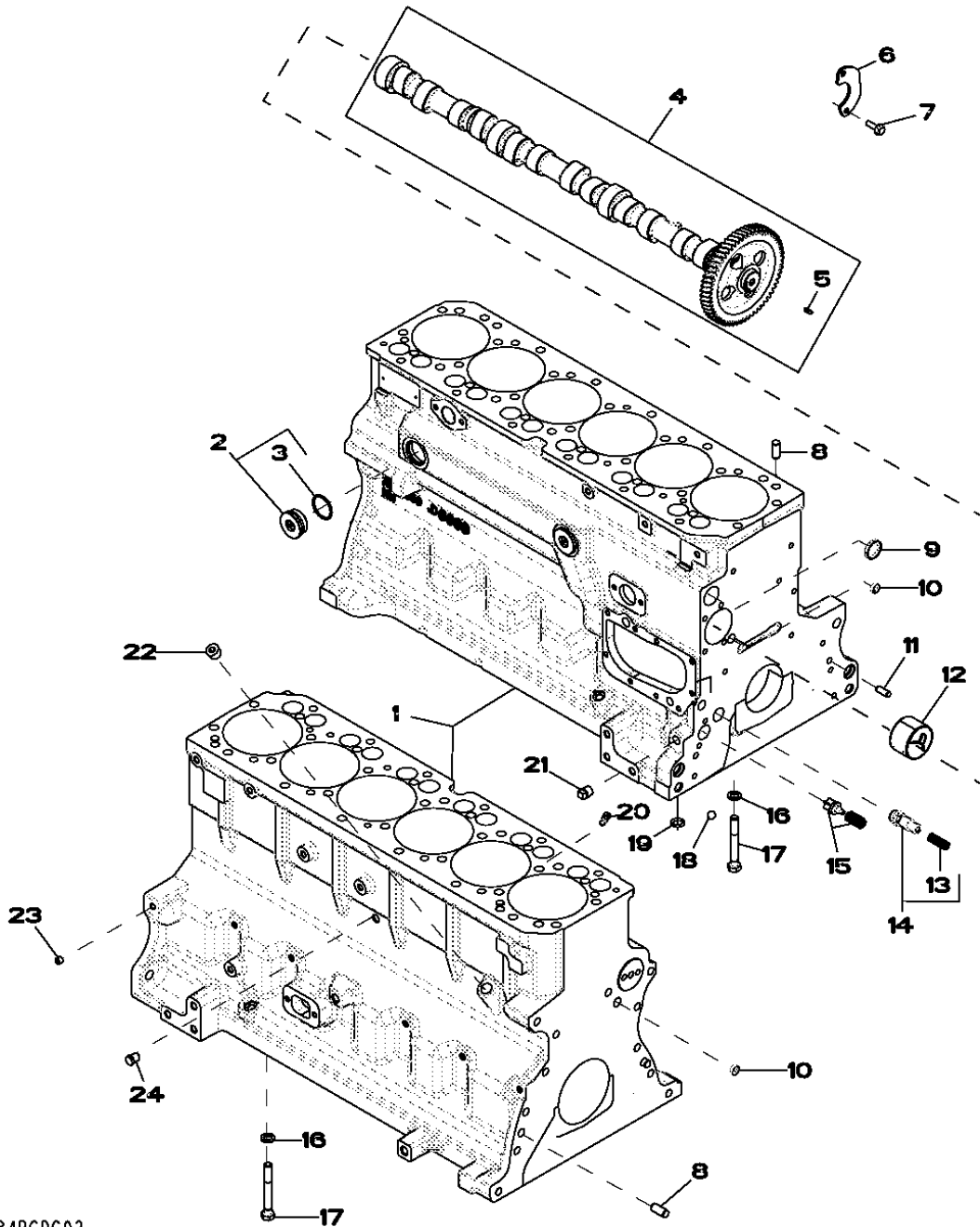
KEY	PART NO.	PART NAME	QTY.	ENGINE SERIAL NO.	REMARKS
1	RE526615	COVER	1		
2	RE505840	COVER	1		
3	R504734	O-RING	1		
4	RE508566	INSERT	1	(A)	
5	R123417	GASKET	1		
6	RE523169	WATER PUMP	1		(ALSO ORDER RE508566)
7	SE501227	WATER PUMP REMAN	1		(JOHN DEERE REMAN)
8	IMPELLER	1		NSEP, (MARKED R123395) (ORDER RE523169)
9	RE46685	SEAL	1		NSEP, (ORDER RE523169)
10	RE46685	FITTING PLUG	1		
11	51M7043	O-RING	1		
12	R123226	GASKET	2		
13	BALL BEARING	1		NSEP, (ORDER RE523169)
14	SHAFT	1		NSEP, (ORDER RE523169)
15	A364R	SNAP RING	1		
16	R71228	RING	1		
17	19M7796	SCREW	5		M6 X 30
18	19M7797	SCREW	3		M6 X 40
19	19M7800	SCREW	5		M8 X 50
20	14M7296	FLANGE NUT	9		M10
21	RE46687	DRAIN PLUG	1		
22	51M7045	O-RING	1		
23	RE517370	FITTING	1		
24	51M7044	O-RING	1		
25	19M7801	SCREW	3		M8 X 60
26	RE538097	SEAL	1		
27	R526945	GASKET	1		
28	R516557	ADAPTER FITTING	1		
29	24M7096	WASHER	4		10.500 X 18 X 1.600 MM
30	19M8488	CAP SCREW	4		M10 X 45
31	19M7867	SCREW	1		M8 X 25

(A) INCLUDE INSTRUCTIONS
 COMPREND LES INSTRUCTIONS
 INCLUYE INSTRUCCIONES

0400B-38

ENGINE 4
6068HDW75 0400B

4633 (CYLINDER BLOCK)
4633 (BLOC-CYLINDRES)
4633 (BLOQUE DE CILINDROS)
RE522134PCDC02 -UN-05DEC08



RE522134PCDC02

0400B-39

ENGINE 4
6068HDW75 0400B

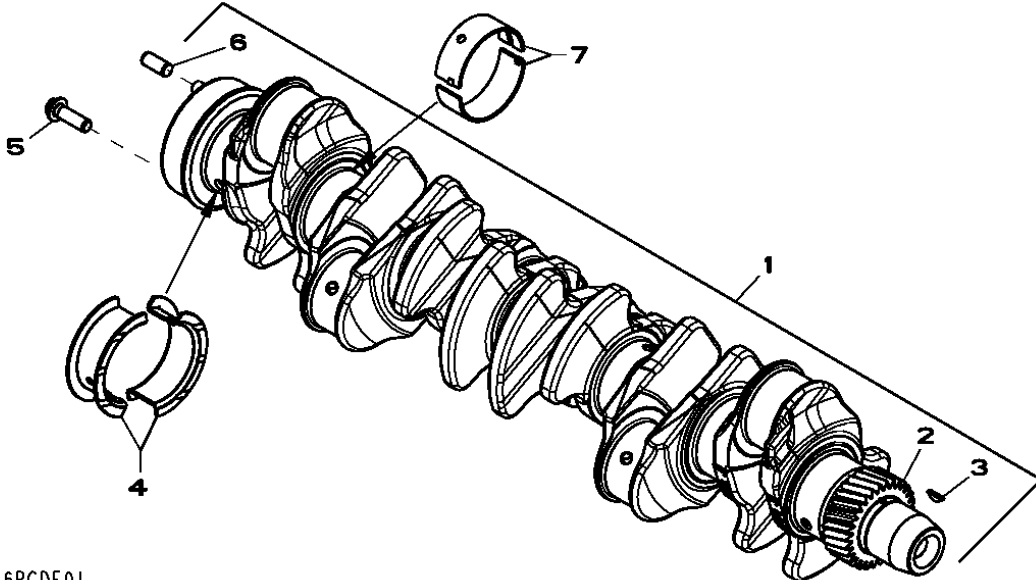
KEY	PART NO.	PART NAME	QTY.	ENGINE SERIAL NO.	REMARKS
1	CYLINDER BLOCK	1		NSEP, (MARKED R504850)
2	RE508185	FITTING	2		
3	U13639	O-RING	1		
4	RE521603	CAMSHAFT	1		
5	R133303	SHAFT KEY	1		
6	R132518	PLATE	1		
7	19M8999	SCREW	2		M8 X 25
8	R48685	DOWEL PIN	4		
9	R116466	PLUG	1		
10	T18891	PLUG	2		
11	R26650	DOWEL PIN	2		
12	R119874	BUSHING	1		
13	R131425	COMPRESSION SPRING	1		
14	RE505501	BLEED VALVE	1		
15	RE63674	VALVE	1		
16	T20168	WASHER	14		
17	T23474	CAP SCREW	14		
18	D2361R	BALL	1		
19	R97185	O-RING	1		
20	R131182	ORIFICE	6		
21	15H584	PIPE PLUG	1		
22	15H697	PIPE PLUG	1		
23	RE71255	PIPE PLUG	7		
24	R55233	PIPE PLUG	1		

0400B-40

ENGINE 4
6068HDW75 0400B

4712 (CRANKSHAFT / BEARINGS)
4712 (VILEBREQUIN / COUSSINETS)
4712 (CIGUENAL / COJINETE)

RE506346PCDE01 -UN-29MAR06



RE506346PCDE01

KEY	PART NO.	PART NAME	QTY.	ENGINE SERIAL NO.	REMARKS
1	RE505921	CRANKSHAFT	1		(A) ASSY, INCL KEYS 2, 3, 6. (ALSO ORDER RE516340 AND RE44574)
2	R120631	GEAR	1		Z= 30
3	R505609	SHAFT KEY	1		LGTH= 18.5MM
4	RE65168	BEARING KIT	1		STD, (KIT R123563 AND R123564)
	RE65912	THRUST BEARING	AR		(A) US -0.254MM, (KIT R130574 AND R130575)
5	R135918	BOLT	6		
6	R48685	DOWEL PIN	1		
7	RE65165	BEARING KIT	6		STD, (KIT R123561 AND R123562)
	RE65911	BEARING	AR		(A) US -0.254MM, (KIT R130576 AND R130577)

(A) GRINDING GUIDELINES : SEE CTM104
DIRECTIVES DE RECTIFICATION : VOIR CTM105
INSTRUCCIONES REFERENTE AL RECTIFICADO : VER CTM107

0400B-41

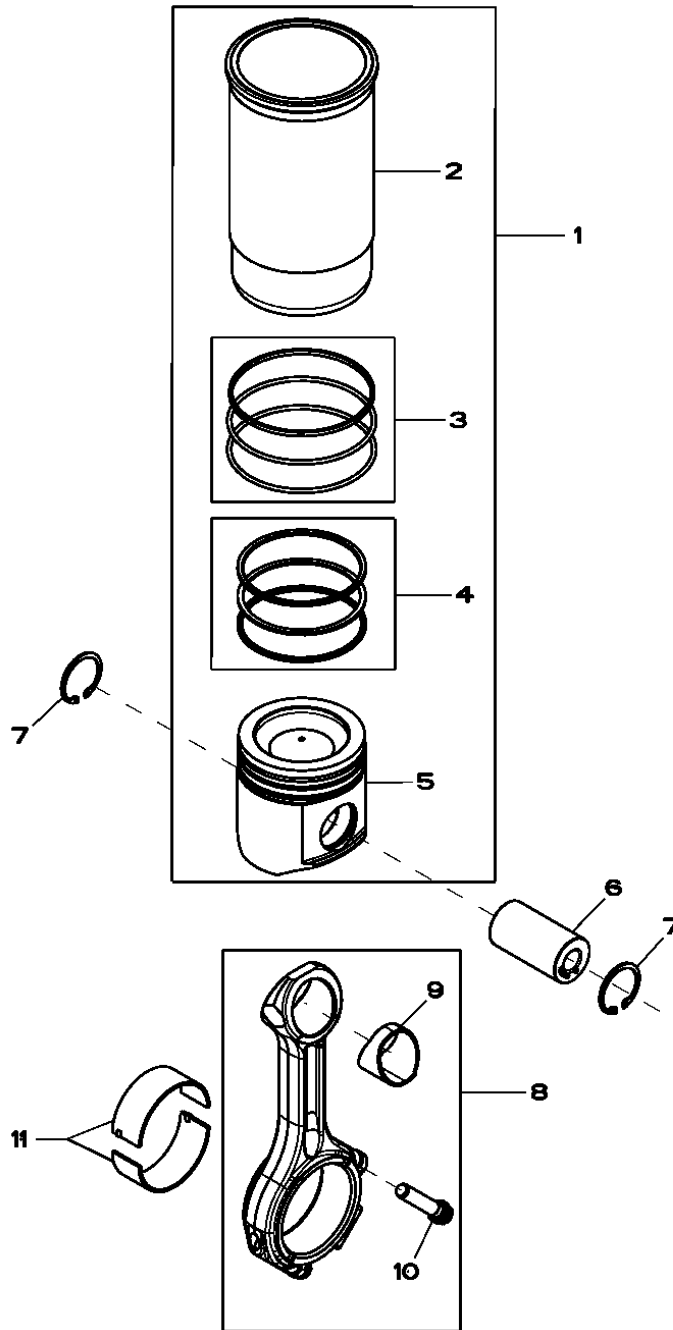
ENGINE 4
6068HDW75 0400B

MEMORANDA
MEMORANDA
MEMORANDA

0400B-42

ENGINE 4
6068HDW75 0400B

4834 (CONNECTING RODS AND PISTONS)
4834 (BIELLES ET PISTONS)
4834 (BIELA Y PISTONES)
RE522135PCDB02 -UN-14OCT08



RE522135PCDB02

0400B-43

ENGINE 4
6068HDW75 0400B

KEY	PART NO.	PART NAME	QTY.	ENGINE SERIAL NO.	REMARKS
1	RE524450	PISTON-LINER KIT	6		
2	CYLINDER LINER	1		NSEP, (ORDER RE524450)
3	AR65507	O-RING KIT	1		PACKG (3)
4	RE524453	PISTON RING KIT	1		PACKG (3)
5	PISTON	1		NSEP, (MARKED RE521616) (ORDER RE524450)
6	R502755	PISTON PIN	6		OD= 41MM, LGTH= 77MM
7	R54114	SNAP RING	12		
8	RE500608	CONNECTING ROD	6		
9	R114082	BUSHING	1		
10	R501124	SCREW	2		A= 61MM, M12
11	RE65908	BEARING	6		STD, (KIT (2) R113698)
	RE65909	BEARING	AR		(A) ID -0.254MM, (KIT (2) R130578)

(A) GRINDING GUIDELINES : SEE CTM104
DIRECTIVES DE RECTIFICATION : VOIR CTM105
INSTRUCCIONES REFERENTE AL RECTIFICADO : VER CTM107

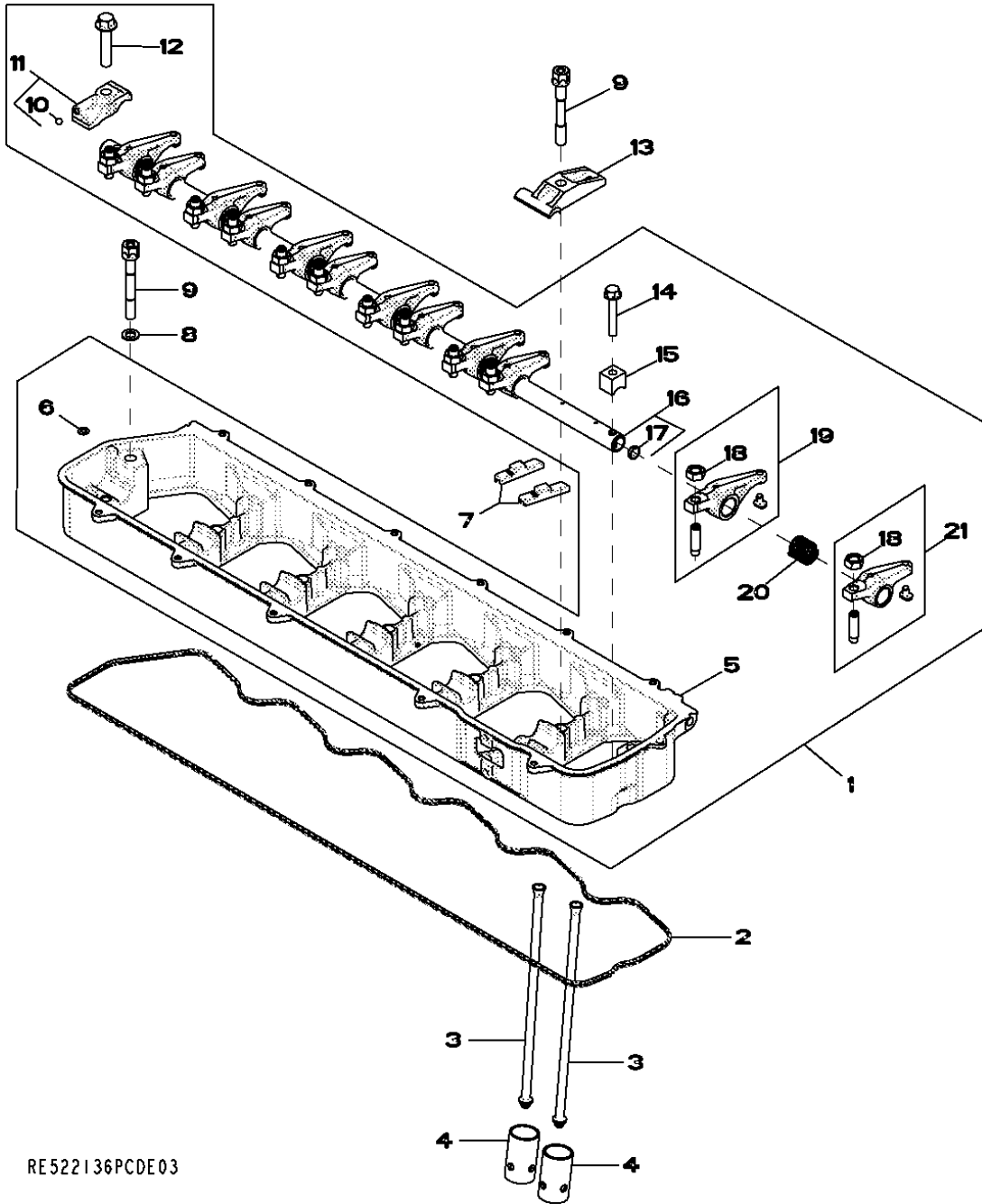
0400B-44

ENGINE 4

6068HDW75 0400B

4905 (ROCKER ARM / SHAFT / TAPPET / PUSH ROD)
4905 (CULBUTEUR / ARBRE / POUSSOIR DE SOUPAPE / TIGE)
4905 (BALANCIN / ARBOL / BOTADOR / VARILLA DE EMPUJE)

RE522136PCDE03 -UN-25FEB08



RE522136PCDE03

0400B-45

ENGINE 4
6068HDW75 0400B

KEY	PART NO.	PART NAME	QTY.	ENGINE SERIAL NO.	REMARKS
1	RE533148	ROCKER ARM SHAFT	1		KIT
2	R524496	GASKET	1		
3	R504209	PUSH ROD	12		
4	R123565	CAM FOLLOWER	12		
5	HOUSING	1		NSEP (MARKED R518809 OR R525452) (ORD RE533148)
6	R520867	O-RING	1		
7	R502341	VALVE	12		
8	24M7096	WASHER	2		
9	R521458	SCREW	7		
10	R69281	BALL	1		
11	RE523032	CAP	1		
12	19M8966	SCREW	1		M10 X 50
13	R516140	STRAP	5		
14	19M9170	SCREW	1		M8 X 50
15	R504631	CLAMP	1		
16	RE516491	ROCKER ARM SHAFT	1		(MARKED R504782)
17	30M7004	PLUG	2		
18	14M7148	NUT	12		M10
19	RE504210	ROCKER ARM	6		(B)
20	R505543	SPRING	6		
21	RE523023	ROCKER ARM	6		(A)

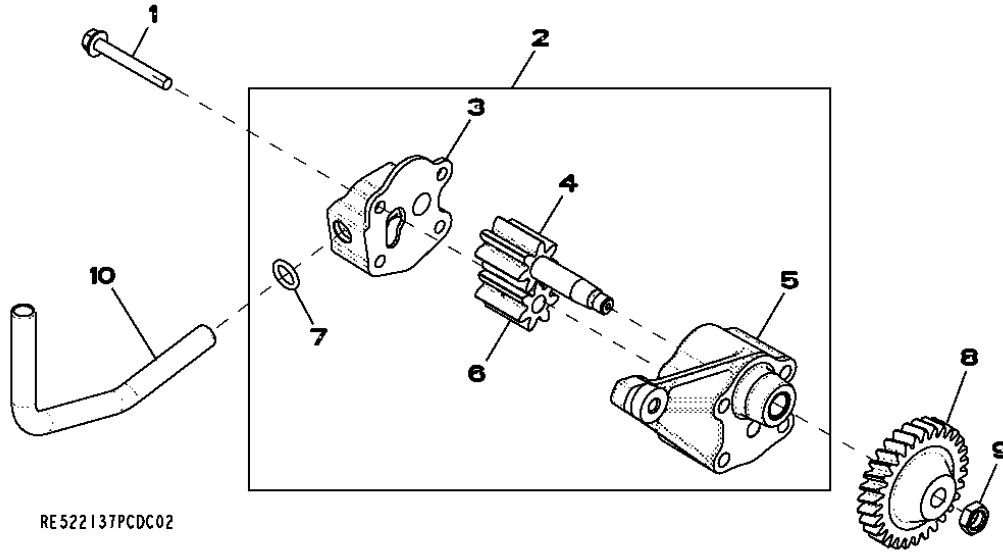
(A) INTAKE
SOUPAPE D'ADMISSION
VALVULA DE ADMISION

(B) EXHAUST
ECHAPPEMENT
ESCAPE

0400B-46

ENGINE 4
6068HDW75 0400B

5024 (OIL PUMP)
5024 (POMPE A HUILE)
5024 (BOMBA DE ACEITE)
RE522137PCDC02 -UN-21OCT08



KEY	PART NO.	PART NAME	QTY.	ENGINE SERIAL NO.	REMARKS
1	19M7802	SCREW	2		M8 X 65
2	RE521756	OIL PUMP	1		
3	COVER	1		NSEP (ORDER RE521756)
4	GEAR	1		NSEP (ORDER RE521756)
5	HOUSING	1		NSEP (ORDER RE521756)
6	GEAR	1		NSEP (ORDER RE521756)
7	R97185	O-RING	1		
8	R120638	GEAR	1		
9	14M7066	NUT	1		M12
10	R526838	OIL TUBE	1		

0400B-47

ENGINE 4
6068HDW75 0400B

MEMORANDA
MEMORANDA
MEMORANDA

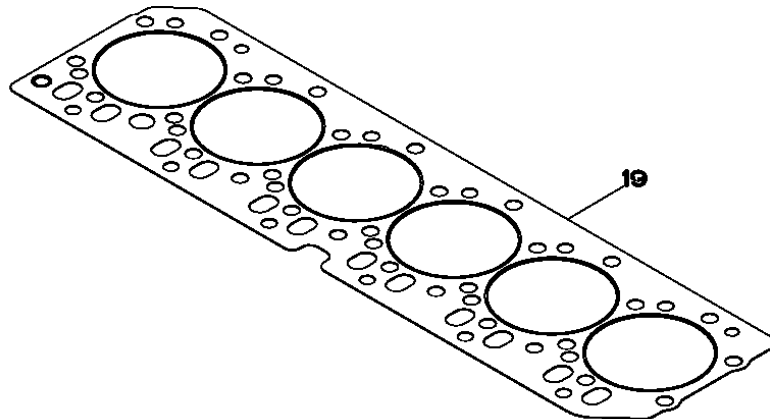
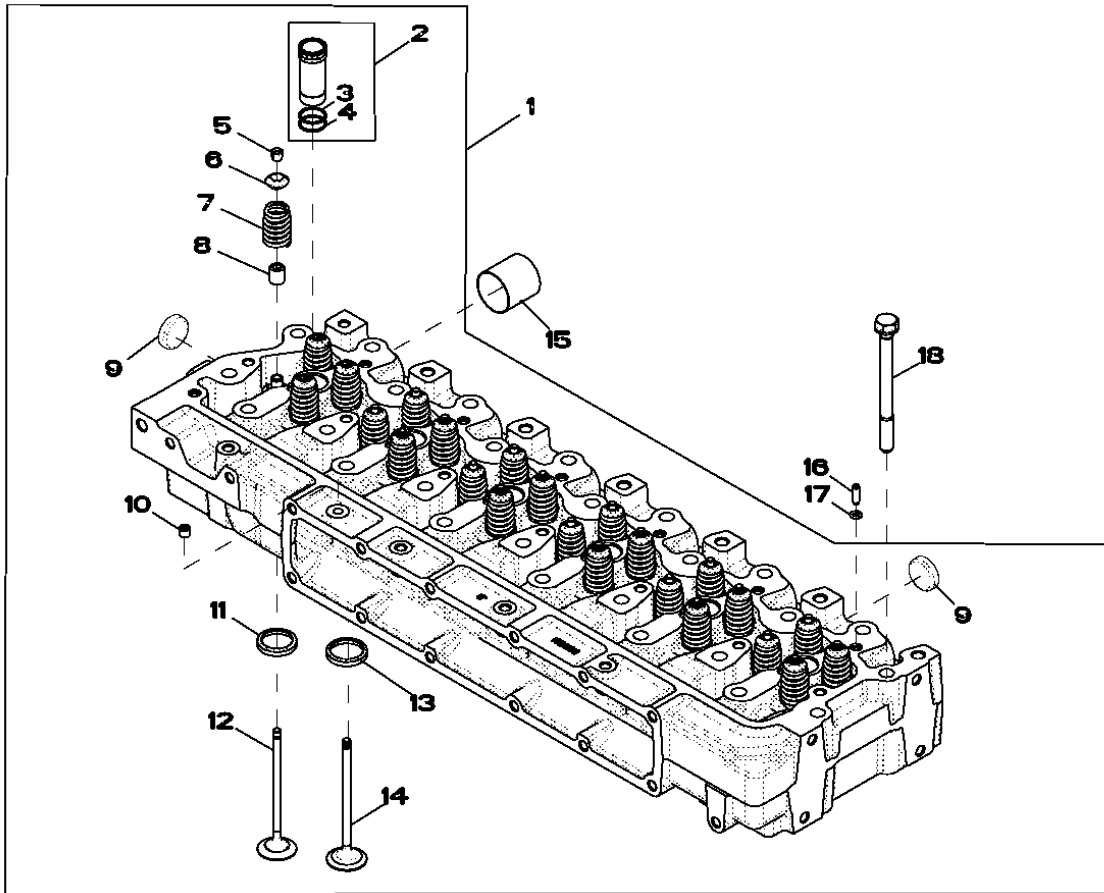
0400B-48

ENGINE 4
6068HDW75 0400B

5128 (CYLINDER HEAD)
5128 (CULASSE)
5128 (CULATA)

RE531717PCDA02

-UN-03NOV08



RE531717PCDA02

0400B-49

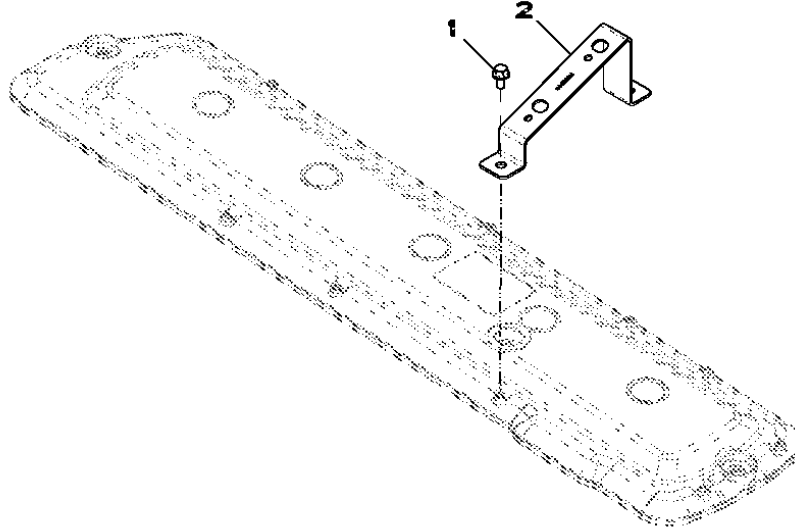
ENGINE 4
6068HDW75 0400B

KEY	PART NO.	PART NAME	QTY.	ENGINE SERIAL NO.	REMARKS
1	RE521639	CYLINDER HEAD	1		
2	RE517435	SLEEVE	6		
3	O-RING	1		(ORDER RE517435)
4	O-RING	1		(ORDER RE517435)
5	R502371	RETAINER	48		
6	R502367	CAP	24		
7	RE531223	KIT	12		
8	RE526519	SEAL	24		
9	CD16284	PLUG	4		
10	RE71255	PIPE PLUG	1		
11	R515033	VALVE SEAT INSERT	12		
12	RE518081	EXHAUST VALVE	6		
13	R515034	VALVE SEAT INSERT	12		
14	RE531221	KIT	6		
15	R502512	EXHAUST MANIFOLD	6		
16	R521544	BUSHING	2		
17	R520867	O-RING	7		
18	R502511	CAP SCREW	26		
19	R116516	ENGINE CYLINDER HEAD GASKET	1		

0400B-50

ENGINE 4
6068HDW75 0400B

5497 (TURBO AIR INLET)
5497 (ARRIVEE D'AIR DU TURBOCOMPRESSEUR)
5497 (ENTRADA DE AIRE DEL TURBOCOMPRESOR)
RE529875PCDB02 -UN-25NOV08



RE 529875PCDB02

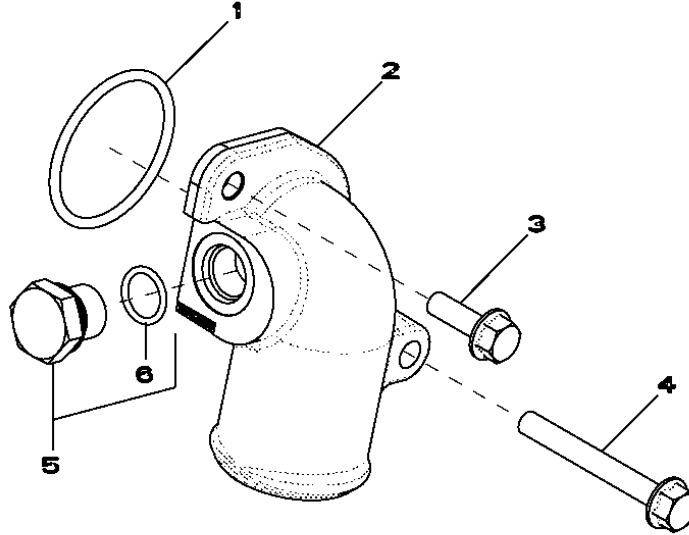
KEY	PART NO.	PART NAME	QTY.	ENGINE SERIAL NO.	REMARKS
1	RE527858	SCREW	2		
2	R522944	BRACKET	1		

0400B-51

ENGINE 4
6068HDW75 0400B

5722 (WATER PUMP INLET)
5722 (ENTREE DE LA POMPE A EAU)
5722 (ENTRADA DE BOMBA DE AGUA)

RE507202PCDD02 -UN-07OCT08



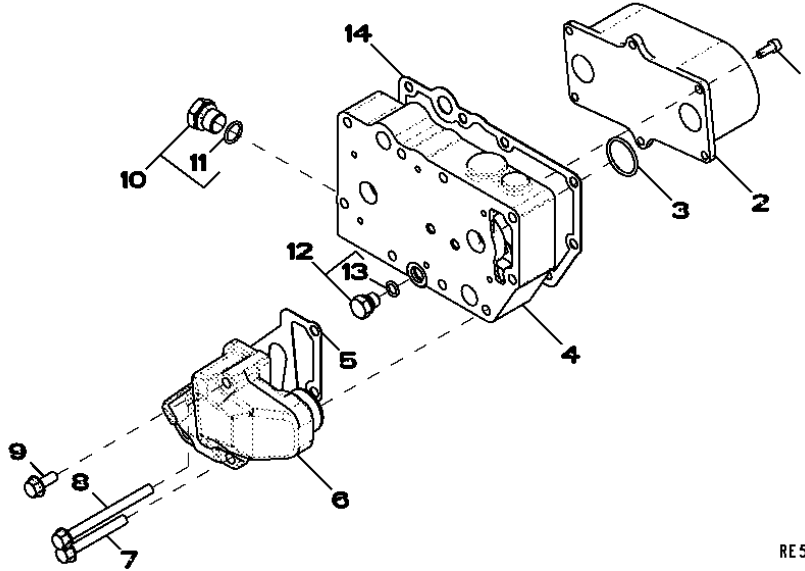
RE507202PCDD02

KEY	PART NO.	PART NAME	QTY.	ENGINE SERIAL NO.	REMARKS
1	R89944	O-RING	1		
2	R502983	WATER PUMP CONNECTION	1		
3	19M7867	SCREW	1		M8 X 25
4	19M7802	SCREW	1		M8 X 65
5	RE46685	FITTING PLUG	1		M18 X 1.5
6	51M7043	O-RING	1		

0400B-52

ENGINE 4
6068HDW75 0400B

5951 (OIL COOLER)
5951 (REFROIDISSEUR D'HUILE)
5951 (REFRIGERANTE DE ACEITE)
RE527560PCDA02 -UN-04NOV08



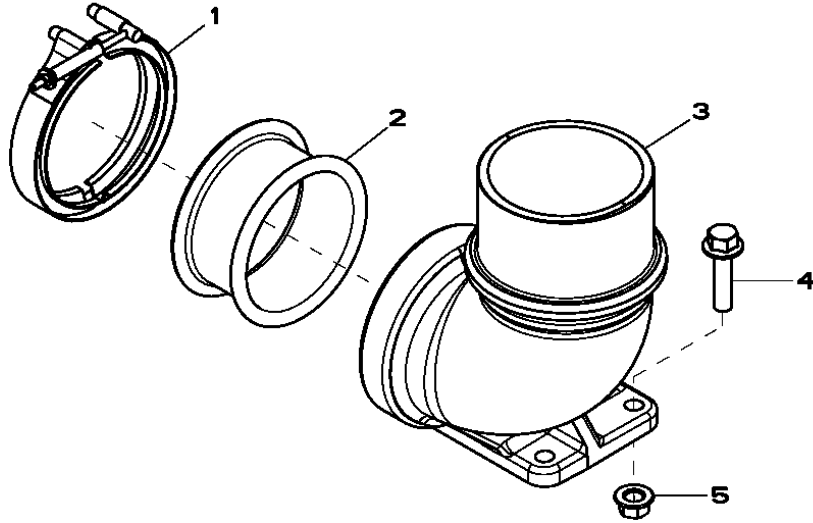
RE527560PCDA02

KEY	PART NO.	PART NAME	QTY.	ENGINE SERIAL NO.	REMARKS
1	RE67231	SCREW	6		
2	RE59298	OIL COOLER	1		
3	T122075	O-RING	2		
4	R521037	HOUSING	1		
5	R501428	GASKET	1		
6	R502811	ADAPTER FITTING	1		
7	19M7802	SCREW	2	M8 X 65	
8	19M7970	SCREW	2	M8 X 100	
9	RE67238	SCREW	1		
10	RE46685	FITTING PLUG	1		
11	51M7043	O-RING	1		
12	RE46686	FITTING PLUG	1		
13	51M7040	O-RING	1		
14	R123501	GASKET	1		

0400B-53

ENGINE 4
6068HDW75 0400B

6401 (EXHAUST ELBOW)
6401 (COUDE D'ECHAPPEMENT)
6401 (CODO DE ESCAPE)
RE59481PCDD01 -UN-13AUG07



RE59481PCDD01

KEY	PART NO.	PART NAME	QTY.	ENGINE SERIAL NO.	REMARKS
1	RE40048	CLAMP	1		
2	R87732	ADAPTER FITTING	1		
3	R123246	EXHAUST PIPE	1		
4	19M8162	SCREW	4	M10 X 40	
5	14M7296	FLANGE NUT	4	M10	

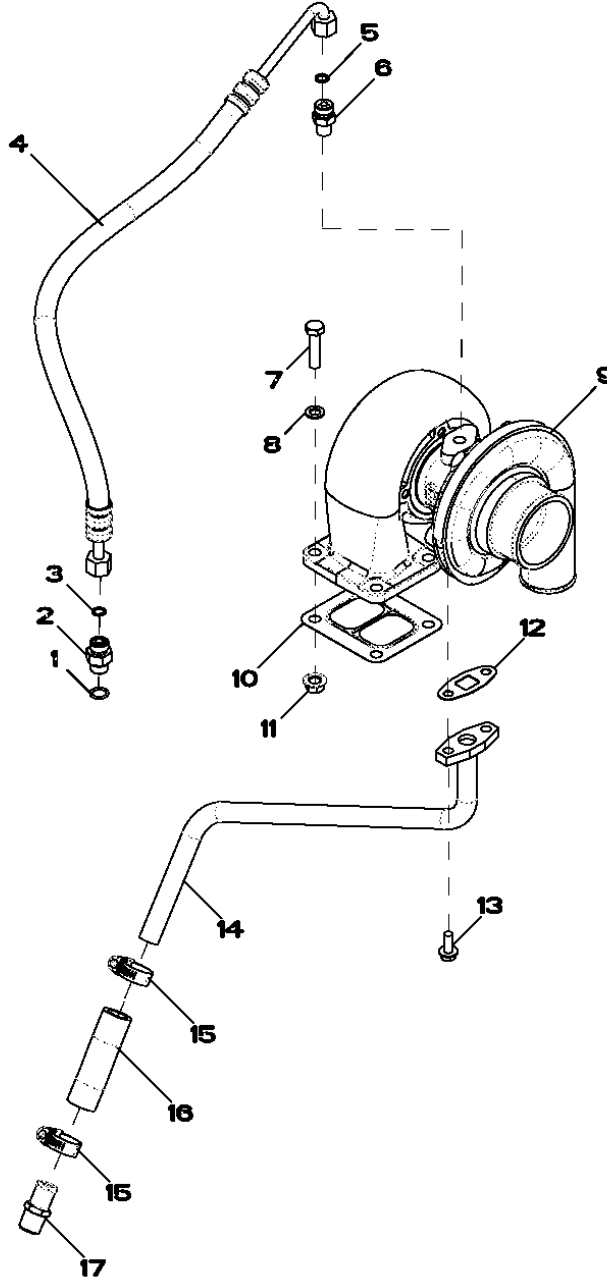
0400B-54

ENGINE 4
6068HDW75 0400B

65VS (TURBOCHARGER)
65VS (TURBOCOMPRESSEUR)
65VS (TURBOCARGADOR)

RE538011PCDA01

-UN-19NOV08



RE538011PCDA01

0400B-55

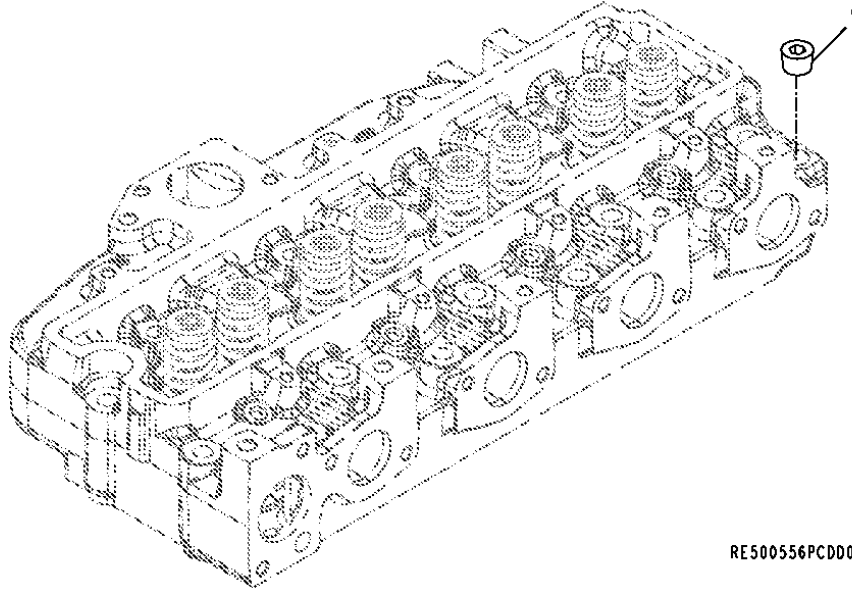
ENGINE 4
6068HDW75 0400B

KEY	PART NO.	PART NAME	QTY.	ENGINE SERIAL NO.	REMARKS
1	51M7042	O-RING	1		
2	38H5037	ADAPTER FITTING	1		
3	T77613	O-RING	1		
4	RE503215	HYDRAULIC HOSE	1		
5	R63548	O-RING	1		
6	M87733	ADAPTER FITTING	1		
7	19M8637	CAP SCREW	4		M10 X 40
8	24M7096	WASHER	4		
9	RE520650	TURBOCHARGER REMAN	1		
10	R123572	GASKET	1		
11	14M7296	FLANGE NUT	4		M10
12	R123570	GASKET	1		
13	19M8062	SCREW	2		M8 X 20
14	RE68234	OIL LINE	1		
15	RE65978	CLAMP	2		
16	R523372	HOSE	1		
17	RE54885	HOSE FITTING	1		

0400B-56

ENGINE 4
6068HDW75 0400B

6698 (TEMPERATURE SWITCH)
6698 (CONTACTEUR DE TEMPERATURE)
6698 (INTERRUPTOR DE TEMPERATURA)
RE500556PCDD02 -UN-30JAN08



KEY	PART NO.	PART NAME	QTY.	ENGINE SERIAL NO.	REMARKS
1	15H584	PIPE PLUG	1		

0400B-57

ENGINE 4
6068HDW75 0400B

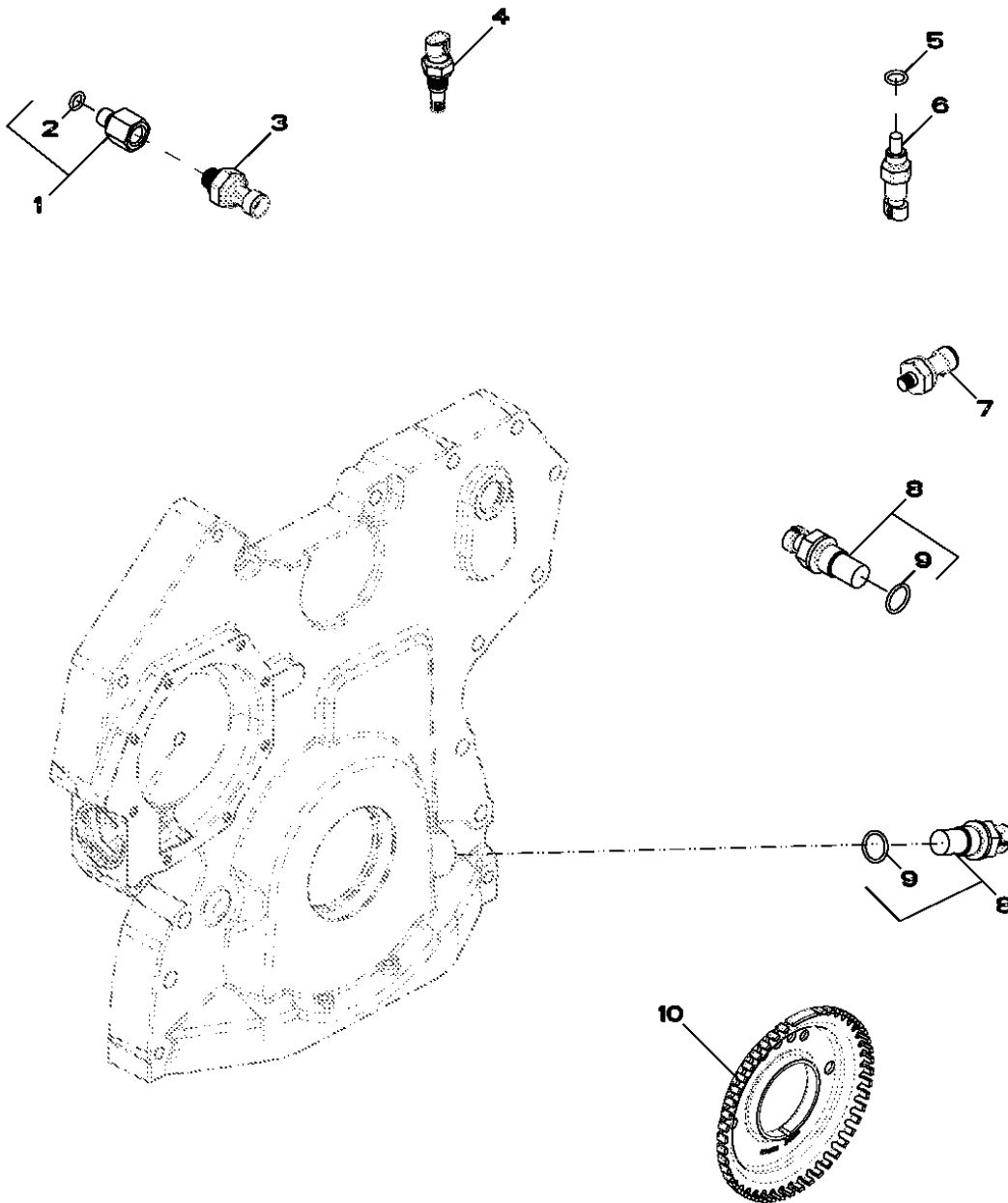
MEMORANDA
MEMORANDA
MEMORANDA

0400B-58

ENGINE 4
6068HDW75 0400B

6744 (SENSORS)
6744 (CAPTEURS)
6744 (SENSORES)

RE535320PCDA01 -UN-25NOV08



RE535320PCDA01

0400B-59

ENGINE 4
6068HDW75 0400B

KEY	PART NO.	PART NAME	QTY.	ENGINE SERIAL NO.	REMARKS
1	RE523854	ADAPTER FITTING	1		
2	51M7040	O-RING	1		
3	RE522794	SENSOR	1		
4	RE525016	THERMOCOUPLE	1		
5	51M7041	O-RING	1		
6	RE52722	TEMPERATURE SENSOR	1		
7	RE167207	PRESSURE SENSOR	1		
8	RE519144	SENSOR	2		
9	51M7044	O-RING	1		
10	R517471	WHEEL	1		

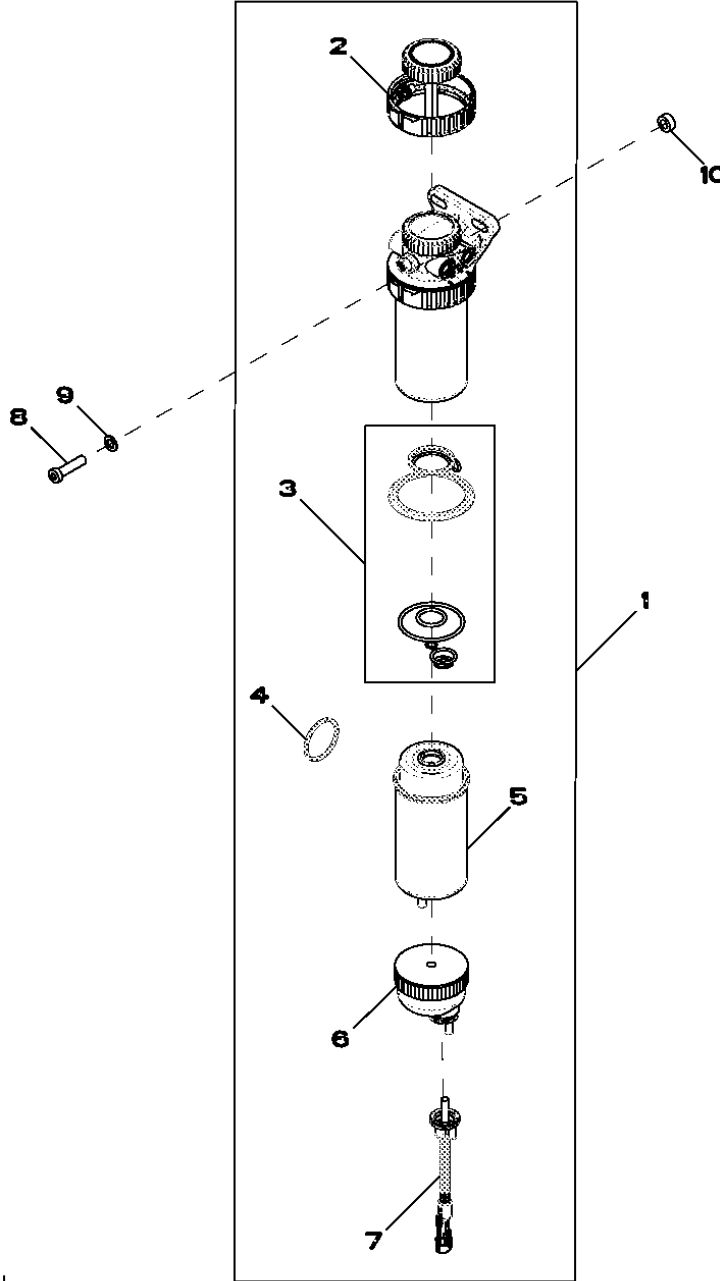
0400B-60

ENGINE 4
6068HDW75 0400B

81AL (WATER SEPARATOR)
81AL
81AL (SEPARADOR DE AGUA)

RE536104PCDA01

-UN-20NOV08



RE 536104PCDA01

0400B-61

ENGINE 4
6068HDW75 0400B

KEY	PART NO.	PART NAME	QTY.	ENGINE SERIAL NO.	REMARKS
1	RE529641	FILTER	1		
2	RE526834	SEAL KIT	1		
3	RE516553	SEAL KIT	1		
4	RE516512	O-RING KIT	1		
5	RE529643	FILTER ELEMENT	1		
6	RE51650	SEDIMENT BOWL	1		
7	RE519696	SENSOR	1		
8	19M8578	SCREW	2		M10 X 40
9	24M7096	WASHER	2		
10	A41207	WASHER	2		

0400B-62

ENGINE 4
6068HDW75 0400B

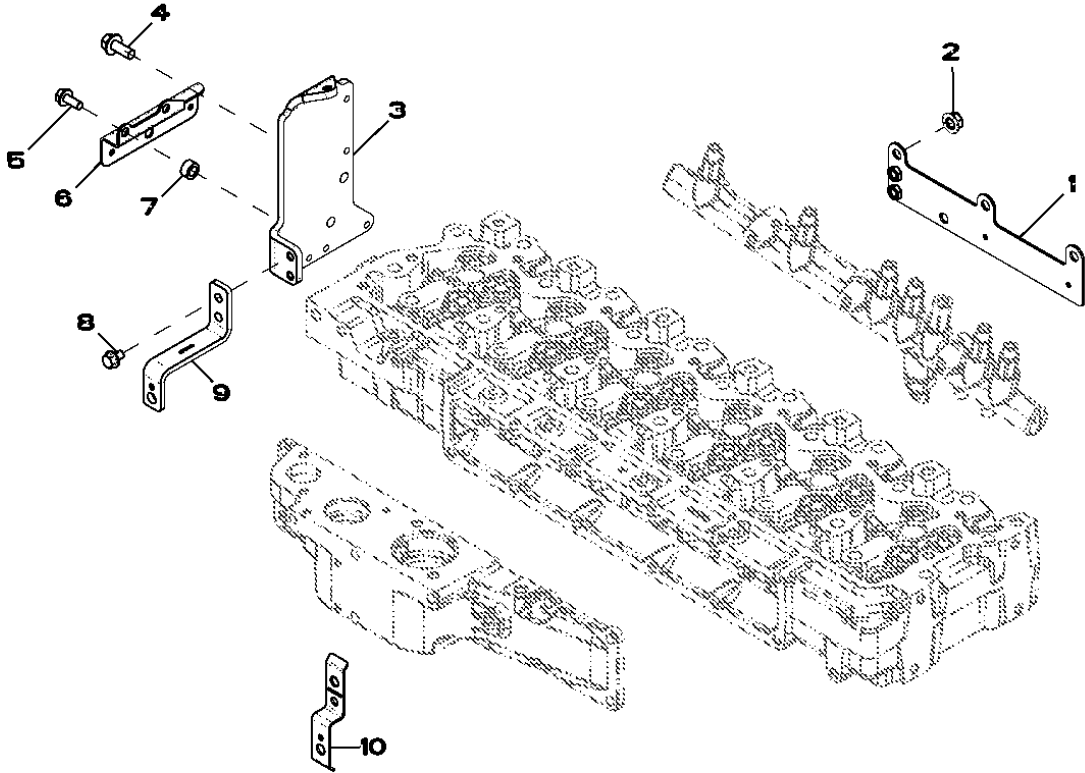
8485 (NO WIRING HARNESS)

8485

8485

RE536130PCDA01

-UN-18NOV08



RE536130PCDA01

0400B-63

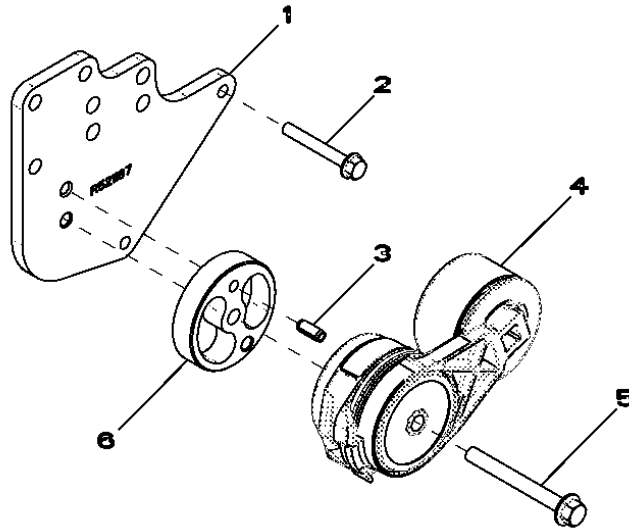
ENGINE 4
6068HDW75 0400B

KEY	PART NO.	PART NAME	QTY.	ENGINE SERIAL NO.	REMARKS
1	RE529804	BRACKET	1		
2	14M7296	FLANGE NUT	3		M10
3	R522771	BRACKET	1		
4	19M7785	SCREW	2		M10 X 25
5	19M7866	SCREW	2		M8 X 20
6	R523187	BRACKET	1		
7	T20280	WASHER	2		
8	19M7864	SCREW	2		M8 X 12
9	R522943	BRACKET	1		
10	R522942	BRACKET	1		

0400B-64

ENGINE 4
6068HDW75 0400B

8724 (BELT TENSIONER)
8724 (TENDEUR DE COURROIE)
8724 (TENSOR DE CORREA)
RE525433PCDA02 -UN-20NOV08



RE525433PCDA02

KEY	PART NO.	PART NAME	QTY.	ENGINE SERIAL NO.	REMARKS
1	R521167	STRAP	1		
2	19M7801	SCREW	2		M8 X 60
3	34M7061	SPRING PIN	1		
4	RE518097	BELT TENSIONER	1		
5	19M7811	SCREW	1		M10 X 90
6	R516623	SPACER	1		

0400B-65

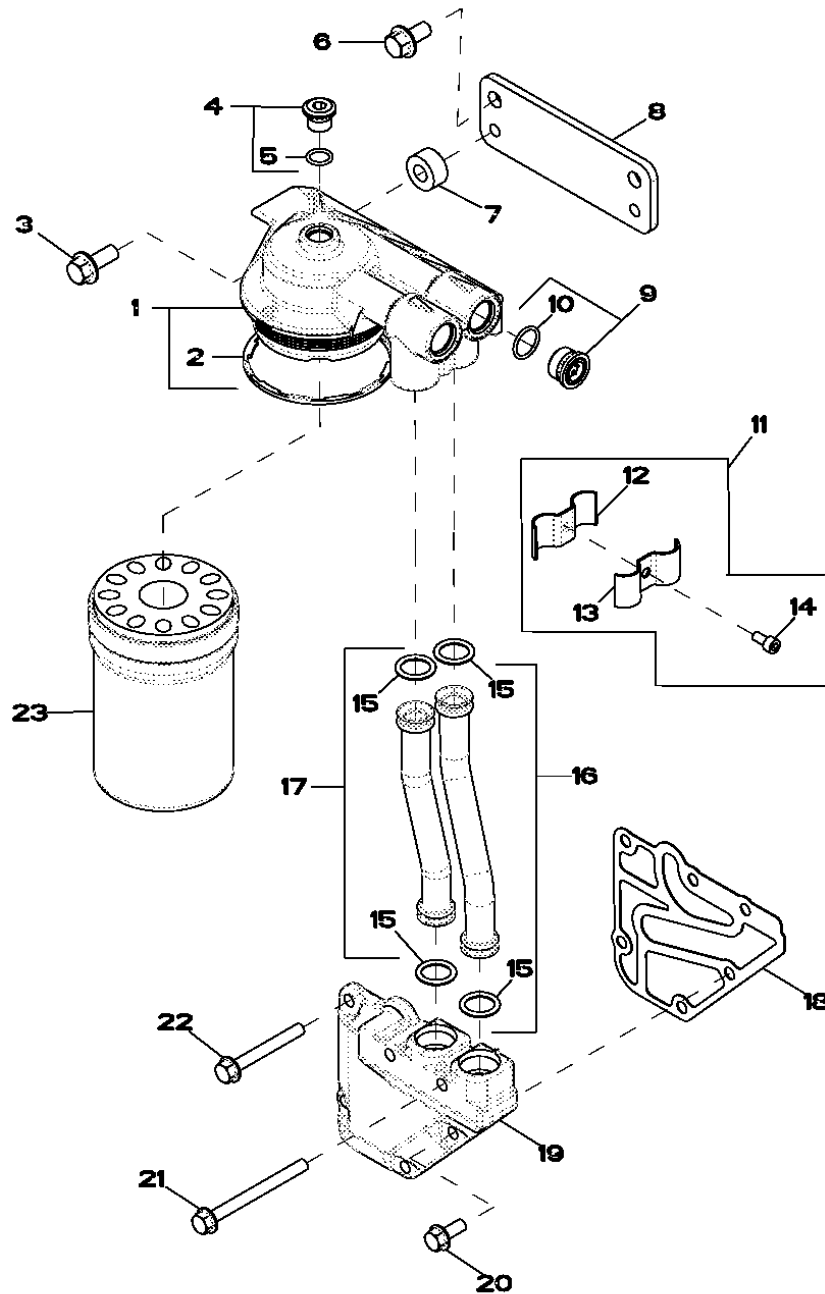
ENGINE 4
6068HDW75 0400B

MEMORANDA
MEMORANDA
MEMORANDA

0400B-66

ENGINE 4
6068HDW75 0400B

8860 (OIL FILTER)
8860 (FILTRE A HUILE)
8860 (FILTRO DE ACEITE)
RE517347PCDD03 -UN-21NOV08



RE517347PCDD03

0400B-67

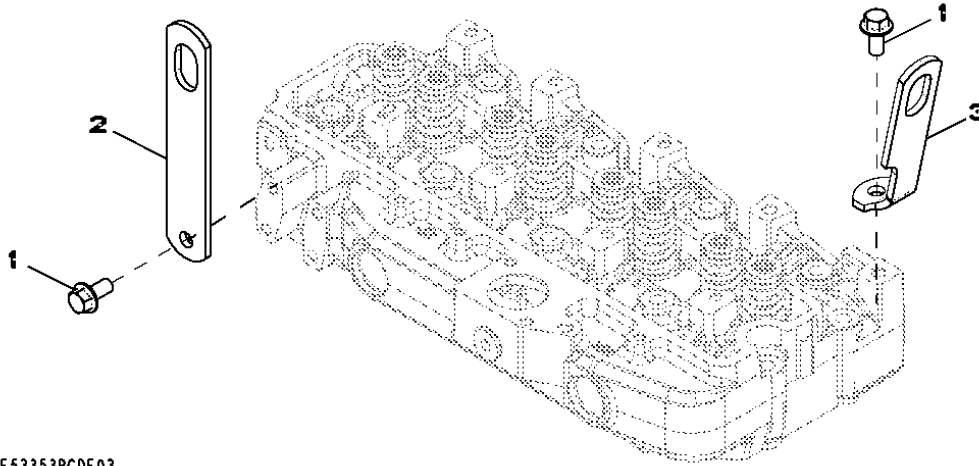
ENGINE 4
6068HDW75 0400B

KEY	PART NO.	PART NAME	QTY.	ENGINE SERIAL NO.	REMARKS
1	RE504563	FILTER HEAD	1		
2	R502513	SEAL	1		
3	19M7785	SCREW	2		M10 X 25
4	RE52242	DRAIN PLUG	1		
5	51M7042	O-RING	1		
6	19M7784	SCREW	2		M10 X 20
7	R114358	SPACER	2		
8	R516427	BRACKET	1		
9	RE505232	FITTING PLUG	2		M22 X 1.5
10	51M7045	O-RING	1		
11	RE520368	HALF CLAMP	1		
12	HALF CLAMP	1		
13	HALF CLAMP	1		
14	19M8618	SCREW	1		M6 X 12
15	R518507	O-RING	2		YELLOW
16	RE519749	TUBE	1		
17	RE519748	TUBE	1		
18	R502864	GASKET	1		
19	R501436	ADAPTER FITTING	1		
20	RE67238	SCREW	1		WITH PRE-APPLIED SEALANT
21	19M7913	SCREW	2		M8 X 90
22	19M7802	SCREW	3		M8 X 65
23	RE504836	OIL FILTER	1		
..	24M7040	WASHER	2		

0400B-68

ENGINE 4
6068HDW75 0400B

9801 (LIFT STRAPS)
9801 (SOULEVEZ LES COURROIES)
9801 (TIRAS DE ELEVADOR)
RE53353PCDF03 -UN-28APR08



RE53353PCDF03

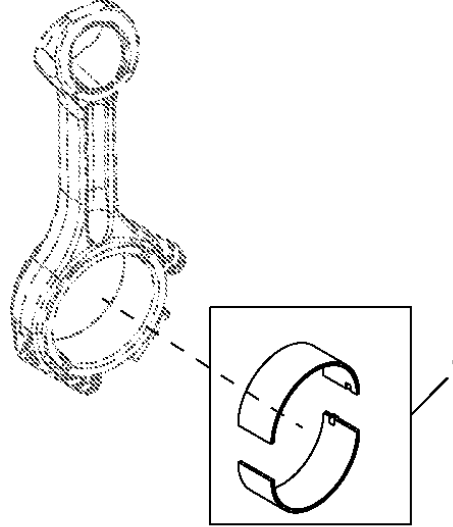
KEY	PART NO.	PART NAME	QTY.	ENGINE SERIAL NO.	REMARKS
1	19M7788	SCREW	2		
2	R502329	STRAP	1		M12 X 25 (REAR)
3	STRAP	1		(FRONT)

0400B-69

ENGINE 4
6068HDW75 0400B

9901 (BEARING - KIT)
9901 (COUSSINETS - JEU DE PIECES)
9901 (COJINETE - JUEGO)

RE65908PCDA02 -UN-07FEB08



RE65908PCDA02

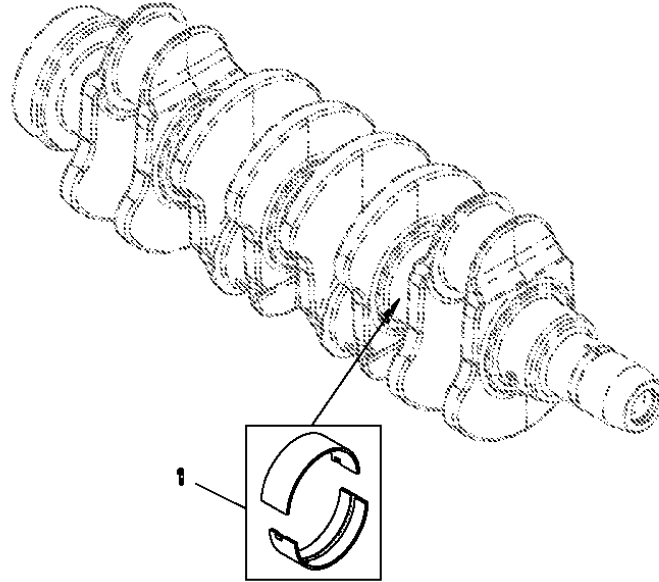
KEY	PART NO.	PART NAME	QTY.	ENGINE SERIAL NO.	REMARKS
1	RE65908	BEARING	1		

0400B-70

ENGINE 4
6068HDW75 0400B

9901 (BEARING - KIT)
9901 (COUSSINETS - JEU DE PIECES)
9901 (COJINETE - JUEGO)

RE65165PCDA02 -UN-31MAR08

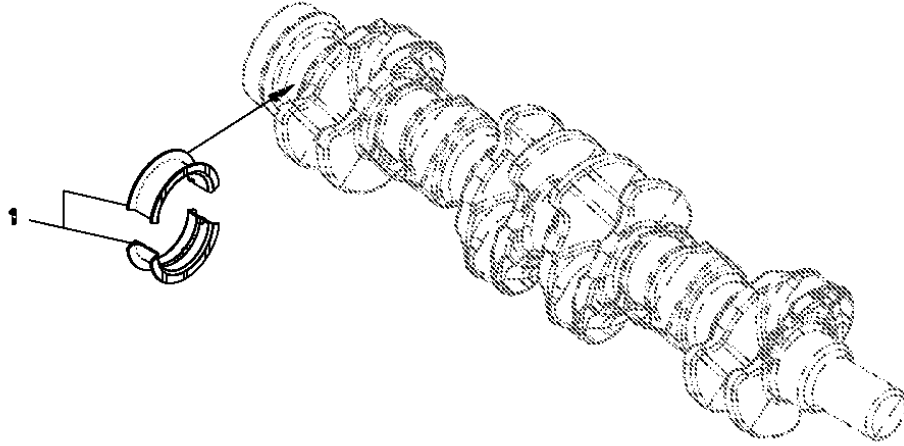


KEY	PART NO.	PART NAME	QTY.	ENGINE SERIAL NO.	REMARKS
1	RE65165	BEARING KIT	1		

0400B-71

ENGINE 4
6068HDW75 0400B

9901 (BEARING - KIT)
9901 (COUSSINETS - JEU DE PIECES)
9901 (COJINETE - JUEGO)
RE65168PCDA02 -UN-08FEB08



RE65168PCDA02

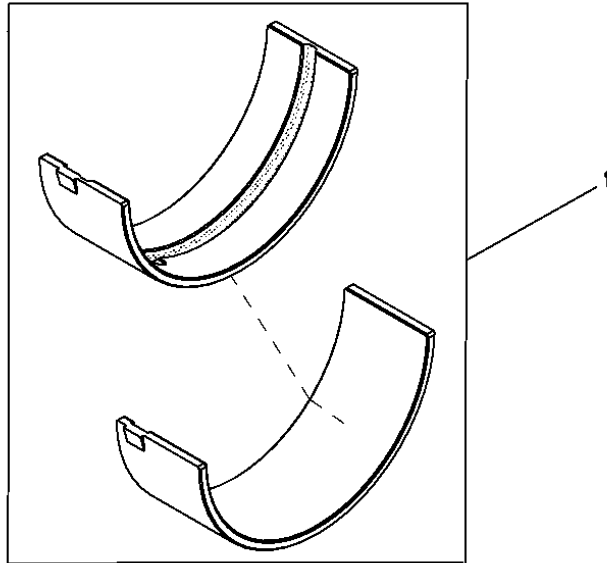
KEY	PART NO.	PART NAME	QTY.	ENGINE SERIAL NO.	REMARKS
1	RE65168	BEARING KIT	1		

0400B-72

ENGINE 4
6068HDW75 0400B

9901 (THRUST BEARING)
9901 (OUSSINETS DE BUTTE)
9901 (COJINETE DE EMPUJE)

RE65911PCDB03 -UN-21APR08



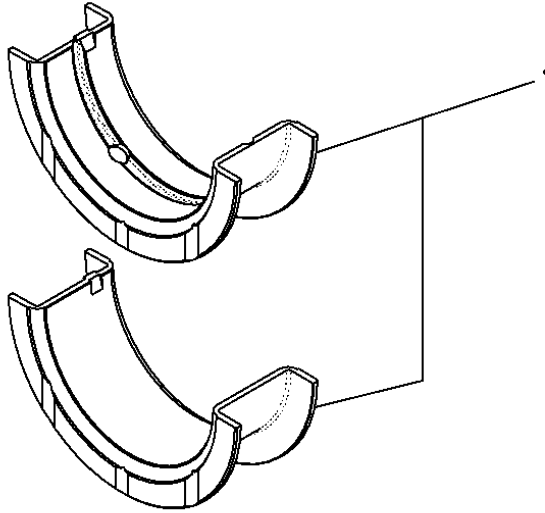
RE65911PCDB03

KEY	PART NO.	PART NAME	QTY.	ENGINE SERIAL NO.	REMARKS
1	RE65911	BEARING	1		

0400B-73

ENGINE 4
6068HDW75 0400B

9901 (THRUST BEARING)
9901 (COUSSINETS DE BUTTE)
9901 (COJINETE DE EMPUJE)
RE65912PCDB01 -UN-05MAR08



RE65912PCDB01

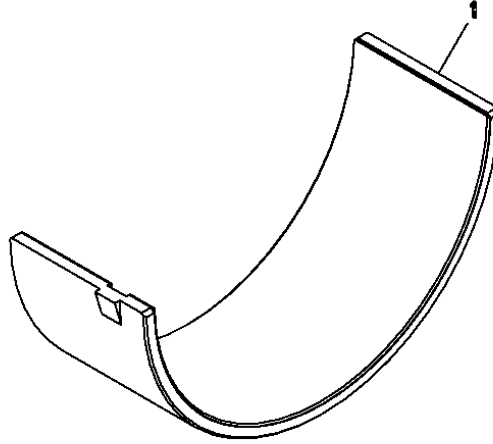
KEY	PART NO.	PART NAME	QTY.	ENGINE SERIAL NO.	REMARKS
1	RE65912	THRUST BEARING	1		

0400B-74

ENGINE 4
6068HDW75 0400B

9901 (THRUST BEARING)
9901 (COUSSINETS DE BUTTE)
9901 (COJINETE DE EMPUJE)

RE65909PCDB01 -UN-12FEB08



RE65909PCDB01

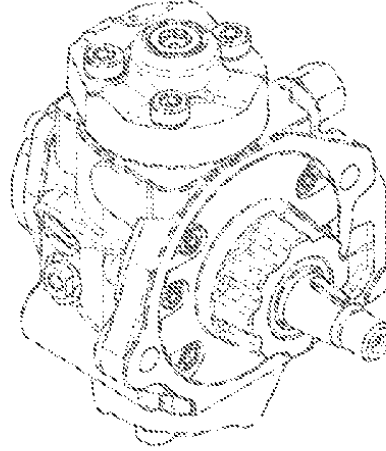
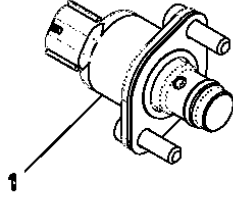
KEY	PART NO.	PART NAME	QTY.	ENGINE SERIAL NO.	REMARKS
1	RE65909	BEARING	1		

0400B-75

ENGINE 4
6068HDW75 0400B

9901 (CONTROL VALVE)
9901 (DISTRIBUTEUR)
9901 (VALVULA DE CONTROL)

RE534109PCDC01 -UN-25NOV08



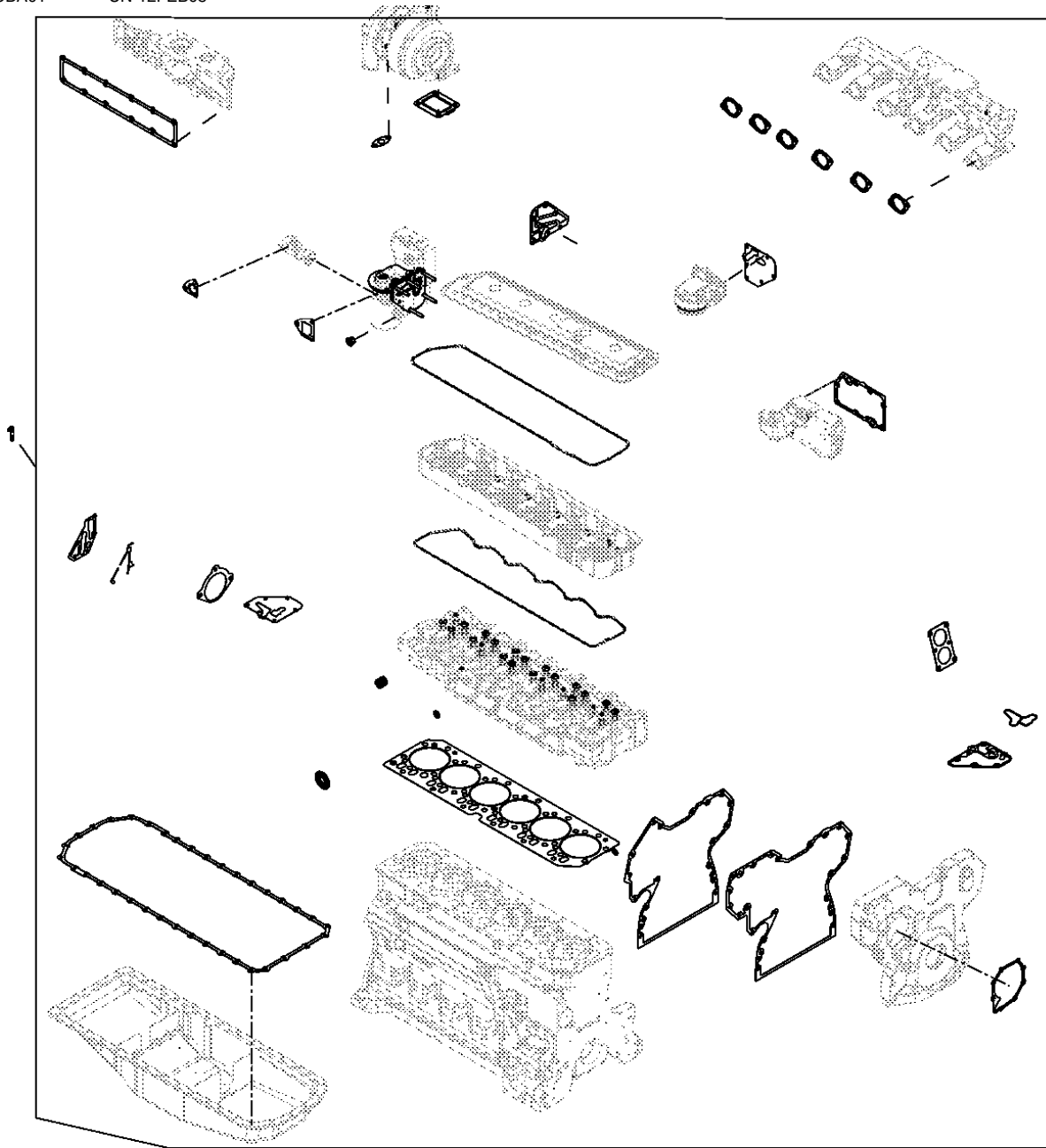
RE534109PCDC01

KEY	PART NO.	PART NAME	QTY.	ENGINE SERIAL NO.	REMARKS
1	RE534109	CONTROL VALVE	1		

0400B-76

ENGINE 4
6068HDW75 0400B

9901 (ENGINE GASKET KIT)
9901 (JEU DE JOINTS DE MOTEUR)
9901 (CONJUNTO PARA JUNTA DE MOTOR)
RE527832PCDA01 -UN-12FEB08



RE527832PCDA01

0400B-77

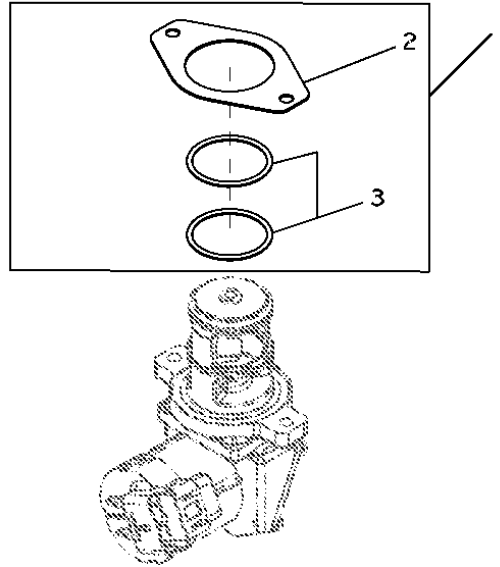
ENGINE 4
6068HDW75 0400B

KEY	PART NO.	PART NAME	QTY.	ENGINE SERIAL NO.	REMARKS
1	RE527832	GASKET KIT	1		

0400B-78

ENGINE 4
6068HDW75 0400B

9901 (EGR VALVE GASKET KIT)
9901 (JEU DE JOINTS DE SOUPAPE POUR RETOUR DES GAZ D'ECHAPPEMENT)
9901 (CONJUNTO DE EMPAQUETADURAS DE LA VALVULA PARA RETORNO DE GASES DE ESCAPE)
RE528207PCDA02 -UN-02FEB09



RE528207PCDA02

KEY	PART NO.	PART NAME	QTY.	ENGINE SERIAL NO.	REMARKS
1	RE528207	GASKET KIT	1		
2	R519398	GASKET	1		
3	R519989	O-RING	2		

0400B-79

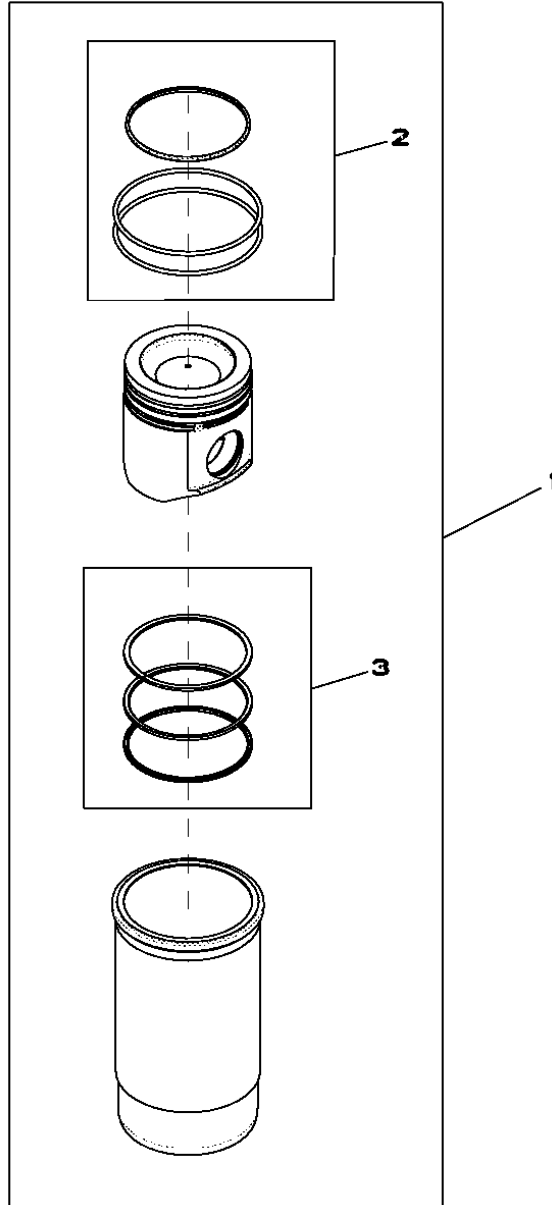
ENGINE 4
6068HDW75 0400B

MEMORANDA
MEMORANDA
MEMORANDA

0400B-80

ENGINE 4
6068HDW75 0400B

9901 (PISTON / LINER - KIT)
9901 (PISTON / CHEMISE - JEU DE PIECES)
9901 (PISTON / CAMISA DE CILINDRO - JUEGO)
RE524450PCDB02 -UN-27MAR08



RE524450PCDB02

0400B-81

ENGINE 4
6068HDW75 0400B

KEY	PART NO.	PART NAME	QTY.	ENGINE SERIAL NO.	REMARKS
1	RE524450	PISTON-LINER KIT	1		
2	AR65507	O-RING KIT	1		
3	RE524453	PISTON RING KIT	1		

0400B-82

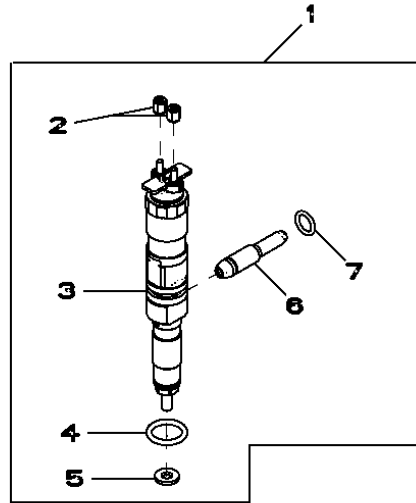
ENGINE 4

6068HDW75 0400B

9901 (SERVICE KIT FOR INJECTOR NOZZLE)
 9901 (KIT D'ENTRETIEN)
 9901 (CONJUNTO DE MANTENIMIENTO)

RE524382PCDE02

-UN-08APR08



RE524382PCDE02

KEY	PART NO.	PART NAME	QTY.	ENGINE SERIAL NO.	REMARKS
1	RE524382	INJECTION NOZZLE	1		
2	R134920	NUT	2		
3	INJECTION NOZZLE	1		(NSEP ORDER RE524382)
4	R505452	O-RING	1		
5	R515535	WASHER	1		
6	RE522594	TUBE	1		
7	R65397	O-RING	1		

0400B-83

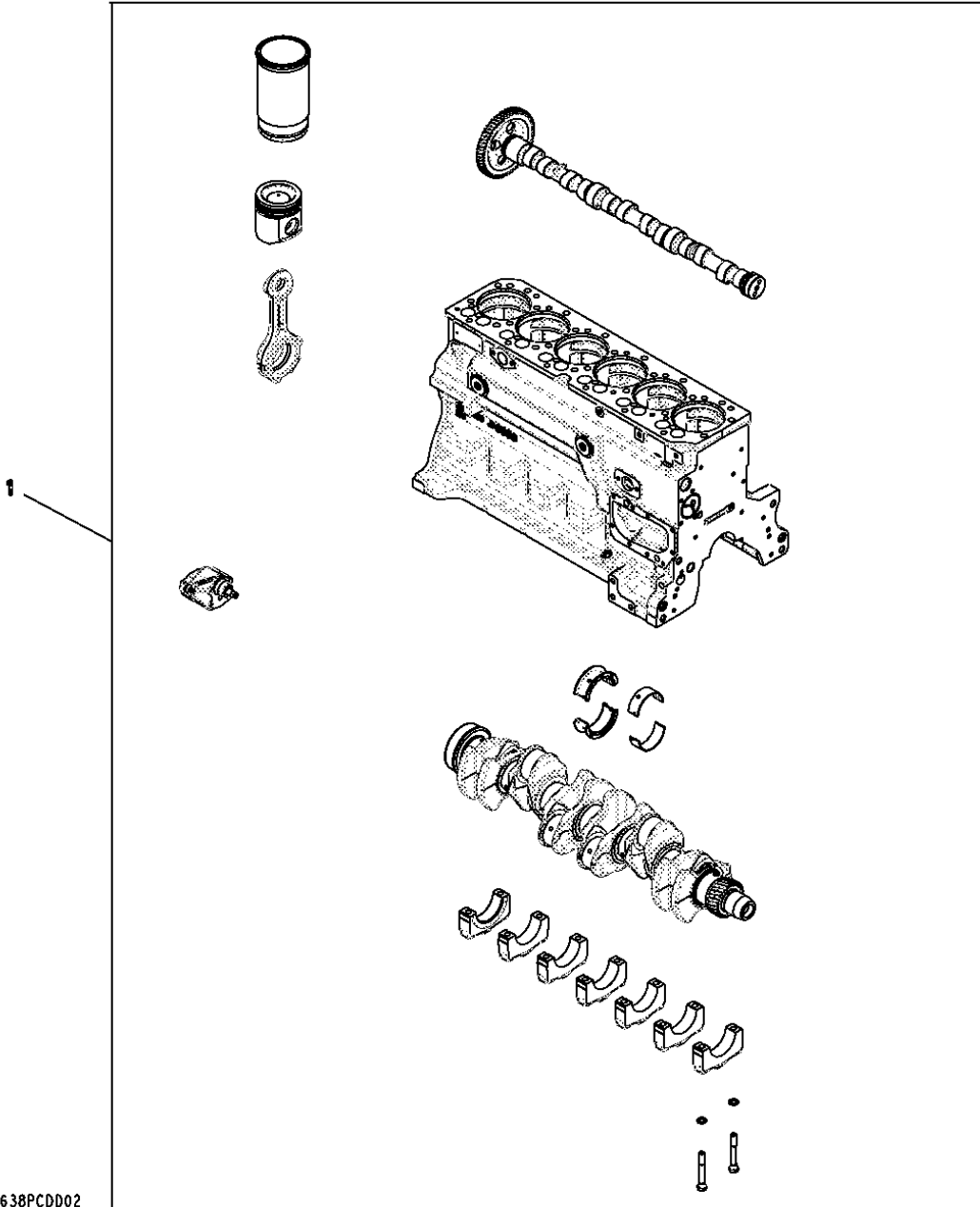
ENGINE 4
6068HDW75 0400B

MEMORANDA
MEMORANDA
MEMORANDA

0400B-84

ENGINE 4
6068HDW75 0400B

9901 (SHORT BLOCK ASSEMBLY)
9901 (BLOC-CYLINDRES AVEC EQUIPAGE MOBILE)
9901 (BLOQUE DE CILINDROS CON PIEZAS MOVILES)
RE528638PCDD02 -UN-24NOV08



RE528638PCDD02

0400B-85

ENGINE 4
6068HDW75 0400B

KEY	PART NO.	PART NAME	QTY.	ENGINE SERIAL NO.	REMARKS
1	RE528638	SHORT BLOCK ASSEMBLY	1		

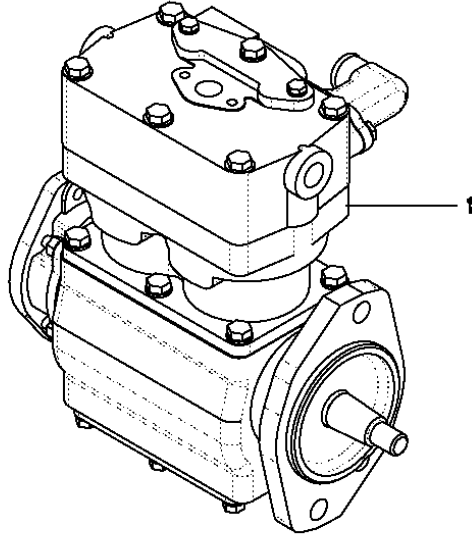
0400B-86

ENGINE 4
6068HDW75 0400B

9901 (AIR COMPRESSOR KIT) (MIDLAND)
9901 (REMORQUE, DOMPRESSEUR DU FREIN A AIR COMPRIME) (MIDLAND)
9901 (COMPRESSOR DE FRENOX DE AIRE DEL REMOLQUE) (MIDLAND)

RE516219PCDB01

-UN-03APR08



RE516219PCDB01

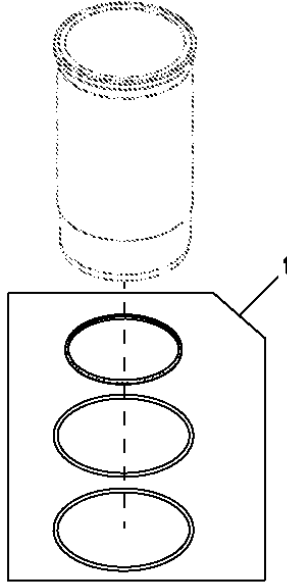
KEY	PART NO.	PART NAME	QTY.	ENGINE SERIAL NO.	REMARKS
1	RE516219	COMPRESSOR	1		

0400B-87

ENGINE 4
6068HDW75 0400B

AR65507PCDA02 -UN-22AUG08

9901 (O-RING KIT)
9901
9901



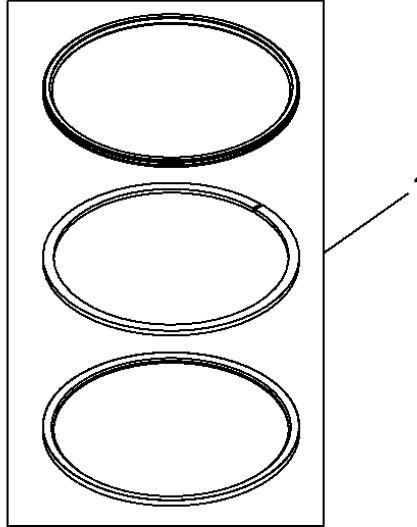
AR65507PCDA02

KEY	PART NO.	PART NAME	QTY.	ENGINE SERIAL NO.	REMARKS
1	AR65507	O-RING KIT	1		

0400B-88

ENGINE 4
6068HDW75 0400B

9901 (PISTON RING PACK)
9901 (JEU DE SEGMENTS DE PISTON)
9901 (ANILLO RETEN DEL EMBOLO)
RE524453PCDA01 -UN-06FEB08



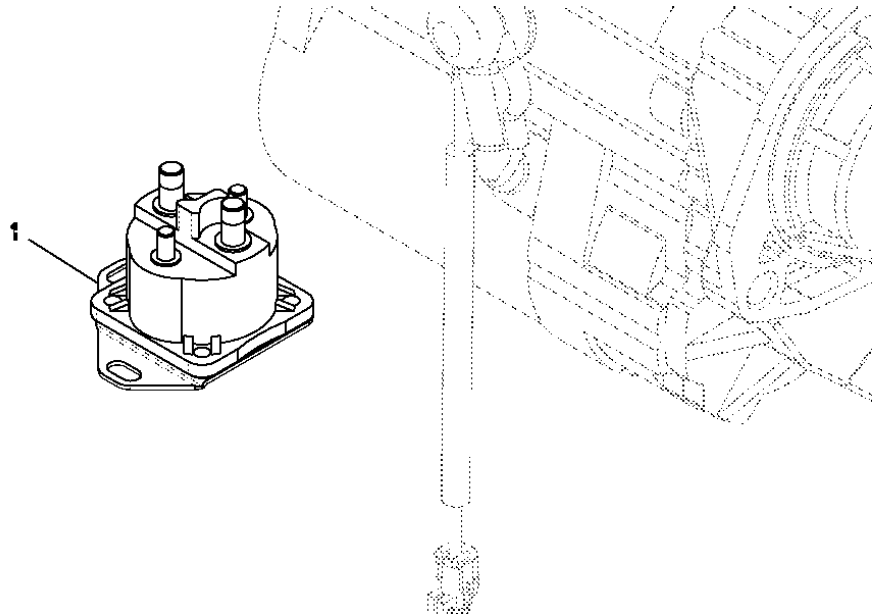
RE524453PCDA01

KEY	PART NO.	PART NAME	QTY.	ENGINE SERIAL NO.	REMARKS
1	RE524453	PISTON RING KIT	1		

0400B-89

ENGINE 4
6068HDW75 0400B

9901 (STARTER RELAY)
9901 (RELAIS DU DEMARREUR)
9901 (RELE DE ARRANQUE)
RE504839PCDB02 -UN-13FEB08



RE504839PCDB02

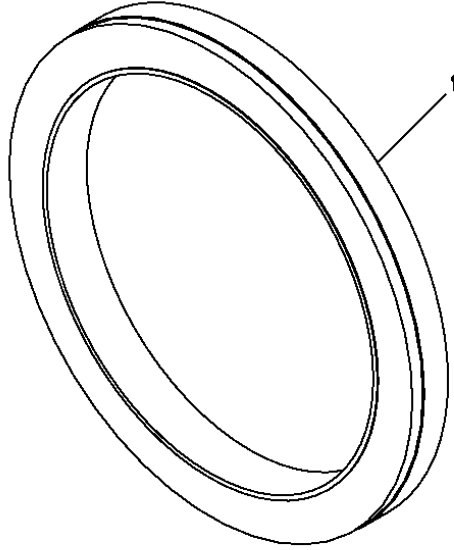
KEY	PART NO.	PART NAME	QTY.	ENGINE SERIAL NO.	REMARKS
1	RE504839	STARTER RELAY	1		

0400B-90

ENGINE 4
6068HDW75 0400B

9901 (REAR OIL SEAL)
9901 (JOINT D'ARRET D'HUILE ARRIERE)
9901 (RETEN DE ACEITE TRASERO)

RE44574PCDC02 -UN-29APR08



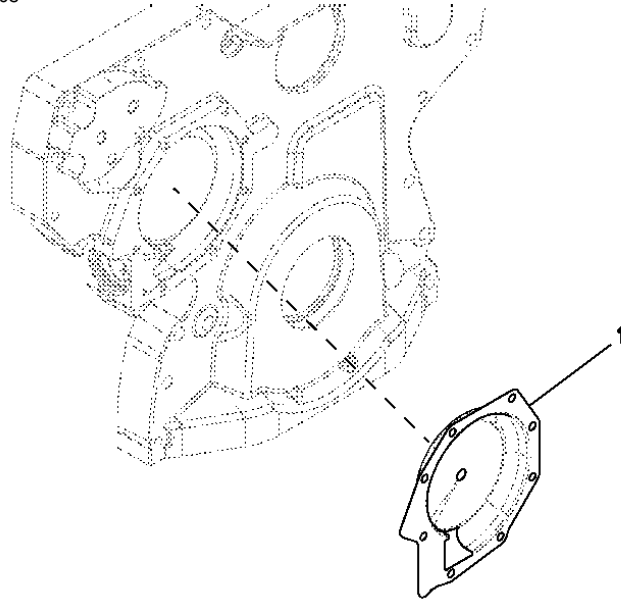
RE44574PCDC02

KEY	PART NO.	PART NAME	QTY.	ENGINE SERIAL NO.	REMARKS
1	RE44574	SEAL	1		

0400B-91

ENGINE 4
6068HDW75 0400B

9901 (SERVICE KIT)
9901 (JEU D'ENTRETIEN)
9901 (CONJUNTO MANTENIMIENTO)
RE508566PCDB02 -UN-12MAR08



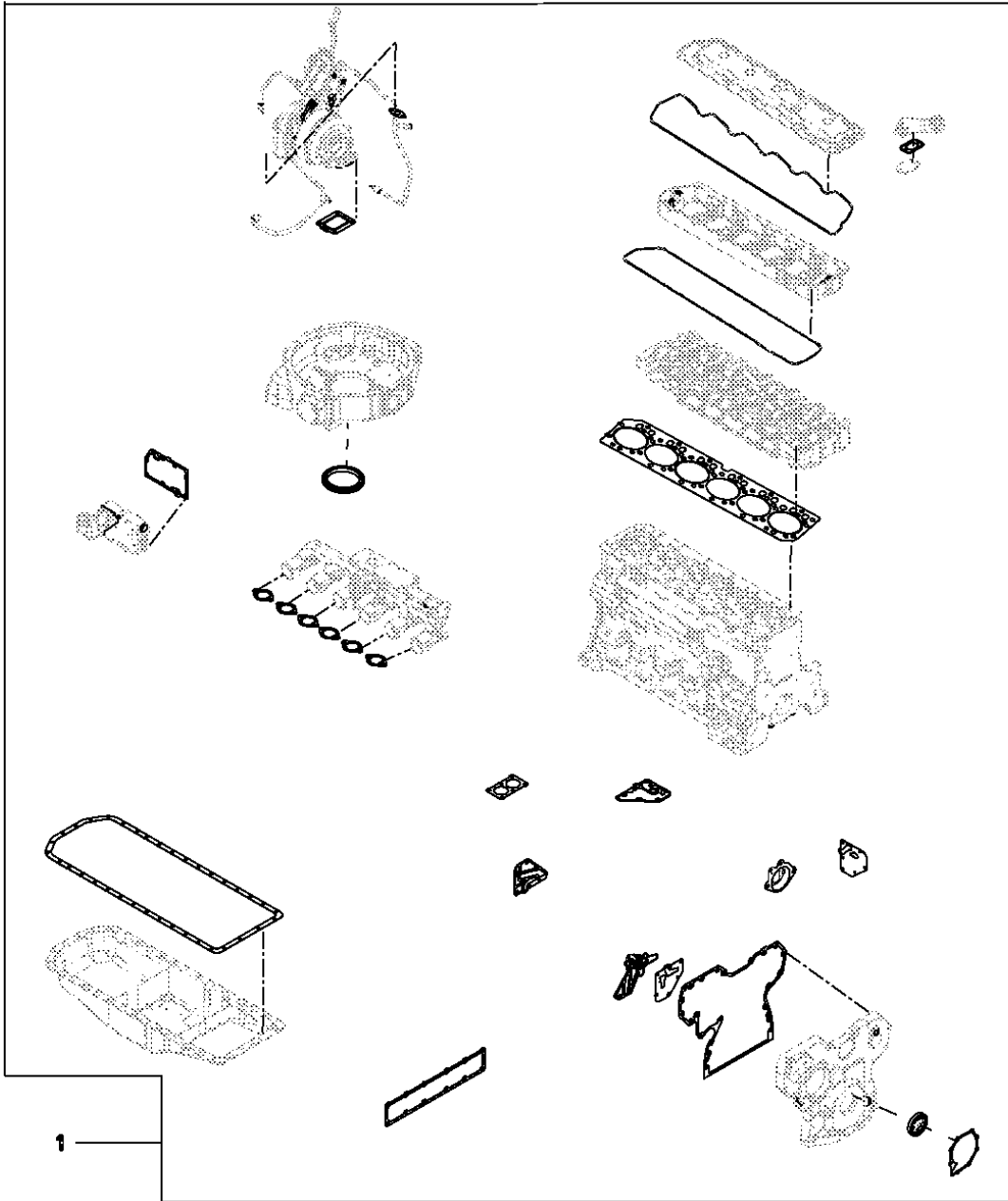
RE508566PCDB02

KEY	PART NO.	PART NAME	QTY.	ENGINE SERIAL NO.	REMARKS
1	RE508566	INSERT	1		

0400B-92

ENGINE 4
6068HDW75 0400B

9901 (SERVICE PARTS ASSEMBLY)
9901
9901
RE527833PCDC02 -UN-03JUL08



RE527833PCDC02

0400B-93

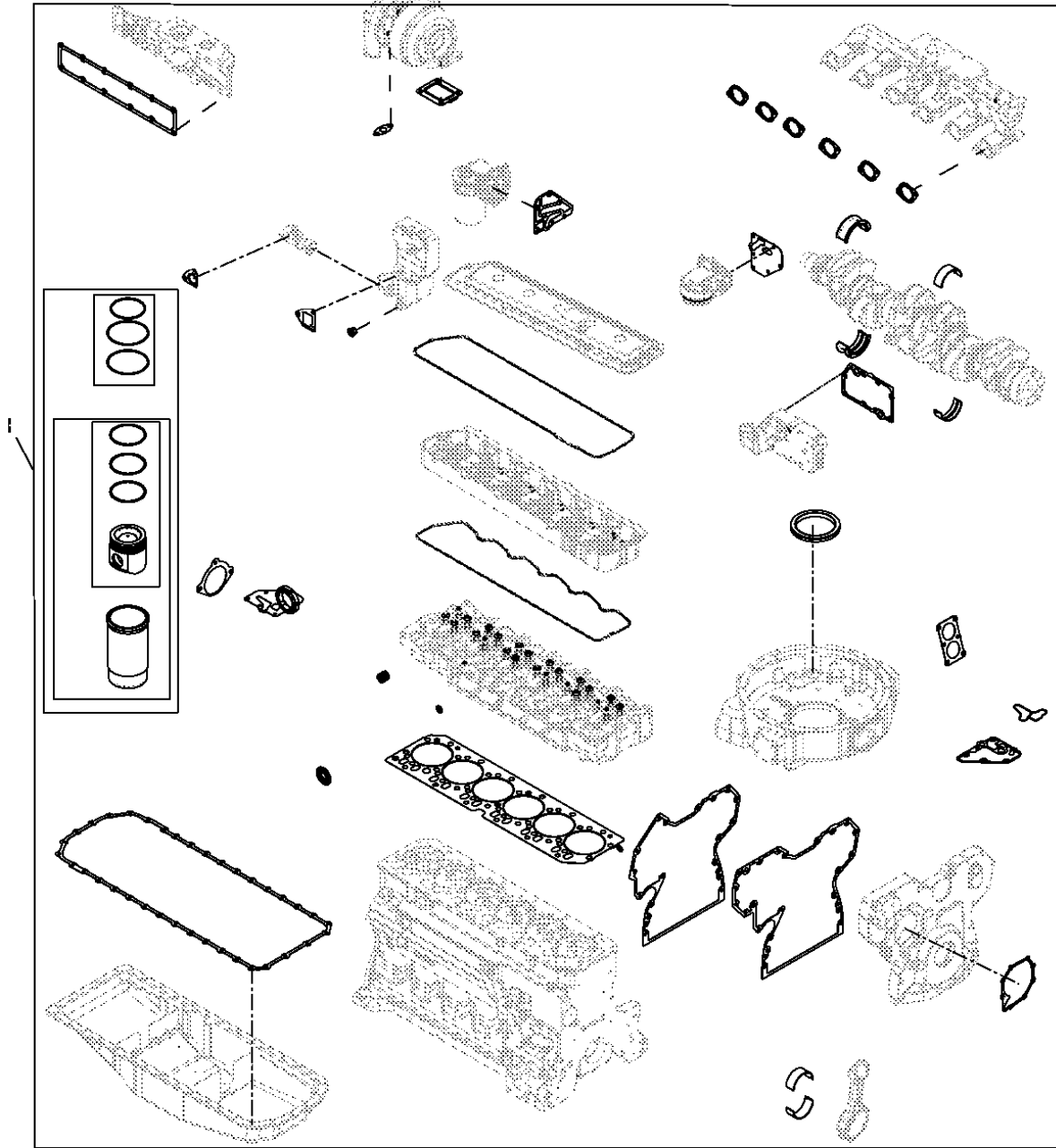
ENGINE 4
6068HDW75 0400B

KEY	PART NO.	PART NAME	QTY.	ENGINE SERIAL NO.	REMARKS
1	RE527833	GASKET KIT	1		

0400B-94

ENGINE 4
6068HDW75 0400B

9901 (SERVICE PARTS ASSEMBLY)
9901
9901
RE527834PCDC01 -UN-14FEB08



RE527834PCDC01

0400B-95

ENGINE 4
6068HDW75 0400B

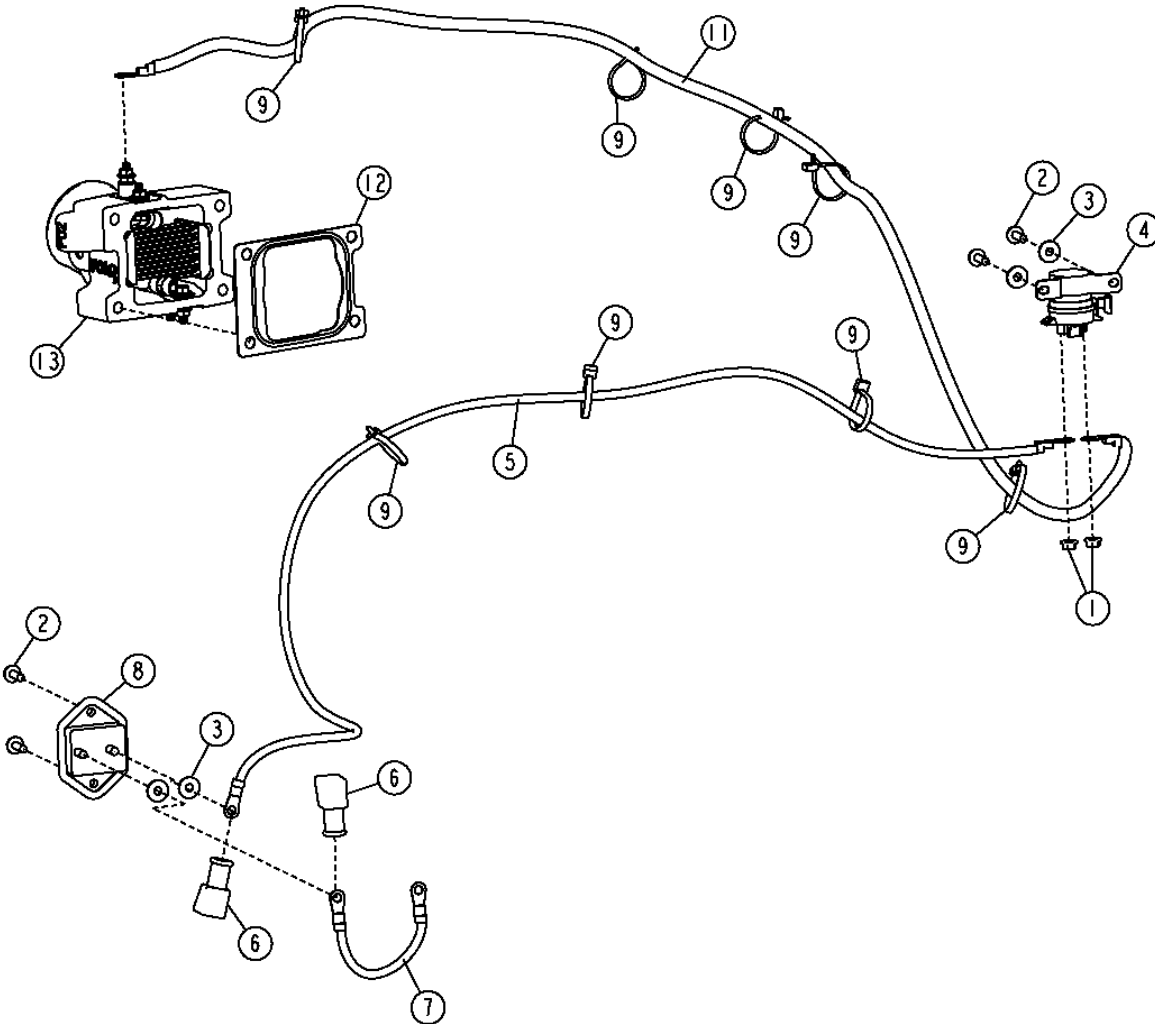
<i>KEY</i>	<i>PART NO.</i>	<i>PART NAME</i>	<i>QTY.</i>	<i>ENGINE SERIAL NO.</i>	<i>REMARKS</i>
1	RE527834	ENGINE OVERHAUL KIT	1		

0505-2

ENGINE AUXILIARY SYSTEMS 05
COLD WEATHER STARTING AIDS 0505

ENGINE AIR HEATER CHAUFFAGE D'AIR DU MOTEUR CALEFACTOR DE AIRE DEL MOTOR

TX1057312 -UN-24MAR09



TX1057312

0505-3

ENGINE AUXILIARY SYSTEMS 05
COLD WEATHER STARTING AIDS 0505

ENGINE AIR HEATER CHAUFFAGE D'AIR DU MOTEUR CALEFACTOR DE AIRE DEL MOTOR

KEY	PART NO.	PART NAME	QTY.	SERIAL NO.	REMARKS
1	14M7303	FLANGE NUT	2		M6
2	19M7862	SCREW	4		M6 X 20
3	24M7139	WASHER	4		6.400 X 18 X 1.600 MM
4	AT145341	RELAY	1		
5	AT337324	WIRE	1		(CIRCUIT BREAKER TO RELAY)
6	M135512	BOOT	2		
7	AT341756	WIRE	1		(CIRCUIT BREAKER TO CIRCUIT BREAKER)
8	F125640	CIRCUIT BREAKER	1		
9	R44302	TIE BAND	7		
11	AT337259	WIRE	1		(AIR HEATER TO RELAY)
12	R519414	GASKET	1		
13	RE525480	AIR INTAKE	1		

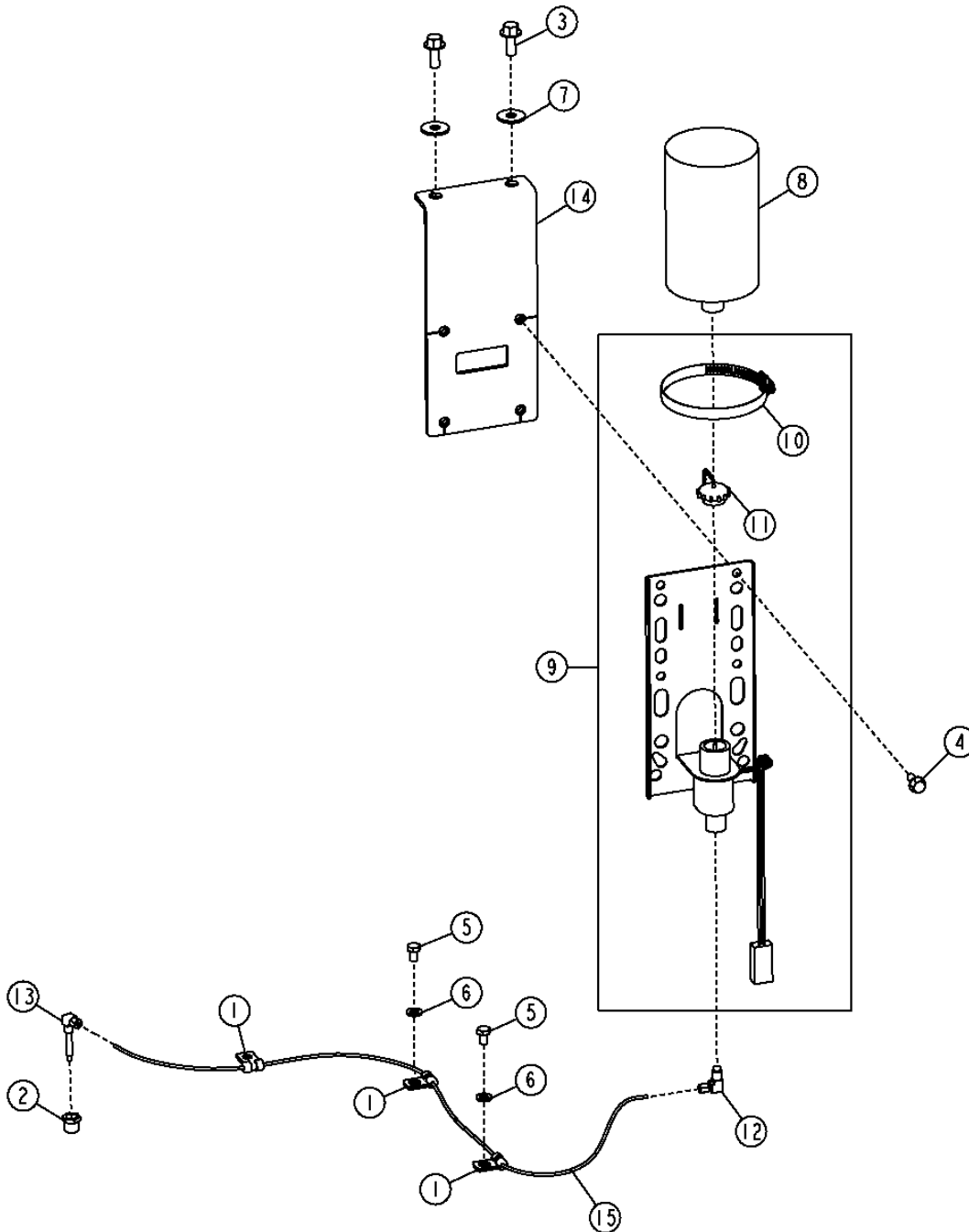
0505-4

ENGINE AUXILIARY SYSTEMS 05
COLD WEATHER STARTING AIDS 0505

ETHER STARTING AID AIDE AU DEMARRAGE ETHER FLUIDO AUXILIAR DE ARRANQUE

TX1054329

-UN-15JAN09



TX1054329

0505-5

ENGINE AUXILIARY SYSTEMS 05
COLD WEATHER STARTING AIDS 0505

**ETHER STARTING AID
AIDE AU DEMARRAGE ETHER
FLUIDO AUXILIAR DE ARRANQUE**

KEY	PART NO.	PART NAME	QTY.	SERIAL NO.	REMARKS
1	T74410	CLAMP	3		
2	15H511	PIPE BUSHING	1	1/8"	
3	19M7785	SCREW	2	M10 X 25	
4	19M7866	SCREW	4	M8 X 20	
5	19M7964	CAP SCREW	2	M8 X 12	
6	24M7238	WASHER	2	8.700 X 17 X 2 MM	
7	24M7296	WASHER	2	10.500 X 30 X 2.500 MM	
8	AT183423	STARTING FLUID	1		
9	AT358073	STARTING AID	1		
10	AR21842	CLAMP	1		
11	AT171539	CAP	1		
12	AT358852	ELBOW FITTING	1		
13	AT367911	ELBOW FITTING	1		
14	AT364181	BRACKET	1		
15	BULK HOSE	1		(MAKE FROM T78593) (CTL 2.75 FT.)

0505-6

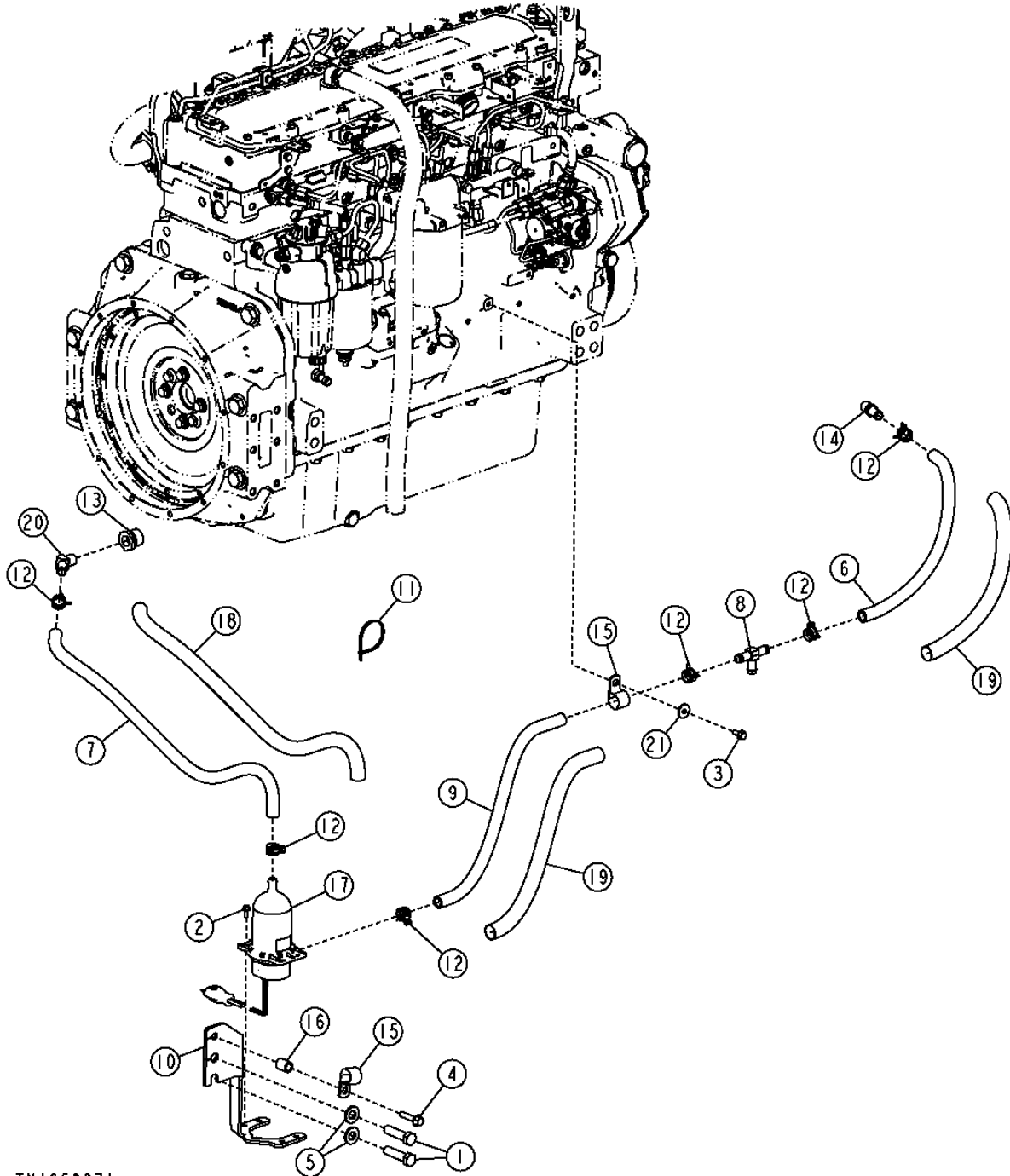
ENGINE AUXILIARY SYSTEMS 05

COLD WEATHER STARTING AIDS 0505

ENGINE COOLANT HEATER (120V) (6090HDW01 / 6090HDW04)
CHAUFFE-BLOC MOTEUR (120V) (6090HDW01 / 6090HDW04)
CALEFACTOR DE REFRIGERANTE DE MOTOR (120V) (6090HDW01 / 6090HDW04)

TX1056971

-UN-17MAR09



TX1056971

THIS PARTS LISTING IS CONTINUED

0505-7

ENGINE AUXILIARY SYSTEMS 05

COLD WEATHER STARTING AIDS 0505

ENGINE COOLANT HEATER (120V) (6090HDW01 / 6090HDW04)
 CHAUFFE-BLOC MOTEUR (120V) (6090HDW01 / 6090HDW04)
 CALEFACTOR DE REFRIGERANTE DE MOTOR (120V) (6090HDW01 / 6090HDW04)

KEY	PART NO.	PART NAME	QTY.	SERIAL NO.	REMARKS
1	19M7759	CAP SCREW	2		M16 X 60
2	19M7775	SCREW	4		M6 X 16
3	19M7866	SCREW	1		M8 X 20
4	19M7805	SCREW	1		M10 X 45
5	24M7241	WASHER	2		17 X 34 X 4 MM
6	BULK HOSE	1		(MAKE FROM TY22328) (CTL 1.52 FT.)
7	BULK HOSE	1		(MAKE FROM TY22328) (CTL 2.71 FT.)
8	AT357999	CHECK VALVE	1		
9	BULK HOSE	1		(MAKE FROM TY22328) (CTL 1.71 FT.)
10	AT360965	BRACKET	1		
11	H77698	TIE BAND	7		
12	R117721	CLAMP	6		
13	R128400	PIPE BUSHING	1		
14	R41985	FITTING	1		
15	R46667	CLAMP	2		
16	T139939	SPACER	1		
17	TT10004	COOLANT HEATER	1		
18	T256241	HOSE GUARD	1		
19	T256242	HOSE GUARD	2		
20	T27077	HOSE FITTING	1		
21	24M7024	WASHER	1		9 X 28 X 3 MM

0505-8

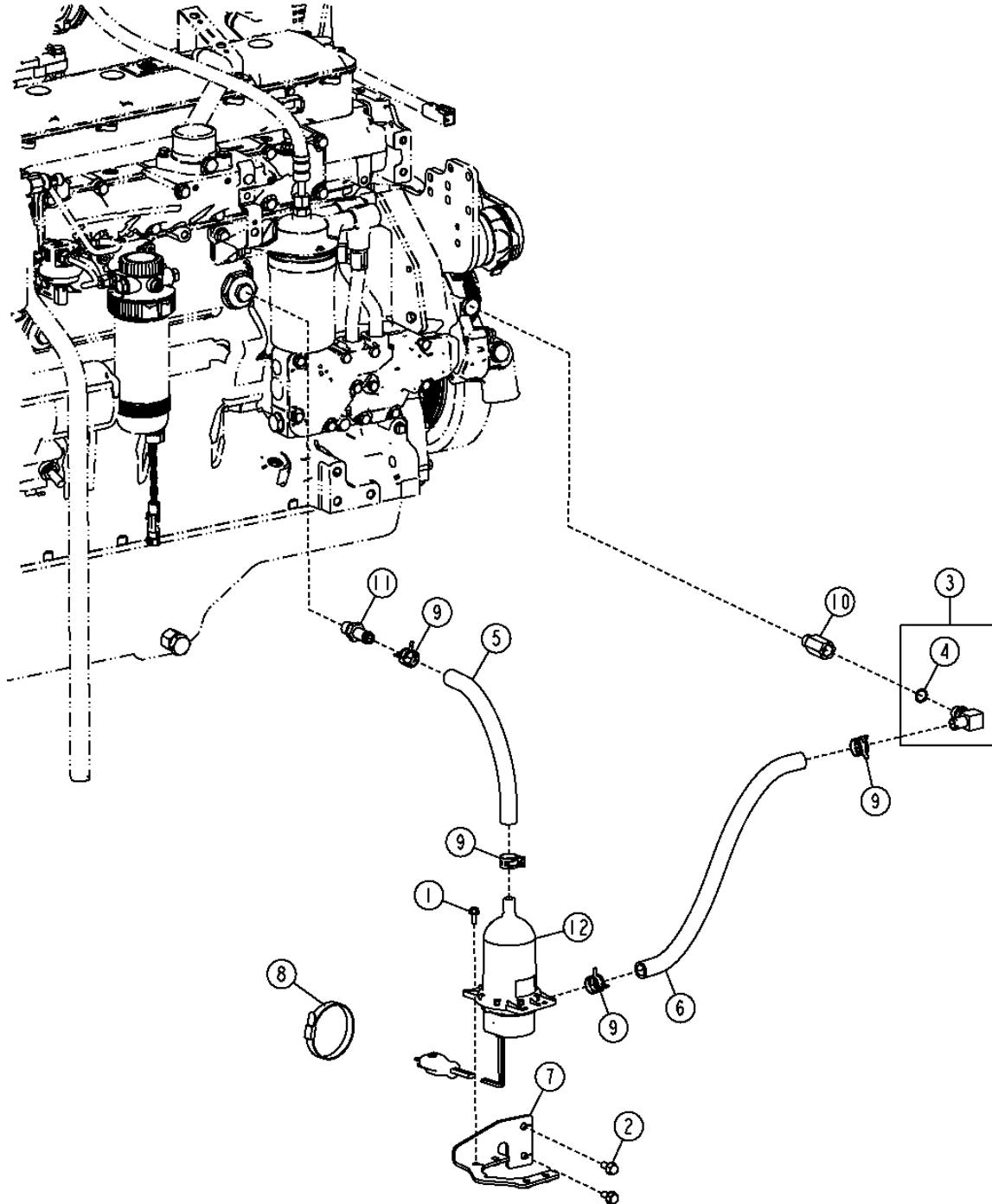
ENGINE AUXILIARY SYSTEMS 05

COLD WEATHER STARTING AIDS 0505

ENGINE COOLANT HEATER (120V) (6068HDW75)
CHAUFFE-BLOC MOTEUR (120V) (6068HDW75)
CALEFACTOR DE REFRIGERANTE DE MOTOR (120V) (6068HDW75)

TX1050781

-UN-11NOV08



TX1050781

0505-9

ENGINE AUXILIARY SYSTEMS 05

COLD WEATHER STARTING AIDS 0505

ENGINE COOLANT HEATER (120V) (6068HDW75)
CHAUFFE-BLOC MOTEUR (120V) (6068HDW75)
CALEFACTOR DE REFRIGERANTE DE MOTOR (120V) (6068HDW75)

KEY	PART NO.	PART NAME	QTY.	SERIAL NO.	REMARKS
1	19M7775	SCREW	4		M6 X 16
2	19M7866	SCREW	2		M8 X 20
3	AT174697	ELBOW FITTING	1		
4	51M7043	O-RING	1		
5	RADIATOR HOSE	1		(MAKE FROM TY22328) (CTL 0.87 FT.)
6	RADIATOR HOSE	1		(MAKE FROM TY22328) (CTL 1.39 FT.)
7	AT366526	BRACKET	1		
8	N189220	TIE BAND	1		
9	R117721	CLAMP	4		
10	RE520229	ADAPTER FITTING	1		
11	RE67207	FITTING	1		
12	TT10004	COOLANT HEATER	1		

0505-10

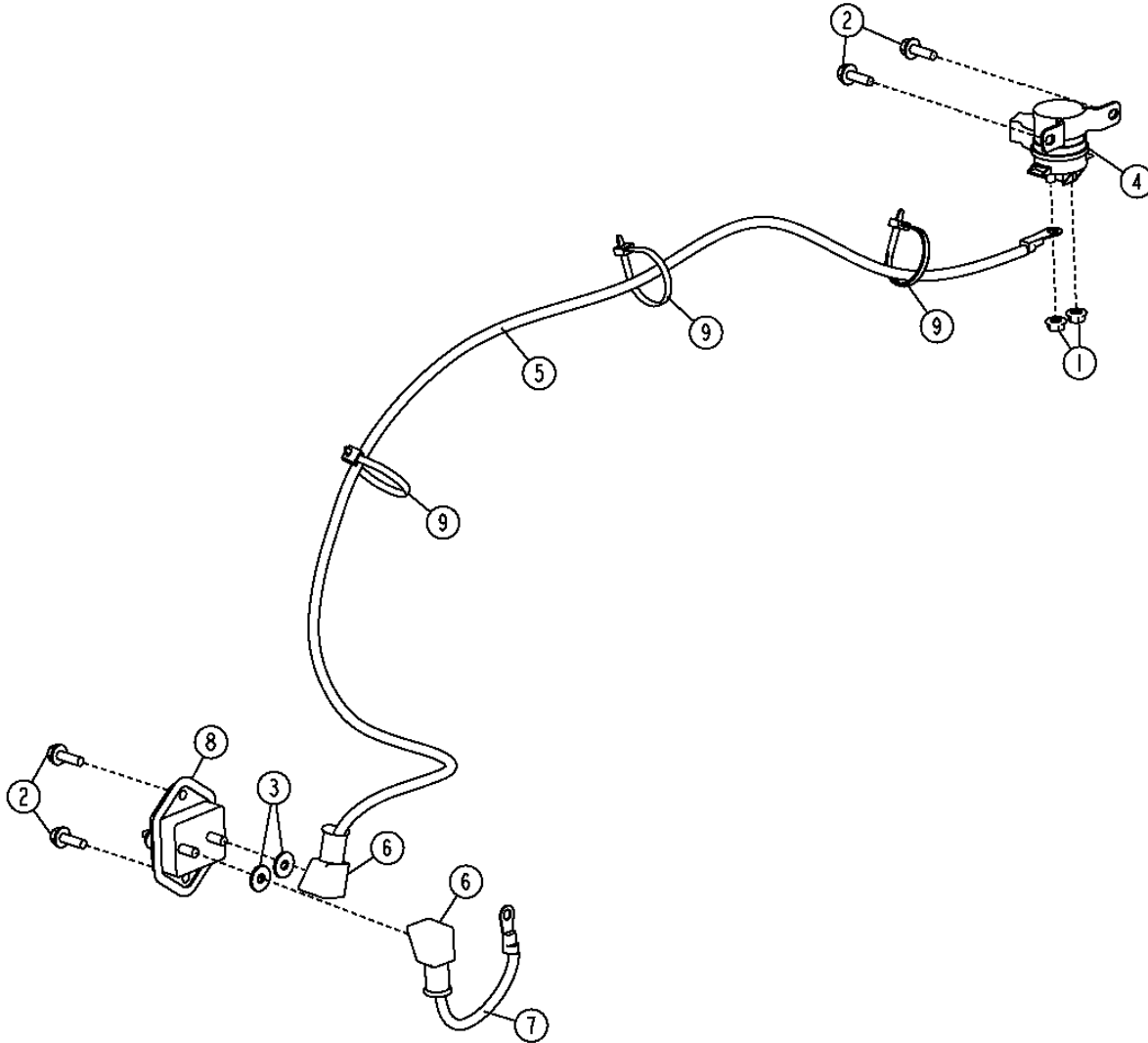
ENGINE AUXILIARY SYSTEMS 05

COLD WEATHER STARTING AIDS 0505

GLOW PLUG WIRING HARNESS FAISCEAU DE CABLAGE DE BOUGIE DE PRECHAUFFAGE ARNES DE ALAMBRADO DE BUJIAS

TX1048842

-UN-23OCT08



TX1048842

THIS PARTS LISTING IS CONTINUED

0505-11

ENGINE AUXILIARY SYSTEMS 05

COLD WEATHER STARTING AIDS 0505

GLOW PLUG WIRING HARNESS
FAISCEAU DE CABLAGE DE BOUGIE DE PRECHAUFFAGE
ARNES DE ALAMBRADO DE BUJIAS

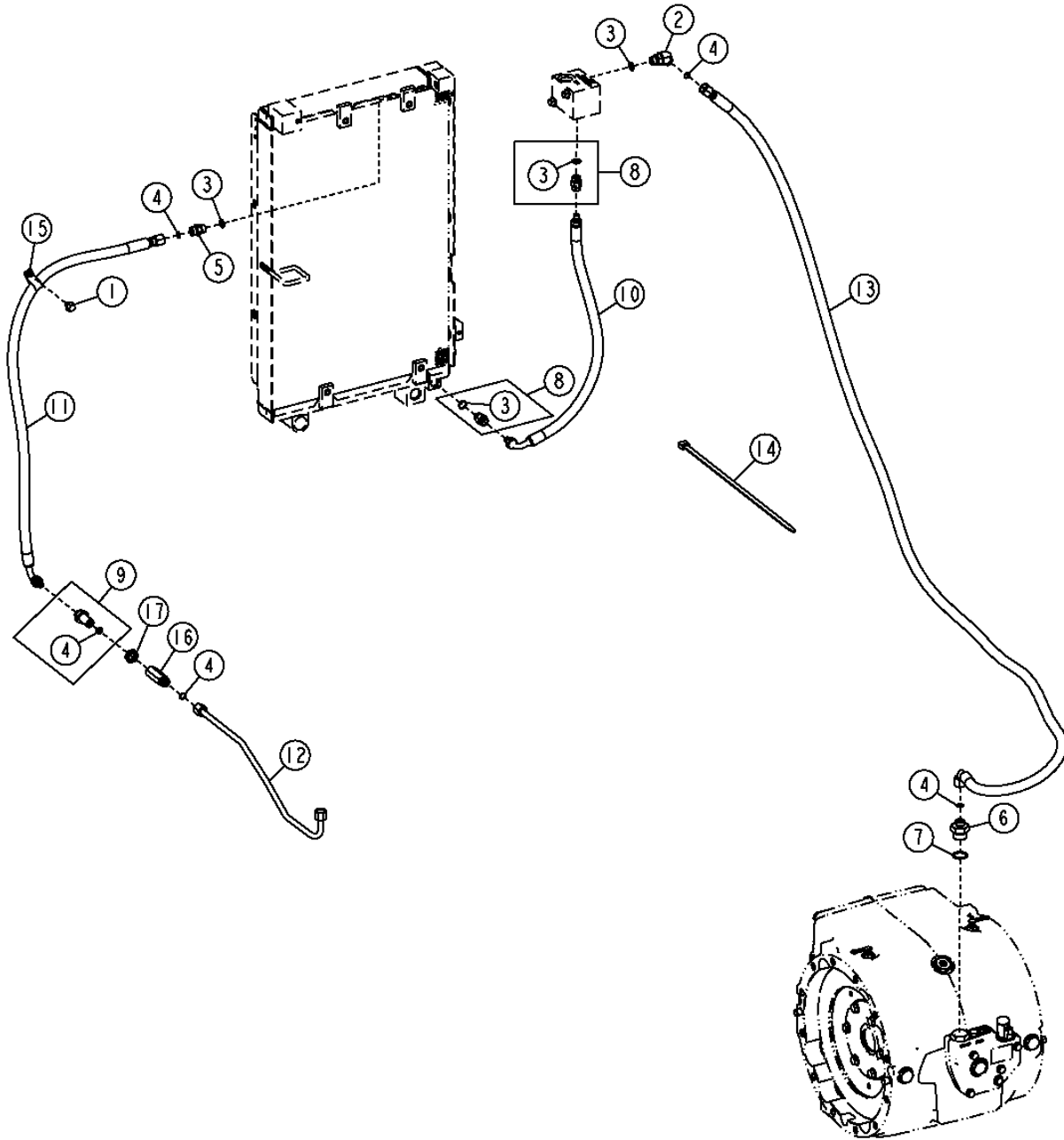
KEY	PART NO.	PART NAME	QTY.	SERIAL NO.	REMARKS
1	14M7303	FLANGE NUT	2		M6
2	19M7862	SCREW	4		M6 X 20
3	24M7139	WASHER	2		6.400 X 18 X 1.600 MM
4	AT145341	RELAY	1		
5	AT337324	WIRE	1		(CIRCUIT BREAKER TO RELAY)
6	M135512	BOOT	2		
7	AT341756	WIRE	1		(CIRCUIT BREAKER TO CIRCUIT BREAKER)
8	F125640	CIRCUIT BREAKER	1		
9	R44302	TIE BAND	3		

0510-2

ENGINE AUXILIARY SYSTEMS 05
ENGINE COOLING SYSTEMS 0510

DIFFERENTIAL COOLER HOSES FLEXIBLES DE REFROIDISSEUR DE DIFFERENTIEL MANGUERAS DE ENFRIADOR DE DIFERENCIAL

TX1050019 -UN-22OCT08



TX1050019

0510-3

ENGINE AUXILIARY SYSTEMS 05
ENGINE COOLING SYSTEMS 0510

DIFFERENTIAL COOLER HOSES
FLEXIBLES DE REFROIDISSEUR DE DIFFERENTIEL
MANGUERAS DE ENFRIADOR DE DIFERENCIAL

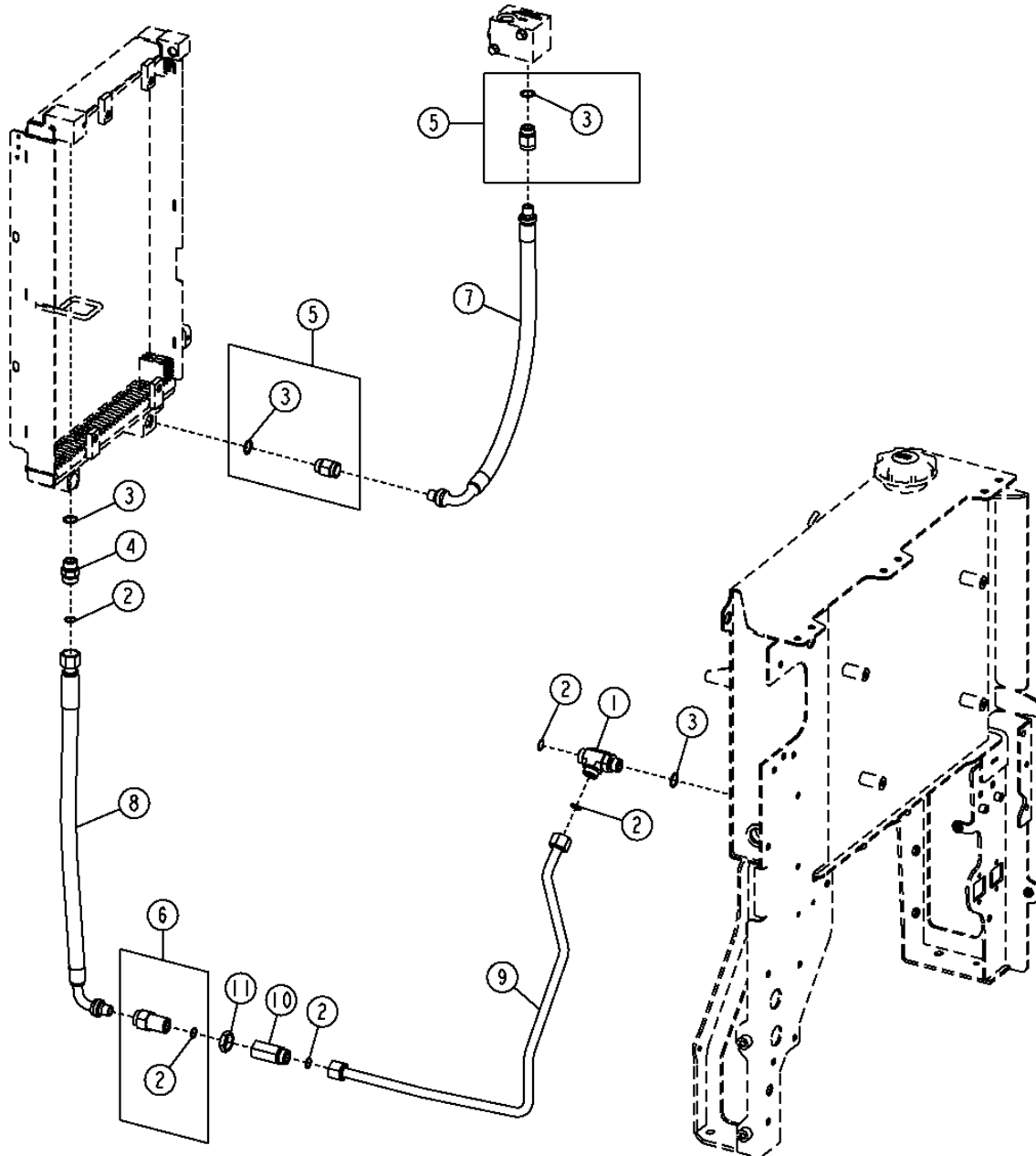
KEY	PART NO.	PART NAME	QTY.	SERIAL NO.	REMARKS
1	19M7783	SCREW	1		M10 X 16
2	38H1046	ELBOW FITTING	1		
3	R26375	O-RING	4		
4	T77857	O-RING	5		
5	38H1161	ADAPTER FITTING	1		
6	38H1176	ADAPTER FITTING	1		
7	R29936	O-RING	1		
8	62H1002	ADAPTER FITTING	2		
9	62H1066	ADAPTER FITTING	1		
10	AT326392	HYDRAULIC HOSE	1		
11	AT326393	HYDRAULIC HOSE	1		
12	AT337829	LINE	1		
13	AT338500	HYDRAULIC HOSE - FABRICATE	1		
14	N189220	TIE BAND	1		
15	T102934	CLAMP	1		
16	T238922	ADAPTER	1		
17	T78716	NUT	1		

0510-4

ENGINE AUXILIARY SYSTEMS 05
ENGINE COOLING SYSTEMS 0510

HYDRAULIC OIL COOLER HOSES CONDUITE DE REFROIDISSEUR D'HUILE HYDRAULIQUE TUBERIA DE ENFRIADOR DE ACEITE HIDRAULICO

TX1050023 -UN-21OCT08



TX1050023

0510-5

ENGINE AUXILIARY SYSTEMS 05
ENGINE COOLING SYSTEMS 0510

HYDRAULIC OIL COOLER HOSES
CONDUITE DE REFROIDISSEUR D'HUILE HYDRAULIQUE
TUBERIA DE ENFRIADOR DE ACEITE HIDRAULICO

KEY	PART NO.	PART NAME	QTY.	SERIAL NO.	REMARKS
1	38H1026	TEE FITTING	1		
2	T77858	O-RING	5		
3	U12547	O-RING	4		
4	38H1163	ADAPTER FITTING	1		
5	62H1004	ADAPTER FITTING	2		
6	62H1067	ADAPTER FITTING	1		
7	AT326396	HYDRAULIC HOSE	1		
8	AT336296	HYDRAULIC HOSE	1		
9	AT357548	OIL LINE	1		
10	T238914	ADAPTER	1		
11	T78707	NUT	1		

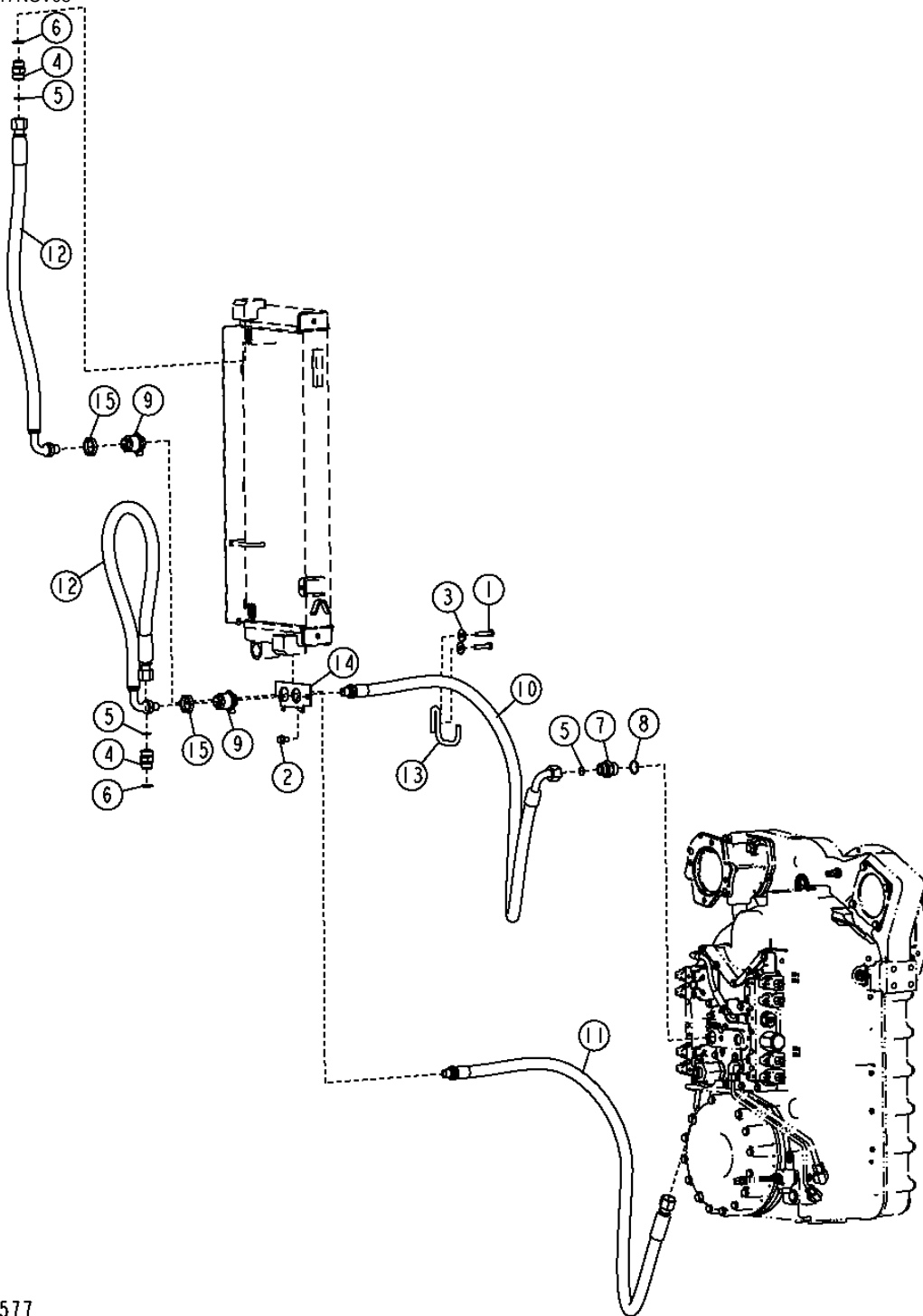
0510-6

ENGINE AUXILIARY SYSTEMS 05
ENGINE COOLING SYSTEMS 0510

TRANSMISSION COOLER HOSES FLEXIBLES DU REFROIDISSEUR D'HUILE DE TRANSMISSION MANGUERAS DE ENFRIADOR DE TRANSMISION

TX1049577

-UN-17NOV08



TX1049577

0510-7

ENGINE AUXILIARY SYSTEMS 05
ENGINE COOLING SYSTEMS 0510

TRANSMISSION COOLER HOSES
FLEXIBLES DU REFROIDISSEUR D'HUILE DE TRANSMISSION
MANGUERAS DE ENFRIADOR DE TRANSMISION

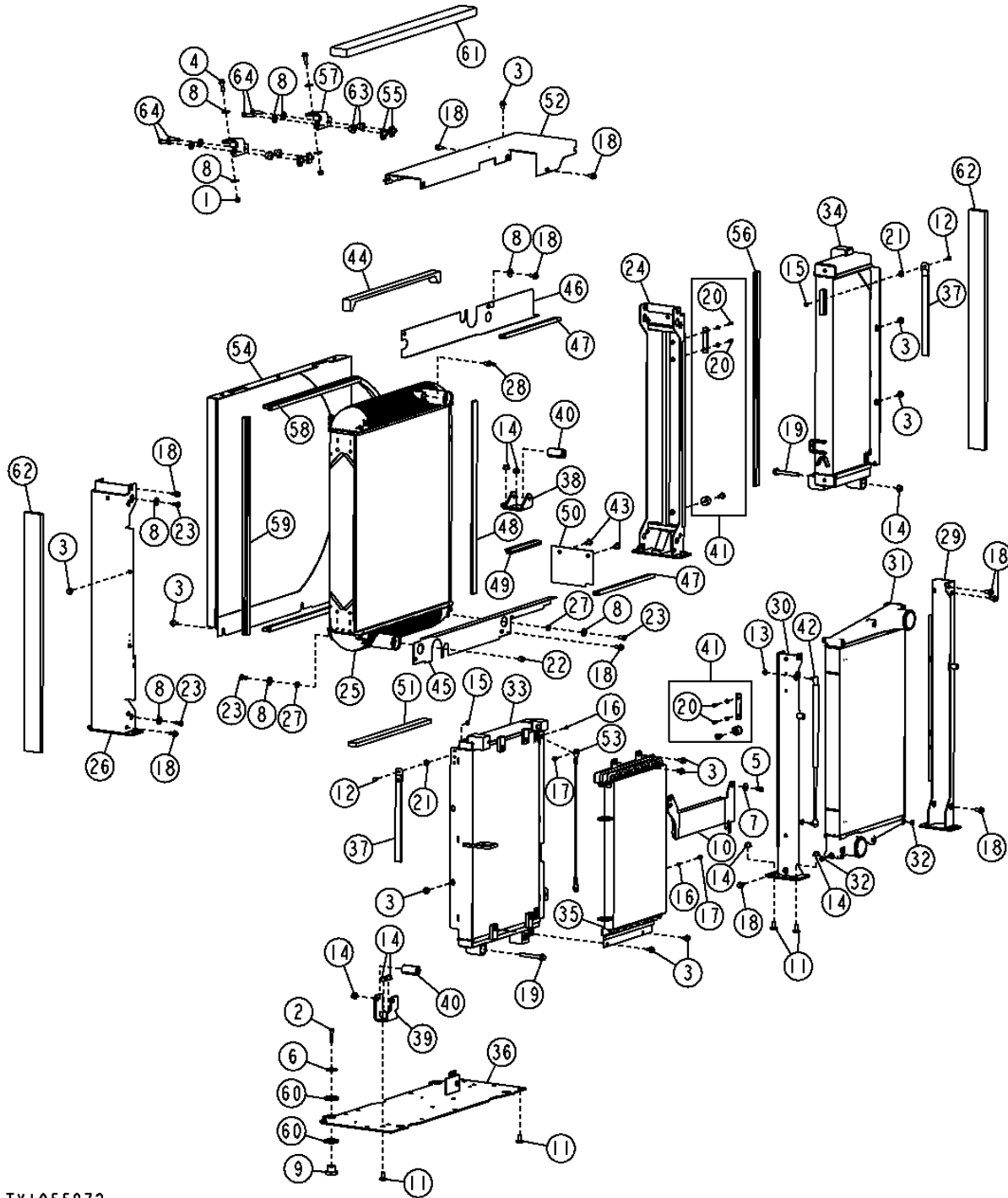
KEY	PART NO.	PART NAME	QTY.	SERIAL NO.	REMARKS
1	19M7572	CAP SCREW	2		M10 X 45
2	19M7784	SCREW	1		M10 X 20
3	24M7296	WASHER	2		10.500 X 30 X 2.500 MM
4	38H1163	ADAPTER FITTING	2		
5	T77858	O-RING	3		
6	U12547	O-RING	2		
7	38H1194	ADAPTER FITTING	1		
8	R29936	O-RING	1		
9	62H1061	ADAPTER FITTING	2		
10	AT326390	HYDRAULIC HOSE - FABRICATE	1		
11	AT326391	HYDRAULIC HOSE - FABRICATE	1		
12	AT335697	HYDRAULIC HOSE	2		
13	T230016	HOSE SUPPORT	1		
14	T251169	PLATE	1		
15	T78715	NUT	2		

0510-8

ENGINE AUXILIARY SYSTEMS 05
ENGINE COOLING SYSTEMS 0510

COOLING SYSTEM (6090HDW01 / 6090HDW04)
CIRCUIT DE REFRROIDISSEMENT (6090HDW01 / 6090HDW04)
SISTEMA DE ENFRIAMIENTO (6090HDW01 / 6090HDW04)

TX1055872 -UN-24FEB09



TX1055872

0510-9

ENGINE AUXILIARY SYSTEMS 05
ENGINE COOLING SYSTEMS 0510

**COOLING SYSTEM (6090HDW01 / 6090HDW04)
CIRCUIT DE REFRROIDISSEMENT (6090HDW01 / 6090HDW04)
SISTEMA DE ENFRIAMIENTO (6090HDW01 / 6090HDW04)**

KEY	PART NO.	PART NAME	QTY.	SERIAL NO.	REMARKS
1	14M7517	LOCK NUT	2		M10
2	19M7572	CAP SCREW	4		M10 X 45
3	19M7783	SCREW	14		M10 X 16
4	19M7835	SCREW	2		M10 X 35
5	19M7866	SCREW	2		M8 X 20
6	24H1718	WASHER	4		10.312 X 41.275 X 3.404 MM
7	24M7024	WASHER	2		9 X 28 X 3 MM
8	24M7296	WASHER	17		10.500 X 30 X 2.500 MM
9	AT139776	ISOLATOR	4		
10	AT199908	FUEL COOLER	1		
11	03M7197	BOLT	12		M12 X 25
12	03M7221	BOLT	2		M6 X 16
13	14M7298	FLANGE NUT	4		M8
14	14M7299	FLANGE NUT	14		M12
15	14M7303	FLANGE NUT	2		M6
16	14M7528	LOCK NUT	2		M6
17	19M7775	SCREW	2		M6 X 16
18	19M7784	SCREW	16		M10 X 20
19	19M7820	SCREW	2		M12 X 100
20	19M8406	SCREW	4		M6 X 20
21	24M7404	WASHER	2		12 X 20 X 3 MM
22	15H623	PIPE PLUG	1		3/8"
23	19M7938	CAP SCREW	8		M10 X 20
24	AT336096	CHANNEL	1		
25	AT336097	HEAT EXCHANGER	1		(RADIATOR)
26	AT336103	CHANNEL	1		
27	N100859	WASHER	8		
28	T229658	HOSE FITTING	1		
29	AT336131	CHANNEL	1		
30	AT336135	CHANNEL	1		
31	AT365067	INTERCOOLER	1		(CHARGE AIR COOLER)
32	N276750	WASHER	3		
33	AT314925	OIL COOLER	1		(DIFFERENTIAL)
34	AT314926	OIL COOLER	1		(TRANSMISSION)
35	AT314928	VAPOR CONDENSER	1		(AIR CONDITIONING)
36	AT336117	PLATE	1		
37	AT338717	STRAP	2		
38	AT359887	BRACKET	1		
39	AT359888	BRACKET	1		
40	AT363573	BUSHING	2		
41	AT363574	ISOLATOR KIT	2		
42	AT365393	GAS OPERATED CYLINDER	2		
43	MT2485	PLUG	2		
44	T227197	ISOLATOR	1		
45	T227198	DEFLECTOR	1		
46	T227199	DEFLECTOR	1		
47	ISOLATOR	2		(ORDER T227216) (CTL)
48	T227216	ISOLATOR	1		
49	T227234	ISOLATOR	1		
50	T228059	DEFLECTOR	1		
51	T231664	ISOLATOR	1		
52	T235943	FRAME	1		
53	T251394	CABLE	1		
54	AT342108	SHROUD	1		
55	H146457	NUT	4		
56	T203495	ISOLATOR	1		
57	T225892	ANGLE	2		
58	T227451	ISOLATOR	1		
59	ISOLATOR	1		(ORDER T227451) (CTL)
60	24M7455	WASHER	8		
61	T254010	DEFLECTOR	1		
62	T254061	DEFLECTOR	2		
63	U42208	ISOLATOR	4		
64	19M8637	CAP SCREW	4		M10 X 40

0510-10

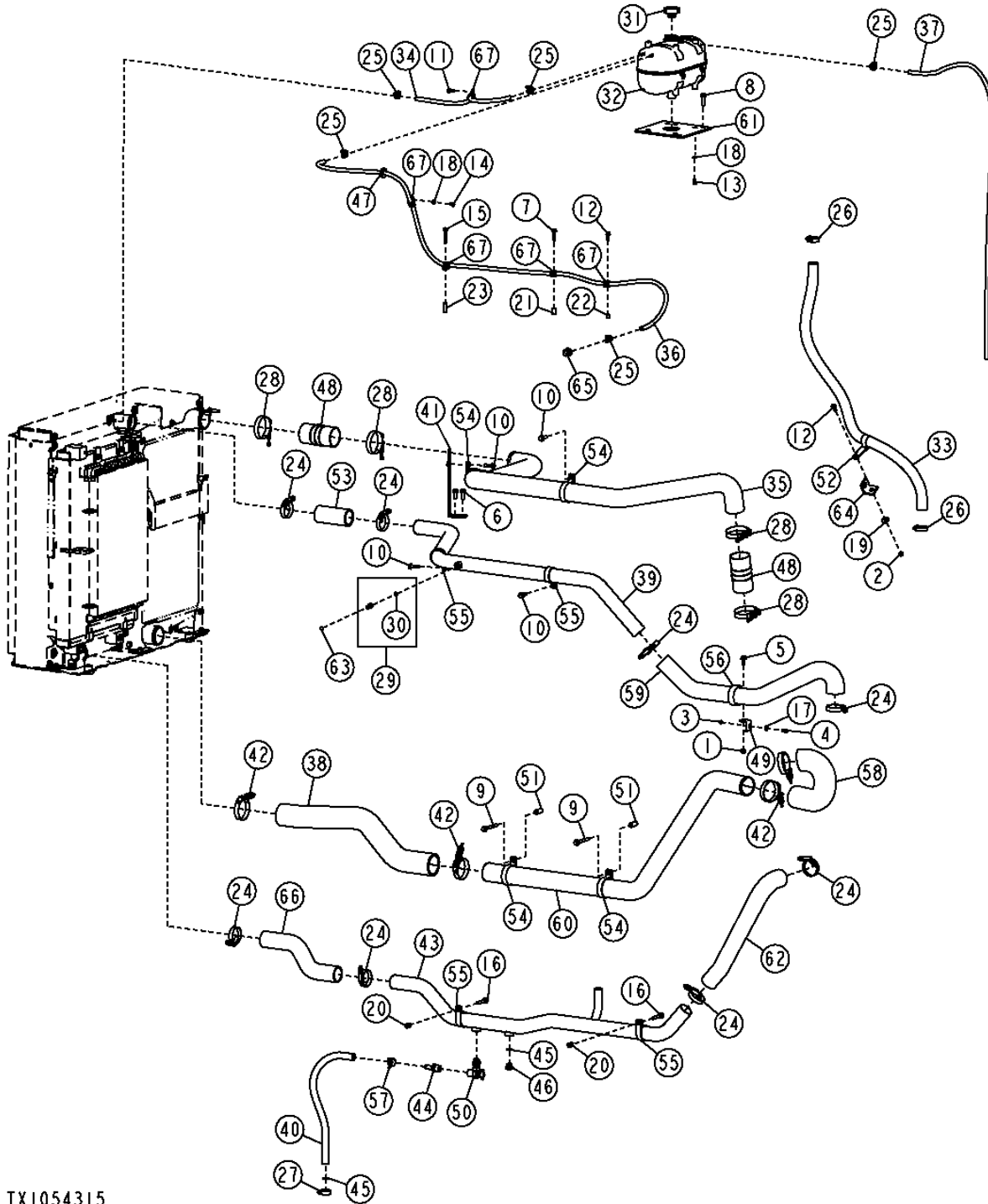
ENGINE AUXILIARY SYSTEMS 05

ENGINE COOLING SYSTEMS 0510

COOLING SYSTEM HOSES AND FITTINGS (6090HDW01 / 6090HDW04)
FLEXIBLES ET RACCORDS DU CIRCUIT DE REFOIDISSEMENT (6090HDW01 / 6090HDW04)
ADAPTADORES Y MANGUERAS DEL SISTEMA DE ENFRIAMIENTO (6090HDW01 / 6090HDW04)

TX1054315

-UN-26JAN09



TX1054315

0510-11

ENGINE AUXILIARY SYSTEMS 05

ENGINE COOLING SYSTEMS 0510

COOLING SYSTEM HOSES AND FITTINGS (6090HDW01 / 6090HDW04)
FLEXIBLES ET RACCORDS DU CIRCUIT DE REFRIGERATION (6090HDW01 / 6090HDW04)
ADAPTADORES Y MANGUERAS DEL SISTEMA DE ENFRIAMIENTO (6090HDW01 / 6090HDW04)

KEY	PART NO.	PART NAME	QTY.	SERIAL NO.	REMARKS
1	14M7296	FLANGE NUT	1		M10
2	14M7298	FLANGE NUT	1		M8
3	14M7303	FLANGE NUT	1		M6
4	19M7775	SCREW	1		M6 X 16
5	19M7785	SCREW	1		M10 X 25
6	19M7786	SCREW	2		M10 X 30
7	19M7798	SCREW	1		M8 X 40
8	19M7804	SCREW	2		M10 X 40
9	19M7811	SCREW	2		M10 X 90
10	19M7835	SCREW	4		M10 X 35
11	19M7866	SCREW	1		M8 X 20
12	19M7867	SCREW	2		M8 X 25
13	19M7932	CAP SCREW	4		M8 X 16
14	19M7964	CAP SCREW	1		M8 X 12
15	19M7979	SCREW	1		M8 X 55
16	19M7807	SCREW	2		M10 X 60
17	24M7139	WASHER	1		6.400 X 18 X 1.600 MM
18	24M7238	WASHER	5		8.700 X 17 X 2 MM
19	24M7296	WASHER	1		10.500 X 30 X 2.500 MM
20	28H3383	BUSHING	2		0.493" X 0.675" X 3/4"
21	28H3390	SPACER	1		0.364" X 0.540" X 1"
22	28H3450	SPACER	1		0.364" X 0.540" X 1/2"
23	28H3461	SPACER	1		0.364" X 0.540" X 1-1/2"
24	AH170895	CLAMP	8		
25	TY22464	CLAMP	5		
26	AR21839	CLAMP	2		
27	TY22539	HOSE CLAMP	1		
28	AT301456	CLAMP	4		
29	AT306111	FITTING	1		
30	R26448	O-RING	1		
31	AT310335	FILLER CAP	1		
32	AT326151	TANK	1		
33	AT328414	RADIATOR HOSE	1		
34	BULK HOSE	1		(MAKE FROM TY22324) (CTL 2.75 FT.)
35	AT335579	TUBE	1		(CHARGE AIR COOLER)
36	BULK HOSE	1		(MAKE FROM TY22324) (CTL 6.90 FT.)
37	BULK HOSE	1		(MAKE FROM TY22324) (CTL 6.00 FT.)
38	AT335686	HOSE	1		(CHARGE AIR COOLER)
39	AT335797	TUBE	1		(ENGINE COOLANT)
40	BULK HOSE	1		(MAKE FROM TY22328) (CTL 2.00 FT.)
41	AT343237	BRACKET	1		
42	AT359297	CLAMP	4		
43	AT362877	TUBE	1		(ENGINE COOLANT)
44	N306191	HOSE FITTING	1		
45	R26906	O-RING	2		
46	R27474	DRAIN PLUG	1		
47	R38454	GROMMET	1		
48	R500494	HOSE	2		
49	R500597	BRACKET	1		
50	RE509097	DRAIN VALVE	1		
51	28H1497	BUSHING	2		0.493" X 0.675" X 1-1/2"
52	T153064	CLAMP	1		
53	T160183	RADIATOR HOSE	1		
54	T160608	CLAMP	4		
55	T160609	CLAMP	4		
56	T162575	CLAMP	1		
57	T185826	CLAMP	1		
58	T210630	HOSE	1		(CHARGE AIR COOLER)
59	T210636	HOSE	1		(ENGINE COOLANT)
60	T210963	TUBE	1		(CHARGE AIR COOLER)
61	T213722	PLATE	1		
62	T214537	HOSE	1		(ENGINE COOLANT)
63	T217789	LABEL	1		
64	T219261	ANGLE	1		
65	T222360	HOSE FITTING	1		
66	T250441	HOSE	1		(ENGINE COOLANT)
67	T76252	CLAMP	5		

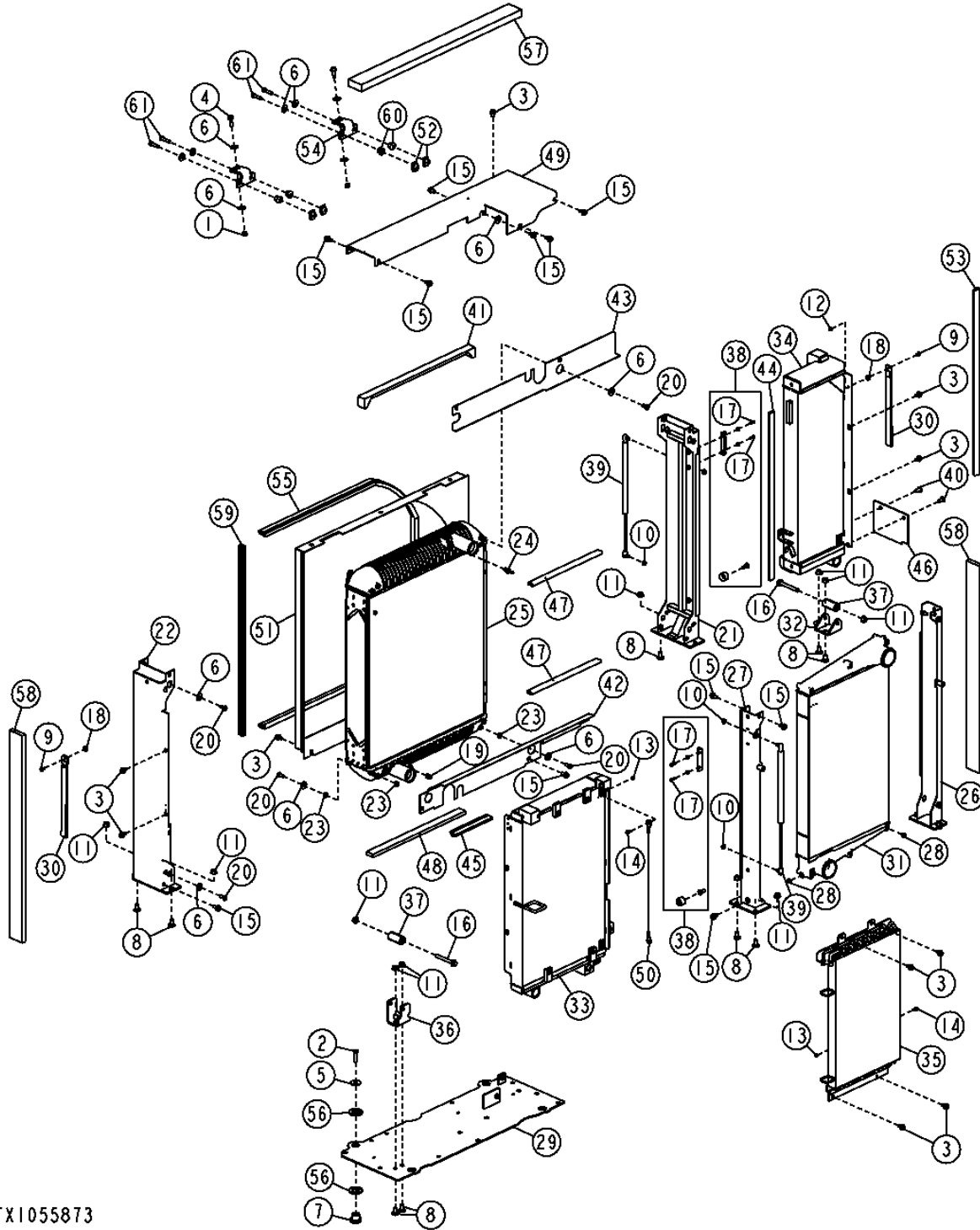
0510-12

ENGINE AUXILIARY SYSTEMS 05
ENGINE COOLING SYSTEMS 0510

COOLING SYSTEM (6068HDW75) CIRCUIT DE REFRROIDISSEMENT (6068HDW75) SISTEMA DE ENFRIAMIENTO (6068HDW75)

TX1055873

-UN-24FEB09



TX1055873

0510-13

ENGINE AUXILIARY SYSTEMS 05
ENGINE COOLING SYSTEMS 0510

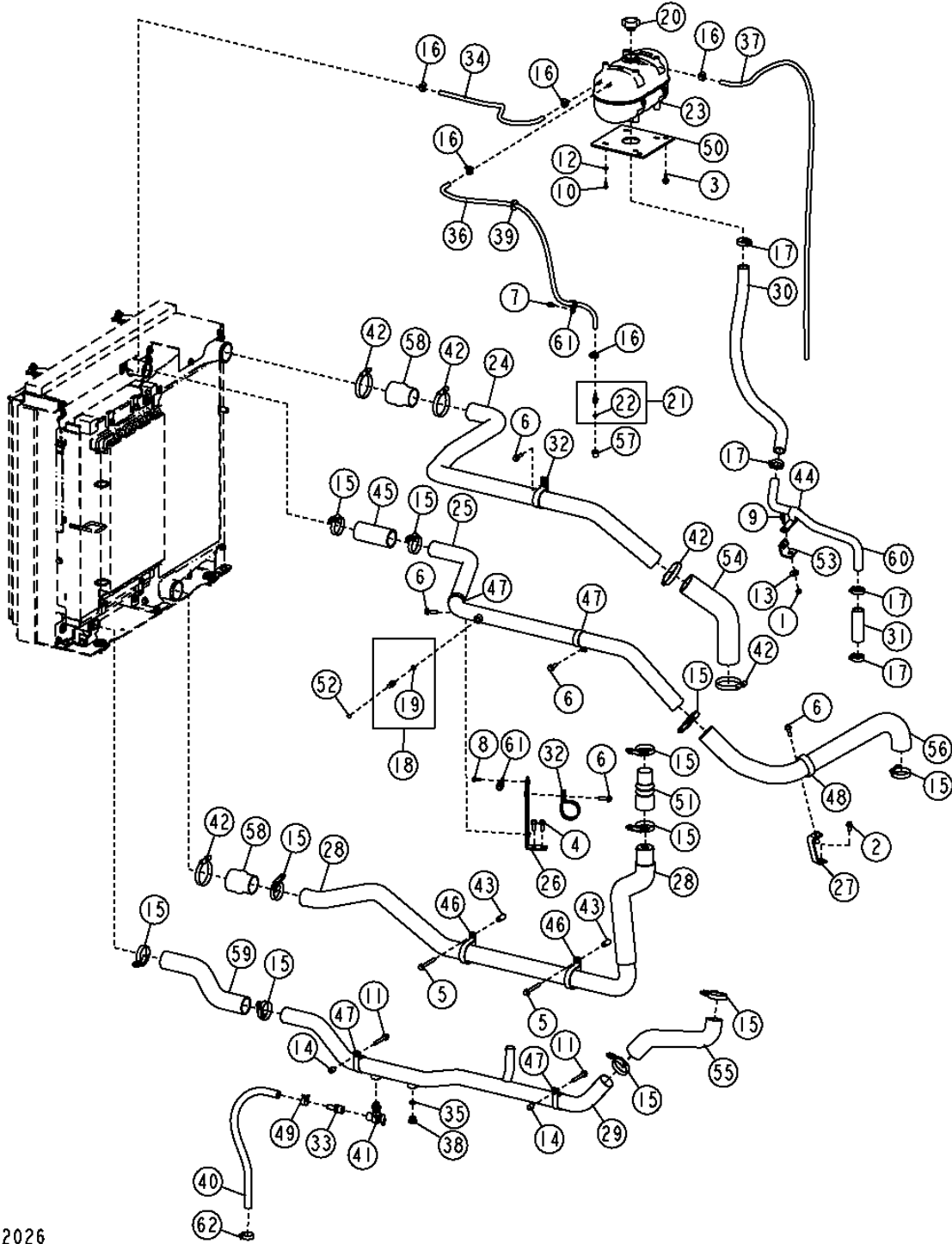
COOLING SYSTEM (6068HDW75)
CIRCUIT DE REFROIDISSEMENT (6068HDW75)
SISTEMA DE ENFRIAMIENTO (6068HDW75)

KEY	PART NO.	PART NAME	QTY.	SERIAL NO.	REMARKS
1	14M7517	LOCK NUT	2		M10
2	19M7572	CAP SCREW	4		M10 X 45
3	19M7783	SCREW	14		M10 X 16
4	19M7835	SCREW	2		M10 X 35
5	24H1718	WASHER	4		13/32" X 1-5/8" X 0.134"
6	24M7296	WASHER	17		10.500 X 30 X 2.500 MM
7	AT139776	ISOLATOR	4		
8	03M7197	BOLT	12		M12 X 25
9	03M7221	BOLT	2		M6 X 16
10	14M7298	FLANGE NUT	4		M8
11	14M7299	FLANGE NUT	14		M12
12	14M7303	FLANGE NUT	2		M6
13	14M7528	LOCK NUT	2		M6
14	19M7775	SCREW	2		M6 X 16
15	19M7784	SCREW	15		M10 X 20
16	19M7820	SCREW	2		M12 X 100
17	19M8406	SCREW	6		M6 X 20
18	24M7404	WASHER	2		12 X 20 X 3 MM
19	15H623	PIPE PLUG	1		3/8"
20	19M7938	CAP SCREW	8		M10 X 20
21	AT336096	CHANNEL	1		
22	AT336103	CHANNEL	1		
23	N100859	WASHER	8		
24	T229658	HOSE FITTING	1		
25	AT336097	HEAT EXCHANGER	1		(RADIATOR)
26	AT336131	CHANNEL	1		
27	AT336135	CHANNEL	1		
28	N276750	WASHER	3		
29	AT336117	PLATE	1		
30	AT338717	STRAP	2		
31	AT365067	INTERCOOLER	1		(CHARGE AIR COOLER)
32	AT359887	BRACKET	1		
33	AT314925	OIL COOLER	1		(DIFFERENTIAL)
34	AT314926	OIL COOLER	1		(TRANSMISSION)
35	AT314928	VAPOR CONDENSER	1		(AIR CONDITIONING)
36	AT359888	BRACKET	1		
37	AT363573	BUSHING	2		
38	AT363574	ISOLATOR KIT	2		
39	AT365393	GAS OPERATED CYLINDER	2		
40	MT2485	PLUG	2		
41	T227197	ISOLATOR	1		
42	T227198	DEFLECTOR	1		
43	T227199	DEFLECTOR	1		
44	T227216	ISOLATOR	1		
45	T227234	ISOLATOR	1		
46	T228059	DEFLECTOR	1		
47	ISOLATOR	2		(ORDER T227216) (CTL)
48	T231664	ISOLATOR	1		
49	T235943	FRAME	1		
50	T251394	CABLE	1		
51	AT342108	SHROUD	1		
52	H146457	NUT	4		
53	T203495	ISOLATOR	1		
54	T225892	ANGLE	2		
55	T227451	ISOLATOR	1		
56	24M7455	WASHER	8		
57	T254010	DEFLECTOR	1		
58	T254061	DEFLECTOR	2		
59	ISOLATOR	1		(ORDER T227451) (CTL)
60	U42208	ISOLATOR	4		
61	19M8637	CAP SCREW	4		M10 X 40

0510-14

COOLING SYSTEM HOSES AND FITTINGS (6068HDW75)
FLEXIBLES ET RACCORDS DU CIRCUIT DE REFFROIDISSEMENT (6068HDW75)
ADAPTADORES Y MANGUERAS DEL SISTEMA DE ENFRIAMIENTO (6068HDW75)

TX1052026 -UN-09DEC08



TX1052026

0510-15

ENGINE AUXILIARY SYSTEMS 05
ENGINE COOLING SYSTEMS 0510

COOLING SYSTEM HOSES AND FITTINGS (6068HDW75)
FLEXIBLES ET RACCORDS DU CIRCUIT DE REFFROIDISSEMENT (6068HDW75)
ADAPTADORES Y MANGUERAS DEL SISTEMA DE ENFRIAMIENTO (6068HDW75)

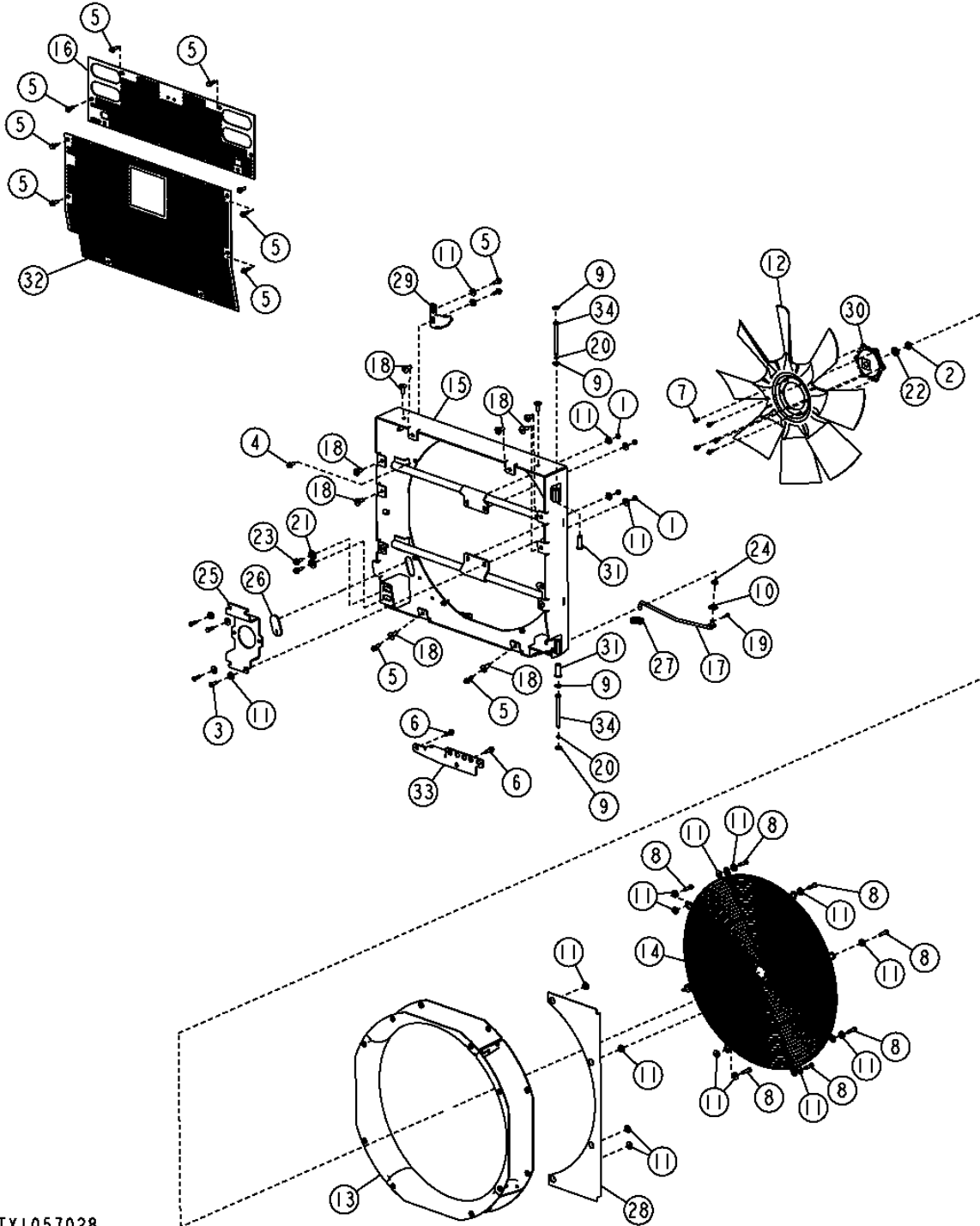
KEY	PART NO.	PART NAME	QTY.	SERIAL NO.	REMARKS
1	14M7298	FLANGE NUT	1		M8
2	19M7784	SCREW	1		M10 X 20
3	19M7785	SCREW	2		M10 X 25
4	19M7786	SCREW	2		M10 X 30
5	19M7811	SCREW	2		M10 X 90
6	19M7835	SCREW	5		M10 X 35
7	19M7865	SCREW	1		M8 X 16
8	19M7866	SCREW	1		M8 X 20
9	19M7867	SCREW	1		M8 X 25
10	19M7932	CAP SCREW	4		M8 X 16
11	19M7807	SCREW	2		M10 X 60
12	24M7238	WASHER	4		8.700 X 17 X 2 MM
13	24M7296	WASHER	1		10.500 X 30 X 2.500 MM
14	28H3383	BUSHING	2		0.493" X 0.675" X 3/4"
15	AH170895	CLAMP	11		
16	TY22464	CLAMP	5		
17	AR21839	CLAMP	4		
18	AT306111	FITTING	1		
19	R26448	O-RING	1		
20	AT310335	FILLER CAP	1		
21	AT323961	ADAPTER FITTING	1		
22	51M7040	O-RING	1		
23	AT326151	TANK	1		
24	AT335583	TUBE	1		(CHARGE AIR COOLER)
25	AT335797	TUBE	1		(ENGINE COOLANT)
26	AT343237	BRACKET	1		
27	AT353752	BRACKET	1		
28	AT362319	TUBE	1		(CHARGE AIR COOLER)
29	AT362877	TUBE	1		(ENGINE COOLANT)
30	AT363355	RADIATOR HOSE	1		
31	AT364044	RADIATOR HOSE	1		
32	F1451R	CLAMP	2		
33	N306191	HOSE FITTING	1		
34	BULK HOSE	1		(MAKE FROM TY22324) (CTL 2.75 FT.)
35	R26906	O-RING	1		
36	BULK HOSE	1		(MAKE FROM TY22324) (CTL 4.00 FT.)
37	BULK HOSE	1		(MAKE FROM TY22324) (CTL 6.00 FT.)
38	R27474	DRAIN PLUG	1		
39	R38454	GROMMET	1		
40	BULK HOSE	1		(MAKE FROM TY22328) (CTL 2.00 FT.)
41	RE509097	DRAIN VALVE	1		
42	RE52702	CLAMP	5		
43	28H1497	BUSHING	2		0.493" X 0.675" X 1-1/2"
44	T153064	CLAMP	1		
45	T160183	RADIATOR HOSE	1		
46	F1451R	CLAMP	2		
47	T160609	CLAMP	4		
48	T162575	CLAMP	1		
49	T185826	CLAMP	1		
50	T213722	PLATE	1		
51	T215077	HOSE	1		
52	T217789	LABEL	1		
53	T219261	ANGLE	1		
54	T223145	HOSE	1		(CHARGE AIR COOLER)
55	T223247	RADIATOR HOSE	1		(ENGINE COOLANT)
56	T223359	HOSE	1		(ENGINE COOLANT)
57	T227729	ADAPTER FITTING	1		
58	T246518	HOSE	2		
59	T250441	HOSE	1		(ENGINE COOLANT)
60	T252130	TUBE	1		
61	T76252	CLAMP	2		
62	TY22539	HOSE CLAMP	1		

0512-2

FAN, FAN DOOR AND FAN GUARD VENTILATEUR, PORTIERE AVEC VENTILATEUR ET PROTECTION VENTILATEUR VENTILADOR, PUERTA DEL VENTILADOR Y PROTECTOR DEL VENTILADOR

TX1057028

-UN-17MAR09



TX1057028

0512-3

ENGINE AUXILIARY SYSTEMS 05

FAN 0512

FAN, FAN DOOR AND FAN GUARD
 VENTILATEUR, PORTIERE AVEC VENTILATEUR ET PROTECTION VENTILATEUR
 VENTILADOR, PUERTA DEL VENTILADOR Y PROTECTOR DEL VENTILADOR

KEY	PART NO.	PART NAME	QTY.	SERIAL NO.	REMARKS
1	14M7274	NUT	4		M10
2	14H1041	NUT	1		15.875 MM
3	19M7662	CAP SCREW	4		M10 X 30
4	19M7785	SCREW	8		M10 X 25
5	19M7786	SCREW	12		M10 X 30
6	19M7835	SCREW	2		M10 X 35
7	19M7866	SCREW	6		M8 X 20
8	19M8637	CAP SCREW	8		M10 X 40
9	24H1111	WASHER	4		17/32" X 1-1/16" X 0.090"
10	24H1330	WASHER	1		15/32" X 1-3/8" X 7/64"
11	24M7296	WASHER	26		10.500 X 30 X 2.500 MM
12	AT208006	FAN	1		
13	AT334407	SHROUD	1		
14	AT335245	SHIELD	1		
15	AT363161	RAW WELDMENT	1		
16	AT363166	GRILLE	1		
17	AT369363	ROD	1		
18	H173411	NUT	14		M10
19	J16931	PIN	1		
20	M43940	SNAP RING	2		
21	M88385	THRUST WASHER	2		0.768" X 1-1/2" X 0.090"
22	24M7090	WASHER	1		0.866" X 1.457" X 0.118"
23	R281148	BOLT	2		
24	T162238	GROMMET	1		
25	T254997	SUPPORT	1		
26	T201546	GROMMET	1		
27	T206435	GROMMET	1		
28	T226425	PLATE	1		
29	T226561	PLATE	1		
30	T254979	SPACER	1		
31	T231380	BUSHING	2		
32	T250777	GRILLE	1		
33	T252217	PLATE	1		
34	T253652	PIN	2		

0512-4

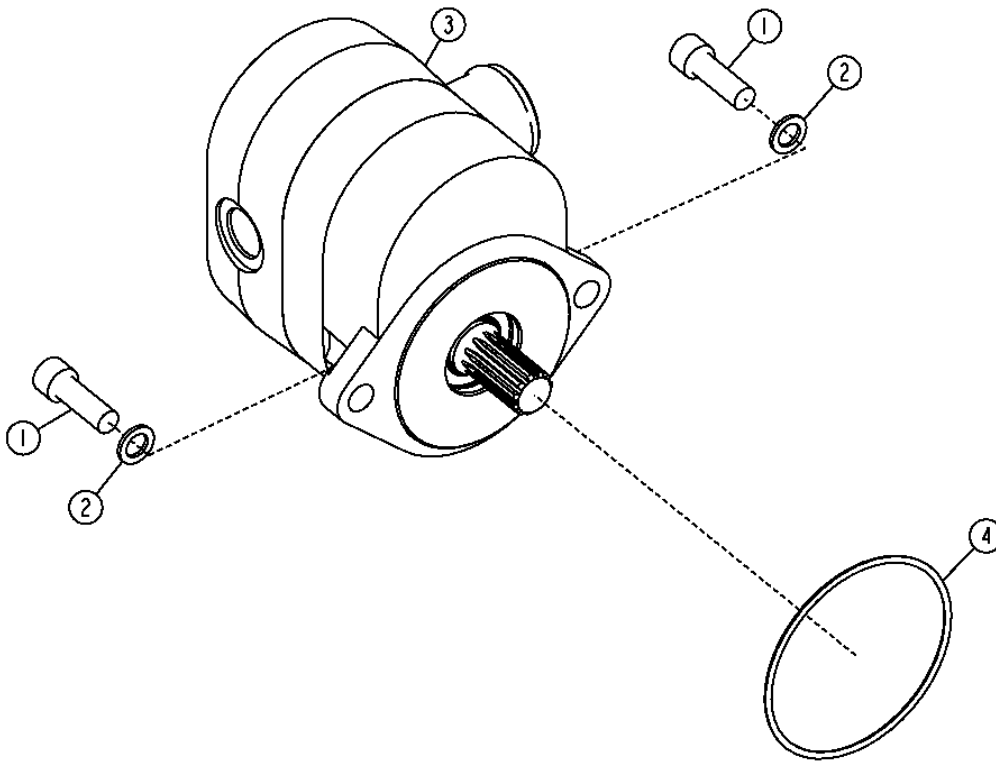
ENGINE AUXILIARY SYSTEMS 05

FAN 0512

FAN DRIVE PUMP
POMPE D'ENTRAINEMENT DE VENTILATEUR
BOMBA IMPULSORA DEL VENTILADOR

TX1050646

-UN-12NOV08



TX1050646

0512-5

ENGINE AUXILIARY SYSTEMS 05

FAN 0512

**FAN DRIVE PUMP
POMPE D'ENTRAÎNEMENT DE VENTILATEUR
BOMBA IMPULSORA DEL VENTILADOR**

KEY	PART NO.	PART NAME	QTY.	SERIAL NO.	REMARKS
1	19H2929	SCREW	2		3/8" X 1.120"
2	24M7346	WASHER	2		11 X 20 X 2 MM
3	AT364474	HYDRAULIC PUMP	1		
	AT317388	SEAL KIT	1		
4	U42702	O-RING	1		

0512-6

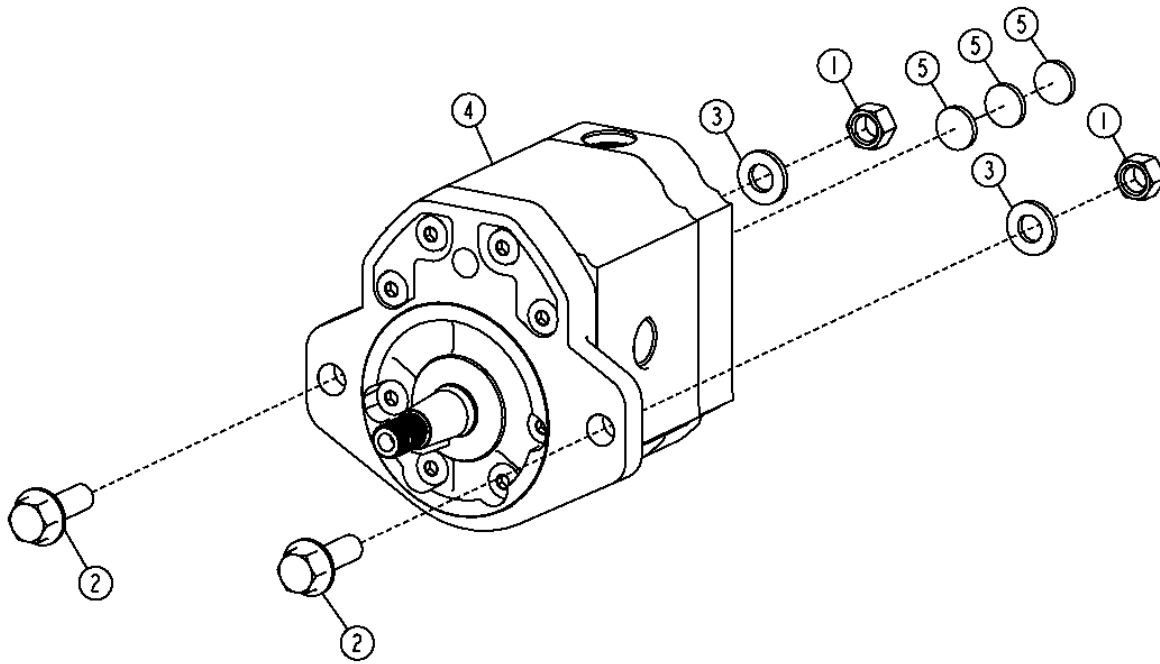
ENGINE AUXILIARY SYSTEMS 05

FAN 0512

FAN DRIVE MOTOR MOTEUR D'ENTRAÎNEMENT DE VENTILATEUR MOTOR DE MANDO DEL VENTILADOR

TX1054171

-UN-14JAN09



TX1054171

0512-7

ENGINE AUXILIARY SYSTEMS 05

FAN 0512

FAN DRIVE MOTOR
MOTEUR D'ENTRAÎNEMENT DE VENTILATEUR
MOTOR DE MANDO DEL VENTILADOR

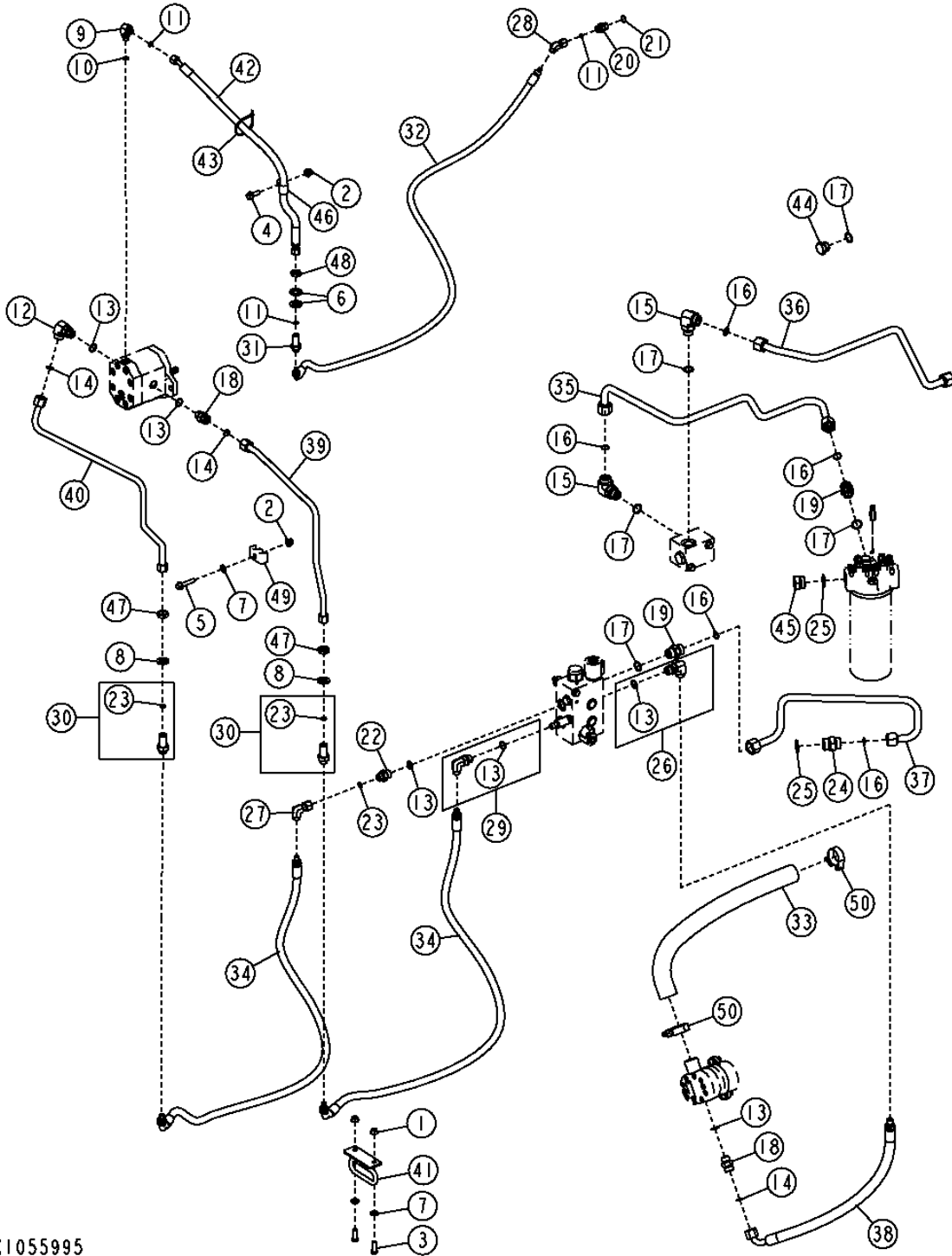
KEY	PART NO.	PART NAME	QTY.	SERIAL NO.	REMARKS
1	14M7275	NUT	2		M12
2	19M7790	SCREW	2		M12 X 35
3	24M7240	WASHER	2		13 X 25 X 3 MM
4	AT366546	HYDRAULIC MOTOR	1		
	26H103	SHAFT KEY	1		1/4" X 2-1/8"
	AT366958	SEAL KIT	1		
5	T173591	ISOLATOR	3		

0512-8

FAN DRIVE HYDRAULIC HOSES FLEXIBLES HYDRAULIQUES COMMANDE VENTILATEUR MANGUERAS HIDRAULICAS DE MANDO DEL VENTILADOR

TX1055995

-UN-24FEB09



TX1055995

0512-9

ENGINE AUXILIARY SYSTEMS 05

FAN 0512

FAN DRIVE HYDRAULIC HOSES
 FLEXIBLES HYDRAULIQUES COMMANDE VENTILATEUR
 MANGUERAS HIDRAULICAS DE MANDO DEL VENTILADOR

KEY	PART NO.	PART NAME	QTY.	SERIAL NO.	REMARKS
1	14M7296	FLANGE NUT	2		M10
2	14M7400	LOCK NUT	2		M10
3	19M7662	CAP SCREW	2		M10 X 30
4	19M7786	SCREW	1		M10 X 30
5	19M7806	SCREW	1		M10 X 50
6	24M7361	WASHER	2		19 X 34 X 3 MM
7	24M7239	WASHER	3		10.700 X 21 X 2.500 MM
8	24M7396	WASHER	2		21 X 34 X 3 MM
9	38H1004	ELBOW FITTING	1		
10	R26448	O-RING	1		
11	T77613	O-RING	3		
12	38H1006	ELBOW FITTING	1		
13	R26906	O-RING	6		
14	T77932	O-RING	3		
15	38H1007	ELBOW FITTING	2		
16	T77858	O-RING	5		
17	U12547	O-RING	5		
18	38H1162	ADAPTER FITTING	2		
19	38H1163	ADAPTER FITTING	2		
20	38H1171	ADAPTER FITTING	1		
21	R26375	O-RING	1		
22	38H1174	ADAPTER FITTING	1		
23	T77857	O-RING	3		
24	38H1194	ADAPTER FITTING	1		
25	R29936	O-RING	2		
26	62H1013	ADAPTER FITTING	1		
27	62H1022	ADAPTER FITTING	1		
28	62H1052	ADAPTER FITTING	1		
29	62H1059	ADAPTER FITTING	1		
30	62H1066	ADAPTER FITTING	2		
31	62H1076	ADAPTER FITTING	1		
32	AT325991	HYDRAULIC HOSE	1		
33	AT326548	HYDRAULIC HOSE - FABRICATE	1		
34	AT335726	HYDRAULIC HOSE	2		
35	AT337756	OIL LINE	1		
36	AT337763	LINE	1		
37	AT341622	OIL LINE	1		
38	AT341625	HYDRAULIC HOSE - FABRICATE	1		
39	AT363239	OIL LINE	1		
40	AT363264	OIL LINE	1		
41	AT364100	HOSE SUPPORT	1		
42	AT367789	HYDRAULIC HOSE - FABRICATE	1		
43	H77698	TIE BAND	1		
44	R27175	DRAIN PLUG	1		
45	R36636	FITTING PLUG	1		
46	T70659	CLAMP	1		
47	T78716	NUT	2		13/16"
48	T81029	NUT	1		11/16"
49	W34896	CLAMP	1		
50	RE25110	CLAMP	2		

0512-10

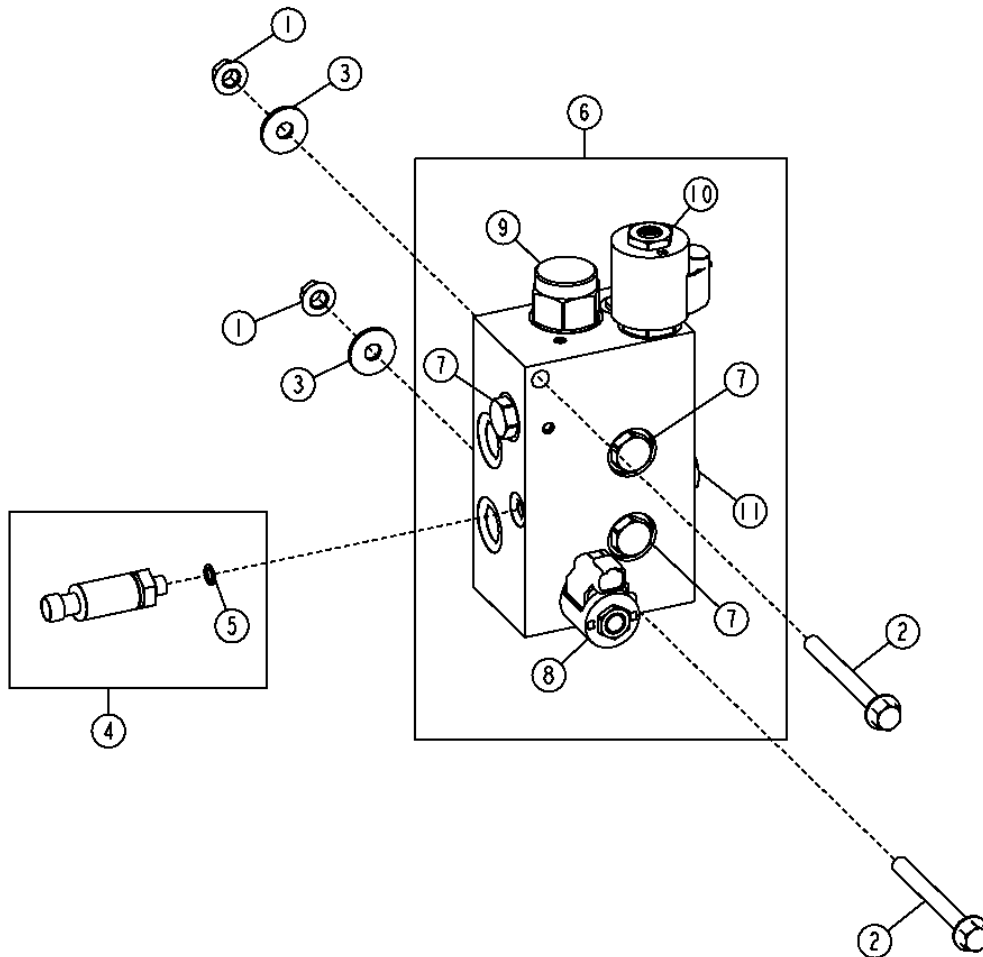
ENGINE AUXILIARY SYSTEMS 05

FAN 0512

REVERSE FAN DRIVE SOLENOID VALVE ELECTROVANNE DE COMMANDE DINVERSION DE SENS DU VENTILATEUR VALVULA DE SOLENOIDE DE MANDO DE RETROCESO DEL VENTILADOR

TX1054172

-UN-14JAN09



TX1054172

0512-11

ENGINE AUXILIARY SYSTEMS 05

FAN 0512

REVERSE FAN DRIVE SOLENOID VALVE
ELECTROVANNE DE COMMANDE DINVERSION DE SENS DU VENTILATEUR
VALVULA DE SOLENOIDE DE MANDO DE RETROCESO DEL VENTILADOR

KEY	PART NO.	PART NAME	QTY.	SERIAL NO.	REMARKS
1	14M7296	FLANGE NUT	2		M10
2	19M7812	SCREW	2		M10 X 100
3	24M7296	WASHER	2		10.500 X 30 X 2.500 MM
4	AT322982	TRANSDUCER	1		
5	R28782	O-RING	1		
6	AT366516	SOLENOID VALVE	1		
7	AT224570	CHECK VALVE	4		
	AT224862	SEAL KIT	1		
8	AT224866	SOLENOID VALVE	1		
	AT224706	SEAL KIT	1		
	AT333811	SOLENOID VALVE COIL	1		
	T225291	NUT	1		
9	AT226109	SOLENOID HYDRAULIC VALVE	1		
	AT226110	SEAL KIT	1		
10	AT366515	PRESSURE RELIEF VALVE	1		
	AN207423	SEAL KIT	1		
	AT333810	SOLENOID VALVE COIL	1		
	T225294	NUT	1		
11	AT224863	CHECK VALVE	1		
	AT224864	SEAL KIT	1		

0515-2

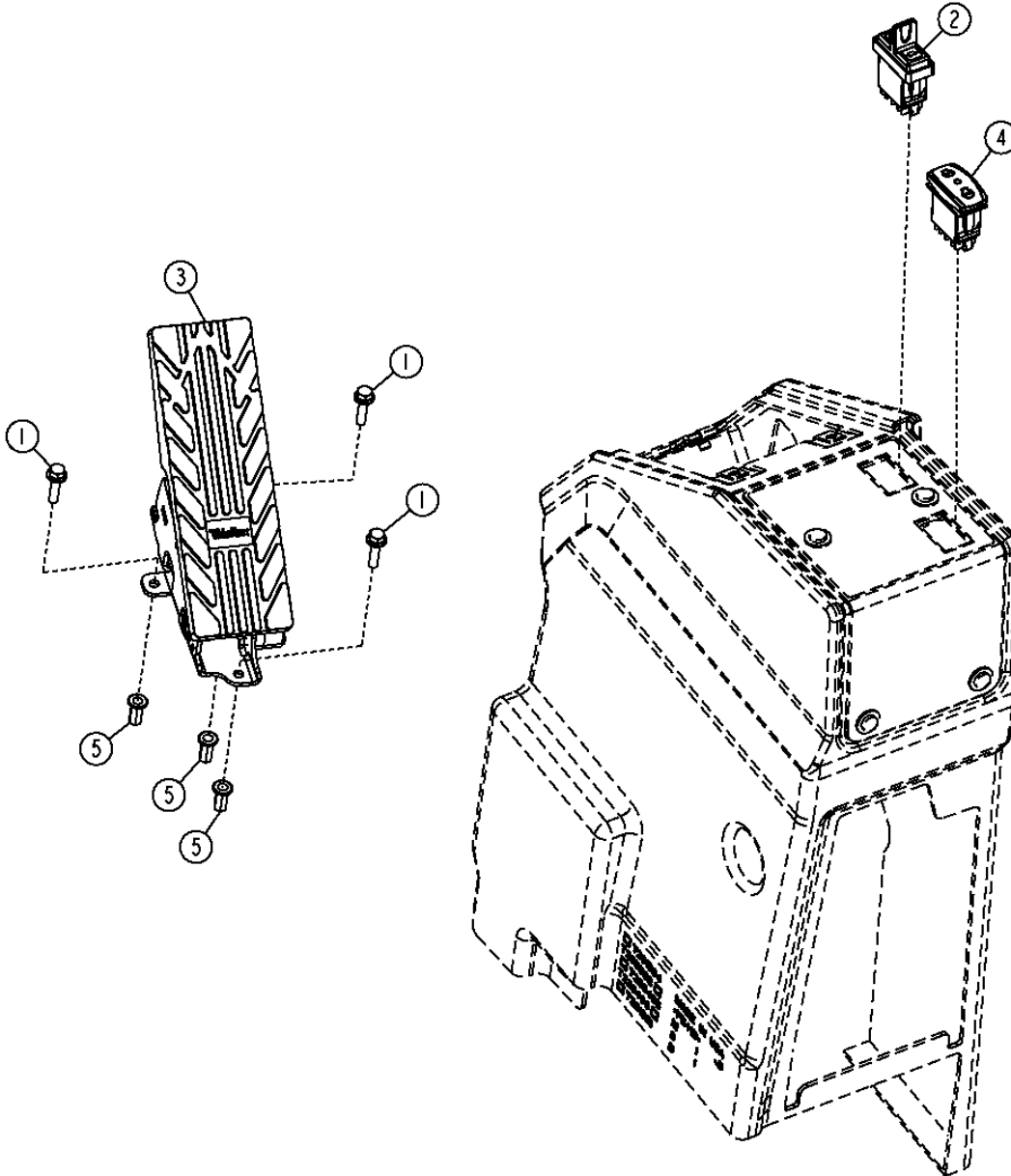
ENGINE AUXILIARY SYSTEMS 05

SPEED CONTROLS 0515

**ENGINE SPEED CONTROL PEDAL AND SWITCHES (STANDARD)
PEDALE ET INTERRUPTEURS DE COMMANDE DU RÉGIME MOTEUR (STANDARD)
INTERRUPTORES Y PEDAL DE CONTROL DE VELOCIDAD DEL MOTOR (ESTANDAR)**

TX1048201

-UN-05SEP08



TX1048201

0515-3

ENGINE AUXILIARY SYSTEMS 05

SPEED CONTROLS 0515

**ENGINE SPEED CONTROL PEDAL AND SWITCHES (STANDARD)
PEDALE ET INTERRUPTEURS DE COMMANDE DU REGIME MOTEUR (STANDARD)
INTERRUPTORES Y PEDAL DE CONTROL DE VELOCIDAD DEL MOTOR (ESTANDAR)**

KEY	PART NO.	PART NAME	QTY.	SERIAL NO.	REMARKS
1	19M7863	SCREW	3		M6 X 25
2	AT302731	SWITCH	1		
3	AT332120	ACCELERATOR	1		
4	AT335712	TOGGLE/ROCKER SWITCH	1		
5	T196077	NUT	3		M6

0515-4

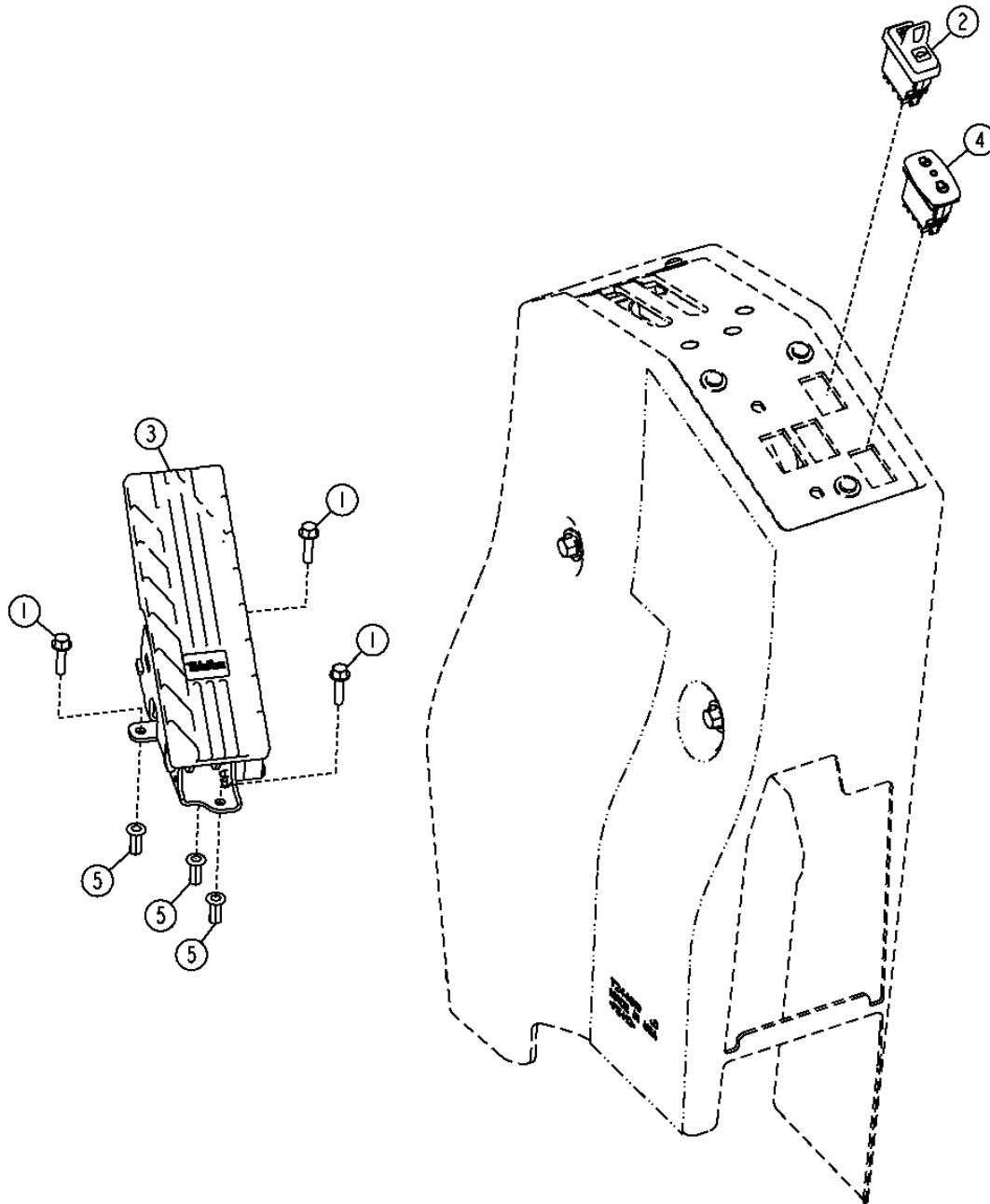
ENGINE AUXILIARY SYSTEMS 05

SPEED CONTROLS 0515

ENGINE SPEED CONTROL PEDAL AND SWITCHES (GRADE PRO)
PEDALE ET interrupteurs de commande du régime moteur (GRADE PRO)
interruptores y pedal de control de velocidad del motor (GRADE PRO)

TX1048202

-UN-05SEP08



TX1048202

0515-5

ENGINE AUXILIARY SYSTEMS 05

SPEED CONTROLS 0515

ENGINE SPEED CONTROL PEDAL AND SWITCHES (GRADE PRO)
PEDALE ET INTERRUPTEURS DE COMMANDE DU REGIME MOTEUR (GRADE PRO)
INTERRUPTORES Y PEDAL DE CONTROL DE VELOCIDAD DEL MOTOR (GRADE PRO)

KEY	PART NO.	PART NAME	QTY.	SERIAL NO.	REMARKS
1	19M7863	SCREW	3		M6 X 25
2	AT302731	SWITCH	1		
3	AT332120	ACCELERATOR	1		
4	AT335712	TOGGLE/ROCKER SWITCH	1		
5	T196077	NUT	3		M6

0515-6

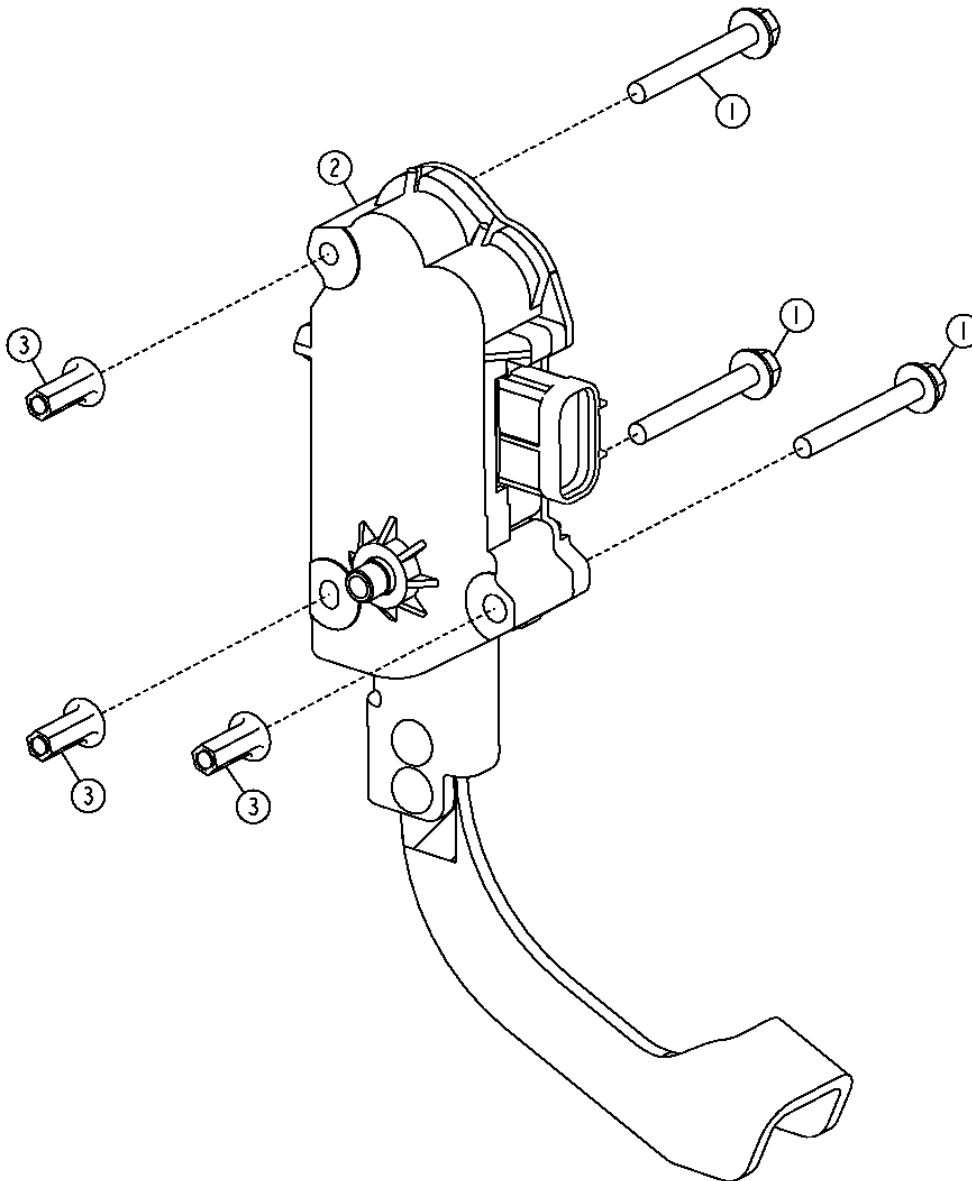
ENGINE AUXILIARY SYSTEMS 05

SPEED CONTROLS 0515

ENGINE SPEED DECELERATOR PEDAL PEDALE DU DECELERATEUR DE REGIME DU MOTEUR PEDAL DE DESACELERADOR DE VELOCIDAD DEL MOTOR

T203067

-UN-28OCT04



T203067

THIS PARTS LISTING IS CONTINUED

0515-7

ENGINE AUXILIARY SYSTEMS 05

SPEED CONTROLS 0515

**ENGINE SPEED DECELERATOR PEDAL
PEDALE DU DECELERATEUR DE REGIME DU MOTEUR
PEDAL DE DESACELERADOR DE VELOCIDAD DEL MOTOR**

KEY	PART NO.	PART NAME	QTY.	SERIAL NO.	REMARKS
1	19M8092	SCREW	3		M6 X 50
2	AT314814	PEDAL	1		
3	T196077	NUT	3		M6

0521-2

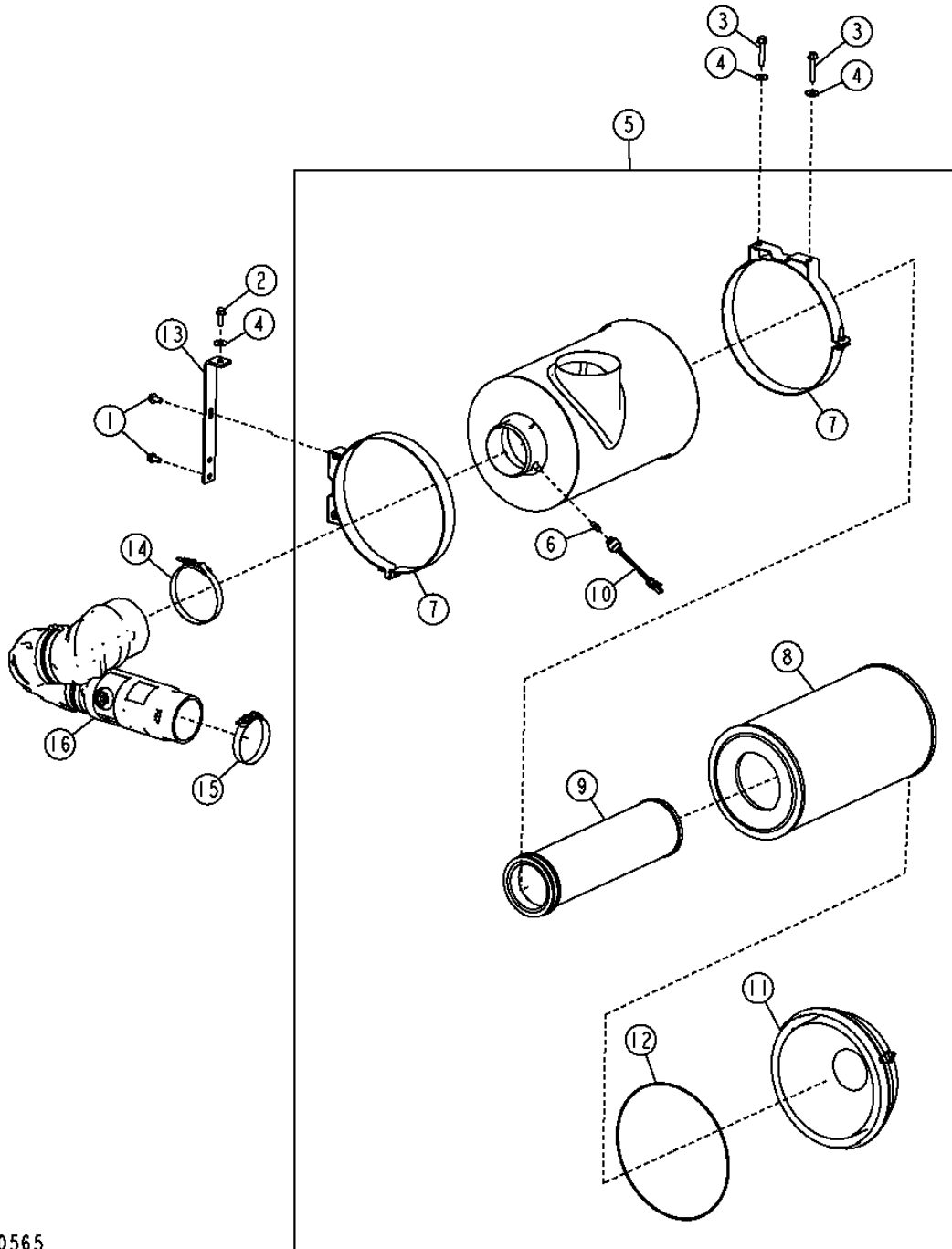
ENGINE AUXILIARY SYSTEMS 05

AIR CLEANER & PIPING 0521

AIR CLEANER (6090HDW01 / 6090HDW04)
FILTRE A AIR (6090HDW01 / 6090HDW04)
FILTRO DE AIRE (6090HDW01 / 6090HDW04)

TX1050565

-UN-03NOV08



TX1050565

THIS PARTS LISTING IS CONTINUED

0521-3

ENGINE AUXILIARY SYSTEMS 05

AIR CLEANER & PIPING 0521

AIR CLEANER (6090HDW01 / 6090HDW04)
FILTRE A AIR (6090HDW01 / 6090HDW04)
FILTRO DE AIRE (6090HDW01 / 6090HDW04)

KEY	PART NO.	PART NAME	QTY.	SERIAL NO.	REMARKS
1	19M7784	SCREW	2		M10 X 20
2	19M7786	SCREW	1		M10 X 30
3	19M7807	SCREW	2		M10 X 60
4	24M7296	WASHER	3		10.500 X 30 X 2.500 MM
5	AT336496	AIR CLEANER	1		
6	AR44361	FITTING	1		
7	AT136715	CLAMP	2		
8	AT175223	FILTER ELEMENT	1		
9	AT175224	FILTER ELEMENT	1		
10	AT178542	AIR RESTRICTION SENSOR	1		
11	F436210	COVER	1		
12	T161929	O-RING	1		
13	AT339619	BRACKET	1		
14	AT53439	HOSE CLAMP	1		
15	RE19429	CLAMP	1		
16	T229810	SUCTION HOSE	1		

0521-4

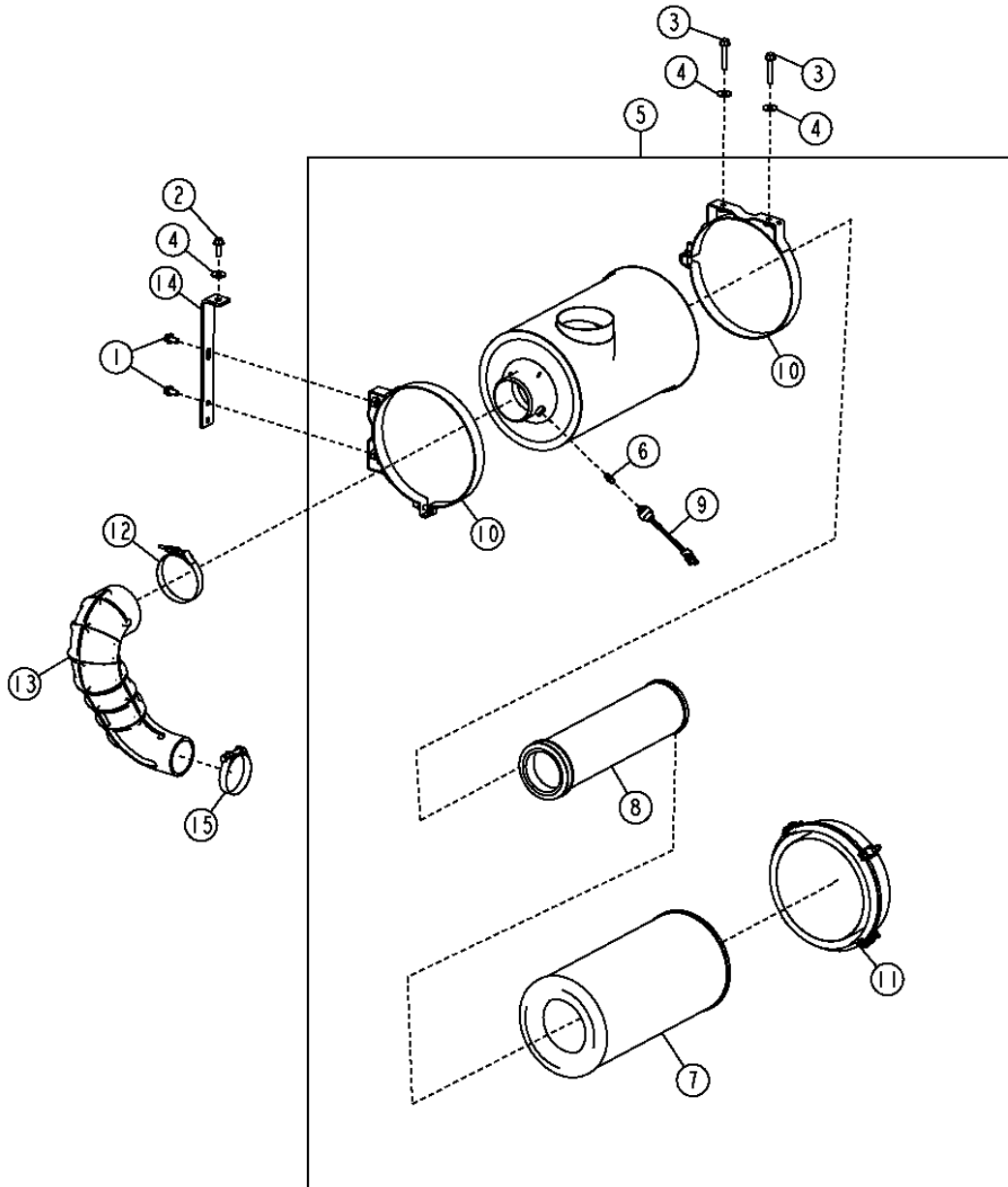
ENGINE AUXILIARY SYSTEMS 05

AIR CLEANER & PIPING 0521

AIR CLEANER (6068HDW75)
FILTRE A AIR (6068HDW75)
FILTRO DE AIRE (6068HDW75)

TX1050572

-UN-11DEC08



TX1050572

THIS PARTS LISTING IS CONTINUED

0521-5

ENGINE AUXILIARY SYSTEMS 05

AIR CLEANER & PIPING 0521

AIR CLEANER (6068HDW75)
FILTRE A AIR (6068HDW75)
FILTRO DE AIRE (6068HDW75)

KEY	PART NO.	PART NAME	QTY.	SERIAL NO.	REMARKS
1	19M7784	SCREW	2		M10 X 20
2	19M7786	SCREW	1		M10 X 30
3	19M7807	SCREW	2		M10 X 60
4	24M7296	WASHER	3		10.500 X 30 X 2.500 MM
5	AT336589	AIR CLEANER	1		
6	AR44361	FITTING	1		
7	AT178516	FILTER ELEMENT	1		
8	AT178517	FILTER ELEMENT	1		
9	AT178542	AIR RESTRICTION SENSOR	1		
10	AT208137	BAND	2		
11	AT346775	COVER	1		
	AT209926	LATCH	4		
	T161928	O-RING	1		
12	RE19429	CLAMP	1		
13	T232866	HOSE	1		
14	AT339619	BRACKET	1		
15	AT37476	HOSE CLAMP	1		

0521-6

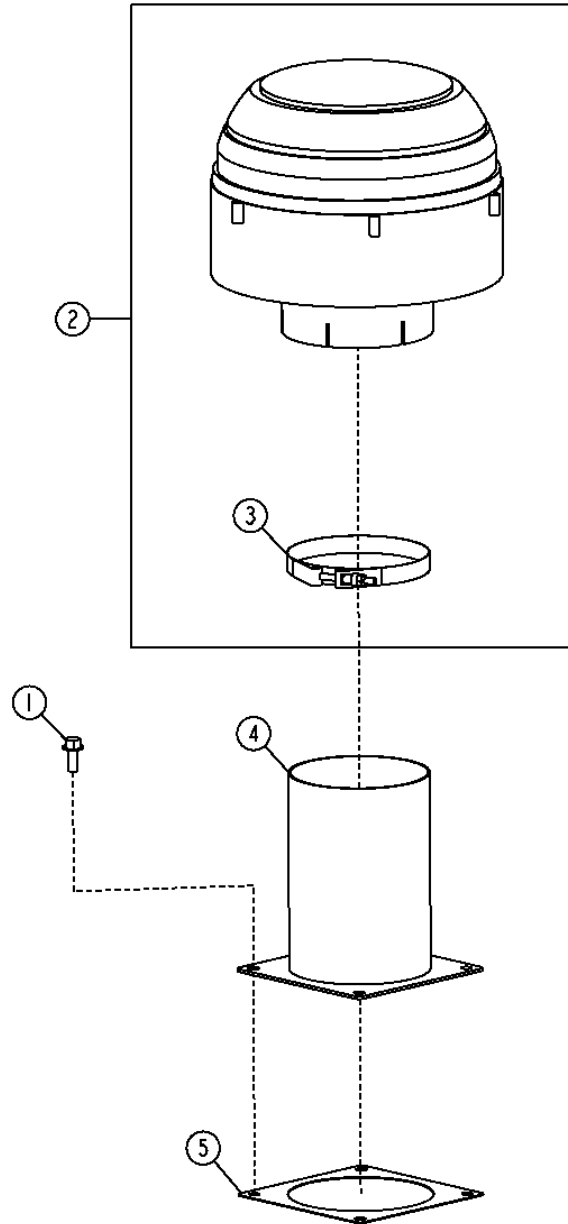
ENGINE AUXILIARY SYSTEMS 05

AIR CLEANER & PIPING 0521

ROTARY EJECTOR PRECLEANER (6090HDW01 / 6090HDW04)
PRÉFILTRE D'ÉJECTEUR ROTATIF (6090HDW01 / 6090HDW04)
PRÉFILTRO DEL EJECTOR GIRATORIO (6090HDW01 / 6090HDW04)

TX1050365

-UN-27OCT08



TX1050365

0521-7

ENGINE AUXILIARY SYSTEMS 05

AIR CLEANER & PIPING 0521

ROTARY EJECTOR PRECLEANER (6090HDW01 / 6090HDW04)
PRÉFILTRE D EJECTEUR ROTATIF (6090HDW01 / 6090HDW04)
PRÉFILTRO DEL EJECTOR GIRATORIO (6090HDW01 / 6090HDW04)

KEY	PART NO.	PART NAME	QTY.	SERIAL NO.	REMARKS
1	19M7785	SCREW	4		M10 X 25
2	AT184015	PRECLEANER	1		
3	AT53440	CLAMP	1		
4	AT340099	AIR INTAKE STACK	1		
5	T231185	GASKET	1		

0521-8

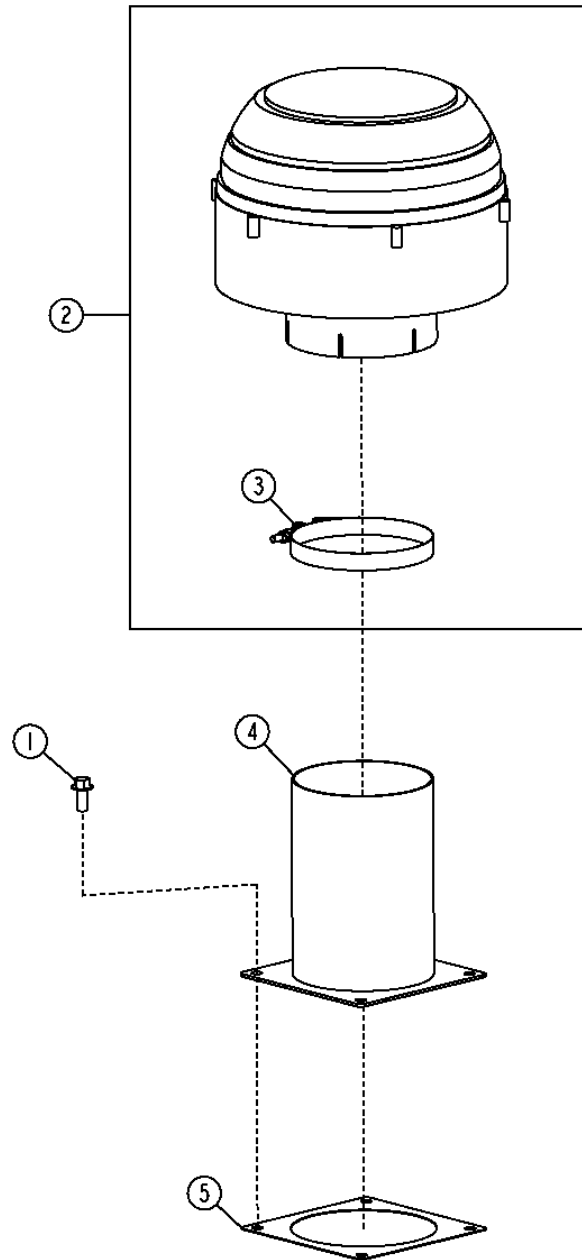
ENGINE AUXILIARY SYSTEMS 05

AIR CLEANER & PIPING 0521

ROTARY EJECTOR PRECLEANER (6068HDW75)
PRÉFILTRE D'ÉJECTEUR ROTATIF (6068HDW75)
PRÉFILTRO DEL EYECTOR GIRATORIO (6068HDW75)

TX1050366

-UN-27OCT08



TX1050366

0521-9

ENGINE AUXILIARY SYSTEMS 05

AIR CLEANER & PIPING 0521

**ROTARY EJECTOR PRECLEANER (6068HDW75)
PRÉFILTRE D ÉJECTEUR ROTATIF (6068HDW75)
PRÉFILTRO DEL EYECTOR GIRATORIO (6068HDW75)**

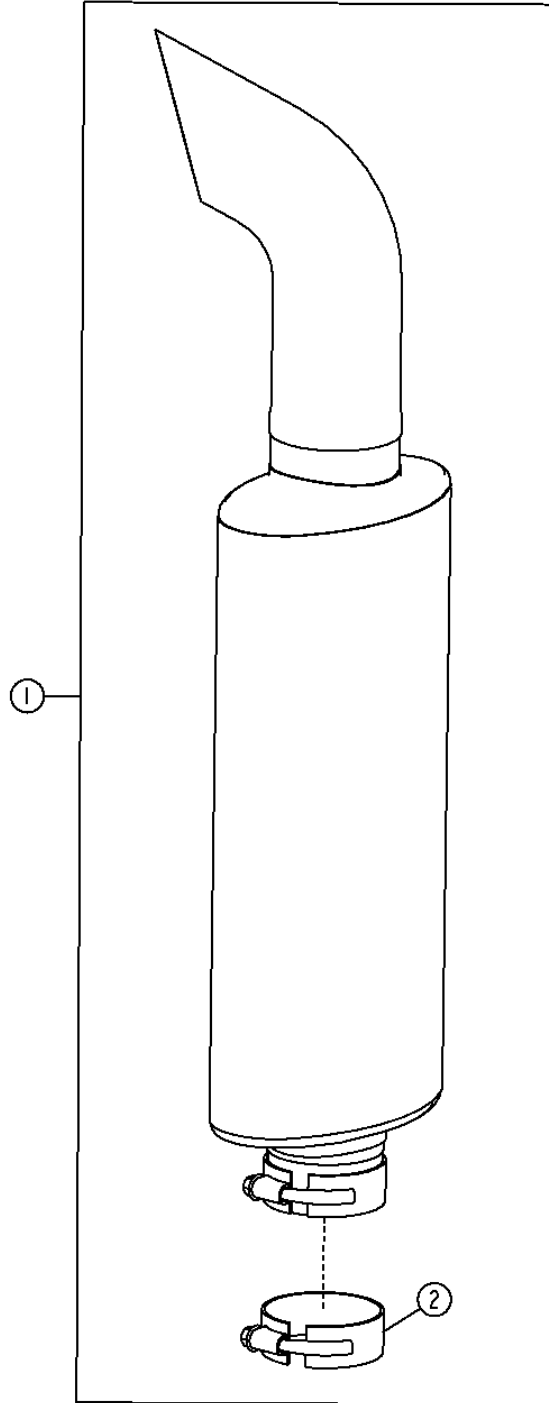
KEY	PART NO.	PART NAME	QTY.	SERIAL NO.	REMARKS
1	19M7785	SCREW	4		M10 X 25
2	AT184015	PRECLEANER	1		
3	AT53440	CLAMP	1		
4	AT340099	AIR INTAKE STACK	1		
5	T231185	GASKET	1		

0531-2

ENGINE AUXILIARY SYSTEMS 05
MUFFLER & EXHAUST PIPE 0531

MUFFLER (6090HDW01 / 6090HDW04)
SILENCIEUX (6090HDW01 / 6090HDW04)
SILENCIADOR (6090HDW01 / 6090HDW04)

TX1050794 -UN-16DEC08



TX1050794

0531-3

ENGINE AUXILIARY SYSTEMS 05
MUFFLER & EXHAUST PIPE 0531

MUFFLER (6090HDW01 / 6090HDW04)
SILENCIEUX (6090HDW01 / 6090HDW04)
SILENCIADOR (6090HDW01 / 6090HDW04)

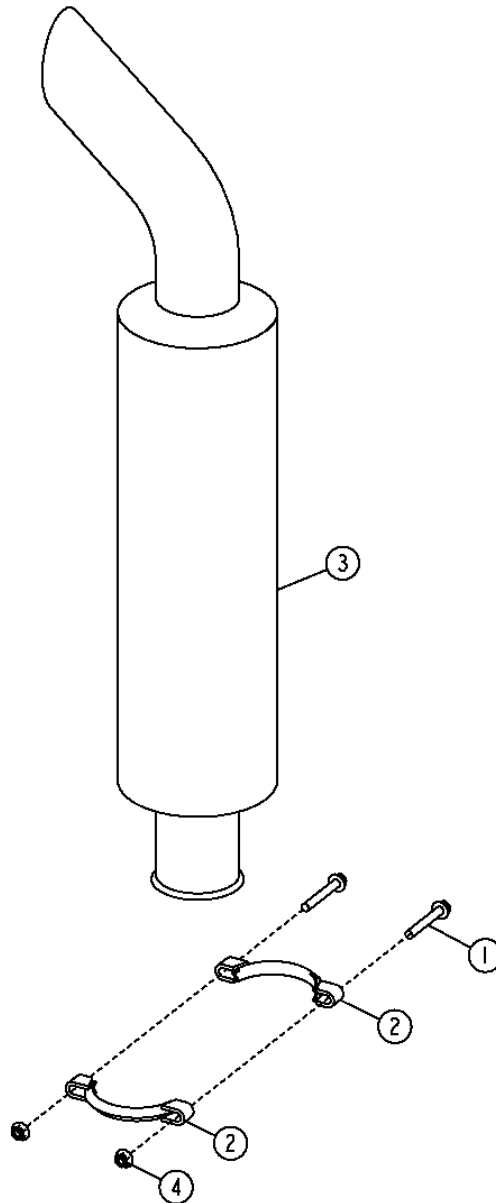
KEY	PART NO.	PART NAME	QTY.	SERIAL NO.	REMARKS
1	AT339275	MUFFLER	1		
2	RE20223	CLAMP	1		

0531-4

ENGINE AUXILIARY SYSTEMS 05
MUFFLER & EXHAUST PIPE 0531

MUFFLER (6068HDW75)
SILENCIEUX (6068HDW75)
SILENCIADOR (6068HDW75)

TX1049730 -UN-08OCT08



TX1049730

0531-5

ENGINE AUXILIARY SYSTEMS 05
MUFFLER & EXHAUST PIPE 0531

MUFFLER (6068HDW75)
SILENCIEUX (6068HDW75)
SILENCIADOR (6068HDW75)

KEY	PART NO.	PART NAME	QTY.	SERIAL NO.	REMARKS
1	19M9128	SCREW	2		M10 X 75
2	AR43705	CLAMP	2		
3	AT151476	MUFFLER	1		
4	M142955	LOCK NUT	2		

0540-2

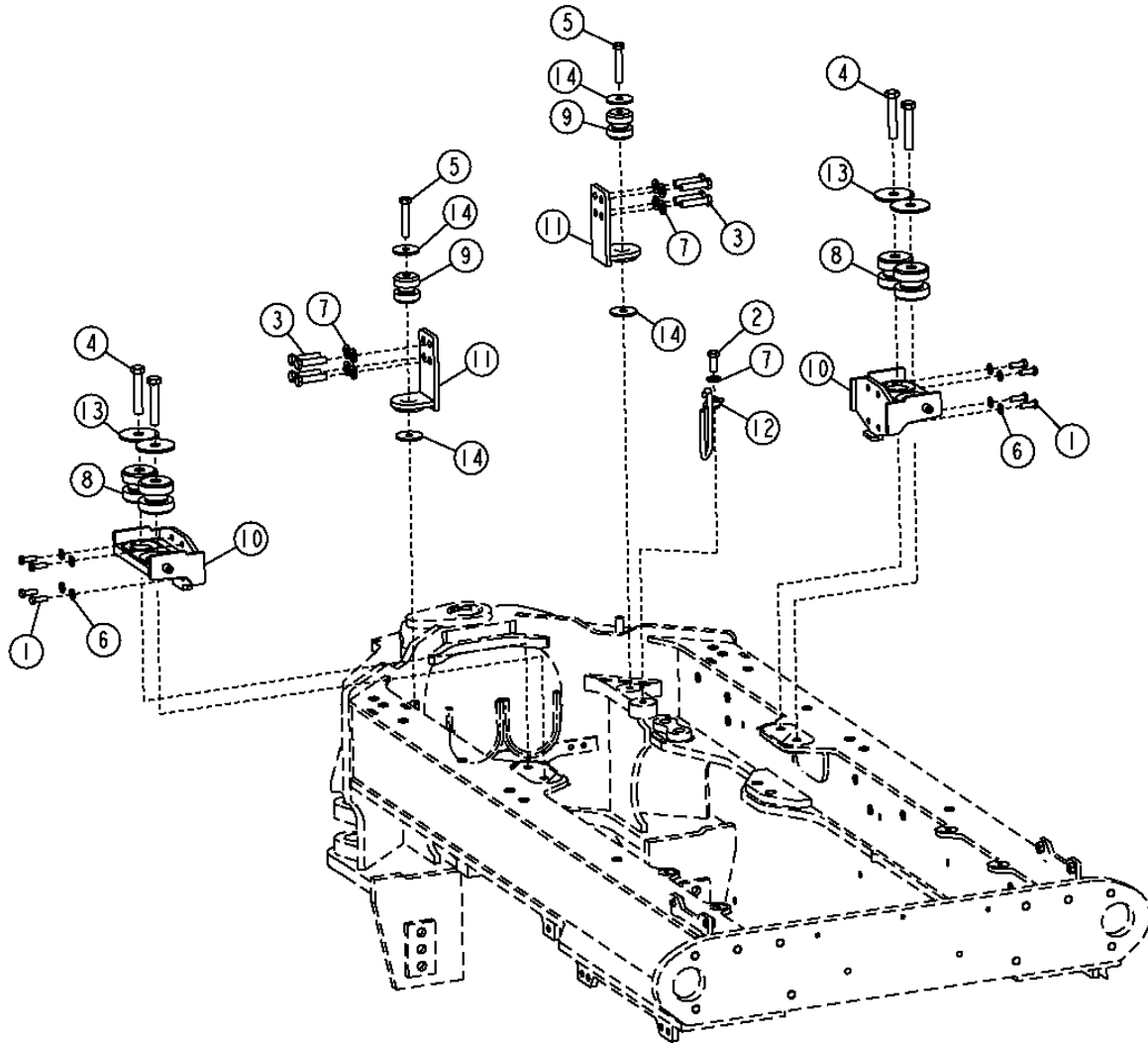
ENGINE AUXILIARY SYSTEMS 05

ENGINE MOUNTING 0540

ENGINE MOUNTING BRACKETS (6090HDW01 / 6090HDW04)
SUPPORTS ET ISOLATEURS DE MONTAGE DU MOTEUR (6090HDW01 / 6090HDW04)
ESCUADRAS DE MONTAJE DEL MOTOR (6090HDW01 / 6090HDW04)

TX1048653

-UN-18SEP08



TX1048653

THIS PARTS LISTING IS CONTINUED

0540-3

ENGINE AUXILIARY SYSTEMS 05

ENGINE MOUNTING 0540

ENGINE MOUNTING BRACKETS (6090HDW01 / 6090HDW04)
SUPPORTS ET ISOLATEURS DE MONTAGE DU MOTEUR (6090HDW01 / 6090HDW04)
ESCUADRAS DE MONTAJE DEL MOTOR (6090HDW01 / 6090HDW04)

KEY	PART NO.	PART NAME	QTY.	SERIAL NO.	REMARKS
1	19M7403	CAP SCREW	8		M12 X 35
2	19M7488	CAP SCREW	1		M16 X 40
3	19M7719	CAP SCREW	8		M16 X 70
4	19M7969	CAP SCREW	4		M20 X 110
5	19M8485	CAP SCREW	2		M16 X 90
6	24M7240	WASHER	8		13 X 25 X 3 MM
7	24M7241	WASHER	9		17 X 34 X 4 MM
8	AT107738	ISOLATOR	4		
9	AT170854	ISOLATOR	2		
10	AT335624	BRACKET	2		
11	AT335625	SUPPORT	2		
12	AT351895	HOSE SUPPORT	1		
13	T158949	WASHER	4		22.631 X 98.552 X 6 MM
14	T179952	WASHER	4		16.700 X 66.700 X 5 MM

0540-4

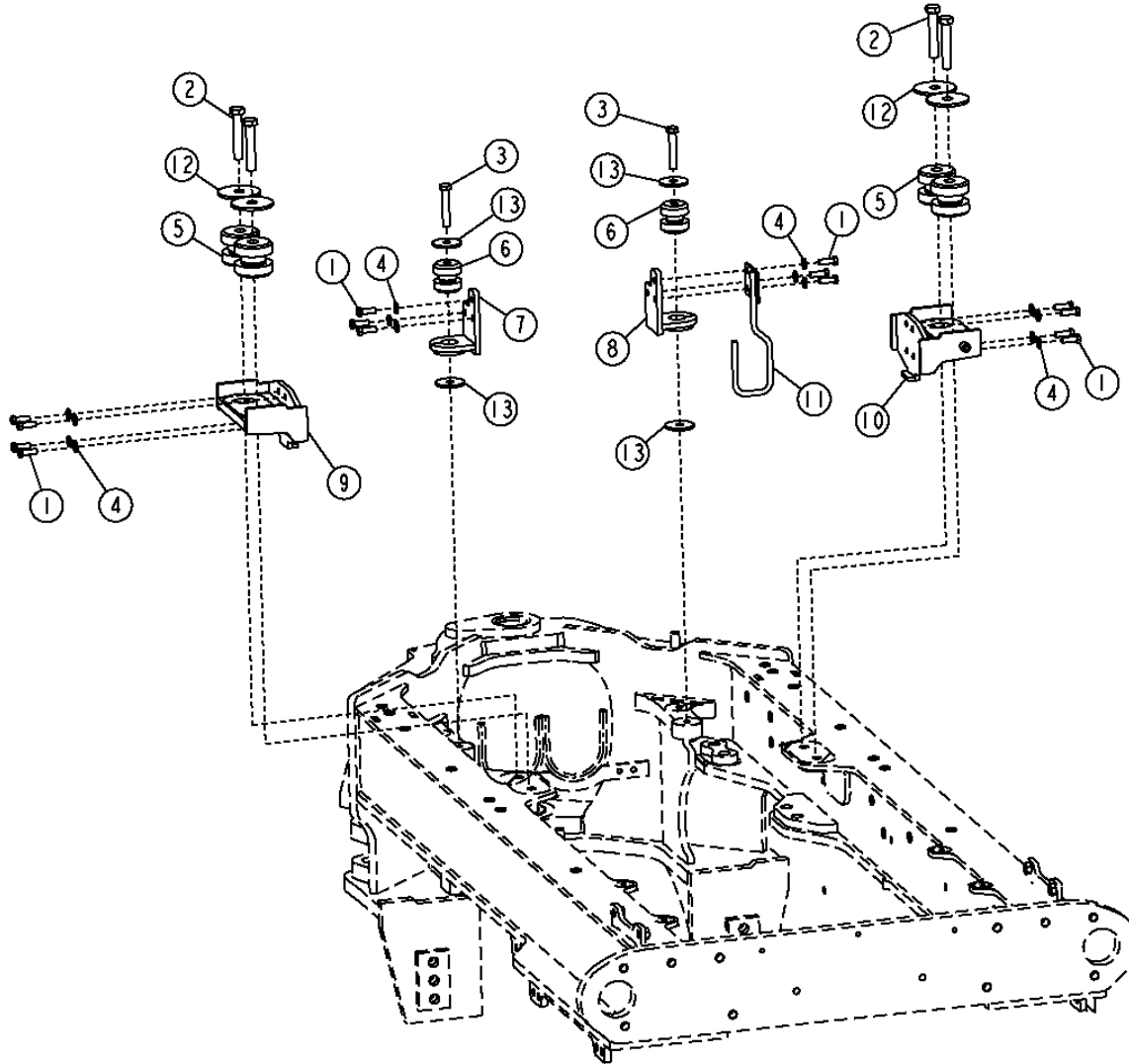
ENGINE AUXILIARY SYSTEMS 05

ENGINE MOUNTING 0540

ENGINE MOUNTING BRACKETS (6068HDW75) SUPPORTS ET ISOLATEURS DE MONTAGE DU MOTEUR (6068HDW75) ESCUADRAS DE MONTAJE DEL MOTOR (6068HDW75)

TX1048656

-UN-23SEP08



TX1048656

THIS PARTS LISTING IS CONTINUED

0540-5

ENGINE AUXILIARY SYSTEMS 05

ENGINE MOUNTING 0540

ENGINE MOUNTING BRACKETS (6068HDW75)
SUPPORTS ET ISOLATEURS DE MONTAGE DU MOTEUR (6068HDW75)
ESCUADRAS DE MONTAJE DEL MOTOR (6068HDW75)

KEY	PART NO.	PART NAME	QTY.	SERIAL NO.	REMARKS
1	19M7403	CAP SCREW	14		M12 X 35
2	19M7969	CAP SCREW	4		M20 X 110
3	19M8485	CAP SCREW	2		M16 X 90
4	24M7240	WASHER	14		13 X 25 X 3 MM
5	AT107738	ISOLATOR	4		
6	AT170854	ISOLATOR	2		
7	AT300744	SUPPORT	1		
8	AT302819	SUPPORT	1		
9	AT335486	BRACKET	1		
10	AT335487	BRACKET	1		
11	AT357914	HOSE SUPPORT	1		
12	T158949	WASHER	4		
13	T179952	WASHER	4		16.700 X 66.700 X 5 MM

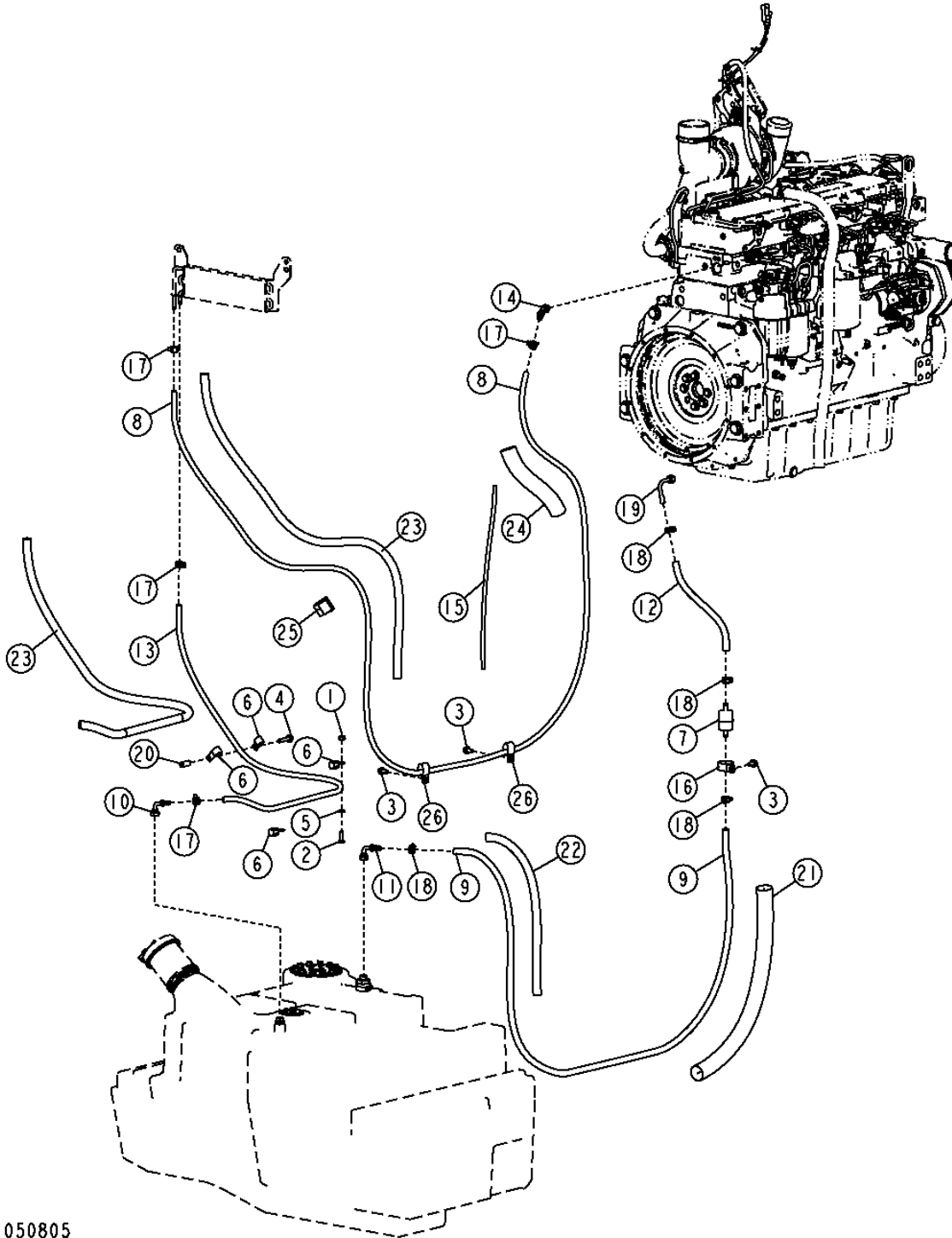
0563-2

ENGINE AUXILIARY SYSTEMS 05
FUEL LINES AND FITTINGS 0563

FUEL HOSES AND FITTINGS (6090HDW01 / 6090HDW04)
FLEXIBLES DE CARBURANT ET RACCORDS (6090HDW01 / 6090HDW04)
MANGUERAS Y ADAPTADORES DE COMBUSTIBLE (6090HDW01 / 6090HDW04)

TX1050805

-UN-11NOV08



TX1050805

0563-3

ENGINE AUXILIARY SYSTEMS 05
FUEL LINES AND FITTINGS 0563

FUEL HOSES AND FITTINGS (6090HDW01 / 6090HDW04)
FLEXIBLES DE CARBURANT ET RACCORDS (6090HDW01 / 6090HDW04)
MANGUERAS Y ADAPTADORES DE COMBUSTIBLE (6090HDW01 / 6090HDW04)

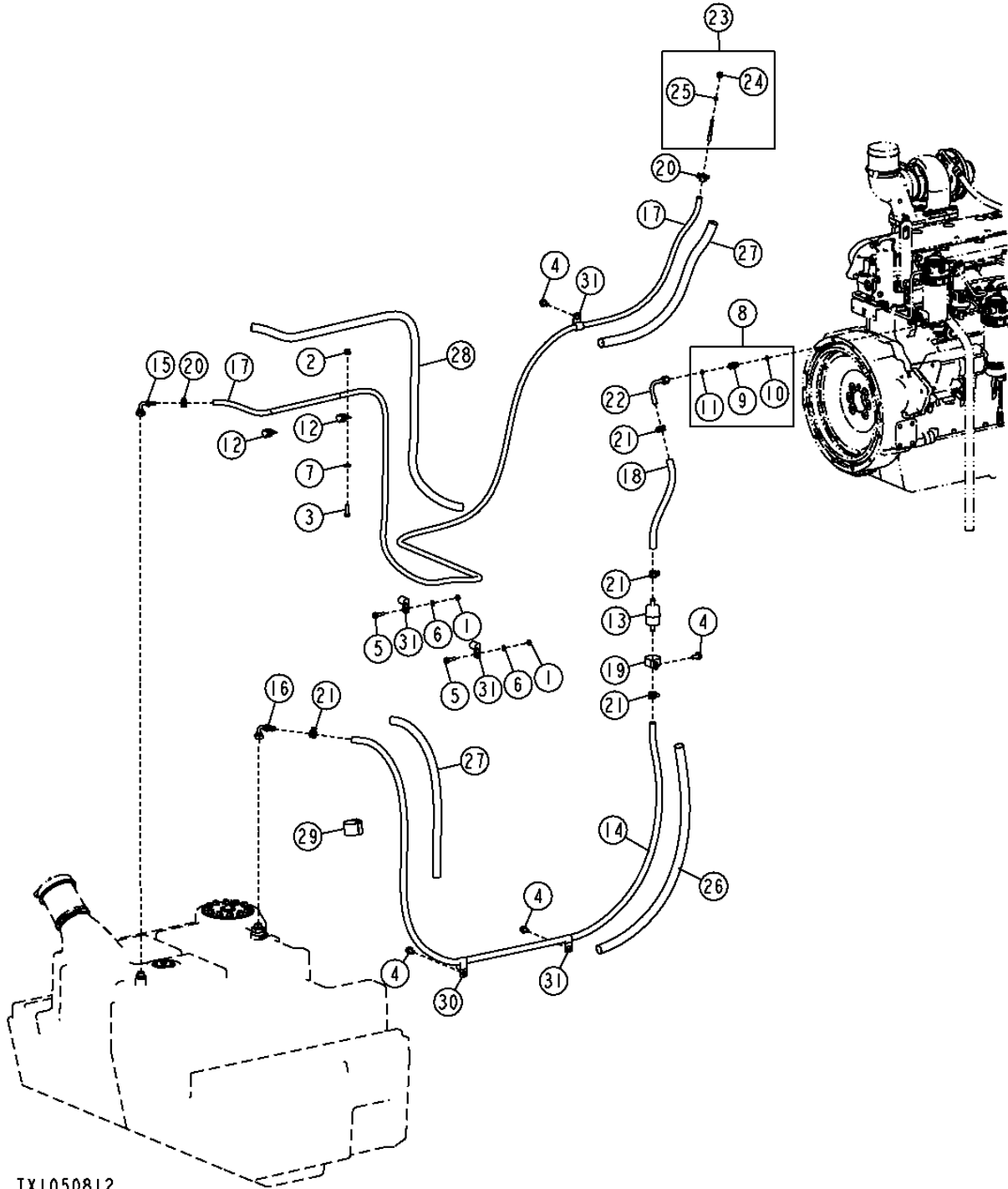
KEY	PART NO.	PART NAME	QTY.	SERIAL NO.	REMARKS
1	14M7296	FLANGE NUT	1		M10
2	19M7662	CAP SCREW	1		M10 X 30
3	19M7784	SCREW	3		M10 X 20
4	19M7806	SCREW	1		M10 X 50
5	24M7239	WASHER	1		10.700 X 21 X 2.500 MM
6	AH89486	CLIP	4		
7	AT223493	FUEL FILTER	1		
8	HOSE	1		(MAKE FROM TY22503) (CTL 12.20 FT.)
9	HOSE	1		(MAKE FROM TY22504) (CTL 7.45 FT.)
10	AT345971	HOSE FITTING	1		
11	AT345972	HOSE FITTING	1		
12	HOSE	1		(MAKE FROM TY22504) (CTL 1.22 FT.)
13	HOSE	1		(MAKE FROM TY22503) (CTL 5.00 FT.)
14	X3J782-6-6	ELBOW FITTING	1		
15	HOSE	1		(MAKE FROM T79477) (CTL 2.00 FT.)
16	N205415	CLAMP	1		
17	R133839	CLAMP	4		
18	R184863	HOSE CLAMP	4		
19	RE523322	ADAPTER FITTING	1		
20	T24359	SPACER	1		
21	T246159	HOSE GUARD	1		
22	T246493	HOSE GUARD	1		
23	T248198	HOSE GUARD	2		
24	T253246	HOSE GUARD	1		
25	T253535	ADJUSTING STRAP	1		
26	T32854	CLAMP	2		

0563-4

ENGINE AUXILIARY SYSTEMS 05
FUEL LINES AND FITTINGS 0563

FUEL HOSES AND FITTINGS (6068HDW75)
FLEXIBLES DE CARBURANT ET RACCORDS (6068HDW75)
MANGUERAS Y ADAPTADORES DE COMBUSTIBLE (6068HDW75)

TX1050812 -UN-16DEC08



TX1050812

0563-5

ENGINE AUXILIARY SYSTEMS 05

FUEL LINES AND FITTINGS 0563

FUEL HOSES AND FITTINGS (6068HDW75)
FLEXIBLES DE CARBURANT ET RACCORDS (6068HDW75)
MANGUERAS Y ADAPTADORES DE COMBUSTIBLE (6068HDW75)

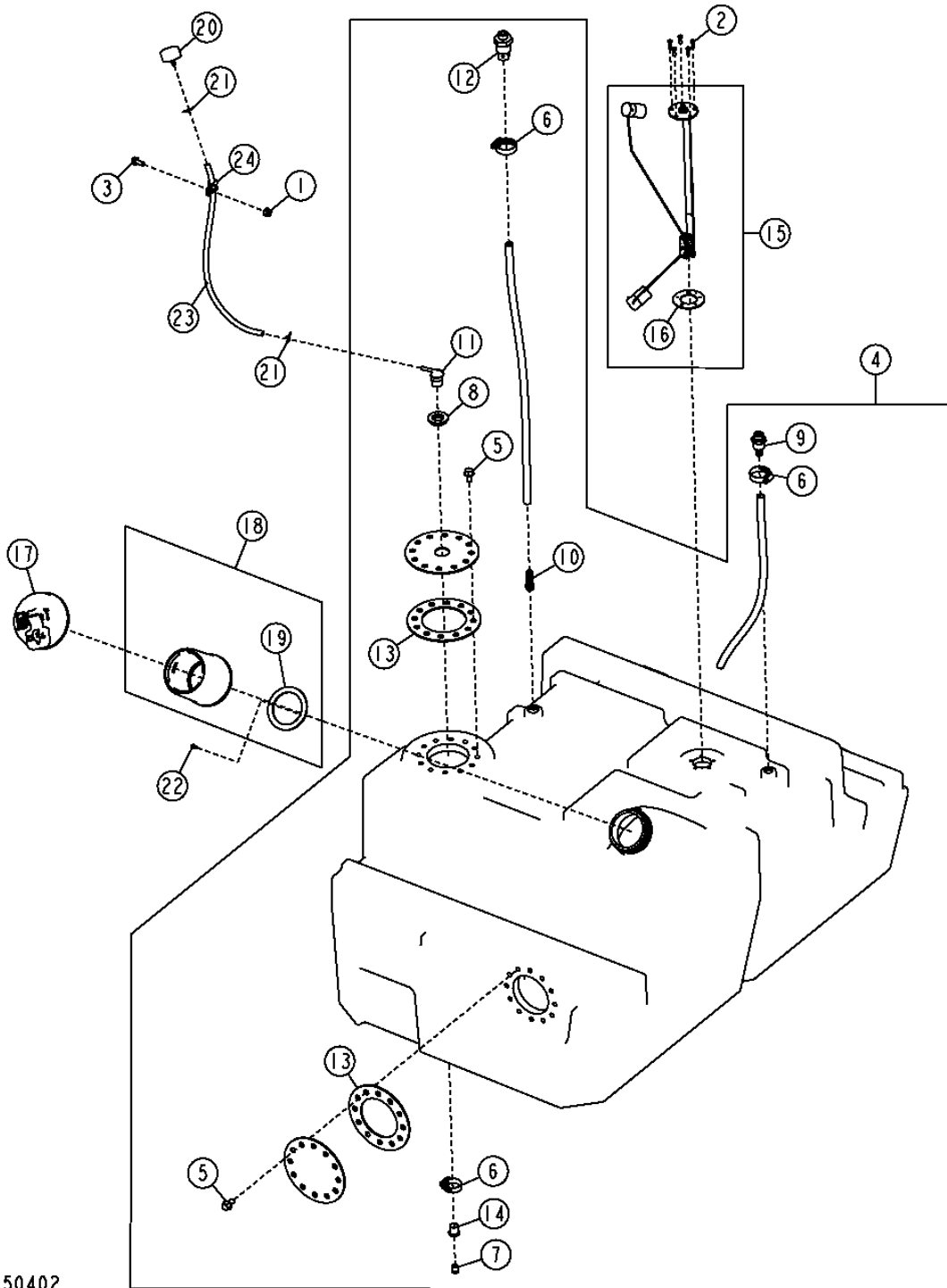
KEY	PART NO.	PART NAME	QTY.	SERIAL NO.	REMARKS
1	14M7273	NUT	2		M8
2	14M7296	FLANGE NUT	1		M10
3	19M7662	CAP SCREW	1		M10 X 30
4	19M7784	SCREW	4		M10 X 20
5	19M7868	SCREW	2		M8 X 30
6	24M7238	WASHER	2		8.700 X 17 X 2 MM
7	24M7239	WASHER	1		10.700 X 21 X 2.500 MM
8	61M5008	ADAPTER FITTING	1		
9	38H5008	ADAPTER FITTING	1		
10	51M7040	O-RING	1		
11	T77613	O-RING	1		
12	AH89486	CLIP	2		
13	AT223493	FUEL FILTER	1		
14	HOSE	1		(MAKE FROM TY22504) (CTL 7.45 FT.)
15	AT345971	HOSE FITTING	1		
16	AT345972	HOSE FITTING	1		
17	HOSE	1		(MAKE FROM TY22503) (CTL 12.90 FT.)
18	HOSE	1		(MAKE FROM TY22504) (CTL 1.00 FT.)
19	N205415	CLAMP	1		
20	R133839	CLAMP	2		
21	R184863	HOSE CLAMP	4		
22	RE523322	ADAPTER FITTING	1		
23	RE67050	FUEL LINE	1		
24	R123593	TUBE NUT	1		
25	R51936	SEALING WASHER	1		
26	T246159	HOSE GUARD	1		
27	T246493	HOSE GUARD	2		
28	T248198	HOSE GUARD	1		
29	T253535	ADJUSTING STRAP	1		
30	T32854	CLAMP	1		
31	T64784	CLIP	4		

0564-2

FUEL TANK RESERVOIR DE CARBURANT TANQUE DE COMBUSTIBLE

TX1050402

-UN-17NOV08



TX1050402

0564-3

ENGINE AUXILIARY SYSTEMS 05

FUEL TANK 0564

FUEL TANK RESERVOIR DE CARBURANT TANQUE DE COMBUSTIBLE

KEY	PART NO.	PART NAME	QTY.	SERIAL NO.	REMARKS
1	14M7396	LOCK NUT	1		M8
2	19M7372	CAP SCREW	5		M5 X 16
3	19M7866	SCREW	1		M8 X 20
4	AT317471	FUEL TANK	1		
5	19M7784	SCREW	24		M10 X 20
6	AR21839	CLAMP	3		
7	H26723	DRAIN PLUG	1		
8	R114023	GROMMET	1		
9	R193666	FITTING	1		
10	R194311	COMPRESSION SPRING	1		
11	R237815	VENT	1		
12	RE194040	FITTING	1		
13	T212430	GASKET	2		
14	T236498	PIPE BUSHING	1		
15	AT321041	FUEL SENDER	1		
16	R81596	GASKET	1		
17	AT346094	CAP	1		
18	AT364054	ADAPTER FITTING	1		
19	H172014	GASKET	1		
20	RE52504	BREATHER	1		
21	T13254	CLAMP	2		
22	T164203	SCREW	1		
23	BULK HOSE	1		(MAKE FROM T79477) (CTL)
24	T75276	CLAMP	1		

0564-5

ENGINE AUXILIARY SYSTEMS 05

FUEL TANK 0564

FAST FILL FUEL SYSTEM
CIRCUIT DE REMPLISSAGE RAPIDE DE CARBURANT
SISTEMA DE COMBUSTIBLE DE LLENADO RAPIDO

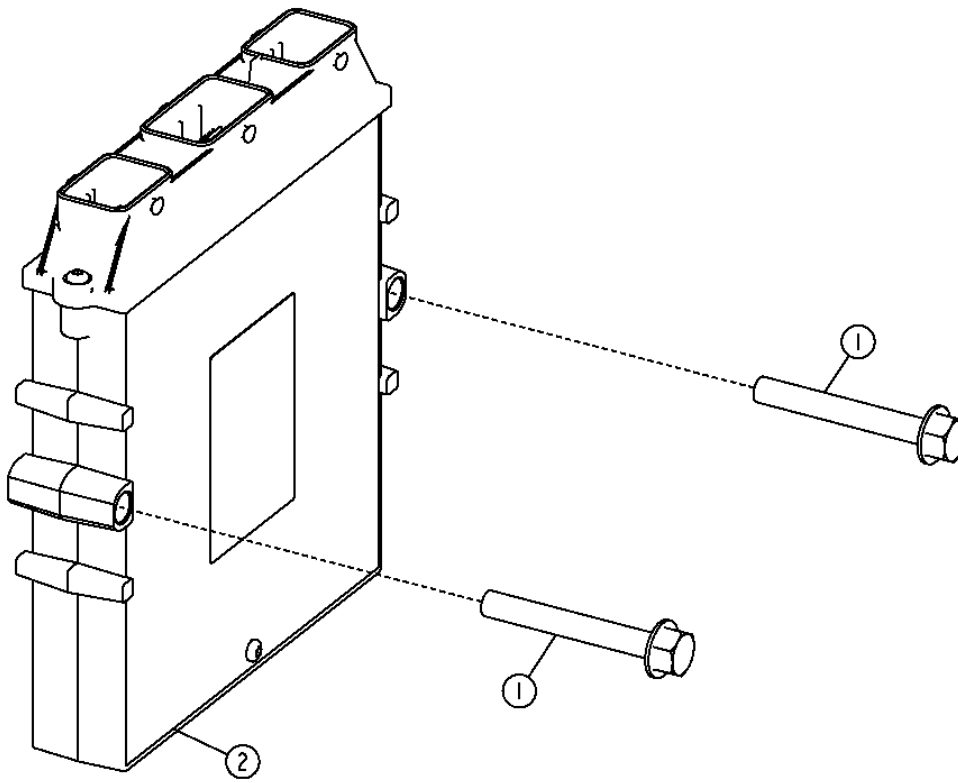
KEY	PART NO.	PART NAME	QTY.	SERIAL NO.	REMARKS
1	14M7296	FLANGE NUT	1		M10
2	14M7396	LOCK NUT	2		M8
3	19M7786	SCREW	3		M10 X 30
4	19M7835	SCREW	1		M10 X 35
5	19M7867	SCREW	2		M8 X 25
6	24M7298	WASHER	2		8.400 X 25 X 2 MM
7	38H1170	ADAPTER FITTING	1		
8	R26286	O-RING	2		
9	T77613	O-RING	2		
10	38H1430	ELBOW FITTING	1		
11	38H1620	ADAPTER FITTING	1		
12	T76938	O-RING	1		
13	AR21839	CLAMP	2		
14	AT316520	VALVE	1		
15	AT318277	PLATE	1		
16	AT335941	ADAPTER FITTING	1		
17	AT336110	HOSE	1		
18	AT339552	COVER	1		
19	AT341423	VALVE	1		
20	AT341422	CAP	1		
21	AT342609	GUARD	1		
22	AT343114	BRACKET	1		
23	AT347525	VALVE	1		
24	R43750	O-RING	1		
25	AT357536	OIL LINE	1		
26	H165237	SPACER	1		
27	T102934	CLAMP	1		
28	T212430	GASKET	2		
29	T214877	HOSE FITTING	1		
30	T225008	BREATHER	1		
31	T247566	HOSE	1		
32	AT367522	FIELD INSTALLATION KIT	1		(WHOLE GOODS)

0575-2

ENGINE AUXILIARY SYSTEMS 05
AUTOMATIC CONTROL CIRCUITS 0575

ENGINE CONTROL UNIT (6090HDW01)
UNITE D'COMMANDE DU MOTEUR (6090HDW01)
UNIDAD DE CONTROL DEL MOTOR (6090HDW01)

TX1048428 -UN-15SEP08



TX1048428

0575-3

ENGINE AUXILIARY SYSTEMS 05
AUTOMATIC CONTROL CIRCUITS 0575

ENGINE CONTROL UNIT (6090HDW01)
UNITE D'COMMANDE DU MOTEUR (6090HDW01)
UNIDAD DE CONTROL DEL MOTOR (6090HDW01)

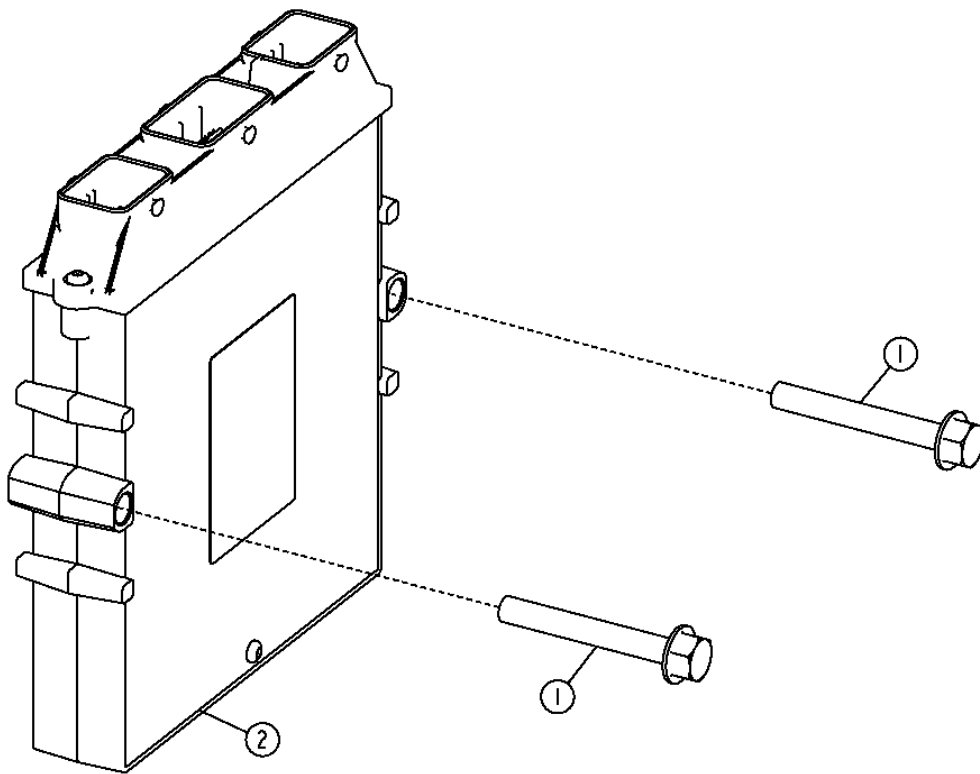
KEY	PART NO.	PART NAME	QTY.	SERIAL NO.	REMARKS
1	19M7801	SCREW	2		M8 X 60
2	RE531808	ELECTRONIC CONTROL UNIT	1		

0575-4

ENGINE AUXILIARY SYSTEMS 05
AUTOMATIC CONTROL CIRCUITS 0575

ENGINE CONTROL UNIT (6068HDW75)
UNITE D'COMMANDE DU MOTEUR (6068HDW75)
UNIDAD DE CONTROL DEL MOTOR (6068HDW75)

TX1048429 -UN-15SEP08



TX1048429

0575-5

ENGINE AUXILIARY SYSTEMS 05
AUTOMATIC CONTROL CIRCUITS 0575

ENGINE CONTROL UNIT (6068HDW75)
UNITE D'COMMANDE DU MOTEUR (6068HDW75)
UNIDAD DE CONTROL DEL MOTOR (6068HDW75)

KEY	PART NO.	PART NAME	QTY.	SERIAL NO.	REMARKS
1	19M7801	SCREW	2		M8 X 60
2	RE531808	ELECTRONIC CONTROL UNIT	1		

0715-2

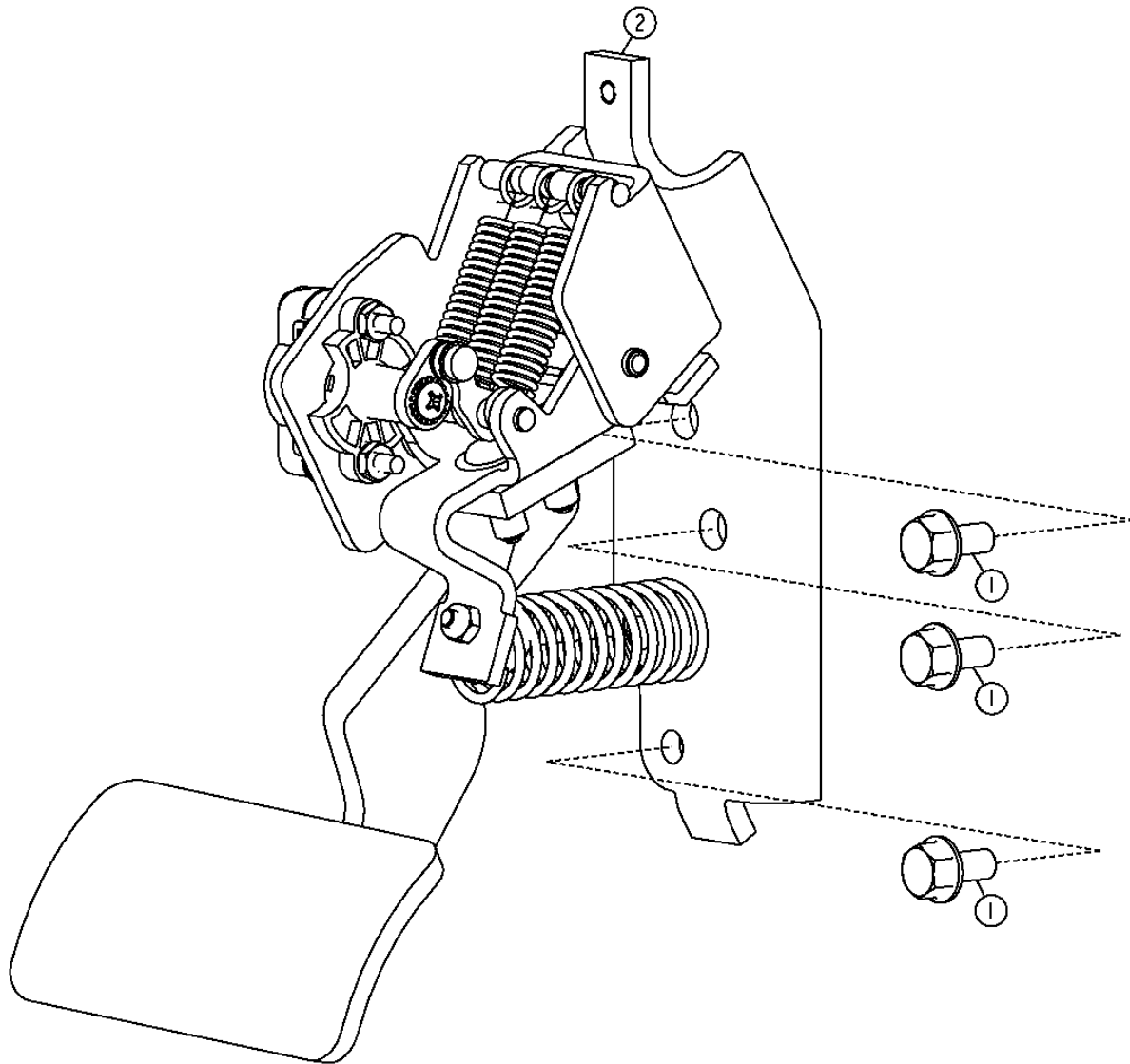
TRACTION (ENGINE) AND DISCONNECT CLUTCH 07

CLUTCH CONTROLS 0715

INCHING PEDAL
PEDALE D'APPROCHE LENTE
PEDAL DE AVANCE LENTO

TX1048594

-UN-15SEP08



TX1048594

THIS PARTS LISTING IS CONTINUED

0715-3

TRACTION (ENGINE) AND DISCONNECT CLUTCH 07

CLUTCH CONTROLS 0715

INCHING PEDAL
PEDALE DAPPROCHE LENTE
PEDAL DE AVANCE LENTO

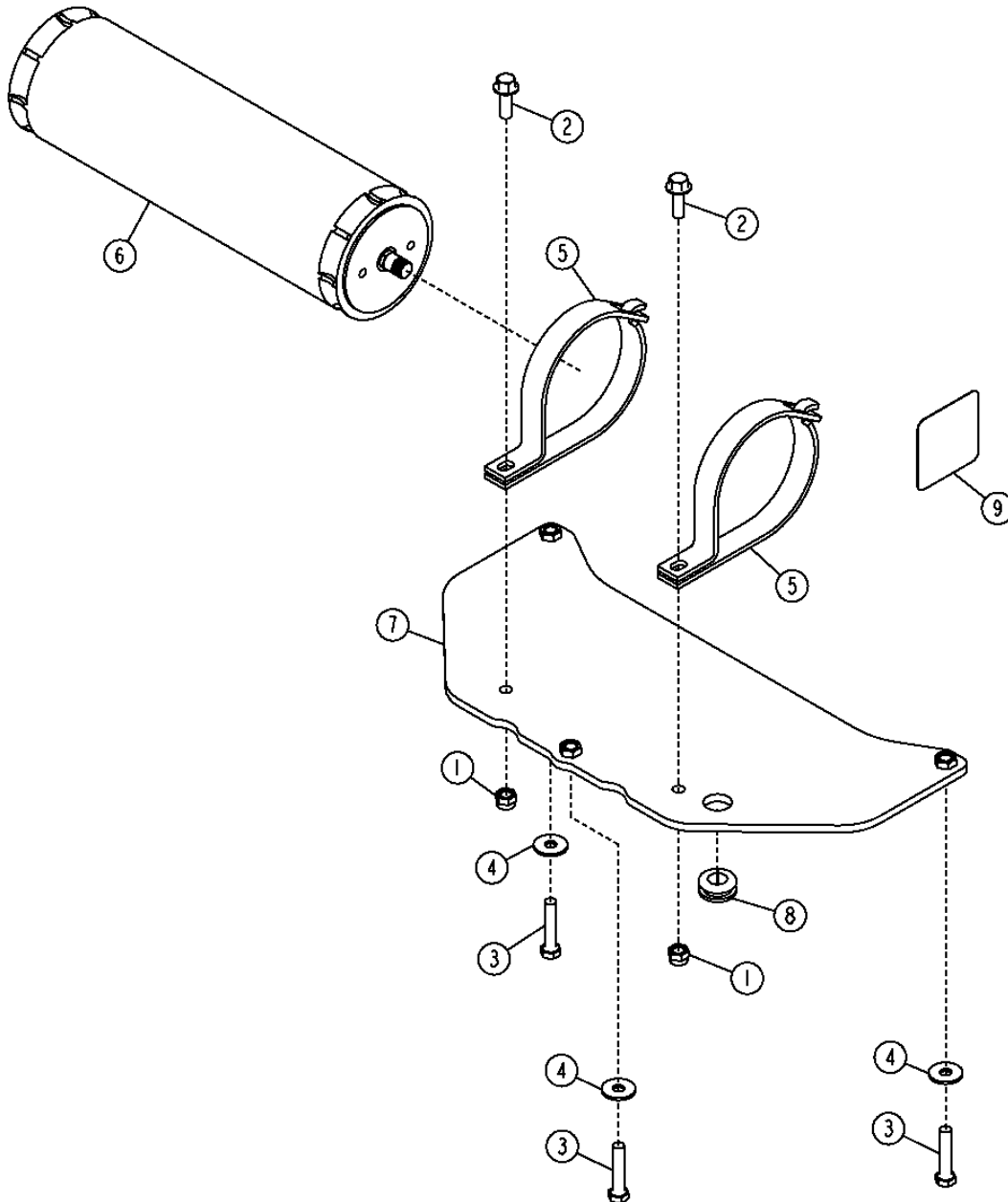
KEY	PART NO.	PART NAME	QTY.	SERIAL NO.	REMARKS
1	19M7865	SCREW	3		M8 X 16
2	AT307200	PEDAL	1		

0930-2

STEERING SYSTEMS 09
EMERGENCY STEERING 0930

SECONDARY STEERING (GRADE PRO)
DIRECTION AUXILIAIRE (GRADE PRO)
DIRECCION AUXILIAR (GRADE PRO)

TX1056905 -UN-18MAR09



TX1056905

0930-3

STEERING SYSTEMS 09
EMERGENCY STEERING 0930

SECONDARY STEERING (GRADE PRO)
DIRECTION AUXILIAIRE (GRADE PRO)
DIRECCION AUXILIAR (GRADE PRO)

KEY	PART NO.	PART NAME	QTY.	SERIAL NO.	REMARKS
1	14M7517	LOCK NUT	2		M10
2	19M7786	SCREW	2		M10 X 30
3	19M8600	CAP SCREW	3		M10 X 50
4	24M7296	WASHER	3		10.500 X 30 X 2.500 MM
5	AT186653	CLAMP	2		
6	AT368028	HYDRAULIC ACCUMULATOR	1		(INCLUDES AT196760)
	AT196760	KIT	1		(ACCUMULATOR GAS VALVE)
7	AT367467	BRACKET	1		
8	R36235	GROMMET	1		
9	T225374	LABEL	1		(ACCUMULATOR WARNING)

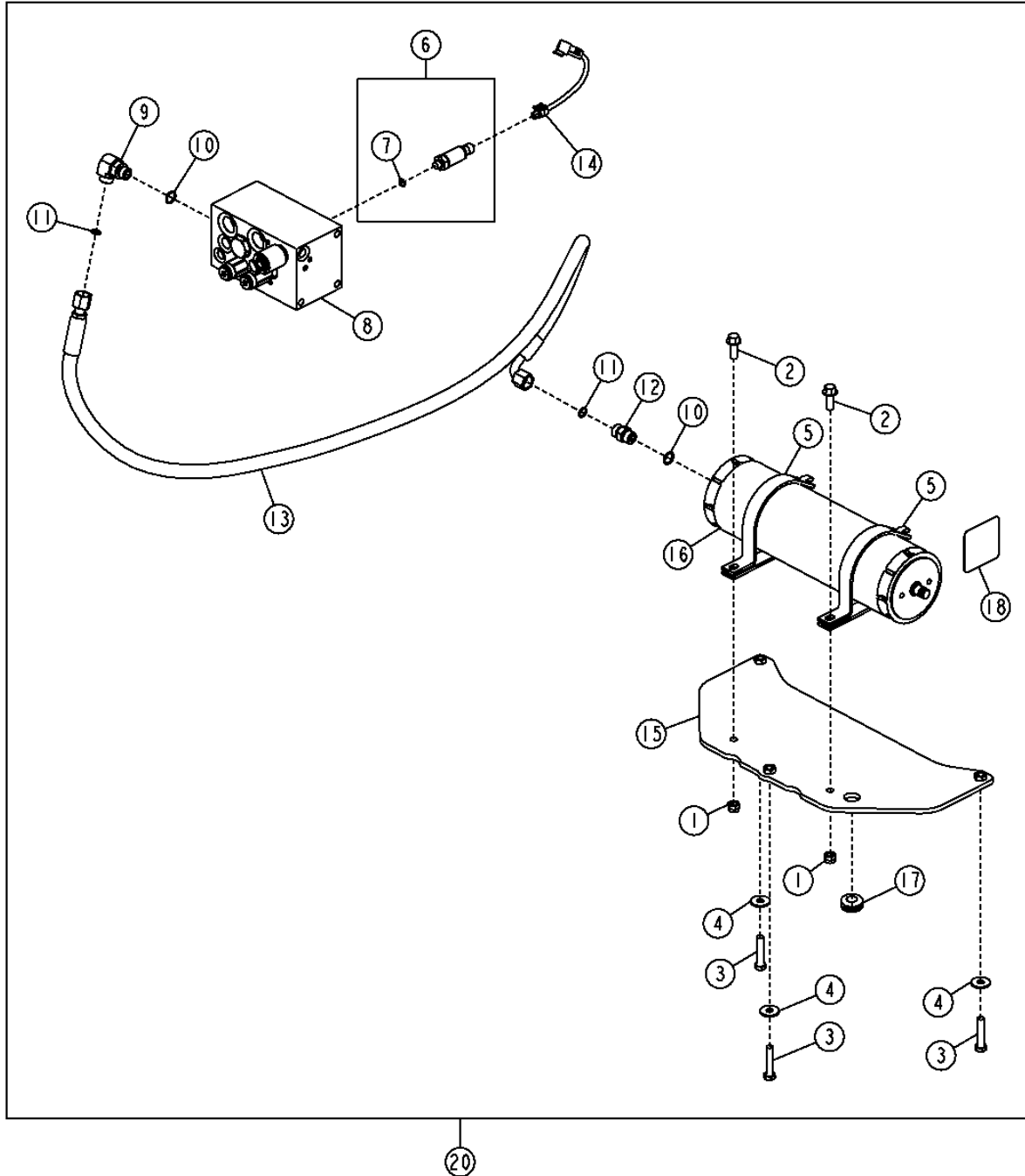
0930-4

STEERING SYSTEMS 09
EMERGENCY STEERING 0930

SECONDARY STEERING (FIELD KIT) DIRECTION AUXILIAIRE (KIT DE TERRAIN) DIRECCION AUXILIAR (JUEGO DE CAMPO)

TX1056908

-UN-18MAR09



TX1056908

0930-5

STEERING SYSTEMS 09
EMERGENCY STEERING 0930

SECONDARY STEERING (FIELD KIT)
DIRECTION AUXILIAIRE (KIT DE TERRAIN)
DIRECCION AUXILIAR (JUEGO DE CAMPO)

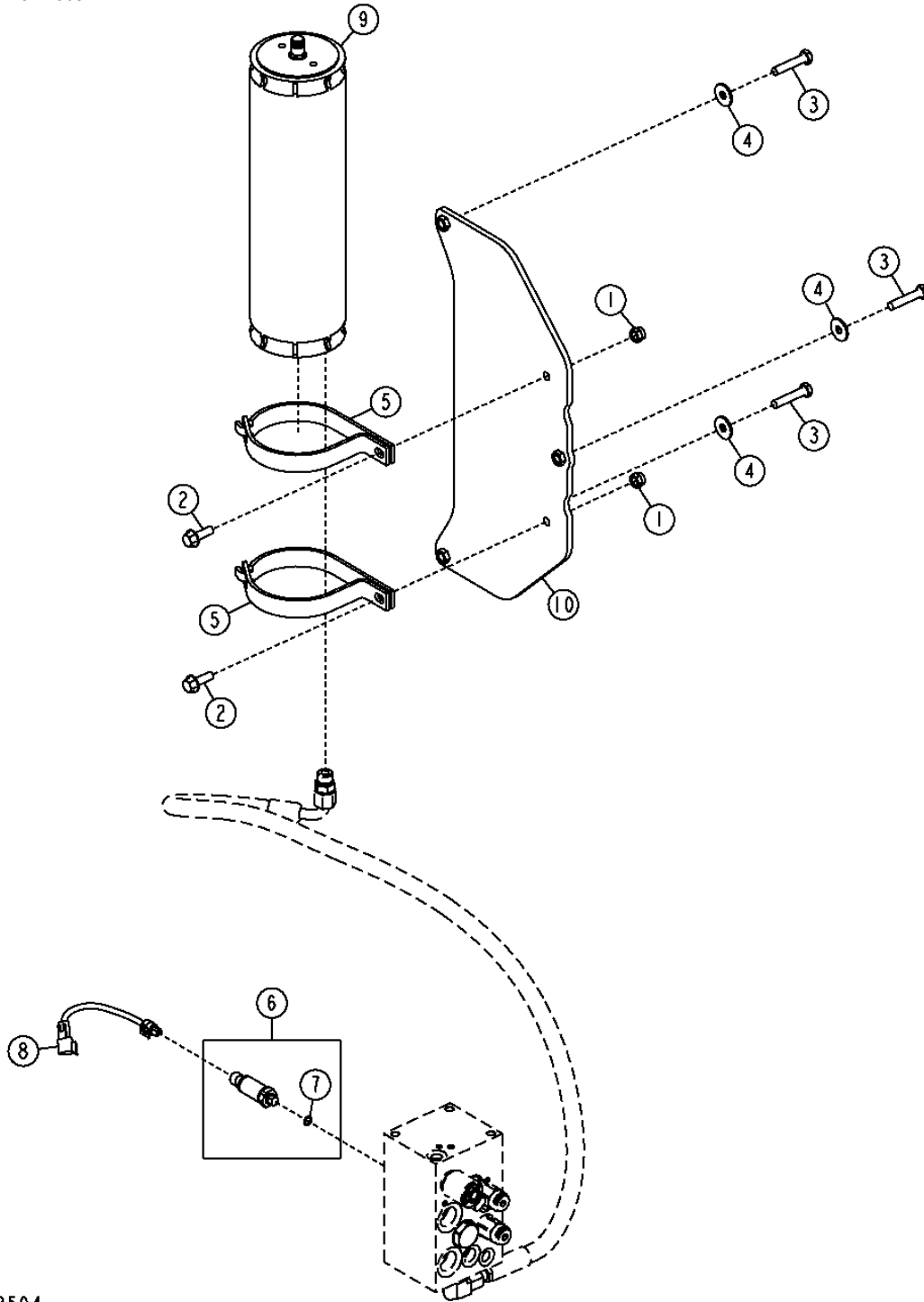
KEY	PART NO.	PART NAME	QTY.	SERIAL NO.	REMARKS
1	14M7517	LOCK NUT	2		M10
2	19M7786	SCREW	2		M10 X 30
3	19M8600	CAP SCREW	3		M10 X 50
4	24M7296	WASHER	3		10.500 X 30 X 2.500 MM
5	AT186653	CLAMP	2		
6	AT322982	TRANSDUCER	1		
7	R28782	O-RING	1		
8	AT343839	MANIFOLD	1		(COMPONENTS ON SEPARATE PAGE)
9	38H1005	ELBOW FITTING	1		
10	R26375	O-RING	2		
11	T77857	O-RING	2		
12	38H1161	ADAPTER FITTING	1		
13	AT345549	HYDRAULIC HOSE - FABRICATE	1		
14	AT365350	WIRING HARNESS	1		
15	AT367467	BRACKET	1		
16	AT368028	HYDRAULIC ACCUMULATOR	1		(INCLUDES AT196760)
	AT196760	KIT	1		(ACCUMULATOR GAS VALVE)
17	R36235	GROMMET	1		
18	T225374	LABEL	1		(ACCUMULATOR WARNING)
20	AT367585	FIELD INSTALLATION KIT	1		(WHOLE GOODS)

0930-6

STEERING SYSTEMS 09
EMERGENCY STEERING 0930

SECONDARY STEERING DIRECTION AUXILIAIRE DIRECCION AUXILIAR

TX1053504 -UN-29DEC08



TX1053504

0930-7

STEERING SYSTEMS 09
EMERGENCY STEERING 0930

**SECONDARY STEERING
DIRECTION AUXILIAIRE
DIRECCION AUXILIAR**

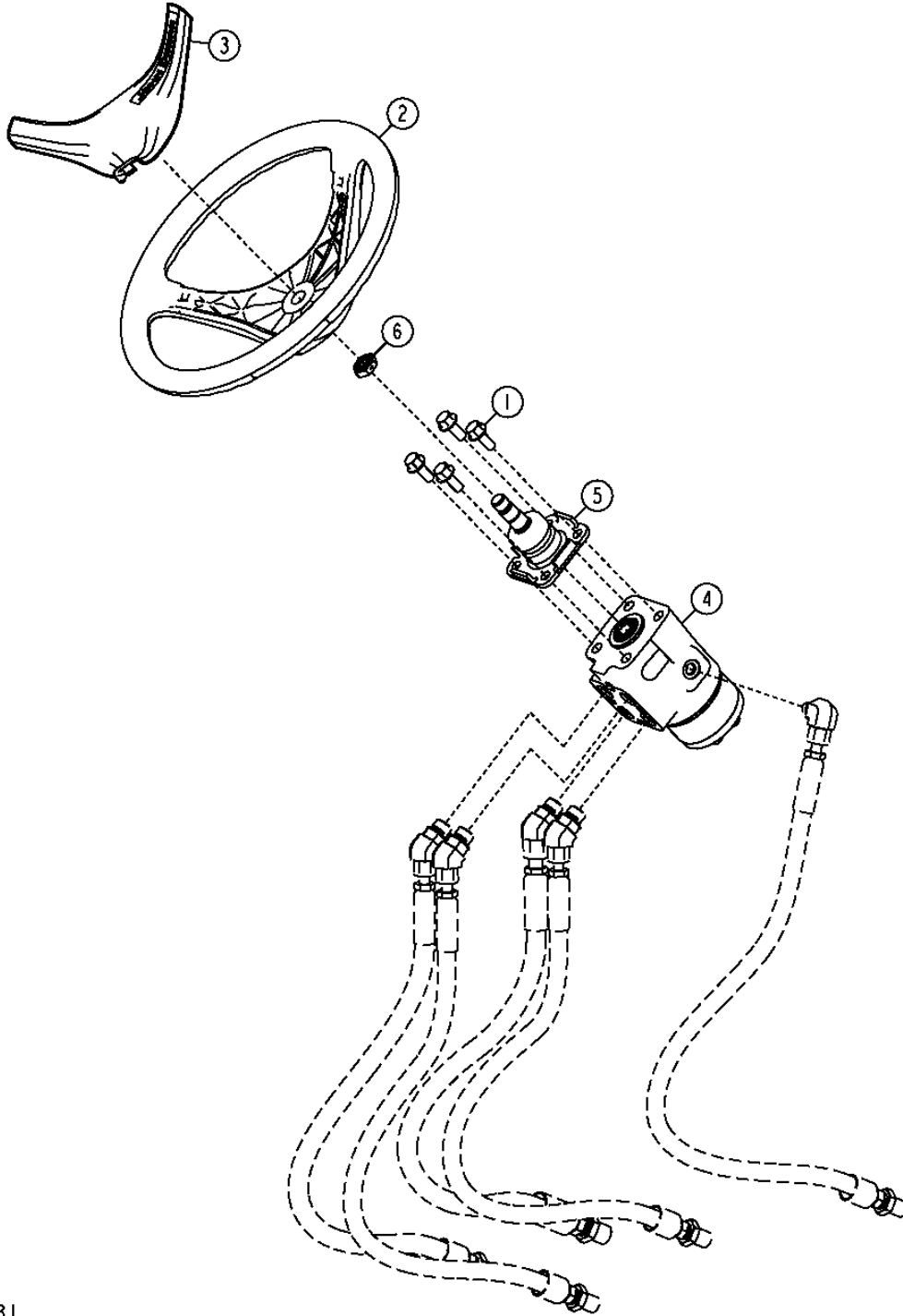
KEY	PART NO.	PART NAME	QTY.	SERIAL NO.	REMARKS
1	14M7517	LOCK NUT	2		M10
2	19M7786	SCREW	2		M10 X 30
3	19M8600	CAP SCREW	3		M10 X 50
4	24M7296	WASHER	3		10.500 X 30 X 2.500 MM
5	AT186653	CLAMP	2		
6	AT322982	TRANSDUCER	1		
7	R28782	O-RING	1		
8	AT365350	WIRING HARNESS	1		
9	AT368028	ACCUMULATOR KIT	1		(INCLUDES AT196760)
10	AT367467	BRACKET	1		

0962-2

STEERING SYSTEMS 09
STEERING VALVE & CONTROL 0962

STEERING SYSTEM (STANDARD)
SYSTEME DE DIRECTION (STANDARD)
SISTEMA DE DIRECCION (ESTANDAR)

TX1050731 -UN-31OCT08



TX1050731

0962-3

STEERING SYSTEMS 09
STEERING VALVE & CONTROL 0962

STEERING SYSTEM (STANDARD)
SYSTEME DE DIRECTION (STANDARD)
SISTEMA DE DIRECCION (ESTANDAR)

KEY	PART NO.	PART NAME	QTY.	SERIAL NO.	REMARKS
1	19M7785	SCREW	4		M10 X 25
2	M142218	STEERING WHEEL	1		
3	M142219	COVER	1		
4	AT303489	CONTROL VALVE	1		
5	AT322881	STEERING COLUMN	1		
6	T213896	NUT	1		

0962-5

STEERING SYSTEMS 09
STEERING VALVE & CONTROL 0962

STEERING SYSTEM (GRADE PRO)
SYSTEME DE DIRECTION (GRADE PRO)
SISTEMA DE DIRECCION (GRADE PRO)

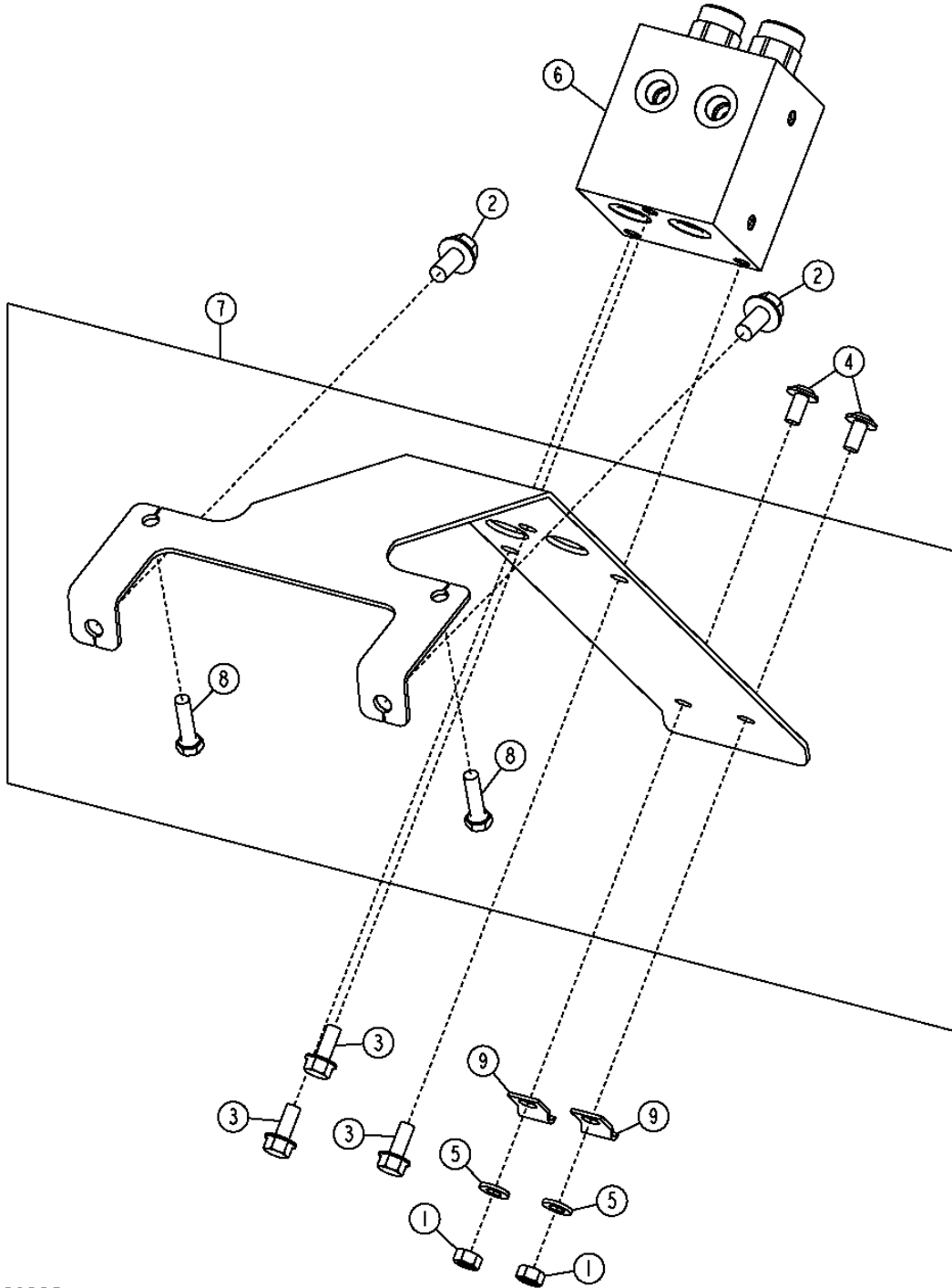
KEY	PART NO.	PART NAME	QTY.	SERIAL NO.	REMARKS
1	19M7785	SCREW	4		M10 X 25
2	AL155227	COVER	1		
3	B3690R	O-RING	1		
4	AT347655	CONTROL VALVE	1		
5	AT347656	STEERING COLUMN	1		
6	AT351880	WHEEL	1		
7	T213896	NUT	1		

0962-6

STEERING SYSTEMS 09
STEERING VALVE & CONTROL 0962

MAIN MANIFOLD VALVE
DISTRIBUTEUR PRINCIPAL
VALVULA COLECTOR PRINCIPAL

TX1056225 -UN-24FEB09



TX1056225

0962-7

STEERING SYSTEMS 09
STEERING VALVE & CONTROL 0962

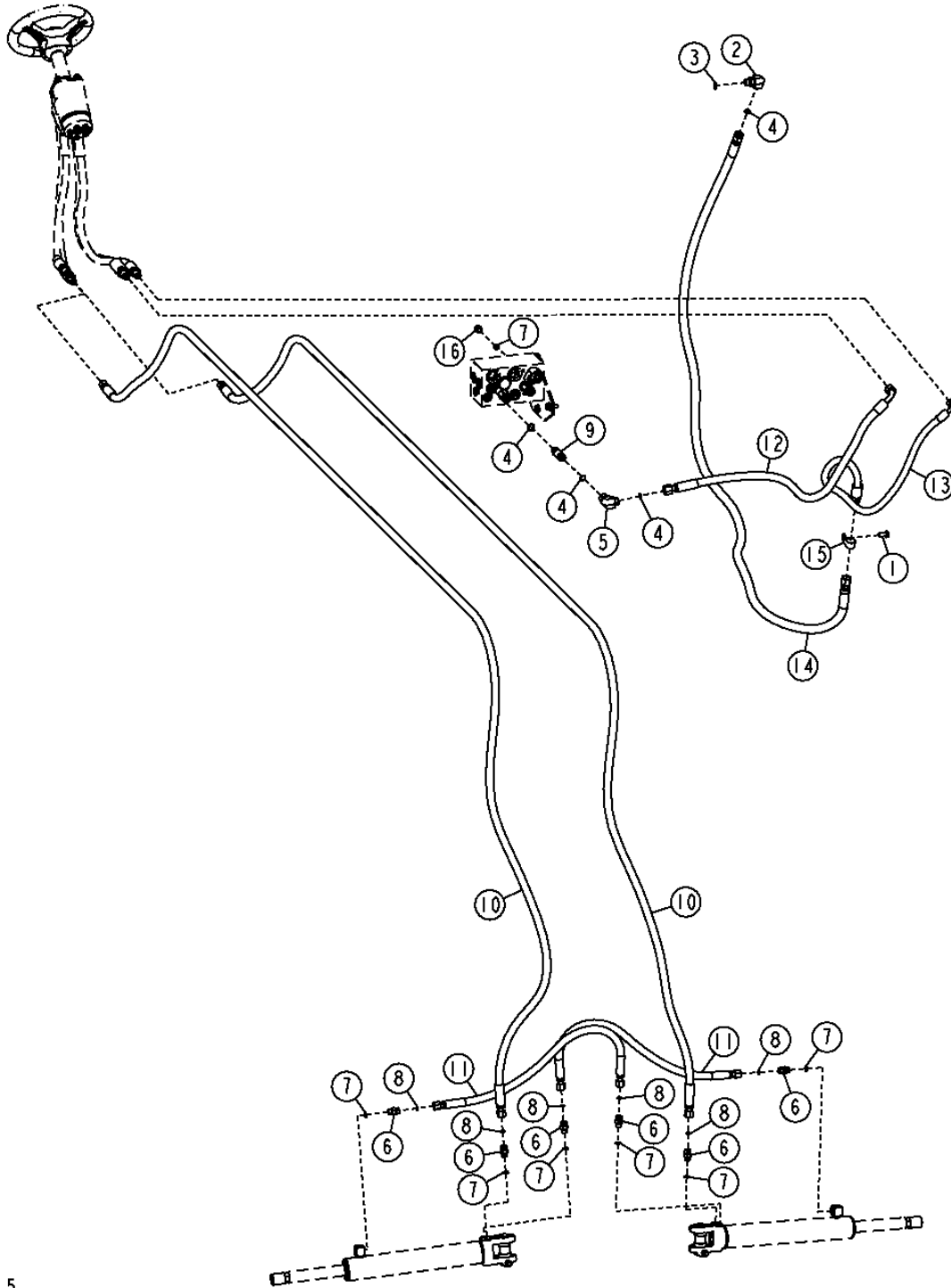
**MAIN MANIFOLD VALVE
DISTRIBUTEUR PRINCIPAL
VALVULA COLECTOR PRINCIPAL**

KEY	PART NO.	PART NAME	QTY.	SERIAL NO.	REMARKS
1	14M7273	NUT	2		M8
2	19M7784	SCREW	2		M10 X 20
3	19M7866	SCREW	3		M8 X 20
4	19M8675	SCREW	2		M8 X 16
5	24M7238	WASHER	2		8.700 X 17 X 2 MM
6	AT343842	MANIFOLD	1		
	AT349523	HYDR./PILOT CONTROL VALVE	2		
	F433299	SEAL KIT	1		
7	AT345787	BRACKET	1		
8	19M7017	CAP SCREW	2		
9	R27528	CLAMP	2		

0963-2

STEERING LINES, HOSES & FITTINGS 0963
FRONT STEERING PLUMBING (STANDARD CONTROLS)
CONDUITES DIRECTION AVANT (COMMANDES STANDARD)
TUBERIA DIRECCION DELANTERA (CONTROLES ESTANDAR)

TX1050315 -UN-20OCT08



TX1050315

THIS PARTS LISTING IS CONTINUED

0963-3

STEERING SYSTEMS 09

STEERING LINES, HOSES & FITTINGS 0963
FRONT STEERING PLUMBING (STANDARD CONTROLS)
CONDUITES DIRECTION AVANT (COMMANDES STANDARD)
TUBERIA DIRECCION DELANTERA (CONTROLES ESTANDAR)

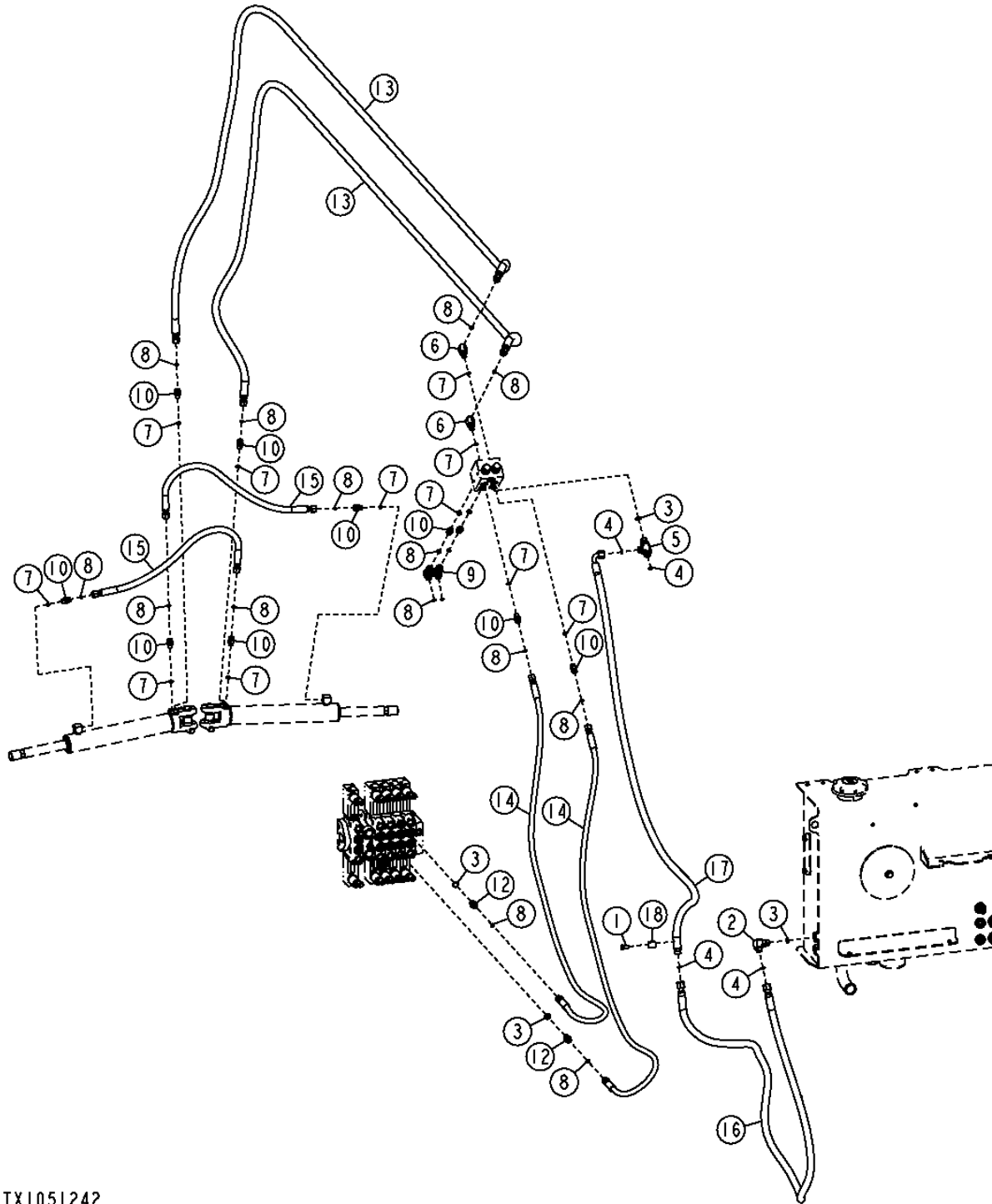
KEY	PART NO.	PART NAME	QTY.	SERIAL NO.	REMARKS
1	19M7784	SCREW	1		
2	38H1005	ELBOW FITTING	1		
3	R26375	O-RING	2		
4	T77857	O-RING	3		
5	38H1095	ELBOW FITTING	1		
6	38H1160	ADAPTER FITTING	6		
7	R26448	O-RING	6		
8	T77613	O-RING	6		
9	38H1213	ADAPTER FITTING	1		
10	AT340911	HYDRAULIC HOSE - FABRICATE	2		
11	AT351568	HYDRAULIC HOSE - FABRICATE	2		
12	AT352505	HYDRAULIC HOSE - FABRICATE	1		
13	AT352506	HYDRAULIC HOSE - FABRICATE	1		
14	AT353308	HYDRAULIC HOSE - FABRICATE	1		
15	T74416	CLAMP	1		
16	R27218	FITTING PLUG	1		

0963-4

FRONT STEERING PLUMBING (GRADE PRO)
CONDUITES DIRECTION AVANT (GRADE PRO)
TUBERIA DIRECCION DELANTERA (GRADE PRO)

TX1051242

-UN-13NOV08



TX1051242

THIS PARTS LISTING IS CONTINUED

0963-5

STEERING SYSTEMS 09

STEERING LINES, HOSES & FITTINGS 0963

FRONT STEERING PLUMBING (GRADE PRO)
CONDUITES DIRECTION AVANT (GRADE PRO)
TUBERIA DIRECCION DELANTERA (GRADE PRO)

KEY	PART NO.	PART NAME	QTY.	SERIAL NO.	REMARKS
1	19M7784	SCREW	1		M10 X 20
2	38H1005	ELBOW FITTING	1		
3	R26375	O-RING	4		
4	T77857	O-RING	4		
5	38H1024	TEE FITTING	1		
6	38H1045	ELBOW FITTING	2		
7	R26448	O-RING	12		
8	T77613	O-RING	17		
9	38H1094	ELBOW FITTING	2		
10	38H1160	ADAPTER FITTING	10		
12	38H1171	ADAPTER FITTING	2		
13	AT341171	HYDRAULIC HOSE - FABRICATE	2		
14	AT341178	HYDRAULIC HOSE - FABRICATE	2		
15	AT351568	HYDRAULIC HOSE - FABRICATE	2		
16	AT353308	HYDRAULIC HOSE - FABRICATE	1		
17	AT364968	HYDRAULIC HOSE - FABRICATE	1		
18	R114103	CLAMP	1		

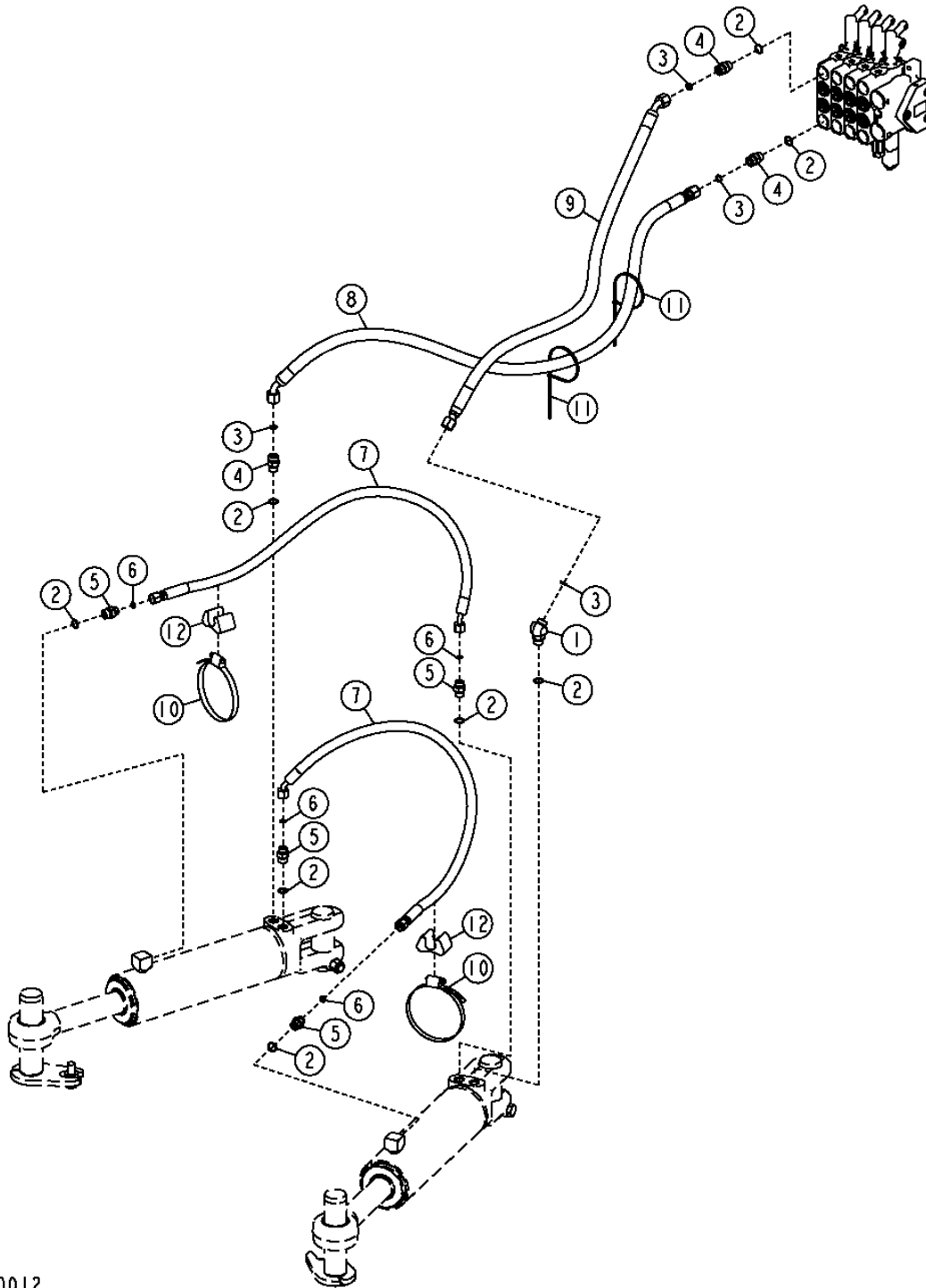
0963-6

STEERING SYSTEMS 09

STEERING LINES, HOSES & FITTINGS 0963 REAR STEERING PLUMBING (STANDARD CONTROLS) CONDUITES DIRECTION ARRIERE (COMMANDES STANDARD) TUBERIA DIRECCION TRASERAS (CONTROLES ESTANDAR)

TX1050012

-UN-14OCT08



TX1050012

0963-7

STEERING SYSTEMS 09

STEERING LINES, HOSES & FITTINGS 0963

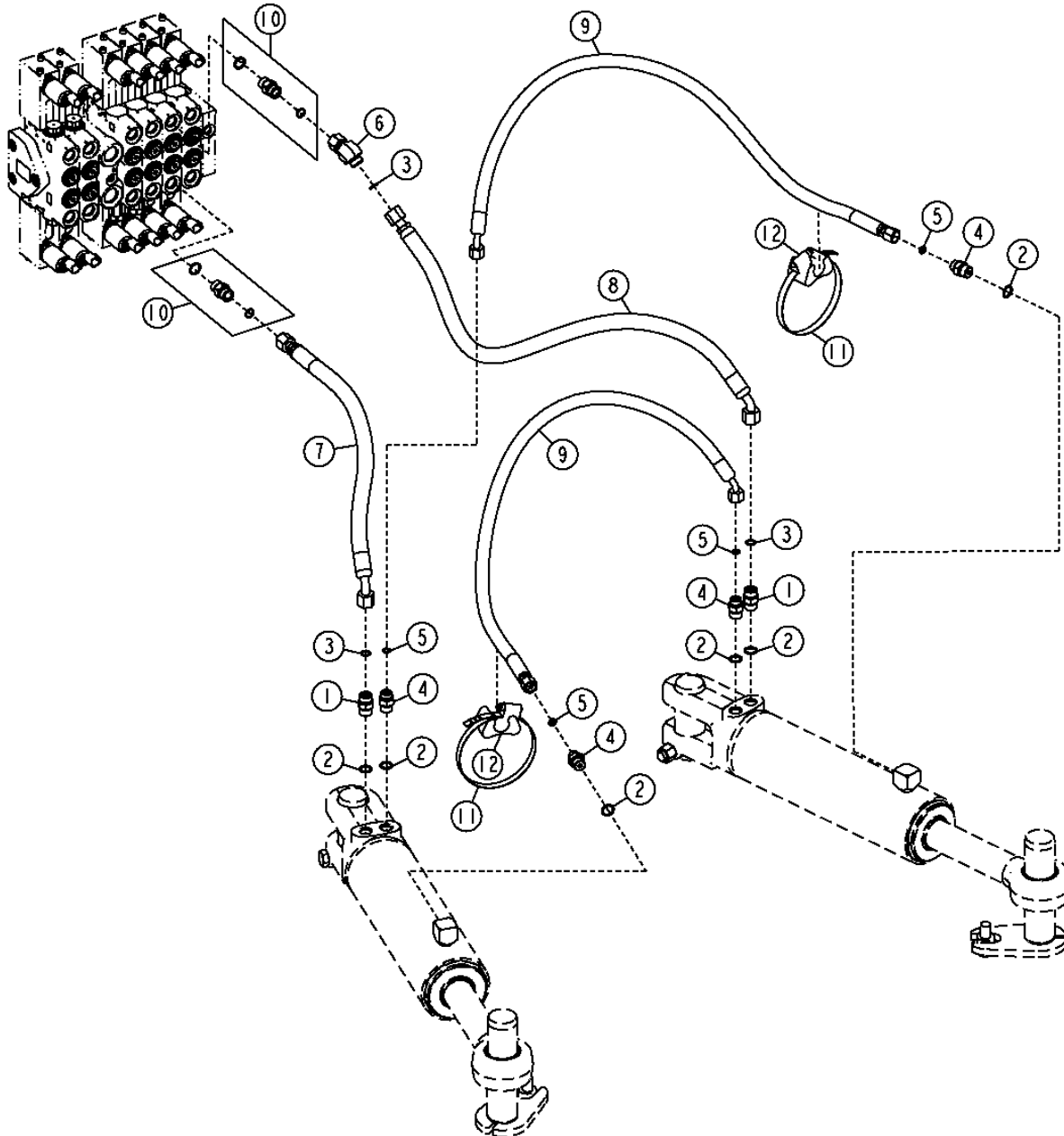
REAR STEERING PLUMBING (STANDARD CONTROLS)
CONDUITES DIRECTION ARRIERE (COMMANDES STANDARD)
TUBERIA DIRECCION TRASERAS (CONTROLES ESTANDAR)

KEY	PART NO.	PART NAME	QTY.	SERIAL NO.	REMARKS
1	38H1046	ELBOW FITTING	1		
2	R26375	O-RING	8		
3	T77857	O-RING	4		
4	38H1161	ADAPTER FITTING	3		
5	38H1171	ADAPTER FITTING	4		
6	T77613	O-RING	4		
7	AT341723	HYDRAULIC HOSE - FABRICATE	2		
8	AT341724	HYDRAULIC HOSE - FABRICATE	1		
9	AT341725	HYDRAULIC HOSE - FABRICATE	1		
10	C16054	CLAMP	2		
11	H77698	TIE BAND	2		
12	T105773	GUIDE	2		

0963-8

REAR STEERING PLUMBING (GRADE PRO)
CONDUITES DIRECTION ARRIERE (GRADE PRO)
TUBERIA DIRECCION TRASERAS (GRADE PRO)

TX1051323 -UN-13NOV08



TX1051323

THIS PARTS LISTING IS CONTINUED

0963-9

STEERING SYSTEMS 09

STEERING LINES, HOSES & FITTINGS 0963

**REAR STEERING PLUMBING (GRADE PRO)
CONDUITES DIRECTION ARRIERE (GRADE PRO)
TUBERIA DIRECCION TRASERAS (GRADE PRO)**

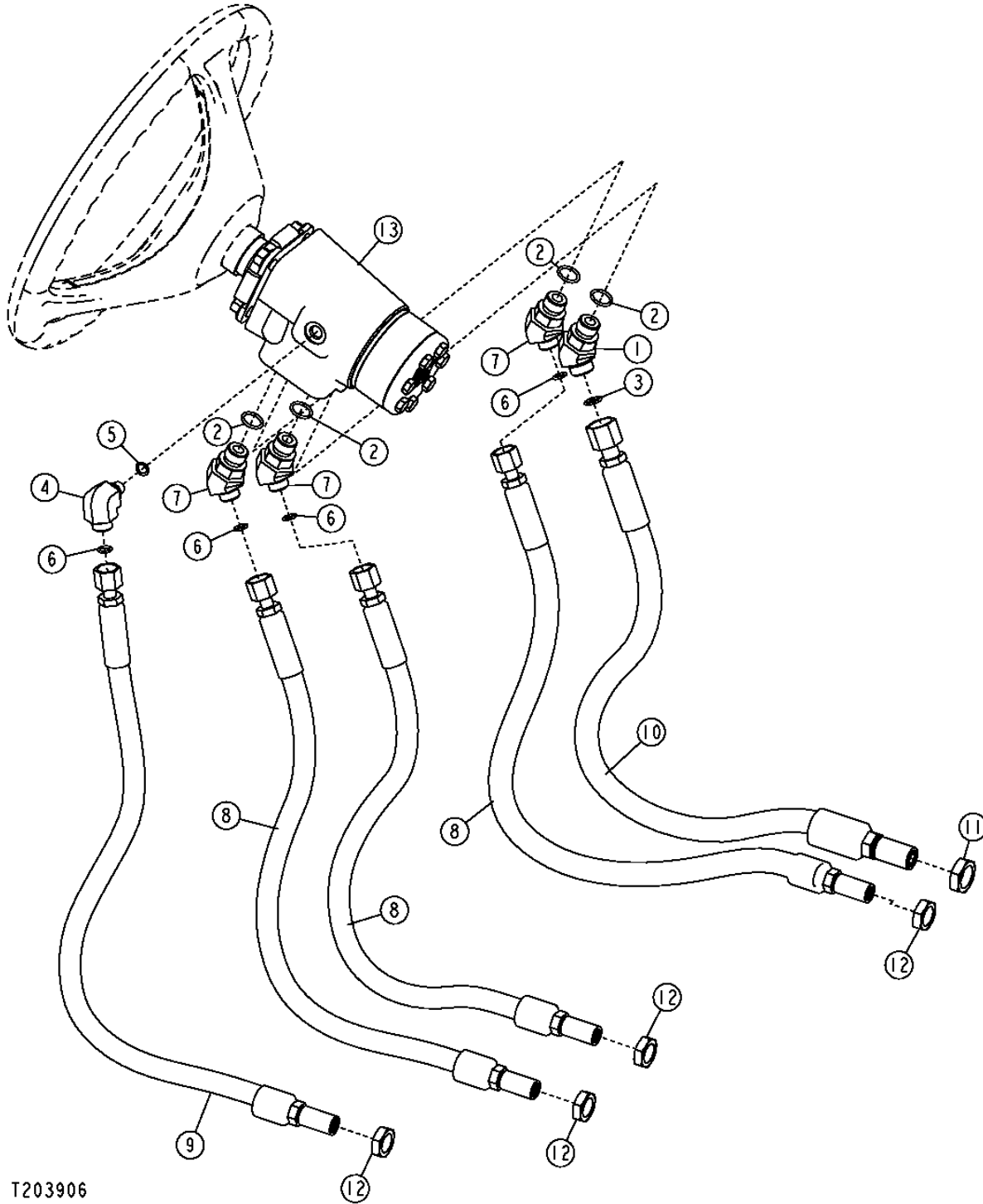
KEY	PART NO.	PART NAME	QTY.	SERIAL NO.	REMARKS
1	38H1161	ADAPTER FITTING	2		(ALSO ORDER R26375 AND T77857)
2	R26375	O-RING	6		
3	T77857	O-RING	3		
4	38H1171	ADAPTER FITTING	4		(ALSO ORDER R26375 AND T77613)
5	T77613	O-RING	4		
6	38H1603	ELBOW FITTING	1		(ALSO ORDER T77857)
7	AT341212	HYDRAULIC HOSE - FABRICATE	1		
8	AT341213	HYDRAULIC HOSE - FABRICATE	1		
9	AT341723	HYDRAULIC HOSE - FABRICATE	2		
10	AT365104	CHECK VALVE	2		
11	C16054	CLAMP	2		
12	T105773	GUIDE	2		

0963-10

STEERING SYSTEMS 09

STEERING LINES, HOSES & FITTINGS 0963
STEERING HOSES (STANDARD CONTROLS)
FLEXIBLES DE DIRECCION (COMMANDES STANDARD)
VALVULA DE DIRECCION Y MONGUERAS

T203906 -UN-08DEC04



T203906

THIS PARTS LISTING IS CONTINUED

0963-11

STEERING SYSTEMS 09

STEERING LINES, HOSES & FITTINGS 0963

**STEERING HOSES (STANDARD CONTROLS)
FLEXIBLES DE DIRECTION (COMMANDES STANDARD)
VALVULA DE DIRECCION Y MONGUERAS**

KEY	PART NO.	PART NAME	QTY.	SERIAL NO.	REMARKS
1	38H1046	ELBOW FITTING	1		
2	R26375	O-RING	4		
3	T77857	O-RING	1		
4	38H1435	ELBOW FITTING	1		
5	R28782	O-RING	1		
6	T77613	O-RING	4		
7	38H1522	ELBOW FITTING	3		
8	AT302166	HYDRAULIC HOSE - FABRICATE	3		
9	AT302175	HYDRAULIC HOSE - FABRICATE	1		
10	AT309953	HYDRAULIC HOSE - FABRICATE	1		
11	T78716	NUT	1		
12	T81029	NUT	4		
13	AT303489	CONTROL VALVE	1		(STEERING)
	AT316249	SEAL KIT	1		(STEERING VALVE)

0963-12

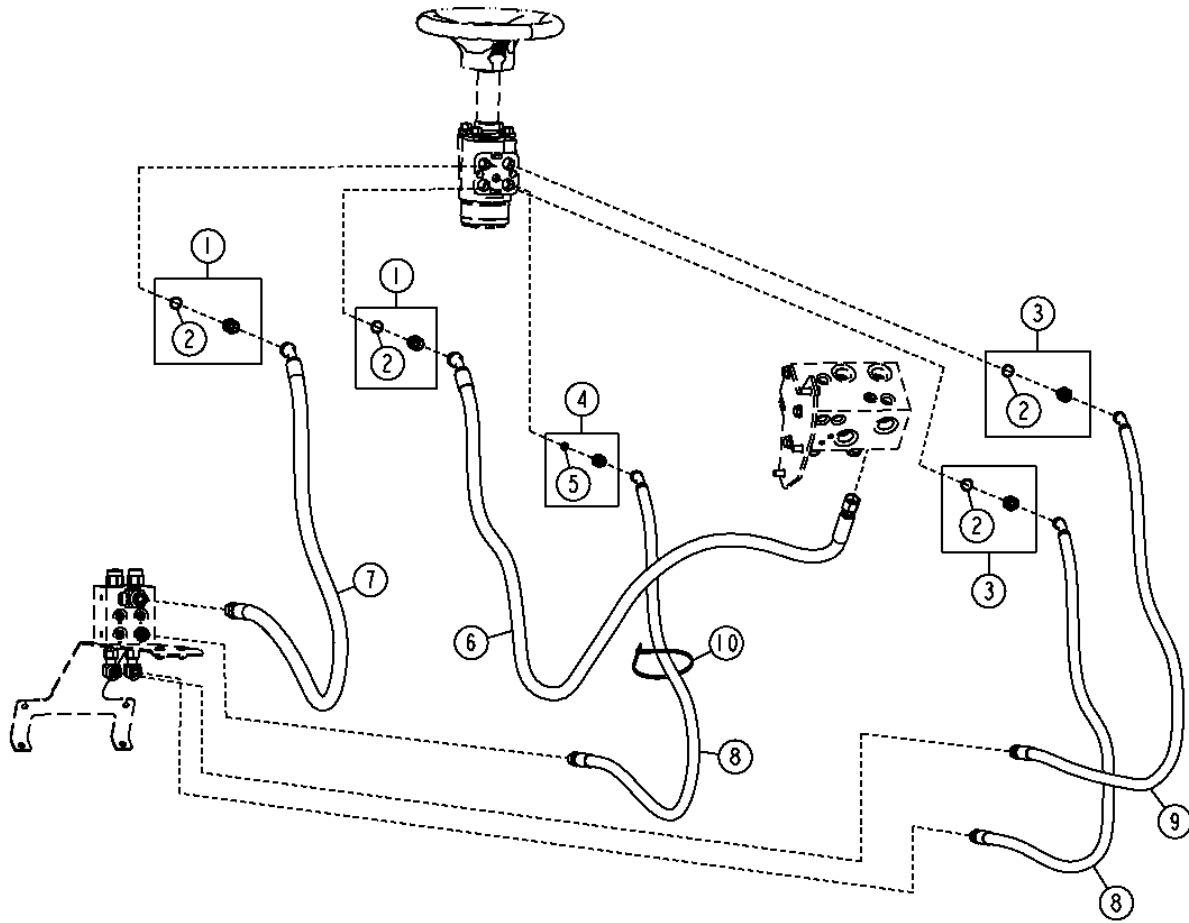
STEERING SYSTEMS 09

STEERING LINES, HOSES & FITTINGS 0963

STEERING HOSES (GRADE PRO)
FLEXIBLES DE DIRECCION (GRADE PRO)
MANGUERAS DE DIRECCION (GRADE PRO)

TX1056865

-UN-11MAR09



TX1056865

0963-13

STEERING SYSTEMS 09

STEERING LINES, HOSES & FITTINGS 0963

STEERING HOSES (GRADE PRO)
FLEXIBLES DE DIRECTION (GRADE PRO)
MANGUERAS DE DIRECCION (GRADE PRO)

KEY	PART NO.	PART NAME	QTY.	SERIAL NO.	REMARKS
1	62H1002	ADAPTER FITTING	2		
2	R26375	O-RING	1		
3	62H1008	ADAPTER FITTING	2		
4	62H1058	ADAPTER FITTING	1		
5	R28782	O-RING	1		
6	AT353174	HYDRAULIC HOSE - FABRICATE	1		
7	AT353175	HYDRAULIC HOSE	1		
8	AT353176	HYDRAULIC HOSE - FABRICATE	2		
9	AT353177	HYDRAULIC HOSE - FABRICATE	1		
10	H77698	TIE BAND	1		

0963-14

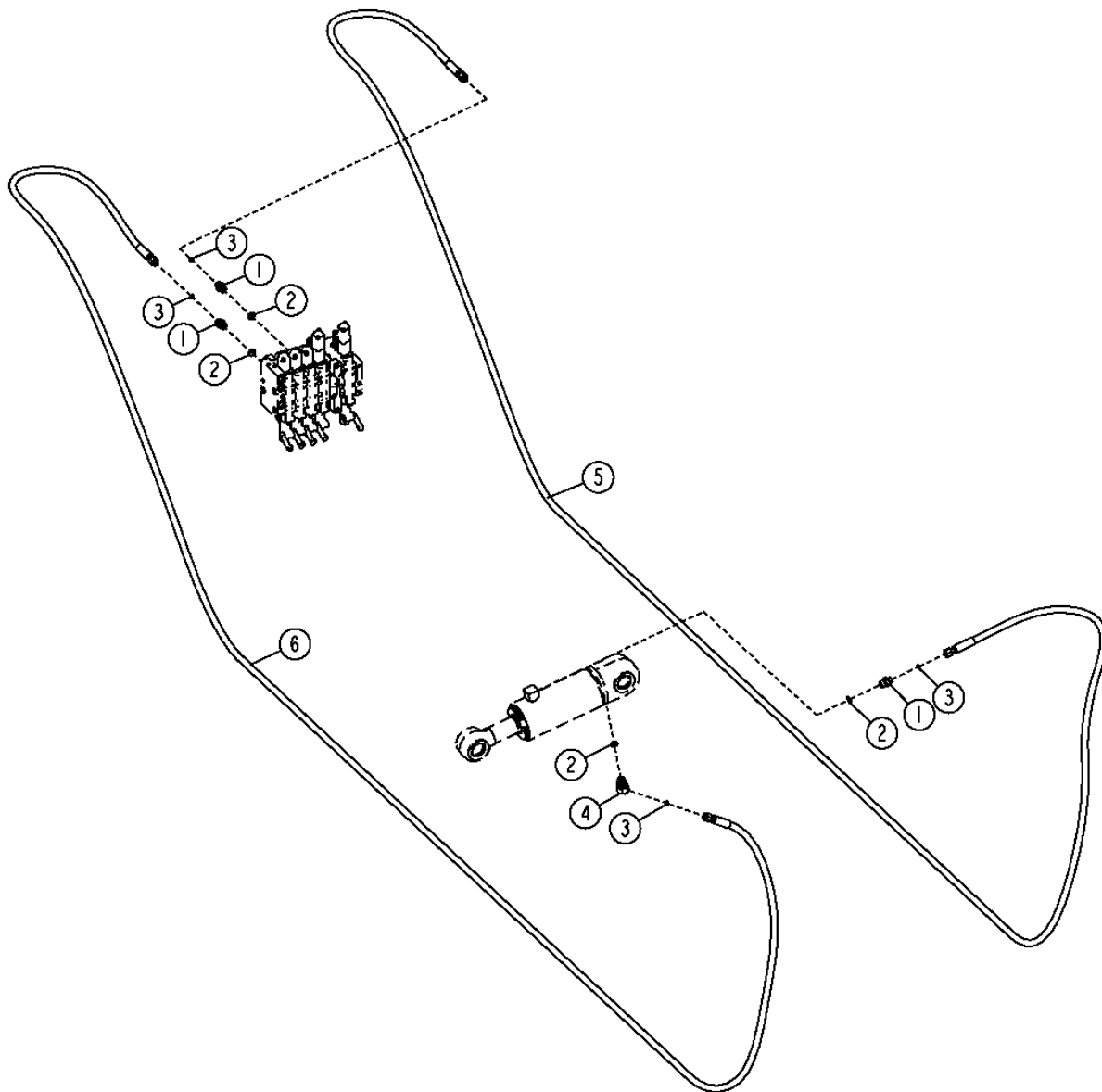
STEERING SYSTEMS 09

STEERING LINES, HOSES & FITTINGS 0963

WHEEL LEAN CYLINDER HOSES (STANDARD CONTROLS)
FLEXIBLES DE VERIN D'ARTICULATION (COMMANDES STANDARD)
MANGUERAS DE CILINDRO DE ARTICULACION (CONTROLES ESTANDAR)

TX1048797

-UN-18SEP08



TX1048797

0963-15

STEERING SYSTEMS 09

STEERING LINES, HOSES & FITTINGS 0963

WHEEL LEAN CYLINDER HOSES (STANDARD CONTROLS)
FLEXIBLES DE VERIN D'ARTICULATION (COMMANDES STANDARD)
MANGUERAS DE CILINDRO DE ARTICULACION (CONTROLES ESTANDAR)

KEY	PART NO.	PART NAME	QTY.	SERIAL NO.	REMARKS
1	38H1171	ADAPTER FITTING	3		
2	R26375	O-RING	4		
3	T77613	O-RING	4		
4	38H1522	ELBOW FITTING	1		
5	AT340920	HYDRAULIC HOSE - FABRICATE	1		
6	AT340921	HYDRAULIC HOSE - FABRICATE	1		

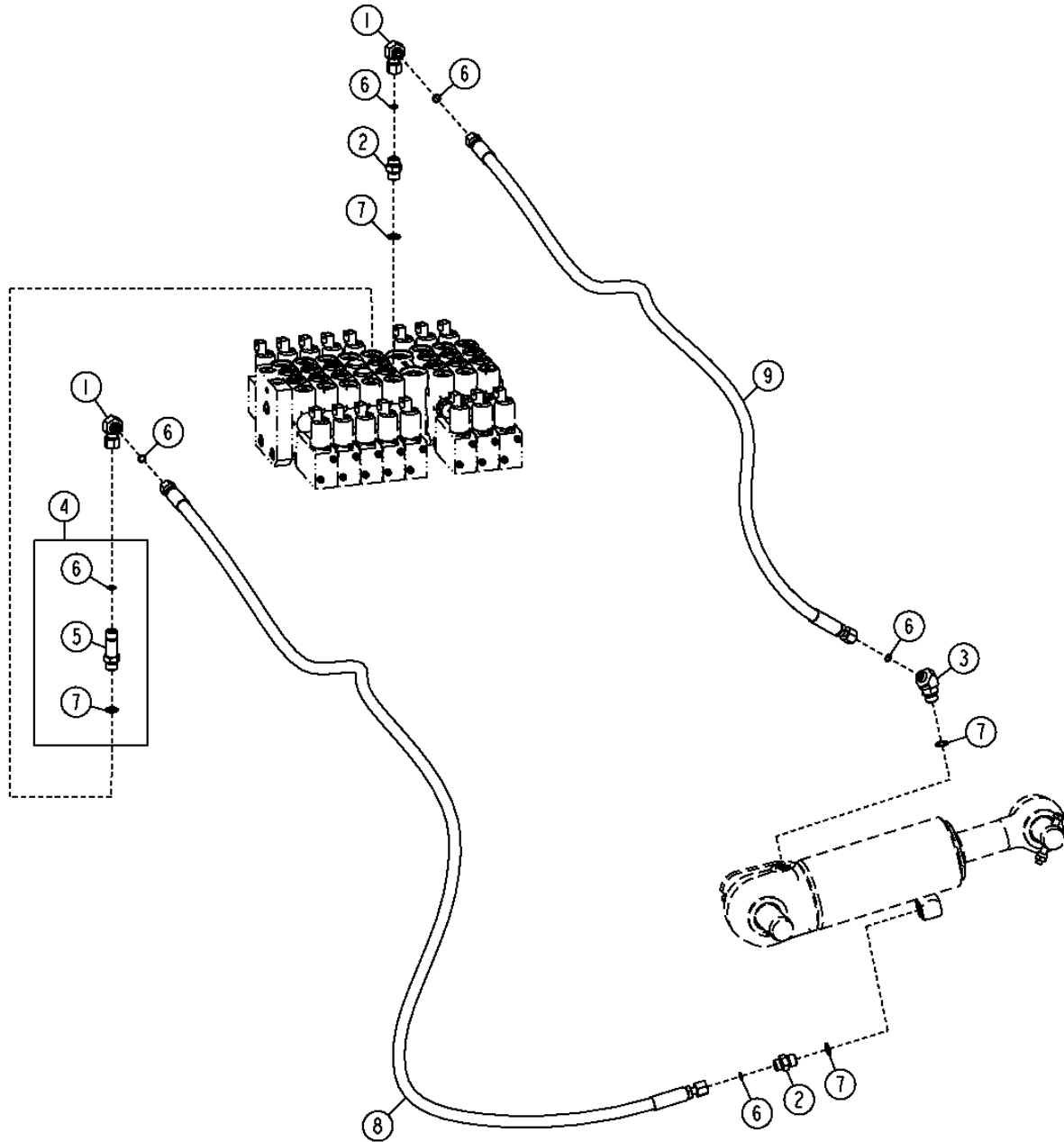
0963-16

STEERING SYSTEMS 09

STEERING LINES, HOSES & FITTINGS 0963
FRONT WHEEL LEAN CYLINDER HOSES (GRADE PRO)
TRACTION AVANT FLEXIBLES HYDRAULIQUE (GRADE PRO)
TRACCION DELANTERA MANGUERAS HIDRAULICA (GRADE PRO)

TX1050078

-UN-14OCT08



TX1050078

0963-17

STEERING SYSTEMS 09

STEERING LINES, HOSES & FITTINGS 0963

FRONT WHEEL LEAN CYLINDER HOSES (GRADE PRO)
TRACTION AVANT FLEXIBLES HYDRAULIQUE (GRADE PRO)
TRACCION DELANTERA MANGUERAS HIDRAULICA (GRADE PRO)

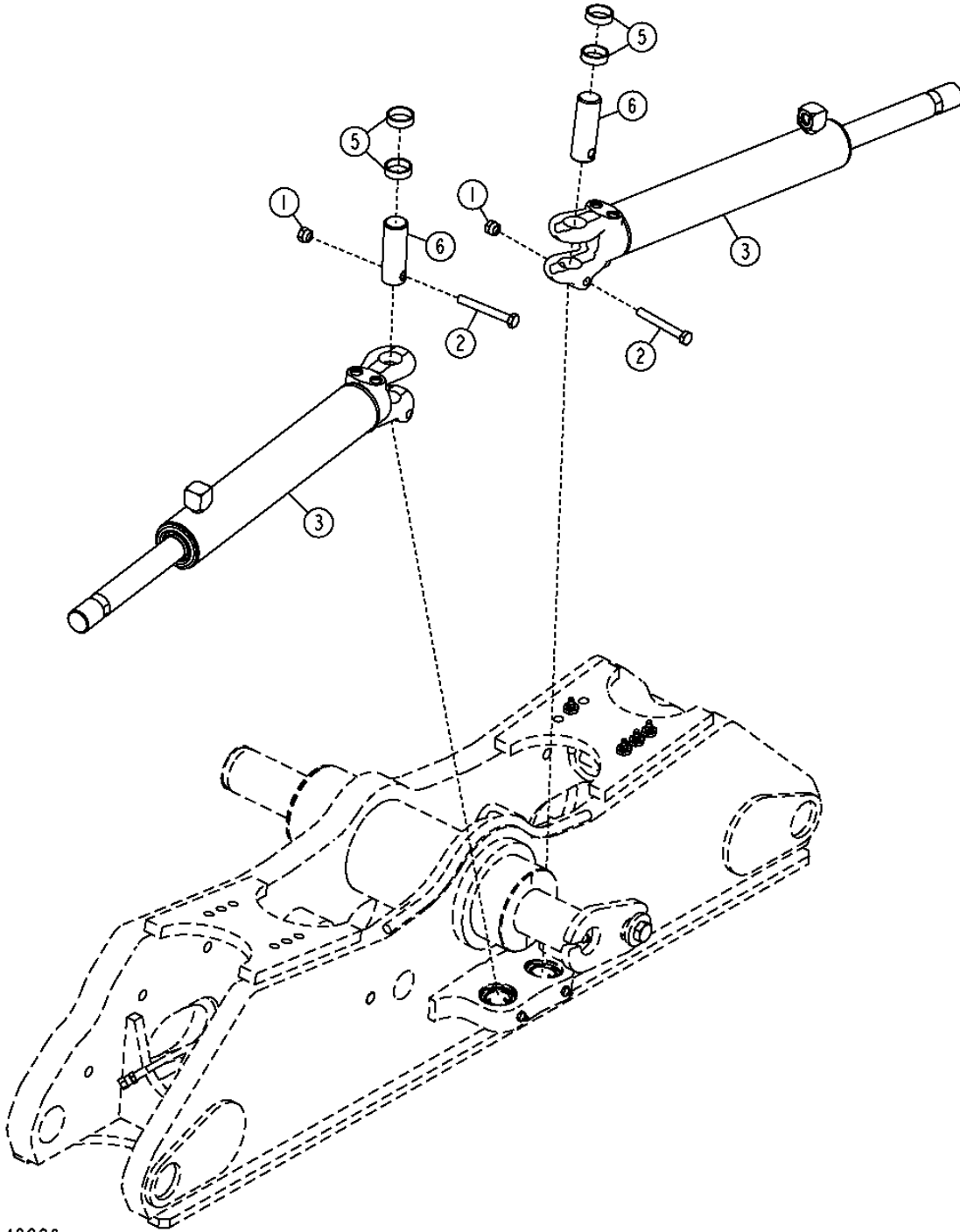
KEY	PART NO.	PART NAME	QTY.	SERIAL NO.	REMARKS
1	38H1094	ELBOW FITTING	2		
2	38H1171	ADAPTER FITTING	2		
3	38H1522	ELBOW FITTING	1		
4	61H1578	ADAPTER FITTING	1		
5	38H1578	ADAPTER FITTING	1		
6	T77613	O-RING	6		
7	R26375	O-RING	4		
8	AT341163	HYDRAULIC HOSE - FABRICATE	1		
9	AT341164	HYDRAULIC HOSE - FABRICATE	1		

0965-2

STEERING SYSTEMS 09
STEERING CYLINDERS 0965

STEERING CYLINDER PINS AXES DE VERIN DE DIRECTION PASADORES DEL CILINDRO DE DIRECCION

TX1048826 -UN-15DEC08



TX1048826

0965-3

STEERING SYSTEMS 09
STEERING CYLINDERS 0965

STEERING CYLINDER PINS
AXES DE VERIN DE DIRECTION
PASADORES DEL CILINDRO DE DIRECCION

KEY	PART NO.	PART NAME	QTY.	SERIAL NO.	REMARKS
1	14M7517	LOCK NUT	2		M10
2	19M8081	CAP SCREW	2		M10 X 80
3	AH229006	HYDRAULIC CYLINDER	2		
5	T184629	SPACER	4		
6	T204711	PIN FASTENER	2		

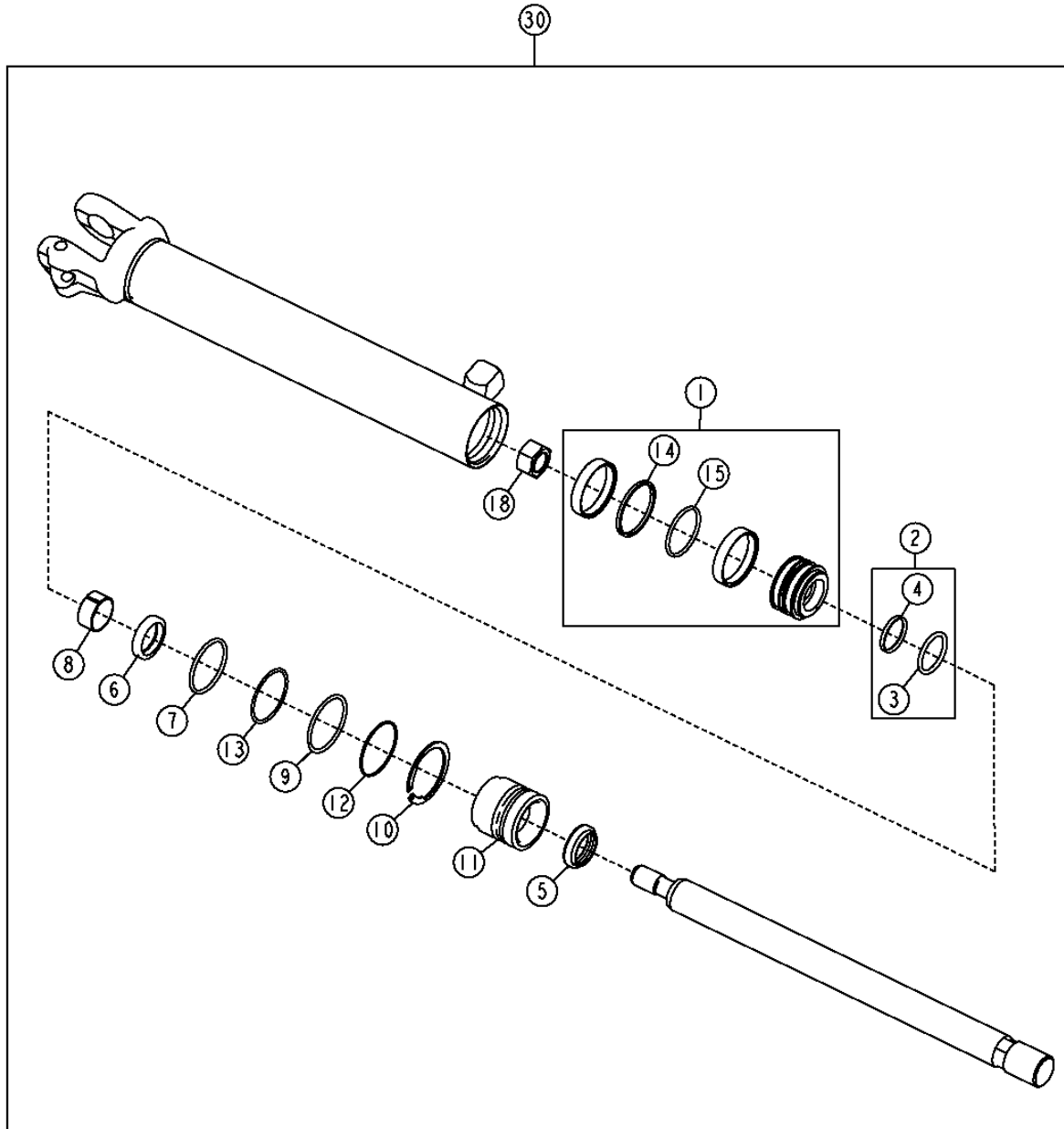
0965-4

STEERING SYSTEMS 09
STEERING CYLINDERS 0965

FRONT STEERING CYLINDER VERIN DE DIRECTION AVANT CILINDRO DE DIRECCION DELANTERA

TX1048865

-UN-24SEP08



31 2, 5, 6, 8

32 7, 12, 13, 14, 15

TX1048865

0965-5

STEERING SYSTEMS 09
STEERING CYLINDERS 0965

**FRONT STEERING CYLINDER
VERIN DE DIRECTION AVANT
CILINDRO DE DIRECCION DELANTERA**

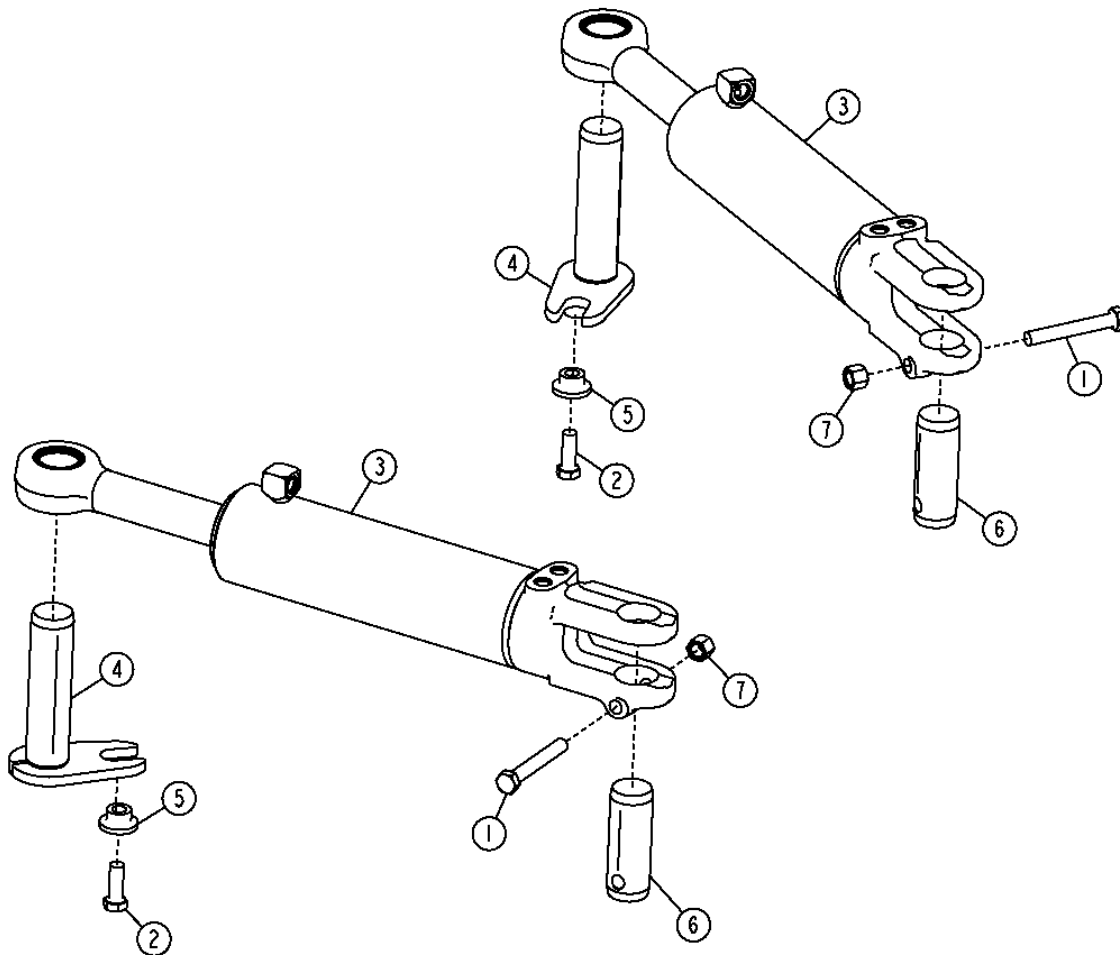
KEY	PART NO.	PART NAME	QTY.	SERIAL NO.	REMARKS
1	AH140072	PISTON	1		
2	AH147976	SEAL	1		
3	H155666	O-RING	1		
4	H155667	SEALING RING	1		
5	AH150452	SEAL	1		
6	H154514	SEAL	1		
7	H155964	O-RING	1		
8	H156058	WEAR RING	1		
9	H164204	SNAP RING	1		
10	H164205	SNAP RING	1		
11	H171332	HYDR. CYLINDER ROD GUIDE	1		
12	M44162	O-RING	1		
13	R78393	BACK-UP RING	1		
14	R92208	PACKING	1		
15	R30200	O-RING	1		
18	H170535	NUT	1		
30	AH229006	HYDRAULIC CYLINDER	1		

0965-6

STEERING SYSTEMS 09
STEERING CYLINDERS 0965

ARTICULATION CYLINDER PINS GOUPILLES DE VERIN D'ARTICULATION PASADORES DE CILINDRO DE ARTICULACION

TX1048824 -UN-18SEP08



TX1048824

0965-7

STEERING SYSTEMS 09
STEERING CYLINDERS 0965

ARTICULATION CYLINDER PINS
GOUPILLES DE VERIN D'ARTICULATION
PASADORES DE CILINDRO DE ARTICULACION

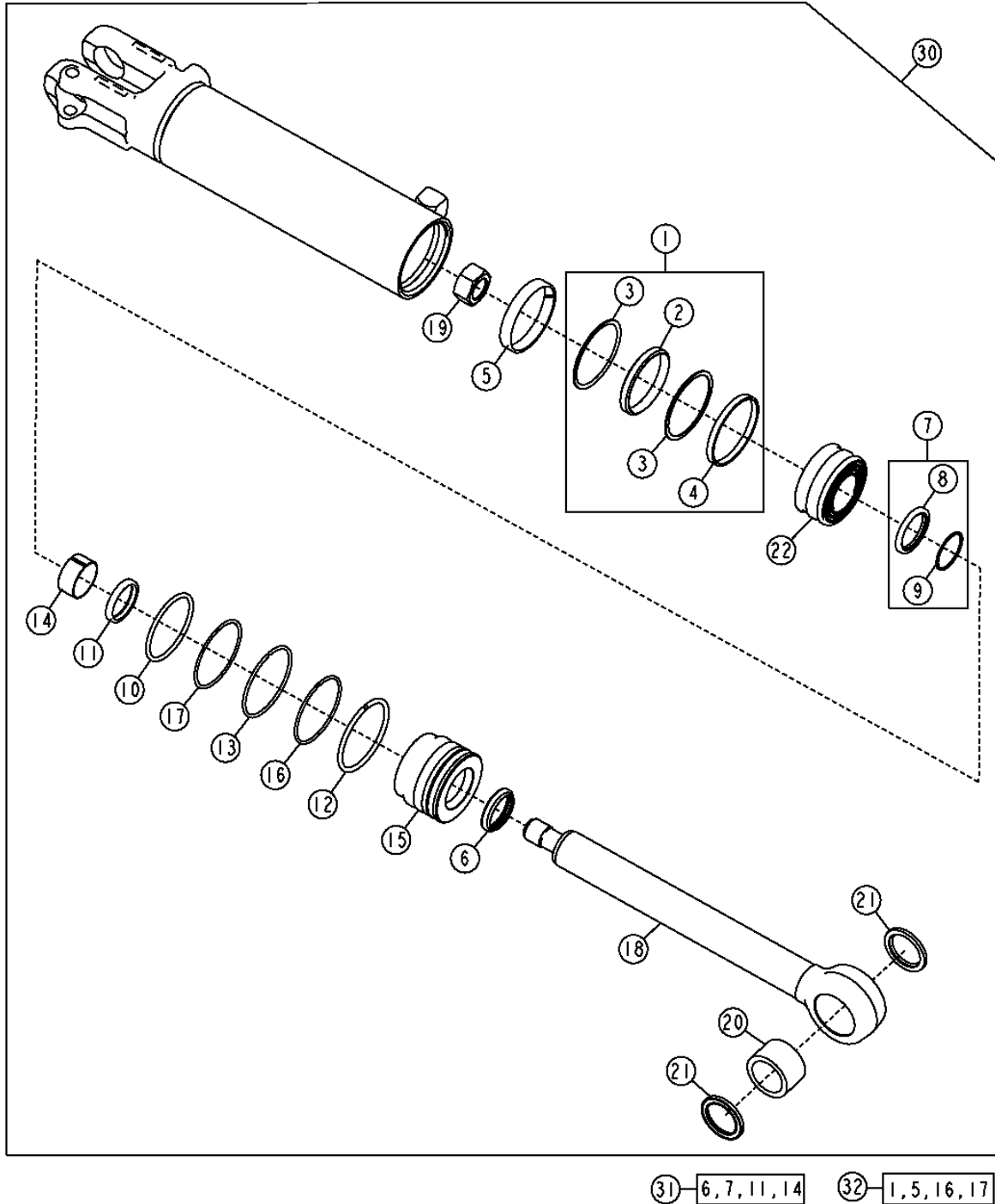
KEY	PART NO.	PART NAME	QTY.	SERIAL NO.	REMARKS
1	19H2133	CAP SCREW	2		
2	19M7489	CAP SCREW	2		
3	AH229589	HYDRAULIC CYLINDER	2		
4	AT345033	PIN	2		
5	T176064	BUSHING	2		
6	T233681	PIN	2		
7	U44915	LOCK NUT	2		

0965-8

STEERING SYSTEMS 09
STEERING CYLINDERS 0965

ARTICULATION CYLINDER AXES DE VERIN DE DIRECTION ARRIERE PASADORES DEL CILINDRO DE LA DIRECCION TRASERA

TX1048854 -UN-24SEP08



TX1048854

0965-9

STEERING SYSTEMS 09
STEERING CYLINDERS 0965

ARTICULATION CYLINDER
AXES DE VERIN DE DIRECTION ARRIERE
PASADORES DEL CILINDRO DE LA DIRECCION TRASERA

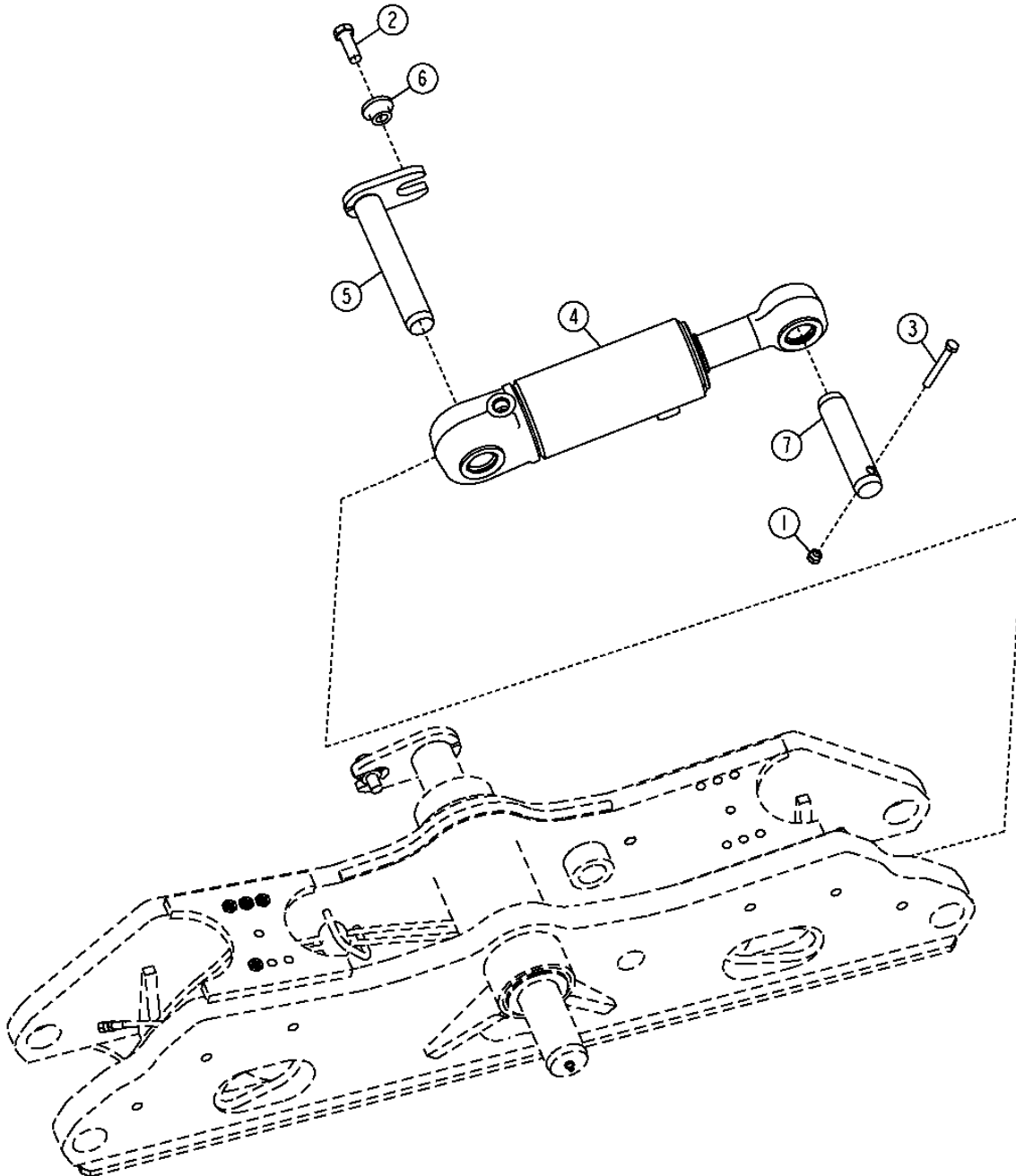
KEY	PART NO.	PART NAME	QTY.	SERIAL NO.	REMARKS
1	RE20343	SEAL	1		
2	SEAL	1		
3	SEALING RING	2		
4	SEAL	1		
5	R81775	WEAR RING	1		
6	AH146557	SEAL	1		
7	AH146561	SEAL	1		
8	H154335	SEAL	1		
9	H154337	SEAL	1		
10	F950R	O-RING	1		
11	H152203	SEAL	1		
12	H180080	SNAP RING	1		
13	F180094	SNAP RING	1		
14	H208987	WEAR RING	1		
15	H208995	HYDR. CYLINDER ROD GUIDE	1		
16	H210686	O-RING	1		
17	R81862	BACK-UP RING	1		
18	AH230415	ROD KIT	1		
19	H170539	NUT	1		
20	H232246	BUSHING	1		
21	T225566	SEAL	2		
22	H174616	PISTON	1		
30	AH230581	CYLINDER KIT	1		
31	AH210484	SEAL KIT	1		
32	AH212101	CYLINDER KIT	1		

0965-10

STEERING SYSTEMS 09
STEERING CYLINDERS 0965

WHEEL LEAN CYLINDER PINS GOUPILLES DE VERIN D'INCLINAISON DES ROUES PASADORES DE CILINDRO DE INCLINACION DE RUEDAS

TX1048825 -UN-24SEP08



TX1048825

0965-11

STEERING SYSTEMS 09
STEERING CYLINDERS 0965

**WHEEL LEAN CYLINDER PINS
GOUPILLES DE VERIN D'INCLINAISON DES ROUES
PASADORES DE CILINDRO DE INCLINACION DE RUEDAS**

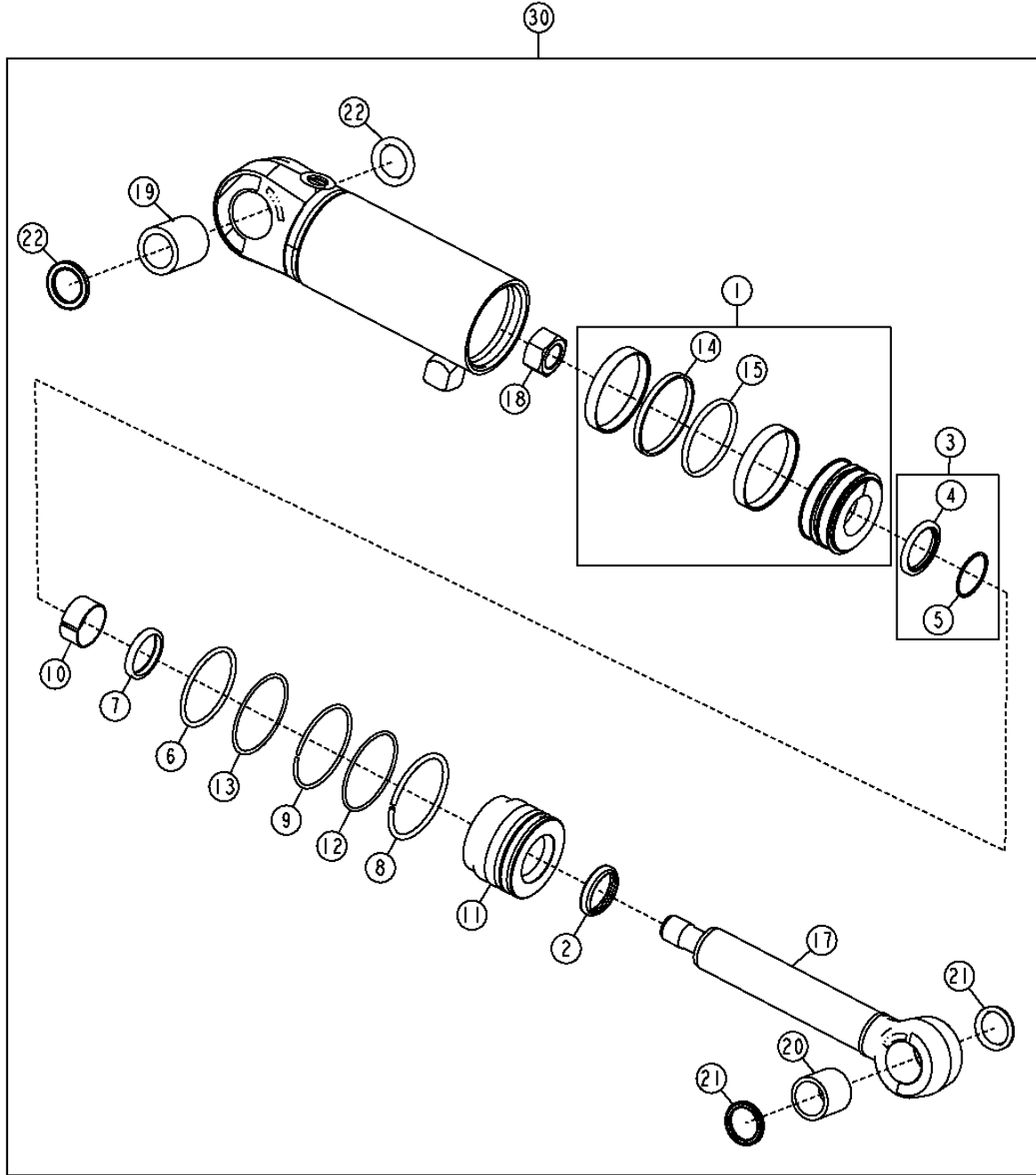
KEY	PART NO.	PART NAME	QTY.	SERIAL NO.	REMARKS
1	14M7517	LOCK NUT	1		M10
2	19M7489	CAP SCREW	1		M16 X 45
3	19M8081	CAP SCREW	1		M10 X 80
4	AH229593	HYDRAULIC CYLINDER	1		
5	AT345981	PIN	1		
6	T176064	BUSHING	1		
7	T234807	PIN FASTENER	1		

0965-12

STEERING SYSTEMS 09
STEERING CYLINDERS 0965

WHEEL LEAN CYLINDER VERIN D'INCLINAISON DES ROUES CILINDRO DE INCLINACION DE RUEDAS

TX1048897 -UN-24SEP08



- 31 2, 3, 7, 10
- 32 12, 13, 14, 15

TX1048897

0965-13

STEERING SYSTEMS 09
STEERING CYLINDERS 0965

WHEEL LEAN CYLINDER
VERIN D'INCLINAISON DES ROUES
CILINDRO DE INCLINACION DE RUEDAS

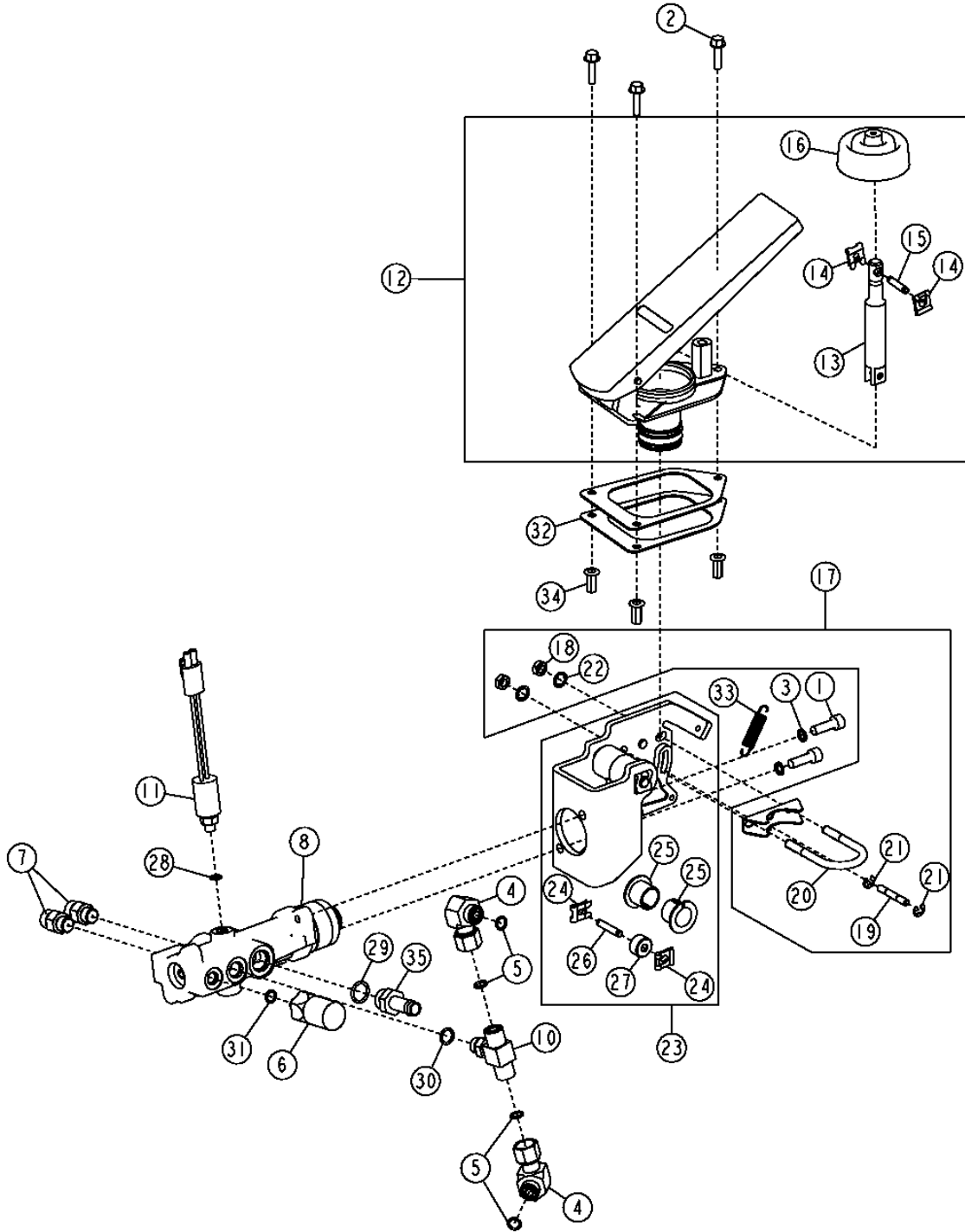
KEY	PART NO.	PART NAME	QTY.	SERIAL NO.	REMARKS
1	AH205062	PISTON	1		
2	AH146557	SEAL	1		
3	AH146561	SEAL	1		
4	H154335	SEAL	1		
5	H154337	BACK-UP RING	1		
6	F950R	O-RING	1		
7	H152203	SEAL	1		
8	H180080	SNAP RING	1		
9	H180094	SNAP RING	1		
10	H208987	WEAR RING	1		
11	H208995	HYDR. CYLINDER ROD GUIDE	1		
12	H210686	O-RING	1		
13	R81862	BACK-UP RING	1		
14	H168248	WASHER	1		
15	H168249	WASHER	1		
17	AH236359	ROD	1		
18	H170539	NUT	1		
19	H232254	BUSHING	1		
20	H232256	BUSHING	1		
21	T225564	SEAL	2		
22	T225565	SEAL	2		
30	AH229593	HYDRAULIC CYLINDER	1		
31	AH210484	HYDRAULIC CYLINDER KIT	1		
32	AH212102	HYDRAULIC CYLINDER KIT	1		

1062-2

SERVICE BRAKES 10
SERVICE BRAKE VALVE 1062

SERVICE BRAKE PEDAL AND VALVE PEDALE DE FREIN DE SERVICE ET DISTRIBUTEUR PEDAL DE FRENOS DE SERVICIO Y VALVULA

T201823 -UN-02SEP04



T201823

THIS PARTS LISTING IS CONTINUED

1062-3

SERVICE BRAKES 10

SERVICE BRAKE VALVE 1062

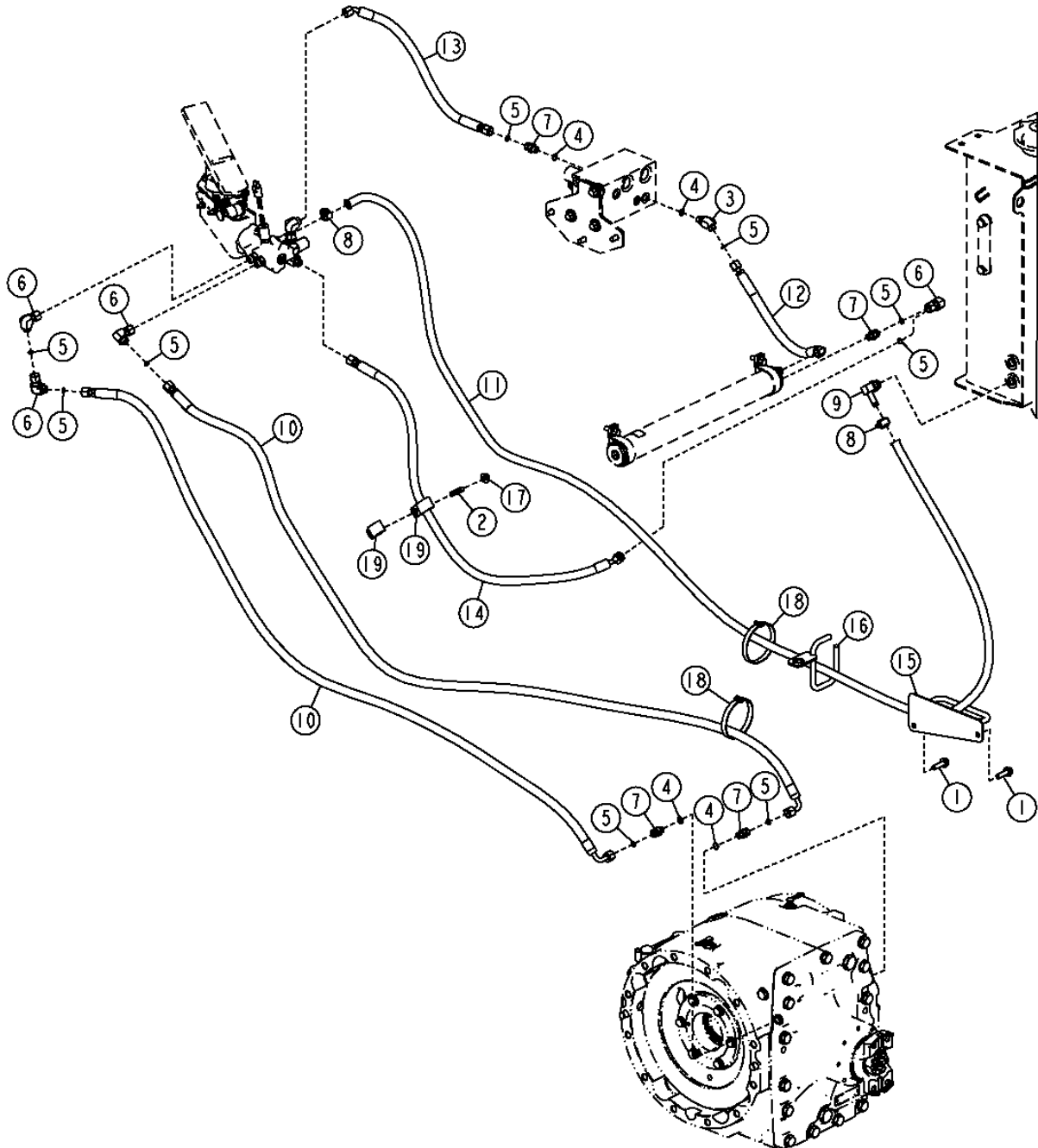
SERVICE BRAKE PEDAL AND VALVE
PEDALE DE FREIN DE SERVICE ET DISTRIBUTEUR
PEDAL DE FRENOS DE SERVICIO Y VALVULA

KEY	PART NO.	PART NAME	QTY.	SERIAL NO.	REMARKS
1	19M7657	SCREW	2		
2	19M7863	SCREW	3		
3	24M7313	WASHER	2		
4	38H1094	ELBOW FITTING	2		
5	T77613	O-RING	4		
6	AT150024	SWITCH	1		(PRESSURE, ACCUMULATOR CHARGE)
7	AT181313	CHECK VALVE	2		
8	AT329753	MANUAL HYDRAULIC VALVE	1		
	AT150112	SEAL KIT	1		(SERVICE BRAKE VALVE SEAL KIT)
10	AT207529	CHECK VALVE	1		
11	AT314827	SWITCH	1		(BRAKE LIGHT)
12	AT317654	PEDAL	1		
13	AT317655	PUSH ROD	1		
14	T157212	CLIP	2		
15	T157258	PIN	1		
16	T174634	BOOT	1		
17	AT304479	PACKAGE OF PARTS	1		
18	R53317	LOCK NUT	2		
19	T157211	PIN	1		
20	T157220	CLAMP	1		
21	T170180	SNAP RING	2		
22	T170181	LOCK WASHER	2		
23	AT304480	KIT	1		
24	T157212	CLIP	2		
25	T157223	BEARING	2		
26	T157257	PIN	1		
27	T175236	ROLLER	1		
28	R26287	O-RING	1		
29	R26375	O-RING	1		
30	R26448	O-RING	1		
31	R28782	O-RING	1		
32	T172927	GASKET	2		
33	T176108	SPRING	1		
34	T196077	NUT	3		
35	T38282	HOSE FITTING	1		

1063-2

SERVICE BRAKE ACCUMULATOR AND HOSES
ACCUMULATEUR DE FREIN DE SERVICE ET FLEXIBLES
ACUMULADOR DE FRENOS DE SERVICIO Y MANGUERAS

TX1056887 -UN-11MAR09



TX1056887

1063-3

SERVICE BRAKES 10

SERVICE BRAKE LINKS, HOSES & FITTINGS 1063
SERVICE BRAKE ACCUMULATOR AND HOSES
ACCUMULATEUR DE FREIN DE SERVICE ET FLEXIBLES
ACUMULADOR DE FRENOS DE SERVICIO Y MANGUERAS

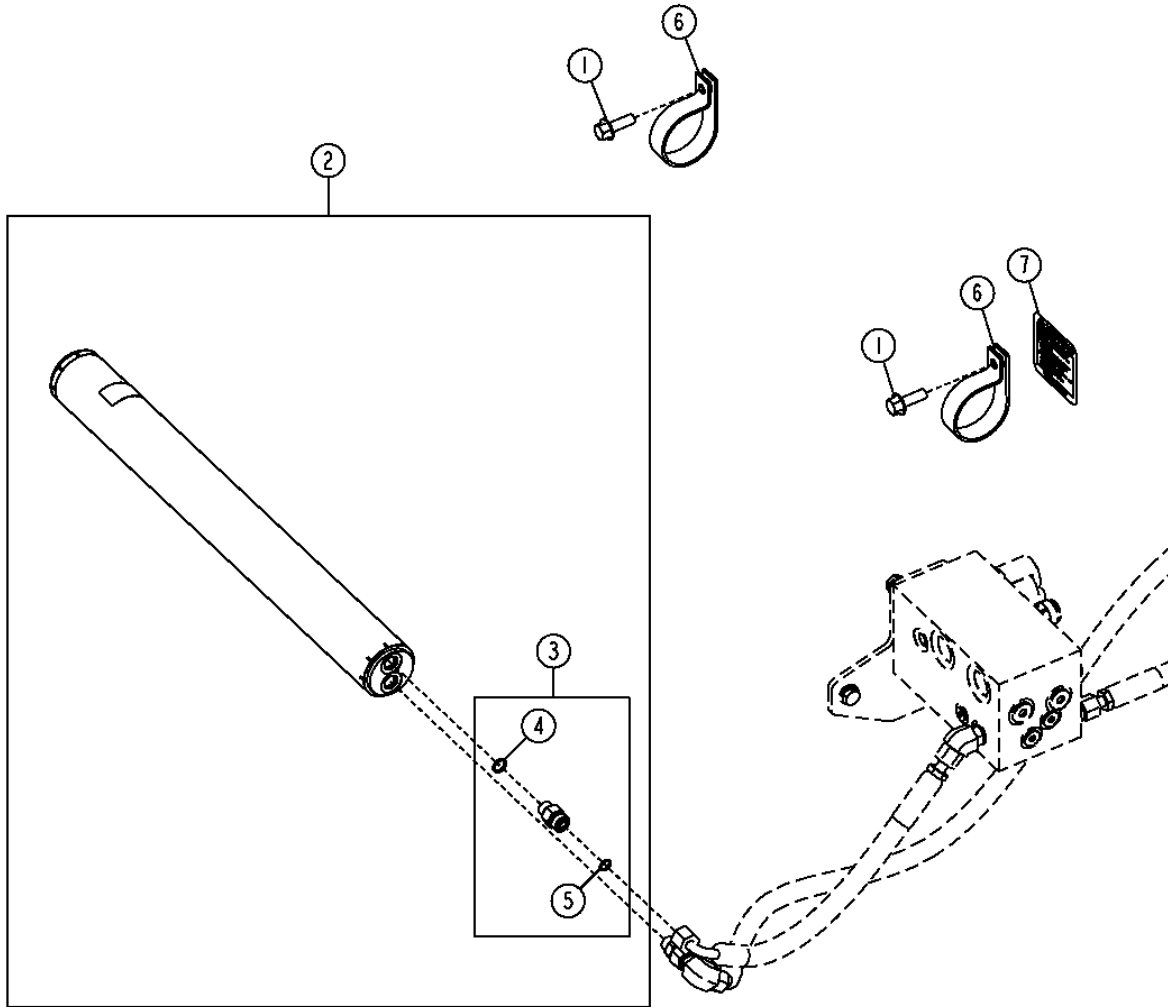
KEY	PART NO.	PART NAME	QTY.	SERIAL NO.	REMARKS
1	19M7835	SCREW	2		M10 X 35
2	42M7115	WELD STUD	1		
3	38H1045	ELBOW FITTING	1		
4	R26448	O-RING	4		
5	T77613	O-RING	9		
6	38H1094	ELBOW FITTING	4		
7	38H1160	ADAPTER FITTING	4		
8	TY22464	CLAMP	2		
9	AR90369	ELBOW FITTING	1		
10	AT305741	HYDRAULIC HOSE - FABRICATE	2		
11	TY22504	HYDRAULIC HOSE	1		(CTL 12.5 FT)
12	AT344704	HYDRAULIC HOSE - FABRICATE	1		
13	AT344705	HYDRAULIC HOSE - FABRICATE	1		
14	AT345275	HYDRAULIC HOSE - FABRICATE	1		
15	AT358812	HOSE SUPPORT	1		
16	AT360850	HOSE SUPPORT	1		
17	M142955	LOCK NUT	1		
18	N189220	TIE BAND	2		
19	T32854	CLAMP	2		

1064-2

SERVICE BRAKES 10
RESERVOIR & ACCUMULATOR 1064

SERVICE BRAKE ACCUMULATOR
FREINS DE SERVICE ACCUMULATEUR
FRENO DE SERVICIO ACUMULADOR

TX1055499 -UN-10FEB09



TX1055499

1064-3

SERVICE BRAKES 10

RESERVOIR & ACCUMULATOR 1064

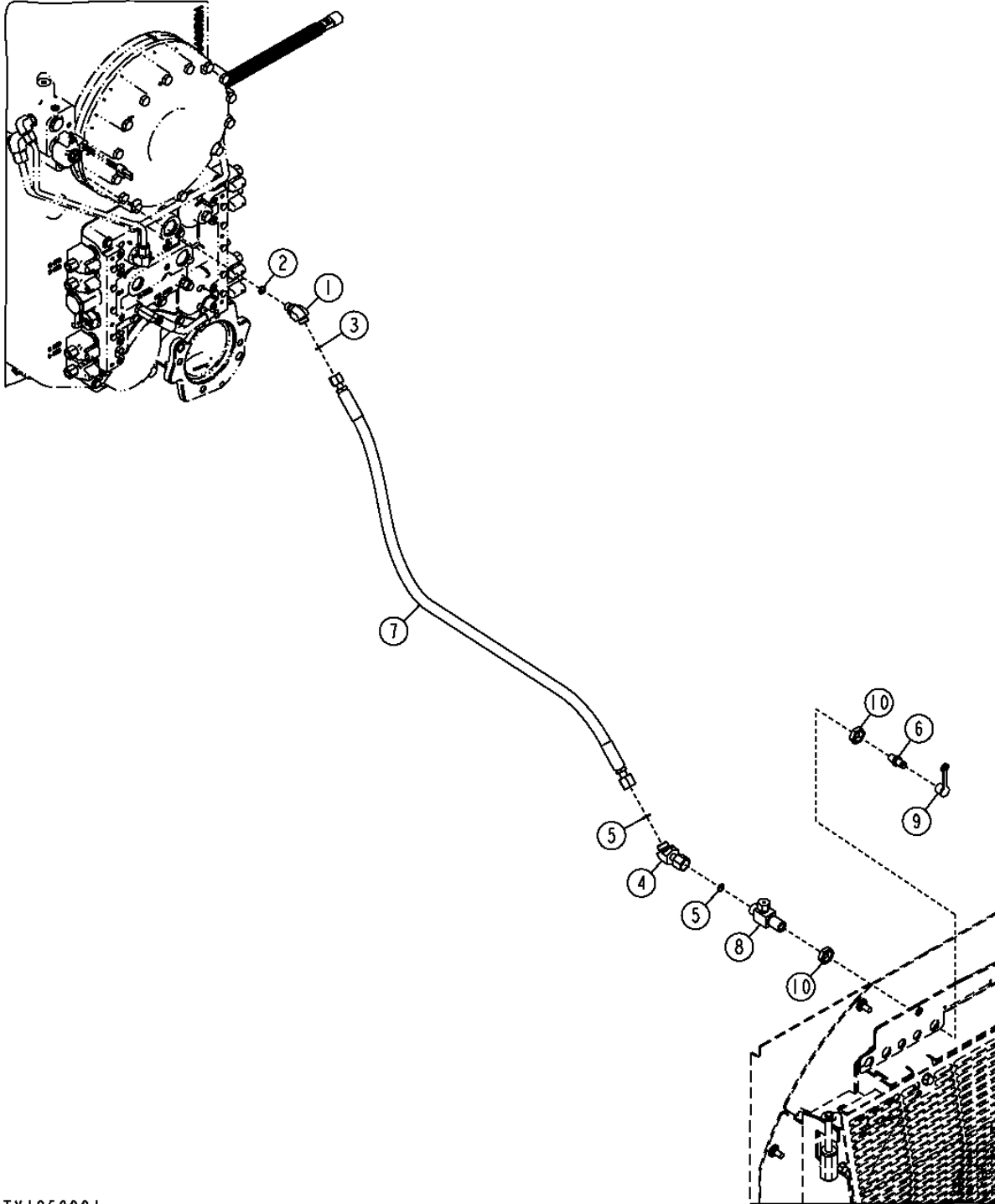
**SERVICE BRAKE ACCUMULATOR
FREINS DE SERVICE ACCUMULATEUR
FRENO DE SERVICIO ACUMULADOR**

KEY	PART NO.	PART NAME	QTY.	SERIAL NO.	REMARKS
1	19M7786	SCREW	2		M10 X 30
2	AT306749	HYDRAULIC ACCUMULATOR	1		
	T155579	SAFETY SIGN	1		(SPANISH)
	T155581	SAFETY SIGN	1		(FRENCH)
3	AT225573	CHECK VALVE	1		
4	R26448	O-RING	1		
5	T77613	O-RING	1		
6	T126204	CLAMP	2		
7	T225384	SAFETY SIGN	1		(WARNING - BRAKE ACCUMULATOR)

1100-2

PARK BRAKE HYDRAULIC HOSES
FLEXIBLES HYDRAULIQUES DE FREIN DE STATIONNEMENT
MANGUERAS HIDRAULICAS DE FRENO DE ESTACIONAMIENTO

TX1050091 -UN-15OCT08



TX1050091

1100-3

PARKING BRAKES 11
PARKING BRAKES 1100

**PARK BRAKE HYDRAULIC HOSES
FLEXIBLES HYDRAULIQUES DE FREIN DE STATIONNEMENT
MANGUERAS HIDRAULICAS DE FRENO DE ESTACIONAMIENTO**

KEY	PART NO.	PART NAME	QTY.	SERIAL NO.	REMARKS
1	38H1045	ELBOW FITTING	1		
2	R26448	O-RING	1		
3	T77613	O-RING	1		
4	38H1603	ELBOW FITTING	1		
5	T77857	O-RING	2		
6	AT177142	FITTING	1		
7	AT344763	HYDRAULIC HOSE	1		
8	AT183612	PRESSURE RELIEF VALVE	1		
9	R77175	COVER	1		
10	T78716	NUT	2		

TRADEMARKS AND LABELS (ENGLISH)
MARQUES DEPOSEES ET ETIQUETTES (ANGLAIS)
MARCAS REGISTRADAS Y ETIQUETAS (INGLESE)

TX1057017 -UN-19MAR09

EVERY 10 HOURS SERVICE DUST CUP
If not equipped with vacuum wipe, check and clean dust cup every 1000 hours or yearly.
NOTE: PREVENTIVELY UNDER SEVERE DUST CONDITIONS. A missing, damaged or incorrect indicator valve will make the dust cup indicator ineffective causing very short element life. Have spare dust cups on hand to replace.

DO NOT USE OIL
SERVICE PRIMARY FILTER ELEMENT
When engine air filter restriction indicator is activated, stop engine before removing filter element. Service according to instructions on element.
Replace filter element if damaged, or does not respond to cleaning, or yearly.
REPLACE SAFETY FILTER ELEMENT
every 1000 hours, or at least once a year.

WARNING
• Contains spring under load.
• Prevent injury from sudden release by removing capscrews evenly.

TRANSMISSION OIL CHECK
1. Machine must be on level surface with all equipment on ground and engine off.
2. Preferred procedure is to check with cold oil before starting engine.
NOTE: If machine has been running, shut engine off and wait at least 20 minutes for oil to drain down.
3. Oil should be in crosshatched area of dipstick. **DO NOT OVERFILL** - transmission may overheat.
Use only John Deere Hy-Gard Oil or equivalent.

CAUTION
Secure machine against movement.
See instructions in Operator's Manual before deactivating park brake system.

IMPORTANT
DO NOT over torque clean out cover! Damage to components may occur.
Torque clean out cover to 35 Lb-ft [47.5 N-m]

HYDRAULIC OIL CHECK
▲
COLD OIL RANGE
▼

WARNING
Crushing injury may result in hinge area if machine is turned. Stay clear of machine when engine is started or when it is being operated.
Install articulation lock before performing service near center of machine or transporting on a truck. Disconnect lock and secure before resuming operation.

670G DEERE

CIRCUIT BREAKER
CAB POWER
6.6L: GLOW PLUGS
8.0L: AIR HEAT (IF EQUIPPED)

TRANSMISSION
HYDRAULIC

670GP

AXLE

TX1057017

1322-3

MISCELLANEOUS VEHICLE 13
DECALS AND TRADEMARKS 1322

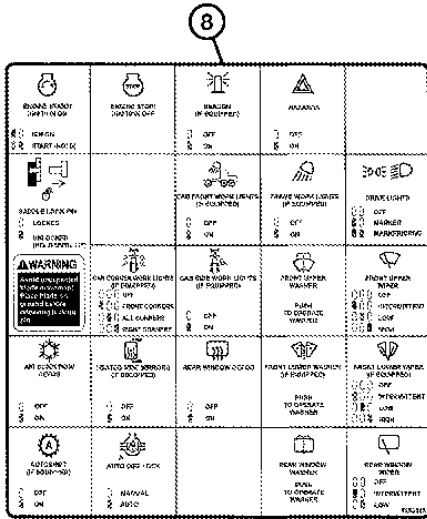
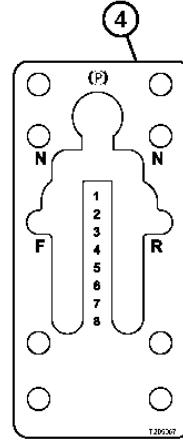
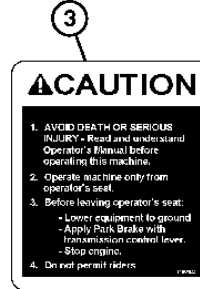
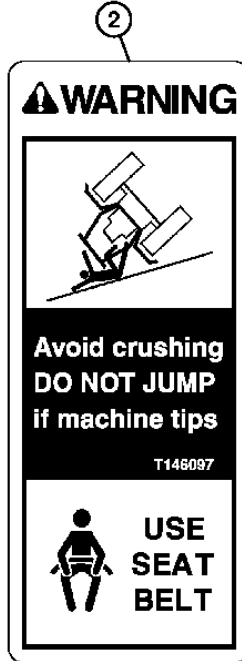
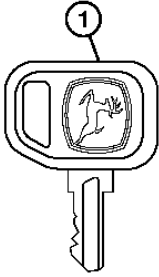
**TRADEMARKS AND LABELS (ENGLISH)
MARQUES DEPOSEES ET ETIQUETTES (ANGLAIS)
MARCAS REGISTRADAS Y ETIQUETAS (INGLESE)**

KEY	PART NO.	PART NAME	QTY.	SERIAL NO.	REMARKS
1	JD5756	LABEL	1		(LEAPING DEER)
2	JD5822	LABEL	2		(LEAPING DEER)
3	JD5920	REFLECTOR	2		(REFLECTIVE RED)
4	JD5921	REFLECTOR	6		(REFLECTIVE YELLOW)
5	T146605	LABEL	1		(AIR CLEANER)
6	T153680	LABEL	4		(TIE DOWN)
7	T162050	LABEL	1		(BRAKE COVER)
8	T163658	LABEL	1		(TRANSMISSION OIL LEVEL)
10	T190212	LABEL	1		(OIL DISCRIPTION)
11	T206289	SAFETY SIGN	1		(PARK BRAKE RELEASE)
12	T210871	SAFETY SIGN	1		(ARTICULATION LOCK)
13	T210933	SAFETY SIGN	2		(WARNING ARTICULATION)
14	T217791	LABEL	1		(TRANSMISSION OIL)
15	T217792	LABEL	1		(HYDRAULIC OIL)
16	T218003	LABEL	1		(AXLE/GEARBOX OIL)
17	T218154	LABEL	1		(CLEANOUT COVER)
18	T238558	LABEL	2		(670G)
19	T238580	LABEL	2		(DEERE)
20	T238582	LABEL	1		(PERIODIC MAINTENANCE)
21	T238583	LABEL	1		(HYDRAULIC OIL LEVEL)
22	T238584	LABEL	1		(CIRCUIT BREAKER)
23	T246985	LABEL	1		(TRANSMISSION FILTER)
24	T246986	LABEL	1		(HYDRAULIC FILTER)
25	T246988	LABEL	1		(DIFFERENTIAL FILTER)
26	T247014	LABEL	1		(TIE DOWN)
27	T247015	LABEL	1		(TIE DOWN)
28	T255462	LABEL	1		(670GP)

1322-4

CAB DECALS AND LABELS AUTOCOLLANTS ET ETIQUETTES CABINE ETIQUETAS Y CALCOMANIAS DE LA CABINA

TX1054510 -UN-27JAN09



7

TOP FUSE / RELAY BOX	
SPARE	SPARE
SPARE	SPARE
100 SOFT START RELAY	SPARE
107 BEACON RELAY	103 (SA) ALTERNATOR EXCITATION DIODE
108 REAR DEFOG RELAY	104 (SA) IGNITION RELAY 1/1 DIODE
	108 (SA) IGNITION RELAY 1/2 DIODE
SPARE	SPARE
SPARE	SPARE
MIDDLE FUSE BOX	
F30 (BA) JD LINK (SW PWR)	F40 (BA) ISC (SW PWR)
SPARE	F41 (BA) ISC (UNSW PWR)
F32 (10A) ACCESSORY (SW PWR)	F42 (10A) ISC (UNSW PWR)
F33 (10A) BUS FAN (SW PWR)	F43 (10A) ISC (SW PWR)
F34 (20A) HVAC SYSTEM (SW PWR)	SPARE
SPARE	F45 (10A) RADIO MEMORY (12V UNSW PWR)
F37 (10A) TRC JOYSTICK CONTROLS (SW PWR)	F47 (15A) RADIO TOP POWER PORT (12V SW PWR)
F38 (15A) HVAC (SW PWR)	F48 (15A) CAMERA BOTTOM POWER PORT (12V SW PWR)
F39 (10A) AVC (SW PWR)	F49 (10A) ACCESSORY (12V SW PWR)
	F49 (SA) JD LINK (UNSW GROUND)
BOTTOM FUSE BOX	
F10 (10A) SEAT FLD (UNSW PWR)	F20 (BA) ALLIGNOR LEXIA/ATOR (SW PWR)
F11 (10A) ENGINE COMPARTMENT LIGHT (UNSW PWR)	SPARE
F12 (BA) TCU SWD (UNSW PWR)	F22 (10A) SOFT START (SW PWR)
F13 (10A) ACCESSORY (UNSW PWR)	F23 (BA) ECU ENGINE PRE-CLEANER (SW PWR)
F14 (10A) BEACON LIGHT (UNSW PWR)	F24 (10A) TCU SHIFTER (SW PWR)
F15 (20A) CONVERTER INPUT (UNSW PWR)	F26 (10A) SWD (SW PWR)
F16 (10A) MONITOR, HORN, SERVICE ADVISOR (UNSW PWR)	F28 (15A) REAR DEFOG (SW PWR)
F17 (10A) HVAC (UNSW PWR)	F27 (10A) FRONT LOWER UPPER, REAR WIPER (SW PWR)
F18 (10A) JD LINK (UNSW PWR)	F29 (10A) MONITOR, TURN SIGNAL, HIGH BEAM, DEF LOCK (SW PWR)
SPARE	F29 (10A) CONVERTER INPUT, AIRHEATED SEAT (SW PWR)

5

To maintain unimpaired operator protection and manufacturer's certification:

- Damaged Roll Over Protective Structure (ROPS) or Falling Object Protective Structure (FOPS) must be replaced, not repaired or revised.
- Any alteration to the ROPS or FOPS must be approved by the manufacturer.

PROTECTIVE STRUCTURE CERTIFICATION
Performance certified at date of manufacture to:

ROPS:
OSHA: 1926.1001
ISO: 3471: 1997

FOPS:
OSHA: 1926.1003
ISO: 3449 Level II: 1992

ROPS Certification Weight: 55 000 LBS [24 850 Kg]

John Deere Grader Models:
870G, 872G, 770G, 772G, 870G, 872G

NOTE: Maximum machine weight can be found in the Operator's Manual

Deere & Company
Moline, Illinois T28767

6

PRIOR TO STARTING ENGINE, MAKE SURE ALL HYDRAULIC FUNCTIONS ARE OUT OF FLOAT POSITION

<p>STARTING AND WARMUP</p> <ol style="list-style-type: none"> 1. Press green START button on keypad once. 2. If security mode is enabled, enter security code and press ... 3. Press and hold the green START button until the engine starts. 4. Run engine for 2 minutes. Do not accelerate rapidly during warm up. The starter will disengage if not started after 30 seconds of cranking and will not re-engage for 60 seconds to prevent damage to the starter. 	<p>STOPPING</p> <ol style="list-style-type: none"> 1. Run engine at low idle, no load for 2 minutes. 2. Push red STOP button on keypad. 	<p>ELECTRICAL COLD START ASSIST</p> <p>GLOW PLUGS (STANDARD EQUIPMENT ON 6.8L ENGINE): Wait until "WAIT TO START" indicator on display turns off before engaging starter.</p> <p>AIR HEAT (OPTIONAL EQUIPMENT ON 8.5L ENGINE): Altitudes Below 4000 ft. (1200 m): Hold until "WAIT TO START" indicator on display turns off before engaging starter. Altitudes Above 4000 ft. (1200 m): Disengage "WAIT TO START" indicator on display.</p> <p>DO NOT USE STARTING FLUID ON MACHINES EQUIPPED WITH GLOW PLUGS OR AIR HEAT.</p>
--	--	---

ENGINE STALL

1. Run engine at 1000-1200 RPM for 2 minutes before adding load.
2. Run engine at 1000-1200 RPM for 2 minutes before adding load.

TX1054510

1322-5

MISCELLANEOUS VEHICLE 13
DECALS AND TRADEMARKS 1322

**CAB DECALS AND LABELS
AUTOCOLLANTS ET ETIQUETTES CABINE
ETIQUETAS Y CALCOMANIAS DE LA CABINA**

KEY	PART NO.	PART NAME	QTY.	SERIAL NO.	REMARKS
1	AT195302	KEY	1		(KEYS SWITCH)
2	T146097	LABEL	1		(WARNING SEAT BELT)
3	T160152	LABEL	1		(CAUTION SHUTDOWN)
4	T205367	LABEL	1		(TRANSMISSION SHIFTER)
5	T237757	LABEL	1		(ROPS)
6	T237760	LABEL	1		(START AND STOP PROCEDURE)
7	T256383	LABEL	1		(FUSE PANEL)
8	T256143	LABEL	1		(SEALED SWITCH MODULE SSMÙ ICON DESCRIPTION)

1322-6

MISCELLANEOUS VEHICLE 13
DECALS AND TRADEMARKS 1322

CAB DECALS AND LABELS (GRADE PRO) AUTOCOLLANTS ET ETIQUETTES CABINE (GRADE PRO) ETIQUETAS Y CALCOMANIAS DE LA CABINA (GRADE PRO)

TX1056867 -UN-19MAR09

1

2

3

4

7

To maintain unimpaired operator protection and manufacturer's certification:

- Damaged Roll Over Protective Structure (ROPS) or Falling Object Protective Structure (FOPS) must be replaced, not repaired or revised.
- Any alteration to the ROPS or FOPS must be approved by the manufacturer.

PROTECTIVE STRUCTURE CERTIFICATION
Performance certified at date of manufacture to:

ROPS:
OSHA: 1926.1001
ISO: 3471: 1997

FOPS:
OSHA: 1926.1003
ISO: 3449 Level II: 1992

ROPS Certification Weight: 55 000 LBS [24 950 Kg]

John Deere Grader Models:
670G, 670GP, 672G, 672GP, 770G, 770GP, 772G, 772GP, 870G, 870GP, 872G, 872GP

NOTE: Maximum machine weight can be found in the Operator's Manual.
Deere & Company
Moline, Illinois 62302

5

9

14

10

8 13

6

PRIOR TO STARTING ENGINE, MAKE SURE ALL HYDRAULIC FUNCTIONS ARE OUT OF FLOAT POSITION

STARTING AND WARMUP	STOPPING	ELECTRICAL COLD START ASSIST
<ol style="list-style-type: none"> 1. Press green START button on keypad once. 2. If security mode is enabled, enter security code and press ... 3. Press and hold the green START button until the engine starts. 4. Run engine for 2 minutes. Do not accelerate rapidly during warm up. The starter will disengage if not started after 30 seconds of cranking and will not re-engage for 90 seconds to prevent damage to the starter. 	<ol style="list-style-type: none"> 1. Run engine at low idle, no load for 2 minutes. 2. Push red STOP button on keypad. <p style="text-align: center;">ENGINE STALL</p> <ol style="list-style-type: none"> 1. Run engine at 1000-1200 RPM for 2 minutes before adding load. 2. Run engine at 1000-1200 RPM for 2 minutes before adding load. 	<p>LOW FLUXES (STANDARD EQUIPMENT ON 6.8L ENGINE): Wait until "WAIT TO START" indicator on display turns off before engaging starter.</p> <p>AIR HEAT (OPTIONAL EQUIPMENT ON 8.5L ENGINE): Altitudes Below 4000 ft. (1200 M): Wait until "WAIT TO START" indicator on display turns off before engaging starter. Altitudes Above 4000 ft. (1200 M): Disengage "WAIT TO START" indicator on display.</p> <p style="text-align: center;">DO NOT USE STARTING FLUID ON MACHINES EQUIPPED WITH LOW FLUXES OR AIR HEAT.</p>

TX1056867

THIS PARTS LISTING IS CONTINUED

1322-7

MISCELLANEOUS VEHICLE 13
DECALS AND TRADEMARKS 1322

CAB DECALS AND LABELS (GRADE PRO)
AUTOCOLLANTS ET ETIQUETTES CABINE (GRADE PRO)
ETIQUETAS Y CALCOMANIAS DE LA CABINA (GRADE PRO)

KEY	PART NO.	PART NAME	QTY.	SERIAL NO.	REMARKS
1	AT195302	KEY	1		(KEYS SWITCH)
2	T146097	LABEL	1		(WARNING SEAT BELT)
3	T160152	LABEL	1		(CAUTION SHUTDOWN)
4	T205821	LABEL	1		(DIFFERENTIAL LOCK)
5	T237757	LABEL	1		(ROPS)
6	T237760	LABEL	1		(START AND STOP PROCEDURE)
7	T256383	LABEL	1		(FUSE PANEL)
8	T241890	LABEL	1		(JOYSTICK FUNCTIONS)
9	T243626	LABEL	1		(TRANSMISSION SHIFTER)
10	T244268	LABEL	1		(4WD INSTRUMENT PANEL)
11	T256039	LABEL	1		(SEALED SWITCH MODULE SSMÙ ICON DESCRIPTION)
12	T252368	LABEL	1		(STEERING)
13	T256462	LABEL	1		(ARM ADJUSTMENT)
14	T257348	LABEL	1		(POD EXTENSION)

TRADEMARKS AND LABELS (FRENCH)
AUTOCOLLANTS ET MARQUES COMMERCIALES (FRANCAIS)
CALCOMANIAS Y MARCAS REGISTRADAS (FRANCES)

TX1055980 -UN-19FEB09

1 **AVERTISSEMENT**
Évitez d'être
Blessés
- NE SAUTEZ PAS
et la machine
s'accuse.
BOUCLEZ
LA
CEINTURE
SECURITE

2 **ATTENTION**
1. ÉVITER LES RISQUES DE
BLESSURES GRAVES OU
MORTELLES - Lire et vérifier à bien
comprendre le livret d'instructions
avant d'utiliser cette machine.
2. Ne faire fonctionner la machine que
après le réglage de l'opérateur.
3. Avant de quitter le siège de
l'opérateur:
- Abaisser l'équipement au sol
- Engager le frein de
stationnement avec le levier de
résistance.
- Arrêter le moteur.
4. Ne pas prendre de passagers.

3

4

5

6 Pour obtenir le procédé
de réparation de la
commande de l'opérateur de
la machine, voir le
manuel de réparation de
la machine.
- La durée de validité est
de 12 mois à compter de
la date de publication de
ce manuel de réparation.
- Toute modification de
l'information de sécurité
de ce manuel de réparation
sera indiquée par un
symbole de modification
dans le manuel de
réparation de la machine.
CERTIFICATION DE L'ÉTAPE DE SÉCURITÉ
OU DE LA PROTECTION
Performance certifiée à la date de fabrication selon:
EN ISO 12100
EN ISO 14122
EN ISO 14122-1
EN ISO 14122-2
EN ISO 14122-3
EN ISO 14122-4
EN ISO 14122-5
EN ISO 14122-6
EN ISO 14122-7
EN ISO 14122-8
EN ISO 14122-9
EN ISO 14122-10
EN ISO 14122-11
EN ISO 14122-12
EN ISO 14122-13
EN ISO 14122-14
EN ISO 14122-15
EN ISO 14122-16
EN ISO 14122-17
EN ISO 14122-18
EN ISO 14122-19
EN ISO 14122-20
EN ISO 14122-21
EN ISO 14122-22
EN ISO 14122-23
EN ISO 14122-24
EN ISO 14122-25
EN ISO 14122-26
EN ISO 14122-27
EN ISO 14122-28
EN ISO 14122-29
EN ISO 14122-30
EN ISO 14122-31
EN ISO 14122-32
EN ISO 14122-33
EN ISO 14122-34
EN ISO 14122-35
EN ISO 14122-36
EN ISO 14122-37
EN ISO 14122-38
EN ISO 14122-39
EN ISO 14122-40
EN ISO 14122-41
EN ISO 14122-42
EN ISO 14122-43
EN ISO 14122-44
EN ISO 14122-45
EN ISO 14122-46
EN ISO 14122-47
EN ISO 14122-48
EN ISO 14122-49
EN ISO 14122-50
EN ISO 14122-51
EN ISO 14122-52
EN ISO 14122-53
EN ISO 14122-54
EN ISO 14122-55
EN ISO 14122-56
EN ISO 14122-57
EN ISO 14122-58
EN ISO 14122-59
EN ISO 14122-60
EN ISO 14122-61
EN ISO 14122-62
EN ISO 14122-63
EN ISO 14122-64
EN ISO 14122-65
EN ISO 14122-66
EN ISO 14122-67
EN ISO 14122-68
EN ISO 14122-69
EN ISO 14122-70
EN ISO 14122-71
EN ISO 14122-72
EN ISO 14122-73
EN ISO 14122-74
EN ISO 14122-75
EN ISO 14122-76
EN ISO 14122-77
EN ISO 14122-78
EN ISO 14122-79
EN ISO 14122-80
EN ISO 14122-81
EN ISO 14122-82
EN ISO 14122-83
EN ISO 14122-84
EN ISO 14122-85
EN ISO 14122-86
EN ISO 14122-87
EN ISO 14122-88
EN ISO 14122-89
EN ISO 14122-90
EN ISO 14122-91
EN ISO 14122-92
EN ISO 14122-93
EN ISO 14122-94
EN ISO 14122-95
EN ISO 14122-96
EN ISO 14122-97
EN ISO 14122-98
EN ISO 14122-99
EN ISO 14122-100

7

8 **BOÎTE À FAMILLES / REJAU SUPÉRIEURE**
BOÎTE À FAMILLES CENTRALE
BOÎTE À FAMILLES INFÉRIEURE

9

10

11

12 **DANGER**
Débrancher le moteur
uniquement au siège.
Lancer de vitesses au
niveau du levier de
position "PARKING".
Régler de haut en bas
de la vitesse en prise.

13 **DANGER**
Débrancher le moteur
uniquement au siège.
Lancer de vitesses au
niveau du levier de
position "PARKING".
Régler de haut en bas
de la vitesse en prise.

14 **AVERTISSEMENT**
- Renferme un ressort
sous tension.
- Éviter tout risque de
blessure résultant
d'une libération
brusque en desserrant
les vis de façon
uniforme.

15 **VÉRIFICATION DE L'HUILE DE TRANSMISSION**
1. La machine doit être sur une surface plane avec
tout le matériel au sol et le moteur à l'arrêt.
2. Il est conseillé de vérifier la quantité d'huile à
chaque départ de la machine.
NOTE: Si la machine est en marche, arrêter le
moteur et attendre au moins 20 minutes
avant de vérifier la quantité d'huile.
3. L'huile doit être dans la partie supérieure de la
jauge. ÉVITER LES EXCÈS DE REMPLISSAGE, il
y a un risque de surchauffe de la transmission.
Utiliser uniquement de l'huile John Deere
Hy-Gard ou un produit équivalent.

16 **IMPORTANT**
L'huile doit être dans la partie supérieure de la
jauge. ÉVITER LES EXCÈS DE REMPLISSAGE, il
y a un risque de surchauffe de la transmission.
Utiliser uniquement de l'huile John Deere
Hy-Gard ou un produit équivalent.

17 Réservoir rempli d'huile moteur
conforme aux spécifications
API CG-4 ou CH-4. Voir le tableau
d'entretien périodique pour
déterminer les recommandations
de viscosité d'huile en fonction
des plages de températures
extérieures.

18 **ATTENTION**
Se référer aux instructions du
livret d'entretien avant de relâcher
le frein de stationnement.
S'assurer que la machine ne
peut se mettre en

19 **AVERTISSEMENT**
Il y a un risque d'effacement dans la zone d'articulation lors du pivotement de
la machine.
- Éviter de passer la machine dans des zones de pivotement de moteur ou de
pivotement de la machine.
- Éviter de passer la machine dans des zones de pivotement de moteur ou de
pivotement de la machine.
- Éviter de passer la machine dans des zones de pivotement de moteur ou de
pivotement de la machine.

20 **IMPORTANT**
NE PAS trop serrer le couvercle
de nettoyage! Les composants
risquent d'être endommagés.
Serrer le couvercle de nettoyage
à 35 Lb-ft [47,5 N-m]

21 **REVISIÓN DEL ACEITE
HIDRÁULICO**
GAMA DE
ACEITE
FRÍO

22 **AVERTISSEMENT**
Attention aux risques de blessure.
Cet accumulateur est pressurisé.
1. Pour les instructions de
démontage et de charge et les
outils nécessaires, se référer au
manuel technique de ce
modèle de machine.
2. Ne charger qu'à FAZ-OTE
ANHYDRE.

23

24 **COUPE-CIRCUIT**
ALIMENTATION DE
LA MACHINE
MÉCANISME DE
PROTECTION
DE LA MACHINE
CONTRE LA
CHARGÉMENT DE LA
MACHINE

25 **TRANSMISSION**
T246895

26 **CIRCUIT HYDRAULIQUE**
T246895

27 **ESSIEU**
T246897

28 **ARRÊT**

29 **MARCHE**

1322-9

MISCELLANEOUS VEHICLE 13
DECALS AND TRADEMARKS 1322

TRADEMARKS AND LABELS (FRENCH)
AUTOCOLLANTS ET MARQUES COMMERCIALES (FRANCAIS)
CALCOMANIAS Y MARCAS REGISTRADAS (FRANCES)

KEY	PART NO.	PART NAME	QTY.	SERIAL NO.	REMARKS
1	T146099	SAFETY SIGN	1		(WARNING SEAT BELT)
2	T160153	LABEL	1		(CAUTION SHUTDOWN)
3	T213210	LABEL	1		(4WD INSTRUMENT PANEL) (STANDARD CONTROLS)
4	T256153	LABEL	1		(SSM ICON DESCRIPTION) (STANDARD CONTROLS)
5	T227589	LABEL	1		(6WD INSTRUMENT PANEL) (STANDARD CONTROLS)
6	T237758	LABEL	1		(ROPS)
7	T237761	LABEL	1		(START/STOP PROCEDURE)
8	T256388	LABEL	1		(FUSE PANEL)
9	T244275	LABEL	1		(4WD INSTRUMENT PANEL) (GRADE PRO)
10	T244276	LABEL	1		(6WD INSTRUMENT PANEL) (GRADE PRO)
11	T256041	LABEL	1		(SSM ICON DESCRIPTION) (GRADE PRO)
12	T146104	SAFETY SIGN	1		(DANGER - BYPASS START)
13	T146607	LABEL	1		(AIR CLEANER)
14	T162051	LABEL	1		(BRAKE COVER)
15	T163659	LABEL	1		(TRANSMISSION OIL LEVEL)
16	T164691	LABEL	1		(RECEIVER/DRYER)
17	T190534	LABEL	1		(OIL DESCRIPTION)
18	T206290	LABEL	3		(PARK BRAKE RELEASE)
19	T214971	SAFETY SIGN	2		(WARNING ARTICULATION)
20	T218581	LABEL	1		(CLEANOUT COVER)
21	T238601	LABEL	1		(HYDRAULIC OIL LEVEL)
22	T225375	LABEL	4		(ACCUMULATOR)
23	T238600	LABEL	1		(PERIODIC MAINTENANCE)
24	T238604	LABEL	1		(CIRCUIT BREAKER)
25	T246995	LABEL	1		(TRANSMISSION FILTER)
26	T246996	LABEL	1		(HYDRAULIC FILTER)
27	T246997	LABEL	1		(DIFFERENTIAL FILTER)
28	T63224	LABEL	1		(DISCONNECT)
29	T256463	LABEL	1		(ARM ADJUSTMENT)

1322-11

MISCELLANEOUS VEHICLE 13
DECALS AND TRADEMARKS 1322

TRADEMARKS AND LABELS (SPANISH)
AUTOCOLLANTS ET MARQUES COMMERCIALES (ESPAGNOLE)
CALCOMANIAS Y MARCAS REGISTRADAS (ESPAÑOL)

KEY	PART NO.	PART NAME	QTY.	SERIAL NO.	REMARKS
1	T146098	SAFETY SIGN	1		(WARNING SEAT BELT)
2	T160154	LABEL	1		(CAUTION SHUTDOWN)
3	T213215	LABEL	1		(4WD INSTRUMENT PANEL) (STANDARD CONTROLS)
4	T256154	LABEL	1		(SSM ICON DESCRIPTION) (STANDARD CONTROLS)
5	T227590	LABEL	1		(6WD INSTRUMENT PANEL) (STANDARD CONTROLS)
6	T237759	LABEL	1		(ROPS)
7	T237762	LABEL	1		(START/STOP PROCEDURE)
8	T256389	LABEL	1		(FUSE PANEL)
9	T244274	LABEL	1		(4WD INSTRUMENT PANEL) (GRADE PRO)
10	T244277	LABEL	1		(6WD INSTRUMENT PANEL) (GRADE PRO)
11	T256042	LABEL	1		(SSM ICON DESCRIPTION) (GRADE PRO)
12	T146106	SAFETY SIGN	1		(DANGER - BYPASS START)
13	T146606	LABEL	1		(AIR CLEANER)
14	T162052	LABEL	1		(BRAKE COVER)
15	T163660	LABEL	1		(TRANSMISSION OIL LEVEL)
16	T164692	LABEL	1		(RECEIVER/DRYER)
17	T190533	LABEL	1		(OIL DESCRIPTION)
18	T206291	SAFETY SIGN	3		(PARK BRAKE RELEASE)
19	T214972	SAFETY SIGN	2		(WARNING ARTICULATION)
20	T218579	LABEL	1		(CLEANOUT COVER)
21	T238602	LABEL	1		(HYDRAULIC OIL LEVEL)
22	T225376	LABEL	4		(ACCUMULATOR)
23	T238599	LABEL	1		(PERIODIC MAINTENANCE)
24	T238603	LABEL	1		(CIRCUIT BREAKER)
25	T246990	LABEL	1		(TRANSMISSION FILTER)
26	T246991	LABEL	1		(HYDRAULIC FILTER)
27	T246992	LABEL	1		(DIFFERENTIAL FILTER)
28	T63225	LABEL	1		(DISCONNECT)
29	T256464	LABEL	1		(ARM ADJUSTMENT)

1369-2

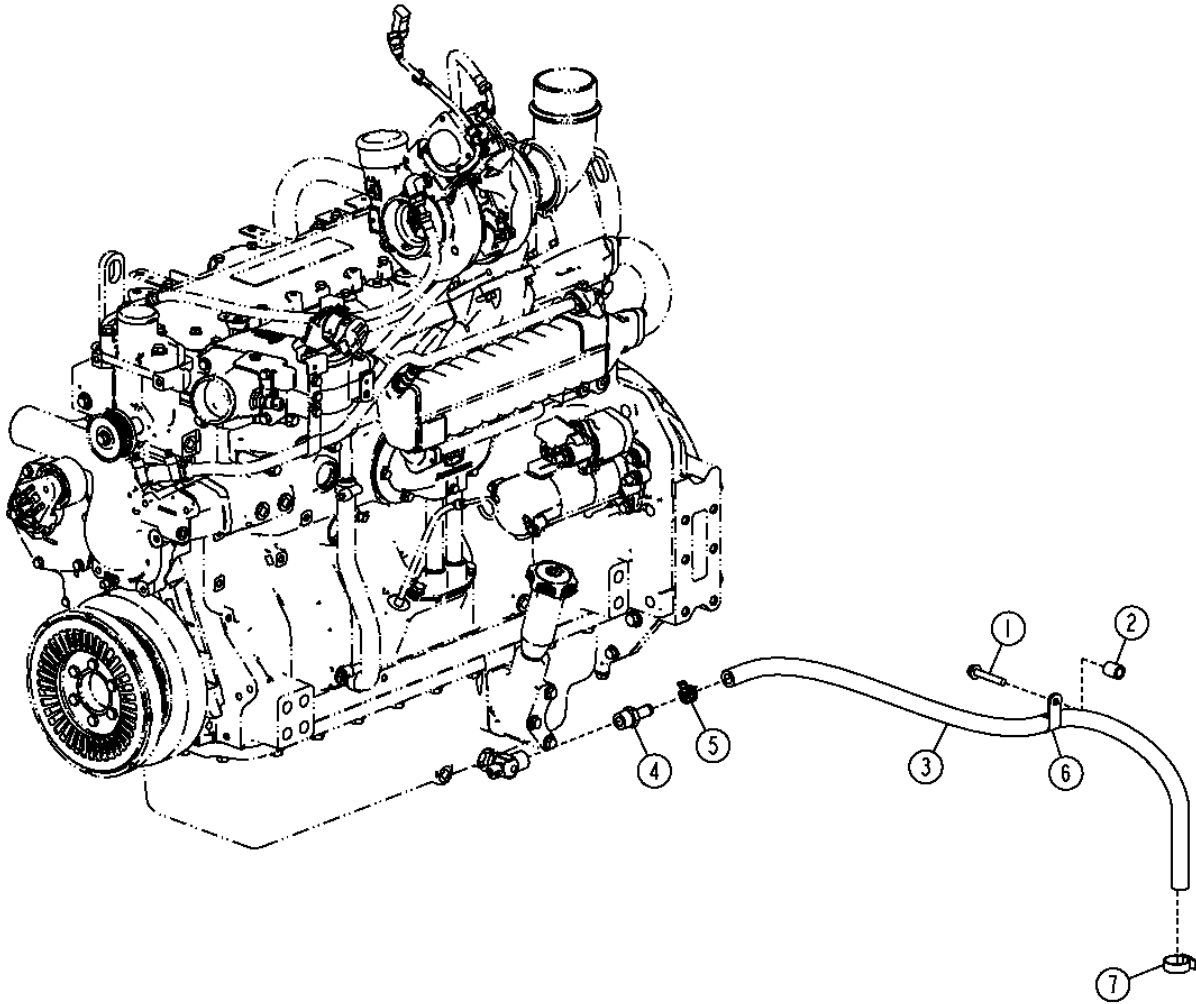
MISCELLANEOUS VEHICLE 13

GREASES, OIL, FUELS AND COOLANTS 1369

ENGINE OIL DRAIN LINE (6090HDW01 / 6090HDW04)
CONDUITE DE VIDANGE D'HUILE MOTEUR (6090HDW01 / 6090HDW04)
CONDUCTO DE VACIADO DE ACEITE DEL MOTOR (6090HDW01 / 6090HDW04)

TX1054319

-UN-15JAN09



TX1054319

1369-3

MISCELLANEOUS VEHICLE 13

GREASES, OIL, FUELS AND COOLANTS 1369

ENGINE OIL DRAIN LINE (6090HDW01 / 6090HDW04)
CONDUITE DE VIDANGE D'HUILE MOTEUR (6090HDW01 / 6090HDW04)
CONDUCTO DE VACIADO DE ACEITE DEL MOTOR (6090HDW01 / 6090HDW04)

KEY	PART NO.	PART NAME	QTY.	SERIAL NO.	REMARKS
1	19M7807	SCREW	1		M10 X 60
2	28H1600	SPACER	1		0.546" X 0.840" X 1"
3	BULK HOSE	1		(MAKE FROM TY22328) (CTL 3.42 FT.)
4	N306191	HOSE FITTING	1		
5	R117721	CLAMP	1		
6	T140924	CLAMP	1		
7	TY22539	HOSE CLAMP	1		

1369-4

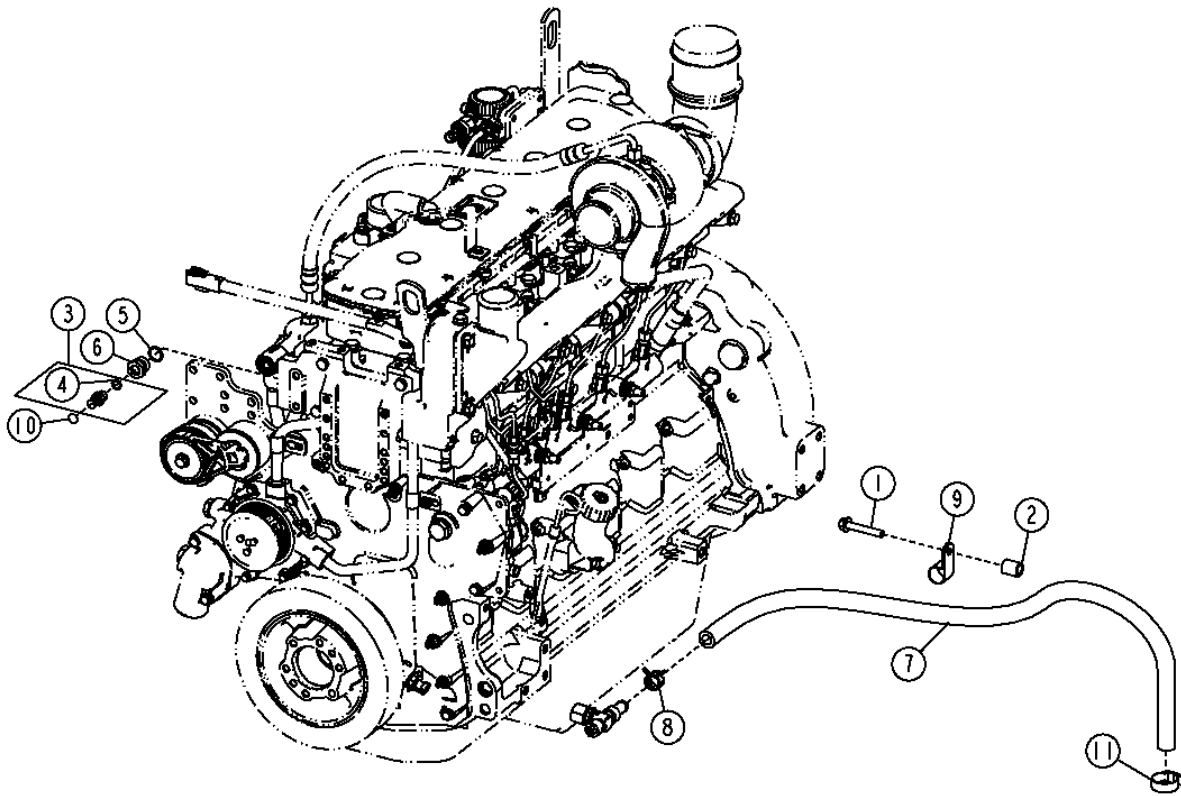
MISCELLANEOUS VEHICLE 13

GREASES, OIL, FUELS AND COOLANTS 1369

ENGINE OIL DRAIN LINE (6068HDW75)
CONDUITE DE VIDANGE D'HUILE MOTEUR (6068HDW75)
CONDUCTO DE VACIADO DE ACEITE DEL MOTOR (6068HDW75)

TX1052635

-UN-10DEC08



TX1052635

1369-5

MISCELLANEOUS VEHICLE 13

GREASES, OIL, FUELS AND COOLANTS 1369

ENGINE OIL DRAIN LINE (6068HDW75)
CONDUITE DE VIDANGE D'HUILE MOTEUR (6068HDW75)
CONDUCTO DE VACIADO DE ACEITE DEL MOTOR (6068HDW75)

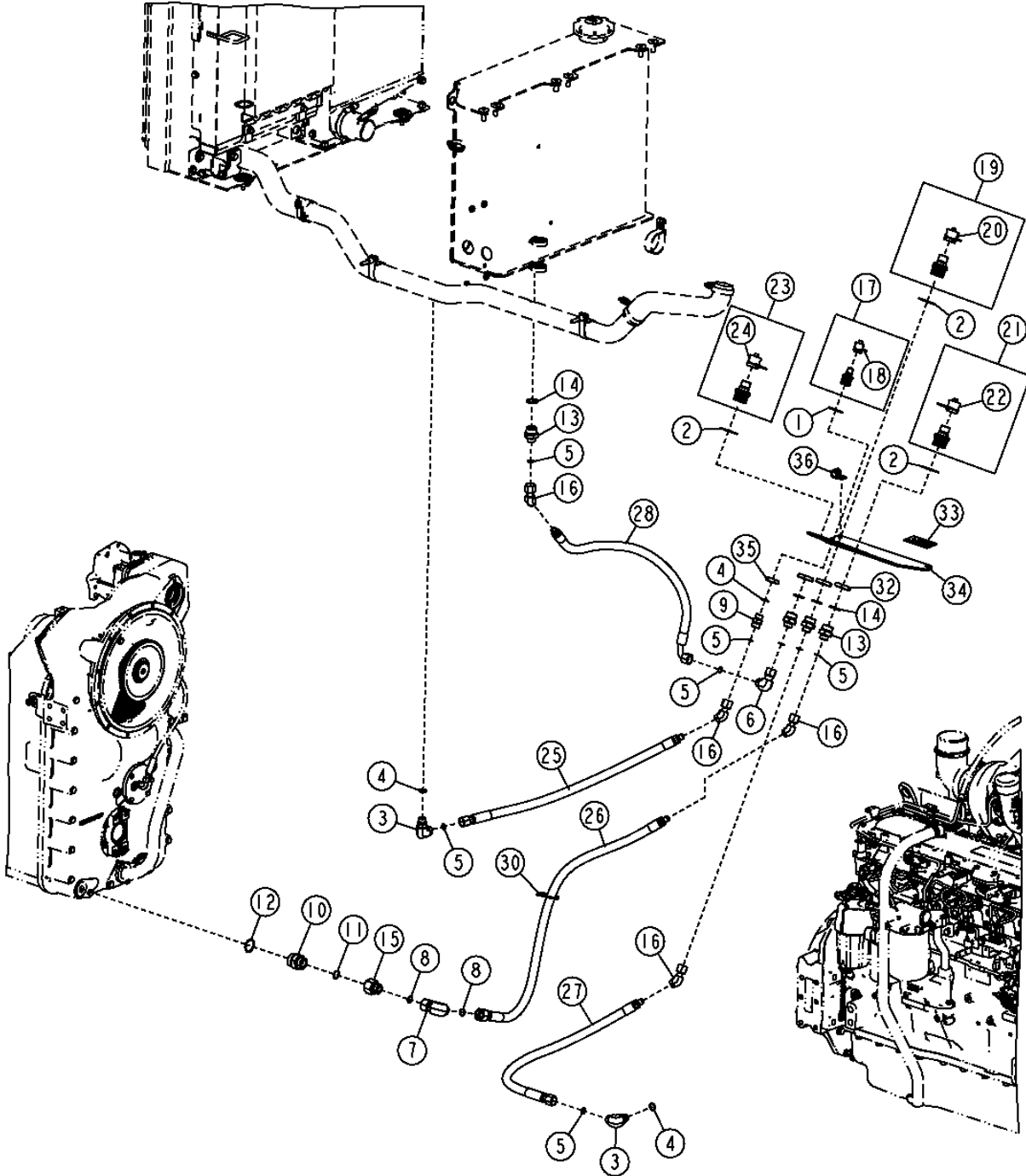
KEY	PART NO.	PART NAME	QTY.	SERIAL NO.	REMARKS
1	19M7807	SCREW	1		M10 X 60
2	28H1600	SPACER	1		0.546" X 0.840" X 1"
3	AT306111	FITTING	1		(INCLUDES R26448)
4	R26448	O-RING	1		
5	51M7045	O-RING	1		19.300 X 2.200 MM
6	T208904	FITTING	1		
7	BULK HOSE	1		(MAKE FROM TY22328, CTL 3.9FT)
8	R117721	CLAMP	1		
9	T140924	CLAMP	1		
10	T217790	LABEL	1		(ENGINE OIL)
11	TY22539	HOSE CLAMP	1		

1369-6

QUICK SERVICE (6090HDW01 / 6090HDW04)
ENTRETIEN RAPIDE (6090HDW01 / 6090HDW04)
SERVICIO RAPIDO (6090HDW01 / 6090HDW04)

TX1056892

-UN-20MAR09



TX1056892

THIS PARTS LISTING IS CONTINUED

1369-7

MISCELLANEOUS VEHICLE 13

GREASES, OIL, FUELS AND COOLANTS 1369

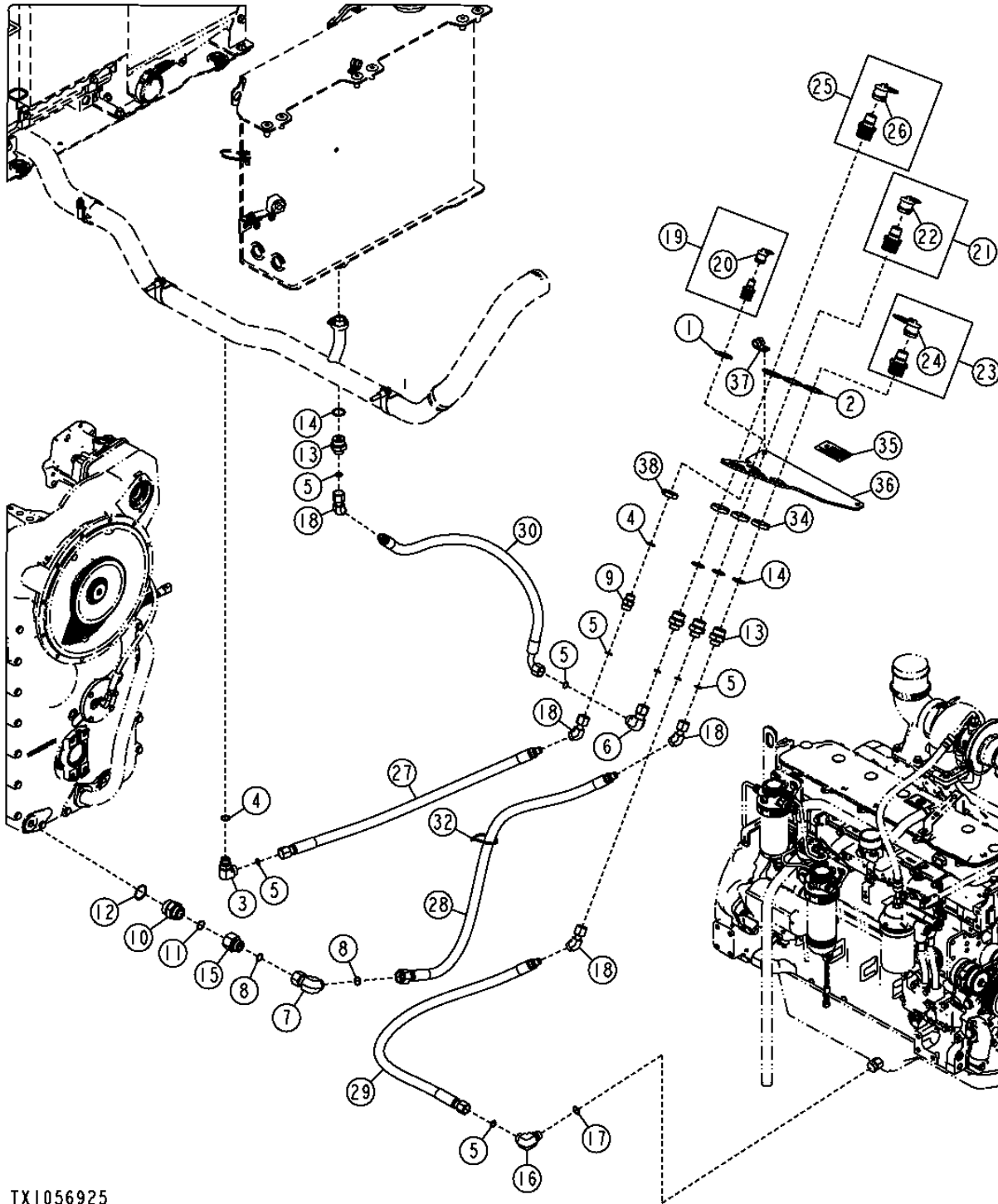
QUICK SERVICE (6090HDW01 / 6090HDW04)
ENTRETIEN RAPIDE (6090HDW01 / 6090HDW04)
SERVICIO RAPIDO (6090HDW01 / 6090HDW04)

KEY	PART NO.	PART NAME	QTY.	SERIAL NO.	REMARKS
1	24H1263	WASHER	1		1-1/4" X 2" X 0.060"
2	24H1559	WASHER	3		1-11/16" X 2-5/16" X 0.048"
3	38H1006	ELBOW FITTING	2		
4	R26906	O-RING	3		
5	T77932	O-RING	8		
6	38H1096	ELBOW FITTING	1		
7	38H1097	ELBOW FITTING	1		
8	T77858	O-RING	2		
9	38H1162	ADAPTER FITTING	1		
10	38H1180	ADAPTER FITTING	1		
11	T76938	O-RING	1		
12	U13639	O-RING	1		
13	38H1447	ADAPTER FITTING	4		
14	R29936	O-RING	4		
15	38H1483	REDUCER	1		
16	62H1074	ADAPTER FITTING	4		
17	AT319067	FITTING	1		
18	AT319069	CAP	1		
19	AT319079	FITTING	1		
20	AT319081	CAP	1		
21	AT325195	FITTING	1		
22	AT325197	CAP	1		
23	AT325198	FITTING	1		
24	AT325200	CAP	1		
25	AT336499	HYDRAULIC HOSE - FABRICATE	1		
26	AT340626	HYDRAULIC HOSE - FABRICATE	1		
27	AT340625	HYDRAULIC HOSE - FABRICATE	1		
28	AT358382	HYDRAULIC HOSE - FABRICATE	1		
30	H77698	TIE BAND	1		
32	R32295	NUT	3		
33	T218153	LABEL	3		(QUICK SERVICE)
34	T258154	BRACKET	1		
35	T78707	NUT	1		
36	T74416	CLAMP	1		

1369-8

QUICK SERVICE (6068HDW75)
ENTRETIEN RAPIDE (6068HDW75)
SERVICIO RAPIDO (6068HDW75)

TX1056925 -UN-18MAR09



TX1056925

THIS PARTS LISTING IS CONTINUED

1369-9

MISCELLANEOUS VEHICLE 13

GREASES, OIL, FUELS AND COOLANTS 1369

QUICK SERVICE (6068HDW75)
 ENTRETIEN RAPIDE (6068HDW75)
 SERVICIO RAPIDO (6068HDW75)

KEY	PART NO.	PART NAME	QTY.	SERIAL NO.	REMARKS
1	24H1263	WASHER	1		1-1/4" X 2" X 0.060"
2	24H1559	WASHER	3		1-11/16" X 2-5/16" X 0.048"
3	38H1006	ELBOW FITTING	1		
4	R26906	O-RING	2		
5	T77932	O-RING	8		
6	38H1096	ELBOW FITTING	1		
7	38H1097	ELBOW FITTING	1		
8	T77858	O-RING	2		
9	38H1162	ADAPTER FITTING	1		
10	38H1180	ADAPTER FITTING	1		
11	T76938	O-RING	1		
12	U13639	O-RING	1		
13	38H1447	ADAPTER FITTING	4		
14	R29936	O-RING	4		
15	38H1483	REDUCER	1		
16	38H5018	ELBOW FITTING	1		
17	51M7045	O-RING	1		
18	62H1074	ADAPTER FITTING	4		
19	AT319067	FITTING	1		(ENGINE COOLANT)
20	AT319069	CAP	1		
21	AT319079	FITTING	1		(ENGINE OIL)
22	AT319081	CAP	1		
23	AT325195	FITTING	1		(TRANSMISSION OIL)
24	AT325197	CAP	1		
25	AT325198	FITTING	1		(HYDRAULIC OIL)
26	AT325200	CAP	1		
27	AT336499	HYDRAULIC HOSE - FABRICATE	1		
28	AT340626	HYDRAULIC HOSE - FABRICATE	1		
29	AT341693	HYDRAULIC HOSE - FABRICATE	1		
30	AT358382	HYDRAULIC HOSE - FABRICATE	1		
32	H77698	TIE BAND	1		
34	R32295	NUT	3		
35	T218153	LABEL	1		
36	T258154	BRACKET	1		
37	T74416	CLAMP	1		
38	T78707	NUT	1		

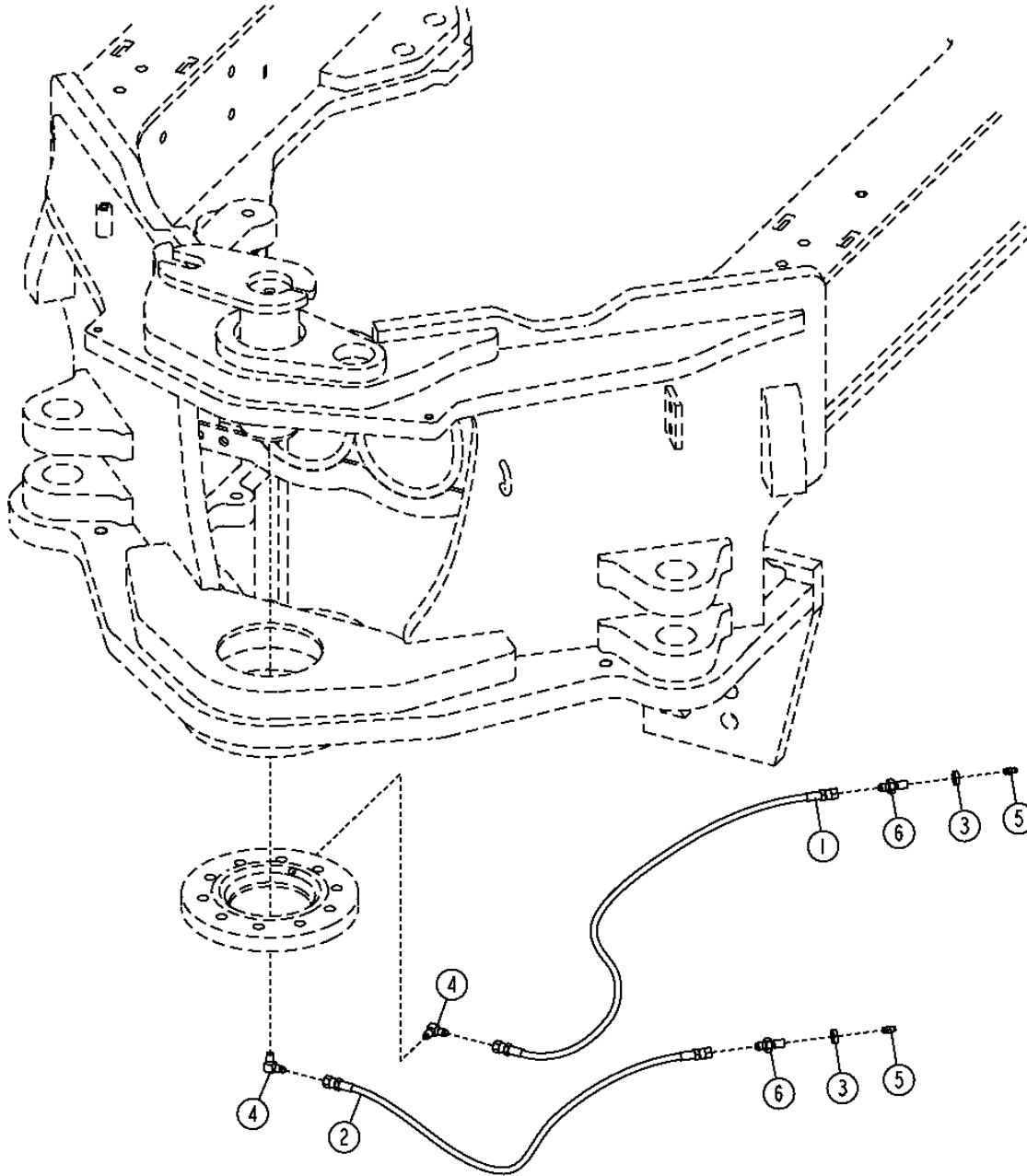
1370-2

MISCELLANEOUS VEHICLE 13
LUBRICATION SYSTEMS 1370

CENTRAL LUBRICATION LINES AND FITTINGS CONDUITES CENTRALES DE LUBRIFICATION ET RACCORDS LINEAS DE LUBRICACION CENTRAL Y ADAPTADORES

TX1052655

-UN-11DEC08



TX1052655

1370-3

MISCELLANEOUS VEHICLE 13
LUBRICATION SYSTEMS 1370

CENTRAL LUBRICATION LINES AND FITTINGS
CONDUITES CENTRALES DE LUBRIFICATION ET RACCORDS
LINEAS DE LUBRICACION CENTRAL Y ADAPTADORES

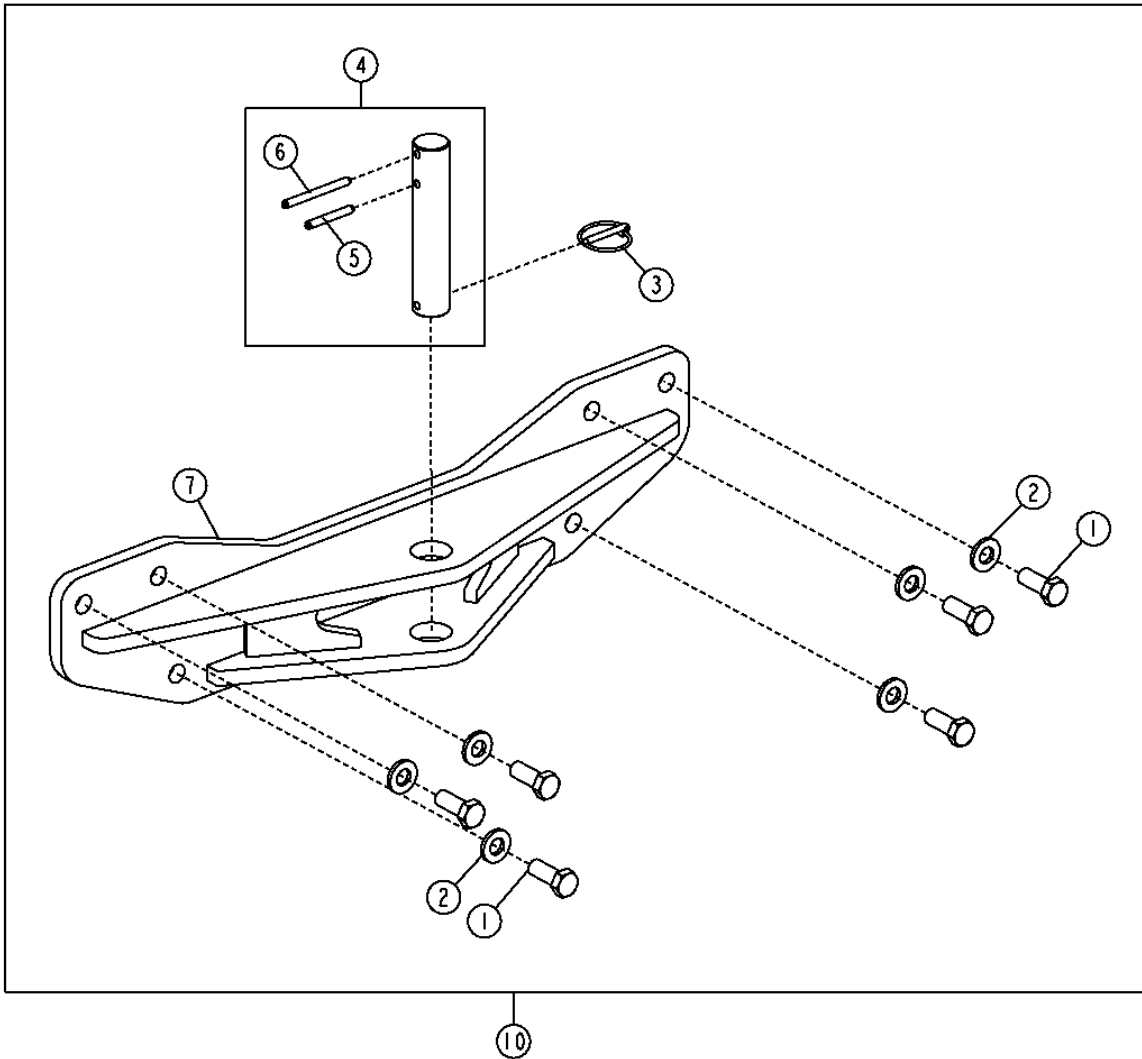
KEY	PART NO.	PART NAME	QTY.	SERIAL NO.	REMARKS
1	AT112769	HYDRAULIC HOSE	1		
2	AT62699	HYDRAULIC HOSE	1		
3	E12379	NUT	2		
4	H80936	ELBOW FITTING	2		
5	JD7797	LUBRICATION FITTING	2		
6	T75644	ADAPTER FITTING	2		

1511-2

REAR HITCH ATTELAGE ARRIERE ENGANCHE TRASERO

TX1049528

-UN-16DEC08



TX1049528

1511-3

EQUIPMENT ATTACHING 15

DRAWBAR 1511

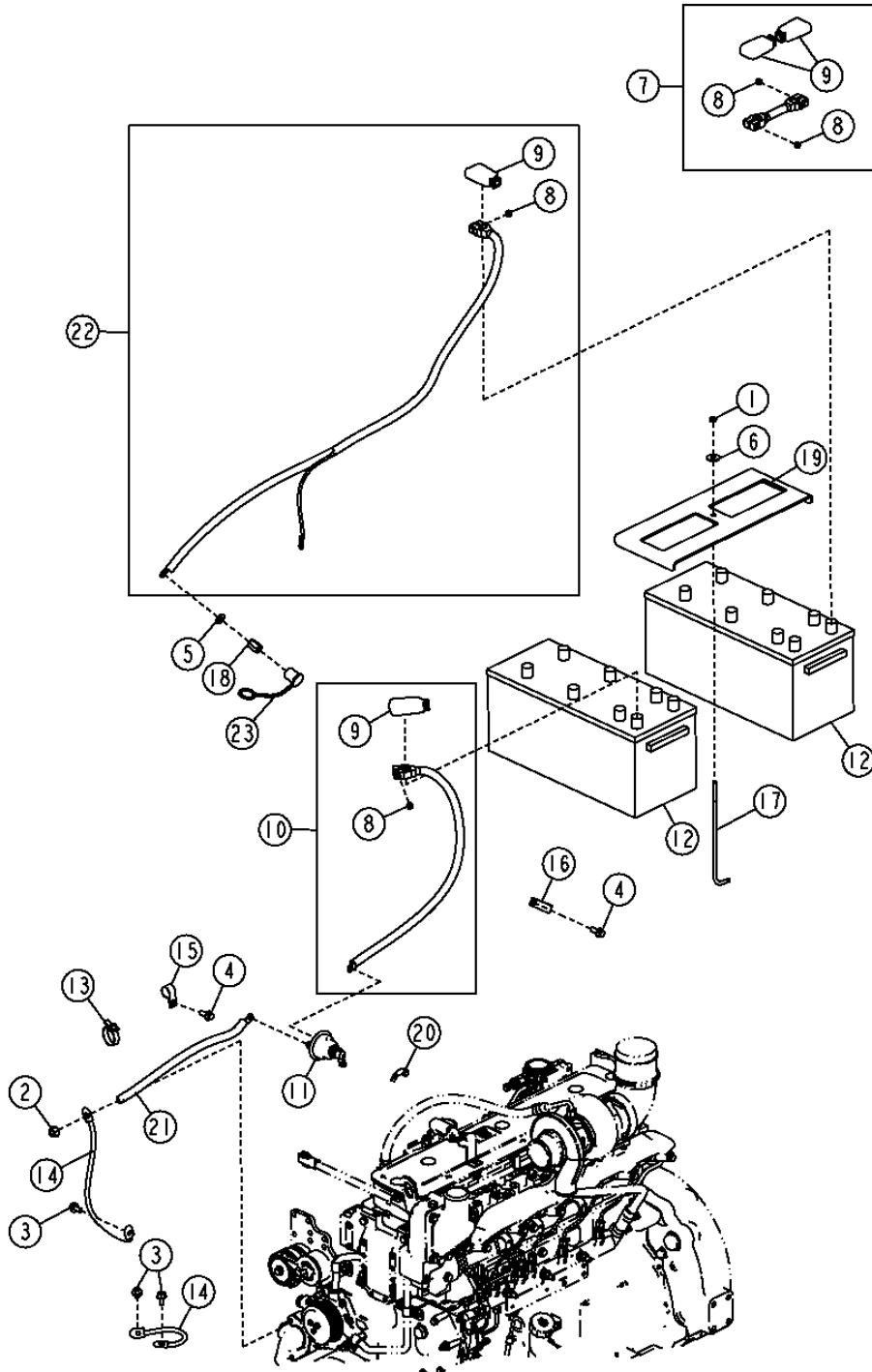
**REAR HITCH
ATTELAGE ARRIERE
ENGANCHE TRASERO**

KEY	PART NO.	PART NAME	QTY.	SERIAL NO.	REMARKS
1	19M7597	CAP SCREW	6		M20 X 50
2	24M7242	WASHER	6		21.400 X 42 X 5 MM
3	AR83396	QUICK LOCK PIN	1		
4	AT349029	PIN FASTENER	1		
5	34H358	SPRING PIN	1		3/8" X 2-3/4"
6	34H363	SPRING PIN	1		3/8" X 4"
7	AT343823	HITCH	1		
10	AT339398	HITCH KIT	1		(WHOLE GOODS)

1671-2

BATTERIES, SUPPORT AND CABLES 1671
BATTERIES AND BATTERY CABLES (1000 CCA) (6090HDW01 / 6090HDW04)
BATTERIES ET CABLES DE BATTERIE (1000 AMP) (6090HDW01 / 6090HDW04)
BATERIAS Y CABLES (1000 AMP) (6090HDW01 / 6090HDW04)

TX1048193 -UN-15SEP08



TX1048193

1671-3

VEHICLE ELECTRICAL SYSTEMS 16

BATTERIES, SUPPORT AND CABLES 1671
BATTERIES AND BATTERY CABLES (1000 CCA) (6090HDW01 / 6090HDW04)
BATTERIES ET CABLES DE BATTERIE (1000 AMP) (6090HDW01 / 6090HDW04)
BATERIAS Y CABLES (1000 AMP) (6090HDW01 / 6090HDW04)

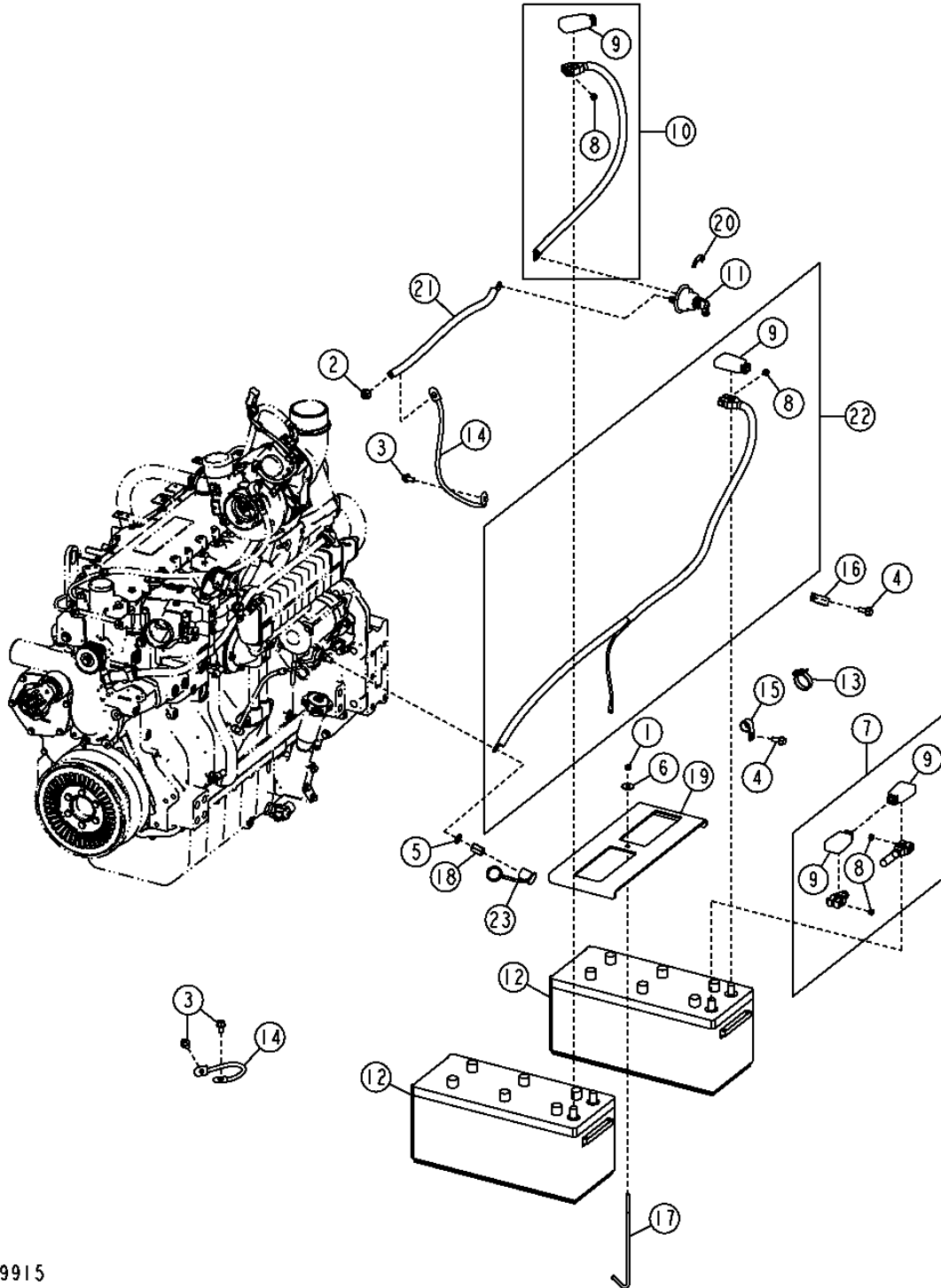
KEY	PART NO.	PART NAME	QTY.	SERIAL NO.	REMARKS
1	14M7273	NUT	1		M8
2	14M7299	FLANGE NUT	1		M12
3	19M7784	SCREW	3		M10 X 20
4	19M7785	SCREW	2		M10 X 25
5	24M7240	WASHER	1		13 X 25 X 3 MM
6	24M7296	WASHER	1		10.500 X 30 X 2.500 MM
7	AT323194	BATTERY CABLE	1		(BATTERY TO BATTERY)
8	14H785	NUT	4		5/16"
9	T107117	COVER	4		
10	AT323197	BATTERY CABLE	1		(BATTERY TO DISCONNECT)
11	AT41188	SWITCH	1		(BATTERY DISCONNECT SWITCH)
12	TY21754	DRY CHARGED BATTERY	2		1000 COLD CRANKING AMPS AT 0°F (-18°C), 320-MINUTE RESERVE CAPACITY AT 25 AMPS
13	N189220	TIE BAND	1		
14	R36545	GROUND CABLE	2		
15	T102934	CLAMP	1		
16	T120536	CLAMP	1		
17	T141123	BOLT	1		
18	T174530	NUT	1		
19	T232498	BRACKET	1		
20	T42199	LABEL	1		
21	AT323078	CABLE	1		(DISCONNECT TO GROUND)
22	AT323077	BATTERY CABLE	1		(BATTERY TO STARTER)
23	T134104	COVER	1		

1671-4

BATTERIES, SUPPORT AND CABLES 1671
BATTERIES AND BATTERY CABLES (1400 CCA) (6090HDW01 / 6090HDW04)
BATTERIES ET CABLES DE BATTERIE (1400 AMP) (6090HDW01 / 6090HDW04)
BATERIAS Y CABLES (1400 AMP) (6090HDW01 / 6090HDW04)

TX1049915

-UN-16OCT08



TX1049915

1671-5

VEHICLE ELECTRICAL SYSTEMS 16

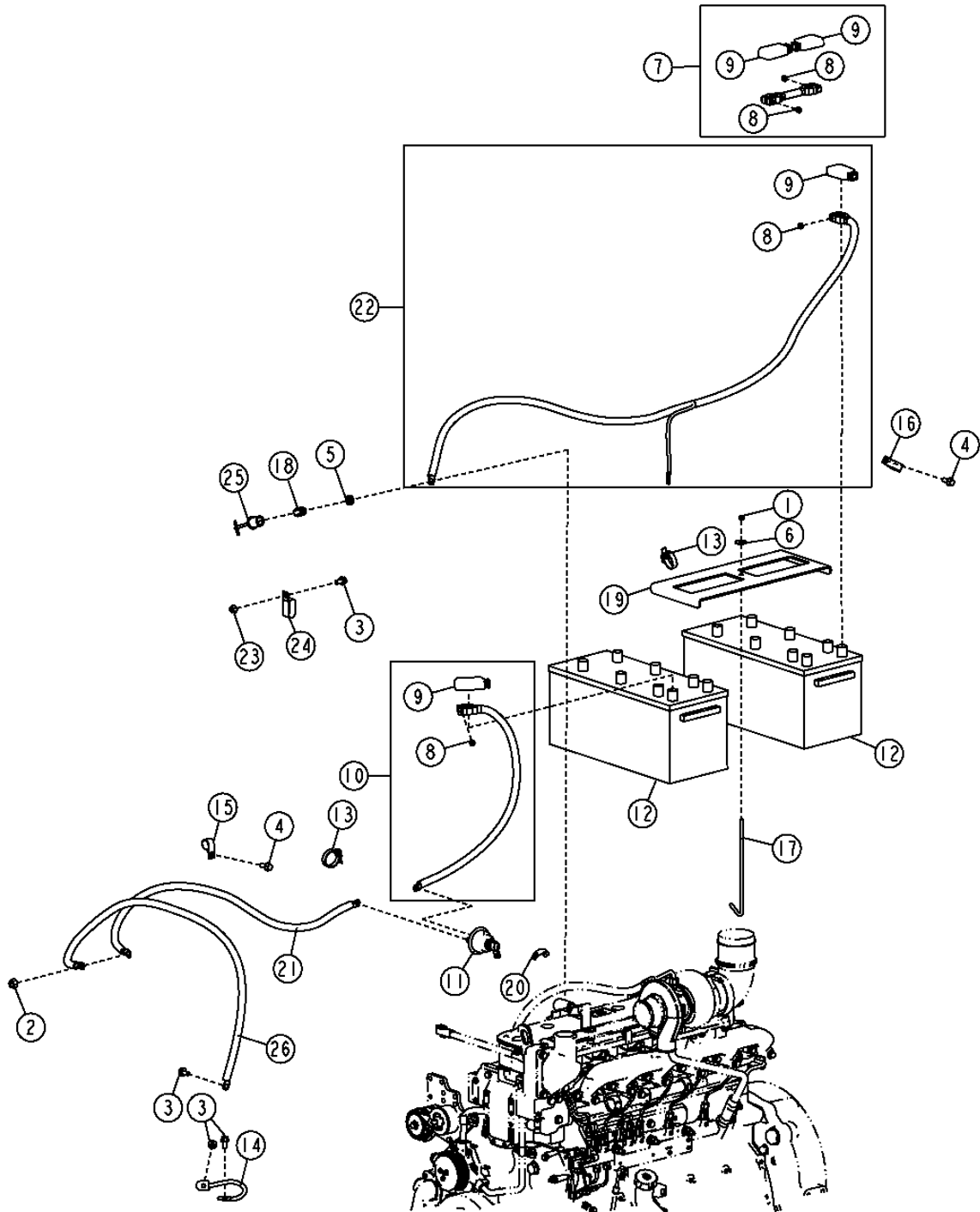
BATTERIES, SUPPORT AND CABLES 1671
BATTERIES AND BATTERY CABLES (1400 CCA) (6090HDW01 / 6090HDW04)
BATTERIES ET CABLES DE BATTERIE (1400 AMP) (6090HDW01 / 6090HDW04)
BATERIAS Y CABLES (1400 AMP) (6090HDW01 / 6090HDW04)

KEY	PART NO.	PART NAME	QTY.	SERIAL NO.	REMARKS
1	14M7273	NUT	1		M8
2	14M7299	FLANGE NUT	1		M12
3	19M7784	SCREW	3		M10 X 20
4	19M7785	SCREW	2		M10 X 25
5	24M7240	WASHER	1		13 X 25 X 3 MM
6	24M7296	WASHER	1		10.500 X 30 X 2.500 MM
7	AT323194	BATTERY CABLE	1		(BATTERY TO BATTERY)
8	14H785	NUT	4		5/16"
9	T107117	COVER	4		
10	AT323197	BATTERY CABLE	1		(BATTERY TO DISCONNECT)
11	AT41188	SWITCH	1		(BATTERY DISCONNECT SWITCH)
12	TY23020	DRY CHARGED BATTERY	2		1400 COLD CRANKING AMPS AT 0°F (-18°C), 440-MINUTE RESERVE CAPACITY AT 25 AMPS
13	N189220	TIE BAND	1		
14	R36545	GROUND CABLE	2		
15	T102934	CLAMP	1		
16	T120536	CLAMP	1		
17	T141123	BOLT	1		
18	T174530	NUT	1		
19	T232498	BRACKET	1		
20	T42199	LABEL	1		
21	AT323078	CABLE	1		(DISCONNECT TO GROUND)
22	AT323077	BATTERY CABLE	1		(BATTERY TO STARTER)
23	T134104	COVER	1		

1671-6

BATTERIES, SUPPORT AND CABLES 1671
BATTERIES AND BATTERY CABLES (1000 CCA) (6068HDW75)
BATTERIES ET CABLES DE BATTERIE (1000 AMP) (6068HDW75)
BATERIAS Y CABLES (1000 AMP) (6068HDW75)

TX1048189 -UN-15SEP08



TX1048189

1671-7

VEHICLE ELECTRICAL SYSTEMS 16

BATTERIES, SUPPORT AND CABLES 1671

BATTERIES AND BATTERY CABLES (1000 CCA) (6068HDW75)
BATTERIES ET CABLES DE BATTERIE (1000 AMP) (6068HDW75)
BATERIAS Y CABLES (1000 AMP) (6068HDW75)

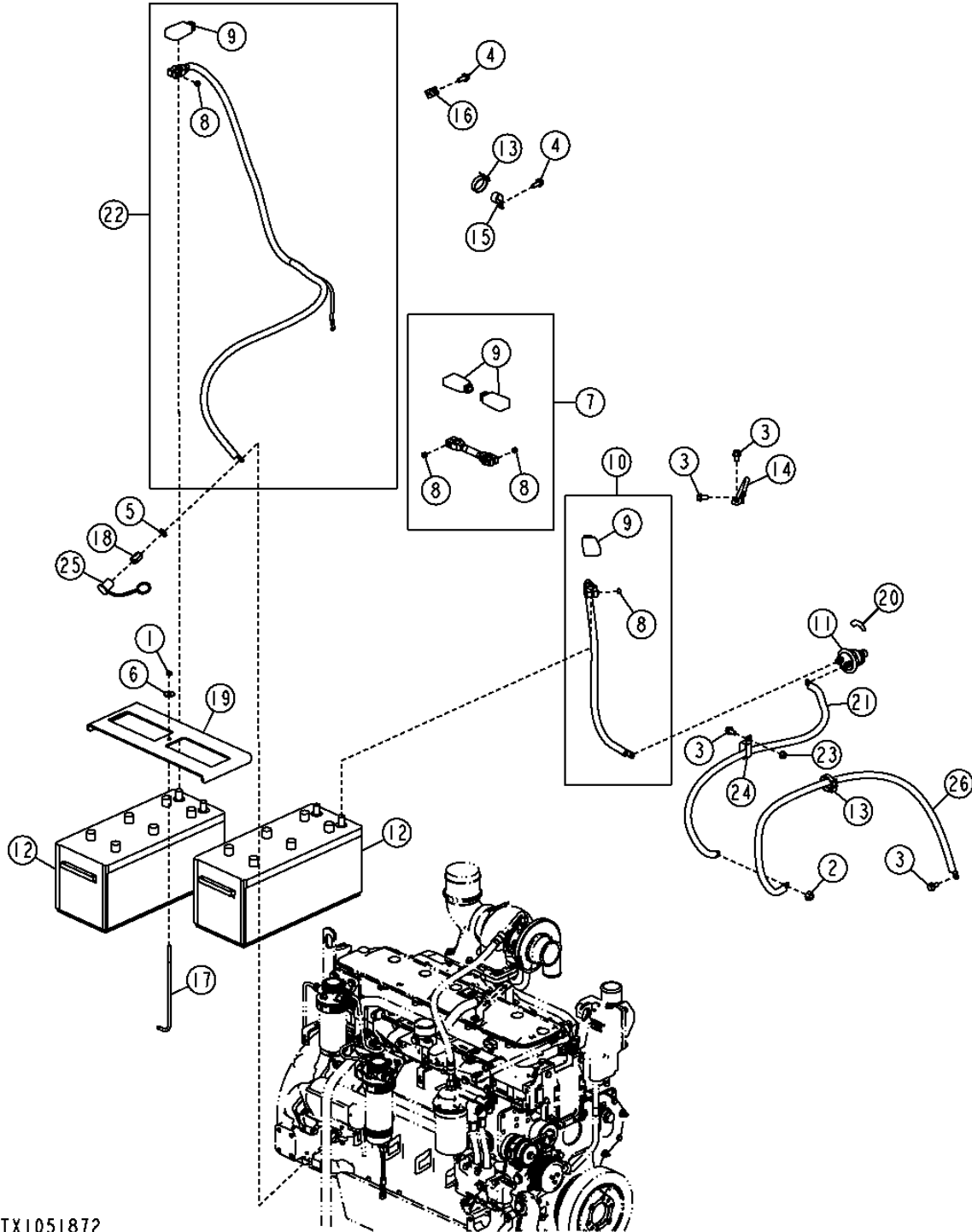
KEY	PART NO.	PART NAME	QTY.	SERIAL NO.	REMARKS
1	14M7273	NUT	1		M8
2	14M7299	FLANGE NUT	1		M12
3	19M7784	SCREW	4		M10 X 20
4	19M7785	SCREW	2		M10 X 25
5	24M7240	WASHER	1		13 X 25 X 3 MM
6	24M7296	WASHER	1		10.500 X 30 X 2.500 MM
7	AT323194	BATTERY CABLE	1		(BATTERY TO BATTERY)
8	14H785	NUT	4		5/16"
9	T107117	COVER	4		
10	AT323197	BATTERY CABLE	1		(BATTERY TO DISCONNECT)
11	AT41188	SWITCH	1		(BATTERY DISCONNECT SWITCH)
12	TY21754	DRY CHARGED BATTERY	2		1000 COLD CRANKING AMPS AT 0°F (-18°C), 320-MINUTE RESERVE CAPACITY AT 25 AMPS
13	N189220	TIE BAND	2		
14	R36545	GROUND CABLE	1		
15	T102934	CLAMP	1		
16	T120536	CLAMP	1		
17	T141123	BOLT	1		
18	T174530	NUT	1		
19	T232498	BRACKET	1		
20	T42199	LABEL	1		
21	AT323196	CABLE	1		(DISCONNECT TO STARTER)
22	AT323195	BATTERY CABLE	1		(BATTERY TO STARTER)
23	14M7296	FLANGE NUT	1		M10
24	AH77869	CLIP	1		
25	T134104	COVER	1		
26	AT323067	CABLE	1		(STARTER TO GROUND)

1671-8

BATTERIES AND BATTERY CABLES (1400 CCA) (6068HDW75)
BATTERIES, SUPPORT AND CABLES 1671
BATTERIES ET CABLES DE BATTERIE (1400 AMP) (6068HDW75)
BATERIAS Y CABLES (1400 AMP) (6068HDW75)

TX1051872

-UN-09DEC08



TX1051872

THIS PARTS LISTING IS CONTINUED

1671-9

VEHICLE ELECTRICAL SYSTEMS 16

BATTERIES, SUPPORT AND CABLES 1671

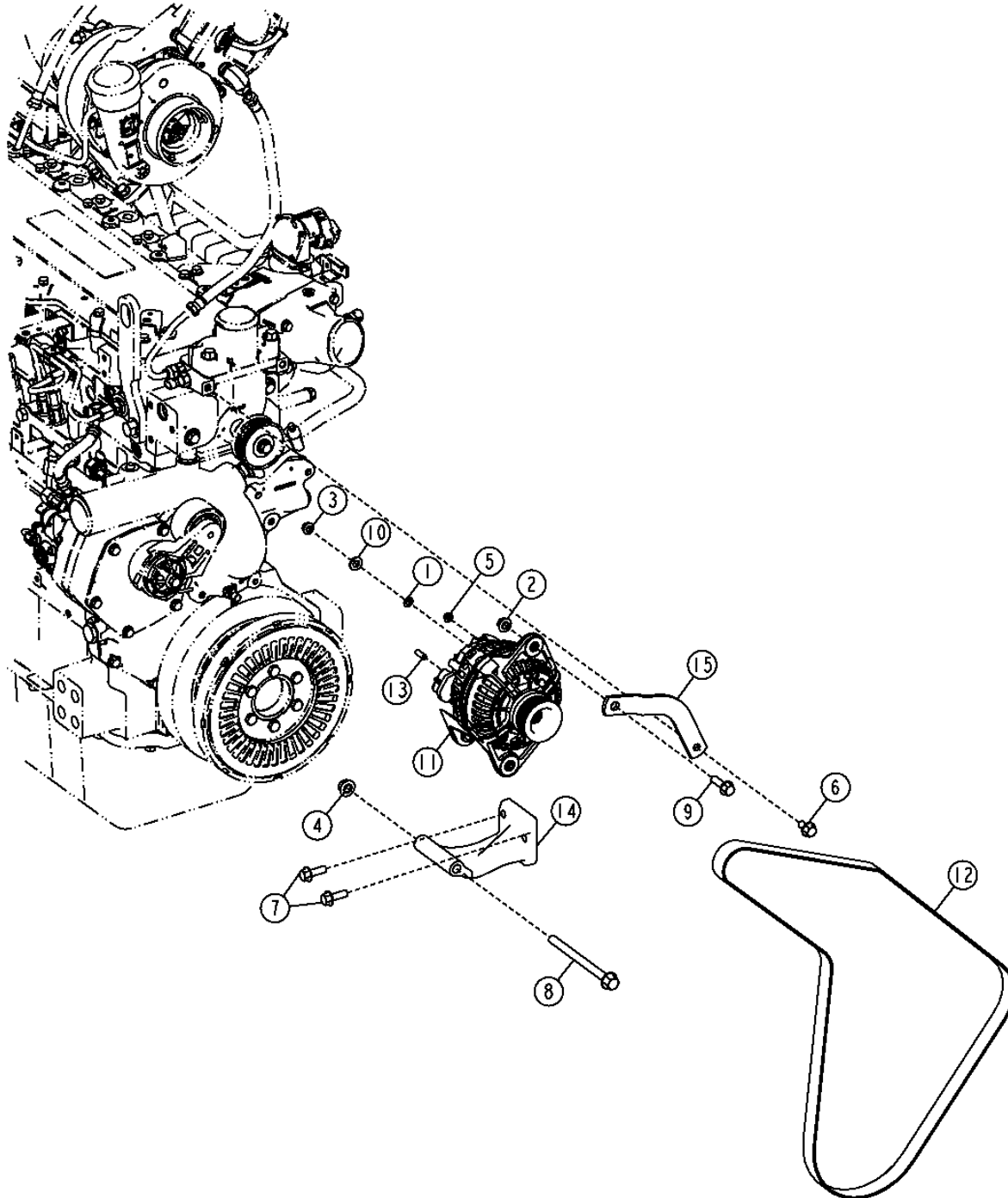
BATTERIES AND BATTERY CABLES (1400 CCA) (6068HDW75)
BATTERIES ET CABLES DE BATTERIE (1400 AMP) (6068HDW75)
BATERIAS Y CABLES (1400 AMP) (6068HDW75)

KEY	PART NO.	PART NAME	QTY.	SERIAL NO.	REMARKS
1	14M7273	NUT	1		M8
2	14M7299	FLANGE NUT	1		M12
3	19M7784	SCREW	4		M10 X 20
4	19M7785	SCREW	2		M10 X 25
5	24M7240	WASHER	1		13 X 25 X 3 MM
6	24M7296	WASHER	1		10.500 X 30 X 2.500 MM
7	AT323194	BATTERY CABLE	1		(BATTERY TO BATTERY)
8	14H785	NUT	4		5/16"
9	T107117	COVER	4		
10	AT323197	BATTERY CABLE	1		(BATTERY TO DISCONNECT)
11	AT41188	SWITCH	1		(BATTERY DISCONNECT SWITCH)
12	TY23020	DRY CHARGED BATTERY	2		1400 COLD CRANKING AMPS AT 0°F (-18°C), 440-MINUTE RESERVE CAPACITY AT 25 AMPS
13	N189220	TIE BAND	2		
14	R36545	GROUND CABLE	1		
15	T102934	CLAMP	1		
16	T120536	CLAMP	1		
17	T141123	BOLT	1		
18	T174530	NUT	1		
19	T232498	BRACKET	1		
20	T42199	LABEL	1		
21	AT323196	CABLE	1		(DISCONNECT TO STARTER)
22	AT323195	BATTERY CABLE	1		(BATTERY TO STARTER)
23	14M7296	FLANGE NUT	1		M10
24	AH77869	CLIP	1		
25	T134104	COVER	1		
26	AT323067	CABLE	1		(STARTER TO GROUND)

1672-2

ALTERNATOR, REGULATOR AND CHARGING SYSTEM WIRING 1672
ALTERNATOR (100 AMP) (6090HDW01 / 6090HDW04)
ALTERNATEUR (100 AMP) (6090HDW01 / 6090HDW04)
ALTERNADOR (100 AMP) (6090HDW01 / 6090HDW04)

TX1051130 -UN-01DEC08



TX1051130

1672-3

VEHICLE ELECTRICAL SYSTEMS 16

ALTERNATOR, REGULATOR AND CHARGING SYSTEM WIRING 1672
ALTERNATOR (100 AMP) (6090HDW01 / 6090HDW04)
ALTERNATEUR (100 AMP) (6090HDW01 / 6090HDW04)
ALTERNADOR (100 AMP) (6090HDW01 / 6090HDW04)

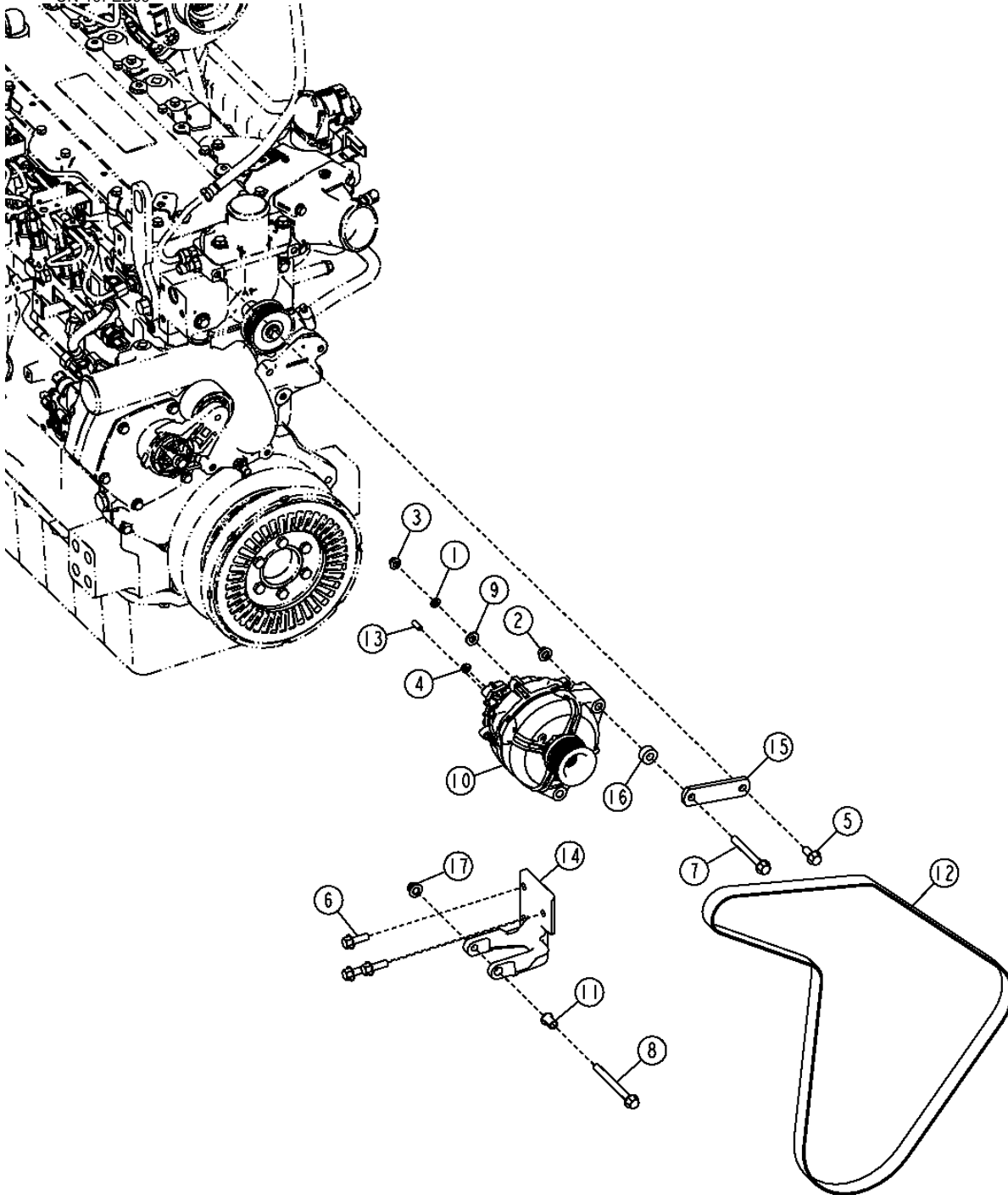
KEY	PART NO.	PART NAME	QTY.	SERIAL NO.	REMARKS
1	12M7032	LOCK WASHER	1		8.400 MM
2	14M7296	FLANGE NUT	1		M10
3	14M7298	FLANGE NUT	1		M8
4	14M7299	FLANGE NUT	1		M12
5	14M7303	FLANGE NUT	1		M6
6	19M7784	SCREW	1		M10 X 20
7	19M7786	SCREW	2		M10 X 30
8	19M7822	SCREW	1		M12 X 160
9	19M7835	SCREW	1		M10 X 35
10	24M7239	WASHER	1		10.700 X 21 X 2.500 MM
11	AT300167	ALTERNATOR	1		
	T201538	PULLEY	1		
12	R135600	V-BELT	1		
13	T201537	CAP	1		
14	T224351	BRACKET	1		
15	T252524	STRAP	1		

1672-4

ALTERNATOR, REGULATOR AND CHARGING SYSTEM WIRING 1672
ALTERNATOR (130 AMP) (6090HDW01 / 6090HDW04)
ALTERNATEUR (130 AMP) (6090HDW01 / 6090HDW04)
ALTERNADOR (130 AMP) (6090HDW01 / 6090HDW04)

TX1055988

-UN-19FEB09



TX1055988

1672-5

VEHICLE ELECTRICAL SYSTEMS 16

ALTERNATOR, REGULATOR AND CHARGING SYSTEM WIRING 1672
ALTERNATOR (130 AMP) (6090HDW01 / 6090HDW04)
ALTERNATEUR (130 AMP) (6090HDW01 / 6090HDW04)
ALTERNADOR (130 AMP) (6090HDW01 / 6090HDW04)

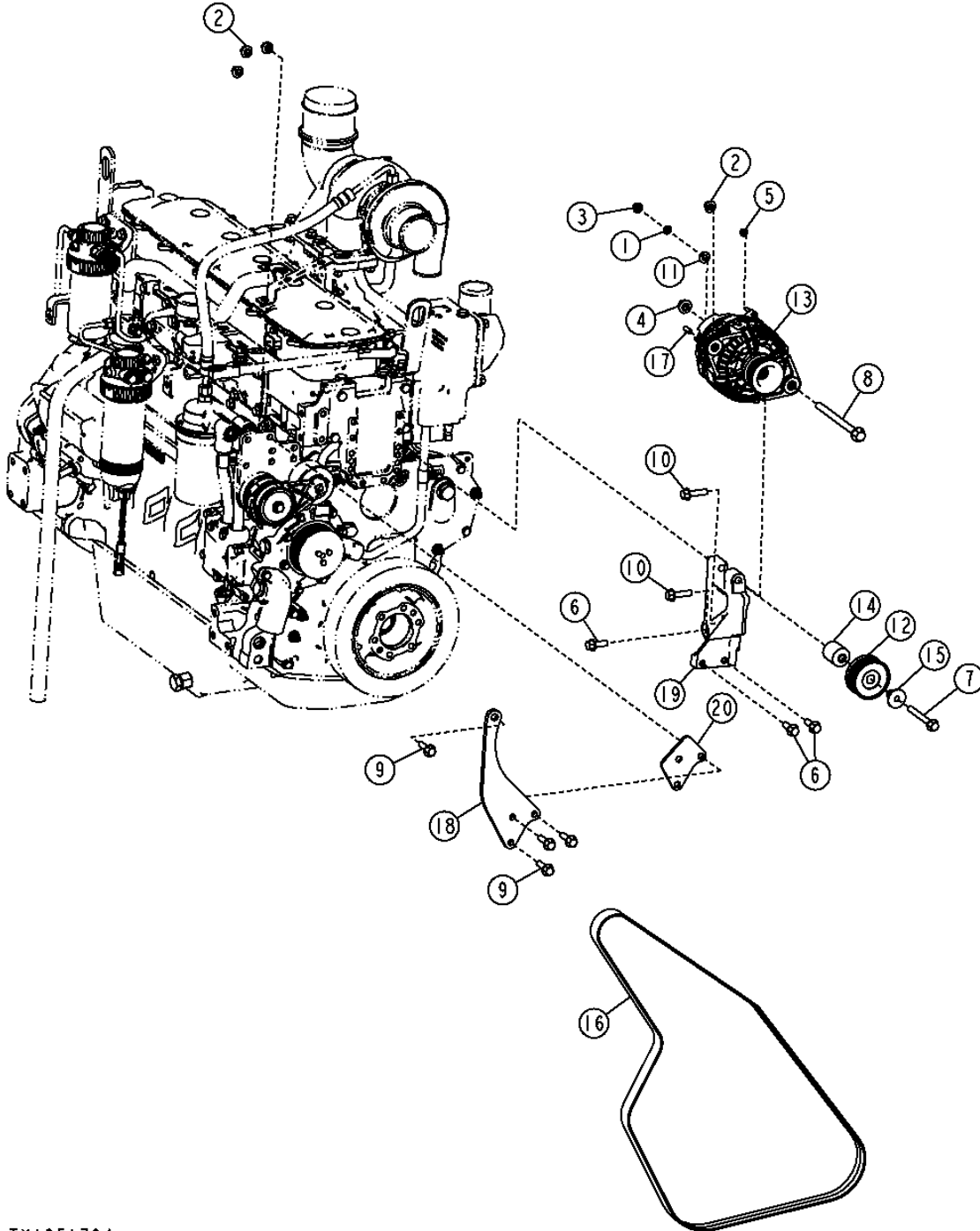
KEY	PART NO.	PART NAME	QTY.	SERIAL NO.	REMARKS
1	12M7032	LOCK WASHER	1		0.331"
2	14M7296	FLANGE NUT	2		M10
3	14M7298	FLANGE NUT	1		M8
4	14M7303	FLANGE NUT	1		M6
5	19M7785	SCREW	1		M10 X 25
6	19M7786	SCREW	3		M10 X 30
7	19M7811	SCREW	1		M10 X 90
8	19M7836	SCREW	1		M10 X 110
9	24M7239	WASHER	1		10.700 X 21 X 2.500 MM
10	FF101774	ALTERNATOR	1		
	T201538	PULLEY	1		
11	R100377	BUSHING	1		
12	R135595	V-BELT	1		
13	T201537	CAP	1		
14	T251895	BRACKET	1		
15	T252254	BRACKET	1		
16	T254495	SPACER	1		
17	14M7400	LOCK NUT	1		M10

1672-6

ALTERNATOR, REGULATOR AND CHARGING SYSTEM WIRING 1672
ALTERNATOR (100 AMP) (6068HDW75)
ALTERNATEUR (100 AMP) (6068HDW75)
ALTERNADOR (100 AMP) (6068HDW75)

TX1051794

-UN-03DEC08



TX1051794

1672-7

VEHICLE ELECTRICAL SYSTEMS 16

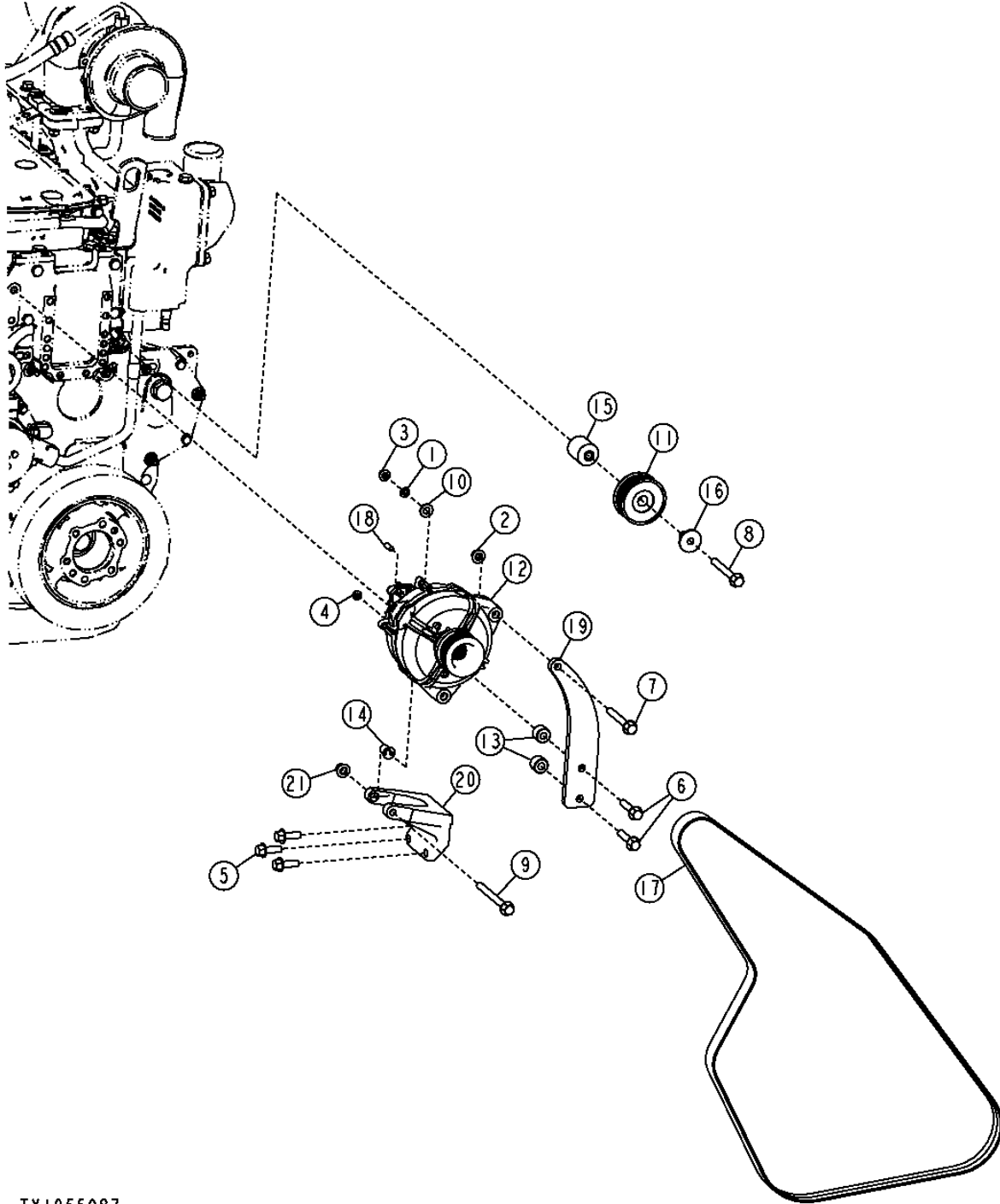
ALTERNATOR, REGULATOR AND CHARGING SYSTEM WIRING 1672
ALTERNATOR (100 AMP) (6068HDW75)
ALTERNATEUR (100 AMP) (6068HDW75)
ALTERNADOR (100 AMP) (6068HDW75)

KEY	PART NO.	PART NAME	QTY.	SERIAL NO.	REMARKS
1	12M7032	LOCK WASHER	1		8.400 MM
2	14M7296	FLANGE NUT	4		M10
3	14M7298	FLANGE NUT	1		M8
4	14M7299	FLANGE NUT	1		M12
5	14M7303	FLANGE NUT	1		M6
6	19M7786	SCREW	3		M10 X 30
7	19M7811	SCREW	1		M10 X 90
8	19M7822	SCREW	1		M12 X 160
9	19M7835	SCREW	4		M10 X 35
10	19M8162	SCREW	2		M10 X 40
11	24M7239	WASHER	1		10.700 X 21 X 2.500 MM
12	AT211041	IDLER	1		
13	AT300167	ALTERNATOR	1		
	T201538	PULLEY	1		
14	R133643	SPACER	1		
15	R502079	SLEEVE	1		
16	R502186	V-BELT	1		
17	T201537	CAP	1		
18	T226416	STRAP	1		
19	T226417	BRACKET	1		
20	T252550	STRAP	1		

1672-8

ALTERNATOR, REGULATOR AND CHARGING SYSTEM WIRING 1672
ALTERNATOR (130 AMP) (6068HDW75)
ALTERNATEUR (130 AMP) (6068HDW75)
ALTERNADOR (130 AMP) (6068HDW75)

TX1055987 -UN-19FEB09



TX1055987

1672-9

VEHICLE ELECTRICAL SYSTEMS 16

ALTERNATOR, REGULATOR AND CHARGING SYSTEM WIRING 1672
ALTERNATOR (130 AMP) (6068HDW75)
ALTERNATEUR (130 AMP) (6068HDW75)
ALTERNADOR (130 AMP) (6068HDW75)

KEY	PART NO.	PART NAME	QTY.	SERIAL NO.	REMARKS
1	12M7032	LOCK WASHER	1		8.400 MM
2	14M7296	FLANGE NUT	1		M10
3	14M7298	FLANGE NUT	1		M8
4	14M7303	FLANGE NUT	1		M6
5	19M7786	SCREW	3		M10 X 30
6	19M7806	SCREW	2		M10 X 50
7	19M7810	SCREW	1		M10 X 80
8	19M7811	SCREW	1		M10 X 90
9	19M7836	SCREW	1		M10 X 110
10	24M7239	WASHER	1		10.700 X 21 X 2.500 MM
11	AT211041	IDLER	1		
12	FF101774	ALTERNATOR	1		
	T201538	PULLEY	1		
13	N370461	BUSHING	2		
14	R100377	BUSHING	1		
15	R133643	SPACER	1		
16	R502079	SLEEVE	1		
17	R502186	V-BELT	1		
18	T201537	CAP	1		
19	T252353	BRACKET	1		
20	T252354	BRACKET	1		
21	14M7400	LOCK NUT	1		M10

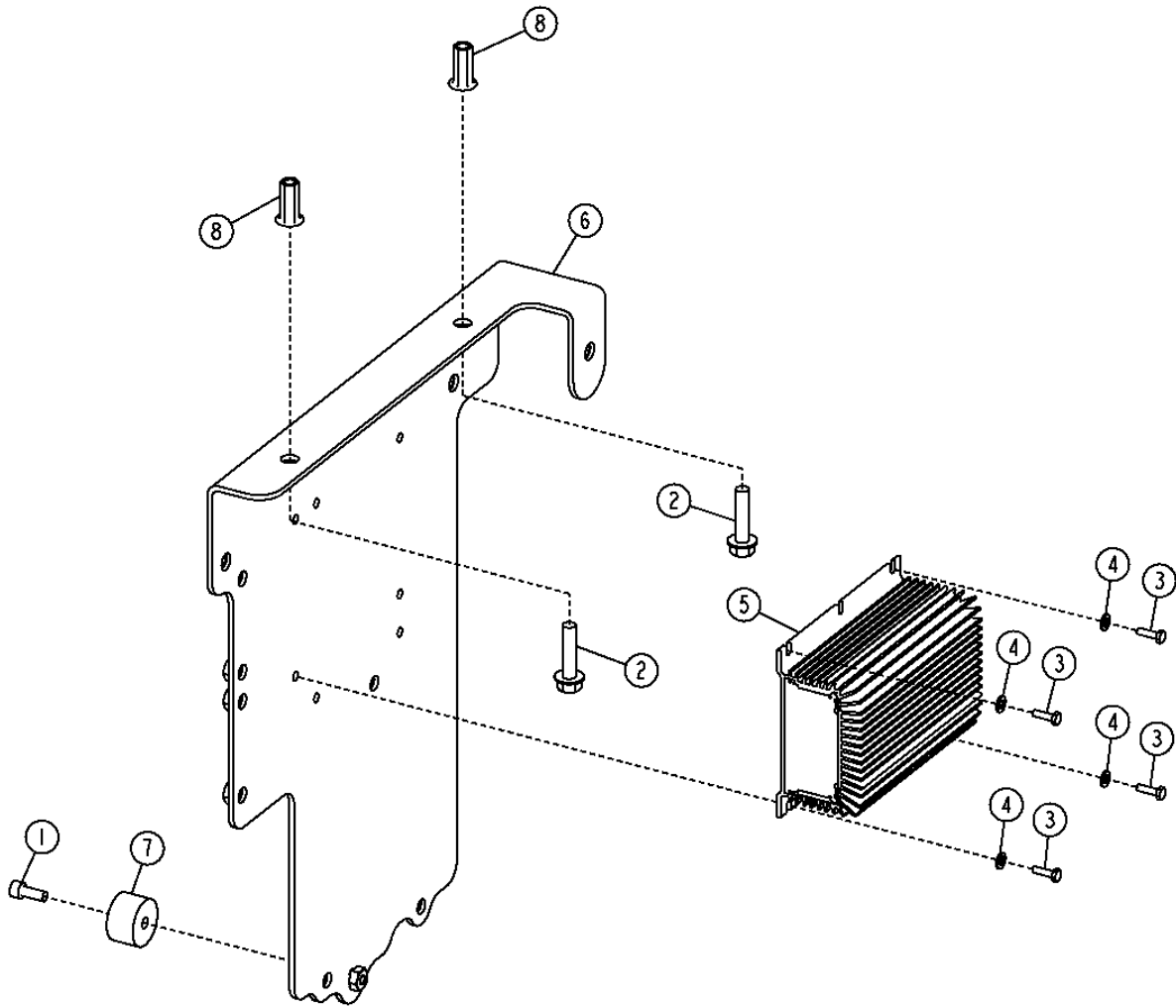
1672-10

VEHICLE ELECTRICAL SYSTEMS 16

ALTERNATOR, REGULATOR AND CHARGING SYSTEM WIRING 1672
15 AMP POWER CONVERTER (24 VOLT TO 12 VOLT)
CONVERTISSEUR D'ALIMENTATION 15 A (24 VOLT A 12 VOLTS)
CONVERTIDOR DE ALIMENTACION 15 A (24 V A 12 V)

TX1049518

-UN-06OCT08



TX1049518

1672-11

VEHICLE ELECTRICAL SYSTEMS 16

ALTERNATOR, REGULATOR AND CHARGING SYSTEM WIRING 1672
15 AMP POWER CONVERTER (24 VOLT TO 12 VOLT)
CONVERTISSEUR D'ALIMENTATION 15 A (24 VOLT A 12 VOLTS)
CONVERTIDOR DE ALIMENTACION 15 A (24 V A 12 V)

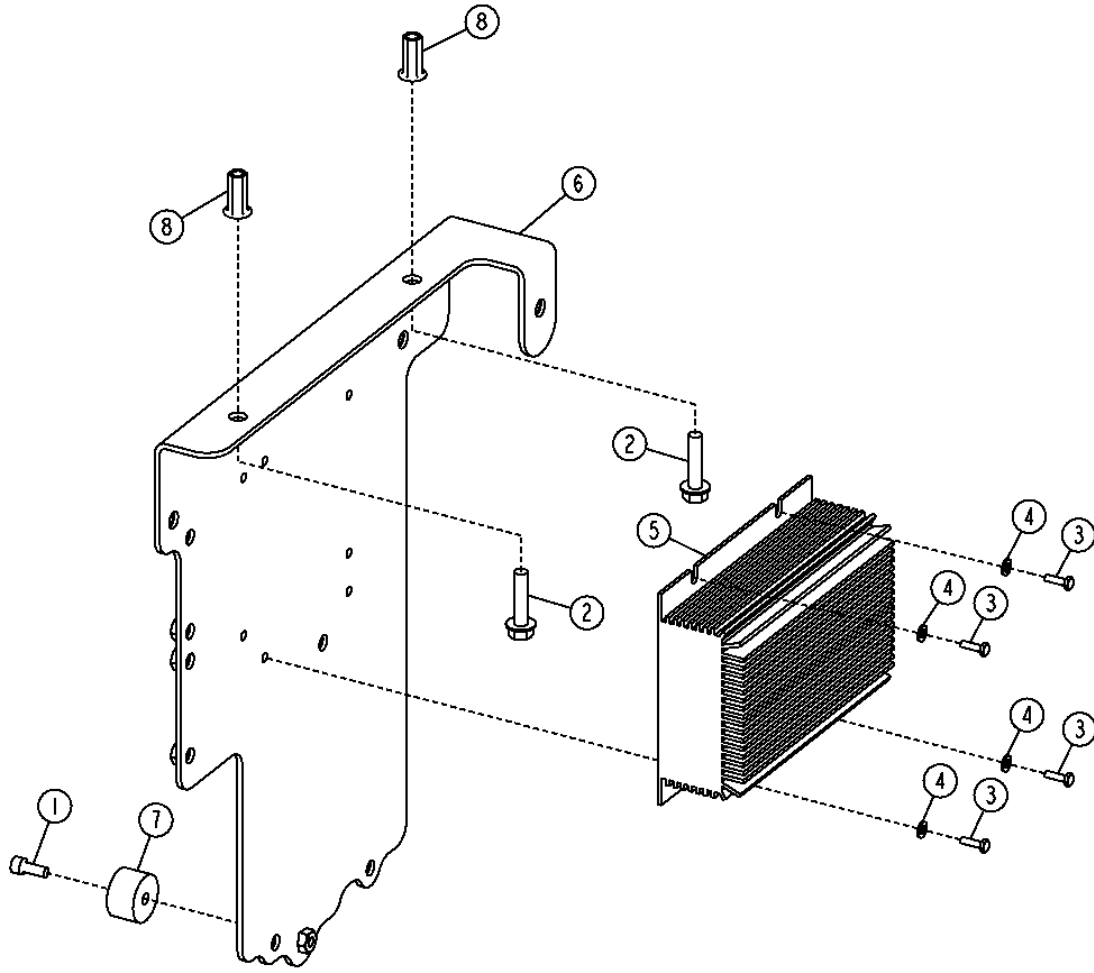
KEY	PART NO.	PART NAME	QTY.	SERIAL NO.	REMARKS
1	19M7768	SCREW	1		M6 X 16
2	19M7897	SCREW	2		M8 X 35
3	19M9224	CAP SCREW	4		M4 X 14
4	24M7138	WASHER	4		5.300 X 15 X 1.200 MM
5	AT224894	CONVERTER	1		
6	AT343850	BRACKET	1		
7	T184135	BUMPER	1		
8	T196079	NUT	2		

1672-12

ALTERNATOR, REGULATOR AND CHARGING SYSTEM WIRING 1672
25 AMP POWER CONVERTER (24 VOLT TO 12 VOLT)
CONVERTISSEUR D'ALIMENTATION 25 A (24 VOLT A 12 VOLTS)
CONVERTIDOR DE ALIMENTACION 25 A (24 V A 12 V)

TX1049524

-UN-06OCT08



TX1049524

1672-13

VEHICLE ELECTRICAL SYSTEMS 16

ALTERNATOR, REGULATOR AND CHARGING SYSTEM WIRING 1672
25 AMP POWER CONVERTER (24 VOLT TO 12 VOLT)
CONVERTISSEUR D'ALIMENTATION 25 A (24 VOLT A 12 VOLTS)
CONVERTIDOR DE ALIMENTACION 25 A (24 V A 12 V)

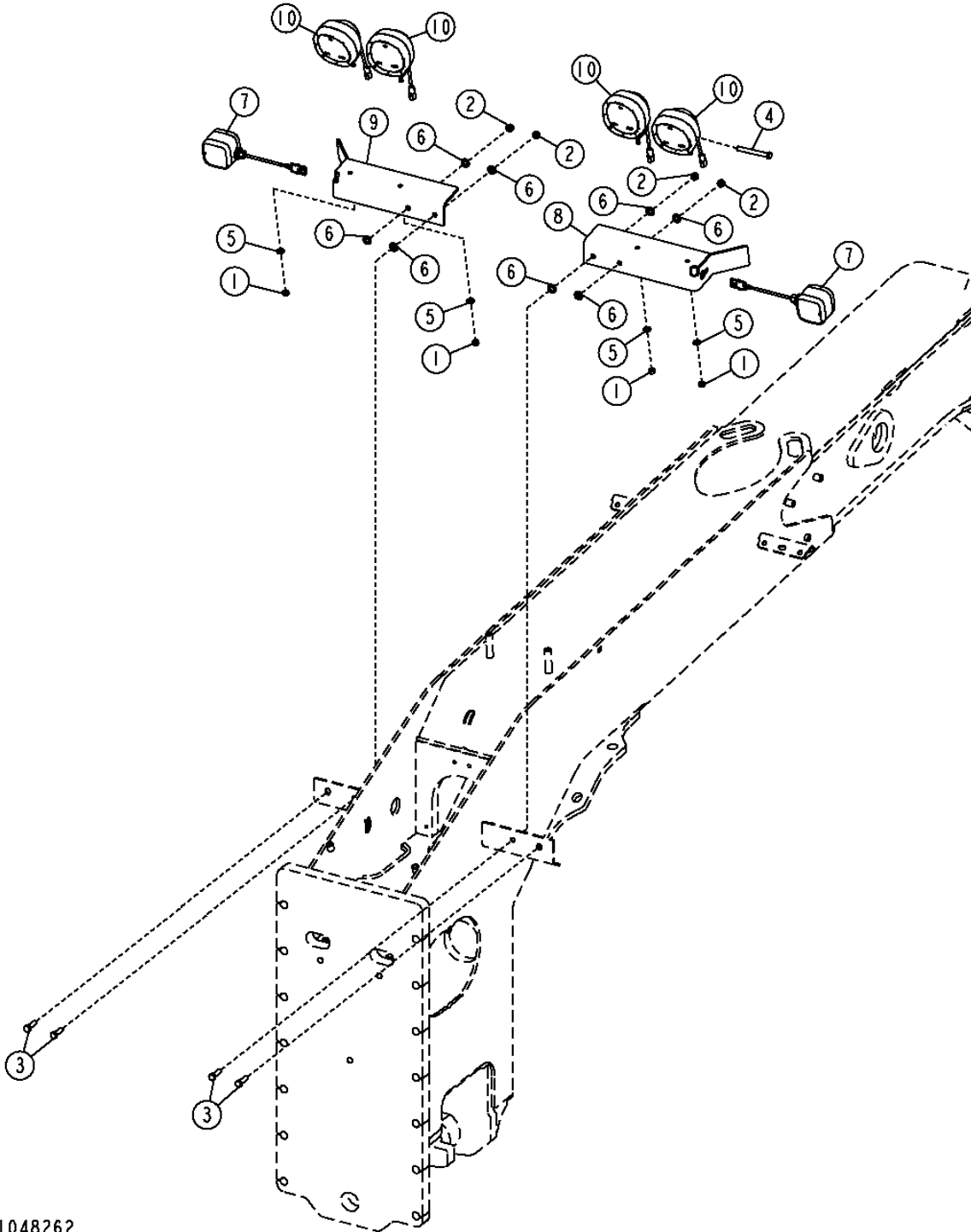
KEY	PART NO.	PART NAME	QTY.	SERIAL NO.	REMARKS
1	19M7768	SCREW	1		M6 X 16
2	19M7897	SCREW	2		M8 X 35
3	19M9224	CAP SCREW	4		M4 X 14
4	24M7138	WASHER	4		5.300 X 15 X 1.200 MM
5	AT302797	CONVERTER	1		
6	AT343850	BRACKET	1		
7	T184135	BUMPER	1		
8	T196079	NUT	2		

1673-2

FRONT DRIVING AND SIGNAL LIGHTS
FEUX DE CONDUITE ET CLIGNOTANTS AVANT
LUCES DE CONDUCCION Y SENALIZADORAS DELANTERAS

TX1048262

-UN-05SEP08



TX1048262

1673-3

VEHICLE ELECTRICAL SYSTEMS 16

LIGHTING SYSTEM 1673

FRONT DRIVING AND SIGNAL LIGHTS
FEUX DE CONDUITE ET CLIGNOTANTS AVANT
LUCES DE CONDUCCION Y SENALIZADORAS DELANTERAS

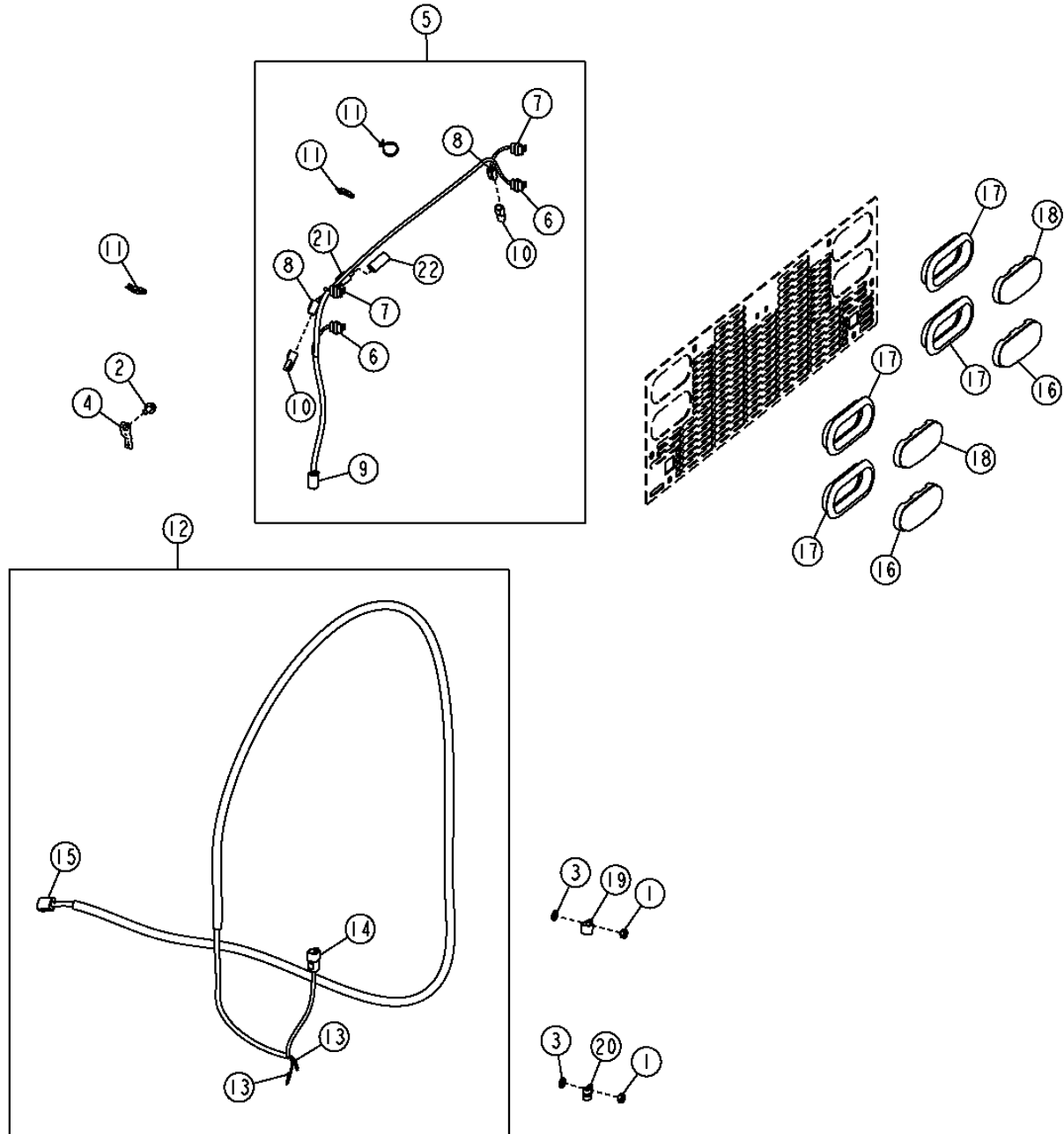
KEY	PART NO.	PART NAME	QTY.	SERIAL NO.	REMARKS
1	14M7274	NUT	4		M10
2	14M7275	NUT	4		M12
3	19M7493	CAP SCREW	4		M12 X 40
4	19M7949	CAP SCREW	1		M12 X 100
5	24M7239	WASHER	4		10.700 X 21 X 2.500 MM
6	24M7240	WASHER	8		13 X 25 X 3 MM
7	AT307090	LAMP	2		
	R78054	ELECTRICAL CONNECTOR ASSY	1		
	R78061	ELEC. CONNECTOR TERMINAL	3		
	R78063	ELEC. CONNECTOR SEAL	3		
8	AT315249	BRACKET	1		
9	AT315250	BRACKET	1		
10	AT324486	FLOODLAMP	4		
	19M8011	CAP SCREW	1		M12 X 30, (MOUNTING SCREW)
	AT135758	BULB	1		
	T80394	SCREW	4		(LAMP COVER)
	57M7533	ELEC. CONNECTOR HOUSING	1		

1673-4

TAIL LIGHTS FEUX ARRIERE LUCES PILOTO TRASERAS

TX1056960

-UN-23MAR09



TX1056960

THIS PARTS LISTING IS CONTINUED

1673-5

VEHICLE ELECTRICAL SYSTEMS 16

LIGHTING SYSTEM 1673

TAIL LIGHTS FEUX ARRIERE LUCES PILOTO TRASERAS

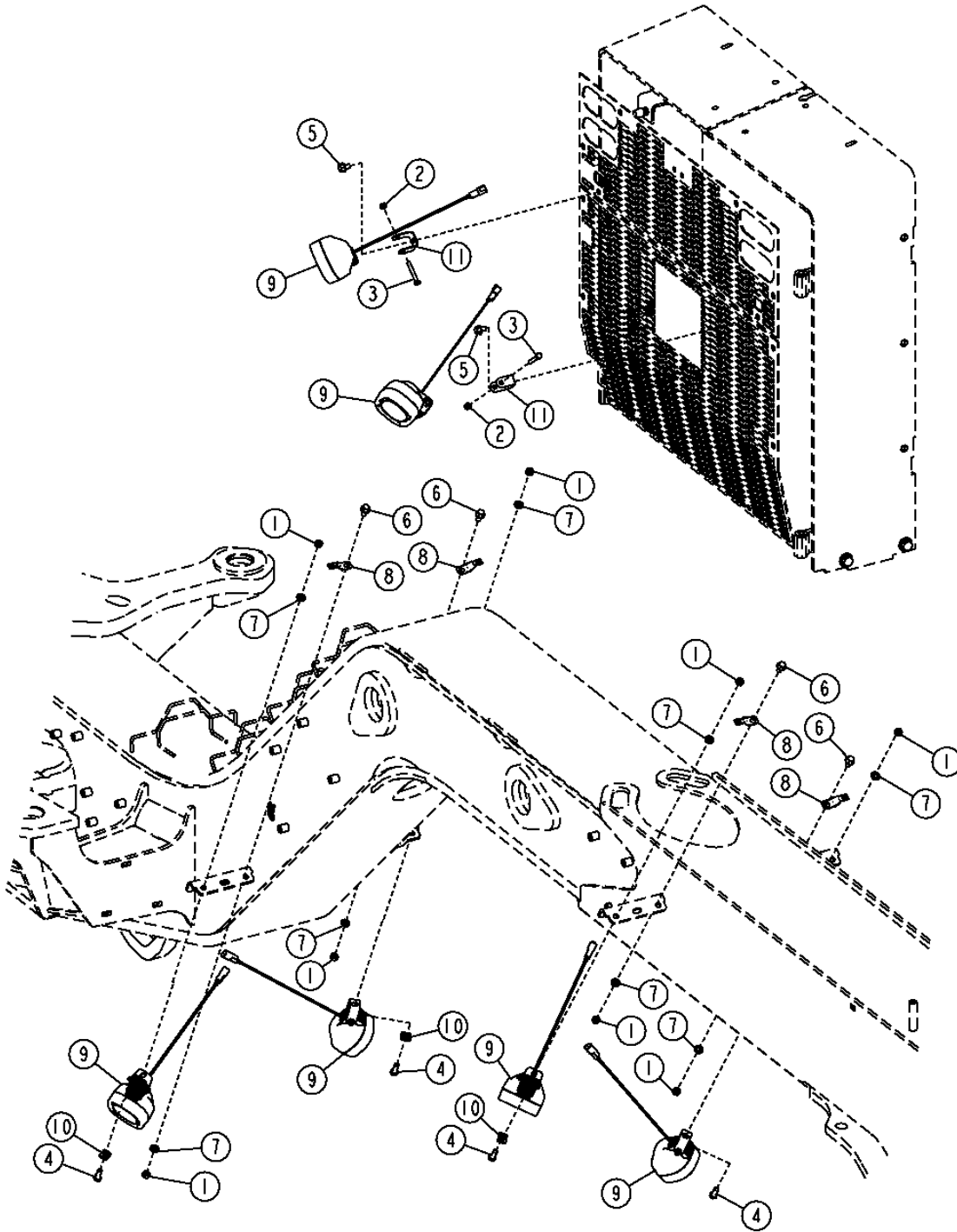
KEY	PART NO.	PART NAME	QTY.	SERIAL NO.	REMARKS
1	14M7274	NUT	2		M10
2	19M7784	SCREW	1		M10 X 20
3	24M7239	WASHER	2		10.700 X 21 X 2.500 MM
4	57M8736	ELEC. CONNECTOR ACCESSORY	1		
5	AT367472	WIRING HARNESS	1		(TAIL LIGHTS)
6	57M8542	ELEC. CONNECTOR HOUSING	4		(TAIL LIGHTS)
	57M8571	ELEC. CONNECTOR TERMINAL	3		
	57M9911	ELEC. CONNECTOR CABLE SEAL	3		
7	57M8542	ELEC. CONNECTOR HOUSING	4		(TURN SIGNAL)
	57M8571	ELEC. CONNECTOR TERMINAL	2		
	57M9911	ELEC. CONNECTOR CABLE SEAL	2		
	57M7743	ELEC. CONNECTOR CAVITY PLUG	1		
8	57M8021	ELECTRICAL CONNECTOR ASSY	2		(REAR WORK LIGHTS)
	ELEC. CONNECTOR TERMINAL	2		
	57M8022	ELEC.CONNECT LOCKING DEVICE	1		
9	57M8015	ELECTRICAL CONNECTOR ASSY	1		(PLATFORM HARNESS)
	ELEC. CONNECTOR TERMINAL	6		
	57M8013	ELEC.CONNECT LOCKING DEVICE	1		
10	57M7533	ELEC. CONNECTOR HOUSING	2		(CAP)
11	R44302	TIE BAND	7		
12	AT343900	WIRING HARNESS	1		(FAN DOOR WIRING HARNESS)
13	ELEC. CONNECTOR TERMINAL	2		(REVERSE ALARM)
14	57M8014	ELEC. CONNECTOR HOUSING	1		(TAIL LIGHT WIRING HARNESS)
	ELEC. CONNECTOR TERMINAL	6		
	57M7678	ELEC.CONNECT LOCKING DEVICE	1		
15	ELEC. CONNECTOR HOUSING	1		(MAIN HARNESS)
	ELEC. CONNECTOR TERMINAL	7		
	R78069	ELEC. CONNECTOR CAVITY PLUG	1		
	57M8011	ELEC.CONNECT LOCKING DEVICE	1		
16	T246237	TAIL LAMP	2		
17	T246238	GROMMET	4		
18	T246236	TURN SIGNAL LAMP	2		
19	T78787	CLAMP	1		
20	T78974	CLAMP	1		
21	RE12363	ELECTRICAL CONNECTOR ASSY	1		(LICENSE PLATE HARNESS)
	R78060	ELEC. CONNECTOR TERMINAL	2		
	R78059	ELEC. CONNECTOR SEAL	2		
22	R78053	ELECTRICAL CONNECTOR ASSY	1		(CAP)

1673-6

REAR, MID-FRAME, AND UNDER CAB WORK LIGHTS
PROJECTEURS DE TRAVAIL ARRIERE, DE CHASSIS MEDIAN ET DE DESSOUS DE CABINE
LUCES DE TRABAJO TRASERAS, INTERMEDIAS Y DE DEBAJO DE CABINA

TX1051876

-UN-03DEC08



TX1051876

THIS PARTS LISTING IS CONTINUED

1673-7

VEHICLE ELECTRICAL SYSTEMS 16

LIGHTING SYSTEM 1673

REAR, MID-FRAME, AND UNDER CAB WORK LIGHTS
PROJECTEURS DE TRAVAIL ARRIERE, DE CHASSIS MEDIAN ET DE DESSOUS DE CABINE
LUCES DE TRABAJO TRASERAS, INTERMEDIAS Y DE DEBAJO DE CABINA

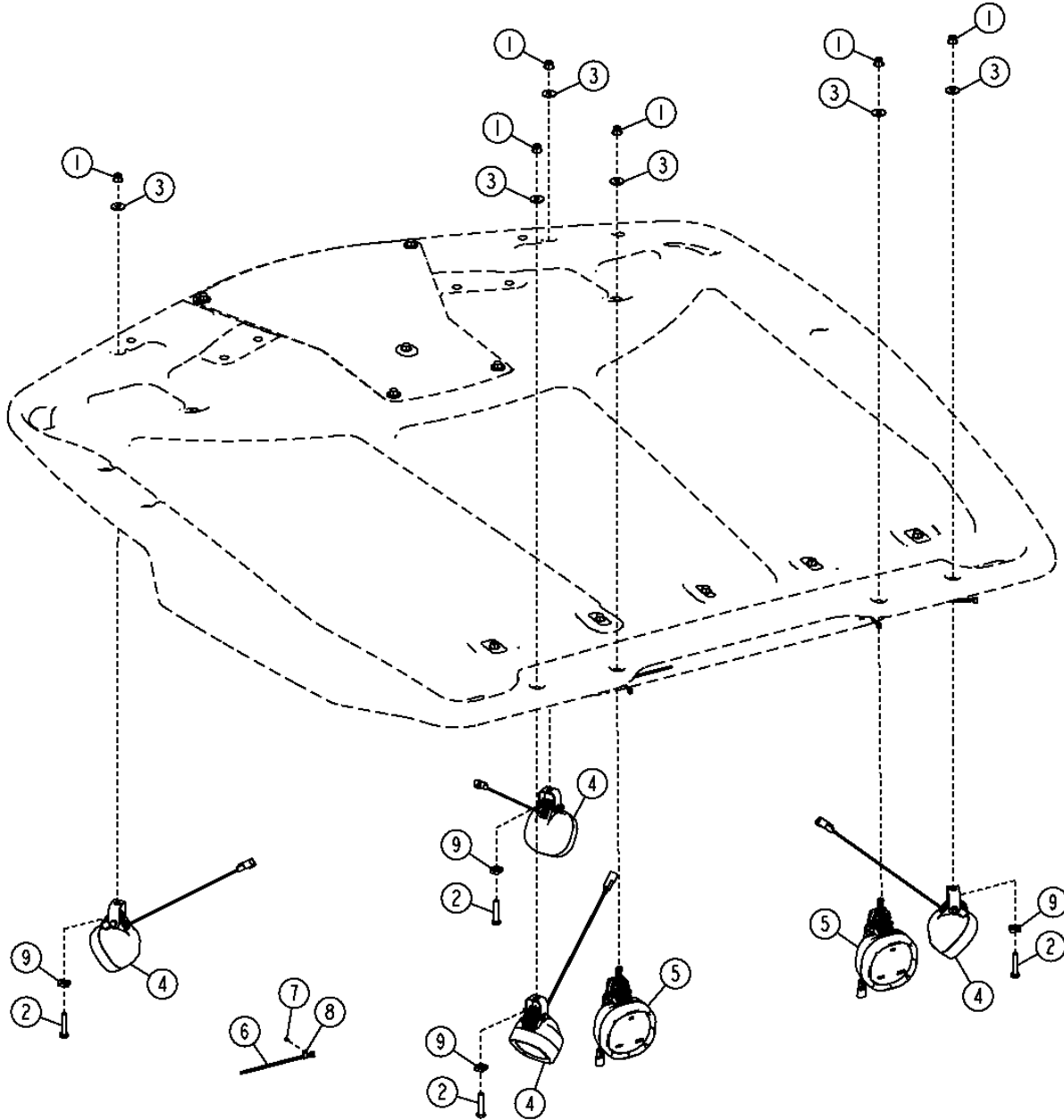
KEY	PART NO.	PART NAME	QTY.	SERIAL NO.	REMARKS
1	14M7274	NUT	8		M10
2	14M7426	LOCK NUT	2		M8
3	19M7165	CAP SCREW	2		M8 X 55
4	19M7402	CAP SCREW	4		M10 X 25
5	19M7783	SCREW	2		M10 X 16
6	19M7784	SCREW	4		M10 X 20
7	24M7239	WASHER	8		10.700 X 21 X 2.500 MM
8	57M8736	ELEC. CONNECTOR ACCESSORY	4		
9	AT305931	FLOODLAMP	6		
	AT135758	BULB	1		
	57M7533	ELEC. CONNECTOR HOUSING	1		
	57M7621	ELEC.CONNECT LOCKING DEVICE	1		
10	T213426	LOCK WASHER	3		
11	T216731	BRACKET	2		

1673-8

FRONT AND REAR CAB LIGHTS FEUX DE CABINE AVANT ET ARRIERE LUCES DE CABINA DELANTERO Y TRASERO

TX1048275

-UN-11SEP08



TX1048275

1673-9

VEHICLE ELECTRICAL SYSTEMS 16

LIGHTING SYSTEM 1673

FRONT AND REAR CAB LIGHTS
FEUX DE CABINE AVANT ET ARRIERE
LUCES DE CABINA DELANTERO Y TRASERO

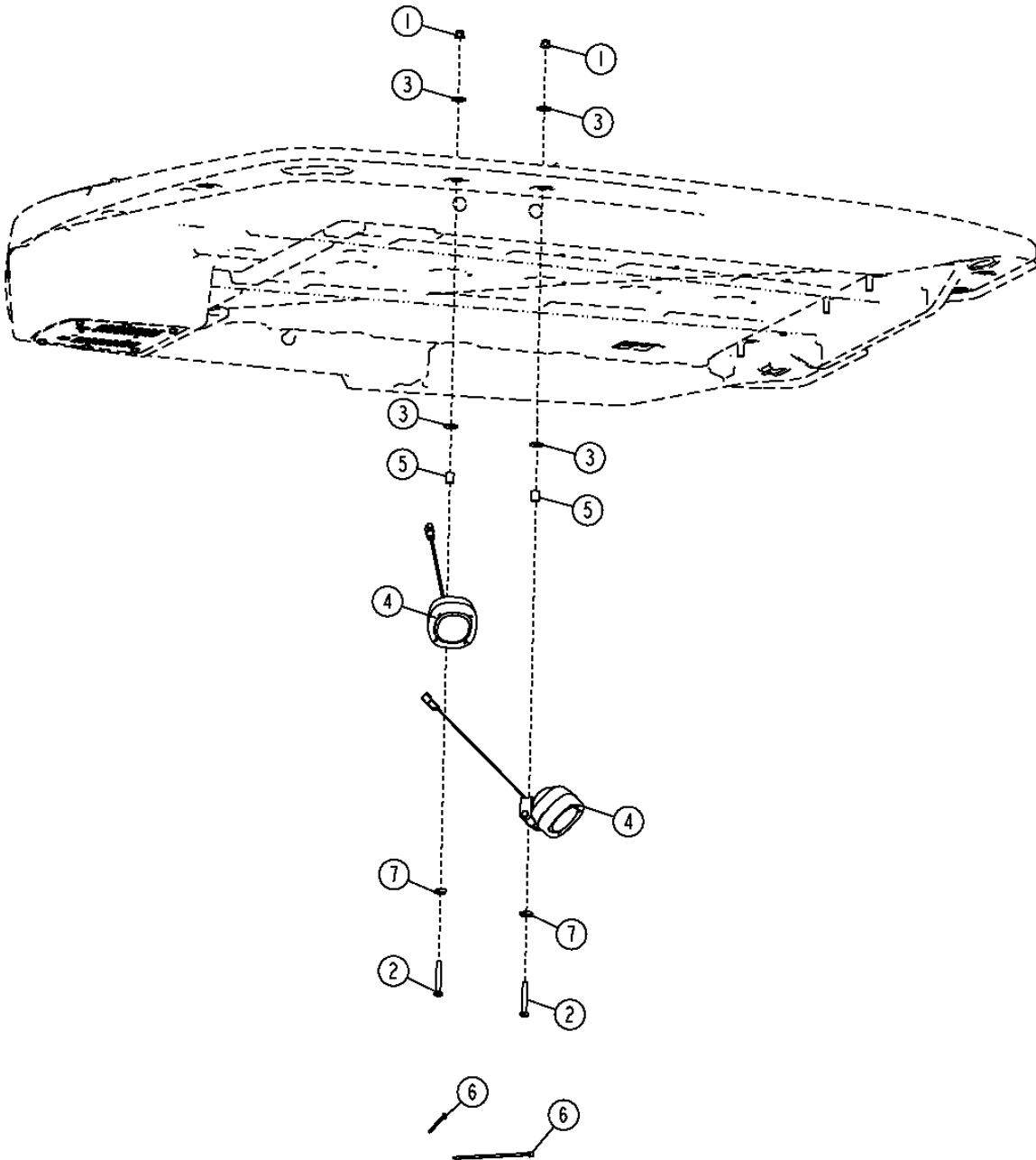
KEY	PART NO.	PART NAME	QTY.	SERIAL NO.	REMARKS
1	14M7400	LOCK NUT	6		M10
2	19M8600	CAP SCREW	4		M10 X 50
3	24M7296	WASHER	6		10.500 X 30 X 2.500 MM
4	AT305931	FLOODLAMP	4		
	AT135758	BULB	1		
	57M7533	ELEC. CONNECTOR HOUSING	1		
	N282069	ELEC. CONNECTOR TERMINAL	2		
	57M7621	ELEC.CONNECT LOCKING DEVICE	1		
5	AT324487	FLOODLAMP	2		
	AT135758	BULB	1		
	T80394	SCREW	4		(LAMP COVER)
	57M7533	ELEC. CONNECTOR HOUSING	1		
6	R44302	TIE BAND	16		
7	T185769	SCREW	10		
8	T187394	ANCHOR	10		
9	T213426	LOCK WASHER	4		

1673-10

CAB SIDE WORK LIGHTS
PROJECTEURS DE TRAVAIL LATÉRAL DE CABINE
LUCES DE TRABAJO LATERALES DE LA CABINA

TX1048278

-UN-11SEP08



TX1048278

THIS PARTS LISTING IS CONTINUED

1673-11

VEHICLE ELECTRICAL SYSTEMS 16

LIGHTING SYSTEM 1673

**CAB SIDE WORK LIGHTS
PROJECTEURS DE TRAVAIL LATERAL DE CABINE
LUCES DE TRABAJO LATERALES DE LA CABINA**

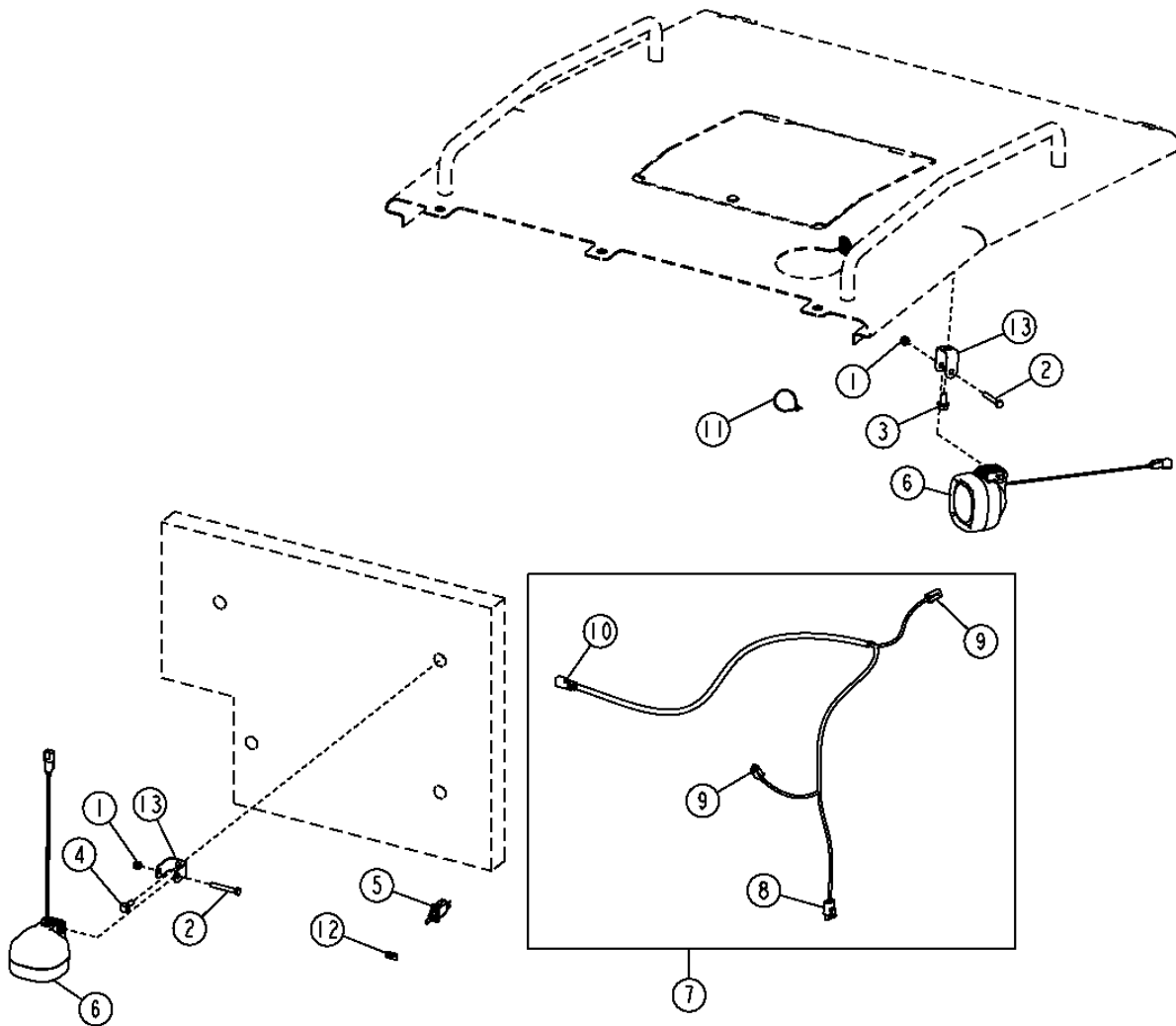
KEY	PART NO.	PART NAME	QTY.	SERIAL NO.	REMARKS
1	14M7400	LOCK NUT	2		M10
2	19M7875	CAP SCREW	2		M10 X 70
3	24M7296	WASHER	4		10.500 X 30 X 2.500 MM
4	AT305931	FLOODLAMP	2		
	AT135758	BULB	1		
	57M7533	ELEC. CONNECTOR HOUSING	1		
	N282069	ELEC. CONNECTOR TERMINAL	2		
	57M7621	ELEC.CONNECT LOCKING DEVICE	1		
5	H140461	BUSHING	2		
6	R44302	TIE BAND	2		
7	T213426	LOCK WASHER	2		

1673-12

ENGINE COMPARTMENT WORK LIGHTS PROJECTEURS DE TRAVAIL DE COMPARTIMENT MOTEUR LUCES DE TRABAJO DEL COMPARTIMIENTO DEL MOTOR

TX1048329

-UN-09SEP08



TX1048329

1673-13

VEHICLE ELECTRICAL SYSTEMS 16

LIGHTING SYSTEM 1673

ENGINE COMPARTMENT WORK LIGHTS
PROJECTEURS DE TRAVAIL DE COMPARTIMENT MOTEUR
LUCES DE TRABAJO DEL COMPARTIMIENTO DEL MOTOR

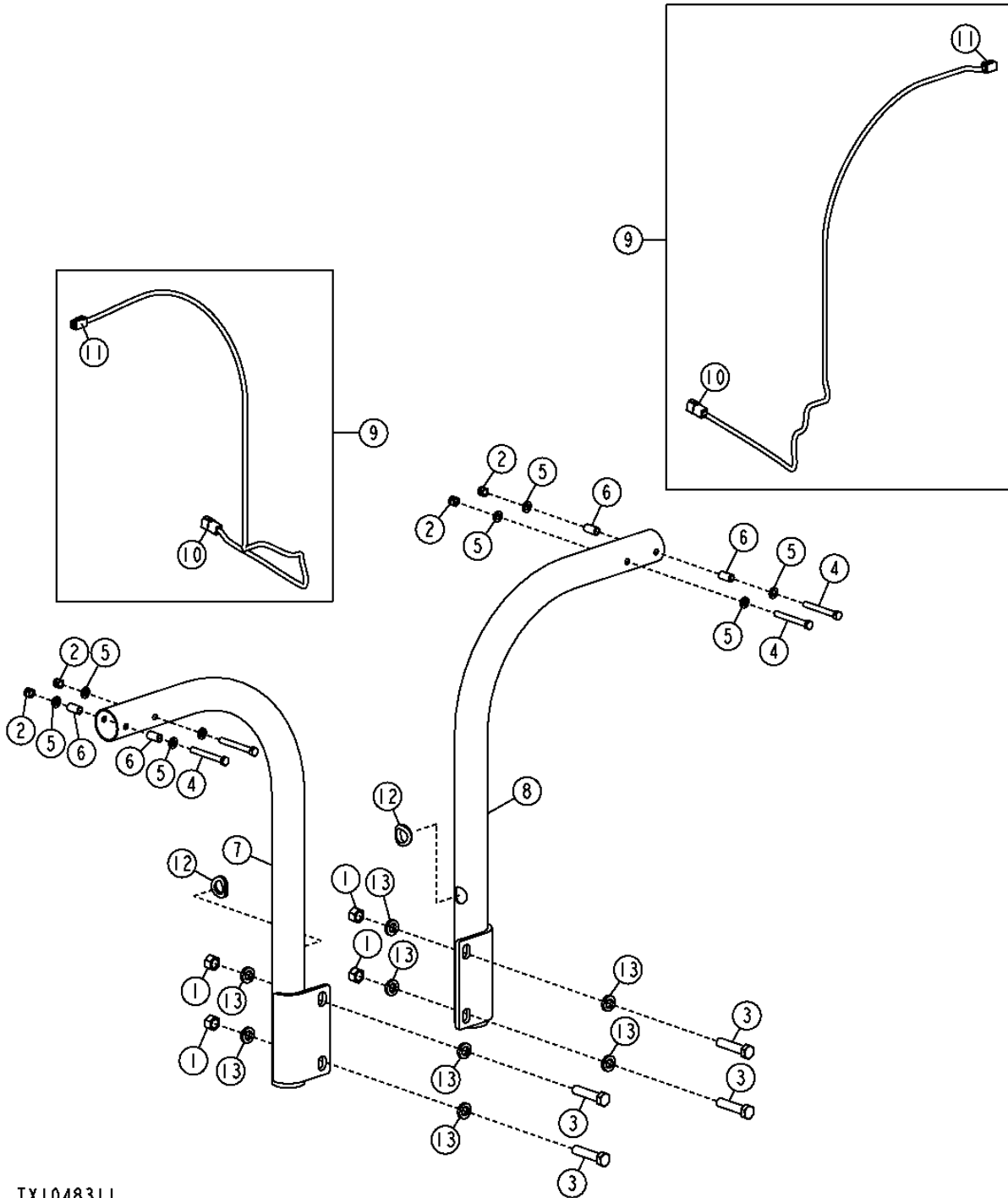
KEY	PART NO.	PART NAME	QTY.	SERIAL NO.	REMARKS
1	14M7426	LOCK NUT	2		M8
2	19M7165	CAP SCREW	2		M8 X 55
3	19M7784	SCREW	1		M10 X 20
4	19M7784	SCREW	1		M10 X 20
5	AH158310	TOGGLE/ROCKER SWITCH	1		
6	AT305931	FLOODLAMP	2		
	57M7533	ELEC. CONNECTOR HOUSING	1		
	N282069	ELEC. CONNECTOR TERMINAL	2		
7	AT344614	WIRING HARNESS	1		
8	RE12363	ELECTRICAL CONNECTOR ASSY	1		(WORK LIGHT SWITCH)
9	57M8021	ELECTRICAL CONNECTOR ASSY	2		(WORK LIGHT)
	57M8022	ELEC.CONNECT LOCKING DEVICE	2		
10	57M8023	ELEC. CONNECTOR HOUSING	1		(MAIN WIRING HARNESS)
	57M7621	ELEC.CONNECT LOCKING DEVICE	1		
11	R44302	TIE BAND	7		
12	T153611	LABEL	1		
13	T216731	BRACKET	2		

1673-14

SNOW LIGHT BRACKETS SUPPORTS D'ECLAIRAGE POUR LA NEIGE ESCUADRAS PARA LUCES DE NIEVE

TX1048311

-UN-15SEP08



TX1048311

1673-15

VEHICLE ELECTRICAL SYSTEMS 16

LIGHTING SYSTEM 1673

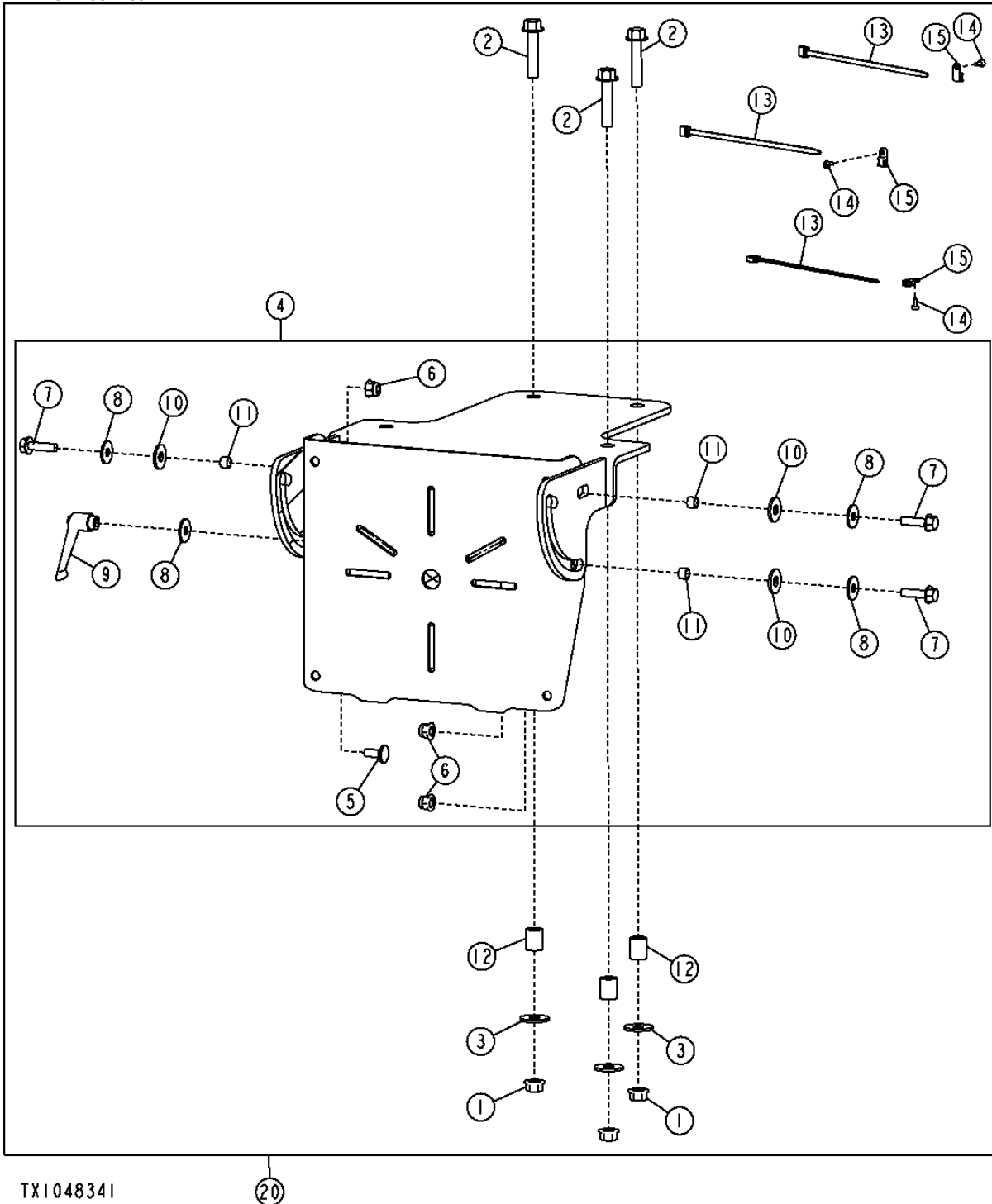
SNOW LIGHT BRACKETS SUPPORTS D'ECLAIRAGE POUR LA NEIGE ESCUADRAS PARA LUCES DE NIEVE

KEY	PART NO.	PART NAME	QTY.	SERIAL NO.	REMARKS
1	14H1058	NUT	4		19.050 MM
2	14M7313	LOCK NUT	4		M12
3	19H3167	CAP SCREW	4		19.050 X 82.550 MM
4	19M7949	CAP SCREW	4		M12 X 100
5	24M7047	WASHER	8		13 X 24 X 2.500 MM
6	28H3387	BUSHING	4		0.493" X 0.675" X 1-1/4"
7	AT306612	BRACKET	1		
8	AT306632	BRACKET	1		
9	AT364356	WIRING HARNESS	2		
10	57M8014	ELEC. CONNECTOR HOUSING	1		
	ELEC. CONNECTOR TERMINAL	5		
	R78069	ELEC. CONNECTOR CAVITY PLUG	1		
	57M7678	ELEC. CONNECTOR TERMINAL	1		
11	57M8012	ELECTRICAL CONNECTOR ASSY	1		
	ELEC. CONNECTOR TERMINAL	5		
	R78069	ELEC. CONNECTOR CAVITY PLUG	1		
	57M8013	ELEC.CONNECT LOCKING DEVICE	1		
12	M86690	GROMMET	2		
13	T83426	WASHER	8		

1673-16

BEACON LIGHT BRACKET MONTAGE DE GYROPHARE MONTAJE DEL PROYECTOR

TX1048341 -UN-15SEP08



TX1048341

20

THIS PARTS LISTING IS CONTINUED

1673-17

VEHICLE ELECTRICAL SYSTEMS 16

LIGHTING SYSTEM 1673

**BEACON LIGHT BRACKET
MONTAGE DE GYROPHARE
MONTAJE DEL PROYECTOR**

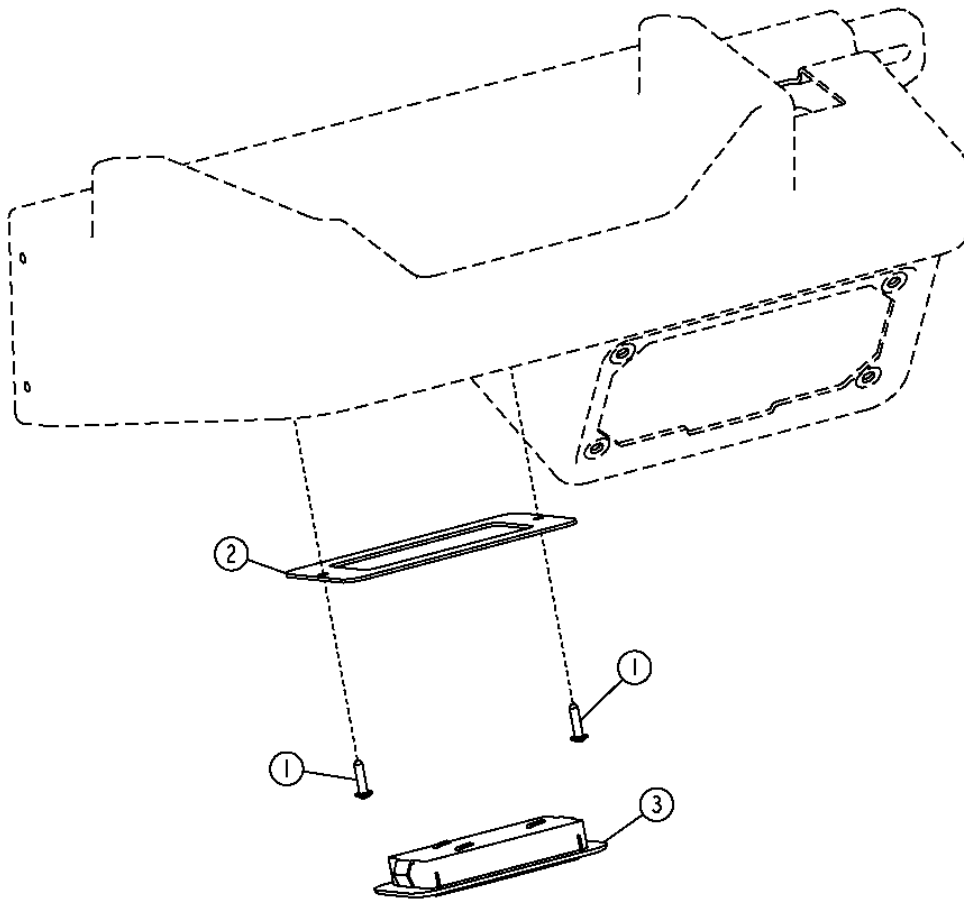
KEY	PART NO.	PART NAME	QTY.	SERIAL NO.	REMARKS
1	14M7296	FLANGE NUT	3		M10
2	19M7806	SCREW	3		M10 X 50
3	24M7296	WASHER	3		10.500 X 30 X 2.500 MM
4	AT304295	BRACKET	1		
5	03M7184	BOLT	1		M8 X 20
6	14M7396	LOCK NUT	3		M8
7	19M7868	SCREW	3		M8 X 30
8	24M7298	WASHER	4		8.400 X 25 X 2 MM
9	AT227063	LEVER	1		
10	R52921	WASHER	3		
11	T131169	WASHER	3		
12	H140461	BUSHING	3		
13	R44302	TIE BAND	3		
14	T185769	SCREW	3		
15	T187394	ANCHOR	3		
20	AT318620	BRACKET	1		(WHOLE GOODS)

1673-18

INTERIOR LIGHT
ECLAIRAGE INTERIEUR
LUZ INTERIOR

TX1048345

-UN-11SEP08



TX1048345

1673-19

VEHICLE ELECTRICAL SYSTEMS 16

LIGHTING SYSTEM 1673

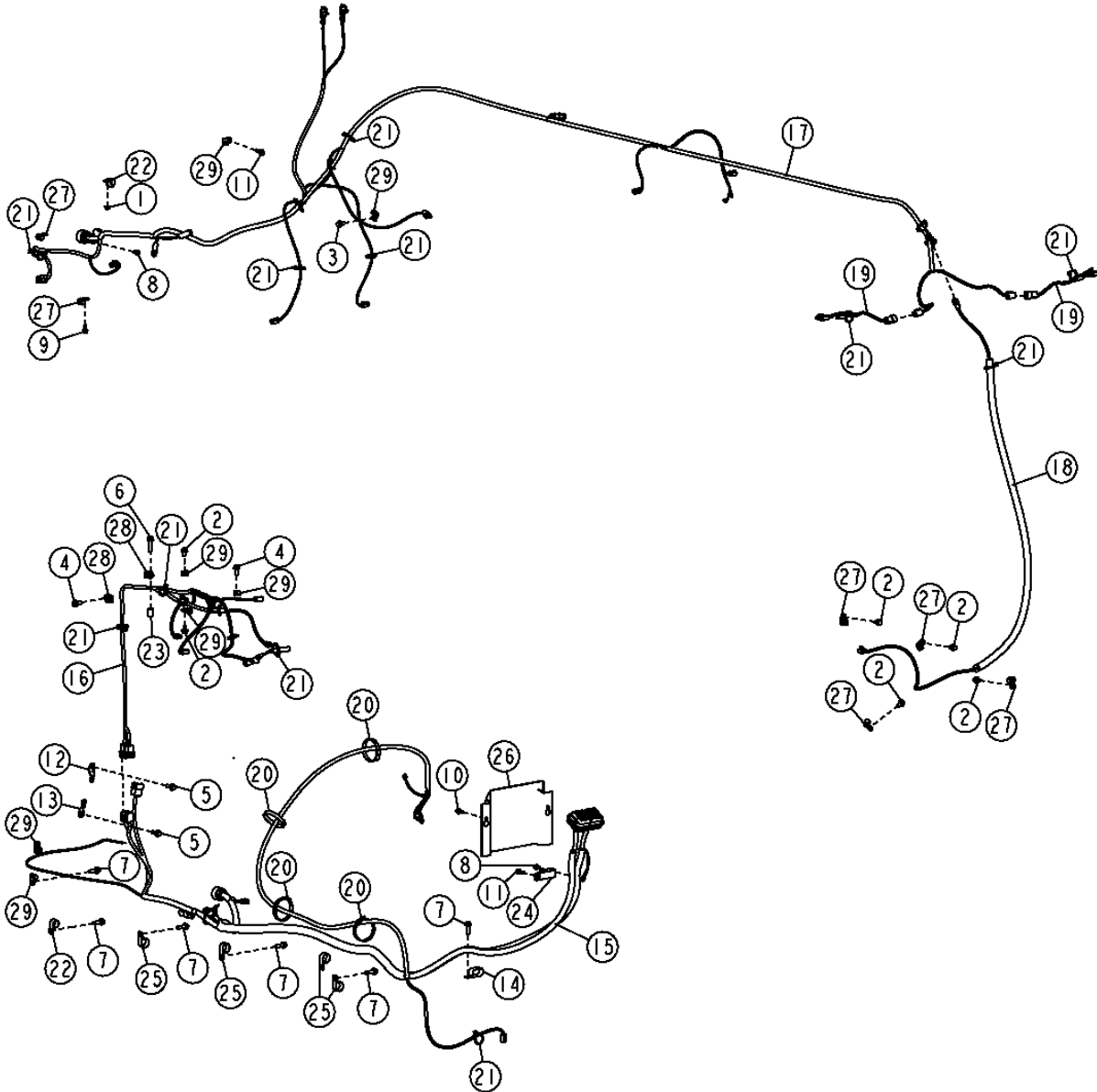
INTERIOR LIGHT
ECLAIRAGE INTERIEUR
LUZ INTERIOR

KEY	PART NO.	PART NAME	QTY.	SERIAL NO.	REMARKS
1	37M7218	SCREW	2		
2	T212073	PLATE	1		
3	TT206940	LAMP	1		
	TT207136	BULB	1		

1674-2

MAIN WIRING PRINCIPAL DE FILS CABLEADO PRINCIPAL

TX1050076 -UN-23OCT08



TX1050076

1674-3

VEHICLE ELECTRICAL SYSTEMS 16
WIRING HARNESS AND SWITCHES 1674

MAIN WIRING
PRINCIPAL DE FILS
CABLEADO PRINCIPAL

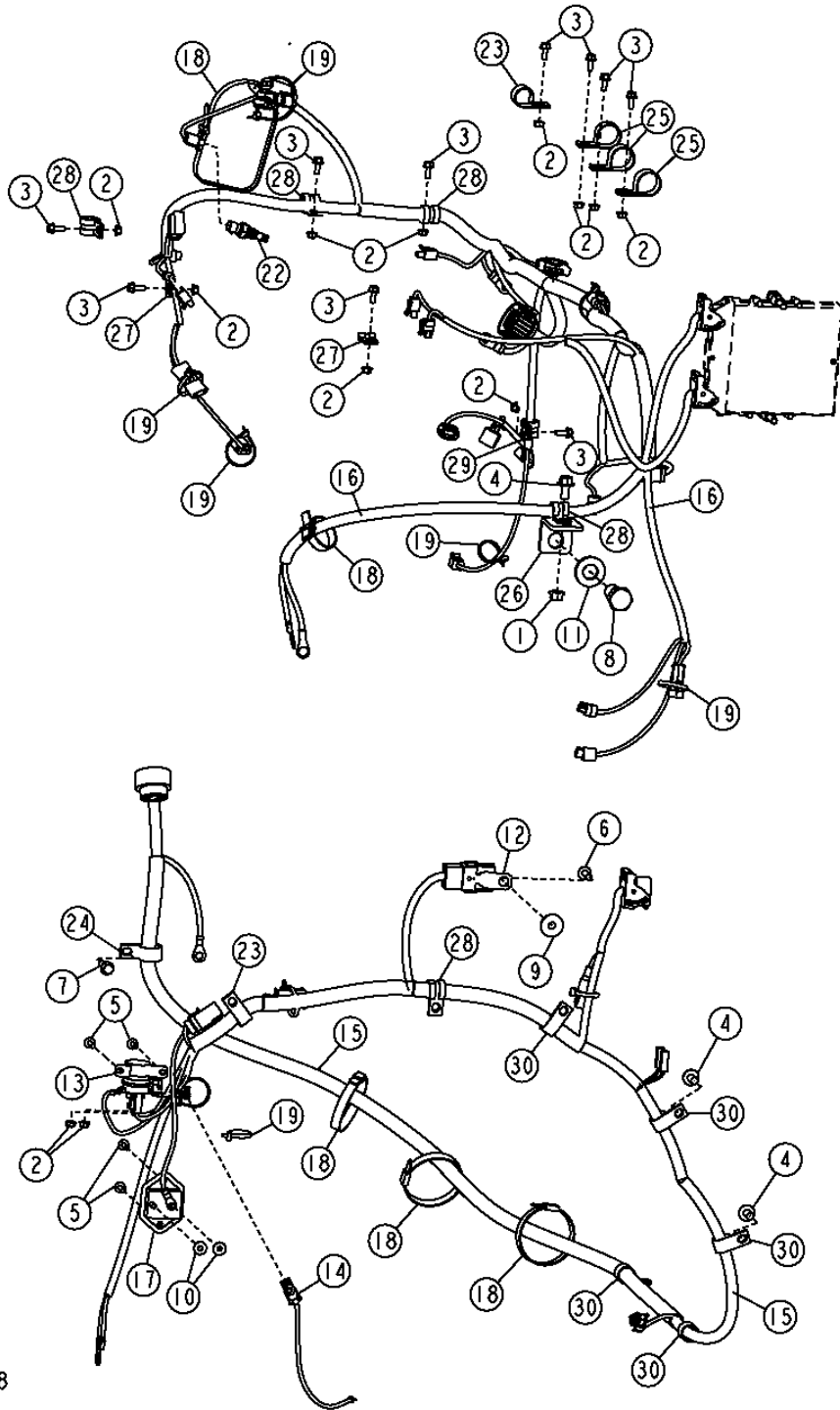
KEY	PART NO.	PART NAME	QTY.	SERIAL NO.	REMARKS
1	14M7298	FLANGE NUT	1		M8
2	19M7783	SCREW	6		M10 X 16
3	19M7784	SCREW	1		M10 X 20
4	19M7785	SCREW	2		M10 X 25
5	19M7786	SCREW	2		M10 X 30
6	19M7805	SCREW	1		M10 X 45
7	19M7835	SCREW	6		M10 X 35
8	19M7865	SCREW	2		M8 X 16
9	19M7866	SCREW	1		M8 X 20
10	19M7867	SCREW	2		M8 X 25
11	19M7868	SCREW	2		M8 X 30
12	57M8736	ELEC. CONNECTOR ACCESSORY	1		
13	57M9649	ELEC. CONNECTOR ACCESSORY	1		
14	AH77869	CLIP	1		
15	AT325676	WIRING HARNESS	1		(REAR PLATFORM HARNESS)
16	AT342805	WIRING HARNESS	1		(MIDSTRUCTURE HARNESS)
17	AT344337	WIRING HARNESS	1		(FRONT PLATFORM HARNESS)
18	AT347793	WIRING HARNESS	1		(WHEEL LEAN SENSOR HARNESS)
19	AT365343	WIRING HARNESS	2		(FRONT LIGHT HARNESS)
20	N189220	TIE BAND	4		
21	R44302	TIE BAND	38		
22	T102934	CLAMP	2		
23	T147891	BUSHING	1		
24	T149597	CLAMP	1		
25	T162675	CLAMP	4		
26	T209889	COVER	1		
27	T75276	CLAMP	6		
28	T76252	CLAMP	2		
29	T78974	CLAMP	7		

1674-4

ENGINE WIRING HARNESSES (6090HDW01)
FAISCEAUX DE FILS DU MOTEUR (6090HDW04)
ARNESSES DE CABLES DEL MOTOR (6090HDW01)

TX1049298

-UN-25NOV08



TX1049298

THIS PARTS LISTING IS CONTINUED

1674-5

VEHICLE ELECTRICAL SYSTEMS 16

WIRING HARNESS AND SWITCHES 1674

ENGINE WIRING HARNESSES (6090HDW01)
FAISCEAUX DE FILS DU MOTEUR (6090HDW04)
ARNESSES DE CABLES DEL MOTOR (6090HDW01)

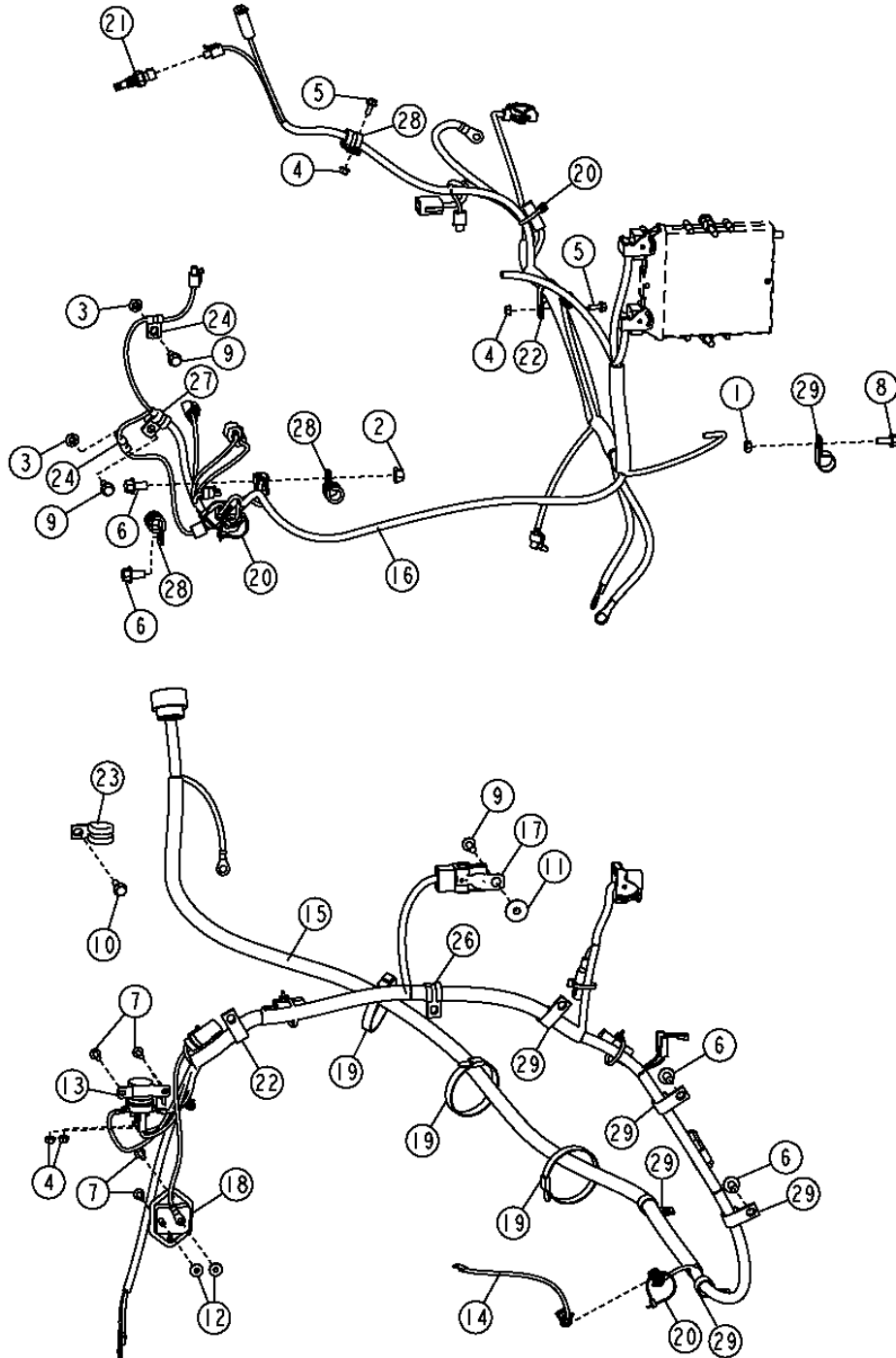
KEY	PART NO.	PART NAME	QTY.	SERIAL NO.	REMARKS
1	14M7296	FLANGE NUT	1		M10
2	14M7303	FLANGE NUT	12		M6
3	19M7862	SCREW	10		M6 X 20
4	19M7784	SCREW	3		M10 X 20
5	19M7862	SCREW	4		M6 X 20
6	19M7867	SCREW	1		M8 X 25
7	19M7868	SCREW	1		M8 X 30
8	19M7946	CAP SCREW	1		M20 X 40
9	24H1299	WASHER	1		9.525 X 31.750 X 1.651 MM
10	24M7139	WASHER	2		6.400 X 18 X 1.600 MM
11	24M7242	WASHER	1		21.400 X 42 X 5 MM
12	57M8736	ELEC. CONNECTOR ACCESSORY	1		
13	AT145341	RELAY	1		(STARTER)
14	AT368272	WIRING HARNESS	1		(STARTER JUMPER HARNESS)
15	AT324616	WIRING HARNESS	1		(ENGINE FRAME)
16	AT341938	WIRING HARNESS	1		(ENGINE)
17	F125640	CIRCUIT BREAKER	1		
18	N189220	TIE BAND	6		
19	R44302	TIE BAND	6		
22	RE525016	THERMOCOUPLE	1		
23	T102934	CLAMP	2		
24	T120536	CLAMP	1		
25	T162675	CLAMP	3		
26	T230055	ANGLE	1		
27	T74410	CLAMP	2		
28	T74416	CLAMP	5		
29	T76252	CLAMP	1		
30	T78787	CLAMP	5		

1674-6

ENGINE WIRING HARNESSES (6068HDW75)
FAISCEAUX DE FILS DE MOTEUR (6068HDW75)
ARNESSES DE ALAMBRADO DEL MOTOR (6068HDW75)

TX1058638

-UN-



TX1058638

1674-7

VEHICLE ELECTRICAL SYSTEMS 16

WIRING HARNESS AND SWITCHES 1674

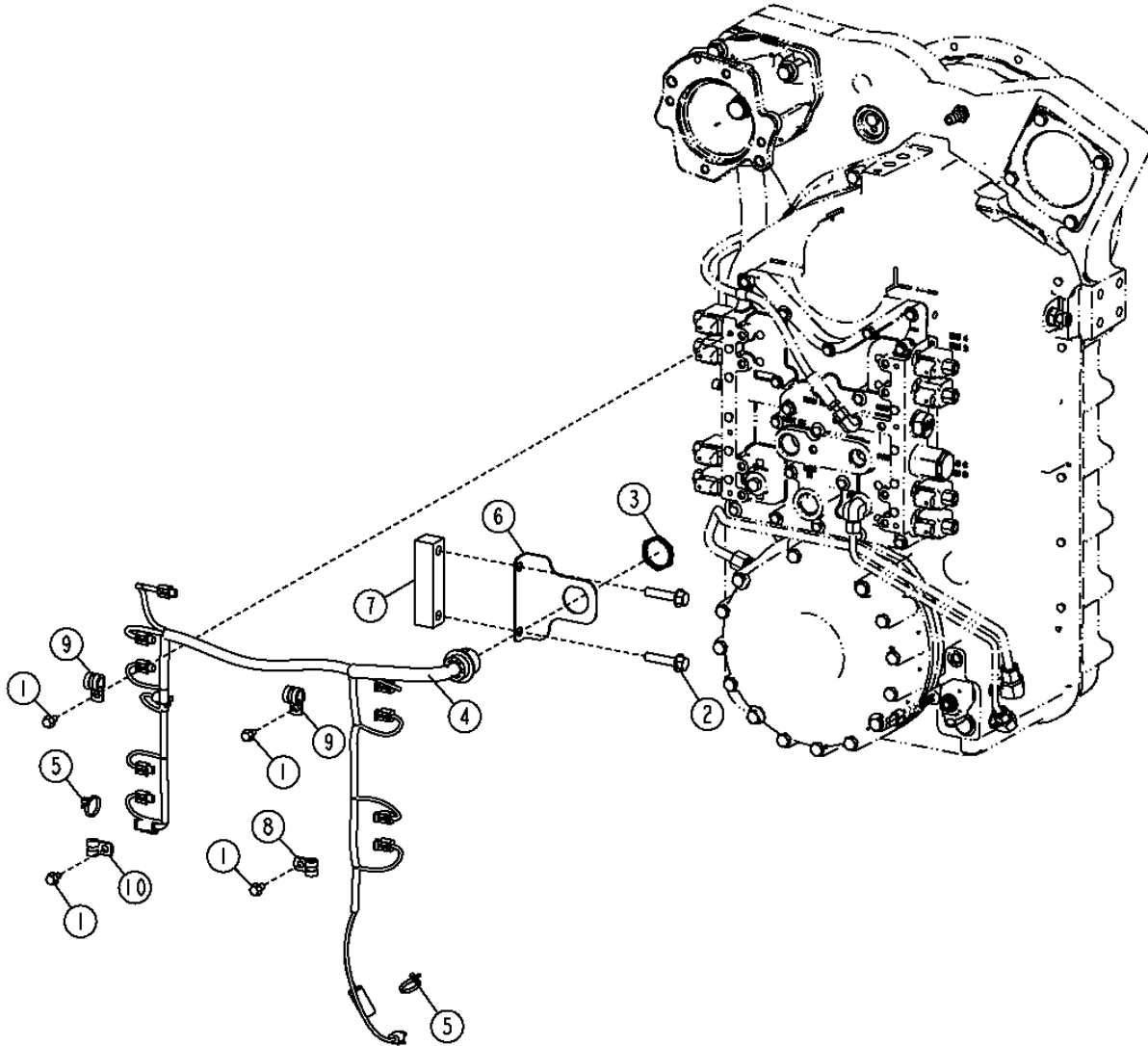
ENGINE WIRING HARNESSES (6068HDW75)
FAISCEAUX DE FILS DE MOTEUR (6068HDW75)
ARNESES DE ALAMBRADO DEL MOTOR (6068HDW75)

KEY	PART NO.	PART NAME	QTY.	SERIAL NO.	REMARKS
1	14M7273	NUT	1		M8
2	14M7296	FLANGE NUT	1		M10
3	14M7298	FLANGE NUT	2		M8
4	14M7303	FLANGE NUT	4		M6
5	19M7775	SCREW	2		M6 X 16
6	19M7784	SCREW	4		M10 X 20
7	19M7862	SCREW	4		M6 X 20
8	19M7866	SCREW	1		M8 X 20
9	19M7867	SCREW	3		M8 X 25
10	19M7868	SCREW	1		M8 X 30
11	24H1299	WASHER	1		9.525 X 31.750 X 1.651 MM
12	24M7139	WASHER	2		
13	AT145341	RELAY	1		(STARTER)
14	AT322385	WIRING HARNESS	1		(STARTER JUMPER HARNESS)
15	AT367511	WIRING HARNESS	1		(ENGINE FRAME)
16	AT341942	WIRING HARNESS	1		(ENGINE)
17	57M8736	ELEC. CONNECTOR ACCESSORY	1		
18	F125640	CIRCUIT BREAKER	1		
19	N189220	TIE BAND	5		
20	R44302	TIE BAND	2		
21	RE525016	THERMOCOUPLE	1		
22	T102934	CLAMP	2		
23	T120536	CLAMP	1		
24	T74410	CLAMP	2		
26	T74416	CLAMP	2		
27	T75276	CLAMP	1		
28	T76252	CLAMP	3		
29	T78787	CLAMP	6		

1674-8

TRANSMISSION WIRING HARNESS
FAISCEAU DE FILS DE TRANSMISSION
ARNES DE ALAMBRADO DE TRANSMISION

TX1049328 -UN-02OCT08



TX1049328

1674-9

VEHICLE ELECTRICAL SYSTEMS 16
WIRING HARNESS AND SWITCHES 1674

**TRANSMISSION WIRING HARNESS
FAISCEAU DE FILS DE TRANSMISSION
ARNES DE ALAMBRADO DE TRANSMISION**

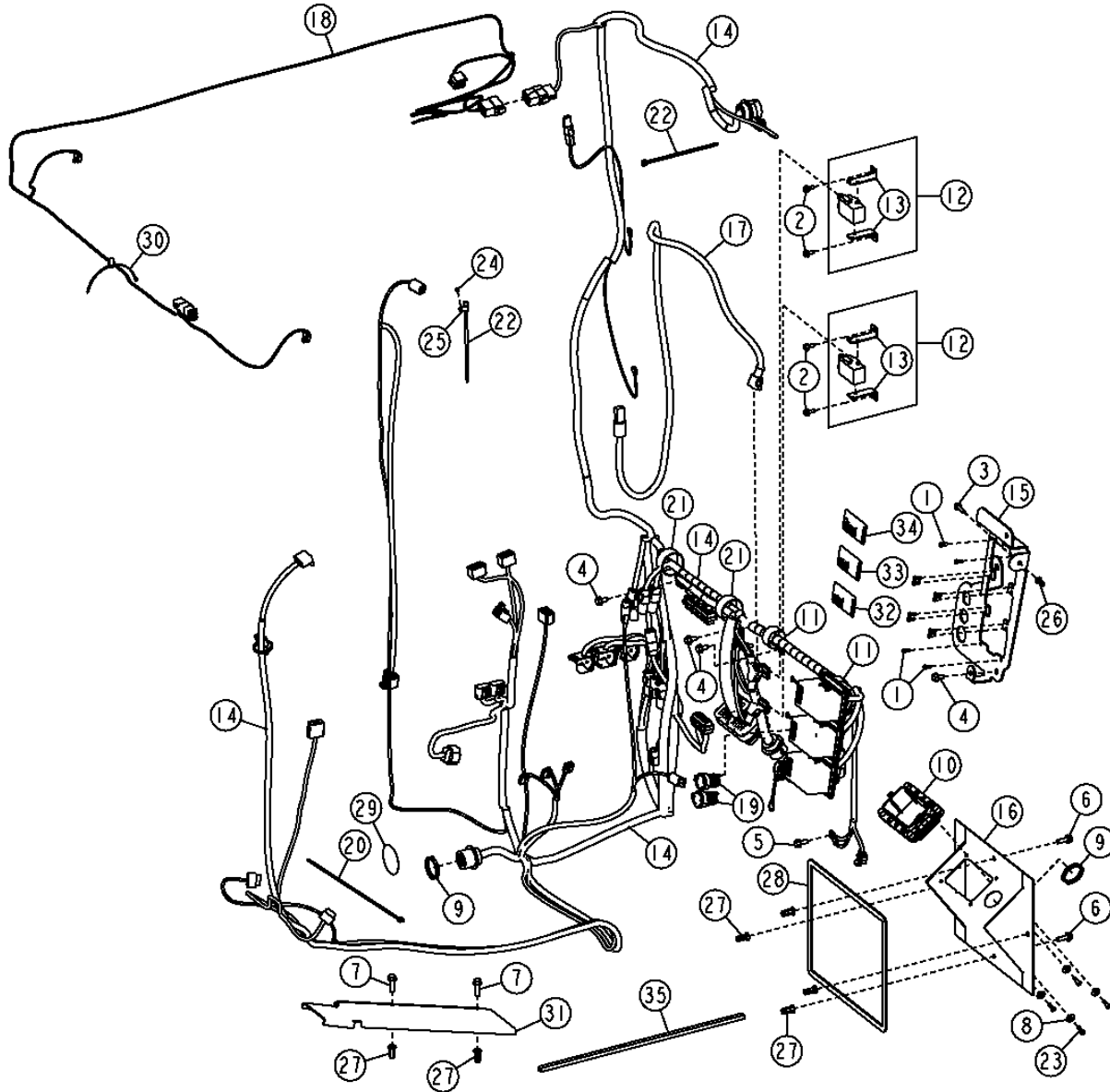
KEY	PART NO.	PART NAME	QTY.	SERIAL NO.	REMARKS
1	19M7865	SCREW	4		M8 X 16
2	19M8112	SCREW	2		M12 X 55
3	57M8035	NUT	1		
4	AT339495	WIRING HARNESS	1		
5	R44302	TIE BAND	2		
6	T232119	BRACKET	1		
7	T232492	STRAP	1		
8	T74412	CLAMP	1		
9	T76252	CLAMP	2		
10	T78974	CLAMP	1		

1674-10

VEHICLE ELECTRICAL SYSTEMS 16
WIRING HARNESS AND SWITCHES 1674

CAB INTERIOR WIRING HARNESS FAISCEAU DE FILS INTERIEURS DE CABINE ARNES DE ALAMBRADO INTERIOR DE LA CABINA

TX1050882 -UN-16DEC08



TX1050882

THIS PARTS LISTING IS CONTINUED

1674-11

VEHICLE ELECTRICAL SYSTEMS 16

WIRING HARNESS AND SWITCHES 1674

CAB INTERIOR WIRING HARNESS
FAISCEAU DE FILS INTERIEURS DE CABINE
ARNES DE ALAMBRADO INTERIOR DE LA CABINA

KEY	PART NO.	PART NAME	QTY.	SERIAL NO.	REMARKS
1	19H3072	CAP SCREW	12		4.826 X 12.700 MM
2	19M7775	SCREW	4		M6 X 16
3	19M7863	SCREW	1		M6 X 25
4	19M7865	SCREW	7		M8 X 16
5	19M7866	SCREW	1		M8 X 20
6	19M7867	SCREW	2		M8 X 25
7	19M7868	SCREW	2		M8 X 30
8	24M7139	WASHER	4		6.400 X 18 X 1.600 MM
9	57M8035	NUT	2		
10	57M9690	ELEC. CONNECTOR TERMINAL	1		
11	AH77714	CLIP	2		
12	AT317063	RELAY	2		
13	T200363	ANGLE	2		
14	AT328872	CAB WIRING HARNESS	1		(CAB INTERIOR)
15	AT346023	BRACKET	1		
16	AT346499	BRACKET	1		
17	AT350214	WIRING HARNESS	1		(FLEX LOAD CONTROLLER POWER CABLE)
18	AT363999	RADIO SPEAKER WRG HARNESS	1		
19	GY20126	SOCKET OUTLET	2		
20	H77698	TIE BAND	1		
21	N198631	CLAMP	2		
22	R44302	TIE BAND	9		
23	R80979	SCREW	4		
24	T185769	SCREW	1		
25	T187394	ANCHOR	1		
26	T196077	NUT	1		
27	T196079	NUT	6		
28	ISOLATOR	1		(MAKE FROM T59938) (CTL 3.90 FT.)
29	T206106	LABEL	2		
30	T209627	CLAMP	5		
31	T227257	COVER	1		
32	T239804	LABEL	1		
33	T239805	LABEL	1		
34	T239806	LABEL	1		
35	ISOLATOR	1		(MAKE FROM T58056) (CTL 512 MM)

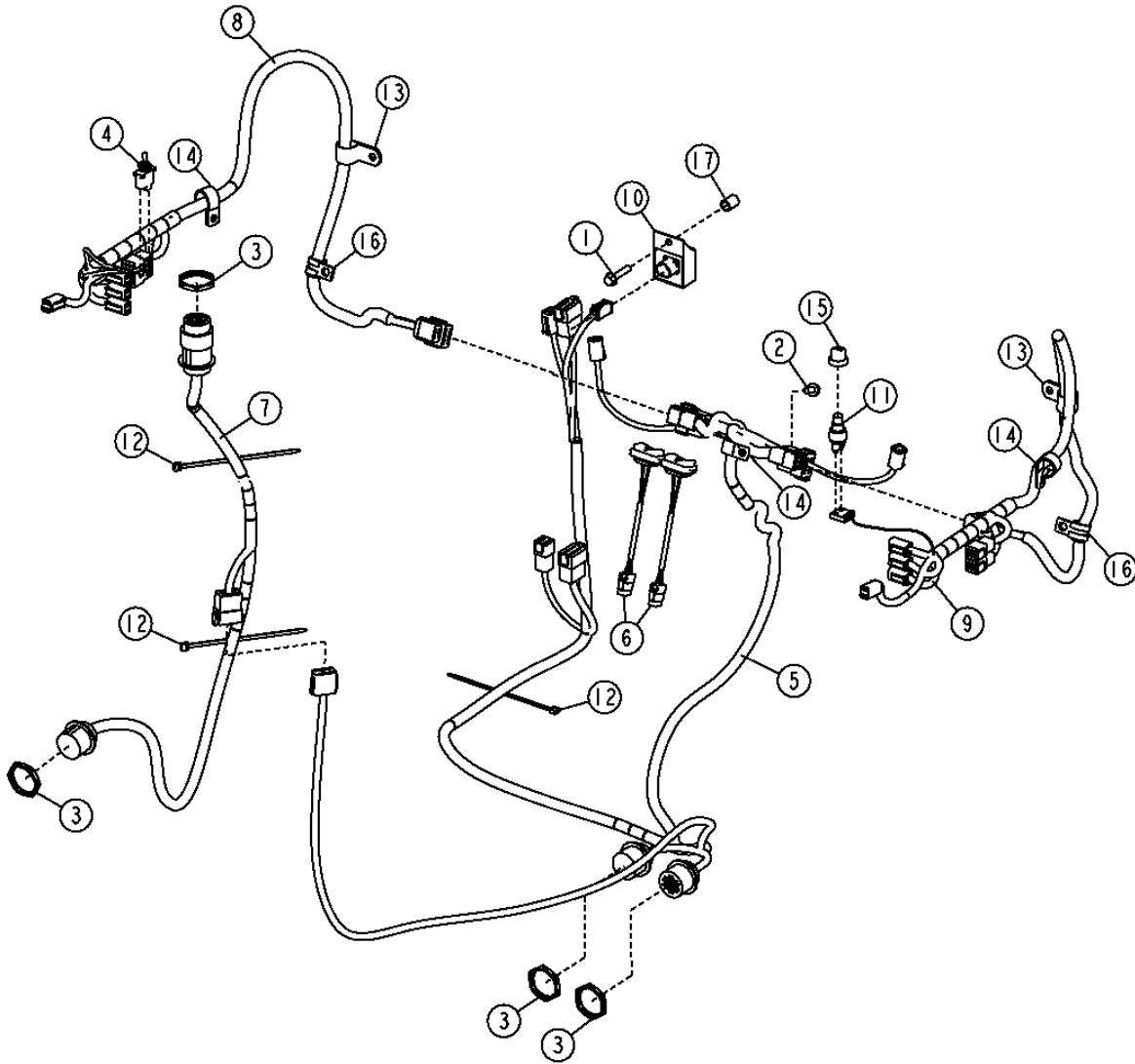
1674-12

VEHICLE ELECTRICAL SYSTEMS 16
WIRING HARNESS AND SWITCHES 1674

CAB WIRING HARNESS (GRADE PRO)
FAISCEAU DE CABLES (CABINE) (GRADE PRO)
GRUPO DE CABLES (CABINA) (GRADE PRO)

TX1051248

-UN-25NOV08



TX1051248

THIS PARTS LISTING IS CONTINUED

1674-13

VEHICLE ELECTRICAL SYSTEMS 16

WIRING HARNESS AND SWITCHES 1674

CAB WIRING HARNESS (GRADE PRO)
FAISCEAU DE CABLES (CABINE) (GRADE PRO)
GRUPO DE CABLES (CABINA) (GRADE PRO)

KEY	PART NO.	PART NAME	QTY.	SERIAL NO.	REMARKS
1	19M7798	SCREW	1		M8 X 40
2	19M7865	SCREW	1		M8 X 16
3	57M8035	NUT	4		
4	AT106154	TOGGLE/ROCKER SWITCH	1		(DIFFERENTIAL LOCK) (INCLUDES 12H292, (3) 12H321, (3) 21H1309, R44096 AND (2) R44097)
	12H292	LOCK WASHER	1		1/2"
	12H321	WASHER	3		0.138"
	21H1309	SCREW	3		0.138" X 1/4"
	R44096	LOCK PLATE	1		
	R44097	NUT	2		15/32"
5	AT348577	CAB WIRING HARNESS	1		(ELECTROHYDRAULIC)
6	AT349016	PUSH SWITCH	2		(FLOAT)
7	AT354908	CAB WIRING HARNESS	1		(INTEGRATED GRADE CONTROL)
8	AT354909	CAB WIRING HARNESS	1		(RIGHT ARMREST)
9	AT354910	CAB WIRING HARNESS	1		(LEFT ARMREST)
10	AT362538	SWITCH	1		(OVERLOAD PROTECTION DEVICE)
11	R39554	SWITCH	1		(HORN)
12	R44302	TIE BAND	18		
13	T140924	CLAMP	2		
14	T27550	CLIP	3		
15	T55501	CAP	1		
16	T74416	CLAMP	2		
17	TT187222	SPACER	1		

1674-14

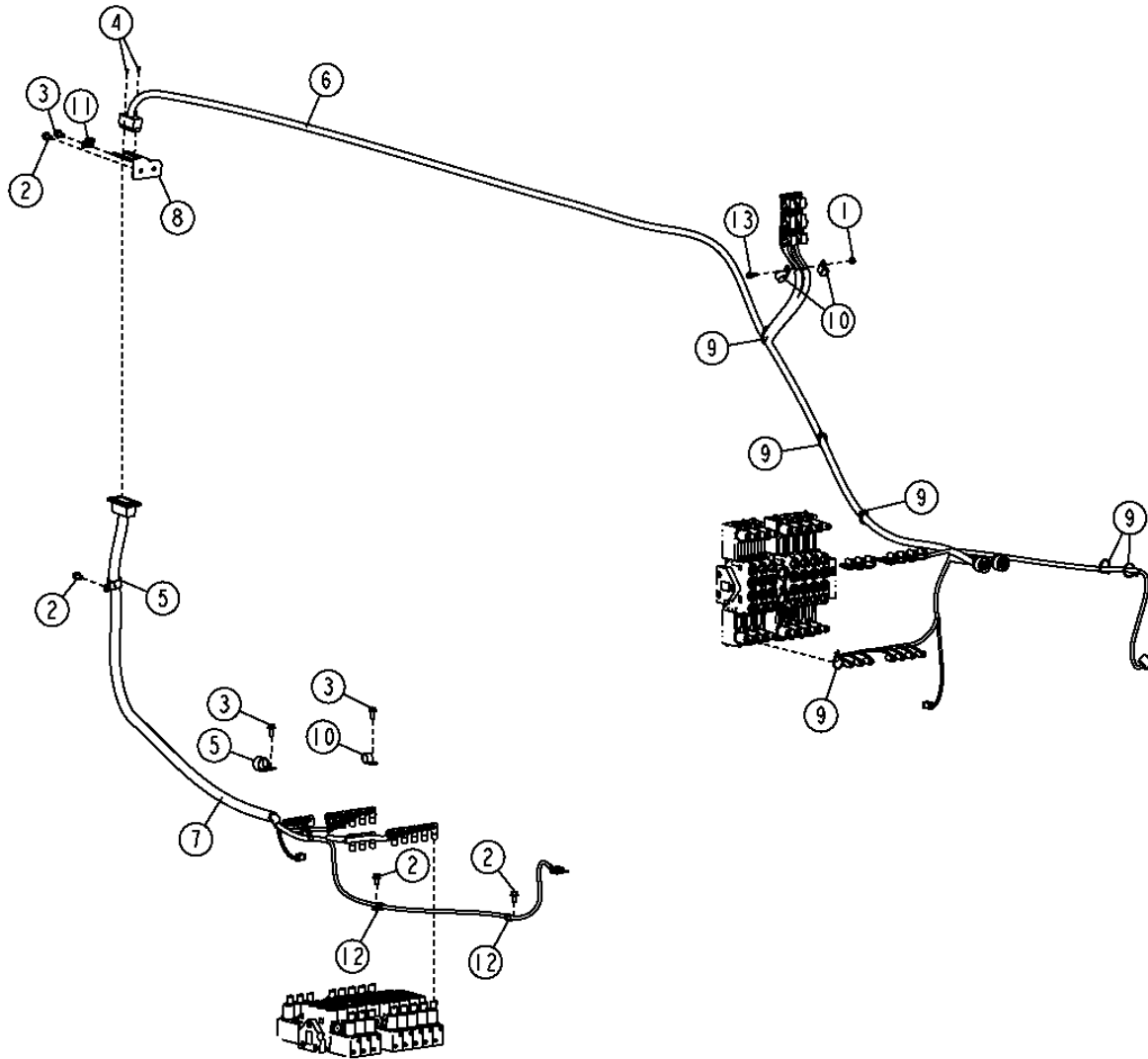
VEHICLE ELECTRICAL SYSTEMS 16

WIRING HARNESS AND SWITCHES 1674

ELECTROHYDRAULIC VALVE WIRING HARNESSES (GRADE PRO)
FAISCEAUX DE FILS DE DISTRIBUTEUR ELECTROHYDRAULIQUE (GRADE PRO)
ARNES DE ALAMBRADO DE VALVULA EH (GRADE PRO)

TX1057186

-UN-18MAR09



TX1057186

1674-15

VEHICLE ELECTRICAL SYSTEMS 16

WIRING HARNESS AND SWITCHES 1674

ELECTROHYDRAULIC VALVE WIRING HARNESES (GRADE PRO)
FAISCEAUX DE FILS DE DISTRIBUTEUR ELECTROHYDRAULIQUE (GRADE PRO)
ARNES DE ALAMBRADO DE VALVULA EH (GRADE PRO)

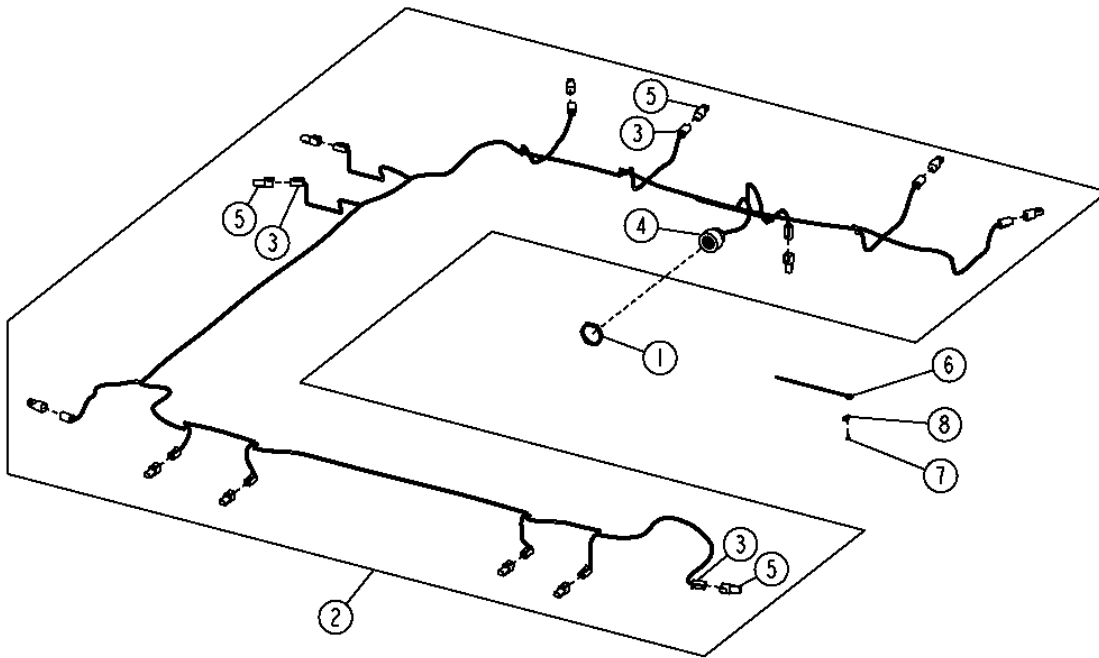
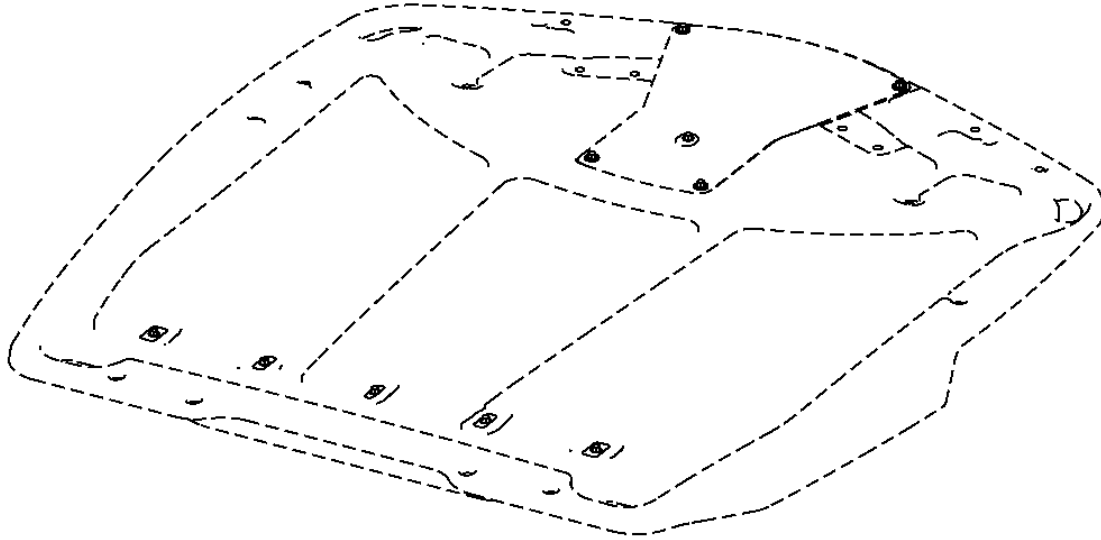
KEY	PART NO.	PART NAME	QTY.	SERIAL NO.	REMARKS
1	14M7298	FLANGE NUT	1		M8
2	19M7784	SCREW	4		M10 X 20
3	19M7785	SCREW	3		M10 X 25
4	21M7250	SCREW	2		M4 X 12
5	AT121321	HOSE CLAMP	2		
6	AT345831	WIRING HARNESS	1		(REAR GRADE PRO VALVE HARNESS)
7	AT347124	WIRING HARNESS	1		(FRONT GRADE PRO VALVE HARNESS)
8	AT369644	BRACKET	1		
9	R44302	TIE BAND	21		
10	T102934	CLAMP	3		
11	T74416	CLAMP	1		
12	T78974	CLAMP	2		
13	19M7867	SCREW	1		M8 X 25

1674-16

VEHICLE ELECTRICAL SYSTEMS 16
WIRING HARNESS AND SWITCHES 1674

CAB ROOF WIRING HARNESS FAISCEAU DE FILS DE TOIT DE CABINE ARNES DE ALAMBRADO DE TECHO DE CABINA

TX1049906 -UN-15OCT08



TX1049906

1674-17

VEHICLE ELECTRICAL SYSTEMS 16
WIRING HARNESS AND SWITCHES 1674

CAB ROOF WIRING HARNESS
FAISCEAU DE FILS DE TOIT DE CABINE
ARNES DE ALAMBRADO DE TECHO DE CABINA

KEY	PART NO.	PART NAME	QTY.	SERIAL NO.	REMARKS
1	57M8035	NUT	1		
2	AT363997	CAB WIRING HARNESS	1		
3	57M8021	ELECTRICAL CONNECTOR ASSY	13		
	ELEC. CONNECTOR TERMINAL	2		
	57M8022	ELEC.CONNECT LOCKING DEVICE	1		
4	57M7749	ELECTRICAL CONNECTOR ASSY	1		
	ELEC. CONNECTOR TERMINAL	18		
	R78069	ELEC. CONNECTOR CAVITY PLUG	5		
5	57M8023	ELEC. CONNECTOR HOUSING	13		
	R78069	ELEC. CONNECTOR CAVITY PLUG	2		
6	R44302	TIE BAND	22		
7	T185769	SCREW	22		
8	T187394	ANCHOR	22		

1674-18

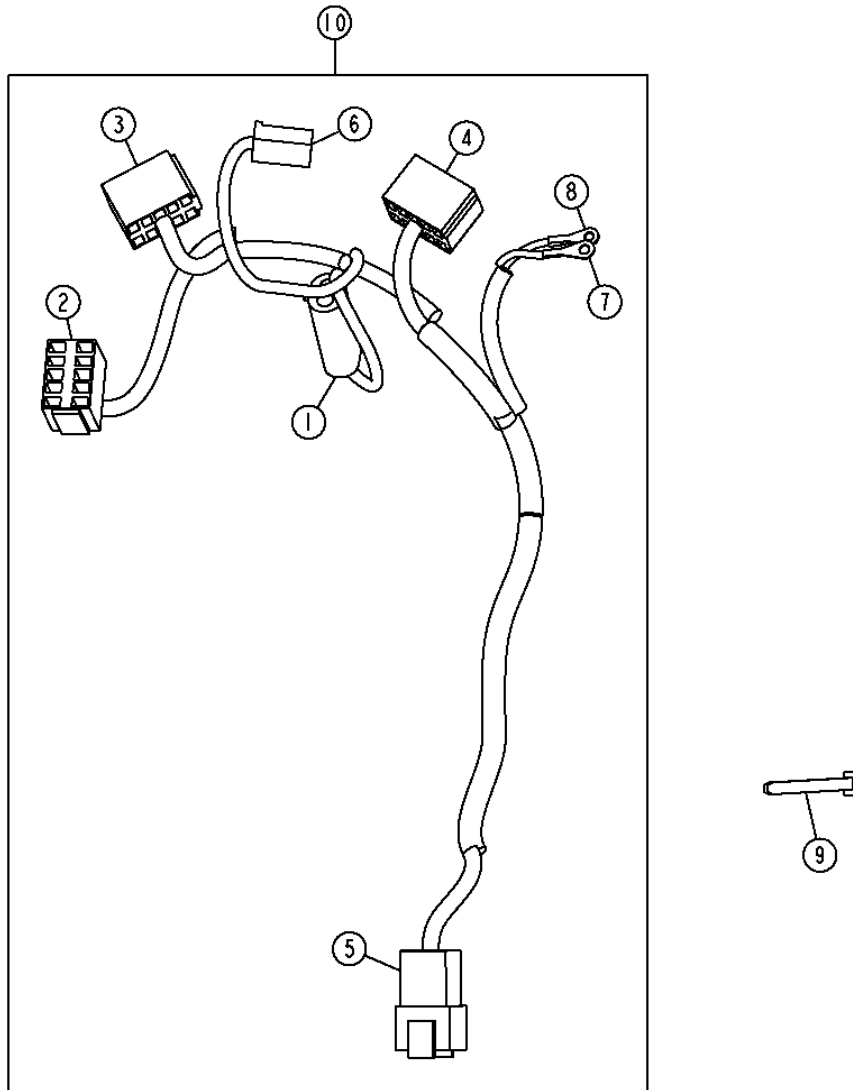
VEHICLE ELECTRICAL SYSTEMS 16

WIRING HARNESS AND SWITCHES 1674

CAB TILT CONSOLE WIRING HARNESS (STANDARD CONTROLS)
FAISCEAU DE CABLAGE DE CONSOLE INCLINAISON DE CABINE (COMMANDES STANDARD)
ARNES DE ALAMBRADO CONSOLA DE INCLINACION DE CABINA (CONTROLES ESTANDAR)

TX1050104

-UN-23OCT08



TX1050104

1674-19

VEHICLE ELECTRICAL SYSTEMS 16

WIRING HARNESS AND SWITCHES 1674

CAB TILT CONSOLE WIRING HARNESS (STANDARD CONTROLS)
FAISCEAU DE CABLAGE DE CONSOLE INCLINAISON DE CABINE (COMMANDES STANDARD)
ARNES DE ALAMBRADO CONSOLA DE INCLINACION DE CABINA (CONTROLES ESTANDAR)

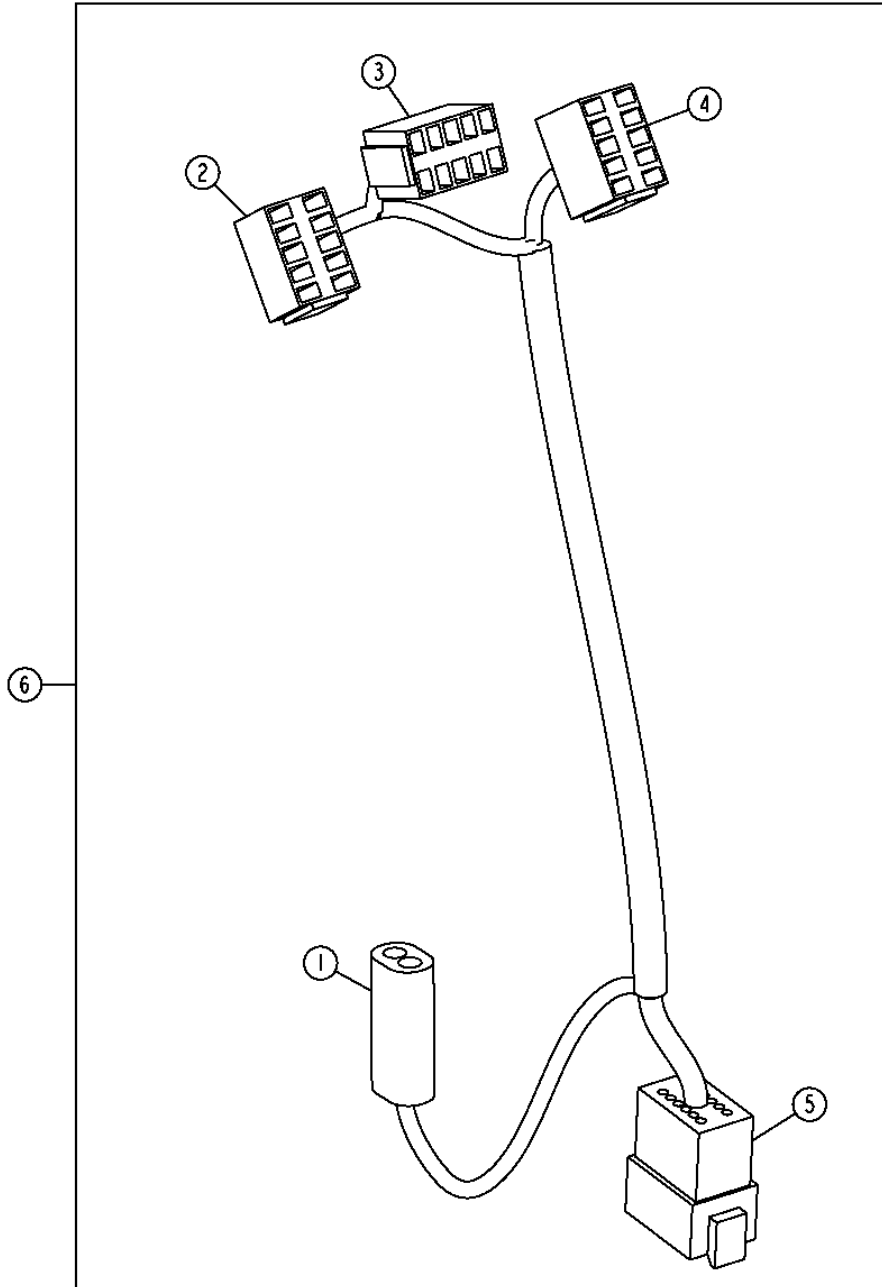
KEY	PART NO.	PART NAME	QTY.	SERIAL NO.	REMARKS
1	R78053	ELECTRICAL CONNECTOR ASSY	1		(WARNING BUZZER)
	57M7251	ELEC. CONNECTOR TERMINAL	2		
	R78059	ELEC. CONNECTOR SEAL	2		
2	T210282	ELEC. CONNECTOR HOUSING	1		(BLADE IMPACT SWITCH)
	57M7880	ELEC. CONNECTOR TERMINAL	1		
	57M7511	ELEC. CONNECTOR TERMINAL	2		
	57M7429	ELEC. CONNECTOR TERMINAL	1		
3	T210282	ELEC. CONNECTOR HOUSING	1		(TURN SIGNAL SWITCH)
	57M7511	ELEC. CONNECTOR TERMINAL	3		
	57M7429	ELEC. CONNECTOR TERMINAL	1		
	57M7880	ELEC. CONNECTOR TERMINAL	2		
4	T210282	ELEC. CONNECTOR HOUSING	1		(DRIVING LIGHT HIGH/LOW BEAM SWITCH)
	57M7511	ELEC. CONNECTOR TERMINAL	2		
	57M7429	ELEC. CONNECTOR TERMINAL	1		
	57M7880	ELEC. CONNECTOR TERMINAL	2		
5	57M7633	ELECTRICAL CONNECTOR ASSY	1		(CAB HARNESS)
	ELEC. CONNECTOR TERMINAL	11		
	R78069	ELEC. CONNECTOR CAVITY PLUG	1		
	57M7682	ELEC.CONNECT LOCKING DEVICE	1		
6	R77480	ELECTRICAL CONNECTOR ASSY	1		(HORN)
	57M9199	ELEC. CONNECTOR TERMINAL	2		
7	ELEC. CONNECTOR TERMINAL	1		(DIFFERENTIAL LOCK SWITCH)
8	ELEC. CONNECTOR TERMINAL	1		(DIFFERENTIAL LOCK SWITCH)
9	R44302	TIE BAND	1		
10	AT349295	WIRING HARNESS	1		

1674-20

CAB TILT CONSOLE WIRING HARNESS (GRADE PRO)
FAISCEAU DE CABLAGE DE CONSOLE INCLINAISON DE CABINE (GRADE PRO)
ARNES DE ALAMBRADO CONSOLA DE INCLINACION DE CABINA (GRADE PRO)

TX1049923

-UN-14OCT08



TX1049923

THIS PARTS LISTING IS CONTINUED

1674-21

VEHICLE ELECTRICAL SYSTEMS 16

WIRING HARNESS AND SWITCHES 1674

CAB TILT CONSOLE WIRING HARNESS (GRADE PRO)
FAISCEAU DE CABLAGE DE CONSOLE INCLINAISON DE CABINE (GRADE PRO)
ARNES DE ALAMBRADO CONSOLA DE INCLINACION DE CABINA (GRADE PRO)

KEY	PART NO.	PART NAME	QTY.	SERIAL NO.	REMARKS
1	R78053	ELECTRICAL CONNECTOR ASSY	1		(WARNING BUZZER)
	57M7251	ELEC. CONNECTOR TERMINAL	2		
	R78059	ELEC. CONNECTOR SEAL	2		
2	T210282	ELEC. CONNECTOR HOUSING	1		(BLADE IMPACT SWITCH)
	57M7511	ELEC. CONNECTOR TERMINAL	2		
	57M7429	ELEC. CONNECTOR TERMINAL	1		
3	T210282	ELEC. CONNECTOR HOUSING	1		(TURN SIGNAL SWITCH)
	57M7511	ELEC. CONNECTOR TERMINAL	3		
	57M7429	ELEC. CONNECTOR TERMINAL	1		
	57M7880	ELEC. CONNECTOR TERMINAL	2		
4	T210282	ELEC. CONNECTOR HOUSING	1		(DRIVING LIGHT HIGH/LOW BEAM SWITCH)
	57M7511	ELEC. CONNECTOR TERMINAL	2		
	57M7429	ELEC. CONNECTOR TERMINAL	1		
	57M7880	ELEC. CONNECTOR TERMINAL	2		
5	57M7633	ELECTRICAL CONNECTOR ASSY	1		(CAB HARNESS)
	ELEC. CONNECTOR TERMINAL	8		
	R78069	ELEC. CONNECTOR CAVITY PLUG	4		
	57M7682	ELEC.CONNECT LOCKING DEVICE	1		
6	AT354945	WIRING HARNESS	1		

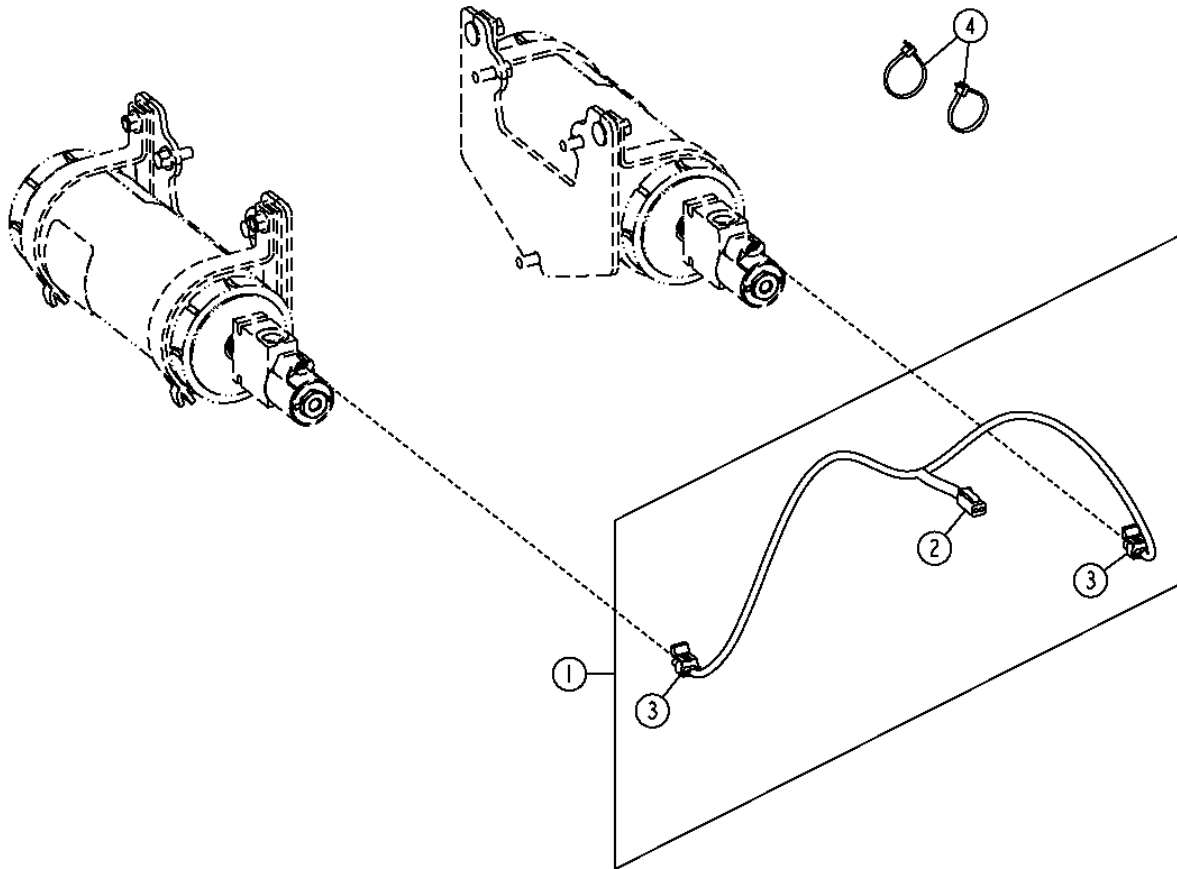
1674-22

VEHICLE ELECTRICAL SYSTEMS 16
WIRING HARNESS AND SWITCHES 1674

BLADE IMPACT VALVE WIRING HARNESS
FAISCEAU SOUPAPE AMORTISSENT DE LAME
ARNES ALAMBRADO VALVULA IMPACTO HOJA

TX1049534

-UN-07OCT08



TX1049534

1674-23

VEHICLE ELECTRICAL SYSTEMS 16

WIRING HARNESS AND SWITCHES 1674

**BLADE IMPACT VALVE WIRING HARNESS
FAISCEAU SOUPAPE AMORTISSENT DE LAME
ARNES ALAMBRADO VALVULA IMPACTO HOJA**

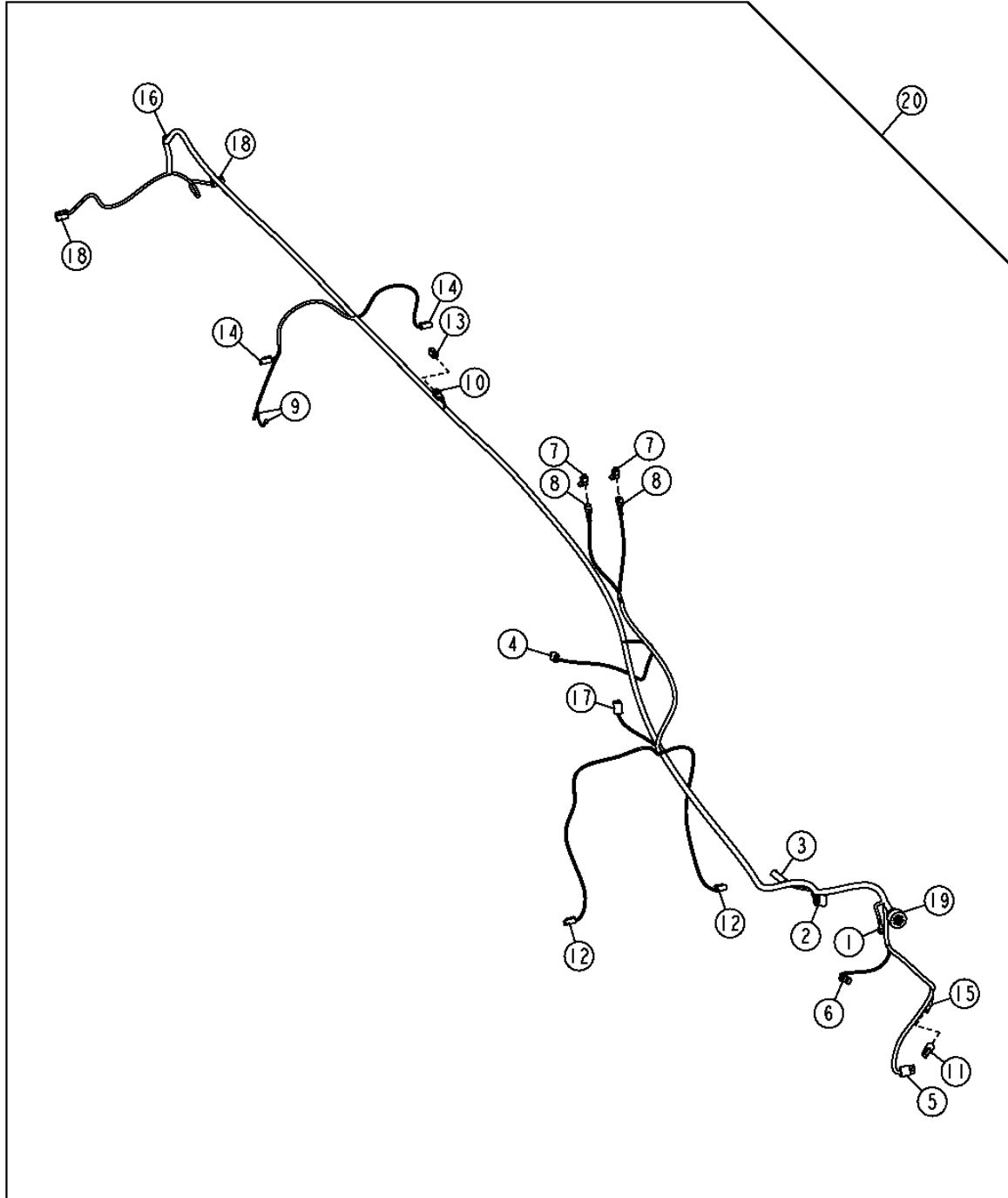
KEY	PART NO.	PART NAME	QTY.	SERIAL NO.	REMARKS
1	AT345800	WIRING HARNESS	1		
2	57M8021	ELECTRICAL CONNECTOR ASSY	1		
	ELEC. CONNECTOR TERMINAL	2		
	57M8022	ELEC.CONNECT LOCKING DEVICE	1		
3	57M7254	ELECTRICAL CONNECTOR ASSY	2		
	R104846	ELEC. CONNECTOR TERMINAL	4		
	57M9883	ELEC. CONNECTOR CABLE SEAL	4		
	57M7289	ELEC.CONNECT LOCKING DEVICE	2		
4	R44302	TIE BAND	2		

1674-26

FRONT PLATFORM HARNESS FAISCEAU DE PLATE-FORME AVANT CABLES DE PLATAFORMA DELANTERA

TX1057745

-UN-



TX1057745

1674-27

VEHICLE ELECTRICAL SYSTEMS 16
WIRING HARNESS AND SWITCHES 1674

**FRONT PLATFORM HARNESS
FAISCEAU DE PLATE-FORME AVANT
CABLES DE PLATAFORMA DELANTERA**

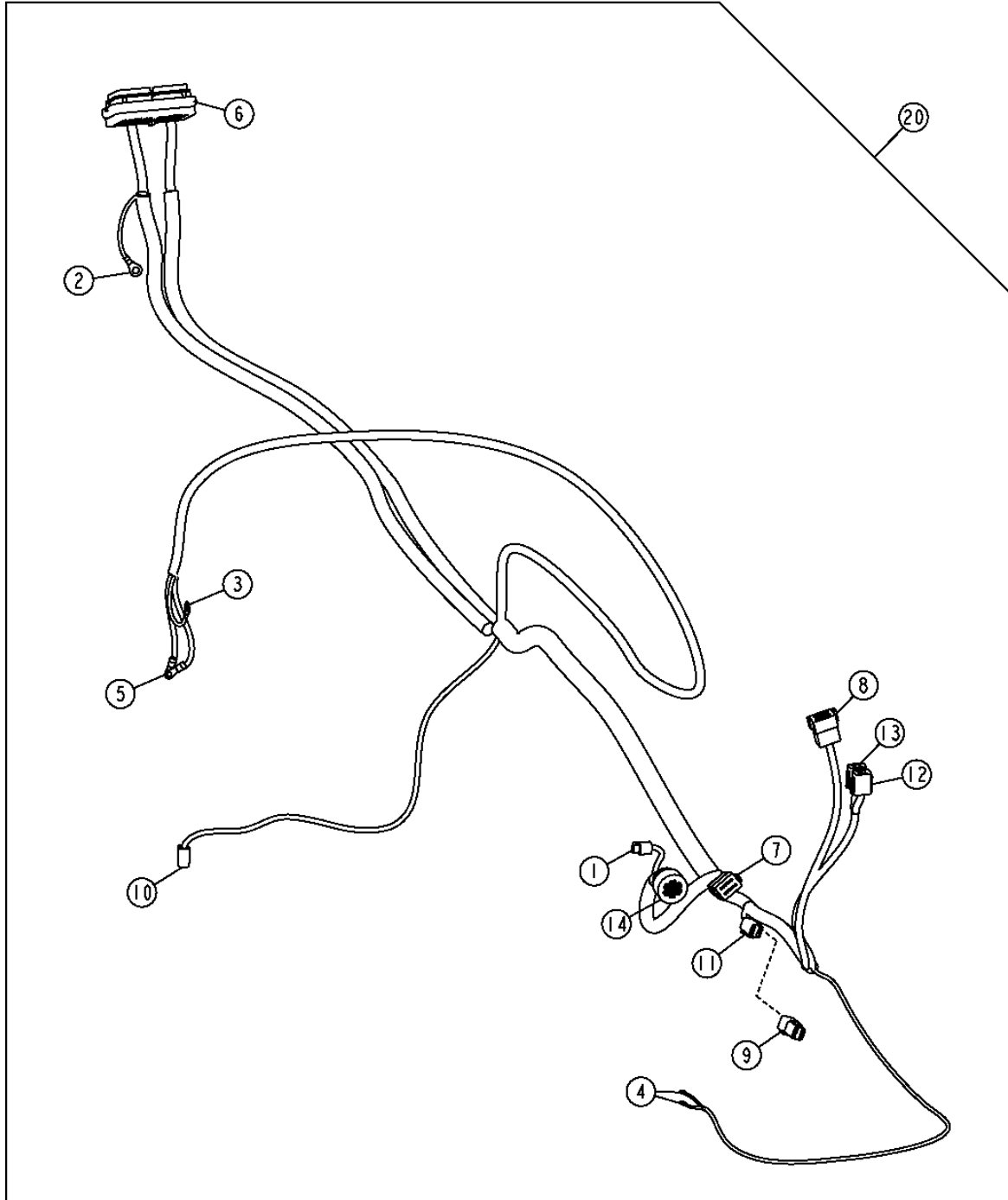
KEY	PART NO.	PART NAME	QTY.	SERIAL NO.	REMARKS
1	ELEC. CONNECTOR TERMINAL	1		(GROUND)
2	R78054	ELECTRICAL CONNECTOR ASSY	1		(BRAKE ACCUMULATOR PRESSURE SWITCH)
	R78061	ELEC. CONNECTOR TERMINAL	2		
	R78059	ELEC. CONNECTOR SEAL	1		
3	R78053	ELECTRICAL CONNECTOR ASSY	1		(BRAKE LIGHT SWITCH)
	R78061	ELEC. CONNECTOR TERMINAL	2		
	R78059	ELEC. CONNECTOR SEAL	2		
4	RE12363	ELECTRICAL CONNECTOR ASSY	1		(SADDLE LOCK PIN SWITCH)
	R78060	ELEC. CONNECTOR TERMINAL	2		
	R78059	ELEC. CONNECTOR SEAL	2		
5	RE12364	ELECTRICAL CONNECTOR ASSY	1		(ARTICULATION SENSOR)
	R78061	ELEC. CONNECTOR TERMINAL	3		
	R78059	ELEC. CONNECTOR SEAL	3		
6	57M7254	ELECTRICAL CONNECTOR ASSY	1		(SADDLE LOCK PIN SOLENOID)
	R104846	ELEC. CONNECTOR TERMINAL	2		
	57M9883	ELEC. CONNECTOR CABLE SEAL	2		
	57M7289	ELEC.CONNECT LOCKING DEVICE	1		
7	57M7254	ELECTRICAL CONNECTOR ASSY	2		(LOWER WIPER DISABLE SENSOR)
	R104846	ELEC. CONNECTOR TERMINAL	2		
	57M9883	ELEC. CONNECTOR CABLE SEAL	2		
	57M7289	ELEC.CONNECT LOCKING DEVICE	1		
8	57M7256	ELECTRICAL CONNECTOR ASSY	2		(LOWER WIPER DISABLE SENSOR)
	R104919	ELEC. CONNECTOR TERMINAL	2		
	57M9883	ELEC. CONNECTOR CABLE SEAL	2		
	57M7289	ELEC.CONNECT LOCKING DEVICE	1		
9	57M9451	ELEC. CONNECTOR TERMINAL	2		(HORN)
10	57M8023	ELEC. CONNECTOR HOUSING	1		(BLADE IMPACT VALVE WIRING HARNESS)
	R78066	ELEC. CONNECTOR TERMINAL	2		
	57M7621	ELEC.CONNECT LOCKING DEVICE	1		
11	57M8020	ELEC. CONNECTOR TERMINAL	1		(CAP)
12	57M8021	ELECTRICAL CONNECTOR ASSY	2		(UNDER CAB WORK LIGHTS)
	R78065	ELEC. CONNECTOR TERMINAL	2		
	57M8022	ELEC.CONNECT LOCKING DEVICE	1		
13	57M8021	ELECTRICAL CONNECTOR ASSY	1		(CAP)
14	57M8021	ELECTRICAL CONNECTOR ASSY	2		(MID FRAME WORK LIGHTS)
	R78065	ELEC. CONNECTOR TERMINAL	2		
	57M8022	ELEC.CONNECT LOCKING DEVICE	1		
15	57M8018	ELECTRICAL CONNECTOR ASSY	1		(PUMP PRESSURE SENSOR)
	R78066	ELEC. CONNECTOR TERMINAL	3		
	57M8019	ELEC. CONNECTOR TERMINAL	1		
16	57M8018	ELECTRICAL CONNECTOR ASSY	1		(WHEEL LEAN SENSOR HARNESS)
	R78065	ELEC. CONNECTOR TERMINAL	3		
	57M8019	ELEC. CONNECTOR TERMINAL	1		
17	57M8012	ELECTRICAL CONNECTOR ASSY	1		(FRONT LOWER WIPER)
	R78065	ELEC. CONNECTOR TERMINAL	5		
	R78069	ELEC. CONNECTOR CAVITY PLUG	1		
	57M8013	ELEC.CONNECT LOCKING DEVICE	1		
18	57M8012	ELECTRICAL CONNECTOR ASSY	2		(DRIVE LIGHTS)
	R78065	ELEC. CONNECTOR TERMINAL	5		
	R78069	ELEC. CONNECTOR CAVITY PLUG	1		
	57M8013	ELEC.CONNECT LOCKING DEVICE	1		
19	57M8468	ELECTRICAL CONNECTOR ASSY	1		(CAB INTERIOR WIRING HARNESS)
	R78066	ELEC. CONNECTOR TERMINAL	23		
	R78069	ELEC. CONNECTOR CAVITY PLUG	8		
20	AT344337	WIRING HARNESS	1		

1674-28

REAR PLATFORM HARNESS FAISCEAU PLATE-FORME ARRIERE ARNES DE PLATAFORMA TRASERO

TX1057740

-UN-



TX1057740

1674-29

VEHICLE ELECTRICAL SYSTEMS 16
WIRING HARNESS AND SWITCHES 1674

**REAR PLATFORM HARNESS
FAISCEAU PLATE-FORME ARRIERE
ARNES DE PLATAFORMA TRASERO**

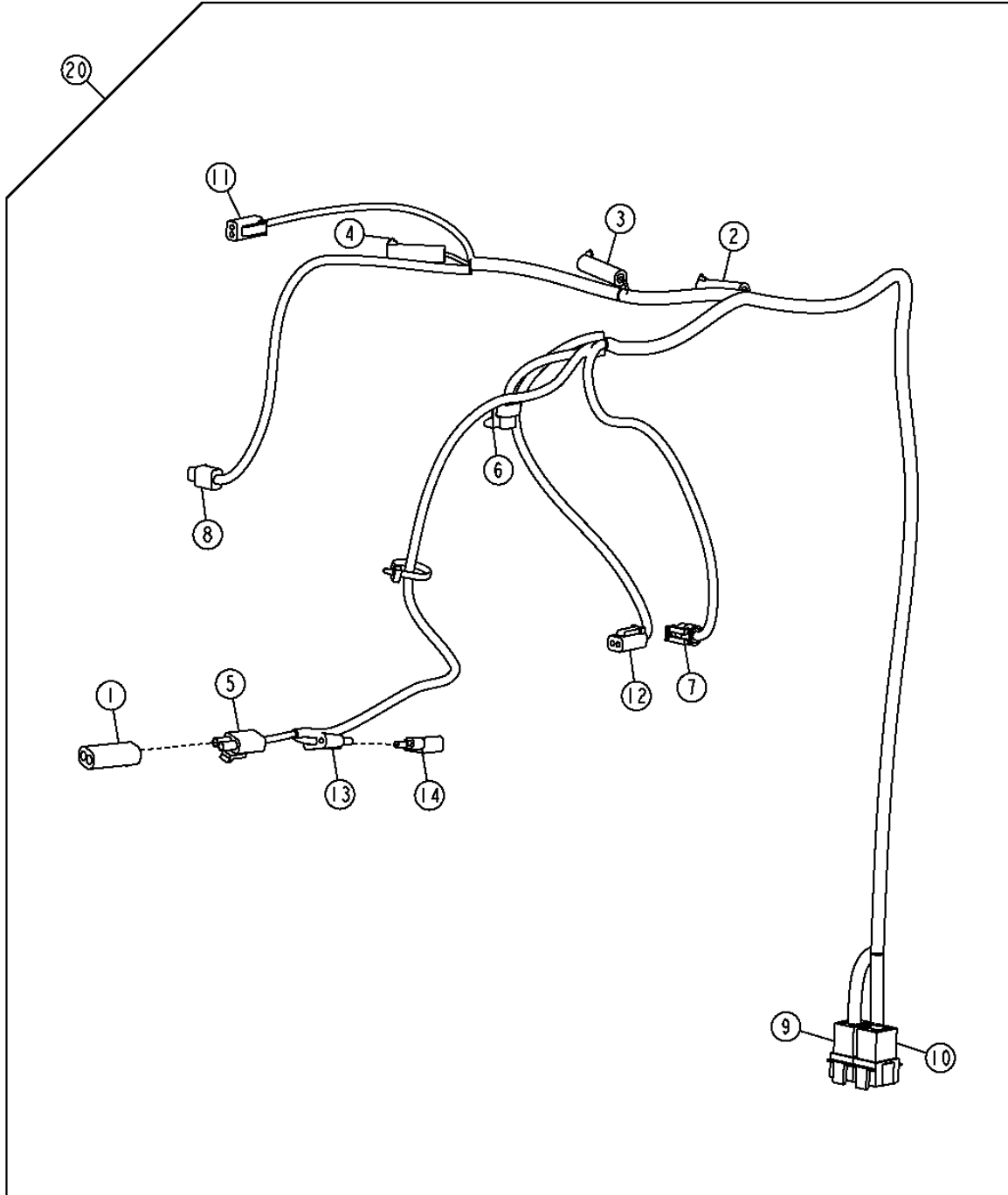
KEY	PART NO.	PART NAME	QTY.	SERIAL NO.	REMARKS
1	57M7850	ELEC. CONNECTOR HOUSING	1		(CYLINDER SHAFT SPEED SENSOR)
	57M7829	ELEC. CONNECTOR TERMINAL	2		
2	ELEC. CONNECTOR TERMINAL	1		(GROUND)
3	ELEC. CONNECTOR TERMINAL	1		(BATTERY DISCONNECT)
4	ELEC. CONNECTOR TERMINAL	2		(FUEL LEVEL SENSOR)
5	ELEC. CONNECTOR TERMINAL	2		(CIRCUIT BREAKER)
6	ELEC. CONNECTOR HOUSING	1		(CAB INTERIOR WIRING HARNESS)
	R78065	ELEC. CONNECTOR TERMINAL	64		
	57M7536	ELEC. CONNECTOR TERMINAL	2		
	57M7905	ELECTRICAL CONNECTOR ASSY	4		
	R78069	ELEC. CONNECTOR CAVITY PLUG	16		
	Z78008	ELEC. CONNECTOR SEAL	16		
7	57M7633	ELECTRICAL CONNECTOR ASSY	1		(FAN DOOR WIRING HARNESS)
	R78066	ELEC. CONNECTOR TERMINAL	7		
	R78069	ELEC. CONNECTOR CAVITY PLUG	1		
	57M7680	ELEC. CONNECTOR TERMINAL	1		
8	57M7633	ELECTRICAL CONNECTOR ASSY	1		(HFWD FRONT HARNESS)
	R78066	ELEC. CONNECTOR TERMINAL	10		
	R78069	ELEC. CONNECTOR CAVITY PLUG	2		
	57M7682	ELEC.CONNECT LOCKING DEVICE	1		
9	57M8014	ELEC. CONNECTOR HOUSING	1		(CAP)
10	57M8021	ELECTRICAL CONNECTOR ASSY	1		(DIFFERENTIAL LOCK SOLENOID)
	R78065	ELEC. CONNECTOR TERMINAL	2		
	57M8022	ELEC.CONNECT LOCKING DEVICE	1		
11	57M8012	ELECTRICAL CONNECTOR ASSY	1		(REAR CAMERA HARNESS)
	R78065	ELEC. CONNECTOR TERMINAL	5		
	R78069	ELEC. CONNECTOR CAVITY PLUG	1		
	57M8013	ELEC.CONNECT LOCKING DEVICE	1		
12	ELEC. CONNECTOR HOUSING	1		(MIDSTRUCTURE HARNESS)
	R78065	ELEC. CONNECTOR TERMINAL	8		
	57M8011	ELEC.CONNECT LOCKING DEVICE	1		
13	ELEC. CONNECTOR HOUSING	1		(MIDSTRUCTURE HARNESS)
	R78065	ELEC. CONNECTOR TERMINAL	7		
	R78069	ELEC. CONNECTOR CAVITY PLUG	1		
	57M8011	ELEC.CONNECT LOCKING DEVICE	1		
14	57M7667	ELECTRICAL CONNECTOR ASSY	1		(TRANSMISSION HARNESS)
	R78065	ELEC. CONNECTOR TERMINAL	28		
	R78069	ELEC. CONNECTOR CAVITY PLUG	3		
20	AT325676	WIRING HARNESS	1		

1674-30

VEHICLE ELECTRICAL SYSTEMS 16
WIRING HARNESS AND SWITCHES 1674

MIDSTRUCTURE HARNESS FAISCEAU DE STRUCTURE INTERMEDIAIRE ARNES DE ESTRUCTURA INTERMEDIA

TX1057751 -UN-



TX1057751

1674-31

VEHICLE ELECTRICAL SYSTEMS 16
WIRING HARNESS AND SWITCHES 1674

**MIDSTRUCTURE HARNESS
FAISCEAU DE STRUCTURE INTERMEDIAIRE
ARNES DE ESTRUCTURA INTERMEDIA**

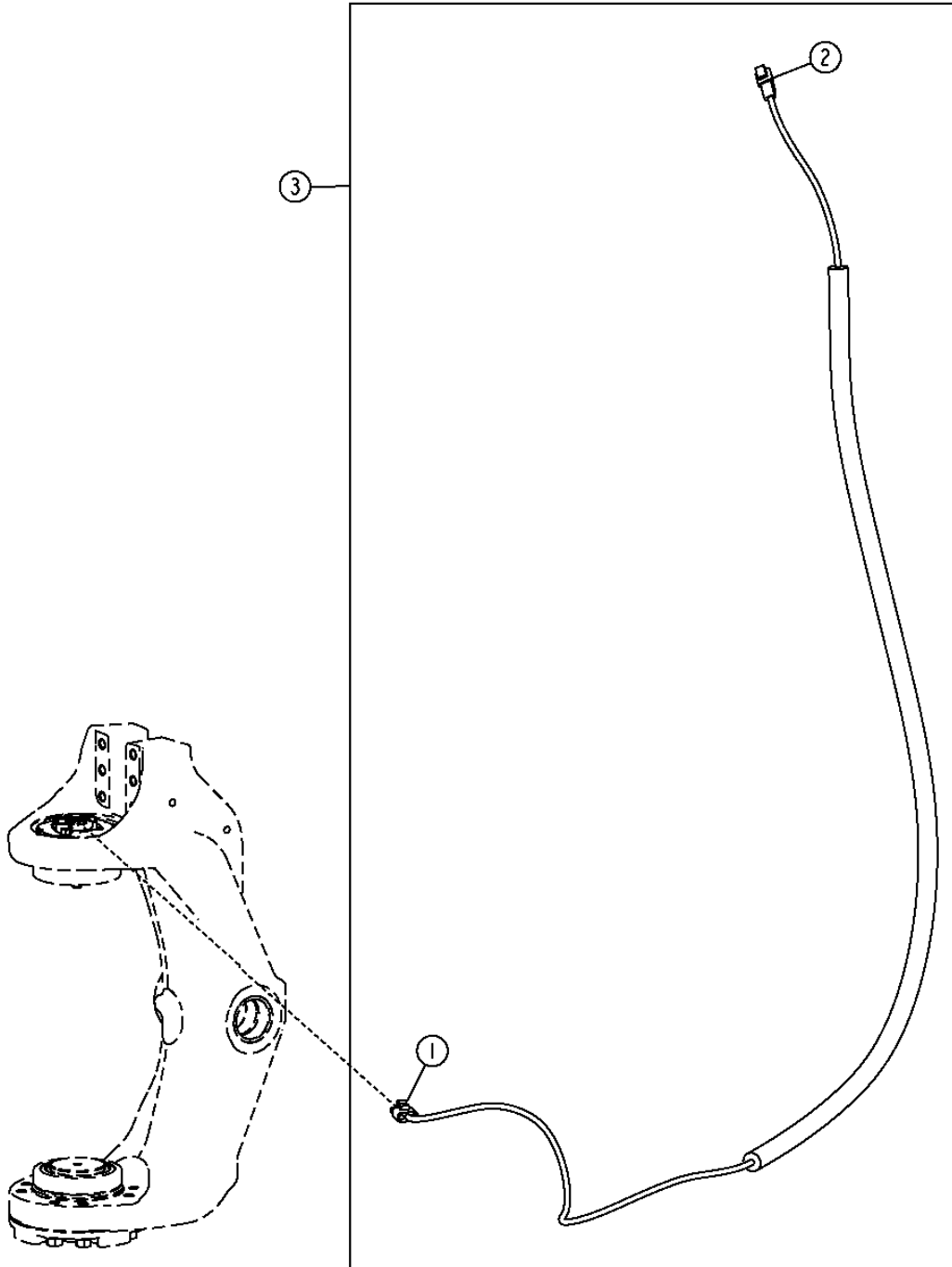
KEY	PART NO.	PART NAME	QTY.	SERIAL NO.	REMARKS
1	R78053	ELECTRICAL CONNECTOR ASSY	1		(CAP)
2	R78052	ELECTRICAL CONNECTOR ASSY	1		(TRANSMISSION FILTER RESTRICTION SWITCH)
	R78060	ELEC. CONNECTOR TERMINAL	1		
	R78059	ELEC. CONNECTOR SEAL	1		
3	R78052	ELECTRICAL CONNECTOR ASSY	1		(HYDRAULIC FILTER RESTRICTION SWITCH)
	R78060	ELEC. CONNECTOR TERMINAL	1		
	R78059	ELEC. CONNECTOR SEAL	1		
4	R78052	ELECTRICAL CONNECTOR ASSY	1		(DIFFERENTIAL FILTER RESTRICTION SWITCH)
	R78060	ELEC. CONNECTOR TERMINAL	1		
	R78059	ELEC. CONNECTOR SEAL	1		
5	RE12363	ELECTRICAL CONNECTOR ASSY	1		(COLD START DISCONNECT SOLENOID VALVE)
	R78060	ELEC. CONNECTOR TERMINAL	2		
	R78059	ELEC. CONNECTOR SEAL	2		
6	57M7254	ELECTRICAL CONNECTOR ASSY	1		(FAN SPEED SOLENOID)
	R104846	ELEC. CONNECTOR TERMINAL	2		
	57M7289	ELEC.CONNECT LOCKING DEVICE	1		
7	57M7796	ELEC. CONNECTOR HOUSING	1		(FAN PRESSURE SENSOR)
	R104701	ELEC. CONNECTOR TERMINAL	3		
8	57M7850	ELEC. CONNECTOR HOUSING	1		(SENSOR) (HYDRAULIC OIL TEMPERATURE)
	57M7829	ELEC. CONNECTOR TERMINAL	2		
9	ELEC. CONNECTOR HOUSING	1		(REAR PLATFORM HARNESS)
	R78066	ELEC. CONNECTOR TERMINAL	8		
	57M7680	ELEC. CONNECTOR TERMINAL	1		
10	ELEC. CONNECTOR HOUSING	1		(REAR PLATFORM HARNESS)
	R78066	ELEC. CONNECTOR TERMINAL	7		
	R78069	ELEC. CONNECTOR CAVITY PLUG	1		
	57M7680	ELEC. CONNECTOR TERMINAL	1		
11	57M8021	ELECTRICAL CONNECTOR ASSY	1		(ENGINE COMPARTMENT LIGHT HARNESS)
	R78065	ELEC. CONNECTOR TERMINAL	2		
	57M8022	ELEC.CONNECT LOCKING DEVICE	1		
12	57M8021	ELECTRICAL CONNECTOR ASSY	1		(REVERSIBLE FAN SOLENOID)
	R78065	ELEC. CONNECTOR TERMINAL	2		
	57M8022	ELEC.CONNECT LOCKING DEVICE	1		
13	ELEC. CONNECTOR HOUSING	1		
14	AT103399	DIODE	1		
20	AT342805	WIRING HARNESS	1		

1674-32

**WHEEL LEAN SENSOR HARNESS
FAISCEAU DE CAPTEUR D'INCLINAISON DE ROUE
ARNES DE SENSOR DE INCLINACION DE RUEDAS**

TX1057748

-UN-



TX1057748

1674-33

VEHICLE ELECTRICAL SYSTEMS 16

WIRING HARNESS AND SWITCHES 1674

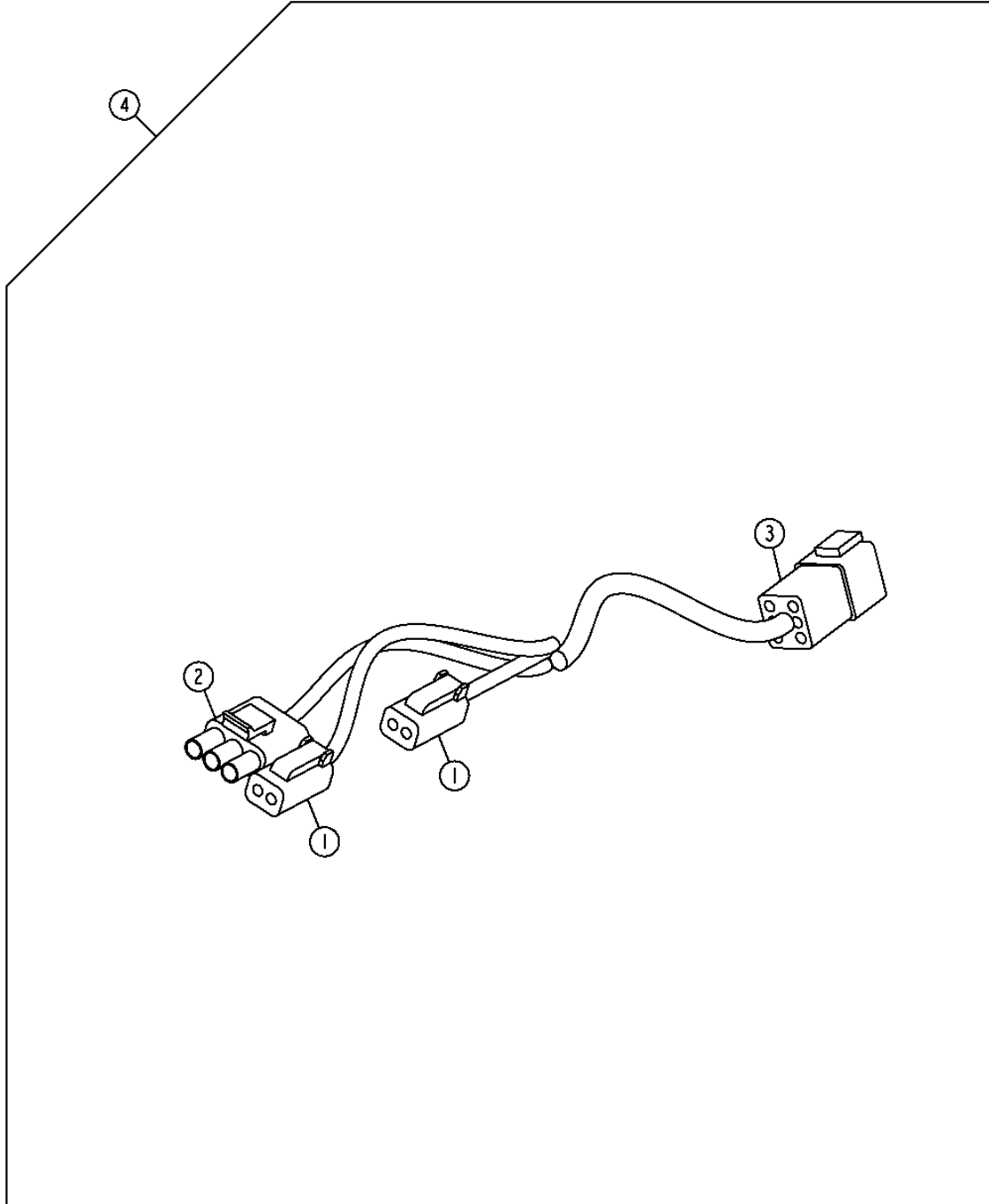
**WHEEL LEAN SENSOR HARNESS
FAISCEAU DE CAPTEUR D'INCLINAISON DE ROUE
ARNES DE SENSOR DE INCLINACION DE RUEDAS**

KEY	PART NO.	PART NAME	QTY.	SERIAL NO.	REMARKS
1	RE12364	ELECTRICAL CONNECTOR ASSY	1		
	R78058	ELEC. CONNECTOR TERMINAL	3		
	ELEC. CONNECTOR SEAL	3		
2	57M8020	ELEC. CONNECTOR TERMINAL	1		(FRONT PLATFORM HARNESS)
	R78066	ELEC. CONNECTOR TERMINAL	3		
	57M7676	ELEC. CONNECTOR TERMINAL	1		
3	AT347793	WIRING HARNESS	1		

1674-34

**FRONT LIGHT HARNESS
FAISCEAU DE FEUX AVANT
ARNES DE LUZ DELANTERA**

TX1057756 -UN-



TX1057756

1674-35

VEHICLE ELECTRICAL SYSTEMS 16
WIRING HARNESS AND SWITCHES 1674

**FRONT LIGHT HARNESS
FAISCEAU DE FEUX AVANT
ARNES DE LUZ DELANTERA**

KEY	PART NO.	PART NAME	QTY.	SERIAL NO.	REMARKS
1	57M8021	ELECTRICAL CONNECTOR ASSY	2		(FRONT DRIVING LIGHTS)
	R78065	ELEC. CONNECTOR TERMINAL	2		
	57M8022	ELEC.CONNECT LOCKING DEVICE	1		
2	RE12364	ELECTRICAL CONNECTOR ASSY	1		(TURN SIGNAL)
	R78060	ELEC. CONNECTOR TERMINAL	3		
	R78059	ELEC. CONNECTOR SEAL	3		
3	57M8014	ELEC. CONNECTOR HOUSING	1		(FRONT PLATFORM HARNESS)
	R78066	ELEC. CONNECTOR TERMINAL	5		
	R78069	ELEC. CONNECTOR CAVITY PLUG	1		
	57M7678	ELEC. CONNECTOR TERMINAL	1		
4	AT365343	WIRING HARNESS	1		

1674-36

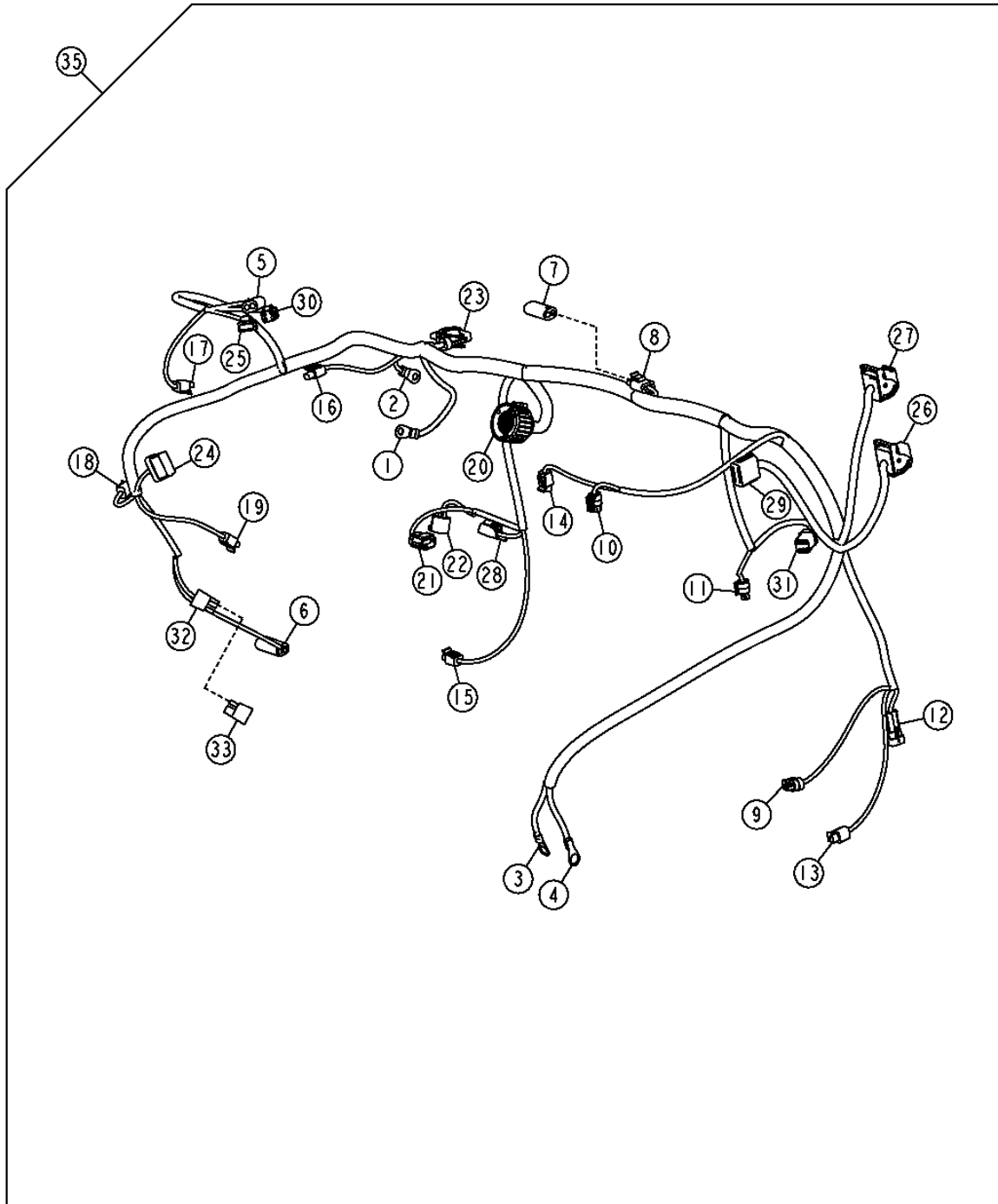
VEHICLE ELECTRICAL SYSTEMS 16

WIRING HARNESS AND SWITCHES 1674

ENGINE WIRING HARNESSES (6090HDW01)
FAISCEAUX DE FILS DU MOTEUR (6090HDW01)
ARNESES DE CABLES DEL MOTOR (6090HDW01)

TX1057779

-UN-



TX1057779

THIS PARTS LISTING IS CONTINUED

1674-37

VEHICLE ELECTRICAL SYSTEMS 16

WIRING HARNESS AND SWITCHES 1674

**ENGINE WIRING HARNESSES (6090HDW01)
FAISCEAUX DE FILS DU MOTEUR (6090HDW01)
ARNESES DE CABLES DEL MOTOR (6090HDW01)**

KEY	PART NO.	PART NAME	QTY.	SERIAL NO.	REMARKS
1	ELEC. CONNECTOR TERMINAL	1		(ALTERNATOR GROUND TERMINAL)
2	ELEC. CONNECTOR TERMINAL	1		(OUTPUT)
3	ELEC. CONNECTOR TERMINAL	1		(STARTER)
4	ELEC. CONNECTOR TERMINAL	1		(STARTER)
5	R78053	ELECTRICAL CONNECTOR ASSY	1		(AIR FILTER RESTRICTION SWITCH)
	R78058	ELEC. CONNECTOR TERMINAL	2		
	R78059	ELEC. CONNECTOR SEAL	2		
6	RE12364	ELECTRICAL CONNECTOR ASSY	1		(A/C COMPRESSOR CLUTCH)
	R78058	ELEC. CONNECTOR TERMINAL	2		
	R78059	ELEC. CONNECTOR SEAL	2		
7	R78053	ELECTRICAL CONNECTOR ASSY	1		(CAP)
8	RE12363	ELECTRICAL CONNECTOR ASSY	1		(ETHER START AID SOLENOID)
	R78060	ELEC. CONNECTOR TERMINAL	2		
	R78059	ELEC. CONNECTOR SEAL	2		
9	57M7796	ELEC. CONNECTOR HOUSING	1		(ENGINE OIL PRESSURE SENSOR)
	R104701	ELEC. CONNECTOR TERMINAL	3		
10	57M7796	ELEC. CONNECTOR HOUSING	1		(MANIFOLD AIR PRESSURE)
	57M9006	ELEC. CONNECTOR TERMINAL	3		
11	57M7796	ELEC. CONNECTOR HOUSING	1		(FUEL PRESSURE SENSOR)
	57M9006	ELEC. CONNECTOR TERMINAL	3		
12	57M7256	ELECTRICAL CONNECTOR ASSY	1		(WATER IN FUEL SENSOR)
	R104919	ELEC. CONNECTOR TERMINAL	2		
	ELEC. CONNECTOR SEAL	2		
	57M7289	ELEC.CONNECT LOCKING DEVICE	1		
13	57M7850	ELEC. CONNECTOR HOUSING	1		(CRANKSHAFT SPEED)
	57M7829	ELEC. CONNECTOR TERMINAL	2		
14	57M7850	ELEC. CONNECTOR HOUSING	1		(MANIFOLD AIR TEMPERATURE SENSOR)
	57M9572	ELEC. CONNECTOR TERMINAL	3		
15	57M7850	ELEC. CONNECTOR HOUSING	1		(CAM SPEED)
	57M7829	ELEC. CONNECTOR TERMINAL	2		
16	57M7850	ELEC. CONNECTOR HOUSING	1		(COOLANT TEMPERATURE SENSOR)
	57M7829	ELEC. CONNECTOR TERMINAL	2		
17	57M7850	ELEC. CONNECTOR HOUSING	1		(COMPRESSED INLET TEMPERATURE)
	57M7829	ELEC. CONNECTOR TERMINAL	2		
18	57M7850	ELEC. CONNECTOR HOUSING	1		(ERG FRESH AIR TEMPERATURE)
	57M9572	ELEC. CONNECTOR TERMINAL	3		
19	57M7813	ELEC. CONNECTOR TERMINAL	1		(ERG EXHAUST TEMPERATURE)
	57M9572	ELEC. CONNECTOR TERMINAL	3		
20	57M8581	ELEC. CONNECTOR HOUSING	1		(FUEL INJECTORS)
	57M8991	ELEC. CONNECTOR TERMINAL	8		
	57M8515	ELEC. CONNECTOR SEAL	8		
21	57M8407	ELEC. CONNECTOR HOUSING	1		(FUEL RAIL PRESSURE)
	57M8135	ELEC. CONNECTOR TERMINAL	3		
	57M7833	ELEC. CONNECTOR SEAL	3		
	57M8417	ELEC.CONNECT LOCKING DEVICE	1		
22	57M8400	ELECTRICAL CONNECTOR ASSY	1		(FUEL TEMPERATURE SENSOR)
	57M8402	ELEC. CONNECTOR TERMINAL	2		
	ELEC. CONNECTOR SEAL	2		

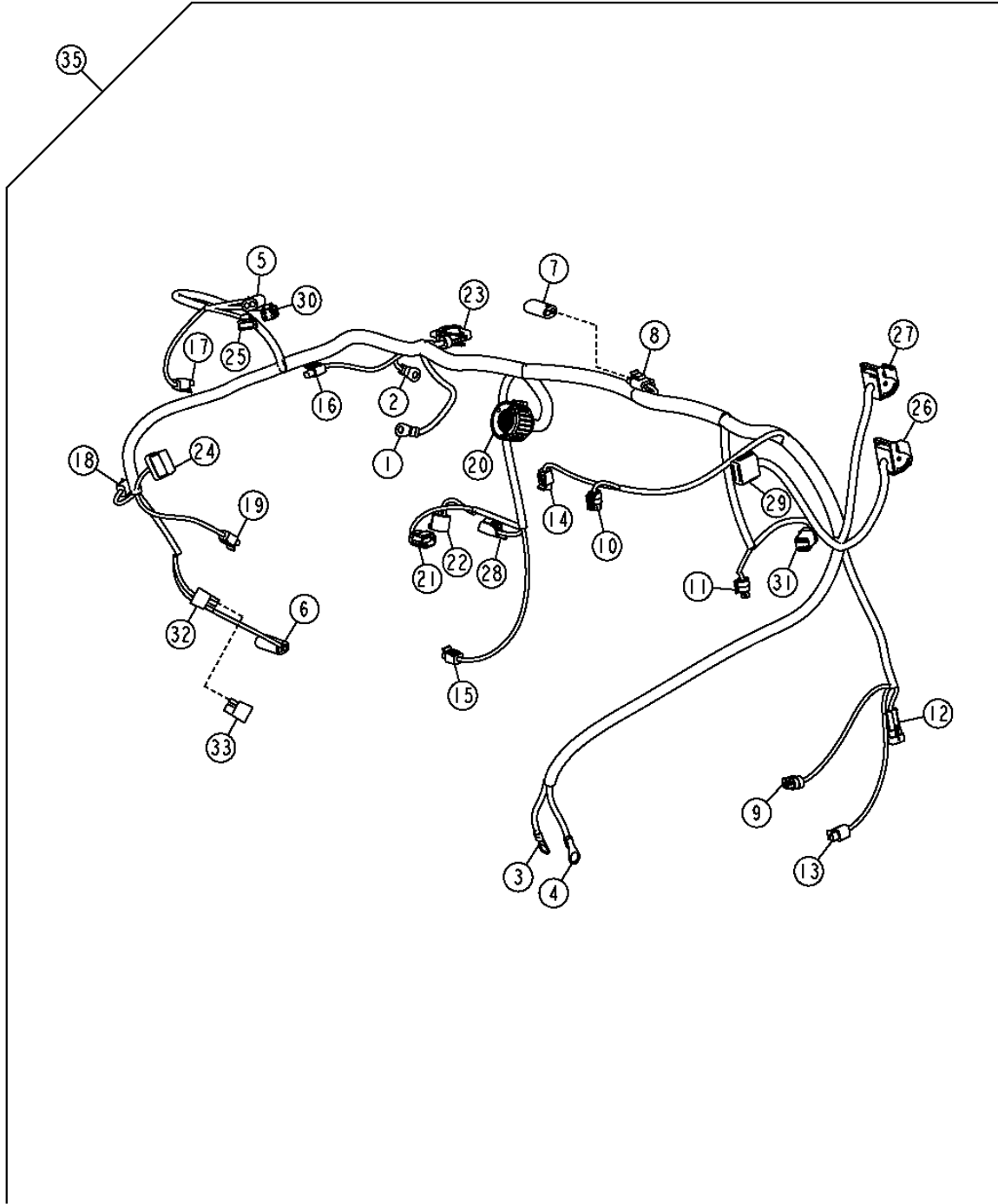
THIS PARTS LISTING IS CONTINUED

1674-38

ENGINE WIRING HARNESSES (6090HDW01)
FAISCEAUX DE FILS DU MOTEUR (6090HDW01)
ARNESSES DE CABLES DEL MOTOR (6090HDW01)

TX1057779

-UN-



TX1057779

THIS PARTS LISTING IS CONTINUED

1674-39

VEHICLE ELECTRICAL SYSTEMS 16

WIRING HARNESS AND SWITCHES 1674

**ENGINE WIRING HARNESSES (6090HDW01)
FAISCEAUX DE FILS DU MOTEUR (6090HDW01)
ARNESES DE CABLES DEL MOTOR (6090HDW01)**

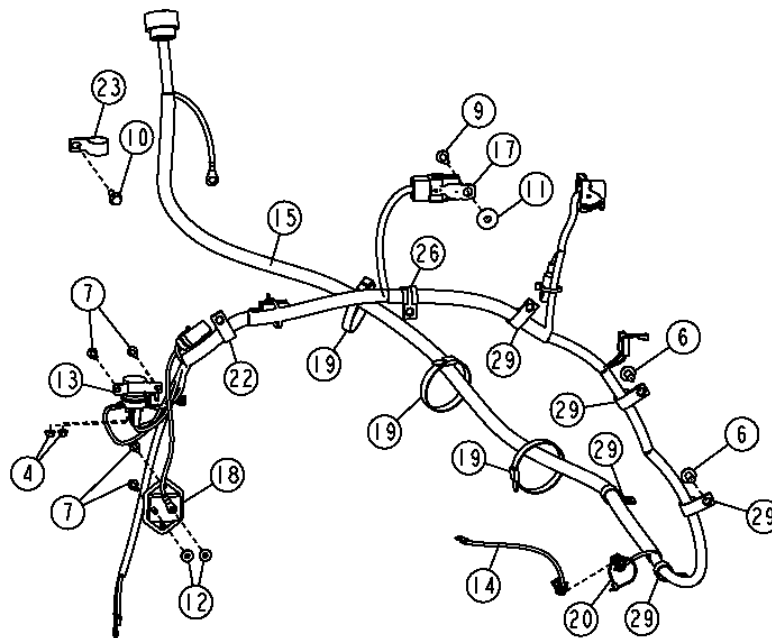
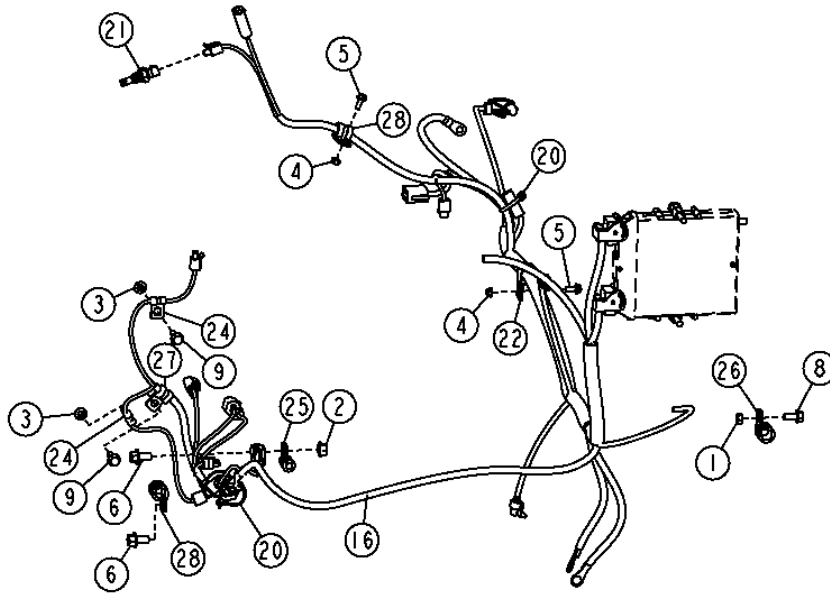
KEY	PART NO.	PART NAME	QTY.	SERIAL NO.	REMARKS
23	57M8960	ELEC. CONNECTOR HOUSING	1		(ALTERNATOR EXCITATION)
	57M9721	ELEC. CONNECTOR TERMINAL	2		
	57M9883	ELEC. CONNECTOR CABLE SEAL	2		
	57M7259	ELEC. CONNECTOR CAVITY PLUG	3		
24	ELEC. CONNECTOR HOUSING	1		(EXHAUST GAS RECIRCULATION (EGR) SYSTEM)
	57M8598	ELEC. CONNECTOR TERMINAL	5		
	ELEC. CONNECTOR CAVITY PLUG	1		
25	57M8542	ELEC. CONNECTOR HOUSING	1		(VTG SENSOR)
	57M8571	ELEC. CONNECTOR TERMINAL	2		
	ELEC. CONNECTOR SEAL	2		
	ELEC. CONNECTOR CAVITY PLUG	1		
	57M8559	ELEC. CONNECTOR TERMINAL	1		
26	57M8519	ELEC. CONNECTOR HOUSING	1		(ENGINE CONTROL UNIT (ECU)) (BLACK)
	57M9184	ELEC. CONNECTOR TERMINAL	14		
	57M8530	ELEC. CONNECTOR TERMINAL	8		
	57M8605	ELEC. CONNECTOR SEAL	10		
27	57M8523	ELEC. CONNECTOR HOUSING	1		(ENGINE CONTROL UNIT (ECU)) (BLUE)
	57M9184	ELEC. CONNECTOR TERMINAL	18		
	57M8530	ELEC. CONNECTOR TERMINAL	6		
	57M8605	ELEC. CONNECTOR SEAL	8		
28	57M8403	ELEC. CONNECTOR HOUSING	1		(PUMP CONTROL VALVE)
	57M8404	ELEC. CONNECTOR TERMINAL	2		
	57M8405	ELEC. CONNECTOR TERMINAL	2		
29	57M8008	ELECTRICAL CONNECTOR ASSY	1		(ENGINE FRAME HARNESS)
	57M9184	ELEC. CONNECTOR TERMINAL	1		
	ELEC. CONNECTOR TERMINAL	6		
	R78069	ELEC. CONNECTOR CAVITY PLUG	5		
	57M8009	ELEC.CONNECT LOCKING DEVICE	1		
30	57M8635	ELEC. CONNECTOR HOUSING	1		(VTG ACTUATOR)
	ELEC. CONNECTOR TERMINAL	3		
	R78069	ELEC. CONNECTOR CAVITY PLUG	1		
	57M8016	ELEC.CONNECT LOCKING DEVICE	1		
31	57M8634	ELEC. CONNECTOR HOUSING	1		(FUEL TRANSFER PUMP)
	ELEC. CONNECTOR TERMINAL	6		
	57M8013	ELEC.CONNECT LOCKING DEVICE	1		
32	ELEC. CONNECTOR HOUSING	1		
33	AT103399	DIODE	1		
35	AT341938	WIRING HARNESS	1		

1674-40

ENGINE WIRING HARNESSES (6068HDW75)
FAISCEAUX DE FILS DE MOTEUR (6068HDW75)
ARNESES DE ALAMBRADO DEL MOTOR (6068HDW75)

TX1049310

-UN-04DEC08



TX1049310

THIS PARTS LISTING IS CONTINUED

1674-41

VEHICLE ELECTRICAL SYSTEMS 16

WIRING HARNESS AND SWITCHES 1674

**ENGINE WIRING HARNESSES (6068HDW75)
FAISCEAUX DE FILS DE MOTEUR (6068HDW75)
ARNESES DE ALAMBRADO DEL MOTOR (6068HDW75)**

KEY	PART NO.	PART NAME	QTY.	SERIAL NO.	REMARKS
1	57M9566	ELECTRICAL CONNECTOR ASSY	1		(GLOW PLUGS)
2	R78053	ELECTRICAL CONNECTOR ASSY	1		(A/C COMPRESSOR CLUTCH)
	R78058	ELEC. CONNECTOR TERMINAL	2		
	R78059	ELEC. CONNECTOR SEAL	2		
3	R78053	ELECTRICAL CONNECTOR ASSY	1		(AIR FILTER RESTRICTION SWITCH)
	R78058	ELEC. CONNECTOR TERMINAL	2		
	R78059	ELEC. CONNECTOR SEAL	2		
4	57M7254	ELECTRICAL CONNECTOR ASSY	1		(WATER IN FUEL SENSOR)
	R104846	ELEC. CONNECTOR TERMINAL	2		
	57M9883	ELEC. CONNECTOR CABLE SEAL	2		
	57M7289	ELEC.CONNECT LOCKING DEVICE	1		
5	57M7796	ELEC. CONNECTOR HOUSING	1		(ENGINE OIL PRESSURE SENSOR)
	R104701	ELEC. CONNECTOR TERMINAL	3		
6	57M7796	ELEC. CONNECTOR HOUSING	1		(FUEL PRESSURE SENSOR)
	57M9006	ELEC. CONNECTOR TERMINAL	3		
7	57M7850	ELEC. CONNECTOR HOUSING	1		(CRANKSHAFT SPEED)
	57M7829	ELEC. CONNECTOR TERMINAL	2		
8	57M7850	ELEC. CONNECTOR HOUSING	1		(COOLANT TEMPERATURE SENSOR)
	57M7829	ELEC. CONNECTOR TERMINAL	2		
9	57M7850	ELEC. CONNECTOR HOUSING	1		(CAM SPEED)
	57M7829	ELEC. CONNECTOR TERMINAL	2		
10	57M7850	ELEC. CONNECTOR HOUSING	1		(MANIFOLD AIR TEMPERATURE SENSOR)
	57M9572	ELEC. CONNECTOR TERMINAL	2		
11	57M7850	ELEC. CONNECTOR HOUSING	1		(COMPRESSED INLET TEMPERATURE)
	57M7829	ELEC. CONNECTOR TERMINAL	2		
12	ELEC. CONNECTOR TERMINAL	1		(GLOW PLUG RELAY)
13	ELEC. CONNECTOR TERMINAL	1		(STARTER)
14	ELEC. CONNECTOR TERMINAL	1		(STARTER)
15	ELEC. CONNECTOR TERMINAL	1		(ALTERNATOR GROUND TERMINAL)
16	ELEC. CONNECTOR TERMINAL	1		(OUTPUT)
17	57M8407	ELEC. CONNECTOR HOUSING	1		(FUEL RAIL PRESSURE)
	57M8135	ELEC. CONNECTOR TERMINAL	3		
	57M7833	ELEC. CONNECTOR SEAL	3		
	57M8417	ELEC.CONNECT LOCKING DEVICE	1		
18	57M8400	ELECTRICAL CONNECTOR ASSY	1		(FUEL TEMPERATURE SENSOR)
	57M8402	ELEC. CONNECTOR TERMINAL	2		
	57M7833	ELEC. CONNECTOR SEAL	2		
19	57M8960	ELEC. CONNECTOR HOUSING	1		(ALTERNATOR EXCITATION)
	57M9721	ELEC. CONNECTOR TERMINAL	2		
	57M9883	ELEC. CONNECTOR CABLE SEAL	2		
	57M7259	ELEC. CONNECTOR CAVITY PLUG	3		
20	57M8403	ELEC. CONNECTOR HOUSING	1		(PUMP CONTROL VALVE)
	57M8404	ELEC. CONNECTOR TERMINAL	2		
	57M8405	ELEC. CONNECTOR TERMINAL	2		
21	57M8519	ELEC. CONNECTOR HOUSING	1		(ENGINE CONTROL UNIT (ECU)) (BLACK)
	57M8530	ELEC. CONNECTOR TERMINAL	8		
	57M9184	ELEC. CONNECTOR TERMINAL	4		
	57M8605	ELEC. CONNECTOR SEAL	20		
22	57M8523	ELEC. CONNECTOR HOUSING	1		(ENGINE CONTROL UNIT (ECU)) (BLUE)
	57M8530	ELEC. CONNECTOR TERMINAL	11		
	57M9184	ELEC. CONNECTOR TERMINAL	6		
	57M8605	ELEC. CONNECTOR SEAL	15		
23	57M8008	ELECTRICAL CONNECTOR ASSY	1		(ENGINE FRAME HARNESS)
	ELEC. CONNECTOR TERMINAL	5		
	R78069	ELEC. CONNECTOR CAVITY PLUG	7		
	57M8009	ELEC.CONNECT LOCKING DEVICE	1		
24	57M8636	ELEC. CONNECTOR HOUSING	1		(FUEL INJECTORS)
	ELEC. CONNECTOR TERMINAL	8		
	R78069	ELEC. CONNECTOR CAVITY PLUG	4		
	57M8009	ELEC.CONNECT LOCKING DEVICE	1		
25	ELEC. CONNECTOR HOUSING	1		
26	AT103399	DIODE	1		
30	AT341942	WIRING HARNESS	1		

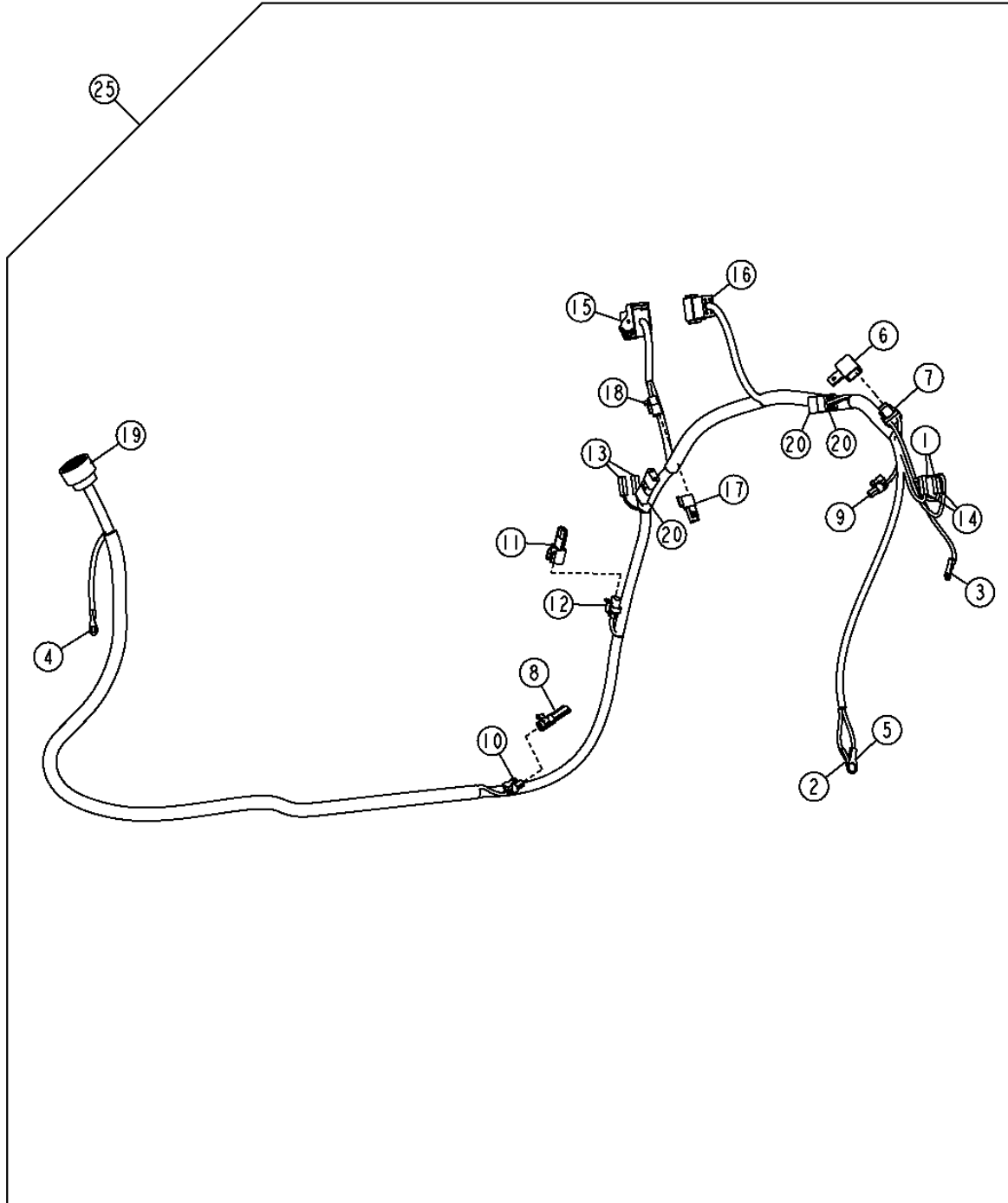
1674-44

VEHICLE ELECTRICAL SYSTEMS 16
WIRING HARNESS AND SWITCHES 1674

ENGINE FRAME HARNESS FAISCEAU BATI MOTEUR ARNES DEL BASTIDOR DEL MOTOR

TX1058208

-UN-



TX1058208

1674-45

VEHICLE ELECTRICAL SYSTEMS 16
WIRING HARNESS AND SWITCHES 1674

**ENGINE FRAME HARNESS
FAISCEAU BATI MOTEUR
ARNES DEL BASTIDOR DEL MOTOR**

KEY	PART NO.	PART NAME	QTY.	SERIAL NO.	REMARKS
1	ELEC. CONNECTOR TERMINAL	2		(STARTER RELAY)
2	ELEC. CONNECTOR TERMINAL	1		(GROUND)
3	ELEC. CONNECTOR TERMINAL	1		(CIRCUIT BREAKER)
4	ELEC. CONNECTOR TERMINAL	1		(GROUND)
5	57M9952	ELEC. CONNECTOR TERMINAL	1		(GROUND)
6	57M8487	ELECTRICAL CONNECTOR CAP	1		
7	R104929	ELECTRICAL CONNECTOR ASSY	1		(FUSE)
	R104571	ELEC. CONNECTOR TERMINAL	2		
	57M7120	FUSE	1		
8	57M7293	ELECTRICAL CONNECTOR ASSY	1		(CAP)
9	57M7294	ELECTRICAL CONNECTOR ASSY	1		(STARTER SOLENOID) (6090HDW01 / 6090HDW04)
	57M7299	ELEC. CONNECTOR TERMINAL	1		
	R78062	ELEC. CONNECTOR SEAL	1		
	57M7295	ELEC.CONNECT LOCKING DEVICE	1		
10	57M7294	ELECTRICAL CONNECTOR ASSY	1		(STARTER SOLENOID) (6068HDW75)
	57M7299	ELEC. CONNECTOR TERMINAL	1		
	R78062	ELEC. CONNECTOR SEAL	1		
	57M7295	ELEC.CONNECT LOCKING DEVICE	1		
11	57M7304	ELECTRICAL CONNECTOR ASSY	1		(CAP)
12	57M7309	ELEC. CONNECTOR HOUSING	1		
	57M7297	ELEC. CONNECTOR TERMINAL	2		
	R78063	ELEC. CONNECTOR SEAL	2		
	57M7306	ELEC.CONNECT LOCKING DEVICE	1		
13	57M9454	ELEC. CONNECTOR TERMINAL	2		(GLOW PLUGS) (ENGINE AIR HEATER)
14	57M9454	ELEC. CONNECTOR TERMINAL	2		(STARTER RELAY)
15	57M8527	ELEC. CONNECTOR HOUSING	1		(ENGINE CONTROL UNIT (ECU)) (BROWN)
	57M8530	ELEC. CONNECTOR TERMINAL	17		
	57M9469	ELEC. CONNECTOR TERMINAL	8		
	57M8605	ELEC. CONNECTOR SEAL	23		
16	ELEC. CONNECTOR HOUSING	1		(ENGINE HARNESS)
	R78066	ELEC. CONNECTOR TERMINAL	7		
	R78069	ELEC. CONNECTOR CAVITY PLUG	5		
	57M7682	ELEC.CONNECT LOCKING DEVICE	1		
17	57M8131	ELEC. CONNECTOR HOUSING	1		(CAN TERMINATOR)
18	57M8018	ELECTRICAL CONNECTOR ASSY	1		(CAN TERMINATOR)
	R78065	ELEC. CONNECTOR TERMINAL	3		
19	57M7543	ELECTRICAL CONNECTOR ASSY	1		(CAB INTERIOR WIRING HARNESS)
	R78065	ELEC. CONNECTOR TERMINAL	21		
	R78069	ELEC. CONNECTOR CAVITY PLUG	2		
20	AT103399	DIODE	1		(STARTER RELAY) (STARTER MOTOR) (GLOW PLUGS) (ENGINE AIR HEATER)
25	AT367511	WIRING HARNESS	1		

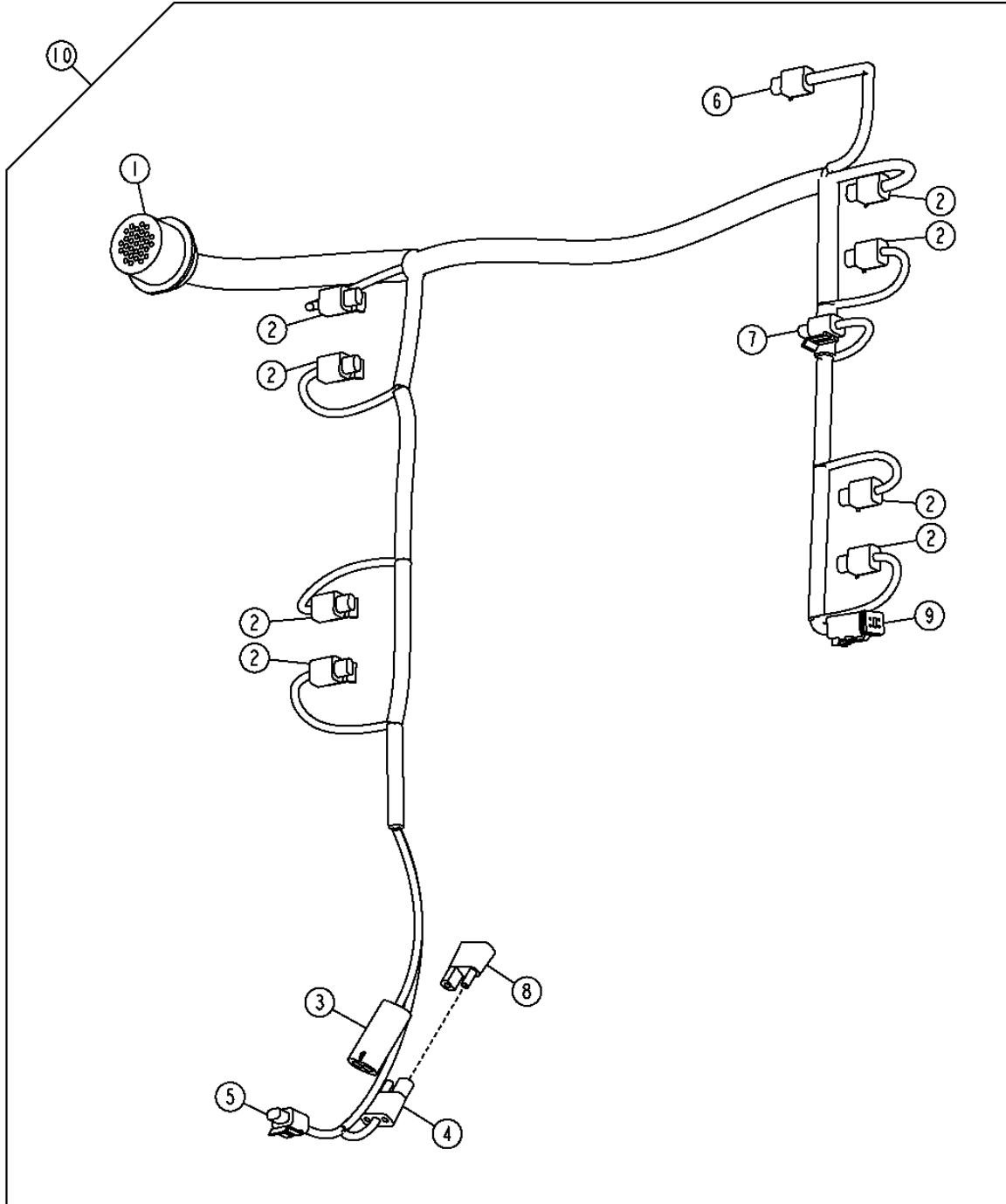
1674-46

VEHICLE ELECTRICAL SYSTEMS 16
WIRING HARNESS AND SWITCHES 1674

TRANSMISSION WIRING HARNESS FAISCEAU DE FILS DE TRANSMISSION ARNES DE ALAMBRADO DE TRANSMISION

TX1057773

-UN-



TX1057773

1674-47

VEHICLE ELECTRICAL SYSTEMS 16
WIRING HARNESS AND SWITCHES 1674

**TRANSMISSION WIRING HARNESS
FAISCEAU DE FILS DE TRANSMISSION
ARNES DE ALAMBRADO DE TRANSMISION**

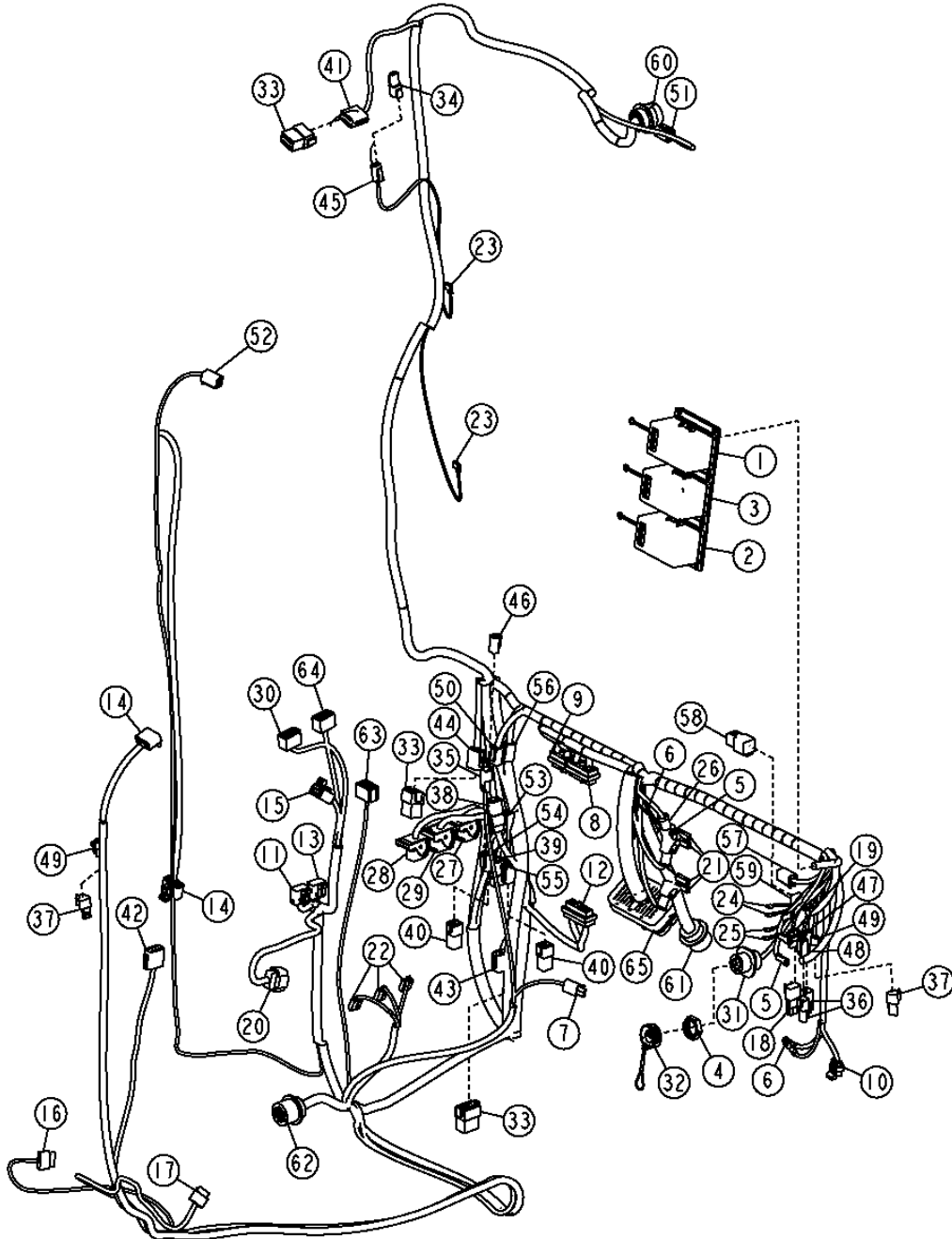
KEY	PART NO.	PART NAME	QTY.	SERIAL NO.	REMARKS
1	57M7666	ELEC. CONNECTOR TERMINAL	1		(TRANSMISSION)
	R78066	ELEC. CONNECTOR TERMINAL	28		
	R78069	ELEC. CONNECTOR CAVITY PLUG	3		
2	57M7850	ELEC. CONNECTOR HOUSING	8		(TRANSMISSION SOLENOID)
	57M7829	ELEC. CONNECTOR TERMINAL	2		
3	R78053	ELECTRICAL CONNECTOR ASSY	1		(PARK BRAKE PRESSURE SWITCH)
	R78061	ELEC. CONNECTOR TERMINAL	2		
	R78059	ELEC. CONNECTOR SEAL	2		
4	ELEC. CONNECTOR HOUSING	1		
5	57M7850	ELEC. CONNECTOR HOUSING	1		(PARK BRAKE SOLENOID)
	57M7829	ELEC. CONNECTOR TERMINAL	2		
6	57M7850	ELEC. CONNECTOR HOUSING	1		(INPUT SHAFT)
	57M7829	ELEC. CONNECTOR TERMINAL	2		
7	57M7850	ELEC. CONNECTOR HOUSING	1		(TRANSMISSION OIL)
	57M7829	ELEC. CONNECTOR TERMINAL	2		
8	AT103399	DIODE	1		(PARK BRAKE SOLENOID)
9	57M8015	ELECTRICAL CONNECTOR ASSY	1		(OUTPUT SHAFT)
	R78065	ELEC. CONNECTOR TERMINAL	4		
	57M8016	ELEC.CONNECT LOCKING DEVICE	1		
10	AT339495	WIRING HARNESS	1		

1674-48

VEHICLE ELECTRICAL SYSTEMS 16
WIRING HARNESS AND SWITCHES 1674

CAB INTERIOR WIRING HARNESS FAISCEAU DE FILS INTERIEURS DE CABINE ARNES DE ALAMBRADO INTERIOR DE LA CABINA

TX1058299 -UN-



TX1058299

1674-49

VEHICLE ELECTRICAL SYSTEMS 16
WIRING HARNESS AND SWITCHES 1674

**CAB INTERIOR WIRING HARNESS
FAISCEAU DE FILS INTERIEURS DE CABINE
ARNES DE ALAMBRADO INTERIOR DE LA CABINA**

KEY	PART NO.	PART NAME	QTY.	SERIAL NO.	REMARKS
1	AT346012	FUSE BOX	1		
	57M7707	ELEC. CONNECTOR TERMINAL	24		
	R78059	ELEC. CONNECTOR SEAL	24		
	R78064	ELEC. CONNECTOR CAVITY PLUG	26		
2	AT346013	FUSE BOX	1		
	57M7707	ELEC. CONNECTOR TERMINAL	13		
	57M8892	ELEC. CONNECTOR TERMINAL	4		
	57M8297	ELEC. CONNECTOR TERMINAL	1		
	R78059	ELEC. CONNECTOR SEAL	13		
	R78063	ELEC. CONNECTOR SEAL	4		
	57M8967	ELEC. CONNECTOR SEAL	1		
	R78064	ELEC. CONNECTOR CAVITY PLUG	2		
3	AT351872	FUSE BOX	1		
	57M7707	ELEC. CONNECTOR TERMINAL	18		
	57M8892	ELEC. CONNECTOR TERMINAL	5		
	57M8297	ELEC. CONNECTOR TERMINAL	2		
	R78059	ELEC. CONNECTOR SEAL	18		
	R78063	ELEC. CONNECTOR SEAL	5		
	57M8967	ELEC. CONNECTOR SEAL	2		
	R78064	ELEC. CONNECTOR CAVITY PLUG	15		
4	57M9182	NUT	1		(DIAGNOSTIC CONNECTOR)
5	ELEC. CONNECTOR TERMINAL	6		(FUSE BOX) (RELAY)
6	ELEC. CONNECTOR TERMINAL	6		(GROUND)
7	RE12363	ELECTRICAL CONNECTOR ASSY	1		(AIR SEAT)
	R78060	ELEC. CONNECTOR TERMINAL	2		
8	57M9171	ELECTRICAL CONNECTOR ASSY	1		(TRANSMISSION CONTROLLER)
	R104701	ELEC. CONNECTOR TERMINAL	22		
	57M7741	ELEC. CONNECTOR TERMINAL	8		
9	57M9174	ELECTRICAL CONNECTOR ASSY	1		(TRANSMISSION CONTROLLER)
	R104701	ELEC. CONNECTOR TERMINAL	10		
	57M7741	ELEC. CONNECTOR TERMINAL	8		
10	57M7280	ELECTRICAL CONNECTOR ASSY	1		(HVAC WIRING)
	57M7297	ELEC. CONNECTOR TERMINAL	2		
	57M7491	ELEC. CONNECTOR TERMINAL	1		
	57M7274	ELEC. CONNECTOR ACCESSORY	1		
11	57M7261	ELEC. CONNECTOR HOUSING	1		(SHIFT SELECTOR CONTROL)
	R104846	ELEC. CONNECTOR TERMINAL	7		
	57M7259	ELEC. CONNECTOR CAVITY PLUG	1		
	57M7296	ELEC. CONNECTOR ACCESSORY	1		
12	57M9168	ELECTRICAL CONNECTOR ASSY	1		(TRANSMISSION CONTROLLER)
	R104701	ELEC. CONNECTOR TERMINAL	18		
	57M7741	ELEC. CONNECTOR TERMINAL	11		
13	57M7288	ELECTRICAL CONNECTOR ASSY	1		(NEUTRAL SWITCH)
	R104846	ELEC. CONNECTOR TERMINAL	3		
	57M7259	ELEC. CONNECTOR CAVITY PLUG	5		
	57M7296	ELEC. CONNECTOR ACCESSORY	1		
14	57M7262	ELEC. CONNECTOR HOUSING	2		(CAB DISPLAY MONITOR)
	R104846	ELEC. CONNECTOR TERMINAL	7		
	57M7259	ELEC. CONNECTOR CAVITY PLUG	3		
	57M7281	ELEC. CONNECT LOCKING DEVICE	1		
15	57M7262	ELEC. CONNECTOR HOUSING	1		(FNR SENSOR)
	R104846	ELEC. CONNECTOR TERMINAL	3		
	57M7259	ELEC. CONNECTOR CAVITY PLUG	7		
	57M8907	ELEC. CONNECT LOCKING DEVICE	1		
16	57M9207	ELEC. CONNECTOR HOUSING	1		(ACCELERATOR PEDAL)
	57M9572	ELEC. CONNECTOR TERMINAL	3		
	57M7259	ELEC. CONNECTOR CAVITY PLUG	3		
17	57M9207	ELEC. CONNECTOR HOUSING	1		(INCHING PEDAL)
	R104846	ELEC. CONNECTOR TERMINAL	6		
18	57M7304	ELECTRICAL CONNECTOR ASSY	1		(12 VOLT POWER SUPPLY) (CAP)
19	57M7309	ELEC. CONNECTOR HOUSING	1		(12 VOLT POWER SUPPLY)
	57M7299	ELEC. CONNECTOR TERMINAL	2		
	57M7306	ELEC. CONNECT LOCKING DEVICE	1		
20	57M8916	ELECTRICAL CONNECTOR ASSY	1		(DECELERATOR PEDAL)
	57M8300	ELEC. CONNECTOR TERMINAL	3		
	57M9446	ELEC. CONNECTOR SEAL	7		
	57M8231	ELECTRICAL CONNECTOR ASSY	1		
21	57M9452	ELEC. CONNECTOR HOUSING	4		(RELAY)

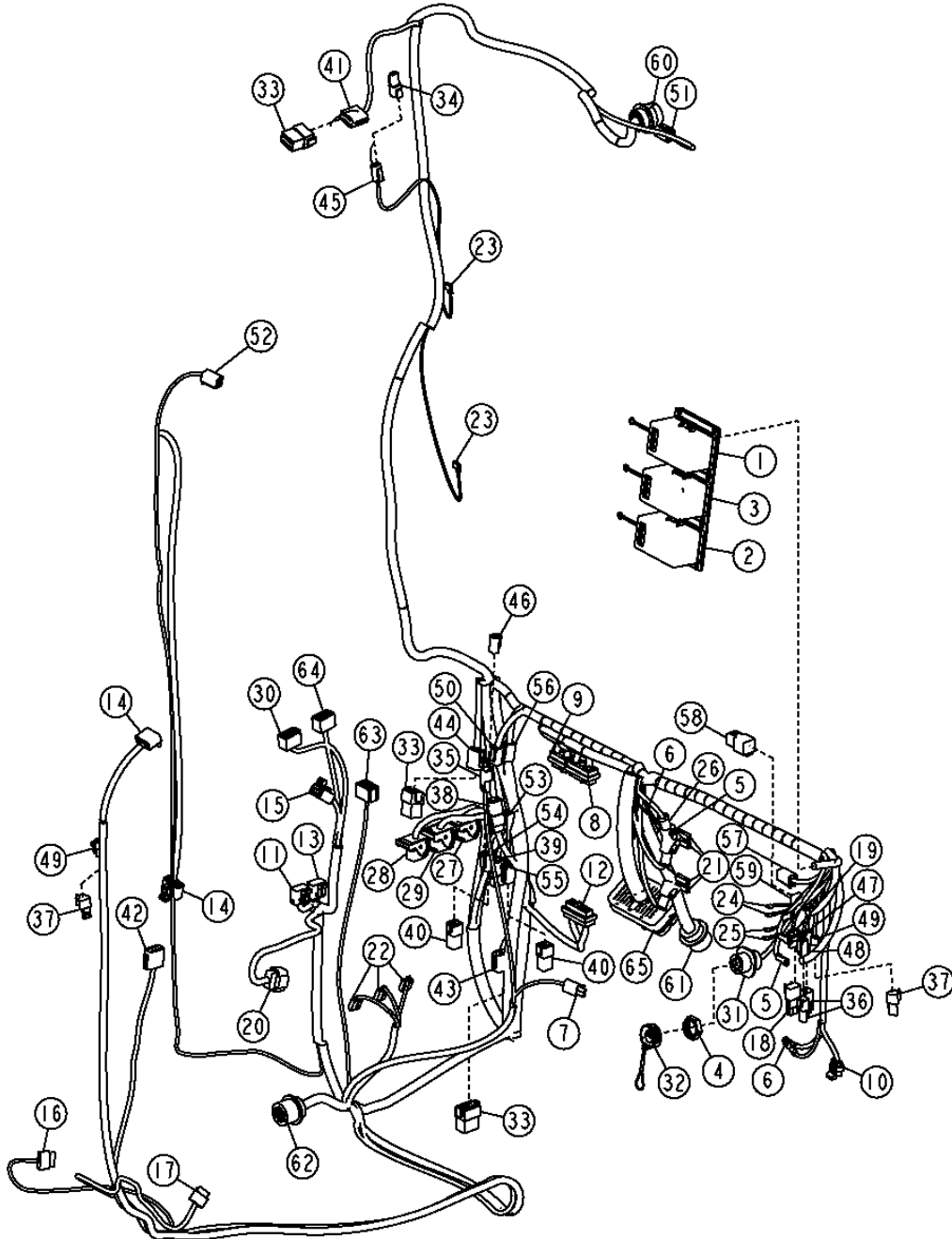
THIS PARTS LISTING IS CONTINUED

1674-50

VEHICLE ELECTRICAL SYSTEMS 16
WIRING HARNESS AND SWITCHES 1674

CAB INTERIOR WIRING HARNESS FAISCEAU DE FILS INTERIEURS DE CABINE ARNES DE ALAMBRADO INTERIOR DE LA CABINA

TX1058299 -UN-



TX1058299

1674-51

VEHICLE ELECTRICAL SYSTEMS 16
WIRING HARNESS AND SWITCHES 1674

**CAB INTERIOR WIRING HARNESS
FAISCEAU DE FILS INTERIEURS DE CABINE
ARNES DE ALAMBRADO INTERIOR DE LA CABINA**

KEY	PART NO.	PART NAME	QTY.	SERIAL NO.	REMARKS
22	T107135	ELECTRICAL CONNECTOR ASSY	3		(WINDSHIELD WASHER RESERVOIR AND PUMP)
	57M7172	ELEC. CONNECTOR TERMINAL	2		
23	ELEC. CONNECTOR HOUSING	2		(REAR WINDOW DEFROST)
24	57M9451	ELEC. CONNECTOR TERMINAL	2		(12 VOLT POWER OUTLET)
25	57M9453	ELEC. CONNECTOR TERMINAL	2		(12 VOLT POWER OUTLET)
26	M135512	BOOT	3		
27	57M8524	ELEC. CONNECTOR HOUSING	1		(FLEX LOAD CONTROLLER) (BROWN)
	57M8530	ELEC. CONNECTOR TERMINAL	16		
	57M9184	ELEC. CONNECTOR TERMINAL	5		
	57M8605	ELEC. CONNECTOR SEAL	8		
	57M8604	ELEC. CONNECTOR SEAL	3		
28	57M8525	ELEC. CONNECTOR HOUSING	1		(FLEX LOAD CONTROLLER) (BLUE)
	57M8530	ELEC. CONNECTOR TERMINAL	13		
	57M9184	ELEC. CONNECTOR TERMINAL	8		
	57M8605	ELEC. CONNECTOR SEAL	10		
	57M8604	ELEC. CONNECTOR SEAL	1		
29	57M8526	ELEC. CONNECTOR HOUSING	1		(FLEX LOAD CONTROLLER) (BROWN)
	57M8530	ELEC. CONNECTOR TERMINAL	20		
	57M9184	ELEC. CONNECTOR TERMINAL	7		
	57M8605	ELEC. CONNECTOR SEAL	20		
	57M8604	ELEC. CONNECTOR SEAL	1		
30	T210282	ELEC. CONNECTOR HOUSING	1		(ENGINE SPEED CONTROL SET SWITCH)
	57M7511	ELEC. CONNECTOR TERMINAL	5		
31	57M9183	ELEC. CONNECTOR HOUSING	1		(DIAGNOSTIC CONNECTOR)
	R78066	ELEC. CONNECTOR TERMINAL	6		
	R78069	ELEC. CONNECTOR CAVITY PLUG	3		
32	57M7477	ELECTRICAL CONNECTOR CAP	1		
33	57M7633	ELECTRICAL CONNECTOR ASSY	3		
34	57M7533	ELEC. CONNECTOR TERMINAL	1		
35	57M8023	ELEC. CONNECTOR HOUSING	1		(UNDER SEAT HEATER)
	R78066	ELEC. CONNECTOR TERMINAL	2		
	57M7621	ELEC.CONNECT LOCKING DEVICE	1		
36	57M8023	ELEC. CONNECTOR HOUSING	1		(CAP) (24 VOLT)
37	57M8131	ELEC. CONNECTOR HOUSING	2		(CAN TERMINATOR)
38	57M8014	ELEC. CONNECTOR HOUSING	1		
	R78066	ELEC. CONNECTOR TERMINAL	6		
39	57M7678	ELEC. CONNECTOR TERMINAL	1		
	57M8014	ELEC. CONNECTOR HOUSING	1		(TRANSMISSION TEST)
	R78066	ELEC. CONNECTOR TERMINAL	6		
	57M7678	ELEC. CONNECTOR TERMINAL	1		
40	57M8014	ELEC. CONNECTOR HOUSING	2		(CAP)
41	57M8008	ELECTRICAL CONNECTOR ASSY	1		(TO RADIO HARNESS)
	R78065	ELEC. CONNECTOR TERMINAL	12		
	57M8009	ELEC.CONNECT LOCKING DEVICE	1		
42	57M8008	ELECTRICAL CONNECTOR ASSY	1		(CAB TILT CONSOLE WIRING HARNESS)
	R78065	ELEC. CONNECTOR TERMINAL	11		
	R78069	ELEC. CONNECTOR CAVITY PLUG	1		
	57M8009	ELEC.CONNECT LOCKING DEVICE	1		
43	57M8008	ELECTRICAL CONNECTOR ASSY	1		(INTEGRATED GRADE CONTROL CAB HARNESS)
	R78065	ELEC. CONNECTOR TERMINAL	10		
	R78069	ELEC. CONNECTOR CAVITY PLUG	2		
	57M8009	ELEC.CONNECT LOCKING DEVICE	1		
44	57M8008	ELECTRICAL CONNECTOR ASSY	1		(CAB HARNESS) (GRADE PRO)
	R78065	ELEC. CONNECTOR TERMINAL	12		
	57M8009	ELEC.CONNECT LOCKING DEVICE	1		
45	57M8021	ELECTRICAL CONNECTOR ASSY	1		(FAN MOTOR)
	R78065	ELEC. CONNECTOR TERMINAL	2		
	57M8022	ELEC.CONNECT LOCKING DEVICE	1		
46	57M8021	ELECTRICAL CONNECTOR ASSY	1		(CAP)
47	57M8021	ELECTRICAL CONNECTOR ASSY	1		(24 VOLT)
	R78065	ELEC. CONNECTOR TERMINAL	2		
	57M8022	ELEC.CONNECT LOCKING DEVICE	1		
48	57M8021	ELECTRICAL CONNECTOR ASSY	1		(24 VOLT)
	R78065	ELEC. CONNECTOR TERMINAL	2		
	57M8022	ELEC.CONNECT LOCKING DEVICE	1		
49	57M8018	ELECTRICAL CONNECTOR ASSY	2		(CAN TERMINATOR)
	R78065	ELEC. CONNECTOR TERMINAL	3		

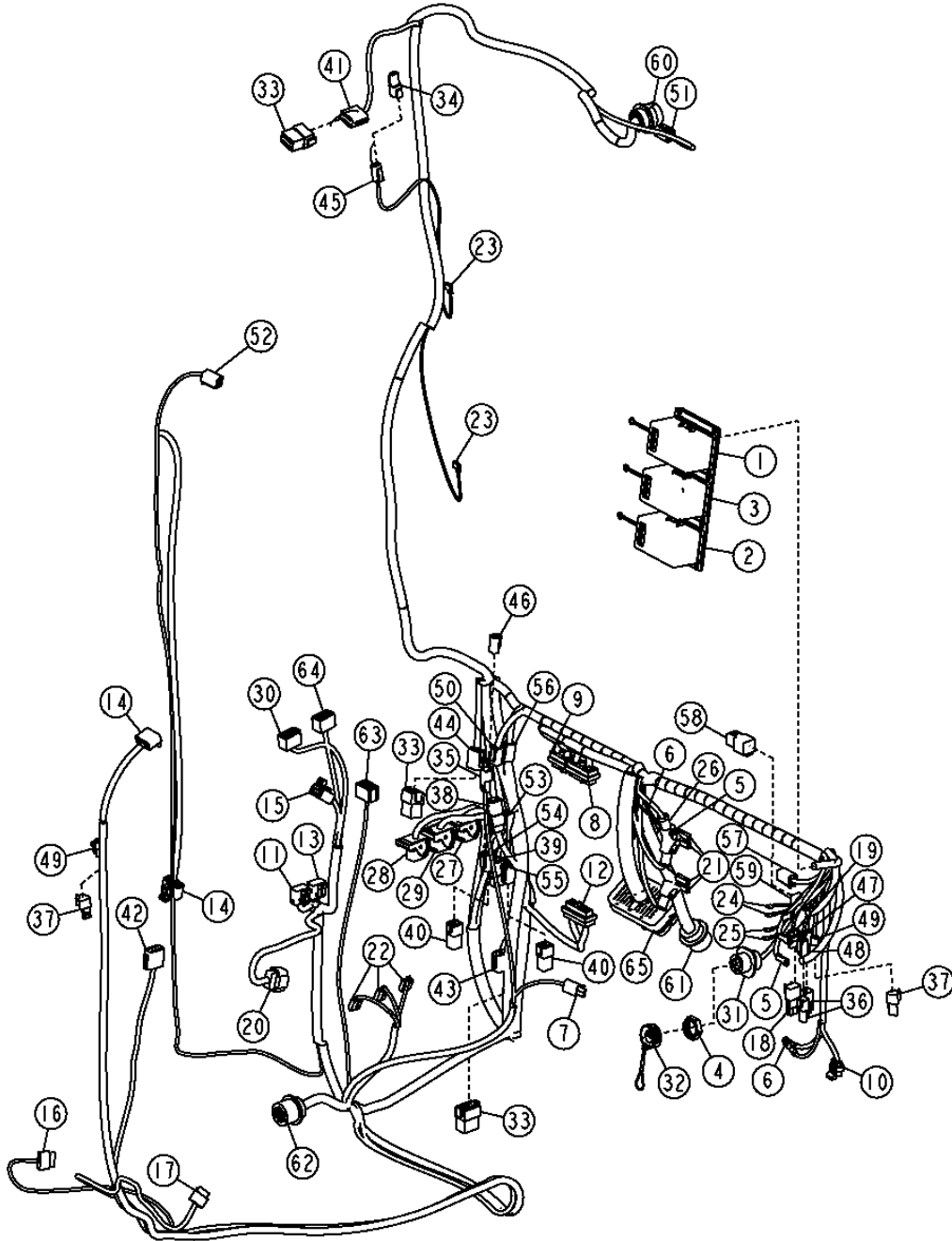
THIS PARTS LISTING IS CONTINUED

1674-52

VEHICLE ELECTRICAL SYSTEMS 16
WIRING HARNESS AND SWITCHES 1674

CAB INTERIOR WIRING HARNESS FAISCEAU DE FILS INTERIEURS DE CABINE ARNES DE ALAMBRADO INTERIOR DE LA CABINA

TX1058299 -UN-



TX1058299

1674-53

VEHICLE ELECTRICAL SYSTEMS 16
WIRING HARNESS AND SWITCHES 1674

**CAB INTERIOR WIRING HARNESS
FAISCEAU DE FILS INTERIEURS DE CABINE
ARNES DE ALAMBRADO INTERIOR DE LA CABINA**

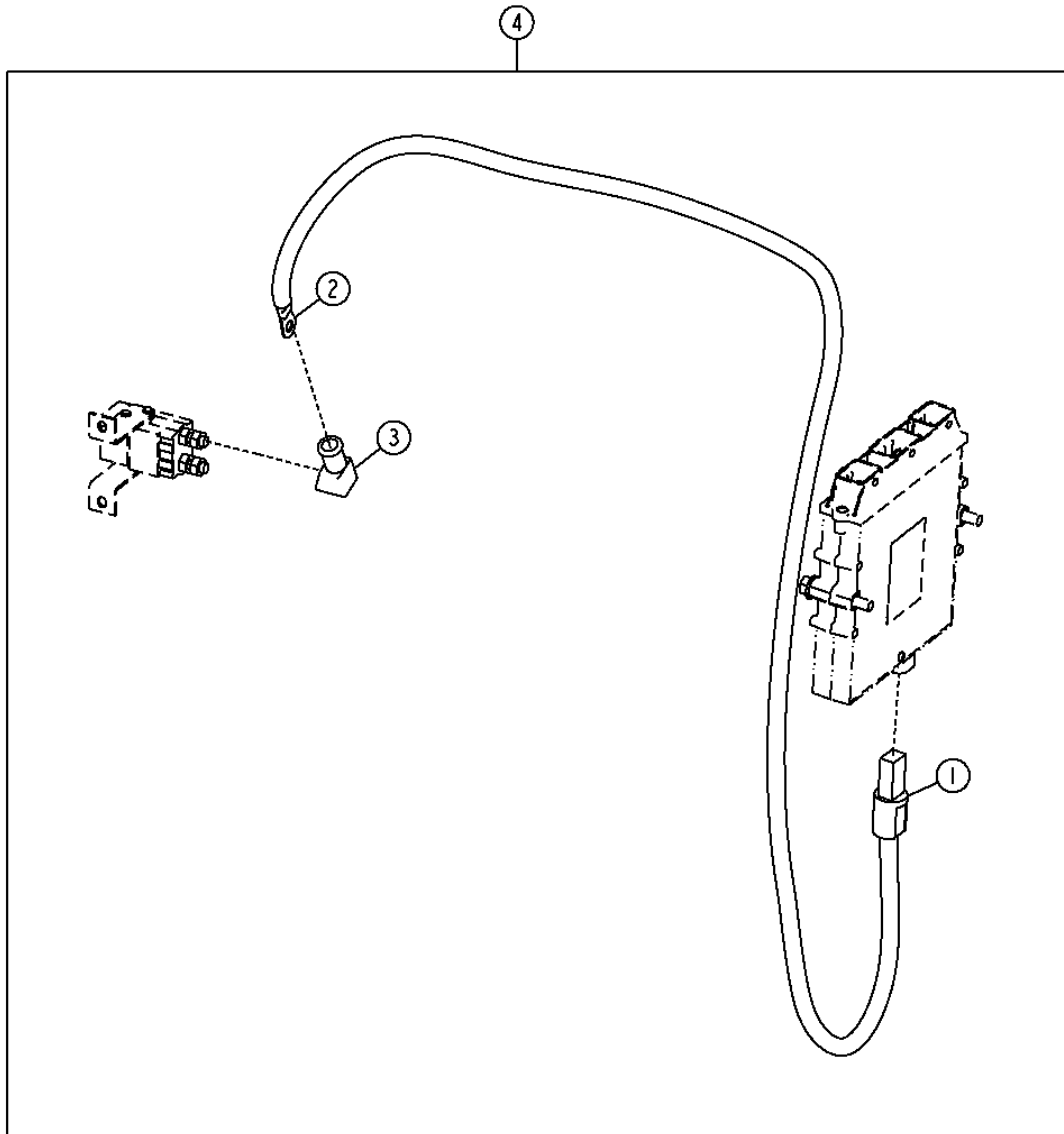
KEY	PART NO.	PART NAME	QTY.	SERIAL NO.	REMARKS
50	57M9130	ELECTRICAL CONNECTOR ASSY	1		(MACHINE INFORMATION GATEWAY)
	57M8430	ELEC. CONNECTOR TERMINAL	5		
	R78065	ELEC. CONNECTOR TERMINAL	1		
	R78069	ELEC. CONNECTOR CAVITY PLUG	1		
	57M9132	ELEC.CONNECT LOCKING DEVICE	1		
51	57M8012	ELECTRICAL CONNECTOR ASSY	1		(REAR WINDSHIELD WIPER)
	R78065	ELEC. CONNECTOR TERMINAL	4		
	R78069	ELEC. CONNECTOR CAVITY PLUG	2		
	57M8013	ELEC.CONNECT LOCKING DEVICE	1		
52	57M8012	ELECTRICAL CONNECTOR ASSY	1		(SSM)
	R78065	ELEC. CONNECTOR TERMINAL	6		
	57M8013	ELEC.CONNECT LOCKING DEVICE	1		
53	57M8012	ELECTRICAL CONNECTOR ASSY	1		
	R78065	ELEC. CONNECTOR TERMINAL	3		
	R78069	ELEC. CONNECTOR CAVITY PLUG	3		
	57M8013	ELEC.CONNECT LOCKING DEVICE	1		
54	57M8012	ELECTRICAL CONNECTOR ASSY	1		(TRANSMISSION TEST)
	R78065	ELEC. CONNECTOR TERMINAL	4		
	R78069	ELEC. CONNECTOR CAVITY PLUG	2		
	57M8013	ELEC.CONNECT LOCKING DEVICE	1		
55	57M8012	ELECTRICAL CONNECTOR ASSY	1		(TRANSMISSION TEST)
	R78065	ELEC. CONNECTOR TERMINAL	4		
	R78069	ELEC. CONNECTOR CAVITY PLUG	2		
	57M8013	ELEC.CONNECT LOCKING DEVICE	1		
56	57M8012	ELECTRICAL CONNECTOR ASSY	1		(MACHINE INFORMATION GATEWAY)
	R78065	ELEC. CONNECTOR TERMINAL	6		
	57M8013	ELEC.CONNECT LOCKING DEVICE	1		
57	57M8012	ELECTRICAL CONNECTOR ASSY	1		(POWER CONVERTER (12V))
	R78065	ELEC. CONNECTOR TERMINAL	6		
	57M8013	ELEC.CONNECT LOCKING DEVICE	1		
58	ELECTRICAL CONNECTOR CAP	1		
59	57M9131	ELEC. CONNECTOR TERMINAL	1		(POWER CONVERTER (12V))
	R78065	ELEC. CONNECTOR TERMINAL	3		
	R78069	ELEC. CONNECTOR CAVITY PLUG	1		
	ELEC.CONNECT LOCKING DEVICE	1		
60	57M7750	ELEC. CONNECTOR TERMINAL	1		(CAB ROOF HARNESS)
	R78066	ELEC. CONNECTOR TERMINAL	18		
	R78069	ELEC. CONNECTOR CAVITY PLUG	5		
61	57M7544	ELEC. CONNECTOR TERMINAL	1		(ENGINE FRAME HARNESS)
	R78066	ELEC. CONNECTOR TERMINAL	21		
	R78069	ELEC. CONNECTOR CAVITY PLUG	2		
62	57M8467	ELEC. CONNECTOR TERMINAL	1		(FRONT PLATFORM HARNESS)
	R78065	ELEC. CONNECTOR TERMINAL	23		
	R78069	ELEC. CONNECTOR CAVITY PLUG	8		
63	T210282	ELEC. CONNECTOR HOUSING	1		(UNDER SEAT HEATER) (SWITCH)
	57M7511	ELEC. CONNECTOR TERMINAL	3		
64	T210282	ELEC. CONNECTOR HOUSING	1		(ENGINE SPEED CONTROL)
	57M7511	ELEC. CONNECTOR TERMINAL	8		
65	ELEC. CONNECTOR HOUSING	1		(REAR PLATFORM HARNESS)
	R78066	ELEC. CONNECTOR TERMINAL	55		
	57M7537	ELEC. CONNECTOR TERMINAL	2		
	ELEC. CONNECTOR CAVITY PLUG	16		
	57M7905	ELECTRICAL CONNECTOR ASSY	4		
	R78069	ELEC. CONNECTOR CAVITY PLUG	25		
	ELEC.CONNECT LOCKING DEVICE	1		
	ELEC.CONNECT LOCKING DEVICE	1		
80	AT367891	CAB WIRING HARNESS	1		

1674-56

FLEX LOAD CONTROLLER POWER CABLE
ALIMENTATION DU FLEX LOAD CONTROLLER
CABLE DE ALIMENTACION DE CONTROLADOR DE CARGA FLEXIBLE

TX1057815

-UN-



TX1057815

THIS PARTS LISTING IS CONTINUED

1674-57

VEHICLE ELECTRICAL SYSTEMS 16

WIRING HARNESS AND SWITCHES 1674

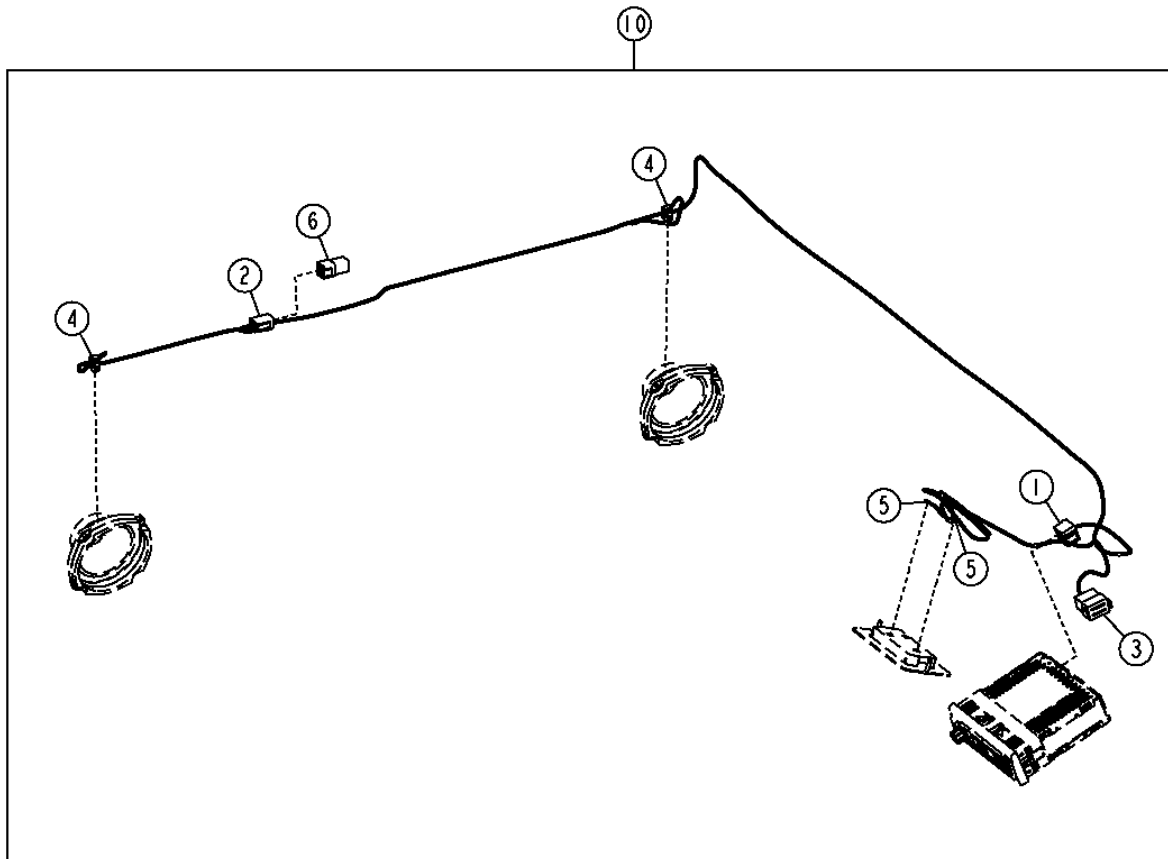
**FLEX LOAD CONTROLLER POWER CABLE
ALIMENTATION DU FLEX LOAD CONTROLLER
CABLE DE ALIMENTACION DE CONTROLADOR DE CARGA FLEXIBLE**

KEY	PART NO.	PART NAME	QTY.	SERIAL NO.	REMARKS
1	57M9710	ELEC. CONNECTOR HOUSING	1		
	57M9720	ELEC. CONNECTOR TERMINAL	1		
2	ELEC. CONNECTOR TERMINAL	1		
3	M135512	BOOT	1		
4	AT350214	WIRING HARNESS	1		

1674-58

RADIO WIRING TO INSIDE CAB
ENTRE CABLAGE RADIO ET CABINE INTERIEURE
ALAMBRADO RADIO A CABINA INTERIOR

TX1057823 -UN-



TX1057823

1674-59

VEHICLE ELECTRICAL SYSTEMS 16

WIRING HARNESS AND SWITCHES 1674

**RADIO WIRING TO INSIDE CAB
ENTRE CABLAGE RADIO ET CABINE INTERIEURE
ALAMBRADO RADIO A CABINA INTERIOR**

KEY	PART NO.	PART NAME	QTY.	SERIAL NO.	REMARKS
1	57M8781	ELECTRICAL CONNECTOR ASSY	1		(RADIO)
	ELEC. CONNECTOR TERMINAL	8		
2	57M8012	ELECTRICAL CONNECTOR ASSY	1		(FRONT WIPER MOTOR)
	ELEC. CONNECTOR TERMINAL	5		
	R78069	ELEC. CONNECTOR CAVITY PLUG	1		
	57M8013	ELEC.CONNECT LOCKING DEVICE	1		
3	57M7633	ELECTRICAL CONNECTOR ASSY	1		(CAB INTERIOR WIRING HARNESS)
	ELEC. CONNECTOR TERMINAL	12		
	ELEC.CONNECT LOCKING DEVICE	1		
4	57M8174	ELEC. CONNECTOR TERMINAL	2		(SPEAKERS)
	57M7501	ELEC. CONNECTOR TERMINAL	2		
	57M7724	ELECTRICAL CONNECTOR ASSY	1		
5	57M9453	ELEC. CONNECTOR TERMINAL	2		(DOME LIGHT)
6	57M8014	ELEC. CONNECTOR HOUSING	1		(CAP)
10	AT363999	RADIO SPEAKER WRG HARNESS	1		

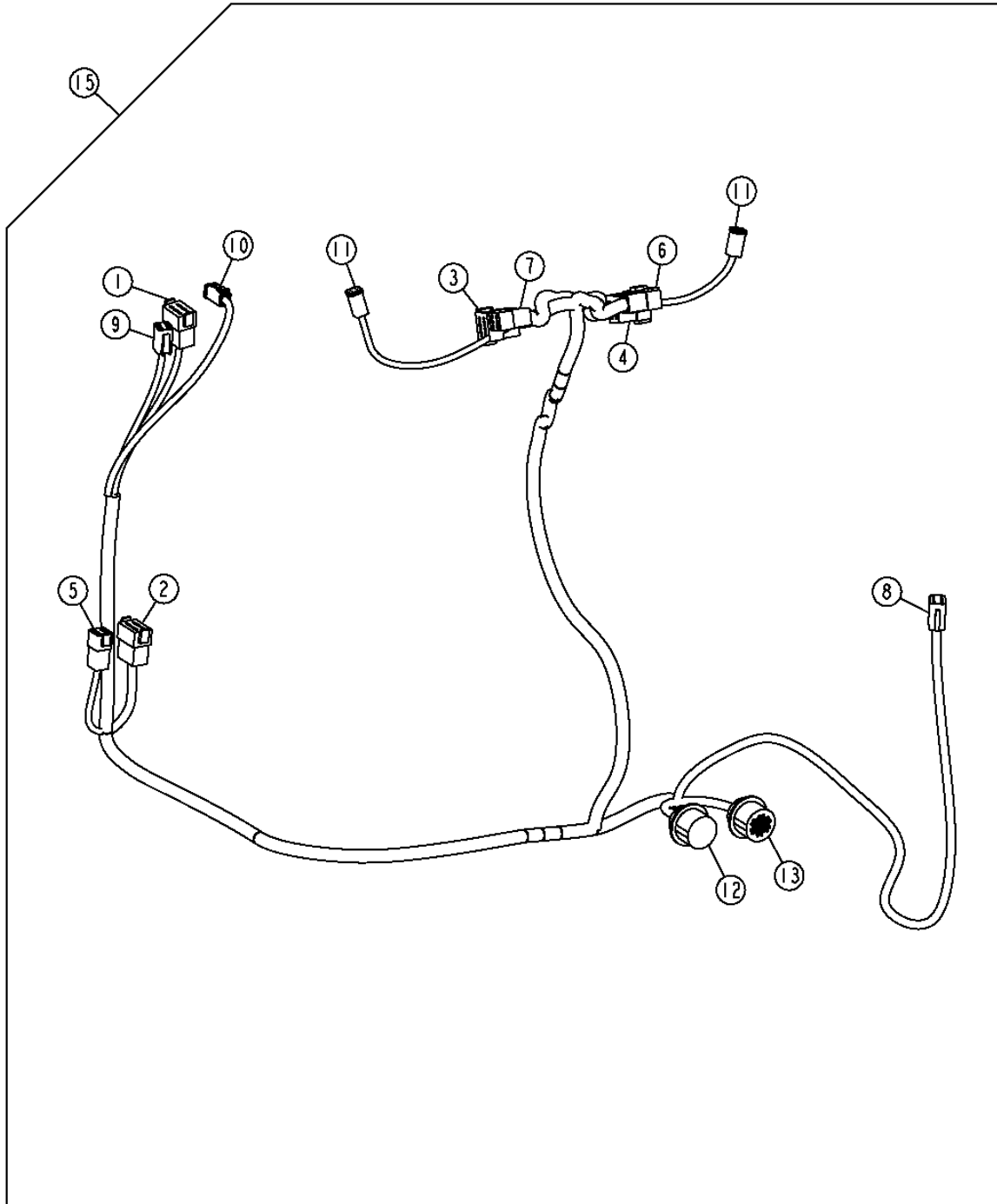
1674-60

VEHICLE ELECTRICAL SYSTEMS 16
WIRING HARNESS AND SWITCHES 1674

CAB WIRING HARNESS (GRADE PRO)
FAISCEAU DE CABLES (CABINE) (GRADE PRO)
GRUPO DE CABLES (CABINA) (GRADE PRO)

TX1057850

-UN-



TX1057850

THIS PARTS LISTING IS CONTINUED

1674-61

VEHICLE ELECTRICAL SYSTEMS 16
WIRING HARNESS AND SWITCHES 1674

**CAB WIRING HARNESS (GRADE PRO)
FAISCEAU DE CABLES (CABINE) (GRADE PRO)
GRUPO DE CABLES (CABINA) (GRADE PRO)**

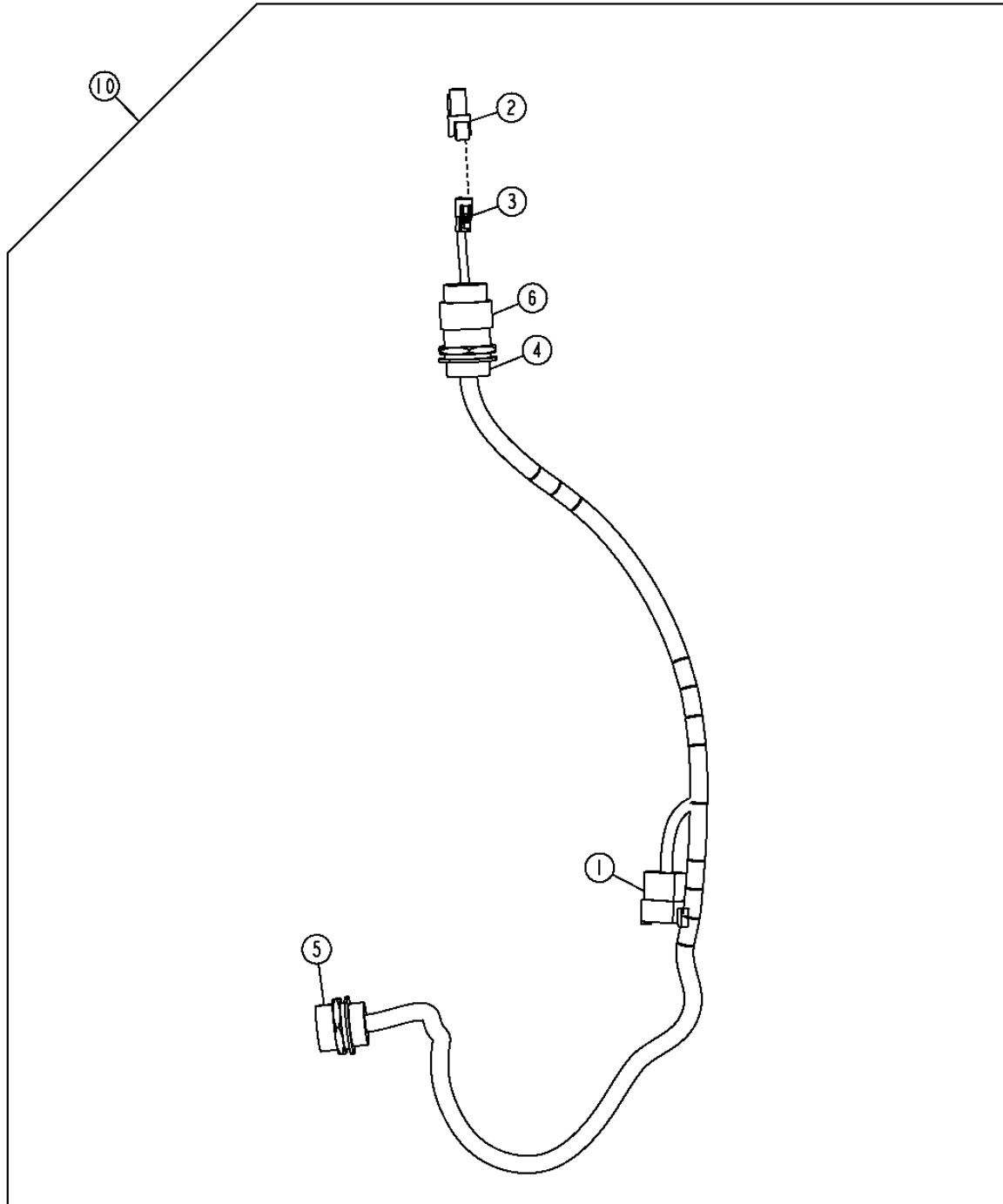
KEY	PART NO.	PART NAME	QTY.	SERIAL NO.	REMARKS
1	57M7633	ELECTRICAL CONNECTOR ASSY	1		(CAB INTERIOR WIRING HARNESS)
	R78066	ELEC. CONNECTOR TERMINAL	6		
	57M7682	ELEC.CONNECT LOCKING DEVICE	1		
2	57M7633	ELECTRICAL CONNECTOR ASSY	1		(CAB INTERIOR WIRING HARNESS)
	R78066	ELEC. CONNECTOR TERMINAL	10		
	R78069	ELEC. CONNECTOR CAVITY PLUG	2		
	57M7682	ELEC.CONNECT LOCKING DEVICE	1		
3	57M7633	ELECTRICAL CONNECTOR ASSY	1		(RIGHT ARMREST HARNESS)
	R78066	ELEC. CONNECTOR TERMINAL	12		
	57M7682	ELEC.CONNECT LOCKING DEVICE	1		
4	57M8008	ELECTRICAL CONNECTOR ASSY	1		(LEFT ARMREST HARNESS)
	R78065	ELEC. CONNECTOR TERMINAL	12		
	57M8009	ELEC.CONNECT LOCKING DEVICE	1		
5	57M8014	ELEC. CONNECTOR HOUSING	1		(VEHICLE CAN BUS TERMINAL)
	R78066	ELEC. CONNECTOR TERMINAL	3		
	R78069	ELEC. CONNECTOR CAVITY PLUG	3		
	57M7678	ELEC. CONNECTOR TERMINAL	1		
6	57M8014	ELEC. CONNECTOR HOUSING	1		(CAN -BUS)
	R78066	ELEC. CONNECTOR TERMINAL	6		
	57M7678	ELEC. CONNECTOR TERMINAL	1		
7	ELEC. CONNECTOR HOUSING	1		(CAN -BUS)
	R78066	ELEC. CONNECTOR TERMINAL	7		
	R78069	ELEC. CONNECTOR CAVITY PLUG	1		
	57M7680	ELEC. CONNECTOR TERMINAL	1		
8	57M8008	ELECTRICAL CONNECTOR ASSY	1		(INTEGRATED GRADE CONTROL CAB HARNESS)
	R78065	ELEC. CONNECTOR TERMINAL	11		
	R78069	ELEC. CONNECTOR CAVITY PLUG	1		
	57M8009	ELEC.CONNECT LOCKING DEVICE	1		
9	57M8012	ELECTRICAL CONNECTOR ASSY	1		(VEHICLE CAN BUS TERMINAL)
	R78065	ELEC. CONNECTOR TERMINAL	6		
	57M8013	ELEC.CONNECT LOCKING DEVICE	1		
10	57M7535	ELEC. CONNECTOR TERMINAL	1		(OVERLOAD PROTECTION DEVICE)
	R78066	ELEC. CONNECTOR TERMINAL	3		
	R78069	ELEC. CONNECTOR CAVITY PLUG	1		
	57M8016	ELEC.CONNECT LOCKING DEVICE	1		
11	57M7535	ELEC. CONNECTOR TERMINAL	2		(ARM REST SWITCH)
	R78066	ELEC. CONNECTOR TERMINAL	4		
	57M8016	ELEC.CONNECT LOCKING DEVICE	1		
12	57M7544	ELEC. CONNECTOR TERMINAL	1		(REAR GRADE PRO VALVE HARNESS)
	R78066	ELEC. CONNECTOR TERMINAL	18		
	R78069	ELEC. CONNECTOR CAVITY PLUG	5		
13	57M7666	ELEC. CONNECTOR TERMINAL	1		(REAR GRADE PRO VALVE HARNESS)
	R78066	ELEC. CONNECTOR TERMINAL	24		
	R78069	ELEC. CONNECTOR CAVITY PLUG	7		
15	AT348577	CAB WIRING HARNESS	1		

1674-62

**INTEGRATED GRADE CONTROL CAB HARNESS
COMMANDE DE PENTE INTEGREE/FAISCEAU DE CABINE
CONTROL INTEGRADO DE PENDIENTE/ARNES DE CABINA**

TX1058211

-UN-



TX1058211

1674-63

VEHICLE ELECTRICAL SYSTEMS 16

WIRING HARNESS AND SWITCHES 1674

**INTEGRATED GRADE CONTROL CAB HARNESS
COMMANDE DE PENTE INTEGREE/FAISCEAU DE CABINE
CONTROL INTEGRADO DE PENDIENTE/ARNES DE CABINA**

KEY	PART NO.	PART NAME	QTY.	SERIAL NO.	REMARKS
1	57M7633	ELECTRICAL CONNECTOR ASSY	1		(CAB WIRING HARNESS (GRADE PRO))
	ELEC. CONNECTOR TERMINAL	11		
	R78069	ELEC. CONNECTOR CAVITY PLUG	1		
	57M7682	ELEC.CONNECT LOCKING DEVICE	1		
2	57M9131	ELEC. CONNECTOR TERMINAL	1		(CAN TERMINATOR)
3	57M8018	ELECTRICAL CONNECTOR ASSY	1		(CAN TERMINATOR)
	ELEC. CONNECTOR TERMINAL	3		
	57M8221	ELEC.CONNECT LOCKING DEVICE	1		
4	57M7544	ELEC. CONNECTOR TERMINAL	1		
	ELEC. CONNECTOR TERMINAL	23		
5	57M7544	ELEC. CONNECTOR TERMINAL	1		
	ELEC. CONNECTOR TERMINAL	23		
6	57M7543	ELECTRICAL CONNECTOR ASSY	1		
	ELEC. CONNECTOR TERMINAL	3		
	R78069	ELEC. CONNECTOR CAVITY PLUG	3		
10	AT354908	CAB WIRING HARNESS	1		

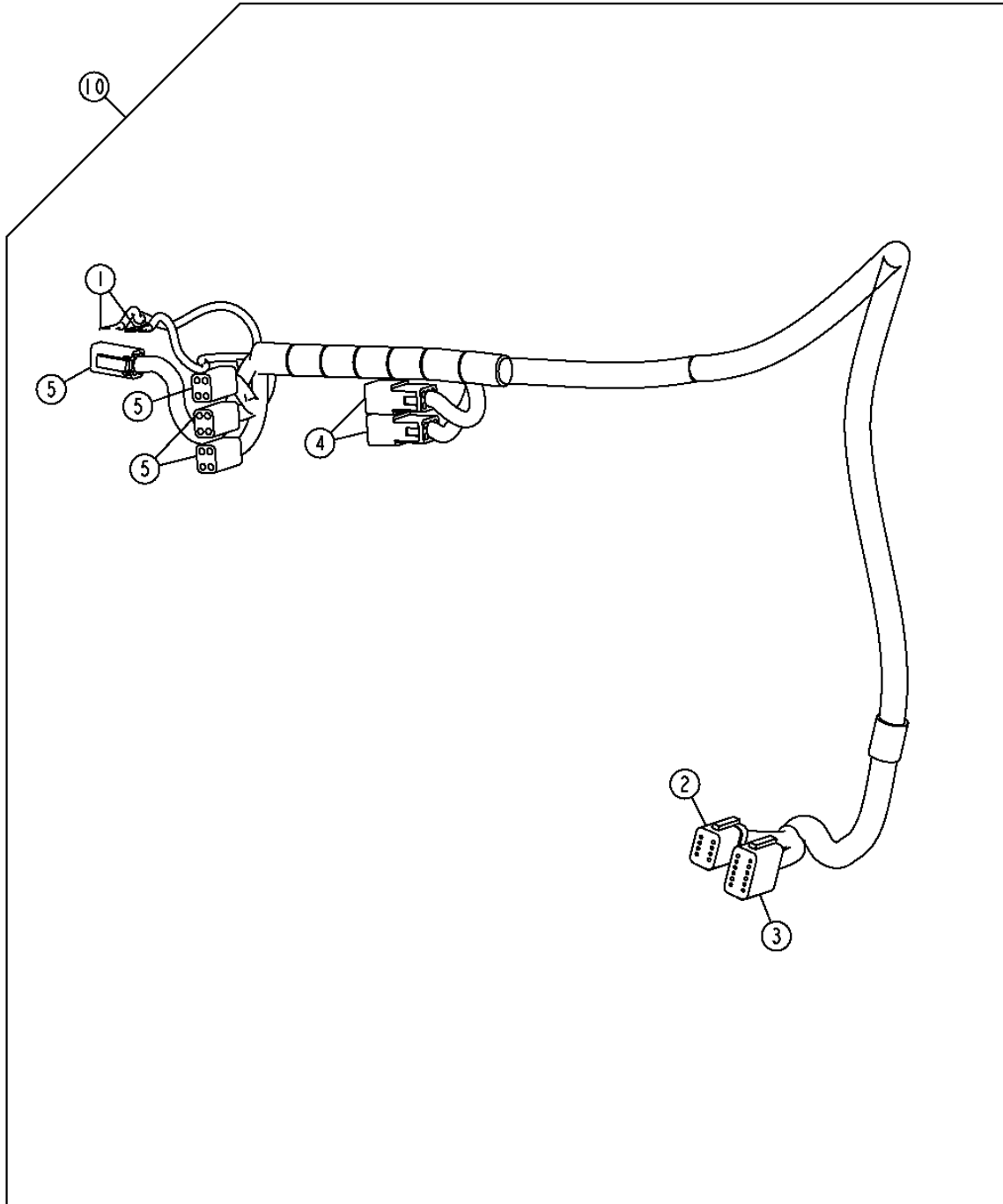
1674-64

VEHICLE ELECTRICAL SYSTEMS 16
WIRING HARNESS AND SWITCHES 1674

RIGHT ARMREST HARNESS FAISCEAU D'ACCOUDOIR DROIT ARNES DE CABLES DE APOYABRAZOS DERECHO

TX1057863

-UN-



TX1057863

THIS PARTS LISTING IS CONTINUED

1674-65

VEHICLE ELECTRICAL SYSTEMS 16

WIRING HARNESS AND SWITCHES 1674

RIGHT ARMREST HARNESS
FAISCEAU D'ACCOUDOIR DROIT
ARNES DE CABLES DE APOYABRAZOS DERECHO

KEY	PART NO.	PART NAME	QTY.	SERIAL NO.	REMARKS
1	ELEC. CONNECTOR TERMINAL	2		(DIFFERENTIAL LOCK SWITCH)
2	57M8010	ELECTRICAL CONNECTOR ASSY	1		(CAN -BUS)
	R78065	ELEC. CONNECTOR TERMINAL	7		
	R78069	ELEC. CONNECTOR CAVITY PLUG	1		
	57M8011	ELEC.CONNECT LOCKING DEVICE	1		
3	57M8008	ELECTRICAL CONNECTOR ASSY	1		(CAB WIRING HARNESS (GRADE PRO))
	R78065	ELEC. CONNECTOR TERMINAL	12		
	57M8009	ELEC.CONNECT LOCKING DEVICE	1		
4	CB01493998	ELEC. CONNECTOR HOUSING	2		(AUXILIARY CONTROL)
	57M7683	ELEC. CONNECTOR TERMINAL	6		
	CB01493999	ELEC. CONNECTOR CAVITY PLUG	1		
5	57M9076	ELEC. CONNECTOR HOUSING	4		(JOYSTICK)
	57M7684	ELEC. CONNECTOR TERMINAL	4		
	57M9077	ELEC. CONNECTOR ACCESSORY	1		
10	AT354909	CAB WIRING HARNESS	1		

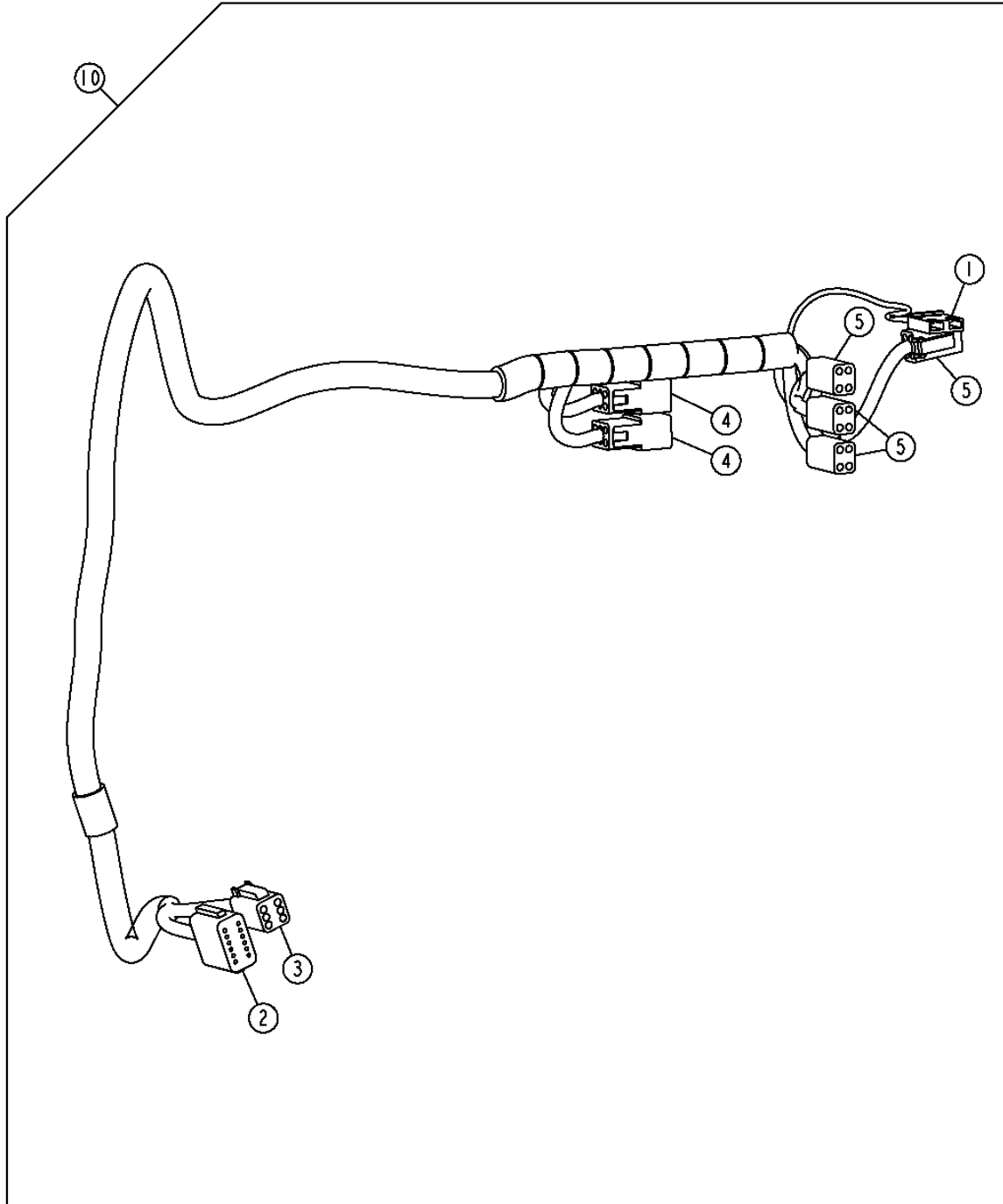
1674-66

VEHICLE ELECTRICAL SYSTEMS 16
WIRING HARNESS AND SWITCHES 1674

LEFT ARMREST HARNESS FAISCEAU D'ACCOUDOIR GAUCHE ARNES DE CABLES DE APOYABRAZOS IZQUIERDO

TX1057868

-UN-



TX1057868

THIS PARTS LISTING IS CONTINUED

1674-67

VEHICLE ELECTRICAL SYSTEMS 16
WIRING HARNESS AND SWITCHES 1674

**LEFT ARMREST HARNESS
FAISCEAU D'ACCOUDOIR GAUCHE
ARNES DE CABLES DE APOYABRAZOS IZQUIERDO**

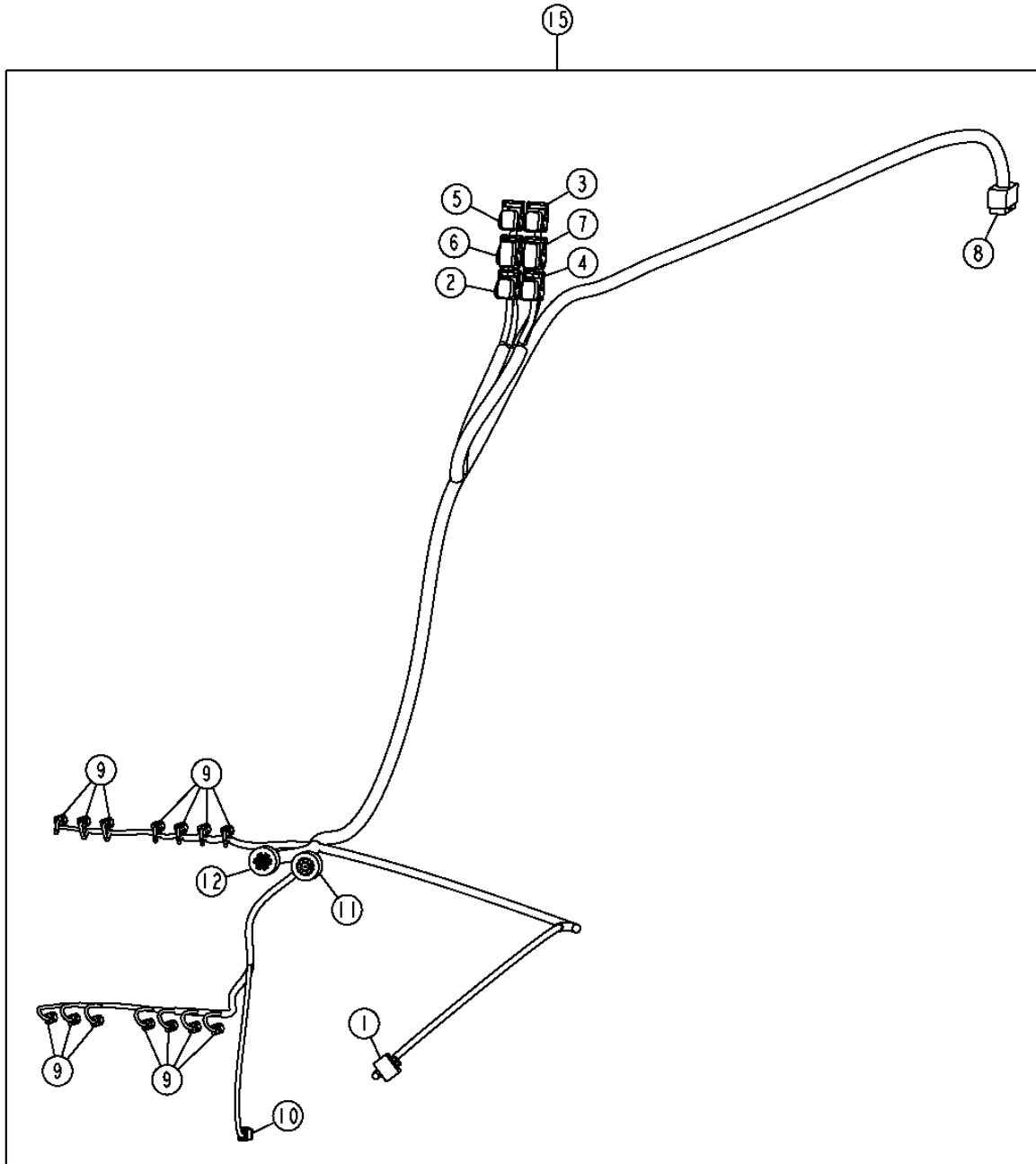
KEY	PART NO.	PART NAME	QTY.	SERIAL NO.	REMARKS
1	R77480	ELECTRICAL CONNECTOR ASSY	1		(HORN SWITCH)
	57M9199	ELEC. CONNECTOR TERMINAL	2		
2	57M8008	ELECTRICAL CONNECTOR ASSY	1		(CAB WIRING HARNESS (GRADE PRO))
	R78066	ELEC. CONNECTOR TERMINAL	12		
	57M7682	ELEC.CONNECT LOCKING DEVICE	1		
3	57M8012	ELECTRICAL CONNECTOR ASSY	1		(CAN -BUS)
	R78065	ELEC. CONNECTOR TERMINAL	6		
	57M8013	ELEC.CONNECT LOCKING DEVICE	1		
4	CB01493998	ELEC. CONNECTOR HOUSING	2		(FLOAT)
	57M7683	ELEC. CONNECTOR TERMINAL	6		
	CB01493999	ELEC. CONNECTOR CAVITY PLUG	1		
5	57M9076	ELEC. CONNECTOR HOUSING	4		(JOYSTICK)
	57M7684	ELEC. CONNECTOR TERMINAL	4		
	57M9077	ELEC. CONNECTOR ACCESSORY	1		
10	AT354910	CAB WIRING HARNESS	1		

1674-68

REAR GRADE PRO VALVE HARNESS
FAISCEAU DE VANNES ARRIERE GRADE PRO
ARNES DE VALVULAS GRADE PRO TRASERO

TX1058213

-UN-



TX1058213

1674-69

VEHICLE ELECTRICAL SYSTEMS 16
WIRING HARNESS AND SWITCHES 1674

**REAR GRADE PRO VALVE HARNESS
FAISCEAU DE VANNES ARRIERE GRADE PRO
ARNES DE VALVULAS GRADE PRO TRASERO**

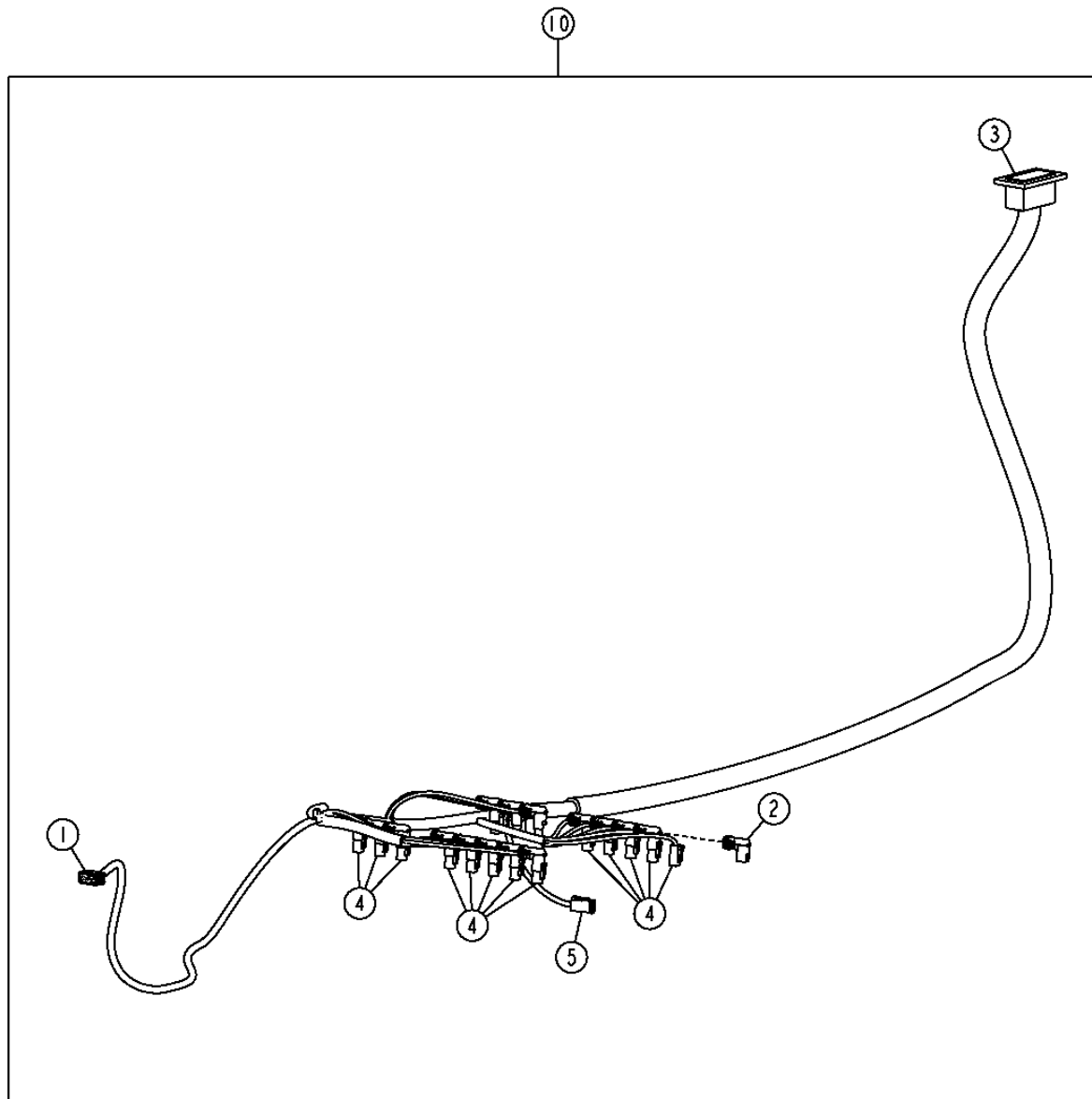
KEY	PART NO.	PART NAME	QTY.	SERIAL NO.	REMARKS
1	57M7262	ELEC. CONNECTOR HOUSING	1		(RETURN TO STRAIGHT SWITCH)
	57M9469	ELEC. CONNECTOR TERMINAL	2		
	R104846	ELEC. CONNECTOR TERMINAL	4		
	57M9883	ELEC. CONNECTOR CABLE SEAL	4		
	57M7259	ELEC. CONNECTOR CAVITY PLUG	4		
	57M7281	ELEC.CONNECT LOCKING DEVICE	1		
2	57M8518	ELEC. CONNECTOR HOUSING	1		(ELECTROHYDRAULIC VALVE CONTROLLERS) (BLACK)
	57M8530	ELEC. CONNECTOR TERMINAL	13		
	57M9469	ELEC. CONNECTOR TERMINAL	3		
	57M8605	ELEC. CONNECTOR SEAL	11		
	57M8604	ELEC. CONNECTOR SEAL	5		
3	57M8528	ELECTRICAL CONNECTOR CAP	1		(ELECTROHYDRAULIC VALVE CONTROLLERS) (AUXILIARY) (BLACK)
	57M8530	ELEC. CONNECTOR TERMINAL	14		
	57M9469	ELEC. CONNECTOR TERMINAL	4		
	57M8605	ELEC. CONNECTOR SEAL	10		
	57M8604	ELEC. CONNECTOR SEAL	4		
4	57M8520	ELEC. CONNECTOR HOUSING	1		(ELECTROHYDRAULIC VALVE CONTROLLERS) (AUXILIARY) (GRAY)
	57M8530	ELEC. CONNECTOR TERMINAL	13		
	57M9469	ELEC. CONNECTOR TERMINAL	6		
	57M8605	ELEC. CONNECTOR SEAL	11		
	57M8604	ELEC. CONNECTOR SEAL	2		
5	57M8521	ELEC. CONNECTOR HOUSING	1		(ELECTROHYDRAULIC VALVE CONTROLLERS) (GRAY)
	57M8530	ELEC. CONNECTOR TERMINAL	11		
	57M9469	ELEC. CONNECTOR TERMINAL	8		
	57M8605	ELEC. CONNECTOR SEAL	13		
6	57M8526	ELEC. CONNECTOR HOUSING	1		(ELECTROHYDRAULIC VALVE CONTROLLERS) (BROWN)
	57M8530	ELEC. CONNECTOR TERMINAL	16		
	57M9469	ELEC. CONNECTOR TERMINAL	7		
	57M8605	ELEC. CONNECTOR SEAL	24		
	57M8604	ELEC. CONNECTOR SEAL	1		
7	57M8527	ELEC. CONNECTOR HOUSING	1		(ELECTROHYDRAULIC VALVE CONTROLLERS) (AUXILIARY) (BROWN)
	57M8530	ELEC. CONNECTOR TERMINAL	14		
	57M9469	ELEC. CONNECTOR TERMINAL	9		
	57M8605	ELEC. CONNECTOR SEAL	24		
	57M8604	ELEC. CONNECTOR SEAL	1		
8	57M7777	ELECTRICAL CONNECTOR ASSY	1		(FRONT GRADE PRO VALVE HARNESS)
	R78065	ELEC. CONNECTOR TERMINAL	37		
	R78069	ELEC. CONNECTOR CAVITY PLUG	3		
9	57M8021	ELECTRICAL CONNECTOR ASSY	14		(VALVES)
	R78065	ELEC. CONNECTOR TERMINAL	2		
	57M8022	ELEC.CONNECT LOCKING DEVICE	1		
10	57M8015	ELECTRICAL CONNECTOR ASSY	1		(MAINFALL ANGLE)
	R78065	ELEC. CONNECTOR TERMINAL	3		
	R78069	ELEC. CONNECTOR CAVITY PLUG	1		
	57M8016	ELEC.CONNECT LOCKING DEVICE	1		
11	57M7543	ELECTRICAL CONNECTOR ASSY	1		(CAB WIRING HARNESS (GRADE PRO))
	R78065	ELEC. CONNECTOR TERMINAL	18		
	R78069	ELEC. CONNECTOR CAVITY PLUG	5		
12	57M7667	ELECTRICAL CONNECTOR ASSY	1		(CAB WIRING HARNESS (GRADE PRO))
	R78065	ELEC. CONNECTOR TERMINAL	24		
	R78069	ELEC. CONNECTOR CAVITY PLUG	7		
15	AT345831	WIRING HARNESS	1		

1674-70

VEHICLE ELECTRICAL SYSTEMS 16
WIRING HARNESS AND SWITCHES 1674

FRONT GRADE PRO VALVE HARNESS FAISCEAU DE VANNES AVANT GRADE PRO ARNES DE VALVULAS GRADE PRO DELANTERO

TX1058214 -UN-



TX1058214

1674-71

VEHICLE ELECTRICAL SYSTEMS 16
WIRING HARNESS AND SWITCHES 1674

**FRONT GRADE PRO VALVE HARNESS
FAISCEAU DE VANNES AVANT GRADE PRO
ARNES DE VALVULAS GRADE PRO DELANTERO**

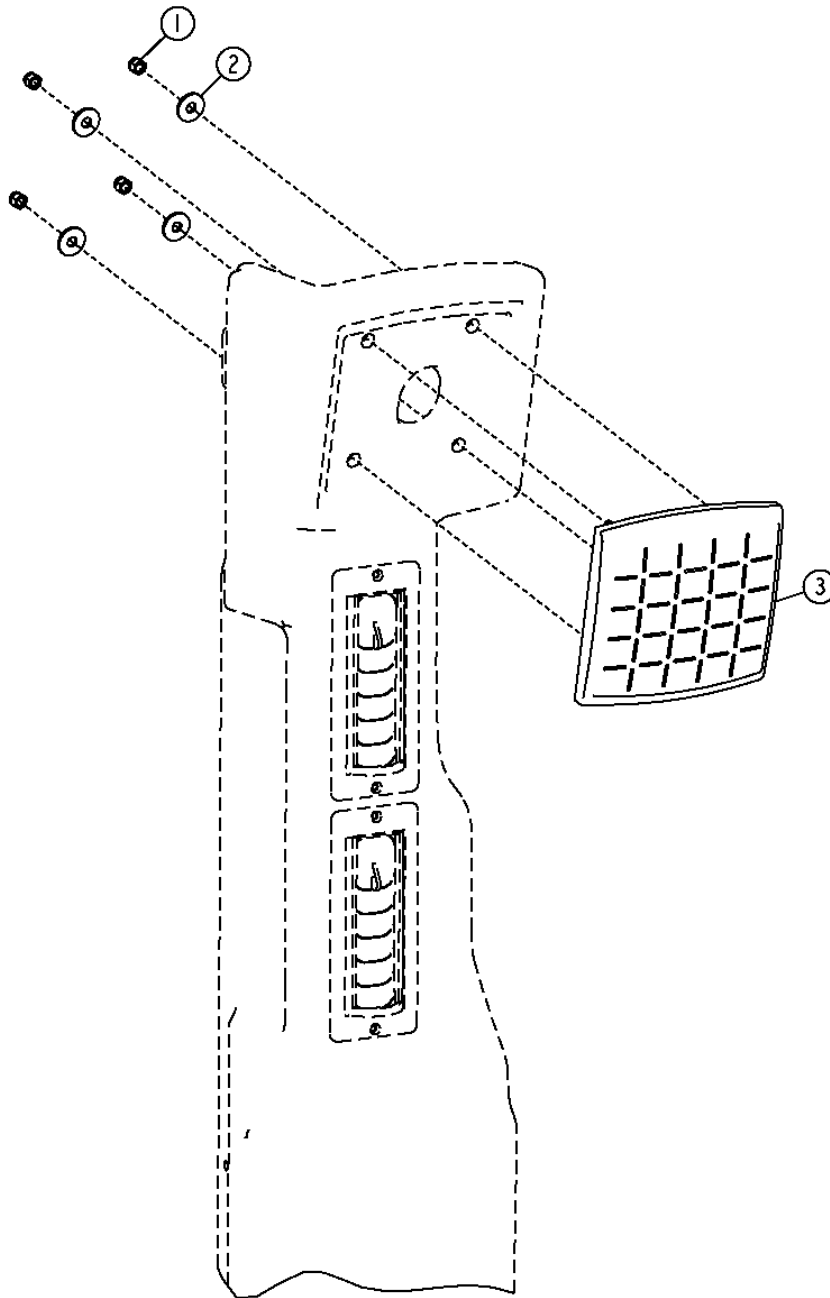
KEY	PART NO.	PART NAME	QTY.	SERIAL NO.	REMARKS
1	57M7953	ELECTRICAL CONNECTOR ASSY	1		(ROTARY MANIFOLD)
	ELEC. CONNECTOR TERMINAL	3		
	57M7955	ELEC. CONNECTOR TERMINAL	3		
	57M7956	ELEC. CONNECTOR TERMINAL	3		
2	ELEC. CONNECTOR ACCESSORY	16		(TERMINAL PROTECTOR)
3	57M7668	ELEC. CONNECTOR TERMINAL	1		(REAR GRADE PRO VALVE HARNESS)
	R78066	ELEC. CONNECTOR TERMINAL	37		
	R78069	ELEC. CONNECTOR CAVITY PLUG	3		
4	57M8021	ELECTRICAL CONNECTOR ASSY	1		(VALVES)
	R78065	ELEC. CONNECTOR TERMINAL	2		
	57M8022	ELEC.CONNECT LOCKING DEVICE	1		
5	57M7535	ELEC. CONNECTOR TERMINAL	1		(DRAFT FRAME PITCH/ROLL)
	R78065	ELEC. CONNECTOR TERMINAL	4		
	57M8016	ELEC.CONNECT LOCKING DEVICE	1		
10	AT347124	WIRING HARNESS	1		

1674-80

SEALED SWITCH MODULE (STANDARD CONTROLS)
MODULE DE COMMUTATEUR SCELLE (COMMANDES STANDARD)
MODULO DE INTERRUPTOR SELLADO (CONTROLES ESTANDAR)

TX1054512

-UN-23JAN09



TX1054512

1674-81

VEHICLE ELECTRICAL SYSTEMS 16

WIRING HARNESS AND SWITCHES 1674

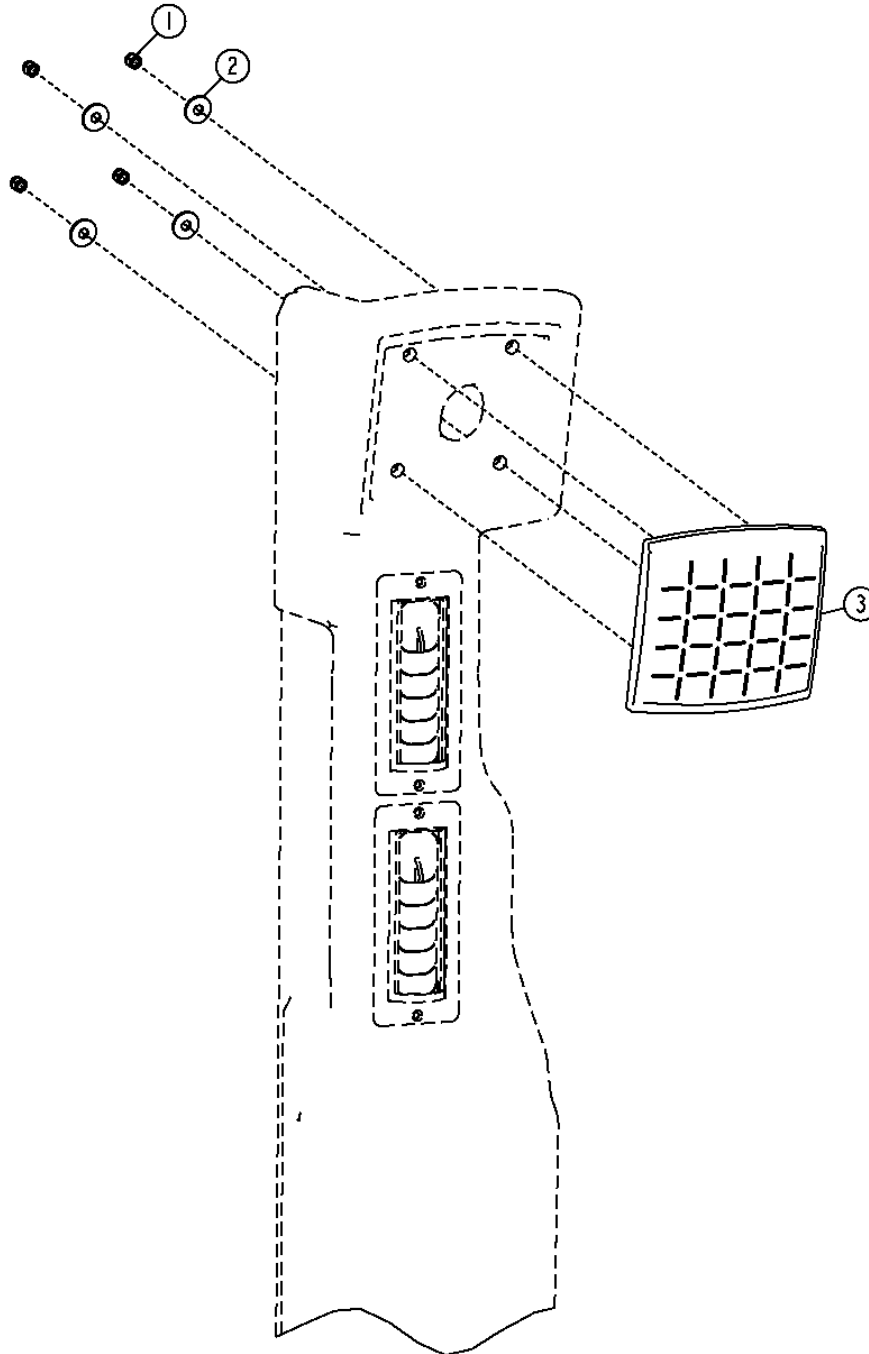
SEALED SWITCH MODULE (STANDARD CONTROLS)
MODULE DE COMMUTATEUR SCELLE (COMMANDES STANDARD)
MODULO DE INTERRUPTOR SELLADO (CONTROLES ESTANDAR)

<i>KEY</i>	<i>PART NO.</i>	<i>PART NAME</i>	<i>QTY.</i>	<i>SERIAL NO.</i>	<i>REMARKS</i>
1	14M7360	LOCK NUT	4		M5
2	24M7139	WASHER	4		6.400 X 18 X 1.600 MM
3	AT324045	PUSH SWITCH	1		

1674-82

SEALED SWITCH MODULE (GRADE PRO)
MODULE DE COMMUTATEUR SCELLE (GRADE PRO)
MODULO INTERRUPTOR SELLADO (GRADE PRO)

TX1054513 -UN-23JAN09



TX1054513

1674-83

VEHICLE ELECTRICAL SYSTEMS 16

WIRING HARNESS AND SWITCHES 1674

SEALED SWITCH MODULE (GRADE PRO)
MODULE DE COMMUTATEUR SCELLE (GRADE PRO)
MODULO INTERRUPTOR SELLADO (GRADE PRO)

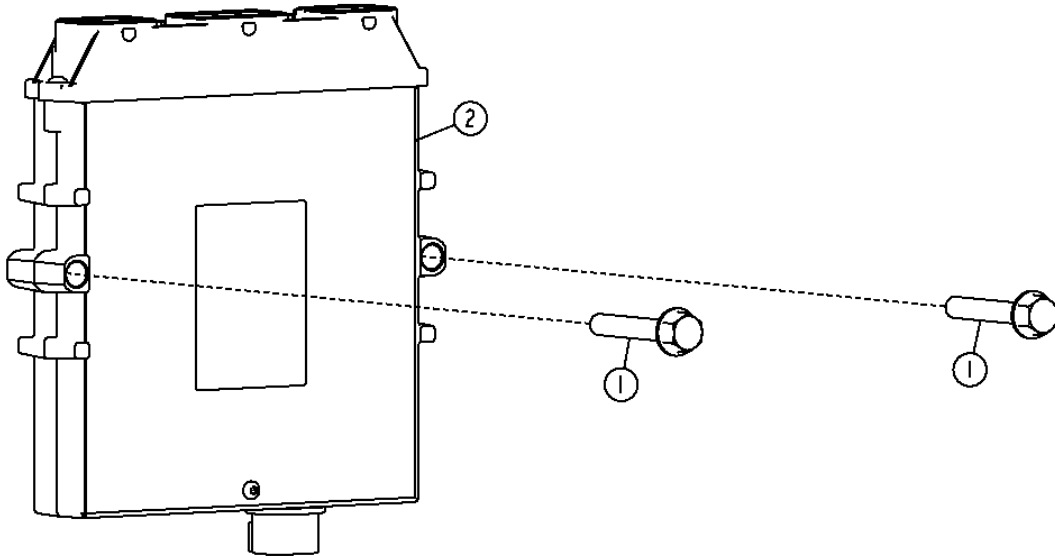
KEY	PART NO.	PART NAME	QTY.	SERIAL NO.	REMARKS
1	14M7360	LOCK NUT	4		M5
2	24M7139	WASHER	4		6.400 X 18 X 1.600 MM
3	AT349480	PUSH SWITCH	1		

1675-2

FLEX LOAD CONTROLLER (FLC) (WITHOUT AUTOSHIFT)
CENTRE DE CHARGE DE FLEXION (FLC) (SANS PASSAGE DE RAPPORTS AUTOMATIQUE)
UNIDAD DE CONTROL DE CARGA FLEXIBLE (FLC) (SIN AUTOSHIFT)

TX1048462

-UN-15SEP08



TX1048462

THIS PARTS LISTING IS CONTINUED

1675-3

VEHICLE ELECTRICAL SYSTEMS 16

SYSTEM CONTROLS 1675

FLEX LOAD CONTROLLER (FLC) (WITHOUT AUTOSHIFT)
CENTRE DE CHARGE DE FLEXION (FLC) (SANS PASSAGE DE RAPPORTS AUTOMATIQUE)
UNIDAD DE CONTROL DE CARGA FLEXIBLE (FLC) (SIN AUTOSHIFT)

<i>KEY</i>	<i>PART NO.</i>	<i>PART NAME</i>	<i>QTY.</i>	<i>SERIAL NO.</i>	<i>REMARKS</i>
1	19M7800	SCREW	2		M8 X 50
2	AT343703	VEHICLE CONTROLLER	1		

1675-4

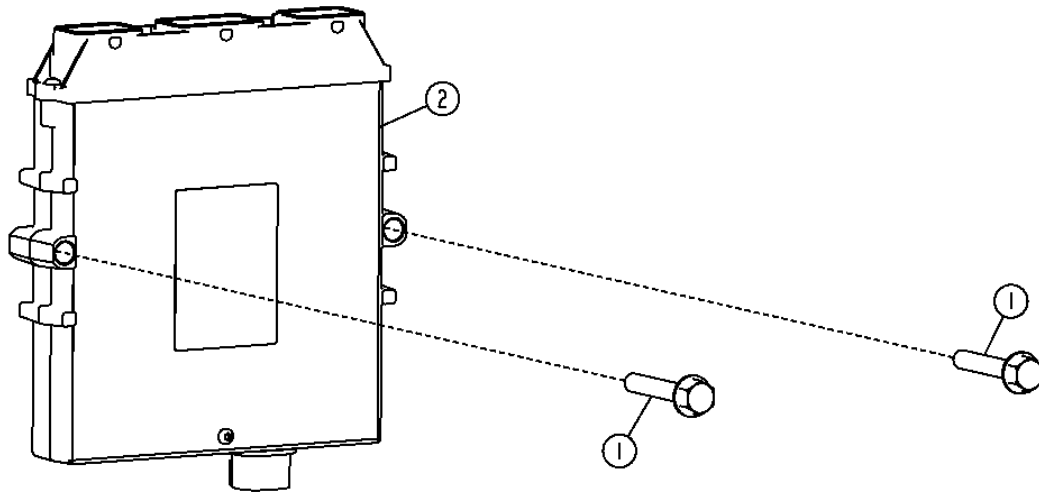
VEHICLE ELECTRICAL SYSTEMS 16

SYSTEM CONTROLS 1675

FLEX LOAD CONTROLLER (FLC) (WITH AUTOSHIFT)
CENTRE DE CHARGE DE FLEXION (FLC) (AVEC PASSAGE DE RAPPORTS AUTOMATIQUE)
UNIDAD DE CONTROL DE CARGA FLEXIBLE (FLC) (CON AUTOSHIFT)

TX1048463

-UN-15SEP08



TX1048463

THIS PARTS LISTING IS CONTINUED

1675-5

VEHICLE ELECTRICAL SYSTEMS 16

SYSTEM CONTROLS 1675

FLEX LOAD CONTROLLER (FLC) (WITH AUTOSHIFT)
CENTRE DE CHARGE DE FLEXION (FLC) (AVEC PASSAGE DE RAPPORTS AUTOMATIQUE)
UNIDAD DE CONTROL DE CARGA FLEXIBLE (FLC) (CON AUTOSHIFT)

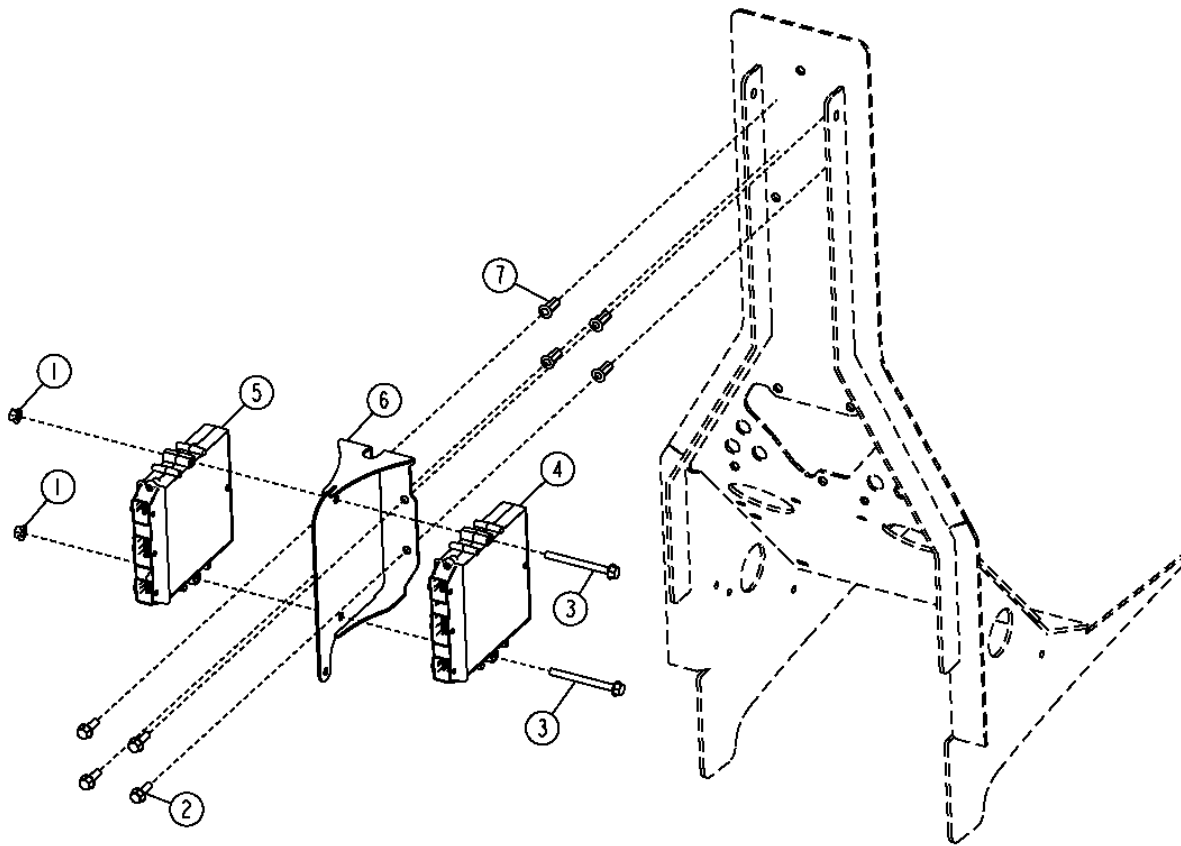
<i>KEY</i>	<i>PART NO.</i>	<i>PART NAME</i>	<i>QTY.</i>	<i>SERIAL NO.</i>	<i>REMARKS</i>
1	19M7800	SCREW	2		M8 X 50
2	AT343703	VEHICLE CONTROLLER	1		

1675-6

ELECTROHYDRAULIC VALVE CONTROLLERS (GRADE PRO)
CONTROLEURS DE VALVES ELECTROHYDRAULIQUES (GRADE PRO)
UNIDADES DE CONTROL DE VALVULA ELECTROHIDRAULICA (GRADE PRO)

TX1049452

-UN-02OCT08



TX1049452

1675-7

VEHICLE ELECTRICAL SYSTEMS 16

SYSTEM CONTROLS 1675

**ELECTROHYDRAULIC VALVE CONTROLLERS (GRADE PRO)
CONTROLEURS DE VALVES ELECTROHYDRAULIQUES (GRADE PRO)
UNIDADES DE CONTROL DE VALVULA ELECTROHIDRAULICA (GRADE PRO)**

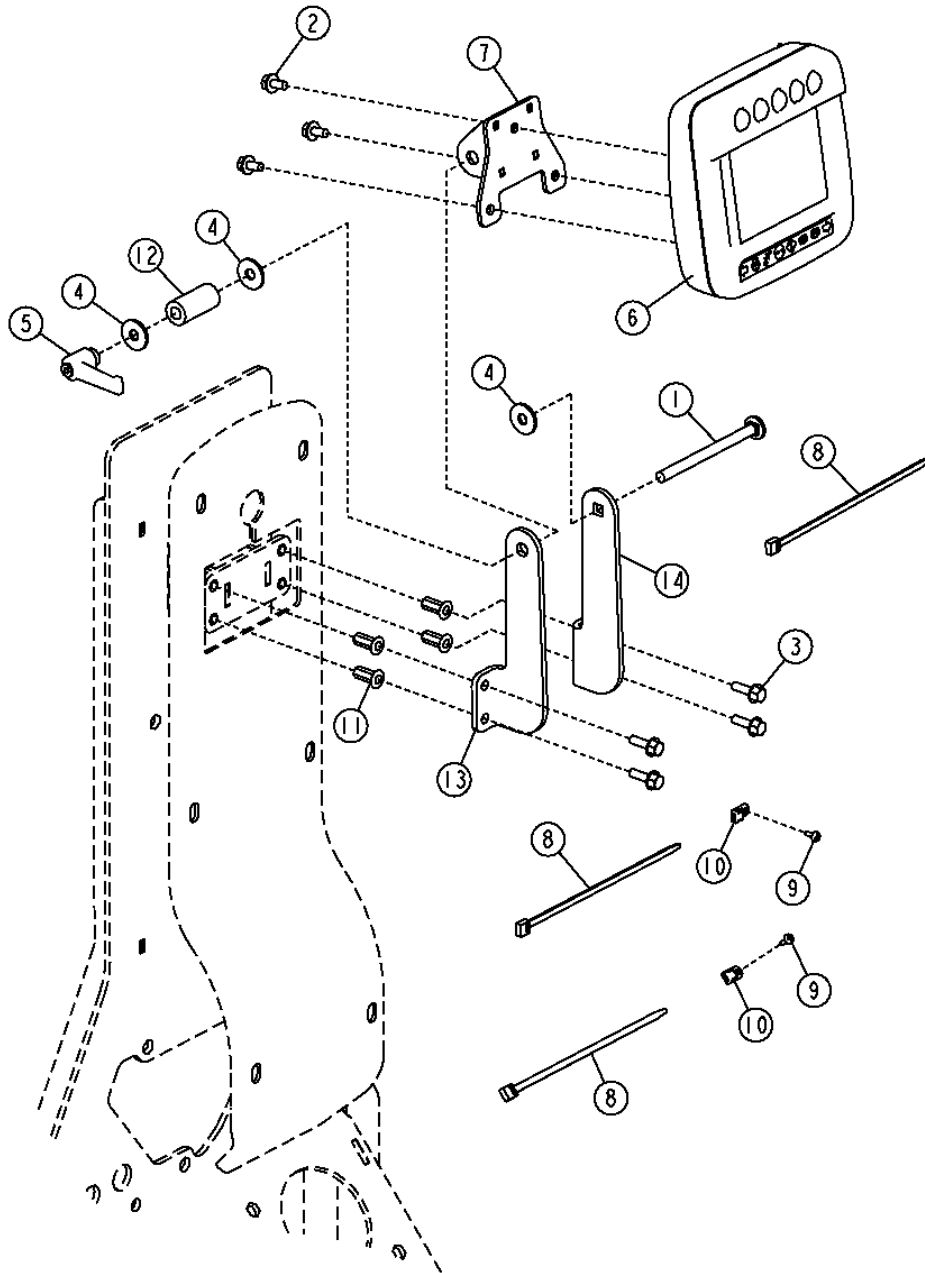
KEY	PART NO.	PART NAME	QTY.	SERIAL NO.	REMARKS
1	14M7298	FLANGE NUT	2		M8
2	19M7867	SCREW	4		M8 X 25
3	19M7913	SCREW	2		M8 X 90
4	AT337025	VEHICLE CONTROLLER	1		
5	AT345765	VEHICLE CONTROLLER	1		(AUXILIARY CONTROLLER)
6	AT357527	BRACKET	1		
7	T196079	NUT	4		

1675-8

CAB DISPLAY MONITOR (STANDARD CONTROLS)
MONITEUR D'AFFICHAGE DE CABINE (COMMANDES STANDARD)
PANTALLA EN LA CABINA (CONTROLES ESTANDAR)

TX1055524

-UN-24FEB09



TX1055524

1675-9

VEHICLE ELECTRICAL SYSTEMS 16

SYSTEM CONTROLS 1675

**CAB DISPLAY MONITOR (STANDARD CONTROLS)
MONITEUR DAFFICHAGE DE CABINE (COMMANDES STANDARD)
PANTALLA EN LA CABINA (CONTROLES ESTANDAR)**

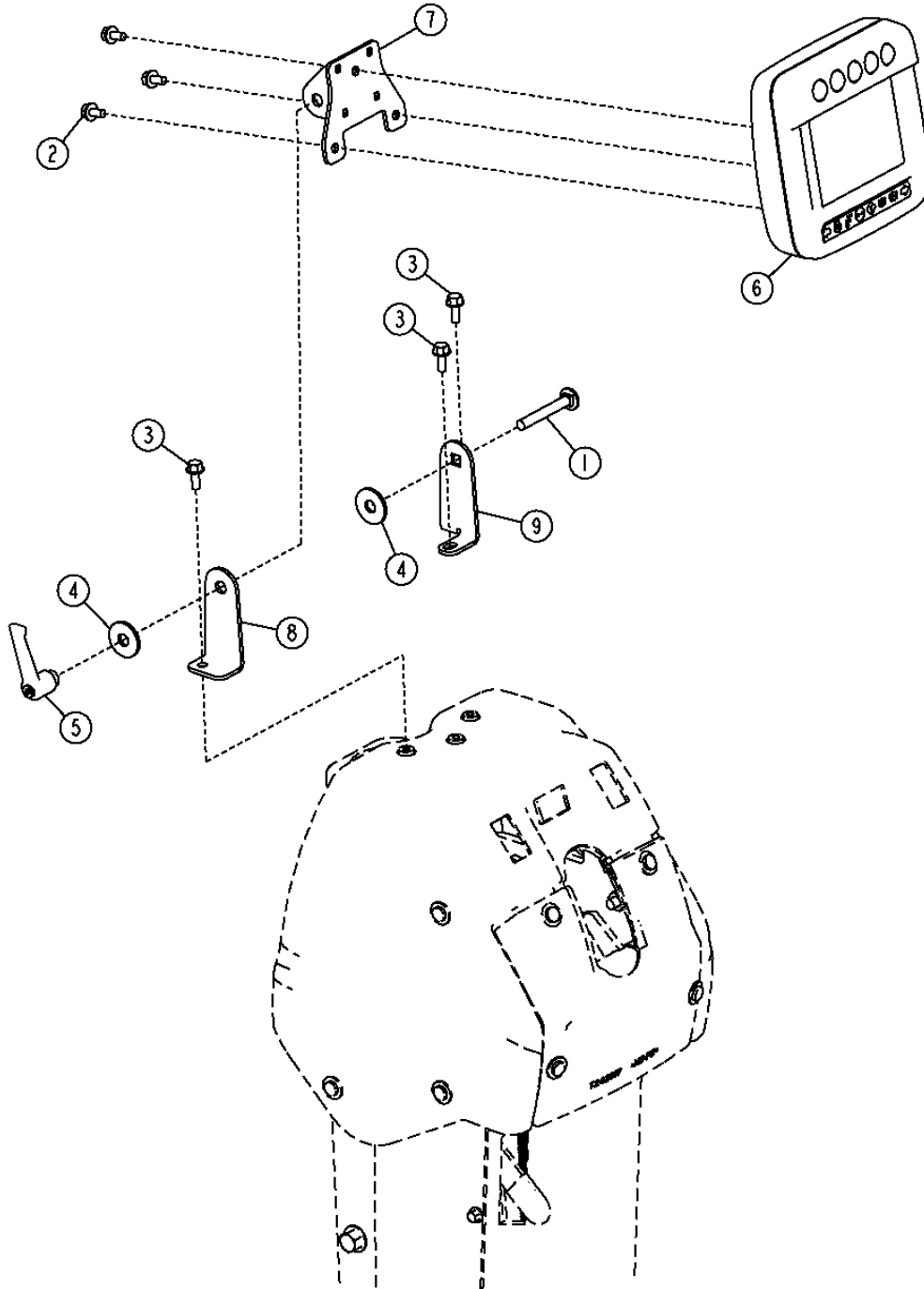
KEY	PART NO.	PART NAME	QTY.	SERIAL NO.	REMARKS
1	03M7327	BOLT	1		M8 X 110
2	19M7774	SCREW	3		M6 X 12
3	19M7862	SCREW	4		M6 X 20
4	24M7298	WASHER	3		8.400 X 25 X 2 MM
5	AT227063	LEVER	1		
6	AT335923	MONITOR	1		
7	AT361833	BRACKET	1		
8	R44302	TIE BAND	3		
9	T185769	SCREW	2		
10	T187394	ANCHOR	2		
11	T196077	NUT	4		
12	T257177	BUSHING	1		
13	T254915	BRACKET	1		
14	T254916	BRACKET	1		

1675-10

CAB DISPLAY MONITOR (GRADE PRO)
MONITEUR D'AFFICHAGE DE CABINE (GRADE PRO)
PANTALLA EN LA CABINA (GRADE PRO)

TX1055525

-UN-24FEB09



TX1055525

1675-11

VEHICLE ELECTRICAL SYSTEMS 16

SYSTEM CONTROLS 1675

**CAB DISPLAY MONITOR (GRADE PRO)
MONITEUR DAFFICHAGE DE CABINE (GRADE PRO)
PANTALLA EN LA CABINA (GRADE PRO)**

KEY	PART NO.	PART NAME	QTY.	SERIAL NO.	REMARKS
1	03M7223	BOLT	1		M8 X 60
2	19M7774	SCREW	3		M6 X 12
3	19M7775	SCREW	3		M6 X 16
4	24M7296	WASHER	2		10.500 X 30 X 2.500 MM
5	AT227063	LEVER	1		
6	AT335923	MONITOR	1		
7	AT361833	BRACKET	1		
8	T254913	BRACKET	1		
9	T254914	BRACKET	1		

1676-2

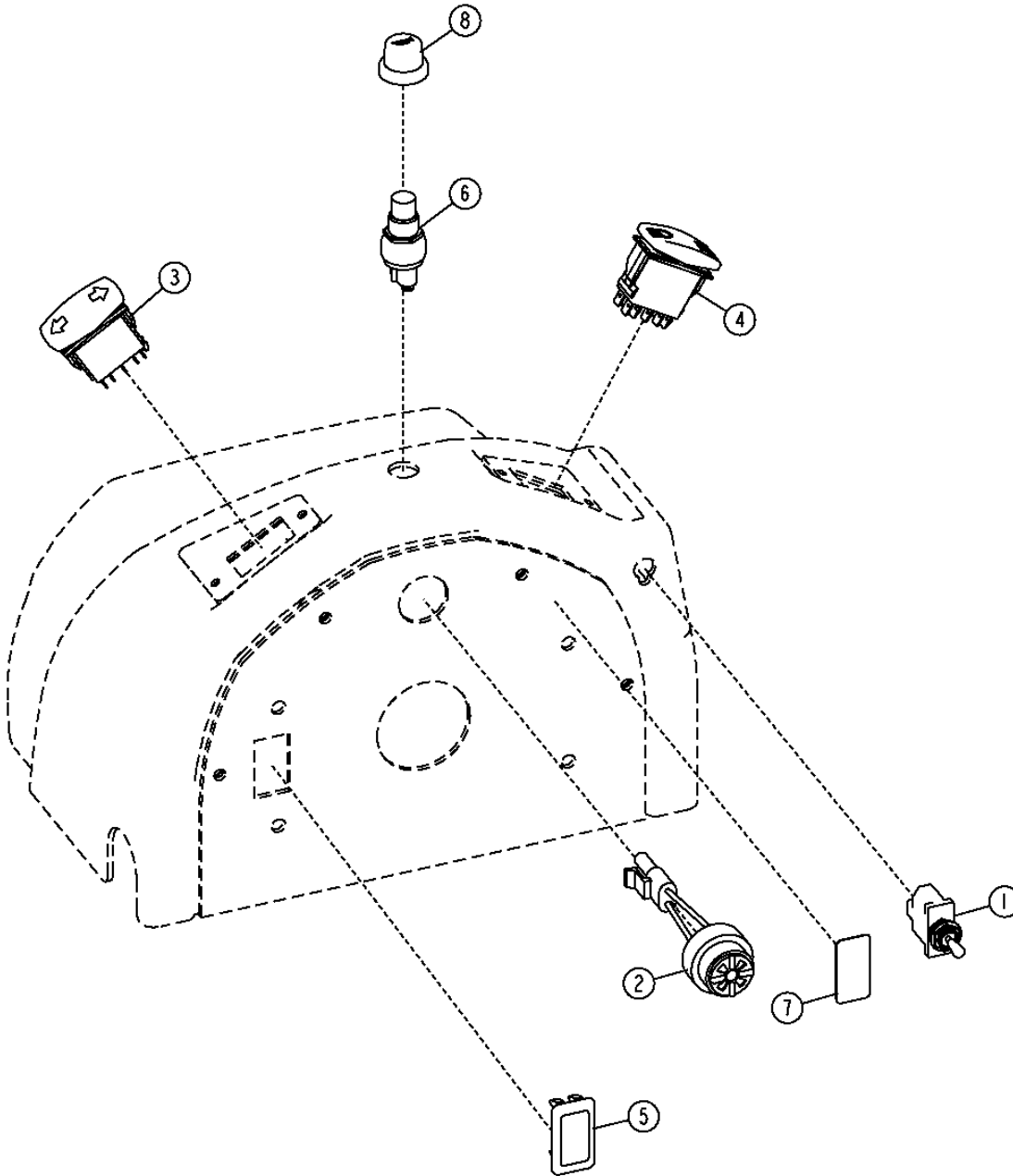
VEHICLE ELECTRICAL SYSTEMS 16

INSTURMENTS & INDICATORS 1676

FRONT CONSOLE SWITCHES (STANDARD CONTROLS)
INTERRUPTEURS DE CONSOLE AVANT (COMMANDES STANDARD)
CONMUTADORES DE CONSOLA DELANTERA (CONTROLES ESTANDAR)

TX1050720

-UN-12NOV08



TX1050720

1676-3

VEHICLE ELECTRICAL SYSTEMS 16
INSTURMENTS & INDICATORS 1676

FRONT CONSOLE SWITCHES (STANDARD CONTROLS)
INTERRUPTEURS DE CONSOLE AVANT (COMMANDES STANDARD)
CONMUTADORES DE CONSOLA DELANTERA (CONTROLES ESTANDAR)

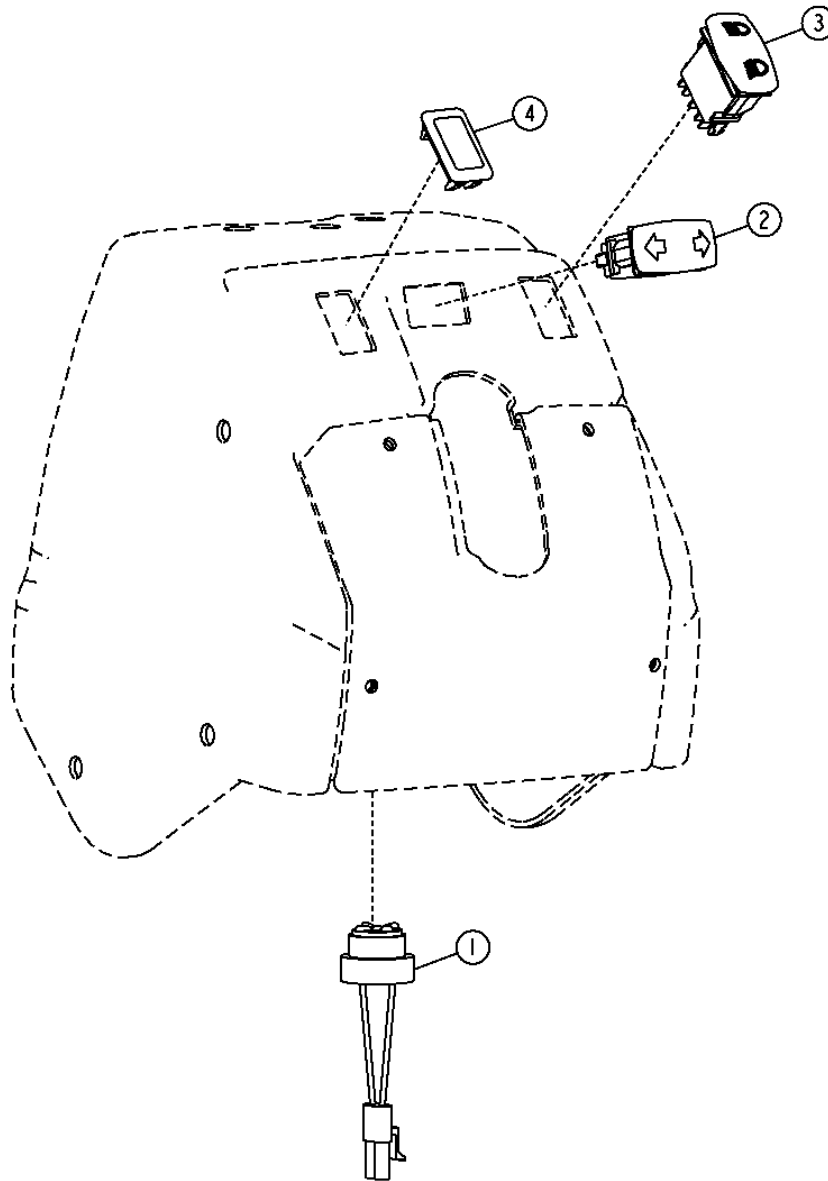
KEY	PART NO.	PART NAME	QTY.	SERIAL NO.	REMARKS
1	AT106154	TOGGLE/ROCKER SWITCH	1		(DIFFERENTIAL LOCK) (INCLUDES 12H292, (3) 12H321, (3) 21H1309, R44096 AND (2) R44097)
	12H292	LOCK WASHER	1		1/2"
	12H321	WASHER	3		0.138"
	21H1309	SCREW	3		0.138" X 1/4"
	R44096	LOCK PLATE	1		
	R44097	NUT	2		15/32"
2	AT160480	ALARM SYSTEM	1		
3	AT302730	TOGGLE/ROCKER SWITCH	1		(TURN SIGNAL)
4	AT302769	SWITCH	1		(DRIVING LIGHT HIGH /LOW BEAM)
5	M115279	PLUG	1		
6	R39554	SWITCH	1		(HORN)
7	T205821	LABEL	1		(DIFFERENTIAL LOCK)
8	T55501	CAP	1		

1676-4

VEHICLE ELECTRICAL SYSTEMS 16
INSTURMENTS & INDICATORS 1676

FRONT CONSOLE SWITCHES (GRADE PRO)
INTERRUPTEURS DE CONSOLE AVANT (GRADE PRO)
CONMUTADORES DE CONSOLA DELANTERA (GRADE PRO)

TX1050725 -UN-12NOV08



TX1050725

1676-5

VEHICLE ELECTRICAL SYSTEMS 16
INSTURMENTS & INDICATORS 1676

FRONT CONSOLE SWITCHES (GRADE PRO)
INTERRUPTEURS DE CONSOLE AVANT (GRADE PRO)
CONMUTADORES DE CONSOLA DELANTERA (GRADE PRO)

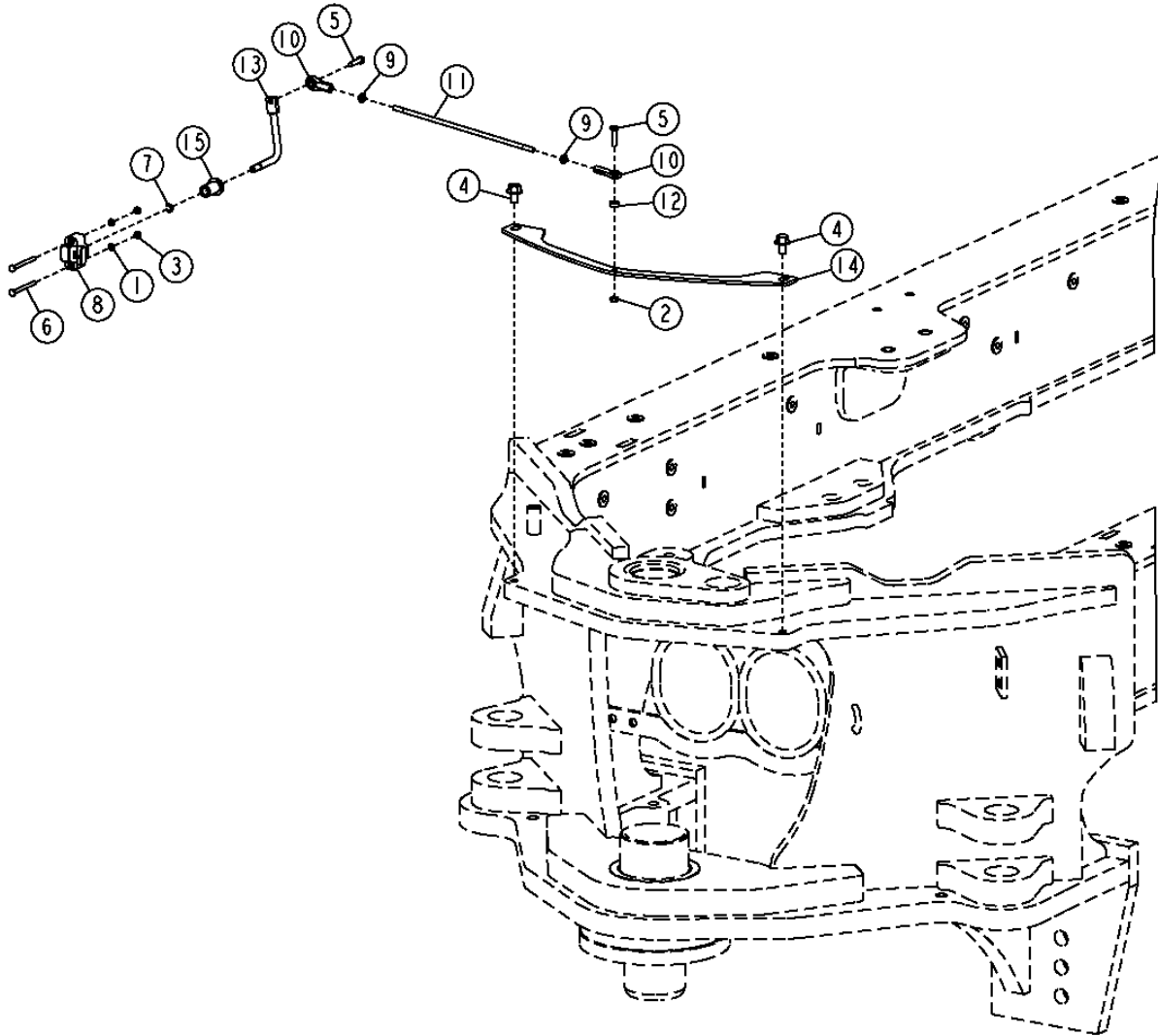
KEY	PART NO.	PART NAME	QTY.	SERIAL NO.	REMARKS
1	AT160480	ALARM SYSTEM	1		
2	AT302730	TOGGLE/ROCKER SWITCH	1		(TURN SIGNAL)
3	AT357385	SWITCH	1		(DRIVING LIGHT HIGH /LOW BEAM)
4	M115279	PLUG	1		

1676-6

REAR STEERING SENSOR (STANDARD CONTROLS)
CAPTEUR DE DIRECTION ARRIERE (COMMANDES STANDARD)
SENSOR DE DIRECCION TRASERA (CONTROLES ESTANDAR)

TX1051963

-UN-16DEC08



TX1051963

THIS PARTS LISTING IS CONTINUED

1676-7

VEHICLE ELECTRICAL SYSTEMS 16
INSTURMENTS & INDICATORS 1676

REAR STEERING SENSOR (STANDARD CONTROLS)
CAPTEUR DE DIRECTION ARRIERE (COMMANDES STANDARD)
SENSOR DE DIRECCION TRASERA (CONTROLES ESTANDAR)

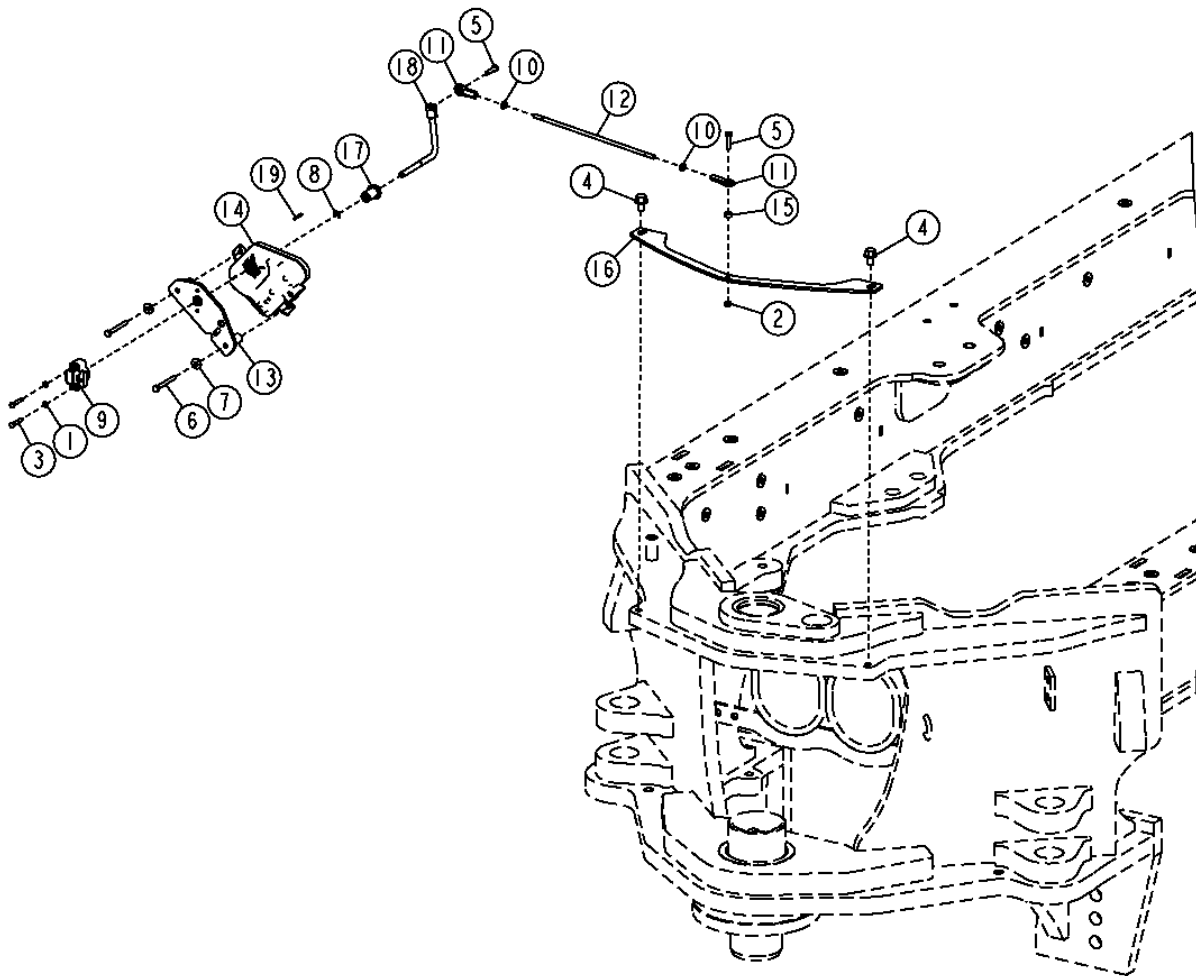
KEY	PART NO.	PART NAME	QTY.	SERIAL NO.	REMARKS
1	12M7060	WASHER	2		5.300 MM
2	14M7272	NUT	1		M6
3	14M7297	NUT	2		M5
4	19M7783	SCREW	2		M10 X 16
5	19M7933	CAP SCREW	2		M6 X 25
6	21M7468	SCREW	2		M5 X 60
7	40M7040	SNAP RING	1		
8	AT333680	SENSOR	1		
9	14H649	NUT	2		1/4"
10	RE39224	LINK END	2		
11	T232741	ROD	1		
12	M82772	WASHER	1		
13	T232746	ARM	1		
14	T236208	PLATE	1		
15	T236253	BUSHING	1		

1676-8

VEHICLE ELECTRICAL SYSTEMS 16
INSTURMENTS & INDICATORS 1676

REAR STEERING SENSOR (GRADE PRO) CAPTEUR DE DIRECTION ARRIERE (GRADE PRO) SENSOR DE DIRECCION TRASERA (GRADE PRO)

TX1051969 -UN-09DEC08



TX1051969

THIS PARTS LISTING IS CONTINUED

1676-9

VEHICLE ELECTRICAL SYSTEMS 16
INSTURMENTS & INDICATORS 1676

REAR STEERING SENSOR (GRADE PRO)
CAPTEUR DE DIRECTION ARRIERE (GRADE PRO)
SENSOR DE DIRECCION TRASERA (GRADE PRO)

KEY	PART NO.	PART NAME	QTY.	SERIAL NO.	REMARKS
1	12M7060	WASHER	2		5.300 MM
2	14M7272	NUT	1		M6
3	19M7317	SCREW	2		M5 X 30
4	19M7783	SCREW	2		M10 X 16
5	19M7933	CAP SCREW	2		M6 X 25
6	19M8360	CAP SCREW	2		M6 X 60
7	24M7139	WASHER	2		6.400 X 18 X 1.600 MM
8	40M7040	SNAP RING	1		
9	AT333680	SENSOR	1		
10	14H649	NUT	2		1/4"
11	RE39224	LINK END	2		
12	T232741	ROD	1		
13	AT353139	BRACKET	1		
14	AT354746	MODULE	1		
15	M82772	WASHER	1		
16	T236208	PLATE	1		
17	T236253	BUSHING	1		
18	T242243	ARM	1		
19	T251363	KEY	1		

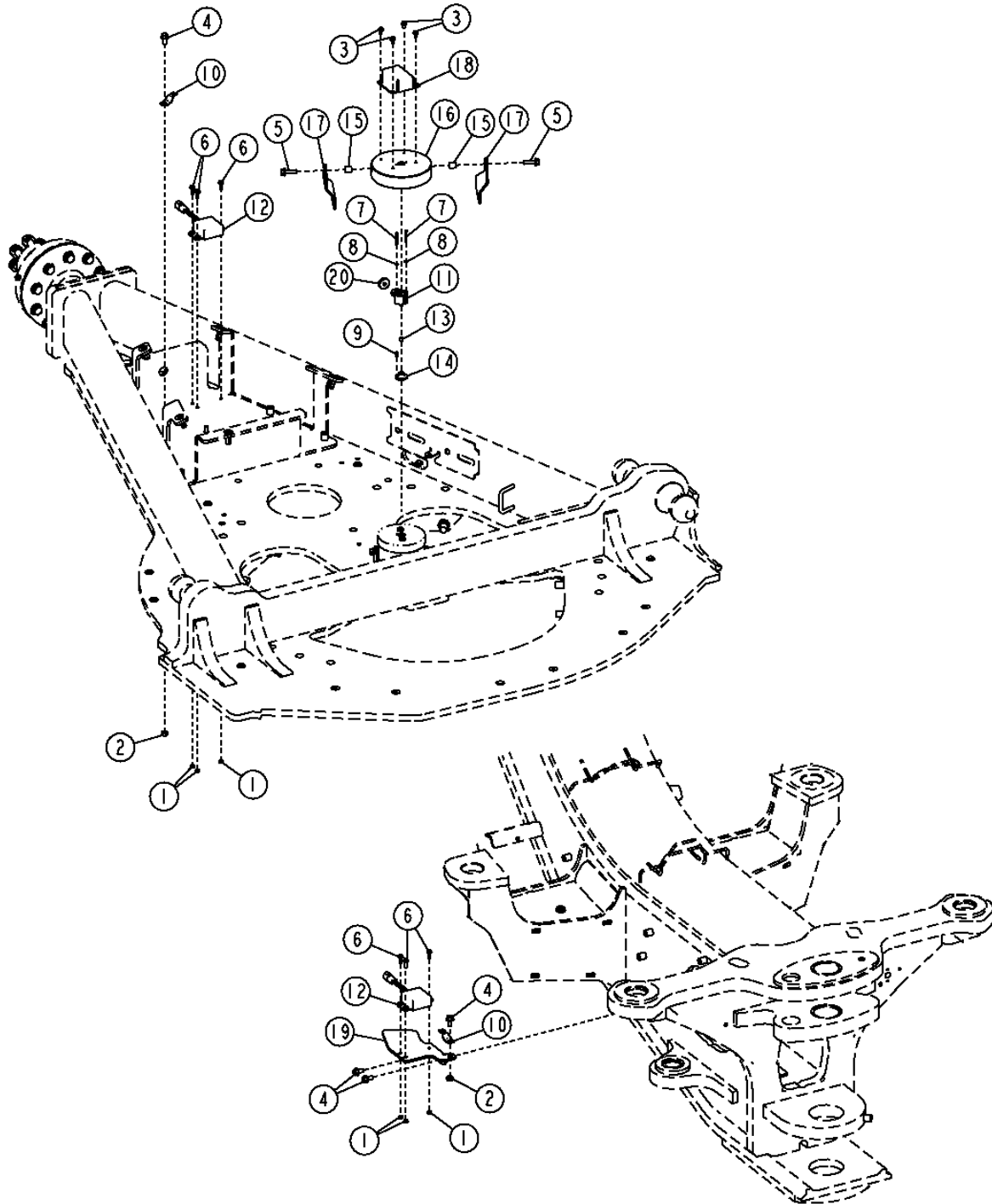
1676-10

VEHICLE ELECTRICAL SYSTEMS 16
INSTURMENTS & INDICATORS 1676

DRAFT FRAME SENSORS CAPTEURS DE CHASSIS DE TRACTION SENSORES DE BASTIDOR DE TRACCION

TX1055335

-UN-26FEB09



TX1055335

1676-11

VEHICLE ELECTRICAL SYSTEMS 16
INSTURMENTS & INDICATORS 1676

**DRAFT FRAME SENSORS
CAPTEURS DE CHASSIS DE TRACTION
SENSORES DE BASTIDOR DE TRACCION**

KEY	PART NO.	PART NAME	QTY.	SERIAL NO.	REMARKS
1	14M7272	NUT	6		M6
2	14M7274	NUT	2		M10
3	19M7774	SCREW	4		M6 X 12
4	19M7784	SCREW	4		M10 X 20
5	19M7835	SCREW	2		M10 X 35
6	19M7862	SCREW	6		M6 X 20
7	19M9034	SCREW	2		M4 X 35
8	24M7117	WASHER	2		4.300 X 9 X 0.800 MM
9	34M7094	SPRING PIN	1		4 X 16 MM
10	57M8736	ELEC. CONNECTOR ACCESSORY	2		
11	AT357216	SENSOR	1		(ROTARY MANIFOLD)
12	AT363718	SENSOR	2		(DRAFT FRAME PITCH/ROLL) (MAINFALL ANGLE)
13	T254062	GROMMET	1		
14	T254430	ADAPTER	1		
15	T158436	SPACER	2		
16	T236318	CAP	1		
17	T236349	BRACKET	2		
18	T237649	GUARD	1		
19	T256416	BRACKET	1		
20	T65643	GROMMET	1		

1741-2

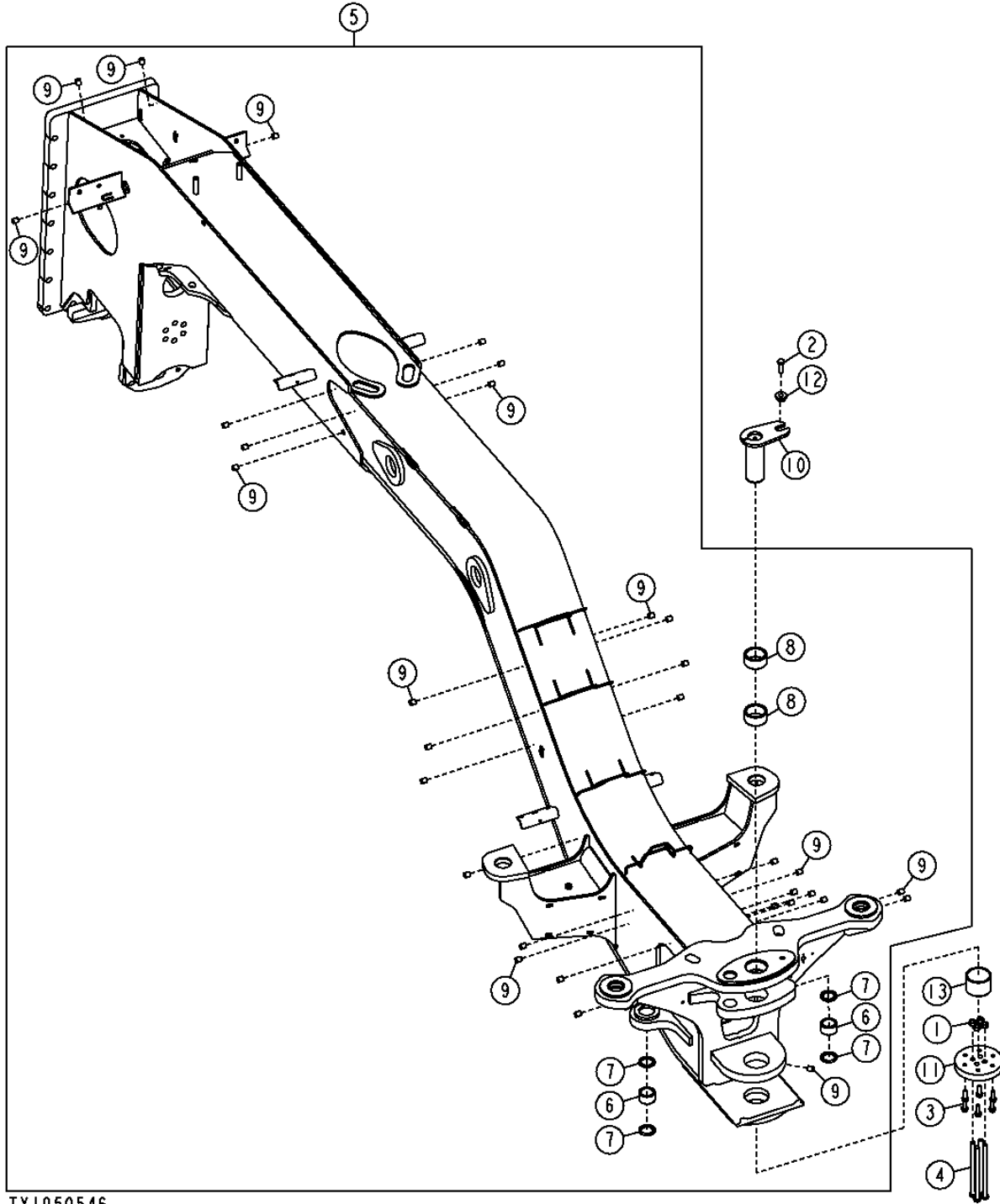
FRAME, CHASSIS OR SUPPORTING STRUCTURE 17

ENGINE OR MAIN FRAME 1741

MAIN FRAME CHASSIS PRINCIPAL BASTIDOR PRINCIPAL

TX1050546

-UN-28OCT08



TX1050546

1741-3

FRAME, CHASSIS OR SUPPORTING STRUCTURE 17

ENGINE OR MAIN FRAME 1741

**MAIN FRAME
CHASSIS PRINCIPAL
BASTIDOR PRINCIPAL**

KEY	PART NO.	PART NAME	QTY.	SERIAL NO.	REMARKS
1	14M7276	NUT	4		M16
2	19M7489	CAP SCREW	1		M16 X 45
3	19M7791	BOLT	6		M12 X 40
4	19M9124	CAP SCREW	4		M16 X 260
5	AT339870	MAIN FRAME	1		(CA) (WHOLE GOODS)
6	H232246	BUSHING	2		
7	T225566	SEAL	4		
8	T237676	BUSHING	2		
9	T72414	BUSHING	22		
10	AT343696	PIN	1		
11	T156404	COVER	1		
12	T176064	BUSHING	1		
13	T232406	BUSHING	1		

1741-4

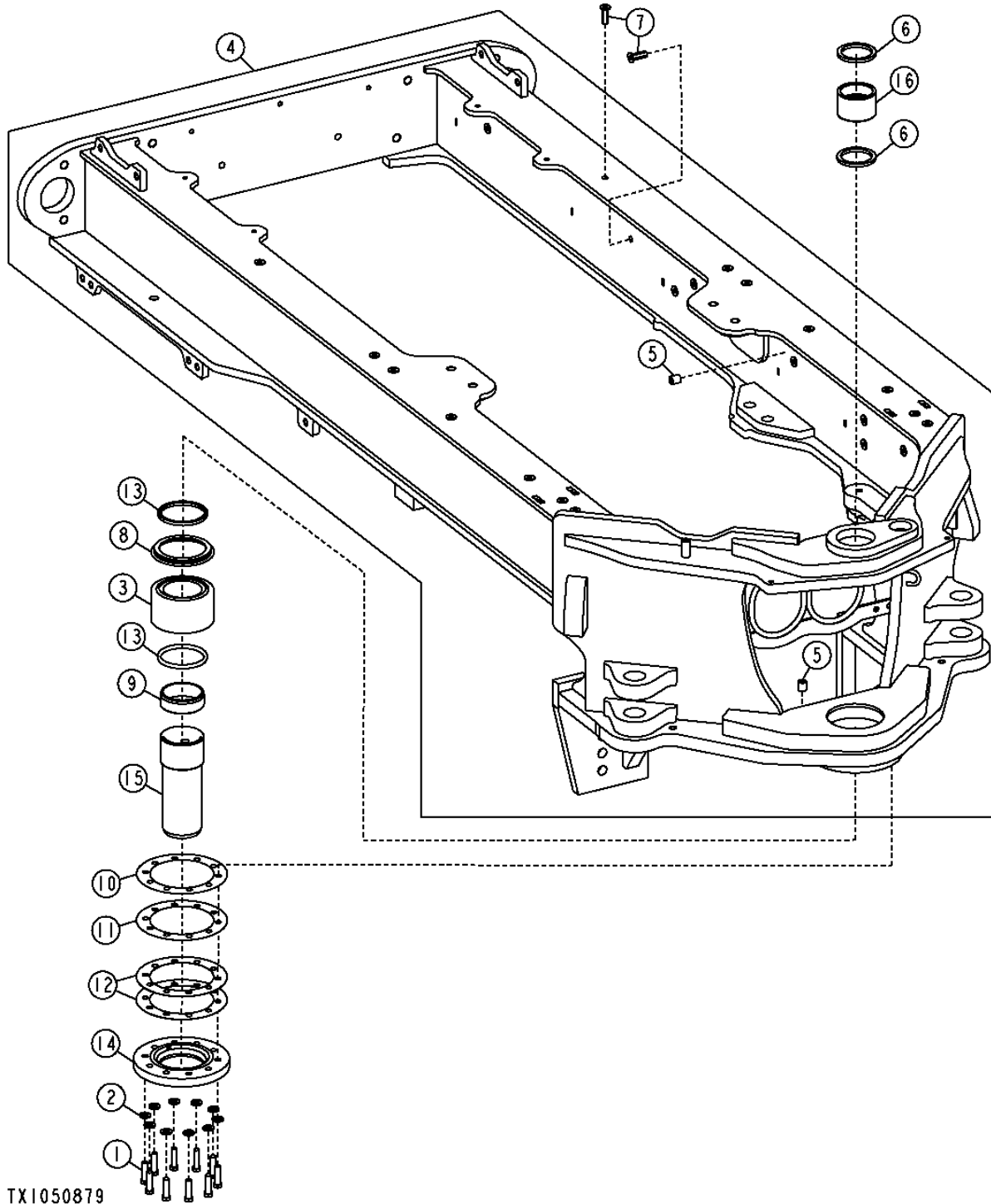
FRAME, CHASSIS OR SUPPORTING STRUCTURE 17

ENGINE OR MAIN FRAME 1741

ENGINE FRAME CHASSIS DE MOTEUR BASTIDOR DEL MOTOR

TX1050879

-UN-07NOV08



TX1050879

1741-5

FRAME, CHASSIS OR SUPPORTING STRUCTURE 17

ENGINE OR MAIN FRAME 1741

**ENGINE FRAME
CHASSIS DE MOTEUR
BASTIDOR DEL MOTOR**

KEY	PART NO.	PART NAME	QTY.	SERIAL NO.	REMARKS
1	19M7496	CAP SCREW	10		M12 X 45
2	24M7240	WASHER	10		13 X 25 X 3 MM
3	AT202609	BEARING	1		
4	AT343822	FRAME	1		(CA)
5	T72414	BUSHING	2		
6	T102207	SEAL	2		
7	T150768	NUT	30		
8	T156027	SPACER	1		
9	T156174	LOCKING COLLAR	1		
10	T156709	SHIM	1		
11	T156710	SHIM	1		
12	T156711	SHIM	2		
13	T156927	SEAL	2		
14	T200887	COVER	1		
15	T232420	PIN FASTENER	1		
16	T232536	BUSHING	1		

1746-2

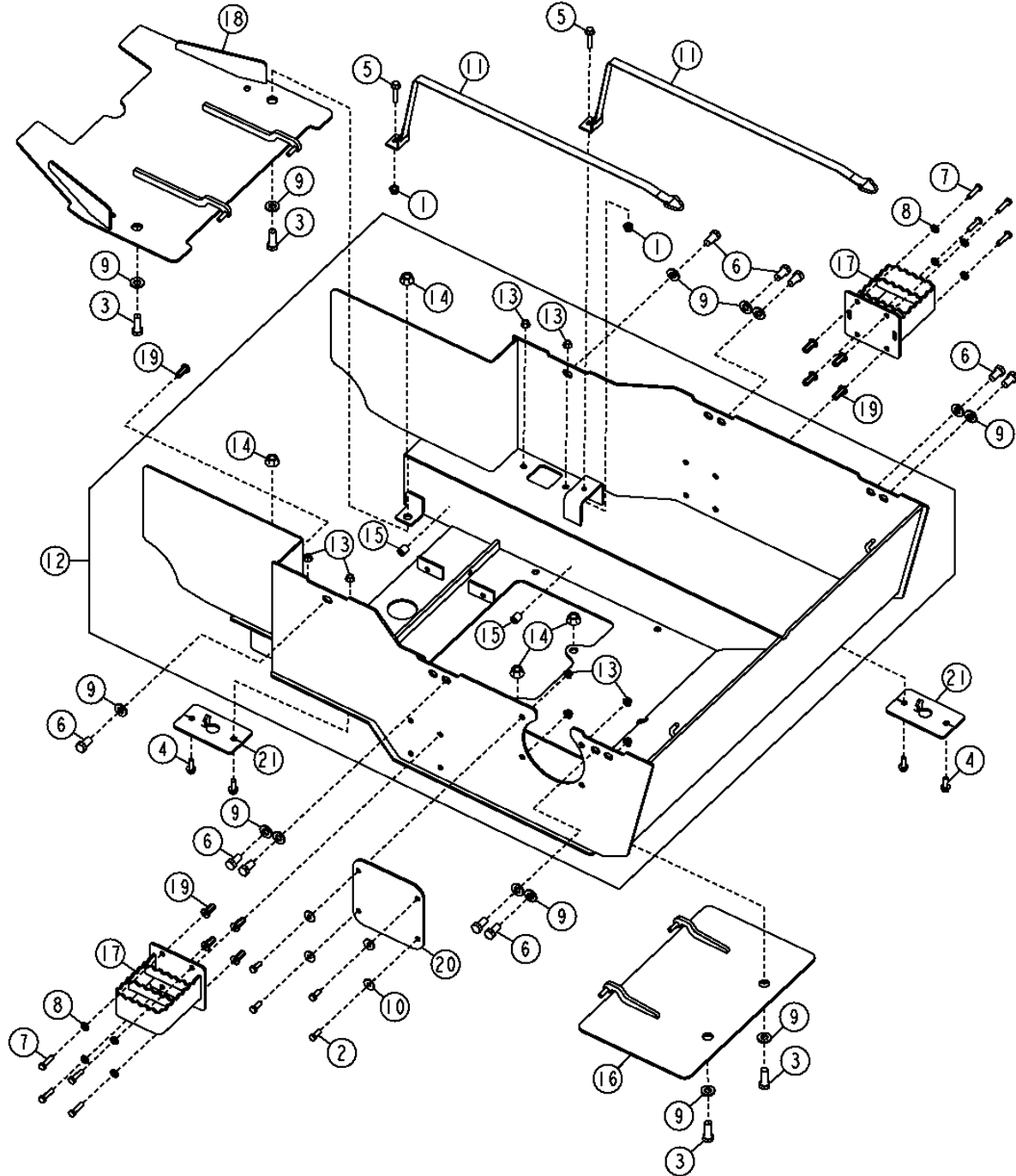
FRAME, CHASSIS OR SUPPORTING STRUCTURE 17

FRAME BOTTOM GUARDS 1746

FUEL TANK BOTTOM GUARD PROTECTION INFERIEURE RESERVOIR CARBURANT PROTECTOR DEL TANQUE DE COMBUSTIBLE INFERIOR

TX1056923

-UN-16MAR09



TX1056923

1746-3

FRAME, CHASSIS OR SUPPORTING STRUCTURE 17

FRAME BOTTOM GUARDS 1746

FUEL TANK BOTTOM GUARD
PROTECTION INFERIEURE RESERVOIR CARBURANT
PROTECTOR DEL TANQUE DE COMBUSTIBLE INFERIOR

KEY	PART NO.	PART NAME	QTY.	SERIAL NO.	REMARKS
1	14M7400	LOCK NUT	2		M10
2	19M7402	CAP SCREW	4		M10 X 25
3	19M7489	CAP SCREW	4		M16 X 45
4	19M7786	SCREW	4		M10 X 30
5	19M7806	SCREW	2		M10 X 50
6	19M8029	CAP SCREW	10		M16 X 30
7	19M8637	CAP SCREW	8		M10 X 40
8	24M7239	WASHER	8		10.700 X 21 X 2.500 MM
9	24M7241	WASHER	14		
10	24M7296	WASHER	4		10.500 X 30 X 2.500 MM
11	AT318373	STRAP	2		
12	AT336012	GUARD	1		
13	14M7296	FLANGE NUT	8		M10
14	14M7291	FLANGE NUT	4		M16
15	T72414	BUSHING	2		
16	AT336015	PANEL	1		
17	AT341364	STEP	2		
18	AT349172	GUARD	1		
19	T148409	NUT	9		
20	T228987	PLATE	1		
21	T252663	PLATE	2		

1747-2

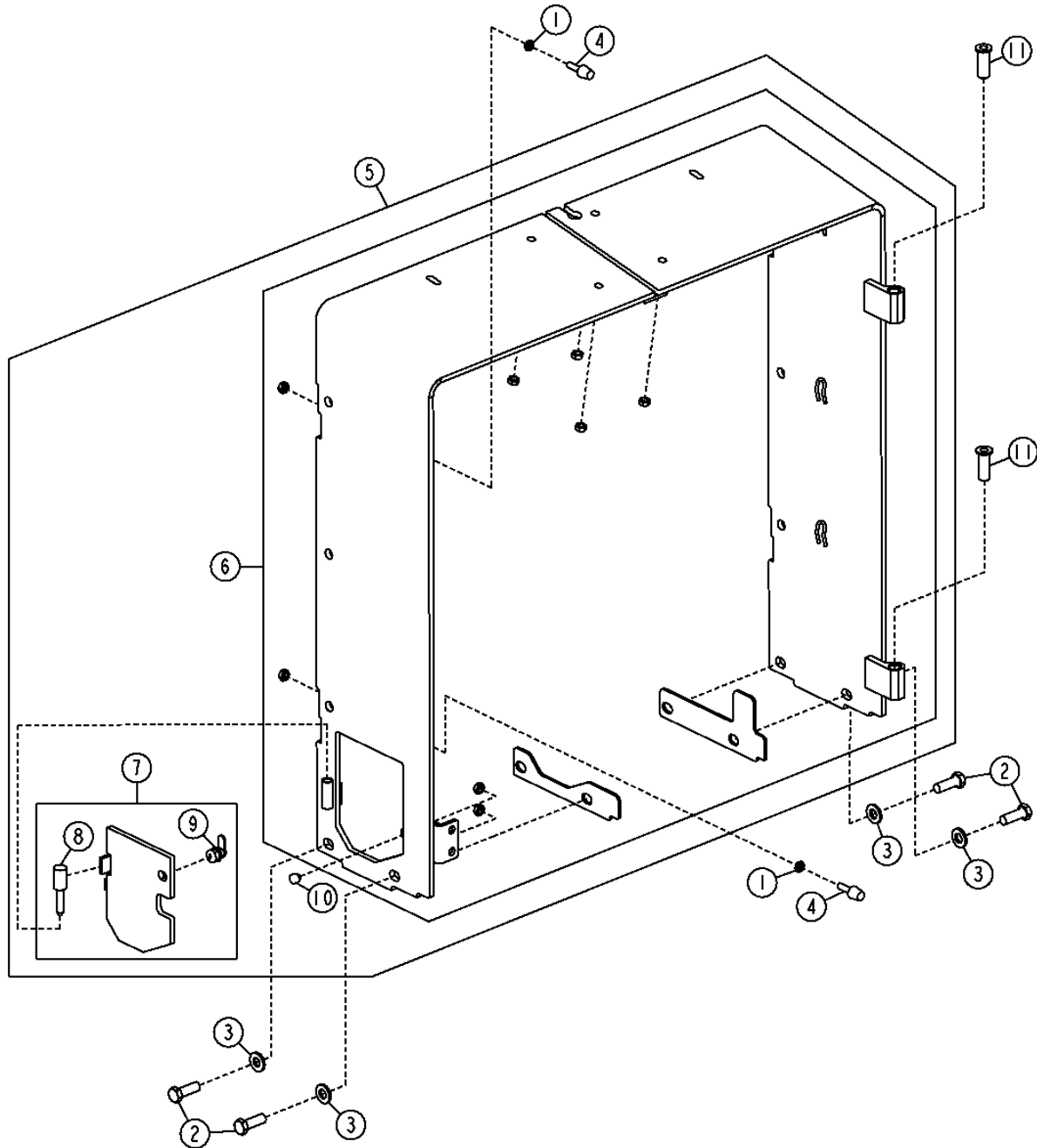
FRAME, CHASSIS OR SUPPORTING STRUCTURE 17

BUMPERS, VEHICLE 1747

GRILLE HOUSING LOGEMENT DE CALANDRE CAJA DE LA PARRILLA

TX1050597

-UN-29OCT08



TX1050597

THIS PARTS LISTING IS CONTINUED

1747-3

FRAME, CHASSIS OR SUPPORTING STRUCTURE 17

BUMPERS, VEHICLE 1747

**GRILLE HOUSING
LOGEMENT DE CALANDRE
CAJA DE LA PARRILLA**

KEY	PART NO.	PART NAME	QTY.	SERIAL NO.	REMARKS
1	14M7152	NUT	2		M10
2	19M7489	CAP SCREW	4		M16 X 45
3	24M7241	WASHER	4		17 X 34 X 4 MM
4	AT219974	BUMPER	2		
5	AT359738	DOOR	1		
6	AT332063	FRAME	1		
7	AT359738	DOOR	1		
8	T250541	PIN	1		
9	AT366151	LOCK	1		
10	M68997	BUMPER	1		
11	T231380	BUSHING	2		

1749-2

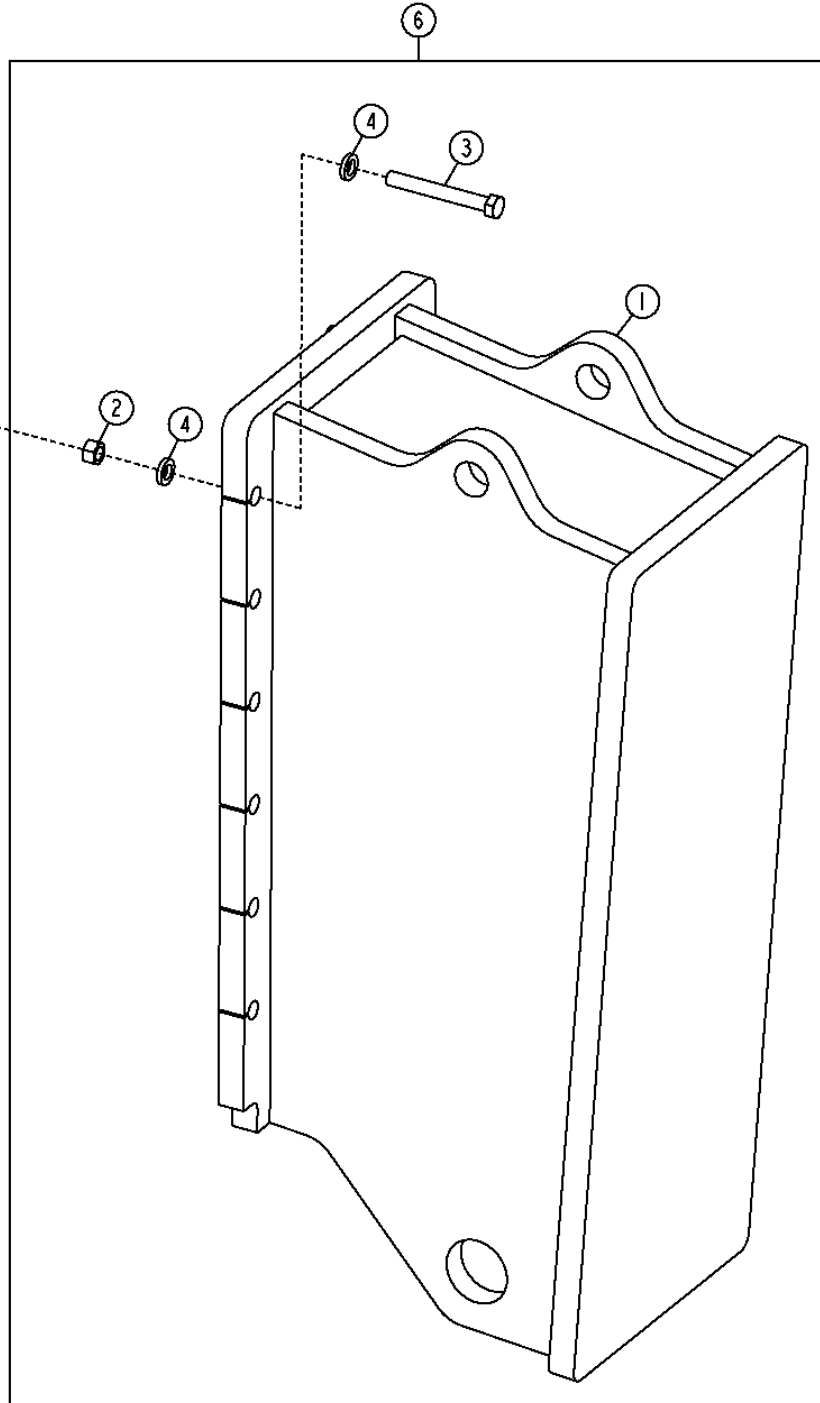
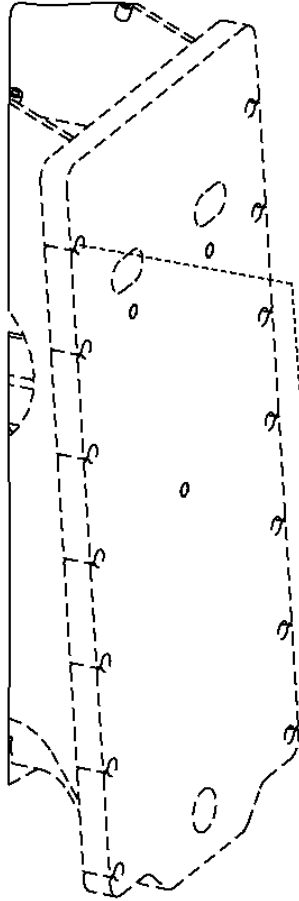
FRAME, CHASSIS OR SUPPORTING STRUCTURE 17

CHASSIS WEIGHTS 1749

PUSH BLOCK BLOC DE POUSSEE BLOQUE DE EMPUJE

TX1050403

-UN-22OCT08



TX1050403

THIS PARTS LISTING IS CONTINUED

1749-3

FRAME, CHASSIS OR SUPPORTING STRUCTURE 17

CHASSIS WEIGHTS 1749

**PUSH BLOCK
BLOC DE POUSSEE
BLOQUE DE EMPUJE**

KEY	PART NO.	PART NAME	QTY.	SERIAL NO.	REMARKS
1	AT363266	COUNTERWEIGHT	1		(PUSH BLOCK)
2	14H1058	NUT	12		
3	19H2827	CAP SCREW	12		
4	T83426	WASHER	24		
6	AT363681	KIT	1		(WHOLEGOODS) FRONT PUSH BLOCK KIT

1749-4

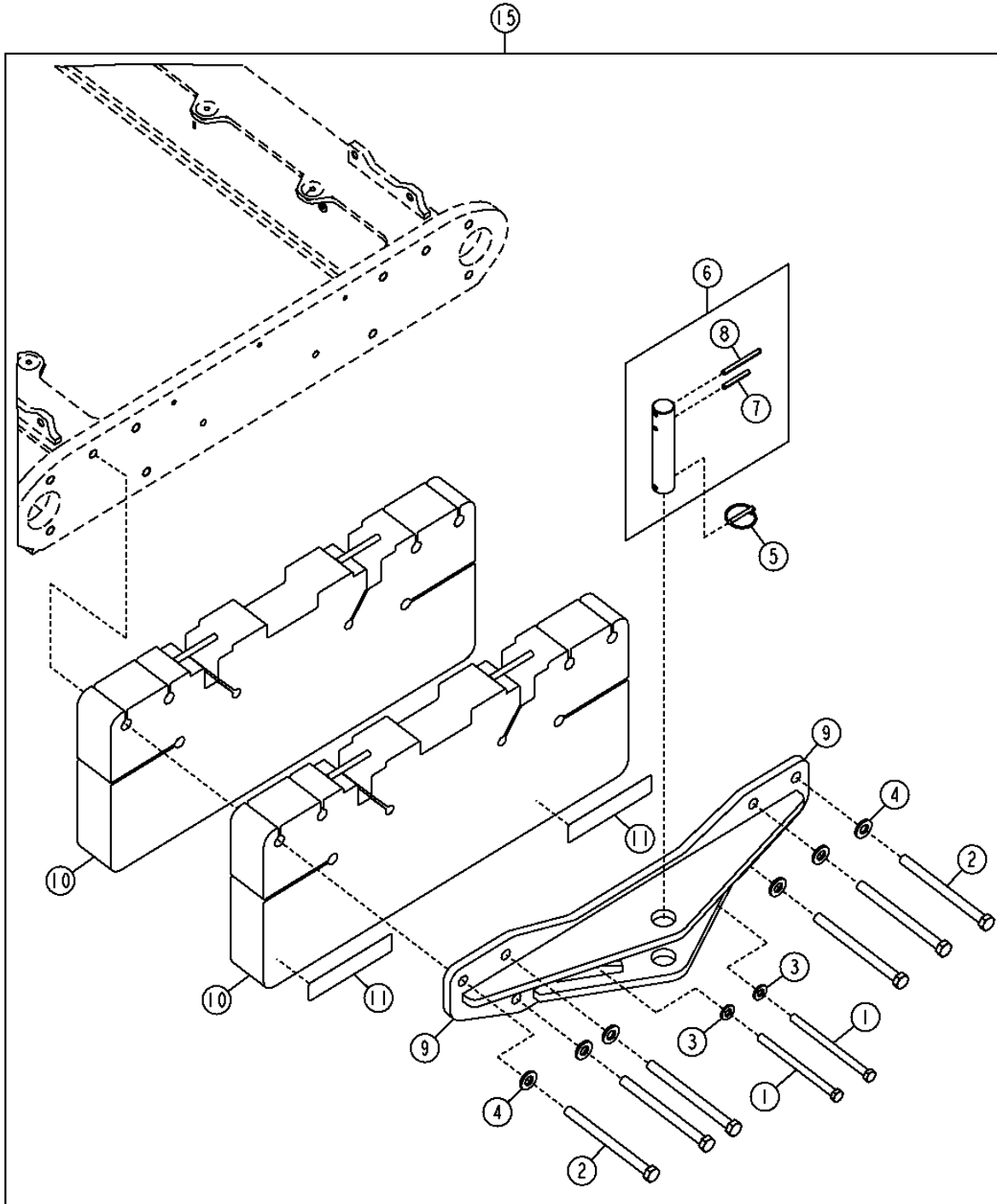
FRAME, CHASSIS OR SUPPORTING STRUCTURE 17

CHASSIS WEIGHTS 1749

REAR COUNTERWEIGHT CONTREPOIDS ARRIERE CONTRAPESO TRASERO

TX1053436

-UN-23DEC08



TX1053436

1749-5

FRAME, CHASSIS OR SUPPORTING STRUCTURE 17

CHASSIS WEIGHTS 1749

REAR COUNTERWEIGHT CONTREPOIDS ARRIERE CONTRAPESO TRASERO

KEY	PART NO.	PART NAME	QTY.	SERIAL NO.	REMARKS
1	19M9318	CAP SCREW	2		M16 X 230
2	19M9749	CAP SCREW	6		M20 X 250
3	24M7241	WASHER	2		17 X 34 X 4 MM
4	24M7242	WASHER	6		21.400 X 42 X 5 MM
5	AR83396	QUICK LOCK PIN	1		
6	AT349029	PIN FASTENER	1		
7	34H358	SPRING PIN	1		3/8" X 2-3/4"
8	34H363	SPRING PIN	1		3/8" X 4"
9	AT343823	HITCH	1		
10	AT344652	COUNTERWEIGHT	2		
11	JD5920	REFLECTOR	2		
15	AT367788	COUNTERWEIGHT KIT	1		(WHOLE GOODS)

THIS PARTS LISTING IS CONTINUED

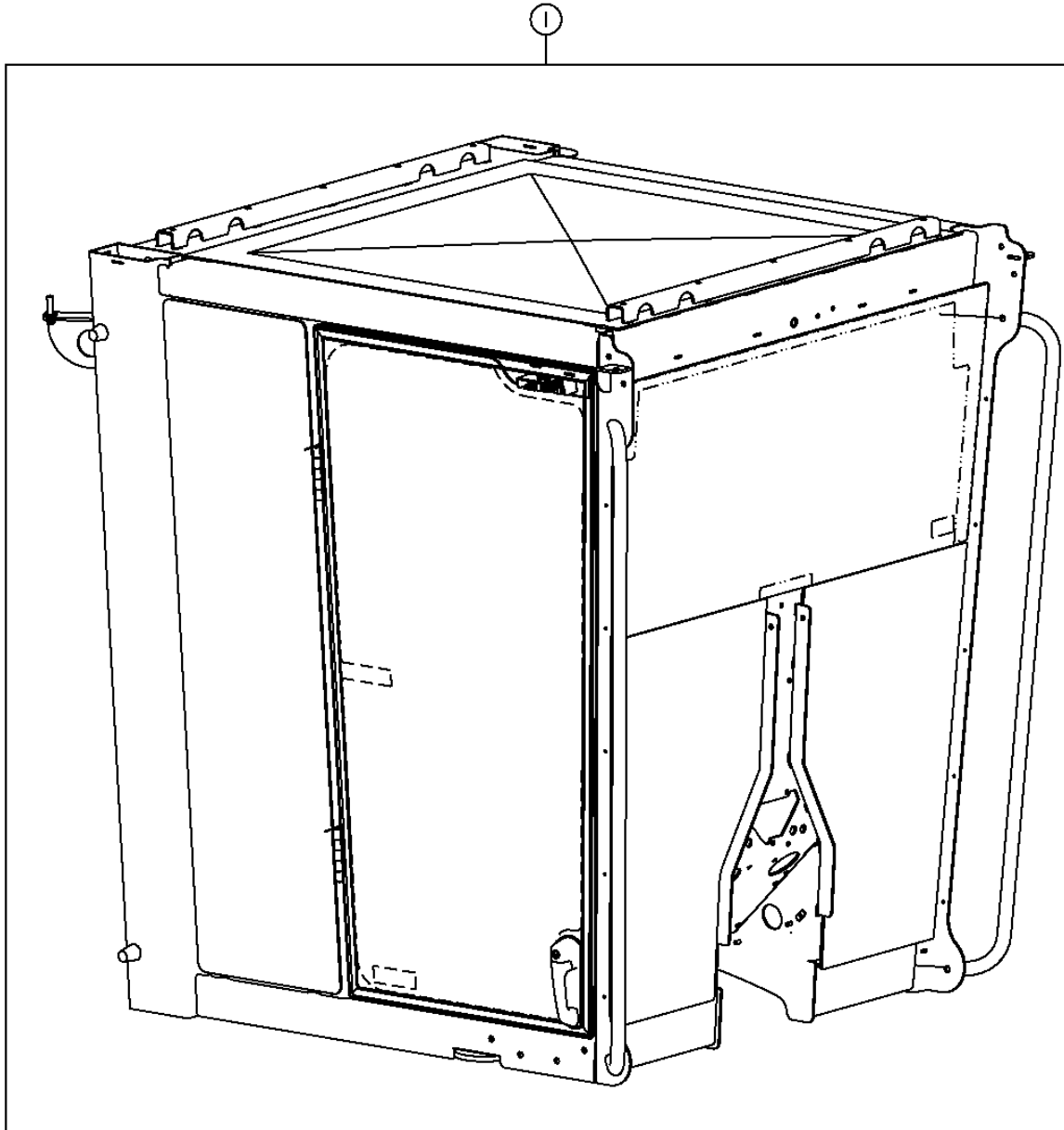
1811-2

OPERATOR'S STATION 18

ROPS, FOPS, OPS, OR BODY FRAME 1811
LOW PROFILE CAB WITH DOORS AND FIXED WINDOWS
CABINE PROFIL BAS AVEC PORTIERES ET GLACES FIXES
CABINA DE PERFIL BAJO CON PUERTAS Y VENTANAS FIJAS

TX1051107

-UN-13NOV08



TX1051107

THIS PARTS LISTING IS CONTINUED

1811-3

OPERATOR'S STATION 18

ROPS, FOPS, OPS, OR BODY FRAME 1811
LOW PROFILE CAB WITH DOORS AND FIXED WINDOWS
CABINE PROFIL BAS AVEC PORTIERES ET GLACES FIXES
CABINA DE PERFIL BAJO CON PUERTAS Y VENTANAS FIJAS

<i>KEY</i>	<i>PART NO.</i>	<i>PART NAME</i>	<i>QTY.</i>	<i>SERIAL NO.</i>	<i>REMARKS</i>
1	AT364912	CAB	1		

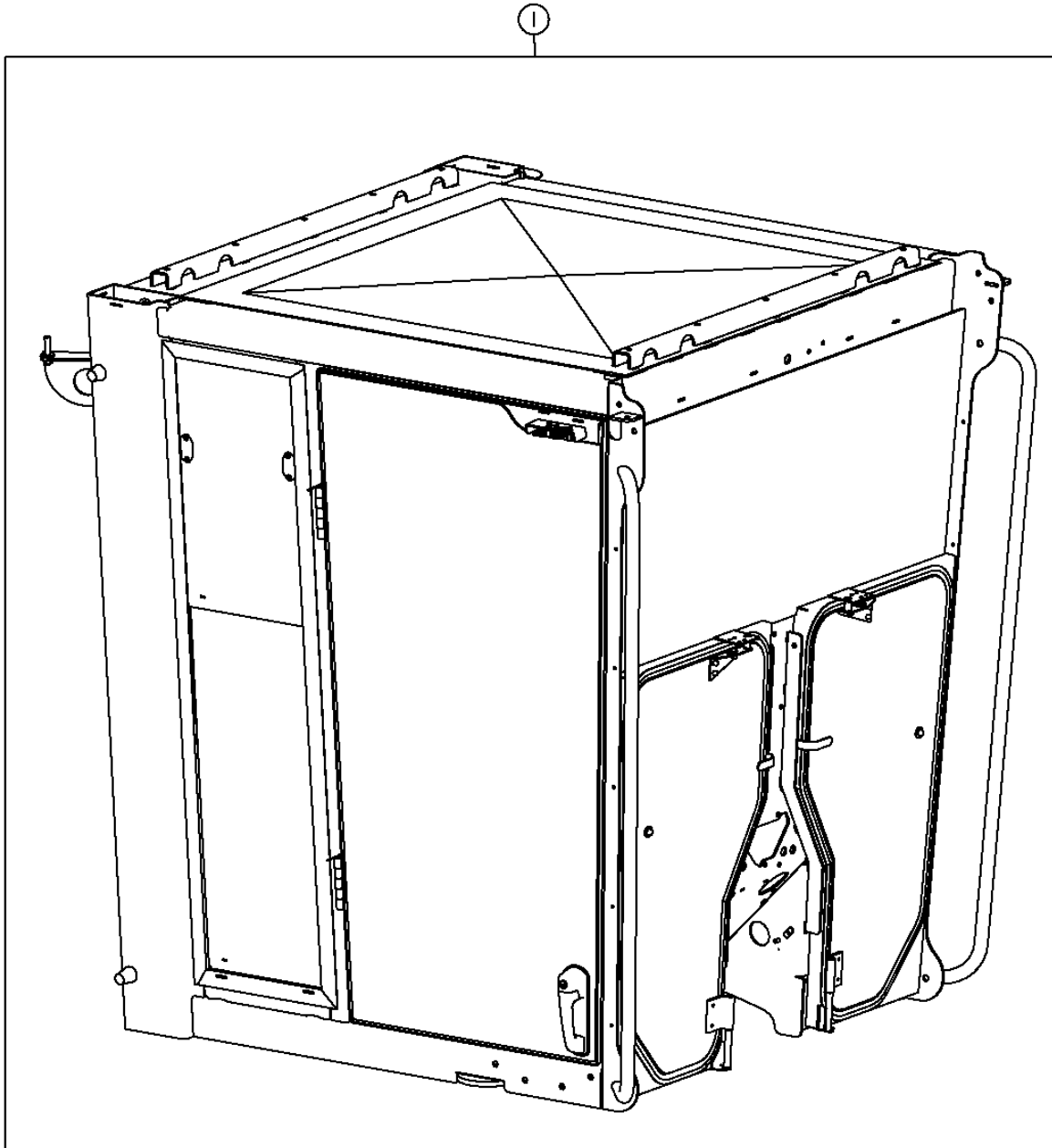
1811-4

OPERATOR'S STATION 18

ROPS, FOPS, OPS, OR BODY FRAME 1811
LOW PROFILE CAB WITH DOORS AND OPENING WINDOWS
CABINE PROFIL BAS AVEC PORTIERES ET GLACES OUVRANTES
CABINA DE PERFIL BAJO CON PUERTAS Y VENTANAS MOVILES

TX1051110

-UN-13NOV08



TX1051110

THIS PARTS LISTING IS CONTINUED

1811-5

OPERATOR'S STATION 18

ROPS, FOPS, OPS, OR BODY FRAME 1811
LOW PROFILE CAB WITH DOORS AND OPENING WINDOWS
CABINE PROFIL BAS AVEC PORTIERES ET GLACES OUVRANTES
CABINA DE PERFIL BAJO CON PUERTAS Y VENTANAS MOVILES

<i>KEY</i>	<i>PART NO.</i>	<i>PART NAME</i>	<i>QTY.</i>	<i>SERIAL NO.</i>	<i>REMARKS</i>
1	AT364914	CAB	1		

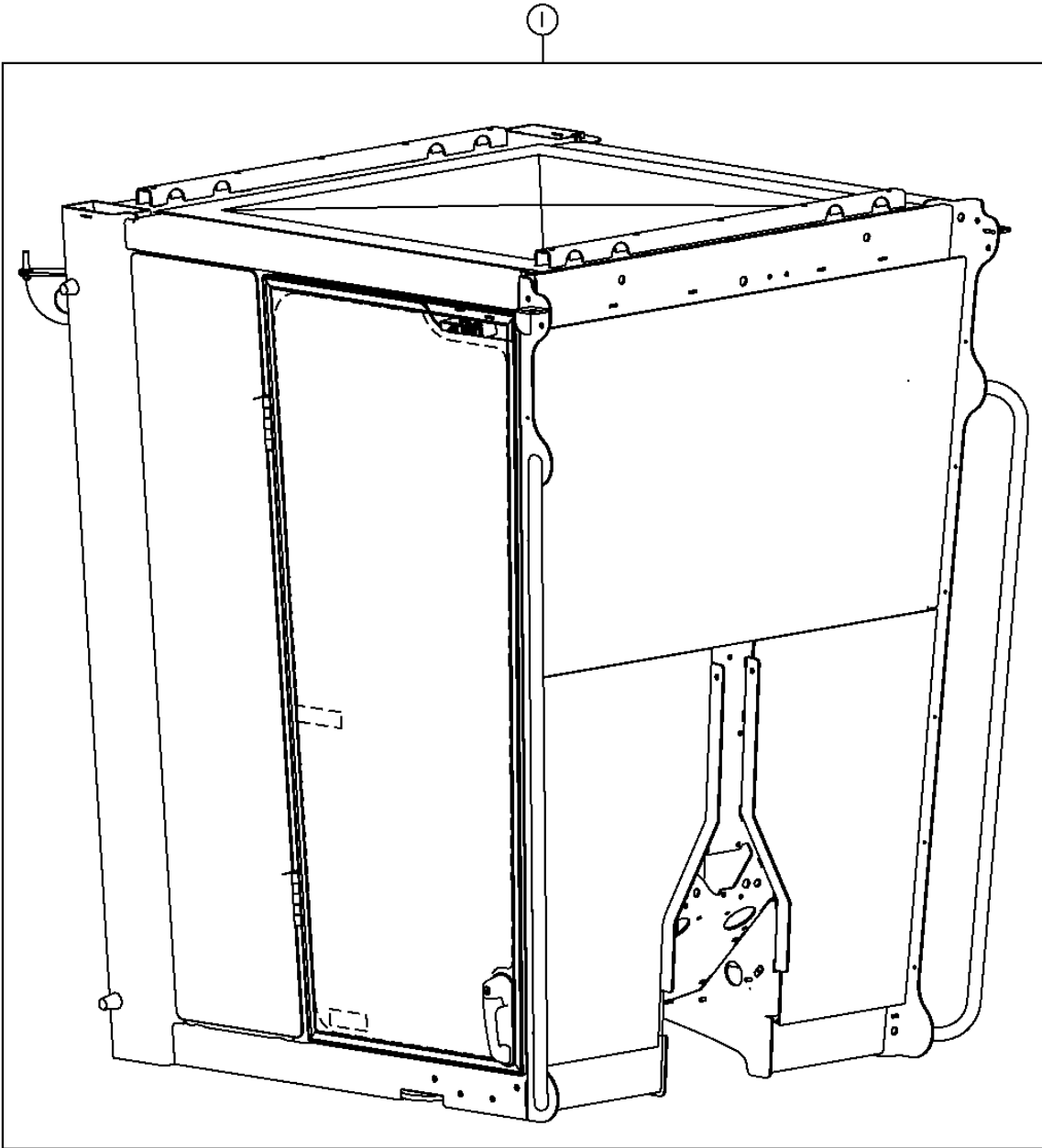
1811-6

OPERATOR'S STATION 18

ROPS, FOPS, OPS, OR BODY FRAME 1811
FULL HEIGHT CAB WITH DOORS AND FIXED WINDOWS
CABINE PLEINE HAUTEUR AVEC PORTIERES ET GLACES FIXES
CABINA DE ALTURA NORMAL CON PUERTAS Y VENTANAS FIJAS

TX1051112

-UN-13NOV08



TX1051112

THIS PARTS LISTING IS CONTINUED

1811-7

OPERATOR'S STATION 18

ROPS, FOPS, OPS, OR BODY FRAME 1811
FULL HEIGHT CAB WITH DOORS AND FIXED WINDOWS
CABINE PLEINE HAUTEUR AVEC PORTIERES ET GLACES FIXES
CABINA DE ALTURA NORMAL CON PUERTAS Y VENTANAS FIJAS

KEY	PART NO.	PART NAME	QTY.	SERIAL NO.	REMARKS
1	AT364913	CAB	1		

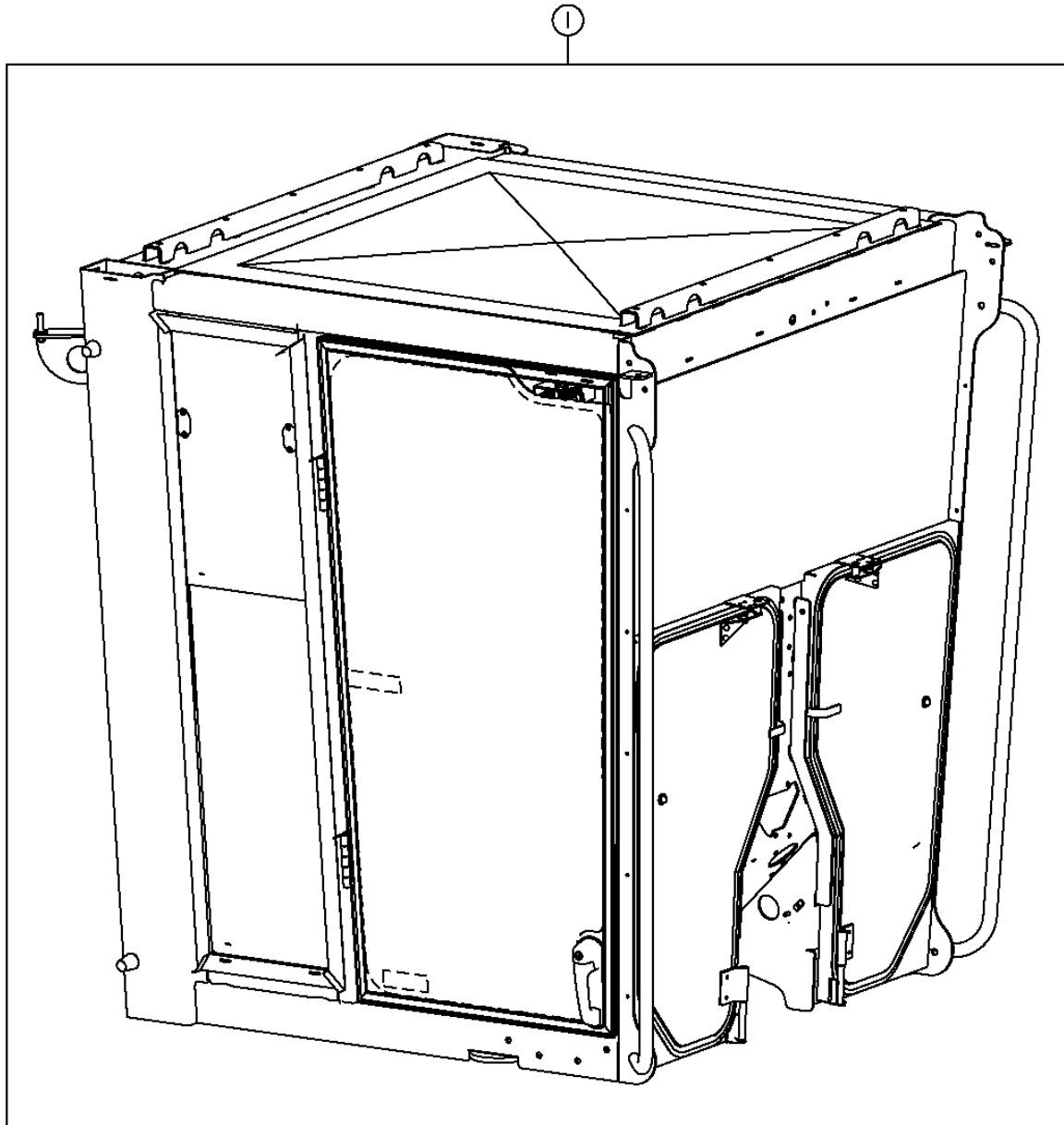
1811-8

OPERATOR'S STATION 18

ROPS, FOPS, OPS, OR BODY FRAME 1811
LOW PROFILE CAB WITH DOORS AND OPENING WINDOWS (GRADE PRO)
CABINE PROFIL BAS AVEC PORTIERES ET GLACES OUVRANTES (GRADE PRO)
CABINA DE PERFIL BAJO CON PUERTAS Y VENTANAS MOVILES (GRADE PRO)

TX1051118

-UN-13NOV08



TX1051118

THIS PARTS LISTING IS CONTINUED

1811-9

OPERATOR'S STATION 18

ROPS, FOPS, OPS, OR BODY FRAME 1811
LOW PROFILE CAB WITH DOORS AND OPENING WINDOWS (GRADE PRO)
CABINE PROFIL BAS AVEC PORTIERES ET GLACES OUVRANTES (GRADE PRO)
CABINA DE PERFIL BAJO CON PUERTAS Y VENTANAS MOVILES (GRADE PRO)

KEY	PART NO.	PART NAME	QTY.	SERIAL NO.	REMARKS
1	AT364923	CAB	1		

1811-10

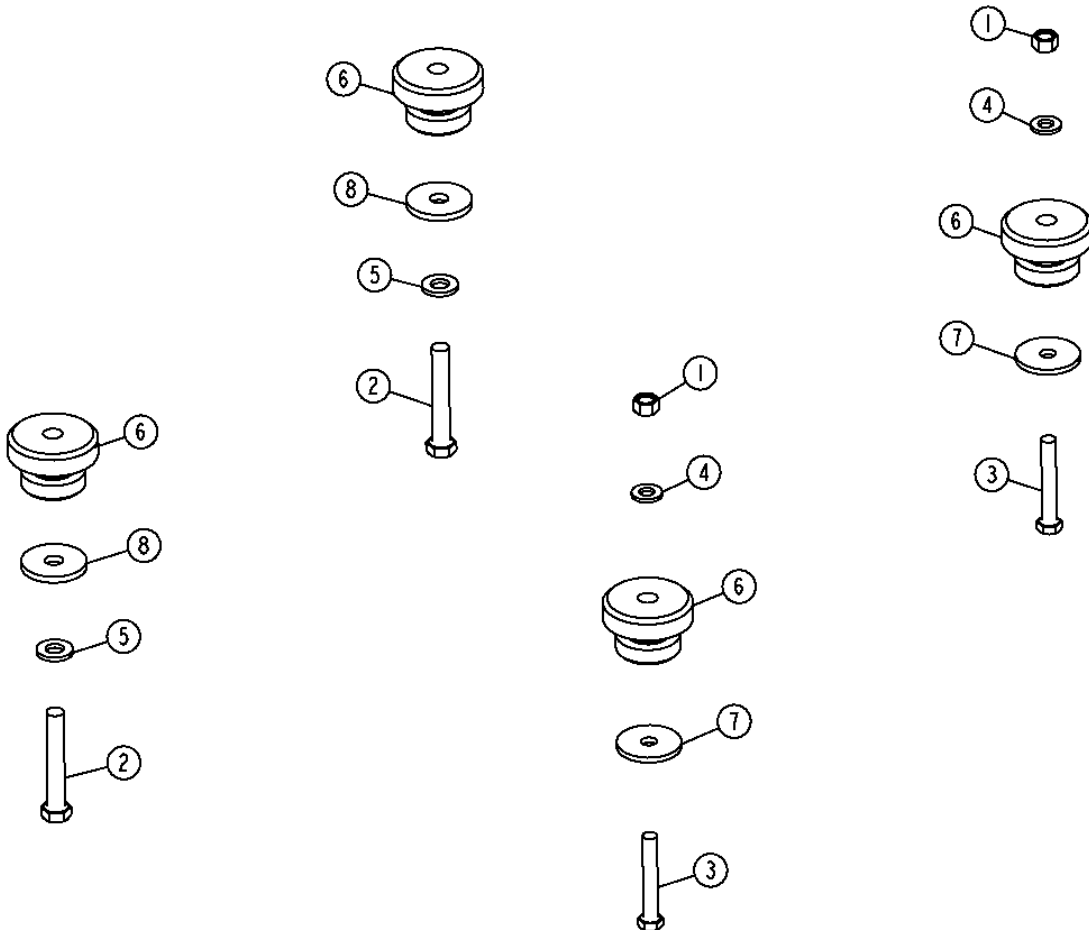
OPERATOR'S STATION 18

ROPS, FOPS, OPS, OR BODY FRAME 1811

CAB ISOLATORS ISOLATEURS DE CABINE AMORTIGUADORES DE CABINA

TX1048240

-UN-05SEP08



TX1048240

1811-11

OPERATOR'S STATION 18

ROPS, FOPS, OPS, OR BODY FRAME 1811

**CAB ISOLATORS
ISOLATEURS DE CABINE
AMORTIGUADORES DE CABINA**

KEY	PART NO.	PART NAME	QTY.	SERIAL NO.	REMARKS
1	14M7277	NUT	2		M20
2	19M7781	CAP SCREW	2		M24 X 150
3	19M7968	CAP SCREW	2		M20 X 130
4	24M7242	WASHER	2		21.400 X 42 X 5 MM
5	24M7243	WASHER	2		25.400 X 50 X 6 MM
6	AT170005	ISOLATOR	4		
7	T101807	WASHER	2		0.866" X 3-1/2" X 5/16"
8	T153535	WASHER	2		

1812-2

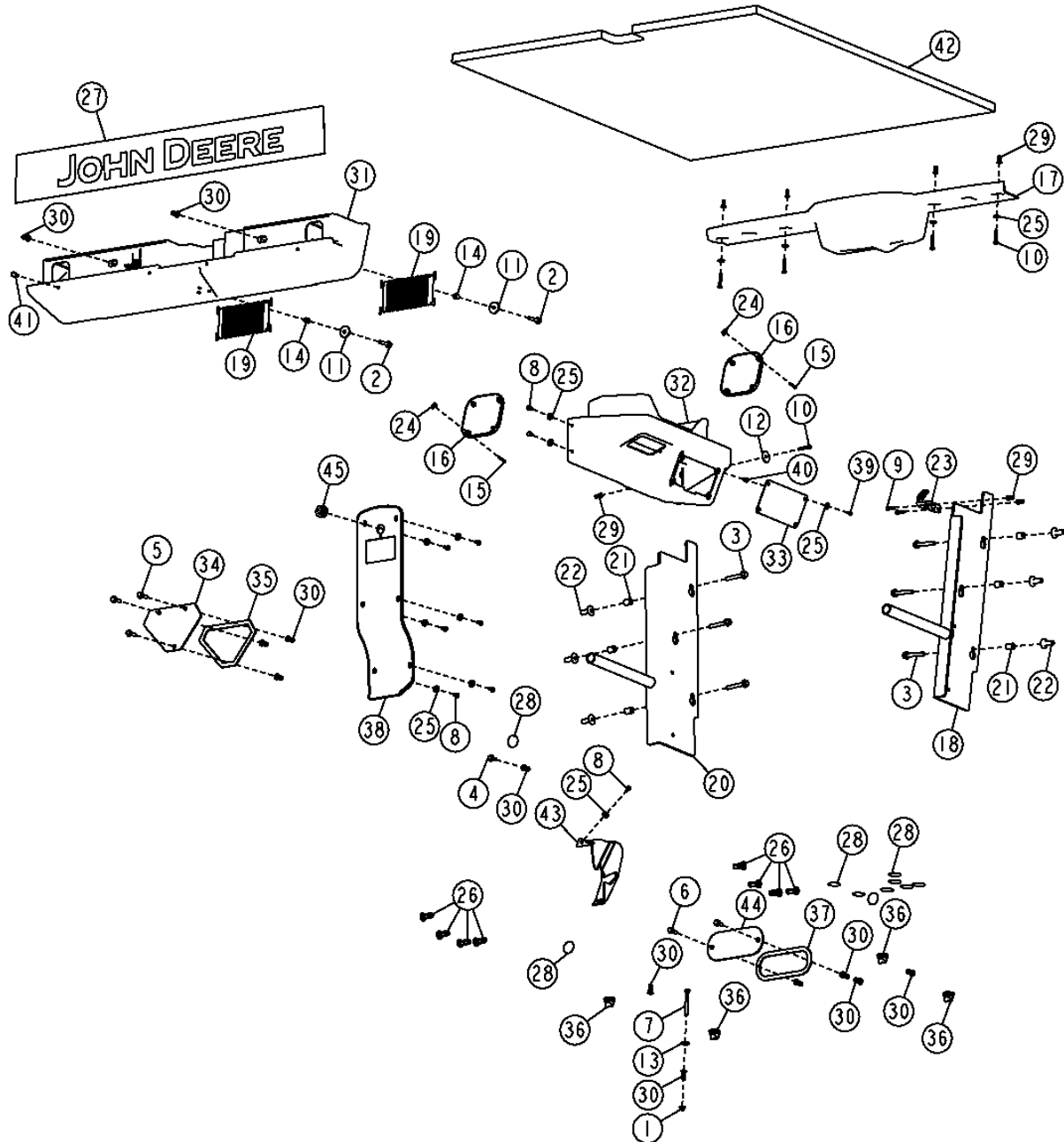
OPERATOR'S STATION 18

PLATFORM 1812

CAB TRIM PANELS AND HEADLINER (LOW PROFILE) (STANDARD CONTROLS)
PANNEAUX DE GARNISSAGE ET REVETEMENT DE TOIT DE CABINE (BASSE SECTION) (COMMANDES STANDARD)
FORRO DEL TECHO Y TABLEROS DECORATIVO DE LA CABINA (BAJO PERFIL) (CONTROLES ESTANDAR)

TX1055653

-UN-24FEB09



TX1055653

THIS PARTS LISTING IS CONTINUED

1812-3

OPERATOR'S STATION 18

PLATFORM 1812

CAB TRIM PANELS AND HEADLINER (LOW PROFILE) (STANDARD CONTROLS)
PANNEAUX DE GARNISSAGE ET REVETEMENT DE TOIT DE CABINE (BASSE SECTION) (COMMANDES STANDARD)
FORRO DEL TECHO Y TABLEROS DECORATIVO DE LA CABINA (BAJO PERFIL) (CONTROLES ESTANDAR)

KEY	PART NO.	PART NAME	QTY.	SERIAL NO.	REMARKS
1	14M7298	FLANGE NUT	1		M8
2	19M7799	SCREW	2		M8 X 45
3	19M7808	SCREW	6		M10 X 65
4	19M7866	SCREW	1		M8 X 20
5	19M7868	SCREW	3		M8 X 30
6	19M7867	SCREW	2		M8 X 25
7	19M8403	CAP SCREW	1		M8 X 75
8	21M7292	SCREW	9		M6 X 16
9	21M7310	SCREW	2		M6 X 25
10	21M7403	SCREW	5		M6 X 40
11	24H1296	WASHER	2		11/32" X 1-3/8" X 0.134"
12	24H1695	WASHER	1		9/32" X 1-3/8" X 0.065"
13	24M7298	WASHER	1		8.400 X 25 X 2 MM
14	28H3450	SPACER	2		0.364" X 0.540" X 1/2"
15	R53508	SCREW	8		
16	AT305406	GRILLE	2		(SPEAKER)
17	AT307650	COVER	1		(REAR WIPER)
18	AT314363	BRACKET	1		
19	AT318192	STORAGE COMPARTMENT	2		
20	AT348542	BRACKET	1		
21	H140461	BUSHING	6		
22	H173411	NUT	6		
23	L102023	HOOK	1		
24	R53528	NUT	8		
25	24H1821	WASHER	17		
26	T148409	NUT	8		
27	T182184	LABEL	1		(SUN SCREEN)
28	T186793	LABEL	13		(GRAY CIRCLE)
29	T196077	NUT	7		
30	T196079	NUT	12		
31	T202799	HOUSING	1		(FRONT WIPER)
32	T202921	HOUSING	1		(RADIO)
33	T203390	BRACKET	1		
34	T204645	COVER	1		
35	ISOLATOR	1		(MAKE FROM T59938) (CTL 600 MM)
36	T220122	PLUG	4		(DRAIN PLUG)
37	ISOLATOR	1		(MAKE FROM T59938) (CTL 450 MM)
38	T254875	COVER	1		(FRONT CONSOLE)
39	T82791	SCREW	4		
40	T82792	NUT	4		
41	U43021	BUMPER	4		
42	T202687	HEADLINER	1		
43	T209947	COVER	1		
44	T227075	PLATE	1		(INTERGRATED GRADE CONTROL)
45	H65107	GROMMET	1		

1812-4

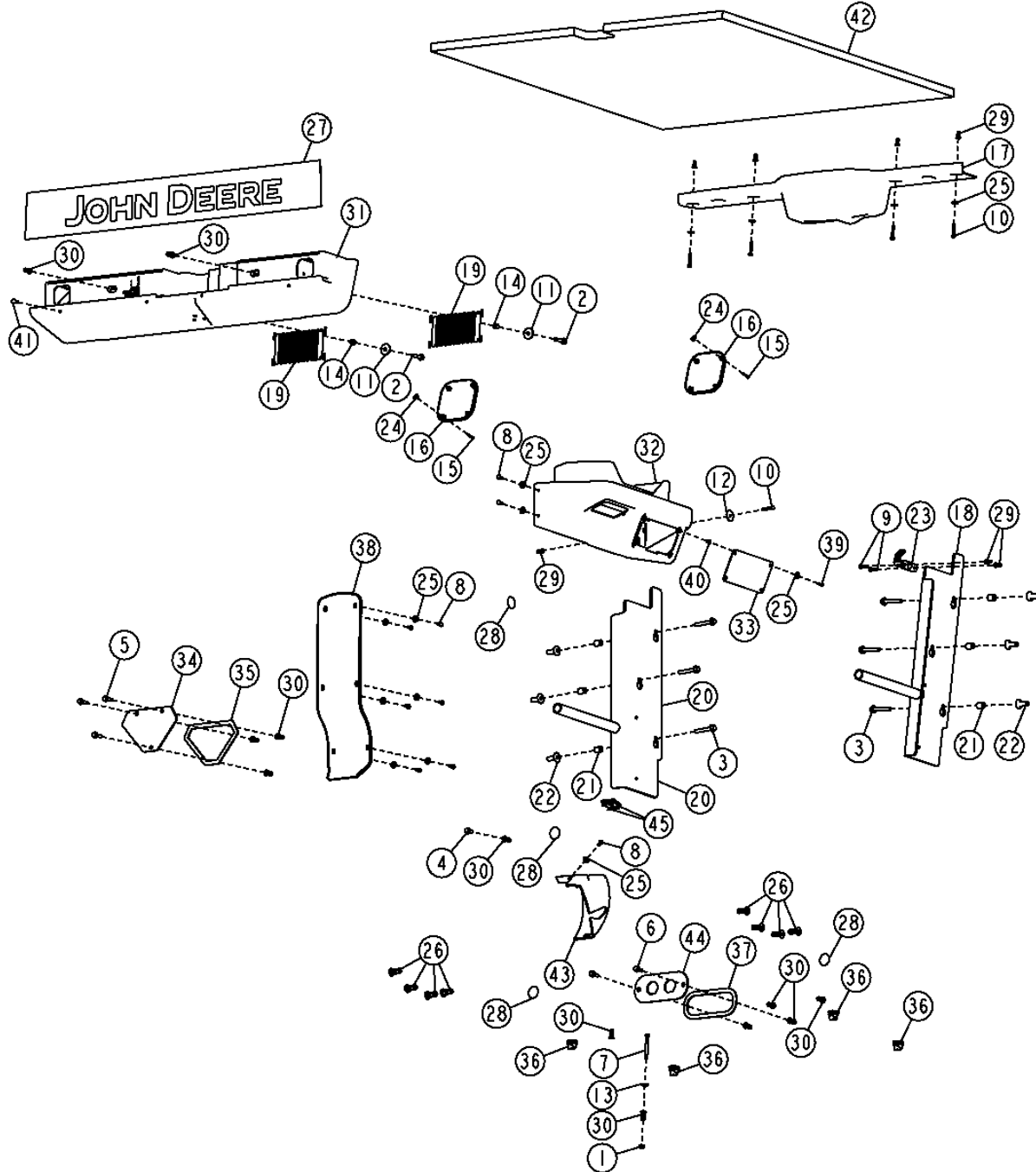
OPERATOR'S STATION 18

PLATFORM 1812

CAB TRIM PANELS AND HEADLINER (GRADE PRO) PANNEAUX DE GARNISSAGE ET REVETEMENT DE TOIT DE CABINE (GRADE PRO) FORRO DEL TECHO Y TABLEROS DECORATIVO DE LA CABINA (GRADE PRO)

TX1055654

-UN-24FEB09



TX1055654

THIS PARTS LISTING IS CONTINUED

1812-5

OPERATOR'S STATION 18

PLATFORM 1812

**CAB TRIM PANELS AND HEADLINER (GRADE PRO)
PANNEAUX DE GARNISSAGE ET REVETEMENT DE TOIT DE CABINE (GRADE PRO)
FORRO DEL TECHO Y TABLEROS DECORATIVO DE LA CABINA (GRADE PRO)**

KEY	PART NO.	PART NAME	QTY.	SERIAL NO.	REMARKS
1	14M7298	FLANGE NUT	1		M8
2	19M7799	SCREW	2		M8 X 45
3	19M7808	SCREW	6		M10 X 65
4	19M7866	SCREW	1		M8 X 20
5	19M7868	SCREW	3		M8 X 30
6	19M7867	SCREW	2		M8 X 25
7	19M8403	CAP SCREW	1		M8 X 75
8	21M7292	SCREW	9		M6 X 16
9	21M7310	SCREW	2		M6 X 25
10	21M7403	SCREW	5		M6 X 40
11	24H1296	WASHER	2		11/32" X 1-3/8" X 0.134"
12	24H1695	WASHER	1		9/32" X 1-3/8" X 0.065"
13	24M7298	WASHER	1		8.400 X 25 X 2 MM
14	28H3450	SPACER	2		0.364" X 0.540" X 1/2"
15	R53508	SCREW	8		
16	AT305406	GRILLE	2		(SPEAKER)
17	AT307650	COVER	1		(REAR WIPER)
18	AT314363	BRACKET	1		
19	AT318192	STORAGE COMPARTMENT	2		
20	AT348542	BRACKET	1		
21	H140461	BUSHING	6		
22	H173411	NUT	6		
23	L102023	HOOK	1		
24	R53528	NUT	8		
25	24H1821	WASHER	17		
26	T148409	NUT	8		
27	T182184	LABEL	1		(SUN SCREEN)
28	T186793	LABEL	5		(GRAY CIRCLE)
29	T196077	NUT	7		
30	T196079	NUT	12		
31	T202799	HOUSING	1		(FRONT WIPER)
32	T202921	HOUSING	1		(RADIO)
33	T203390	BRACKET	1		
34	T204645	COVER	1		
35	ISOLATOR	1		(MAKE FROM T59938) (CTL 600 MM)
36	T220122	PLUG	4		(DRAIN PLUG)
37	ISOLATOR	1		(MAKE FROM T59938) (CTL 450 MM)
38	T250726	COVER	1		(FRONT CONSOLE)
39	T82791	SCREW	4		
40	T82792	NUT	4		
41	U43021	BUMPER	4		
42	T202687	HEADLINER	1		
43	T242817	COVER	1		
44	T243123	PLATE	1		(INTERGRATED GRADE CONTROL)
45	M115279	PLUG	2		

1812-6

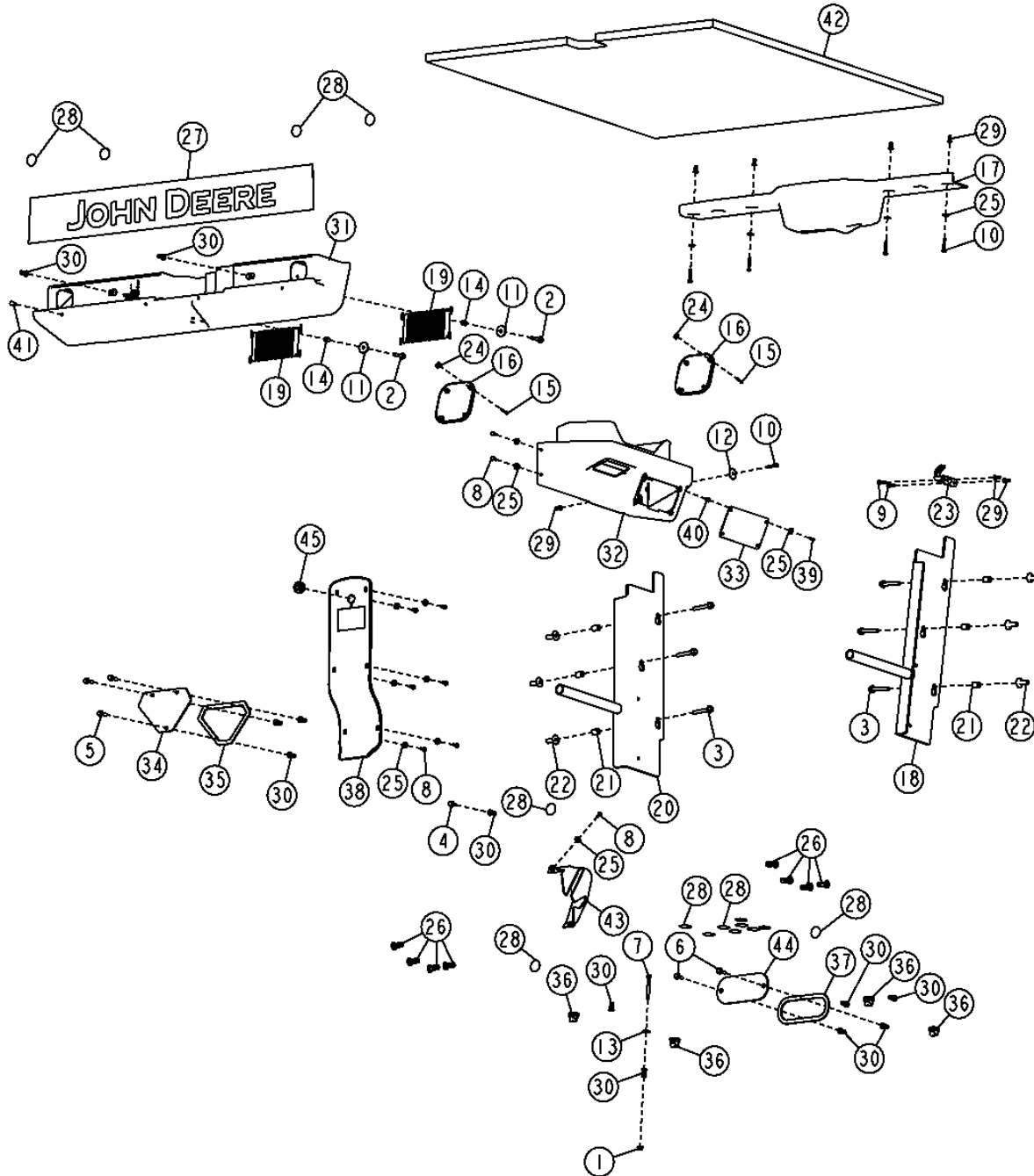
OPERATOR'S STATION 18

PLATFORM 1812

CAB TRIM PANELS AND HEADLINER (FULL HEIGHT CAB)
PANNEAUX DE GARNISSAGE ET REVETEMENT DE TOIT DE CABINE (CABINE PLEINE HAUTEUR)
FORRO DEL TECHO Y TABLEROS DECORATIVO DE LA CABINA (CABINA DE ALTURA MAXIMA)

TX1055655

-UN-24FEB09



TX1055655

THIS PARTS LISTING IS CONTINUED

1812-7

OPERATOR'S STATION 18

PLATFORM 1812

**CAB TRIM PANELS AND HEADLINER (FULL HEIGHT CAB)
PANNEAUX DE GARNISSAGE ET REVETEMENT DE TOIT DE CABINE (CABINE PLEINE HAUTEUR)
FORRO DEL TECHO Y TABLEROS DECORATIVO DE LA CABINA (CABINA DE ALTURA MAXIMA)**

KEY	PART NO.	PART NAME	QTY.	SERIAL NO.	REMARKS
1	14M7298	FLANGE NUT	1		M8
2	19M7799	SCREW	2		M8 X 45
3	19M7808	SCREW	6		M10 X 65
4	19M7866	SCREW	1		M8 X 20
5	19M7868	SCREW	3		M8 X 30
6	19M7867	SCREW	2		M8 X 25
7	19M8403	CAP SCREW	1		M8 X 75
8	21M7292	SCREW	9		M6 X 16
9	21M7310	SCREW	2		M6 X 25
10	21M7403	SCREW	5		M6 X 40
11	24H1296	WASHER	2		11/32" X 1-3/8" X 0.134"
12	24H1695	WASHER	1		9/32" X 1-3/8" X 0.065"
13	24M7298	WASHER	1		8.400 X 25 X 2 MM
14	28H3450	SPACER	2		0.364" X 0.540" X 1/2"
15	R53508	SCREW	8		
16	AT305406	GRILLE	2		(SPEAKER)
17	AT307650	COVER	1		(REAR WIPER)
18	AT314363	BRACKET	1		
19	AT318192	STORAGE COMPARTMENT	2		
20	AT348542	BRACKET	1		
21	H140461	BUSHING	6		
22	H173411	NUT	6		
23	L102023	HOOK	1		
24	R53528	NUT	8		
25	24H1821	WASHER	17		
26	T148409	NUT	8		
27	T182184	LABEL	1		(SUN SCREEN)
28	T186793	LABEL	17		(GRAY CIRCLE)
29	T196077	NUT	7		
30	T196079	NUT	12		
31	T202799	HOUSING	1		(FRONT WIPER)
32	T202921	HOUSING	1		(RADIO)
33	T203390	BRACKET	1		
34	T204645	COVER	1		
35	ISOLATOR	1		(MAKE FROM T59938) (CTL 600 MM)
36	T220122	PLUG	4		(DRAIN PLUG)
37	ISOLATOR	1		(MAKE FROM T59938) (CTL 450 MM)
38	T254875	COVER	1		(FRONT CONSOLE)
39	T82791	SCREW	4		
40	T82792	NUT	4		
41	U43021	BUMPER	4		
42	T205243	HEADLINER	1		
43	T209947	COVER	1		
44	T227075	PLATE	1		(INTERGRATED GRADE CONTROL)
45	H65107	GROMMET	1		

1812-8

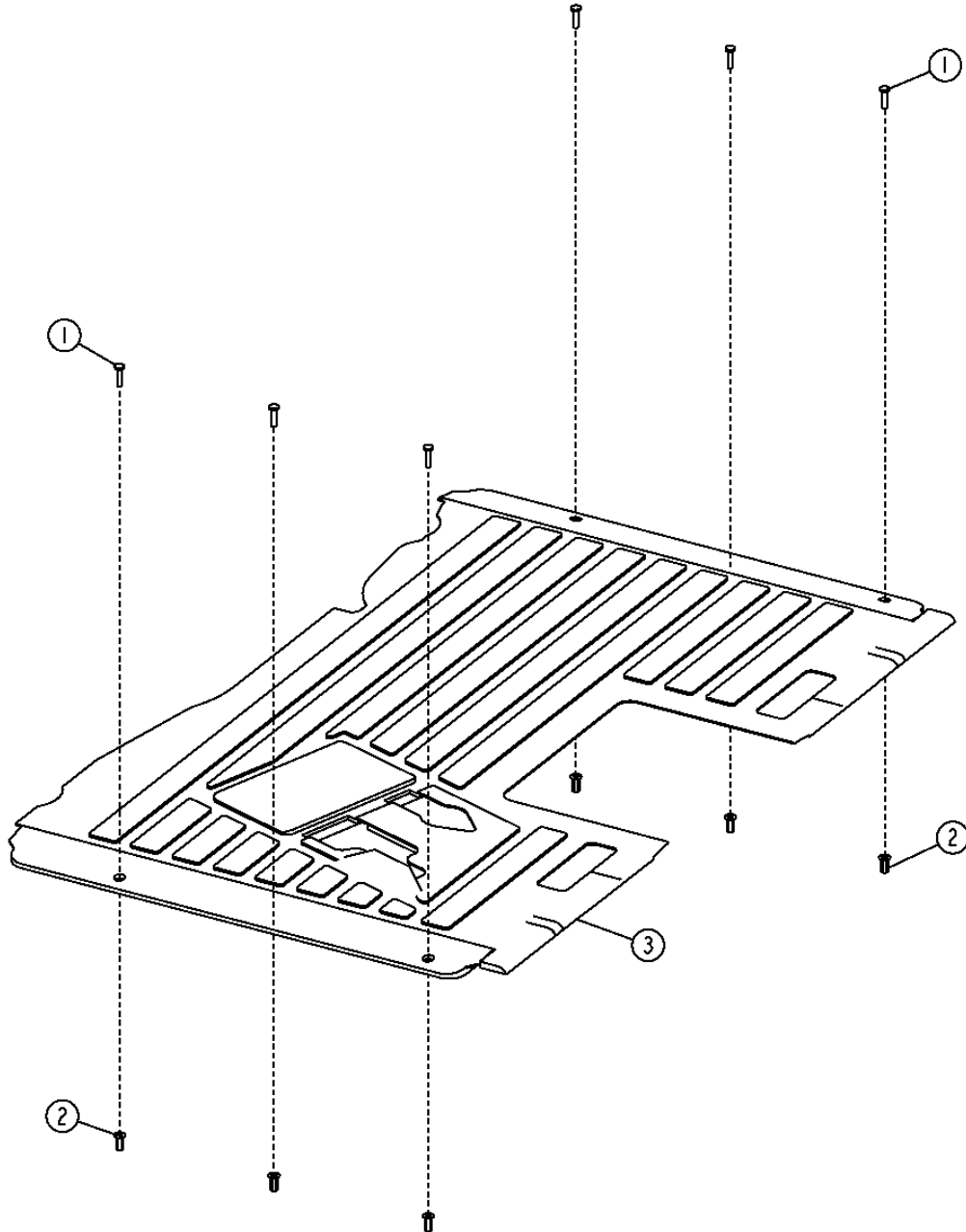
OPERATOR'S STATION 18

PLATFORM 1812

CAB FLOORMAT (STANDARD CONTROLS)
TAPIS DE PLANCHER DE CABINE (COMMANDES STANDARD)
FELPUDO DE CABINA (CONTROLES ESTANDAR)

TX1048350

-UN-05SEP08



TX1048350

1812-9

OPERATOR'S STATION 18

PLATFORM 1812

**CAB FLOORMAT (STANDARD CONTROLS)
TAPIS DE PLANCHER DE CABINE (COMMANDES STANDARD)
FELPUDO DE CABINA (CONTROLES ESTANDAR)**

KEY	PART NO.	PART NAME	QTY.	SERIAL NO.	REMARKS
1	21M7310	SCREW	6		M6 X 25
2	T196077	NUT	6		
3	T202357	MAT	1		

1812-10

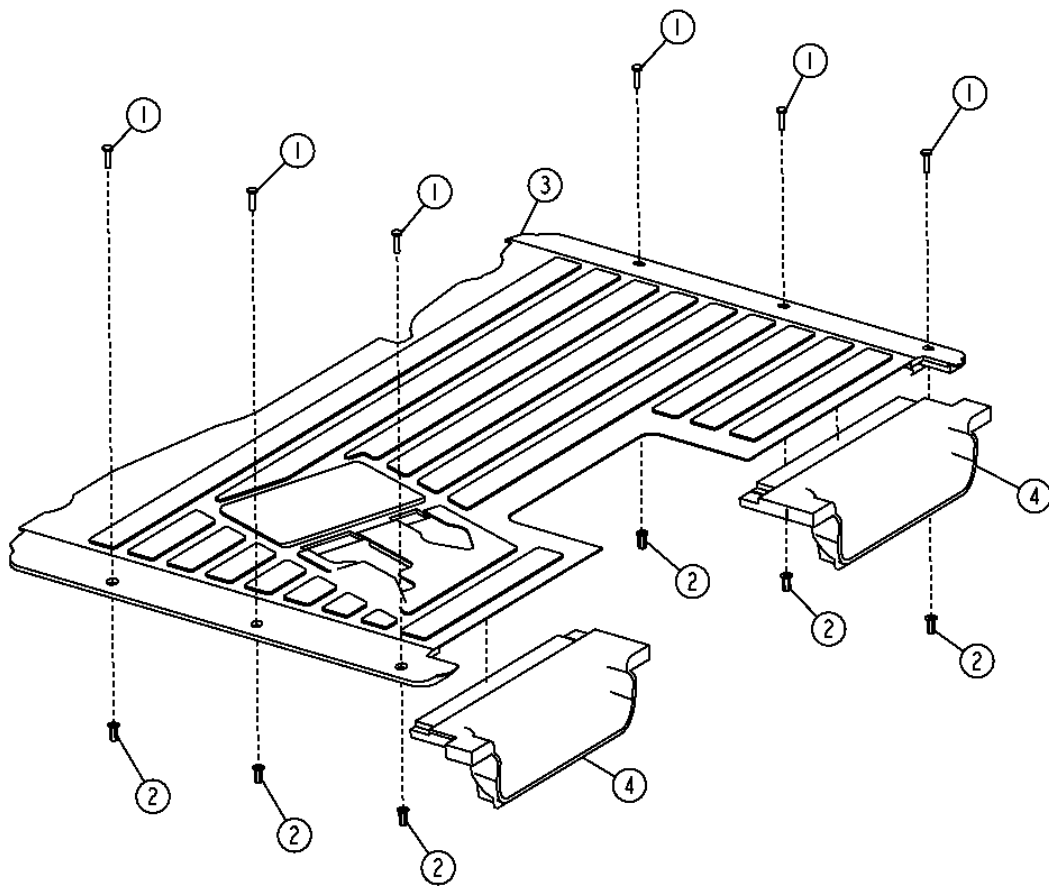
OPERATOR'S STATION 18

PLATFORM 1812

CAB FLOORMAT (GRADE PRO)
TAPIS DE PLANCHER DE CABINE (GRADE PRO)
FELPUDO DE CABINA (GRADE PRO)

TX1050670

-UN-11NOV08



TX1050670

1812-11

OPERATOR'S STATION 18

PLATFORM 1812

CAB FLOORMAT (GRADE PRO)
TAPIS DE PLANCHER DE CABINE (GRADE PRO)
FELPUDO DE CABINA (GRADE PRO)

KEY	PART NO.	PART NAME	QTY.	SERIAL NO.	REMARKS
1	21M7310	SCREW	6		M6 X 25
2	T196077	NUT	6		M6
3	T232503	MAT	1		
4	MAT	2		(ORDER T232578) (TRIM TO FIT)

1812-12

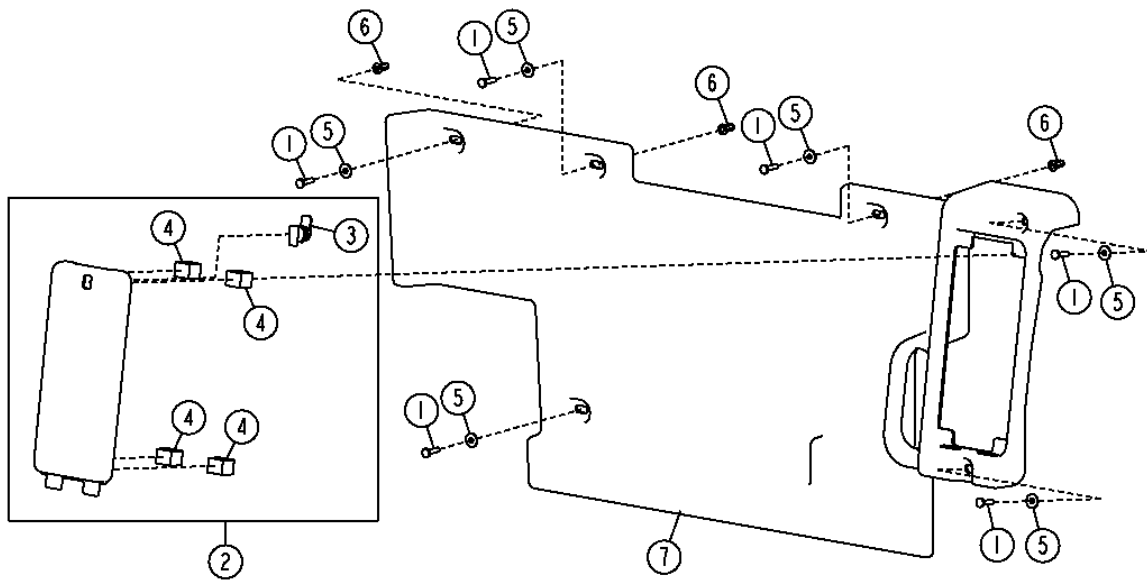
OPERATOR'S STATION 18

PLATFORM 1812

CAB REAR INTERIOR PANELS PANNEAUX INTERIEURS ARRIERE DE CABINE TABLEROS INTERIORES TRASEROS DE CABINA

TX1048904

-UN-23SEP08



TX1048904

THIS PARTS LISTING IS CONTINUED

1812-13

OPERATOR'S STATION 18

PLATFORM 1812

**CAB REAR INTERIOR PANELS
PANNEAUX INTERIEURS ARRIERE DE CABINE
TABLEROS INTERIORES TRASEROS DE CABINA**

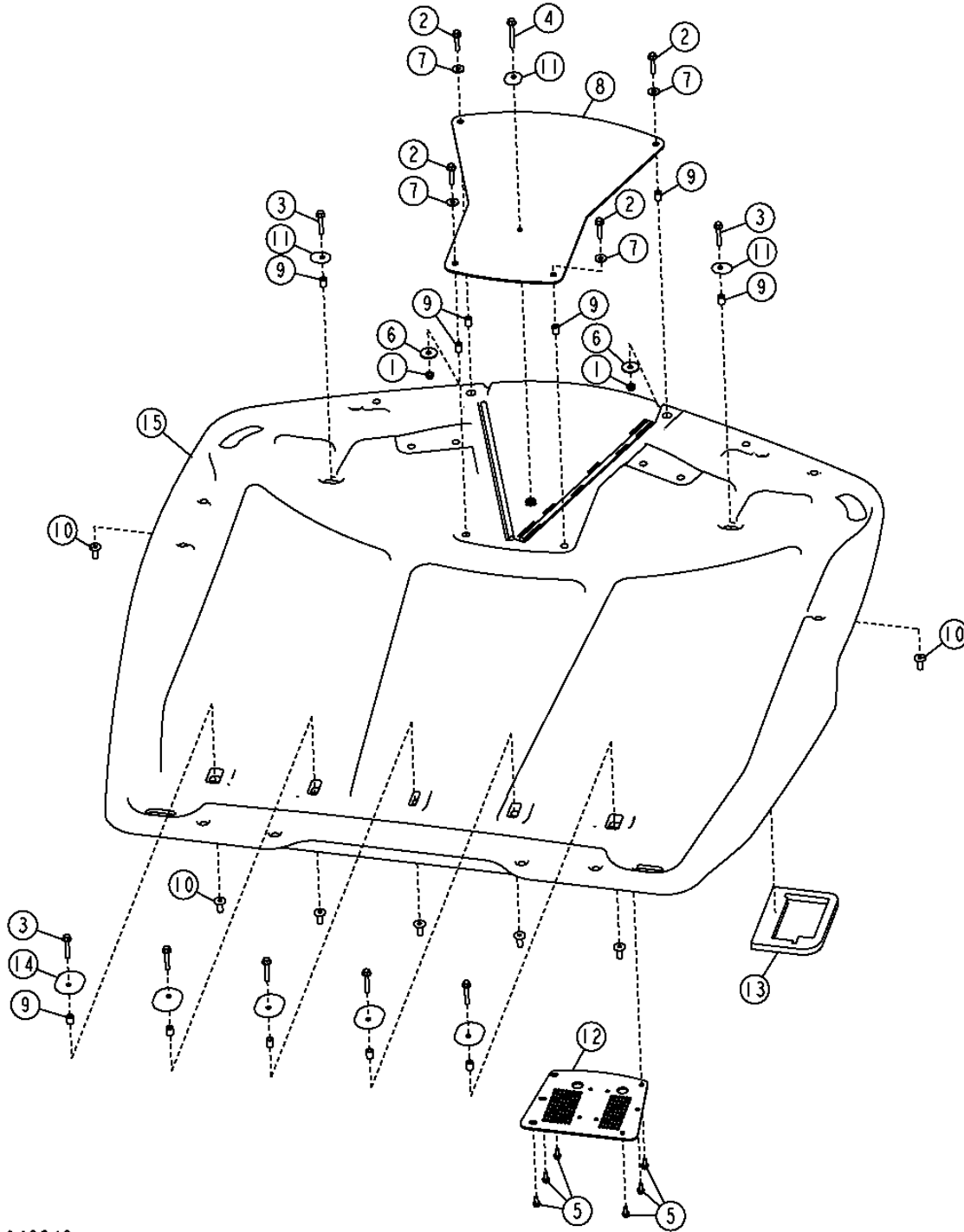
KEY	PART NO.	PART NAME	QTY.	SERIAL NO.	REMARKS
1	21M7310	SCREW	6		M6 X 25
2	AT348672	COVER	1		
3	T167190	LATCH	1		
4	PAD	4		(MAKE FROM R125869) (CTL)
5	24H1821	WASHER	6		9/32" X 47/64" X 1/16"
6	T196077	NUT	3		
7	T231699	COVER	1		

1813-2

CAB ROOF TOIT DE CABINE TECHO DE CABINA

TX1048848

-UN-22SEP08



TX1048848

THIS PARTS LISTING IS CONTINUED

1813-3

OPERATOR'S STATION 18

BODY SIDES, DOORS, SHIELDS & GLAZING 1813

**CAB ROOF
TOIT DE CABINE
TECHO DE CABINA**

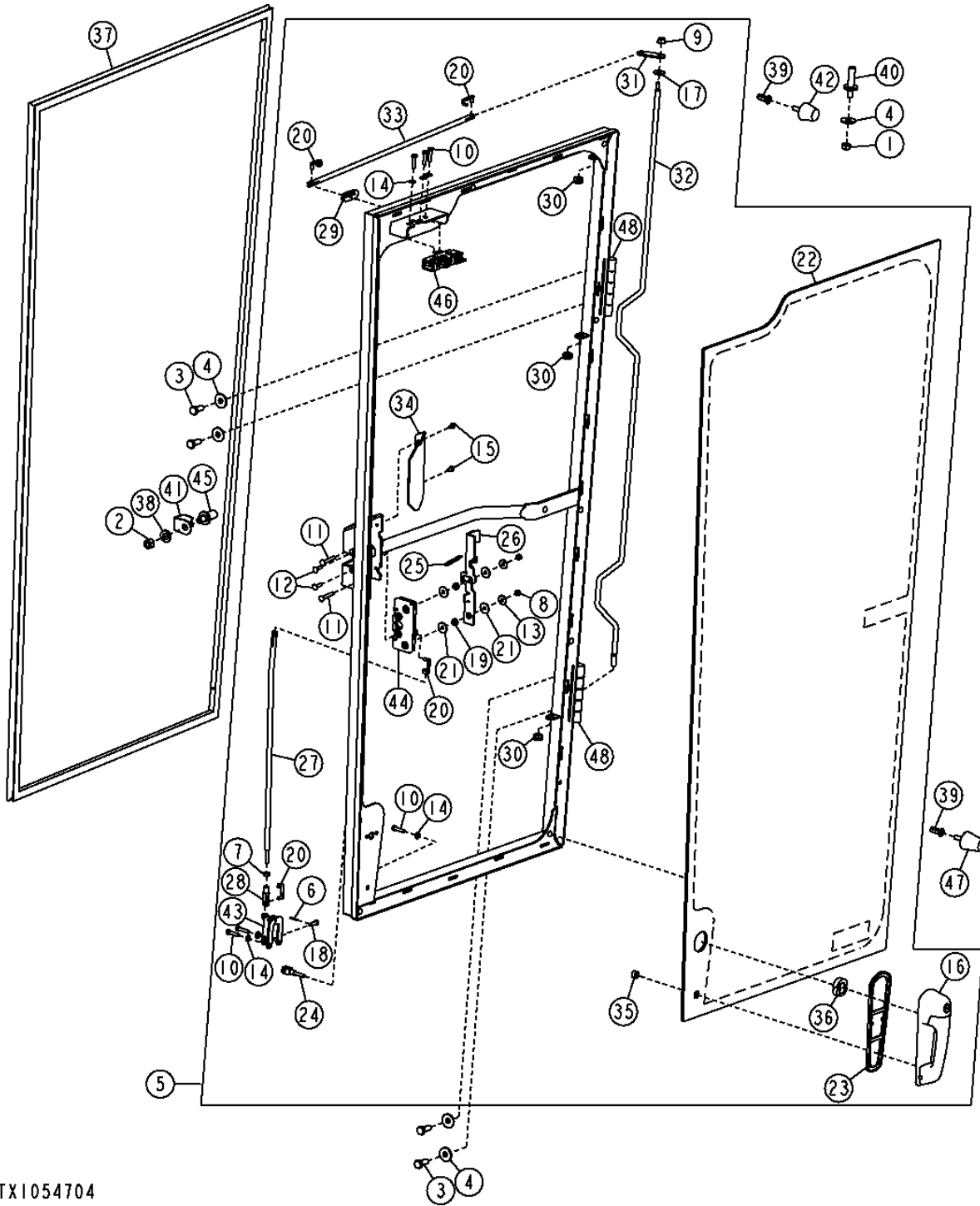
KEY	PART NO.	PART NAME	QTY.	SERIAL NO.	REMARKS
1	14M7296	FLANGE NUT	4		M10
2	19M7806	SCREW	4		M10 X 50
3	19M7807	SCREW	7		M10 X 60
4	19M7810	SCREW	1		M10 X 80
5	19M7866	SCREW	6		M8 X 20
6	24H1334	WASHER	4		15/32" X 1-3/4" X 0.105"
7	24M7296	WASHER	4		0.413" X 1.181" X 0.098"
8	AT317562	PLATE	1		
9	H140461	BUSHING	11		
10	H173411	NUT	8		
11	T185664	SEALING WASHER	3		
12	T204319	PLATE	1		
13	T205066	ISOLATOR	1		
14	T205068	SEALING WASHER	5		
15	T232590	ROOF	1		

1813-4

**CAB DOORS (LOW PROFILE CAB)
 PORTIERES DE CABINE (CABINE A PROFIL BAS)
 PUERTAS DE CABINA (CABINA DE BAJA ALTURA)**

TX1054704

-UN-21JAN09



TX1054704

THIS PARTS LISTING IS CONTINUED

1813-5

OPERATOR'S STATION 18

BODY SIDES, DOORS, SHIELDS & GLAZING 1813
CAB DOORS (LOW PROFILE CAB)
PORTIERES DE CABINE (CABINE A PROFIL BAS)
PUERTAS DE CABINA (CABINA DE BAJA ALTURA)

KEY	PART NO.	PART NAME	QTY.	SERIAL NO.	REMARKS
1	14M7274	NUT	2		M10
2	14M7275	NUT	2		M12
3	19M7402	CAP SCREW	8		M10 X 25
4	24M7296	WASHER	10		10.500 X 30 X 2.500 MM
5	AT303744	DOOR	1		(RH)
	AT303745	DOOR	1		(LH)
6	11M7009	COTTER PIN	1		2 X 16 MM
7	14H786	NUT	1		1/4"
8	14M7165	LOCK NUT	2		M6
9	14M7298	FLANGE NUT	1		M8
10	19M7933	CAP SCREW	6		M6 X 25
11	21M7289	SCREW	2		M6 X 40
12	21M7326	SCREW	2		M6 X 20
13	24H1821	WASHER	2		9/32" X 47/64" X 1/16"
14	24M7293	WASHER	6		6.500 X 13 X 1.600 MM
15	37M7059	SCREW	2		M5 X 12
16	AT306181	HANDLE	1		
17	H110232	WASHER	1		
18	M72069	PIN FASTENER	1		
19	T160017	SPACER	2		
20	T160020	PIN	4		
21	T175675	WASHER	4		
22	T202653	WINDOWPANE	1		(RH)
	T202654	WINDOWPANE	1		(LH)
23	T204599	GASKET	1		
24	T210101	YOKE	1		
25	T210106	SPRING	1		
26	T247911	LEVER	1		(RH)
	T247910	LEVER	1		(LH)
27	T213443	ROD	1		
28	T213444	CLEVIS	1		
29	T213445	GROMMET	1		
30	L152397	GROMMET	3		
31	T213448	STRAP	1		
32	T213450	ROD	1		
33	T213451	ROD	1		
34	T213452	COVER	1		
35	T223734	WASHER	1		
36	T223735	SPACER	1		
37	AT322428	ISOLATOR	1		
38	R70663	WASHER	2		
39	T196079	NUT	4		
40	T201880	STUD	2		
41	T205499	GUARD	2		
42	AT317979	BUMPER	4		
43	AT317981	BELLCRANK	2		
44	AT317984	LATCH	1		(RH)
	AT317983	LATCH	1		(LH)
45	AT307096	STRIKER	2		
46	AT317982	LATCH	1		(RH)
	AT317983	LATCH	1		(LH)
47	AT317980	BUMPER	2		
48	AT363054	HINGE	1		(SET OF TWO) (INCLUDES WELD INSTRUCTIONS)

1813-6

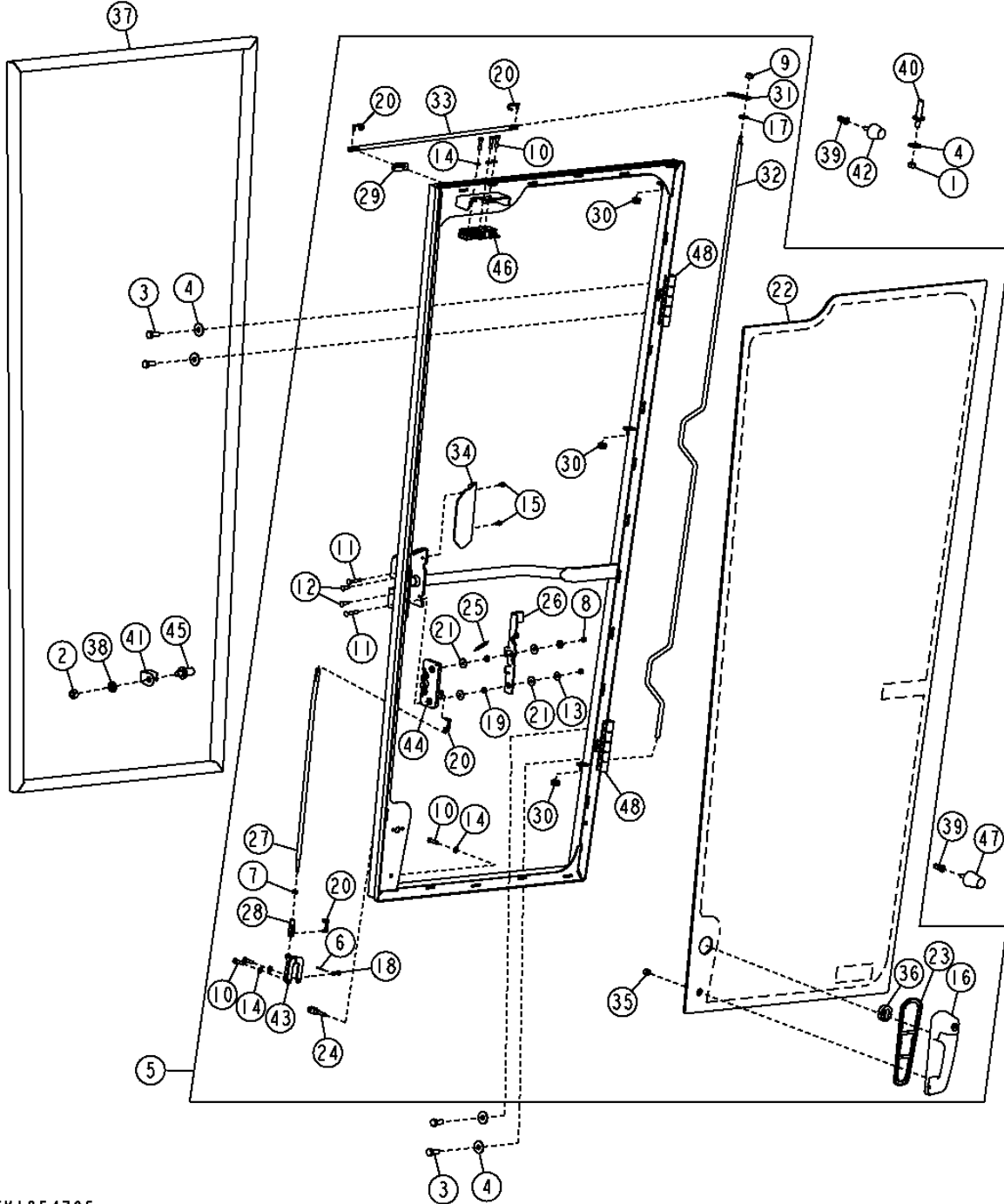
OPERATOR'S STATION 18

BODY SIDES, DOORS, SHIELDS & GLAZING 1813

CAB DOORS (FULL HEIGHT CAB)
PORTIERES DE CABINE (CABINE PLEINE HAUTEUR)
PUERTAS DE CABINA (CABINA DE ALTURA MAXIMA)

TX1054705

-UN-21JAN09



TX1054705

THIS PARTS LISTING IS CONTINUED

1813-7

OPERATOR'S STATION 18

BODY SIDES, DOORS, SHIELDS & GLAZING 1813
CAB DOORS (FULL HEIGHT CAB)
PORTIERES DE CABINE (CABINE PLEINE HAUTEUR)
PUERTAS DE CABINA (CABINA DE ALTURA MAXIMA)

KEY	PART NO.	PART NAME	QTY.	SERIAL NO.	REMARKS
1	14M7274	NUT	2		M10
2	14M7275	NUT	2		M12
3	19M7402	CAP SCREW	8		M10 X 25
4	24M7296	WASHER	10		10.500 X 30 X 2.500 MM
5	AT303748	DOOR	1		(RH)
	AT303749	DOOR	1		(LH)
6	11M7009	COTTER PIN	1		2 X 16 MM
7	14H786	NUT	1		1/4"
8	14M7165	LOCK NUT	2		M6
9	14M7298	FLANGE NUT	1		M8
10	19M7933	CAP SCREW	6		M6 X 25
11	21M7289	SCREW	2		M6 X 40
12	21M7326	SCREW	2		M6 X 20
13	24H1821	WASHER	2		9/32" X 47/64" X 1/16"
14	24M7293	WASHER	6		6.500 X 13 X 1.600 MM
15	37M7059	SCREW	2		M5 X 12
16	AT306181	HANDLE	1		
17	H110232	WASHER	1		
18	M72069	PIN FASTENER	1		
19	T160017	SPACER	2		
20	T160020	PIN	4		
21	T175675	WASHER	4		
22	T202655	WINDOWPANE	1		(RH)
	T202656	WINDOWPANE	1		(LH)
23	T204599	GASKET	1		
24	T210101	YOKE	1		
25	T210106	SPRING	1		
26	T247910	LEVER	1		(RH)
	T213167	LEVER	1		(LH)
27	T213443	ROD	1		
28	T213444	CLEVIS	1		
29	T213445	GROMMET	1		
30	L152397	GROMMET	3		
31	T213448	STRAP	1		
32	T213449	ROD	1		
33	T213451	ROD	1		
34	T213452	COVER	1		
35	T223734	WASHER	1		
36	T223735	SPACER	1		
37	AT322428	ISOLATOR	1		
38	R70663	WASHER	2		
39	T196079	NUT	4		
40	T201880	STUD	2		
41	T205499	GUARD	2		
42	AT317979	BUMPER	4		
43	AT317981	BELLCRANK	2		
44	AT317984	LATCH	1		(RH)
	AT317983	LATCH	1		(LH)
45	AT307096	STRIKER	2		
46	AT317982	LATCH	1		(RH)
	AT317983	LATCH	1		(LH)
47	AT317980	BUMPER	2		
48	AT363054	HINGE	1		(SET OF TWO) (INCLUDES WELD INSTRUCTIONS)

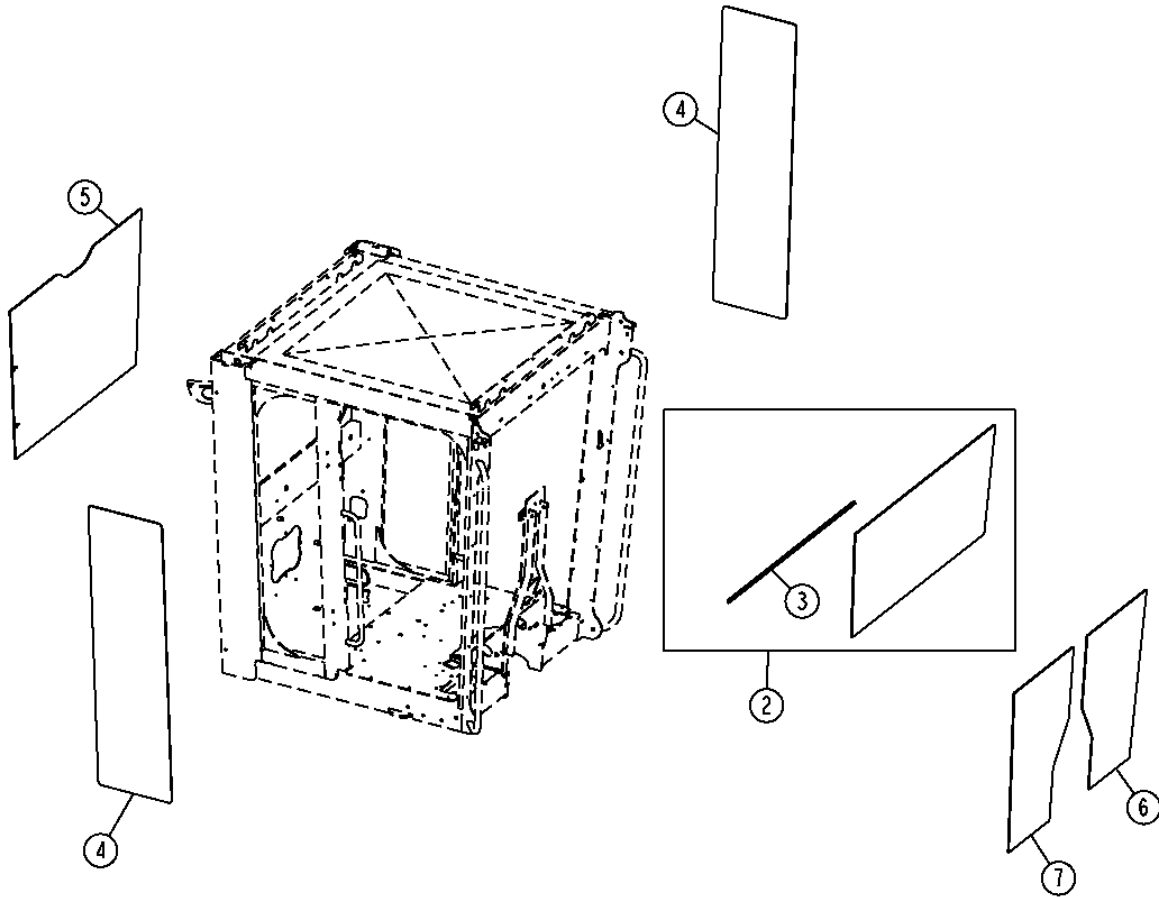
1813-8

OPERATOR'S STATION 18

BODY SIDES, DOORS, SHIELDS & GLAZING 1813
FIXED WINDOWS (LOW PROFILE CAB)
GLACES FIXES (CABINE PROFIL BAS)
VENTANAS FIJAS (CABINA DE BAJO PERFIL)

TX1055310

-UN-10FEB09



TX1055310

1813-9

OPERATOR'S STATION 18

BODY SIDES, DOORS, SHIELDS & GLAZING 1813
FIXED WINDOWS (LOW PROFILE CAB)
GLACES FIXES (CABINE PROFIL BAS)
VENTANAS FIJAS (CABINA DE BAJO PERFIL)

KEY	PART NO.	PART NAME	QTY.	SERIAL NO.	REMARKS
1	T135675	STAND-OFF	AR		(USED BETWEEN WINDOW AND CAB) (NOT SHOWN)
2	AT364185	WINDSHIELD	1		(INCLUDES (10) T135675)
3	T214023	ISOLATOR	1		
4	T202074	WINDOWPANE	2		
5	T202075	WINDOWPANE	1		
6	T231614	WINDOWPANE	1		
7	T231615	WINDOWPANE	1		

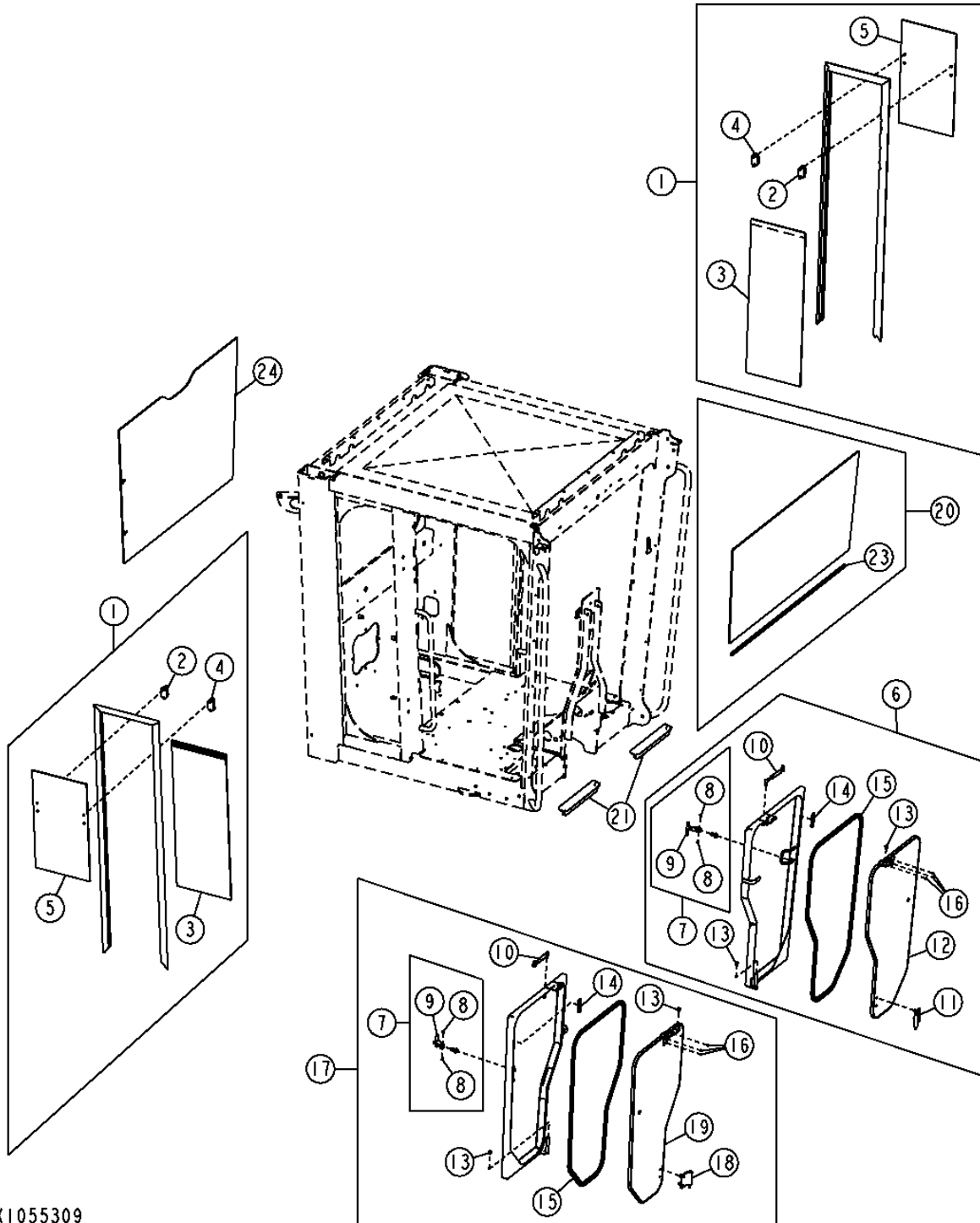
1813-10

OPERATOR'S STATION 18

BODY SIDES, DOORS, SHIELDS & GLAZING 1813
OPENING WINDOWS (LOW PROFILE CAB)
GLACES OUVRANTES (CABINE PROFIL BAS)
VENTANAS PARA ABRIR (CABINA DE BAJO PERFIL)

TX1055309

-UN-05FEB09



TX1055309

1813-11

OPERATOR'S STATION 18

BODY SIDES, DOORS, SHIELDS & GLAZING 1813
OPENING WINDOWS (LOW PROFILE CAB)
GLACES OUVRANTES (CABINE PROFIL BAS)
VENTANAS PARA ABRIR (CABINA DE BAJO PERFIL)

KEY	PART NO.	PART NAME	QTY.	SERIAL NO.	REMARKS
1	AT305414	WINDOW	2		
2	AT315844	LATCH	1		
3	AT315896	WINDOWPANE	1		
4	AT316267	LATCH	1		
5	T211864	WINDOWPANE	1		
6	AT342655	WINDOW	1		
7	AT196522	LATCH	1		
8	A48970	DUAL LOCK FASTENER	2		
9	T119153	LATCH	1		
10	AT315903	GAS OPERATED CYLINDER	1		
11	AT364883	HINGE KIT	1		
12	AT364887	WINDOW	1		
13	T213917	BUSHING	2		
14	T252566	ISOLATOR	1		
15	T252567	ISOLATOR	1		
16	14M7360	LOCK NUT	3		M5
17	AT342656	WINDOW	1		
18	AT364884	HINGE KIT	1		
19	AT364886	WINDOW	1		
20	AT364185	WINDSHIELD	1		(INCLUDES (10) T135675)
21	T239612	MAT	2		
22	T135675	STAND-OFF	AR		(USED BETWEEN WINDOW AND CAB) (NOT SHOWN)
23	T214023	ISOLATOR	1		
24	T202075	WINDOWPANE	1		

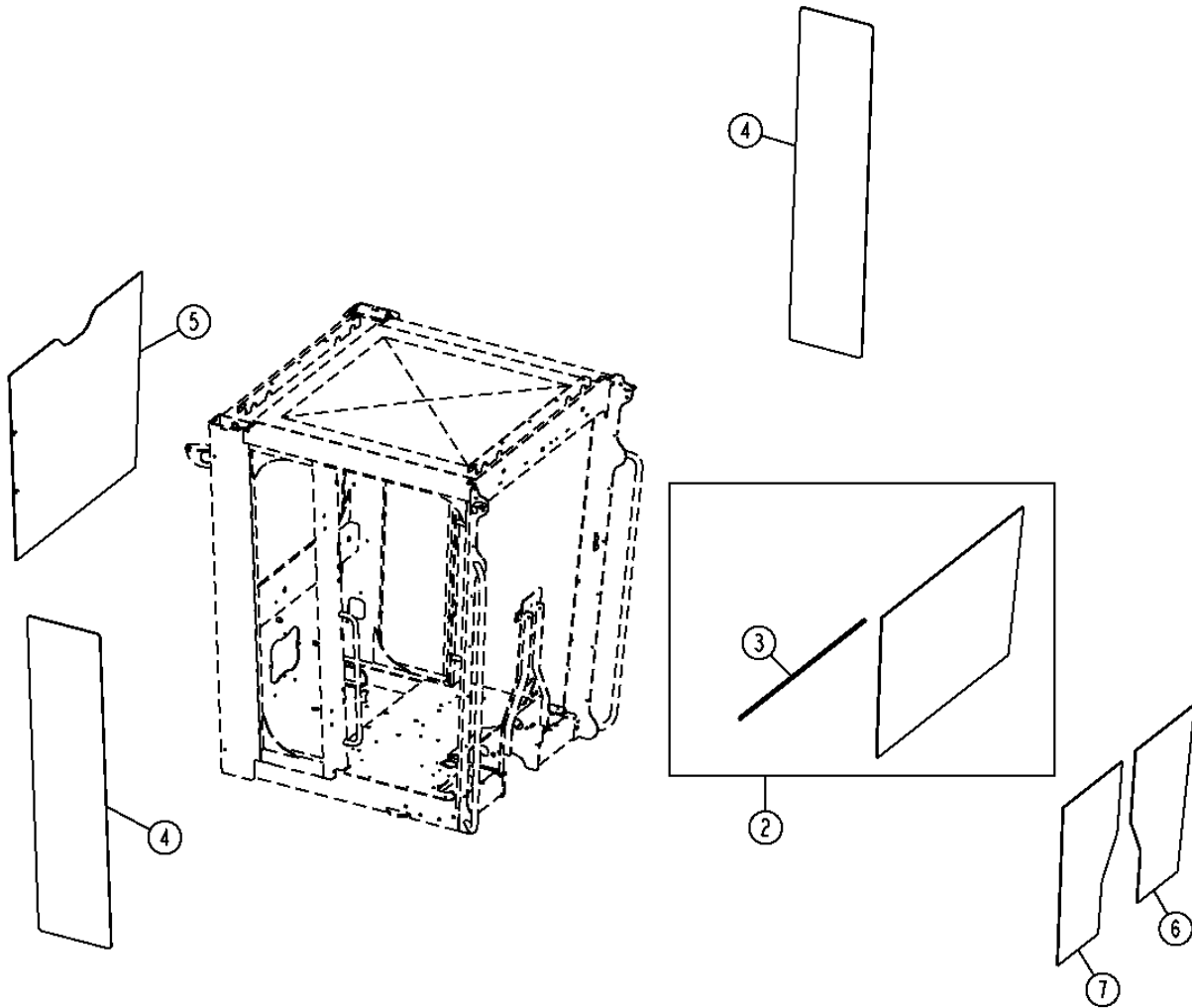
1813-12

OPERATOR'S STATION 18

BODY SIDES, DOORS, SHIELDS & GLAZING 1813
FIXED WINDOWS (FULL HEIGHT CAB)
GLACES FIXES (CABINE PLEINE HAUTEUR)
VENTANAS FIJAS (CABINA DE ALTURA MAXIMA)

TX1055308

-UN-09FEB09



TX1055308

1813-13

OPERATOR'S STATION 18

BODY SIDES, DOORS, SHIELDS & GLAZING 1813
FIXED WINDOWS (FULL HEIGHT CAB)
GLACES FIXES (CABINE PLEINE HAUTEUR)
VENTANAS FIJAS (CABINA DE ALTURA MAXIMA)

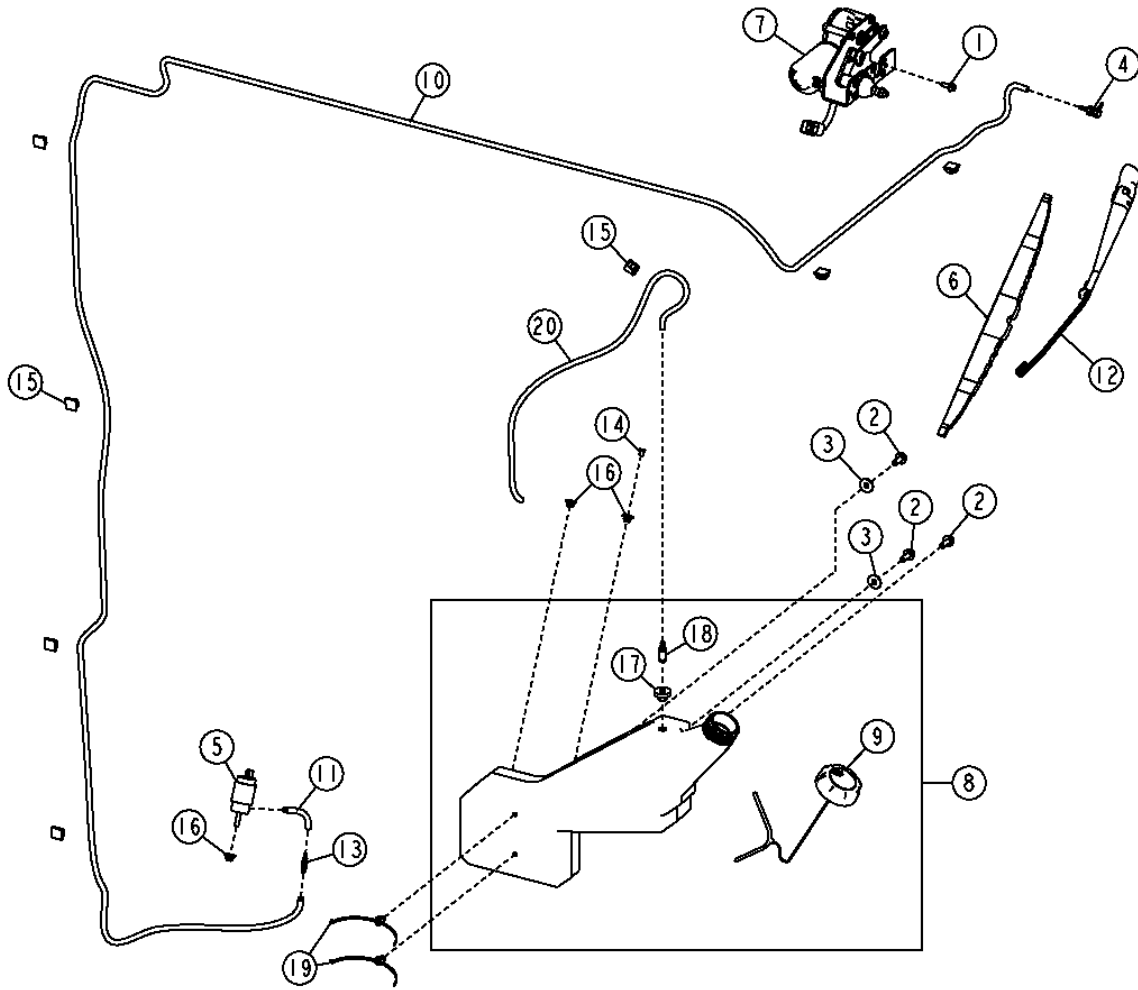
KEY	PART NO.	PART NAME	QTY.	SERIAL NO.	REMARKS
1	T135675	STAND-OFF	AR		(USED BETWEEN WINDOW AND CAB) (NOT SHOWN)
2	AT364186	WINDSHIELD	1		(INCLUDES (10) T135675)
3	T214023	ISOLATOR	1		
4	T202131	WINDOWPANE	2		
5	T202132	WINDOWPANE	1		
6	T231614	WINDOWPANE	1		
7	T231615	WINDOWPANE	1		

1814-2

OPERATOR'S STATION 18
WINDSHIELDS & WIPERS 1814

FRONT WINDSHIELD WIPER (LOW PROFILE CAB)
ESSUIE-GLACES AVANT (CABINE A PROFIL BAS)
LIMPIAPARABRISAS FRONTAL (CABINA DE BAJA ALTURA)

TX1055317 -UN-10FEB09



TX1055317

1814-3

OPERATOR'S STATION 18
WINDSHIELDS & WIPERS 1814

**FRONT WINDSHIELD WIPER (LOW PROFILE CAB)
ESSUIE-GLACES AVANT (CABINE A PROFIL BAS)
LIMPIAPARABRISAS FRONTAL (CABINA DE BAJA ALTURA)**

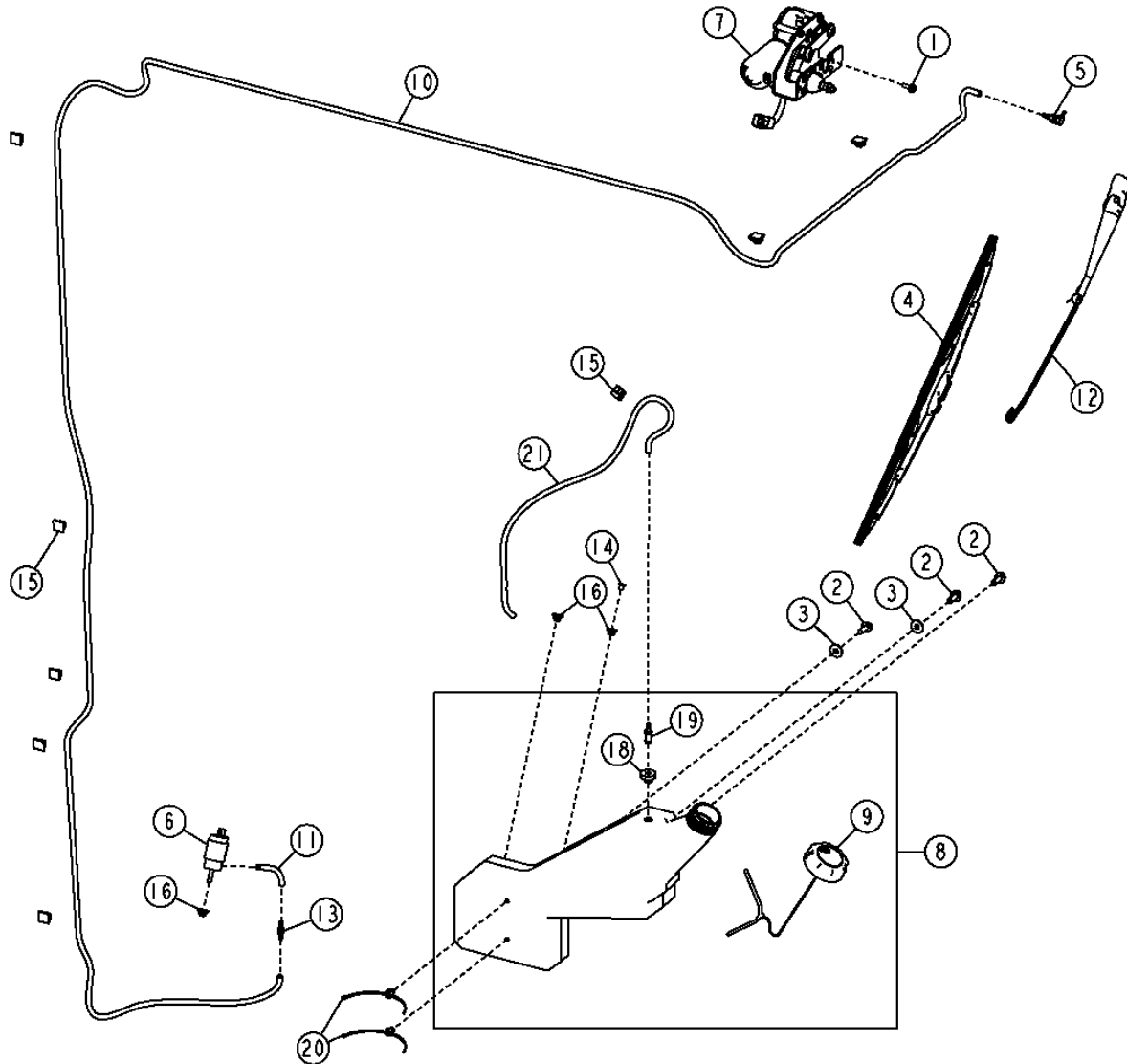
KEY	PART NO.	PART NAME	QTY.	SERIAL NO.	REMARKS
1	19M7775	SCREW	1		M6 X 16
2	19M7866	SCREW	3		M8 X 20
3	24M7298	WASHER	2		8.400 X 25 X 2 MM
4	AT116970	ELBOW FITTING	1		
5	AT173192	PUMP	1		
6	AT304631	WIPER BLADE	1		
7	AT329095	WIPER MOTOR	1		
8	AT343146	RESERVOIR	1		
9	AT360784	CAP	1		
10	HOSE	1		(MAKE FROM TY25139) (CTL 14.34 FT)
11	HOSE	1		(MAKE FROM TY25139) (CTL 0.4 FT)
12	AT357651	WIPER ARM	1		
13	AT361113	CHECK VALVE	1		
14	B2976R	PLUG	1		
15	T182909	CLIP	8		
16	T186169	GROMMET	3		
17	M132706	BUSHING	1		
18	T255097	HOSE FITTING	1		
19	T209627	CLAMP	2		
20	HOSE	1		(MAKE FROM TY25139) (CTL 2.50 FT.)

1814-4

OPERATOR'S STATION 18
WINDSHIELDS & WIPERS 1814

FRONT WINDSHIELD WIPER (FULL HEIGHT CAB)
ESSUIE-GLACES AVANT (CABINE PLEINE HAUTEUR)
LIMPIAPARABRISAS FRONTAL (CABINA DE ALTURA MAXIMA)

TX1055320 -UN-10FEB09



TX1055320

1814-5

OPERATOR'S STATION 18
WINDSHIELDS & WIPERS 1814

**FRONT WINDSHIELD WIPER (FULL HEIGHT CAB)
ESSUIE-GLACES AVANT (CABINE PLEINE HAUTEUR)
LIMPIAPARABRISAS FRONTAL (CABINA DE ALTURA MAXIMA)**

KEY	PART NO.	PART NAME	QTY.	SERIAL NO.	REMARKS
1	19M7775	SCREW	1		M6 X 16
2	19M7866	SCREW	3		M8 X 20
3	24M7298	WASHER	2		8.400 X 25 X 2 MM
4	AL153661	WIPER BLADE	1		
5	AT116970	ELBOW FITTING	1		
6	AT173192	PUMP	1		
7	AT329095	WIPER MOTOR	1		
8	AT343146	RESERVOIR	1		
9	AT360784	CAP	1		
10	HOSE	1		(MAKE FROM TY25139) (CTL 15.12 FT)
11	HOSE	1		(MAKE FROM TY25139) (CTL 0.4 FT)
12	AT357652	WIPER ARM	1		
13	AT361113	CHECK VALVE	1		
14	B2976R	PLUG	1		
15	T182909	CLIP	9		
16	T186169	GROMMET	3		
18	M132706	BUSHING	1		
19	T255097	HOSE FITTING	1		
20	T209627	CLAMP	2		
21	HOSE	1		(MAKE FROM TY25139) (CTL 2.50 FT.)

1814-7

OPERATOR'S STATION 18
WINDSHIELDS & WIPERS 1814

REAR WINDSHIELD WIPER (LOW PROFILE CAB)
ESSUIE-GLACE ARRIERE (CABINE A PROFIL BAS)
LIMPIADOR DE PARABRISAS TRASERO (CABINA DE BAJA ALTURA)

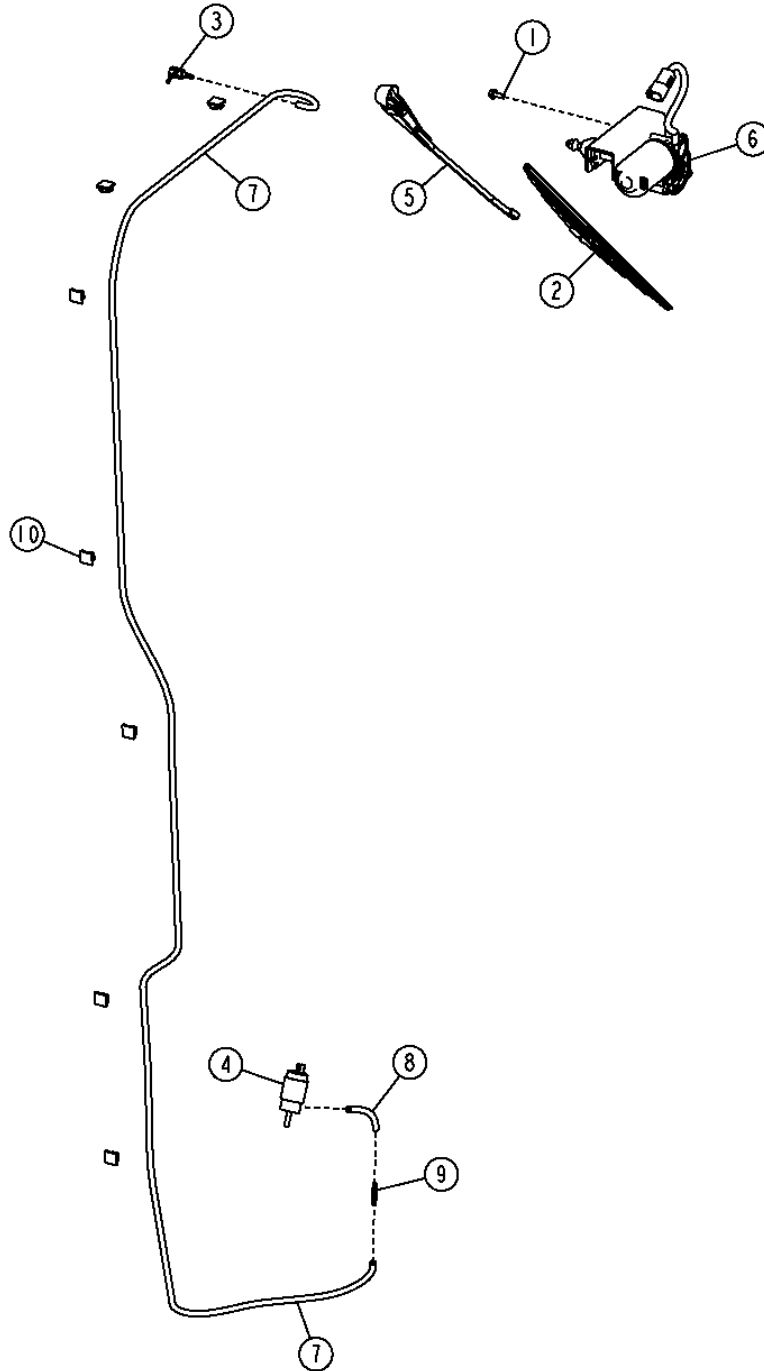
KEY	PART NO.	PART NAME	QTY.	SERIAL NO.	REMARKS
1	19M7775	SCREW	1		M6 X 16
2	AL153660	WIPER BLADE	1		
3	AT116970	ELBOW FITTING	1		
4	AT173192	PUMP	1		
5	AT304634	WIPER ARM	1		
6	AT329095	WIPER MOTOR	1		
7	HOSE	1		(MAKE FROM TY25139) (CTL 8.8 FT)
8	HOSE	1		(MAKE FROM TY25139) (CTL 0.4 FT.)
9	AT361113	CHECK VALVE	1		
10	T182909	CLIP	7		

1814-8

OPERATOR'S STATION 18
WINDSHIELDS & WIPERS 1814

REAR WINDSHIELD WIPER (FULL HEIGHT CAB)
ESSUIE-GLACE ARRIERE (CABINE PLEINE HAUTEUR)
LIMPIADOR DE PARABRISAS TRASERO (CABINA DE ALTURA MAXIMA)

TX1049901 -UN-14OCT08



TX1049901

1814-9

OPERATOR'S STATION 18

WINDSHIELDS & WIPERS 1814

**REAR WINDSHIELD WIPER (FULL HEIGHT CAB)
ESSUIE-GLACE ARRIERE (CABINE PLEINE HAUTEUR)
LIMPIADOR DE PARABRISAS TRASERO (CABINA DE ALTURA MAXIMA)**

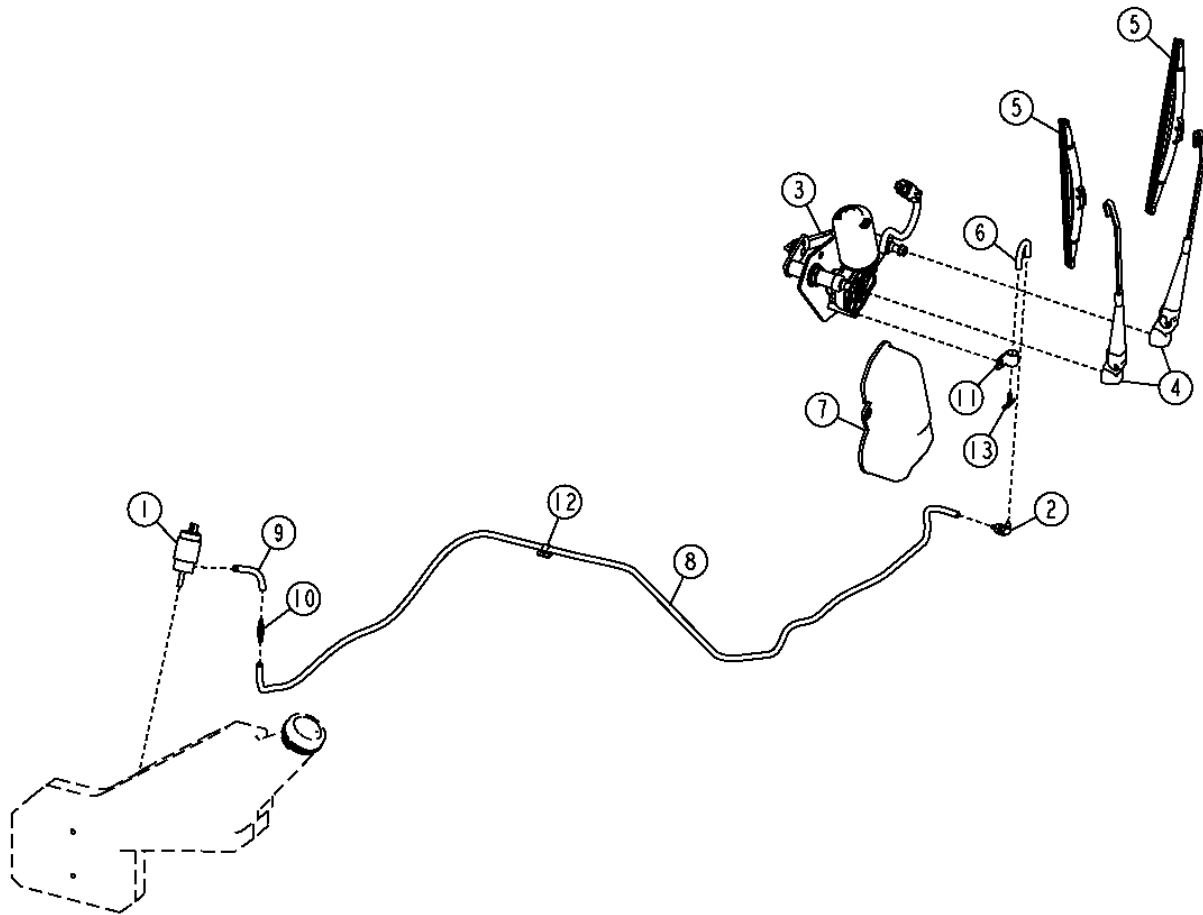
KEY	PART NO.	PART NAME	QTY.	SERIAL NO.	REMARKS
1	19M7775	SCREW	1		M6 X 16
2	AL153661	WIPER BLADE	1		
3	AT116970	ELBOW FITTING	1		
4	AT173192	PUMP	1		
5	AT304633	WIPER ARM	1		
6	AT329095	WIPER MOTOR	1		
7	HOSE	1		(MAKE FROM TY25139) (CTL 9.6 FT)
8	HOSE	1		(MAKE FROM TY25139) (CTL 0.4 FT.)
9	AT361113	CHECK VALVE	1		
10	T182909	CLIP	7		

1814-10

OPERATOR'S STATION 18
WINDSHIELDS & WIPERS 1814

LOWER FRONT WINDSHIELD WIPER
ESSUIE-GLACE DE PARE-BRISE INFERIEUR AVANT
LIMPIAPARABRISAS DELANTERO INFERIOR

TX1049834 -UN-13OCT08



TX1049834

1814-11

OPERATOR'S STATION 18
WINDSHIELDS & WIPERS 1814

**LOWER FRONT WINDSHIELD WIPER
ESSUIE-GLACE DE PARE-BRISE INFERIEUR AVANT
LIMPIAPARABRISAS DELANTERO INFERIOR**

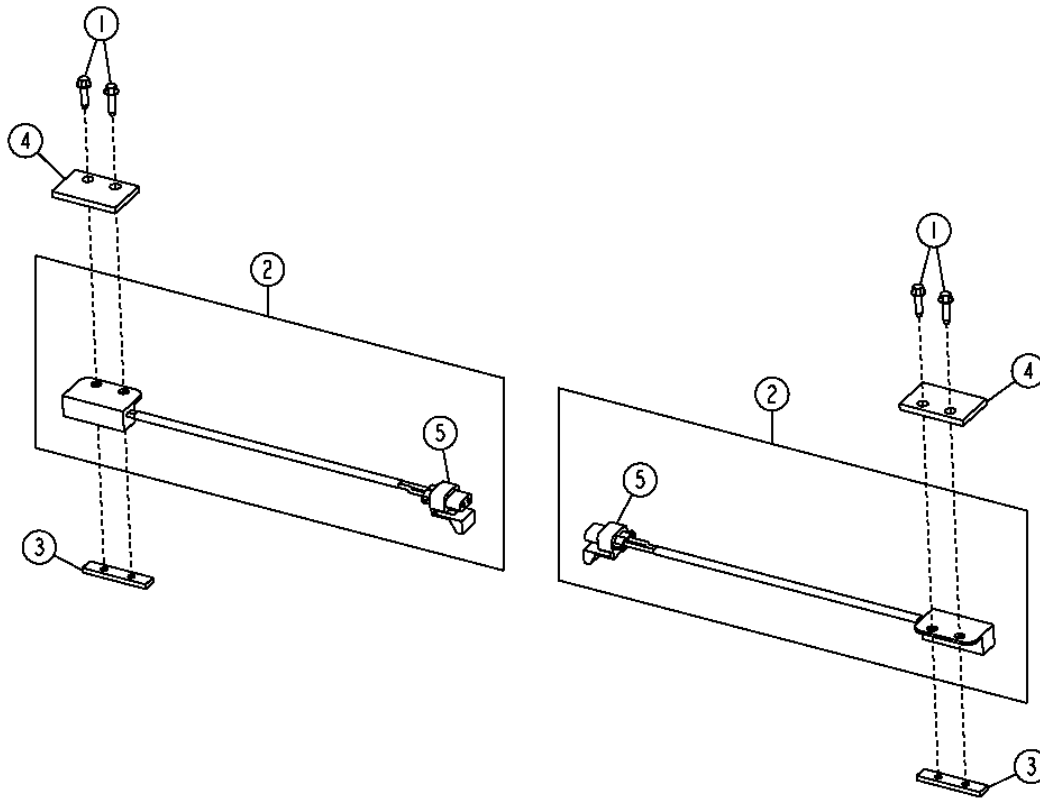
KEY	PART NO.	PART NAME	QTY.	SERIAL NO.	REMARKS
1	AT173192	PUMP	1		
2	AT188681	FITTING	1		
3	AT303926	WIPER MOTOR	1		
4	AT305663	WIPER ARM	2		
5	AT305698	WIPER BLADE	2		
6	HOSE	1		(MAKE FROM TY25139) (CTL 80 MM)
7	AT341132	COVER	1		
8	HOSE	1		(MAKE FROM TY25139) (CTL 5.86 FT.)
9	HOSE	1		(MAKE FROM TY25139) (CTL 0.4 FT.)
10	AT361113	CHECK VALVE	1		
11	M47566	CLIP	1		
12	T182909	CLIP	1		
13	T58542	FITTING	1		

1814-12

OPERATOR'S STATION 18
WINDSHIELDS & WIPERS 1814

LOWER WIPER DISABLE SENSOR CAPTEUR DE DESACTIVATION DES ESSUIE-GLACE INFERIEURS SENSOR DE DESACTIVACION DE LIMPIAPARABRISAS INFERIOR

TX1049841 -UN-13OCT08



TX1049841

1814-13

OPERATOR'S STATION 18
WINDSHIELDS & WIPERS 1814

**LOWER WIPER DISABLE SENSOR
CAPTEUR DE DESACTIVATION DES ESSUIE-GLACE INFERIEURS
SENSOR DE DESACTIVACION DE LIMPIAPARABRISAS INFERIOR**

KEY	PART NO.	PART NAME	QTY.	SERIAL NO.	REMARKS
1	37M7314	SCREW	4		M4 X 16
2	AT307779	SENSOR	2		
3	T208283	PLATE	2		
4	T215218	PLATE	2		
5	57M7254	ELECTRICAL CONNECTOR ASSY	1		
	R104846	ELEC. CONNECTOR TERMINAL	2		
	57M7258	ELEC. CONNECTOR SEAL	2		
	57M7289	ELEC.CONNECT LOCKING DEVICE	1		

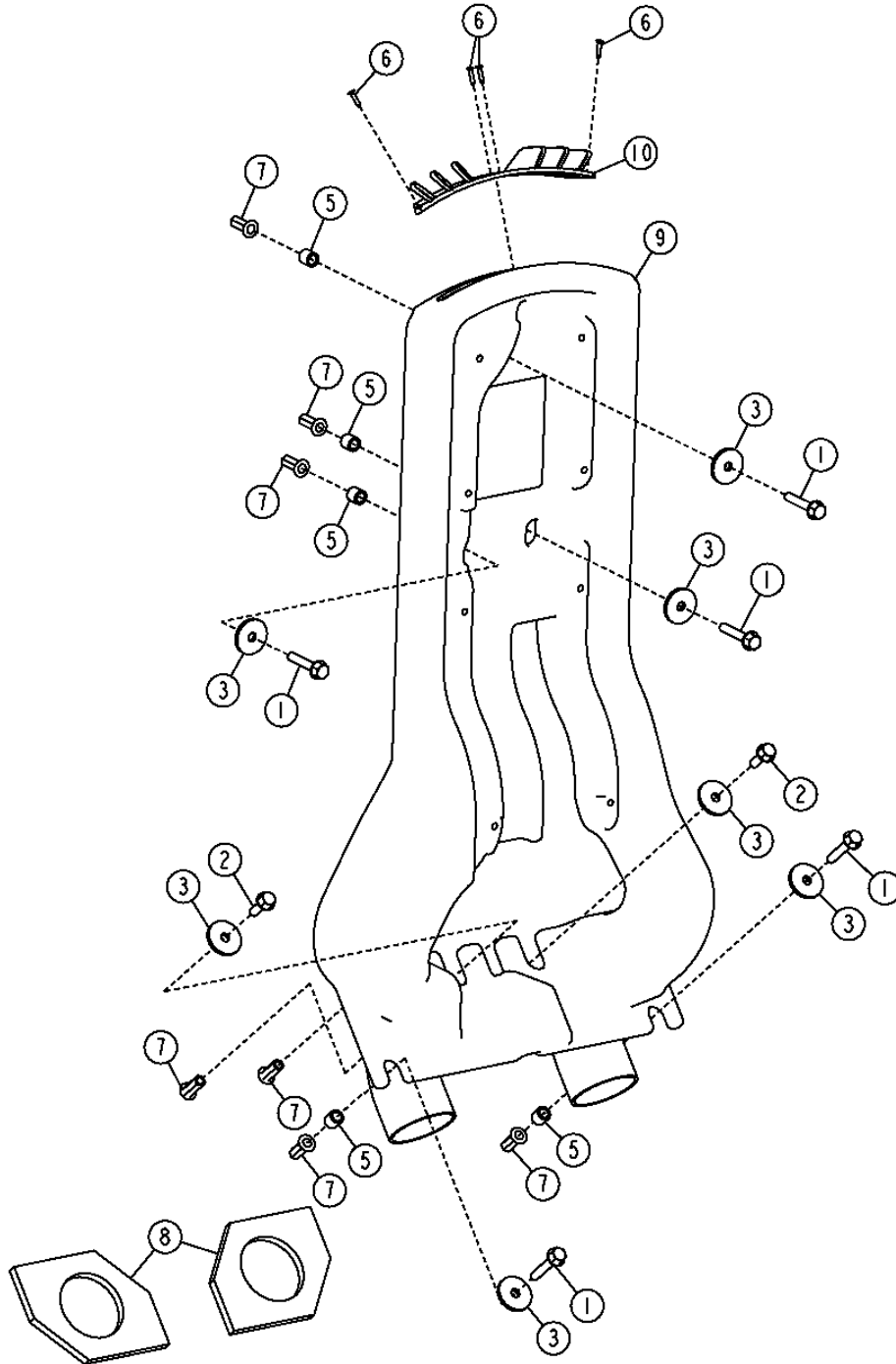
1816-2

OPERATOR'S STATION 18

INSTRUMENT & CONTROL MOUNTING STRUCTURE 1816 CAB STATIONARY FRONT CONSOLE CONSOLE AVANT FIXE DE CABINE CONSOLA DELANTERA FIJA DE CABINA

TX1055697

-UN-24FEB09



TX1055697

1816-3

OPERATOR'S STATION 18

INSTRUMENT & CONTROL MOUNTING STRUCTURE 1816
CAB STATIONARY FRONT CONSOLE
CONSOLE AVANT FIXE DE CABINE
CONSOLA DELANTERA FIJA DE CABINA

KEY	PART NO.	PART NAME	QTY.	SERIAL NO.	REMARKS
1	19M7799	SCREW	5		M8 X 45
2	19M7867	SCREW	2		M8 X 25
3	24H1296	WASHER	7		11/32" X 1-3/8" X 0.134"
5	28H3450	SPACER	5		0.364" X 0.540" X 1/2"
6	37M7333	SCREW	4		
7	T196079	NUT	7		
8	T202746	SEAL	2		
9	T232396	AIR DUCT	1		
10	T238247	LOUVER	1		

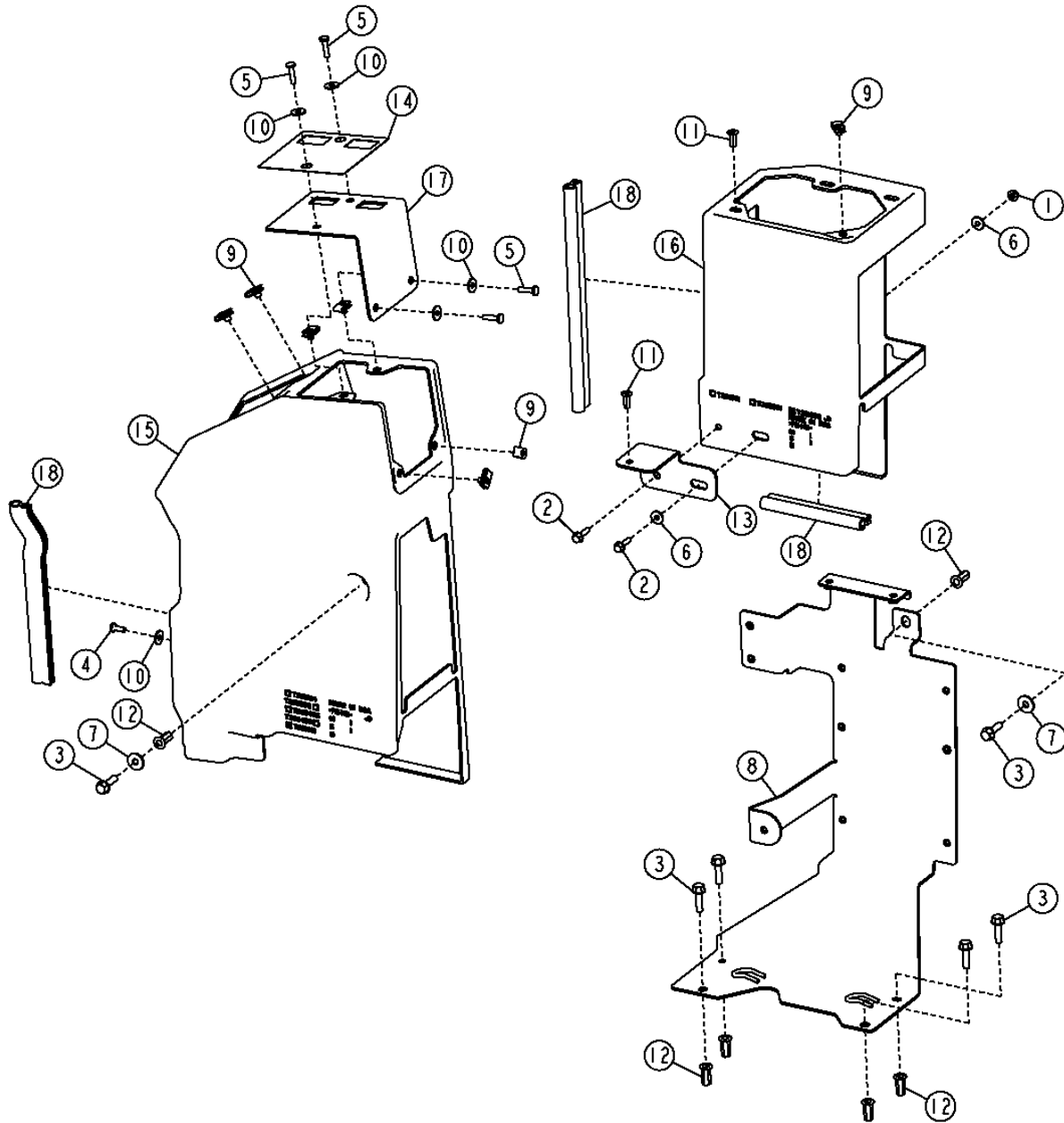
1816-4

OPERATOR'S STATION 18

INSTRUMENT & CONTROL MOUNTING STRUCTURE 1816
CAB SIDE CONSOLE (STANDARD CONTROLS)
CONSOLE LATÉRALE DE CABINE (COMMANDES STANDARD)
CONSOLA LATERAL DEL CABINA (CONTROLES ESTANDAR)

TX1056899

-UN-19MAR09



TX1056899

THIS PARTS LISTING IS CONTINUED

1816-5

OPERATOR'S STATION 18

INSTRUMENT & CONTROL MOUNTING STRUCTURE 1816
CAB SIDE CONSOLE (STANDARD CONTROLS)
CONSOLE LATÉRALE DE CABINE (COMMANDES STANDARD)
CONSOLA LATERAL DEL CABINA (CONTROLES ESTANDAR)

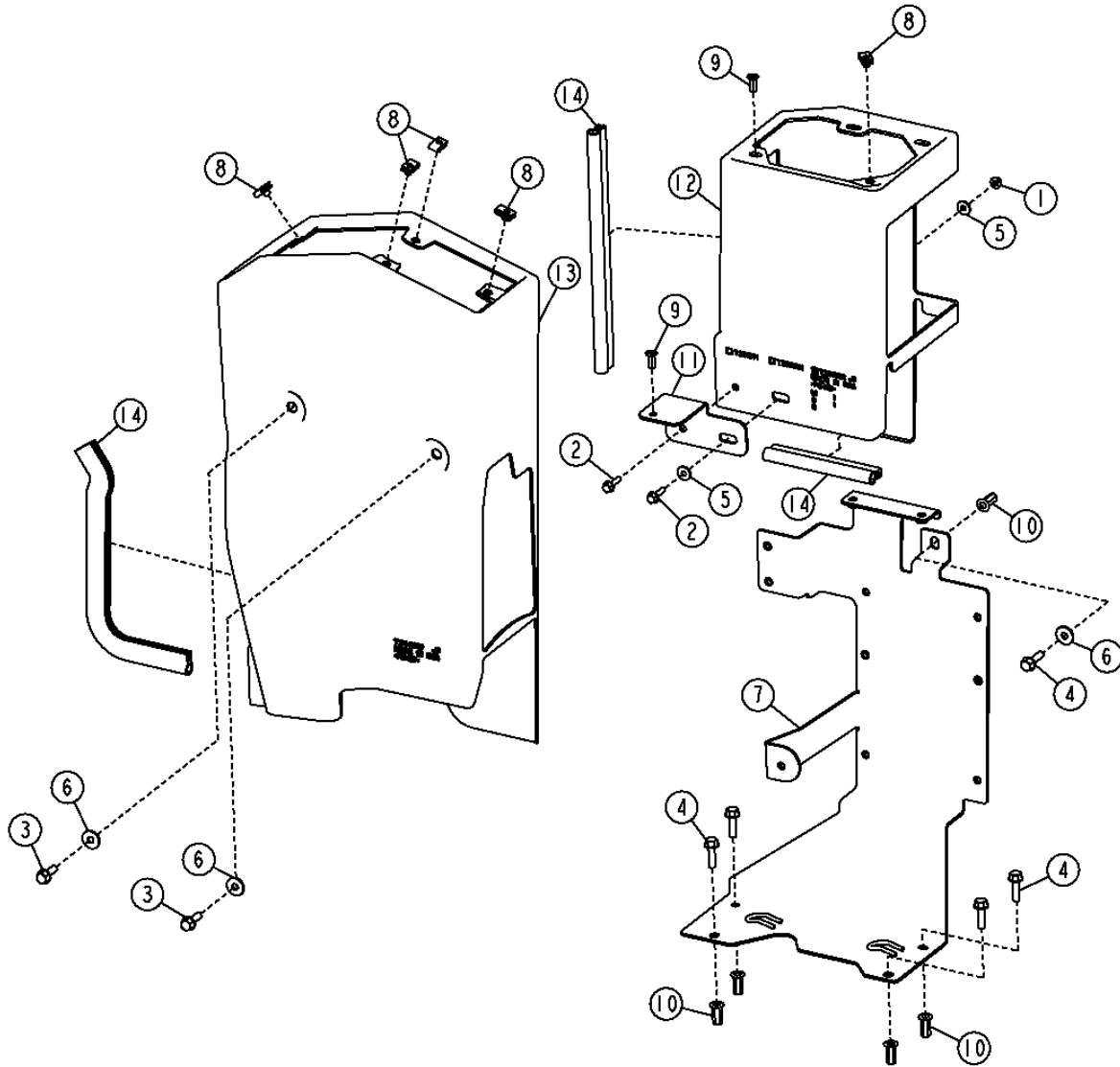
KEY	PART NO.	PART NAME	QTY.	SERIAL NO.	REMARKS
1	14M7303	FLANGE NUT	1		M6
2	19M7863	SCREW	2		M6 X 25
3	19M7868	SCREW	6		M8 X 30
4	21M7292	SCREW	1		M6 X 16
5	21M7310	SCREW	4		M6 X 25
6	24M7139	WASHER	2		6.400 X 18 X 1.600 MM
7	24M7298	WASHER	2		8.400 X 25 X 2 MM
8	AT342651	BRACKET	1		
9	M84972	NUT	9		
10	24H1821	WASHER	5		9/32" X 47/64" X 1/16"
11	T196077	NUT	2		M6
12	T196079	NUT	6		M8
13	T213140	BRACKET	1		
14	T213199	LABEL	1		(FOUR WHEEL DRIVE ONLY)
15	T231631	HOUSING	1		
16	T231632	CONSOLE	1		
17	T232525	INSTRUMENT PANEL	1		(FOUR WHEEL DRIVE ONLY)
18	SEAL	1		(ORDER F435618) (CTL)

1816-6

INSTRUMENT & CONTROL MOUNTING STRUCTURE 1816
CAB SIDE CONSOLE (GRADE PRO)
CONSOLE LATÉRALE DE CABINE (GRADE PRO)
CONSOLA LATERAL DEL CABINA (GRADE PRO)

TX1056900

-UN-19MAR09



TX1056900

1816-7

OPERATOR'S STATION 18

INSTRUMENT & CONTROL MOUNTING STRUCTURE 1816
CAB SIDE CONSOLE (GRADE PRO)
CONSOLE LATÉRALE DE CABINE (GRADE PRO)
CONSOLA LATERAL DEL CABINA (GRADE PRO)

KEY	PART NO.	PART NAME	QTY.	SERIAL NO.	REMARKS
1	14M7303	FLANGE NUT	1		M6
2	19M7863	SCREW	2		M6 X 25
3	19M7867	SCREW	2		M8 X 25
4	19M7868	SCREW	5		M8 X 30
5	24M7139	WASHER	2		6.400 X 18 X 1.600 MM
6	24M7298	WASHER	3		8.400 X 25 X 2 MM
7	AT342651	BRACKET	1		
8	M84972	NUT	5		
9	T196077	NUT	2		M6
10	T196079	NUT	5		M8
11	T213140	BRACKET	1		
12	T231632	CONSOLE	1		
13	T244919	HOUSING	1		
14	SEAL	1		(ORDER F435618) (CTL)

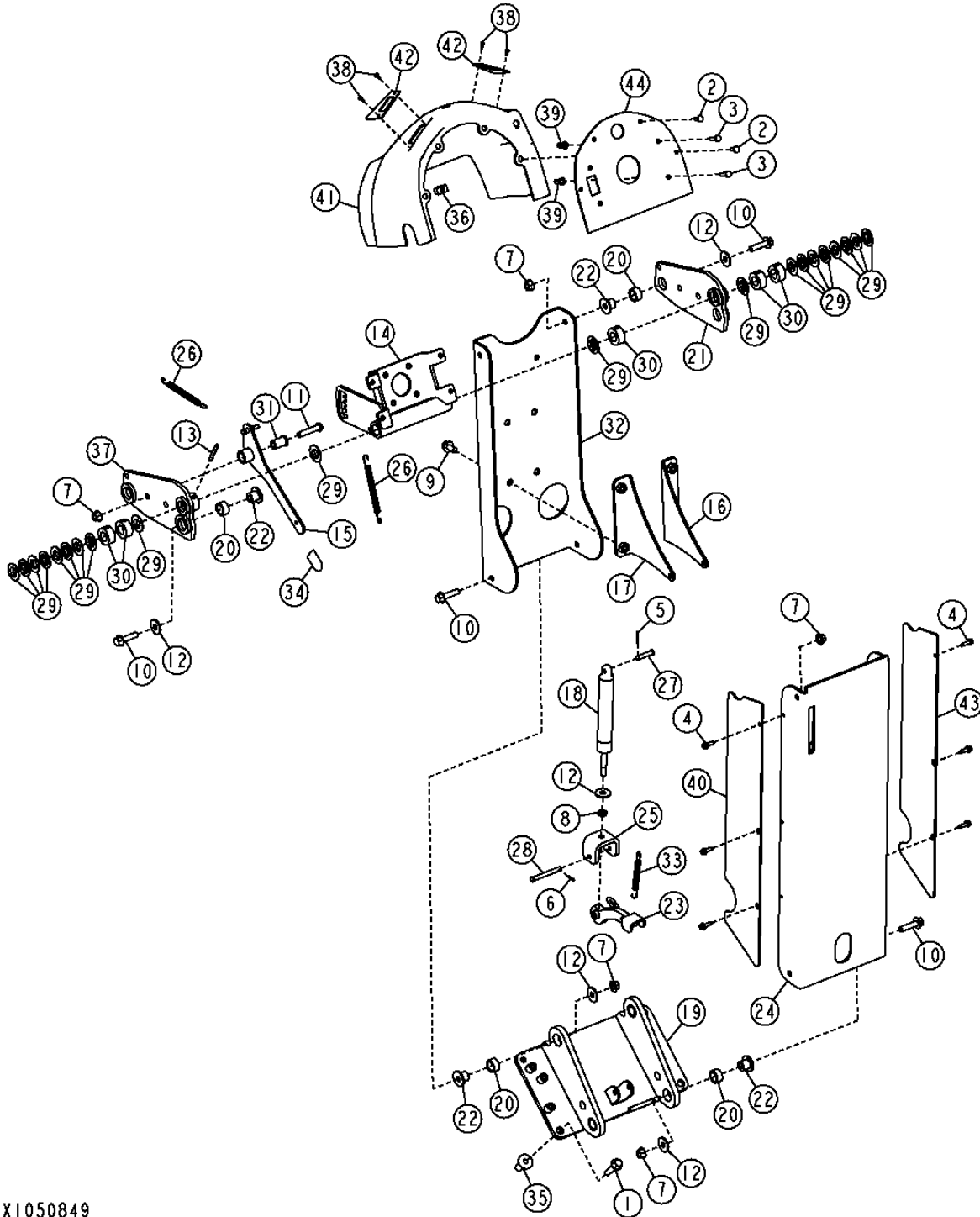
1816-8

OPERATOR'S STATION 18

INSTRUMENT & CONTROL MOUNTING STRUCTURE 1816 FRONT CONSOLE (STANDARD CONTROLS) CONSOLE AVANT (COMMANDES STANDARD) CONSOLA DELANTERA (CONTROLES ESTANDAR)

TX1050849

-UN-11NOV08



TX1050849

1816-9

OPERATOR'S STATION 18

INSTRUMENT & CONTROL MOUNTING STRUCTURE 1816
FRONT CONSOLE (STANDARD CONTROLS)
CONSOLE AVANT (COMMANDES STANDARD)
CONSOLA DELANTERA (CONTROLES ESTANDAR)

KEY	PART NO.	PART NAME	QTY.	SERIAL NO.	REMARKS
1	19M7804	SCREW	4		M10 X 40
2	21M7292	SCREW	4		M6 X 16
3	21M7310	SCREW	4		M6 X 25
4	37M7131	SCREW	6		M6 X 20
5	11M7078	COTTER PIN	1		2 X 20 MM
6	11M7079	COTTER PIN	1		2.500 X 12 MM
7	14M7296	FLANGE NUT	9		M10
8	14M7500	NUT	1		M10
9	19M7784	SCREW	4		M10 X 20
10	19M7804	SCREW	8		M10 X 40
11	21M7497	SCREW	1		M10 X 50
12	24M7296	WASHER	10		10.500 X 30 X 2.500 MM
13	34M7044	SPRING PIN	1		6 X 50 MM
14	AT305070	BRACKET	1		
15	AT305397	LEVER	1		
16	AT330485	BRACKET	1		
17	AT330486	BRACKET	1		
18	AT330487	GAS OPERATED CYLINDER	1		
19	AT330489	CONTROL SUPPORT	1		
20	T203544	BUSHING	8		
21	AT335670	BRACKET	1		
22	T203545	BUSHING	8		
23	AT346325	PEDAL	1		
24	AT348316	CONTROL SUPPORT	1		
25	AT349961	BRACKET	1		
26	M145875	EXTENSION SPRING	2		
27	N31296	PIN FASTENER	1		
28	R68672	PIN	1		
29	T104220	WASHER	20		
30	T203576	SPACER	5		
31	T203871	SPACER	1		
32	T227239	CHANNEL	2		
33	T28801	EXTENSION SPRING	1		
34	T81012	CAP	1		
35	H173411	NUT	4		
36	R134098	NUT	4		
37	AT335672	BRACKET	1		
38	T185769	SCREW	4		
39	T196078	NUT	4		
40	T203589	COVER	1		
41	T204301	COVER	1		
42	T205401	PLATE	2		
43	T206080	COVER	1		
44	T204643	PLATE	1		

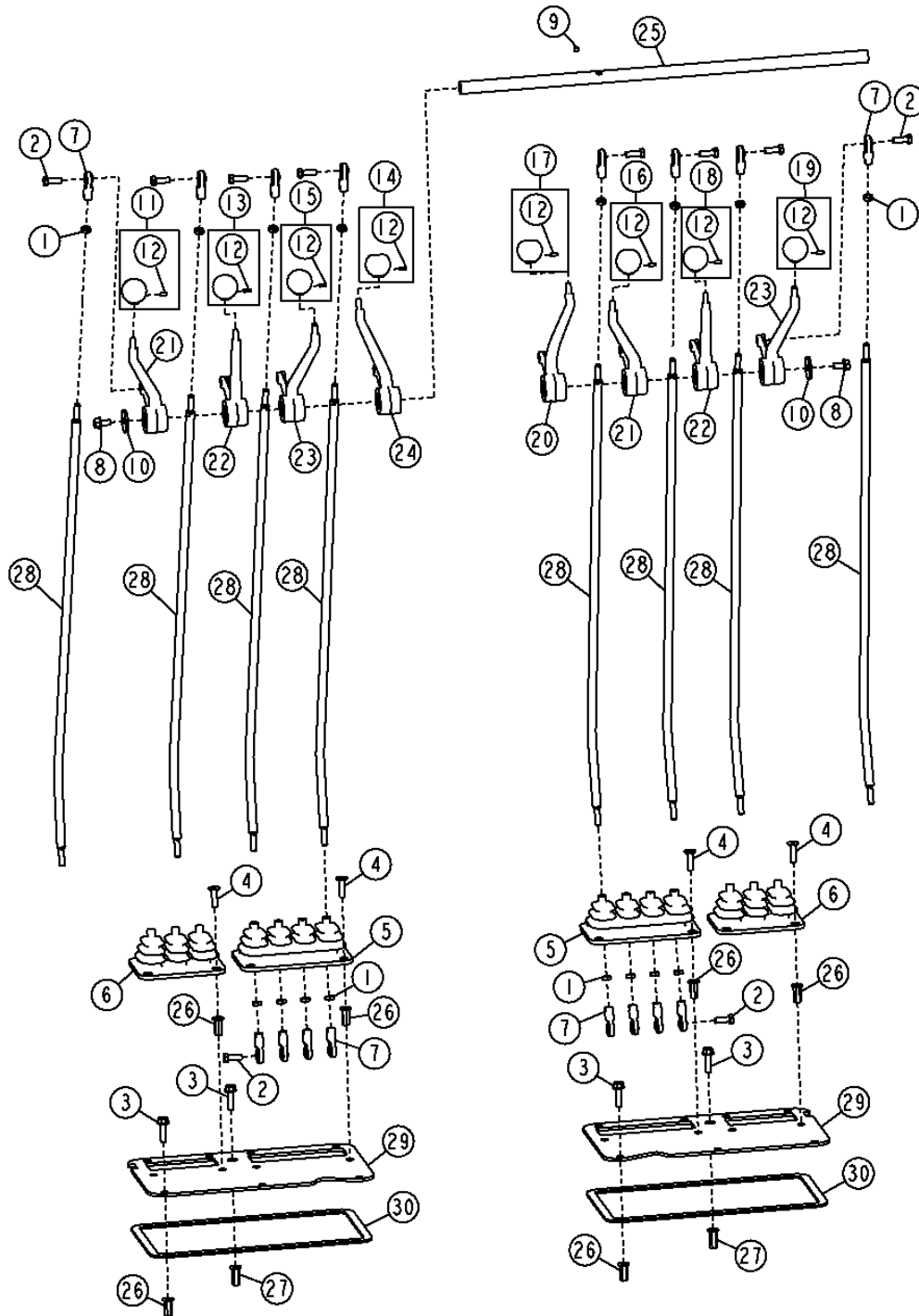
1816-10

OPERATOR'S STATION 18

INSTRUMENT & CONTROL MOUNTING STRUCTURE 1816 TRINGLERIES DE COMMANDE STANDARD VARILLAJES DE CONTROLES ESTANDAR

TX1050850

-UN-11NOV08



TX1050850

1816-11

OPERATOR'S STATION 18

INSTRUMENT & CONTROL MOUNTING STRUCTURE 1816
STANDARD CONTROL LINKAGES
TRINGLERIES DE COMMANDE STANDARD
VARILLAJES DE CONTROLES ESTANDAR

KEY	PART NO.	PART NAME	QTY.	SERIAL NO.	REMARKS
1	14H882	NUT	16		5/16"
2	19H2127	CAP SCREW	16		5/16" X 7/8"
3	19M7868	SCREW	8		M8 X 30
4	19M9182	SCREW	16		M8 X 30
5	AT305667	BOOT	2		
6	AT305939	BOOT	2		
7	AT317778	LINK END	16		
8	19M7865	SCREW	2		M8 X 16
9	22M7111	SET SCREW	5		M6 X 6
10	24H1296	WASHER	2		11/32" X 1-3/8" X 0.134"
11	AT317734	KNOB	1		
12	T213242	SET SCREW	8		
13	AT317735	KNOB	1		
14	AT317736	KNOB	1		
15	AT317737	KNOB	1		
16	AT317738	KNOB	1		
17	AT317739	KNOB	1		
18	AT317740	KNOB	1		
19	AT317741	KNOB	1		
20	T202159	CONTROL LEVER	1		
21	T202160	CONTROL LEVER	2		
22	T202161	CONTROL LEVER	2		
23	T202162	CONTROL LEVER	2		
24	T202163	CONTROL LEVER	1		
25	T203569	SHAFT	1		
26	T196079	NUT	22		
27	T196080	NUT	2		
28	T202586	LEVER	8		
29	T204044	PLATE	2		
30	ISOLATOR	1		(MAKE FROM T63019) (CTL 3.48 FT)

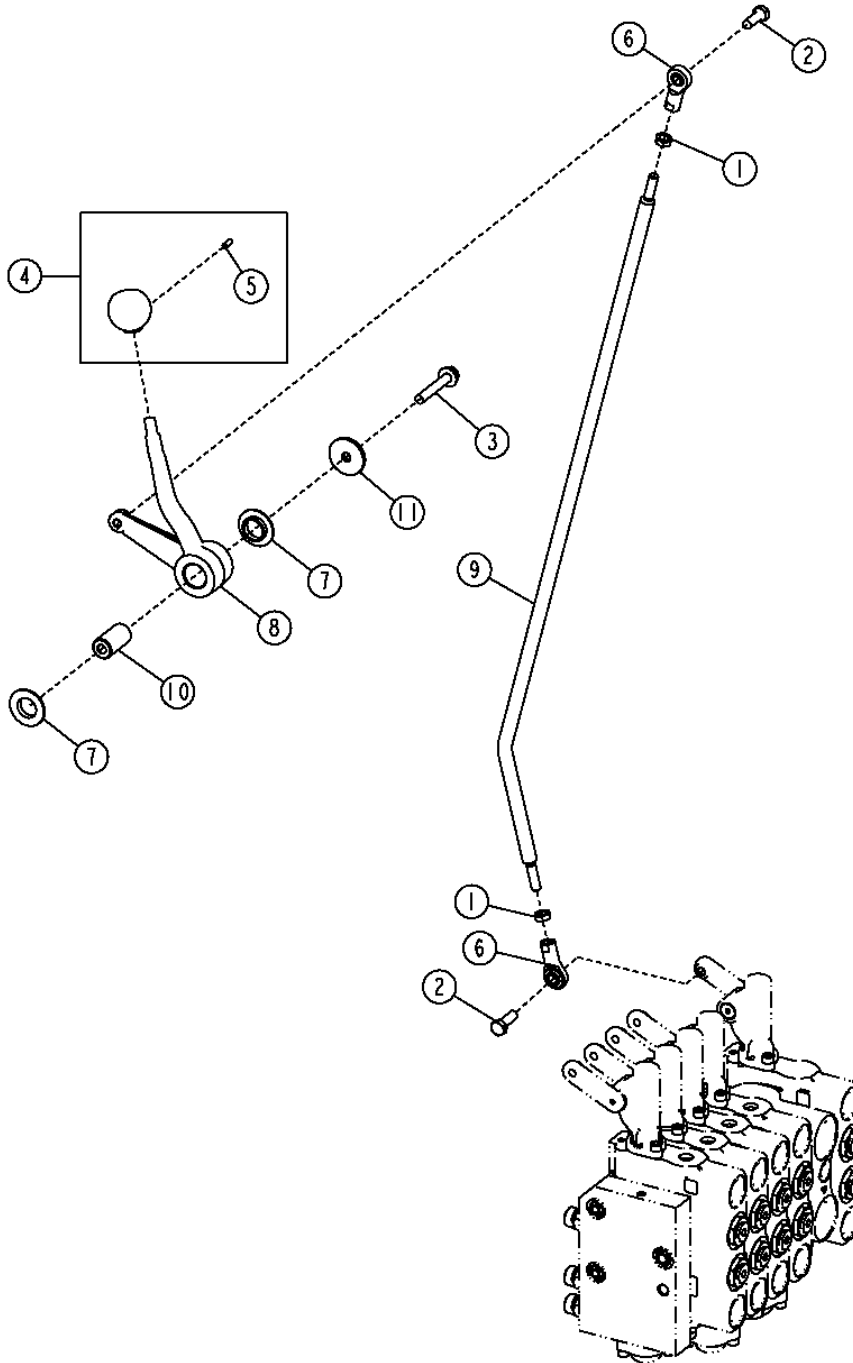
1816-12

OPERATOR'S STATION 18

INSTRUMENT & CONTROL MOUNTING STRUCTURE 1816 RIGHT 5 FUNCTION CONTROL LINKAGE TRINGLERIE DE COMMANDE DE FONCTION 5 DROITE VARILLAJE DE CONTROL DE FUNCION 5 DERECHA

TX1049623

-UN-14OCT08



TX1049623

1816-13

OPERATOR'S STATION 18

INSTRUMENT & CONTROL MOUNTING STRUCTURE 1816
RIGHT 5 FUNCTION CONTROL LINKAGE
TRINGLERIE DE COMMANDE DE FONCTION 5 DROITE
VARILLAJE DE CONTROL DE FUNCION 5 DERECHA

KEY	PART NO.	PART NAME	QTY.	SERIAL NO.	REMARKS
1	14H882	NUT	2		5/16"
2	19H2127	CAP SCREW	2		5/16" X 7/8"
3	19M7800	SCREW	1		M8 X 50
4	AT317742	KNOB	1		
5	T213242	SET SCREW	1		
6	AT317778	LINK END	2		
7	T104220	WASHER	2		
8	T202163	CONTROL LEVER	1		
9	T202586	LEVER	1		
10	T204457	SPACER	1		
11	24H1296	WASHER	1		11/32" X 1-3/8" X 0.134"

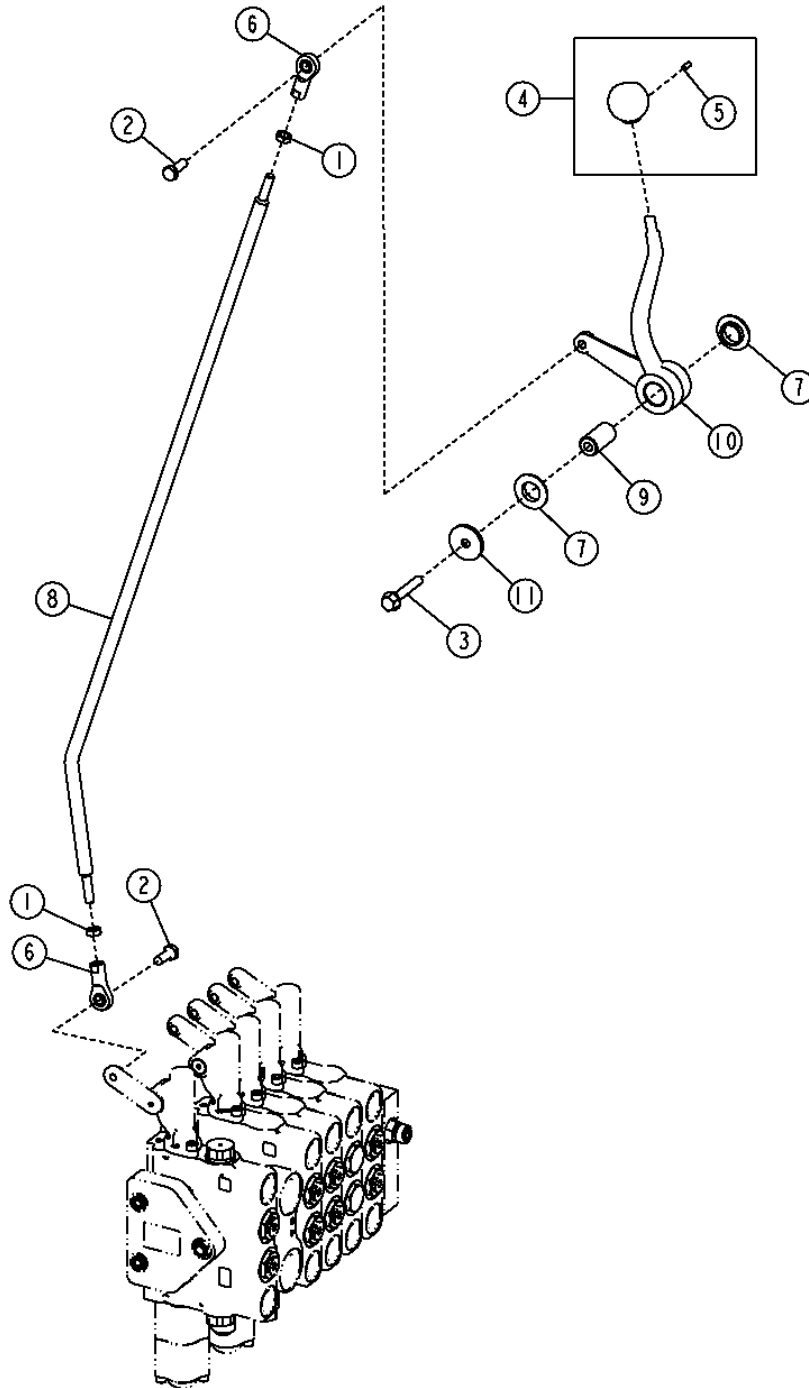
1816-14

OPERATOR'S STATION 18

INSTRUMENT & CONTROL MOUNTING STRUCTURE 1816 LEFT 5 FUNCTION CONTROL LINKAGE TRINGLERIE DE COMMANDE DE FONCTION 5 GAUCHE VARILLAJE DE CONTROL DE FUNCION 5 IZQUIERDA

TX1049640

-UN-14OCT08



TX1049640

1816-15

OPERATOR'S STATION 18

INSTRUMENT & CONTROL MOUNTING STRUCTURE 1816
LEFT 5 FUNCTION CONTROL LINKAGE
TRINGLERIE DE COMMANDE DE FONCTION 5 GAUCHE
VARILLAJE DE CONTROL DE FUNCION 5 IZQUIERDA

KEY	PART NO.	PART NAME	QTY.	SERIAL NO.	REMARKS
1	14H882	NUT	2		5/16"
2	19H2127	CAP SCREW	2		5/16" X 7/8"
3	19M7800	SCREW	1		M8 X 50
4	AT317743	KNOB	1		
5	T213242	SET SCREW	1		
6	AT317778	LINK END	2		
7	T104220	WASHER	2		
8	T202586	LEVER	1		
9	T204457	SPACER	1		
10	T202159	CONTROL LEVER	1		
11	24H1296	WASHER	1		11/32" X 1-3/8" X 0.134"

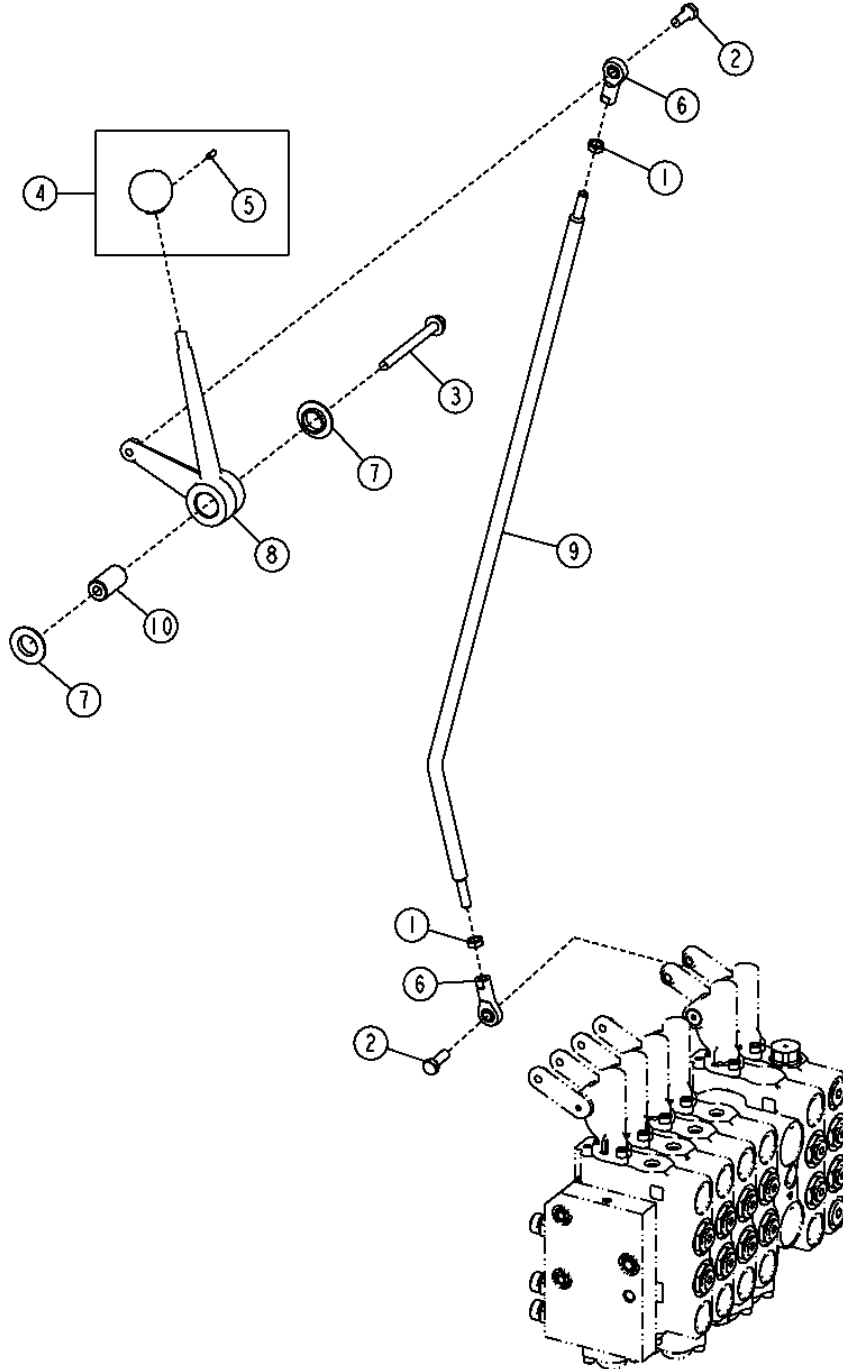
1816-16

OPERATOR'S STATION 18

INSTRUMENT & CONTROL MOUNTING STRUCTURE 1816 TRINGLERIE DE COMMANDE DE FONCTION 6 DROITE VARILLAJE DE CONTROL DE FUNCION 6 DERECHA

TX1049625

-UN-07OCT08



TX1049625

1816-17

OPERATOR'S STATION 18

INSTRUMENT & CONTROL MOUNTING STRUCTURE 1816
RIGHT 6 FUNCTION CONTROL LINKAGE
TRINGLERIE DE COMMANDE DE FONCTION 6 DROITE
VARILLAJE DE CONTROL DE FUNCION 6 DERECHA

KEY	PART NO.	PART NAME	QTY.	SERIAL NO.	REMARKS
1	14H882	NUT	2		5/16"
2	19H2127	CAP SCREW	2		5/16" X 7/8"
3	19M7913	SCREW	1		M8 X 90
4	AT317744	KNOB	1		
5	T213242	SET SCREW	1		
6	AT317778	LINK END	2		
7	T104220	WASHER	2		
8	T202164	CONTROL LEVER	1		
9	T202586	LEVER	1		
10	T204457	SPACER	1		

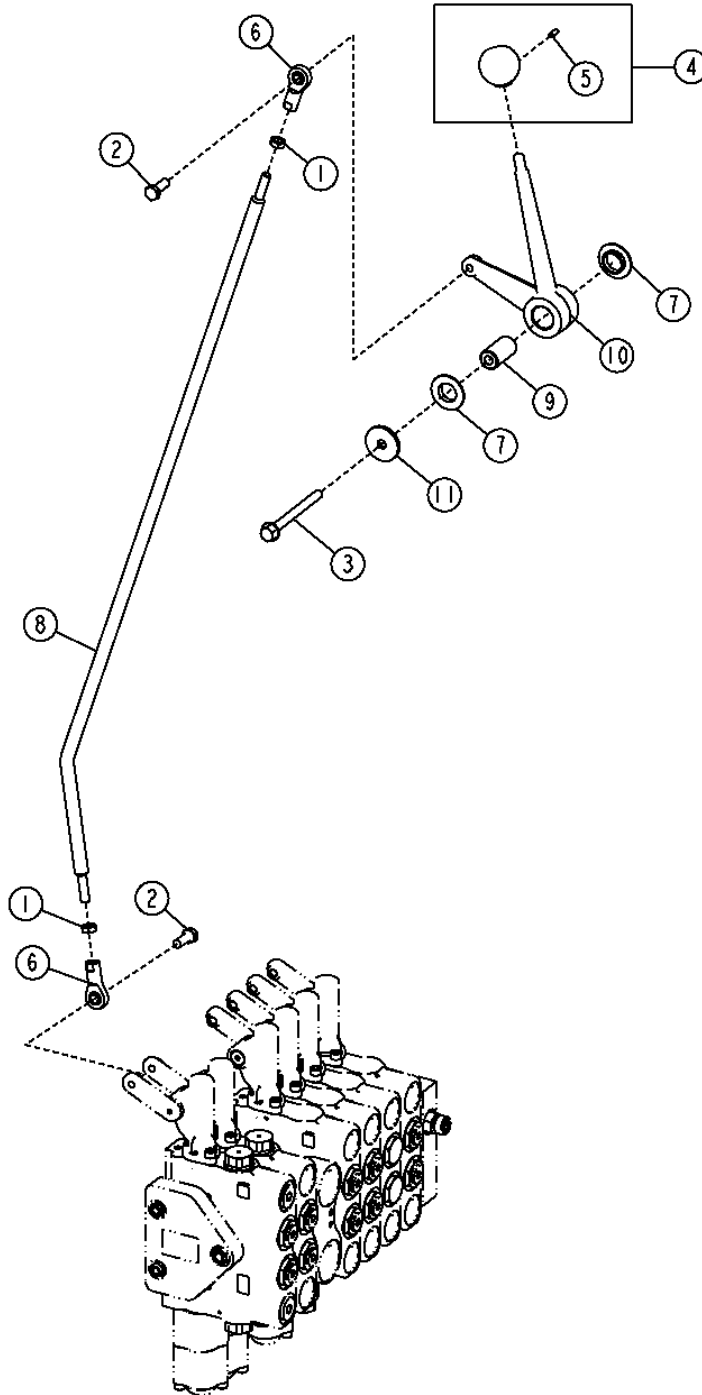
1816-18

OPERATOR'S STATION 18

INSTRUMENT & CONTROL MOUNTING STRUCTURE 1816 LEFT 6 FUNCTION CONTROL LINKAGE TRINGLERIE DE COMMANDE DE FONCTION 6 GAUCHE VARILLAJE DE CONTROL DE FUNCION 6 IZQUIERDA

TX1049644

-UN-14OCT08



TX1049644

1816-19

OPERATOR'S STATION 18

INSTRUMENT & CONTROL MOUNTING STRUCTURE 1816
LEFT 6 FUNCTION CONTROL LINKAGE
TRINGLERIE DE COMMANDE DE FONCTION 6 GAUCHE
VARILLAJE DE CONTROL DE FUNCION 6 IZQUIERDA

KEY	PART NO.	PART NAME	QTY.	SERIAL NO.	REMARKS
1	14H882	NUT	2		5/16"
2	19H2127	CAP SCREW	2		5/16" X 7/8"
3	19M7913	SCREW	1		M8 X 90
4	AT317744	KNOB	1		
5	T213242	SET SCREW	1		
6	AT317778	LINK END	2		
7	T104220	WASHER	2		
8	T202586	LEVER	1		
9	T204457	SPACER	1		
10	T202164	CONTROL LEVER	1		
11	24H1296	WASHER	1		11/32" X 1-3/8" X 0.134"

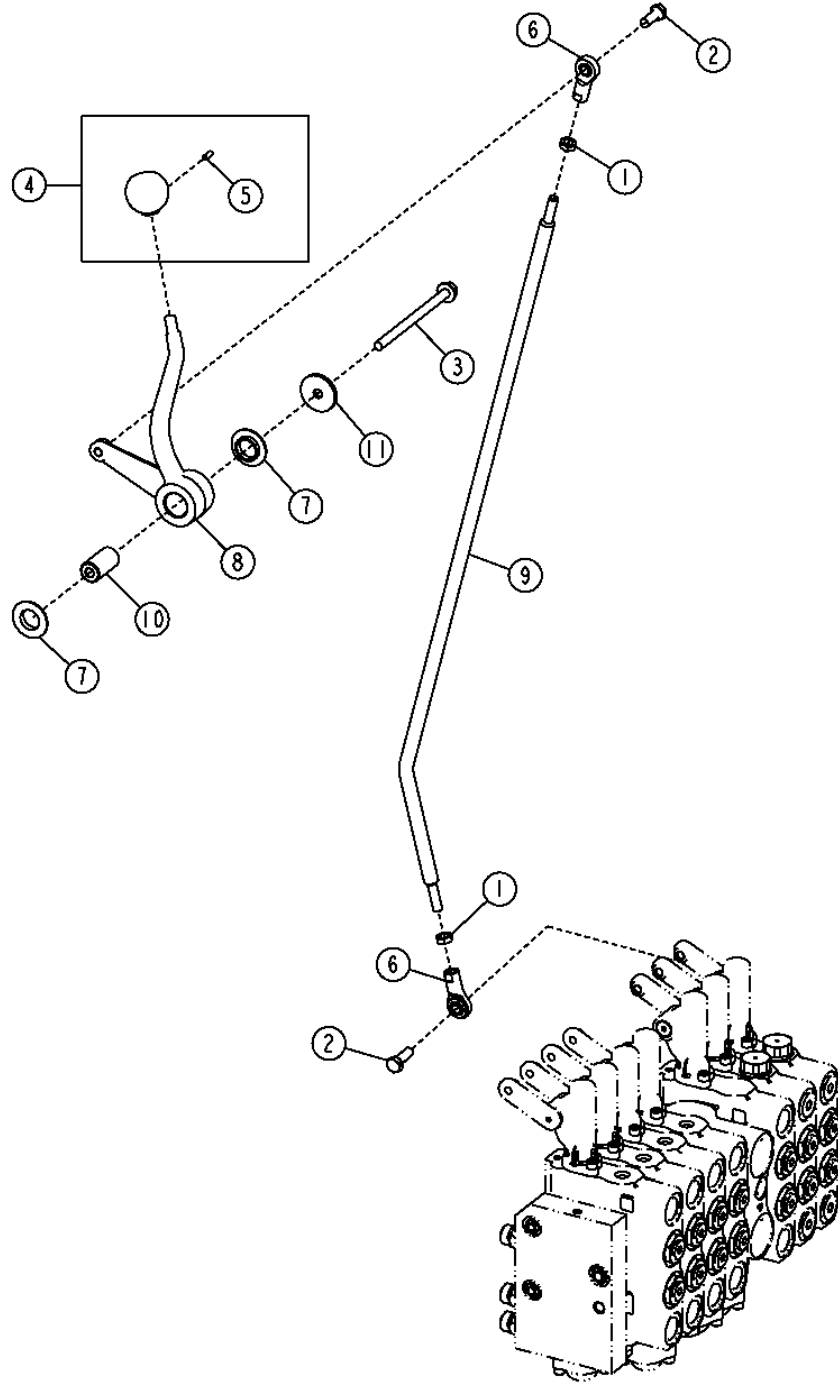
1816-20

OPERATOR'S STATION 18

INSTRUMENT & CONTROL MOUNTING STRUCTURE 1816 RIGHT 7 FUNCTION CONTROL LINKAGE TRINGLERIE DE COMMANDE DE FONCTION 7 DROITE VARILLAJE DE CONTROL DE FUNCION 7 DERECHA

TX1049631

-UN-14OCT08



TX1049631

1816-21

OPERATOR'S STATION 18

INSTRUMENT & CONTROL MOUNTING STRUCTURE 1816
RIGHT 7 FUNCTION CONTROL LINKAGE
TRINGLERIE DE COMMANDE DE FONCTION 7 DROITE
VARILLAJE DE CONTROL DE FUNCION 7 DERECHA

KEY	PART NO.	PART NAME	QTY.	SERIAL NO.	REMARKS
1	14H882	NUT	2		5/16"
2	19H2127	CAP SCREW	2		5/16" X 7/8"
3	19M8006	SCREW	1		M8 X 120
4	AT317744	KNOB	1		
5	T213242	SET SCREW	1		
6	AT317778	LINK END	2		
7	T104220	WASHER	2		
8	T202159	CONTROL LEVER	1		
9	T202586	LEVER	1		
10	T204457	SPACER	1		
11	24H1296	WASHER	1		11/32" X 1-3/8" X 0.134"

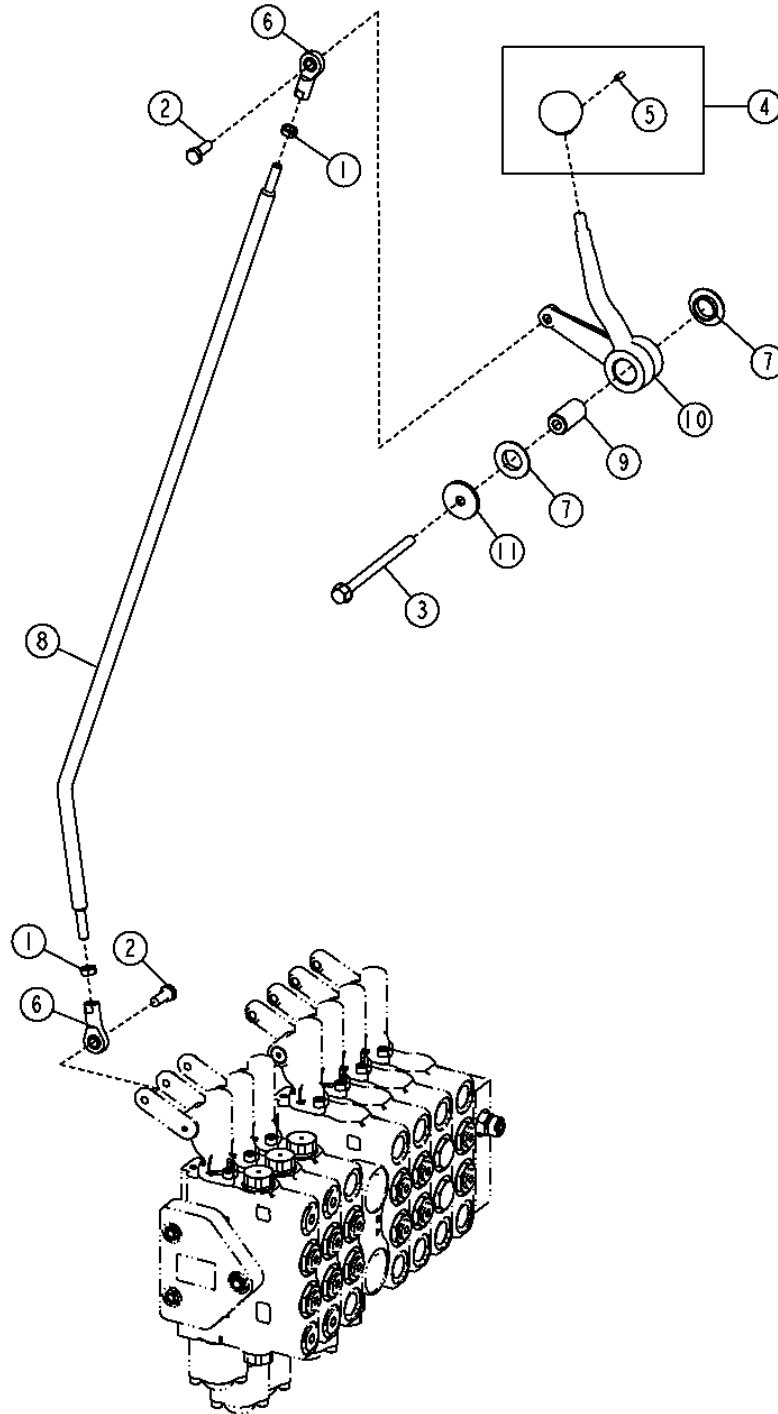
1816-22

OPERATOR'S STATION 18

INSTRUMENT & CONTROL MOUNTING STRUCTURE 1816 LEFT 7 FUNCTION CONTROL LINKAGE TRINGLERIE DE COMMANDE DE FONCTION 7 GAUCHE VARILLAJE DE CONTROL DE FUNCION 7 IZQUIERDA

TX1049645

-UN-14OCT08



TX1049645

THIS PARTS LISTING IS CONTINUED

1816-23

OPERATOR'S STATION 18

INSTRUMENT & CONTROL MOUNTING STRUCTURE 1816
LEFT 7 FUNCTION CONTROL LINKAGE
TRINGLERIE DE COMMANDE DE FONCTION 7 GAUCHE
VARILLAJE DE CONTROL DE FUNCION 7 IZQUIERDA

KEY	PART NO.	PART NAME	QTY.	SERIAL NO.	REMARKS
1	14H882	NUT	2		5/16"
2	19H2127	CAP SCREW	2		5/16" X 7/8"
3	19M8006	SCREW	1		M8 X 120
4	AT317744	KNOB	1		
5	T213242	SET SCREW	1		
6	AT317778	LINK END	2		
7	T104220	WASHER	2		
8	T202586	LEVER	1		
9	T204457	SPACER	1		
10	T202163	CONTROL LEVER	1		
11	24H1296	WASHER	1		11/32" X 1-3/8" X 0.134"

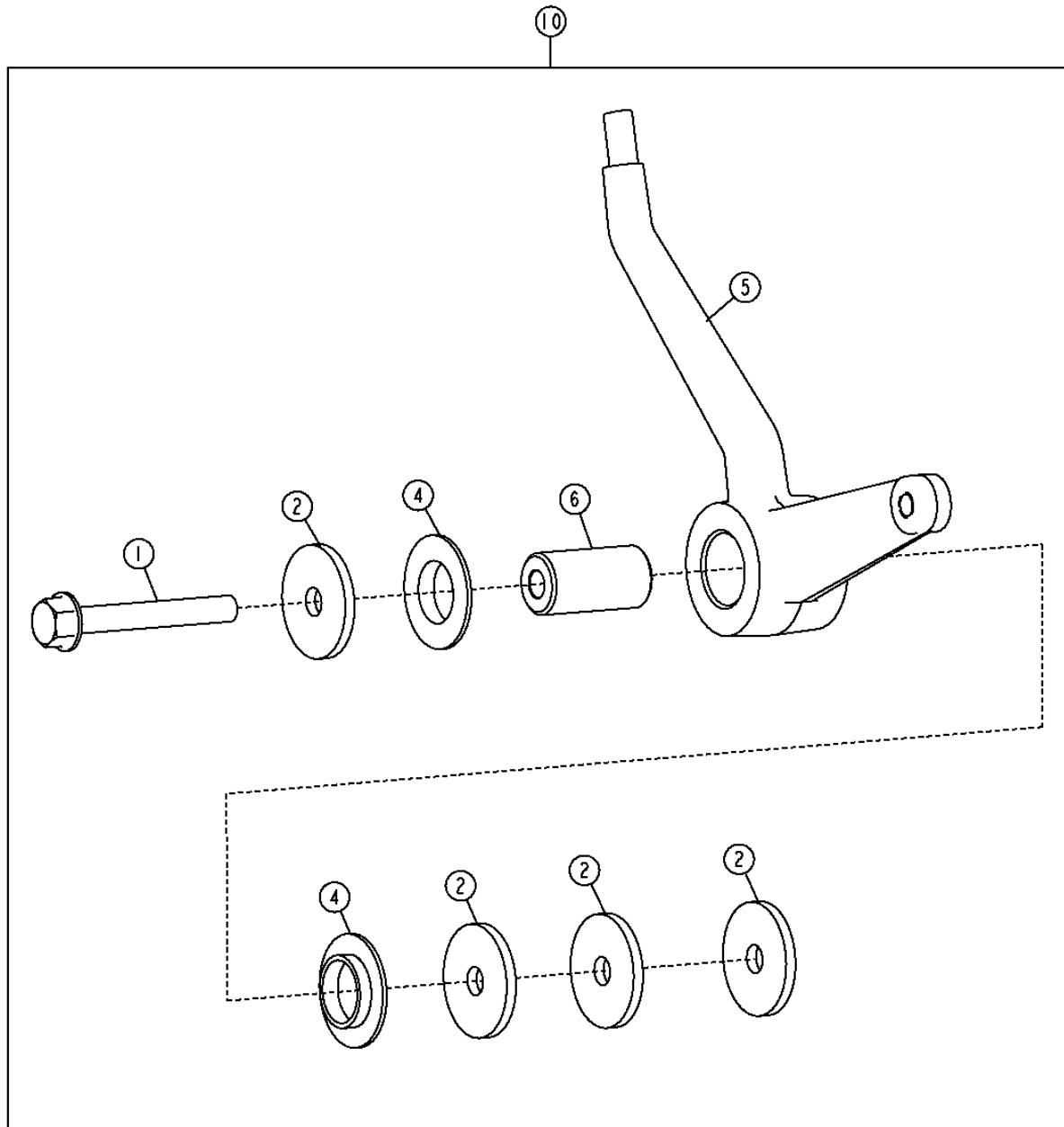
1816-24

OPERATOR'S STATION 18

INSTRUMENT & CONTROL MOUNTING STRUCTURE 1816 ONE HAND BLADE LIFT CONTROL LEVER KIT KIT LEVIER COMMANDE RELEV LAME A UNE MAIN JUEGO PALANCA CONT. ELEV DE HOJA UNA MANO

TX1049482

-UN-02OCT08



TX1049482

1816-25

OPERATOR'S STATION 18

INSTRUMENT & CONTROL MOUNTING STRUCTURE 1816
ONE HAND BLADE LIFT CONTROL LEVER KIT
KIT LEVIER COMMANDE RELEV LAME A UNE MAIN
JUEGO PALANCA CONT. ELEV DE HOJA UNA MANO

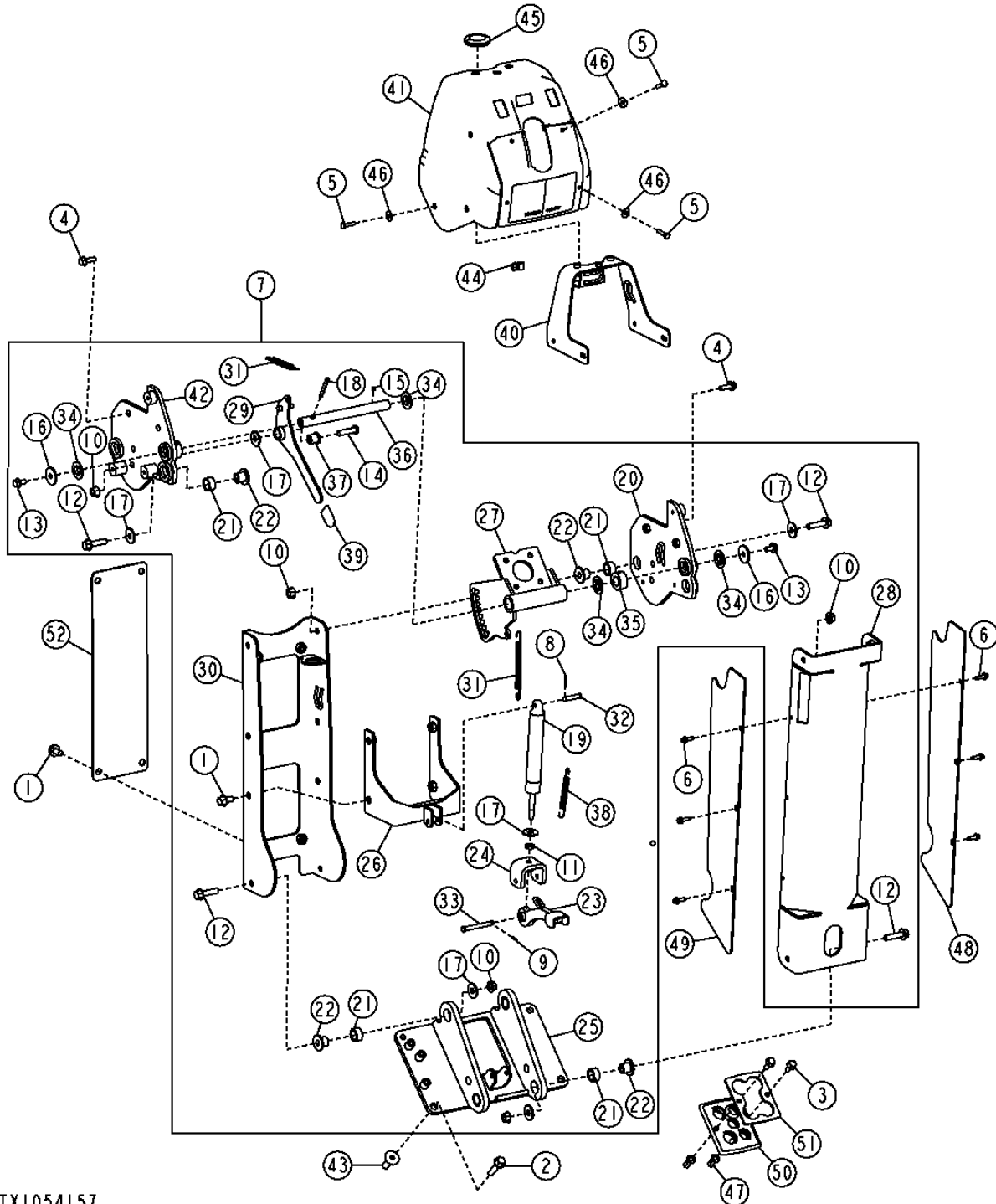
KEY	PART NO.	PART NAME	QTY.	SERIAL NO.	REMARKS
1	19M7801	SCREW	1		M8 X 60
2	24H1296	WASHER	4		11/32" X 1-3/8" X 0.134"
3	AT322617	HYDRAULIC HOSE - FABRICATE	4		(NOT SHOWN)
4	T104220	WASHER	2		
5	T202162	CONTROL LEVER	1		
6	T204457	SPACER	1		
10	AT302544	CONTROL LEVER	1		(INCLUDES (4) AT322617) (WHOLE GOODS)

1816-26

INSTRUMENT & CONTROL MOUNTING STRUCTURE 1816 FRONT CONSOLE (GRADE PRO) CONSOLE AVANT (GRADE PRO) CONSOLA DELANTERA (GRADE PRO)

TX1054157

-UN-13JAN09



TX1054157

1816-27

OPERATOR'S STATION 18

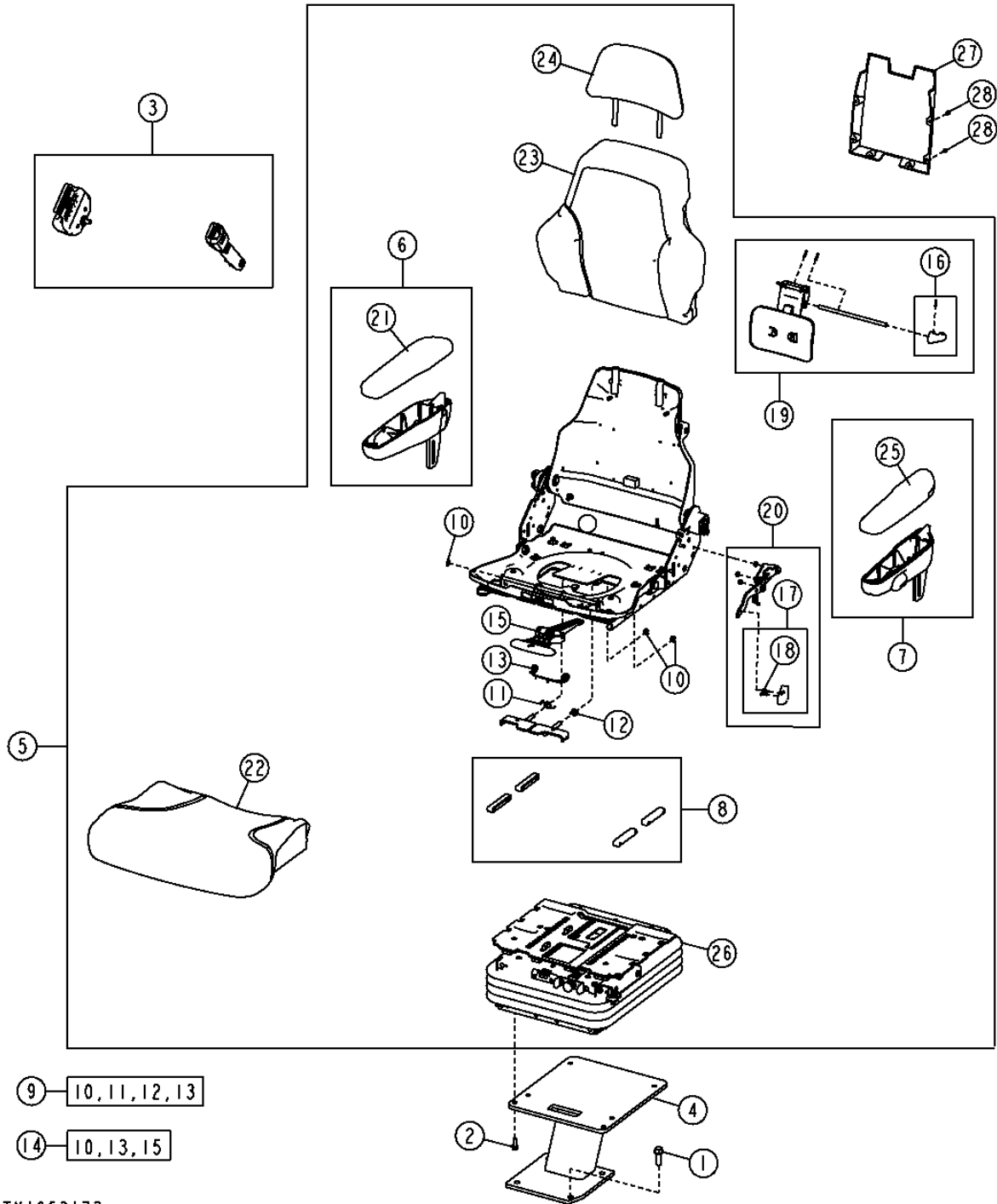
INSTRUMENT & CONTROL MOUNTING STRUCTURE 1816
FRONT CONSOLE (GRADE PRO)
CONSOLE AVANT (GRADE PRO)
CONSOLA DELANTERA (GRADE PRO)

KEY	PART NO.	PART NAME	QTY.	SERIAL NO.	REMARKS
1	19M7784	SCREW	8		M10 X 20
2	19M7804	SCREW	4		M10 X 40
3	19M7866	SCREW	2		M8 X 20
4	19M7867	SCREW	4		M8 X 25
5	21M7310	SCREW	10		M6 X 25
6	37M7131	SCREW	6		M6 X 20
7	AT347297	CONSOLE	1		
8	11M7078	COTTER PIN	1		2 X 20 MM
9	11M7079	COTTER PIN	1		2.500 X 12 MM
10	14M7296	FLANGE NUT	9		M10
11	14M7500	NUT	1		M10
12	19M7804	SCREW	8		M10 X 40
13	19M7865	SCREW	2		M8 X 16
14	21M7478	SCREW	1		M10 X 40
15	22M7111	SET SCREW	1		M6 X 6
16	24H1296	WASHER	2		11/32" X 1-3/8" X 0.134"
17	24M7296	WASHER	10		10.500 X 30 X 2.500 MM
18	34M7044	SPRING PIN	1		6 X 50 MM
19	AT330487	GAS OPERATED CYLINDER	1		
20	AT350570	BRACKET	1		
21	T203544	BUSHING	8		
22	T203545	BUSHING	8		
23	AT346325	PEDAL	1		
24	AT349961	BRACKET	1		
25	AT352843	CONTROL SUPPORT	1		
26	AT352854	BRACKET	1		
27	AT352857	BRACKET	1		
28	AT353037	CONTROL SUPPORT	1		
29	AT353468	LEVER	1		
30	AT356378	CONTROL SUPPORT	1		
31	M145875	EXTENSION SPRING	2		
32	N31296	PIN FASTENER	1		
33	R68672	PIN	1		
34	T104220	WASHER	4		
35	T203576	SPACER	1		
36	T241432	PIN FASTENER	1		
37	T242116	SPACER	1		
38	T28801	EXTENSION SPRING	1		
39	T81012	CAP	1		
40	AT356679	BRACKET	1		
41	AT358709	CONTROL CONSOLE	1		
42	AT350566	BRACKET	1		
43	H173411	NUT	4		
44	M84972	NUT	4		
45	N157296	GROMMET	1		
46	24H1821	WASHER	10		9/32" X 47/64" X 1/16"
47	T196079	NUT	2		
48	T241398	COVER	1		
49	T241399	COVER	1		
50	T242103	GROMMET	1		
51	T242104	PLATE	1		
52	T242236	CHANNEL	1		

1821-2

SEAT (STANDARD)
SIEGE (STANDARD)
ASIENTO (ESTANDAR)

TX1053173 -UN-23DEC08



1821-3

OPERATOR'S STATION 18
SEAT AND SEAT BELTS 1821

SEAT (STANDARD)
SIEGE (STANDARD)
ASIENTO (ESTANDAR)

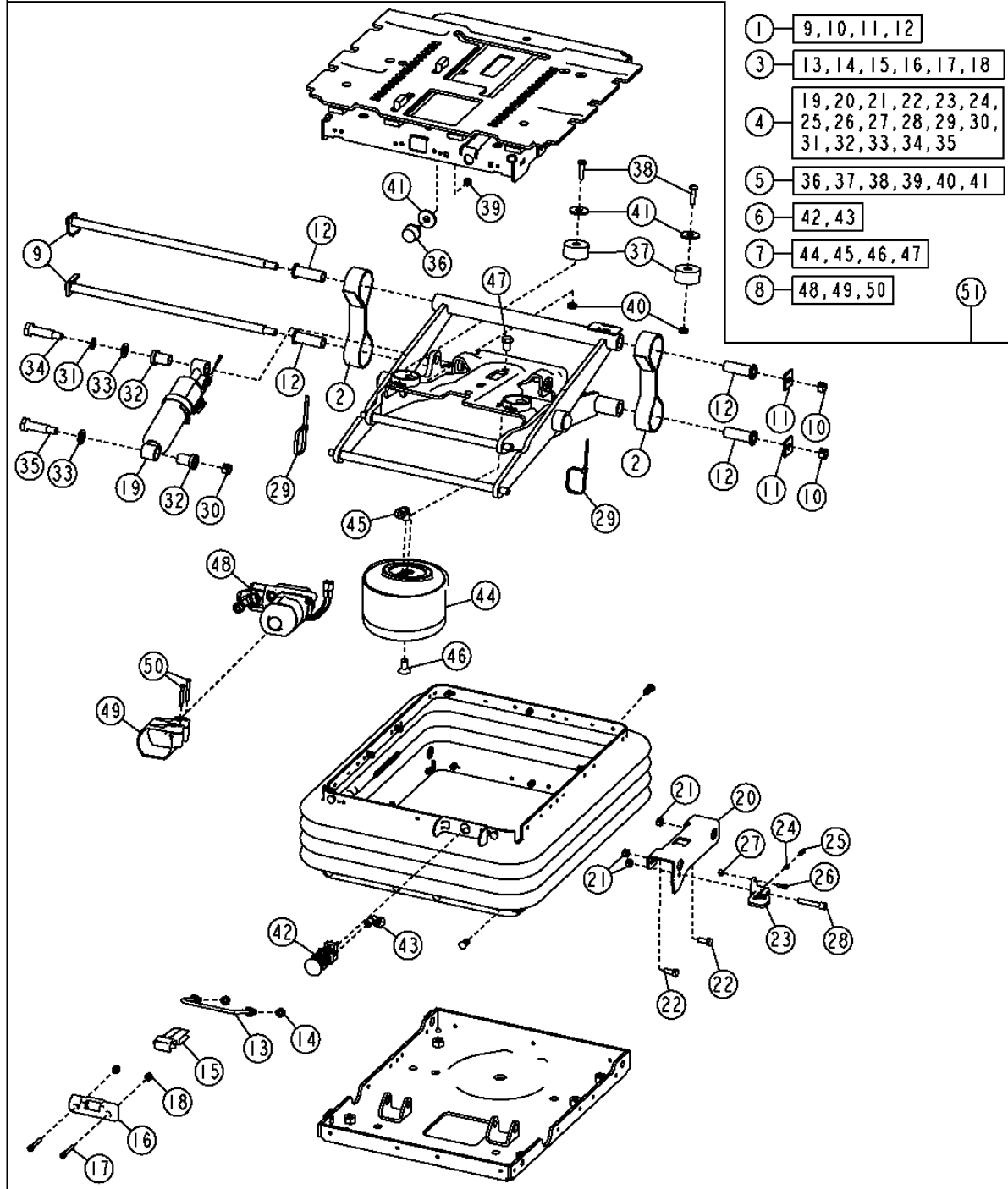
KEY	PART NO.	PART NAME	QTY.	SERIAL NO.	REMARKS
1	19M7791	BOLT	4		M12 X 40
2	19M7867	SCREW	4		M8 X 25
3	AT308199	SEAT BELT	1		
4	AT346259	PEDESTAL	1		
5	AT360368	SEAT	1		
6	AT195441	ARMREST KIT	1		
7	AT195442	ARMREST KIT	1		
8	AT209020	KIT	1		(SLIDE PUCK KIT)
9	AT209021	KIT	1		(SLIDE SPRING KIT)
10	R72655	SNAP RING	6		
11	T163334	SPRING	1		
12	T163335	SPRING	1		
13	T163336	TORSION SPRING	1		
14	AT209022	HOSE KIT	1		(SLIDE CONTROL KIT)
15	CONTROL	1		
16	AT209024	KIT	1		(LUMBAR KNOB KIT)
17	AT209025	SEAT KNOB KIT	1		
18	37H121	SCREW	2		
19	AT209026	KIT	1		(LUMBAR SERVICE KIT)
20	AT209225	SEAT KNOB KIT	1		
21	AT350317	PAD	1		
22	AT308795	CUSHION	1		
23	AT308796	CUSHION	1		
24	AT308797	CUSHION	1		
25	AT350316	PAD	1		
26	AT365101	SEAT SUSPENSION	1		
27	R77915	HOLDER	1		
28	R79033	RIVET	6		

1821-4

OPERATOR'S STATION 18
SEAT AND SEAT BELTS 1821

AIR SEAT SUSPENSION COMPONENTS (STANDARD)
COMPOSANTS DE SUSPENSION PNEUMATIQUE DU SIEGE (STANDARD)
COMPONENTES DE SUSPENSION NEUMATICA DEL ASIENTO (ESTANDAR)

TX1056057 -UN-25FEB09



TX1056057

THIS PARTS LISTING IS CONTINUED

1821-5

OPERATOR'S STATION 18
SEAT AND SEAT BELTS 1821

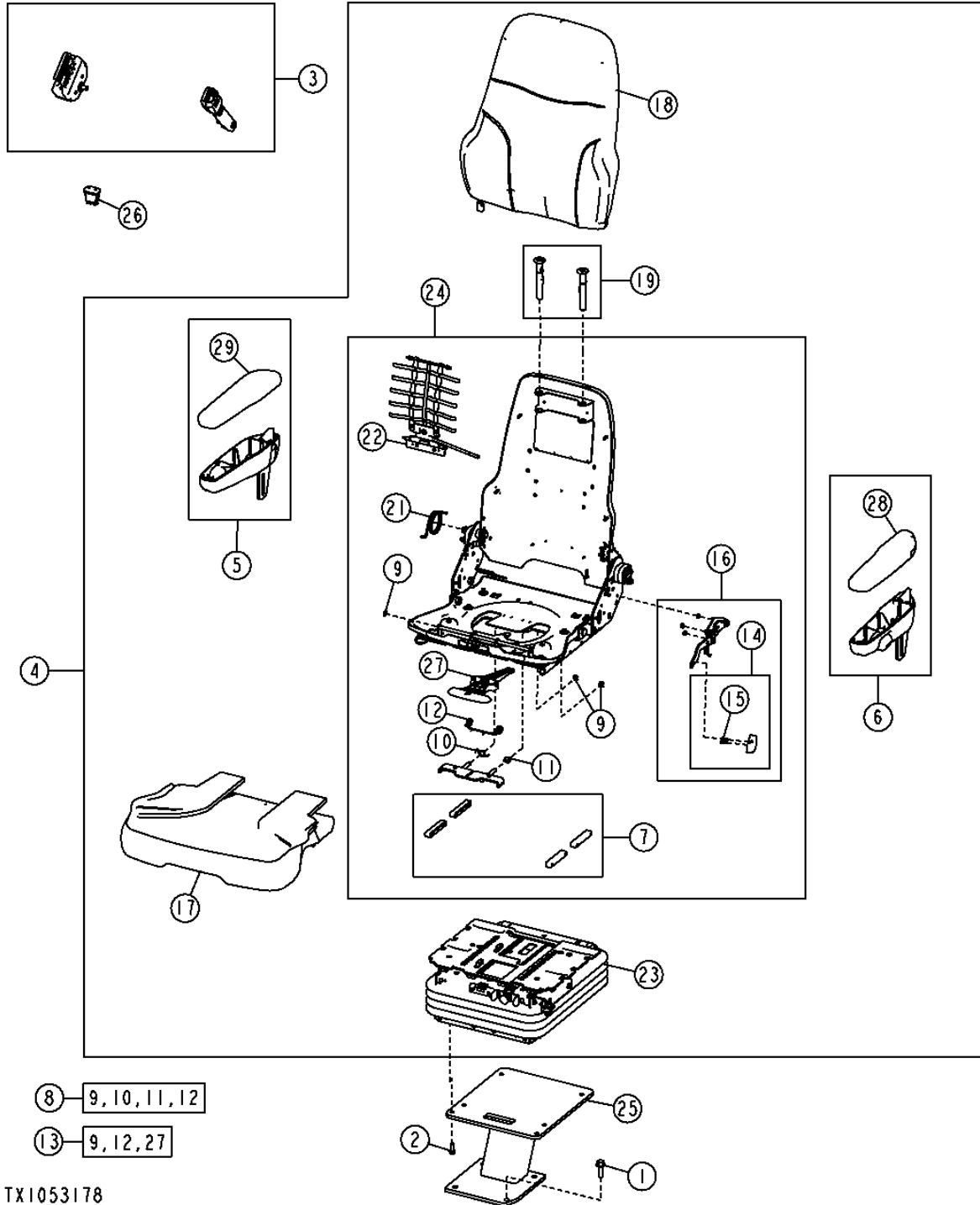
AIR SEAT SUSPENSION COMPONENTS (STANDARD)
COMPOSANTS DE SUSPENSION PNEUMATIQUE DU SIEGE (STANDARD)
COMPONENTES DE SUSPENSION NEUMATICA DEL ASIENTO (ESTANDAR)

KEY	PART NO.	PART NAME	QTY.	SERIAL NO.	REMARKS
1	AT173313	SHAFT KIT	1		
2	AT361459	BELT KIT	2		
3	AT361460	LEVER KIT	1		
4	AT361461	SEAT SHOCK ABSORBER KIT	1		
5	AT361463	BUMPER	1		
6	AT365110	SELECTIVE CONTROL VALVE	1		
7	AT368103	AIR SPRING SEAT KIT	1		
8	AT368104	COMPRESSOR KIT	1		
9	SHAFT	2		
10	LOCK NUT	2		
11	WASHER	2		
12	BEARING	4		
13	ROD	1		
14	LOCK NUT	2		
15	ARM	1		
16	HOUSING	1		
17	SCREW	2		
18	LOCK NUT	2		
19	SHOCK ABSORBER	1		
20	BRACKET	1		
21	LOCK NUT	3		
22	BOLT	2		
23	KNOB	1		
24	BEARING	1		
25	SPRING	1		
26	SCREW	1		
27	LOCK NUT	1		
28	SCREW	1		
29	TIE BAND	1		
30	LOCK NUT	1		
31	WASHER	1		
32	BEARING	2		
33	WASHER	2		
34	BOLT	1		
35	BOLT	1		
36	BUMPER	1		
37	BUMPER	2		
38	SCREW	2		
39	NUT	1		
40	LOCK NUT	2		
41	WASHER	5		
42	VALVE	1		
43	FITTING	1		
44	AIR SPRING SEAT KIT	1		
45	ELBOW FITTING	1		
46	SCREW	1		
47	BOLT	1		
48	COMPRESSOR	1		
49	CLAMP	1		
50	BOLT	2		
51	AT365101	SEAT SUSPENSION	1		

1821-6

TX1053178 -UN-23DEC08

SEAT (DELUXE) SIEGE (DELUXE) ASIENTO (DELUXE)



TX1053178

1821-7

OPERATOR'S STATION 18
SEAT AND SEAT BELTS 1821

SEAT (DELUXE)
SIEGE (DELUXE)
ASIENTO (DELUXE)

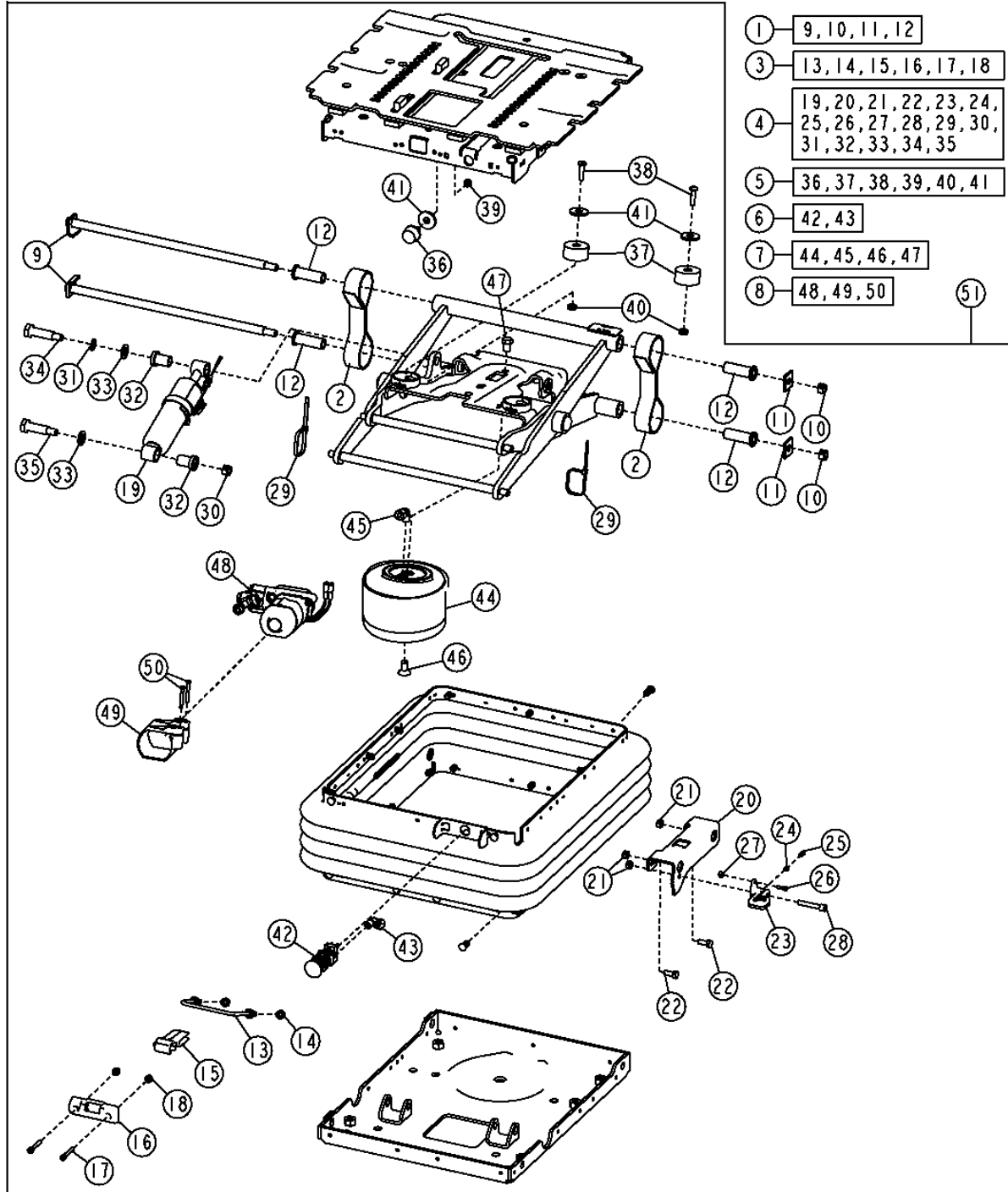
KEY	PART NO.	PART NAME	QTY.	SERIAL NO.	REMARKS
1	19M7791	BOLT	4		M12 X 40
2	19M7867	SCREW	4		M8 X 25
3	AT308199	SEAT BELT	1		
4	AT343765	SEAT ASSEMBLY	1		
5	AT195441	ARMREST KIT	1		
6	AT195442	ARMREST KIT	1		
7	AT209020	KIT	1		(SLIDE PUCK KIT)
8	AT209021	KIT	1		(SLIDE SPRING KIT)
9	R72655	SNAP RING	6		
10	T163334	SPRING	1		
11	T163335	SPRING	1		
12	T163336	TORSION SPRING	1		
13	AT209022	HOSE KIT	1		(SLIDE CONTROL KIT)
14	AT209025	SEAT KNOB KIT	1		
15	37H121	SCREW	2		
16	AT209225	SEAT KNOB KIT	1		
17	AT361336	CUSHION	1		
18	AT361340	CUSHION	1		
19	AT361341	HEAD RESTRAINT	1		
20	AT361342	HEAD RESTRAINT	1		(NOT SHOWN)
21	AT361356	SPRING KIT	2		
22	AT361358	SEAT KIT	1		(LUMBAR SERVICE KIT)
23	AT365097	SEAT SUSPENSION	1		
24	AT361343	SEAT BACK	1		
25	AT346259	PEDESTAL	1		
26	AT350612	SWITCH	1		(HEATER)
27	CONTROL	1		
28	AT350316	PAD	1		
29	AT350317	PAD	1		

1821-8

OPERATOR'S STATION 18
SEAT AND SEAT BELTS 1821

AIR SEAT SUSPENSION COMPONENTS (PREMIUM)
COMPOSANTS DU SIEGE A SUSPENSION PNEUMATIQUE (PREMIUM)
COMPONENTES DE SUSPENSION NEUMÁTICA DEL ASIENTO (PREMIUM)

TX1056057 -UN-25FEB09



TX1056057

THIS PARTS LISTING IS CONTINUED

1821-9

OPERATOR'S STATION 18
SEAT AND SEAT BELTS 1821

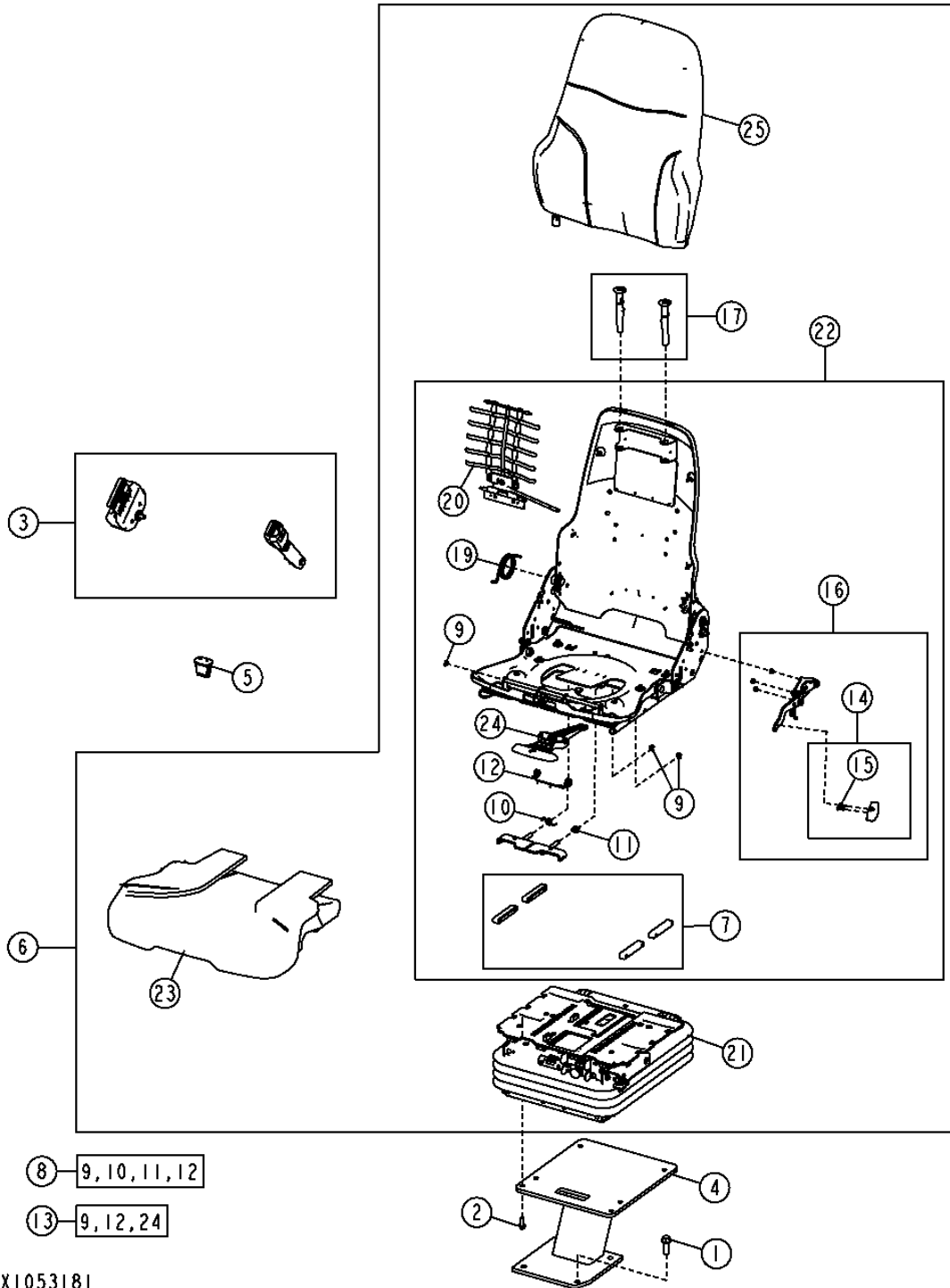
AIR SEAT SUSPENSION COMPONENTS (PREMIUM)
COMPOSANTS DU SIEGE A SUSPENSION PNEUMATIQUE (PREMIUM)
COMPONENTES DE SUSPENSİÄN NEUMÝTICA DEL ASIENTO (PREMIUM)

KEY	PART NO.	PART NAME	QTY.	SERIAL NO.	REMARKS
1	AT173313	SHAFT KIT	1		
2	AT361459	BELT KIT	2		
3	AT361460	LEVER KIT	1		
4	AT361461	SEAT SHOCK ABSORBER KIT	1		
5	AT361463	BUMPER	1		
6	AT365110	SELECTIVE CONTROL VALVE	1		
7	AT368103	AIR SPRING SEAT KIT	1		
8	AT368104	COMPRESSOR KIT	1		
9	SHAFT	2		
10	LOCK NUT	2		
11	WASHER	2		
12	BEARING	4		
13	ROD	1		
14	LOCK NUT	2		
15	ARM	1		
16	HOUSING	1		
17	SCREW	2		
18	LOCK NUT	2		
19	SHOCK ABSORBER	1		
20	BRACKET	1		
21	LOCK NUT	3		
22	BOLT	2		
23	KNOB	1		
24	BEARING	1		
25	SPRING	1		
26	SCREW	1		
27	LOCK NUT	1		
28	SCREW	1		
29	TIE BAND	1		
30	LOCK NUT	1		
31	WASHER	1		
32	BEARING	2		
33	WASHER	2		
34	BOLT	1		
35	BOLT	1		
36	BUMPER	1		
37	BUMPER	2		
38	SCREW	2		
39	NUT	1		
40	LOCK NUT	2		
41	WASHER	5		
42	VALVE	1		
43	FITTING	1		
44	AIR SPRING SEAT KIT	1		
45	ELBOW FITTING	1		
46	SCREW	1		
47	BOLT	1		
48	COMPRESSOR	1		
49	CLAMP	1		
50	BOLT	2		
51	AT365097	SEAT SUSPENSION	1		

1821-10

SEAT (GRADE PRO)
SIEGE (GRADE PRO)
ASIENTO (GRADE PRO)

TX1053181 -UN-23DEC08



TX1053181

1821-11

OPERATOR'S STATION 18
SEAT AND SEAT BELTS 1821

SEAT (GRADE PRO)
SIEGE (GRADE PRO)
ASIENTO (GRADE PRO)

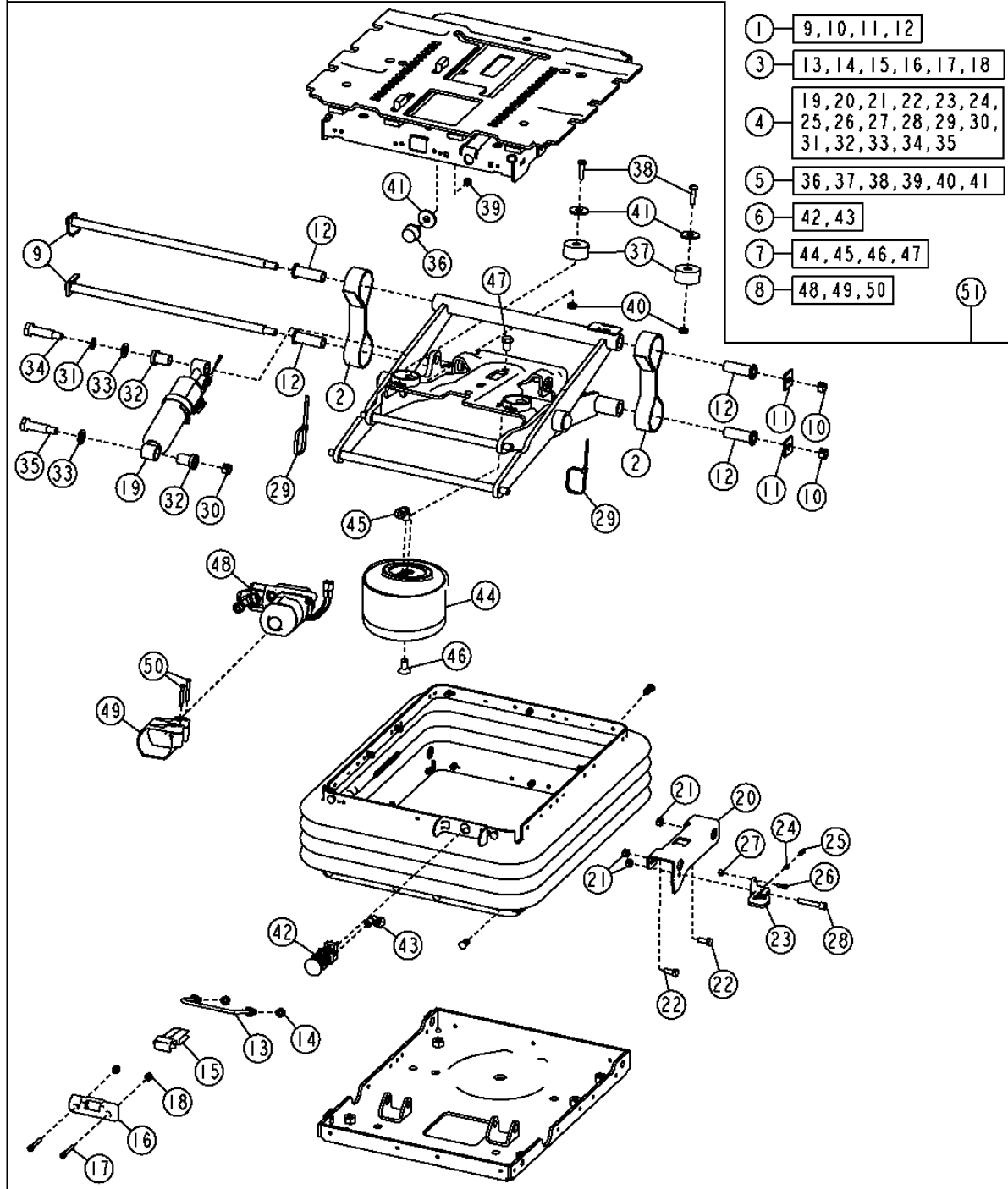
KEY	PART NO.	PART NAME	QTY.	SERIAL NO.	REMARKS
1	19M7791	BOLT	4		M12 X 40
2	19M7867	SCREW	4		M8 X 25
3	AT308199	SEAT BELT	1		
4	AT346259	PEDESTAL	1		
5	AT350612	SWITCH	1		(HEATER)
6	AT352480	SEAT ASSEMBLY	1		
7	AT209020	KIT	1		(SLIDE PUCK KIT)
8	AT209021	KIT	1		(SLIDE SPRING KIT)
9	R72655	SNAP RING	6		
10	T163334	SPRING	1		
11	T163335	SPRING	1		
12	T163336	TORSION SPRING	1		
13	AT209022	HOSE KIT	1		(SLIDE CONTROL KIT)
14	AT209025	SEAT KNOB KIT	1		
15	37H121	SCREW	2		
16	AT209225	SEAT KNOB KIT	1		
17	AT361341	HEAD RESTRAINT	1		
18	AT361342	HEAD RESTRAINT	1		(NOT SHOWN)
19	AT361356	SPRING KIT	1		
20	AT361358	SEAT KIT	1		(LUMBAR SERVICE KIT)
21	AT365100	SEAT SUSPENSION	1		
22	AT365105	SEAT BACK	1		
23	AT361336	CUSHION	1		
24	CONTROL	1		
25	AT361340	CUSHION	1		

1821-12

OPERATOR'S STATION 18
SEAT AND SEAT BELTS 1821

AIR SEAT SUSPENSION COMPONENTS (GRADE PRO)
COMPOSANTS DE SUSPENSION PNEUMATIQUE DU SIEGE (GRADE PRO)
COMPONENTES DE SUSPENSION NEUMATICA DEL ASIENTO (GRADE PRO)

TX1056057 -UN-25FEB09



TX1056057

1821-13

OPERATOR'S STATION 18
SEAT AND SEAT BELTS 1821

AIR SEAT SUSPENSION COMPONENTS (GRADE PRO)
COMPOSANTS DE SUSPENSION PNEUMATIQUE DU SIEGE (GRADE PRO)
COMPONENTES DE SUSPENSION NEUMATICA DEL ASIENTO (GRADE PRO)

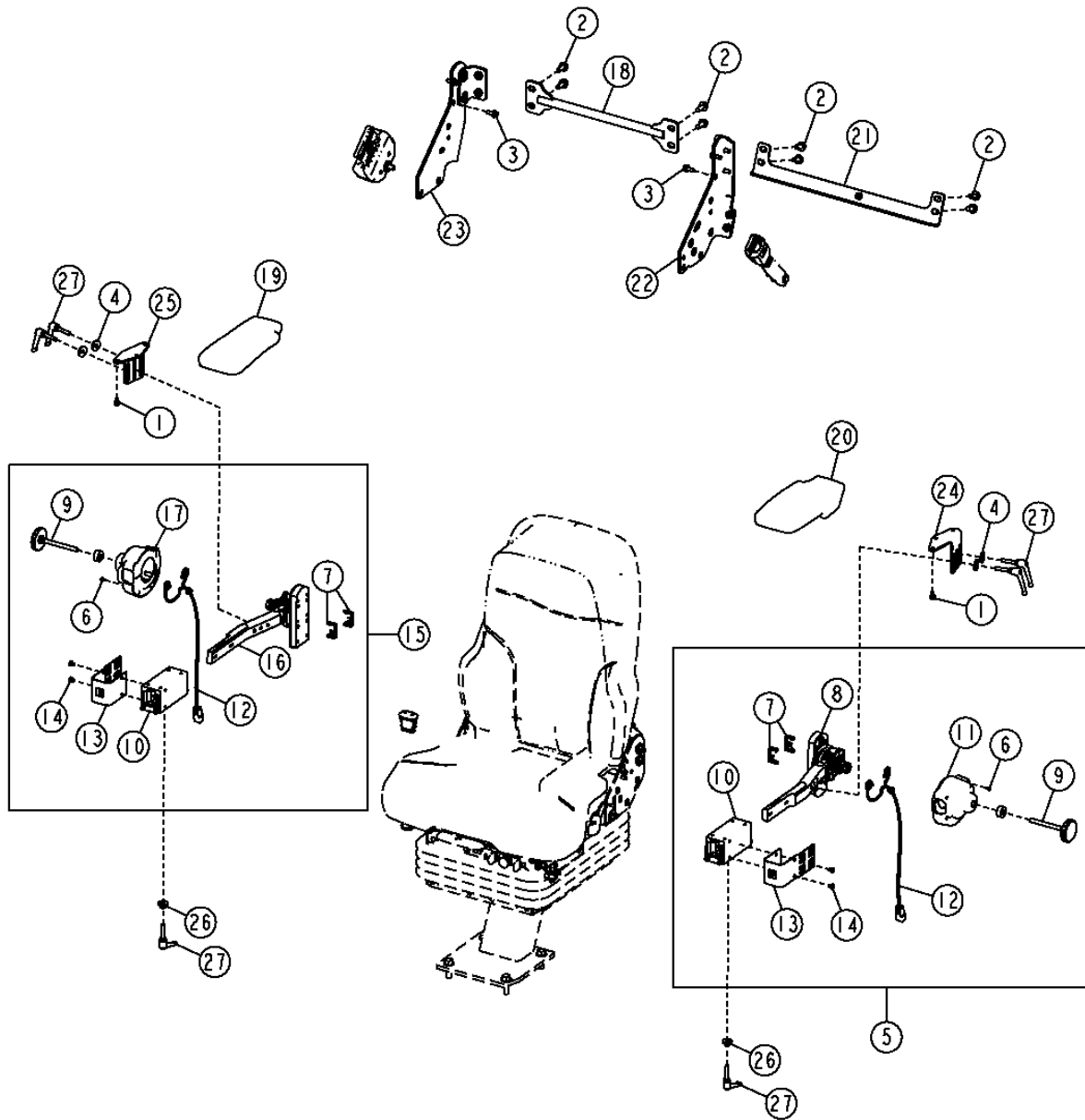
KEY	PART NO.	PART NAME	QTY.	SERIAL NO.	REMARKS
1	AT173313	SHAFT KIT	1		
2	AT361459	BELT KIT	2		
3	AT361460	LEVER KIT	1		
4	AT361461	SEAT SHOCK ABSORBER KIT	1		
5	AT361463	BUMPER	1		
6	AT365110	SELECTIVE CONTROL VALVE	1		
7	AT368103	AIR SPRING SEAT KIT	1		
8	AT368104	COMPRESSOR KIT	1		
9	SHAFT	2		
10	LOCK NUT	2		
11	WASHER	2		
12	BEARING	4		
13	ROD	1		
14	LOCK NUT	2		
15	ARM	1		
16	HOUSING	1		
17	SCREW	2		
18	LOCK NUT	2		
19	SHOCK ABSORBER	1		
20	BRACKET	1		
21	LOCK NUT	3		
22	BOLT	2		
23	KNOB	1		
24	BEARING	1		
25	SPRING	1		
26	SCREW	1		
27	LOCK NUT	1		
28	SCREW	1		
29	TIE BAND	1		
30	LOCK NUT	1		
31	WASHER	1		
32	BEARING	2		
33	WASHER	2		
34	BOLT	1		
35	BOLT	1		
36	BUMPER	1		
37	BUMPER	2		
38	SCREW	2		
39	NUT	1		
40	LOCK NUT	2		
41	WASHER	5		
42	VALVE	1		
43	FITTING	1		
44	AIR SPRING SEAT KIT	1		
45	ELBOW FITTING	1		
46	SCREW	1		
47	BOLT	1		
48	COMPRESSOR	1		
49	CLAMP	1		
50	BOLT	2		
51	AT365100	SEAT SUSPENSION	1		

1821-14

OPERATOR'S STATION 18
SEAT AND SEAT BELTS 1821

ARMRESTS (GRADE PRO)
ACCOUDOIR (GRADE PRO)
REPOSABRAZOS (GRADE PRO)

TX1053215 -UN-22DEC08



TX1053215

THIS PARTS LISTING IS CONTINUED

1821-15

OPERATOR'S STATION 18
SEAT AND SEAT BELTS 1821

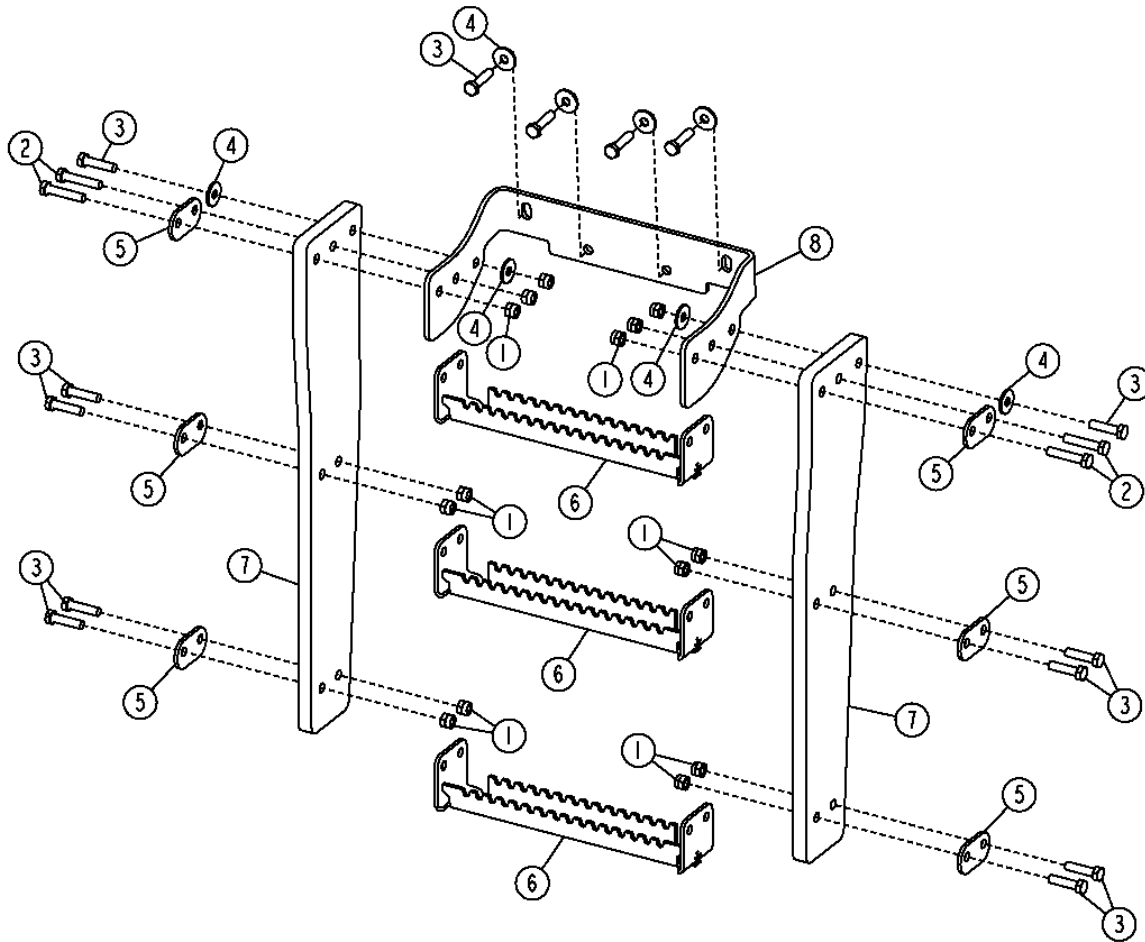
**ARMRESTS (GRADE PRO)
ACCOUDOIR (GRADE PRO)
REPOSABRAZOS (GRADE PRO)**

KEY	PART NO.	PART NAME	QTY.	SERIAL NO.	REMARKS
1	19M7774	SCREW	6		M6 X 12
2	19M7785	SCREW	8		M10 X 25
3	19M7866	SCREW	8		M8 X 20
4	24M7024	WASHER	4		9 X 28 X 3 MM
5	AT346552	ARMREST	1		
6	37M7340	BOLT	5		
7	AT325666	BRACKET	1		
8	AT364730	ARM KIT	1		
9	AT364731	KNOB	1		
10	AT364732	ARM KIT	1		
11	AT364737	COVER KIT	1		
12	AT365134	PUSH SWITCH	1		
13	T252400	BRACKET	1		
14	TCU14336	SCREW	4		
15	AT346553	ARMREST	1		
16	AT364749	ARM KIT	1		
17	AT364753	COVER KIT	1		
18	AT354606	BRACKET	1		
19	AT363881	ARMREST	1		
20	AT363882	ARMREST	1		
21	AT364002	BRACKET	1		
22	AT367167	BRACKET	1		
23	AT367168	BRACKET	1		
24	T251563	BRACKET	1		
25	T251778	BRACKET	1		
26	T252392	BUSHING	2		
27	T252399	HANDLE	6		

1822-2

CAB STEPS
MARCHEPIEDS DE CABINE
PELDANOS DEL CABINA

TX1049508 -UN-07OCT08



TX1049508

THIS PARTS LISTING IS CONTINUED

1822-3

OPERATOR'S STATION 18
STEPS AND HANDHOLDS 1822

**CAB STEPS
MARCHEPIEDS DE CABINE
PELDANOS DEL CABINA**

KEY	PART NO.	PART NAME	QTY.	SERIAL NO.	REMARKS
1	14M7517	LOCK NUT	28		M10
2	19M8600	CAP SCREW	8		M10 X 50
3	19M8637	CAP SCREW	28		M10 X 40
4	24M7296	WASHER	16		10.500 X 30 X 2.500 MM
5	T173779	STRAP	12		
6	T176870	STEP	6		
7	T254020	STRAP	4		
8	T232513	BRACKET	2		

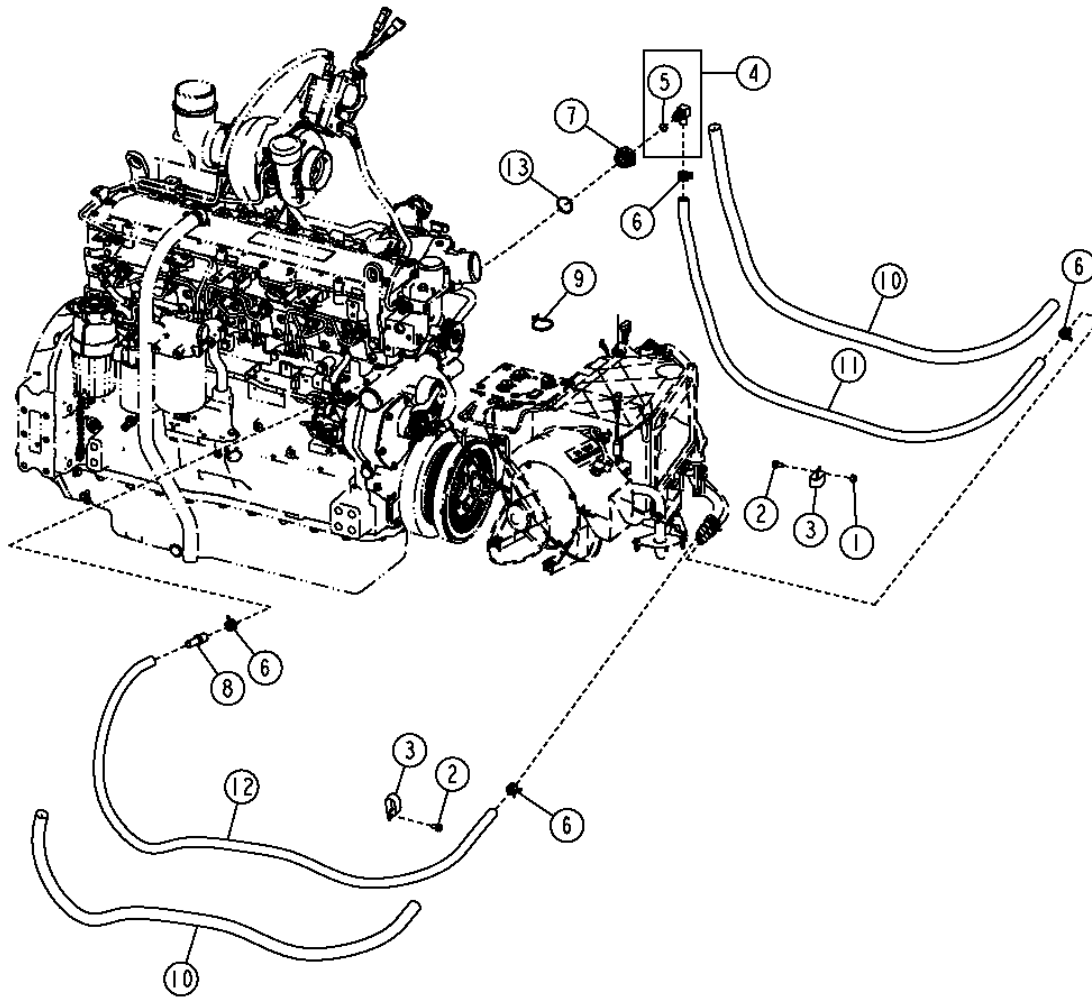
1831-2

OPERATOR'S STATION 18

HEATER, HOSES & CONTROLS 1831

CAB HEATER HOSES (6090HDW01 / 6090HDW04) (WITHOUT COOLANT HEATER)
FLEXIBLES DE CHAUFFAGE DE CABINE (6090HDW01 / 6090HDW04) (SANS RECHAUFFEUR DE LIQUIDE REFRIGERANT)
MANGUERAS DE CALEFACTOR DE CABINA (6090HDW01 / 6090HDW04) SIN CALENTADOR DEL LIQUIDO REFRIGERADOR)

TX1051394 -UN-01DEC08



TX1051394

1831-3

OPERATOR'S STATION 18

HEATER, HOSES & CONTROLS 1831

CAB HEATER HOSES (6090HDW01 / 6090HDW04) (WITHOUT COOLANT HEATER)
FLEXIBLES DE CHAUFFAGE DE CABINE (6090HDW01 / 6090HDW04) (SANS RECHAUFFEUR DE LIQUIDE REFRIGERANT)
MANGUERAS DE CALEFACTOR DE CABINA (6090HDW01 / 6090HDW04) SIN CALENTADOR DEL LIQUIDO REFRIGERADOR)

KEY	PART NO.	PART NAME	QTY.	SERIAL NO.	REMARKS
1	14M7298	FLANGE NUT	1		M8
2	19M7865	SCREW	2		M8 X 16
3	AH77869	CLIP	2		
4	AT174697	ELBOW FITTING	1		
5	51M7043	O-RING	1		
6	R117721	CLAMP	4		
7	R123616	PLUG	1		
8	R41985	FITTING	1		
9	R44302	TIE BAND	1		
10	T213932	HOSE GUARD	2		
11	BULK HOSE	1		(MAKE FROM TY22328) (CTL 6.96 FT.)
12	BULK HOSE	1		(MAKE FROM TY22328) (CTL 4.65 FT.)
13	U13639	O-RING	1		

1831-4

OPERATOR'S STATION 18

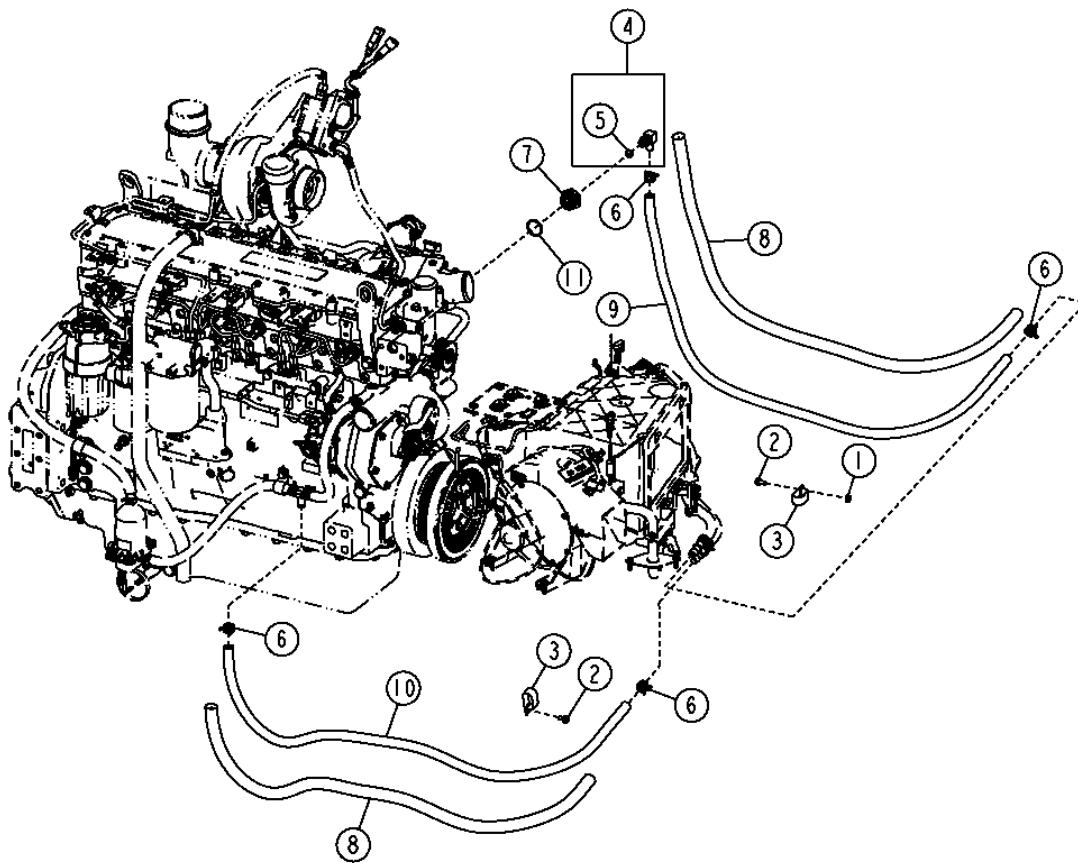
HEATER, HOSES & CONTROLS 1831

CAB HEATER HOSES (6090HDW01 / 6090HDW04) (WITH COOLANT HEATER)

FLEXIBLES DE CHAUFFAGE DE CABINE (6090HDW01 / 6090HDW04) (AVEC RECHAUFFEUR DE LIQUIDE REFRIGERANT)

MANGUERAS DE CALEFACTOR DE CABINA (6090HDW01 / 6090HDW04) CON CALENTADOR DEL LIQUIDO REFRIGERADOR)

TX1051396 -UN-01DEC08



TX1051396

THIS PARTS LISTING IS CONTINUED

1831-5

OPERATOR'S STATION 18

HEATER, HOSES & CONTROLS 1831

CAB HEATER HOSES (6090HDW01 / 6090HDW04) (WITH COOLANT HEATER)
FLEXIBLES DE CHAUFFAGE DE CABINE (6090HDW01 / 6090HDW04) (AVEC RECHAUFFEUR DE LIQUIDE REFRIGERANT)
MANGUERAS DE CALEFACTOR DE CABINA (6090HDW01 / 6090HDW04) CON CALENTADOR DEL LIQUIDO REFRIGERADOR)

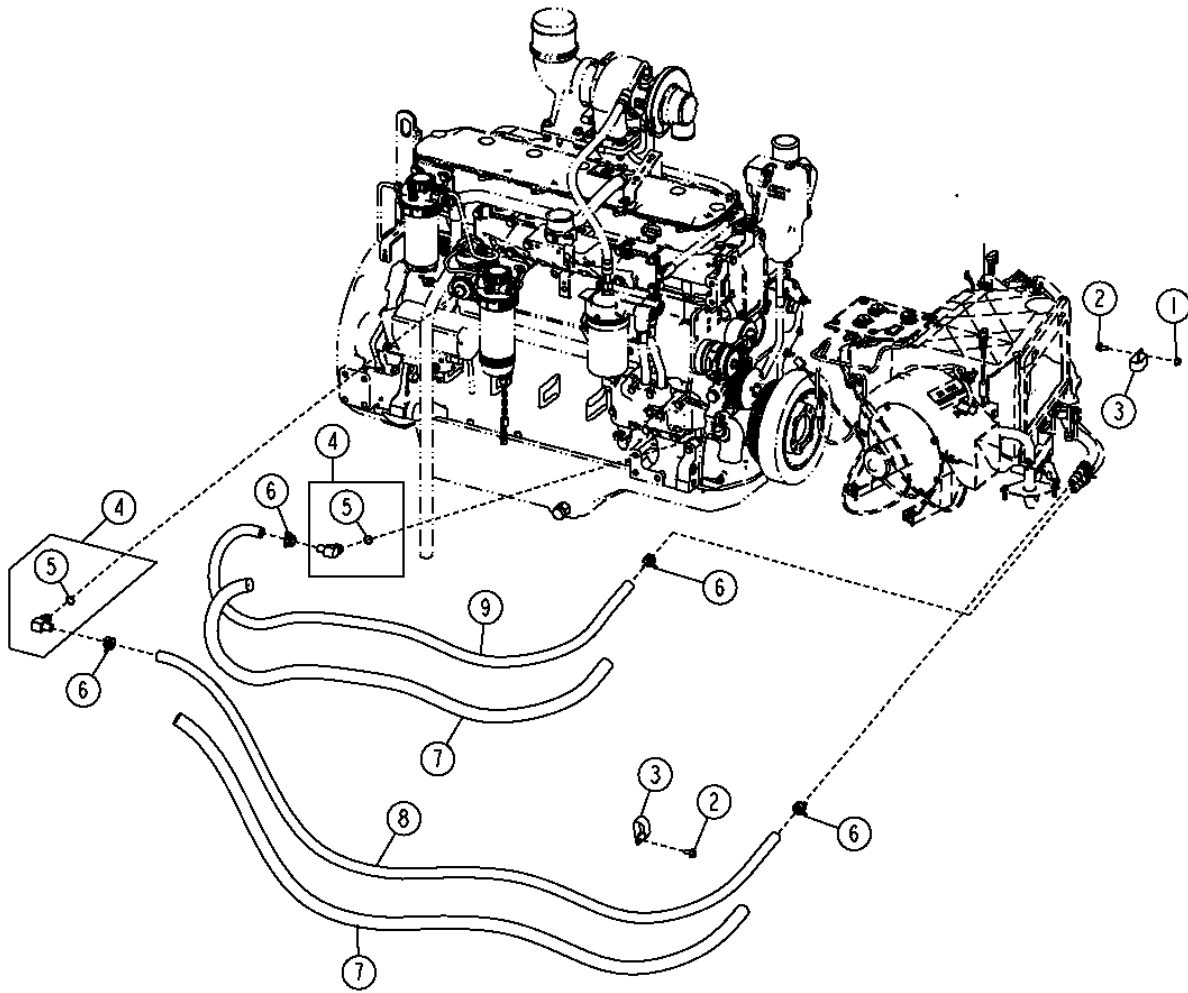
KEY	PART NO.	PART NAME	QTY.	SERIAL NO.	REMARKS
1	14M7298	FLANGE NUT	1		M8
2	19M7865	SCREW	2		M8 X 16
3	AH77869	CLIP	2		
4	AT174697	ELBOW FITTING	1		
5	51M7043	O-RING	1		
6	R117721	CLAMP	4		
7	R123616	PLUG	1		
8	T213932	HOSE GUARD	2		
9	BULK HOSE	1		(MAKE FROM TY22328) (CTL 6.96 FT.)
10	BULK HOSE	1		(MAKE FROM TY22328) (CTL 4.65 FT.)
11	U13639	O-RING	1		

1831-6

CAB HEATER HOSES (6068HDW75)
FLEXIBLES DE CHAUFFAGE DE CABINE (6068HDW75)
MANGUERAS DE CALEFACTOR DE CABINA (6068HDW75)

TX1051391

-UN-01DEC08



TX1051391

1831-7

OPERATOR'S STATION 18

HEATER, HOSES & CONTROLS 1831

CAB HEATER HOSES (6068HDW75)
FLEXIBLES DE CHAUFFAGE DE CABINE (6068HDW75)
MANGUERAS DE CALEFACTOR DE CABINA (6068HDW75)

KEY	PART NO.	PART NAME	QTY.	SERIAL NO.	REMARKS
1	14M7298	FLANGE NUT	1		M8
2	19M7865	SCREW	2		M8 X 16
3	AH77869	CLIP	2		
4	AT174697	ELBOW FITTING	2		
5	51M7043	O-RING	1		
6	R117721	CLAMP	4		
7	T213932	HOSE GUARD	2		
8	BULK HOSE	1		(MAKE FROM TY22328) (CTL 7.16 FT.)
9	BULK HOSE	1		(MAKE FROM TY22328) (CTL 6.06 FT.)

1831-8

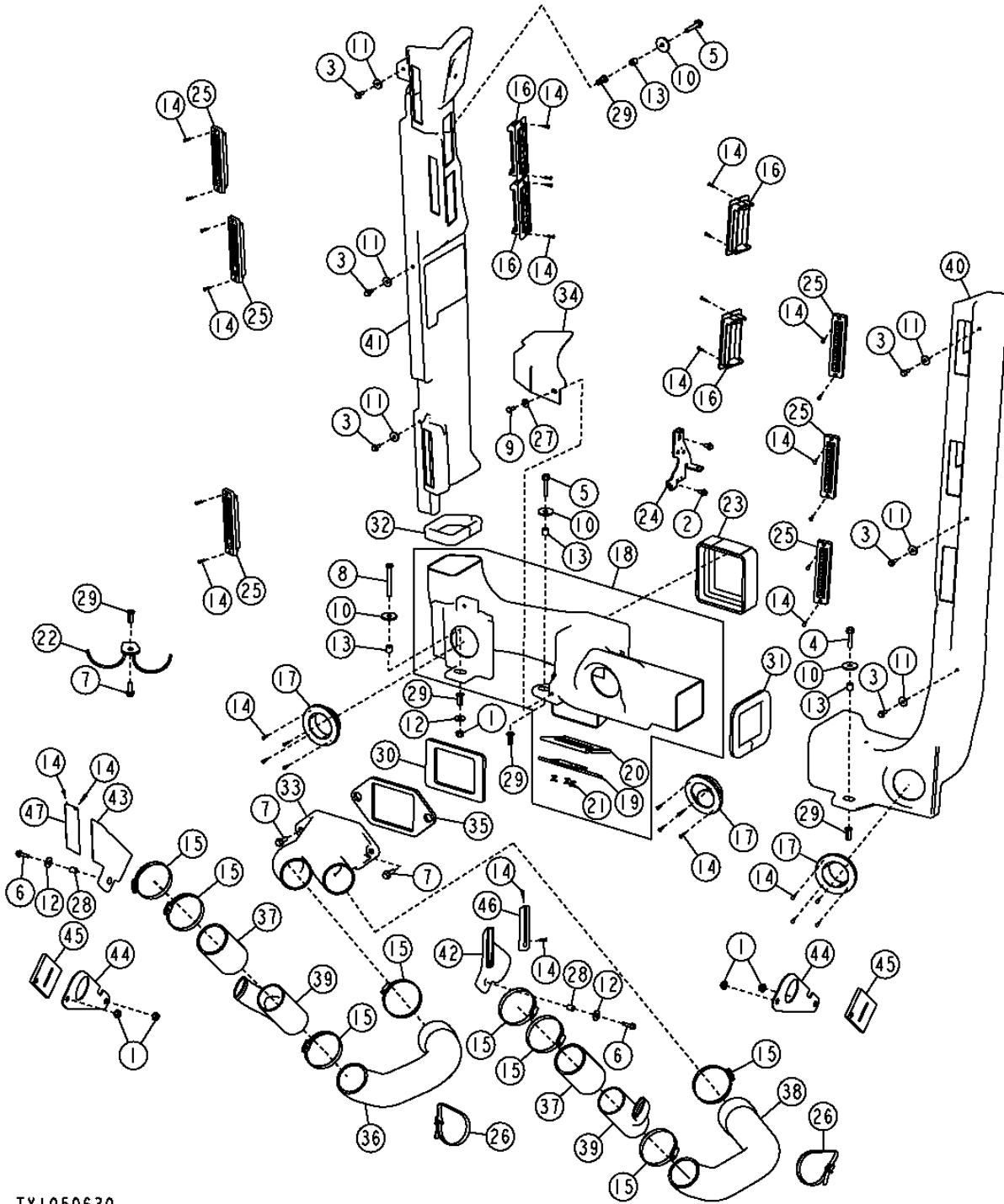
OPERATOR'S STATION 18

HEATER, HOSES & CONTROLS 1831

HEATER AND AIR CONDITIONING DUCTING CONDUITS DE CHAUFFAGE ET DE CLIMATISATION CONDUCTOS DE CALEFACTOR Y ACONDICIONADOR DE AIRE

TX1050630

-UN-25NOV08



TX1050630

1831-9

OPERATOR'S STATION 18

HEATER, HOSES & CONTROLS 1831

HEATER AND AIR CONDITIONING DUCTING
 CONDUITS DE CHAUFFAGE ET DE CLIMATISATION
 CONDUCTOS DE CALEFACTOR Y ACONDICIONADOR DE AIRE

KEY	PART NO.	PART NAME	QTY.	SERIAL NO.	REMARKS
1	14M7298	FLANGE NUT	5		M8
2	19M7774	SCREW	2		M6 X 12
3	19M7775	SCREW	6		M6 X 16
4	19M7798	SCREW	1		M8 X 40
5	19M7799	SCREW	2		M8 X 45
6	19M7863	SCREW	2		M6 X 25
7	19M7867	SCREW	3		M8 X 25
8	19M8403	CAP SCREW	1		M8 X 75
9	21M7292	SCREW	1		M6 X 16
10	24H1296	WASHER	4		11/32" X 1-3/8" X 0.134"
11	24M7100	WASHER	6		6.600 X 22 X 2 MM
12	24M7298	WASHER	3		8.400 X 25 X 2 MM
13	28H3450	SPACER	4		9.246 X 13.716 X 12.700 MM
14	37M7333	SCREW	36		
15	AR62936	CLAMP	8		
16	AT227668	LOUVER	4		
17	AT227669	LOUVER	3		
18	AT308017	AIR DUCT	1		
19	AT305524	GATE	1		
20	AT305869	DOOR	1		
21	T184345	RIVET	1		
22	AT308314	HOSE SUPPORT	1		
23	AT308935	ISOLATOR	1		
24	AT309837	BRACKET	1		
25	AZ43305	NOZZLE	6		
26	N189220	TIE BAND	2		
27	24H1821	WASHER	1		9/32" X 47/64" X 1/16"
28	T186068	SPACER	2		
29	T196079	NUT	5		
30	T202741	SEAL	1		
31	T202743	ISOLATOR	1		
32	T202744	ISOLATOR	1		
33	T203560	AIR DUCT	1		
34	T206718	PLATE	1		
35	T206985	SEAL	1		
36	T232579	AIR DUCT	1		
37	T232580	HOSE	2		
38	T232581	AIR DUCT	1		
39	T232582	AIR DUCT	2		
40	T237176	AIR DUCT	1		
41	T237177	AIR DUCT	1		
42	T237366	AIR DUCT	1		
43	T237367	AIR DUCT	1		
44	T237722	PLATE	2		
45	T237723	ISOLATOR	2		
46	T237930	NOZZLE	1		
47	T237931	NOZZLE	1		

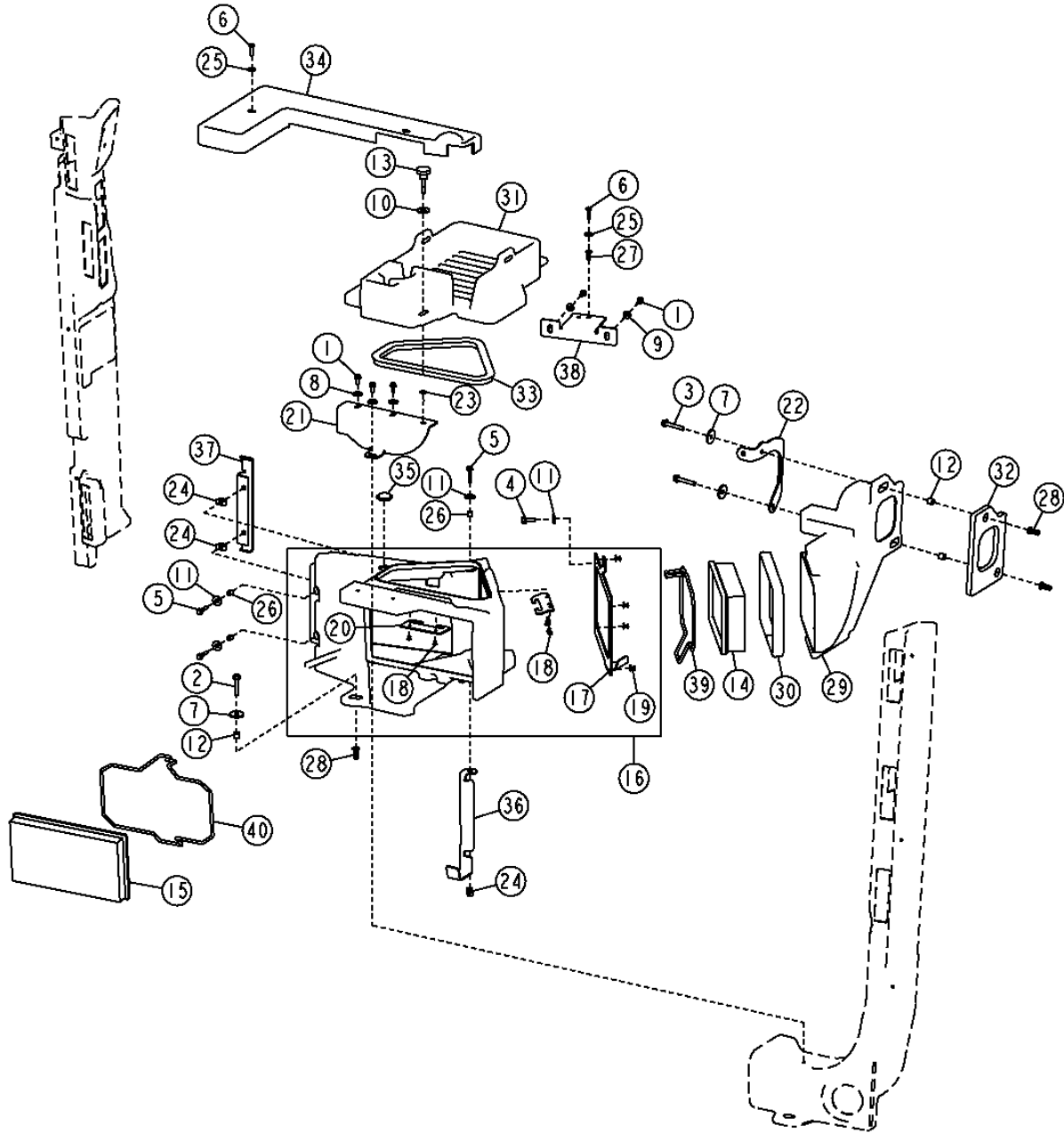
1831-10

OPERATOR'S STATION 18

HEATER, HOSES & CONTROLS 1831
HEATER AND AIR CONDITIONER FILTER, FILTER HOUSING, AND COVER
FILTRE, LOGEMENT DE FILTRE ET COUVERCLE DE CHAUFFAGE ET CLIMATISEUR
FILTRO DE CALEFATOR Y ACONDICIONADOR DE AIRE, CAJA DE FILTRO Y CUBIERTA

TX1050683

-UN-13NOV08



TX1050683

THIS PARTS LISTING IS CONTINUED

1831-11

OPERATOR'S STATION 18

HEATER, HOSES & CONTROLS 1831
HEATER AND AIR CONDITIONER FILTER, FILTER HOUSING, AND COVER
FILTRE, LOGEMENT DE FILTRE ET COUVERCLE DE CHAUFFAGE ET CLIMATISEUR
FILTRO DE CALEFACTOR Y ACONDICIONADOR DE AIRE, CAJA DE FILTRO Y CUBIERTA

KEY	PART NO.	PART NAME	QTY.	SERIAL NO.	REMARKS
1	19M7775	SCREW	5		M6 X 16
2	19M7799	SCREW	1		M8 X 45
3	19M7800	SCREW	2		M8 X 50
4	19M7867	SCREW	1		M8 X 25
5	19M8290	SCREW	3		M6 X 35
6	21M7310	SCREW	2		M6 X 25
7	24H1296	WASHER	3		11/32" X 1-3/8" X 0.134"
8	24M7100	WASHER	3		6.600 X 22 X 2 MM
9	24M7139	WASHER	2		6.400 X 18 X 1.600 MM
10	24M7296	WASHER	1		10.500 X 30 X 2.500 MM
11	24M7298	WASHER	4		8.400 X 25 X 2 MM
12	28H3450	SPACER	3		0.364" X 0.540" X 1/2"
13	AR83434	KNOB	1		
14	AT191102	AIR FILTER	1		(FRESH AIR)
15	AT307501	AIR FILTER	1		(RECIRCULATION)
16	AT308283	HOUSING	1		
17	T206616	PLATE	1		
18	R79033	RIVET	5		
19	T184345	RIVET	4		
20	T206813	BRACKET	1		
21	AT315465	BRACKET	1		
22	AT362122	BRACKET	1		
23	H131531	PUSH NUT	1		
24	R134098	NUT	3		
25	T134530	WASHER	2		
26	T164945	SPACER	3		
27	T196077	NUT	1		
28	T196079	NUT	3		
29	T201570	AIR DUCT	1		
30	T202745	ISOLATOR	1		
31	T203143	COVER	1		
32	T203494	SEAL	1		
33	T203495	ISOLATOR	1		
34	T204278	COVER	1		
35	T206624	PLUG	1		
36	T206625	BRACKET	1		
37	T206626	BRACKET	1		
38	T206627	STRAP	1		
39	T206809	RETAINER	1		
40	T206812	RETAINER	1		

1831-12

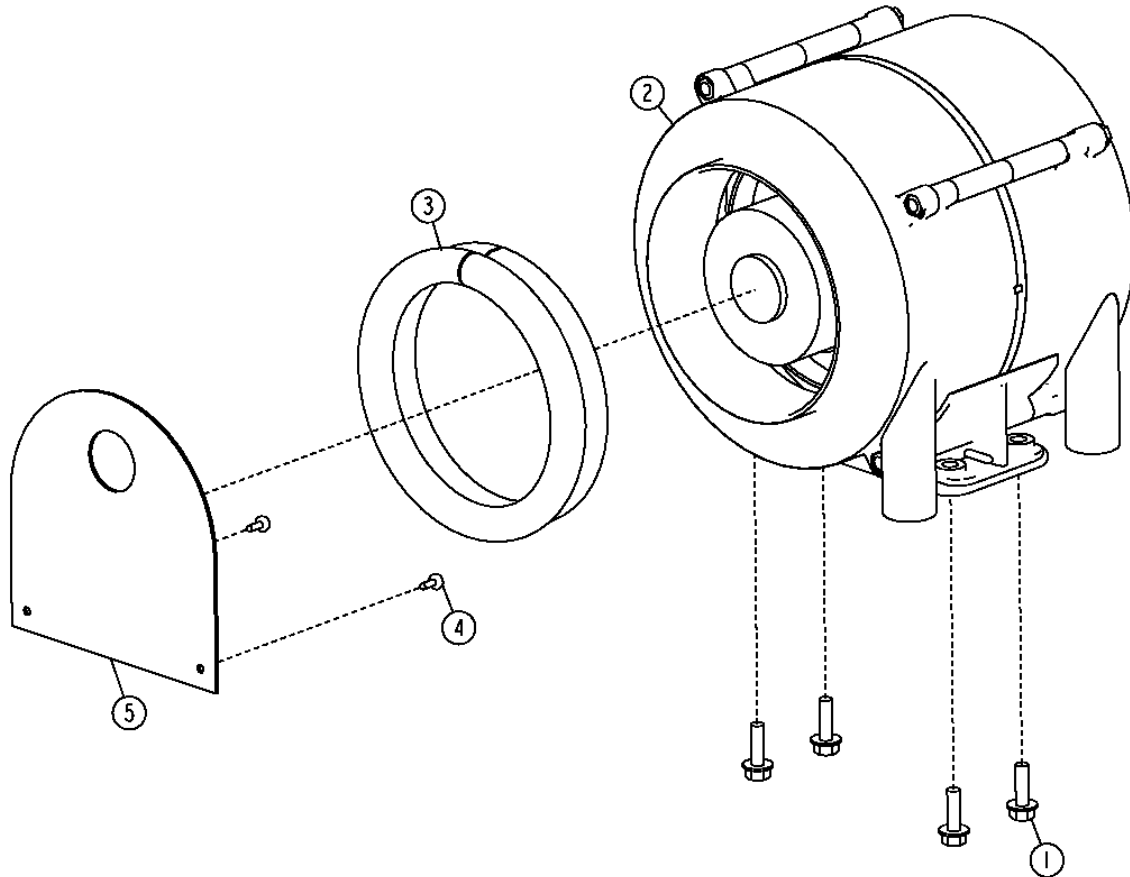
OPERATOR'S STATION 18

HEATER, HOSES & CONTROLS 1831

HVAC POWERED PRECLEANER
PRÉFILTRE MÉCANIQUE DE TRACTION AVANT HYDRAULIQUE
PRÉFILTRO ACCIONADO POR HVAC

T202492

-UN-28OCT04



T202492

THIS PARTS LISTING IS CONTINUED

1831-13

OPERATOR'S STATION 18

HEATER, HOSES & CONTROLS 1831

HVAC POWERED PRECLEANER
PRÉFILTRE MÉCANIQUE DE TRACTION AVANT HYDRAULIQUE
PRÉFILTRO ACCIONADO POR HVAC

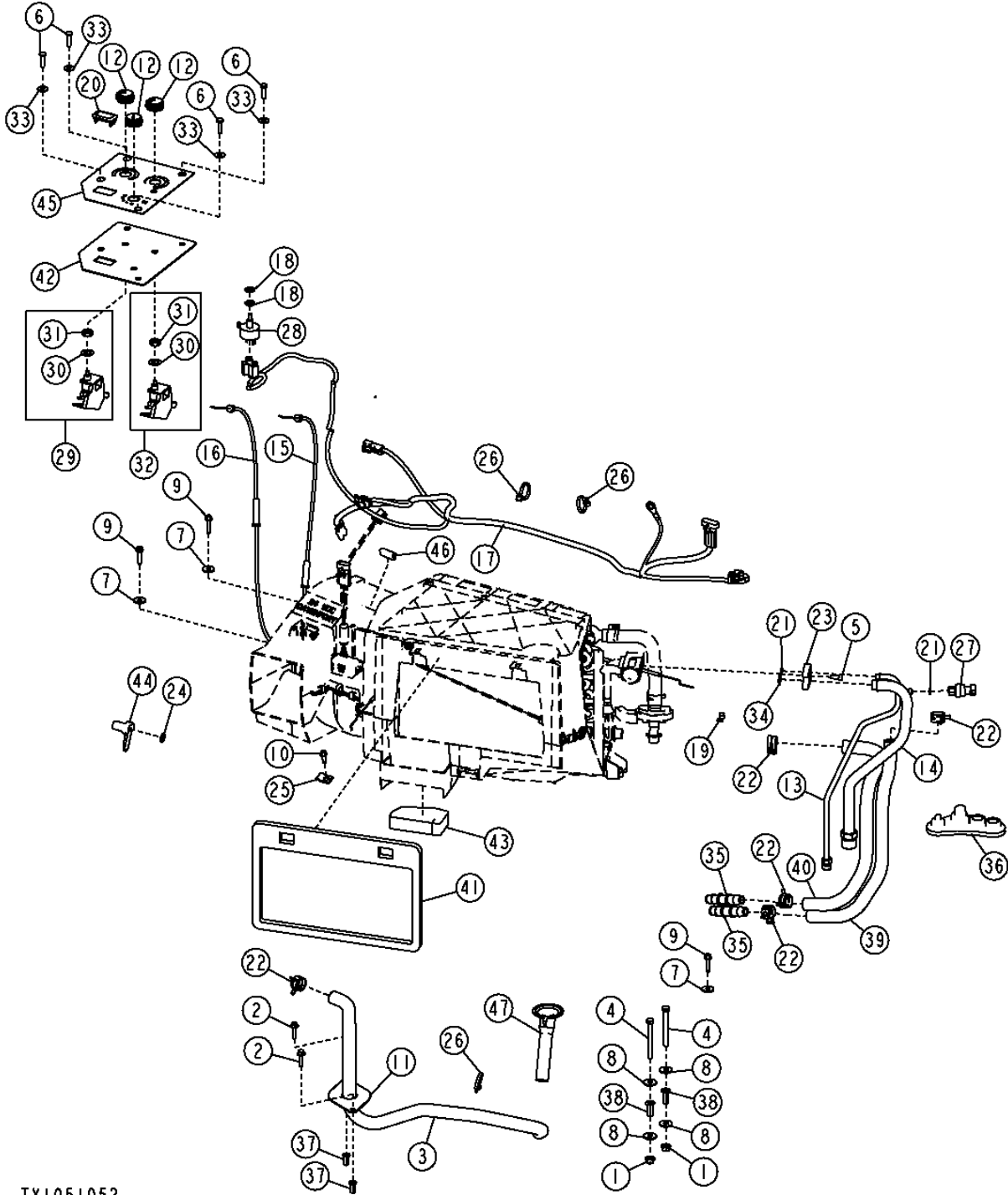
KEY	PART NO.	PART NAME	QTY.	SERIAL NO.	REMARKS
1	19M7862	SCREW	4		M6 X 20
2	AT302794	PRECLEANER	1		
3	T185326	ISOLATOR	1		
4	T185769	SCREW	2		
5	T213349	PLATE	1		

1832-2

OPERATOR'S STATION 18

A/C SYSTEM COMPRESSOR AND DRIVE 1832 HEATING AND AIR CONDITIONING LINES AND CONTROLS CONDUITES ET DISTRIBUTEURS DE CHAUFFAGE ET CLIMATISATION LINEAS Y CONTROLES DEL CALEFACTOR Y ACONDICIONADOR DE AIRE

TX1051052 -UN-16DEC08



TX1051052

THIS PARTS LISTING IS CONTINUED

1832-3

OPERATOR'S STATION 18

A/C SYSTEM COMPRESSOR AND DRIVE 1832

HEATING AND AIR CONDITIONING LINES AND CONTROLS
CONDUITES ET DISTRIBUTEURS DE CHAUFFAGE ET CLIMATISATION
LINEAS Y CONTROLES DEL CALEFACTOR Y ACONDICIONADOR DE AIRE

KEY	PART NO.	PART NAME	QTY.	SERIAL NO.	REMARKS
1	14M7298	FLANGE NUT	3		M8
2	19M7863	SCREW	2		M6 X 25
3	T239807	HOSE	1		
4	19M8403	CAP SCREW	2		M8 X 75
5	19M8553	SCREW	1		M6 X 16
6	21M7310	SCREW	4		M6 X 25
7	24M7100	WASHER	3		6.600 X 22 X 2 MM
8	24M7298	WASHER	4		8.400 X 25 X 2 MM
9	37M7104	SCREW	3		M6 X 30
10	37M7131	SCREW	1		M6 X 20
11	T244758	PLATE	1		
12	AL76568	KNOB	3		
13	AT303467	LINE	1		
14	AT303469	LINE	1		
15	AT310795	PUSH PULL CABLE	1		(MODE)
16	AT310810	CABLE	1		(TEMPERATURE)
17	AT343724	AC COMPRESSOR WRG HARNESS	1		
18	R44165	LOCK NUT	2		
19	L57881	CLIP	1		
20	M115279	PLUG	1		
21	R10093	O-RING	2		
22	R117721	CLAMP	5		
23	R125223	PLATE	1		
24	R192109	PUSH NUT	1		
25	R31654	CLAMP	1		
26	R44302	TIE BAND	3		
27	RE157329	SWITCH	1		
28	RE43497	SWITCH	1		(BLOWER SPEED SWITCH)
29	RE46742	CONTROL	1		(TEMPERATURE)
30	12H292	LOCK WASHER	1		1/2"
31	14H934	NUT	1		7/16"
32	RE46743	CONTROL	1		(MODE)
33	24H1821	WASHER	4		
34	T143169	O-RING	1		
35	T160492	ELEC. CONNECTOR ACCESSORY	2		
36	T166297	GROMMET	1		
37	T196077	NUT	2		
38	T196079	NUT	2		
39	T202034	HOSE	1		
40	T202035	HOSE	1		
41	T202742	SEAL	1		
42	T202800	INSTRUMENT PANEL	1		
43	T204124	PAD	1		
44	T204274	ARM	1		
45	T205370	LABEL	1		(HVAC CONTROLS)
46	ISOLATOR	1		(MAKE FROM T58056) (CTL .10 FT.)
47	T239763	FUNNEL	1		

1832-4

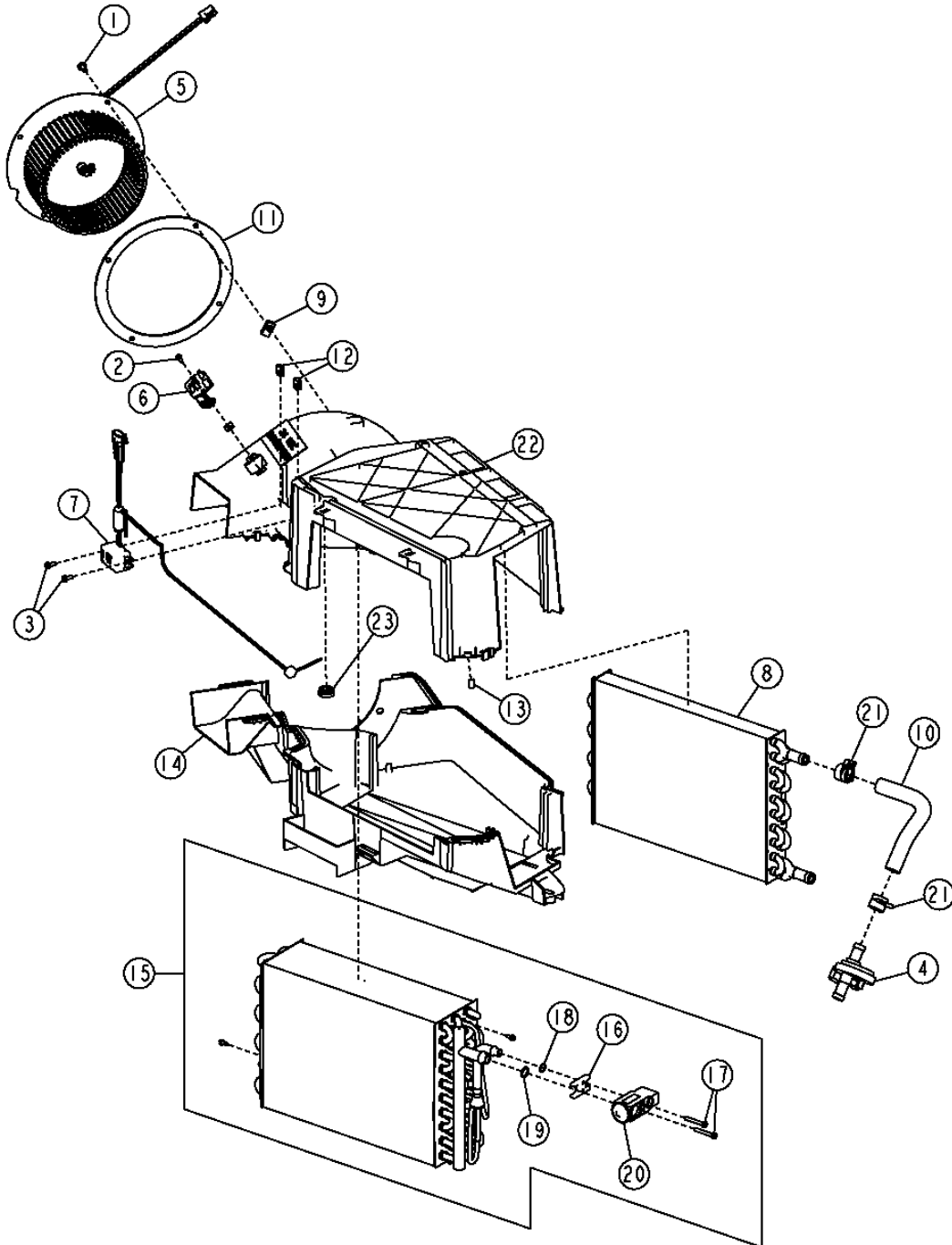
OPERATOR'S STATION 18

A/C SYSTEM COMPRESSOR AND DRIVE 1832

HVAC MODULE COMPONENTS COMPOSANTS MODULE CHAUFFAGE, VENTILATION ET CLIMATISATION COMPONENTES DEL MODULO DE CLIMATIZACION

TX1037187

-UN-17MAR08



TX1037187

THIS PARTS LISTING IS CONTINUED

1832-5

OPERATOR'S STATION 18

A/C SYSTEM COMPRESSOR AND DRIVE 1832

HVAC MODULE COMPONENTS
COMPOSANTS MODULE CHAUFFAGE, VENTILATION ET CLIMATISATION
COMPONENTES DEL MODULO DE CLIMATIZACION

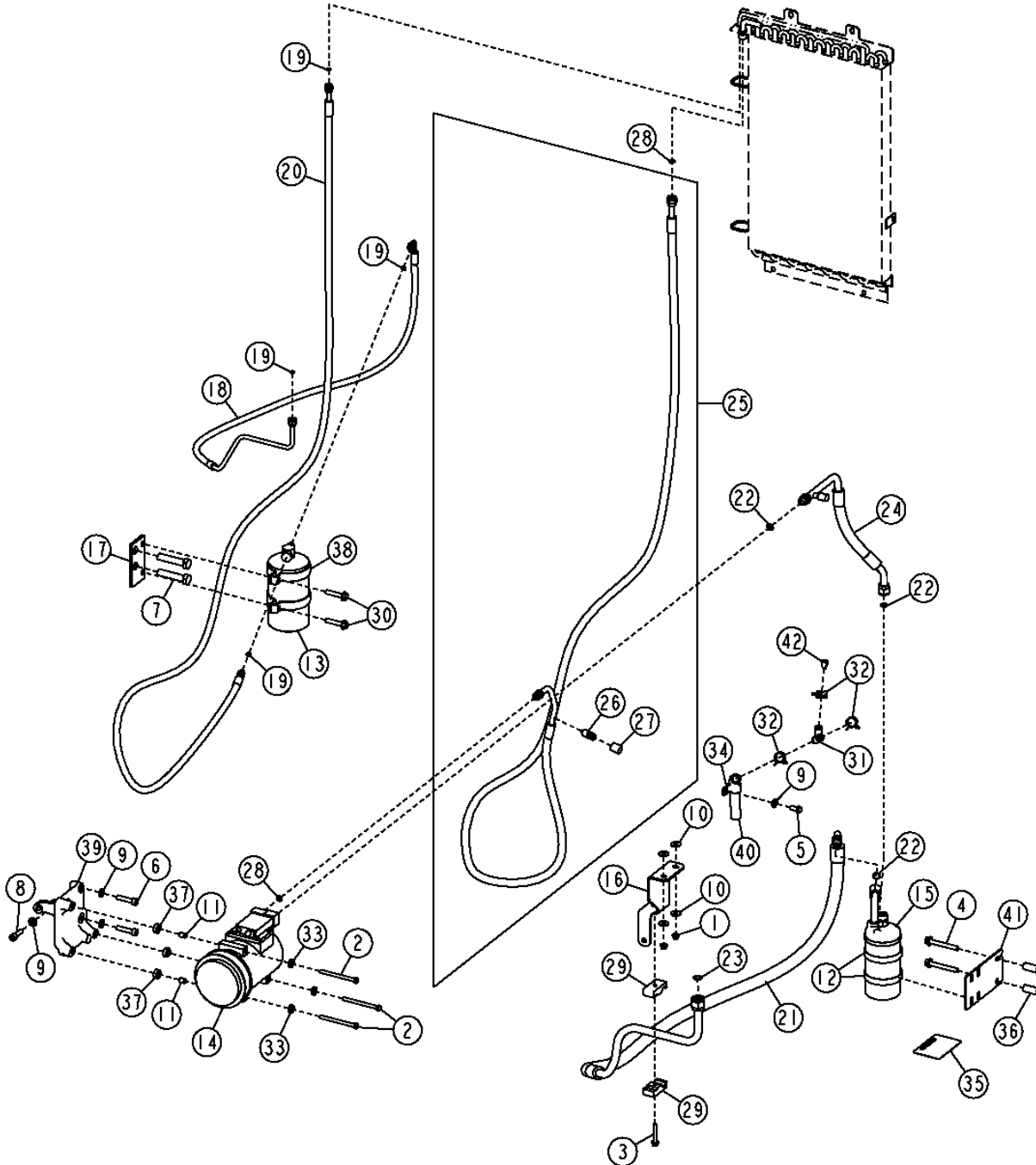
KEY	PART NO.	PART NAME	QTY.	SERIAL NO.	REMARKS
1	19M7775	SCREW	4		M6 X 16
2	37H142	SCREW	2		4.166 X 25.400 MM
3	37M7073	SCREW	2		
4	AT193500	HAND OPERATED VALVE	1		(WATER VALVE)
5	AT302953	BLOWER MOTOR	1		
6	AT318987	RESISTOR	1		(FOUR SPEED RESISTOR)
7	AT341275	SWITCH	1		(THERMOSTAT)
8	AT354967	CORE	1		
9	M84972	NUT	3		
10	R125454	RADIATOR HOSE	1		
11	R162769	SEAL	1		
12	R50279	NUT	2		
13	R96248	CLIP	11		
14	R244664	HOUSING	1		
15	RE187311	EVAPORATOR	1		
16	L77943	PLATE	1		
17	PT11778	BOLT	2		
18	R113050	O-RING	1		
19	R33259	O-RING	1		
20	RE174764	VALVE	1		(EXPANSION)
21	T184924	HOSE CLAMP	2		
22	T229918	HOUSING	1		
23	T229919	GROMMET	1		

1832-6

A/C SYSTEM COMPRESSOR AND DRIVE 1832
AIR CONDITIONING HOSES (6090HDW01 / 6090HDW04)
FLEXIBLES DE CLIMATISATION (6090HDW01 / 6090HDW04)
MANGUERAS DEL ACONDICIONADOR DE AIRE (6090HDW01 / 6090HDW04)

TX1056939

-UN-19MAR09



TX1056939

THIS PARTS LISTING IS CONTINUED

1832-7

OPERATOR'S STATION 18

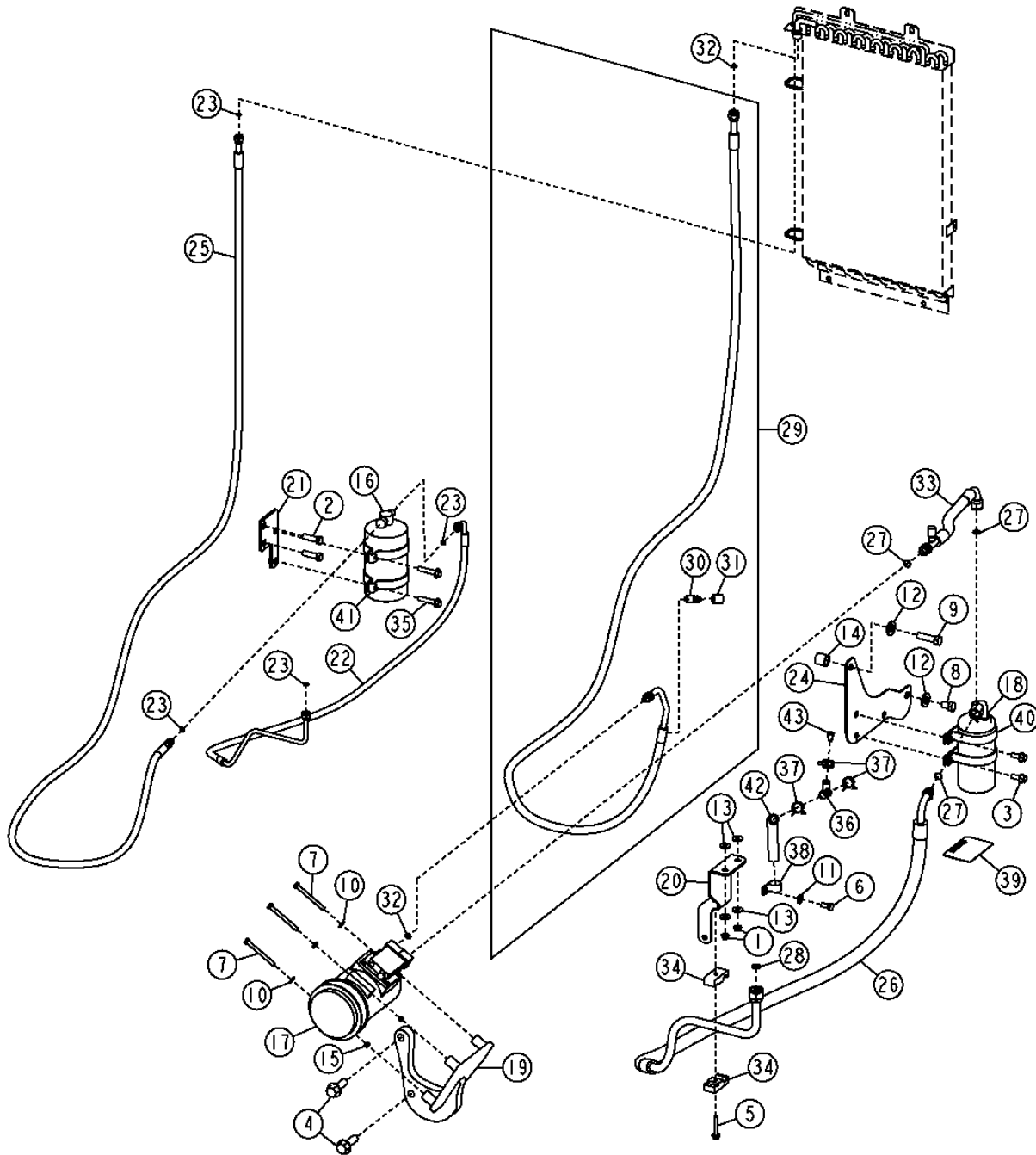
A/C SYSTEM COMPRESSOR AND DRIVE 1832
AIR CONDITIONING HOSES (6090HDW01 / 6090HDW04)
FLEXIBLES DE CLIMATISATION (6090HDW01 / 6090HDW04)
MANGUERAS DEL ACONDICIONADOR DE AIRE (6090HDW01 / 6090HDW04)

KEY	PART NO.	PART NAME	QTY.	SERIAL NO.	REMARKS
1	14M7298	FLANGE NUT	2		M8
2	19M8456	CAP SCREW	3		M8 X 100
3	19M7800	SCREW	1		M8 X 50
4	19M7810	SCREW	2		M10 X 80
5	19M7938	CAP SCREW	1		M10 X 20
6	19M8211	SCREW	2		M10 X 45
7	19M8632	CAP SCREW	2		M16 X 75
8	19M8963	SCREW	1		M10 X 35
9	24M7239	WASHER	4		10.700 X 21 X 2.500 MM
10	24M7298	WASHER	4		8.400 X 25 X 2 MM
11	34M7247	SPRING PIN	2		11 X 16 MM
12	AH104837	HOSE CLAMP	2		
13	AT162848	RECEIVER-DRYER	1		
14	AT168543	COMPRESSOR	1		(COMPONENTS ON SEPARATE PAGE)
15	AT190809	PNEUMATIC ACCUMULATOR	1		
16	AT307847	BRACKET	1		
17	AT346021	BRACKET	1		
18	AT307889	REFRIGERANT HOSE	1		
19	R183409	O-RING	4		
20	AT340292	REFRIGERANT HOSE	1		
21	AT368815	REFRIGERANT HOSE	1		
22	R183411	O-RING	3		
23	R183412	O-RING	1		
24	AT368580	REFRIGERANT HOSE	1		
25	AT366867	REFRIGERANT HOSE	1		
26	AT318965	VALVE	1		
27	T213979	CAP	1		
28	R183410	O-RING	2		
29	H114865	CLAMP	2		
30	N275650	SCREW	2		
31	R115893	TEE FITTING	1		
32	R117721	CLAMP	3		
33	R56397	WASHER	3		
34	T102934	CLAMP	1		
35	T138914	LABEL	1		(RECEIVER /DRYER)
36	28H1497	BUSHING	2		0.493" X 0.675" X 1-1/2"
37	T162477	WASHER	3		
38	T190513	CLAMP	2		
39	T204493	SUPPORT	1		
40	T239862	HOSE	1		
41	T254972	PLATE	1		
42	H150385	CHECK VALVE	1		

1832-8

A/C SYSTEM COMPRESSOR AND DRIVE 1832
AIR CONDITIONING HOSES (6068HDW75)
FLEXIBLES DE CLIMATISATION (6068HDW75)
MANGUERAS DEL ACONDICIONADOR DE AIRE (6068HDW75)

TX1056898 -UN-19MAR09



TX1056898

1832-9

OPERATOR'S STATION 18

A/C SYSTEM COMPRESSOR AND DRIVE 1832

**AIR CONDITIONING HOSES (6068HDW75)
FLEXIBLES DE CLIMATISATION (6068HDW75)
MANGUERAS DEL ACONDICIONADOR DE AIRE (6068HDW75)**

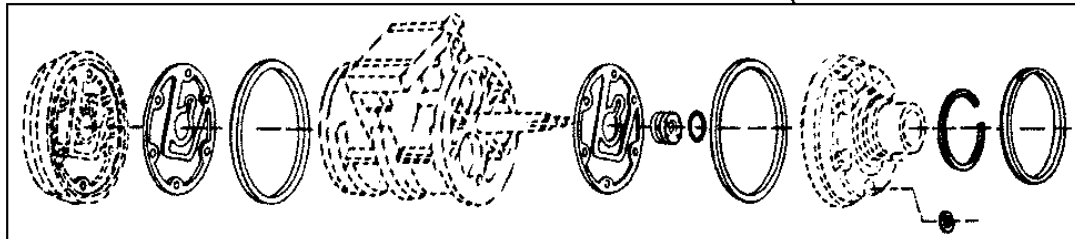
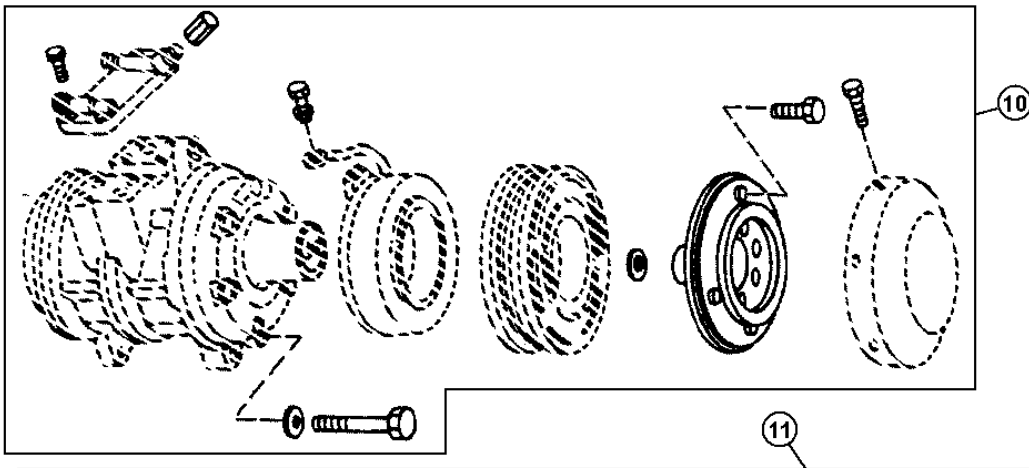
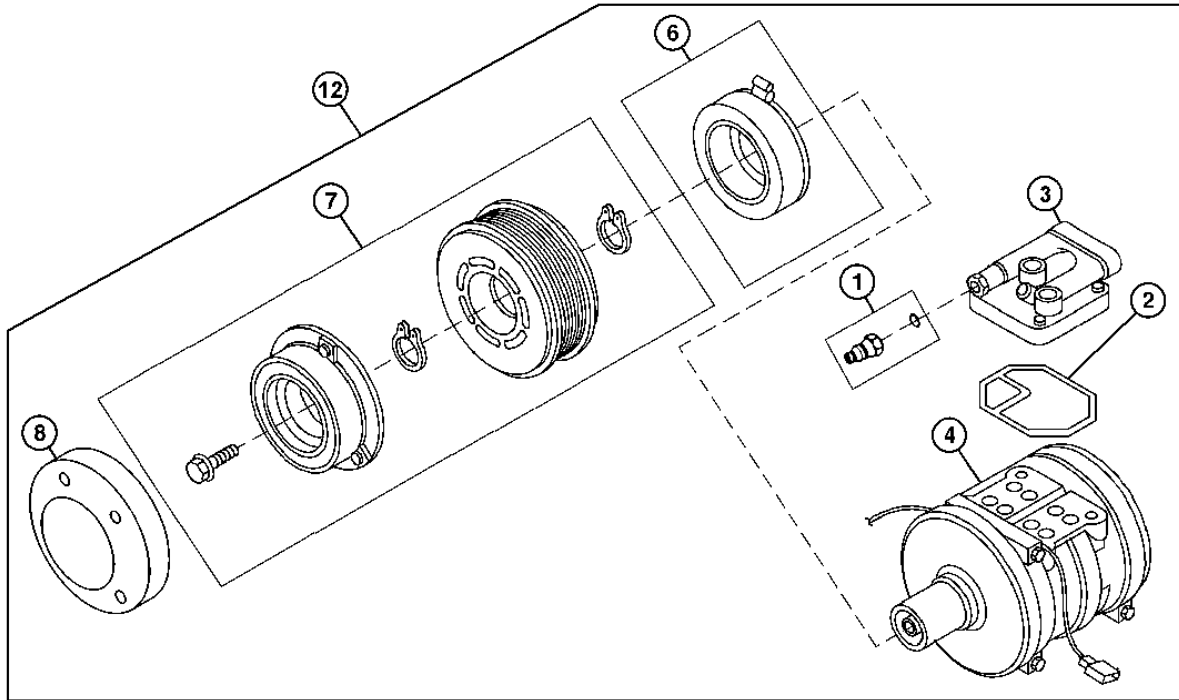
KEY	PART NO.	PART NAME	QTY.	SERIAL NO.	REMARKS
1	14M7298	FLANGE NUT	2		M8
2	19M7493	CAP SCREW	2		M12 X 40
3	19M7785	SCREW	2		M10 X 25
4	19M7794	SCREW	2		M16 X 50
5	19M7800	SCREW	1		M8 X 50
6	19M7938	CAP SCREW	1		M10 X 20
7	19M8014	SCREW	3		M8 X 85
8	19M8962	CAP SCREW	1		M14 X 20
9	19M9169	CAP SCREW	1		M14 X 50
10	24M7238	WASHER	3		8.700 X 17 X 2 MM
11	24M7239	WASHER	1		10.700 X 21 X 2.500 MM
12	24M7241	WASHER	2		17 X 34 X 4 MM
13	24M7298	WASHER	4		8.400 X 25 X 2 MM
14	28H3414	SPACER	1		18.847 X 26.670 X 25.400 MM
15	34M7189	SPRING PIN	2		11 X 8 MM
16	AT162848	RECEIVER-DRYER	1		
17	AT168543	COMPRESSOR	1		(COMPONENTS ON SEPARATE PAGE)
18	AT190809	PNEUMATIC ACCUMULATOR	1		
19	AT306851	BRACKET	1		
20	AT307847	BRACKET	1		
21	AT346022	BRACKET	1		
22	AT307667	REFRIGERANT HOSE	1		
23	R183409	O-RING	4		
24	AT358633	SUPPORT	1		
25	AT350664	REFRIGERANT HOSE	1		
26	AT369810	REFRIGERANT HOSE	1		
27	R183411	O-RING	3		
28	R183412	O-RING	1		
29	AT366869	REFRIGERANT HOSE	1		
30	AT318965	VALVE	1		
31	T213979	CAP	1		
32	R183410	O-RING	2		
33	AT366871	REFRIGERANT HOSE	1		
34	H114865	CLAMP	2		
35	N275650	SCREW	2		
36	R115893	TEE FITTING	1		
37	R117721	CLAMP	3		
38	T102934	CLAMP	1		
39	T138914	LABEL	1		(RECEIVER /DRYER)
40	T164030	CLAMP	2		
41	T190513	CLAMP	2		
42	T239862	HOSE	1		
43	H150385	CHECK VALVE	1		

1832-10

OPERATOR'S STATION 18

A/C SYSTEM COMPRESSOR AND DRIVE 1832
COMPRESSEUR DE CLIMATISATION, POULIE ET KITS D'ENTRETIEN
COMPRESOR DE A/A, POLEA Y JUEGOS DE SERVICIO

T204668 -UN-19NOV04



T204668

1832-11

OPERATOR'S STATION 18

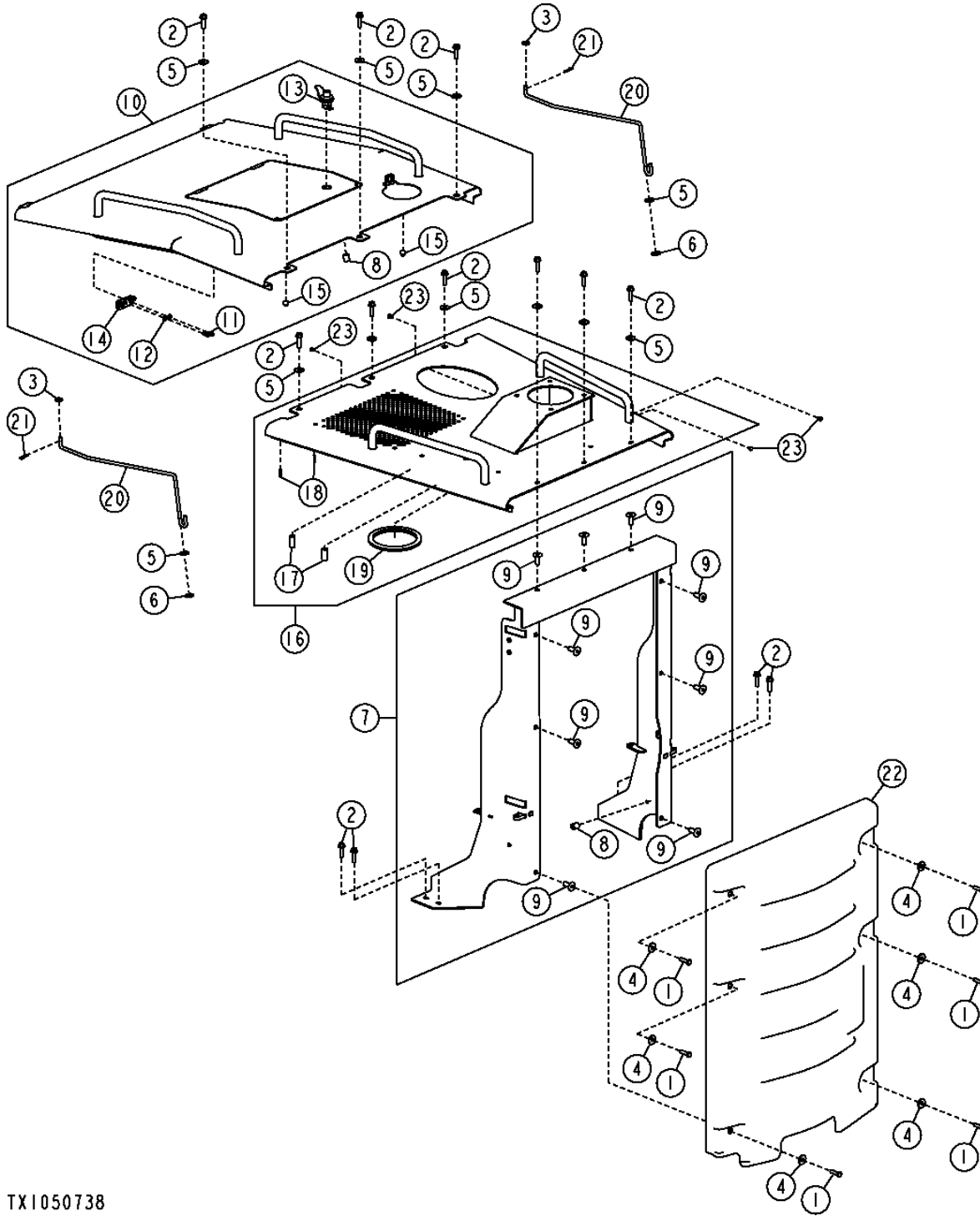
A/C SYSTEM COMPRESSOR AND DRIVE 1832
AIR CONDITIONING COMPRESSOR, PULLEY AND SERVICE KITS
COMPRESSEUR DE CLIMATISATION, POULIE ET KITS D'ENTRETIEN
COMPRESOR DE A/A, POLEA Y JUEGOS DE SERVICIO

KEY	PART NO.	PART NAME	QTY.	SERIAL NO.	REMARKS
1	RE52506	FLOW CONTROL HYD. VALVE	1		
2	R115742	SEAL	1		
3	RE55423	MANIFOLD	1		
4	RE52454	COMPRESSOR	1		WITHOUT CLUTCH
6	AT163872	KIT	1		STATOR
7	RE52508	KIT	1		8 RIBBED PULLEY
8	R115743	COVER	1		
9	RE12363	ELECTRICAL CONNECTOR ASSY	1		(NOT ILLUSTRATED)
	R78057	ELEC. CONNECTOR TERMINAL	2		(NOT ILLUSTRATED)
	R78059	ELEC. CONNECTOR SEAL	2		(NOT ILLUSTRATED)
	14M7273	NUT	1		M8
10	RE52507	KIT	1		HARDWARE
11	RE52509	SEAL KIT	1		SHAFT
12	AT168543	COMPRESSOR	1		
13	T238537	CAP	1		USE TO PROTECT LOW PRESSURE PORT (NOT ILLUSTRATED)

1911-2

HOOD AND HOOD SUPPORTS (6090HDW01 / 6090HDW04)
CAPOT ET SUPPORTS DE CAPOT (6090HDW01 / 6090HDW04)
CAPO Y SOPORTES (6090HDW01 / 6090HDW04)

TX1050738 -UN-03DEC08



TX1050738

1911-3

SHEET METAL & STYLING 19

HOOD AND HOOD SUPPORTS 1911

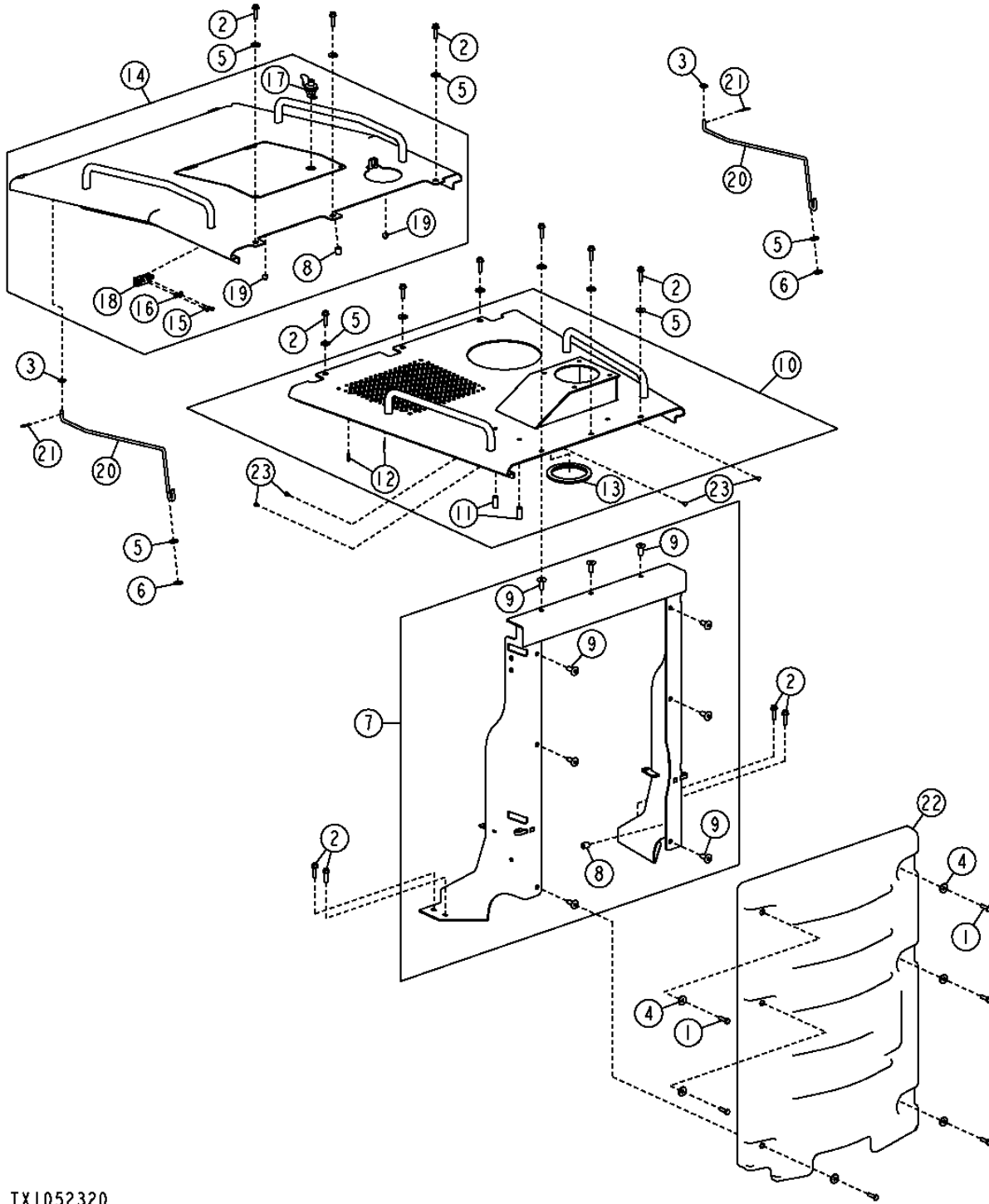
HOOD AND HOOD SUPPORTS (6090HDW01 / 6090HDW04)
CAPOT ET SUPPORTS DE CAPOT (6090HDW01 / 6090HDW04)
CAPO Y SOPORTES (6090HDW01 / 6090HDW04)

KEY	PART NO.	PART NAME	QTY.	SERIAL NO.	REMARKS
1	19M7550	CAP SCREW	6		M10 X 35
2	19M7804	SCREW	13		M10 X 40
3	24H1307	WASHER	2		13/32" X 1" X 1/16"
4	24M7178	WASHER	6		10.500 X 30 X 2.500 MM
5	24M7296	WASHER	10		10.500 X 30 X 2.500 MM
6	A23441	WASHER	2		
7	AT325846	SUPPORT	1		
8	T72414	BUSHING	1		
9	H173411	NUT	10		
10	AT332099	HOOD	1		
11	19M7077	CAP SCREW	2		M6 X 20
12	24M7139	WASHER	2		6.400 X 18 X 1.600 MM
13	AT366548	LOCK	1		
14	AT366571	LATCH	1		
15	M68997	BUMPER	2		
16	AT332100	HOOD	1		
17	28H1661	SPACER	2		0.493" X 0.675" X 1-9/16"
18	T230408	STUD	2		
19	T239511	GROMMET	1		
20	AT359387	ROD	2		(INCLUDES 24M7296)
21	J16931	PIN	2		
22	T237415	COVER	1		
23	T63798	PLUG	4		

1911-4

HOOD AND HOOD SUPPORTS (6068HDW75)
CAPOT ET SUPPORTS DE CAPOT (6068HDW75)
CAPO Y SOPORTES (6068HDW75)

TX1052320 -UN-03DEC08



TX1052320

1911-5

SHEET METAL & STYLING 19

HOOD AND HOOD SUPPORTS 1911

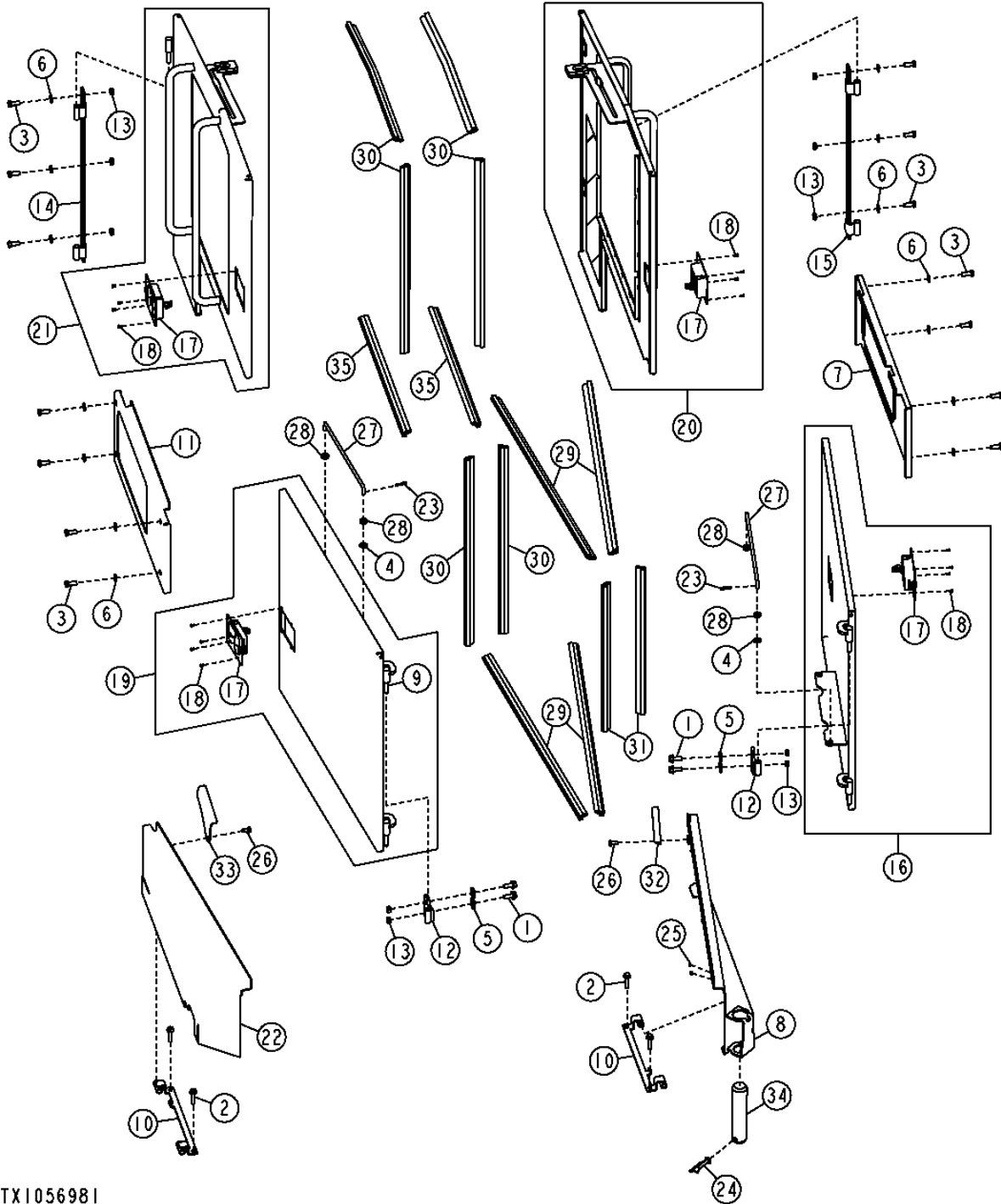
HOOD AND HOOD SUPPORTS (6068HDW75)
CAPOT ET SUPPORTS DE CAPOT (6068HDW75)
CAPO Y SOPORTES (6068HDW75)

KEY	PART NO.	PART NAME	QTY.	SERIAL NO.	REMARKS
1	19M7550	CAP SCREW	6		M10 X 35
2	19M7804	SCREW	13		M10 X 40
3	24H1307	WASHER	2		13/32" X 1" X 1/16"
4	24M7178	WASHER	6		10.500 X 30 X 2.500 MM
5	24M7296	WASHER	10		10.500 X 30 X 2.500 MM
6	A23441	WASHER	2		
7	AT325846	SUPPORT	1		
8	T72414	BUSHING	1		
9	H173411	NUT	10		
10	AT329214	HOOD	1		
11	28H1661	SPACER	2		0.493" X 0.675" X 1-9/16"
12	T230408	STUD	2		
13	T239512	GROMMET	1		
14	AT332099	HOOD	1		
15	19M7077	CAP SCREW	2		M6 X 20
16	24M7139	WASHER	2		6.400 X 18 X 1.600 MM
17	AT366548	LOCK	1		
18	AT366571	LATCH	1		
19	M68997	BUMPER	2		
20	AT359387	ROD	2		(INCLUDES 24M7296)
21	J16931	PIN	2		
22	T237415	COVER	1		
23	T63798	PLUG	4		

1912-2

SERVICE DOORS PORTES D'ACCES PUERTAS DE SERVICIO

TX1056981 -UN-16MAR09



TX1056981

1912-3

SHEET METAL & STYLING 19

ENGINE SIDESHIELDS 1912

SERVICE DOORS PORTES D'ACCES PUERTAS DE SERVICIO

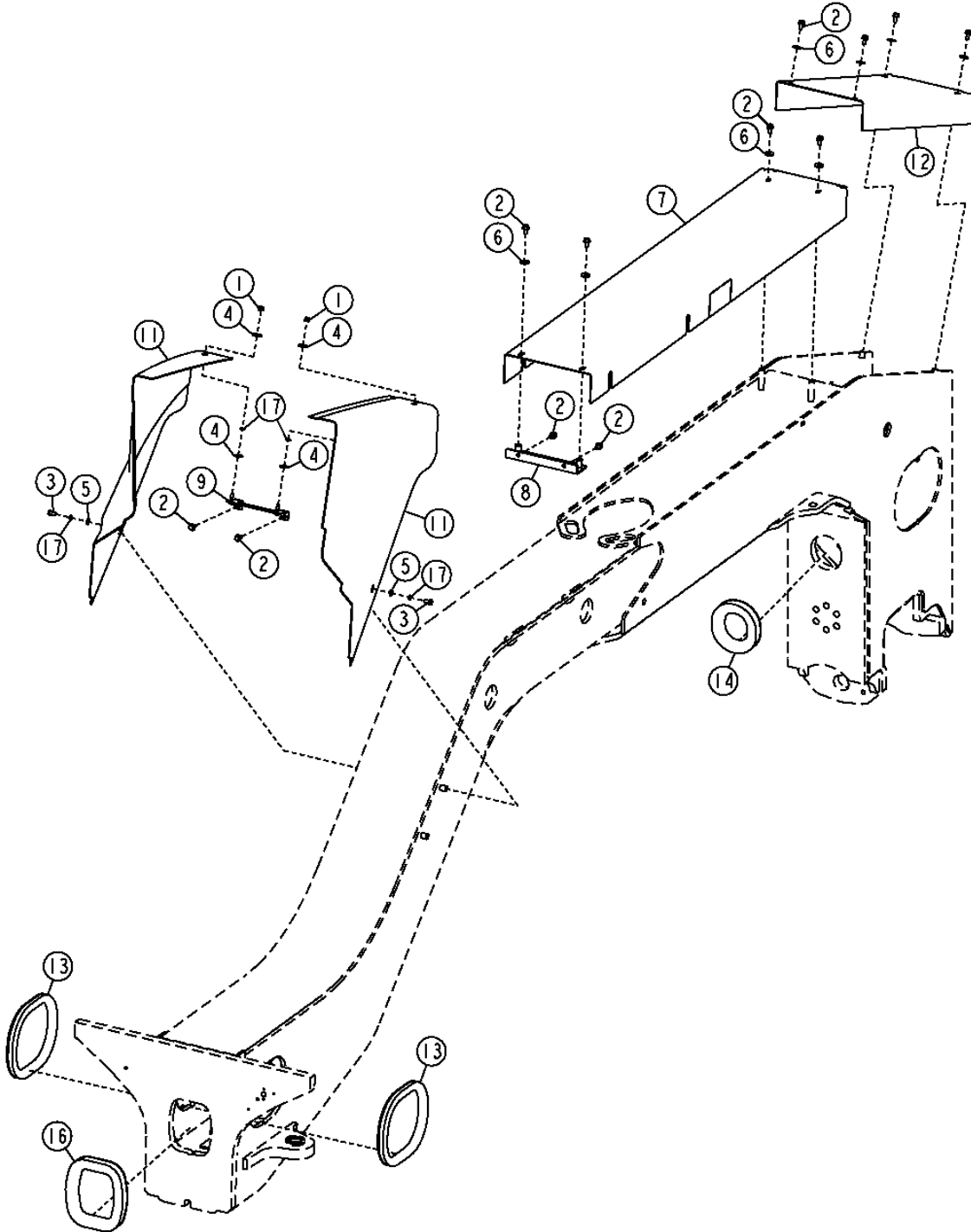
KEY	PART NO.	PART NAME	QTY.	SERIAL NO.	REMARKS
1	19M7789	SCREW	4		M12 X 30
2	19M7805	SCREW	4		M10 X 45
3	19M8011	CAP SCREW	14		M12 X 30
4	24H1307	WASHER	2		13/32" X 1" X 1/16"
5	24M7226	WASHER	4		13 X 35 X 5 MM
6	24M7240	WASHER	14		13 X 25 X 3 MM
7	AT315270	PANEL	1		
8	AT317134	PANEL	1		(INCLUDES (2) T173369)
9	T173369	PIN	12		
10	AT323934	HINGE	2		
11	AT326556	PANEL	1		
12	AT335425	HINGE	2		(INCLUDES (2) 14M7302)
13	14M7302	WELD NUT	8		M12
14	AT336104	HINGE	1		(INCLUDES (3) 14M7302)
15	AT336105	HINGE	1		(INCLUDES (3) 14M7302)
16	AT336786	PANEL	1		(INCLUDES (2) T173369)
17	AT225885	LATCH	1		
18	H85233	RIVET	4		
19	AT336787	PANEL	1		(INCLUDES (2) T173369)
20	AT336788	PANEL	1		(INCLUDES (2) T173369)
21	AT336789	PANEL	1		(INCLUDES (2) T173369)
22	AT344833	PANEL	1		(INCLUDES (2) T173369)
23	J16931	PIN	2		
24	N279068	COTTER PIN	1		
25	R96753	SPACER	2		
26	T105891	CAP SCREW	2		
27	T154087	PIN FASTENER	2		
28	T162238	GROMMET	4		
29	T244574	ISOLATOR	4		
30	T244581	ISOLATOR	6		
31	T244586	ISOLATOR	2		
32	T244883	PLATE	1		
33	T257338	LATCH	1		
34	T253978	SHEAR PIN	1		
35	T258000	ISOLATOR	2		(ORDER T244574) (CTL 700MM)

1913-2

SHEET METAL & STYLING 19
MISCELLANEOUS SHIELDS 1913

MISC COVERS AND SHIELDS
PROTECTIONS DIVERSES
VARIOS ESCUDOS

TX1056384 -UN-02MAR09



TX1056384

1913-3

SHEET METAL & STYLING 19

MISCELLANEOUS SHIELDS 1913

MISC COVERS AND SHIELDS PROTECTIONS DIVERSES VARIOS ESCUDOS

KEY	PART NO.	PART NAME	QTY.	SERIAL NO.	REMARKS
1	14M7396	LOCK NUT	2		M8
2	19M7784	SCREW	12		M10 X 20
3	19M7938	CAP SCREW	2		M10 X 20
4	24H1657	WASHER	4		21/64" X 1-1/4" X 7/64"
5	24M7028	WASHER	2		10.500 X 20 X 2 MM
6	24M7296	WASHER	8		10.500 X 30 X 2.500 MM
7	AT346007	COVER	1		
8	AT346047	ANGLE	1		
9	AT346057	BRACKET	1		
11	AT358017	COVER	2		
12	T230809	COVER	1		
13	CONDUIT	2		(MAKE FROM T107029) (CTL 3.4 FT)
14	CONDUIT	1		(MAKE FROM T157991) (CTL 2 FT)
16	CONDUIT	1		(MAKE FROM T157991) (CTL 2.7 FT)
17	T77706	WASHER	4		

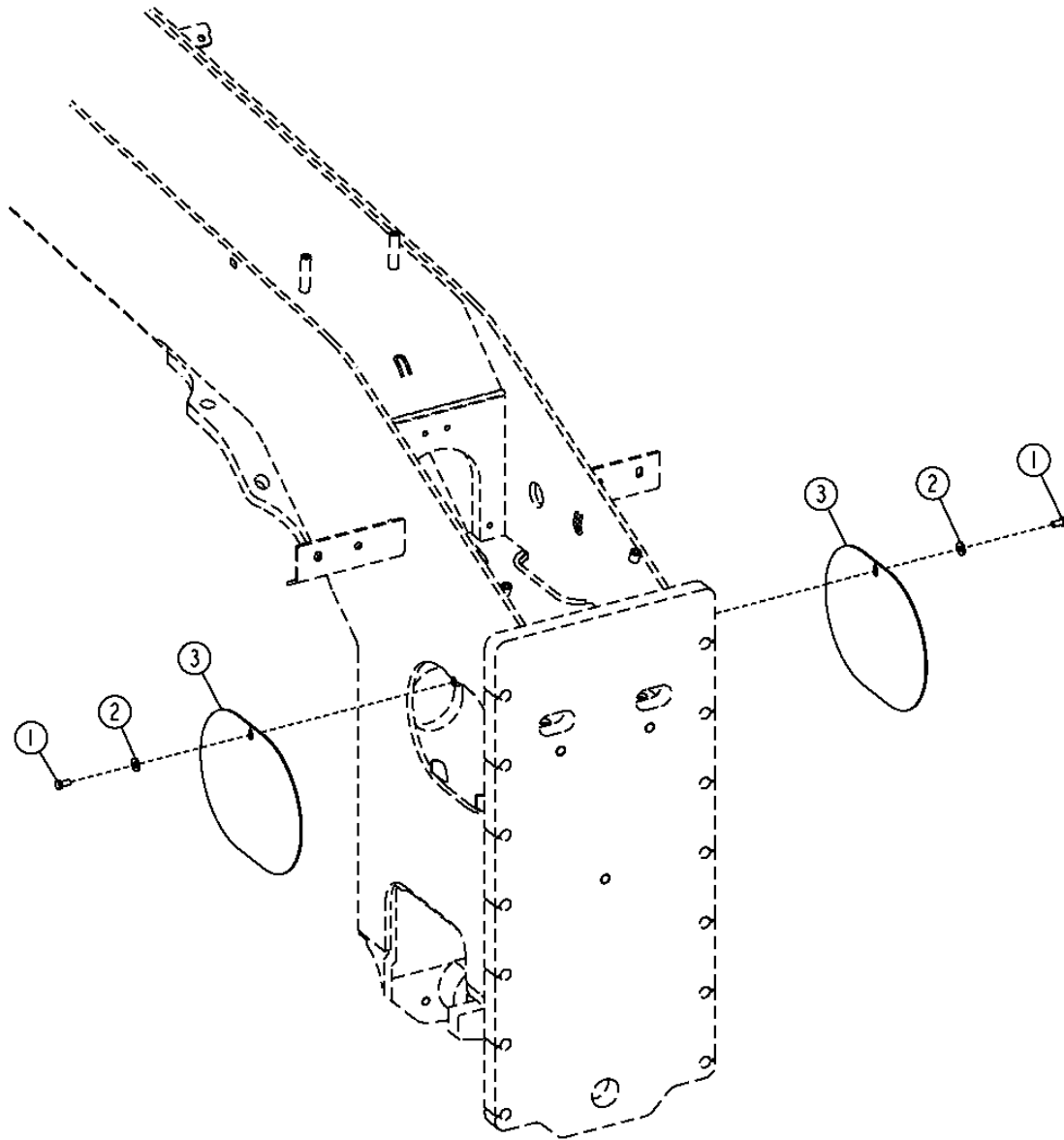
1913-4

SHEET METAL & STYLING 19
MISCELLANEOUS SHIELDS 1913

MAIN FRAME FRONT SIDE COVERS
COUVERCLES LATÉRAUX AVANT DE CHASSIS PRINCIPAL
CUBIERTAS LATERALES DELANTERAS DEL CHASIS PRINCIPAL

TX1049004

-UN-23SEP08



TX1049004

1913-5

SHEET METAL & STYLING 19
MISCELLANEOUS SHIELDS 1913

MAIN FRAME FRONT SIDE COVERS
COUVERCLES LATERAUX AVANT DE CHASSIS PRINCIPAL
CUBIERTAS LATERALES DELANTERAS DEL CHASIS PRINCIPAL

KEY	PART NO.	PART NAME	QTY.	SERIAL NO.	REMARKS
1	19M7938	CAP SCREW	2		M10 X 20
2	24H1308	WASHER	2		13/32" X 1" X 0.134"
3	AT345223	COVER	2		

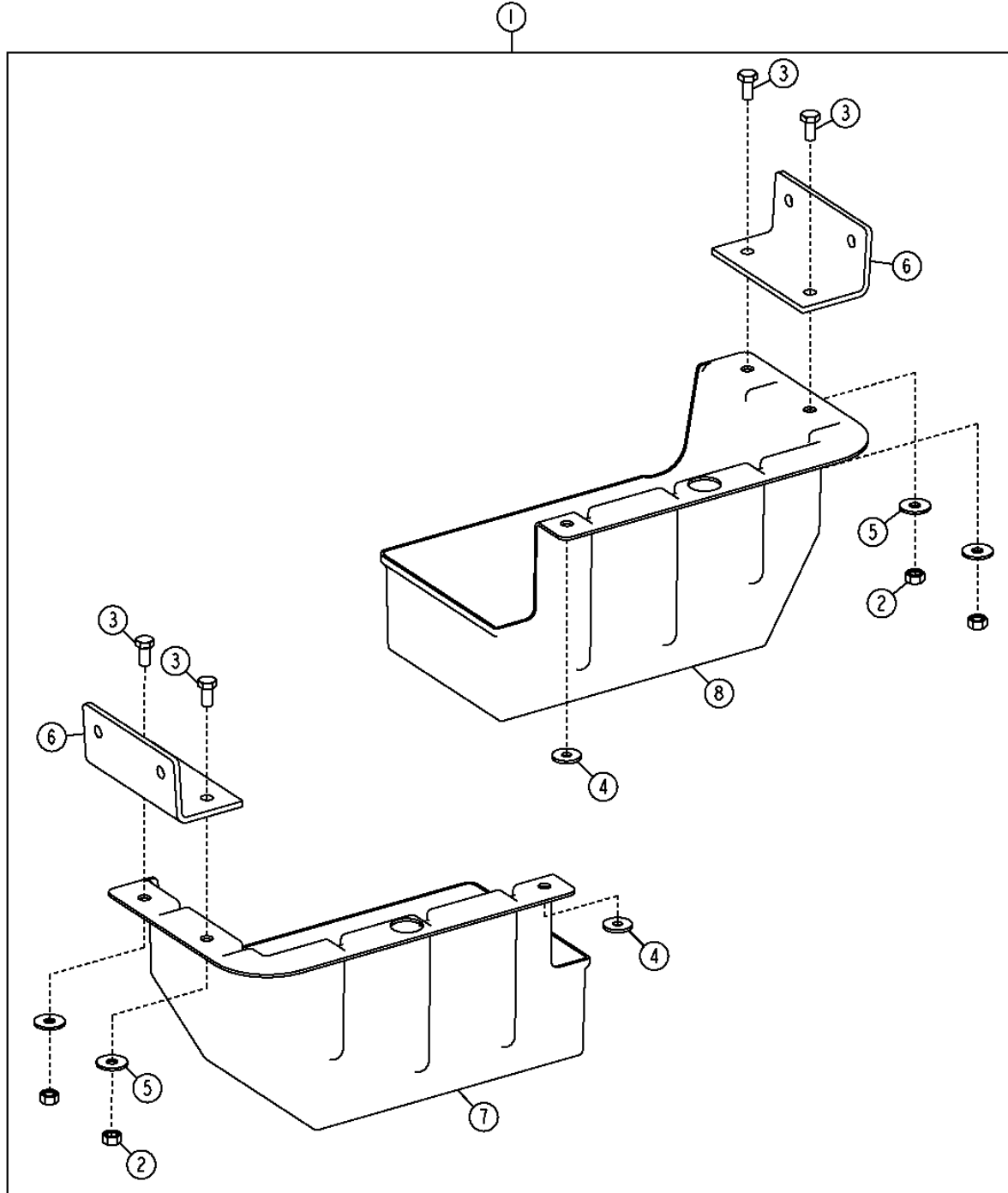
1913-6

SHEET METAL & STYLING 19
MISCELLANEOUS SHIELDS 1913

CONTROL VALVE COVERS (STANDARD)
CARTERS DU DISTRIBUTEUR (STANDARD)
CARCASA DE VALVULA DE CONTROL (ESTANDAR)

TX1050428

-UN-22OCT08



TX1050428

1913-7

SHEET METAL & STYLING 19
MISCELLANEOUS SHIELDS 1913

**CONTROL VALVE COVERS (STANDARD)
CARTERS DU DISTRIBUTEUR (STANDARD)
CARCASA DE VALVULA DE CONTROL (ESTANDAR)**

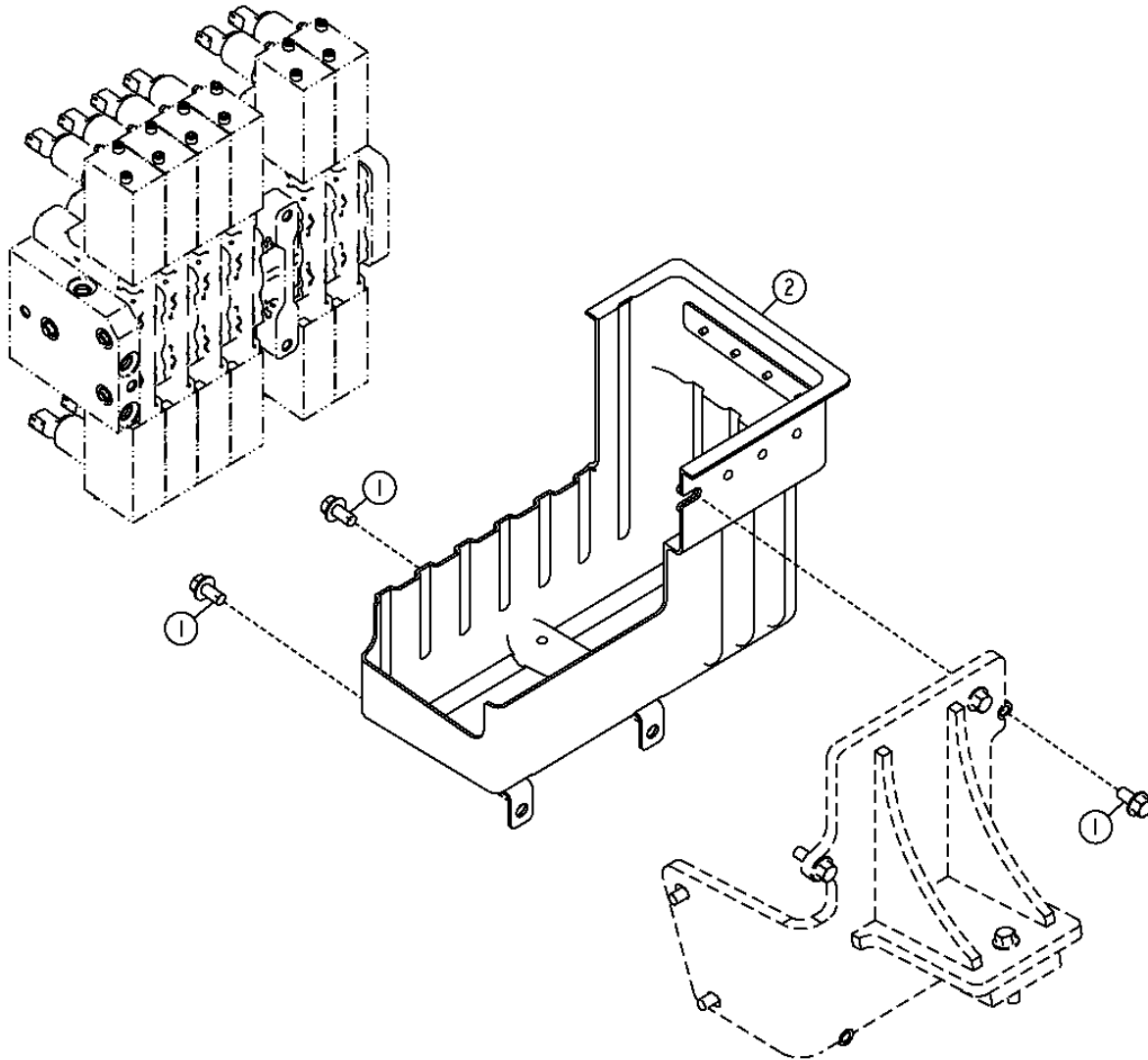
KEY	PART NO.	PART NAME	QTY.	SERIAL NO.	REMARKS
1	AT364909	VALVE COVER	1		
2	14M7274	NUT	4	M10	
3	19M7938	CAP SCREW	4	M10 X 20	
4	24M7024	WASHER	2	9 X 28 X 3 MM	
5	24M7296	WASHER	4	10.500 X 30 X 2.500 MM	
6	T214740	ANGLE	2		
7	T252586	VALVE COVER	1		
8	T252587	VALVE COVER	1		

1913-8

SHEET METAL & STYLING 19
MISCELLANEOUS SHIELDS 1913

REAR COVER (EH VALVE) (GRADE PRO)
COUVERCLE ARRIERE (DISTRIBUTEUR EH) (GRADE PRO)
CUBIERTA POSTERIOR (VALVULA EH) (GRADE PRO)

TX1052423 -UN-03DEC08



TX1052423

1913-9

SHEET METAL & STYLING 19
MISCELLANEOUS SHIELDS 1913

REAR COVER (EH VALVE) (GRADE PRO)
COUVERCLE ARRIERE (DISTRIBUTEUR EH) (GRADE PRO)
CUBIERTA POSTERIOR (VALVULA EH) (GRADE PRO)

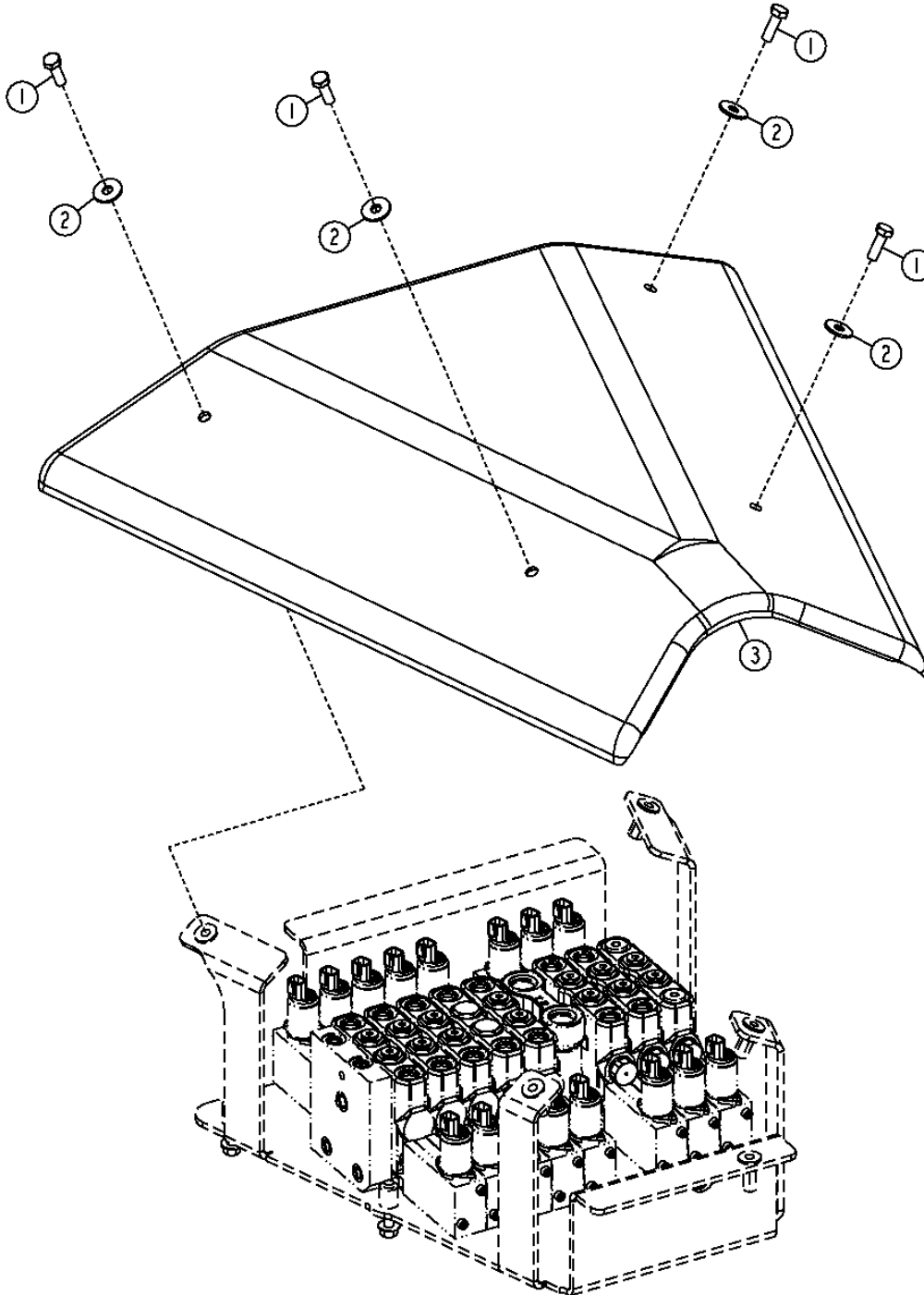
KEY	PART NO.	PART NAME	QTY.	SERIAL NO.	REMARKS
1	19M7784	SCREW	3		M10 X 20
2	AT345811	VALVE COVER	1		

1913-10

SHEET METAL & STYLING 19
MISCELLANEOUS SHIELDS 1913

FRONT COVER (EH VALVE) (GRADE PRO)
COUVERCLE AVANT (DISTRIBUTEUR EH) (GRADE PRO)
CUBIERTA FRENTÉ (VALVULA EH) (GRADE PRO)

TX1049929 -UN-09OCT08



TX1049929

1913-11

SHEET METAL & STYLING 19
MISCELLANEOUS SHIELDS 1913

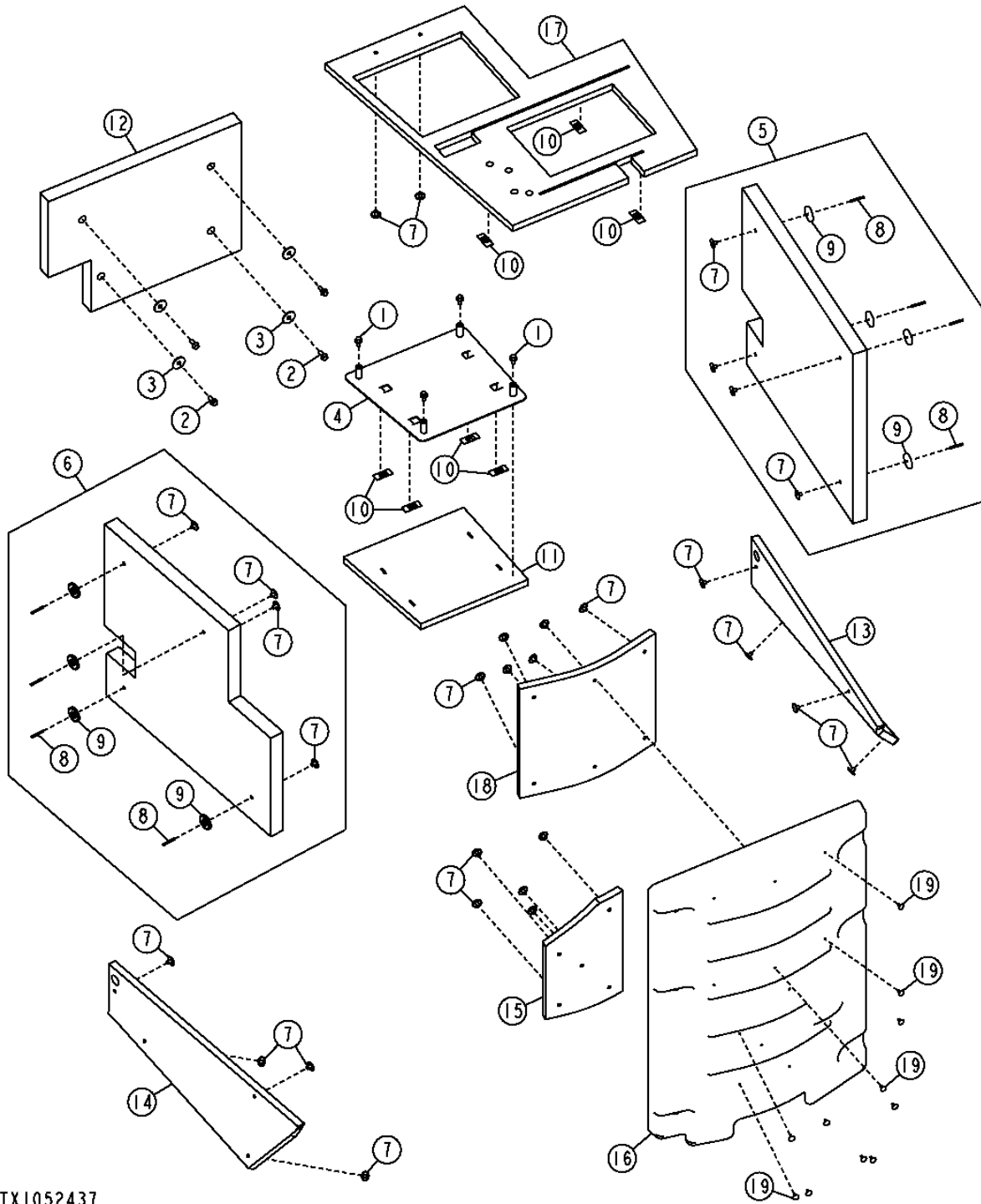
FRONT COVER (EH VALVE) (GRADE PRO)
COUVERCLE AVANT (DISTRIBUTEUR EH) (GRADE PRO)
CUBIERTA FRENTE (VALVULA EH) (GRADE PRO)

KEY	PART NO.	PART NAME	QTY.	SERIAL NO.	REMARKS
1	19M7662	CAP SCREW	4		M10 X 30
2	24M7296	WASHER	4		10.500 X 30 X 2.500 MM
3	T232257	VALVE COVER	1		

1913-12

SOUND ABSORPTION ABSORPTION ACOUSTIQUE ABSORCION DE SONIDO

TX1052437 -UN-03DEC08



TX1052437

1913-13

SHEET METAL & STYLING 19
MISCELLANEOUS SHIELDS 1913

SOUND ABSORPTION
ABSORPTION ACOUSTIQUE
ABSORCION DE SONIDO

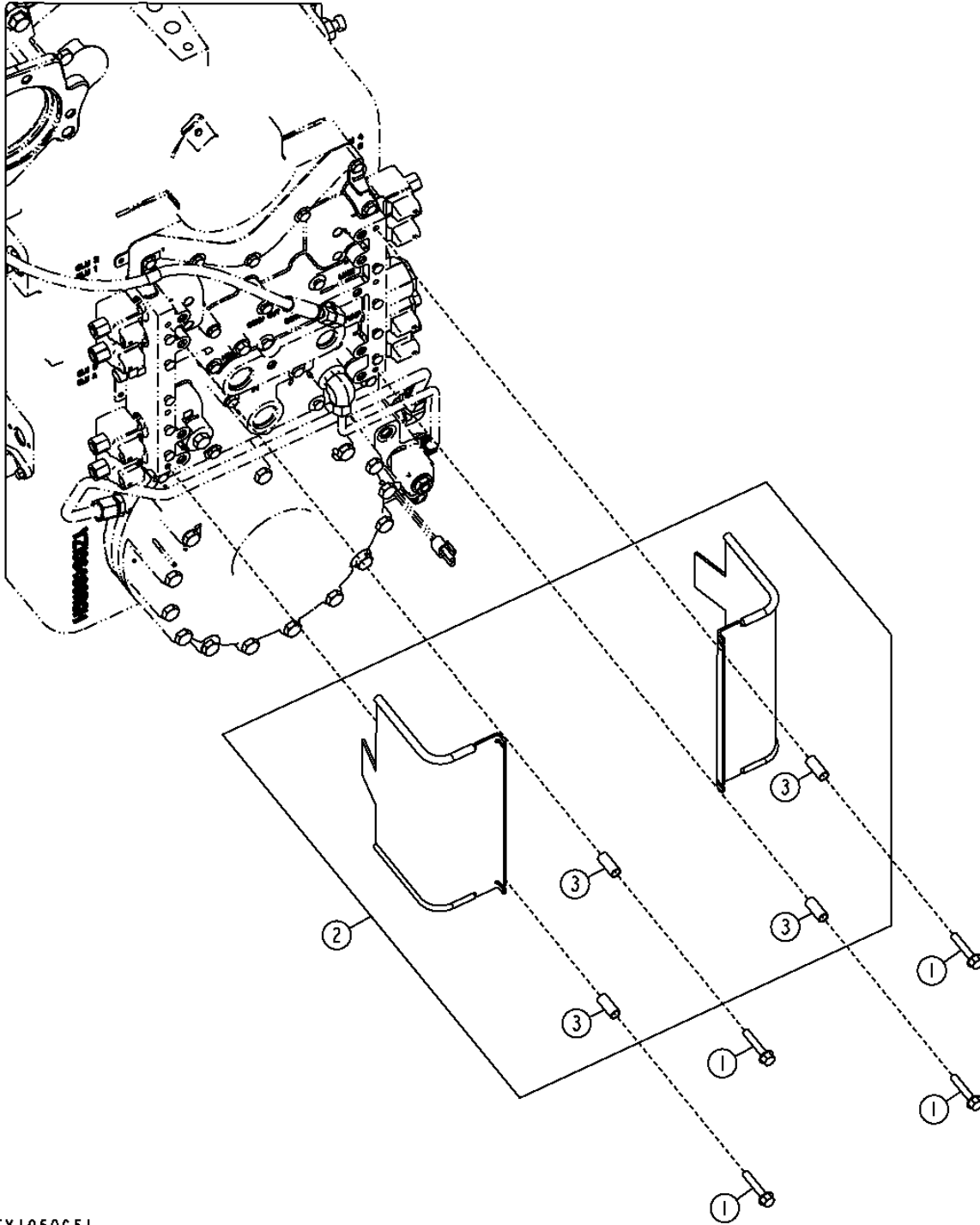
KEY	PART NO.	PART NAME	QTY.	SERIAL NO.	REMARKS
1	19M7784	SCREW	4		M10 X 20
2	19M7785	SCREW	4		M10 X 25
3	24H1334	WASHER	4		15/32" X 1-3/4" X 0.105"
4	AT338541	PLATE	1		
5	AT344610	INSULATOR	1		
6	AT344611	INSULATOR	1		
7	T230322	RETAINER	24		
8	T230741	STUD	8		
9	T232984	MAGNET	8		
10	T217116	RETAINER	7		
11	T226116	INSULATOR	1		
12	T226118	INSULATOR	1		
13	T226119	INSULATOR	1		
14	T266120	INSULATOR	1		
15	T266121	INSULATOR	1		
16	T226397	COVER	1		
17	T228613	HOOD	1		
18	T232379	INSULATOR	1		
19	T239094	FASTENER ITEM	11		

1913-14

SHEET METAL & STYLING 19
MISCELLANEOUS SHIELDS 1913

TRANSMISSION VALVE GUARDS PROTECTIONS DE SOUPAPE DE TRANSMISSION PROTECTORES DE VALVULA DE TRANSMISION

TX1050651 -UN-31OCT08



TX1050651

1913-15

SHEET METAL & STYLING 19
MISCELLANEOUS SHIELDS 1913

**TRANSMISSION VALVE GUARDS
PROTECTIONS DE SOUPAPE DE TRANSMISSION
PROTECTORES DE VALVULA DE TRANSMISION**

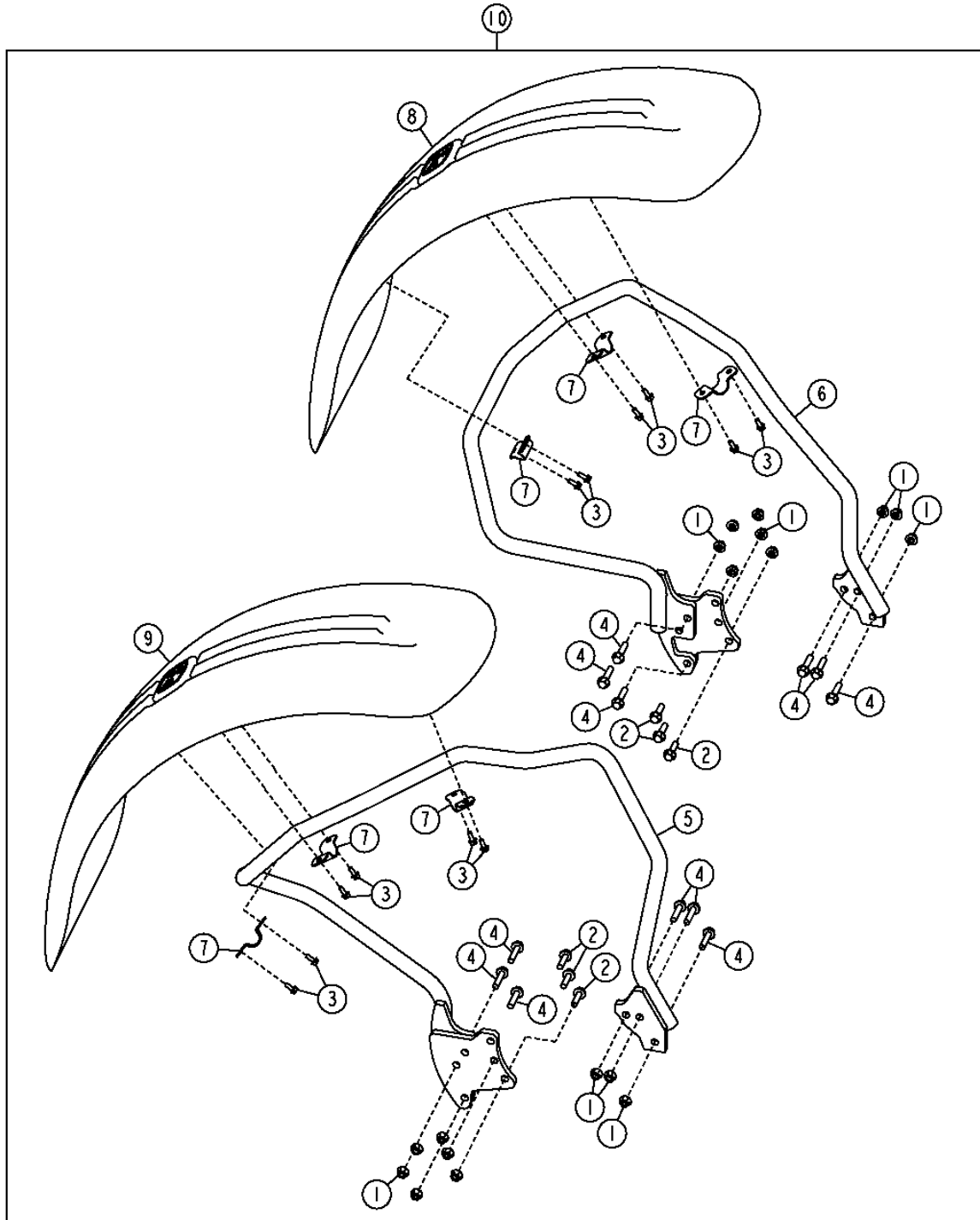
KEY	PART NO.	PART NAME	QTY.	SERIAL NO.	REMARKS
1	19M7799	SCREW	4		M8 X 45
2	AT341689	SHIELD	2		
3	T50036	BUSHING	4		

1927-4

FRONT FENDERS AILES AVANT GUARDABARROS DELANTERO

TX1052471

-UN-10DEC08



TX1052471

1927-5

SHEET METAL & STYLING 19

FENDERS 1927

**FRONT FENDERS
AILES AVANT
GUARDABARROS DELANTERO**

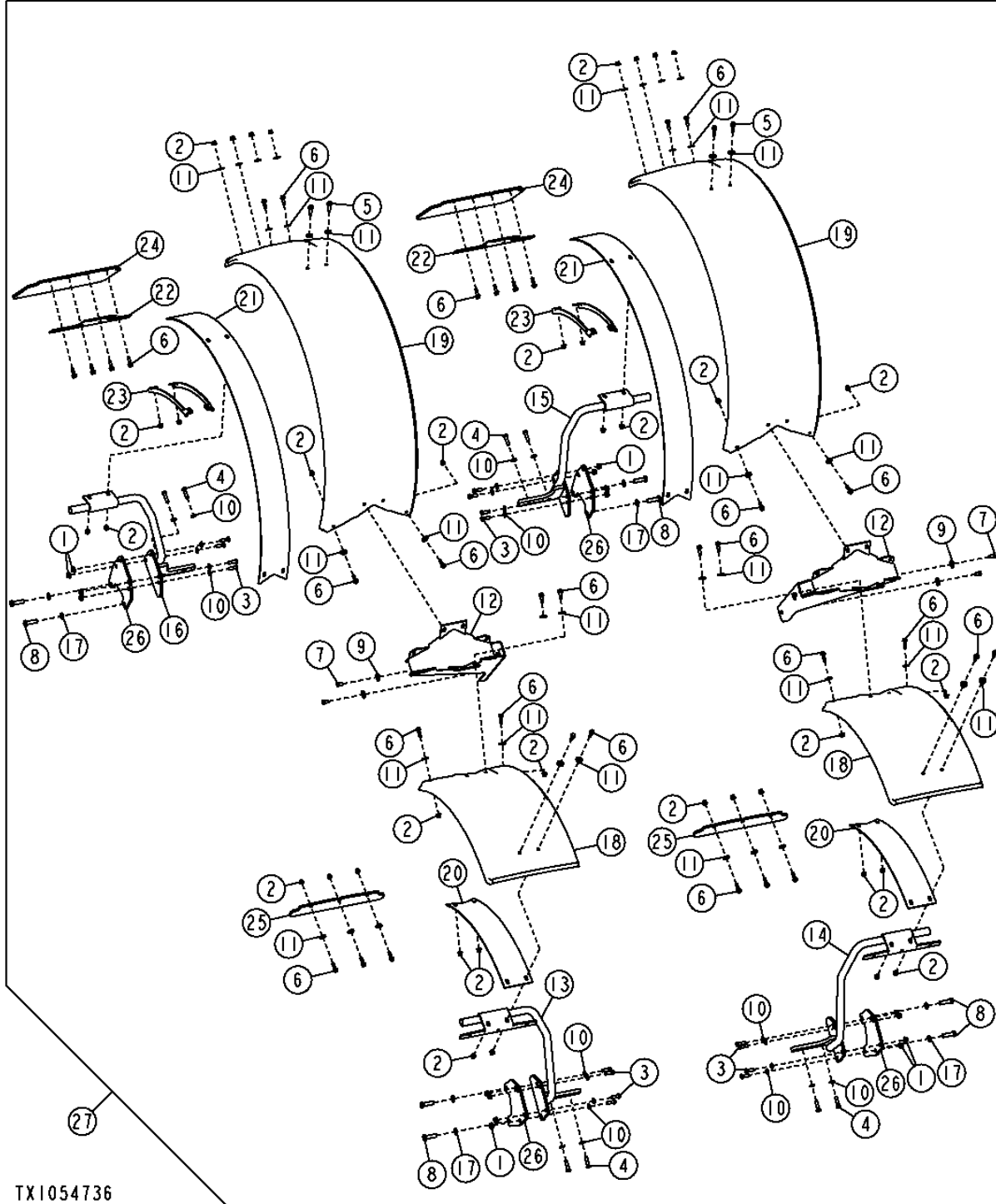
KEY	PART NO.	PART NAME	QTY.	SERIAL NO.	REMARKS
1	14M7299	FLANGE NUT	18		M12
2	19M7813	SCREW	6		M12 X 45
3	19M7866	SCREW	12		M8 X 20
4	19M8112	SCREW	12		
5	AT316709	BRACKET	1		
6	AT316710	BRACKET	1		
7	R214344	CLAMP	6		
8	RE223406	FENDER	1		
9	RE223407	FENDER	1		
10	AT345815	FENDER KIT	1		(WHOLE GOODS)

1927-6

REAR FENDERS AILES ARRIERE GUARDABARROS TRASEROS

TX1054736

-UN-26JAN09



TX1054736

THIS PARTS LISTING IS CONTINUED

1927-7

SHEET METAL & STYLING 19

FENDERS 1927

REAR FENDERS
AILES ARRIERE
GUARDABARROS TRASEROS

KEY	PART NO.	PART NAME	QTY.	SERIAL NO.	REMARKS
1	14M7299	FLANGE NUT	16		M12
2	14M7400	LOCK NUT	42		M10
3	19M7403	CAP SCREW	16		M12 X 35
4	19M7496	CAP SCREW	8		M12 X 45
5	19M7804	SCREW	4		M10 X 40
6	19M7835	SCREW	38		M10 X 35
7	19M8017	CAP SCREW	4		M12 X 20
8	19M8295	CAP SCREW	8		M16 X 55
9	24M7180	WASHER	4		13 X 37 X 3 MM
10	24M7240	WASHER	24		13 X 25 X 3 MM
11	24M7296	WASHER	42		10.500 X 30 X 2.500 MM
12	AT346419	BRACKET	2		
13	AT346420	SUPPORT	1		
14	AT346421	SUPPORT	1		
15	AT347052	SUPPORT	1		
16	AT347053	SUPPORT	1		
17	R135543	WASHER	8		17 X 30 X 3 MM
18	T235404	FENDER	2		
19	T235405	FENDER	2		
20	T235410	PLATE	2		
21	T235411	PLATE	2		
22	T235412	BRACKET	2		
23	T244729	BRACKET	4		
24	T246625	SPLASH GUARDS	2		
25	T246626	SPLASH GUARDS	2		
26	T257422	BRACKET	4		
27	AT348939	FENDER KIT	1		(WHOLE GOODS)

2001-3

SAFETY, CONVENIENCE & MISCELLANEOUS 20

RADIO 2001

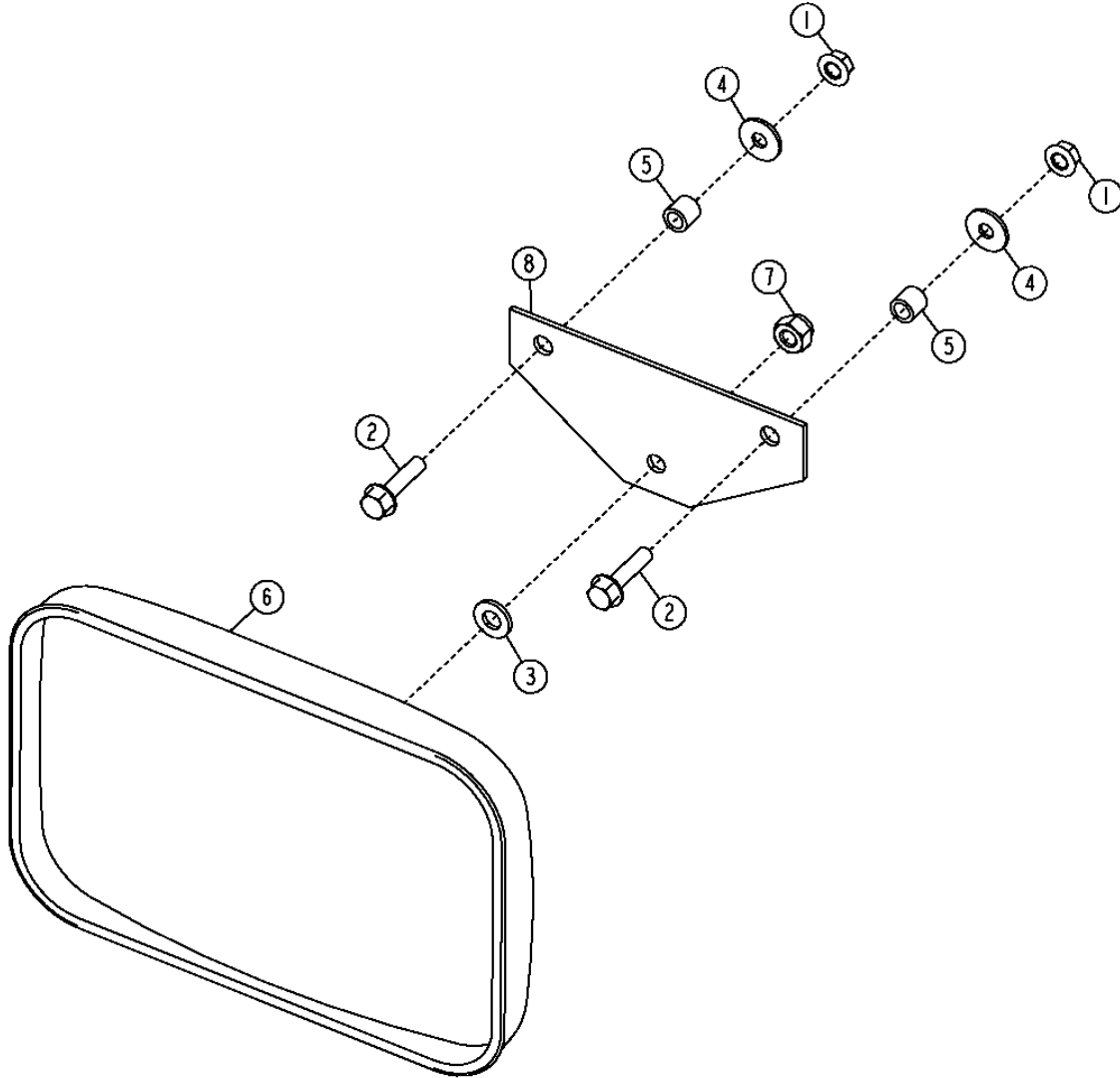
**RADIO AND SPEAKERS
RADIO ET HAUT-PARLEURS
RADIO Y ALTO PARLANTE**

KEY	PART NO.	PART NAME	QTY.	SERIAL NO.	REMARKS
1	14M7296	FLANGE NUT	1		M10
2	14M7375	FLANGE NUT	1		M5
3	19M7805	SCREW	1		M10 X 45
4	24M7100	WASHER	1		
5	24M7296	WASHER	1		
6	AT199388	ANTENNA	1		
7	AT302520	ANTENNA CABLE	1		
8	AT342588	SPEAKER	2		
9	H140461	BUSHING	1		
10	R28193	GROMMET	1		
11	R44302	TIE BAND	4		
12	RE289629	RADIO	1		
13	T185769	SCREW	4		
14	T187394	ANCHOR	4		
15	T203389	BRACKET	1		
16	T204635	BRACKET	1		
20	AT300765	RADIO KIT	1		(WHOLE GOODS)

2002-2

INTERIOR REAR VIEW MIRROR RETROVISEUR L'INTERIEUR RETROVISOR DEL INTERIOR

T203162 -UN-01NOV04



T203162

2002-3

SAFETY, CONVENIENCE & MISCELLANEOUS 20

MIRROR 2002

**INTERIOR REAR VIEW MIRROR
RETROVISEUR L'INTERIEUR
RETROVISOR DEL INTERIOR**

KEY	PART NO.	PART NAME	QTY.	SERIAL NO.	REMARKS
1	14M7298	FLANGE NUT	2		M8
2	19M7897	SCREW	2		M8 X 35
3	24M7239	WASHER	1		10.700 X 21 X 2.500 MM
4	24M7298	WASHER	2		8.400 X 25 X 2 MM
5	28H3450	SPACER	2		0.364" X 0.540" X 1/2"
6	AT157226	REAR VIEW MIRROR	1		
7	T11234	LOCK NUT	2		
8	T145360	PLATE	1		

2002-5

SAFETY, CONVENIENCE & MISCELLANEOUS 20

MIRROR 2002

**EXTERIOR MIRROR
MIROIR EXTERIEUR
ESPEJO EXTERIOR**

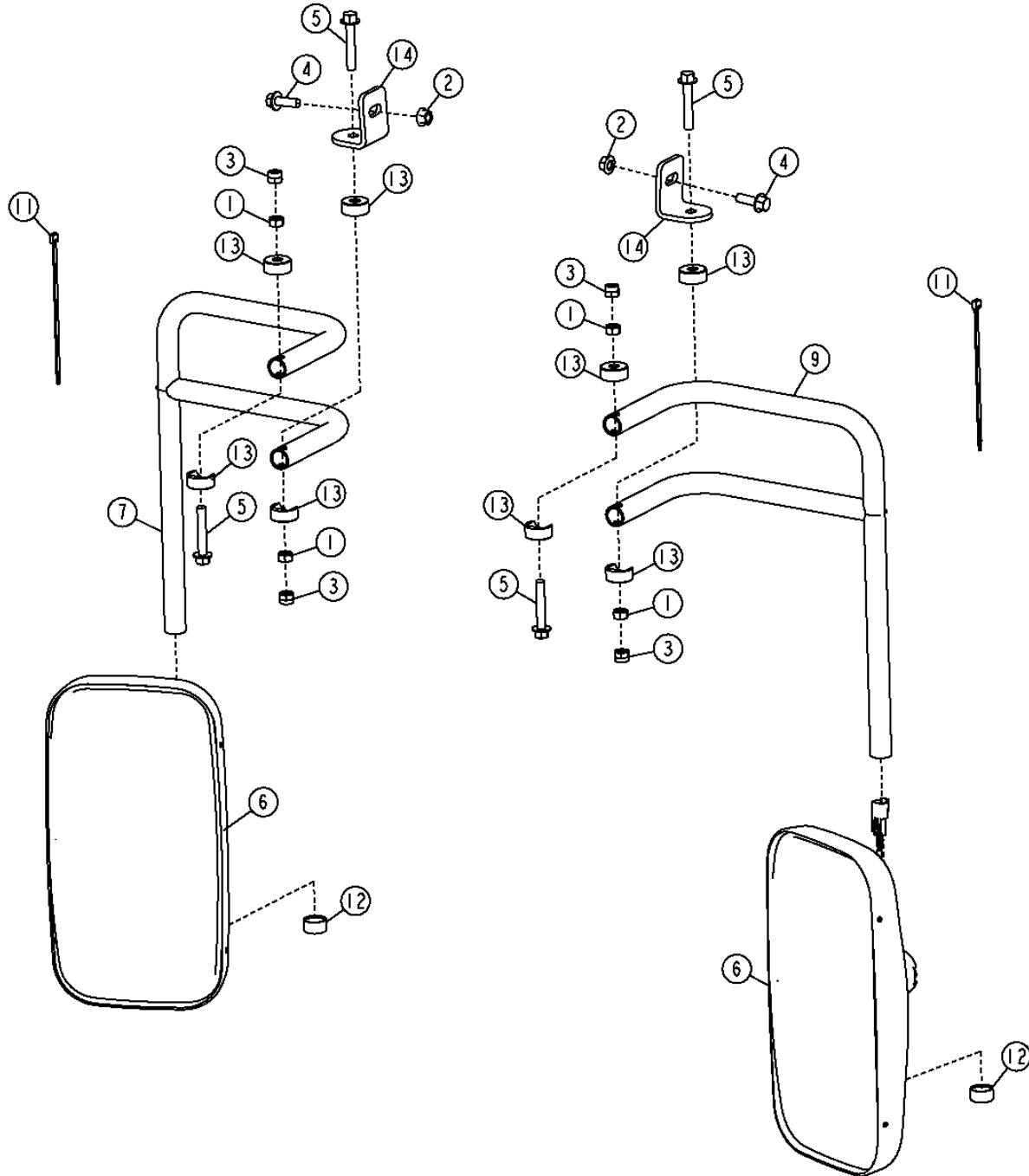
KEY	PART NO.	PART NAME	QTY.	SERIAL NO.	REMARKS
1	14M7274	NUT	4		M10
2	14M7296	FLANGE NUT	2		M10
3	14M7517	LOCK NUT	4		M10
4	19M7786	SCREW	2		M10 X 30
5	19M7807	SCREW	4		M10 X 60
6	AT356101	REAR VIEW MIRROR	2		
7	AT357538	RIB	1		
9	AT357539	RIB	1		
11	T174201	CAP	2		
12	T174203	HALF CLAMP	8		
13	T245144	ANGLE	2		

2002-6

HEATED MIRROR RETROVISEUR CHAUFFANT ESPEJO CALENTADO

TX1048390

-UN-08SEP08



TX1048390

2002-7

SAFETY, CONVENIENCE & MISCELLANEOUS 20

MIRROR 2002

HEATED MIRROR RETROVISEUR CHAUFFANT ESPEJO CALENTADO

KEY	PART NO.	PART NAME	QTY.	SERIAL NO.	REMARKS
1	14M7274	NUT	4		M10
2	14M7296	FLANGE NUT	2		M10
3	14M7517	LOCK NUT	4		M10
4	19M7786	SCREW	2		M10 X 30
5	19M7807	SCREW	4		M10 X 60
6	AT356100	REAR VIEW MIRROR	2		
7	AT357538	RIB	1		
9	AT357539	RIB	1		
11	R44302	TIE BAND	11		
12	T174201	CAP	2		
13	T174203	HALF CLAMP	8		
14	T245144	ANGLE	2		

2003-2

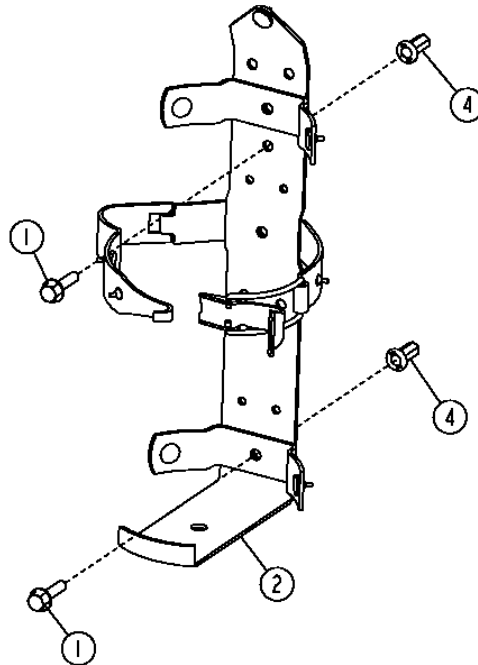
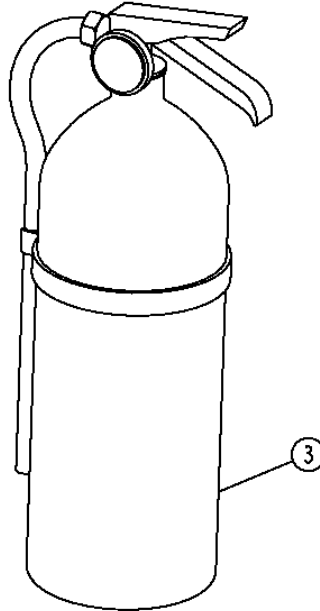
SAFETY, CONVENIENCE & MISCELLANEOUS 20

FIRE EXTINGUISHER 2003

FIRE EXTINGUISHER AND BRACKET EXTINCTEUR ET SUPPORT ESCUADRA Y EXTINGUIDOR DE INCENDIOS

T202720

-UN-03SEP04



T202720

2003-3

SAFETY, CONVENIENCE & MISCELLANEOUS 20

FIRE EXTINGUISHER 2003

**FIRE EXTINGUISHER AND BRACKET
EXTINCTEUR ET SUPPORT
ESCUADRA Y EXTINGUIDOR DE INCENDIOS**

KEY	PART NO.	PART NAME	QTY.	SERIAL NO.	REMARKS
1	19M7863	SCREW	2		M6 X 25
2	AT189390	BRACKET	1		
3	AT189487	FIRE EXTINGUISHER	1		
4	T196078	NUT	2		

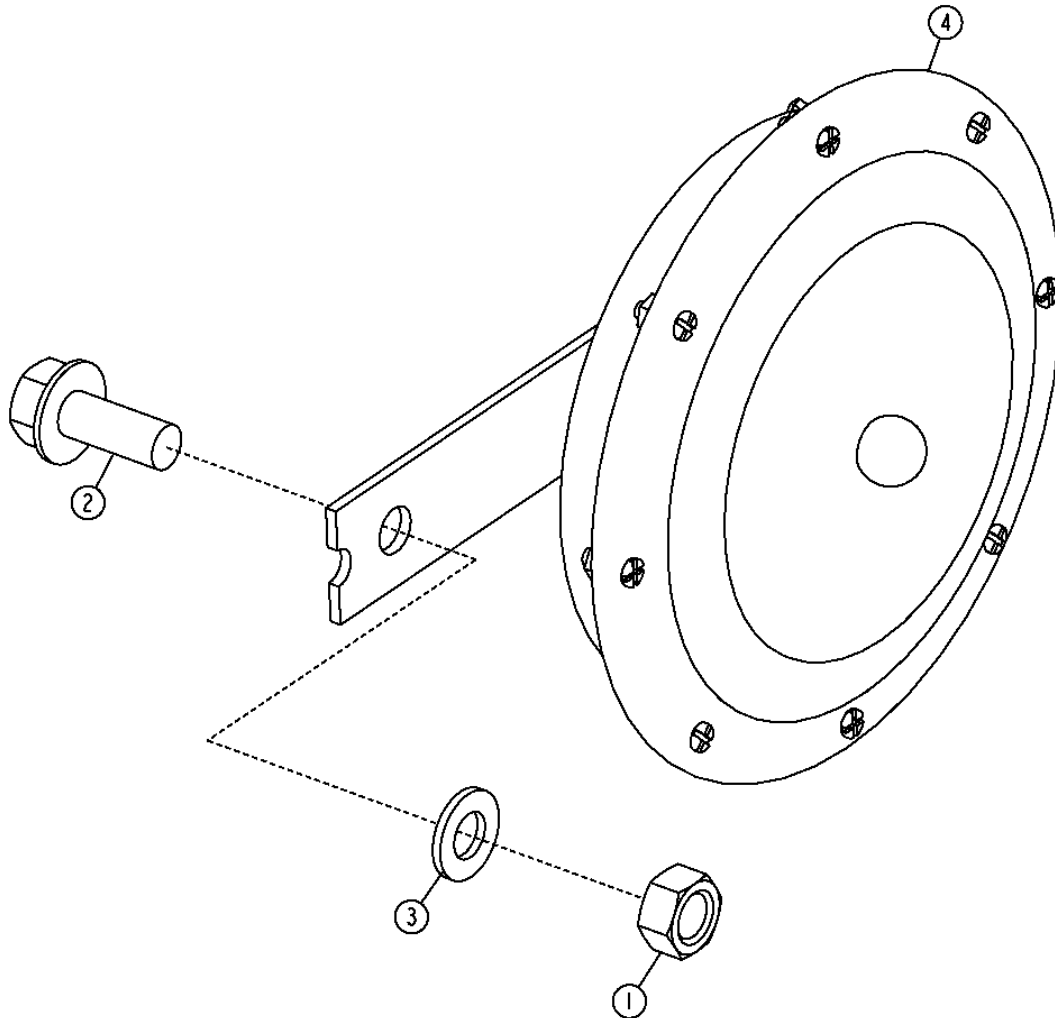
2004-2

SAFETY, CONVENIENCE & MISCELLANEOUS 20

WARNING DEVICES INCLUDING HORN & REVERSE ALARM 2004
HORN
KLAXON
BOCINA

TX1056902

-UN-19MAR09



TX1056902

2004-3

SAFETY, CONVENIENCE & MISCELLANEOUS 20

WARNING DEVICES INCLUDING HORN & REVERSE ALARM 2004
HORN
KLAXON
BOCINA

KEY	PART NO.	PART NAME	QTY.	SERIAL NO.	REMARKS
1	14M7273	NUT	1		M8
2	19M7866	SCREW	1		M8 X 20
3	24M7055	WASHER	1		8.400 X 16 X 1.600 MM
4	AT226282	HORN	1		

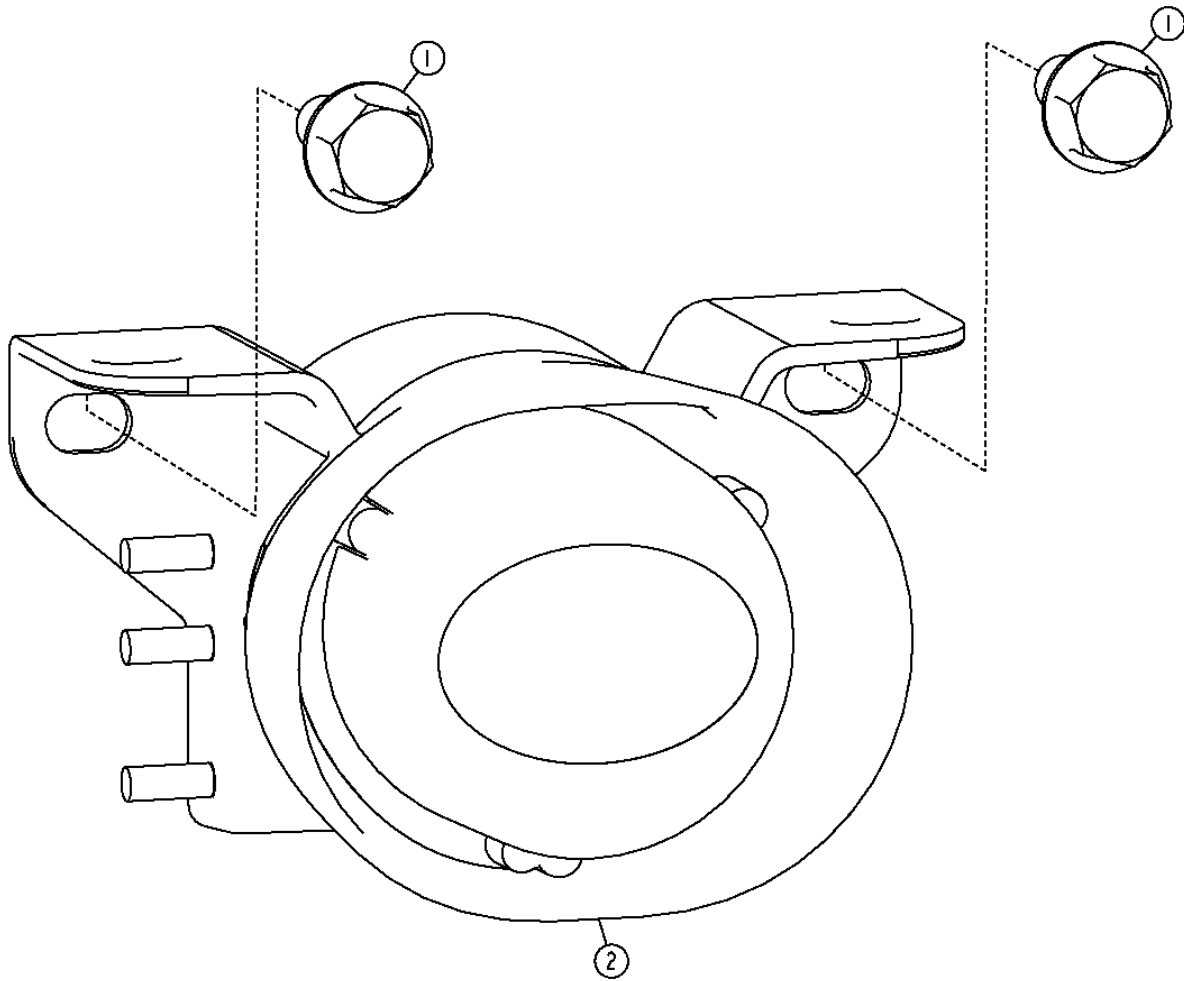
2004-4

SAFETY, CONVENIENCE & MISCELLANEOUS 20

WARNING DEVICES INCLUDING HORN & REVERSE ALARM
REVERSE ALARM
AVERTISSEUR DE MARCHÉ ARRIÈRE
ALARMA DE RETROCESO

TX1049010

-UN-25SEP08



TX1049010

2004-5

SAFETY, CONVENIENCE & MISCELLANEOUS 20

WARNING DEVICES INCLUDING HORN & REVERSE ALARM 2004
REVERSE ALARM
AVERTISSEUR DE MARCHÉ ARRIÈRE
ALARMA DE RETROCESO

KEY	PART NO.	PART NAME	QTY.	SERIAL NO.	REMARKS
1	19M7866	SCREW	2		M8 X 20
2	AT335267	TRAVEL WARNING ALARM	1		

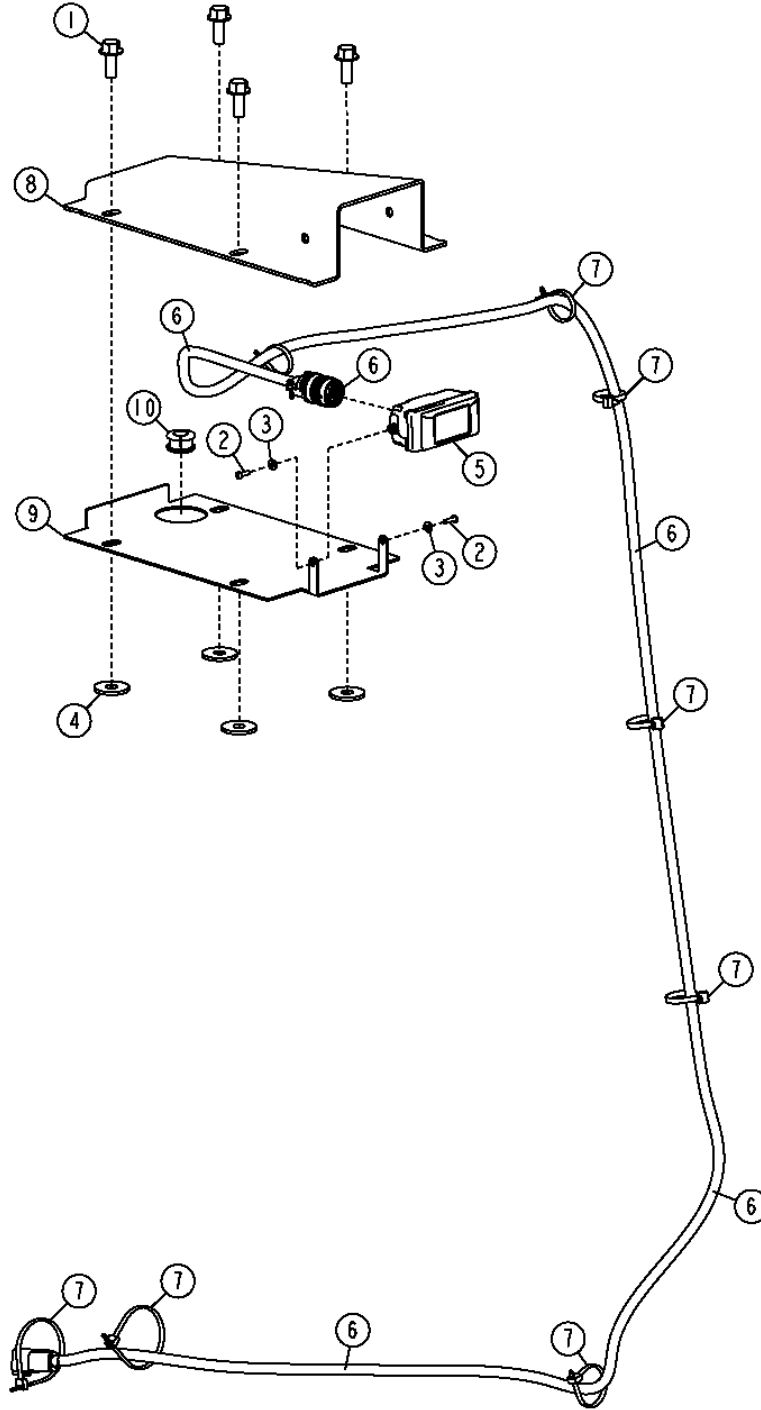
2004-6

SAFETY, CONVENIENCE & MISCELLANEOUS 20

WARNING DEVICES INCLUDING HORN & REVERSE ALARM 2004
CAMERA, REAR
CAMERA, ARRIÈRE
CMARA, ATRS

TX1049564

-UN-06OCT08



TX1049564

2004-7

SAFETY, CONVENIENCE & MISCELLANEOUS 20

WARNING DEVICES INCLUDING HORN & REVERSE ALARM 2004
CAMERA, REAR
CAMERA, ARRIÛRE
CMARA, ATRS

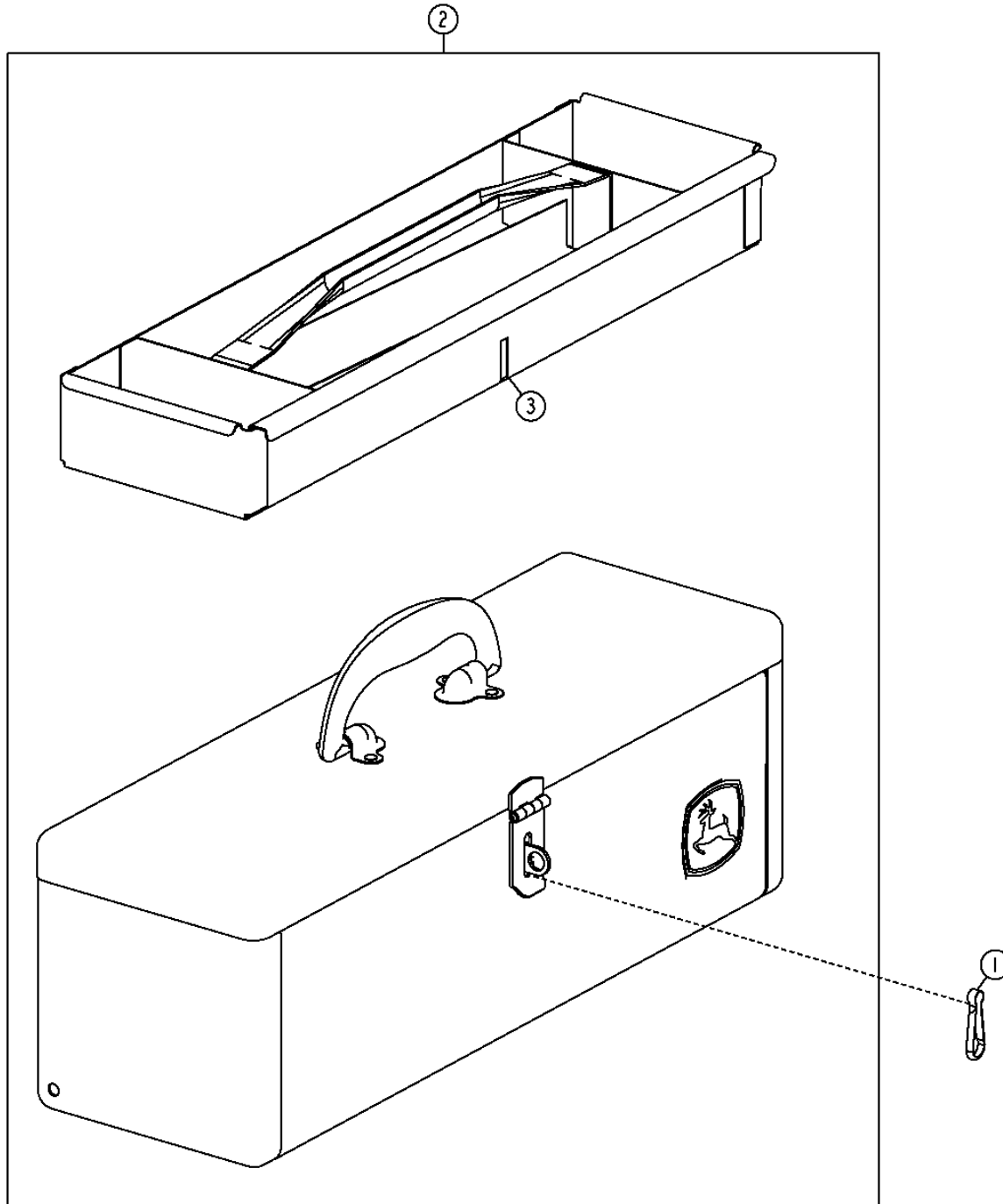
KEY	PART NO.	PART NAME	QTY.	SERIAL NO.	REMARKS
1	19M7785	SCREW	4		M10 X 25
2	21H1290	SCREW	2		0.138" X 1/2"
3	24H1281	WASHER	2		5/32" X 3/8" X 0.049"
4	24M7101	WASHER	4		11 X 34 X 3 MM
5	AT338270	AUDIO/VIDEO EQUIPMENT	1		
6	AT344656	WIRING HARNESS	1		
7	R44302	TIE BAND	7		
8	T232966	BRACKET	1		
9	T233023	BRACKET	1		
10	T240900	GROMMET	1		

2005-2

TOOL BOX BOITE A OUTILS CAJA DE HERRAMIENTAS

TX1048407

-UN-09SEP08



TX1048407

2005-3

SAFETY, CONVENIENCE & MISCELLANEOUS 20

TOOLBOX 2005

**TOOL BOX
BOITE A OUTILS
CAJA DE HERRAMIENTAS**

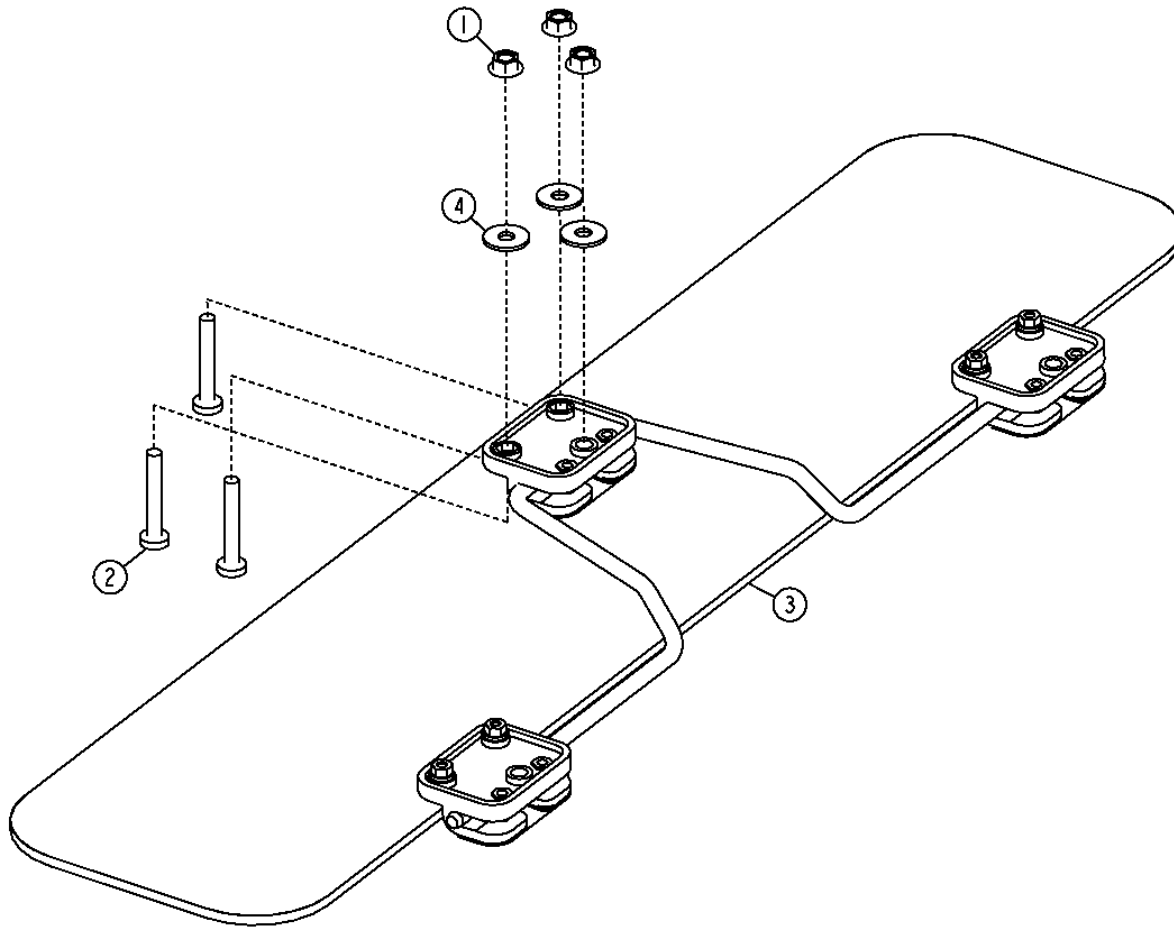
<i>KEY</i>	<i>PART NO.</i>	<i>PART NAME</i>	<i>QTY.</i>	<i>SERIAL NO.</i>	<i>REMARKS</i>
1	99M7039	HOOK	1		
2	RE275591	TOOLBOX	1		
	T23027	PIN	1		
3	RE275593	TRAY	1		

2007-2

FRONT WINDOW SUN VISOR PARE-SOLEIL DE AVANT PARASOL FRETE

TX1048409

-UN-09SEP08



TX1048409

2007-3

SAFETY, CONVENIENCE & MISCELLANEOUS 20

SUN VISOR 2007

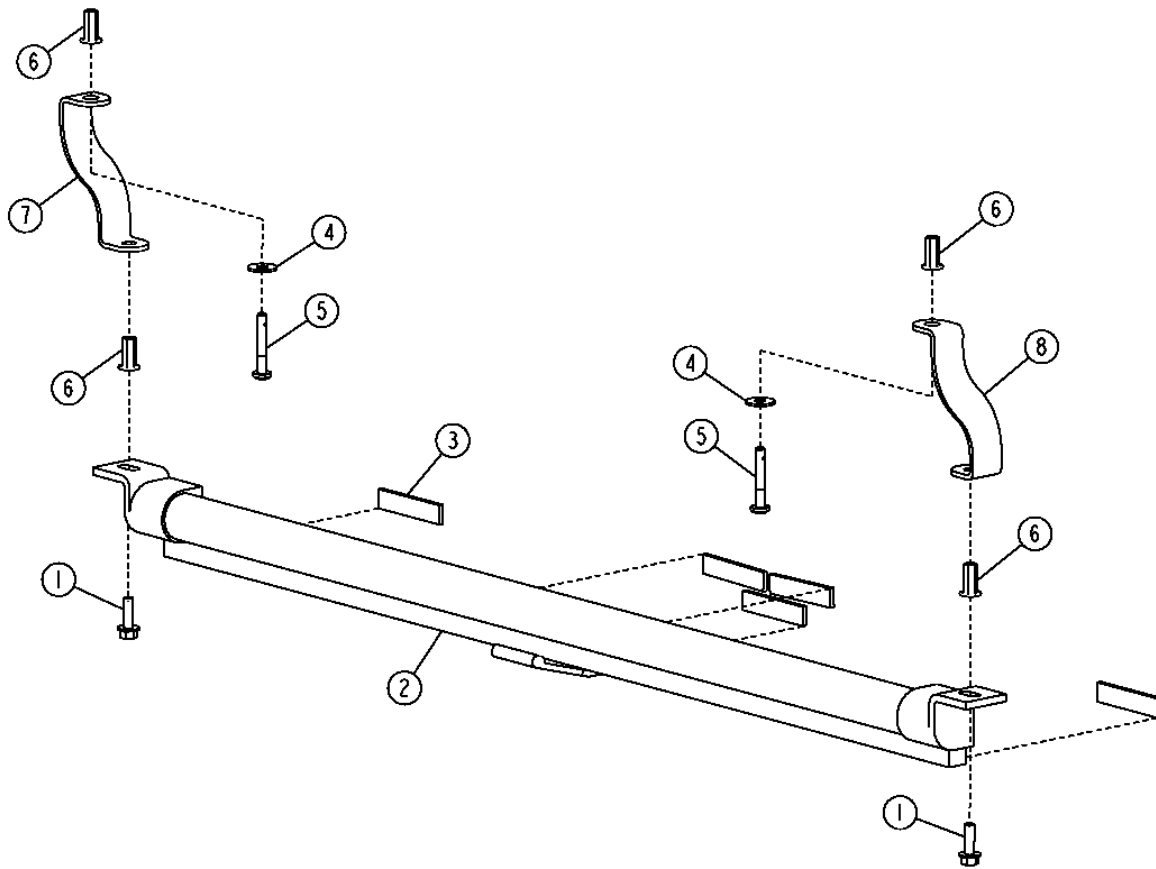
**FRONT WINDOW SUN VISOR
PARE-SOLEIL DE AVANT
PARASOL FRENTE**

KEY	PART NO.	PART NAME	QTY.	SERIAL NO.	REMARKS
1	14M7303	FLANGE NUT	3		M6
2	21M7403	SCREW	3		M6 X 40
3	AT306350	VISOR	1		
4	24H1821	WASHER	3		(SUB FOR T134530)

2007-4

REAR WINDOW SUN VISOR PARE-SOLEIL DE GLACE ARRIERE VISERA DE VENTANA TRASERA

T203172 -UN-01NOV04



T203172

THIS PARTS LISTING IS CONTINUED

2007-5

SAFETY, CONVENIENCE & MISCELLANEOUS 20

SUN VISOR 2007

**REAR WINDOW SUN VISOR
PARE-SOLEIL DE GLACE ARRIERE
VISERA DE VENTANA TRASERA**

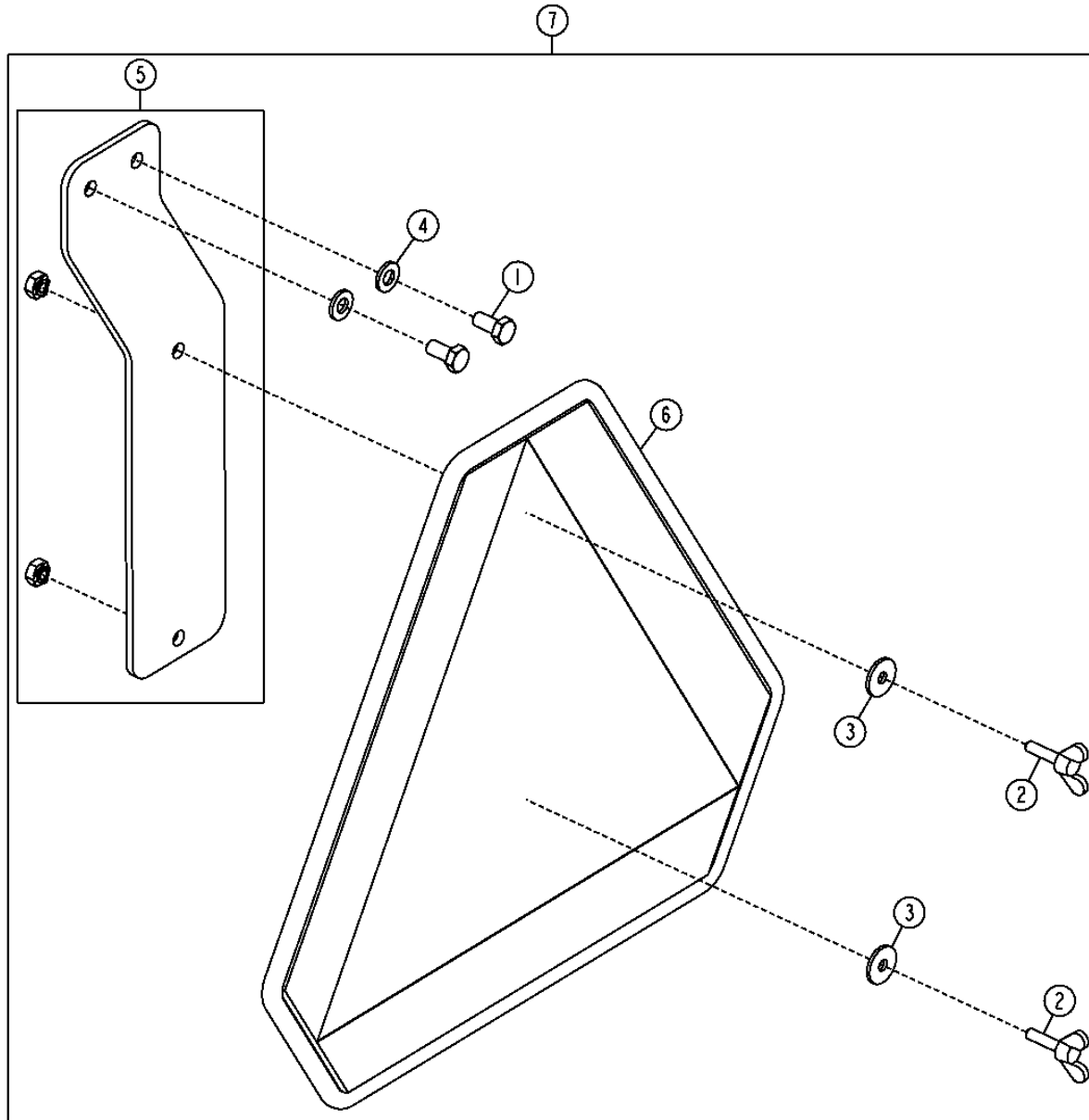
KEY	PART NO.	PART NAME	QTY.	SERIAL NO.	REMARKS
1	19M7862	SCREW	2		M6 X 20
2	AT305193	SHADE CURTAIN	1		
3	ISOLATOR	1		(MAKE FROM DT5112) (CTL .2FT)
4	24H1821	WASHER	2		
5	21M7403	SCREW	2		M6 X 40
6	T196077	NUT	4		
7	T204938	BRACKET	1		(ALSO ORDER (2) T196077)
8	T205088	BRACKET	1		(ALSO ORDER (2) T196077)

2008-2

SLOW MOVING VEHICLE SIGN SIGNAL DE VEHICULE LENT ETIQUETA DE VEHICULO DE MOVIMIENTO LENTO

TX1058338

-UN-



TX1058338

THIS PARTS LISTING IS CONTINUED

2008-3

SAFETY, CONVENIENCE & MISCELLANEOUS 20

REFLECTORS & SMV SIGN 2008

**SLOW MOVING VEHICLE SIGN
SIGNAL DE VEHICULE LENT
ETIQUETA DE VEHICULO DE MOVIMIENTO LENTO**

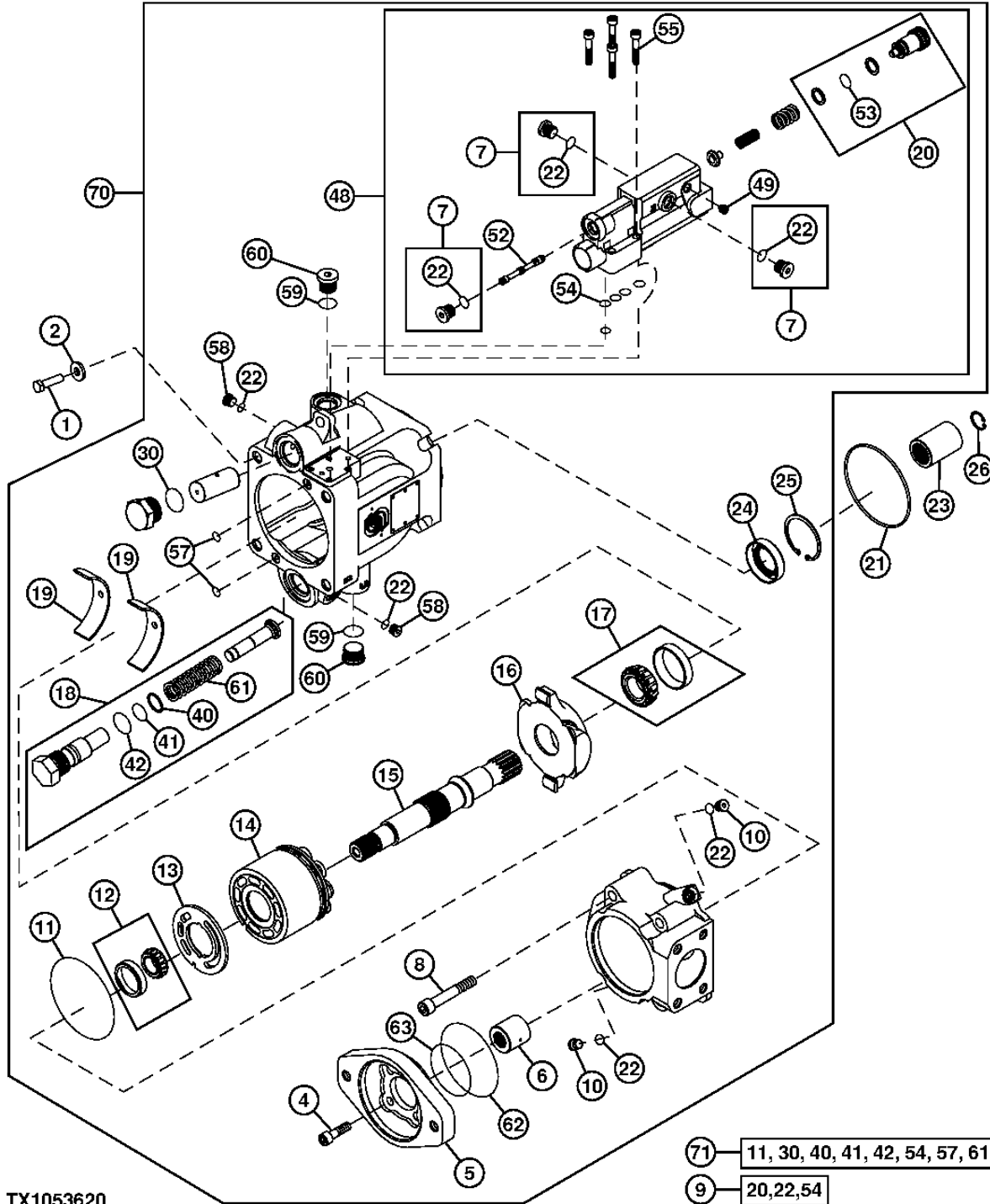
KEY	PART NO.	PART NAME	QTY.	SERIAL NO.	REMARKS
1	19M7932	CAP SCREW	2		M8 X 16
2	21M7344	SCREW	2		M6 X 25
3	24M7100	WASHER	2		6.600 X 22 X 2 MM
4	24M7238	WASHER	2		8.700 X 17 X 2 MM
5	AT364652	BRACKET	1		
6	JD5929	SMV EMBLEM	1		
7	AT339396	FIELD INSTALLATION KIT	1		(WHOLEGOODS)

2161-2

**MAIN HYDRAULIC PUMP
POMPE HYDRAULIQUE PRINCIPALE
BOMBA HIDRAULICA PRINCIPAL**

TX1053620

-UN-23DEC08



TX1053620

2161-3

VEHICLE MAIN HYDRAULIC SYSTEM 21

HYDRAULIC PUMPS & DRIVES 2161

**MAIN HYDRAULIC PUMP
POMPE HYDRAULIQUE PRINCIPALE
BOMBA HIDRAULICA PRINCIPAL**

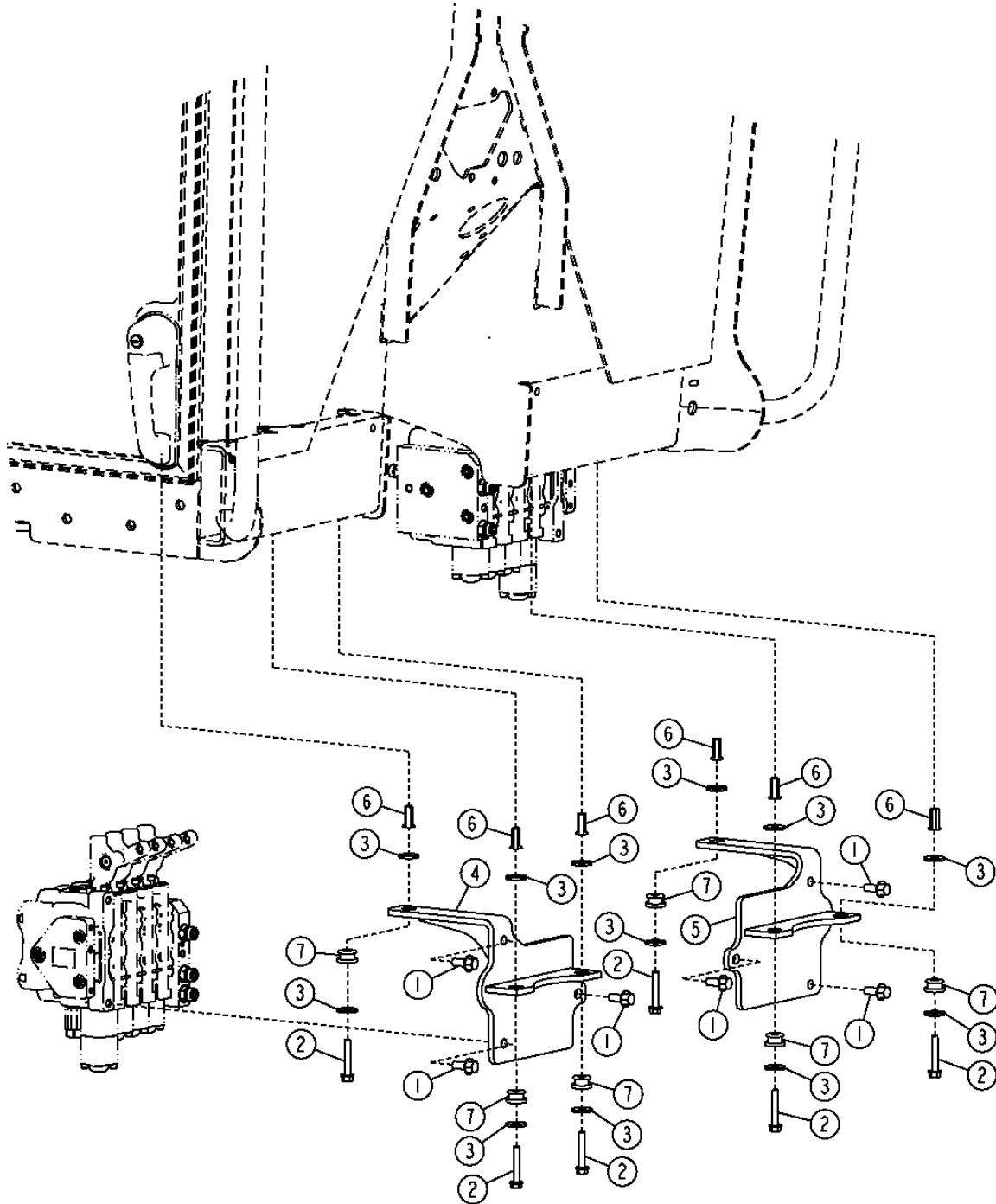
KEY	PART NO.	PART NAME	QTY.	SERIAL NO.	REMARKS
1	19M7496	CAP SCREW	4		M12 X 45
2	T29342	WASHER	4		17/32" X 1-1/4" X 0.180"
4	19M8440	SCREW	4		M10 X 25
5	PLATE	1		(ADAPTER)
6	T208291	HYDR.QUICK COUPLER SOCKET	1		
7	T176425	PLUG	3		
8	SCREW	4		
9	AT305110	SEAL KIT	1		
10	T54904	UNION FITTING	2		
11	N203952	O-RING	1		
12	AT191366	BEARING KIT	1		
13	T188686	PLATE	1		
14	AT196346	KIT	1		(CONTAINS PUMP PISTONS AND HOUSING)
15	T185138	DRIVE SHAFT	1		
16	AT280244	MOUNTING PARTS	1		(SWASHPLATE ASSEMBLY)
17	AT191367	BEARING KIT	1		
18	AT191369	PISTON REPLACEMENT KIT	1		
19	AT191368	BEARING	2		(SWASHPLATE)
20	PLUG	1		(ORDER AT191371)
21	F37030250	O-RING	1		
22	R28782	O-RING	6		
23	4001456	SPLINED COUPLING	1		
24	T185183	SEAL	1		
25	T185254	SNAP RING	1		
26	F39000106	SNAP RING	1		
30	T24212	O-RING	1		
40	T185185	BACK-UP RING	1		
41	T76938	O-RING	1		
42	T24212	O-RING	1		
48	AT199076	KIT	1		(PUMP CONTROL)
49	T188687	SCREW	1		
52	T190243	SPOOL	1		
53	O-RING	1		
54	T185181	RING	4		
55	T185186	SCREW	4		
57	T185184	RING	2		
58	T54904	UNION FITTING	2		
59	M45387	O-RING	2		
60	M74877	PLUG	2		
61	T185135	SPRING	1		
62	T42302	O-RING	1		
63	E65288	O-RING	1		
70	AT302661	HYDRAULIC PUMP	1		
71	AT191371	SEAL KIT	1		(PUMP OVERHAUL)

2162-2

VEHICLE MAIN HYDRAULIC SYSTEM 21

HYDRAULIC SELECTIVE CONTROL & LOAD HOLDING VALVES 2162 MAIN CONTROL VALVE MOUNTING BRACKETS SUPPORTS DE MONTAGE DE DISTRIBUTEUR PRINCIPAL ESCUADRAS DE MONTAJE DE VALVULA DE CONTROL PRINCIPAL

TX1048520 -UN-24SEP08



TX1048520

2162-3

VEHICLE MAIN HYDRAULIC SYSTEM 21

HYDRAULIC SELECTIVE CONTROL & LOAD HOLDING VALVES 2162
MAIN CONTROL VALVE MOUNTING BRACKETS
SUPPORTS DE MONTAGE DE DISTRIBUTEUR PRINCIPAL
ESCUADRAS DE MONTAJE DE VALVULA DE CONTROL PRINCIPAL

KEY	PART NO.	PART NAME	QTY.	SERIAL NO.	REMARKS
1	19M7785	SCREW	6		M10 X 25
2	19M7800	SCREW	6		M8 X 50
3	24M7024	WASHER	12		9 X 28 X 3 MM
4	AT303129	BRACKET	1		
5	AT303678	BRACKET	1		
6	T196080	NUT	6		
7	U42208	ISOLATOR	6		

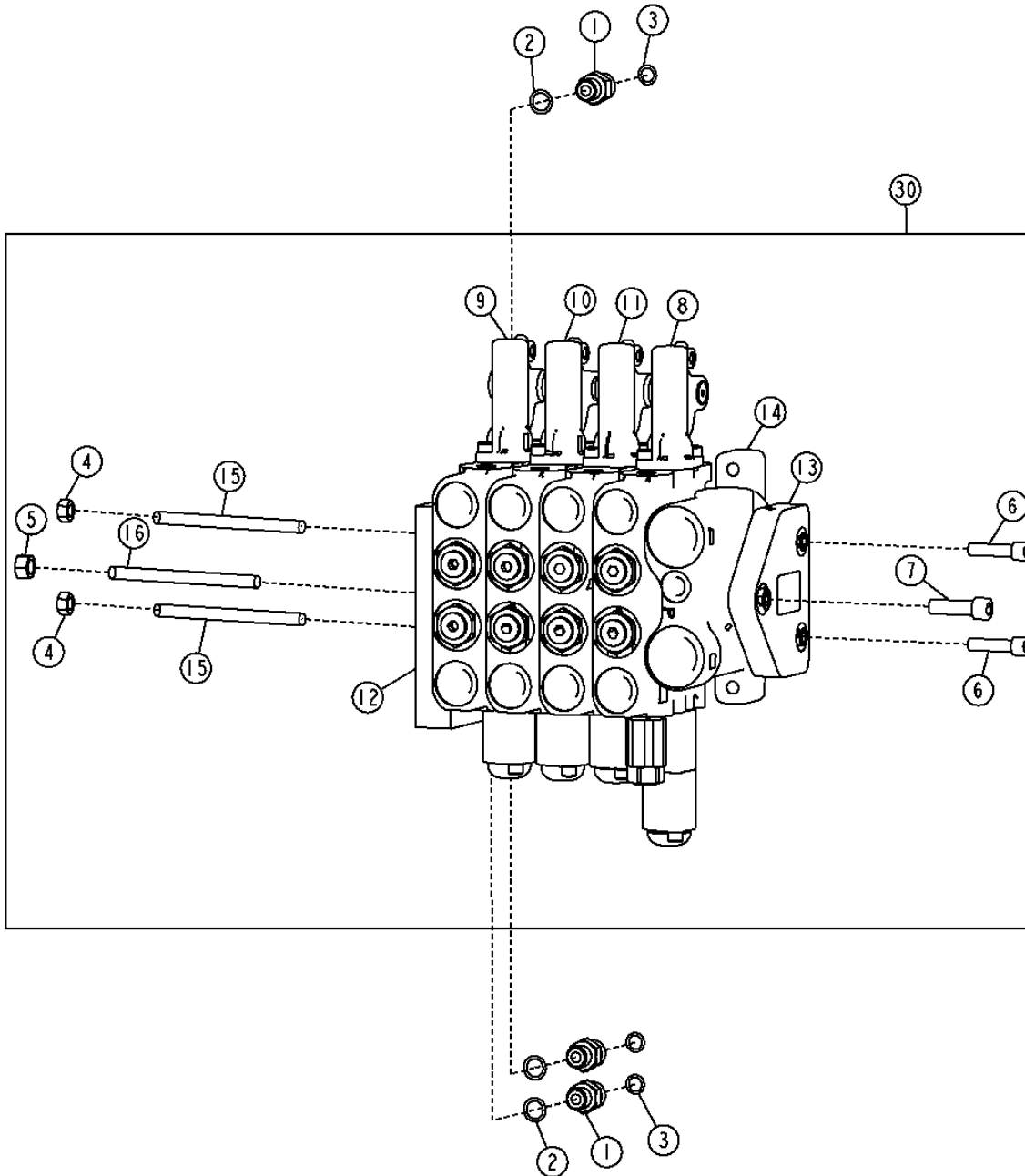
2162-4

VEHICLE MAIN HYDRAULIC SYSTEM 21

HYDRAULIC SELECTIVE CONTROL & LOAD HOLDING VALVES 2162 RIGHT 4 FUNCTION CONTROL VALVE DISTRIBUTEUR DE FONCTION 4 DROIT VALVULA CONTROL FUNCION 4 DERECHO

TX1048525

-UN-24SEP08



TX1048525

2162-5

VEHICLE MAIN HYDRAULIC SYSTEM 21

HYDRAULIC SELECTIVE CONTROL & LOAD HOLDING VALVES 2162
RIGHT 4 FUNCTION CONTROL VALVE
DISTRIBUTEUR DE FONCTION 4 DROIT
VALVULA CONTROL FUNCION 4 DERECHO

KEY	PART NO.	PART NAME	QTY.	SERIAL NO.	REMARKS
1	38H1160	ADAPTER FITTING	3		
2	R26448	O-RING	3		
3	T77613	O-RING	3		
4	14H1042	NUT	2	5/16"	
5	14H1080	NUT	1	3/8"	
6	19H3920	SCREW	2	5/16" X 1-1/4"	
7	19H3921	SCREW	1	3/8" X 1-1/4"	
8	AT317309	CONTROL VALVE	1		(RIGHT BLADE LIFT)
9	AT317316	CONTROL VALVE	1		(REAR STEERING)
10	AT317317	CONTROL VALVE	1		(CIRCLE SIDE SHIFT)
11	AT317318	CONTROL VALVE	1		(WHEEL LEAN)
12	AT317329	HOUSING	1		
13	AT317331	HOUSING	1		
14	AT327176	HOUSING	1		(MID INLET VALVE SECTION)
15	T213026	STUD	2		
16	T213029	STUD	1		
30	AT326751	CONTROL VALVE	1		

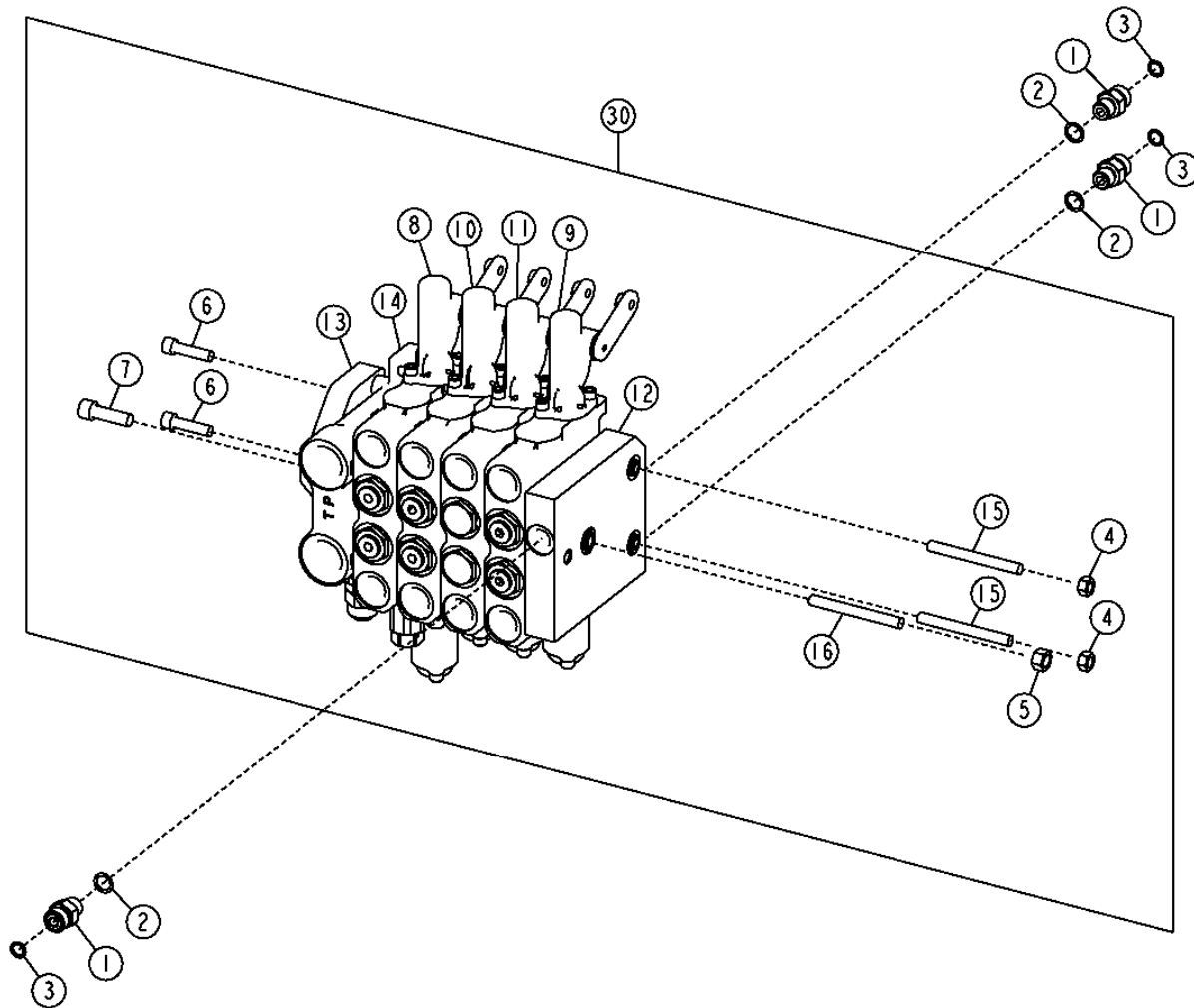
2162-6

VEHICLE MAIN HYDRAULIC SYSTEM 21

HYDRAULIC SELECTIVE CONTROL & LOAD HOLDING VALVES 2162 LEFT 4 FUNCTION CONTROL VALVE DISTRIBUTEUR DE FONCTION 4 GAUCHE VALVULA CONTROL FUNCION 4 IZQUIERDO

TX1048603

-UN-29SEP08



TX1048603

2162-7

VEHICLE MAIN HYDRAULIC SYSTEM 21

HYDRAULIC SELECTIVE CONTROL & LOAD HOLDING VALVES 2162
LEFT 4 FUNCTION CONTROL VALVE
DISTRIBUTEUR DE FONCTION 4 GAUCHE
VALVULA CONTROL FUNCION 4 IZQUIERDO

KEY	PART NO.	PART NAME	QTY.	SERIAL NO.	REMARKS
1	38H1160	ADAPTER FITTING	3		
2	R26448	O-RING	3		
3	T77613	O-RING	3		
4	14H1042	NUT	2	5/16"	
5	14H1080	NUT	1	3/8"	
6	19H3920	SCREW	2	5/16" X 1-1/4"	
7	19H3921	SCREW	1	3/8" X 1-1/4"	
8	AT317308	CONTROL VALVE	1		(LEFT BLADE LIFT)
9	AT317315	CONTROL VALVE	1		(BLADE TILT)
10	AT317313	CONTROL VALVE	1		(BLADE SIDE SHIFT)
11	AT317314	CONTROL VALVE	1		(CIRCLE ROTATE)
12	AT317330	HOUSING	1		
13	AT317331	HOUSING	1		
14	AT317307	HOUSING	1		(MID INLET VALVE SECTION)
15	T213026	STUD	2		
16	T213029	STUD	1		
30	AT302284	CONTROL VALVE	1		

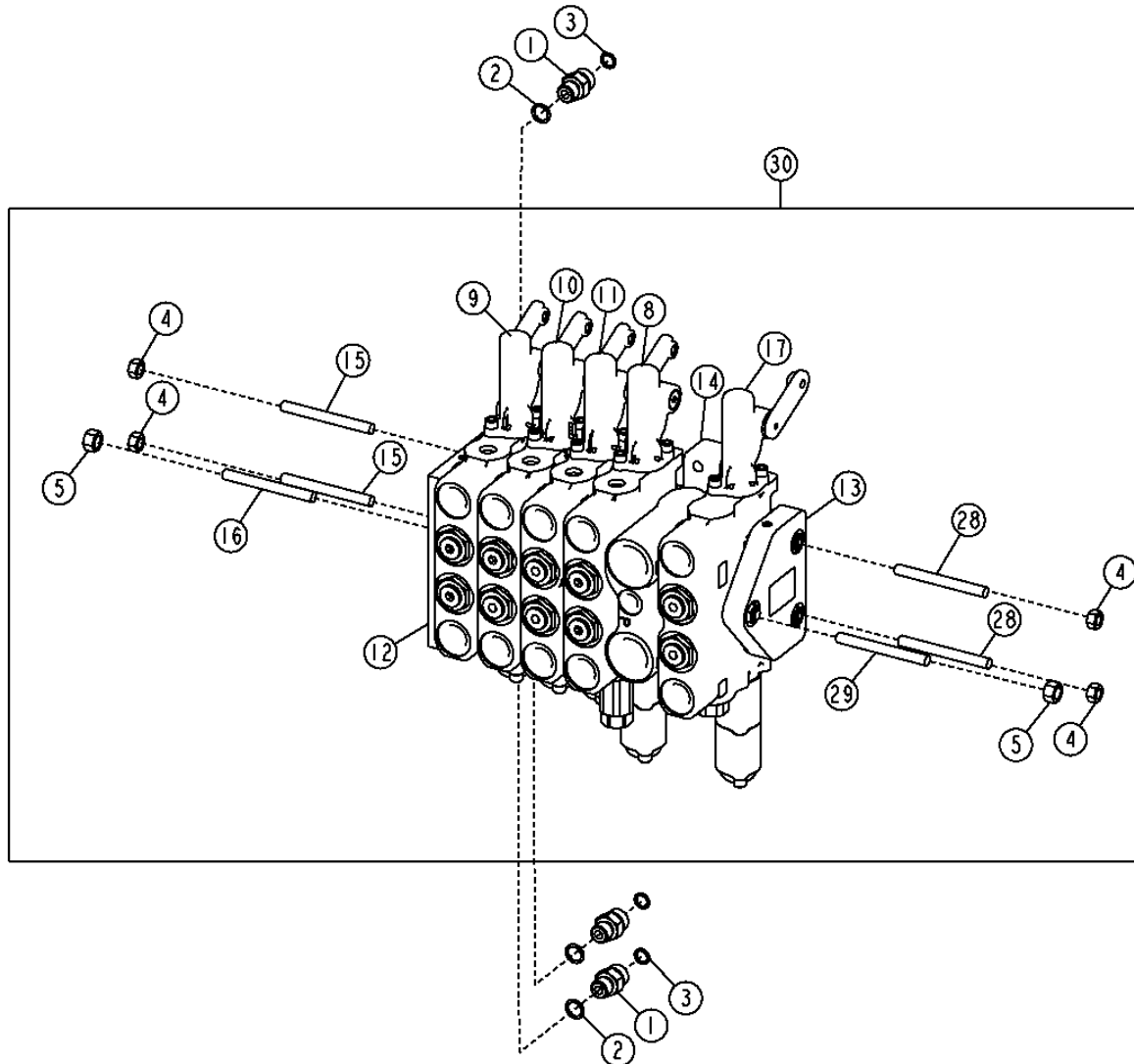
2162-8

VEHICLE MAIN HYDRAULIC SYSTEM 21

HYDRAULIC SELECTIVE CONTROL & LOAD HOLDING VALVES 2162 RIGHT 5 FUNCTION CONTROL VALVE DISTRIBUTEUR DE FONCTION 5 DROIT VALVULA CONTROL FUNCION 5 DERECHO

TX1048619

-UN-29SEP08



TX1048619

2162-9

VEHICLE MAIN HYDRAULIC SYSTEM 21

HYDRAULIC SELECTIVE CONTROL & LOAD HOLDING VALVES 2162
RIGHT 5 FUNCTION CONTROL VALVE
DISTRIBUTEUR DE FONCTION 5 DROIT
VALVULA CONTROL FUNCION 5 DERECHO

KEY	PART NO.	PART NAME	QTY.	SERIAL NO.	REMARKS
1	38H1160	ADAPTER FITTING	3		
2	R26448	O-RING	3		
3	T77613	O-RING	3		
4	14H1042	NUT	4		5/16"
5	14H1080	NUT	2		3/8"
8	AT317309	CONTROL VALVE	1		(RIGHT BLADE LIFT)
9	AT317316	CONTROL VALVE	1		(REAR STEERING)
10	AT317317	CONTROL VALVE	1		(CIRCLE SIDE SHIFT)
11	AT317318	CONTROL VALVE	1		(WHEEL LEAN)
12	AT317329	HOUSING	1		
13	AT317331	HOUSING	1		
14	AT327176	HOUSING	1		(MID INLET VALVE SECTION)
15	T213026	STUD	2		
16	T213029	STUD	1		
17	AT317319	CONTROL VALVE	1		(SCARIFIER)
28	T213027	STUD	2		
29	T213030	STUD	1		
30	AT326752	CONTROL VALVE	1		

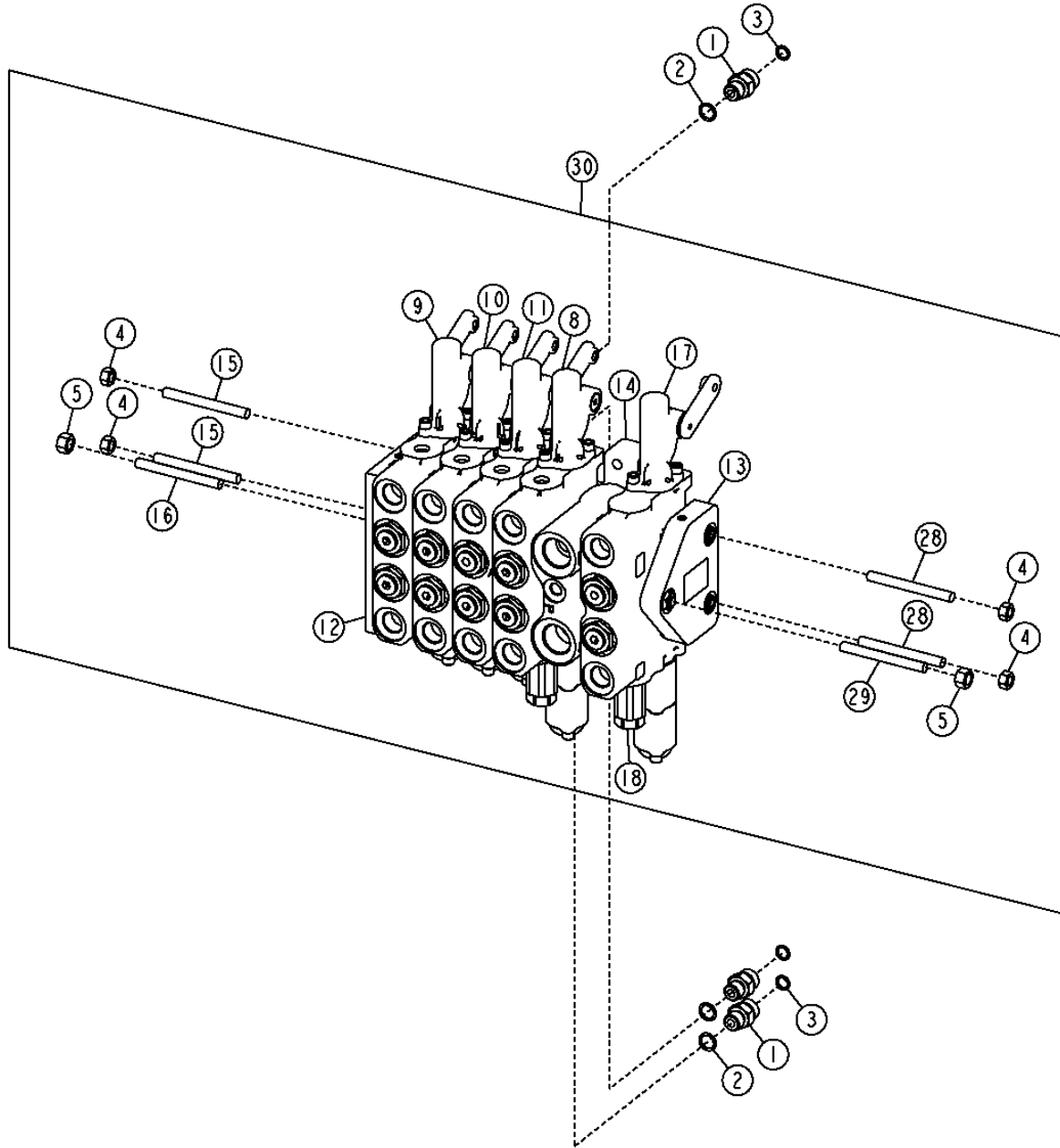
2162-10

VEHICLE MAIN HYDRAULIC SYSTEM 21

HYDRAULIC SELECTIVE CONTROL & LOAD HOLDING VALVES 2162
RIGHT 5 FUNCTION CONTROL VALVE (MID MOUNTED SCARIFIER)
DISTRIBUTEUR DE FONCTION 5 DROIT (SCARIFICATEUR CENTRAL)
VALVULA CONTROL FUNCION 5 DERECHO (ESCARIFICADOR DE MONTAJE INTERMEDIO)

TX1049001

-UN-30SEP08



TX1049001

2162-11

VEHICLE MAIN HYDRAULIC SYSTEM 21

HYDRAULIC SELECTIVE CONTROL & LOAD HOLDING VALVES 2162
RIGHT 5 FUNCTION CONTROL VALVE (MID MOUNTED SCARIFIER)
DISTRIBUTEUR DE FONCTION 5 DROIT (SCARIFICATEUR CENTRAL)
VALVULA CONTROL FUNCION 5 DERECHO (ESCARIFICADOR DE MONTAJE INTERMEDIO)

KEY	PART NO.	PART NAME	QTY.	SERIAL NO.	REMARKS
1	38H1160	ADAPTER FITTING	3		
2	R26448	O-RING	3		
3	T77613	O-RING	3		
4	14H1042	NUT	4	5/16"	
5	14H1080	NUT	2	3/8"	
8	AT317309	CONTROL VALVE	1		(RIGHT BLADE LIFT)
9	AT317316	CONTROL VALVE	1		(REAR STEERING)
10	AT317317	CONTROL VALVE	1		(CIRCLE SIDE SHIFT)
11	AT317318	CONTROL VALVE	1		(WHEEL LEAN)
12	AT317329	HOUSING	1		
13	AT317331	HOUSING	1		
14	AT327176	HOUSING	1		(MID INLET VALVE SECTION)
15	T213026	STUD	2		
16	T213029	STUD	1		
17	AT317319	CONTROL VALVE	1		(SCARIFIER)
18	AT317324	PRESSURE RELIEF VALVE	1		
28	T213027	STUD	2		
29	T213030	STUD	1		
30	AT335790	CONTROL VALVE	1		

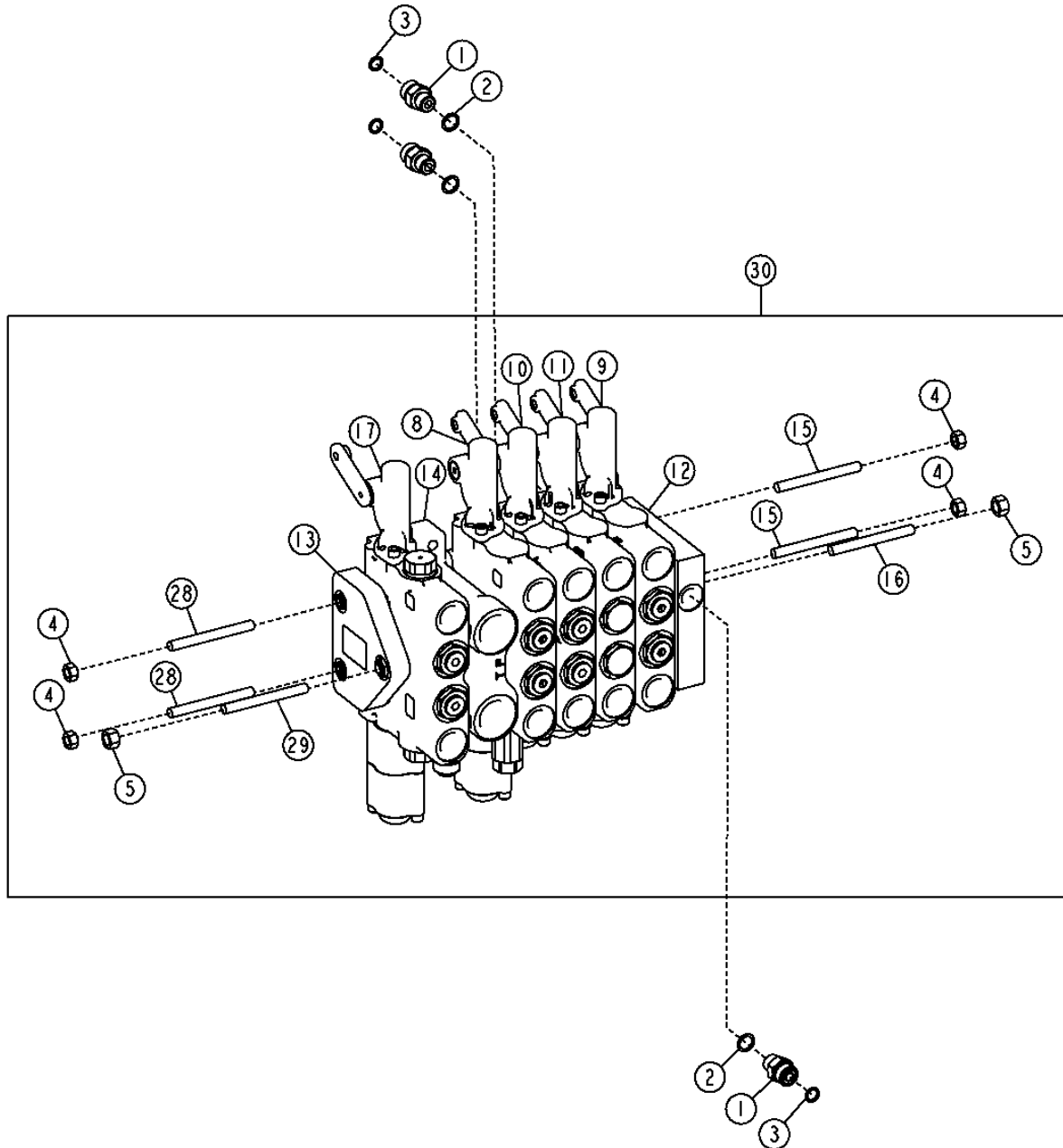
2162-12

VEHICLE MAIN HYDRAULIC SYSTEM 21

HYDRAULIC SELECTIVE CONTROL & LOAD HOLDING VALVES 2162 LEFT 5 FUNCTION CONTROL VALVE DISTRIBUTEUR DE FONCTION 5 GAUCHE VALVULA CONTROL FUNCION 5 IZQUIERDO

TX1048630

-UN-29SEP08



TX1048630

2162-13

VEHICLE MAIN HYDRAULIC SYSTEM 21

HYDRAULIC SELECTIVE CONTROL & LOAD HOLDING VALVES 2162
LEFT 5 FUNCTION CONTROL VALVE
DISTRIBUTEUR DE FONCTION 5 GAUCHE
VALVULA CONTROL FUNCION 5 IZQUIERDO

KEY	PART NO.	PART NAME	QTY.	SERIAL NO.	REMARKS
1	38H1160	ADAPTER FITTING	3		
2	R26448	O-RING	3		
3	T77613	O-RING	3		
4	14H1042	NUT	4	5/16"	
5	14H1080	NUT	2	3/8"	
8	AT317308	CONTROL VALVE	1		(LEFT BLADE LIFT)
9	AT317315	CONTROL VALVE	1		(BLADE TILT)
10	AT317313	CONTROL VALVE	1		(BLADE SIDE SHIFT)
11	AT317314	CONTROL VALVE	1		(CIRCLE ROTATE)
12	AT317330	HOUSING	1		
13	AT317331	HOUSING	1		
14	AT317307	HOUSING	1		(MID INLET VALVE SECTION)
15	T213026	STUD	2		
16	T213029	STUD	1		
17	AT317321	CONTROL VALVE	1		(RIPPER)
28	T213027	STUD	2		
29	T213030	STUD	1		
30	AT302286	CONTROL VALVE	1		

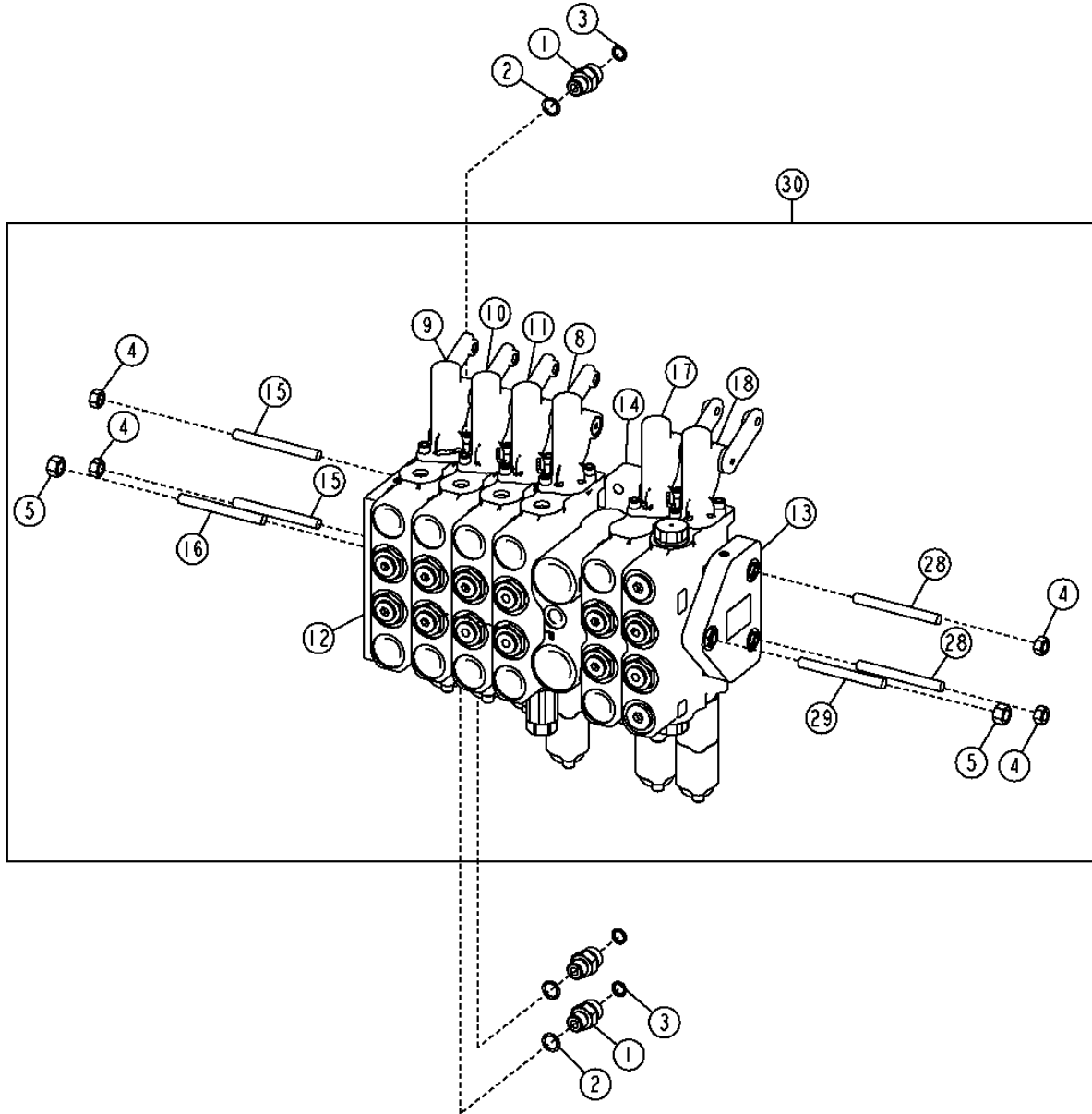
2162-14

VEHICLE MAIN HYDRAULIC SYSTEM 21

HYDRAULIC SELECTIVE CONTROL & LOAD HOLDING VALVES 2162 RIGHT 6 FUNCTION CONTROL VALVE DISTRIBUTEUR DE FONCTION 6 DROIT VALVULA CONTROL FUNCION 6 DERECHO

TX1048621

-UN-29SEP08



TX1048621

2162-15

VEHICLE MAIN HYDRAULIC SYSTEM 21

HYDRAULIC SELECTIVE CONTROL & LOAD HOLDING VALVES 2162
RIGHT 6 FUNCTION CONTROL VALVE
DISTRIBUTEUR DE FONCTION 6 DROIT
VALVULA CONTROL FUNCION 6 DERECHO

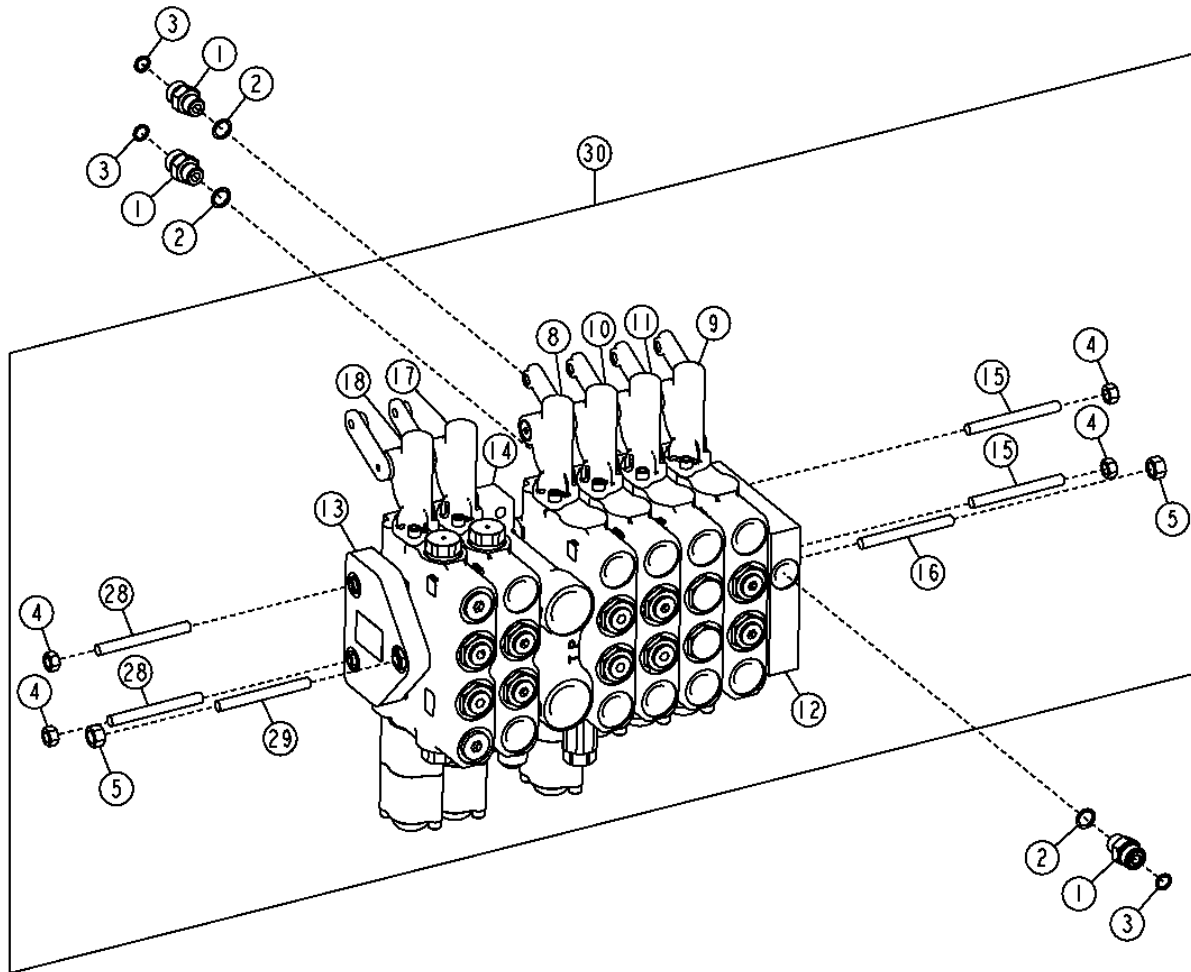
KEY	PART NO.	PART NAME	QTY.	SERIAL NO.	REMARKS
1	38H1160	ADAPTER FITTING	3		
2	R26448	O-RING	3		
3	T77613	O-RING	3		
4	14H1042	NUT	4		5/16"
5	14H1080	NUT	2		3/8"
8	AT317309	CONTROL VALVE	1		(RIGHT BLADE LIFT)
9	AT317316	CONTROL VALVE	1		(REAR STEERING)
10	AT317317	CONTROL VALVE	1		(CIRCLE SIDE SHIFT)
11	AT317318	CONTROL VALVE	1		(WHEEL LEAN)
12	AT317329	HOUSING	1		
13	AT317331	HOUSING	1		
14	AT327176	HOUSING	1		(MID INLET VALVE SECTION)
15	T213026	STUD	2		
16	T213029	STUD	1		
17	AT317319	CONTROL VALVE	1		(SCARIFIER)
18	AT319023	CONTROL VALVE	1		(RIGHT AUXILIARY SECTION WITH FLOAT)
28	T76127	STUD	2		
29	T76128	STUD	1		
30	AT326753	CONTROL VALVE	1		

2162-16

VEHICLE MAIN HYDRAULIC SYSTEM 21

HYDRAULIC SELECTIVE CONTROL & LOAD HOLDING VALVES 2162 LEFT 6 FUNCTION CONTROL VALVE DISTRIBUTEUR DE FONCTION 6 GAUCHE VALVULA CONTROL FUNCION 6 IZQUIERDO

TX1048638 -UN-30SEP08



TX1048638

2162-17

VEHICLE MAIN HYDRAULIC SYSTEM 21

HYDRAULIC SELECTIVE CONTROL & LOAD HOLDING VALVES 2162
LEFT 6 FUNCTION CONTROL VALVE
DISTRIBUTEUR DE FONCTION 6 GAUCHE
VALVULA CONTROL FUNCION 6 IZQUIERDO

KEY	PART NO.	PART NAME	QTY.	SERIAL NO.	REMARKS
1	38H1160	ADAPTER FITTING	3		
2	R26448	O-RING	3		
3	T77613	O-RING	3		
4	14H1042	NUT	4	5/16"	
5	14H1080	NUT	2	3/8"	
8	AT317308	CONTROL VALVE	1		(LEFT BLADE LIFT)
9	AT317315	CONTROL VALVE	1		(BLADE TILT)
10	AT317313	CONTROL VALVE	1		(BLADE SIDE SHIFT)
11	AT317314	CONTROL VALVE	1		(CIRCLE ROTATE)
12	AT317330	HOUSING	1		
13	AT317331	HOUSING	1		
14	AT317307	HOUSING	1		(MID INLET VALVE SECTION)
15	T213026	STUD	2		
16	T213029	STUD	1		
17	AT317321	CONTROL VALVE	1		(RIPPER)
18	AT317322	CONTROL VALVE	1		(LEFT AUXILIARY SECTION WITH FLOAT)
28	T76127	STUD	2		
29	T76128	STUD	1		
30	AT309235	CONTROL VALVE	1		

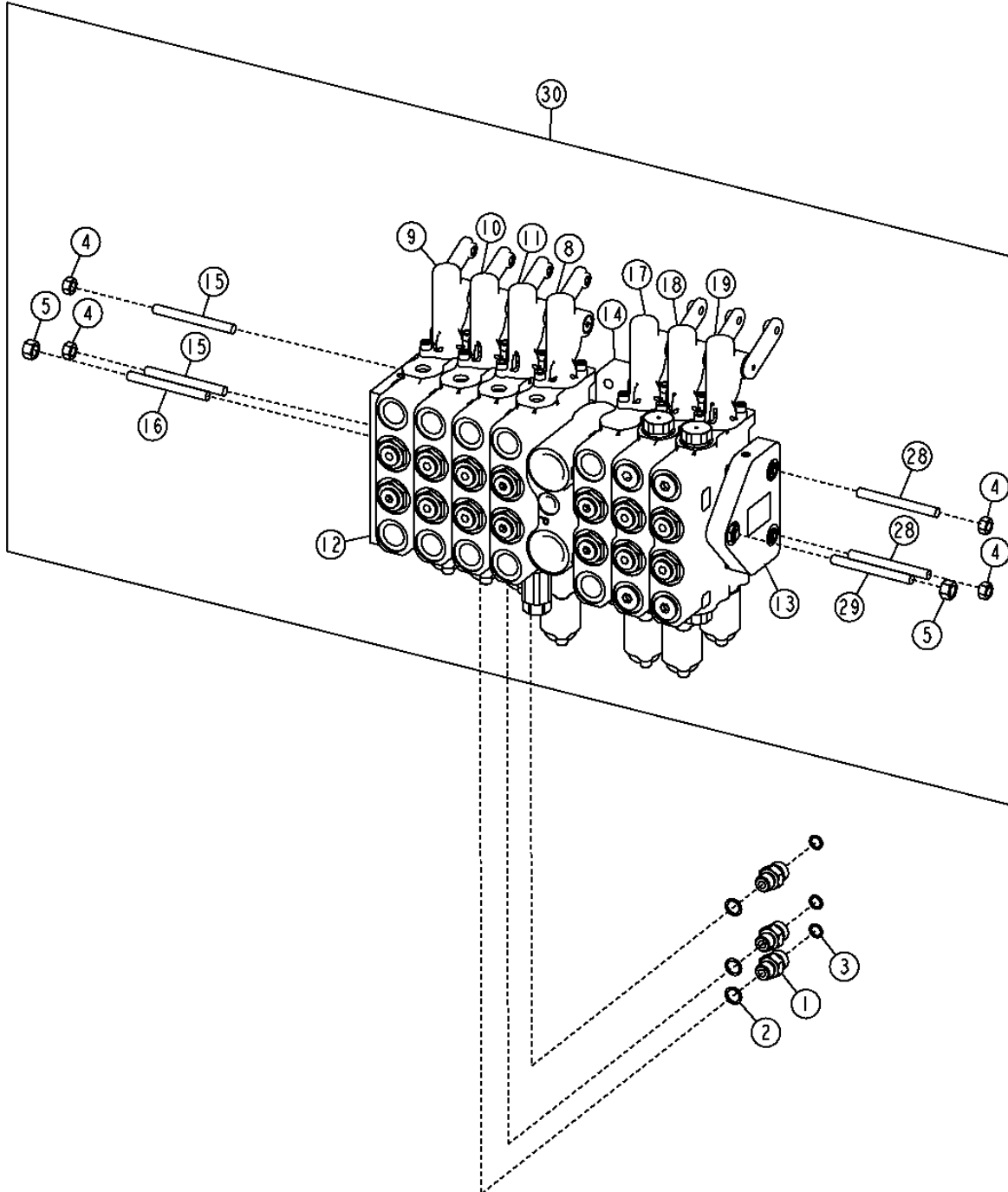
2162-18

VEHICLE MAIN HYDRAULIC SYSTEM 21

HYDRAULIC SELECTIVE CONTROL & LOAD HOLDING VALVES 2162 RIGHT 7 FUNCTION CONTROL VALVE DISTRIBUTEUR DE FONCTION 7 DROIT VALVULA CONTROL FUNCION 7 DERECHO

TX1048622

-UN-30SEP08



TX1048622

2162-19

VEHICLE MAIN HYDRAULIC SYSTEM 21

HYDRAULIC SELECTIVE CONTROL & LOAD HOLDING VALVES 2162
RIGHT 7 FUNCTION CONTROL VALVE
DISTRIBUTEUR DE FONCTION 7 DROIT
VALVULA CONTROL FUNCION 7 DERECHO

KEY	PART NO.	PART NAME	QTY.	SERIAL NO.	REMARKS
1	38H1160	ADAPTER FITTING	3		
2	R26448	O-RING	3		
3	T77613	O-RING	3		
4	14H1042	NUT	4		5/16"
5	14H1080	NUT	2		3/8"
8	AT317309	CONTROL VALVE	1		(RIGHT BLADE LIFT)
9	AT317316	CONTROL VALVE	1		(REAR STEERING)
10	AT317317	CONTROL VALVE	1		(CIRCLE SIDE SHIFT)
11	AT317318	CONTROL VALVE	1		(WHEEL LEAN)
12	AT317329	HOUSING	1		
13	AT317331	HOUSING	1		
14	AT327176	HOUSING	1		(MID INLET VALVE SECTION)
15	T213026	STUD	2		
16	T213029	STUD	1		
17	AT317319	CONTROL VALVE	1		(SCARIFIER)
18	AT319023	CONTROL VALVE	1		(RIGHT AUXILIARY SECTION WITH FLOAT)
19	AT317312	CONTROL VALVE	1		(RIGHT AUXILIARY SECTION WITHOUT FLOAT)
28	T213028	STUD	2		
29	T213031	STUD	1		
30	AT326754	CONTROL VALVE	1		

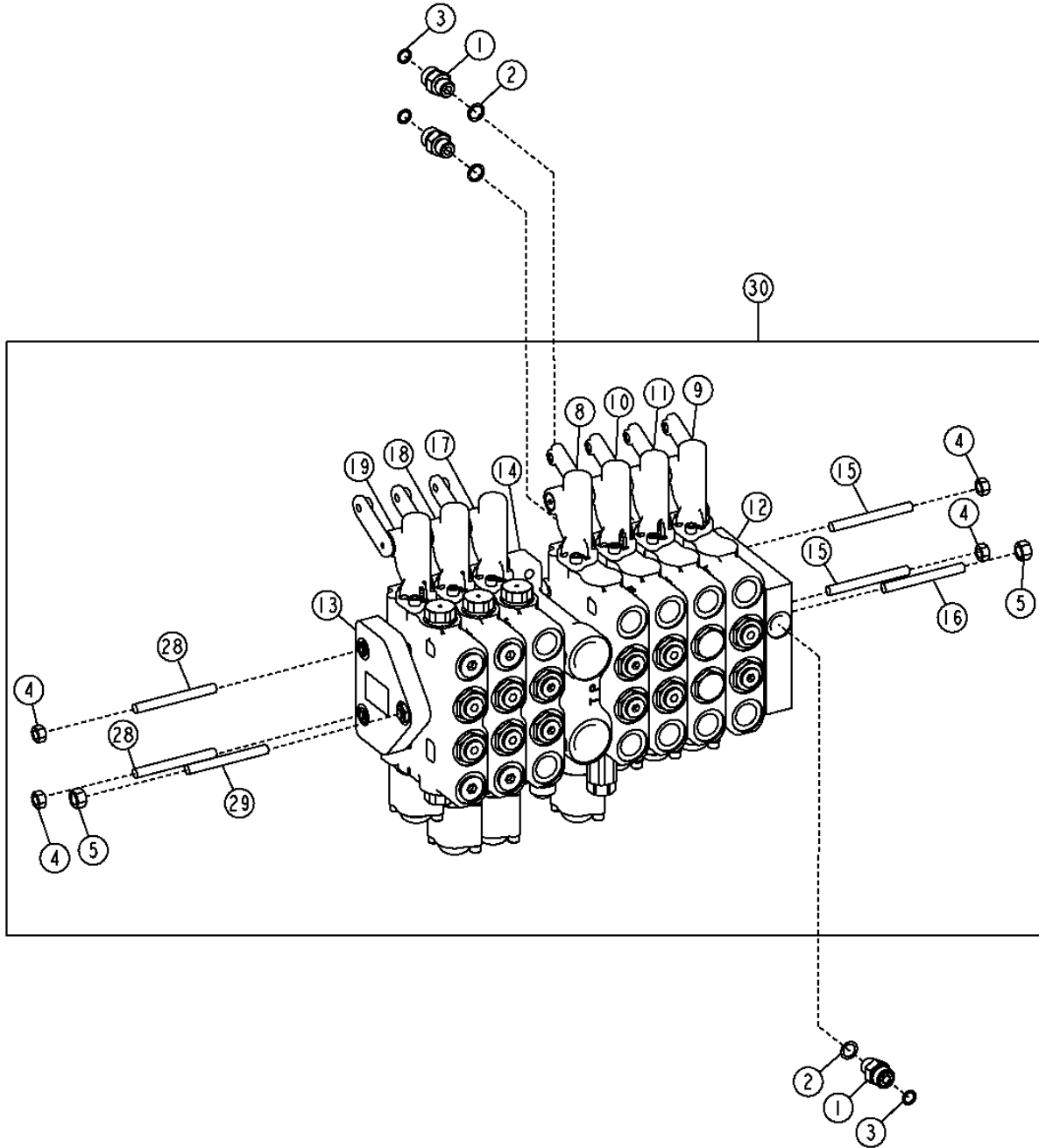
2162-20

VEHICLE MAIN HYDRAULIC SYSTEM 21

HYDRAULIC SELECTIVE CONTROL & LOAD HOLDING VALVES 2162 LEFT 7 FUNCTION CONTROL VALVE DISTRIBUTEUR DE FONCTION 7 GAUCHE VALVULA CONTROL FUNCION 7 IZQUIERDO

TX1048644

-UN-29SEP08



TX1048644

2162-21

VEHICLE MAIN HYDRAULIC SYSTEM 21

HYDRAULIC SELECTIVE CONTROL & LOAD HOLDING VALVES 2162
LEFT 7 FUNCTION CONTROL VALVE
DISTRIBUTEUR DE FONCTION 7 GAUCHE
VALVULA CONTROL FUNCION 7 IZQUIERDO

KEY	PART NO.	PART NAME	QTY.	SERIAL NO.	REMARKS
1	38H1160	ADAPTER FITTING	3		
2	R26448	O-RING	3		
3	T77613	O-RING	3		
4	14H1042	NUT	4	5/16"	
5	14H1080	NUT	2	3/8"	
8	AT317308	CONTROL VALVE	1		(LEFT BLADE LIFT)
9	AT317315	CONTROL VALVE	1		(BLADE TILT)
10	AT317313	CONTROL VALVE	1		(BLADE SIDE SHIFT)
11	AT317314	CONTROL VALVE	1		(CIRCLE ROTATE)
12	AT317330	HOUSING	1		
13	AT317331	HOUSING	1		
14	AT317307	HOUSING	1		(MID INLET VALVE SECTION)
15	T213026	STUD	2		
16	T213029	STUD	1		
17	AT317321	CONTROL VALVE	1		(RIPPER)
18	AT317322	CONTROL VALVE	1		(LEFT AUXILIARY SECTION WITH FLOAT)
19	AT317310	CONTROL VALVE	1		(LEFT AUXILIARY SECTION WITHOUT FLOAT)
28	T213028	STUD	2		
29	T213031	STUD	1		
30	AT302288	CONTROL VALVE	1		

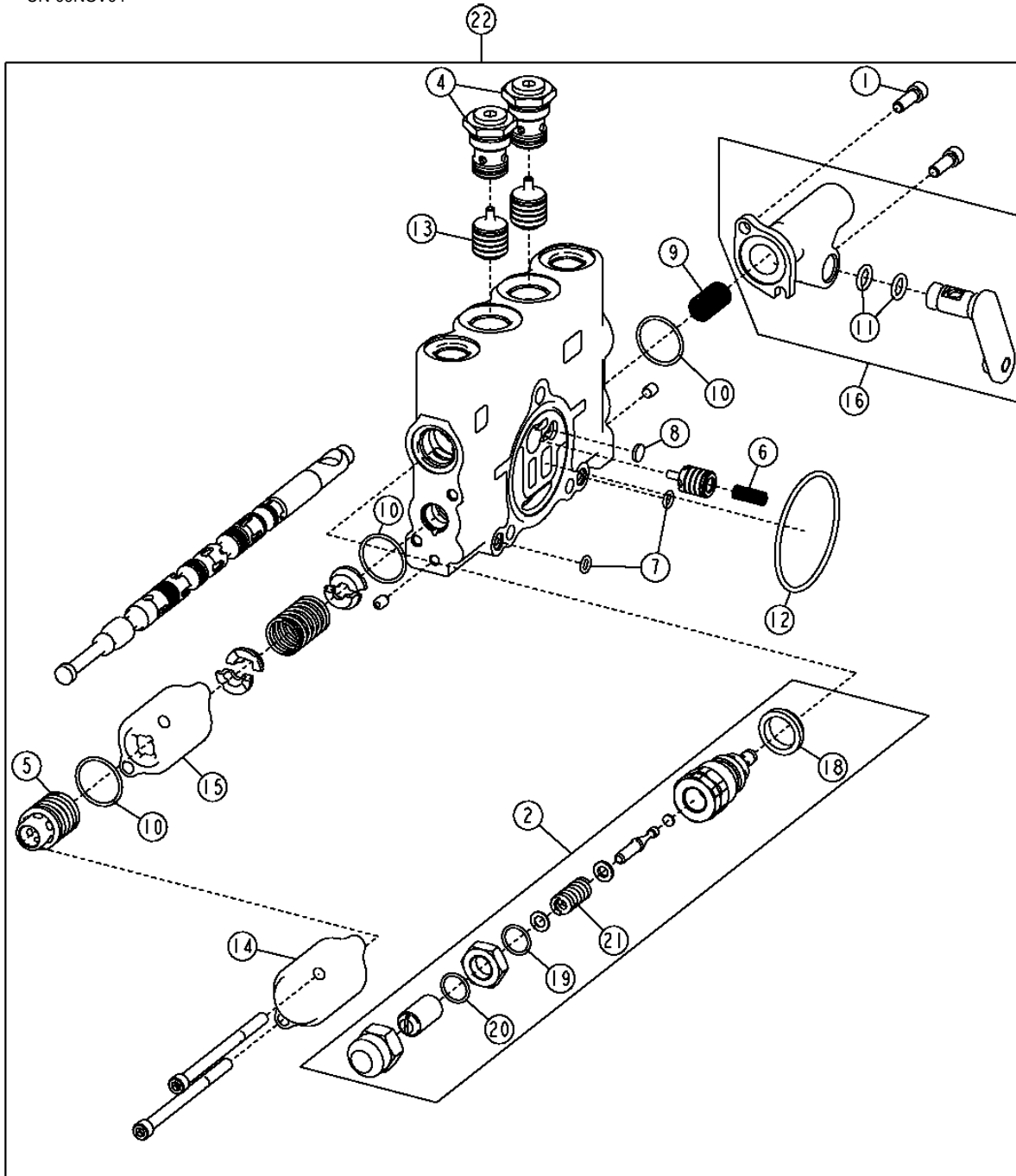
2162-22

VEHICLE MAIN HYDRAULIC SYSTEM 21

HYDRAULIC SELECTIVE CONTROL & LOAD HOLDING VALVES 2162 RIGHT BLADE LIFT VALVE SECTION SECTION DISTRIBUTEUR RELEVAGE DE LAME DROITE SECCION VALVULA DE ELEVACION DE HOJA DERECHO

T203541

-UN-09NOV04



T203541

3 — 18, 19, 20, 21

2162-23

VEHICLE MAIN HYDRAULIC SYSTEM 21

HYDRAULIC SELECTIVE CONTROL & LOAD HOLDING VALVES 2162
RIGHT BLADE LIFT VALVE SECTION
SECTION DISTRIBUTEUR RELEVAGE DE LAME DROITE
SECCION VALVULA DE ELEVACION DE HOJA DERECHO

KEY	PART NO.	PART NAME	QTY.	SERIAL NO.	REMARKS
1	19H2924	SCREW	2		1/4" X 3/4"
2	AT301226	PRESSURE RELIEF VALVE	1		3100 PSI
3	AT301227	SEAL KIT	1		
4	AT337941	CHECK VALVE	2		
5	AT317822	DETENT	1		
6	R111238	COMPRESSION SPRING	1		
7	R76578	O-RING	3		
8	R95493	DISK	1		
9	T190767	SPRING	1		
10	T213022	O-RING	3		
11	T213023	O-RING	2		
12	T213025	O-RING	1		
13	T213034	VALVE SPOOL	2		
14	T213033	HOUSING	1		
15	T213318	HOUSING	1		
16	AT348201	ACTUATOR	1		(RH)
18	T183756	SEAL	1		
19	R63548	O-RING	1		
20	O-RING	1		
21	SPRING	1		
22	AT317309	CONTROL VALVE	1		(RIGHT BLADE LIFT VALVE SECTION)

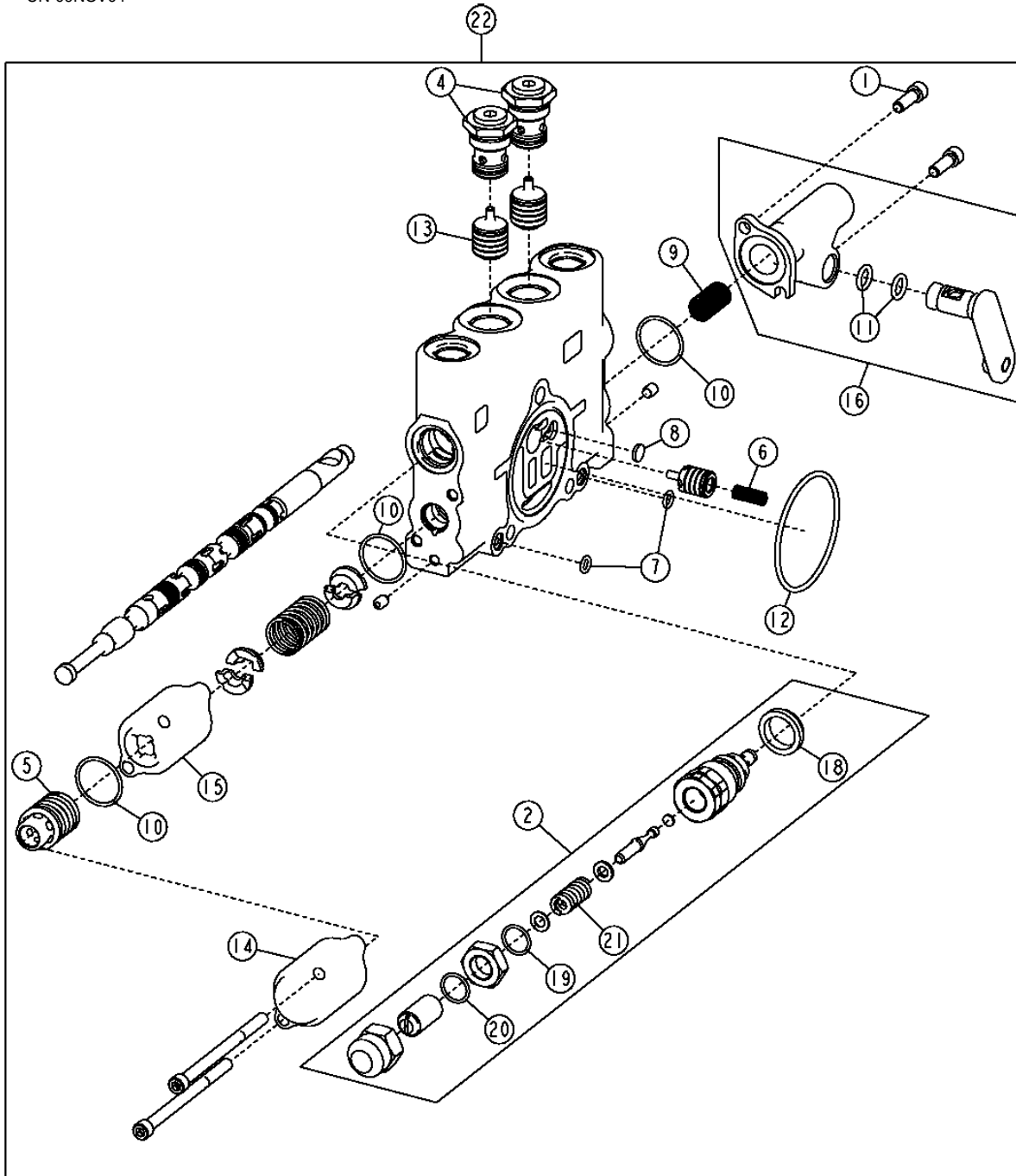
2162-24

VEHICLE MAIN HYDRAULIC SYSTEM 21

HYDRAULIC SELECTIVE CONTROL & LOAD HOLDING VALVES 2162 LEFT BLADE LIFT VALVE SECTION SECTION DISTRIBUTEUR RELEVAGE DE LAME GAUCHE SECCION DE VALVULA DE ELEVACION DE HOJA IZQUIERDO

T203541

-UN-09NOV04



T203541

3 18, 19, 20, 21

2162-25

VEHICLE MAIN HYDRAULIC SYSTEM 21

HYDRAULIC SELECTIVE CONTROL & LOAD HOLDING VALVES 2162
LEFT BLADE LIFT VALVE SECTION
SECTION DISTRIBUTEUR RELEVAGE DE LAME GAUCHE
SECCION DE VALVULA DE ELEVACION DE HOJA IZQUIERDO

KEY	PART NO.	PART NAME	QTY.	SERIAL NO.	REMARKS
1	19H2924	SCREW	2		1/4" X 3/4"
2	AT301226	PRESSURE RELIEF VALVE	1		3100 PSI
3	AT301227	SEAL KIT	1		
4	AT337941	CHECK VALVE	2		
5	AT317822	DETENT	1		
6	R111238	COMPRESSION SPRING	1		
7	R76578	O-RING	3		
8	R95493	DISK	1		
9	T190767	SPRING	1		
10	T213022	O-RING	3		
11	T213023	O-RING	2		
12	T213025	O-RING	1		
13	T213034	VALVE SPOOL	2		
14	T213033	HOUSING	1		
15	T213318	HOUSING	1		
16	AT348202	ACTUATOR	1		(LH)
18	T183756	SEAL	1		
19	R63548	O-RING	1		
20	O-RING	1		
21	SPRING	1		
22	AT317308	CONTROL VALVE	1		(LEFT BLADE LIFT VALVE SECTION)

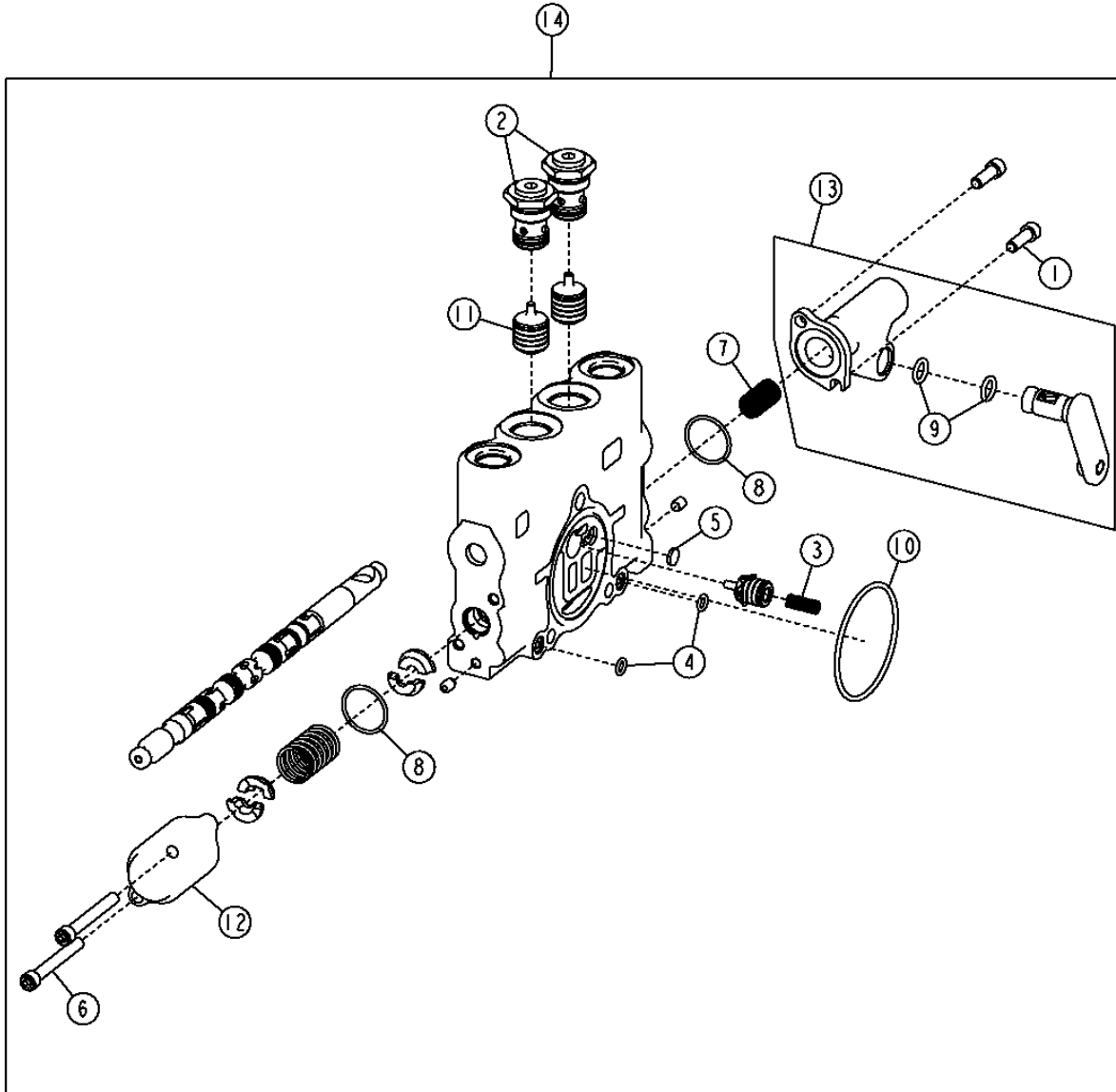
2162-26

VEHICLE MAIN HYDRAULIC SYSTEM 21

HYDRAULIC SELECTIVE CONTROL & LOAD HOLDING VALVES 2162 REAR STEERING VALVE SECTION SECTION DE SOUPAPE DE DIRECTION ARRIERE SECCION DE LA VALVULA DE DIRECCION TRASERA

T203404

-UN-09NOV04



T203404

2162-27

VEHICLE MAIN HYDRAULIC SYSTEM 21

HYDRAULIC SELECTIVE CONTROL & LOAD HOLDING VALVES 2162
REAR STEERING VALVE SECTION
SECTION DE SOUPAPE DE DIRECTION ARRIERE
SECCION DE LA VALVULA DE DIRECCION TRASERA

KEY	PART NO.	PART NAME	QTY.	SERIAL NO.	REMARKS
1	19H2924	SCREW	2		1/4" X 3/4"
2	AT337941	CHECK VALVE	2		
3	R111238	COMPRESSION SPRING	1		
4	R76578	O-RING	3		
5	R95493	DISK	1		
6	T118712	SCREW	2		
7	T190767	SPRING	1		
8	T213022	O-RING	2		
9	T213023	O-RING	2		
10	T213025	O-RING	1		
11	T213034	VALVE SPOOL	2		
12	T213033	HOUSING	1		
13	AT348201	ACTUATOR	1		
14	AT317316	CONTROL VALVE	1		

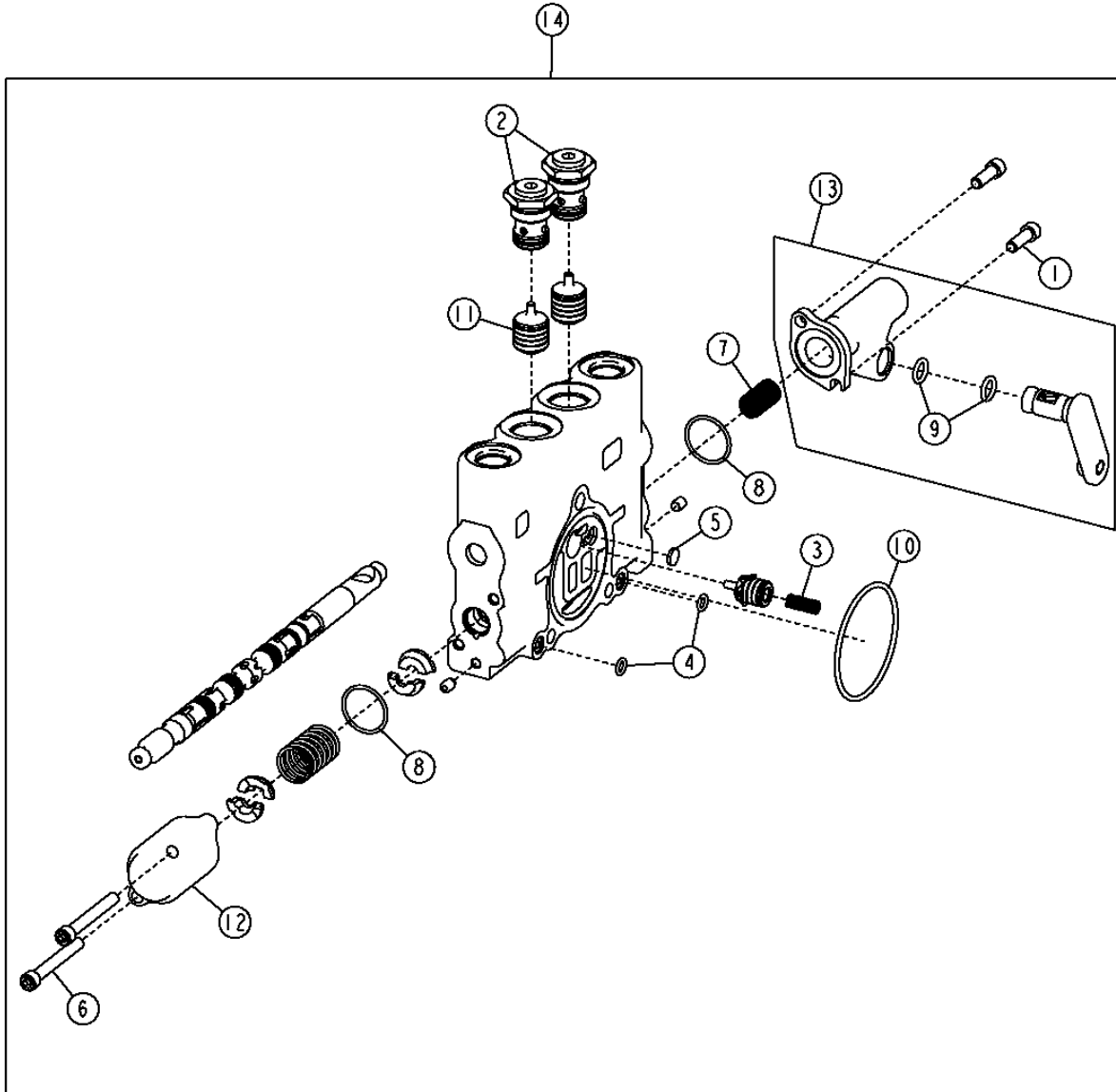
2162-28

VEHICLE MAIN HYDRAULIC SYSTEM 21

HYDRAULIC SELECTIVE CONTROL & LOAD HOLDING VALVES 2162 WHEEL LEAN VALVE SECTION SECTION DISTRIBUTEUR INCLINAISON DE ROUE SECCION DE VALVULA DE INCLINACION DE RUEDAS

T203404

-UN-09NOV04



T203404

2162-29

VEHICLE MAIN HYDRAULIC SYSTEM 21

HYDRAULIC SELECTIVE CONTROL & LOAD HOLDING VALVES 2162
WHEEL LEAN VALVE SECTION
SECTION DISTRIBUTEUR INCLINAISON DE ROUE
SECCION DE VALVULA DE INCLINACION DE RUEDAS

KEY	PART NO.	PART NAME	QTY.	SERIAL NO.	REMARKS
1	19H2924	SCREW	2		1/4" X 3/4"
2	AT337941	CHECK VALVE	2		
3	R111238	COMPRESSION SPRING	1		
4	R76578	O-RING	3		
5	R95493	DISK	1		
6	T118712	SCREW	2		
7	T190767	SPRING	1		
8	T213022	O-RING	2		
9	T213023	O-RING	2		
10	T213025	O-RING	1		
11	T213034	VALVE SPOOL	2		
12	T213033	HOUSING	1		
13	AT348201	ACTUATOR	1		
14	AT317318	CONTROL VALVE	1		

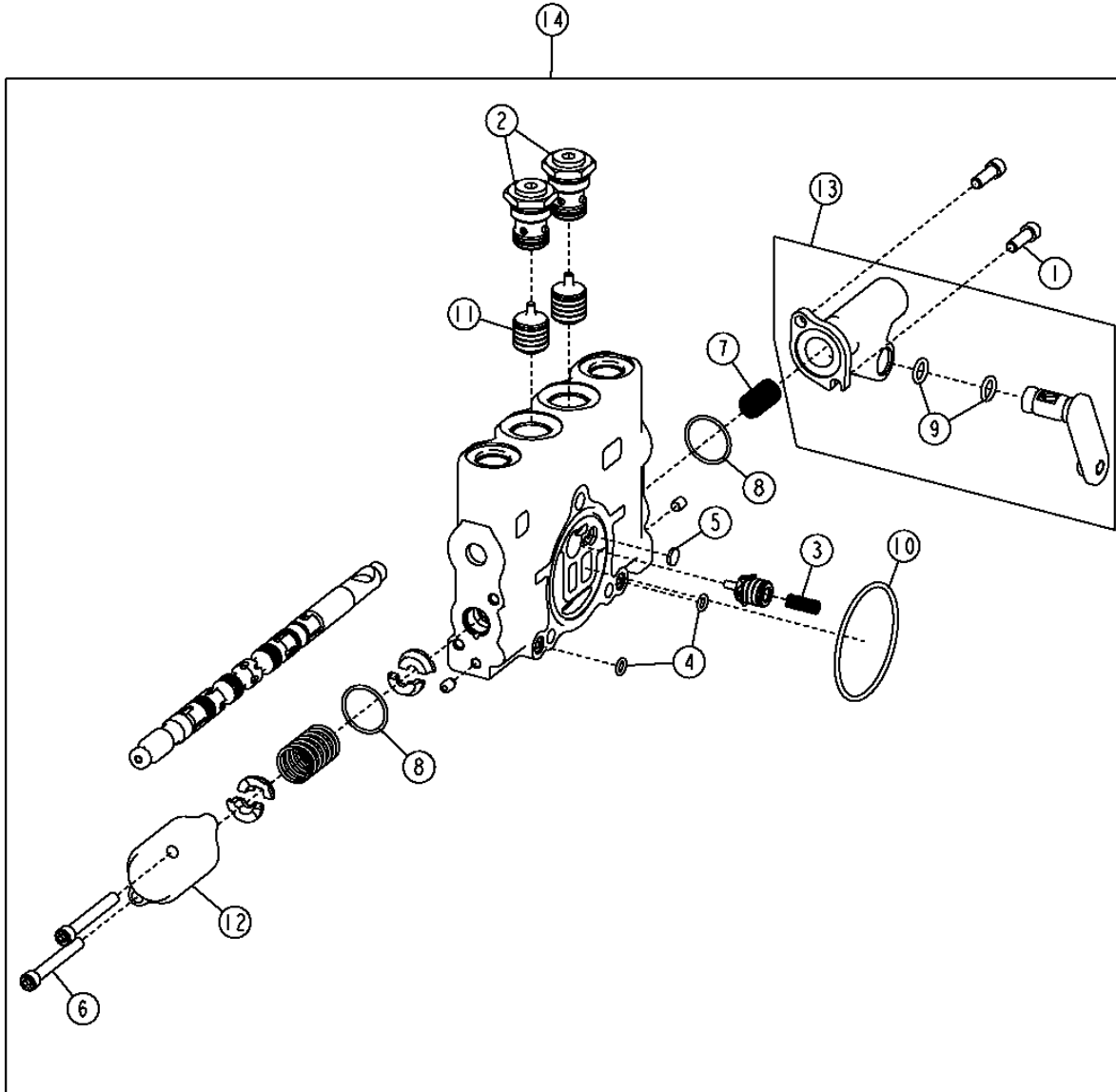
2162-30

VEHICLE MAIN HYDRAULIC SYSTEM 21

HYDRAULIC SELECTIVE CONTROL & LOAD HOLDING VALVES 2162
CIRCLE SIDE SHIFT VALVE SECTION
SECTION DISTR. DEPLACT LATERAL PATEAU
SECCION DE VALVULA DE DESPLAZAMIENTO LATERAL DE CIRCULO

T203404

-UN-09NOV04



T203404

2162-31

VEHICLE MAIN HYDRAULIC SYSTEM 21

HYDRAULIC SELECTIVE CONTROL & LOAD HOLDING VALVES 2162
CIRCLE SIDE SHIFT VALVE SECTION
SECTION DISTR. DEPLACT LATERAL PLATEAU
SECCION DE VALVULA DE DESPLAZAMIENTO LATERAL DE CIRCULO

KEY	PART NO.	PART NAME	QTY.	SERIAL NO.	REMARKS
1	19H2924	SCREW	2		1/4" X 3/4"
2	AT337941	CHECK VALVE	2		
3	R111238	COMPRESSION SPRING	1		
4	R76578	O-RING	3		
5	R95493	DISK	1		
6	T118712	SCREW	2		
7	T190767	SPRING	1		
8	T213022	O-RING	2		
9	T213023	O-RING	2		
10	T213025	O-RING	1		
11	T213034	VALVE SPOOL	2		
12	T213033	HOUSING	1		
13	AT348201	ACTUATOR	1		
14	AT317317	CONTROL VALVE	1		

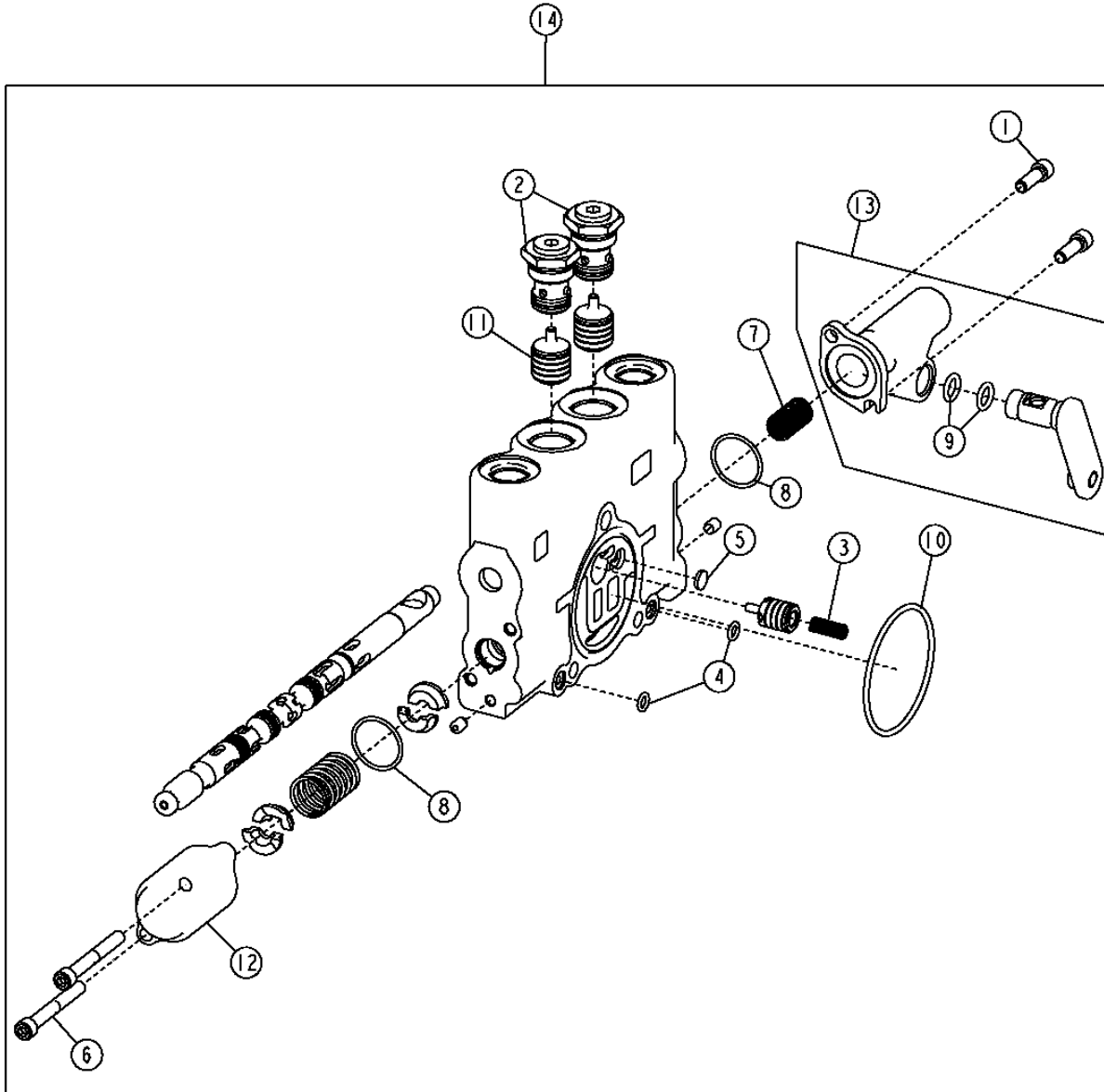
2162-32

VEHICLE MAIN HYDRAULIC SYSTEM 21

HYDRAULIC SELECTIVE CONTROL & LOAD HOLDING VALVES 2162 BLADE SIDE SHIFT VALVE SECTION SECTION DISTRIBUTEUR DE DEPLACEMENT LATERAL DE LAME SECCION DE VALVULA DE DESPLAZAMIENTO LATERAL DE HOJA

T203406

-UN-09NOV04



T203406

2162-33

VEHICLE MAIN HYDRAULIC SYSTEM 21

HYDRAULIC SELECTIVE CONTROL & LOAD HOLDING VALVES 2162

BLADE SIDE SHIFT VALVE SECTION
SECTION DISTRIBUTEUR DE DEPLACEMENT LATERAL DE LAME
SECCION DE VALVULA DE DESPLAZAMIENTO LATERAL DE HOJA

KEY	PART NO.	PART NAME	QTY.	SERIAL NO.	REMARKS
1	19H2924	SCREW	2		1/4" X 3/4"
2	AT337941	CHECK VALVE	2		
3	R111238	COMPRESSION SPRING	1		
4	R76578	O-RING	3		
5	R95493	DISK	1		
6	T118712	SCREW	2		
7	T190767	SPRING	1		
8	T213022	O-RING	2		
9	T213023	O-RING	2		
10	T213025	O-RING	1		
11	T213034	VALVE SPOOL	2		
12	T213033	HOUSING	2		
13	AT348202	ACTUATOR	1		
14	AT317313	CONTROL VALVE	1		(BLADE SIDE SHIFT VALVE SECTION)

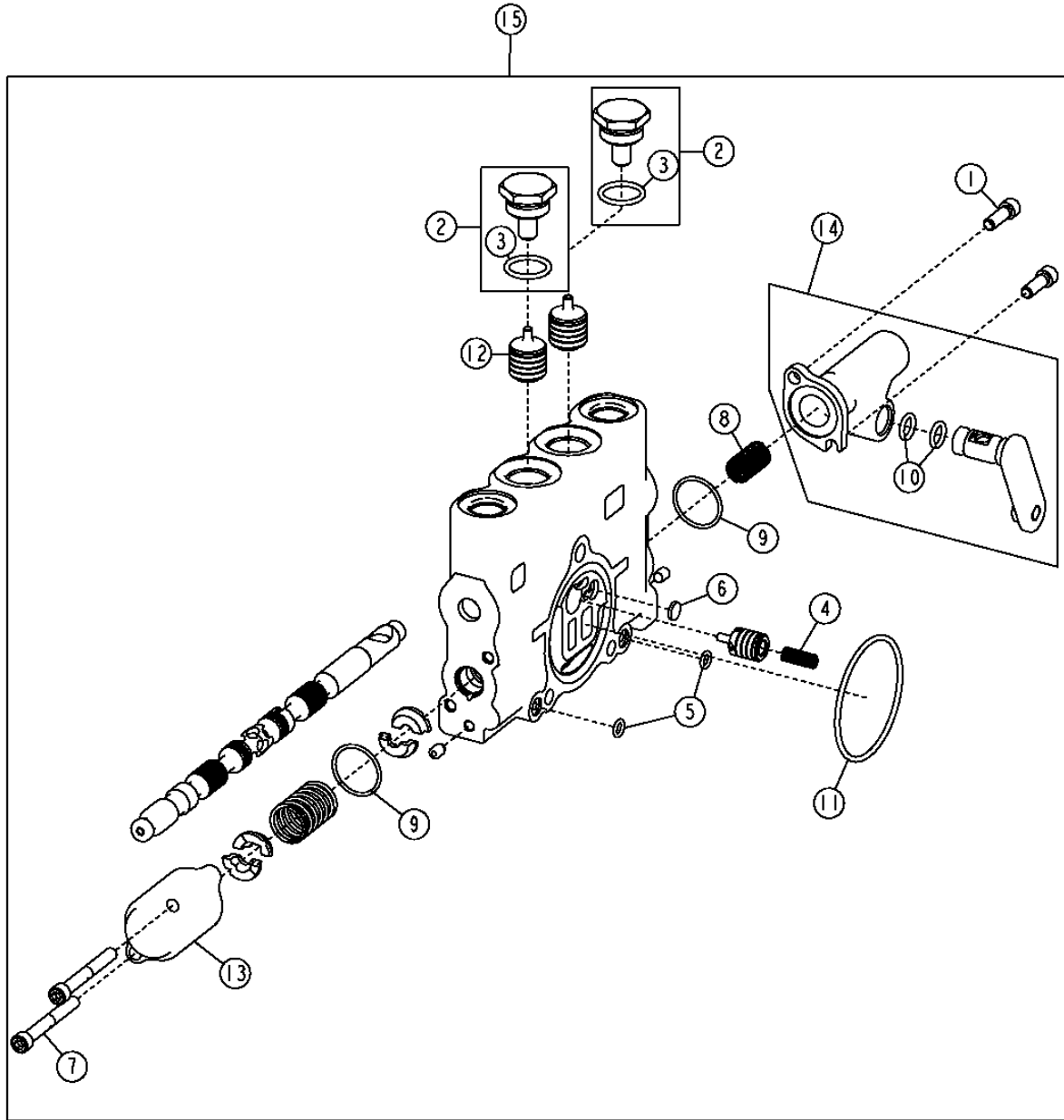
2162-34

VEHICLE MAIN HYDRAULIC SYSTEM 21

HYDRAULIC SELECTIVE CONTROL & LOAD HOLDING VALVES 2162 CIRCLE ROTATE VALVE SECTION SECTION DISTRIBUTEUR DE ROTATION DE PLATEAU SECCION DE VALVULA DE GIRO DE CIRCULO

T203405

-UN-09NOV04



T203405

2162-35

VEHICLE MAIN HYDRAULIC SYSTEM 21

HYDRAULIC SELECTIVE CONTROL & LOAD HOLDING VALVES 2162
CIRCLE ROTATE VALVE SECTION
SECTION DISTRIBUTEUR DE ROTATION DE PLATEAU
SECCION DE VALVULA DE GIRO DE CIRCULO

KEY	PART NO.	PART NAME	QTY.	SERIAL NO.	REMARKS
1	19H2924	SCREW	2		1/4" X 3/4"
2	AT317820	FITTING	2		
3	R26906	O-RING	1		
4	R111238	COMPRESSION SPRING	1		
5	R76578	O-RING	3		
6	R95493	DISK	1		
7	T118712	SCREW	2		
8	T190767	SPRING	1		
9	T213022	O-RING	2		
10	T213023	O-RING	2		
11	T213025	O-RING	1		
12	T213034	VALVE SPOOL	2		
13	T213033	HOUSING	1		
14	AT348202	ACTUATOR	1		
15	AT317314	CONTROL VALVE	1		(CIRCLE ROTATE VALVE SECTION)

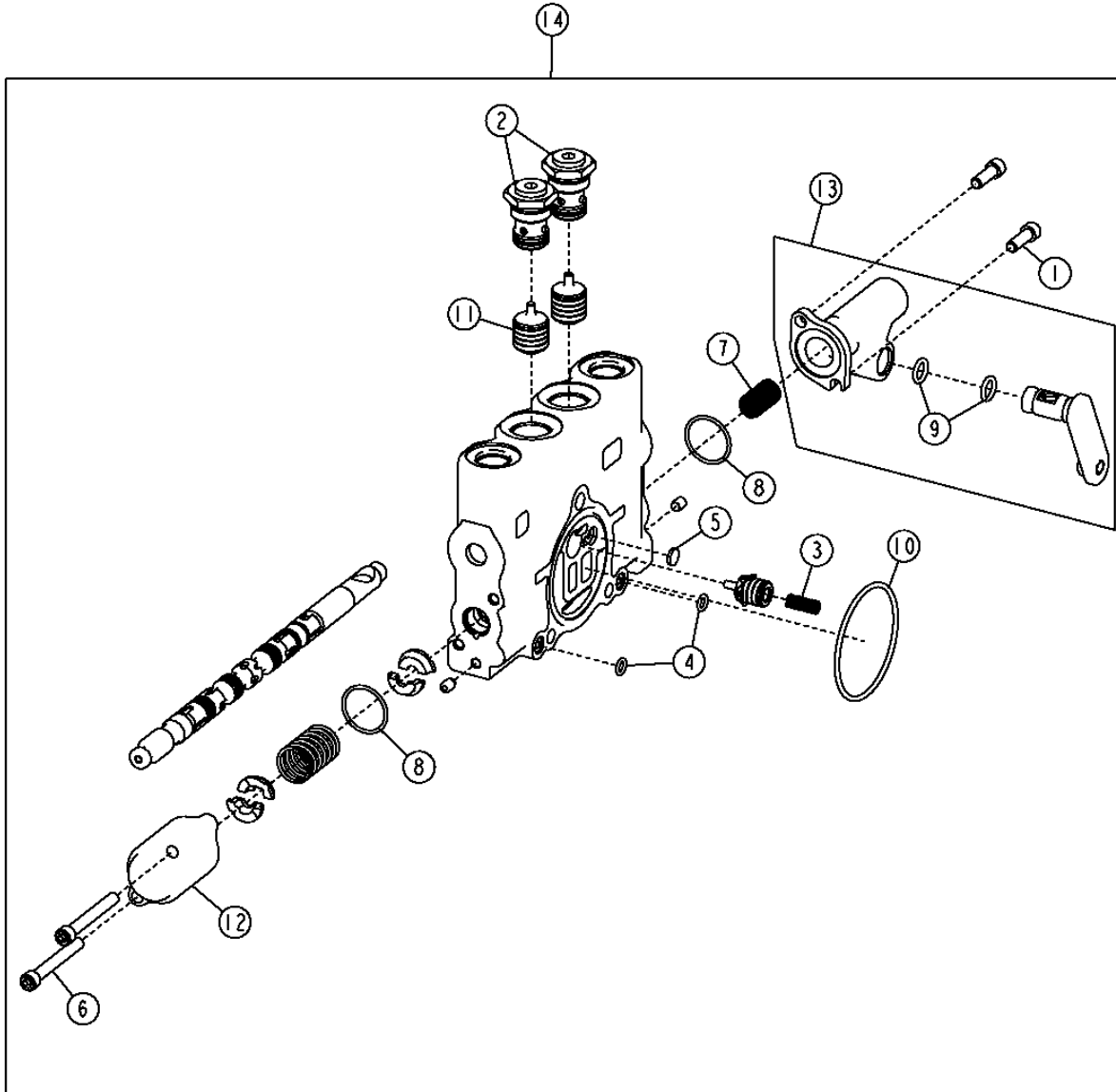
2162-36

VEHICLE MAIN HYDRAULIC SYSTEM 21

HYDRAULIC SELECTIVE CONTROL & LOAD HOLDING VALVES 2162 BLADE TILT VALVE SECTION SECTION DISTRIBUTEUR D'INCLINAISON DE LAME SECCION DE VALVULA DE INCLINACION DE HOJA

T203404

-UN-09NOV04



T203404

2162-37

VEHICLE MAIN HYDRAULIC SYSTEM 21

HYDRAULIC SELECTIVE CONTROL & LOAD HOLDING VALVES 2162
BLADE TILT VALVE SECTION
SECTION DISTRIBUTEUR D'INCLINAISON DE LAME
SECCION DE VALVULA DE INCLINACION DE HOJA

KEY	PART NO.	PART NAME	QTY.	SERIAL NO.	REMARKS
1	19H2924	SCREW	2		1/4" X 3/4"
2	AT337941	CHECK VALVE	2		
3	R111238	COMPRESSION SPRING	1		
4	R76578	O-RING	3		
5	R95493	DISK	1		
6	T118712	SCREW	2		
7	T190767	SPRING	1		
8	T213022	O-RING	2		
9	T213023	O-RING	2		
10	T213025	O-RING	1		
11	T213034	VALVE SPOOL	2		
12	T213033	HOUSING	1		
13	AT348202	ACTUATOR	1		
14	AT317315	CONTROL VALVE	1		(BLADE TILT VALVE SECTION)

2162-38

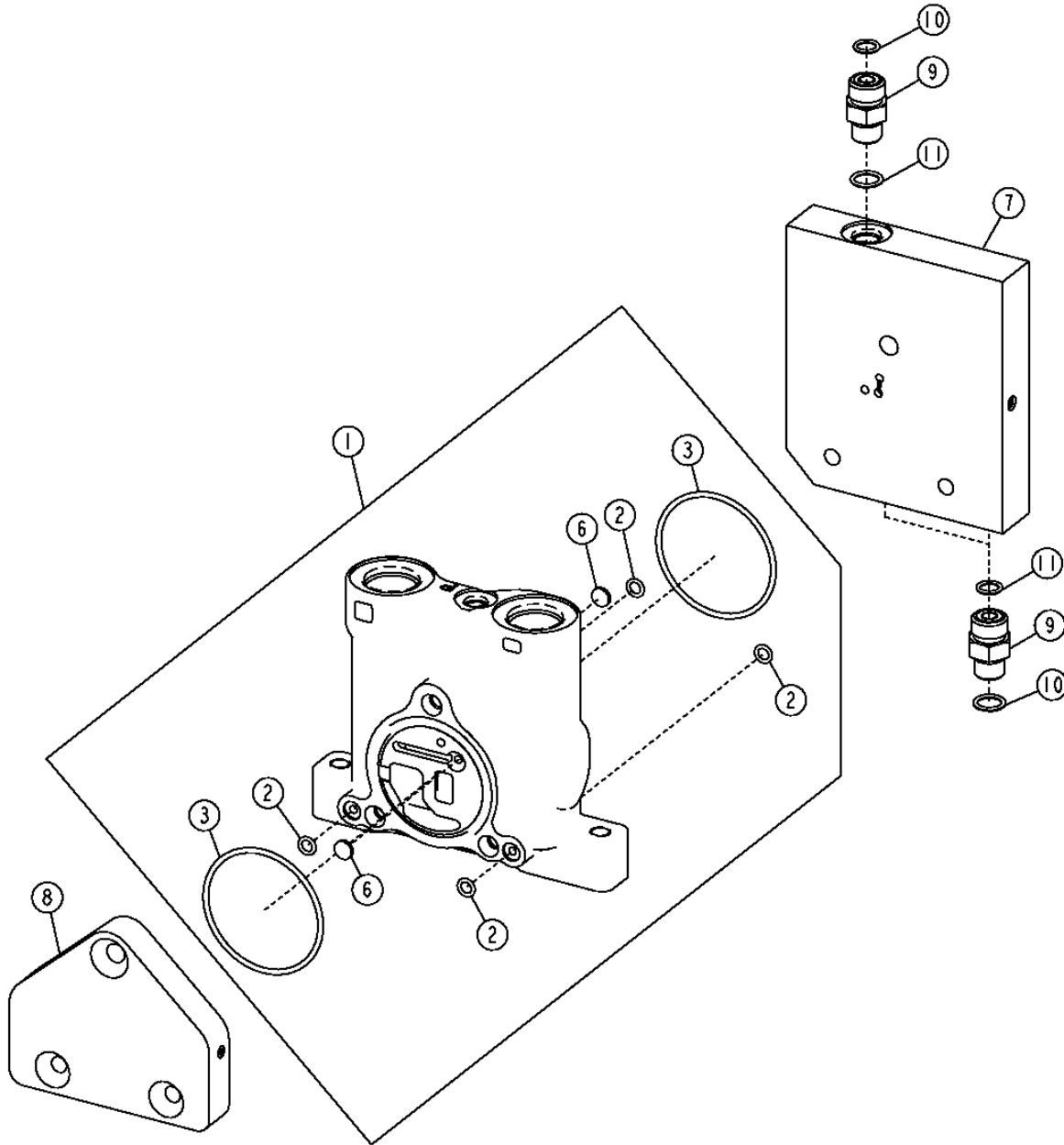
VEHICLE MAIN HYDRAULIC SYSTEM 21

HYDRAULIC SELECTIVE CONTROL & LOAD HOLDING VALVES 2162

RIGHT MAIN HYDRAULIC CONTROL VALVE INLET AND OUTLET SECTIONS
SECTIONS D'ENTREE ET DE SORTIE DE DISTRIBUTEUR HYDRAULIQUE PRINCIPAL DROIT
SECCIONES ENTRADA Y SALIDA DE VALVULA DE CONTROL HIDRAULICO PRINCIPAL DERECHA

T214128

-UN-19SEP05



T214128

2162-39

VEHICLE MAIN HYDRAULIC SYSTEM 21

HYDRAULIC SELECTIVE CONTROL & LOAD HOLDING VALVES 2162
RIGHT MAIN HYDRAULIC CONTROL VALVE INLET AND OUTLET SECTIONS
SECTIONS D'ENTREE ET DE SORTIE DE DISTRIBUTEUR HYDRAULIQUE PRINCIPAL DROIT
SECCIONES ENTRADA Y SALIDA DE VALVULA DE CONTROL HIDRAULICO PRINCIPAL DERECHA

KEY	PART NO.	PART NAME	QTY.	SERIAL NO.	REMARKS
1	AT327176	HOUSING	1		
2	R76578	O-RING	4		
3	T213025	O-RING	2		
6	R95493	DISK	2		
7	AT317329	HOUSING	1		
8	AT317331	HOUSING	1		
9	38H1160	ADAPTER FITTING	3		
10	T77613	O-RING	3		
11	R26448	O-RING	3		

2162-40

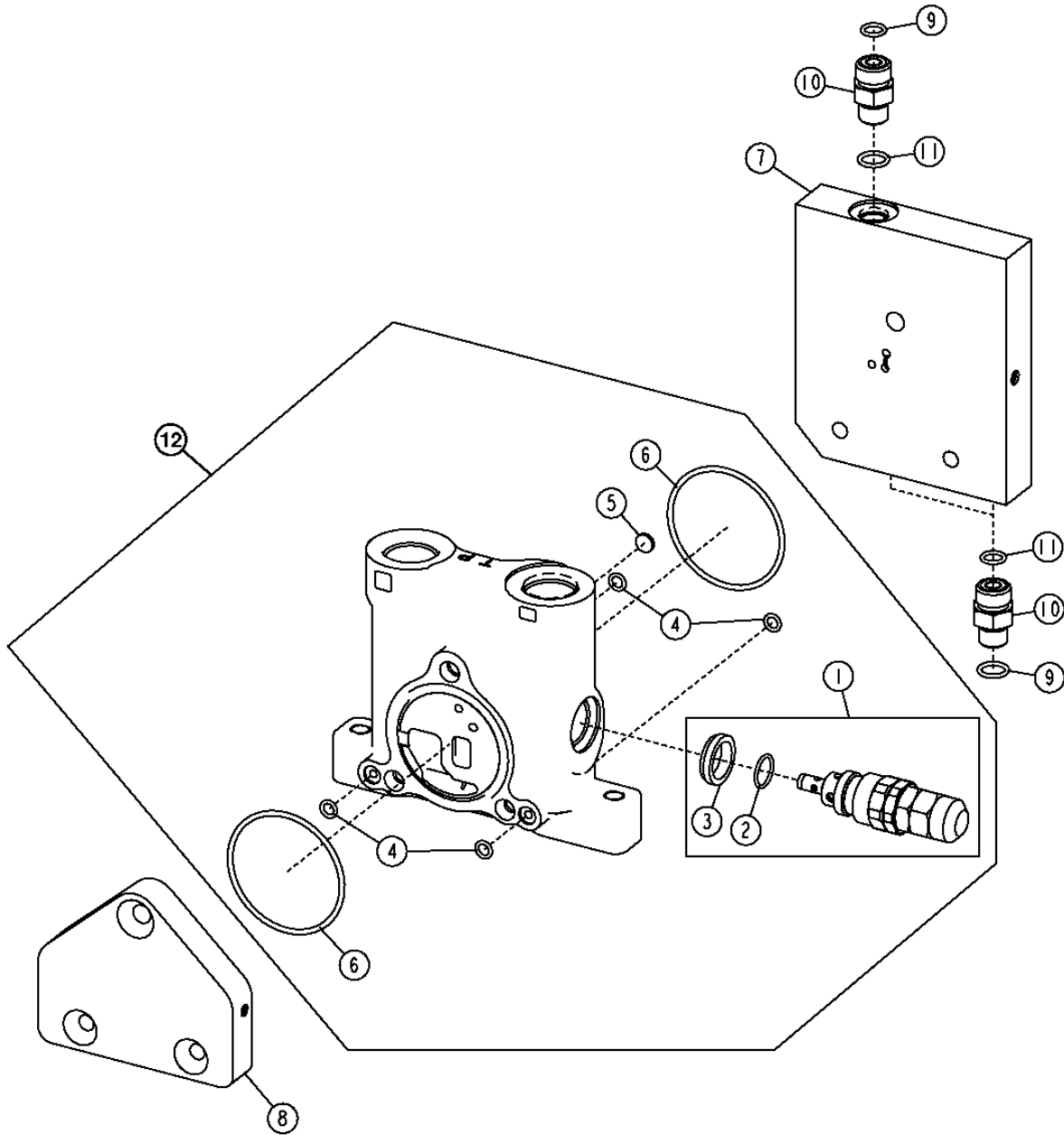
VEHICLE MAIN HYDRAULIC SYSTEM 21

HYDRAULIC SELECTIVE CONTROL & LOAD HOLDING VALVES 2162

LEFT MAIN HYDRAULIC CONTROL VALVE INLET AND OUTLET SECTIONS
SECTIONS D'ENTREE ET DE SORTIE DE DISTRIBUTEUR HYDRAULIQUE PRINCIPAL GAUCHE
SECCIONES ENTRADA Y SALIDA DE VALVULA DE CONTROL HIDRAULICO PRINCIPAL IZQUIERDO

TX1052228

-UN-30DEC08



TX1052228

2162-41

VEHICLE MAIN HYDRAULIC SYSTEM 21

HYDRAULIC SELECTIVE CONTROL & LOAD HOLDING VALVES 2162

LEFT MAIN HYDRAULIC CONTROL VALVE INLET AND OUTLET SECTIONS
SECTIONS D'ENTREE ET DE SORTIE DE DISTRIBUTEUR HYDRAULIQUE PRINCIPAL GAUCHE
SECCIONES ENTRADA Y SALIDA DE VALVULA DE CONTROL HIDRAULICO PRINCIPAL IZQUIERDO

KEY	PART NO.	PART NAME	QTY.	SERIAL NO.	REMARKS
1	AT317323	PRESSURE RELIEF VALVE	1		
2	T150961	O-RING	1		
3	T183756	SEAL	1		
4	R76578	O-RING	4		
5	R95493	DISK	2		
6	T213025	O-RING	2		
7	AT317330	HOUSING	1		
8	AT317331	HOUSING	1		
9	T77613	O-RING	3		
10	38H1160	ADAPTER FITTING	3		
11	R26448	O-RING	3		
12	AT317307	HOUSING	1		

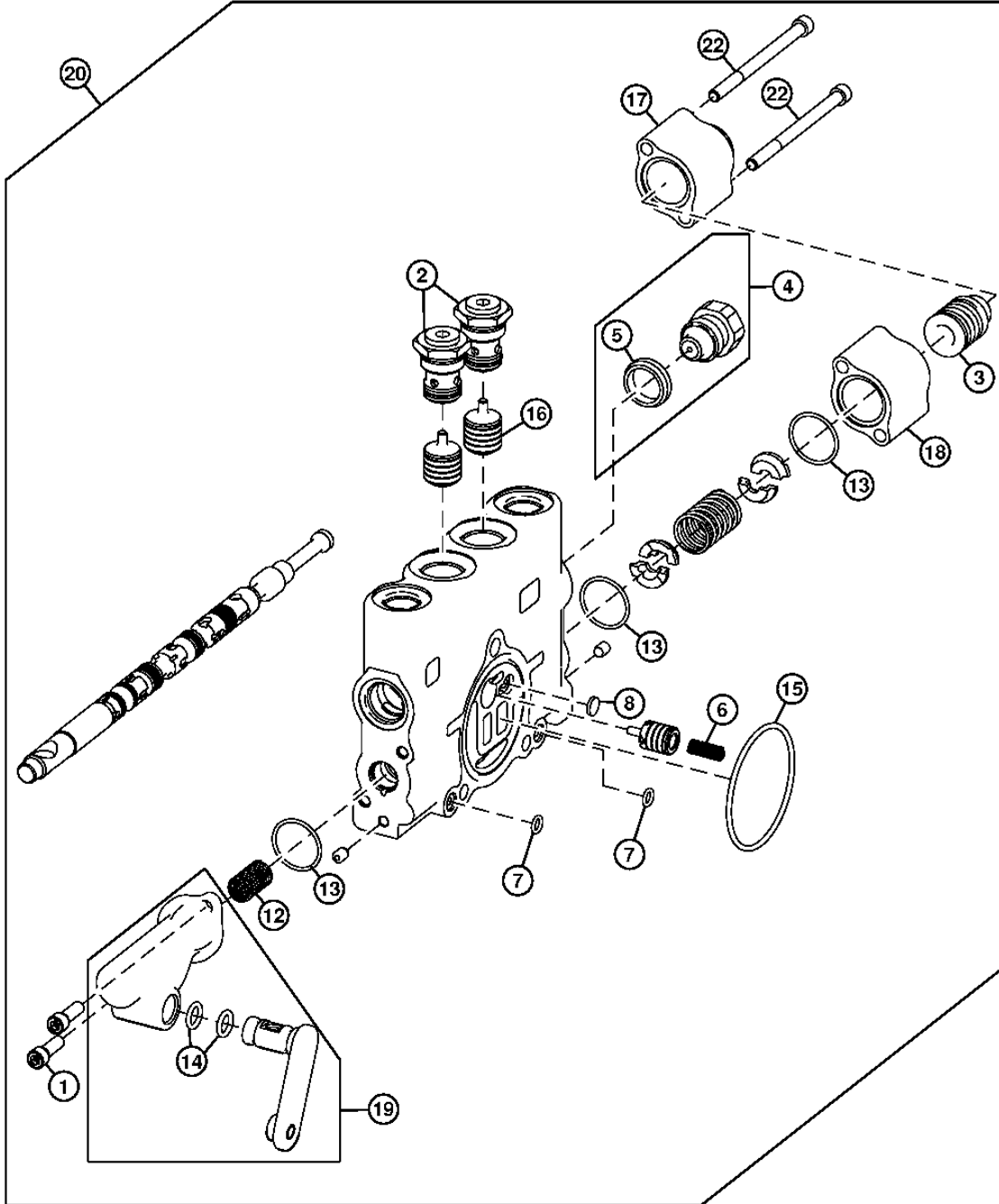
2162-42

VEHICLE MAIN HYDRAULIC SYSTEM 21

HYDRAULIC SELECTIVE CONTROL & LOAD HOLDING VALVES 2162 SCARIFIER VALVE SECTION SECTION DISTRIBUTEUR DE SCARIFICATEUR SECCION DE VALVULA DE ESCARIFICADOR

TX1050344

-UN-22OCT08



TX1050344

2162-43

VEHICLE MAIN HYDRAULIC SYSTEM 21

HYDRAULIC SELECTIVE CONTROL & LOAD HOLDING VALVES 2162
SCARIFIER VALVE SECTION
SECTION DISTRIBUTEUR DE SCARIFICATEUR
SECCION DE VALVULA DE ESCARIFICADOR

KEY	PART NO.	PART NAME	QTY.	SERIAL NO.	REMARKS
1	19H2924	SCREW	2		1/4" X 3/4"
2	AT337941	CHECK VALVE	2		
3	AT317822	DETENT	1		
4	AT78527	FITTING PLUG	1		
5	T183756	SEAL	1		
6	R111238	COMPRESSION SPRING	1		
7	R76578	O-RING	2		
8	R95493	DISK	1		
12	T190767	SPRING	1		
13	T213022	O-RING	3		
14	T213023	O-RING	2		
15	T213025	O-RING	1		
16	T213034	VALVE SPOOL	2		
17	T213033	HOUSING	1		
18	T213318	HOUSING	1		
19	AT348202	ACTUATOR	1		
20	AT317319	CONTROL VALVE	1		
22	T191335	SCREW	2		.25" X 3.5"

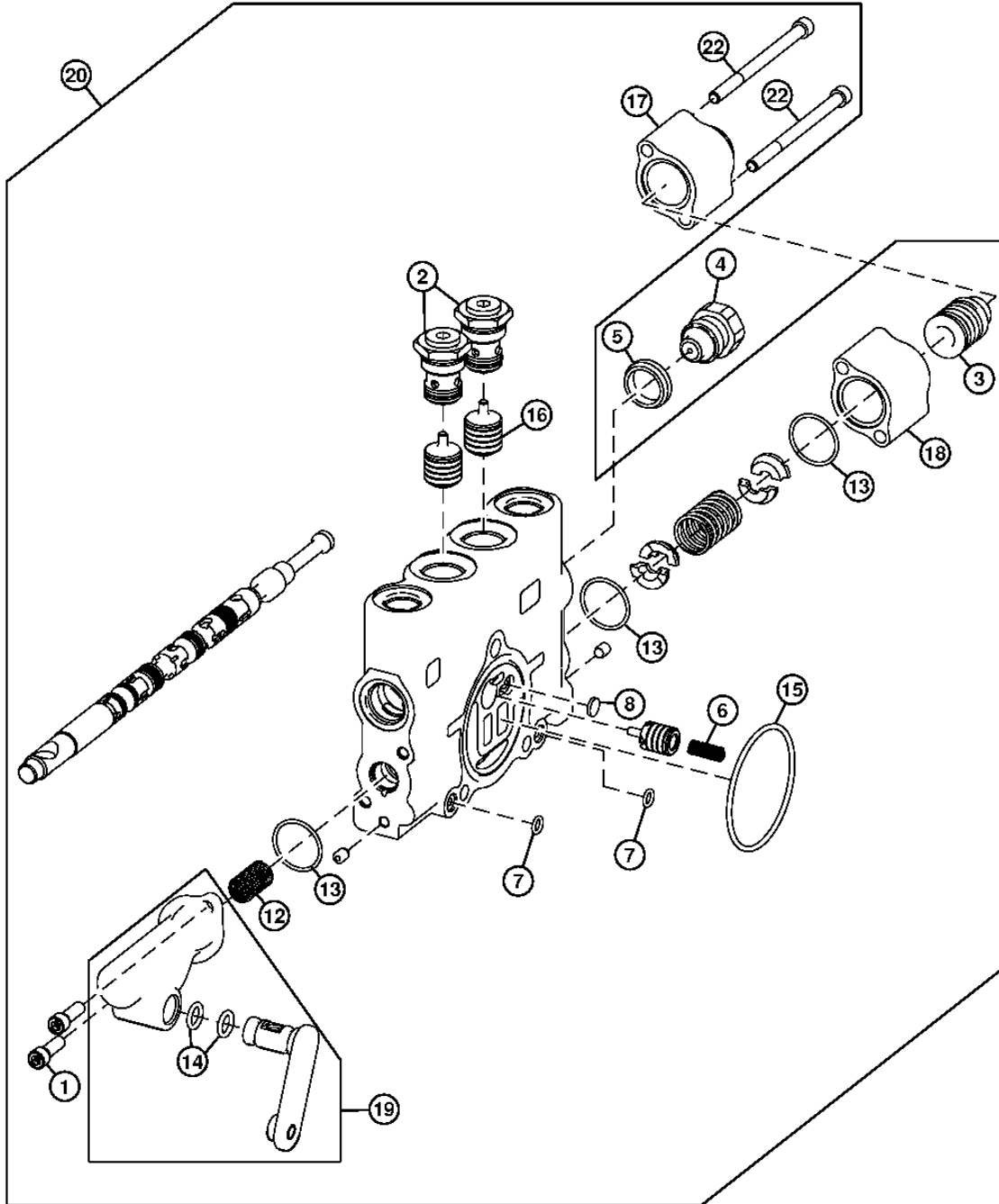
2162-44

VEHICLE MAIN HYDRAULIC SYSTEM 21

HYDRAULIC SELECTIVE CONTROL & LOAD HOLDING VALVES 2162 MID MOUNTED SCARIFIER VALVE SECTION SECTION DE DISTRIBUTEUR DE SCARIFICATEUR CENTRAL SECCION DE VALVULA DE ESCARIFICADOR DE MONTAJE INTERMEDIO

TX1050465

-UN-01DEC08



TX1050465

2162-45

VEHICLE MAIN HYDRAULIC SYSTEM 21

HYDRAULIC SELECTIVE CONTROL & LOAD HOLDING VALVES 2162
MID MOUNTED SCARIFIER VALVE SECTION
SECTION DE DISTRIBUTEUR DE SCARIFICATEUR CENTRAL
SECCION DE VALVULA DE ESCARIFICADOR DE MONTAJE INTERMEDIO

KEY	PART NO.	PART NAME	QTY.	SERIAL NO.	REMARKS
1	19H2924	SCREW	2		1/4" X 3/4"
2	AT337941	CHECK VALVE	2		
3	AT317822	DETENT	1		
4	AT317324	PRESSURE RELIEF VALVE	1		
5	T183756	SEAL	1		
6	R111238	COMPRESSION SPRING	1		
7	R76578	O-RING	2		
8	R95493	DISK	1		
12	T190767	SPRING	1		
13	T213022	O-RING	3		
14	T213023	O-RING	2		
15	T213025	O-RING	1		
16	T213034	VALVE SPOOL	2		
17	T213033	HOUSING	1		
18	T213318	HOUSING	1		
19	AT348202	ACTUATOR	1		
20	AT317319	CONTROL VALVE	1		
22	T191335	SCREW	2		.25" X 3.5"

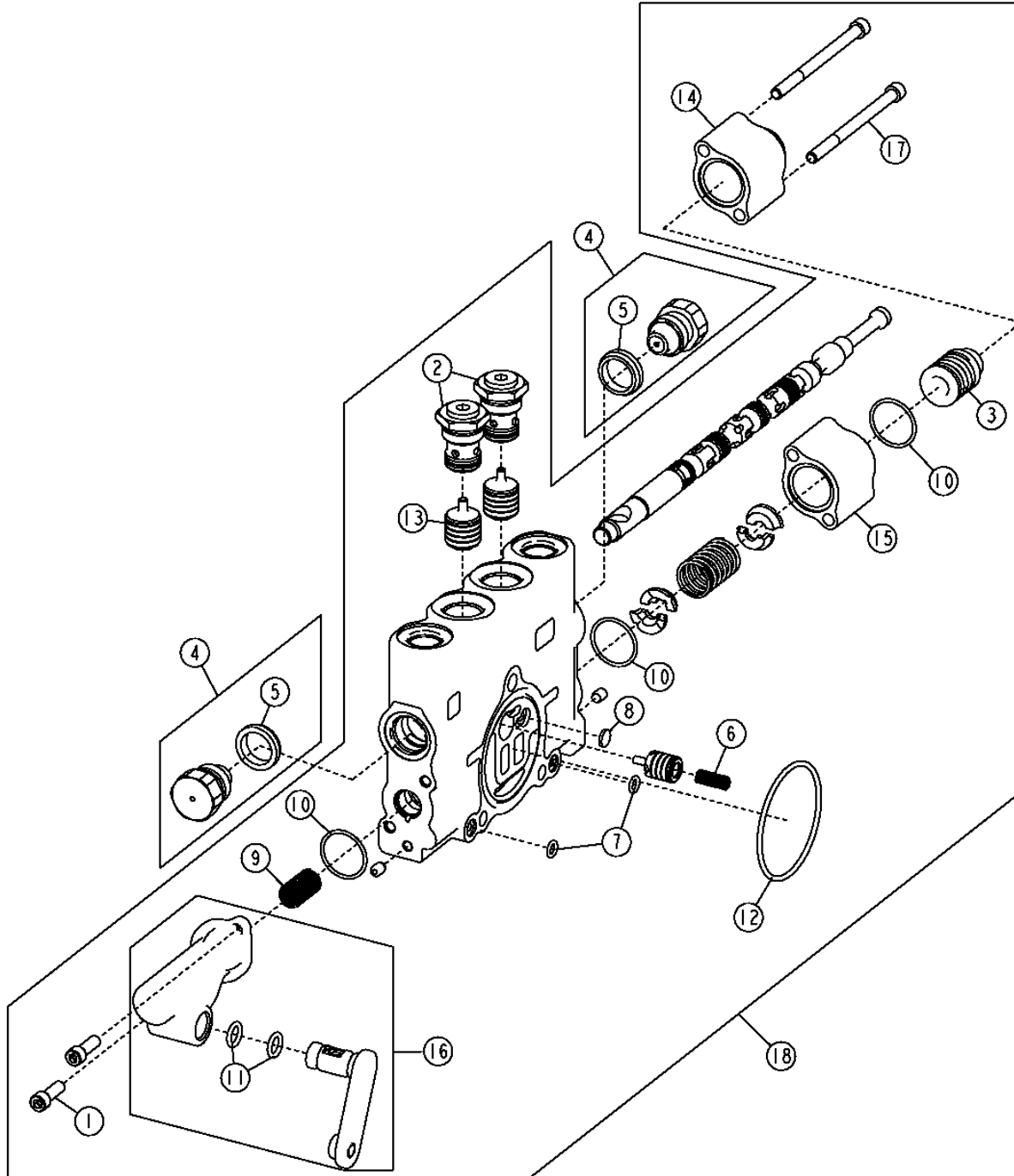
2162-46

VEHICLE MAIN HYDRAULIC SYSTEM 21

HYDRAULIC SELECTIVE CONTROL & LOAD HOLDING VALVES 2162 RIPPER VALVE SECTION SECTION DISTRIBUTEUR DE DEFONCEUSE SECCION DE VALVULA DE DESGARRADORA

T210408

-UN-15APR05



T210408

2162-47

VEHICLE MAIN HYDRAULIC SYSTEM 21

HYDRAULIC SELECTIVE CONTROL & LOAD HOLDING VALVES 2162
RIPPER VALVE SECTION
SECTION DISTRIBUTEUR DE DEFONCEUSE
SECCION DE VALVULA DE DESGARRADORA

KEY	PART NO.	PART NAME	QTY.	SERIAL NO.	REMARKS
1	19H2924	SCREW	2		1/4" X 3/4"
2	AT337941	CHECK VALVE	2		(SUB FOR AT317328)
3	AT317822	DETENT	1		
4	AT78527	FITTING PLUG	2		
5	T183756	SEAL	1		
6	R111238	COMPRESSION SPRING	1		
7	R76578	O-RING	3		
8	R95493	DISK	1		
9	T190767	SPRING	1		
10	T213022	O-RING	3		
11	T213023	O-RING	2		
12	T213025	O-RING	1		
13	T213034	VALVE SPOOL	2		
14	T213033	HOUSING	1		
15	T213318	HOUSING	1		
16	AT348201	ACTUATOR	1		(SUB FOR AT317304)
17	T118712	SCREW	2		.25" X 3.5"
18	AT317321	CONTROL VALVE	1		(RIPPER VALVE SECTION)

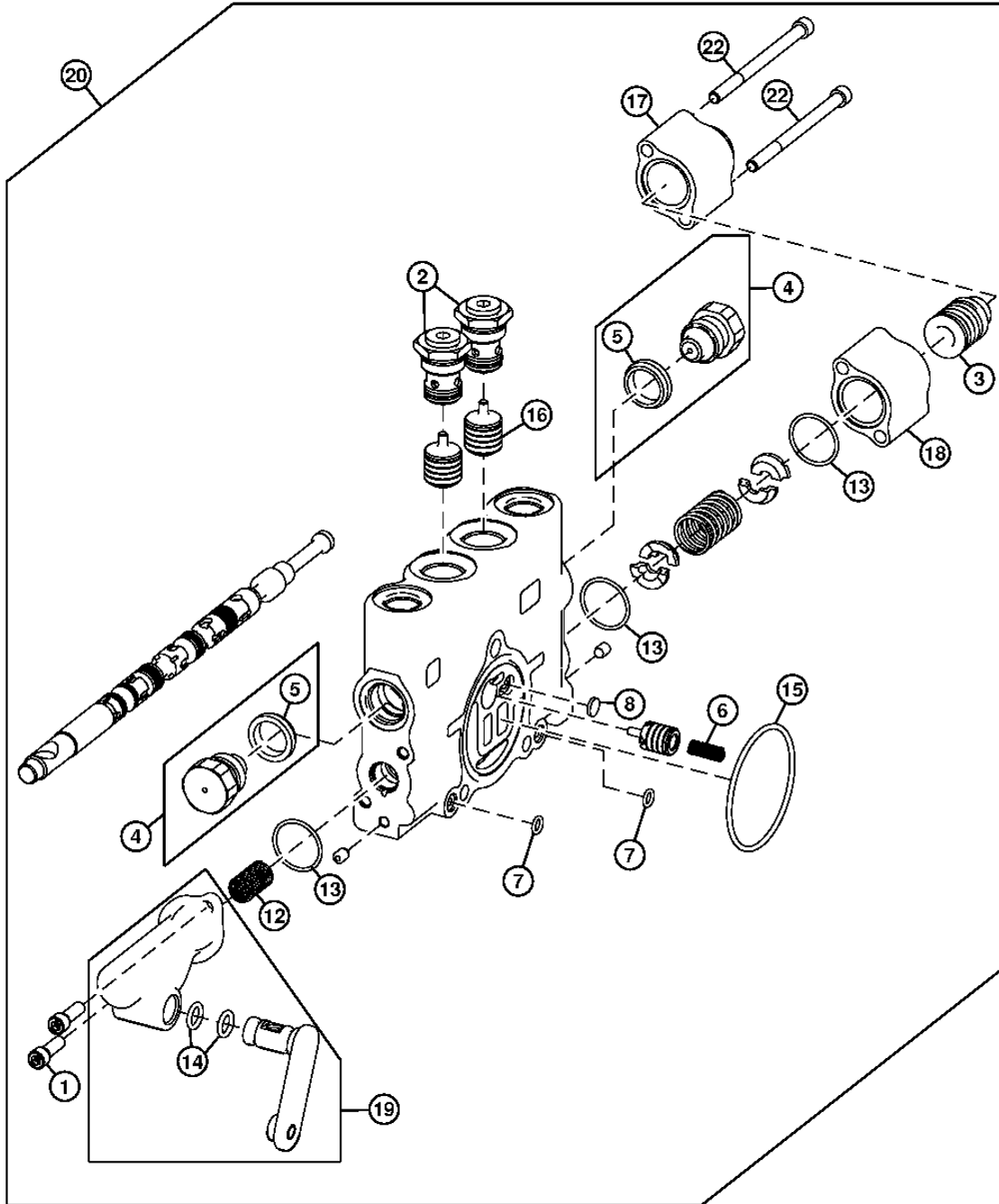
2162-48

VEHICLE MAIN HYDRAULIC SYSTEM 21

HYDRAULIC SELECTIVE CONTROL & LOAD HOLDING VALVES 2162 RIGHT AUXILIARY VALVE SECTION WITH FLOAT SECTION DISTRIBUTEUR AUX DROITE AVEC FLOTTEUR SECCION VALVULA AUX DERECHA CON FLOTACION

TX1050348

-UN-22OCT08



TX1050348

2162-49

VEHICLE MAIN HYDRAULIC SYSTEM 21

HYDRAULIC SELECTIVE CONTROL & LOAD HOLDING VALVES 2162
RIGHT AUXILIARY VALVE SECTION WITH FLOAT
SECTION DISTRIBUTEUR AUX DROITE AVEC FLOTTEUR
SECCION VALVULA AUX DERECHA CON FLOTACION

KEY	PART NO.	PART NAME	QTY.	SERIAL NO.	REMARKS
1	19H2924	SCREW	2		1/4" X 3/4"
2	AT337941	CHECK VALVE	2		
3	AT317822	DETENT	1		
4	AT78527	FITTING PLUG	2		
5	T183756	SEAL	1		
6	R111238	COMPRESSION SPRING	1		
7	R76578	O-RING	2		
8	R95493	DISK	1		
12	T190767	SPRING	1		
13	T213022	O-RING	3		
14	T213023	O-RING	2		
15	T213025	O-RING	1		
16	T213034	VALVE SPOOL	2		
17	T213033	HOUSING	1		
18	T213318	HOUSING	1		
19	AT348202	ACTUATOR	1		
20	AT319023	CONTROL VALVE	1		
22	T191335	SCREW	2		.25" X 3.5"

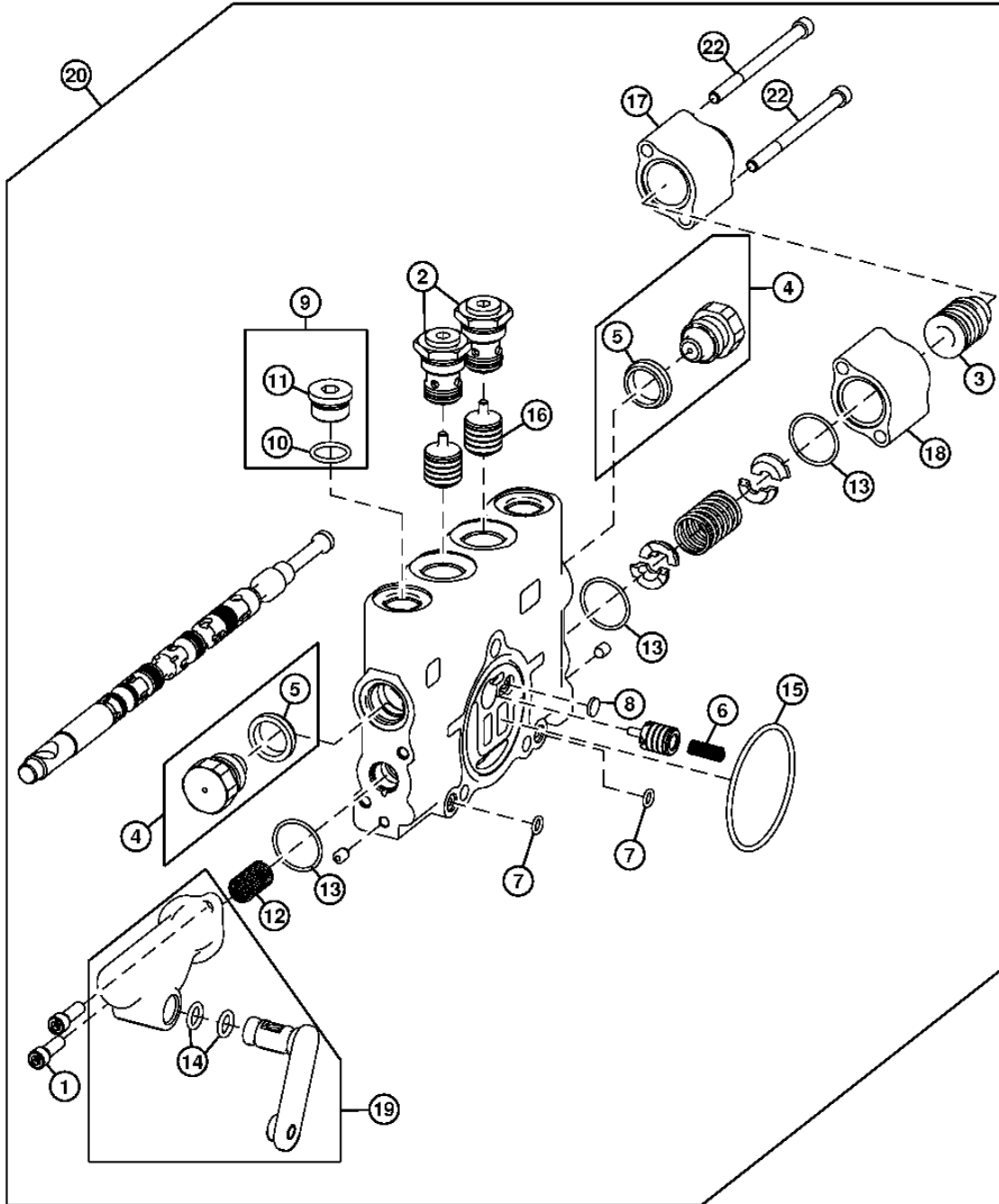
2162-50

VEHICLE MAIN HYDRAULIC SYSTEM 21

HYDRAULIC SELECTIVE CONTROL & LOAD HOLDING VALVES 2162 LEFT AUXILIARY VALVE SECTION WITH FLOAT SECTION DISTRIBUTEUR AUX GAUCHE AVEC FLOTTEUR SECCION VALVULA AUX IZQUIERDO CON FLOTACION

TX1050350

-UN-22OCT08



TX1050350

2162-51

VEHICLE MAIN HYDRAULIC SYSTEM 21

HYDRAULIC SELECTIVE CONTROL & LOAD HOLDING VALVES 2162
LEFT AUXILIARY VALVE SECTION WITH FLOAT
SECTION DISTRIBUTEUR AUX GAUCHE AVEC FLOTTEUR
SECCION VALVULA AUX IZQUIERDO CON FLOTACION

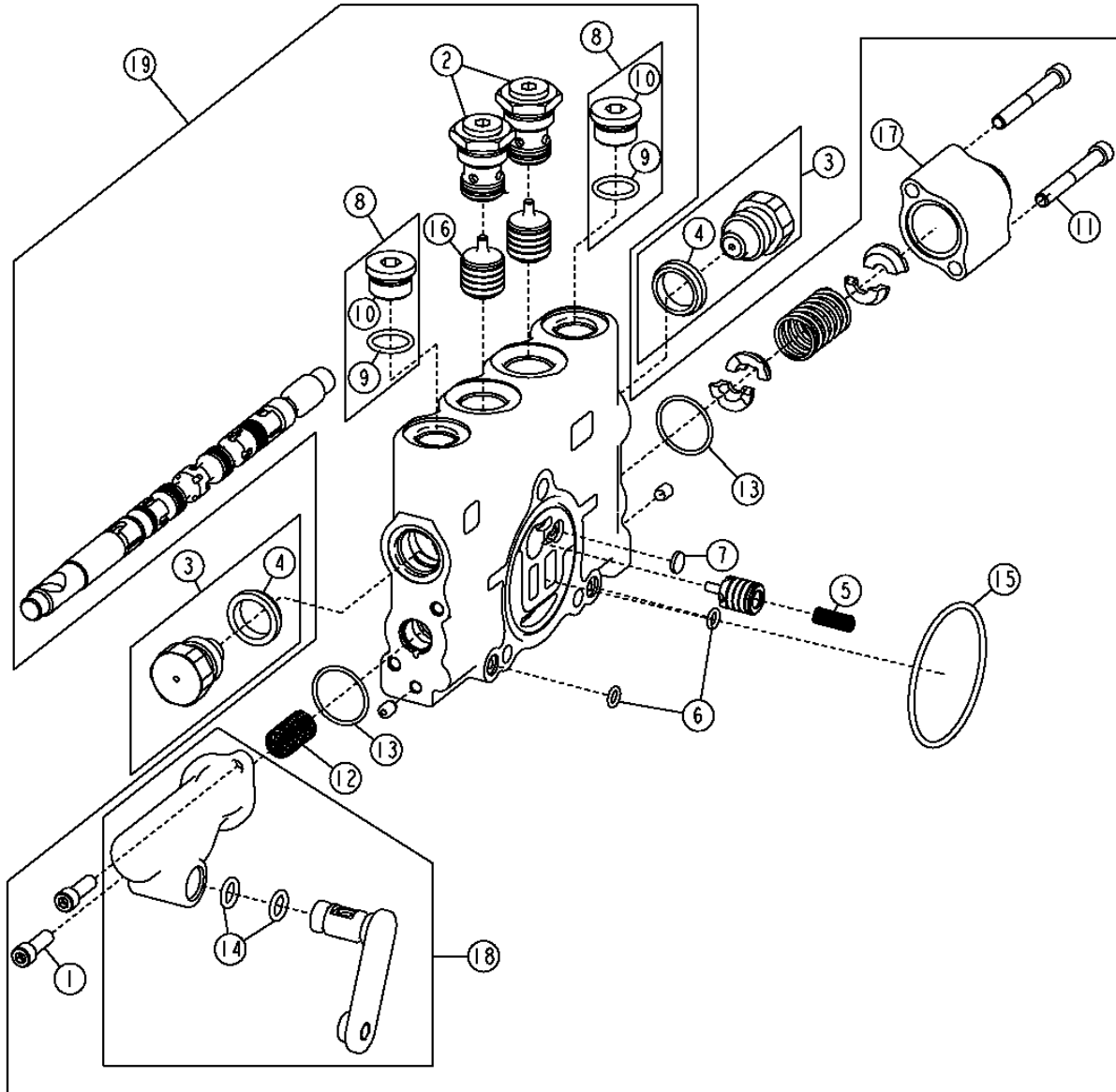
KEY	PART NO.	PART NAME	QTY.	SERIAL NO.	REMARKS
1	19H2924	SCREW	2		1/4" X 3/4"
2	AT337941	CHECK VALVE	2		
3	AT317822	DETENT	1		
4	AT78527	FITTING PLUG	2		
5	T183756	SEAL	1		
6	R111238	COMPRESSION SPRING	1		
7	R76578	O-RING	2		
8	R95493	DISK	1		
9	RE49624	FITTING PLUG	2		
10	R26375	O-RING	1		
11	R39112	FITTING	1		
12	T190767	SPRING	1		
13	T213022	O-RING	3		
14	T213023	O-RING	2		
15	T213025	O-RING	1		
16	T213034	VALVE SPOOL	2		
17	T213033	HOUSING	1		
18	T213318	HOUSING	1		
19	AT348201	ACTUATOR	1		
20	AT317322	CONTROL VALVE	1		
22	T191335	SCREW	2		.25" X 3.5"

2162-52

VEHICLE MAIN HYDRAULIC SYSTEM 21

HYDRAULIC SELECTIVE CONTROL & LOAD HOLDING VALVES 2162 RIGHT AUXILIARY VALVE SECTION WITHOUT FLOAT SECTION DISTRIBUTEUR AUX DROITE SANS FLOTTEUR SECCION VALVULA AUX DER. SIN FLOTACION

T210409 -UN-15APR05



T210409

THIS PARTS LISTING IS CONTINUED

2162-53

VEHICLE MAIN HYDRAULIC SYSTEM 21

HYDRAULIC SELECTIVE CONTROL & LOAD HOLDING VALVES 2162
RIGHT AUXILIARY VALVE SECTION WITHOUT FLOAT
SECTION DISTRIBUTEUR AUX DROITE SANS FLOTTEUR
SECCION VALVULA AUX DER. SIN FLOTACION

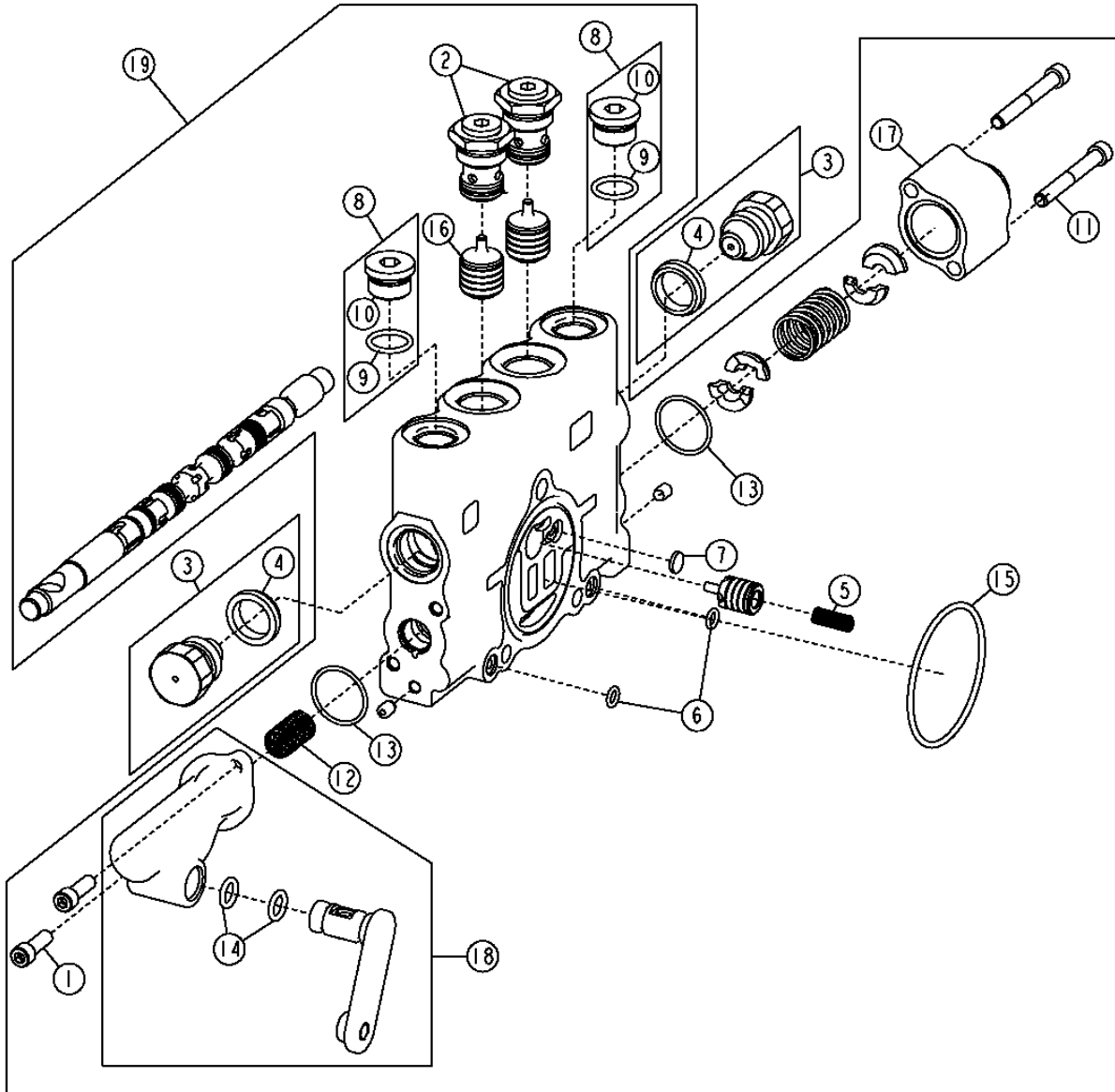
KEY	PART NO.	PART NAME	QTY.	SERIAL NO.	REMARKS
1	19H2924	SCREW	2		1/4" X 3/4"
2	AT337941	CHECK VALVE	2		
3	AT78527	FITTING PLUG	2		
4	T183756	SEAL	1		
5	R111238	COMPRESSION SPRING	1		
6	R76578	O-RING	2		
7	R95493	DISK	1		
8	RE49624	FITTING PLUG	2		
9	R26375	O-RING	1		
10	R39112	FITTING	1		
11	T118712	SCREW	2		
12	T190767	SPRING	1		
13	T213022	O-RING	2		
14	T213023	O-RING	2		
15	T213025	O-RING	1		
16	T213034	VALVE SPOOL	2		
17	T213033	HOUSING	1		
18	AT348202	ACTUATOR	1		
19	AT317312	CONTROL VALVE	1		

2162-54

VEHICLE MAIN HYDRAULIC SYSTEM 21

HYDRAULIC SELECTIVE CONTROL & LOAD HOLDING VALVES 2162 LEFT AUXILIARY VALVE SECTION WITHOUT FLOAT SECTION DISTRIBUTEUR AUX GAUCHE SANS FLOTTEUR SECCION VALVULA AUX IZQ. SIN FLOTACION

T210409 -UN-15APR05



T210409

2162-55

VEHICLE MAIN HYDRAULIC SYSTEM 21

HYDRAULIC SELECTIVE CONTROL & LOAD HOLDING VALVES 2162
LEFT AUXILIARY VALVE SECTION WITHOUT FLOAT
SECTION DISTRIBUTEUR AUX GAUCHE SANS FLOTTEUR
SECCION VALVULA AUX IZQ. SIN FLOTACION

KEY	PART NO.	PART NAME	QTY.	SERIAL NO.	REMARKS
1	19H2924	SCREW	2		1/4" X 3/4"
2	AT337941	CHECK VALVE	2		
3	AT78527	FITTING PLUG	2		
4	T183756	SEAL	1		
5	R111238	COMPRESSION SPRING	1		
6	R76578	O-RING	2		
7	R95493	DISK	1		
8	RE49624	FITTING PLUG	2		
9	R26375	O-RING	1		
10	R39112	FITTING	1		
11	T118712	SCREW	2		
12	T190767	SPRING	1		
13	T213022	O-RING	2		
14	T213023	O-RING	2		
15	T213025	O-RING	1		
16	T213034	VALVE SPOOL	2		
17	T213033	HOUSING	1		
18	AT348201	ACTUATOR	1		
19	AT317310	CONTROL VALVE	1		

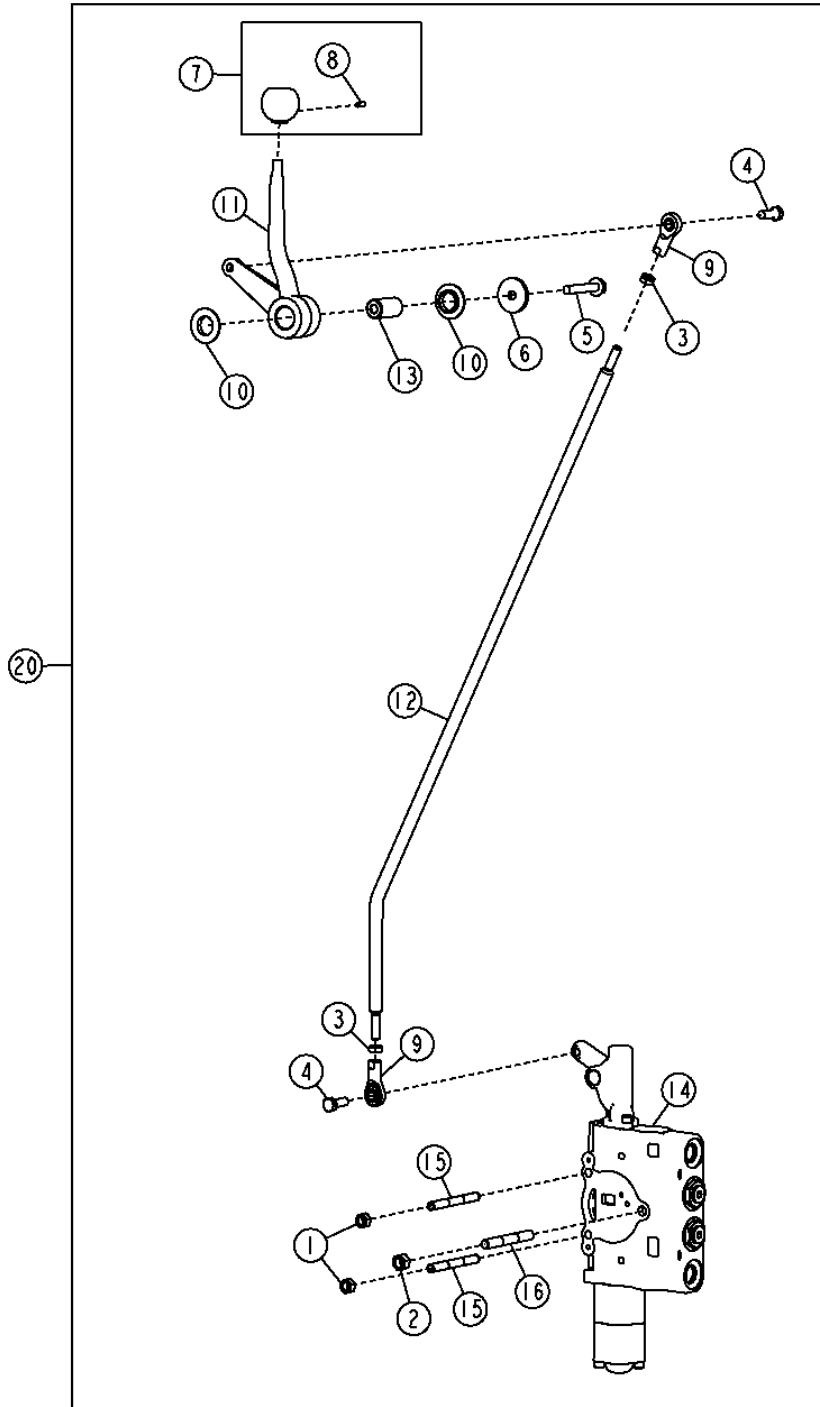
2162-56

VEHICLE MAIN HYDRAULIC SYSTEM 21

HYDRAULIC SELECTIVE CONTROL & LOAD HOLDING VALVES 2162 RIGHT 5 FUNCTION CONTROL VALVE KIT KIT DISTRIBUTEUR DE FONCTION 5 DROIT JUEGO VALVULA CONTROL FUNCION 5 DERECHO

TX1048948

-UN-16OCT08



TX1048948

2162-57

VEHICLE MAIN HYDRAULIC SYSTEM 21

HYDRAULIC SELECTIVE CONTROL & LOAD HOLDING VALVES 2162
RIGHT 5 FUNCTION CONTROL VALVE KIT
KIT DISTRIBUTEUR DE FONCTION 5 DROIT
JUEGO VALVULA CONTROL FUNCION 5 DERECHO

KEY	PART NO.	PART NAME	QTY.	SERIAL NO.	REMARKS
1	14H1042	NUT	2		5/16"
2	14H1080	NUT	1		3/8"
3	14H882	NUT	2		5/16"
4	19H2127	CAP SCREW	2		5/16" X 7/8"
5	19M7800	SCREW	1		M8 X 50
6	24H1296	WASHER	1		11/32" X 1-3/8" X 0.134"
7	AT317742	KNOB	1		
8	T213242	SET SCREW	1		
9	AT317778	LINK END	2		
10	T104220	WASHER	2		
11	T202163	CONTROL LEVER	1		
12	T202586	LEVER	1		
13	T204457	SPACER	1		
14	AT317319	CONTROL VALVE	1		
15	T213027	STUD	2		
16	T213030	STUD	1		
20	AT317287	FIELD INSTALLATION KIT	1		(WHOLE GOODS)

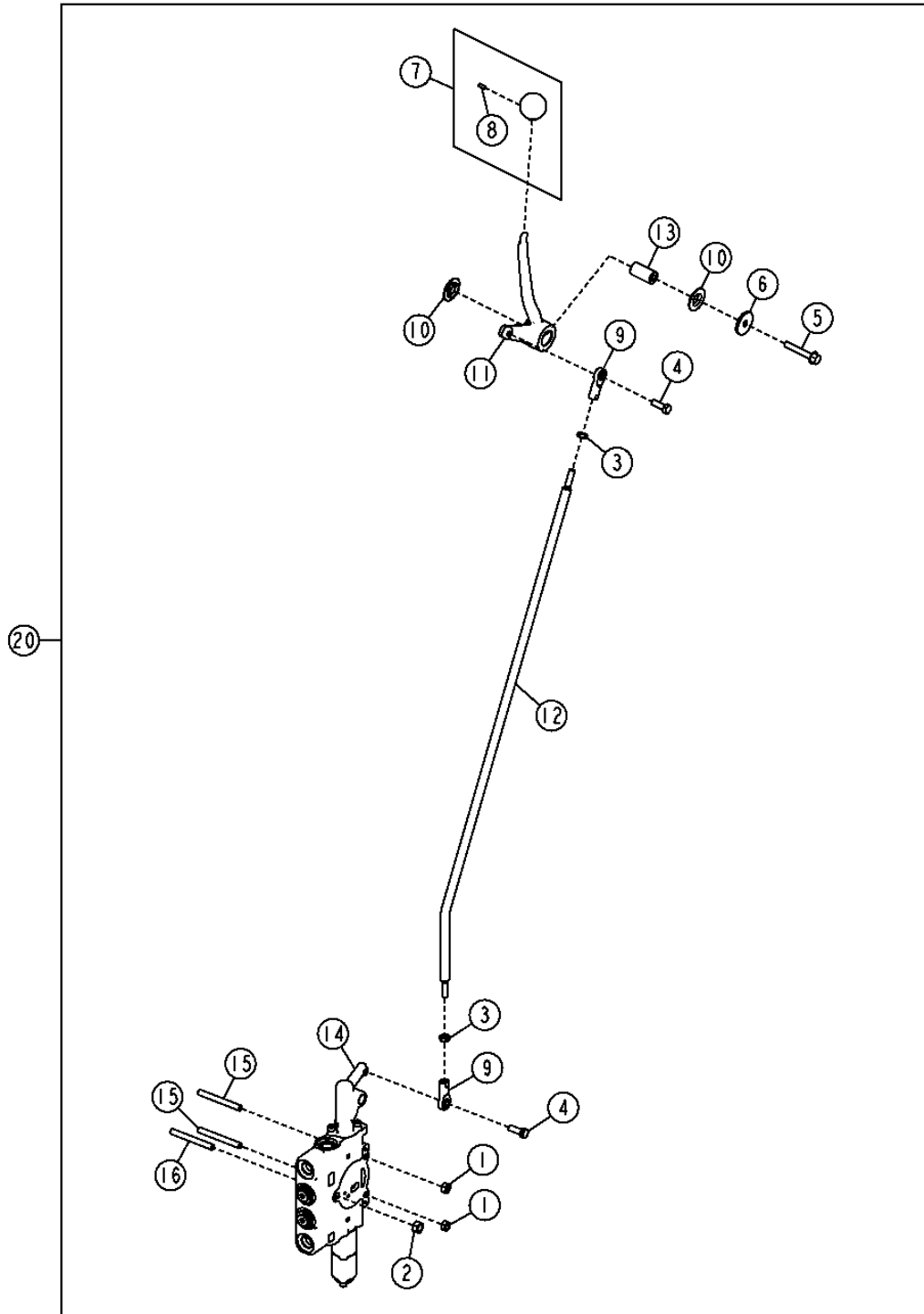
2162-58

VEHICLE MAIN HYDRAULIC SYSTEM 21

HYDRAULIC SELECTIVE CONTROL & LOAD HOLDING VALVES 2162 LEFT 5 FUNCTION CONTROL VALVE KIT KIT DISTRIBUTEUR DE FONCTION 5 GAUCHE JUEGO VALVULA CONTROL FUNCION 5 IZQUIERDO

TX1048980

-UN-23SEP08



TX1048980

2162-59

VEHICLE MAIN HYDRAULIC SYSTEM 21

HYDRAULIC SELECTIVE CONTROL & LOAD HOLDING VALVES 2162
LEFT 5 FUNCTION CONTROL VALVE KIT
KIT DISTRIBUTEUR DE FONCTION 5 GAUCHE
JUEGO VALVULA CONTROL FUNCION 5 IZQUIERDO

KEY	PART NO.	PART NAME	QTY.	SERIAL NO.	REMARKS
1	14H1042	NUT	2		5/16"
2	14H1080	NUT	1		3/8"
3	14H882	NUT	2		5/16"
4	19H2127	CAP SCREW	2		5/16" X 7/8"
5	19M7800	SCREW	1		M8 X 50
6	24H1296	WASHER	1		11/32" X 1-3/8" X 0.134"
7	AT317743	KNOB	1		
8	T213242	SET SCREW	1		
9	AT317778	LINK END	2		
10	T104220	WASHER	2		
11	T202159	CONTROL LEVER	1		
12	T202586	LEVER	1		
13	T204457	SPACER	1		
14	AT317321	CONTROL VALVE	1		
15	T213027	STUD	2		
16	T213030	STUD	1		
20	AT317288	FIELD INSTALLATION KIT	1		(WHOLE GOODS)

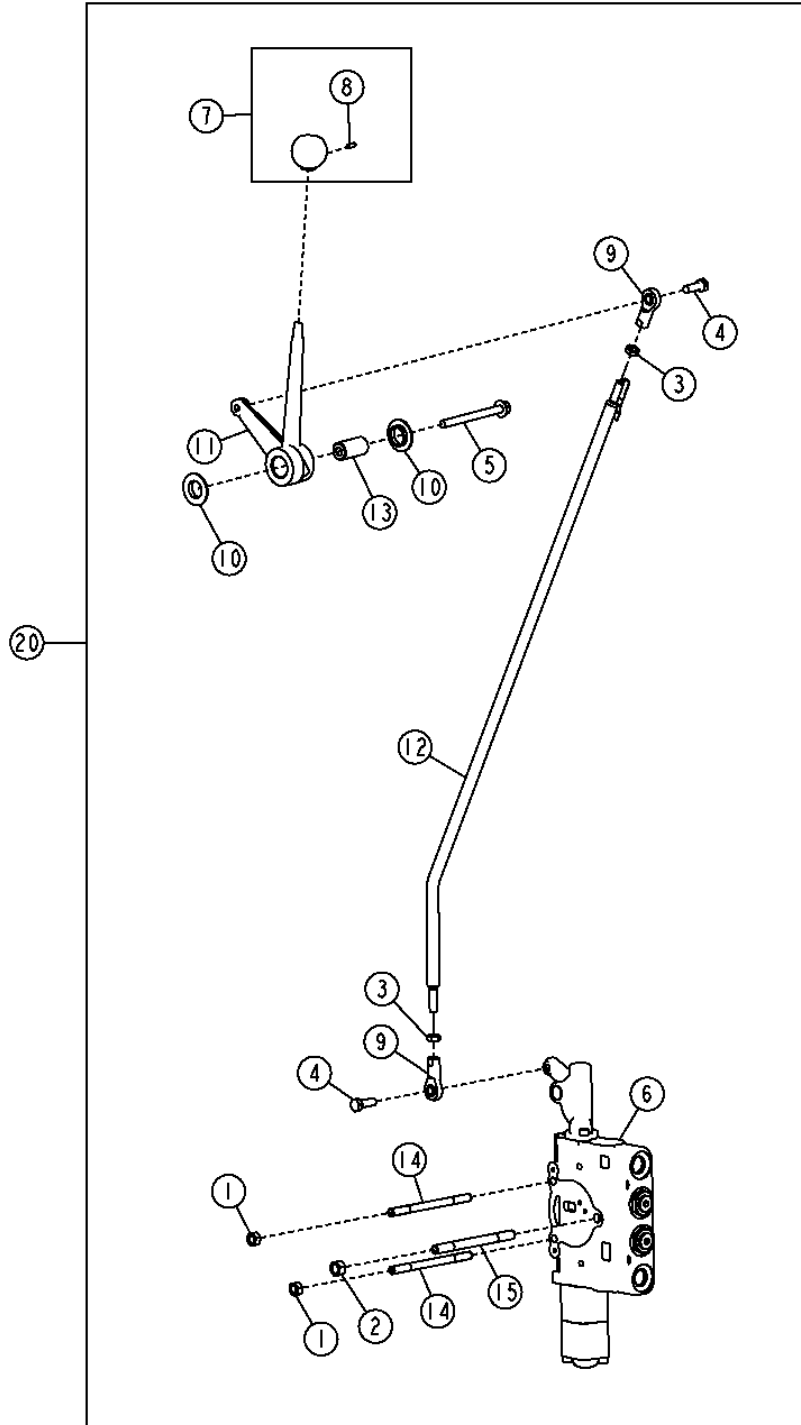
2162-60

VEHICLE MAIN HYDRAULIC SYSTEM 21

HYDRAULIC SELECTIVE CONTROL & LOAD HOLDING VALVES 2162 RIGHT 6 FUNCTION CONTROL VALVE KIT KIT DISTRIBUTEUR DE FONCTION 6 DROIT JUEGO VALVULA CONTROL FUNCION 6 DERECHO

TX1048951

-UN-23SEP08



TX1048951

2162-61

VEHICLE MAIN HYDRAULIC SYSTEM 21

HYDRAULIC SELECTIVE CONTROL & LOAD HOLDING VALVES 2162
RIGHT 6 FUNCTION CONTROL VALVE KIT
KIT DISTRIBUTEUR DE FONCTION 6 DROIT
JUEGO VALVULA CONTROL FUNCION 6 DERECHO

KEY	PART NO.	PART NAME	QTY.	SERIAL NO.	REMARKS
1	14H1042	NUT	2		5/16"
2	14H1080	NUT	1		3/8"
3	14H882	NUT	2		5/16"
4	19H2127	CAP SCREW	2		5/16" X 7/8"
5	19M7913	SCREW	1		M8 X 90
6	AT317319	CONTROL VALVE	1		
7	AT317744	KNOB	1		
8	T213242	SET SCREW	1		
9	AT317778	LINK END	2		
10	T104220	WASHER	2		
11	T202164	CONTROL LEVER	1		
12	T202586	LEVER	1		
13	T204457	SPACER	1		
14	T76127	STUD	2		
15	T76128	STUD	1		
20	AT317289	FIELD INSTALLATION KIT	1		(WHOLE GOODS)

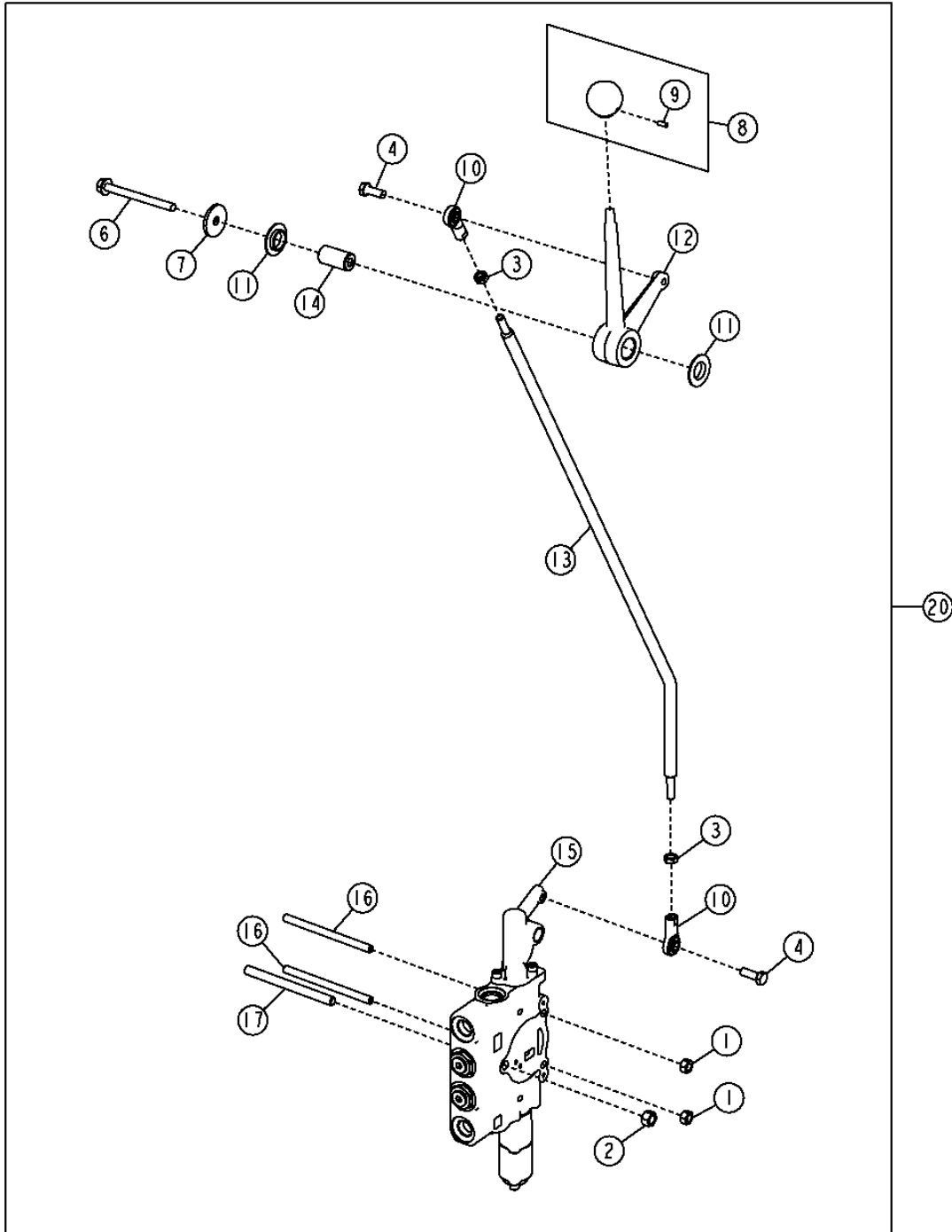
2162-62

VEHICLE MAIN HYDRAULIC SYSTEM 21

HYDRAULIC SELECTIVE CONTROL & LOAD HOLDING VALVES 2162 LEFT 6 FUNCTION CONTROL VALVE KIT KIT DISTRIBUTEUR DE FONCTION 6 GAUCHE JUEGO VALVULA CONTROL FUNCION 6 IZQUIERDO

TX1048981

-UN-16OCT08



TX1048981

2162-63

VEHICLE MAIN HYDRAULIC SYSTEM 21

HYDRAULIC SELECTIVE CONTROL & LOAD HOLDING VALVES 2162
LEFT 6 FUNCTION CONTROL VALVE KIT
KIT DISTRIBUTEUR DE FONCTION 6 GAUCHE
JUEGO VALVULA CONTROL FUNCION 6 IZQUIERDO

KEY	PART NO.	PART NAME	QTY.	SERIAL NO.	REMARKS
1	14H1042	NUT	2		5/16"
2	14H1080	NUT	1		3/8"
3	14H882	NUT	2		5/16"
4	19H2127	CAP SCREW	2		5/16" X 7/8"
6	19M7913	SCREW	1		M8 X 90
7	24H1296	WASHER	1		11/32" X 1-3/8" X 0.134"
8	AT317744	KNOB	1		
9	T213242	SET SCREW	1		
10	AT317778	LINK END	2		
11	T104220	WASHER	2		
12	T202164	CONTROL LEVER	1		
13	T202586	LEVER	1		
14	T204457	SPACER	1		
15	AT317322	CONTROL VALVE	1		
16	T76127	STUD	2		
17	T76128	STUD	1		
20	AT317290	FIELD INSTALLATION KIT	1		(WHOLE GOODS)

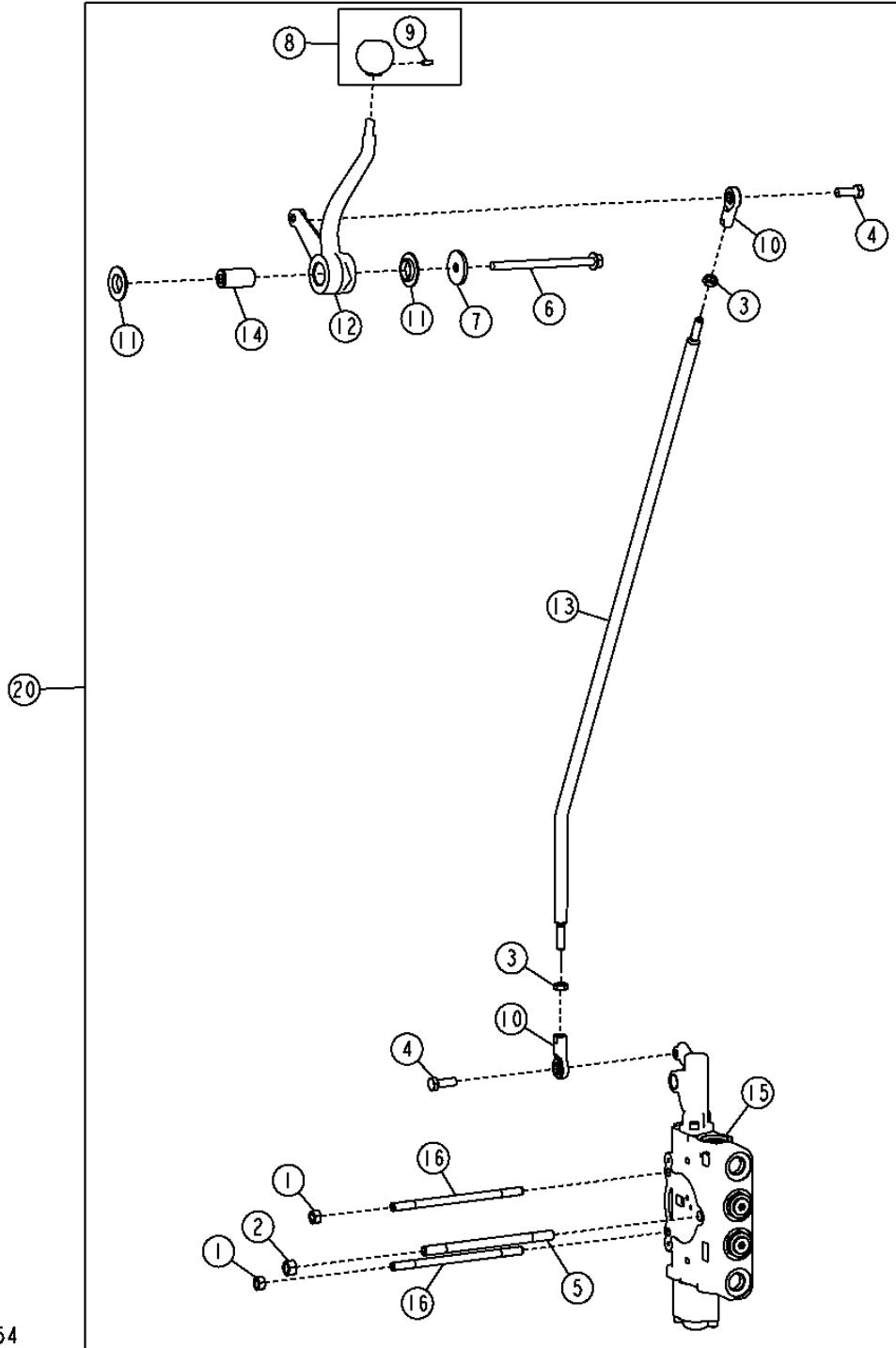
2162-64

VEHICLE MAIN HYDRAULIC SYSTEM 21

HYDRAULIC SELECTIVE CONTROL & LOAD HOLDING VALVES 2162 RIGHT 7 FUNCTION CONTROL VALVE KIT KIT DISTRIBUTEUR DE FONCTION 7 DROIT JUEGO VALVULA CONTROL FUNCION 7 DERECHO

TX1048954

-UN-16OCT08



TX1048954

2162-65

VEHICLE MAIN HYDRAULIC SYSTEM 21

HYDRAULIC SELECTIVE CONTROL & LOAD HOLDING VALVES 2162
RIGHT 7 FUNCTION CONTROL VALVE KIT
KIT DISTRIBUTEUR DE FONCTION 7 DROIT
JUEGO VALVULA CONTROL FUNCION 7 DERECHO

KEY	PART NO.	PART NAME	QTY.	SERIAL NO.	REMARKS
1	14H1042	NUT	2		5/16"
2	14H1080	NUT	1		3/8"
3	14H882	NUT	2		5/16"
4	19H2127	CAP SCREW	2		5/16" X 7/8"
5	T213031	STUD	1		
6	19M8006	SCREW	1		M8 X 120
7	24H1296	WASHER	1		11/32" X 1-3/8" X 0.134"
8	AT317744	KNOB	1		
9	T213242	SET SCREW	1		
10	AT317778	LINK END	2		
11	T104220	WASHER	2		
12	T202159	CONTROL LEVER	1		
13	T202586	LEVER	1		
14	T204457	SPACER	1		
15	AT317312	CONTROL VALVE	1		
16	T213028	STUD	2		
20	AT317291	FIELD INSTALLATION KIT	1		(WHOLE GOODS)

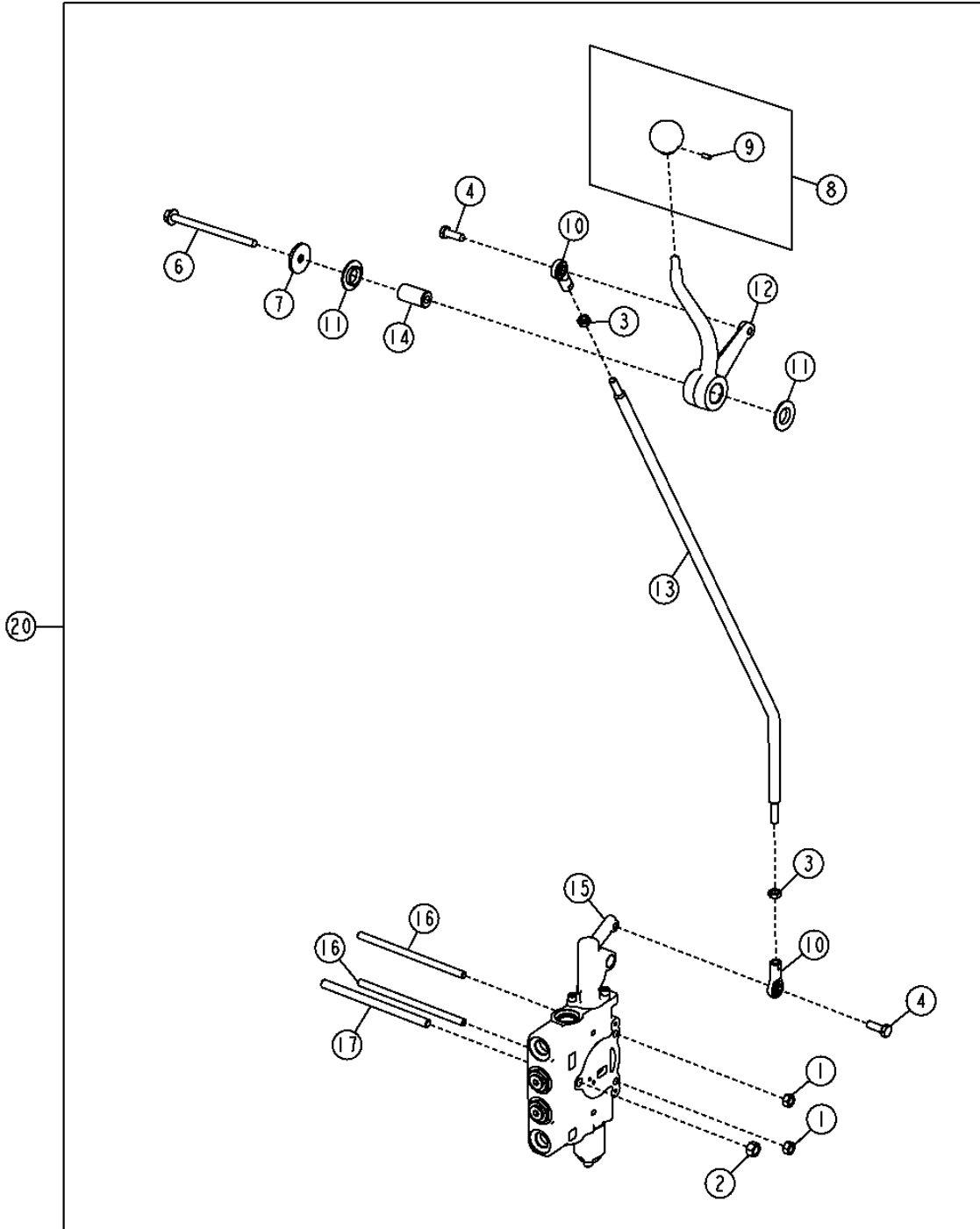
2162-66

VEHICLE MAIN HYDRAULIC SYSTEM 21

HYDRAULIC SELECTIVE CONTROL & LOAD HOLDING VALVES 2162 LEFT 7 FUNCTION CONTROL VALVE KIT KIT DISTRIBUTEUR DE FONCTION 7 GAUCHE JUEGO VALVULA CONTROL FUNCION 7 IZQUIERDO

TX1048982

-UN-23OCT08



TX1048982

2162-67

VEHICLE MAIN HYDRAULIC SYSTEM 21

HYDRAULIC SELECTIVE CONTROL & LOAD HOLDING VALVES 2162
LEFT 7 FUNCTION CONTROL VALVE KIT
KIT DISTRIBUTEUR DE FONCTION 7 GAUCHE
JUEGO VALVULA CONTROL FUNCION 7 IZQUIERDO

KEY	PART NO.	PART NAME	QTY.	SERIAL NO.	REMARKS
1	14H1042	NUT	2		5/16"
2	14H1080	NUT	1		3/8"
3	14H882	NUT	2		5/16"
4	19H2127	CAP SCREW	2		5/16" X 7/8"
6	19M8006	SCREW	1		M8 X 120
7	24H1296	WASHER	1		11/32" X 1-3/8" X 0.134"
8	AT317744	KNOB	1		
9	T213242	SET SCREW	1		
10	AT317778	LINK END	2		
11	T104220	WASHER	2		
12	T202163	CONTROL LEVER	1		
13	T202586	LEVER	1		
14	T204457	SPACER	1		
15	AT317310	CONTROL VALVE	1		
16	T213028	STUD	2		
17	T213031	STUD	1		
20	AT317293	FIELD INSTALLATION KIT	1		(WHOLE GOODS)

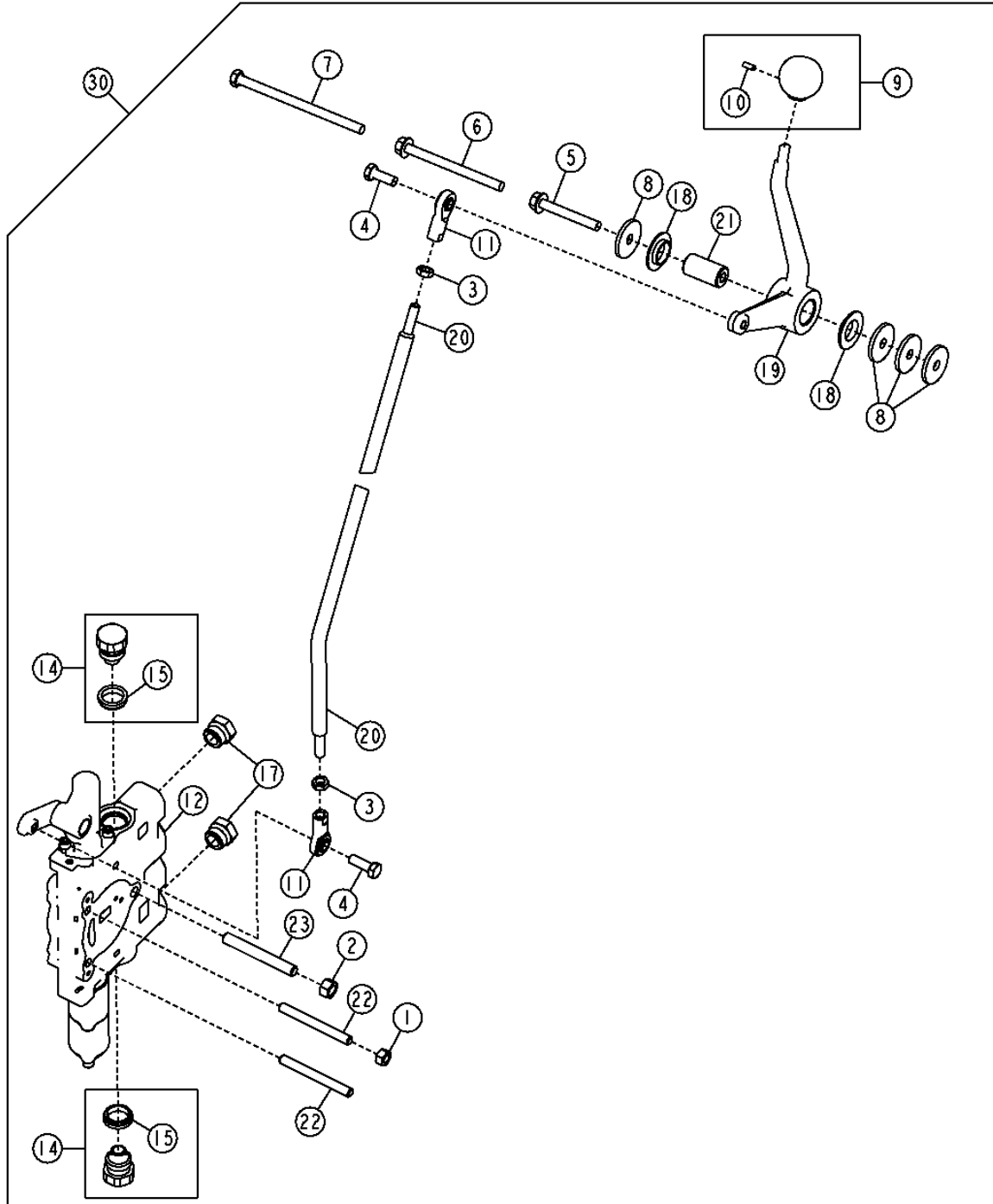
2162-68

VEHICLE MAIN HYDRAULIC SYSTEM 21

HYDRAULIC SELECTIVE CONTROL & LOAD HOLDING VALVES 2162 ONE HAND BLADE LIFT CONTROL LEVER AND VALVE KIT KIT DE LEVIER ET SOUP. COMM. RELEV. LAME SEULE MAIN PALANCA CONTROL DE ELEVACION DE HOJA UNA MANO Y JUEGO DE VALVULA

TX1049009

-UN-09OCT08



TX1049009

2162-69

VEHICLE MAIN HYDRAULIC SYSTEM 21

HYDRAULIC SELECTIVE CONTROL & LOAD HOLDING VALVES 2162

**ONE HAND BLADE LIFT CONTROL LEVER AND VALVE KIT
KIT DE LEVIER ET SOUP. COMM. RELEV. LAME SEULE MAIN
PALANCA CONTROL DE ELEVACION DE HOJA UNA MANO Y JUEGO DE VALVULA**

KEY	PART NO.	PART NAME	QTY.	SERIAL NO.	REMARKS
1	14H1042	NUT	1		5/16"
2	14H1080	NUT	1		3/8"
3	14H882	NUT	2		5/16"
4	19H2127	CAP SCREW	2		5/16" X 7/8"
5	19M7801	SCREW	1		M8 X 60, (USE WITH 5 FUNCTION VALVE)
6	19M7970	SCREW	1		M8 X 100, (USE WITH 6 FUNCTION VALVE)
7	19M8404	CAP SCREW	1		M8 X 130, (USE WITH 7 FUNCTION VALVE)
8	24H1296	WASHER	4		11/32" X 1-3/8" X 0.134"
9	AT317742	KNOB	1		
10	T213242	SET SCREW	1		
11	AT317778	LINK END	2		
12	AT319023	CONTROL VALVE	1		
13	AT322617	HYDRAULIC HOSE - FABRICATE	4		(NOT SHOWN)
14	AT78527	FITTING PLUG	2		
15	T183756	SEAL	1		
16	R26375	O-RING	2		(USE WITH R39112) (NOT SHOWN)
17	R39112	FITTING	2		
18	T104220	WASHER	2		
19	T202162	CONTROL LEVER	1		
20	T202586	LEVER	1		
21	T204457	SPACER	1		
22	T213027	STUD	2		
23	T213030	STUD	1		
30	AT317339	FIELD INSTALLATION KIT	1		(WHOLE GOODS)

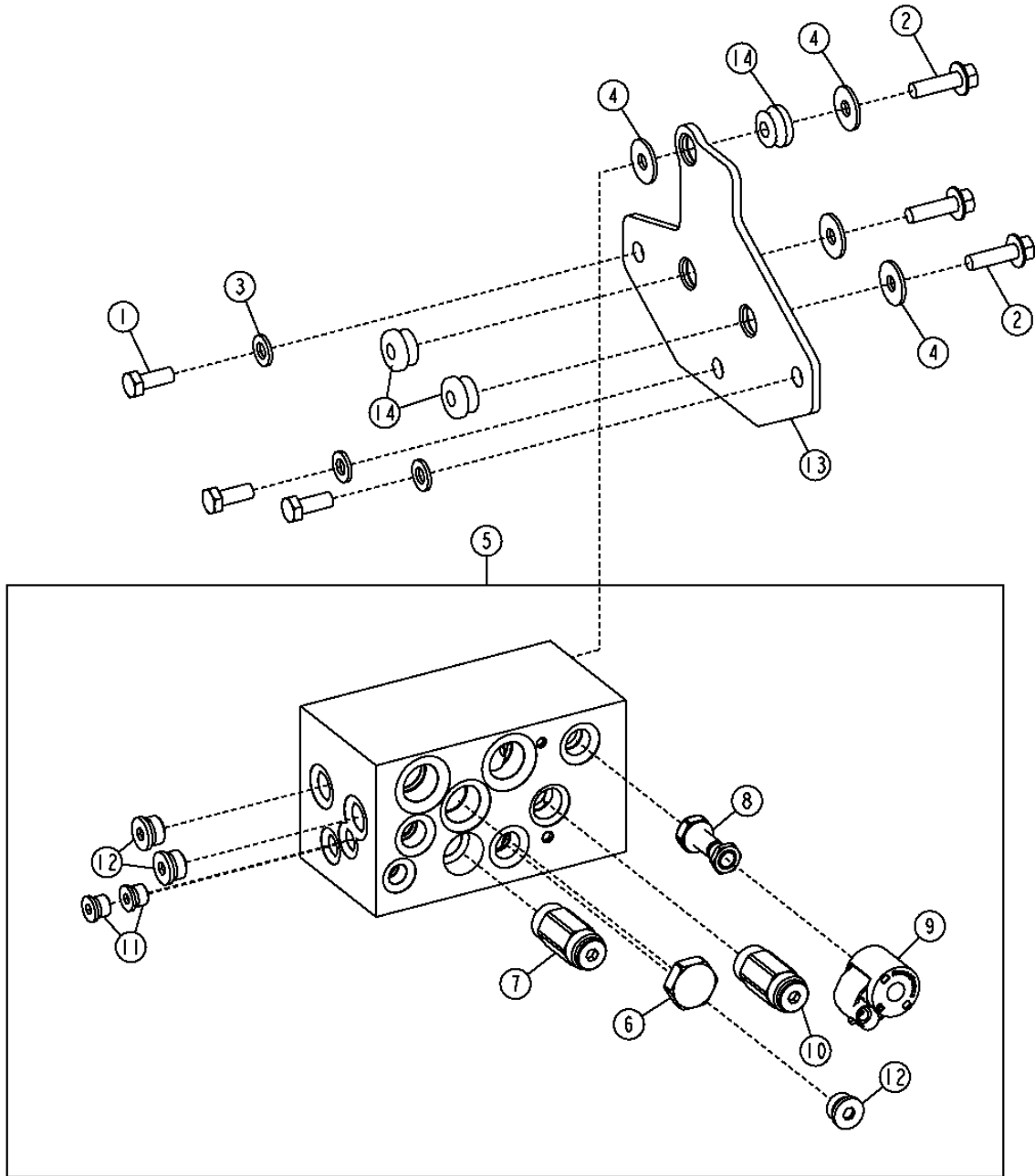
2162-70

VEHICLE MAIN HYDRAULIC SYSTEM 21

HYDRAULIC SELECTIVE CONTROL & LOAD HOLDING VALVES 2162
MAIN HYDRAULIC MANIFOLD VALVE (WITH SECONDARY STEERING)
DISTRIBUTEUR HYDRAULIQUE PRINCIPAL (AVEC DIRECTION AUXILIAIRE)
VALVULA DE COLECTOR HIDRAULICO PRINCIPAL (CON DIRECCION AUXILIAR)

TX1056044

-UN-24FEB09



TX1056044

2162-71

VEHICLE MAIN HYDRAULIC SYSTEM 21

HYDRAULIC SELECTIVE CONTROL & LOAD HOLDING VALVES 2162
MAIN HYDRAULIC MANIFOLD VALVE (WITH SECONDARY STEERING)
DISTRIBUTEUR HYDRAULIQUE PRINCIPAL (AVEC DIRECTION AUXILIAIRE)
VALVULA DE COLECTOR HIDRAULICO PRINCIPAL (CON DIRECCION AUXILIAR)

KEY	PART NO.	PART NAME	QTY.	SERIAL NO.	REMARKS
1	19M7402	CAP SCREW	3		M10 X 25
2	19M7835	SCREW	3		M10 X 35
3	24M7239	WASHER	3		10.700 X 21 X 2.500 MM
4	24M7296	WASHER	4		10.500 X 30 X 2.500 MM
5	AT343839	MANIFOLD	1		
6	AN279596	SPOOL VALVE	1		
	AN207423	SEAL KIT	1		
7	AT302907	PRESSURE RELIEF VALVE	1		
	AT224864	SEAL KIT	1		
8	AT302908	SOLENOID VALVE	1		
	AH209121	SEAL KIT	1		
	T181306	NUT	1		
9	AT333809	SOLENOID VALVE COIL	1		
10	AT367077	VALVE	1		
	AT196943	SEAL KIT	1		
11	AT49216	FITTING PLUG	2		
	T70177	O-RING	1		
12	AT63271	FITTING	3		
	R26375	O-RING	1		
13	T257573	PLATE	1		
14	AT116162	ISOLATOR	3		

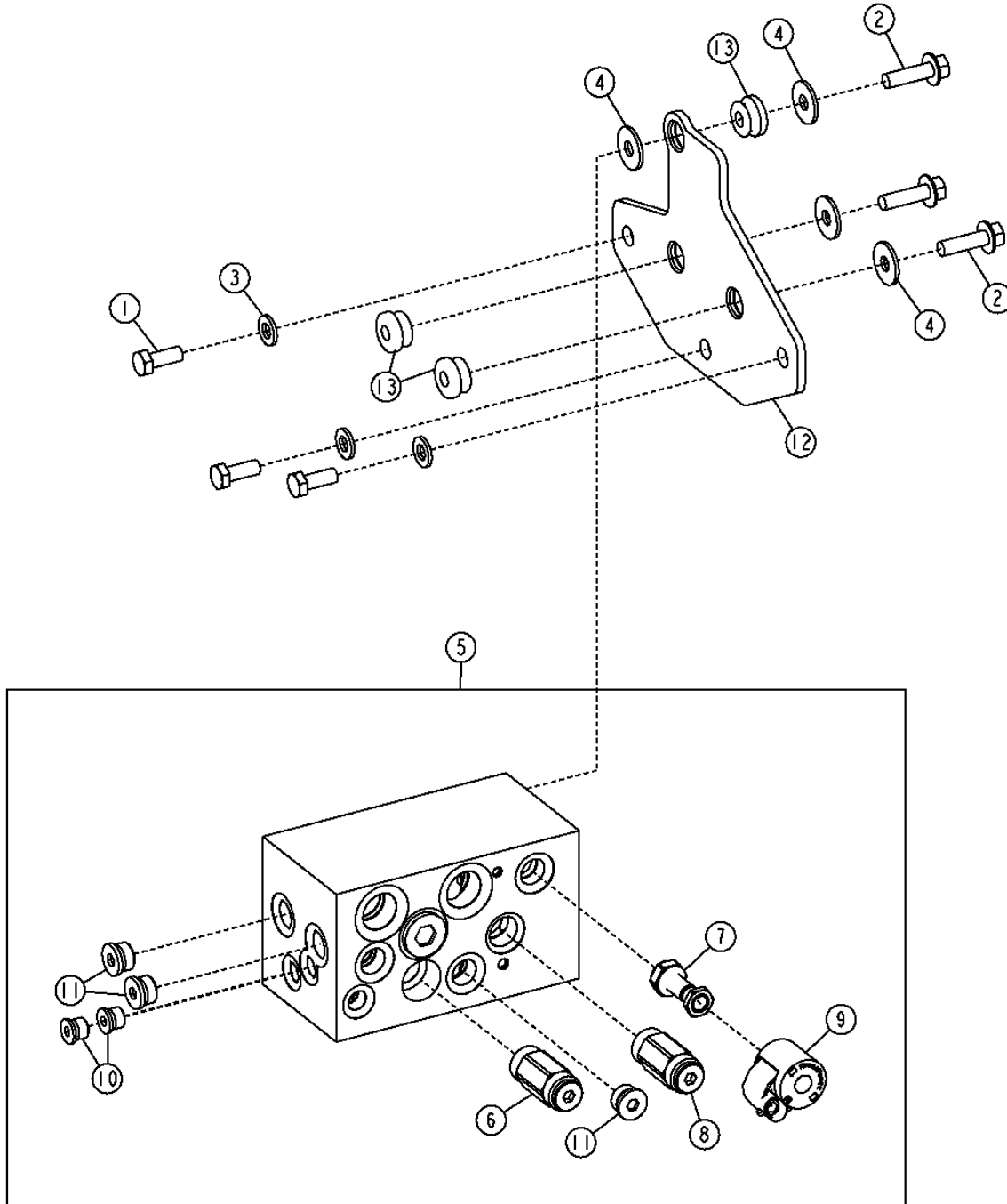
2162-72

VEHICLE MAIN HYDRAULIC SYSTEM 21

HYDRAULIC SELECTIVE CONTROL & LOAD HOLDING VALVES 2162
MAIN HYDRAULIC MANIFOLD VALVE (WITHOUT SECONDARY STEERING)
DISTRIBUTEUR HYDRAULIQUE PRINCIPAL (SANS DIRECTION AUXILIAIRE)
VALVULA DE COLECTOR HIDRAULICO PRINCIPAL (SIN DIRECCION AUXILIAR)

TX1056035

-UN-24FEB09



TX1056035

2162-73

VEHICLE MAIN HYDRAULIC SYSTEM 21

HYDRAULIC SELECTIVE CONTROL & LOAD HOLDING VALVES 2162
MAIN HYDRAULIC MANIFOLD VALVE (WITHOUT SECONDARY STEERING)
DISTRIBUTEUR HYDRAULIQUE PRINCIPAL (SANS DIRECTION AUXILIAIRE)
VALVULA DE COLECTOR HIDRAULICO PRINCIPAL (SIN DIRECCION AUXILIAR)

KEY	PART NO.	PART NAME	QTY.	SERIAL NO.	REMARKS
1	19M7402	CAP SCREW	3		M10 X 25
2	19M7835	SCREW	3		M10 X 35
3	24M7239	WASHER	3		10.700 X 21 X 2.500 MM
4	24M7296	WASHER	4		10.500 X 30 X 2.500 MM
5	AT342744	MANIFOLD	1		
6	AT302907	PRESSURE RELIEF VALVE	1		
	AT224864	SEAL KIT	1		
7	AT302908	SOLENOID VALVE	1		
	AH209121	SEAL KIT	1		
	T181306	NUT	1		
8	AT367077	VALVE	1		
	AT196943	SEAL KIT	1		
9	AT333809	SOLENOID VALVE COIL	1		
10	AT49216	FITTING PLUG	2		
	T70177	O-RING	1		
11	AT63271	FITTING	3		
	R26375	O-RING	1		
12	T257573	PLATE	1		
13	AT116162	ISOLATOR	3		

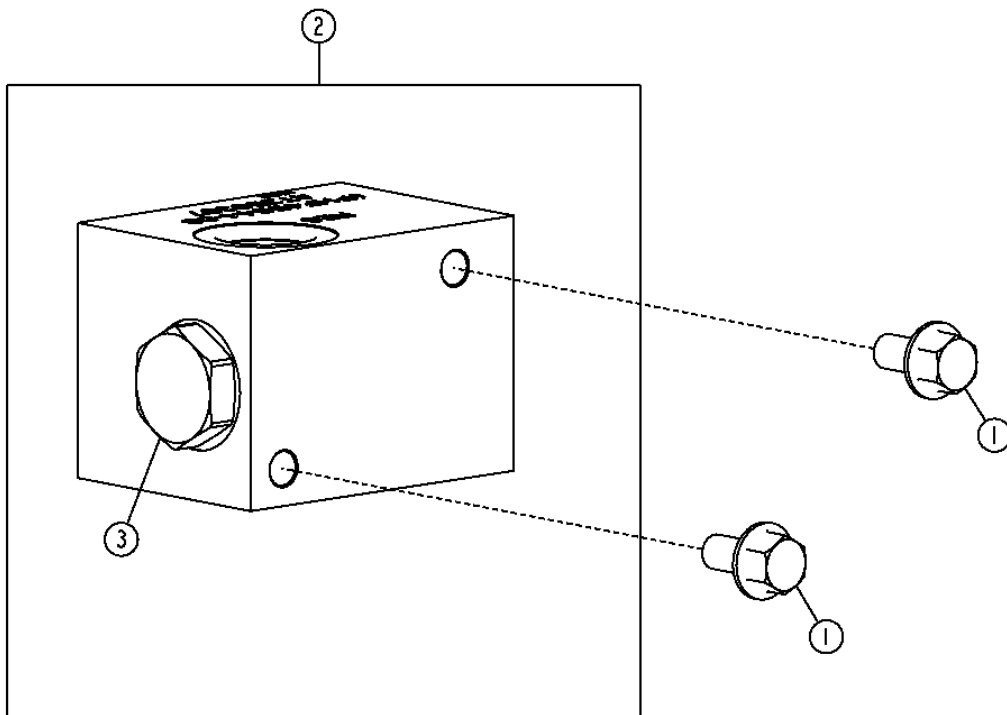
2162-74

VEHICLE MAIN HYDRAULIC SYSTEM 21

HYDRAULIC SELECTIVE CONTROL & LOAD HOLDING VALVES 2162
OIL COOLER BYPASS VALVE
BY-PASS DU REFROIDISSEUR
VALVULA DE DERIVACION DEL RADIADOR

TX1049288

-UN-02OCT08



TX1049288

2162-75

VEHICLE MAIN HYDRAULIC SYSTEM 21

HYDRAULIC SELECTIVE CONTROL & LOAD HOLDING VALVES 2162
OIL COOLER BYPASS VALVE
BY-PASS DU REFROIDISSEUR
VALVULA DE DERIVACION DEL RADIADOR

KEY	PART NO.	PART NAME	QTY.	SERIAL NO.	REMARKS
1	19M7784	SCREW	2		M10 X 20
2	AT358387	COOLANT MANIFOLD	1		
3	AT359474	CHECK VALVE	1		
	AN207423	SEAL KIT	1		

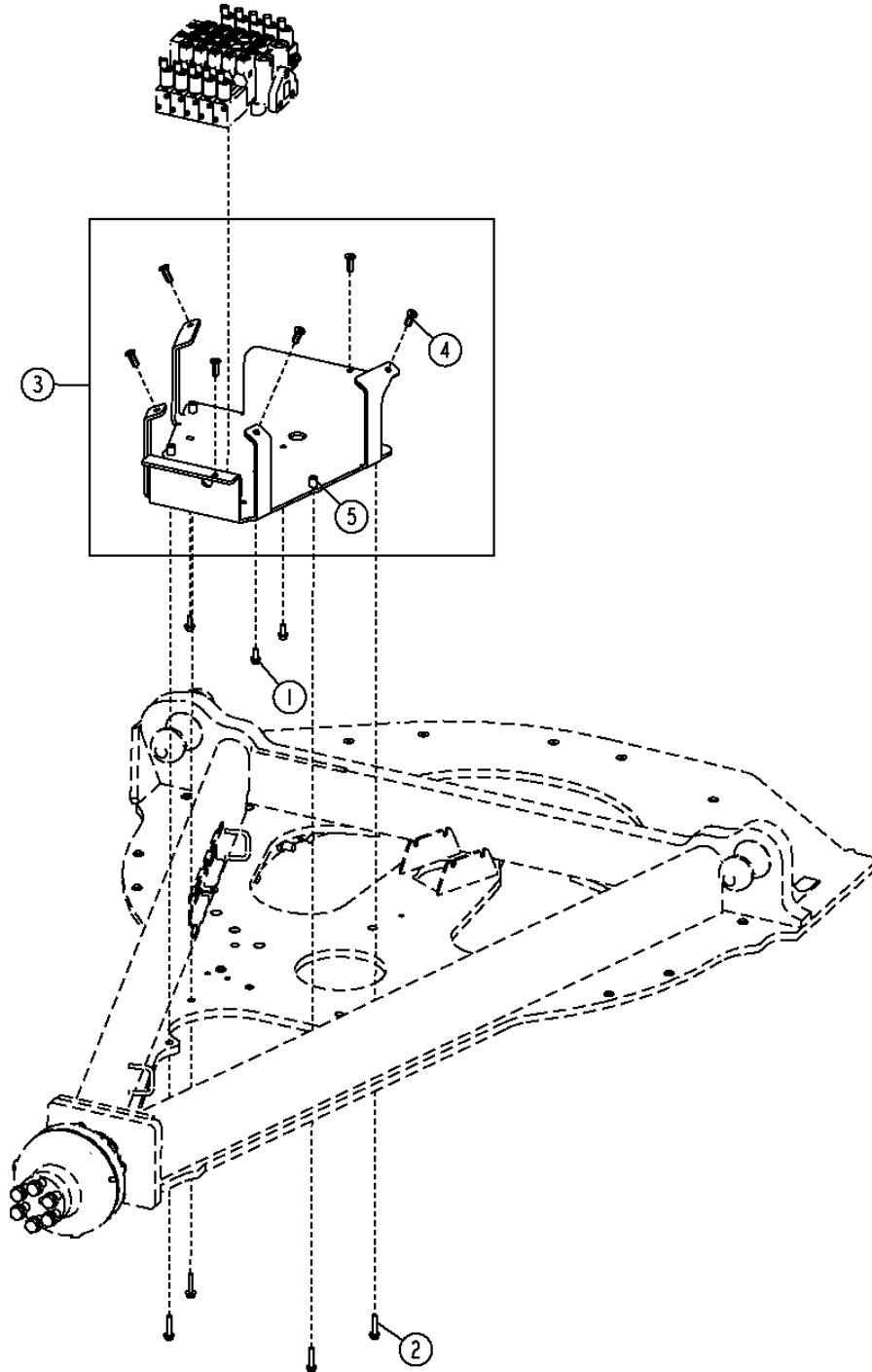
2162-76

VEHICLE MAIN HYDRAULIC SYSTEM 21

HYDRAULIC SELECTIVE CONTROL & LOAD HOLDING VALVES 2162
ELECTROHYDRAULIC VALVE MOUNT (FRONT) (GRADE PRO)
MONTURE DE DISTRIBUTEUR ELECTROHYDRAULIQUE (AVANT) (GRADE PRO)
MONTAJE DE VALVULA EH (ANTERIOR) (GRADE PRO)

TX1050872

-UN-11NOV08



TX1050872

2162-77

VEHICLE MAIN HYDRAULIC SYSTEM 21

HYDRAULIC SELECTIVE CONTROL & LOAD HOLDING VALVES 2162
ELECTROHYDRAULIC VALVE MOUNT (FRONT) (GRADE PRO)
MONTURE DE DISTRIBUTEUR ELECTROHYDRAULIQUE (AVANT) (GRADE PRO)
MONTAJE DE VALVULA EH (ANTERIOR) (GRADE PRO)

KEY	PART NO.	PART NAME	QTY.	SERIAL NO.	REMARKS
1	19M7785	SCREW	3		M10 X 25
2	19M7806	SCREW	4		M10 X 50
3	AT345806	BRACKET	1		
4	T148410	NUT	6		M10
5	T72414	BUSHING	4		

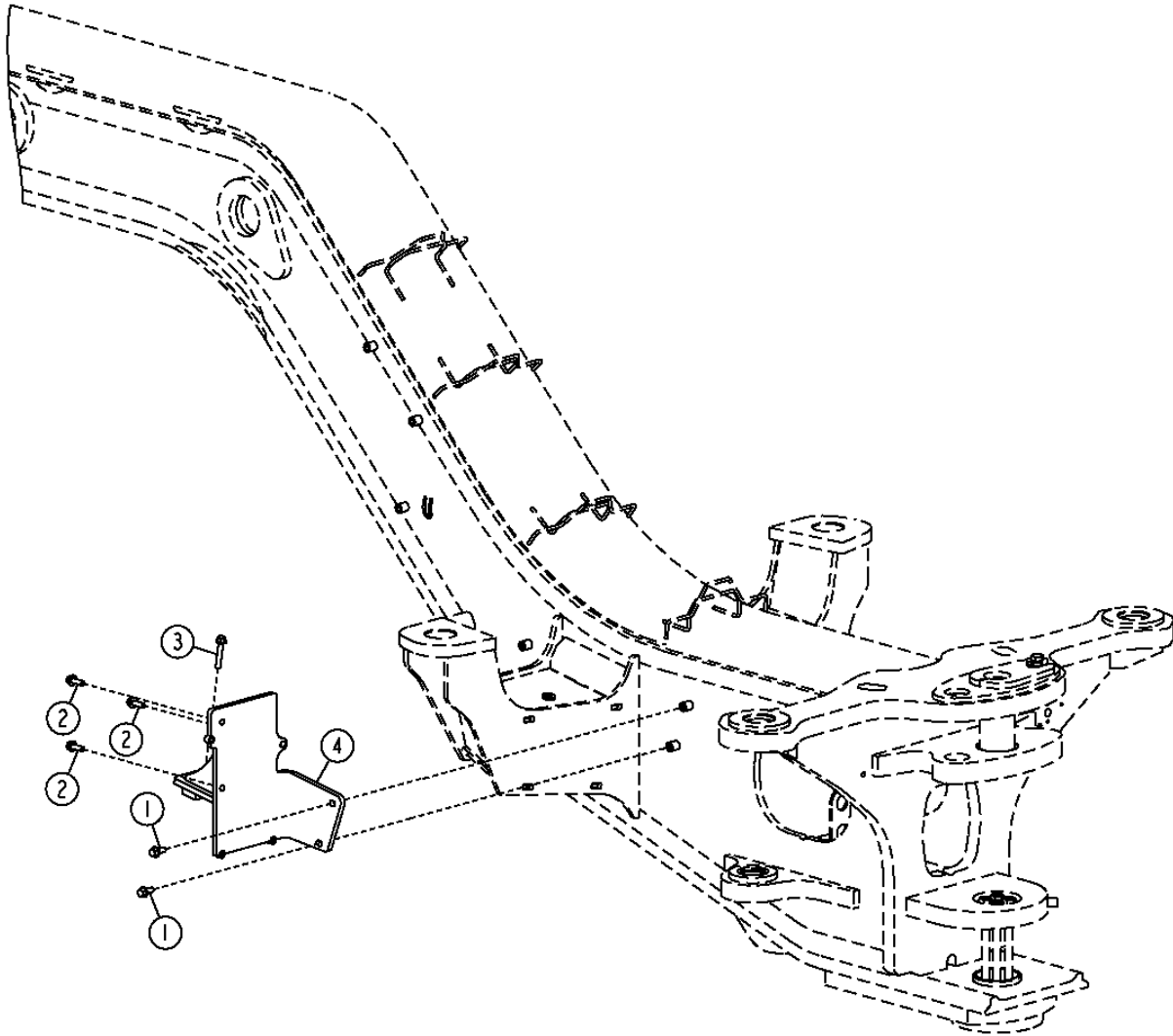
2162-78

VEHICLE MAIN HYDRAULIC SYSTEM 21

HYDRAULIC SELECTIVE CONTROL & LOAD HOLDING VALVES 2162
ELECTROHYDRAULIC VALVE MOUNT (REAR) (GRADE PRO)
MONTURE DE DISTRIBUTEUR ELECTROHYDRAULIQUE (ARRIERE) (GRADE PRO)
MONTAJE DE VALVULA EH (POSTERIOR) (GRADE PRO)

TX1050461

-UN-24OCT08



TX1050461

2162-79

VEHICLE MAIN HYDRAULIC SYSTEM 21

HYDRAULIC SELECTIVE CONTROL & LOAD HOLDING VALVES 2162
ELECTROHYDRAULIC VALVE MOUNT (REAR) (GRADE PRO)
MONTURE DE DISTRIBUTEUR ELECTROHYDRAULIQUE (ARRIERE) (GRADE PRO)
MONTAJE DE VALVULA EH (POSTERIOR) (GRADE PRO)

KEY	PART NO.	PART NAME	QTY.	SERIAL NO.	REMARKS
1	19M7785	SCREW	2		M10 X 25
2	19M7786	SCREW	3		M10 X 30
3	19M7807	SCREW	1		M10 X 60
4	AT341615	BRACKET	1		

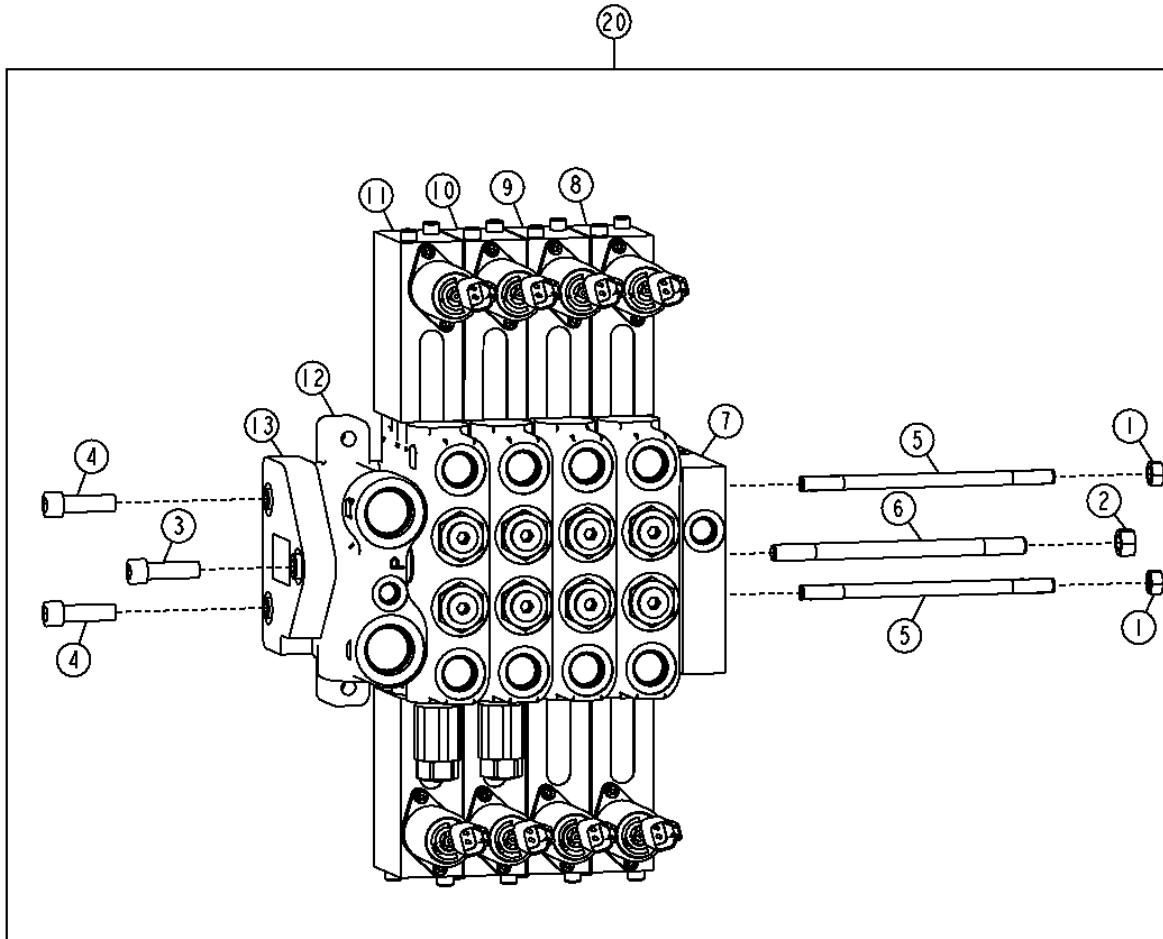
2162-80

VEHICLE MAIN HYDRAULIC SYSTEM 21

HYDRAULIC SELECTIVE CONTROL & LOAD HOLDING VALVES 2162
ELECTROHYDRAULIC 4 FUNCTION VALVE (REAR) (GRADE PRO)
DISTRIBUTEUR ELECTROHYDRAULIQUE A 4 FONCTIONS (ARRIERE) (GRADE PRO)
VALVULA ELECTROHIDRAULICA DE 4 FUNCIONES (POSTERIOR) (GRADE PRO)

TX1050893

-UN-13NOV08



TX1050893

2162-81

VEHICLE MAIN HYDRAULIC SYSTEM 21

HYDRAULIC SELECTIVE CONTROL & LOAD HOLDING VALVES 2162
ELECTROHYDRAULIC 4 FUNCTION VALVE (REAR) (GRADE PRO)
DISTRIBUTEUR ELECTROHYDRAULIQUE A 4 FONCTIONS (ARRIERE) (GRADE PRO)
VALVULA ELECTROHIDRAULICA DE 4 FUNCIONES (POSTERIOR) (GRADE PRO)

KEY	PART NO.	PART NAME	QTY.	SERIAL NO.	REMARKS
1	14H1042	NUT	2		5/16"
2	14H1080	NUT	1		3/8"
3	19H3924	SCREW	1		3/8" X 1-1/4"
4	F1100320	SCREW	2		5/16" X 1-1/4"
5	L115722	STUD	2		
6	L115723	STUD	1		
7	AT359386	VALVE	1		
8	AT359388	SPOOL VALVE	1		(REAR STEERING)
9	AT359389	SPOOL VALVE	1		(STEERING)
10	AT359391	SPOOL VALVE	1		(LEFT BLADE LIFT)
11	AT359391	SPOOL VALVE	1		(RIGHT BLADE LIFT)
12	AT327176	HOUSING	1		(MID INLET VALVE SECTION)
13	AT359376	SECTION	1		
20	AT342874	CONTROL VALVE	1		

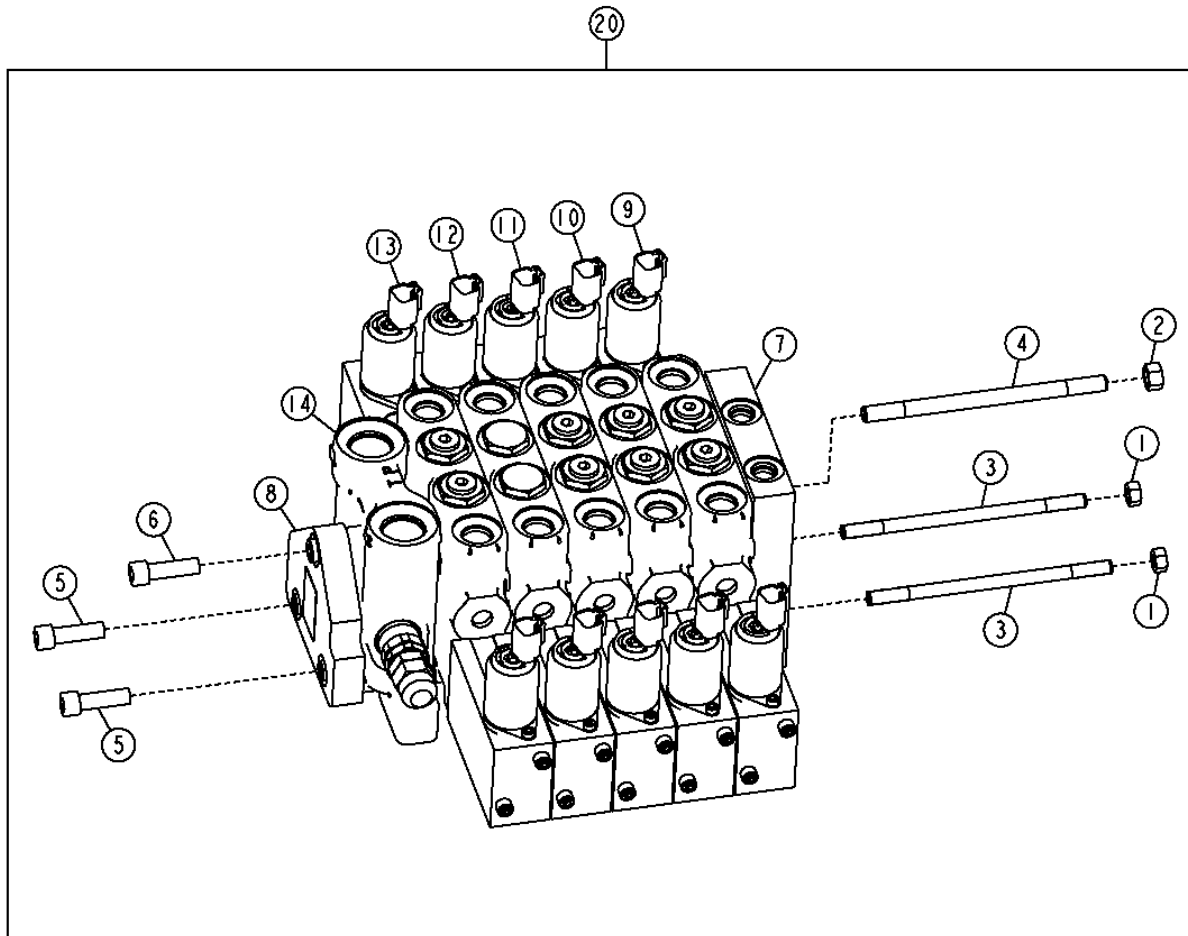
2162-82

VEHICLE MAIN HYDRAULIC SYSTEM 21

HYDRAULIC SELECTIVE CONTROL & LOAD HOLDING VALVES 2162
ELECTROHYDRAULIC 5 FUNCTION VALVE (FRONT) (GRADE PRO)
DISTRIBUTEUR ELECTROHYDRAULIQUE A 5 FONCTIONS (AVANT) (GRADE PRO)
VALVULA ELECTROHIDRAULICA DE 5 FUNCIONES (ANTERIOR) (GRADE PRO)

TX1050940

-UN-13NOV08



TX1050940

2162-83

VEHICLE MAIN HYDRAULIC SYSTEM 21

HYDRAULIC SELECTIVE CONTROL & LOAD HOLDING VALVES 2162
ELECTROHYDRAULIC 5 FUNCTION VALVE (FRONT) (GRADE PRO)
DISTRIBUTEUR ELECTROHYDRAULIQUE A 5 FONCTIONS (AVANT) (GRADE PRO)
VALVULA ELECTROHIDRAULICA DE 5 FUNCIONES (ANTERIOR) (GRADE PRO)

KEY	PART NO.	PART NAME	QTY.	SERIAL NO.	REMARKS
1	14H1042	NUT	2		5/16"
2	14H1080	NUT	1		3/8"
3	T246882	TIE ROD ASSEMBLY	2		
4	T246885	TIE ROD ASSEMBLY	1		
5	F1100320	SCREW	2		
6	19H3924	SCREW	1		3/8" X 1-1/4"
7	AT359384	VALVE	1		
8	AT359376	SECTION	1		
9	AT359383	SPOOL VALVE	1		(CIRCLE SIDE SHIFT)
10	AT359377	SPOOL VALVE	1		(BLADE TILT)
11	AT359381	SPOOL VALVE	1		(BLADE SIDE SHIFT)
12	AT359380	SPOOL VALVE	1		(CIRCLE ROTATE)
13	AT359382	SPOOL VALVE	1		(WHEEL LEAN)
14	AT317307	HOUSING	1		(MID INLET VALVE SECTION)
20	AT343012	CONTROL VALVE	1		

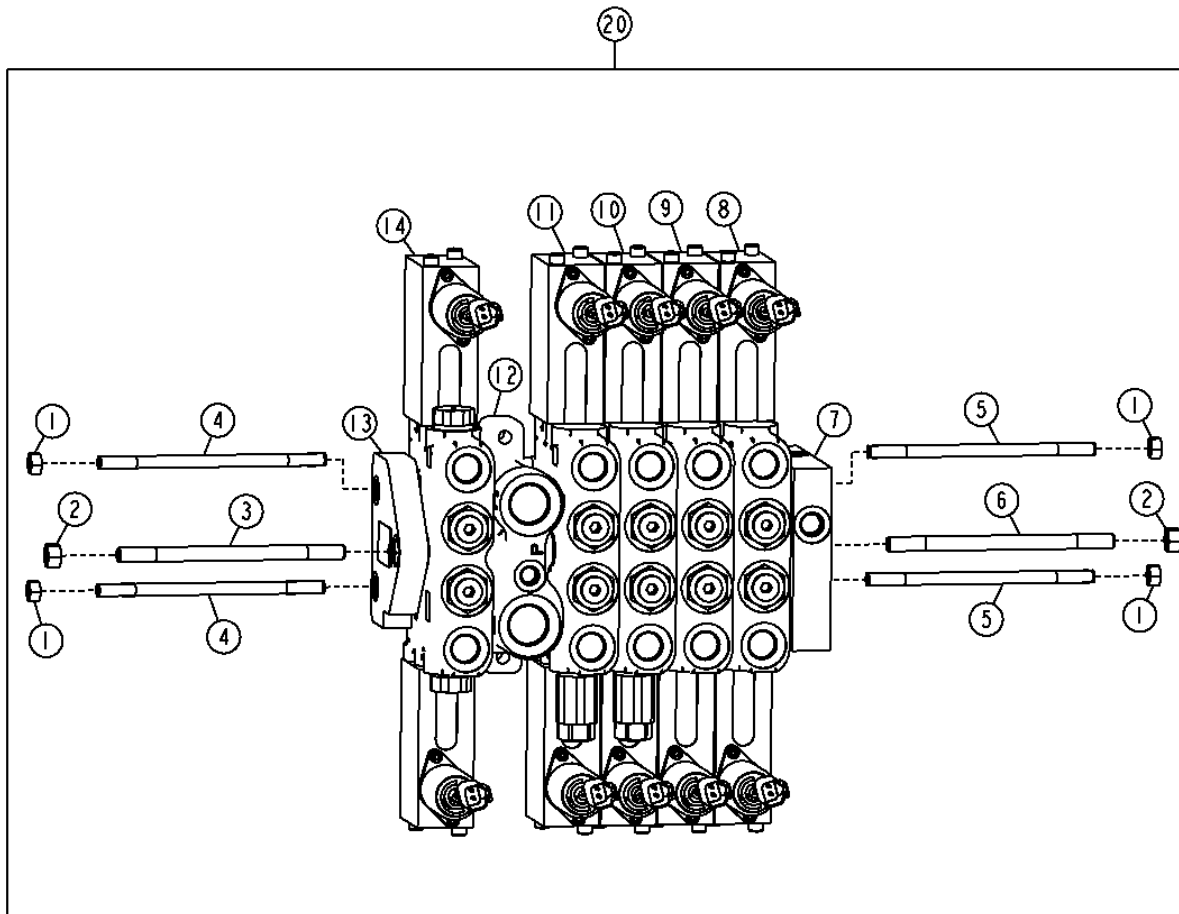
2162-84

VEHICLE MAIN HYDRAULIC SYSTEM 21

HYDRAULIC SELECTIVE CONTROL & LOAD HOLDING VALVES 2162
ELECTROHYDRAULIC 5 FUNCTION VALVE (REAR) (GRADE PRO)
DISTRIBUTEUR ELECTROHYDRAULIQUE A 5 FONCTIONS (ARRIERE) (GRADE PRO)
VALVULA ELECTROHIDRAULICA DE 5 FUNCIONES (POSTERIOR) (GRADE PRO)

TX1050906

-UN-13NOV08



TX1050906

2162-85

VEHICLE MAIN HYDRAULIC SYSTEM 21

HYDRAULIC SELECTIVE CONTROL & LOAD HOLDING VALVES 2162
ELECTROHYDRAULIC 5 FUNCTION VALVE (REAR) (GRADE PRO)
DISTRIBUTEUR ELECTROHYDRAULIQUE A 5 FONCTIONS (ARRIERE) (GRADE PRO)
VALVULA ELECTROHIDRAULICA DE 5 FUNCIONES (POSTERIOR) (GRADE PRO)

KEY	PART NO.	PART NAME	QTY.	SERIAL NO.	REMARKS
1	14H1042	NUT	4		5/16"
2	14H1080	NUT	2		3/8"
3	T213030	STUD	1		
4	T213027	STUD	2		
5	L115722	STUD	2		
6	L115723	STUD	1		
7	AT359386	VALVE	1		
8	AT359388	SPOOL VALVE	1		(REAR STEERING)
9	AT359389	SPOOL VALVE	1		(STEERING)
10	AT359391	SPOOL VALVE	1		(LEFT BLADE LIFT)
11	AT359391	SPOOL VALVE	1		(RIGHT BLADE LIFT)
12	AT327176	HOUSING	1		(MID INLET VALVE SECTION)
13	AT359376	SECTION	1		
14	AT359385	SPOOL VALVE	1		(RIPPER)
20	AT342873	CONTROL VALVE	1		

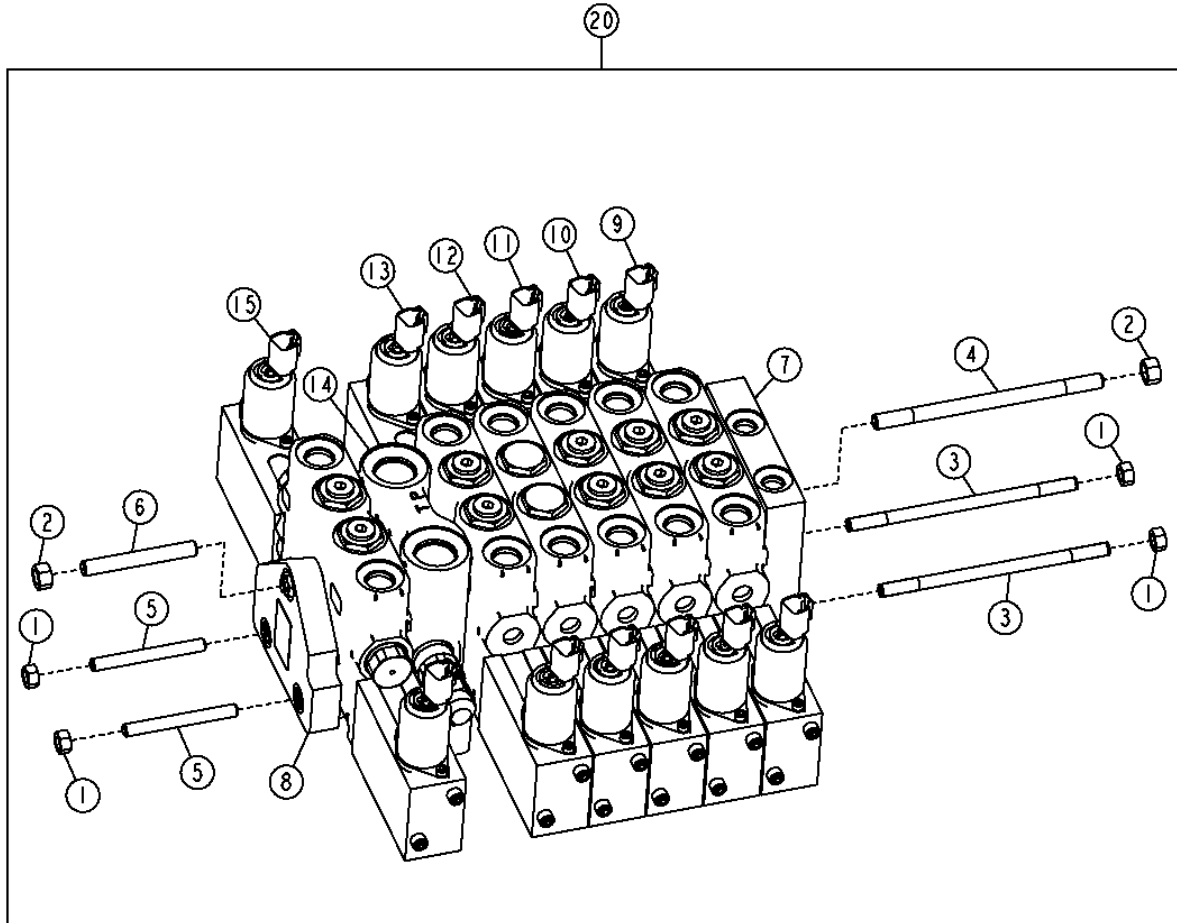
2162-86

VEHICLE MAIN HYDRAULIC SYSTEM 21

HYDRAULIC SELECTIVE CONTROL & LOAD HOLDING VALVES 2162
ELECTROHYDRAULIC 6 FUNCTION VALVE (FRONT) (GRADE PRO)
DISTRIBUTEUR ELECTROHYDRAULIQUE A 6 FONCTIONS (AVANT) (GRADE PRO)
VALVULA ELECTROHIDRAULICA DE 6 FUNCIONES (ANTERIOR) (GRADE PRO)

TX1050960

-UN-13NOV08



TX1050960

2162-87

VEHICLE MAIN HYDRAULIC SYSTEM 21

HYDRAULIC SELECTIVE CONTROL & LOAD HOLDING VALVES 2162
ELECTROHYDRAULIC 6 FUNCTION VALVE (FRONT) (GRADE PRO)
DISTRIBUTEUR ELECTROHYDRAULIQUE A 6 FONCTIONS (AVANT) (GRADE PRO)
VALVULA ELECTROHIDRAULICA DE 6 FUNCIONES (ANTERIOR) (GRADE PRO)

KEY	PART NO.	PART NAME	QTY.	SERIAL NO.	REMARKS
1	14H1042	NUT	4		5/16"
2	14H1080	NUT	2		3/8"
3	T246882	TIE ROD ASSEMBLY	2		
4	T246885	TIE ROD ASSEMBLY	1		
5	T213027	STUD	2		
6	T213030	STUD	1		
7	AT359384	VALVE	1		
8	AT359376	SECTION	1		
9	AT359383	SPOOL VALVE	1		(CIRCLE SIDE SHIFT)
10	AT359377	SPOOL VALVE	1		(BLADE TILT)
11	AT359381	SPOOL VALVE	1		(BLADE SIDE SHIFT)
12	AT359380	SPOOL VALVE	1		(CIRCLE ROTATE)
13	AT359382	SPOOL VALVE	1		(WHEEL LEAN)
14	AT317307	HOUSING	1		(MID INLET VALVE SECTION)
15	AT359385	SPOOL VALVE	1		(SCARIFIER)
20	AT343011	CONTROL VALVE	1		

2162-88

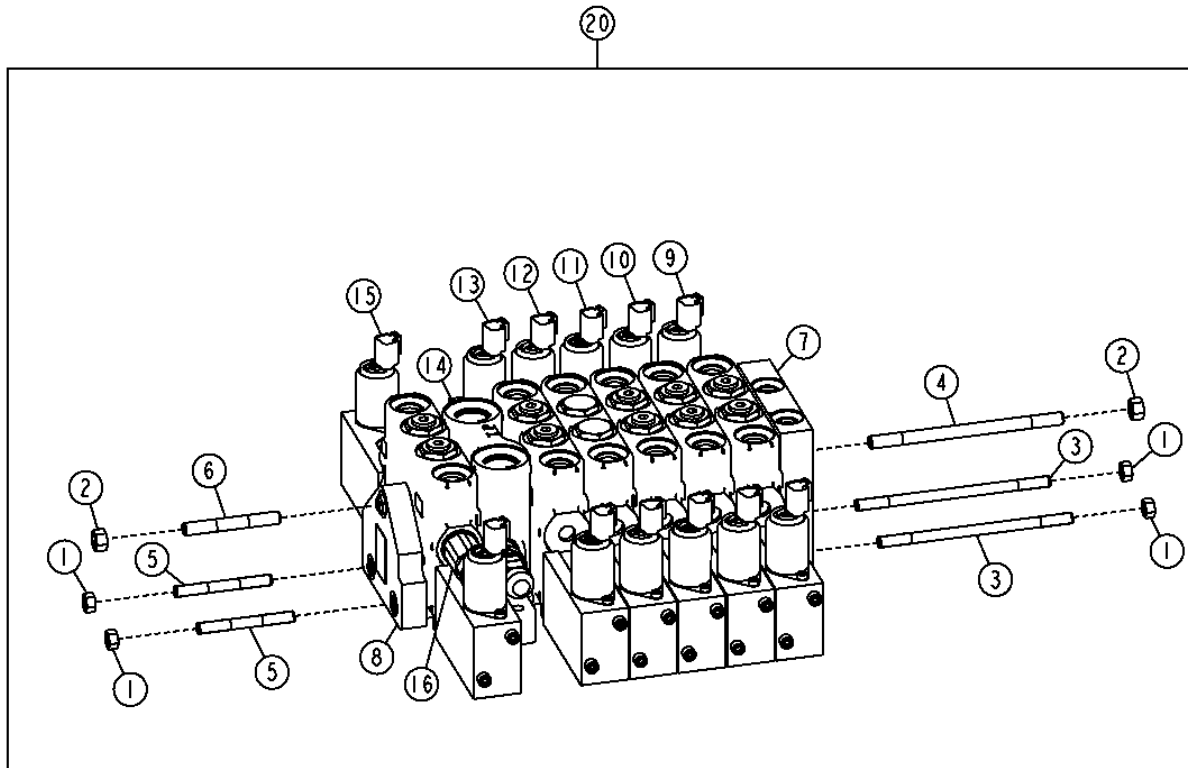
VEHICLE MAIN HYDRAULIC SYSTEM 21

HYDRAULIC SELECTIVE CONTROL & LOAD HOLDING VALVES 2162

ELECTROHYDRAULIC 6 FUNCTION VALVE (FRONT) (MID MOUNTED SCARIFIER) (GRADE PRO)
DISTRIBUTEUR ELECTROHYDRAULIQUE A 6 FONCTIONS (AVANT) (SCARIFICATEUR CENTRAL) (GRADE PRO)
VALVULA ELECTROHIDRAULICA DE 6 FUNCIONES (ESCARIFICADOR DE MONTAJE INTERMEDIO) (GRADE PRO)

TX1052196

-UN-09DEC08



TX1052196

THIS PARTS LISTING IS CONTINUED

2162-89

VEHICLE MAIN HYDRAULIC SYSTEM 21

HYDRAULIC SELECTIVE CONTROL & LOAD HOLDING VALVES 2162
ELECTROHYDRAULIC 6 FUNCTION VALVE (FRONT) (MID MOUNTED SCARIFIER) (GRADE PRO)
DISTRIBUTEUR ELECTROHYDRAULIQUE A 6 FONCTIONS (AVANT) (SCARIFICATEUR CENTRAL) (GRADE PRO)
VALVULA ELECTROHIDRAULICA DE 6 FUNCIONES (ESCARIFICADOR DE MONTAJE INTERMEDIO) (GRADE PRO)

KEY	PART NO.	PART NAME	QTY.	SERIAL NO.	REMARKS
1	14H1042	NUT	4		5/16"
2	14H1080	NUT	2		3/8"
3	T246882	TIE ROD ASSEMBLY	2		
4	T246885	TIE ROD ASSEMBLY	1		
5	T213027	STUD	2		
6	T213030	STUD	1		
7	AT359384	VALVE	1		
8	AT359376	SECTION	1		
9	AT359383	SPOOL VALVE	1		(CIRCLE SIDE SHIFT)
10	AT359377	SPOOL VALVE	1		(BLADE TILT)
11	AT359381	SPOOL VALVE	1		(BLADE SIDE SHIFT)
12	AT359380	SPOOL VALVE	1		(CIRCLE ROTATE)
13	AT359382	SPOOL VALVE	1		(WHEEL LEAN)
14	AT317307	HOUSING	1		(MID INLET VALVE SECTION)
15	AT359385	SPOOL VALVE	1		(SCARIFIER)
16	AT317324	PRESSURE RELIEF VALVE	1		
20	AT343381	CONTROL VALVE	1		

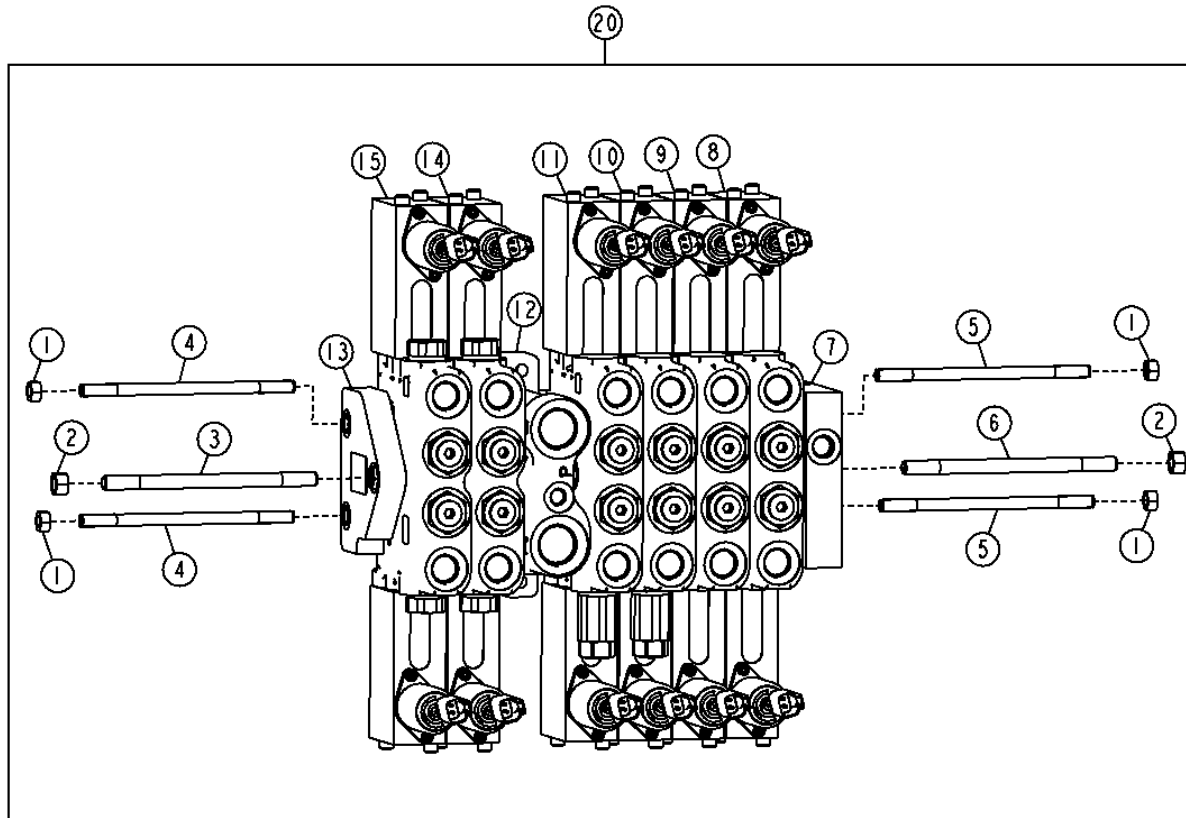
2162-90

VEHICLE MAIN HYDRAULIC SYSTEM 21

HYDRAULIC SELECTIVE CONTROL & LOAD HOLDING VALVES 2162
ELECTROHYDRAULIC 6 FUNCTION VALVE (REAR) (GRADE PRO)
DISTRIBUTEUR ELECTROHYDRAULIQUE A 6 FONCTIONS (ARRIERE) (GRADE PRO)
VALVULA ELECTROHIDRAULICA DE 6 FUNCIONES (POSTERIOR) (GRADE PRO)

TX1050910

-UN-25NOV08



TX1050910

2162-91

VEHICLE MAIN HYDRAULIC SYSTEM 21

HYDRAULIC SELECTIVE CONTROL & LOAD HOLDING VALVES 2162
ELECTROHYDRAULIC 6 FUNCTION VALVE (REAR) (GRADE PRO)
DISTRIBUTEUR ELECTROHYDRAULIQUE A 6 FONCTIONS (ARRIERE) (GRADE PRO)
VALVULA ELECTROHIDRAULICA DE 6 FUNCIONES (POSTERIOR) (GRADE PRO)

KEY	PART NO.	PART NAME	QTY.	SERIAL NO.	REMARKS
1	14H1042	NUT	4		5/16"
2	14H1080	NUT	2		3/8"
3	T76128	STUD	1		
4	T76127	STUD	2		
5	L115722	STUD	2		
6	L115723	STUD	1		
7	AT359386	VALVE	1		
8	AT359388	SPOOL VALVE	1		(REAR STEERING)
9	AT359389	SPOOL VALVE	1		(STEERING)
10	AT359391	SPOOL VALVE	1		(LEFT BLADE LIFT)
11	AT359391	SPOOL VALVE	1		(RIGHT BLADE LIFT)
12	AT327176	HOUSING	1		(MID INLET VALVE SECTION)
13	AT359376	SECTION	1		
14	AT359385	SPOOL VALVE	1		(RIPPER)
15	AT359385	SPOOL VALVE	1		(AUXILIARY)
20	AT342872	CONTROL VALVE	1		

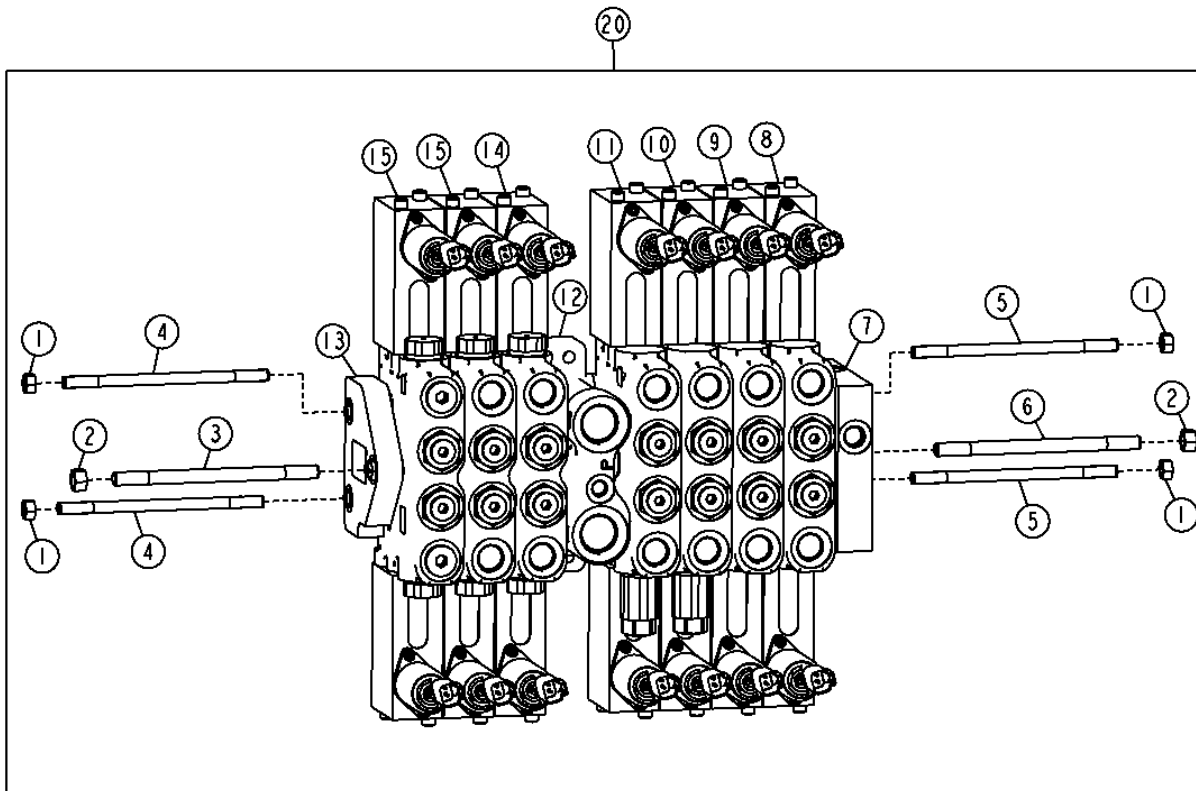
2162-92

VEHICLE MAIN HYDRAULIC SYSTEM 21

HYDRAULIC SELECTIVE CONTROL & LOAD HOLDING VALVES 2162
ELECTROHYDRAULIC 7 FUNCTION VALVE (REAR) (GRADE PRO)
DISTRIBUTEUR ELECTROHYDRAULIQUE A 7 FONCTIONS (ARRIERE) (GRADE PRO)
VALVULA ELECTROHIDRAULICA DE 7 FUNCIONES (POSTERIOR) (GRADE PRO)

TX1050928

-UN-13NOV08



TX1050928

2162-93

VEHICLE MAIN HYDRAULIC SYSTEM 21

HYDRAULIC SELECTIVE CONTROL & LOAD HOLDING VALVES 2162
ELECTROHYDRAULIC 7 FUNCTION VALVE (REAR) (GRADE PRO)
DISTRIBUTEUR ELECTROHYDRAULIQUE A 7 FONCTIONS (ARRIERE) (GRADE PRO)
VALVULA ELECTROHIDRAULICA DE 7 FUNCIONES (POSTERIOR) (GRADE PRO)

KEY	PART NO.	PART NAME	QTY.	SERIAL NO.	REMARKS
1	14H1042	NUT	4		5/16"
2	14H1080	NUT	2		3/8"
3	T253972	STUD	1		
4	T253971	STUD	2		
5	L115722	STUD	2		
6	L115723	STUD	1		
7	AT359386	VALVE	1		
8	AT359388	SPOOL VALVE	1		(REAR STEERING)
9	AT359389	SPOOL VALVE	1		(STEERING)
10	AT359391	SPOOL VALVE	1		(LEFT BLADE LIFT)
11	AT359391	SPOOL VALVE	1		(RIGHT BLADE LIFT)
12	AT327176	HOUSING	1		(MID INLET VALVE SECTION)
13	AT359376	SECTION	1		
14	AT359385	SPOOL VALVE	1		(RIPPER)
15	AT359385	SPOOL VALVE	2		(AUXILIARY)
20	AT342871	CONTROL VALVE	1		

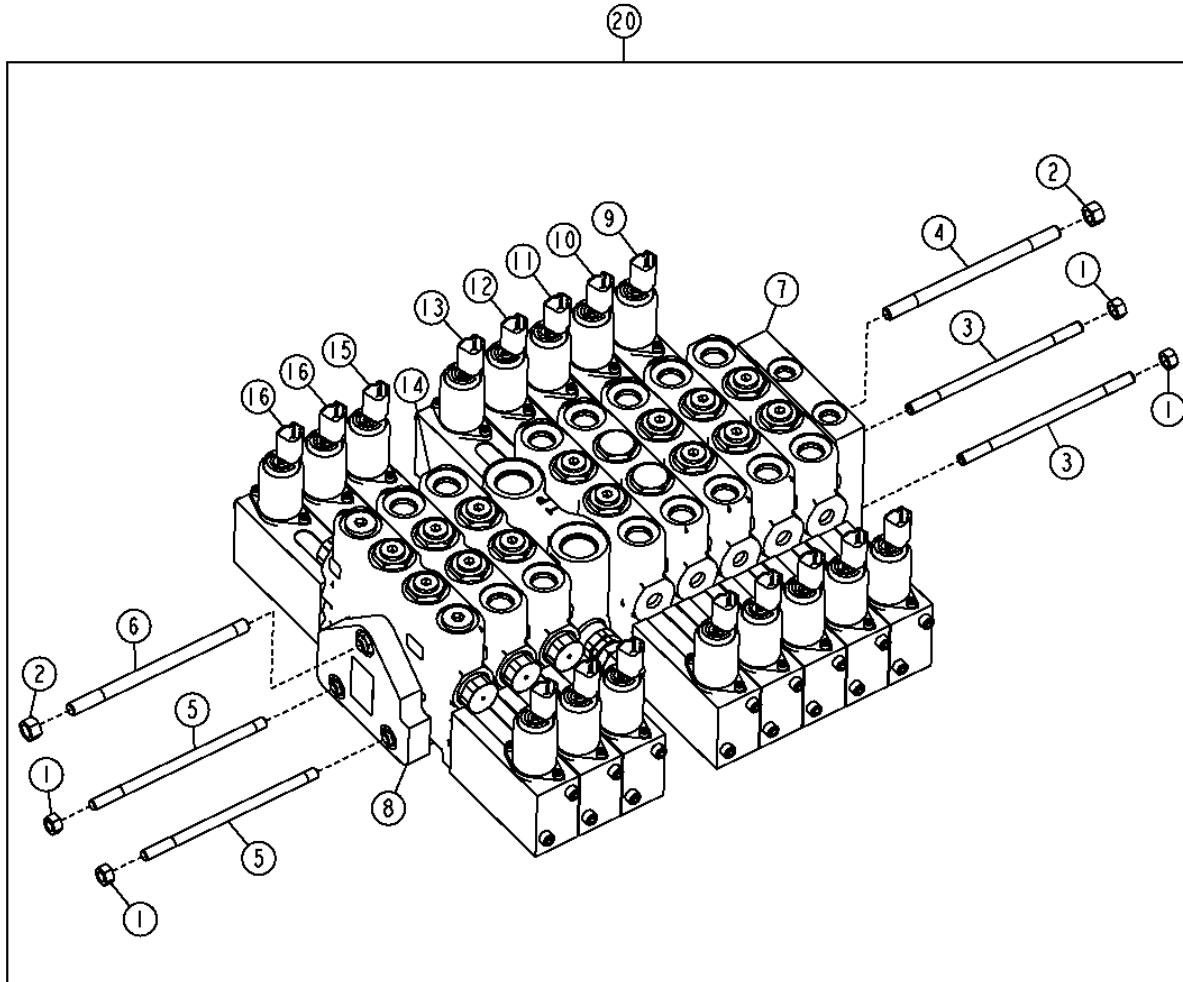
2162-94

VEHICLE MAIN HYDRAULIC SYSTEM 21

HYDRAULIC SELECTIVE CONTROL & LOAD HOLDING VALVES 2162
ELECTROHYDRAULIC 8 FUNCTION VALVE (FRONT) (GRADE PRO)
DISTRIBUTEUR ELECTROHYDRAULIQUE A 8 FONCTIONS (AVANT) (GRADE PRO)
VALVULA ELECTROHIDRAULICA DE 8 FUNCIONES (ANTERIOR) (GRADE PRO)

TX1050961

-UN-13NOV08



TX1050961

2162-95

VEHICLE MAIN HYDRAULIC SYSTEM 21

HYDRAULIC SELECTIVE CONTROL & LOAD HOLDING VALVES 2162
ELECTROHYDRAULIC 8 FUNCTION VALVE (FRONT) (GRADE PRO)
DISTRIBUTEUR ELECTROHYDRAULIQUE A 8 FONCTIONS (AVANT) (GRADE PRO)
VALVULA ELECTROHIDRAULICA DE 8 FUNCIONES (ANTERIOR) (GRADE PRO)

KEY	PART NO.	PART NAME	QTY.	SERIAL NO.	REMARKS
1	14H1042	NUT	4		5/16"
2	14H1080	NUT	2		3/8"
3	T246882	TIE ROD ASSEMBLY	2		
4	T246885	TIE ROD ASSEMBLY	1		
5	T253971	STUD	2		
6	T253972	STUD	1		
7	AT359384	VALVE	1		
8	AT359376	SECTION	1		
9	AT359383	SPOOL VALVE	1		(CIRCLE SIDE SHIFT)
10	AT359377	SPOOL VALVE	1		(BLADE TILT)
11	AT359381	SPOOL VALVE	1		(BLADE SIDE SHIFT)
12	AT359380	SPOOL VALVE	1		(CIRCLE ROTATE)
13	AT359382	SPOOL VALVE	1		(WHEEL LEAN)
14	AT317307	HOUSING	1		(MID INLET VALVE SECTION)
15	AT359385	SPOOL VALVE	1		(SCARIFIER)
16	AT359385	SPOOL VALVE	2		(AUXILIARY)
20	AT343009	CONTROL VALVE	1		

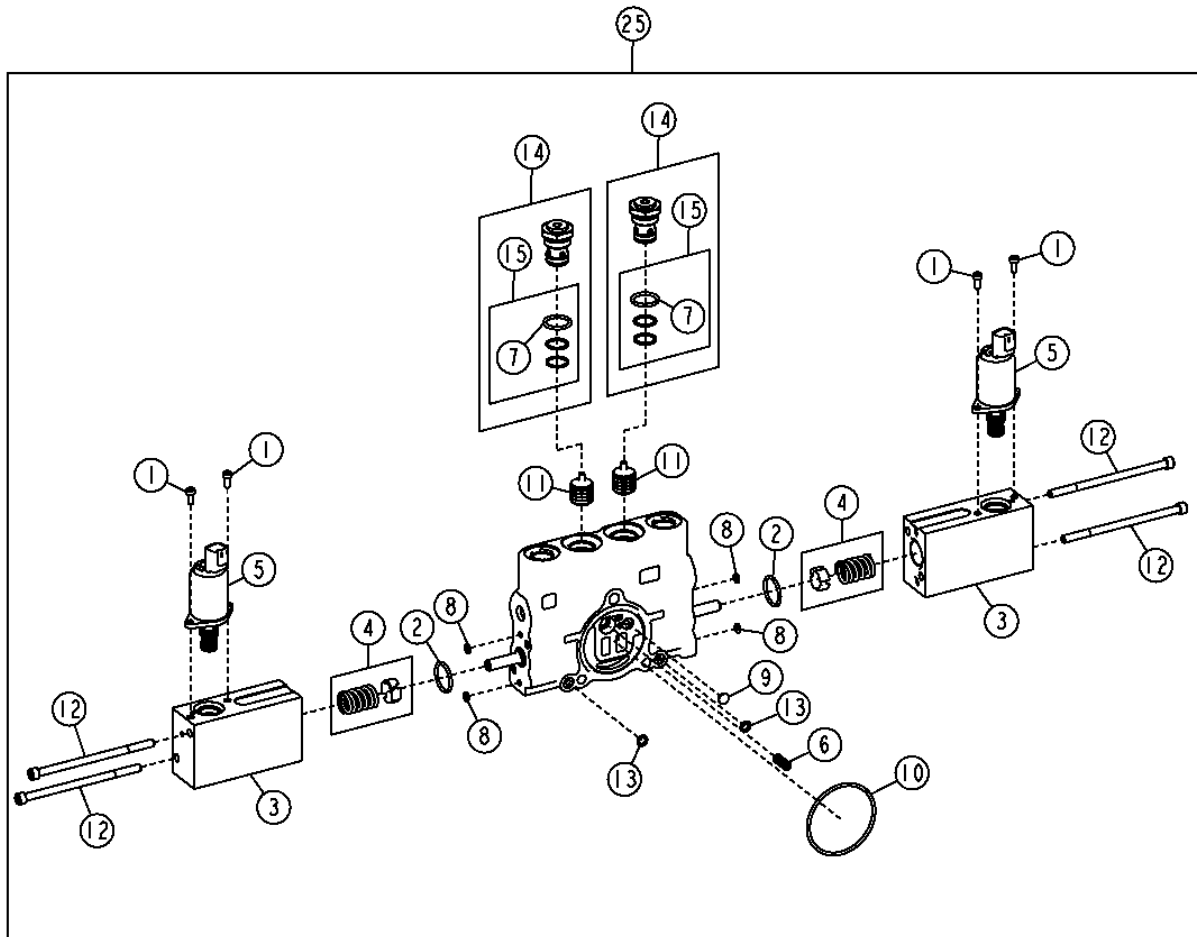
2162-96

VEHICLE MAIN HYDRAULIC SYSTEM 21

HYDRAULIC SELECTIVE CONTROL & LOAD HOLDING VALVES 2162 REAR STEERING VALVE SECTION (ELECTROHYDRAULIC) (GRADE PRO) SECTION DE SOUPAPE DE DIRECTION ARRIERE (ELECTROHYDRAULIQUE) (GRADE PRO) SECCION DE LA VALVULA DE DIRECCION TRASERA (ELECTROHIDRAULICO) (GRADE PRO)

TX1052709

-UN-16DEC08



TX1052709

THIS PARTS LISTING IS CONTINUED

2162-97

VEHICLE MAIN HYDRAULIC SYSTEM 21

HYDRAULIC SELECTIVE CONTROL & LOAD HOLDING VALVES 2162
REAR STEERING VALVE SECTION (ELECTROHYDRAULIC) (GRADE PRO)
SECTION DE SOUPAPE DE DIRECTION ARRIERE (ELECTROHYDRAULIQUE) (GRADE PRO)
SECCION DE LA VALVULA DE DIRECCION TRASERA (ELECTROHIDRAULICO) (GRADE PRO)

KEY	PART NO.	PART NAME	QTY.	SERIAL NO.	REMARKS
1	19M7702	SCREW	4		M4 X 10
2	842616200	O-RING	2		
3	AT357463	SOLENOID HYDRAULIC VALVE	2		
4	AT359378	SPRING KIT	2		
5	AT359379	VALVE	2		
6	R111238	COMPRESSION SPRING	1		
7	R111517	O-RING	2		
8	R203231	O-RING	4		
9	R95493	DISK	1		
10	T213025	O-RING	1		
11	T213034	VALVE SPOOL	2		
12	T246928	CAP SCREW	4		
13	T44604	O-RING	2		
14	AT349056	CHECK VALVE	2		
15	AT196924	SEAL KIT	1		
25	AT359388	SPOOL VALVE	1		

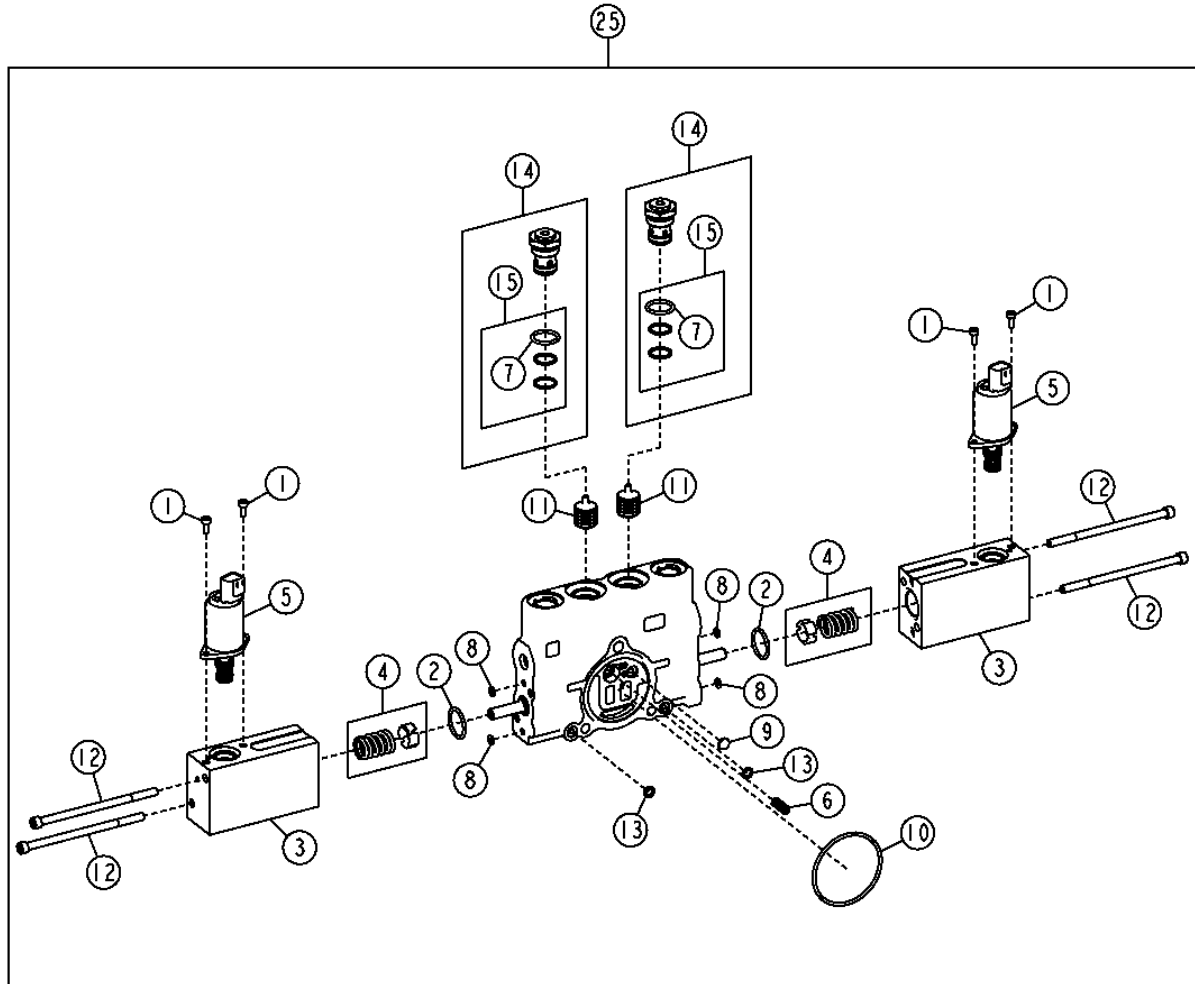
2162-98

VEHICLE MAIN HYDRAULIC SYSTEM 21

HYDRAULIC SELECTIVE CONTROL & LOAD HOLDING VALVES 2162
STEERING VALVE SECTION (ELECTROHYDRAULIC) (GRADE PRO)
SECTION SOUPAPE DE DIRECTION (ELECTROHYDRAULIQUE) (GRADE PRO)
SECCION DE LA VALVULA DE LA DIRECCION (ELECTROHIDRAULICO) (GRADE PRO)

TX1052713

-UN-18DEC08



TX1052713

THIS PARTS LISTING IS CONTINUED

2162-99

VEHICLE MAIN HYDRAULIC SYSTEM 21

HYDRAULIC SELECTIVE CONTROL & LOAD HOLDING VALVES 2162
STEERING VALVE SECTION (ELECTROHYDRAULIC) (GRADE PRO)
SECTION SOUPAPE DE DIRECTION (ELECTROHYDRAULIQUE) (GRADE PRO)
SECCION DE LA VALVULA DE LA DIRECCION (ELECTROHIDRAULICO) (GRADE PRO)

KEY	PART NO.	PART NAME	QTY.	SERIAL NO.	REMARKS
1	19M7702	SCREW	4		M4 X 10
2	842616200	O-RING	2		
3	AT357463	SOLENOID HYDRAULIC VALVE	2		
4	AT359378	SPRING KIT	2		
5	AT359379	VALVE	2		
6	R111238	COMPRESSION SPRING	1		
7	R111517	O-RING	1		
8	R203231	O-RING	4		
9	R95493	DISK	1		
10	T213025	O-RING	1		
11	T213034	VALVE SPOOL	2		
12	T246928	CAP SCREW	4		
13	T44604	O-RING	2		
14	AT349056	CHECK VALVE	2		
15	AT196924	SEAL KIT	1		
25	AT359389	SPOOL VALVE	1		

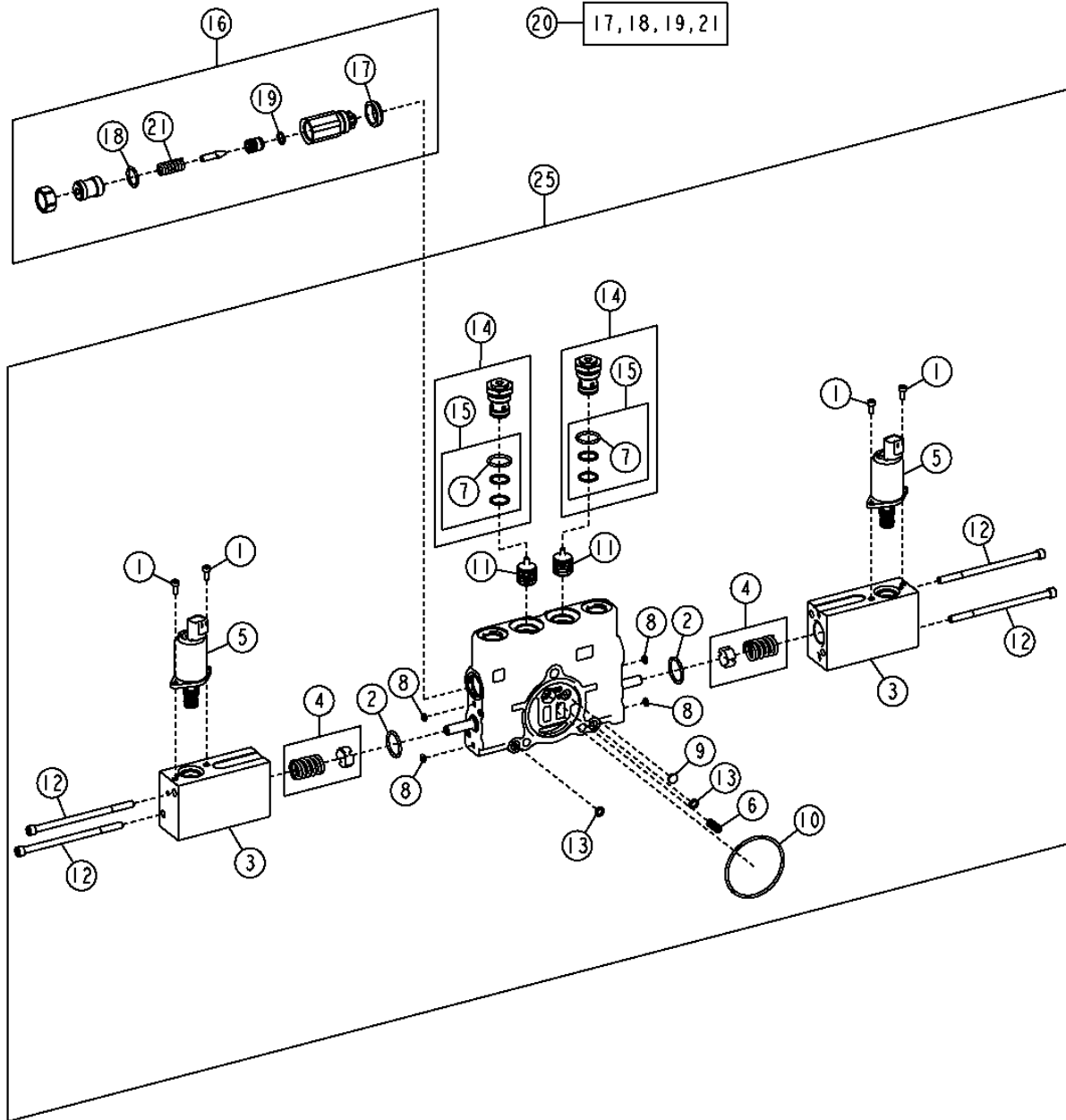
2162-100

VEHICLE MAIN HYDRAULIC SYSTEM 21

HYDRAULIC SELECTIVE CONTROL & LOAD HOLDING VALVES 2162 SECTION DISTRIBUTEUR DE RELEVAGE DE LAME (ELECTROHYDRAULIC) (GRADE PRO) SECCION DE VALVULA DE ELEVACION DE HOJA (ELECTROHIDRAULICO) (GRADE PRO)

TX1052721

-UN-16DEC08



TX1052721

2162-101

VEHICLE MAIN HYDRAULIC SYSTEM 21

HYDRAULIC SELECTIVE CONTROL & LOAD HOLDING VALVES 2162
BLADE LIFT VALVE SECTION (ELECTROHYDRAULIC) (GRADE PRO)
SECTION DISTRIBUTEUR DE RELEVAGE DE LAME (ELECTROHYDRAULIQUE) (GRADE PRO)
SECCION DE VALVULA DE ELEVACION DE HOJA (ELECTROHIDRAULICO) (GRADE PRO)

KEY	PART NO.	PART NAME	QTY.	SERIAL NO.	REMARKS
1	19M7702	SCREW	4		M4 X 10
2	842616200	O-RING	2		
3	AT357463	SOLENOID HYDRAULIC VALVE	2		
4	AT359378	SPRING KIT	2		
5	AT359379	VALVE	2		
6	R111238	COMPRESSION SPRING	1		
7	R111517	O-RING	1		
8	R203231	O-RING	4		
9	R95493	DISK	1		
10	T213025	O-RING	1		
11	T213034	VALVE SPOOL	2		
12	T246928	CAP SCREW	4		
13	T44604	O-RING	2		
14	AT349056	CHECK VALVE	2		
15	AT196924	SEAL KIT	1		
16	AT301226	PRESSURE RELIEF VALVE	1		
17	T183756	SEAL	1		
18	R47150	O-RING	1		
19	R63548	O-RING	1		
20	AT301227	SEAL KIT	1		
21	SPRING	1		(ORDER AT301227)
25	AT359391	SPOOL VALVE	1		

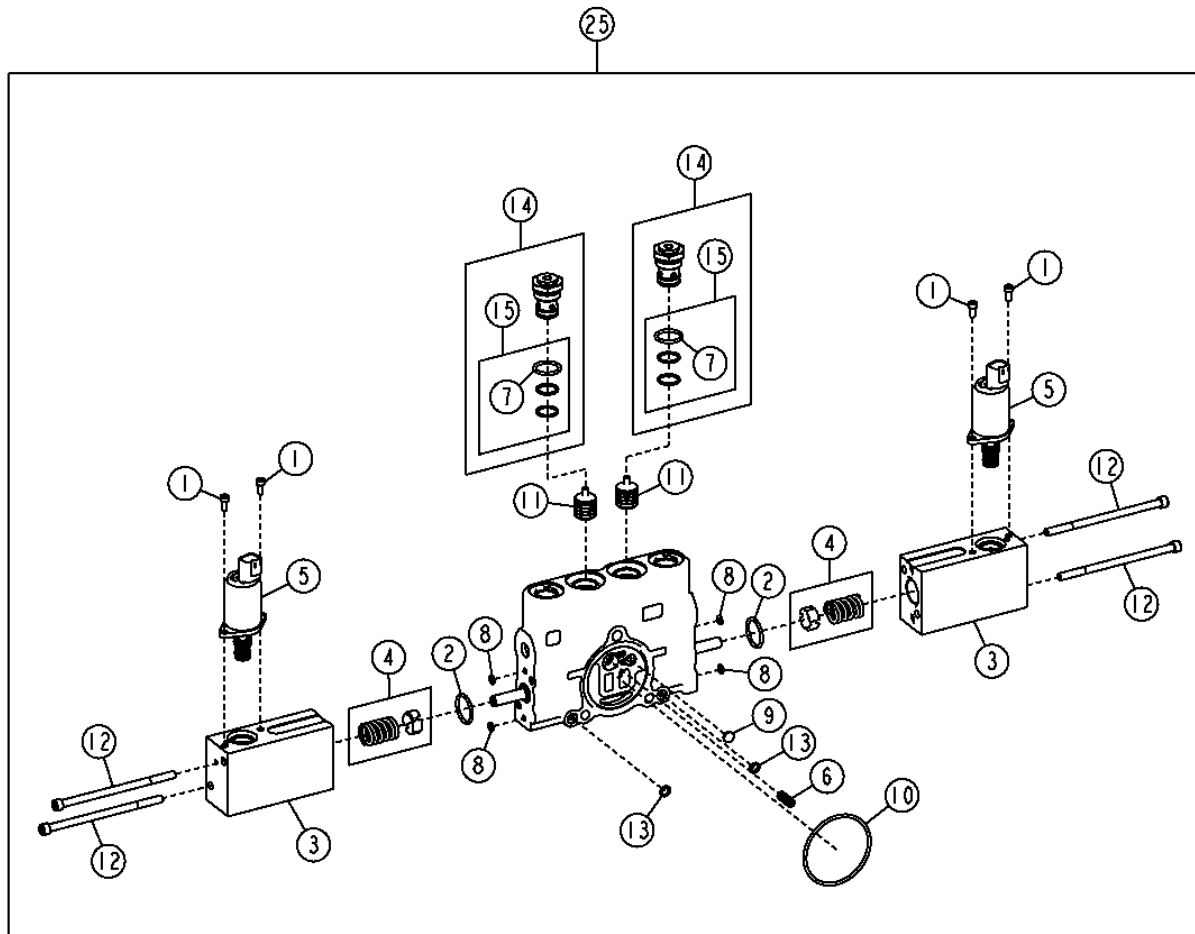
2162-102

VEHICLE MAIN HYDRAULIC SYSTEM 21

HYDRAULIC SELECTIVE CONTROL & LOAD HOLDING VALVES 2162 BLADE TILT VALVE SECTION (ELECTROHYDRAULIC) (GRADE PRO) SECTION DISTRIBUTEUR D'INCLINAISON DE LAME (ELECTROHYDRAULIQUE) (GRADE PRO) SECCION DE VALVULA DE INCLINACION DE HOJA (ELECTROHIDRAULICO) (GRADE PRO)

TX1052720

-UN-16DEC08



TX1052720

THIS PARTS LISTING IS CONTINUED

2162-103

VEHICLE MAIN HYDRAULIC SYSTEM 21

HYDRAULIC SELECTIVE CONTROL & LOAD HOLDING VALVES 2162
BLADE TILT VALVE SECTION (ELECTROHYDRAULIC) (GRADE PRO)
SECTION DISTRIBUTEUR D'INCLINAISON DE LAME (ELECTROHYDRAULIQUE) (GRADE PRO)
SECCION DE VALVULA DE INCLINACION DE HOJA (ELECTROHIDRAULICO) (GRADE PRO)

KEY	PART NO.	PART NAME	QTY.	SERIAL NO.	REMARKS
1	19M7702	SCREW	4		M4 X 10
2	842616200	O-RING	2		
3	AT357463	SOLENOID HYDRAULIC VALVE	2		
4	AT359378	SPRING KIT	2		
5	AT359379	VALVE	2		
6	R111238	COMPRESSION SPRING	1		
7	R111517	O-RING	1		
8	R203231	O-RING	4		
9	R95493	DISK	1		
10	T213025	O-RING	1		
11	T213034	VALVE SPOOL	2		
12	T246928	CAP SCREW	4		
13	T44604	O-RING	2		
14	AT349056	CHECK VALVE	2		
15	AT196924	SEAL KIT	1		
25	AT359377	SPOOL VALVE	1		

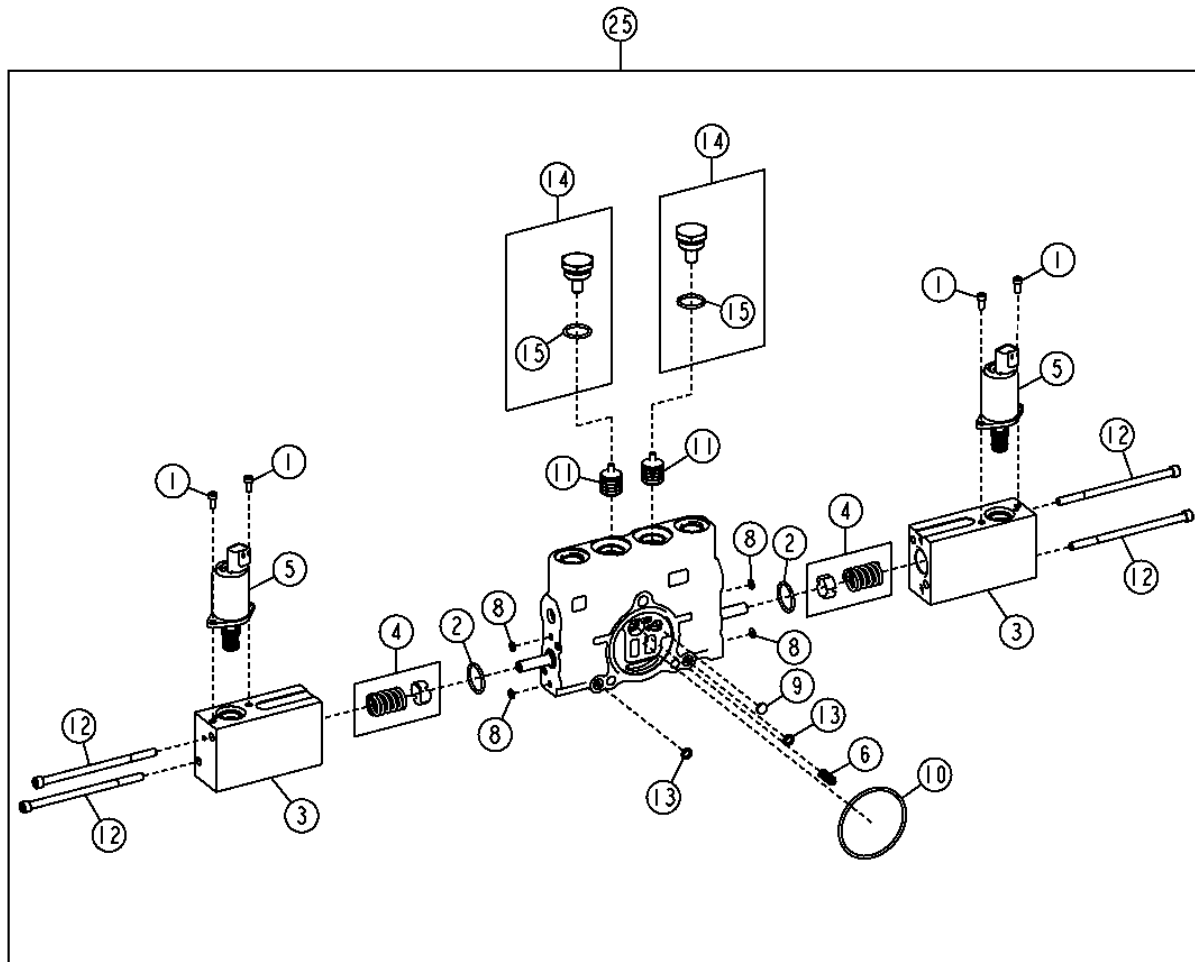
2162-104

VEHICLE MAIN HYDRAULIC SYSTEM 21

HYDRAULIC SELECTIVE CONTROL & LOAD HOLDING VALVES 2162
CIRCLE ROTATE VALVE SECTION (ELECTROHYDRAULIC) (GRADE PRO)
SECTION DISTRIBUTEUR DE ROTATION DE PLATEAU (ELECTROHYDRAULIQUE) (GRADE PRO)
SECCION DE VALVULA DE GIRO DE CIRCULO (ELECTROHIDRAULICO) (GRADE PRO)

TX1052725

-UN-16DEC08



TX1052725

2162-105

VEHICLE MAIN HYDRAULIC SYSTEM 21

HYDRAULIC SELECTIVE CONTROL & LOAD HOLDING VALVES 2162
CIRCLE ROTATE VALVE SECTION (ELECTROHYDRAULIC) (GRADE PRO)
SECTION DISTRIBUTEUR DE ROTATION DE PLATEAU (ELECTROHYDRAULIQUE) (GRADE PRO)
SECCION DE VALVULA DE GIRO DE CIRCULO (ELECTROHIDRAULICO) (GRADE PRO)

KEY	PART NO.	PART NAME	QTY.	SERIAL NO.	REMARKS
1	19M7702	SCREW	4		M4 X 10
2	842616200	O-RING	2		
3	AT357463	SOLENOID HYDRAULIC VALVE	2		
4	AT359378	SPRING KIT	2		
5	AT359379	VALVE	2		
6	R111238	COMPRESSION SPRING	1		
8	R203231	O-RING	4		
9	R95493	DISK	1		
10	T213025	O-RING	1		
11	T213034	VALVE SPOOL	2		
12	T246928	CAP SCREW	4		
13	T44604	O-RING	2		
14	AT317820	FITTING	2		
15	R26906	O-RING	1		
25	AT359380	SPOOL VALVE	1		

2162-106

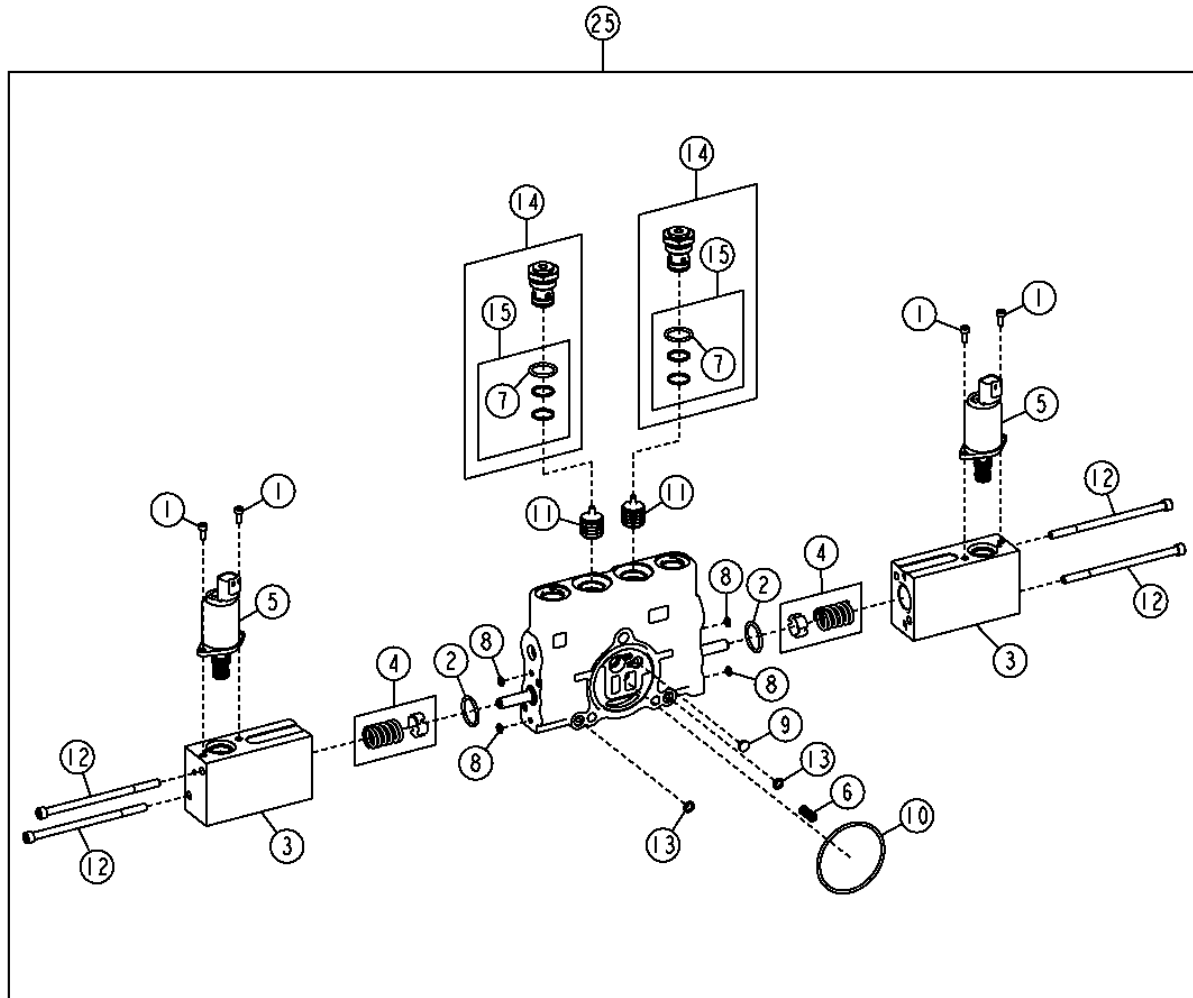
VEHICLE MAIN HYDRAULIC SYSTEM 21

HYDRAULIC SELECTIVE CONTROL & LOAD HOLDING VALVES 2162

BLADE SIDE SHIFT VALVE SECTION (ELECTROHYDRAULIC) (GRADE PRO)
SECTION DISTRIBUTEUR DE DEPLACEMENT LATERAL DE LAME (ELECTROHYDRAULIQUE) (GRADE PRO)
SECCION DE VALVULA DE DESPLAZAMIENTO LATERAL DE HOJA (ELECTROHIDRAULICO) (GRADE PRO)

TX1052715

-UN-16DEC08



TX1052715

2162-107

VEHICLE MAIN HYDRAULIC SYSTEM 21

HYDRAULIC SELECTIVE CONTROL & LOAD HOLDING VALVES 2162

BLADE SIDE SHIFT VALVE SECTION (ELECTROHYDRAULIC) (GRADE PRO)

SECTION DISTRIBUTEUR DE DEPLACEMENT LATERAL DE LAME (ELECTROHYDRAULIQUE) (GRADE PRO)

SECCION DE VALVULA DE DESPLAZAMIENTO LATERAL DE HOJA (ELECTROHIDRAULICO) (GRADE PRO)

KEY	PART NO.	PART NAME	QTY.	SERIAL NO.	REMARKS
1	19M7702	SCREW	4		M4 X 10
2	842616200	O-RING	2		
3	AT357463	SOLENOID HYDRAULIC VALVE	2		
4	AT359378	SPRING KIT	2		
5	AT359379	VALVE	2		
6	R111238	COMPRESSION SPRING	1		
7	R111517	O-RING	1		
8	R203231	O-RING	4		
9	R95493	DISK	1		
10	T213025	O-RING	1		
11	T213034	VALVE SPOOL	2		
12	T246928	CAP SCREW	4		
13	T44604	O-RING	2		
14	AT349056	CHECK VALVE	2		
15	AT196924	SEAL KIT	1		
25	AT359381	SPOOL VALVE	1		

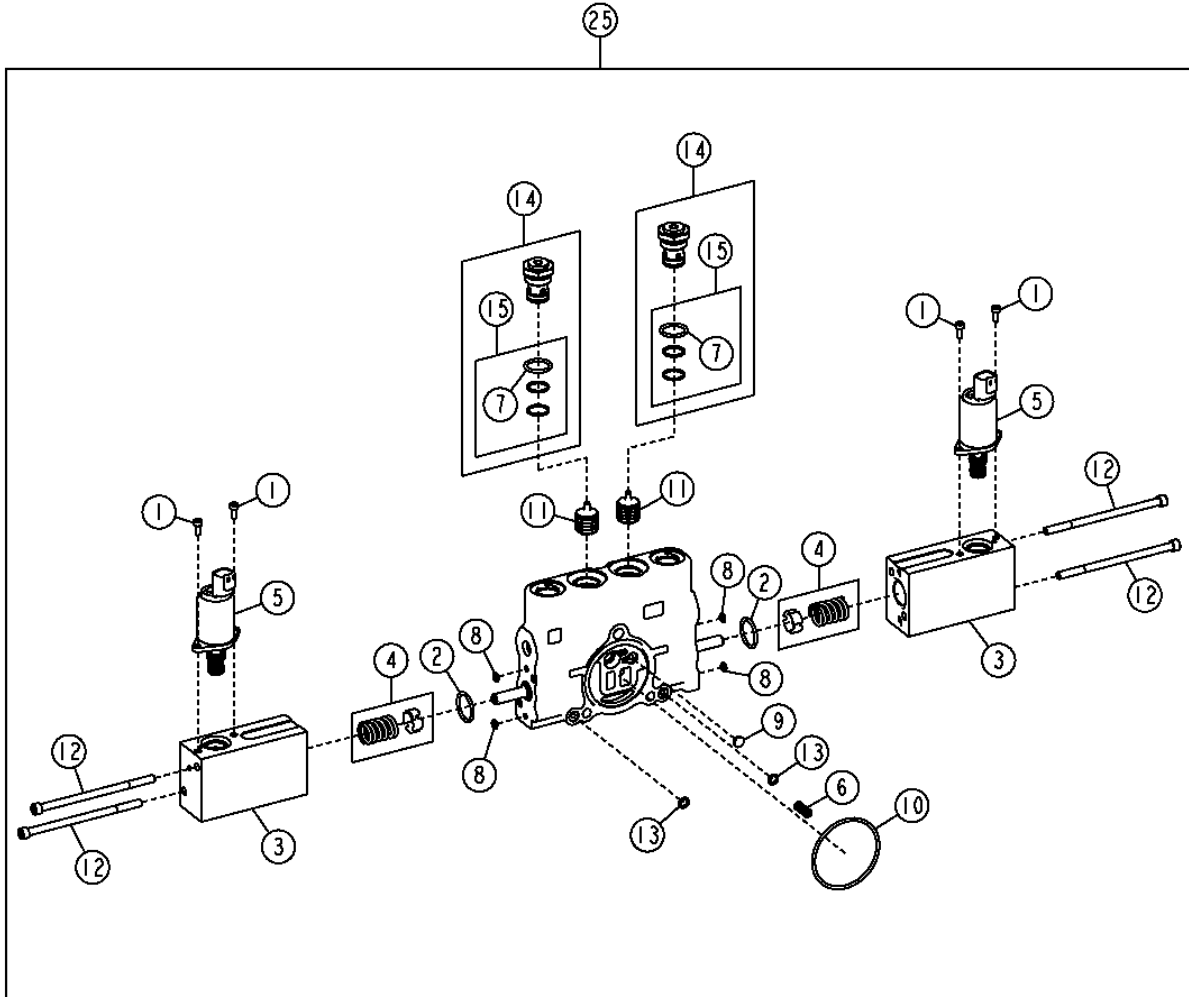
2162-108

VEHICLE MAIN HYDRAULIC SYSTEM 21

HYDRAULIC SELECTIVE CONTROL & LOAD HOLDING VALVES 2162
WHEEL LEAN VALVE SECTION (ELECTROHYDRAULIC) (GRADE PRO)
SECTION DISTRIBUTEUR INCLINAISON DE ROUE (ELECTROHYDRAULIQUE) (GRADE PRO)
SECCION DE VALVULA DE INCLINACION DE RUEDAS (ELECTROHIDRAULICO) (GRADE PRO)

TX1052716

-UN-16DEC08



TX1052716

2162-109

VEHICLE MAIN HYDRAULIC SYSTEM 21

HYDRAULIC SELECTIVE CONTROL & LOAD HOLDING VALVES 2162

WHEEL LEAN VALVE SECTION (ELECTROHYDRAULIC) (GRADE PRO)
SECTION DISTRIBUTEUR INCLINAISON DE ROUE (ELECTROHYDRAULIQUE) (GRADE PRO)
SECCION DE VALVULA DE INCLINACION DE RUEDAS (ELECTROHIDRAULICO) (GRADE PRO)

KEY	PART NO.	PART NAME	QTY.	SERIAL NO.	REMARKS
1	19M7702	SCREW	4		M4 X 10
2	842616200	O-RING	2		
3	AT357463	SOLENOID HYDRAULIC VALVE	2		
4	AT359378	SPRING KIT	2		
5	AT359379	VALVE	2		
6	R111238	COMPRESSION SPRING	1		
7	R111517	O-RING	1		
8	R203231	O-RING	4		
9	R95493	DISK	1		
10	T213025	O-RING	1		
11	T213034	VALVE SPOOL	2		
12	T246928	CAP SCREW	4		
13	T44604	O-RING	2		
14	AT349056	CHECK VALVE	2		
15	AT196924	SEAL KIT	1		
25	AT359382	SPOOL VALVE	1		

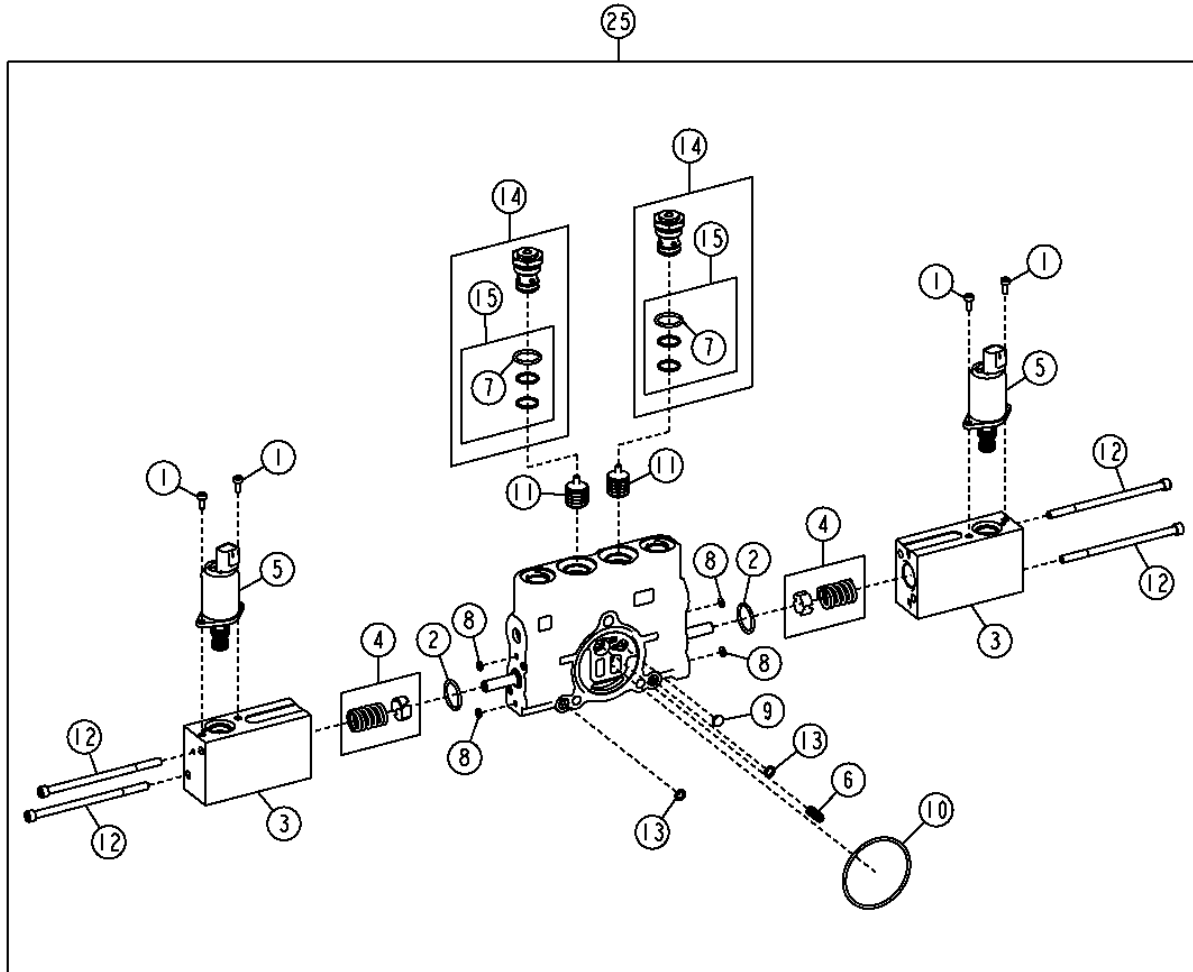
2162-110

VEHICLE MAIN HYDRAULIC SYSTEM 21

HYDRAULIC SELECTIVE CONTROL & LOAD HOLDING VALVES 2162
CIRCLE SIDE SHIFT VALVE SECTION (ELECTROHYDRAULIC) (GRADE PRO)
SECTION DISTR. DEPLACT LATERAL PLATEAU (ELECTROHYDRAULIQUE) (GRADE PRO)
SECCION DE VALVULA DE DESPLAZAMIENTO LATERAL DE CIRCULO (ELECTROHIDRAULICO) (GRADE PRO)

TX1052718

-UN-16DEC08



TX1052718

2162-111

VEHICLE MAIN HYDRAULIC SYSTEM 21

HYDRAULIC SELECTIVE CONTROL & LOAD HOLDING VALVES 2162

CIRCLE SIDE SHIFT VALVE SECTION (ELECTROHYDRAULIC) (GRADE PRO)

SECTION DISTR. DEPLACT LATERAL PLATEAU (ELECTROHYDRAULIQUE) (GRADE PRO)

SECCION DE VALVULA DE DESPLAZAMIENTO LATERAL DE CIRCULO (ELECTROHIDRAULICO) (GRADE PRO)

KEY	PART NO.	PART NAME	QTY.	SERIAL NO.	REMARKS
1	19M7702	SCREW	4		M4 X 10
2	842616200	O-RING	2		
3	AT357463	SOLENOID HYDRAULIC VALVE	2		
4	AT359378	SPRING KIT	2		
5	AT359379	VALVE	2		
6	R111238	COMPRESSION SPRING	1		
7	R111517	O-RING	1		
8	R203231	O-RING	4		
9	R95493	DISK	1		
10	T213025	O-RING	1		
11	T213034	VALVE SPOOL	2		
12	T246928	CAP SCREW	4		
13	T44604	O-RING	2		
14	AT349056	CHECK VALVE	2		
15	AT196924	SEAL KIT	1		
25	AT359383	SPOOL VALVE	1		

2162-112

VEHICLE MAIN HYDRAULIC SYSTEM 21

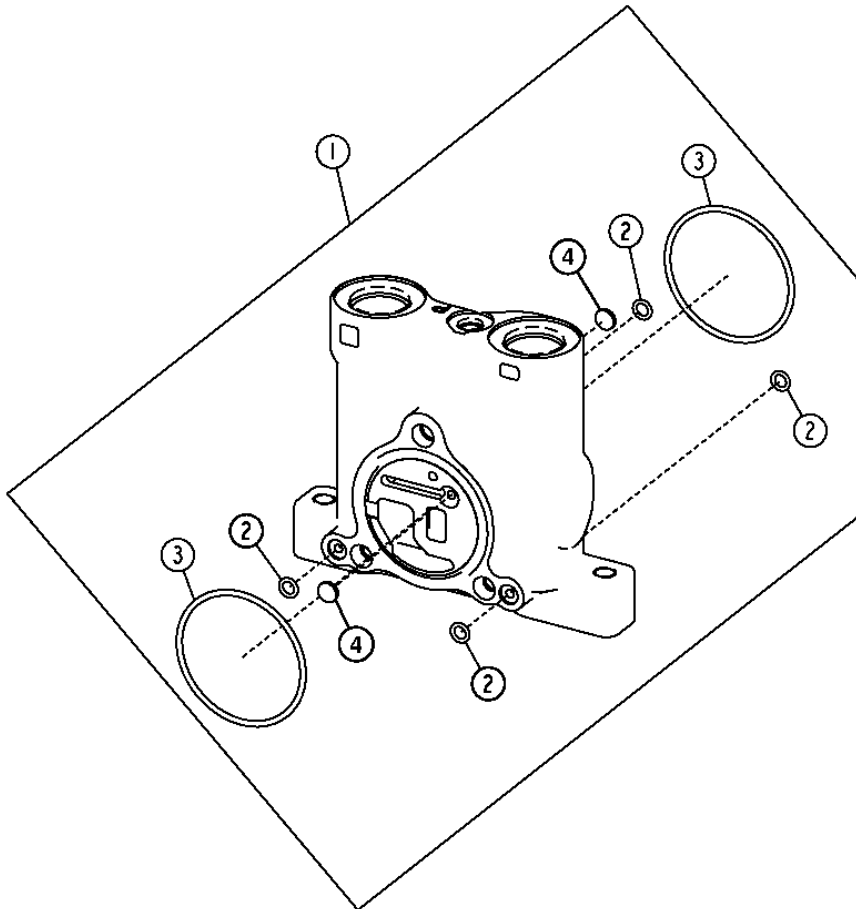
HYDRAULIC SELECTIVE CONTROL & LOAD HOLDING VALVES 2162

ELECTROHYDRAULIC INLET VALVE SECTION (REAR) (GRADE PRO)

SECTION DE SOUPAPE D'ENTREE ELECTROHYDRAULIQUE (ARRIERE) (GRADE PRO)
SECCION DE VALVULA DE ENTRADA ELECTROHIDRAULICO (POSTERIOR) (GRADE PRO)

TX1052230

-UN-30DEC08



TX1052230

2162-113

VEHICLE MAIN HYDRAULIC SYSTEM 21

HYDRAULIC SELECTIVE CONTROL & LOAD HOLDING VALVES 2162
ELECTROHYDRAULIC INLET VALVE SECTION (REAR) (GRADE PRO)
SECTION DE SOUPEPE D'ENTREE ELECTROHYDRAULIQUE (ARRIERE) (GRADE PRO)
SECCION DE VALVULA DE ENTRADA ELECTROHIDRAULICO (POSTERIOR) (GRADE PRO)

KEY	PART NO.	PART NAME	QTY.	SERIAL NO.	REMARKS
1	AT327176	HOUSING	1		
2	R76578	O-RING	4		
3	T213025	O-RING	2		
4	R95493	DISK	2		

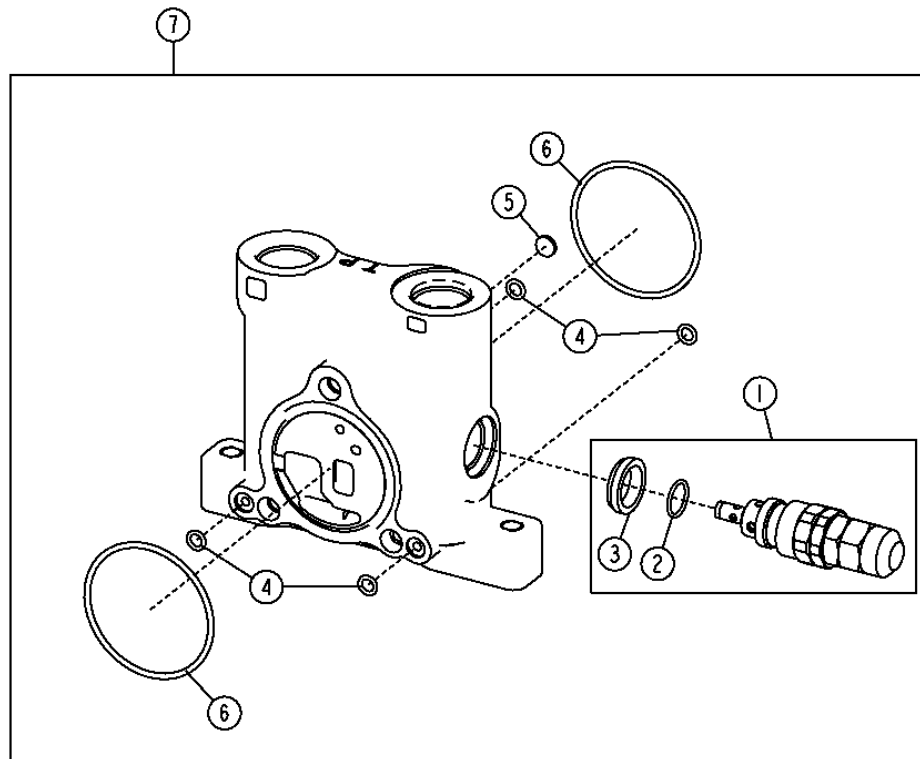
2162-114

VEHICLE MAIN HYDRAULIC SYSTEM 21

HYDRAULIC SELECTIVE CONTROL & LOAD HOLDING VALVES 2162
ELECTROHYDRAULIC INLET VALVE SECTION (FRONT) (GRADE PRO)
SECTION DE SOUPAPE D'ENTREE ELECTROHYDRAULIQUE (AVANT) (GRADE PRO)
SECCION DE VALVULA DE ENTRADA ELECTROHIDRAULICO (ANTERIOR) (GRADE PRO)

TX1052232

-UN-30DEC08



TX1052232

2162-115

VEHICLE MAIN HYDRAULIC SYSTEM 21

HYDRAULIC SELECTIVE CONTROL & LOAD HOLDING VALVES 2162
ELECTROHYDRAULIC INLET VALVE SECTION (FRONT) (GRADE PRO)
SECTION DE SOUPAPE D'ENTREE ELECTROHYDRAULIQUE (AVANT) (GRADE PRO)
SECCION DE VALVULA DE ENTRADA ELECTROHIDRAULICO (ANTERIOR) (GRADE PRO)

KEY	PART NO.	PART NAME	QTY.	SERIAL NO.	REMARKS
1	AT317323	PRESSURE RELIEF VALVE	1		
2	T150961	O-RING	2		
3	T183756	SEAL	1		
4	R76578	O-RING	4		
5	R95493	DISK	1		
6	T213025	O-RING	2		
7	AT317307	HOUSING	1		

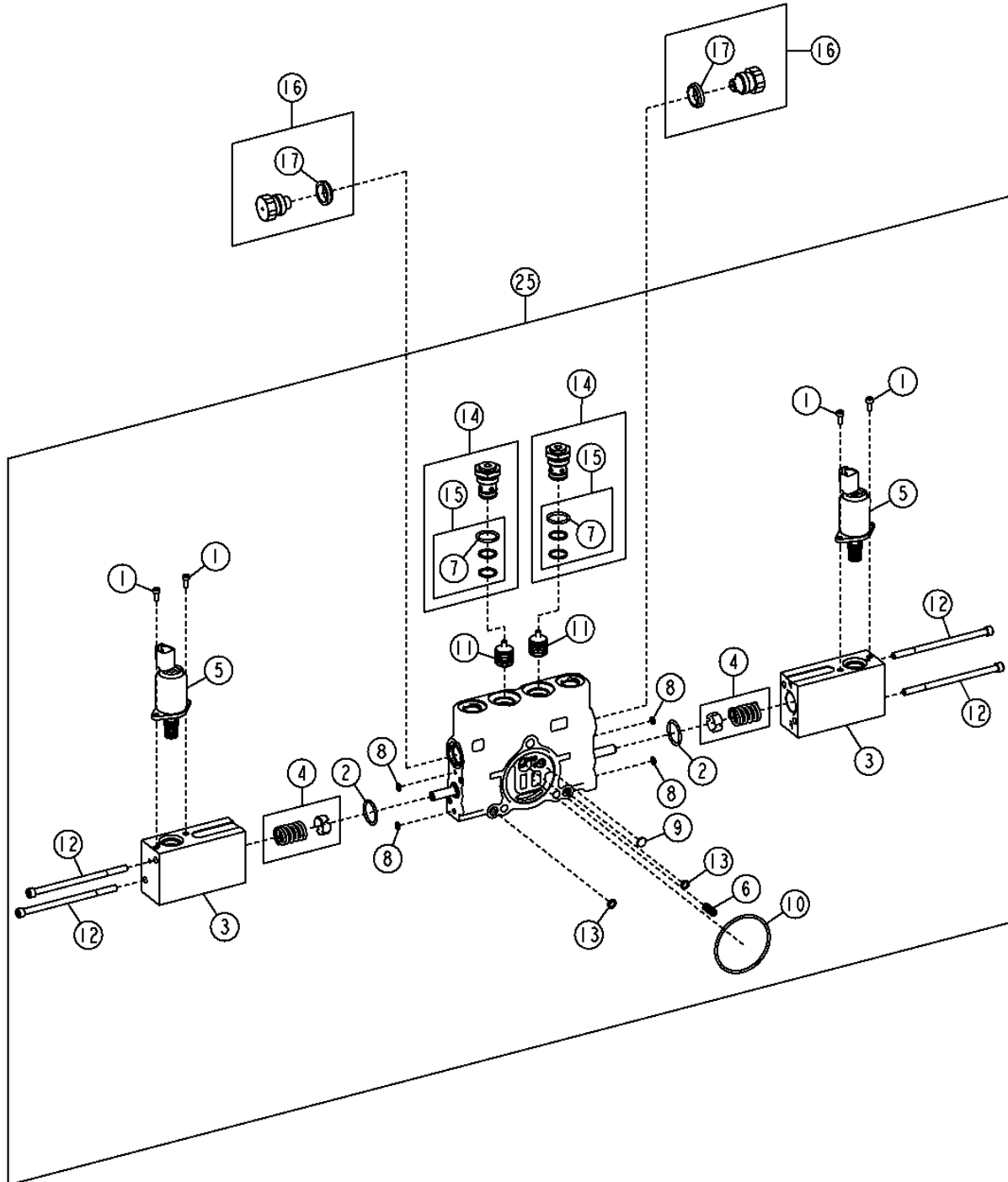
2162-116

VEHICLE MAIN HYDRAULIC SYSTEM 21

HYDRAULIC SELECTIVE CONTROL & LOAD HOLDING VALVES 2162 AUXILIARY VALVE SECTION (ELECTROHYDRAULIC) (GRADE PRO) SECTION DISTRIBUTEUR AUXILIAIRE (ELECTROHYDRAULIQUE) (GRADE PRO) SECCION DE VALVULA AUXILIAR (ELECTROHIDRAULICO) (GRADE PRO)

TX1052723

-UN-16DEC08



TX1052723

2162-117

VEHICLE MAIN HYDRAULIC SYSTEM 21

HYDRAULIC SELECTIVE CONTROL & LOAD HOLDING VALVES 2162
AUXILIARY VALVE SECTION (ELECTROHYDRAULIC) (GRADE PRO)
SECTION DISTRIBUTEUR AUXILIAIRE (ELECTROHYDRAULIQUE) (GRADE PRO)
SECCION DE VALVULA AUXILIAR (ELECTROHIDRAULICO) (GRADE PRO)

KEY	PART NO.	PART NAME	QTY.	SERIAL NO.	REMARKS
1	19M7702	SCREW	4		M4 X 10
2	842616200	O-RING	2		
3	AT357463	SOLENOID HYDRAULIC VALVE	2		
4	AT359378	SPRING KIT	2		
5	AT359379	VALVE	2		
6	R111238	COMPRESSION SPRING	1		
7	R111517	O-RING	1		
8	R203231	O-RING	4		
9	R95493	DISK	1		
10	T213025	O-RING	1		
11	T213034	VALVE SPOOL	2		
12	T246928	CAP SCREW	4		
13	T44604	O-RING	2		
14	AT349056	CHECK VALVE	2		
15	AT196924	SEAL KIT	1		
16	AT78527	FITTING PLUG	2		
17	T183756	SEAL	1		
25	AT359385	SPOOL VALVE	1		

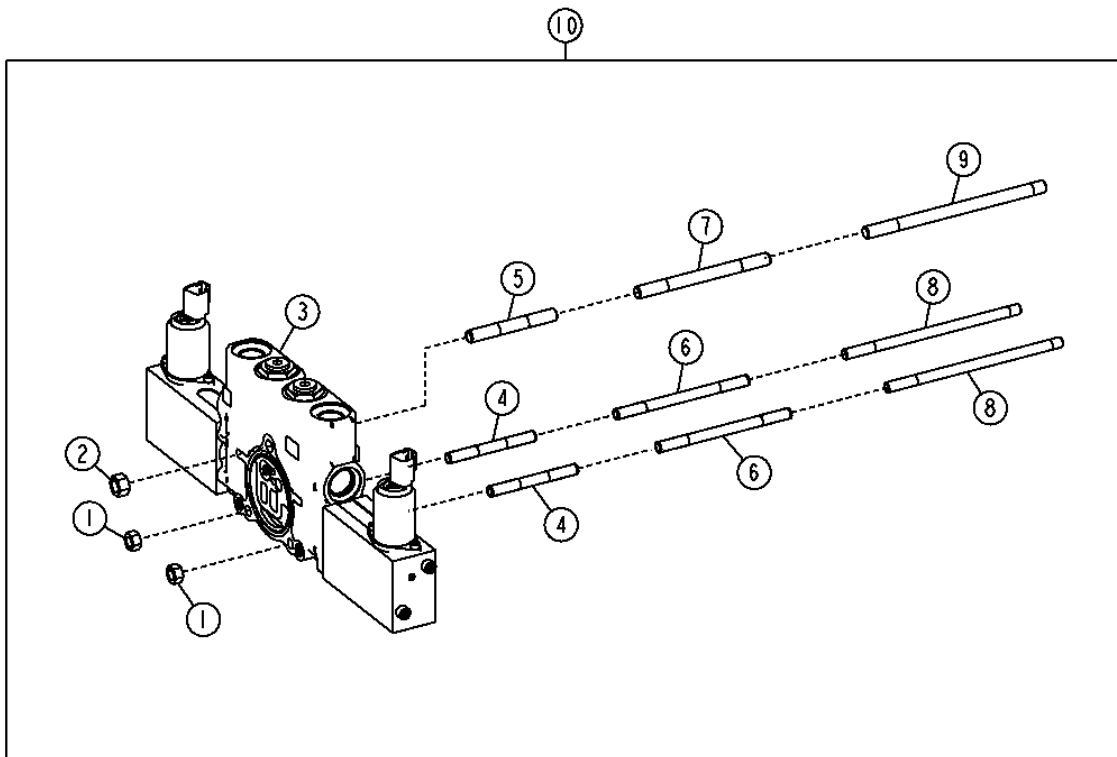
2162-118

VEHICLE MAIN HYDRAULIC SYSTEM 21

HYDRAULIC SELECTIVE CONTROL & LOAD HOLDING VALVES 2162
ELECTROHYDRAULIC AUXILIARY CONTROL VALVE KIT (GRADE PRO)
KIT DE DISTRIBUTEUR AUXILIAIRE ELECTROHYDRAULIQUE (GRADE PRO)
JUEGO DE VALVULA ELECTROHIDRAULICA AUXILIAR DE CONTROL (GRADE PRO)

TX1052201

-UN-09DEC08



TX1052201

2162-119

VEHICLE MAIN HYDRAULIC SYSTEM 21

HYDRAULIC SELECTIVE CONTROL & LOAD HOLDING VALVES 2162
ELECTROHYDRAULIC AUXILIARY CONTROL VALVE KIT (GRADE PRO)
KIT DE DISTRIBUTEUR AUXILIAIRE ELECTROHYDRAULIQUE (GRADE PRO)
JUEGO DE VALVULA ELECTROHIDRAULICA AUXILIAR DE CONTROL (GRADE PRO)

KEY	PART NO.	PART NAME	QTY.	SERIAL NO.	REMARKS
1	14H1042	NUT	2		5/16"
2	14H1080	NUT	1		3/8"
3	AT359385	SPOOL VALVE	1		
4	T213027	STUD	2		(USE WITH 5 FUNCTION VALVE)
5	T213030	STUD	1		(USE WITH 5 FUNCTION VALVE)
6	T76127	STUD	2		(USE WITH 6 FUNCTION VALVE)
7	T76128	STUD	1		(USE WITH 6 FUNCTION VALVE)
8	T253971	STUD	2		(USE WITH 7 FUNCTION VALVE)
9	T253972	STUD	1		(USE WITH 7 FUNCTION VALVE)
10	AT363988	CONTROL VALVE	1		

2163-2

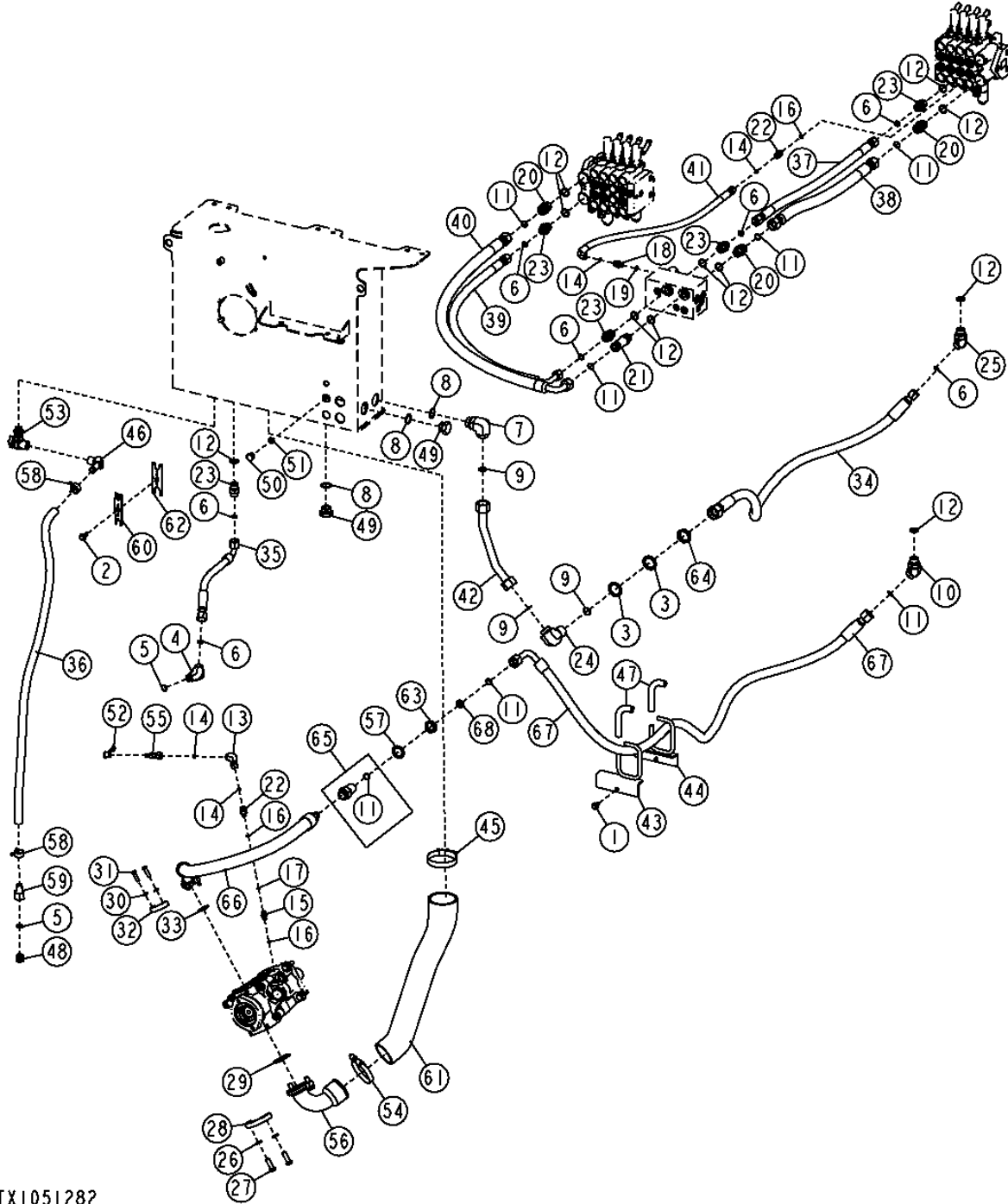
VEHICLE MAIN HYDRAULIC SYSTEM 21

HYDRAULIC LINES & HOSES 2163

MAIN HYDRAULIC PLUMBING (STANDARD CONTROLS) CONDUITES HYDRAULIQUES PRINCIPALES (COMMANDES STANDARD) TUBERIA HIDRAULICA PRINCIPAL (CONTROLES ESTANDAR)

TX1051282

-UN-08DEC08



TX1051282

2163-3

VEHICLE MAIN HYDRAULIC SYSTEM 21

HYDRAULIC LINES & HOSES 2163

**MAIN HYDRAULIC PLUMBING (STANDARD CONTROLS)
CONDUITES HYDRAULIQUES PRINCIPALES (COMMANDES STANDARD)
TUBERIA HIDRAULICA PRINCIPAL (CONTROLES ESTANDAR)**

KEY	PART NO.	PART NAME	QTY.	SERIAL NO.	REMARKS
1	19M7784	SCREW	1		M10 X 20
2	19M7785	SCREW	1		M10 X 25
3	24H1520	WASHER	2		1-15/32" X 2" X 0.105"
4	38H1006	ELBOW FITTING	1		
5	R26906	O-RING	2		
6	T77932	O-RING	8		
7	38H1037	ELBOW FITTING	1		
8	R29936	O-RING	3		
9	T76938	O-RING	3		
10	38H1048	ELBOW FITTING	1		
11	T77858	O-RING	6		
12	U12547	O-RING	11		
13	38H1094	ELBOW FITTING	1		
14	T77613	O-RING	4		
15	38H1159	ADAPTER FITTING	1		
16	R28782	O-RING	3		
17	T77814	O-RING	1		
18	38H1160	ADAPTER FITTING	1		
19	R26448	O-RING	1		
20	38H1163	ADAPTER FITTING	3		
21	38H1215	ADAPTER FITTING	1		
22	38H1309	ADAPTER FITTING	1		
23	38H1329	ADAPTER FITTING	5		
24	38H1456	ELBOW FITTING	1		
25	38H1577	ELBOW FITTING	1		
26	12H301	LOCK WASHER	4		
27	19H2993	CAP SCREW	4		
28	R37023	FLANGE FITTING	2		
29	U46457	O-RING	1		
30	12H304	LOCK WASHER	4		
31	19H3239	CAP SCREW	4		
32	H61354	FLANGE FITTING	2		
33	T78313	O-RING	1		
34	AT318650	HYDRAULIC HOSE - FABRICATE	1		
35	AT326589	HYDRAULIC HOSE - FABRICATE	1		
36	BULK HOSE	1		(MAKE FROM TY22563) (CTL 4.40 FT.)
37	AT345203	HYDRAULIC HOSE - FABRICATE	1		
38	AT345220	HYDRAULIC HOSE - FABRICATE	1		
39	AT345221	HYDRAULIC HOSE - FABRICATE	1		
40	AT345222	HYDRAULIC HOSE - FABRICATE	1		
41	AT345274	HYDRAULIC HOSE - FABRICATE	1		
42	AT368944	OIL LINE	1		
43	AT357748	HOSE SUPPORT	1		
44	AT357749	HOSE SUPPORT	1		
45	AT37477	HOSE CLAMP	1		
46	H63773	THREADED NIPPLE	1		
47	R109553	HOSE	2		
48	R27474	DRAIN PLUG	1		
49	R36636	FITTING PLUG	2		
50	R39112	FITTING	1		
51	R47150	O-RING	1		
52	R77175	COVER	1		
53	RE509097	DRAIN VALVE	1		
54	RE52702	CLAMP	1		
55	RE60701	DIAGNOSTIC COUPLING	1		
56	T158298	LINE	1		
57	T174275	LOCK WASHER	1		
58	T185826	CLAMP	2		
59	T190892	HOSE FITTING	1		
60	T212304	TOOL	1		(STC -6/-8)
61	T215785	SUCTION HOSE	1		
62	E131298	TOOL	1		(STC -10/-12)
63	T78707	NUT	1		
64	T78715	NUT	1		
65	62H1067	FITTING	1		
66	AT366547	HYDRAULIC HOSE	1		
67	AT366556	HYDRAULIC HOSE	1		
68	T254573	ORIFICE	1		

2163-4

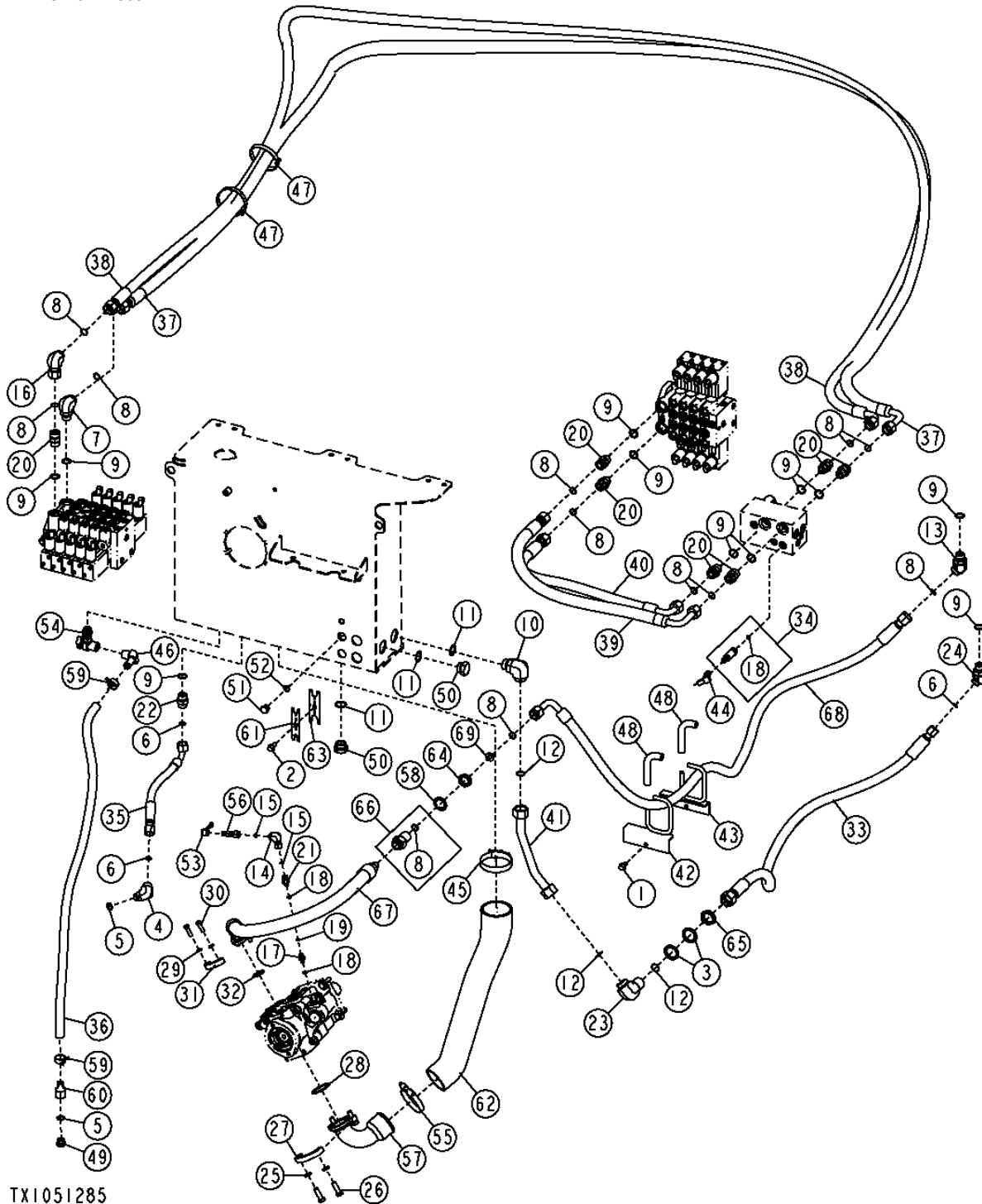
VEHICLE MAIN HYDRAULIC SYSTEM 21

HYDRAULIC LINES & HOSES 2163

MAIN HYDRAULIC PLUMBING (GRADE PRO) CONDUITES HYDRAULIQUES PRINCIPALES (GRADE PRO) TUBERIA HIDRAULICA PRINCIPAL (GRADE PRO)

TX1051285

-UN-04DEC08



TX1051285

THIS PARTS LISTING IS CONTINUED

2163-5

VEHICLE MAIN HYDRAULIC SYSTEM 21

HYDRAULIC LINES & HOSES 2163

**MAIN HYDRAULIC PLUMBING (GRADE PRO)
CONDUITES HYDRAULIQUES PRINCIPALES (GRADE PRO)
TUBERIA HIDRAULICA PRINCIPAL (GRADE PRO)**

KEY	PART NO.	PART NAME	QTY.	SERIAL NO.	REMARKS
1	19M7784	SCREW	1		M10 X 20
2	19M7785	SCREW	1		M10 X 25
3	24H1520	WASHER	2		1-15/32" X 2" X 0.105"
4	38H1006	ELBOW FITTING	1		
5	R26906	O-RING	2		
6	T77932	O-RING	3		
7	38H1007	ELBOW FITTING	1		
8	T77858	O-RING	11		
9	U12547	O-RING	11		
10	38H1037	ELBOW FITTING	1		
11	R29936	O-RING	3		
12	T76938	O-RING	3		
13	38H1048	ELBOW FITTING	1		
14	38H1094	ELBOW FITTING	1		
15	T77613	O-RING	2		
16	38H1097	ELBOW FITTING	1		
17	38H1159	ADAPTER FITTING	1		
18	R28782	O-RING	3		
19	T77814	O-RING	1		
20	38H1163	ADAPTER FITTING	7		
21	38H1309	ADAPTER FITTING	1		
22	38H1329	ADAPTER FITTING	1		
23	38H1456	ELBOW FITTING	1		
24	38H1577	ELBOW FITTING	1		
25	12H301	LOCK WASHER	4		
26	19H2993	CAP SCREW	4		
27	R37023	FLANGE FITTING	2		
28	U46457	O-RING	1		
29	12H304	LOCK WASHER	4		
30	19H3239	CAP SCREW	4		
31	H61354	FLANGE FITTING	2		
32	T78313	O-RING	1		
33	AT318650	HYDRAULIC HOSE - FABRICATE	1		
34	AT322982	TRANSDUCER	1		
35	AT326589	HYDRAULIC HOSE - FABRICATE	1		
36	BULK HOSE	1		(MAKE FROM TY22563) (CTL 4.40 FT.)
37	AT341128	HYDRAULIC HOSE - FABRICATE	1		
38	AT341129	HYDRAULIC HOSE - FABRICATE	1		
39	AT341130	HYDRAULIC HOSE - FABRICATE	1		
40	AT341131	HYDRAULIC HOSE - FABRICATE	1		
41	AT368944	OIL LINE	1		
42	AT357748	HOSE SUPPORT	1		
43	AT357749	HOSE SUPPORT	1		
44	AT365350	WIRING HARNESS	1		
45	AT37477	HOSE CLAMP	1		
46	H63773	THREADED NIPPLE	1		
47	N189220	TIE BAND	2		
48	R109553	HOSE	2		
49	R27474	DRAIN PLUG	1		
50	R36636	FITTING PLUG	2		
51	R39112	FITTING	1		
52	R47150	O-RING	1		
53	R77175	COVER	1		
54	RE509097	DRAIN VALVE	1		
55	RE52702	CLAMP	1		
56	RE60701	DIAGNOSTIC COUPLING	1		
57	T158298	LINE	1		
58	T174275	LOCK WASHER	1		
59	T185826	CLAMP	2		
60	T190892	HOSE FITTING	1		
61	T212304	TOOL	1		(STC -6/-8)
62	T215785	SUCTION HOSE	1		
63	E131298	TOOL	1		(STC -10/-12)
64	T78707	NUT	1		
65	T78715	NUT	1		
66	62H1067	FITTING	1		
67	AT366547	HYDRAULIC HOSE	1		
68	AT366556	HYDRAULIC HOSE	1		
69	T254573	ORIFICE	1		

2163-6

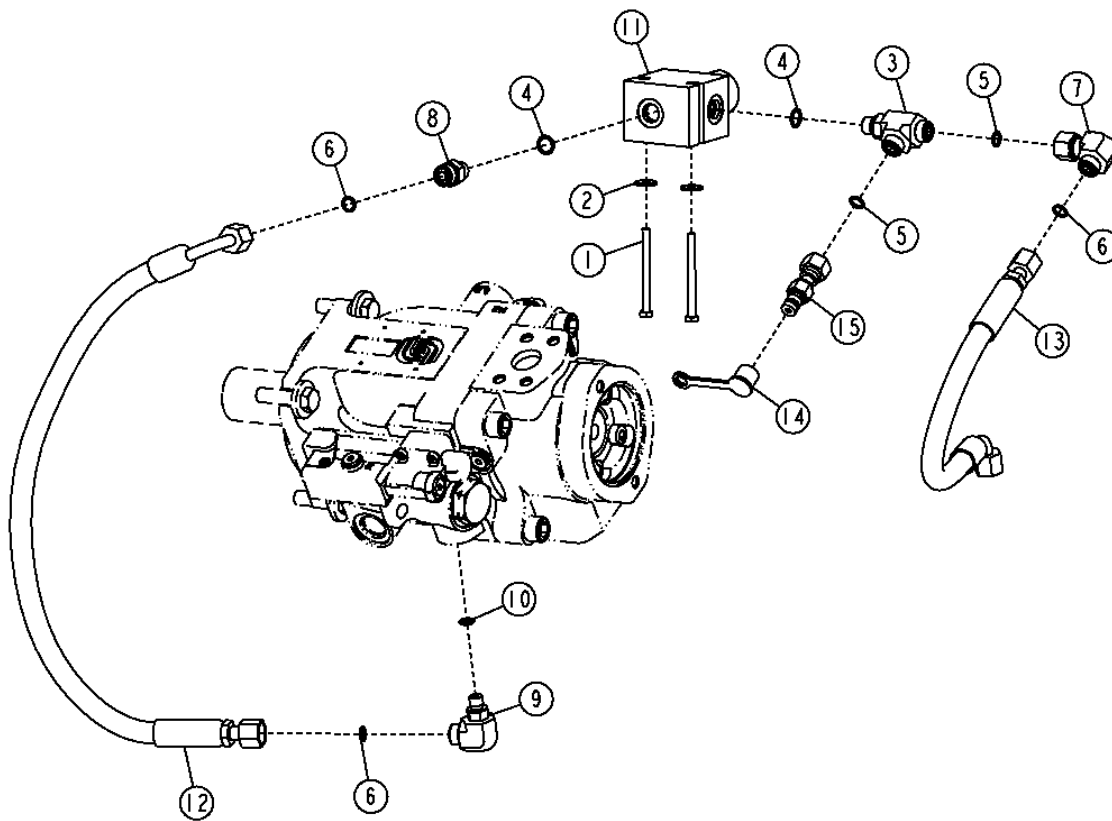
VEHICLE MAIN HYDRAULIC SYSTEM 21

HYDRAULIC LINES & HOSES 2163

COLD START DISCONNECT HOSES AND FITTINGS FLEXIBLES ET RACCORDS DEBRANCHABLES DE DEMARRAGE A FROID MANGUERAS Y ADAPTADORES DE DESCONEXION PARA ARRANQUE EN FRIO

TX1051456

-UN-24NOV08



TX1051456

THIS PARTS LISTING IS CONTINUED

2163-7

VEHICLE MAIN HYDRAULIC SYSTEM 21

HYDRAULIC LINES & HOSES 2163

COLD START DISCONNECT HOSES AND FITTINGS
FLEXIBLES ET RACCORDS DEBRANCHABLES DE DEMARRAGE A FROID
MANGUERAS Y ADAPTADORES DE DESCONEXION PARA ARRANQUE EN FRIJO

KEY	PART NO.	PART NAME	QTY.	SERIAL NO.	REMARKS
1	19M8786	SCREW	2		M6 X 70
2	24M7139	WASHER	2		6.400 X 18 X 1.600 MM
3	38H1023	TEE FITTING	1		
4	R26448	O-RING	2		
5	T77613	O-RING	2		
6	T77613	O-RING	3		
7	38H1094	ELBOW FITTING	1		
8	38H1160	ADAPTER FITTING	1		
9	38H1435	ELBOW FITTING	1		
10	R28782	O-RING	1		
11	AT195860	ELEC.PROPORTIONAL VALVE	1		(COMPONENTS ON SEPARATE PAGE)
12	AT325760	HYDRAULIC HOSE - FABRICATE	1		
13	AT325761	HYDRAULIC HOSE - FABRICATE	1		
14	R77175	COVER	1		
15	RE60701	DIAGNOSTIC COUPLING	1		

2163-8

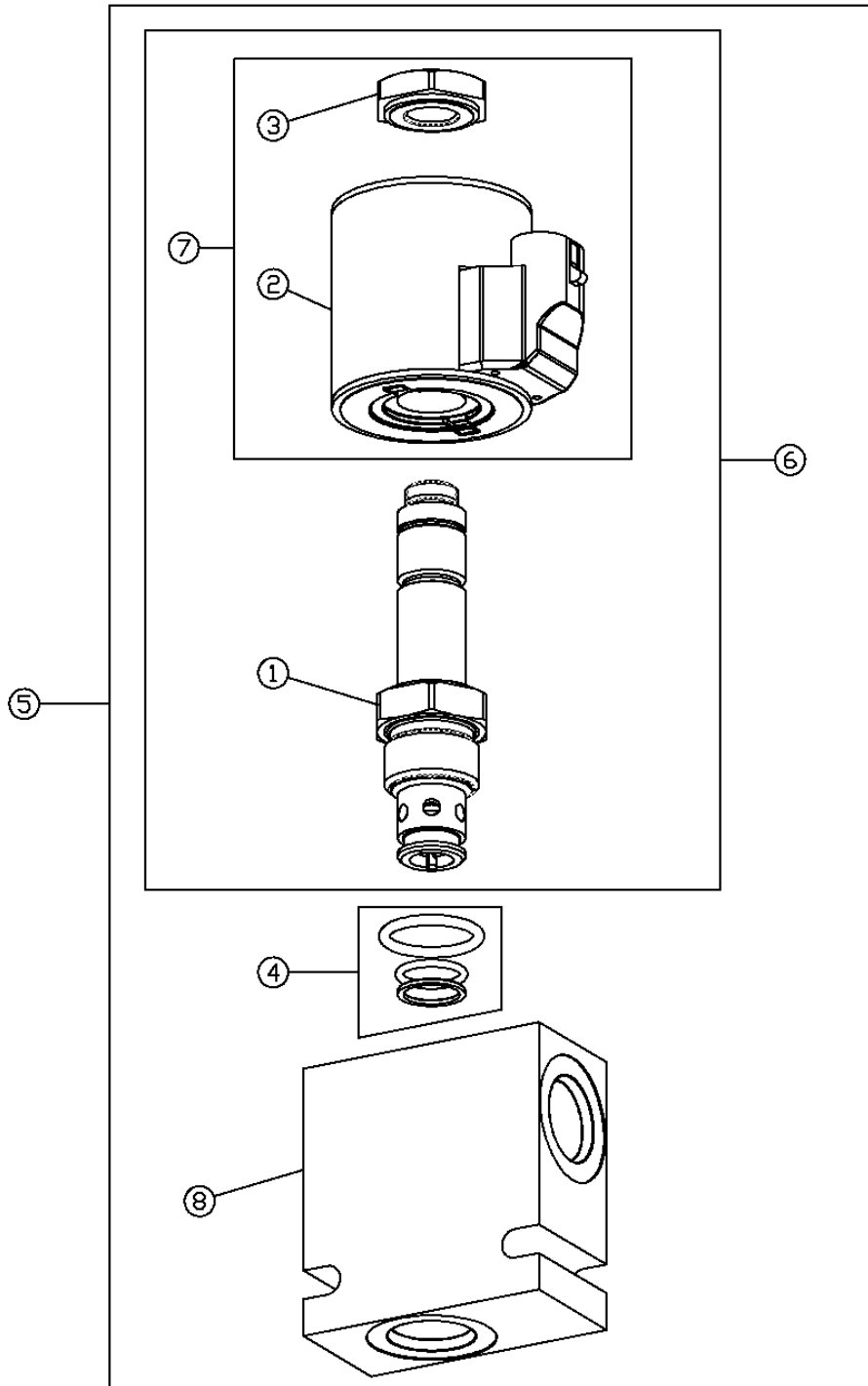
VEHICLE MAIN HYDRAULIC SYSTEM 21

HYDRAULIC LINES & HOSES 2163

COLD START DISCONNECT SOLENOID VALVE ELECTROVANNE DEBRANCHABLE DE DEMARRAGE A FROID VALVULA DE SOLENOIDE DE DESCONEXION PARA ARRANQUE EN FRIO

T205434

-UN-29NOV04



T205434

2163-9

VEHICLE MAIN HYDRAULIC SYSTEM 21

HYDRAULIC LINES & HOSES 2163

**COLD START DISCONNECT SOLENOID VALVE
ELECTROVANNE DEBRANCHABLE DE DEMARRAGE A FROID
VALVULA DE SOLENOIDE DE DESCONEXION PARA ARRANQUE EN FRIO**

KEY	PART NO.	PART NAME	QTY.	SERIAL NO.	REMARKS
1	AT195900	SOLENOID VALVE	1		
2	AT147011	SOLENOID	1		
3	R109691	NUT	1		
4	AT216348	SEAL KIT	1		
5	AT195860	ELEC.PROPORTIONAL VALVE	1		
6	AT195898	MOUNTING PARTS	1		
7	AT139434	KIT	1		
8	T188288	HOUSING	1		

2163-10

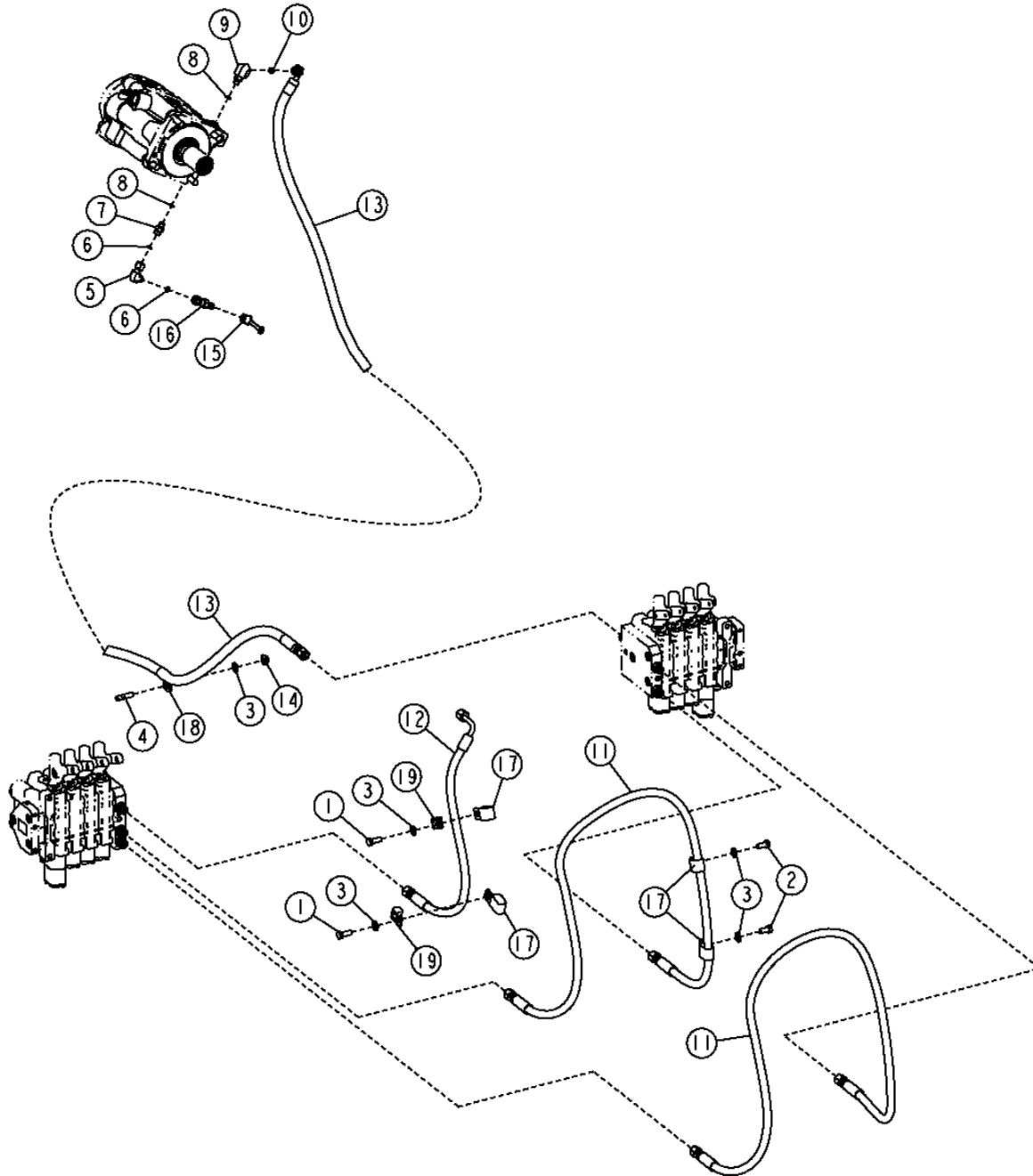
VEHICLE MAIN HYDRAULIC SYSTEM 21

HYDRAULIC LINES & HOSES 2163

HYDRAULIC LOAD SENSE HOSES (STANDARD CONTROLS)
FLEXIBLES DE CIRCUIT DE DETECTION DE CHARGE HYDRAULIQUE (COMMANDES STANDARD)
MANGUERAS DE DETECCION DE CARGA HIDRAULICA (CONTROLES ESTANDAR)

TX1049943

-UN-15OCT08



TX1049943

2163-11

VEHICLE MAIN HYDRAULIC SYSTEM 21

HYDRAULIC LINES & HOSES 2163

HYDRAULIC LOAD SENSE HOSES (STANDARD CONTROLS)
FLEXIBLES DE CIRCUIT DE DETECTION DE CHARGE HYDRAULIQUE (COMMANDES STANDARD)
MANGUERAS DE DETECCION DE CARGA HIDRAULICA (CONTROLES ESTANDAR)

KEY	PART NO.	PART NAME	QTY.	SERIAL NO.	REMARKS
1	19M7402	CAP SCREW	2		M10 X 25
2	19M7938	CAP SCREW	2		M10 X 20
3	24M7239	WASHER	5		10.700 X 21 X 2.500 MM
4	42M7115	WELD STUD	1		
5	38H1093	ELBOW FITTING	1		
6	T77814	O-RING	2		
7	38H1159	ADAPTER FITTING	1		
8	R28782	O-RING	2		
9	38H1435	ELBOW FITTING	1		
10	T77613	O-RING	1		
11	AT305628	HYDRAULIC HOSE - FABRICATE	2		
12	AT305738	HYDRAULIC HOSE - FABRICATE	1		
13	AT358643	HYDRAULIC HOSE - FABRICATE	1		
14	M142955	LOCK NUT	1		
15	R77175	COVER	1		
16	RE60700	DIAGNOSTIC COUPLING	1		
17	T32854	CLAMP	4		
18	T64784	CLIP	1		
19	T76719	CLAMP	2		

2163-12

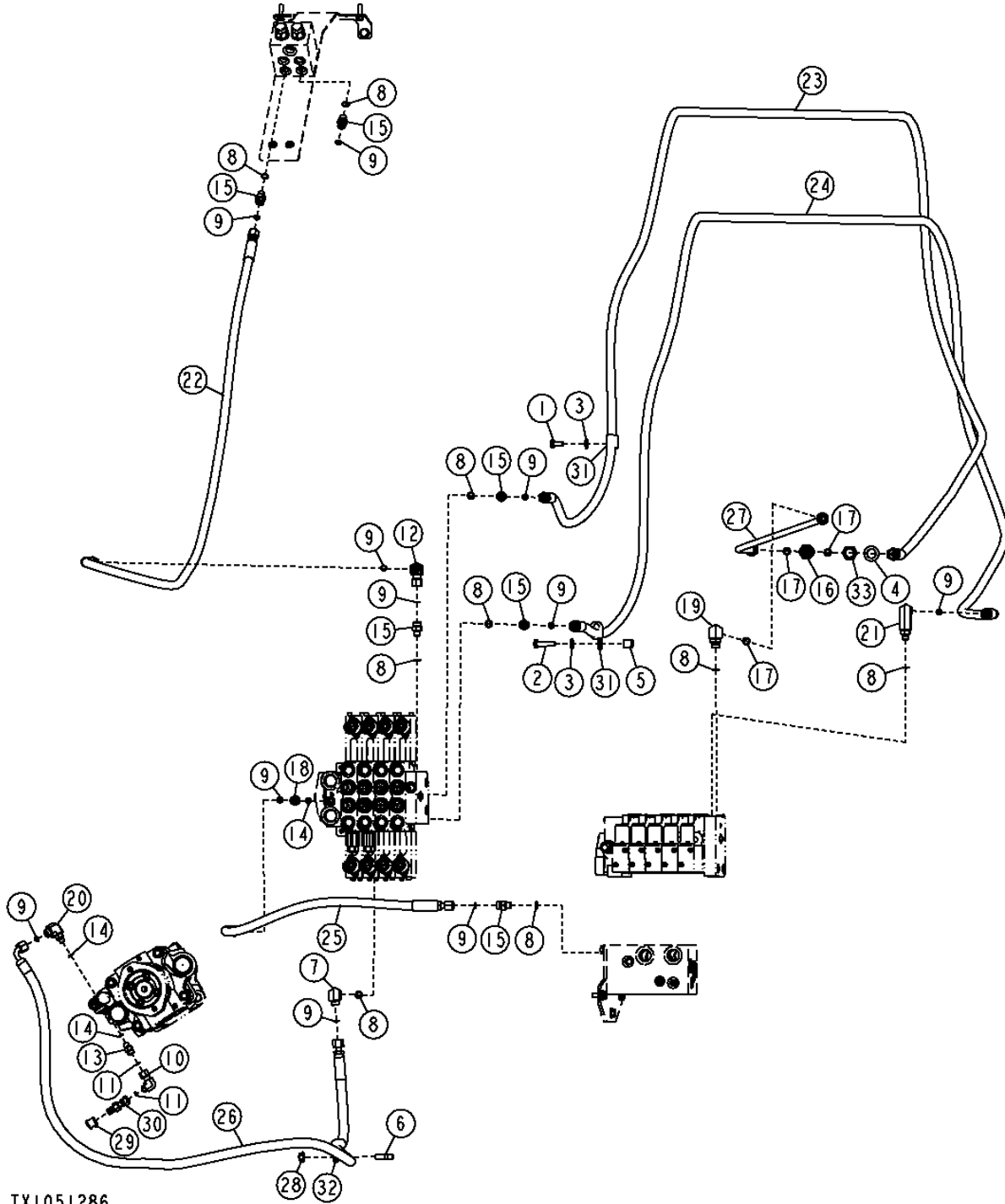
VEHICLE MAIN HYDRAULIC SYSTEM 21

HYDRAULIC LINES & HOSES 2163

HYDRAULIC LOAD SENSE HOSES (GRADE PRO) FLEXIBLES DE CIRCUIT DE DETECTION DE CHARGE HYDRAULIQUE (GRADE PRO) MANGUERAS DE DETECCION DE CARGA HIDRAULICA (GRADE PRO)

TX1051286

-UN-25NOV08



TX1051286

2163-13

VEHICLE MAIN HYDRAULIC SYSTEM 21

HYDRAULIC LINES & HOSES 2163

HYDRAULIC LOAD SENSE HOSES (GRADE PRO)
FLEXIBLES DE CIRCUIT DE DETECTION DE CHARGE HYDRAULIQUE (GRADE PRO)
MANGUERAS DE DETECCION DE CARGA HIDRAULICA (GRADE PRO)

KEY	PART NO.	PART NAME	QTY.	SERIAL NO.	REMARKS
1	19M7938	CAP SCREW	1		M10 X 20
2	19M8637	CAP SCREW	1		M10 X 40
3	24M7239	WASHER	2		10.700 X 21 X 2.500 MM
4	24M7396	WASHER	1		21 X 34 X 3 MM
5	28H3383	BUSHING	1		0.493" X 0.675" X 3/4"
6	42M7115	WELD STUD	1		
7	38H1004	ELBOW FITTING	1		
8	R26448	O-RING	9		
9	T77613	O-RING	11		
10	38H1093	ELBOW FITTING	1		
11	T77814	O-RING	2		
12	38H1094	ELBOW FITTING	1		
13	38H1159	ADAPTER FITTING	1		
14	R28782	O-RING	3		
15	38H1160	ADAPTER FITTING	6		
16	38H1275	ADAPTER FITTING	1		
17	T77857	O-RING	3		
18	38H1309	ADAPTER FITTING	1		
19	38H1314	ELBOW FITTING	1		
20	38H1435	ELBOW FITTING	1		
21	38H1568	ELBOW FITTING	1		
22	AT341226	HYDRAULIC HOSE - FABRICATE	1		
23	AT341227	HYDRAULIC HOSE - FABRICATE	1		
24	AT341228	HYDRAULIC HOSE - FABRICATE	1		
25	AT341250	HYDRAULIC HOSE - FABRICATE	1		
26	AT341254	HYDRAULIC HOSE - FABRICATE	1		
27	AT352392	OIL TUBE	1		
28	M142955	LOCK NUT	1		M10
29	R77175	COVER	1		
30	RE60700	DIAGNOSTIC COUPLING	1		
31	T32854	CLAMP	2		
32	T64784	CLIP	1		
33	T78716	NUT	1		

2164-2

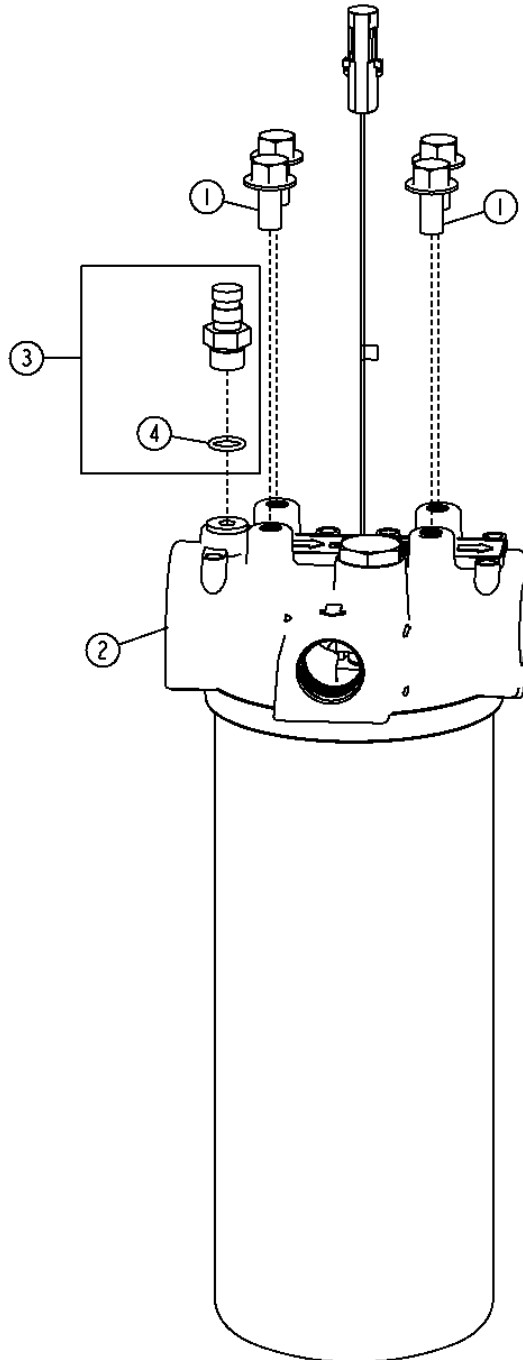
VEHICLE MAIN HYDRAULIC SYSTEM 21

HYDRAULIC RESERVOIR, FILTER & COOLER 2164

MAIN HYDRAULIC FILTER
FILTRE HYDRAULIQUE PRINCIPAL
FILTRO HIDRAULICO PRINCIPAL

TX1057049

-UN-17MAR09



TX1057049

2164-3

VEHICLE MAIN HYDRAULIC SYSTEM 21

HYDRAULIC RESERVOIR, FILTER & COOLER 2164

**MAIN HYDRAULIC FILTER
FILTRE HYDRAULIQUE PRINCIPAL
FILTRO HIDRAULICO PRINCIPAL**

KEY	PART NO.	PART NAME	QTY.	SERIAL NO.	REMARKS
1	19M7784	SCREW	4		M10 X 20
2	AT302906	FILTER HEAD	1		(INCLUDES AT307045) (ALSO ORDER AT308274)
	AT307045	PRESSURE SWITCH	1		(INCLUDES P46051)
	P46051	O-RING	1		
	AT308274	OIL FILTER	1		
3	AT306111	FITTING	1		
4	R26448	O-RING	1		

2164-4

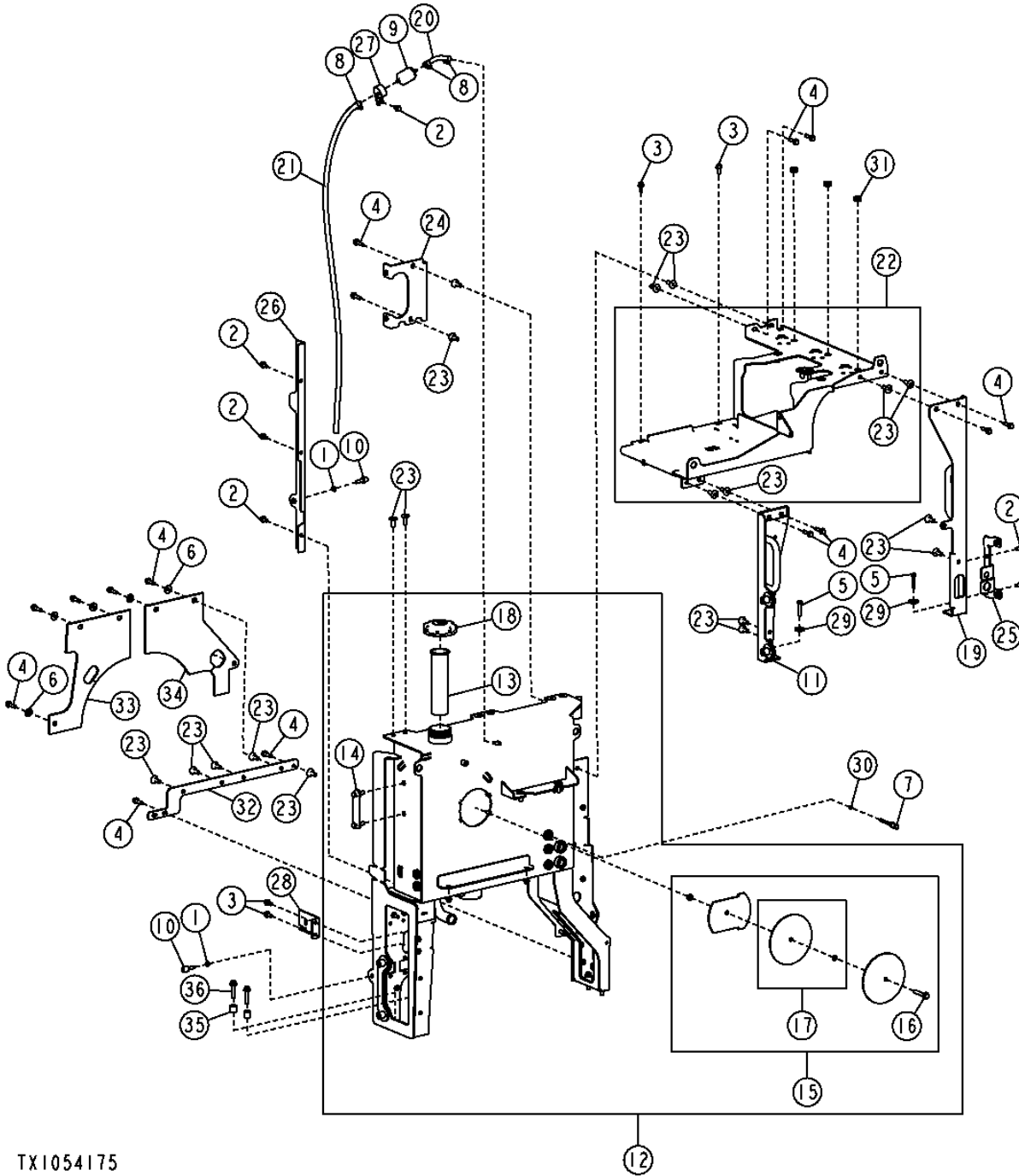
VEHICLE MAIN HYDRAULIC SYSTEM 21

HYDRAULIC RESERVOIR, FILTER & COOLER 2164

HYDRAULIC RESERVOIR
RESERVOIR HYDRAULIQUE
DEPOSITO HIDRAULICO

TX1054175

-UN-14JAN09



TX1054175

THIS PARTS LISTING IS CONTINUED

2164-5

VEHICLE MAIN HYDRAULIC SYSTEM 21

HYDRAULIC RESERVOIR, FILTER & COOLER 2164

HYDRAULIC RESERVOIR
RESERVOIR HYDRAULIQUE
DEPOSITO HIDRAULICO

KEY	PART NO.	PART NAME	QTY.	SERIAL NO.	REMARKS
1	14M7152	NUT	2		M10
2	19M7784	SCREW	6		M10 X 20
3	19M7785	SCREW	4		M10 X 25
4	19M7804	SCREW	17		M10 X 40
5	19M8600	CAP SCREW	2		M10 X 50
6	24M7296	WASHER	6		10.500 X 30 X 2.500 MM
7	AH156145	SENSOR	1		(TEMPERATURE)
8	TY22464	CLAMP	3		
9	AT101565	AIR FILTER	1		
10	AT219974	BUMPER	2		
11	AT309578	LEG	1		
12	AT313633	HYDRAULIC RESERVOIR	1		
13	AT161638	STRAINER	1		
14	AT227279	LEVEL GAUGE	1		
15	AT307278	COVER	1		
16	19M7817	SCREW	1		M12 X 70
17	AT307292	GASKET KIT	1		
18	AT359994	FILLER CAP	1		
19	AT313997	SUPPORT	1		
20	BULK HOSE	1		(MAKE FROM TY22503) (CTL 0.40 FT.)
21	BULK HOSE	1		(MAKE FROM TY22503) (CTL 4.50 FT.)
22	AT336017	BATTERY BOX	1		
23	H173411	NUT	33		M10
24	AT348927	BRACKET	1		
25	AT349265	BRACKET	1		
26	AT358864	BRACKET	1		
27	E69975	CLAMP	1		
28	T232294	BRACKET	24		
29	L33065	WASHER	2		
30	R26286	O-RING	1		
31	R60831	GROMMET	3		
32	T225161	REINFORCEMENT	1		
33	T227011	DEFLECTOR	1		
34	T230241	DEFLECTOR	1		
35	T251676	BUSHING	4		13.500 X 25.400 X 22.230 MM
36	19M8112	SCREW	4		M12 X 55

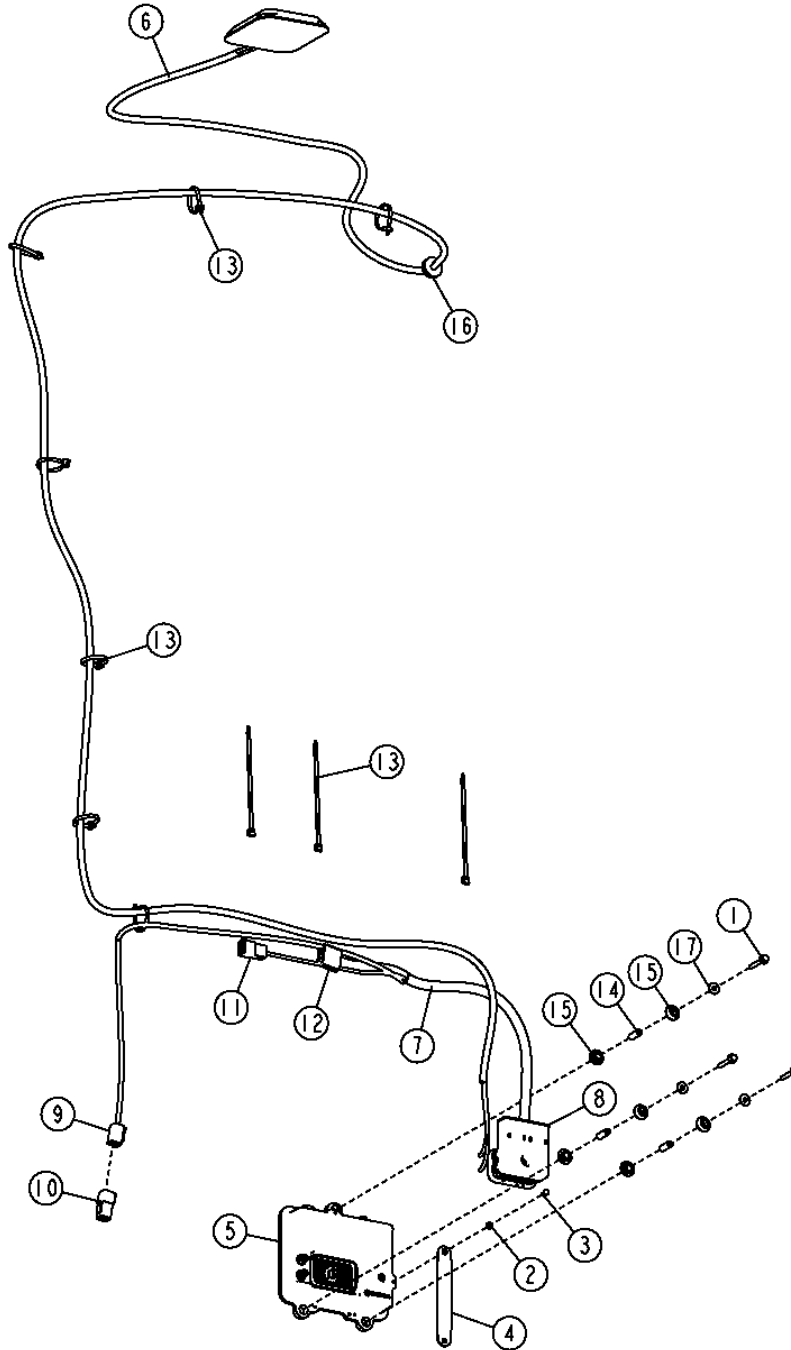
2601-2

GLOBAL VEHICLE COMMUNICATION 26
COMMUNICATION CONTROLLER 2601

COMMUNICATION CONTROLLER
CONTROLEUR DE COMMUNICATION
CONTROLADOR DE COMUNICACIONES

TX1056090

-UN-24FEB09



TX1056090

2601-3

GLOBAL VEHICLE COMMUNICATION 26
COMMUNICATION CONTROLLER 2601

**COMMUNICATION CONTROLLER
CONTROLEUR DE COMMUNICATION
CONTROLADOR DE COMUNICACIONES**

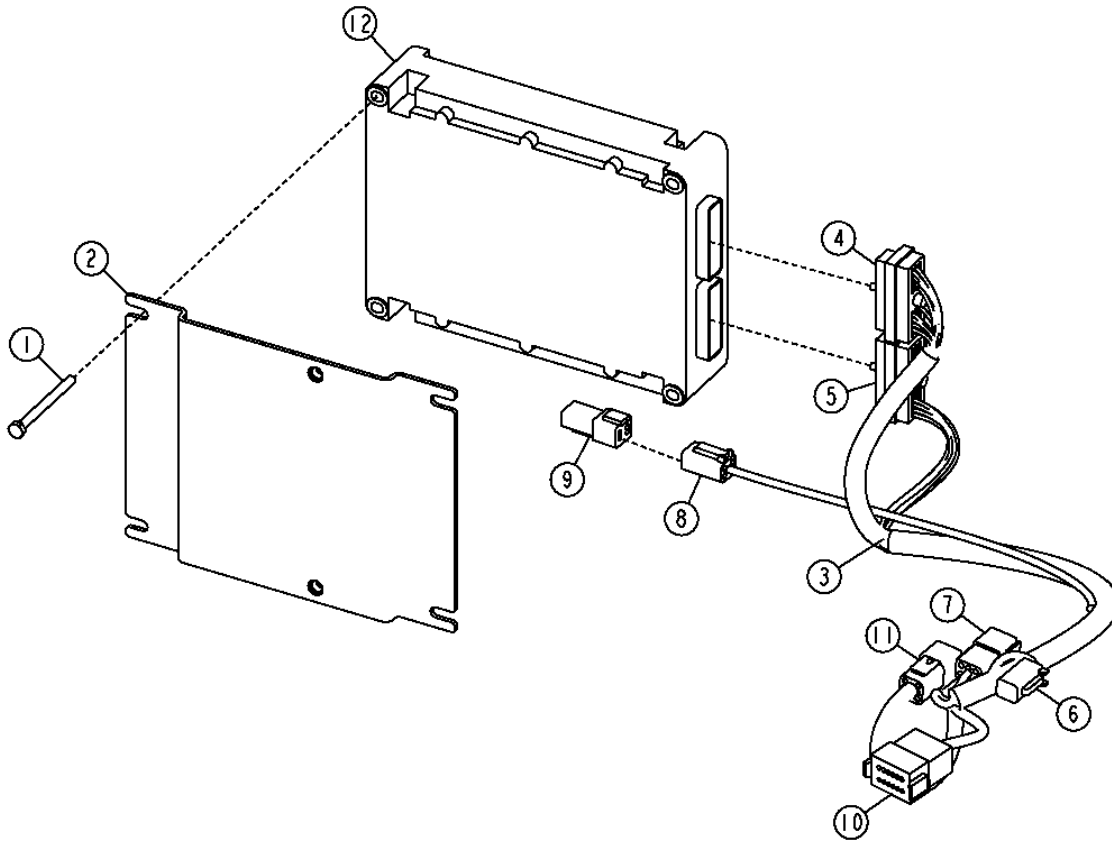
KEY	PART NO.	PART NAME	QTY.	SERIAL NO.	REMARKS
1	19M7797	SCREW	3		M6 X 40
2	24M7087	WASHER	1		5.500 X 10 X 1 MM
3	37H212	SCREW	1		
4	AT209965	GROUND CABLE	1		
5	AT347687	BOX	1		(REMAN)
6	AT344869	ANTENNA	1		
7	AT348967	WIRING HARNESS	1		(GTT BOX)
8	57M9709	ELEC. CONNECTOR HOUSING	1		(GTT)
	57M9806	ELEC. CONNECTOR TERMINAL	23		
9	57M8012	ELECTRICAL CONNECTOR ASSY	1		(DIAGNOSTIC CONNECTOR) (RS232)
	ELEC. CONNECTOR TERMINAL	5		
	R78069	ELEC. CONNECTOR CAVITY PLUG	1		
10	57M8014	ELEC. CONNECTOR HOUSING	1		
	R78069	ELEC. CONNECTOR CAVITY PLUG	6		
11	ELEC. CONNECTOR HOUSING	1		(POWER)
	57M8429	ELEC. CONNECTOR TERMINAL	4		
	57M7771	ELEC. CONNECTOR TERMINAL	2		
	ELEC.CONNECT LOCKING DEVICE	1		
12	57M8008	ELECTRICAL CONNECTOR ASSY	1		(MIG BOX)
	ELEC. CONNECTOR TERMINAL	10		
	R78069	ELEC. CONNECTOR CAVITY PLUG	2		
	57M7681	ELEC. CONNECTOR TERMINAL	1		
13	R44302	TIE BAND	3		
14	T234392	SPACER	3		
15	T234394	GROMMET	6		
16	T65643	GROMMET	1		
17	24M7139	WASHER	3		6.400 X 18 X 1.600 MM

2601-4

GLOBAL VEHICLE COMMUNICATION 26
COMMUNICATION CONTROLLER 2601

MACHINE INFORMATION GATEWAY PASSERELLE D'INFORMATION DE MACHINE PORTAL DE INFORMACION DE MAQUINA

TX1050707 -UN-10DEC08



TX1050707

2601-5

GLOBAL VEHICLE COMMUNICATION 26
COMMUNICATION CONTROLLER 2601

**MACHINE INFORMATION GATEWAY
PASSERELLE D'INFORMATION DE MACHINE
PORTAL DE INFORMACION DE MAQUINA**

KEY	PART NO.	PART NAME	QTY.	SERIAL NO.	REMARKS
1	19M8484	SCREW	4		M6 X 75
2	AT307844	BRACKET	1		
3	AT349043	WIRING HARNESS	1		
4	57M9170	ELECTRICAL CONNECTOR ASSY	1		(MIG)
	R104701	ELEC. CONNECTOR TERMINAL	14		
	57M7741	ELEC. CONNECTOR TERMINAL	16		
5	57M9171	ELECTRICAL CONNECTOR ASSY	1		(MIG)
	R104701	ELEC. CONNECTOR TERMINAL	8		
	57M7741	ELEC. CONNECTOR TERMINAL	22		
6	57M9130	ELECTRICAL CONNECTOR ASSY	1		
	57M8430	ELEC. CONNECTOR TERMINAL	3		
	ELEC. CONNECTOR TERMINAL	1		
	57M7771	ELEC. CONNECTOR TERMINAL	2		
	57M9132	ELEC.CONNECT LOCKING DEVICE	1		
7	ELEC. CONNECTOR HOUSING	1		(POWER)
	57M8430	ELEC. CONNECTOR TERMINAL	5		
	57M7771	ELEC. CONNECTOR TERMINAL	1		
	ELEC.CONNECT LOCKING DEVICE	1		
8	57M9076	ELEC. CONNECTOR HOUSING	1		(ETHERNET)
	57M7684	ELEC. CONNECTOR TERMINAL	4		
	57M9077	ELEC. CONNECTOR ACCESSORY	1		
9	ELECTRICAL CONNECTOR CAP	1		
	57M7771	ELEC. CONNECTOR TERMINAL	4		
10	57M7633	ELECTRICAL CONNECTOR ASSY	1		(GTT)
	ELEC. CONNECTOR TERMINAL	10		
	R78069	ELEC. CONNECTOR CAVITY PLUG	2		
	57M7682	ELEC.CONNECT LOCKING DEVICE	1		
11	57M7629	ELEC. CONNECTOR HOUSING	1		
	ELEC. CONNECTOR TERMINAL	6		
	57M7678	ELEC. CONNECTOR TERMINAL	1		
12	PF81226	MULTI-FUNCTIONAL CONTROLLER	1		

3401-2

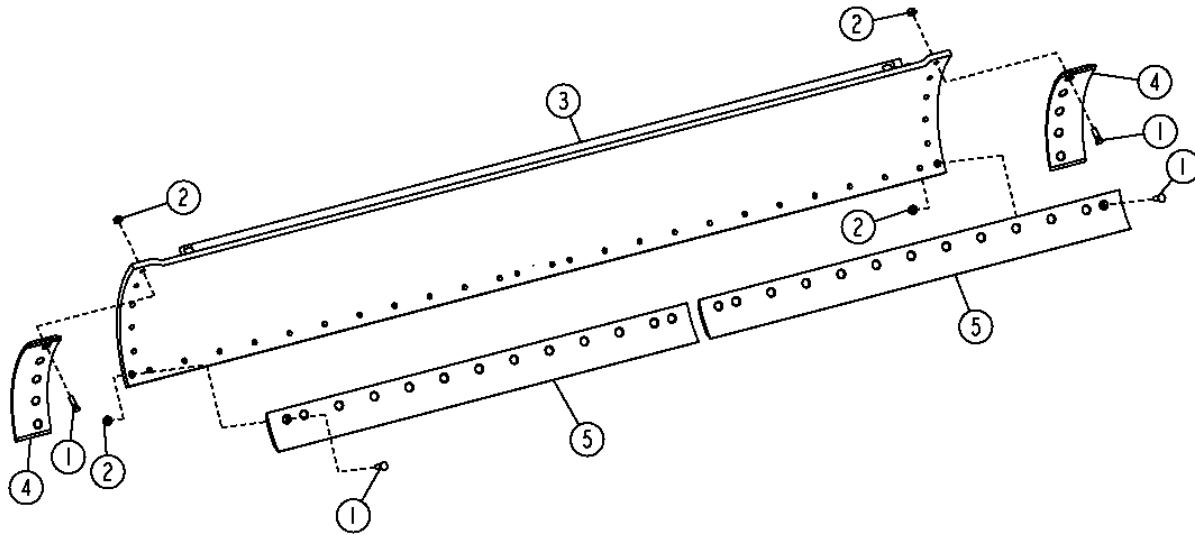
GRADING DEVICE 34

BLADE 3401

12' X 24" X 7/8" MOLDBOARD (5/8" X 6" CUTTING EDGES)
VERSOIR 12' X 24" X 7/8" (TRANCHANTS 5/8" X 6")
VERTEDEIRA 12' X 24" X 7/8" (BORDE CORTANTE 5/8" X 6")

TX1052112

-UN-09DEC08



TX1052112

3401-3

GRADING DEVICE 34

BLADE 3401

12' X 24" X 7/8" MOLDBOARD (5/8" X 6" CUTTING EDGES)
VERSOIR 12' X 24" X 7/8" (TRANCHANTS 5/8" X 6")
VERTEDEIRA 12' X 24" X 7/8" (BORDE CORTANTE 5/8" X 6")

KEY	PART NO.	PART NAME	QTY.	SERIAL NO.	REMARKS
1	09H1759	BOLT	36		5/8" X 2-1/4"
2	14H1095	NUT	36		5/8"
3	AT303240	MOLDBOARD	1		
4	T202876	CUTTING EDGE	2		
5	T66702	DURA-MAX TM CUTTING EDGE	2		(6" X 6' X 5/8")

3401-4

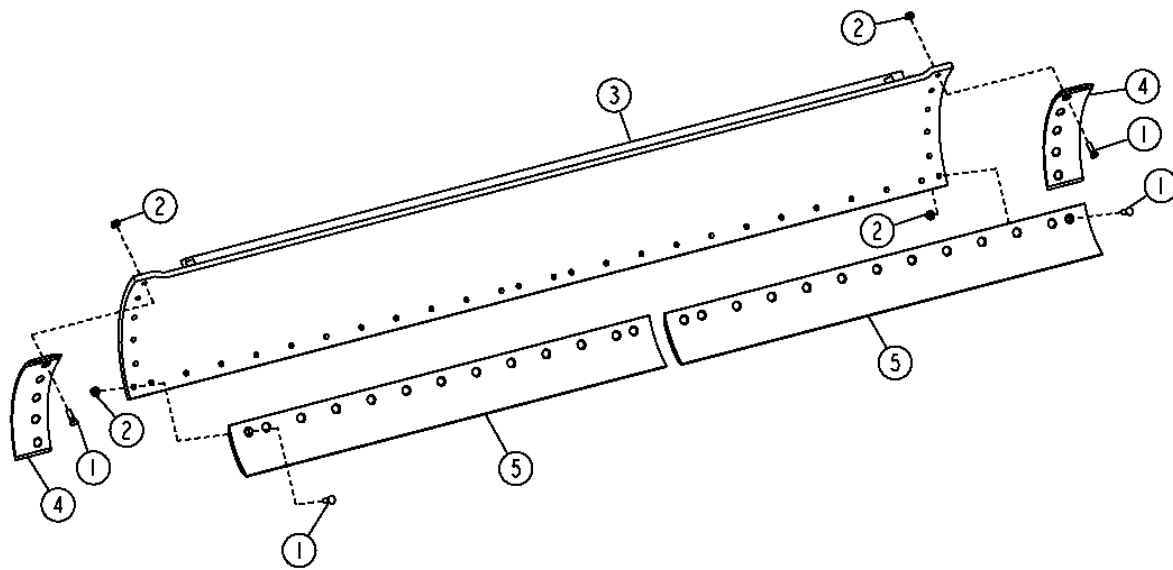
GRADING DEVICE 34

BLADE 3401

12' X 24" X 7/8" MOLDBOARD (5/8" X 8" CUTTING EDGES)
VERSOIR 12' X 24" X 7/8" (TRANCHANTS 5/8" X 8")
VERTEDERA 12' X 24" X 7/8" (BORDE CORTANTE 5/8 X 8")

TX1049078

-UN-29SEP08



TX1049078

THIS PARTS LISTING IS CONTINUED

3401-5

GRADING DEVICE 34

BLADE 3401

12' X 24" X 7/8" MOLDBOARD (5/8" X 8" CUTTING EDGES)
VERSOIR 12' X 24" X 7/8" (TRANCHANTS 5/8" X 8")
VERTEDERA 12' X 24" X 7/8" (BORDE CORTANTE 5/8 X 8")

KEY	PART NO.	PART NAME	QTY.	SERIAL NO.	REMARKS
1	09H1759	BOLT	36		5/8" X 2-1/4"
2	14H1095	NUT	36		5/8"
3	AT303240	MOLDBOARD	1		
4	T202876	CUTTING EDGE	2		
5	T66703	DURA-MAX TM CUTTING EDGE	2		(8" X 6' X 3/4")

3401-6

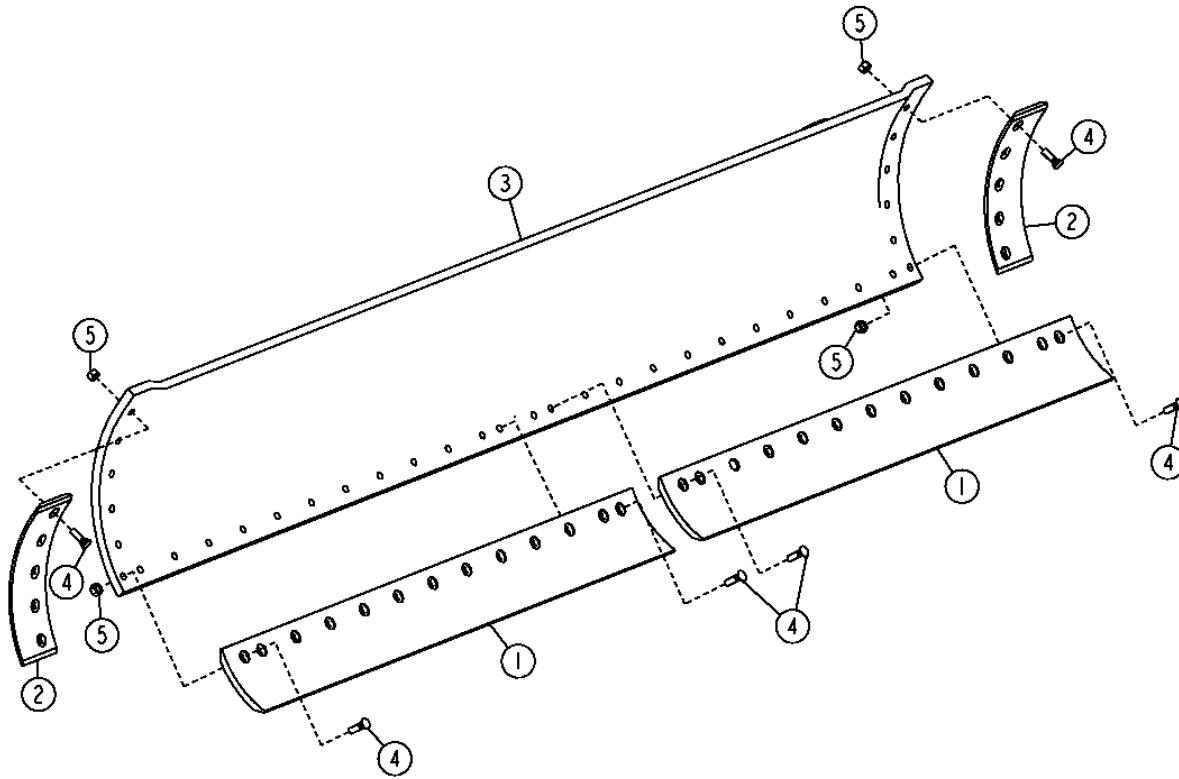
GRADING DEVICE 34

BLADE 3401

12' X 27" X 1" MOLDBOARD (5/8" X 8" CUTTING EDGES)
VERSOIR 12' X 27" X 1" (TRANCHANT 5/8" X 8")
VERTEDERA 12' X 27" X 1" (BORDE CORTANTE 5/8" X 8")

T201129

-UN-25JUN04



T201129

THIS PARTS LISTING IS CONTINUED

3401-7

GRADING DEVICE 34

BLADE 3401

12' X 27" X 1" MOLDBOARD (5/8" X 8" CUTTING EDGES)
VERSOIR 12' X 27" X 1" (TRANCHANT 5/8" X 8")
VERTEDERA 12' X 27" X 1" (BORDE CORTANTE 5/8" X 8")

KEY	PART NO.	PART NAME	QTY.	SERIAL NO.	REMARKS
1	T66703	DURA-MAX TM CUTTING EDGE	2		(8" X 6' X 3/4")
2	T202876	CUTTING EDGE	2		
3	AT310278	MOLDBOARD	1		
4	09H1759	BOLT	36		5/8" X 2-1/4"
5	14H1095	NUT	36		5/8"

3401-8

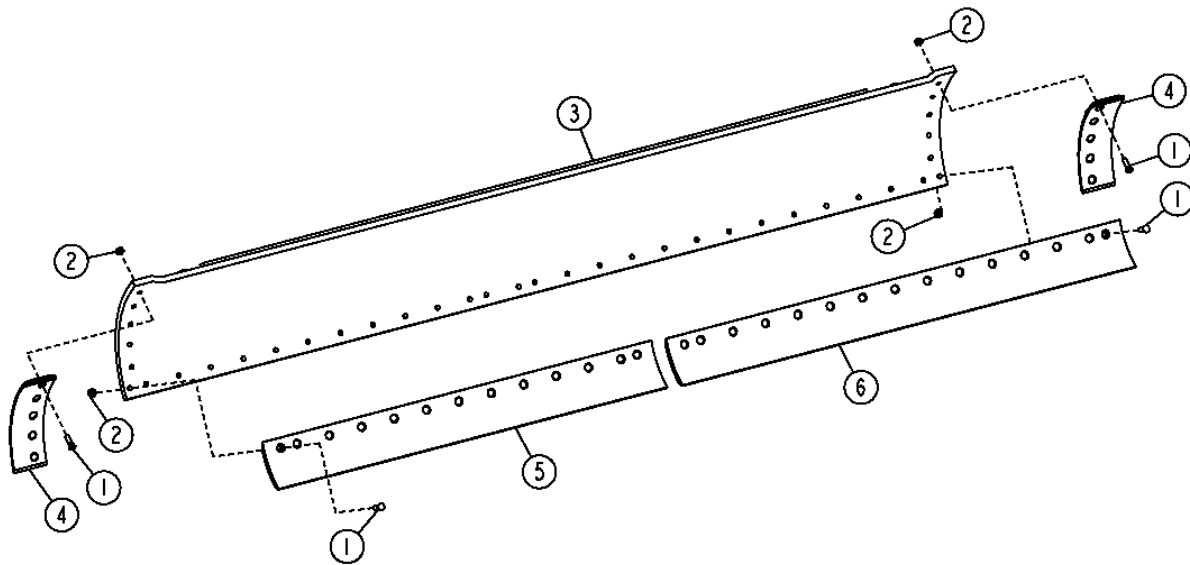
GRADING DEVICE 34

BLADE 3401

13' X 27" X 1" MOLDBOARD (5/8" X 8" CUTTING EDGES)
VERSOIR 13' X 27" X 1" (TRANCHANTS 5/8" X 8")
VERTEDERA 13' X 27" X 1" (BORDE CORTANTE 5/8" X 8")

TX1049083

-UN-29SEP08



TX1049083

3401-9

GRADING DEVICE 34

BLADE 3401

13' X 27" X 1" MOLDBOARD (5/8" X 8" CUTTING EDGES)
VERSOIR 13' X 27" X 1" (TRANCHANTS 5/8" X 8")
VERTEDERA 13' X 27" X 1" (BORDE CORTANTE 5/8" X 8")

KEY	PART NO.	PART NAME	QTY.	SERIAL NO.	REMARKS
1	09H1759	BOLT	38		5/8" X 2-1/4"
2	14H1095	NUT	38		5/8"
3	AT303296	MOLDBOARD	1		
4	T202876	CUTTING EDGE	2		
5	T66703	DURA-MAX TM CUTTING EDGE	1		(8" X 6' X 3/4")
6	T66704	DURA-MAX TM CUTTING EDGE	1		(8" X 7' X 3/4")

3401-10

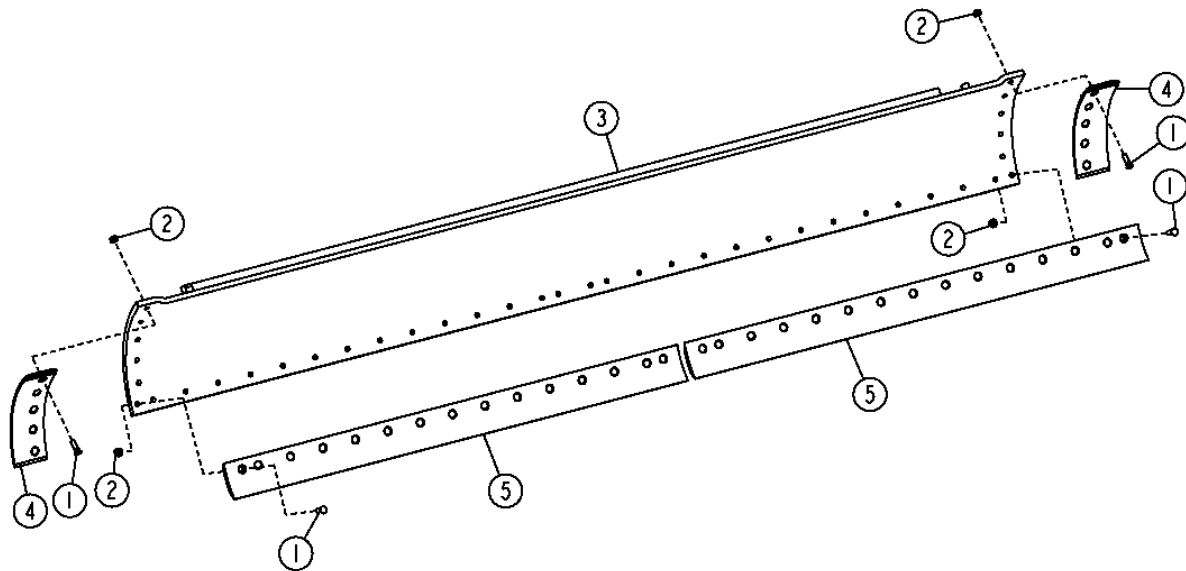
GRADING DEVICE 34

BLADE 3401

14' X 24" X 7/8" MOLDBOARD (5/8" X 6" CUTTING EDGES)
VERSOIR 14' X 24" X 7/8" (TRANCHANTS 5/8" X 6")
VERTEDERA 14' X 24" X 7/8" (BORDE CORTANTE 5/8 X 6")

TX1052118

-UN-09DEC08



TX1052118

THIS PARTS LISTING IS CONTINUED

3401-11

GRADING DEVICE 34

BLADE 3401

14' X 24" X 7/8" MOLDBOARD (5/8" X 6" CUTTING EDGES)
VERSOIR 14' X 24" X 7/8" (TRANCHANTS 5/8" X 6")
VERTEDERA 14' X 24" X 7/8" (BORDE CORTANTE 5/8 X 6")

KEY	PART NO.	PART NAME	QTY.	SERIAL NO.	REMARKS
1	09H1759	BOLT	40		5/8" X 2-1/4"
2	14H1095	NUT	40		5/8"
3	AT303282	MOLDBOARD	1		
4	T202876	CUTTING EDGE	2		
5	T66707	DURA-MAX TM CUTTING EDGE	2		(6" X 7' X 5/8")

3401-12

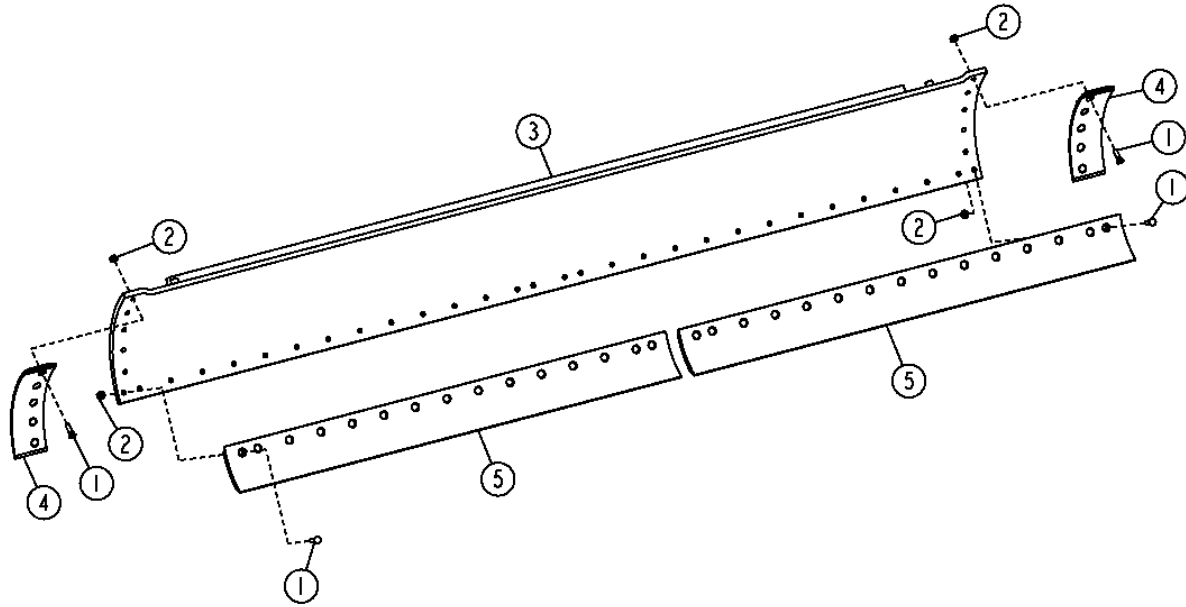
GRADING DEVICE 34

BLADE 3401

14' X 24" X 7/8" MOLDBOARD (5/8" X 8" CUTTING EDGES)
VERSOIR 14' X 24" X 7/8" (TRANCHANT 5/8" X 8")
VERTEDERA 14' X 24" X 7/8" (BORDE CORTANTE 5/8" X 8")

TX1049090

-UN-29SEP08



TX1049090

3401-13

GRADING DEVICE 34

BLADE 3401

14' X 24" X 7/8" MOLDBOARD (5/8" X 8" CUTTING EDGES)
VERSOIR 14' X 24" X 7/8" (TRANCHANT 5/8" X 8")
VERTEDEIRA 14' X 24" X 7/8" (BORDE CORTANTE 5/8" X 8")

KEY	PART NO.	PART NAME	QTY.	SERIAL NO.	REMARKS
1	09H1759	BOLT	40		5/8" X 2-1/4"
2	14H1095	NUT	40		5/8"
3	AT303282	MOLDBOARD	1		
4	T202876	CUTTING EDGE	2		
5	T66704	DURA-MAX TM CUTTING EDGE	2		(8" X 7' X 3/4")

3401-14

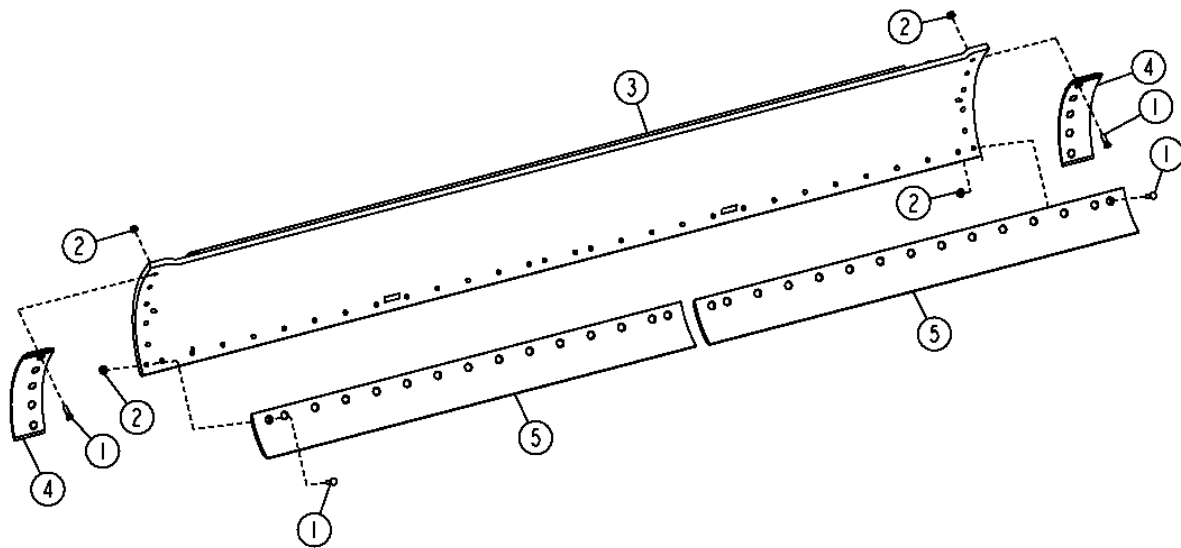
GRADING DEVICE 34

BLADE 3401

14' X 27" X 1" MOLDBOARD (5/8" X 8" CUTTING EDGES)
VERSOIR 14' X 27" X 1" (TRANCHANT 5/8" X 8")
VERTEDERA 14' X 27" X 1" (BORDE CORTANTE 5/8" X 8")

TX1049100

-UN-29SEP08



TX1049100

3401-15

GRADING DEVICE 34

BLADE 3401

14' X 27" X 1" MOLDBOARD (5/8" X 8" CUTTING EDGES)
VERSOIR 14' X 27" X 1" (TRANCHANT 5/8" X 8")
VERTEDERA 14' X 27" X 1" (BORDE CORTANTE 5/8" X 8")

KEY	PART NO.	PART NAME	QTY.	SERIAL NO.	REMARKS
1	09H1759	BOLT	40		5/8" X 2-1/4"
2	14H1095	NUT	40		5/8"
3	AT303301	MOLDBOARD	1		
4	T202876	CUTTING EDGE	2		
5	T66704	DURA-MAX TM CUTTING EDGE	2		(8" X 7' X 3/4")

3401-16

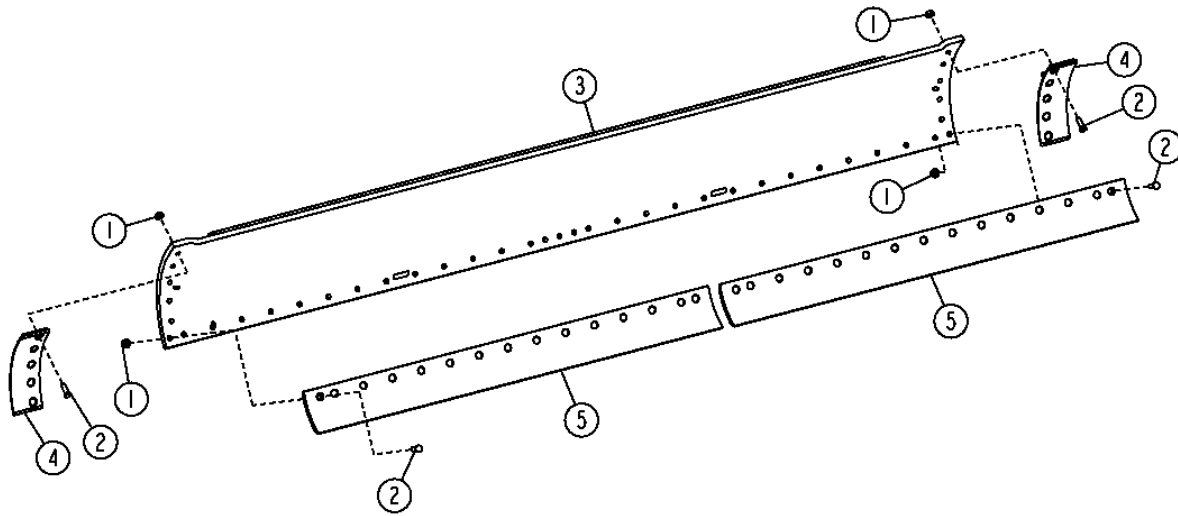
GRADING DEVICE 34

BLADE 3401

14' X 27" X 1" MOLDBOARD (5/8" X 8" CUTTING EDGES) (3/4" HARDWARE)
VERSOIR 14' X 27" X 1" (TRANCHANT 5/8" X 8") (BOULONNERIE 3/4")
VERTEDERA 14' X 27" X 1" (BORDE CORTANTE 5/8" X 8") (TORNILLERIA 3/4")

TX1049110

-UN-29SEP08



TX1049110

3401-17

GRADING DEVICE 34

BLADE 3401

14' X 27" X 1" MOLDBOARD (5/8" X 8" CUTTING EDGES) (3/4" HARDWARE)
VERSOIR 14' X 27" X 1" (TRANCHANT 5/8" X 8") (BOULONNERIE 3/4")
VERTEDERA 14' X 27" X 1" (BORDE CORTANTE 5/8" X 8") (TORNILLERIA 3/4")

KEY	PART NO.	PART NAME	QTY.	SERIAL NO.	REMARKS
1	14H1092	NUT	40		3/4"
2	T70286	BOLT	40		3/4" X 2-1/2"
3	AT340640	MOLDBOARD	1		
4	T218922	CUTTING EDGE	2		
5	T74772	DURA-MAX TM CUTTING EDGE	2		(8" X 7' X 5/8")

3401-20

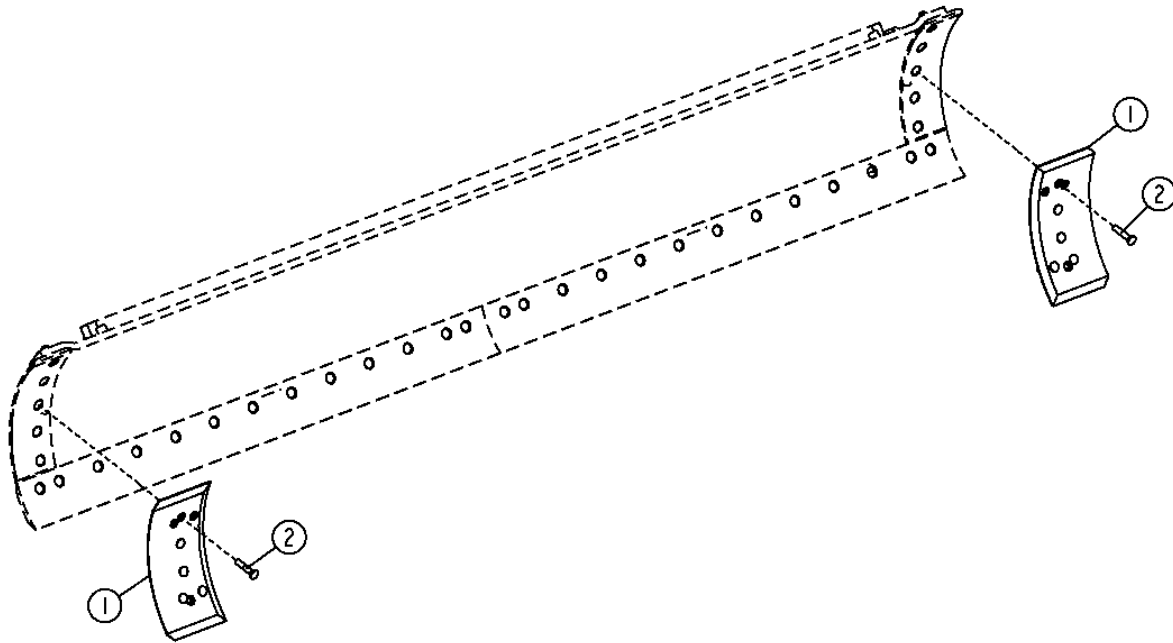
GRADING DEVICE 34

BLADE 3401

MOLDBOARD OVERLAYS (6" CUTTING EDGE) (5/8" HARDWARE)
RECOUVREMENTS DE VERSOIR (TRANCHANT 6") (BOULONNERIE 5/8")
FORROS DE VERTEDERA (BORDE CORTANTE 6") (TORNILLERIA 5/8")

TX1049119

-UN-25SEP08



TX1049119

3401-21

GRADING DEVICE 34

BLADE 3401

MOLDBOARD OVERLAYS (6" CUTTING EDGE) (5/8" HARDWARE)
RECOUVREMENTS DE VERSOIR (TRANCHANT 6") (BOULONNERIE 5/8")
FORROS DE VERTEDERA (BORDE CORTANTE 6") (TORNILLERIA 5/8")

KEY	PART NO.	PART NAME	QTY.	SERIAL NO.	REMARKS
1	T202938	OVERLAY END BIT	2		
2	T216610	BOLT	10	5/8" X 3-1/4"	

3401-22

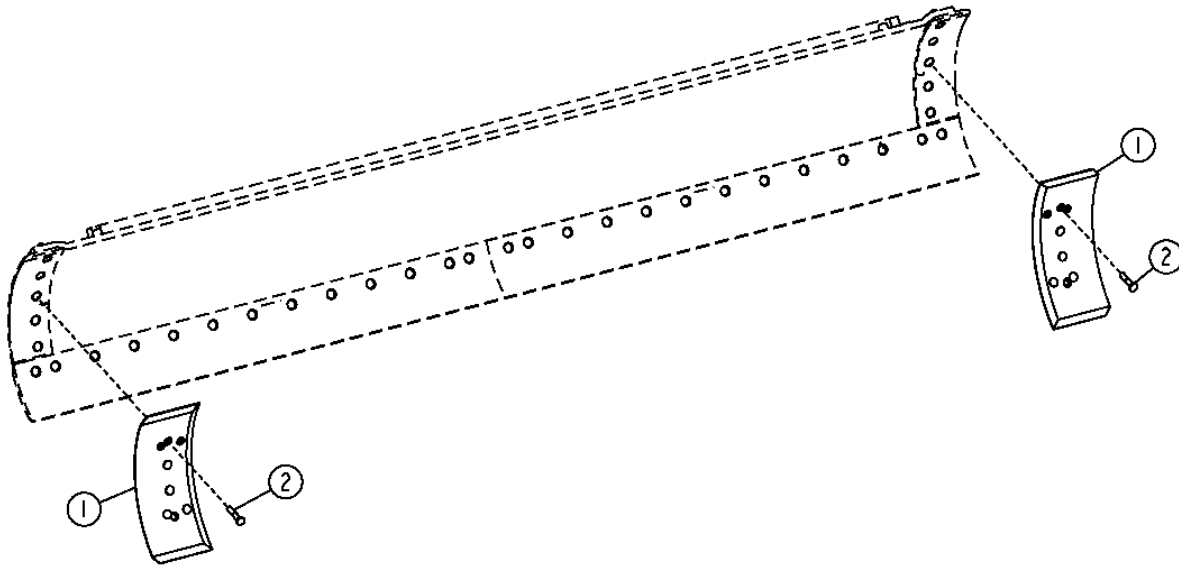
GRADING DEVICE 34

BLADE 3401

MOLDBOARD OVERLAYS (8" CUTTING EDGE) (5/8" HARDWARE)
RECOUVREMENTS DE VERSOIR (TRANCHANT 8") (BOULONNERIE 5/8")
FORROS DE VERTEDERA (BORDE CORTANTE 8") (TORNILLERIA 5/8")

TX1049121

-UN-25SEP08



TX1049121

3401-23

GRADING DEVICE 34

BLADE 3401

MOLDBOARD OVERLAYS (8" CUTTING EDGE) (5/8" HARDWARE)
RECOUUREMENTS DE VERSOIR (TRANCHANT 8") (BOULONNERIE 5/8")
FORROS DE VERTEDERA (BORDE CORTANTE 8") (TORNILLERIA 5/8")

KEY	PART NO.	PART NAME	QTY.	SERIAL NO.	REMARKS
1	T202940	OVERLAY END BIT	2		
2	T216610	BOLT	10	5/8" X 3-1/4"	

3401-24

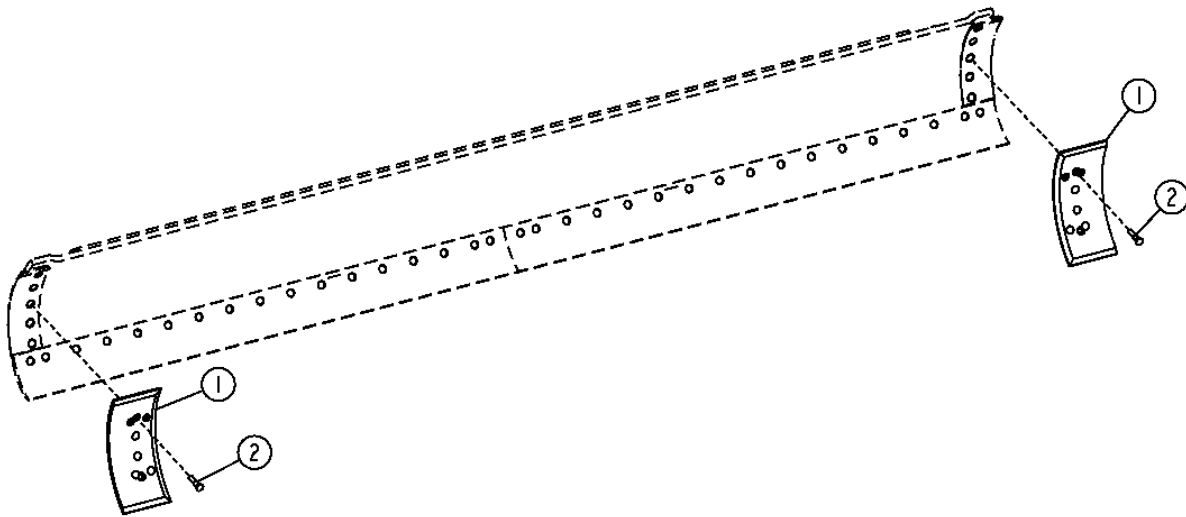
GRADING DEVICE 34

BLADE 3401

MOLDBOARD OVERLAYS (8" CUTTING EDGE) (3/4" HARDWARE)
RECOUVREMENTS DE VERSOIR (TRANCHANT 8") (BOULONNERIE 3/4")
FORROS DE VERTEDERA (BORDE CORTANTE 8") (TORNILLERIA 3/4")

TX1049123

-UN-29SEP08



TX1049123

3401-25

GRADING DEVICE 34

BLADE 3401

MOLDBOARD OVERLAYS (8" CUTTING EDGE) (3/4" HARDWARE)
RECOUUREMENTS DE VERSOIR (TRANCHANT 8") (BOULONNERIE 3/4")
FORROS DE VERTEDERA (BORDE CORTANTE 8") (TORNILLERIA 3/4")

KEY	PART NO.	PART NAME	QTY.	SERIAL NO.	REMARKS
1	T218923	OVERLAY END BIT	2		
2	09H1758	BOLT	10		3/4" X 3-1/4"

3401-26

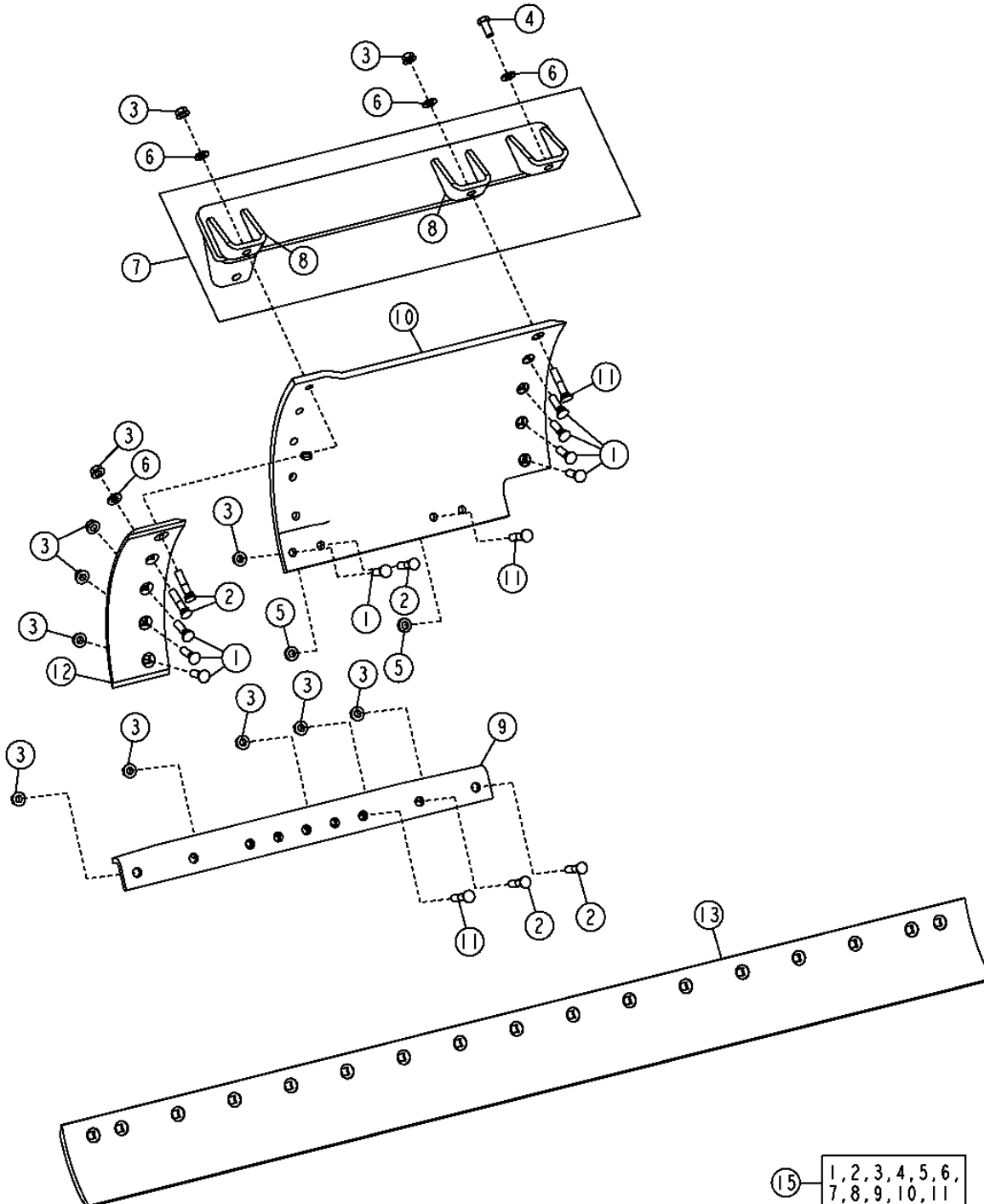
GRADING DEVICE 34

BLADE 3401

RIGHT MOLDBOARD EXTENSION (24" WITH 5/8" HARDWARE)
EXTENSION DE VERSOIR DROIT (24" AVEC BOULONNERIE 5/8")
EXTENSION DE VERTEDERA DERECHO (24" CON TORNILLERIA 5/8")

TX1058657

-UN-



TX1058657

3401-27

GRADING DEVICE 34

BLADE 3401

**RIGHT MOLDBOARD EXTENSION (24" WITH 5/8" HARDWARE)
EXTENSION DE VERSOIR DROIT (24" AVEC BOULONNERIE 5/8")
EXTENSION DE VERTEDERA DERECHO (24" CON TORNILLERIA 5/8")**

KEY	PART NO.	PART NAME	QTY.	SERIAL NO.	REMARKS
1	09H1759	BOLT	8		5/8" X 2-1/4"
2	10H1043	BOLT	5		5/8" X 3"
3	14H1095	NUT	16		5/8"
4	19M8035	CAP SCREW	1		M16 X 35
5	24H1367	WASHER	2		21/32" X 1-1/4" X 1/4"
6	24M7241	WASHER	4		17 X 34 X 4 MM
7	AT306162	SUPPORT	1		
8	T204543	BRACKET	2		
9	AT341206	REINFORCEMENT	1		
10	T202935	EXTENSION	1		
11	T216610	BOLT	3		5/8" X 3-1/4"
12	T202876	CUTTING EDGE	1		
13	T66706	DURA-MAX TM CUTTING EDGE	2		(8" X 8')
15	AT307731	EXTENSION	1		(WHOLE GOODS)

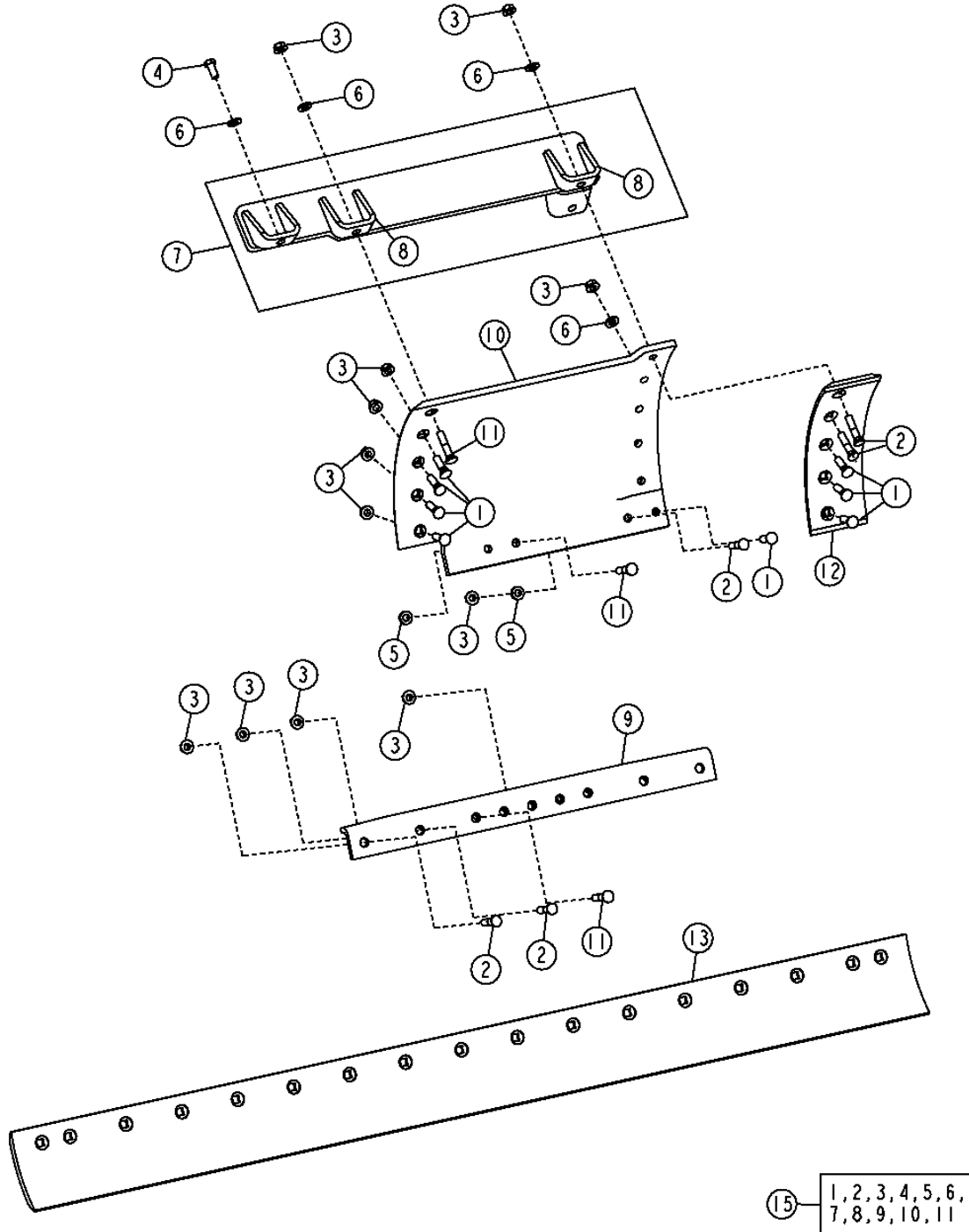
3401-28

GRADING DEVICE 34

BLADE 3401

LEFT MOLDBOARD EXTENSION (24" WITH 5/8" HARDWARE)
EXTENSION DE VERSOIR GAUCHE (24" AVEC BOULONNERIE 5/8")
EXTENSION DE VERTEDERA IZQUIERDO (24" CON TORNILLERIA 5/8")

TX1058660 -UN-



TX1058660

3401-29

GRADING DEVICE 34

BLADE 3401

**LEFT MOLDBOARD EXTENSION (24" WITH 5/8" HARDWARE)
EXTENSION DE VERSOIR GAUCHE (24" AVEC BOULONNERIE 5/8")
EXTENSION DE VERTEDERA IZQUIERDO (24" CON TORNILLERIA 5/8")**

KEY	PART NO.	PART NAME	QTY.	SERIAL NO.	REMARKS
1	09H1759	BOLT	8		5/8" X 2-1/4"
2	10H1043	BOLT	5		5/8" X 3"
3	14H1095	NUT	16		5/8"
4	19M8035	CAP SCREW	1		M16 X 35
5	24H1367	WASHER	2		21/32" X 1-1/4" X 1/4"
6	24M7241	WASHER	4		17 X 34 X 4 MM
7	AT306163	SUPPORT	1		
8	T204543	BRACKET	2		
9	AT341206	REINFORCEMENT	1		
10	T202934	EXTENSION	1		
11	T216610	BOLT	3		5/8" X 3-1/4"
12	T202876	CUTTING EDGE	1		
13	T66706	DURA-MAX TM CUTTING EDGE	2		(8" X 8')
15	AT307730	EXTENSION	1		(WHOLE GOODS)

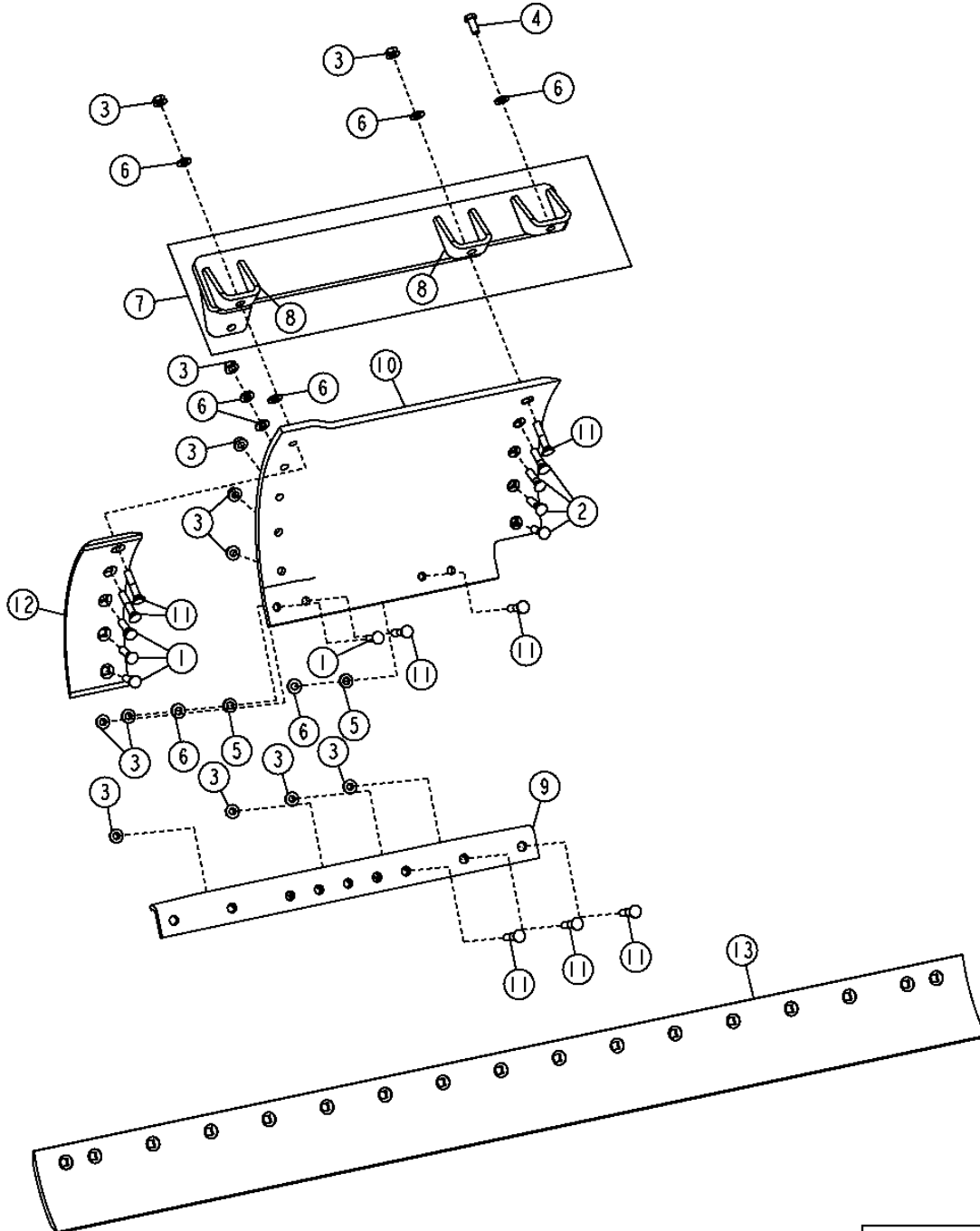
3401-30

GRADING DEVICE 34

BLADE 3401

RIGHT MOLDBOARD EXTENSION (27" WITH 5/8" HARDWARE)
EXTENSION DE VERSOIR DROIT (27" AVEC BOULONNERIE 5/8")
EXTENSION DE VERTEDERA DERECHO (27" CON TORNILLERIA 5/8")

TX1058661 -UN-



TX1058661

⑮ 1, 2, 3, 4, 5, 6,
7, 8, 9, 10, 11

3401-31

GRADING DEVICE 34

BLADE 3401

**RIGHT MOLDBOARD EXTENSION (27" WITH 5/8" HARDWARE)
EXTENSION DE VERSOIR DROIT (27" AVEC BOULONNERIE 5/8")
EXTENSION DE VERTEDERA DERECHO (27" CON TORNILLERIA 5/8")**

KEY	PART NO.	PART NAME	QTY.	SERIAL NO.	REMARKS
1	09H1759	BOLT	4		5/8" X 2-1/4"
2	09H1764	BOLT	4		5/8" X 2-1/2"
3	14H1095	NUT	16		5/8"
4	19M8035	CAP SCREW	1		M16 X 35
5	24H1367	WASHER	2		21/32" X 1-1/4" X 1/4"
6	24M7241	WASHER	8		17 X 34 X 4 MM
7	AT306162	SUPPORT	1		
8	T204543	BRACKET	2		
9	AT341206	REINFORCEMENT	1		
10	T203807	EXTENSION	1		
11	T216610	BOLT	8		5/8" X 3-1/4"
12	T202876	CUTTING EDGE	1		
13	T66706	DURA-MAX TM CUTTING EDGE	2		(8" X 8')
15	AT307733	EXTENSION	1		

3401-32

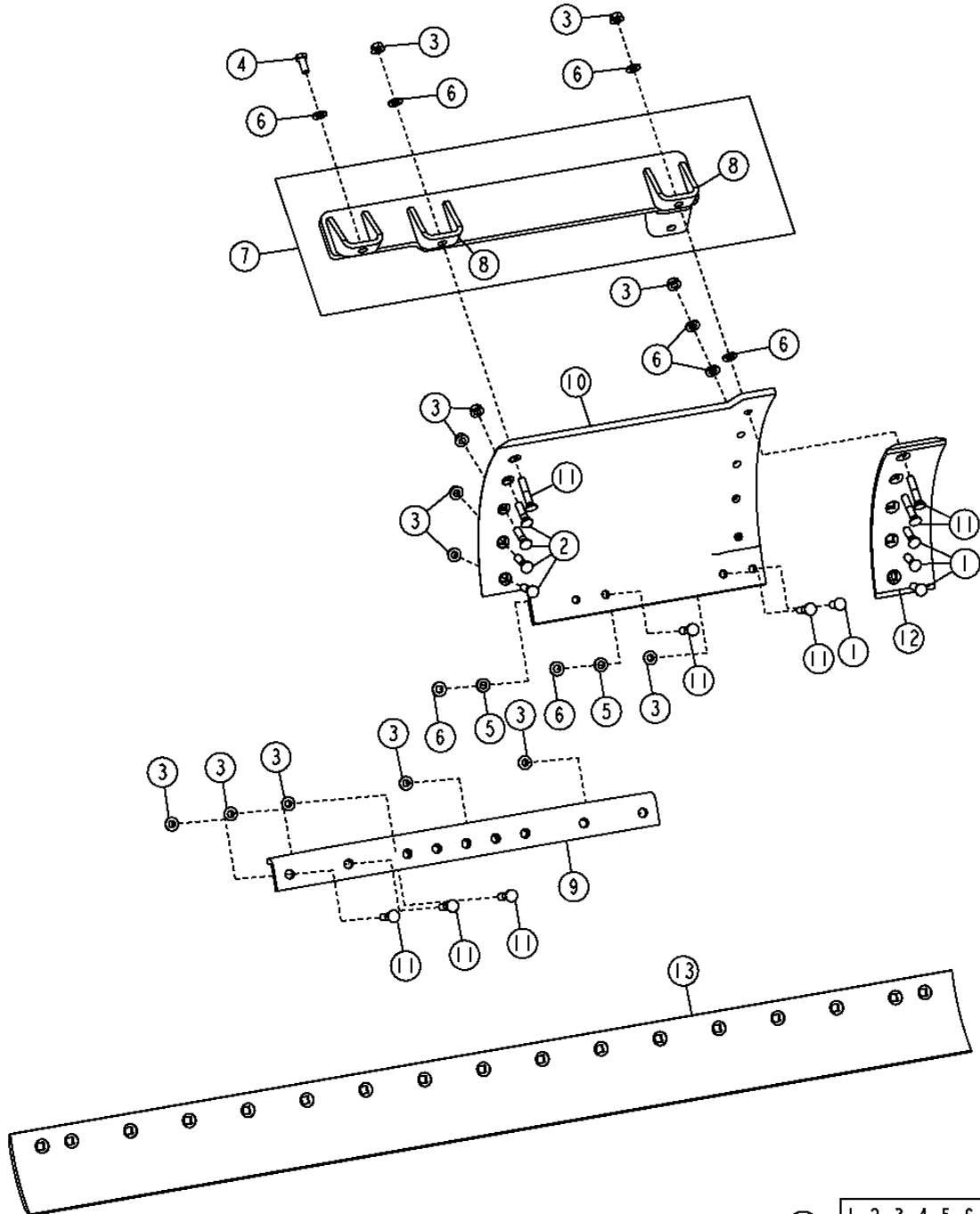
GRADING DEVICE 34

BLADE 3401

LEFT MOLDBOARD EXTENSION (27" WITH 5/8" HARDWARE)
EXTENSION DE VERSOIR GAUCHE (27" AVEC BOULONNERIE 5/8")
EXTENSION DE VERTEDERA IZQUIERDO (27" CON TORNILLERIA 5/8")

TX1058668

-UN-



TX1058668

15 1, 2, 3, 4, 5, 6,
7, 8, 9, 10, 11

3401-33

GRADING DEVICE 34

BLADE 3401

**LEFT MOLDBOARD EXTENSION (27" WITH 5/8" HARDWARE)
EXTENSION DE VERSOIR GAUCHE (27" AVEC BOULONNERIE 5/8")
EXTENSION DE VERTEDERA IZQUIERDO (27" CON TORNILLERIA 5/8")**

KEY	PART NO.	PART NAME	QTY.	SERIAL NO.	REMARKS
1	09H1759	BOLT	4		5/8" X 2-1/4"
2	09H1764	BOLT	4		5/8" X 2-1/2"
3	14H1095	NUT	16		5/8"
4	19M8035	CAP SCREW	1		M16 X 35
5	24H1367	WASHER	2		21/32" X 1-1/4" X 1/4"
6	24M7241	WASHER	8		17 X 34 X 4 MM
7	AT306163	SUPPORT	1		
8	T204543	BRACKET	2		
9	AT341206	REINFORCEMENT	1		
10	T203806	EXTENSION	1		
11	T216610	BOLT	8		5/8" X 3-1/4"
12	T202876	CUTTING EDGE	1		
13	T66706	DURA-MAX TM CUTTING EDGE	2		(8" X 8')
15	AT307732	EXTENSION	1		(WHOLE GOODS)

3401-34

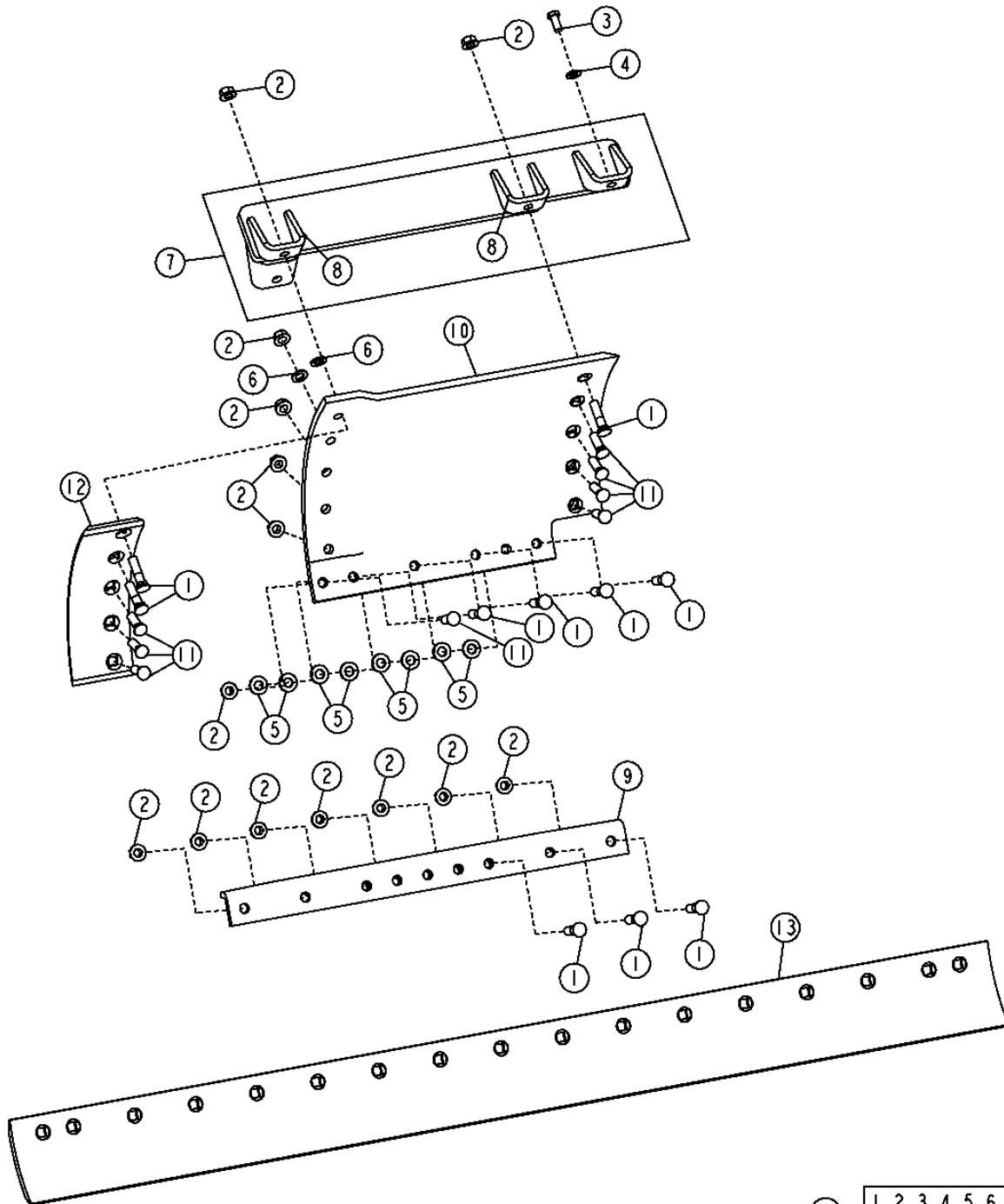
GRADING DEVICE 34

BLADE 3401

RIGHT MOLDBOARD EXTENSION (27" WITH 3/4" HARDWARE)
EXTENSION DE VERSOIR DROIT (27" AVEC BOULONNERIE 5/8")
EXTENSION DE VERTEDERA DERECHO (27" CON TORNILLERIA 5/8")

TX1058673

-UN-



TX1058673

15 1, 2, 3, 4, 5, 6,
7, 8, 9, 10, 11

3401-35

GRADING DEVICE 34

BLADE 3401

**RIGHT MOLDBOARD EXTENSION (27" WITH 3/4" HARDWARE)
EXTENSION DE VERSOIR DROIT (27" AVEC BOULONNERIE 5/8")
EXTENSION DE VERTEDERA DERECHO (27" CON TORNILLERIA 5/8")**

KEY	PART NO.	PART NAME	QTY.	SERIAL NO.	REMARKS
1	09H1758	BOLT	10		3/4" X 3-1/4"
2	14H1092	NUT	18		3/4"
3	19M8035	CAP SCREW	1		M16 X 35
4	24M7241	WASHER	1		17 X 34 X 4 MM
5	24M7242	WASHER	8		21.400 X 42 X 5 MM
6	24M7349	WASHER	2		21 X 37 X 3 MM
7	AT306162	SUPPORT	1		
8	T204543	BRACKET	2		
9	AT341206	REINFORCEMENT	1		
10	T230273	EXTENSION	1		
11	T70286	BOLT	8		3/4" X 2-1/2"
12	T218922	CUTTING EDGE	1		
13	T74773	DURA-MAX™ CUTTING EDGE	2		(8" X 8" X 3/4")
15	AT341307	EXTENSION	1		(WHOLE GOODS)

3401-36

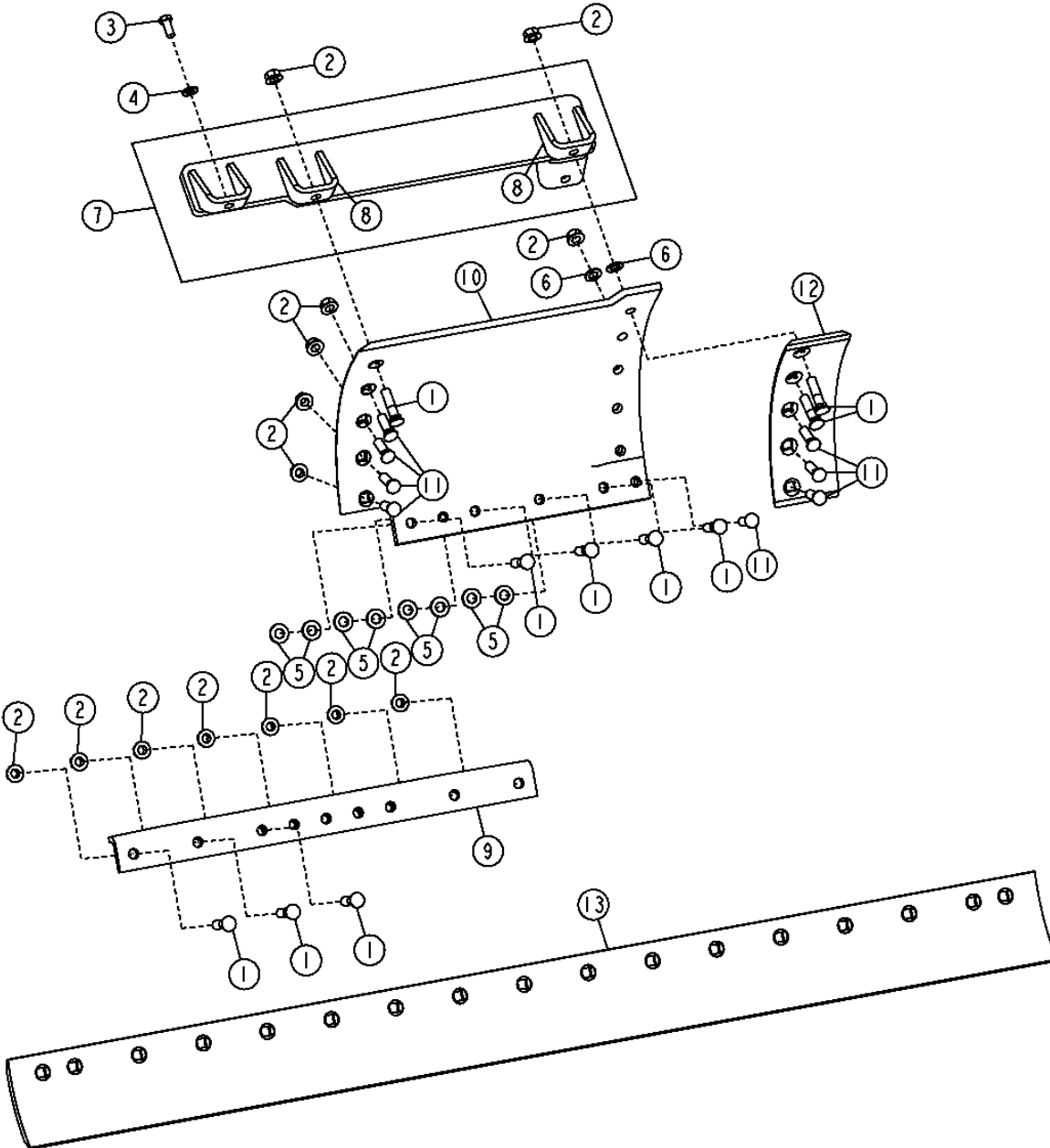
GRADING DEVICE 34

BLADE 3401

LEFT MOLDBOARD EXTENSION (27" WITH 3/4" HARDWARE)
EXTENSION DE VERSOIR GAUCHE (27" AVEC BOULONNERIE 3/4")
EXTENSION DE VERTEDERA IZQUIERDO (27" CON TORNILLERIA 3/4")

TX1058675

-UN-



TX1058675

⑮ 1, 2, 3, 4, 5, 6,
7, 8, 9, 10, 11

3401-37

GRADING DEVICE 34

BLADE 3401

**LEFT MOLDBOARD EXTENSION (27" WITH 3/4" HARDWARE)
EXTENSION DE VERSOIR GAUCHE (27" AVEC BOULONNERIE 3/4")
EXTENSION DE VERTEDERA IZQUIERDO (27" CON TORNILLERIA 3/4")**

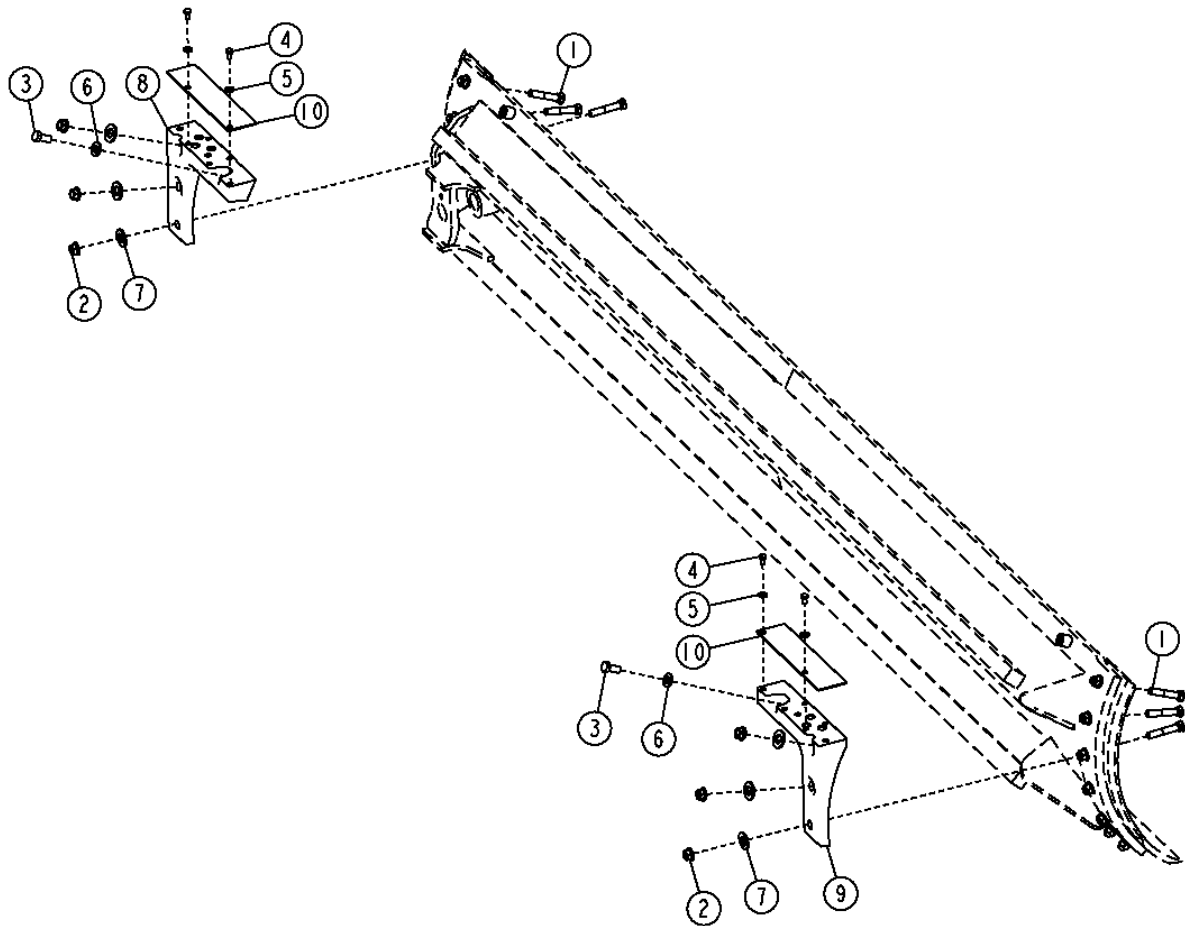
KEY	PART NO.	PART NAME	QTY.	SERIAL NO.	REMARKS
1	09H1758	BOLT	10		3/4" X 3-1/4"
2	14H1092	NUT	18		3/4"
3	19M8035	CAP SCREW	1		M16 X 35
4	24M7241	WASHER	1		17 X 34 X 4 MM
5	24M7242	WASHER	8		21.400 X 42 X 5 MM
6	24M7349	WASHER	2		21 X 37 X 3 MM
7	AT306163	SUPPORT	1		
8	T204543	BRACKET	2		
9	AT341206	REINFORCEMENT	1		
10	T230272	EXTENSION	1		
11	T70286	BOLT	8		
12	T218922	CUTTING EDGE	1		
13	T74773	DURA-MAX TM CUTTING EDGE	2		(8" X 8" X 3/4")
15	AT341306	EXTENSION	1		(WHOLE GOODS)

3402-2

GRADING DEVICE 34
BLADE EXTENSION 3402

INTEGRATED GRADE CONTROL MAST MOUNTS (5/8" HARDWARE)
MATS DE MONTAGE DE COMMANDE IGC (BOULONNERIE 5/8")
MONTAJES DE MASTIL DE CONTROL INTEGRADO DE PENDIENTE (TORNILLERIA 5/8")

TX1049568 -UN-16OCT08



TX1049568

THIS PARTS LISTING IS CONTINUED

3402-3

GRADING DEVICE 34

BLADE EXTENSION 3402

**INTEGRATED GRADE CONTROL MAST MOUNTS (5/8" HARDWARE)
MATS DE MONTAGE DE COMMANDE IGC (BOULONNERIE 5/8")
MONTAJES DE MASTIL DE CONTROL INTEGRADO DE PENDIENTE (TORNILLERIA 5/8")**

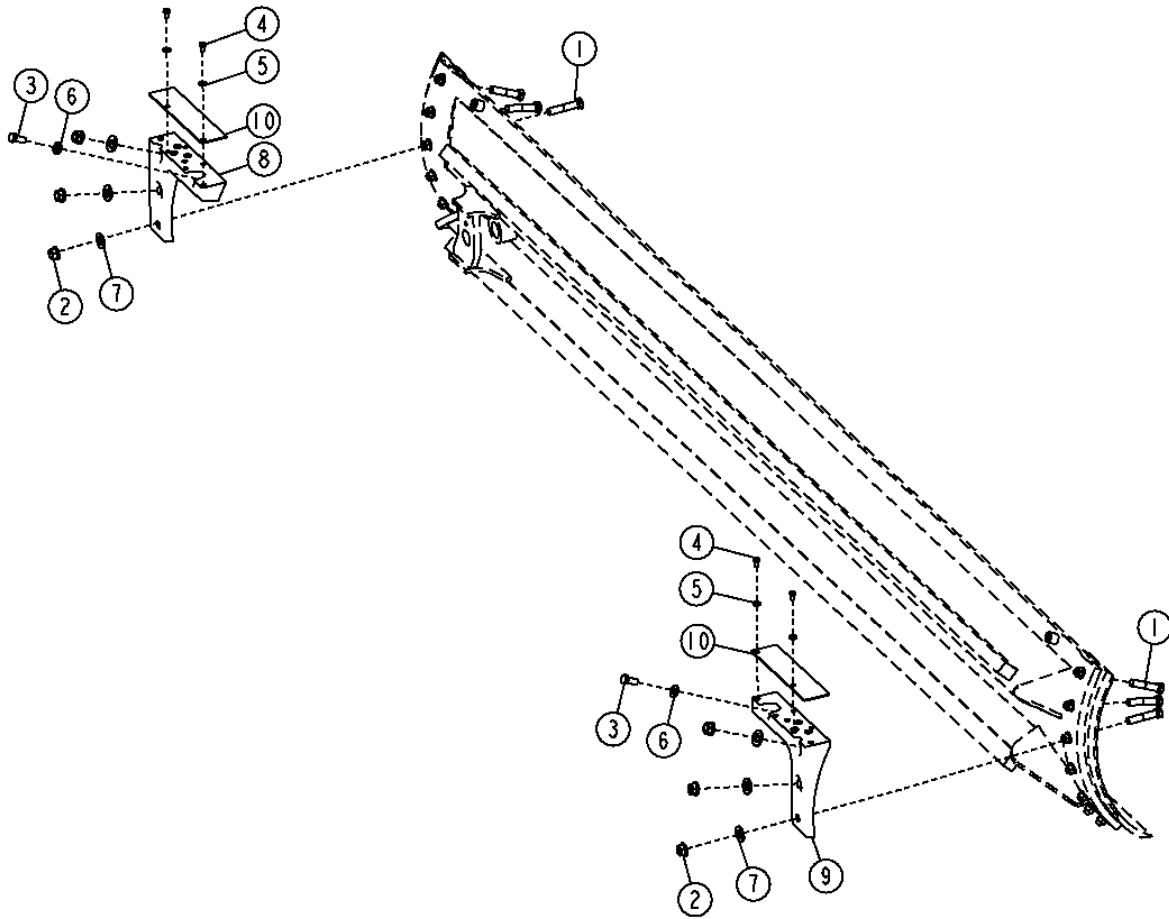
KEY	PART NO.	PART NAME	QTY.	SERIAL NO.	REMARKS
1	10H1228	BOLT	6		5/8" X 3-3/4"
2	14H1095	NUT	6		5/8"
3	19M8035	CAP SCREW	2		M16 X 35
4	19M8324	CAP SCREW	4		M10 X 16
5	24M7239	WASHER	4		10.700 X 21 X 2.500 MM
6	24M7241	WASHER	2		17 X 34 X 4 MM
7	T19572	WASHER	6		
8	T241843	MOUNTING PARTS	1		
9	T241844	MOUNTING PARTS	1		
10	T252346	PLATE	2		

3402-4

GRADING DEVICE 34
BLADE EXTENSION 3402

INTEGRATED GRADE CONTROL MAST MOUNTS (3/4" HARDWARE)
MATS DE MONTAGE DE COMMANDE IGC (BOULONNERIE 3/4")
MONTAJES DE MASTIL DE CONTROL INTEGRADO DE PENDIENTE (TORNILLERIA 3/4")

TX1049571 -UN-15OCT08



TX1049571

3402-5

GRADING DEVICE 34

BLADE EXTENSION 3402

**INTEGRATED GRADE CONTROL MAST MOUNTS (3/4" HARDWARE)
MATS DE MONTAGE DE COMMANDE IGC (BOULONNERIE 3/4")
MONTAJES DE MASTIL DE CONTROL INTEGRADO DE PENDIENTE (TORNILLERIA 3/4")**

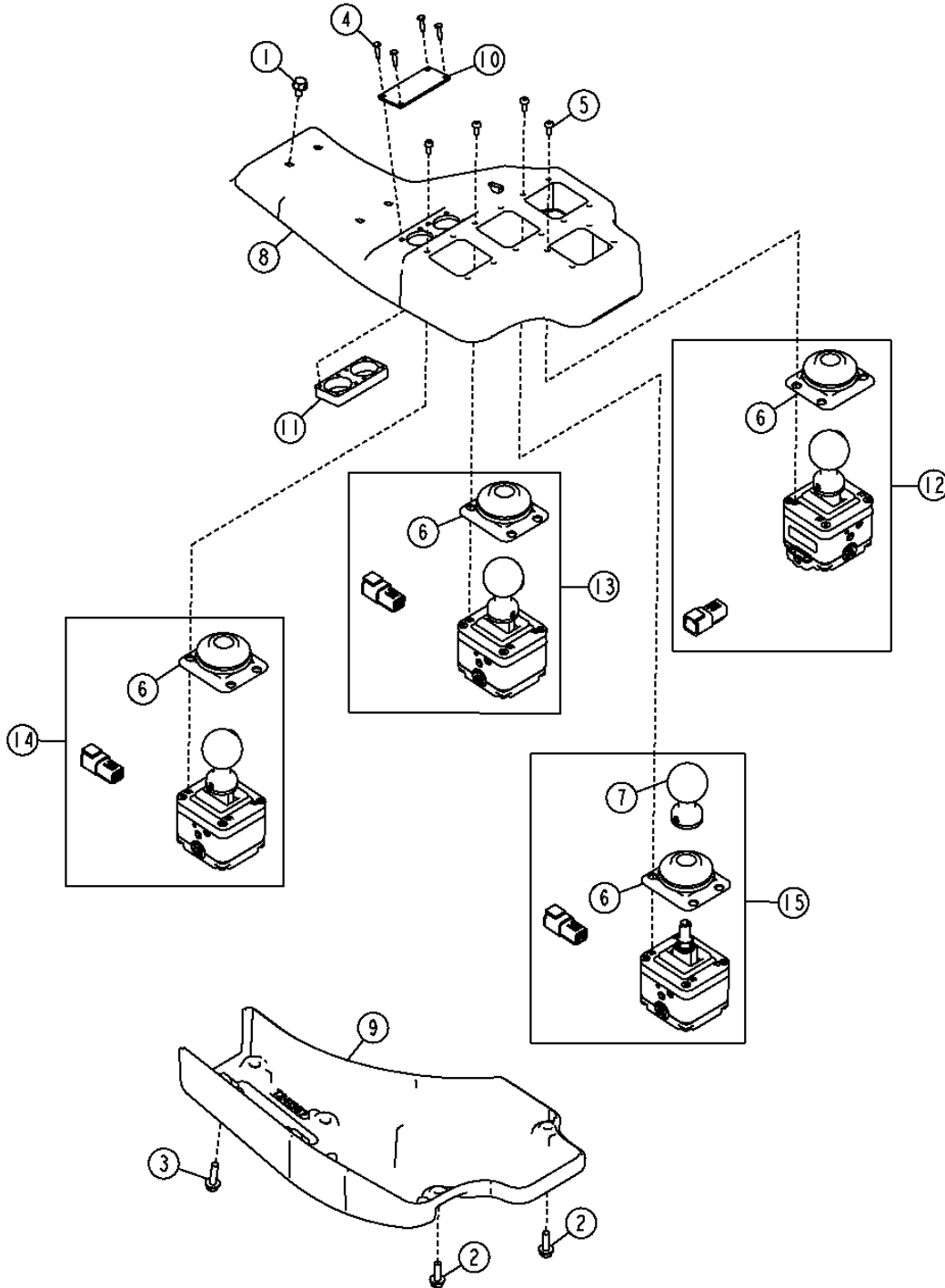
KEY	PART NO.	PART NAME	QTY.	SERIAL NO.	REMARKS
1	10H1198	BOLT	6		3/4" X 4"
2	14H1092	NUT	6		3/4"
3	19M8035	CAP SCREW	2		M16 X 35
4	19M8324	CAP SCREW	4		M10 X 16
5	24M7239	WASHER	4		10.700 X 21 X 2.500 MM
6	24M7241	WASHER	2		17 X 34 X 4 MM
7	T19572	WASHER	6		
8	T241843	MOUNTING PARTS	1		
9	T241844	MOUNTING PARTS	1		
10	T252346	PLATE	2		

3415-2

GRADING DEVICE 34
CONTROLS LINKAGE 3415

ELECTROHYDRAULIC CONTROLS (RIGHT 4 FUNCTION) (GRADE PRO)
COMMANDES ELECTROHYDRAULIQUE (FONCTION 4 DROITE) (GRADE PRO)
CONTROLES ELECTROHIDRAULICO (FUNCION 4 DERECHA) (GRADE PRO)

TX1051083 -UN-03DEC08



TX1051083

3415-3

GRADING DEVICE 34
CONTROLS LINKAGE 3415

ELECTROHYDRAULIC CONTROLS (RIGHT 4 FUNCTION) (GRADE PRO)
COMMANDES ELECTROHYDRAULIQUE (FONCTION 4 DROITE) (GRADE PRO)
CONTROLES ELECTROHIDRAULICO (FUNCION 4 DERECHA) (GRADE PRO)

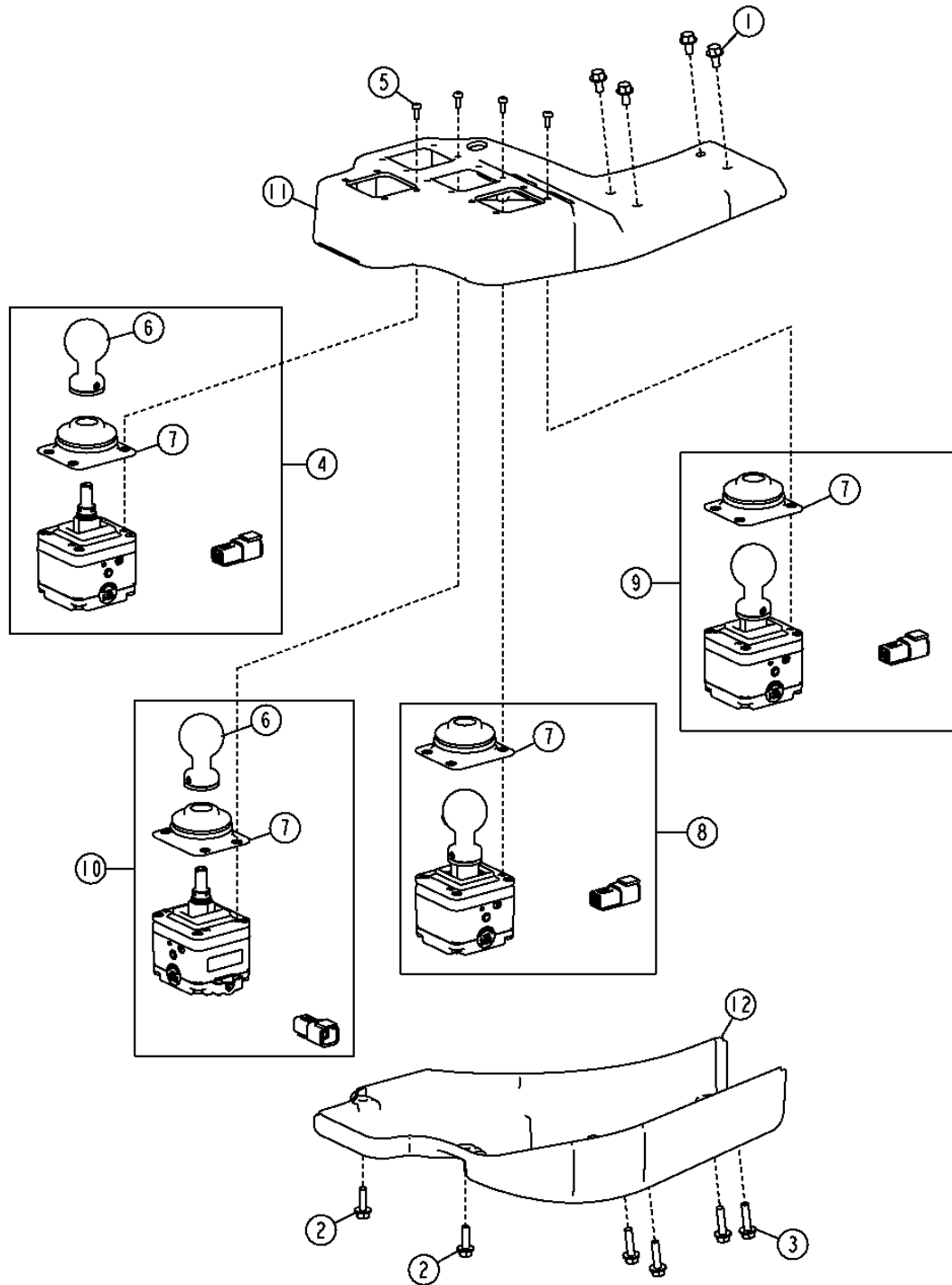
KEY	PART NO.	PART NAME	QTY.	SERIAL NO.	REMARKS
1	19M7774	SCREW	4		M6 X 12
2	19M7862	SCREW	2		M6 X 20
3	19M7863	SCREW	4		M6 X 25
4	37M7286	SCREW	4		
5	T245247	SCREW	16		
6	T248832	BOOT	4		
7	AT354475	KNOB	1		
8	T241355	CONTROL CONSOLE	1		
9	T241357	CONTROL CONSOLE	1		
10	T242926	PLATE	1		
11	T242928	BRACKET	1		
12	AT353952	CONTROL	1		(REAR STEERING)
13	AT342605	CONTROL	1		(WHEEL LEAN)
14	AT342607	CONTROL	1		(RIGHT BLADE LIFT)
15	AT348773	CONTROL	1		(CIRCLE SIDE SHIFT)
	21M7393	SCREW	2		M3 X 8, (KNOB)

3415-4

GRADING DEVICE 34
CONTROLS LINKAGE 3415

ELECTROHYDRAULIC CONTROLS (LEFT 4 FUNCTION) (GRADE PRO)
COMMANDES ELECTROHYDRAULIQUE (FONCTION 4 GAUCHE) (GRADE PRO)
CONTROLES ELECTROHIDRAULICO (FUNCION 4 IZQUIERDA) (GRADE PRO)

TX1051073 -UN-02DEC08



TX1051073

3415-5

GRADING DEVICE 34

CONTROLS LINKAGE 3415

ELECTROHYDRAULIC CONTROLS (LEFT 4 FUNCTION) (GRADE PRO)
COMMANDES ELECTROHYDRAULIQUE (FONCTION 4 GAUCHE) (GRADE PRO)
CONTROLES ELECTROHIDRAULICO (FUNCION 4 IZQUIERDA) (GRADE PRO)

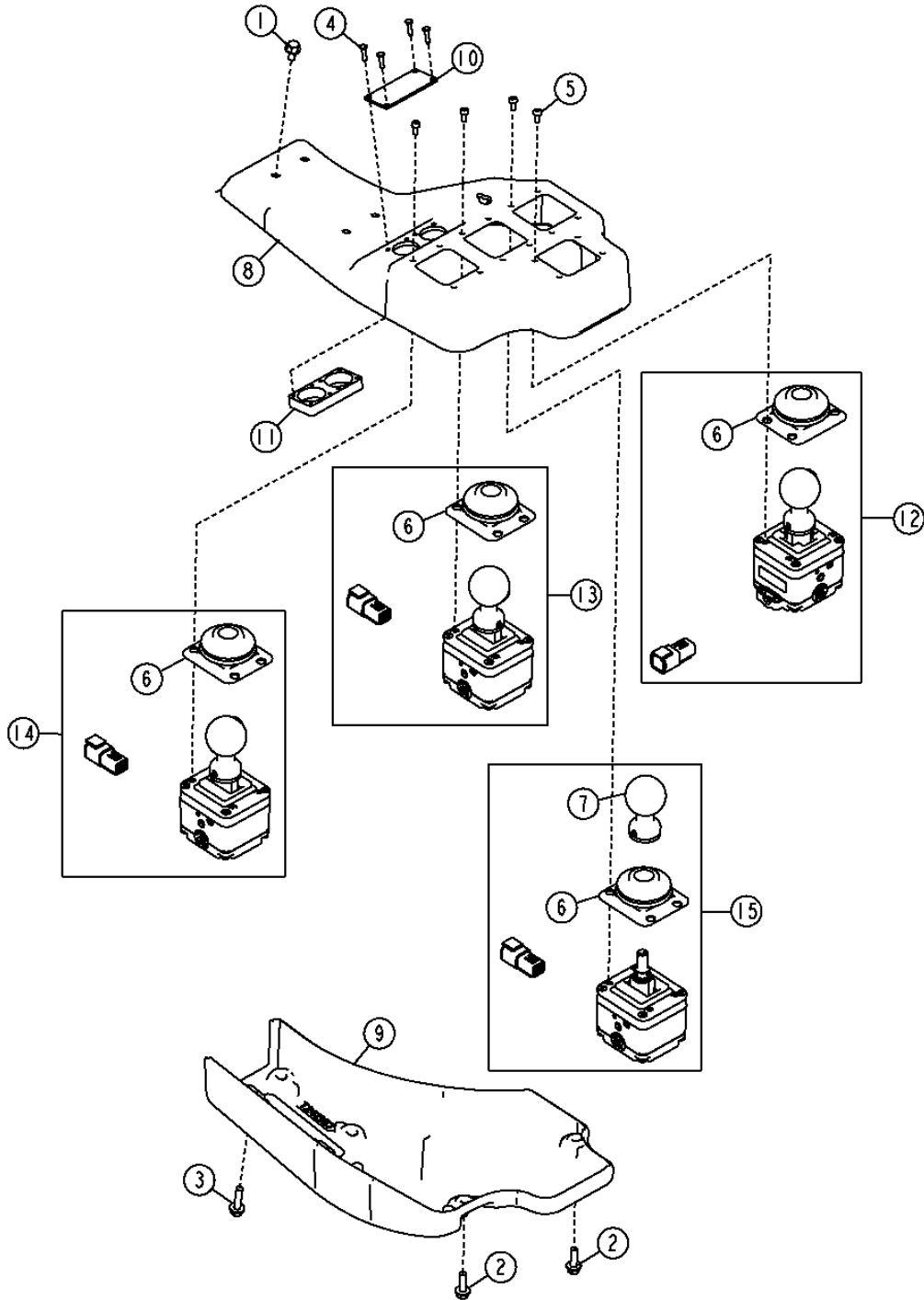
KEY	PART NO.	PART NAME	QTY.	SERIAL NO.	REMARKS
1	19M7774	SCREW	4		M6 X 12
2	19M7862	SCREW	2		M6 X 20
3	19M7863	SCREW	4		M6 X 25
4	AT342601	CONTROL	1		(CIRCLE ROTATE)
	21M7393	SCREW	2		(KNOB)
5	T245247	SCREW	16		
6	AT354475	KNOB	2		
7	T248832	BOOT	4		
8	AT348049	CONTROL	1		(BLADE SIDE SHIFT) (STEERING)
9	AT348052	CONTROL	1		(LEFT BLADE LIFT)
10	AT353954	CONTROL	1		(BLADE TILT)
	21M7393	SCREW	2		M3 X 8, (KNOB)
11	T241360	CONTROL CONSOLE	1		
12	T241363	CONTROL CONSOLE	1		

3415-6

GRADING DEVICE 34
CONTROLS LINKAGE 3415

ELECTROHYDRAULIC CONTROLS (RIGHT 5 FUNCTION) (GRADE PRO)
COMMANDES ELECTROHYDRAULIQUE (FONCTION 5 DROITE) (GRADE PRO)
CONTROLES ELECTROHIDRAULICO (FUNCION 5 DERECHA) (GRADE PRO)

TX1051091 -UN-03DEC08



TX1051091

3415-7

GRADING DEVICE 34

CONTROLS LINKAGE 3415

ELECTROHYDRAULIC CONTROLS (RIGHT 5 FUNCTION) (GRADE PRO)
COMMANDES ELECTROHYDRAULIQUE (FONCTION 5 DROITE) (GRADE PRO)
CONTROLES ELECTROHIDRAULICO (FUNCION 5 DERECHA) (GRADE PRO)

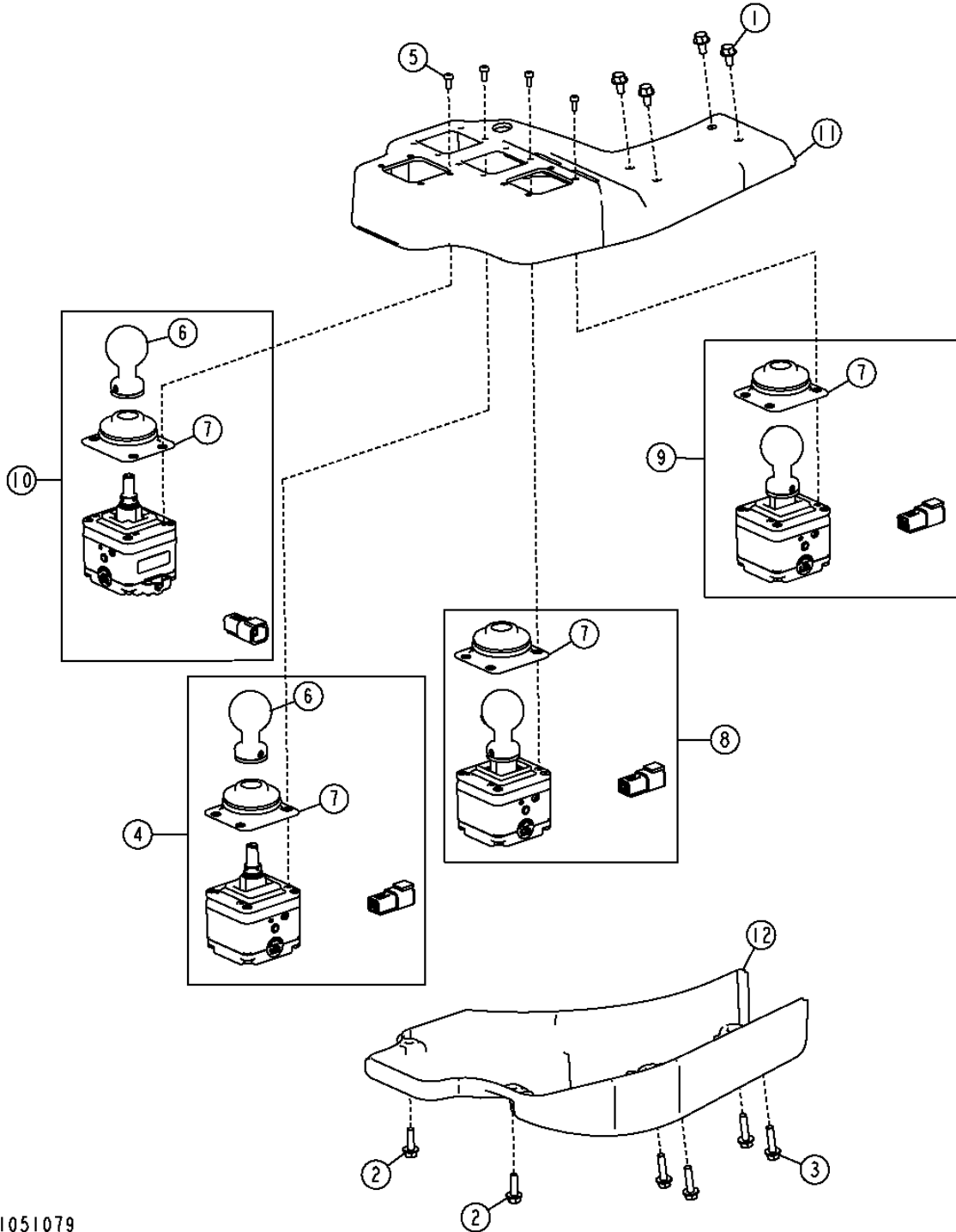
KEY	PART NO.	PART NAME	QTY.	SERIAL NO.	REMARKS
1	19M7774	SCREW	4		M6 X 12
2	19M7862	SCREW	2		M6 X 20
3	19M7863	SCREW	4		M6 X 25
4	37M7286	SCREW	4		
5	T245247	SCREW	16		
6	T248832	BOOT	4		
7	AT354475	KNOB	1		
8	T241355	CONTROL CONSOLE	1		
9	T241357	CONTROL CONSOLE	1		
10	T242926	PLATE	1		
11	T242928	BRACKET	1		
12	AT353941	CONTROL	1		(REAR STEERING) (SCARIFIER)
13	AT342605	CONTROL	1		(WHEEL LEAN)
14	AT342607	CONTROL	1		(RIGHT BLADE LIFT)
15	AT348773	CONTROL	1		(CIRCLE SIDE SHIFT)
	21M7393	SCREW	2		M3 X 8, (KNOB)

3415-8

GRADING DEVICE 34
CONTROLS LINKAGE 3415

ELECTROHYDRAULIC CONTROLS (LEFT 5 FUNCTION) (GRADE PRO)
COMMANDES ELECTROHYDRAULIQUE (FONCTION 5 GAUCHE) (GRADE PRO)
CONTROLES ELECTROHIDRAULICO (FUNCION 5 IZQUIERDA) (GRADE PRO)

TX1051079 -UN-02DEC08



TX1051079

3415-9

GRADING DEVICE 34

CONTROLS LINKAGE 3415

ELECTROHYDRAULIC CONTROLS (LEFT 5 FUNCTION) (GRADE PRO)
COMMANDES ELECTROHYDRAULIQUE (FONCTION 5 GAUCHE) (GRADE PRO)
CONTROLES ELECTROHIDRAULICO (FUNCION 5 IZQUIERDA) (GRADE PRO)

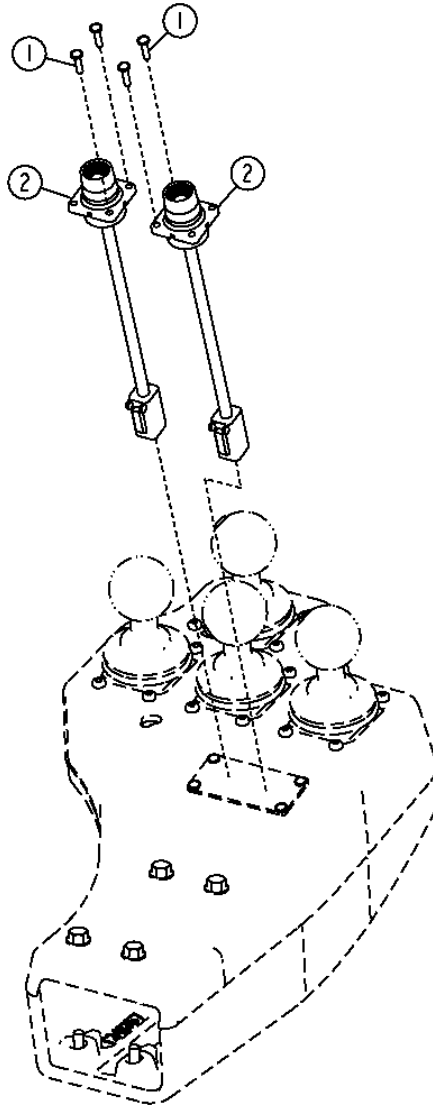
KEY	PART NO.	PART NAME	QTY.	SERIAL NO.	REMARKS
1	19M7774	SCREW	4		M6 X 12
2	19M7862	SCREW	2		M6 X 20
3	19M7863	SCREW	4		M6 X 25
4	AT342601	CONTROL	1		(CIRCLE ROTATE)
	21M7393	SCREW	2		M3 X 8, (KNOB)
5	T245247	SCREW	16		
6	AT354475	KNOB	2		
7	T248832	BOOT	4		
8	AT348049	CONTROL	1		(BLADE SIDE SHIFT) (STEERING)
9	AT348052	CONTROL	1		(LEFT BLADE LIFT)
10	AT353947	CONTROL	1		(BLADE TILT) (RIPPER)
	21M7393	SCREW	2		M3 X 8, (KNOB)
11	T241360	CONTROL CONSOLE	1		
12	T241363	CONTROL CONSOLE	1		

3415-10

GRADING DEVICE 34
CONTROLS LINKAGE 3415

ELECTROHYDRAULIC AUXILIARY CONTROLS (GRADE PRO)
COMMANDES AUXILIAIRES ELECTROHYDRAULIQUES (GRADE PRO)
CONTROLES AUXILIARES ELECTROHIDRAULICOS (GRADE PRO)

TX1050585 -UN-03NOV08



TX1050585

3415-11

GRADING DEVICE 34
CONTROLS LINKAGE 3415

ELECTROHYDRAULIC AUXILIARY CONTROLS (GRADE PRO)
COMMANDES AUXILIAIRES ELECTROHYDRAULIQUES (GRADE PRO)
CONTROLES AUXILIARES ELECTROHIDRAULICOS (GRADE PRO)

KEY	PART NO.	PART NAME	QTY.	SERIAL NO.	REMARKS
1	37M7286	SCREW	4		
2	AT354603	PUSH SWITCH	2		

3441-2

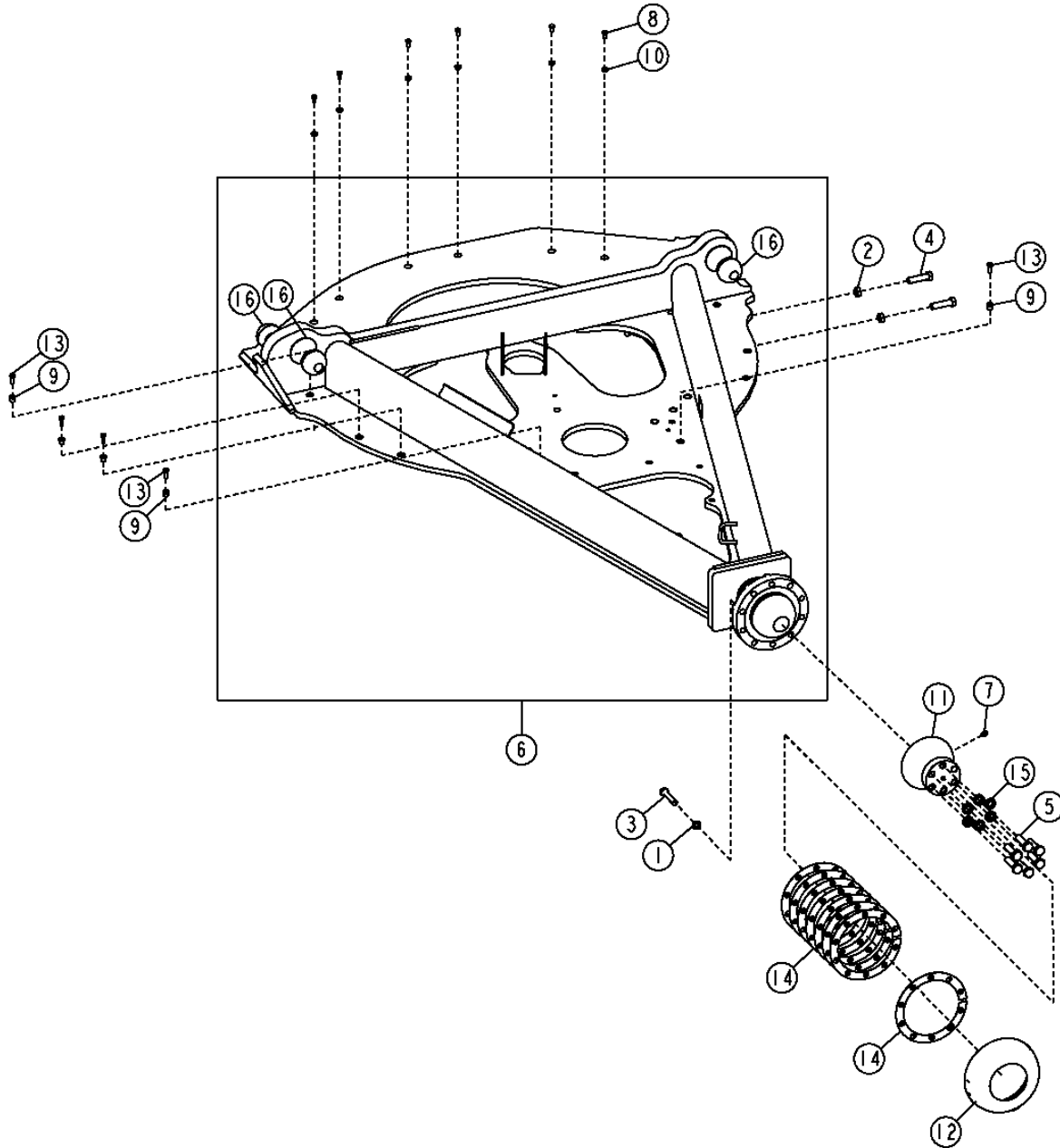
GRADING DEVICE 34

MAIN FRAME (DRAFT FRAME) 3441

DRAFT FRAME
CHASSIS DE TRACTION
BASTIDOR DE TIRO

TX1050873

-UN-12NOV08



TX1050873

3441-3

GRADING DEVICE 34

MAIN FRAME (DRAFT FRAME) 3441

DRAFT FRAME CHASSIS DE TRACTION BASTIDOR DE TIRO

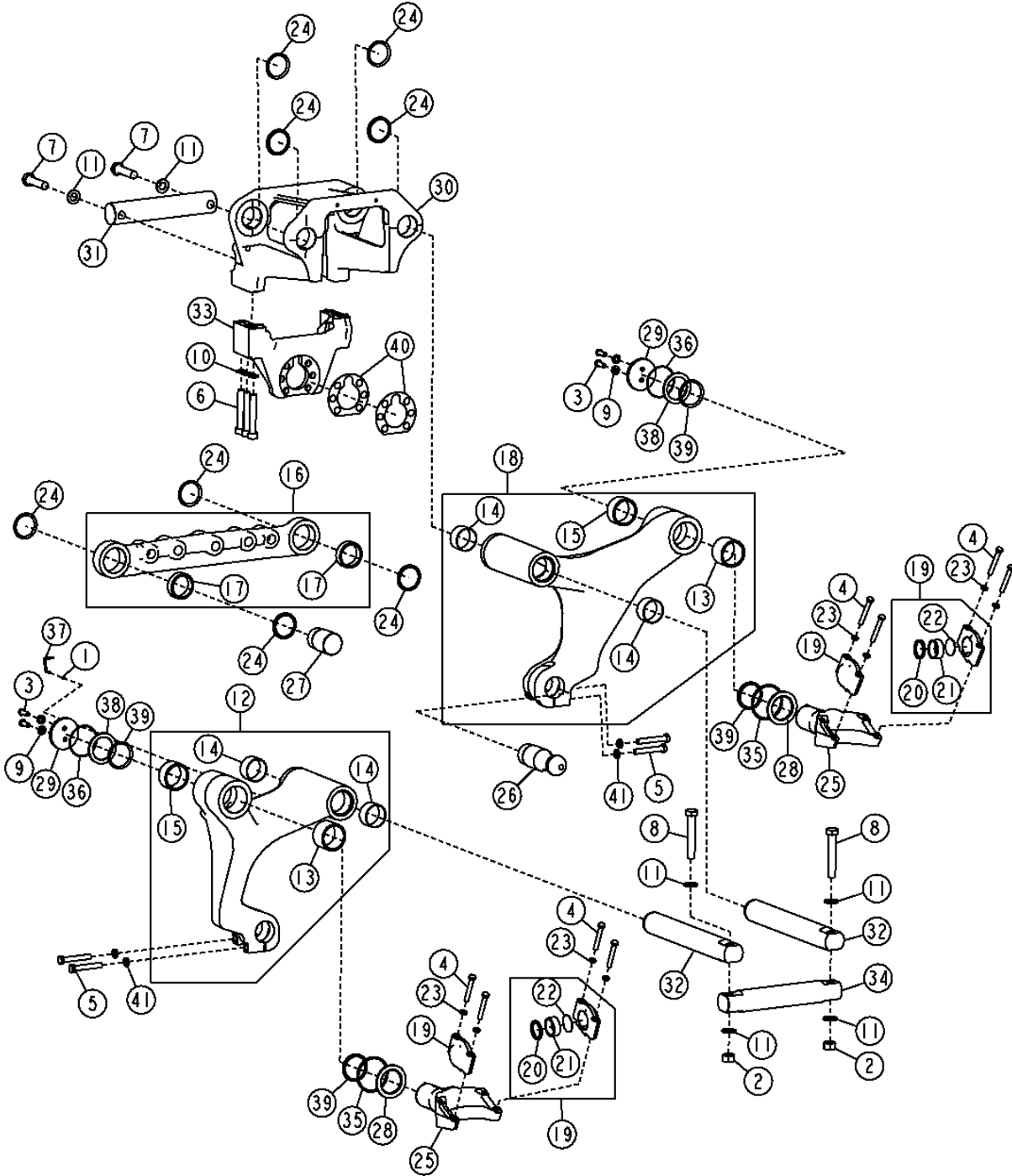
KEY	PART NO.	PART NAME	QTY.	SERIAL NO.	REMARKS
1	12H294	LOCK WASHER	10		5/8"
2	14H793	NUT	12		3/4"
3	19H2641	CAP SCREW	10		5/8" X 3-1/4"
4	19H2913	CAP SCREW	12		3/4" X 2-3/4"
5	19M8639	CAP SCREW	6		M20 X 70
6	AT342813	FRAME	1		(CA)
7	JD7781	LUBRICATION FITTING	1		90° X 0.840" LONG
8	R69629	CAP SCREW	6		
9	T188075	BUSHING	12		
10	T188076	WASHER	6		
11	T213516	RETAINER	1		
12	T213579	RETAINER	1		
13	T33372	BOLT	12		
14	T42243	WASHER	8		
15	T83426	WASHER	6		
16	T59974	BALL	3		

3442-2

GRADING DEVICE 34
SUB FRAME (SADDLE) 3442

SADDLE FRAME CHASSIS DE SELLE BASTIDOR DE CABALLETE

TX1056229 -UN-24FEB09



TX1056229

THIS PARTS LISTING IS CONTINUED

3442-3

GRADING DEVICE 34
SUB FRAME (SADDLE) 3442

**SADDLE FRAME
CHASSIS DE SELLE
BASTIDOR DE CABALLETE**

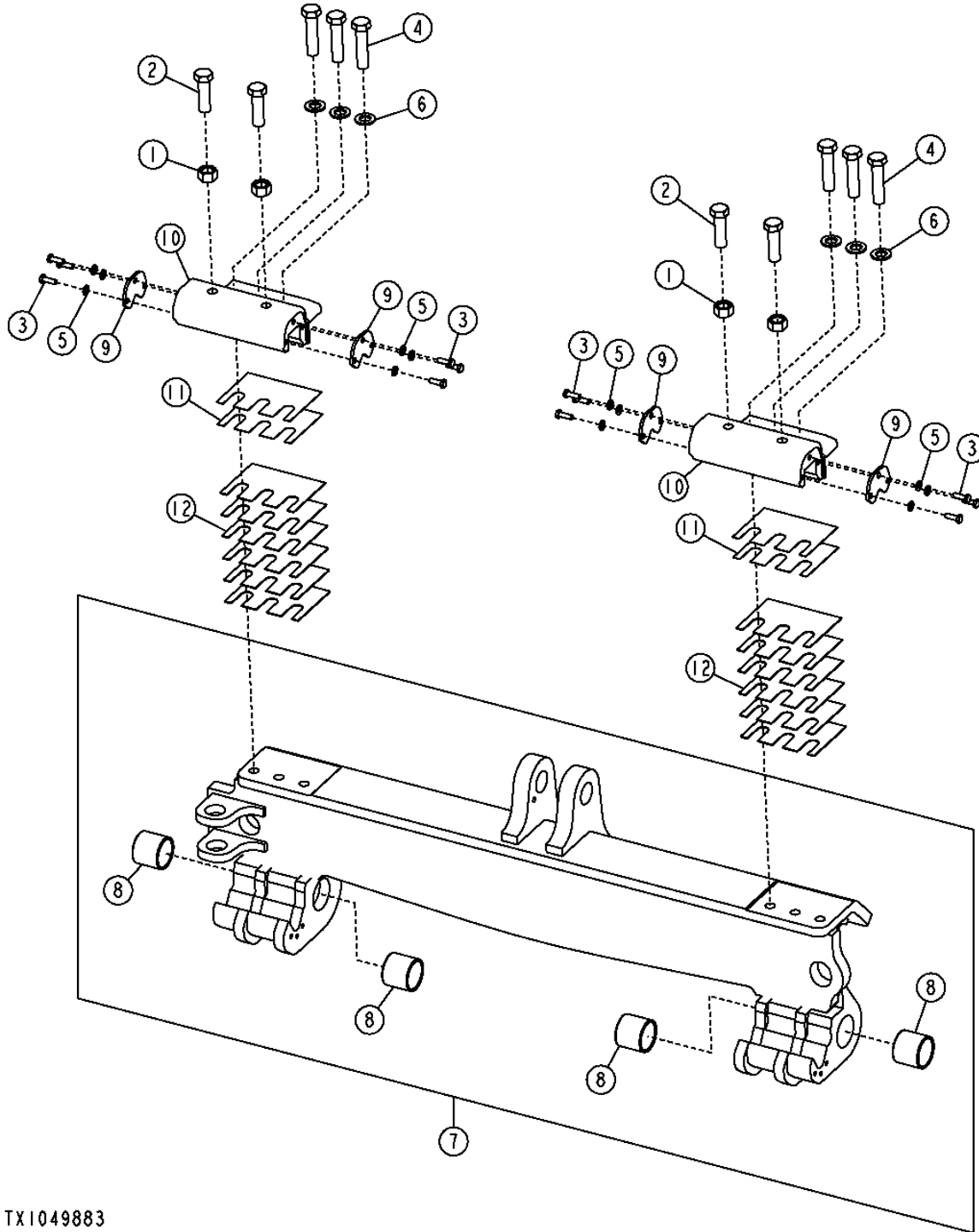
KEY	PART NO.	PART NAME	QTY.	SERIAL NO.	REMARKS
1	14M7272	NUT	1		M6
2	14M7279	NUT	2		M30
3	19M7488	CAP SCREW	4		M16 X 40
4	19M7941	CAP SCREW	8		M16 X 120
5	19M7968	CAP SCREW	4		M20 X 130
6	19M9049	SCREW	6		M24 X 160
7	19M9191	CAP SCREW	2		M30 X 120
8	19M9895	CAP SCREW	2		M30 X 180
9	24M7241	WASHER	4		17 X 34 X 4 MM
10	24M7294	WASHER	6		26 X 39 X 4 MM
11	24M7455	WASHER	6		31 X 56 X 5 MM
12	AT342538	ARM	1		
13	T231335	BUSHING	2		
14	T234970	BUSHING	4		
15	T237990	BUSHING	2		
16	AT342541	CROSSBAR	1		
17	T231327	BUSHING	2		
18	AT342543	ARM	1		
19	AT350329	BEARING CAP	4		
20	T145697	SEAL	1		
21	T235032	BUSHING	1		
22	T235068	DISK	1		
23	R73290	WASHER	8		
24	T102138	SEAL	8		
25	T231326	YOKE	2		
26	T231328	BALL	1		
27	T231329	PIN FASTENER	1		
28	T231331	THRUST WASHER	2		
29	T231338	RETAINER	2		
30	T232971	FRAME	1		
31	T232972	PIN FASTENER	1		
32	T232973	PIN	2		
33	T232974	BRACKET	1		
34	T232975	PIN FASTENER	1		
35	T237520	O-RING	2		
36	T237521	O-RING	2		
37	T238573	POINTER	1		
38	T238574	THRUST WASHER	2		
39	T46639	SEAL	4		
40	T60260	SHIM	2		
41	T83426	WASHER	4		

3443-2

BLADE TILT FRAME BATI D'INCLINAISON DE LAME BASTIDOR DE INCLINACION DE HOJA

TX1049883

-UN-14OCT08



TX1049883

3443-3

GRADING DEVICE 34

MOVABLE FRAME (CIRCLE) 3443

**BLADE TILT FRAME
BATI D'INCLINAISON DE LAME
BASTIDOR DE INCLINACION DE HOJA**

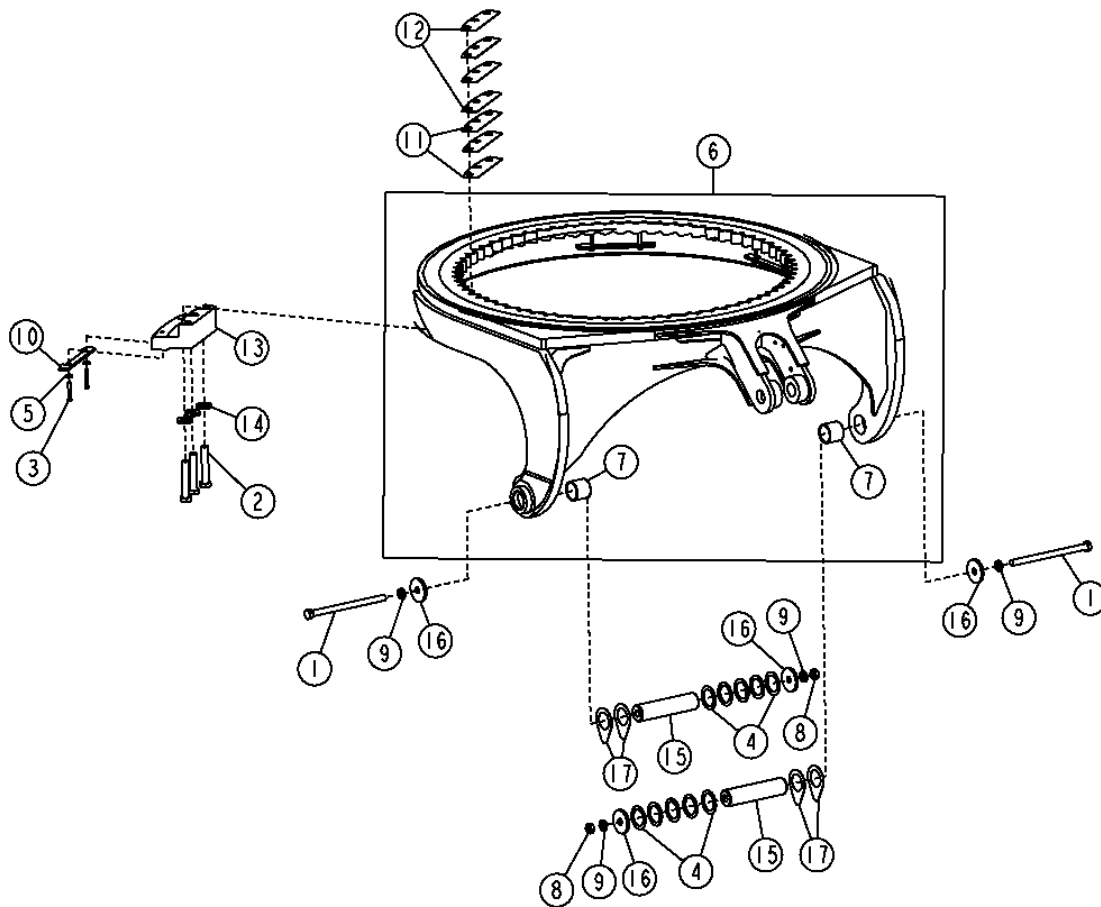
KEY	PART NO.	PART NAME	QTY.	SERIAL NO.	REMARKS
1	14M7665	NUT	4		M24
2	19M10207	CAP SCREW	4		M24 X 80
3	19M7662	CAP SCREW	12		M10 X 30
4	19M8249	CAP SCREW	6		M24 X 100
5	24M7239	WASHER	12		10.700 X 21 X 2.500 MM
6	24M7351	WASHER	6		25 X 44 X 4 MM
7	AT345344	FRAME	1		
8	T143929	BUSHING	4		
9	T221053	PLATE	4		
10	T235044	RETAINER	2		
11	T240964	SHIM	4		
12	T240965	SHIM	12		

3443-4

GRADING DEVICE 34
MOVABLE FRAME (CIRCLE) 3443

CIRCLE FRAME
CHASSIS DE PLATEAU
BASTIDOR DE CIRCULO

TX1048493 -UN-18SEP08



TX1048493

3443-5

GRADING DEVICE 34

MOVABLE FRAME (CIRCLE) 3443

CIRCLE FRAME CHASSIS DE PLATEAU BASTIDOR DE CIRCULO

KEY	PART NO.	PART NAME	QTY.	SERIAL NO.	REMARKS
1	08H4845	CAP SCREW	2		7/8" X 13-1/2"
2	19H2329	CAP SCREW	18		1" X 5-1/2"
3	19H2553	CAP SCREW	12		3/8" X 2-5/8"
4	24H1671	WASHER	10		2-33/64" X 3-1/2" X 0.075"
5	24M7213	WASHER	12		0.413" X 0.984" X 0.157"
6	AT343768	CIRCLE	1		
7	T143929	BUSHING	2		
8	K40017	LOCK NUT	2		
9	N237603	WASHER	4		
10	T128502	PLATE	6		
11	T129981	SHIM	18		(1.0MM)
12	T129982	SHIM	24		(1.6MM)
13	T150614	SUPPORT	6		
14	T152721	WASHER	18		
15	T203381	BUSHING	2		
16	T203388	BUSHING	4		
17	T208792	SHIM	4		

3443-6

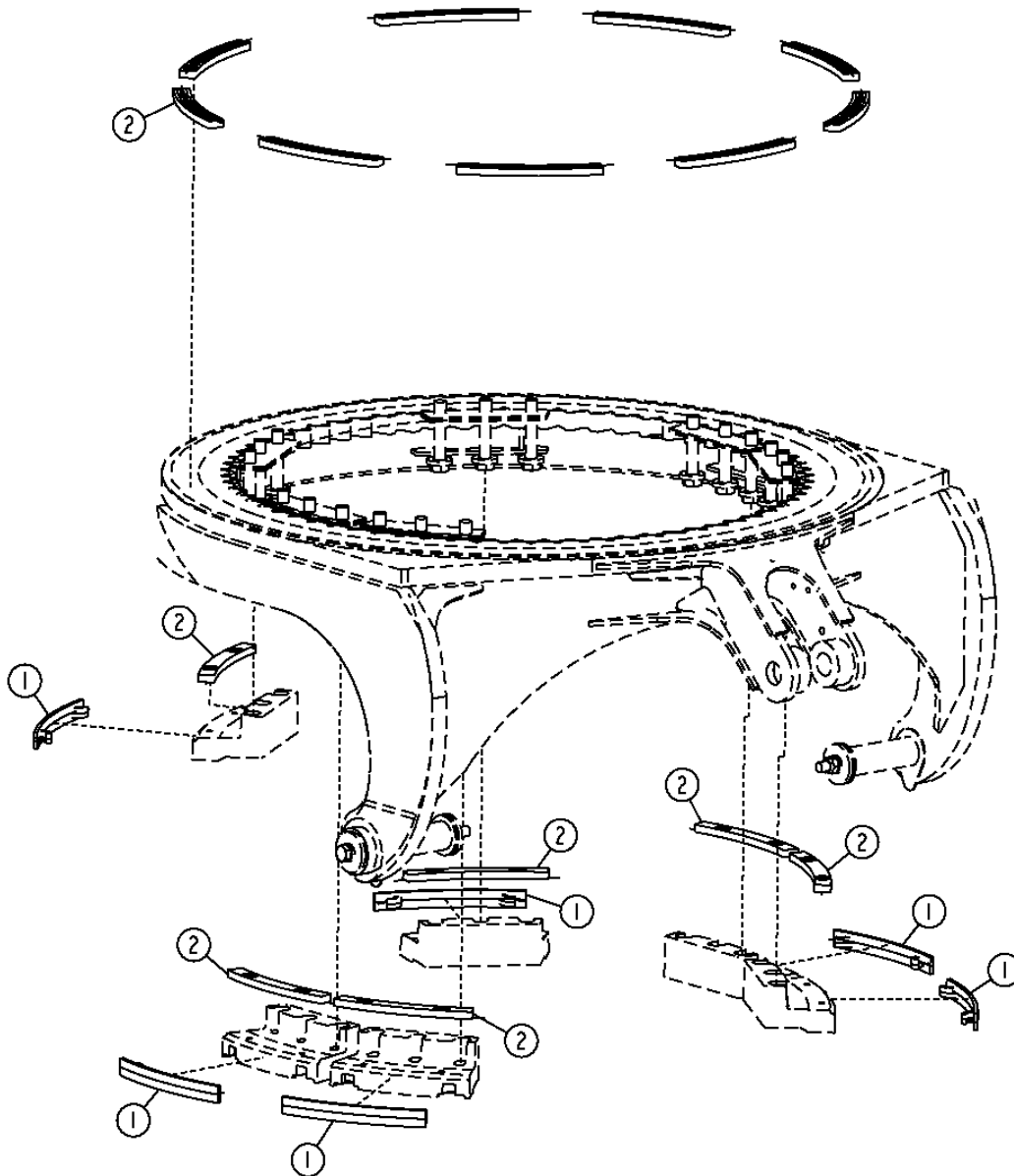
GRADING DEVICE 34

MOVABLE FRAME (CIRCLE) 3443

STANDARD CIRCLE INSERTS (WITHOUT SLIP CLUTCH)
ELEMENTS DE CERCLE STANDARD (SANS EMBRAYAGE DE SECURITE)
INSERTOS DE CIRCULO ESTANDAR (SIN EMBRAGUE DE SEGURIDAD)

TX1048504

-UN-24SEP08



TX1048504

THIS PARTS LISTING IS CONTINUED

3443-7

GRADING DEVICE 34

MOVABLE FRAME (CIRCLE) 3443

STANDARD CIRCLE INSERTS (WITHOUT SLIP CLUTCH)
ELEMENTS DE CERCLE STANDARD (SANS EMBRAYAGE DE SECURITE)
INSERTOS DE CIRCULO ESTANDAR (SIN EMBRAGUE DE SEGURIDAD)

KEY	PART NO.	PART NAME	QTY.	SERIAL NO.	REMARKS
1	T141732	INSERT	6		
2	T141733	INSERT	15		

3443-8

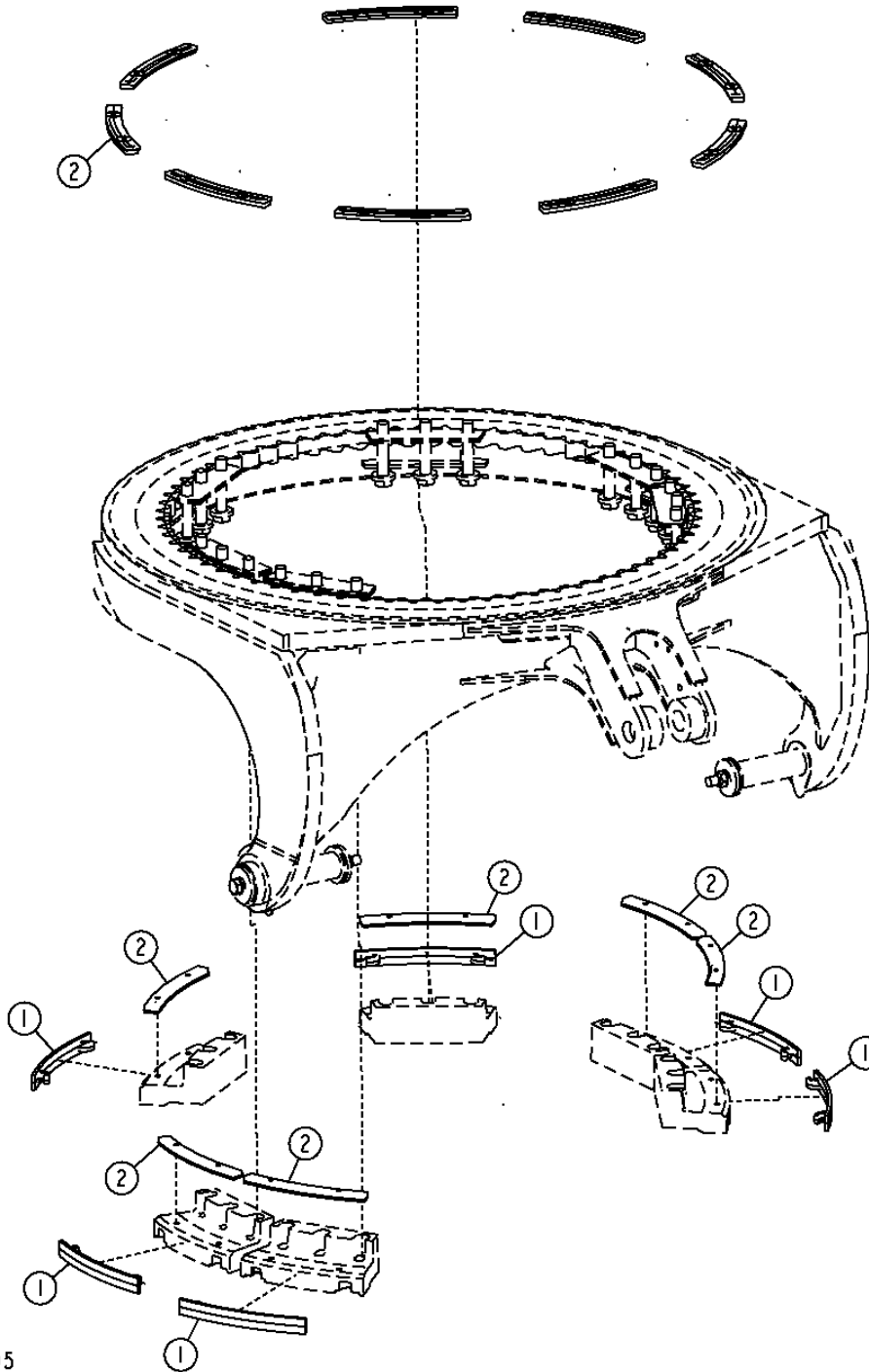
GRADING DEVICE 34

MOVABLE FRAME (CIRCLE) 3443

STANDARD CIRCLE INSERTS (WITH SLIP CLUTCH)
ELEMENTS DE CERCLE STANDARD (AVEC EMBRAYAGE DE SECURITE)
INSERTOS DE CIRCULO ESTANDAR (CON EMBRAGUE DE SEGURIDAD)

TX1048505

-UN-24SEP08



TX1048505

THIS PARTS LISTING IS CONTINUED

3443-9

GRADING DEVICE 34

MOVABLE FRAME (CIRCLE) 3443

STANDARD CIRCLE INSERTS (WITH SLIP CLUTCH)
ELEMENTS DE CERCLE STANDARD (AVEC EMBRAYAGE DE SECURITE)
INSERTOS DE CIRCULO ESTANDAR (CON EMBRAGUE DE SEGURIDAD)

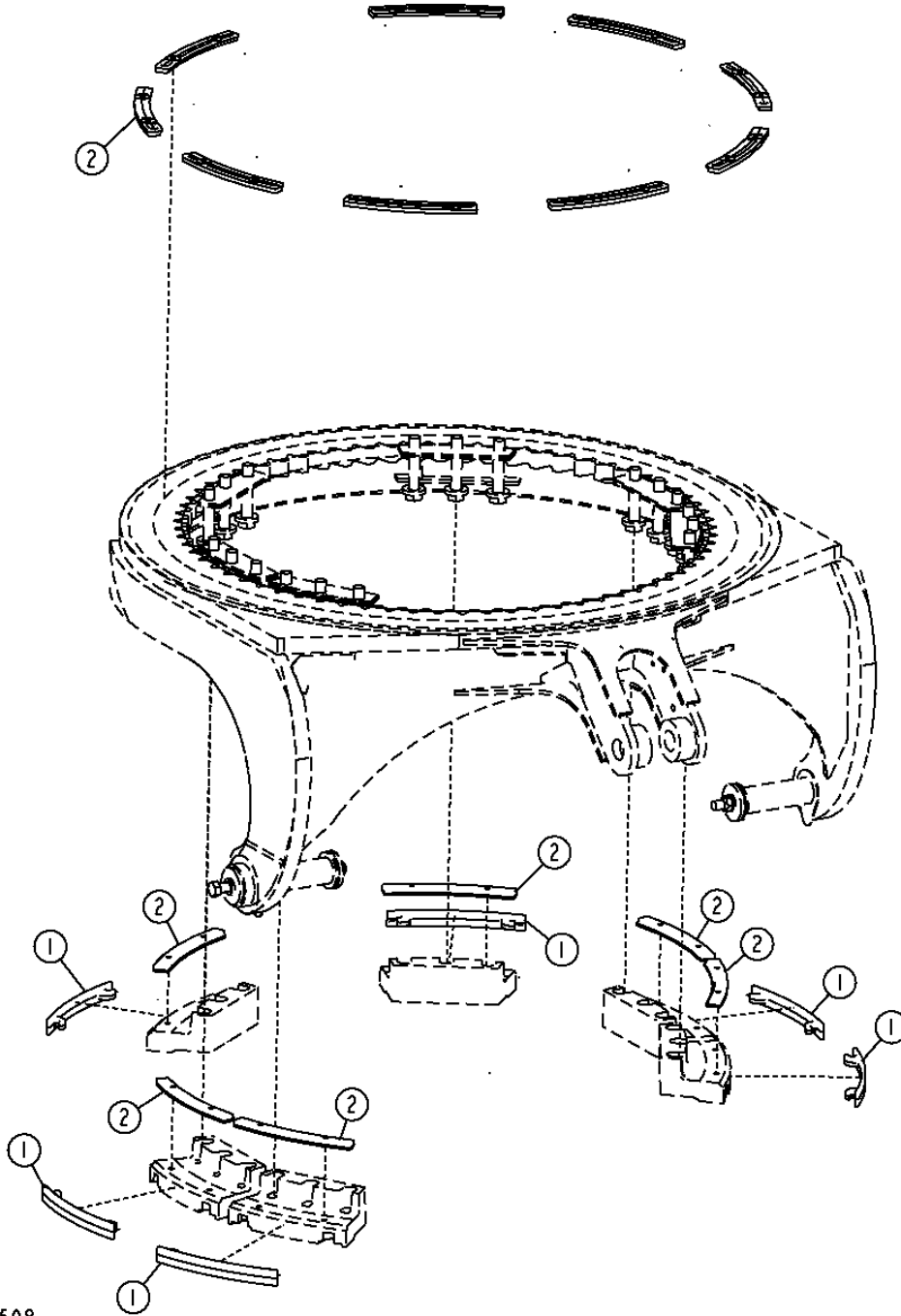
KEY	PART NO.	PART NAME	QTY.	SERIAL NO.	REMARKS
1	T141732	INSERT	6		
2	T184082	INSERT	15		

3443-10

GRADING DEVICE 34
MOVABLE FRAME (CIRCLE) 3443

EXTENDED LIFE CIRCLE INSERTS
ELEMENTS DE CERCLE LONGUE DUREE
INSERTOS DE CIRCULO DE DURACION EXTENDIDA

TX1048508 -UN-24SEP08



TX1048508

3443-11

GRADING DEVICE 34

MOVABLE FRAME (CIRCLE) 3443

**EXTENDED LIFE CIRCLE INSERTS
ELEMENTS DE CERCLE LONGUE DUREE
INSERTOS DE CIRCULO DE DURACION EXTENDIDA**

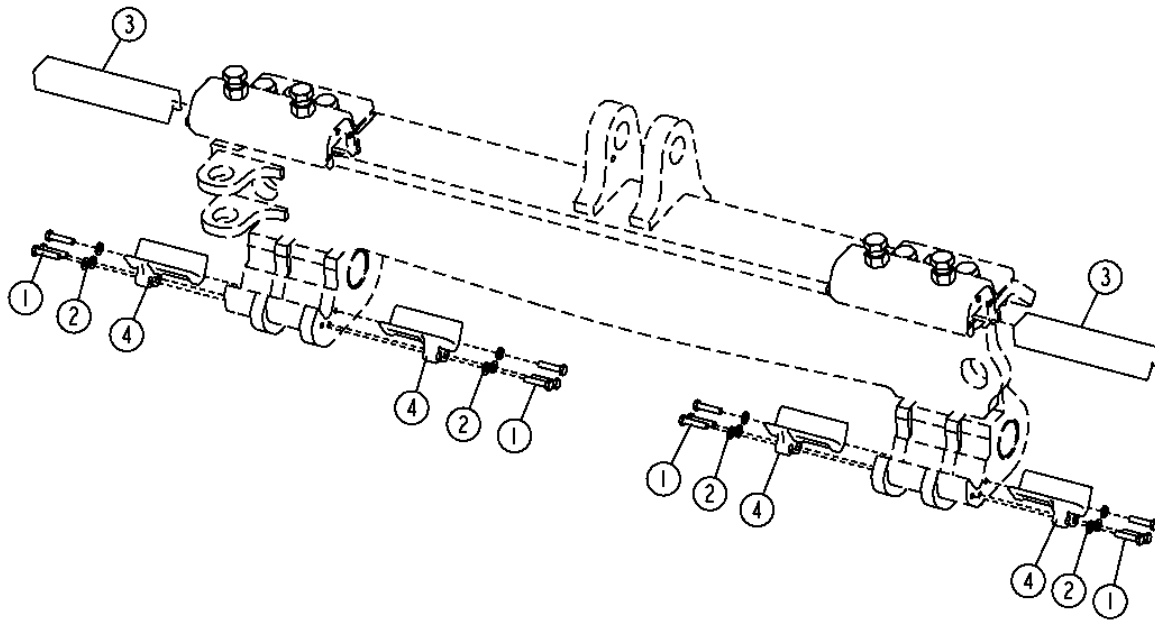
<i>KEY</i>	<i>PART NO.</i>	<i>PART NAME</i>	<i>QTY.</i>	<i>SERIAL NO.</i>	<i>REMARKS</i>
1	T163748	INSERT	6		
2	T184082	INSERT	15		

3443-12

GRADING DEVICE 34
MOVABLE FRAME (CIRCLE) 3443

STANDARD BLADE INSERTS
ELEMENTS DE LAME STANDARD
INSERTOS DE HOJA ESTANDAR

TX1048514 -UN-15SEP08



TX1048514

3443-13

GRADING DEVICE 34

MOVABLE FRAME (CIRCLE) 3443

**STANDARD BLADE INSERTS
ELEMENTS DE LAME STANDARD
INSERTOS DE HOJA ESTANDAR**

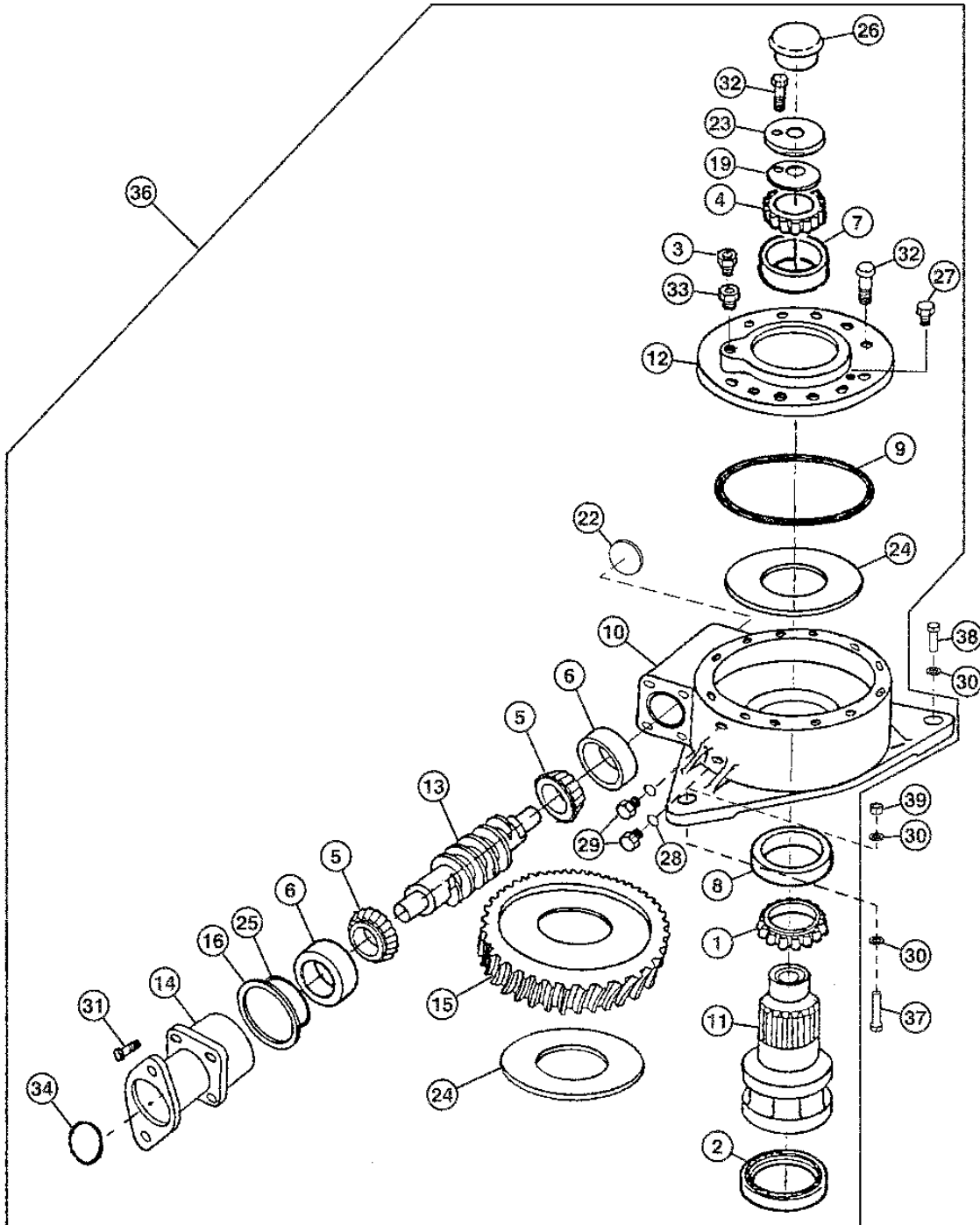
KEY	PART NO.	PART NAME	QTY.	SERIAL NO.	REMARKS
1	19M7572	CAP SCREW	12		M10 X 45
2	24M7239	WASHER	12		10.700 X 21 X 2.500 MM
3	T235166	INSERT	2		
4	T239757	INSERT	4		

3450-2

GRADING DEVICE 34
CIRCLE GEAR BOX 3450

CIRCLE DRIVE GEARBOX BOITE D'ENGRENAGES D'ENTRAINEMENT DE PLATEAU CAJA DE ENGRANAJES DE CIRCULO

TX1050388 -UN-24OCT08



TX1050388

THIS PARTS LISTING IS CONTINUED

3450-3

GRADING DEVICE 34
CIRCLE GEAR BOX 3450

CIRCLE DRIVE GEARBOX
BOITE D'ENGRENAGES D'ENTRAINEMENT DE PLATEAU
CAJA DE ENGRANAJES DE CIRCULO

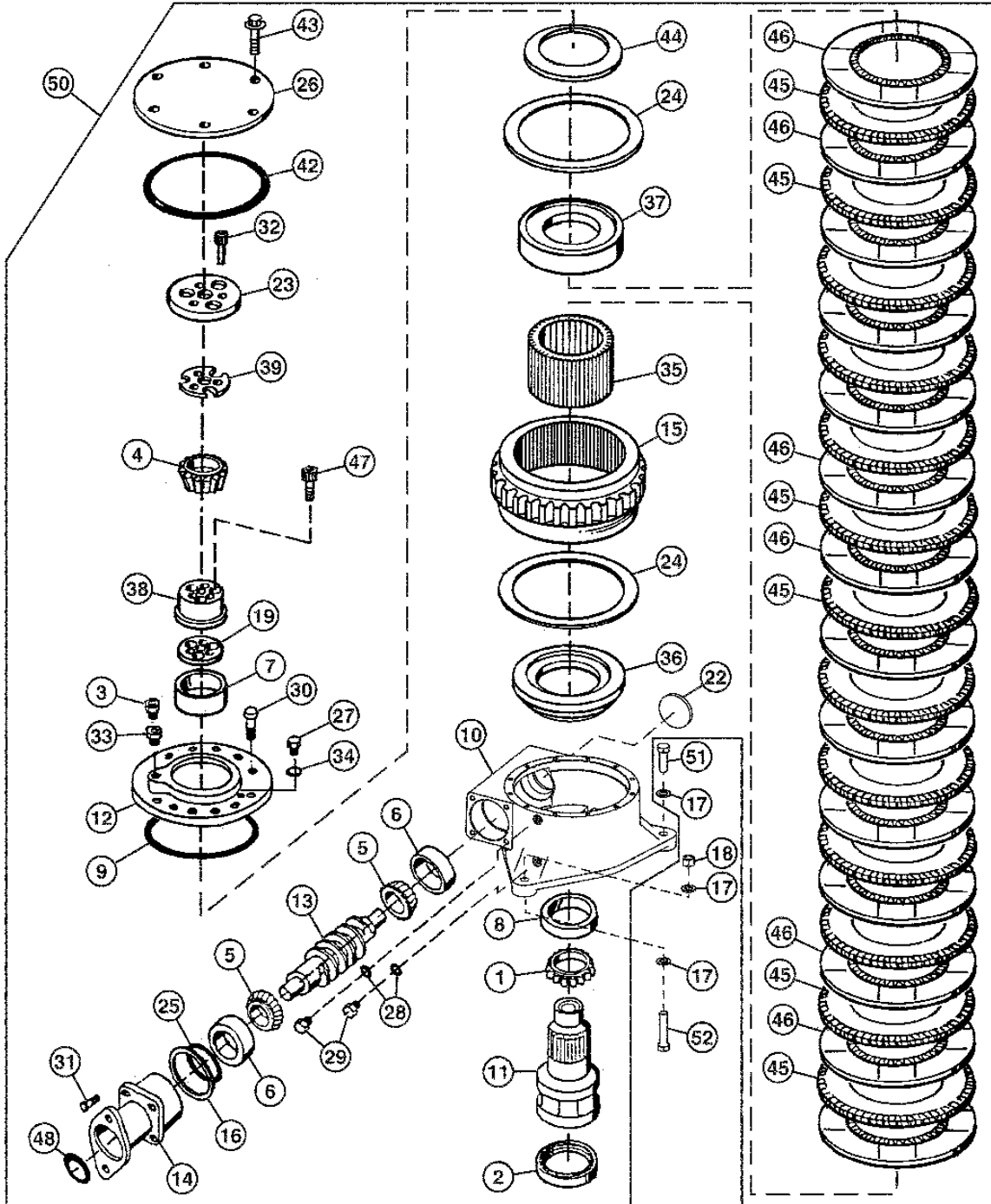
KEY	PART NO.	PART NAME	QTY.	SERIAL NO.	REMARKS
1	AT169451	BEARING CONE	1		
2	AT169452	SEAL	1		
3	E14814	PRESSURE RELIEF FITTING	1		
4	JD10024	BEARING CONE	1		
5	JD10144	BEARING CONE	2		
6	JD8240	BEARING CUP	2		
7	JD9021	BEARING CUP	1		
8	JD9134	BEARING CUP	1		
9	R37287	O-RING	1		
10	T151485	HOUSING	1		
11	T152876	PINION SHAFT	1		
12	T152877	COVER	1		
13	T167010	SHAFT	1		(USE WITH T167011)
14	T152879	FLANGE	1		
15	T167011	WORM GEAR	1		(USE WITH T167010)
16	T152881	SHIM	AR		(.1 MM)
	T152882	SHIM	AR		(.2 MM)
	T152883	SHIM	AR		(.5 MM)
19	T152990	SHIM	AR		(.1 MM)
	T152991	SHIM	AR		(.2 MM)
	T152992	SHIM	AR		(.5 MM)
22	T152993	PLUG	1		
23	T152994	SPACER	1		HS, SAE 8, 1/2" X 2"
24	T152995	THRUST WASHER	2		
25	T42302	O-RING	1		
26	Z40239	CAP	1		
27	R39112	FITTING	1		
28	R26448	O-RING	2		
29	R27218	FITTING PLUG	2		
30	T10510	WASHER	5		
31	19M7790	SCREW	4		M12 X 35
32	19M7835	SCREW	15		M10 X 35
33	CE17879	ADAPTER FITTING	1		
34	U42702	O-RING	1		
36	AT190539	GEAR CASE	1		
37	19H3026	CAP SCREW	2		3/4" X 3-1/2"
38	19H2991	CAP SCREW	1		3/4" X 2-1/4"
39	14H1046	NUT	2		3/4"

3450-4

GRADING DEVICE 34
CIRCLE GEAR BOX 3450

CIRCLE DRIVE GEARBOX (WITH SLIP CLUTCH)
BOITE D'ENGRENAGES D'ENTRAINEMENT DE PLATEAU (AVEC EMBRAYAGE DE SECURITE)
CAJA DE ENGRANAJES DE CIRCULO (CON EMBRAGUE DE SEGURIDAD)

TX1050389 -UN-12NOV08



TX1050389

3450-5

GRADING DEVICE 34

CIRCLE GEAR BOX 3450

CIRCLE DRIVE GEARBOX (WITH SLIP CLUTCH)
BOITE D'ENGRENAGES D'ENTRAINEMENT DE PLATEAU (AVEC EMBRAYAGE DE SECURITE)
CAJA DE ENGRANAJES DE CIRCULO (CON EMBRAGUE DE SEGURIDAD)

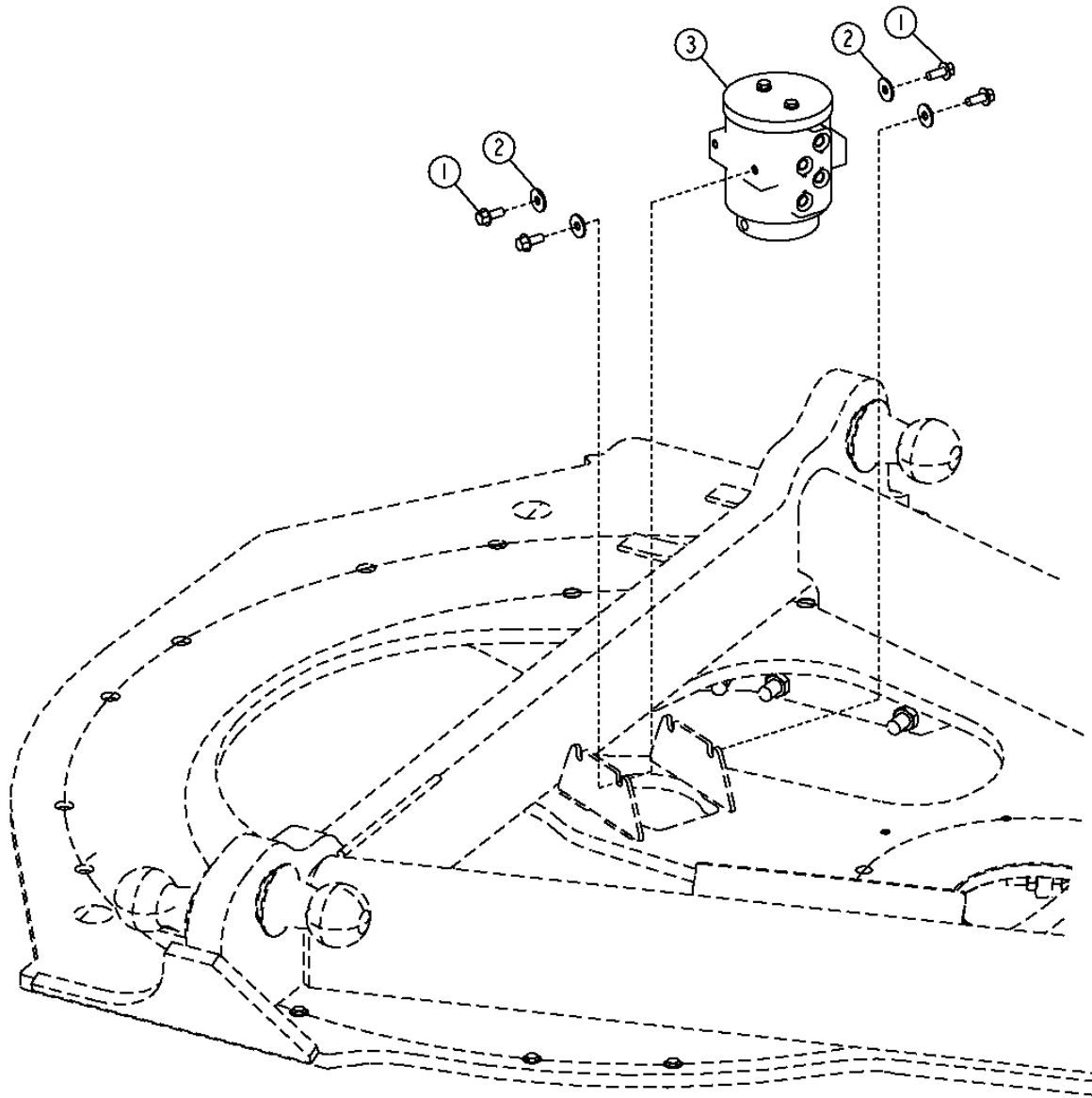
KEY	PART NO.	PART NAME	QTY.	SERIAL NO.	REMARKS
1	AT169451	BEARING CONE	1		
2	AT169452	SEAL	1		
3	E14814	PRESSURE RELIEF FITTING	1		
4	JD9082	BEARING CONE	1		
5	JD10144	BEARING CONE	2		
6	JD8240	BEARING CUP	2		
7	JD9141	BEARING CUP	1		
8	JD9134	BEARING CUP	1		
9	R37287	O-RING	1		
10	T165055	HOUSING	1		
11	T165061	PINION SHAFT	1		
12	T165056	COVER	1		
13	T167010	SHAFT	1		
14	T152879	FLANGE	1		
15	T184228	WORM GEAR	1		
16	T152881	SHIM	AR		0.1 MM
	T152882	SHIM	AR		0.15 MM
	T152883	SHIM	AR		0.5 MM
17	T10510	WASHER	5		25/32" X 1-3/8" X 0.120"
18	14H1058	NUT	2		3/4"
19	T165072	SHIM	AR		0.1 MM
	T165073	SHIM	AR		0.15 MM
	T165074	SHIM	AR		0.5 MM
22	T152993	PLUG	1		
23	T165062	SPACER	1		HS, SAE 8, 1/2" X 2"
24	T165063	THRUST WASHER	2		
25	T42302	O-RING	1		
26	T165077	COVER	1		
27	R39112	FITTING	1		
28	R26448	O-RING	2		
29	R27218	FITTING PLUG	2		
30	19M7835	SCREW	12		M10 X 35
31	19M7790	SCREW	4		M12 X 35
32	T165075	SCREW	3		
33	CE17879	ADAPTER FITTING	1		
34	R26375	O-RING	1		
35	T165064	HUB	1		
36	T165065	PLATE	1		
37	T165066	PLATE	1		
38	T165067	SLEEVE	1		
39	T165068	SHIM	AR		0.1 MM
	T165069	SHIM	AR		0.15 MM
	T165070	SHIM	AR		0.5 MM
42	T80123	O-RING	1		
43	19M7866	SCREW	6		M8 X 20
44	T165791	DISK SPRING	1		
45	T164986	PLATE	13		
46	AT184409	CLUTCH DISK	14		
47	T165071	SCREW	3		M14 X 50
48	U42702	O-RING	1		
50	AT184413	GEAR CASE	1		(CA)
51	19H2991	CAP SCREW	1		3/4" X 2-1/4"
52	19H3026	CAP SCREW	2		3/4" X 3-1/2"

3460-2

GRADING DEVICE 34
HYDRAULIC SYSTEM 3460

ROTARY MANIFOLD (STANDARD CONTROLS)
COLLECTEUR ROTATIF (COMMANDES STANDARD)
COLECTOR GIRATORIO (CONTROLES ESTANDAR)

TX1049756 -UN-09OCT08



TX1049756

3460-3

GRADING DEVICE 34
HYDRAULIC SYSTEM 3460

ROTARY MANIFOLD (STANDARD CONTROLS)
COLLECTEUR ROTATIF (COMMANDES STANDARD)
COLECTOR GIRATORIO (CONTROLES ESTANDAR)

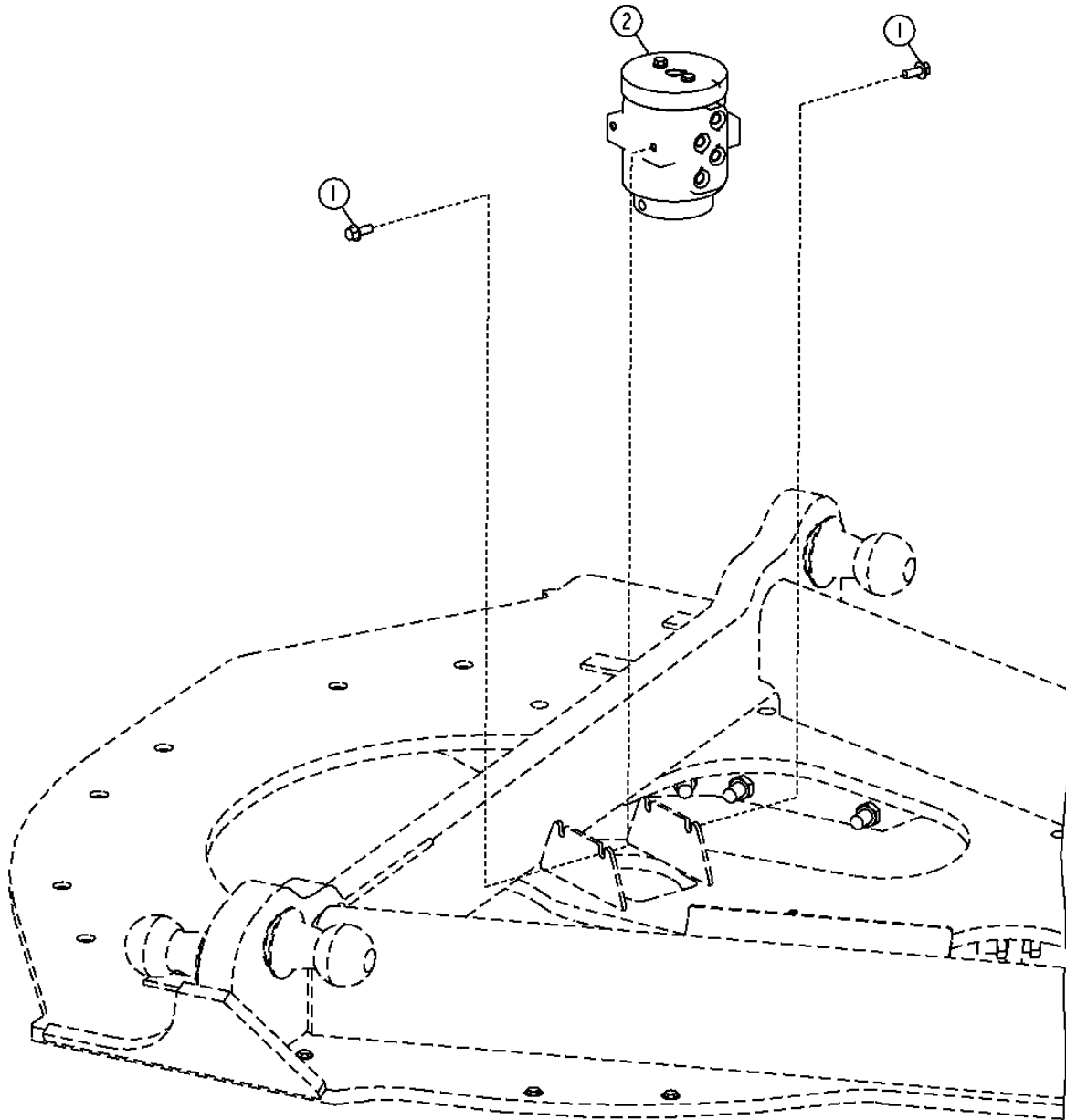
KEY	PART NO.	PART NAME	QTY.	SERIAL NO.	REMARKS
1	19M7785	SCREW	4		M10 X 25
2	24M7296	WASHER	4		10.500 X 30 X 2.500 MM
3	AT352557	MANIFOLD	1		
	12H301	LOCK WASHER	2		1/2", (COVER MOUNTING HARDWARE)
	19H2676	CAP SCREW	2		3/8" X 1", (COVER MOUNTING HARDWARE)

3460-4

GRADING DEVICE 34
HYDRAULIC SYSTEM 3460

ROTARY MANIFOLD (GRADE PRO)
COLLECTEUR ROTATIF (GRADE PRO)
COLECTOR GIRATORIO (GRADE PRO)

TX1050671 -UN-05NOV08



TX1050671

3460-5

GRADING DEVICE 34
HYDRAULIC SYSTEM 3460

ROTARY MANIFOLD (GRADE PRO)
COLLECTEUR ROTATIF (GRADE PRO)
COLECTOR GIRATORIO (GRADE PRO)

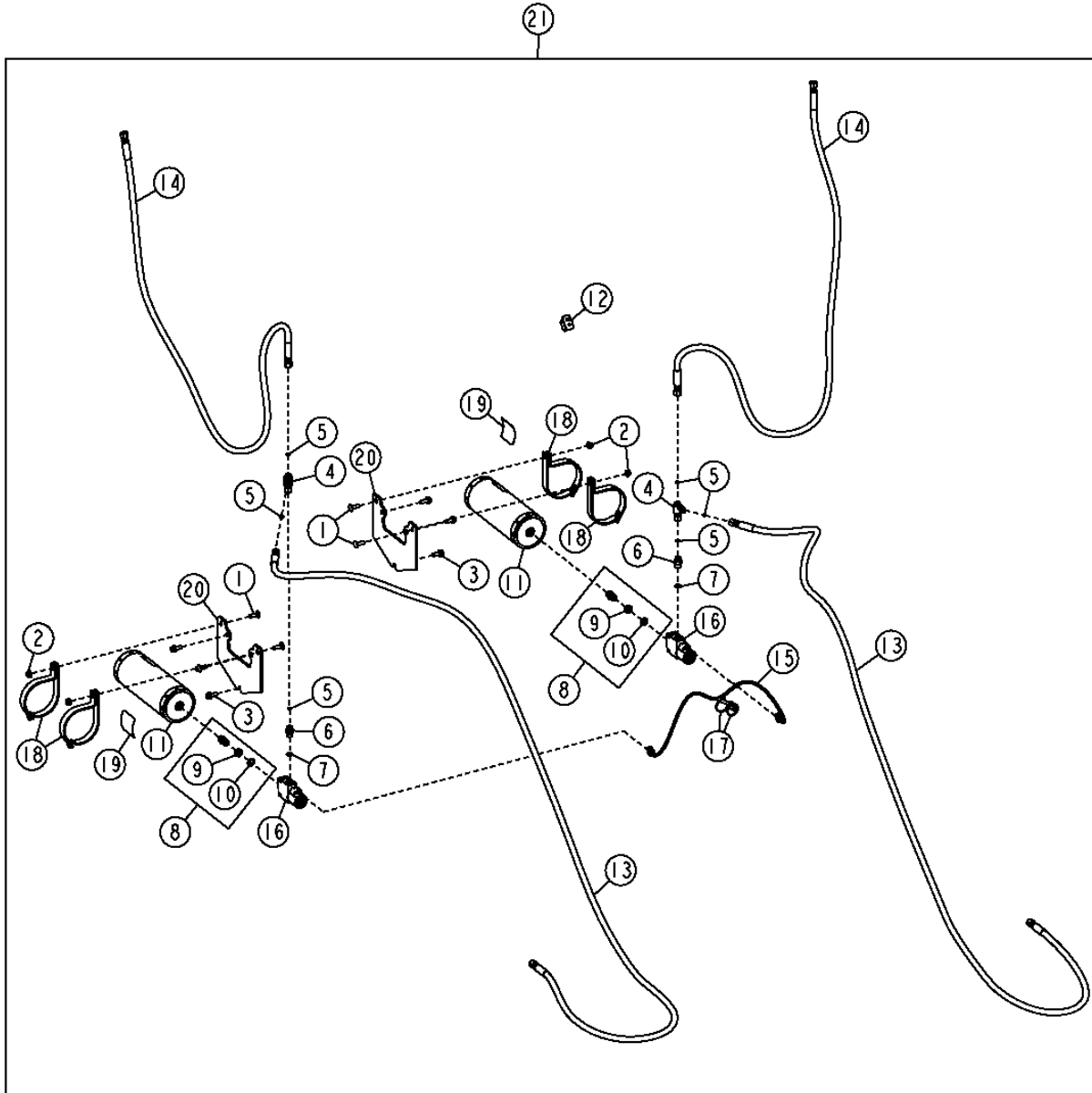
KEY	PART NO.	PART NAME	QTY.	SERIAL NO.	REMARKS
1	19M7785	SCREW	4		M10 X 25
2	AT348490	MANIFOLD	4		
	12H301	LOCK WASHER	2		1/2", (COVER MOUNTING HARDWARE)
	19H2676	CAP SCREW	2		3/8" X 1", (COVER MOUNTING HARDWARE)

3460-6

GRADING DEVICE 34
HYDRAULIC SYSTEM 3460

BLADE IMPACT SYSTEM (STANDARD CONTROLS) (FIELD KIT)
SYSTEME AMORTISSEUR POUR LAME (COMMANDES STANDARD) (KIT DE TERRAIN)
SISTEMA DE IMPACTO DE HOJA (CONTROLES ESTANDAR) (JUÉGO DE CAMPO)

TX1051802 -UN-01DEC08



TX1051802

3460-7

GRADING DEVICE 34

HYDRAULIC SYSTEM 3460

BLADE IMPACT SYSTEM (STANDARD CONTROLS) (FIELD KIT)
SYSTEME AMORTISSEUR POUR LAME (COMMANDES STANDARD) (KIT DE TERRAIN)
SISTEMA DE IMPACTO DE HOJA (CONTROLES ESTANDAR) (JUÉGO DE CAMPO)

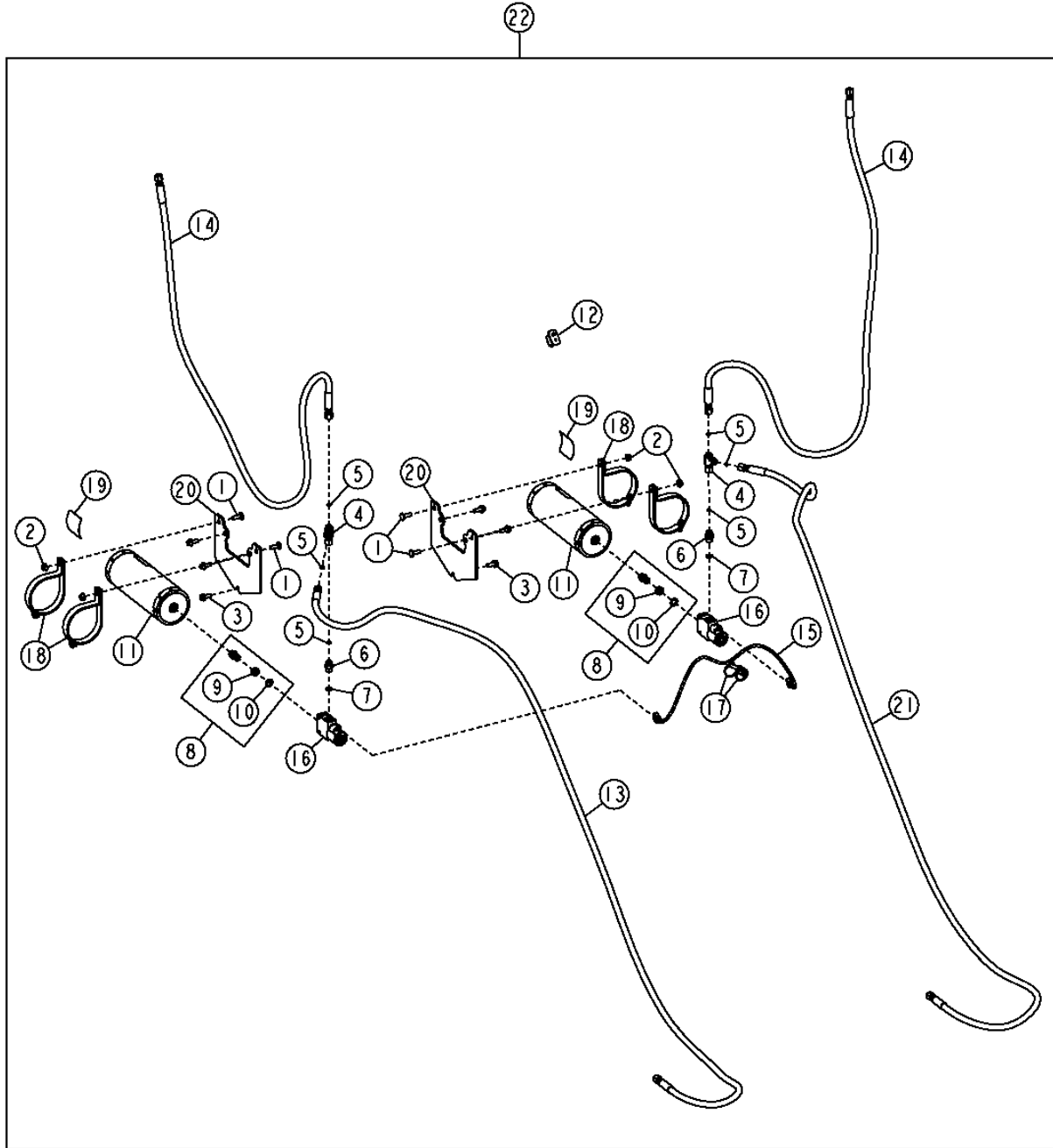
KEY	PART NO.	PART NAME	QTY.	SERIAL NO.	REMARKS
1	03M7192	BOLT	4		M10 X 30
2	14M7296	FLANGE NUT	4		M10
3	19M7785	SCREW	6		M10 X 25
4	38H1030	TEE FITTING	2		
5	T77613	O-RING	6		
6	38H1171	ADAPTER FITTING	2		
7	R26375	O-RING	2		
8	AN131153	UNION FITTING	2		
9	R27448	NUT	1		
10	R27449	WASHER	1		
11	AT196351	HYDRAULIC ACCUMULATOR	2		
	AT196760	KIT	1		(ACCUMULATOR GAS VALVE)
12	AT305054	TOGGLE/ROCKER SWITCH	1		
13	AT340935	HYDRAULIC HOSE - FABRICATE	2		
14	AT345194	HYDRAULIC HOSE - FABRICATE	2		
15	AT345800	WIRING HARNESS	1		
16	AT352402	SOLENOID VALVE	2		(ADDITIONAL COMPONENTS ON SEPARATE PAGES)
17	R44302	TIE BAND	2		
18	AT186653	CLAMP	4		
19	T225374	LABEL	2		(ENGLISH)
	T225375	LABEL	2		(FRENCH)
	T225376	LABEL	2		(SPANISH)
	T252395	LABEL	2		(RUSSIAN)
20	T234275	PLATE	2		
21	AT343639	FIELD INSTALLATION KIT	1		(WHOLE GOODS)

3460-8

GRADING DEVICE 34
HYDRAULIC SYSTEM 3460

BLADE IMPACT SYSTEM (GRADE PRO) (FIELD KIT)
SYSTEME AMORTISSEUR POUR LAME (GRADE PRO) (KIT DE TERRAIN)
SISTEMA DE IMPACTO DE HOJA (GRADE PRO) (JUEGO DE CAMPO)

TX1051807 -UN-01DEC08



TX1051807

3460-9

GRADING DEVICE 34
HYDRAULIC SYSTEM 3460

BLADE IMPACT SYSTEM (GRADE PRO) (FIELD KIT)
SYSTEME AMORTISSEUR POUR LAME (GRADE PRO) (KIT DE TERRAIN)
SISTEMA DE IMPACTO DE HOJA (GRADE PRO) (JUEGO DE CAMPO)

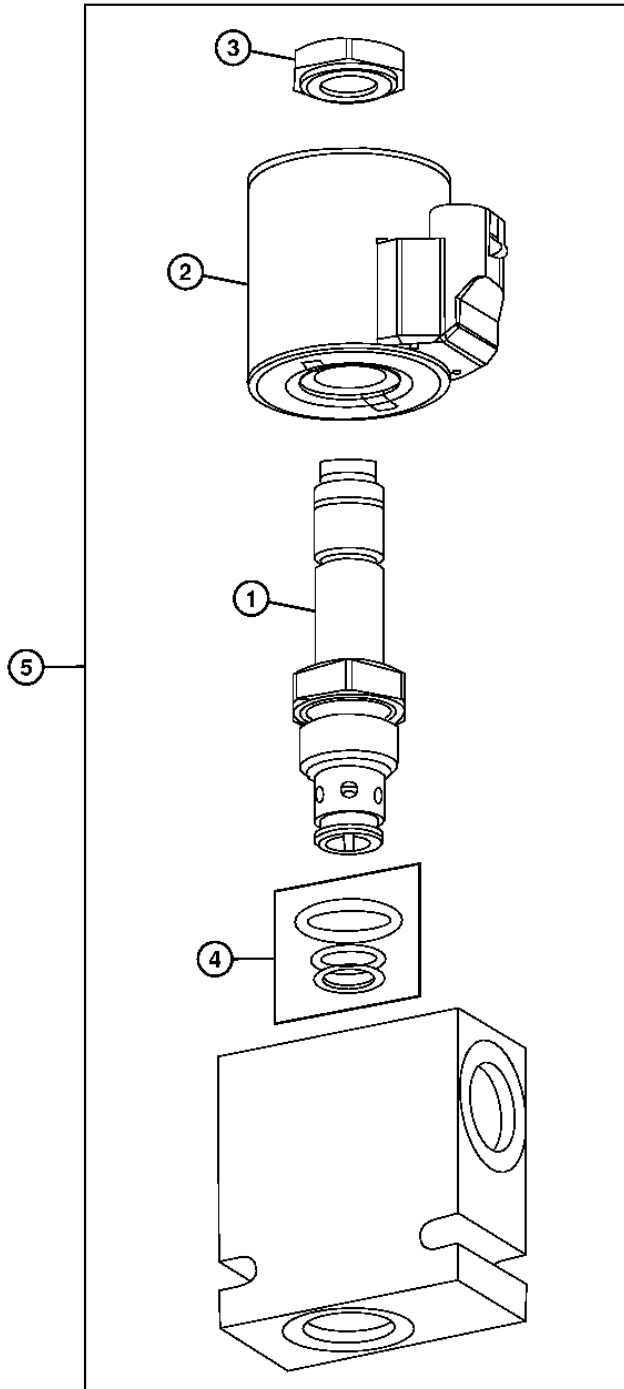
KEY	PART NO.	PART NAME	QTY.	SERIAL NO.	REMARKS
1	03M7192	BOLT	4		M10 X 30
2	14M7296	FLANGE NUT	4		M10
3	19M7785	SCREW	6		M10 X 25
4	38H1030	TEE FITTING	2		
5	T77613	O-RING	6		
6	38H1171	ADAPTER FITTING	2		
7	R26375	O-RING	2		
8	AN131153	UNION FITTING	2		
9	R27448	NUT	1		
10	R27449	WASHER	1		
11	AT196351	HYDRAULIC ACCUMULATOR	2		
	AT196760	KIT	1		(ACCUMULATOR GAS VALVE)
12	AT305054	TOGGLE/ROCKER SWITCH	1		
13	AT341243	HYDRAULIC HOSE - FABRICATE	1		
14	AT345194	HYDRAULIC HOSE - FABRICATE	2		
15	AT345800	WIRING HARNESS	1		
16	AT352402	SOLENOID VALVE	2		(ADDITIONAL COMPONENTS ON SEPARATE PAGES)
17	R44302	TIE BAND	2		
18	AT186653	CLAMP	4		
19	T225374	LABEL	2		(ENGLISH)
	T225375	LABEL	2		(FRENCH)
	T225376	LABEL	2		(SPANISH)
	T252395	LABEL	2		(RUSSIAN)
20	T234275	PLATE	2		
21	AT341245	HYDRAULIC HOSE - FABRICATE	1		
22	AT341060	FIELD INSTALLATION KIT	1		(WHOLE GOODS)

3460-10

GRADING DEVICE 34
HYDRAULIC SYSTEM 3460

BLADE IMPACT VALVE SOUPAPE D'AMORTISSEMENT DE LAME VALVULA DE IMPACTO DE HOJA

TX1058265 -UN-



TX1058265

6 1,3,4

3460-11

GRADING DEVICE 34
HYDRAULIC SYSTEM 3460

**BLADE IMPACT VALVE
SOUPAPE D'AMORTISSEMENT DE LAME
VALVULA DE IMPACTO DE HOJA**

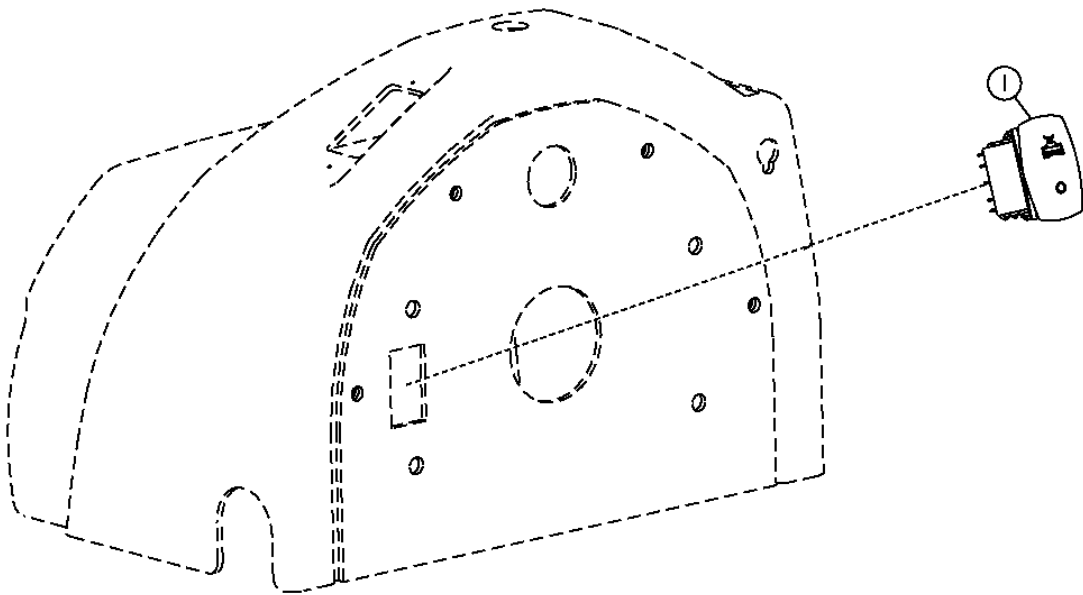
KEY	PART NO.	PART NAME	QTY.	SERIAL NO.	REMARKS
1	VALVE	1		(ORDER AT302919)
2	AT352404	SOLENOID VALVE COIL	1		
3	T181306	NUT	1		
4	AT224864	SEAL KIT	1		
5	AT352402	SOLENOID VALVE	1		
6	AT302919	SOLENOID VALVE	1		

3460-12

GRADING DEVICE 34
HYDRAULIC SYSTEM 3460

BLADE IMPACT SWITCH (STANDARD CONTROLS)
INTERRUPTEUR DAMORTISSEMENT DE LAME (COMMANDES STANDARD)
CONMUTADOR DE IMPACTO DE HOJA (CONTROLES ESTANDAR)

TX1050714 -UN-05NOV08



TX1050714

3460-13

GRADING DEVICE 34
HYDRAULIC SYSTEM 3460

BLADE IMPACT SWITCH (STANDARD CONTROLS)
INTERRUPTEUR DAMORTISSEMENT DE LAME (COMMANDES STANDARD)
CONMUTADOR DE IMPACTO DE HOJA (CONTROLES ESTANDAR)

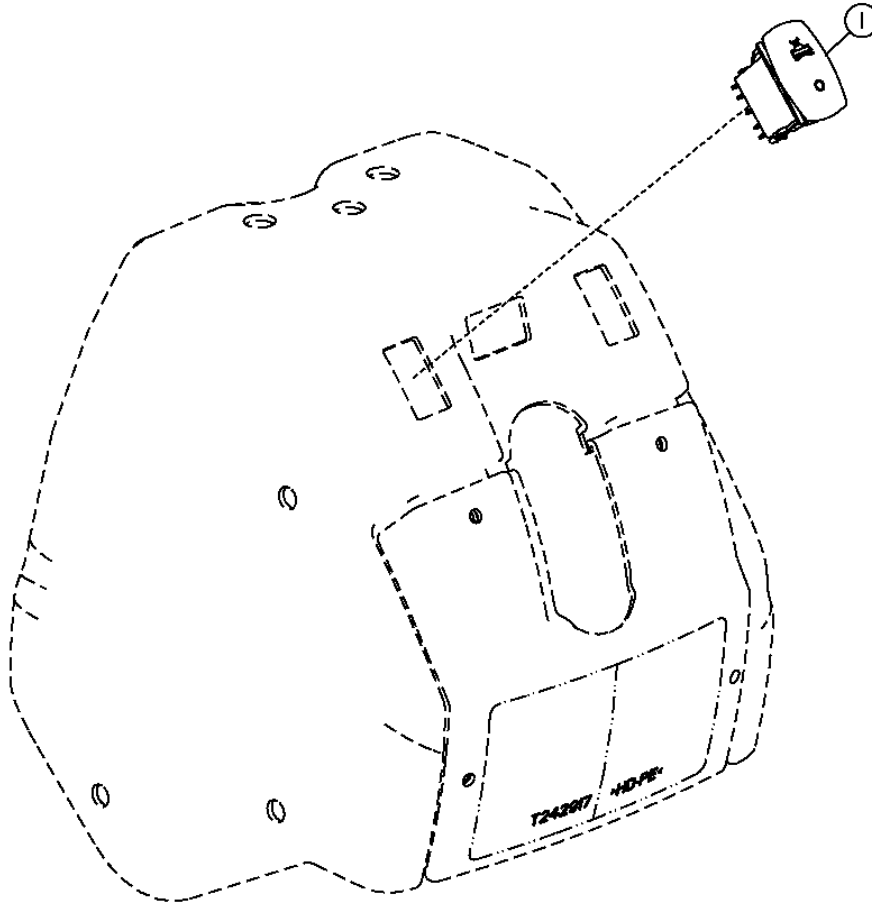
<i>KEY</i>	<i>PART NO.</i>	<i>PART NAME</i>	<i>QTY.</i>	<i>SERIAL NO.</i>	<i>REMARKS</i>
1	AT305054	TOGGLE/ROCKER SWITCH	1		

3460-14

GRADING DEVICE 34
HYDRAULIC SYSTEM 3460

BLADE IMPACT SWITCH (GRADE PRO)
INTERRUPTEUR D AMORTISSEMENT DE LAME (GRADE PRO)
CONMUTADOR DE IMPACTO DE HOJA (GRADE PRO)

TX1050715 -UN-05NOV08



TX1050715

3460-15

GRADING DEVICE 34
HYDRAULIC SYSTEM 3460

BLADE IMPACT SWITCH (GRADE PRO)
INTERRUPTEUR D AMORTISSEMENT DE LAME (GRADE PRO)
CONMUTADOR DE IMPACTO DE HOJA (GRADE PRO)

KEY	PART NO.	PART NAME	QTY.	SERIAL NO.	REMARKS
1	AT305054	TOGGLE/ROCKER SWITCH	1		

3463-2

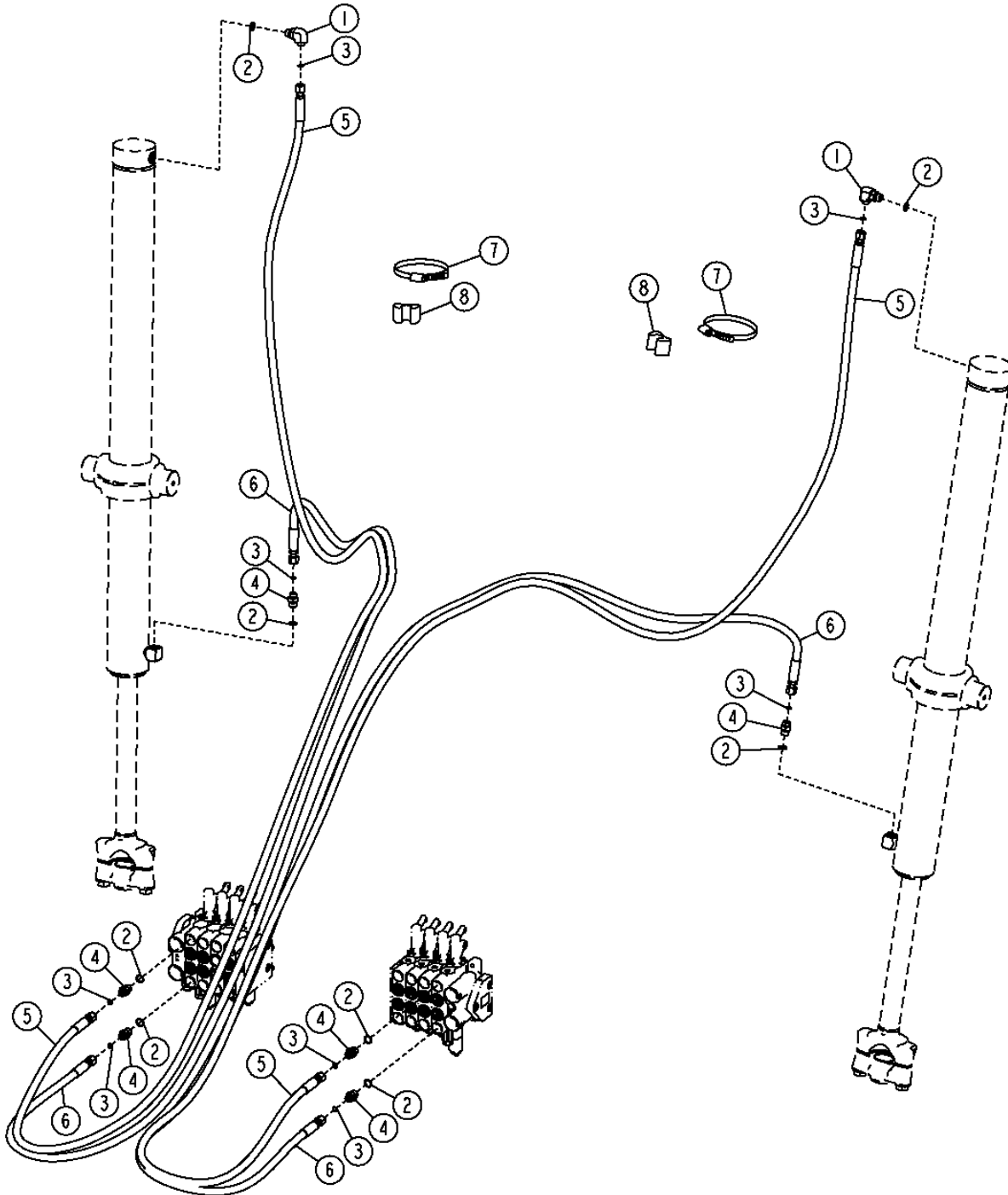
GRADING DEVICE 34

LINES, HOSES & FITTINGS 3463

BLADE LIFT CYLINDER HYDRAULIC HOSES (STANDARD CONTROLS)
FLEXIBLES HYDRAULIQUES DE VERIN DE RELEVAGE DE LAME (COMMANDES STANDARD)
MANGUERAS HIDRAULICAS DE CILINDRO ELEVADOR DE HOJA (CONTROLES ESTANDAR)

TX1050053

-UN-21OCT08



TX1050053

3463-3

GRADING DEVICE 34

LINES, HOSES & FITTINGS 3463

BLADE LIFT CYLINDER HYDRAULIC HOSES (STANDARD CONTROLS)
FLEXIBLES HYDRAULIQUES DE VERIN DE RELEVAGE DE LAME (COMMANDES STANDARD)
MANGUERAS HIDRAULICAS DE CILINDRO ELEVADOR DE HOJA (CONTROLES ESTANDAR)

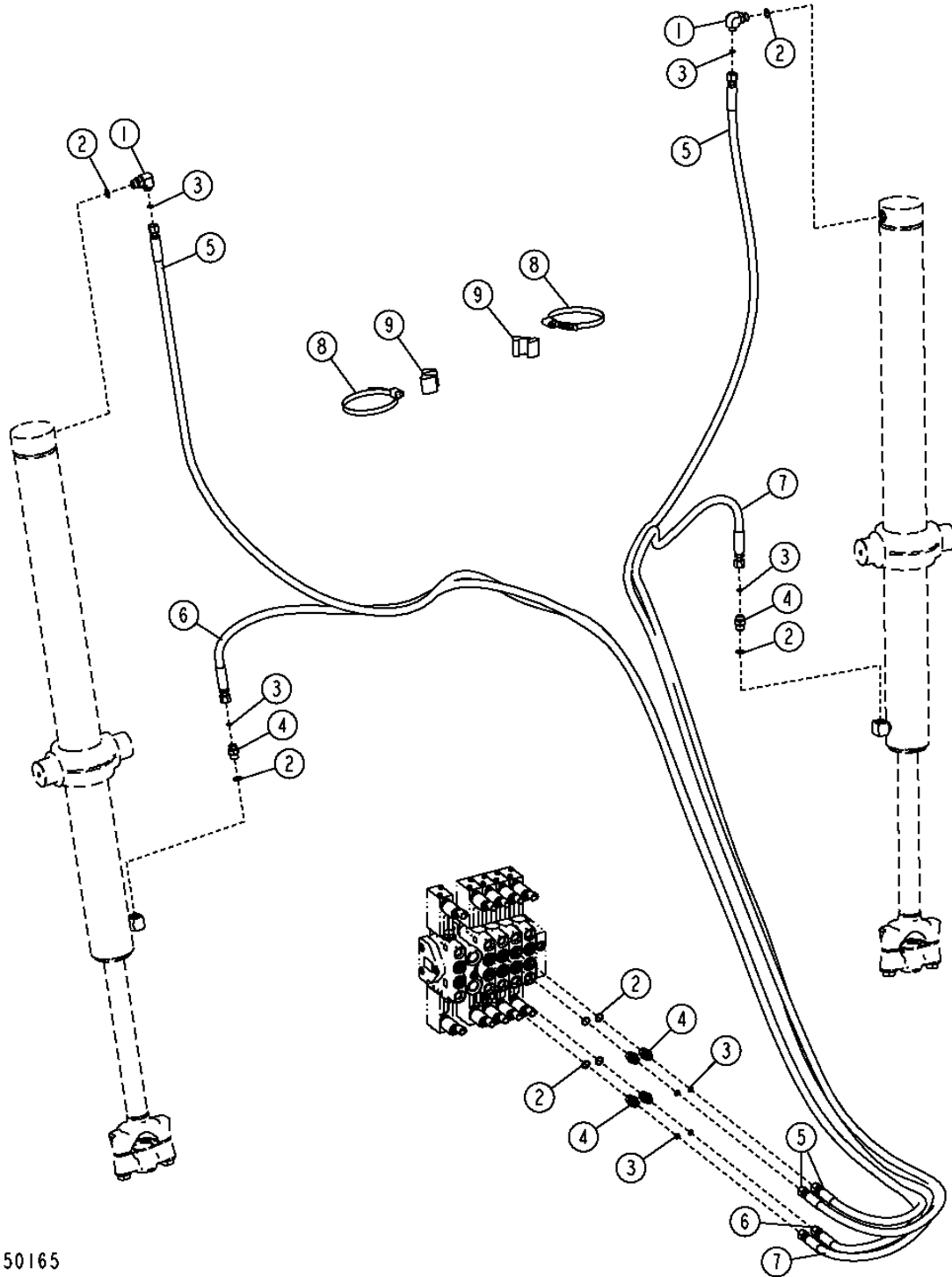
KEY	PART NO.	PART NAME	QTY.	SERIAL NO.	REMARKS
1	38H1010	ELBOW FITTING	2		
2	R26375	O-RING	8		
3	T77613	O-RING	8		
4	38H1171	ADAPTER FITTING	6		
5	AT340923	HYDRAULIC HOSE - FABRICATE	2		
6	AT340924	HYDRAULIC HOSE - FABRICATE	2		
7	C16054	CLAMP	2		
8	T105773	GUIDE	2		

3463-4

BLADE LIFT CYLINDER HYDRAULIC HOSES (GRADE PRO)
FLEXIBLES HYDRAULIQUES DE VERIN DE RELEVAGE DE LAME (GRADE PRO)
MANGUERAS HIDRAULICAS DE CILINDRO ELEVADOR DE HOJA (GRADE PRO)

TX1050165

-UN-23OCT08



TX1050165

3463-5

GRADING DEVICE 34

LINES, HOSES & FITTINGS 3463

BLADE LIFT CYLINDER HYDRAULIC HOSES (GRADE PRO)
FLEXIBLES HYDRAULIQUES DE VERIN DE RELEVAGE DE LAME (GRADE PRO)
MANGUERAS HIDRAULICAS DE CILINDRO ELEVADOR DE HOJA (GRADE PRO)

KEY	PART NO.	PART NAME	QTY.	SERIAL NO.	REMARKS
1	38H1010	ELBOW FITTING	2		
2	R26375	O-RING	8		
3	T77613	O-RING	8		
4	38H1171	ADAPTER FITTING	6		
5	AT340923	HYDRAULIC HOSE - FABRICATE	2		
6	AT341244	HYDRAULIC HOSE - FABRICATE	1		
7	AT341246	HYDRAULIC HOSE - FABRICATE	1		
8	C16054	CLAMP	2		
9	T105773	GUIDE	2		

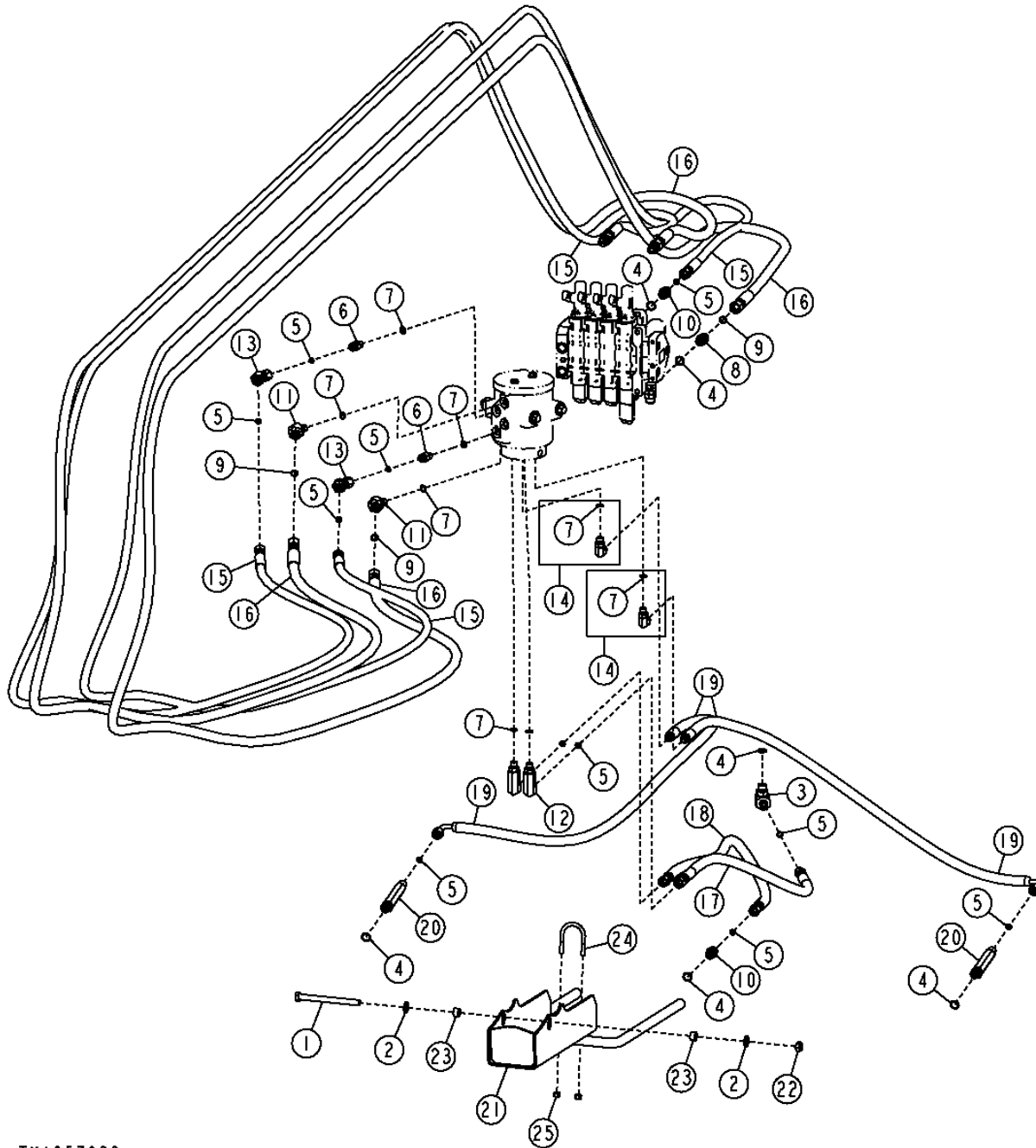
3463-6

GRADING DEVICE 34

LINES, HOSES & FITTINGS 3463

BLADE TILT AND SIDE SHIFT HYDRAULIC HOSES (STANDARD CONTROLS)
FLEXIBLES HYDRAULIQUES D'INCLINAISON ET DE DEPLACEMENT LATERAL DE LAME (COMMANDES STANDARD)
MANGUERAS HIDRAULICAS DE DESPLAZAMIENTO LATERAL E INCLINACION DE HOJA (CONTROLES ESTANDAR)

TX1057033 -UN-17MAR09



TX1057033

3463-7

GRADING DEVICE 34

LINES, HOSES & FITTINGS 3463

BLADE TILT AND SIDE SHIFT HYDRAULIC HOSES (STANDARD CONTROLS)
FLEXIBLES HYDRAULIQUES D'INCLINAISON ET DE DEPLACEMENT LATERAL DE LAME (COMMANDES STANDARD)
MANGUERAS HIDRAULICAS DE DESPLAZAMIENTO LATERAL E INCLINACION DE HOJA (CONTROLES ESTANDAR)

KEY	PART NO.	PART NAME	QTY.	SERIAL NO.	REMARKS
1	19H3136	CAP SCREW	1		1/2" X 5-3/4"
2	24M7240	WASHER	2		13 X 25 X 3 MM
3	38H1010	ELBOW FITTING	1		
4	R26375	O-RING	4		
5	T77613	O-RING	6		
6	38H1160	ADAPTER FITTING	1		
7	R26448	O-RING	4		
8	38H1161	ADAPTER FITTING	1		
9	T77857	O-RING	2		
10	38H1171	ADAPTER FITTING	1		
11	38H1521	ELBOW FITTING	1		
12	38H1568	ELBOW FITTING	1		
13	38H1621	ADAPTER FITTING	1		
14	62H1011	ADAPTER FITTING	2		
15	AT340926	HYDRAULIC HOSE - FABRICATE	2		
16	AT340927	HYDRAULIC HOSE - FABRICATE	2		
17	AT346316	HYDRAULIC HOSE - FABRICATE	1		
18	AT346318	HYDRAULIC HOSE - FABRICATE	1		
19	AT351608	HYDRAULIC HOSE - FABRICATE	2		
20	T82612	ADAPTER FITTING	1		
21	AT367620	GUARD	1		
22	K40014	LOCK NUT	1		1/2"
23	M40509	SPACER	2		0.510" X 3/4" X 0.440"
24	T151806	U-BOLT	1		
25	T16464	LOCK NUT	2		5/16"

3463-8

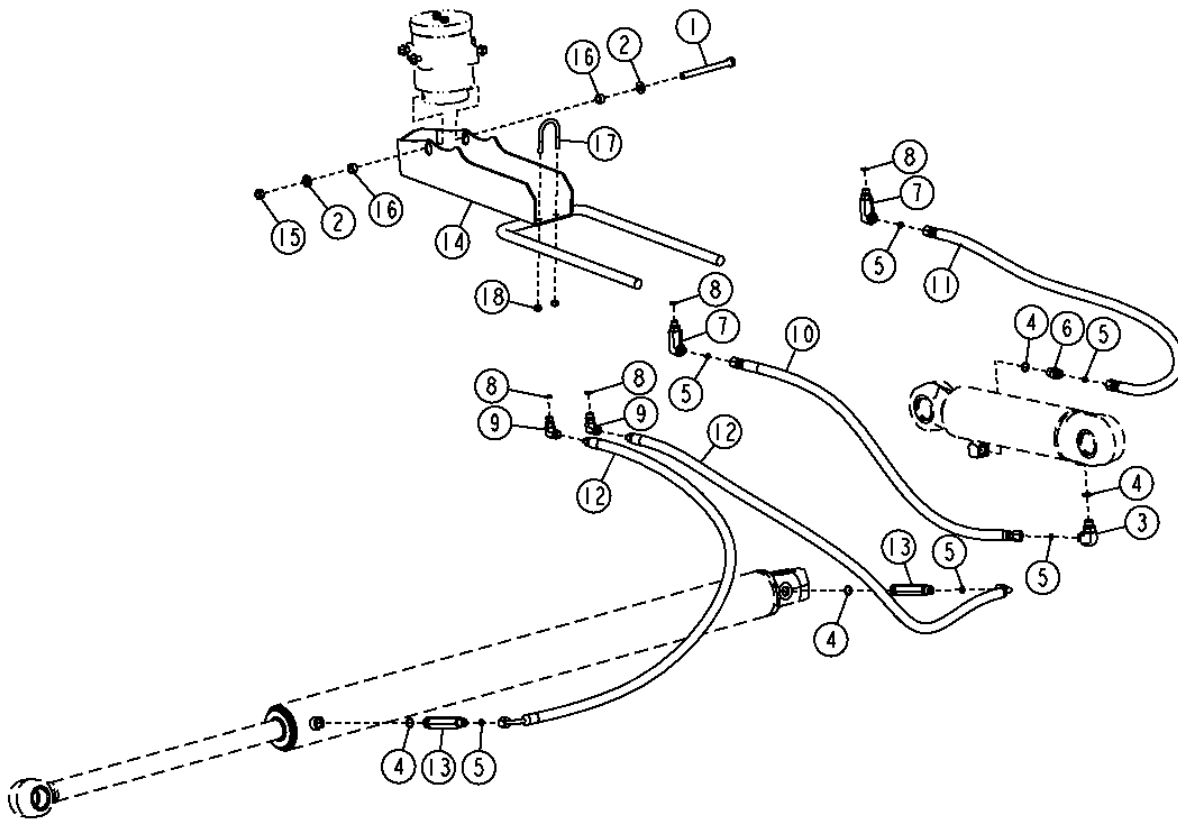
GRADING DEVICE 34

LINES, HOSES & FITTINGS 3463

BLADE TILT AND SIDE SHIFT HYDRAULIC HOSES (GRADE PRO)
FLEXIBLES HYDRAULIQUES D'INCLINAISON ET DE DEPLACEMENT LATERAL DE LAME (GRADE PRO)
MANGUERAS HIDRAULICAS DE DESPLAZAMIENTO LATERAL E INCLINACION DE HOJA (GRADE PRO)

TX1053420

-UN-23DEC08



TX1053420

3463-9

GRADING DEVICE 34

LINES, HOSES & FITTINGS 3463

BLADE TILT AND SIDE SHIFT HYDRAULIC HOSES (GRADE PRO)
FLEXIBLES HYDRAULIQUES D'INCLINAISON ET DE DEPLACEMENT LATERAL DE LAME (GRADE PRO)
MANGUERAS HIDRAULICAS DE DESPLAZAMIENTO LATERAL E INCLINACION DE HOJA (GRADE PRO)

KEY	PART NO.	PART NAME	QTY.	SERIAL NO.	REMARKS
1	19H3136	CAP SCREW	1		1/2" X 5-3/4"
2	24M7240	WASHER	2		13 X 25 X 3 MM
3	38H1010	ELBOW FITTING	1		
4	R26375	O-RING	4		
5	T77613	O-RING	6		
6	38H1171	ADAPTER FITTING	1		
7	38H1568	ELBOW FITTING	2		
8	R26448	O-RING	4		
9	62H1011	ADAPTER FITTING	2		
10	AT346316	HYDRAULIC HOSE - FABRICATE	1		
11	AT346318	HYDRAULIC HOSE - FABRICATE	1		
12	AT351608	HYDRAULIC HOSE - FABRICATE	2		
13	T82612	ADAPTER FITTING	2		
14	AT367620	GUARD	1		
15	K40014	LOCK NUT	1		1/2"
16	M40509	SPACER	2		
17	T151806	U-BOLT	1		
18	T16464	LOCK NUT	2		

3463-10

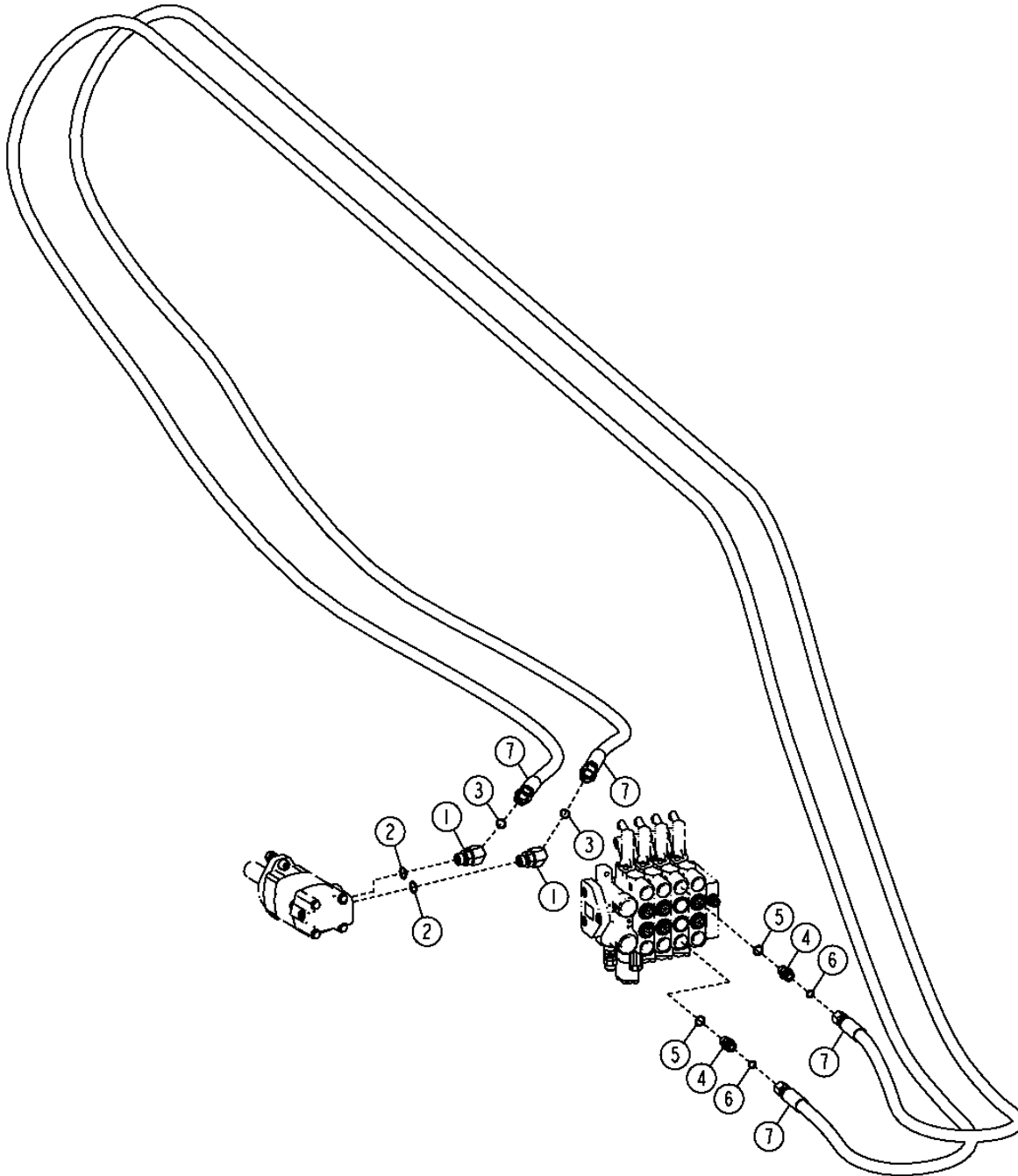
GRADING DEVICE 34

LINES, HOSES & FITTINGS 3463

CIRCLE ROTATE MOTOR HOSES (STANDARD CONTROLS)
FLEXIBLES DE MOTEUR DE ROTATION DE PLATEAU (COMMANDES STANDARD)
MANGUERAS DE MOTOR DE GIRO DE CIRCULO (CONTROLES ESTANDAR)

TX1049794

-UN-13OCT08



TX1049794

3463-11

GRADING DEVICE 34

LINES, HOSES & FITTINGS 3463

CIRCLE ROTATE MOTOR HOSES (STANDARD CONTROLS)
FLEXIBLES DE MOTEUR DE ROTATION DE PLATEAU (COMMANDES STANDARD)
MANGUERAS DE MOTOR DE GIRO DE CIRCULO (CONTROLES ESTANDAR)

KEY	PART NO.	PART NAME	QTY.	SERIAL NO.	REMARKS
1	38H1047	ELBOW FITTING	2		
2	R26906	O-RING	2		
3	T77932	O-RING	2		
4	38H1161	ADAPTER FITTING	2		
5	R26375	O-RING	2		
6	T77857	O-RING	2		
7	AT340929	HYDRAULIC HOSE - FABRICATE	2		

3463-12

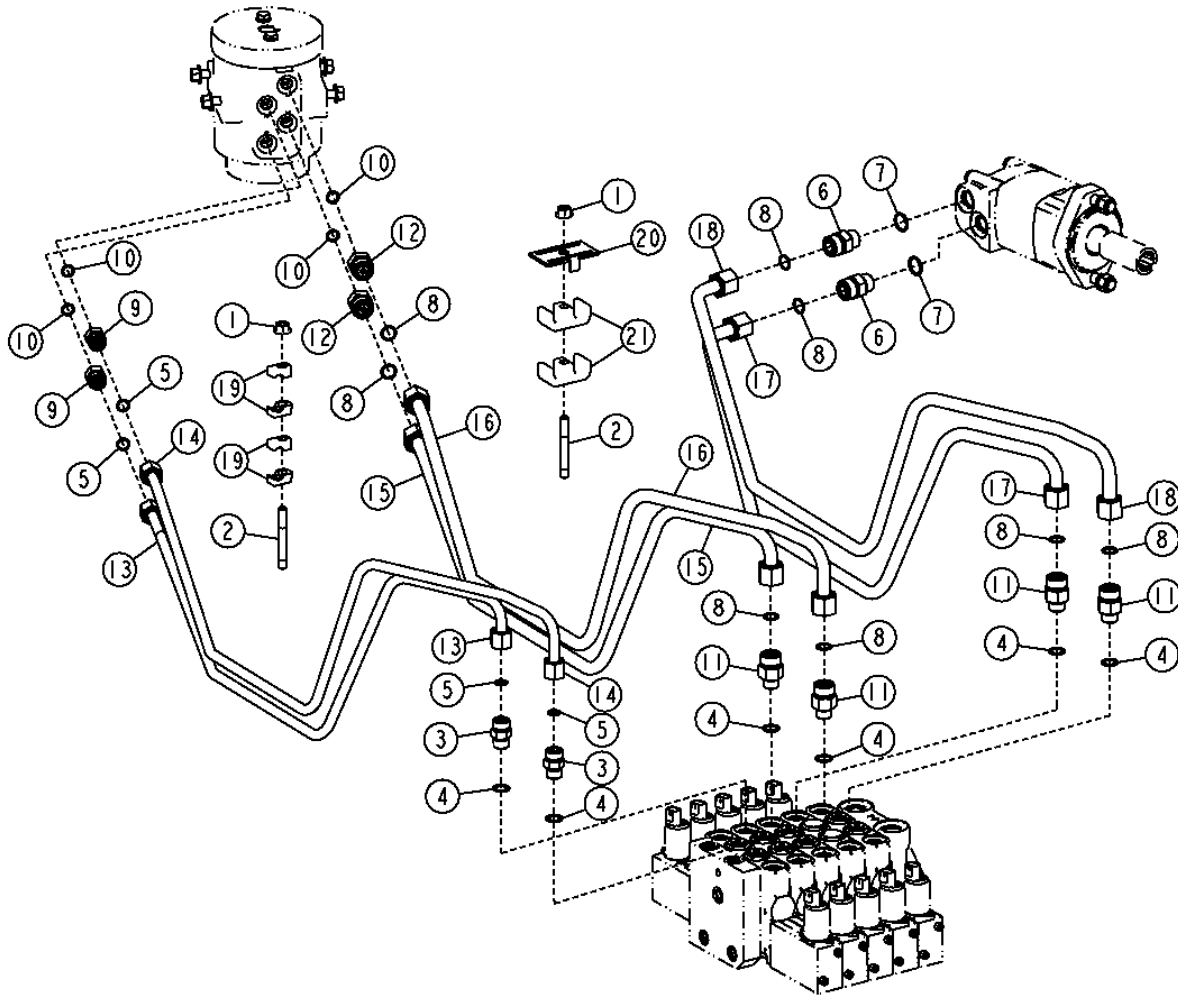
GRADING DEVICE 34

LINES, HOSES & FITTINGS 3463

CIRCLE ROTATE MOTOR AND ROTARY MANIFOLD HOSES (GRADE PRO)
FLEXIBLES DE MOTEUR DE ROTATION DE PLATEAU ET COLLECTEUR ROTATIF (GRADE PRO)
MANGUERAS DE MOTOR DE GIRO DE CIRCULO Y COLECTOR GIRATORIO (GRADE PRO)

TX1053429

-UN-23DEC08



TX1053429

3463-13

GRADING DEVICE 34

LINES, HOSES & FITTINGS 3463

CIRCLE ROTATE MOTOR AND ROTARY MANIFOLD HOSES (GRADE PRO)
FLEXIBLES DE MOTEUR DE ROTATION DE PLATEAU ET COLLECTEUR ROTATIF (GRADE PRO)
MANGUERAS DE MOTOR DE GIRO DE CIRCULO Y COLECTOR GIRATORIO (GRADE PRO)

KEY	PART NO.	PART NAME	QTY.	SERIAL NO.	REMARKS
1	14M7296	FLANGE NUT	2		M10
2	42M7129	STUD	2		
3	38H1161	ADAPTER FITTING	2		
4	R26375	O-RING	6		
5	T77857	O-RING	4		
6	38H1162	ADAPTER FITTING	2		
7	R26906	O-RING	2		
8	T77932	O-RING	8		
9	38H1173	ADAPTER FITTING	2		
10	R26448	O-RING	6		
11	38H1317	FITTING	4		
12	38H1512	FITTING	2		
13	AT341837	OIL TUBE	1		
14	AT341838	OIL TUBE	1		
15	AT341839	OIL TUBE	1		
16	AT341840	OIL TUBE	1		
17	AT341841	OIL TUBE	1		
18	AT341842	LINE	1		
19	T105253	CLAMP	4		
20	T159956	CLAMP	1		
21	W34896	CLAMP	2		

3463-14

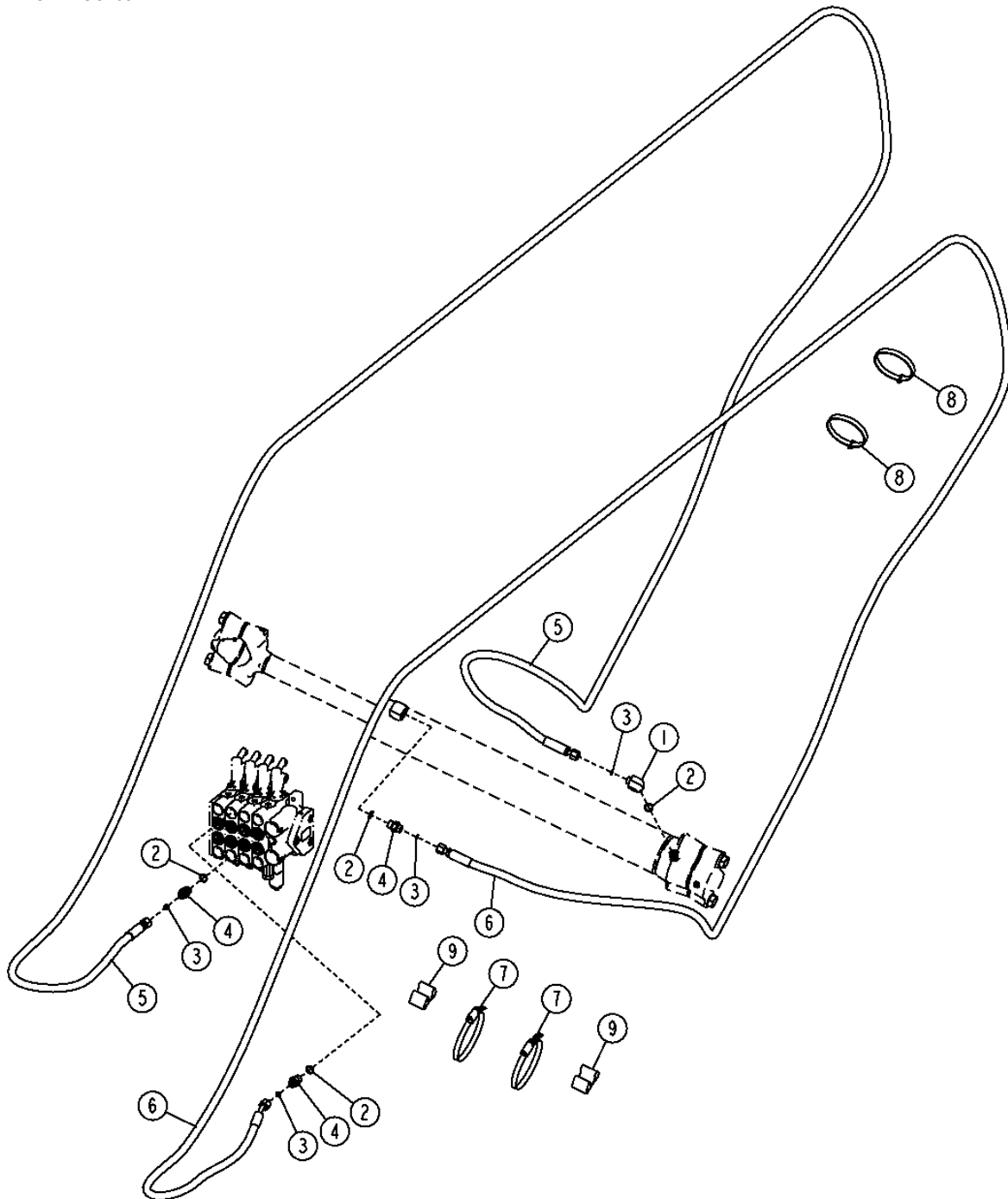
GRADING DEVICE 34

LINES, HOSES & FITTINGS 3463

CIRCLE SIDE SHIFT CYLINDER HOSES (STANDARD CONTROLS)
FLEXIBLES DE VERIN DE DEPLACEMENT LATERAL DE PLATEAU (COMMANDES STANDARD)
MANGUERAS DE CILINDRO DE DESPLAZAMIENTO LATERAL DE CIRCULO (CONTROLES ESTANDAR)

TX1050059

-UN-21OCT08



TX1050059

3463-15

GRADING DEVICE 34

LINES, HOSES & FITTINGS 3463

CIRCLE SIDE SHIFT CYLINDER HOSES (STANDARD CONTROLS)
FLEXIBLES DE VERIN DE DEPLACEMENT LATERAL DE PLATEAU (COMMANDES STANDARD)
MANGUERAS DE CILINDRO DE DESPLAZAMIENTO LATERAL DE CIRCULO (CONTROLES ESTANDAR)

KEY	PART NO.	PART NAME	QTY.	SERIAL NO.	REMARKS
1	38H1010	ELBOW FITTING	1		
2	R26375	O-RING	4		
3	T77613	O-RING	4		
4	38H1171	ADAPTER FITTING	3		
5	AT340932	HYDRAULIC HOSE - FABRICATE	1		
6	AT340933	HYDRAULIC HOSE - FABRICATE	1		
7	C16054	CLAMP	2		
8	N189220	TIE BAND	2		
9	T105773	GUIDE	2		

3463-16

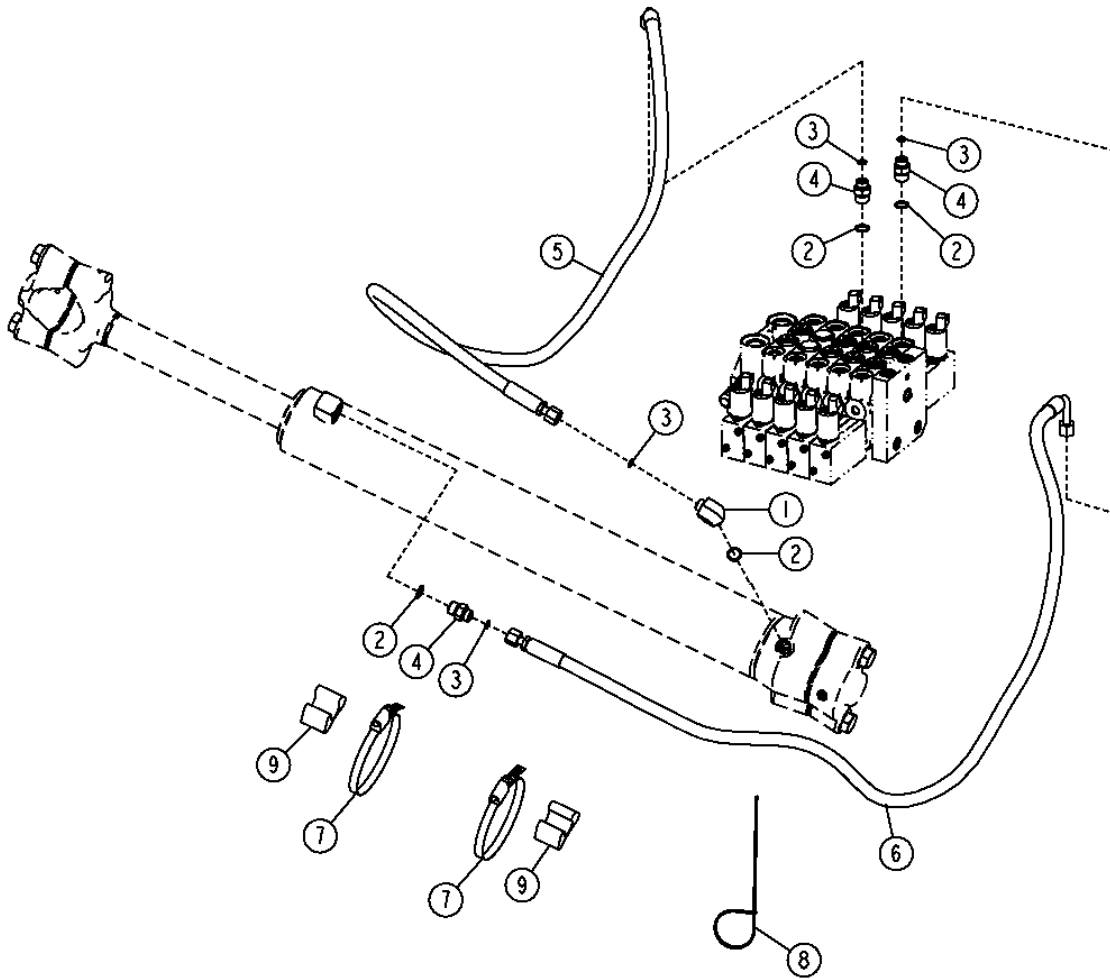
GRADING DEVICE 34

LINES, HOSES & FITTINGS 3463

CIRCLE SIDE SHIFT CYLINDER HOSES (GRADE PRO)
FLEXIBLES DE VERIN DE DEPLACEMENT LATERAL DE PLATEAU (GRADE PRO)
MANGUERAS DE CILINDRO DE DESPLAZAMIENTO LATERAL DE CIRCULO (GRADE PRO)

TX1050062

-UN-21OCT08



TX1050062

3463-17

GRADING DEVICE 34

LINES, HOSES & FITTINGS 3463

CIRCLE SIDE SHIFT CYLINDER HOSES (GRADE PRO)
FLEXIBLES DE VERIN DE DEPLACEMENT LATERAL DE PLATEAU (GRADE PRO)
MANGUERAS DE CILINDRO DE DESPLAZAMIENTO LATERAL DE CIRCULO (GRADE PRO)

KEY	PART NO.	PART NAME	QTY.	SERIAL NO.	REMARKS
1	38H1010	ELBOW FITTING	1		
2	R26375	O-RING	4		
3	T77613	O-RING	4		
4	38H1171	ADAPTER FITTING	3		
5	AT341450	HYDRAULIC HOSE - FABRICATE	1		
6	AT341451	HYDRAULIC HOSE - FABRICATE	1		
7	C16054	CLAMP	2		
8	H77698	TIE BAND	1		
9	T105773	GUIDE	2		

3463-18

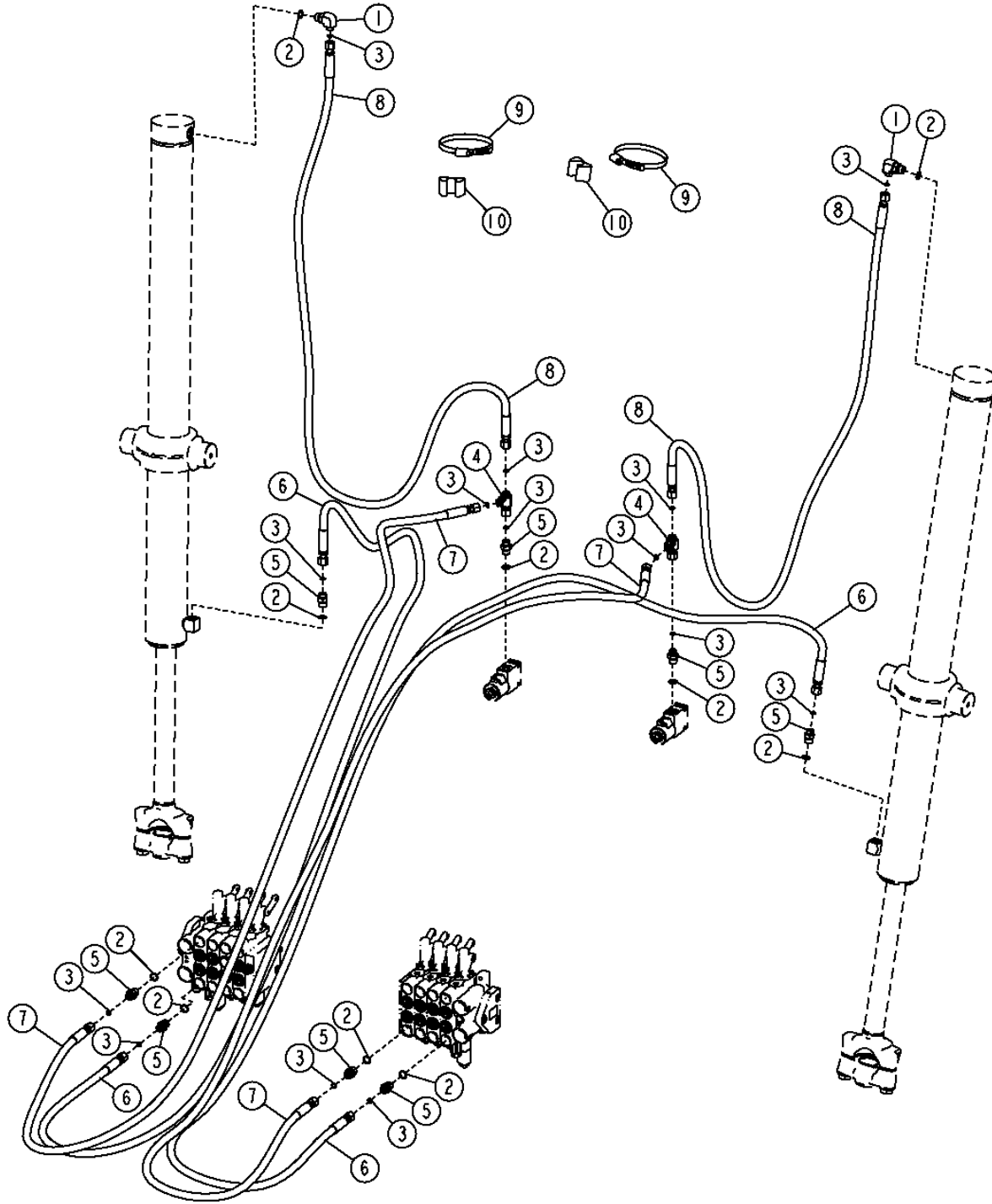
GRADING DEVICE 34

LINES, HOSES & FITTINGS 3463

BLADE IMPACT SYSTEM HOSES (STANDARD CONTROLS)
FLEXIBLES DE SYSTEME AMORTISSEUR POUR LAME (COMMANDES STANDARD)
MANGUERAS DE SISTEMA DE IMPACTO DE HOJA (CONTROLES ESTANDAR)

TX1050068

-UN-21OCT08



TX1050068

3463-19

GRADING DEVICE 34

LINES, HOSES & FITTINGS 3463

BLADE IMPACT SYSTEM HOSES (STANDARD CONTROLS)
FLEXIBLES DE SYSTEME AMORTISSEUR POUR LAME (COMMANDES STANDARD)
MANGUERAS DE SISTEMA DE IMPACTO DE HOJA (CONTROLES ESTANDAR)

KEY	PART NO.	PART NAME	QTY.	SERIAL NO.	REMARKS
1	38H1010	ELBOW FITTING	2		
2	R26375	O-RING	10		
3	T77613	O-RING	14		
4	38H1030	TEE FITTING	2		
5	38H1171	ADAPTER FITTING	8		
6	AT340924	HYDRAULIC HOSE - FABRICATE	2		
7	AT340935	HYDRAULIC HOSE - FABRICATE	2		
8	AT345194	HYDRAULIC HOSE - FABRICATE	2		
9	C16054	CLAMP	2		
10	T105773	GUIDE	2		

3463-20

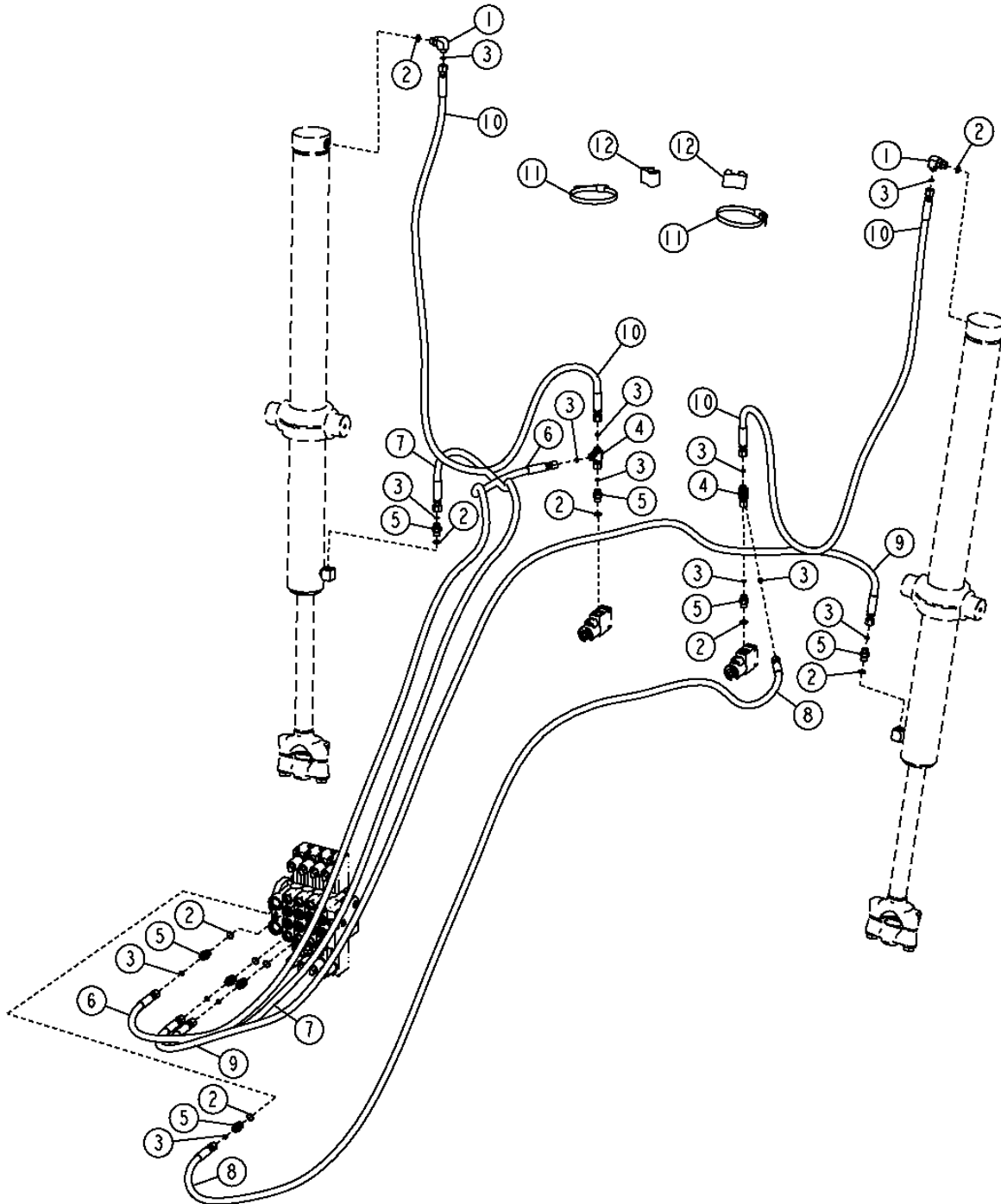
GRADING DEVICE 34

LINES, HOSES & FITTINGS 3463

BLADE IMPACT SYSTEM HOSES (GRADE PRO)
FLEXIBLES DE SYSTEME AMORTISSEUR POUR LAME (GRADE PRO)
MANGUERAS DE SISTEMA DE IMPACTO DE HOJA (GRADE PRO)

TX1052818

-UN-17DEC08



TX1052818

THIS PARTS LISTING IS CONTINUED

3463-21

GRADING DEVICE 34

LINES, HOSES & FITTINGS 3463

BLADE IMPACT SYSTEM HOSES (GRADE PRO)
FLEXIBLES DE SYSTEME AMORTISSEUR POUR LAME (GRADE PRO)
MANGUERAS DE SISTEMA DE IMPACTO DE HOJA (GRADE PRO)

KEY	PART NO.	PART NAME	QTY.	SERIAL NO.	REMARKS
1	38H1010	ELBOW FITTING	2		
2	R26375	O-RING	10		
3	T77613	O-RING	14		
4	38H1030	TEE FITTING	2		
5	38H1171	ADAPTER FITTING	8		
6	AT341243	HYDRAULIC HOSE - FABRICATE	1		
7	AT341244	HYDRAULIC HOSE - FABRICATE	1		
8	AT341245	HYDRAULIC HOSE - FABRICATE	1		
9	AT341246	HYDRAULIC HOSE - FABRICATE	1		
10	AT345194	HYDRAULIC HOSE - FABRICATE	2		
11	C16054	CLAMP	2		
12	T105773	GUIDE	2		

3463-22

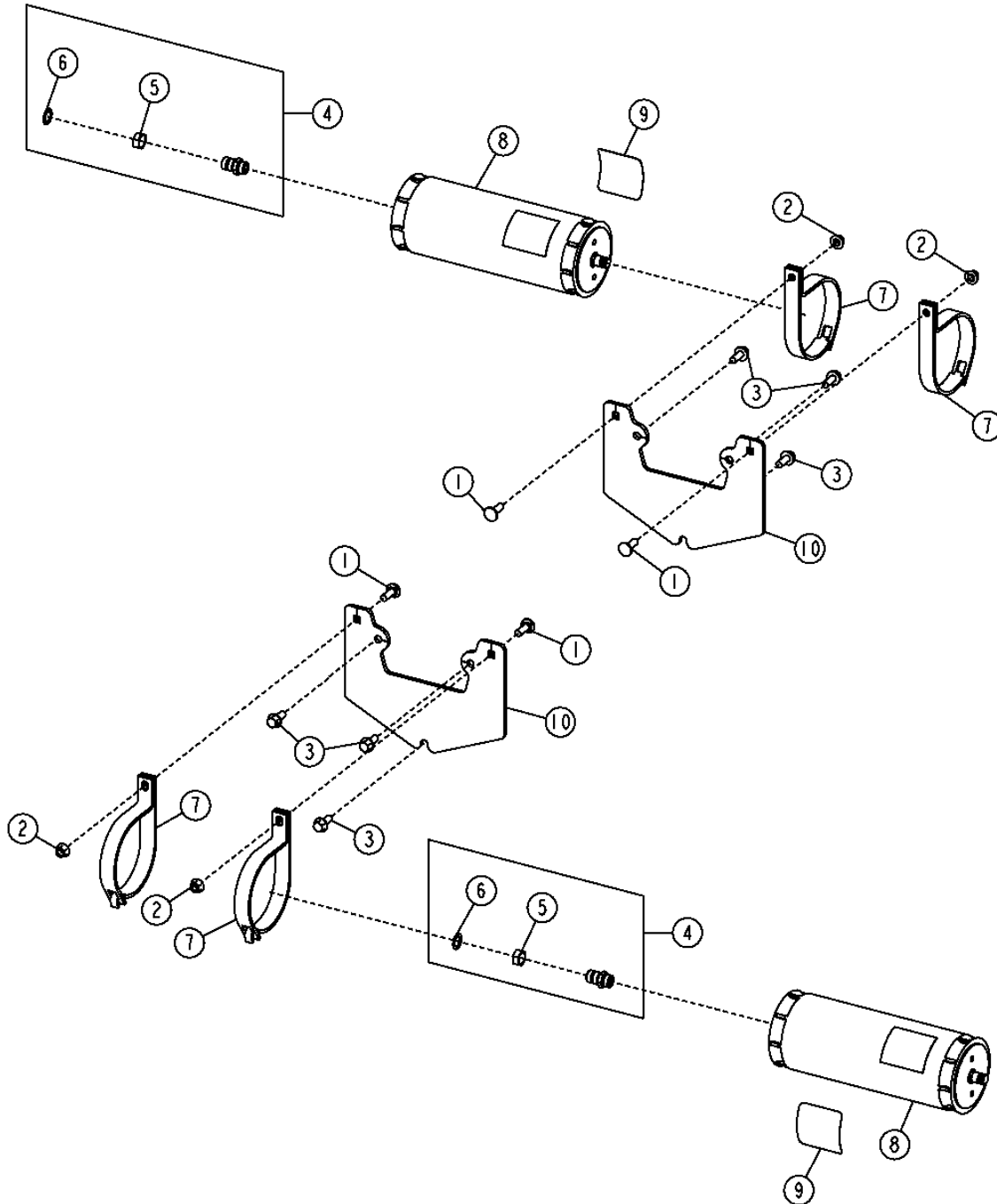
GRADING DEVICE 34

LINES, HOSES & FITTINGS 3463

BLADE IMPACT SYSTEM ACCUMULATOR ACCUMULATEUR DE SYSTEME AMORTISSEUR POUR LAME ACUMULADOR DE ISTEMA DE IMPACTO DE HOJA

TX1050071

-UN-23OCT08



TX1050071

3463-23

GRADING DEVICE 34

LINES, HOSES & FITTINGS 3463

**BLADE IMPACT SYSTEM ACCUMULATOR
ACCUMULATEUR DE SYSTEME AMORTISSEUR POUR LAME
ACUMULADOR DE ISTEMA DE IMPACTO DE HOJA**

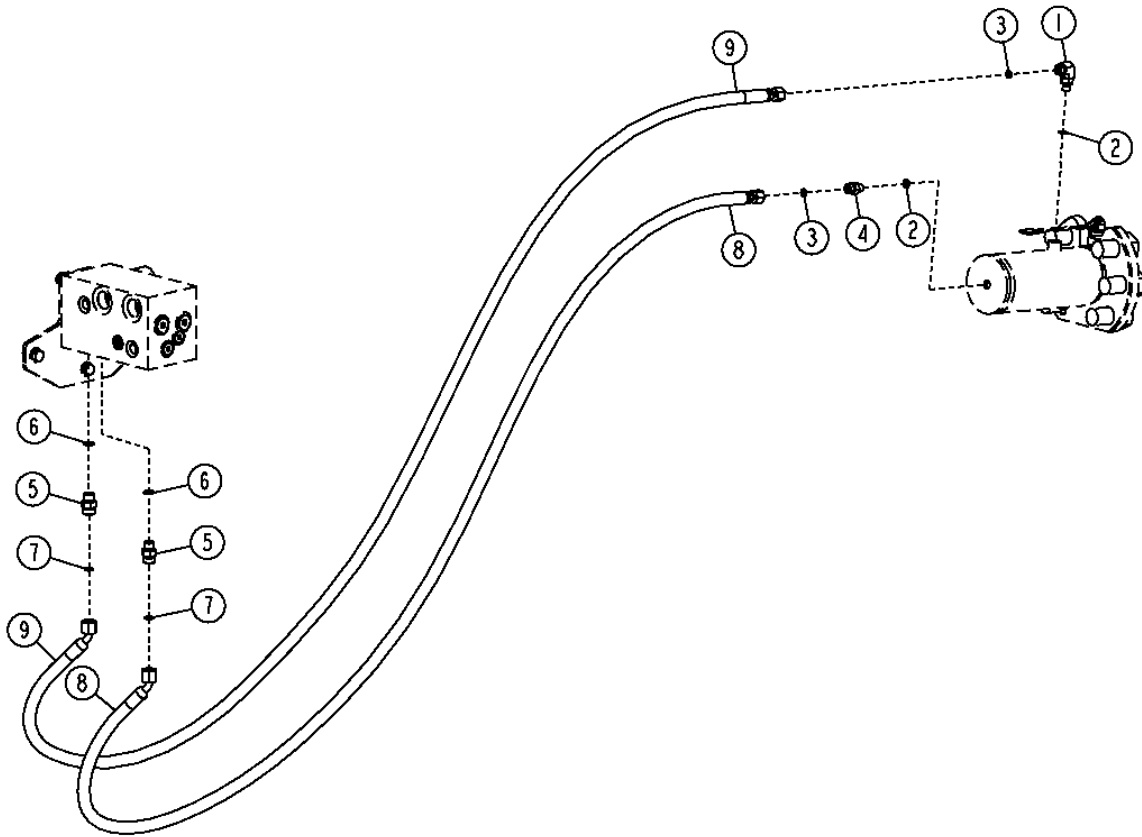
KEY	PART NO.	PART NAME	QTY.	SERIAL NO.	REMARKS
1	03M7192	BOLT	4		M10 X 30
2	14M7296	FLANGE NUT	4		M10
3	19M7785	SCREW	6		M10 X 25
4	AN131153	UNION FITTING	2		
5	R27448	NUT	1		3/4"
6	R27449	WASHER	1		0.654" X 1" X 0.036"
7	AT186653	CLAMP	4		
8	AT196351	HYDRAULIC ACCUMULATOR	2		
	AT196760	KIT	1		(ACCUMULATOR GAS VALVE)
9	T225374	LABEL	2		
10	T234275	PLATE	2		

3463-24

GRADING DEVICE 34
LINES, HOSES & FITTINGS 3463

SADDLE LOCK PIN HOSES FLEXIBLES DE GOUPILLE BLOCAGE DE SELLE MANGUERAS DE PASADOR DE TRABA DE CABALLETE

TX1049796 -UN-09OCT08



TX1049796

3463-25

GRADING DEVICE 34

LINES, HOSES & FITTINGS 3463

**SADDLE LOCK PIN HOSES
FLEXIBLES DE GOUPILLE BLOCAGE DE SELLE
MANGUERAS DE PASADOR DE TRABA DE CABALLETE**

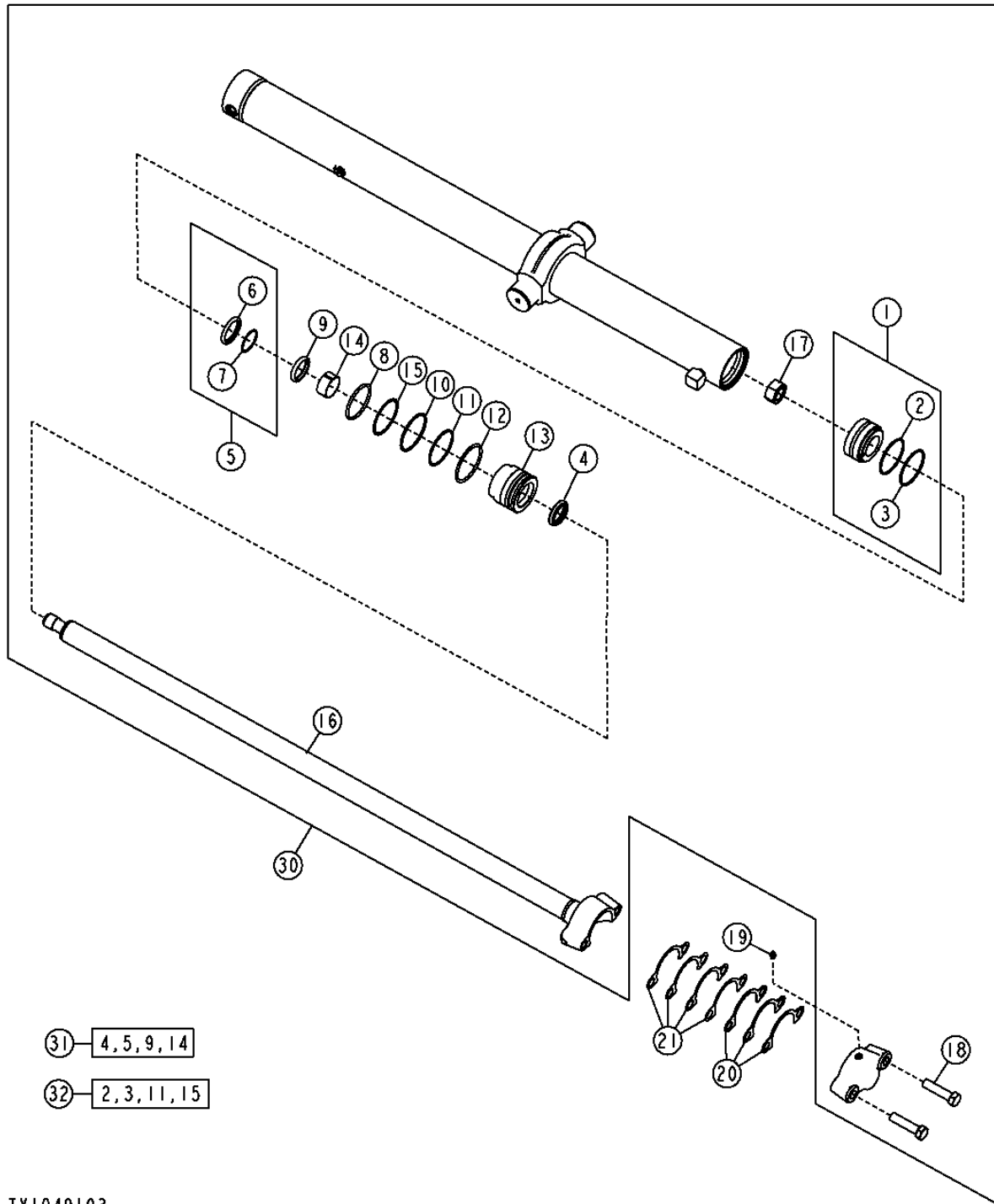
KEY	PART NO.	PART NAME	QTY.	SERIAL NO.	REMARKS
1	38H1003	ELBOW FITTING	1		
2	R28782	O-RING	2		
3	T77814	O-RING	2		
4	38H1159	ADAPTER FITTING	1		
5	38H1160	ADAPTER FITTING	2		
6	R26448	O-RING	2		
7	T77613	O-RING	2		
8	AT341360	HYDRAULIC HOSE - FABRICATE	1		
9	AT341361	HYDRAULIC HOSE - FABRICATE	1		

3465-2

GRADING DEVICE 34
HYDRAULIC CYLINDERS 3465

BLADE LIFT CYLINDER VERIN DE RELEVAGE DE LAME CILINDRO ELEVADOR DE HOJA

TX1049193 -UN-14OCT08



TX1049193

3465-3

GRADING DEVICE 34

HYDRAULIC CYLINDERS 3465

BLADE LIFT CYLINDER
VERIN DE RELEVAGE DE LAME
CILINDRO ELEVADOR DE HOJA

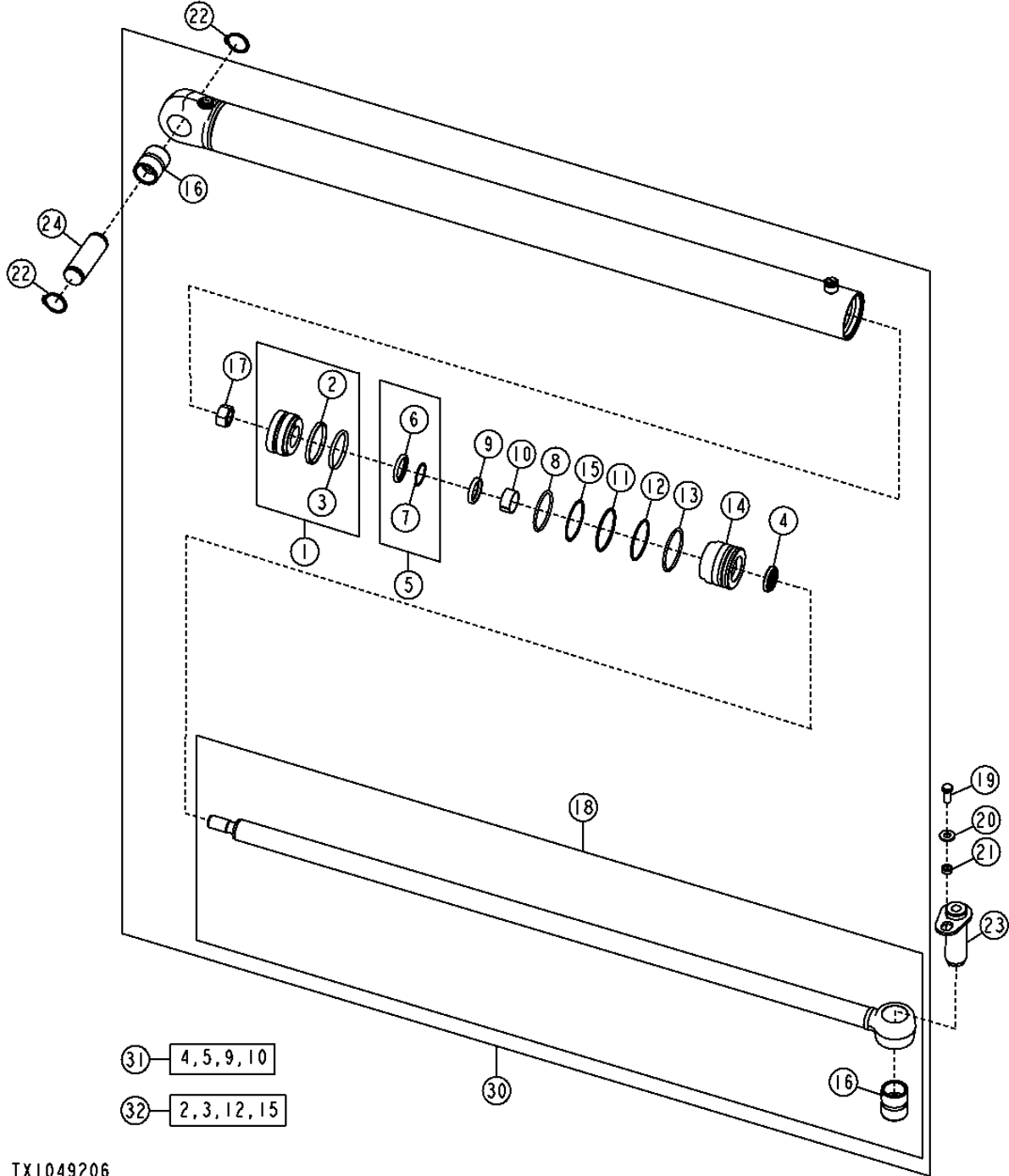
KEY	PART NO.	PART NAME	QTY.	SERIAL NO.	REMARKS
1	AH205060	PISTON	1		
2	SEAL	1		
3	RING	1		
4	AH146557	SEAL	1		
5	AH146561	SEAL	1		
6	SEAL	1		
7	SEAL	1		(BACK UP)
8	F1430R	O-RING	1		
9	H152203	SEAL	1		
10	H180103	SNAP RING	1		
11	H181114	O-RING	1		
12	H206859	SNAP RING	1		
13	H208631	HYDR. CYLINDER ROD GUIDE	1		
14	H208987	WEAR RING	1		
15	R79101	BACK-UP RING	1		
16	AH236573	ROD	1		
17	H170539	NUT	1		
18	19H1440	CAP SCREW	2		
19	JD7798	LUBRICATION FITTING	2		
20	T147623	SHIM	6		(.05")
21	T148164	SHIM	8		(.15")
30	AH236574	HYDRAULIC CYLINDER	2		
31	AH210484	HYDRAULIC CYLINDER KIT	1		(ROD)
32	AH212097	HYDRAULIC CYLINDER KIT	1		(BORE)

3465-4

GRADING DEVICE 34
HYDRAULIC CYLINDERS 3465

BLADE SLIDE CYLINDER VERIN DE FLOTTEMENT DE LAME CILINDRO DE DESPLAZAMIENTO DE HOJA

TX1049206 -UN-09OCT08



TX1049206

3465-5

GRADING DEVICE 34

HYDRAULIC CYLINDERS 3465

**BLADE SLIDE CYLINDER
VERIN DE FLOTTEMENT DE LAME
CILINDRO DE DESPLAZAMIENTO DE HOJA**

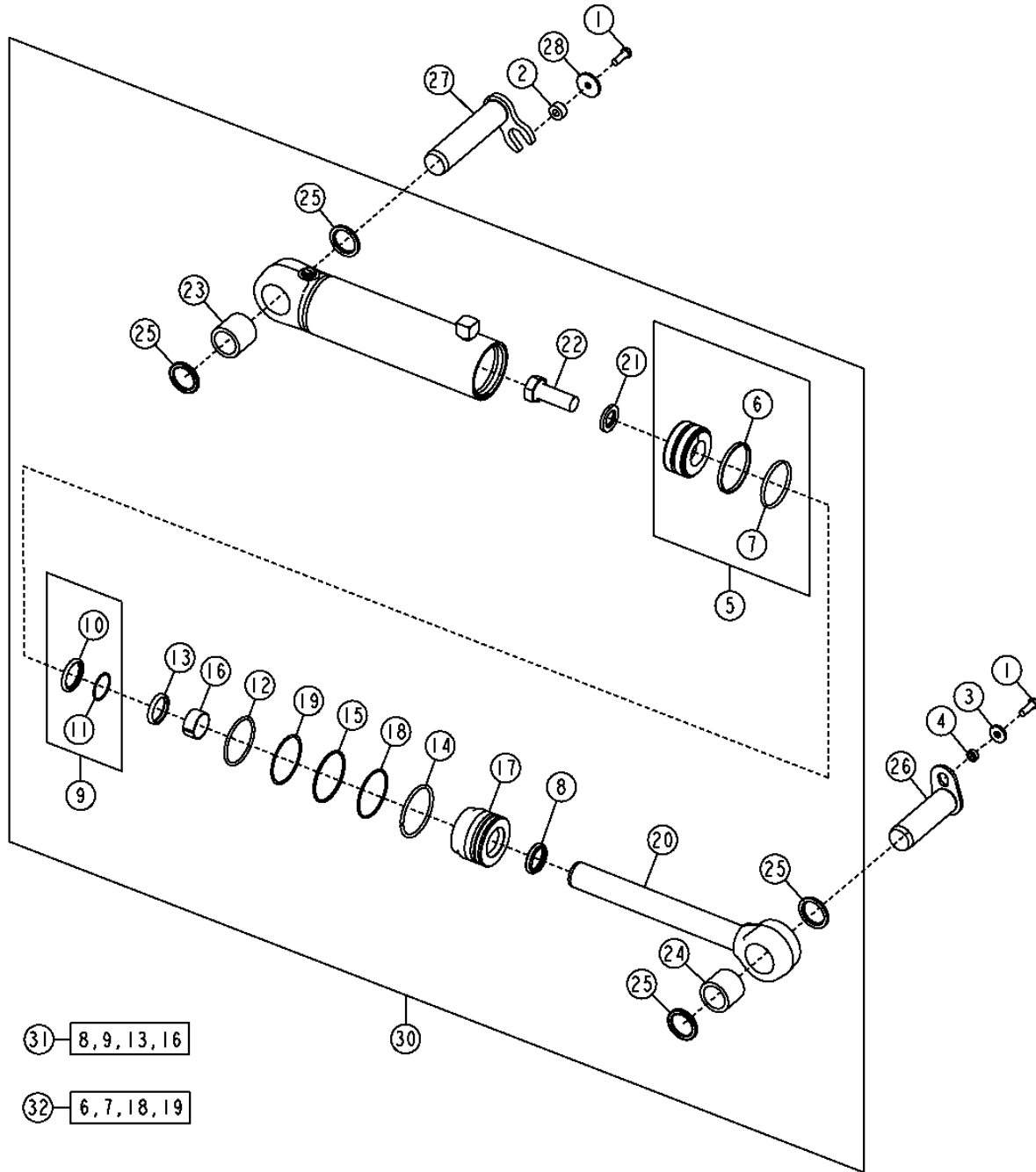
KEY	PART NO.	PART NAME	QTY.	SERIAL NO.	REMARKS
1	AH136453	PISTON	1		
2	SEAL	1		
3	RING	1		
4	AH146556	SEAL	1		
5	AH146560	SEAL	1		
6	SEAL	1		
7	SEAL	1		(BACK UP)
8	F1430R	O-RING	1		
9	H152202	SEAL	1		
10	H157898	WEAR RING	1		
11	H180103	SNAP RING	1		
12	H181114	O-RING	1		
13	H206859	SNAP RING	1		
14	H208999	HYDR. CYLINDER ROD GUIDE	1		
15	R79101	BACK-UP RING	1		
16	R89940	BUSHING	2		
17	H170538	NUT	1		
18	RE36349	HYDRAULIC CYLINDER ROD	1		
19	19H2898	CAP SCREW	1		1/2" X 1-1/4"
20	24H1349	WASHER	1		9/16" X 1-1/4" X 0.134"
21	28H3418	WASHER	1		0.546" X 0.840" X 5/16"
22	40M7180	SNAP RING	2		
23	AT41245	PIN	1		
24	T124495	PIN FASTENER	1		
30	AH212900	HYDRAULIC CYLINDER	1		
31	AH149813	HYDRAULIC CYLINDER KIT	1		(ROD)
32	AH212097	HYDRAULIC CYLINDER KIT	1		(BORE)

3465-6

GRADING DEVICE 34
HYDRAULIC CYLINDERS 3465

BLADE TILT CYLINDER VERIN D'INCLINAISON DE LAME CILINDRO DE INCLINACION DE HOJA

TX1049233 -UN-16DEC08



TX1049233

3465-7

GRADING DEVICE 34

HYDRAULIC CYLINDERS 3465

**BLADE TILT CYLINDER
VERIN D'INCLINAISON DE LAME
CILINDRO DE INCLINACION DE HOJA**

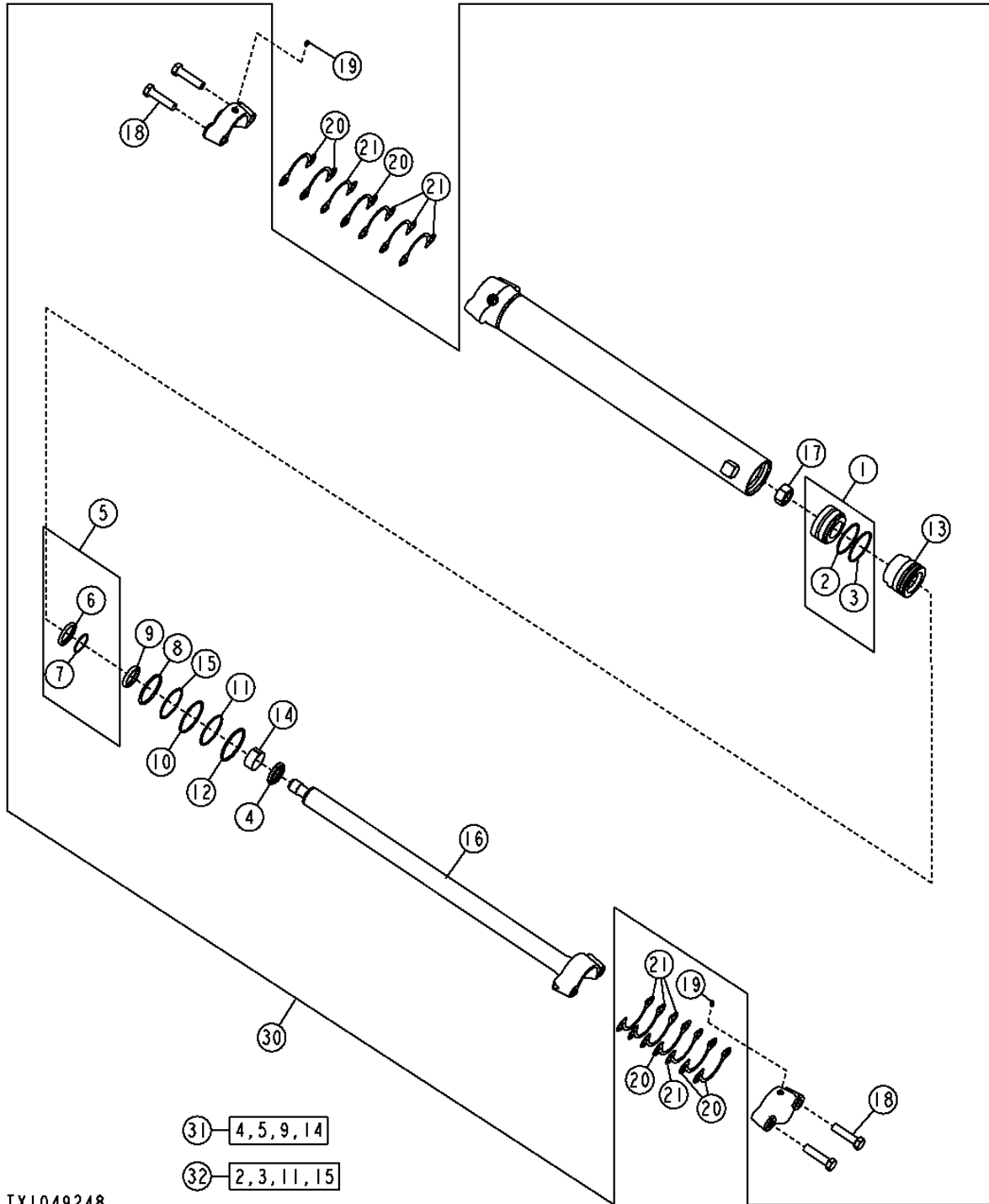
KEY	PART NO.	PART NAME	QTY.	SERIAL NO.	REMARKS
1	19M7403	CAP SCREW	2		M12 X 35
2	T168574	SPACER	1		13.750 X 30 X 15 MM
3	24M7226	WASHER	1		13 X 35 X 5 MM
4	28H3418	WASHER	1		0.546" X 0.840" X 5/16"
5	AH205062	PISTON	1		
6	H168248	WASHER	1		
7	H168249	WASHER	1		
8	AH146557	SEAL	1		
9	AH146561	SEAL	1		
10	SEAL	1		
11	SEAL	1		(BACK UP)
12	F950R	O-RING	1		
13	H152203	SEAL	1		
14	H180080	SNAP RING	1		
15	H180094	SNAP RING	1		
16	H208987	WEAR RING	1		
17	H208995	HYDR. CYLINDER ROD GUIDE	1		
18	H210686	O-RING	1		
19	R81862	BACK-UP RING	1		
20	AH236360	ROD	1		
21	H145175	WASHER	1		
22	19M8353	CAP SCREW	1		
23	H232260	BUSHING	1		
24	H232263	BUSHING	1		
25	T225566	SEAL	4		
26	AT345350	PIN FASTENER	1		
27	AT345354	PIN FASTENER	1		
28	TT170489	WASHER	1		
30	AH229591	HYDRAULIC CYLINDER	1		
31	AH210484	HYDRAULIC CYLINDER KIT	1		(ROD)
32	AH212102	HYDRAULIC CYLINDER KIT	1		(BORE)

3465-8

GRADING DEVICE 34
HYDRAULIC CYLINDERS 3465

CIRCLE SIDE SHIFT CYLINDER VERIN DE DEPLACEMENT LATERAL DE PLATEAU CILINDRO DE DESPLAZAMIENTO LATERAL DE CIRCULO

TX1049248 -UN-14OCT08



TX1049248

3465-9

GRADING DEVICE 34

HYDRAULIC CYLINDERS 3465

CIRCLE SIDE SHIFT CYLINDER
VERIN DE DEPLACEMENT LATERAL DE PLATEAU
CILINDRO DE DESPLAZAMIENTO LATERAL DE CIRCULO

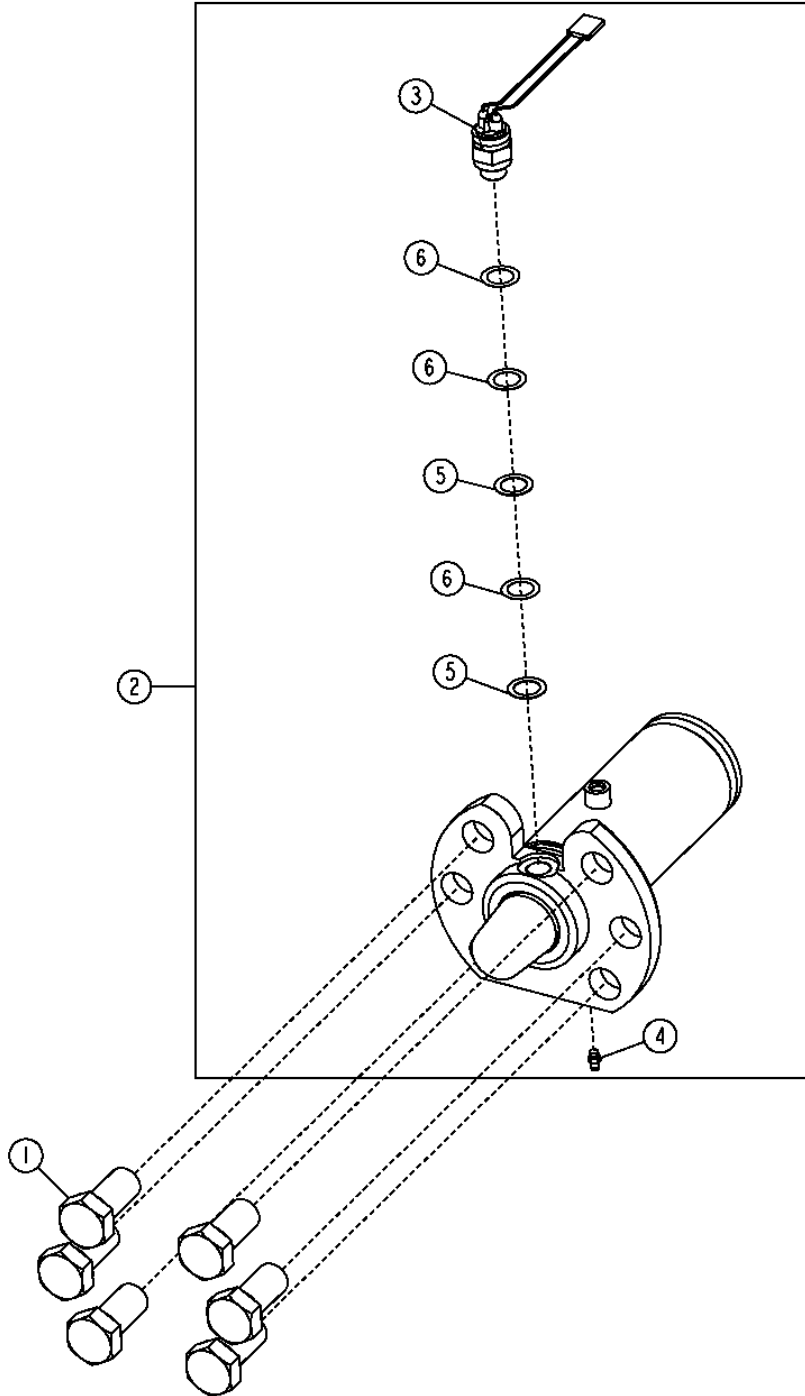
KEY	PART NO.	PART NAME	QTY.	SERIAL NO.	REMARKS
1	AH205060	PISTON	1		
2	SEAL	1		
3	RING	1		
4	AH146557	SEAL	1		
5	AH146561	SEAL	1		
6	SEAL	1		
7	SEAL	1		(BACK UP)
8	F1430R	O-RING	1		
9	H152203	SEAL	1		
10	H180103	SNAP RING	1		
11	H181114	O-RING	1		
12	H206859	SNAP RING	1		
13	H208631	HYDR. CYLINDER ROD GUIDE	1		
14	H208987	WEAR RING	1		
15	R79101	BACK-UP RING	1		
16	AH236378	ROD	1		
17	H170539	NUT	1		M30
18	19H1440	CAP SCREW	4		3/4" X 3"
19	JD7844	LUBRICATION FITTING	2		
20	T147623	SHIM	6		(.05")
21	T148164	SHIM	8		(.15")
30	AH229590	HYDRAULIC CYLINDER	1		
31	AH210484	HYDRAULIC CYLINDER KIT	1		
32	AH212097	HYDRAULIC CYLINDER KIT	1		

3465-10

GRADING DEVICE 34
HYDRAULIC CYLINDERS 3465

SADDLE LOCK PIN GOUPILLE BLOCAGE DE SELLE PASADOR DE TRABA DE CABALLETE

TX1052552 -UN-09DEC08



TX1052552

3465-11

GRADING DEVICE 34

HYDRAULIC CYLINDERS 3465

**SADDLE LOCK PIN
GOUPILLE BLOCAGE DE SELLE
PASADOR DE TRABA DE CABALLETE**

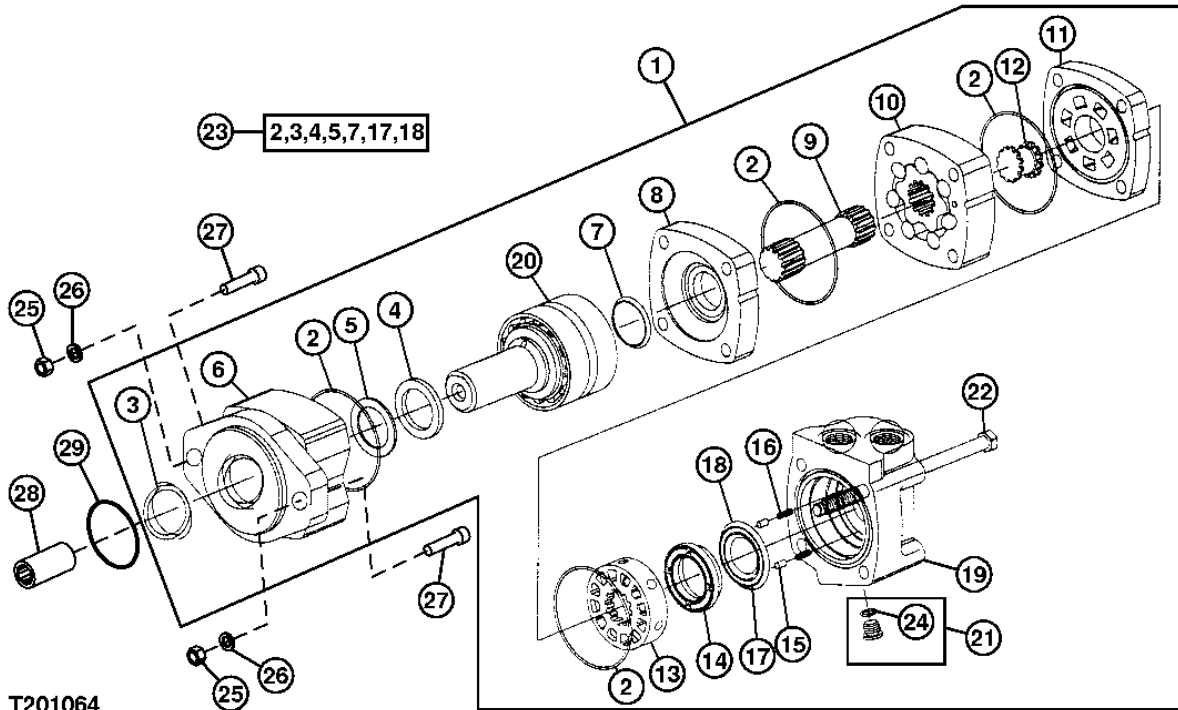
KEY	PART NO.	PART NAME	QTY.	SERIAL NO.	REMARKS
1	19H3700	CAP SCREW	6		25.400 X 50.800 MM
2	AT303325	SPRING LOCKING PIN	1		
	AT303536	SEAL KIT	1		
3	AT303600	SWITCH	1		
4	JD7797	LUBRICATION FITTING	1		
5	T42598	SHIM	AR		(0.020)
6	T70438	SHIM	AR		(0.007)

3467-2

GRADING DEVICE 34
HYDRAULIC MOTOR 3467

CIRCLE ROTATE MOTOR
MOTEUR DE ROTATION DE PLATEAU
MOTOR DE GIRO DE CIRCULO

T201064 -UN-04DEC04



3467-3

GRADING DEVICE 34
HYDRAULIC MOTOR 3467

CIRCLE ROTATE MOTOR
MOTEUR DE ROTATION DE PLATEAU
MOTOR DE GIRO DE CIRCULO

KEY	PART NO.	PART NAME	QTY.	SERIAL NO.	REMARKS
1	AT197057	MOTOR	1		
2	T60042	WASHER	4		
3	T190611	SEAL	1		
4	T190612	SEAL	1		
5	T190613	BACK-UP RING	1		
6	T190614	BEARING WITH HOUSING	1		
7	T190615	SEAL	1		
8	T190616	WEAR PLATE	1		
9	T190617	DRIVE	1		
10	AT197907	MOUNTING PARTS	1		
11	T190639	PLATE	1		
12	T190640	FLOW CONTROL HYD. VALVE	1		
13	T190641	FLOW CONTROL HYD. VALVE	1		
14	T190642	PLATE	1		
15	T190643	PIN	2		
16	T190644	SPRING	2		
17	T190645	SEAL	1		
18	T190646	SEAL	1		
19	T190647	HOUSING	1		
20	AT197906	SHAFT	1		
21	AT197908	MOUNTING PARTS	1		
22	T190648	CAP SCREW	1		
23	AT197924	SEAL KIT	1		
24	R28782	O-RING	1		
25	12H301	LOCK WASHER	2	1/2"	
26	14H809	NUT	2	1/2"	
27	19H3033	SCREW	2	1/2" X 2"	
28	T150942	SPLINED COUPLING	1		
29	U42702	O-RING	1		

4243-4

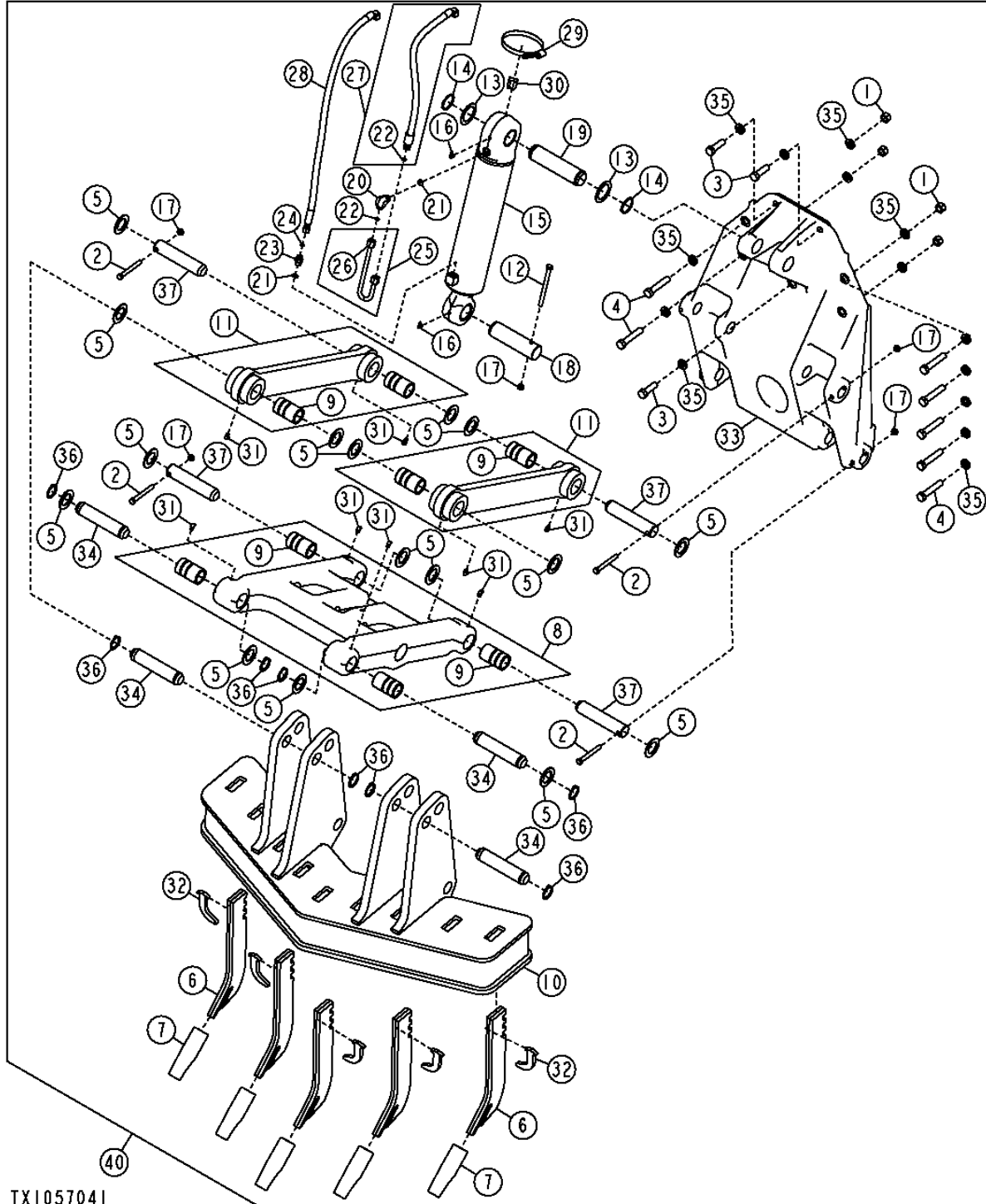
GROUND CONDITIONING TOOL 42

MOVEABLE FRAME 4243

FRONT MOUNTED SCARIFIER, FIELD KIT SCARIFICATEUR AVANT, KIT DE TERRAIN ESCARIFICADOR DE MONTAJE DELANTERO, JUEGO DE CAMPO

TX1057041

-UN-16MAR09



TX1057041

THIS PARTS LISTING IS CONTINUED

4243-5

GROUND CONDITIONING TOOL 42

MOVEABLE FRAME 4243

**FRONT MOUNTED SCARIFIER, FIELD KIT
SCARIFICATEUR AVANT, KIT DE TERRAIN
ESCARIFICADOR DE MONTAJE DELANTERO, JUEGO DE CAMPO**

KEY	PART NO.	PART NAME	QTY.	SERIAL NO.	REMARKS
1	14H1058	NUT	10		3/4"
2	19H2123	CAP SCREW	4		1/2" X 4-1/4"
3	19H2411	CAP SCREW	3		3/4" X 2-1/2"
4	19H3196	CAP SCREW	10		3/4" X 4"
5	24H1571	WASHER	16		1-25/32" X 2-7/8" X 0.120"
6	T114792	SHANK	5		
7	T6Y5230	TOOTH	5		
8	AT162731	SCARIFIER BOOM	1		
9	T216283	BUSHING	4		
10	AT168327	SCARIFIER ATTACHMENT	1		
11	AT302889	LINK	2		
12	19H3535	CAP SCREW	1		
13	24H1679	WASHER	2		
14	40M7066	SNAP RING	2		
15	AH212650	HYDRAULIC CYLINDER	1		
16	JD7799	LUBRICATION FITTING	2		
17	K40014	LOCK NUT	5		
18	T125945	PIN FASTENER	1		
19	T142485	PIN	1		
20	38H1005	ELBOW FITTING	1		
21	R26375	O-RING	2		
22	T77857	O-RING	2		
23	38H1171	ADAPTER FITTING	1		
24	T77613	O-RING	1		
25	AT208515	TUBE	1		
26	38H1354	TUBE NUT	2		
27	AT345619	HYDRAULIC HOSE - FABRICATE	1		
28	AT345620	HYDRAULIC HOSE - FABRICATE	1		
29	C16054	CLAMP	1		
30	KV13179	GUIDE	1		
31	JD7781	LUBRICATION FITTING	8		
32	T104223	RETAINER	5		
33	T147700	BRACKET	1		
34	T152047	PIN	4		
35	T83426	WASHER	23		
36	U12167	SNAP RING	8		
37	U41528	PIN FASTENER	4		
40	AT365183	SCARIFIER ATTACHMENT	1		(WHOLE GOODS)

4243-6

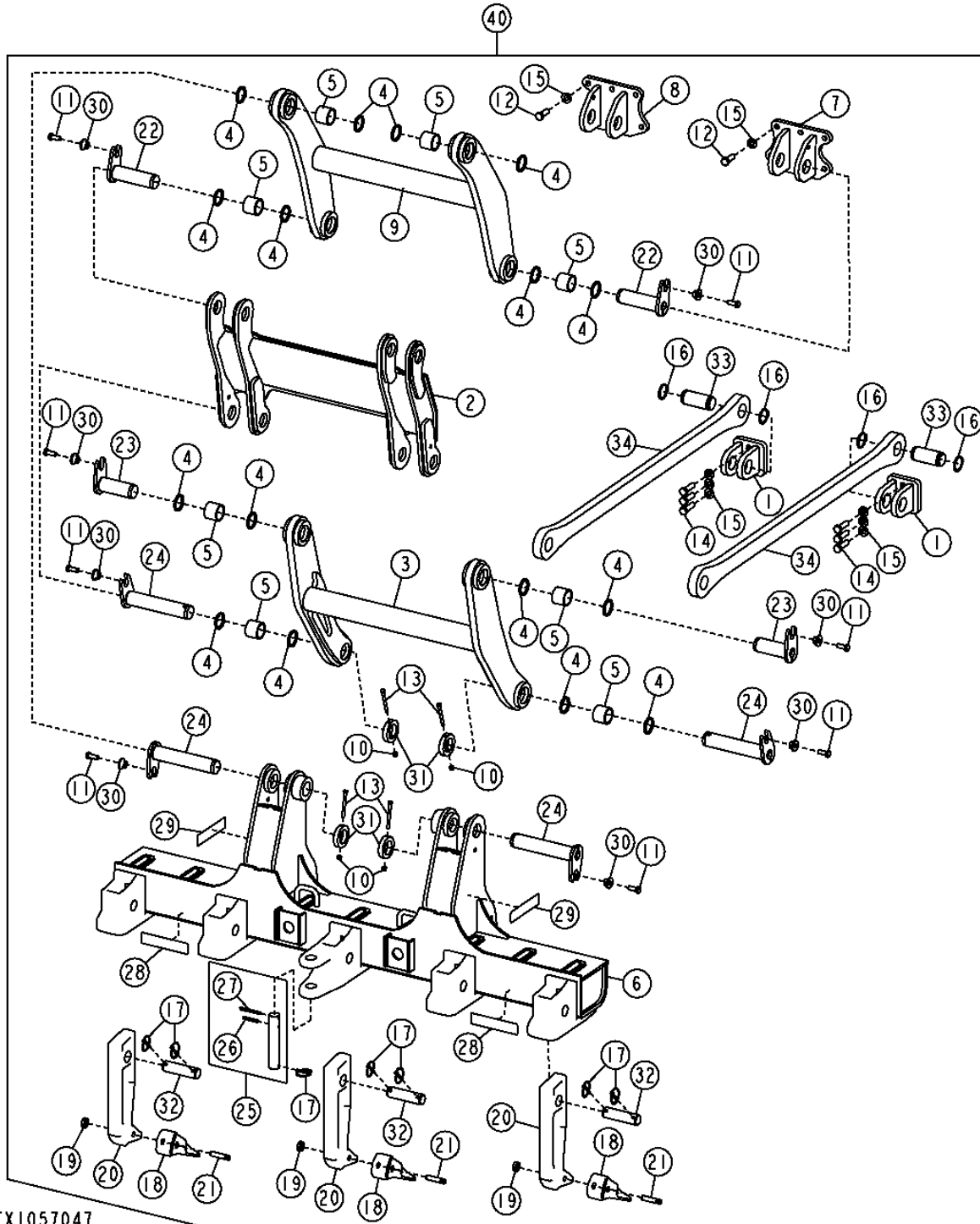
GROUND CONDITIONING TOOL 42

MOVEABLE FRAME 4243

REAR RIPPER / SCARIFIER DEFONCEUSE / SCARIFICATEUR ARRIERE DESGARRADORA / ESCARIFICADOR TRASERO

TX1057047

-UN-16MAR09



TX1057047

THIS PARTS LISTING IS CONTINUED

4243-7

GROUND CONDITIONING TOOL 42

MOVEABLE FRAME 4243

**REAR RIPPER / SCARIFIER
DEFONCEUSE / SCARIFICATEUR ARRIERE
DESARRADORA / ESCARIFICADOR TRASERO**

KEY	PART NO.	PART NAME	QTY.	SERIAL NO.	REMARKS
1	AT364102	CLEVIS	2		
2	AT333415	LINK	1		(CA)
3	AT333420	LINK	1		(INCLUDES (4) T224958) (CA)
4	T157275	SEAL	8		
5	T224958	BUSHING	4		
6	AT333422	TOOLBAR	1		(CA)
7	AT334627	SUPPORT	1		
8	AT339553	SUPPORT	1		
9	AT344446	LINK	1		(INCLUDES (4) T224958) (CA)
10	14M7517	LOCK NUT	4		M10
11	19M7488	CAP SCREW	8		M16 X 40
12	19M8002	CAP SCREW	10		M20 X 55
13	19M8469	CAP SCREW	4		M10 X 110
14	19M8639	CAP SCREW	6		M20 X 70
15	24M7242	WASHER	16		21.400 X 42 X 5 MM
16	40M7312	SNAP RING	4		
17	AR83396	QUICK LOCK PIN	7		
18	T6Y0309	TOOTH	3		
19	T8E6359	RETAINER	3		
20	T9J6586	SHANK	3		
21	T9W2668	PIN	3		
22	AT339489	PIN FASTENER	2		
23	AT339490	PIN FASTENER	2		
24	AT344386	PIN FASTENER	4		
25	AT349029	PIN FASTENER	1		(INCLUDES 34H358 AND 34H363)
26	34H358	SPRING PIN	1		
27	34H363	SPRING PIN	1		
28	JD5920	REFLECTOR	2		
29	JD5921	REFLECTOR	2		
30	T176064	BUSHING	8		
31	T224973	LOCKING COLLAR	4		
32	T235401	PIN	3		
33	T251693	PIN	2		
34	T224952	PLATE	2		(LINE FILL)
40	AT363483	SCARIFIER ATTACHMENT	1		(WHOLE GOODS) (ADDITIONAL COMPONENTS ON SEPARATE PAGES)

4243-8

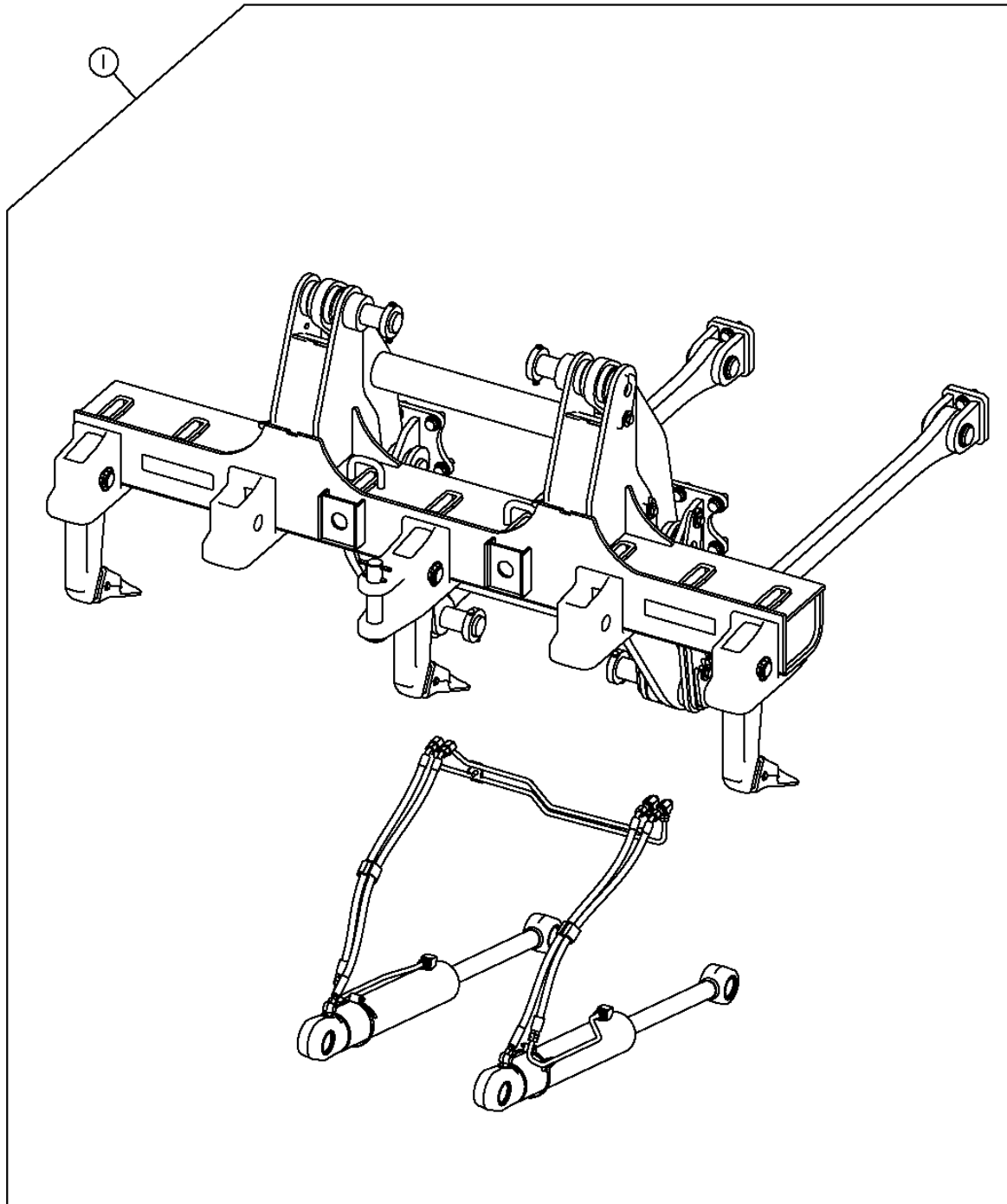
GROUND CONDITIONING TOOL 42

MOVEABLE FRAME 4243

REAR RIPPER / SCARIFIER (FIELD KIT)
DEFONCEUSE / SCARIFICATEUR ARRIERE (KIT DE TERRAIN)
DESARRADORA / ESCARIFICADOR TRASERO (JUEGO DE CAMPO)

TX1054180

-UN-13JAN09



TX1054180

4243-9

GROUND CONDITIONING TOOL 42

MOVEABLE FRAME 4243

**REAR RIPPER / SCARIFIER (FIELD KIT)
DEFONCEUSE / SCARIFICATEUR ARRIERE (KIT DE TERRAIN)
DESGARRADORA / ESCARIFICADOR TRASERO (JUEGO DE CAMPO)**

<i>KEY</i>	<i>PART NO.</i>	<i>PART NAME</i>	<i>QTY.</i>	<i>SERIAL NO.</i>	<i>REMARKS</i>
1	AT363483	RIPPER WHOLE GOODS	1		(WHOLE GOODS) COMPONENTS LISTED ON SEPARATE PAGES

4243-12

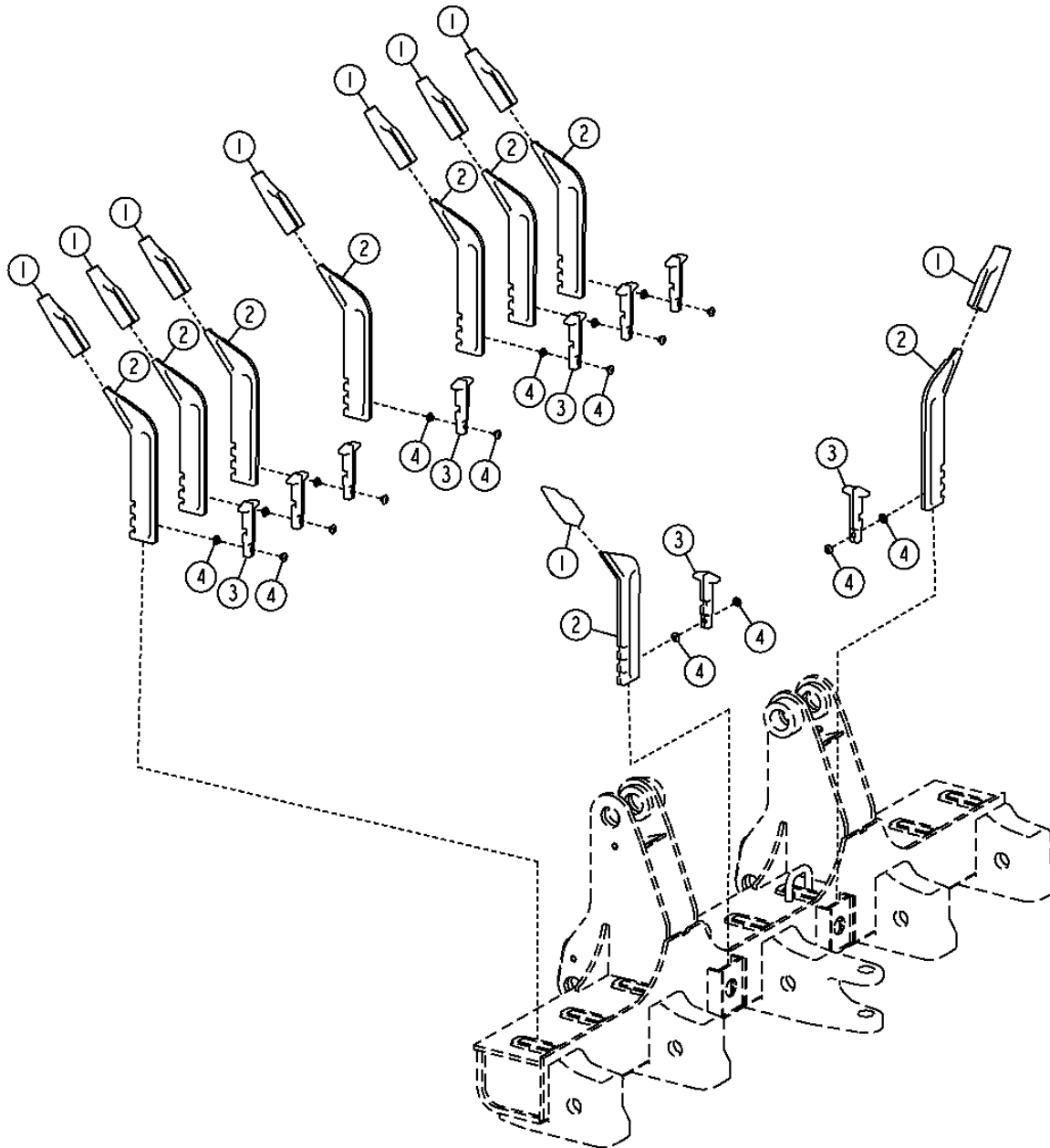
GROUND CONDITIONING TOOL 42

MOVEABLE FRAME 4243

REAR SCARIFIER SHANKS DENTS DE SCARIFICATEUR ARRIERE DIENTES DE ESCARIFICADOR TRASERO

TX1049330

-UN-01OCT08



TX1049330

THIS PARTS LISTING IS CONTINUED

4243-13

GROUND CONDITIONING TOOL 42

MOVEABLE FRAME 4243

**REAR SCARIFIER SHANKS
DENTS DE SCARIFICATEUR ARRIERE
DIENTES DE ESCARIFICADOR TRASERO**

<i>KEY</i>	<i>PART NO.</i>	<i>PART NAME</i>	<i>QTY.</i>	<i>SERIAL NO.</i>	<i>REMARKS</i>
1	T6Y5230	TOOTH	9		
2	T9F5124	SHANK	9		
3	T150346	RETAINER	9		
4	T150347	PLUG	18		

4243-14

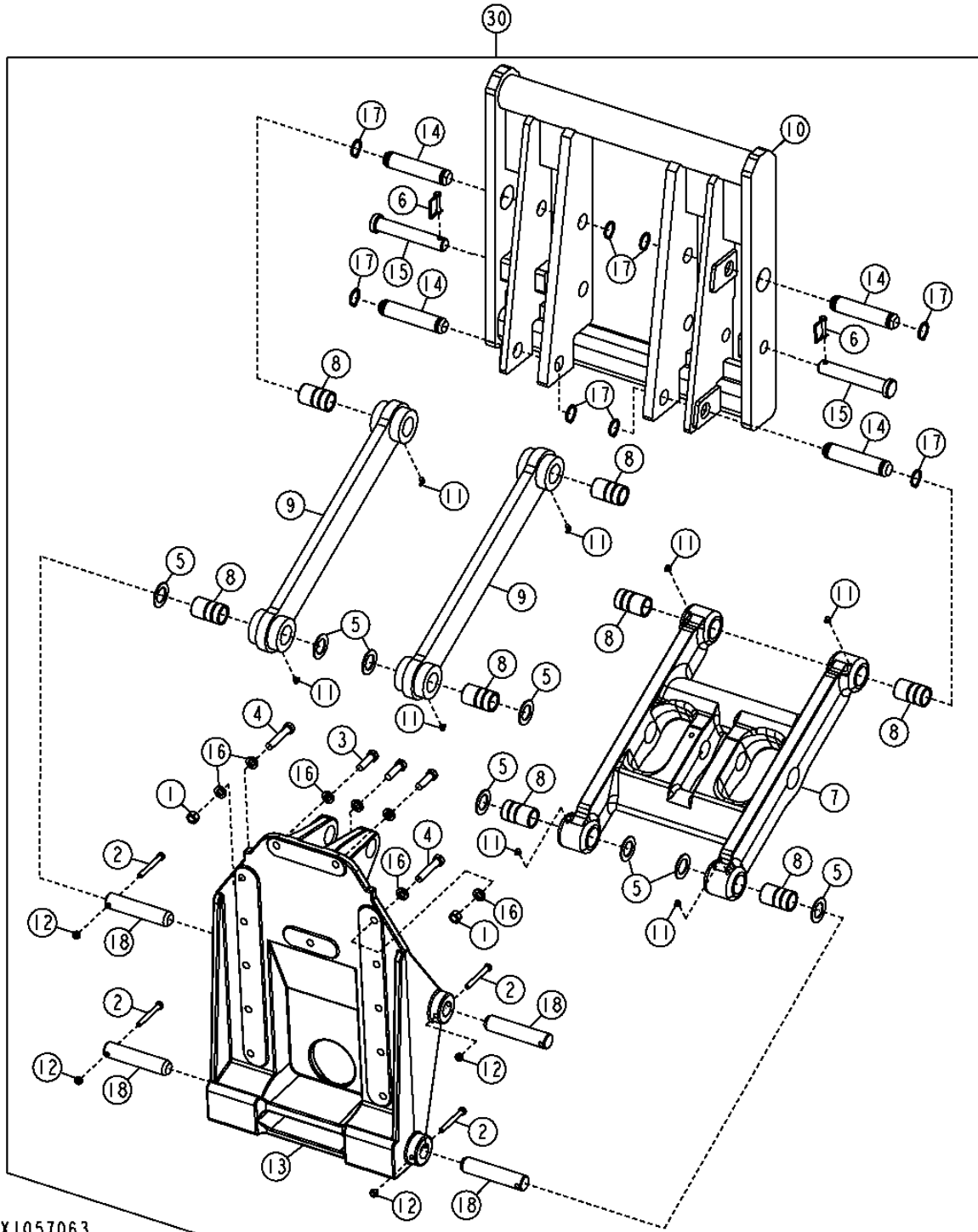
GROUND CONDITIONING TOOL 42

MOVEABLE FRAME 4243

PARALLEL LIFT GROUP GROUPE DE RELEVAGE PARALLELE GRUPO DE ELEVACION PARALELA

TX1057063

-UN-16MAR09



TX1057063

THIS PARTS LISTING IS CONTINUED

4243-15

GROUND CONDITIONING TOOL 42

MOVEABLE FRAME 4243

PARALLEL LIFT GROUP
GROUPE DE RELEVAGE PARALLELE
GRUPO DE ELEVACION PARALELA

KEY	PART NO.	PART NAME	QTY.	SERIAL NO.	REMARKS
1	14H1058	NUT	10		3/4"
2	19H3586	CAP SCREW	4		1/2" X 4-1/4"
3	19H2411	CAP SCREW	3		3/4" X 2-1/2"
4	19H3196	CAP SCREW	10		3/4" X 4"
5	24H1571	WASHER	8		1-25/32" X 2-7/8" X 0.120"
6	AH89461	PIN FASTENER	2		
7	AT162731	SCARIFIER BOOM	1		(INCLUDES (4) T216283)
8	T216283	BUSHING	4		
9	AT302889	LINK	2		(INCLUDES (2) T216283)
10	AT344703	HITCH COUPLING	1		(CA)
11	JD7781	LUBRICATION FITTING	8		
12	K40014	LOCK NUT	4		
13	T147700	BRACKET	1		
14	T152047	PIN	4		
15	T224369	PIN FASTENER	2		
16	T83426	WASHER	23		
17	U12167	SNAP RING	8		
18	U41528	PIN FASTENER	4		
30	AT365788	LIFTER KIT	1		(WHOLE GOODS) (ADDITIONAL COMPONENTS ON SEPARATE PAGES)

4243-16

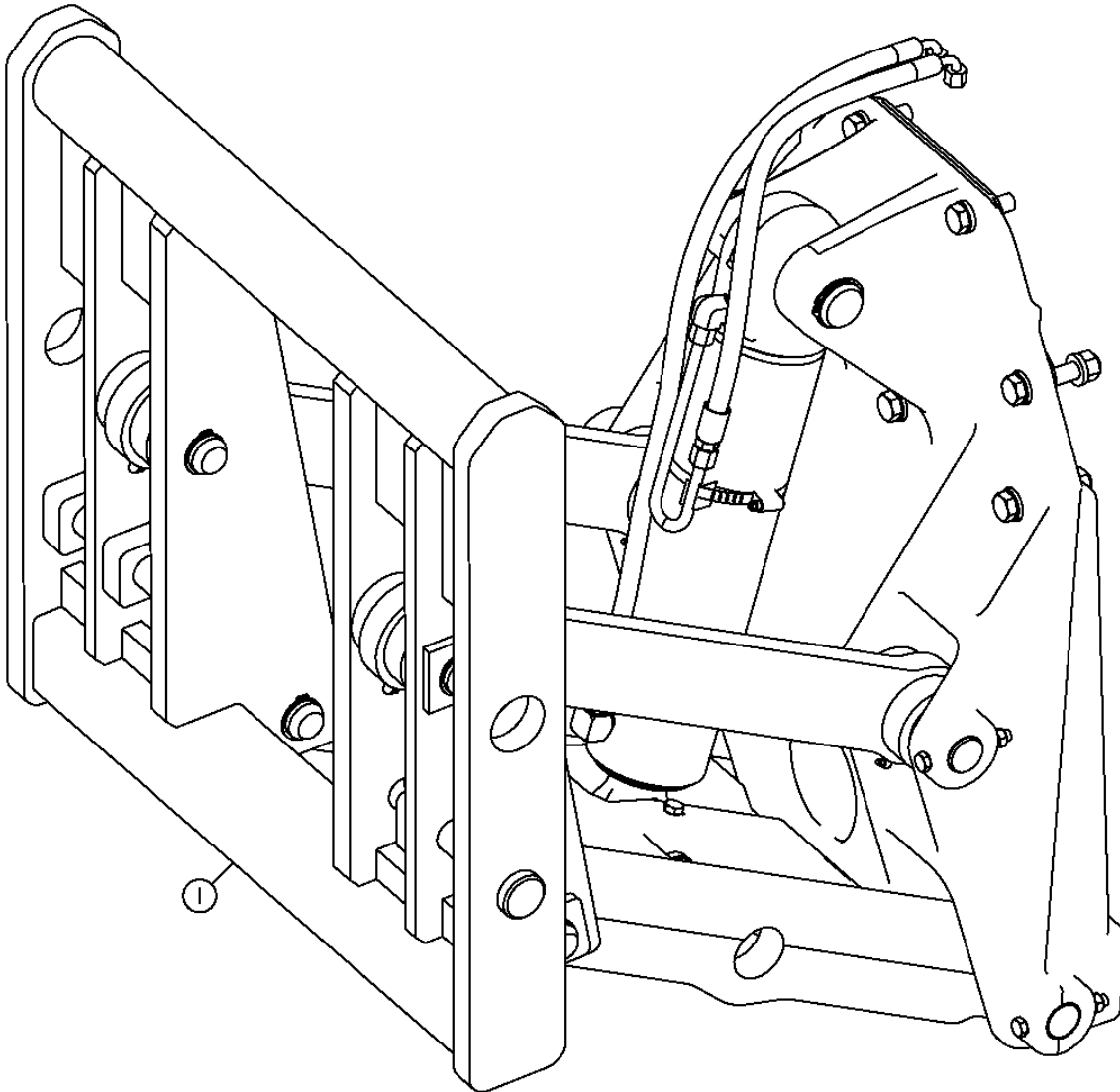
GROUND CONDITIONING TOOL 42

MOVEABLE FRAME 4243

PARALLEL LIFT GROUP
GROUPE DE RELEVAGE PARALLELE
GRUPO DE ELEVACION PARALELA

TX1053345

-UN-17DEC08



TX1053345

THIS PARTS LISTING IS CONTINUED

4243-17

GROUND CONDITIONING TOOL 42

MOVEABLE FRAME 4243

**PARALLEL LIFT GROUP
GROUPE DE RELEVAGE PARALLELE
GRUPO DE ELEVACION PARALELA**

<i>KEY</i>	<i>PART NO.</i>	<i>PART NAME</i>	<i>QTY.</i>	<i>SERIAL NO.</i>	<i>REMARKS</i>
1	AT365788	LIFT ARM	1		(WHOLEGOODS) COMPONENTS LISTED ON SEPARATE PAGES

4243-18

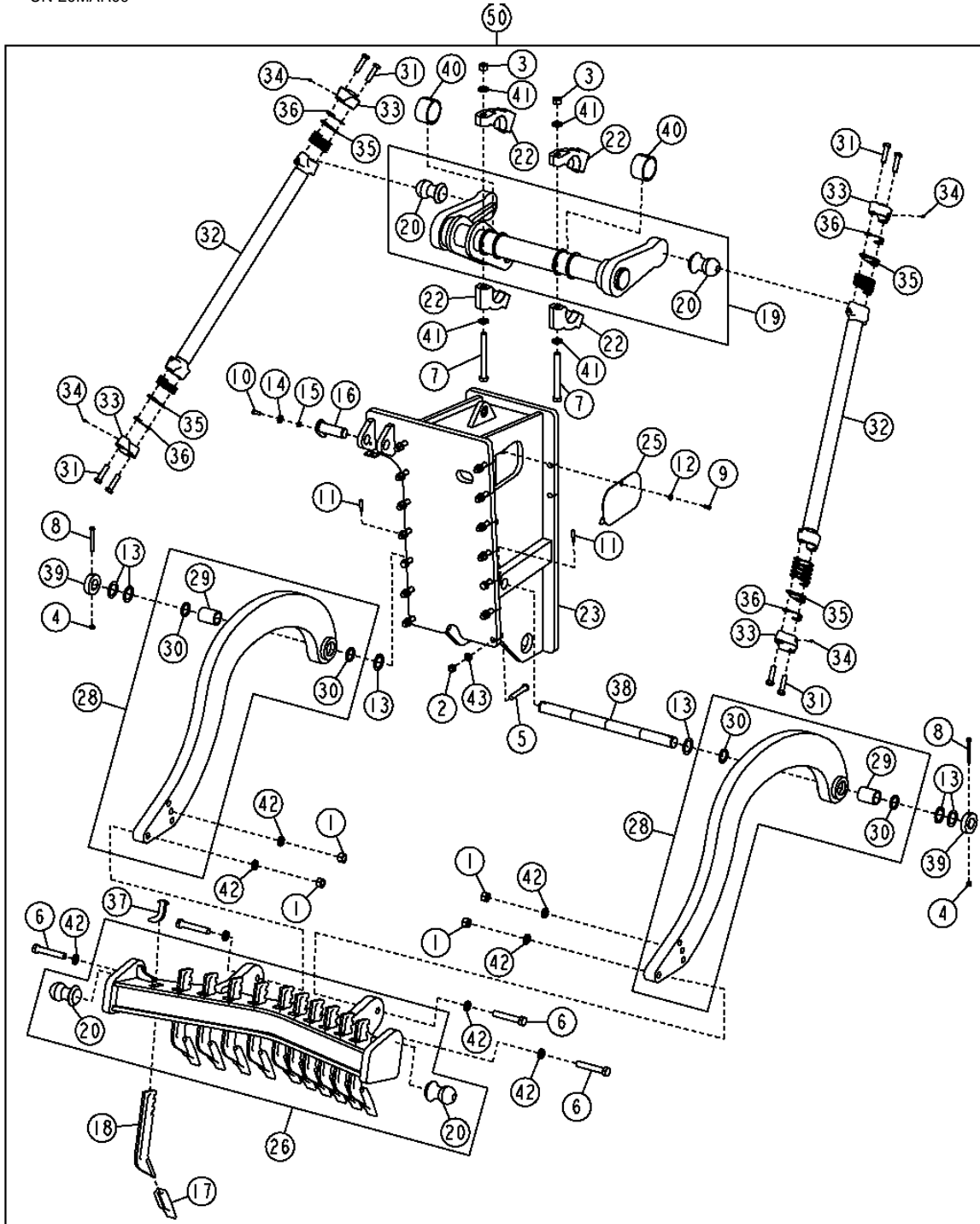
GROUND CONDITIONING TOOL 42

MOVEABLE FRAME 4243

MID MOUNTED SCARIFIER SCARIFICATEUR CENTRAL ESCARIFICADOR DE MONTAJE INTERMEDIO

TX1057085

-UN-20MAR09



TX1057085

THIS PARTS LISTING IS CONTINUED

4243-19

GROUND CONDITIONING TOOL 42

MOVEABLE FRAME 4243

**MID MOUNTED SCARIFIER
SCARIFICATEUR CENTRAL
ESCARIFICADOR DE MONTAJE INTERMEDIO**

KEY	PART NO.	PART NAME	QTY.	SERIAL NO.	REMARKS
1	14H1048	NUT	4		1"
2	14H1058	NUT	14		3/4"
3	14M7278	NUT	2		
4	14M7319	LOCK NUT	2		M12
5	19H2826	CAP SCREW	14		3/4" X 4-1/2"
6	19H3985	CAP SCREW	4		1" X 6"
7	19M7734	CAP SCREW	4		M24 X 220
8	19M7908	CAP SCREW	2		M12 X 110
9	19M7938	CAP SCREW	1		M10 X 20
10	19M8011	CAP SCREW	2		M12 X 30
11	22M7153	SET SCREW	2		M12 X 55
12	24H1308	WASHER	1		13/32" X 1" X 0.134"
13	24H1595	WASHER	6		2-1/16" X 3" X 0.075"
14	24M7226	WASHER	2		13 X 35 X 5 MM
15	28H3418	WASHER	2		0.546" X 0.840" X 5/16"
16	AT333476	PIN FASTENER	2		
17	T6Y5230	TOOTH	1		
18	T9F5124	SHANK	1		
19	AT344850	BELLCRANK	1		
20	T59974	BALL	2		
22	AT344918	BEARING HOUSING W/O BEARING	4		
23	AT346102	STAND-OFF	1		(CA)
24	T72414	BUSHING	1		
25	AT349370	COVER	1		
26	AT333480	TOOLBAR	1		
28	AT344852	ARM	2		
29	T225063	BUSHING	1		
30	T225566	SEAL	2		
31	19H2728	CAP SCREW	8		
32	AT344847	ROD	2		
33	H142036	END	4		
34	JD7844	LUBRICATION FITTING	4		
35	T147623	SHIM	12		(.05")
36	T148164	SHIM	16		(.15")
37	T225059	PLATE	11		
38	T225076	PIN	1		
39	T225077	BUSHING	2		
40	T233232	BUSHING	2		
41	T30636	WASHER	8		
42	T75690	WASHER	8		
43	T83426	WASHER	28		
50	AT363364	SCARIFIER ATTACHMENT	1		(WHOLE GOODS) ADDITIONAL COMPONENTS LISTED ON ANOTHER PAGE

4243-20

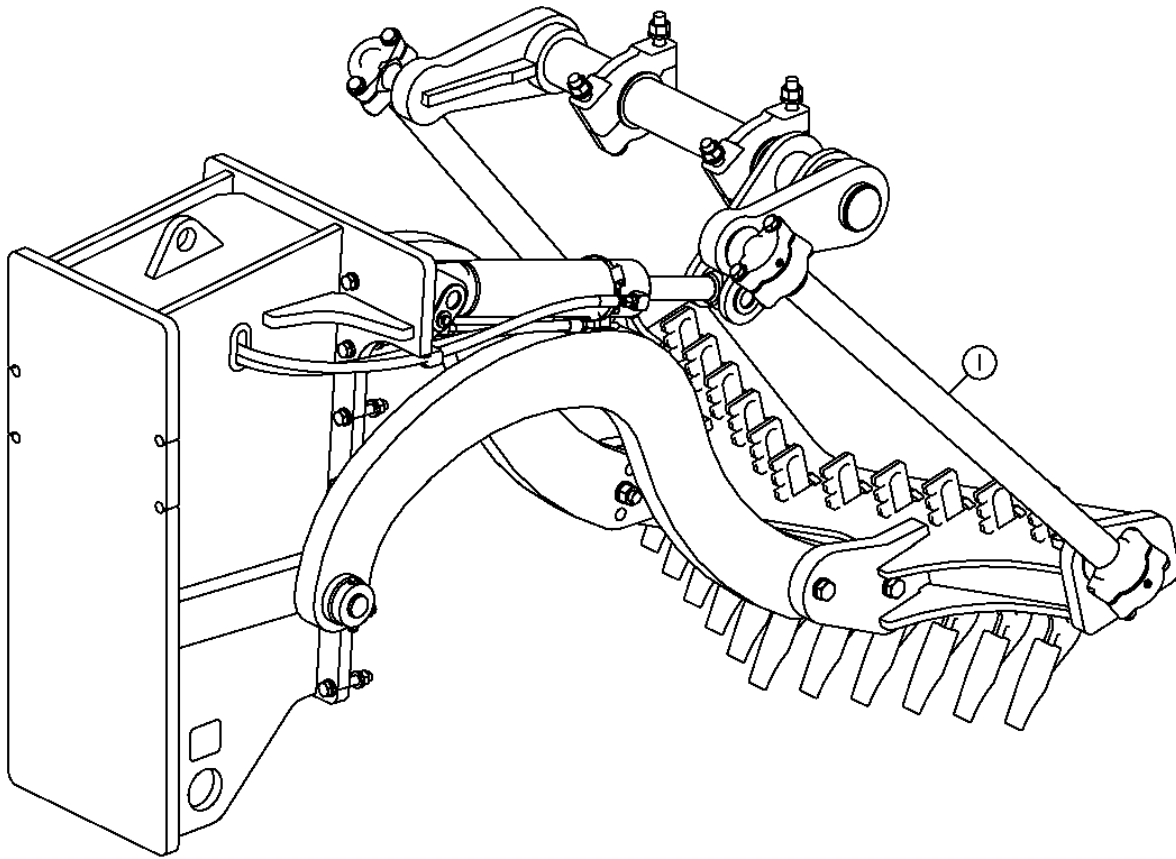
GROUND CONDITIONING TOOL 42

MOVEABLE FRAME 4243

MID MOUNTED SCARIFIER (FIELD KIT)
SCARIFICATEUR CENTRAL (KIT DE TERRAIN)
ESCARIFICADOR DE MONTAJE INTERMEDIO (JUEGO DE CAMPO)

TX1053280

-UN-17DEC08



TX1053280

THIS PARTS LISTING IS CONTINUED

4243-21

GROUND CONDITIONING TOOL 42

MOVEABLE FRAME 4243

**MID MOUNTED SCARIFIER (FIELD KIT)
SCARIFICATEUR CENTRAL (KIT DE TERRAIN)
ESCARIFICADOR DE MONTAJE INTERMEDIO (JUEGO DE CAMPO)**

<i>KEY</i>	<i>PART NO.</i>	<i>PART NAME</i>	<i>QTY.</i>	<i>SERIAL NO.</i>	<i>REMARKS</i>
1	AT363364	SCARIFIER ATTACHMENT	1		COMPONENTS LISTED ON SEPARATE PAGES (WHOLEGOODS) (INCLUDES AT301226 RELIEF VALVE)

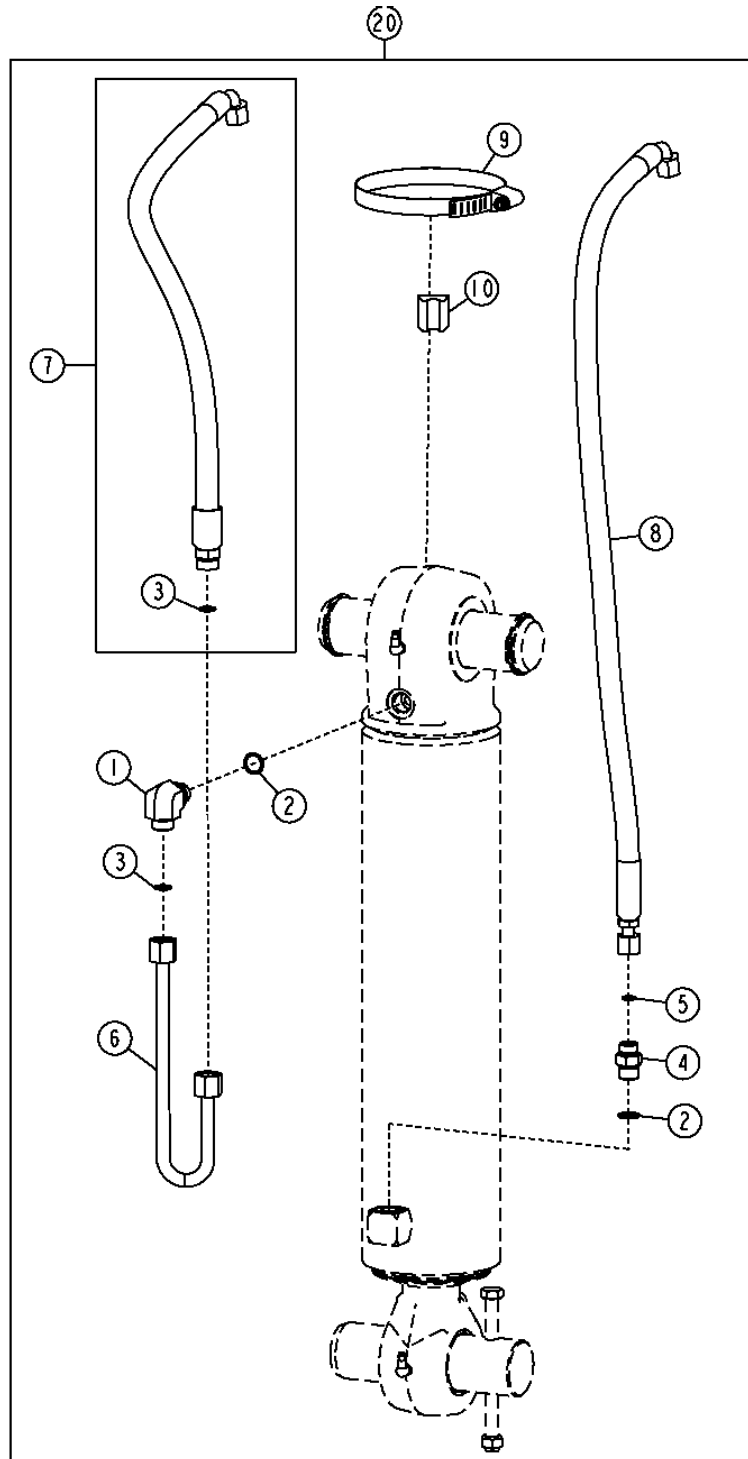
4263-2

GROUND CONDITIONING TOOL 42
LINES, HOSES & FITTINGS 4263

SCARIFIER PLUMBING TUYAUERIE DE SCARIFICATEUR TUBERIA DE ESCARIFICADOR

TX1057094

-UN-20MAR09



TX1057094

4263-3

GROUND CONDITIONING TOOL 42
LINES, HOSES & FITTINGS 4263

**SCARIFIER PLUMBING
TUYAUERIE DE SCARIFICATEUR
TUBERIA DE ESCARIFICADOR**

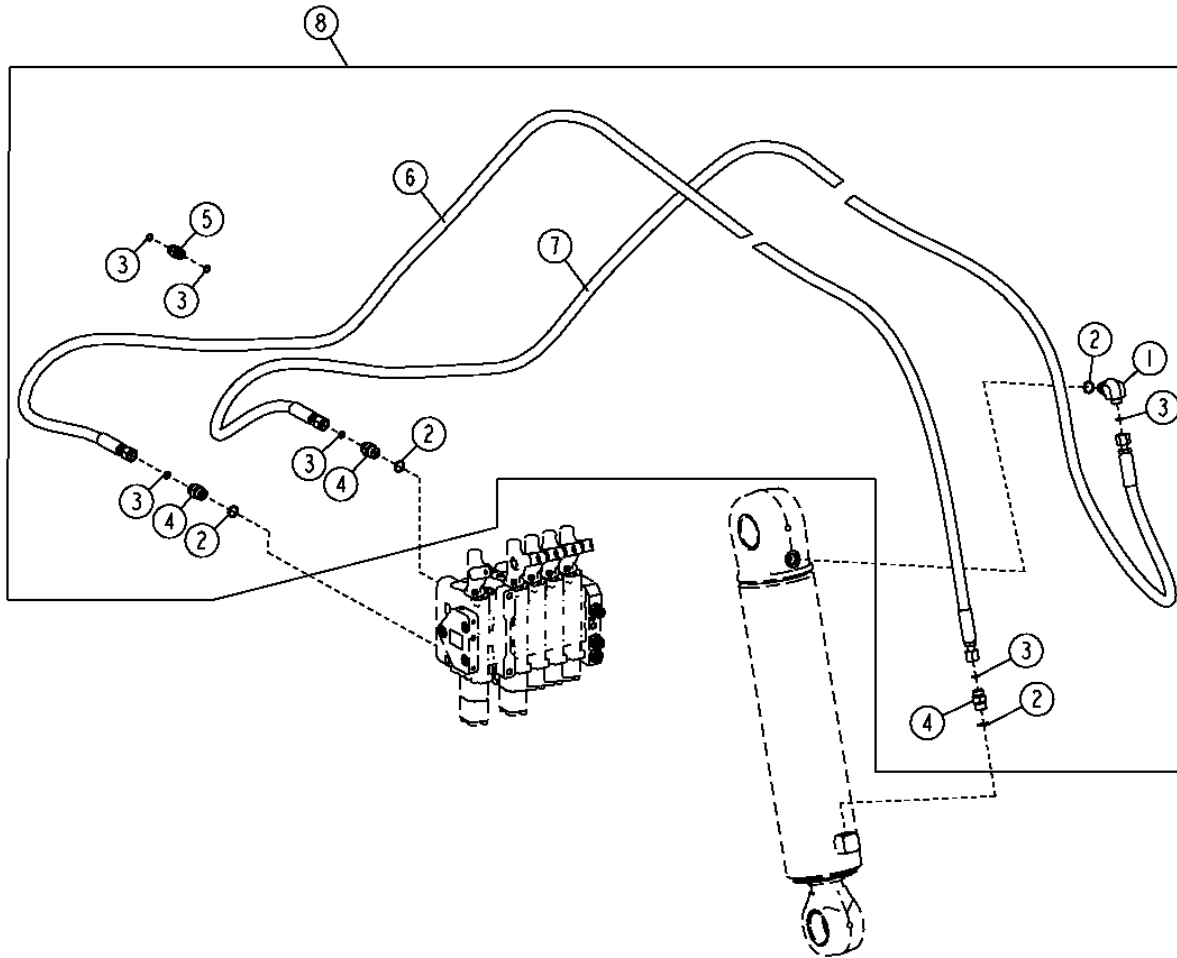
KEY	PART NO.	PART NAME	QTY.	SERIAL NO.	REMARKS
1	38H1005	ELBOW FITTING	1		
2	R26375	O-RING	2		
3	T77857	O-RING	2		
4	38H1171	ADAPTER FITTING	1		
5	T77613	O-RING	1		
6	AT208515	TUBE	1		
7	AT345619	HYDRAULIC HOSE - FABRICATE	1		
8	AT345620	HYDRAULIC HOSE - FABRICATE	1		
9	AR85327	CLAMP	1		
10	KV13179	GUIDE	1		
20	AT365788	HYDRAULIC CYLINDER KIT	1		(WHOLE GOODS) (PARALLEL LIFT GROUP) (ADDITIONAL COMPONENTS ON SEPARATE PAGES)

4263-4

GROUND CONDITIONING TOOL 42
LINES, HOSES & FITTINGS 4263

SCARIFIER PLUMBING (FIELD KIT)
TUYAUERIE DE SCARIFICATEUR (KIT DE TERRAIN)
TUBERIA DE ESCARIFICADOR (JUEGO DE CAMPO)

T203169 -UN-19NOV04



T203169

4263-5

GROUND CONDITIONING TOOL 42

LINES, HOSES & FITTINGS 4263

SCARIFIER PLUMBING (FIELD KIT)
TUYAUERIE DE SCARIFICATEUR (KIT DE TERRAIN)
TUBERIA DE ESCARIFICADOR (JUEGO DE CAMPO)

KEY	PART NO.	PART NAME	QTY.	SERIAL NO.	REMARKS
1	38H1010	ELBOW FITTING	1		
2	R26375	O-RING	4		
3	T77613	O-RING	6		
4	38H1171	ADAPTER FITTING	3		
5	38H1278	UNION FITTING	1		
6	AT305770	HYDRAULIC HOSE - FABRICATE	1		
7	AT305771	HYDRAULIC HOSE - FABRICATE	1		
8	AT318528	KIT	1		(FRONT SCARIFIER HYDRAULIC HOSE KIT) (WHOLE GOODS)

4263-6

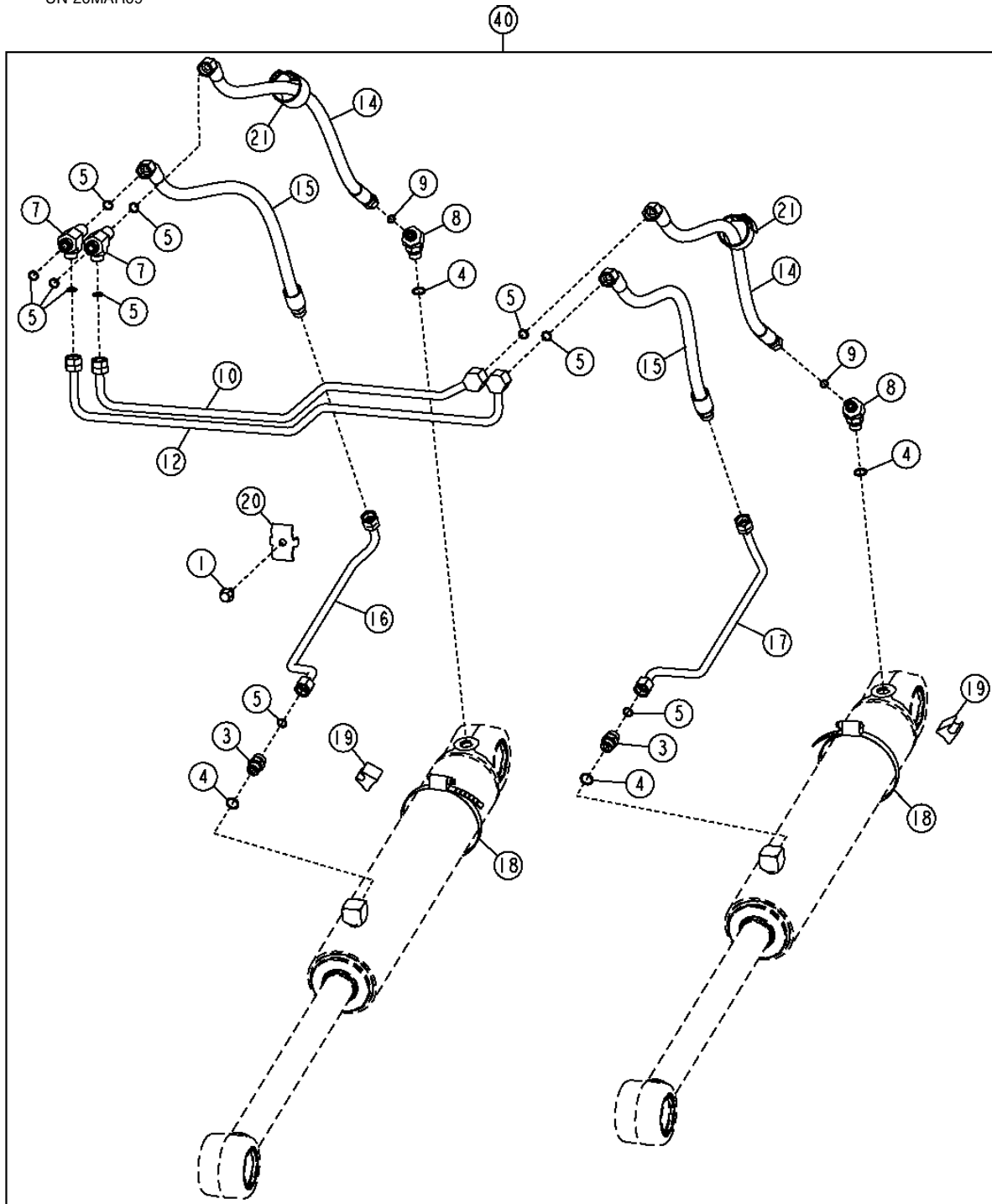
GROUND CONDITIONING TOOL 42

LINES, HOSES & FITTINGS 4263

RIPPER PLUMBING TUYAUERIE DE DEFONCEUSE TUBERIA DE LA DESGARRADORA

TX1057106

-UN-20MAR09



TX1057106

THIS PARTS LISTING IS CONTINUED

4263-7

GROUND CONDITIONING TOOL 42

LINES, HOSES & FITTINGS 4263

**RIPPER PLUMBING
TUYAUERIE DE DEFONCEUSE
TUBERIA DE LA DESGARRADORA**

KEY	PART NO.	PART NAME	QTY.	SERIAL NO.	REMARKS
1	19M7784	SCREW	1		M10 X 20
2	38H5120	FITTING	1		
3	38H1161	ADAPTER FITTING	2		
4	R26375	O-RING	4		
5	T77857	O-RING	11		
7	38H1505	TEE FITTING	2		
8	38H1522	ELBOW FITTING	2		
9	T77613	O-RING	2		
10	AT363618	OIL LINE	1		
11	38H1354	TUBE NUT	1		
12	AT363621	OIL LINE	1		
13	38H1119	TUBE NUT	3		
14	AT363642	HYDRAULIC HOSE - FABRICATE	2		
15	AT363644	HYDRAULIC HOSE - FABRICATE	2		
16	AT363781	OIL LINE	1		
17	AT363966	OIL LINE	1		
18	C16054	CLAMP	2		
19	KV13179	GUIDE	2		
20	T159950	CLAMP	1		
21	T253535	DUAL LOCK FASTENER	2		
40	AT363432	SCARIFIER ATTACHMENT	1		REAR RIPPER /SCARIFIER (WHOLE GOODS) (ADDITIONAL COMPONENTS ON SEPARATE PAGES)

4263-8

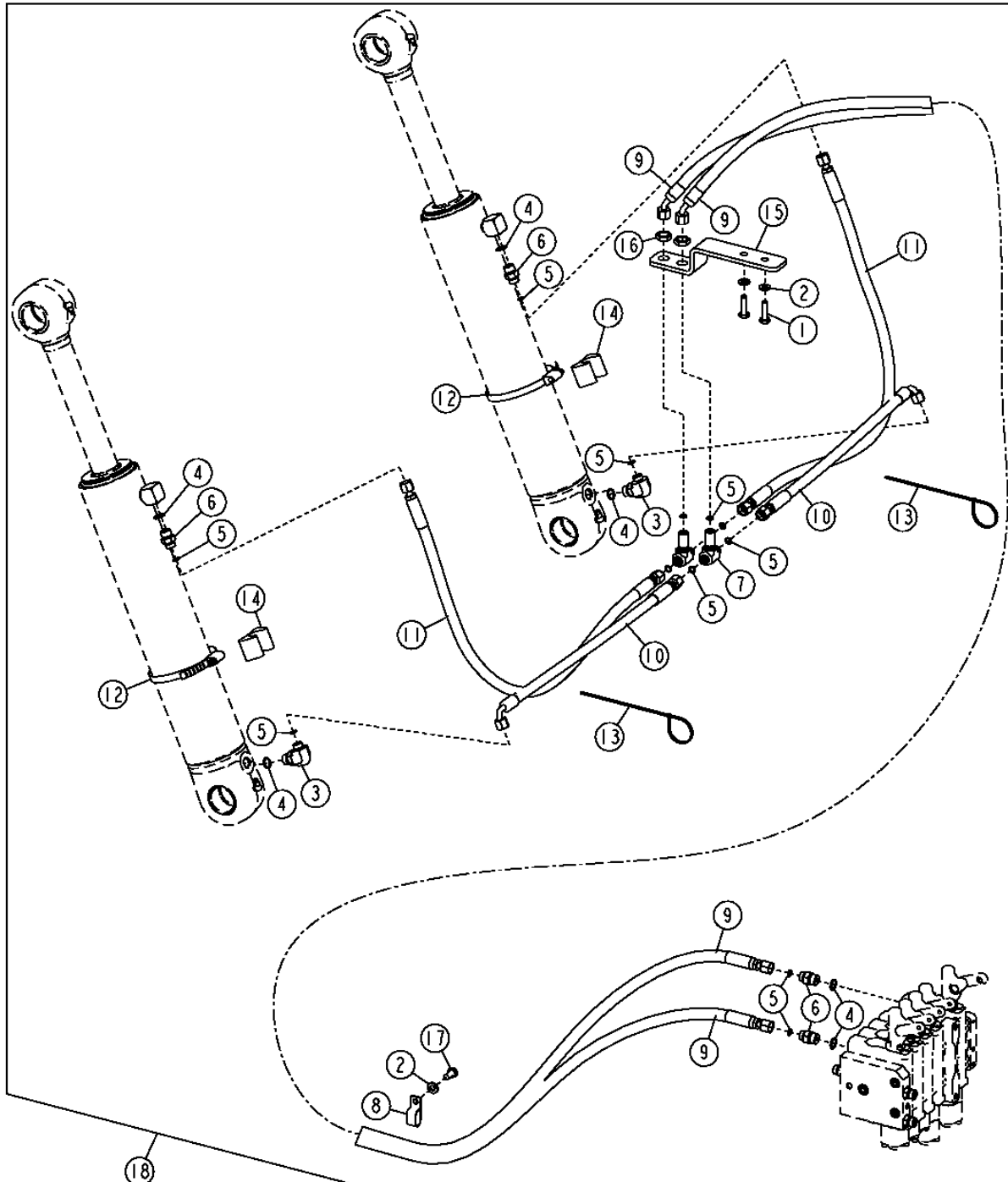
GROUND CONDITIONING TOOL 42

LINES, HOSES & FITTINGS 4263

RIPPER PLUMBING (FIELD KIT) TUYAUERIE DE DEFONCEUSE (KIT DE TERRAIN) TUBERIA DE LA DESGARRADORA (JUEGO DE CAMPO)

T204377

-UN-22NOV04



T204377

THIS PARTS LISTING IS CONTINUED

4263-9

GROUND CONDITIONING TOOL 42

LINES, HOSES & FITTINGS 4263

RIPPER PLUMBING (FIELD KIT)
TUYAUERIE DE DEFONCEUSE (KIT DE TERRAIN)
TUBERIA DE LA DESGARRADORA (JUEGO DE CAMPO)

KEY	PART NO.	PART NAME	QTY.	SERIAL NO.	REMARKS
1	19M7550	CAP SCREW	2		M10 X 35
2	24M7239	WASHER	2		10.700 X 21 X 2.500 MM
3	38H1010	ELBOW FITTING	2		
4	R26375	O-RING	6		
5	T77613	O-RING	12		
6	38H1171	ADAPTER FITTING	4		
7	38H1291	TEE FITTING	2		
8	AH97280	CLIP	1		
9	AT306388	HYDRAULIC HOSE - FABRICATE	2		
10	AT331007	HYDRAULIC HOSE - FABRICATE	2		(SUB FOR AT307458)
11	AT307459	HYDRAULIC HOSE - FABRICATE	2		11/16" X 43" X 11/16"
12	C16054	CLAMP	2		
13	H77698	TIE BAND	2		
14	T105773	GUIDE	2		
15	T205713	BRACKET	1		
16	T81029	NUT	2		
17	19M7938	CAP SCREW	1		M10 X 20
18	AT318529	KIT	1		(RIPPER/REAR SCARIFIER PLUMBING) (WHOLE GOODS)

4263-10

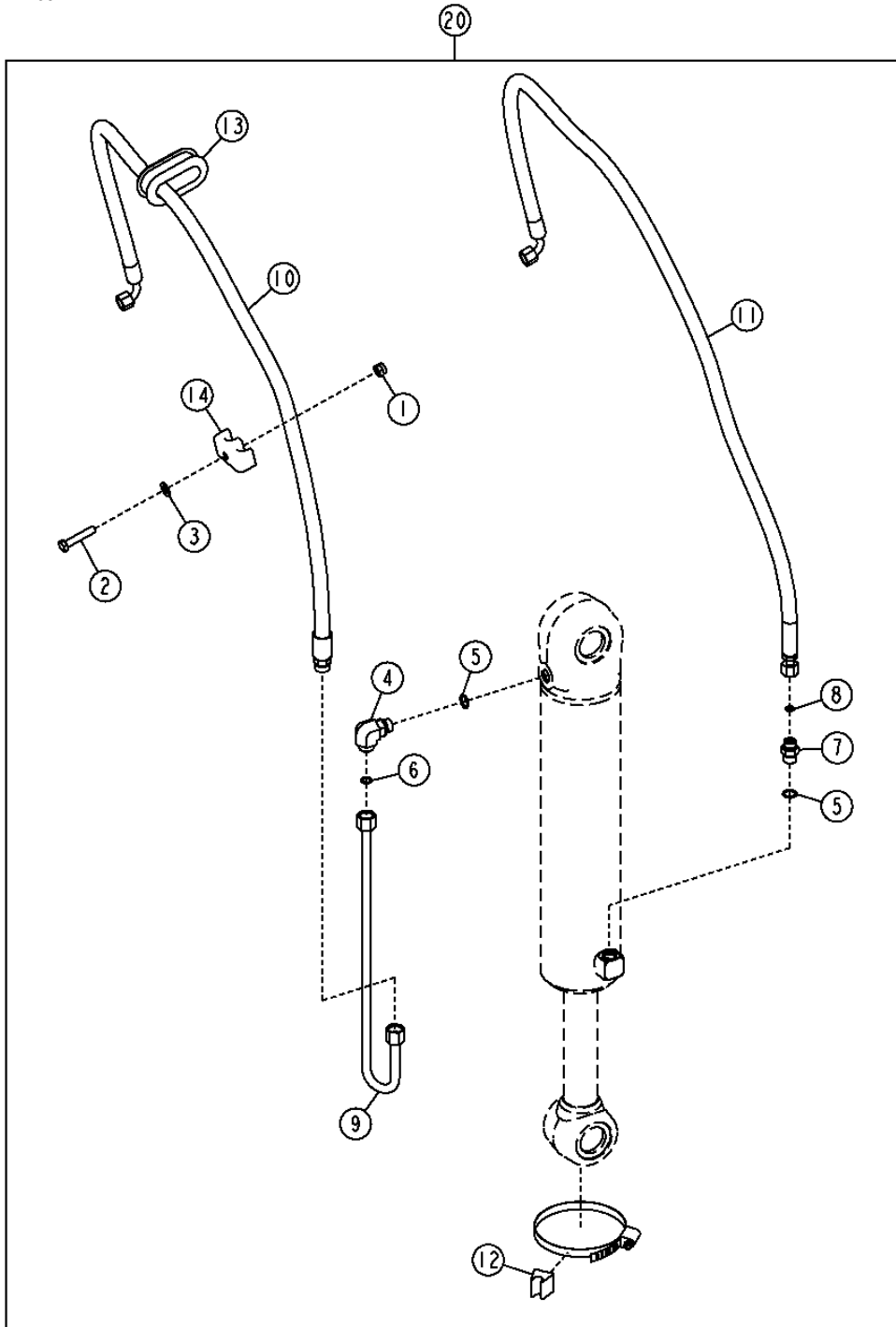
GROUND CONDITIONING TOOL 42

LINES, HOSES & FITTINGS 4263

MID-SCARIFIER PLUMBING TUYAUERIE DE SCARIFICATEUR CENTRAL TUBERIA DE ESCARIFICADOR DE MONTAJE INTERMEDIO

TX1057182

-UN-20MAR09



TX1057182

4263-11

GROUND CONDITIONING TOOL 42

LINES, HOSES & FITTINGS 4263

**MID-SCARIFIER PLUMBING
TUYAUERIE DE SCARIFICATEUR CENTRAL
TUBERIA DE ESCARIFICADOR DE MONTAJE INTERMEDIO**

KEY	PART NO.	PART NAME	QTY.	SERIAL NO.	REMARKS
1	14M7517	LOCK NUT	1		M10
2	19M7658	CAP SCREW	1		M10 X 50
3	24M7239	WASHER	1		10.700 X 21 X 2.500 MM
4	38H1005	ELBOW FITTING	1		
5	R26375	O-RING	2		
6	T77857	O-RING	3		
7	38H1171	ADAPTER FITTING	1		
8	T77613	O-RING	1		
9	AT338874	OIL LINE	1		
10	AT348955	HYDRAULIC HOSE - FABRICATE	1		
11	AT348956	HYDRAULIC HOSE - FABRICATE	1		
12	KV13179	GUIDE	1		
13	T238881	GROMMET	1		
14	W34897	CLAMP	1		
20	AT363364	HOSE KIT	1		(WHOLE GOODS) (ADDITIONAL COMPONENTS ON SEPARATE PAGES)

4263-12

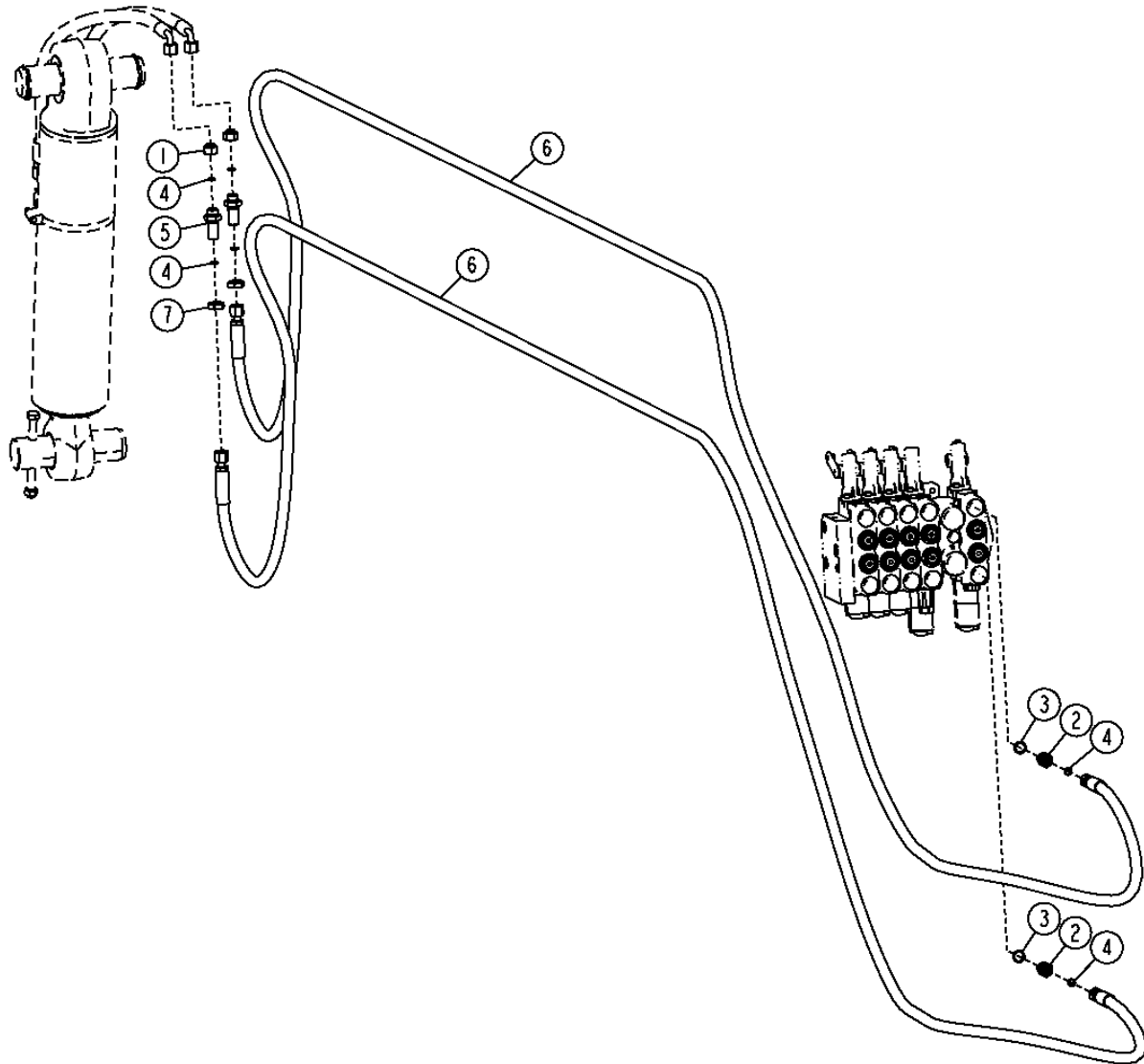
GROUND CONDITIONING TOOL 42

LINES, HOSES & FITTINGS 4263

FRONT AUXILIARY HOSES (FIFTH FUNCTION) (STANDARD CONTROLS)
FLEXIBLES AUXILIAIRES AVANT (CINQUIEME FONCTION) (COMMANDES STANDARD)
MANGUERAS AUXILIARES ANTERIOR (QUINTA FUNCION) (CONTROLES ESTANDAR)

TX1052606

-UN-16DEC08



TX1052606

THIS PARTS LISTING IS CONTINUED

4263-13

GROUND CONDITIONING TOOL 42

LINES, HOSES & FITTINGS 4263

FRONT AUXILIARY HOSES (FIFTH FUNCTION) (STANDARD CONTROLS)
FLEXIBLES AUXILIAIRES AVANT (CINQUIEME FONCTION) (COMMANDES STANDARD)
MANGUERAS AUXILIARES ANTERIOR (QUINTA FUNCION) (CONTROLES ESTANDAR)

KEY	PART NO.	PART NAME	QTY.	SERIAL NO.	REMARKS
1	38H5141	FITTING	2		
2	38H1171	ADAPTER FITTING	2		
3	R26375	O-RING	2		
4	T77613	O-RING	6		
5	38H1285	UNION FITTING	2		
6	AT340940	HYDRAULIC HOSE	2		
7	T81029	NUT	2		

4263-14

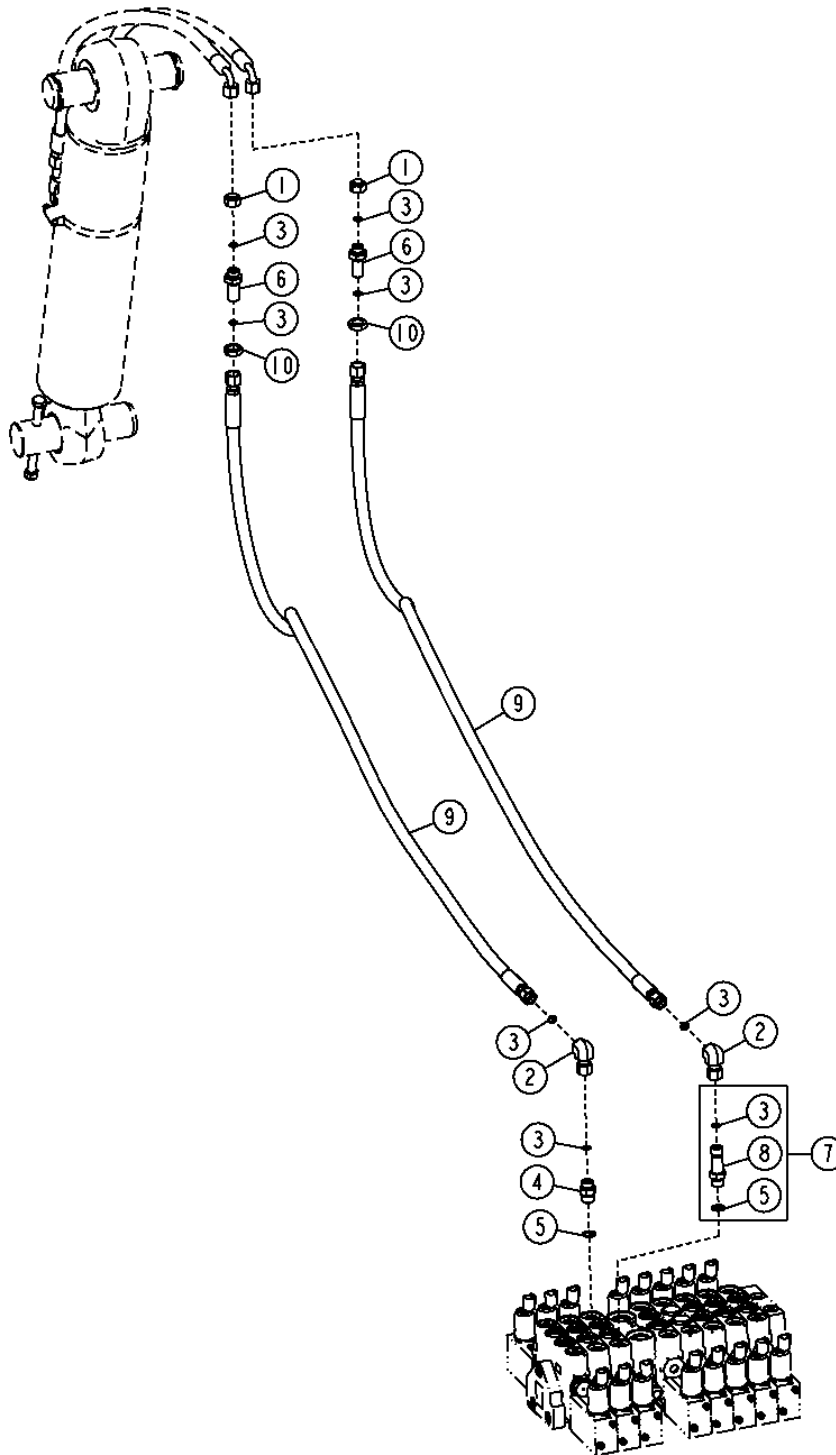
GROUND CONDITIONING TOOL 42

LINES, HOSES & FITTINGS 4263

FRONT AUXILIARY HOSES (FIFTH FUNCTION) (GRADE PRO)
FLEXIBLES AUXILIAIRES AVANT (CINQUIEME FONCTION) (GRADE PRO)
MANGUERAS AUXILIARES ANTERIOR (QUINTA FUNCION) (GRADE PRO)

TX1052607

-UN-16DEC08



TX1052607

4263-15

GROUND CONDITIONING TOOL 42

LINES, HOSES & FITTINGS 4263

FRONT AUXILIARY HOSES (FIFTH FUNCTION) (GRADE PRO)
FLEXIBLES AUXILIAIRES AVANT (CINQUIEME FONCTION) (GRADE PRO)
MANGUERAS AUXILIARES ANTERIOR (QUINTA FUNCION) (GRADE PRO)

KEY	PART NO.	PART NAME	QTY.	SERIAL NO.	REMARKS
1	38H5141	FITTING	2		
2	38H1094	ELBOW FITTING	2		
3	T77613	O-RING	8		
4	38H1171	ADAPTER FITTING	1		
5	R26375	O-RING	2		
6	38H1578	ADAPTER FITTING	2		
7	61H1578	ADAPTER FITTING	1		
8	38H1578	ADAPTER FITTING	1		
9	AT345564	HYDRAULIC HOSE - FABRICATE	2		
10	T81029	NUT	2		

4263-16

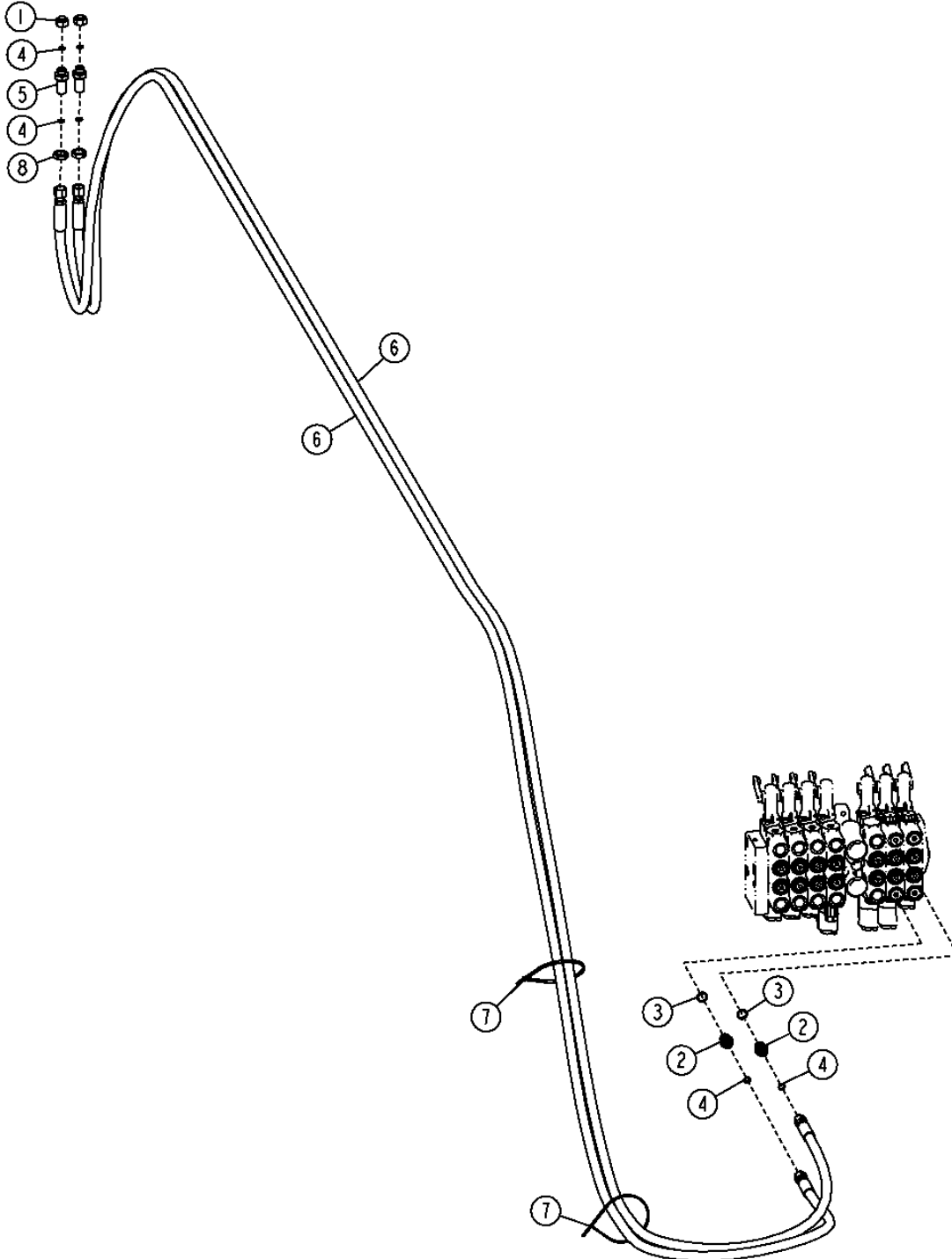
GROUND CONDITIONING TOOL 42

LINES, HOSES & FITTINGS 4263

FRONT AUXILIARY HOSES (SIXTH FUNCTION) (STANDARD CONTROLS)
FLEXIBLES AUXILIAIRES AVANT (SIXIEME FONCTION) (COMMANDES STANDARD)
MANGUERAS AUXILIARES ANTERIOR (SEXTA FUNCION) (CONTROLES ESTANDAR)

TX1052608

-UN-16DEC08



TX1052608

4263-17

GROUND CONDITIONING TOOL 42

LINES, HOSES & FITTINGS 4263

FRONT AUXILIARY HOSES (SIXTH FUNCTION) (STANDARD CONTROLS)
FLEXIBLES AUXILIAIRES AVANT (SIXIEME FONCTION) (COMMANDES STANDARD)
MANGUERAS AUXILIARES ANTERIOR (SEXTA FUNCION) (CONTROLES ESTANDAR)

KEY	PART NO.	PART NAME	QTY.	SERIAL NO.	REMARKS
1	38H5141	FITTING	2		
2	38H1171	ADAPTER FITTING	2		
3	R26375	O-RING	2		
4	T77613	O-RING	6		
5	38H1285	UNION FITTING	2		
6	AT640940	HYDRAULIC HOSE	2		
7	H77698	TIE BAND	2		
8	T81029	NUT	2		

4263-18

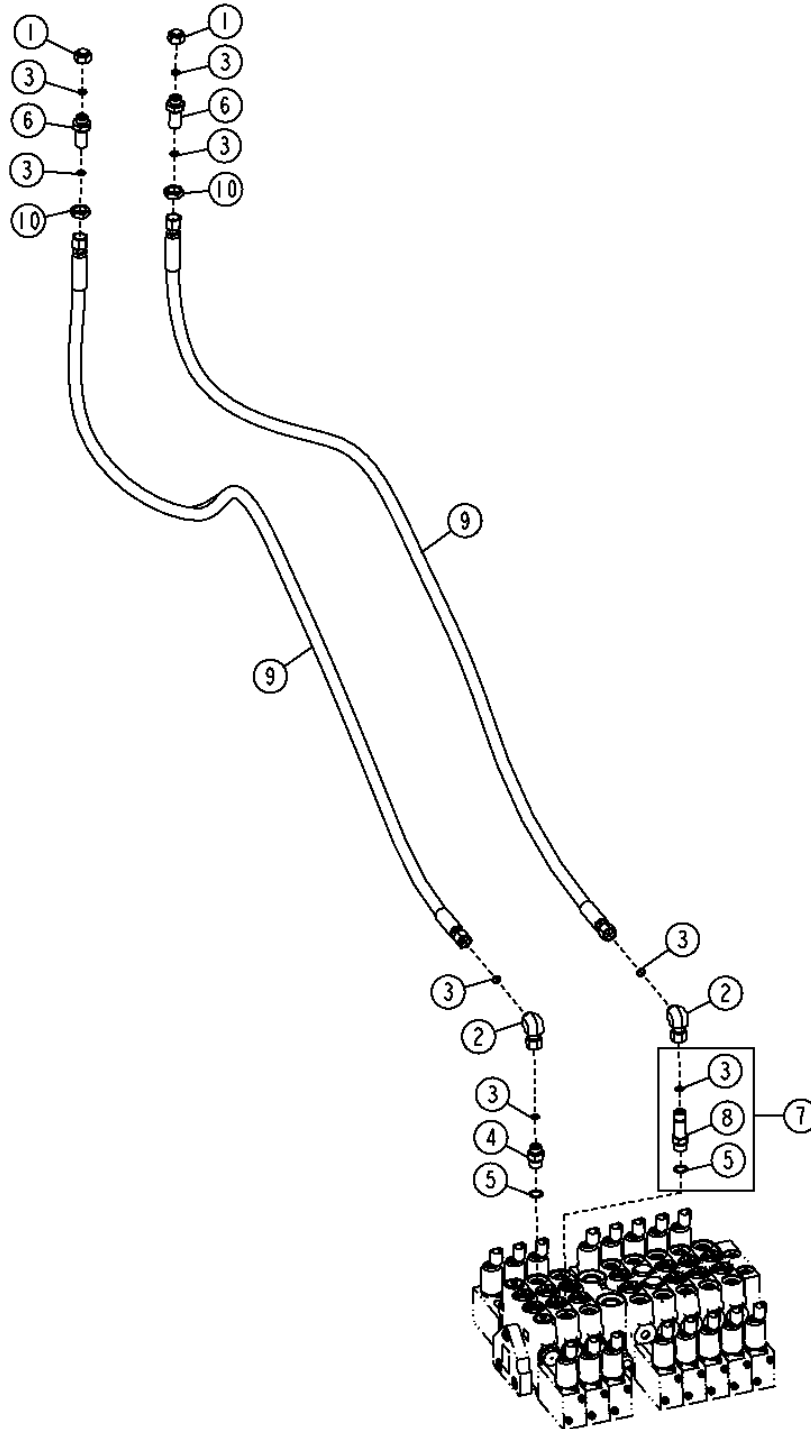
GROUND CONDITIONING TOOL 42

LINES, HOSES & FITTINGS 4263

FRONT AUXILIARY HOSES (SIXTH FUNCTION) (GRADE PRO)
FLEXIBLES AUXILIAIRES AVANT (SIXIEME FONCTION) (GRADE PRO)
MANGUERAS AUXILIARES ANTERIOR (SEXTA FUNCION) (GRADE PRO)

TX1052609

-UN-16DEC08



TX1052609

4263-19

GROUND CONDITIONING TOOL 42

LINES, HOSES & FITTINGS 4263

FRONT AUXILIARY HOSES (SIXTH FUNCTION) (GRADE PRO)
FLEXIBLES AUXILIAIRES AVANT (SIXIEME FONCTION) (GRADE PRO)
MANGUERAS AUXILIARES ANTERIOR (SEXTA FUNCION) (GRADE PRO)

KEY	PART NO.	PART NAME	QTY.	SERIAL NO.	REMARKS
1	38H5141	FITTING	2		
2	38H1094	ELBOW FITTING	2		
3	T77613	O-RING	8		
4	38H1171	ADAPTER FITTING	1		
5	R26375	O-RING	2		
6	38H1285	UNION FITTING	2		
7	61H1578	STUD	1		
8	38H1578	ADAPTER FITTING	1		
9	AT345564	HYDRAULIC HOSE	2		
10	T81029	NUT	2		

4263-20

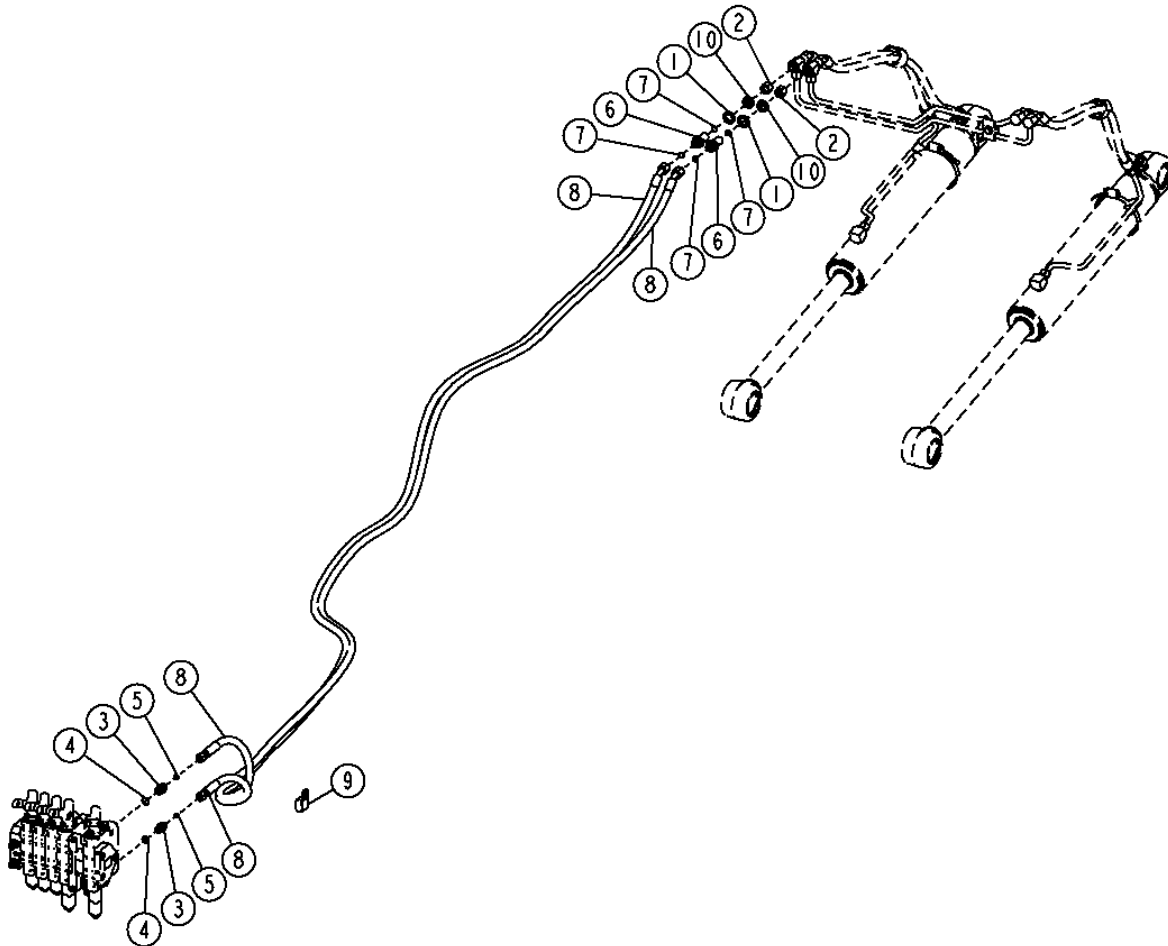
GROUND CONDITIONING TOOL 42

LINES, HOSES & FITTINGS 4263

REAR AUXILIARY HOSES (FIFTH FUNCTION) (STANDARD CONTROLS)
TUYAUTERIE AUX ARRIERE (CINQUIEME FONCTION) (COMMANDES STANDARD)
MANGUERAS AUX TRASERAS (QUINTA FUNCION) (CONTROLES ESTANDAR)

TX1052602

-UN-15DEC08



TX1052602

THIS PARTS LISTING IS CONTINUED

4263-21

GROUND CONDITIONING TOOL 42

LINES, HOSES & FITTINGS 4263

REAR AUXILIARY HOSES (FIFTH FUNCTION) (STANDARD CONTROLS)
TUYAUTERIE AUX ARRIERE (CINQUIEME FONCTION) (COMMANDES STANDARD)
MANGUERAS AUX TRASERAS (QUINTA FUNCION) (CONTROLES ESTANDAR)

KEY	PART NO.	PART NAME	QTY.	SERIAL NO.	REMARKS
1	24M7396	WASHER	2		21 X 34 X 3 MM
2	38H5120	FITTING	2		
3	38H1171	ADAPTER FITTING	2		
4	R26375	O-RING	2		
5	T77613	O-RING	2		
6	38H1275	ADAPTER FITTING	2		
7	T77857	O-RING	4		
8	AT363990	HYDRAULIC HOSE - FABRICATE	2		
9	T32854	CLAMP	1		
10	T78716	NUT	2		

4263-22

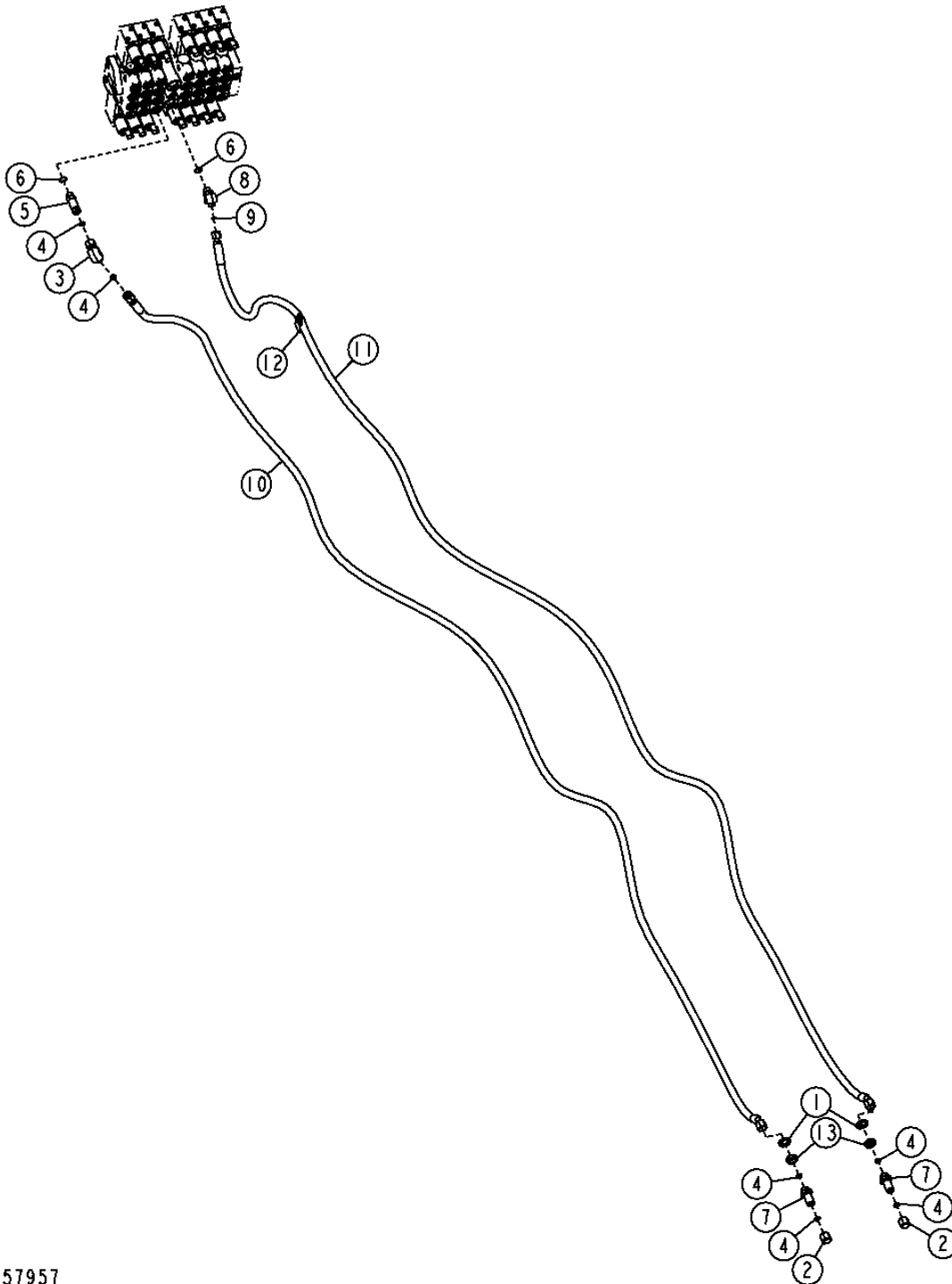
GROUND CONDITIONING TOOL 42

LINES, HOSES & FITTINGS 4263

REAR AUXILIARY HOSES (FIFTH FUNCTION) (GRADE PRO)
FLEXIBLES AUXILIAIRES ARRIERE (CINQUIEME FONCTION) (GRADE PRO)
MANGUERAS AUXILIARES TRASERAS (QUINTA FUNCION) (GRADE PRO)

TX1057957

-UN-



TX1057957

4263-23

GROUND CONDITIONING TOOL 42

LINES, HOSES & FITTINGS 4263

REAR AUXILIARY HOSES (FIFTH FUNCTION) (GRADE PRO)
FLEXIBLES AUXILIAIRES ARRIERE (CINQUIEME FONCTION) (GRADE PRO)
MANGUERAS AUXILIARES TRASERAS (QUINTA FUNCION) (GRADE PRO)

KEY	PART NO.	PART NAME	QTY.	SERIAL NO.	REMARKS
1	24M7396	WASHER	2		21 X 34 X 3 MM
2	38H5120	FITTING	2		
3	38H1095	ELBOW FITTING	1		
4	T77857	O-RING	6		
5	38H1213	ADAPTER FITTING	1		
6	R26375	O-RING	2		
7	38H1275	ADAPTER FITTING	2		
8	38H1522	ELBOW FITTING	1		
9	T77613	O-RING	1		
10	AT350848	HYDRAULIC HOSE	1		
11	AT366046	HYDRAULIC HOSE	1		
12	T32854	CLAMP	1		
13	T78716	NUT	2		

4263-24

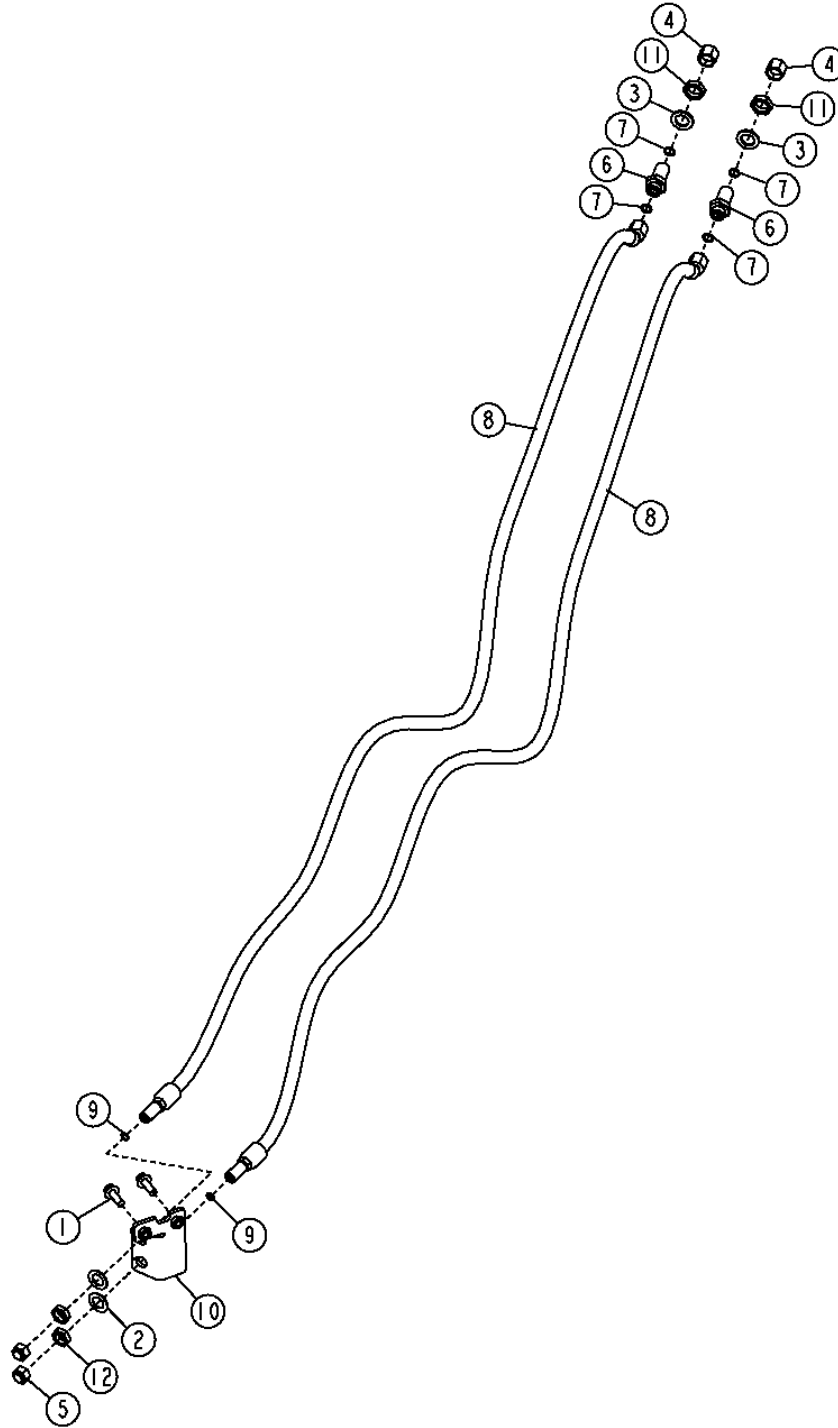
GROUND CONDITIONING TOOL 42

LINES, HOSES & FITTINGS 4263

REAR AUXILIARY HOSES (SIXTH FUNCTION) (STANDARD CONTROLS)
FLEXIBLES AUXILIAIRES ARRIERE (SIXIEME FONCTION) (COMMANDES STANDARD)
MANGUERAS AUXILIARES TRASERAS (SEXTA FUNCION) (CONTROLES ESTANDAR)

TX1055997

-UN-19FEB09



TX1055997

4263-25

GROUND CONDITIONING TOOL 42

LINES, HOSES & FITTINGS 4263

REAR AUXILIARY HOSES (SIXTH FUNCTION) (STANDARD CONTROLS)
FLEXIBLES AUXILIAIRES ARRIERE (SIXIEME FONCTION) (COMMANDES STANDARD)
MANGUERAS AUXILIARES TRASERAS (SEXTA FUNCION) (CONTROLES ESTANDAR)

KEY	PART NO.	PART NAME	QTY.	SERIAL NO.	REMARKS
1	19M7786	SCREW	2		M10 X 30
2	24H1391	WASHER	2		25/32" X 1-5/16" X 0.060"
3	24M7396	WASHER	2		21 X 34 X 3 MM
4	38H5120	FITTING	2		
5	38H5141	FITTING	2		
6	38H1275	ADAPTER FITTING	2		
7	T77857	O-RING	4		
8	AT346003	HYDRAULIC HOSE - FABRICATE	2		
9	T77613	O-RING	2		
10	AT367828	BRACKET	1		
11	T78716	NUT	2		13/16"
12	T81029	NUT	2		11/16"

4263-26

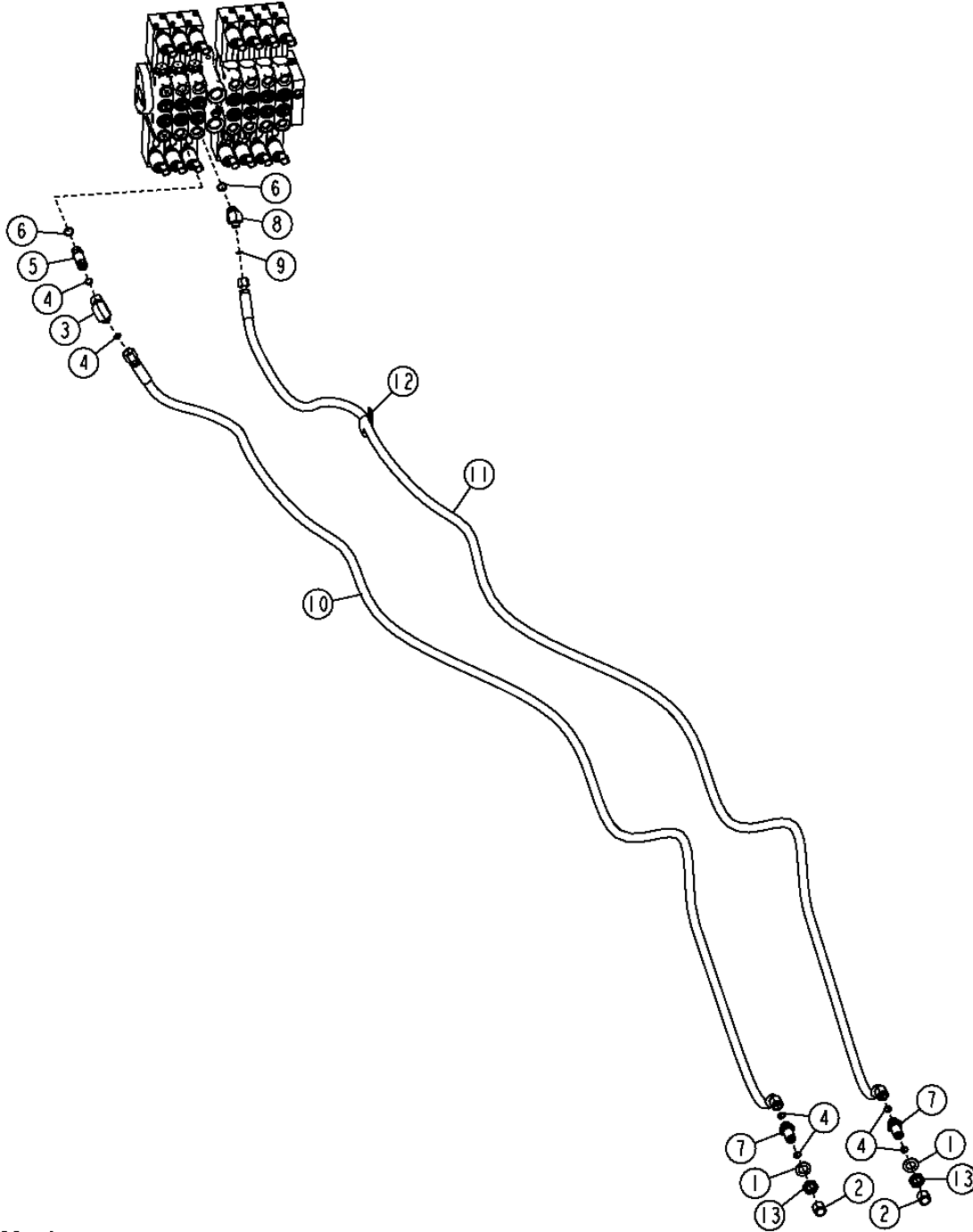
GROUND CONDITIONING TOOL 42

LINES, HOSES & FITTINGS 4263

REAR AUXILIARY HOSES (SIXTH FUNCTION) (GRADE PRO)
FLEXIBLES AUXILIAIRES ARRIERE (SIXIEME FONCTION) (GRADE PRO)
MANGUERAS AUXILIARES TRASERAS (SEXTA FUNCION) (GRADE PRO)

TX1055998

-UN-19FEB09



TX1055998

4263-27

GROUND CONDITIONING TOOL 42

LINES, HOSES & FITTINGS 4263

REAR AUXILIARY HOSES (SIXTH FUNCTION) (GRADE PRO)
FLEXIBLES AUXILIAIRES ARRIERE (SIXIEME FONCTION) (GRADE PRO)
MANGUERAS AUXILIARES TRASERAS (SEXTA FUNCION) (GRADE PRO)

KEY	PART NO.	PART NAME	QTY.	SERIAL NO.	REMARKS
1	24M7396	WASHER	2		21 X 34 X 3 MM
2	38H5120	FITTING	2		
3	38H1095	ELBOW FITTING	1		
4	T77857	O-RING	6		
5	38H1213	ADAPTER FITTING	1		
6	R26375	O-RING	2		
7	38H1275	ADAPTER FITTING	2		
8	38H1522	ELBOW FITTING	1		
9	T77613	O-RING	1		
10	AT350848	HYDRAULIC HOSE - FABRICATE	1		
11	AT366046	HYDRAULIC HOSE - FABRICATE	1		
12	T32854	CLAMP	1		
13	T78716	NUT	2		13/16"

4265-2

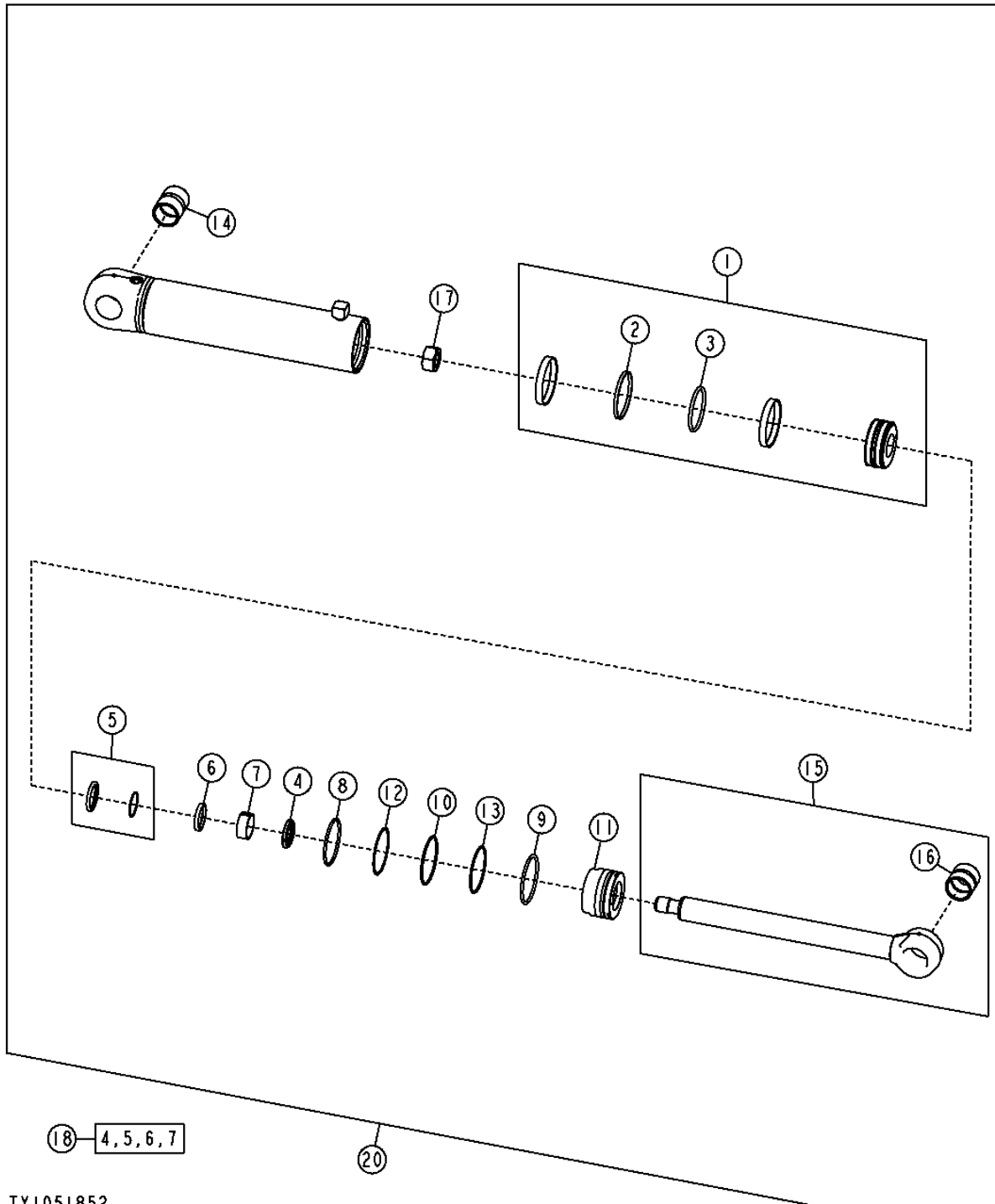
GROUND CONDITIONING TOOL 42

HYDRAULIC CYLINDER 4265

SCARIFIER CYLINDER
VERIN DE SCARIFICATEUR
CILINDRO DE ESCARIFICADOR

TX1051852

-UN-08DEC08



TX1051852

4265-3

GROUND CONDITIONING TOOL 42

HYDRAULIC CYLINDER 4265

**SCARIFIER CYLINDER
VERIN DE SCARIFICATEUR
CILINDRO DE ESCARIFICADOR**

KEY	PART NO.	PART NAME	QTY.	SERIAL NO.	REMARKS
1	AH168884	PISTON	1		
2	H176080	SEAL	1		
3	H176081	SEAL	1		
4	AH146558	SEAL	1		
5	AH146562	SEAL	1		
6	H152204	SEAL	1		
7	H152795	WEAR RING	1		
8	R83578	O-RING	1		
9	H179659	SNAP RING	1		
10	H180100	SNAP RING	1		
11	H210841	HYDR. CYLINDER ROD GUIDE	1		
12	R79001	BACK-UP RING	1		
13	U10746	O-RING	1		
14	R82075	BUSHING	1		
15	AH212660	ROD	1		
16	R82076	BUSHING	1		
17	H170541	LOCK NUT	1		
18	AH149814	HYDRAULIC CYLINDER KIT	1		
20	AH212650	HYDRAULIC CYLINDER	1		(FRONT MOUNTED SCARIFIER) (PARALLEL LIFT GROUP) (FRONT MOUNTED DOZER BLADE)

4265-4

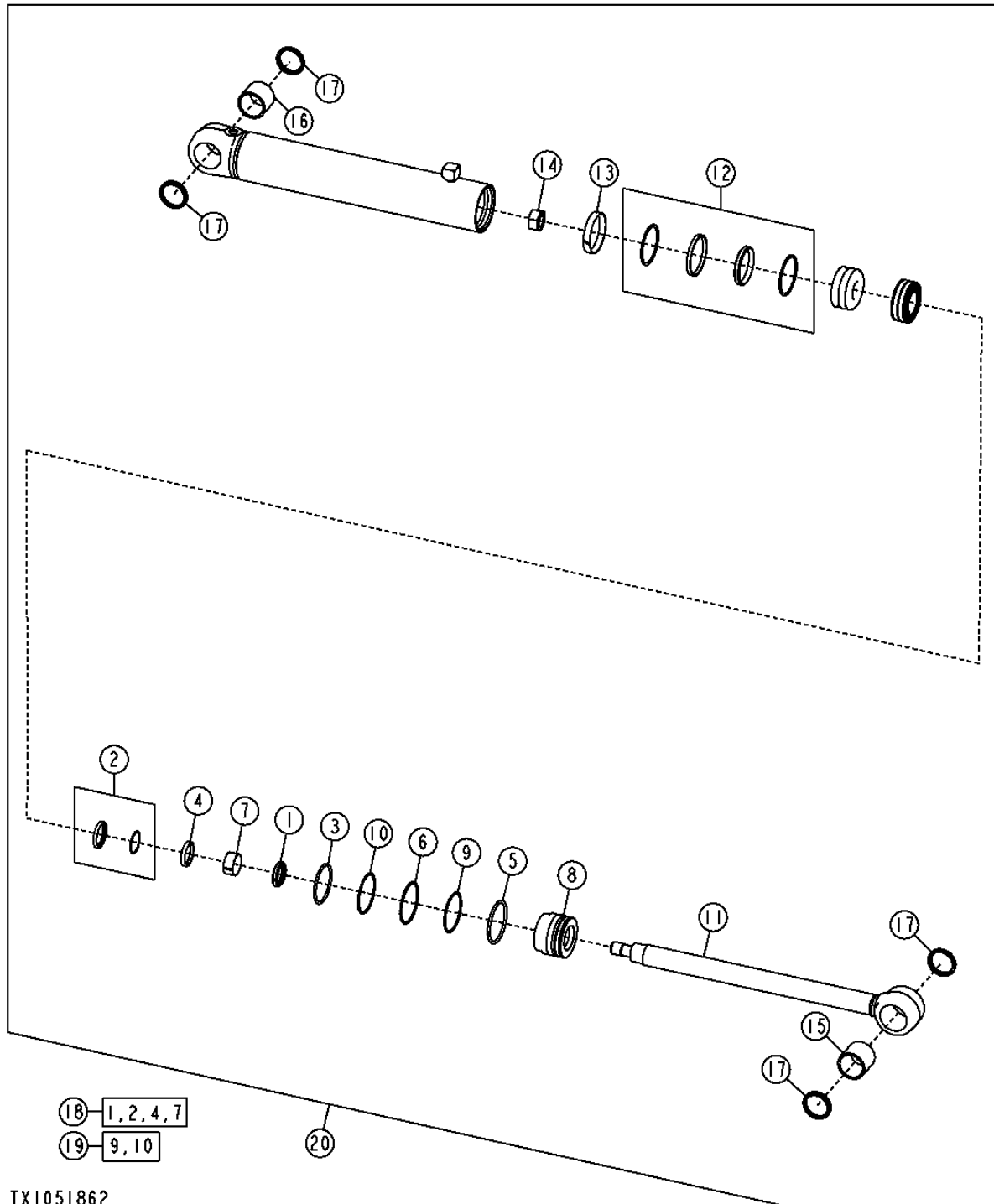
GROUND CONDITIONING TOOL 42

HYDRAULIC CYLINDER 4265

REAR RIPPER/SCARIFIER CYLINDER VERIN DE DEFONCEUSE/SCARIFICATEUR ARRIERE (CILINDRO DE DESGARRADORA/ESCARIFICADOR TRASERO)

TX1051862

-UN-08DEC08



TX1051862

4265-5

GROUND CONDITIONING TOOL 42

HYDRAULIC CYLINDER 4265

REAR RIPPER/SCARIFIER CYLINDER
VERIN DE DEFONCEUSE/SCARIFICATEUR ARRIERE
CILINDRO DE DESGARRADORA/ESCARIFICADOR TRASERO

KEY	PART NO.	PART NAME	QTY.	SERIAL NO.	REMARKS
1	AH146557	SEAL	1		
2	AH146561	SEAL	1		
3	F950R	O-RING	1		
4	H152203	SEAL	1		
5	H180080	SNAP RING	1		
6	H180094	SNAP RING	1		
7	H208987	WEAR RING	1		
8	H208995	HYDR. CYLINDER ROD GUIDE	1		
9	H210686	O-RING	1		
10	R81862	BACK-UP RING	1		
11	AH236554	ROD	1		
12	RE20343	SEAL	1		(PISTON)
13	R81775	WEAR RING	1		
14	H170539	NUT	1		
15	H232272	BUSHING	1		
16	H232274	BUSHING	1		
17	T157275	SEAL	4		
18	AH210484	HYDRAULIC CYLINDER KIT	1		(ROD)
19	AH212102	HYDRAULIC CYLINDER KIT	1		(BORE)
20	AH236551	HYDRAULIC CYLINDER	1		

4265-6

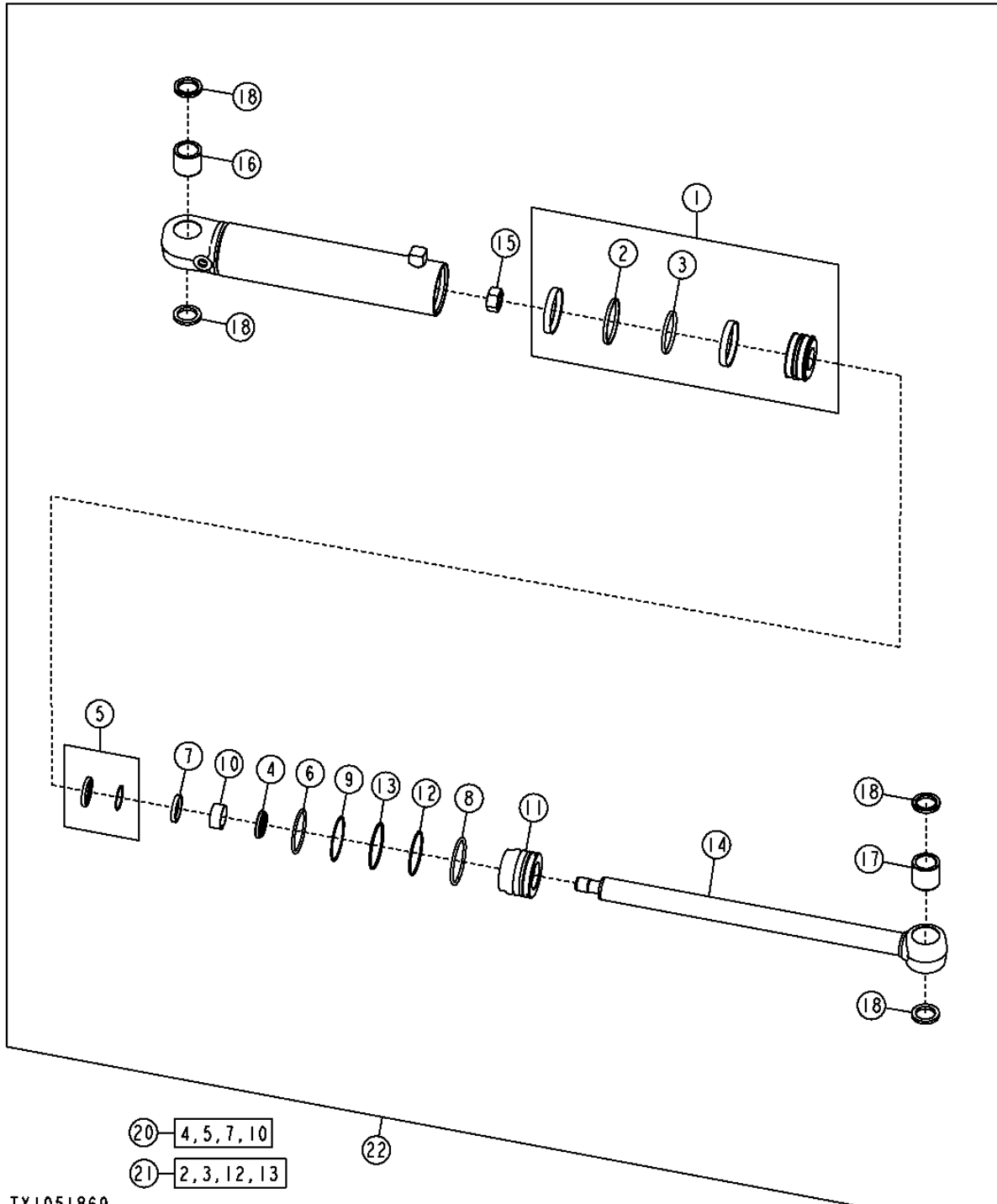
GROUND CONDITIONING TOOL 42

HYDRAULIC CYLINDER 4265

MID MOUNTED SCARIFIER (HYDRAULIC CYLINDER)
SCARIFICATEUR CENTRAL (FLEXIBLES HYDRAULIQUE)
ESCARIFICADOR DE MONTAJE INTERMEDIO (MANGUERAS HIDRAULICA)

TX1051869

-UN-08DEC08



TX1051869

THIS PARTS LISTING IS CONTINUED

4265-7

GROUND CONDITIONING TOOL 42

HYDRAULIC CYLINDER 4265

MID MOUNTED SCARIFIER (HYDRAULIC CYLINDER)
SCARIFICATEUR CENTRAL (FLEXIBLES HYDRAULIQUE)
ESCARIFICADOR DE MONTAJE INTERMEDIO (MANGUERAS HIDRAULICA)

KEY	PART NO.	PART NAME	QTY.	SERIAL NO.	REMARKS
1	AH205062	PISTON	1		
2	H168248	WASHER	1		
3	H168249	WASHER	1		
4	AH146557	SEAL	1		
5	AH146561	SEAL	1		
6	F950R	O-RING	1		
7	H152203	SEAL	1		
8	H180080	SNAP RING	1		
9	H180094	SNAP RING	1		
10	H208987	WEAR RING	1		
11	H208995	HYDR. CYLINDER ROD GUIDE	1		
12	H210686	O-RING	1		
13	R81862	BACK-UP RING	1		
14	AH236358	ROD	1		
15	H170539	NUT	1		
16	H227132	BUSHING	1		
17	H227133	BUSHING	1		
18	T112244	SEAL	4		
20	AH210484	HYDRAULIC CYLINDER KIT	1		(ROD)
21	AH212102	HYDRAULIC CYLINDER KIT	1		(BORE)
22	AH229594	HYDRAULIC CYLINDER	1		

4265-8

GROUND CONDITIONING TOOL 42

HYDRAULIC CYLINDER 4265

MEMORANDA
MEMORANDA
MEMORANDA

00II-1

670G/670GP MOTOR GRADER

NUMERICAL INDEX

PART NO.	KEY	PAGE	PART NO.	KEY	PAGE	PART NO.	KEY	PAGE
AA31281	7	0342-3	AH230581	30	0965-9	AT101565	19	0263-3
AH104837	12	1832-7	AH236358	14	4265-7	AT101565	9	2164-5
AH125760	1	0201-13	AH236359	17	0965-13	AT103399	14	1674-31
AH136453	1	3465-5	AH236360	20	3465-7	AT103399	33	1674-39
AH140072	1	0965-5	AH236378	16	3465-9	AT103399	26	1674-41
AH146556	4	3465-5	AH236551	20	4265-5	AT103399	20	1674-45
AH146557	6	0965-9	AH236554	11	4265-5	AT103399	8	1674-47
AH146557	2	0965-13	AH236573	16	3465-3	AT103553	1	0400A-58
AH146557	4	3465-3	AH236574	30	3465-3	AT103567	2	0111-3
AH146557	8	3465-7	AH77714	8	0342-3	AT105608	2	0111-7
AH146557	4	3465-9	AH77714	11	1674-11	AT106154	4	1674-13
AH146557	1	4265-5	AH77869	24	1671-7	AT106154	1	1676-3
AH146557	4	4265-7	AH77869	24	1671-9	AT107738	8	0540-3
AH146558	4	4265-3	AH77869	14	1674-3	AT107738	5	0540-5
AH146560	5	3465-5	AH77869	3	1831-3	AT112769	1	1370-3
AH146561	7	0965-9	AH77869	3	1831-5	AT116162	14	2162-71
AH146561	3	0965-13	AH77869	3	1831-7	AT116162	13	2162-73
AH146561	5	3465-3	AH89461	6	4243-15	AT116970	4	1814-3
AH146561	9	3465-7	AH89486	6	0563-3	AT116970	5	1814-5
AH146561	5	3465-9	AH89486	12	0563-5	AT116970	3	1814-7
AH146561	2	4265-5	AH97280	8	4263-9	AT116970	3	1814-9
AH146561	5	4265-7	AL153660	2	1814-7	AT121321	5	1674-15
AH146562	5	4265-3	AL153661	4	1814-5	AT135758	10	1673-3
AH147976	2	0965-5	AL153661	2	1814-9	AT135758	9	1673-7
AH149813	31	3465-5	AL155227	2	0962-5	AT135758	4	1673-9
AH149814	18	4265-3	AL76568	12	1832-3	AT135758	5	1673-9
AH150452	5	0965-5	AN131153	8	3460-7	AT135758	4	1673-11
AH156145	7	2164-5	AN131153	8	3460-9	AT136715	7	0521-3
AH158310	5	1673-13	AN131153	4	3463-23	AT13740	1	0400A-41
AH168884	1	4265-3	AN207423	10	0512-11	AT13740	4	0400A-43
AH170895	24	0510-11	AN207423	6	2162-71	AT13740	7	0400A-55
AH170895	15	0510-15	AN207423	3	2162-75	AT139434	7	2163-9
AH205060	1	3465-3	AN279596	6	2162-71	AT139776	9	0510-9
AH205060	1	3465-9	AR106083	8	0400B-6	AT139776	7	0510-13
AH205062	1	0965-13	AR21839	26	0510-11	AT145341	4	0505-3
AH205062	5	3465-7	AR21839	17	0510-15	AT145341	4	0505-11
AH205062	1	4265-7	AR21839	6	0564-3	AT145341	13	1674-5
AH209121	8	2162-71	AR21839	13	0564-5	AT145341	13	1674-7
AH209121	7	2162-73	AR21842	10	0505-5	AT147011	2	2163-9
AH210484	31	0965-9	AR43705	2	0531-5	AT150024	6	1062-3
AH210484	31	0965-13	AR44361	6	0521-3	AT150112	8	1062-3
AH210484	31	3465-3	AR44361	6	0521-5	AT151476	3	0531-5
AH210484	31	3465-7	AR55394	50	0400A-57	AT157226	6	2002-3
AH210484	31	3465-9	AR61533	14	0400A-7	AT160480	2	1676-3
AH210484	18	4265-5	AR61533	3	0400B-6	AT160480	1	1676-5
AH210484	20	4265-7	AR61589	16	0400A-7	AT161638	13	2164-5
AH212097	32	3465-3	AR62936	15	1831-9	AT162731	8	4243-5
AH212097	32	3465-5	AR65507	3	0400B-43	AT162731	7	4243-15
AH212097	32	3465-9	AR65507	2	0400B-81	AT162848	13	1832-7
AH212101	32	0965-9	AR65507	1	0400B-87	AT162848	16	1832-9
AH212102	32	0965-13	AR68167	1	0400A-8	AT163872	6	1832-11
AH212102	32	3465-7	AR75527	25	0201-7	AT168327	10	4243-5
AH212102	19	4265-5	AR83396	3	1511-3	AT168543	14	1832-7
AH212102	21	4265-7	AR83396	5	1749-5	AT168543	17	1832-9
AH212650	15	4243-5	AR83396	17	4243-7	AT168543	12	1832-11
AH212650	20	4265-3	AR83434	13	1831-11	AT169451	1	3450-3
AH212660	15	4265-3	AR85327	9	4263-3	AT169451	1	3450-5
AH212900	30	3465-5	AR90369	9	1063-3	AT169452	2	3450-3
AH229006	3	0965-3	AR98850	3	0400A-41	AT169452	2	3450-5
AH229006	30	0965-5	AR98850	4	0400A-41	AT169864	5	0240-9
AH229589	3	0965-7	AR98850	5	0400A-41	AT169864	5	0240-11
AH229590	30	3465-9	AR98850	2	0400A-43	AT170005	6	1811-11
AH229591	30	3465-7	AR98850	3	0400A-47	AT170854	9	0540-3
AH229593	4	0965-11	AR98850	3	0400A-88	AT170854	6	0540-5
AH229593	30	0965-13	AR98850	1	0400A-92	AT171539	11	0505-5
AH229594	22	4265-7	AR98850	27	0400A-111	AT173192	5	1814-3
AH230415	18	0965-9	AT101224	6	0240-3	AT173192	6	1814-5

00II-2

670G/670GP MOTOR GRADER

NUMERICAL INDEX - CONTINUED

PART NO.	KEY	PAGE	PART NO.	KEY	PAGE	PART NO.	KEY	PAGE
AT173192	4	1814-7	AT196351	11	3460-9	AT224706	8	0512-11
AT173192	4	1814-9	AT196351	8	3463-23	AT224862	7	0512-11
AT173192	1	1814-11	AT196522	7	1813-11	AT224863	11	0512-11
AT173313	1	1821-5	AT196760	6	0930-3	AT224864	11	0512-11
AT173313	1	1821-9	AT196760	16	0930-5	AT224864	7	2162-71
AT173313	1	1821-13	AT196760	9	0930-7	AT224864	6	2162-73
AT174697	3	0505-9	AT196760	11	3460-7	AT224864	4	3460-11
AT174697	4	1831-3	AT196760	11	3460-9	AT224866	8	0512-11
AT174697	4	1831-5	AT196760	8	3463-23	AT224894	5	1672-11
AT174697	4	1831-7	AT196924	15	2162-97	AT225573	3	1064-3
AT174935	14	0315-3	AT196924	15	2162-99	AT225885	17	1912-3
AT174935	12	0315-5	AT196924	15	2162-101	AT226109	9	0512-11
AT175223	8	0521-3	AT196924	15	2162-103	AT226110	9	0512-11
AT175224	9	0521-3	AT196924	15	2162-107	AT226282	4	2004-3
AT177142	6	1100-3	AT196924	15	2162-109	AT227063	9	1673-17
AT178516	7	0521-5	AT196924	15	2162-111	AT227063	5	1675-9
AT178517	8	0521-5	AT196924	15	2162-117	AT227063	5	1675-11
AT178542	10	0521-3	AT196943	10	2162-71	AT227279	14	2164-5
AT178542	9	0521-5	AT196943	8	2162-73	AT227668	16	1831-9
AT181313	7	1062-3	AT197057	1	3467-3	AT227669	17	1831-9
AT183423	8	0505-5	AT197906	20	3467-3	AT25226	3	0111-3
AT183612	8	1100-3	AT197907	10	3467-3	AT25226	2	0111-5
AT184015	2	0521-7	AT197908	21	3467-3	AT25226	3	0111-7
AT184015	2	0521-9	AT197924	23	3467-3	AT25226	7	0111-9
AT184409	46	3450-5	AT198517	2	0240-9	AT280244	16	2161-3
AT184413	50	3450-5	AT198517	2	0240-11	AT300167	11	1672-3
AT184684	15	0315-3	AT199076	48	2161-3	AT300167	13	1672-7
AT184684	13	0315-5	AT199084	3	0225-3	AT300744	7	0540-5
AT186653	5	0930-3	AT199388	6	2001-3	AT300765	20	2001-3
AT186653	5	0930-5	AT199661	2	0225-3	AT301226	2	2162-23
AT186653	5	0930-7	AT199908	10	0510-9	AT301226	2	2162-25
AT186653	18	3460-7	AT202609	3	1741-5	AT301226	16	2162-101
AT186653	18	3460-9	AT207529	10	1062-3	AT301227	3	2162-23
AT186653	7	3463-23	AT208006	12	0512-3	AT301227	3	2162-25
AT188662	10	0240-9	AT208137	10	0521-5	AT301227	20	2162-101
AT188662	10	0240-11	AT208515	25	4243-5	AT301227	21	2162-101
AT188681	2	1814-11	AT208515	6	4263-3	AT301456	28	0510-11
AT189390	2	2003-3	AT209020	8	1821-3	AT302166	8	0963-11
AT189487	3	2003-3	AT209020	7	1821-7	AT302175	9	0963-11
AT190539	36	3450-3	AT209020	7	1821-11	AT302284	30	2162-7
AT190809	15	1832-7	AT209021	9	1821-3	AT302286	30	2162-13
AT190809	18	1832-9	AT209021	8	1821-7	AT302288	30	2162-21
AT191095	3	0261-3	AT209021	8	1821-11	AT302520	7	2001-3
AT191102	14	1831-11	AT209022	14	1821-3	AT302544	10	1816-25
AT191299	5	0240-7	AT209022	13	1821-7	AT302661	70	2161-3
AT191366	12	2161-3	AT209022	13	1821-11	AT302730	3	1676-3
AT191367	17	2161-3	AT209024	16	1821-3	AT302730	2	1676-5
AT191368	19	2161-3	AT209025	17	1821-3	AT302731	2	0515-3
AT191369	18	2161-3	AT209025	14	1821-7	AT302731	2	0515-5
AT191371	20	2161-3	AT209025	14	1821-11	AT302769	4	1676-3
AT191371	71	2161-3	AT209026	19	1821-3	AT302794	2	1831-13
AT191739	6	0240-7	AT209225	20	1821-3	AT302797	5	1672-13
AT193500	4	1832-5	AT209225	16	1821-7	AT302819	8	0540-5
AT194405	2	0240-3	AT209225	16	1821-11	AT302889	11	4243-5
AT195302	1	1322-5	AT209926	11	0521-5	AT302889	9	4243-15
AT195302	1	1322-7	AT209965	4	2601-3	AT302906	2	2164-3
AT195441	6	1821-3	AT211041	2	0400A-19	AT302907	7	2162-71
AT195441	5	1821-7	AT211041	12	1672-7	AT302907	6	2162-73
AT195442	7	1821-3	AT211041	11	1672-9	AT302908	8	2162-71
AT195442	6	1821-7	AT216348	4	2163-9	AT302908	7	2162-73
AT195860	11	2163-7	AT219974	4	1747-3	AT302919	1	3460-11
AT195860	5	2163-9	AT219974	10	2164-5	AT302919	6	3460-11
AT195880	3	0240-5	AT223493	7	0563-3	AT302953	5	1832-5
AT195898	6	2163-9	AT223493	13	0563-5	AT303129	4	2162-3
AT195900	1	2163-9	AT223537	31	0350-21	AT303240	3	3401-3
AT196346	14	2161-3	AT223537	32	0350-23	AT303240	3	3401-5
AT196351	11	3460-7	AT224570	7	0512-11	AT303282	3	3401-11

00II-3

670G/670GP MOTOR GRADER

NUMERICAL INDEX - CONTINUED

PART NO.	KEY	PAGE	PART NO.	KEY	PAGE	PART NO.	KEY	PAGE
AT303282	3	3401-13	AT306350	3	2007-3	AT315465	21	1831-11
AT303296	3	3401-9	AT306388	9	4263-9	AT315844	2	1813-11
AT303301	3	3401-15	AT306612	7	1673-15	AT315896	3	1813-11
AT303325	2	3465-11	AT306632	8	1673-15	AT315903	10	1813-11
AT303467	13	1832-3	AT306749	2	1064-3	AT316249	13	0963-11
AT303469	14	1832-3	AT306851	19	1832-9	AT316267	4	1813-11
AT303489	4	0962-3	AT307045	6	0263-5	AT316520	14	0564-5
AT303489	13	0963-11	AT307045	4	0364-3	AT316709	5	1927-5
AT303536	2	3465-11	AT307045	2	2164-3	AT316710	6	1927-5
AT303600	3	3465-11	AT307090	7	1673-3	AT317063	12	1674-11
AT303678	5	2162-3	AT307096	45	1813-5	AT317134	8	1912-3
AT303744	5	1813-5	AT307096	45	1813-7	AT317287	20	2162-57
AT303745	5	1813-5	AT307200	2	0715-3	AT317288	20	2162-59
AT303748	5	1813-7	AT307278	15	2164-5	AT317289	20	2162-61
AT303749	5	1813-7	AT307292	17	2164-5	AT317290	20	2162-63
AT303926	3	1814-11	AT307458	10	4263-9	AT317291	20	2162-65
AT304295	4	1673-17	AT307459	11	4263-9	AT317293	20	2162-67
AT304479	17	1062-3	AT307501	15	1831-11	AT317304	16	2162-47
AT304480	23	1062-3	AT307650	17	1812-3	AT317307	14	2162-7
AT304631	6	1814-3	AT307650	17	1812-5	AT317307	14	2162-13
AT304633	5	1814-9	AT307650	17	1812-7	AT317307	14	2162-17
AT304634	5	1814-7	AT307667	22	1832-9	AT317307	14	2162-21
AT305048	4	0364-3	AT307730	15	3401-29	AT317307	12	2162-41
AT305054	12	3460-7	AT307731	15	3401-27	AT317307	14	2162-83
AT305054	12	3460-9	AT307732	15	3401-33	AT317307	14	2162-87
AT305054	1	3460-13	AT307733	15	3401-31	AT317307	14	2162-89
AT305054	1	3460-15	AT307779	2	1814-13	AT317307	14	2162-95
AT305070	14	1816-9	AT307844	2	2601-5	AT317307	7	2162-115
AT305110	9	2161-3	AT307847	16	1832-7	AT317308	8	2162-7
AT305193	2	2007-5	AT307847	20	1832-9	AT317308	8	2162-13
AT305397	15	1816-9	AT307889	18	1832-7	AT317308	8	2162-17
AT305406	16	1812-3	AT308017	18	1831-9	AT317308	8	2162-21
AT305406	16	1812-5	AT308199	3	1821-3	AT317308	22	2162-25
AT305406	16	1812-7	AT308199	3	1821-7	AT317309	8	2162-5
AT305414	1	1813-11	AT308199	3	1821-11	AT317309	8	2162-9
AT305433	7	0315-3	AT308274	2	2164-3	AT317309	8	2162-11
AT305524	19	1831-9	AT308283	16	1831-11	AT317309	8	2162-15
AT305628	11	2163-11	AT308314	22	1831-9	AT317309	8	2162-19
AT305663	4	1814-11	AT308795	22	1821-3	AT317309	22	2162-23
AT305667	5	1816-11	AT308796	23	1821-3	AT317310	19	2162-21
AT305698	5	1814-11	AT308797	24	1821-3	AT317310	19	2162-55
AT305738	12	2163-11	AT308935	23	1831-9	AT317310	15	2162-67
AT305741	10	1063-3	AT309235	30	2162-17	AT317312	19	2162-19
AT305770	6	4263-5	AT309578	11	2164-5	AT317312	19	2162-53
AT305771	7	4263-5	AT309837	24	1831-9	AT317312	15	2162-65
AT305833	20	0263-3	AT309953	10	0963-11	AT317313	10	2162-7
AT305869	20	1831-9	AT310278	3	3401-7	AT317313	10	2162-13
AT305931	9	1673-7	AT310335	31	0510-11	AT317313	10	2162-17
AT305931	4	1673-9	AT310335	20	0510-15	AT317313	10	2162-21
AT305931	4	1673-11	AT310795	15	1832-3	AT317313	14	2162-33
AT305931	6	1673-13	AT310810	16	1832-3	AT317314	11	2162-7
AT305939	6	1816-11	AT313633	12	2164-5	AT317314	11	2162-13
AT306111	2	0263-5	AT313997	19	2164-5	AT317314	11	2162-17
AT306111	2	0364-3	AT314363	18	1812-3	AT317314	11	2162-21
AT306111	29	0510-11	AT314363	18	1812-5	AT317314	15	2162-35
AT306111	18	0510-15	AT314363	18	1812-7	AT317315	9	2162-7
AT306111	3	1369-5	AT314814	2	0515-7	AT317315	9	2162-13
AT306111	3	2164-3	AT314827	11	1062-3	AT317315	9	2162-17
AT306133	52	0400A-57	AT314925	33	0510-9	AT317315	9	2162-21
AT306162	7	3401-27	AT314925	33	0510-13	AT317315	14	2162-37
AT306162	7	3401-31	AT314926	34	0510-9	AT317316	9	2162-5
AT306162	7	3401-35	AT314926	34	0510-13	AT317316	9	2162-9
AT306163	7	3401-29	AT314928	35	0510-9	AT317316	9	2162-11
AT306163	7	3401-33	AT314928	35	0510-13	AT317316	9	2162-15
AT306163	7	3401-37	AT315249	8	1673-3	AT317316	9	2162-19
AT306181	16	1813-5	AT315250	9	1673-3	AT317316	14	2162-27
AT306181	16	1813-7	AT315270	7	1912-3	AT317317	10	2162-5

00II-4

670G/670GP MOTOR GRADER

NUMERICAL INDEX - CONTINUED

PART NO.	KEY	PAGE	PART NO.	KEY	PAGE	PART NO.	KEY	PAGE
AT317317	10	2162-9	AT317692	12	0363-3	AT318650	34	2163-3
AT317317	10	2162-11	AT317734	11	1816-11	AT318650	33	2163-5
AT317317	10	2162-15	AT317735	13	1816-11	AT318950	2	0400A-20
AT317317	10	2162-19	AT317736	14	1816-11	AT318965	26	1832-7
AT317317	14	2162-31	AT317737	15	1816-11	AT318965	30	1832-9
AT317318	11	2162-5	AT317738	16	1816-11	AT318987	6	1832-5
AT317318	11	2162-9	AT317739	17	1816-11	AT319023	18	2162-15
AT317318	11	2162-11	AT317740	18	1816-11	AT319023	18	2162-19
AT317318	11	2162-15	AT317741	19	1816-11	AT319023	20	2162-49
AT317318	11	2162-19	AT317742	4	1816-13	AT319023	12	2162-69
AT317318	14	2162-29	AT317742	7	2162-57	AT319067	17	1369-7
AT317319	17	2162-9	AT317742	9	2162-69	AT319067	19	1369-9
AT317319	17	2162-11	AT317743	4	1816-15	AT319069	18	1369-7
AT317319	17	2162-15	AT317743	7	2162-59	AT319069	20	1369-9
AT317319	17	2162-19	AT317744	4	1816-17	AT319079	19	1369-7
AT317319	20	2162-43	AT317744	4	1816-19	AT319079	21	1369-9
AT317319	20	2162-45	AT317744	4	1816-21	AT319081	20	1369-7
AT317319	14	2162-57	AT317744	4	1816-23	AT319081	22	1369-9
AT317319	6	2162-61	AT317744	7	2162-61	AT321041	15	0564-3
AT317321	17	2162-13	AT317744	8	2162-63	AT322385	14	1674-7
AT317321	17	2162-17	AT317744	8	2162-65	AT322428	37	1813-5
AT317321	17	2162-21	AT317744	8	2162-67	AT322428	37	1813-7
AT317321	18	2162-47	AT317778	7	1816-11	AT322617	3	1816-25
AT317321	14	2162-59	AT317778	6	1816-13	AT322617	10	1816-25
AT317322	18	2162-17	AT317778	6	1816-15	AT322617	13	2162-69
AT317322	18	2162-21	AT317778	6	1816-17	AT322881	5	0962-3
AT317322	20	2162-51	AT317778	6	1816-19	AT322982	4	0512-11
AT317322	15	2162-63	AT317778	6	1816-21	AT322982	6	0930-5
AT317323	1	2162-41	AT317778	6	1816-23	AT322982	6	0930-7
AT317323	1	2162-115	AT317778	9	2162-57	AT322982	34	2163-5
AT317324	18	2162-11	AT317778	9	2162-59	AT323067	26	1671-7
AT317324	4	2162-45	AT317778	9	2162-61	AT323067	26	1671-9
AT317324	16	2162-89	AT317778	10	2162-63	AT323077	22	1671-3
AT317328	2	2162-47	AT317778	10	2162-65	AT323077	22	1671-5
AT317329	12	2162-5	AT317778	10	2162-67	AT323078	21	1671-3
AT317329	12	2162-9	AT317778	11	2162-69	AT323078	21	1671-5
AT317329	12	2162-11	AT317820	2	2162-35	AT323194	7	1671-3
AT317329	12	2162-15	AT317820	14	2162-105	AT323194	7	1671-5
AT317329	12	2162-19	AT317822	5	2162-23	AT323194	7	1671-7
AT317329	7	2162-39	AT317822	5	2162-25	AT323194	7	1671-9
AT317330	12	2162-7	AT317822	3	2162-43	AT323195	22	1671-7
AT317330	12	2162-13	AT317822	3	2162-45	AT323195	22	1671-9
AT317330	12	2162-17	AT317822	3	2162-47	AT323196	21	1671-7
AT317330	12	2162-21	AT317822	3	2162-49	AT323196	21	1671-9
AT317330	7	2162-41	AT317822	3	2162-51	AT323197	10	1671-3
AT317331	13	2162-5	AT317979	42	1813-5	AT323197	10	1671-5
AT317331	13	2162-7	AT317979	42	1813-7	AT323197	10	1671-7
AT317331	13	2162-9	AT317980	47	1813-5	AT323197	10	1671-9
AT317331	13	2162-11	AT317980	47	1813-7	AT323934	10	1912-3
AT317331	13	2162-13	AT317981	43	1813-5	AT323961	21	0510-15
AT317331	13	2162-15	AT317981	43	1813-7	AT324045	3	1674-81
AT317331	13	2162-17	AT317982	46	1813-5	AT324486	10	1673-3
AT317331	13	2162-19	AT317982	46	1813-7	AT324487	5	1673-9
AT317331	13	2162-21	AT317983	44	1813-5	AT324616	15	1674-5
AT317331	8	2162-39	AT317983	46	1813-5	AT325195	21	1369-7
AT317331	8	2162-41	AT317983	44	1813-7	AT325195	23	1369-9
AT317339	30	2162-69	AT317983	46	1813-7	AT325197	22	1369-7
AT317388	3	0512-5	AT317984	44	1813-5	AT325197	24	1369-9
AT317471	4	0564-3	AT317984	44	1813-7	AT325198	23	1369-7
AT317562	8	1813-3	AT318192	19	1812-3	AT325198	25	1369-9
AT317573	29	0263-3	AT318192	19	1812-5	AT325200	24	1369-7
AT317575	30	0263-3	AT318192	19	1812-7	AT325200	26	1369-9
AT317643	22	0263-3	AT318277	15	0564-5	AT325666	7	1821-15
AT317654	12	1062-3	AT318373	11	1746-3	AT325676	15	1674-3
AT317655	13	1062-3	AT318528	8	4263-5	AT325676	20	1674-29
AT317690	10	0363-3	AT318529	18	4263-9	AT325699	23	0263-3
AT317691	11	0363-3	AT318620	20	1673-17	AT325760	12	2163-7

00II-5

670G/670GP MOTOR GRADER

NUMERICAL INDEX - CONTINUED

PART NO.	KEY	PAGE	PART NO.	KEY	PAGE	PART NO.	KEY	PAGE
AT325761	13	2163-7	AT334627	7	4243-7	AT337941	2	2162-33
AT325846	7	1911-3	AT335245	14	0512-3	AT337941	2	2162-37
AT325846	7	1911-5	AT335267	2	2004-5	AT337941	2	2162-43
AT325991	32	0512-9	AT335270	31	0263-3	AT337941	2	2162-45
AT326151	32	0510-11	AT335425	12	1912-3	AT337941	2	2162-47
AT326151	23	0510-15	AT335486	9	0540-5	AT337941	2	2162-49
AT326390	10	0510-7	AT335487	10	0540-5	AT337941	2	2162-51
AT326391	11	0510-7	AT335492	4	0263-5	AT337941	2	2162-53
AT326392	10	0510-3	AT335492	6	0364-3	AT337941	2	2162-55
AT326393	11	0510-3	AT335579	35	0510-11	AT338270	5	2004-7
AT326396	7	0510-5	AT335583	24	0510-15	AT338500	13	0510-3
AT326548	33	0512-9	AT335624	10	0540-3	AT338541	4	1913-13
AT326556	11	1912-3	AT335625	11	0540-3	AT338717	37	0510-9
AT326589	35	2163-3	AT335670	21	1816-9	AT338717	30	0510-13
AT326589	35	2163-5	AT335672	37	1816-9	AT338874	9	4263-11
AT326751	30	2162-5	AT335686	38	0510-11	AT339275	1	0531-3
AT326752	30	2162-9	AT335697	12	0510-7	AT339396	7	2008-3
AT326753	30	2162-15	AT335712	4	0515-3	AT339398	10	1511-3
AT326754	30	2162-19	AT335712	4	0515-5	AT339489	22	4243-7
AT327176	14	2162-5	AT335726	34	0512-9	AT339490	23	4243-7
AT327176	14	2162-9	AT335790	30	2162-11	AT339495	4	1674-9
AT327176	14	2162-11	AT335797	39	0510-11	AT339495	10	1674-47
AT327176	14	2162-15	AT335797	25	0510-15	AT339552	18	0564-5
AT327176	14	2162-19	AT335923	6	1675-9	AT339553	8	4243-7
AT327176	1	2162-39	AT335923	6	1675-11	AT339619	13	0521-3
AT327176	12	2162-81	AT335941	16	0564-5	AT339619	14	0521-5
AT327176	12	2162-85	AT336012	12	1746-3	AT339870	5	1741-3
AT327176	12	2162-91	AT336015	16	1746-3	AT340099	4	0521-7
AT327176	12	2162-93	AT336017	22	2164-5	AT340099	4	0521-9
AT327176	1	2162-113	AT336096	24	0510-9	AT340292	20	1832-7
AT328374	2	0325-3	AT336096	21	0510-13	AT340625	27	1369-7
AT328414	33	0510-11	AT336097	25	0510-9	AT340626	26	1369-7
AT328872	14	1674-11	AT336097	25	0510-13	AT340626	28	1369-9
AT329095	7	1814-3	AT336103	26	0510-9	AT340640	3	3401-17
AT329095	7	1814-5	AT336103	22	0510-13	AT340911	10	0963-3
AT329095	6	1814-7	AT336104	14	1912-3	AT340920	5	0963-15
AT329095	6	1814-9	AT336105	15	1912-3	AT340921	6	0963-15
AT329214	10	1911-5	AT336110	17	0564-5	AT340923	5	3463-3
AT329753	8	1062-3	AT336117	36	0510-9	AT340923	5	3463-5
AT330485	16	1816-9	AT336117	29	0510-13	AT340924	6	3463-3
AT330486	17	1816-9	AT336131	29	0510-9	AT340924	6	3463-19
AT330487	18	1816-9	AT336131	26	0510-13	AT340926	15	3463-7
AT330487	19	1816-27	AT336135	30	0510-9	AT340927	16	3463-7
AT330489	19	1816-9	AT336135	27	0510-13	AT340929	7	3463-11
AT331007	10	4263-9	AT336296	8	0510-5	AT340932	5	3463-15
AT332063	6	1747-3	AT336461	4	0240-7	AT340933	6	3463-15
AT332099	10	1911-3	AT336496	5	0521-3	AT340935	13	3460-7
AT332099	14	1911-5	AT336499	25	1369-7	AT340935	7	3463-19
AT332100	16	1911-3	AT336499	27	1369-9	AT340940	6	4263-13
AT332120	3	0515-3	AT336589	5	0521-5	AT341060	22	3460-9
AT332120	3	0515-5	AT336786	16	1912-3	AT341088	5	0263-5
AT333415	2	4243-7	AT336787	19	1912-3	AT341128	37	2163-5
AT333420	3	4243-7	AT336788	20	1912-3	AT341129	38	2163-5
AT333422	6	4243-7	AT336789	21	1912-3	AT341130	39	2163-5
AT333476	16	4243-19	AT337025	4	1675-7	AT341131	40	2163-5
AT333480	26	4243-19	AT337259	11	0505-3	AT341132	7	1814-11
AT333590	11	0240-9	AT337324	5	0505-3	AT341163	8	0963-17
AT333680	14	0240-9	AT337324	5	0505-11	AT341164	9	0963-17
AT333680	8	1676-7	AT337756	35	0512-9	AT341171	13	0963-5
AT333680	9	1676-9	AT337763	36	0512-9	AT341178	14	0963-5
AT333809	9	2162-71	AT337794	24	0263-3	AT341206	9	3401-27
AT333809	9	2162-73	AT337829	12	0510-3	AT341206	9	3401-29
AT333810	10	0512-11	AT337941	4	2162-23	AT341206	9	3401-31
AT333811	8	0512-11	AT337941	4	2162-25	AT341206	9	3401-33
AT334298	16	0201-11	AT337941	2	2162-27	AT341206	9	3401-35
AT334299	14	0201-11	AT337941	2	2162-29	AT341206	9	3401-37
AT334407	13	0512-3	AT337941	2	2162-31	AT341212	7	0963-9

00II-6

670G/670GP MOTOR GRADER

NUMERICAL INDEX - CONTINUED

PART NO.	KEY	PAGE	PART NO.	KEY	PAGE	PART NO.	KEY	PAGE
AT341213	8	0963-9	AT342872	20	2162-91	AT345527	15	0240-11
AT341226	22	2163-13	AT342873	20	2162-85	AT345539	4	0240-3
AT341227	23	2163-13	AT342874	20	2162-81	AT345549	13	0930-5
AT341228	24	2163-13	AT343009	20	2162-95	AT345564	9	4263-15
AT341243	13	3460-9	AT343011	20	2162-87	AT345564	9	4263-19
AT341243	6	3463-21	AT343012	20	2162-83	AT345619	27	4243-5
AT341244	6	3463-5	AT343114	22	0564-5	AT345619	7	4263-3
AT341244	7	3463-21	AT343146	8	1814-3	AT345620	28	4243-5
AT341245	21	3460-9	AT343146	8	1814-5	AT345620	8	4263-3
AT341245	8	3463-21	AT343237	41	0510-11	AT345656	3	0240-7
AT341246	7	3463-5	AT343237	26	0510-15	AT345765	5	1675-7
AT341246	9	3463-21	AT343381	20	2162-89	AT345787	7	0962-7
AT341250	25	2163-13	AT343639	21	3460-7	AT345800	1	1674-23
AT341254	26	2163-13	AT343696	10	1741-3	AT345800	15	3460-7
AT341275	7	1832-5	AT343703	2	1675-3	AT345800	15	3460-9
AT341306	15	3401-37	AT343703	2	1675-5	AT345806	3	2162-77
AT341307	15	3401-35	AT343724	17	1832-3	AT345811	2	1913-9
AT341360	8	3463-25	AT343765	4	1821-7	AT345815	10	1927-5
AT341361	9	3463-25	AT343768	6	3443-5	AT345831	6	1674-15
AT341364	17	1746-3	AT343822	4	1741-5	AT345831	15	1674-69
AT341422	20	0564-5	AT343823	7	1511-3	AT345971	10	0563-3
AT341423	19	0564-5	AT343823	9	1749-5	AT345971	15	0563-5
AT341450	5	3463-17	AT343839	8	0930-5	AT345972	11	0563-3
AT341451	6	3463-17	AT343839	5	2162-71	AT345972	16	0563-5
AT341615	4	2162-79	AT343842	6	0962-7	AT345981	5	0965-11
AT341622	37	0512-9	AT343850	6	1672-11	AT346003	8	4263-25
AT341625	38	0512-9	AT343850	6	1672-13	AT346007	7	1913-3
AT341689	2	1913-15	AT343900	12	1673-5	AT346012	1	1674-49
AT341693	29	1369-9	AT344337	17	1674-3	AT346013	2	1674-49
AT341723	7	0963-7	AT344337	20	1674-27	AT346021	17	1832-7
AT341723	9	0963-9	AT344386	24	4243-7	AT346022	21	1832-9
AT341724	8	0963-7	AT344446	9	4243-7	AT346023	15	1674-11
AT341725	9	0963-7	AT3444610	5	1913-13	AT346047	8	1913-3
AT341756	7	0505-3	AT344611	6	1913-13	AT346057	9	1913-3
AT341756	7	0505-11	AT344614	7	1673-13	AT346094	17	0564-3
AT341837	13	3463-13	AT344652	10	1749-5	AT346102	23	4243-19
AT341838	14	3463-13	AT344656	6	2004-7	AT346259	4	1821-3
AT341839	15	3463-13	AT344703	10	4243-15	AT346259	25	1821-7
AT341840	16	3463-13	AT344704	12	1063-3	AT346259	4	1821-11
AT341841	17	3463-13	AT344705	13	1063-3	AT346316	17	3463-7
AT341842	18	3463-13	AT344763	7	1100-3	AT346316	10	3463-9
AT341938	16	1674-5	AT344833	22	1912-3	AT346318	18	3463-7
AT341938	35	1674-39	AT344847	32	4243-19	AT346318	11	3463-9
AT341942	16	1674-7	AT344850	19	4243-19	AT346325	23	1816-9
AT341942	30	1674-41	AT344852	28	4243-19	AT346325	23	1816-27
AT342108	54	0510-9	AT344869	6	2601-3	AT346415	5	0315-7
AT342108	51	0510-13	AT344918	22	4243-19	AT346419	12	1927-7
AT342538	12	3442-3	AT345033	4	0965-7	AT346420	13	1927-7
AT342541	16	3442-3	AT345194	14	3460-7	AT346421	14	1927-7
AT342543	18	3442-3	AT345194	14	3460-9	AT346499	16	1674-11
AT342588	8	2001-3	AT345194	8	3463-19	AT346552	5	1821-15
AT342601	4	3415-5	AT345194	10	3463-21	AT346553	15	1821-15
AT342601	4	3415-9	AT345203	37	2163-3	AT346775	11	0521-5
AT342605	13	3415-3	AT345220	38	2163-3	AT347052	15	1927-7
AT342605	13	3415-7	AT345221	39	2163-3	AT347053	16	1927-7
AT342607	14	3415-3	AT345222	40	2163-3	AT347124	7	1674-15
AT342607	14	3415-7	AT345223	3	1913-5	AT347124	10	1674-71
AT342609	21	0564-5	AT345242	2	0201-3	AT347297	7	1816-27
AT342651	8	1816-5	AT345274	41	2163-3	AT347525	23	0564-5
AT342651	7	1816-7	AT345275	14	1063-3	AT347655	4	0962-5
AT342655	6	1813-11	AT345331	3	0240-3	AT347656	5	0962-5
AT342656	17	1813-11	AT345337	7	0240-9	AT347687	5	2601-3
AT342744	5	2162-73	AT345338	7	0240-11	AT347793	18	1674-3
AT342805	16	1674-3	AT345344	7	3443-3	AT347793	3	1674-33
AT342805	20	1674-31	AT345350	26	3465-7	AT348049	8	3415-5
AT342813	6	3441-3	AT345354	27	3465-7	AT348049	8	3415-9
AT342871	20	2162-93	AT345525	19	0240-9	AT348052	9	3415-5

00II-7

670G/670GP MOTOR GRADER

NUMERICAL INDEX - CONTINUED

PART NO.	KEY	PAGE	PART NO.	KEY	PAGE	PART NO.	KEY	PAGE
AT348052	9	3415-9	AT350848	10	4263-23	AT357463	3	2162-99
AT348201	16	2162-23	AT350848	10	4263-27	AT357463	3	2162-101
AT348201	13	2162-27	AT351568	11	0963-3	AT357463	3	2162-103
AT348201	13	2162-29	AT351568	15	0963-5	AT357463	3	2162-105
AT348201	13	2162-31	AT351608	19	3463-7	AT357463	3	2162-107
AT348201	16	2162-47	AT351608	12	3463-9	AT357463	3	2162-109
AT348201	19	2162-51	AT351872	3	1674-49	AT357463	3	2162-111
AT348201	18	2162-55	AT351880	6	0962-5	AT357463	3	2162-117
AT348202	16	2162-25	AT351895	25	0263-3	AT357527	6	1675-7
AT348202	13	2162-33	AT351895	12	0540-3	AT357536	25	0564-5
AT348202	14	2162-35	AT352392	27	2163-13	AT357538	7	2002-5
AT348202	13	2162-37	AT352402	16	3460-7	AT357538	7	2002-7
AT348202	19	2162-43	AT352402	16	3460-9	AT357539	9	2002-5
AT348202	19	2162-45	AT352402	5	3460-11	AT357539	9	2002-7
AT348202	19	2162-49	AT352404	2	3460-11	AT357548	9	0510-5
AT348202	18	2162-53	AT352480	6	1821-11	AT357651	12	1814-3
AT348316	24	1816-9	AT352505	12	0963-3	AT357652	12	1814-5
AT348490	2	3460-5	AT352506	13	0963-3	AT357748	43	2163-3
AT348542	20	1812-3	AT352557	3	3460-3	AT357748	42	2163-5
AT348542	20	1812-5	AT352843	25	1816-27	AT357749	44	2163-3
AT348542	20	1812-7	AT352854	26	1816-27	AT357749	43	2163-5
AT348577	5	1674-13	AT352857	27	1816-27	AT357914	11	0540-5
AT348577	15	1674-61	AT353037	28	1816-27	AT357999	8	0505-7
AT348629	26	0240-11	AT353139	13	1676-9	AT358017	11	1913-3
AT348672	2	1812-13	AT353174	6	0963-13	AT358073	9	0505-5
AT348773	15	3415-3	AT353175	7	0963-13	AT358382	28	1369-7
AT348773	15	3415-7	AT353176	8	0963-13	AT358382	30	1369-9
AT348927	24	2164-5	AT353177	9	0963-13	AT358387	2	2162-75
AT348939	27	1927-7	AT353308	14	0963-3	AT358633	24	1832-9
AT348955	10	4263-11	AT353308	16	0963-5	AT358643	13	2163-11
AT348956	11	4263-11	AT353468	29	1816-27	AT358709	41	1816-27
AT348967	7	2601-3	AT353752	27	0510-15	AT358812	15	1063-3
AT349016	6	1674-13	AT353903	7	0315-5	AT358852	12	0505-5
AT349029	4	1511-3	AT353904	14	0315-5	AT358864	26	2164-5
AT349029	6	1749-5	AT353908	15	0315-5	AT359297	42	0510-11
AT349029	25	4243-7	AT353909	16	0315-5	AT359376	13	2162-81
AT349043	3	2601-5	AT353910	17	0315-5	AT359376	8	2162-83
AT349056	14	2162-97	AT353941	12	3415-7	AT359376	13	2162-85
AT349056	14	2162-99	AT353947	10	3415-9	AT359376	8	2162-87
AT349056	14	2162-101	AT353952	12	3415-3	AT359376	8	2162-89
AT349056	14	2162-103	AT353954	10	3415-5	AT359376	13	2162-91
AT349056	14	2162-107	AT353999	18	0315-5	AT359376	13	2162-93
AT349056	14	2162-109	AT354176	25	0315-5	AT359376	8	2162-95
AT349056	14	2162-111	AT354475	7	3415-3	AT359377	10	2162-83
AT349056	14	2162-117	AT354475	6	3415-5	AT359377	10	2162-87
AT349128	7	0240-7	AT354475	7	3415-7	AT359377	10	2162-89
AT349129	9	0240-7	AT354475	6	3415-9	AT359377	10	2162-95
AT349172	18	1746-3	AT354603	2	3415-11	AT359377	25	2162-103
AT349265	25	2164-5	AT354606	18	1821-15	AT359378	4	2162-97
AT349295	10	1674-19	AT354746	14	1676-9	AT359378	4	2162-99
AT349370	25	4243-19	AT354908	7	1674-13	AT359378	4	2162-101
AT349480	3	1674-83	AT354908	10	1674-63	AT359378	4	2162-103
AT349523	6	0962-7	AT354909	8	1674-13	AT359378	4	2162-105
AT349961	25	1816-9	AT354909	10	1674-65	AT359378	4	2162-107
AT349961	24	1816-27	AT354910	9	1674-13	AT359378	4	2162-109
AT350214	17	1674-11	AT354910	10	1674-67	AT359378	4	2162-111
AT350214	4	1674-57	AT354945	6	1674-21	AT359378	4	2162-117
AT350316	25	1821-3	AT354967	8	1832-5	AT359379	5	2162-97
AT350316	28	1821-7	AT356100	6	2002-7	AT359379	5	2162-99
AT350317	21	1821-3	AT356101	6	2002-5	AT359379	5	2162-101
AT350317	29	1821-7	AT356378	30	1816-27	AT359379	5	2162-103
AT350329	19	3442-3	AT356679	40	1816-27	AT359379	5	2162-105
AT350566	42	1816-27	AT357216	11	1676-11	AT359379	5	2162-107
AT350570	20	1816-27	AT357294	26	0263-3	AT359379	5	2162-109
AT350612	26	1821-7	AT357385	3	1676-5	AT359379	5	2162-111
AT350612	5	1821-11	AT357388	26	0315-5	AT359379	5	2162-117
AT350664	25	1832-9	AT357463	3	2162-97	AT359380	12	2162-83

00II-8

670G/670GP MOTOR GRADER

NUMERICAL INDEX - CONTINUED

PART NO.	KEY	PAGE	PART NO.	KEY	PAGE	PART NO.	KEY	PAGE
AT359380	12	2162-87	AT360368	5	1821-3	AT363574	38	0510-13
AT359380	12	2162-89	AT360390	16	0315-3	AT363618	10	4263-7
AT359380	12	2162-95	AT360391	8	0315-3	AT363621	12	4263-7
AT359380	25	2162-105	AT360392	17	0315-3	AT363642	14	4263-7
AT359381	11	2162-83	AT360393	18	0315-3	AT363644	15	4263-7
AT359381	11	2162-87	AT360394	19	0315-3	AT363681	6	1749-3
AT359381	11	2162-89	AT360395	20	0315-3	AT363718	12	1676-11
AT359381	11	2162-95	AT360784	9	1814-3	AT363781	16	4263-7
AT359381	25	2162-107	AT360784	9	1814-5	AT363881	19	1821-15
AT359382	13	2162-83	AT360850	16	1063-3	AT363882	20	1821-15
AT359382	13	2162-87	AT360965	10	0505-7	AT363966	17	4263-7
AT359382	13	2162-89	AT361113	13	1814-3	AT363988	10	2162-119
AT359382	13	2162-95	AT361113	13	1814-5	AT363990	8	4263-21
AT359382	25	2162-109	AT361113	9	1814-7	AT363997	2	1674-17
AT359383	9	2162-83	AT361113	9	1814-9	AT363999	18	1674-11
AT359383	9	2162-87	AT361113	10	1814-11	AT363999	10	1674-59
AT359383	9	2162-89	AT361336	17	1821-7	AT364002	21	1821-15
AT359383	9	2162-95	AT361336	23	1821-11	AT364044	31	0510-15
AT359383	25	2162-111	AT361340	18	1821-7	AT364054	18	0564-3
AT359384	7	2162-83	AT361340	25	1821-11	AT364100	41	0512-9
AT359384	7	2162-87	AT361341	19	1821-7	AT364102	1	4243-7
AT359384	7	2162-89	AT361341	17	1821-11	AT364181	14	0505-5
AT359384	7	2162-95	AT361342	20	1821-7	AT364185	2	1813-9
AT359385	14	2162-85	AT361342	18	1821-11	AT364185	20	1813-11
AT359385	15	2162-87	AT361343	24	1821-7	AT364186	2	1813-13
AT359385	15	2162-89	AT361356	21	1821-7	AT364356	9	1673-15
AT359385	14	2162-91	AT361356	19	1821-11	AT364474	3	0512-5
AT359385	15	2162-91	AT361358	22	1821-7	AT364652	5	2008-3
AT359385	14	2162-93	AT361358	20	1821-11	AT364730	8	1821-15
AT359385	15	2162-93	AT361459	2	1821-5	AT364731	9	1821-15
AT359385	15	2162-95	AT361459	2	1821-9	AT364732	10	1821-15
AT359385	16	2162-95	AT361459	2	1821-13	AT364737	11	1821-15
AT359385	25	2162-117	AT361460	3	1821-5	AT364749	16	1821-15
AT359385	3	2162-119	AT361460	3	1821-9	AT364753	17	1821-15
AT359386	7	2162-81	AT361460	3	1821-13	AT364883	11	1813-11
AT359386	7	2162-85	AT361461	4	1821-5	AT364884	18	1813-11
AT359386	7	2162-91	AT361461	4	1821-9	AT364886	19	1813-11
AT359386	7	2162-93	AT361461	4	1821-13	AT364887	12	1813-11
AT359387	20	1911-3	AT361463	5	1821-5	AT364909	1	1913-7
AT359387	20	1911-5	AT361463	5	1821-9	AT364912	1	1811-3
AT359388	8	2162-81	AT361463	5	1821-13	AT364913	1	1811-7
AT359388	8	2162-85	AT361833	7	1675-9	AT364914	1	1811-5
AT359388	8	2162-91	AT361833	7	1675-11	AT364923	1	1811-9
AT359388	8	2162-93	AT362122	22	1831-11	AT364968	17	0963-5
AT359388	25	2162-97	AT362128	6	0315-7	AT365067	31	0510-9
AT359389	9	2162-81	AT362293	10	0201-11	AT365067	31	0510-13
AT359389	9	2162-85	AT362319	28	0510-15	AT365097	23	1821-7
AT359389	9	2162-91	AT362538	10	1674-13	AT365097	51	1821-9
AT359389	9	2162-93	AT362877	43	0510-11	AT365100	21	1821-11
AT359389	25	2162-99	AT362877	29	0510-15	AT365100	51	1821-13
AT359391	10	2162-81	AT363054	48	1813-5	AT365101	26	1821-3
AT359391	11	2162-81	AT363054	48	1813-7	AT365101	51	1821-5
AT359391	10	2162-85	AT363161	15	0512-3	AT365104	10	0963-9
AT359391	11	2162-85	AT363166	16	0512-3	AT365105	22	1821-11
AT359391	10	2162-91	AT363239	39	0512-9	AT365110	6	1821-5
AT359391	11	2162-91	AT363264	40	0512-9	AT365110	6	1821-9
AT359391	10	2162-93	AT363266	1	1749-3	AT365110	6	1821-13
AT359391	11	2162-93	AT363355	30	0510-15	AT365134	12	1821-15
AT359391	25	2162-101	AT363364	50	4243-19	AT365183	40	4243-5
AT359474	3	2162-75	AT363364	1	4243-21	AT365343	19	1674-3
AT359738	5	1747-3	AT363364	20	4263-11	AT365343	4	1674-35
AT359738	7	1747-3	AT363432	40	4263-7	AT365350	14	0930-5
AT359887	38	0510-9	AT363483	40	4243-7	AT365350	8	0930-7
AT359887	32	0510-13	AT363483	1	4243-9	AT365350	44	2163-5
AT359888	39	0510-9	AT363573	40	0510-9	AT365393	42	0510-9
AT359888	36	0510-13	AT363573	37	0510-13	AT365393	39	0510-13
AT359994	18	2164-5	AT363574	41	0510-9	AT365788	30	4243-15

00II-9

670G/670GP MOTOR GRADER

NUMERICAL INDEX - CONTINUED

PART NO.	KEY	PAGE	PART NO.	KEY	PAGE	PART NO.	KEY	PAGE
AT365788	1	4243-17	AT49216	11	2162-71	E65288	63	2161-3
AT365788	20	4263-3	AT49216	10	2162-73	E69975	27	0263-3
AT366046	11	4263-23	AT53439	14	0521-3	E69975	27	2164-5
AT366046	11	4263-27	AT53440	3	0521-7	FF101774	10	1672-5
AT366151	9	1747-3	AT53440	3	0521-9	FF101774	12	1672-9
AT366515	10	0512-11	AT57326	8	0240-3	F1100320	4	2162-81
AT366516	6	0512-11	AT62699	2	1370-3	F1100320	5	2162-83
AT366526	7	0505-9	AT63271	12	2162-71	F125640	8	0505-3
AT366546	4	0512-7	AT63271	11	2162-73	F125640	8	0505-11
AT366547	66	2163-3	AT640940	6	4263-17	F125640	17	1674-5
AT366547	67	2163-5	AT68940	2	0111-9	F125640	18	1674-7
AT366548	13	1911-3	AT78527	4	2162-43	F1430R	8	3465-3
AT366548	17	1911-5	AT78527	4	2162-47	F1430R	8	3465-5
AT366556	67	2163-3	AT78527	4	2162-49	F1430R	8	3465-9
AT366556	68	2163-5	AT78527	4	2162-51	F1451R	32	0510-15
AT366571	14	1911-3	AT78527	3	2162-53	F1451R	46	0510-15
AT366571	18	1911-5	AT78527	3	2162-55	F1743R	10	0400A-63
AT366867	25	1832-7	AT78527	14	2162-69	F180094	13	0965-9
AT366869	29	1832-9	AT78527	16	2162-117	F23048	30	0350-21
AT366871	33	1832-9	AZ43305	25	1831-9	F23048	5	0350-29
AT366958	4	0512-7	A23441	6	1911-3	F2310022	29	0350-21
AT367077	10	2162-71	A23441	6	1911-5	F2310022	28	0350-23
AT367077	8	2162-73	A364R	14	0400B-37	F2310039	12	0350-21
AT367167	22	1821-15	A41207	10	0400B-61	F2310039	11	0350-23
AT367168	23	1821-15	A4365R	17	0400A-7	F23303	23	0350-21
AT367467	7	0930-3	A4365R	6	0400B-6	F23303	22	0350-23
AT367467	15	0930-5	A4540R	1	0210-9	F310063	13	0350-21
AT367467	10	0930-7	A48970	8	1813-11	F310063	12	0350-23
AT367472	5	1673-5	B2762R	2	0400A-54	F3171R	11	0201-5
AT367511	15	1674-7	B2976R	14	1814-3	F37010010	44	0210-13
AT367511	25	1674-45	B2976R	14	1814-5	F37010020	46	0210-13
AT367522	32	0564-5	B3690R	3	0962-5	F37020144	3	0350-7
AT367585	20	0930-5	CB01493998	4	1674-65	F37020144	3	0350-9
AT367620	21	3463-7	CB01493998	4	1674-67	F37020144	3	0350-11
AT367620	14	3463-9	CB01493999	4	1674-65	F37020144	3	0350-13
AT367788	15	1749-5	CB01493999	4	1674-67	F37020153	45	0210-13
AT367789	42	0512-9	CD16284	9	0400B-49	F37030222	21	0350-21
AT367828	10	4263-25	CE17368	30	0240-9	F37030222	20	0350-23
AT367891	80	1674-53	CE17368	29	0240-11	F37030229	2	0350-3
AT367911	13	0505-5	CE17879	33	3450-3	F37030239	15	0350-21
AT368028	6	0930-3	CE17879	33	3450-5	F37030239	14	0350-23
AT368028	16	0930-5	CE19646	31	0240-9	F37030244G	20	0350-7
AT368028	9	0930-7	CE19663	32	0240-9	F37030244G	20	0350-9
AT368103	7	1821-5	CE19678	33	0240-9	F37030250	30	0350-23
AT368103	7	1821-9	CE19711	2	0201-11	F37030250	2	0350-29
AT368103	7	1821-13	CE19711	11	0201-11	F37030250	21	2161-3
AT368104	8	1821-5	CE19992	11	0201-11	F37030275	5	0350-19
AT368104	8	1821-9	C16054	10	0963-7	F39000106	26	2161-3
AT368104	8	1821-13	C16054	11	0963-9	F433299	6	0962-7
AT368272	14	1674-5	C16054	7	3463-3	F435618	18	1816-5
AT368580	24	1832-7	C16054	8	3463-5	F435618	14	1816-7
AT368815	21	1832-7	C16054	7	3463-15	F436210	11	0521-3
AT368944	42	2163-3	C16054	7	3463-17	F81743	8	0350-7
AT368944	41	2163-5	C16054	9	3463-19	F81743	8	0350-9
AT369363	17	0512-3	C16054	11	3463-21	F81743	7	0350-11
AT369644	8	1674-15	C16054	29	4243-5	F81743	7	0350-13
AT369810	26	1832-9	C16054	18	4263-7	F85108	18	0350-21
AT37476	15	0521-5	C16054	12	4263-9	F85108	17	0350-23
AT37477	45	2163-3	DT5112	3	2007-5	F950R	10	0965-9
AT37477	45	2163-5	D2361R	18	0400B-39	F950R	6	0965-13
AT41188	11	1671-3	E12379	9	0240-3	F950R	12	3465-7
AT41188	11	1671-5	E12379	3	1370-3	F950R	3	4265-5
AT41188	11	1671-7	E131298	62	2163-3	F950R	6	4265-7
AT41188	11	1671-9	E131298	63	2163-5	GY20126	19	1674-11
AT41245	23	3465-5	E14814	3	3450-3	H110232	17	1813-5
AT43231	7	0111-5	E14814	3	3450-5	H110232	17	1813-7
AT44583	15	0201-11	E63524	3	0400A-61	H114865	29	1832-7

00II-10

670G/670GP MOTOR GRADER

NUMERICAL INDEX - CONTINUED

PART NO.	KEY	PAGE	PART NO.	KEY	PAGE	PART NO.	KEY	PAGE
H114865	34	1832-9	H173411	23	2164-5	H77698	30	1369-7
H121163	32	0400A-61	H174616	22	0965-9	H77698	32	1369-9
H128515	33	0400A-61	H176080	2	4265-3	H77698	20	1674-11
H131531	23	1831-11	H176081	3	4265-3	H77698	8	3463-17
H140461	5	1673-11	H179659	9	4265-3	H77698	13	4263-9
H140461	12	1673-17	H180080	12	0965-9	H77698	7	4263-17
H140461	21	1812-3	H180080	8	0965-13	H79910	11	0400A-7
H140461	21	1812-5	H180080	14	3465-7	H80936	4	1370-3
H140461	21	1812-7	H180080	5	4265-5	H85233	18	1912-3
H140461	9	1813-3	H180080	8	4265-7	H871R	40	0210-13
H140461	9	2001-3	H180094	9	0965-13	JD10024	4	3450-3
H142036	33	4243-19	H180094	15	3465-7	JD10144	5	3450-3
H145175	21	3465-7	H180094	6	4265-5	JD10144	5	3450-5
H146457	55	0510-9	H180094	9	4265-7	JD5756	1	1322-3
H146457	52	0510-13	H180100	10	4265-3	JD5822	2	1322-3
H150385	42	1832-7	H180103	10	3465-3	JD5920	3	1322-3
H150385	43	1832-9	H180103	11	3465-5	JD5920	11	1749-5
H150941	3	0201-3	H180103	10	3465-9	JD5920	28	4243-7
H152202	9	3465-5	H181114	11	3465-3	JD5921	4	1322-3
H152203	11	0965-9	H181114	12	3465-5	JD5921	29	4243-7
H152203	7	0965-13	H181114	11	3465-9	JD5929	6	2008-3
H152203	9	3465-3	H206859	12	3465-3	JD7759	10	0240-3
H152203	13	3465-7	H206859	13	3465-5	JD7759	2	0240-5
H152203	9	3465-9	H206859	12	3465-9	JD7771	34	0240-9
H152203	4	4265-5	H208631	13	3465-3	JD7771	30	0240-11
H152203	7	4265-7	H208631	13	3465-9	JD7781	13	0201-7
H152204	6	4265-3	H208987	14	0965-9	JD7781	7	3441-3
H152795	7	4265-3	H208987	10	0965-13	JD7781	31	4243-5
H154335	8	0965-9	H208987	14	3465-3	JD7781	11	4243-15
H154335	4	0965-13	H208987	16	3465-7	JD7797	11	0240-3
H154337	9	0965-9	H208987	14	3465-9	JD7797	5	1370-3
H154337	5	0965-13	H208987	7	4265-5	JD7797	4	3465-11
H154514	6	0965-5	H208987	10	4265-7	JD7798	35	0240-9
H155666	3	0965-5	H208995	15	0965-9	JD7798	31	0240-11
H155667	4	0965-5	H208995	11	0965-13	JD7798	19	3465-3
H155964	7	0965-5	H208995	17	3465-7	JD7799	16	4243-5
H156058	8	0965-5	H208995	8	4265-5	JD7844	19	3465-9
H157898	10	3465-5	H208995	11	4265-7	JD7844	34	4243-19
H164204	9	0965-5	H208999	14	3465-5	JD8159	26	0210-13
H164205	10	0965-5	H210686	16	0965-9	JD8240	6	3450-3
H165237	26	0564-5	H210686	12	0965-13	JD8240	6	3450-5
H168248	14	0965-13	H210686	18	3465-7	JD8255	2	0210-9
H168248	6	3465-7	H210686	9	4265-5	JD8255	20	0240-9
H168248	2	4265-7	H210686	12	4265-7	JD8255	16	0240-11
H168249	15	0965-13	H210841	11	4265-3	JD8272	4	0201-7
H168249	7	3465-7	H227132	16	4265-7	JD8962	9	0201-11
H168249	3	4265-7	H227133	17	4265-7	JD8989	3	0201-7
H170535	18	0965-5	H23125	1	0400B-3	JD8997	21	0240-9
H170538	17	3465-5	H232246	20	0965-9	JD8997	17	0240-11
H170539	19	0965-9	H232246	6	1741-3	JD9021	7	3450-3
H170539	18	0965-13	H232254	19	0965-13	JD9078	3	0210-9
H170539	17	3465-3	H232256	20	0965-13	JD9080	6	0201-11
H170539	17	3465-9	H232260	23	3465-7	JD9082	22	0240-9
H170539	14	4265-5	H232263	24	3465-7	JD9082	18	0240-11
H170539	15	4265-7	H232272	15	4265-5	JD9082	4	3450-5
H170541	17	4265-3	H232274	16	4265-5	JD9120	8	0201-11
H171332	11	0965-5	H26723	7	0564-3	JD9134	8	3450-3
H172014	19	0564-3	H61354	32	2163-3	JD9134	8	3450-5
H173411	18	0512-3	H61354	31	2163-5	JD9138	7	0201-11
H173411	22	1812-3	H63773	46	2163-3	JD9141	23	0240-9
H173411	22	1812-5	H63773	46	2163-5	JD9141	19	0240-11
H173411	22	1812-7	H65107	45	1812-3	JD9141	7	3450-5
H173411	10	1813-3	H65107	45	1812-7	JD9601	25	0210-13
H173411	35	1816-9	H77698	11	0505-7	J16931	19	0512-3
H173411	43	1816-27	H77698	43	0512-9	J16931	21	1911-3
H173411	9	1911-3	H77698	11	0963-7	J16931	21	1911-5
H173411	9	1911-5	H77698	10	0963-13	J16931	23	1912-3

00II-11

670G/670GP MOTOR GRADER

NUMERICAL INDEX - CONTINUED

PART NO.	KEY	PAGE	PART NO.	KEY	PAGE	PART NO.	KEY	PAGE
KV13179	30	4243-5	N100859	27	0510-9	RE20343	1	0965-9
KV13179	10	4263-3	N100859	23	0510-13	RE20343	12	4265-5
KV13179	19	4263-7	N157296	45	1816-27	RE21790	7	0400A-37
KV13179	12	4263-11	N189220	8	0505-9	RE223406	8	1927-5
KV26460	23	0201-11	N189220	14	0510-3	RE223407	9	1927-5
K40014	22	3463-7	N189220	18	1063-3	RE234261	9	0350-19
K40014	15	3463-9	N189220	13	1671-3	RE25110	50	0512-9
K40014	17	4243-5	N189220	13	1671-5	RE275591	2	2005-3
K40014	12	4243-15	N189220	13	1671-7	RE275593	3	2005-3
K40017	8	3443-5	N189220	13	1671-9	RE289629	12	2001-3
L102023	23	1812-3	N189220	20	1674-3	RE31702	25	0240-9
L102023	23	1812-5	N189220	18	1674-5	RE31702	21	0240-11
L102023	23	1812-7	N189220	19	1674-7	RE33705	2	0400B-16
L115722	5	2162-81	N189220	26	1831-9	RE33887	4	0210-9
L115722	5	2162-85	N189220	47	2163-5	RE36349	18	3465-5
L115722	5	2162-91	N189220	8	3463-15	RE39224	10	1676-7
L115722	5	2162-93	N198631	21	1674-11	RE39224	11	1676-9
L115723	6	2162-81	N203952	11	2161-3	RE40048	1	0400B-53
L115723	6	2162-85	N205415	16	0563-3	RE43497	28	1832-3
L115723	6	2162-91	N205415	19	0563-5	RE44574	1	0400B-40
L115723	6	2162-93	N237603	9	3443-5	RE44574	1	0400B-90
L152397	30	1813-5	N275650	30	1832-7	RE46684	24	0400A-29
L152397	30	1813-7	N275650	35	1832-9	RE46684	3	0400B-11
L33065	29	2164-5	N275830	23	0400A-61	RE46684	3	0400B-31
L57881	19	1832-3	N276750	32	0510-9	RE46685	1	0400B-17
L77943	16	1832-5	N276750	28	0510-13	RE46685	9	0400B-37
MT2485	43	0510-9	N279068	24	1912-3	RE46685	5	0400B-51
MT2485	40	0510-13	N282069	4	1673-9	RE46685	10	0400B-52
M115279	5	1676-3	N282069	4	1673-11	RE46686	21	0400B-31
M115279	4	1676-5	N282069	6	1673-13	RE46686	12	0400B-52
M115279	45	1812-5	N306191	44	0510-11	RE46687	9	0400B-13
M115279	20	1832-3	N306191	33	0510-15	RE46687	20	0400B-37
M132706	17	1814-3	N306191	4	1369-3	RE46716	20	0400B-31
M132706	18	1814-5	N31296	27	1816-9	RE46742	29	1832-3
M135512	6	0505-3	N31296	32	1816-27	RE46743	32	1832-3
M135512	6	0505-11	N370461	13	1672-9	RE48419	6	0400A-33
M135512	26	1674-51	PF81226	12	2601-5	RE49624	9	2162-51
M135512	3	1674-57	PG200717	3	0341-3	RE49624	8	2162-53
M142218	2	0962-3	PT11778	17	1832-5	RE49624	8	2162-55
M142219	3	0962-3	P46051	5	0263-5	RE500608	8	0400B-43
M142955	4	0531-5	P46051	4	0364-3	RE503215	4	0400B-55
M142955	17	1063-3	P46051	2	2164-3	RE503590	33	0400A-29
M142955	14	2163-11	P50631	11	0342-3	RE503590	30	0400A-31
M142955	28	2163-13	P50631	8	0350-21	RE504210	19	0400B-45
M145875	26	1816-9	P50631	7	0350-23	RE504233	3	0400B-28
M145875	31	1816-27	RE12362	11	0400A-26	RE504245	2	0400A-26
M40509	23	3463-7	RE12363	21	1673-5	RE504552	5	0400B-6
M40509	16	3463-9	RE12363	8	1673-13	RE504563	1	0400B-67
M43940	20	0512-3	RE12363	4	1674-27	RE504836	23	0400B-67
M44162	12	0965-5	RE12363	5	1674-31	RE504839	1	0400B-89
M45387	59	2161-3	RE12363	8	1674-37	RE505232	9	0400B-67
M47566	11	1814-11	RE12363	7	1674-49	RE505399	10	0400A-26
M68997	10	1747-3	RE12363	9	1832-11	RE505428	1	0400A-8
M68997	15	1911-3	RE12364	5	1674-27	RE505465	2	0400B-22
M68997	19	1911-5	RE12364	1	1674-33	RE505501	14	0400B-39
M72069	18	1813-5	RE12364	2	1674-35	RE505840	2	0400B-37
M72069	18	1813-7	RE12364	6	1674-37	RE505921	1	0400B-40
M74877	60	2161-3	RE157329	27	1832-3	RE506078	2	0400B-22
M82772	12	1676-7	RE167207	15	0400A-41	RE506103	2	0400A-26
M82772	15	1676-9	RE167207	11	0400A-43	RE506624	25	0400A-11
M84972	9	1816-5	RE167207	7	0400B-59	RE507537	32	0400B-9
M84972	8	1816-7	RE174764	20	1832-5	RE507538	31	0400B-9
M84972	44	1816-27	RE187311	15	1832-5	RE507539	15	0400B-9
M84972	9	1832-5	RE194040	12	0564-3	RE507540	14	0400B-9
M86690	12	1673-15	RE19429	15	0521-3	RE507541	13	0400B-9
M87733	6	0400B-55	RE19429	12	0521-5	RE507950	6	0400B-13
M88385	21	0512-3	RE20223	2	0531-3	RE508185	2	0400B-39

00II-12

670G/670GP MOTOR GRADER

NUMERICAL INDEX - CONTINUED

PART NO.	KEY	PAGE	PART NO.	KEY	PAGE	PART NO.	KEY	PAGE
RE508489	8	0400B-27	RE519889	2	0400A-93	RE523236	1	0400A-96
RE508566	4	0400B-37	RE520030	19	0400A-11	RE523249	13	0400B-9
RE508566	6	0400B-37	RE520032	27	0400A-11	RE523250	16	0400B-31
RE508566	1	0400B-91	RE520044	4	0400A-29	RE523251	11	0400B-13
RE508578	3	0400B-5	RE520044	7	0400A-31	RE523253	7	0400B-13
RE508648	4	0400A-33	RE520229	10	0505-9	RE523319	9	0400A-61
RE508648	10	0400A-105	RE520368	11	0400B-67	RE523322	19	0563-3
RE508648	10	0400A-107	RE520442	1	0400A-13	RE523322	22	0563-5
RE508648	9	0400A-109	RE520585	15	0400A-15	RE523340	4	0400A-55
RE509093	4	0400B-9	RE520634	1	0400A-112	RE523346	9	0400A-29
RE509097	8	0400A-15	RE520650	9	0400B-55	RE523346	12	0400A-31
RE509097	50	0510-11	RE520777	18	0400A-107	RE523377	21	0400A-71
RE509097	41	0510-15	RE520777	37	0400A-111	RE523400	26	0400A-29
RE509097	53	2163-3	RE520906	25	0400A-29	RE523491	5	0400A-61
RE509097	54	2163-5	RE520906	26	0400A-31	RE523699	14	0400A-61
RE509463	3	0400A-16	RE520906	32	0400A-31	RE523783	27	0400A-29
RE509463	2	0400A-76	RE520906	38	0400A-31	RE523784	1	0400A-75
RE515257	1	0400B-7	RE520906	44	0400A-31	RE523785	32	0400A-29
RE515622	1	0400B-35	RE520906	1	0400A-96	RE523785	31	0400A-31
RE515636	23	0400A-11	RE520928	36	0400B-9	RE523787	21	0400A-29
RE515636	37	0400B-9	RE520930	39	0400B-9	RE523787	25	0400A-29
RE515781	41	0400A-57	RE520953	6	0400A-67	RE523787	26	0400A-31
RE515881	3	0400B-13	RE521420	22	0400A-57	RE523787	27	0400A-31
RE516026	11	0400B-31	RE521599	21	0400A-11	RE523787	28	0400A-31
RE516171	15	0400A-105	RE521603	4	0400B-39	RE523787	32	0400A-31
RE516171	16	0400A-107	RE521616	5	0400B-43	RE523787	38	0400A-31
RE516171	36	0400A-111	RE521639	1	0400B-49	RE523787	44	0400A-31
RE516219	1	0400B-86	RE521756	2	0400B-46	RE523787	3	0400A-81
RE516335	38	0400B-9	RE521756	3	0400B-46	RE523787	1	0400A-96
RE516336	5	0400A-11	RE521756	4	0400B-46	RE523787	3	0400A-96
RE516336	19	0400B-9	RE521756	5	0400B-46	RE523811	24	0400A-11
RE516340	1	0400B-40	RE521756	6	0400B-46	RE523818	2	0400A-33
RE516491	16	0400B-45	RE522210	12	0400A-71	RE523819	1	0400A-61
RE51650	6	0400B-61	RE522368	27	0400A-71	RE523819	6	0400A-61
RE516512	5	0400B-25	RE52242	4	0400B-67	RE523828	1	0400A-16
RE516512	4	0400B-61	RE522594	8	0400B-9	RE523854	1	0400B-59
RE516553	8	0400B-25	RE522594	6	0400B-82	RE523861	4	0400A-38
RE516553	3	0400B-61	RE522595	17	0400B-9	RE524007	31	0400A-57
RE516999	21	0400B-9	RE522596	36	0400B-9	RE524105	51	0400A-57
RE517230	1	0400B-28	RE522616	15	0400A-11	RE524105	28	0400A-107
RE517370	4	0400A-63	RE522616	9	0400A-57	RE524105	48	0400A-111
RE517370	29	0400B-9	RE522723	6	0400A-13	RE524382	5	0400B-9
RE517370	22	0400B-37	RE522794	23	0400A-29	RE524382	9	0400B-9
RE517435	10	0400A-53	RE522794	20	0400A-31	RE524382	1	0400B-82
RE517435	3	0400A-95	RE522794	28	0400A-31	RE524399	3	0400A-11
RE517435	4	0400A-95	RE522794	3	0400B-59	RE524450	1	0400B-43
RE517435	5	0400A-95	RE522823	7	0400A-13	RE524450	2	0400B-43
RE517435	2	0400B-49	RE522823	5	0400A-37	RE524450	5	0400B-43
RE517435	3	0400B-49	RE522823	1	0400A-38	RE524450	1	0400B-81
RE517435	4	0400B-49	RE522824	11	0400A-71	RE524453	4	0400B-43
RE517436	7	0400A-47	RE522878	7	0400B-25	RE524453	3	0400B-81
RE518081	12	0400B-49	RE522932	4	0400A-6	RE524453	1	0400B-88
RE518097	4	0400B-64	RE522991	8	0400A-41	RE524528	10	0400A-11
RE519144	11	0350-21	RE522991	6	0400A-43	RE524529	22	0400A-11
RE519144	10	0350-23	RE523023	21	0400B-45	RE524539	27	0400A-61
RE519144	12	0400A-41	RE523032	11	0400B-45	RE52454	4	1832-11
RE519144	12	0400A-43	RE523169	6	0400B-37	RE524723	3	0400B-25
RE519144	8	0400B-59	RE523169	7	0400B-37	RE524730	41	0400A-11
RE519643	6	0400B-13	RE523169	8	0400B-37	RE524730	3	0400A-57
RE519696	7	0400B-61	RE523169	12	0400B-37	RE524730	8	0400A-67
RE519748	17	0400B-67	RE523169	13	0400B-37	RE524730	1	0400A-69
RE519749	16	0400B-67	RE523236	25	0400A-29	RE524730	29	0400A-71
RE519802	6	0400A-49	RE523236	26	0400A-31	RE525016	4	0400B-59
RE519803	9	0400A-49	RE523236	28	0400A-31	RE525016	22	1674-5
RE519810	10	0400A-49	RE523236	32	0400A-31	RE525016	21	1674-7
RE519889	7	0400A-43	RE523236	38	0400A-31	RE52504	20	0564-3
RE519889	1	0400A-93	RE523236	44	0400A-31	RE52506	1	1832-11

00II-13

670G/670GP MOTOR GRADER

NUMERICAL INDEX - CONTINUED

PART NO.	KEY	PAGE	PART NO.	KEY	PAGE	PART NO.	KEY	PAGE
RE52507	10	1832-11	RE528864	13	0400A-31	RE532171	1	0400A-80
RE52508	7	1832-11	RE528864	16	0400A-31	RE532429	9	0400A-31
RE52509	11	1832-11	RE528864	28	0400A-31	RE532522	37	0400A-31
RE525480	13	0505-3	RE528865	10	0400A-29	RE532523	38	0400A-31
RE525509	8	0400A-29	RE528865	28	0400A-31	RE532615	1	0400A-44
RE525509	8	0400A-31	RE529151	35	0400A-11	RE533148	1	0400B-45
RE525513	44	0400A-11	RE529187	11	0400A-53	RE533148	5	0400B-45
RE525514	43	0400A-11	RE529187	9	0400A-95	RE533975	1	0400A-50
RE525515	42	0400A-11	RE529187	7	0400A-105	RE534109	1	0400B-75
RE525516	28	0400A-11	RE529187	6	0400A-107	RE534110	18	0400B-9
RE525517	29	0400A-11	RE529187	6	0400A-109	RE534156	1	0400A-11
RE525518	38	0400A-11	RE529264	5	0400A-47	RE534261	1	0400A-44
RE525519	39	0400A-11	RE529318	11	0400A-47	RE534315	11	0400A-44
RE525523	25	0400A-29	RE529318	1	0400A-78	RE534315	11	0400A-63
RE525523	26	0400A-31	RE529318	32	0400A-111	RE534537	1	0400A-61
RE525523	32	0400A-31	RE529319	7	0400A-44	RE534537	6	0400A-61
RE525523	44	0400A-31	RE529319	1	0400A-77	RE535070	46	0400A-11
RE525523	1	0400A-81	RE529319	33	0400A-111	RE535294	2	0400A-71
RE525523	1	0400A-96	RE529320	8	0400A-44	RE535517	5	0400A-34
RE525915	7	0400A-15	RE529320	1	0400A-79	RE535554	7	0400A-47
RE525963	5	0400A-57	RE529320	43	0400A-111	RE535576	9	0400A-41
RE526285	16	0400A-71	RE529641	1	0400B-61	RE535576	7	0400A-43
RE526287	15	0400A-71	RE529643	5	0400B-61	RE535699	1	0400A-61
RE526432	2	0400A-34	RE529661	1	0400A-112	RE535699	6	0400A-61
RE526518	24	0400A-61	RE529775	1	0400A-44	RE535990	1	0400A-61
RE526519	8	0400B-49	RE529775	11	0400A-63	RE535990	2	0400A-61
RE526615	1	0400B-37	RE529804	1	0400B-63	RE535990	6	0400A-61
RE526834	4	0400B-25	RE529871	8	0400A-5	RE536258	1	0400A-13
RE526834	2	0400B-61	RE529920	4	0400A-57	RE536705	1	0400A-5
RE527018	1	0400B-16	RE529972	1	0400A-5	RE536705	5	0400A-5
RE52702	42	0510-15	RE530121	6	0400A-7	RE537144	2	0400A-71
RE52702	54	2163-3	RE530121	40	0400A-111	RE537519	3	0400A-27
RE52702	55	2163-5	RE530194	1	0400A-16	RE538097	25	0400B-37
RE527054	32	0400B-9	RE530194	1	0400A-76	RE538116	2	0400A-61
RE527055	31	0400B-9	RE530370	1	0400A-53	RE538116	6	0400A-61
RE527098	4	0400B-35	RE530370	1	0400A-95	RE53823	19	0210-13
RE52722	6	0400B-59	RE530459	1	0400A-88	RE538806	4	0400B-16
RE527528	17	0400B-9	RE530594	1	0400A-93	RE539695	3	0400A-27
RE527756	35	0400A-11	RE530668	1	0400A-44	RE54885	17	0400B-55
RE527756	40	0400A-11	RE531072	2	0400A-41	RE55423	3	1832-11
RE527832	1	0400B-77	RE531072	1	0400A-43	RE56369	12	0400B-27
RE527833	1	0400B-93	RE531072	1	0400A-47	RE57604	5	0400A-6
RE527834	1	0400B-95	RE531072	2	0400A-47	RE57836	18	0400A-7
RE527858	1	0400B-50	RE531072	5	0400A-47	RE57836	11	0400A-41
RE527976	8	0400A-5	RE531072	24	0400A-111	RE57836	10	0400A-43
RE528096	37	0400A-11	RE531077	4	0400A-47	RE57836	8	0400A-55
RE528207	1	0400A-101	RE531077	2	0400A-88	RE58664	5	0210-9
RE528207	1	0400B-78	RE531077	1	0400A-98	RE58664	43	0210-13
RE528219	7	0400A-61	RE531077	25	0400A-111	RE58664	1	0210-15
RE528221	13	0400A-31	RE531095	10	0400A-41	RE59298	2	0400B-52
RE528221	28	0400A-31	RE531095	8	0400A-43	RE60071	24	0400A-71
RE528232	8	0400A-71	RE531095	1	0400A-83	RE60700	5	0363-9
RE528399	1	0400A-91	RE531095	1	0400A-87	RE60700	16	2163-11
RE528400	1	0400A-107	RE531100	1	0400A-109	RE60700	30	2163-13
RE528401	48	0400A-111	RE531100	1	0400A-111	RE60701	55	2163-3
RE528402	1	0400A-105	RE531195	31	0400A-11	RE60701	56	2163-5
RE528408	35	0400A-11	RE531195	35	0400A-11	RE60701	15	2163-7
RE528410	1	0400A-103	RE531207	9	0400A-11	RE60854	6	0400B-25
RE528410	20	0400A-109	RE531221	14	0400B-49	RE63439	10	0400A-15
RE528413	1	0400A-100	RE531223	7	0400B-49	RE63439	8	0400A-34
RE528619	1	0400A-112	RE531616	1	0400A-34	RE63674	15	0400B-39
RE528638	1	0400B-85	RE531700	6	0400A-31	RE63751	20	0400A-71
RE528652	1	0400A-18	RE531808	2	0575-3	RE65008	5	0201-9
RE528725	1	0400A-115	RE531808	2	0575-5	RE65165	7	0400B-40
RE528750	2	0400A-25	RE531836	35	0400A-61	RE65165	1	0400B-70
RE528831	20	0400A-61	RE531863	1	0400A-57	RE65168	4	0400B-40
RE528864	11	0400A-29	RE532171	9	0400A-11	RE65168	1	0400B-71

00II-14

670G/670GP MOTOR GRADER

NUMERICAL INDEX - CONTINUED

PART NO.	KEY	PAGE	PART NO.	KEY	PAGE	PART NO.	KEY	PAGE
RE65908	11	0400B-43	R109553	47	2163-3	R117721	32	1832-7
RE65908	1	0400B-69	R109553	48	2163-5	R117721	37	1832-9
RE65909	11	0400B-43	R109691	3	2163-9	R119383	11	0400A-55
RE65909	1	0400B-74	R11086	10	0400A-55	R119383	12	0400A-105
RE65911	7	0400B-40	R111238	6	2162-23	R119383	12	0400A-107
RE65911	1	0400B-72	R111238	6	2162-25	R119383	28	0400A-111
RE65912	4	0400B-40	R111238	3	2162-27	R119384	9	0400A-63
RE65912	1	0400B-73	R111238	3	2162-29	R119384	15	0400A-107
RE65978	15	0400B-55	R111238	3	2162-31	R119384	31	0400A-111
RE67050	23	0563-5	R111238	3	2162-33	R119847	23	0400A-57
RE67207	11	0505-9	R111238	4	2162-35	R119874	12	0400B-39
RE67231	1	0400B-52	R111238	3	2162-37	R120194	36	0210-13
RE67238	7	0400B-4	R111238	6	2162-43	R120467	1	0400B-21
RE67238	9	0400B-52	R111238	6	2162-45	R120631	2	0400B-40
RE67238	20	0400B-67	R111238	6	2162-47	R120636	12	0400B-27
RE68234	14	0400B-55	R111238	6	2162-49	R120638	8	0400B-46
RE69243	1	0400B-32	R111238	6	2162-51	R120752	3	0400A-44
RE70678	7	0400A-26	R111238	5	2162-53	R120953	18	0400A-41
RE70682	5	0400A-26	R111238	5	2162-55	R120953	16	0400A-43
RE70756	6	0400A-26	R111238	6	2162-97	R120954	16	0400A-41
RE70987	1	0400A-97	R111238	6	2162-99	R120954	14	0400A-43
RE71255	14	0400A-41	R111238	6	2162-101	R121322	1	0400A-53
RE71255	9	0400A-43	R111238	6	2162-103	R121322	15	0400A-53
RE71255	3	0400A-54	R111238	6	2162-105	R121322	2	0400A-95
RE71255	11	0400A-57	R111238	6	2162-107	R123226	6	0400B-31
RE71255	9	0400B-11	R111238	6	2162-109	R123226	11	0400B-37
RE71255	23	0400B-39	R111238	6	2162-111	R123246	3	0400B-53
RE71255	10	0400B-49	R111238	6	2162-117	R123324	7	0400B-31
RE71256	8	0400A-26	R111517	7	2162-97	R123395	7	0400B-37
RE71256	2	0400A-112	R111517	7	2162-99	R123417	5	0400B-37
R100377	11	1672-5	R111517	7	2162-101	R123501	14	0400B-52
R100377	14	1672-9	R111517	7	2162-103	R123561	7	0400B-40
R100500	1	0210-5	R111517	7	2162-107	R123562	7	0400B-40
R100569	14	0400A-15	R111517	7	2162-109	R123563	4	0400B-40
R100569	22	0400A-107	R111517	7	2162-111	R123564	4	0400B-40
R100569	39	0400A-111	R111517	7	2162-117	R123565	4	0400B-45
R10093	21	1832-3	R112079	2	0201-5	R123570	12	0400B-55
R101225	10	0400B-27	R112210	33	0210-13	R123572	10	0400B-55
R104571	7	1674-45	R112291	5	0363-5	R123575	3	0400B-3
R104587	2	0400A-44	R113050	18	1832-5	R123593	24	0563-5
R104701	7	1674-31	R113419	3	0400A-20	R123616	5	0400A-20
R104701	9	1674-37	R113698	11	0400B-43	R123616	3	0400B-17
R104701	5	1674-41	R114023	8	0564-3	R123616	7	1831-3
R104701	8	1674-49	R114082	9	0400B-43	R123616	7	1831-5
R104701	9	1674-49	R114103	18	0963-5	R124186	34	0400A-57
R104701	12	1674-49	R114193	13	0400B-27	R125223	23	1832-3
R104701	4	2601-5	R114194	11	0400B-27	R125454	10	1832-5
R104701	5	2601-5	R114358	7	0400B-67	R125869	4	1812-13
R104846	3	1674-23	R115250	1	0400B-14	R126117	6	0210-9
R104846	6	1674-27	R115742	2	1832-11	R126352	6	0400A-34
R104846	7	1674-27	R115743	8	1832-11	R128400	13	0505-7
R104846	6	1674-31	R115893	31	1832-7	R128670	1	0400A-54
R104846	4	1674-41	R115893	36	1832-9	R129458	3	0210-11
R104846	11	1674-49	R116031	28	0400B-9	R129628	2	0201-9
R104846	13	1674-49	R116214	27	0210-13	R129821	33	0400A-57
R104846	14	1674-49	R116296	6	0400B-4	R130036	38	0210-13
R104846	15	1674-49	R116466	9	0400B-39	R130055	2	0400B-32
R104846	17	1674-49	R116516	19	0400B-49	R130574	4	0400B-40
R104846	1	1674-69	R117073	12	0400A-57	R130575	4	0400B-40
R104846	5	1814-13	R117721	12	0505-7	R130576	7	0400B-40
R104919	8	1674-27	R117721	9	0505-9	R130577	7	0400B-40
R104919	12	1674-37	R117721	5	1369-3	R130578	11	0400B-43
R104929	7	1674-45	R117721	8	1369-5	R131001	1	0400A-19
R106789	2	0210-11	R117721	6	1831-3	R131051	33	0400A-11
R107600	2	0210-5	R117721	6	1831-5	R131051	35	0400A-11
R107623	3	0400A-34	R117721	6	1831-7	R131051	17	0400A-105
R108997	3	0201-5	R117721	22	1832-3	R131051	32	0400A-107

00II-15

670G/670GP MOTOR GRADER

NUMERICAL INDEX - CONTINUED

PART NO.	KEY	PAGE	PART NO.	KEY	PAGE	PART NO.	KEY	PAGE
R131051	13	0400A-109	R203231	8	2162-111	R26448	49	0210-13
R131113	7	0201-5	R203231	8	2162-117	R26448	3	0263-5
R131114	12	0201-5	R214344	7	1927-5	R26448	28	0350-21
R131182	20	0400B-39	R21612	6	0210-11	R26448	27	0350-23
R131225	1	0201-9	R237815	11	0564-3	R26448	3	0364-3
R131283	14	0400B-27	R244664	14	1832-5	R26448	30	0510-11
R131425	13	0400B-39	R26264	3	0350-3	R26448	19	0510-15
R131477	4	0210-11	R26286	8	0564-5	R26448	10	0512-9
R131478	5	0210-11	R26286	30	2164-5	R26448	7	0963-3
R132115	2	0201-13	R26287	56	0210-13	R26448	7	0963-5
R132396	29	0400A-107	R26287	28	1062-3	R26448	30	1062-3
R132396	49	0400A-111	R26333	2	0400A-6	R26448	4	1063-3
R132518	6	0400B-39	R26375	51	0210-13	R26448	4	1064-3
R132574	32	0210-13	R26375	6	0263-3	R26448	2	1100-3
R133303	5	0400B-39	R26375	18	0350-21	R26448	3	1369-5
R133405	2	0400B-28	R26375	17	0350-23	R26448	4	1369-5
R133643	14	1672-7	R26375	3	0363-5	R26448	2	2162-5
R133643	15	1672-9	R26375	3	0363-7	R26448	2	2162-7
R133819	2	0400B-18	R26375	3	0510-3	R26448	2	2162-9
R133839	17	0563-3	R26375	21	0512-9	R26448	2	2162-11
R133839	20	0563-5	R26375	10	0930-5	R26448	2	2162-13
R134098	36	1816-9	R26375	3	0963-3	R26448	2	2162-15
R134098	24	1831-11	R26375	3	0963-5	R26448	2	2162-17
R134414	1	0400A-55	R26375	2	0963-7	R26448	2	2162-19
R134518	3	0400B-27	R26375	1	0963-9	R26448	2	2162-21
R134920	6	0400B-9	R26375	2	0963-9	R26448	11	2162-39
R134920	2	0400B-82	R26375	4	0963-9	R26448	11	2162-41
R135482	3	0400A-23	R26375	2	0963-11	R26448	19	2163-3
R135509	4	0400A-26	R26375	2	0963-13	R26448	4	2163-7
R135509	4	0400A-112	R26375	2	0963-15	R26448	8	2163-13
R135510	3	0400A-26	R26375	7	0963-17	R26448	4	2164-3
R135510	3	0400A-112	R26375	29	1062-3	R26448	28	3450-3
R135543	14	0201-7	R26375	10	2162-51	R26448	28	3450-5
R135543	22	0201-7	R26375	9	2162-53	R26448	7	3463-7
R135543	21	0201-11	R26375	9	2162-55	R26448	8	3463-9
R135543	7	0210-9	R26375	16	2162-69	R26448	10	3463-13
R135543	17	1927-7	R26375	12	2162-71	R26448	6	3463-25
R135595	12	1672-5	R26375	11	2162-73	R26650	11	0400B-39
R135600	12	1672-3	R26375	34	3450-5	R26906	15	0263-3
R135918	1	0400B-6	R26375	7	3460-7	R26906	45	0510-11
R135918	...	0400B-7	R26375	7	3460-9	R26906	35	0510-15
R135918	5	0400B-40	R26375	2	3463-3	R26906	13	0512-9
R136475	4	0400B-27	R26375	2	3463-5	R26906	4	1369-7
R136495	5	0400B-4	R26375	4	3463-7	R26906	4	1369-9
R150895	6	0201-9	R26375	4	3463-9	R26906	3	2162-35
R162769	11	1832-5	R26375	5	3463-11	R26906	15	2162-105
R165474	13	0201-5	R26375	4	3463-13	R26906	5	2163-3
R183409	19	1832-7	R26375	2	3463-15	R26906	5	2163-5
R183409	23	1832-9	R26375	2	3463-17	R26906	2	3463-11
R183410	28	1832-7	R26375	2	3463-19	R26906	7	3463-13
R183410	32	1832-9	R26375	2	3463-21	R27149	15	0400A-7
R183411	22	1832-7	R26375	21	4243-5	R27149	4	0400B-6
R183411	27	1832-9	R26375	2	4263-3	R27175	44	0512-9
R183412	23	1832-7	R26375	2	4263-5	R27218	9	0210-9
R183412	28	1832-9	R26375	4	4263-7	R27218	48	0210-13
R184863	18	0563-3	R26375	4	4263-9	R27218	16	0963-3
R184863	21	0563-5	R26375	5	4263-11	R27218	29	3450-3
R192109	24	1832-3	R26375	3	4263-13	R27218	29	3450-5
R193666	9	0564-3	R26375	5	4263-15	R27315	15	0201-5
R194311	10	0564-3	R26375	3	4263-17	R27315	4	0201-9
R203231	8	2162-97	R26375	5	4263-19	R27315	3	0210-15
R203231	8	2162-99	R26375	4	4263-21	R27448	9	3460-7
R203231	8	2162-101	R26375	6	4263-23	R27448	9	3460-9
R203231	8	2162-103	R26375	6	4263-27	R27448	5	3463-23
R203231	8	2162-105	R26448	3	0201-13	R27449	10	3460-7
R203231	8	2162-107	R26448	8	0210-9	R27449	10	3460-9
R203231	8	2162-109	R26448	7	0210-11	R27449	6	3463-23

00II-16

670G/670GP MOTOR GRADER

NUMERICAL INDEX - CONTINUED

PART NO.	KEY	PAGE	PART NO.	KEY	PAGE	PART NO.	KEY	PAGE
R27474	5	0400A-15	R39112	50	0210-13	R47153	46	0400A-111
R27474	46	0510-11	R39112	2	0400A-7	R47160	6	0400A-37
R27474	38	0510-15	R39112	11	2162-51	R48437	5	0201-11
R27474	48	2163-3	R39112	10	2162-53	R48685	8	0400B-39
R27474	49	2163-5	R39112	10	2162-55	R48685	6	0400B-40
R27528	9	0962-7	R39112	17	2162-69	R48776	14	0210-9
R281148	23	0512-3	R39112	50	2163-3	R500055	15	0400A-57
R28193	10	2001-3	R39112	51	2163-5	R500055	45	0400A-57
R28583	1	0400A-37	R39112	27	3450-3	R500330	32	0400A-57
R28782	8	0210-11	R39112	27	3450-5	R500394	1	0400B-11
R28782	3	0350-31	R39503	5	0400A-55	R500494	48	0510-11
R28782	2	0363-9	R39554	11	1674-13	R500597	49	0510-11
R28782	5	0512-11	R39554	6	1676-3	R500642	7	0400A-50
R28782	7	0930-5	R39741	1	0400A-22	R501035	8	0400A-47
R28782	7	0930-7	R41934	5	0400A-44	R501124	10	0400B-43
R28782	5	0963-11	R41985	14	0505-7	R501388	20	0400A-29
R28782	5	0963-13	R41985	8	1831-3	R501388	25	0400A-29
R28782	31	1062-3	R42045	28	0400A-71	R501388	25	0400A-31
R28782	22	2161-3	R42340	1	0400A-53	R501388	26	0400A-31
R28782	16	2163-3	R42340	6	0400A-53	R501388	28	0400A-31
R28782	18	2163-5	R42340	16	0400A-95	R501388	32	0400A-31
R28782	10	2163-7	R43409	7	0400A-41	R501388	38	0400A-31
R28782	8	2163-11	R43409	5	0400A-43	R501388	44	0400A-31
R28782	14	2163-13	R43660	21	0400A-57	R501388	4	0400A-81
R28782	2	3463-25	R43750	24	0564-5	R501388	1	0400A-96
R28782	24	3467-3	R44096	4	1674-13	R501428	5	0400B-52
R28811	2	0400A-8	R44096	1	1676-3	R501436	19	0400B-67
R28811	2	0400B-7	R44097	4	1674-13	R502011	13	0400A-107
R29936	53	0210-13	R44097	1	1676-3	R502011	29	0400A-111
R29936	5	0363-3	R44165	18	1832-3	R502079	3	0400A-19
R29936	7	0510-3	R44302	9	0505-3	R502079	15	1672-7
R29936	8	0510-7	R44302	9	0505-11	R502079	16	1672-9
R29936	25	0512-9	R44302	11	1673-5	R502186	16	1672-7
R29936	14	1369-7	R44302	6	1673-9	R502186	17	1672-9
R29936	14	1369-9	R44302	6	1673-11	R502329	2	0400B-68
R29936	8	2163-3	R44302	11	1673-13	R502341	7	0400B-45
R29936	11	2163-5	R44302	13	1673-17	R502367	6	0400B-49
R30200	15	0965-5	R44302	21	1674-3	R502371	5	0400B-49
R31654	25	1832-3	R44302	19	1674-5	R502511	18	0400B-49
R32295	32	1369-7	R44302	20	1674-7	R502512	15	0400B-49
R32295	34	1369-9	R44302	5	1674-9	R502513	2	0400B-67
R32617	6	0400A-44	R44302	22	1674-11	R502541	26	0400B-9
R33259	19	1832-5	R44302	12	1674-13	R502725	3	0400B-32
R34513	24	0210-13	R44302	9	1674-15	R502755	6	0400B-43
R34857	17	0210-13	R44302	6	1674-17	R50279	12	1832-5
R34858	18	0210-13	R44302	9	1674-19	R502811	6	0400B-52
R35022	3	0400A-49	R44302	4	1674-23	R502864	18	0400B-67
R35365	10	0210-9	R44302	8	1675-9	R502983	2	0400B-51
R35366	11	0210-9	R44302	9	1831-3	R502997	8	0400A-43
R35367	12	0210-9	R44302	26	1832-3	R504016	3	0400A-72
R36235	8	0930-3	R44302	11	2001-3	R504016	3	0400A-73
R36235	17	0930-5	R44302	11	2002-7	R504209	3	0400B-45
R36545	14	1671-3	R44302	7	2004-7	R504235	12	0400A-53
R36545	14	1671-5	R44302	13	2601-3	R504235	8	0400A-95
R36545	14	1671-7	R44302	17	3460-7	R504289	48	0400A-57
R36545	14	1671-9	R44302	17	3460-9	R504576	1	0400B-27
R36636	52	0210-13	R46323	28	0210-13	R504577	24	0400B-9
R36636	45	0512-9	R46324	29	0210-13	R504604	2	0400A-55
R36636	49	2163-3	R46325	30	0210-13	R504614	8	0400B-27
R36636	50	2163-5	R46667	15	0505-7	R504631	15	0400B-45
R37023	28	2163-3	R47150	3	0400A-7	R504669	30	0400A-57
R37023	27	2163-5	R47150	18	2162-101	R504669	38	0400A-57
R37287	9	3450-3	R47150	51	2163-3	R504669	20	0400A-107
R37287	9	3450-5	R47150	52	2163-5	R504669	44	0400A-111
R375R	4	0210-15	R47151	4	0400A-15	R504670	43	0400A-57
R38454	47	0510-11	R47153	36	0400A-57	R504734	3	0400B-37
R38454	39	0510-15	R47153	30	0400A-107	R504754	18	0400B-31

00II-17

670G/670GP MOTOR GRADER

NUMERICAL INDEX - CONTINUED

PART NO.	KEY	PAGE	PART NO.	KEY	PAGE	PART NO.	KEY	PAGE
R504781	2	0400B-9	R518212	23	0400A-43	R519742	8	0400B-13
R504782	16	0400B-45	R518233	13	0400A-53	R519742	12	0400B-13
R504810	13	0400A-71	R518233	7	0400A-95	R519989	3	0400A-71
R504810	26	0400A-71	R518239	9	0400A-55	R519989	3	0400A-101
R504810	4	0400A-103	R518254	7	0400A-11	R519989	3	0400B-78
R504810	10	0400A-105	R518255	24	0400A-41	R520091	27	0400A-107
R504810	11	0400A-105	R518255	22	0400A-43	R520091	47	0400A-111
R504810	23	0400A-105	R518260	9	0400A-13	R520102	37	0400A-29
R504810	10	0400A-107	R518260	18	0400A-105	R520102	41	0400A-31
R504810	11	0400A-107	R518260	8	0400A-107	R520121	30	0400A-61
R504810	40	0400A-107	R518260	8	0400A-109	R520121	19	0400A-105
R504810	9	0400A-109	R518263	5	0400A-5	R520121	31	0400A-107
R504810	10	0400A-109	R518263	1	0400A-13	R520121	14	0400A-109
R504810	22	0400A-109	R518263	5	0400A-105	R520139	2	0400B-27
R504811	23	0400A-41	R518263	3	0400A-109	R520219	1	0400A-7
R504811	21	0400A-43	R518319	6	0400A-63	R520223	4	0400A-53
R504811	8	0400A-63	R518345	1	0400B-9	R520223	13	0400A-95
R504843	7	0400B-27	R518353	39	0400A-57	R520224	3	0400A-53
R504850	1	0400B-39	R518376	25	0400A-57	R520224	12	0400A-95
R505146	42	0400A-57	R518382	20	0400A-57	R520247	3	0400A-37
R505166	2	0400B-11	R518507	15	0400B-67	R520366	1	0400A-93
R505452	34	0400A-11	R518550	2	0400B-6	R520410	2	0400A-23
R505452	35	0400A-11	R518551	7	0400A-7	R520410	2	0400A-100
R505452	8	0400A-105	R518619	7	0400A-71	R520410	25	0400A-105
R505452	7	0400A-107	R518619	3	0400A-103	R520410	38	0400A-107
R505452	7	0400A-109	R518619	24	0400A-105	R520410	19	0400A-109
R505452	10	0400B-9	R518619	39	0400A-107	R520424	4	0400A-13
R505452	4	0400B-82	R518619	21	0400A-109	R520441	45	0400A-11
R505479	10	0400B-31	R518738	10	0400A-41	R520547	25	0400A-107
R505480	14	0400B-31	R518809	5	0400B-45	R520547	45	0400A-111
R505543	20	0400B-45	R518851	1	0400A-23	R520632	8	0400A-23
R505609	3	0400B-40	R518852	4	0400A-23	R520632	4	0400A-100
R51031	9	0210-11	R518871	30	0400A-11	R520632	21	0400A-105
R51196	15	0210-9	R518995	4	0400A-7	R520632	35	0400A-107
R51197	16	0210-9	R519025	9	0400B-31	R520632	16	0400A-109
R51198	17	0210-9	R519285	11	0400A-15	R520701	2	0400A-16
R51199	18	0210-9	R519287	17	0400A-41	R520718	17	0400A-72
R515029	6	0400B-11	R519287	17	0400A-43	R520755	1	0400A-73
R515030	7	0400B-11	R519287	34	0400A-111	R520786	19	0400A-61
R515033	11	0400B-49	R519344	2	0400A-103	R520798	14	0400A-53
R515034	13	0400B-49	R519344	2	0400A-105	R520798	6	0400A-95
R515039	1	0400B-7	R519344	41	0400A-107	R520806	1	0400A-44
R515044	12	0400B-9	R519344	23	0400A-109	R520844	19	0400A-107
R515407	3	0400A-33	R51936	26	0400A-11	R520844	38	0400A-111
R515407	9	0400A-105	R51936	25	0563-5	R520867	6	0400B-45
R515407	11	0400A-109	R519361	7	0400A-23	R520867	17	0400B-49
R515408	5	0400B-27	R519361	5	0400A-100	R520869	37	0400A-57
R515494	6	0400B-27	R519361	3	0400A-105	R520912	35	0400A-57
R515535	11	0400B-9	R519361	37	0400A-107	R521037	4	0400B-52
R515535	5	0400B-82	R519361	2	0400A-109	R521040	13	0400A-11
R515555	6	0400B-3	R519398	4	0400A-71	R521040	13	0400A-105
R516125	22	0400B-9	R519398	2	0400A-101	R521040	14	0400A-107
R516140	13	0400B-45	R519398	2	0400B-78	R521040	30	0400A-111
R516315	9	0400A-26	R519414	4	0400A-37	R521158	22	0400A-61
R516427	8	0400B-67	R519414	5	0400A-38	R521158	4	0400A-105
R516437	2	0400B-25	R519414	6	0400A-105	R521158	34	0400A-107
R516557	27	0400B-37	R519414	2	0400A-107	R521158	17	0400A-109
R516623	6	0400B-64	R519414	4	0400A-109	R521159	16	0400B-9
R516648	1	0400B-5	R519414	12	0505-3	R521167	1	0400B-64
R517073	10	0400A-47	R519426	23	0400A-71	R521258	7	0400A-34
R517237	2	0400B-5	R519439	10	0400A-71	R521261	4	0400A-49
R517353	3	0400B-4	R519491	1	0400B-15	R521288	1	0400A-67
R517471	10	0400B-59	R519517	8	0400B-31	R521288	7	0400A-69
R517522	5	0400A-49	R519640	6	0400A-47	R521316	2	0400A-49
R518087	8	0400A-49	R519640	26	0400A-111	R521323	5	0400A-23
R518132	1	0400A-13	R519699	3	0400A-58	R521323	3	0400A-100
R518212	25	0400A-41	R519737	13	0400B-31	R521323	22	0400A-105

00II-18

670G/670GP MOTOR GRADER

NUMERICAL INDEX - CONTINUED

PART NO.	KEY	PAGE	PART NO.	KEY	PAGE	PART NO.	KEY	PAGE
R521323	36	0400A-107	R525541	14	0400A-95	R63548	6	0400A-57
R521323	18	0400A-109	R525541	14	0400A-105	R63548	16	0400A-105
R521379	26	0400A-61	R525541	9	0400A-107	R63548	5	0400A-107
R521390	2	0400B-3	R525541	12	0400A-109	R63548	5	0400A-109
R521401	8	0400B-3	R526154	47	0400A-11	R63548	5	0400B-55
R521407	4	0400A-61	R526154	1	0400A-90	R63548	19	2162-23
R521439	1	0400B-18	R526607	5	0400A-5	R63548	19	2162-25
R521458	9	0400B-45	R526607	1	0400A-13	R63548	19	2162-101
R521498	4	0400B-13	R526781	7	0400A-49	R63575	4	0201-5
R521530	34	0400B-9	R526807	49	0400A-57	R65397	7	0400B-9
R521544	16	0400B-49	R526836	16	0400A-57	R65397	7	0400B-82
R521548	1	0400A-18	R526838	10	0400B-46	R66405	13	0350-19
R521548	3	0400B-16	R526945	26	0400B-37	R66405	20	0350-21
R522011	1	0400A-17	R527004	1	0400A-13	R66405	19	0350-23
R522014	5	0400A-67	R527285	2	0400A-53	R66407	3	0350-29
R522014	5	0400A-69	R527286	9	0400A-53	R68672	28	1816-9
R522049	2	0400A-53	R527592	4	0400A-107	R68672	33	1816-27
R522049	11	0400A-95	R527684	8	0400A-13	R69281	10	0400B-45
R522160	10	0400A-7	R527877	20	0400A-41	R69629	8	3441-3
R522198	4	0400B-3	R527877	18	0400A-43	R70111	7	0210-13
R522347	1	0400A-25	R527884	5	0400A-5	R70112	10	0210-13
R522417	36	0400A-11	R527884	1	0400A-13	R70113	9	0210-13
R522574	6	0400A-23	R527884	3	0400A-107	R70663	38	1813-5
R522768	8	0400A-7	R528286	6	0400A-71	R70663	38	1813-7
R522768	23	0400A-107	R52921	10	1673-17	R71228	15	0400B-37
R522768	41	0400A-111	R53108	1	0400A-26	R71732	3	0400A-50
R522771	3	0400B-63	R53108	2	0400A-26	R71732	24	0400A-57
R522797	3	0400A-67	R53108	4	0400A-27	R71732	29	0400A-57
R522797	4	0400A-69	R53108	24	0400A-107	R71732	21	0400A-107
R522798	2	0400A-67	R53108	42	0400A-111	R71732	35	0400A-111
R522798	6	0400A-69	R53108	5	0400B-22	R71929	5	0201-5
R522799	4	0400A-67	R53317	18	1062-3	R72430	6	0201-5
R522799	3	0400A-69	R53508	15	1812-3	R72655	10	1821-3
R522884	21	0400A-41	R53508	15	1812-5	R72655	9	1821-7
R522884	19	0400A-43	R53508	15	1812-7	R72655	9	1821-11
R522921	25	0400A-29	R53528	24	1812-3	R72659	3	0400B-21
R522921	31	0400A-29	R53528	24	1812-5	R73290	23	3442-3
R522921	26	0400A-31	R53528	24	1812-7	R74008	9	0400A-47
R522921	32	0400A-31	R54114	7	0400B-43	R76578	7	2162-23
R522921	33	0400A-31	R54326	6	0400A-41	R76578	7	2162-25
R522921	38	0400A-31	R54326	3	0400A-43	R76578	4	2162-27
R522921	44	0400A-31	R54380	14	0201-5	R76578	4	2162-29
R522921	2	0400A-75	R54380	5	0210-15	R76578	4	2162-31
R522921	2	0400A-81	R55233	24	0400B-39	R76578	4	2162-33
R522921	1	0400A-96	R55453	25	0400B-9	R76578	5	2162-35
R522921	2	0400A-96	R56308	19	0210-9	R76578	4	2162-37
R522942	10	0400B-63	R56397	33	1832-7	R76578	2	2162-39
R522943	9	0400B-63	R59074	24	0240-9	R76578	4	2162-41
R522944	2	0400B-50	R59074	20	0240-11	R76578	7	2162-43
R522948	1	0400A-25	R59460	11	0210-13	R76578	7	2162-45
R523187	6	0400B-63	R60038	3	0210-13	R76578	7	2162-47
R523306	3	0400A-6	R60831	31	2164-5	R76578	7	2162-49
R523317	2	0400A-5	R61467	7	0400B-6	R76578	7	2162-51
R523372	16	0400B-55	R61871	2	0400B-13	R76578	6	2162-53
R523503	13	0400A-15	R63185	12	0400B-31	R76578	6	2162-55
R52389	16	0201-5	R63185	17	0400B-31	R76578	2	2162-113
R524234	6	0400A-11	R63548	18	0400A-11	R76578	4	2162-115
R524234	20	0400B-9	R63548	32	0400A-11	R77175	4	0201-13
R524453	8	0400A-61	R63548	35	0400A-11	R77175	4	0363-9
R524482	1	0400B-31	R63548	14	0400A-29	R77175	9	1100-3
R524496	2	0400B-45	R63548	15	0400A-29	R77175	52	2163-3
R524497	5	0400B-3	R63548	28	0400A-29	R77175	53	2163-5
R524512	26	0400A-57	R63548	11	0400A-31	R77175	14	2163-7
R524513	25	0400A-61	R63548	14	0400A-31	R77175	15	2163-11
R524513	5	0400A-71	R63548	18	0400A-31	R77175	29	2163-13
R525541	1	0400A-53	R63548	28	0400A-31	R77480	6	1674-19
R525541	5	0400A-53	R63548	35	0400A-31	R77480	1	1674-67

00II-19

670G/670GP MOTOR GRADER

NUMERICAL INDEX - CONTINUED

PART NO.	KEY	PAGE	PART NO.	KEY	PAGE	PART NO.	KEY	PAGE
R77664	1	0201-5	R78064	3	1674-49	R78066	1	1674-61
R77915	27	1821-3	R78065	12	1674-27	R78066	2	1674-61
R78052	2	1674-31	R78065	14	1674-27	R78066	3	1674-61
R78052	3	1674-31	R78065	16	1674-27	R78066	5	1674-61
R78052	4	1674-31	R78065	17	1674-27	R78066	6	1674-61
R78053	22	1673-5	R78065	18	1674-27	R78066	7	1674-61
R78053	1	1674-19	R78065	6	1674-29	R78066	10	1674-61
R78053	1	1674-21	R78065	10	1674-29	R78066	11	1674-61
R78053	3	1674-27	R78065	11	1674-29	R78066	12	1674-61
R78053	1	1674-31	R78065	12	1674-29	R78066	13	1674-61
R78053	5	1674-37	R78065	13	1674-29	R78066	2	1674-67
R78053	7	1674-37	R78065	14	1674-29	R78066	3	1674-71
R78053	2	1674-41	R78065	11	1674-31	R78069	15	1673-5
R78053	3	1674-41	R78065	12	1674-31	R78069	10	1673-15
R78053	3	1674-47	R78065	1	1674-35	R78069	11	1673-15
R78054	7	1673-3	R78065	18	1674-45	R78069	4	1674-17
R78054	2	1674-27	R78065	19	1674-45	R78069	5	1674-17
R78057	9	1832-11	R78065	9	1674-47	R78069	5	1674-19
R78058	1	1674-33	R78065	41	1674-51	R78069	5	1674-21
R78058	5	1674-37	R78065	42	1674-51	R78069	17	1674-27
R78058	6	1674-37	R78065	43	1674-51	R78069	18	1674-27
R78058	2	1674-41	R78065	44	1674-51	R78069	19	1674-27
R78058	3	1674-41	R78065	45	1674-51	R78069	6	1674-29
R78059	21	1673-5	R78065	47	1674-51	R78069	7	1674-29
R78059	1	1674-19	R78065	48	1674-51	R78069	8	1674-29
R78059	1	1674-21	R78065	49	1674-51	R78069	11	1674-29
R78059	2	1674-27	R78065	50	1674-53	R78069	13	1674-29
R78059	3	1674-27	R78065	51	1674-53	R78069	14	1674-29
R78059	4	1674-27	R78065	52	1674-53	R78069	10	1674-31
R78059	5	1674-27	R78065	53	1674-53	R78069	3	1674-35
R78059	2	1674-31	R78065	54	1674-53	R78069	29	1674-39
R78059	3	1674-31	R78065	55	1674-53	R78069	30	1674-39
R78059	4	1674-31	R78065	56	1674-53	R78069	23	1674-41
R78059	5	1674-31	R78065	57	1674-53	R78069	24	1674-41
R78059	2	1674-35	R78065	59	1674-53	R78069	16	1674-45
R78059	5	1674-37	R78065	62	1674-53	R78069	19	1674-45
R78059	6	1674-37	R78065	4	1674-61	R78069	1	1674-47
R78059	8	1674-37	R78065	8	1674-61	R78069	31	1674-51
R78059	2	1674-41	R78065	9	1674-61	R78069	42	1674-51
R78059	3	1674-41	R78065	2	1674-65	R78069	43	1674-51
R78059	3	1674-47	R78065	3	1674-65	R78069	50	1674-53
R78059	1	1674-49	R78065	3	1674-67	R78069	51	1674-53
R78059	2	1674-49	R78065	8	1674-69	R78069	53	1674-53
R78059	3	1674-49	R78065	9	1674-69	R78069	54	1674-53
R78059	9	1832-11	R78065	10	1674-69	R78069	55	1674-53
R78060	21	1673-5	R78065	11	1674-69	R78069	59	1674-53
R78060	4	1674-27	R78065	12	1674-69	R78069	60	1674-53
R78060	2	1674-31	R78065	4	1674-71	R78069	61	1674-53
R78060	3	1674-31	R78065	5	1674-71	R78069	62	1674-53
R78060	4	1674-31	R78066	10	1674-27	R78069	65	1674-53
R78060	5	1674-31	R78066	15	1674-27	R78069	2	1674-59
R78060	2	1674-35	R78066	19	1674-27	R78069	2	1674-61
R78060	8	1674-37	R78066	7	1674-29	R78069	5	1674-61
R78060	7	1674-49	R78066	8	1674-29	R78069	7	1674-61
R78061	7	1673-3	R78066	9	1674-31	R78069	8	1674-61
R78061	2	1674-27	R78066	10	1674-31	R78069	10	1674-61
R78061	3	1674-27	R78066	2	1674-33	R78069	12	1674-61
R78061	5	1674-27	R78066	3	1674-35	R78069	13	1674-61
R78061	3	1674-47	R78066	16	1674-45	R78069	1	1674-63
R78062	9	1674-45	R78066	1	1674-47	R78069	6	1674-63
R78062	10	1674-45	R78066	31	1674-51	R78069	2	1674-65
R78063	7	1673-3	R78066	35	1674-51	R78069	8	1674-69
R78063	12	1674-45	R78066	38	1674-51	R78069	10	1674-69
R78063	2	1674-49	R78066	39	1674-51	R78069	11	1674-69
R78063	3	1674-49	R78066	60	1674-53	R78069	12	1674-69
R78064	1	1674-49	R78066	61	1674-53	R78069	3	1674-71
R78064	2	1674-49	R78066	65	1674-53	R78069	9	2601-3

00II-20

670G/670GP MOTOR GRADER

NUMERICAL INDEX - CONTINUED

PART NO.	KEY	PAGE	PART NO.	KEY	PAGE	PART NO.	KEY	PAGE
R78069	10	2601-3	R95493	9	2162-105	TY22504	18	0563-5
R78069	12	2601-3	R95493	9	2162-107	TY22504	11	1063-3
R78069	10	2601-5	R95493	9	2162-109	TY22539	27	0510-11
R78393	13	0965-5	R95493	9	2162-111	TY22539	62	0510-15
R79001	12	4265-3	R95493	4	2162-113	TY22539	7	1369-3
R79033	28	1821-3	R95493	5	2162-115	TY22539	11	1369-5
R79033	18	1831-11	R95493	9	2162-117	TY22563	36	2163-3
R79101	15	3465-3	R96248	13	1832-5	TY22563	36	2163-5
R79101	15	3465-5	R96753	25	1912-3	TY23020	12	1671-5
R79101	15	3465-9	R96935	4	0400A-97	TY23020	12	1671-9
R80135	2	0400B-4	R97185	19	0400B-39	TY25139	10	1814-3
R80136	1	0400B-4	R97185	7	0400B-46	TY25139	11	1814-3
R80979	23	1674-11	R98064	14	0400A-57	TY25139	20	1814-3
R81162	9	0201-5	R98064	44	0400A-57	TY25139	10	1814-5
R81275	5	0400B-11	R98527	7	0400A-63	TY25139	11	1814-5
R81596	16	0564-3	SE501227	6	0400B-37	TY25139	21	1814-5
R81775	5	0965-9	SE501228	1	0400A-16	TY25139	7	1814-7
R81775	13	4265-5	SE501228	1	0400A-76	TY25139	8	1814-7
R81862	17	0965-9	SE501746	1	0400A-85	TY25139	7	1814-9
R81862	13	0965-13	SE501759	7	0400A-47	TY25139	8	1814-9
R81862	19	3465-7	TCU14336	14	1821-15	TY25139	6	1814-11
R81862	10	4265-5	TT10004	17	0505-7	TY25139	8	1814-11
R81862	13	4265-7	TT10004	12	0505-9	TY25139	9	1814-11
R82007	19	0400A-41	TT170489	28	3465-7	T101807	7	1811-11
R82007	15	0400A-43	TT187222	17	1674-13	T102138	24	3442-3
R82075	14	4265-3	TT206940	3	1673-19	T102207	6	1741-5
R82076	16	4265-3	TT207136	3	1673-19	T102934	15	0510-3
R83578	8	4265-3	TY21754	12	1671-3	T102934	27	0564-5
R85027	12	0400A-49	TY21754	12	1671-7	T102934	15	1671-3
R85145	3	0400A-97	TY22324	34	0510-11	T102934	15	1671-5
R85226	16	0210-13	TY22324	36	0510-11	T102934	15	1671-7
R87732	2	0400A-58	TY22324	37	0510-11	T102934	15	1671-9
R87732	2	0400B-53	TY22324	34	0510-15	T102934	22	1674-3
R89940	16	3465-5	TY22324	36	0510-15	T102934	23	1674-5
R89944	1	0400B-51	TY22324	37	0510-15	T102934	22	1674-7
R91360	8	0400A-11	TY22328	6	0505-7	T102934	10	1674-15
R91360	27	0400B-9	TY22328	7	0505-7	T102934	34	1832-7
R92097	29	0400A-61	TY22328	9	0505-7	T102934	38	1832-9
R92097	20	0400A-105	TY22328	5	0505-9	T104220	29	1816-9
R92097	33	0400A-107	TY22328	6	0505-9	T104220	7	1816-13
R92097	15	0400A-109	TY22328	40	0510-11	T104220	7	1816-15
R92208	14	0965-5	TY22328	40	0510-15	T104220	7	1816-17
R93623	4	0210-13	TY22328	3	1369-3	T104220	7	1816-19
R94545	10	0201-5	TY22328	7	1369-5	T104220	7	1816-21
R94546	8	0201-5	TY22328	11	1831-3	T104220	7	1816-23
R95116	14	0210-13	TY22328	12	1831-3	T104220	4	1816-25
R95493	8	2162-23	TY22328	9	1831-5	T104220	34	1816-27
R95493	8	2162-25	TY22328	10	1831-5	T104220	10	2162-57
R95493	5	2162-27	TY22328	8	1831-7	T104220	10	2162-59
R95493	5	2162-29	TY22328	9	1831-7	T104220	10	2162-61
R95493	5	2162-31	TY22450	2	0400B-21	T104220	11	2162-63
R95493	5	2162-33	TY22464	9	0342-3	T104220	11	2162-65
R95493	6	2162-35	TY22464	1	0363-5	T104220	11	2162-67
R95493	5	2162-37	TY22464	1	0363-7	T104220	18	2162-69
R95493	6	2162-39	TY22464	25	0510-11	T104223	32	4243-5
R95493	5	2162-41	TY22464	16	0510-15	T10510	30	3450-3
R95493	8	2162-43	TY22464	8	1063-3	T10510	17	3450-5
R95493	8	2162-45	TY22464	8	2164-5	T105253	19	3463-13
R95493	8	2162-47	TY22503	23	0263-3	T105773	12	0963-7
R95493	8	2162-49	TY22503	8	0563-3	T105773	12	0963-9
R95493	8	2162-51	TY22503	13	0563-3	T105773	8	3463-3
R95493	7	2162-53	TY22503	17	0563-5	T105773	9	3463-5
R95493	7	2162-55	TY22503	20	2164-5	T105773	9	3463-15
R95493	9	2162-97	TY22503	21	2164-5	T105773	9	3463-17
R95493	9	2162-99	TY22504	9	0563-3	T105773	10	3463-19
R95493	9	2162-101	TY22504	12	0563-3	T105773	12	3463-21
R95493	9	2162-103	TY22504	14	0563-5	T105773	14	4263-9

00II-21

670G/670GP MOTOR GRADER

NUMERICAL INDEX - CONTINUED

PART NO.	KEY	PAGE	PART NO.	KEY	PAGE	PART NO.	KEY	PAGE
T105891	26	1912-3	T141732	1	3443-7	T152992	19	3450-3
T106596	39	0210-13	T141732	1	3443-9	T152993	22	3450-3
T107029	13	1913-3	T141733	2	3443-7	T152993	22	3450-5
T107117	9	1671-3	T142485	19	4243-5	T152994	23	3450-3
T107117	9	1671-5	T143169	34	1832-3	T152995	24	3450-3
T107117	9	1671-7	T143929	8	3443-3	T153064	52	0510-11
T107117	9	1671-9	T143929	7	3443-5	T153064	44	0510-15
T107135	22	1674-51	T145360	8	2002-3	T153535	8	1811-11
T112244	18	4265-7	T145697	20	3442-3	T153611	12	1673-13
T11234	7	2002-3	T146097	2	1322-5	T153680	6	1322-3
T114792	6	4243-5	T146097	2	1322-7	T154087	27	1912-3
T118712	6	2162-27	T146098	1	1322-11	T155579	2	1064-3
T118712	6	2162-29	T146099	1	1322-9	T155581	2	1064-3
T118712	6	2162-31	T146102	2	0400A-26	T156027	8	1741-5
T118712	6	2162-33	T146102	6	0400A-26	T156174	9	1741-5
T118712	7	2162-35	T146102	12	0400A-26	T156404	11	1741-3
T118712	6	2162-37	T146104	12	1322-9	T156709	10	1741-5
T118712	17	2162-47	T146106	12	1322-11	T156710	11	1741-5
T118712	11	2162-53	T146195	6	0400A-27	T156711	12	1741-5
T118712	11	2162-55	T146195	3	0400B-22	T156927	13	1741-5
T119153	9	1813-11	T146605	5	1322-3	T157211	19	1062-3
T120536	16	1671-3	T146606	13	1322-11	T157212	14	1062-3
T120536	16	1671-5	T146607	13	1322-9	T157212	24	1062-3
T120536	16	1671-7	T147623	20	3465-3	T157220	20	1062-3
T120536	16	1671-9	T147623	20	3465-9	T157223	25	1062-3
T120536	24	1674-5	T147623	35	4243-19	T157257	26	1062-3
T120536	23	1674-7	T147700	33	4243-5	T157258	15	1062-3
T122075	7	0400A-5	T147700	13	4243-15	T157275	4	4243-7
T122075	3	0400B-52	T147891	23	1674-3	T157275	17	4265-5
T122803	22	0400A-29	T148164	21	3465-3	T157942	17	0201-7
T122803	24	0400A-31	T148164	21	3465-9	T157943	11	0201-7
T122803	28	0400A-31	T148164	36	4243-19	T157944	7	0201-7
T124495	24	3465-5	T148409	19	1746-3	T157945	2	0201-7
T125945	18	4243-5	T148409	26	1812-3	T157952	1	0201-7
T126204	6	1064-3	T148409	26	1812-5	T157991	14	1913-3
T128502	10	3443-5	T148409	26	1812-7	T157991	16	1913-3
T129981	11	3443-5	T148410	4	2162-77	T158248	4	0201-11
T129982	12	3443-5	T149597	24	1674-3	T158249	19	0201-11
T131169	11	1673-17	T150346	3	4243-13	T158298	56	2163-3
T13254	21	0564-3	T150347	4	4243-13	T158298	57	2163-5
T134104	23	1671-3	T150614	13	3443-5	T158334	9	0201-7
T134104	23	1671-5	T150768	7	1741-5	T158335	8	0201-7
T134104	25	1671-7	T150942	28	3467-3	T158338	4	0201-3
T134104	25	1671-9	T150961	2	2162-41	T158339	20	0201-11
T134530	25	1831-11	T150961	2	2162-115	T158340	5	0201-3
T134530	4	2007-3	T151485	10	3450-3	T158436	15	1676-11
T13519	8	0400A-53	T151797	4	0111-3	T158509	6	0201-3
T13519	17	0400A-95	T151797	6	0111-5	T158511	7	0201-3
T135675	1	1813-9	T151797	4	0111-7	T158599	3	0201-11
T135675	2	1813-9	T151797	6	0111-9	T158949	13	0540-3
T135675	20	1813-11	T151806	24	3463-7	T158949	12	0540-5
T135675	22	1813-11	T151806	17	3463-9	T159950	20	4263-7
T135675	1	1813-13	T152047	34	4243-5	T159956	20	3463-13
T135675	2	1813-13	T152047	14	4243-15	T159984	18	0201-11
T13814	2	0400A-57	T152721	14	3443-5	T159985	17	0201-11
T138914	35	1832-7	T152876	11	3450-3	T160017	19	1813-5
T138914	39	1832-9	T152877	12	3450-3	T160017	19	1813-7
T139939	16	0505-7	T152879	14	3450-3	T160020	20	1813-5
T140922	28	0315-3	T152879	14	3450-5	T160020	20	1813-7
T140922	28	0315-5	T152881	16	3450-3	T160152	3	1322-5
T140924	6	1369-3	T152881	16	3450-5	T160152	3	1322-7
T140924	9	1369-5	T152882	16	3450-3	T160153	2	1322-9
T140924	13	1674-13	T152882	16	3450-5	T160154	2	1322-11
T141123	17	1671-3	T152883	16	3450-3	T160183	53	0510-11
T141123	17	1671-5	T152883	16	3450-5	T160183	45	0510-15
T141123	17	1671-7	T152990	19	3450-3	T160492	35	1832-3
T141123	17	1671-9	T152991	19	3450-3	T160541	4	0261-3

00II-22

670G/670GP MOTOR GRADER

NUMERICAL INDEX - CONTINUED

PART NO.	KEY	PAGE	PART NO.	KEY	PAGE	PART NO.	KEY	PAGE
T160608	54	0510-11	T167190	3	1812-13	T183756	17	2162-117
T160609	55	0510-11	T168383	10	0342-3	T183816	32	0240-11
T160609	47	0510-15	T168383	2	0363-5	T183817	36	0240-9
T161928	11	0521-5	T168383	2	0363-7	T183817	33	0240-11
T161929	12	0521-3	T168574	2	3465-7	T183818	37	0240-9
T162050	7	1322-3	T170180	21	1062-3	T183818	34	0240-11
T162051	14	1322-9	T170181	22	1062-3	T183819	38	0240-9
T162052	14	1322-11	T172927	32	1062-3	T183819	35	0240-11
T162238	24	0512-3	T173369	8	1912-3	T183820	39	0240-9
T162238	28	1912-3	T173369	9	1912-3	T183820	36	0240-11
T162477	37	1832-7	T173369	16	1912-3	T183822	40	0240-9
T162575	56	0510-11	T173369	19	1912-3	T183822	37	0240-11
T162575	48	0510-15	T173369	20	1912-3	T184082	2	3443-9
T162675	25	1674-3	T173369	21	1912-3	T184082	2	3443-11
T162675	25	1674-5	T173369	22	1912-3	T184135	7	0315-7
T162876	29	0315-3	T173591	5	0512-7	T184135	7	1672-11
T163333	21	0315-3	T173779	5	1822-3	T184135	7	1672-13
T163333	19	0315-5	T174201	11	2002-5	T184228	15	3450-5
T163334	11	1821-3	T174201	12	2002-7	T184345	21	1831-9
T163334	10	1821-7	T174203	12	2002-5	T184345	19	1831-11
T163334	10	1821-11	T174203	13	2002-7	T184460	38	0240-11
T163335	12	1821-3	T174275	57	2163-3	T184629	5	0965-3
T163335	11	1821-7	T174275	58	2163-5	T184924	21	1832-5
T163335	11	1821-11	T174530	18	1671-3	T185135	61	2161-3
T163336	13	1821-3	T174530	18	1671-5	T185138	15	2161-3
T163336	12	1821-7	T174530	18	1671-7	T185181	54	2161-3
T163336	12	1821-11	T174530	18	1671-9	T185183	24	2161-3
T163658	8	1322-3	T174634	16	1062-3	T185184	57	2161-3
T163659	15	1322-9	T175236	27	1062-3	T185185	40	2161-3
T163660	15	1322-11	T175675	21	1813-5	T185186	55	2161-3
T163748	1	3443-11	T175675	21	1813-7	T185254	25	2161-3
T164030	40	1832-9	T176064	12	0240-3	T185326	3	1831-13
T164203	22	0564-3	T176064	44	0240-9	T185424	3	0325-3
T164264	30	0315-3	T176064	39	0240-11	T185664	11	1813-3
T16464	22	0315-3	T176064	5	0965-7	T185769	7	1673-9
T16464	20	0315-5	T176064	6	0965-11	T185769	14	1673-17
T16464	25	3463-7	T176064	12	1741-3	T185769	24	1674-11
T16464	18	3463-9	T176064	30	4243-7	T185769	7	1674-17
T164691	16	1322-9	T176108	33	1062-3	T185769	9	1675-9
T164692	16	1322-11	T176425	7	2161-3	T185769	38	1816-9
T164945	26	1831-11	T176870	6	1822-3	T185769	4	1831-13
T164986	45	3450-5	T179952	14	0540-3	T185769	13	2001-3
T165055	10	3450-5	T179952	13	0540-5	T185826	57	0510-11
T165056	12	3450-5	T181306	8	2162-71	T185826	49	0510-15
T165061	11	3450-5	T181306	7	2162-73	T185826	58	2163-3
T165062	23	3450-5	T181306	3	3460-11	T185826	59	2163-5
T165063	24	3450-5	T182184	27	1812-3	T186068	28	1831-9
T165064	35	3450-5	T182184	27	1812-5	T186169	16	1814-3
T165065	36	3450-5	T182184	27	1812-7	T186169	16	1814-5
T165066	37	3450-5	T182909	15	1814-3	T186793	28	1812-3
T165067	38	3450-5	T182909	15	1814-5	T186793	28	1812-5
T165068	39	3450-5	T182909	10	1814-7	T186793	28	1812-7
T165069	39	3450-5	T182909	10	1814-9	T187196	45	0240-9
T165070	39	3450-5	T182909	12	1814-11	T187196	40	0240-11
T165071	47	3450-5	T183756	18	2162-23	T187394	8	1673-9
T165072	19	3450-5	T183756	18	2162-25	T187394	15	1673-17
T165073	19	3450-5	T183756	3	2162-41	T187394	25	1674-11
T165074	19	3450-5	T183756	5	2162-43	T187394	8	1674-17
T165075	32	3450-5	T183756	5	2162-45	T187394	10	1675-9
T165077	26	3450-5	T183756	5	2162-47	T187394	14	2001-3
T165791	44	3450-5	T183756	5	2162-49	T187561	1	0240-5
T166297	36	1832-3	T183756	5	2162-51	T187566	4	0240-5
T167010	13	3450-3	T183756	4	2162-53	T188075	9	3441-3
T167010	15	3450-3	T183756	4	2162-55	T188076	10	3441-3
T167010	13	3450-5	T183756	15	2162-69	T188288	8	2163-9
T167011	13	3450-3	T183756	17	2162-101	T188686	13	2161-3
T167011	15	3450-3	T183756	3	2162-115	T188687	49	2161-3

00II-23

670G/670GP MOTOR GRADER

NUMERICAL INDEX - CONTINUED

PART NO.	KEY	PAGE	PART NO.	KEY	PAGE	PART NO.	KEY	PAGE
T188856	46	0240-9	T196077	37	1832-3	T202164	11	2162-61
T188856	41	0240-11	T196077	6	2007-5	T202164	12	2162-63
T188857	47	0240-9	T196077	7	2007-5	T202357	3	1812-9
T188857	42	0240-11	T196077	8	2007-5	T202586	28	1816-11
T18891	10	0400B-39	T196078	39	1816-9	T202586	9	1816-13
T190212	10	1322-3	T196078	4	2003-3	T202586	8	1816-15
T190243	52	2161-3	T196079	31	0315-3	T202586	9	1816-17
T190513	38	1832-7	T196079	29	0315-5	T202586	8	1816-19
T190513	41	1832-9	T196079	8	0315-7	T202586	9	1816-21
T190533	17	1322-11	T196079	8	1672-11	T202586	8	1816-23
T190534	17	1322-9	T196079	8	1672-13	T202586	12	2162-57
T190611	3	3467-3	T196079	27	1674-11	T202586	12	2162-59
T190612	4	3467-3	T196079	7	1675-7	T202586	12	2162-61
T190613	5	3467-3	T196079	30	1812-3	T202586	13	2162-63
T190614	6	3467-3	T196079	30	1812-5	T202586	13	2162-65
T190615	7	3467-3	T196079	30	1812-7	T202586	13	2162-67
T190616	8	3467-3	T196079	39	1813-5	T202586	20	2162-69
T190617	9	3467-3	T196079	39	1813-7	T202653	22	1813-5
T190639	11	3467-3	T196079	7	1816-3	T202654	22	1813-5
T190640	12	3467-3	T196079	12	1816-5	T202655	22	1813-7
T190641	13	3467-3	T196079	10	1816-7	T202656	22	1813-7
T190642	14	3467-3	T196079	26	1816-11	T202687	42	1812-3
T190643	15	3467-3	T196079	47	1816-27	T202687	42	1812-5
T190644	16	3467-3	T196079	29	1831-9	T202741	30	1831-9
T190645	17	3467-3	T196079	28	1831-11	T202742	41	1832-3
T190646	18	3467-3	T196079	38	1832-3	T202743	31	1831-9
T190647	19	3467-3	T196080	27	1816-11	T202744	32	1831-9
T190648	22	3467-3	T196080	6	2162-3	T202745	30	1831-11
T190767	9	2162-23	T200363	13	1674-11	T202746	8	1816-3
T190767	9	2162-25	T200887	14	1741-5	T202799	31	1812-3
T190767	7	2162-27	T201537	13	1672-3	T202799	31	1812-5
T190767	7	2162-29	T201537	13	1672-5	T202799	31	1812-7
T190767	7	2162-31	T201537	17	1672-7	T20280	7	0400B-63
T190767	7	2162-33	T201537	18	1672-9	T202800	42	1832-3
T190767	8	2162-35	T201538	11	1672-3	T202876	4	3401-3
T190767	7	2162-37	T201538	10	1672-5	T202876	4	3401-5
T190767	12	2162-43	T201538	13	1672-7	T202876	2	3401-7
T190767	12	2162-45	T201538	12	1672-9	T202876	4	3401-9
T190767	9	2162-47	T201546	26	0512-3	T202876	4	3401-11
T190767	12	2162-49	T201570	29	1831-11	T202876	4	3401-13
T190767	12	2162-51	T20168	16	0400B-39	T202876	4	3401-15
T190767	12	2162-53	T201880	40	1813-5	T202876	12	3401-27
T190767	12	2162-55	T201880	40	1813-7	T202876	12	3401-29
T190892	59	2163-3	T202034	39	1832-3	T202876	12	3401-31
T190892	60	2163-5	T202035	40	1832-3	T202876	12	3401-33
T191021	4	0225-3	T202074	4	1813-9	T202921	32	1812-3
T191335	22	2162-43	T202075	5	1813-9	T202921	32	1812-5
T191335	22	2162-45	T202075	24	1813-11	T202921	32	1812-7
T191335	22	2162-49	T202131	4	1813-13	T202934	10	3401-29
T191335	22	2162-51	T202132	5	1813-13	T202935	10	3401-27
T19572	7	3402-3	T202159	20	1816-11	T202938	1	3401-21
T19572	7	3402-5	T202159	10	1816-15	T202940	1	3401-23
T196077	5	0515-3	T202159	8	1816-21	T203143	31	1831-11
T196077	5	0515-5	T202159	11	2162-59	T203381	15	3443-5
T196077	3	0515-7	T202159	12	2162-65	T203388	16	3443-5
T196077	34	1062-3	T202160	21	1816-11	T203389	15	2001-3
T196077	26	1674-11	T202161	22	1816-11	T203390	33	1812-3
T196077	11	1675-9	T202162	23	1816-11	T203390	33	1812-5
T196077	29	1812-3	T202162	5	1816-25	T203390	33	1812-7
T196077	29	1812-5	T202162	19	2162-69	T203494	32	1831-11
T196077	29	1812-7	T202163	24	1816-11	T203495	56	0510-9
T196077	2	1812-9	T202163	8	1816-13	T203495	53	0510-13
T196077	2	1812-11	T202163	10	1816-23	T203495	33	1831-11
T196077	6	1812-13	T202163	11	2162-57	T203544	20	1816-9
T196077	11	1816-5	T202163	12	2162-67	T203544	21	1816-27
T196077	9	1816-7	T202164	8	1816-17	T203545	22	1816-9
T196077	27	1831-11	T202164	10	1816-19	T203545	22	1816-27

00II-24

670G/670GP MOTOR GRADER

NUMERICAL INDEX - CONTINUED

PART NO.	KEY	PAGE	PART NO.	KEY	PAGE	PART NO.	KEY	PAGE
T203560	33	1831-9	T206626	37	1831-11	T213023	11	2162-47
T203569	25	1816-11	T206627	38	1831-11	T213023	14	2162-49
T203576	30	1816-9	T206718	34	1831-9	T213023	14	2162-51
T203576	35	1816-27	T206809	39	1831-11	T213023	14	2162-53
T203589	40	1816-9	T206812	40	1831-11	T213023	14	2162-55
T203806	10	3401-33	T206813	20	1831-11	T213025	12	2162-23
T203807	10	3401-31	T206985	35	1831-9	T213025	12	2162-25
T203871	31	1816-9	T208283	3	1814-13	T213025	10	2162-27
T204044	29	1816-11	T208291	6	2161-3	T213025	10	2162-29
T204124	43	1832-3	T208792	17	3443-5	T213025	10	2162-31
T204274	44	1832-3	T208904	6	1369-5	T213025	10	2162-33
T204278	34	1831-11	T209627	30	1674-11	T213025	11	2162-35
T204301	41	1816-9	T209627	19	1814-3	T213025	10	2162-37
T204319	12	1813-3	T209627	20	1814-5	T213025	3	2162-39
T204457	10	1816-13	T209889	26	1674-3	T213025	6	2162-41
T204457	9	1816-15	T209947	43	1812-3	T213025	15	2162-43
T204457	10	1816-17	T209947	43	1812-7	T213025	15	2162-45
T204457	9	1816-19	T210101	24	1813-5	T213025	12	2162-47
T204457	10	1816-21	T210101	24	1813-7	T213025	15	2162-49
T204457	9	1816-23	T210106	25	1813-5	T213025	15	2162-51
T204457	6	1816-25	T210106	25	1813-7	T213025	15	2162-53
T204457	13	2162-57	T210282	2	1674-19	T213025	15	2162-55
T204457	13	2162-59	T210282	3	1674-19	T213025	10	2162-97
T204457	13	2162-61	T210282	4	1674-19	T213025	10	2162-99
T204457	14	2162-63	T210282	2	1674-21	T213025	10	2162-101
T204457	14	2162-65	T210282	3	1674-21	T213025	10	2162-103
T204457	14	2162-67	T210282	4	1674-21	T213025	10	2162-105
T204457	21	2162-69	T210282	30	1674-51	T213025	10	2162-107
T204493	39	1832-7	T210282	63	1674-53	T213025	10	2162-109
T204543	8	3401-27	T210282	64	1674-53	T213025	10	2162-111
T204543	8	3401-29	T210630	58	0510-11	T213025	3	2162-113
T204543	8	3401-31	T210636	59	0510-11	T213025	6	2162-115
T204543	8	3401-33	T210871	12	1322-3	T213025	10	2162-117
T204543	8	3401-35	T210933	13	1322-3	T213026	15	2162-5
T204543	8	3401-37	T210963	60	0510-11	T213026	15	2162-7
T204599	23	1813-5	T211864	5	1813-11	T213026	15	2162-9
T204599	23	1813-7	T212073	2	1673-19	T213026	15	2162-11
T204635	16	2001-3	T212304	60	2163-3	T213026	15	2162-13
T204643	44	1816-9	T212304	61	2163-5	T213026	15	2162-15
T204645	34	1812-3	T21242	5	0400A-50	T213026	15	2162-17
T204645	34	1812-5	T212430	13	0564-3	T213026	15	2162-19
T204645	34	1812-7	T212430	28	0564-5	T213026	15	2162-21
T204711	6	0965-3	T213022	10	2162-23	T213027	28	2162-9
T204938	7	2007-5	T213022	10	2162-25	T213027	28	2162-11
T205066	13	1813-3	T213022	8	2162-27	T213027	28	2162-13
T205068	14	1813-3	T213022	8	2162-29	T213027	15	2162-57
T205088	8	2007-5	T213022	8	2162-31	T213027	15	2162-59
T205219	7	0240-3	T213022	8	2162-33	T213027	22	2162-69
T205243	42	1812-7	T213022	9	2162-35	T213027	4	2162-85
T205367	4	1322-5	T213022	8	2162-37	T213027	5	2162-87
T205370	45	1832-3	T213022	13	2162-43	T213027	5	2162-89
T205401	42	1816-9	T213022	13	2162-45	T213027	4	2162-119
T205499	41	1813-5	T213022	10	2162-47	T213028	28	2162-19
T205499	41	1813-7	T213022	13	2162-49	T213028	28	2162-21
T205713	15	4263-9	T213022	13	2162-51	T213028	16	2162-65
T205821	4	1322-7	T213022	13	2162-53	T213028	16	2162-67
T205821	7	1676-3	T213022	13	2162-55	T213029	16	2162-5
T206080	43	1816-9	T213023	11	2162-23	T213029	16	2162-7
T206106	29	1674-11	T213023	11	2162-25	T213029	16	2162-9
T206289	11	1322-3	T213023	9	2162-27	T213029	16	2162-11
T206290	18	1322-9	T213023	9	2162-29	T213029	16	2162-13
T206291	18	1322-11	T213023	9	2162-31	T213029	16	2162-15
T206434	19	0201-7	T213023	9	2162-33	T213029	16	2162-17
T206435	27	0512-3	T213023	10	2162-35	T213029	16	2162-19
T206616	17	1831-11	T213023	9	2162-37	T213029	16	2162-21
T206624	35	1831-11	T213023	14	2162-43	T213030	29	2162-9
T206625	36	1831-11	T213023	14	2162-45	T213030	29	2162-11

00II-25

670G/670GP MOTOR GRADER

NUMERICAL INDEX - CONTINUED

PART NO.	KEY	PAGE	PART NO.	KEY	PAGE	PART NO.	KEY	PAGE
T213030	29	2162-13	T213242	9	2162-63	T217116	10	1913-13
T213030	16	2162-57	T213242	9	2162-65	T217789	1	0400A-20
T213030	16	2162-59	T213242	9	2162-67	T217789	63	0510-11
T213030	23	2162-69	T213242	10	2162-69	T217789	52	0510-15
T213030	3	2162-85	T213318	15	2162-23	T217790	10	0400A-57
T213030	6	2162-87	T213318	15	2162-25	T217790	10	1369-5
T213030	6	2162-89	T213318	18	2162-43	T217791	14	1322-3
T213030	5	2162-119	T213318	18	2162-45	T217792	15	1322-3
T213031	29	2162-19	T213318	15	2162-47	T218003	16	1322-3
T213031	29	2162-21	T213318	18	2162-49	T218153	33	1369-7
T213031	5	2162-65	T213318	18	2162-51	T218153	35	1369-9
T213031	17	2162-67	T213349	5	1831-13	T218154	17	1322-3
T213033	14	2162-23	T213426	10	1673-7	T218579	20	1322-11
T213033	14	2162-25	T213426	9	1673-9	T218581	20	1322-9
T213033	12	2162-27	T213426	7	1673-11	T218922	4	3401-17
T213033	12	2162-29	T213443	27	1813-5	T218922	12	3401-35
T213033	12	2162-31	T213443	27	1813-7	T218922	12	3401-37
T213033	12	2162-33	T213444	28	1813-5	T218923	1	3401-25
T213033	13	2162-35	T213444	28	1813-7	T219261	64	0510-11
T213033	12	2162-37	T213445	29	1813-5	T219261	53	0510-15
T213033	17	2162-43	T213445	29	1813-7	T220122	36	1812-3
T213033	17	2162-45	T213448	31	1813-5	T220122	36	1812-5
T213033	14	2162-47	T213448	31	1813-7	T220122	36	1812-7
T213033	17	2162-49	T213449	32	1813-7	T221053	9	3443-3
T213033	17	2162-51	T213450	32	1813-5	T222360	65	0510-11
T213033	17	2162-53	T213451	33	1813-5	T223145	54	0510-15
T213033	17	2162-55	T213451	33	1813-7	T223247	55	0510-15
T213034	13	2162-23	T213452	34	1813-5	T223359	56	0510-15
T213034	13	2162-25	T213452	34	1813-7	T223734	35	1813-5
T213034	11	2162-27	T213516	11	3441-3	T223734	35	1813-7
T213034	11	2162-29	T213579	12	3441-3	T223735	36	1813-5
T213034	11	2162-31	T213722	61	0510-11	T223735	36	1813-7
T213034	11	2162-33	T213722	50	0510-15	T224351	14	1672-3
T213034	12	2162-35	T213896	6	0962-3	T224369	15	4243-15
T213034	11	2162-37	T213896	7	0962-5	T224469	41	0240-9
T213034	16	2162-43	T213917	13	1813-11	T224470	42	0240-9
T213034	16	2162-45	T213932	10	1831-3	T224471	43	0240-9
T213034	13	2162-47	T213932	8	1831-5	T224952	34	4243-7
T213034	16	2162-49	T213932	7	1831-7	T224958	3	4243-7
T213034	16	2162-51	T213979	27	1832-7	T224958	5	4243-7
T213034	16	2162-53	T213979	31	1832-9	T224958	9	4243-7
T213034	16	2162-55	T214023	3	1813-9	T224973	31	4243-7
T213034	11	2162-97	T214023	23	1813-11	T225008	30	0564-5
T213034	11	2162-99	T214023	3	1813-13	T225059	37	4243-19
T213034	11	2162-101	T214537	62	0510-11	T225063	29	4243-19
T213034	11	2162-103	T214740	6	1913-7	T225076	38	4243-19
T213034	11	2162-105	T214877	29	0564-5	T225077	39	4243-19
T213034	11	2162-107	T214971	19	1322-9	T225161	32	2164-5
T213034	11	2162-109	T214972	19	1322-11	T225291	8	0512-11
T213034	11	2162-111	T215077	51	0510-15	T225294	10	0512-11
T213034	11	2162-117	T215218	4	1814-13	T225374	9	0930-3
T213140	13	1816-5	T215515	16	0201-7	T225374	18	0930-5
T213140	11	1816-7	T215516	10	0201-7	T225374	19	3460-7
T213167	26	1813-7	T215785	61	2163-3	T225374	19	3460-9
T213199	14	1816-5	T215785	62	2163-5	T225374	9	3463-23
T213210	3	1322-9	T216283	9	4243-5	T225375	22	1322-9
T213215	3	1322-11	T216283	7	4243-15	T225375	19	3460-7
T213242	12	1816-11	T216283	8	4243-15	T225375	19	3460-9
T213242	5	1816-13	T216283	9	4243-15	T225376	22	1322-11
T213242	5	1816-15	T216610	2	3401-21	T225376	19	3460-7
T213242	5	1816-17	T216610	2	3401-23	T225376	19	3460-9
T213242	5	1816-19	T216610	11	3401-27	T225384	7	1064-3
T213242	5	1816-21	T216610	11	3401-29	T225564	21	0965-13
T213242	5	1816-23	T216610	11	3401-31	T225565	22	0965-13
T213242	8	2162-57	T216610	11	3401-33	T225566	21	0965-9
T213242	8	2162-59	T216731	11	1673-7	T225566	7	1741-3
T213242	8	2162-61	T216731	13	1673-13	T225566	25	3465-7

00II-26

670G/670GP MOTOR GRADER

NUMERICAL INDEX - CONTINUED

PART NO.	KEY	PAGE	PART NO.	KEY	PAGE	PART NO.	KEY	PAGE
T225566	30	4243-19	T231568	32	0315-3	T235068	22	3442-3
T225892	57	0510-9	T231614	6	1813-9	T235166	3	3443-13
T225892	54	0510-13	T231614	6	1813-13	T235401	32	4243-7
T226116	11	1913-13	T231615	7	1813-9	T235404	18	1927-7
T226118	12	1913-13	T231615	7	1813-13	T235405	19	1927-7
T226119	13	1913-13	T231631	15	1816-5	T235410	20	1927-7
T226397	16	1913-13	T231632	16	1816-5	T235411	21	1927-7
T226416	18	1672-7	T231632	12	1816-7	T235412	22	1927-7
T226417	19	1672-7	T231664	51	0510-9	T235943	52	0510-9
T226425	28	0512-3	T231664	48	0510-13	T235943	49	0510-13
T226561	29	0512-3	T231699	7	1812-13	T236208	14	1676-7
T227011	33	2164-5	T232119	6	1674-9	T236208	16	1676-9
T227075	44	1812-3	T232257	3	1913-11	T236253	15	1676-7
T227075	44	1812-7	T232294	28	2164-5	T236253	17	1676-9
T227197	44	0510-9	T232379	18	1913-13	T236318	16	1676-11
T227197	41	0510-13	T232396	9	1816-3	T236349	17	1676-11
T227198	45	0510-9	T232406	13	1741-3	T236498	14	0564-3
T227198	42	0510-13	T232420	15	1741-5	T237176	40	1831-9
T227199	46	0510-9	T232492	7	1674-9	T237177	41	1831-9
T227199	43	0510-13	T232498	19	1671-3	T237366	42	1831-9
T227216	47	0510-9	T232498	19	1671-5	T237367	43	1831-9
T227216	48	0510-9	T232498	19	1671-7	T237415	22	1911-3
T227216	44	0510-13	T232498	19	1671-9	T237415	22	1911-5
T227216	47	0510-13	T232503	3	1812-11	T237520	35	3442-3
T227234	49	0510-9	T232513	8	1822-3	T237521	36	3442-3
T227234	45	0510-13	T232525	17	1816-5	T237649	18	1676-11
T227239	32	1816-9	T232536	16	1741-5	T237676	8	1741-3
T227257	31	1674-11	T232578	4	1812-11	T237722	44	1831-9
T227451	58	0510-9	T232579	36	1831-9	T237723	45	1831-9
T227451	59	0510-9	T232580	37	1831-9	T237757	5	1322-5
T227451	55	0510-13	T232581	38	1831-9	T237757	5	1322-7
T227451	59	0510-13	T232582	39	1831-9	T237758	6	1322-9
T227589	5	1322-9	T232590	15	1813-3	T237759	6	1322-11
T227590	5	1322-11	T232741	11	1676-7	T237760	6	1322-5
T227729	57	0510-15	T232741	12	1676-9	T237760	6	1322-7
T228059	50	0510-9	T232746	13	1676-7	T237761	7	1322-9
T228059	46	0510-13	T232866	13	0521-5	T237762	7	1322-11
T228613	17	1913-13	T232966	8	2004-7	T237930	46	1831-9
T228987	20	1746-3	T232971	30	3442-3	T237931	47	1831-9
T229191	20	0201-7	T232972	31	3442-3	T237990	15	3442-3
T229658	28	0510-9	T232973	32	3442-3	T238247	10	1816-3
T229658	24	0510-13	T232974	33	3442-3	T238537	13	1832-11
T229810	16	0521-3	T232975	34	3442-3	T238558	18	1322-3
T229918	22	1832-5	T232984	9	1913-13	T238573	37	3442-3
T229919	23	1832-5	T233023	9	2004-7	T238574	38	3442-3
T230016	13	0510-7	T233232	40	4243-19	T238580	19	1322-3
T230055	26	1674-5	T233681	6	0965-7	T238582	20	1322-3
T230241	34	2164-5	T233898	8	0201-3	T238583	21	1322-3
T23027	2	2005-3	T233899	9	0201-3	T238584	22	1322-3
T230272	10	3401-37	T234170	26	0240-9	T238599	23	1322-11
T230273	10	3401-35	T234170	22	0240-11	T238600	23	1322-9
T230322	7	1913-13	T234171	27	0240-9	T238601	21	1322-9
T230408	18	1911-3	T234171	23	0240-11	T238602	21	1322-11
T230408	12	1911-5	T234275	20	3460-7	T238603	24	1322-11
T230741	8	1913-13	T234275	20	3460-9	T238604	24	1322-9
T230809	12	1913-3	T234275	10	3463-23	T238881	13	4263-11
T231185	5	0521-7	T234321	28	0240-9	T238914	10	0510-5
T231185	5	0521-9	T234321	24	0240-11	T238922	16	0510-3
T231326	25	3442-3	T234392	14	2601-3	T239094	19	1913-13
T231327	17	3442-3	T234394	15	2601-3	T239511	19	1911-3
T231328	26	3442-3	T234549	29	0240-9	T239512	13	1911-5
T231329	27	3442-3	T234549	25	0240-11	T239612	21	1813-11
T231331	28	3442-3	T23474	17	0400B-39	T239757	4	3443-13
T231335	13	3442-3	T234807	7	0965-11	T239763	47	1832-3
T231338	29	3442-3	T234970	14	3442-3	T239804	32	1674-11
T231380	31	0512-3	T235032	21	3442-3	T239805	33	1674-11
T231380	11	1747-3	T235044	10	3443-3	T239806	34	1674-11

00II-27

670G/670GP MOTOR GRADER

NUMERICAL INDEX - CONTINUED

PART NO.	KEY	PAGE	PART NO.	KEY	PAGE	PART NO.	KEY	PAGE
T239807	3	1832-3	T246493	22	0563-3	T252254	15	1672-5
T239862	40	1832-7	T246493	27	0563-5	T252346	10	3402-3
T239862	42	1832-9	T246518	58	0510-15	T252346	10	3402-5
T240900	10	2004-7	T246625	24	1927-7	T252353	19	1672-9
T240964	11	3443-3	T246626	25	1927-7	T252354	20	1672-9
T240965	12	3443-3	T246882	3	2162-83	T252368	12	1322-7
T241241	6	0201-7	T246882	3	2162-87	T252392	26	1821-15
T241355	8	3415-3	T246882	3	2162-89	T252395	19	3460-7
T241355	8	3415-7	T246882	3	2162-95	T252395	19	3460-9
T241357	9	3415-3	T246885	4	2162-83	T252399	27	1821-15
T241357	9	3415-7	T246885	4	2162-87	T252400	13	1821-15
T241360	11	3415-5	T246885	4	2162-89	T252524	15	1672-3
T241360	11	3415-9	T246885	4	2162-95	T252550	20	1672-7
T241363	12	3415-5	T246928	12	2162-97	T252566	14	1813-11
T241363	12	3415-9	T246928	12	2162-99	T252567	15	1813-11
T241398	48	1816-27	T246928	12	2162-101	T252586	7	1913-7
T241399	49	1816-27	T246928	12	2162-103	T252587	8	1913-7
T241401	30	0315-5	T246928	12	2162-105	T252663	21	1746-3
T241432	36	1816-27	T246928	12	2162-107	T252675	13	0240-3
T241843	8	3402-3	T246928	12	2162-109	T253246	24	0563-3
T241843	8	3402-5	T246928	12	2162-111	T253341	14	0240-3
T241844	9	3402-3	T246928	12	2162-117	T253342	15	0240-3
T241844	9	3402-5	T246935	15	0201-3	T253535	25	0563-3
T241890	8	1322-7	T246985	23	1322-3	T253535	29	0563-5
T241913	31	0315-5	T246986	24	1322-3	T253535	21	4263-7
T242103	50	1816-27	T246988	25	1322-3	T253652	34	0512-3
T242104	51	1816-27	T246990	25	1322-11	T253971	4	2162-93
T242116	37	1816-27	T246991	26	1322-11	T253971	5	2162-95
T24212	30	2161-3	T246992	27	1322-11	T253971	8	2162-119
T24212	42	2161-3	T246995	25	1322-9	T253972	3	2162-93
T242236	52	1816-27	T246996	26	1322-9	T253972	6	2162-95
T242243	18	1676-9	T246997	27	1322-9	T253972	9	2162-119
T242284	21	0315-5	T247014	26	1322-3	T253978	34	1912-3
T242452	22	0315-5	T247015	27	1322-3	T254010	61	0510-9
T242506	32	0315-5	T247566	31	0564-5	T254010	57	0510-13
T242817	43	1812-5	T247910	26	1813-5	T254020	7	1822-3
T242926	10	3415-3	T247910	26	1813-7	T254061	62	0510-9
T242926	10	3415-7	T247911	26	1813-5	T254061	58	0510-13
T242928	11	3415-3	T248198	23	0563-3	T254062	13	1676-11
T242928	11	3415-7	T248198	28	0563-5	T254430	14	1676-11
T243123	44	1812-5	T248832	6	3415-3	T254495	16	1672-5
T24359	20	0563-3	T248832	7	3415-5	T254573	68	2163-3
T243626	9	1322-7	T248832	6	3415-7	T254573	69	2163-5
T244268	10	1322-7	T248832	7	3415-9	T254875	38	1812-3
T244274	9	1322-11	T250441	66	0510-11	T254875	38	1812-7
T244275	9	1322-9	T250441	59	0510-15	T254913	8	1675-11
T244276	10	1322-9	T250541	8	1747-3	T254914	9	1675-11
T244277	10	1322-11	T250726	38	1812-5	T254915	13	1675-9
T244574	29	1912-3	T250777	32	0512-3	T254916	14	1675-9
T244574	35	1912-3	T250916	23	0315-3	T254972	41	1832-7
T244581	30	1912-3	T250917	24	0315-3	T254979	30	0512-3
T244586	31	1912-3	T250918	25	0315-3	T254997	25	0512-3
T244729	23	1927-7	T250918	23	0315-5	T255097	18	1814-3
T244758	11	1832-3	T250919	26	0315-3	T255097	19	1814-5
T244883	32	1912-3	T250919	24	0315-5	T255462	28	1322-3
T244919	13	1816-7	T251169	14	0510-7	T256039	11	1322-7
T245144	13	2002-5	T251312	10	0201-3	T256041	11	1322-9
T245144	14	2002-7	T251363	19	1676-9	T256042	11	1322-11
T245247	5	3415-3	T251394	53	0510-9	T256143	8	1322-5
T245247	5	3415-5	T251394	50	0510-13	T256153	4	1322-9
T245247	5	3415-7	T251563	24	1821-15	T256154	4	1322-11
T245247	5	3415-9	T251676	35	2164-5	T256241	18	0505-7
T246159	21	0563-3	T251693	33	4243-7	T256242	19	0505-7
T246159	26	0563-5	T251778	25	1821-15	T256383	7	1322-5
T246236	18	1673-5	T251895	14	1672-5	T256383	7	1322-7
T246237	16	1673-5	T252130	60	0510-15	T256388	8	1322-9
T246238	17	1673-5	T252217	33	0512-3	T256389	8	1322-11

00II-28

670G/670GP MOTOR GRADER

NUMERICAL INDEX - CONTINUED

PART NO.	KEY	PAGE	PART NO.	KEY	PAGE	PART NO.	KEY	PAGE
T256416	19	1676-11	T58056	46	1832-3	T74772	5	3401-17
T256462	13	1322-7	T58542	13	1814-11	T74773	13	3401-35
T256463	29	1322-9	T59932	5	0111-5	T74773	13	3401-37
T256464	29	1322-11	T59933	5	0111-9	T75276	24	0564-3
T257177	12	1675-9	T59938	28	1674-11	T75276	27	1674-3
T257338	33	1912-3	T59938	35	1812-3	T75276	27	1674-7
T257348	14	1322-7	T59938	37	1812-3	T75447	48	0240-9
T257422	26	1927-7	T59938	35	1812-5	T75447	43	0240-11
T257573	13	2162-71	T59938	37	1812-5	T75644	6	1370-3
T257573	12	2162-73	T59938	35	1812-7	T75690	42	4243-19
T258000	35	1912-3	T59938	37	1812-7	T76127	28	2162-15
T258154	34	1369-7	T59974	16	3441-3	T76127	28	2162-17
T258154	36	1369-9	T59974	20	4243-19	T76127	14	2162-61
T266120	14	1913-13	T6Y0309	18	4243-7	T76127	16	2162-63
T266121	15	1913-13	T6Y5230	7	4243-5	T76127	4	2162-91
T27077	20	0505-7	T6Y5230	1	4243-13	T76127	6	2162-119
T27183	3	0111-5	T6Y5230	17	4243-19	T76128	29	2162-15
T27184	4	0111-5	T60042	2	3467-3	T76128	29	2162-17
T27193	3	0111-9	T60260	40	3442-3	T76128	15	2162-61
T27194	4	0111-9	T63019	30	1816-11	T76128	17	2162-63
T27550	14	1674-13	T63224	28	1322-9	T76128	3	2162-91
T28801	33	1816-9	T63225	28	1322-11	T76128	7	2162-119
T28801	38	1816-27	T63798	23	1911-3	T76252	67	0510-11
T29342	2	2161-3	T63798	23	1911-5	T76252	61	0510-15
T30636	41	4243-19	T64784	31	0563-5	T76252	28	1674-3
T32854	26	0563-3	T64784	18	2163-11	T76252	29	1674-5
T32854	30	0563-5	T64784	32	2163-13	T76252	28	1674-7
T32854	19	1063-3	T65643	20	1676-11	T76252	9	1674-9
T32854	17	2163-11	T65643	16	2601-3	T76719	19	2163-11
T32854	31	2163-13	T66702	5	3401-3	T76938	12	0564-5
T32854	9	4263-21	T66703	5	3401-5	T76938	11	1369-7
T32854	12	4263-23	T66703	1	3401-7	T76938	11	1369-9
T32854	12	4263-27	T66703	5	3401-9	T76938	41	2161-3
T33372	13	3441-3	T66704	6	3401-9	T76938	9	2163-3
T35390	4	0400A-34	T66704	5	3401-13	T76938	12	2163-5
T38282	4	0363-5	T66704	5	3401-15	T77613	28	0350-21
T38282	4	0363-7	T66706	13	3401-27	T77613	27	0350-23
T38282	35	1062-3	T66706	13	3401-29	T77613	4	0400A-11
T41677	26	0201-7	T66706	13	3401-31	T77613	2	0400A-29
T41953	13	0240-9	T66706	13	3401-33	T77613	7	0400A-29
T41953	28	0240-11	T66707	5	3401-11	T77613	5	0400A-31
T42199	20	1671-3	T70177	11	2162-71	T77613	13	0400A-61
T42199	20	1671-5	T70177	10	2162-73	T77613	15	0400A-61
T42199	20	1671-7	T70286	2	3401-17	T77613	36	0400A-61
T42199	20	1671-9	T70286	11	3401-35	T77613	19	0400A-71
T42243	14	3441-3	T70286	11	3401-37	T77613	3	0400B-55
T42302	62	2161-3	T70438	6	3465-11	T77613	11	0512-9
T42302	25	3450-3	T70659	46	0512-9	T77613	11	0563-5
T42302	25	3450-5	T71306	12	0201-7	T77613	9	0564-5
T42598	5	3465-11	T72414	9	1741-3	T77613	8	0963-3
T44604	13	2162-97	T72414	5	1741-5	T77613	8	0963-5
T44604	13	2162-99	T72414	15	1746-3	T77613	6	0963-7
T44604	13	2162-101	T72414	8	1911-3	T77613	4	0963-9
T44604	13	2162-103	T72414	8	1911-5	T77613	5	0963-9
T44604	13	2162-105	T72414	5	2162-77	T77613	6	0963-11
T44604	13	2162-107	T72414	24	4243-19	T77613	3	0963-15
T44604	13	2162-109	T74410	1	0505-5	T77613	6	0963-17
T44604	13	2162-111	T74410	27	1674-5	T77613	5	1062-3
T44604	13	2162-117	T74410	24	1674-7	T77613	5	1063-3
T46639	39	3442-3	T74412	8	1674-9	T77613	5	1064-3
T50036	3	1913-15	T74416	15	0963-3	T77613	3	1100-3
T54904	10	2161-3	T74416	36	1369-7	T77613	3	2162-5
T54904	58	2161-3	T74416	37	1369-9	T77613	3	2162-7
T55501	15	1674-13	T74416	28	1674-5	T77613	3	2162-9
T55501	8	1676-3	T74416	26	1674-7	T77613	3	2162-11
T56112	13	0201-3	T74416	16	1674-13	T77613	3	2162-13
T58056	35	1674-11	T74416	11	1674-15	T77613	3	2162-15

00II-29

670G/670GP MOTOR GRADER

NUMERICAL INDEX - CONTINUED

PART NO.	KEY	PAGE	PART NO.	KEY	PAGE	PART NO.	KEY	PAGE
T77613	3	2162-17	T77857	4	4263-27	T82791	39	1812-7
T77613	3	2162-19	T77858	10	0263-3	T82792	40	1812-3
T77613	3	2162-21	T77858	2	0363-3	T82792	40	1812-5
T77613	10	2162-39	T77858	2	0510-5	T82792	40	1812-7
T77613	9	2162-41	T77858	5	0510-7	T83426	13	1673-15
T77613	14	2163-3	T77858	16	0512-9	T83426	4	1749-3
T77613	15	2163-5	T77858	8	1369-7	T83426	15	3441-3
T77613	5	2163-7	T77858	8	1369-9	T83426	41	3442-3
T77613	6	2163-7	T77858	11	2163-3	T83426	35	4243-5
T77613	10	2163-11	T77858	8	2163-5	T83426	16	4243-15
T77613	9	2163-13	T77932	14	0512-9	T83426	43	4243-19
T77613	5	3460-7	T77932	5	1369-7	T9F5124	2	4243-13
T77613	5	3460-9	T77932	5	1369-9	T9F5124	18	4243-19
T77613	3	3463-3	T77932	6	2163-3	T9J6586	20	4243-7
T77613	3	3463-5	T77932	6	2163-5	T9W2668	21	4243-7
T77613	5	3463-7	T77932	3	3463-11	U10746	13	4265-3
T77613	5	3463-9	T77932	8	3463-13	U12167	36	4243-5
T77613	3	3463-15	T78313	33	2163-3	U12167	17	4243-15
T77613	3	3463-17	T78313	32	2163-5	U12547	11	0263-3
T77613	3	3463-19	T78593	15	0505-5	U12547	3	0363-3
T77613	3	3463-21	T78662	11	0201-3	U12547	3	0510-5
T77613	7	3463-25	T78662	24	0201-7	U12547	6	0510-7
T77613	24	4243-5	T78707	11	0510-5	U12547	17	0512-9
T77613	5	4263-3	T78707	35	1369-7	U12547	12	2163-3
T77613	3	4263-5	T78707	38	1369-9	U12547	9	2163-5
T77613	9	4263-7	T78707	63	2163-3	U13639	6	0400A-20
T77613	5	4263-9	T78707	64	2163-5	U13639	2	0400A-22
T77613	8	4263-11	T78715	15	0510-7	U13639	17	0400A-107
T77613	4	4263-13	T78715	64	2163-3	U13639	50	0400A-111
T77613	3	4263-15	T78715	65	2163-5	U13639	4	0400B-17
T77613	4	4263-17	T78716	28	0263-3	U13639	3	0400B-39
T77613	3	4263-19	T78716	17	0510-3	U13639	12	1369-7
T77613	5	4263-21	T78716	47	0512-9	U13639	12	1369-9
T77613	9	4263-23	T78716	11	0963-11	U13639	13	1831-3
T77613	9	4263-25	T78716	10	1100-3	U13639	11	1831-5
T77613	9	4263-27	T78716	33	2163-13	U14273	14	0201-3
T77706	17	1913-3	T78716	10	4263-21	U17409	12	0201-3
T77814	3	0350-31	T78716	13	4263-23	U17409	23	0201-7
T77814	3	0363-9	T78716	11	4263-25	U17409	34	0210-13
T77814	17	2163-3	T78716	13	4263-27	U17409	13	0400A-57
T77814	19	2163-5	T78787	19	1673-5	U17409	26	0400A-107
T77814	6	2163-11	T78787	30	1674-5	U17409	51	0400A-111
T77814	11	2163-13	T78787	29	1674-7	U41528	37	4243-5
T77814	3	3463-25	T78974	20	1673-5	U41528	18	4243-15
T77857	7	0263-3	T78974	29	1674-3	U42208	63	0510-9
T77857	4	0510-3	T78974	10	1674-9	U42208	60	0510-13
T77857	23	0512-9	T78974	12	1674-15	U42208	7	2162-3
T77857	11	0930-5	T79477	15	0563-3	U42702	4	0512-5
T77857	4	0963-3	T79477	23	0564-3	U42702	34	3450-3
T77857	4	0963-5	T8E6359	19	4243-7	U42702	48	3450-5
T77857	3	0963-7	T80123	42	3450-5	U42702	29	3467-3
T77857	1	0963-9	T80394	10	1673-3	U43021	41	1812-3
T77857	3	0963-9	T80394	5	1673-9	U43021	41	1812-5
T77857	6	0963-9	T81012	34	1816-9	U43021	41	1812-7
T77857	3	0963-11	T81012	39	1816-27	U44915	7	0965-7
T77857	5	1100-3	T81029	48	0512-9	U46457	29	2163-3
T77857	17	2163-13	T81029	12	0963-11	U46457	28	2163-5
T77857	9	3463-7	T81029	16	4263-9	W34896	49	0512-9
T77857	6	3463-11	T81029	7	4263-13	W34896	21	3463-13
T77857	5	3463-13	T81029	10	4263-15	W34897	14	4263-11
T77857	22	4243-5	T81029	8	4263-17	X3J782-6-6	14	0563-3
T77857	3	4263-3	T81029	10	4263-19	YZ100952	8	0350-19
T77857	5	4263-7	T81029	12	4263-25	YZ101349	6	0350-19
T77857	6	4263-11	T82612	20	3463-7	YZ101350	7	0350-19
T77857	7	4263-21	T82612	13	3463-9	YZ101905	3	0350-27
T77857	4	4263-23	T82791	39	1812-3	YZ102234	6	0350-21
T77857	7	4263-25	T82791	39	1812-5	YZ102234	5	0350-23

00II-30

670G/670GP MOTOR GRADER

NUMERICAL INDEX - CONTINUED

PART NO.	KEY	PAGE	PART NO.	KEY	PAGE	PART NO.	KEY	PAGE
YZ103042	5	0261-3	YZ106211	9	0350-7	177665	6	0400A-61
YZ103067	2	0350-19	YZ106211	9	0350-9	400R	13	0210-13
YZ103100	14	0350-11	YZ106212	9	0350-11	4001456	23	2161-3
YZ103102	13	0350-13	YZ106212	9	0350-13	4003725	6	0350-7
YZ103112	14	0350-9	YZ106447	1	0350-17	4003725	6	0350-9
YZ103113	14	0350-7	YZ106475	9	0350-21	4003725	6	0350-11
YZ103115	4	0350-19	YZ106475	8	0350-23	4003725	6	0350-13
YZ103144	20	0350-11	YZ106486	4	0315-7	4005234	15	0350-19
YZ103188	2	0350-5	YZ106492	15	0350-11	4008521	5	0350-7
YZ103188	2	0350-17	YZ106498	3	0350-19	4008521	5	0350-9
YZ103875	17	0350-11	YZ106505	26	0350-21	4008521	5	0350-11
YZ104048	12	0342-3	YZ106505	25	0350-23	4008521	5	0350-13
YZ104052	1	0350-19	YZ106512	2	0341-3	4009711	7	0350-7
YZ104088	3	0350-15	YZ106562	14	0350-13	4009711	7	0350-9
YZ104125	7	0350-21	YZ106565	13	0350-7	4009711	8	0350-11
YZ104125	6	0350-23	YZ106565	13	0350-9	4009711	8	0350-13
YZ104140	14	0350-21	YZ106581	4	0350-29	842616200	2	2162-97
YZ104140	13	0350-23	YZ106664	1	0350-11	842616200	2	2162-99
YZ104151	1	0350-3	YZ106677	1	0350-5	842616200	2	2162-101
YZ104179	1	0350-25	YZ106679	1	0350-15	842616200	2	2162-103
YZ104180	2	0350-25	YZ106734	13	0350-11	842616200	2	2162-105
YZ104280	19	0350-21	YZ106838	1	0350-29	842616200	2	2162-107
YZ104280	18	0350-23	YZ106839	1	0350-29	842616200	2	2162-109
YZ104281	3	0350-5	YZ106876	27	0350-21	842616200	2	2162-111
YZ104281	2	0350-15	YZ106876	26	0350-23	842616200	2	2162-117
YZ104733	21	0350-11	YZ106948	2	0350-27			
YZ104736	16	0350-21	YZ106979	1	0350-27			
YZ104736	15	0350-23	YZ106980	1	0350-21			
YZ104959	3	0350-25	YZ106981	2	0350-21			
YZ105042	13	0342-3	YZ106981	1	0350-23			
YZ105343	2	0350-31	YZ120167	13	0210-9			
YZ105386	11	0350-19	YZ120398	21	0210-13			
YZ105415	15	0350-7	YZ120442	42	0210-13			
YZ105415	15	0350-9	YZ120455	1	0210-11			
YZ105415	15	0350-13	YZ120471	8	0210-13			
YZ105419	4	0350-31	YZ120507	31	0210-13			
YZ105454	11	0350-7	YZ120522	2	0210-15			
YZ105454	11	0350-9	YZ120662	1	0210-3			
YZ105463	1	0350-13	YZ120690	1	0210-13			
YZ105465	12	0350-7	YZ120826	54	0210-13			
YZ105465	12	0350-9	YZ120913	12	0210-13			
YZ105485	18	0350-7	YZ121133	5	0210-13			
YZ105485	18	0350-9	YZ121134	6	0210-13			
YZ105485	18	0350-11	YZ150119	2	0350-7			
YZ105485	18	0350-13	YZ150119	2	0350-9			
YZ105493	10	0350-7	YZ150119	2	0350-11			
YZ105493	10	0350-9	YZ150119	2	0350-13			
YZ105494	10	0350-11	YZ150217	11	0350-11			
YZ105494	10	0350-13	YZ150217	11	0350-13			
YZ105508	1	0350-7	YZ19238	3	0341-3			
YZ105509	1	0350-9	YZ250161	4	0350-5			
YZ105581	1	0350-31	YZ250161	19	0350-7			
YZ105689	4	0350-7	YZ250161	19	0350-9			
YZ105689	4	0350-9	YZ250161	19	0350-11			
YZ105689	4	0350-11	YZ250161	19	0350-13			
YZ105689	4	0350-13	YZ501855	25	0350-21			
YZ105724	29	0350-23	YZ501855	24	0350-23			
YZ105896	4	0350-27	YZ501919	24	0350-21			
YZ105982	12	0350-11	YZ501919	23	0350-23			
YZ105982	12	0350-13	YZ501921	25	0350-21			
YZ106078	16	0350-7	YZ501921	24	0350-23			
YZ106078	16	0350-9	YZ501988	24	0350-21			
YZ106078	16	0350-13	YZ501988	23	0350-23			
YZ106163	16	0350-11	Z40239	26	3450-3			
YZ106184	17	0350-7	Z78008	6	1674-29			
YZ106184	17	0350-9	175505	6	0400A-61			
YZ106185	17	0350-13	175506	6	0400A-61			